



**Count on it.**

**Parts Catalog**

**Reelmaster® 5010-H  
Traction Unit**

Model No. 03950—Serial No. 415300000 and Up



# Ordering Replacement Parts

To order replacement parts, please supply the part number, the quantity, and the description of each part desired.

## Understanding Reference Numbers

Each identified part in an illustration has a reference number. The reference number for a part also appears in the parts list, along with other information about the part.

This catalog uses two special reference number formats, one to indicate parts in a service assembly and another to indicate the quantity of a given part in an illustration.

## Service Assembly Reference Numbers

Parts in service assemblies have reference numbers in the form a:b. The a represents the reference number of the entire service assembly and the b represents a sequential number unique to each part within the service assembly.

For example, a wheel assembly might be identified by reference number 6, the tire by 6:1, the valve by 6:2, and the wheel by 6:3. When you order the assembly identified by reference number 6, you receive all parts identified by reference numbers 6:1, 6:2, and 6:3. However, you may also order any part individually. Reference numbers of this type appear in illustration and in parts lists.

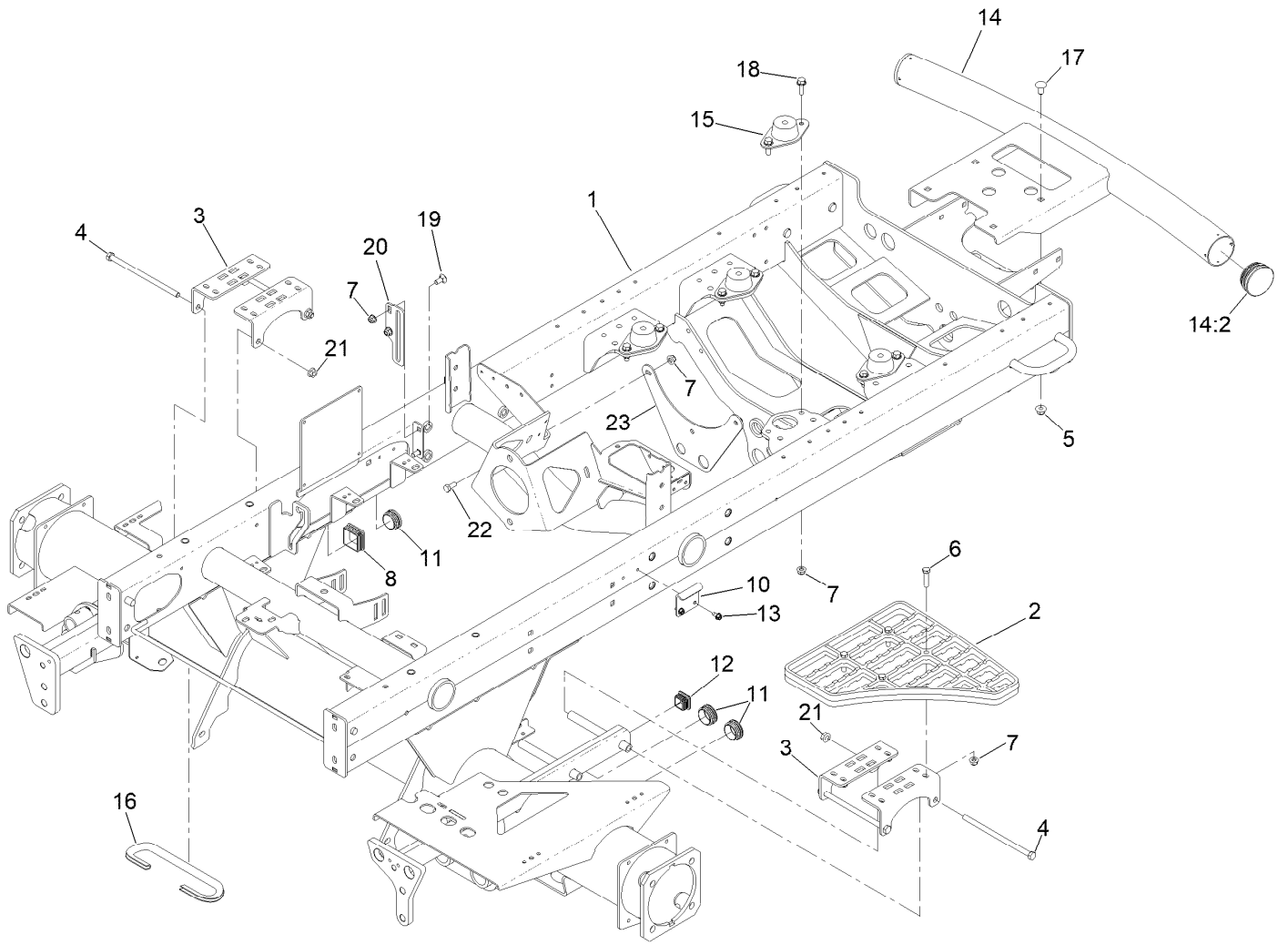
## Reference Numbers Indicating Quantity

In an illustration, if a reference number indicates more than one part, the reference number has the form nX y. The n represents the quantity of the part, the X is the multiplication symbol, and the y represents the reference number.

For example, in an illustration, the reference number 2X 37 means that two of the parts identified by reference number 37 are indicated.

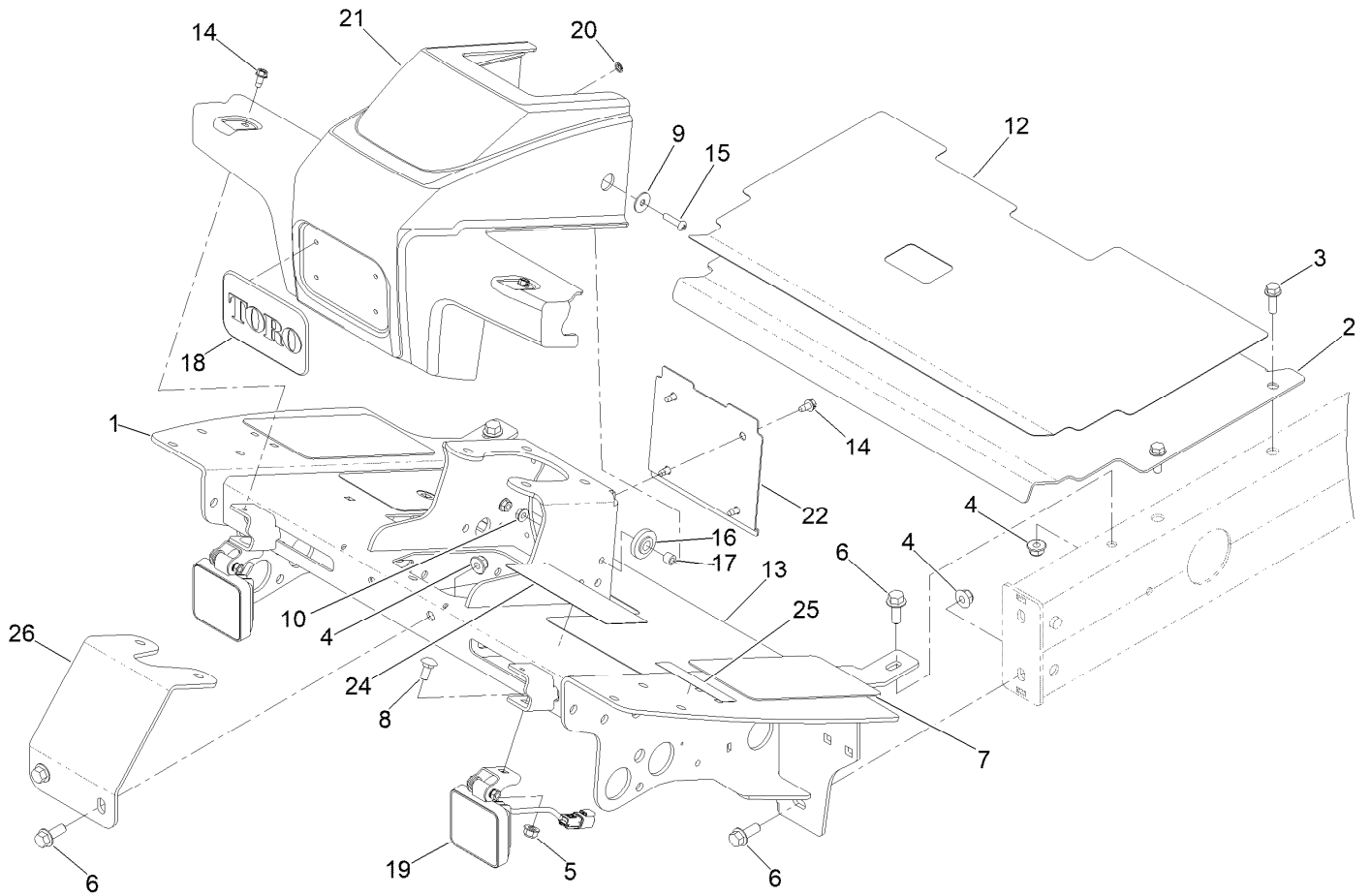
# Contents

Frame Assembly	4
Platform and Shroud Assembly	5
Pedal Assembly	6
Steering Assembly	7
Steering Tilt Column Assembly No. 106-3622	8
Steering Valve Assembly No. 106-3621	9
Control Panel Assembly	10
Joystick Bracket Assembly No. 120-5280	12
Front Axle Assembly	13
Rear Axle Assembly	14
Tie Rod Assembly No. 139-6029	15
Hub and Spindle Assembly No. 117-8961	16
No. 1, 4 and 5 Lift Arm Assembly	17
No. 2 and 3 Lift Arm Assembly	19
Seat and Control Arm Wiring Harness Assembly	20
Battery Electrical Assembly	21
Electrical Assembly	22
Wire Harness Assembly No. 122-2913	23
Gear Pump Assembly	24
Tandem Gear Pump Assembly No. 125-1530	25
Seat Base Assembly	26
Hood Assembly	27
Radiator Assembly	28
Fuel System Assembly	30
Hydraulic Tank Assembly	31
Seat and Roll-Over Protection System Assembly	32
Seat Assembly No. 139-2700	33
Mechanical Seat Suspension Assembly No. 145-5295	34
Traction Pump Mounting Assembly	35
Traction Hydraulic Assembly	36
Hydraulic Motor Assembly No. 139-6038	37
Hydraulic Motor Assembly No. 139-6039	38
Hydraulic Brake Assembly	39
Brake Release Manifold Assembly No. 139-6046	40
Front Lift Hydraulic Assembly	41
Hydraulic Cylinder Assembly No. 138-6999	42
Hydraulic Cylinder Assembly No. 119-6987	43
Hydraulic Manifold Block Assembly No. 105-7577	44
Rear Lift Hydraulic Assembly	45
Steering Hydraulic Assembly	46
Hydraulic Cylinder Assembly No. 110-9035	48
Engine, Air Cleaner and Drive Shaft Assembly	49
Air Cleaner Assembly No. 106-5277	51
48 Volt Battery Assembly	52
48 Volt Contactor Assembly	53
Reel Motor Plumbing Assembly	54
Generator Assembly	55
Generator/Controller Assembly No. 127-2655	56
Generator Assembly No. 127-2653	57
Driveshaft Assembly No. 139-6044	58
Attachments and Accessories	59



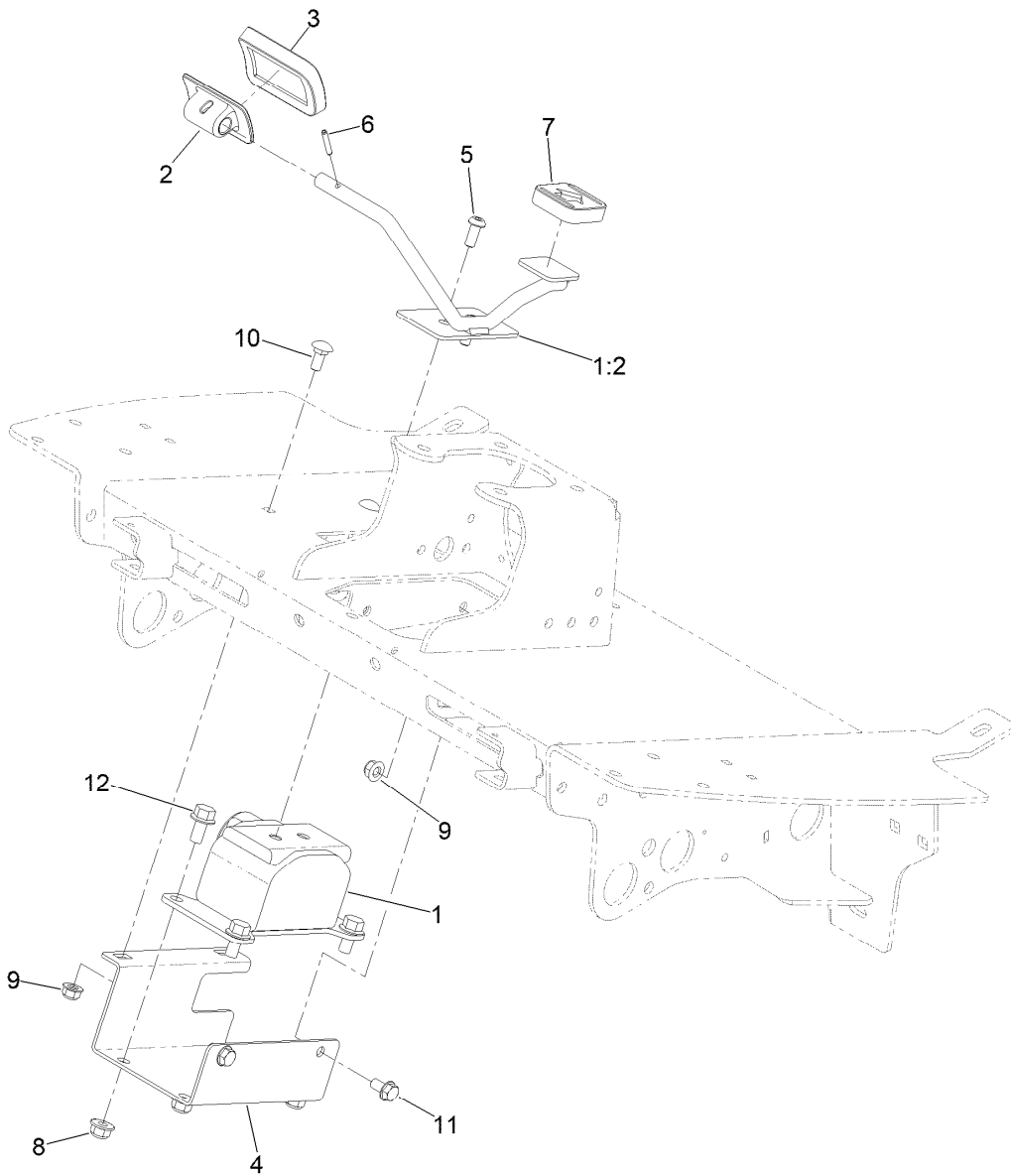
## Frame Assembly

<i>Ref.</i>	<i>Part Number</i>	<i>Qty.</i>	<i>Description</i>	<i>Ref.</i>	<i>Part Number</i>	<i>Qty.</i>	<i>Description</i>
1	145-2467	1	Frame ASM-Hybrid	14	147-3550	1	Bumper ASM
2	110-9041	1	Step-Aluminum	14:2	2410-42	2	Cap-End
3	127-2697-01	4	Bracket-Step	15	120-6274	4	Mount-Engine
4	323-36	4	Screw-HH	16	145-2520	1	Trim-Brake Hose
5	104-8301	4	Nut-HF, NI	17	3231-21	4	Screw-CARR
6	322-17	4	Screw-HH	18	3234-29	8	Screw-HHF
7	104-8300	16	Nut-HF, NI	19	3230-1	2	Bolt-CARR
8	95-9495	1	Cap	20	108-7584-01	1	Plate-Guide, Rod
10	110-8972	1	Hook-Latch	21	32128-21	4	Nut-HF Lock
11	110-9012	3	Caplug	22	322-3	2	Screw-HH
12	110-9013	1	Caplug	23	145-2559-01	1	Bracket-Bulkhead
13	32104-17	2	Screw-HWH				



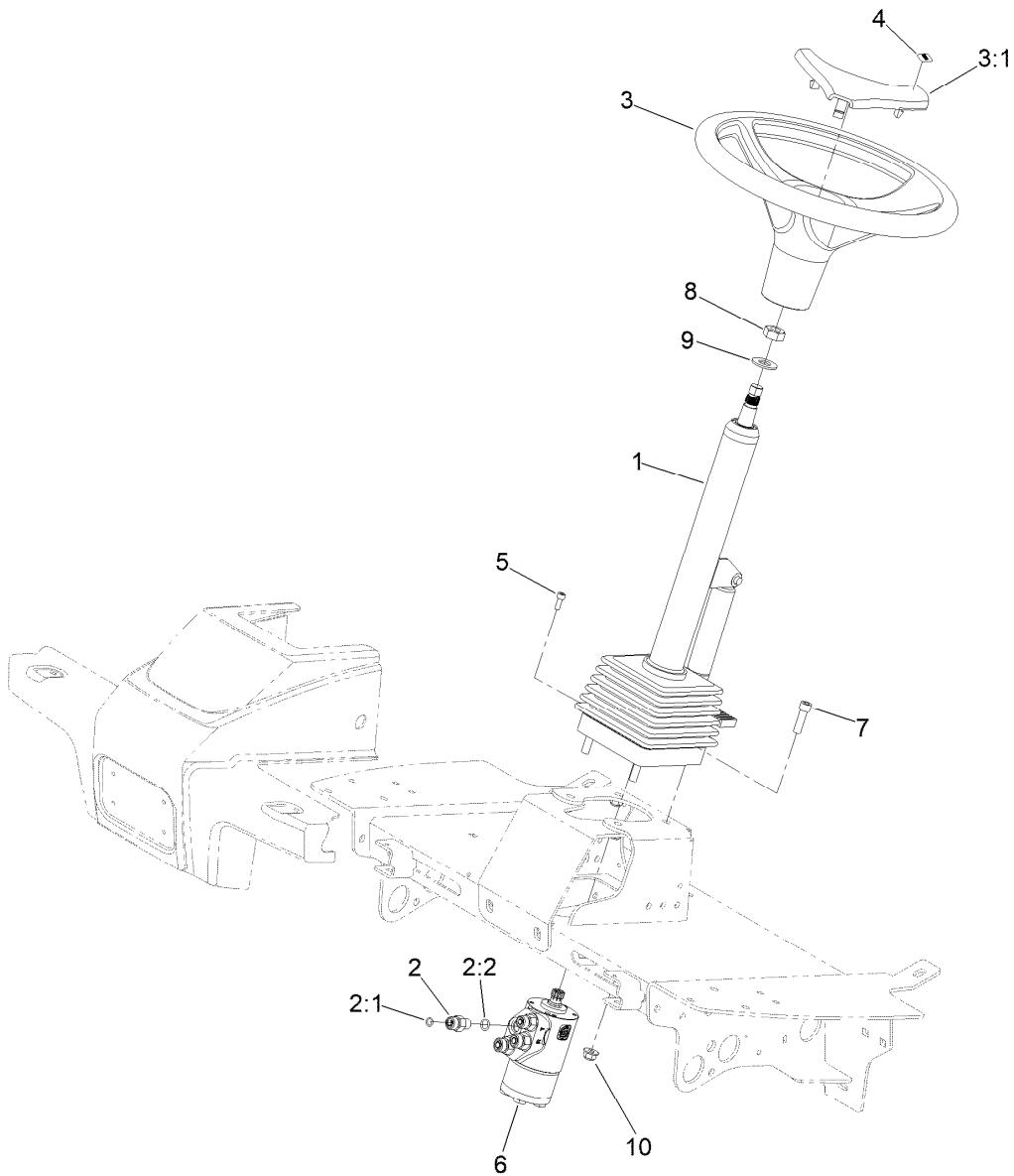
## Platform and Shroud Assembly

<i>Ref.</i>	<i>Part Number</i>	<i>Qty.</i>	<i>Description</i>	<i>Ref.</i>	<i>Part Number</i>	<i>Qty.</i>	<i>Description</i>
1	145-2490-01	1	Platform ASM	15	106-9518	2	Screw-PRH
2	115-8064-01	1	Plate-Floor	16	240-11	2	Bushing-Flange
3	3234-17	4	Screw-HHF	17	66-8010	2	Spacer
4	104-8301	6	Nut-HF, NI	18	93-6028	1	Plate-Logo
5	104-8300	2	Nut-HF, NI	19	145-2598	2	Light-Work, LED
6	3234-11	6	Screw-HHF	20	138-6996	4	Nut-Push
7	125-2910	2	Tread-Floor, Side	21	110-0944	1	Shroud-Platform
8	3230-1	2	Bolt-CARR	22	110-0947-03	1	Plate-Cover
9	87-6630	2	Washer-Plain	24	133-2930	1	Decal-Danger
10	32128-33	2	Nut-HF	24	133-2931	1	Decal-Danger (CE)
12	125-2911	1	Tread-Panel, Service	25	133-8062	1	Decal-Spark Arrestor
13	145-2510	1	Tread-Floor Board	26	110-8876-0P	1	Brace-Column
14	32104-17	6	Screw-HWH				



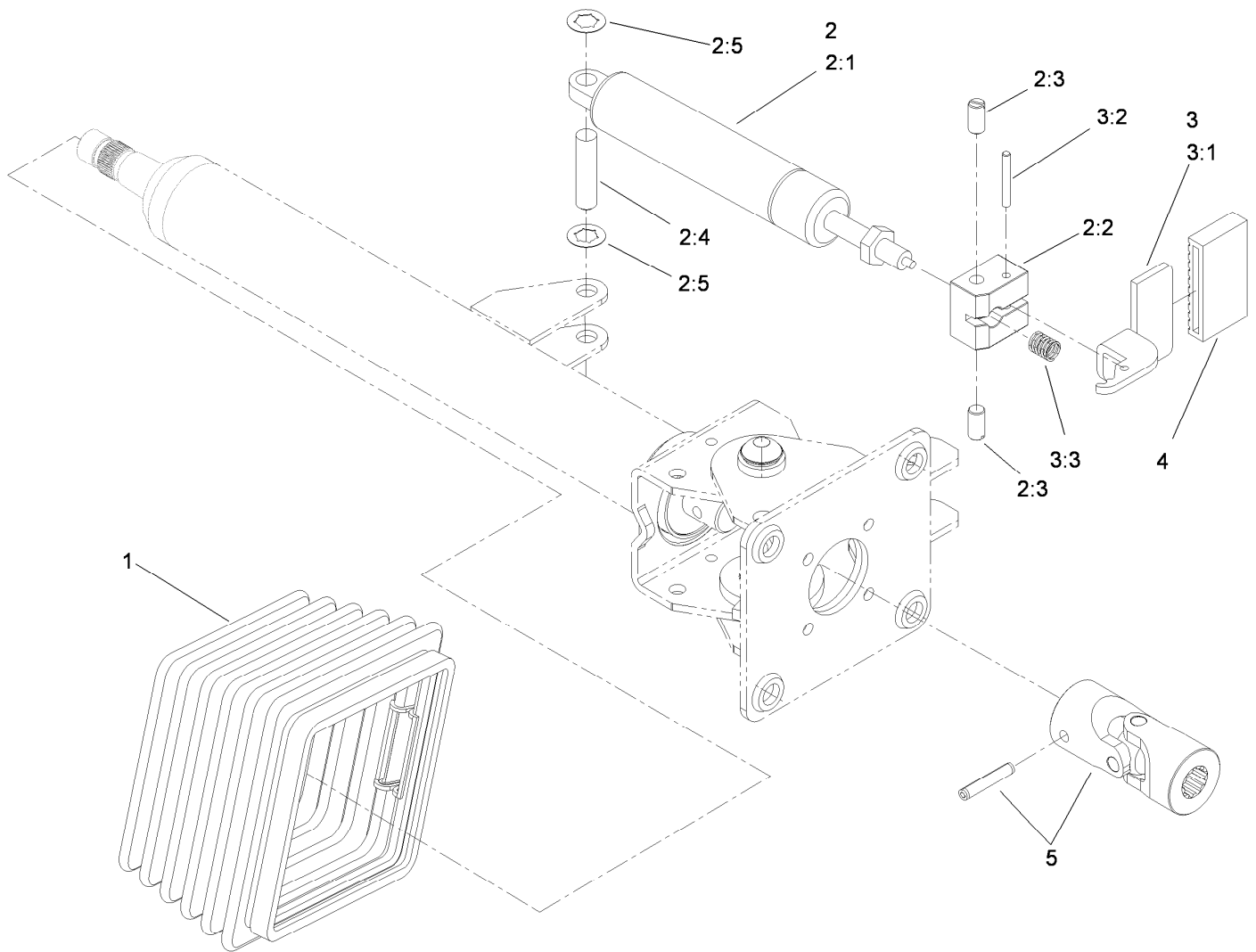
## Pedal Assembly

<b>Ref.</b>	<b>Part Number</b>	<b>Qty.</b>	<b>Description</b>
1	145-2545	1	E-Pedal ASM
1:2	145-2521	1	Pedal ASM
2	117-9507	1	Pedal-Accelerator
3	74-9100	1	Pad-Pedal, Forward
4	145-2489-0P	1	Bracket-Pedal, Mount
5	3274-96	2	Screw-HSBH
6	32121-45	1	Pin-Spring
7	74-9110	1	Pad-Pedal, Reverse
8	104-8301	4	Nut-HF, NI
9	104-8300	4	Nut-HF, NI
10	3230-1	2	Bolt-CARR
11	3234-7	2	Screw-HHF
12	3234-1	4	Screw-HHF



## Steering Assembly

Ref.	Part Number	Qty.	Description
1	106-3622	1	Steering Tilt Column ASM
2	340-2	4	Fitting-Straight
2:1	237-22	1	O-Ring
2:2	237-42	1	O-Ring
3	98-1471	1	Wheel-Steering
3:1	98-1468	1	Cover-Wheel, Steering
4	98-1459	1	Decal
5	105-2409	4	Screw-HSH
6	106-3621	1	Steering Valve ASM
7	3274-1	4	Screw-HSH
8	3296-33	1	Nut-Lock, NI
9	3256-27	1	Washer-Flat
10	104-8301	4	Nut-HF, NI

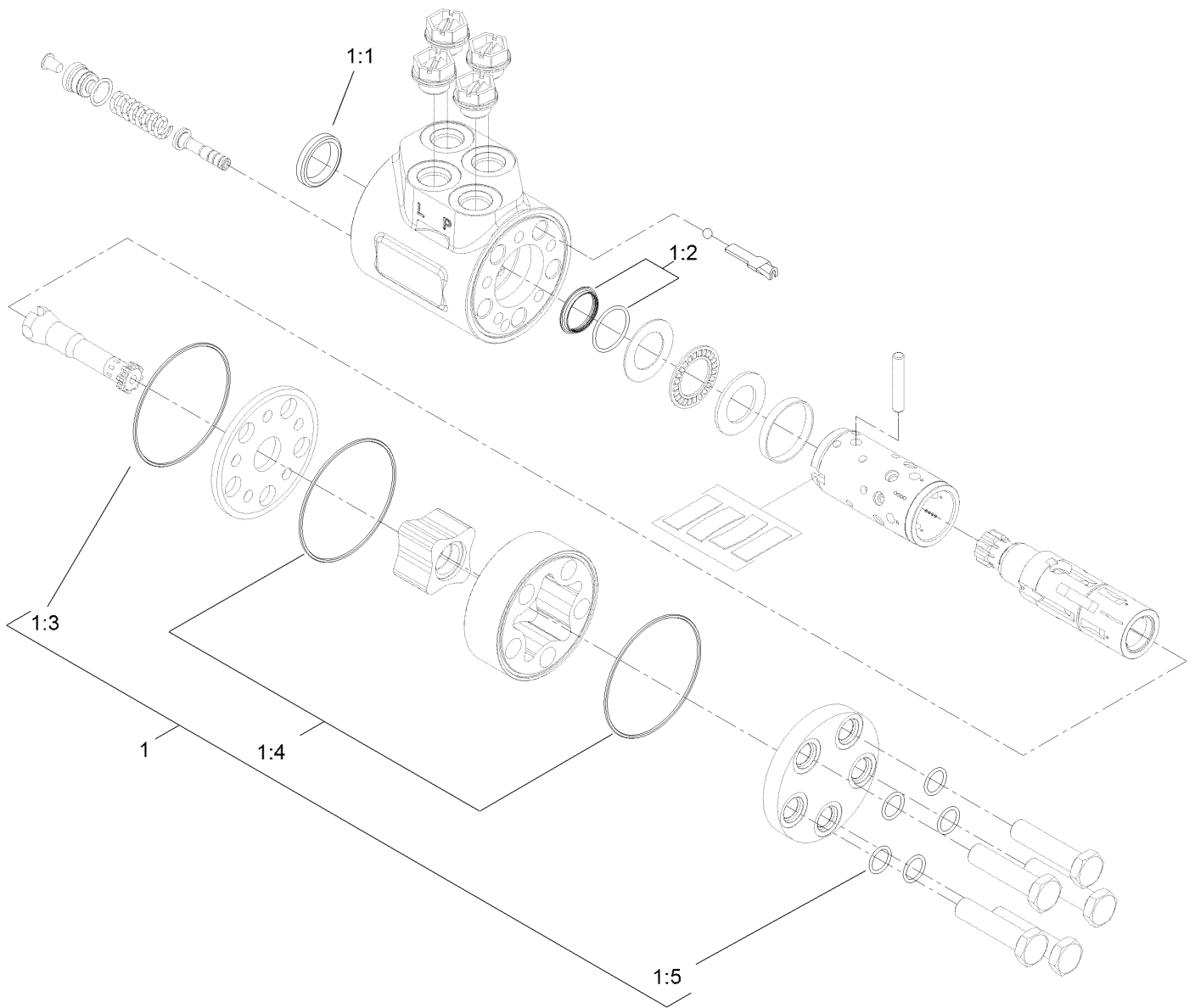


## Steering Tilt Column Assembly No. 106-3622

Ref.	Part Number	Qty.	Description
1	110-6462	1	Bellows-Rubber
2	110-6463	1	Cylinder Service Kit
2:1		1	Cylinder-Gas ●
2:2		1	Block-Pedal ●
2:3		2	Bolt ●
2:4		1	Pin ●
2:5		2	Washer-Lock ●
3	110-6464	1	Pedal Service Kit
3:1		1	Pedal ●
3:2		1	Pin ●
3:3		1	Spring ●
4	110-6465	1	Cover-Pedal
5	120-6256	1	Universal Joint Kit

● Not serviced separately

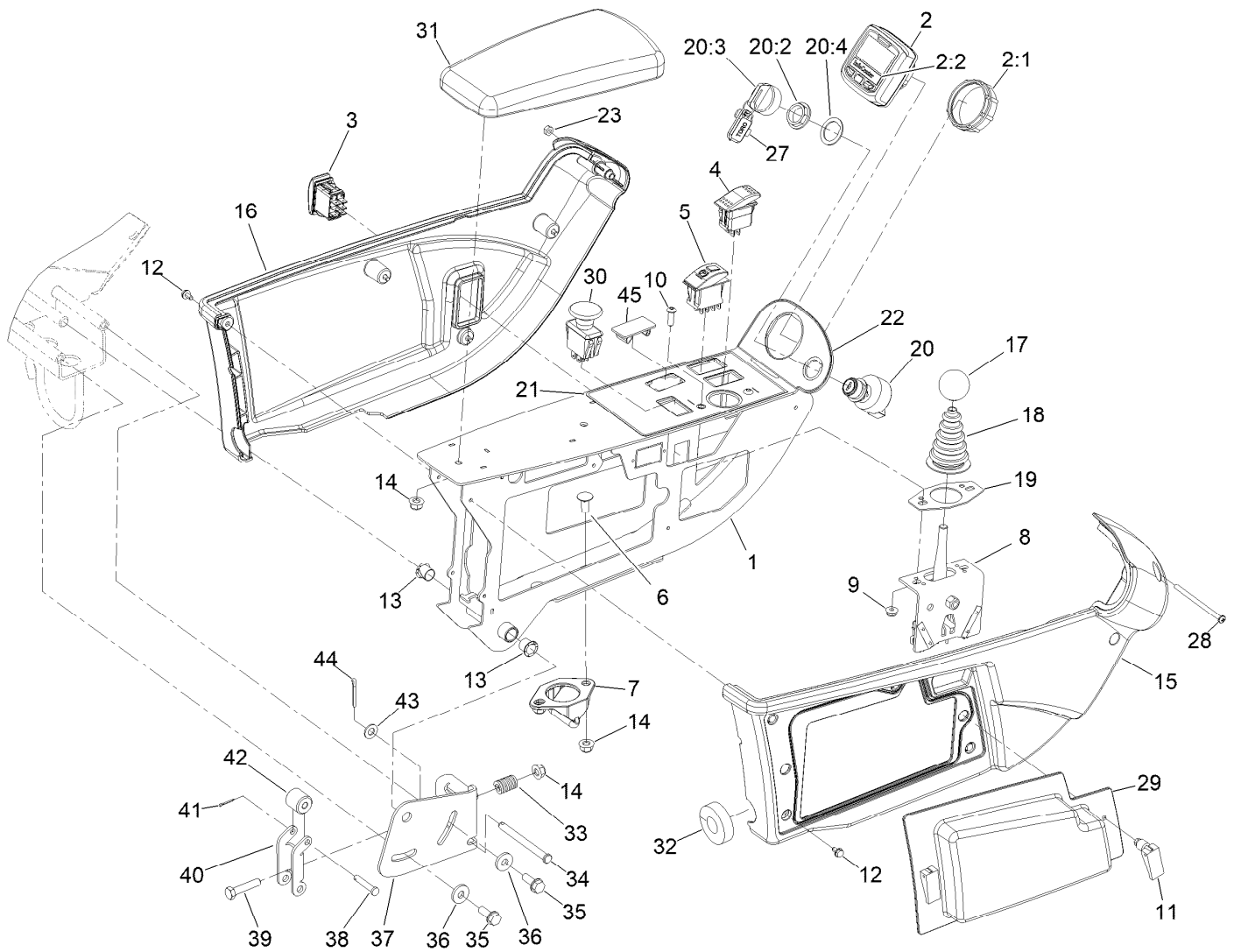




## Steering Valve Assembly No. 106-3621

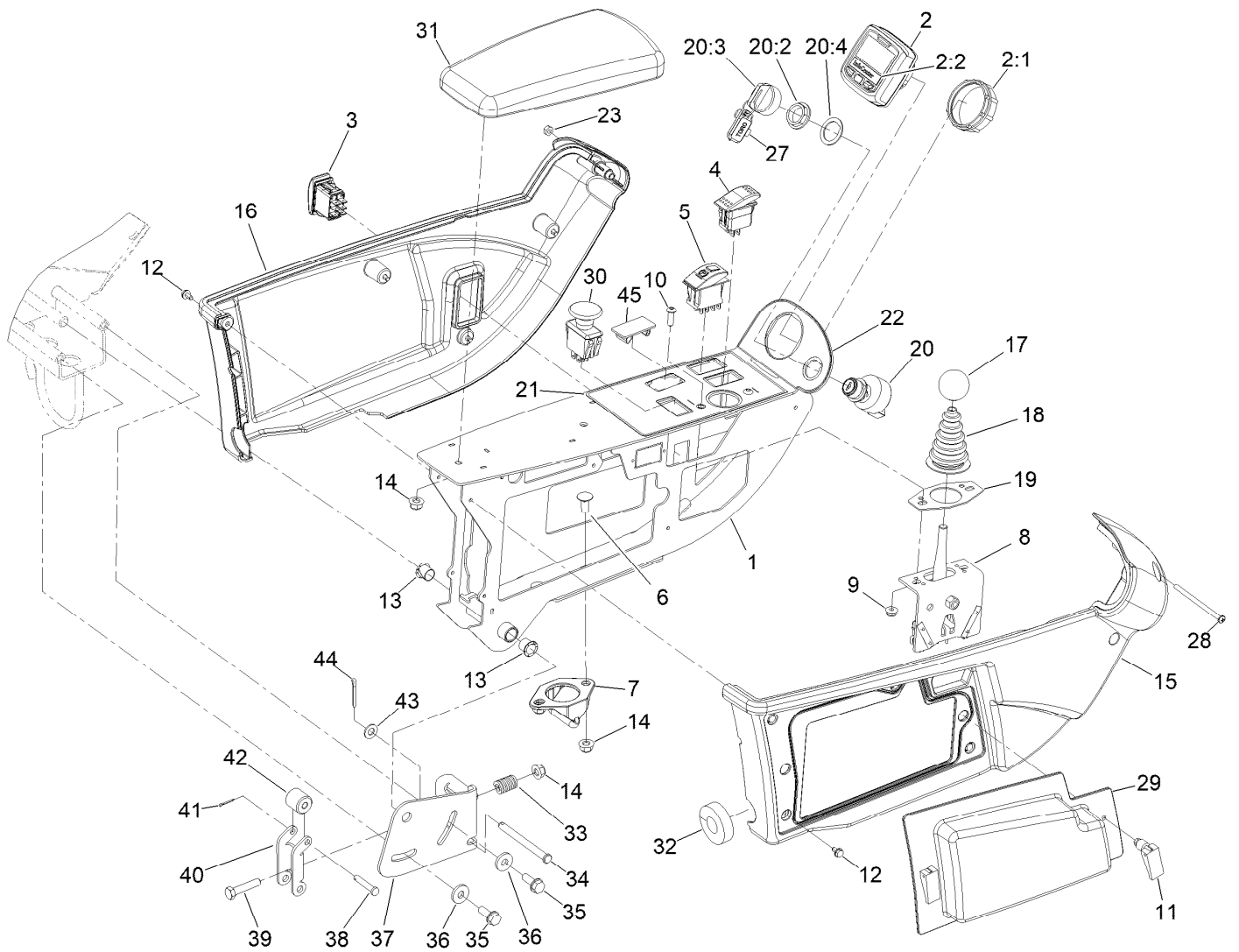
<i>Ref.</i>	<i>Part Number</i>	<i>Qty.</i>	<i>Description</i>
1	106-6716	1	Seal Kit
1:1		1	Ring-Seal, Dust ●
1:2		1	Seal-Shaft ●
1:3		1	O-Ring ●
1:4		2	O-Ring ●
1:5		5	O-Ring ●

● Not serviced separately



## Control Panel Assembly

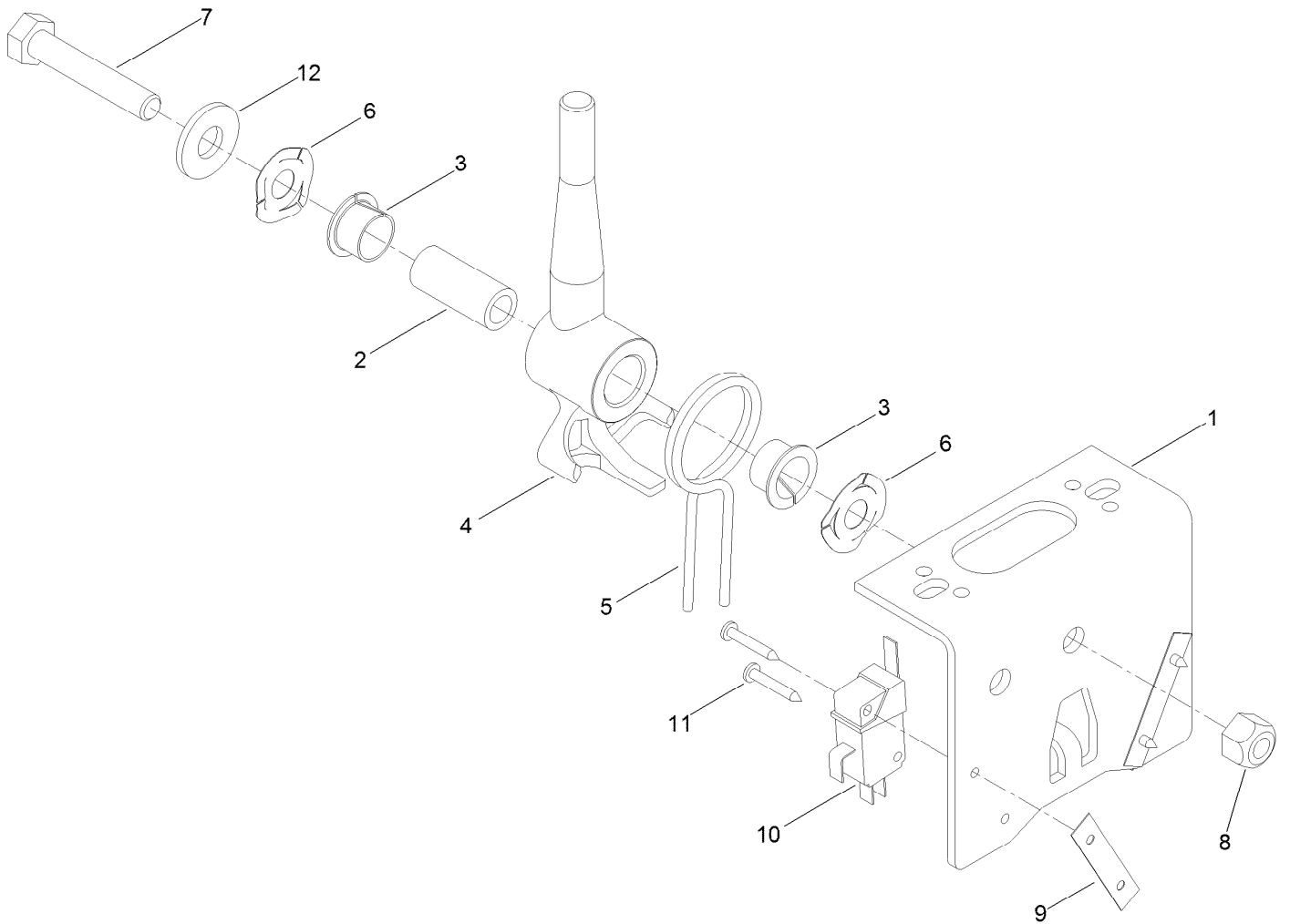
Ref.	Part Number	Qty.	Description	Ref.	Part Number	Qty.	Description
1	145-2474-03	1	Frame ASM, Control Arm [black]	16	108-7604	1	Cover-LH
2	120-6310	1	LCD Display ASM Kantrak 1700	17	233-42	1	Knob
2:1	120-4630	1	Nut-Display	18	93-5961	1	Boot-Lever
2:2	120-6311	1	Decal-Display	19	112-9181	1	Plate-Boot
3	95-8999	1	Switch-Rocker, On-None-On	20	106-5269	1	Ignition Switch ASM
4	114-3329	1	Switch-Rocker	20:2	108-8660	1	Nut-Mounting
5	111-2254	1	Switch-Rocker, On-None-On	20:3	106-5270	1	Ignition Key Set
6	3230-23	2	Bolt-CARR	20:4	108-8659	1	Washer-Backup
7	125-1938	1	Latch	21	145-2483	1	Decal-Control Panel
8	120-5280	1	Bracket-Joystick	22	120-4158	1	Decal-Console, Upper
9	104-7201	2	Nut-HF, NI	23	3296-2	1	Nut-Lock, NI
10	3274-69	2	Screw-HSBH	27	99-8970	1	Key-Latch, Hood
11	74-5950	2	Latch-Swell	28	3250-22	1	Screw-PPH
12	104-2065	10	Screw-HWH	29	114-0446	1	Panel-Access
13	256-257	2	Bushing-Nyliner	30	93-9999	1	Switch-PTO
14	104-8300	5	Nut-HF, NI	31	108-7602	1	Rest-Arm
15	108-7605	1	Cover-RH	32	145-2594	1	Seal-Foam
				33	110-5331	1	Spring-Compression
				34	283-88	1	Pin-Clevis
				35	32144-41	2	Screw-Taptite
				36	4-2390	2	Washer-Flat



## Control Panel Assembly (continued)

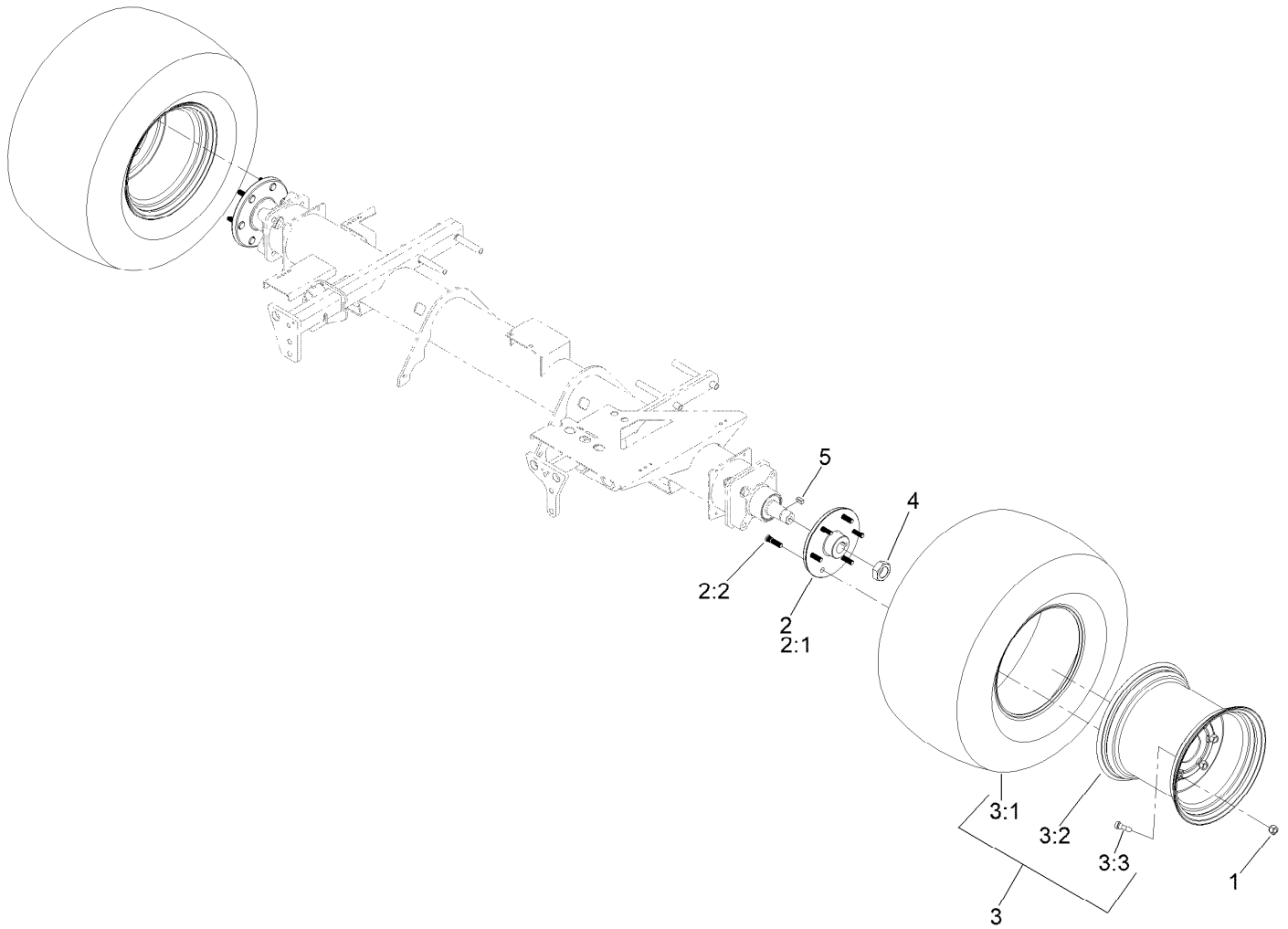
<i>Ref.</i>	<i>Part Number</i>	<i>Qty.</i>	<i>Description</i>
37	110-5313-03	1	Bracket-Retainer
38	283-73	1	Pin-Clevis
39	322-7	1	Screw-HH
40	110-5314	1	Latch
41	3272-1	1	Pin-Cotter

<i>Ref.</i>	<i>Part Number</i>	<i>Qty.</i>	<i>Description</i>
42	110-8856	1	Spacer
43	3256-23	1	Washer-Plain
44	3272-11	1	Pin-Cotter
45	99-7420	1	Plug-Hole



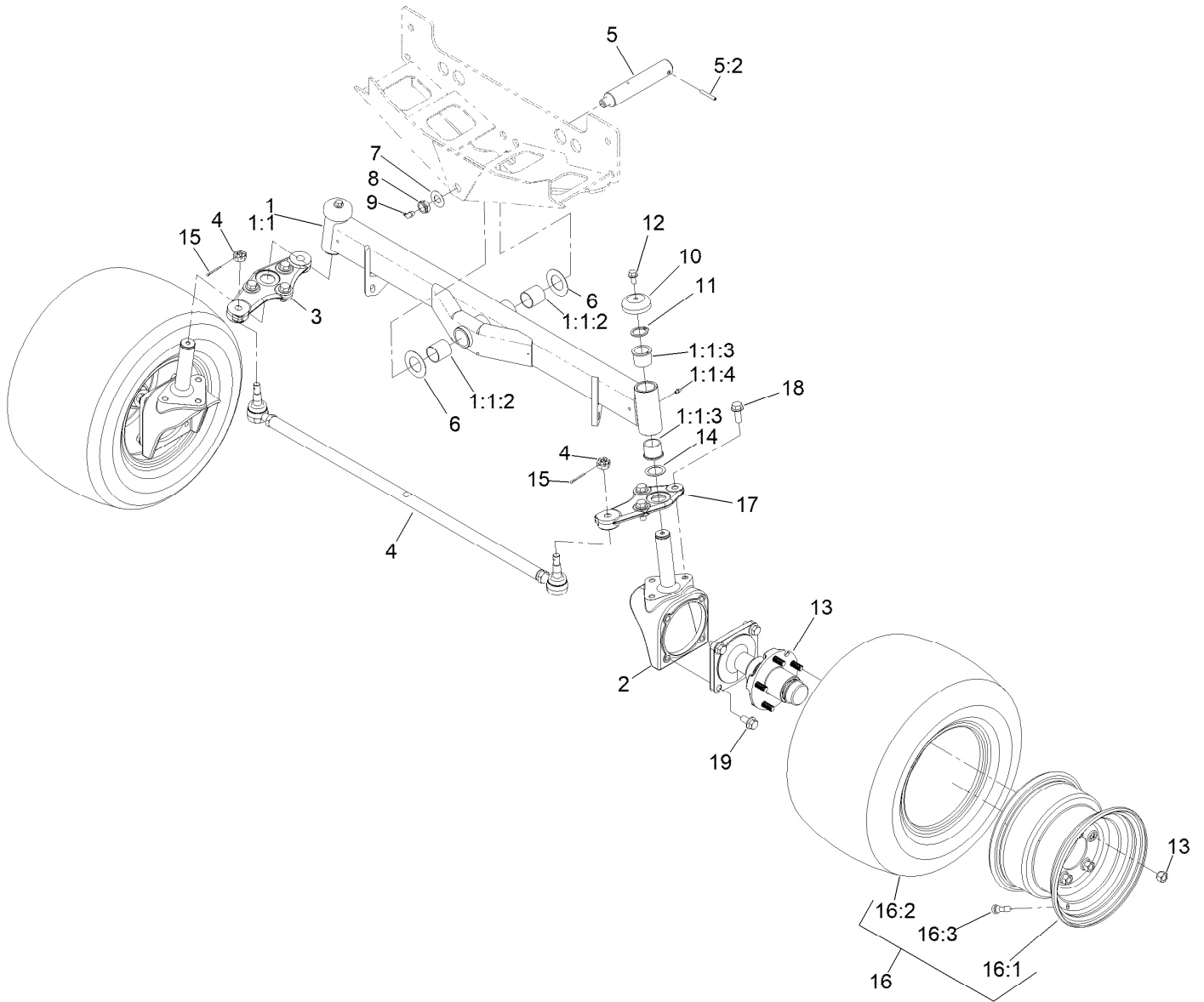
## Joystick Bracket Assembly No. 120-5280

<i>Ref.</i>	<i>Part Number</i>	<i>Qty.</i>	<i>Description</i>
1	115-5357-03	1	Bracket-Joystick
2	106-4192	1	Spacer
3	93-5547	2	Bushing-Nylon
4	119-3540	1	Hub-Pivot, Joystick
5	105-8289	1	Spring-Torsion
6	106-4193	2	Washer-Finger, Spring
7	322-9	1	Screw-HH
8	3296-29	1	Nut-Lock, NI
9	3290-354	2	Nut-Speed
10	108-6496	2	Switch (W/Boot)
11	95-3003	4	Screw-PPHTF
12	3256-3	1	Washer-Flat



## Front Axle Assembly

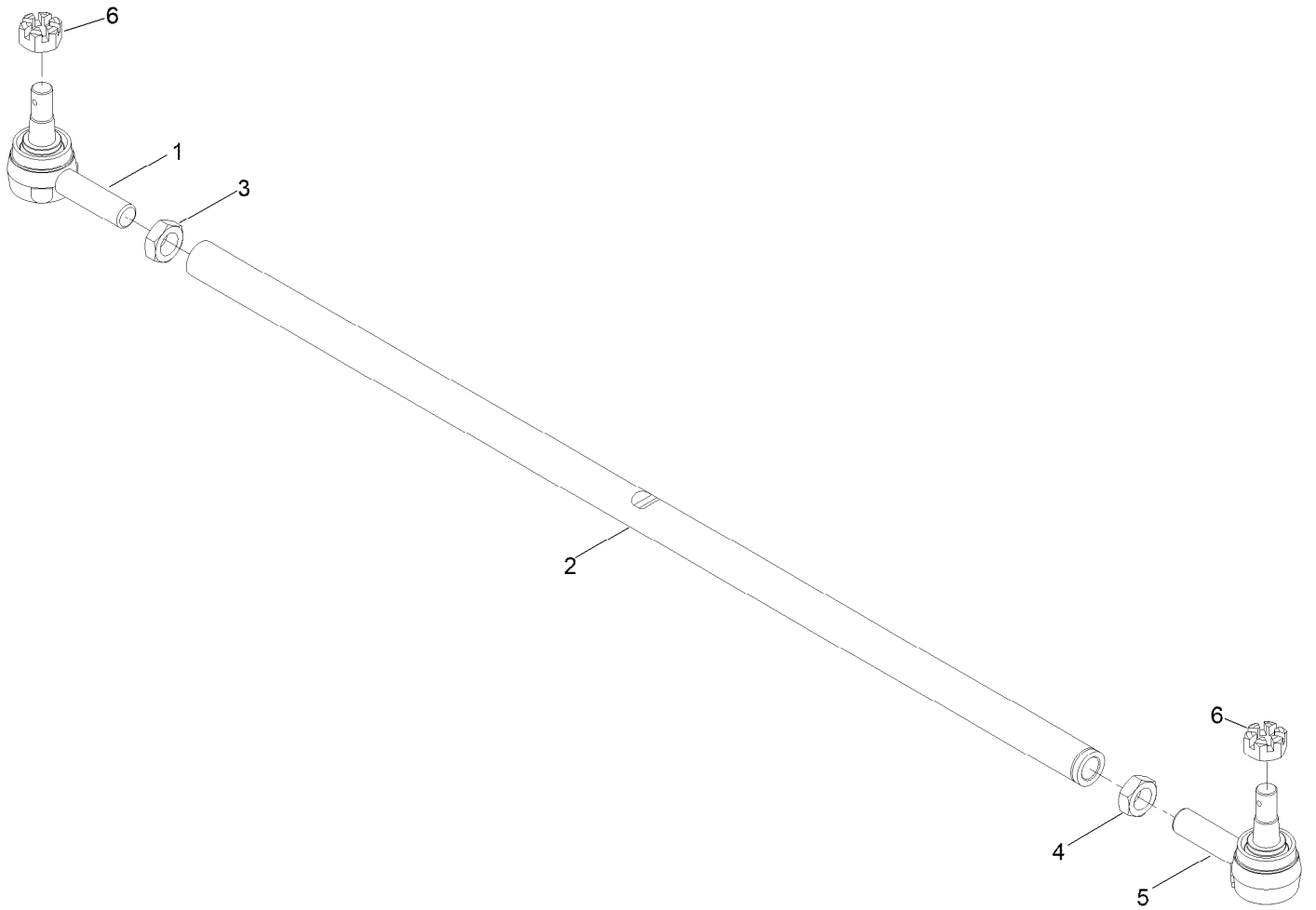
<b>Ref.</b>	<b>Part Number</b>	<b>Qty.</b>	<b>Description</b>
1	242-50	12	Nut-Lug
2	144-2058	2	Hub ASM (1.50)
2:1	136-7971	1	Hub-Wheel
2:2	114-3918	6	Stud-Wheel
3	139-6048	2	Tire ASM
3:1	133-2724	1	Tire
3:2	139-6049	1	Wheel
3:3	232-27	1	Stem-Valve
4	117-3290	2	Nut-Hex
5	117-5198	2	Key-Square



## Rear Axle Assembly

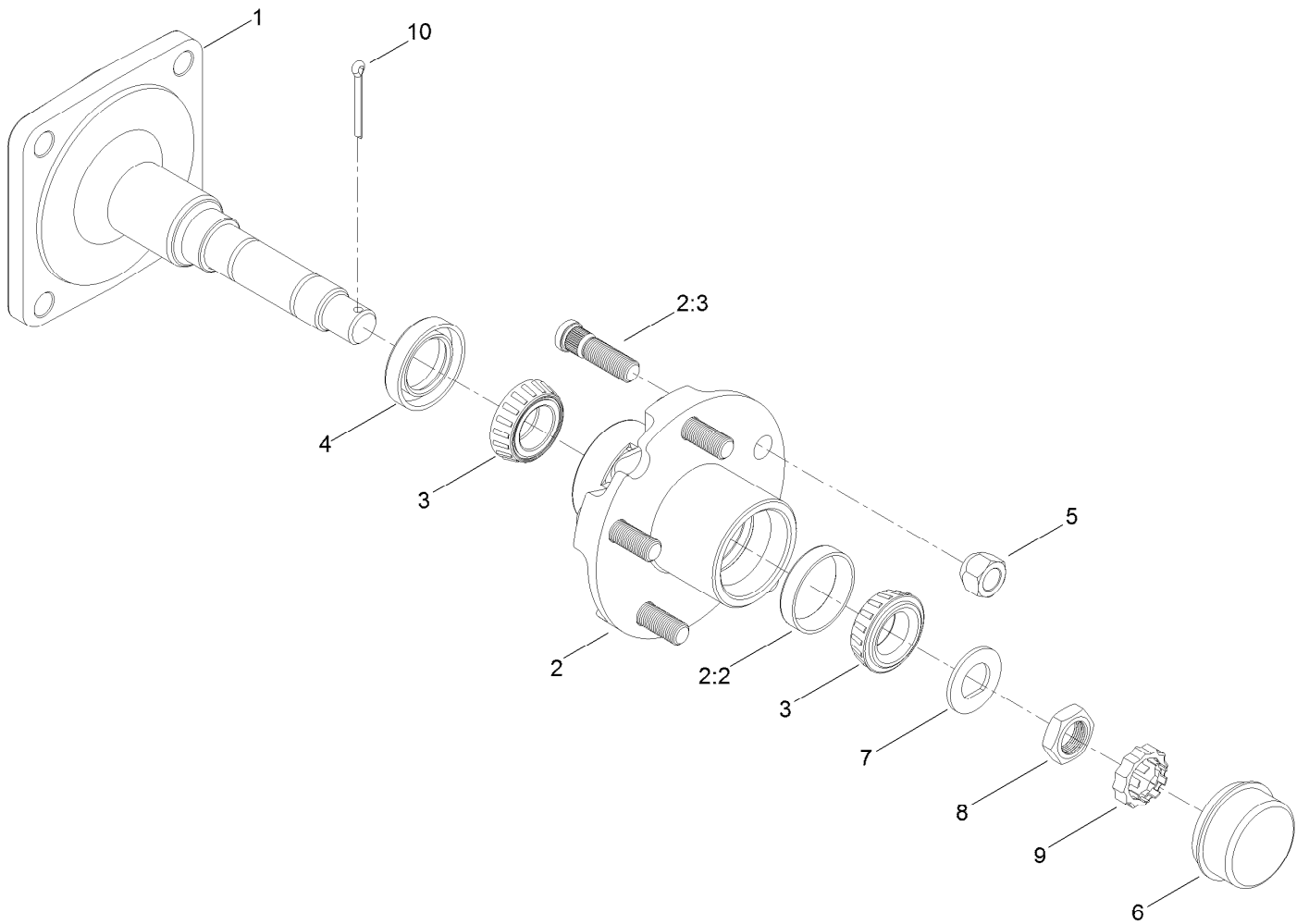
Ref.	Part Number	Qty.	Description	Ref.	Part Number	Qty.	Description
1	107-4546-03	1	Axle ASM	10	69-8890	2	Cap-Spindle
1:1		1	Axle ●	11	32151-77	2	Ring-Retaining, External
1:1:2	99-6964	2	Bushing-Axle	12	3234-1	2	Screw-HHF
1:1:3	104-0015	4	Bushing-Flange	13	117-8961	2	Hub And Spindle ASM
1:1:4	302-5	2	Fitting-Grease	14	76-2980	2	Washer-Thrust
2	107-4517-03	2	Housing-Motor	15	3272-12	2	Pin-Cotter
3	140-3142	1	Link-Drag, RH	16	117-0281	2	Rim And Tire ASM
4	139-6029	1	Tie Rod ASM	16:1	117-0280	1	Rim
5	140-6101	1	Pin ASM-Axle Pivot	16:2	117-5125	1	Tire
5:2	32121-32	1	Pin-Roll	16:3	232-27	1	Stem-Valve
6	99-8432	2	Washer-Thrust	17	140-3144	1	Link-Drag, LH
7	71-4540	1	Washer-Thrust	18	3234-38	6	Screw-HHF
8	3296-15	1	Nut-Lock, NI	19	3234-6	8	Screw-HHF
9	302-33	1	Fitting-Grease				

● Not serviced separately



## Tie Rod Assembly No. 139-6029

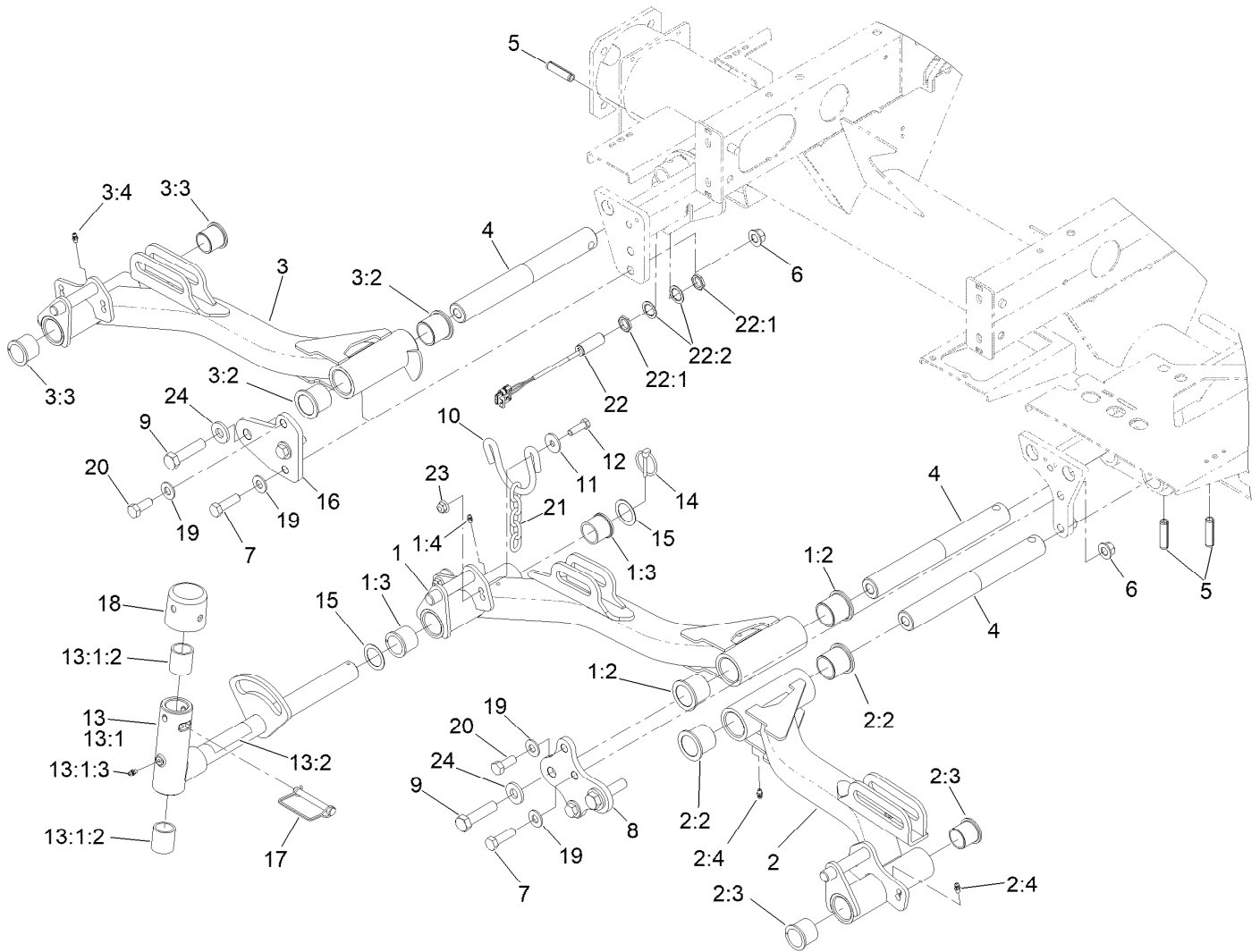
<i>Ref.</i>	<i>Part Number</i>	<i>Qty.</i>	<i>Description</i>
1	144-3901	1	Tie Rod End
2	139-6030	1	Rod-Tie
3	84-5300	1	Nut-Jam
4	110-5337	1	Nut-Jam
5	144-3902	1	Tie Rod End
6	140-6135	2	Nut-Hex, Slotted



## Hub and Spindle Assembly No. 117-8961

Ref.	Part Number	Qty.	Description
1	117-8958	1	Spindle
2	117-8963	1	Hub ASM
2:2	254-72	2	Bearing-Cup, Tapered
2:3	114-3918	5	Stud-Wheel
3	254-94	2	Bearing-Cone, Tapered
4	112-1690	1	Seal-Oil
5	242-50	5	Nut-Lug
6	241-119	1	Cap-Dust
7	117-8259	1	Washer-Spindle
8	117-8260	1	Nut
9	93-0307	1	Nut-Lock, Retainer
10	3272-18	1	Pin-Cotter

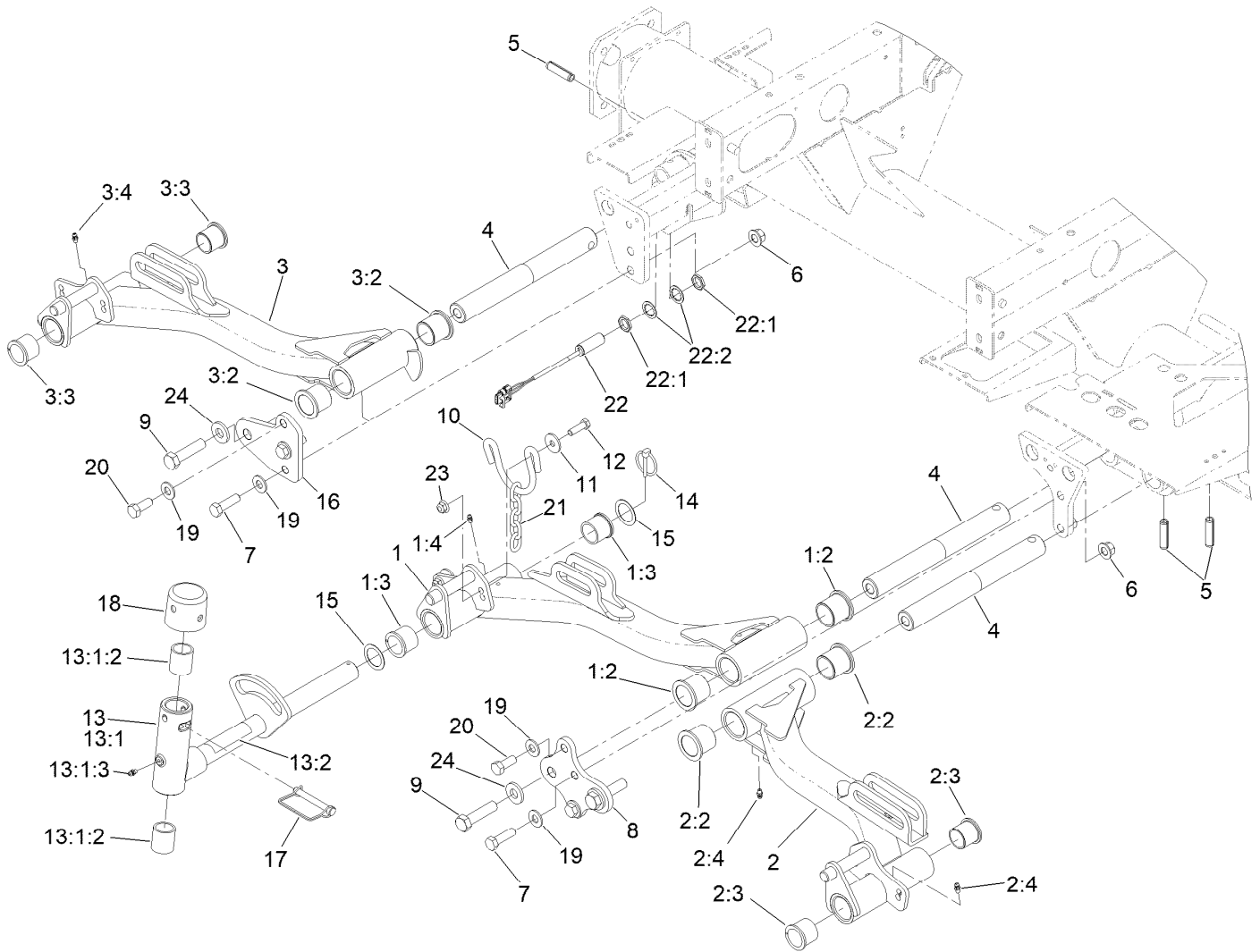




## No. 1, 4 and 5 Lift Arm Assembly

Ref.	Part Number	Qty.	Description	Ref.	Part Number	Qty.	Description
1	133-2911	1	Lift Arm ASM #1	10	110-0922	3	Hoop-Chain
1:2	69-6470	2	Bushing-Caster	11	63-8410	6	Washer
1:3	104-0015	2	Bushing-Flange	12	323-7	6	Screw-HH
1:4	302-5	2	Fitting-Grease	13	138-1248	3	Pivot Yoke ASM
2	133-2914	1	Lift Arm ASM #4	13:1		1	Yoke-Pivot ●
2:2	69-6470	2	Bushing-Caster	13:1:2	121-3187	2	Bushing
2:3	104-0015	2	Bushing-Flange	13:1:3	302-5	1	Fitting-Grease
2:4	302-5	2	Fitting-Grease	13:2	110-9642	1	Decal-Warning
3	133-2915	1	Lift Arm ASM #5	14	92-1298	3	Pin-Lynch
3:2	69-6470	2	Bushing-Caster	15	76-2980	6	Washer-Thrust
3:3	104-0015	2	Bushing-Flange	16	117-5153-01	1	Plate-Bridge 5
3:4	302-5	2	Fitting-Grease	17	107-7400	3	Pin-Lynch
4	117-0208	3	Shaft-Pivot, Liftarm	18	107-4027	3	Cap
5	32121-122	3	Pin-Roll	19	87-7270	6	Washer-Thrust
6	99-5107	4	Nut-Lock	20	325-5	2	Screw-HH
7	325-7	4	Screw-HH	21	84-2451	3	Chain-Straight, 5 Link
8	117-5154-01	1	Plate-Bridge 1 And 4	22	115-5300	1	Proximity Switch ASM
9	327-7	3	Screw-HH	22:1	117-3207	2	Nut-Hex

● Not serviced separately

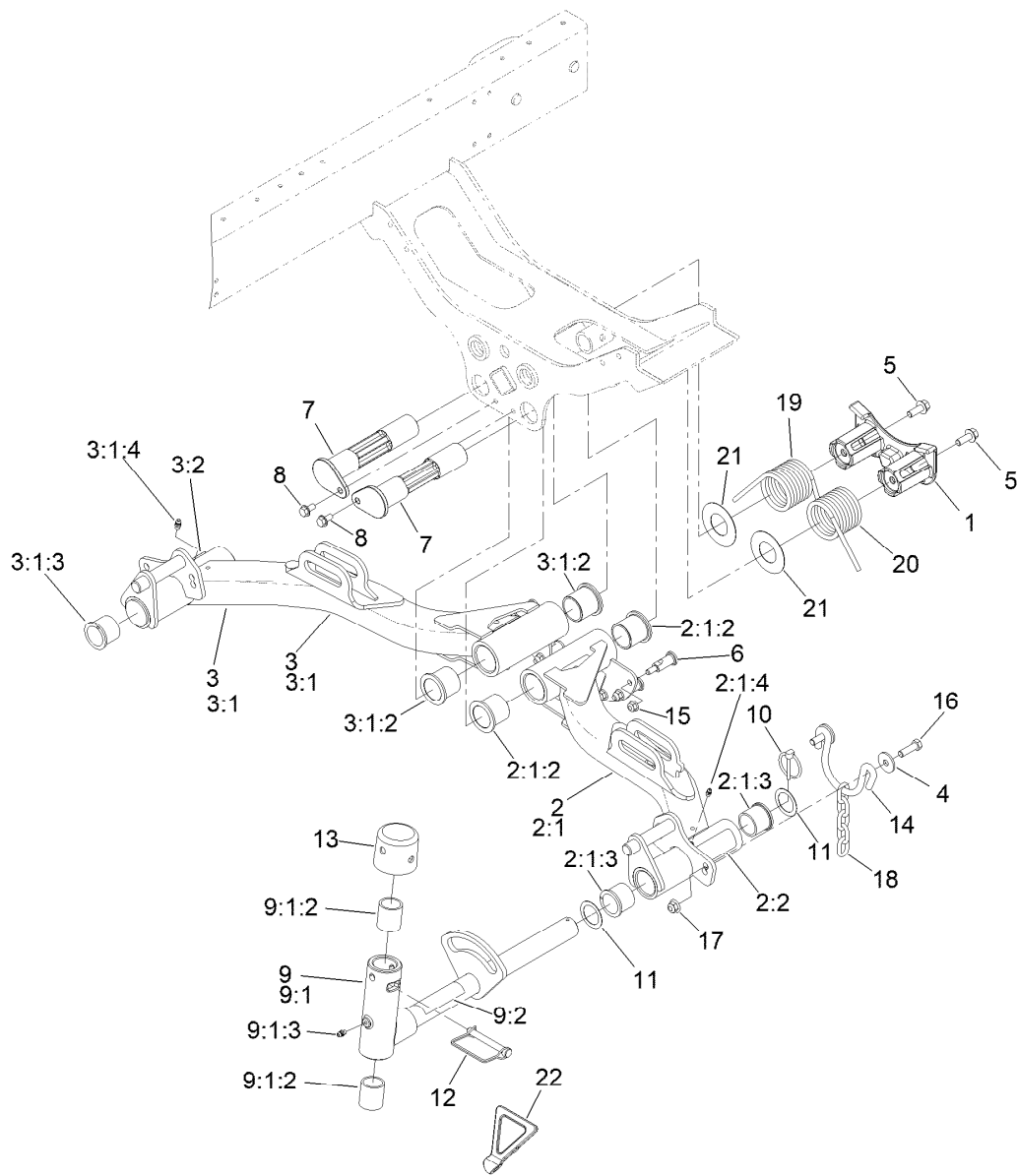


## No. 1, 4 and 5 Lift Arm Assembly (continued)

Ref.	Part Number	Qty.	Description
22:2	117-3208	2	Washer-Lock, Internal Tooth

Ref.	Part Number	Qty.	Description
23	104-8301	6	Nut-HF, NI
24	99-7667	3	Washer-Flat

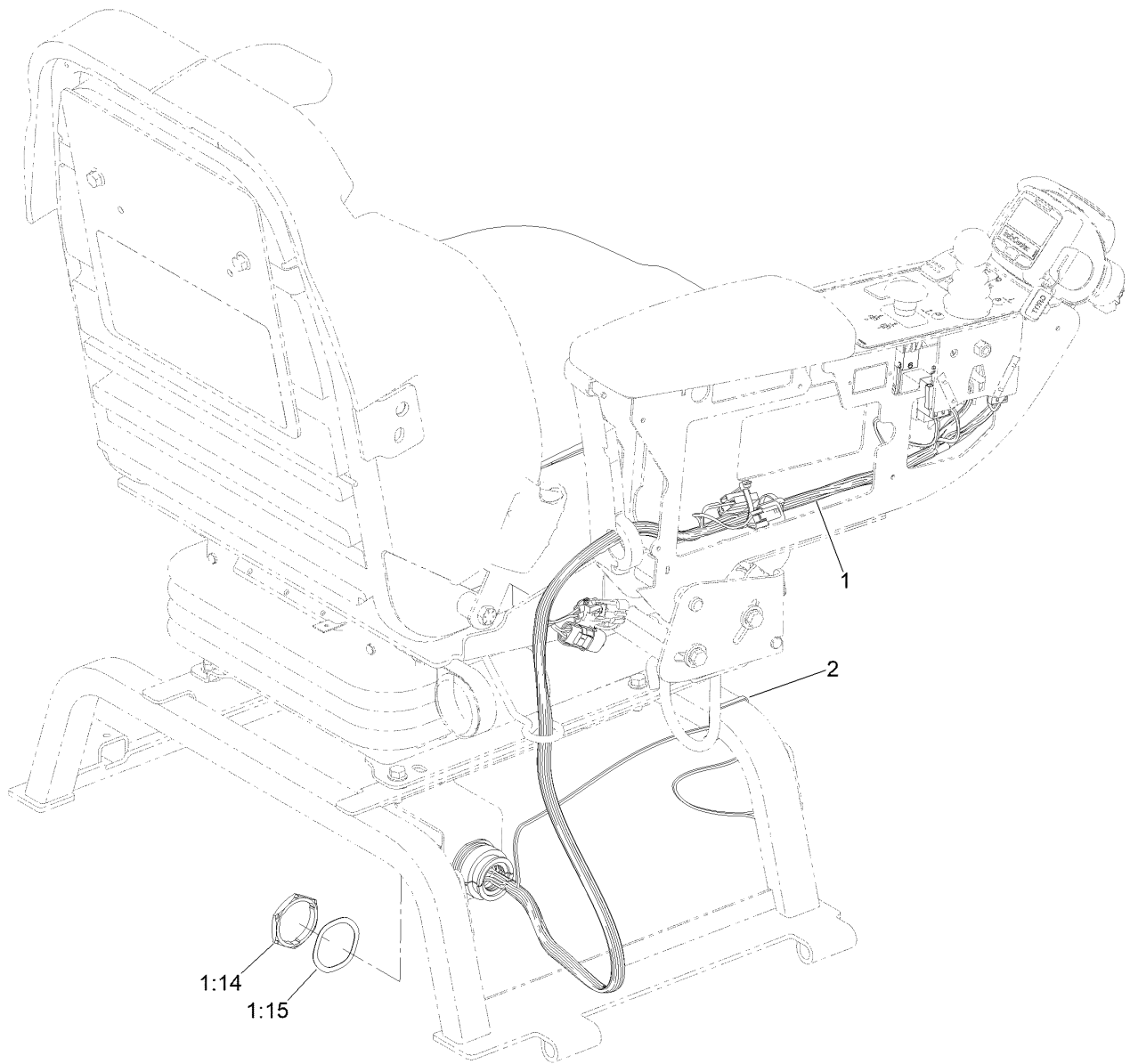
● Not serviced separately



## No. 2 and 3 Lift Arm Assembly

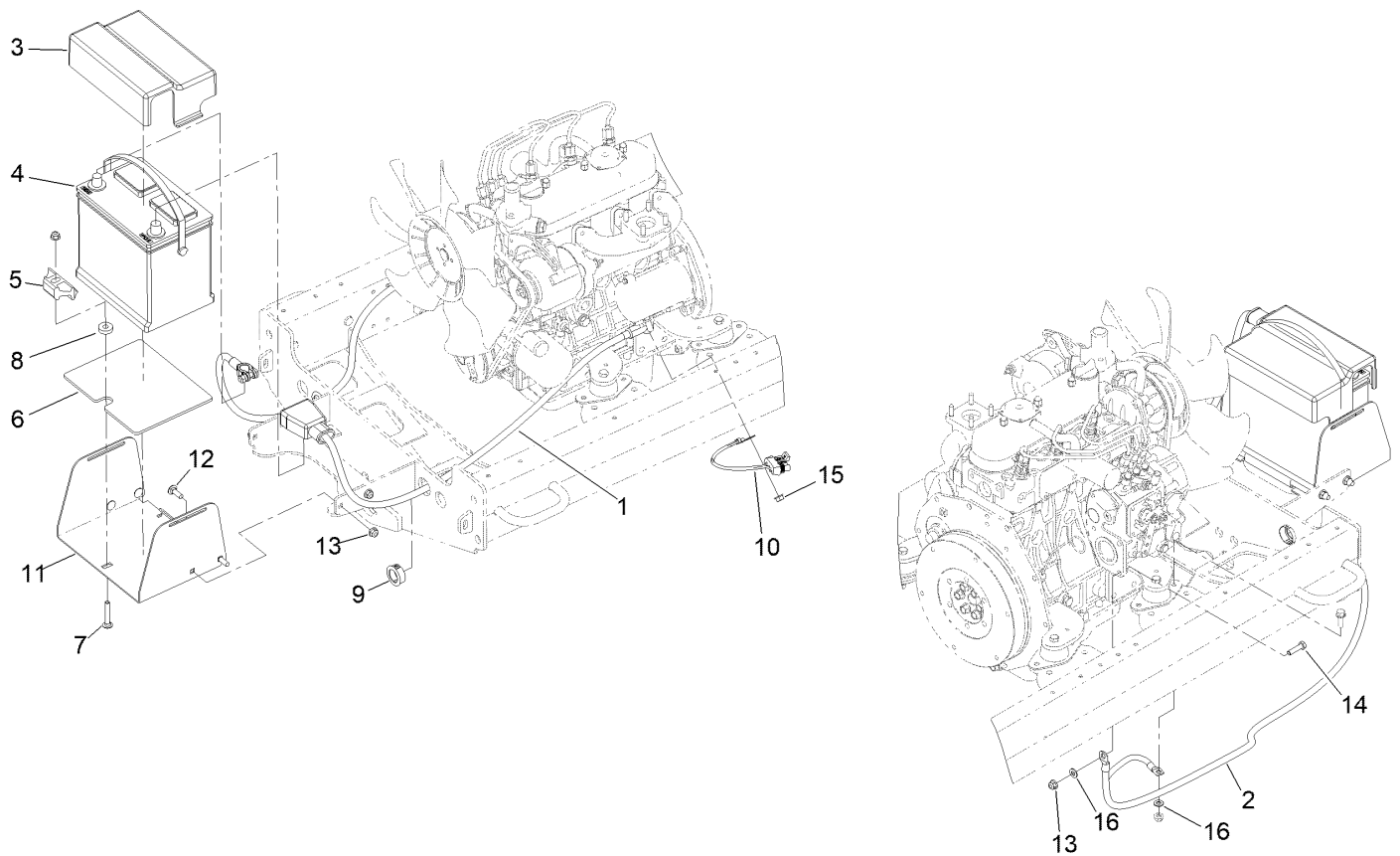
Ref.	Part Number	Qty.	Description	Ref.	Part Number	Qty.	Description
1	125-2018	1	Housing	9	138-1248	2	Pivot Yoke ASM
2	136-8002	1	Lift Arm #2	9:1		1	Yoke-Pivot ●
2:1		1	Lift Arm ASM #2 ●	9:1:2	121-3187	2	Bushing
2:1:2	69-6470	2	Bushing-Caster	9:1:3	302-5	1	Fitting-Grease
2:1:3	104-0015	2	Bushing-Flange	9:2	110-9642	1	Decal-Warning
2:1:4	302-5	2	Fitting-Grease	10	92-1298	2	Pin-Lynch
2:2	93-6696	1	Decal-Warning	11	76-2980	4	Washer-Thrust
3	136-8003	1	Lift Arm #3	12	107-7400	2	Pin-Lynch
3:1		1	Lift Arm ASM #3 ●	13	107-4027	2	Cap
3:1:2	69-6470	2	Bushing-Caster	14	110-0922	2	Hoop-Chain
3:1:3	104-0015	2	Bushing-Flange	15	104-8300	6	Nut-HF, NI
3:1:4	302-5	2	Fitting-Grease	16	323-7	4	Screw-HH
3:2	93-6696	1	Decal-Warning	17	104-8301	4	Nut-HF, NI
4	63-8410	4	Washer	18	84-2451	2	Chain-Straight, 5 Link
5	3234-11	2	Screw-HHF	19	99-5608-03	1	Spring-Torsion, RH
6	120-6283	6	Stud-Shouldered	20	99-5609-03	1	Spring-Torsion, LH
7	125-2037	2	Shaft	21	110-5345	2	Washer
8	32144-14	2	Screw-HWHTF	22	119-8010-03	1	Kickstand

● Not serviced separately



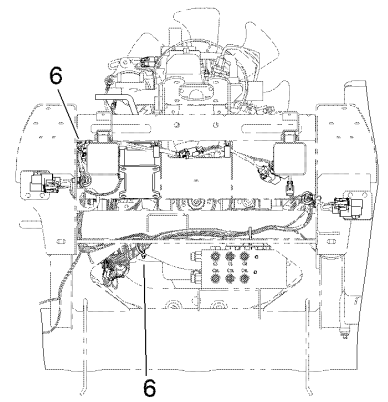
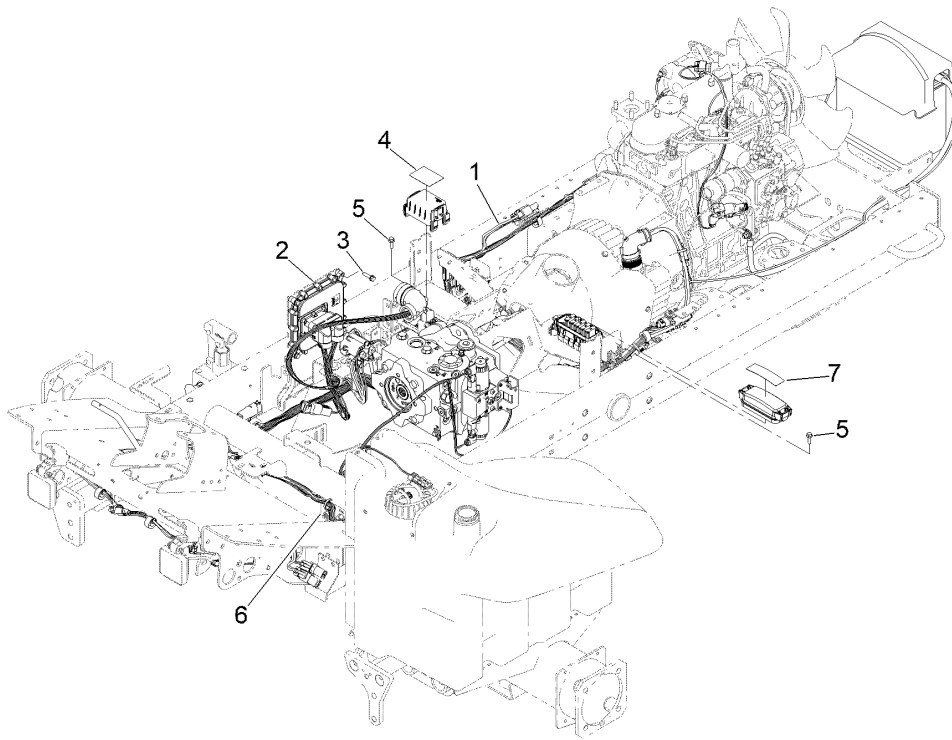
## Seat and Control Arm Wiring Harness Assembly

<i>Ref.</i>	<i>Part Number</i>	<i>Qty.</i>	<i>Description</i>
1	122-2126	1	Harness-Wire, Seat
1:14	32180-135	1	Nut-Connector
1:15	32180-143	1	Washer-Lock
2	3290-378	1	Tie-Cable



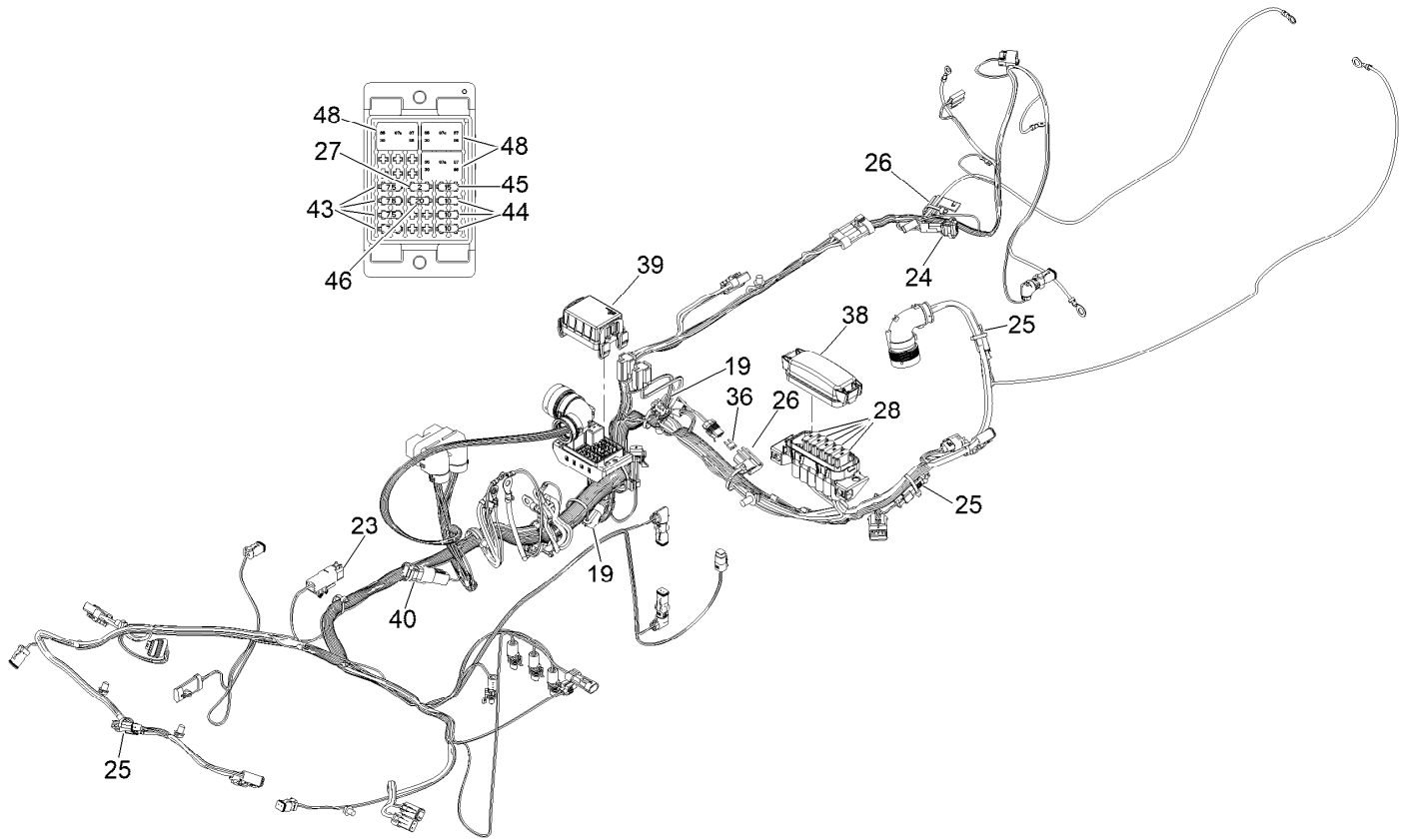
## Battery Electrical Assembly

<i>Ref.</i>	<i>Part Number</i>	<i>Qty.</i>	<i>Description</i>	<i>Ref.</i>	<i>Part Number</i>	<i>Qty.</i>	<i>Description</i>
1	120-6398	1	Cable-Battery, Positive	9	32180-570	2	Bushing-Panel Snap,1.00"
2	120-6399	1	Cable-Battery, Negative	10	99-3441	1	Harness-Wire, Fusible Link
3	121-5615	1	Cover-Battery	11	125-1583-03	1	Tray-Battery
4	132-8621	1	Battery - Corrosive	12	3230-2	4	Bolt-CARR
5	138-6335	1	Retainer-Battery	13	104-8300	6	Nut-HF, NI
6	127-2781	1	Mat-Battery	14	322-6	1	Screw-HH
7	3230-6	1	Bolt-CARR	15	33004-00	1	Nut-HF
8	62-6660	1	Spacer	16	120-9683	2	Washer-Plain



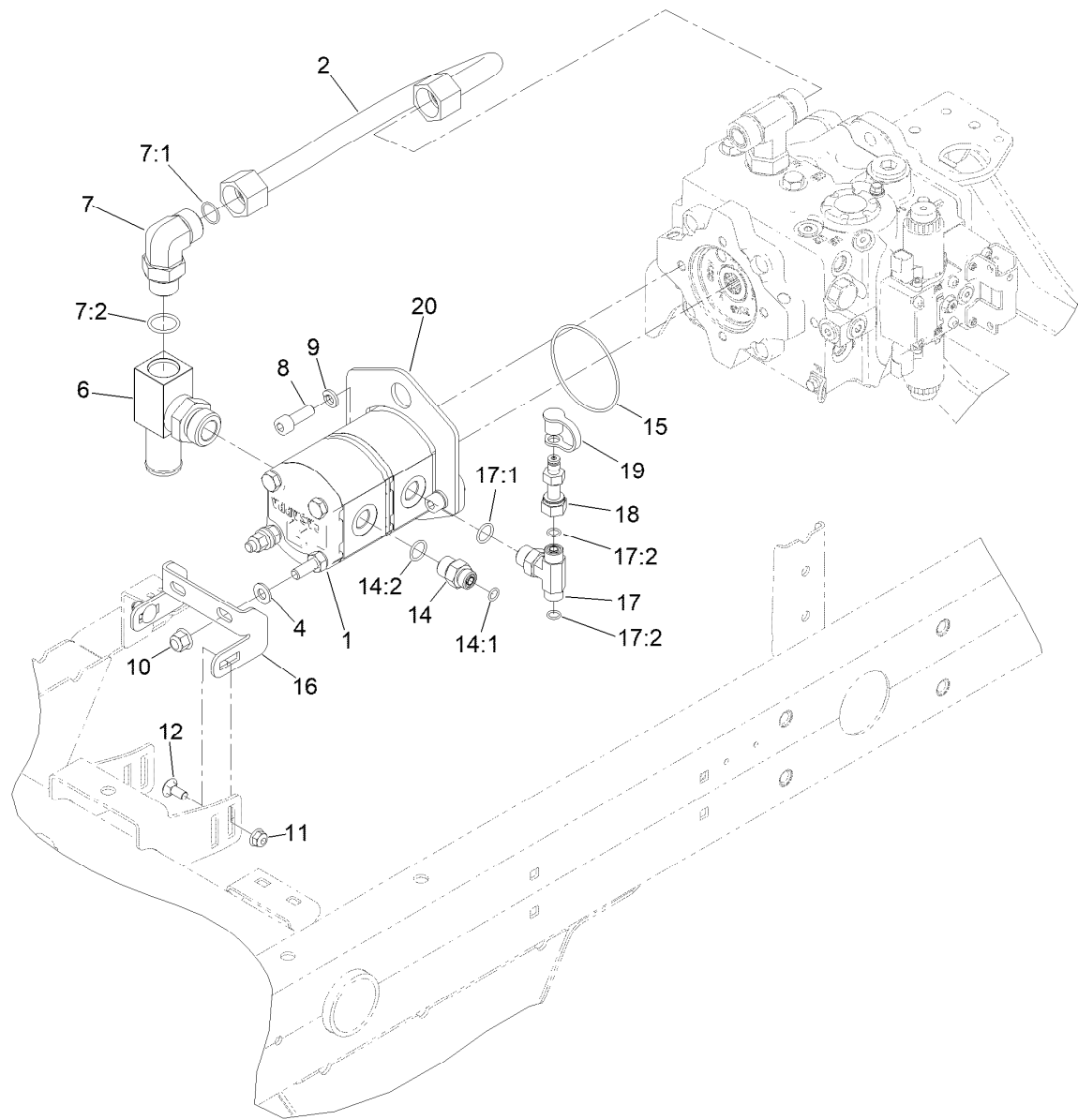
## Electrical Assembly

<i>Ref.</i>	<i>Part Number</i>	<i>Qty.</i>	<i>Description</i>
1	122-2913	1	Harness-Wire, Main
2	127-2770	1	Controller
3	32144-86	4	Screw-HWHTF
4	145-2498	1	Decal-Fuse
5	33103-020	4	Screw-HHF
6	3290-378	3	Tie-Cable
7	127-2470	1	Decal-Fuses, Cu



## Wire Harness Assembly No. 122-2913

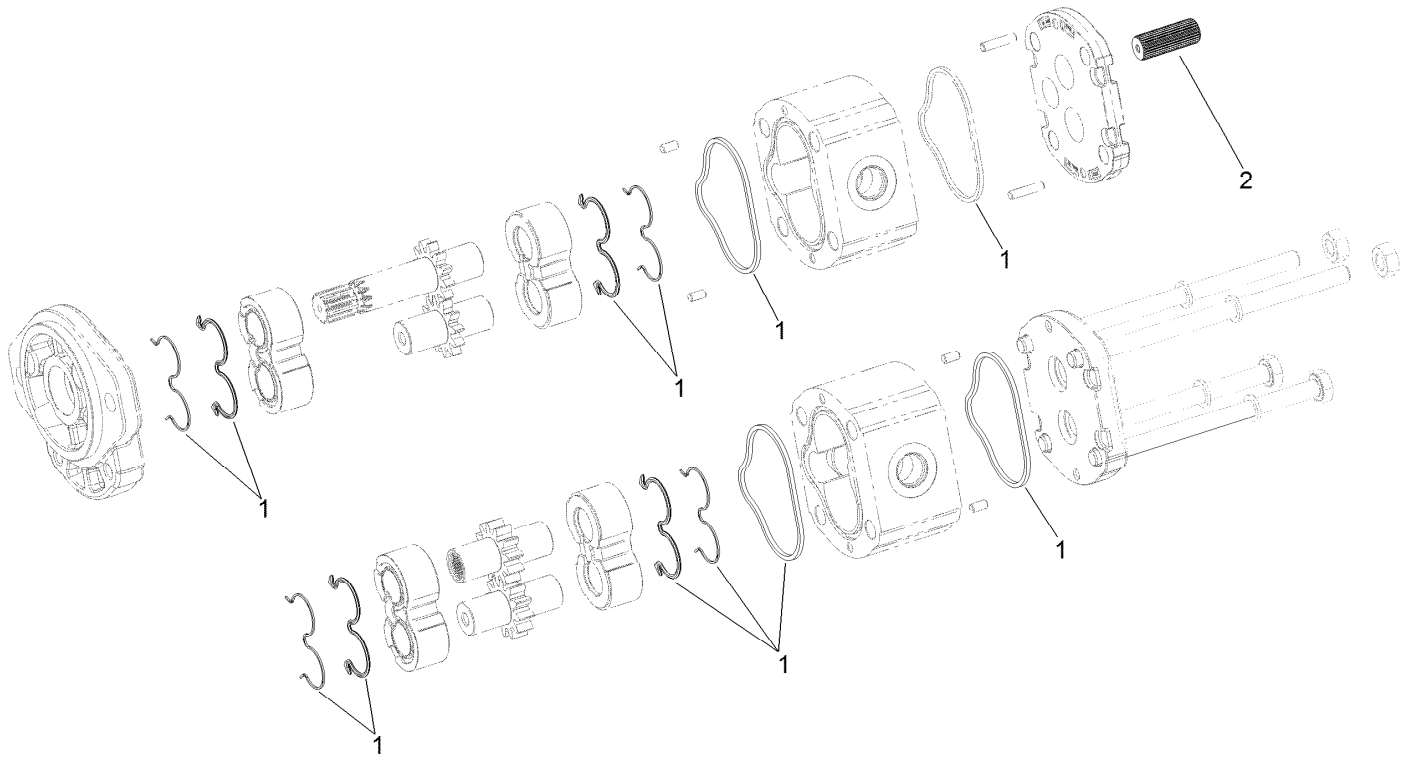
<i>Ref.</i>	<i>Part Number</i>	<i>Qty.</i>	<i>Description</i>	<i>Ref.</i>	<i>Part Number</i>	<i>Qty.</i>	<i>Description</i>
19	32180-156	3	Cap-Plug, 6 Way	38	32180-146	1	Cover-Fuse
23	119-7781	1	Diode-Sealed	39	32180-471	1	Cover-Chief, Bric
24	100-4918	1	Diode	40	122-1131	1	Capacitor-Sealed
25	32180-282	3	Resistor-120 Ohm	43	121-8865	4	Fuse-Mini Blade, 7.5 Amp
26	32180-019	2	Cover-Fuse, Single	44	121-8866	3	Fuse-Mini Blade, 10 Amp
27	121-8861	1	Fuse-Mini Blade, 2 Amp	45	121-8867	1	Fuse-Mini Blade, 15 Amp
28	122-0255	5	Fuse-Maxi, 35 Amp-58V	46	121-8868	1	Fuse-Mini Blade, 20 Amp
36	122-0409	1	Fuse-Mini Blade, 10 Amp	48	122-0368	3	Relay-280 ISO



## Gear Pump Assembly

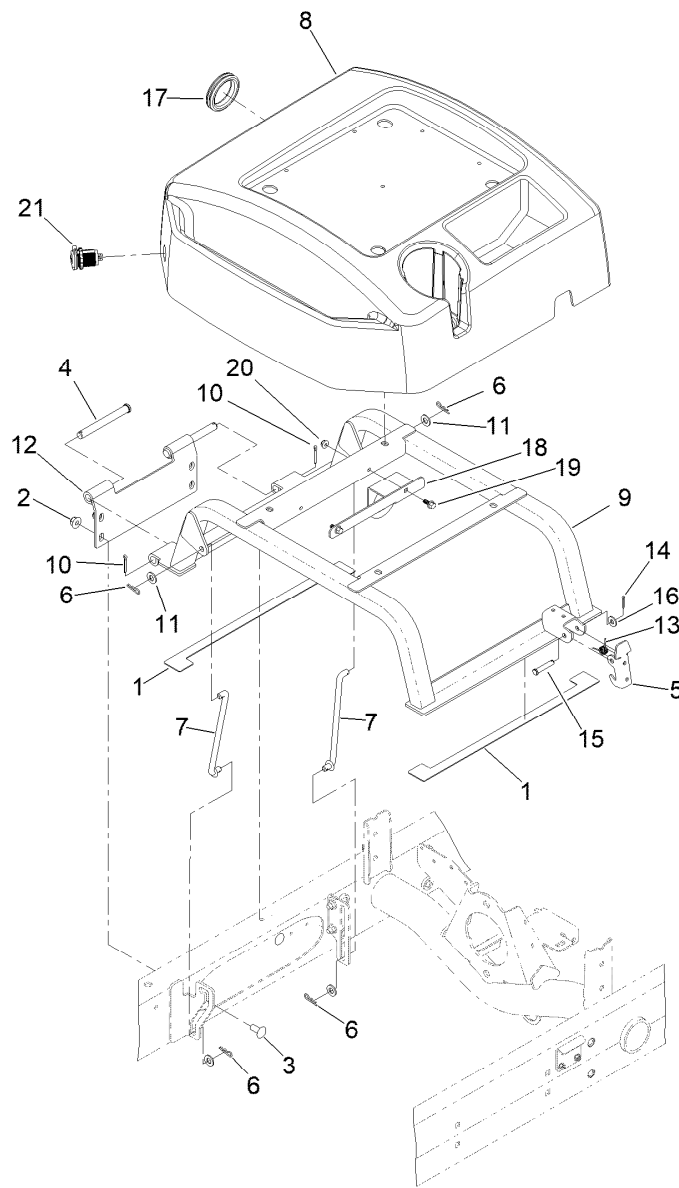
<i>Ref.</i>	<i>Part Number</i>	<i>Qty.</i>	<i>Description</i>	<i>Ref.</i>	<i>Part Number</i>	<i>Qty.</i>	<i>Description</i>
1	125-1530	1	Tandem Gear Pump ASM	14	340-3	1	Fitting-Straight
2	145-2556	1	Hydraulic Tube ASM	14:1	237-22	1	O-Ring
4	3256-24	2	Washer-Plain	14:2	237-79	1	O-Ring
6	145-2557	1	Manifold-Tube	15	237-161	1	O-Ring
7	340-142	1	Fitting-Elbow, 90 DEG	16	133-2946-0P	1	Brkt-Gear Pump
7:1	237-58	1	O-Ring	17	92-4799	1	Fitting-Tee, HYD
7:2	237-81	1	O-Ring	17:1	237-79	1	O-Ring
8	ST80801	2	Screw-HSH	17:2	237-22	2	O-Ring
9	48-9590	2	Washer-Lock	18	86-5480	1	Nipple-Test
10	103-9511	2	Nut-Lock, NI	19	354-79	1	Cap-Dust
11	104-8300	2	Nut-HF, NI	20	145-2548-0P	1	Bracket-Lift, Pump
12	3230-1	2	Bolt-CARR				





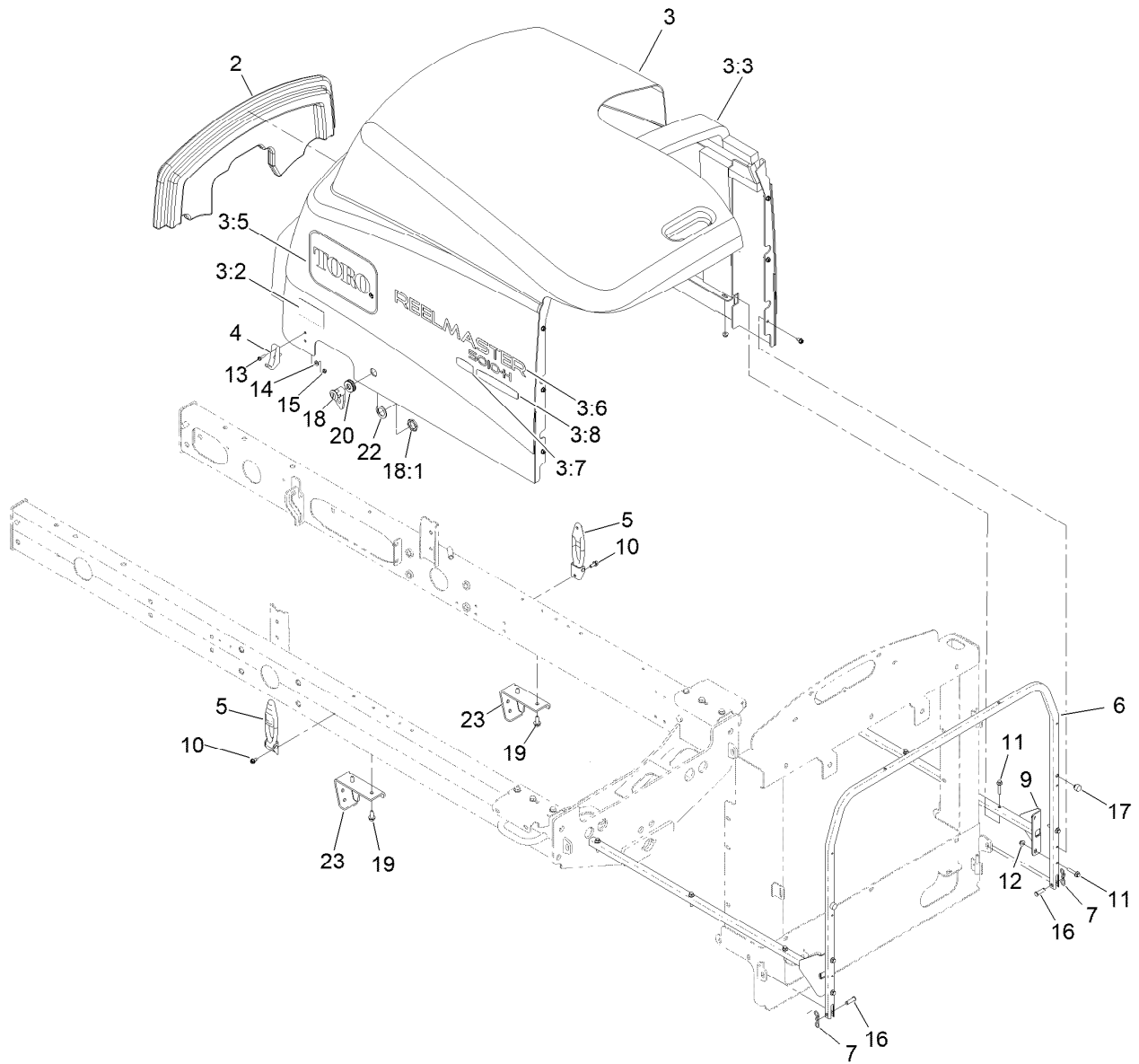
## Tandem Gear Pump Assembly No. 125-1530

<i>Ref.</i>	<i>Part Number</i>	<i>Qty.</i>	<i>Description</i>
1	120-5155	1	Seal Kit
2	120-6284	1	Hub-Connecting



## Seat Base Assembly

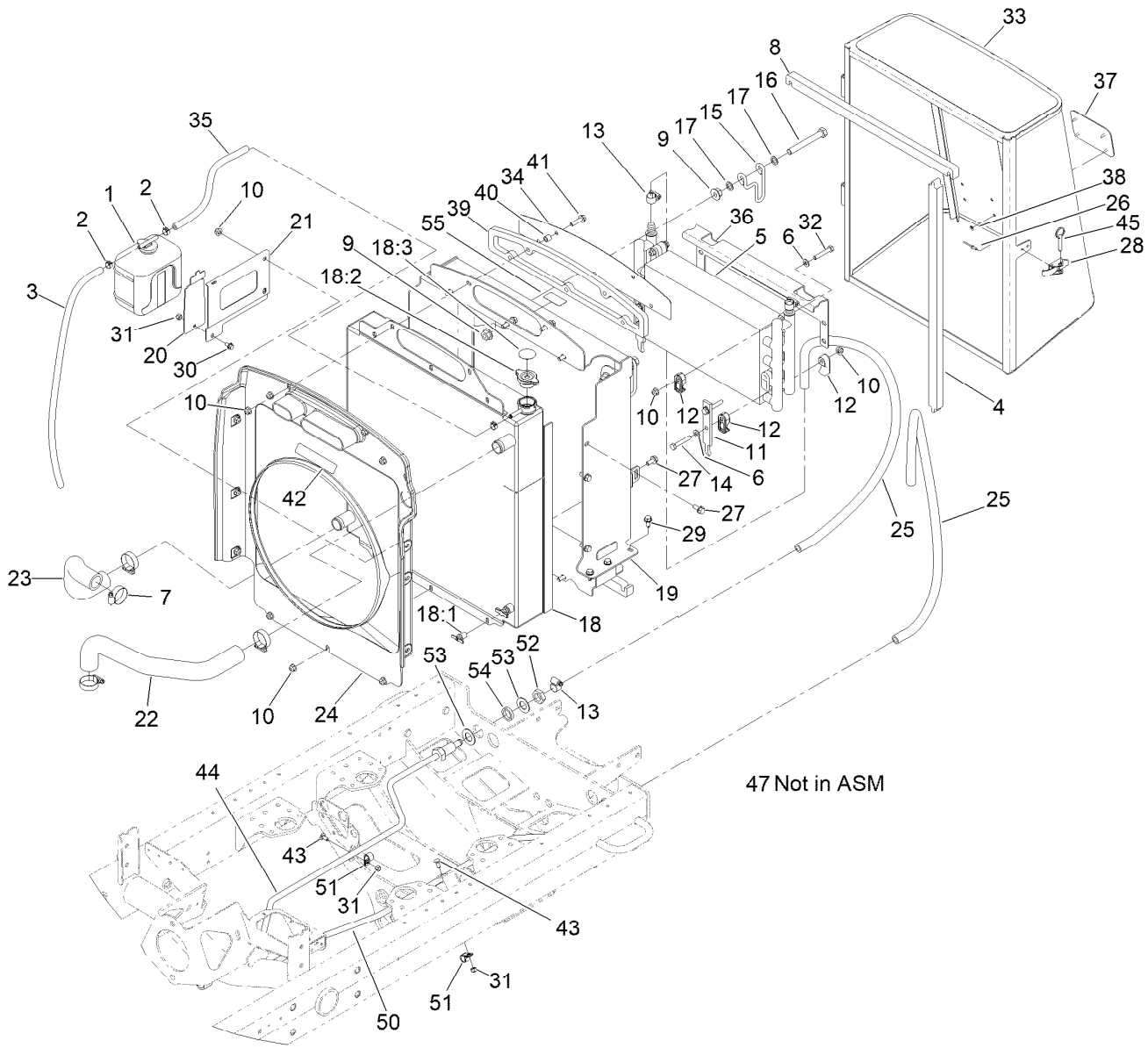
<i>Ref.</i>	<i>Part Number</i>	<i>Qty.</i>	<i>Description</i>	<i>Ref.</i>	<i>Part Number</i>	<i>Qty.</i>	<i>Description</i>
1	110-5255	2	Bumper-Base, Seat	12	125-2121-03	1	Hinge-Seatbase
2	104-8301	4	Nut-HF, NI	13	104-4821	1	Spring-Torsion
3	3231-27	4	Screw-CARR	14	3272-6	1	Pin-Cotter
4	283-83	2	Pin-Clevis	15	94-3829	1	Pin-Clevis
5	110-8971	1	Latch	16	3256-2	1	Washer-Flat
6	3290-307	4	Pin-Cotter	17	240-12	1	Grommet-Rubber
7	98-0917	2	Rod-Prop	18	145-2480-0P	1	Bracket-Harness
8	145-2450	1	Cover-Seatbase	19	99-6810	2	Screw-HHF
9	125-2122-03	1	Seat Base ASM	20	104-7201	2	Nut-HF, NI
10	3272-11	2	Pin-Cotter	21	131-8388	1	Socket-USB
11	3256-24	4	Washer-Plain				



## Hood Assembly

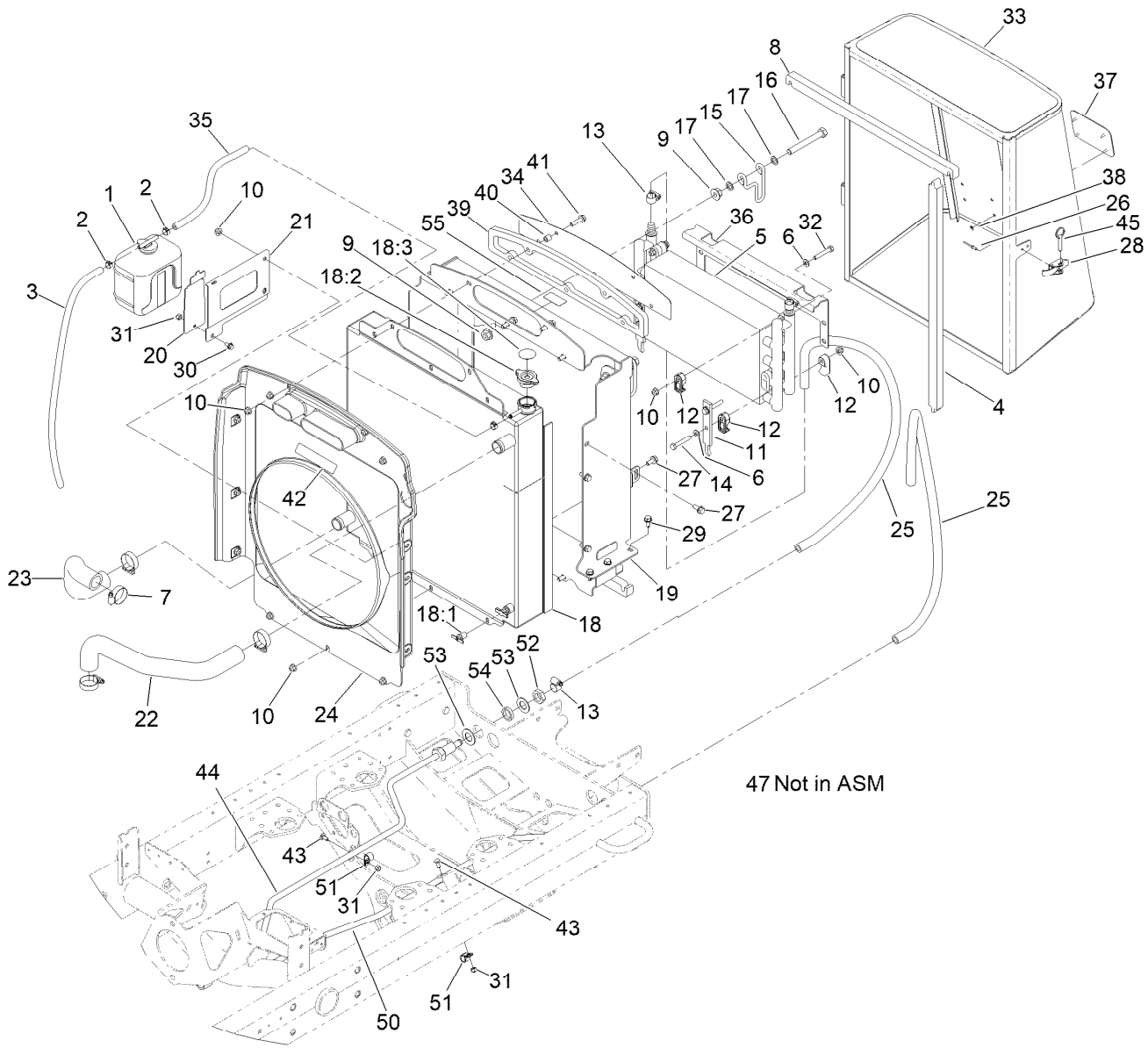
Ref.	Part Number	Qty.	Description	Ref.	Part Number	Qty.	Description
2	145-2456	1	Saddle-Hood	10	32104-17	8	Screw-HWH
3	145-2536	1	Hood ASM (Rm5010-H Service)	11	3234-21	10	Screw-HHF
3:2	106-6754	2	Decal-Danger	12	104-7201	10	Nut-HF, NI
3:3	110-5252	1	Foam-Sealed	13	32105-13	4	Screw-HWH
3:4	110-9002	1	Foil Tape Kit ●	14	3256-14	4	Washer-Flat
3:5	66-6140	2	Decal	15	3296-12	4	Nut-Lock, NI
3:6	127-2304	2	Decal	16	283-61	2	Pin-Yoke
3:7	119-7580	2	Decal-Smart, Energy	17	107-8042	2	Bumper-Rubber
3:8	121-1594	2	Decal-Smart Power	18	98-5398	1	Latch
4	103-2897	2	Latch-Catch	18:1	3218-20	1	Nut-Jam ●
5	103-2898	2	Latch-Rubber	19	32104-32	4	Screw-HWH
6	125-8819-03	1	Tube-Frame, Hood	20	104-1453	1	Grommet
7	105-7512	2	Pin-Tie, Bow	22	99-4958	1	Spacer
9	108-1790-03	2	Tube	23	110-0979-03	2	Bracket-Deflector

● Not illustrated



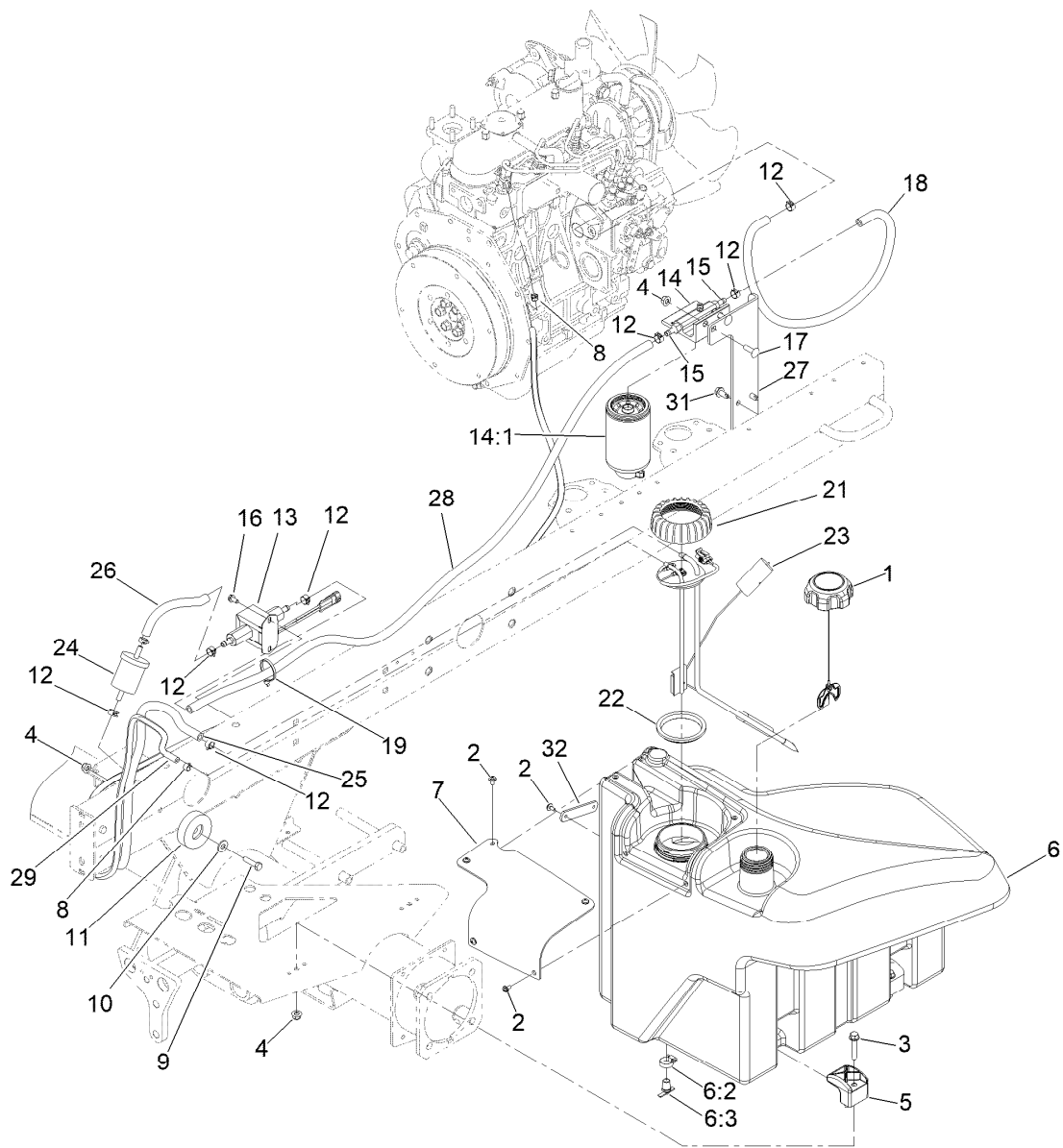
## Radiator Assembly

Ref.	Part Number	Qty.	Description	Ref.	Part Number	Qty.	Description
1	108-0638	1	Bottle-Overflow	19	127-2665-03	1	Frame-Support, Radiator
2	92-2379	3	Clamp-Hose	20	108-1665-0P	1	Bracket - Reservoir
3	110-3257	1	Hose-Fuel	21	108-1666-0P	1	Bracket - Reservoir
4	110-0967	2	Seal-Foam	22	108-1696	1	Hose-Formed
5	127-2480	1	Cooler-Oil	23	108-1697	1	Hose-Formed
6	3256-23	8	Washer-Plain	24	127-2474	1	Shroud-Fan
7	2412-3	4	Clamp-Hose	25	127-2346	2	Hose
8	110-0968	2	Seal-Foam	26	3269-15	2	Rivet-Pop
9	32128-49	4	Nut-HHF	27	3234-5	9	Screw-HHF
10	104-8300	22	Nut-HF, NI	28	115-1554	1	Latch-Draw
11	104-5460-03	2	Plate-Mount, Oil Cooler	29	32104-32	6	Screw-HWH
12	105-3943	16	Clamp-Cooler, Oil	30	3234-13	1	Screw-HHF
13	2412-119	4	Clamp-Hose	31	3296-42	3	Nut-Lock, NI
14	322-10	4	Screw-HH	32	322-21	4	Screw-HH
15	104-5429	2	Clamp-Form, Wire	33	110-0952-03	1	Screen ASM
16	325-17	2	Screw-HH	34	108-1843-0P	1	Screen - Air Intake
17	41-8440	4	Washer	35	110-4104	1	Hose-Fuel
18	119-6956	1	Radiator ASM	36	107-2043-03	1	Bracket-Oil Cooler, Top
18:1	304-46	1	Draincock	37	93-6028	1	Plate-Logo
18:2	93-5957	1	Cap-Radiator	38	138-6996	4	Nut-Push
18:3	106-6755	1	Decal-Cap, Radiator	39	110-5324	1	Seal-Foam



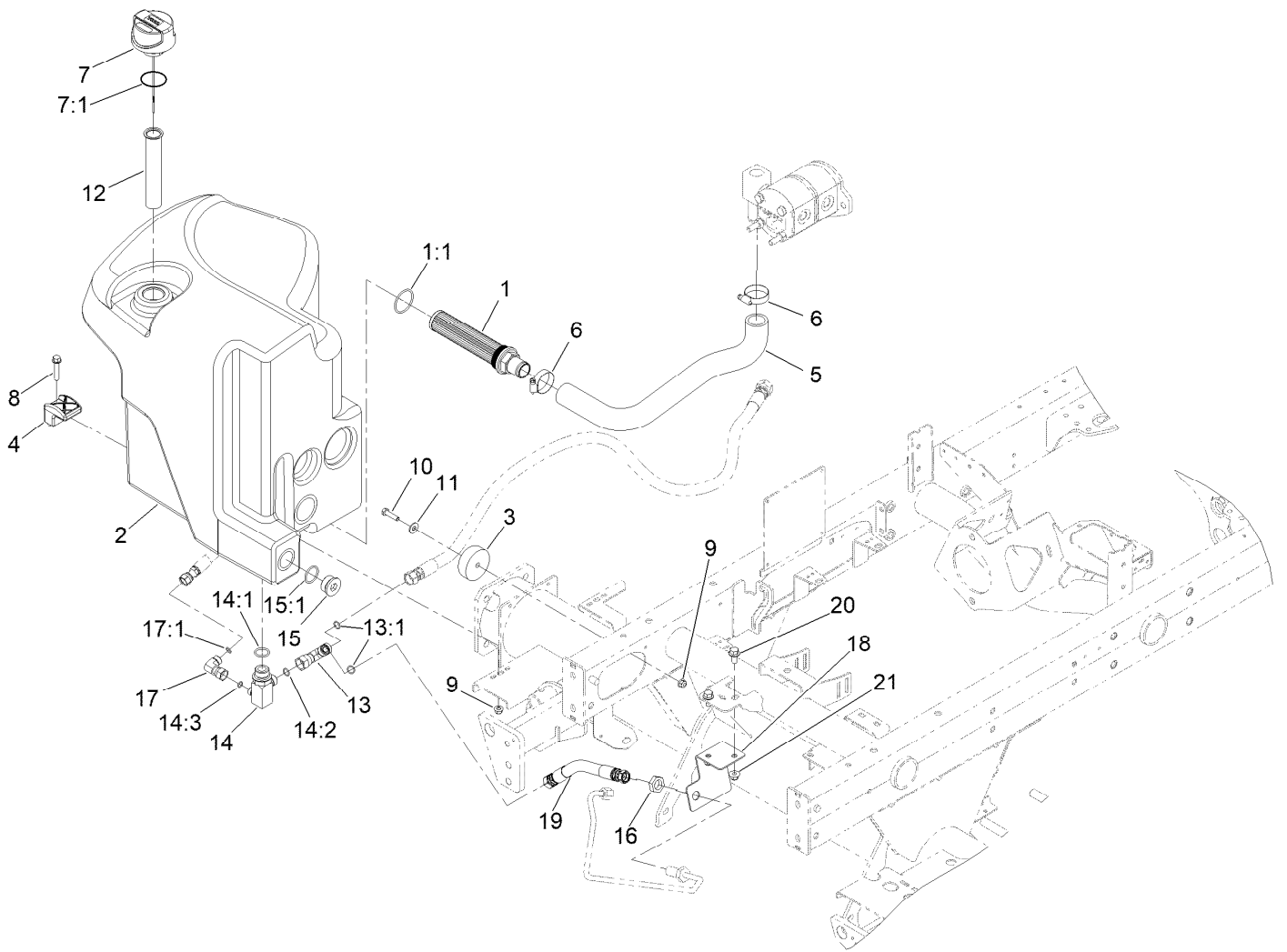
## Radiator Assembly (continued)

<i>Ref.</i>	<i>Part Number</i>	<i>Qty.</i>	<i>Description</i>	<i>Ref.</i>	<i>Part Number</i>	<i>Qty.</i>	<i>Description</i>
40	1-603903	5	Spacer	50	127-2475	1	Tube ASM
41	3234-36	5	Screw-HHF	51	2412-73	2	Clamp-R
42	93-7272	1	Decal-Warning	52	340-127	2	Nut-Bulkhead
43	3229-11	2	Screw-CARR	53	69-8930	4	Washer
44	145-2571	1	Hydraulic Tube ASM	54	127-2344	2	Spacer
45	115-1556	1	Pin-Ball, Detent	55	137-8127	1	Decal-No Spray
47	110-0971	2	Seal-Foam				



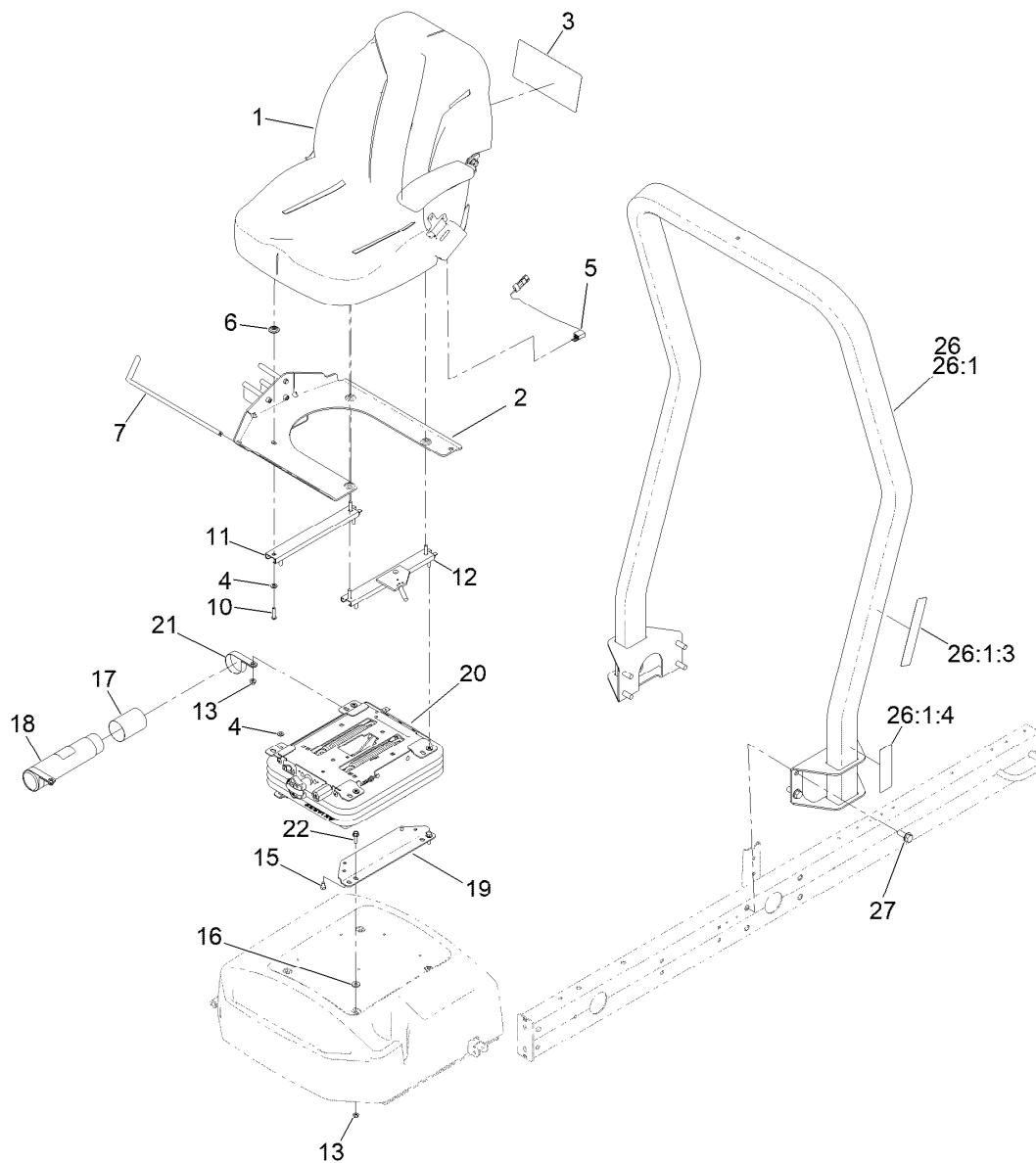
## Fuel System Assembly

Ref.	Part Number	Qty.	Description	Ref.	Part Number	Qty.	Description
1	117-5894	1	Fuel Cap ASM	15	353-783	2	Fitting-STR
2	109-2661	7	Screw-PPH	16	32144-4	1	Screw-HWH
3	94-5780	2	Screw-HWH	17	3230-22	2	Screw-CARR
4	104-8300	5	Nut-HF, NI	18	109-0309	1	Hose-Fuel
5	107-4543	2	Clamp	19	3290-378	3	Tie-Cable
6	125-2907	1	Fuel Tank ASM	21	115-2162	1	Cap-Pump, Fuel
6:2	2412-36	1	Clamp-Hose	22	115-2163	1	Gasket-Pump, Fuel
6:3	304-46	1	Draincock	23	121-5642	1	Sender-Fuel
7	125-2903	1	Cover-Pump/Sender	24	98-7612	1	Filter-Fuel
8	2412-80	2	Clamp-Hose	25	110-3257	1	Hose-Fuel
9	322-6	1	Screw-HH	26	112-2386	1	Hose-Fuel
10	3256-3	1	Washer-Flat	27	110-8968-0P	1	Mount-Water Separator
11	108-1605	1	Bumper-Recess	28	110-3259	1	Hose-Fuel
12	92-2379	8	Clamp-Hose	29	125-8808	1	Hose-Fuel
13	145-3160	1	Pump-Fuel, Electric	31	32104-32	4	Screw-HWH
14	110-9044	1	Separator-Filter	32	125-2945	1	Strap-Cable
14:1	110-9049	1	Filter-Spin On, Fuel/Water				



## Hydraulic Tank Assembly

<i>Ref.</i>	<i>Part Number</i>	<i>Qty.</i>	<i>Description</i>	<i>Ref.</i>	<i>Part Number</i>	<i>Qty.</i>	<i>Description</i>
1	145-2463	1	Strainer-Tank, Hydraulic	13	340-104	1	Fitting-Tee
1:1	340-136	1	O-Ring	13:1	237-30	2	O-Ring
2	145-2487	1	Tank-Hydraulic	14	144-2080	1	Fitting-Manifold
3	108-1605	1	Bumper-Recess	14:1	237-81	1	O-Ring
4	107-4543	2	Clamp	14:2	237-30	1	O-Ring
5	144-2076	1	Hose-Suction	14:3	237-22	1	O-Ring
6	2412-3	2	Clamp-Hose	15	105-3921	1	Fitting-Plug
7	117-0193	1	Cap-Hydraulic, Vented Breather	15:1	237-146	1	O-Ring
7:1	237-101	1	O-Ring	16	340-127	1	Nut-Bulkhead
8	94-5780	2	Screw-HWH	17	340-159	1	Elbow-90
9	104-8300	3	Nut-HF, NI	17:1	237-22	2	O-Ring
10	322-6	1	Screw-HH	18	145-2496-0P	1	Bracket-Bulkhead, Return
11	3256-3	1	Washer-Flat	19	145-2488	1	Hose ASM-Hydraulic
12	61-2790	1	Filter-Screen	20	3234-1	2	Screw-HHF
				21	104-8301	2	Nut-HF, NI

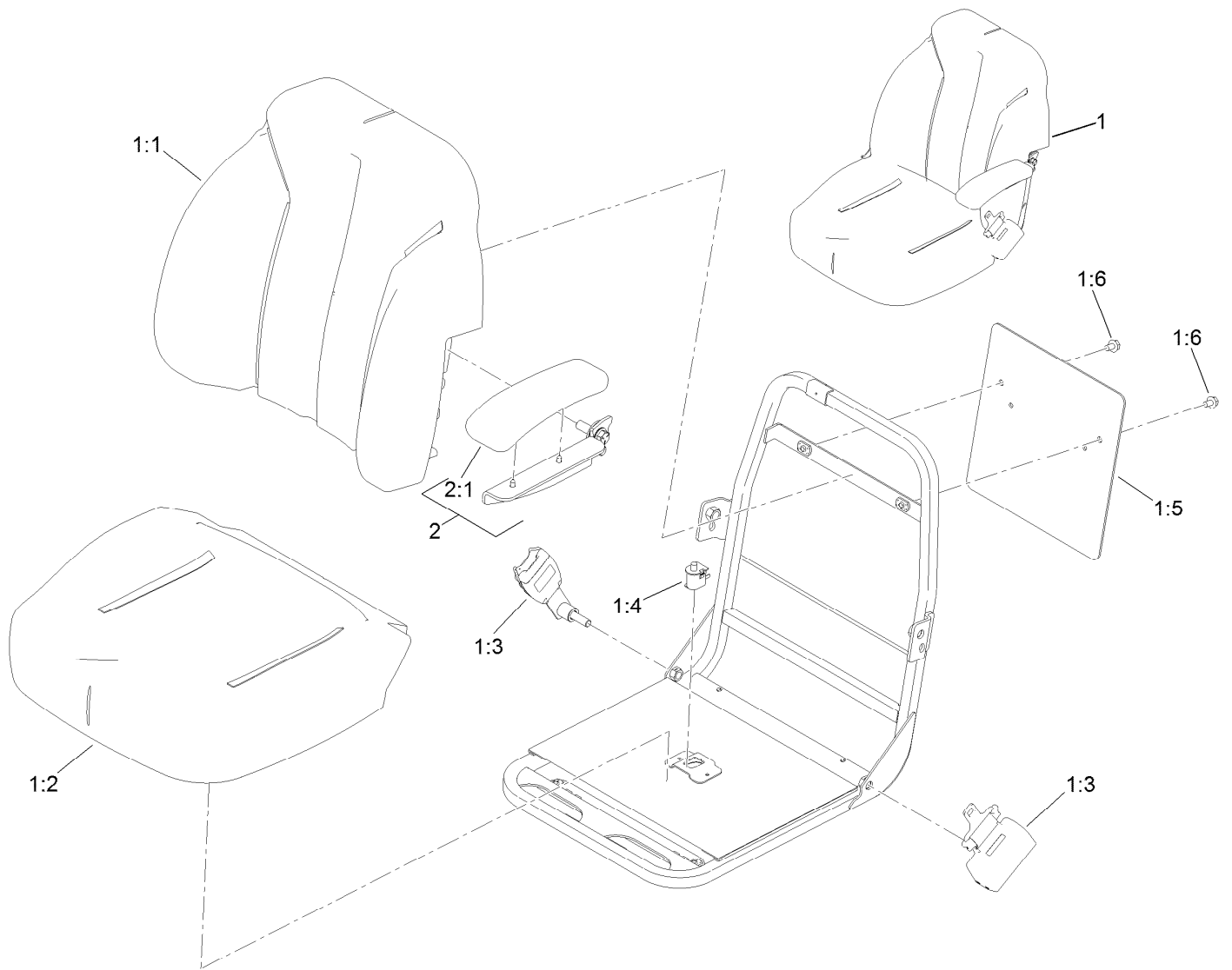


## Seat and Roll-Over Protection System Assembly

Ref.	Part Number	Qty.	Description	Ref.	Part Number	Qty.	Description
1	139-2700	1	Seat ASM	16	71-9310	4	Spacer
2	138-6985-03	1	Mount-Seat	17	104-7048	1	Cap-Housing
3	145-2572	1	Decal-Service	18	104-7050	1	Tube-Manual
4	3256-23	8	Washer-Plain	19	108-6590-0P	2	Bracket-Seat, Lower
5	108-8657	1	Harness-Wire, Seat	20	145-5295	1	Suspension ASM
6	136-9002	4	Spacer-Mounting	21	2412-133	2	Clamp-R
7	130-7100	1	Trim-Seatbase	22	3234-17	4	Screw-HHF
10	3290-511	4	Screw-HSBH	26	136-7954	1	ROPS ASM
11	92-8990	1	Adjuster-Seat, Non-Locking	26:1		1	ROPS ASM ●
12	92-8991	1	Adjuster (W/Latch)	26:1:3	136-3702	1	Decal-Safety, ROPS
13	104-8300	8	Nut-HF, NI	26:1:4	136-2159	1	Decal-Seat Service
15	48-7680	4	Screw-HH	27	3234-38	8	Screw-HHF

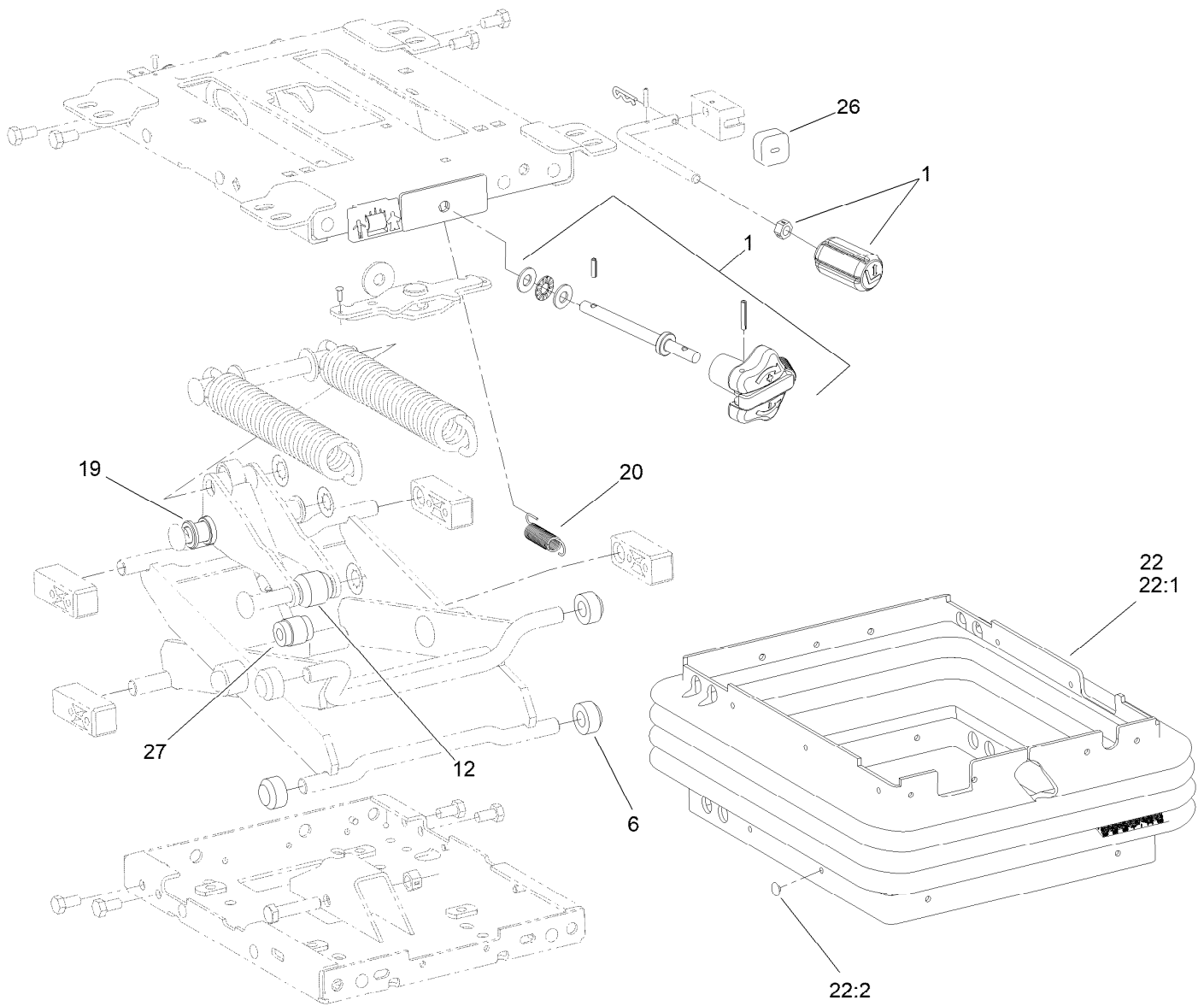
● Not serviced separately





## Seat Assembly No. 139-2700

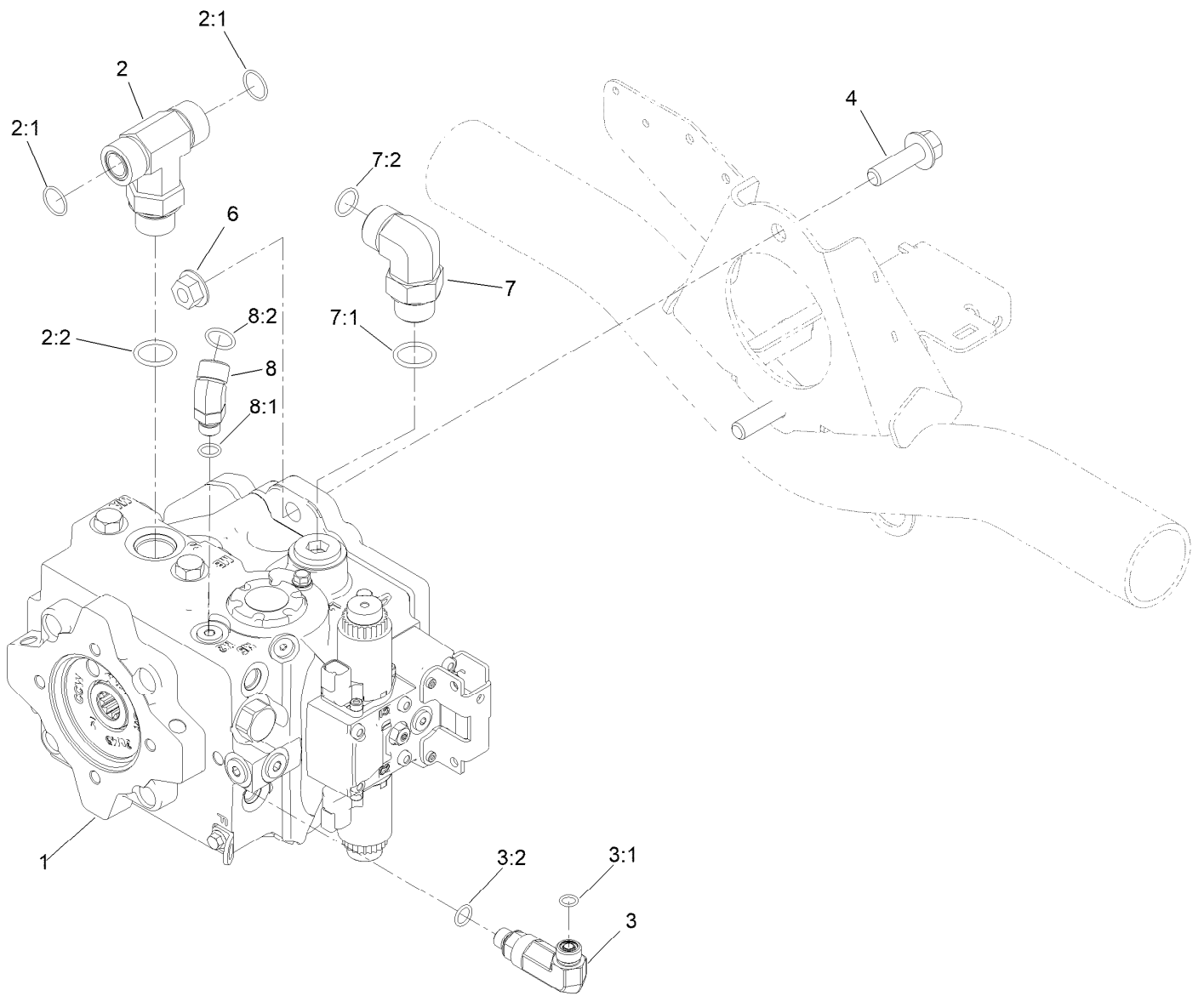
<i>Ref.</i>	<i>Part Number</i>	<i>Qty.</i>	<i>Description</i>
1	139-2680	1	Seat ASM
1:1	145-0083	1	Cover-Seat, Back
1:2	145-0084	1	Cover-Seat, Bottom
1:3	139-2707	1	Seat Belt Kit
1:4	82-2190	1	Switch-Bail
1:5	139-2701	1	Plate-Decal
1:6	3234-30	2	Screw-HHF
2	121-3660	1	LH Arm Rest Kit
2:1	110-4163	1	Cushion-Rest, Arm



## Mechanical Seat Suspension Assembly No. 145-5295

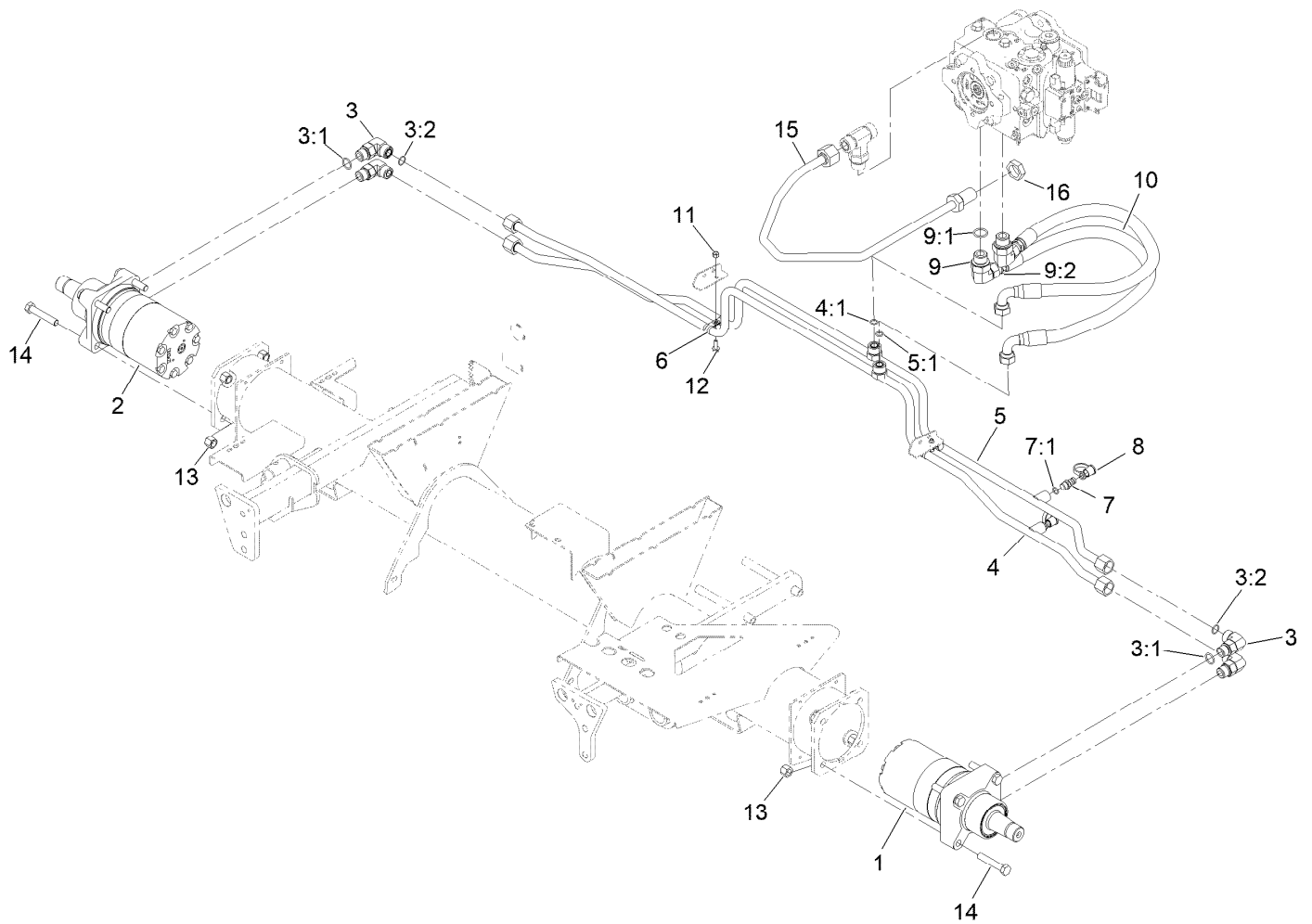
Ref.	Part Number	Qty.	Description
1	145-5296	1	Knob Service Kit
6	108-9632	4	Roller
12	145-5297	1	Roller-Plastic, 36MM
19	108-9622	2	Tube
20	108-9633	1	Spring-Extension
22	112-0164	1	Boot Kit
22:1		1	Boot-Suspension ●
22:2	108-9641	21	Clip-Plug
26	108-9634	1	Bumper
27	108-9614	1	Damper

● Not serviced separately



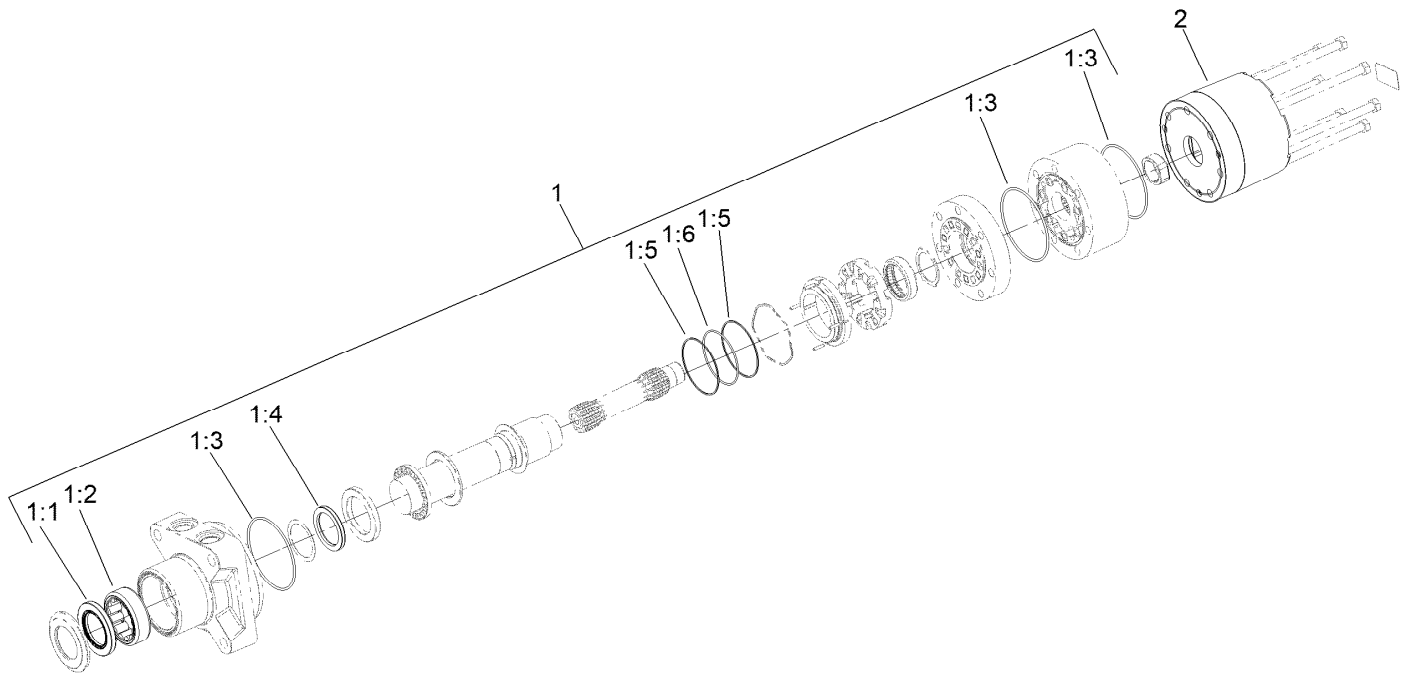
## Traction Pump Mounting Assembly

Ref.	Part Number	Qty.	Description
1	144-2060	1	Pump-Hydraulic
2	104-4836	1	Fitting-Tee
2:1	237-58	2	O-Ring
2:2	237-81	1	O-Ring
3	340-5	1	Fitting-Straight
3:1	237-42	1	O-Ring
3:2	237-30	1	O-Ring
4	130-6481	2	Screw-HHF
6	32128-49	2	Nut-HHF
7	340-139	1	Fitting-Elbow 90
7:1	237-81	1	O-Ring
7:2	237-65	1	O-Ring
8	340-96	1	Adapter
8:1	237-30	1	O-Ring
8:2	237-42	1	O-Ring



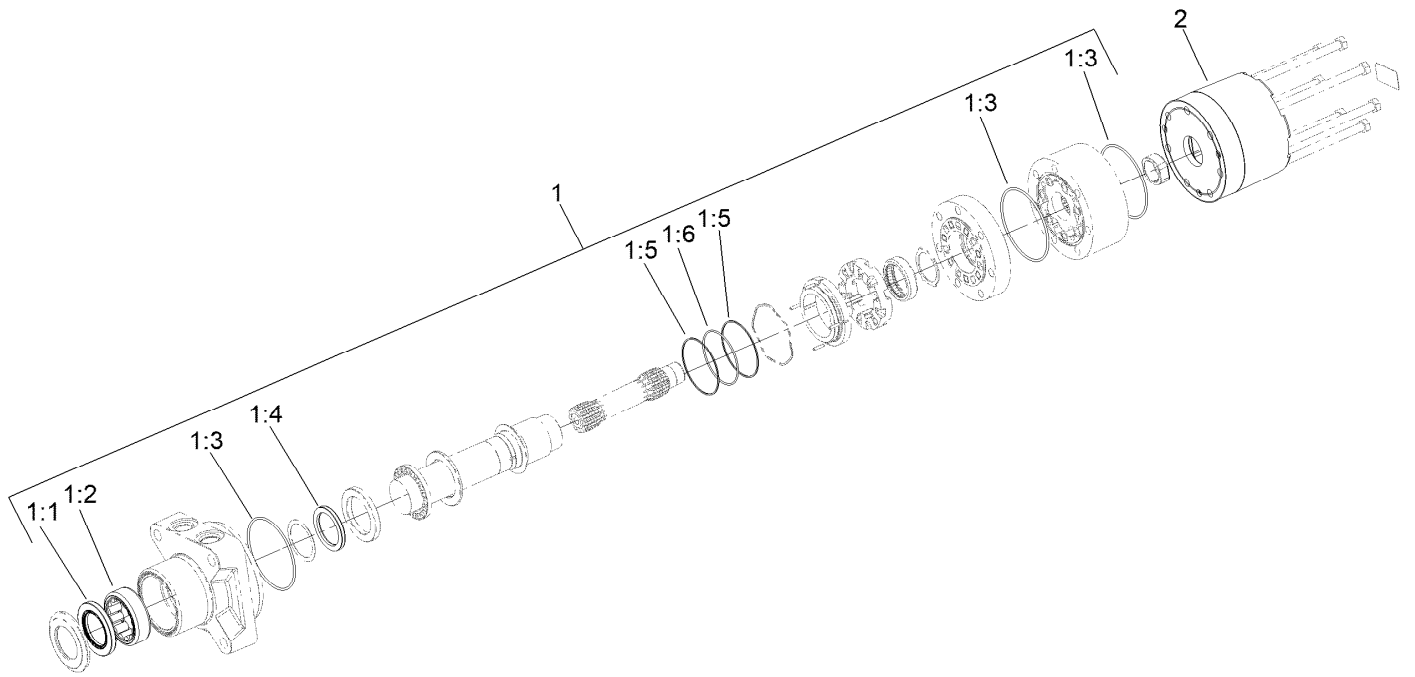
## Traction Hydraulic Assembly

<i>Ref.</i>	<i>Part Number</i>	<i>Qty.</i>	<i>Description</i>	<i>Ref.</i>	<i>Part Number</i>	<i>Qty.</i>	<i>Description</i>
1	139-6038	1	Hydraulic Motor ASM	8	354-79	2	Cap-Dust
2	139-6039	1	Hydraulic Motor ASM	9	340-139	2	Fitting-Elbow 90
3	340-17	4	Fitting-Elbow, 90 DEG	9:1	237-81	1	O-Ring
3:1	237-65	1	O-Ring	9:2	237-65	1	O-Ring
3:2	237-80	1	O-Ring	10	127-2300	2	Hose ASM
4	125-1493	1	Tube ASM	11	3296-42	2	Nut-Lock, NI
4:1	237-65	1	O-Ring	12	3234-4	2	Screw-HHF
5	125-1494	1	Tube ASM	13	3296-23	8	Nut-Lock, NI
5:1	237-65	1	O-Ring	14	325-11	8	Screw-HH
6	2412-134	4	Clamp-R	15	145-2551	1	Hydraulic Tube ASM
7	59-7410	2	Fitting-Diagnostic	16	340-74	1	Nut-Lock, Bulkhead
7:1	237-42	1	O-Ring				



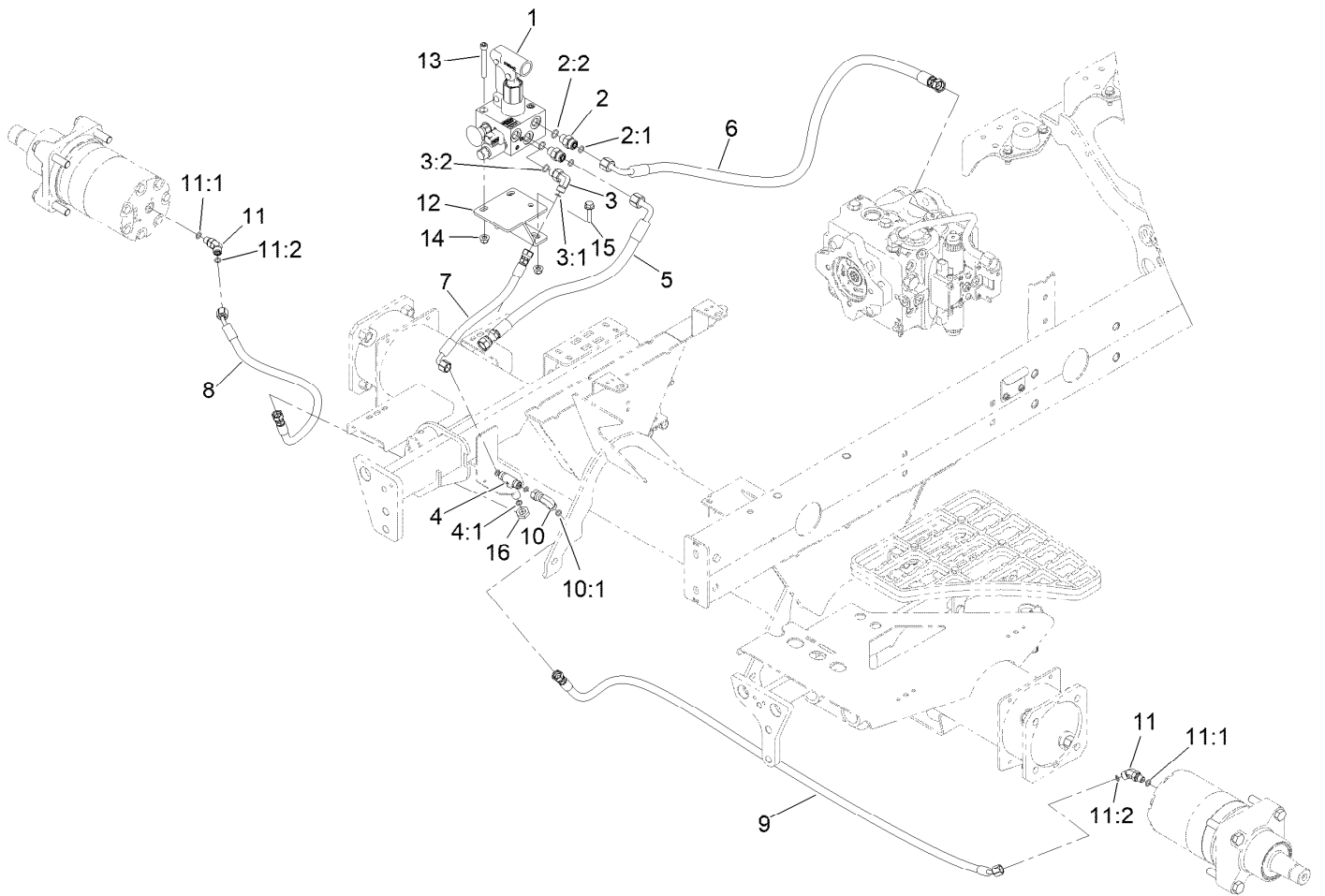
## Hydraulic Motor Assembly No. 139-6038

<i>Ref.</i>	<i>Part Number</i>	<i>Qty.</i>	<i>Description</i>
1	161-7208	1	Seal Kit
1:1	161-7209	1	Seal, Grease
1:2	161-7210	1	Shell, Bearing
1:3	161-7211	3	O-Ring
1:4	161-7212	1	Shaft Seal (HP)
1:5	161-7213	2	Back-Up Ring
1:6	161-7214	1	O-Ring
2	145-2597	1	Brake Housing ASM



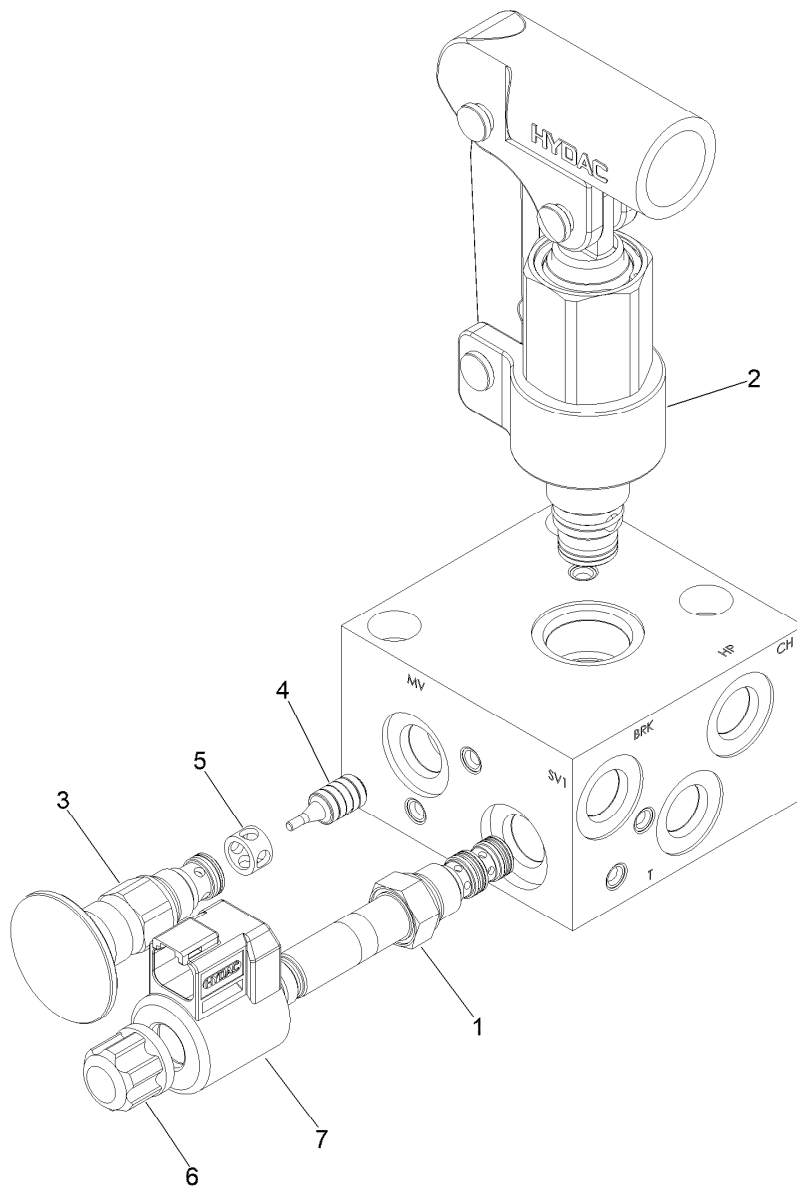
## Hydraulic Motor Assembly No. 139-6039

<i>Ref.</i>	<i>Part Number</i>	<i>Qty.</i>	<i>Description</i>
1	161-7208	1	Seal Kit
1:1	161-7209	1	Seal, Grease
1:2	161-7210	1	Shell, Bearing
1:3	161-7211	3	O-Ring
1:4	161-7212	1	Shaft Seal (HP)
1:5	161-7213	2	Back-Up Ring
1:6	161-7214	1	O-Ring
2	145-2597	1	Brake Housing ASM



## Hydraulic Brake Assembly

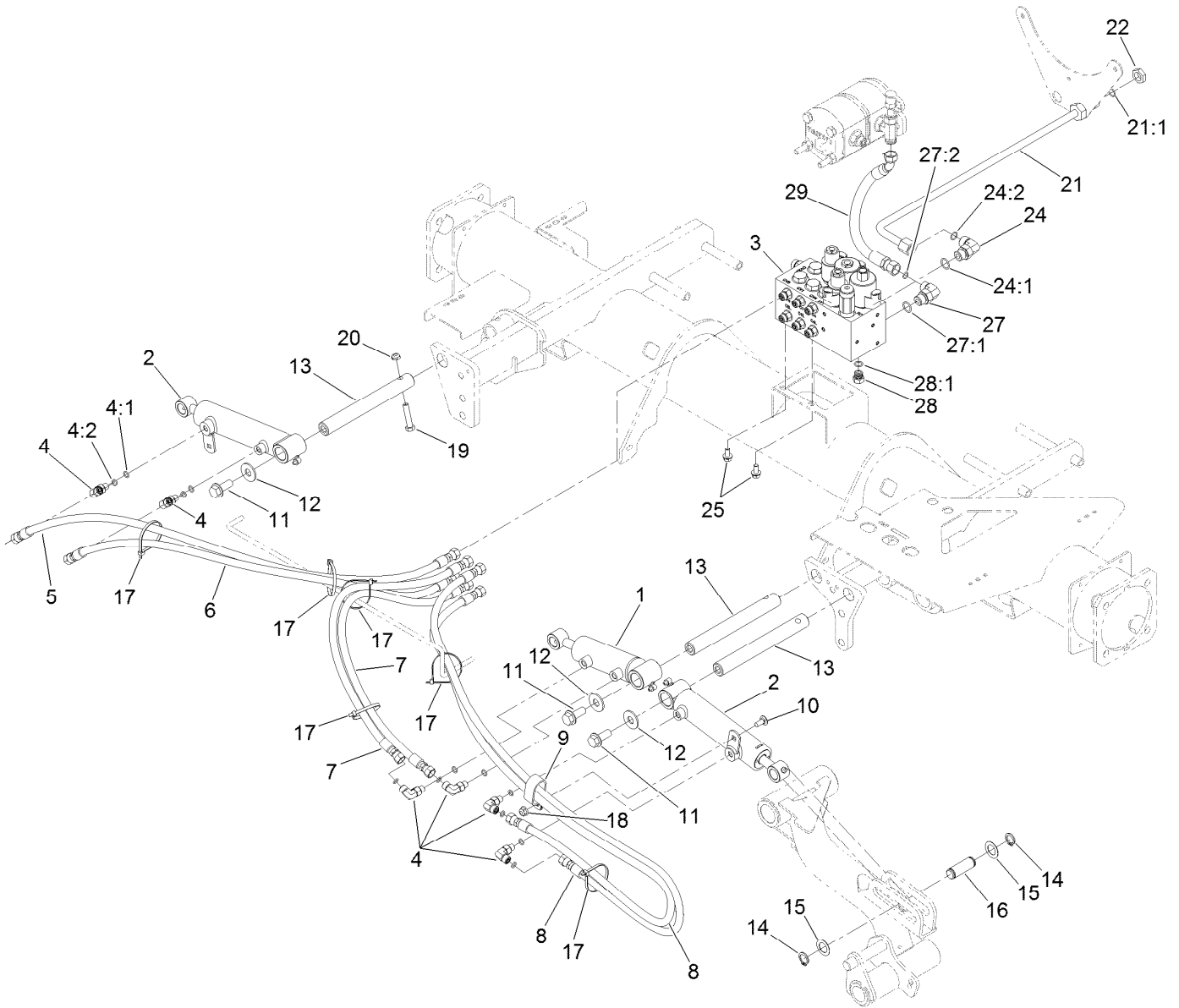
Ref.	Part Number	Qty.	Description	Ref.	Part Number	Qty.	Description
1	139-6046	1	Manifold-Brake Release	9	115-2029	1	HYD Hose ASM
2	340-2	2	Fitting-Straight	10	92-2745	1	Elbow-90
2:1	237-22	1	O-Ring	10:1	237-21	1	O-Ring
2:2	237-42	1	O-Ring	11	340-103	2	Fitting-HYD, 45 DEG
3	340-82	1	Fitting-Elbow, 90 DEG	11:1	237-78	1	O-Ring
3:1	237-42	1	O-Ring	11:2	237-21	1	O-Ring
3:2	237-21	1	O-Ring	12	145-2459-03	1	Mount - Brake Release [black]
4	140-7452	1	Fitting-Tee, Bulkhead	13	3274-40	3	Screw-HSH
4:1	237-21	3	O-Ring	14	104-8300	5	Nut-HF, NI
5	139-1151	1	HYD Hose ASM	15	3234-29	2	Screw-HHF
6	144-2078	1	Hose ASM-Hydraulic	16	340-78	1	Nut-Lock
7	121-4455	1	Hose-HYD				
8	145-2599	1	Hose ASM-HYD HP				



## Brake Release Manifold Assembly No. 139-6046

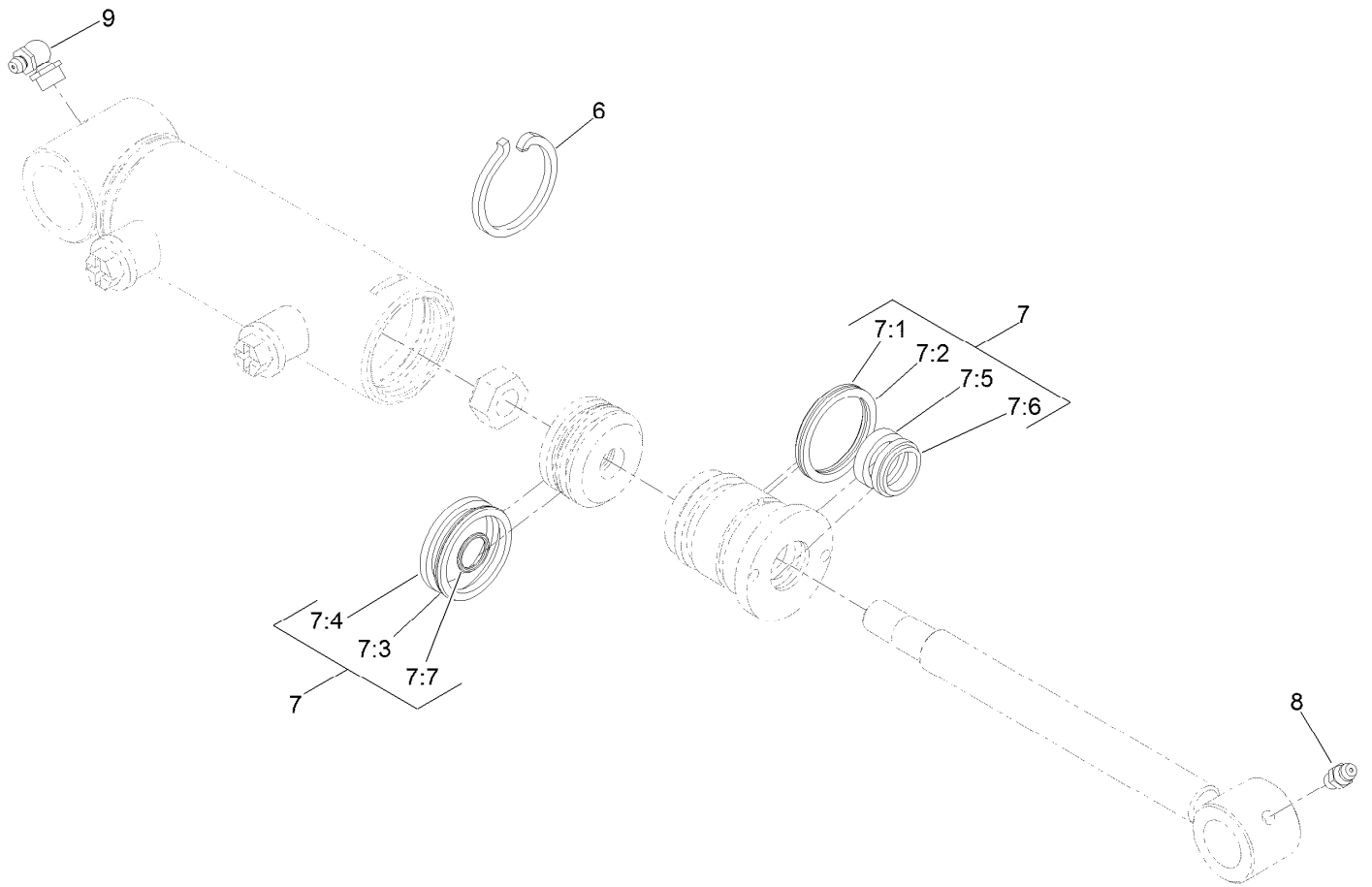
<i>Ref.</i>	<i>Part Number</i>	<i>Qty.</i>	<i>Description</i>
1	145-2563	1	Directional Valve, 3W/2P
2	145-2564	1	Hand Pump
3	145-2565	1	Manual Valve, N.O.
4	145-2566	1	Pilot Piston Assy, Rvs06
5	145-2567	1	Spacer
6	145-2569	1	Coil Nut, Tall (06 Valves)
S1	145-2568	1	Coil 12Dn01-32-1329





## Front Lift Hydraulic Assembly

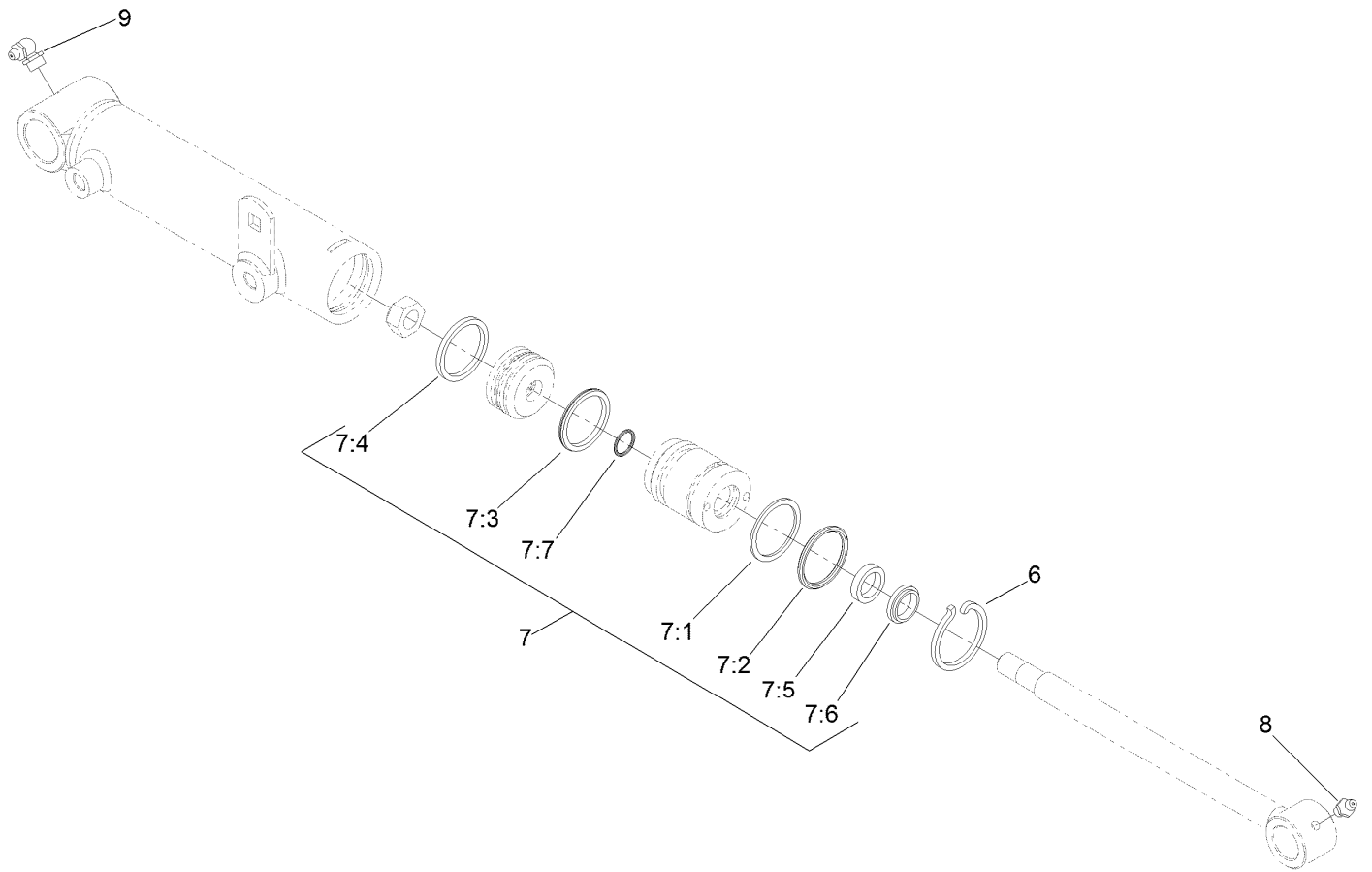
Ref.	Part Number	Qty.	Description	Ref.	Part Number	Qty.	Description
1	138-6999	1	HYD Cylinder ASM	16	104-0046	3	Pin-Slide, Cylinder
2	119-6987	2	HYD Cylinder ASM	17	3290-379	6	Tie-Cable
3	105-7577	1	HYD Lift Block Manifold ASM	18	104-8300	1	Nut-HF, NI
4	340-132	6	Fitting-Elbow, 90 DEG	19	323-9	3	Screw-HH
4:1	237-78	1	O-Ring	20	3296-59	3	Nut-Lock, NI
4:2	237-21	1	O-Ring	21	127-2477	1	Tube ASM
5	127-2498	1	Hose ASM	21:1	237-30	1	O-Ring
6	127-2499	1	Hose ASM	22	340-127	1	Nut-Bulkhead
7	127-2497	2	Hose ASM	24	340-98	1	Fitting-Elbow, 90 DEG
8	127-2496	2	Hose ASM	24:1	237-79	1	O-Ring
9	2412-137	1	Clamp-R, Double	24:2	237-30	1	O-Ring
10	3230-23	1	Bolt-CARR	25	3234-14	2	Screw-HHF
11	3234-38	3	Screw-HHF	27	340-18	1	Fitting-HYD, 90 DEG
12	3256-6	3	Washer-Flat	27:1	237-79	1	O-Ring
13	117-0148	3	Pin-Cylinder	27:2	237-22	1	O-Ring
14	32120-93	6	Ring-Retaining	28	353-508	1	Plug-HH
15	3-6498	6	Washer-Thrust	28:1	237-42	1	O-Ring
				29	127-2535	1	Hose-ASM



## Hydraulic Cylinder Assembly No. 138-6999

Ref.	Part Number	Qty.	Description
6	84-1680	1	Ring-Retaining
7	133-2900	1	Seal Kit
7:1		1	O-Ring ●
7:2		1	Backup ●
7:3		1	Bp Seal ●
7:4		1	Wear Ring-Ht ●
7:5		1	Bt Seal ●
7:6		1	Dust Seal-Dt ●
7:7		1	O-Ring ●
8	302-5	1	Fitting-Grease
9	302-33	1	Fitting-Grease

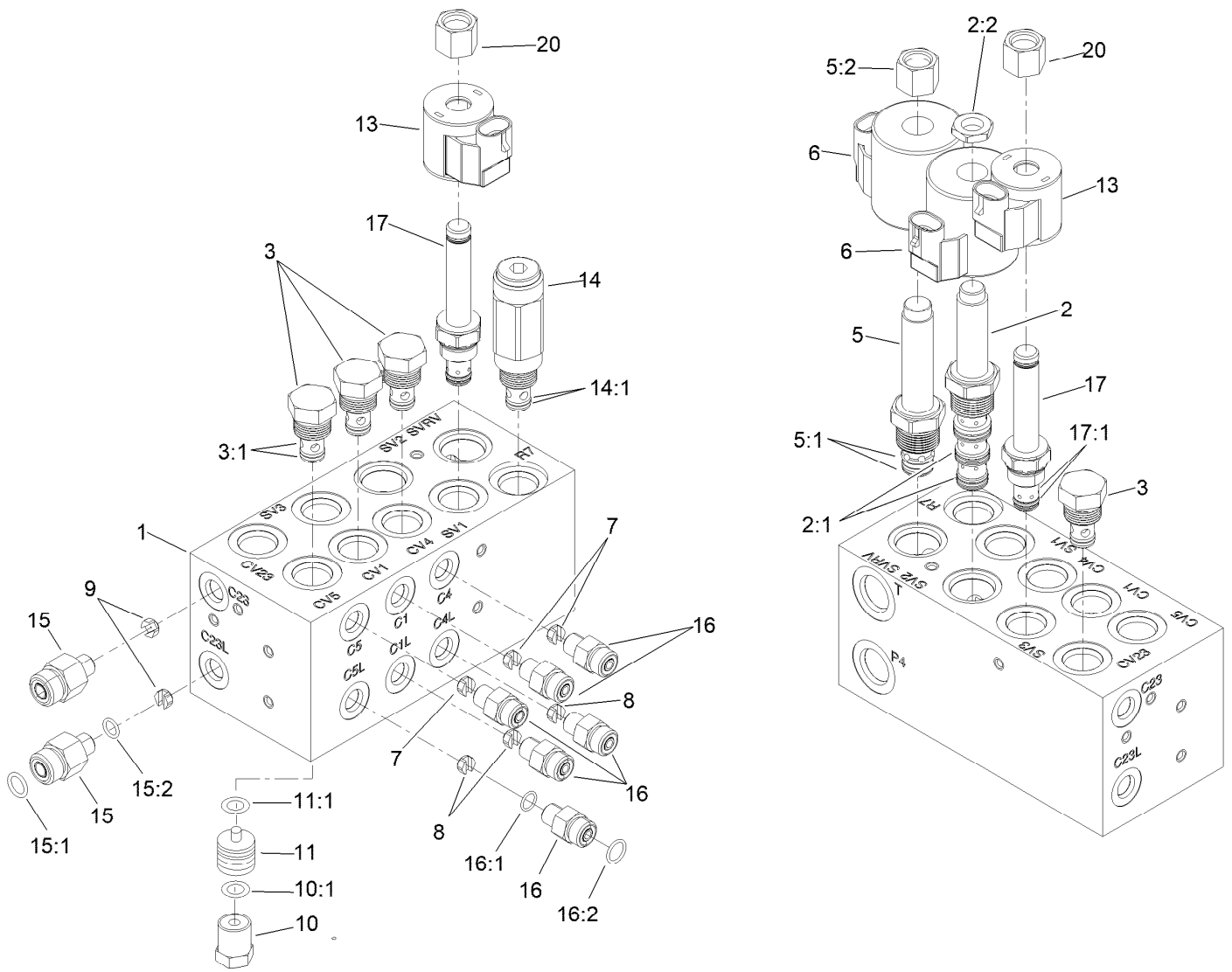
● Not serviced separately



## Hydraulic Cylinder Assembly No. 119-6987

Ref.	Part Number	Qty.	Description
6	84-1680	1	Ring-Retaining
7	133-2900	1	Seal Kit
7:1		1	O-Ring ●
7:2		1	Backup ●
7:3		1	Bp Seal ●
7:4		1	Wear Ring-Ht ●
7:5		1	Bt Seal ●
7:6		1	Dust Seal-Dt ●
7:7		1	O-Ring ●
8	302-5	1	Fitting-Grease
9	302-60	1	Fitting-Grease

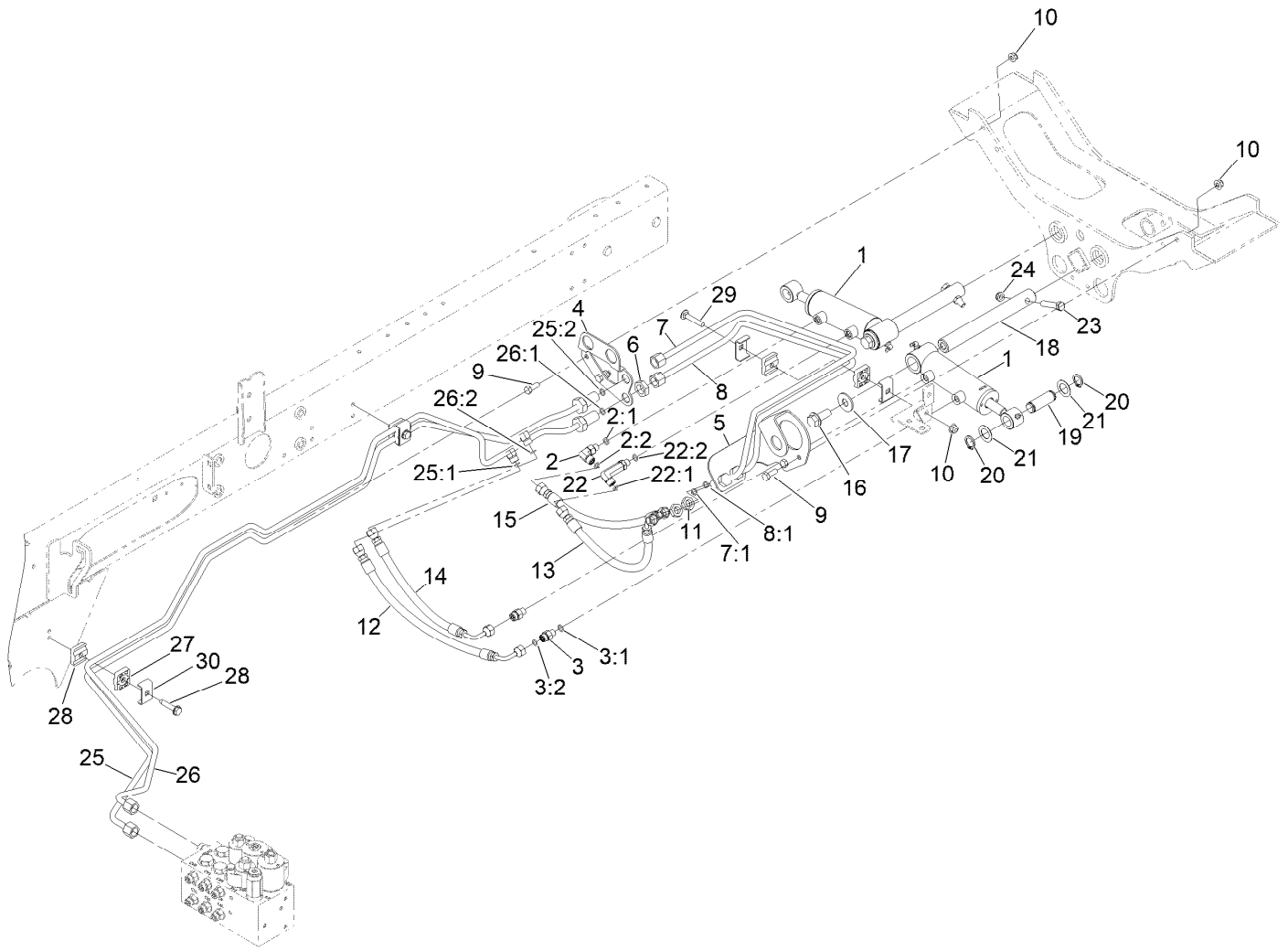
● Not serviced separately



## Hydraulic Manifold Block Assembly No. 105-7577

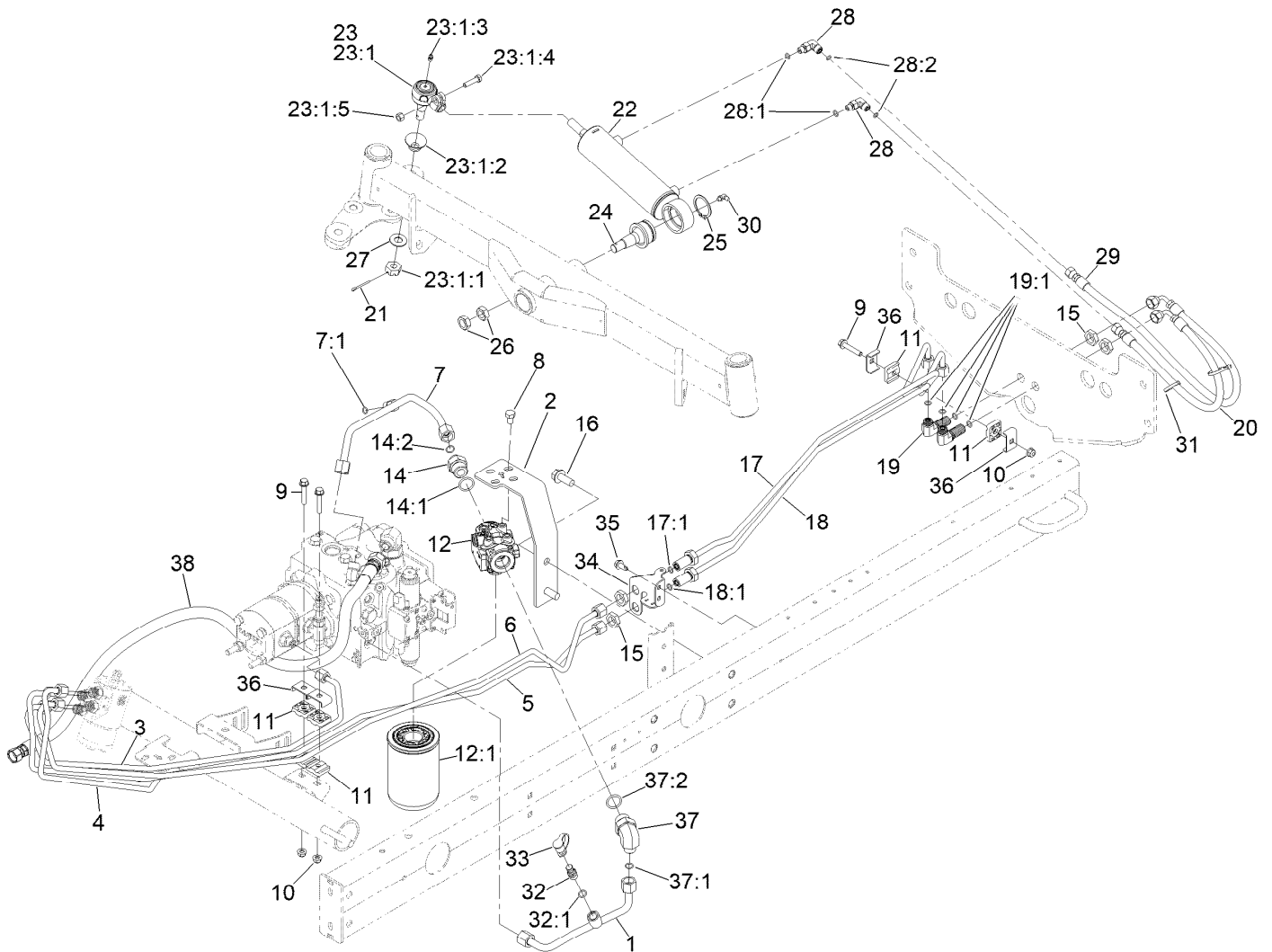
Ref.	Part Number	Qty.	Description	Ref.	Part Number	Qty.	Description
1		1	Block-Manifold ●	11	110-8901	4	Piston-Pilot
2	110-8906	1	Valve-Solenoid	11:1	110-8900	1	O-Ring
2:1	110-8908	1	Spool Valve Seal Kit	13	110-0497	2	Coil-Solenoid
2:2	110-2634	1	Nut-Coil	14	110-8899	1	Valve-Relief
3	110-9006	4	Valve-Check	14:1	105-9156	1	Seal Kit
3:1	105-9156	1	Seal Kit	15	340-88	2	Fitting-Straight
5	110-8905	1	Valve-Relief, Solenoid	15:1	237-22	1	O-Ring
5:1	110-6316	1	Seal Kit	15:2	237-78	1	O-Ring
5:2	130-8180	1	Nut-Coil (9/16-24 Unef-2B)	16	340-92	6	Fitting-Straight
6	110-6344	2	Coil-12V, DC	16:1	237-78	1	O-Ring
7	110-8904	3	Orifice-Control, Flow (0.028)	16:2	237-21	1	O-Ring
8	110-8903	3	Orifice-Control, Flow (0.055)	17	147-3090	2	Valve-Solenoid
9	110-8902	2	Orifice-Control, Flow (0.046)	17:1	107-7527	1	Seal Kit
10	354-70	4	Plug-Hex, Hollow	20	107-7812	2	Nut-Solenoid
10:1	237-80	1	O-Ring				

● Not serviced separately



## Rear Lift Hydraulic Assembly

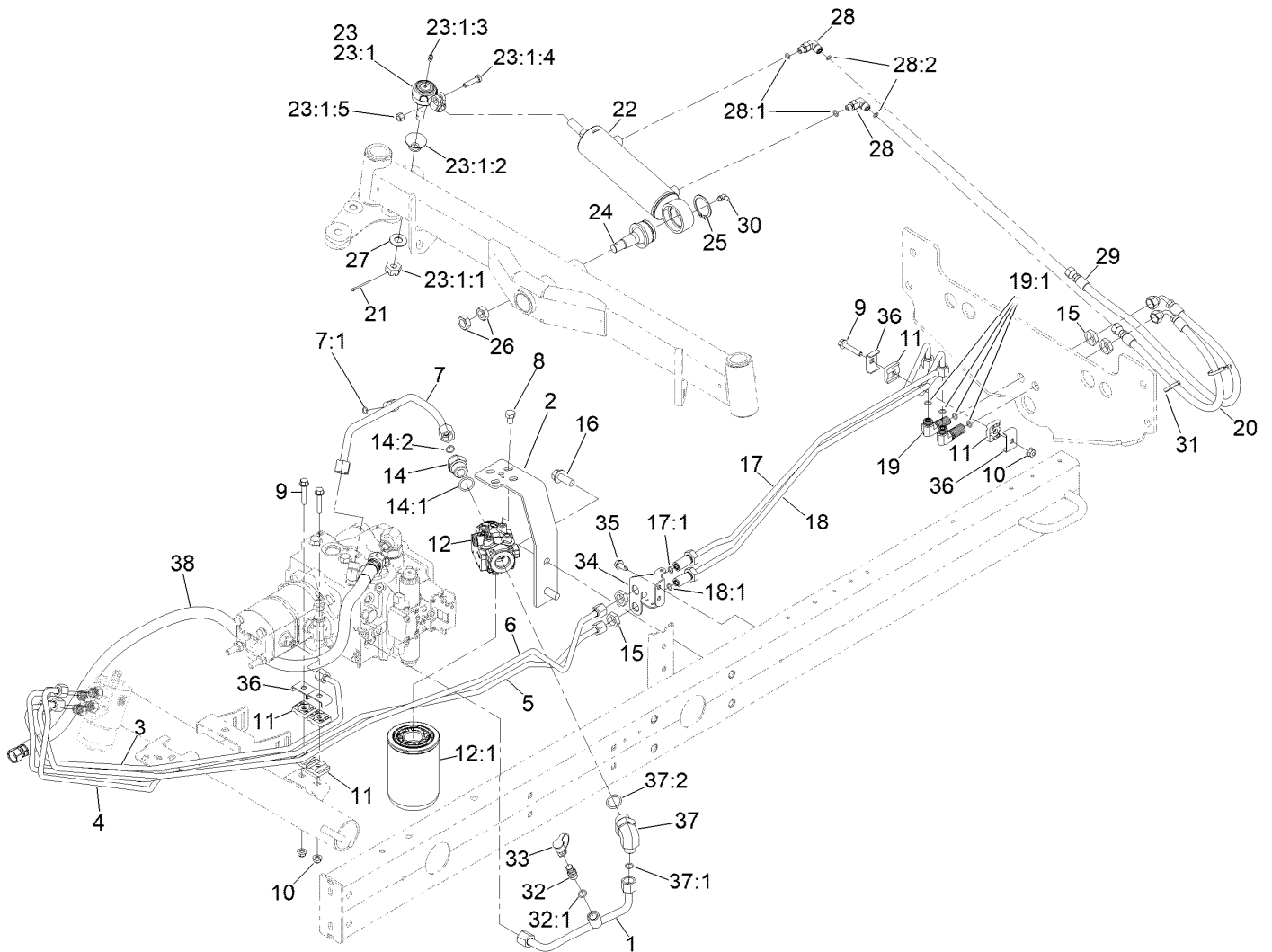
Ref.	Part Number	Qty.	Description	Ref.	Part Number	Qty.	Description
1	138-6999	2	HYD Cylinder ASM	16	3234-38	2	Screw-HHF
2	340-132	1	Fitting-Elbow, 90 DEG	17	3256-6	2	Washer-Flat
2:1	237-78	1	O-Ring	18	117-0148	2	Pin-Cylinder
2:2	237-21	1	O-Ring	19	104-0046	2	Pin-Slide, Cylinder
3	340-92	2	Fitting-Straight	20	32120-93	4	Ring-Retaining
3:1	237-78	1	O-Ring	21	3-6498	4	Washer-Thrust
3:2	237-21	1	O-Ring	22	100-7695	1	Fitting-Elbow 90
4	127-2568-0P	1	Bracket-Bulkhead, RH	22:1	237-78	1	O-Ring
5	127-2567-0P	1	Bracket-Bulkhead, LH	22:2	237-21	1	O-Ring
6	340-70	2	Nut-Lock	23	323-9	2	Screw-HH
7	133-2987	1	Tube-ASM	24	3296-59	2	Nut-Lock, NI
7:1	237-21	1	O-Ring	25	145-2555	1	Hydraulic Tube ASM
8	133-2986	1	Tube-ASM	25:1	237-21	1	O-Ring
8:1	237-21	1	O-Ring	25:2	237-22	1	O-Ring
9	322-4	4	Screw-HH	26	145-2554	1	Hydraulic Tube ASM
10	104-8300	5	Nut-HF, NI	26:1	237-21	1	O-Ring
11	340-78	2	Nut-Lock	26:2	237-22	1	O-Ring
12	110-0930	1	Hose-HYD	27	32144-57	2	Screw
13	110-8966	1	Hose-HYD	28	56-7973	6	Clamp-Tube
14	110-0929	1	Hose-HYD	29	3230-5	1	Bolt-CARR
15	110-0931	1	Hose-HYD	30	119-1418	4	Plate-Clamp, Short



## Steering Hydraulic Assembly

Ref.	Part Number	Qty.	Description	Ref.	Part Number	Qty.	Description
1	144-2057	1	Tube ASM-Hydraulic	16	3234-38	2	Screw-HHF
2	144-2086-0P	1	Bracket-Mount, Filter	17	136-3729	1	Hydraulic Tube ASM
3	144-2070	1	Tube ASM-Hydraulic	17:1	237-22	1	O-Ring
4	144-2079	1	Hydraulic Tube ASM	18	127-2338	1	Tube ASM
5	144-2072	1	Tube ASM-Hydraulic	18:1	237-22	1	O-Ring
6	144-2073	1	Tube ASM-Hydraulic	19	340-154	2	Union-Bulkhead
7	139-6047	1	Tube ASM-Hydraulic	19:1	237-22	2	O-Ring
7:1	237-22	1	O-Ring	20	110-0928	1	Hose-HYD
8	33115-016	4	Screw-HH	21	3272-12	1	Pin-Cotter
9	94-5780	3	Screw-HWH	22	110-9035	1	HYD Cylinder ASM
10	104-8300	3	Nut-HF, NI	23	106-6895-03	1	Ball Joint ASM
11	56-7973	6	Clamp-Tube	23:1		1	Joint-Ball ●
12	93-2242	1	Oil Filter ASM	23:1:1	32136-13	1	Nut-SHH
12:1	75-1310	1	Filter-HYD	23:1:2	106-6896	1	Seal
14	100-4240	1	Fitting-STR	23:1:3	302-5	1	Fitting-Grease
14:1	237-30	1	O-Ring	23:1:4	3210-7	1	Screw-HH
14:2	237-81	1	O-Ring	23:1:5	32152-5	1	Nut-Hex
15	340-70	4	Nut-Lock	24	106-6774	1	Joint-Ball

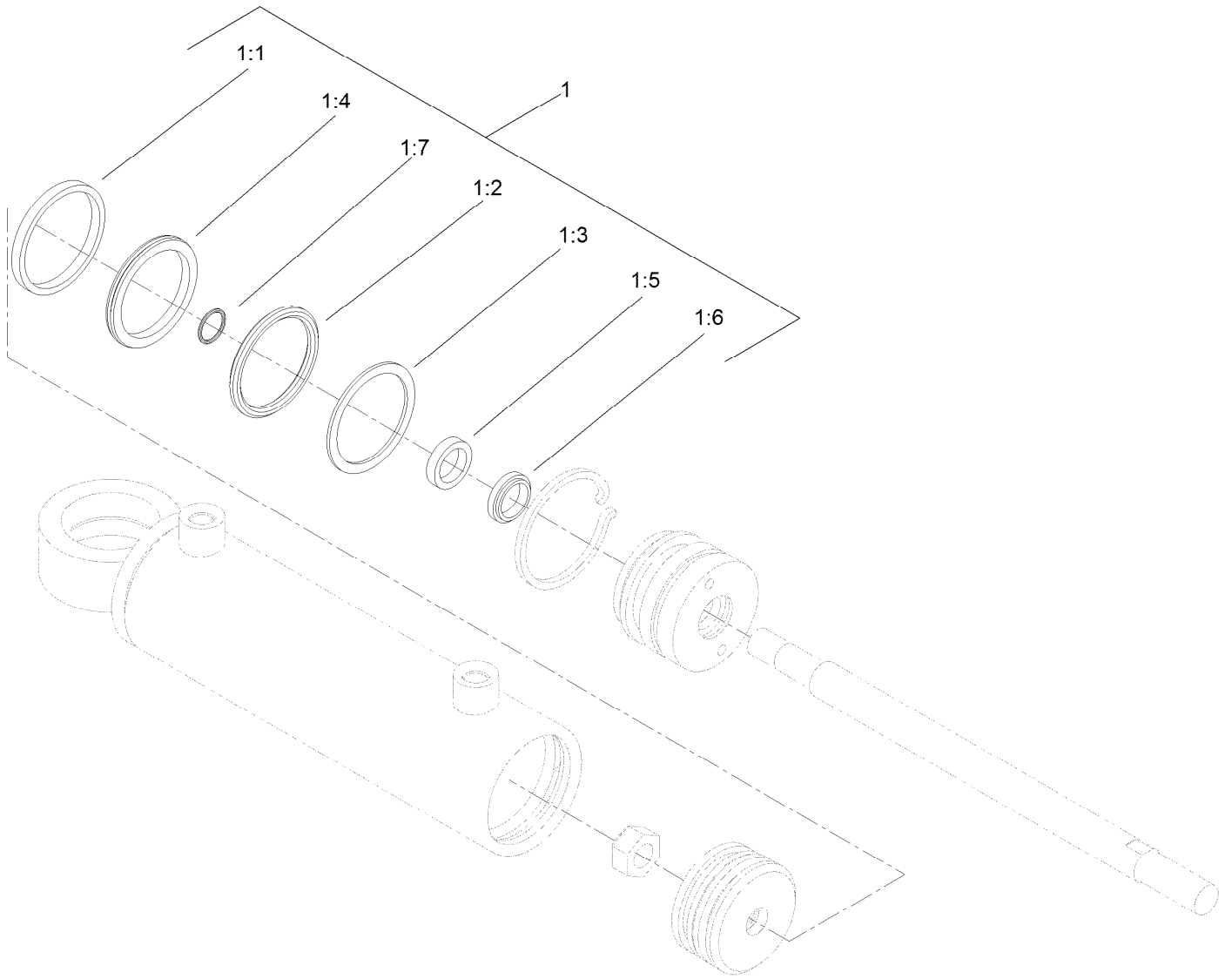
● Not serviced separately



## Steering Hydraulic Assembly (continued)

<i>Ref.</i>	<i>Part Number</i>	<i>Qty.</i>	<i>Description</i>	<i>Ref.</i>	<i>Part Number</i>	<i>Qty.</i>	<i>Description</i>
25	32151-104	1	Ring-Retaining, External	32:1	237-42	1	O-Ring
26	3220-6	2	Nut-Jam	33	353-947	1	Cap-Dust, Black
27	69-8980	1	Washer	34	127-2341-0P	1	Brkt-Bulkhead, Steer
28	340-132	2	Fitting-Elbow, 90 DEG	35	32104-32	2	Screw-HWH
28:1	237-78	1	O-Ring	36	119-1418	4	Plate-Clamp, Short
28:2	237-21	1	O-Ring	37	340-131	1	Fitting-HYD, 90 DEG
29	110-0973	1	Hose-HYD	37:1	237-30	1	O-Ring
30	302-40	1	Fitting-Grease, 90 DEG	37:2	237-81	1	O-Ring
31	3290-378	2	Tie-Cable	38	144-2077	1	Hose ASM-Hydraulic
32	59-7410	1	Fitting-Diagnostic				

● Not serviced separately

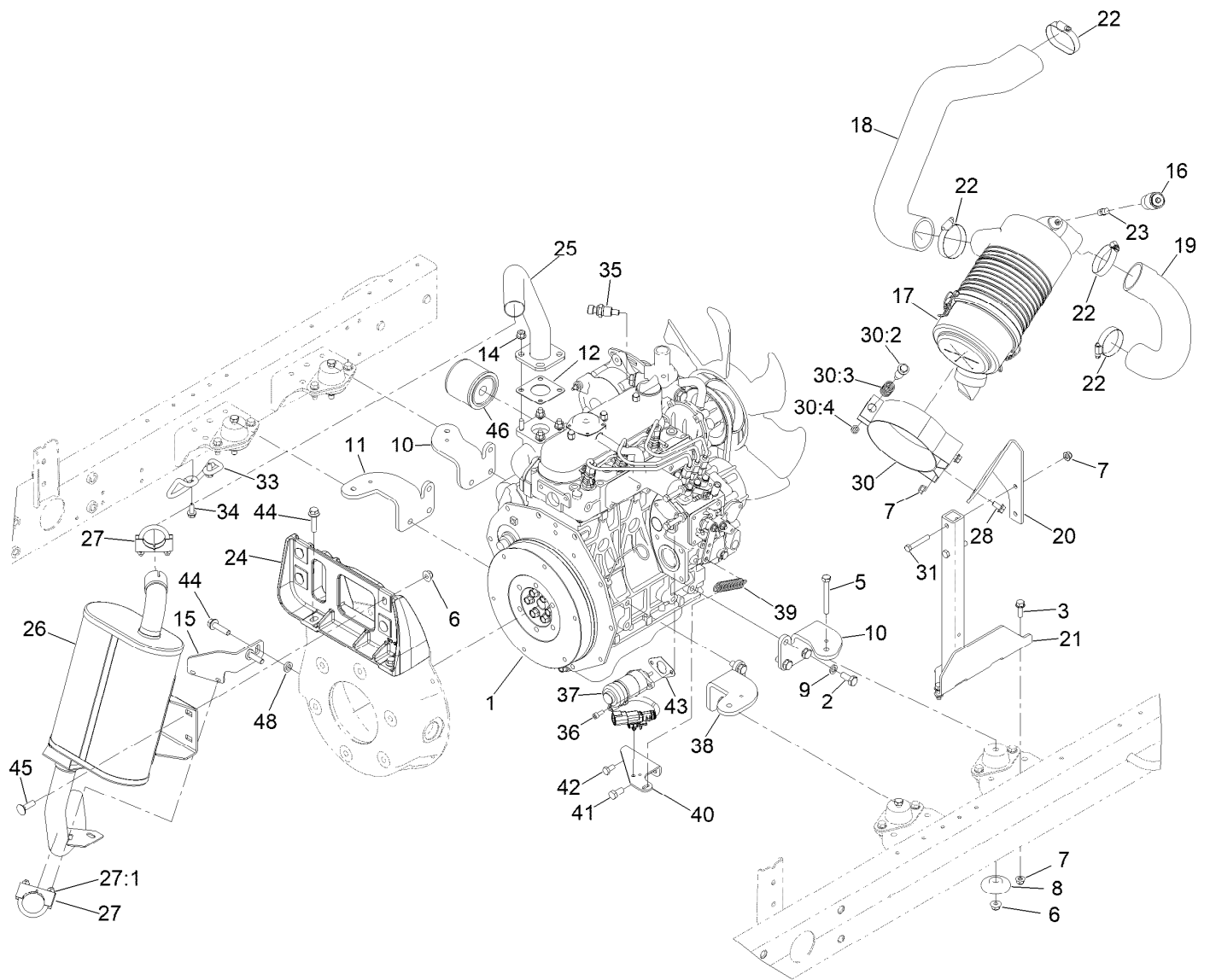


## Hydraulic Cylinder Assembly No. 110-9035

<i>Ref.</i>	<i>Part Number</i>	<i>Qty.</i>	<i>Description</i>
1	114-8875	1	Seal Kit
1:1		1	O-Ring ●
1:2		1	Backup ●
1:3		1	Bp Seal ●
1:4		1	Wear Ring ●
1:5		1	Bt Seal ●
1:6		1	Dust Seal ●
1:7		1	O-Ring ●

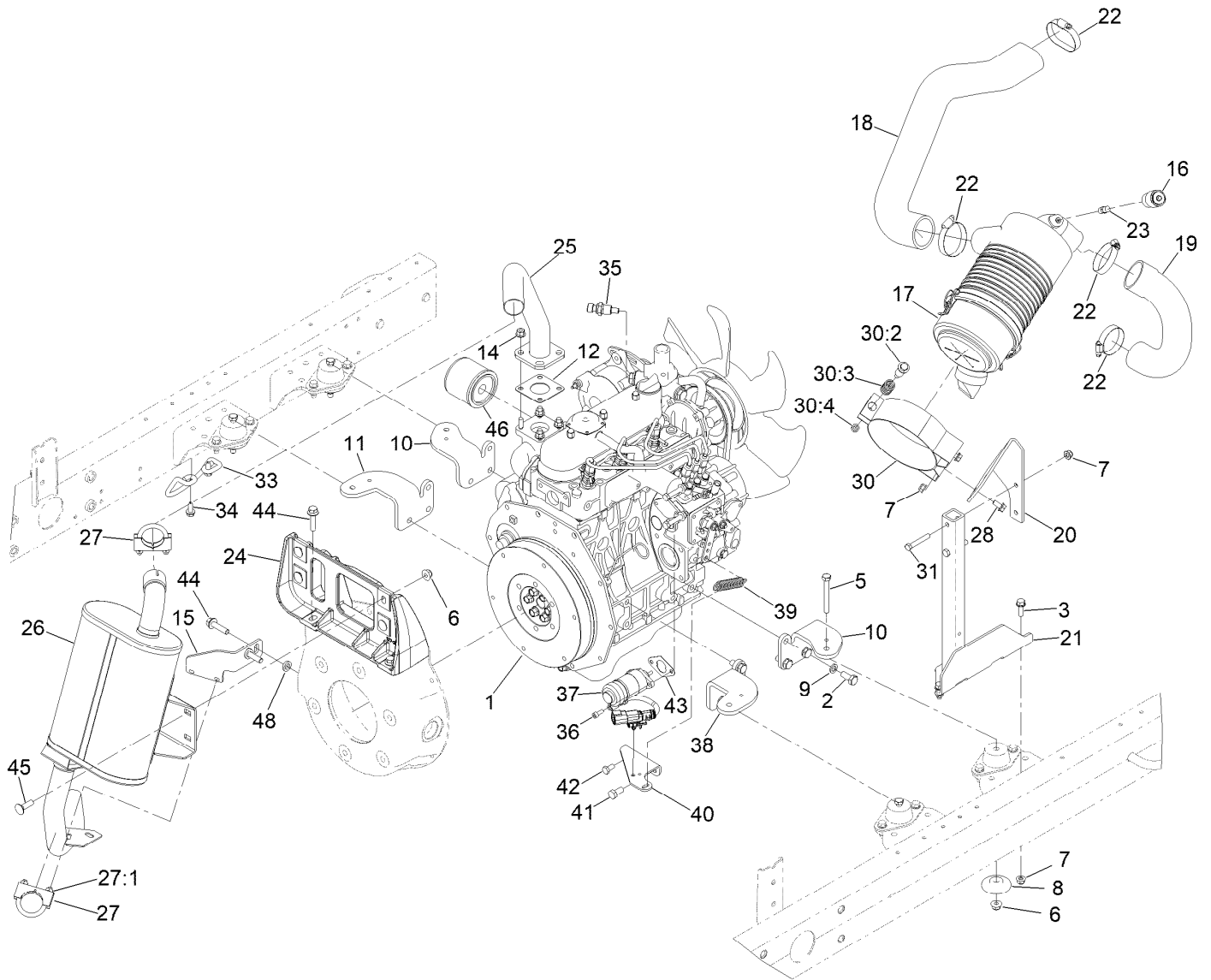
● Not serviced separately





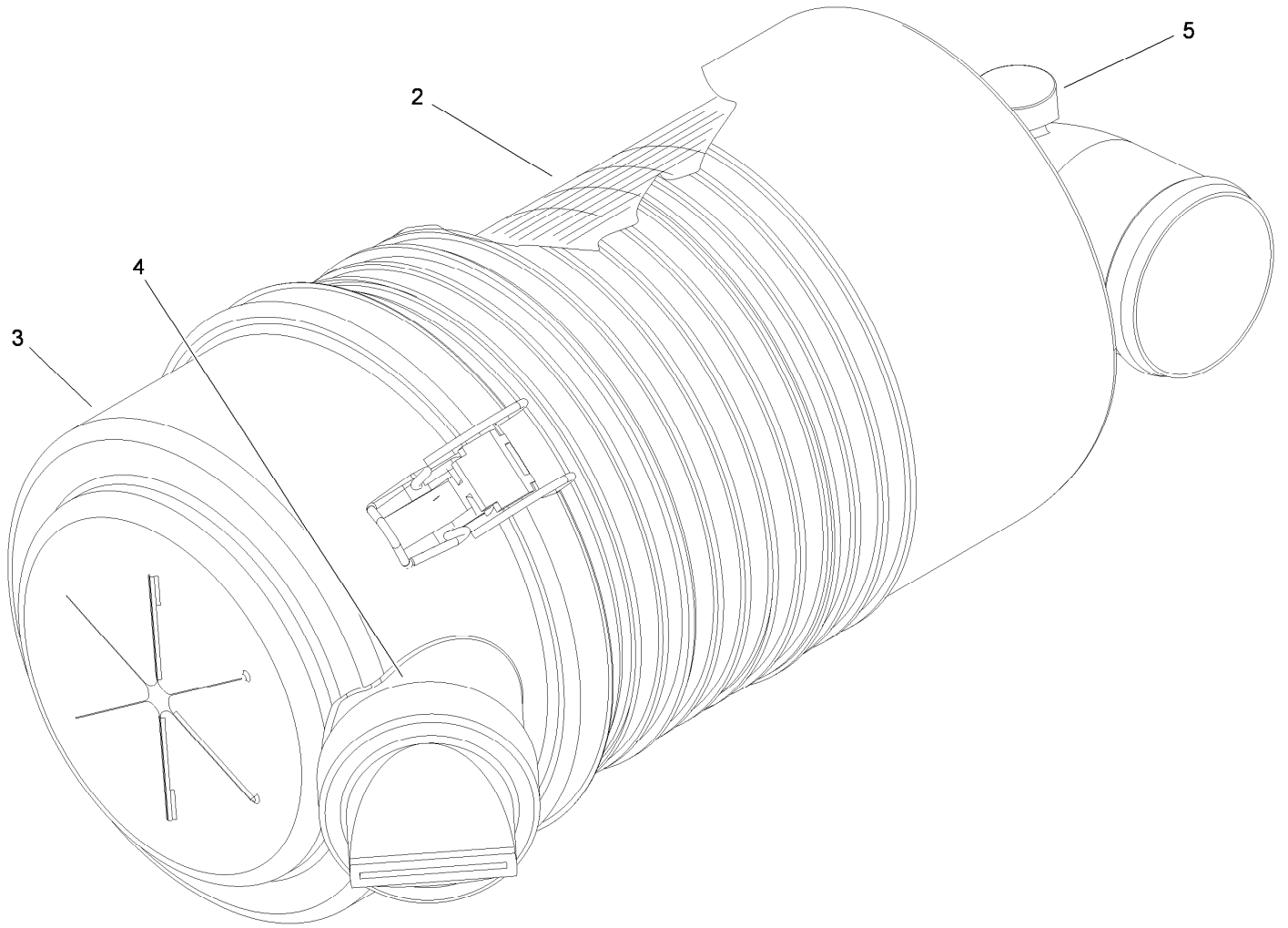
## Engine, Air Cleaner and Drive Shaft Assembly

Ref.	Part Number	Qty.	Description	Ref.	Part Number	Qty.	Description
1	138-6909	1	Engine-Kubota, D1105	23	94-1416	1	Adapter-Indicator
2	43-0090	12	Screw-HH	24	127-2550	1	Bracket-Muffler
3	3234-29	3	Screw-HHF	25	127-2698	1	Header-Exhaust
5	323-14	4	Screw-HH	26	127-2503	1	Muffler-Exhaust
6	104-8301	8	Nut-HF, NI	27	2112-9	2	Clamp
7	104-8300	7	Nut-HF, NI	27:1	32128-20	2	Nut-HF
8	138-6462	4	Support-Isolator	28	3234-14	2	Screw-HHF
9	48-9590	12	Washer-Lock	30	100-4825	1	Band-Mounting, Air Cleaner
10	115-8066-0P	2	Mount-Engine	30:2	94-3653	1	Bolt
11	115-8063-0P	1	Mount-Engine RH	30:3	94-3654	1	Spring
12	99-8343	1	Gasket-Muffler	30:4	33024-00	1	Nut-Lock, NI
14	104-2612	4	Nut-HF	31	322-10	2	Screw-HH
15	147-6082-0P	1	Bracket-Tailpipe	33	127-2612	1	Guard-Pipe, Tail
16	93-9164	1	Indicator-Mini	34	32104-32	2	Screw-HWH
17	106-5277	1	Air Cleaner ASM	35	119-4478	1	Sender-Temperature
18	127-2696	1	Hose-Formed	36	105-2409	2	Screw-HSH
19	117-5164	1	Hose-Formed	37	125-1562	1	Actuator-Fuel
20	127-2695-0P	1	Bracket-Air Cleaner	38	115-8068-0P	1	Mount-Engine, LH
21	121-5610-0P	1	Stand W.A. Air Cleaner (Welded)	39	107-1045	1	Spring-Extension
22	2412-130	4	Clamp-Hose	40	125-1472-0P	1	Bracket-Spring, Throttle
				41	63-7790	1	Screw-Cap



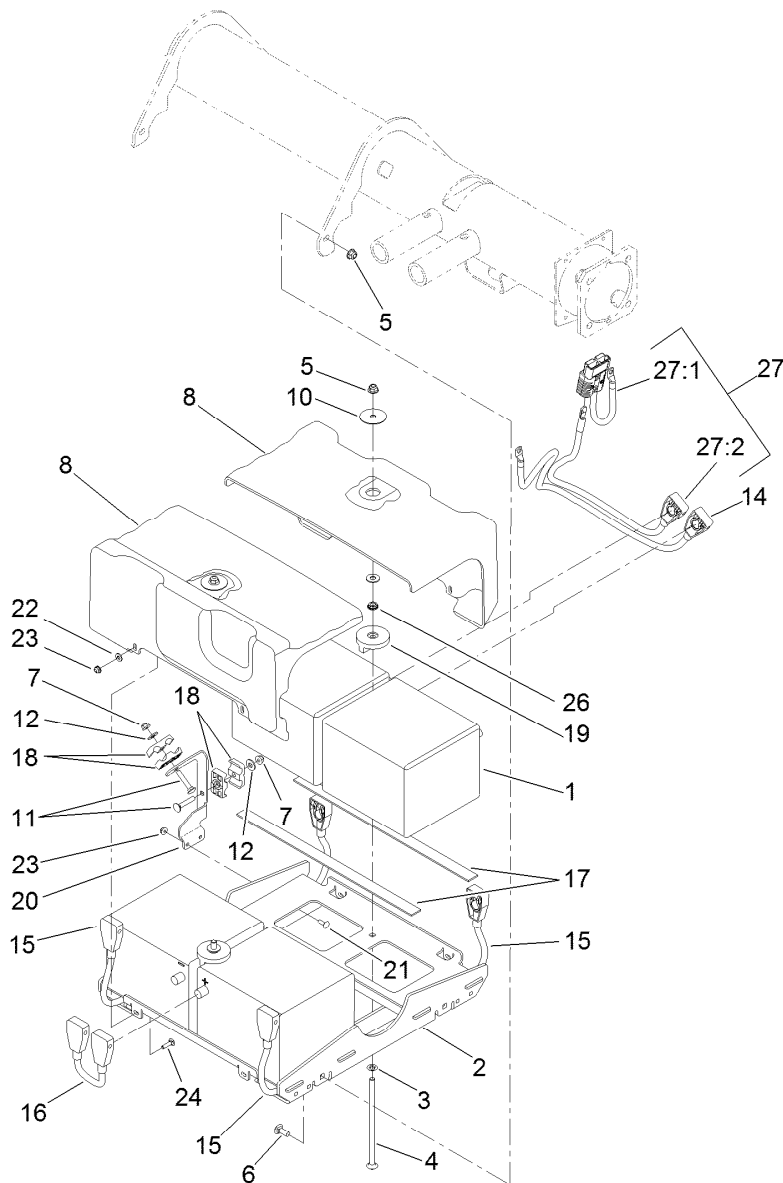
## Engine, Air Cleaner and Drive Shaft Assembly (continued)

<i>Ref.</i>	<i>Part Number</i>	<i>Qty.</i>	<i>Description</i>	<i>Ref.</i>	<i>Part Number</i>	<i>Qty.</i>	<i>Description</i>
42	33114-016	1	Screw-HH	45	3231-25	4	Bolt-CARR
43	127-2507	1	Gasket-Actuator, Fuel (F/W Actuator)	46	108-3841	1	Filter-Oil
44	114-4681	6	Screw-HHF	48	3-3287	2	Spacer



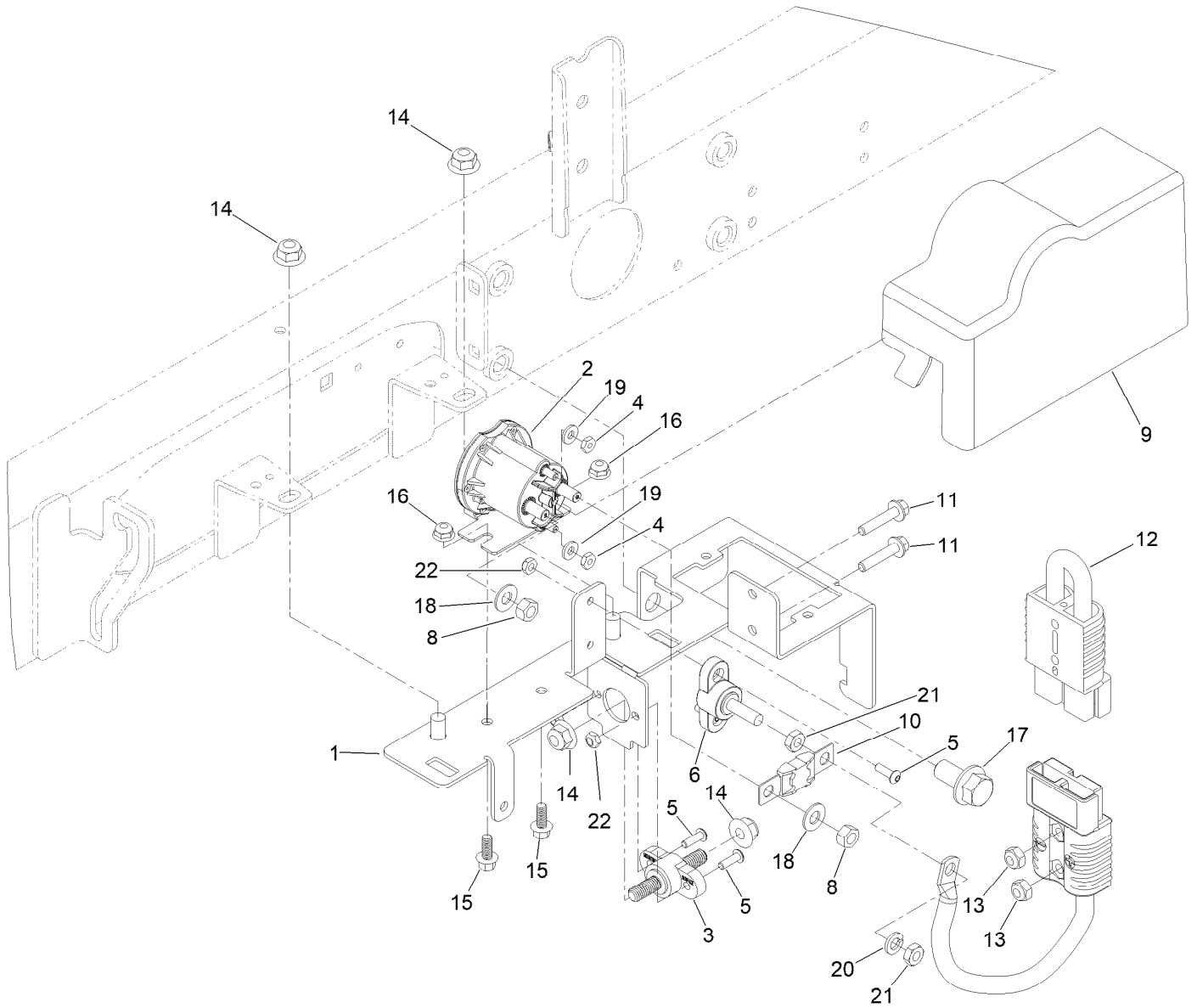
## Air Cleaner Assembly No. 106-5277

<i>Ref.</i>	<i>Part Number</i>	<i>Qty.</i>	<i>Description</i>
2	108-3810	1	Filter-Air
3	98-9771	1	Cover ASM
4	87-9400	1	Valve-Vacuator
5	285-17	1	Plug-Pipe



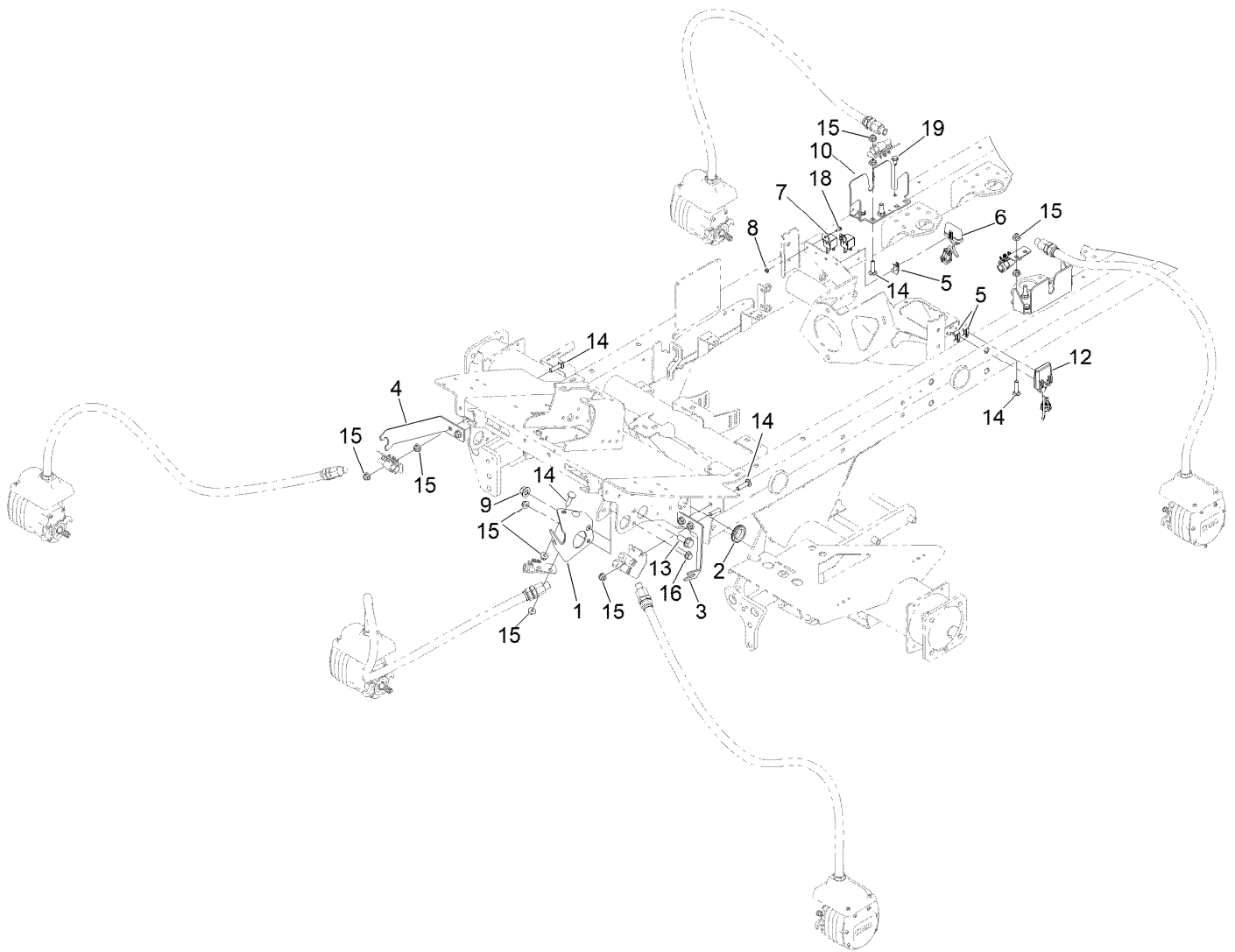
## 48 Volt Battery Assembly

<i>Ref.</i>	<i>Part Number</i>	<i>Qty.</i>	<i>Description</i>	<i>Ref.</i>	<i>Part Number</i>	<i>Qty.</i>	<i>Description</i>
1	136-3726	4	Battery-12V Agm 35-650	16	122-0134	1	Jumper-Cable-Battery (Positive)
2	136-3708-01	1	Tray ASM [red]	17	127-2306	4	Strip-Foam
3	107-3154	2	Nut-Push	18	56-7971	4	Clamp-Tube
4	120-4743	2	Screw-CARR	19	127-2393	2	Hold Down-Battery
5	104-8301	6	Nut-HF, NI	20	127-2517-01	1	Bracket-Cable
6	3231-2	4	Bolt-CARR	21	3229-1	2	Screw-CARR
7	104-8300	2	Nut-HF, NI	22	3256-78	4	Washer-Flat
8	136-3709	2	Cover-Battery	23	104-7201	6	Nut-HF, NI
10	120-2229	2	Washer	24	3229-2	4	Screw-CARR
11	3230-5	2	Bolt-CARR	26	3217-7	2	Nut-Hex
12	3256-3	2	Washer-Flat	27	122-0449	1	Cable-Battery
14	122-0268	1	Negative Battery Cable ASM	27:1	122-0267	1	Positive Battery Cable ASM
15	122-0133	2	Positive Battery Cable ASM	27:2	122-0319	1	Positive Battery Cable ASM



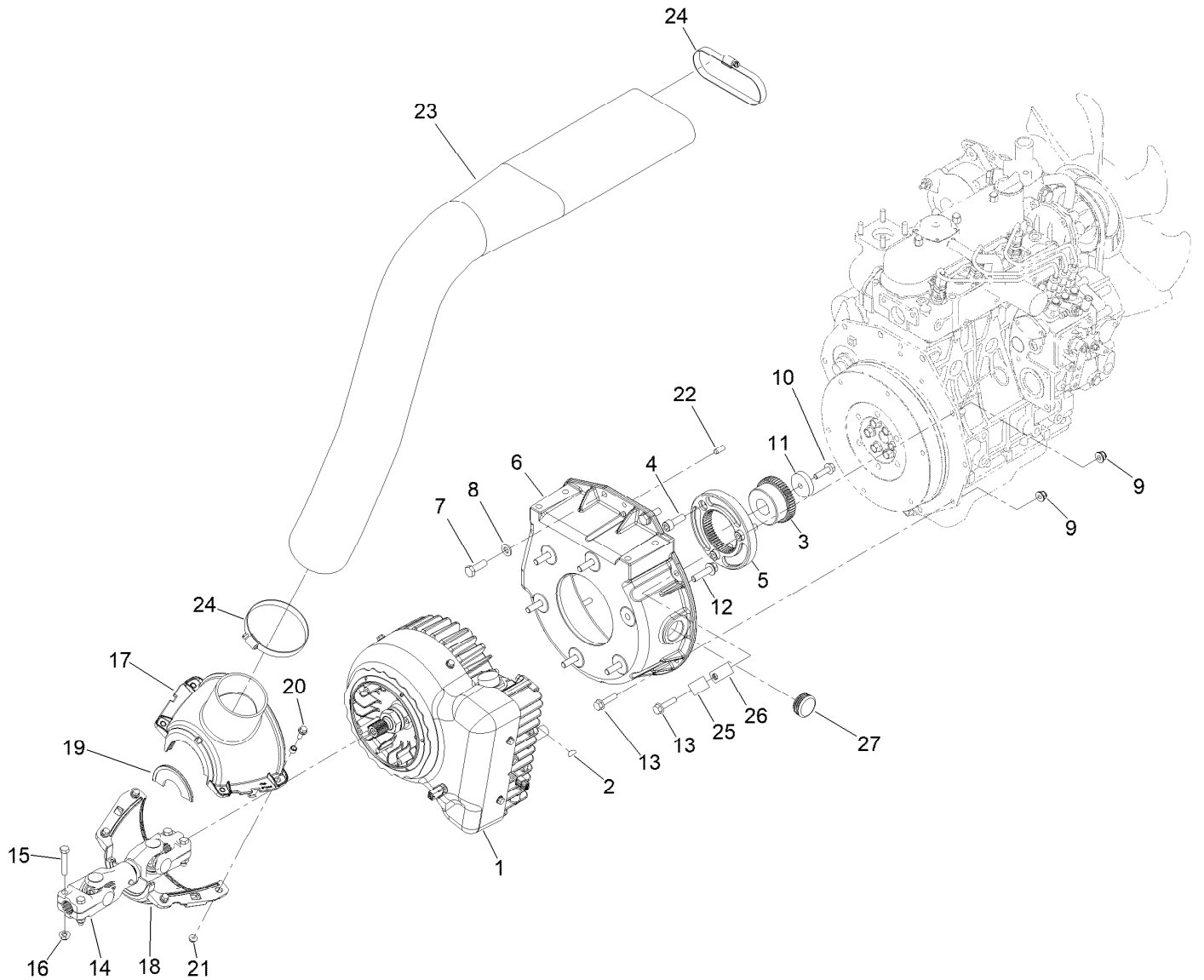
## 48 Volt Contactor Assembly

<i>Ref.</i>	<i>Part Number</i>	<i>Qty.</i>	<i>Description</i>	<i>Ref.</i>	<i>Part Number</i>	<i>Qty.</i>	<i>Description</i>
1	145-2452	1	Bracket ASM, 48V	13	3296-16	2	Nut-Lock, NI
2	122-2640	1	Contactor-DC, 48V	14	104-8301	4	Nut-HF, NI
3	122-2411	1	Block-Junction, Black	15	99-6810	2	Screw-HHF
4	3219-14	2	Nut-Hex	16	104-7201	4	Nut-HF, NI
5	3274-39	4	Screw-HSBH	17	3234-6	1	Screw-HHF
6	122-3514	1	Block-Junction, 5/16-18	18	107-0279	2	Washer
8	3219-2	2	Nut-Hex	19	3256-14	2	Washer-Flat
9	145-2465	1	Cover-Electrical	20	3253-4	1	Washer-Lock
10	127-2305	1	Fuse-250 Amp	21	3218-2	2	Nut-Hex Jam
11	127-8639	2	Screw-HHF	22	3296-12	4	Nut-Lock, NI
12	122-0136	1	Cable-Battery, Positive Jumper ASM				



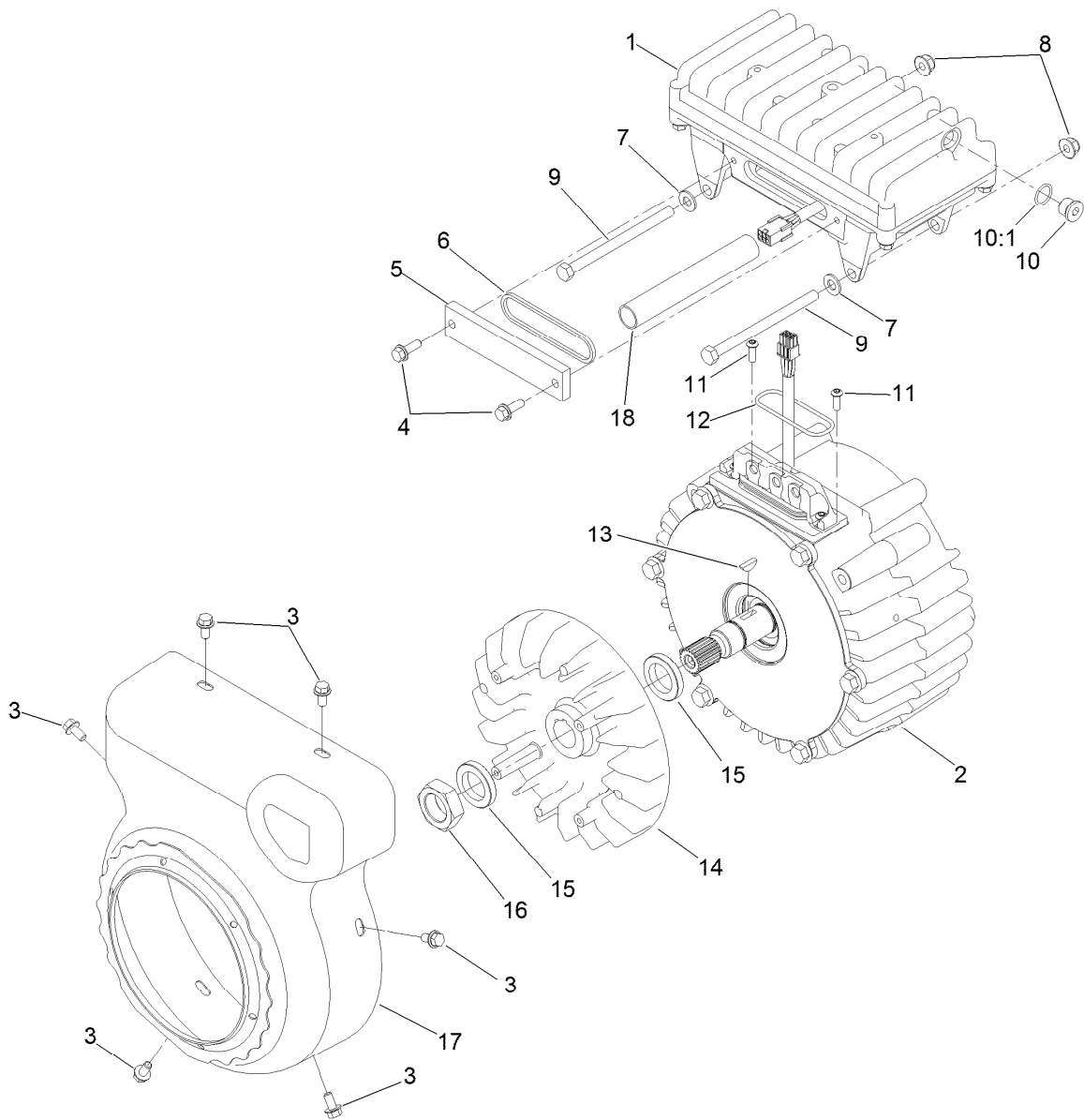
## Reel Motor Plumbing Assembly

<i>Ref.</i>	<i>Part Number</i>	<i>Qty.</i>	<i>Description</i>	<i>Ref.</i>	<i>Part Number</i>	<i>Qty.</i>	<i>Description</i>
1	125-1460-01	1	Bracket-Bulkhead, Center	10	125-1458-03	2	Bracket-Bulkhead, Rear
2	240-3	2	Grommet-Rubber	12	119-4330	1	Isolated Can Module ASM
3	127-2314-01	1	Bracket-Bulkhead	13	3234-38	1	Screw-HHF
4	127-2317-01	1	Bracket-Bulkhead	14	127-2351	10	Screw-CARR
5	32180-011	3	Clip-Connector	15	104-8301	16	Nut-HF, NI
6	112-9630	1	Module-Reel, I.D.	16	114-4681	1	Screw-HHF
7	99-7435	2	Relay	18	3290-321	2	Screw-HWH
8	3296-2	2	Nut-Lock, NI	19	32104-32	4	Screw-HWH
9	99-5107	1	Nut-Lock				



## Generator Assembly

<i>Ref.</i>	<i>Part Number</i>	<i>Qty.</i>	<i>Description</i>	<i>Ref.</i>	<i>Part Number</i>	<i>Qty.</i>	<i>Description</i>
1	127-2655	1	Generator/Controller ASM	15	323-9	4	Screw-HH
2	127-2318	1	Key-Woodruff	16	104-8301	4	Nut-HF, NI
3	127-2635	1	Hub-Coupler	17	127-2465	1	Shroud ASM
4	108-1420	3	Screw-HSH	18	127-2442	1	Shroud-Intake, Bottom
5	125-1179	1	Flange-Coupler	19	127-2434	2	Seal-Brush
6	127-2380	1	Bellhousing	20	120-9678	4	Screw-HHF
7	95-8812	2	Screw-HH	21	104-7201	4	Nut-HF, NI
8	3256-80	2	Washer-Plain	22	87-1910	2	Pin-Dowel
9	104-3082	2	Nut-Lock, HHF	23	127-2472	1	Hose-Formed
10	AU100874	1	Screw-HHF	24	2412-46	2	Clamp
11	127-2374	1	Collar	25	2412-39	1	Clamp-R
12	114-4681	6	Screw-HHF	26	2412-41	1	Clamp-R
13	33104-035	7	Screw-HHF	27	110-9012	1	Caplug
14	139-6044	1	Driveshaft ASM				

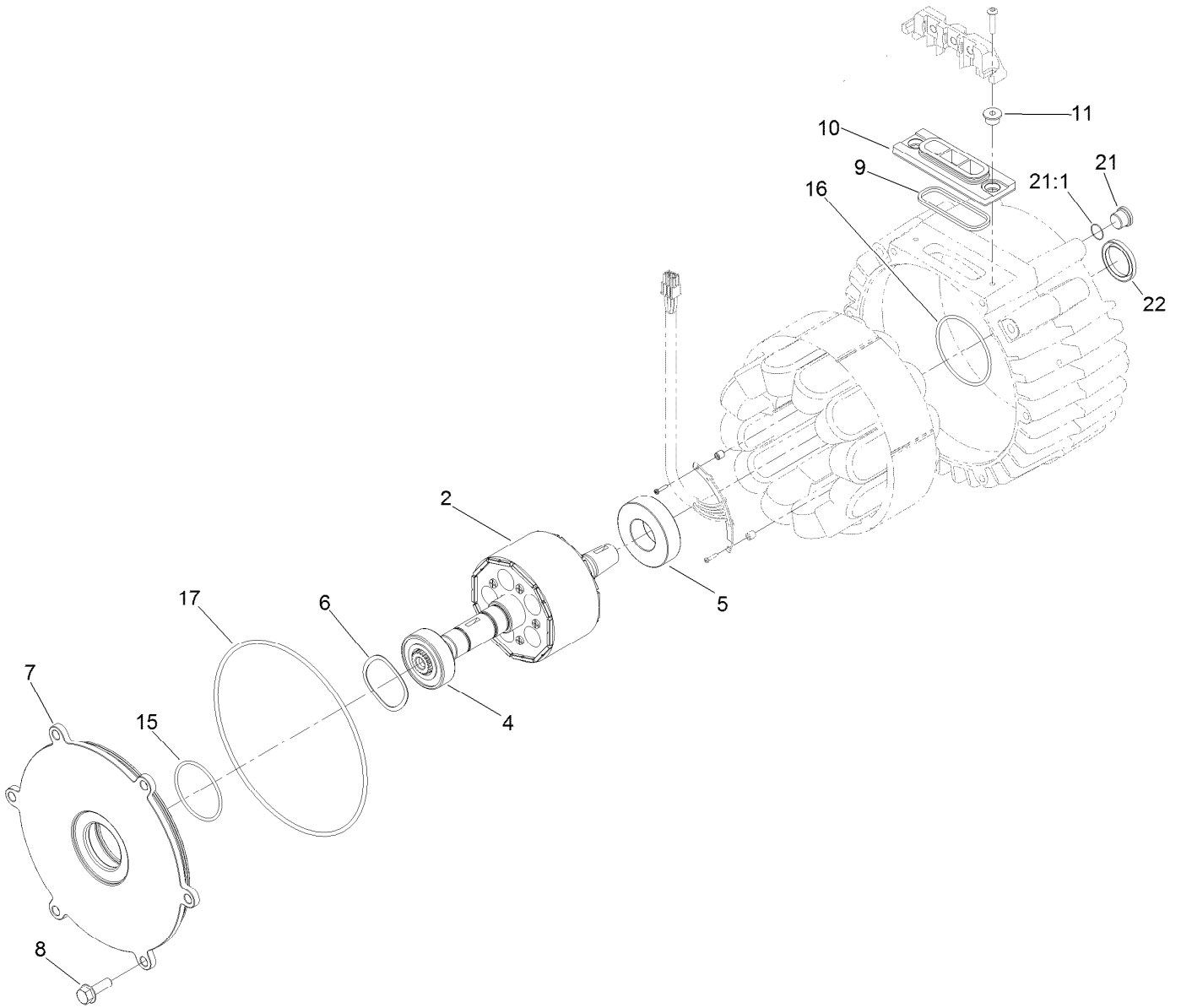


## Generator/Controller Assembly No. 127-2655

Ref.	Part Number	Qty.	Description
1	117-8181	1	Controller ASM
2	127-2653	1	Generator Service ASM
3	119-1065	6	Screw-HWH
4	119-1138	2	Screw-HHF
5	120-4511	1	Cover-Access
6	120-4513	1	Gasket-Cover, Access
7	3256-23	2	Washer-Plain
8	104-8300	2	Nut-HF, NI
9	322-38	2	Screw-HH
10	353-989	1	Plug-Hex, Hollow

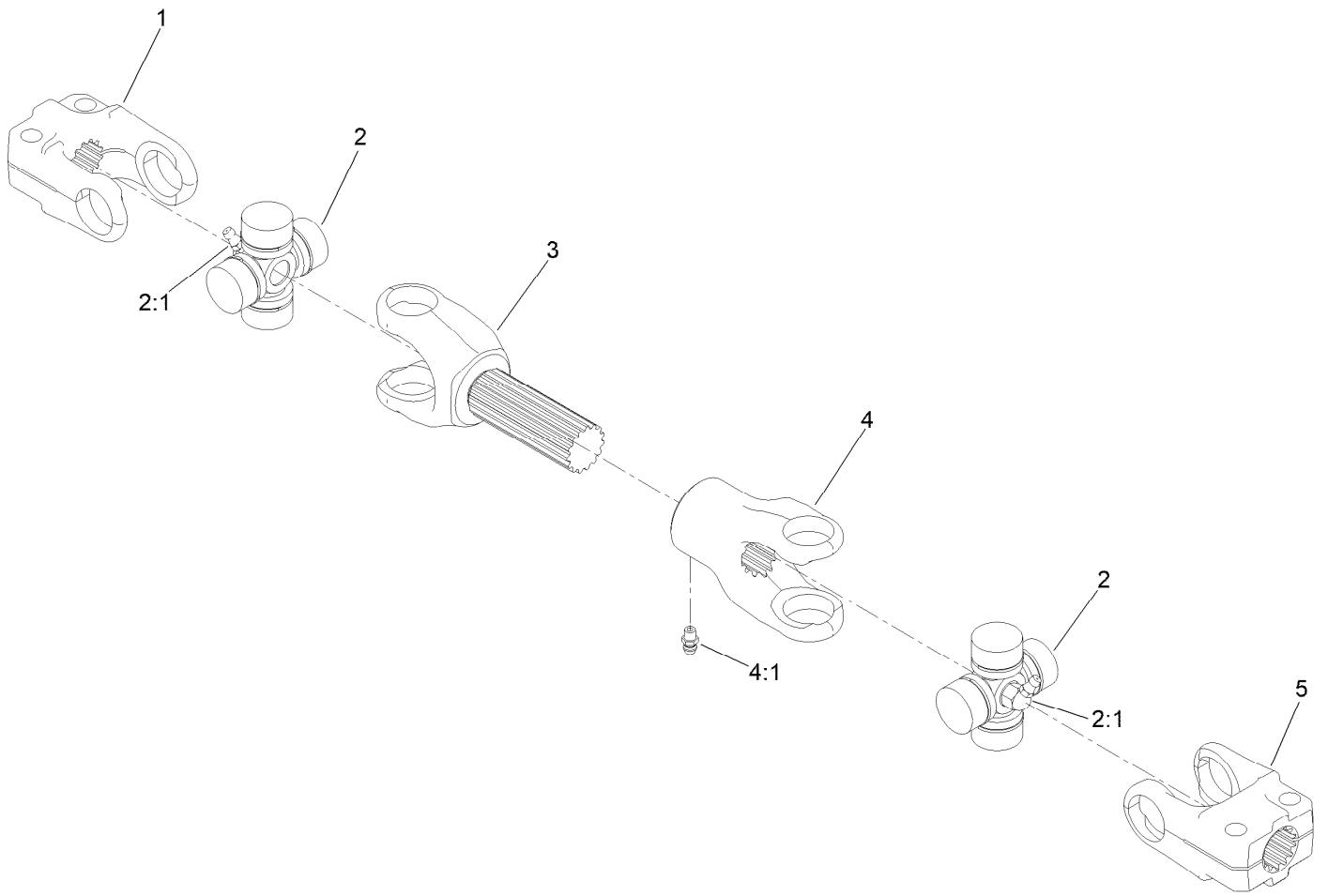
Ref.	Part Number	Qty.	Description
10:1	237-42	1	O-Ring
11	119-7568	2	Screw-HSBH
12	117-8176	1	O-Ring
13	127-2318	1	Key-Woodruff
14	125-1188	1	Fan-Generator
15	125-1185	2	Spacer
16	125-1187	1	Nut
17	127-2444	1	Cover-Generator
18	127-2747	1	Sleeve-Harness, Expandable





## Generator Assembly No. 127-2653

Ref.	Part Number	Qty.	Description
2	127-2651	1	Rotor
4	120-4621	1	Bearing
5	120-4622	1	Bearing
6	117-8148	1	Washer-Wave
7	117-4514	1	Cover-Generator
8	33104-025	6	Screw-HHF
9	120-4518	1	Gasket-Isolator
10	112-5155	1	Isolator-Thermal
11	117-4501	2	Spacer-Shoulder
15	107-3244	1	O-Ring
16	117-8177	1	O-Ring
17	112-5199	1	O-Ring
21	353-989	1	Plug-Hex, Hollow
21:1	237-42	1	O-Ring
22	125-1509	1	Seal



## Driveshaft Assembly No. 139-6044

<i>Ref.</i>	<i>Part Number</i>	<i>Qty.</i>	<i>Description</i>
1	54-9040	1	Yoke-End
2	112-1687	2	Cross And Bearing Kit
2:1	62-3820	1	Fitting-Grease
3	127-2553	1	Yoke-Shaft
4	127-2554	1	Yoke-Telescoping
4:1	302-22	1	Fitting-Grease
5	145-2535	1	Yoke-Driveshaft, 13T

# Attachments and Accessories

## For 03950 Reelmaster 5010-H Traction Unit

<b>Product Name</b>	<b>Model/Part</b>
Operator Cooling Fan .....	03247
Switch Panel-Universal Sunshade.....	03248
Operator Golf Ball Guard, Reelmaster 3100/3500/5010 or Groundsmaster 3500/4300 Series Traction Unit .....	03614
5 Inch Reel Verticutter .....	03618
Verticutter for 7in Reel Cutting Unit.....	03619
8-Blade EdgeSeries Radial Reel DPA Cutting Unit with 5in Reel, Reelmaster 5010 Series Traction Unit .....	03621
11-Blade EdgeSeries Forward Swept Reel DPA Cutting Unit with 5in Reel, Reelmaster 5010 Series Traction Unit .....	03623
22in 5in 11 Bld (rr) Dpa Cu (5010).....	03624
8-Blade Radial Reel DPA Cutting Unit with 7in Reel.....	03638
8-Blade Forward Swept Reel DPA Cutting Unit with 7in Reel .....	03639
11-Blade Forward Swept Reel DPA Cutting Unit with 7in Reel .....	03641
7-in, 11 Blade ES (RR) DPA Cutting Unit .....	03643
Finishing Kit, DPA Cutting Unit with 5in Reel, Reelmaster 5010-H Series Traction Unit .....	03651
Finishing Kit, DPA Cutting Unit with 7in Reel, Reelmaster 5010-H Series Traction Unit .....	03653
CrossTrax All-Wheel Drive Finishing Kit .....	03656
Air Ride Seat Suspension Kit.....	03667
Turf Evaluator .....	04399
Wheel Weight Kit .....	104-1478
Premium All Purpose Grease (Tube) .....	108-1190
Weight Plate .....	110-8985-03
Rear Lift Cylinder Limit Kit .....	110-9604
5in Air Cleaner Safety Element.....	114-4057
Premium Synthetic Bio-Degradable Hydraulic Fluid (5 Gallon Pail) .....	119-2157
Premium Synthetic Bio-Degradable Hydraulic Fluid (55 Gallon Drum).....	119-2158
Premium Engine Oil 10w30 (55 Gallon Drum) .....	121-6392
Premium Engine Oil 10w30 (5 Gallon Pail) .....	121-6393
Smooth Rear Tire .....	127-2796
Hi-Back Seat Cover .....	133-1308
Smooth Front Tire.....	133-2940
PX Hydraulic Fluid (5 Gal) .....	133-8086
PX Hydraulic Fluid (55 Gal).....	133-8087
Pin and Lanyard Asm .....	136-8045
Beacon Kit .....	138-2699
Power Harness Kit (RM5XXX).....	138-2994
Work Lights Kit, Groundsmaster and Reelmaster Traction Units with Universal Sunshade.....	140-1554
MVP Kit-Hyd Hose.....	145-2576
Mvp Kit 1000 Hour-rm5010-h Kubota D11 .....	145-2581
Brush and Handle Kit.....	29-9100
White Universal Sunshade .....	30669
Red Universal Sunshade .....	30671
EU Light Kit.....	31579
New Red Paint - Gallon .....	361-11

# Attachments and Accessories (continued)

Dark Metallic Gray Aerosol Paint ..... 361-12  
Semi-Gloss Black Spray Paint ..... 361-9  
Air Dry Red Paint - Qt ..... 5340  
Spark Arrestor ..... 98-9099

**Notes:**

**Notes:**

**Notes:**



**Count on it.**