



**Count on it.**

**Parts Catalog**

**Reelmaster® 5610-D**

**Traction Unit**

Model No. 03956—Serial No. 40000000 and Up



# Ordering Replacement Parts

To order replacement parts, please supply the part number, the quantity, and the description of each part desired.

## Understanding Reference Numbers

Each identified part in an illustration has a reference number. The reference number for a part also appears in the parts list, along with other information about the part.

This catalog uses two special reference number formats, one to indicate parts in a service assembly and another to indicate the quantity of a given part in an illustration.

## Service Assembly Reference Numbers

Parts in service assemblies have reference numbers in the form a:b. The a represents the reference number of the entire service assembly and the b represents a sequential number unique to each part within the service assembly.

For example, a wheel assembly might be identified by reference number 6, the tire by 6:1, the valve by 6:2, and the wheel by 6:3. When you order the assembly identified by reference number 6, you receive all parts identified by reference numbers 6:1, 6:2, and 6:3. However, you may also order any part individually. Reference numbers of this type appear in illustration and in parts lists.

## Reference Numbers Indicating Quantity

In an illustration, if a reference number indicates more than one part, the reference number has the form nX y. The n represents the quantity of the part, the X is the multiplication symbol, and the y represents the reference number.

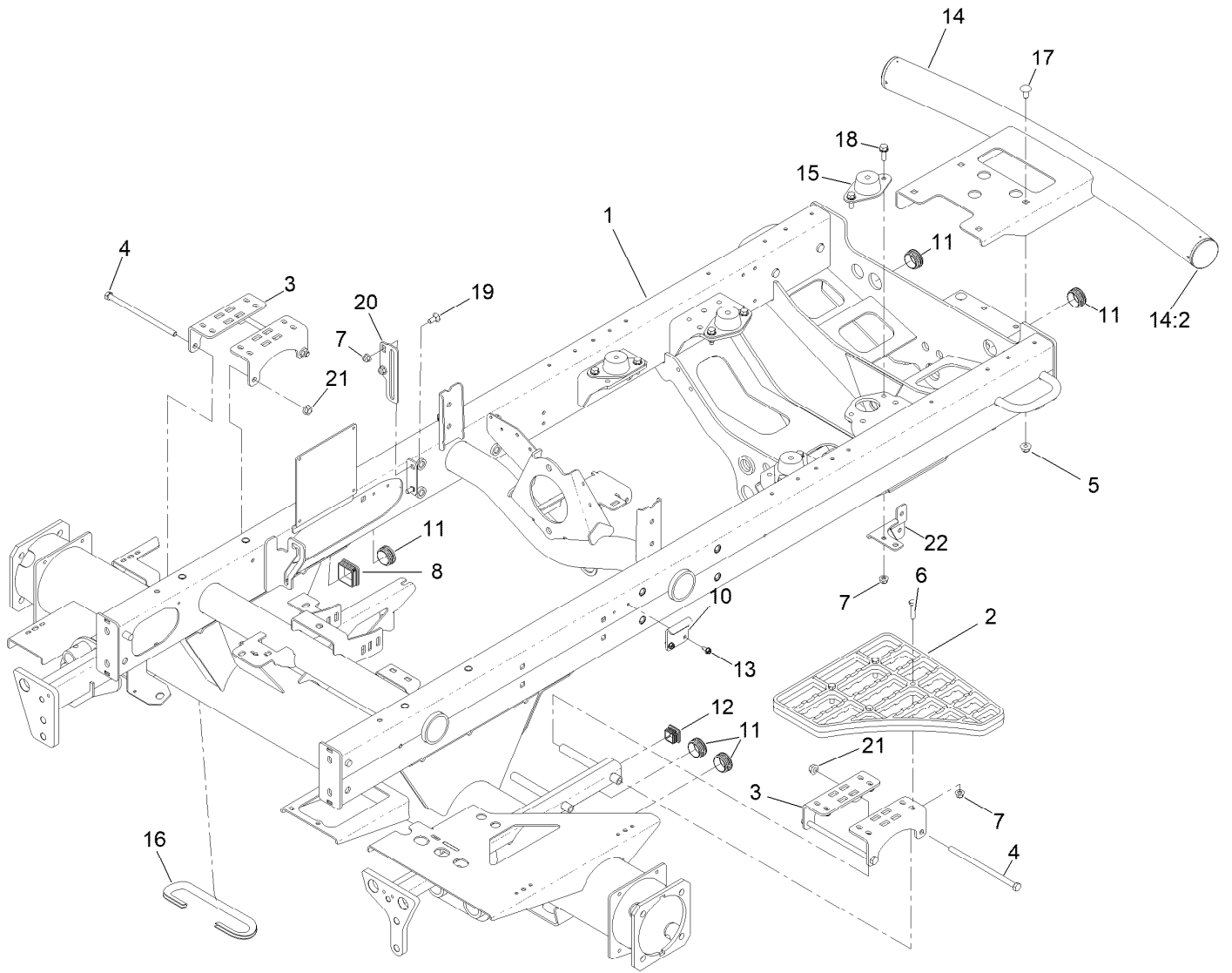
For example, in an illustration, the reference number 2X 37 means that two of the parts identified by reference number 37 are indicated.

# Contents

Frame Assembly	5
Platform and Shroud Assembly	6
Pedal Assembly	7
Steering Assembly	8
Steering Tilt Column Assembly No. 106-3622	9
Steering Valve Assembly No. 106-3621	10
Control Panel Assembly	11
Joystick Bracket Assembly No. 120-5280	13
Front Axle Assembly	14
Rear Axle Assembly	15
Tie Rod Assembly No. 139-6029	16
No. 1, 4 and 5 Lift Arm Assembly	17
No. 2 and 3 Lift Arm Assembly	19
Seat and Control Arm Wiring Harness Assembly	20
Main Wiring Harness Assembly	21
Wire Harness Assembly No. 122-2912	22
Battery Mounting Assembly	23
Gear Pump Assembly	24
Gear Pump Assembly No. 107-4547	25
Seat Base Assembly	26
Hood Assembly	27
Radiator Assembly	28
Hydraulic Tank Assembly	29
Fuel System Assembly	30
Seat and Roll-Over Protection System Assembly	31
Seat Assembly No. 139-2700	32
Mechanical Seat Suspension Assembly No. 145-5295	33
Traction Pump Mounting Assembly	34
Hydraulic Pump Assembly No. 144-2060	35
Traction Hydraulic Assembly	37
Hydraulic Motor Assembly No. 139-6038	39
Hydraulic Motor Assembly No. 139-6039	40
Hydraulic Motor Assembly No. 138-0436	41
Hydraulic Motor Assembly No. 138-0435	42
Four Wheel Drive Manifold Assembly No. 108-1825	43
Hydraulic Brake Assembly	44
Brake Release Manifold Assembly No. 139-6046	45
No. 1, 4 and 5 Reel Drive Hydraulic Assembly	46
Hydraulic Motor Assembly No. 120-6272	48
Manifold Assembly No. 121-5628	49
No. 2 and 3 Reel Drive Hydraulic Assembly	50
No. 1, 4 and 5 Lift Arm Hydraulic Assembly	52
Hydraulic Cylinder Assembly No. 138-6999	53
Hydraulic Cylinder Assembly No. 119-6987	54
Hydraulic Manifold Block Assembly No. 105-7577	55
Rear Lift Hydraulic Assembly	56
Steering Hydraulic Assembly	57
Hydraulic Cylinder Assembly No. 110-9035	59
Engine, Air Cleaner and Drive Shaft Assembly	60
Air Cleaner Assembly No. 98-4517	62
Driveshaft Assembly No. 145-2508	63
Cylinder Block Assembly	64
Gear Housing Assembly	65
Flywheel Housing and Oil Sump Assembly	66

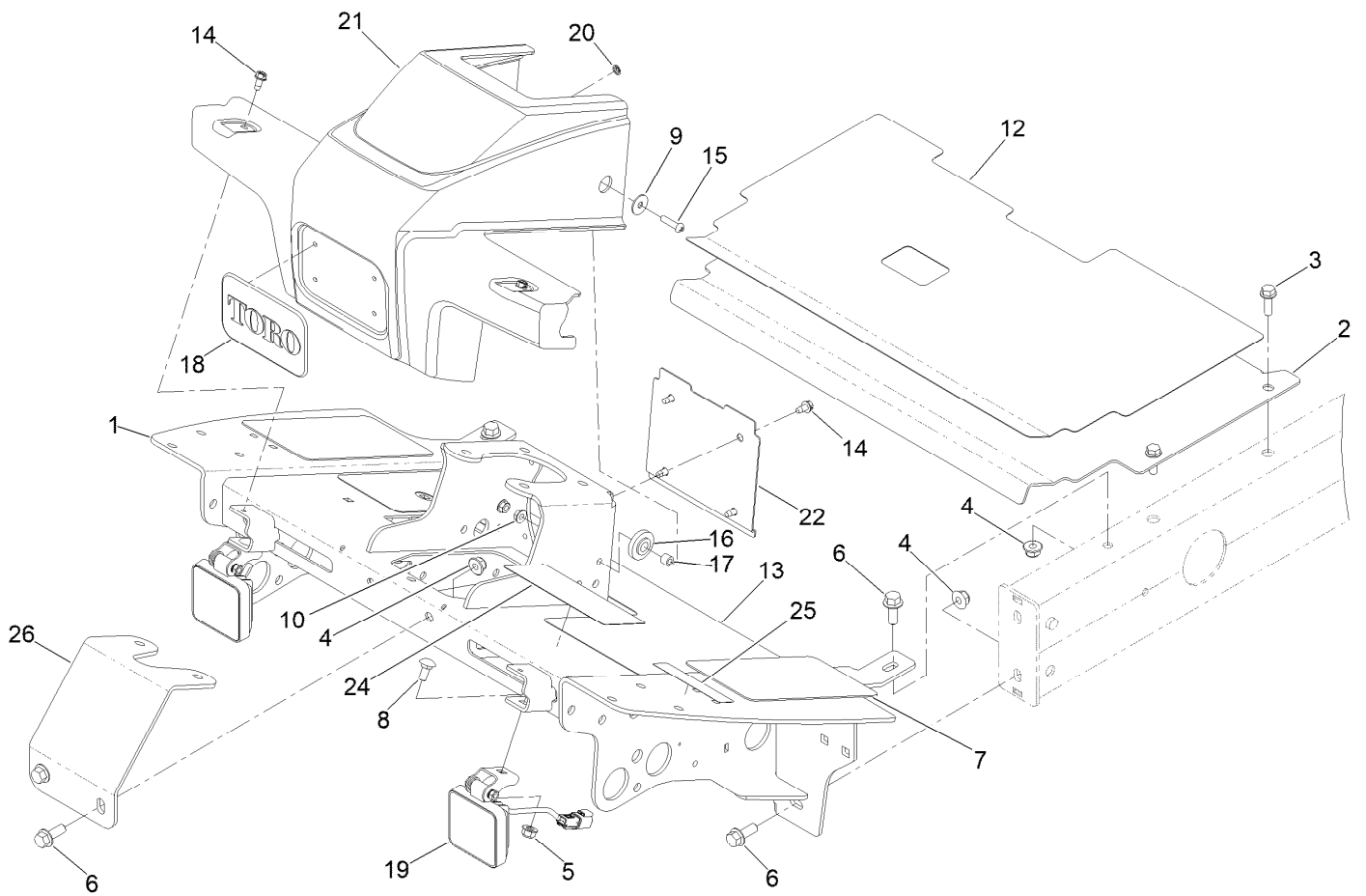
# Contents (continued)

Suction Manifold Assembly . . . . .	67
Cylinder Head and Cover Assembly . . . . .	68
Diesel Particulate Filter Assembly . . . . .	70
Exhaust Manifold Assembly . . . . .	72
Crankshaft and Piston Assembly . . . . .	73
Camshaft and Driving Gear Assembly . . . . .	74
Turbine Assembly . . . . .	76
Lubrication and Oil System Assembly . . . . .	78
Lubrication Oil Line Assembly . . . . .	79
Cooling Water System Assembly . . . . .	80
Fuel System Assembly . . . . .	82
Fuel Injection Valve Assembly . . . . .	84
Fuel Line Assembly . . . . .	85
Starting Motor Assembly . . . . .	86
Generator Assembly . . . . .	88
Electric Parts Assembly . . . . .	89
Gasket Set . . . . .	90
Attachments and Accessories . . . . .	92



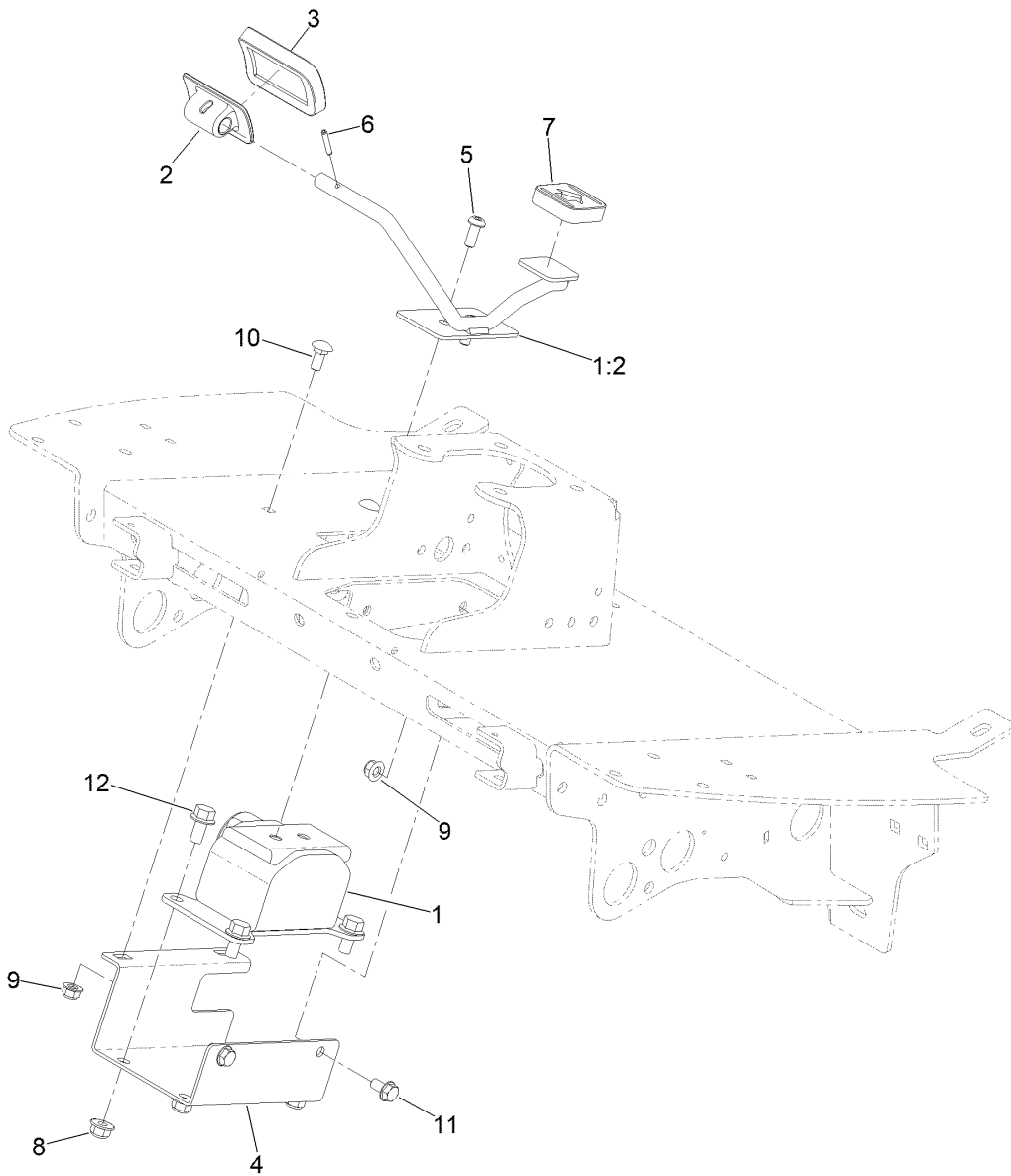
## Frame Assembly

<i>Ref.</i>	<i>Part Number</i>	<i>Qty.</i>	<i>Description</i>	<i>Ref.</i>	<i>Part Number</i>	<i>Qty.</i>	<i>Description</i>
1	145-2469	1	Frame ASM	13	32104-17	2	Screw-HWH
2	110-9041	1	Step-Aluminum	14	147-3550	1	Bumper ASM
3	127-2697-01	4	Bracket-Step	14:2	2410-42	2	Cap-End
4	323-36	4	Screw-HH	15	120-6274	4	Mount-Engine
5	104-8301	4	Nut-HF, NI	16	145-2520	1	Trim-Brake Hose
6	322-17	4	Screw-HH	17	3231-21	4	Screw-CARR
7	104-8300	14	Nut-HF, NI	18	3234-29	8	Screw-HHF
8	95-9495	1	Cap	19	3230-1	2	Bolt-CARR
10	110-8972	1	Hook-Latch	20	108-7584-01	1	Plate-Guide, Rod
11	110-9012	3	Caplug	21	32128-21	4	Nut-HF Lock
12	110-9013	1	Caplug	22	133-2985	1	Brkt-Tube Clamp



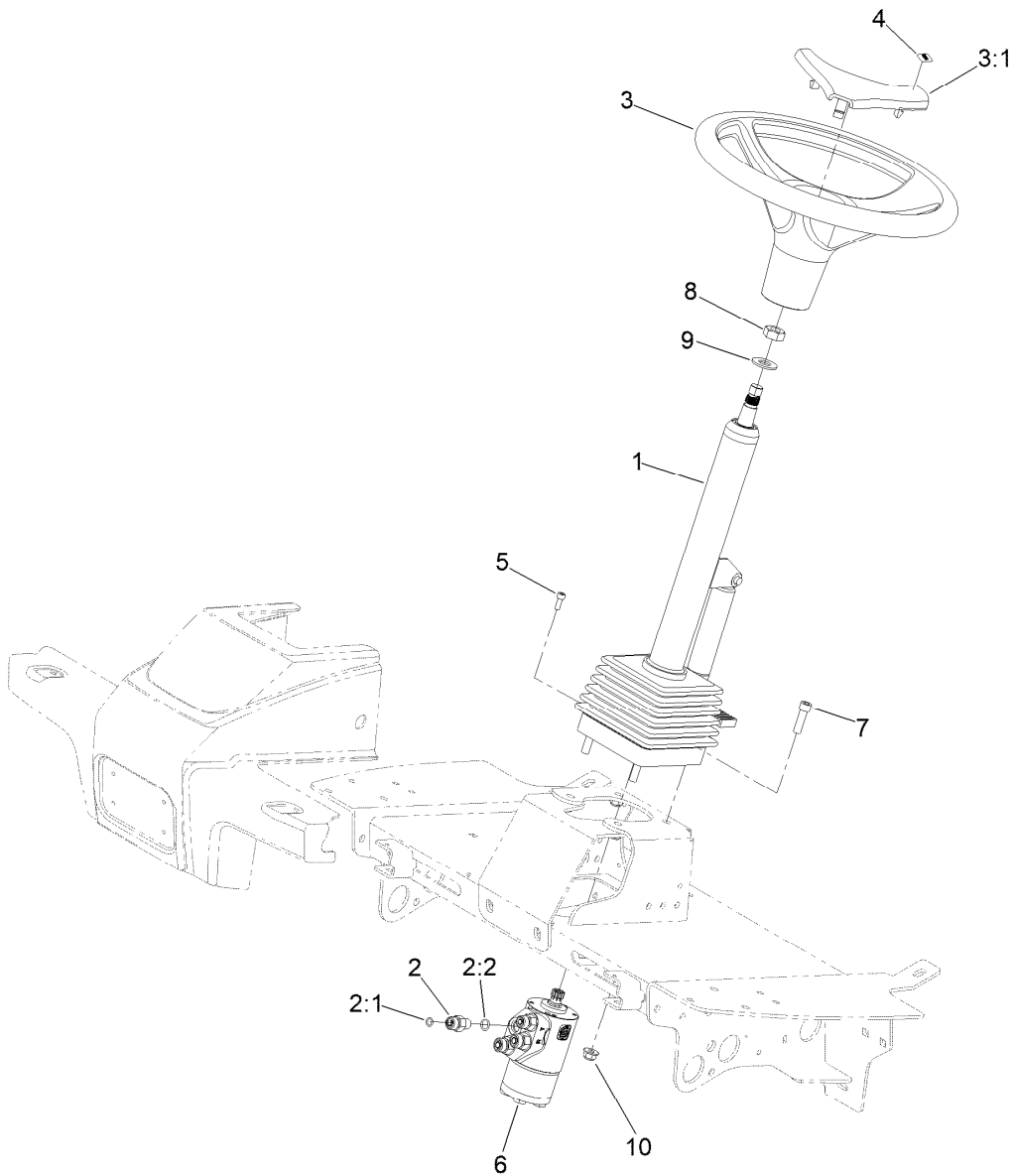
## Platform and Shroud Assembly

<i>Ref.</i>	<i>Part Number</i>	<i>Qty.</i>	<i>Description</i>	<i>Ref.</i>	<i>Part Number</i>	<i>Qty.</i>	<i>Description</i>
1	145-2490-01	1	Platform ASM	15	106-9518	2	Screw-PRH
2	115-8064-01	1	Plate-Floor	16	240-11	2	Bushing-Flange
3	3234-17	4	Screw-HHF	17	66-8010	2	Spacer
4	104-8301	6	Nut-HF, NI	18	93-6028	1	Plate-Logo
5	104-8300	2	Nut-HF, NI	19	140-6990	2	Light-Work, LED
6	3234-11	6	Screw-HHF	20	138-6996	4	Nut-Push
7	125-2910	2	Tread-Floor, Side	21	110-0944	1	Shroud-Platform
8	3230-1	2	Bolt-CARR	22	110-0947-03	1	Plate-Cover
9	87-6630	2	Washer-Plain	24	133-2930	1	Decal-Danger
10	32128-33	2	Nut-HF	24	133-2931	1	Decal-Danger (CE)
12	125-2911	1	Tread-Panel, Service	25	133-8062	1	Decal-Spark Arrestor
13	145-2510	1	Tread-Floor Board	26	110-8876-0P	1	Brace-Column
14	32104-17	6	Screw-HWH				



## Pedal Assembly

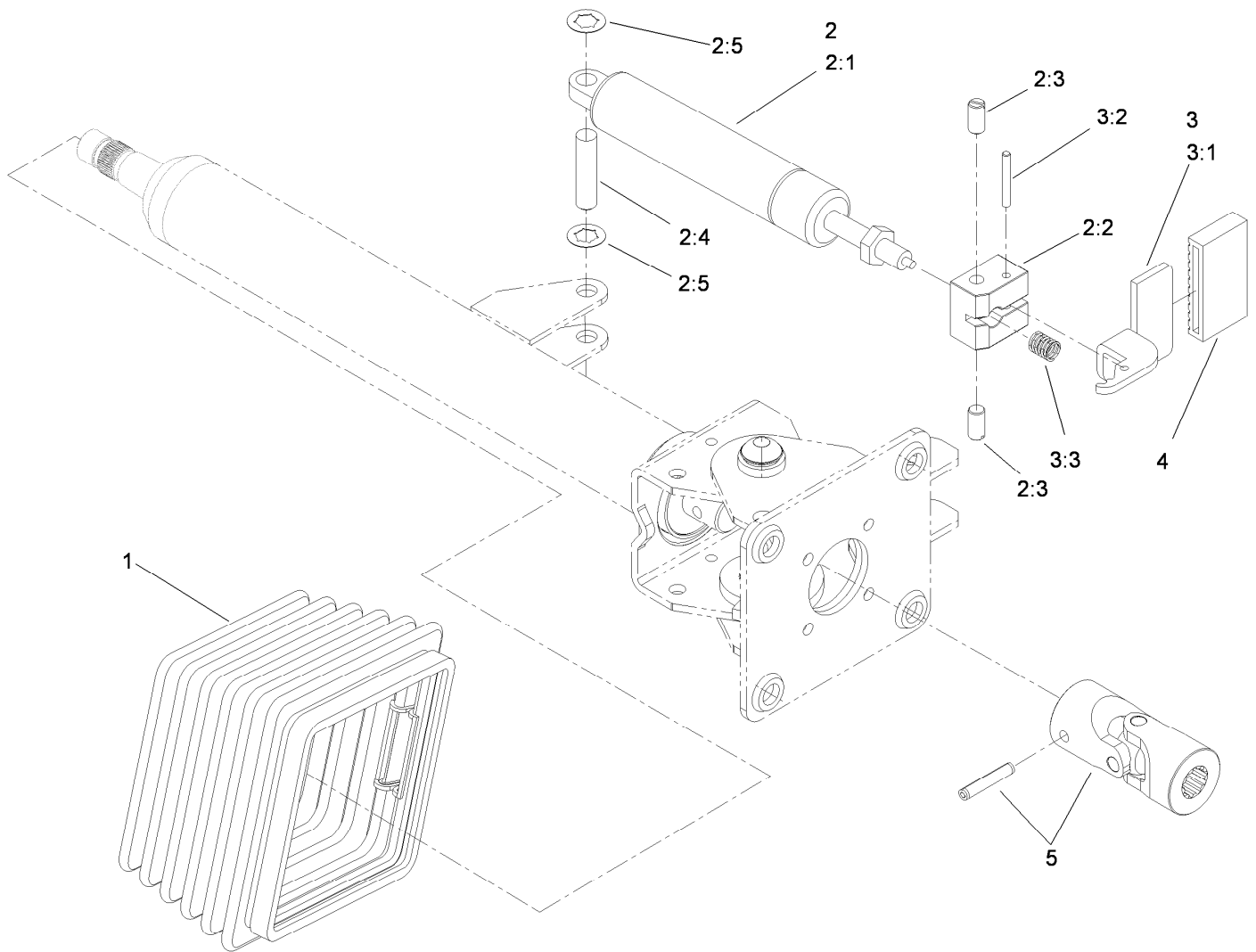
<i>Ref.</i>	<i>Part Number</i>	<i>Qty.</i>	<i>Description</i>
1	145-2545	1	E-Pedal ASM
1:2	145-2521	1	Pedal ASM
2	117-9507	1	Pedal-Accelerator
3	74-9100	1	Pad-Pedal, Forward
4	145-2489-0P	1	Bracket-Pedal, Mount
5	3274-96	2	Screw-HSBH
6	32121-45	1	Pin-Spring
7	74-9110	1	Pad-Pedal, Reverse
8	104-8301	4	Nut-HF, NI
9	104-8300	4	Nut-HF, NI
10	3230-1	2	Bolt-CARR
11	3234-7	2	Screw-HHF
12	3234-1	4	Screw-HHF



## Steering Assembly

<b>Ref.</b>	<b>Part Number</b>	<b>Qty.</b>	<b>Description</b>
1	106-3622	1	Steering Tilt Column ASM
2	340-2	4	Fitting-Straight
2:1	237-22	1	O-Ring
2:2	237-42	1	O-Ring
3	98-1471	1	Wheel-Steering
3:1	98-1468	1	Cover-Wheel, Steering
4	98-1459	1	Decal
5	105-2409	4	Screw-HSH
6	106-3621	1	Steering Valve ASM
7	3274-1	4	Screw-HSH
8	3296-33	1	Nut-Lock, NI
9	3256-27	1	Washer-Flat
10	104-8301	4	Nut-HF, NI

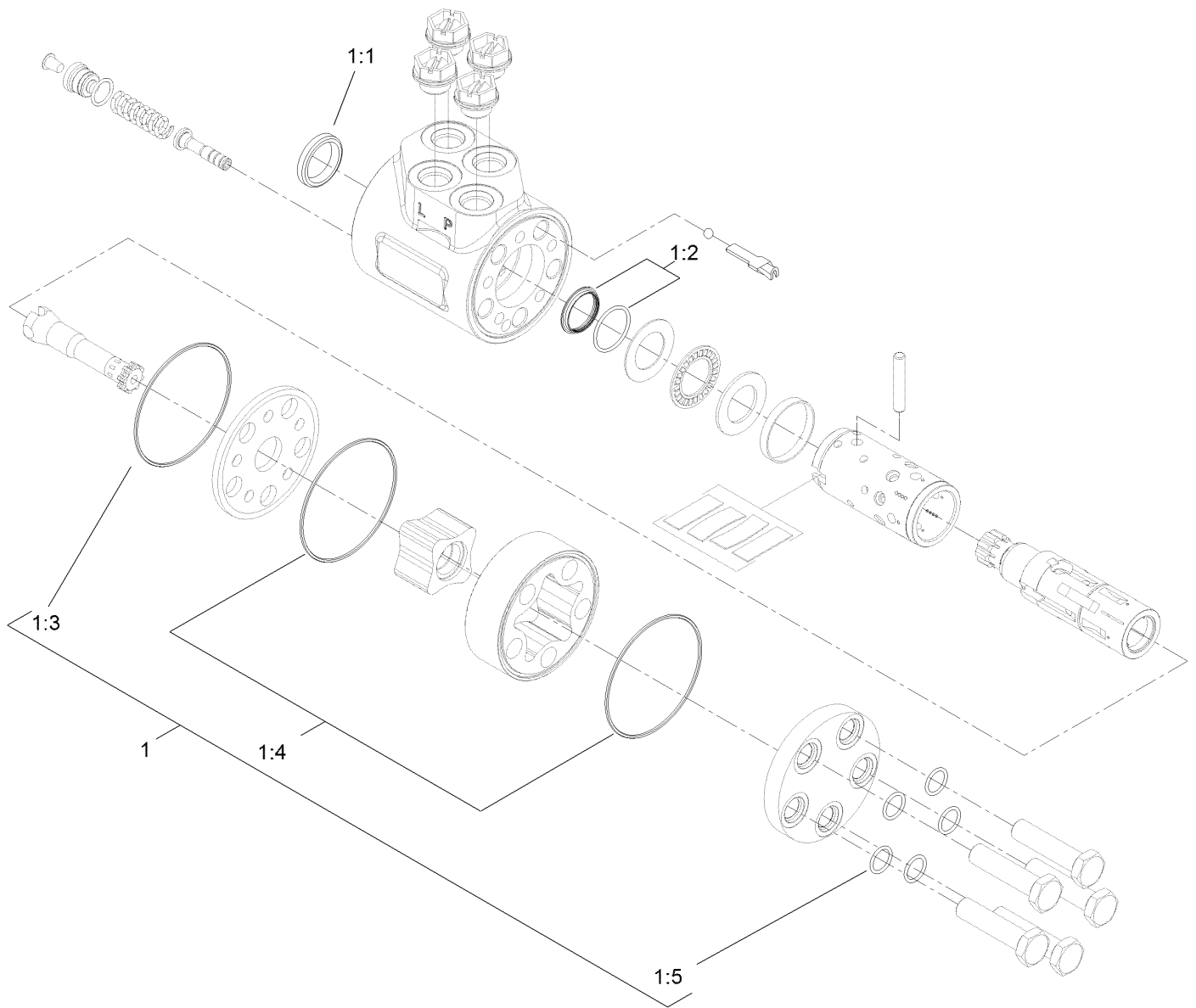




## Steering Tilt Column Assembly No. 106-3622

Ref.	Part Number	Qty.	Description
1	110-6462	1	Bellows-Rubber
2	110-6463	1	Cylinder Service Kit
2:1		1	Cylinder-Gas ●
2:2		1	Block-Pedal ●
2:3		2	Bolt ●
2:4		1	Pin ●
2:5		2	Washer-Lock ●
3	110-6464	1	Pedal Service Kit
3:1		1	Pedal ●
3:2		1	Pin ●
3:3		1	Spring ●
4	110-6465	1	Cover-Pedal
5	120-6256	1	Universal Joint Kit

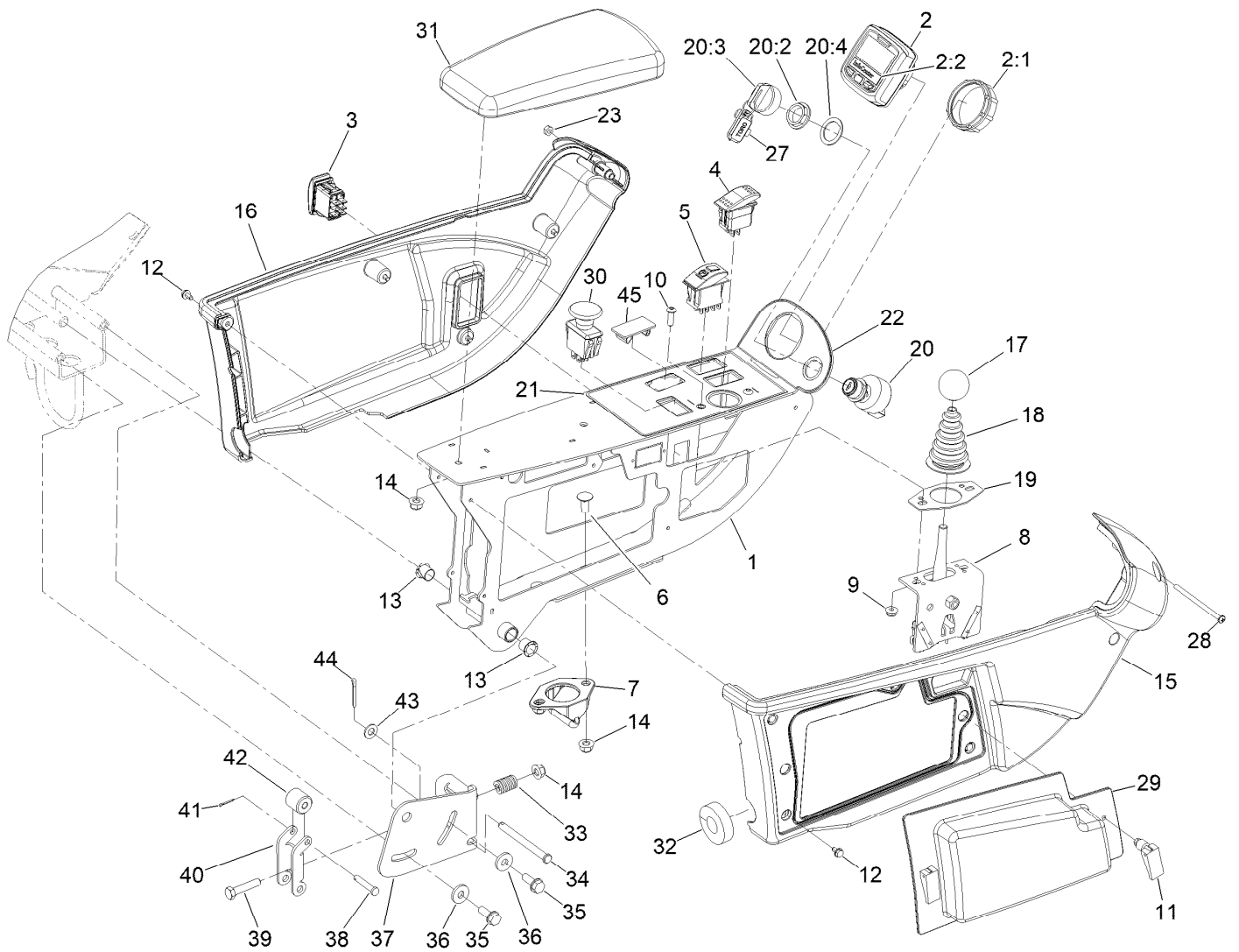
● Not serviced separately



## Steering Valve Assembly No. 106-3621

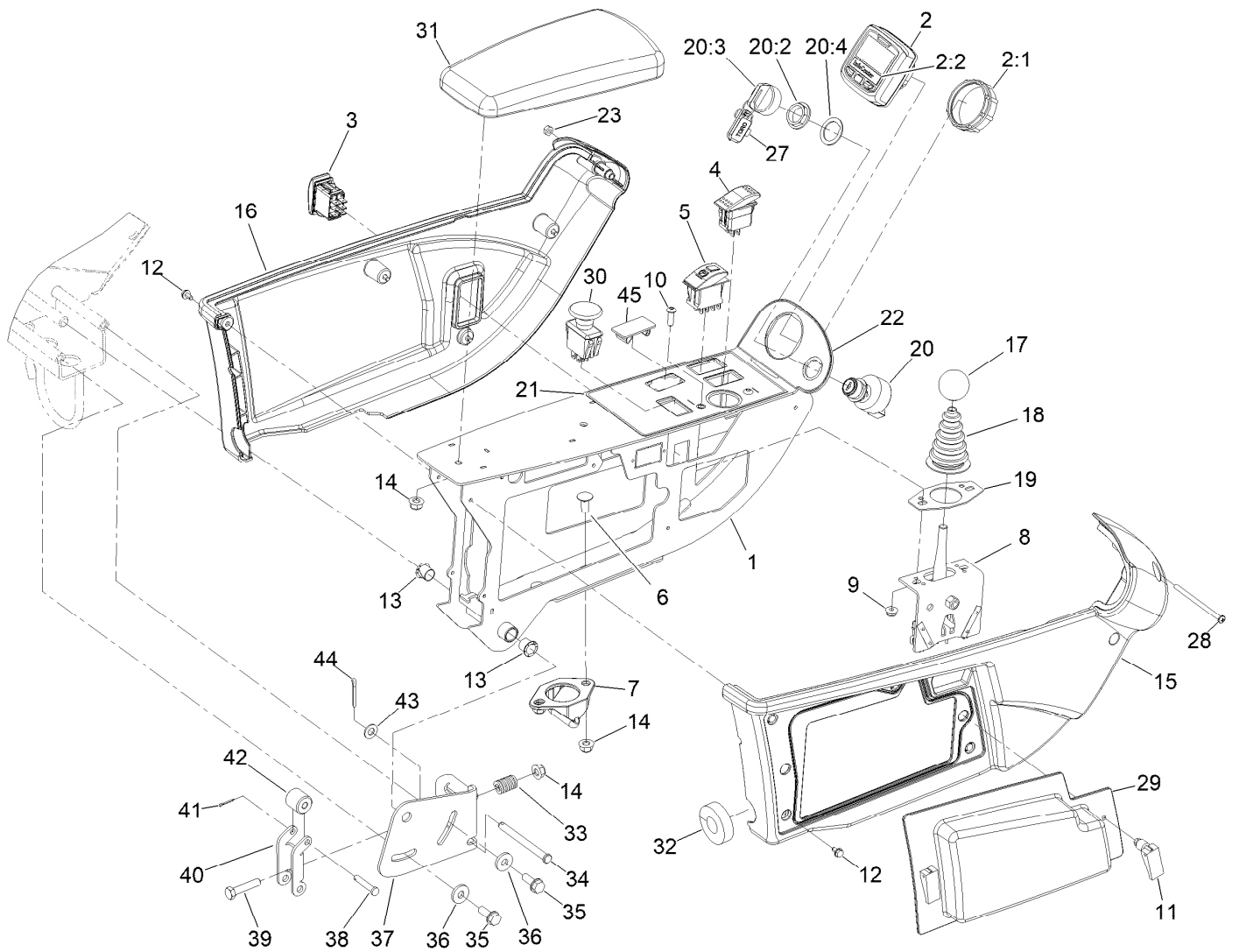
<i>Ref.</i>	<i>Part Number</i>	<i>Qty.</i>	<i>Description</i>
1	106-6716	1	Seal Kit
1:1		1	Ring-Seal, Dust ●
1:2		1	Seal-Shaft ●
1:3		1	O-Ring ●
1:4		2	O-Ring ●
1:5		5	O-Ring ●

● Not serviced separately



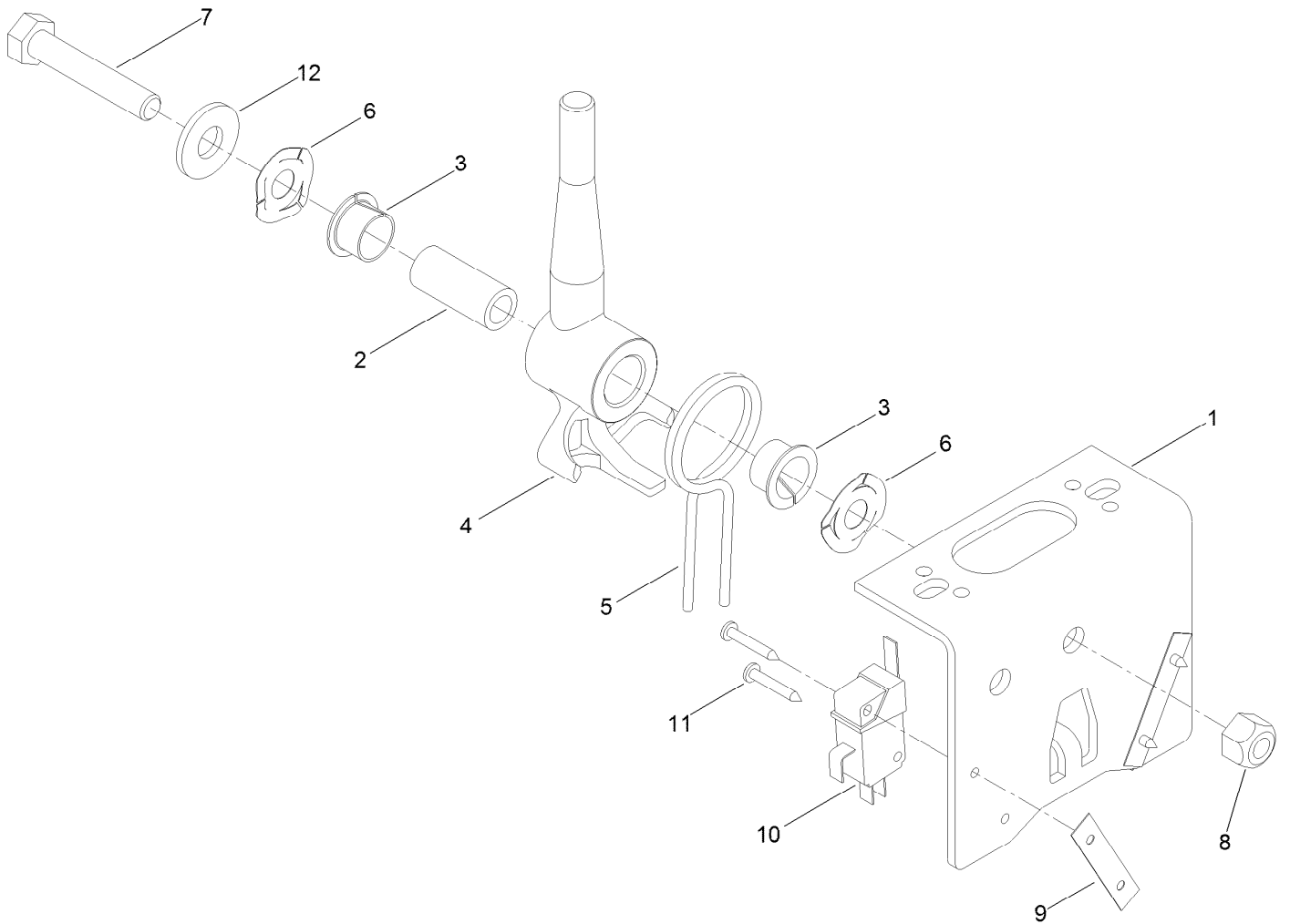
## Control Panel Assembly

Ref.	Part Number	Qty.	Description	Ref.	Part Number	Qty.	Description
1	145-2474-03	1	Frame ASM, Control Arm [black]	16	108-7604	1	Cover-LH
2	120-6310	1	LCD Display ASM Kantrak 1700	17	233-42	1	Knob
2:1	120-4630	1	Nut-Display	18	93-5961	1	Boot-Lever
2:2	120-6311	1	Decal-Display	19	112-9181	1	Plate-Boot
3	95-8999	1	Switch-Rocker, On-None-On	20	106-5269	1	Ignition Switch ASM
4	114-3329	1	Switch-Rocker	20:2	108-8660	1	Nut-Mounting
5	111-2254	1	Switch-Rocker, On-None-On	20:3	106-5270	1	Ignition Key Set
6	3230-23	2	Bolt-CARR	20:4	108-8659	1	Washer-Backup
7	125-1938	1	Latch	21	145-2483	1	Decal-Control Panel
8	120-5280	1	Bracket-Joystick	22	120-4158	1	Decal-Console, Upper
9	104-7201	2	Nut-HF, NI	23	3296-2	1	Nut-Lock, NI
10	3274-69	2	Screw-HSBH	27	99-8970	1	Key-Latch, Hood
11	74-5950	2	Latch-Swell	28	3250-22	1	Screw-PPH
12	104-2065	10	Screw-HWH	29	114-0446	1	Panel-Access
13	256-257	2	Bushing-Nyliner	30	93-9999	1	Switch-PTO
14	104-8300	5	Nut-HF, NI	31	108-7602	1	Rest-Arm
15	108-7605	1	Cover-RH	32	145-2594	1	Seal-Foam
				33	110-5331	1	Spring-Compression
				34	283-88	1	Pin-Clevis
				35	32144-41	2	Screw-Taptite
				36	4-2390	2	Washer-Flat



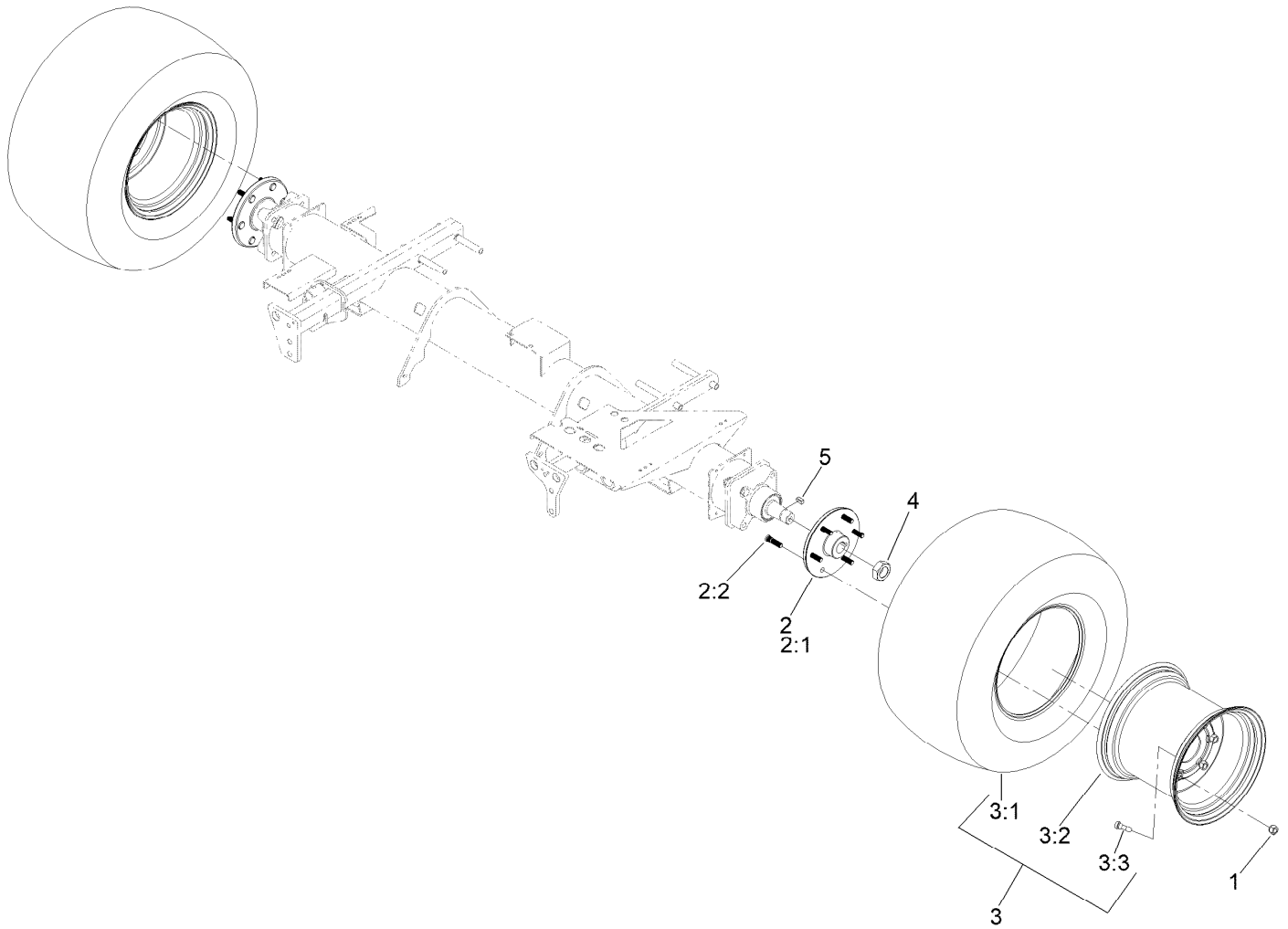
## Control Panel Assembly (continued)

<i>Ref.</i>	<i>Part Number</i>	<i>Qty.</i>	<i>Description</i>	<i>Ref.</i>	<i>Part Number</i>	<i>Qty.</i>	<i>Description</i>
37	110-5313-03	1	Bracket-Retainer	42	110-8856	1	Spacer
38	283-73	1	Pin-Clevis	43	3256-23	1	Washer-Plain
39	322-7	1	Screw-HH	44	3272-11	1	Pin-Cotter
40	110-5314	1	Latch	45	99-7420	1	Plug-Hole
41	3272-1	1	Pin-Cotter				



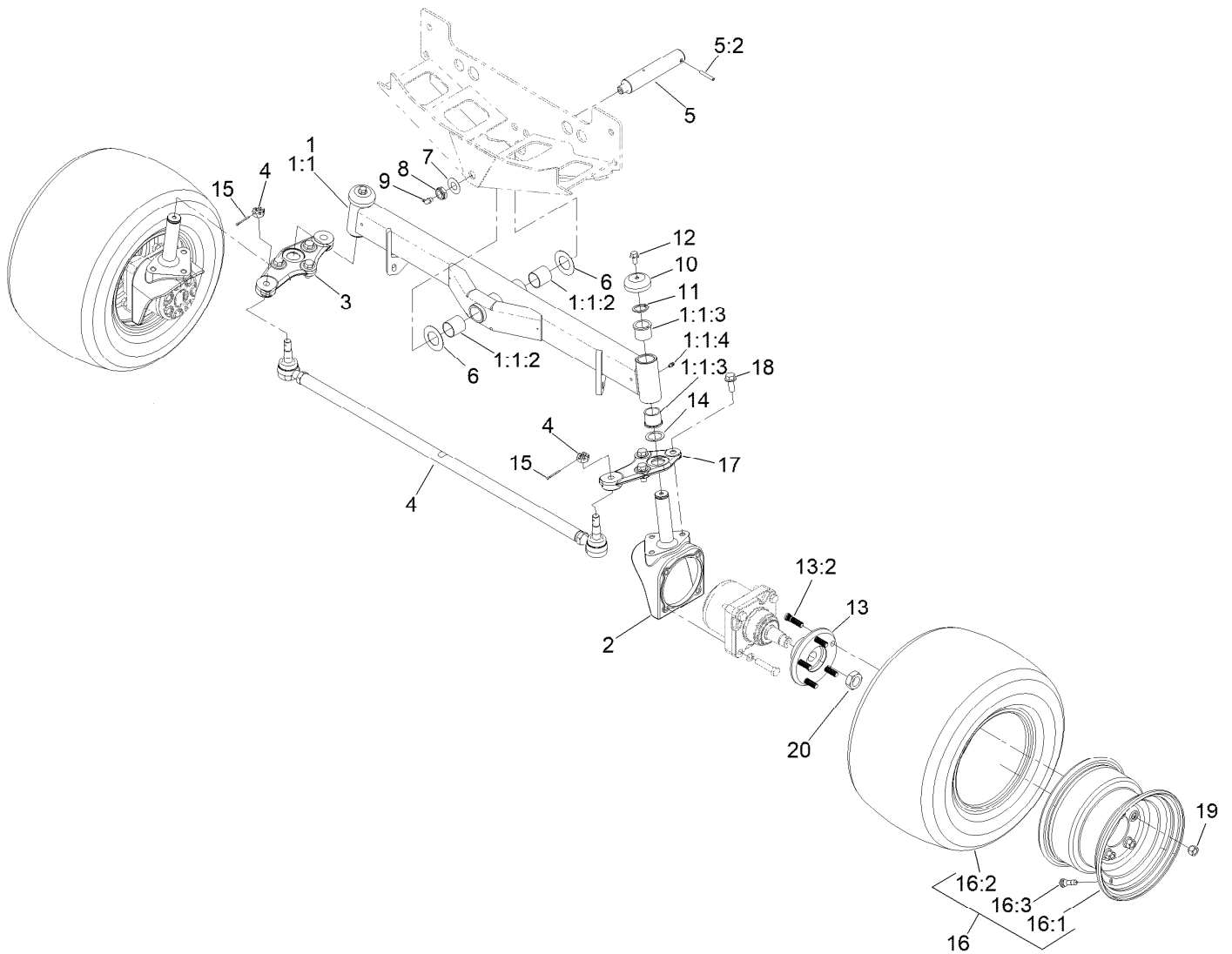
## Joystick Bracket Assembly No. 120-5280

<i>Ref.</i>	<i>Part Number</i>	<i>Qty.</i>	<i>Description</i>
1	115-5357-03	1	Bracket-Joystick
2	106-4192	1	Spacer
3	93-5547	2	Bushing-Nylon
4	119-3540	1	Hub-Pivot, Joystick
5	105-8289	1	Spring-Torsion
6	106-4193	2	Washer-Finger, Spring
7	322-9	1	Screw-HH
8	3296-29	1	Nut-Lock, NI
9	3290-354	2	Nut-Speed
10	108-6496	2	Switch (W/Boot)
11	95-3003	4	Screw-PPHTF
12	3256-3	1	Washer-Flat



## Front Axle Assembly

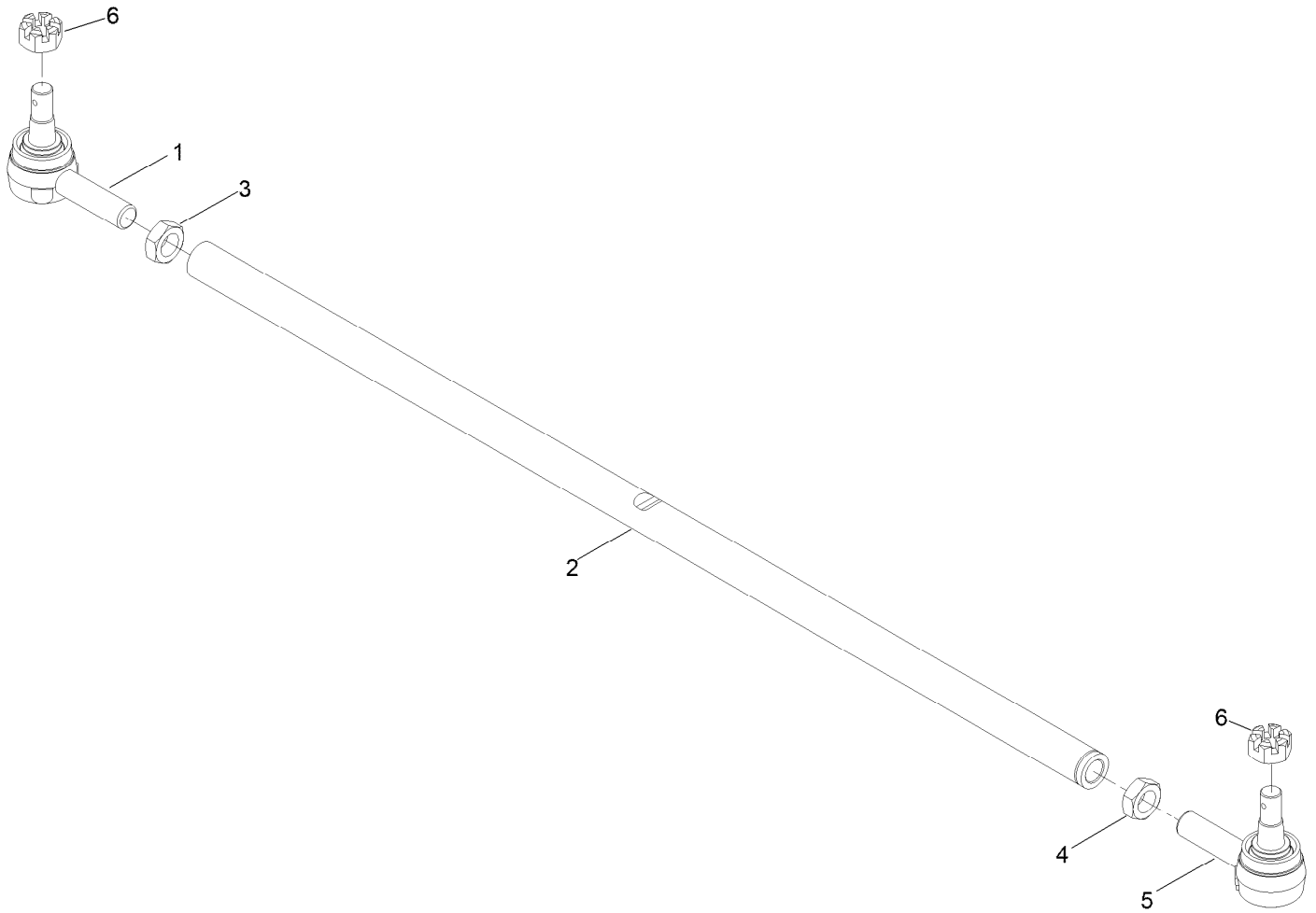
<b>Ref.</b>	<b>Part Number</b>	<b>Qty.</b>	<b>Description</b>
1	242-50	12	Nut-Lug
2	144-2058	2	Hub ASM (1.50)
2:1	136-7971	1	Hub-Wheel
2:2	114-3918	6	Stud-Wheel
3	139-6048	2	Tire ASM
3:1	133-2724	1	Tire
3:2	139-6049	1	Wheel
3:3	232-27	1	Stem-Valve
4	117-3290	2	Nut-Hex
5	117-5198	2	Key-Square



## Rear Axle Assembly

Ref.	Part Number	Qty.	Description	Ref.	Part Number	Qty.	Description
1	107-4546-03	1	Axle ASM	11	32151-77	2	Ring-Retaining, External
1:1		1	Axle ●	12	3234-1	2	Screw-HHF
1:1:2	99-6964	2	Bushing-Axle	13	121-5633	2	Hub ASM
1:1:3	104-0015	4	Bushing-Flange	13:2	114-3918	5	Stud-Wheel
1:1:4	302-5	2	Fitting-Grease	14	76-2980	2	Washer-Thrust
2	107-4517-03	2	Housing-Motor	15	3272-12	2	Pin-Cotter
3	140-3142	1	Link-Drag, RH	16	117-0281	2	Rim And Tire ASM
4	139-6029	1	Tie Rod ASM	16:1	117-0280	1	Rim
5	140-6101	1	Pin ASM-Axle Pivot	16:2	117-5125	1	Tire
5:2	32121-32	1	Pin-Roll	16:3	232-27	1	Stem-Valve
6	99-8432	2	Washer-Thrust	17	140-3144	1	Link-Drag, LH
7	71-4540	1	Washer-Thrust	18	3234-38	6	Screw-HHF
8	3296-15	1	Nut-Lock, NI	19	242-50	10	Nut-Lug
9	302-33	1	Fitting-Grease	20	26-3790	2	Nut-Lock
10	69-8890	2	Cap-Spindle				

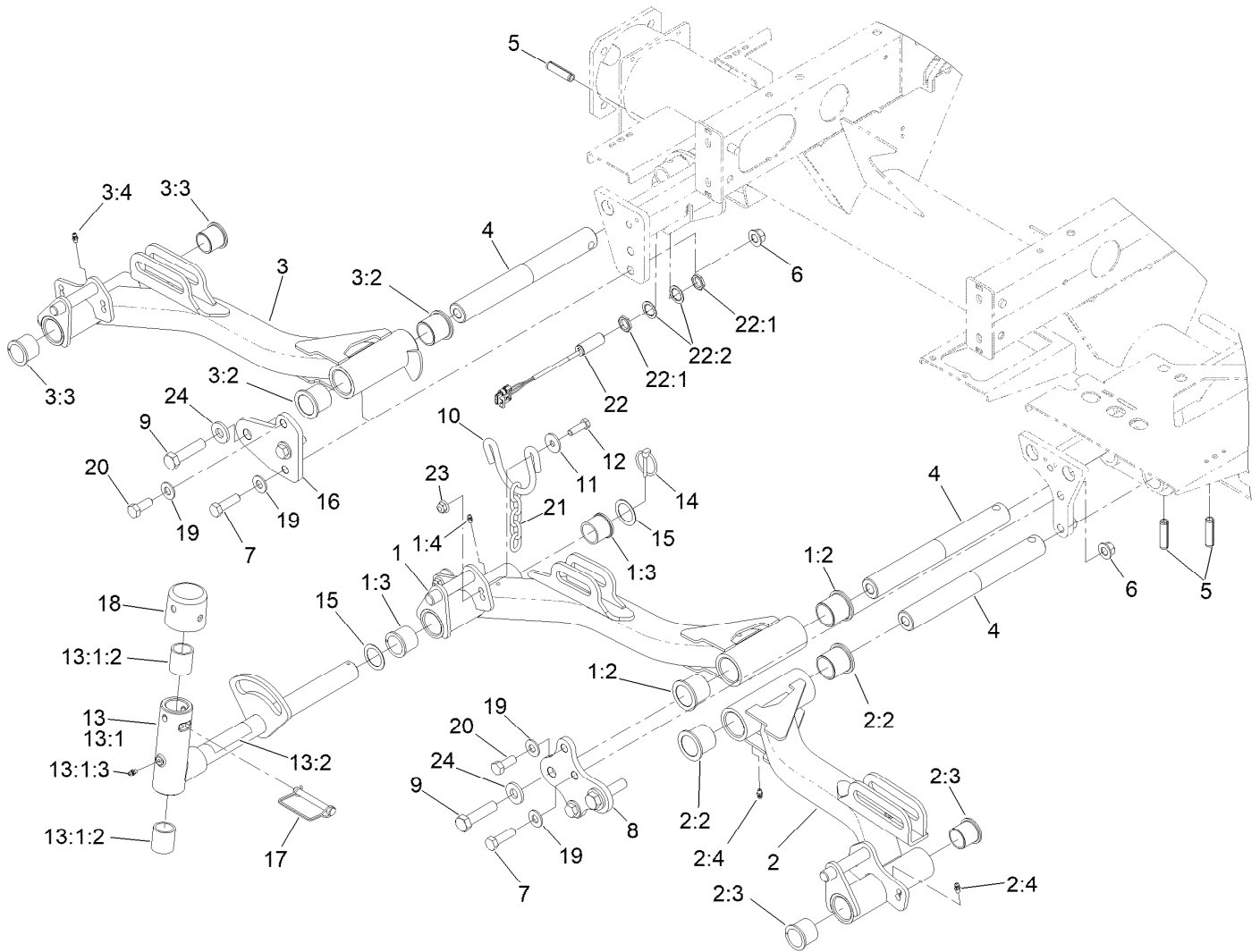
● Not serviced separately



## Tie Rod Assembly No. 139-6029

<i>Ref.</i>	<i>Part Number</i>	<i>Qty.</i>	<i>Description</i>
1	144-3901	1	Tie Rod End
2	139-6030	1	Rod-Tie
3	84-5300	1	Nut-Jam
4	110-5337	1	Nut-Jam
5	144-3902	1	Tie Rod End
6	140-6135	2	Nut-Hex, Slotted

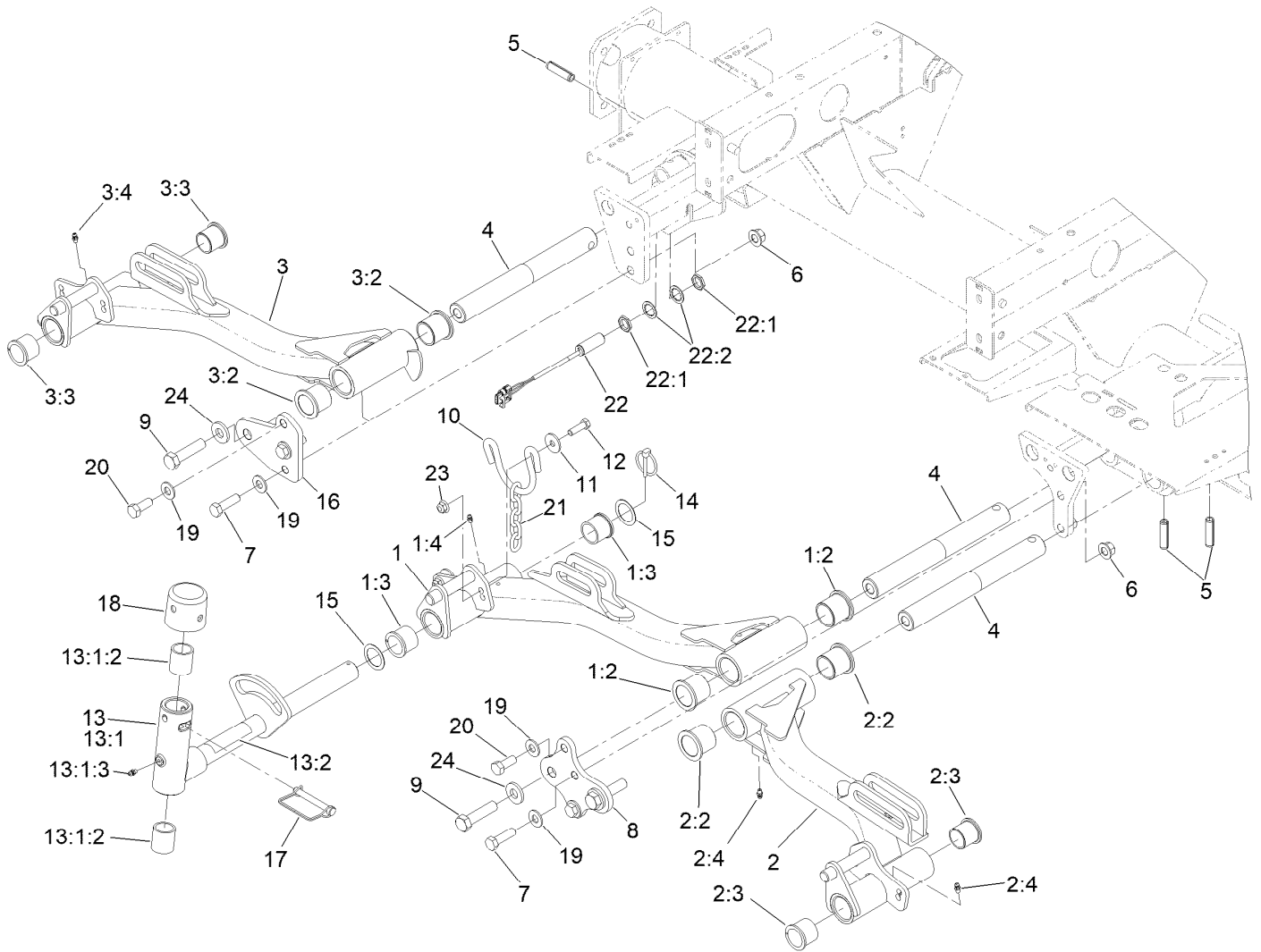




## No. 1, 4 and 5 Lift Arm Assembly

Ref.	Part Number	Qty.	Description	Ref.	Part Number	Qty.	Description
1	133-2911	1	Lift Arm ASM #1	10	110-0922	3	Hoop-Chain
1:2	69-6470	2	Bushing-Caster	11	63-8410	6	Washer
1:3	104-0015	2	Bushing-Flange	12	323-7	6	Screw-HH
1:4	302-5	2	Fitting-Grease	13	138-1248	3	Pivot Yoke ASM
2	133-2914	1	Lift Arm ASM #4	13:1		1	Yoke-Pivot ●
2:2	69-6470	2	Bushing-Caster	13:1:2	121-3187	2	Bushing
2:3	104-0015	2	Bushing-Flange	13:1:3	302-5	1	Fitting-Grease
2:4	302-5	2	Fitting-Grease	13:2	110-9642	1	Decal-Warning
3	133-2915	1	Lift Arm ASM #5	14	92-1298	3	Pin-Lynch
3:2	69-6470	2	Bushing-Caster	15	76-2980	6	Washer-Thrust
3:3	104-0015	2	Bushing-Flange	16	117-5153-01	1	Plate-Bridge 5
3:4	302-5	2	Fitting-Grease	17	107-7400	3	Pin-Lynch
4	117-0208	3	Shaft-Pivot, Liftarm	18	107-4027	3	Cap
5	32121-122	3	Pin-Roll	19	87-7270	6	Washer-Thrust
6	99-5107	4	Nut-Lock	20	325-5	2	Screw-HH
7	325-7	4	Screw-HH	21	84-2451	3	Chain-Straight, 5 Link
8	117-5154-01	1	Plate-Bridge 1 And 4	22	115-5300	1	Proximity Switch ASM
9	327-7	3	Screw-HH	22:1	117-3207	2	Nut-Hex

● Not serviced separately

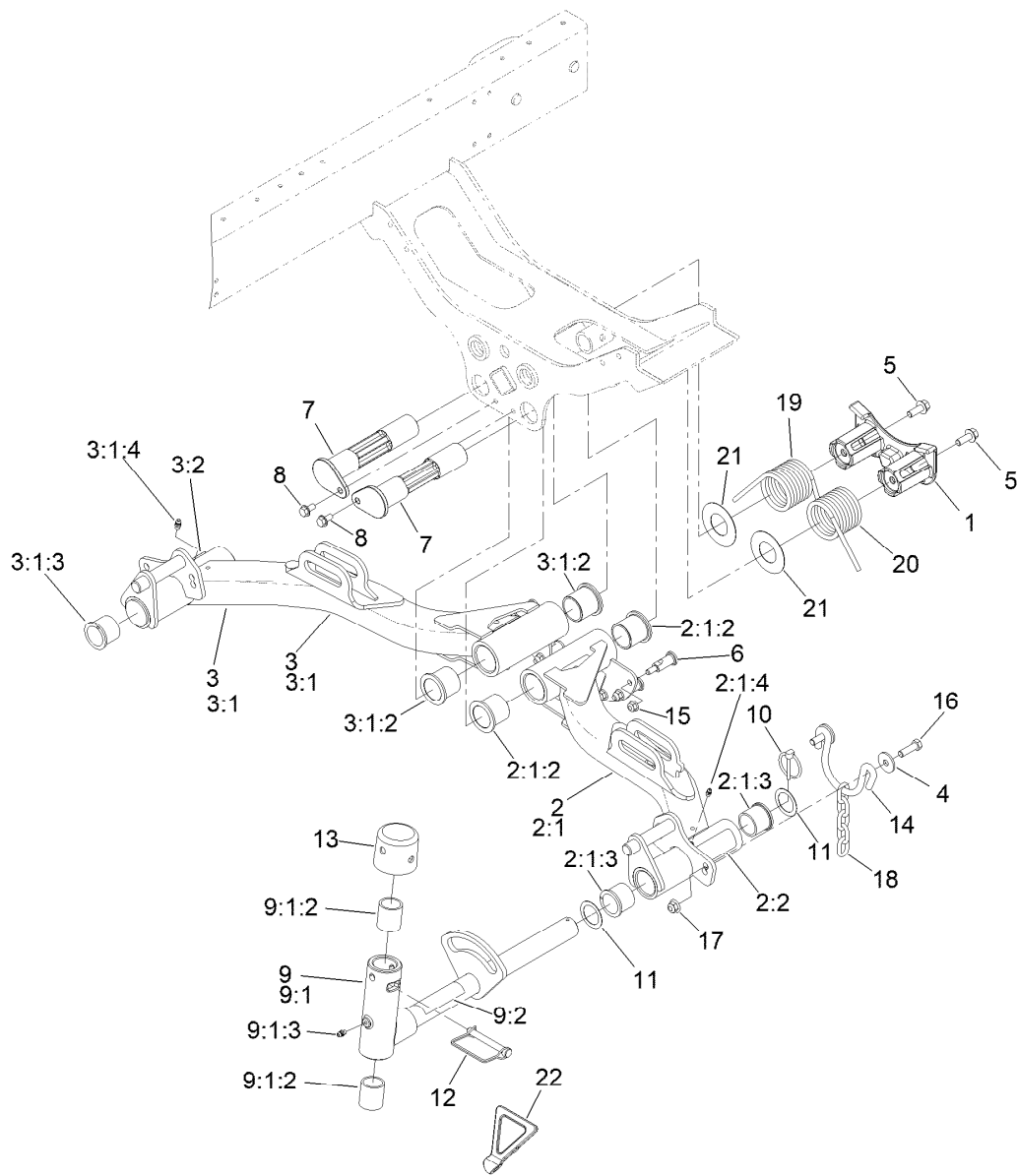


## No. 1, 4 and 5 Lift Arm Assembly (continued)

<i>Ref.</i>	<i>Part Number</i>	<i>Qty.</i>	<i>Description</i>
22:2	117-3208	2	Washer-Lock, Internal Tooth

<i>Ref.</i>	<i>Part Number</i>	<i>Qty.</i>	<i>Description</i>
23	104-8301	6	Nut-HF, NI
24	99-7667	3	Washer-Flat

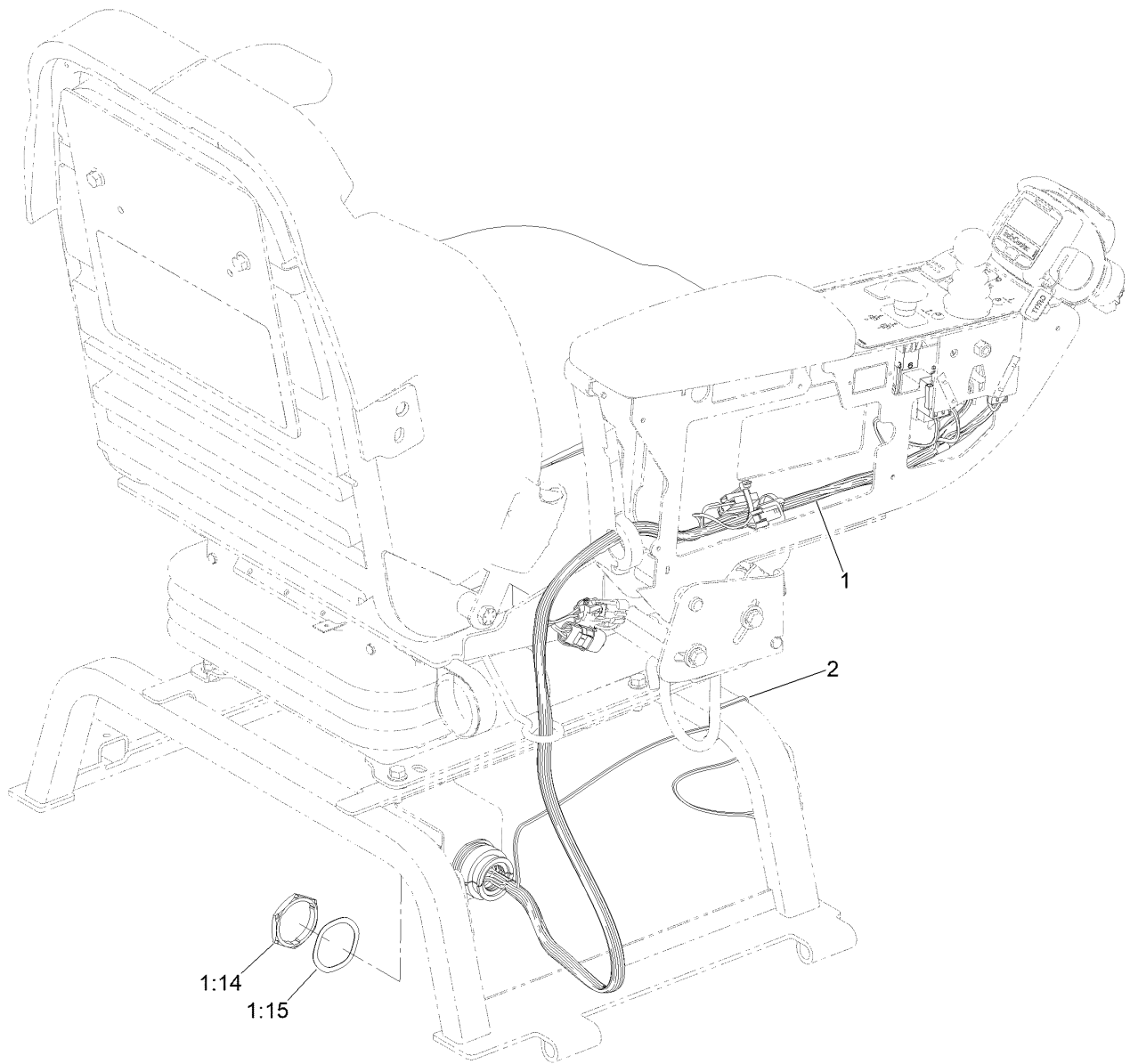
● Not serviced separately



## No. 2 and 3 Lift Arm Assembly

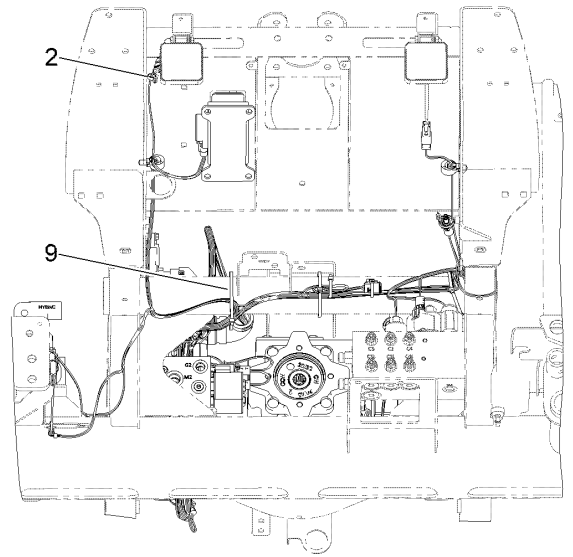
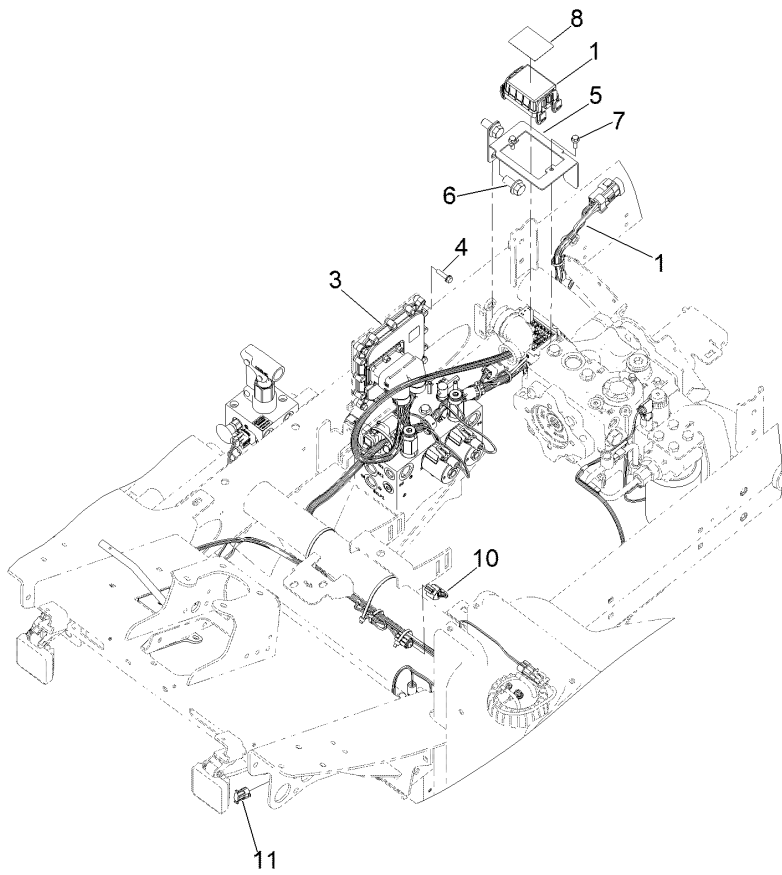
Ref.	Part Number	Qty.	Description	Ref.	Part Number	Qty.	Description
1	125-2018	1	Housing	9	138-1248	2	Pivot Yoke ASM
2	136-8002	1	Lift Arm #2	9:1		1	Yoke-Pivot ●
2:1		1	Lift Arm ASM #2 ●	9:1:2	121-3187	2	Bushing
2:1:2	69-6470	2	Bushing-Caster	9:1:3	302-5	1	Fitting-Grease
2:1:3	104-0015	2	Bushing-Flange	9:2	110-9642	1	Decal-Warning
2:1:4	302-5	2	Fitting-Grease	10	92-1298	2	Pin-Lynch
2:2	93-6696	1	Decal-Warning	11	76-2980	4	Washer-Thrust
3	136-8003	1	Lift Arm #3	12	107-7400	2	Pin-Lynch
3:1		1	Lift Arm ASM #3 ●	13	107-4027	2	Cap
3:1:2	69-6470	2	Bushing-Caster	14	110-0922	2	Hoop-Chain
3:1:3	104-0015	2	Bushing-Flange	15	104-8300	6	Nut-HF, NI
3:1:4	302-5	2	Fitting-Grease	16	323-7	4	Screw-HH
3:2	93-6696	1	Decal-Warning	17	104-8301	4	Nut-HF, NI
4	63-8410	4	Washer	18	84-2451	2	Chain-Straight, 5 Link
5	3234-11	2	Screw-HHF	19	99-5608-03	1	Spring-Torsion, RH
6	120-6283	6	Stud-Shouldered	20	99-5609-03	1	Spring-Torsion, LH
7	125-2037	2	Shaft	21	110-5345	2	Washer
8	32144-14	2	Screw-HWHTF	22	119-8010-03	1	Kickstand

● Not serviced separately



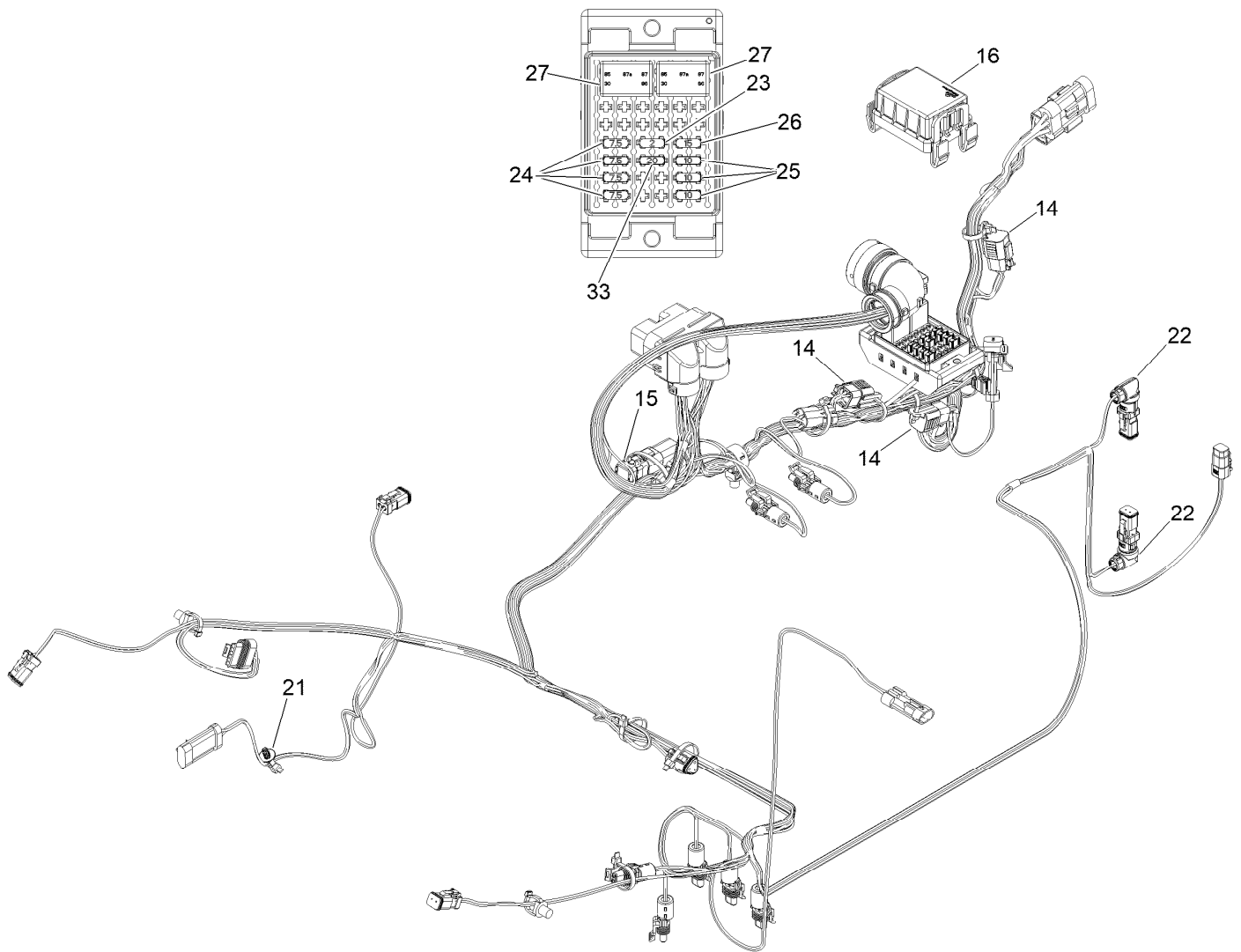
## Seat and Control Arm Wiring Harness Assembly

<i>Ref.</i>	<i>Part Number</i>	<i>Qty.</i>	<i>Description</i>
1	122-2126	1	Harness-Wire, Seat
1:14	32180-135	1	Nut-Connector
1:15	32180-143	1	Washer-Lock
2	3290-378	1	Tie-Cable



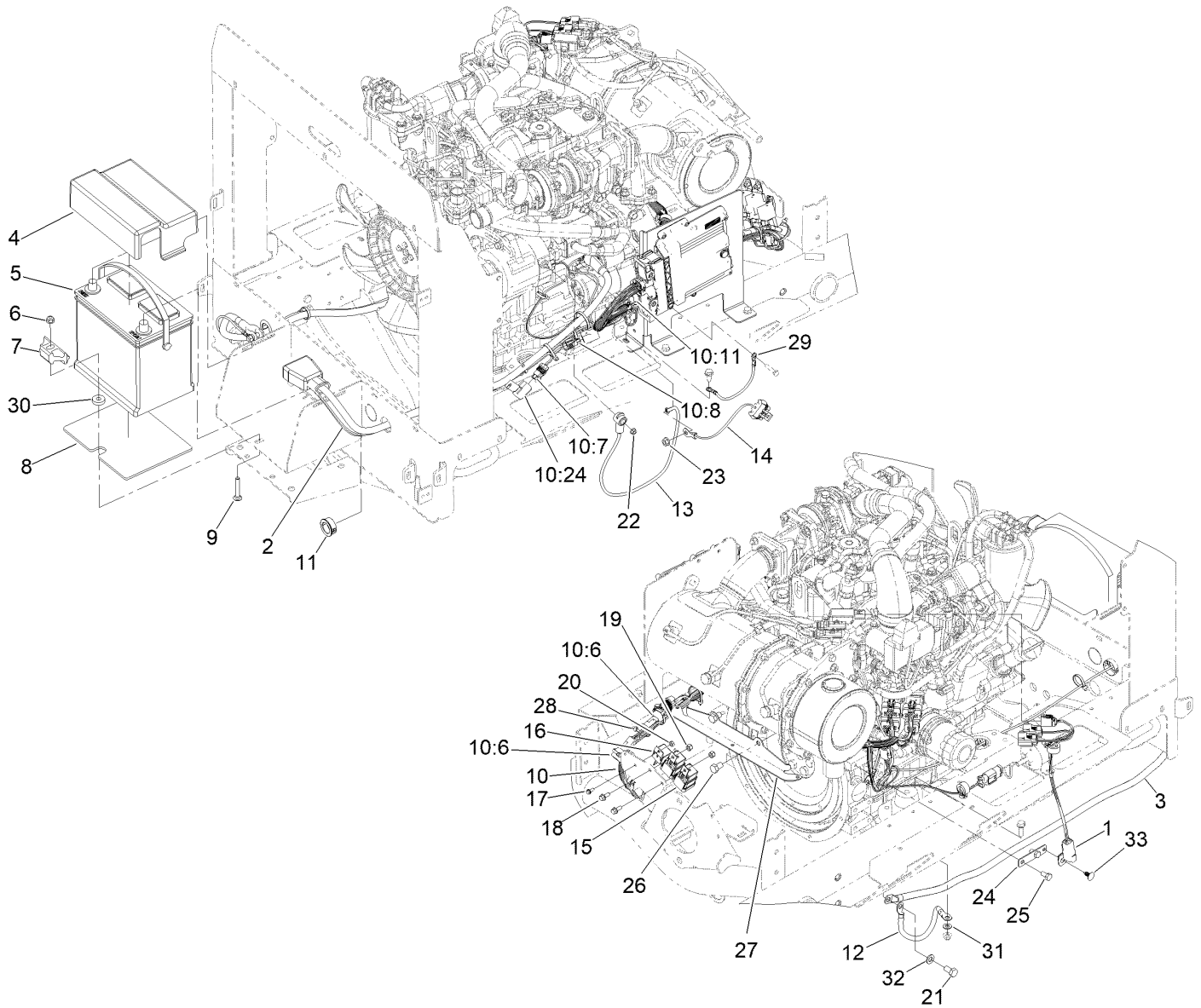
## Main Wiring Harness Assembly

<i>Ref.</i>	<i>Part Number</i>	<i>Qty.</i>	<i>Description</i>
1	122-2912	1	Harness-Wire, Main
2	3290-378	1	Tie-Cable
3	127-2770	1	Controller
4	32144-86	4	Screw-HWHTF
5	145-2506-0P	1	Bracket-Pdm [primed]
6	3234-6	2	Screw-HHF
7	33103-020	2	Screw-HHF
8	145-2519	1	Decal-Fuses
9	3290-379	3	Tie-Cable
10	32180-089	1	Cap-Plug, 3 Way
11	32180-056	1	Cap



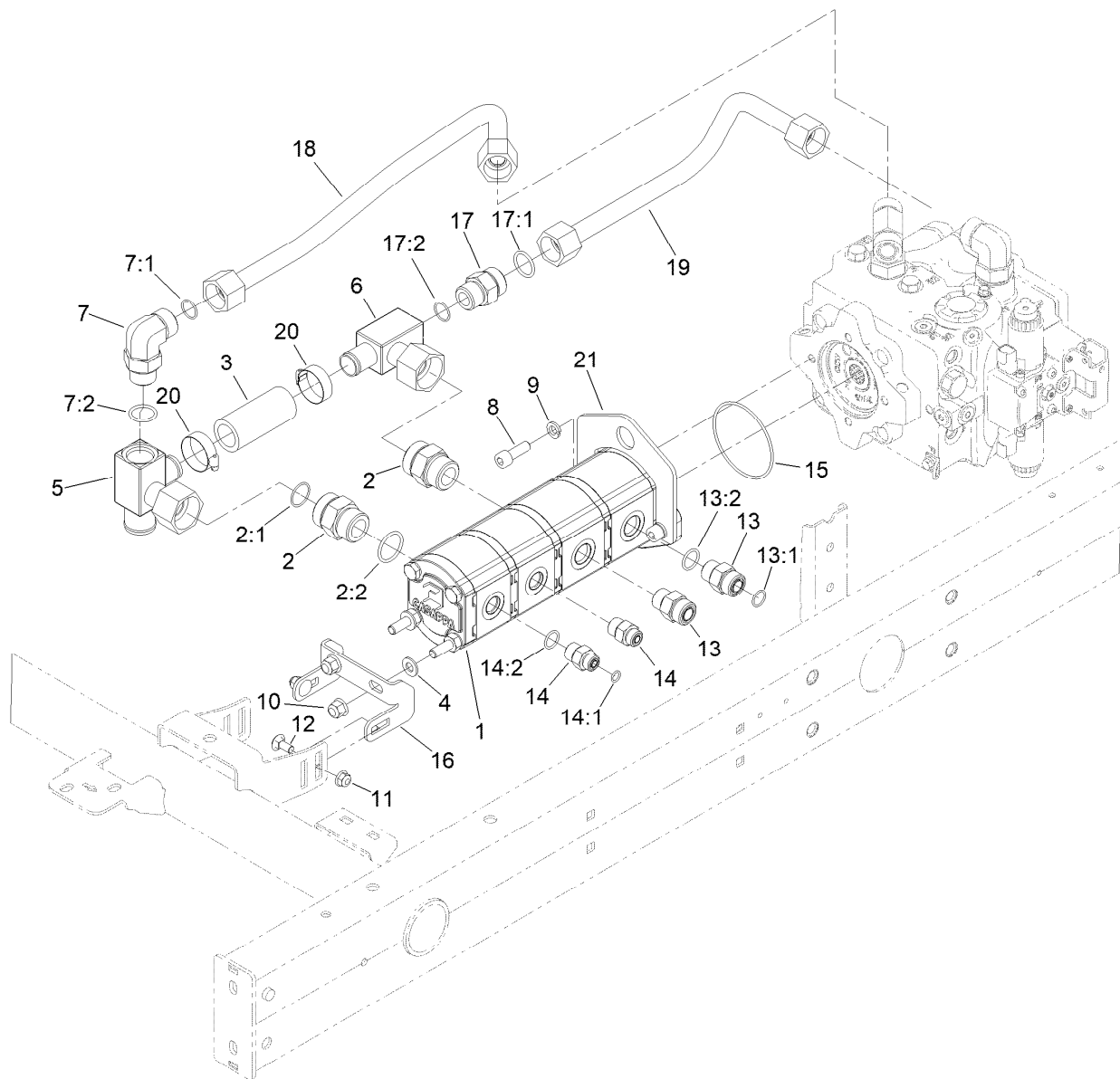
## Wire Harness Assembly No. 122-2912

<i>Ref.</i>	<i>Part Number</i>	<i>Qty.</i>	<i>Description</i>
14	32180-156	3	Cap-Plug, 6 Way
15	122-1131	1	Capacitor-Sealed
16	32180-471	1	Cover-Chief, Bric
21	32180-400	1	Clip-Tie, Fir Tree W/Tie, 5MM/.196" Hole
22	32180-060	2	Backshell-Harnessflex, Dt06-2S 90 Degree
23	121-8861	1	Fuse-Mini Blade, 2 Amp
24	121-8865	4	Fuse-Mini Blade, 7.5 Amp
25	121-8866	3	Fuse-Mini Blade, 10 Amp
26	121-8867	1	Fuse-Mini Blade, 15 Amp
27	122-0368	2	Relay-280 ISO
33	121-8868	1	Fuse-Mini Blade, 20 Amp



## Battery Mounting Assembly

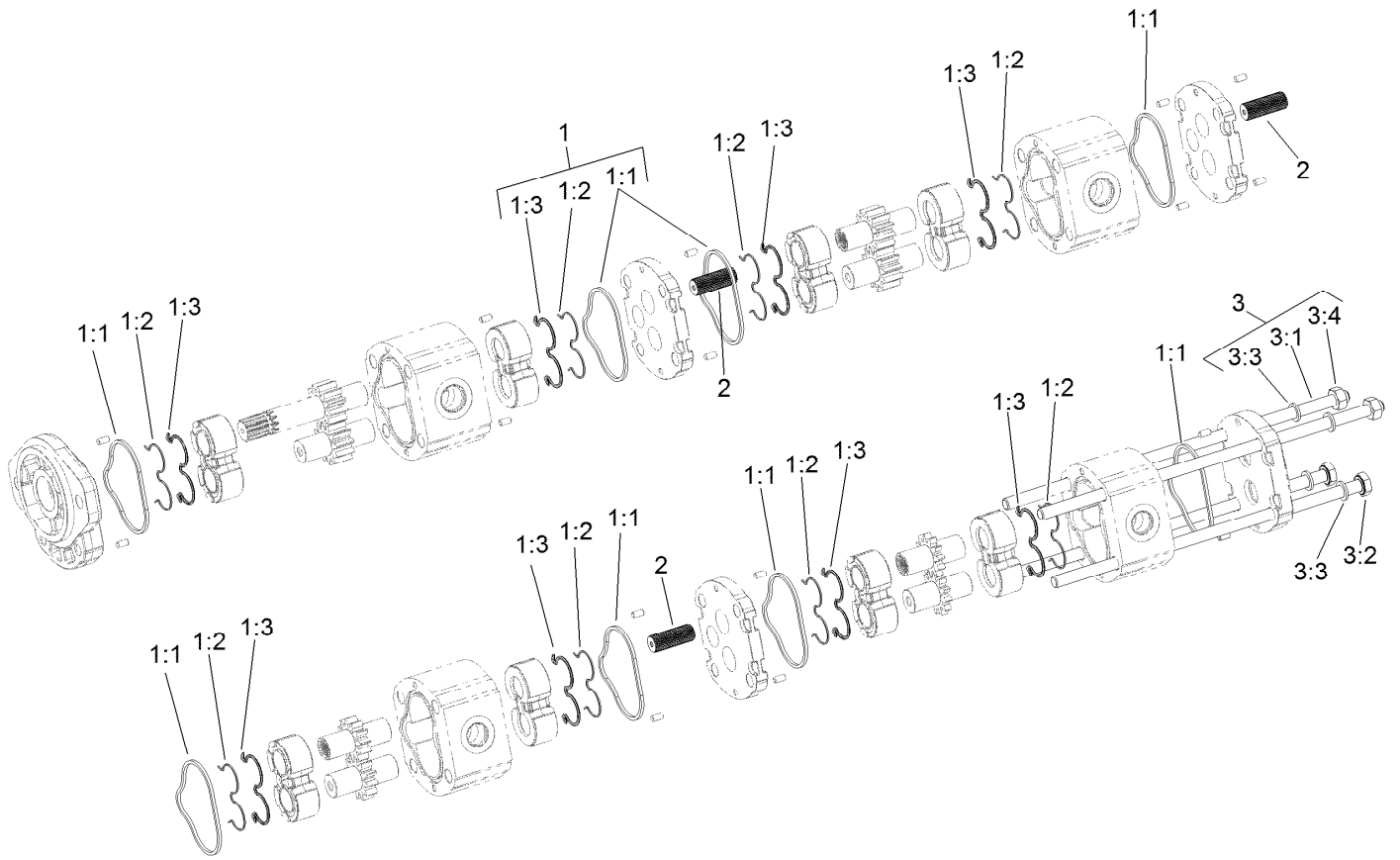
Ref.	Part Number	Qty.	Description	Ref.	Part Number	Qty.	Description
1	122-2910	1	Harness-Wire, Yanmar Dpf Interface	15	99-7430	2	Relay-Mini
2	121-8850	1	Cable-Battery, Positive	16	99-7435	1	Relay
3	121-8851	1	Cable-Battery, Negative	17	3290-321	1	Screw-HWH
4	121-5615	1	Cover-Battery	18	3234-33	2	Screw-HHF
5	132-8621	1	Battery - Corrosive	19	3296-42	2	Nut-Lock, NI
6	104-8300	1	Nut-HF, NI	20	3296-2	1	Nut-Lock, NI
7	138-6335	1	Retainer-Battery	21	33115-020	1	Screw-HH
8	127-2781	1	Mat-Battery	22	33003-00	1	Nut-HF
9	3230-6	1	Bolt-CARR	23	33004-00	1	Nut-HF
10	122-2911	1	Harness-Wire, Engine	24	121-5636	1	Tab-Harness
10:6	100-4918	2	Diode	25	33114-016	2	Screw-HH
10:7	121-8868	1	Fuse-Mini Blade, 20 Amp	26	33115-016	2	Screw-HH
10:8	121-8866	1	Fuse-Mini Blade, 10 Amp	27	132-9706-03	1	Bracket-Harness
10:11	32160-359	1	Connector (6M)	28	3290-378	9	Tie-Cable
10:24	32180-101	2	Cover-Fuse, Single	29	122-0058	1	Harness-Wire, Ground
11	32180-570	2	Bushing-Panel Snap,1.00"	30	62-6660	1	Spacer
12	121-8856	1	Cable-Ground, Engine	31	120-9683	1	Washer-Plain
13	100-5552	1	Harness-Wire	32	33095-00	1	Washer-Flat
14	99-3441	1	Harness-Wire, Fusible Link	33	117-2382	1	Plug-Plastic



## Gear Pump Assembly

<i>Ref.</i>	<i>Part Number</i>	<i>Qty.</i>	<i>Description</i>	<i>Ref.</i>	<i>Part Number</i>	<i>Qty.</i>	<i>Description</i>
1	107-4547	1	Gear Pump ASM	13	340-7	2	Fitting-Straight
2	104-3797	2	Fitting-Straight	13:1	237-65	1	O-Ring
2:1	237-146	1	O-Ring	13:2	237-80	1	O-Ring
2:2	340-65	1	O-Ring	14	340-3	2	Fitting-Straight
3	144-2092	1	Hose-Formed	14:1	237-22	1	O-Ring
4	3256-24	2	Washer-Plain	14:2	237-79	1	O-Ring
5	145-2570	1	Manifold-Tube	15	237-161	1	O-Ring
6	144-2093	1	Manifold-Tube	16	133-2946-0P	1	Brkt-Gear Pump
7	340-142	1	Fitting-Elbow, 90 DEG	17	340-9	1	Fitting-STR
7:1	237-58	1	O-Ring	17:1	237-58	1	O-Ring
7:2	237-81	1	O-Ring	17:2	237-81	1	O-Ring
8	AU862-10030	2	Screw-HSH	18	145-2561	1	Tube ASM-Hydraulic
9	48-9590	2	Washer-Lock	19	145-2454	1	Tube ASM-Hydraulic
10	103-9511	2	Nut-Lock, NI	20	2412-34	2	Clamp-Hose
11	104-8300	2	Nut-HF, NI	21	145-2548-0P	1	Bracket-Lift, Pump
12	3230-1	2	Bolt-CARR				

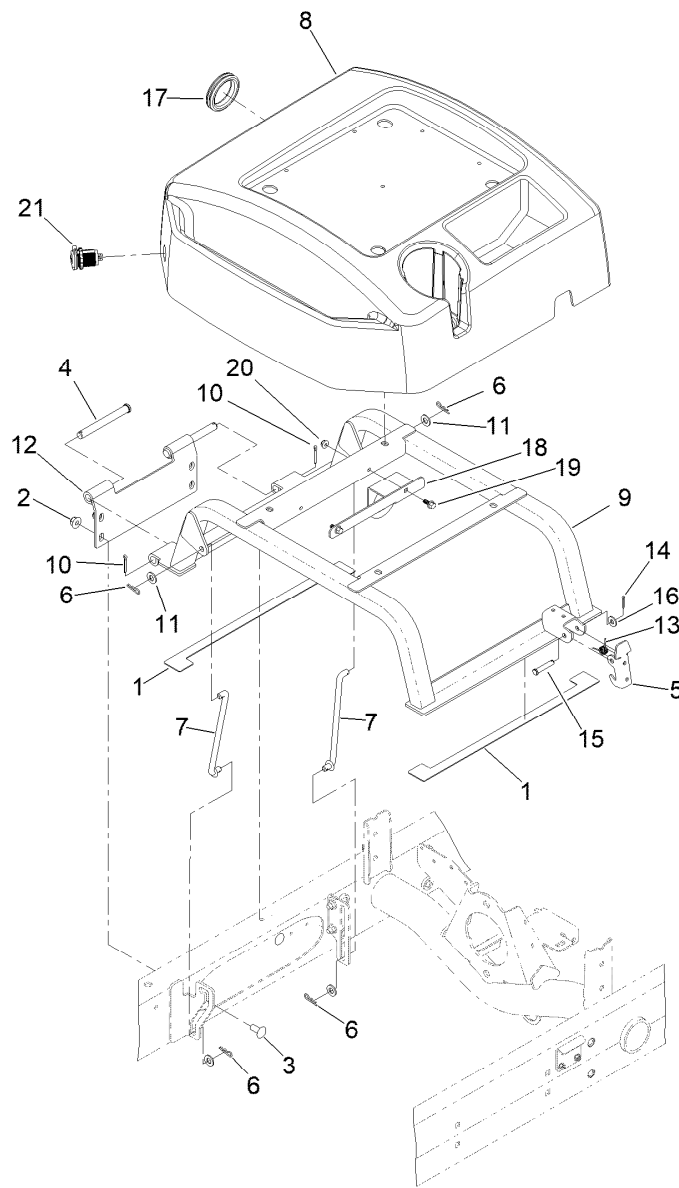




## Gear Pump Assembly No. 107-4547

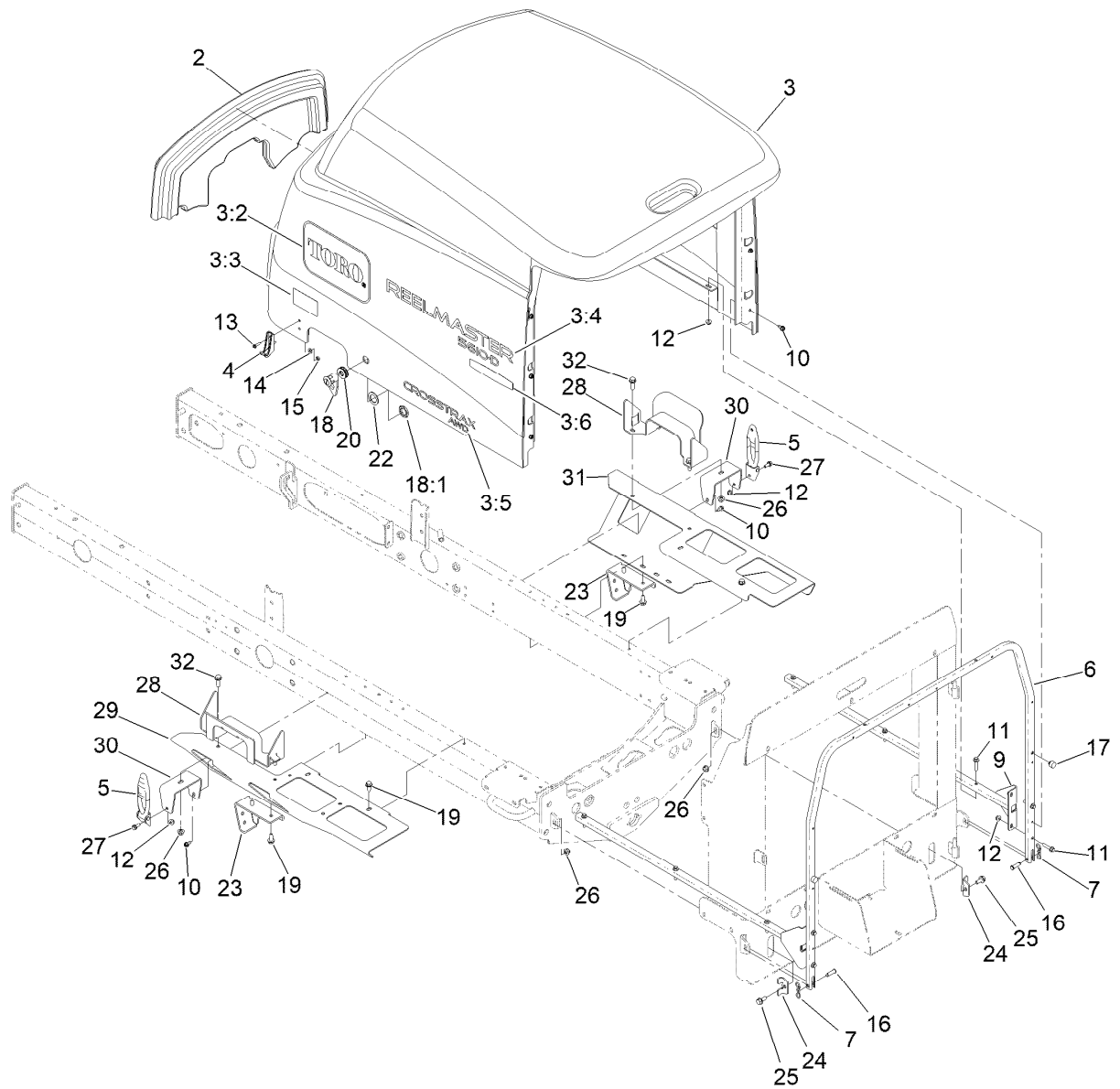
Ref.	Part Number	Qty.	Description
1	108-4595	1	Seal Kit
1:1		8	Seal ●
1:2		8	Seal ●
1:3		8	Ring-Back Up ●
2	120-6284	3	Hub-Connecting
3	125-8760	1	Kit-Bolt
3:1		2	Bolt-Stud ●
3:2		2	Screw ●
3:3		4	Washer ●
3:4		2	Nut ●

● Not serviced separately



## Seat Base Assembly

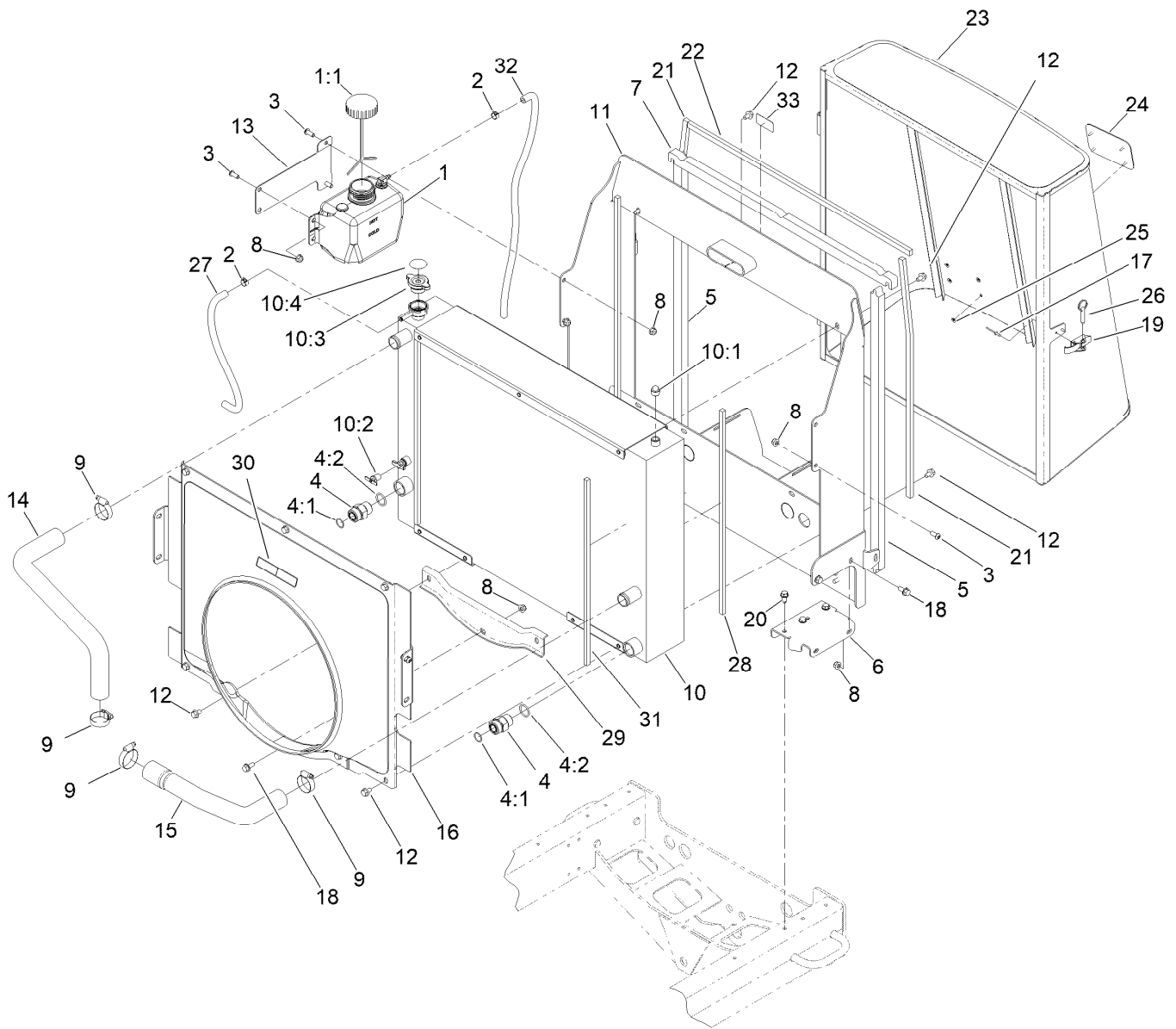
<i>Ref.</i>	<i>Part Number</i>	<i>Qty.</i>	<i>Description</i>	<i>Ref.</i>	<i>Part Number</i>	<i>Qty.</i>	<i>Description</i>
1	110-5255	2	Bumper-Base, Seat	12	125-2121-03	1	Hinge-Seatbase
2	104-8301	4	Nut-HF, NI	13	104-4821	1	Spring-Torsion
3	3231-27	4	Screw-CARR	14	3272-6	1	Pin-Cotter
4	283-83	2	Pin-Clevis	15	94-3829	1	Pin-Clevis
5	110-8971	1	Latch	16	3256-2	1	Washer-Flat
6	3290-307	4	Pin-Cotter	17	240-12	1	Grommet-Rubber
7	98-0917	2	Rod-Prop	18	145-2480-0P	1	Bracket-Harness
8	145-2450	1	Cover-Seatbase	19	99-6810	2	Screw-HHF
9	125-2122-03	1	Seat Base ASM	20	104-7201	2	Nut-HF, NI
10	3272-11	2	Pin-Cotter	21	131-8388	1	Socket-USB
11	3256-24	4	Washer-Plain				



## Hood Assembly

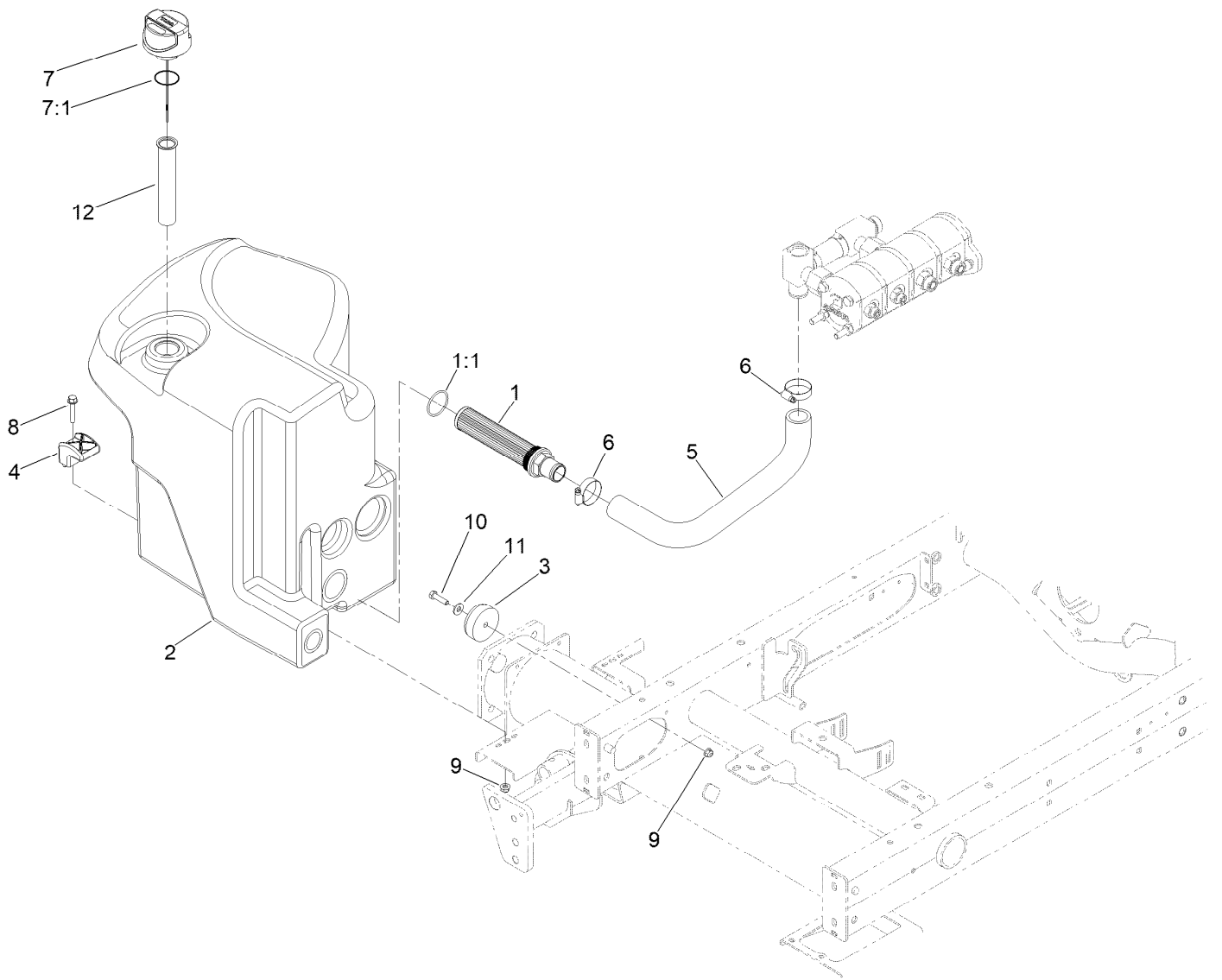
Ref.	Part Number	Qty.	Description	Ref.	Part Number	Qty.	Description
2	145-2456	1	Saddle-Hood	15	3296-12	4	Nut-Lock, NI
3	145-2541	1	Hood ASM (Rm5610D Service)	16	283-61	2	Pin-Yoke
3:2	66-6140	2	Decal	17	107-8042	2	Bumper-Rubber
3:3	106-6754	2	Decal-Danger	18	98-5398	1	Latch
3:4	133-2937	2	Decal	18:1	3218-20	1	Nut-Jam ●
3:5	110-8859	2	Decal	19	32104-32	6	Screw-HWH
3:6	121-1594	2	Decal-Smart Power	20	104-1453	1	Grommet
4	103-2897	2	Latch-Catch	22	99-4958	1	Spacer
5	103-2898	2	Latch-Rubber	23	110-0979-03	2	Bracket-Deflector
6	125-8813-03	1	Tube-Frame, Hood	24	110-8946	2	Clamp-Frame, Radiator
7	105-7512	2	Pin-Tie, Bow	25	3234-5	2	Screw-HHF
9	108-1790-03	2	Tube	26	104-8300	6	Nut-HF, NI
10	32104-17	12	Screw-HWH	27	3234-33	2	Screw-HHF
11	3234-21	10	Screw-HHF	28	121-5627-03	2	Guide-Hood
12	104-7201	12	Nut-HF, NI	29	110-5253-01	1	Adapter-Hood, LH
13	32105-13	4	Screw-HWH	30	110-5256-01	2	Bracket-Latch, Hood
14	3256-14	4	Washer-Flat	31	110-5254-01	1	Adapter-Hood, RH
				32	3234-17	4	Screw-HHF

● Not illustrated



## Radiator Assembly

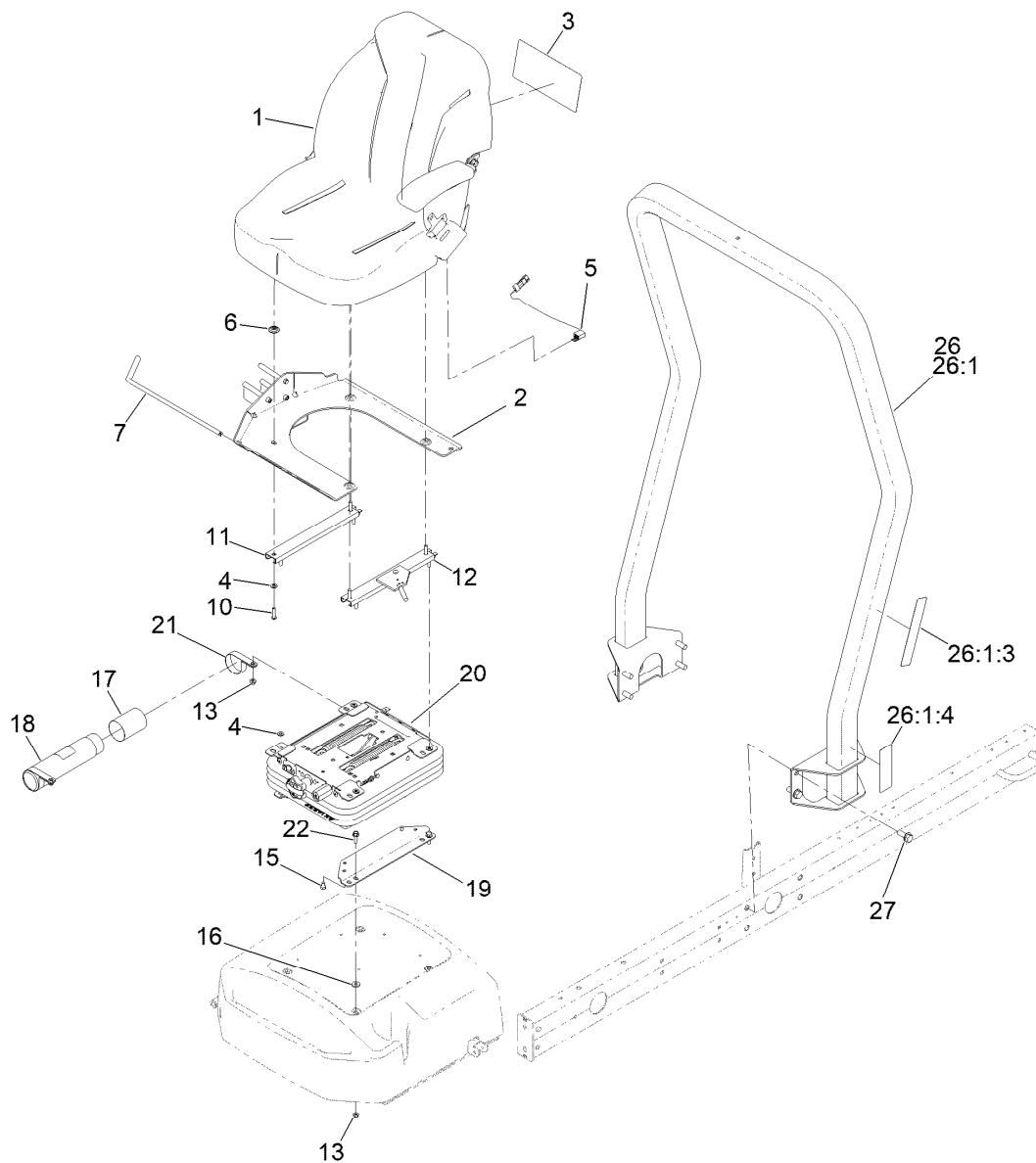
Ref.	Part Number	Qty.	Description	Ref.	Part Number	Qty.	Description
1	120-5573	1	Coolant Reservoir ASM	14	133-2994	1	Hose-Formed
1:1	87-7050	1	Cap-Reservoir	15	121-5558	1	Hose-Radiator, Lower
2	92-2379	3	Clamp-Hose	16	125-2901	1	Shroud-Fan, Turbo Diesel
3	3274-55	5	Screw-HSBH	17	3269-15	2	Rivet-Pop
4	340-9	2	Fitting-STR	18	3234-5	5	Screw-HHF
4:1	237-58	1	O-Ring	19	115-1554	1	Latch-Draw
4:2	237-81	1	O-Ring	20	32104-32	6	Screw-HWH
5	121-5554	2	Seal-Foam	21	121-5575	2	Seal-Foam
6	110-5310-0P	2	Bracket - Mounting	22	121-5576	1	Seal-Foam
7	110-5276	2	Seal-Foam	23	120-3844-03	1	Screen
8	104-8300	10	Nut-HF, NI	24	93-6028	1	Plate-Logo
9	2412-3	4	Clamp-Hose	25	138-6996	4	Nut-Push
10	120-3840	1	Oil Cooler And Radiator ASM	26	115-1556	1	Pin-Ball, Detent
10:1	281-13	1	Plug-Pipe	27	110-8752	1	Hose-Fuel
10:2	304-46	1	Draincock	28	110-0969	2	Seal-Foam
10:3	93-5957	1	Cap-Radiator	29	125-2905	1	Cap-Shroud, Diesel
10:4	106-6755	1	Decal-Cap, Radiator	30	93-7272	1	Decal-Warning
11	120-3815-03	1	Frame-Radiator	31	125-8767	2	Seal-Foam
12	3234-30	14	Screw-HHF	32	110-3257	1	Hose-Fuel
13	121-5568-0P	1	Bracket-Reservoir	33	137-8127	1	Decal-No Spray



## Hydraulic Tank Assembly

<i>Ref.</i>	<i>Part Number</i>	<i>Qty.</i>	<i>Description</i>
1	145-2463	1	Strainer-Tank, Hydraulic
1:1	340-136	1	O-Ring
2	145-2487	1	Tank-Hydraulic
3	108-1605	1	Bumper-Recess
4	107-4543	2	Clamp
5	144-2076	1	Hose-Suction
6	2412-3	2	Clamp-Hose
7	117-0193	1	Cap-Hydraulic, Vented Breather
7:1	237-101	1	O-Ring
8	94-5780	2	Screw-HWH
9	104-8300	3	Nut-HF, NI
10	322-6	1	Screw-HH
11	3256-3	1	Washer-Flat
12	61-2790	1	Filter-Screen

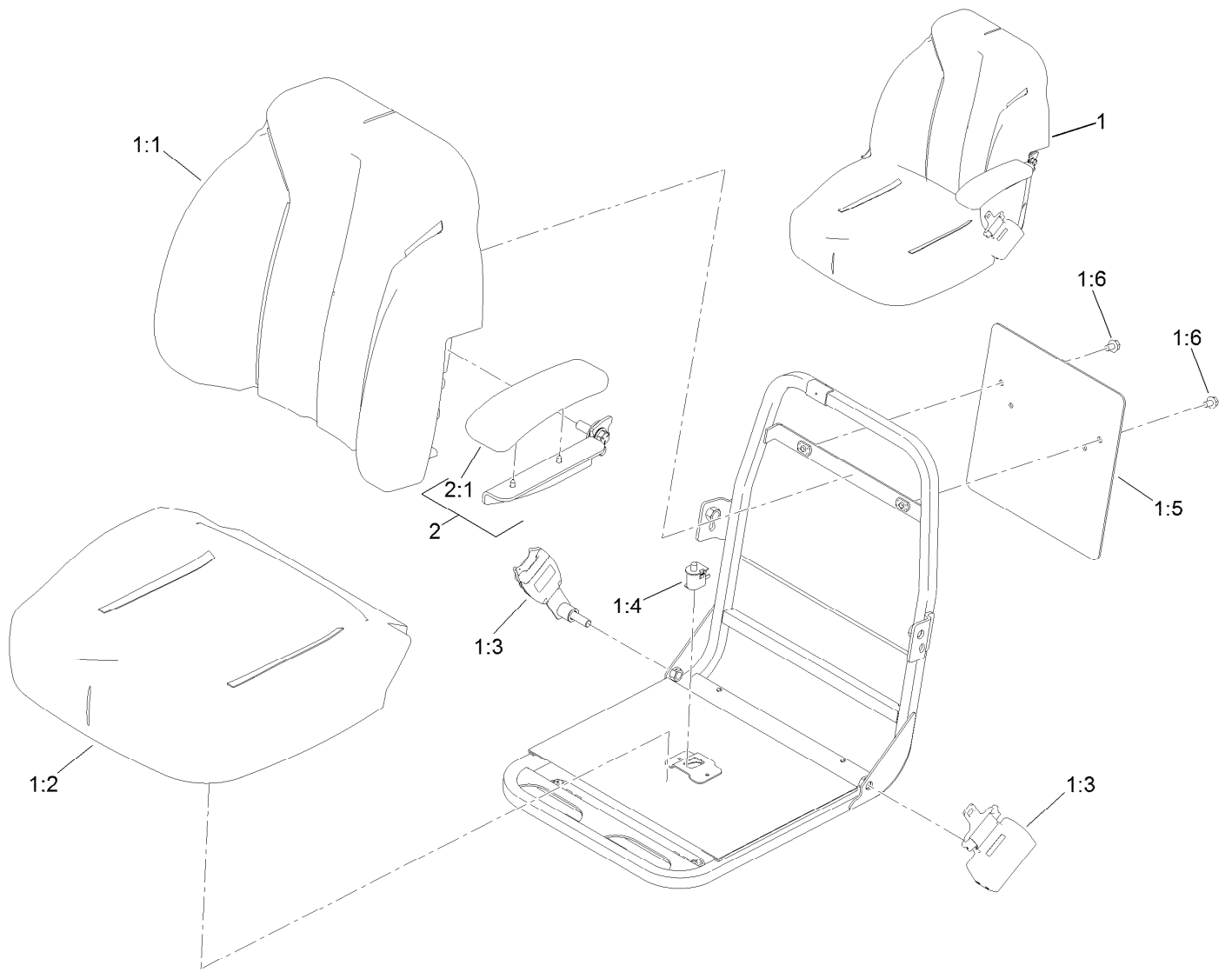




## Seat and Roll-Over Protection System Assembly

<i>Ref.</i>	<i>Part Number</i>	<i>Qty.</i>	<i>Description</i>	<i>Ref.</i>	<i>Part Number</i>	<i>Qty.</i>	<i>Description</i>
1	139-2700	1	Seat ASM	16	71-9310	4	Spacer
2	138-6985-03	1	Mount-Seat	17	104-7048	1	Cap-Housing
3	145-2573	1	Decal-Service	18	104-7050	1	Tube-Manual
4	3256-23	8	Washer-Plain	19	108-6590-0P	2	Bracket-Seat, Lower
5	108-8657	1	Harness-Wire, Seat	20	145-5295	1	Suspension ASM
6	136-9002	4	Spacer-Mounting	21	2412-133	2	Clamp-R
7	130-7100	1	Trim-Seatbase	22	3234-17	4	Screw-HHF
10	3290-511	4	Screw-HSBH	26	136-7954	1	ROPS ASM
11	92-8990	1	Adjuster-Seat, Non-Locking	26:1		1	ROPS ASM ●
12	92-8991	1	Adjuster (W/Latch)	26:1:3	136-3702	1	Decal-Safety, ROPS
13	104-8300	8	Nut-HF, NI	26:1:4	136-2159	1	Decal-Seat Service
15	48-7680	4	Screw-HH	27	3234-38	8	Screw-HHF

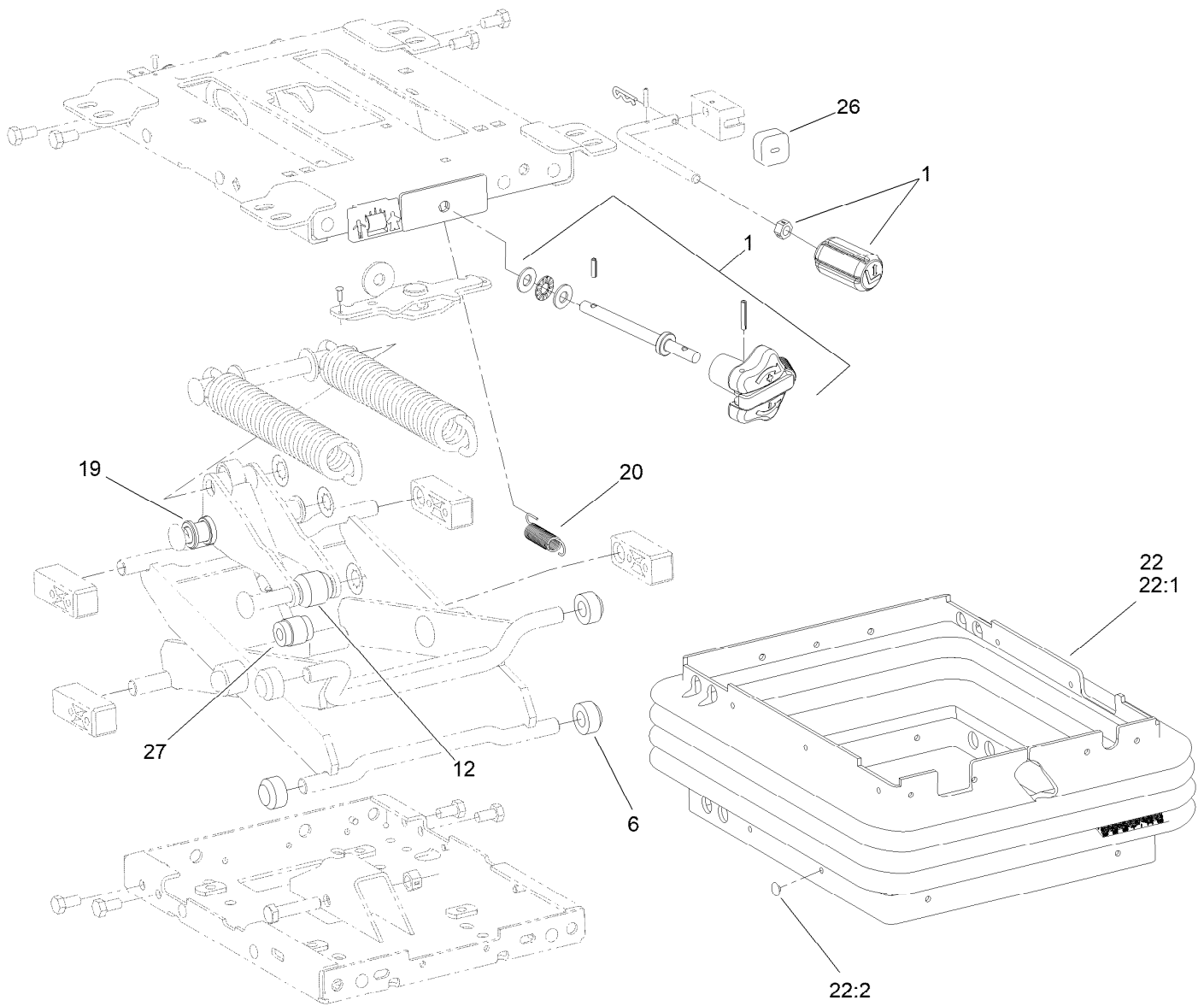
● Not serviced separately



## Seat Assembly No. 139-2700

Ref.	Part Number	Qty.	Description
1	139-2680	1	Seat ASM
1:1	145-0083	1	Cover-Seat, Back
1:2	145-0084	1	Cover-Seat, Bottom
1:3	139-2707	1	Seat Belt Kit
1:4	82-2190	1	Switch-Bail
1:5	139-2701	1	Plate-Decal
1:6	3234-30	2	Screw-HHF
2	121-3660	1	LH Arm Rest Kit
2:1	110-4163	1	Cushion-Rest, Arm

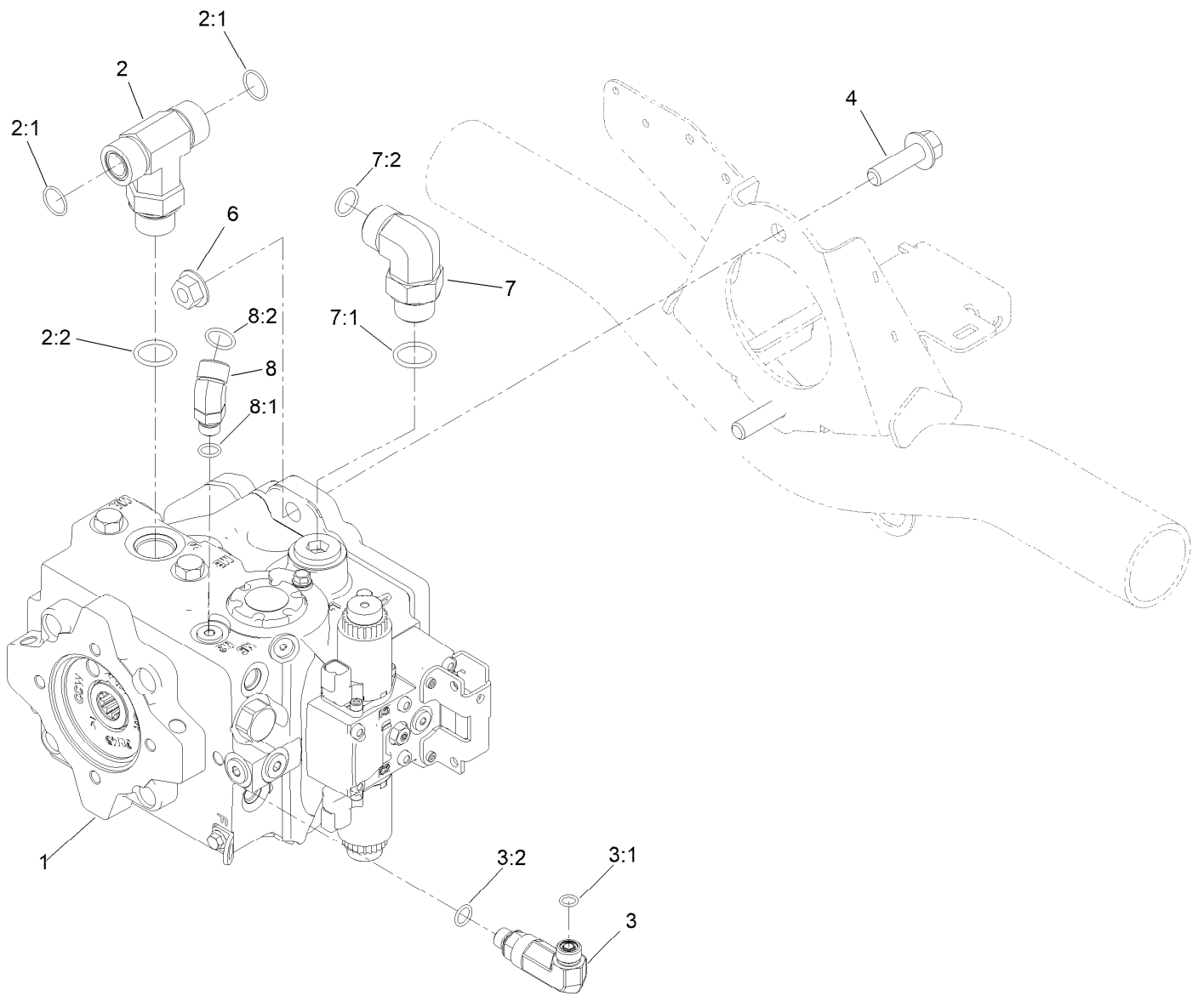




## Mechanical Seat Suspension Assembly No. 145-5295

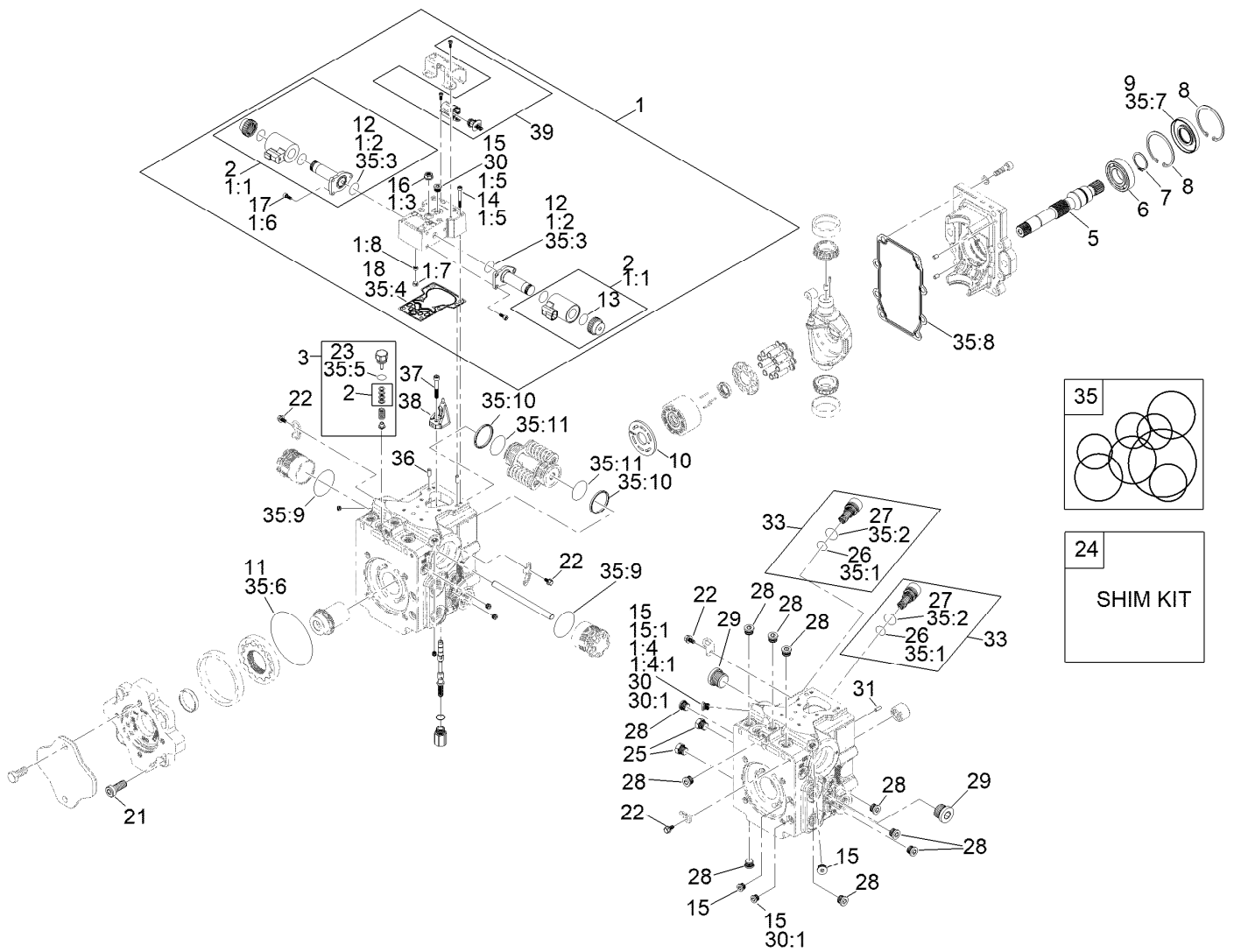
Ref.	Part Number	Qty.	Description
1	145-5296	1	Knob Service Kit
6	108-9632	4	Roller
12	145-5297	1	Roller-Plastic, 36MM
19	108-9622	2	Tube
20	108-9633	1	Spring-Extension
22	112-0164	1	Boot Kit
22:1		1	Boot-Suspension ●
22:2	108-9641	21	Clip-Plug
26	108-9634	1	Bumper
27	108-9614	1	Damper

● Not serviced separately



## Traction Pump Mounting Assembly

Ref.	Part Number	Qty.	Description
1	144-2060	1	Pump-Hydraulic
2	104-4836	1	Fitting-Tee
2:1	237-58	2	O-Ring
2:2	237-81	1	O-Ring
3	145-2645	1	Fitting-Elbow 90 Long
3:1	237-22	1	O-Ring
3:2	237-42	1	O-Ring
4	130-6481	2	Screw-HHF
6	32128-49	2	Nut-HHF
7	340-142	1	Fitting-Elbow, 90 DEG
7:1	237-58	1	O-Ring
7:2	237-81	1	O-Ring
8	340-96	1	Adapter
8:1	237-30	1	O-Ring
8:2	237-42	1	O-Ring

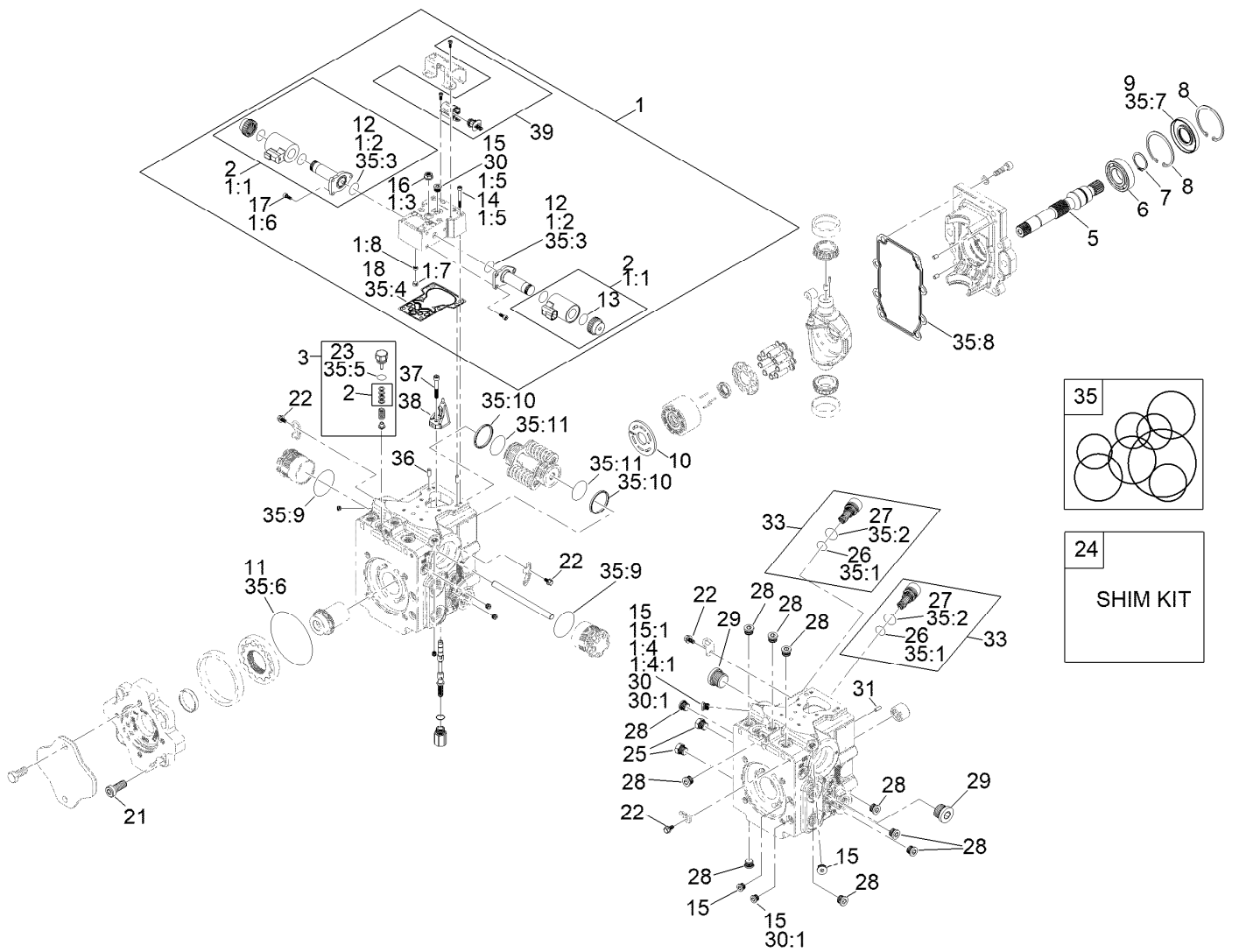


## Hydraulic Pump Assembly No. 144-2060

Ref.	Part Number	Qty.	Description	Ref.	Part Number	Qty.	Description
1	136-3209	1	Control Kit (12 Volt)	11	161-7206	1	O-Ring As568-244 Nbr90
1:1	132-6204	2	Coil Kit	12	125-5288	2	O-Ring
1:2	125-5288	2	O-Ring	13	131-7388	2	O-Ring
1:3	125-5273	1	Nut-Seal	14	125-5274	6	Screw
1:4	75-0170	1	Plug-Thread, Straight	15	75-0170	4	Plug-Thread, Straight
1:4:1	92-8777	1	O-Ring	15:1	92-8777	1	O-Ring
1:5	125-5274	6	Screw	16	161-7200	1	Nut-Hex Seal
1:6	125-5272	6	Screw	17	125-5272	6	Screw
1:7	136-3213	1	Gasket-Control	18	125-5283	1	Gasket-Control
1:8	136-3218	1	Sensor Kit	21	125-5282	4	Screw
2	125-5294	2	Coil Kit	22	125-5270	4	Screw
3	161-7203	1	Charge Relief Valve	23	125-5298	1	O-Ring
5	139-4811	1	Shaft-13Tooth	24	92-1353	1	Shim Kit
6	139-4820	1	Bearing-Ball	25	161-7205	1	Plug Assy-Hex HD
7	139-4806	1	Ring-Retaining	26	75-0240	2	O-Ring
8	139-4831	2	Ring-Retaining	27	84-0560	2	O-Ring
9	161-7202	1	Oil Seal-Black	28	69-3080	10	Plug
10	139-4813	1	Plate-Valve	29	161-7201	1	Plug Assy-Soc HD

● Not illustrated

■ Not serviced separately

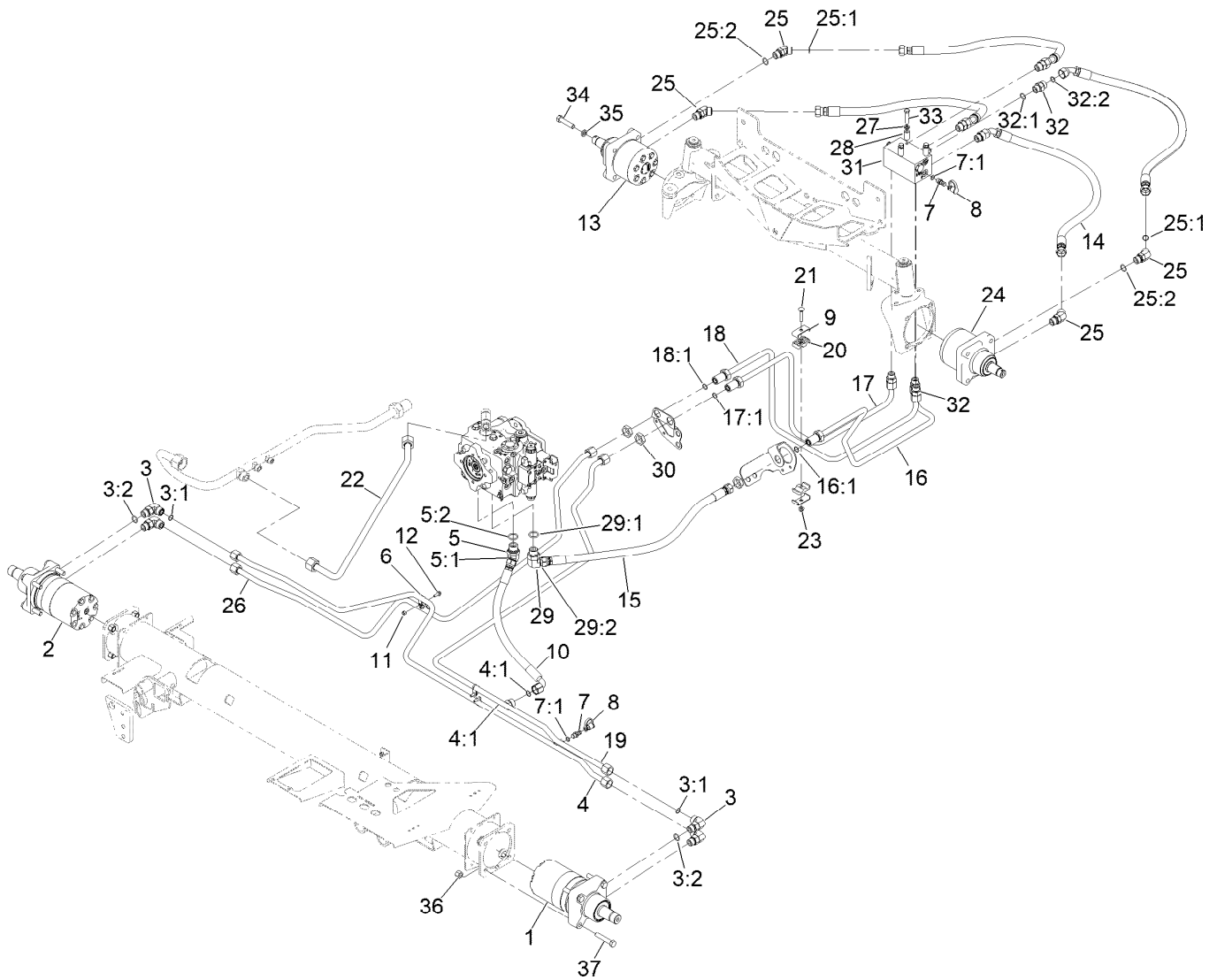


## Hydraulic Pump Assembly No. 144-2060 (continued)

Ref.	Part Number	Qty.	Description	Ref.	Part Number	Qty.	Description
30	75-0170	4	Plug-Thread, Straight	35:6	132-6206	1	O-Ring
30:1	92-8777	1	O-Ring	35:7	127-6214	1	Seal-Lip
31	75-0510	1	Pin	35:8		1	Gasket ■
33	161-7204	1	Valve-Scr Assembly 260 Bar (3770 PSI)	35:9		2	O-Ring ■
35	132-6205	1	Overhaul Seal Kit	35:10		2	Piston Ring ■
35:1	75-0240	2	O-Ring	35:11		2	O-Ring ■
35:2	84-0560	2	O-Ring	36	136-3215	2	Pin
35:3	125-5288	2	O-Ring	37	136-3216	1	Screw, M6 X 35
35:4	125-5283	1	Gasket-Control	38	136-3217	1	Link - Swashplate Feedback
35:5	125-5298	1	O-Ring	39	161-7207	1	Svc Kit-Angle Sensor ●

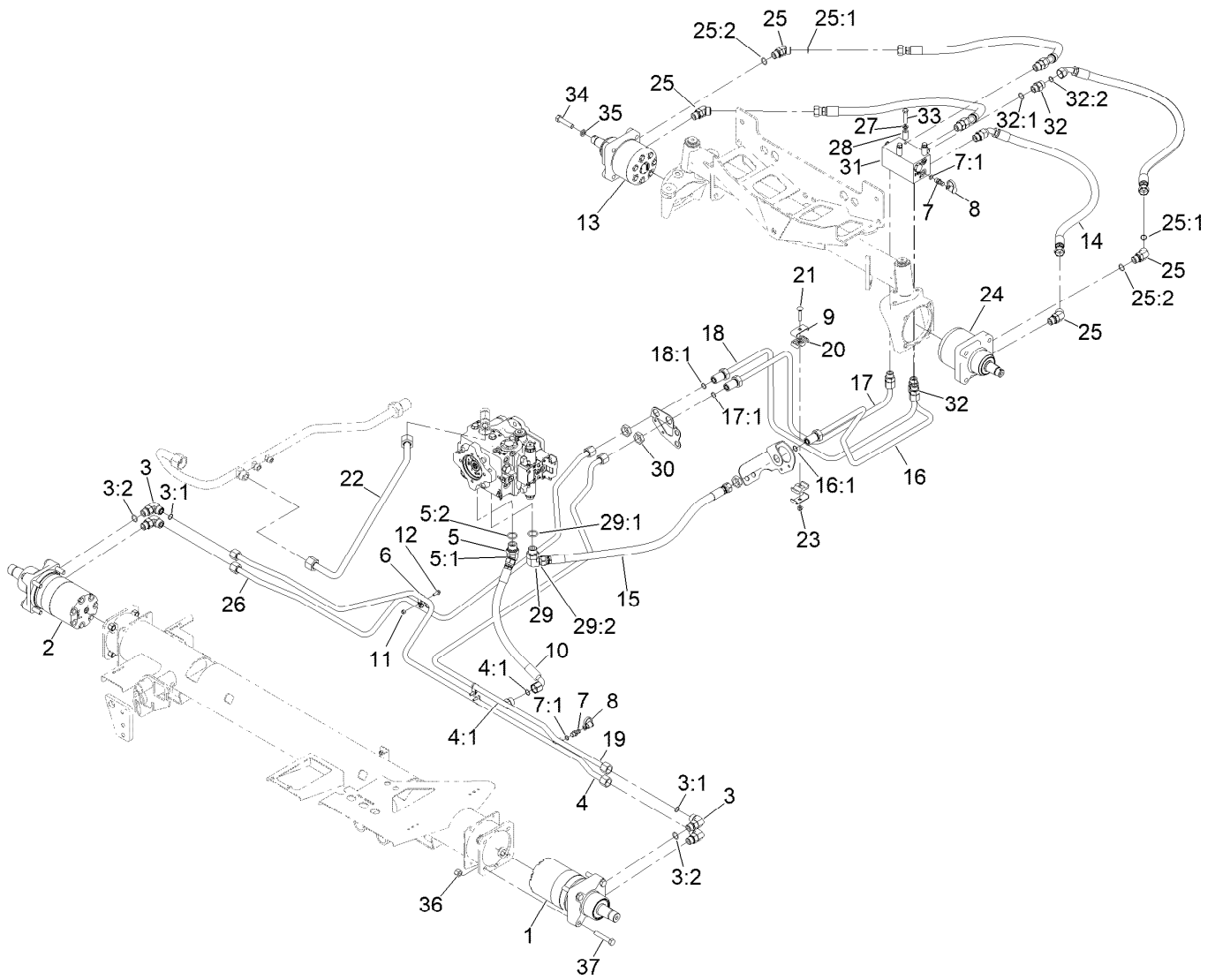
● Not illustrated

■ Not serviced separately



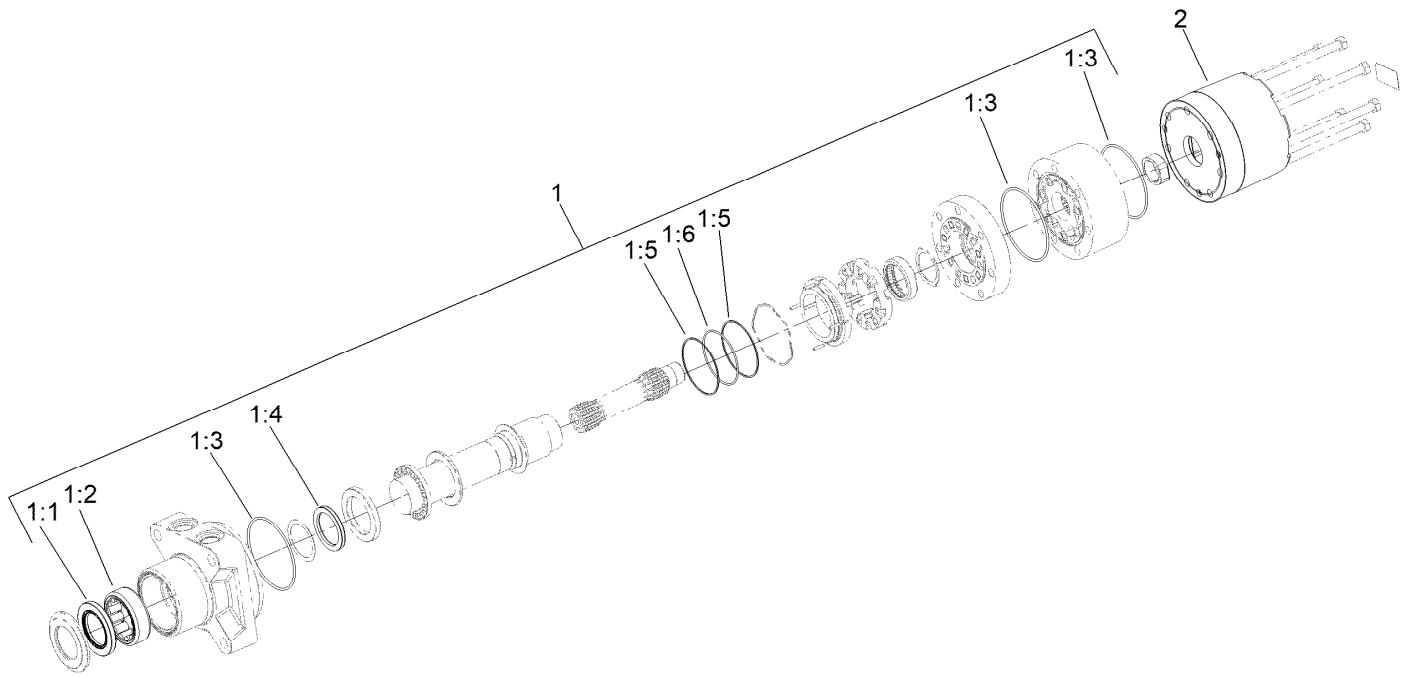
## Traction Hydraulic Assembly

Ref.	Part Number	Qty.	Description	Ref.	Part Number	Qty.	Description
1	139-6038	1	Hydraulic Motor ASM	16	108-7626	1	Tube ASM
2	139-6039	1	Hydraulic Motor ASM	16:1	237-65	1	O-Ring
3	340-17	4	Fitting-Elbow, 90 DEG	17	108-7625	1	Tube ASM
3:1	237-65	1	O-Ring	17:1	237-65	1	O-Ring
3:2	237-80	1	O-Ring	18	108-7624	1	Tube ASM
4	108-7632	1	Hydraulic Tube ASM	18:1	237-65	1	O-Ring
4:1	237-65	1	O-Ring	19	108-7623	1	Hydraulic Tube ASM
5	340-156	1	Fitting-Elbow 45	20	56-7971	2	Clamp-Tube
5:1	237-65	1	O-Ring	21	3230-5	1	Bolt-CARR
5:2	237-81	1	O-Ring	22	145-2560	1	Hydraulic Tube ASM
6	2412-134	4	Clamp-R	23	104-8300	1	Nut-HF, NI
7	59-7410	3	Fitting-Diagnostic	24	138-0435	1	Motor-Hydraulic, CCW
7:1	237-42	1	O-Ring	25	340-14	4	Fitting-HYD, 45 DEG
8	354-79	3	Cap-Dust	25:1	237-65	1	O-Ring
9	119-1419	2	Plate-Clamp	25:2	237-80	1	O-Ring
10	108-1679	1	Hose-HYD	26	108-7622	1	Hydraulic Tube ASM
11	3296-42	4	Nut-Lock, NI	27	3253-21	3	Washer-Lock
12	3234-4	4	Screw-HHF	28	93-6981	3	Spacer
13	138-0436	1	Motor-Hydraulic, CW	29	340-139	1	Fitting-Elbow 90
14	106-3662	4	Hose-HYD	29:1	237-81	1	O-Ring
15	108-7645	1	Hose-HYD	29:2	237-65	1	O-Ring



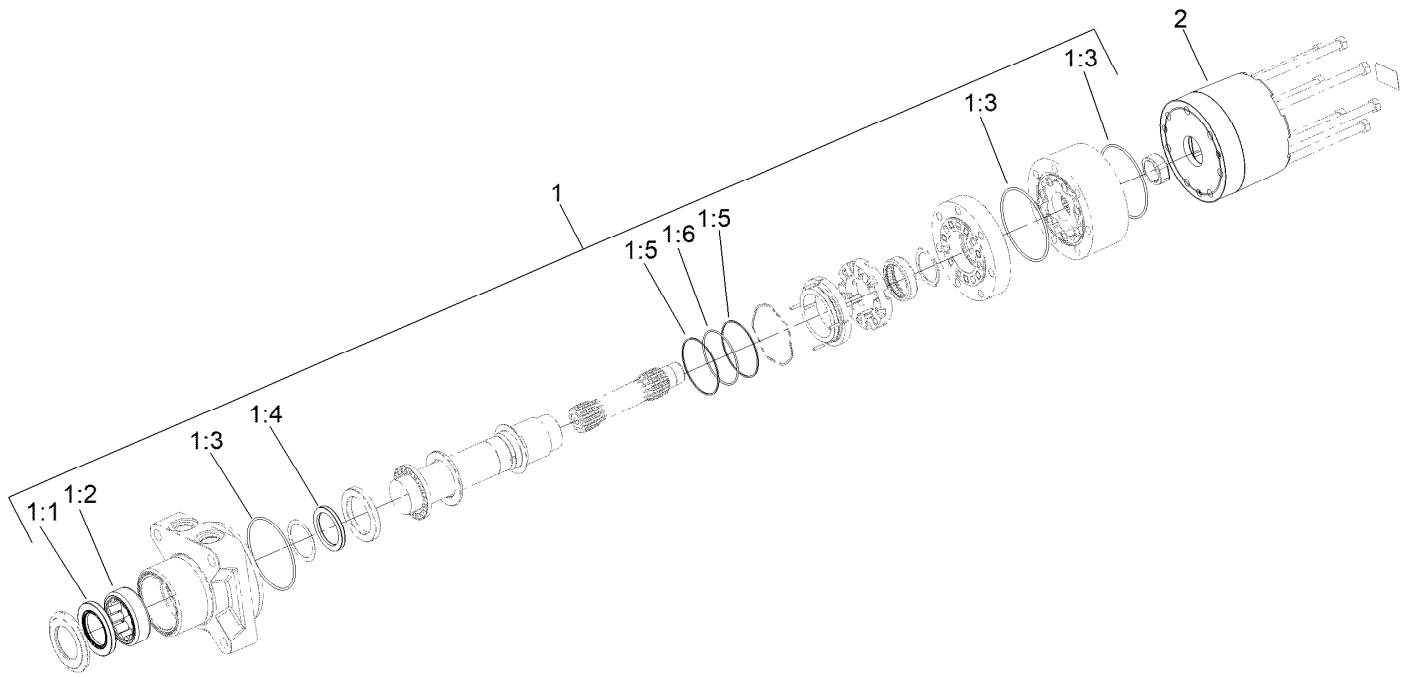
## Traction Hydraulic Assembly (continued)

<i>Ref.</i>	<i>Part Number</i>	<i>Qty.</i>	<i>Description</i>	<i>Ref.</i>	<i>Part Number</i>	<i>Qty.</i>	<i>Description</i>
30	340-74	3	Nut-Lock, Bulkhead	33	323-9	3	Screw-HH
31	108-1825	1	HYD Manifold ASM	34	325-9	8	Screw-HH
32	340-7	7	Fitting-Straight	35	3253-7	8	Washer-Lock
32:1	237-65	1	O-Ring	36	3296-23	8	Nut-Lock, NI
32:2	237-80	1	O-Ring	37	325-11	8	Screw-HH



## Hydraulic Motor Assembly No. 139-6038

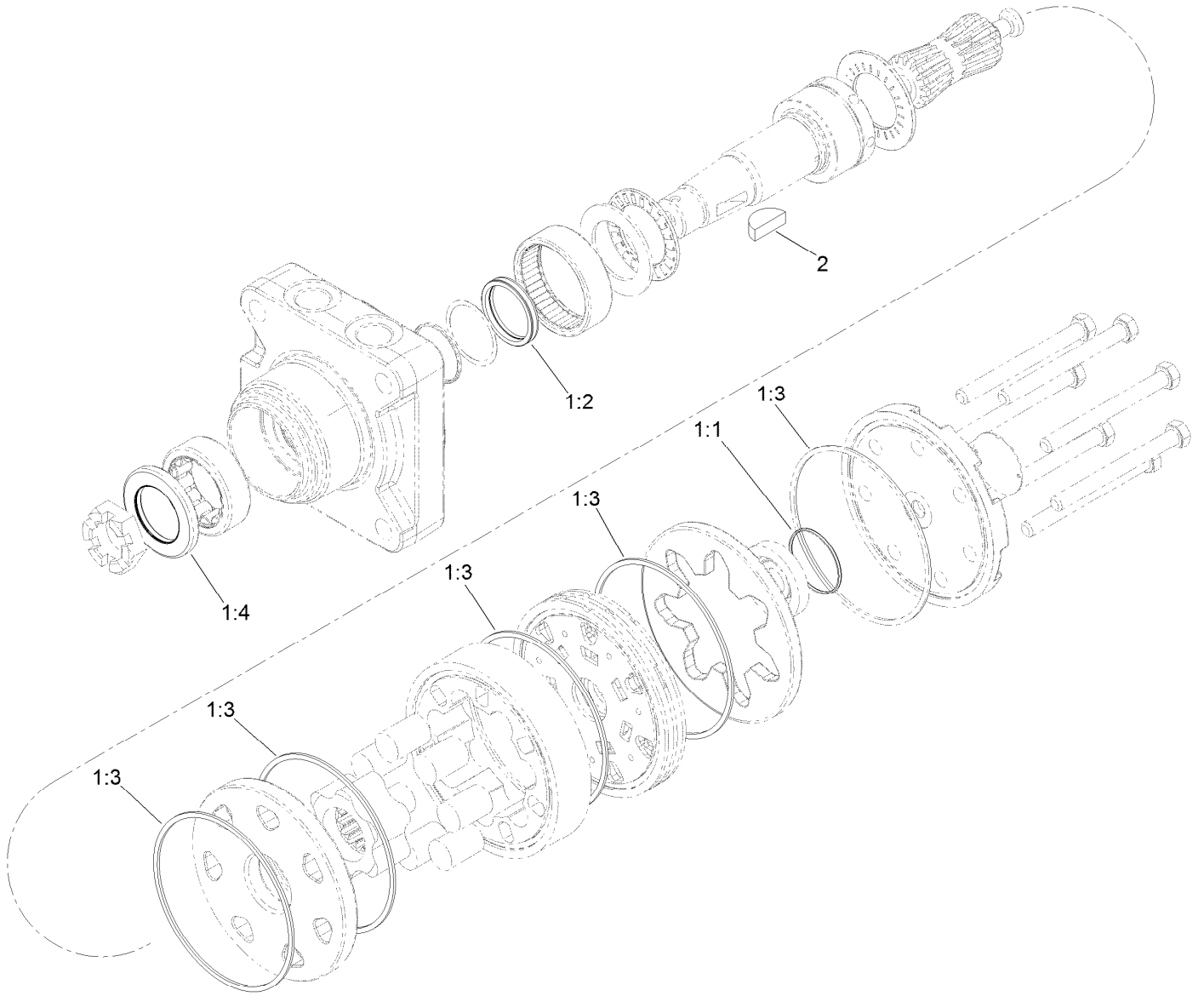
<i>Ref.</i>	<i>Part Number</i>	<i>Qty.</i>	<i>Description</i>
1	161-7208	1	Seal Kit
1:1	161-7209	1	Seal, Grease
1:2	161-7210	1	Shell, Bearing
1:3	161-7211	3	O-Ring
1:4	161-7212	1	Shaft Seal (HP)
1:5	161-7213	2	Back-Up Ring
1:6	161-7214	1	O-Ring
2	145-2597	1	Brake Housing ASM



## Hydraulic Motor Assembly No. 139-6039

<i>Ref.</i>	<i>Part Number</i>	<i>Qty.</i>	<i>Description</i>
1	161-7208	1	Seal Kit
1:1	161-7209	1	Seal, Grease
1:2	161-7210	1	Shell, Bearing
1:3	161-7211	3	O-Ring
1:4	161-7212	1	Shaft Seal (HP)
1:5	161-7213	2	Back-Up Ring
1:6	161-7214	1	O-Ring
2	145-2597	1	Brake Housing ASM



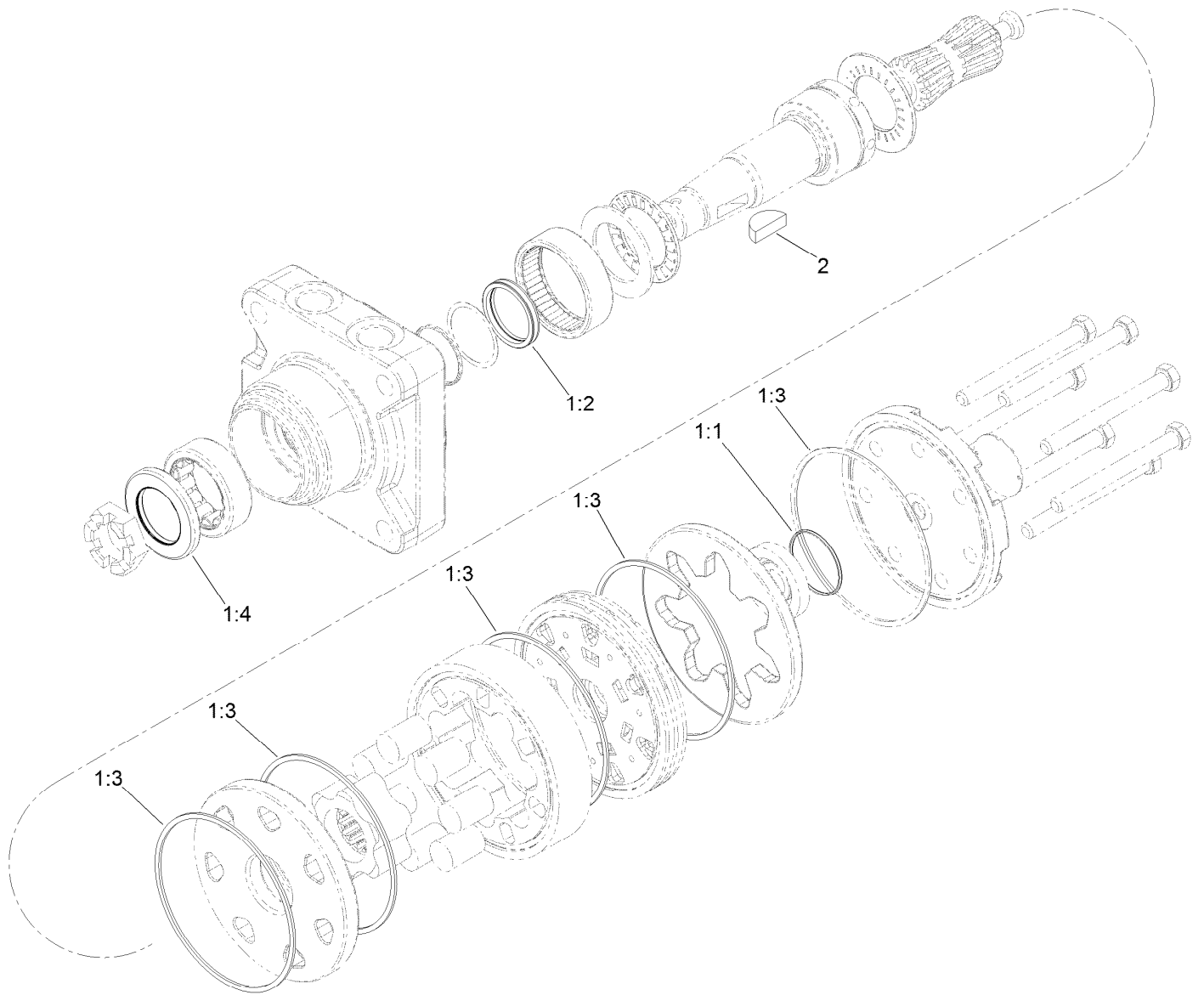


## Hydraulic Motor Assembly No. 138-0436

<i>Ref.</i>	<i>Part Number</i>	<i>Qty.</i>	<i>Description</i>
1	110-8897	1	Seal Kit ●
1:1		1	Seal-Commutator, Vespel ■
1:2		1	Seal-Shaft ■
1:3		5	Seal-Body, Buna ■
1:4		1	Seal-Dirt / Water ■
2	3257-42	1	Key-Woodruff

● Not illustrated

■ Not serviced separately

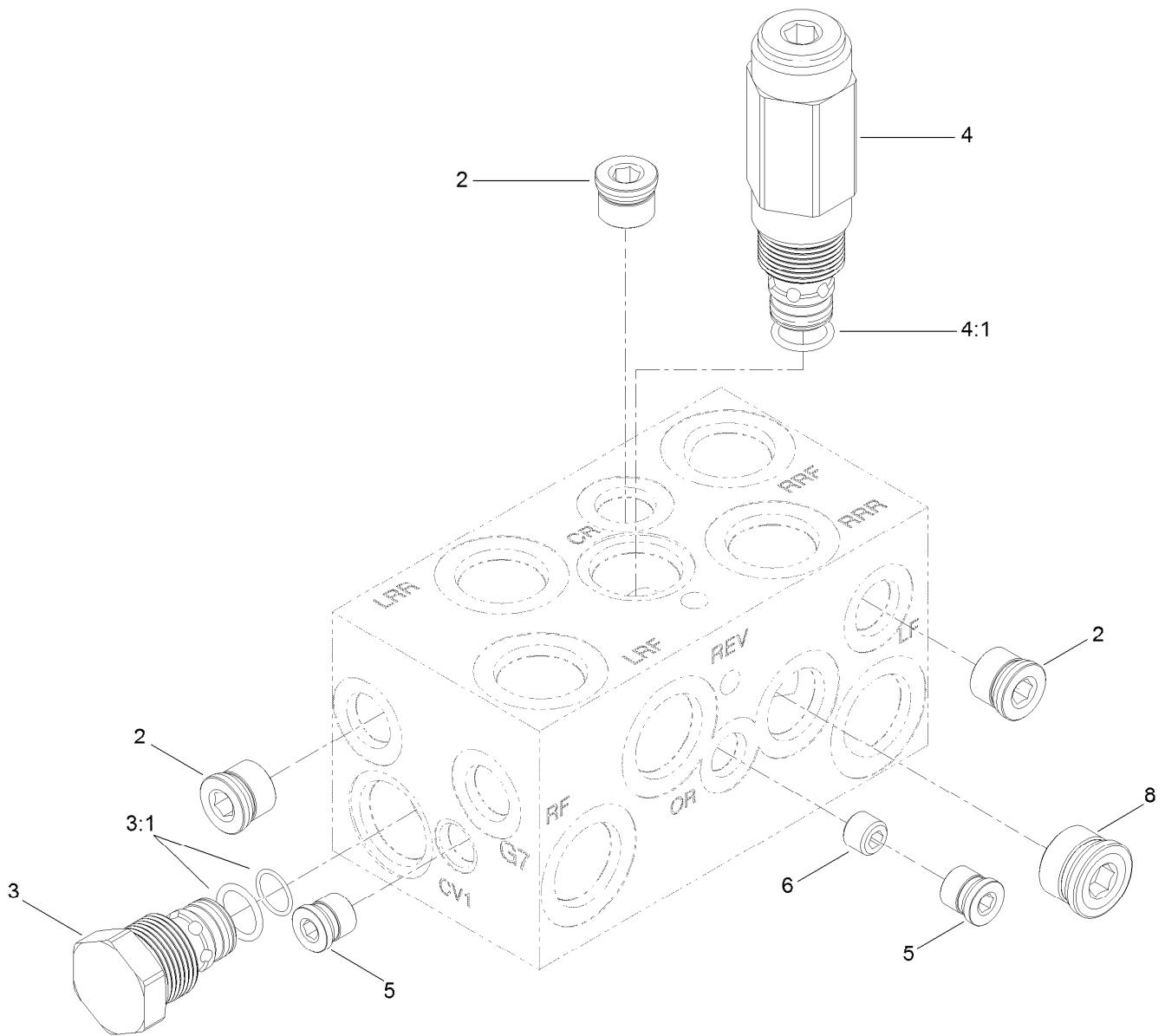


## Hydraulic Motor Assembly No. 138-0435

Ref.	Part Number	Qty.	Description
1	110-8897	1	Seal Kit ●
1:1		1	Seal-Commutator, Vespel ■
1:2		1	Seal-Shaft ■
1:3		5	Seal-Body, Buna ■
1:4		1	Seal-Dirt / Water ■
2	3257-42	1	Key-Woodruff

● Not illustrated

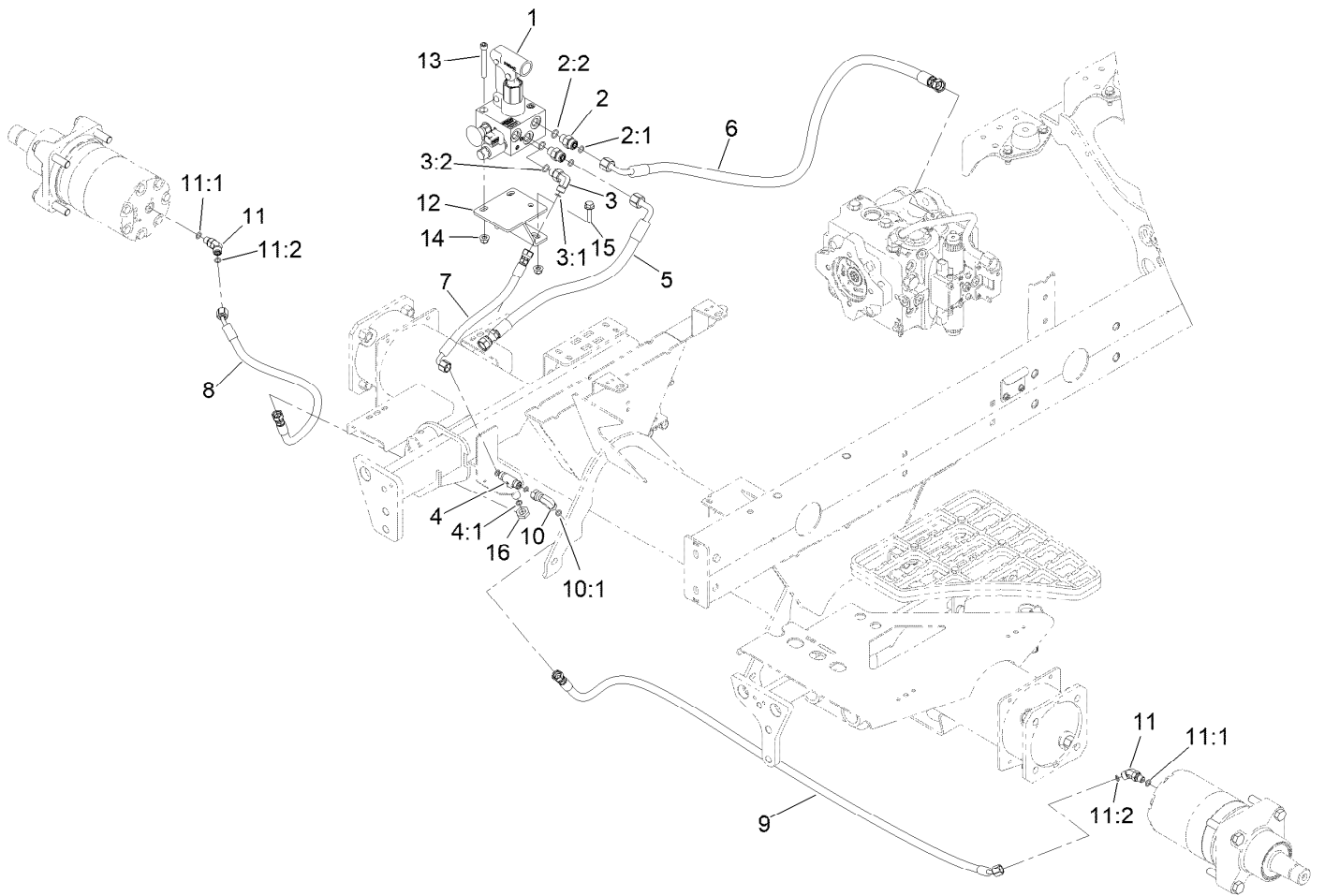
■ Not serviced separately



## Four Wheel Drive Manifold Assembly No. 108-1825

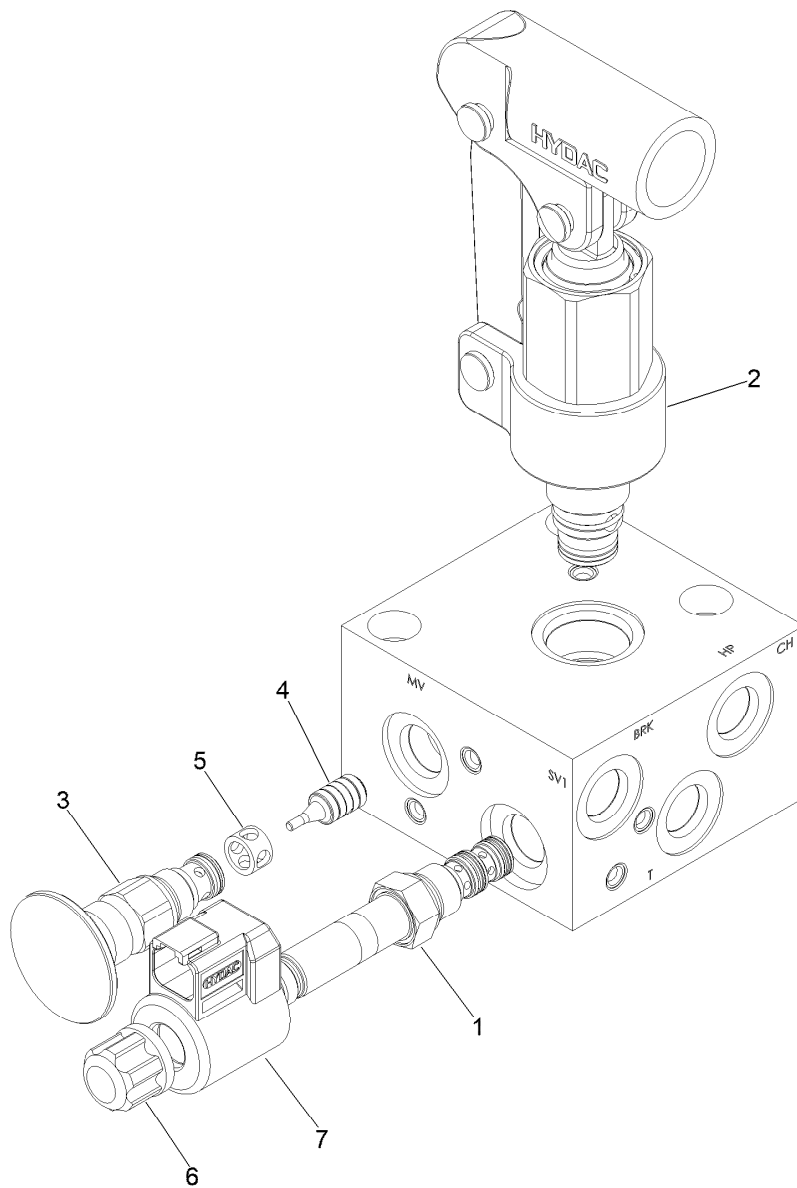
<i>Ref.</i>	<i>Part Number</i>	<i>Qty.</i>	<i>Description</i>
2	106-1026	3	Plug-HYD
3	110-8881	2	Valve-Check
3:1	105-9159	1	Seal Kit ●
4	110-8882	1	Valve-Relief, Cross Over
4:1	110-6316	1	Seal Kit
5	106-1025	2	Plug-HYD
6	110-8883	1	Plug-Orifice (0.040)
8	106-1027	1	Plug

● Not illustrated



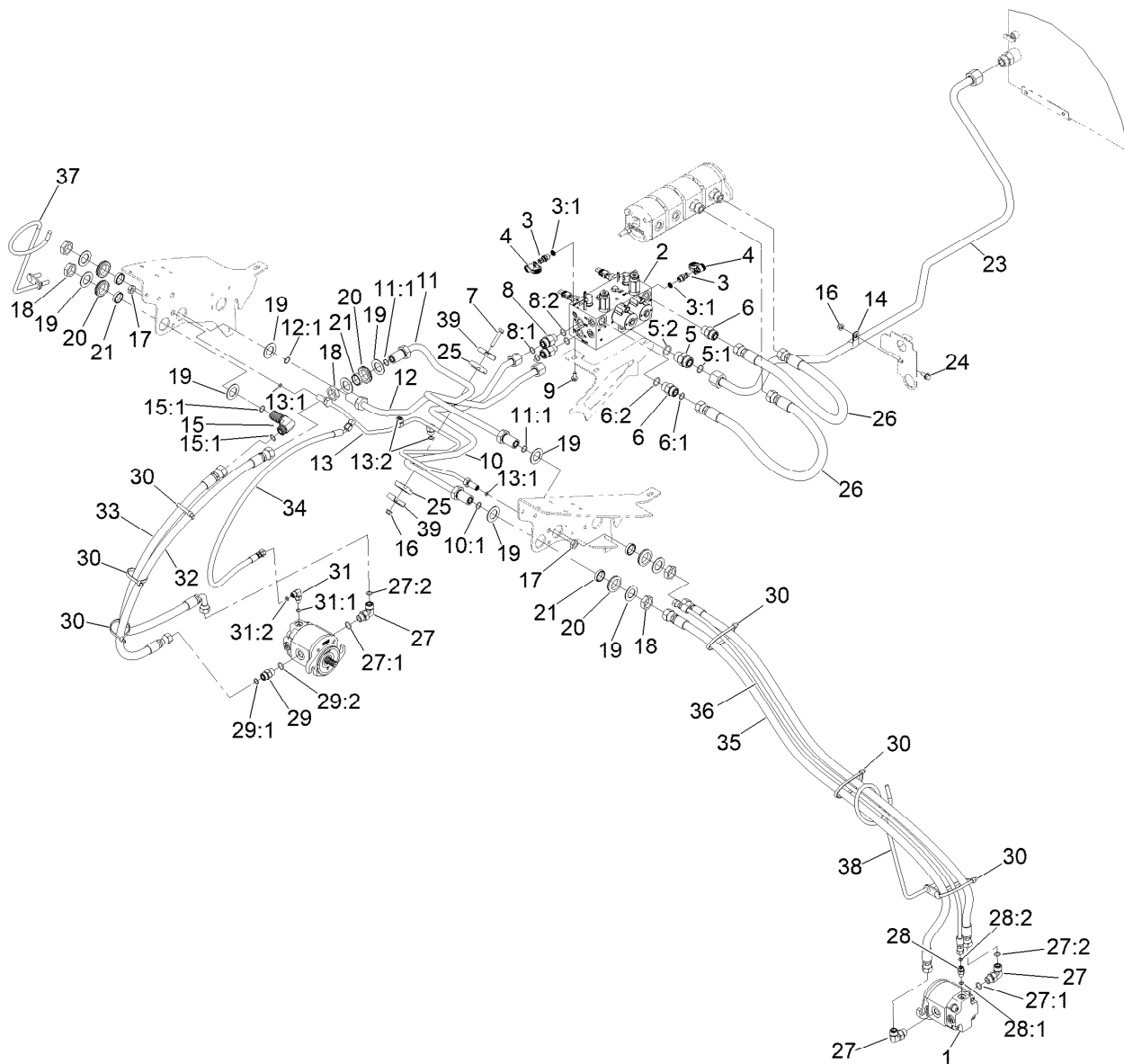
## Hydraulic Brake Assembly

<i>Ref.</i>	<i>Part Number</i>	<i>Qty.</i>	<i>Description</i>	<i>Ref.</i>	<i>Part Number</i>	<i>Qty.</i>	<i>Description</i>
1	139-6046	1	Manifold-Brake Release	9	115-2029	1	HYD Hose ASM
2	340-2	2	Fitting-Straight	10	92-2745	1	Elbow-90
2:1	237-22	1	O-Ring	10:1	237-21	1	O-Ring
2:2	237-42	1	O-Ring	11	340-103	2	Fitting-HYD, 45 DEG
3	340-82	1	Fitting-Elbow, 90 DEG	11:1	237-78	1	O-Ring
3:1	237-42	1	O-Ring	11:2	237-21	1	O-Ring
3:2	237-21	1	O-Ring	12	145-2459-03	1	Mount - Brake Release [black]
4	140-7452	1	Fitting-Tee, Bulkhead	13	3274-40	3	Screw-HSH
4:1	237-21	3	O-Ring	14	104-8300	5	Nut-HF, NI
5	145-2481	1	Hose ASM-Hydraulic	15	3234-29	2	Screw-HHF
6	145-2455	1	Hose ASM-Hydraulic	16	340-78	1	Nut-Lock
7	121-4455	1	Hose-HYD				
8	145-2599	1	Hose ASM-HYD HP				



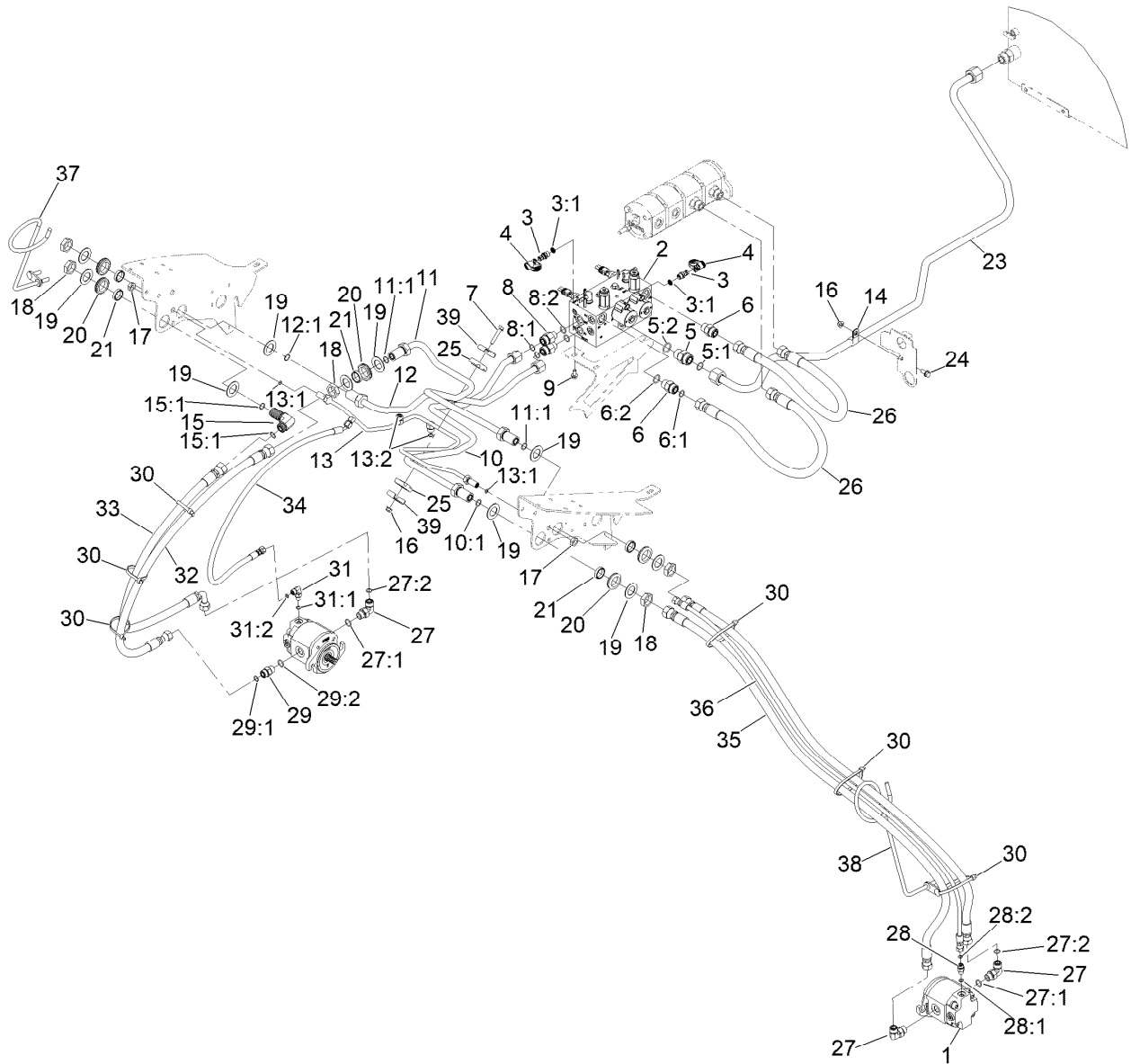
## Brake Release Manifold Assembly No. 139-6046

<i>Ref.</i>	<i>Part Number</i>	<i>Qty.</i>	<i>Description</i>
1	145-2563	1	Directional Valve, 3W/2P
2	145-2564	1	Hand Pump
3	145-2565	1	Manual Valve, N.O.
4	145-2566	1	Pilot Piston Assy, Rvs06
5	145-2567	1	Spacer
6	145-2569	1	Coil Nut, Tall (06 Valves)
S1	145-2568	1	Coil 12Dn01-32-1329



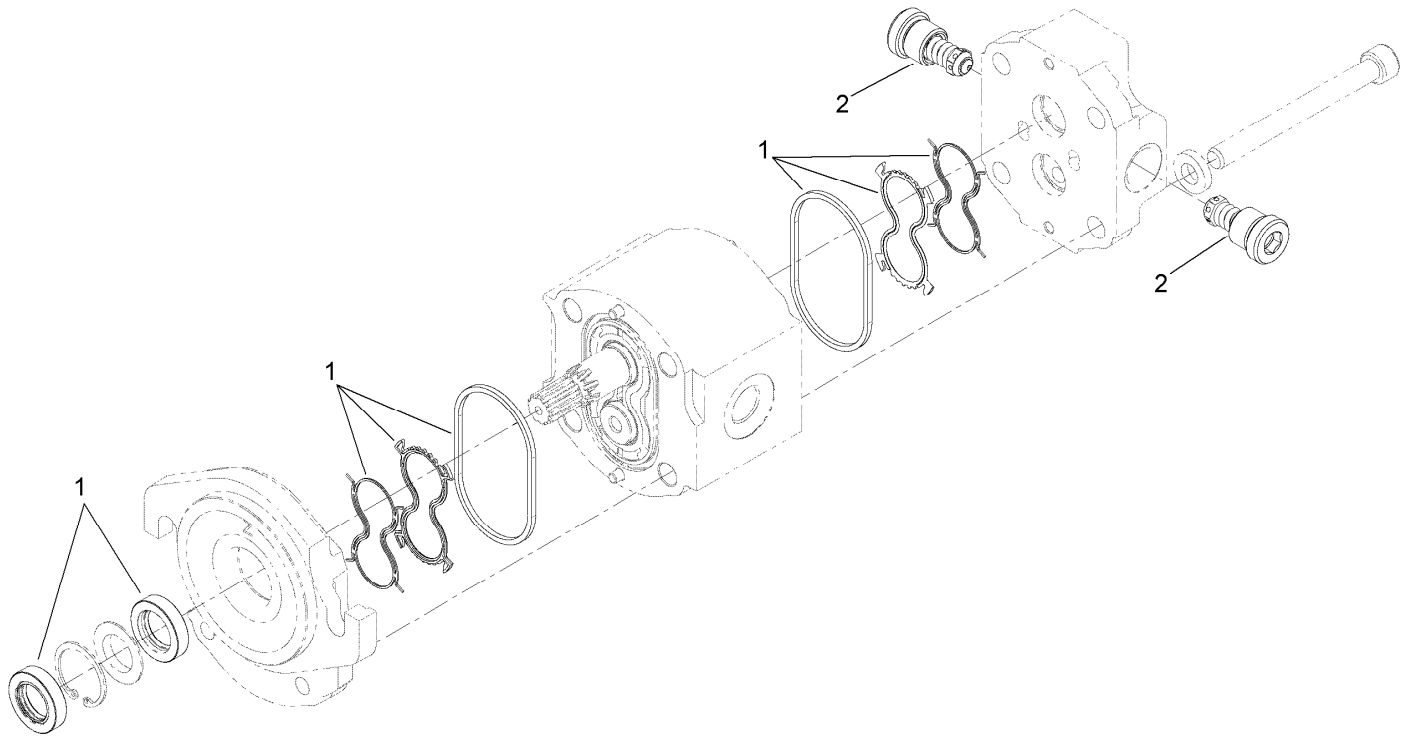
## No. 1, 4 and 5 Reel Drive Hydraulic Assembly

Ref.	Part Number	Qty.	Description	Ref.	Part Number	Qty.	Description
1	120-6272	3	HYD Motor ASM	12:1	237-65	1	O-Ring
2	121-5628	1	Hydraulic Manifold ASM	13	145-2531	1	Hydraulic Tube ASM
3	59-7410	2	Fitting-Diagnostic	13:1	237-22	2	O-Ring
3:1	237-42	1	O-Ring	13:2	237-21	3	O-Ring
4	354-79	2	Cap-Dust	14	2412-4	1	Clamp-R
5	340-9	1	Fitting-STR	15	340-72	1	Fitting-Bulkhead, 90 DEG
5:1	237-58	1	O-Ring	15:1	237-65	2	O-Ring
5:2	237-81	1	O-Ring	16	104-8300	2	Nut-HF, NI
6	340-7	2	Fitting-Straight	17	340-78	2	Nut-Lock
6:1	237-65	1	O-Ring	18	340-74	5	Nut-Lock, Bulkhead
6:2	237-80	1	O-Ring	19	69-9010	10	Washer
7	94-5780	1	Screw-HWH	20	240-3	5	Grommet-Rubber
8	340-155	2	Fitting-Straight	21	125-1984	5	Spacer
8:1	237-79	1	O-Ring	23	120-3769	1	Hydraulic Tube ASM
8:2	237-151	1	O-Ring	24	3234-5	1	Screw-HHF
9	3234-14	3	Screw-HHF	25	56-7970	2	Clamp-Tube
10	145-2530	1	Hydraulic Tube ASM	26	108-1686	2	Hose-HYD
10:1	237-65	1	O-Ring	27	340-98	5	Fitting-Elbow, 90 DEG
11	117-0137	1	Tube ASM	27:1	237-79	1	O-Ring
11:1	237-65	2	O-Ring	27:2	237-30	1	O-Ring
12	145-2529	1	Hydraulic Tube ASM	28	340-92	2	Fitting-Straight



## No. 1, 4 and 5 Reel Drive Hydraulic Assembly (continued)

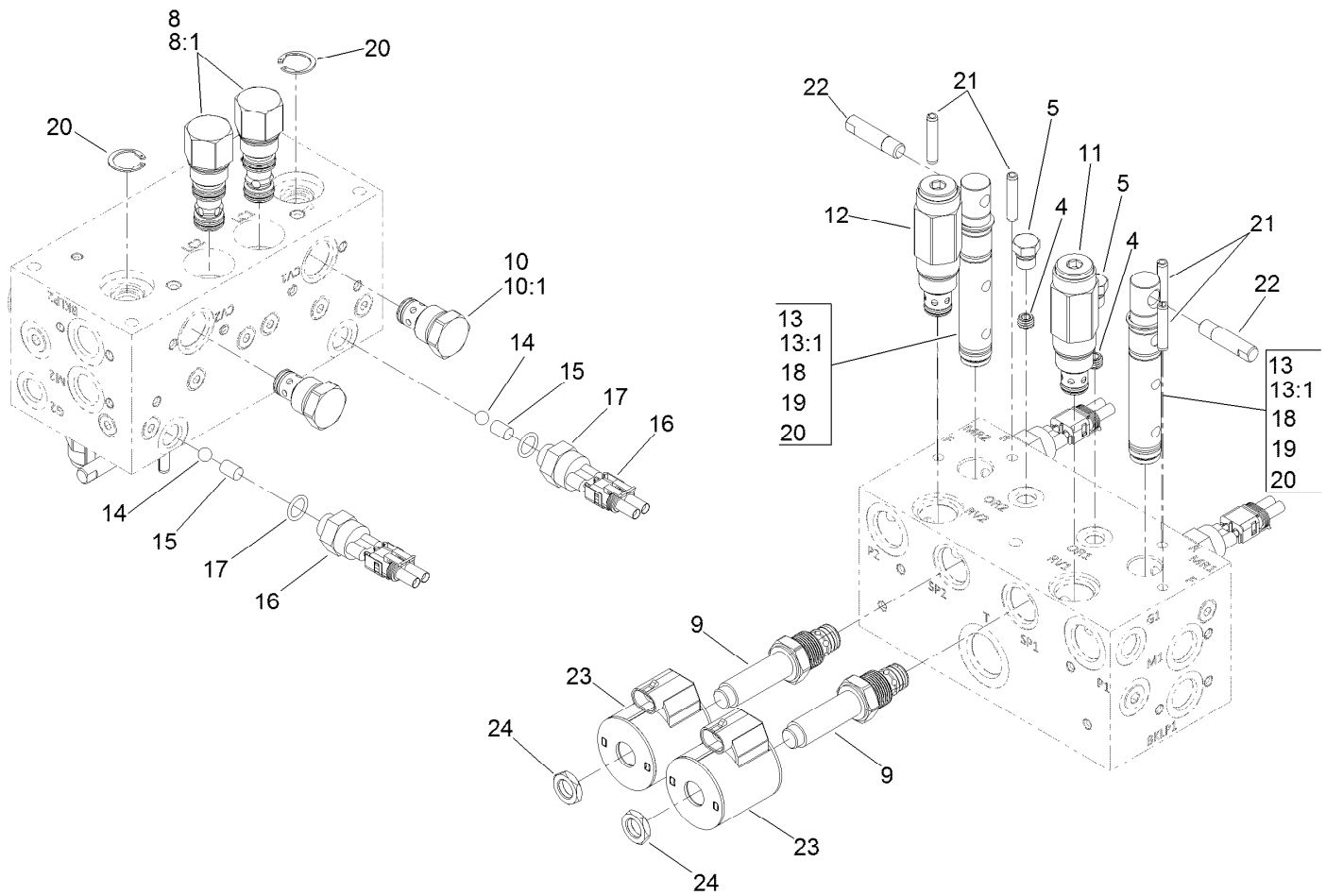
<i>Ref.</i>	<i>Part Number</i>	<i>Qty.</i>	<i>Description</i>	<i>Ref.</i>	<i>Part Number</i>	<i>Qty.</i>	<i>Description</i>
28:1	237-78	1	O-Ring	32	114-0633	1	Hose-HYD
28:2	237-21	1	O-Ring	33	117-5190	1	Hose-HYD
29	340-4	1	Fitting-Straight	34	140-7456	1	Hose ASM
29:1	237-30	1	O-Ring	35	117-5188	4	Hose-HYD
29:2	237-79	1	O-Ring	36	106-3680	2	Hose-HYD
30	3334-945	9	Tie-Cable	37	139-5995	1	Guide-Hose, RH
31	340-132	1	Fitting-Elbow, 90 DEG	38	139-5996	1	Hose Guide ASM-LH
31:1	237-78	1	O-Ring	39	119-1419	2	Plate-Clamp
31:2	237-21	1	O-Ring				



## Hydraulic Motor Assembly No. 120-6272

<i>Ref.</i>	<i>Part Number</i>	<i>Qty.</i>	<i>Description</i>
1	138-1234	1	Seal Kit
2	117-5107	1	Valve-Check

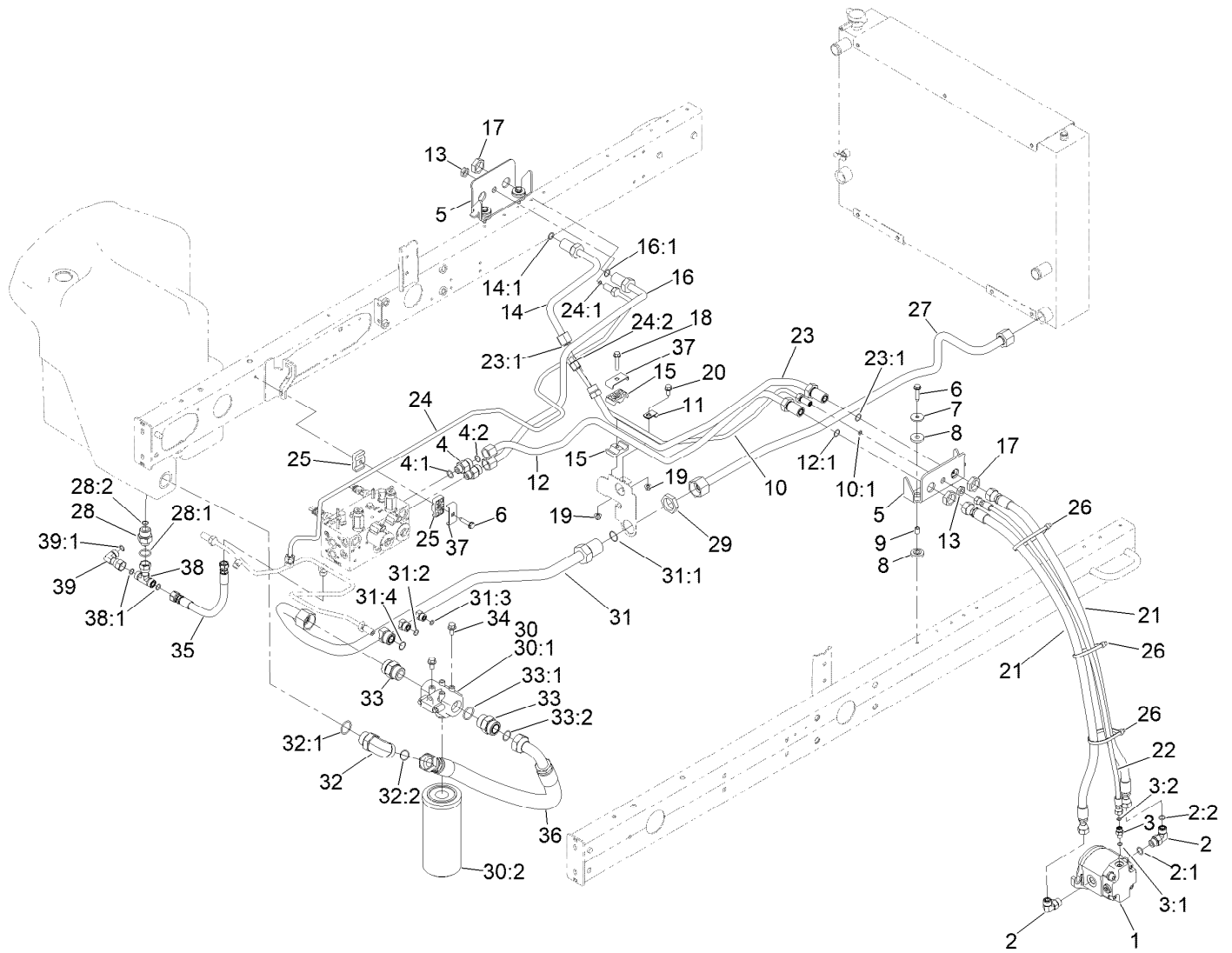




## Manifold Assembly No. 121-5628

Ref.	Part Number	Qty.	Description	Ref.	Part Number	Qty.	Description
4	110-8883	1	Plug-Orifice (0.040)	14	117-4605	2	Ball-SS
5	117-0115	1	Plug	15	120-1650	2	Pin
8	120-1693	2	Compensator-Pressure	16	72-4310	2	Switch-Ball
8:1	119-2159	1	Seal Kit	17	110-8757	2	O-Ring
9	138-6961	2	Valve-Proportional, NC	18	117-4606	6	O-Ring
10	110-8881	2	Valve-Check	19	112-6534	4	Ring-Back Up
10:1	105-9159	1	Seal Kit ●	20	112-6532	4	Ring-Retaining
11	138-6962	1	Valve-Relief, 2500 PSI	21	112-6531	4	Pin-Spring
12	138-6963	1	Valve-Relief, 3500 PSI	22	110-8758	2	Handle-Spool
13	117-0108	2	Spool-Rotary	23	110-6344	2	Coil-12V, DC
13:1	117-0109	1	Seal Kit	24	110-2634	2	Nut-Coil

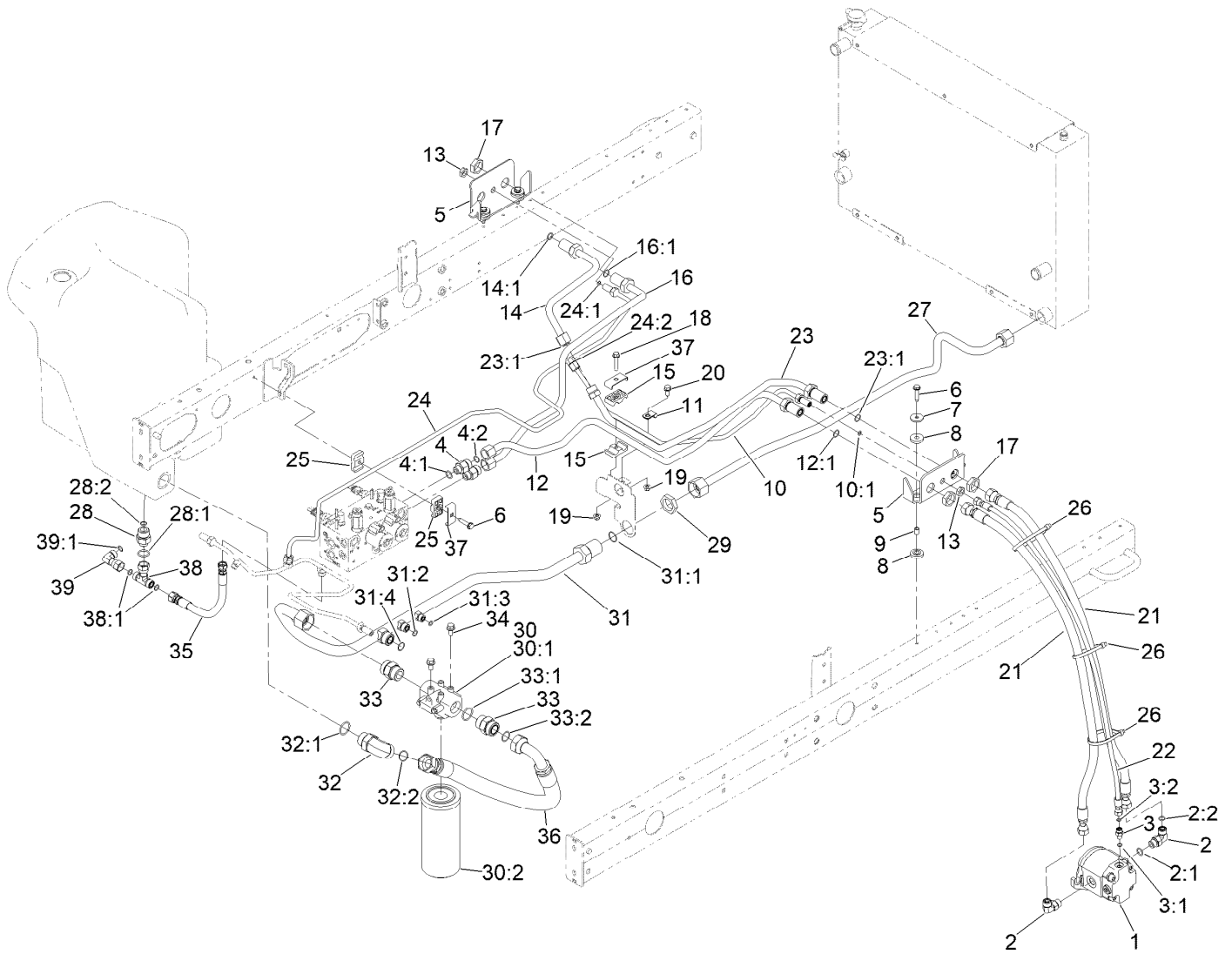
● Not illustrated



## No. 2 and 3 Reel Drive Hydraulic Assembly

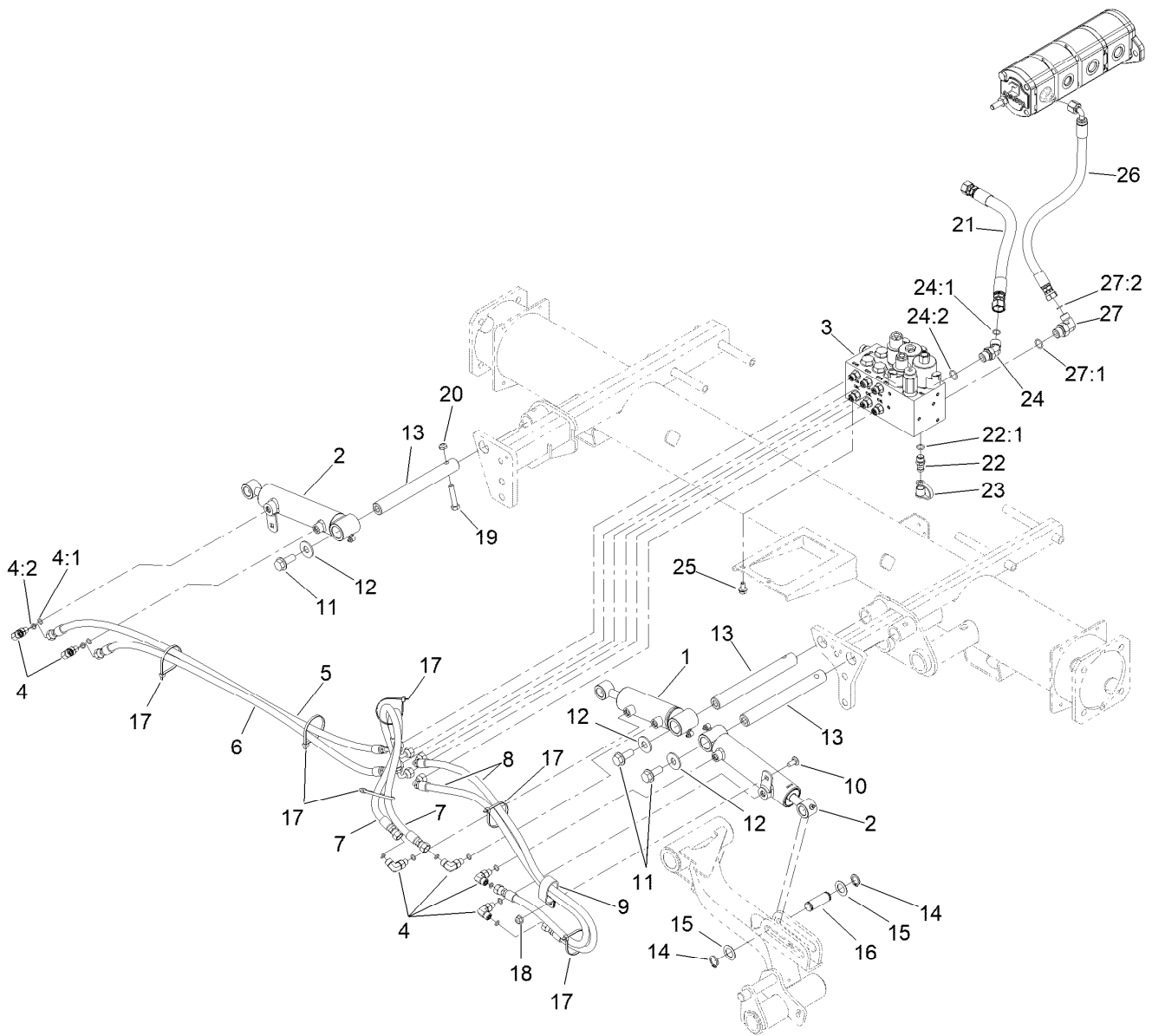
Ref.	Part Number	Qty.	Description
1	120-6272	2	HYD Motor ASM
2	340-98	4	Fitting-Elbow, 90 DEG
2:1	237-79	1	O-Ring
2:2	237-30	1	O-Ring
3	340-92	2	Fitting-Straight
3:1	237-78	1	O-Ring
3:2	237-21	1	O-Ring
4	340-155	2	Fitting-Straight
4:1	237-79	1	O-Ring
4:2	237-151	1	O-Ring
5	117-0174-03	2	Bracket-Bulkhead
6	32144-57	5	Screw
7	105-3048	4	Washer-Flat
8	240-11	8	Bushing-Flange
9	99-8611	4	Spacer
10	120-3772	1	HYD Tube ASM
10:1	237-21	1	O-Ring
11	2412-113	1	Clamp-R
12	145-2534	1	Hydraulic Tube ASM
12:1	237-65	1	O-Ring
13	340-78	2	Nut-Lock

Ref.	Part Number	Qty.	Description
14	117-0140	1	Tube ASM
14:1	237-65	1	O-Ring
15	56-7971	2	Clamp-Tube
16	145-2527	1	Hydraulic Tube ASM
16:1	237-65	1	O-Ring
17	340-74	4	Nut-Lock, Bulkhead
18	94-5780	1	Screw-HWH
19	104-8300	2	Nut-HF, NI
20	3234-5	1	Screw-HHF
21	114-0633	4	Hose-HYD
22	98-4590	2	Hose-HYD
23	120-3775	1	HYD Tube ASM
23:1	237-65	2	O-Ring
24	145-2533	1	Hydraulic Tube ASM
24:1	237-21	1	O-Ring
24:2	237-22	1	O-Ring
25	56-7972	2	Clamp-Tube
26	3334-945	6	Tie-Cable
27	121-5600	1	HYD Tube ASM
28	100-4240	1	Fitting-STR
28:1	237-30	1	O-Ring



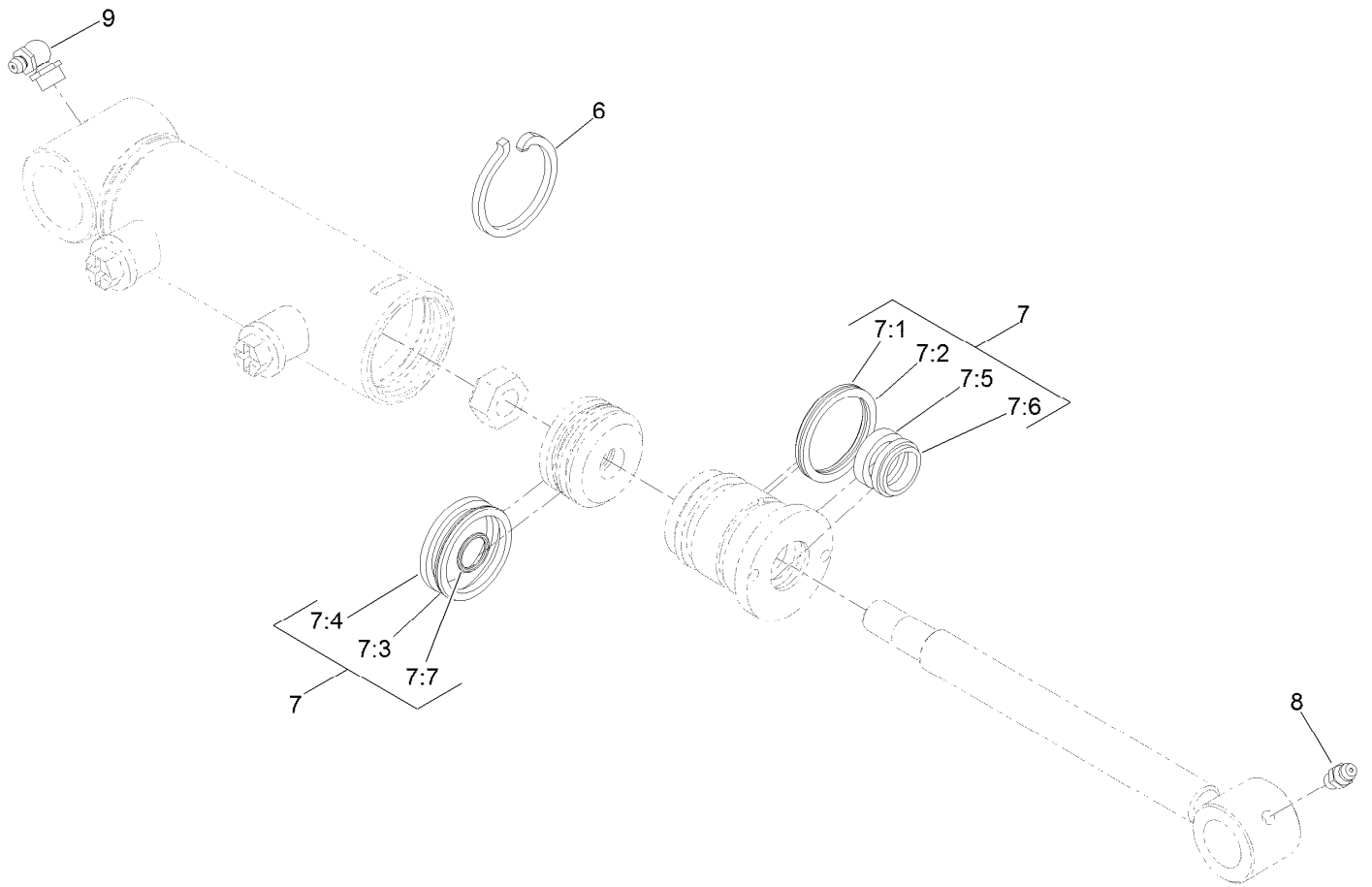
## No. 2 and 3 Reel Drive Hydraulic Assembly (continued)

<i>Ref.</i>	<i>Part Number</i>	<i>Qty.</i>	<i>Description</i>	<i>Ref.</i>	<i>Part Number</i>	<i>Qty.</i>	<i>Description</i>
28:2	237-81	1	O-Ring	32:2	340-65	1	O-Ring
29	340-128	1	Nut-Bulkhead	33	104-3797	2	Fitting-Straight
30	98-3923	1	Oil Filter ASM	33:1	237-146	1	O-Ring
30:1	104-0080	1	Filter Head ASM	33:2	340-65	1	O-Ring
30:2	94-2621	1	Element-Filter	34	3234-1	2	Screw-HHF
31	144-2055	1	Tube ASM-Hydraulic	35	145-2457	1	Hose ASM-Hydraulic
31:1	340-65	1	O-Ring	36	108-1689	1	Hose-HYD
31:2	237-30	1	O-Ring	37	119-1419	2	Plate-Clamp
31:3	237-22	1	O-Ring	38	93-6810	1	Fitting-Tee
31:4	237-58	1	O-Ring	38:1	237-30	2	O-Ring
32	340-129	1	Fitting-Elbow, 90 DEG	39	94-6031	1	Elbow-90
32:1	237-146	1	O-Ring	39:1	237-30	1	O-Ring



## No. 1, 4 and 5 Lift Arm Hydraulic Assembly

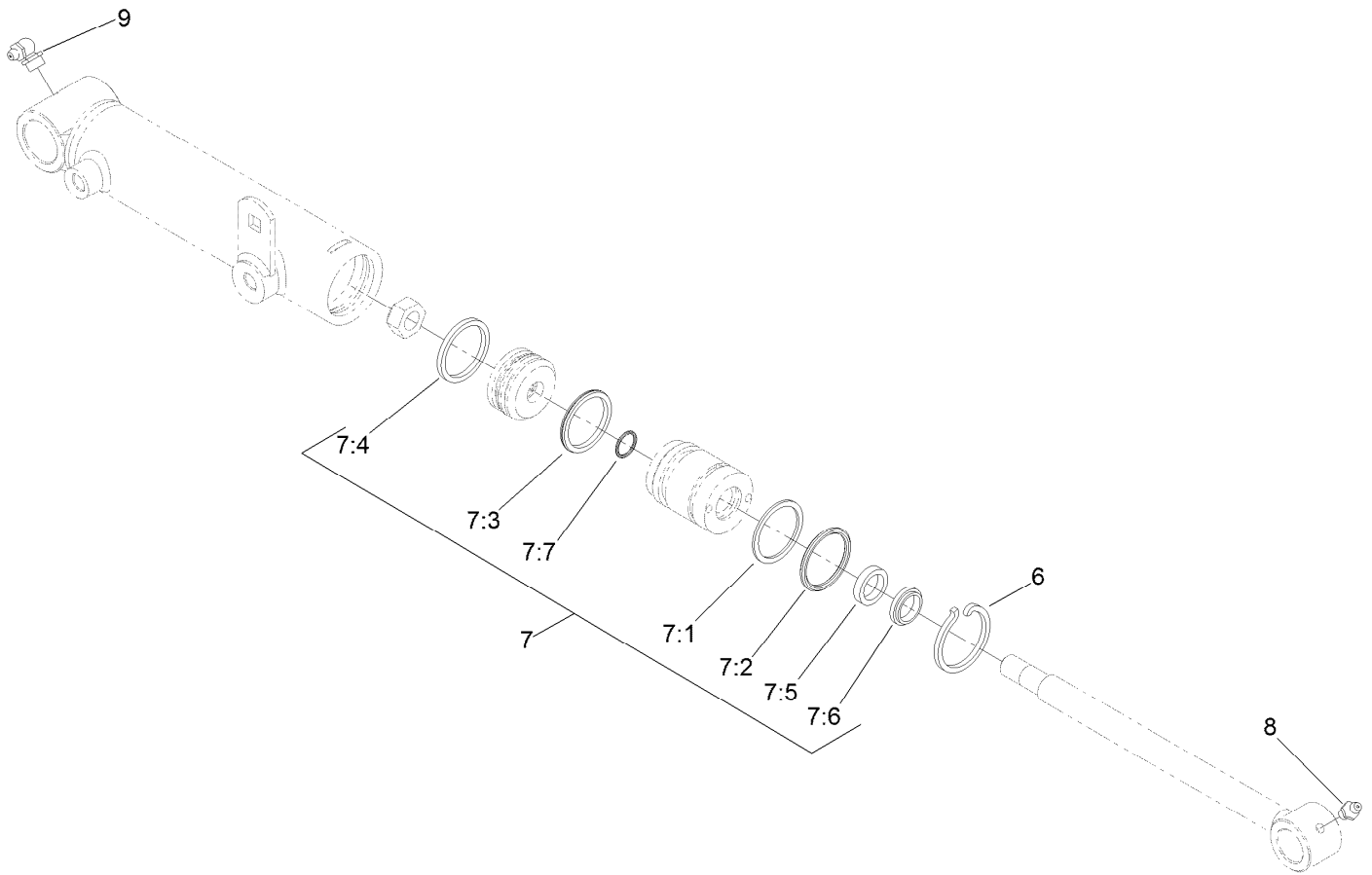
Ref.	Part Number	Qty.	Description	Ref.	Part Number	Qty.	Description
1	138-6999	1	HYD Cylinder ASM	16	104-0046	3	Pin-Slide, Cylinder
2	119-6987	2	HYD Cylinder ASM	17	3290-379	6	Tie-Cable
3	105-7577	1	HYD Lift Block Manifold ASM	18	104-8300	1	Nut-HF, NI
4	340-132	6	Fitting-Elbow, 90 DEG	19	323-9	3	Screw-HH
4:1	237-78	1	O-Ring	20	3296-59	3	Nut-Lock, NI
4:2	237-21	1	O-Ring	21	117-0729	1	Hose ASM
5	106-3692	1	Hose-HYD	22	59-7410	1	Fitting-Diagnostic
6	106-3693	1	Hose-HYD	22:1	237-42	1	O-Ring
7	93-6887	2	Hose-HYD	23	354-79	1	Cap-Dust
8	85-4940	2	Hose-HYD	24	340-101	1	Fitting-HYD, 45 DEG
9	2412-137	1	Clamp-R, Double	24:1	237-30	1	O-Ring
10	3230-23	1	Bolt-CARR	24:2	237-79	1	O-Ring
11	3234-38	3	Screw-HHF	25	3234-14	2	Screw-HHF
12	3256-6	3	Washer-Flat	26	145-2585	1	Hose ASM-HYD
13	117-0148	3	Pin-Cylinder	27	340-18	1	Fitting-HYD, 90 DEG
14	32120-93	6	Ring-Retaining	27:1	237-79	1	O-Ring
15	3-6498	6	Washer-Thrust	27:2	237-22	1	O-Ring



## Hydraulic Cylinder Assembly No. 138-6999

Ref.	Part Number	Qty.	Description
6	84-1680	1	Ring-Retaining
7	133-2900	1	Seal Kit
7:1		1	O-Ring ●
7:2		1	Backup ●
7:3		1	Bp Seal ●
7:4		1	Wear Ring-Ht ●
7:5		1	Bt Seal ●
7:6		1	Dust Seal-Dt ●
7:7		1	O-Ring ●
8	302-5	1	Fitting-Grease
9	302-33	1	Fitting-Grease

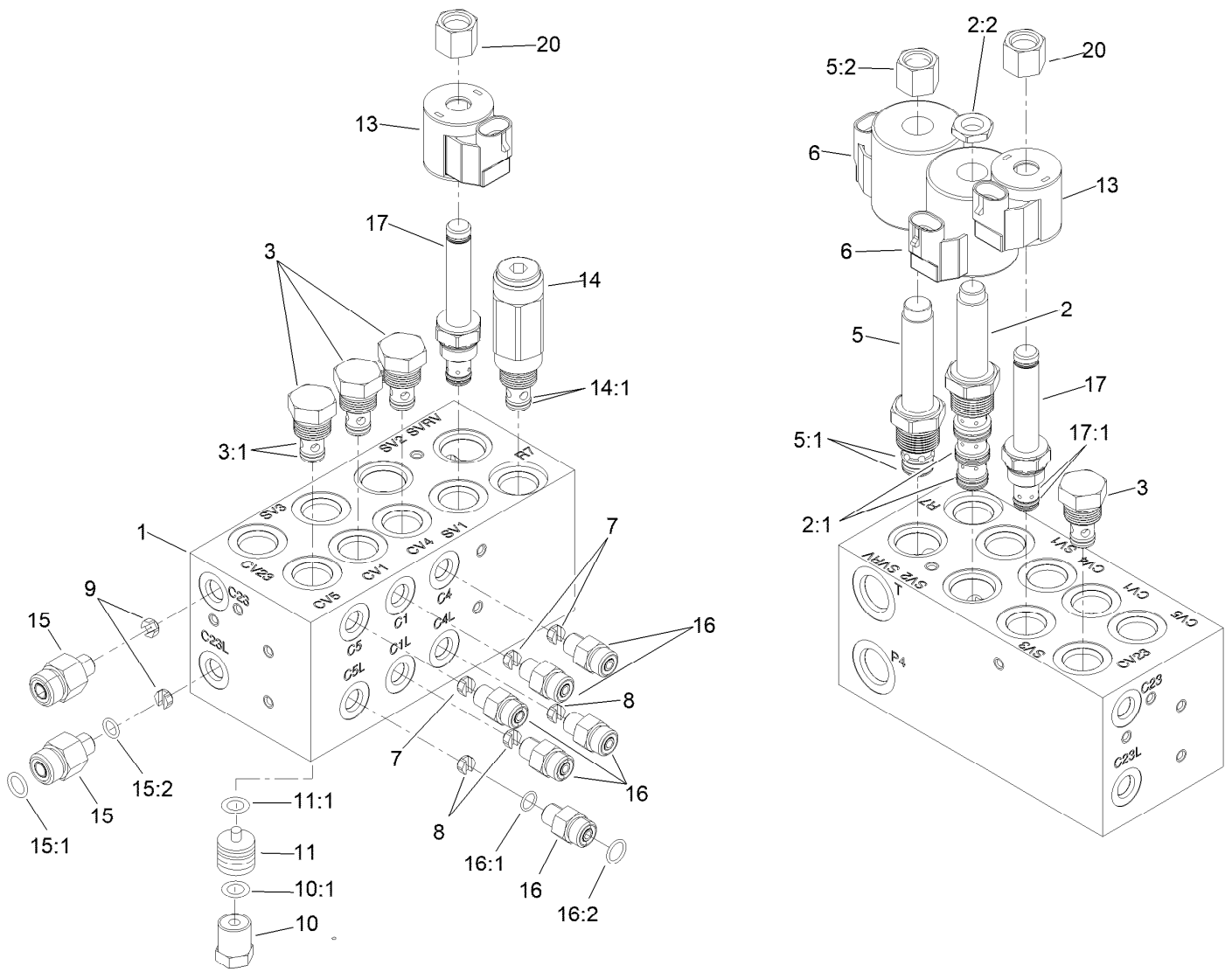
● Not serviced separately



## Hydraulic Cylinder Assembly No. 119-6987

Ref.	Part Number	Qty.	Description
6	84-1680	1	Ring-Retaining
7	133-2900	1	Seal Kit
7:1		1	O-Ring ●
7:2		1	Backup ●
7:3		1	Bp Seal ●
7:4		1	Wear Ring-Ht ●
7:5		1	Bt Seal ●
7:6		1	Dust Seal-Dt ●
7:7		1	O-Ring ●
8	302-5	1	Fitting-Grease
9	302-60	1	Fitting-Grease

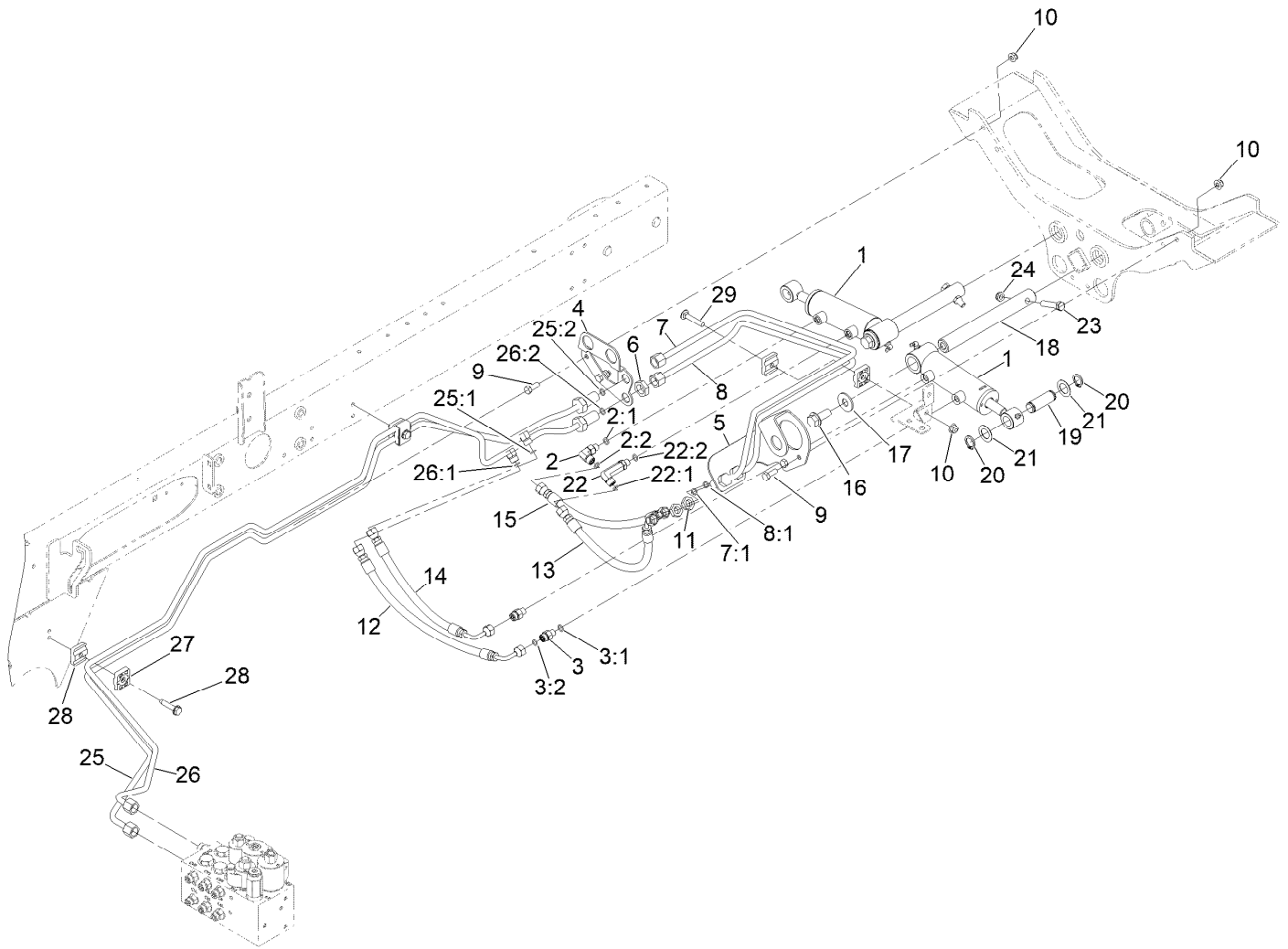
● Not serviced separately



## Hydraulic Manifold Block Assembly No. 105-7577

Ref.	Part Number	Qty.	Description	Ref.	Part Number	Qty.	Description
1		1	Block-Manifold ●	11	110-8901	4	Piston-Pilot
2	110-8906	1	Valve-Solenoid	11:1	110-8900	1	O-Ring
2:1	110-8908	1	Spool Valve Seal Kit	13	110-0497	2	Coil-Solenoid
2:2	110-2634	1	Nut-Coil	14	110-8899	1	Valve-Relief
3	110-9006	4	Valve-Check	14:1	105-9156	1	Seal Kit
3:1	105-9156	1	Seal Kit	15	340-88	2	Fitting-Straight
5	110-8905	1	Valve-Relief, Solenoid	15:1	237-22	1	O-Ring
5:1	110-6316	1	Seal Kit	15:2	237-78	1	O-Ring
5:2	130-8180	1	Nut-Coil (9/16-24 Unef-2B)	16	340-92	6	Fitting-Straight
6	110-6344	2	Coil-12V, DC	16:1	237-78	1	O-Ring
7	110-8904	3	Orifice-Control, Flow (0.028)	16:2	237-21	1	O-Ring
8	110-8903	3	Orifice-Control, Flow (0.055)	17	147-3090	2	Valve-Solenoid
9	110-8902	2	Orifice-Control, Flow (0.046)	17:1	107-7527	1	Seal Kit
10	354-70	4	Plug-Hex, Hollow	20	107-7812	2	Nut-Solenoid
10:1	237-80	1	O-Ring				

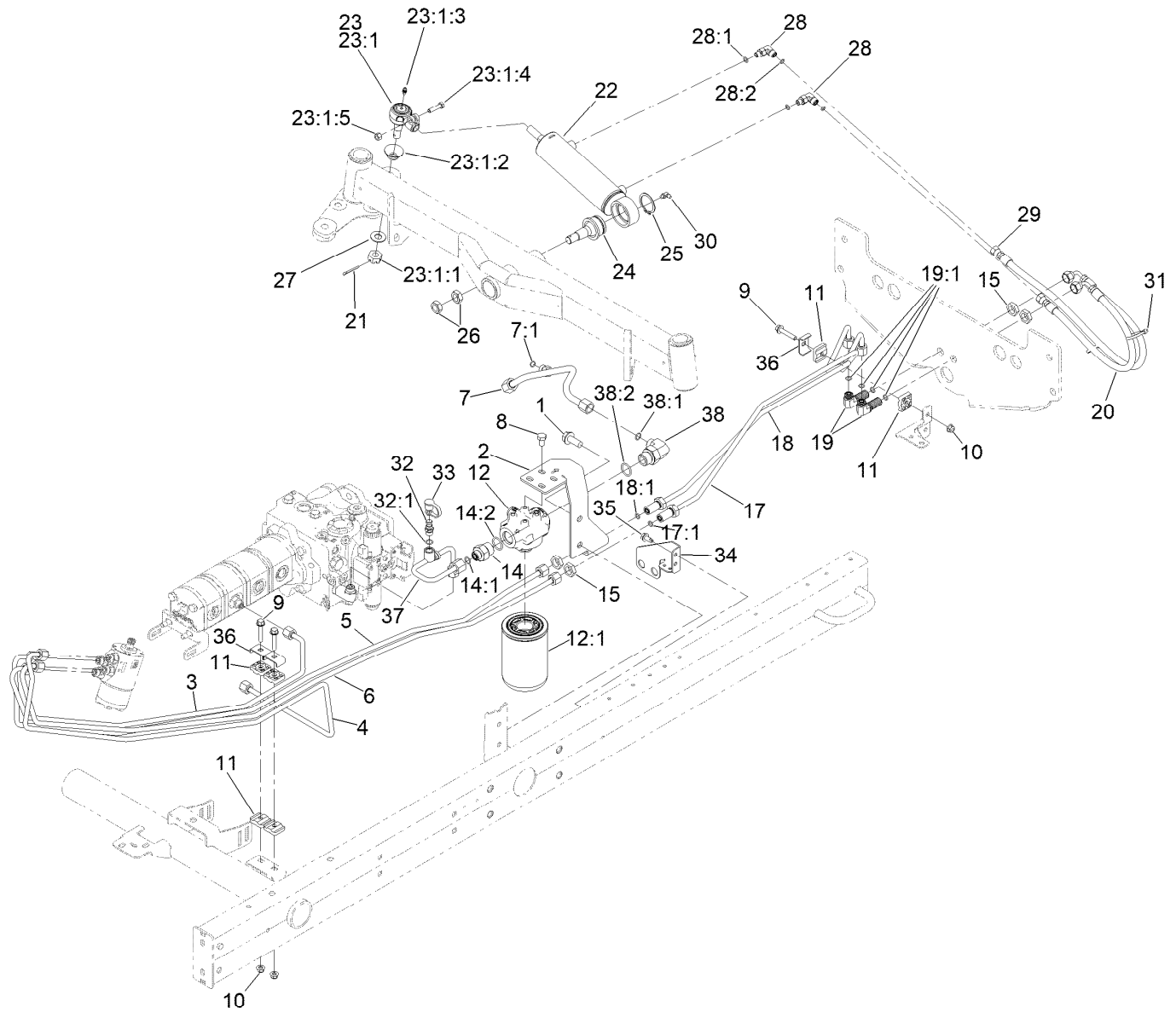
● Not serviced separately



## Rear Lift Hydraulic Assembly

Ref.	Part Number	Qty.	Description	Ref.	Part Number	Qty.	Description
1	138-6999	2	HYD Cylinder ASM	16	3234-38	2	Screw-HHF
2	340-132	1	Fitting-Elbow, 90 DEG	17	3256-6	2	Washer-Flat
2:1	237-78	1	O-Ring	18	117-0148	2	Pin-Cylinder
2:2	237-21	1	O-Ring	19	104-0046	2	Pin-Slide, Cylinder
3	340-92	2	Fitting-Straight	20	32120-93	4	Ring-Retaining
3:1	237-78	1	O-Ring	21	3-6498	4	Washer-Thrust
3:2	237-21	1	O-Ring	22	100-7695	1	Fitting-Elbow 90
4	120-3782-0P	1	Brkt-Bulhead, RH	22:1	237-78	1	O-Ring
5	110-0917-0P	1	Bracket-Bulkhead, LH	22:2	237-21	1	O-Ring
6	340-70	2	Nut-Lock	23	323-9	2	Screw-HH
7	133-2987	1	Tube-ASM	24	3296-59	2	Nut-Lock, NI
7:1	237-21	1	O-Ring	25	145-2552	1	Hydraulic Tube ASM
8	133-2986	1	Tube-ASM	25:1	237-21	1	O-Ring
8:1	237-21	1	O-Ring	25:2	237-22	1	O-Ring
9	322-4	4	Screw-HH	26	145-2553	1	Hydraulic Tube ASM
10	104-8300	5	Nut-HF, NI	26:1	237-21	1	O-Ring
11	340-78	2	Nut-Lock	26:2	237-22	1	O-Ring
12	110-0930	1	Hose-HYD	27	32144-57	2	Screw
13	110-8966	1	Hose-HYD	28	56-7973	6	Clamp-Tube
14	110-0929	1	Hose-HYD	29	3230-5	1	Bolt-CARR
15	110-0931	1	Hose-HYD				

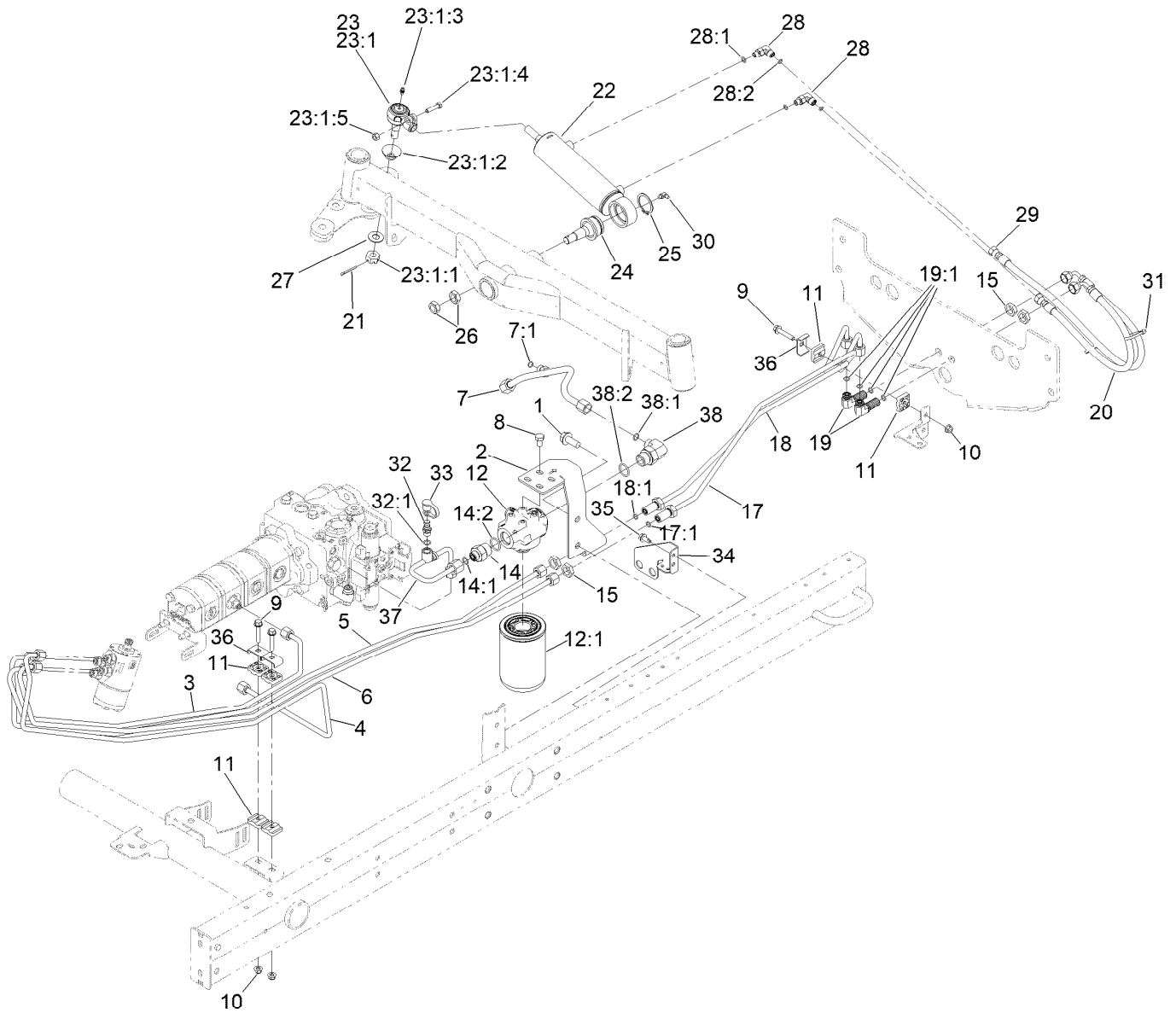




## Steering Hydraulic Assembly

Ref.	Part Number	Qty.	Description	Ref.	Part Number	Qty.	Description
1	3234-38	2	Screw-HHF	17	133-2988	1	Tube ASM
2	145-2477-0P	1	Bracket-Mount, Filter	17:1	237-22	1	O-Ring
3	144-2096	1	Tube ASM-Hydraulic	18	133-2989	1	Tube ASM
4	144-2054	1	Tube ASM-Hydraulic	18:1	237-22	1	O-Ring
5	144-2094	1	Tube ASM-Hydraulic	19	340-154	2	Union-Bulkhead
6	144-2095	1	Tube ASM-Hydraulic	19:1	237-22	2	O-Ring
7	145-2562	1	Hydraulic Tube ASM	20	110-0928	1	Hose-HYD
7:1	237-22	1	O-Ring	21	3272-12	1	Pin-Cotter
8	33115-016	4	Screw-HH	22	110-9035	1	HYD Cylinder ASM
9	94-5780	3	Screw-HWH	23	106-6895-03	1	Ball Joint ASM
10	104-8300	3	Nut-HF, NI	23:1		1	Joint-Ball ●
11	56-7973	6	Clamp-Tube	23:1:1	32136-13	1	Nut-SHH
12	93-2242	1	Oil Filter ASM	23:1:2	106-6896	1	Seal
12:1	75-1310	1	Filter-HYD	23:1:3	302-5	1	Fitting-Grease
14	100-4240	1	Fitting-STR	23:1:4	3210-7	1	Screw-HH
14:1	237-30	1	O-Ring	23:1:5	32152-5	1	Nut-Hex
14:2	237-81	1	O-Ring	24	106-6774	1	Joint-Ball
15	340-70	4	Nut-Lock	25	32151-104	1	Ring-Retaining, External

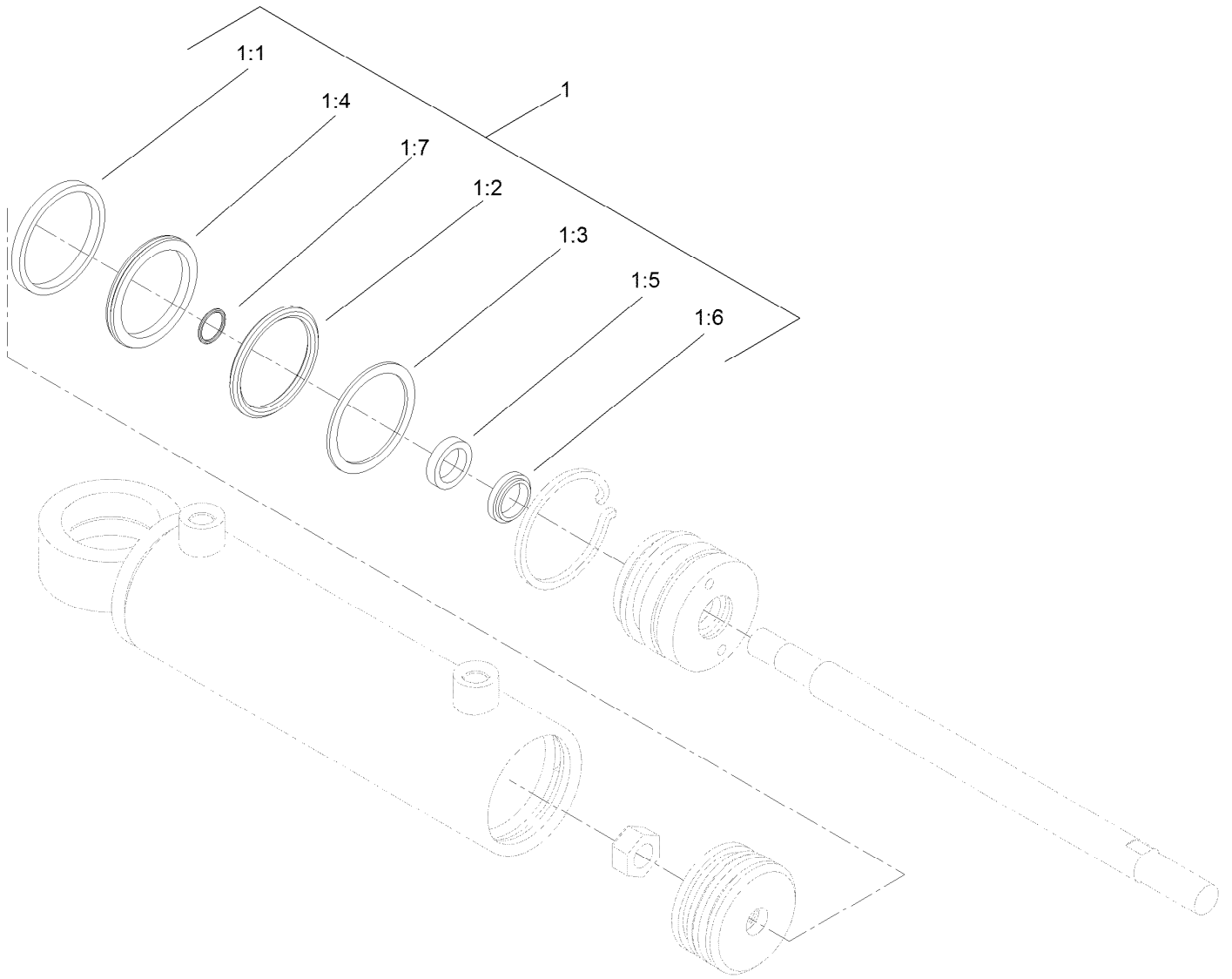
● Not serviced separately



## Steering Hydraulic Assembly (continued)

<i>Ref.</i>	<i>Part Number</i>	<i>Qty.</i>	<i>Description</i>	<i>Ref.</i>	<i>Part Number</i>	<i>Qty.</i>	<i>Description</i>
26	3220-6	2	Nut-Jam	32:1	237-42	1	O-Ring
27	69-8980	1	Washer	33	353-947	1	Cap-Dust, Black
28	340-132	2	Fitting-Elbow, 90 DEG	34	120-3781-0P	1	Brkt-Bulhead Steer
28:1	237-78	1	O-Ring	35	32104-32	2	Screw-HWH
28:2	237-21	1	O-Ring	36	119-1418	3	Plate-Clamp, Short
29	110-0973	1	Hose-HYD	37	145-2478	1	Tube ASM-Hydraulic
30	302-40	1	Fitting-Grease, 90 DEG	38	340-131	1	Fitting-HYD, 90 DEG
31	3290-378	2	Tie-Cable	38:1	237-30	1	O-Ring
32	59-7410	1	Fitting-Diagnostic	38:2	237-81	1	O-Ring

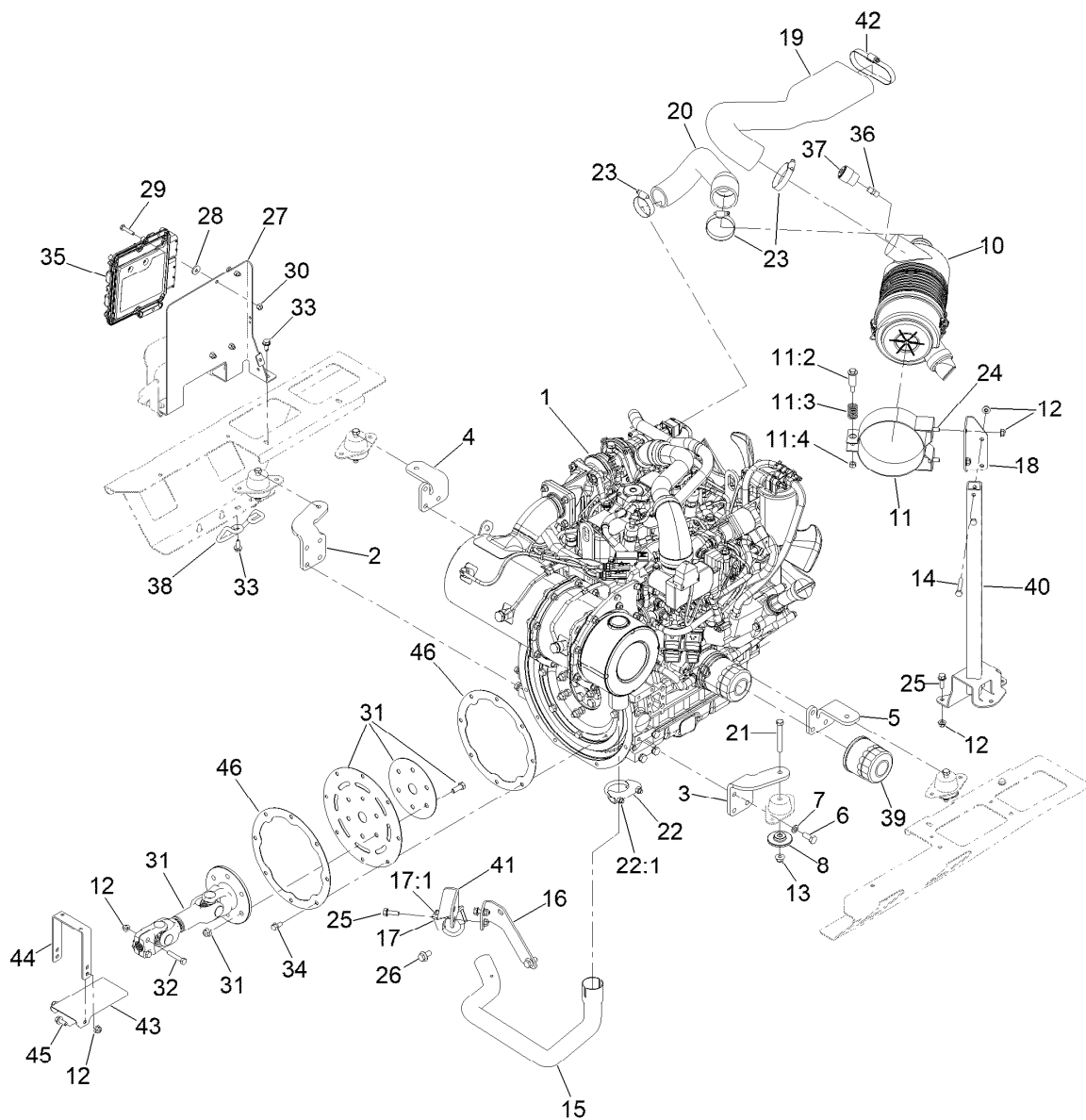
● Not serviced separately



## Hydraulic Cylinder Assembly No. 110-9035

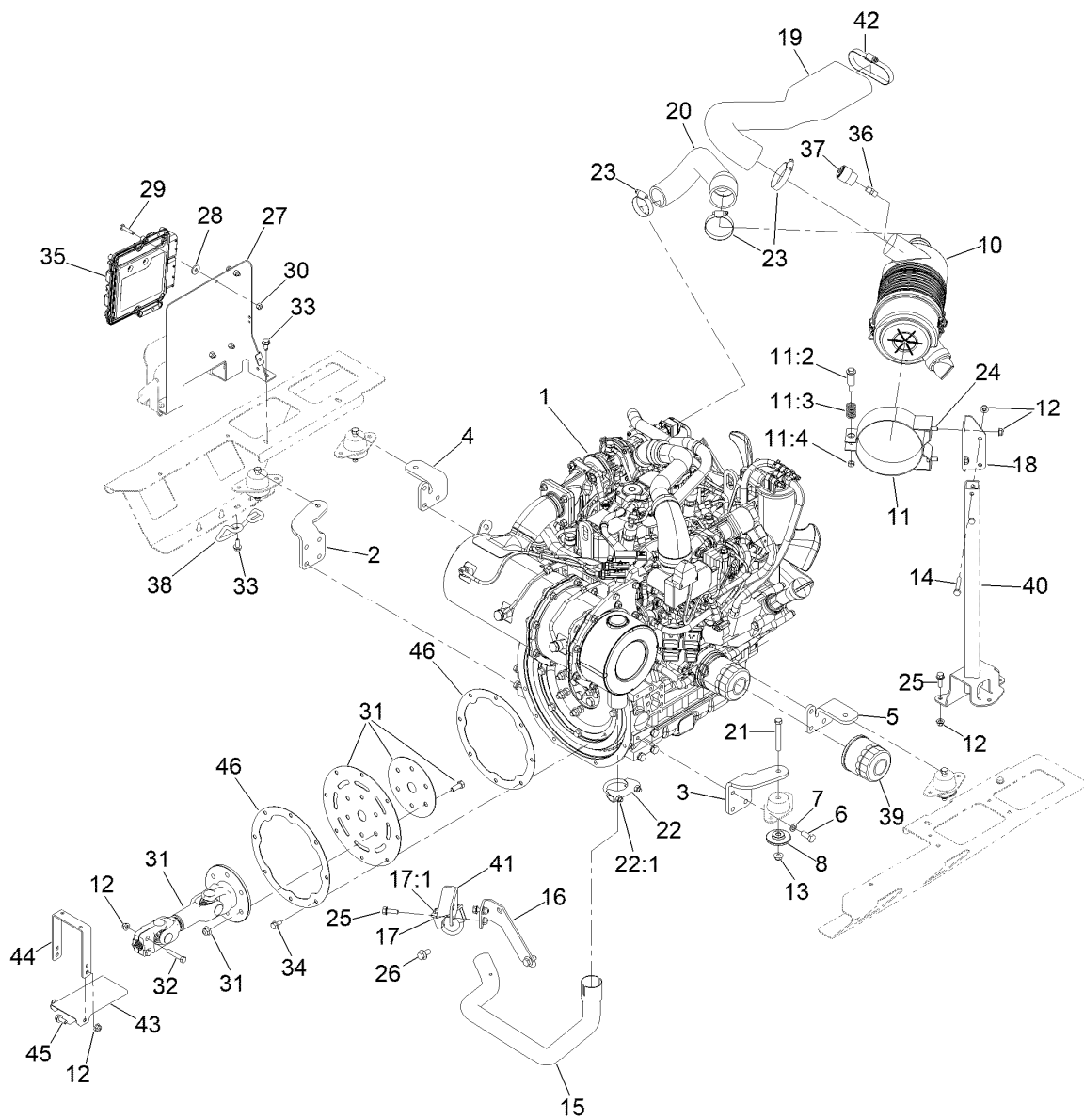
<i>Ref.</i>	<i>Part Number</i>	<i>Qty.</i>	<i>Description</i>
1	114-8875	1	Seal Kit
1:1		1	O-Ring ●
1:2		1	Backup ●
1:3		1	Bp Seal ●
1:4		1	Wear Ring ●
1:5		1	Bt Seal ●
1:6		1	Dust Seal ●
1:7		1	O-Ring ●

● Not serviced separately



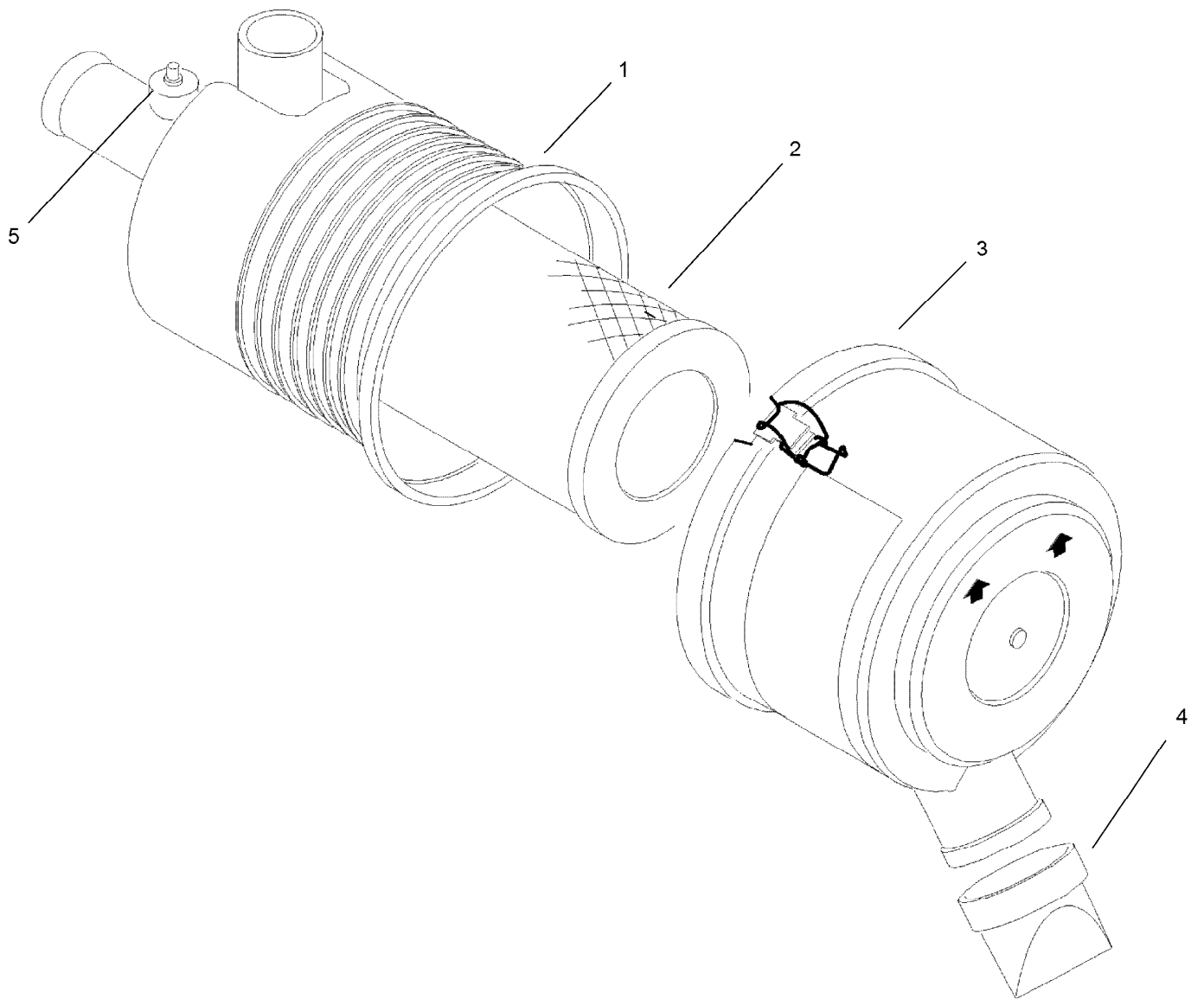
## Engine, Air Cleaner and Drive Shaft Assembly

Ref.	Part Number	Qty.	Description	Ref.	Part Number	Qty.	Description
1	138-6916	1	Engine-Yanmar	19	121-5559	1	Hose-Air Cleaner
2	120-3777-0P	1	Mount-Engine Rf	20	133-2991	1	Hose-AC, Out
3	120-3778-0P	1	Mount-Engine Lf	21	323-14	4	Screw-HH
4	120-3779-0P	1	Mount-Engine Rr	22	2112-6	1	Clamp-Muffler
5	120-3780-0P	1	Mount-Engine Lr	22:1	3218-2	2	Nut-Hex Jam
6	33115-025	14	Screw-HH	23	2412-130	3	Clamp-Hose
7	48-9590	14	Washer-Lock	24	3234-14	2	Screw-HHF
8	138-6462	4	Support-Isolator	25	3234-29	4	Screw-HHF
10	98-4517	1	Air Cleaner ASM	26	33105-020	2	Screw-HHF
11	100-4825	1	Band-Mounting, Air Cleaner	27	122-0898-0P	1	Bracket-Ecu
11:2	94-3653	1	Bolt	28	66-2921	4	Washer-Friction
11:3	94-3654	1	Spring	29	321-8	4	Screw-HH
11:4	33024-00	1	Nut-Lock, NI	30	3296-42	4	Nut-Lock, NI
12	104-8300	10	Nut-HF, NI	31	145-2508	1	Driveshaft ASM
13	104-8301	6	Nut-HF, NI	32	323-9	2	Screw-HH
14	322-10	2	Screw-HH	33	32104-32	3	Screw-HWH
15	127-2616	1	Tube-Exhaust	34	33104-016	8	Screw-HHF
16	125-8763-0P	1	Bracket-Tailpipe	35	121-5592	1	Electronic Control Unit
17	2112-9	1	Clamp	36	94-1416	1	Adapter-Indicator
17:1	32128-20	2	Nut-HF	37	93-9164	1	Indicator-Mini
18	120-6298-0P	1	Bracket-Aircleaner	38	127-2612	1	Guard-Pipe, Tail



## Engine, Air Cleaner and Drive Shaft Assembly (continued)

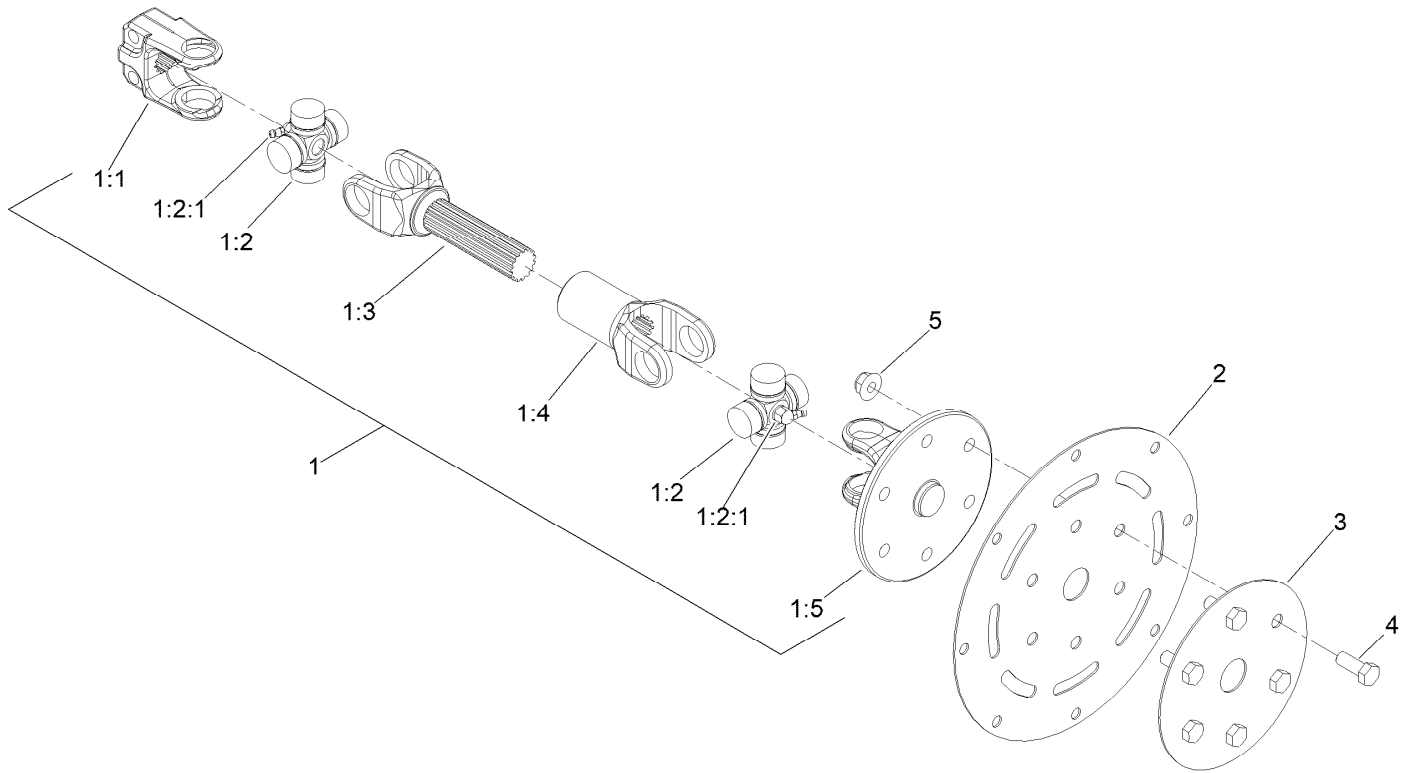
<i>Ref.</i>	<i>Part Number</i>	<i>Qty.</i>	<i>Description</i>	<i>Ref.</i>	<i>Part Number</i>	<i>Qty.</i>	<i>Description</i>
39	125-7025	1	Filter-Engine, Oil	43	125-8766-0P	1	Shield-Heat
40	120-2949-0P	1	Stand ASM [primed]	44	108-1799-0P	1	Hoop - Guard
41	125-8764-0P	1	Bracket-Tailpipe	45	3234-5	2	Screw-HHF
42	2412-46	1	Clamp	46	136-8040-0P	2	Ring - Backup



## Air Cleaner Assembly No. 98-4517

<i>Ref.</i>	<i>Part Number</i>	<i>Qty.</i>	<i>Description</i>
1		1	Body ASM ●
2	108-3810	1	Filter-Air
3	98-9771	1	Cover ASM
4	87-9400	1	Valve-Vacuator
5		1	Plug ●

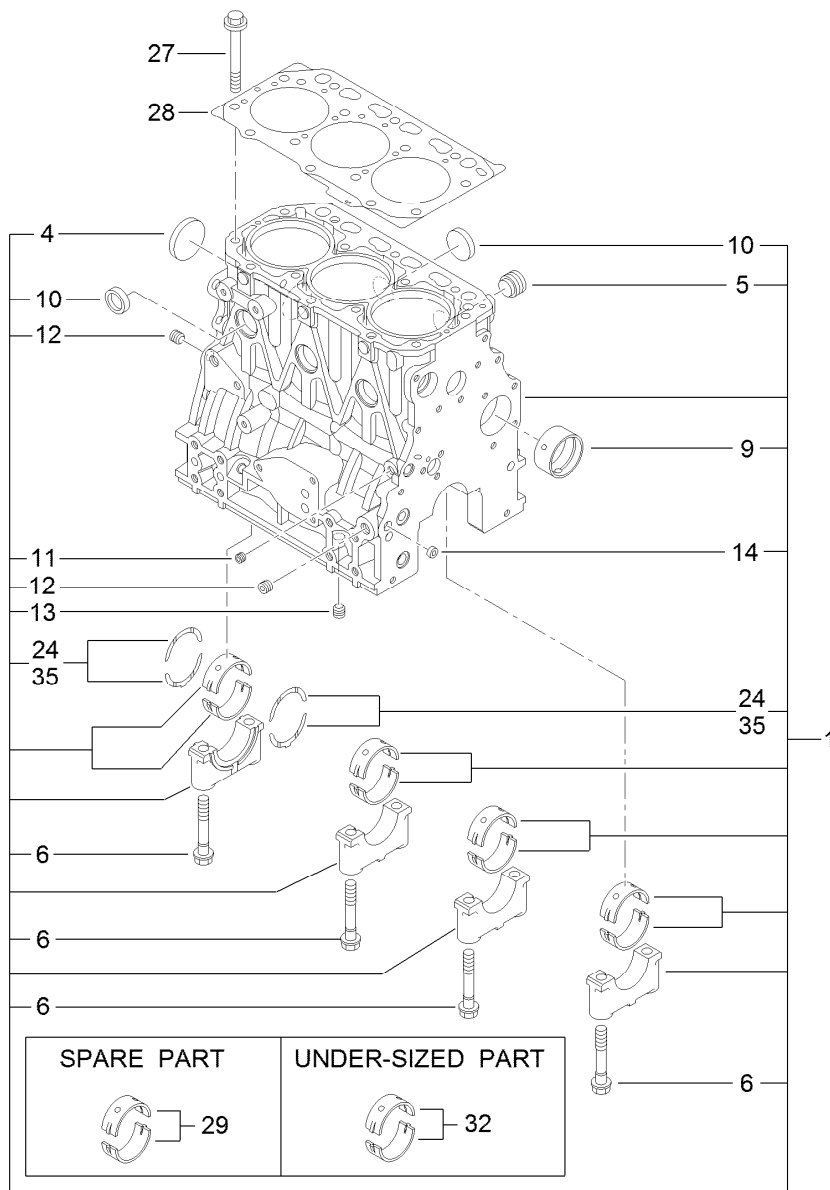
● Not serviced separately



## Driveshaft Assembly No. 145-2508

Ref.	Part Number	Qty.	Description
1		1	Driveshaft ●
1:1	145-2535	1	Yoke-Driveshaft, 13T
1:2	54-9180	2	U-Joint Kit
1:2:1	62-3820	1	Fitting-Grease
1:3	108-0632	1	Yoke And Shaft ASM
1:4	108-0633	1	Yoke-Telescoping
1:5	145-2546	1	Yoke ASM
2	138-6933-0P	1	Plate-Flywheel Adapter
3	133-2963-0P	1	Ring-Backup
4	323-6	6	Screw-HH
5	104-8301	6	Nut-HF, NI

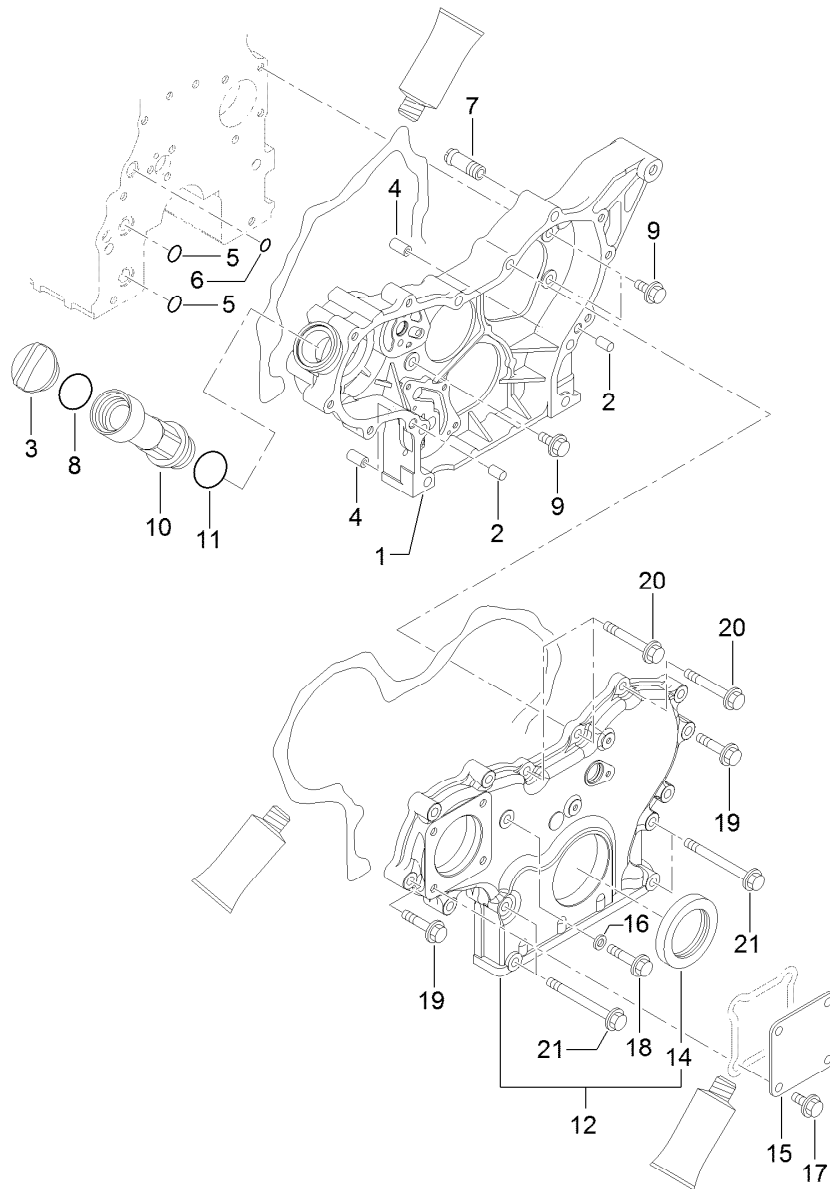
● Not serviced separately



## Cylinder Block Assembly

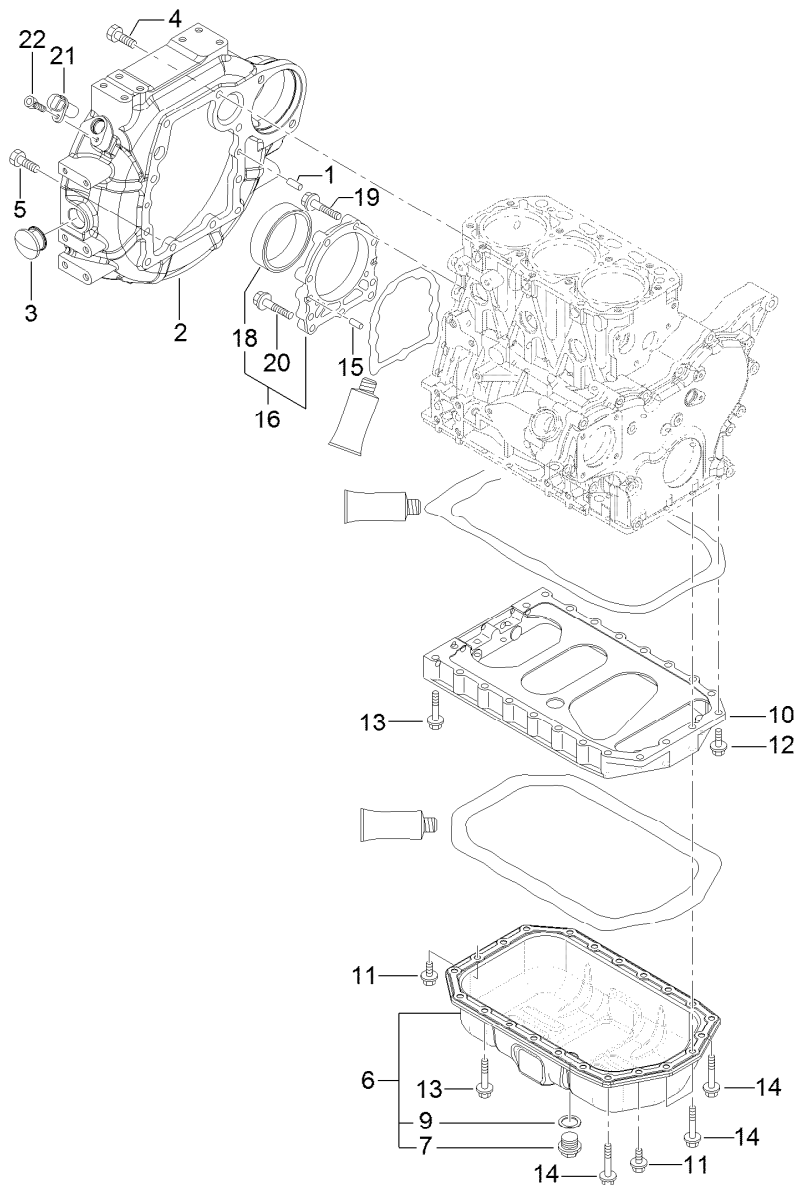
<i>Ref.</i>	<i>Part Number</i>	<i>Qty.</i>	<i>Description</i>	<i>Ref.</i>	<i>Part Number</i>	<i>Qty.</i>	<i>Description</i>
1	127-3750	1	Cylinder Block ASM	13	125-6973	1	Plug
4	125-6980	1	Plug	14	125-7237	1	Plug
5	125-7170	1	Plug	24	125-7010	2	Metal-Thrust
6	125-7007	8	Bolt	27	125-7006	14	Bolt
9	125-7108	1	Bushing	28	127-3751	1	Head Gasket ASM
10	125-7239	6	Plug	29	125-6981	4	Metal-Main
11	125-6969	1	Plug	32	125-7009	4	Metal-Main (0.25)
12	125-6973	2	Plug	35	125-7011	1	Metal-Thrust (0.25)





## Gear Housing Assembly

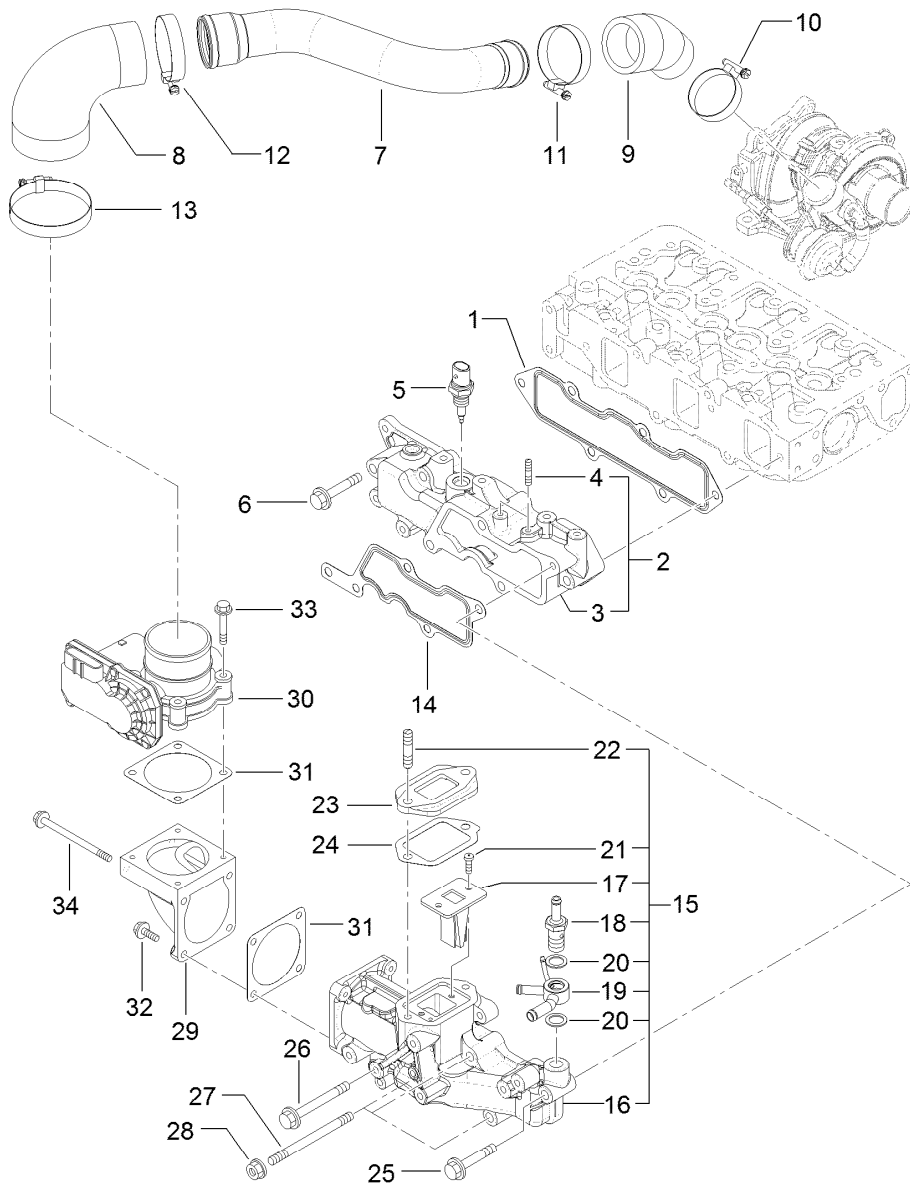
<i>Ref.</i>	<i>Part Number</i>	<i>Qty.</i>	<i>Description</i>	<i>Ref.</i>	<i>Part Number</i>	<i>Qty.</i>	<i>Description</i>
1	127-3752	1	Case-Gear	11	125-7197	1	O-Ring
2	125-6995	2	Pin	12	127-3024	1	Gearcase Cover ASM
3	125-6972	1	Cover-Filler	14	125-6944	1	Seal-Oil
4	125-7107	2	Pipe	15	125-6977	1	Cover
5	125-6909	2	O-Ring	16	125-7174	1	Washer-Seal
6	127-2973	1	O-Ring	17	125-7214	4	Bolt
7	127-3753	1	Joint	18	125-7217	1	Bolt
8	125-7197	1	O-Ring	19	125-7218	7	Bolt
9	125-7214	3	Bolt	20	125-7222	3	Bolt
10	127-3754	1	Pipe	21	125-7224	4	Bolt



## Flywheel Housing and Oil Sump Assembly

<i>Ref.</i>	<i>Part Number</i>	<i>Qty.</i>	<i>Description</i>
1	125-6995	1	Pin
2	127-3025	1	Housing-Flywheel
3	125-6910	1	Cap
4	125-7226	6	Bolt
5	125-7227	4	Bolt
6	127-3755	1	Oil Pan ASM
7	125-6912	1	Plug-Drain
9	125-7177	1	Washer-Seal
10	127-3756	1	Spacer
11	125-7214	4	Bolt

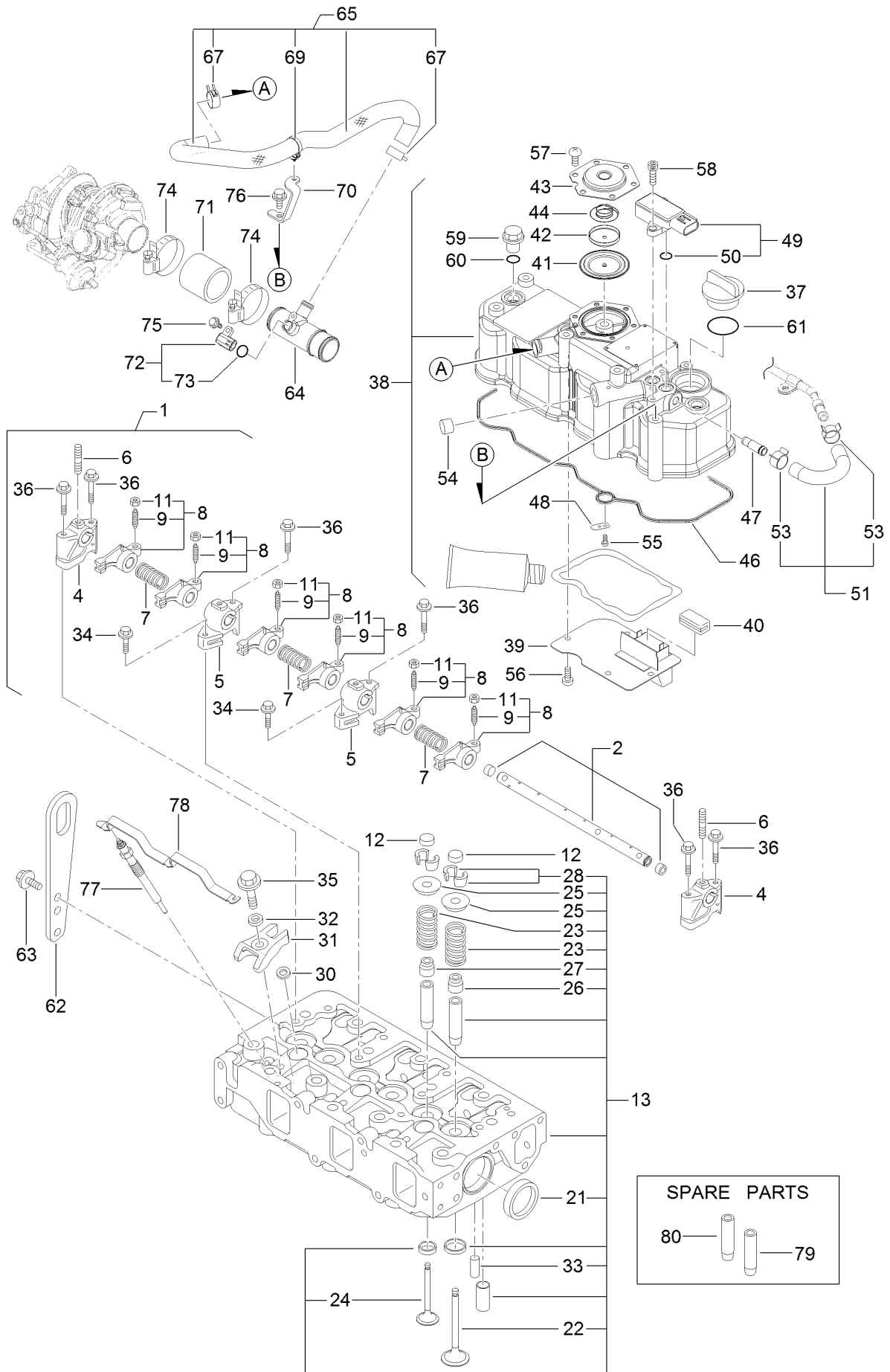
<i>Ref.</i>	<i>Part Number</i>	<i>Qty.</i>	<i>Description</i>
12	125-7215	2	Bolt
13	125-7219	16	Bolt
14	125-7220	4	Bolt
15	125-6995	2	Pin
16	125-6996	1	Case ASM
18	125-7106	1	Seal-Oil
19	125-7045	6	Bolt
20	125-7217	3	Bolt
21	127-3062	1	Sensor-Rev, Flywheel
22	127-3184	1	Bolt



## Suction Manifold Assembly

Ref.	Part Number	Qty.	Description	Ref.	Part Number	Qty.	Description
1	127-3769	1	Gasket-Manifold, Intake	18	127-3080	1	Joint-Hose
2	127-3770	1	Intake Manifold ASM	19	127-3081	1	Joint-Hose
3	127-3771	1	Manifold-Intake, Air	20	127-3166	1	Washer-Seal
4	127-3180	2	Stud	21	127-3168	11	Screw
5	127-3031	1	Sensor-Temp, Air	22	127-3181	1	Stud
6	125-7220	3	Bolt	23	127-3045	1	Spacer-Valve, E G R
7	127-3772	1	Duct Suction	24	127-3046	1	Gasket-E G R
8	127-3096	1	Joint-Rubber	25	125-7220	1	Bolt
9	127-3773	1	Joint, Rubber	26	127-3178	1	Bolt
10	125-7189	1	Clamp-Hose	27	127-3182	3	Stud
11	127-3170	1	Clamp-Hose	28	125-7229	3	Nut
12	125-7190	1	Clamp-Hose	29	127-3035	1	Bend-Inlet
13	127-3171	1	Clamp-Hose	30	127-3036	1	Body-Throttle
14	127-3034	1	Gasket-Collector	31	127-3037	2	Gasket-Throttle
15	127-3093	1	Intake Collector ASM	32	125-7209	2	Bolt
16	127-3092	1	Collector-Intake	33	125-7211	4	Bolt
17	127-3139	1	Valve-Reed	34	127-3177	2	Bolt

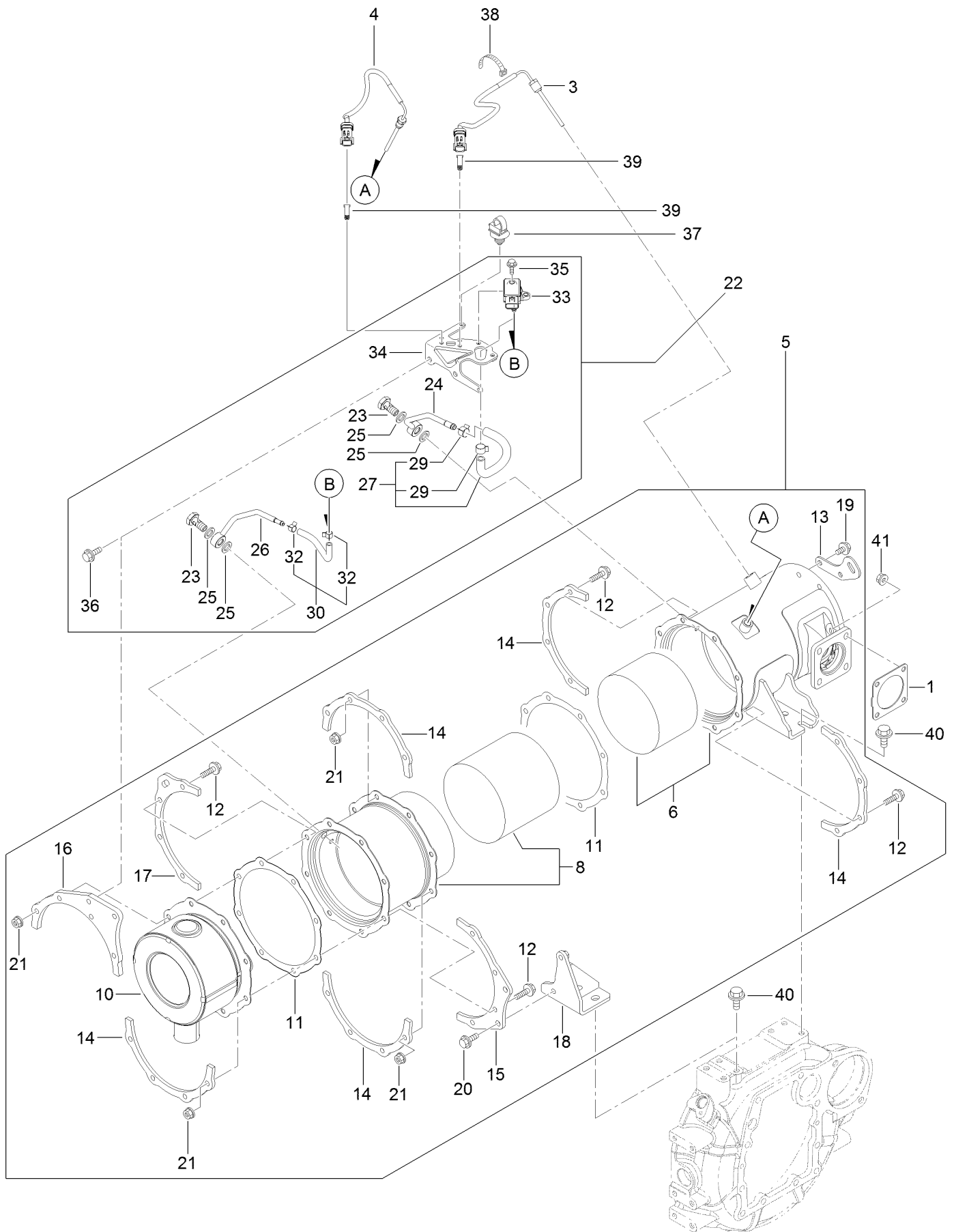
# Cylinder Head and Cover Assembly



## Cylinder Head and Cover Assembly (continued)

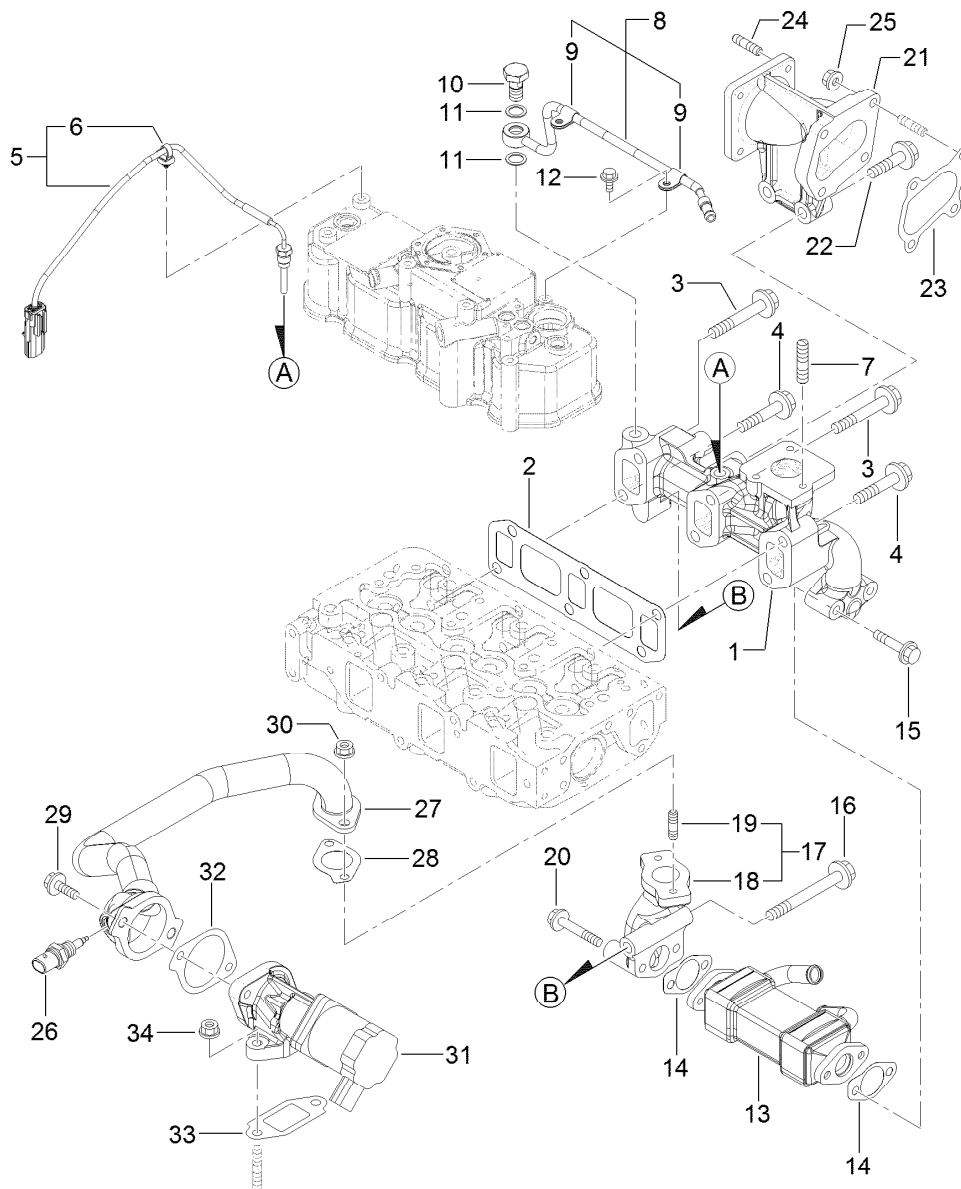
<i>Ref.</i>	<i>Part Number</i>	<i>Qty.</i>	<i>Description</i>	<i>Ref.</i>	<i>Part Number</i>	<i>Qty.</i>	<i>Description</i>
1	127-3757	1	Shaft ASM	46	127-3762	1	Gasket-Cover, Cylinder Head
2	127-3758	1	Shaft	47	127-3026	1	Joint
4	127-2974	2	Support	48	125-6994	1	Spring
5	127-2975	2	Support	49	127-3029	1	Sensor-Pressure
6	127-3759	3	Stud	50	127-3032	2	O Ring-Sensor, Pressure
7	127-2995	3	Spring	51	127-3040	1	Hose ASM
8	127-2989	6	Arm-Rocker	53	127-3041	2	Clip-Hose
9	125-7013	6	Screw-Adjust, Valve	54	125-6913	1	Plug
11	125-7014	6	Nut	55	125-7186	1	Screw
12	127-2996	6	Cap-Valve	56	125-7186	4	Screw
13	127-3760	1	Cylinder Head ASM	57	125-7186	6	Screw
21	125-7240	2	Plug	58	127-3184	2	Bolt
22	127-2990	3	Valve	59	125-6974	3	Knob
23	127-3012	6	Spring	60	93-0418	3	O-Ring
24	127-2994	3	Valve	61	125-7197	1	O-Ring
25	127-3013	6	Retainer-Spring	62	125-7111	1	Lifter
26	127-2986	3	Seal-Stem, Valve	63	125-7214	2	Bolt
27	127-3027	3	Seal-Stem, Valve	64	127-3763	1	Joint-Breather
28	127-3186	6	Pin-Cotter	65	127-3764	1	Hose Breather ASM
30	127-3021	3	Gasket-Injector	67	125-7040	2	Clip-Hose
31	127-3028	3	Retainer-Injector	69	127-3087	1	Band-Clip
32	127-2980	3	Washer-Injector	70	127-3765	1	Stay-Hose, Breather
33	125-7184	2	Pin-Spring	71	127-3766	1	Hose, Air
34	125-7215	2	Bolt	72	127-3030	1	Sensor-Temp, Air
35	125-7217	3	Bolt	73	127-3033	1	O-Ring
36	125-7220	6	Bolt	74	127-3767	2	Clamp 50
37	125-6972	1	Cover-Filler	75	125-7208	1	Bolt
38	127-3761	1	Cylinder Head Cover ASM	76	92-0803	1	Bolt
39	127-2988	1	Plate	77	127-2991	3	Plug-Glow
40	125-7012	1	Baffle	78	127-3768	1	Connector-Plug, Glow
41	125-6959	1	Diaphragm	79	127-2979	3	Guide
42	125-6960	1	Plate	80	127-2997	3	Guide-Valve
43	125-6961	1	Plate-Breather				
44	125-6962	1	Spring-Diaphragm				

# Diesel Particulate Filter Assembly



## Diesel Particulate Filter Assembly (continued)

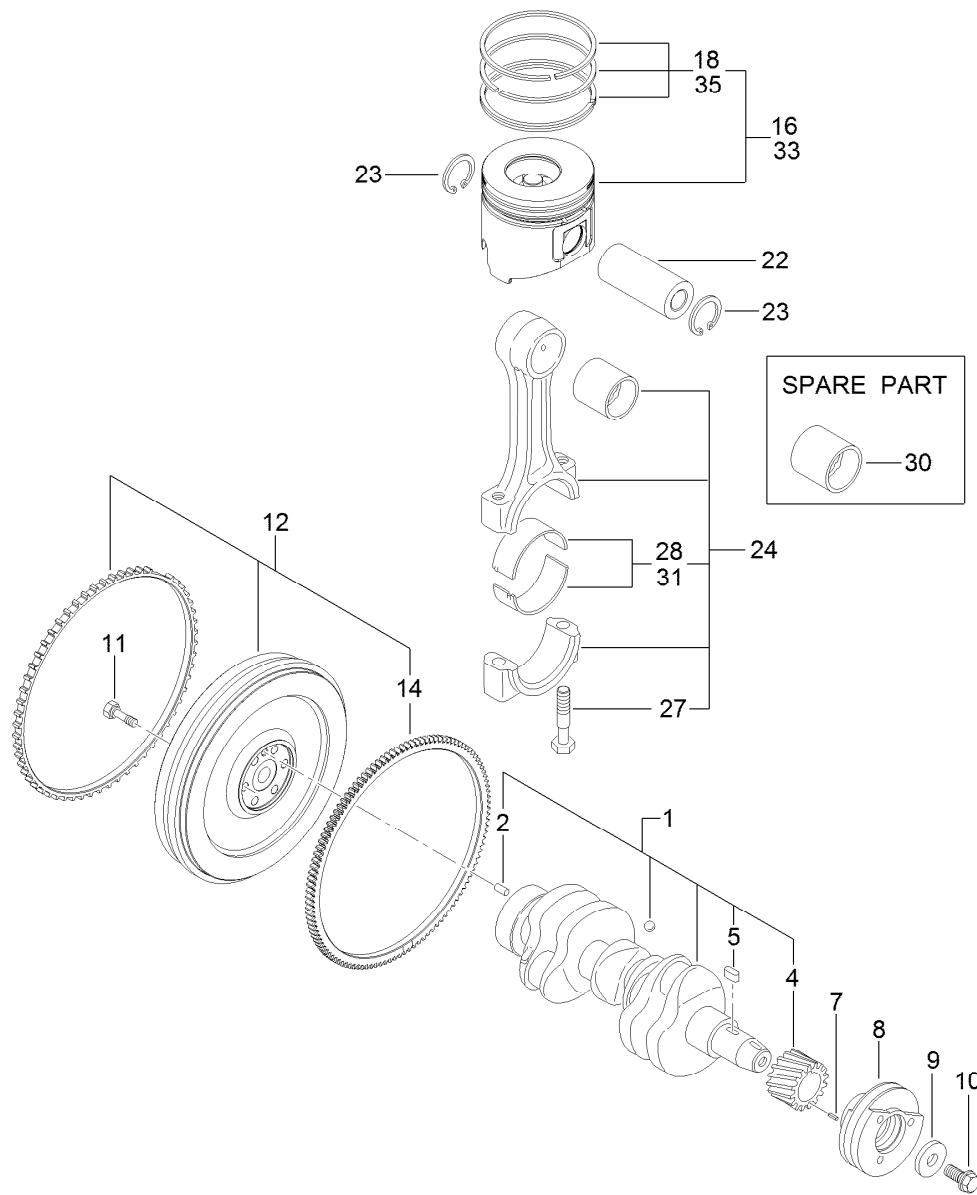
<i>Ref.</i>	<i>Part Number</i>	<i>Qty.</i>	<i>Description</i>	<i>Ref.</i>	<i>Part Number</i>	<i>Qty.</i>	<i>Description</i>
1	127-3019	1	Gasket	23	127-3039	2	Bolt-Joint, Pipe
3	127-4764	1	Sensor-Temp, Exhaust	24	127-3795	1	Pipe-Sensor
4	127-3112	1	Sensor-Temp, Exhaust	25	127-3056	4	Gasket-Sensor
5	127-3783	1	D P F ASM	26	127-3796	1	Pipe-Sensor
6	127-3784	1	Case-D O C	27	127-3114	1	Exhaust Hose ASM
8	127-3785	1	Case-Filter, Soot	29	127-3057	2	Clip-Hose
10	127-3786	1	Silencer-D P F	30	127-3059	1	Exhaust Pressure Hose ASM
11	127-3787	2	Gasket-D P F	32	127-3058	2	Clip-Hose
12	127-3055	16	Bolt	33	127-3060	1	Sensor-Pressure
13	127-3788	1	Lifter-D P F	34	127-3061	1	Bracket-Sensor, Pressure
14	127-3789	5	Stiffener-D P F, A	35	125-7208	2	Bolt
15	127-3790	1	Stiffener-D P F, B	36	125-7595	2	Bolt
16	127-3791	1	Stiffener-D P F, C	37	127-3087	1	Band-Clip
17	127-3792	1	Stiffener-D P F, C	38	127-3124	1	Band
18	127-3793	1	Stay-D P F	39	127-3088	2	Clip-Connector
19	125-7213	2	Bolt	40	127-3179	4	Bolt
20	125-7594	2	Bolt	41	125-7229	4	Nut
21	125-7229	16	Nut				
22	127-3794	1	Pressure Sensor Unit				



## Exhaust Manifold Assembly

Ref.	Part Number	Qty.	Description	Ref.	Part Number	Qty.	Description
1	127-3774	1	Manifold-Exhaust	18	127-3049	1	Pipe-Out, E G R
2	127-3775	1	Gasket-Manifold, Exhaust	19	125-7043	2	Stud
3	127-3776	4	Bolt-Flange	20	125-7220	2	Bolt
4	127-3094	2	Bolt	21	127-3778	1	Pipe Extension ASM
5	127-3777	1	Sensor-Temp, Exhaust	22	127-3138	2	Bolt-Flange
6	127-3087	1	Band-Clip	23	127-3779	1	Gasket-Out, T C
7	125-7043	3	Stud	24	125-6906	4	Stud
8	127-3038	1	Exhaust Pipe ASM	25	125-7229	4	Nut
9	127-3173	2	Clamp	26	127-3047	1	Sensor-Gas Temp, E G R
10	127-3039	1	Bolt-Joint, Pipe	27	127-3780	1	E G R Pipe ASM
11	127-3174	2	Gasket	28	127-3016	1	Gasket
12	125-7206	2	Bolt	29	125-7215	2	Bolt
13	127-3042	1	Cooler-E G R	30	125-7229	2	Nut
14	127-3043	2	Gasket-Cooler, E G R	31	127-3781	1	Valve-E G R
15	127-2976	2	Bolt	32	127-3050	1	Gasket-Intake Valve, E G R
16	127-3022	1	Bolt-Flange	33	127-3051	1	Gasket-Out Valve, E G R
17	127-3048	1	E G R Pipe ASM	34	125-7229	2	Nut

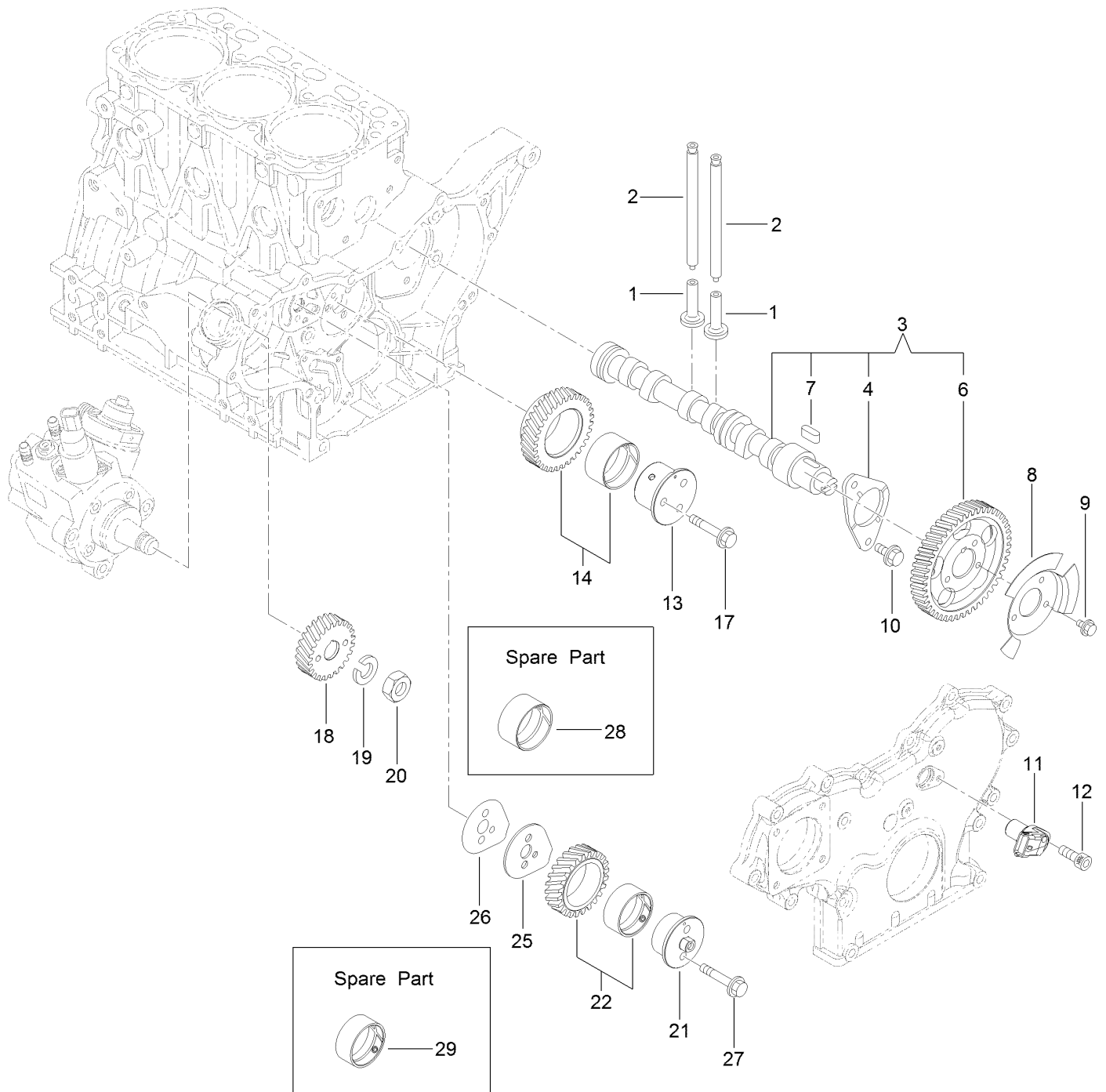




## Crankshaft and Piston Assembly

<i>Ref.</i>	<i>Part Number</i>	<i>Qty.</i>	<i>Description</i>	<i>Ref.</i>	<i>Part Number</i>	<i>Qty.</i>	<i>Description</i>
1	127-3800	1	Crankshaft ASM	16	127-3097	3	Piston ASM
2	125-6995	1	Pin	18	127-3098	3	Piston Ring ASM
4	125-6937	1	Gear	22	125-7030	3	Pin
5	125-7185	1	Key	23	125-7180	6	Ring
7	125-7182	1	Pin-Spring	24	125-7242	3	Connecting Rod ASM
8	127-3801	1	Pulley-V	27	125-6955	6	Bolt
9	125-7109	1	Washer	28	125-7018	3	Pin-Crank
10	125-6956	1	Bolt	30	125-6997	3	Pin-Piston
11	125-6951	6	Bolt	31	125-7019	3	Pin-Crank (.25)
12	127-3802	1	Flywheel ASM	33	127-3099	3	Piston ASM (0.25 O.S.)
14	125-6943	1	Gear	35	127-3100	3	Piston Ring ASM (0.25 O.S.)

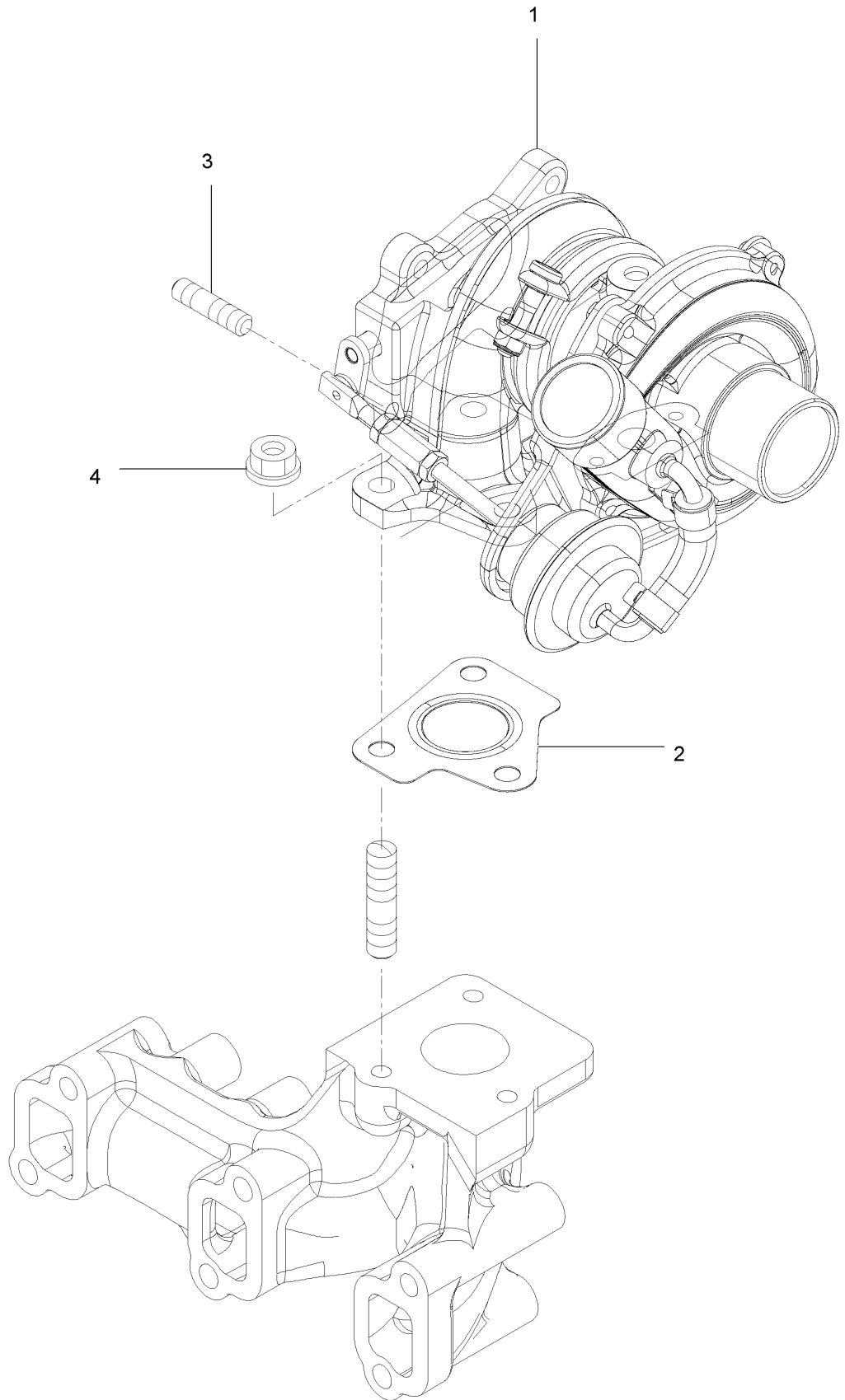
# Camshaft and Driving Gear Assembly



## Camshaft and Driving Gear Assembly (continued)

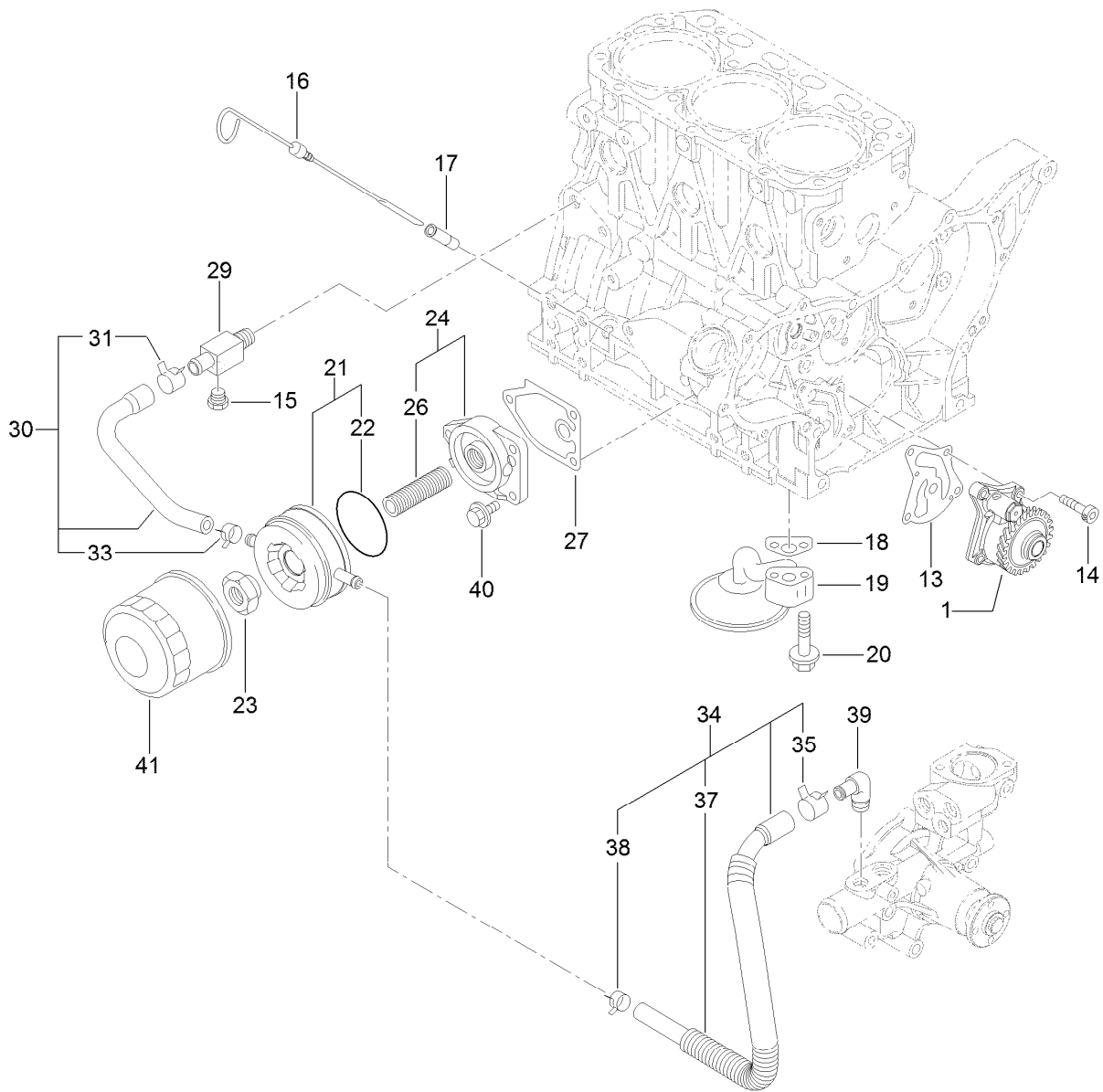
<i>Ref.</i>	<i>Part Number</i>	<i>Qty.</i>	<i>Description</i>	<i>Ref.</i>	<i>Part Number</i>	<i>Qty.</i>	<i>Description</i>
1	125-7016	6	Tappet	14	127-3066	1	Idle Gear A ASM
2	125-7017	6	Rod-Push	17	125-7219	3	Bolt
3	127-3797	1	Camshaft ASM	18	127-3070	1	Gear-Pump, Supply
4	125-7008	1	Metal-Thrust	19	127-3167	1	Washer-Spring
6	127-3052	1	Gear-Camshaft	20	127-3185	1	Nut-Lock
7	125-7185	1	Key	21	127-3064	1	Shaft-Idle, Gear B
8	127-3053	1	Pulser-Camshaft	22	127-3067	1	Idle Gear B ASM
9	125-7205	3	Bolt	25	127-3068	1	Plate-Idle, Shaft
10	125-7213	2	Bolt	26	127-3069	1	Gasket-Idle, Shaft B
11	127-3054	1	Sensor-Rev, Gear	27	125-7218	2	Bolt
12	127-3184	1	Bolt	28	125-6927	1	Bushing
13	127-3063	1	Shaft-Idle, Gear A	29	127-3065	1	Bushing

# Turbine Assembly



## Turbine Assembly (continued)

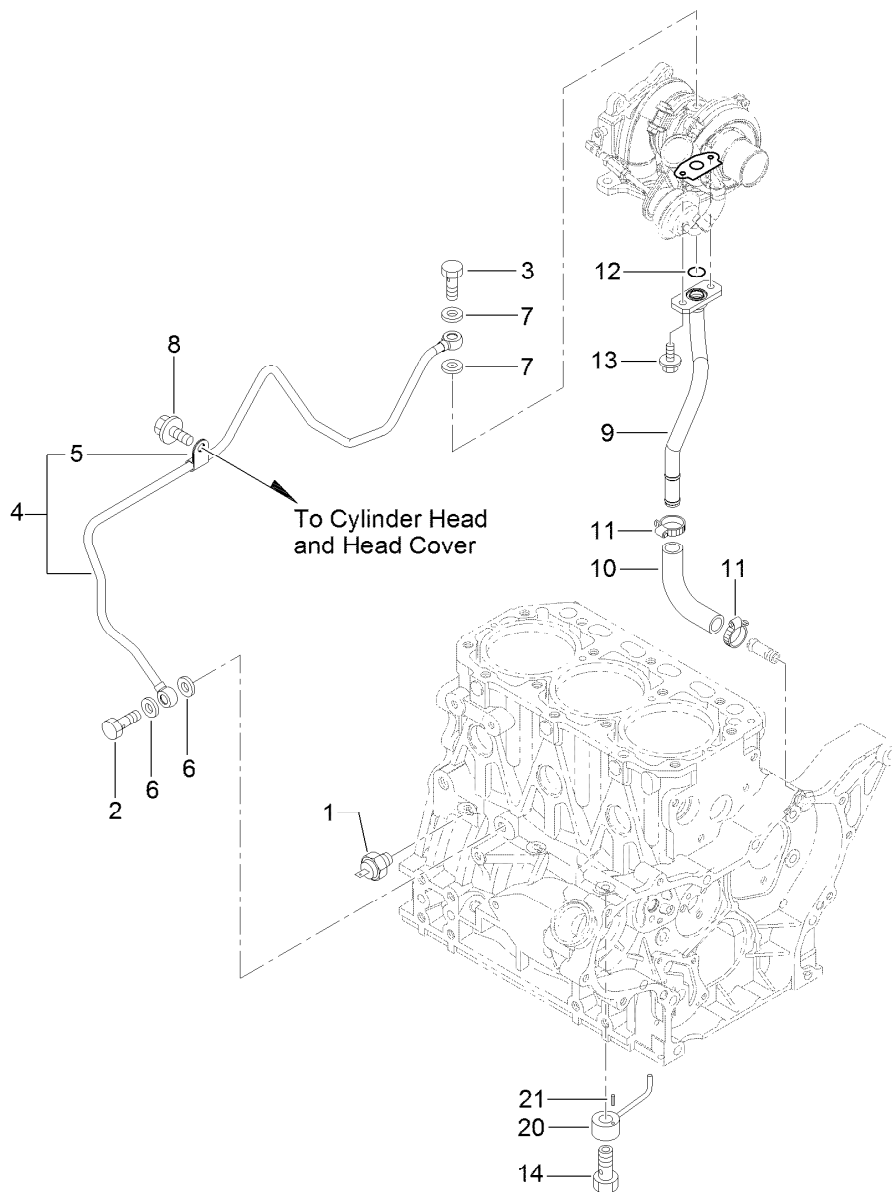
<i>Ref.</i>	<i>Part Number</i>	<i>Qty.</i>	<i>Description</i>	<i>Ref.</i>	<i>Part Number</i>	<i>Qty.</i>	<i>Description</i>
1	135-4151	1	Turbocharger	3	125-6906	4	Stud
2	127-3799	1	Gasket-In, T C	4	125-7229	3	Nut



## Lubrication and Oil System Assembly

Ref.	Part Number	Qty.	Description
1	127-3101	1	Oil Lube Pump ASM
13	127-3004	1	Gasket
14	125-7232	4	Bolt
15	125-7171	1	Plug-Drain
16	125-6987	1	Dipstick
17	125-6954	1	Guide-Dipstick
18	125-7022	1	Gasket
19	127-3803	1	Pipe ASM
20	125-7217	2	Bolt
21	125-7074	1	Cooler ASM
22	125-7075	1	O-Ring
23	125-7041	1	Nut-Cooler, Oil
24	125-6989	1	Bracket ASM

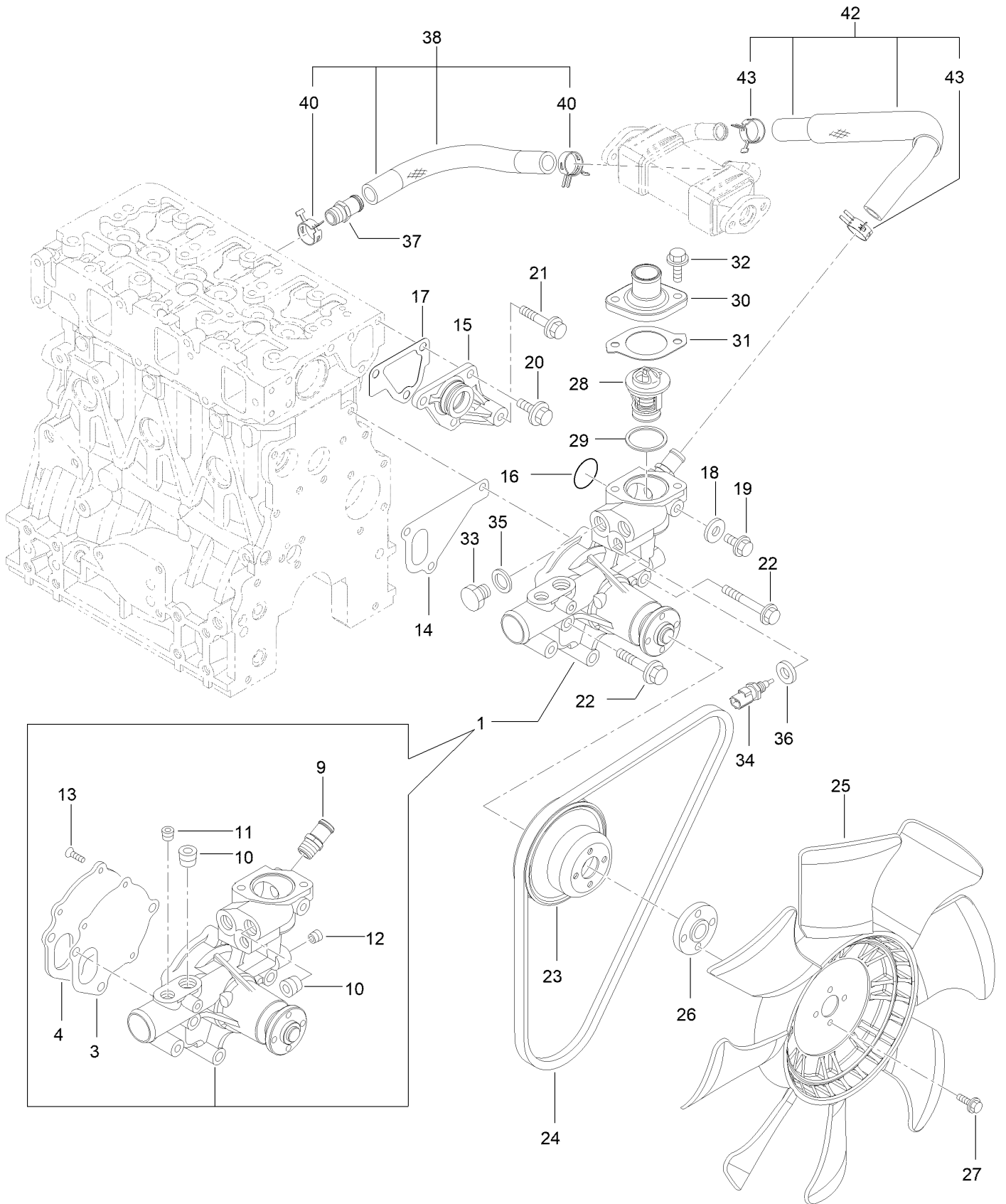
Ref.	Part Number	Qty.	Description
26	125-7042	1	Stud
27	125-7024	1	Gasket
29	125-6990	1	Joint
30	125-7078	1	Pipe ASM
31	125-7162	1	Clip
33	125-7191	1	Clamp-Hose
34	127-3804	1	Pipe ASM
35	125-7162	1	Clip
37	127-3805	1	Tube
38	125-7191	1	Clamp-Hose
39	125-7001	1	Elbow
40	125-7595	3	Bolt
41	125-7025	1	Filter-Engine, Oil



## Lubrication Oil Line Assembly

Ref.	Part Number	Qty.	Description	Ref.	Part Number	Qty.	Description
1	125-6918	1	Switch-Oil	9	127-3807	1	Pipe-Return, Lube Oil
2	125-6975	1	Bolt-Joint, Pipe	10	127-3808	1	Joint
3	125-6952	1	Bolt-Joint, Pipe	11	127-3169	2	Clamp-Hose
4	127-3806	1	Lube Oil Pipe ASM	12	125-7198	1	O-Ring
5	125-6976	1	Retainer	13	125-7208	2	Bolt
6	125-7175	2	Washer-Seal	14	125-7105	3	Check Valve ASM
7	125-7193	2	Gasket	20	125-7098	3	Nozzle
8	93-0362	1	Bolt	21	125-7182	3	Pin-Spring

# Cooling Water System Assembly

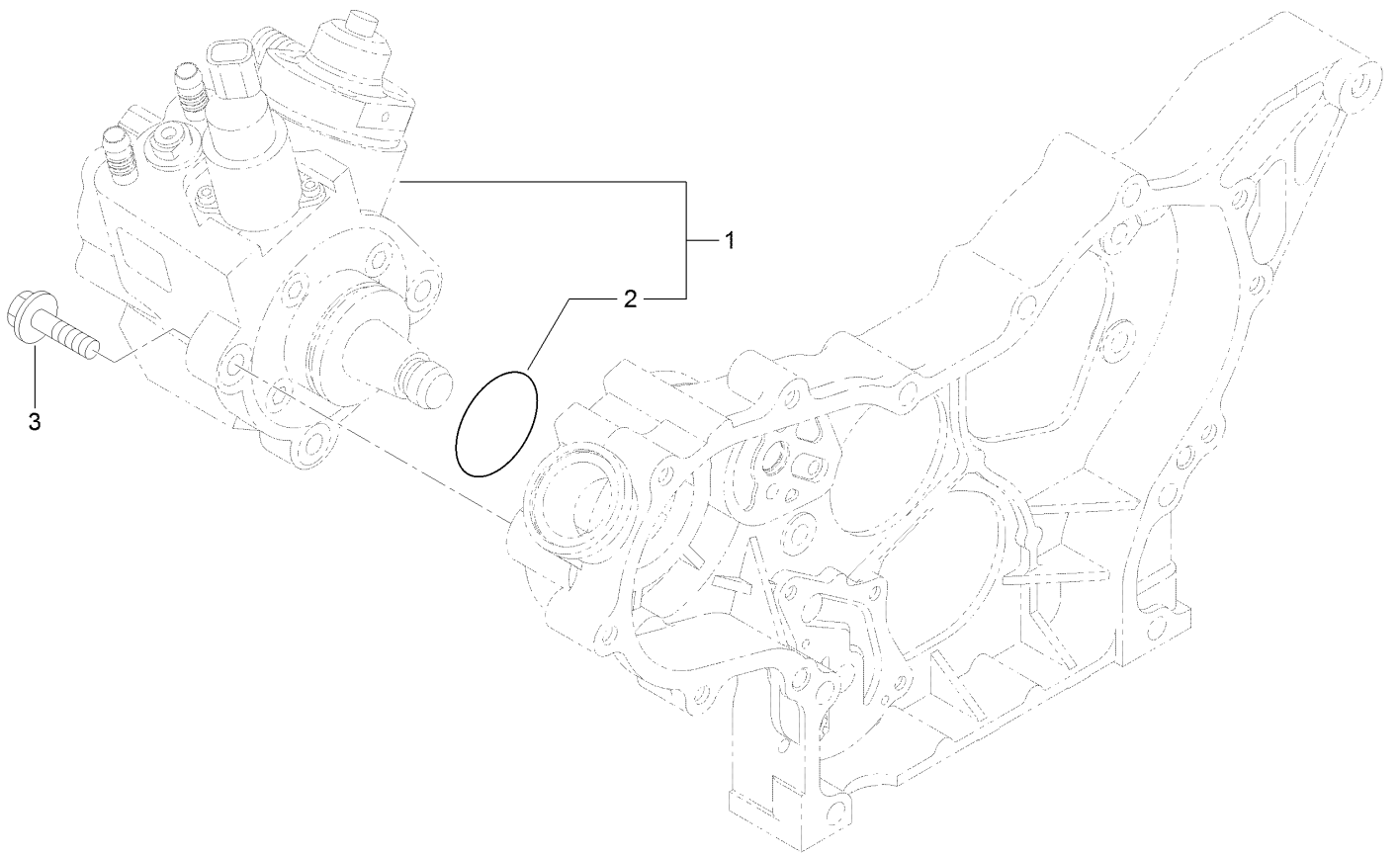




## Cooling Water System Assembly (continued)

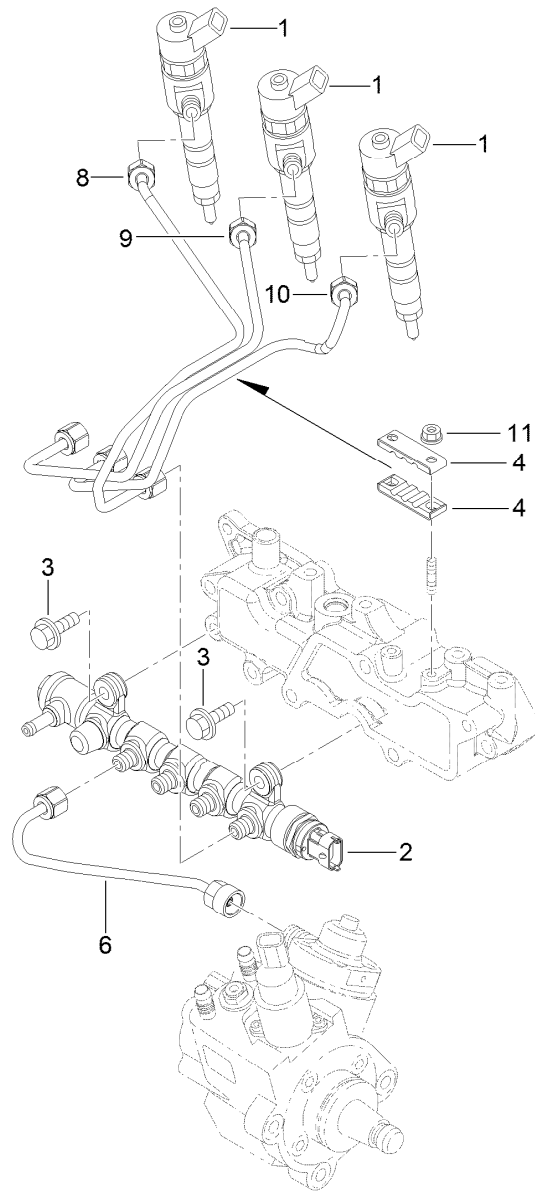
<i>Ref.</i>	<i>Part Number</i>	<i>Qty.</i>	<i>Description</i>	<i>Ref.</i>	<i>Part Number</i>	<i>Qty.</i>	<i>Description</i>
1	127-3071	1	Water Pump ASM	24	127-2998	1	V-Belt
3	125-6998	1	Gasket	25	127-3809	1	Fan
4	125-6999	1	Plate	26	127-3810	1	Spacer
9	127-3017	1	Joint	27	125-7209	4	Bolt
10	125-7123	2	Plug	28	125-7029	1	Thermostat
11	127-3175	1	Plug	29	125-7026	1	Gasket
12	125-7195	1	Plug	30	125-7034	1	Cover
13	125-7234	3	Screw	31	125-7110	1	Gasket
14	125-7047	1	Gasket	32	125-7594	2	Bolt
15	125-6986	1	Joint	33	125-6953	1	Plug
16	125-7048	1	O-Ring	34	125-7124	1	Sensor-Thermostat, CW
17	125-6978	1	Gasket	35	125-6979	1	Gasket
18	125-7192	1	Gasket	36	125-7176	1	Washer-Seal
19	93-0362	1	Bolt	37	127-3017	1	Joint
20	125-7214	3	Bolt	38	127-3072	1	Water In Pipe ASM
21	125-7219	1	Bolt	40	127-3020	2	Clip-Hose
22	125-7222	3	Bolt	42	127-3811	1	CW Pipe ASM
23	125-7039	1	V-Pulley	43	127-3020	2	Clip-Hose

# Fuel System Assembly



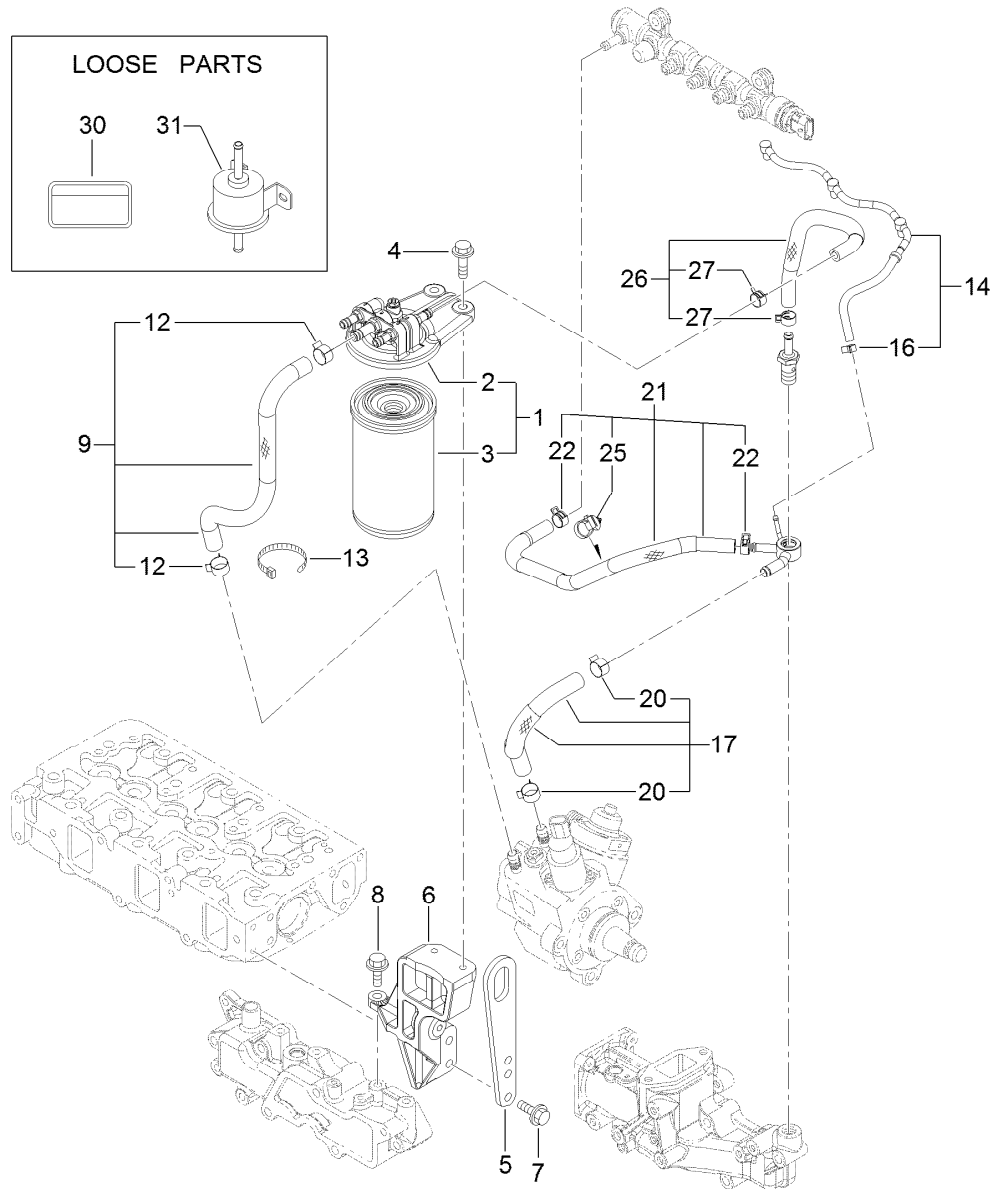
## Fuel System Assembly (continued)

<i>Ref.</i>	<i>Part Number</i>	<i>Qty.</i>	<i>Description</i>
1	127-3073	1	Fuel Pump ASM
2	127-3074	1	O-Ring
3	125-7216	3	Bolt



## Fuel Injection Valve Assembly

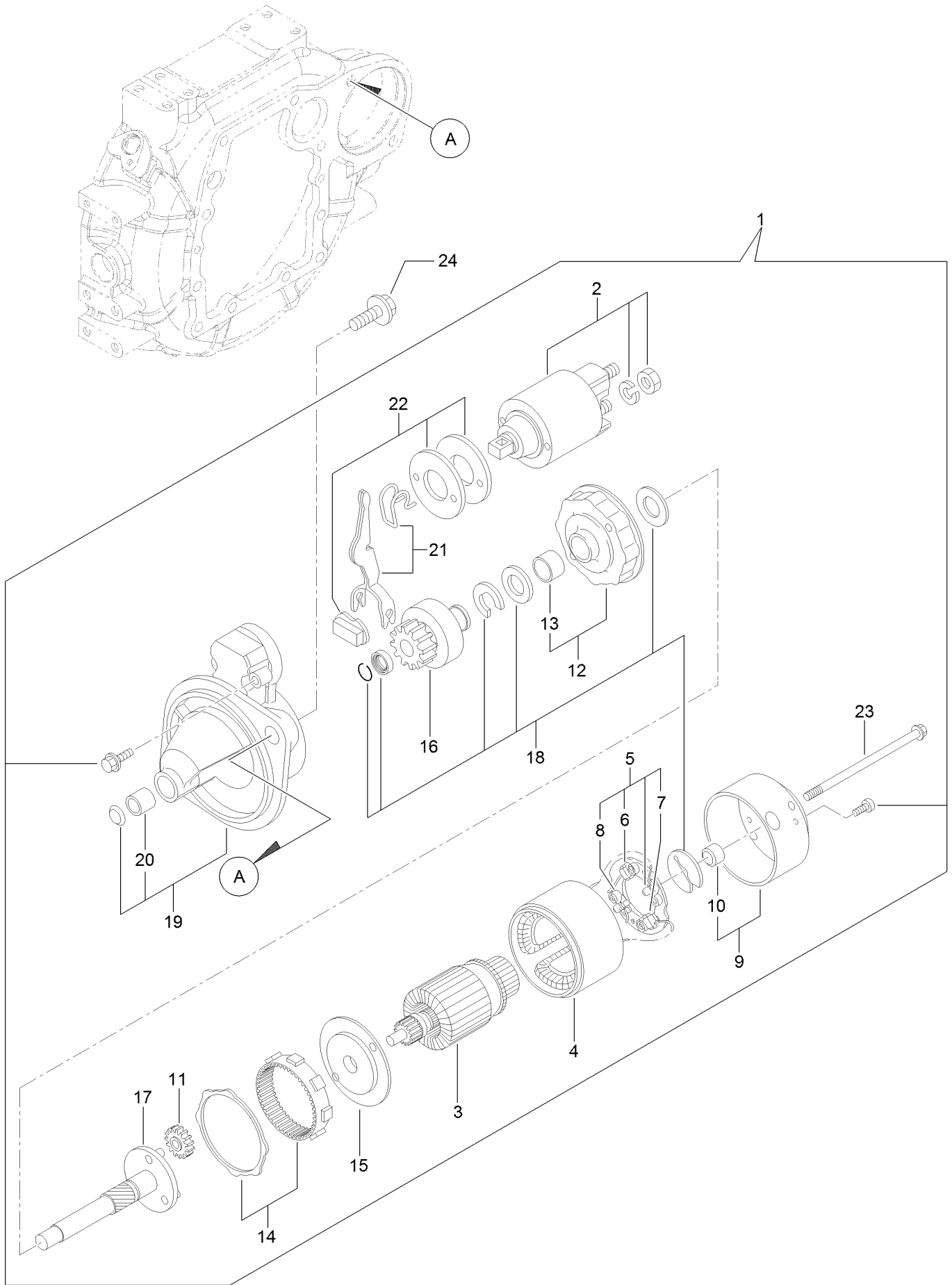
Ref.	Part Number	Qty.	Description
1	127-3104	3	Injector ASM
2	127-3812	1	Rail ASM
3	125-7215	2	Bolt
4	127-3813	2	Retainer
6	127-3082	1	Rail In Pipe ASM
8	127-3814	1	Injection Pipe ASM
9	127-3083	1	Injection Pipe ASM
10	127-3084	1	Injection Pipe ASM
11	125-7231	2	Nut



## Fuel Line Assembly

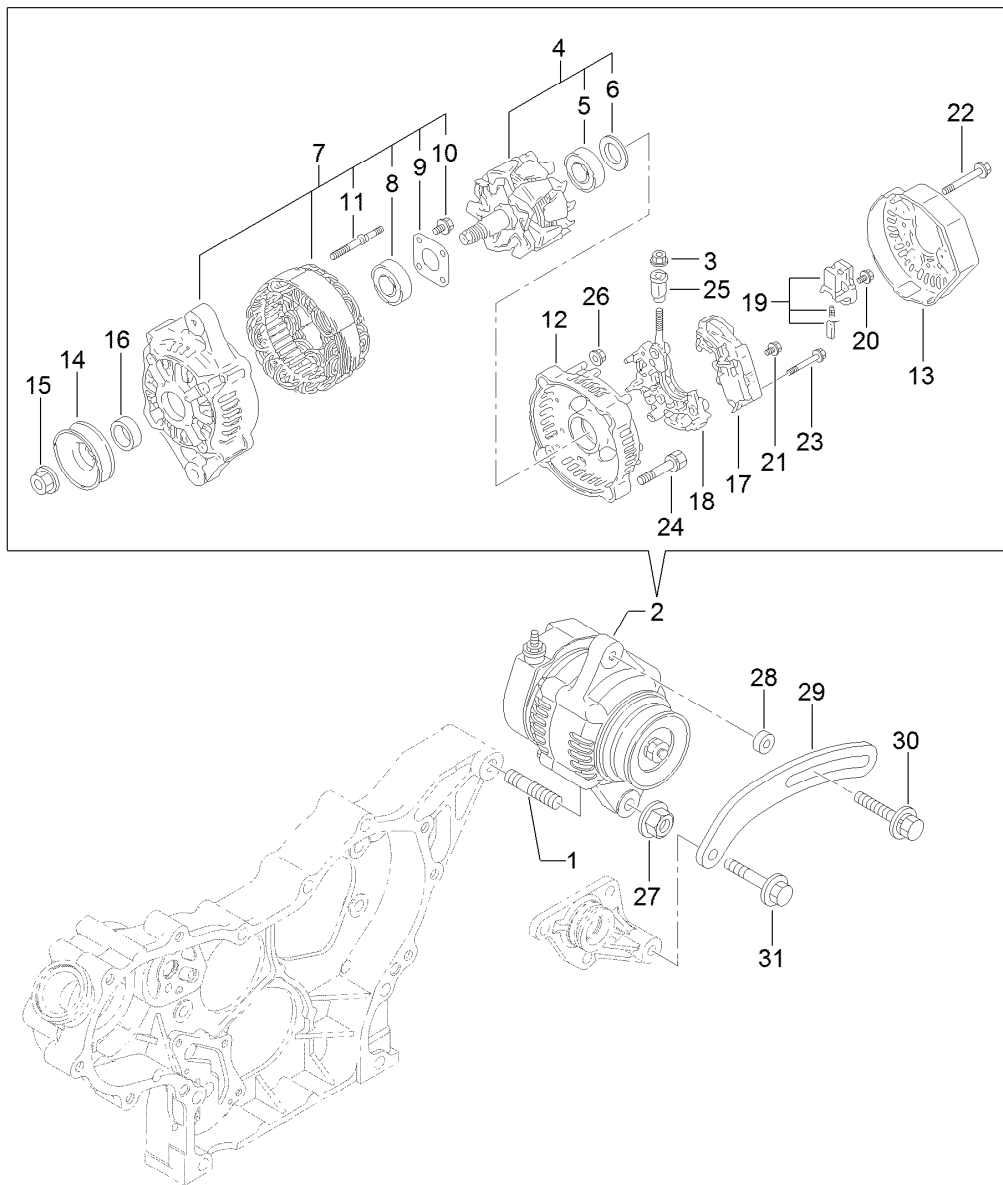
Ref.	Part Number	Qty.	Description	Ref.	Part Number	Qty.	Description
1	127-3075	1	Fuel/Oil Filter ASM	14	127-3816	1	Fuel/Oil Return Pipe ASM
2	127-3076	1	Fuel/Oil Filter Bracket ASM	16	127-3172	1	Clamp-Hose
3	125-8752	1	Filter-Fuel/Oil	17	127-3078	1	Fuel Pipe ASM
4	125-7216	2	Bolt	20	125-7191	2	Clamp-Hose
5	125-7111	1	Lifter	21	127-3817	1	Fuel Pipe ASM
6	127-3815	1	Filter Bracket ASM	22	127-2950	2	Clip-Hose
7	125-7215	2	Bolt	25	127-3087	1	Band-Clip
8	125-7215	1	Bolt	26	127-3079	1	Fuel Pipe ASM
9	127-3077	1	Fuel Pipe ASM	27	127-2950	2	Clip-Hose
12	125-7191	2	Clamp-Hose	30	125-6900	1	Label-Caution, Fuel Oil
13	127-2981	1	Band	31	121-5613	1	Pump-Fuel, Electric

# Starting Motor Assembly



## Starting Motor Assembly (continued)

<i>Ref.</i>	<i>Part Number</i>	<i>Qty.</i>	<i>Description</i>	<i>Ref.</i>	<i>Part Number</i>	<i>Qty.</i>	<i>Description</i>
1	127-3818	1	Starter ASM	13	127-3830	1	Bracket
2	127-3819	1	Switch ASM	14	127-3831	1	Gear
3	127-3820	1	Armature ASM	15	127-3832	1	Bracket
4	127-3821	1	Yoke ASM	16	127-3833	1	Pinion ASM
5	127-3822	1	Brush Holder ASM	17	127-3834	1	Shaft
6	127-3823	2	Brush	18	127-3835	1	Washer Set
7	127-3824	1	Brush Set	19	127-3836	1	Case ASM
8	127-3825	4	Spring	20	127-3837	1	Metal-Starter
9	127-3826	1	Cover ASM	21	127-3838	1	Lever Set
10	127-3827	1	Metal	22	127-3839	1	Dust Cover ASM
11	127-3828	3	Gear	23	127-3840	2	Bolt-Through
12	127-3829	1	Bracket	24	125-7225	2	Bolt

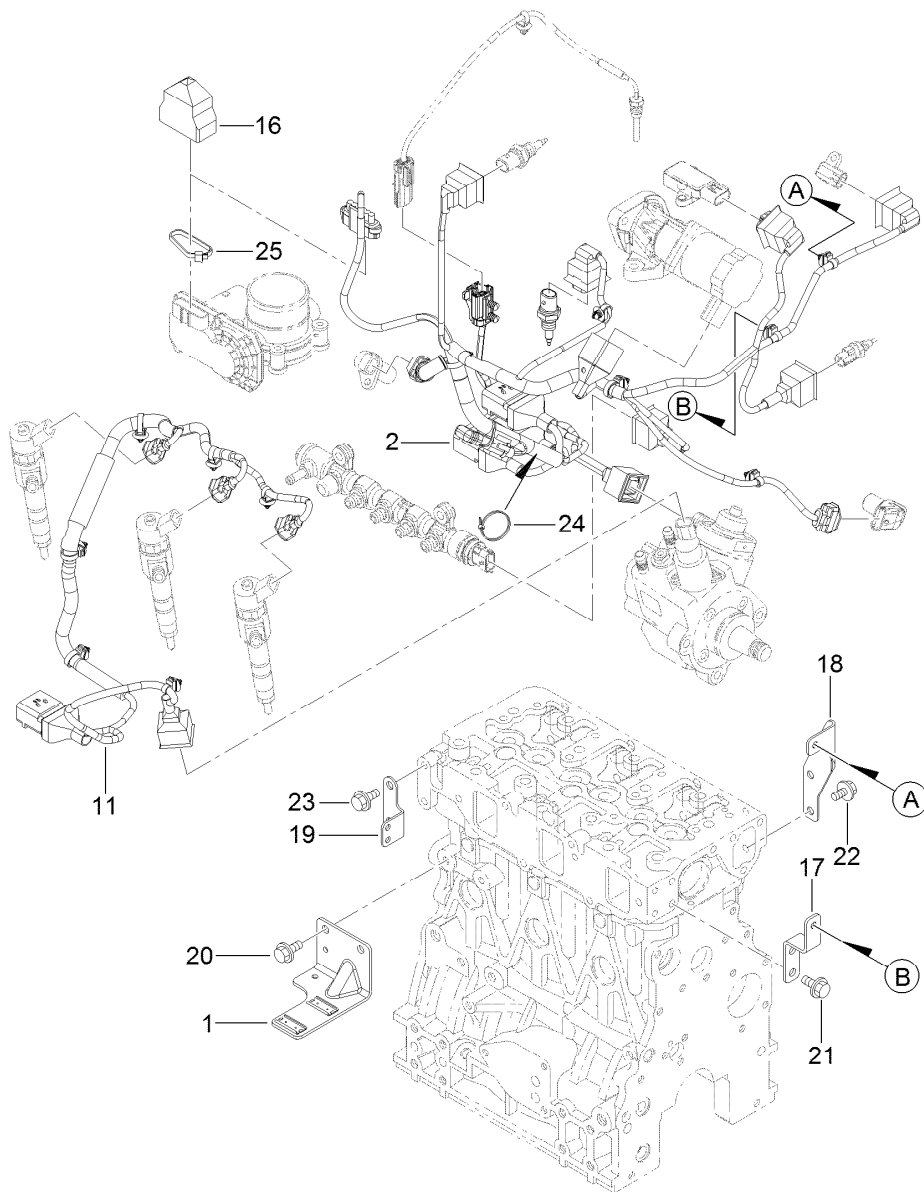


## Generator Assembly

Ref.	Part Number	Qty.	Description
1	127-3011	1	Stud
2	127-3841	1	Generator
3	127-3842	1	Nut
4	127-3843	1	Rotor ASM
5	127-2983	1	Bearing-Ball
6	127-2962	1	Cover
7	127-3844	1	Frame ASM
8	127-2958	1	Bearing-Ball
9	127-2959	1	Plate-Retainer
10	127-2960	4	Screw
11	127-2961	2	Stud
12	127-3845	1	Frame
13	127-3846	1	Cover
14	127-2954	1	Pulley
15	127-2955	1	Nut
16	127-2957	1	Collar

Ref.	Part Number	Qty.	Description
17	127-3847	1	Regulator ASM
18	127-3848	1	Holder
19	127-2993	1	Holder
20	127-2965	6	Screw
21	127-2966	1	Screw
22	127-2967	3	Bolt
23	127-2968	2	Screw
24	127-2969	2	Bolt
25	127-2970	1	Bushing-Insulation
26	127-2971	2	Nut
27	125-7230	1	Nut
28	125-6947	1	Spacer
29	127-2977	1	Adjuster
30	125-7134	1	Bolt
31	125-7219	1	Bolt

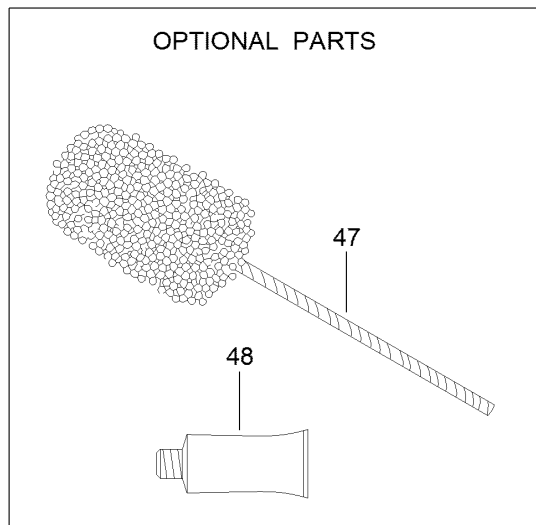
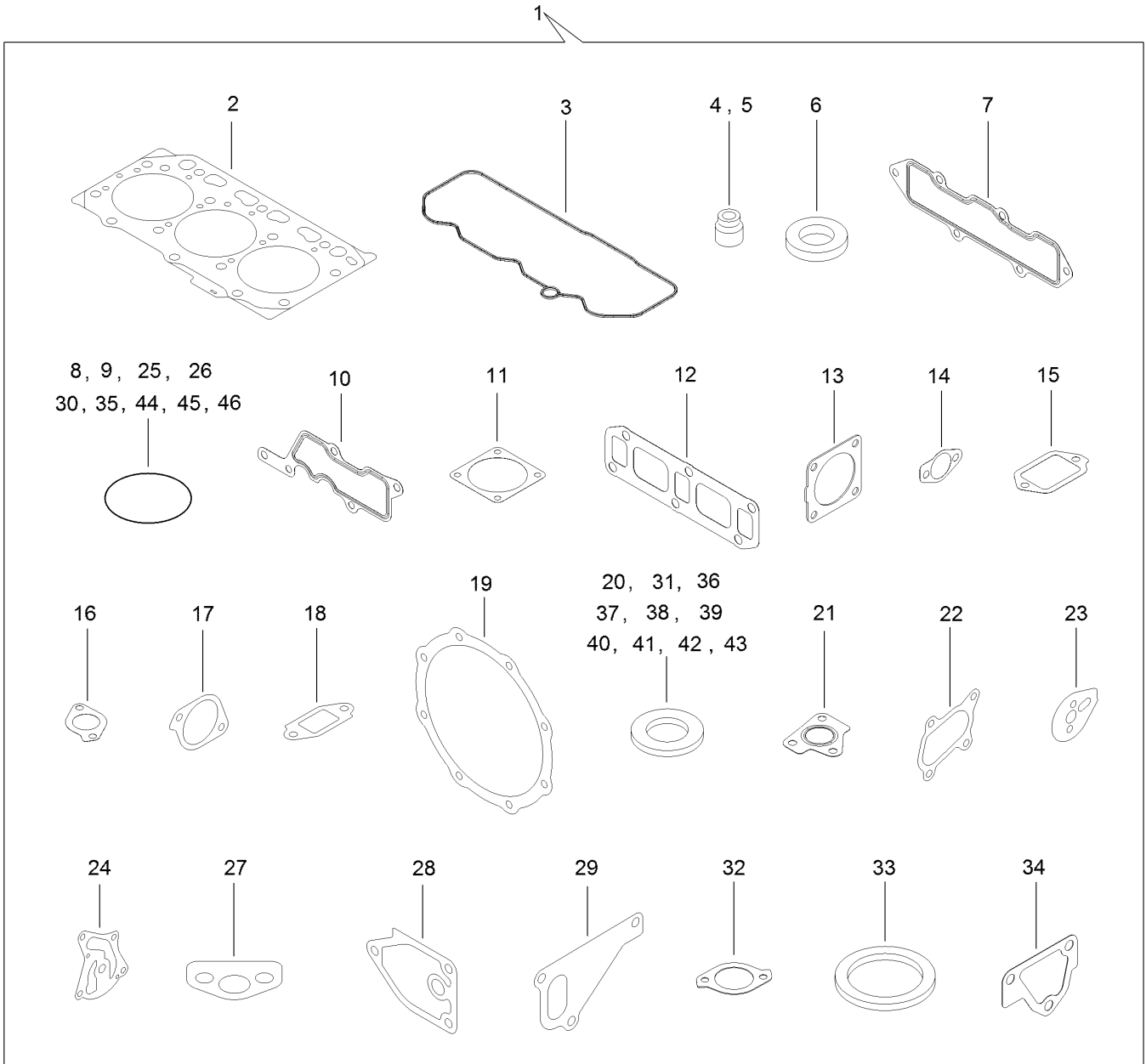




## Electric Parts Assembly

Ref.	Part Number	Qty.	Description
1	127-3086	1	Bracket-Connector
2	127-3850	1	Harness B-Engine, E C O
11	130-7438	1	Harness
16	127-3089	1	Boot-Type, Cap
17	127-3852	1	Bracket-Harness
18	127-3853	1	Bracket-Harness
19	127-3090	1	Bracket-Harness
20	93-0362	2	Bolt
21	93-0362	2	Bolt
22	93-0362	2	Bolt
23	93-0362	2	Bolt
24	127-3187	1	Band
25	127-3188	1	Band

# Gasket Set



## Gasket Set (continued)

<i>Ref.</i>	<i>Part Number</i>	<i>Qty.</i>	<i>Description</i>	<i>Ref.</i>	<i>Part Number</i>	<i>Qty.</i>	<i>Description</i>
1	127-3854	1	Gasket Kit	25	125-6909	2	O-Ring
2	127-3751	1	Head Gasket ASM	26	127-2973	1	O-Ring
3	127-3762	1	Gasket-Cover, Cylinder Head	27	125-7022	1	Gasket
4	127-2986	3	Seal-Stem, Valve	28	125-7024	1	Gasket
5	127-3027	3	Seal-Stem, Valve	29	125-7047	1	Gasket
6	127-3021	3	Gasket-Injector	30	125-7048	1	O-Ring
7	127-3769	1	Gasket-Manifold, Intake	31	125-6979	1	Gasket
8	127-3032	2	O Ring-Sensor, Pressure	32	125-7110	1	Gasket
9	127-3033	1	O-Ring	33	125-7026	1	Gasket
10	127-3034	1	Gasket-Collector	34	125-6978	1	Gasket
11	127-3037	2	Gasket-Throttle	35	127-3074	1	O-Ring
12	127-3775	1	Gasket-Manifold, Exhaust	36	125-7174	1	Washer-Seal
13	127-3019	1	Gasket	37	125-7175	2	Washer-Seal
14	127-3043	2	Gasket-Cooler, E G R	38	125-7176	1	Washer-Seal
15	127-3046	1	Gasket-E G R	39	127-3166	2	Washer-Seal
16	127-3016	1	Gasket	40	125-7177	1	Washer-Seal
17	127-3050	1	Gasket-Intake Valve, E G R	41	125-7192	1	Gasket
18	127-3051	1	Gasket-Out Valve, E G R	42	125-7193	2	Gasket
19	127-3787	2	Gasket-D P F	43	127-3174	2	Gasket
20	127-3056	4	Gasket-Sensor	44	93-0418	3	O-Ring
21	127-3799	1	Gasket-In, T C	45	125-7197	3	O-Ring
22	127-3779	1	Gasket-Out, T C	46	125-7198	1	O-Ring
23	127-3069	1	Gasket-Idle, Shaft B	47	125-7038	1	Hone
24	127-3004	1	Gasket	48	125-7248	1	Gasket-Liquid

# Attachments and Accessories

## For 03956 Reelmaster 5610-D Traction Unit

<b>Product Name</b>	<b>Model/Part</b>
Operator Cooling Fan .....	03247
Switch Panel-Universal Sunshade.....	03248
Operator Golf Ball Guard, Reelmaster 3100/3500/5010 or Groundsmaster 3500/4300 Series Traction Unit .....	03614
Verticutter for 7in Reel Cutting Unit.....	03619
8-Blade Radial Reel DPA Cutting Unit with 7in Reel.....	03638
8-Blade Forward Swept Reel DPA Cutting Unit with 7in Reel .....	03639
11-Blade Forward Swept Reel DPA Cutting Unit with 7in Reel .....	03641
7-in, 11 Blade ES (RR) DPA Cutting Unit .....	03643
Air Ride Seat Suspension Kit.....	03667
Turf Evaluator .....	04399
Wheel Weight Kit .....	104-1478
Premium All Purpose Grease (Tube) .....	108-1190
Weight Plate .....	110-8985-03
Rear Lift Cylinder Limit Kit .....	110-9604
5in Air Cleaner Safety Element.....	114-4057
Premium Synthetic Bio-Degradable Hydraulic Fluid (5 Gallon Pail) .....	119-2157
Premium Synthetic Bio-Degradable Hydraulic Fluid (55 Gallon Drum).....	119-2158
Premium Engine Oil 10w30 (55 Gallon Drum) .....	121-6392
Premium Engine Oil 10w30 (5 Gallon Pail) .....	121-6393
Smooth Rear Tire .....	127-2796
Hi-Back Seat Cover .....	133-1308
Smooth Front Tire.....	133-2940
PX Hydraulic Fluid (5 Gal) .....	133-8086
PX Hydraulic Fluid (55 Gal).....	133-8087
Pin and Lanyard Asm .....	136-8045
Beacon Kit .....	138-2699
Power Harness Kit (RM5XXX).....	138-2994
Fuel Cooler Kit [yanmar Rm5x10, Gm4300] .....	139-6040
Work Lights Kit, Groundsmaster and Reelmaster Traction Units with Universal Sunshade.....	140-1554
MVP Kit-Hyd Hose.....	145-2576
MVP Kit 1000 Hour-rm5x10/gm4300 Yanma .....	145-2580
Brush and Handle Kit.....	29-9100
White Universal Sunshade .....	30669
Red Universal Sunshade .....	30671
EU Light Kit.....	31579
New Red Paint - Gallon .....	361-11
Dark Metallic Gray Aerosol Paint .....	361-12
Semi-Gloss Black Spray Paint.....	361-9
Air Dry Red Paint - Qt .....	5340
Spark Arrestor .....	98-9099

**Notes:**

**Notes:**

**Notes:**



**Count on it.**