



**Count on it.**

**Parts Catalog**

**TX 1300**

**Compact Tool Carrier**

Model No. 22370—Serial No. 410500000 and Up



# Ordering Replacement Parts

To order replacement parts, please supply the part number, the quantity, and the description of each part desired.

## Understanding Reference Numbers

Each identified part in an illustration has a reference number. The reference number for a part also appears in the parts list, along with other information about the part.

This catalog uses two special reference number formats, one to indicate parts in a service assembly and another to indicate the quantity of a given part in an illustration.

## Service Assembly Reference Numbers

Parts in service assemblies have reference numbers in the form a:b. The a represents the reference number of the entire service assembly and the b represents a sequential number unique to each part within the service assembly.

For example, a wheel assembly might be identified by reference number 6, the tire by 6:1, the valve by 6:2, and the wheel by 6:3. When you order the assembly identified by reference number 6, you receive all parts identified by reference numbers 6:1, 6:2, and 6:3. However, you may also order any part individually. Reference numbers of this type appear in illustration and in parts lists.

## Reference Numbers Indicating Quantity

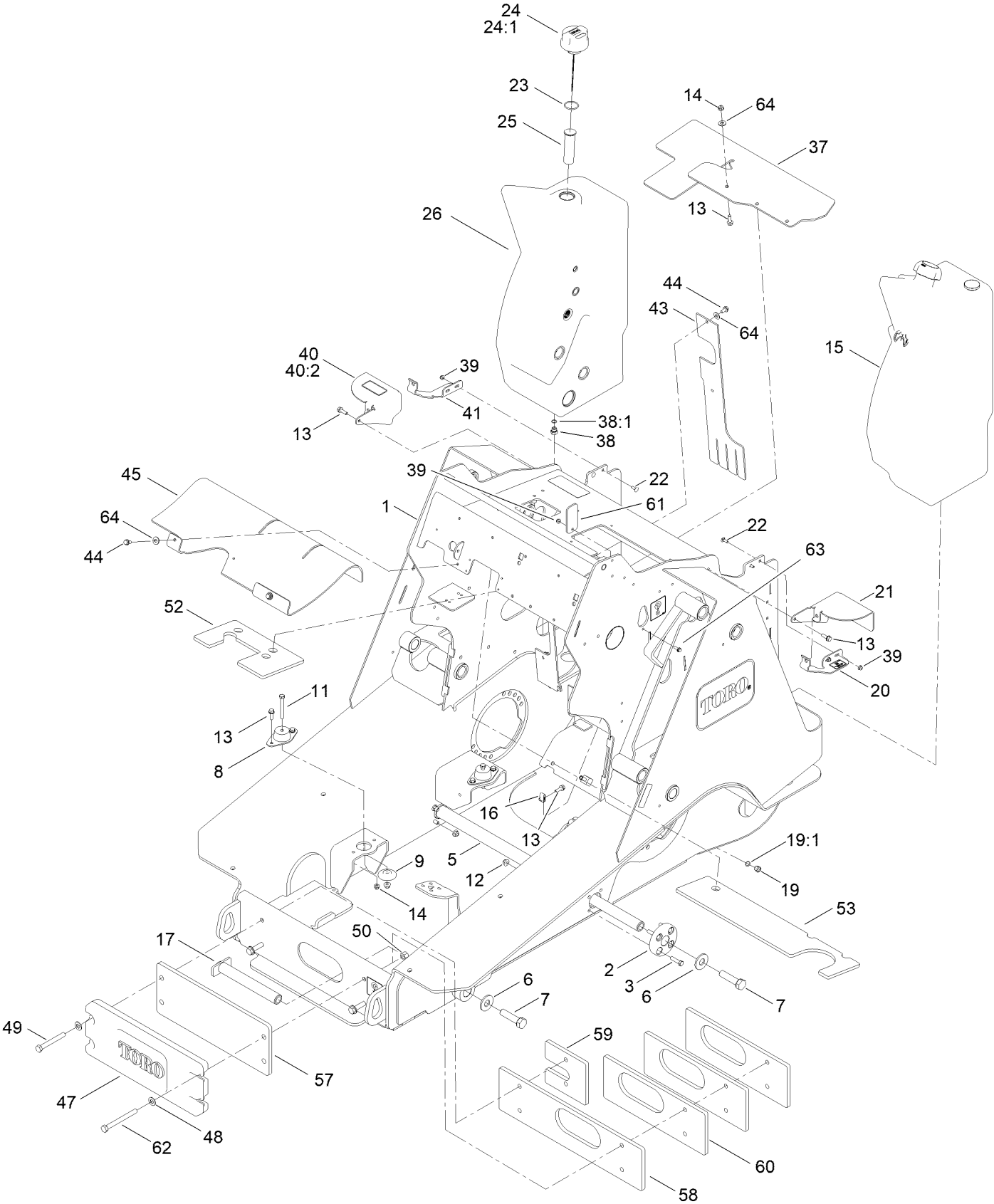
In an illustration, if a reference number indicates more than one part, the reference number has the form nX y. The n represents the quantity of the part, the X is the multiplication symbol, and the y represents the reference number.

For example, in an illustration, the reference number 2X 37 means that two of the parts identified by reference number 37 are indicated.

# Contents

Main Frame Assembly	4
Frame Decal Assembly No. 139-4750	6
Fuel Tank Assembly No. 140-1679	8
Track Assembly	10
RH Track Assembly No. 139-7293	12
LH Track Assembly No. 139-7294	14
Engine Assembly	16
Air Cleaner Assembly No. 99-5410	18
Fuel System Assembly	20
Cooling System Assembly	22
Principal Hydraulic Assembly	24
Tandem Pump Hydraulic Assembly	26
Tandem Pump Assembly No. 139-4733	28
Hydraulic Gear Pump Assembly No. 139-4755	30
Manifold Hydraulic Assembly	32
Console Assembly	34
Control Valve Assembly No. 138-0827	36
Loader Arm Hydraulic Assembly	38
Upper Loader Arm Assembly No. 140-6062	40
Lower Loader Arm Assembly No. 140-6063	42
Attachment Plate Assembly No. 140-6017	44
Platform Assembly	46
Hood and Cover Assembly	48
Electrical System Assembly	50
Cylinder Block Assembly	52
Gear Housing Assembly	54
Flywheel Housing and Oil Sump Assembly	56
Cylinder Head Assembly	58
Suction Manifold Assembly	60
Exhaust Manifold Assembly	62
Diesel Particulate Filter Assembly	64
Camshaft and Driving Gear Assembly	66
Crankshaft and Piston Assembly	68
Lubrication and Oil System Assembly	70
Cooling System Assembly	72
Fuel System Assembly	74
Fuel Injection Valve Assembly	76
Fuel Line Assembly	78
Starting Motor Assembly	80
Generator Assembly	82
Electrical Assembly	84
Gasket Set	86
Attachments and Accessories	88

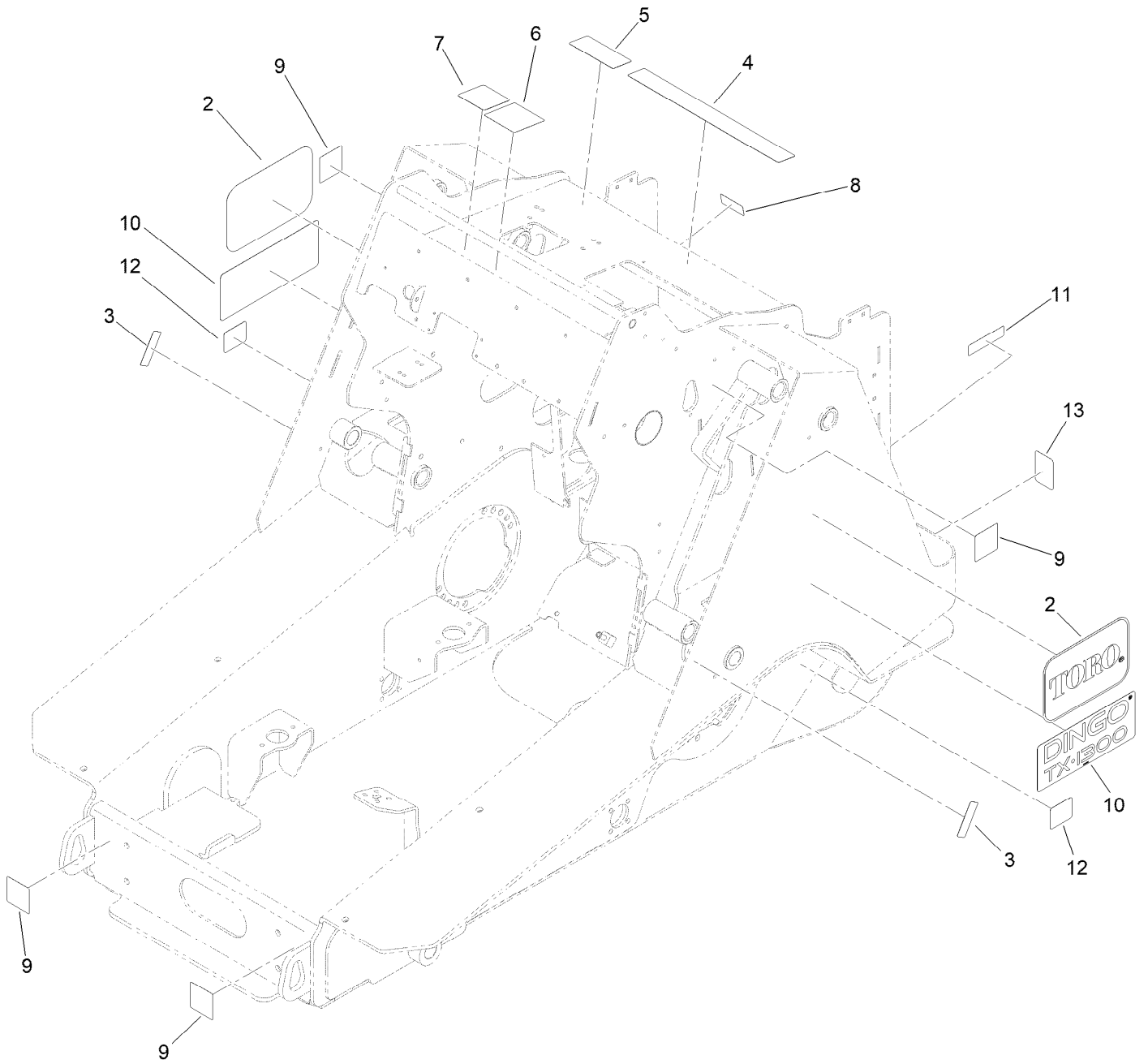
# Main Frame Assembly



## Main Frame Assembly (continued)

<i>Ref.</i>	<i>Part Number</i>	<i>Qty.</i>	<i>Description</i>	<i>Ref.</i>	<i>Part Number</i>	<i>Qty.</i>	<i>Description</i>
1	139-4750	1	Main Frame ASM,	26	140-1775	1	Hydraulic Tank W/Inserts
2	132-9074	2	Hub-Shaft	37	140-1772	1	Baffle-Rubber
3	323-43	8	Screw-HH	38	353-508	1	Plug-HH
5	138-2426	1	Shaft-Track	38:1	237-42	1	O-Ring
6	99-2659	4	Washer	39	104-7201	5	Nut-HF, NI
7	328-25	4	Screw-HH	40	145-4284	1	Bracket-HYD Tank
8	125-5244	4	Mount-Engine	40:2	125-8483	1	Decal-HYD Fluid
9	138-6462	4	Support-Isolator	41	144-0724-03	1	Bracket-Tank, RH
11	323-14	4	Screw-HH	43	144-0732	1	Baffle-Side
12	104-8301	12	Nut-HF, NI	44	32144-14	10	Screw-HWHTF
13	3234-29	18	Screw-HHF	45	144-0733	1	Baffle-Console
14	104-8300	13	Nut-HF, NI	47	99-6166-01	1	Counterweight-Front
15	140-1679	1	Tank ASM	48	3256-26	4	Washer-Flat
16	115-7721	5	Nut-Clip, U	49	325-17	2	Screw-HH
17	140-1687	2	Shaft-Front,Track	50	3296-23	4	Nut-Lock, NI
19	353-989	1	Plug-Hex, Hollow	52	144-4370	1	Foam-Heat Shield
19:1	237-42	1	O-Ring	53	144-4371	1	Foam-Heat Shield
20	144-0723	1	Bracket-Tank,(Service)	57	144-0773-03	1	Plate-Weight
21	144-0722-03	1	Bracket-Tank	58	144-0779-03	1	Plate-Weight
22	3229-1	4	Screw-CARR	59	144-0780-03	1	Plate-Weight
23	94-8166	1	O-Ring	60	144-0781-03	3	Plate-Weight
24	117-0193	1	Cap-Hydraulic, Vented Breather	61	145-4272	1	Cover-Rubber
24:1	237-101	1	O-Ring	62	325-19	2	Screw-HH
25	61-2790	1	Filter-Screen	63	115-5103	1	Screw-HHF
				64	3256-56	10	Washer-Flat

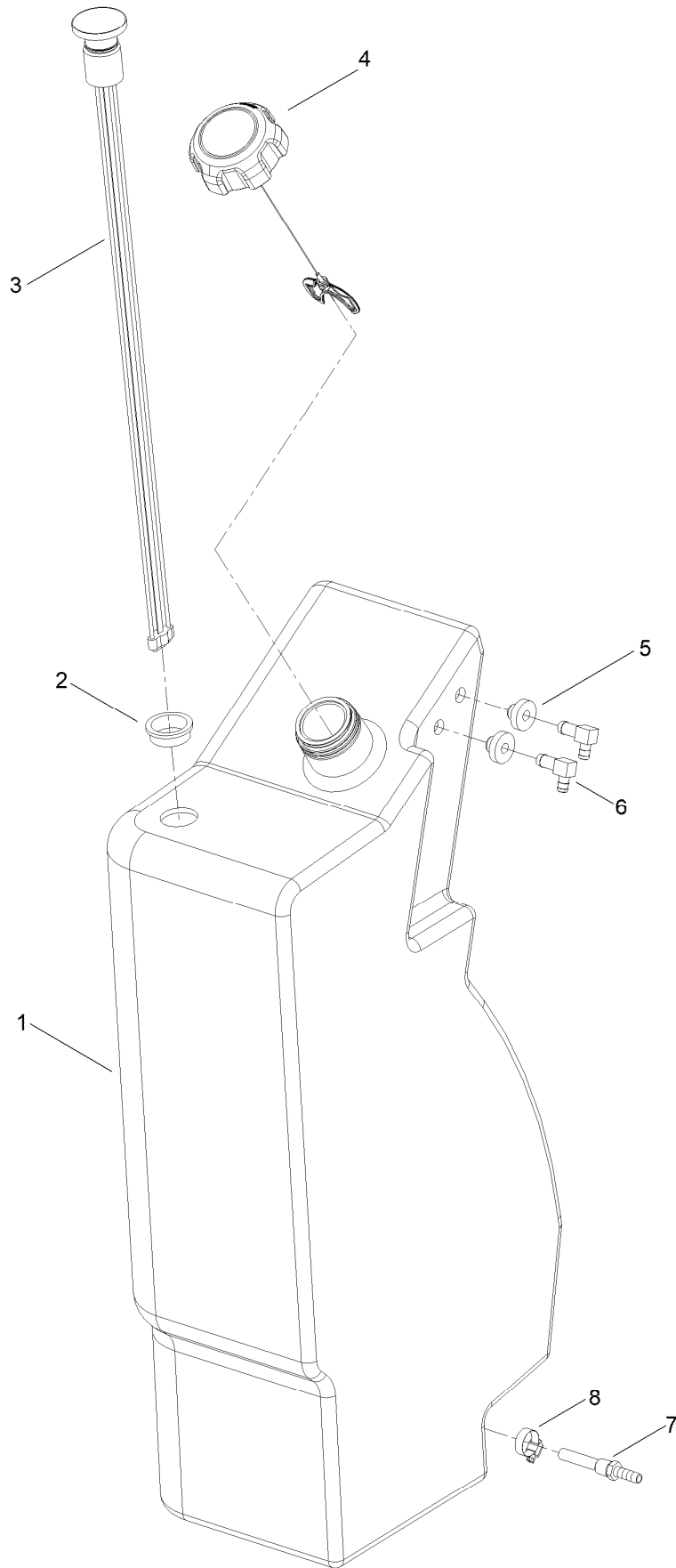
# Frame Decal Assembly No. 139-4750



## Frame Decal Assembly No. 139-4750 (continued)

<i>Ref.</i>	<i>Part Number</i>	<i>Qty.</i>	<i>Description</i>	<i>Ref.</i>	<i>Part Number</i>	<i>Qty.</i>	<i>Description</i>
2	66-6140	2	Decal	8	115-2047	1	Decal-Surface, Hot
3	120-0625	2	Decal-Warning	9	125-4967	4	Decal-Lift Here
4	145-0637	1	Decal-Safety	10	144-4254	2	Decal-Dingo Tx1300
5	139-1162	1	Decal-Safety	11	133-8062	1	Decal-Spark Arrestor
6	115-4857	1	Decal-Control, Loader	12	125-6694	2	Decal-Tie Down
7	145-4273	1	Decal-Joystick Controls	13	100-4627	2	Reflector

# Fuel Tank Assembly No. 140-1679

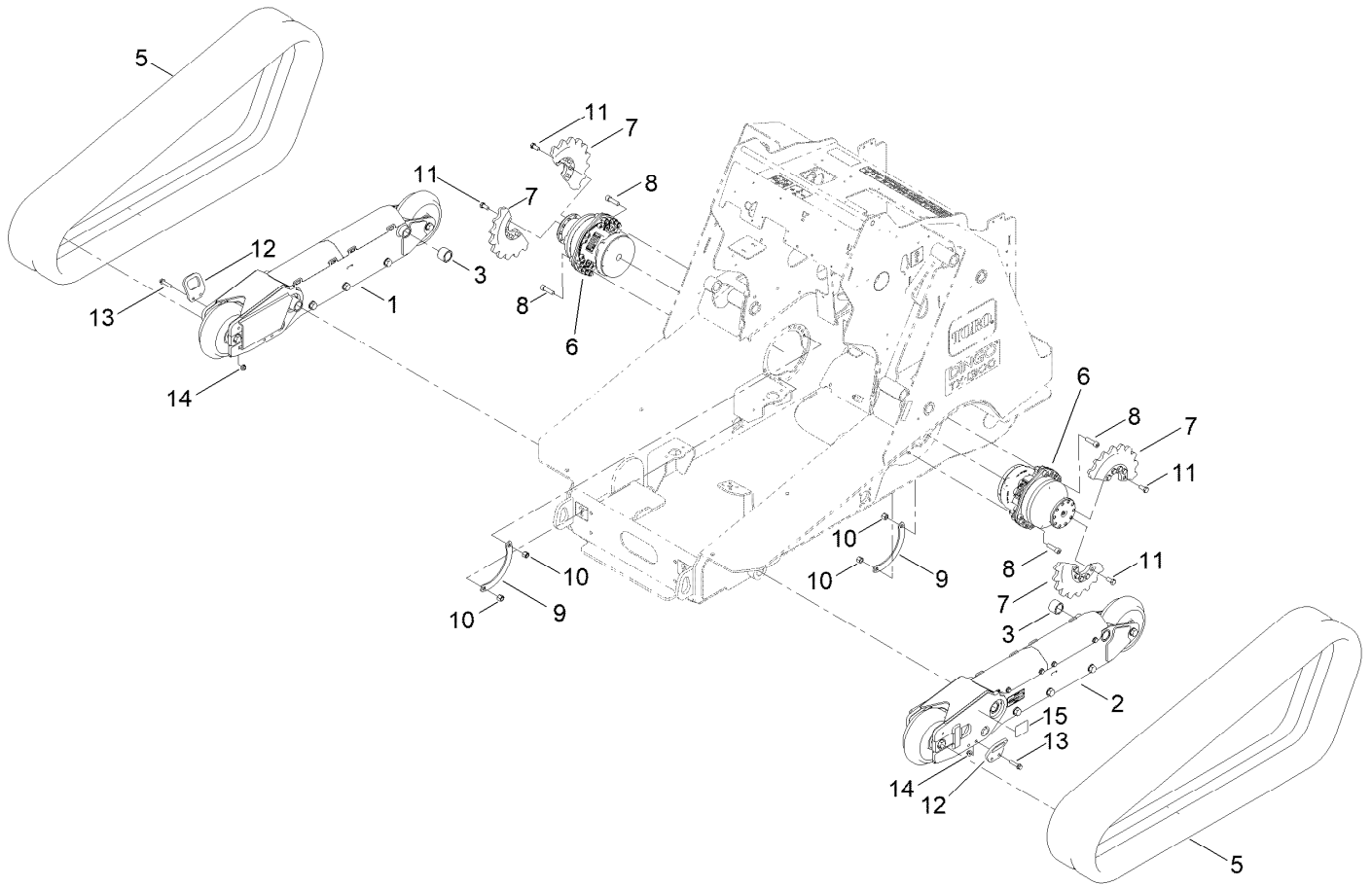




## Fuel Tank Assembly No. 140-1679 (continued)

<i>Ref.</i>	<i>Part Number</i>	<i>Qty.</i>	<i>Description</i>	<i>Ref.</i>	<i>Part Number</i>	<i>Qty.</i>	<i>Description</i>
1	140-1650	1	Tank-Deisel	5	46-6560	2	Bushing
2	95-8972	1	Grommet	6	46-6550	2	Fitting-Elbow, 90 DEG
3	133-6992	1	Gauge-Level, Fuel	7	112-6374	1	Fitting-Strainer
4	144-4373	1	Cap-Diesel	8	2412-36	1	Clamp-Hose

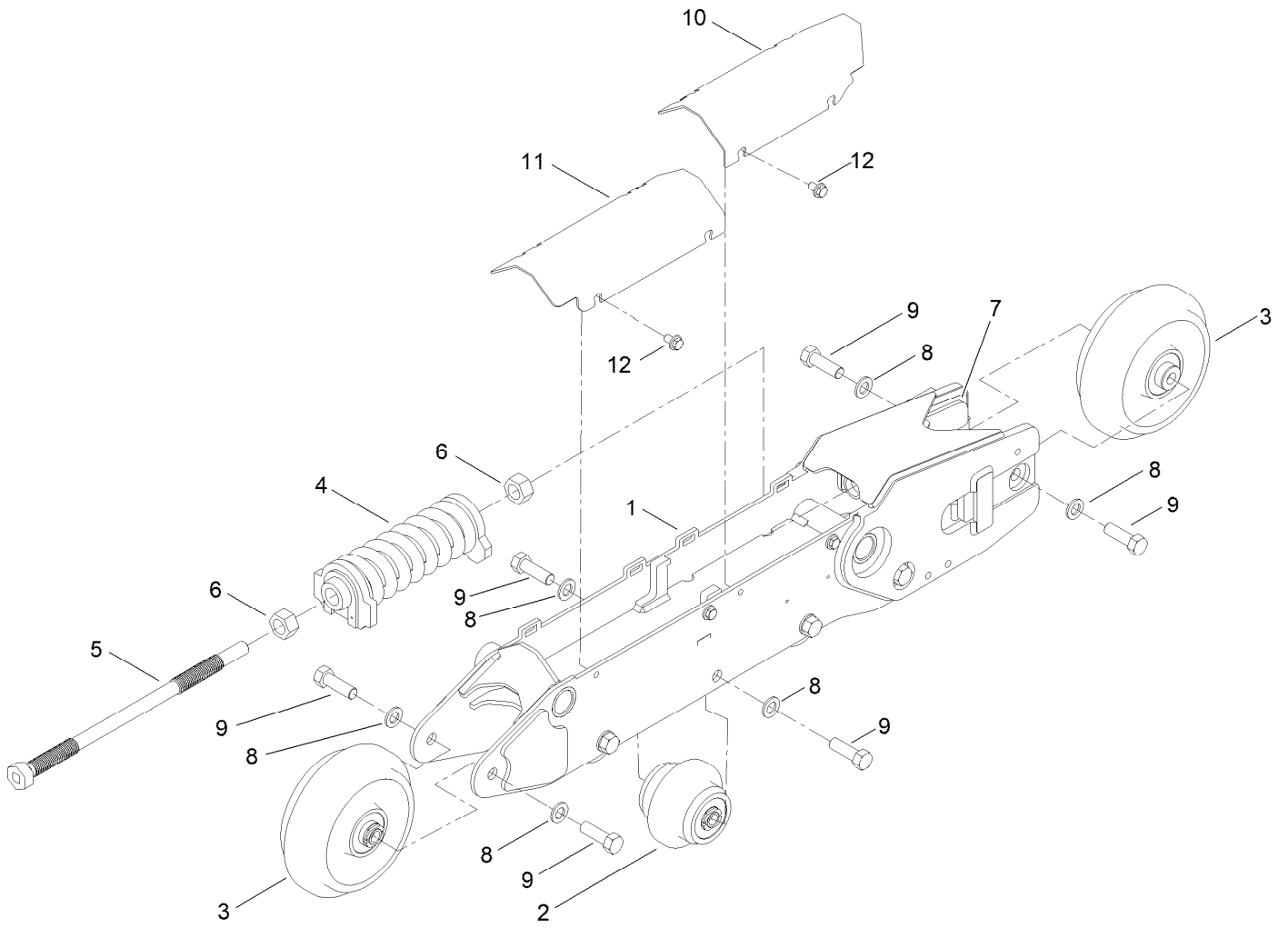
# Track Assembly



## Track Assembly (continued)

<i>Ref.</i>	<i>Part Number</i>	<i>Qty.</i>	<i>Description</i>	<i>Ref.</i>	<i>Part Number</i>	<i>Qty.</i>	<i>Description</i>
1	139-7293	1	Track ASM-RH	9	140-6013-03	2	Plate-Cover
2	139-7294	1	Track ASM-LH	10	3296-23	20	Nut-Lock, NI
3	140-5908	2	Spacer	11	33116-025	20	Screw-HH
5	138-0777	2	Track-Wide,	12	140-6077-03	2	Plate-Tie Down
6	139-4857	2	Wheelmotor ASM	13	3234-19	4	Screw-HHF
7	139-7118	4	Sprocket-Drive	14	104-8301	4	Nut-HF, NI
8	131-0661	20	Screw-HSH	15	125-6694	2	Decal-Tie Down

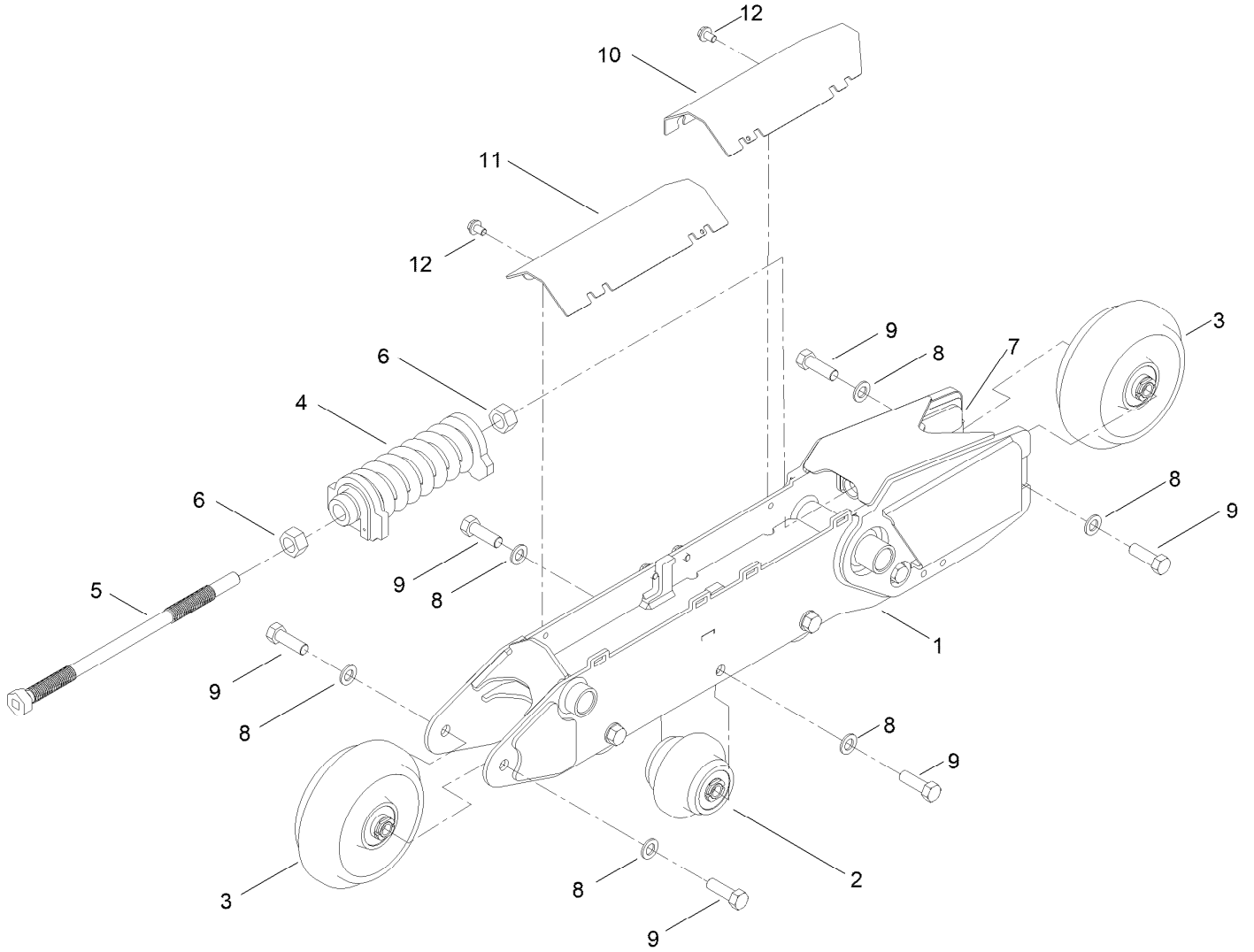
# RH Track Assembly No. 139-7293



## RH Track Assembly No. 139-7293 (continued)

<i>Ref.</i>	<i>Part Number</i>	<i>Qty.</i>	<i>Description</i>	<i>Ref.</i>	<i>Part Number</i>	<i>Qty.</i>	<i>Description</i>
1	139-7292	1	Frame-Track RH	7	139-7301	1	Yoke-Tensioner
2	137-8808	4	Wheel ASM,	8	139-7310	12	Washer
3	137-8807	2	Tensioner Wheel ASM	9	111-3484	12	Screw-HH
4	140-5872	1	Kit-Spring Tension	10	139-7311	1	Plate-Cover RH
5	139-7298	1	Screw-Tensioner	11	139-7312	1	Plate-Cover RH
6	3217-15	2	Nut-Hex	12	63-11-019	4	Screw-HHF

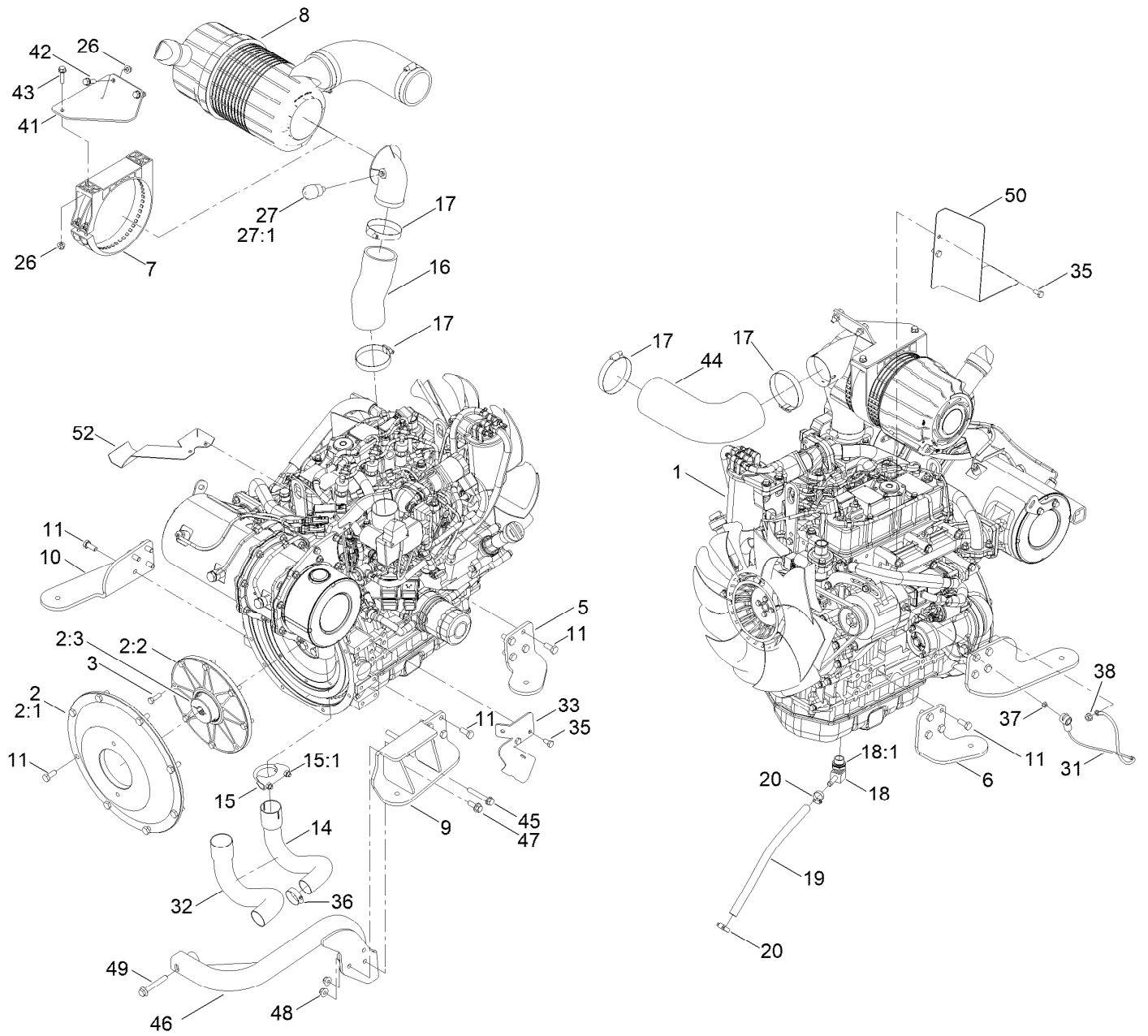
# LH Track Assembly No. 139-7294



# LH Track Assembly No. 139-7294 (continued)

<i>Ref.</i>	<i>Part Number</i>	<i>Qty.</i>	<i>Description</i>	<i>Ref.</i>	<i>Part Number</i>	<i>Qty.</i>	<i>Description</i>
1	139-7303	1	Frame-Track LH	7	139-7301	1	Yoke-Tensioner
2	137-8808	4	Wheel ASM,	8	139-7310	12	Washer
3	137-8807	2	Tensioner Wheel ASM	9	111-3484	12	Screw-HH
4	140-5872	1	Kit-Spring Tension	10	139-7304	1	Plate-Cover LH
5	139-7298	1	Screw-Tensioner	11	139-7305	1	Plate-Cover LH
6	3217-15	2	Nut-Hex	12	63-11-019	4	Screw-HHF

# Engine Assembly

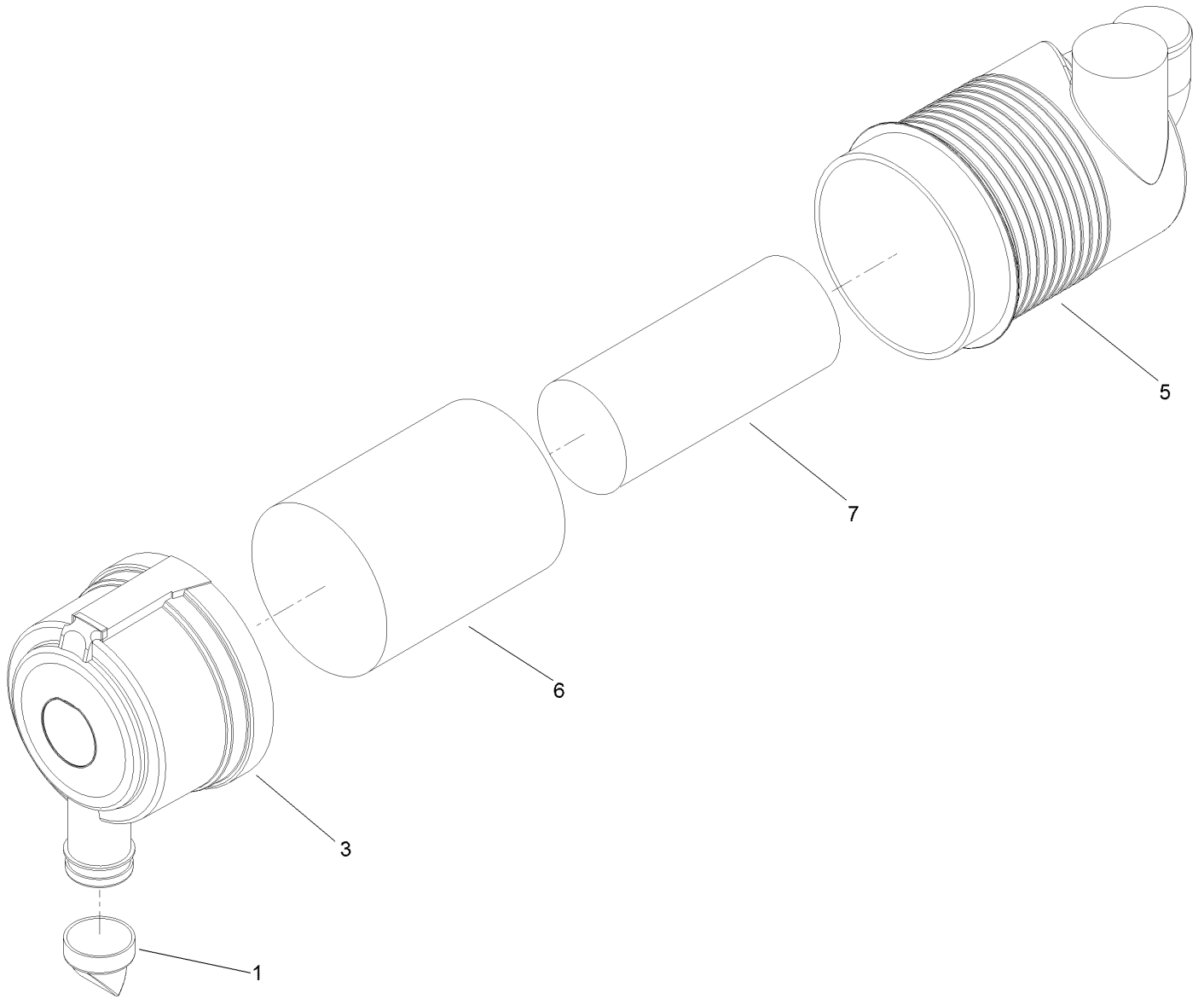




## Engine Assembly (continued)

<i>Ref.</i>	<i>Part Number</i>	<i>Qty.</i>	<i>Description</i>	<i>Ref.</i>	<i>Part Number</i>	<i>Qty.</i>	<i>Description</i>
1	138-6915	1	Engine-Yanmar, 3Tnv88C-Dtr	20	2412-36	2	Clamp-Hose
2	139-4732	1	Kit-Drive Coupler	26	104-8300	4	Nut-HF, NI
2:1	136-0235	1	Plate- Mounting, Pump	27	104-3563	1	Indicator
2:2	127-6607	1	Flange-Flywheel	27:1	94-1416	1	Adapter-Indicator
2:3	130-7725	1	Hub-Pump	31	100-5552	1	Harness-Wire
3	33114-025	8	Screw-HH	32	140-6011	1	Sleeve-Exhaust
5	138-2430-03	1	Mount-Engine	33	140-6087-03	1	Bracket-Guard
6	138-2429-03	1	Mount-Engine	35	33114-016	4	Screw-HH
7	99-5414	1	Strap-Cleaner, Air	36	2412-3	2	Clamp-Hose
8	99-5410	1	Air Cleaner ASM	37	33003-00	1	Nut-HF
9	145-4288-03	1	Mount-Engine [black]	38	33004-00	1	Nut-HF
10	138-2432-03	1	Mount-Engine	41	144-4383-03	1	Bracket-Filter,Air
11	33115-025	24	Screw-HH	42	3234-29	2	Screw-HHF
14	140-4491	1	Pipe-Exhaust	43	3234-36	2	Screw-HHF
15	2112-6	1	Clamp-Muffler	44	144-4435	1	Hose-Intake
15:1	3218-2	2	Nut-Hex Jam	45	133-9682	2	Screw-Hfh
16	140-4494	1	Hose-Air,Inlet	46	145-4285-03	1	Support-Pump [black]
17	2412-125	4	Clamp-Hose	47	119-4061	1	Screw-HHF
18	112-2404	1	Fitting-Barbed-90	48	104-8301	3	Nut-HF, NI
18:1	112-2525	1	Washer-Seal, Bonded	49	33105-070	1	Screw-HHF
19	92-7424	1	Hose-Overflow, Radiator	50	144-4436	1	Bracket-Diverter, Air
				52	145-4292	1	Shield-Heat

# Air Cleaner Assembly No. 99-5410

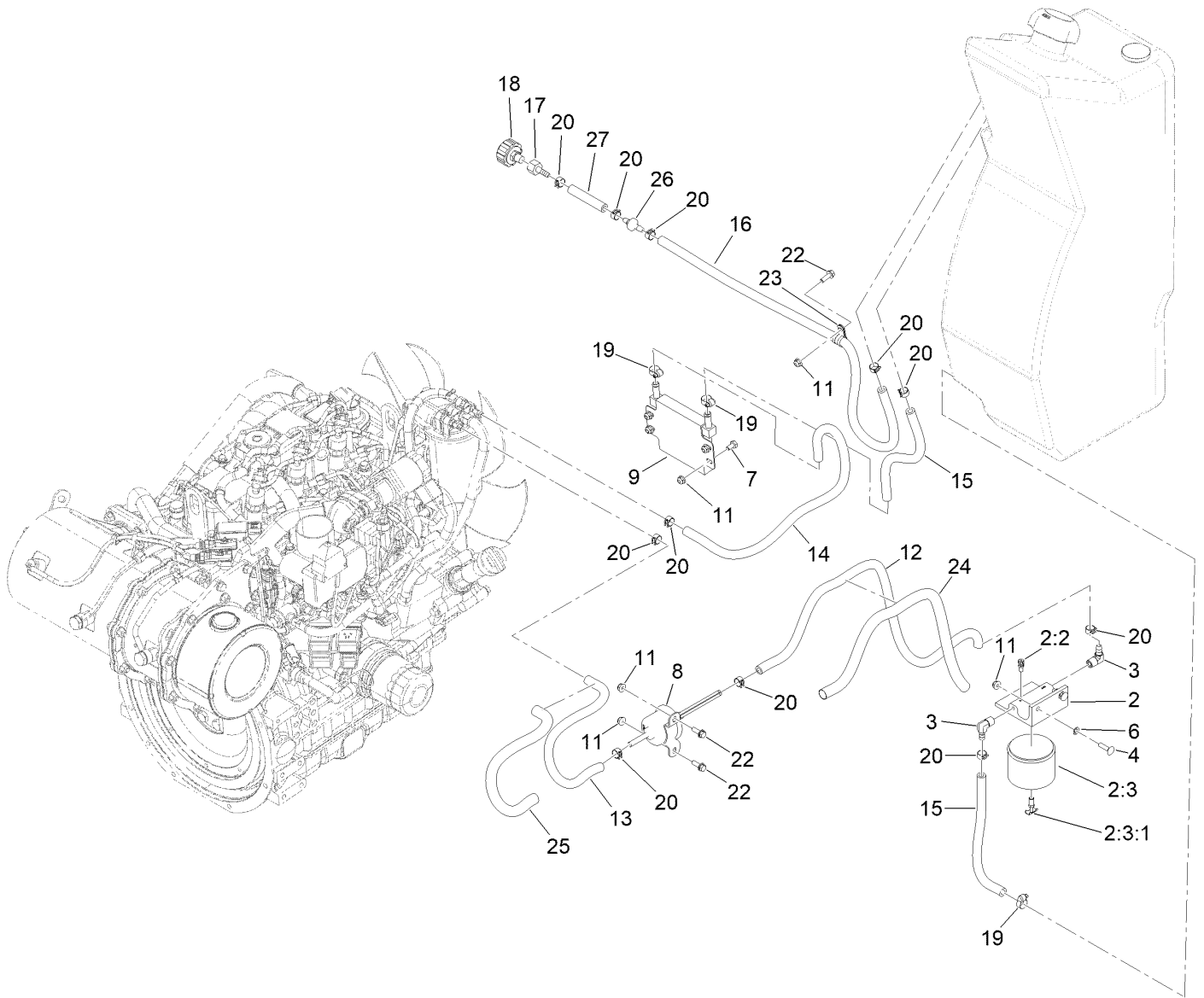


## Air Cleaner Assembly No. 99-5410 (continued)

<i>Ref.</i>	<i>Part Number</i>	<i>Qty.</i>	<i>Description</i>	<i>Ref.</i>	<i>Part Number</i>	<i>Qty.</i>	<i>Description</i>
1	104-4258	1	Valve-Vacuator	6	108-3814	1	Filter-Air
3	104-4259	1	Cover	7	108-3816	1	Filter-Air
5		1	Body ASM ●				

● Not serviced separately

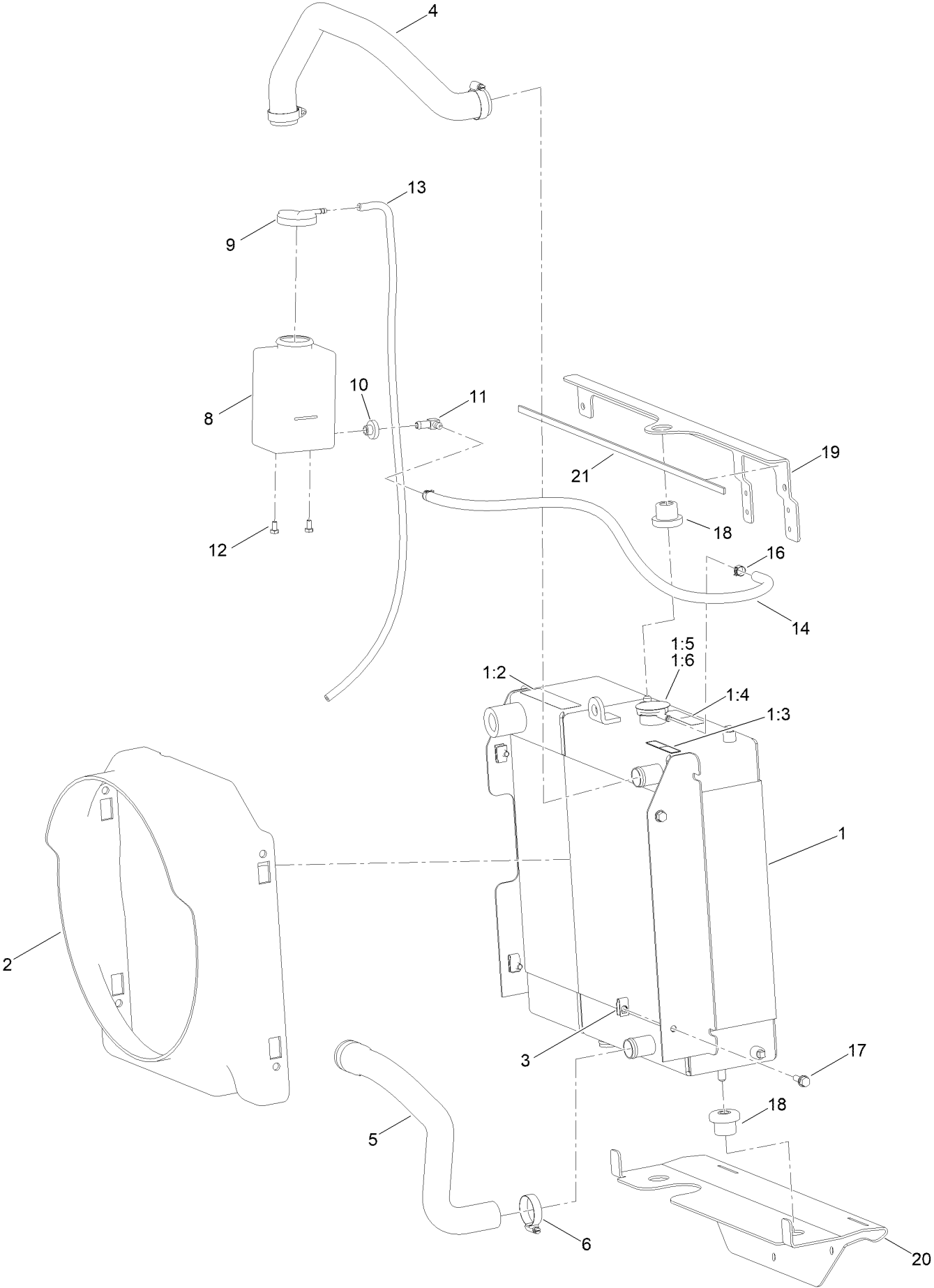
# Fuel System Assembly



## Fuel System Assembly (continued)

<i>Ref.</i>	<i>Part Number</i>	<i>Qty.</i>	<i>Description</i>	<i>Ref.</i>	<i>Part Number</i>	<i>Qty.</i>	<i>Description</i>
2	109-2678	1	Filter ASM	14	109-0308	1	Hose-Fuel
2:2	63-8290	1	Vent-Air	15	110-4105	2	Hose-Fuel
2:3	63-8300	1	Element-Spin On	16	110-9662	1	Hose-Fuel
2:3:1	63-8310	1	Valve-Drain	17	354-95	1	Fitting-Straight
3	353-781	2	Fitting-HYD, 90	18	68-6150	1	Breather
4	3229-2	2	Screw-CARR	19	2412-108	3	Clamp-Worm
6	1-803037	2	Nut-Retaining	20	92-2379	11	Clamp-Hose
7	321-2	4	Screw-HH	22	115-5103	3	Screw-HHF
8	121-5613	1	Pump-Fuel, Electric	23	2412-134	1	Clamp-R
9	116-7205	1	Cooler	24	131-0575	1	Sleeve-Thermal
11	104-7201	9	Nut-HF, NI	25	144-4385	1	Sleeve-Thermal
12	110-6186	1	Hose-Fuel	26	99-5000	1	Valve-Check, Fuel
13	110-8752	1	Hose-Fuel	27	112-6388	1	Hose-Fuel

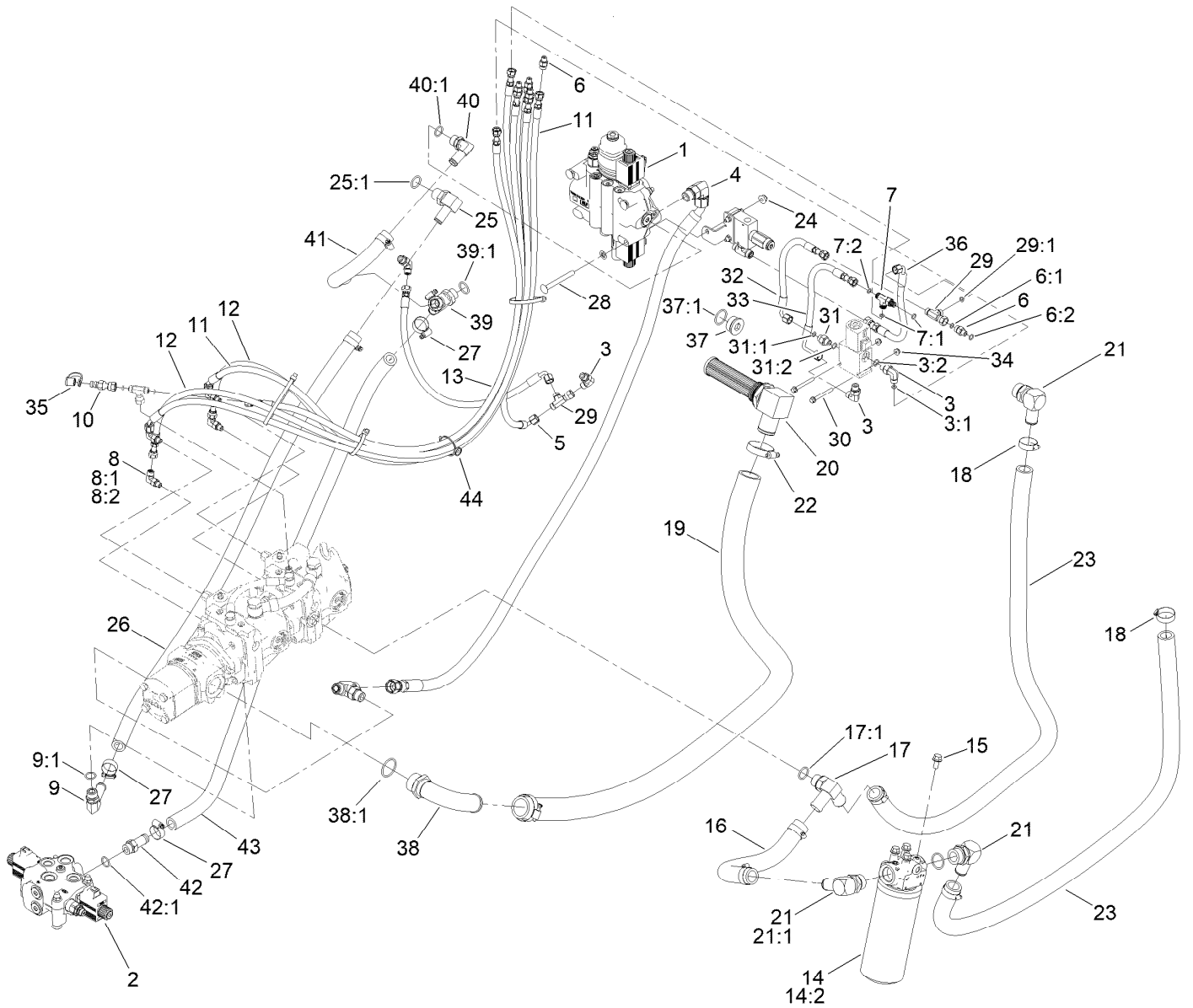
# Cooling System Assembly



## Cooling System Assembly (continued)

<i>Ref.</i>	<i>Part Number</i>	<i>Qty.</i>	<i>Description</i>	<i>Ref.</i>	<i>Part Number</i>	<i>Qty.</i>	<i>Description</i>
1	140-6060	1	Cooling ASM,	9	1-643164	1	Cap-Tank, Overflow
1:2	93-7814	1	Decal-Danger	10	46-6560	1	Bushing
1:3	93-6681	1	Decal-Warning, Fan	11	46-6550	1	Fitting-Elbow, 90 DEG
1:4	115-4865	1	Decal-Fill, Radiator	12	321-2	2	Screw-HH
1:5	106-5976	1	Decal-Warning	13	108-6344	1	Hose-Fuel
1:6	119-1430	1	Radiator Cap ASM	14	110-6186	1	Hose-Fuel
2	140-1833	1	Shroud-Radiator	16	92-2379	2	Clamp-Hose
3	115-7721	4	Nut-Clip, U	17	3234-29	4	Screw-HHF
4	140-4492	1	Hose-Radiator	18	119-1422	3	Mount-Isolator
5	140-4510	1	Hose-Radiator	19	144-0762-03	1	Bracket-Cooling, Top
6	2412-3	4	Clamp-Hose	20	144-0766-03	1	Plate-Cooler
8	1-643163	1	Tank-Overflow	21	136-9862	1	Seal-Foam

# Principal Hydraulic Assembly



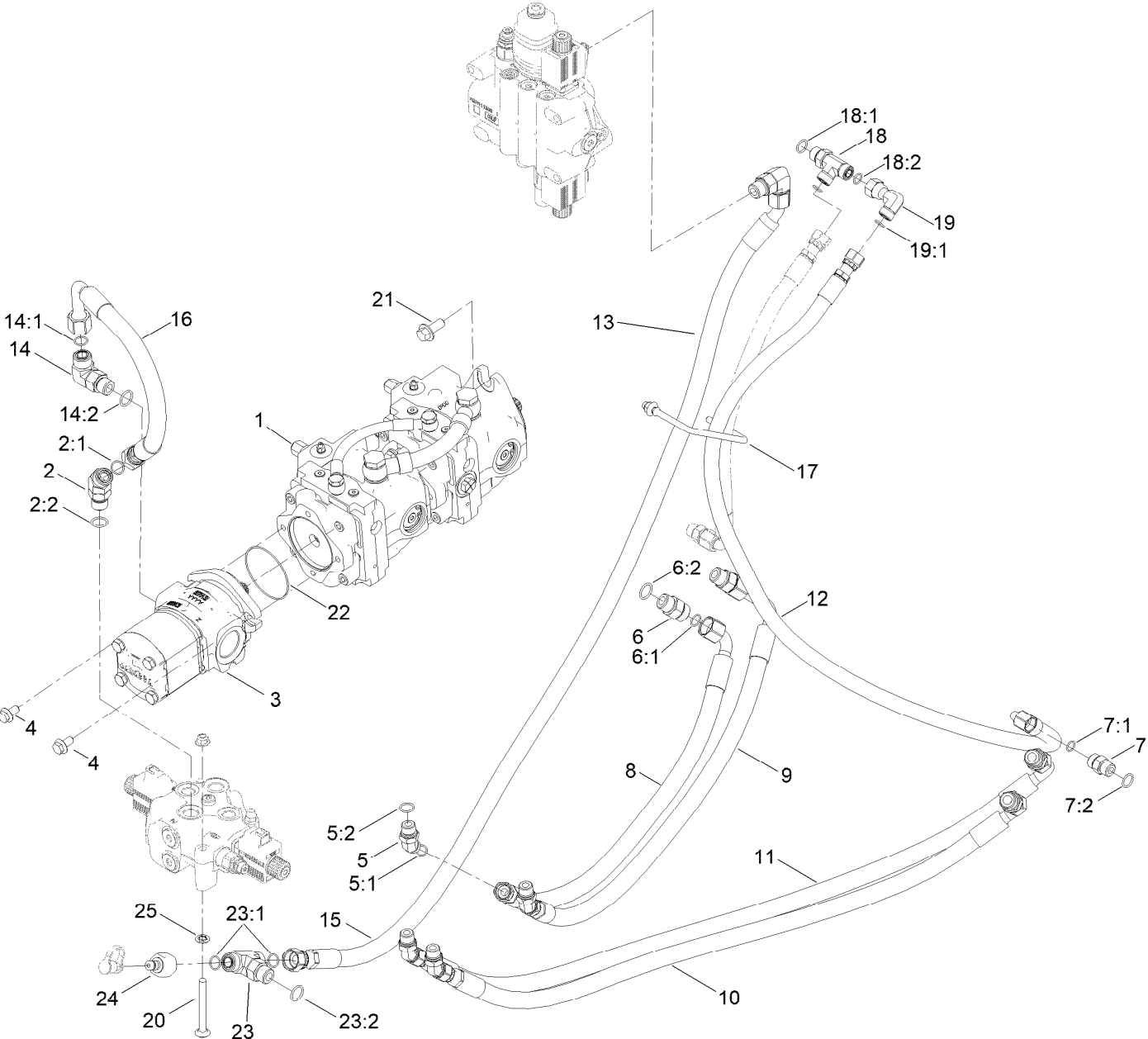


## Principal Hydraulic Assembly (continued)

<i>Ref.</i>	<i>Part Number</i>	<i>Qty.</i>	<i>Description</i>	<i>Ref.</i>	<i>Part Number</i>	<i>Qty.</i>	<i>Description</i>
1	144-4257	1	Loader Valve ASM,	13	140-4459	1	HYD Hose ASM
1:1	106-7724	1	Joystick Kit ●	14	139-1010	1	Filter Head ASM
1:1:1	98-0668	3	Nut ●	14:2	94-2621	1	Element-Filter
1:1:2	106-7726	1	Pivot-Joystick ●	15	3234-1	4	Screw-HHF
1:1:3	106-7727	1	Pin-Joystick ●	16	140-4480	1	HYD Hose ASM
1:1:4	106-7728	1	End-Rod ●	17	AU375462A1	1	Connector
1:1:5	42-9850	3	Washer-Lock, Spring ●	17:1	237-81	1	O-Ring
1:1:6	98-5828	3	Screw-HSH ●	18	2412-34	6	Clamp-Hose
1:1:7	106-7729	1	Bellow-Rubber ●	19	140-4482	1	HYD Hose ASM
1:1:8	3290-379	1	Tie-Cable ●	20	140-6070	1	Strainer Fitting ASM
1:1:9	106-7730	2	Joint-Joystick ●	21	23-8910	3	Stem-Barb-90
1:1:10	106-7731	1	Holder-Articulated ●	21:1	237-146	1	O-Ring
1:2	106-7725	1	Seal-Joystick ●	22	2412-92	2	Clamp-Hose
1:3	106-7738	2	Seal-Valve, Spool ●	23	140-4481	2	HYD Hose ASM
1:4	106-7737	1	Spool-Valve ●	24	104-8301	12	Nut-HF, NI
1:5	106-7736	1	Spool-Valve ●	25	353-987	1	Fitting-Elbow, 90
1:6	132-6031	1	Valve-Relief, Main ●	25:1	237-81	1	O-Ring
1:7	353-988	2	Plug-Hex ●	26	140-4487	1	HYD Hose ASM
1:7:1	237-79	1	O-Ring ●	27	2412-129	6	Clamp-Hose
1:8	106-7734	3	Valve-Relief ●	28	3231-11	6	Screw-CARR
1:9	106-7719	2	Seal-Valve ●	29	340-151	2	Fitting-Tee
1:10	106-7732	1	Valve Spring Kit ●	29:1	237-21	2	O-Ring
1:11	106-7733	1	Detent Spring Kit ●	30	138-3326	2	Screw-HHF
1:12	132-6032	1	Joint-SAE 8 ●	31	340-1	1	Fitting-Straight
1:13	132-6033	1	Plug ●	31:1	237-21	1	O-Ring
2	139-4737	1	Valve-HYD,	31:2	237-42	1	O-Ring
3	340-82	4	Fitting-Elbow, 90 DEG	32	144-4413	1	HYD Hose ASM
3:1	237-42	1	O-Ring	33	140-5958	1	HYD Hose ASM
3:2	237-21	1	O-Ring	34	104-7201	6	Nut-HF, NI
4	140-4489	1	HYD Hose ASM	35	354-79	2	Cap-Dust
5	140-4453	1	HYD Hose ASM	36	140-4460	1	HYD Hose ASM
6	340-92	6	Fitting-Straight	37	105-3921	1	Fitting-Plug
6:1	237-78	1	O-Ring	37:1	237-146	1	O-Ring
6:2	237-21	1	O-Ring	38	139-4748	1	Elbow-Suction,
7	340-140	1	Fitting-Tee	38:1	237-101	1	O-Ring
7:1	237-21	2	O-Ring	39	93-6794	1	Fitting-45 DEG
7:2	237-78	1	O-Ring	39:1	237-81	1	O-Ring
8	340-132	4	Fitting-Elbow, 90 DEG	40	87-8170	1	Fitting-90
8:1	237-78	1	O-Ring	40:1	237-80	1	O-Ring
8:2	237-21	1	O-Ring	41	144-4339	1	HYD Hose
9	87-8170	1	Fitting-90	42	354-136	1	Fitting-STR
9:1	237-80	1	O-Ring	42:1	237-80	1	O-Ring
10	115-8886	1	Nipple-Test	43	144-4351	1	HYD Hose ASM
11	140-4457	2	HYD Hose ASM	44	32180-139	1	Mount-Tie Wrap, Magnetic
12	140-4458	2	HYD Hose ASM				

● Not illustrated

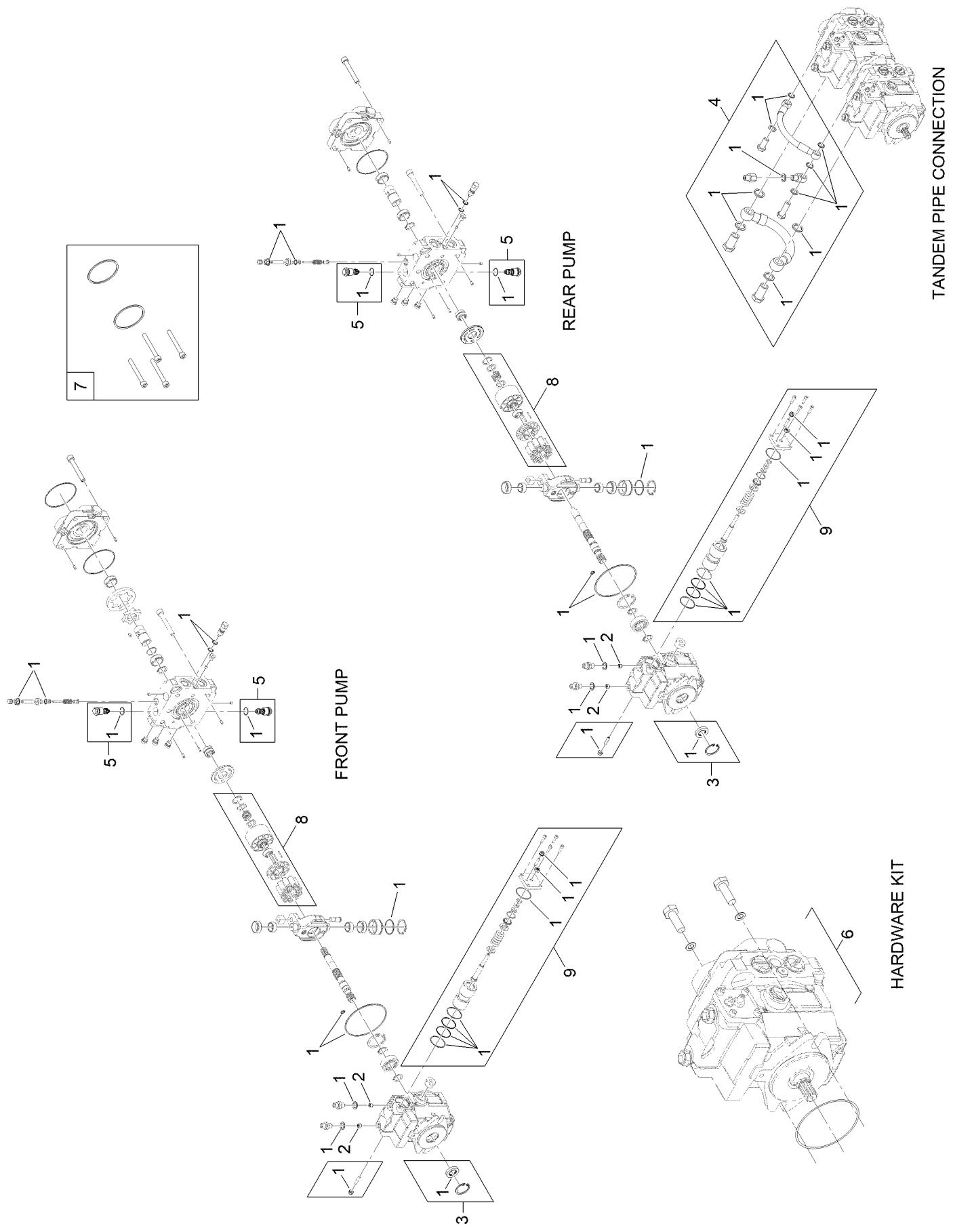
# Tandem Pump Hydraulic Assembly



## Tandem Pump Hydraulic Assembly (continued)

<i>Ref.</i>	<i>Part Number</i>	<i>Qty.</i>	<i>Description</i>	<i>Ref.</i>	<i>Part Number</i>	<i>Qty.</i>	<i>Description</i>
1	139-4733	1	Pump-Tandem	13	105-4347	1	Hose-HYD
2	340-14	3	Fitting-HYD, 45 DEG	14	340-17	2	Fitting-Elbow, 90 DEG
2:1	237-65	1	O-Ring	14:1	237-65	1	O-Ring
2:2	237-80	1	O-Ring	14:2	237-80	1	O-Ring
3	139-4755	1	Gear Pump ASM	15	140-4461	1	HYD Hose ASM
4	33105-020	2	Screw-HHF	16	140-4468	1	HYD Hose ASM
5	340-101	4	Fitting-HYD, 45 DEG	17	140-4486	1	Guide-Hose
5:1	237-30	1	O-Ring	18	340-109	1	Fitting-Tee
5:2	237-79	1	O-Ring	18:1	237-79	1	O-Ring
6	340-7	4	Fitting-Straight	18:2	237-30	2	O-Ring
6:1	237-65	1	O-Ring	19	94-6031	1	Elbow-90
6:2	237-80	1	O-Ring	19:1	237-30	1	O-Ring
7	340-4	2	Fitting-Straight	20	133-9682	4	Screw-Hfh
7:1	237-30	1	O-Ring	21	AU100416	2	Screw-Hfh
7:2	237-79	1	O-Ring	22	353-949	1	O-Ring
8	140-4450	1	HYD Hose ASM	23	340-93	1	Tee-Adapter
9	140-4451	1	HYD Hose ASM	23:1	237-65	2	O-Ring
10	140-5977	1	HYD Hose ASM	23:2	237-80	1	O-Ring
11	140-5978	1	HYD Hose ASM	24	86-5860	1	Nipple
12	140-4483	1	HYD Hose ASM	25	107-3154	6	Nut-Push

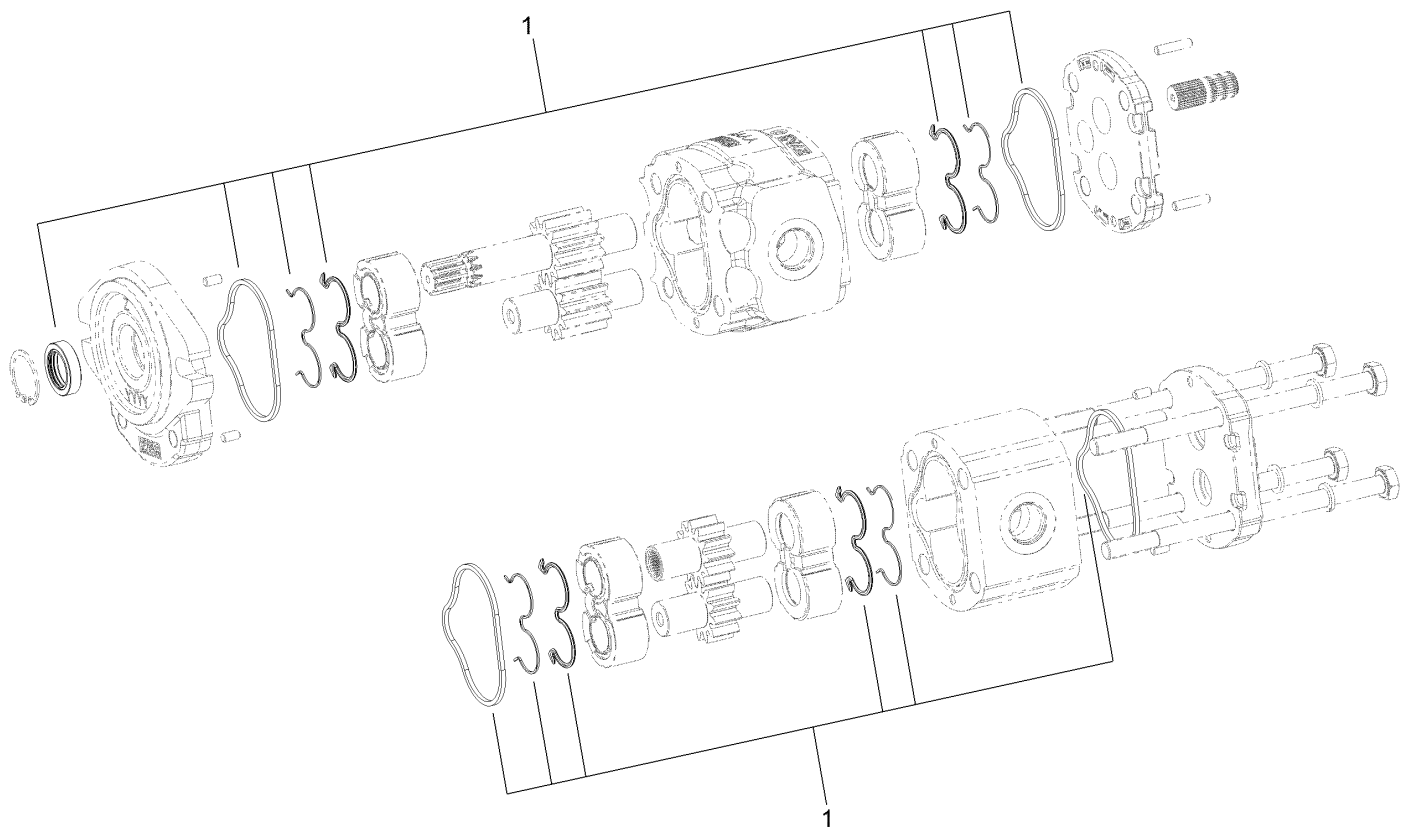
# Tandem Pump Assembly No. 139-4733



# Tandem Pump Assembly No. 139-4733 (continued)

<i>Ref.</i>	<i>Part Number</i>	<i>Qty.</i>	<i>Description</i>	<i>Ref.</i>	<i>Part Number</i>	<i>Qty.</i>	<i>Description</i>
1	132-6041	2	Seal Kit	6	140-5300	1	Hardware Kit
2	132-6042	4	Spacer-Jet	7	144-7363	1	Bolt Kit
3	132-6045	1	Shaft Seal Kit	8	132-6048	2	Rotating Group Kit
4	132-6047	1	Tandem Connection Pipe Kit	9	132-6049	2	HYD Servo Control Kit
5	139-4734	4	Valve-Relief,				

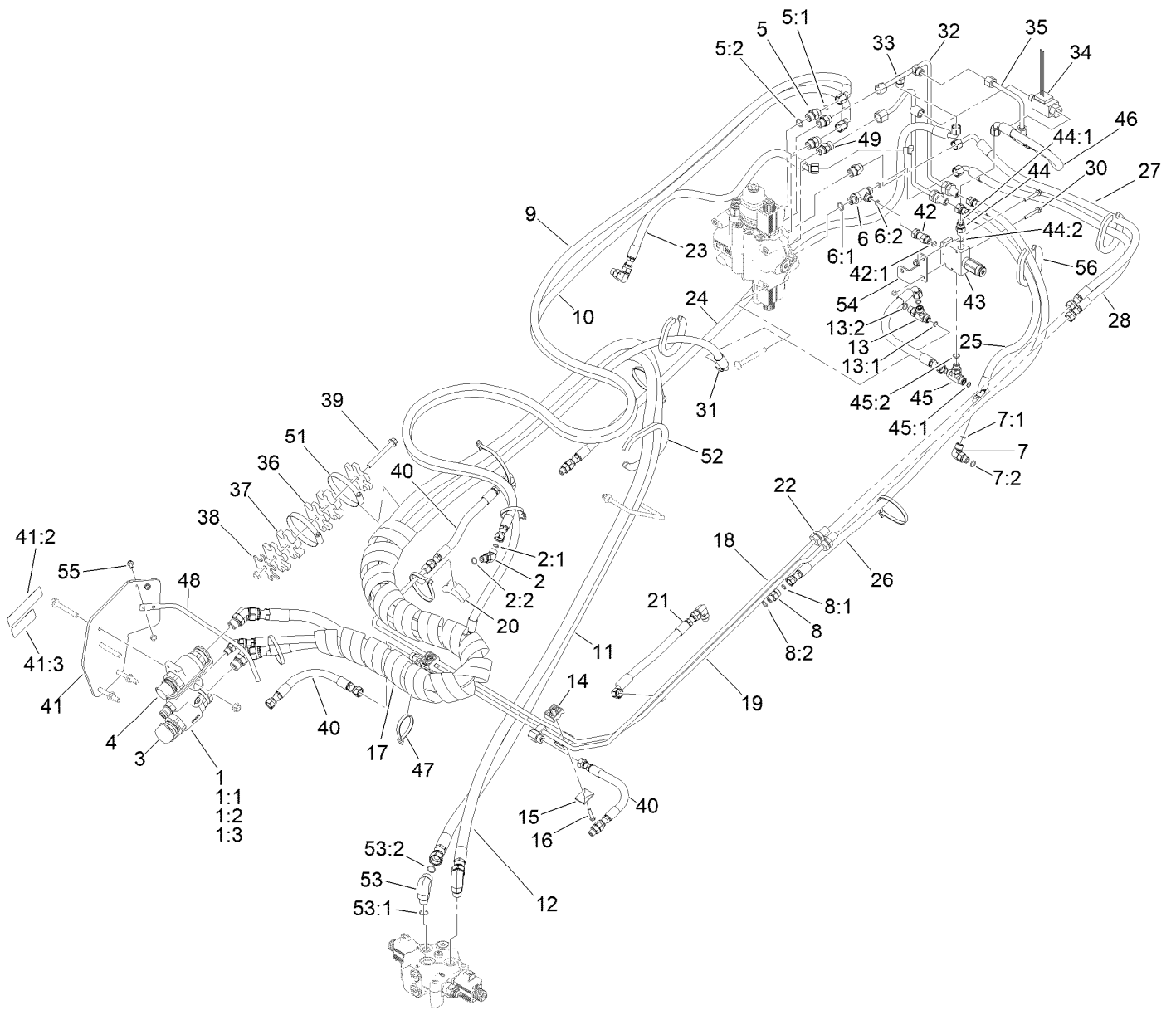
# Hydraulic Gear Pump Assembly No. 139-4755



# Hydraulic Gear Pump Assembly No. 139-4755 (continued)

<i>Ref.</i>	<i>Part Number</i>	<i>Qty.</i>	<i>Description</i>
1	139-4757	1	Kit-Seal,

# Manifold Hydraulic Assembly



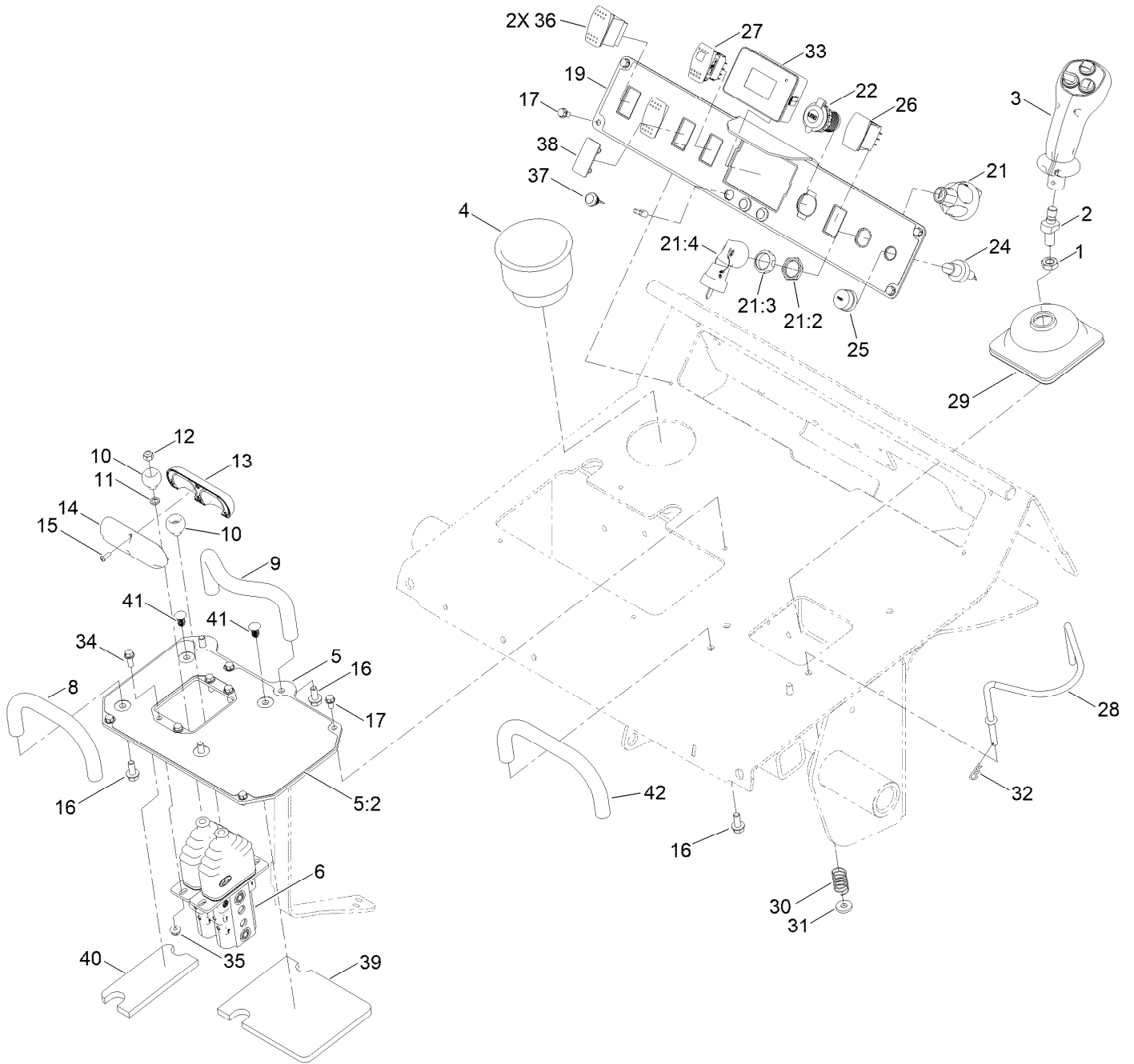


## Manifold Hydraulic Assembly (continued)

<i>Ref.</i>	<i>Part Number</i>	<i>Qty.</i>	<i>Description</i>	<i>Ref.</i>	<i>Part Number</i>	<i>Qty.</i>	<i>Description</i>
1	150-2410	1	Manifold-Qdc	27	140-5915	1	HYD Hose ASM
1:1	150-3702	1	Kit-Male Coupler, 1/2"	28	140-6031	1	HYD Hose ASM
1:2	150-3703	1	Kit-Male Coupler, 3/8"	29	158-627	1	Solenoid Valve ●
1:3	150-3704	1	Kit-Female Coupler, 1/2"	30	32105-18	2	Screw-HHF
2	340-87	2	Fitting-Elbow, 45 DEG	31	140-5964	1	HYD Hose ASM
2:1	237-22	1	O-Ring	32	145-4331	1	HYD Tube ASM
2:2	237-42	1	O-Ring	33	145-4332	1	HYD Tube ASM
3	100-8816	1	Cap-Dust, Coupler	34	139-4848	1	Switch-Pressure,
4	100-8815	1	Cap-Dust, Nipple	35	140-5969	1	HYD Tube ASM
5	340-3	4	Fitting-Straight	36	140-6007	3	Clamp-Hose
5:1	237-22	1	O-Ring	37	140-6008	2	Clamp-Hose
5:2	237-79	1	O-Ring	38	140-6045-03	1	Plate-Backer
6	117-9881	1	Fitting-HYD, Tee	39	3234-41	1	Screw-HHF
6:1	237-79	1	O-Ring	40	140-5987	3	HYD Hose ASM
6:2	237-22	2	O-Ring	41	140-6075	1	Mount-Qc
7	340-77	4	Fitting-Elbow, 90 DEG	41:2	115-4855	1	Decal-Caution
7:1	237-22	1	O-Ring	41:3	139-1173	1	Decal-Warning
7:2	237-42	1	O-Ring	42	104-3779	1	Connector-Swivel, Straight
8	340-2	5	Fitting-Straight	42:1	237-42	1	O-Ring
8:1	237-22	1	O-Ring	43	139-4856	1	Valve-Sequence
8:2	237-42	1	O-Ring	44	114-7783	1	Fitting-Straight
9	140-4462	1	HYD Hose ASM	44:1	237-22	1	O-Ring
10	140-5976	1	HYD Hose ASM	44:2	237-42	1	O-Ring
11	140-4469	1	HYD Hose ASM	45	340-94	1	Adapter
12	140-4470	1	HYD Hose ASM	45:1	237-22	2	O-Ring
13	340-86	2	Fitting-Tee	45:2	237-42	1	O-Ring
13:1	237-22	2	O-Ring	46	140-5970	2	HYD Hose ASM
13:2	237-42	1	O-Ring	47	3334-945	11	Tie-Cable
14	137-5275	2	Clamp-Hose	48	140-6058	1	Guide-Hoses
15	127-8424	2	Plate-Clamp, Retainer	49	145-4333	1	Valve-Check
16	321-13	2	Screw-HH	50	99-3477	1	Fitting-Tee ●
17	140-5902	1	Wrap-Hose	50:1	237-21	2	O-Ring ●
18	140-5985	1	HYD Tube ASM	51	144-4255	2	Clamp-Band/Screw
19	140-5986	1	HYD Tube ASM	52	133-8572	1	Trim-Seal
20	137-0146	1	Block-Hardline	53	340-153	2	Fitting-Elbow, 90 DEG
21	133-1619	1	HYD Hose ASM	53:1	237-79	1	O-Ring
22	340-70	4	Nut-Lock	53:2	237-151	1	O-Ring
23	140-5911	1	HYD Hose ASM	54	144-4369-03	1	Bracket-Mount, Valve
24	140-5912	1	HYD Hose ASM	55	115-5103	2	Screw-HHF
25	140-5913	1	HYD Hose ASM	56	133-8571	3	Trim-Seal
26	140-5914	1	HYD Hose ASM	57	131-6069	1	Cap-Dust, Nipple ●

● Not illustrated

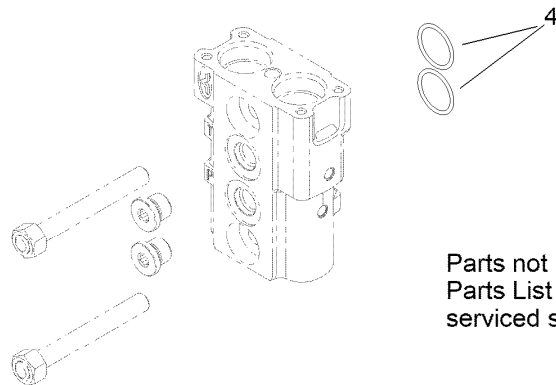
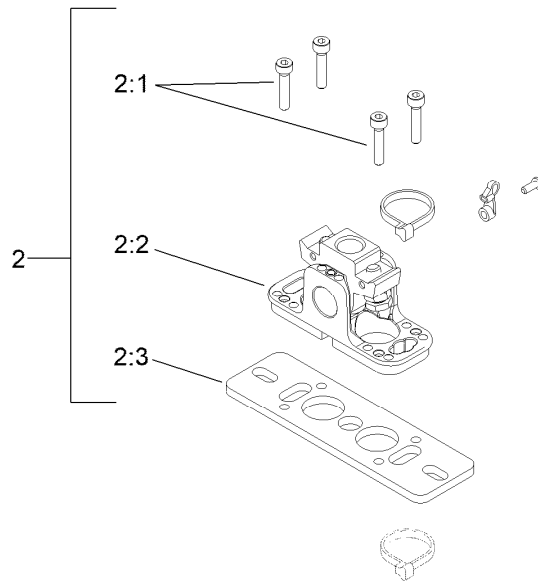
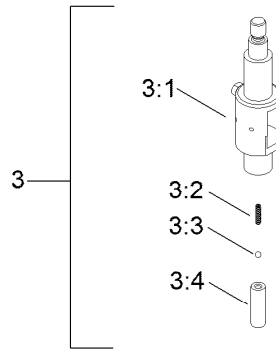
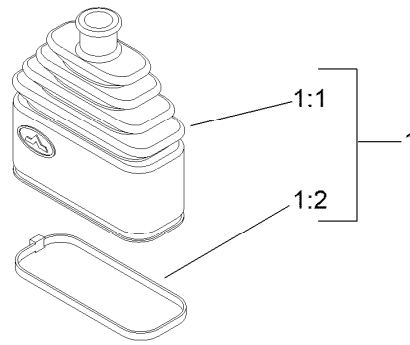
# Console Assembly



## Console Assembly (continued)

<i>Ref.</i>	<i>Part Number</i>	<i>Qty.</i>	<i>Description</i>	<i>Ref.</i>	<i>Part Number</i>	<i>Qty.</i>	<i>Description</i>
1	51-2070	1	Nut	24	112-3324	1	Switch-Horn
2	144-0757	1	Shaft-Control	25	112-3313	1	Nut-Weatherproof
3	139-4736	1	Handle-Joystick,	26	100-1535	1	Switch-Rocker,
4	AU8EO24121	1	Cup-Holder				(On)-Off-(On)
5	130-5321	1	Plate-Control	27	100-8072	1	Switch-Rocker,
5:2	131-0708	1	Decal-Control Panel				On-None-(On)
6	138-0827	1	Valve-Control (Traction)	28	138-2415	1	Rod-Interlock
8	112-2620	1	Bar-Reference	29	144-0777	1	Boot
9	138-0791	1	Bar-Reference	30	85-6750	1	Spring-Control
10	130-7723	2	Ball-Traction	31	88-7200	1	Washer-Flat
11	75-5470	2	Spacer-Bearing	32	3290-307	1	Pin-Cotter
12	3296-42	2	Nut-Lock, NI	33	122-1201	1	Module-Display
13	130-7692	1	Handle-Control	34	115-5103	4	Screw-HHF
14	131-9162	1	Handle-Traction	35	104-7201	4	Nut-HF, NI
15	94-6961	4	Screw	36	95-8999	2	Switch-Rocker,
16	3234-5	6	Screw-HHF				On-None-On
17	32144-4	8	Screw-HWH	37	136-9678	3	Switch-Pushbutton
19	140-6061	1	Plate-Controls,	38	99-7420	1	Plug-Hole
21	121-5159	1	Switch-Ignition	39	132-8414	1	Foam-Shield, Heat
21:2	121-5160	1	Nut-Hex	40	132-8415	1	Foam-Shield, Heat
21:3	121-5161	1	Nut-Face	41	133-0875	2	Rivet-Push
21:4	121-5162	1	Set-Key, Ignition	42	145-4400	1	Bar-Reference
22	131-8388	1	Socket-USB				

# Control Valve Assembly No. 138-0827



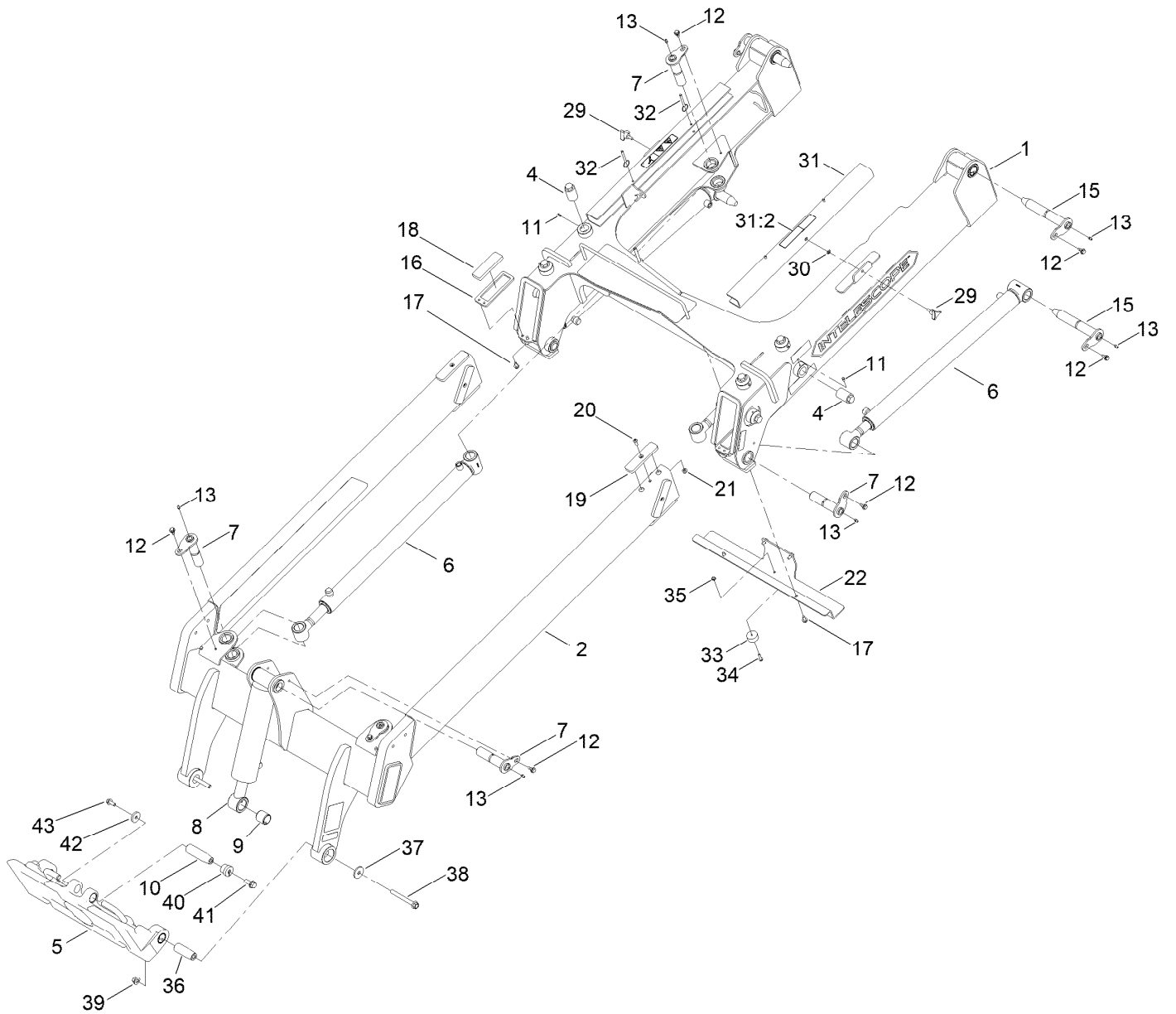
Parts not listed in  
Parts List are not  
serviced separately

# Control Valve Assembly No. 138-0827 (continued)

<i>Ref.</i>	<i>Part Number</i>	<i>Qty.</i>	<i>Description</i>	<i>Ref.</i>	<i>Part Number</i>	<i>Qty.</i>	<i>Description</i>
1	132-6034	2	Bellow Kit	3	132-6037	2	Switch Holder Lever Kit
1:1		1	Bellow-Rubber ●	3:1		1	Lever-Holder, Switch ●
1:2		1	Tie-Cable ●	3:2		1	Spring-Return ●
2	132-6036	2	Fulcrum Kit	3:3		1	Sphere ●
2:1		4	Screw ●	3:4		1	Holder-Spring ●
2:2		1	Support Kit ●	4	100-7246	2	O-Ring
2:3		1	Plate-Mounting ●				

● Not serviced separately

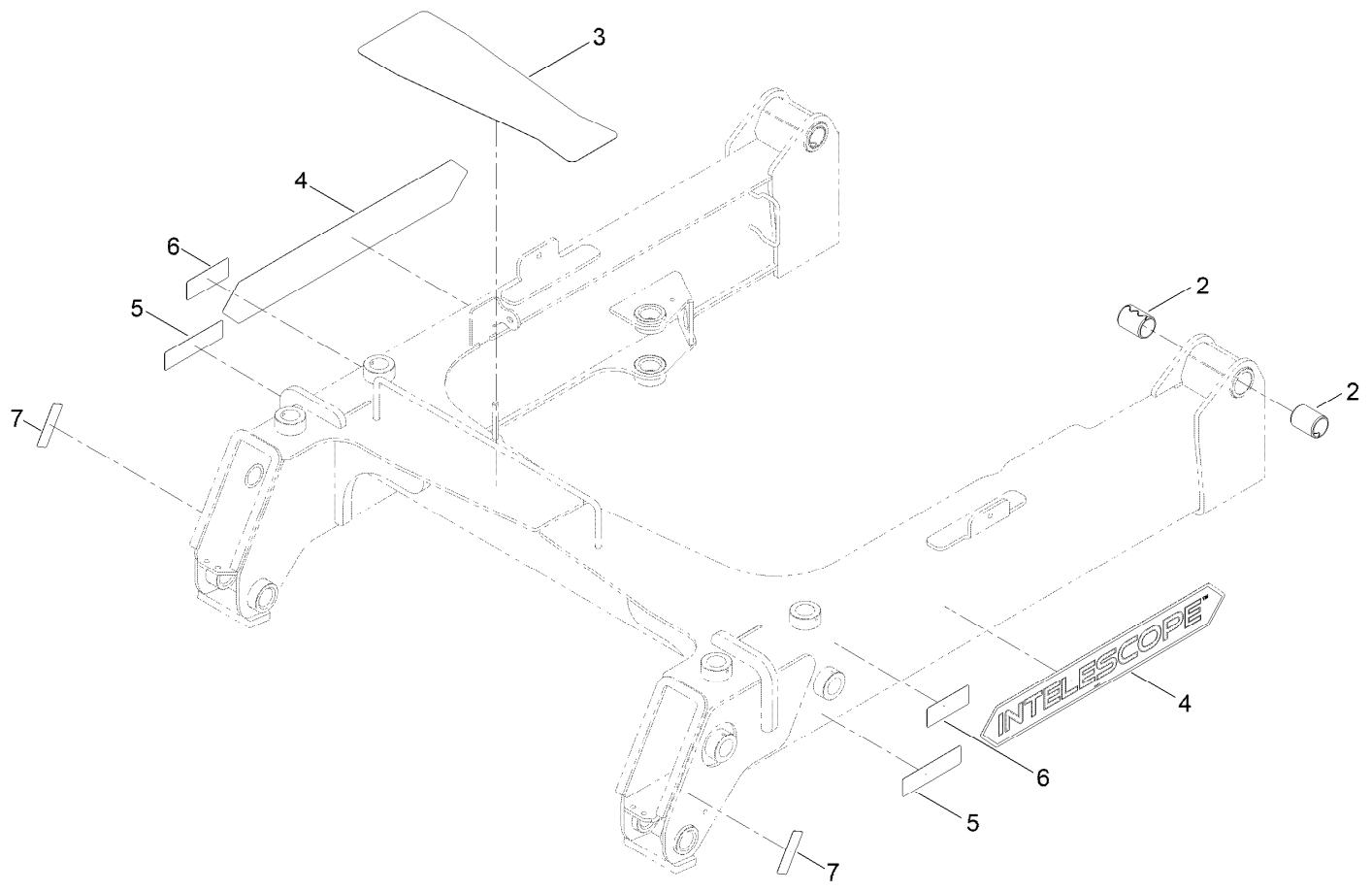
# Loader Arm Hydraulic Assembly



## Loader Arm Hydraulic Assembly (continued)

<i>Ref.</i>	<i>Part Number</i>	<i>Qty.</i>	<i>Description</i>	<i>Ref.</i>	<i>Part Number</i>	<i>Qty.</i>	<i>Description</i>
1	140-6062	1	Loader Arm-Upper, ASM	21	104-8300	8	Nut-HF, NI
2	140-6063	1	Loader Arm-Lower, ASM	22	140-4547-03	1	Guard-Hydraulics
4	132-8479	8	Screw-Slide, Adjustment	29	109-3351	2	Knob
5	140-6017	1	Attachment Plate ASM	30	109-5667	2	Nut-Push
6	140-4528	4	HYD Cylinder ASM	31	140-6064	2	Lock-Arm
7	137-0134	7	Flag Pin ASM	31:2	115-4858	2	Decal-Danger
8	140-5951	1	CYL-HYD	32	108-0094	4	Pin-Cotterless
9	139-5737	1	Bushing-Spring	33	94-4548	1	Bumper-Recessed
10	140-6076	1	Pin-Tapered	34	120-4654	1	Screw-HHF
11	126-3824	8	Screw-Set, SQH	35	104-7201	1	Nut-HF, NI
12	99-5105	11	Screw-Shoulder	36	140-6019	2	Pin-Link, Taper
13	302-5	11	Fitting-Grease	37	106-2008	2	Washer-Thrust
15	137-0132	4	Pivot Pin ASM	38	117-3176	2	Screw-HHF
16	140-4544-03	2	Retainer-Pad	39	99-5107	2	Nut-Lock
17	32144-14	8	Screw-HWHTF	40	181-1002	1	Insert-Tapered
18	140-4545	2	Strip-Slide, Lower	41	137-4653	1	Screw-HHF
19	140-4546	8	Strip-Slide,	42	1-543610	1	Washer-Clutch
20	3274-32	8	Screw-HSBH	43	3234-42	1	Screw-HHF

# Upper Loader Arm Assembly No. 140-6062

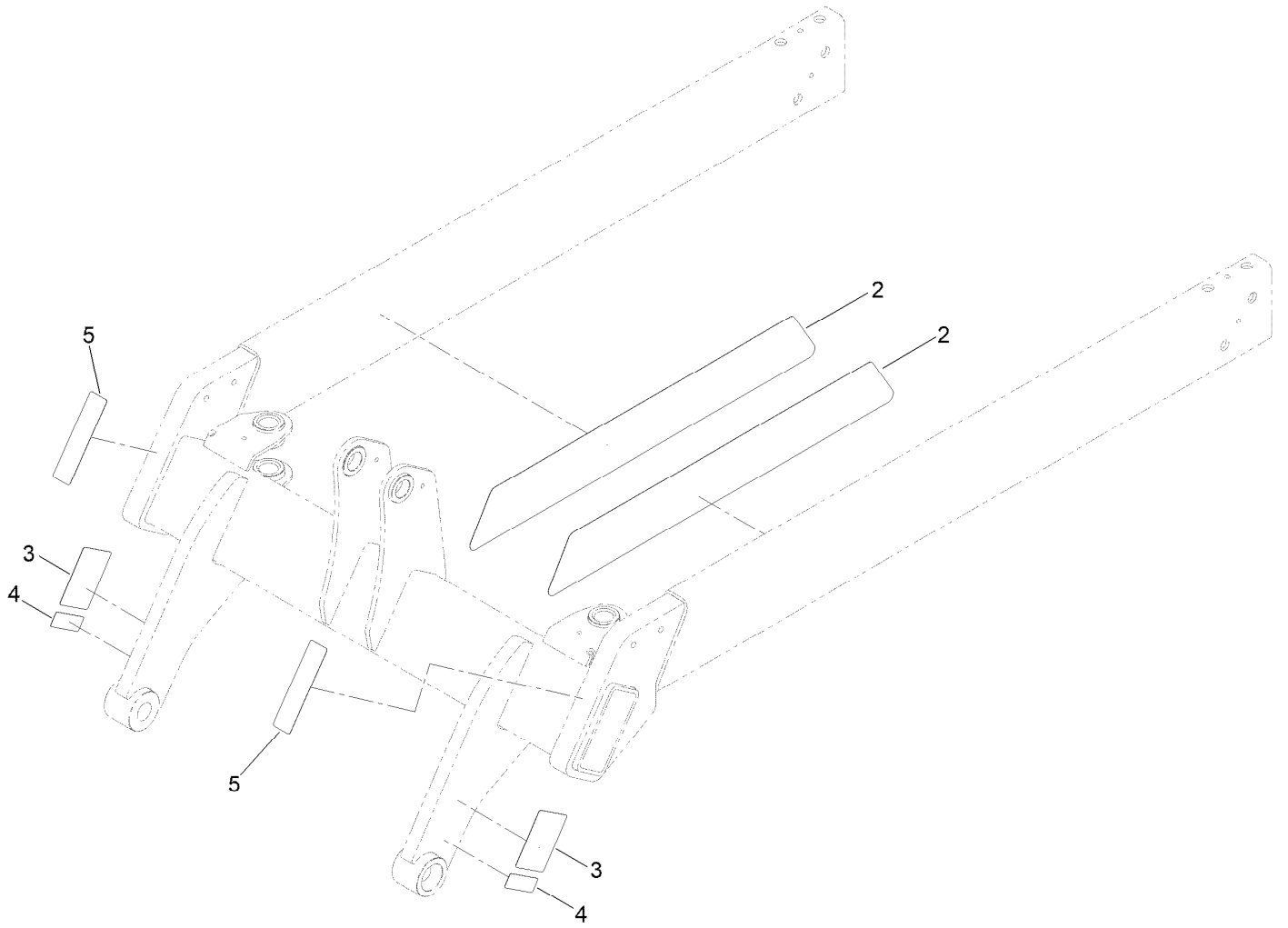




# Upper Loader Arm Assembly No. 140-6062 (continued)

<i>Ref.</i>	<i>Part Number</i>	<i>Qty.</i>	<i>Description</i>	<i>Ref.</i>	<i>Part Number</i>	<i>Qty.</i>	<i>Description</i>
2	137-0126	4	Bushing-Spring	5	139-1158	2	Decal-Warning
3	140-6024	1	Strip - Wear	6	139-1159	2	Decal-Warning
4	139-5711	2	Decal-Intelescope	7	120-0625	2	Decal-Warning

# Lower Loader Arm Assembly No. 140-6063

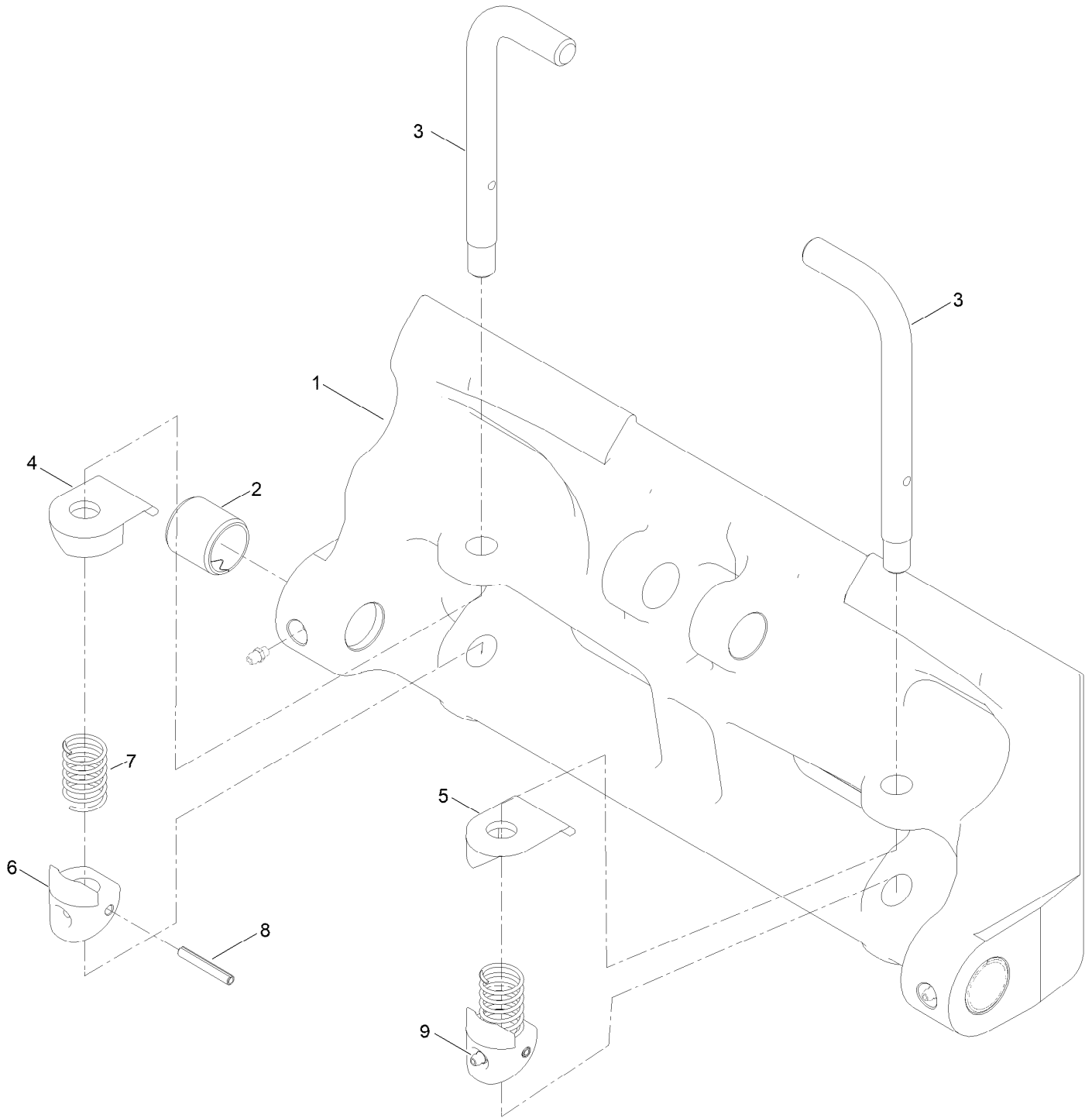


# Lower Loader Arm Assembly No. 140-6063 (continued)

<i>Ref.</i>	<i>Part Number</i>	<i>Qty.</i>	<i>Description</i>
2	137-5409	2	Decal-Extension
3	139-1164	2	Decal-Warning

<i>Ref.</i>	<i>Part Number</i>	<i>Qty.</i>	<i>Description</i>
4	120-0625	2	Decal-Warning
5	131-9290	2	Tape-Reflective

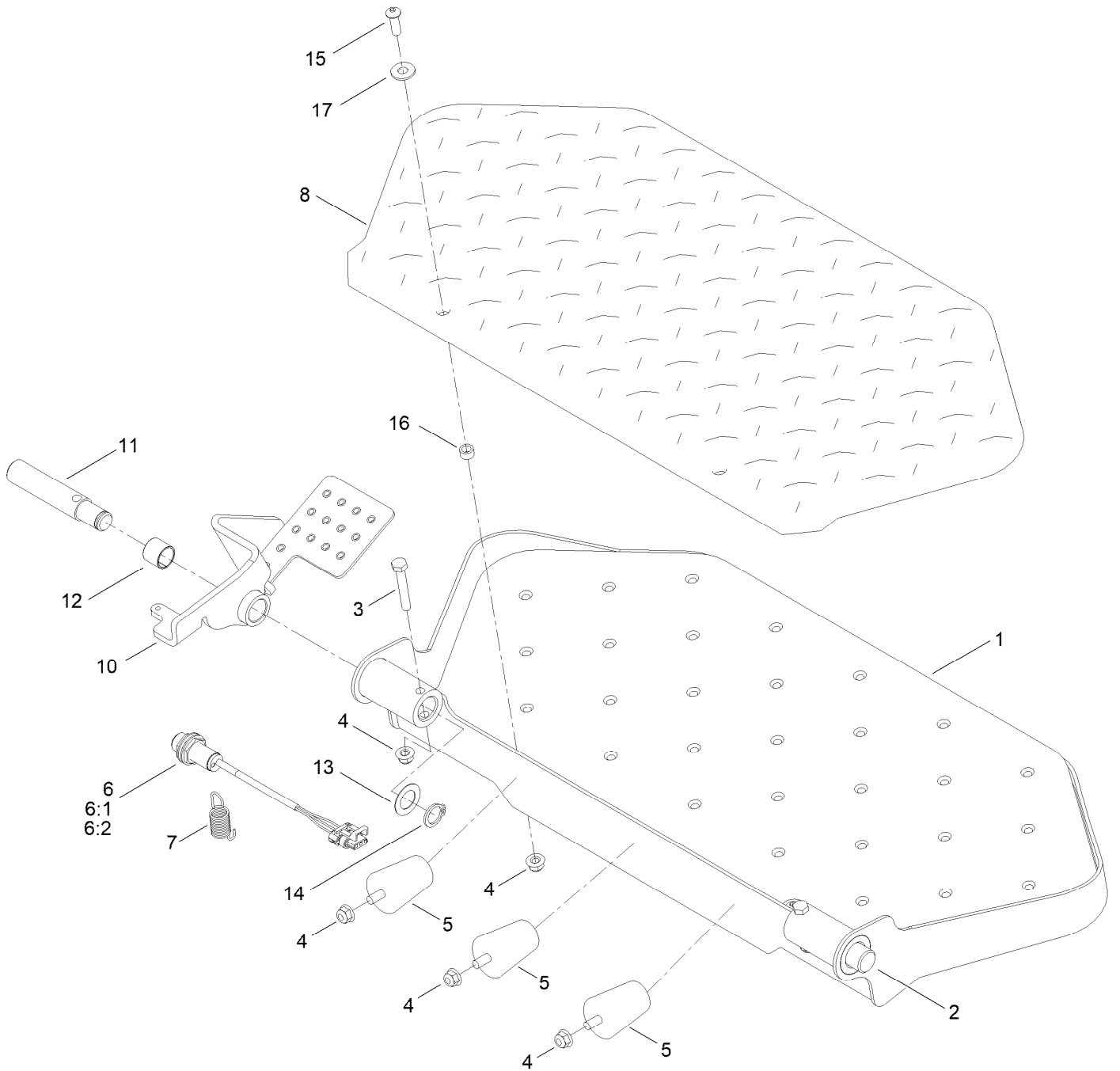
# Attachment Plate Assembly No. 140-6017



# Attachment Plate Assembly No. 140-6017 (continued)

<i>Ref.</i>	<i>Part Number</i>	<i>Qty.</i>	<i>Description</i>	<i>Ref.</i>	<i>Part Number</i>	<i>Qty.</i>	<i>Description</i>
1	140-5992	1	Qtach	6	140-5981	2	Cam-Qtach
2	139-5737	2	Bushing-Spring	7	100-9782	2	Spring-Compression
3	140-5979	2	Pin-Locking,	8	32121-32	2	Pin-Roll
4	140-5983	1	Stop-Pin, LH	9	302-5	4	Fitting-Grease
5	140-5991	1	Stop-Pin, RH				

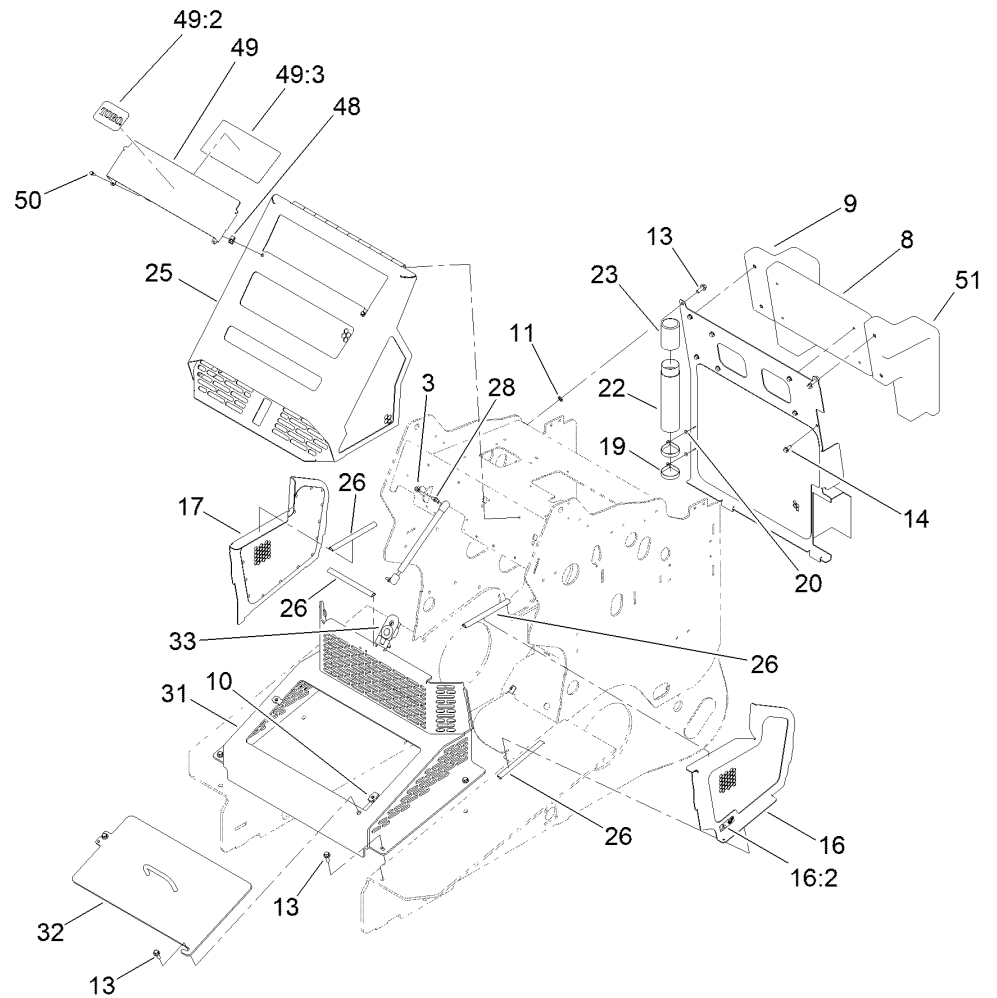
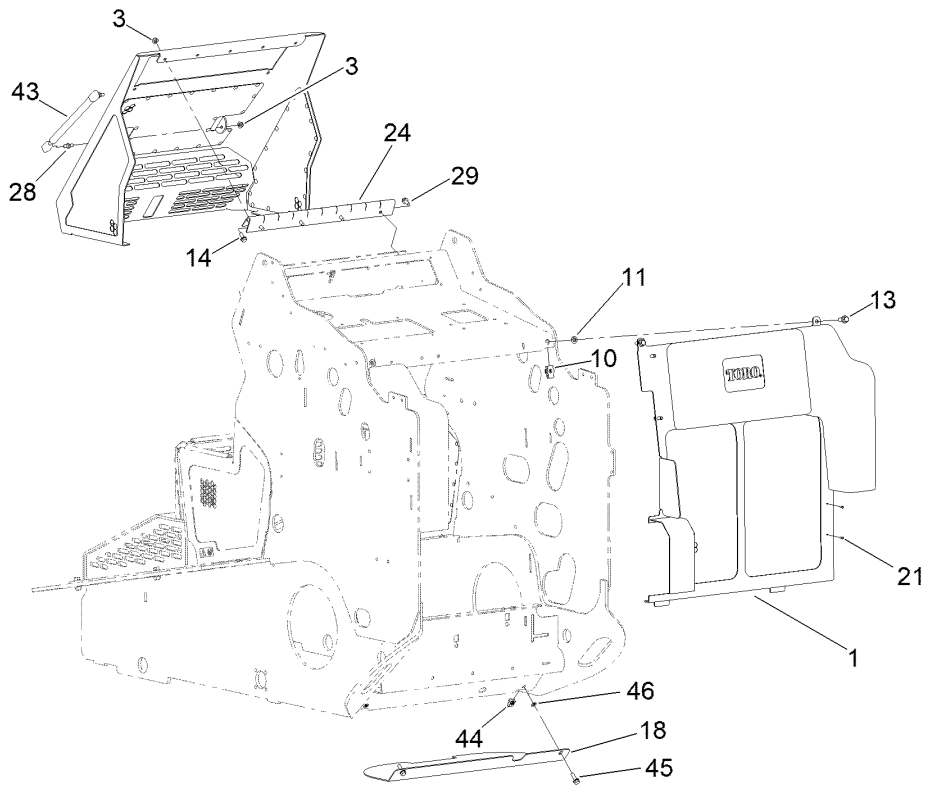
# Platform Assembly



## Platform Assembly (continued)

<i>Ref.</i>	<i>Part Number</i>	<i>Qty.</i>	<i>Description</i>	<i>Ref.</i>	<i>Part Number</i>	<i>Qty.</i>	<i>Description</i>
1	138-2420-03	1	Platform ASM [black]	8	144-4256	1	Pad-Platform
2	125-3749	1	Pin-Cylinder	10	140-1811-03	1	Foot Pedal ASM, [black]
3	322-10	2	Screw-HH	11	140-1814	1	Pin-Pivot
4	104-8300	7	Nut-HF, NI	12	94-9609	1	Bushing-Straight
5	110-5070	3	Bumper	13	9202574	1	Washer-Flat
6	115-5300	1	Proximity Switch ASM	14	32120-93	1	Ring-Retaining
6:1	117-3207	2	Nut-Hex	15	109-4872	2	Screw-HSH
6:2	117-3208	2	Washer-Lock, Internal Tooth	16	85-9120	2	Spacer-Pivot, Tilt
7	137-6189	1	Spring-Extension	17	3256-3	2	Washer-Flat

# Hood and Cover Assembly

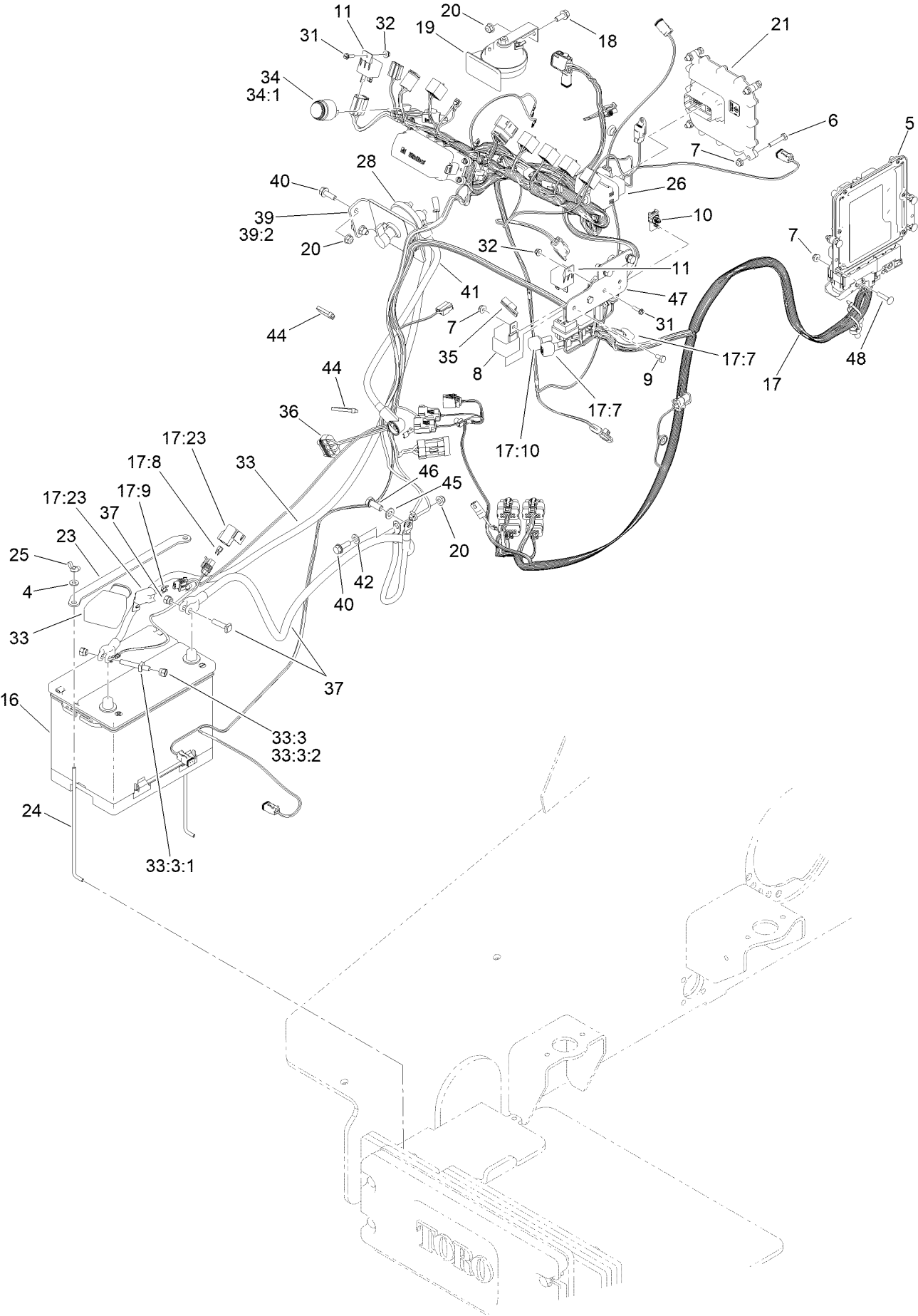




## Hood and Cover Assembly (continued)

<i>Ref.</i>	<i>Part Number</i>	<i>Qty.</i>	<i>Description</i>	<i>Ref.</i>	<i>Part Number</i>	<i>Qty.</i>	<i>Description</i>
1	140-6079-03	1	Cover-Rear [black]	25	140-5940-03	1	Hood [black]
3	104-8300	7	Nut-HF, NI	26	140-5942	6	Seal-Bulb
8	140-4499	1	Cushion-Pad	28	103-5752	2	Stud-Ball
9	140-4500	1	Cushion-Pad	29	32144-14	4	Screw-HWHTF
10	105-4886	4	Nut-Tinnerman	31	140-5928-03	1	Cover-Front [black]
11	107-3154	2	Nut-Push	32	144-0828-03	1	Front Cover ASM, [black]
13	3234-42	8	Screw-HHF	33	144-4364	1	Latch-Compression, Locking
14	3234-5	13	Screw-HHF				
16	140-6065	1	Cover	43	117-9652	1	Spring-Gas
16:2	115-2047	1	Decal-Surface, Hot	44	115-7721	2	Nut-Clip, U
17	144-4379-03	1	Cover-Side, RH [black]	45	3234-29	2	Screw-HHF
18	140-4506-01	1	Cover-Bottom	46	109-5667	2	Nut-Push
19	2412-120	2	Clamp-R	48	107069	2	Clip
20	3269-10	2	Washer-Back	49	145-4276	1	Hood Scoop ASM
21	3269-17	2	Rivet-Pop	49:2	117-0871	1	Decal
22	104-7050	1	Tube-Manual	49:3	145-4274	1	Decal-Service
23	104-7048	1	Cap-Housing	50	32105-15	2	Screw-HWH
24	140-1830	1	Hinge-Hood	51	144-0796	1	Cushion-Pad

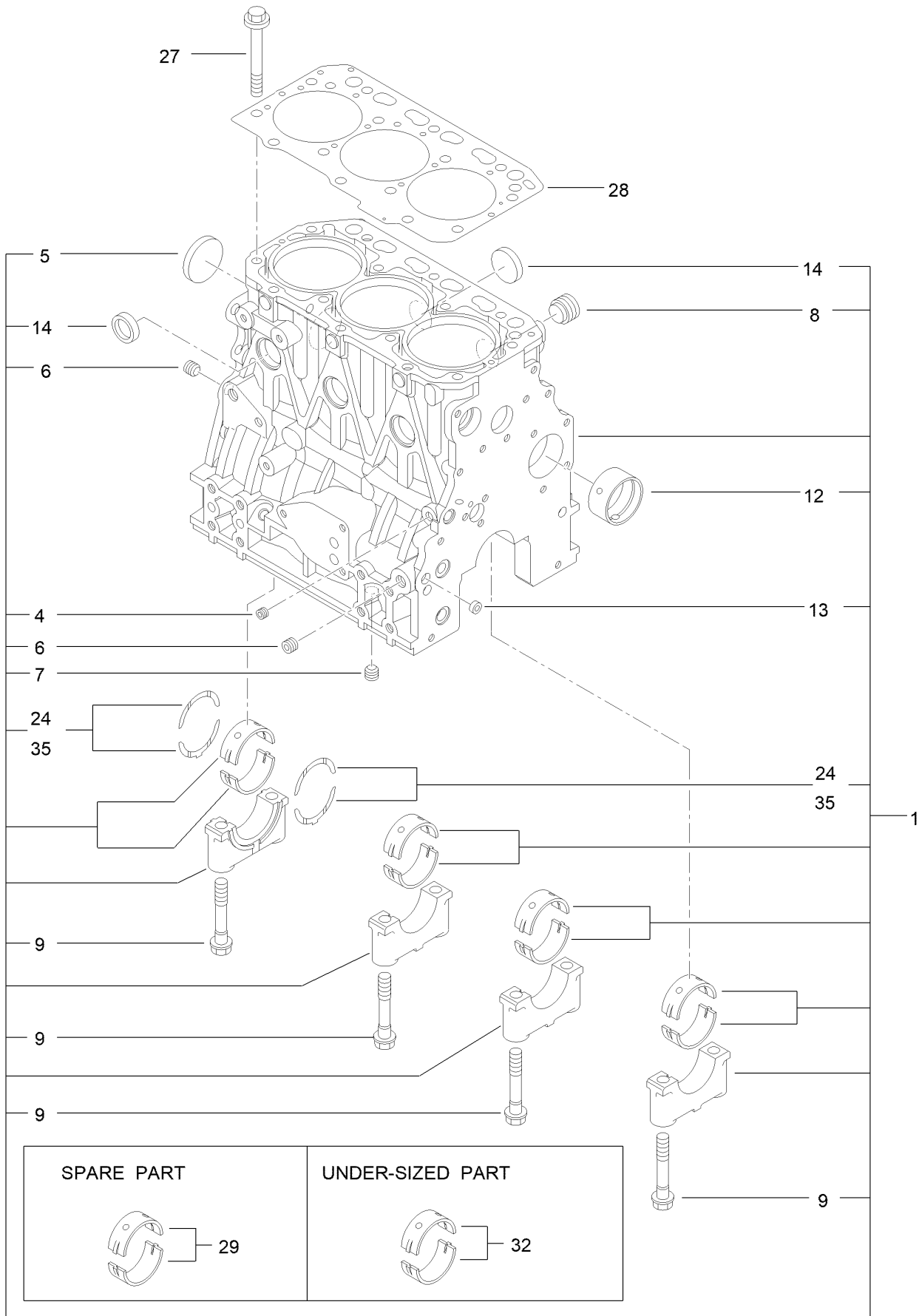
# Electrical System Assembly



## Electrical System Assembly (continued)

<i>Ref.</i>	<i>Part Number</i>	<i>Qty.</i>	<i>Description</i>	<i>Ref.</i>	<i>Part Number</i>	<i>Qty.</i>	<i>Description</i>
4	3256-22	2	Washer-Flat	28	AUR52278	1	Switch-Disconnect, Master
5	121-5592	1	Electronic Control Unit	31	32105-13	6	Screw-HWH
6	321-13	4	Screw-HH	32	120-4578	6	Nut-HF
7	104-7201	10	Nut-HF, NI	33	122-2244	1	Cable-Battery, Rd ASM
8	99-7430	2	Relay-Mini	33:3	112-9921	1	Bolt ASM
9	321-2	1	Screw-HH	33:3:1	32180-107	1	Bolt-Clamp, Battery
10	32180-103	1	Clip-Connector	33:3:2	32180-108	2	Nut-Hex Shoulder
11	99-7435	2	Relay	34	80-9330	1	Audio Alarm ASM
16	106-5189	1	Battery - Wet, 12V, 690 CCA	34:1	104-5107	1	Nut-Plastic, Knurled
17	122-2139	1	Harness-Wire, Engine T4	35	136-4862	1	Harness-Wire, Fusible Link
17:7	100-4918	2	Diode	36	99-3441	1	Harness-Wire, Fusible Link
17:8	121-8861	1	Fuse-Mini Blade, 2 Amp	37	105-0115	1	Cable-Battery, Negative
17:9	121-8866	1	Fuse-Mini Blade, 10 Amp	39	145-4283	1	Bracket-Shutoff
17:10	104-4022	1	Resistor-75 Ohm	39:2	131-8026	1	Decal-Battery Disconnect
17:23	32180-101	2	Cover-Fuse, Single	40	3234-29	3	Screw-HHF
18	3234-5	1	Screw-HHF	41	122-2245	1	Cable-Battery, Rd ASM
19	116749	1	Horn	42	120-9683	1	Washer-Plain
20	104-8300	6	Nut-HF, NI	44	3290-378	2	Tie-Cable
21	127-2770	1	Controller	45	33095-00	1	Washer-Flat
23	136-5755-03	1	Strap-Hold Down, Battery	46	33115-025	1	Screw-HH
24	136-5756	2	Rod-Hold Down, Battery	47	144-0795-03	1	Bracket-Relays
25	1-803038	2	Wingnut	48	3229-3	4	Screw-CARR
26	122-2205	1	Harness-Wire, Tx1300				

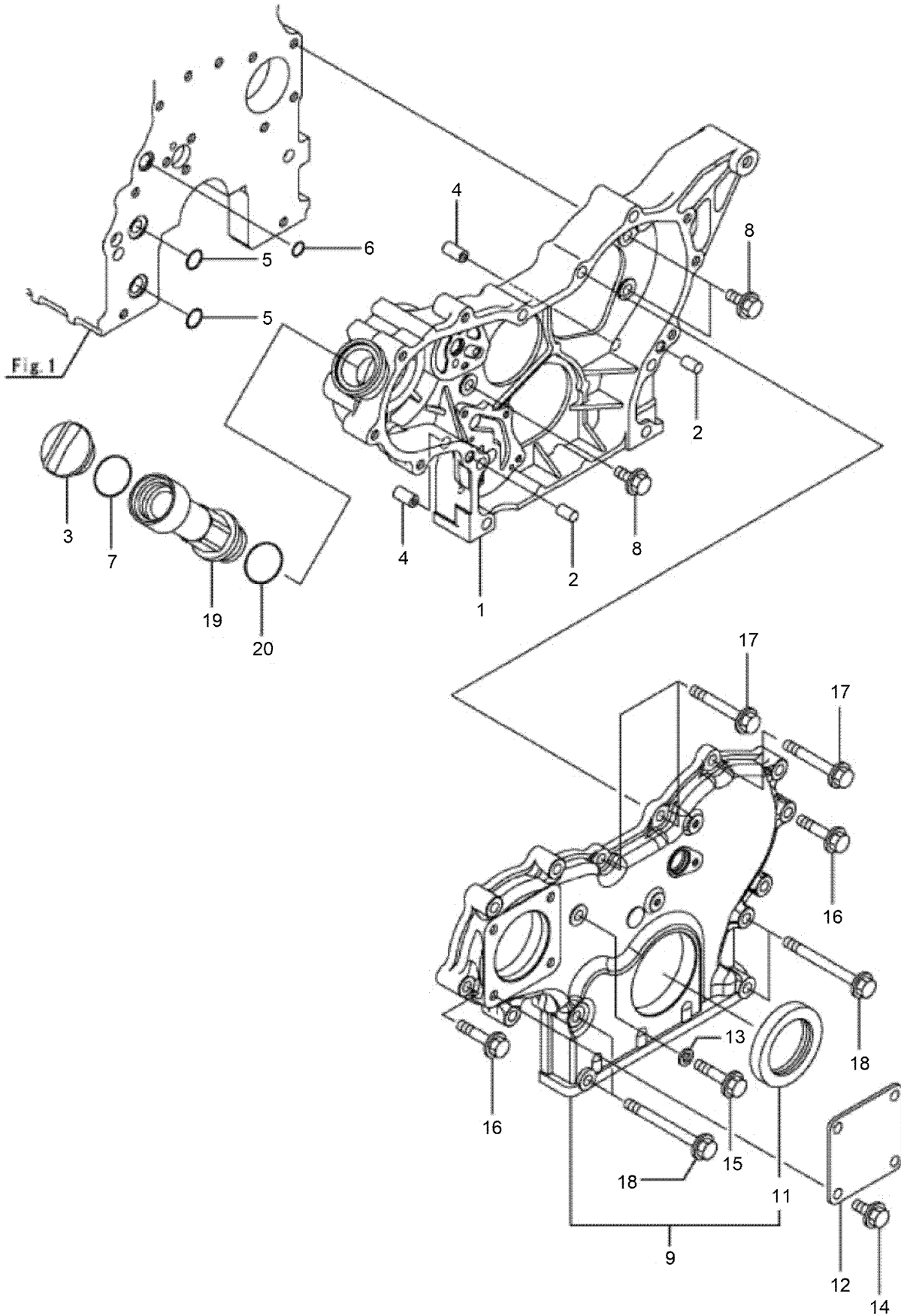
# Cylinder Block Assembly



## Cylinder Block Assembly (continued)

<i>Ref.</i>	<i>Part Number</i>	<i>Qty.</i>	<i>Description</i>	<i>Ref.</i>	<i>Part Number</i>	<i>Qty.</i>	<i>Description</i>
1	127-4717	1	Cylinder Block ASM	13	125-7237	1	Plug
4	125-6969	1	Plug	14	125-7239	6	Plug
5	125-6980	1	Plug	24	125-7010	2	Metal-Thrust
6	125-6973	2	Plug	27	125-7006	14	Bolt
7	125-6973	1	Plug	28	127-4716	1	Head Gasket ASM
8	125-7170	1	Plug	29	125-6981	4	Metal-Main
9	125-7007	8	Bolt	32	125-7009	4	Metal-Main (0.25)
12	125-7108	1	Bushing	35	125-7011	1	Metal-Thrust (0.25)

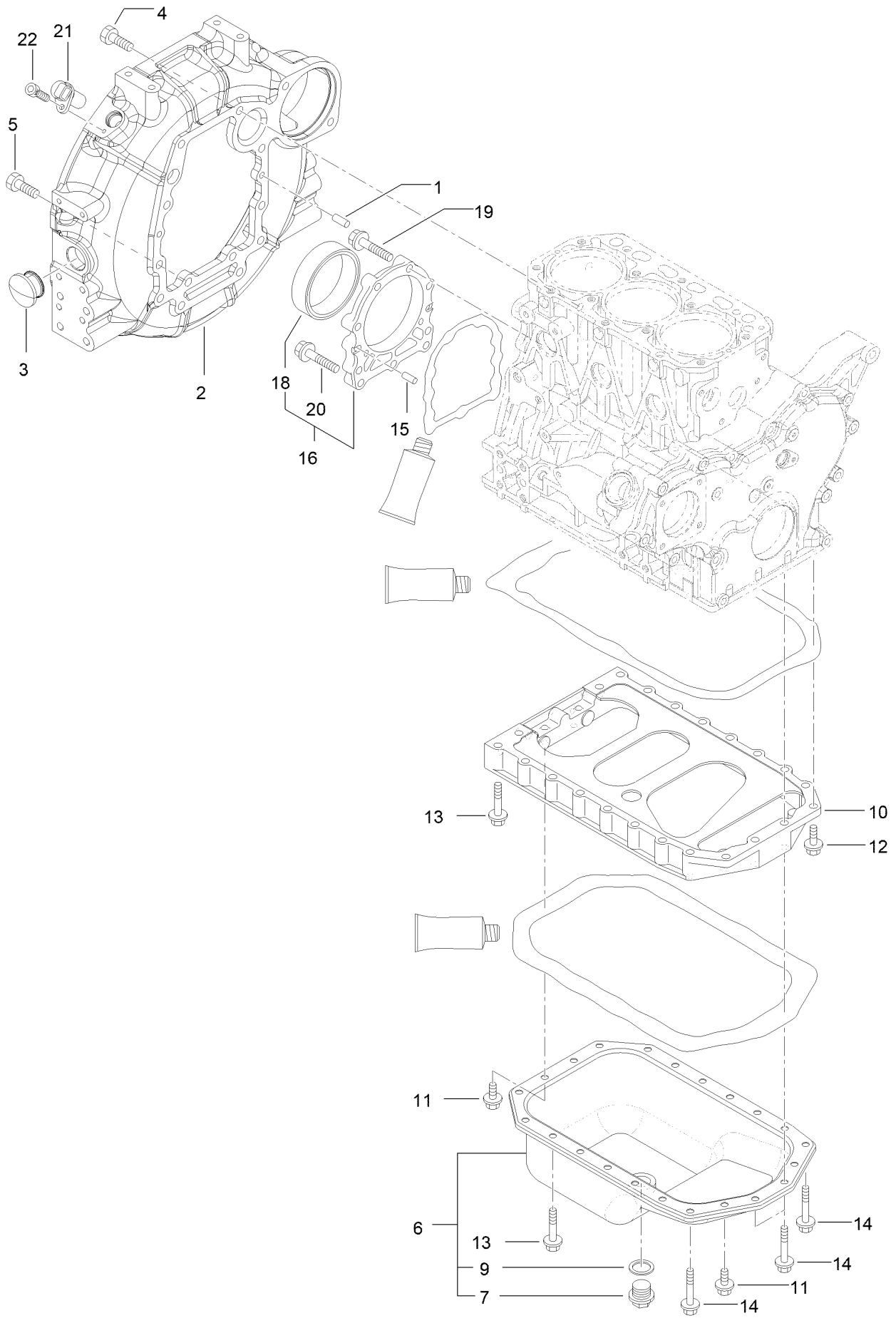
# Gear Housing Assembly



## Gear Housing Assembly (continued)

<i>Ref.</i>	<i>Part Number</i>	<i>Qty.</i>	<i>Description</i>	<i>Ref.</i>	<i>Part Number</i>	<i>Qty.</i>	<i>Description</i>
1	127-3023	1	Case-Gear	12	125-6977	1	Cover
2	125-6995	2	Pin	13	125-7174	1	Washer-Seal
3	125-6972	1	Cover-Filler	14	100-6928	4	Bolt
4	125-7107	2	Pipe	15	125-7217	1	Bolt
5	125-6909	2	O-Ring	16	125-7218	7	Bolt
6	127-2973	1	O-Ring	17	125-7222	3	Bolt
7	125-7197	1	O-Ring	18	125-7224	4	Bolt
8	100-6928	3	Bolt	19	127-3754	1	Pipe
9	127-3024	1	Gearcase Cover ASM	20	125-7197	1	O-Ring
11	125-6944	1	Seal-Oil				

# Flywheel Housing and Oil Sump Assembly

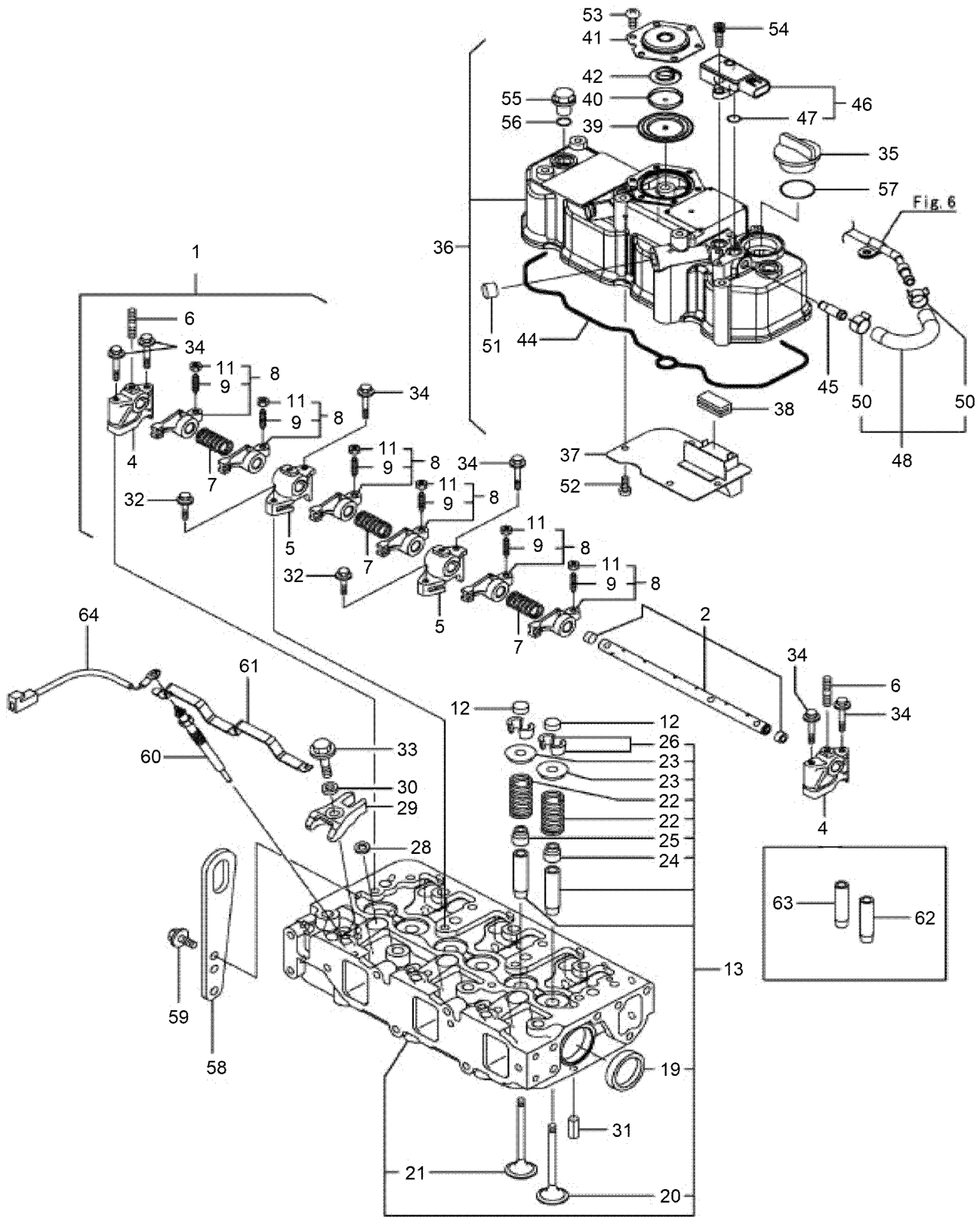




## Flywheel Housing and Oil Sump Assembly (continued)

<i>Ref.</i>	<i>Part Number</i>	<i>Qty.</i>	<i>Description</i>	<i>Ref.</i>	<i>Part Number</i>	<i>Qty.</i>	<i>Description</i>
1	125-6995	2	Pin	12	125-7215	2	Bolt
2	127-3025	1	Housing-Flywheel	13	125-7219	16	Bolt
3	125-6910	1	Cap	14	125-7220	4	Bolt
4	125-7226	6	Bolt	15	125-6995	2	Pin
5	125-7227	4	Bolt	16	125-6996	1	Case ASM
6	127-3755	1	Oil Pan ASM	18	125-7106	1	Seal-Oil
7	125-6912	1	Plug-Drain	19	125-7045	6	Bolt
9	125-7177	1	Washer-Seal	20	125-7217	3	Bolt
10	127-3756	1	Spacer	21	127-3062	1	Sensor-Rev, Flywheel
11	100-6928	4	Bolt	22	127-3184	1	Bolt

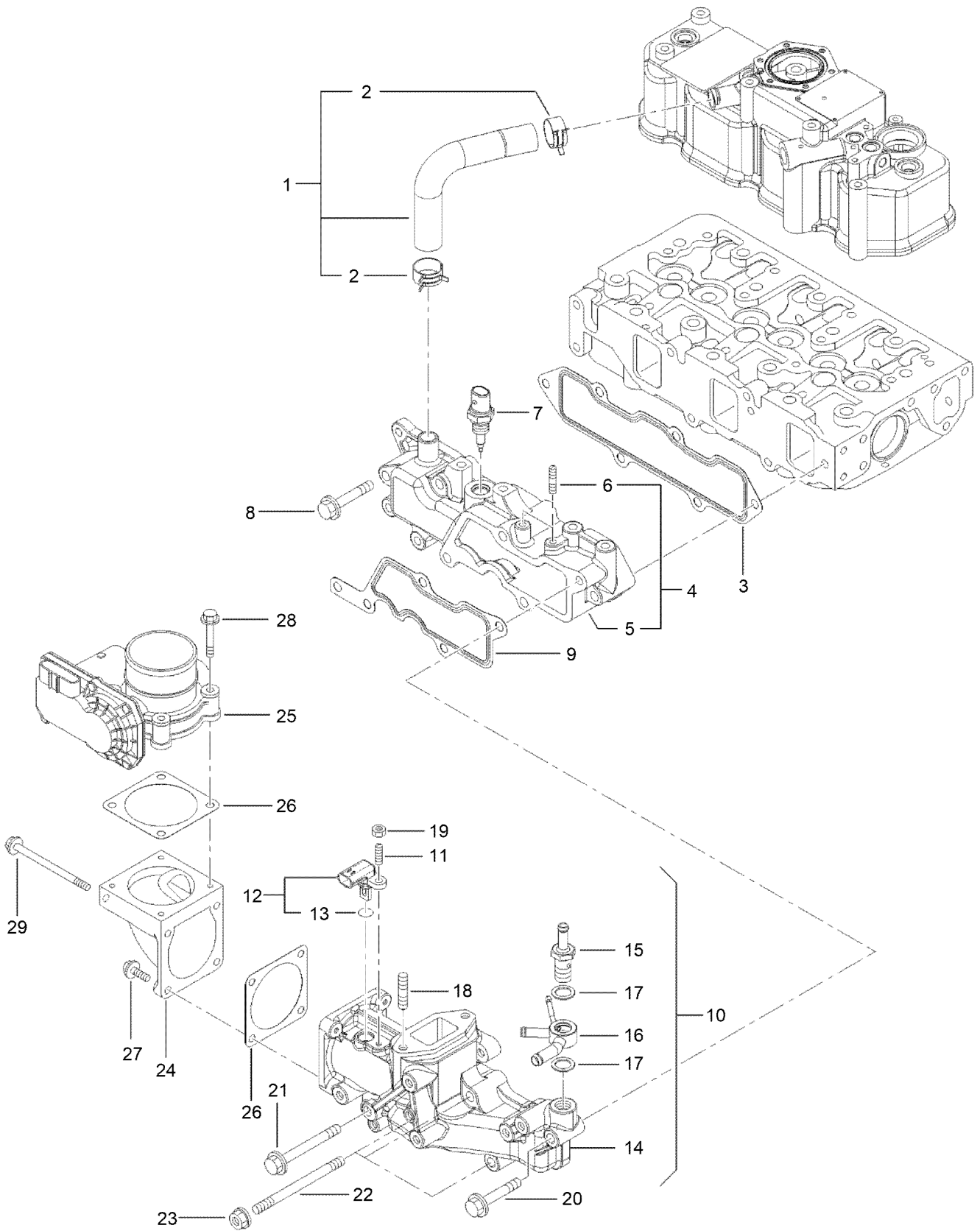
# Cylinder Head Assembly



## Cylinder Head Assembly (continued)

<i>Ref.</i>	<i>Part Number</i>	<i>Qty.</i>	<i>Description</i>	<i>Ref.</i>	<i>Part Number</i>	<i>Qty.</i>	<i>Description</i>
1	127-3757	1	Shaft ASM	36	127-4719	1	Cylinder Head Cover ASM
2	127-3758	1	Shaft	37	127-2988	1	Plate
4	127-2974	2	Support	38	125-7012	1	Baffle
5	127-2975	2	Support	39	125-6959	1	Diaphragm
6	135-4012	3	Bolt,Stud	40	125-6960	1	Plate
7	127-2995	3	Spring	41	125-6961	1	Plate-Breather
8	127-2989	6	Arm-Rocker	42	125-6962	1	Spring-Diaphragm
9	125-7013	6	Screw-Adjust, Valve	44	127-3856	1	Gasket-Valve Cover
11	125-7014	6	Nut	45	127-3026	1	Joint
12	127-2996	6	Cap-Valve	46	127-3029	1	Sensor-Pressure
13	139-6014	1	Cylinder Head ASM	47	127-3032	2	O Ring-Sensor, Pressure
19	125-7240	2	Plug	48	127-3040	1	Hose ASM
20	127-2990	3	Valve	50	127-3041	2	Clip-Hose
21	127-4710	3	Valve	51	125-6913	1	Plug
22	127-3012	6	Spring	52	125-7186	4	Screw
23	127-3013	6	Retainer-Spring	53	125-7186	6	Screw
24	127-2986	3	Seal-Stem, Valve	54	127-3184	2	Bolt
25	127-3027	3	Seal-Stem, Valve	55	125-6974	3	Knob
26	127-3186	6	Pin-Cotter	56	93-0418	3	O-Ring
28	127-3021	3	Gasket-Injector	57	125-7197	1	O-Ring
29	127-3028	3	Retainer-Injector	58	125-7111	1	Lifter
30	127-2980	3	Washer-Injector	59	100-6928	2	Bolt
31	125-7184	2	Pin-Spring	60	127-2991	3	Plug-Glow
32	125-7215	2	Bolt	61	127-3768	1	Connector-Plug, Glow
33	125-7217	3	Bolt	62	127-2979	3	Guide
34	125-7220	6	Bolt	63	127-2997	3	Guide-Valve
35	125-6972	1	Cover-Filler	64	131-2704	1	Harness-Wire

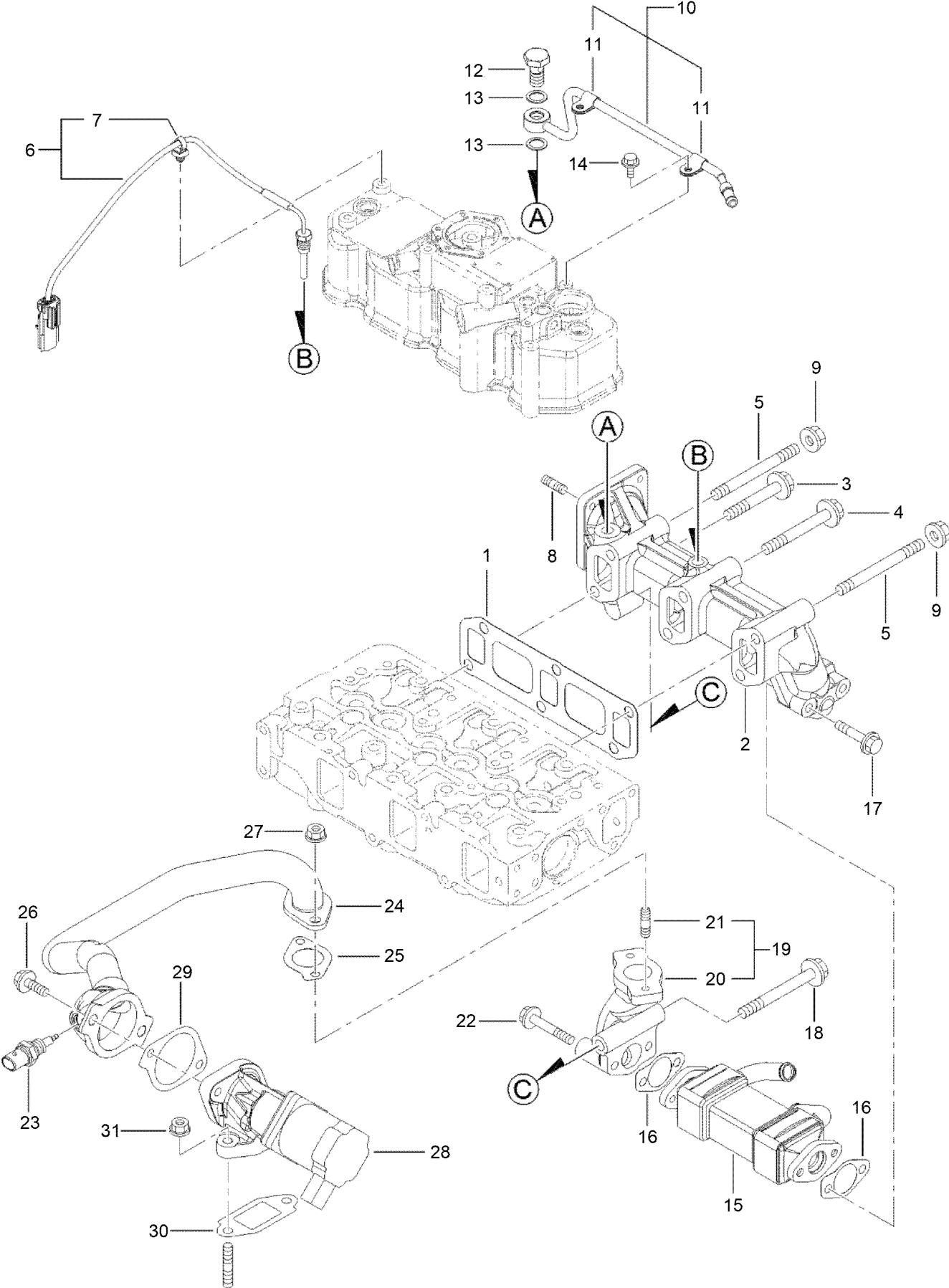
# Suction Manifold Assembly



## Suction Manifold Assembly (continued)

<i>Ref.</i>	<i>Part Number</i>	<i>Qty.</i>	<i>Description</i>	<i>Ref.</i>	<i>Part Number</i>	<i>Qty.</i>	<i>Description</i>
1	127-4704	1	Pipe	16	127-3081	1	Joint-Hose
2	125-7040	2	Clip-Hose	17	127-3166	2	Washer-Seal
3	127-3857	1	Gasket-Manifold, Intake	18	127-3181	2	Stud
4	127-4722	1	Intake Manifold ASM	19	127-4775	1	Nut
5	127-4721	1	Manifold-Intake	20	125-7220	1	Bolt
6	127-3180	2	Stud	21	127-3178	1	Bolt
7	137-5167	1	Sensor-Temperature, Air	22	127-3182	3	Stud
8	125-7220	3	Bolt	23	125-7229	3	Nut
9	127-3034	1	Gasket-Collector	24	127-3035	1	Bend-Inlet
10	127-4725	1	Intake Collector ASM	25	127-3036	1	Body-Throttle
11	127-4701	1	Stud	26	127-3037	2	Gasket-Throttle
12	127-3030	1	Sensor-Temp, Air	27	125-7209	2	Bolt
13	127-3033	1	O-Ring	28	125-7211	4	Bolt
14	127-4724	1	Collector-Intake	29	127-3177	2	Bolt
15	127-3080	1	Joint-Hose				

# Exhaust Manifold Assembly



## Exhaust Manifold Assembly (continued)

<i>Ref.</i>	<i>Part Number</i>	<i>Qty.</i>	<i>Description</i>	<i>Ref.</i>	<i>Part Number</i>	<i>Qty.</i>	<i>Description</i>
1	127-3775	1	Gasket-Manifold, Exhaust	17	135-4015	2	Bolt
2	127-4727	1	Manifold-Exhaust	18	135-4016	1	Bolt
3	139-6015	1	Bolt-Flange	19	127-3048	1	E G R Pipe ASM
4	135-4014	3	Bolt	20	127-3049	1	Pipe-Out, E G R
5	127-4756	2	Stud	21	125-7043	2	Stud
6	127-4729	1	Sensor-Temp, Exhaust	22	125-7220	2	Bolt
7	127-3087	1	Band-Clip	23	137-5168	1	Sensor-Gas Temp, E G R
8	125-6906	4	Stud	24	127-3780	1	E G R Pipe ASM
9	125-7230	2	Nut	25	127-3016	1	Gasket
10	127-3038	1	Exhaust Pipe ASM	26	125-7215	2	Bolt
11	127-3173	2	Clamp	27	125-7229	2	Nut
12	127-3039	1	Bolt-Joint, Pipe	28	127-3781	1	Valve-E G R
13	127-3174	2	Gasket	29	127-3050	1	Gasket-Intake Valve, E G R
14	125-7206	2	Bolt	30	127-3051	1	Gasket-Out Valve, E G R
15	127-3042	1	Cooler-E G R	31	125-7229	2	Nut
16	127-3043	2	Gasket-Cooler, E G R				

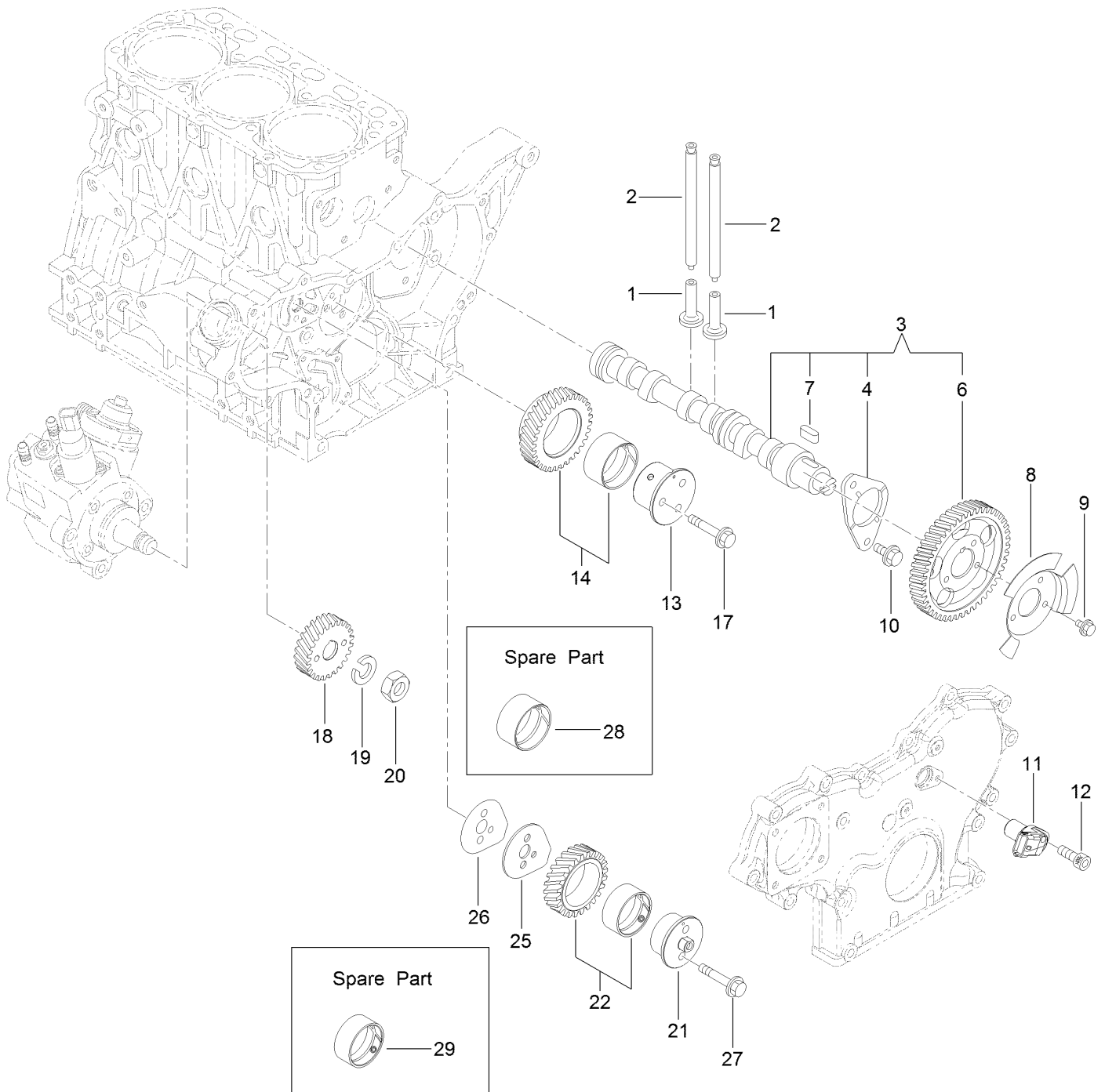




## Diesel Particulate Filter Assembly (continued)

<i>Ref.</i>	<i>Part Number</i>	<i>Qty.</i>	<i>Description</i>	<i>Ref.</i>	<i>Part Number</i>	<i>Qty.</i>	<i>Description</i>
1	127-3019	1	Gasket	23	127-3039	2	Bolt-Joint, Pipe
3	127-4764	1	Sensor-Temp, Exhaust	24	127-3795	1	Pipe-Sensor
4	127-4765	1	Sensor-Temp, Exhaust	25	127-3056	4	Gasket-Sensor
5	127-4730	1	D P F ASM	26	127-3796	1	Pipe-Sensor
6	127-4731	1	Case-Doc	27	127-4746	1	Exhaust Hose ASM
8	127-4733	1	Case-Soot Filter	29	127-3057	2	Clip-Hose
10	127-3786	1	Silencer-D P F	30	127-3059	1	Exhaust Pressure Hose ASM
11	127-3859	2	Gasket-D P F	32	127-3058	2	Clip-Hose
12	127-3055	16	Bolt	33	127-3060	1	Sensor-Pressure
13	127-3788	1	Lifter-D P F	34	127-3061	1	Bracket-Sensor, Pressure
14	127-3789	5	Stiffener-D P F, A	35	125-7208	2	Bolt
15	127-3790	1	Stiffener-D P F, B	36	125-7595	2	Bolt
16	127-3791	1	Stiffener-D P F, C	37	127-3087	1	Band-Clip
17	127-3792	1	Stiffener-D P F, C	38	127-3124	1	Band
18	127-4737	1	Stay-Dpf	39	127-3088	2	Clip-Connector
19	125-7213	2	Bolt	40	127-3179	4	Bolt
20	125-7594	2	Bolt	41	125-7229	4	Nut
21	125-7229	16	Nut				
22	127-4777	1	Sensor Pressure Unit				

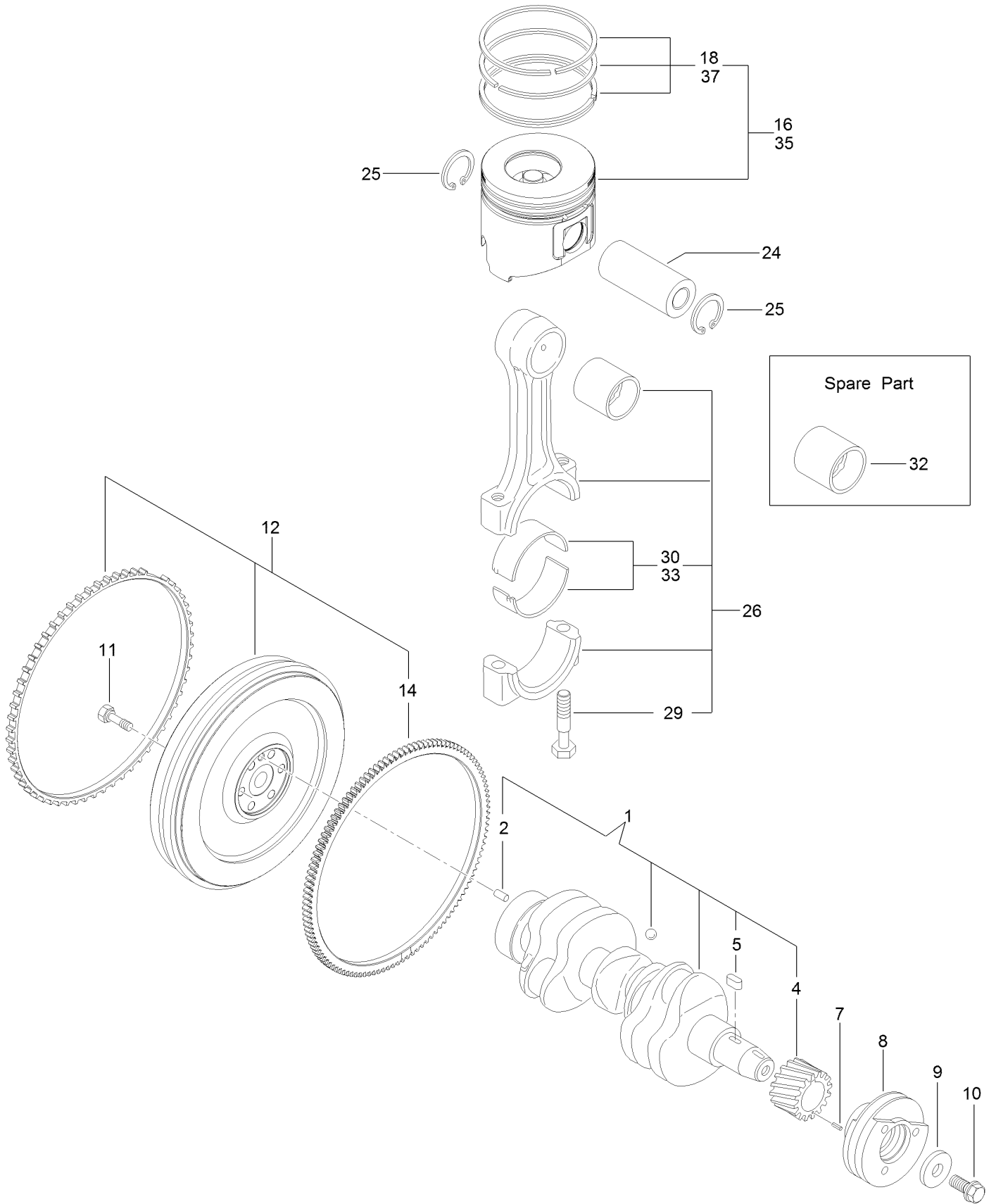
# Camshaft and Driving Gear Assembly



## Camshaft and Driving Gear Assembly (continued)

<i>Ref.</i>	<i>Part Number</i>	<i>Qty.</i>	<i>Description</i>	<i>Ref.</i>	<i>Part Number</i>	<i>Qty.</i>	<i>Description</i>
1	125-7016	6	Tappet	14	127-3066	1	Idle Gear A ASM
2	125-7017	6	Rod-Push	17	125-7219	3	Bolt
3	127-3797	1	Camshaft ASM	18	127-3070	1	Gear-Pump, Supply
4	125-7008	1	Metal-Thrust	19	127-3167	1	Washer-Spring
6	127-3052	1	Gear-Camshaft	20	127-3185	1	Nut-Lock
7	125-7185	1	Key	21	127-3064	1	Shaft-Idle, Gear B
8	127-3053	1	Pulser-Camshaft	22	127-3067	1	Idle Gear B ASM
9	125-7205	3	Bolt	25	127-3068	1	Plate-Idle, Shaft
10	125-7213	2	Bolt	26	127-3069	1	Gasket-Idle, Shaft B
11	127-3054	1	Sensor-Rev, Gear	27	125-7218	2	Bolt
12	127-3184	1	Bolt	28	125-6927	1	Bushing
13	127-3063	1	Shaft-Idle, Gear A	29	127-3065	1	Bushing

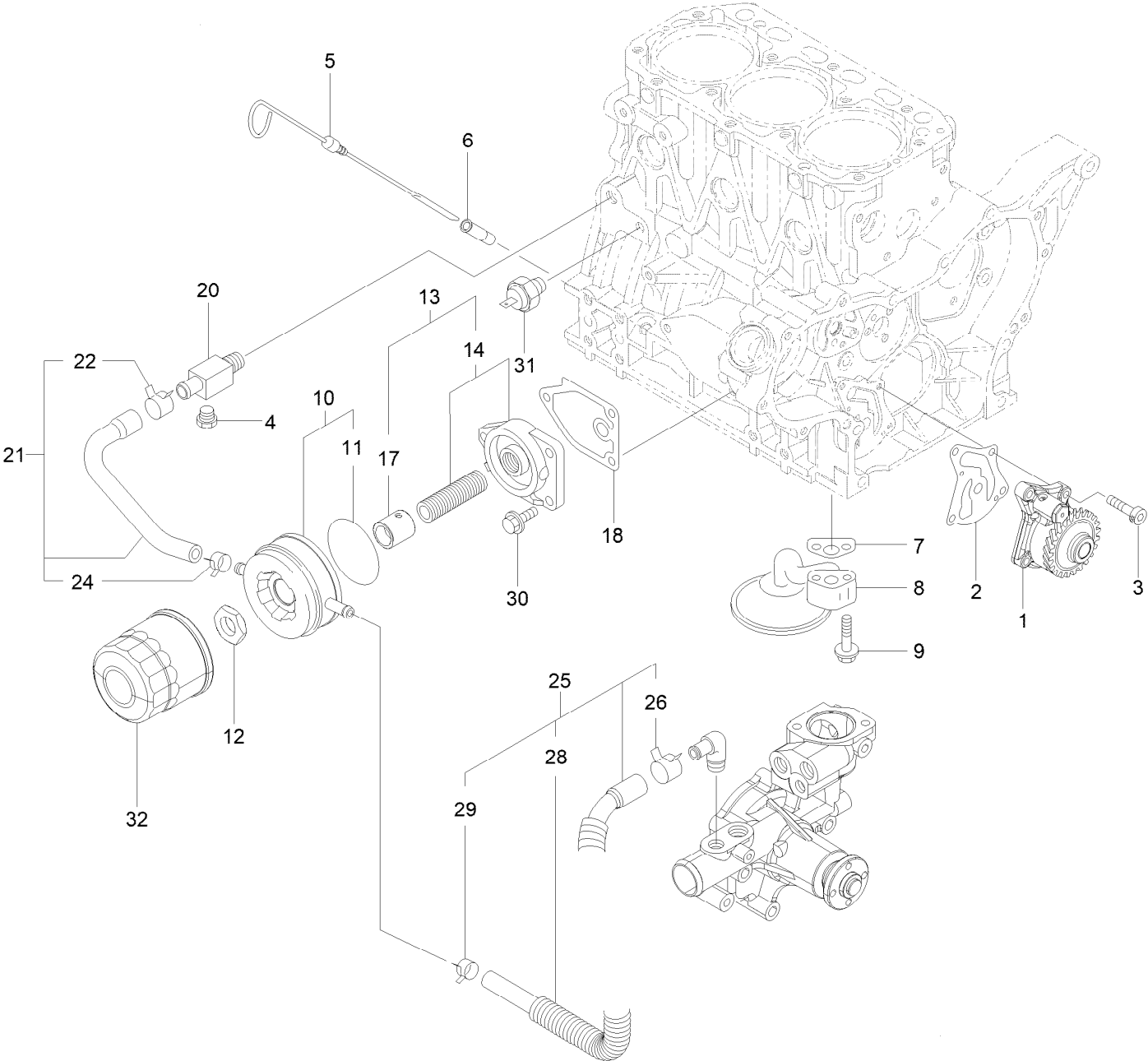
# Crankshaft and Piston Assembly



## Crankshaft and Piston Assembly (continued)

<i>Ref.</i>	<i>Part Number</i>	<i>Qty.</i>	<i>Description</i>	<i>Ref.</i>	<i>Part Number</i>	<i>Qty.</i>	<i>Description</i>
1	127-3800	1	Crankshaft ASM	16	127-4766	3	Piston ASM
2	125-6995	1	Pin	18	127-4751	3	Piston Ring ASM
4	125-6937	1	Gear	24	125-7030	3	Pin
5	125-7185	1	Key	25	125-7180	6	Ring
7	125-7182	1	Pin-Spring	26	125-7242	3	Connecting Rod ASM
8	127-3801	1	Pulley-V	29	125-6955	6	Bolt
9	125-7109	1	Washer	30	125-7018	3	Pin-Crank
10	125-6956	1	Bolt	32	125-6997	3	Pin-Piston
11	125-6951	6	Bolt	33	125-7019	3	Pin-Crank (.25)
12	127-3802	1	Flywheel ASM	35	127-4767	3	Piston ASM (0.25 O S)
14	125-6943	1	Gear	37	127-4752	3	Ring Set (0.25 O S)

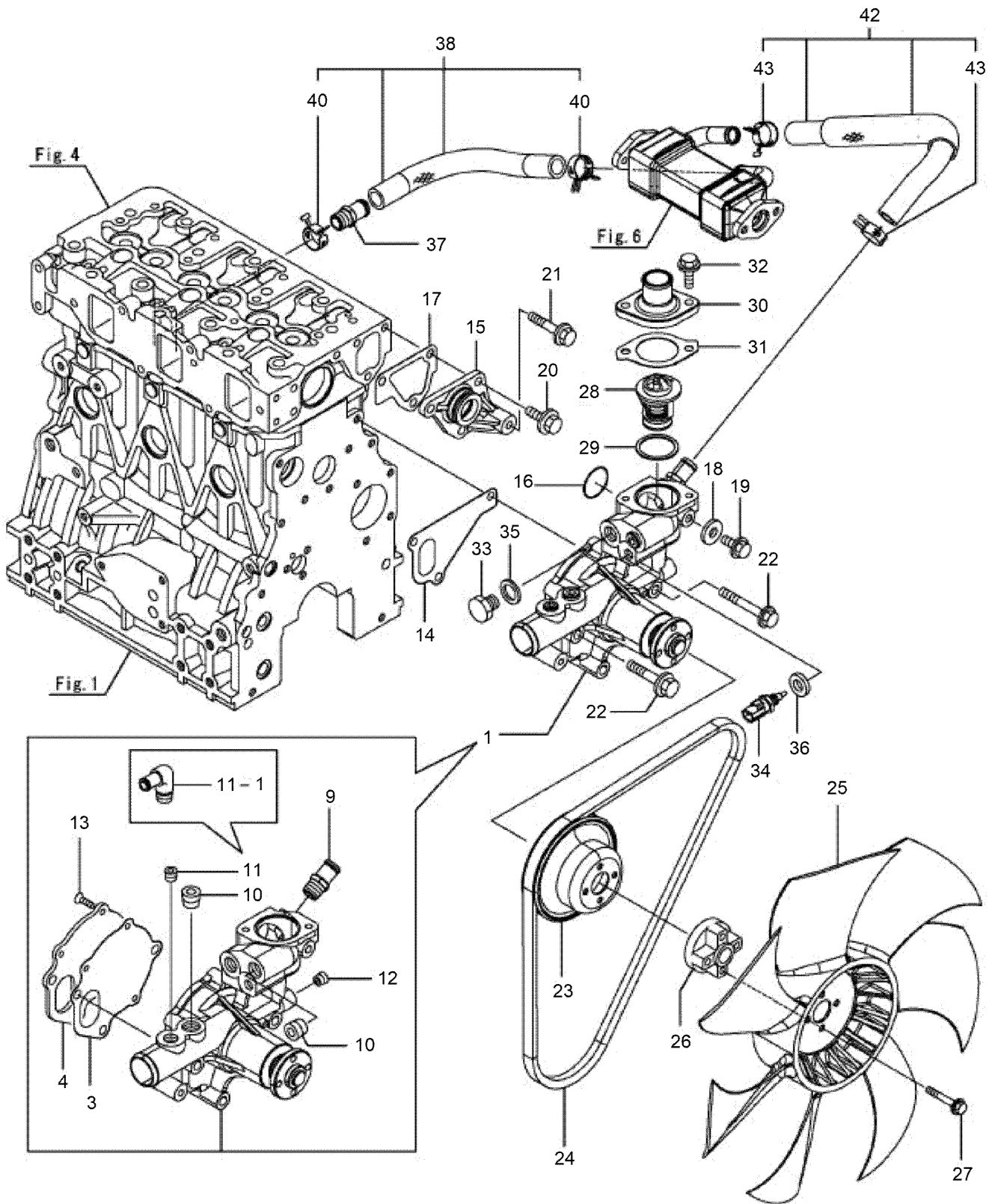
# Lubrication and Oil System Assembly



## Lubrication and Oil System Assembly (continued)

<i>Ref.</i>	<i>Part Number</i>	<i>Qty.</i>	<i>Description</i>	<i>Ref.</i>	<i>Part Number</i>	<i>Qty.</i>	<i>Description</i>
1	127-4753	1	Oil Pump ASM	17	135-4022	1	Collar-Cooler, Oil
2	127-3004	1	Gasket	18	125-7024	1	Gasket
3	125-7232	4	Bolt	20	125-6990	1	Joint
4	125-7171	1	Plug-Drain	21	125-7078	1	Pipe ASM
5	125-6987	1	Dipstick	22	125-7162	1	Clip
6	125-6954	1	Guide-Dipstick	24	125-7191	1	Clamp-Hose
7	125-7022	1	Gasket	25	127-3804	1	Pipe ASM
8	127-3803	1	Pipe ASM	26	125-7162	1	Clip
9	125-7217	2	Bolt	28	127-3805	1	Tube
10	135-4018	1	Oil Cooler ASM	29	125-7191	1	Clamp-Hose
11	135-4019	1	Packing-Oil Cooler	30	125-7595	3	Bolt
12	135-4020	1	Nut	31	125-6918	1	Switch-Oil
13	135-4021	1	Lo Filter Bracket ASM	32	125-7025	1	Filter-Engine, Oil
14	125-6989	1	Bracket ASM				

# Cooling System Assembly

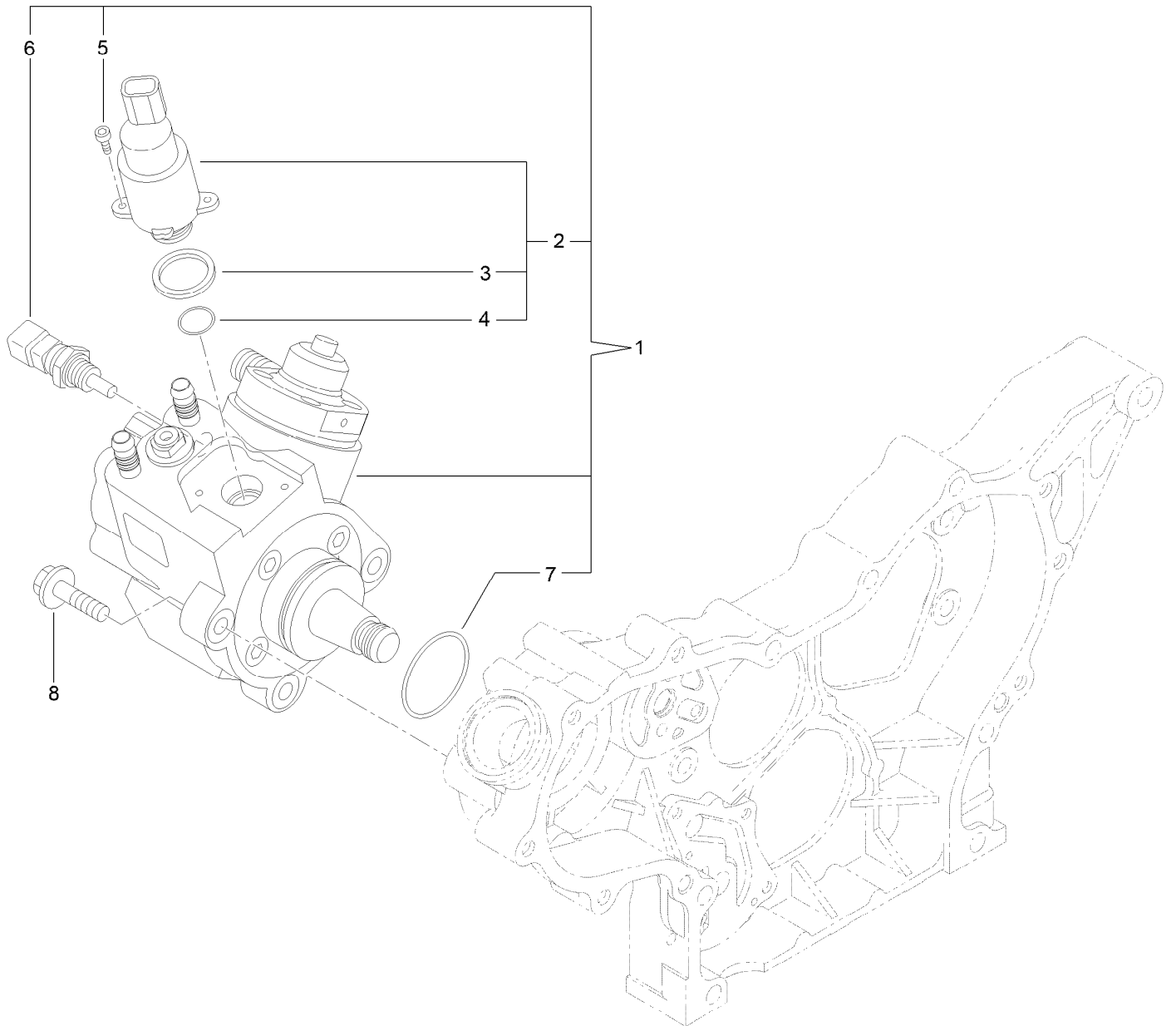




## Cooling System Assembly (continued)

<i>Ref.</i>	<i>Part Number</i>	<i>Qty.</i>	<i>Description</i>	<i>Ref.</i>	<i>Part Number</i>	<i>Qty.</i>	<i>Description</i>
1	131-2714	1	Water Pump ASM	24	127-2998	1	V-Belt
3	125-6998	1	Gasket	25	127-4713	1	Fan
4	125-6999	1	Plate	26	127-4768	1	Spacer
9	127-3017	1	Joint	27	125-7211	4	Bolt
10	125-7123	2	Plug	28	125-7029	1	Thermostat
11	125-7001	1	Elbow	29	125-7026	1	Gasket
12	125-7195	1	Plug	30	125-7034	1	Cover
13	125-7234	3	Screw	31	125-7110	1	Gasket
14	125-7047	1	Gasket	32	125-7594	2	Bolt
15	125-6986	1	Joint	33	125-6953	1	Plug
16	125-7048	1	O-Ring	34	125-7124	1	Sensor-Thermostat, CW
17	125-6978	1	Gasket	35	125-6979	1	Gasket
18	125-7192	1	Gasket	36	125-7176	1	Washer-Seal
19	93-0362	1	Bolt	37	127-3017	1	Joint
20	100-6928	3	Bolt	38	127-3072	1	Water In Pipe ASM
21	125-7219	1	Bolt	40	127-3020	2	Clip-Hose
22	125-7222	3	Bolt	42	127-3811	1	CW Pipe ASM
23	125-7039	1	V-Pulley	43	127-3020	2	Clip-Hose

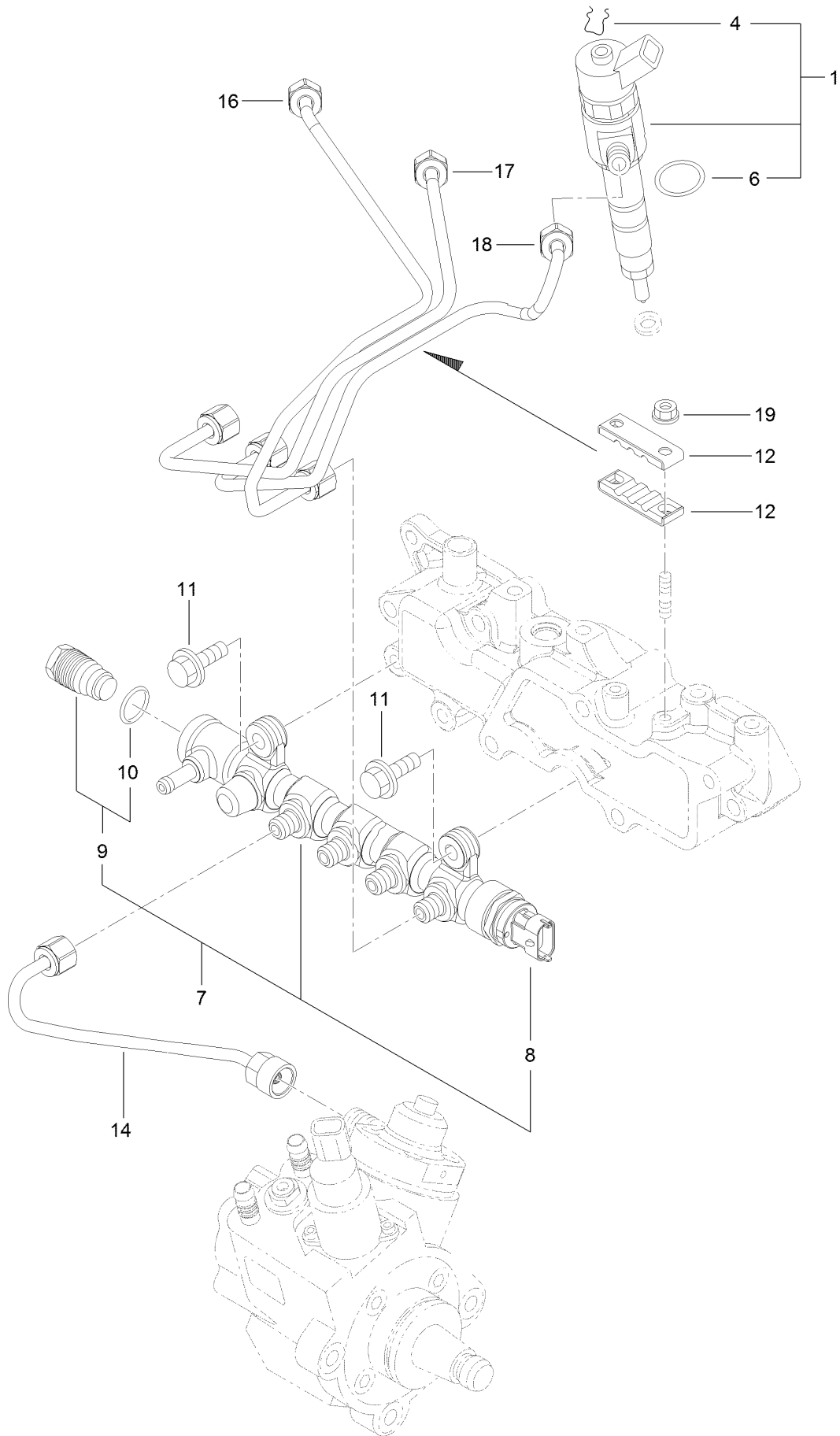
# Fuel System Assembly



## Fuel System Assembly (continued)

<i>Ref.</i>	<i>Part Number</i>	<i>Qty.</i>	<i>Description</i>	<i>Ref.</i>	<i>Part Number</i>	<i>Qty.</i>	<i>Description</i>
1	127-3073	1	Fuel Pump ASM	5	131-2107	2	Bolt
2	131-2103	1	Valve ASM	6	131-2108	1	Sensor-Temperature
3	131-2105	3	Ring-Sealing	7	127-3074	1	O-Ring
4	131-2106	1	O-Ring	8	125-7216	3	Bolt

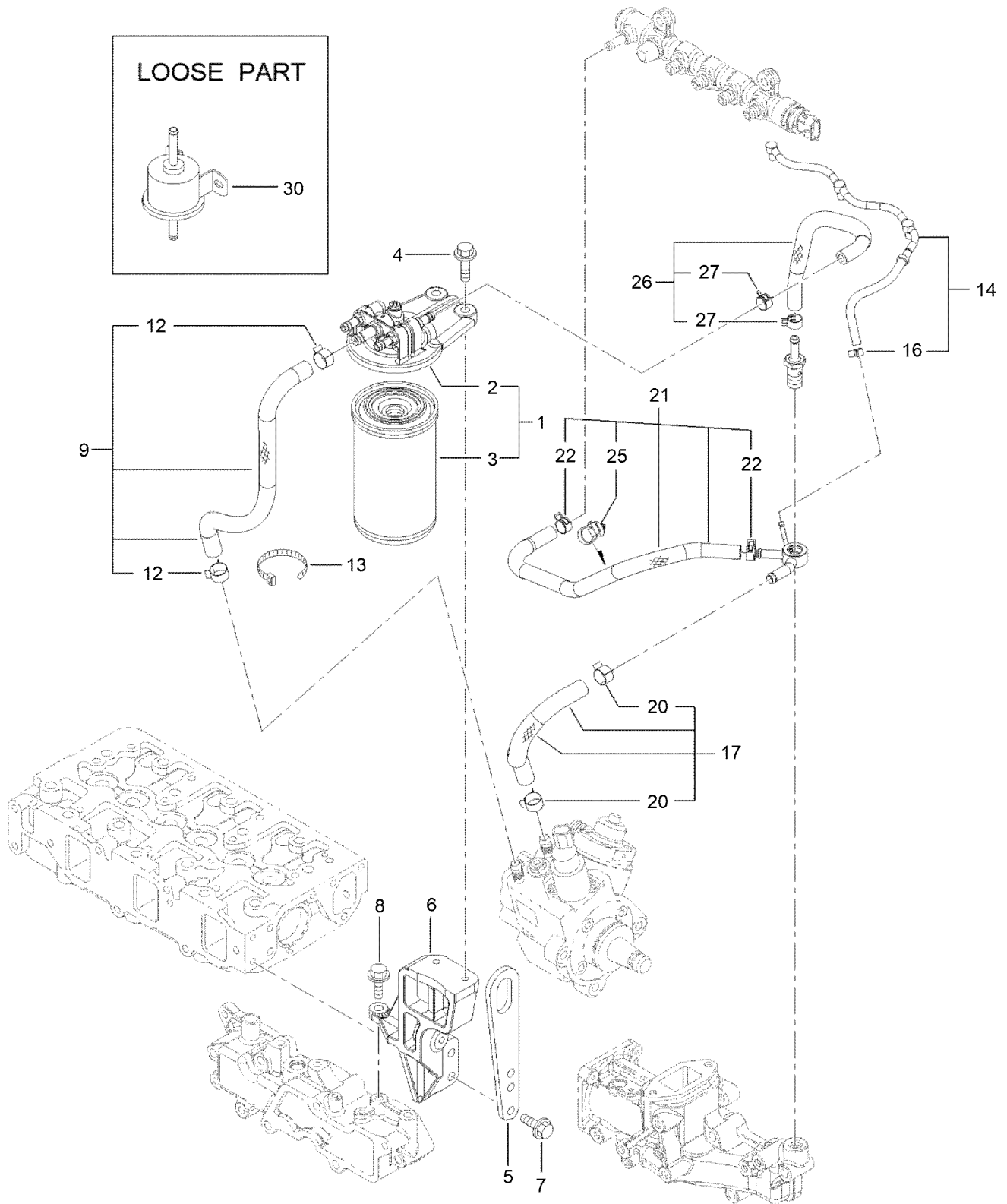
# Fuel Injection Valve Assembly



## Fuel Injection Valve Assembly (continued)

<i>Ref.</i>	<i>Part Number</i>	<i>Qty.</i>	<i>Description</i>	<i>Ref.</i>	<i>Part Number</i>	<i>Qty.</i>	<i>Description</i>
1	127-4754	3	Injector ASM	11	125-7215	2	Bolt
4	130-7430	3	Ring-Retaining	12	127-3813	2	Retainer
6	137-5173	3	O-Ring	14	127-3082	1	Rail In Pipe ASM
7	127-3812	1	Rail ASM	16	127-3814	1	Injection Pipe ASM
8	131-2709	1	Sensor-Pressure, Rail	17	127-3083	1	Injection Pipe ASM
9	131-2710	1	Valve ASM	18	127-3084	1	Injection Pipe ASM
10	130-7433	1	O-Ring	19	125-7231	2	Nut

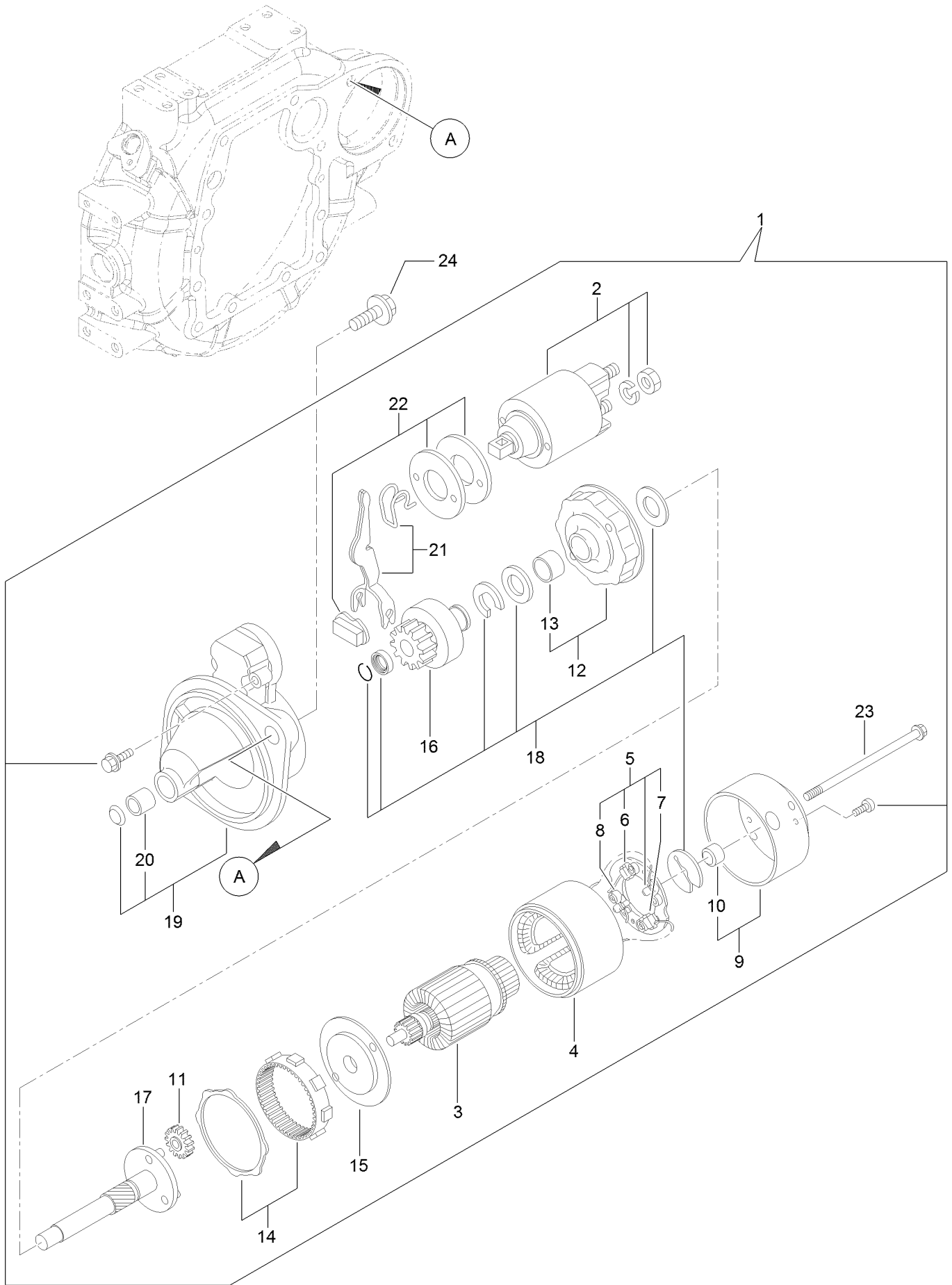
# Fuel Line Assembly



## Fuel Line Assembly (continued)

<i>Ref.</i>	<i>Part Number</i>	<i>Qty.</i>	<i>Description</i>	<i>Ref.</i>	<i>Part Number</i>	<i>Qty.</i>	<i>Description</i>
1	139-6016	1	Fuel/Oil Filter ASM	14	131-2729	1	Joint-Hose, 4 Way
2	127-3076	1	Fuel/Oil Filter Bracket ASM	16	127-3172	1	Clamp-Hose
3	139-6017	1	Filter-Fuel	17	127-3078	1	Fuel Pipe ASM
4	125-7216	2	Bolt	20	125-7191	2	Clamp-Hose
5	125-7111	1	Lifter	21	127-3817	1	Fuel Pipe ASM
6	127-3815	1	Filter Bracket ASM	22	127-2950	2	Clip-Hose
7	125-7215	2	Bolt	25	127-3087	1	Band-Clip
8	125-7215	1	Bolt	26	127-3079	1	Fuel Pipe ASM
9	127-3077	1	Fuel Pipe ASM	27	127-2950	2	Clip-Hose
12	125-7191	2	Clamp-Hose	30	121-5613	1	Pump-Fuel, Electric
13	127-2981	1	Band				

# Starting Motor Assembly

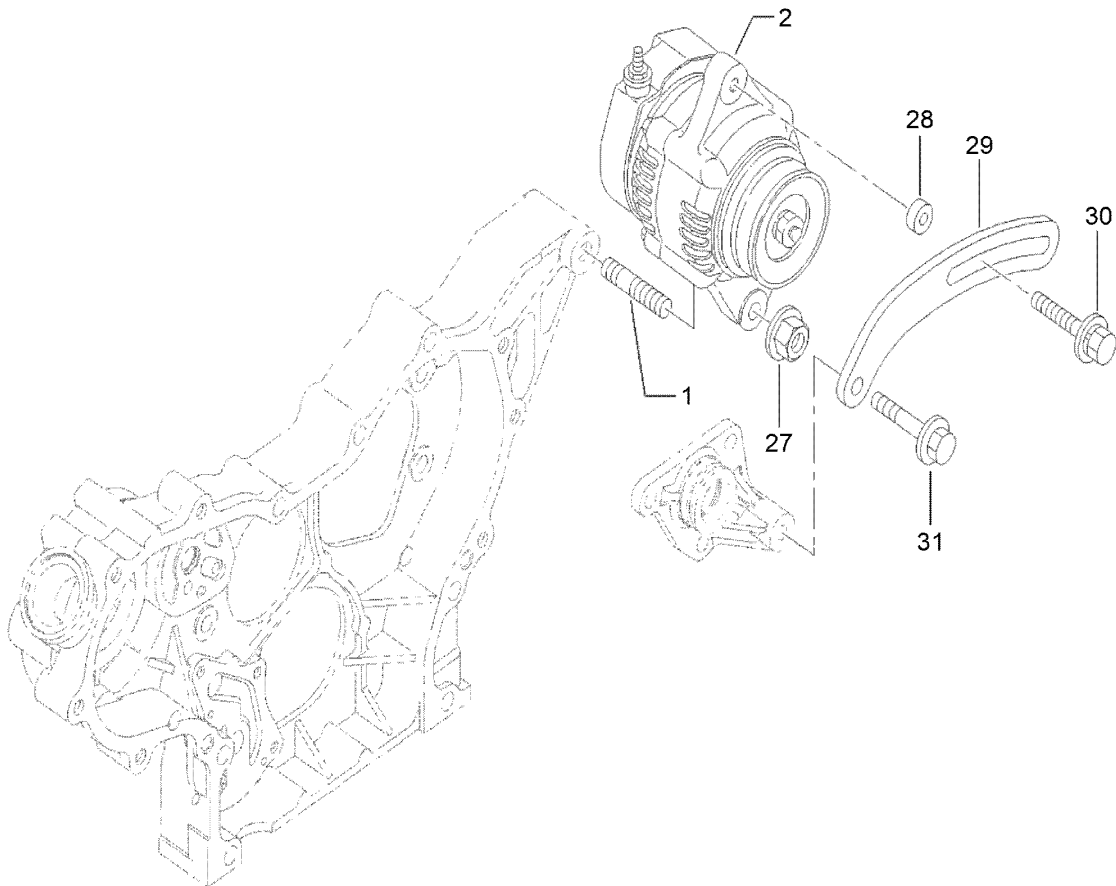
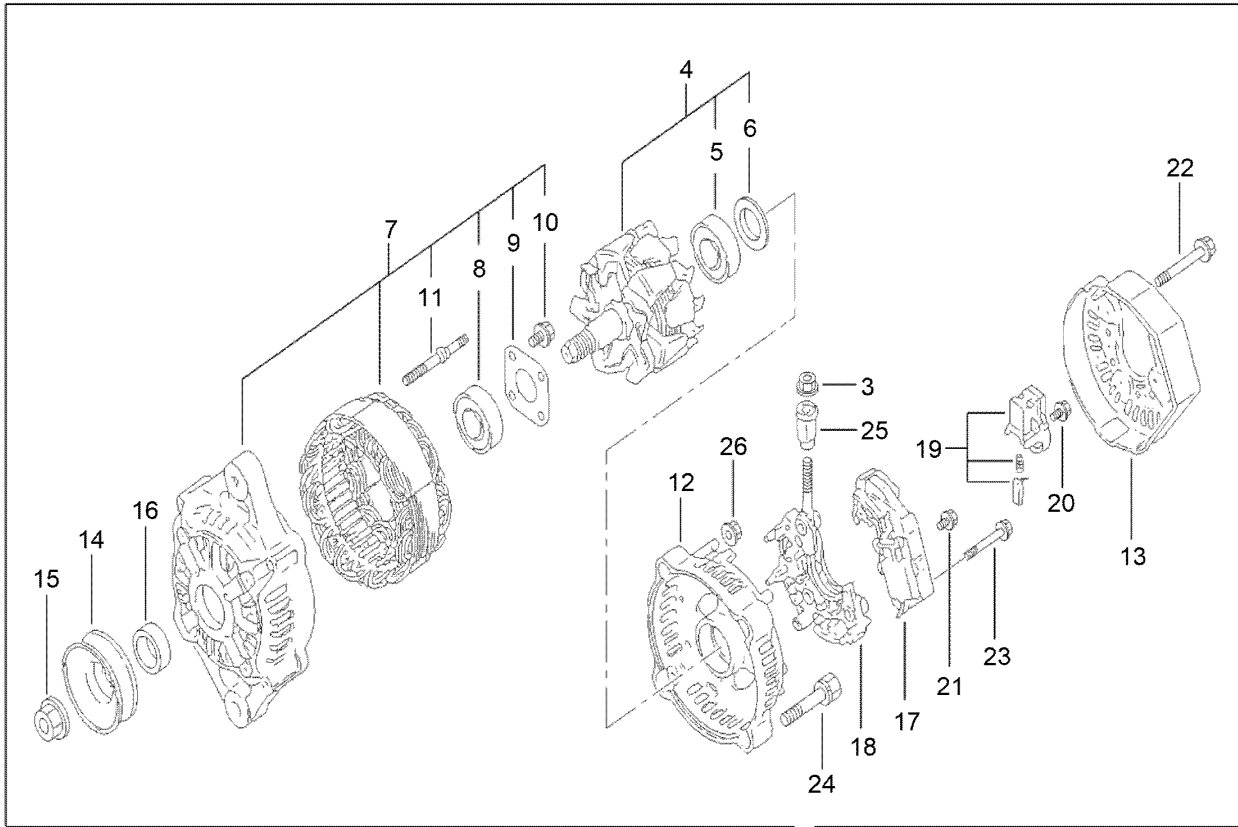




## Starting Motor Assembly (continued)

<i>Ref.</i>	<i>Part Number</i>	<i>Qty.</i>	<i>Description</i>	<i>Ref.</i>	<i>Part Number</i>	<i>Qty.</i>	<i>Description</i>
1	127-3818	1	Starter ASM	13	127-3830	1	Bracket
2	127-3819	1	Switch ASM	14	127-3831	1	Gear
3	127-3820	1	Armature ASM	15	127-3832	1	Bracket
4	127-3821	1	Yoke ASM	16	127-3833	1	Pinion ASM
5	127-3822	1	Brush Holder ASM	17	127-3834	1	Shaft
6	127-3823	2	Brush	18	127-3835	1	Washer Set
7	127-3824	1	Brush Set	19	127-3836	1	Case ASM
8	127-3825	4	Spring	20	127-3837	1	Metal-Starter
9	127-3826	1	Cover ASM	21	127-3838	1	Lever Set
10	127-3827	1	Metal	22	127-3839	1	Dust Cover ASM
11	127-3828	3	Gear	23	127-3840	2	Bolt-Through
12	127-3829	1	Bracket	24	125-7225	2	Bolt

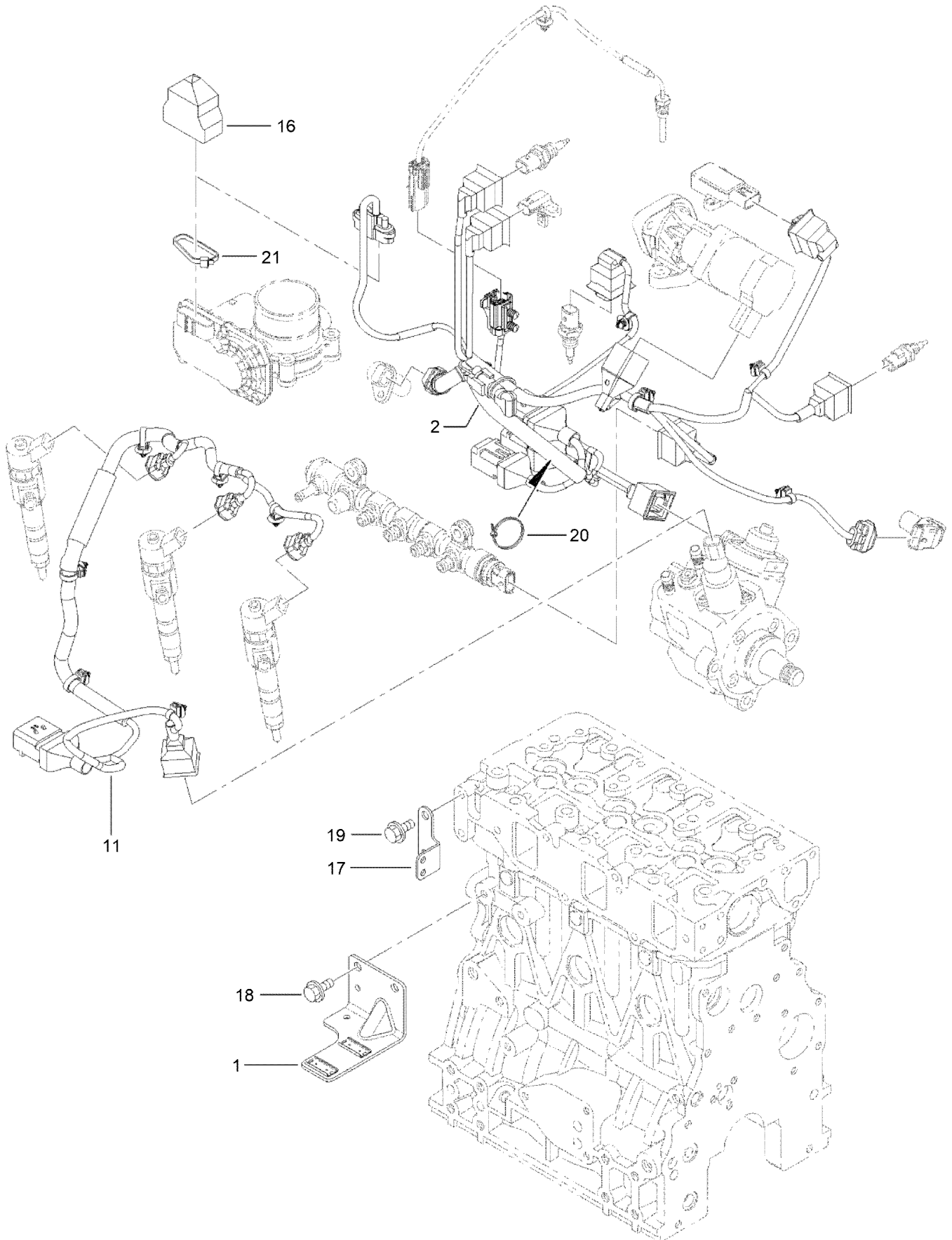
# Generator Assembly



## Generator Assembly (continued)

<i>Ref.</i>	<i>Part Number</i>	<i>Qty.</i>	<i>Description</i>	<i>Ref.</i>	<i>Part Number</i>	<i>Qty.</i>	<i>Description</i>
1	127-3011	1	Stud	17	135-4026	1	Regulator ASM
2	139-6018	1	Generator	18	127-3848	1	Holder
3	127-3190	1	Nut	19	127-2993	1	Holder
4	127-3843	1	Rotor ASM	20	127-2965	6	Screw
5	127-2983	1	Bearing-Ball	21	127-2966	1	Screw
6	127-2962	1	Cover	22	127-2967	3	Bolt
7	135-4025	1	Frame ASM	23	127-2968	2	Screw
8	127-2958	1	Bearing-Ball	24	127-2969	2	Bolt
9	127-2959	1	Plate-Retainer	25	127-2970	1	Bushing-Insulation
10	127-2960	4	Screw	26	127-2971	2	Nut
11	127-2961	2	Stud	27	125-7230	1	Nut
12	127-3845	1	Frame	28	125-6947	1	Spacer
13	127-3846	1	Cover	29	127-2977	1	Adjuster
14	127-2954	1	Pulley	30	125-7134	1	Bolt
15	127-2955	1	Nut	31	125-7219	1	Bolt
16	127-2957	1	Collar				

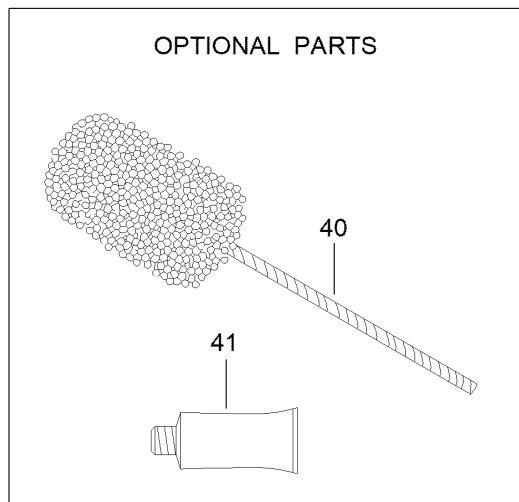
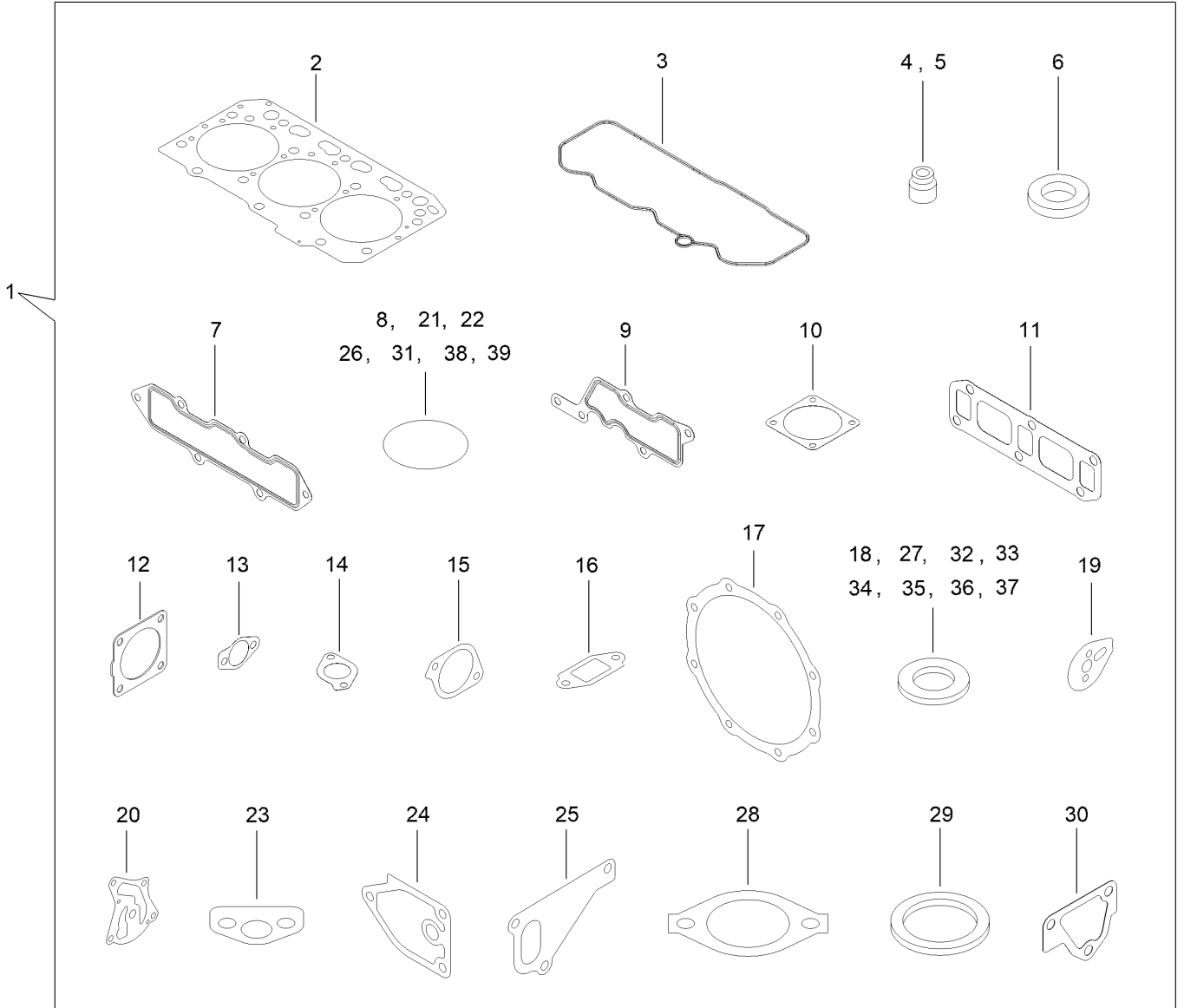
# Electrical Assembly



## Electrical Assembly (continued)

<i>Ref.</i>	<i>Part Number</i>	<i>Qty.</i>	<i>Description</i>	<i>Ref.</i>	<i>Part Number</i>	<i>Qty.</i>	<i>Description</i>
1	130-7436	1	Bracket-Connector	18	125-7213	2	Bolt
2	135-4029	1	Harness	19	93-0362	2	Bolt
11	130-7438	1	Harness	20	127-3187	1	Band
16	131-2713	1	Boot-Cap	21	127-3188	1	Band
17	127-3090	1	Bracket-Harness				

# Gasket Set



## Gasket Set (continued)

<i>Ref.</i>	<i>Part Number</i>	<i>Qty.</i>	<i>Description</i>	<i>Ref.</i>	<i>Part Number</i>	<i>Qty.</i>	<i>Description</i>
1	127-4776	1	Gasket Kit	22	127-2973	1	O-Ring
2	127-4716	1	Head Gasket ASM	23	125-7022	1	Gasket
3	127-3856	1	Gasket-Valve Cover	24	125-7024	1	Gasket
4	127-2986	3	Seal-Stem, Valve	25	125-7047	1	Gasket
5	127-3027	3	Seal-Stem, Valve	26	125-7048	1	O-Ring
6	127-3021	3	Gasket-Injector	27	125-6979	1	Gasket
7	127-3857	1	Gasket-Manifold, Intake	28	125-7110	1	Gasket
8	127-3033	1	O-Ring	29	125-7026	1	Gasket
9	127-3034	1	Gasket-Collector	30	125-6978	1	Gasket
10	127-3037	2	Gasket-Throttle	31	127-3074	1	O-Ring
11	127-3775	1	Gasket-Manifold, Exhaust	32	125-7174	1	Washer-Seal
12	127-3019	1	Gasket	33	125-7176	1	Washer-Seal
13	127-3043	2	Gasket-Cooler, E G R	34	127-3166	2	Washer-Seal
14	127-3016	1	Gasket	35	125-7177	1	Washer-Seal
15	127-3050	1	Gasket-Intake Valve, E G R	36	125-7192	1	Gasket
16	127-3051	1	Gasket-Out Valve, E G R	37	127-3174	2	Gasket
17	127-3859	2	Gasket-D P F	38	93-0418	3	O-Ring
18	127-3056	4	Gasket-Sensor	39	125-7197	2	O-Ring
19	127-3069	1	Gasket-Idle, Shaft B	40	127-3000	1	Hone
20	127-3004	1	Gasket	41	125-7248	1	Gasket-Liquid
21	125-6909	2	O-Ring				

# Attachments and Accessories

## For 22370 TX 1300 Compact Tool Carrier

<b>Product Name</b>	<b>Model/Part</b>
High Volume Bucket .....	22342
Standard Bucket, Dingo TX 1300 .....	22345
Low Profile Bucket, Dingo TX 1300 .....	22346
48in Hydraulic Blade .....	22414
Bore Drive Head .....	22420
Rod and Reamer .....	22421
Multi-Purpose Tool .....	22423
Direct Drive Power Box Rake .....	22426
Stump Grinder .....	22429
Tree Forks .....	22438
Cement Bowl .....	22442
40in Tiller .....	22445
Crumber Kit .....	22464
Trench Filler .....	22472
High-Torque Trencher Head .....	22473
High-Speed Trencher Head .....	22474
4-in-1 Bucket .....	22478
Grapple Rake .....	22577
Snow Thrower .....	22585
Adjustable Forks .....	22586
Grapple Bucket .....	22590
Auger Head .....	22805
Universal Swivel Auger Head .....	22806
18in Auger Bit .....	22814
24in Auger Bit .....	22815
30in Auger Bit .....	22816
12in Auger Bit Extension .....	22818
24in Auger Bit Extension .....	22819
6in Full-Flight Auger Bit .....	22820
9in Full-Flight Auger Bit .....	22821
12in Full-Flight Auger Bit .....	22822
15in Full-Flight Auger Bit .....	22823
Vibratory Plow .....	22911
Soil Cultivator .....	23102
Leveler .....	23165
New Red Paint - Gallon .....	361-11
Dark Metallic Gray Aerosol Paint .....	361-12
Semi-Gloss Black Spray Paint .....	361-9
Air Dry Red Paint - Qt .....	5340



**Notes:**

**Notes:**

**Notes:**



**Count on it.**