



Count on it.

Parts Catalog

**60in Side Discharge Rotary
Mower**

**Groundsmaster® e3200 2-Wheel Drive
Traction Unit**

Model No. 31890—Serial No. 400000000 and Up



Ordering Replacement Parts

To order replacement parts, please supply the part number, the quantity, and the description of each part desired.

Understanding Reference Numbers

Each identified part in an illustration has a reference number. The reference number for a part also appears in the parts list, along with other information about the part.

This catalog uses two special reference number formats, one to indicate parts in a service assembly and another to indicate the quantity of a given part in an illustration.

Service Assembly Reference Numbers

Parts in service assemblies have reference numbers in the form a:b. The a represents the reference number of the entire service assembly and the b represents a sequential number unique to each part within the service assembly.

For example, a wheel assembly might be identified by reference number 6, the tire by 6:1, the valve by 6:2, and the wheel by 6:3. When you order the assembly identified by reference number 6, you receive all parts identified by reference numbers 6:1, 6:2, and 6:3. However, you may also order any part individually. Reference numbers of this type appear in illustration and in parts lists.

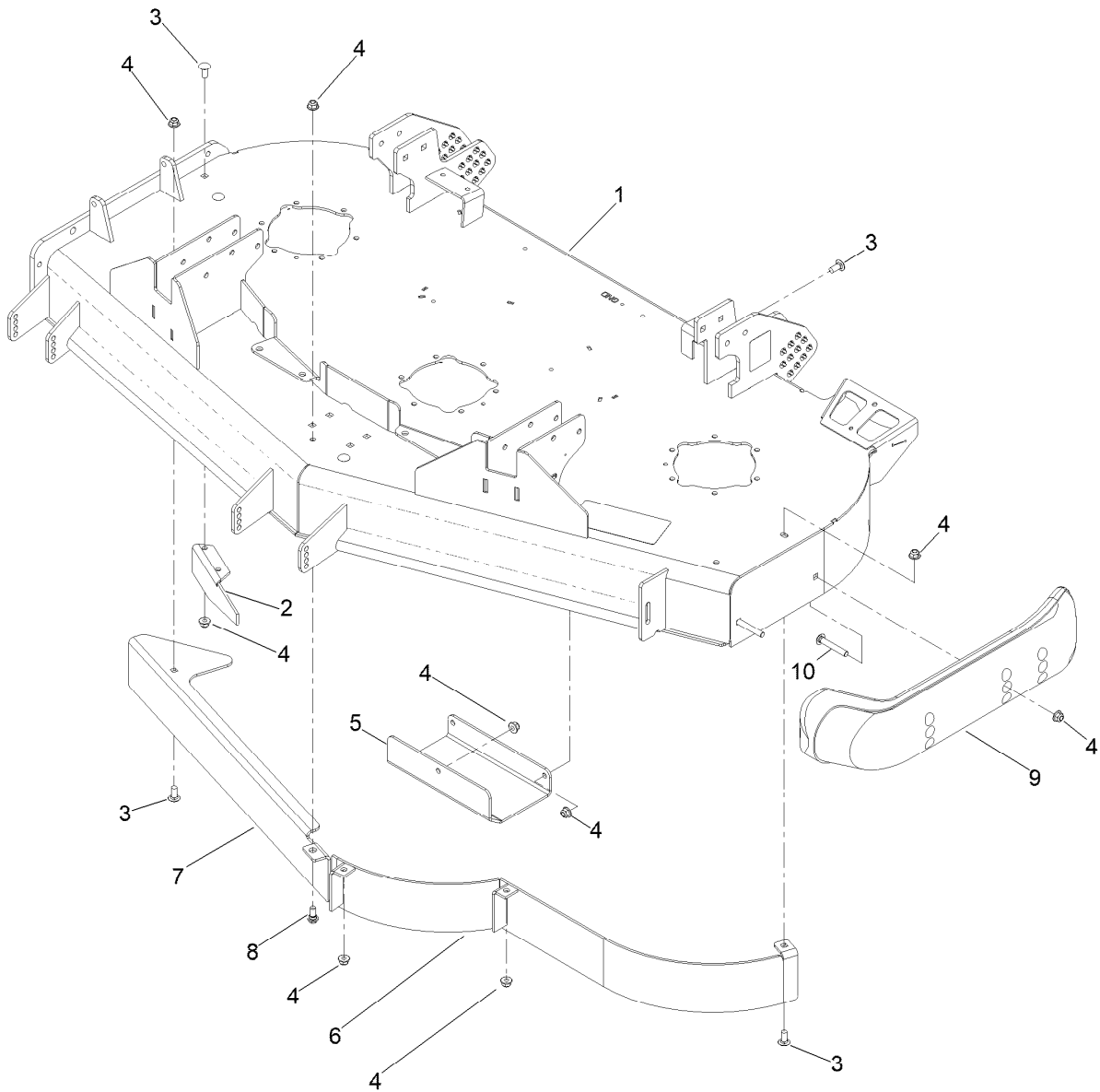
Reference Numbers Indicating Quantity

In an illustration, if a reference number indicates more than one part, the reference number has the form nX y. The n represents the quantity of the part, the X is the multiplication symbol, and the y represents the reference number.

For example, in an illustration, the reference number 2X 37 means that two of the parts identified by reference number 37 are indicated.

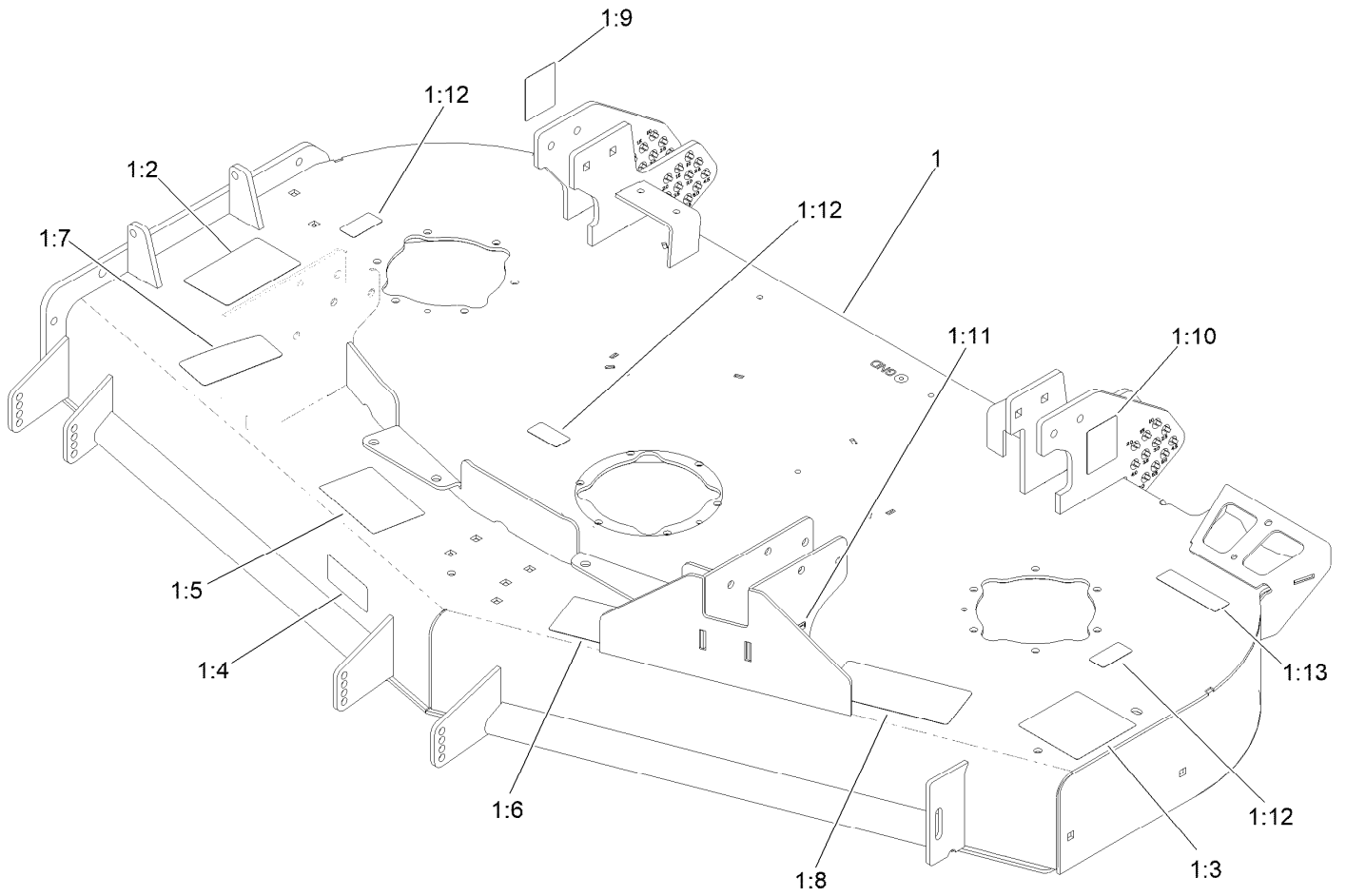
Contents

| | |
|--|----|
| Deck and Baffle Assembly | 4 |
| Deck Decal Assembly No. 145-0941SP..... | 5 |
| Caster Wheel, Deflector and Latch Assembly | 6 |
| Deflector Assembly No. 144-2635..... | 7 |
| Wheel Assembly No. 137-5529..... | 8 |
| Latch Assembly No. 147-0070..... | 9 |
| Electrical Assembly | 10 |



Deck and Baffle Assembly

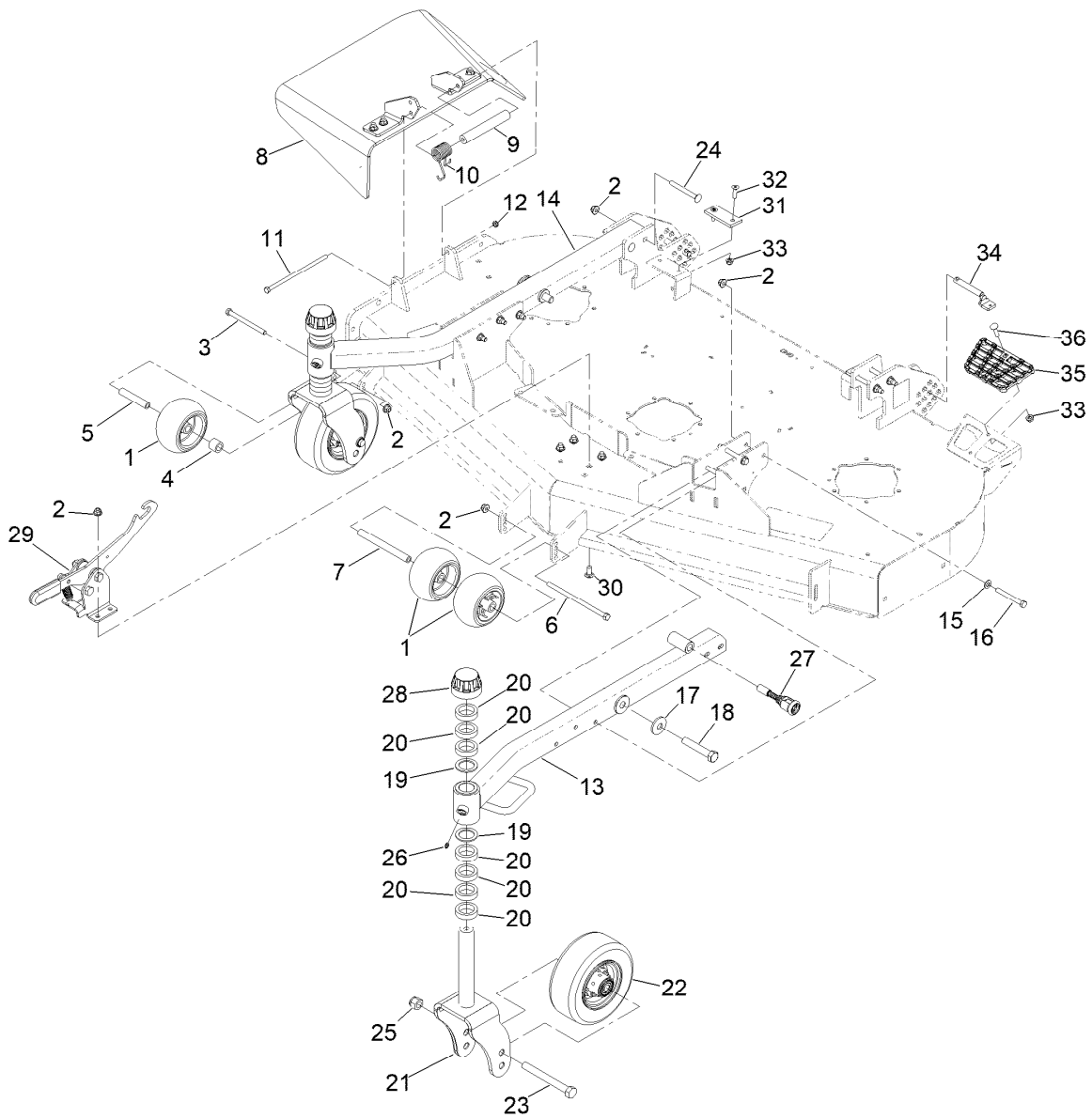
| <i>Ref.</i> | <i>Part Number</i> | <i>Qty.</i> | <i>Description</i> |
|-------------|--------------------|-------------|---------------------|
| 1 | 145-0941SP | 1 | Service Deck 60" Sd |
| 2 | 106-3216-01 | 1 | Baffle-Discharge |
| 3 | 3231-27 | 9 | Screw-CARR |
| 4 | 104-8301 | 12 | Nut-HF, NI |
| 5 | 137-5918-01 | 1 | Bracket-Skid |
| 6 | 138-7322-01 | 1 | Front-Baffle |
| 7 | 138-6051-01 | 1 | Plate-Baffle |
| 8 | 94-7582 | 1 | Bolt-Shoulder |
| 9 | 112-1479 | 1 | Skid-Bumper, Deck |
| 10 | 3231-44 | 2 | Screw-CARR |



Deck Decal Assembly No. 145-0941SP

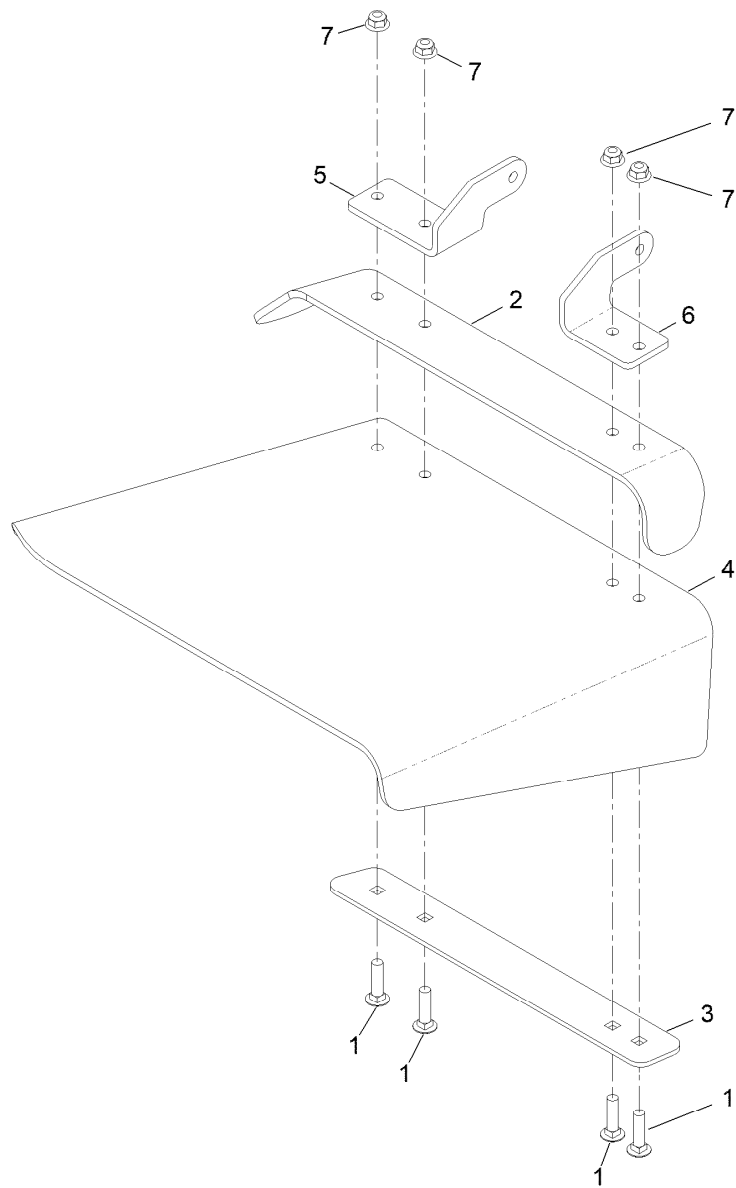
| Ref. | Part Number | Qty. | Description |
|------|-------------|------|--------------------------|
| 1 | | 1 | Service Deck 60"sd ● |
| 1:2 | 147-2081 | 1 | Decal-Danger, CE |
| 1:3 | 120-6604 | 1 | Decal-Danger |
| 1:4 | 116-8283 | 1 | Decal-Torque, Bolt |
| 1:5 | 108-1990 | 1 | Decal |
| 1:6 | 127-0326 | 1 | Decal-Scalp, Anti |
| 1:7 | 131-1180 | 1 | Decal-Adjustment, Baffle |
| 1:8 | 137-5949 | 1 | Decal-HOC |
| 1:9 | 137-5946 | 1 | Decal-HOC, RH |
| 1:10 | 137-5945 | 1 | Decal-HOC, LH |
| 1:11 | 133-8061 | 1 | Decal-Warning |
| 1:12 | 137-8127 | 3 | Decal-No Spray |
| 1:13 | 144-7008 | 1 | Decal-Service, Shut-Off |

● Not serviced separately



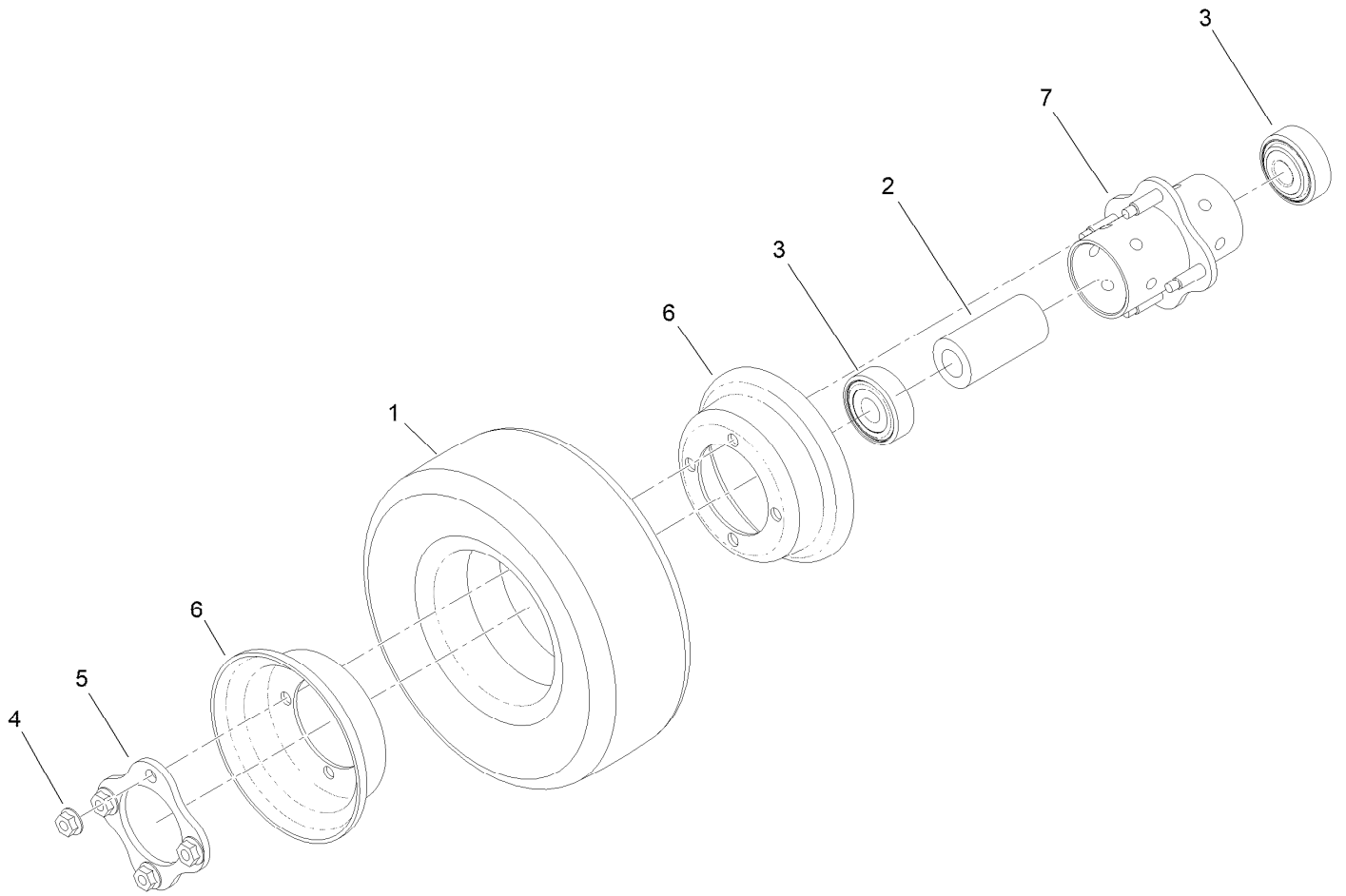
Caster Wheel, Deflector and Latch Assembly

| Ref. | Part Number | Qty. | Description | Ref. | Part Number | Qty. | Description |
|------|-------------|------|--------------------------|------|-------------|------|----------------|
| 1 | 1-603299 | 3 | Roller-Scalp, Anti | 19 | 69-6860 | 4 | Washer-Thrust |
| 2 | 104-8301 | 16 | Nut-HF, NI | 20 | 69-1510 | 14 | Spacer |
| 3 | 323-23 | 1 | Screw-HH | 21 | 137-2546-01 | 2 | Fork-Caster |
| 4 | 98-7913 | 1 | Tube-Spacer | 22 | 137-5529 | 2 | Wheel ASM |
| 5 | 98-7912 | 1 | Tube-Spinner | 23 | 327-24 | 2 | Screw-HH |
| 6 | 108-5388 | 1 | Screw-HH | 24 | 3231-11 | 4 | Screw-CARR |
| 7 | 98-5967 | 1 | Spacer-Wheel | 25 | 3296-53 | 2 | Nut-Lock, NI |
| 8 | 144-2635 | 1 | Rubber Deflector ASM | 26 | 302-5 | 2 | Fitting-Grease |
| 9 | 105-4622 | 1 | Spacer | 27 | 139-6345 | 1 | Spring-Pin |
| 10 | 108-4052 | 1 | Spring-Torsion | 28 | 92-9727 | 2 | HOC Cap ASM |
| 11 | 322-50 | 1 | Screw-HH | 29 | 147-0070 | 1 | Latch ASM |
| 12 | 3296-47 | 1 | Nut-Lock,NI | 30 | 3231-27 | 4 | Screw-CARR |
| 13 | 137-5912-01 | 1 | Arm-Caster, LH | 31 | 138-4452 | 2 | Pad-Stop, Deck |
| 14 | 138-0279-01 | 1 | Arm-Caster, RH | 32 | 133-4543 | 4 | Screw |
| 15 | 3256-24 | 6 | Washer-Plain | 33 | 104-8300 | 5 | Nut-HF, NI |
| 16 | 323-20 | 6 | Screw-HH | 34 | 140-3064 | 2 | Pin-HOC ASM |
| 17 | 103-0865 | 2 | Washer-Blade Bolt, Heavy | 35 | 126-4781 | 1 | Step-Deck |
| 18 | 139-6203 | 2 | Screw-HH | 36 | 3230-3 | 1 | Screw-CARR |



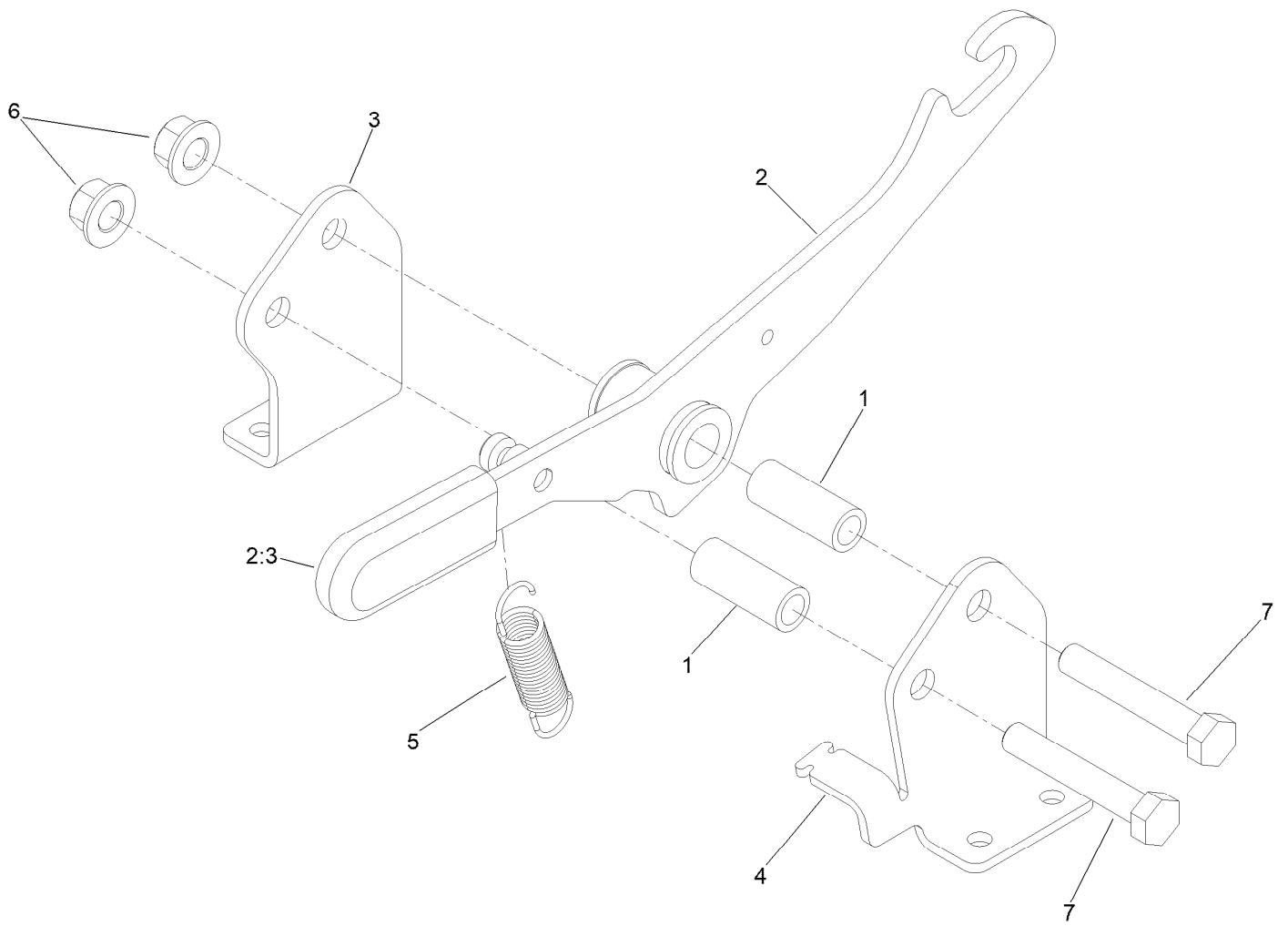
Deflector Assembly No. 144-2635

| <i>Ref.</i> | <i>Part Number</i> | <i>Qty.</i> | <i>Description</i> |
|-------------|--------------------|-------------|------------------------|
| 1 | 3231-4 | 4 | Screw-CARR |
| 2 | 106-3246-01 | 1 | Deflector |
| 3 | 106-3248-03 | 1 | Strap-Discharge |
| 4 | 139-8114 | 1 | Deflector-Deck, Rubber |
| 5 | 108-4059-01 | 1 | Plate-Hinge, Rear |
| 6 | 106-3253-01 | 1 | Plate-Hinge, Front |
| 7 | 104-8301 | 4 | Nut-HF, NI |



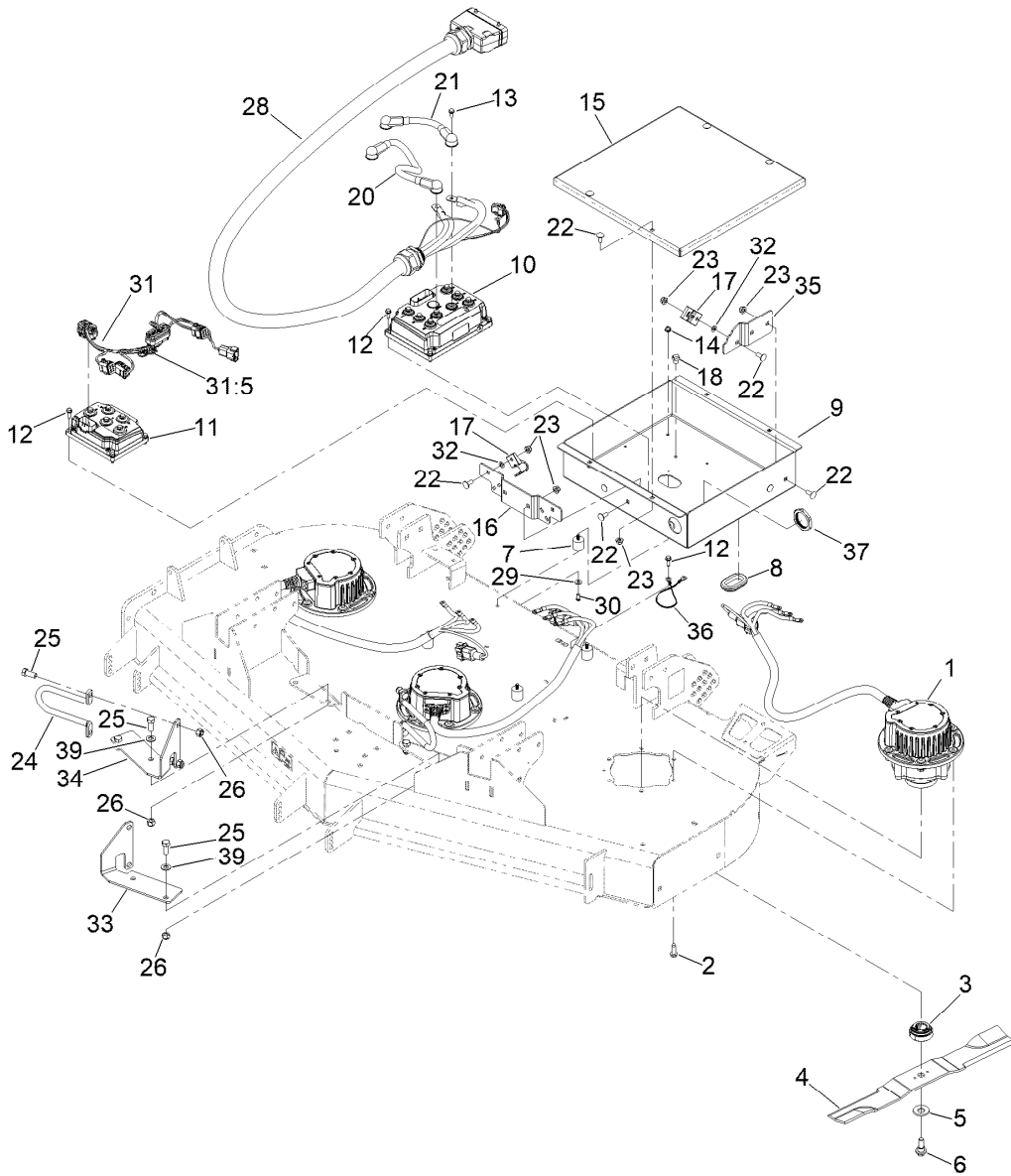
Wheel Assembly No. 137-5529

| <i>Ref.</i> | <i>Part Number</i> | <i>Qty.</i> | <i>Description</i> |
|-------------|--------------------|-------------|-----------------------|
| 1 | 136-4424 | 1 | Tire-Pneumatic, Semi |
| 2 | 93-4241 | 1 | Spacer-Bearing, Inner |
| 3 | 120-3366 | 2 | Bearing |
| 4 | 32128-16 | 4 | Nut-HHF |
| 5 | 93-4242 | 1 | Plate |
| 6 | 137-5552 | 2 | Rim-Wheel, Half |
| 7 | 93-5980 | 1 | Hub |



Latch Assembly No. 147-0070

| <i>Ref.</i> | <i>Part Number</i> | <i>Qty.</i> | <i>Description</i> |
|-------------|--------------------|-------------|---------------------------|
| 1 | 117-0380 | 2 | Spacer |
| 2 | 147-0066 | 1 | Latch Arm ASM |
| 2:3 | 119-1846 | 1 | Grip |
| 3 | 139-0889 | 1 | Bracket-Latch, Mount (RH) |
| 4 | 139-0887 | 1 | Bracket-Latch, Mount (LH) |
| 5 | 130-9645 | 1 | Spring-Extension |
| 6 | 99-5107 | 2 | Nut-Lock |
| 7 | 325-12 | 2 | Screw-HH |



Electrical Assembly

| Ref. | Part Number | Qty. | Description |
|------|-------------|------|---------------------------|
| 1 | 144-6868 | 3 | Motor/Gen-48V, 3Kw |
| 2 | 701243 | 18 | Screw-Thd Roll, HWH |
| 3 | 145-3439 | 3 | Retainer-Blade |
| 4 | 145-1114 | 3 | Blade-20.50 Low Flow |
| 5 | 125-1736 | 3 | Washer-Belleville |
| 6 | 145-3499 | 3 | Screw-Shoulder, HWH |
| 7 | 147-2089 | 4 | Mount-Isolator |
| 8 | 240-2 | 3 | Grommet-Rubber |
| 9 | 161-0812-01 | 1 | Box-Controller |
| 10 | 138-8984 | 1 | Inv/Ctrlr-48V,Dual 94Arms |
| 11 | 145-7270 | 1 | Inv/Ctrlr-48V |
| 12 | 32144-44 | 9 | Screw-HWH, Thread Roll |
| 13 | 145-5782 | 13 | Screw-Sems |
| 14 | 104-7201 | 4 | Nut-HF, NI |
| 15 | 145-1071-01 | 1 | Lid-Controller |
| 16 | 147-2071-01 | 1 | Brkt-Cable |
| 17 | 145-6985 | 3 | Mount-Cable |
| 18 | 32180-030 | 1 | Clip-Tie |
| 20 | 122-2957 | 1 | Cable-Battery, Rd ASM |

| Ref. | Part Number | Qty. | Description |
|------|-------------|------|-------------------------|
| 21 | 122-2958 | 1 | Cable-Battery, Bk ASM |
| 22 | 3230-23 | 11 | Bolt-CARR |
| 23 | 104-8300 | 11 | Nut-HF, NI |
| 24 | 105-5740 | 2 | Hook-Lift (GR30/31X0) |
| 25 | 324-4 | 8 | Screw-HH |
| 26 | 3296-48 | 8 | Nut-Hex |
| 28 | 122-2783 | 1 | Harness-Wire, Implement |
| 29 | 3256-1 | 4 | Washer-Flat |
| 30 | 135-6367 | 4 | Screw-HSBH |
| 31 | 122-2685 | 1 | Harness-Wire, Deck, 60" |
| 31:5 | 32180-282 | 1 | Resistor-120 Ohm |
| 32 | 109-5667 | 3 | Nut-Push |
| 33 | 147-5095-01 | 1 | Bracket-Cable LH |
| 34 | 147-5096-01 | 1 | Bracket-Cable RH |
| 35 | 161-0845-01 | 1 | Brkt-Cable |
| 36 | 122-3473 | 1 | Cable-Strap, Braided |
| 37 | 32180-563 | 1 | Nut - Locknut, M40X1.5 |
| 39 | 3256-25 | 4 | Washer-Flat |

Notes:



Count on it.