



Count on it.

Parts Catalog

**60in Rear Discharge Rotary
Mower**

**Groundsmaster® e3200 2-Wheel Drive
Traction Unit**

Model No. 31891—Serial No. 400000000 and Up



Ordering Replacement Parts

To order replacement parts, please supply the part number, the quantity, and the description of each part desired.

Understanding Reference Numbers

Each identified part in an illustration has a reference number. The reference number for a part also appears in the parts list, along with other information about the part.

This catalog uses two special reference number formats, one to indicate parts in a service assembly and another to indicate the quantity of a given part in an illustration.

Service Assembly Reference Numbers

Parts in service assemblies have reference numbers in the form a:b. The a represents the reference number of the entire service assembly and the b represents a sequential number unique to each part within the service assembly.

For example, a wheel assembly might be identified by reference number 6, the tire by 6:1, the valve by 6:2, and the wheel by 6:3. When you order the assembly identified by reference number 6, you receive all parts identified by reference numbers 6:1, 6:2, and 6:3. However, you may also order any part individually. Reference numbers of this type appear in illustration and in parts lists.

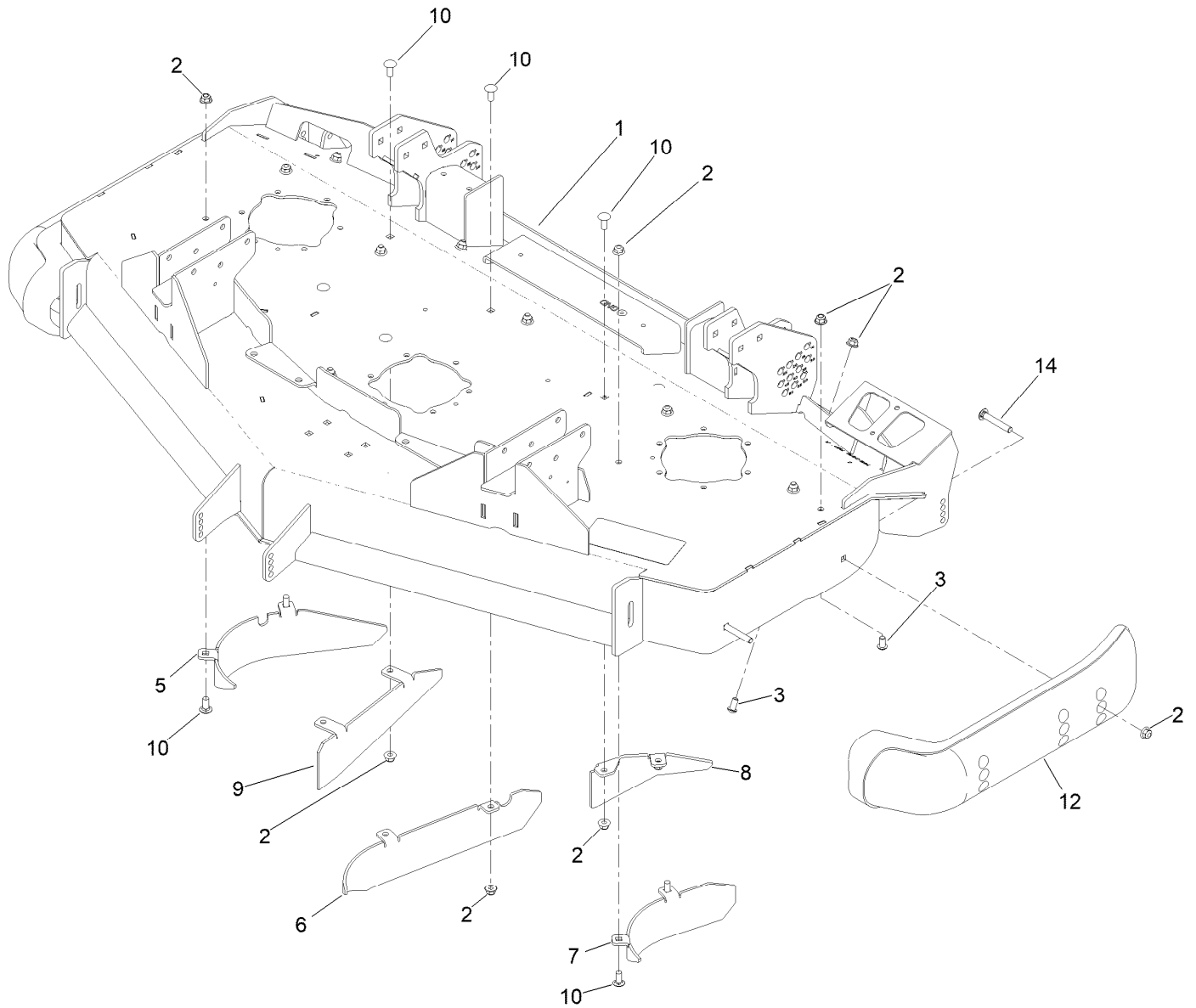
Reference Numbers Indicating Quantity

In an illustration, if a reference number indicates more than one part, the reference number has the form nX y. The n represents the quantity of the part, the X is the multiplication symbol, and the y represents the reference number.

For example, in an illustration, the reference number 2X 37 means that two of the parts identified by reference number 37 are indicated.

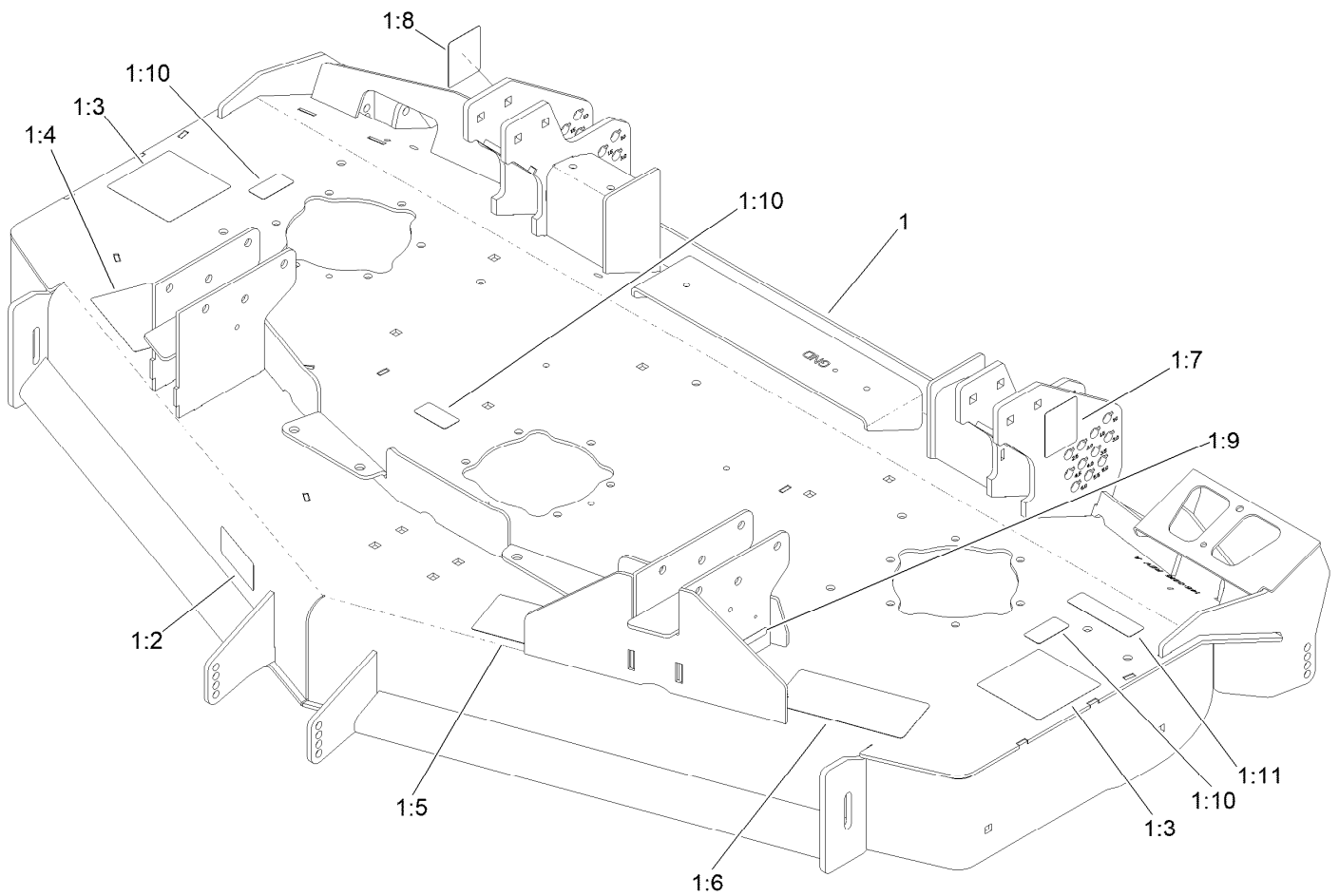
Contents

Deck and Baffle Assembly	4
Deck Decal Assembly No. 145-0914SP.....	5
Caster Wheel and Latch Assembly	6
Wheel Assembly No. 137-5529.....	7
Latch Assembly No. 147-0070.....	8
Electrical Assembly	9



Deck and Baffle Assembly

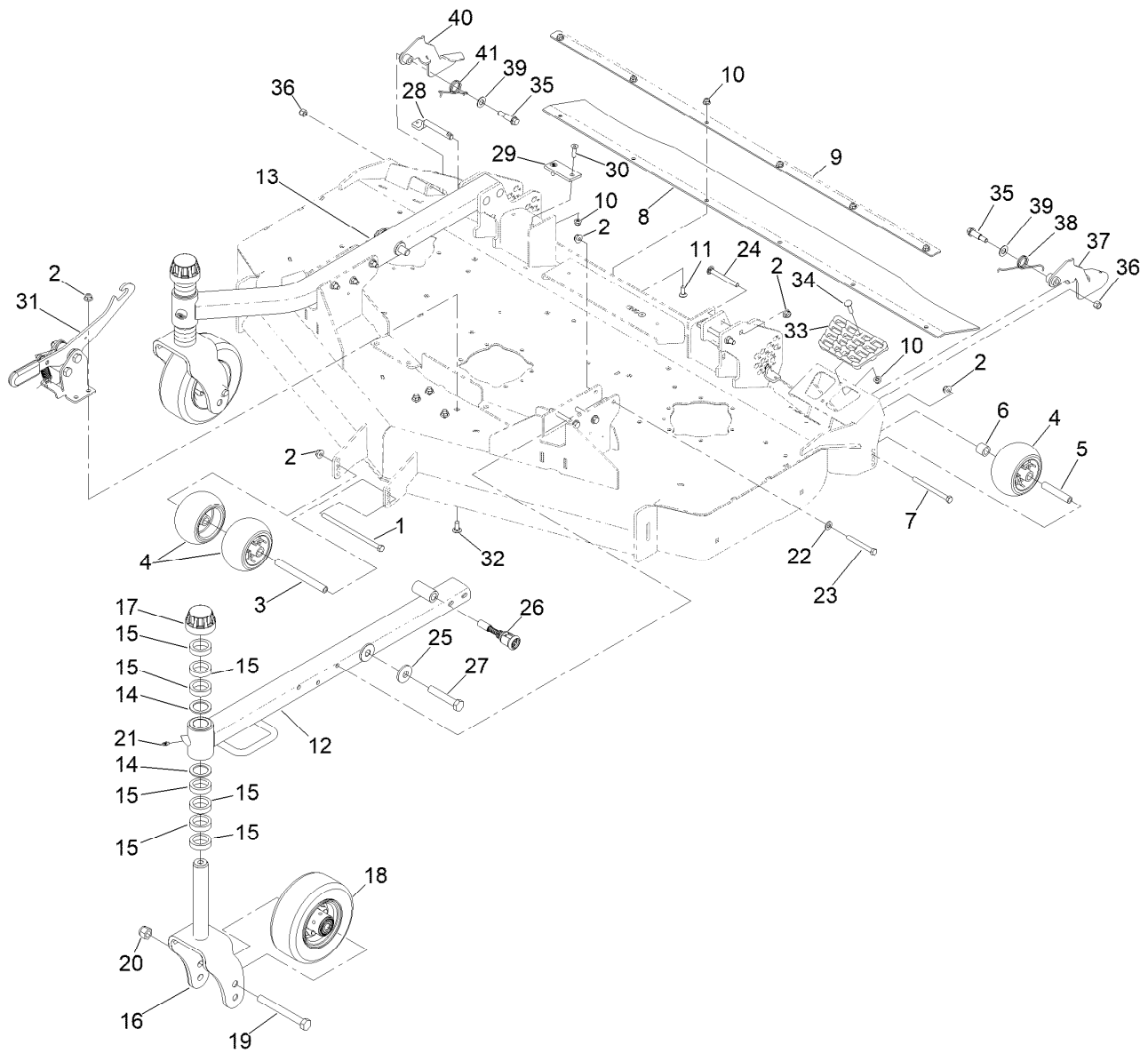
Ref.	Part Number	Qty.	Description
1	145-0914SP	1	60" Service Deck Rd
2	104-8301	22	Nut-HF, NI
3	3274-80	8	Screw-HH
5	138-0252-0P	1	Baffle-Inner, RH
6	145-1008-0P	1	Baffle-Inner, Center [primed]
7	137-5800-0P	1	Baffle-Inner, RH
8	137-5903-0P	1	Baffle-Kicker, LH
9	137-5902-0P	1	Baffle, Long RH
10	3231-27	10	Screw-CARR
12	112-1479	2	Skid-Bumper, Deck
14	3231-44	4	Screw-CARR



Deck Decal Assembly No. 145-0914SP

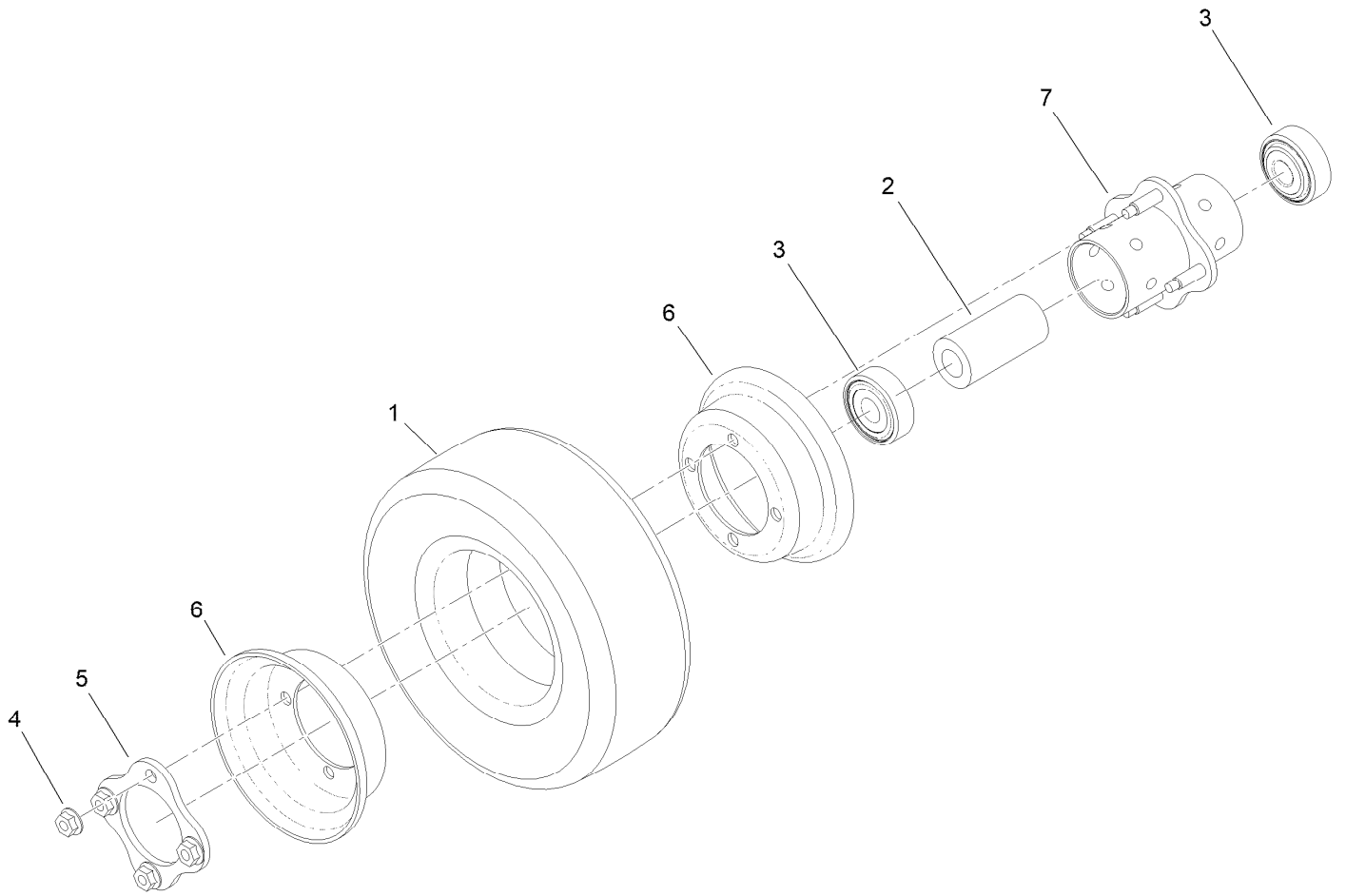
Ref.	Part Number	Qty.	Description
1		1	Service Deck 60"rd ●
1:2	116-8283	1	Decal-Torque, Bolt
1:3	120-6604	2	Decal-Danger
1:4	108-1990	1	Decal
1:5	127-0326	1	Decal-Scalp, Anti
1:6	137-5949	1	Decal-HOC
1:7	144-0542	1	Decal-HOC, LH
1:8	144-0543	1	Decal-HOC, RH
1:9	133-8061	1	Decal-Warning
1:10	137-8127	3	Decal-No Spray
1:11	144-7008	1	Decal-Service, Shut-Off

● Not serviced separately



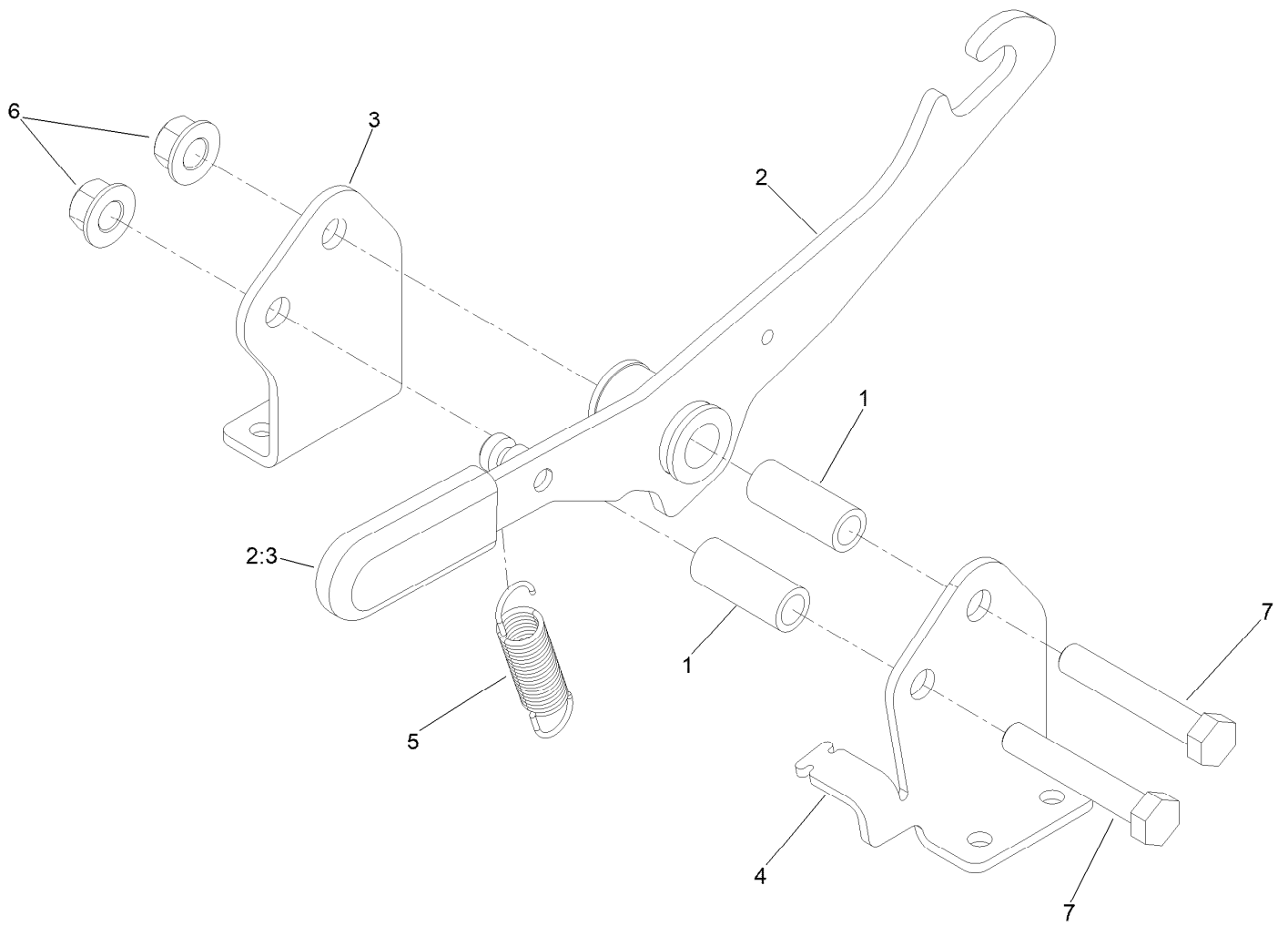
Caster Wheel and Latch Assembly

Ref.	Part Number	Qty.	Description	Ref.	Part Number	Qty.	Description
1	108-5388	1	Screw-HH	22	3256-24	6	Washer-Plain
2	104-8301	17	Nut-HF, NI	23	323-20	6	Screw-HH
3	98-5967	1	Spacer-Wheel	24	3231-11	4	Screw-CARR
4	1-603299	4	Roller-Scalp, Anti	25	103-0865	2	Washer-Blade Bolt, Heavy
5	98-7912	2	Tube-Spanner	26	139-6345	1	Spring-Pin
6	98-7913	2	Tube-Spacer	27	139-6203	2	Screw-HH
7	323-23	2	Screw-HH	28	140-3064	2	Pin-HOC ASM
8	140-9031	1	Flap Rubber	29	138-4452	2	Pad-Stop, Deck
9	139-0919-01	1	Bracket-Flap	30	133-4543	4	Screw
10	104-8300	11	Nut-HF, NI	31	147-0070	1	Latch ASM
11	3230-10	6	Bolt-CARR	32	3231-27	4	Screw-CARR
12	138-0269-01	1	LH Caster Arm ASM	33	126-4781	1	Step-Deck
13	138-0271-01	1	RH Caster Arm ASM	34	3230-3	1	Screw-CARR
14	69-6860	4	Washer-Thrust	35	66-0561	2	Screw-Shoulder
15	69-1510	14	Spacer	36	3296-6	2	Nut-Lock
16	137-2546-01	2	Fork-Caster	37	139-6319-03	1	Guard-LH
17	92-9727	2	HOC Cap ASM	38	51-4380	1	Spring-Torsion, LH
18	137-5529	2	Wheel ASM	39	3-6803	2	Washer-Adjusting
19	327-24	2	Screw-HH	40	139-6317-03	1	Guard-RH
20	3296-53	2	Nut-Lock, NI	41	51-4370	1	Spring-Torsion, RH
21	302-5	2	Fitting-Grease				



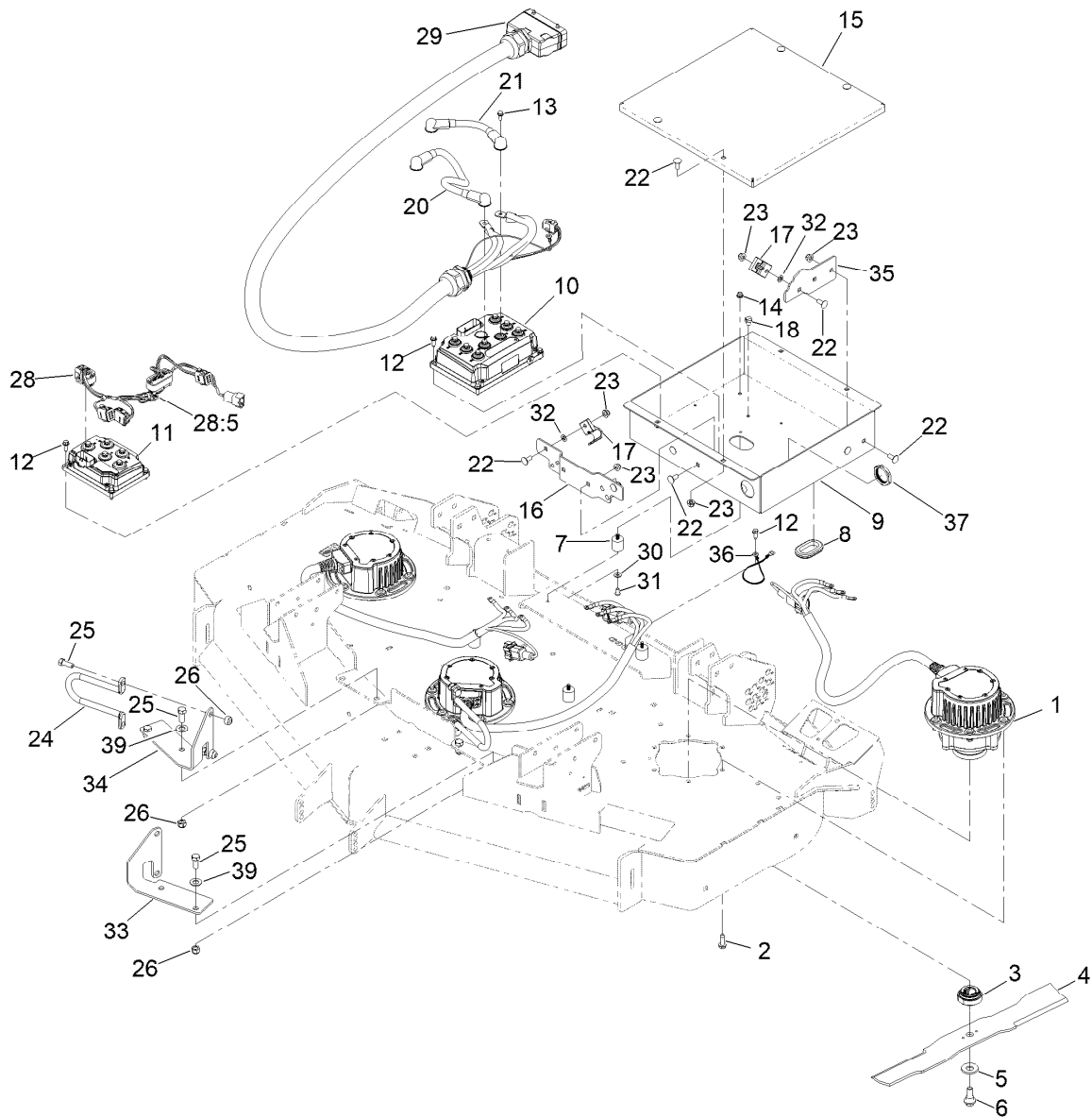
Wheel Assembly No. 137-5529

<i>Ref.</i>	<i>Part Number</i>	<i>Qty.</i>	<i>Description</i>
1	136-4424	1	Tire-Pneumatic, Semi
2	93-4241	1	Spacer-Bearing, Inner
3	120-3366	2	Bearing
4	32128-16	4	Nut-HHF
5	93-4242	1	Plate
6	137-5552	2	Rim-Wheel, Half
7	93-5980	1	Hub



Latch Assembly No. 147-0070

<i>Ref.</i>	<i>Part Number</i>	<i>Qty.</i>	<i>Description</i>
1	117-0380	2	Spacer
2	147-0066	1	Latch Arm ASM
2:3	119-1846	1	Grip
3	139-0889	1	Bracket-Latch, Mount (RH)
4	139-0887	1	Bracket-Latch, Mount (LH)
5	130-9645	1	Spring-Extension
6	99-5107	2	Nut-Lock
7	325-12	2	Screw-HH



Electrical Assembly

Ref.	Part Number	Qty.	Description	Ref.	Part Number	Qty.	Description
1	144-6868	3	Motor/Gen-48V, 3Kw	21	122-2958	1	Cable-Battery, Bk ASM
2	701243	18	Screw-Thd Roll, HWH	22	3230-23	11	Bolt-CARR
3	145-3439	3	Retainer-Blade	23	104-8300	11	Nut-HF, NI
4	145-1114	3	Blade-20.50 Low Flow	24	105-5740	2	Hook-Lift (GR30/31X0)
5	125-1736	3	Washer-Belleville	25	324-4	8	Screw-HH
6	145-3499	3	Screw-Shoulder, HWH	26	3296-48	8	Nut-Hex
7	147-2089	4	Mount-Isolator	28	122-2685	1	Harness-Wire, Deck, 60"
8	240-2	3	Grommet-Rubber	28:5	32180-282	1	Resistor-120 Ohm
9	161-0812-01	1	Box-Controller	29	122-2783	1	Harness-Wire, Implement
10	138-8984	1	Inv/Ctrlr-48V,Dual 94Arms	30	3256-1	4	Washer-Flat
11	145-7270	1	Inv/Ctrlr-48V	31	135-6367	4	Screw-HSBH
12	32144-44	9	Screw-HWH, Thread Roll	32	109-5667	3	Nut-Push
13	145-5782	13	Screw-Sems	33	147-5095-01	1	Bracket-Cable LH
14	104-7201	4	Nut-HF, NI	34	147-5096-01	1	Bracket-Cable RH
15	145-1071-01	1	Lid-Controller	35	161-0845-01	1	Brkt-Cable
16	147-2071-01	1	Brkt-Cable	36	122-3473	1	Cable-Strap, Braided
17	145-6985	3	Mount-Cable	37	32180-563	1	Nut - Locknut, M40X1.5
18	32180-030	1	Clip-Tie	39	3256-25	4	Washer-Flat
20	122-2957	1	Cable-Battery, Rd ASM				

Notes:

Notes:



Count on it.