



**Count on it.**

**Parts Catalog**

**Maxi Sneaker™ 370**

**Vibratory Plow**

Model No. 25530T—Serial No. 323000000 and Up



# Ordering Replacement Parts

To order replacement parts, please supply the part number, the quantity, and the description of each part desired.

## Understanding Reference Numbers

Each identified part in an illustration has a reference number. The reference number for a part also appears in the parts list, along with other information about the part.

This catalog uses two special reference number formats, one to indicate parts in a service assembly and another to indicate the quantity of a given part in an illustration.

## Service Assembly Reference Numbers

Parts in service assemblies have reference numbers in the form a:b. The a represents the reference number of the entire service assembly and the b represents a sequential number unique to each part within the service assembly.

For example, a wheel assembly might be identified by reference number 6, the tire by 6:1, the valve by 6:2, and the wheel by 6:3. When you order the assembly identified by reference number 6, you receive all parts identified by reference numbers 6:1, 6:2, and 6:3. However, you may also order any part individually. Reference numbers of this type appear in illustration and in parts lists.

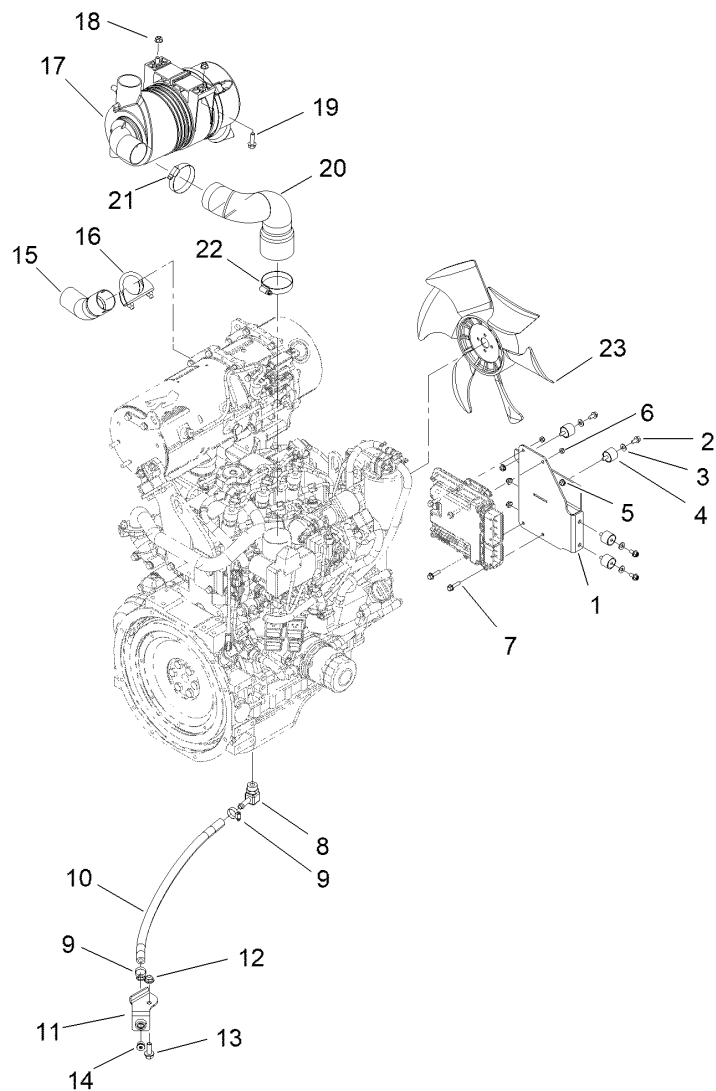
## Reference Numbers Indicating Quantity

In an illustration, if a reference number indicates more than one part, the reference number has the form nX y. The n represents the quantity of the part, the X is the multiplication symbol, and the y represents the reference number.

For example, in an illustration, the reference number 2X 37 means that two of the parts identified by reference number 37 are indicated.

# Contents

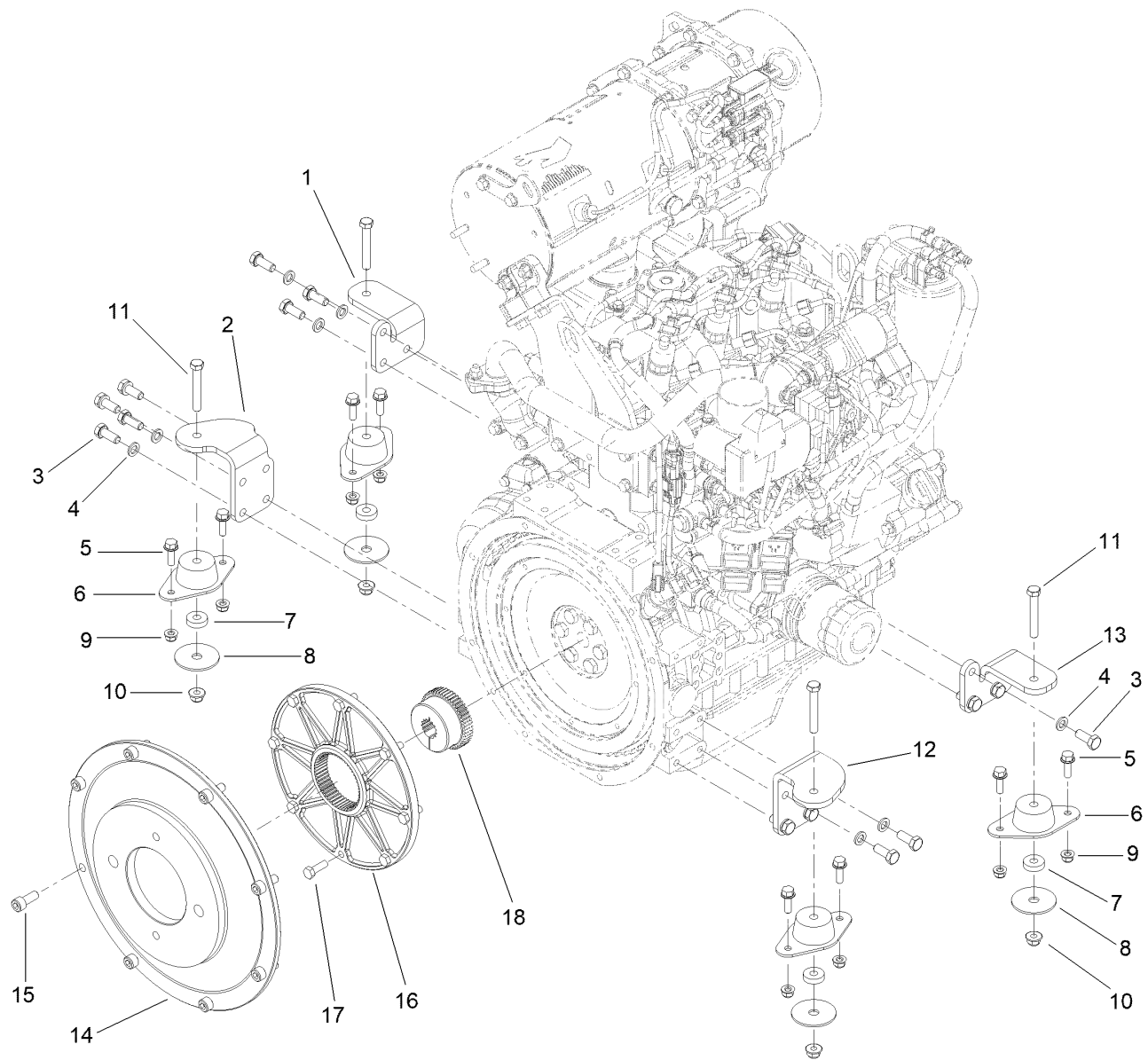
Engine Assembly	4
Engine Mount Assembly	5
Cooling System Assembly	6
Cooler Mounting Assembly	7
Fuel System Assembly	8
Fuel Tank Assembly No. AUH673305	9
Frame Assembly	10
Rear Axle Assembly	11
Dana 44 Assembly No. 147-5786	12
Transmission Assembly No. AU104951	13
Drive Shaft Assembly No. AU111086A1	14
Front Axle and Driveline Assembly	15
Vibratory Plow Plumbing Assembly	16
Control Valve Assembly No. 127-6591	17
Tank Plumbing Assembly	18
Steering Valve Plumbing Assembly	20
Hydraulic Steering Valve Assembly No. AU407213A1	21
Hydraulic Variable Pump Assembly No. AU239918A1	22
Motor Plumbing Assembly	24
Hydraulic Configuration Assembly	25
Harness and Component Assembly	27
Battery and Cable Assembly	28
Grill Assembly	29
Hood Support Assembly	30
Hood Assembly	31
Center Console and Seat Support Assembly	32
Left Console Assembly	33
Right Console Assembly	34
Control Assembly	35
Park Brake Assembly	37
Seat, Base and ROPS Assembly	38
Plow Box Assembly	39
Plow Lift Assembly	40
Vibratory Box Assembly	41
23 Inch Tire Assembly	43
Decal Assembly	44
Cylinder Block Assembly	45
Gear Housing Assembly	46
Flywheel Housing and Oil Pan Assembly	47
Cylinder Head Assembly	48
Intake Manifold Assembly	50
Exhaust Manifold Assembly	52
Particulate Filter Assembly	54
Camshaft Assembly	56
Crankshaft and Piston Assembly	58
Lubrication System Assembly	60
Cooling System Assembly	62
Fuel Pump Assembly	64
Fuel Injection Assembly	66
Fuel Line Assembly	68
Starter Assembly	70
Generator Assembly	72
Electronic Control Unit Assembly	73
Electric Parts Assembly	74
Gasket Set	76



## Engine Assembly

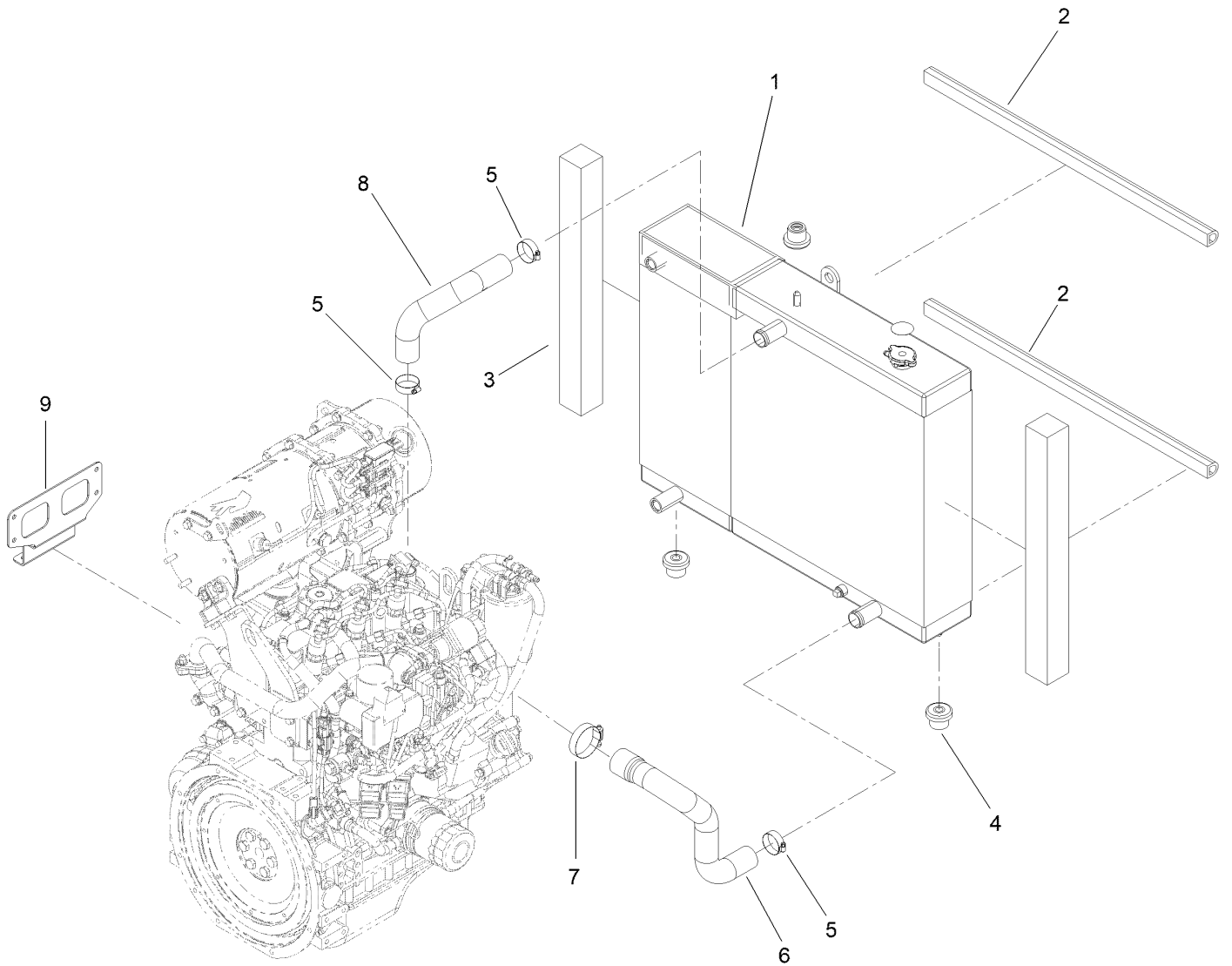
<i>Ref.</i>	<i>Part Number</i>	<i>Qty.</i>	<i>Description</i>	<i>Ref.</i>	<i>Part Number</i>	<i>Qty.</i>	<i>Description</i>
1	147-5390	1	Mounting Bracket	14:1	237-42	1	O-Ring ●
2	3234-13	4	Screw-HHF	15	130-4288	1	Tube-Exhaust
3	3256-22	4	Washer-Flat	16	2112-6	1	Clamp-Muffler
4	125-2674	4	Mount-Cylindrical	16:1	3218-2	2	Nut-Hex Jam ●
5	104-7201	4	Nut-HF, NI	17	147-5383	1	Air Filter (Donaldson W/ Port)
6	110-8451	2	Nut-Hex, NI	17:1	161-0674	1	Filter Element, Primary ●
7	33103-025	4	Screw-HHF	17:2	161-0675	1	Filter Element, Secondary ●
8	161-0677	1	Connector	18	104-8300	2	Nut-HF, NI
8:1	161-0678	1	O-Ring Fkm ●	19	3234-29	2	Screw-HHF
9	2412-36	2	Clamp-Hose	20	147-5394	1	Air Intake Hose
10	121-7488	1	Hose-HYD	21	2412-130	1	Clamp-Hose
11	147-5387	1	Oil Plug ASM	22	2412-42	1	Clamp-Hose
12	119-4042	1	Nut-HF, NI	23	147-5783	1	Fan - Yanmar 360MM Pusher
13	3234-42	1	Screw-HHF				
14	353-989	1	Plug-Hex, Hollow				

● Not illustrated



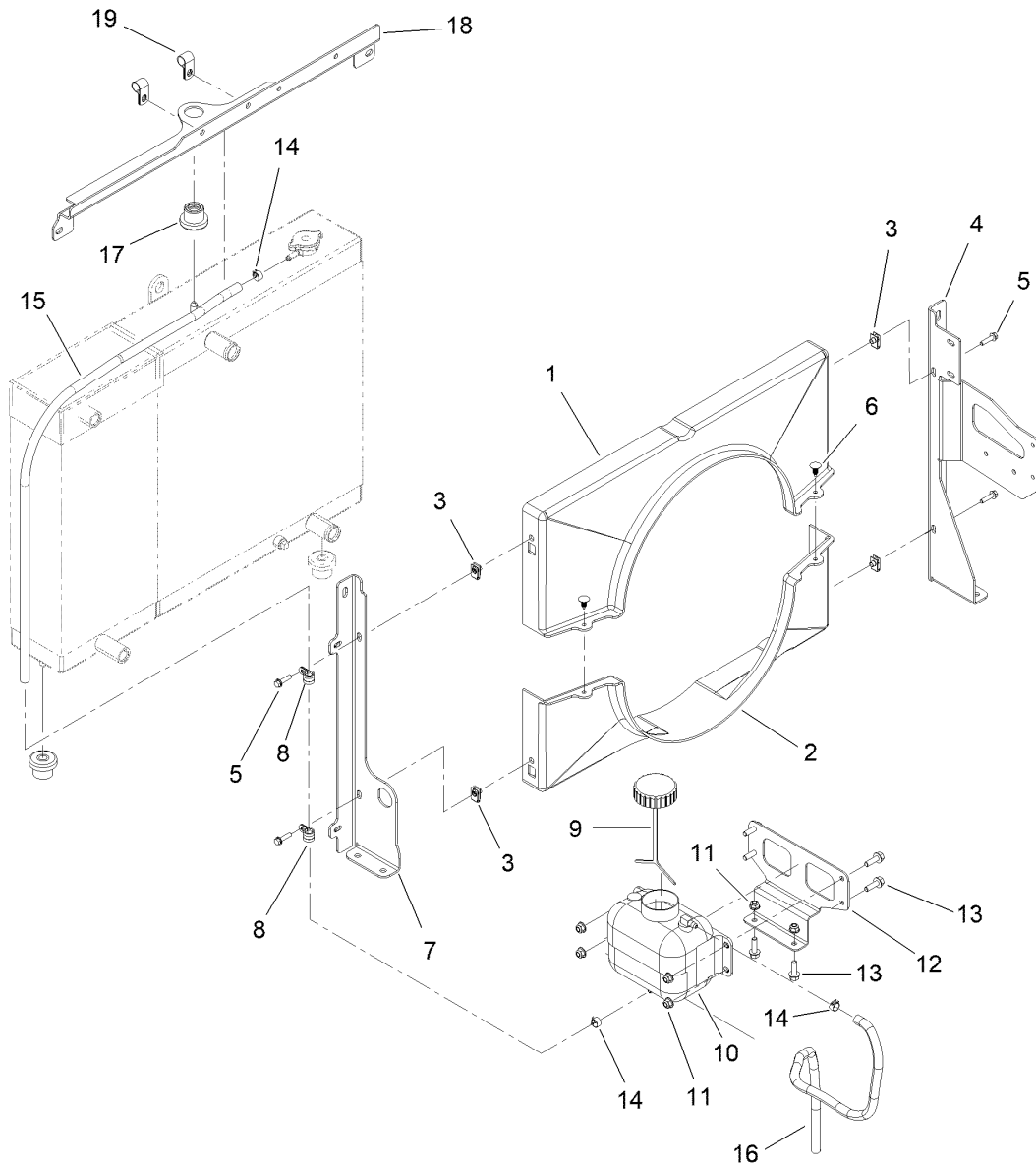
## Engine Mount Assembly

<i>Ref.</i>	<i>Part Number</i>	<i>Qty.</i>	<i>Description</i>	<i>Ref.</i>	<i>Part Number</i>	<i>Qty.</i>	<i>Description</i>
1	147-5388	1	Engine Mount	10	104-8301	4	Nut-HF, NI
2	147-5385	1	Mount-Engine, LH Rear	11	323-12	4	Screw-HH
3	33115-025	14	Screw-HH	12	147-5386	1	Mount-Engine, RH Rear
4	48-9590	14	Washer-Lock	13	147-5389	1	Engine Mount
5	3234-29	8	Screw-HHF	14	147-5784	1	Plate - Mounting, Pump
6	120-6274	4	Mount-Engine	15	3273-41	8	Screw-HSH
7	62-6660	4	Spacer	16	127-6607	1	Flange-Flywheel
8	87-5100	4	Washer-Snubbing	17	33114-025	8	Screw-HH
9	104-8300	8	Nut-HF, NI	18	127-6606	1	Hub



## Cooling System Assembly

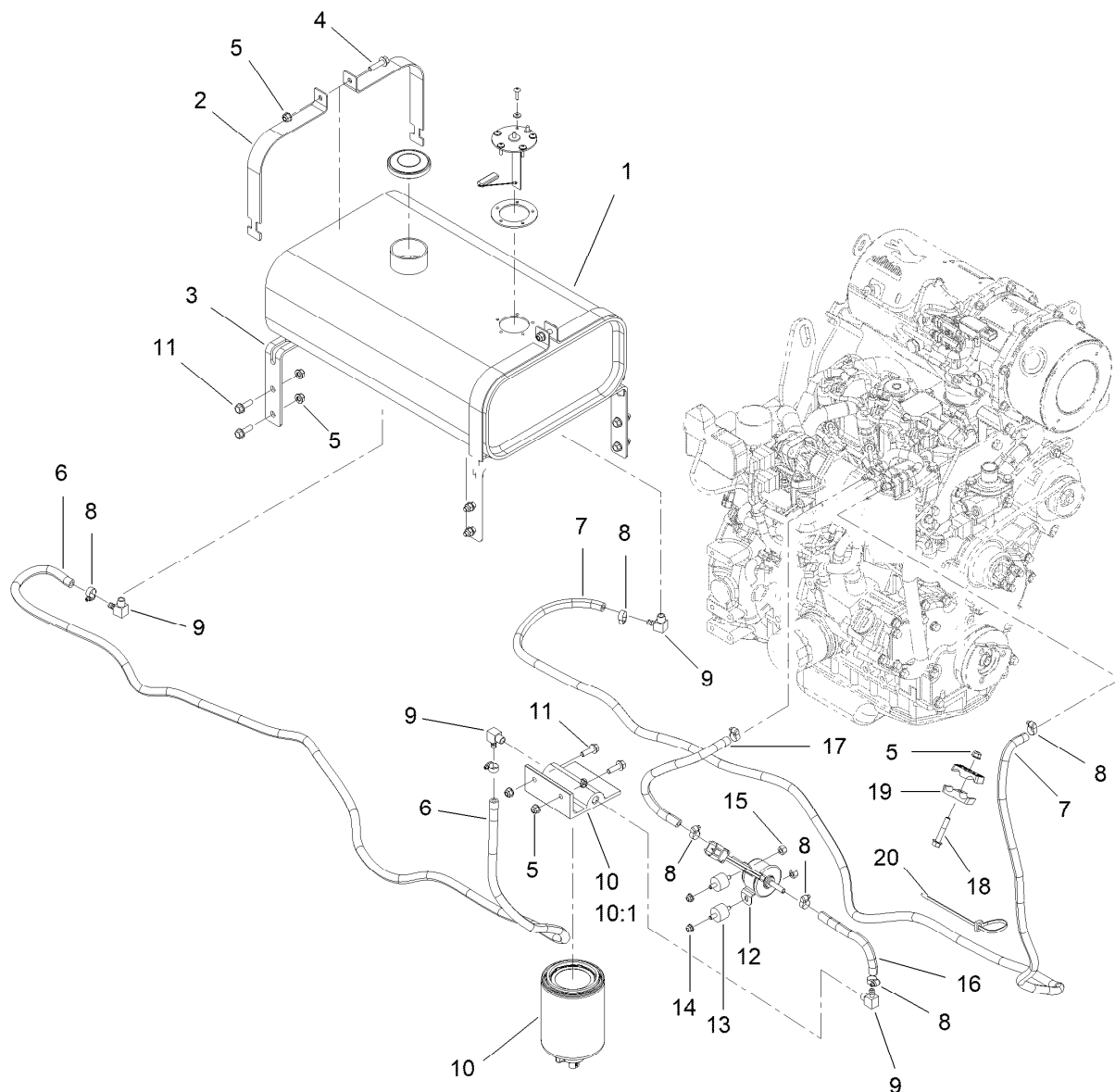
<i>Ref.</i>	<i>Part Number</i>	<i>Qty.</i>	<i>Description</i>
1	127-6581	1	Cooling ASM
2	147-5380	2	Rubber Seal
3	130-4335	2	Seal-Foam
4	119-1422	3	Mount-Isolator
5	2412-34	3	Clamp-Hose
6	121-3322	1	Hose-Radiator, Lower
7	2412-92	1	Clamp-Hose
8	121-3321	1	Hose-Radiator, Upper
9	147-5382	1	Res. Bracket



## Cooler Mounting Assembly

<i>Ref.</i>	<i>Part Number</i>	<i>Qty.</i>	<i>Description</i>
1	121-3312	1	Shroud-Top
2	121-3311	1	Shroud-Bottom
3	107069	4	Clip
4	147-5391	1	Bracket-Cooling, RH
5	120-4654	4	Screw-HHF
6	117-2382	2	Plug-Plastic
7	147-5393	1	Bracket-Cooling, LH
8	2412-134	2	Clamp-R
9	87-7050	1	Cap-Reservoir
10	AU138189A1	1	Tank-Recovery, Coolant

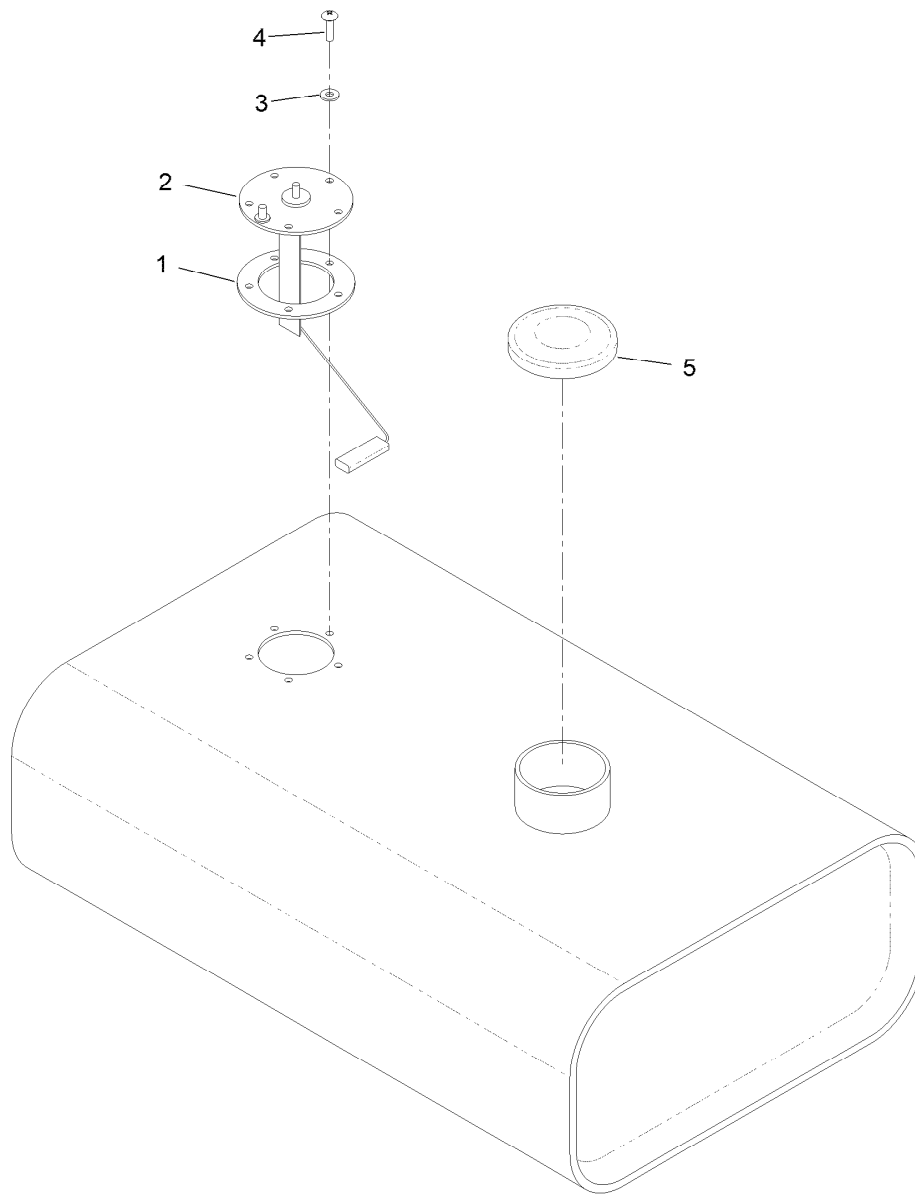
<i>Ref.</i>	<i>Part Number</i>	<i>Qty.</i>	<i>Description</i>
11	104-8300	6	Nut-HF, NI
12	147-5382	1	Res. Bracket
13	3234-29	6	Screw-HHF
14	92-2379	3	Clamp-Hose
15	110-3259	1	Hose-Fuel
16	110-6186	1	Hose-Fuel
17	119-1422	3	Mount-Isolator
18	147-5392	1	Bracket-Cooling, Top
19	2412-41	2	Clamp-R



## Fuel System Assembly

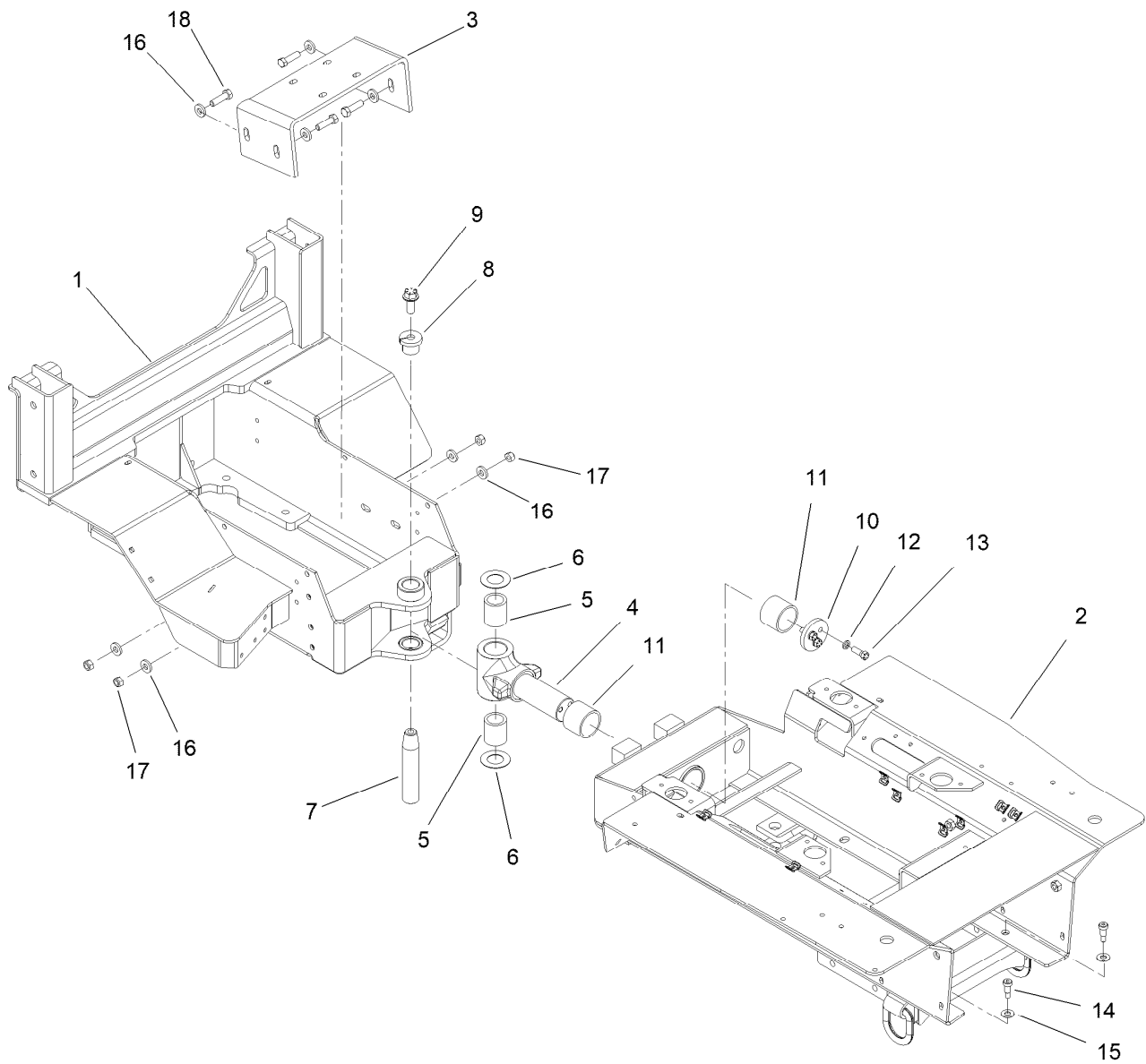
Ref.	Part Number	Qty.	Description	Ref.	Part Number	Qty.	Description
1	AUH673305	1	Tank-Fuel	11	3234-17	8	Screw-HHF
2	AU105630	4	Strap-Fuel Tank	12	121-5613	1	Pump-Fuel, Electric
3	147-5397	2	Bracket-Fuel Tank	13	125-8511	2	Mount-Isolater
4	3234-36	2	Screw-HHF	14	104-7201	2	Nut-HF, NI
5	104-8300	11	Nut-HF, NI	15	3296-29	2	Nut-Lock, NI
6	130-4330	1	Hose-Fuel	16	117-4026	1	Hose-Fuel
7	130-4331	1	Hose-Fuel	17	130-4332	1	Hose-Fuel
8	2412-108	8	Clamp-Worm	18	94-5780	1	Screw-HWH
9	147-5395	4	4/O Coupler (04N-04H90)	19	56-7971	2	Clamp-Tube
10	125-2914	1	Filter-Separator	20	3290-378	1	Tie-Cable
10:1	125-2915	1	Filter-Fuel/Water Separator				





## Fuel Tank Assembly No. AUH673305

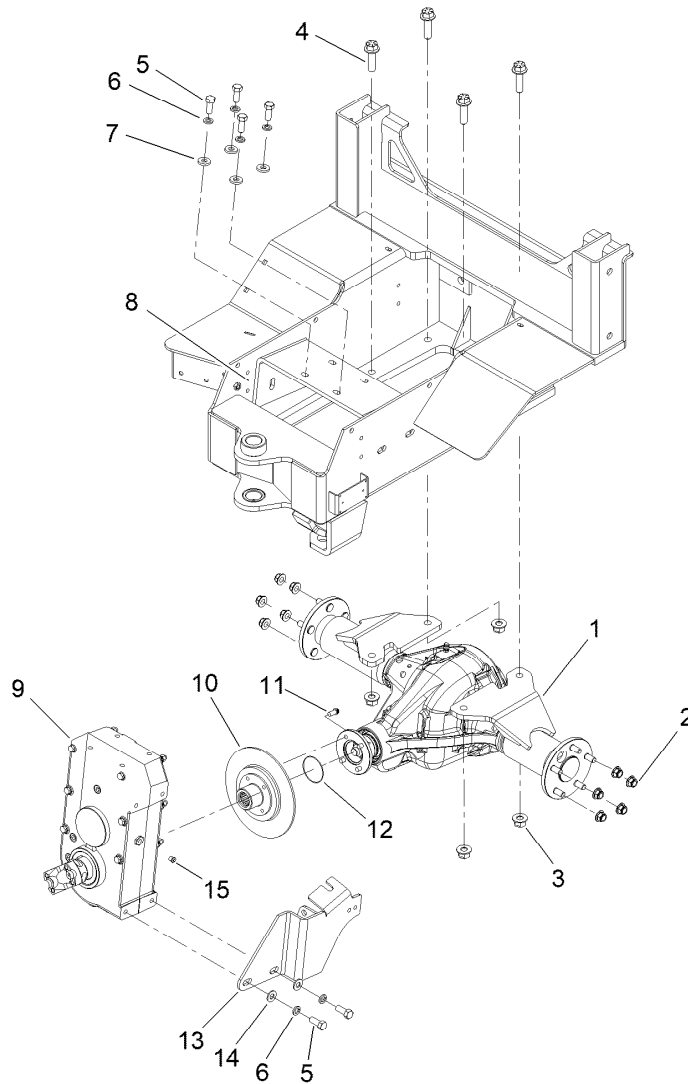
<i>Ref.</i>	<i>Part Number</i>	<i>Qty.</i>	<i>Description</i>
1	131-0684	1	Gasket-Fuel
2	131-0685	1	Fuel Sender
3	131-0686	5	Washer-Seal
4	1-803075	5	Screw-Head, Truss
5	AU105612	1	Cap-Fuel



## Frame Assembly

Ref.	Part Number	Qty.	Description
1	147-5411	1	Rear Frame
2	147-5413	1	Frame-Front Welded
3	147-5412	1	Mount-Gearbox
4	147-5410	1	Pivot-Machining
5	147-5402	2	Bearing-Composite
6	147-5787	2	Washer - Machinery (1.375)
7	147-5407	1	Tapered Pin (1.375" X 7.000")
8	147-5408	1	Tapered Insert (1.375")
9	147-5399	1	Fig Bit (5/8-NC X 1-1/2", GR 8)

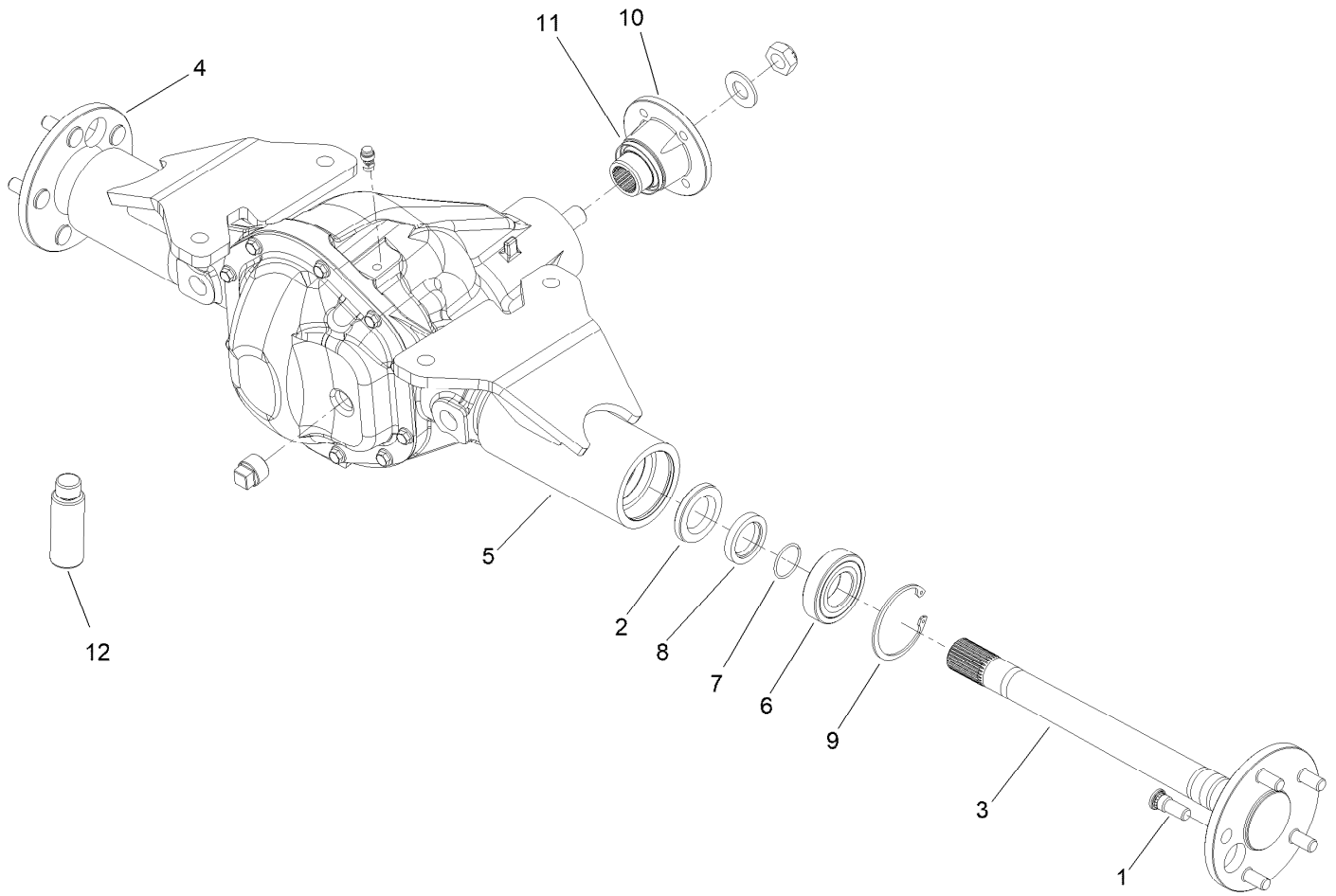
Ref.	Part Number	Qty.	Description
10	147-5414	1	Cap-Pivot
11	147-5788	2	Bearing - Composite
12	137-3071	3	Washer-Lock
13	3212-5	3	Screw-HH
14	147-5398	2	Shoulder Bolt
15	3256-26	2	Washer-Flat
16	107-3395	8	Washer-Hardened
17	97-1206	4	Locknut
18	325-7	4	Screw-HH



## Rear Axle Assembly

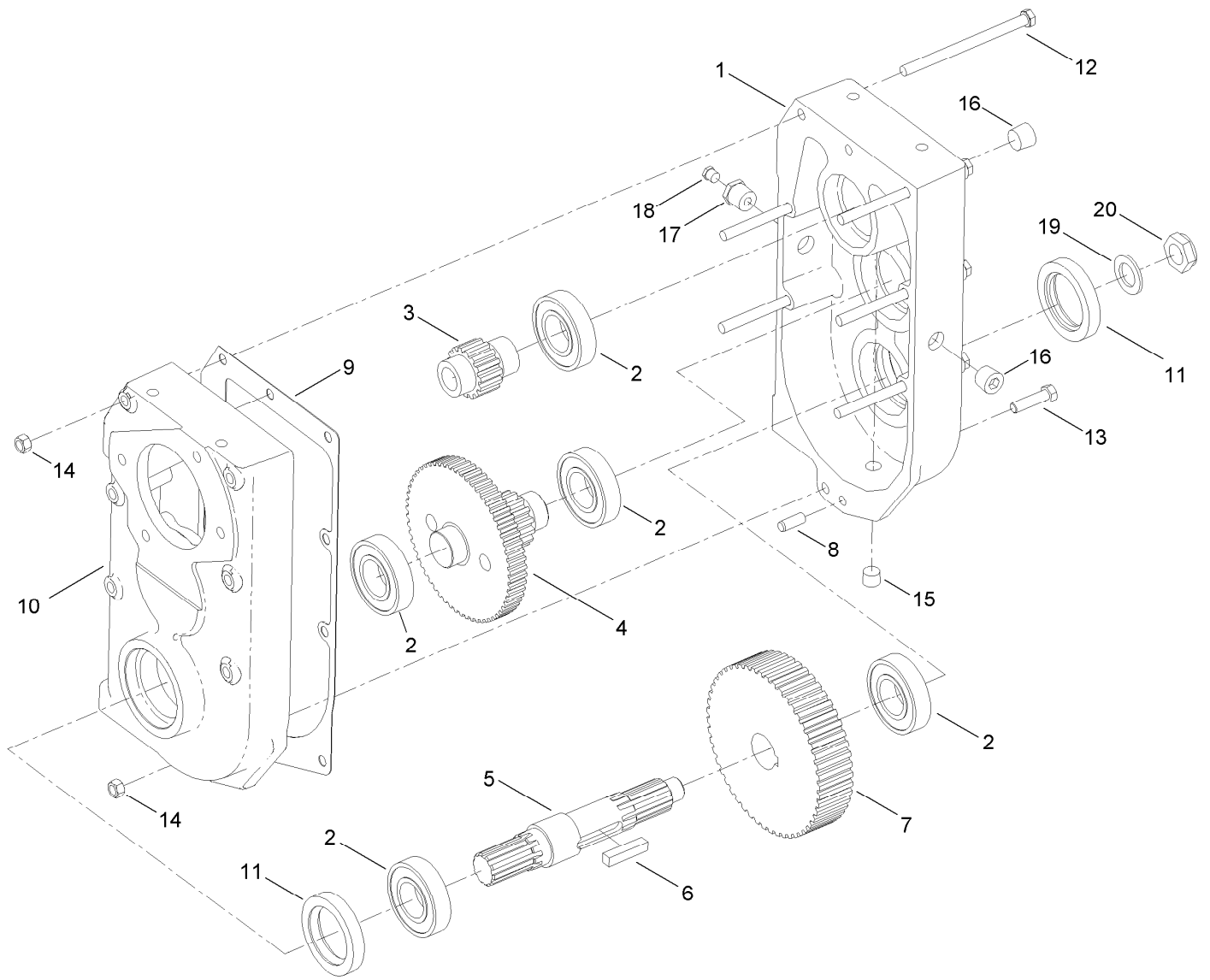
<i>Ref.</i>	<i>Part Number</i>	<i>Qty.</i>	<i>Description</i>	<i>Ref.</i>	<i>Part Number</i>	<i>Qty.</i>	<i>Description</i>
1	147-5786	1	Dana 44 Assembly	9	AU104951	1	Transmission ASM
2	131-0703	10	Nut-HHF	10	147-5409	1	Flange-Companion
3	147-5401	4	Flg Locknut (5/8-NC, GR G)	11	AU79-1612	4	Screw-12 Pt Flange
4	104-5870	4	Screw	12	147-5404	1	O-Ring(-36), D70
5	325-5	6	Screw-HH	13	147-5415	1	Brake Mount
6	3253-7	6	Washer-Lock	14	3256-26	2	Washer-Flat
7	107-3395	4	Washer-Hardened	15	AUR11152	1	Vent
8	147-5412	1	Mount-Gearbox	99	136-0234	1	Yoke-Transmission ●

● Not illustrated



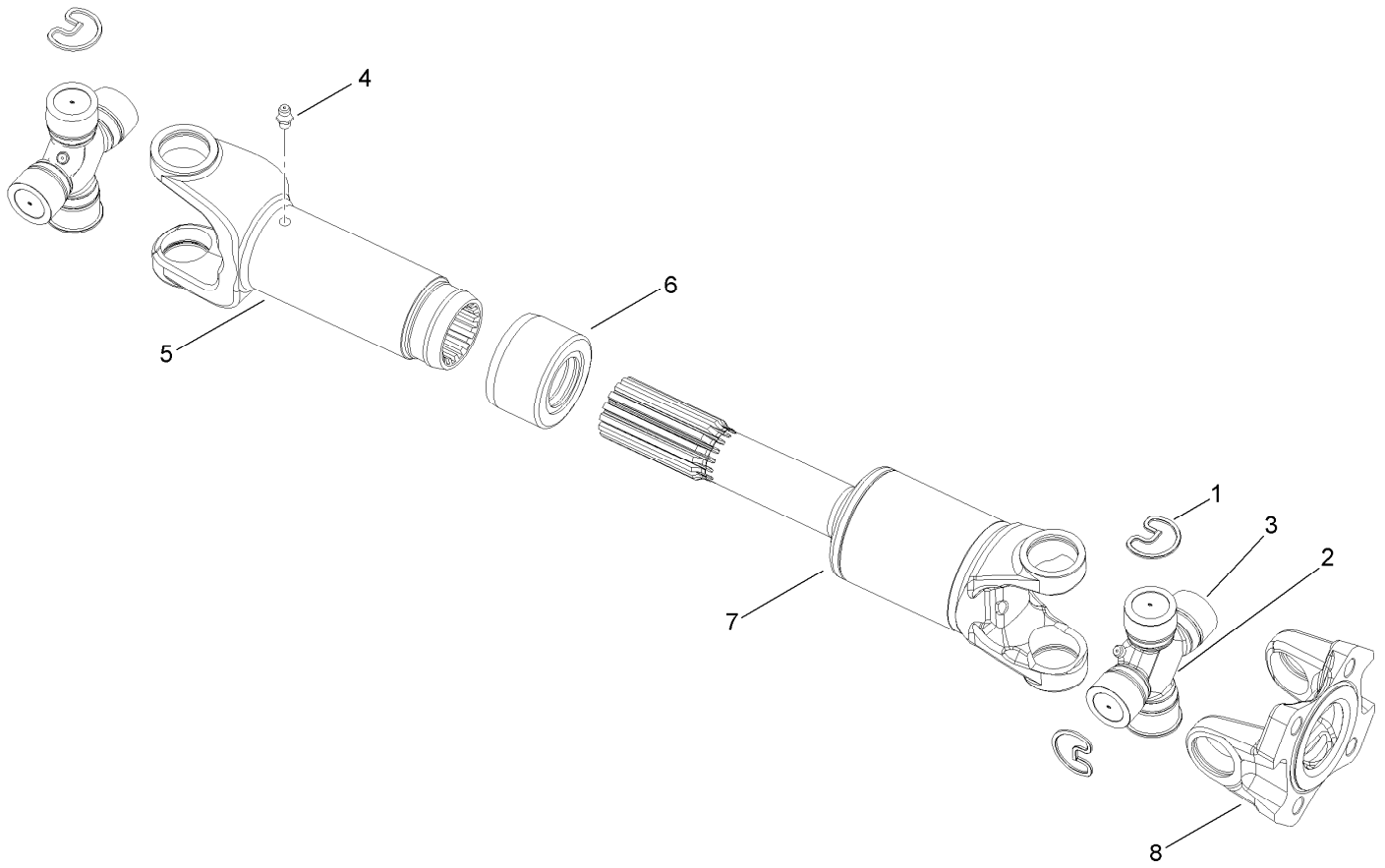
## Dana 44 Assembly No. 147-5786

<i>Ref.</i>	<i>Part Number</i>	<i>Qty.</i>	<i>Description</i>
1	147-5416	10	Lug Bolt (1/2-Nf X 1-1/2")
2	147-5420	2	Internal Seal
3	147-5422	1	Axle Long - Dana 44
4	147-5421	1	Axle - Short Dana 44
5	147-5423	1	Differential - Dana 44
6	147-5419	2	Ball Bearing-Sealed (1.378")
7	147-5418	2	External Snap Ring (1.380")
8	147-5424	2	Axle Ring
9	147-5417	2	Internal Snap Ring
10	147-5425	1	Differential Flange
11	AUH196998	1	Slinger
12	147-5785	1	Friction Modifier (Dana-Spicer)



## Transmission Assembly No. AU104951

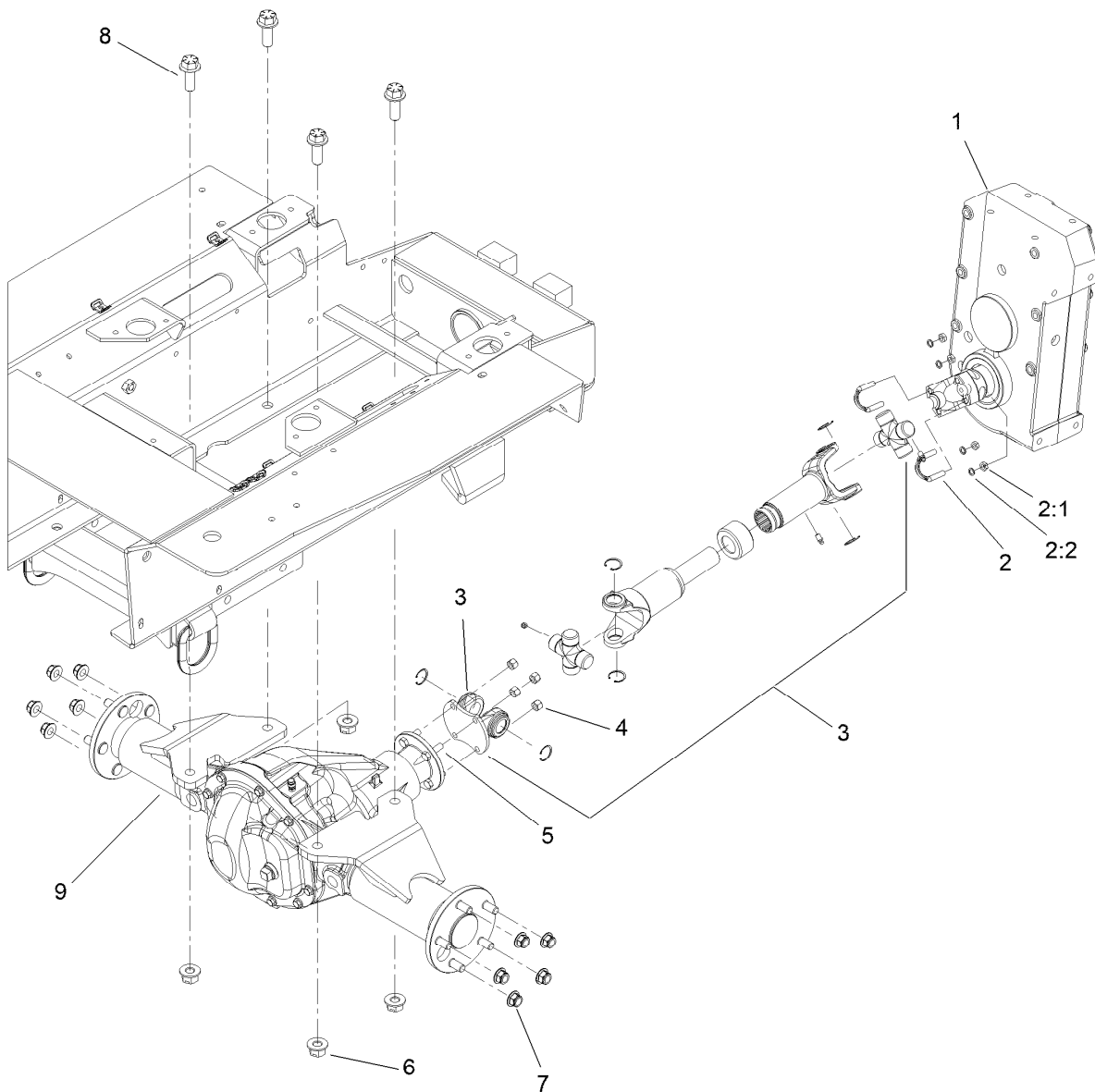
Ref.	Part Number	Qty.	Description	Ref.	Part Number	Qty.	Description
1	AU104545	1	Case-Gear	11	AUH754226	2	Seal-Oil
2	AUA26581	5	Bearing	12	AU426-688	6	Screw-HH
3	AUH253112	1	Gear-Motor, 18 Teeth	13	323-43	1	Screw-HH
4	AUH253153	1	Gear-Cluster, 59/15 Teeth	14	603773	7	Nut-Hex Lock
5	AUH253138	1	Shaft-Output	15	97-2206	1	Fitting-HYD
6	AUH70045	1	Key-Square	16	AU217-439	5	Plug-Pipe, Hex Socket
7	AUH253146	1	Gear-Reduction, 51 Teeth	17	AU221-87	1	Fitting-Straight
8	AUH755272	2	Pin-Dowel	18	AUR11152	1	Vent
9	AUH413153	1	Gasket	19	AUH224501	1	Washer
10	AU104546	1	Case-Gear	20	3296-60	1	Nut-Lock, NI



## Drive Shaft Assembly No. AU111086A1

<i>Ref.</i>	<i>Part Number</i>	<i>Qty.</i>	<i>Description</i>
1	AU11256	6	Ring-Retaining
2		2	Journal ●
3		8	Cup-Bearing ●
4	AU219-10	1	Fitting-Lube
5	AU102834A1	1	Yoke
6	AU230556A1	1	Seal
7		1	Shaft ●
8	AUH251777	1	Flange

● Not serviced separately



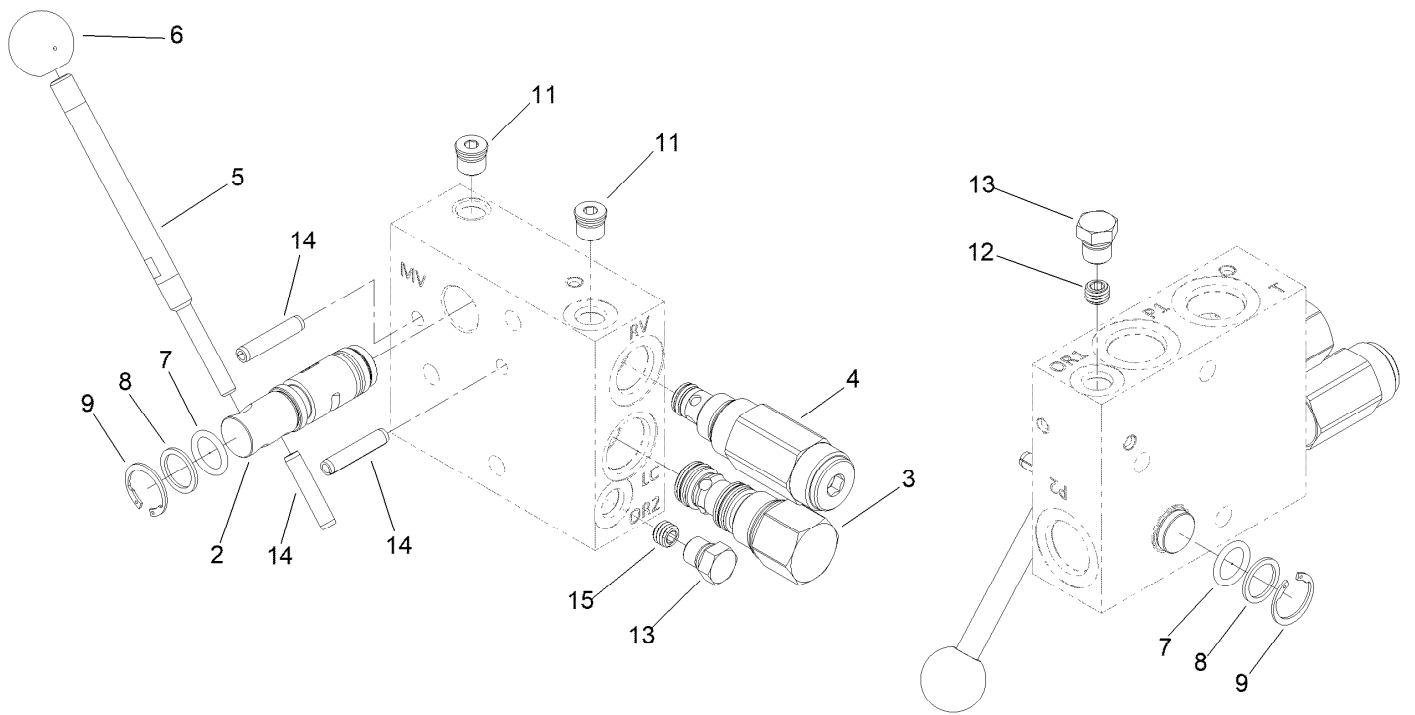
## Front Axle and Driveline Assembly

Ref.	Part Number	Qty.	Description
1	AU104951	1	Transmission ASM
2	AUH183566	1	Bolt-U (2 Per Pack)
2:1	3219-2	2	Nut-Hex
2:2	3253-4	2	Washer-Lock
3	AU111086A1	1	Drive Shaft ASM
4	AU232-4616	4	Nut-Hex Lock
5	3211-5	3	Screw-HH
6	147-5401	4	Flg Locknut (5/8-NC, GR G)
7	131-0703	10	Nut-HHF
8	147-5400	4	Flg Bit (5/8-NC X 1-3/4", GR 8)
9	147-5786	1	Dana 44 Assembly
99	136-0234	1	Yoke-Transmission ●

● Not illustrated

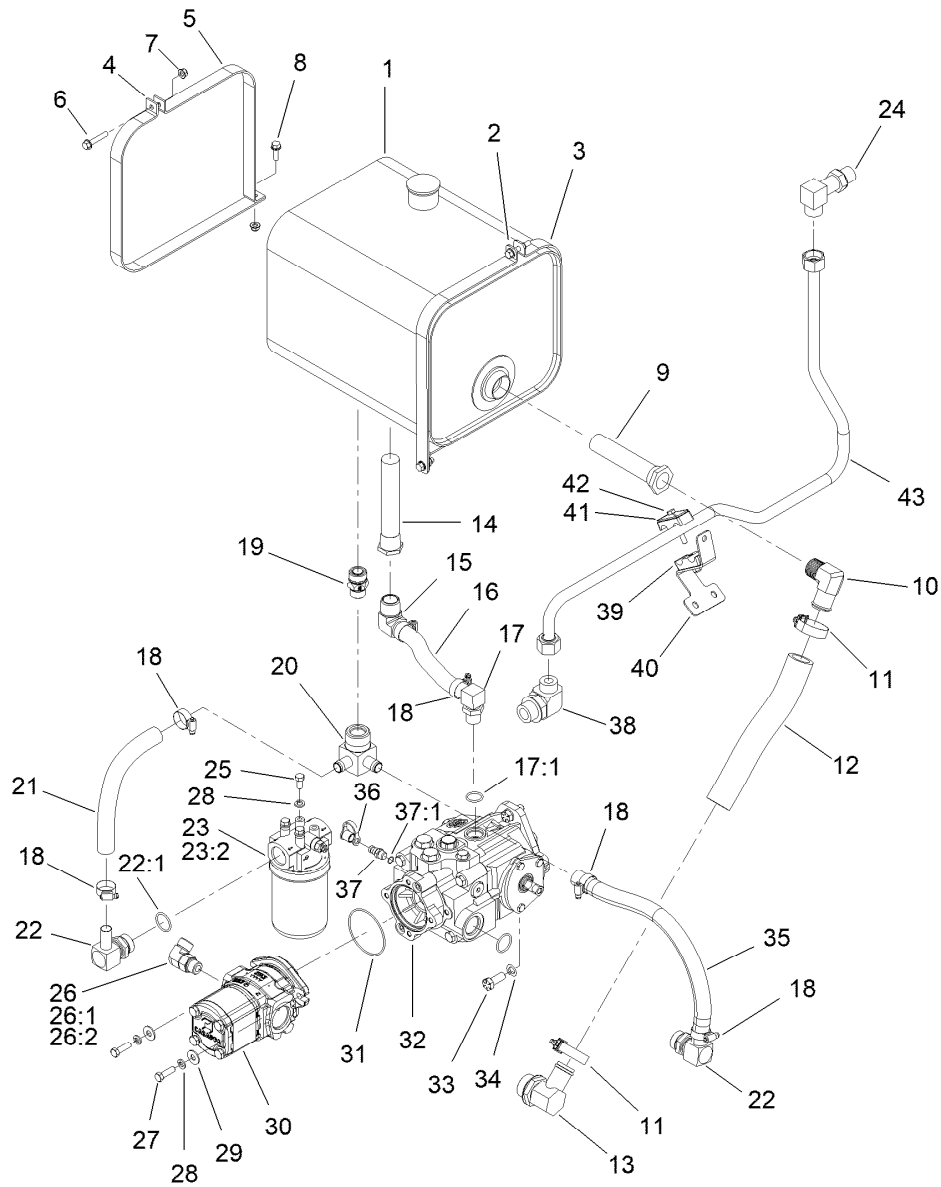






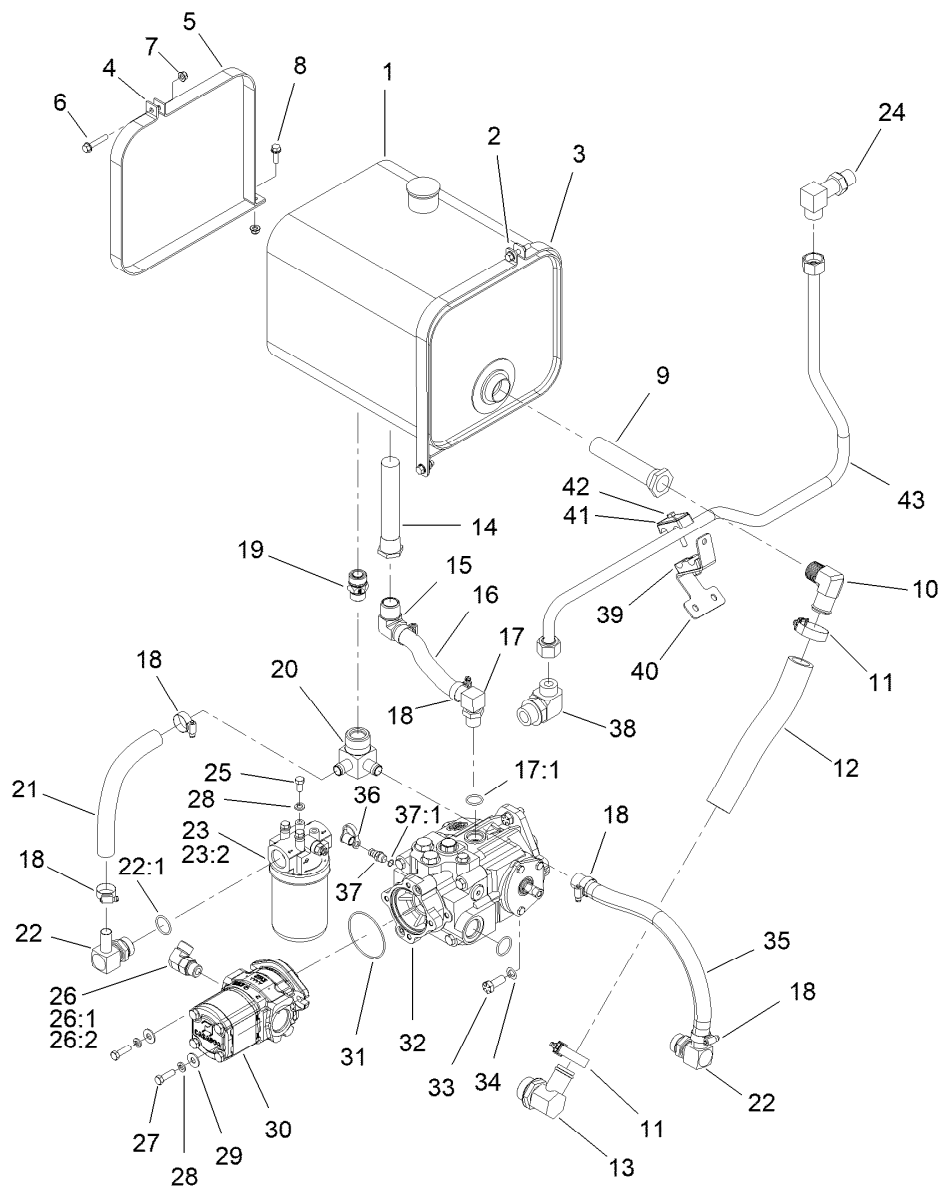
## Control Valve Assembly No. 127-6591

Ref.	Part Number	Qty.	Description
2	132-8755	1	Spool-Rotary
3	132-8754	1	Spool-Logic
4	132-8753	1	Valve-Relief
5	132-8752	1	Handle-Spool
6	131-2700	1	Knob-Ball, Plastic
7	117-4606	2	O-Ring
8	112-6534	2	Ring-Back Up
9	112-6532	2	Ring-Retaining
11	112-9212	2	Plug
12	110-8883	1	Plug-Orifice (0.040)
13	117-0115	2	Plug
14	112-6531	3	Pin-Spring
15	132-8751	1	Plug-Orifice(0.015)



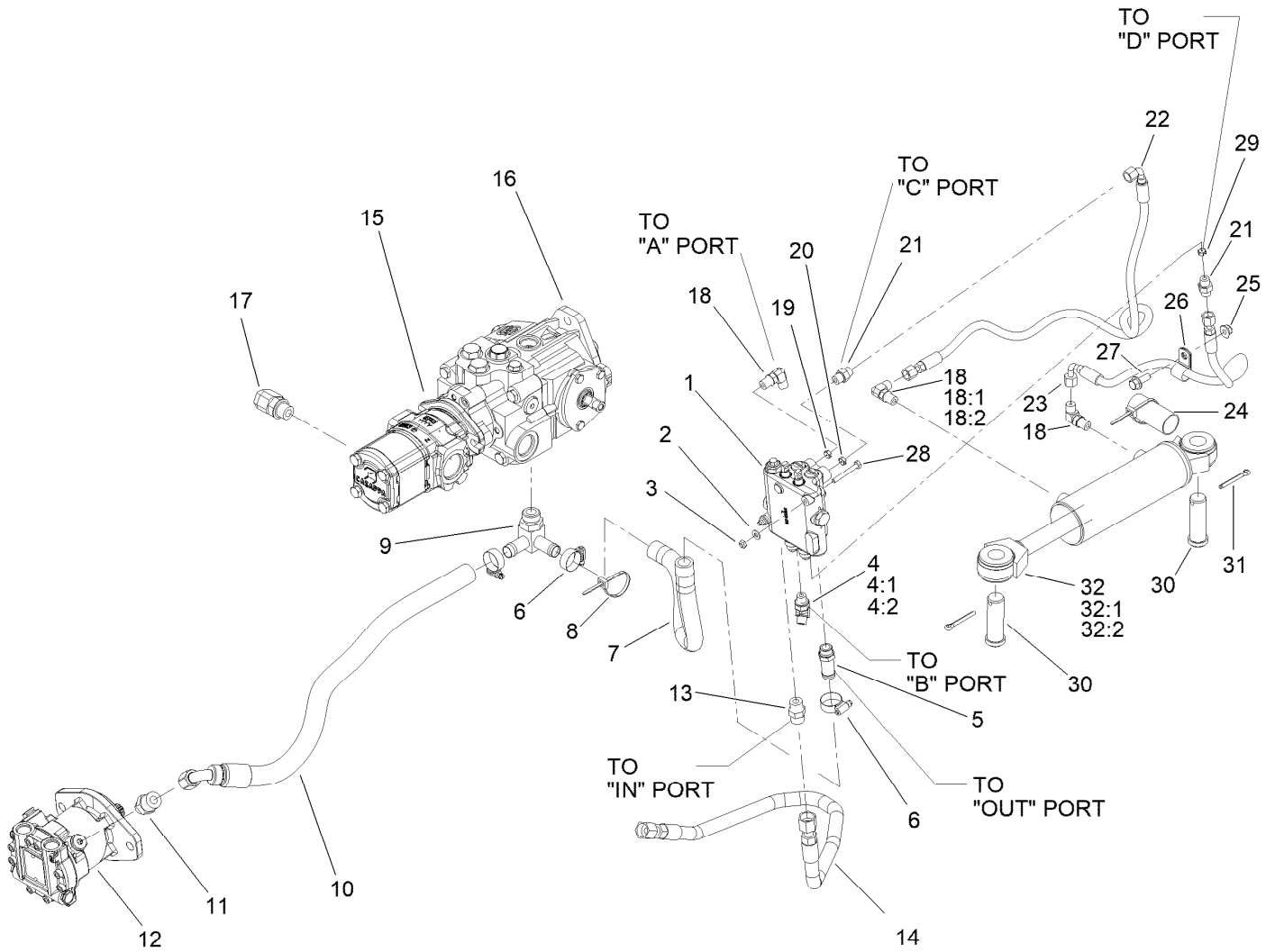
## Tank Plumbing Assembly

Ref.	Part Number	Qty.	Description	Ref.	Part Number	Qty.	Description
1	AU111566A1	1	Reservoir-Hydraulic	20	147-5452	1	S/O Coupler
2	130-4316	1	Strap-Tank	21	147-5456	1	Hose Return
3	147-5462	1	Strap-Tank, Hydraulic	22	98-0971	2	Fitting-Elbow, 90
4	AUH435847	1	Strap-Tank	22:1	237-117	1	O-Ring
5	AUH435811	1	Strap-Tank	23	127-8423	1	HYD Filter ASM
6	94-5780	2	Screw-HWH	23:2	110-4146	1	Filter-HYD
7	104-8300	5	Nut-HF, NI	24	147-5434	1	Connector (12S-12O90, XI)
8	3234-29	2	Screw-HHF	25	323-4	3	Screw-HH
9	AUH584631	1	Filter ASM	26	340-17	1	Fitting-Elbow, 90 DEG
10	AU217-166	1	Fitting-Elbow, 90	26:1	237-65	1	O-Ring
11	2412-75	2	Clamp	26:2	237-80	1	O-Ring
12	147-5455	1	Hose Suction	27	323-7	2	Screw-HH
13	147-5459	1	S/O Coupler (20S-20H90)	28	3253-21	5	Washer-Lock
14	AUH151399	1	Filter ASM	29	147-5447	2	Washer
15	130-4319	1	Fitting-Elbow, 90	30	147-5454	1	Pump Tandem (1.29/.44 Cir)
16	147-5457	1	Hose LP	31	147-5460	1	O-Ring (152 D70)
17	353-987	1	Fitting-Elbow, 90	32	AU239918A1	1	HYD Variable Pump ASM
17:1	237-81	1	O-Ring	33	3234-38	2	Screw-HHF
18	2412-129	6	Clamp-Hose	34	3253-7	2	Washer-Lock
19	147-5453	1	Flow Check Valve (-12S-120, 5 PSI)	35	147-5458	1	Hose-Return 3/4
				36	354-79	1	Cap-Dust



## Tank Plumbing Assembly (continued)

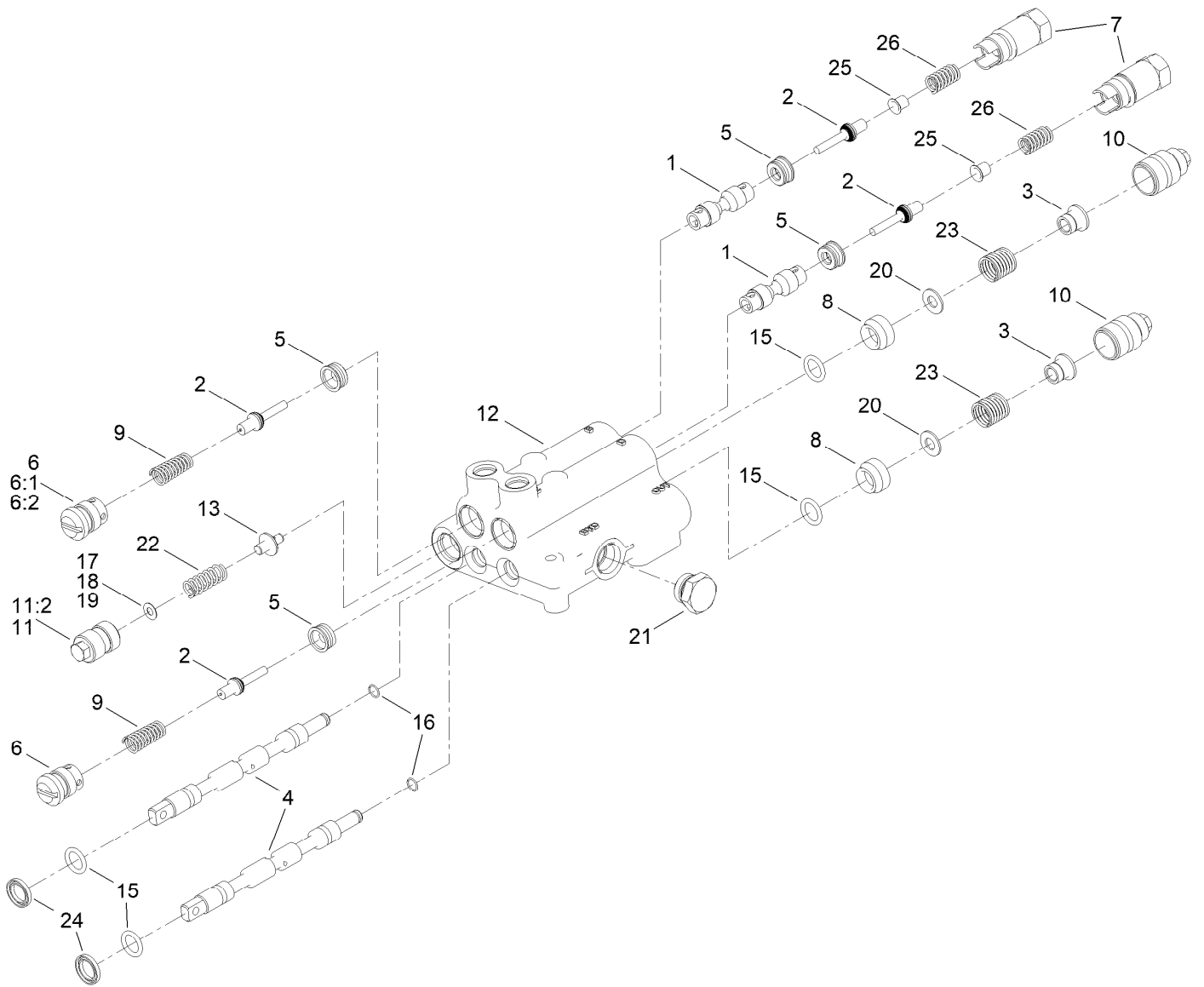
<i>Ref.</i>	<i>Part Number</i>	<i>Qty.</i>	<i>Description</i>	<i>Ref.</i>	<i>Part Number</i>	<i>Qty.</i>	<i>Description</i>
37	59-7410	1	Fitting-Diagnostic	41	69-9761	1	Plate-Cover
37:1	237-42	1	O-Ring	42	322-11	1	Screw-HH
38	147-5441	1	Connector (12O-16S90)	43	147-5431	1	Hardline (-12 Cooler To Filter)
39	94-8105	2	Clamp-Tube				
40	147-5466	1	Bracket-Tube				



## Steering Valve Plumbing Assembly

Ref.	Part Number	Qty.	Description
1	AU407213A1	1	HYD Steering Valve ASM
2	AUH426767	2	Washer-Flat
3	146375	2	Nut-Lock, Cone
4	95-4136	1	Fitting-HYD, 45 Degree
4:1	237-42	1	O-Ring
4:2	237-21	1	O-Ring
5	147-5449	1	S/O Coupler
6	2412-129	3	Clamp-Hose
7	147-5458	1	Hose-Return 3/4
8	3290-378	2	Tie-Cable
9	AUH339762	1	Tee
10	147-5428	1	Hose (10Fforx, -12Hose - 29"-E-Z-Form)
11	147-5443	1	Connector (08S-100)
12	147-5451	1	Hydraulic Motor (Mp1 24Cc)
13	147-5437	1	Connector (08S-08O)
14	147-5432	1	Hose (08Ofx-28.5"-3000)
15	147-5454	1	Pump Tandem (1.29/.44 Cir)
16	AU239918A1	1	HYD Variable Pump ASM
17	147-5442	1	Connector (08O-10S90)

Ref.	Part Number	Qty.	Description
18	340-82	3	Fitting-Elbow, 90 DEG
18:1	237-42	1	O-Ring
18:2	237-21	1	O-Ring
19	AUH757815	1	Orifice
20	AUH746875	1	Plate-Orifice
21	147-5725	2	Connector (04O-06S)
22	147-5444	1	Hose (04Ofx90S-40"-3000)
23	147-5433	1	Hose (04Ofx90M-29"-3000)
24	147-5427	1	Abrasion Sleeve (1.25" X 25")
25	104-8301	1	Nut-HF, NI
26	2412-81	1	Clamp-R
27	3234-42	1	Screw-HHF
28	321-11	2	Screw-HH
29	AUH433173	1	Plate-Orifice
30	AUH67272	2	Pin-Clevis
31	3273-33	2	3/8-24 X 1/2 Allen Sc
32	AU125471	1	HYD Cylinder ASM
32:1	131-0169	1	Gland Seal Kit
32:2	AU124048	1	Piston Seal Kit

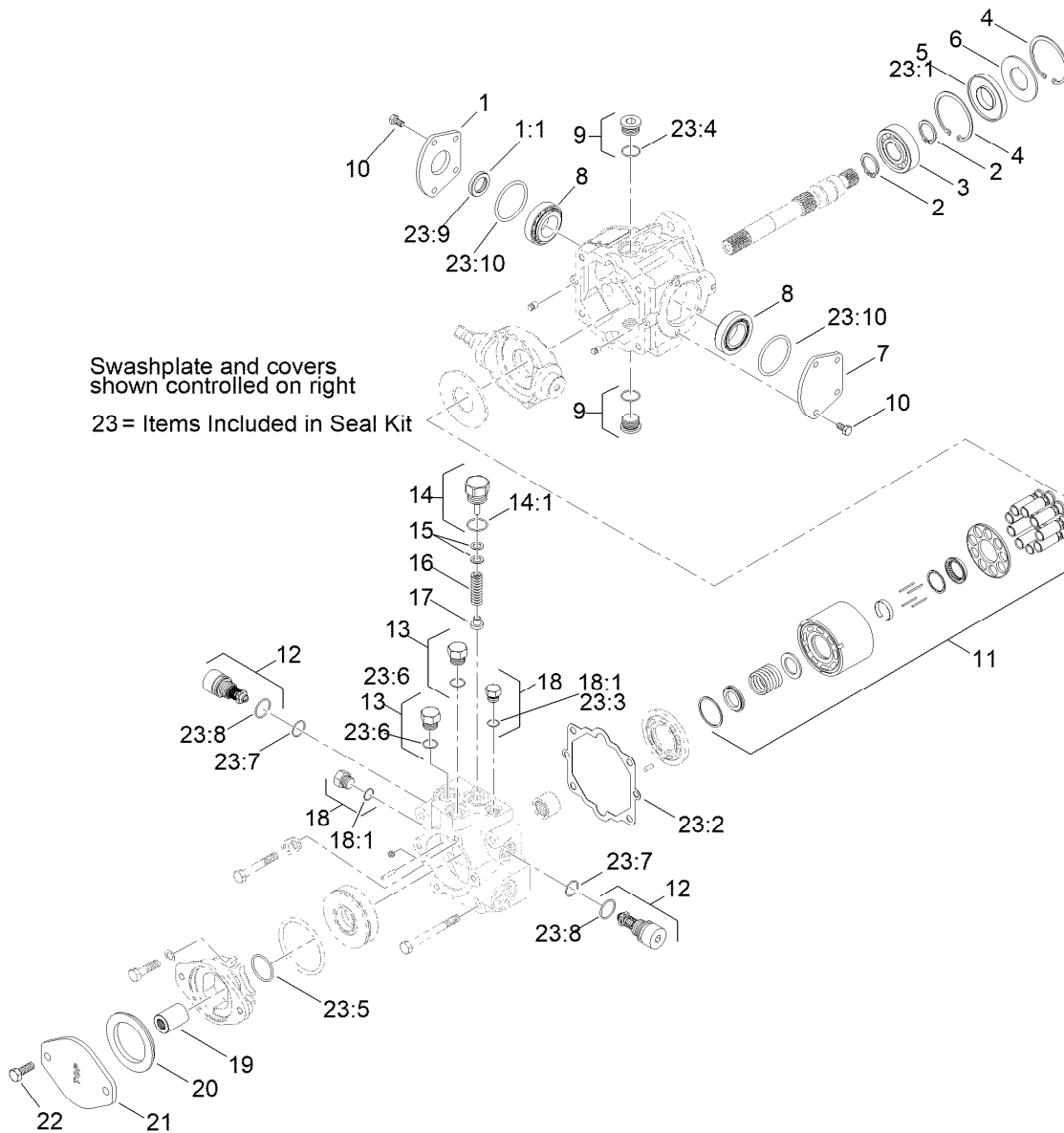


## Hydraulic Steering Valve Assembly No. AU407213A1

Ref.	Part Number	Qty.	Description
1	127-6238	2	Plunger
2	58-6290	4	Poppet
3	127-6237	2	Spacer
4	106-6750	2	Spool
5	117-9228	4	Seat-Hardened
6	99-3526	2	Plug ASM
6:1	60-5720	1	O-Ring
6:2	59-7730	1	Washer-Backup
7	58-6380	2	Plug
8	58-6400	2	Bushing
9	AUH364182	2	Lock-Spring
10	58-6420	2	Cap
11	69-1830	1	Plug ASM
11:2	58-6750	1	O-Ring

Ref.	Part Number	Qty.	Description
12		1	Body ●
13	92-2568	1	Poppet
15	58-6450	4	O-Ring
16	AUN9257	2	Ring-Retaining
17	58-6470	1	Washer
18	58-6480	1	Washer
19	58-6490	1	Washer
20	65-2770	2	Washer
21	127-6239	1	Plug ASM
22	106-0267	1	Spring
23	99-3531	2	Spring
24	58-6320	2	Wiper
25	60-6440	2	Eyelet
26	58-6410	2	Spring

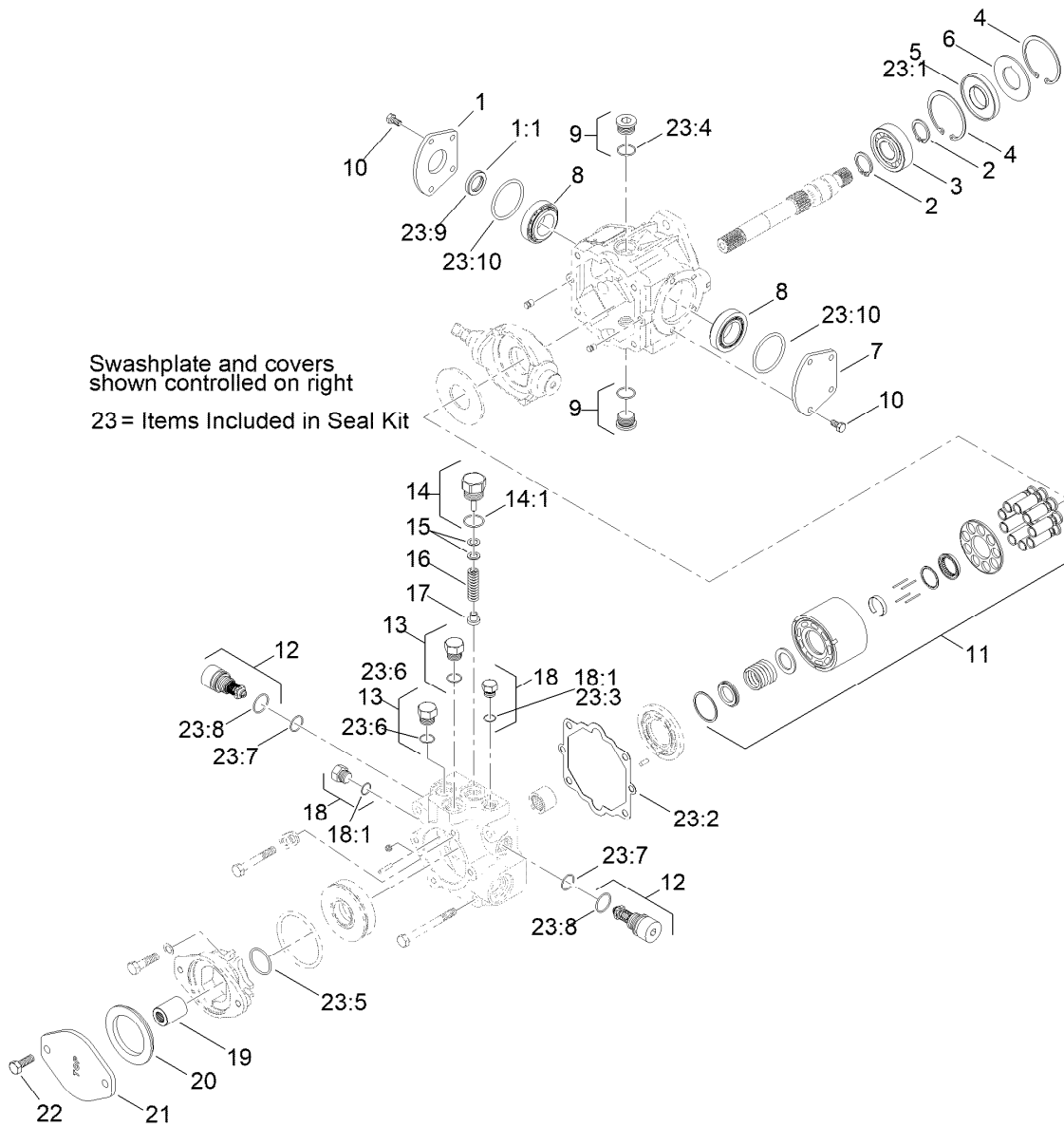
● Not serviced separately



## Hydraulic Variable Pump Assembly No. AU239918A1

Ref.	Part Number	Qty.	Description	Ref.	Part Number	Qty.	Description
1	110-6499	1	Trunnion Cover ASM	15	92-1353	1	Shim Kit
1:1	110-6478	1	Seal-Lip	16	110-6474	1	Spring
2	69-3170	2	Ring-Retaining	17	84-0480	1	Poppet-Relief, Charge
3	75-0460	1	Bearing-Ball	18	94-9415	2	Plug ASM
4	69-3200	2	Ring-Retaining	18:1		1	O-Ring ●
5	110-6471	1	Seal-Lip	19	127-6226	1	Coupling
6	95-4400	1	Washer-Backup	20	107-4377	1	Seal-A, Pad
7	84-0440	1	Cover-Trunnion	21	107-4378	1	Cover
8	110-6483	2	Bearing Kit	22	69-3400	2	Screw
9	69-3130	2	Plug	23	910643	1	Seal Kit
10	112-0151	8	Screw	23:1		1	Seal-Lip ●
11	127-6247	1	Cylinder Block Kit	23:2		1	Gasket-End Cap ●
12	127-6228	2	Valve-Solenoid, Check	23:3		2	O-Ring ●
13	88-8210	2	Plug	23:4		2	O-Ring ●
14	110-6486	1	Plug-Relief, Charge	23:5		1	O-Ring ●
14:1	28-3570	1	O-Ring	23:6		2	O-Ring ●

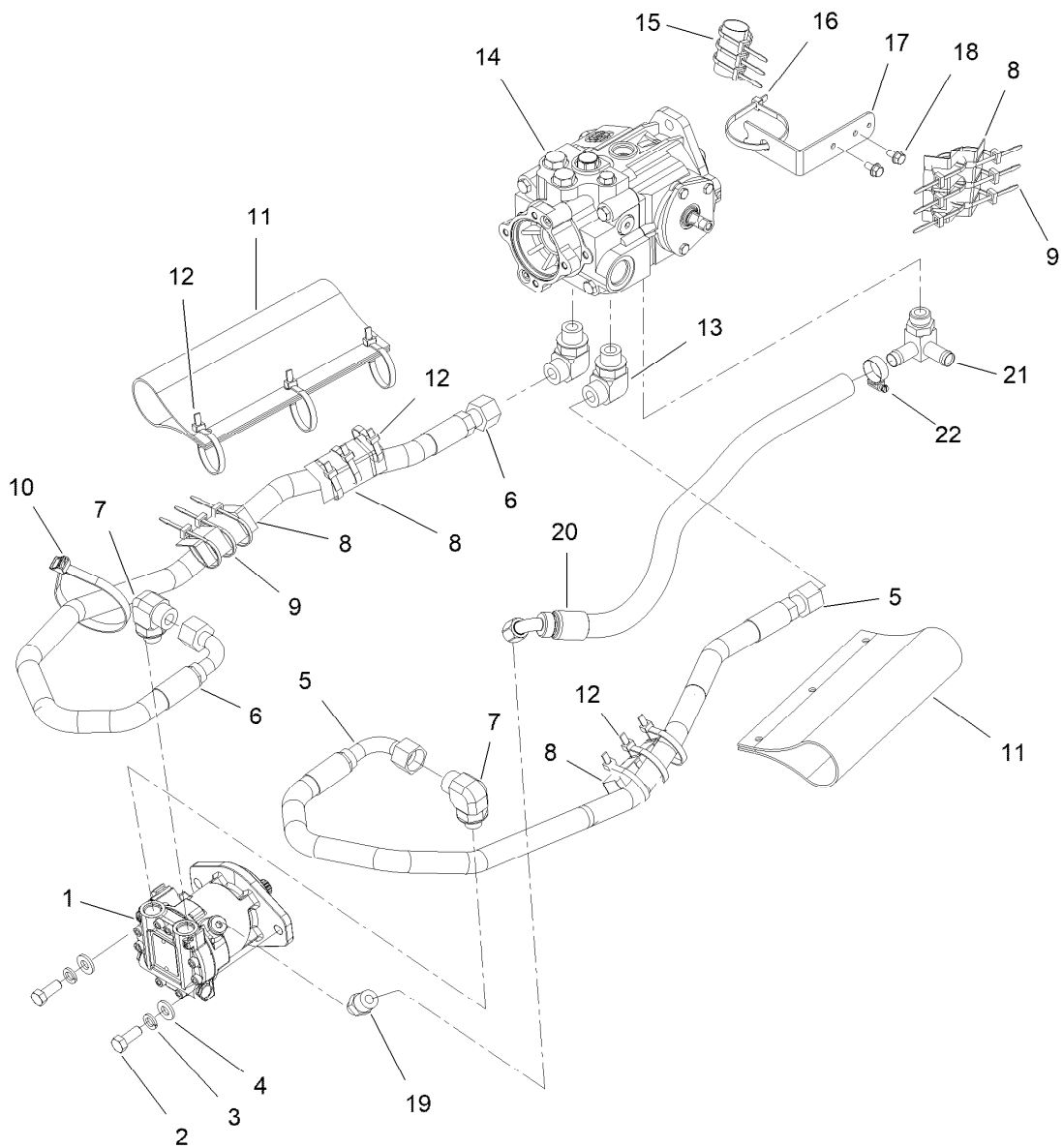
● Not serviced separately



## Hydraulic Variable Pump Assembly No. AU239918A1 (continued)

Ref.	Part Number	Qty.	Description	Ref.	Part Number	Qty.	Description
23:7		1	O-Ring ●	23:9		1	Seal-Lip ●
23:8		1	R-Ring ●	23:10		2	O-Ring ●

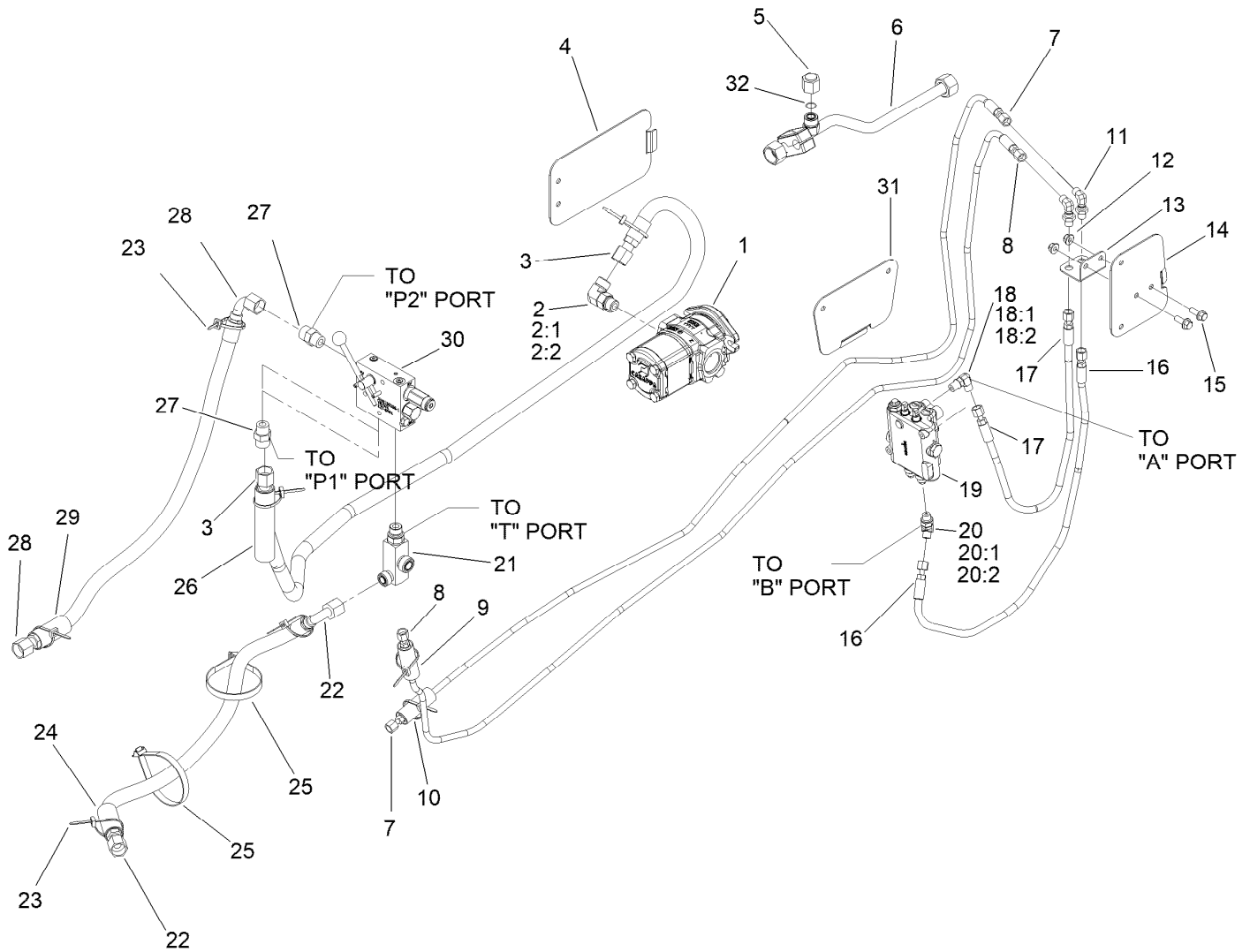
● Not serviced separately



## Motor Plumbing Assembly

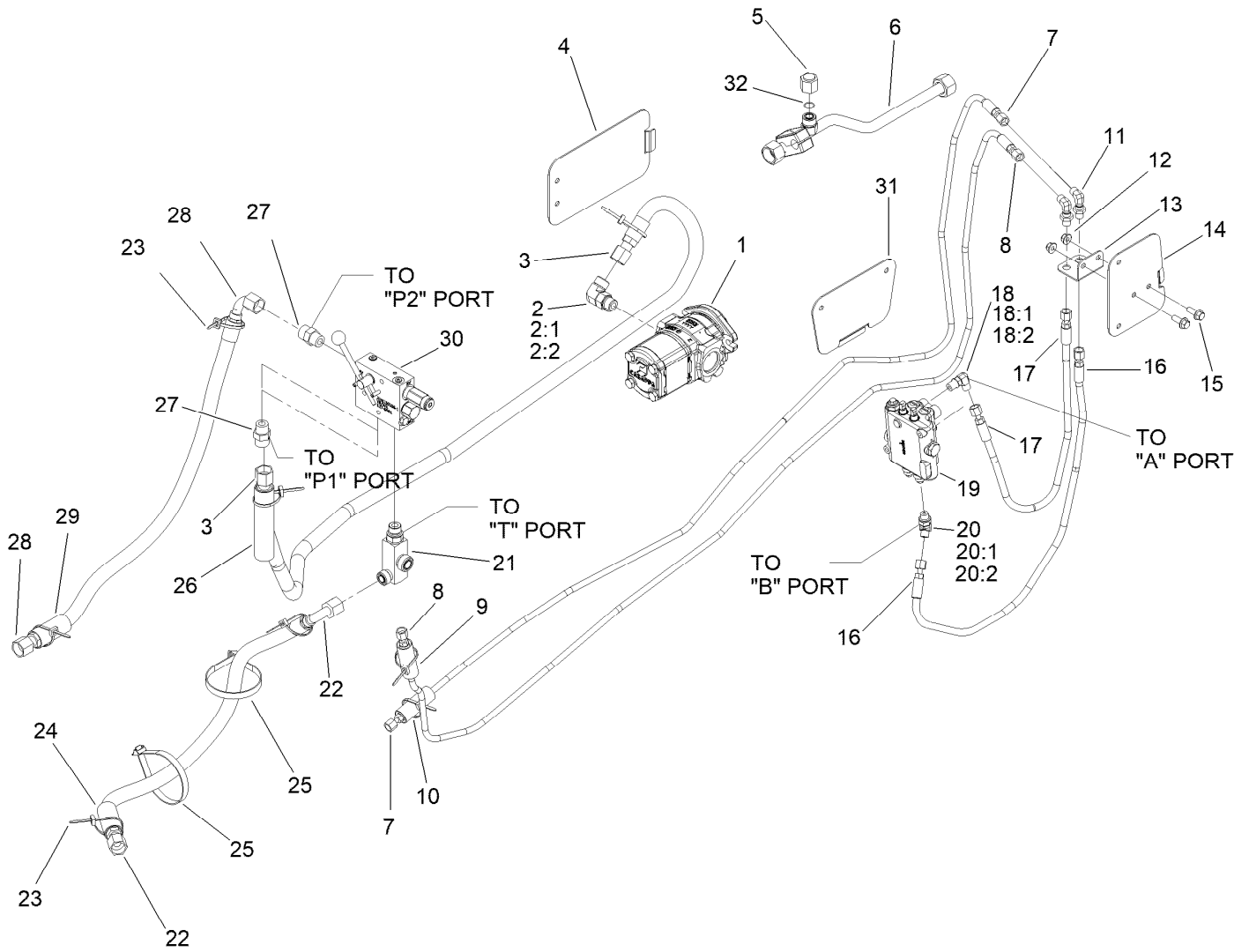
Ref.	Part Number	Qty.	Description	Ref.	Part Number	Qty.	Description
1	147-5451	1	Hydraulic Motor (Mp1 24Cc)	13	147-5439	2	Connector (12S-12O90)
2	325-5	2	Screw-HH	14	AU239918A1	1	HYD Variable Pump ASM
3	3253-7	2	Washer-Lock	15	AU112950	1	Protector-Hose
4	AUH274894	2	Washer	16	3334-945	1	Tie-Cable
5	147-5436	1	Hose (12Ofx90M-50"-3000)	17	147-5461	1	Bracket-Hose
6	147-5436	1	Hose (12Ofx90M-50"-3000)	18	33104-016	2	Screw-HHF
7	147-5440	2	Connector (10S-12O90)	19	147-5443	1	Connector (08S-10O)
8	AU112950	5	Protector-Hose	20	147-5428	1	Hose (10Fforx, -12Hose - 29"-E-Z-Form)
9	3290-378	12	Tie-Cable	21	AUH339762	1	Tee
10	147-5467	1	Cable Tie (1/2") 20" Lg	22	2412-129	1	Clamp-Hose
11	AU123989A1	2	Boot-Hose				
12	3334-945	9	Tie-Cable				





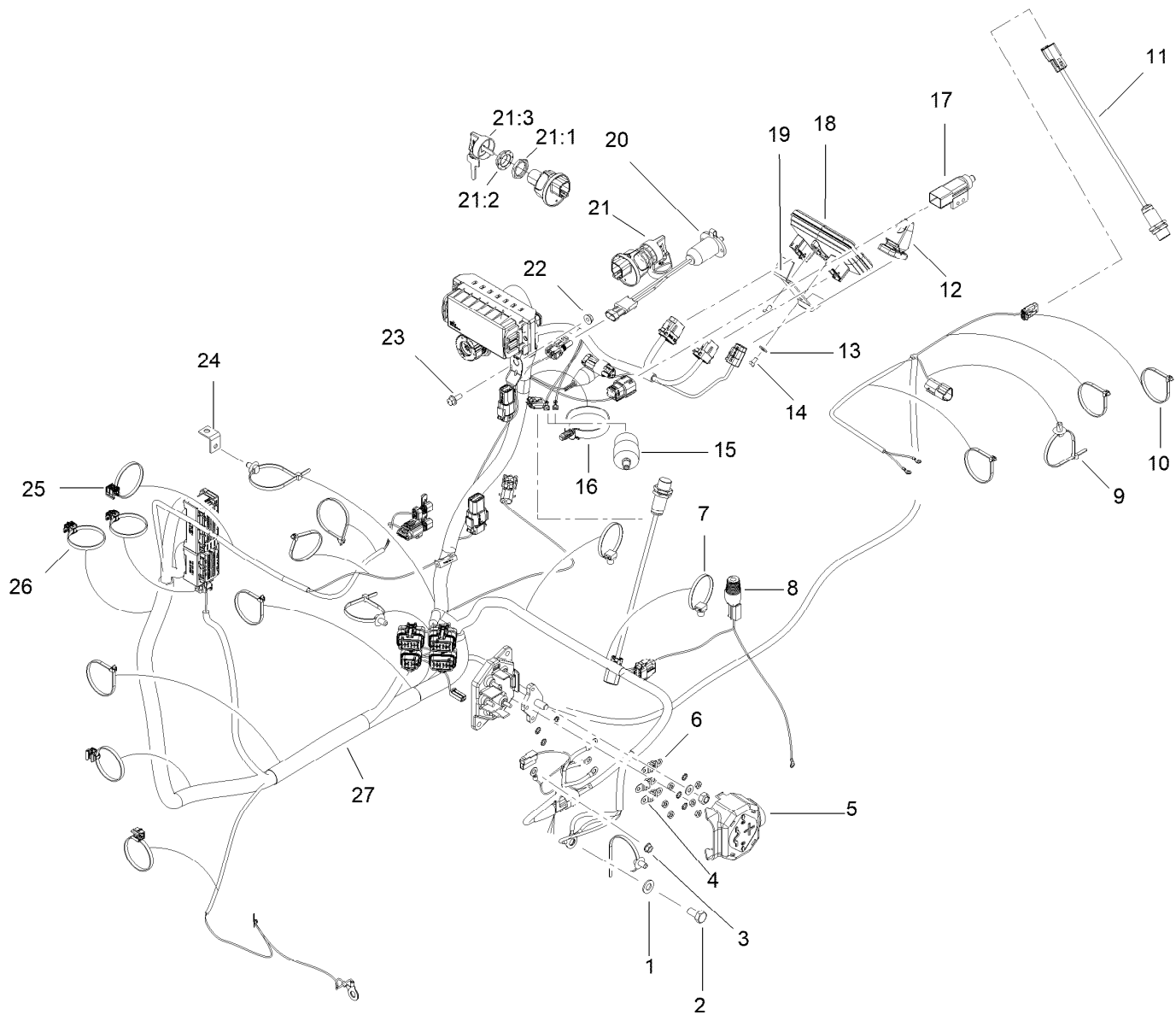
## Hydraulic Configuration Assembly

Ref.	Part Number	Qty.	Description	Ref.	Part Number	Qty.	Description
1	147-5454	1	Pump Tandem (1.29/.44 Cir)	15	3234-42	2	Screw-HHF
2	340-17	1	Fitting-Elbow, 90 DEG	16	147-5476	1	Hose (04Ofx-32"-3000)
2:1	237-65	1	O-Ring	17	147-5470	1	Hose (04Ofx-27"-3000)
2:2	237-80	1	O-Ring	18	340-82	1	Fitting-Elbow, 90 DEG
3	147-5481	1	Hose (10Ofx-64"-3000)	18:1	237-42	1	O-Ring
4	147-5480	1	Cover-Hyrdaborer (Toro Red)	18:2	237-21	1	O-Ring
5	340-150	1	Cap	19	AU407213A1	1	HYD Steering Valve ASM
6	147-5430	1	Hardline (-12 Return To Cooler)	20	95-4136	1	Fitting-HYD, 45 Degree
7	147-5471	1	Hose (04Ofx-82"-3000)	20:1	237-42	1	O-Ring
8	147-5472	1	Hose (04Ofx-92.5"-3000)	20:2	237-21	1	O-Ring
9	147-5797	1	Abrasion Sleeve (1.00" X 92")	21	147-5435	1	Connector (10S-100-120)
10	147-5798	1	Abrasion Sleeve (1.00" X 82")	22	147-5473	1	Hose (10Ofx90S-33"-3000)
11	147-5475	2	Bk Connector (04O-04O90Bk)	23	3290-378	8	Tie-Cable
12	104-8301	2	Nut-HF, NI	24	147-5468	1	Abrasion Sleeve (1.25" X 33")
13	147-5477	1	Plate-Bulkhead	25	147-5467	2	Cable Tie (1/2") 20" Lg
14	147-5478	1	Cover-Selector (Toro Red)	26	147-5799	1	Abrasion Sleeve (1.25" X 64")
				27	147-5727	2	Connector (10S-100)
				28	147-5482	1	Hose (10Ofx90S-36"-3000)



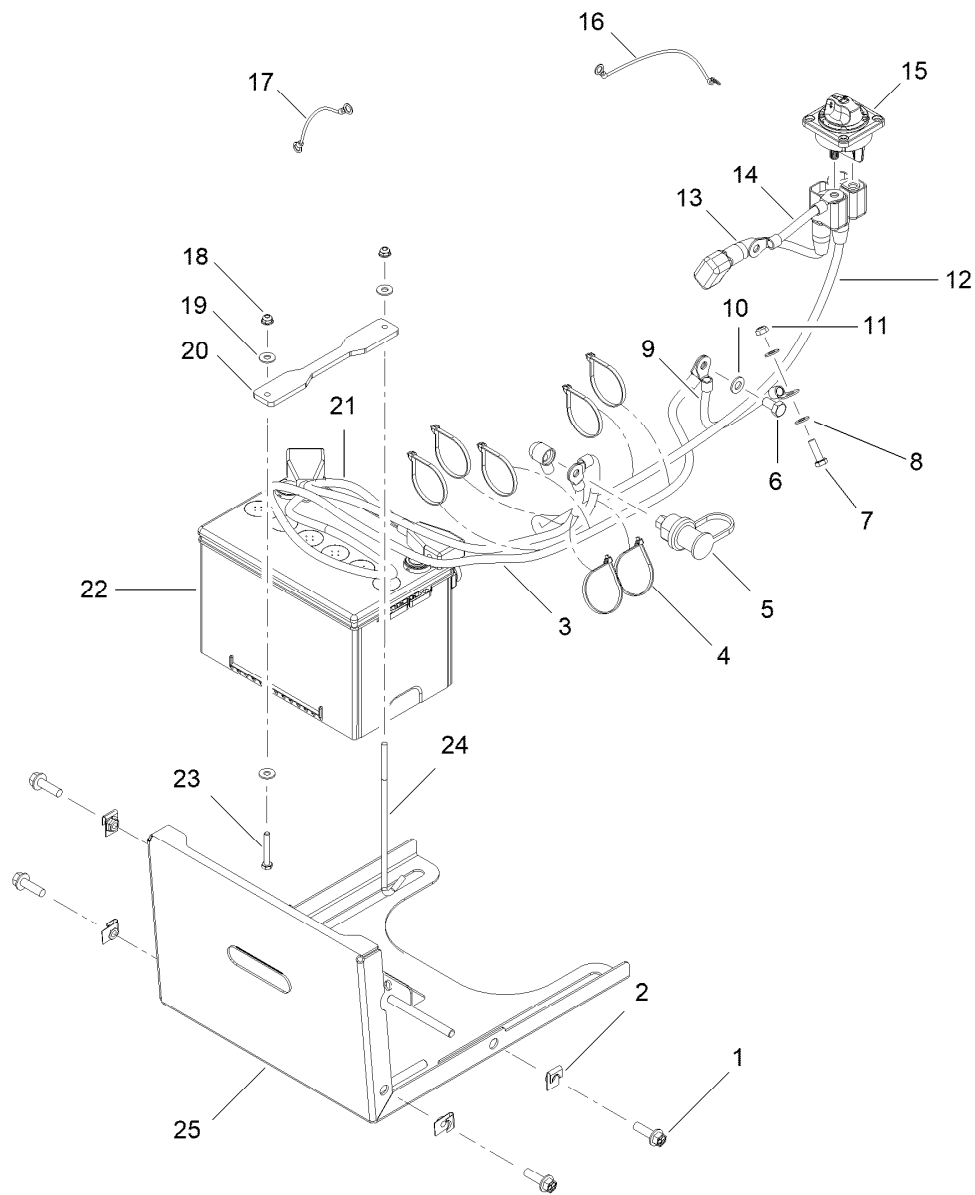
## Hydraulic Configuration Assembly (continued)

<i>Ref.</i>	<i>Part Number</i>	<i>Qty.</i>	<i>Description</i>	<i>Ref.</i>	<i>Part Number</i>	<i>Qty.</i>	<i>Description</i>
29	147-5469	1	Abrasion Sleeve (1.25" X 37")	31	147-5479	1	Cover-Trencher (Toro Red)
30	127-6591	1	Valve-Control, Vibe Plow	32	147-5445	1	O-Ring (016 D90)



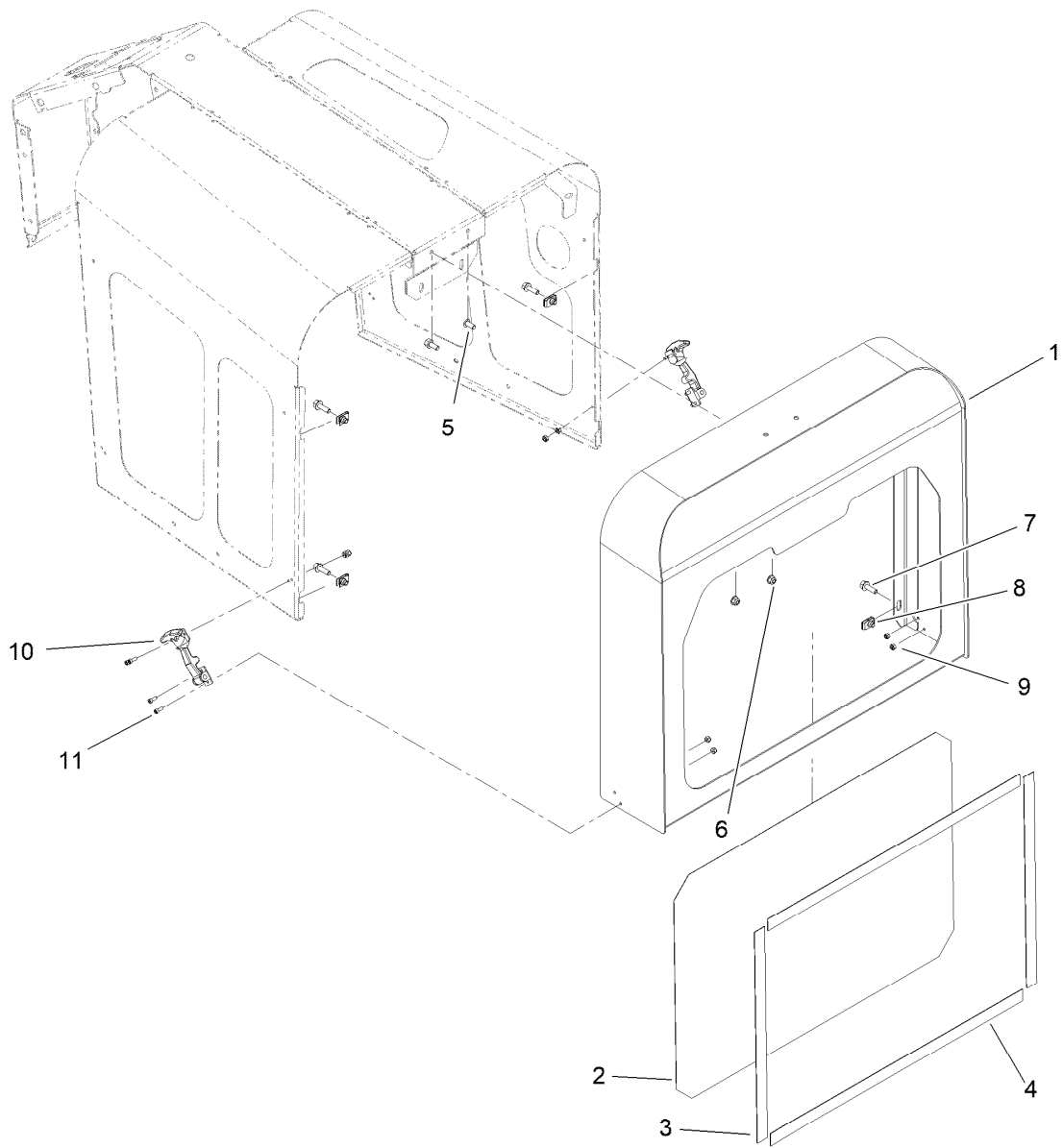
## Harness and Component Assembly

Ref.	Part Number	Qty.	Description	Ref.	Part Number	Qty.	Description
1	33095-00	1	Washer-Flat	17	147-5493	1	Plunger Switch
2	33115-020	1	Screw-HH	18	147-5503	1	Ccpilot Vi_2 3.5" Display
3	33003-00	1	Nut-HF	19	147-5506	1	Display Bracket
4	147-5488	2	Bk/Ami 60 Amp Fuse	20	147-5489	1	Accessory Socket
5	147-5791	1	Main Fuse Holder (3 Bk/Ami Fuses)	21	121-5159	1	Switch-Ignition
6	147-5487	1	Bk/Ami 80 Amp Fuse	21:1	121-5160	1	Nut-Hex
7	147-5484	2	Fir Tree Small Tie	21:2	122-2704	1	Nut-Face, M22 (Plastic)
8	121-6599	1	Switch-Temp, 200 Degree	21:3	121-5162	1	Set-Key, Ignition
9	147-5792	4	Fir Tree Cable Mount	22	139-2619	1	Nut-HF
10	147-5793	7	Cable Tie (1/16" To 4")	23	33103-016	1	Screw-HHF
11	147-5490	2	Proximity Switch 18MM Npn N/O	24	147-5504	1	Bracket
12	147-5496	1	Hpw Switch (Friction Hold)	25	147-5485	1	Edge Clip Side Vertical (.12-.24)
13	137-3073	1	Washer-Plain	26	147-5795	4	Edge Clip Side Horizontal (.12-.24)
14	121-6320	2	Screw-HH	27	147-5497	1	Frame Harness
15	AU292950A1	1	Switch-Pressure, Vacuum				
16	147-5794	1	Heavy Duty Fir Tree (.04-.62 THK)				



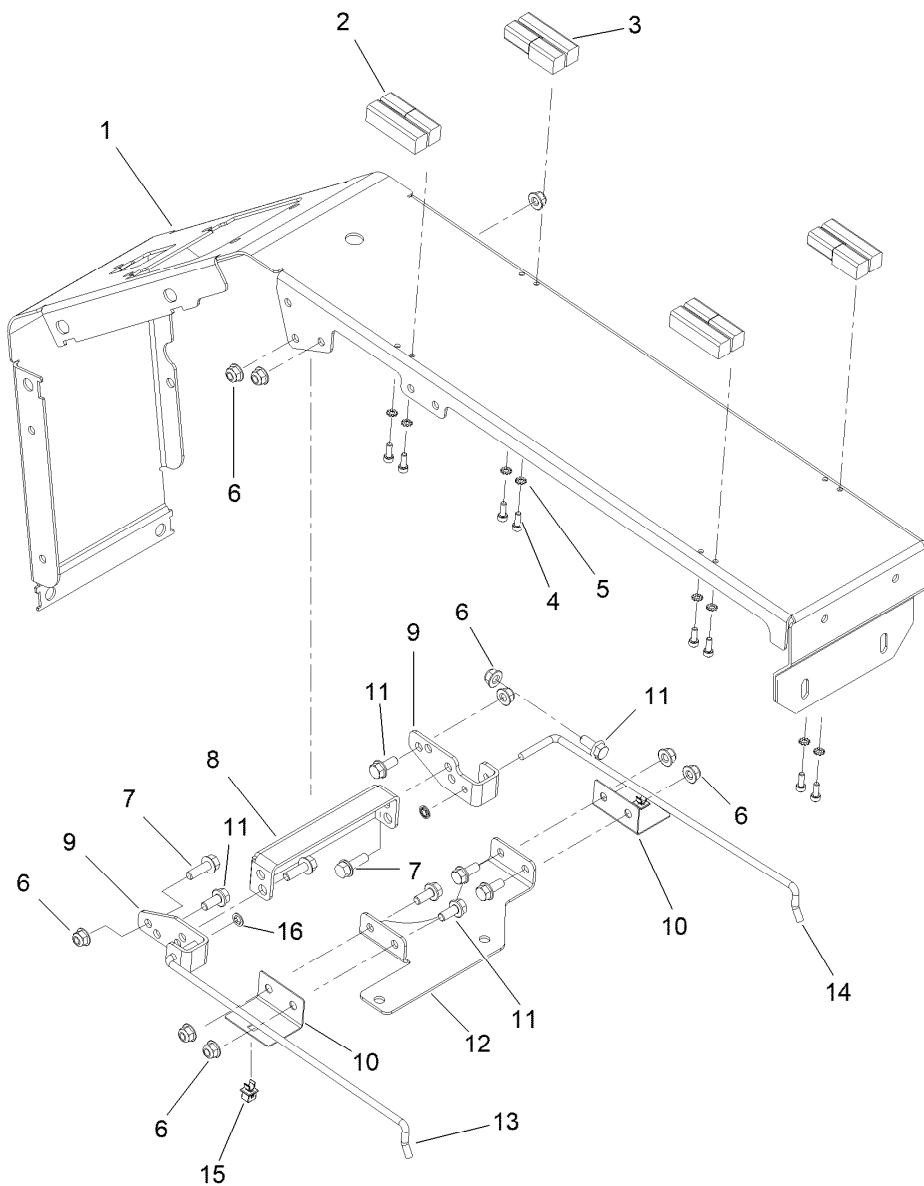
## Battery and Cable Assembly

Ref.	Part Number	Qty.	Description	Ref.	Part Number	Qty.	Description
1	3234-24	4	Screw-HHF	14	147-5500	1	Trifuse Cable (1GA X 4.25 Inches, Red)
2	147-5483	4	Nut-Spring	15	147-5494	1	Square Disconnect Switch (300A)
3	147-5499	1	Batt Cable Neg. (1GA X 46 Inches, Blk)	16	147-5492	1	Ground Braid - L Arm Panel To Cruise
4	147-5793	7	Cable Tie (1/16" To 4")	17	147-5492	1	Ground Braid - L Arm Panel To Cruise
5	147-5486	1	Battery Jumper Terminal (Red)	18	104-7201	2	Nut-HF, NI
6	33115-020	1	Screw-HH	19	120-9646	3	Washer-Flat
7	AU426-516	1	Screw-HH	20	147-5510	1	Battery Hold Down
8	3256-23	2	Washer-Plain	21	147-5498	1	Batt Cable Pos. (1GA X 30 Inches, Red)
9	147-5491	1	Ground Strap	22	147-5495	1	Battery-775CCA, 12V Agm
10	33095-00	1	Washer-Flat	23	321-10	1	Screw-HH
11	97-1203	1	Nut-Hex	24	147-5505	1	J-Hook
12	147-5502	1	Jump Start Cable (1GA X 38 Inches, Red)	25	147-5796	1	Battery Tray - Weld
13	147-5501	1	Starter Cable (1GA X 8 Inches, Red)				



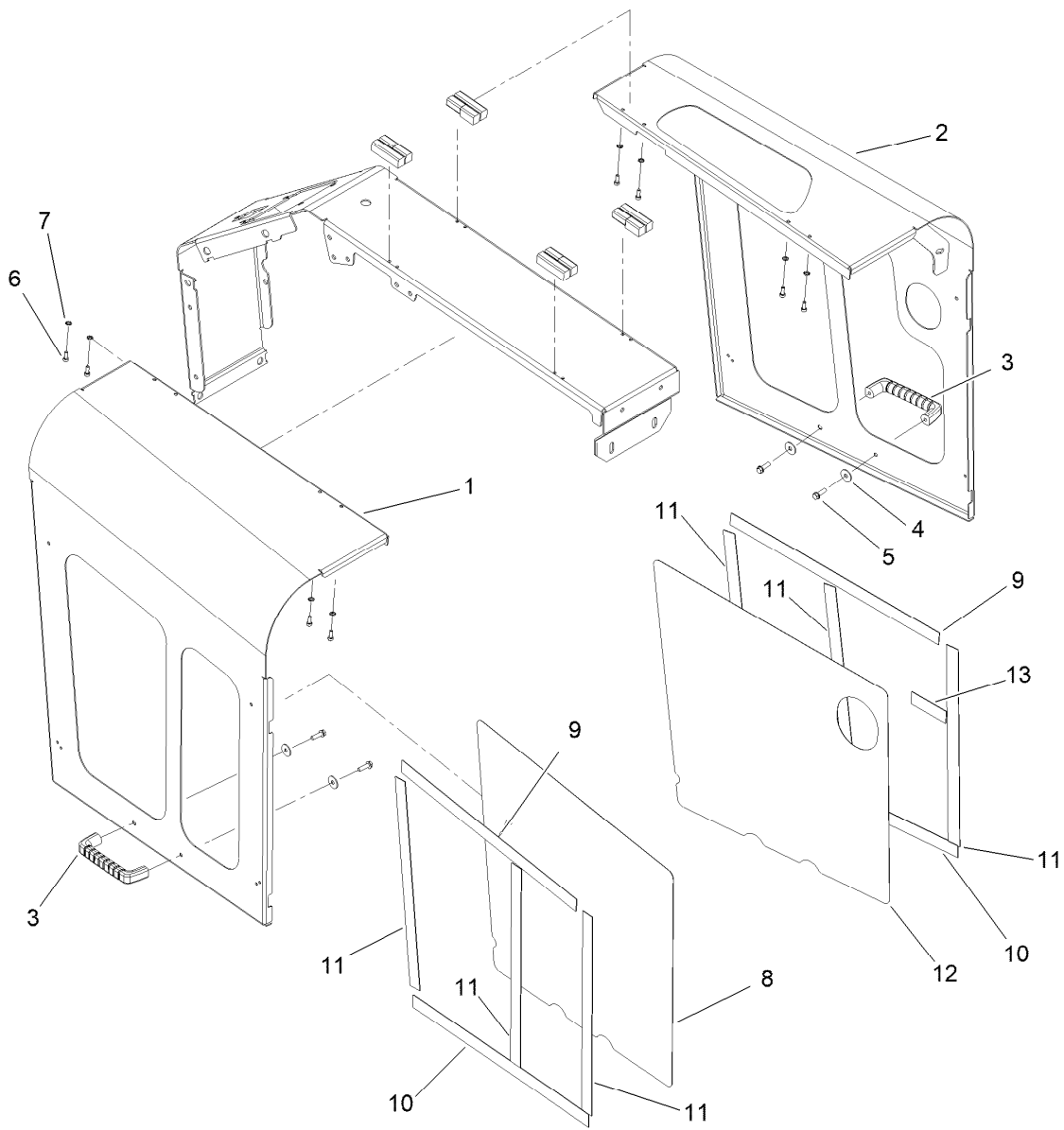
## Grill Assembly

<i>Ref.</i>	<i>Part Number</i>	<i>Qty.</i>	<i>Description</i>
1	147-5519	1	Grill (Toro Red)
2	147-5551	1	Screen-Grill
3	147-5530	36	Vhb Tape (1.0") High Energy
4	147-5530	50	Vhb Tape (1.0") High Energy
5	3234-47	2	Screw-HHF
6	104-8300	2	Nut-HF, NI
7	3234-29	4	Screw-HHF
8	94-2413	4	Nut-U
9	3296-2	8	Nut-Lock, NI
10	ST35289	4	Latch-Flex, Draw
11	147-5558	8	Screw-HSH



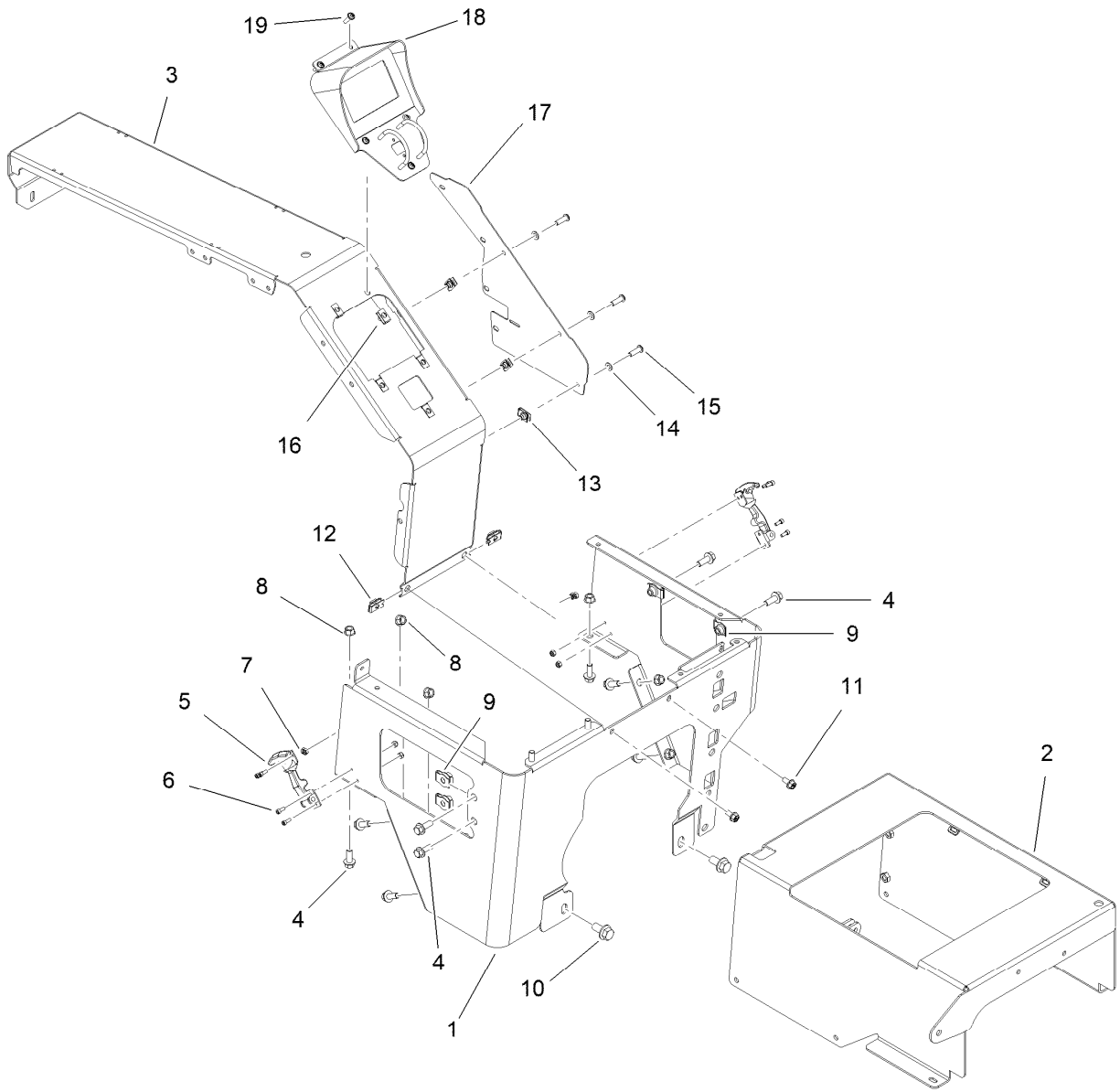
## Hood Support Assembly

<i>Ref.</i>	<i>Part Number</i>	<i>Qty.</i>	<i>Description</i>	<i>Ref.</i>	<i>Part Number</i>	<i>Qty.</i>	<i>Description</i>
1	147-5549	1	Support	9	147-5552	2	Support, Prop Rod
2	147-5534	2	Lift-Off Hinge (Offset)	10	147-5547	2	Tab, Prop Rod
3	147-5539	2	Lift-Off Hinge (Offset)	11	3234-47	7	Screw-HHF
4	112-5181	8	Screw -HSH	12	147-5543	1	Bracket-Air Filter
5	3255-5	8	Washer-Lock, EXT	13	147-5554	1	Prop Rod, Right
6	104-8300	10	Nut-HF, NI	14	147-5553	1	Prop Rod, Left
7	3234-29	3	Screw-HHF	15	147-5532	2	Prop Rod Clip
8	147-5555	1	Cross Brace	16	147-5528	2	Push Nut (1/4)



## Hood Assembly

<b>Ref.</b>	<b>Part Number</b>	<b>Qty.</b>	<b>Description</b>
1	147-5517	1	Hood-Right (Toro Red)
2	147-5518	1	Hood-Left (Toro Red)
3	65-5100	2	Handle-Door
4	87-6630	4	Washer-Plain
5	46-8091	4	Screw-HWH
6	112-5181	8	Screw -HSH
7	3255-5	8	Washer-Lock, EXT
8	147-5545	1	Screen-Right Side
9	147-5530	38	Vhb Tape (1.0") High Energy
10	147-5530	36	Vhb Tape (1.0") High Energy
11	147-5530	96	Vhb Tape (1.0") High Energy
12	147-5544	1	Left Door Screen
13	147-5530	3	Vhb Tape (1.0") High Energy

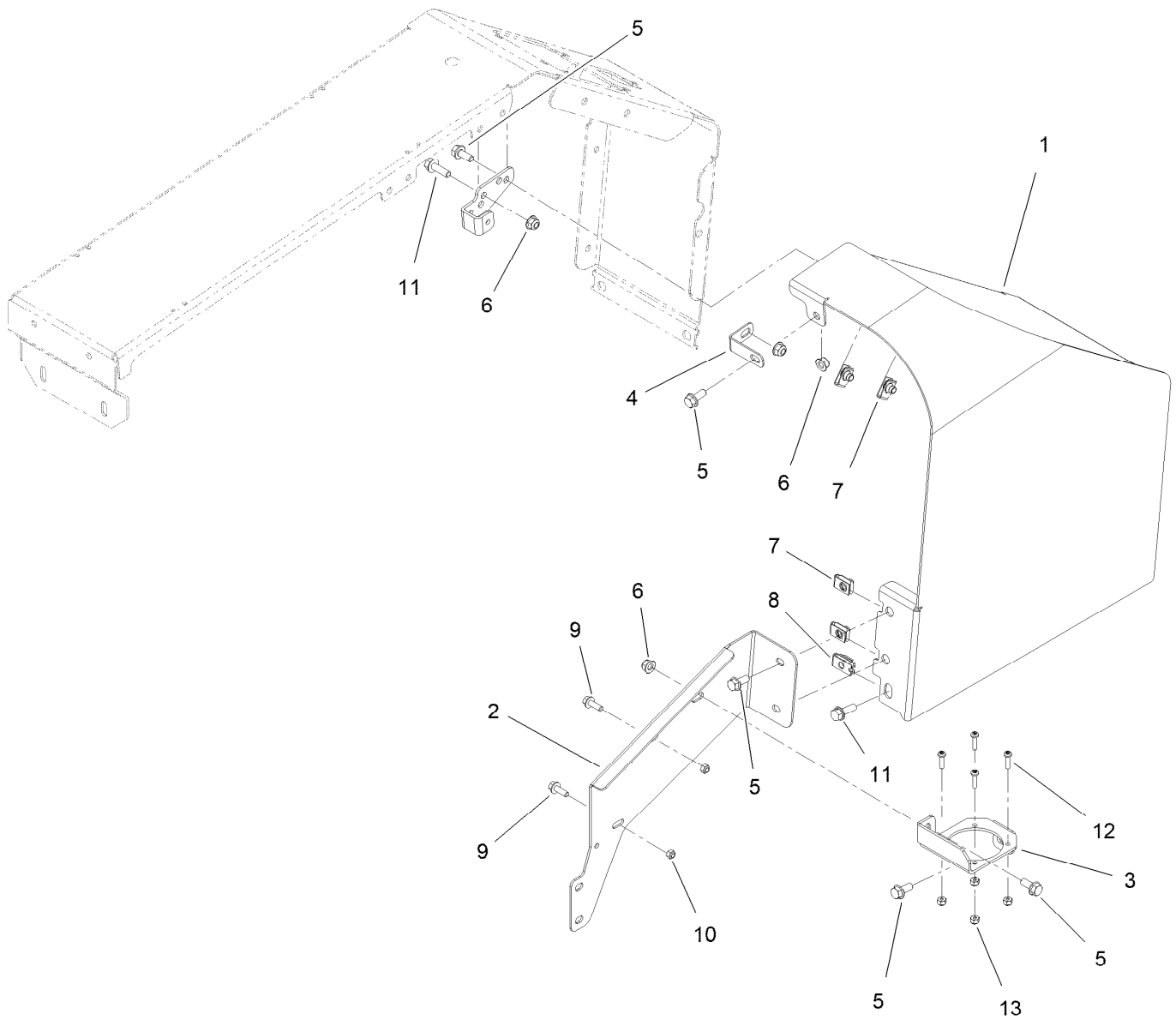


## Center Console and Seat Support Assembly

<i>Ref.</i>	<i>Part Number</i>	<i>Qty.</i>	<i>Description</i>
1	147-5524	1	Console-Bottom Welded (Toro Red)
2	147-5523	1	Support, Seat Welded (Toro Red)
3	147-5549	1	Support
4	3234-42	10	Screw-HHF
5	ST35289	4	Latch-Flex, Draw
6	147-5558	8	Screw-HSH
7	3296-2	8	Nut-Lock, NI
8	32128-36	6	Nut-HF
9	105-4886	4	Nut-Tinnerman

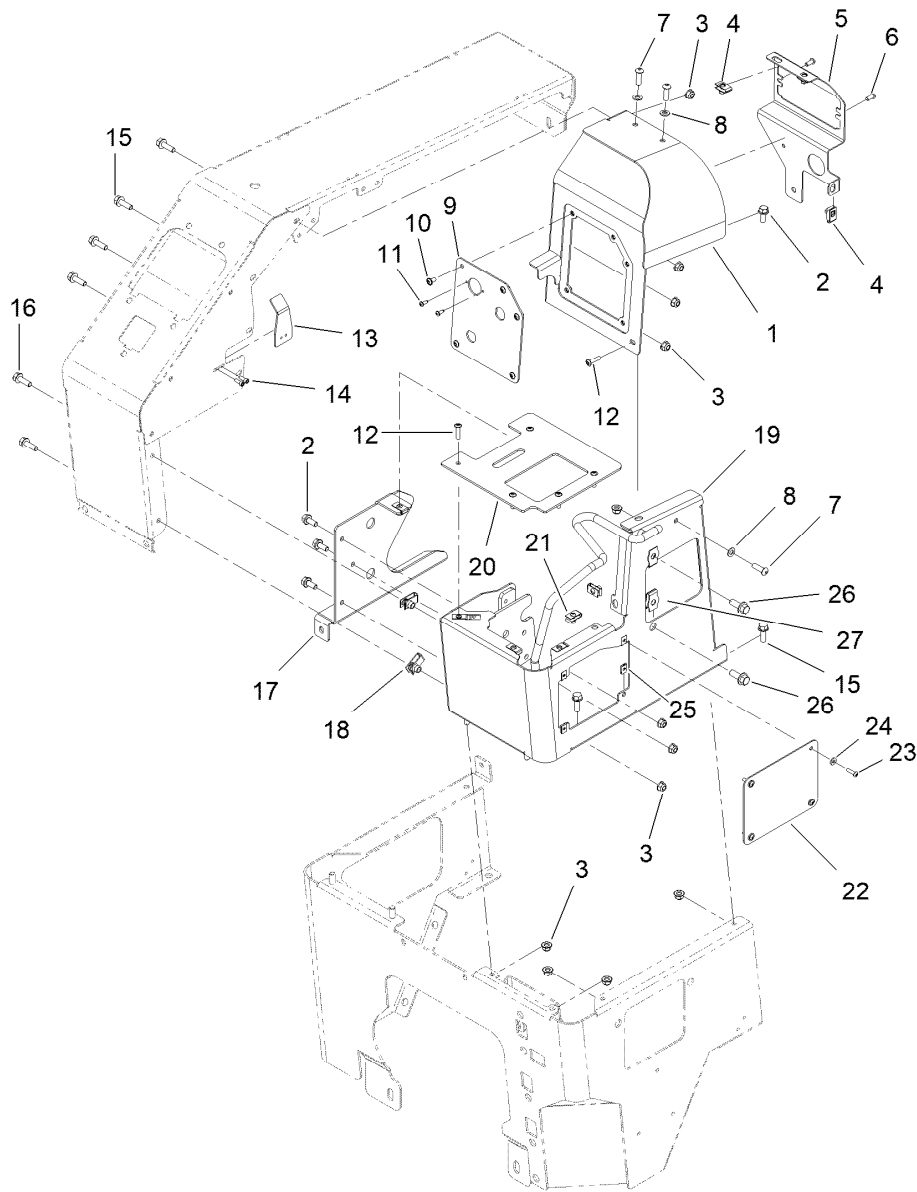
<i>Ref.</i>	<i>Part Number</i>	<i>Qty.</i>	<i>Description</i>
10	3234-6	2	Screw-HHF
11	3234-14	2	Screw-HHF
12	CSP11800	2	Nut-Thick, Tinnerman
13	94-2413	3	Nut-U
14	87-7510	3	Washer-Flat
15	109-4872	3	Screw-HSH
16	AU100861	5	Nut-U
17	147-5556	1	Plate-Controls Side
18	147-5550	1	Mount-Display
19	134-3741	5	Screw-HHF





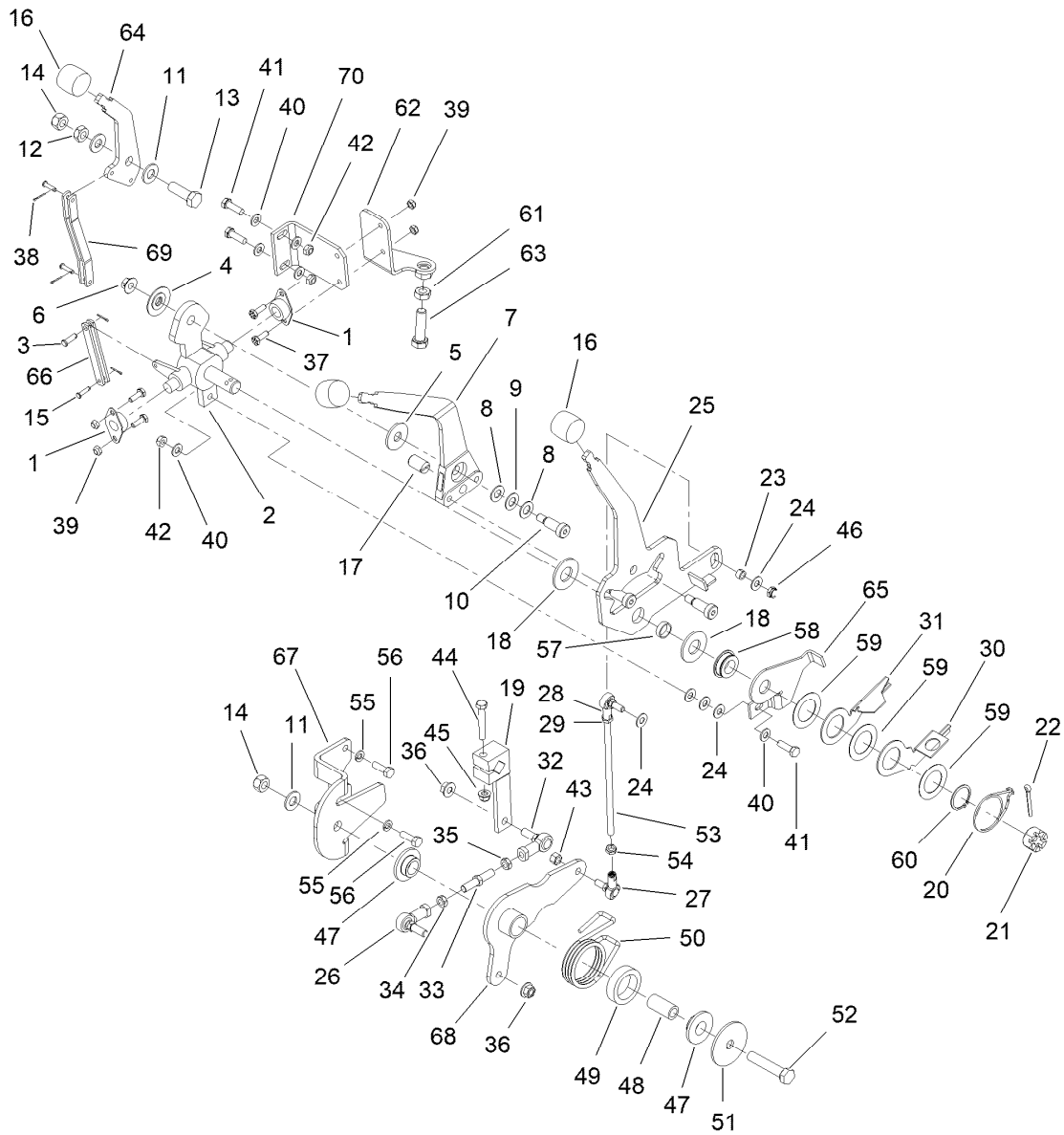
## Left Console Assembly

Ref.	Part Number	Qty.	Description
1	147-5522	1	Console Cover-Left (Toro Red)
2	147-5557	1	Fuse Mount
3	147-5548	1	Bracket-Disconnect
4	147-5540	1	Bracket-Cover
5	3234-47	6	Screw-HHF
6	104-8300	4	Nut-HF, NI
7	94-2413	4	Nut-U
8	CSP11800	1	Nut-Thick, Tinnerman
9	3234-4	2	Screw-HHF
10	147-5538	2	Locknut (1/4-Nf, NYL Insert)
11	3234-29	2	Screw-HHF
12	110-0863	4	Screw-Tph
13	3296-2	4	Nut-Lock, NI



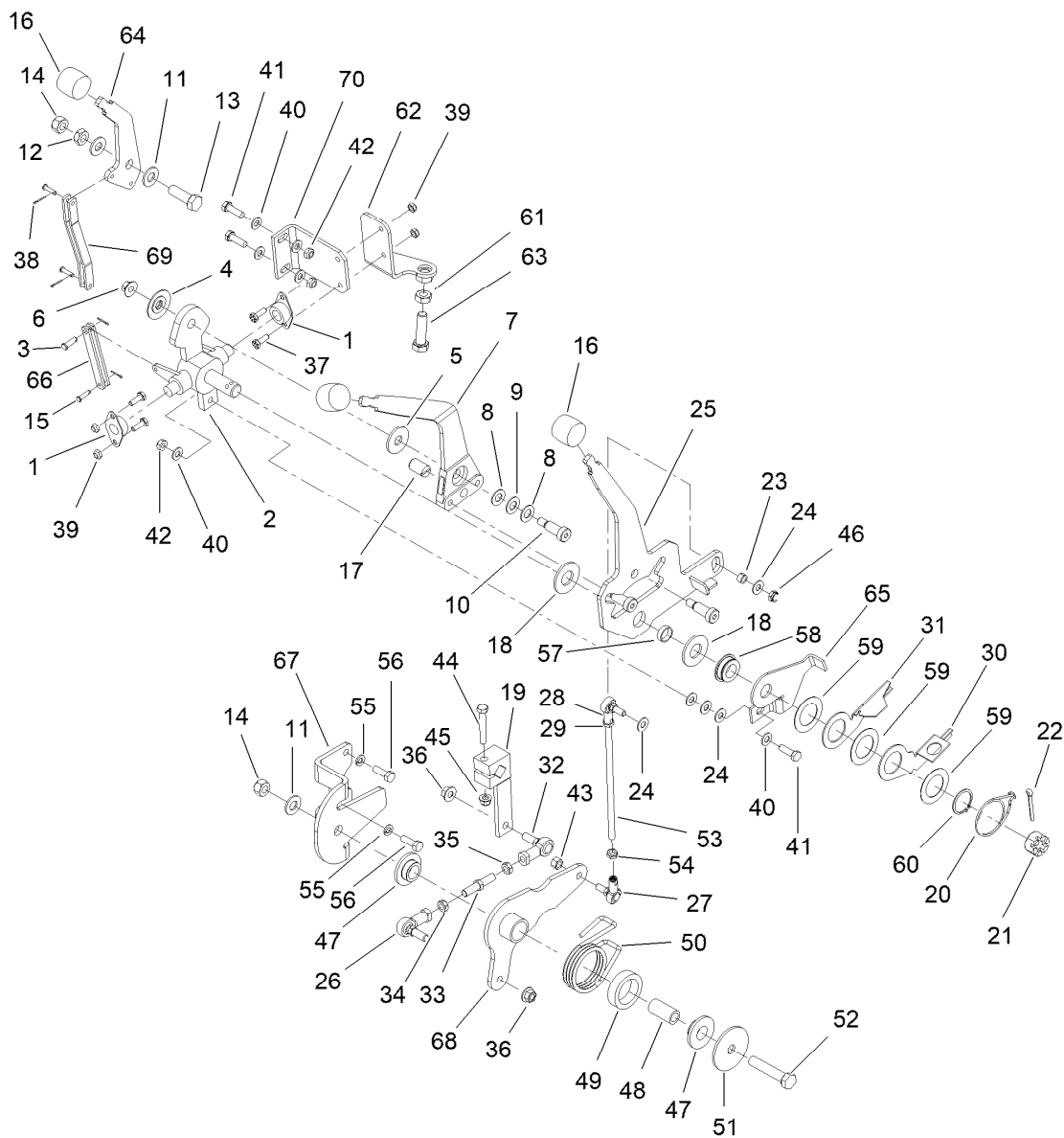
## Right Console Assembly

<i>Ref.</i>	<i>Part Number</i>	<i>Qty.</i>	<i>Description</i>	<i>Ref.</i>	<i>Part Number</i>	<i>Qty.</i>	<i>Description</i>
1	147-5520	1	Console Cover-Right (Toro Red)	14	147-5536	2	Bolt (#10-32 X 1/2" Soc SS)
2	3234-47	4	Screw-HHF	15	3234-29	8	Screw-HHF
3	104-8300	12	Nut-HF, NI	16	33104-025	2	Screw-HHF
4	94-2413	3	Nut-U	17	147-5541	1	Plate-Hydraulic Tank
5	147-5546	1	Mount Bracket-Fuse	18	AU100862	2	Nut-U
6	126-2713	2	Screw-HHF	19	147-5521	1	Console-Top (Toro Red)
7	109-4872	3	Screw-HSH	20	147-5525	1	Plate-Controls Top (Toro Red)
8	87-7510	3	Washer-Flat	21	AU100861	6	Nut-U
9	147-5527	1	Door (Toro Red)	22	147-5526	1	Cover-Trencher (Toro Red)
10	147-5533	5	Flg Screw (M6 X 12MM) Button Head 8.8	23	104-2408	4	Screw-HSBH
11	3250-26	2	Screw-PPH	24	3256-77	4	Washer-Flat
12	112-9356	6	Screw-HSBH	25	3290-277	4	Nut-Speed
13	147-5542	1	Plate-Threaded	26	3234-42	2	Screw-HHF
				27	105-4886	2	Nut-Tinnerman



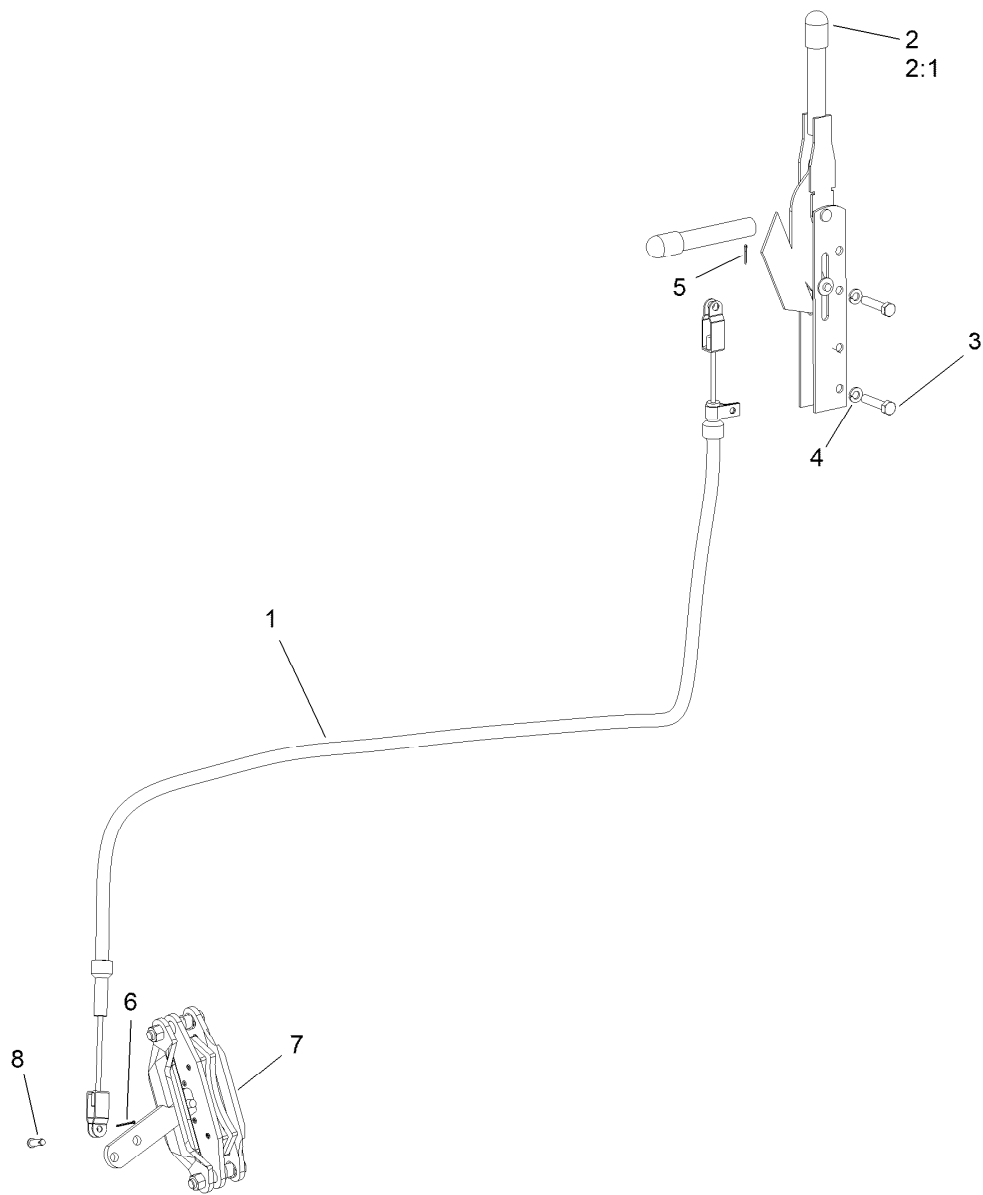
## Control Assembly

Ref.	Part Number	Qty.	Description	Ref.	Part Number	Qty.	Description
1	AUH755785	2	Bearing	22	3272-23	1	Pin-Cotter
2	AUH435855	1	Pivot-Control, Steering	23	1-603500	1	Spacer
3	9321204	1	Pin-Clevis	24	107-0279	5	Washer
4	AUR14771	1	Washer-Belleville	25	147-5566	1	Handle-Ground Drive
5	AUH429894	1	Washer-Friction	26	AU139830A1	1	Joint-Ball, Stud (Rod End)
6	32128-19	1	Nut-HF Lock, Large Flg	27	AU103404	1	Joint-Ball, LH (Female)
7	147-5564	1	Handle-Creep	28	AUH289652	1	Joint-Ball (Female)
8	AUH405035	2	Race-Thrust	29	3220-2	1	Nut-Jam
9	AUH405043	1	Bearing-Thrust (Needle)	30	125-6645	1	Plate-Mounting, Switch
10	1-603403	3	Bolt-Shoulder	31	125-6644	1	Plate-Mounting, Switch
11	3256-26	3	Washer-Flat	32	AUR47940	1	Joint-Ball
12	AU425-148	1	Nut-Jam	33	AU107344	1	Screw-Jack, Control
13	AU426-824	1	Screw-HH	34	AU129-289	1	Nut-Jam, LH
14	AU230-4218	2	Nut-Hex	35	AU425-156	1	Nut-Jam, Hex
15	AUH44529	3	Pin-Clevis	36	127-6852	2	Nut-Flange, Lock
16	AUA177435	3	Knob	37	147-5559	4	Bolt (1/4-NC X 3/4", GR8)
17	AUH404731	1	Ball-Plunger	38	3272-1	4	Pin-Cotter
18	AUH433170	2	Washer-Spacer	39	146375	4	Nut-Lock, Cone
19	147-5563	1	Lever-Pump Control	40	3256-23	6	Washer-Plain
20	AUH436231	1	Spring-Centering	41	AU426-516	3	Screw-HH
21	AU425-1212	1	Nut-Slotted, Hex	42	97-1203	3	Nut-Hex



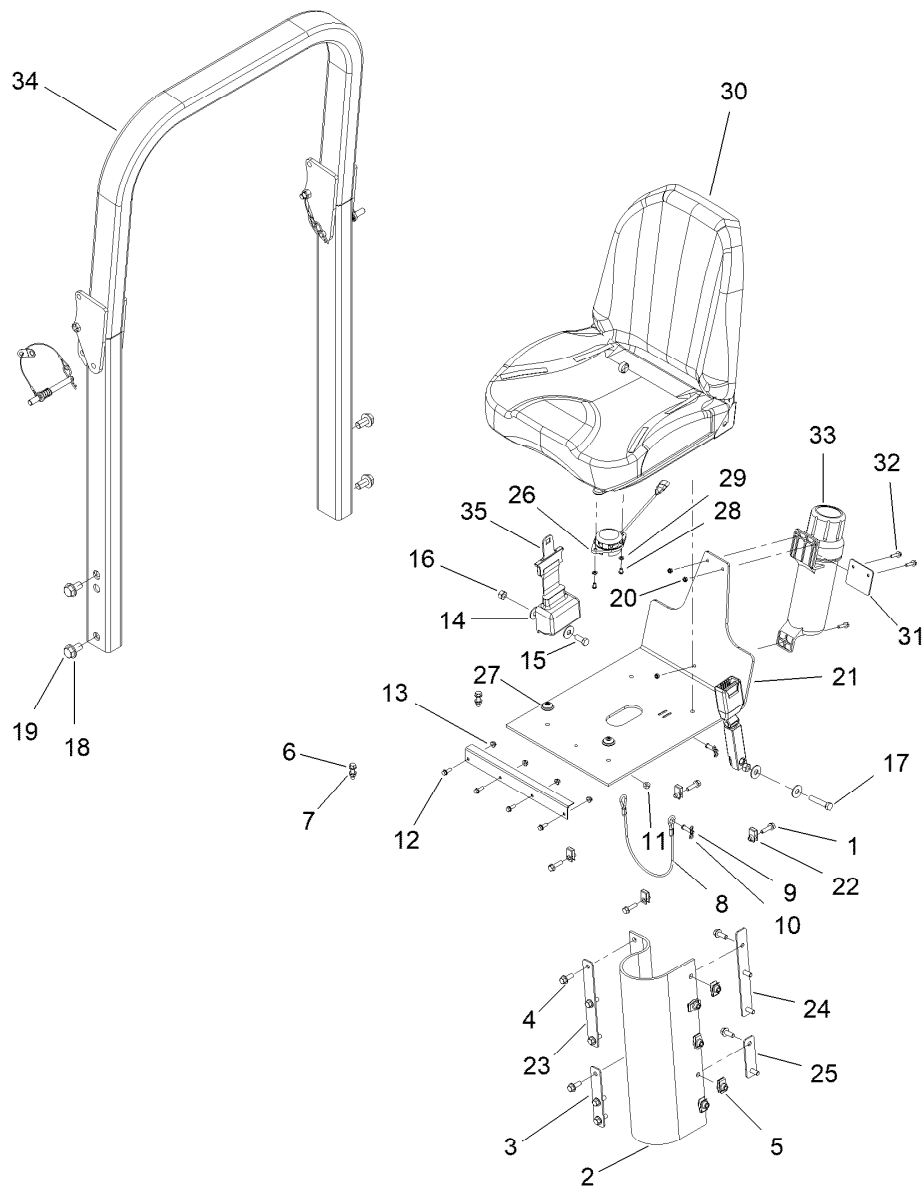
## Control Assembly (continued)

<i>Ref.</i>	<i>Part Number</i>	<i>Qty.</i>	<i>Description</i>	<i>Ref.</i>	<i>Part Number</i>	<i>Qty.</i>	<i>Description</i>
43	32152-5	1	Nut-Hex	57	AUH433184	1	Bearing-Handle
44	322-10	1	Screw-HH	58	AU131050A1	1	Hub
45	104-8300	1	Nut-HF, NI	59	AUH257915	3	Shim
46	3296-20	1	Nut-Lock, NI	60	AU103-11125	1	Ring-Retaining
47	AUD128616	2	Bushing-Insert, Plastic	61	3218-5	1	Nut-Jam
48	AUH435694	1	Spacer	62	147-5567	1	Bracket-Stop
49	AU175086A1	1	Spacer-Collar	63	325-7	1	Screw-HH
50	AUH436303	1	Spring	64	147-5568	1	Lever-Lift
51	AU131967A1	1	Washer-Flat (Special)	65	AUH436230-03	1	Plate-Centering
52	AU426-840	1	Screw-HH	66	147-5560	2	Link-Valve
53	131-2134	1	Rod Control	67	147-5565	1	Plate-Pump
54	3220-20	1	Nut-Jam	68	147-5562	1	Plate-Linkage
55	3253-4	2	Washer-Lock	69	147-5561	2	Link-Valve Control
56	AU100873	2	Screw-Hfh	70	125-8539-03	1	Angle-Mounting



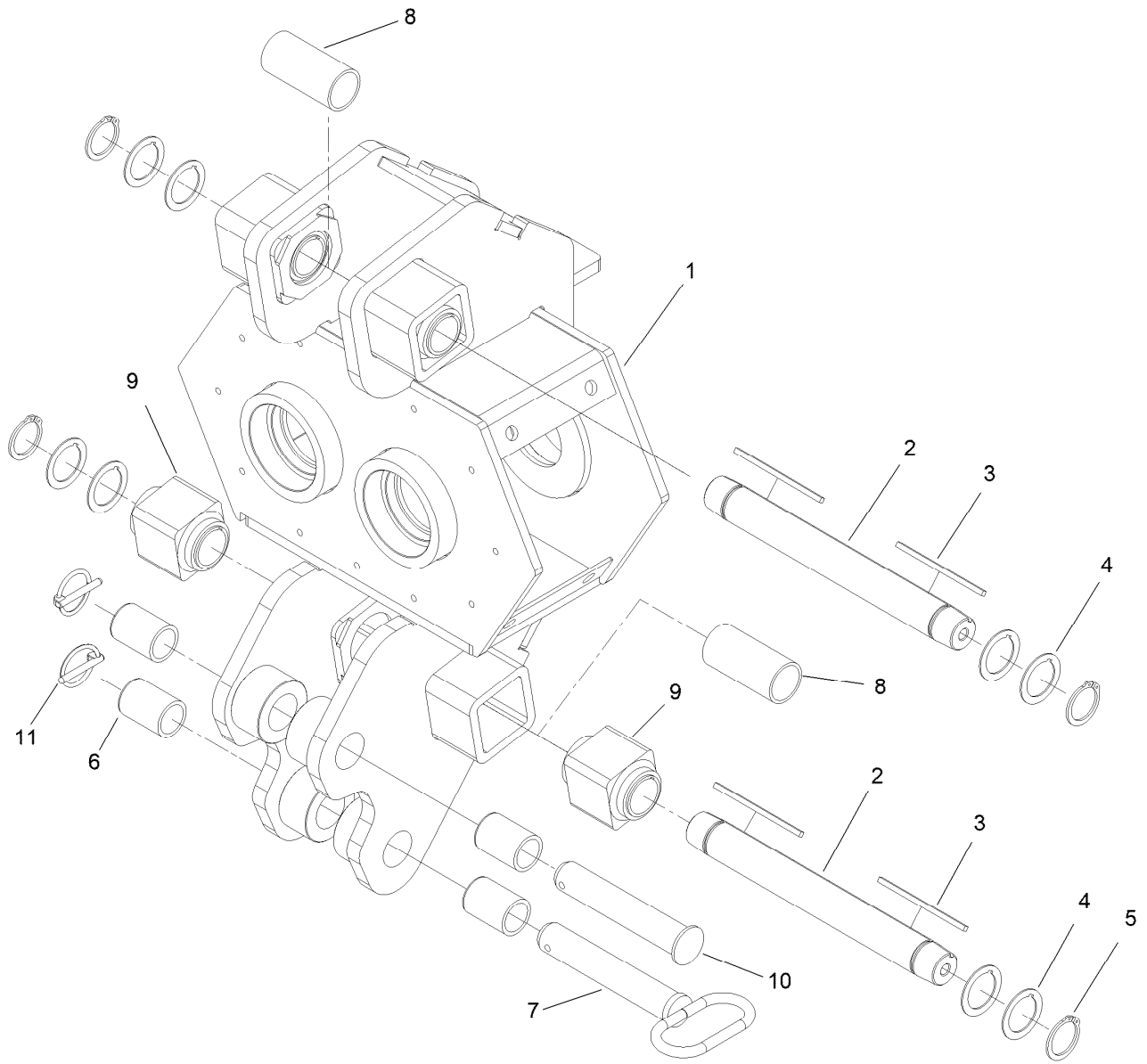
## Park Brake Assembly

Ref.	Part Number	Qty.	Description
1	AU119124A2	1	Cable-Brake
2	AUH506881	1	Lever-Brake
2:1	AUH53942	1	Spacer
3	5-1470	2	Screw-HH
4	3253-4	2	Washer-Lock
5	3272-1	1	Pin-Cotter
6	132-0707	1	Pin-Cotter
7	AUH673926	1	Caliper ASM
8	9321204	1	Pin-Clevis



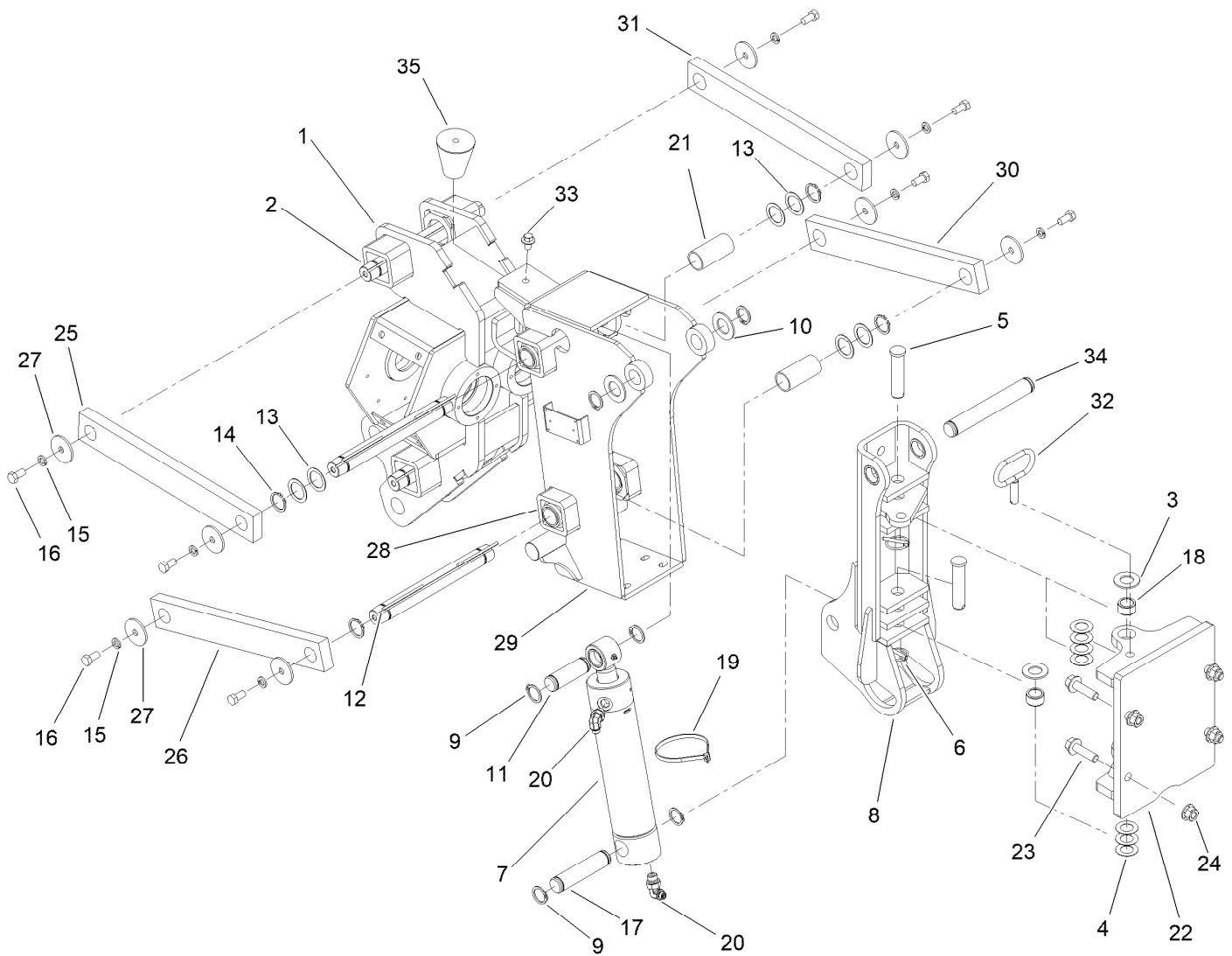
## Seat, Base and ROPS Assembly

Ref.	Part Number	Qty.	Description	Ref.	Part Number	Qty.	Description
1	33104-030	4	Screw-HHF	19	327-3	4	Screw-HH
2	130-4285	1	Shield-Rubber	20	110-8451	3	Nut-Hex, NI
3	147-5576	1	Plate	21	147-5578	1	Seat Base-Welded
4	3234-42	11	Screw-HHF	22	AU100862	4	Nut-U
5	105-4886	5	Nut-Tinnerman	23	147-5575	1	Plate
6	3234-36	2	Screw-HHF	24	147-5574	1	Plate
7	104-8300	2	Nut-HF, NI	25	147-5580	1	Plate
8	98-4371	1	Cable-Seat	26	147-5573	1	Seat Switch
9	283-6	2	Pin-Clevis	27	147-5571	2	Cup-Washer
10	119-1415	2	Pin-Cotter, Locking	28	131-1883	2	Screw-HSBH
11	32128-20	4	Nut-HF	29	09472	2	Washer-Plain
12	115-5103	4	Screw-HHF	30	147-5572	1	Seat - Low Profile Gray
13	104-7201	4	Nut-HF, NI	31	147-5577	1	Plate-Manual Tube Support
14	3256-5	4	Washer-Flat	32	147-5570	3	Screw-HHF M6 X 25
15	AU428-716	1	Screw-HH	33	147-5581	1	Manual Compartment
16	AU232-4617	2	Nut-Hex	34	147-5579	1	ROPS-Folding
17	AU428-736	1	Screw-HH	35	AU249116A1	1	Seat Belt ASM
18	3256-27	4	Washer-Flat				



## Plow Box Assembly

<b>Ref.</b>	<b>Part Number</b>	<b>Qty.</b>	<b>Description</b>
1	147-5615	1	Vibrator Box - Machining
2	136-0200	2	Shaft-Arm, Plow
3	AU116373A1	4	Key-Square
4	AUH436118	8	Shim-Arm
5	147-5585	4	Ring-Retaining
6	AUH418954	4	Bushing
7	125-8528	1	Pin
8	136-0228	2	Tube-Spacer
9	AUH235077	4	Joint-Ct Bd, J-8203
10	AUH393843	1	Pin-Mounting, Blade
11	107-3039	2	Pin-Lynch

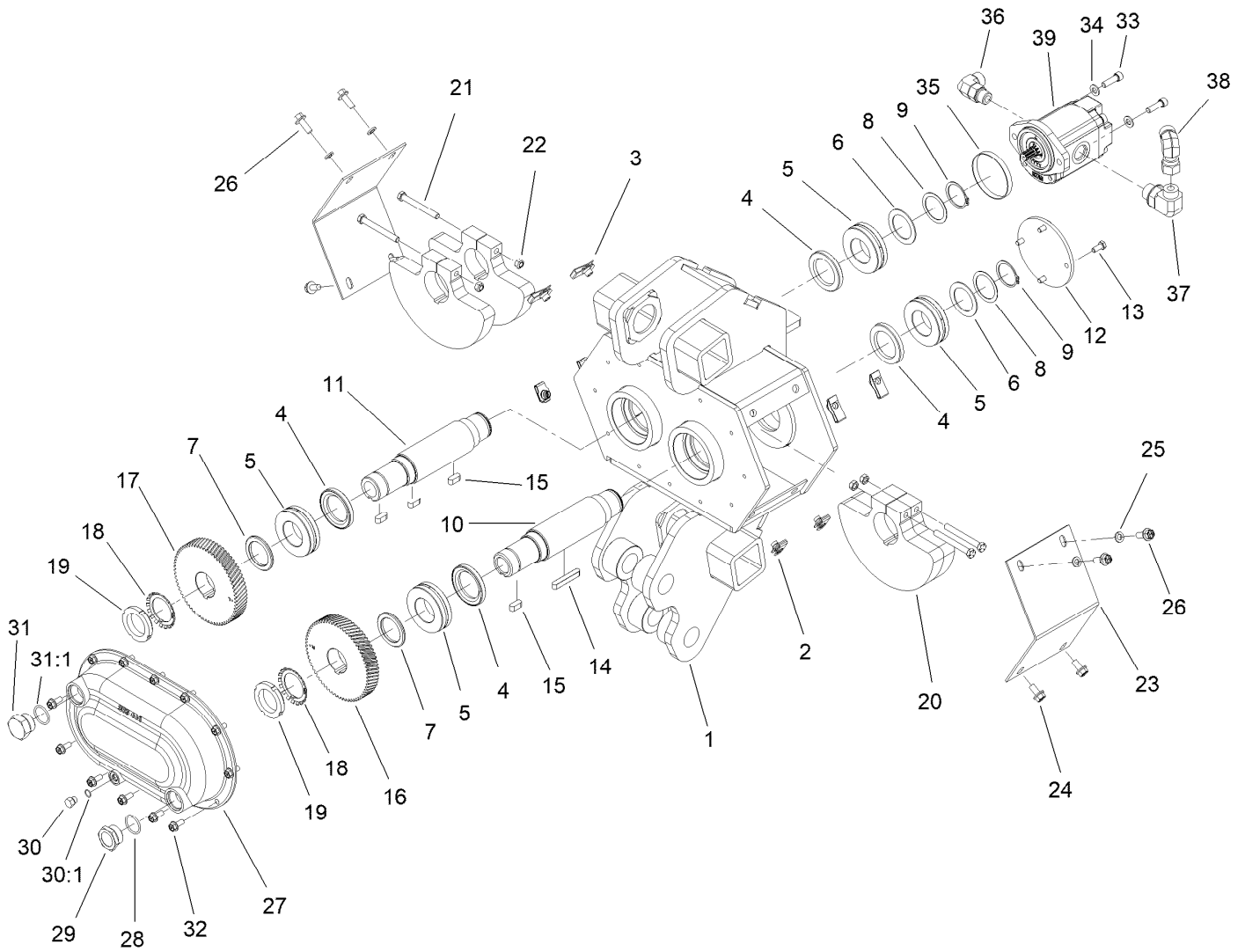


## Plow Lift Assembly

Ref.	Part Number	Qty.	Description	Ref.	Part Number	Qty.	Description
1	147-5615	1	Vibrator Box - Machining	18	AUD34818	2	Bushing-Upper
2	136-0200	4	Shaft-Arm, Plow	19	3334-945	1	Tie-Cable
3	AU495-11106	2	Washer-Flat	20	147-5586	2	Connector (04O-08S90)
4	AU195-81015	7	Washer-Flat	21	136-0228	2	Tube-Spacer
5	AU113192A1	2	Pin-Pivot	22	147-5592	1	Mount Plate
6	107-3039	2	Pin-Lynch	23	147-5582	4	Flg Blt(5/8-NC X 2.25", GR 8)
7	AU129434	1	HYD Cylinder ASM	24	147-5401	4	Flg Locknut (5/8-NC, GR G)
7:2	127-1840	1	Seal Kit ●	25	147-5812	1	Bar - RH Upper
8	147-5809	1	Pivot ASM	26	147-5813	1	Bar - RH Lower
8:1	AUD34337	2	Bushing ●	27	147-5583	8	Washer (1/2") Zp
9	32151-77	6	Ring-Retaining, External	28	AUH235077	4	Joint-Ct Bd, J-8203
10	AUH113241	2	Washer-10 Gauge	29	147-5593	1	Frame-Lift, Plow (Welded)
11	AUH434556	1	Pin-Clevis	30	147-5811	1	Bar - LH Lower
12	AU116373A1	4	Key-Square	31	147-5810	1	Bar - LH Upper
13	AUH436118	6	Shim-Arm	32	125-8535	1	Lock-Swing
14	147-5585	4	Ring-Retaining	33	33106-020	1	Screw-HHF
15	3253-7	8	Washer-Lock	34	AUH382457	1	Pin-Lift
16	325-4	8	Screw-HH	35	147-5584	1	Female Bumper
17	AUH434557	1	Pin-Clevis				

● Not illustrated

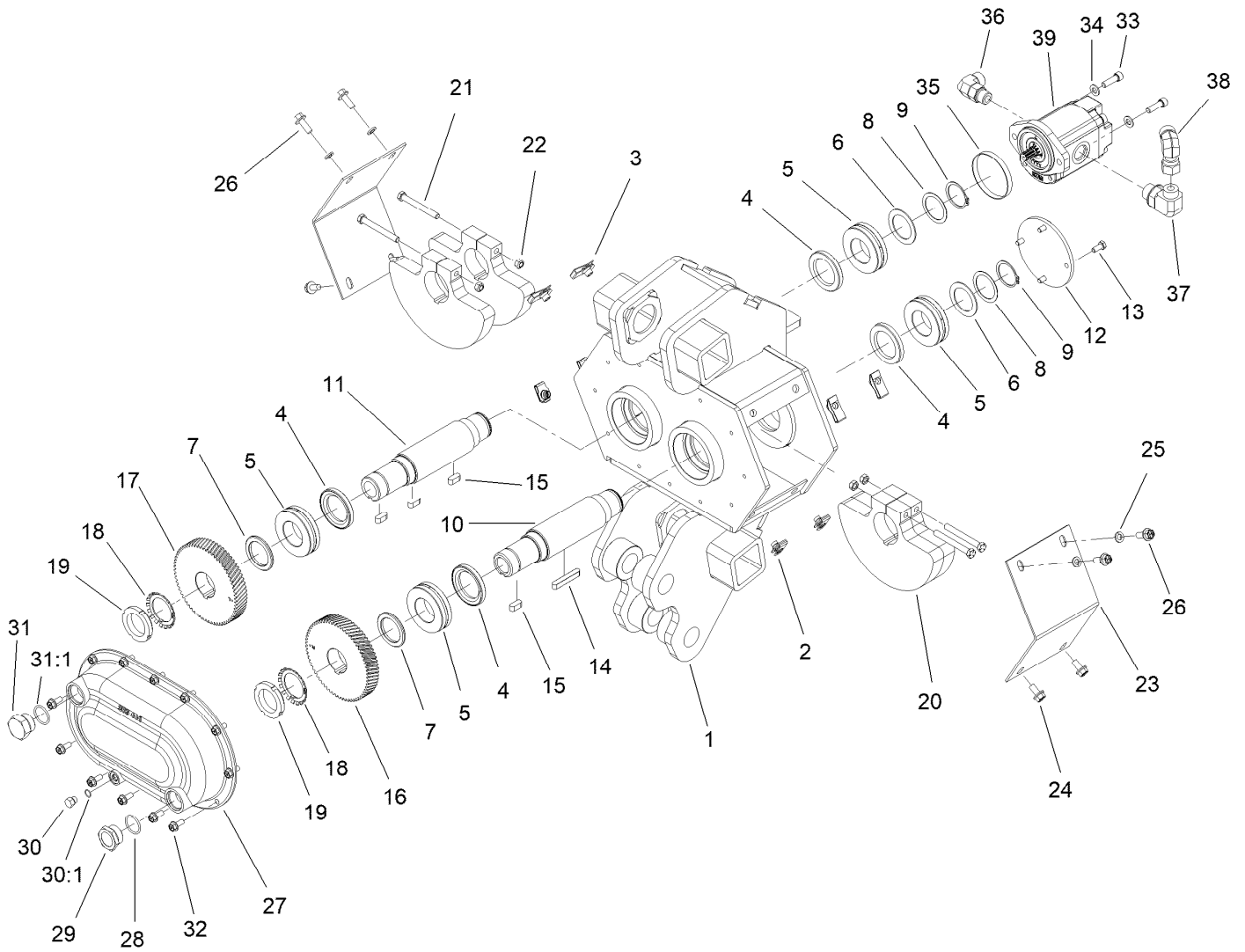




## Vibratory Box Assembly

Ref.	Part Number	Qty.	Description	Ref.	Part Number	Qty.	Description
1	147-5615	1	Vibrator Box - Machining	18	147-5609	2	Tang Lock Washer (1.792")
2	147-5595	4	Clip Nut (3/8-NC)	19	147-5608	2	Thrust Locknut (1.767-Nf-18)
3	147-5596	4	Clip Nut (3/8-NC)	20	147-5607	4	Vibrator Weight
4	147-5601	4	Internal Seal	21	323-20	4	Screw-HH
5	99-2670	4	Bearing-Roller, Spherical	22	3296-39	4	Nut-Lock, NI
6	147-5597	2	Machine Bushing (1-3/4", 14GA)	23	147-5616	2	Cover Plate
7	147-5606	2	Spacer	24	3234-1	4	Screw-HHF
8	147-5599	2	Machinery Bushing (1.750")	25	139-5806	4	Washer-Lock
9	147-5600	2	External Snap Ring (1.750")	26	3234-11	4	Screw-HHF
10	147-5605	1	Right Shaft	27	147-5612	1	Casting (Side Cover)
11	147-5604	1	Driver Shaft	28	237-146	1	O-Ring
12	147-5613	1	Cover Plate	29	147-5598	1	Sight Gauge (16S)
13	322-3	4	Screw-HH	30	353-990	1	Plug ASM
14	147-5602	1	Key (3/8" X 2-29/64")	30:1	237-78	1	O-Ring
15	147-5603	4	Key (3/8" X .980")	31	105-3921	1	Fitting-Plug
16	147-5611	1	Right Gear	31:1	237-146	1	O-Ring
17	147-5610	1	Left Gear	32	3234-5	12	Screw-HHF

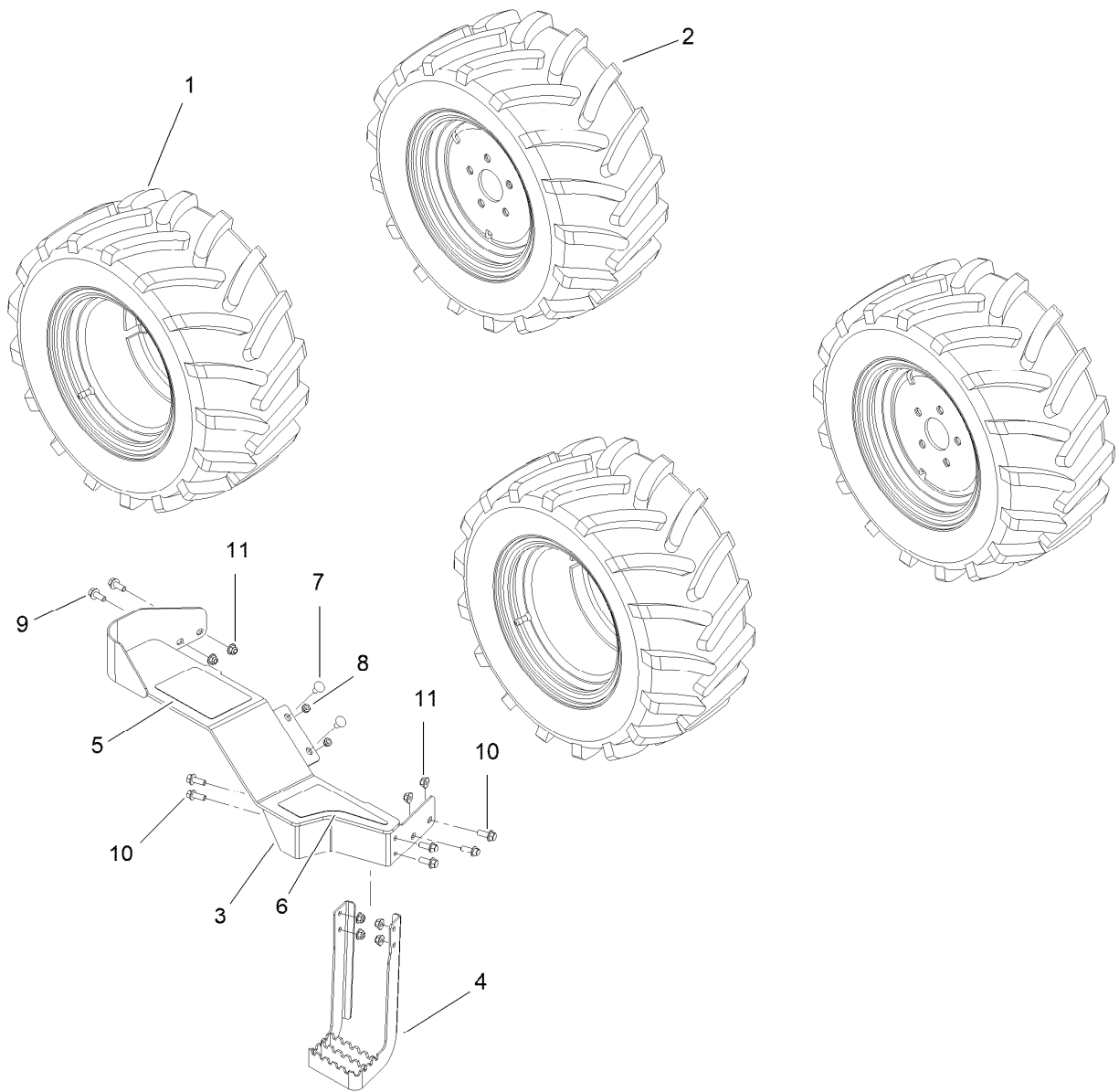
● Not illustrated



## Vibratory Box Assembly (continued)

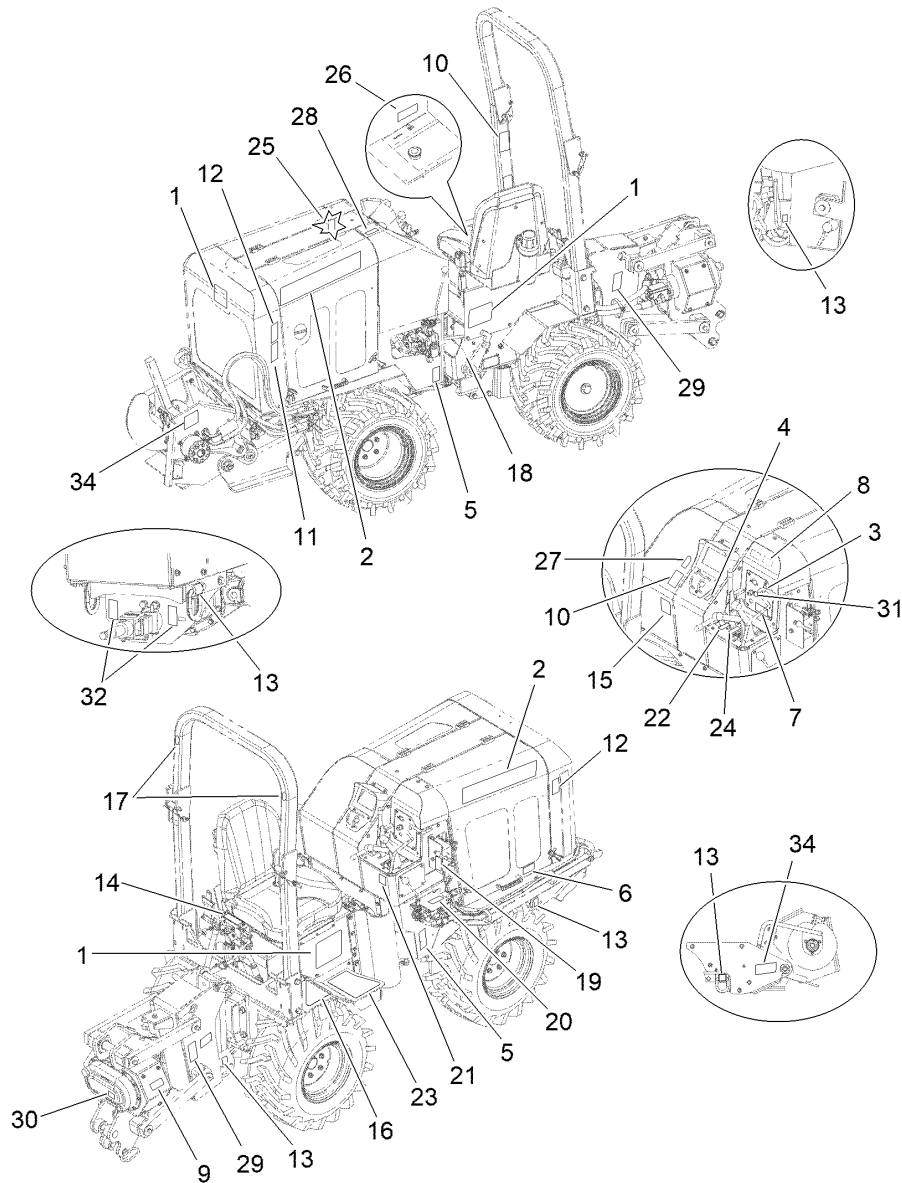
<i>Ref.</i>	<i>Part Number</i>	<i>Qty.</i>	<i>Description</i>	<i>Ref.</i>	<i>Part Number</i>	<i>Qty.</i>	<i>Description</i>
33	3274-1	2	Screw-HSH	37:1	237-81	1	O-Ring ●
34	33095-00	2	Washer-Flat	37:2	237-65	1	O-Ring ●
35	147-5614	1	Adapter	38	340-160	1	Elbow-90
36	340-17	1	Fitting-Elbow, 90 DEG	38:1	237-65	1	O-Ring ●
36:1	237-65	1	O-Ring ●	39	115-8250	1	Gear Motor ASM
36:2	237-80	1	O-Ring ●	39:1	125-1682	1	Motor Seal Kit ●
37	340-139	1	Fitting-Elbow 90	39:2	117-5107	2	Valve-Check ●

● Not illustrated



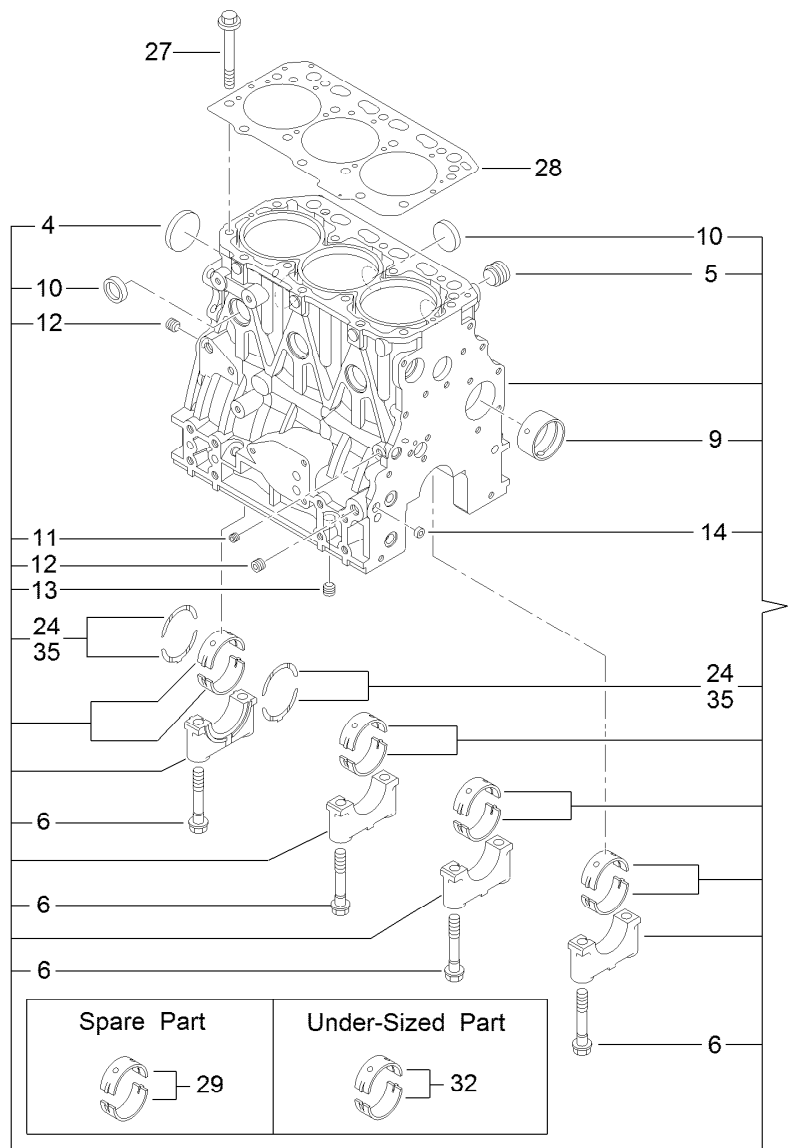
## 23 Inch Tire Assembly

Ref.	Part Number	Qty.	Description
1	147-5618	2	Tire/Wheel 23X10.50-12
2	147-5617	2	Tire/Wheel 23X10.50-12
3	161-0662	1	Platform-Extension
4	161-0661	1	Step-Platform
5	147-5619	1	Non-Skid
6	147-5620	1	Non-Skid
7	3231-21	2	Screw-CARR
8	121-4600	2	Nut-Hex
9	3234-11	2	Screw-HHF
10	3234-42	6	Screw-HHF
11	104-8301	8	Nut-HF, NI



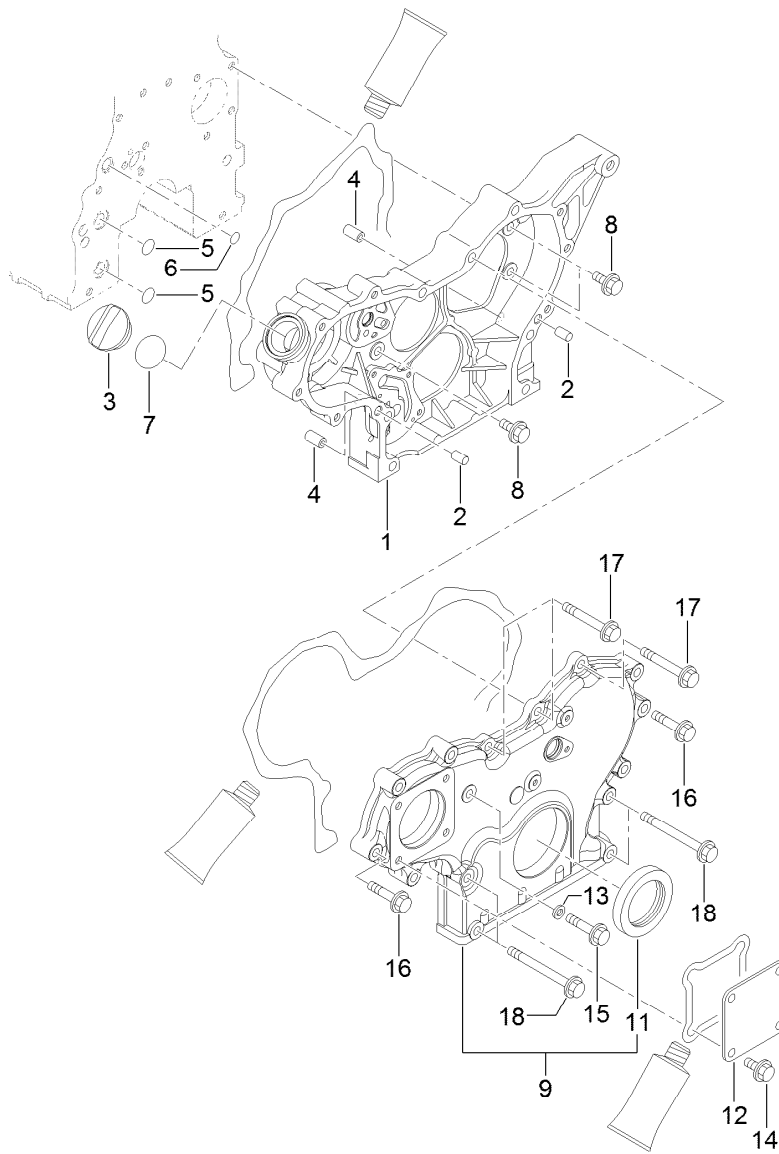
## Decal Assembly

Ref.	Part Number	Qty.	Description	Ref.	Part Number	Qty.	Description
1	62-5550	3	Decal	19	147-5654	1	Plow/Trencher Lift Select
2	147-5640	2	Maxi Sneaker 370 Model ID	20	147-5655	1	Digging Chain Forward/Reverse
3	147-5645	1	Ignition	21	147-5634	1	Ground Drive Control
4	147-5805	1	Hand Throttle Operation	22	147-5652	1	Parking Brake
5	147-5647	2	Warning Crushing Force	23	147-5636	1	Non-Skid
6	147-5627	1	Warning No Ether/Starter Fluid ISO	24	147-5637	1	Digging Chain/Plow Raise/Lower
7	147-5646	1	Warning Read Manual ISO	25	147-5625	1	Fuse Relay Block
8	147-5629	1	Warning One Call Notification ISO	26	147-5628	1	Diesel Fuel ISO
9	147-5643	1	Amplitude Chart	27	147-5644	1	Caution Wear Hearing Protection
10	147-5650	2	Warning Rollover - Foldable ROPS	28	147-5630	1	Hydraulic Reservoir (Thf) ISO
11	147-5651	1	Caution Hot Parts	29	147-5649	2	Warning Moving Parts
12	147-5648	2	Warning Moving Parts ISO	30	147-5642	1	Oil Level Decal
13	147-5641	4	Tie Down Location	31	161-0697	1	Horn
14	147-5638	1	Plow Control	32	147-5746	2	Danger Rotating Shaft
15	147-5639	1	Service Lube Chart	34	147-5807	2	Danger Chain And Auger ISO
16	147-5635	1	Non-Skid				
17	147-5632	1	Red Hi Vis 1.5" Reflectors				
18	147-5748	1	Hydra Bore Control				



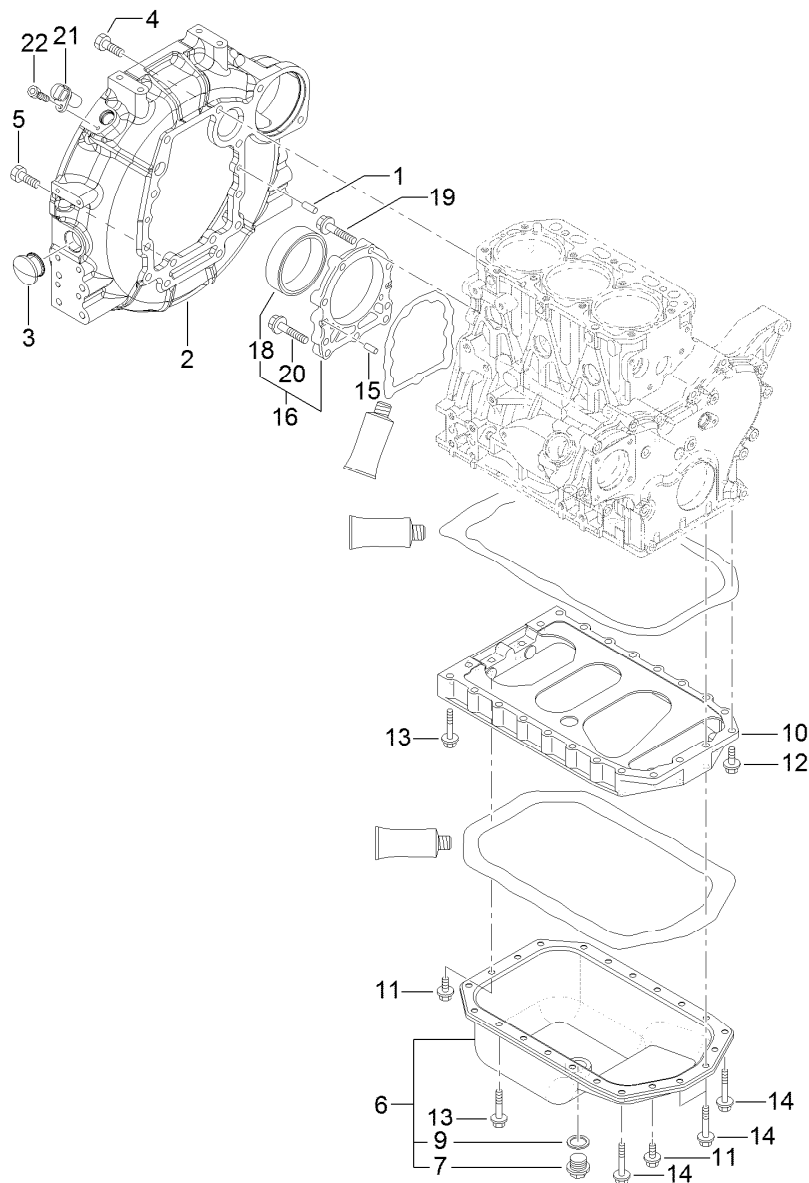
## Cylinder Block Assembly

<i>Ref.</i>	<i>Part Number</i>	<i>Qty.</i>	<i>Description</i>	<i>Ref.</i>	<i>Part Number</i>	<i>Qty.</i>	<i>Description</i>
1	127-4717	1	Cylinder Block ASM	13	125-6973	1	Plug
4	125-6980	1	Plug	14	125-7237	1	Plug
5	125-7170	1	Plug	24	125-7010	2	Metal-Thrust
6	125-7007	8	Bolt	27	125-7006	14	Bolt
9	125-7108	1	Bushing	28	127-4716	1	Head Gasket ASM
10	125-7239	6	Plug	29	125-6981	4	Metal-Main
11	125-6969	1	Plug	32	125-7009	4	Metal-Main (0.25)
12	125-6973	2	Plug	35	125-7011	1	Metal-Thrust (0.25)



## Gear Housing Assembly

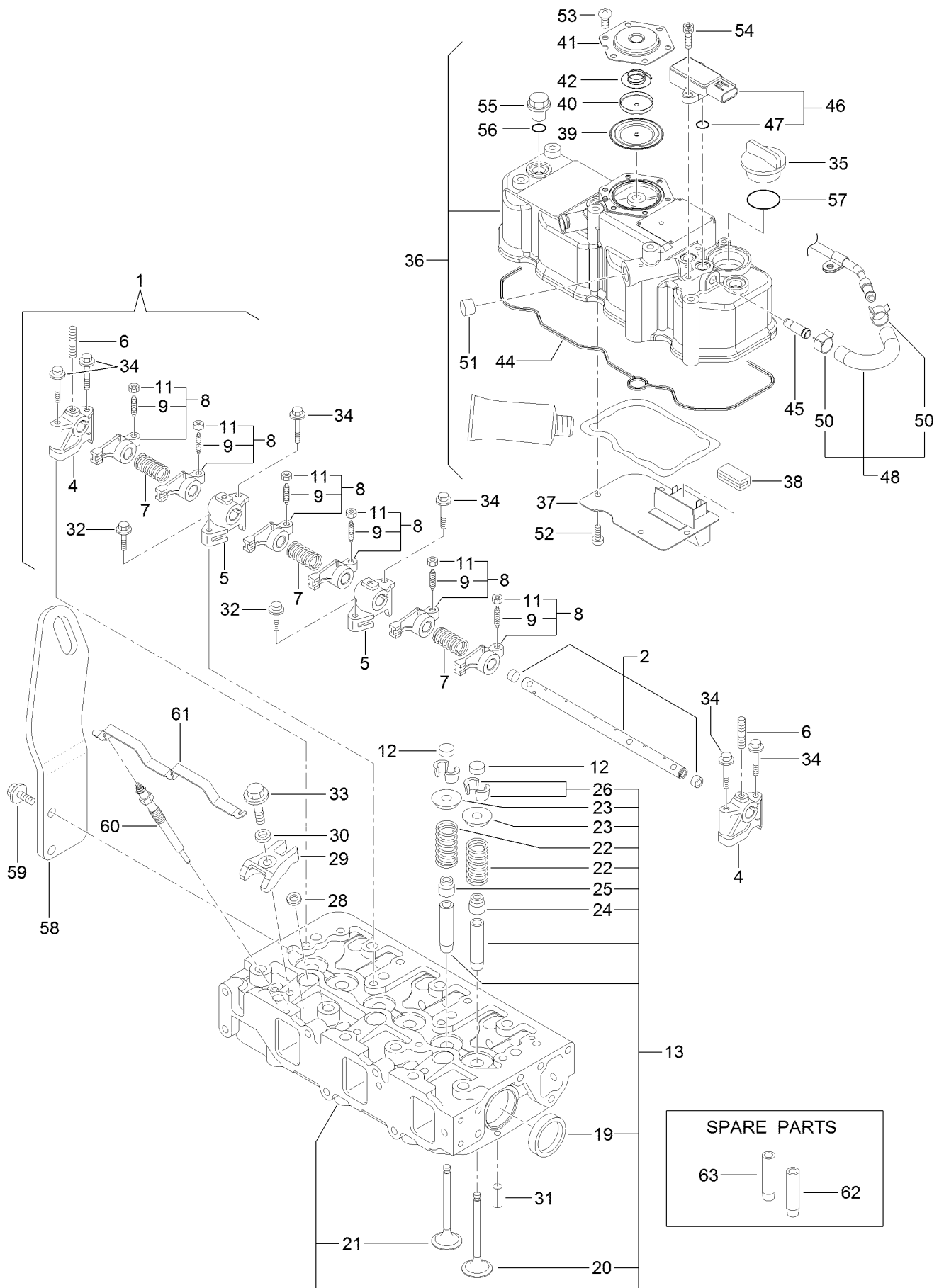
<i>Ref.</i>	<i>Part Number</i>	<i>Qty.</i>	<i>Description</i>	<i>Ref.</i>	<i>Part Number</i>	<i>Qty.</i>	<i>Description</i>
1	127-3023	1	Case-Gear	11	125-6944	1	Seal-Oil
2	125-6995	2	Pin	12	125-6977	1	Cover
3	125-6972	1	Cover-Filler	13	125-7174	1	Washer-Seal
4	125-7107	2	Pipe	14	100-6928	4	Bolt
5	125-6909	2	O-Ring	15	125-7217	1	Bolt
6	127-2973	1	O-Ring	16	125-7218	7	Bolt
7	125-7197	1	O-Ring	17	125-7222	3	Bolt
8	100-6928	3	Bolt	18	125-7224	4	Bolt
9	127-3024	1	Gearcase Cover ASM				



## Flywheel Housing and Oil Pan Assembly

<i>Ref.</i>	<i>Part Number</i>	<i>Qty.</i>	<i>Description</i>	<i>Ref.</i>	<i>Part Number</i>	<i>Qty.</i>	<i>Description</i>
1	125-6995	2	Pin	12	125-7215	2	Bolt
2	127-3025	1	Housing-Flywheel	13	125-7219	16	Bolt
3	125-6910	1	Cap	14	125-7220	4	Bolt
4	125-7226	6	Bolt	15	125-6995	2	Pin
5	125-7227	4	Bolt	16	125-6996	1	Case ASM
6	127-4711	1	Oil Pan ASM	18	125-7106	1	Seal-Oil
7	125-6912	1	Plug-Drain	19	125-7045	6	Bolt
9	125-7177	1	Washer-Seal	20	125-7217	3	Bolt
10	127-3756	1	Spacer	21	127-3062	1	Sensor-Rev, Flywheel
11	100-6928	4	Bolt	22	127-3184	1	Bolt

# Cylinder Head Assembly

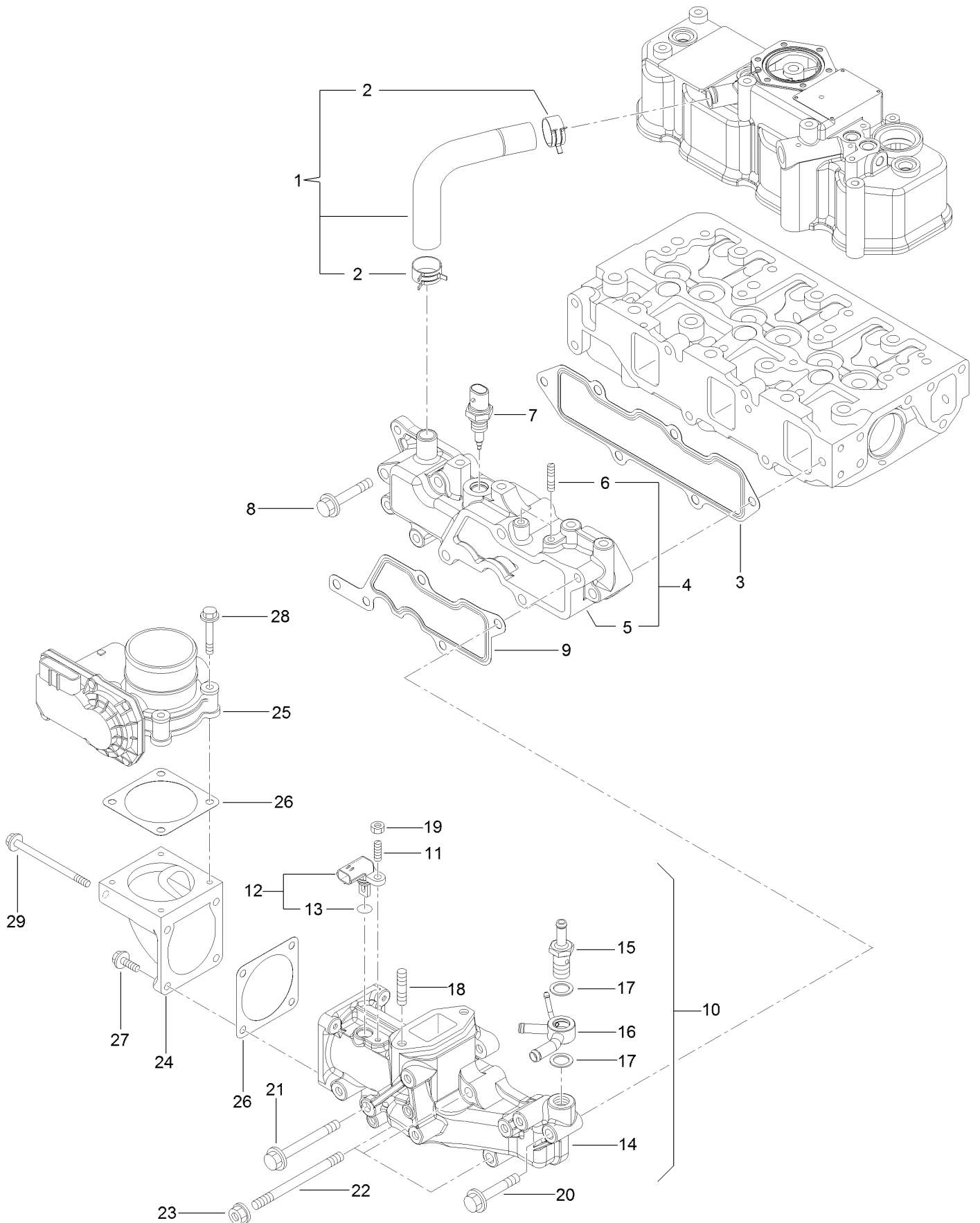




## Cylinder Head Assembly (continued)

<i>Ref.</i>	<i>Part Number</i>	<i>Qty.</i>	<i>Description</i>	<i>Ref.</i>	<i>Part Number</i>	<i>Qty.</i>	<i>Description</i>
1	127-3757	1	Shaft ASM	36	127-4719	1	Cylinder Head Cover ASM
2	127-3758	1	Shaft	37	127-2988	1	Plate
4	127-2974	2	Support	38	125-7012	1	Baffle
5	127-2975	2	Support	39	125-6959	1	Diaphragm
6	127-3759	3	Stud	40	125-6960	1	Plate
7	127-2995	3	Spring	41	125-6961	1	Plate-Breather
8	127-2989	6	Arm-Rocker	42	125-6962	1	Spring-Diaphragm
9	125-7013	6	Screw-Adjust, Valve	44	127-3856	1	Gasket-Valve Cover
11	125-7014	6	Nut	45	127-3026	1	Joint
12	127-2996	6	Cap-Valve	46	127-3029	1	Sensor-Pressure
13	127-4720	1	Cylinder Head ASM	47	127-3032	2	O Ring-Sensor, Pressure
19	125-7240	2	Plug	48	127-3040	1	Hose ASM
20	127-2990	3	Valve	50	127-3041	2	Clip-Hose
21	127-4710	3	Valve	51	125-6913	1	Plug
22	127-3012	6	Spring	52	125-7186	4	Screw
23	127-3013	6	Retainer-Spring	53	125-7186	6	Screw
24	127-2986	3	Seal-Stem, Valve	54	127-3184	2	Bolt
25	127-3027	3	Seal-Stem, Valve	55	125-6974	3	Knob
26	127-3186	6	Pin-Cotter	56	93-0418	3	O-Ring
28	127-3021	3	Gasket-Injector	57	125-7197	1	O-Ring
29	127-3028	3	Retainer-Injector	58	130-7429	1	Lifter, Engine
30	127-2980	3	Washer-Injector	59	130-7443	2	Bolt, M8 X 20 Plated
31	125-7184	2	Pin-Spring	60	127-2991	3	Plug-Glow
32	125-7215	2	Bolt	61	127-3768	1	Connector-Plug, Glow
33	125-7217	3	Bolt	62	127-2979	3	Guide
34	125-7220	6	Bolt	63	127-2997	3	Guide-Valve
35	125-6972	1	Cover-Filler				

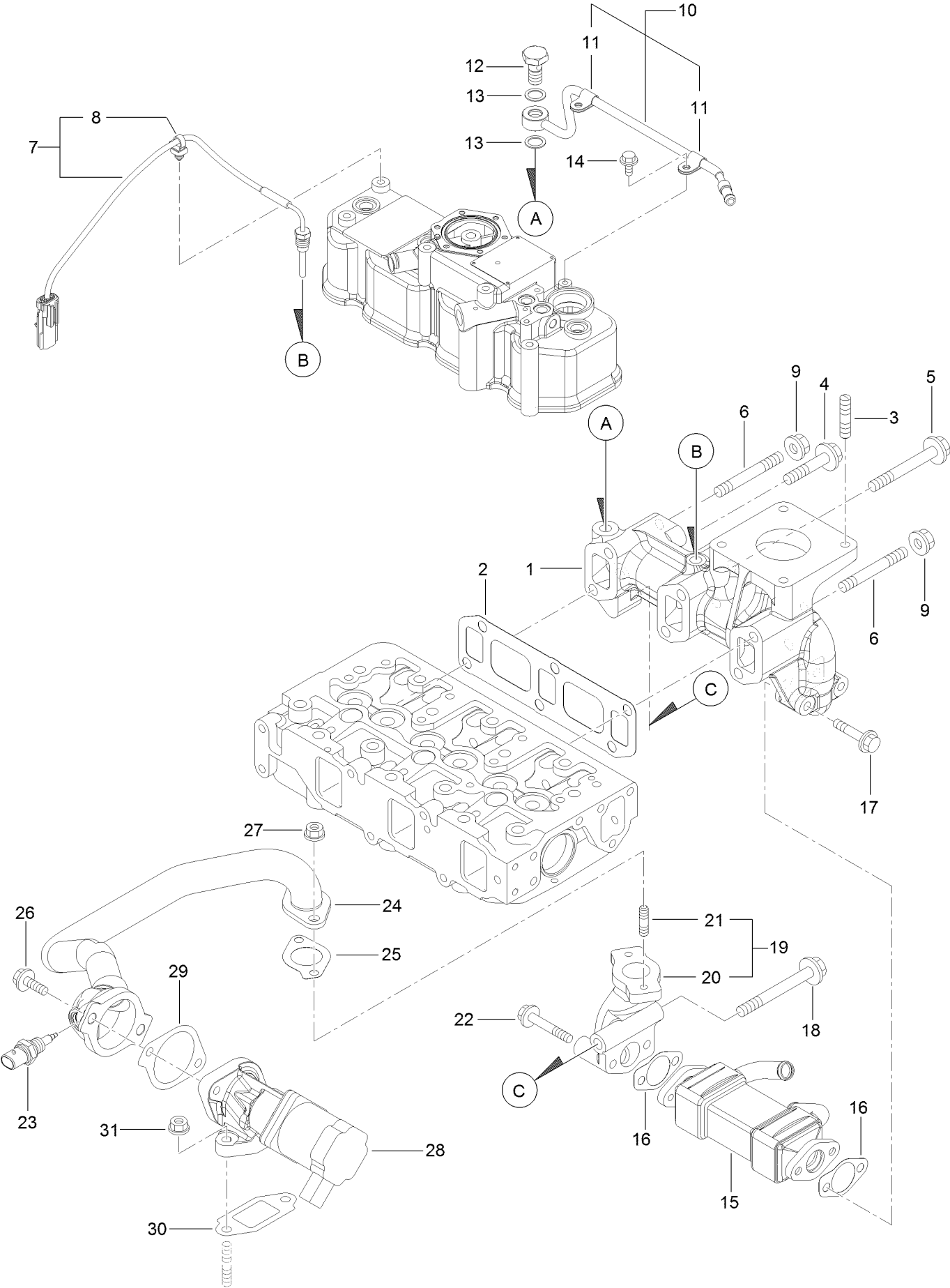
# Intake Manifold Assembly



## Intake Manifold Assembly (continued)

<i>Ref.</i>	<i>Part Number</i>	<i>Qty.</i>	<i>Description</i>	<i>Ref.</i>	<i>Part Number</i>	<i>Qty.</i>	<i>Description</i>
1	127-4704	1	Pipe	16	127-3081	1	Joint-Hose
2	125-7040	2	Clip-Hose	17	127-3166	2	Washer-Seal
3	127-3857	1	Gasket-Manifold, Intake	18	127-4774	2	Stud
4	127-4722	1	Intake Manifold ASM	19	127-4775	1	Nut
5	127-4721	1	Manifold-Intake	20	125-7220	1	Bolt
6	127-3180	2	Stud	21	127-3178	1	Bolt
7	127-3031	1	Sensor-Temp, Air	22	127-3182	3	Stud
8	125-7220	3	Bolt	23	125-7229	3	Nut
9	127-3034	1	Gasket-Collector	24	127-3035	1	Bend-Inlet
10	127-4725	1	Intake Collector ASM	25	127-3036	1	Body-Throttle
11	127-4701	1	Stud	26	127-3037	2	Gasket-Throttle
12	127-3030	1	Sensor-Temp, Air	27	125-7209	2	Bolt
13	127-3033	1	O-Ring	28	125-7211	4	Bolt
14	127-4724	1	Collector-Intake	29	127-3177	2	Bolt
15	127-3080	1	Joint-Hose				

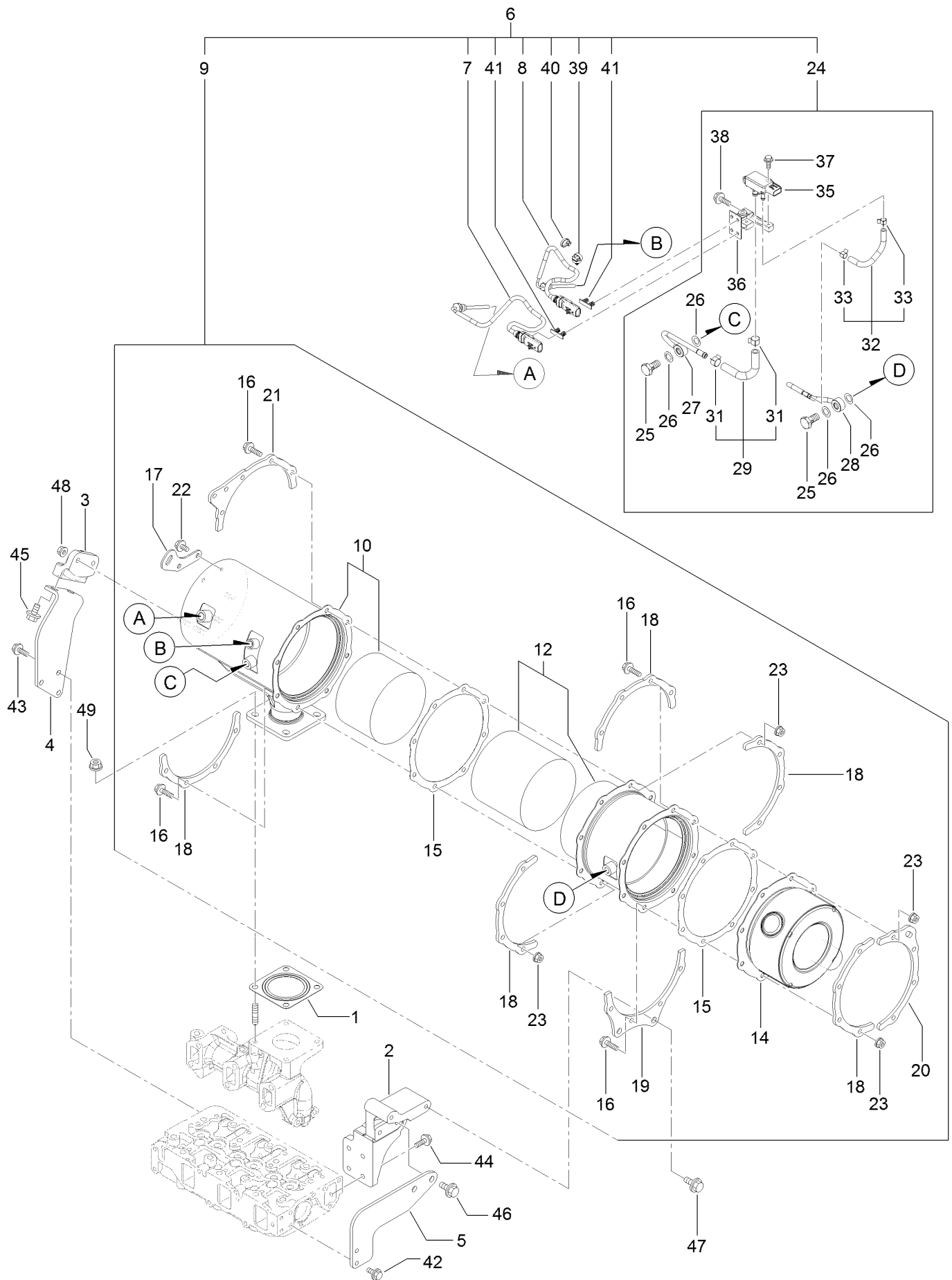
# Exhaust Manifold Assembly



## Exhaust Manifold Assembly (continued)

<i>Ref.</i>	<i>Part Number</i>	<i>Qty.</i>	<i>Description</i>	<i>Ref.</i>	<i>Part Number</i>	<i>Qty.</i>	<i>Description</i>
1	127-4726	1	Manifold-Exhaust	17	127-2976	2	Bolt
2	127-3775	1	Gasket-Manifold, Exhaust	18	127-3022	1	Bolt-Flange
3	127-2984	4	Stud	19	127-3048	1	E G R Pipe ASM
4	127-3094	1	Bolt	20	127-3049	1	Pipe-Out, E G R
5	127-3044	3	Bolt-M10	21	125-7043	2	Stud
6	127-4756	2	Stud	22	125-7220	2	Bolt
7	127-4729	1	Sensor-Temp, Exhaust	23	127-3047	1	Sensor-Gas Temp, E G R
8	127-3087	1	Band-Clip	24	127-3780	1	E G R Pipe ASM
9	125-7230	2	Nut	25	127-3016	1	Gasket
10	127-3038	1	Exhaust Pipe ASM	26	125-7215	2	Bolt
11	127-3173	2	Clamp	27	125-7229	2	Nut
12	127-3039	1	Bolt-Joint, Pipe	28	127-3781	1	Valve-E G R
13	127-3174	2	Gasket	29	127-3050	1	Gasket-Intake Valve, E G R
14	125-7206	2	Bolt	30	127-3051	1	Gasket-Out Valve, E G R
15	127-3042	1	Cooler-E G R	31	125-7229	2	Nut
16	127-3043	2	Gasket-Cooler, E G R				

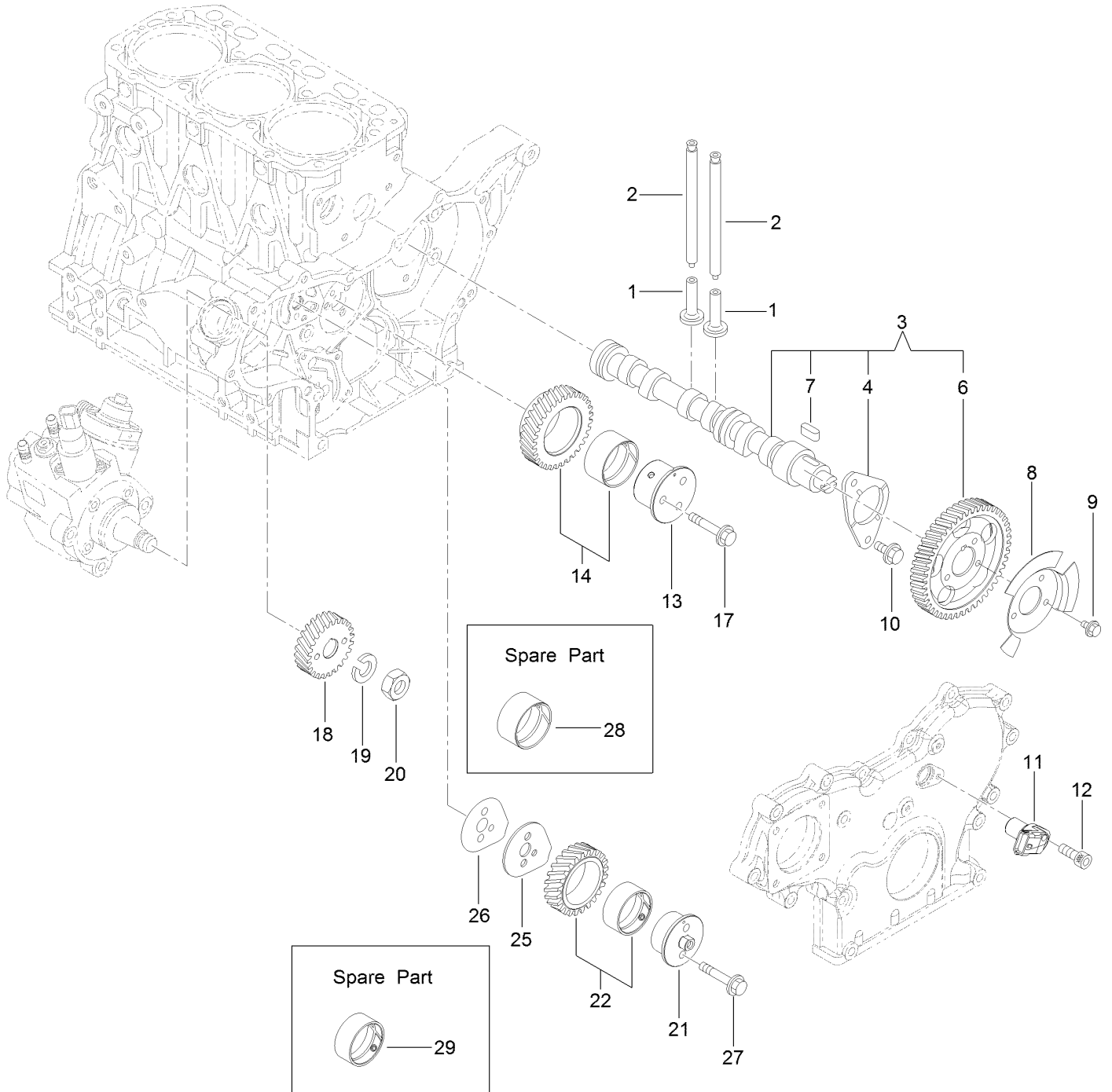
# Particulate Filter Assembly



## Particulate Filter Assembly (continued)

<i>Ref.</i>	<i>Part Number</i>	<i>Qty.</i>	<i>Description</i>	<i>Ref.</i>	<i>Part Number</i>	<i>Qty.</i>	<i>Description</i>
1	127-2987	1	Gasket-Silencer	26	127-3056	4	Gasket-Sensor
2	127-4738	1	Stay-D P F	27	127-4744	1	Sensor Pipe ASM
3	127-4739	1	Stay-D P F	28	127-4745	1	Sensor Pipe ASM
4	127-4740	1	Stay-D P F	29	127-4747	1	Exhaust Hose ASM
5	127-4741	1	Stay-D P F	31	127-3057	2	Clip-Hose
6	127-4760	1	D P F Unit	32	127-4748	1	Exhaust Hose ASM
7	127-4764	1	Sensor-Temp, Exhaust	33	127-3058	2	Clip-Hose
8	127-4765	1	Sensor-Temp, Exhaust	35	127-3060	1	Sensor-Pressure
9	127-4759	1	D P F ASM	36	127-4750	1	Bracket-Sensor
10	127-4732	1	Case-D O C	37	125-7208	2	Bolt
12	127-4734	1	Case-Filter, Soot	38	125-7595	2	Bolt
14	127-3786	1	Silencer-D P F	39	127-3087	1	Band-Clip
15	127-3859	2	Gasket-D P F	40	127-3124	1	Band
16	127-3055	16	Bolt	41	127-3088	2	Clip-Connector
17	127-3788	1	Lifter-D P F	42	100-6928	2	Bolt
18	127-3789	5	Stiffener-D P F, A	43	100-6928	3	Bolt
19	127-4735	1	Stiffener-D P F, B	44	130-7443	4	Bolt, M8 X 20 Plated
20	127-3792	1	Stiffener-D P F, C	45	130-7444	2	Bolt
21	127-4736	1	Stiffener-D P F, C	46	130-7444	2	Bolt
22	125-7213	2	Bolt	47	130-7444	2	Bolt
23	125-7229	16	Nut	48	125-7229	2	Nut
24	127-4743	1	Pressure Sensor Unit	49	125-7230	4	Nut
25	127-3039	2	Bolt-Joint, Pipe				

# Camshaft Assembly

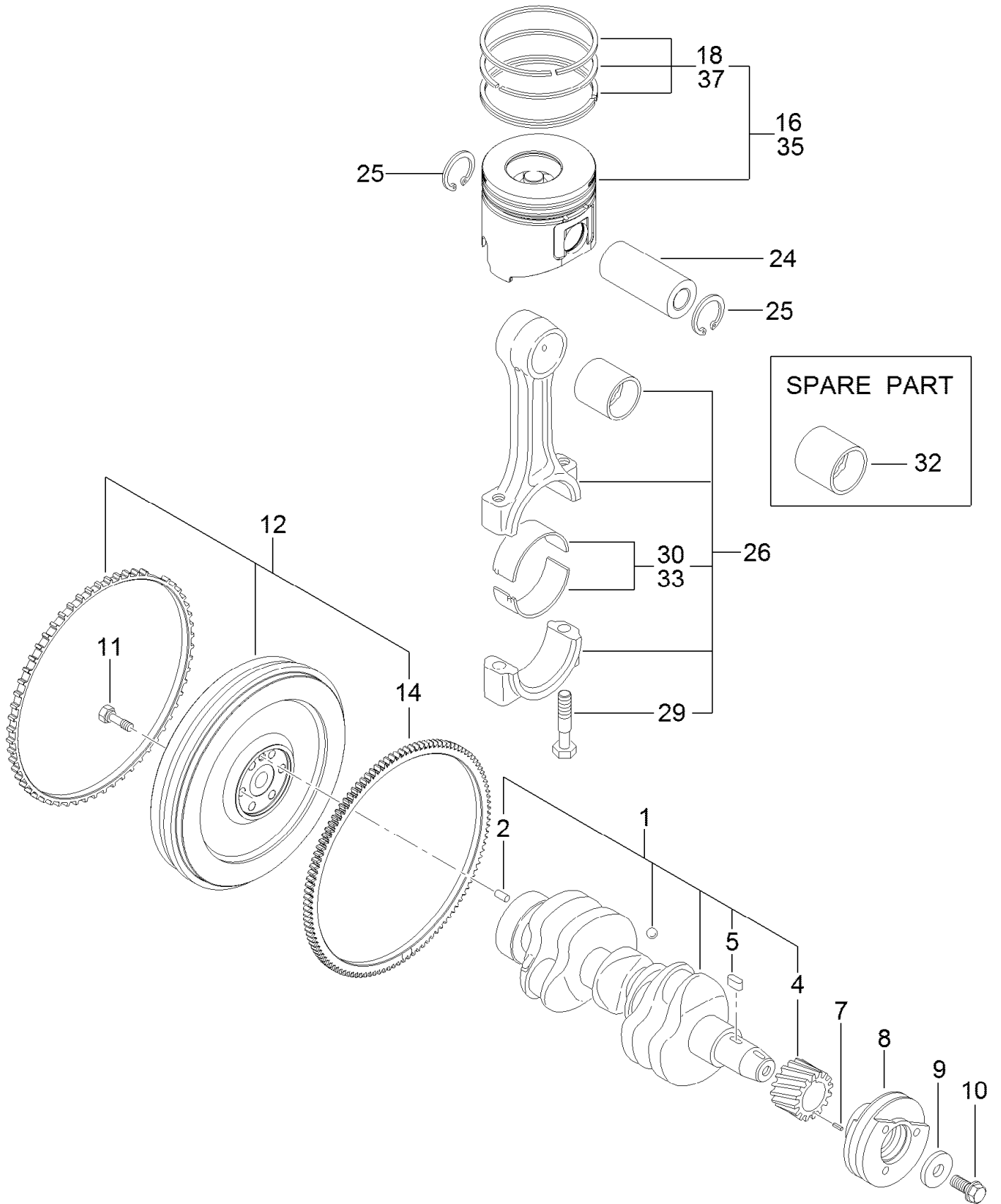




## Camshaft Assembly (continued)

<i>Ref.</i>	<i>Part Number</i>	<i>Qty.</i>	<i>Description</i>	<i>Ref.</i>	<i>Part Number</i>	<i>Qty.</i>	<i>Description</i>
1	125-7016	6	Tappet	14	127-3066	1	Idle Gear A ASM
2	125-7017	6	Rod-Push	17	125-7219	3	Bolt
3	127-3797	1	Camshaft ASM	18	127-3070	1	Gear-Pump, Supply
4	125-7008	1	Metal-Thrust	19	127-3167	1	Washer-Spring
6	127-3052	1	Gear-Camshaft	20	127-3185	1	Nut-Lock
7	125-7185	1	Key	21	127-3064	1	Shaft-Idle, Gear B
8	127-3053	1	Pulser-Camshaft	22	127-3067	1	Idle Gear B ASM
9	125-7205	3	Bolt	25	127-3068	1	Plate-Idle, Shaft
10	125-7213	2	Bolt	26	127-3069	1	Gasket-Idle, Shaft B
11	127-3054	1	Sensor-Rev, Gear	27	125-7218	2	Bolt
12	127-3184	1	Bolt	28	125-6927	1	Bushing
13	127-3063	1	Shaft-Idle, Gear A	29	127-3065	1	Bushing

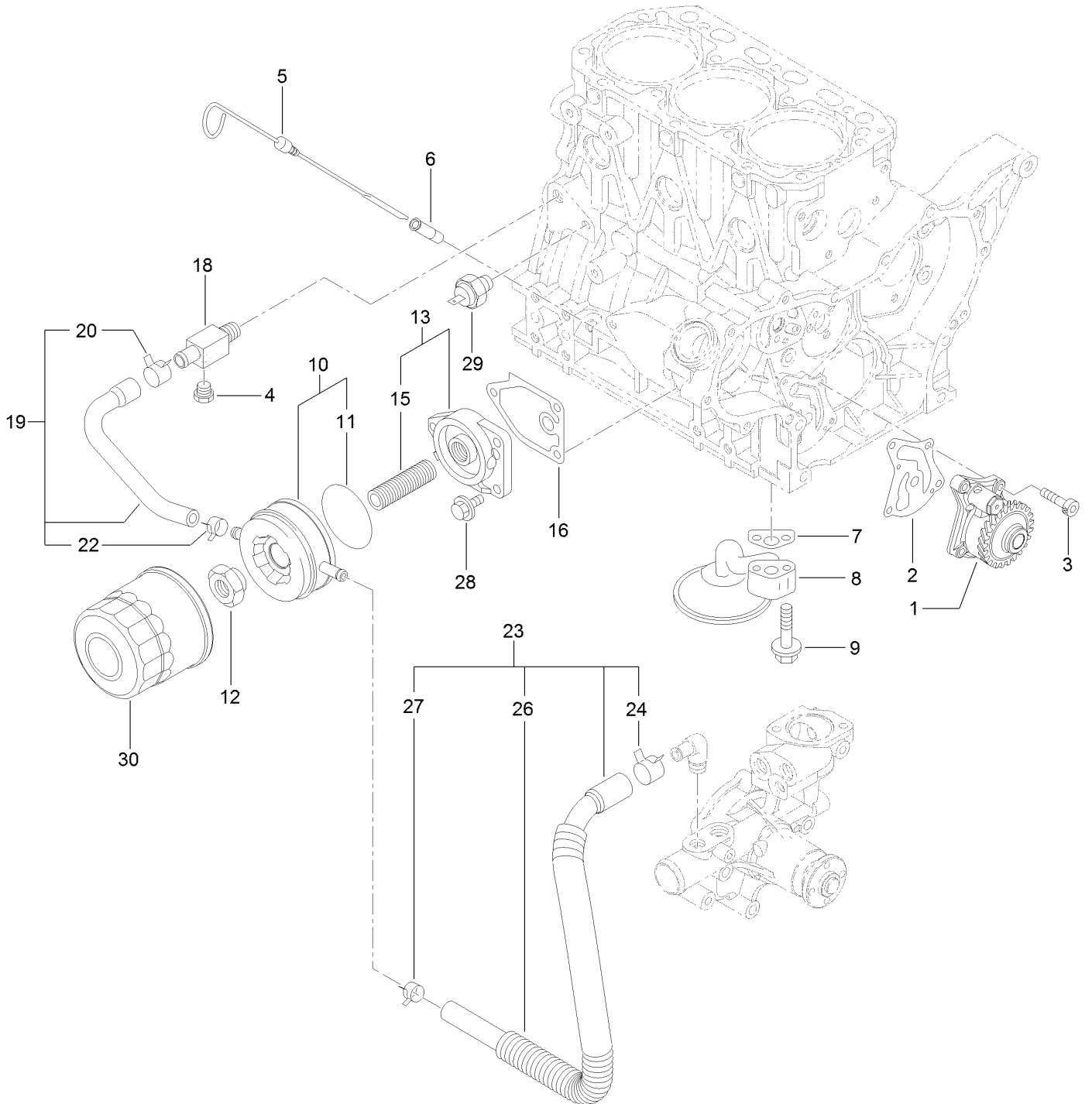
# Crankshaft and Piston Assembly



## Crankshaft and Piston Assembly (continued)

<i>Ref.</i>	<i>Part Number</i>	<i>Qty.</i>	<i>Description</i>	<i>Ref.</i>	<i>Part Number</i>	<i>Qty.</i>	<i>Description</i>
1	127-3800	1	Crankshaft ASM	16	127-4766	3	Piston ASM
2	125-6995	1	Pin	18	127-4751	3	Piston Ring ASM
4	125-6937	1	Gear	24	125-7030	3	Pin
5	125-7185	1	Key	25	125-7180	6	Ring
7	125-7182	1	Pin-Spring	26	125-7242	3	Connecting Rod ASM
8	127-3801	1	Pulley-V	29	125-6955	6	Bolt
9	125-7109	1	Washer	30	125-7018	3	Pin-Crank
10	125-6956	1	Bolt	32	125-6997	3	Pin-Piston
11	125-6951	6	Bolt	33	125-7019	3	Pin-Crank (.25)
12	127-3802	1	Flywheel ASM	35	127-4767	3	Piston ASM (0.25 O S)
14	125-6943	1	Gear	37	127-4752	3	Ring Set (0.25 O S)

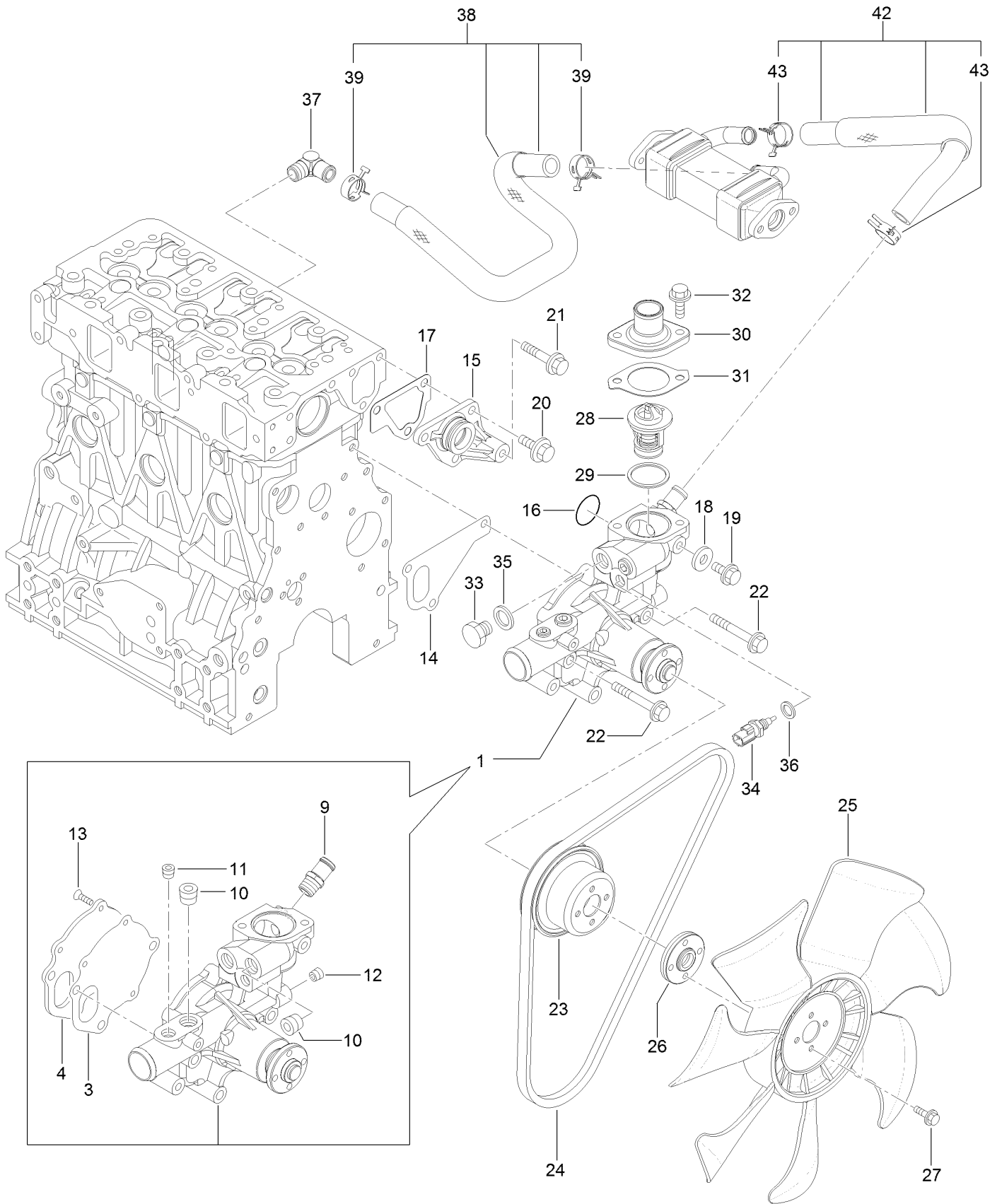
# Lubrication System Assembly



## Lubrication System Assembly (continued)

<i>Ref.</i>	<i>Part Number</i>	<i>Qty.</i>	<i>Description</i>	<i>Ref.</i>	<i>Part Number</i>	<i>Qty.</i>	<i>Description</i>
1	127-4753	1	Oil Pump ASM	15	125-7042	1	Stud
2	127-3004	1	Gasket	16	125-7024	1	Gasket
3	125-7232	4	Bolt	18	125-6990	1	Joint
4	125-7171	1	Plug-Drain	19	125-7078	1	Pipe ASM
5	125-6987	1	Dipstick	20	125-7162	1	Clip
6	125-6954	1	Guide-Dipstick	22	125-7191	1	Clamp-Hose
7	125-7022	1	Gasket	23	127-3804	1	Pipe ASM
8	127-3803	1	Pipe ASM	24	125-7162	1	Clip
9	125-7217	2	Bolt	26	127-3805	1	Tube
10	125-7074	1	Cooler ASM	27	125-7191	1	Clamp-Hose
11	125-7075	1	O-Ring	28	125-7595	3	Bolt
12	125-7041	1	Nut-Cooler, Oil	29	125-6918	1	Switch-Oil
13	125-6989	1	Bracket ASM	30	125-7025	1	Filter-Engine, Oil

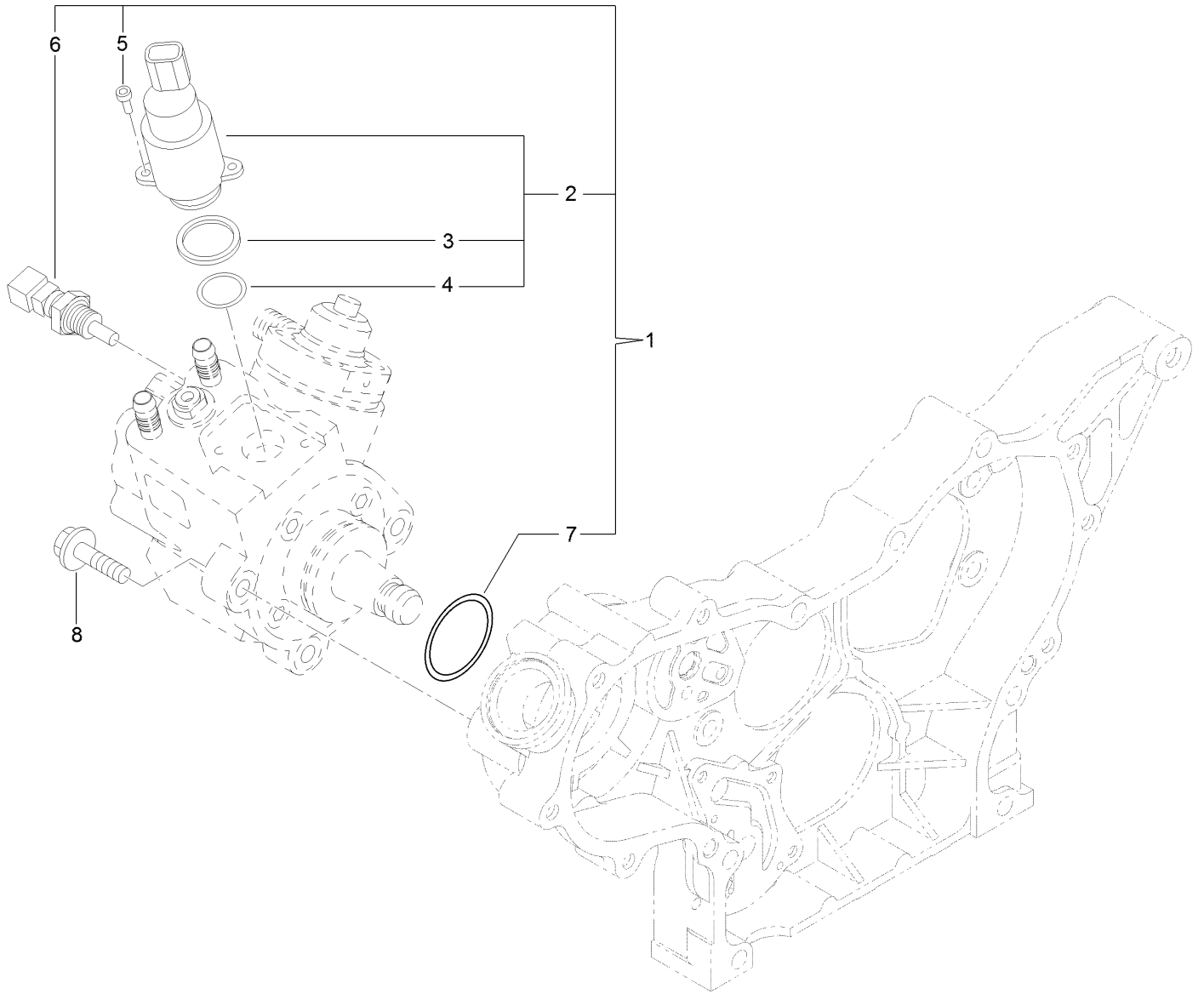
# Cooling System Assembly



## Cooling System Assembly (continued)

<i>Ref.</i>	<i>Part Number</i>	<i>Qty.</i>	<i>Description</i>	<i>Ref.</i>	<i>Part Number</i>	<i>Qty.</i>	<i>Description</i>
1	130-7442	1	Water Pump ASM	24	127-4771	1	V-Belt
3	125-6998	1	Gasket	25	127-4702	1	Fan
4	125-6999	1	Plate	26	127-4768	1	Spacer
9	127-3017	1	Joint	27	125-7211	4	Bolt
10	125-7123	2	Plug	28	125-7029	1	Thermostat
11	127-3175	1	Plug	29	125-7026	1	Gasket
12	125-7195	1	Plug	30	125-7034	1	Cover
13	125-7234	3	Screw	31	125-7110	1	Gasket
14	125-7047	1	Gasket	32	125-7594	2	Bolt
15	125-6986	1	Joint	33	125-6953	1	Plug
16	125-7048	1	O-Ring	34	125-7124	1	Sensor-Thermostat, CW
17	125-6978	1	Gasket	35	125-6979	1	Gasket
18	125-7192	1	Gasket	36	125-7176	1	Washer-Seal
19	93-0362	1	Bolt	37	127-4705	1	Elbow
20	100-6928	3	Bolt	38	127-4757	1	E G R-C Pipe ASM
21	125-7219	1	Bolt	39	127-3020	2	Clip-Hose
22	125-7222	3	Bolt	42	127-3811	1	CW Pipe ASM
23	127-4712	1	V-Pulley	43	127-3020	2	Clip-Hose

# Fuel Pump Assembly





## Fuel Pump Assembly (continued)

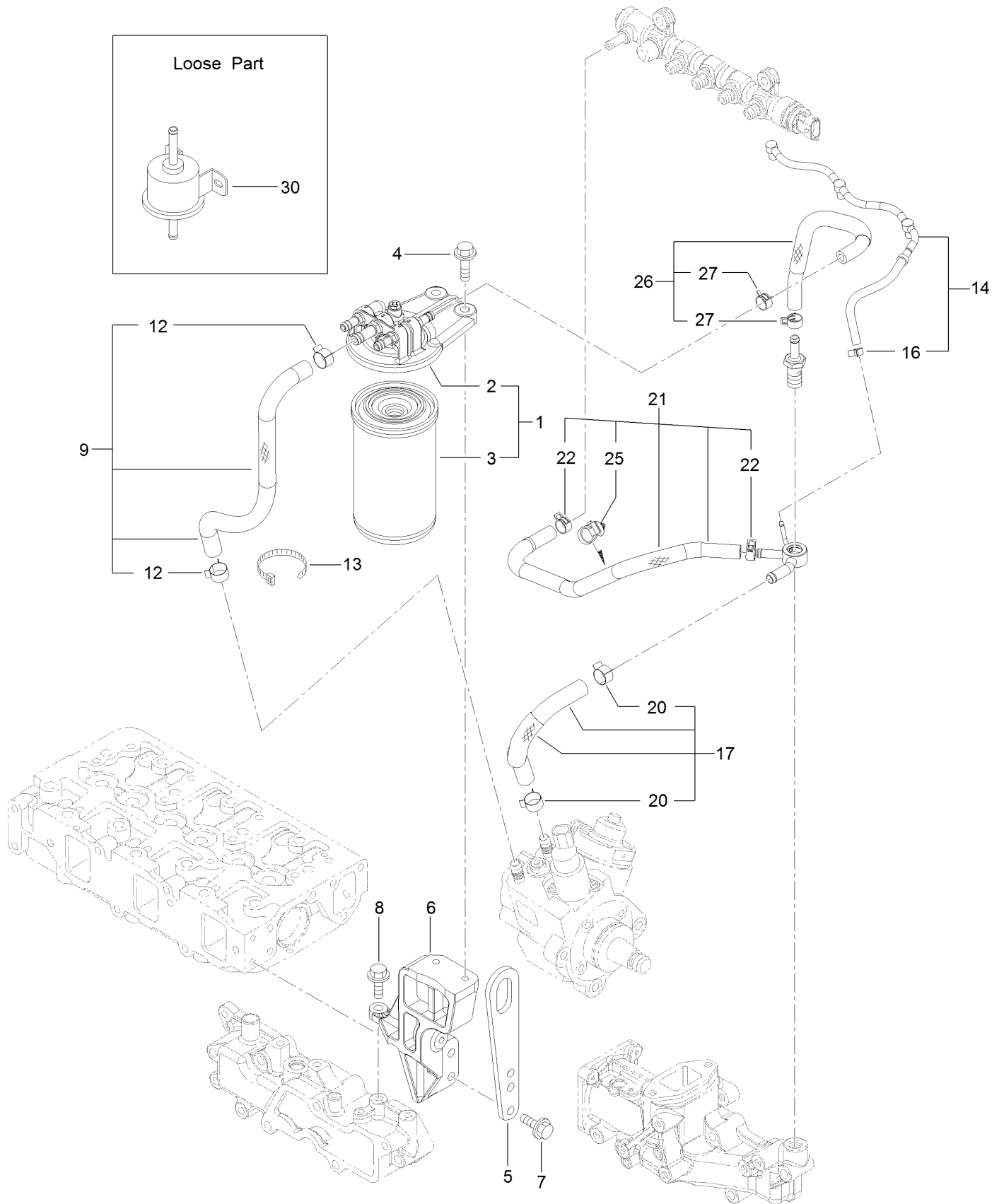
<i>Ref.</i>	<i>Part Number</i>	<i>Qty.</i>	<i>Description</i>	<i>Ref.</i>	<i>Part Number</i>	<i>Qty.</i>	<i>Description</i>
1	127-3073	1	Fuel Pump ASM	5	131-2107	2	Bolt
2	131-2103	1	Valve ASM	6	131-2108	1	Sensor-Temperature
3	131-2105	1	Ring-Sealing	7	127-3074	1	O-Ring
4	131-2106	1	O-Ring	8	125-7216	3	Bolt



## Fuel Injection Assembly (continued)

<i>Ref.</i>	<i>Part Number</i>	<i>Qty.</i>	<i>Description</i>	<i>Ref.</i>	<i>Part Number</i>	<i>Qty.</i>	<i>Description</i>
1	127-4754	3	Injector ASM	8	127-3813	2	Retainer
2	130-7430	3	Ring-Retaining	10	127-3082	1	Rail In Pipe ASM
3	127-3812	1	Rail ASM	12	127-3814	1	Injection Pipe ASM
4	131-2709	1	Sensor-Pressure, Rail	13	127-3083	1	Injection Pipe ASM
5	131-2710	1	Valve ASM	14	127-3084	1	Injection Pipe ASM
6	130-7433	1	O-Ring	15	125-7231	2	Nut
7	125-7215	2	Bolt				

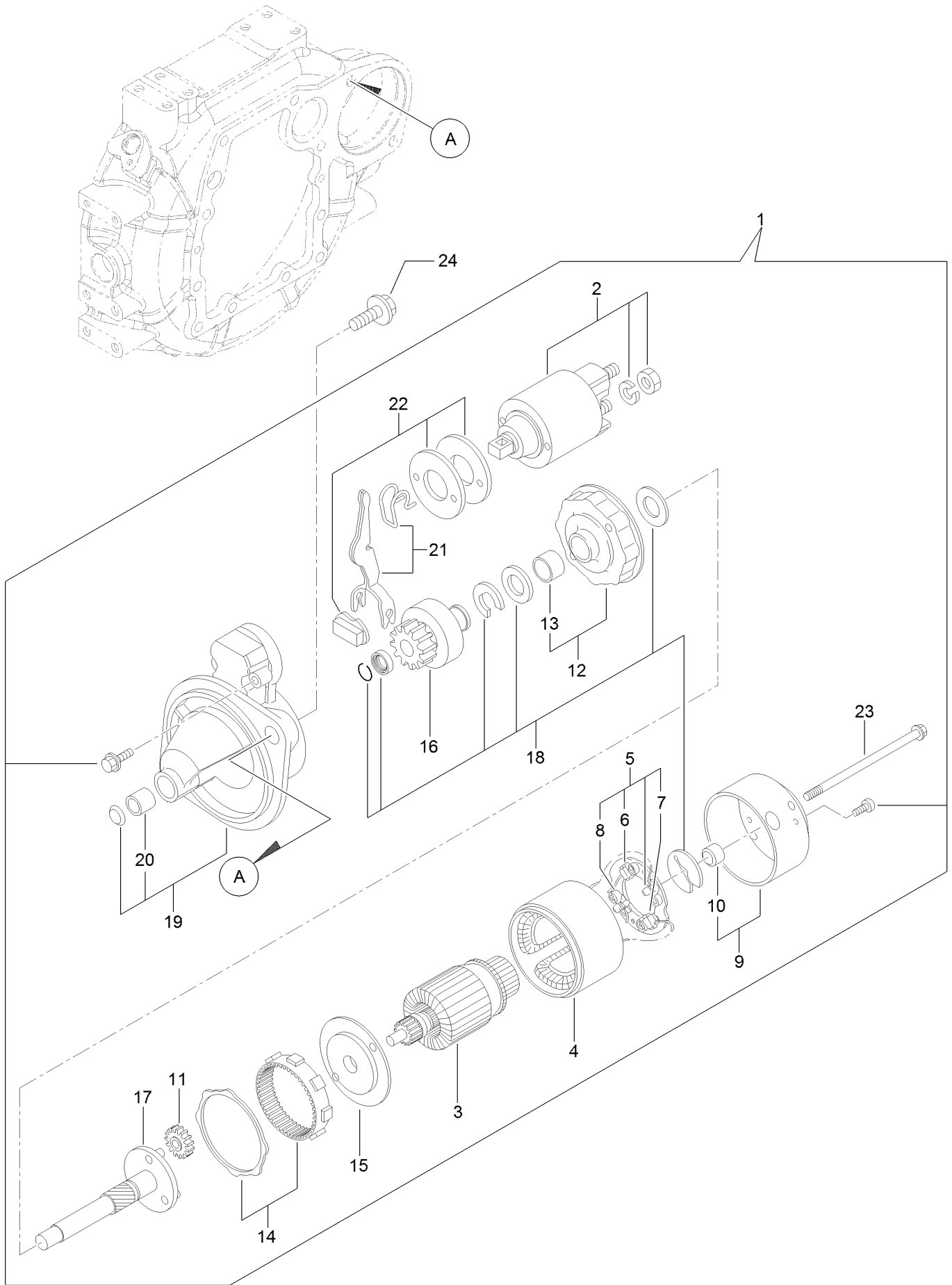
# Fuel Line Assembly



## Fuel Line Assembly (continued)

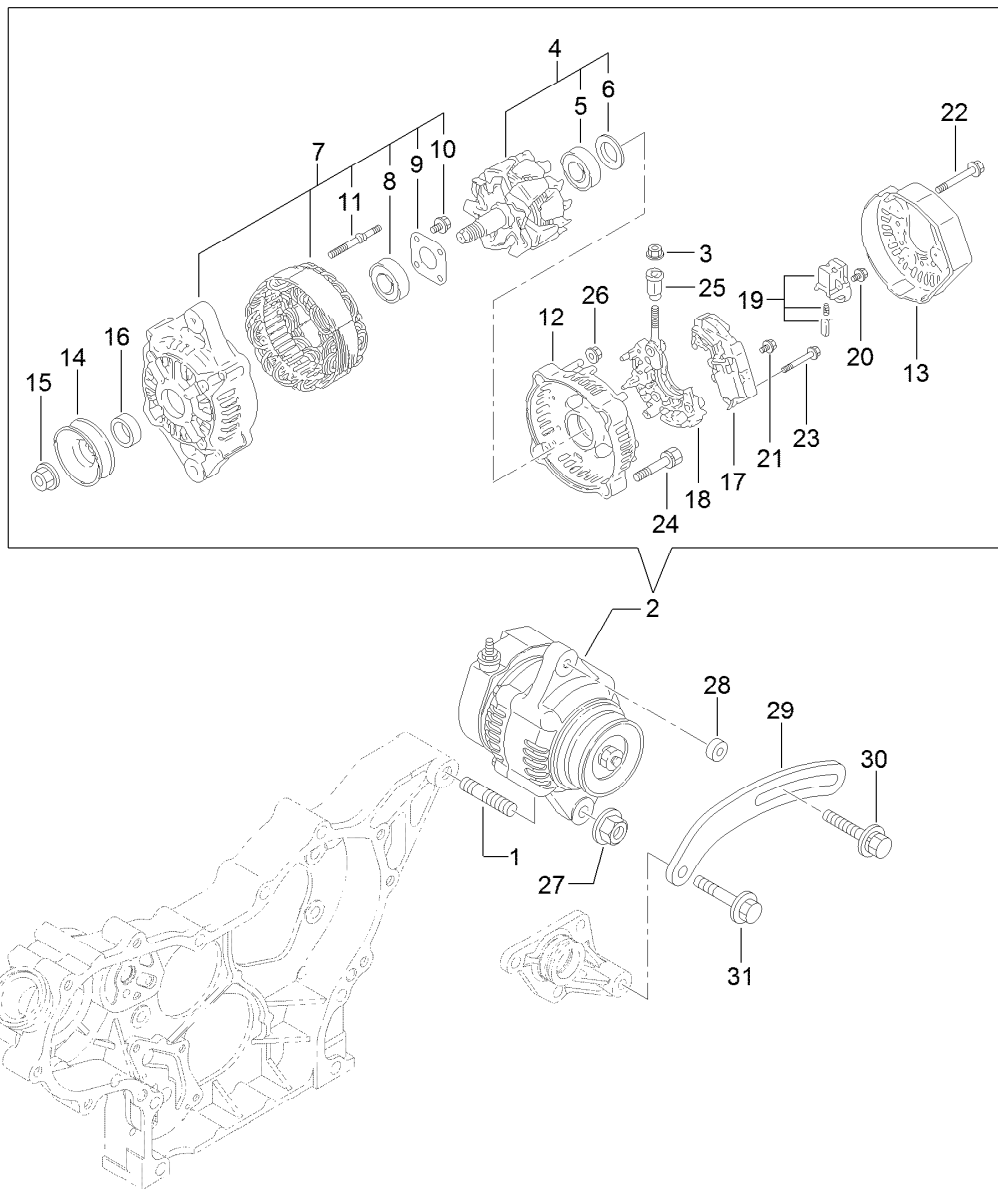
<i>Ref.</i>	<i>Part Number</i>	<i>Qty.</i>	<i>Description</i>	<i>Ref.</i>	<i>Part Number</i>	<i>Qty.</i>	<i>Description</i>
1	127-3075	1	Fuel/Oil Filter ASM	14	127-3816	1	Fuel/Oil Return Pipe ASM
2	127-3076	1	Fuel/Oil Filter Bracket ASM	16	127-3172	1	Clamp-Hose
3	125-8752	1	Filter-Fuel/Oil	17	127-3078	1	Fuel Pipe ASM
4	125-7216	2	Bolt	20	125-7191	2	Clamp-Hose
5	125-7111	1	Lifter	21	127-3817	1	Fuel Pipe ASM
6	127-3815	1	Filter Bracket ASM	22	127-2950	2	Clip-Hose
7	125-7215	2	Bolt	25	127-3087	1	Band-Clip
8	125-7215	1	Bolt	26	127-3079	1	Fuel Pipe ASM
9	127-3077	1	Fuel Pipe ASM	27	127-2950	2	Clip-Hose
12	125-7191	2	Clamp-Hose	30	127-3008	1	Fuel Feed Pump ASM
13	127-2981	1	Band				

# Starter Assembly



## Starter Assembly (continued)

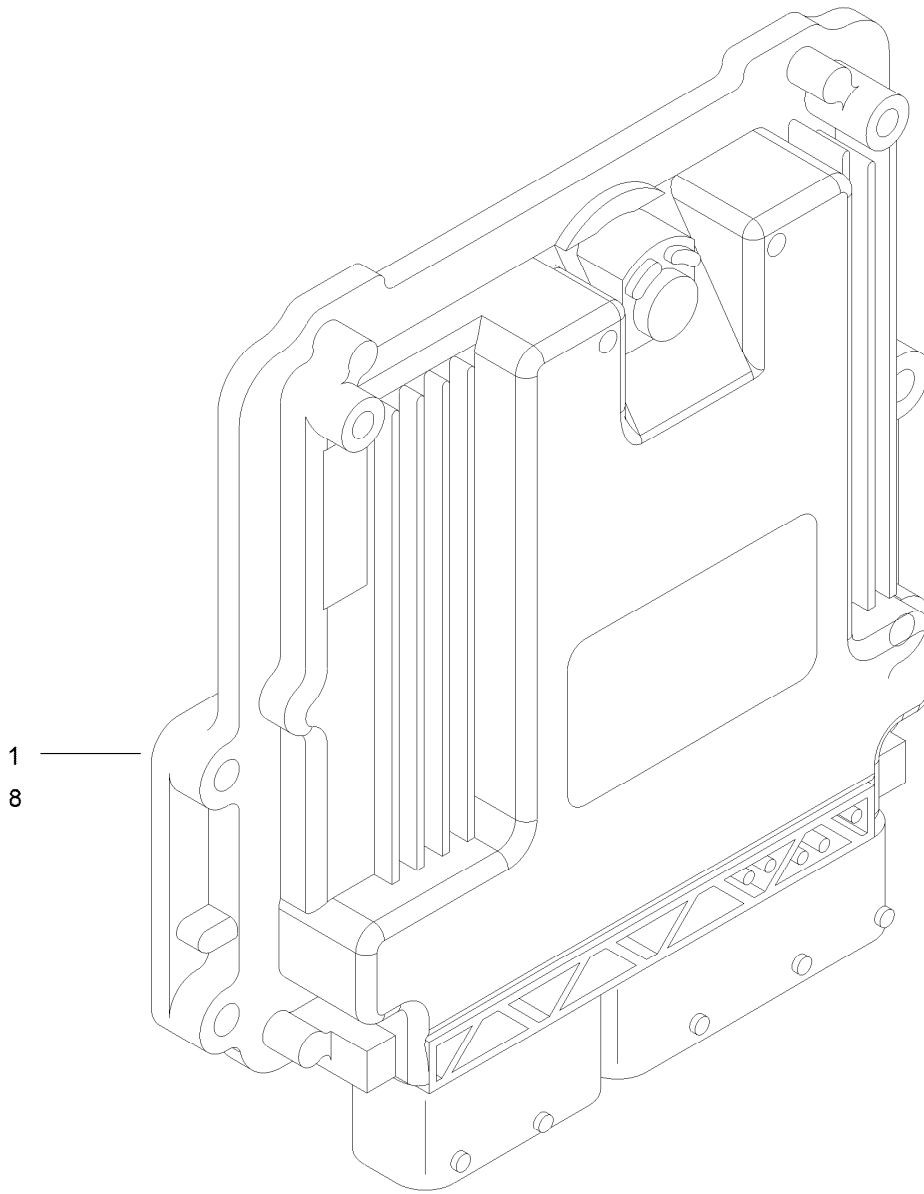
<i>Ref.</i>	<i>Part Number</i>	<i>Qty.</i>	<i>Description</i>	<i>Ref.</i>	<i>Part Number</i>	<i>Qty.</i>	<i>Description</i>
1	127-3818	1	Starter ASM	13	127-3830	1	Bracket
2	127-3819	1	Switch ASM	14	127-3831	1	Gear
3	127-3820	1	Armature ASM	15	127-3832	1	Bracket
4	127-3821	1	Yoke ASM	16	127-3833	1	Pinion ASM
5	127-3822	1	Brush Holder ASM	17	127-3834	1	Shaft
6	127-3823	2	Brush	18	127-3835	1	Washer Set
7	127-3824	1	Brush Set	19	127-3836	1	Case ASM
8	127-3825	4	Spring	20	127-3837	1	Metal-Starter
9	127-3826	1	Cover ASM	21	127-3838	1	Lever Set
10	127-3827	1	Metal	22	127-3839	1	Dust Cover ASM
11	127-3828	3	Gear	23	127-3840	2	Bolt-Through
12	127-3829	1	Bracket	24	125-7225	2	Bolt



## Generator Assembly

<i>Ref.</i>	<i>Part Number</i>	<i>Qty.</i>	<i>Description</i>	<i>Ref.</i>	<i>Part Number</i>	<i>Qty.</i>	<i>Description</i>
1	127-3011	1	Stud	17	127-3847	1	Regulator ASM
2	127-3841	1	Generator	18	127-3848	1	Holder
3	127-3190	1	Nut	19	127-2993	1	Holder
4	127-3843	1	Rotor ASM	20	127-2965	6	Screw
5	127-2983	1	Bearing-Ball	21	127-2966	1	Screw
6	127-2962	1	Cover	22	127-2967	3	Bolt
7	127-3844	1	Frame ASM	23	127-2968	2	Screw
8	127-2958	1	Bearing-Ball	24	127-2969	2	Bolt
9	127-2959	1	Plate-Retainer	25	127-2970	1	Bushing-Insulation
10	127-2960	4	Screw	26	127-2971	2	Nut
11	127-2961	2	Stud	27	125-7230	1	Nut
12	127-3845	1	Frame	28	125-6947	1	Spacer
13	127-3846	1	Cover	29	127-2977	1	Adjuster
14	127-2954	1	Pulley	30	125-7134	1	Bolt
15	127-2955	1	Nut	31	125-7219	1	Bolt
16	127-2957	1	Collar				

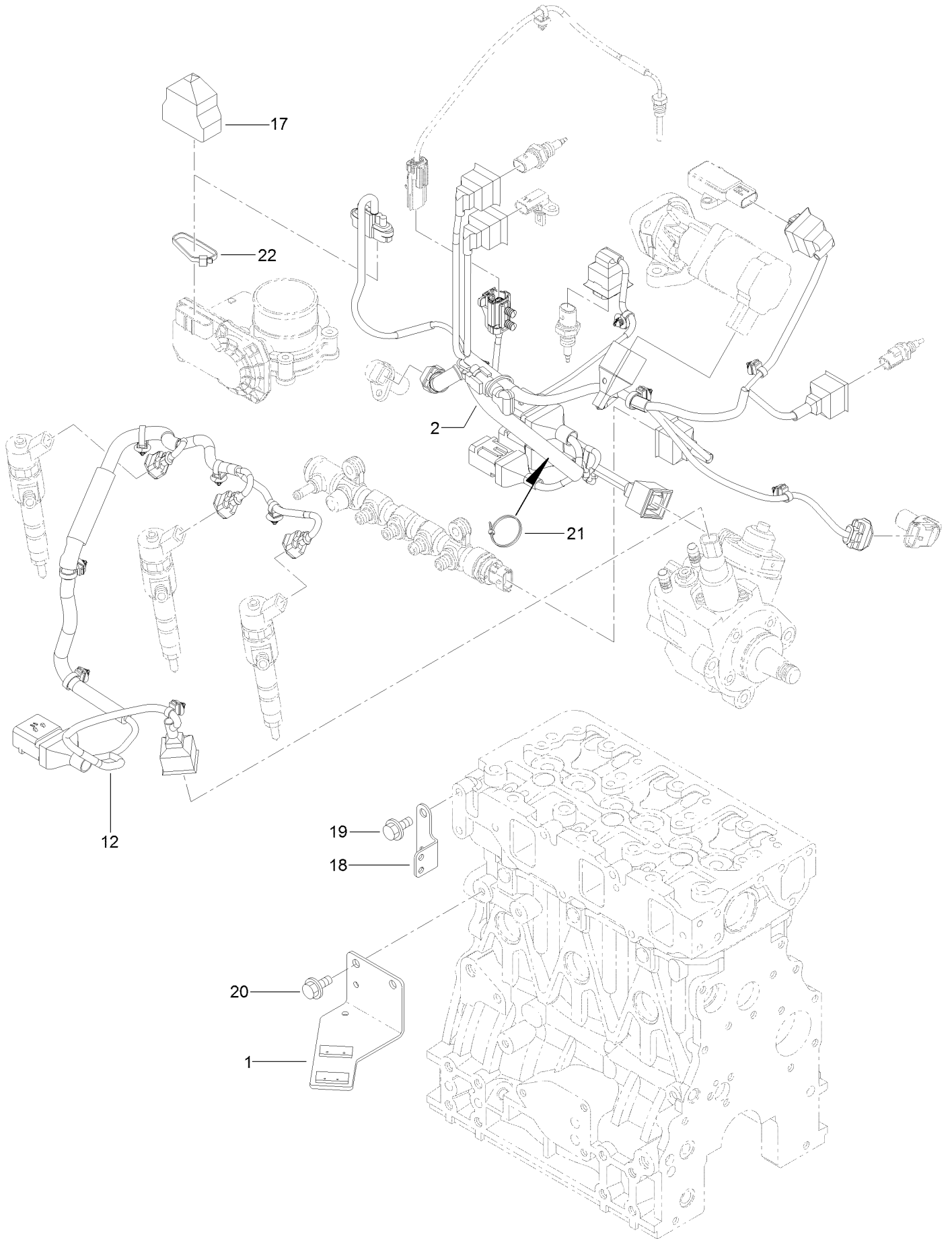




## Electronic Control Unit Assembly

<i>Ref.</i>	<i>Part Number</i>	<i>Qty.</i>	<i>Description</i>
1	130-7434	1	E C U ASM, 3-88C-Dtr4
8	121-5592	1	Electronic Control Unit

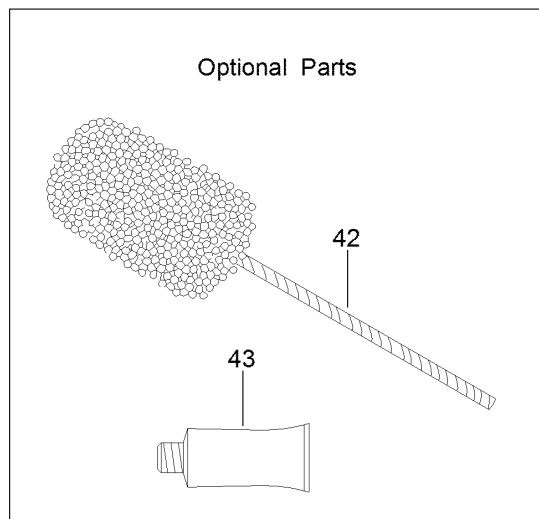
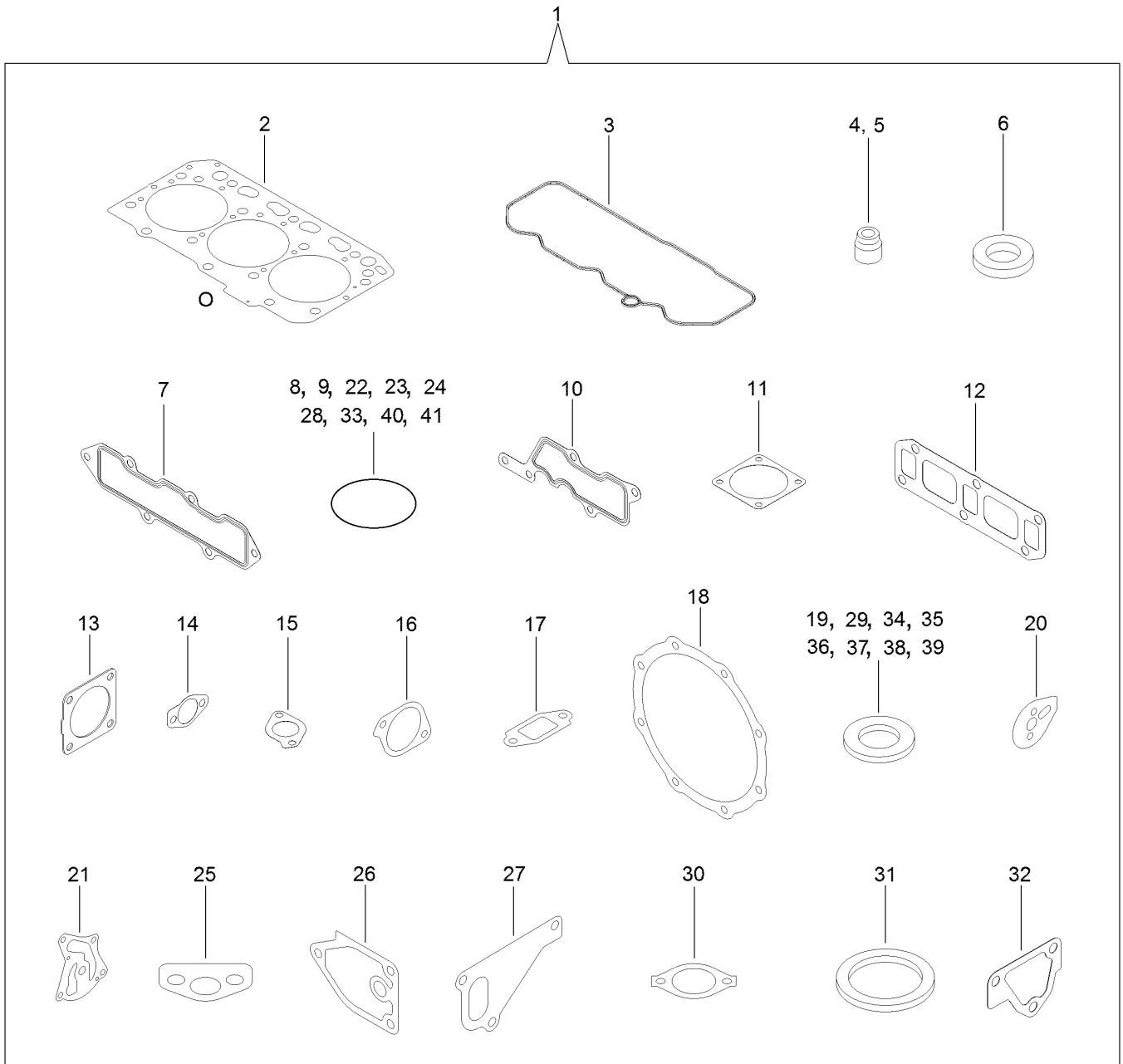
# Electric Parts Assembly



## Electric Parts Assembly (continued)

<i>Ref.</i>	<i>Part Number</i>	<i>Qty.</i>	<i>Description</i>	<i>Ref.</i>	<i>Part Number</i>	<i>Qty.</i>	<i>Description</i>
1	130-7436	1	Bracket-Connector	19	93-0362	2	Bolt
2	130-7437	1	Harness B-Engine, E C O	20	93-0362	2	Bolt
12	130-7438	1	Harness	21	127-3187	1	Band
17	130-7439	1	Boot-Type, Cap	22	127-3188	1	Band
18	127-3090	1	Bracket-Harness				

# Gasket Set



## Gasket Set (continued)

<i>Ref.</i>	<i>Part Number</i>	<i>Qty.</i>	<i>Description</i>	<i>Ref.</i>	<i>Part Number</i>	<i>Qty.</i>	<i>Description</i>
1	130-7440	1	Packing (Gasket Set)	23	127-2973	1	O-Ring
2	127-4716	1	Head Gasket ASM	24	125-7075	1	O-Ring
3	127-3856	1	Gasket-Valve Cover	25	125-7022	1	Gasket
4	127-2986	3	Seal-Stem, Valve	26	125-7024	1	Gasket
5	127-3027	3	Seal-Stem, Valve	27	125-7047	1	Gasket
6	127-3021	3	Gasket-Injector	28	125-7048	1	O-Ring
7	127-3857	1	Gasket-Manifold, Intake	29	125-6979	1	Gasket
8	127-3032	2	O Ring-Sensor, Pressure	30	125-7110	1	Gasket
9	127-3033	1	O-Ring	31	125-7026	1	Gasket
10	127-3034	1	Gasket-Collector	32	125-6978	1	Gasket
11	127-3037	2	Gasket-Throttle	33	127-3074	1	O-Ring
12	127-3775	1	Gasket-Manifold, Exhaust	34	125-7174	1	Washer-Seal
13	127-2987	1	Gasket-Silencer	35	125-7176	1	Washer-Seal
14	127-3043	2	Gasket-Cooler, E G R	36	127-3166	2	Washer-Seal
15	127-3016	1	Gasket	37	125-7177	1	Washer-Seal
16	127-3050	1	Gasket-Intake Valve, E G R	38	125-7192	1	Gasket
17	127-3051	1	Gasket-Out Valve, E G R	39	127-3174	2	Gasket
18	127-3859	2	Gasket-D P F	40	93-0418	3	O-Ring
19	127-3056	4	Gasket-Sensor	41	125-7197	2	O-Ring
20	127-3069	1	Gasket-Idle, Shaft B	42	127-3000	1	Hone
21	127-3004	1	Gasket	43	125-7248	1	Gasket-Liquid
22	125-6909	2	O-Ring				

**Notes:**

**Notes:**



**Count on it.**