



**Count on it.**

**Parts Catalog**

**ProPass™ 200**

**Top Dresser with Twin Spinner**

Model No. 44701—Serial No. 415100000 and Up



# Ordering Replacement Parts

To order replacement parts, please supply the part number, the quantity, and the description of each part desired.

## Understanding Reference Numbers

Each identified part in an illustration has a reference number. The reference number for a part also appears in the parts list, along with other information about the part.

This catalog uses two special reference number formats, one to indicate parts in a service assembly and another to indicate the quantity of a given part in an illustration.

## Service Assembly Reference Numbers

Parts in service assemblies have reference numbers in the form a:b. The a represents the reference number of the entire service assembly and the b represents a sequential number unique to each part within the service assembly.

For example, a wheel assembly might be identified by reference number 6, the tire by 6:1, the valve by 6:2, and the wheel by 6:3. When you order the assembly identified by reference number 6, you receive all parts identified by reference numbers 6:1, 6:2, and 6:3. However, you may also order any part individually. Reference numbers of this type appear in illustration and in parts lists.

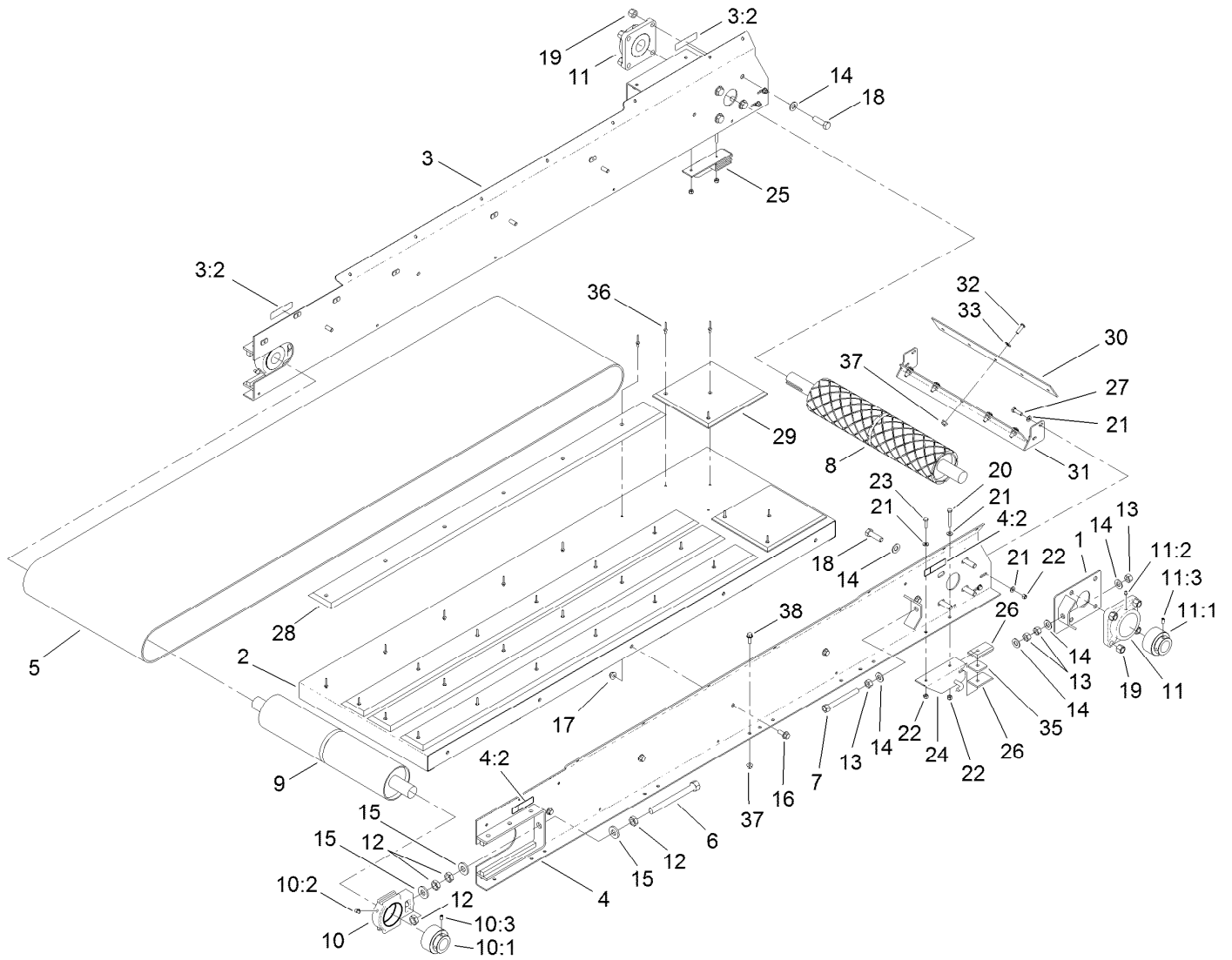
## Reference Numbers Indicating Quantity

In an illustration, if a reference number indicates more than one part, the reference number has the form nX y. The n represents the quantity of the part, the X is the multiplication symbol, and the y represents the reference number.

For example, in an illustration, the reference number 2X 37 means that two of the parts identified by reference number 37 are indicated.

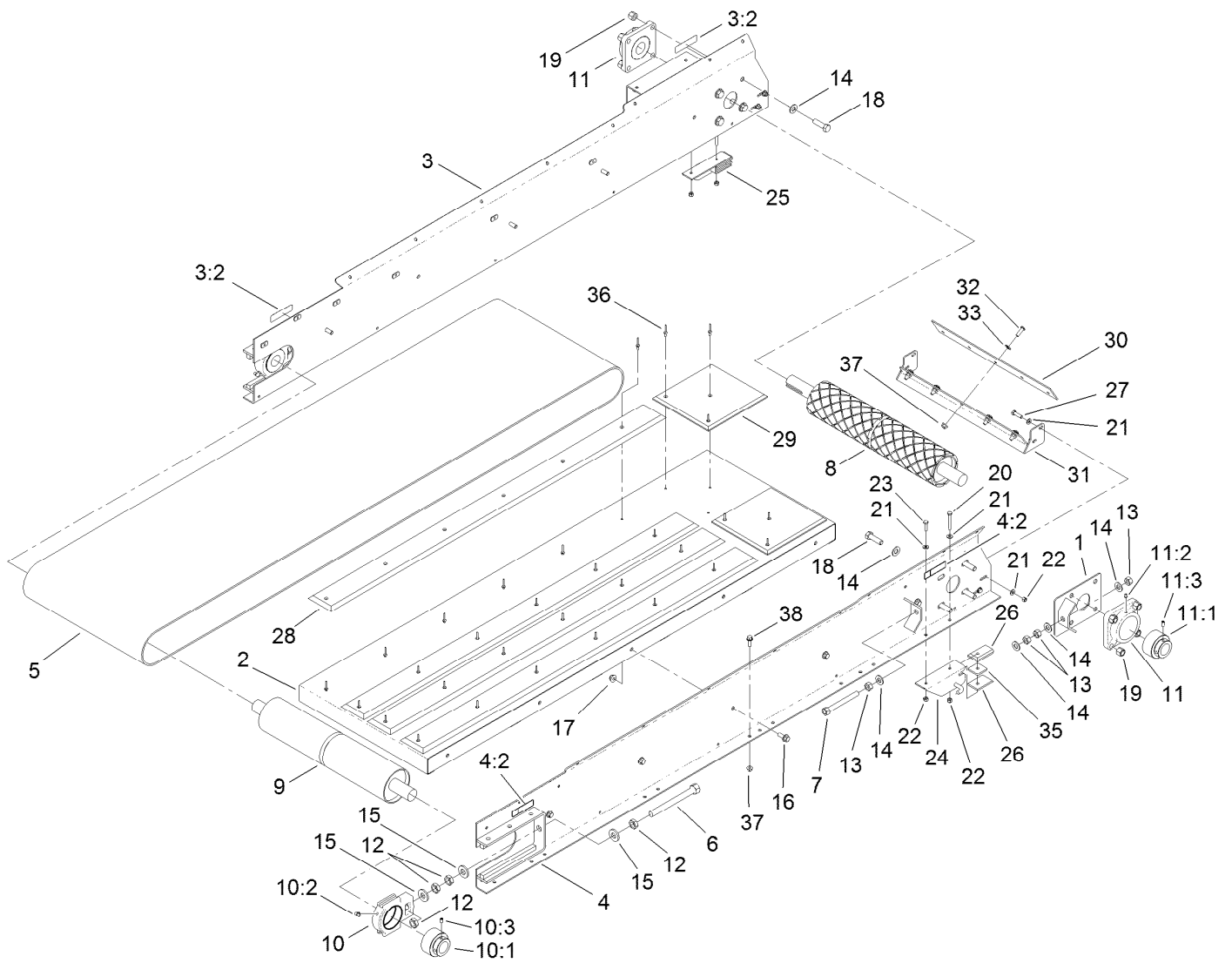
# Contents

Bed Assembly .....	4
Bed Cover Assembly .....	6
Belt Drive Assembly .....	7
Hopper Assembly .....	8
Tailgate Assembly .....	9
Hydraulic System Assembly .....	10
Twin Spinner Hydraulic Assembly .....	12
Twin Spinner Interlock Assembly .....	13
Hydraulic Motor Assembly No. T0001-9863 .....	15
Access Guard Assembly No. 145-7628 .....	16
Electrical Assembly .....	17
Attachments and Accessories .....	18



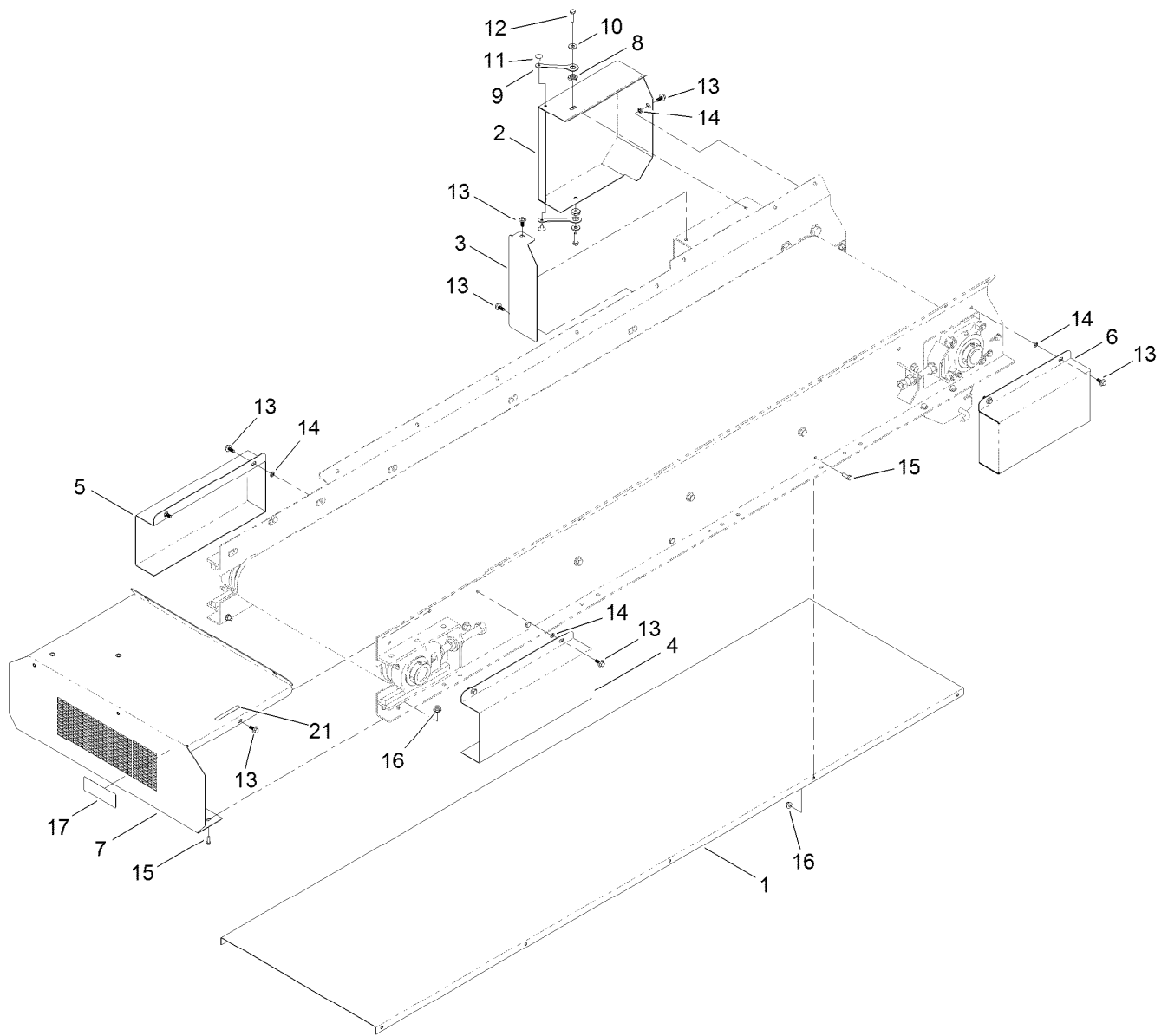
## Bed Assembly

Ref.	Part Number	Qty.	Description	Ref.	Part Number	Qty.	Description
1	T36051675-01	1	Plate-Alignment	14	3256-26	12	Washer-Flat
2	T36051600-01	1	Bed-Conveyor	15	99-7667	6	Washer-Flat
3	119-6797	1	Right Conveyor Side ASM	16	3234-42	10	Screw-HHF
3:2	119-0217	2	Decal-Danger	17	104-8301	10	Nut-HF, NI
4	119-6796	1	Left Conveyor ASM	18	325-7	8	Screw-HH
4:2	119-0217	2	Decal-Danger	19	3296-23	8	Nut-Lock, NI
5	T60191015	1	Belt-Conveyor	20	321-11	2	Screw-HH
6	T36051670-01	2	Rod-Tensioner	21	3256-22	12	Washer-Flat
7	T36051660-01	1	Rod-Alignment	22	3296-42	8	Nut-Lock, NI
8	T36051610	1	Roller-Drive	23	321-6	2	Screw-HH
9	T36051620	1	Roller-Idler	24	T36051560-01	1	Attachment-Left
10	T60114107	2	Take-Up Bearing ASM	25	T36051570-01	1	Attachment-Right
10:1	119-6902	1	Bearing-Collar Lock	26	T36051580	4	Bar-Bearing
10:2	302-40	1	Fitting-Grease, 90 DEG	27	321-4	4	Screw-HH
10:3	3246-17	1	Setscrew-HSH	28	T36051690	4	Slider-Belt
11	T60116255	2	4-Bolt Bearing ASM	29	T36051680	2	Slider-Belt, Rear
11:1	119-6902	1	Bearing-Collar Lock	30	T36051135	1	Plate-Scraper
11:2	302-19	1	Fitting-Grease	31	T36051132-01	1	Scraper
11:3	3246-17	1	Setscrew-HSH	32	119-6903	5	Screw-HSBH
12	3220-6	8	Nut-Jam	33	107-0279	5	Washer
13	3217-9	4	Nut-HH	35	T0000-2189	2	Spacer-Attachment



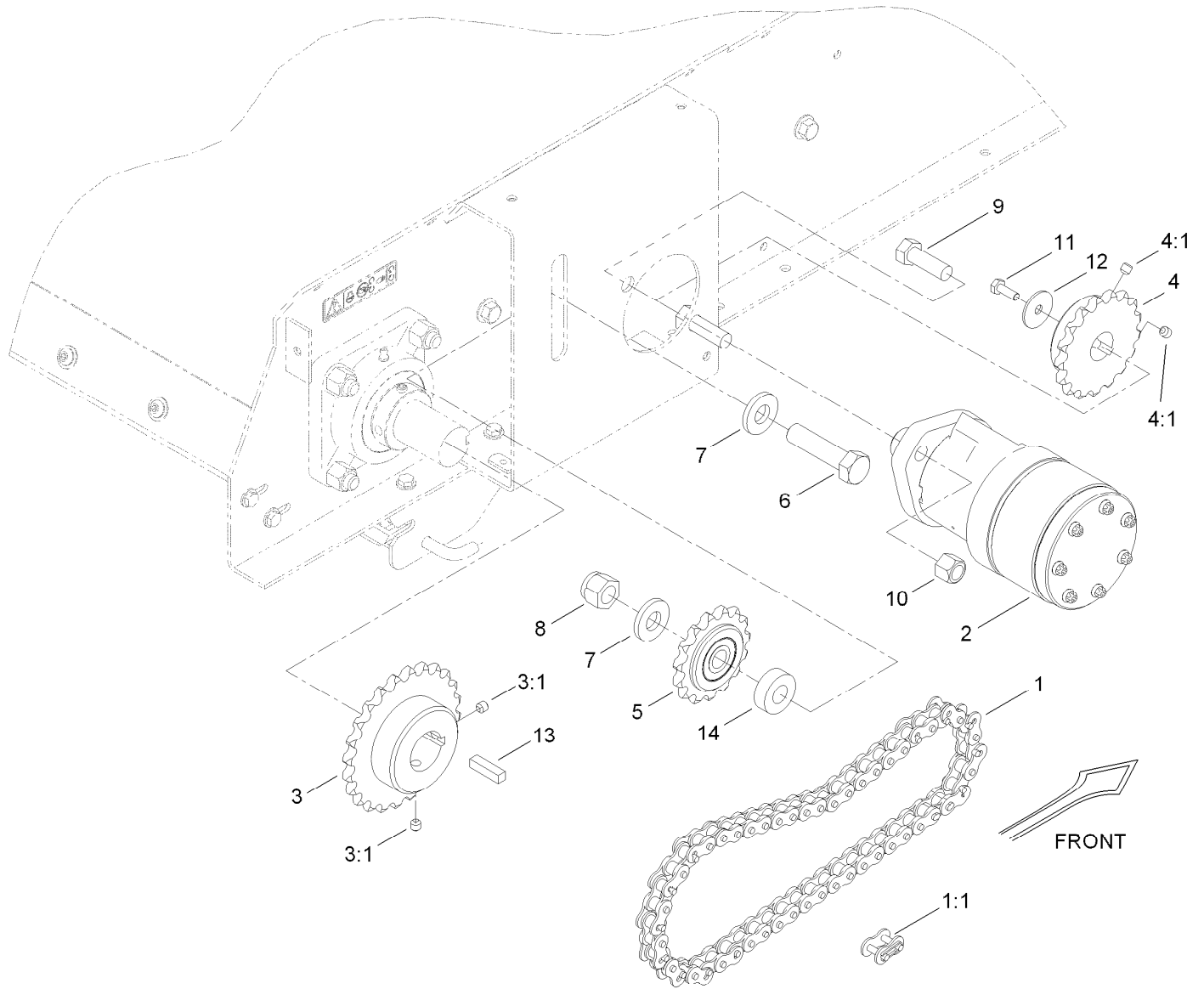
## Bed Assembly (continued)

Ref.	Part Number	Qty.	Description	Ref.	Part Number	Qty.	Description
36	3269-4	30	Rivet-Pop	37	104-8300	15	Nut-HF, NI
				38	3234-29	10	Screw-HHF



## Bed Cover Assembly

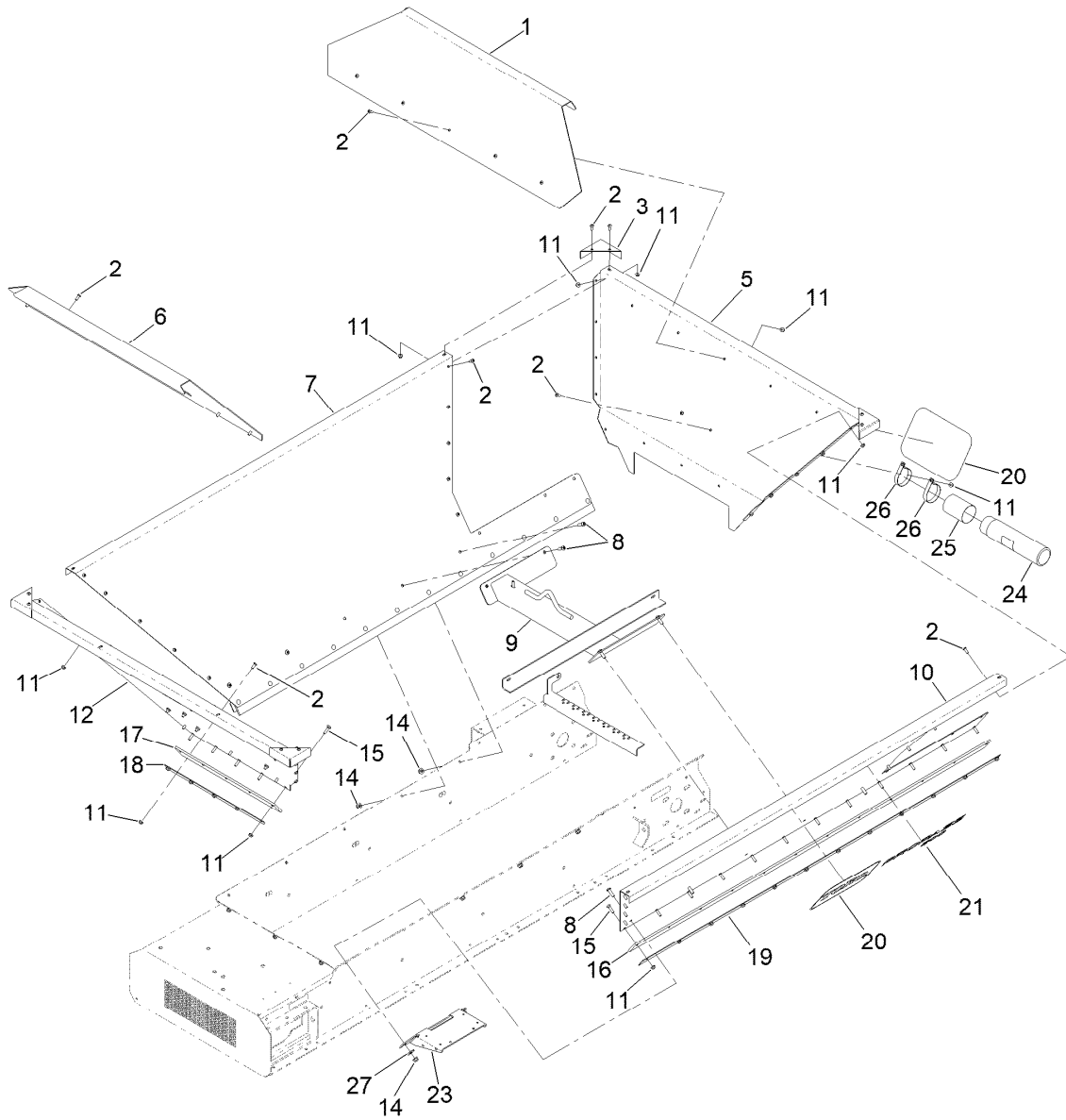
Ref.	Part Number	Qty.	Description	Ref.	Part Number	Qty.	Description
1	T36051704	1	Guard-Bottom	10	3256-2	2	Washer-Flat
2	T36051640-03	1	Guard-Drive, RH	11	146489	2	Rivet
3	T36051645-01	1	Cap-Guard	12	321-6	2	Screw-HH
4	T36051630-03	1	Guard-Idler, LH	13	99-6810	11	Screw-HHF
5	T36051635-03	1	Guard-Idler, RH	14	32115-15	7	Nut-Push
6	T36051650-03	1	Guard-Drive, LH	15	321-4	12	Screw-HH
7	T0000-7789-01	1	Guard-Rinse, Front	16	104-7201	12	Nut-HF, NI
8	119-0851	2	Nut-Shoulder	17	119-6809	1	Decal-Clean Out
9	117-8339	2	Lanyard-3 Inch	21	133-8061	1	Decal-Warning



## Belt Drive Assembly

Ref.	Part Number	Qty.	Description
1	T36051800	1	Chain-Drive, #50
1:1	T60151066	1	Link-Connector, #50
2	T56011000	1	HYD Motor ASM
3	T60133052	1	Sprocket
3:1	3246-2	2	Screw-Set, HSH
4	T60133080	1	Sprocket
4:1	3246-2	2	Screw-Set, HSH
5	T60134080	1	Sprocket-Idler
6	327-8	1	Screw-HH

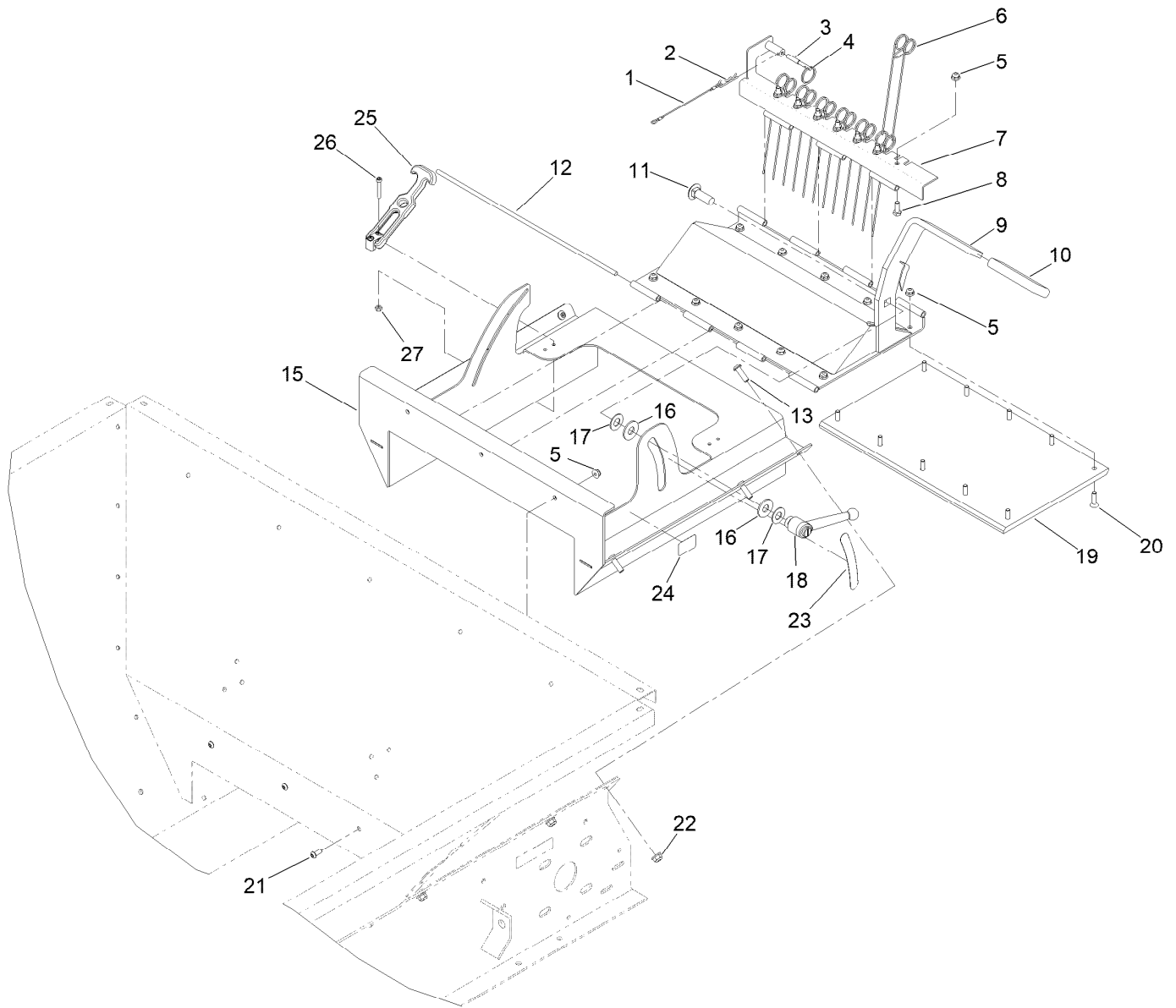
Ref.	Part Number	Qty.	Description
7	99-7667	2	Washer-Flat
8	3296-53	1	Nut-Lock, NI
9	325-6	2	Screw-HH
10	3296-23	2	Nut-Lock, NI
11	321-4	1	Screw-HH
12	3256-57	1	Washer-Flat
13	T36051810	1	Key-Drive
14	119-6905	1	Spacer



## Hopper Assembly

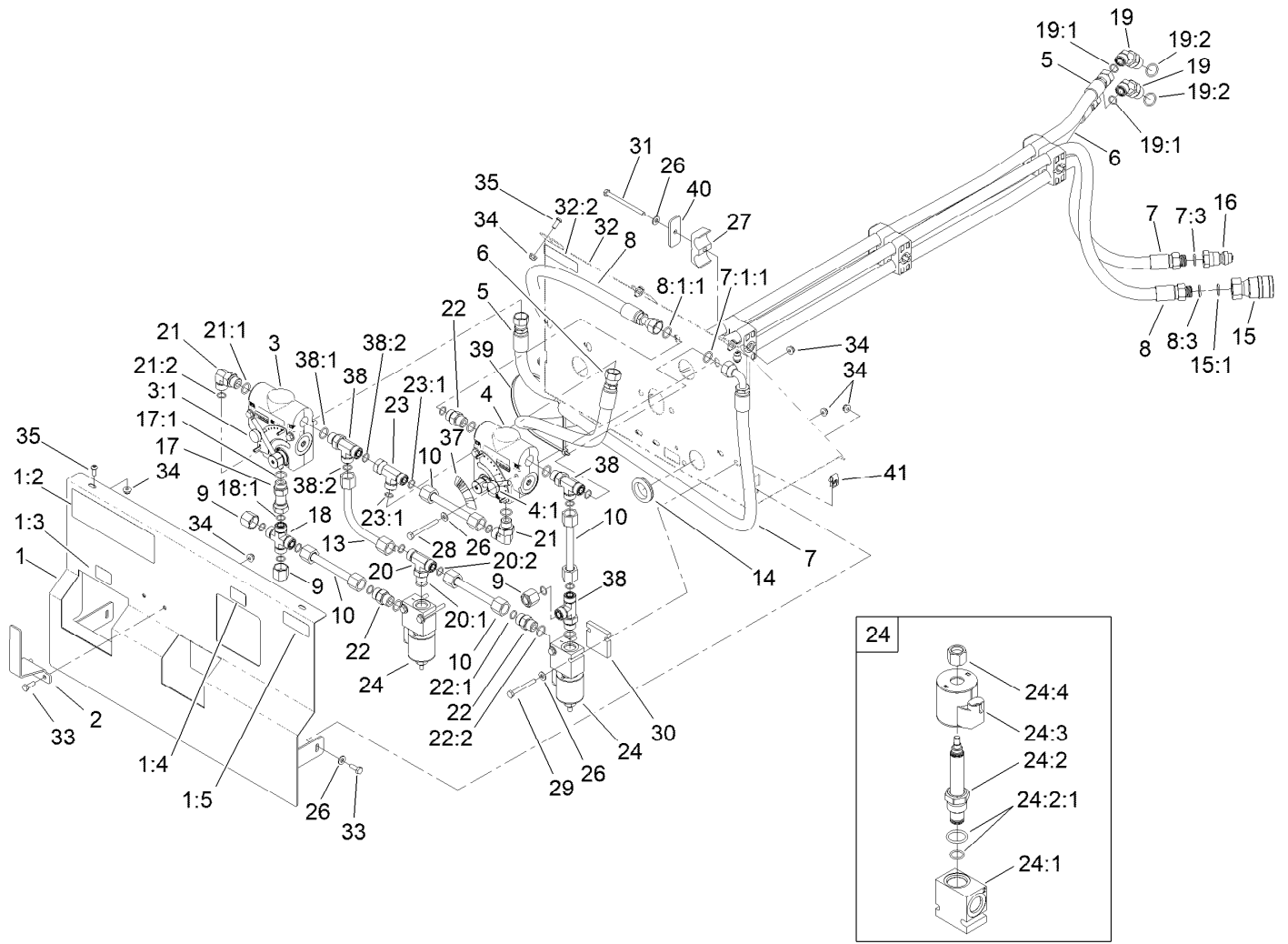
<i>Ref.</i>	<i>Part Number</i>	<i>Qty.</i>	<i>Description</i>	<i>Ref.</i>	<i>Part Number</i>	<i>Qty.</i>	<i>Description</i>
1	T0001-2184-01	1	Extension-Hopper, Rear	15	3229-2	29	Screw-CARR
2	119-6906	48	Screw-HSBH	16	T01-34550B	2	Skirt-Conveyor, Rubber
3	T36051116-01	4	Cap-Corner	17	T01-34551B	1	Rubber-Seal, Front
5	161-4931-01	1	Wall-Hopper, Rear	18	T36051140-01	1	Retainer-Skirt, Front
6	T0001-1626-01	1	Extension-Hopper, Front	19	T36051540-01	2	Retainer-Skirt, Conveyor
7	T36051112-01	1	Wall-Hopper, Right	20	66-6140	3	Decal
8	119-6903	10	Screw-HSBH	21	119-6800	2	Decal-Propass 200
9	T01-44788D-03	1	Lift	23	163-0306-01	1	Plate-Mount [red]
10	T36051108-01	1	Wall-Hopper, Left	24	104-7050	1	Tube-Manual
11	104-7201	77	Nut-HF, NI	25	104-7048	1	Cap-Housing
12	T36051102-01	1	Wall-Hopper, Front	26	107-1865	2	R-Clamp
14	104-8300	10	Nut-HF, NI	27	115-7109	2	Washer-Flat





## Tailgate Assembly

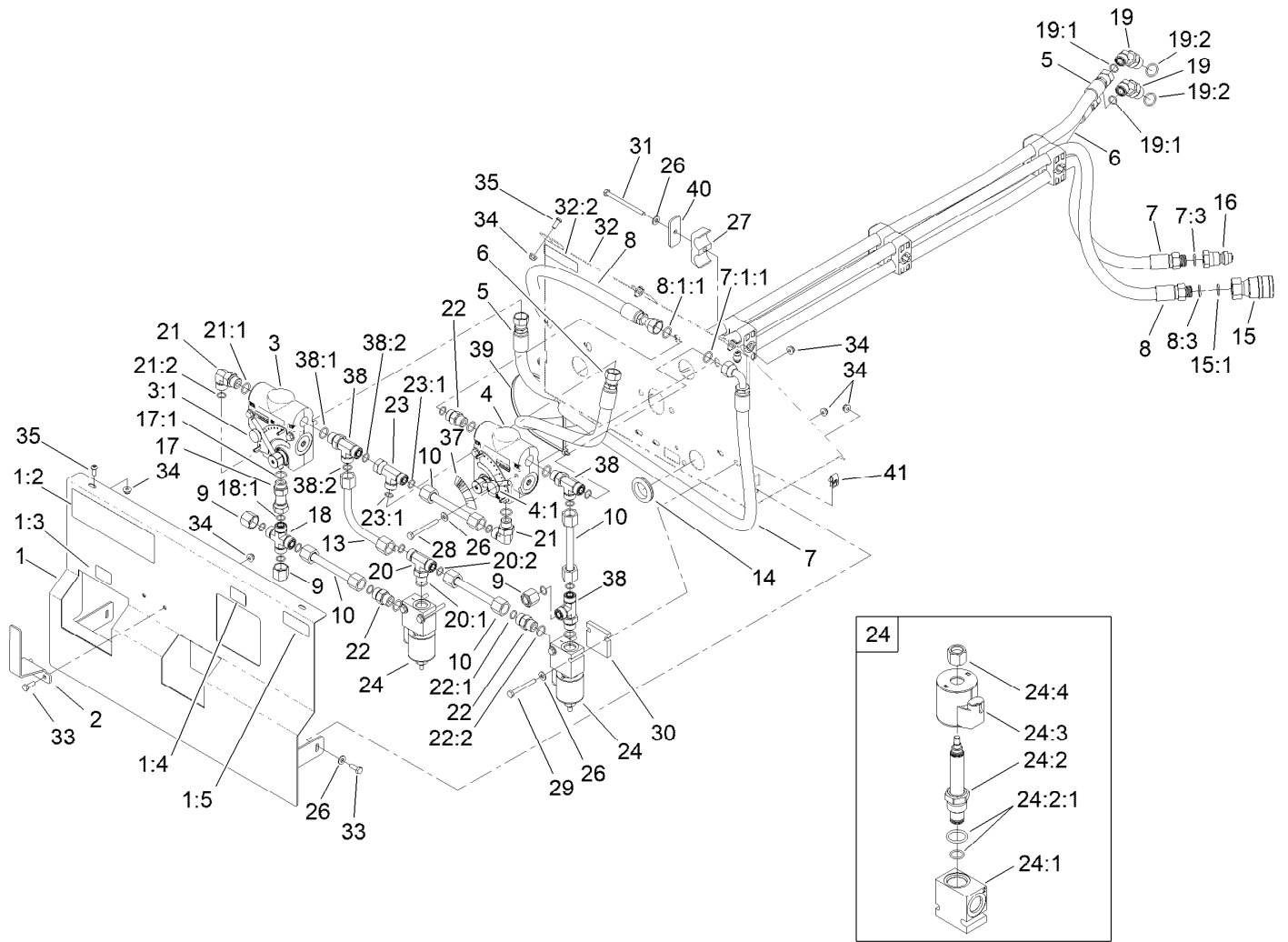
<i>Ref.</i>	<i>Part Number</i>	<i>Qty.</i>	<i>Description</i>	<i>Ref.</i>	<i>Part Number</i>	<i>Qty.</i>	<i>Description</i>
1	28-8070	1	Lanyard	15	T0000-2561-01	1	Frame-Gate
2	3290-467	1	Pin-Hair	16	T0000-2623	2	Washer-Poly
3	T0001-6926	1	Pin-Tailgate	17	110-6894	2	Washer-Pivot
4	106-1392	1	Ring-Retaining, Spiral (EXT)	18	T0002-0682	1	Handle-Adjustable
5	104-7201	20	Nut-HF, NI	19	T36051127	1	Pad-Wear, Gate
6	T0000-2597	7	Tine-Gate	20	3290-141	10	Screw-HSFH
7	T0000-2588-01	1	Mount-Tine, Gate	21	119-6906	3	Screw-HSBH
8	321-4	7	Screw-HH	22	104-8300	6	Nut-HF, NI
9	T0000-2564-01	1	Gate	23	119-6808	1	Decal-Volume
10	T62021000	1	Grip-Handle	24	119-6818	1	Decal-Tail Gate
11	3233-2	1	Screw-CARR	25	145-7632	2	Latch-Rubber Handle
12	T0000-2585	2	Rod-Hinge	26	3274-13	4	Screw-HSH
13	119-6903	6	Screw-HSBH	27	3296-2	4	Nut-Lock, NI



## Hydraulic System Assembly

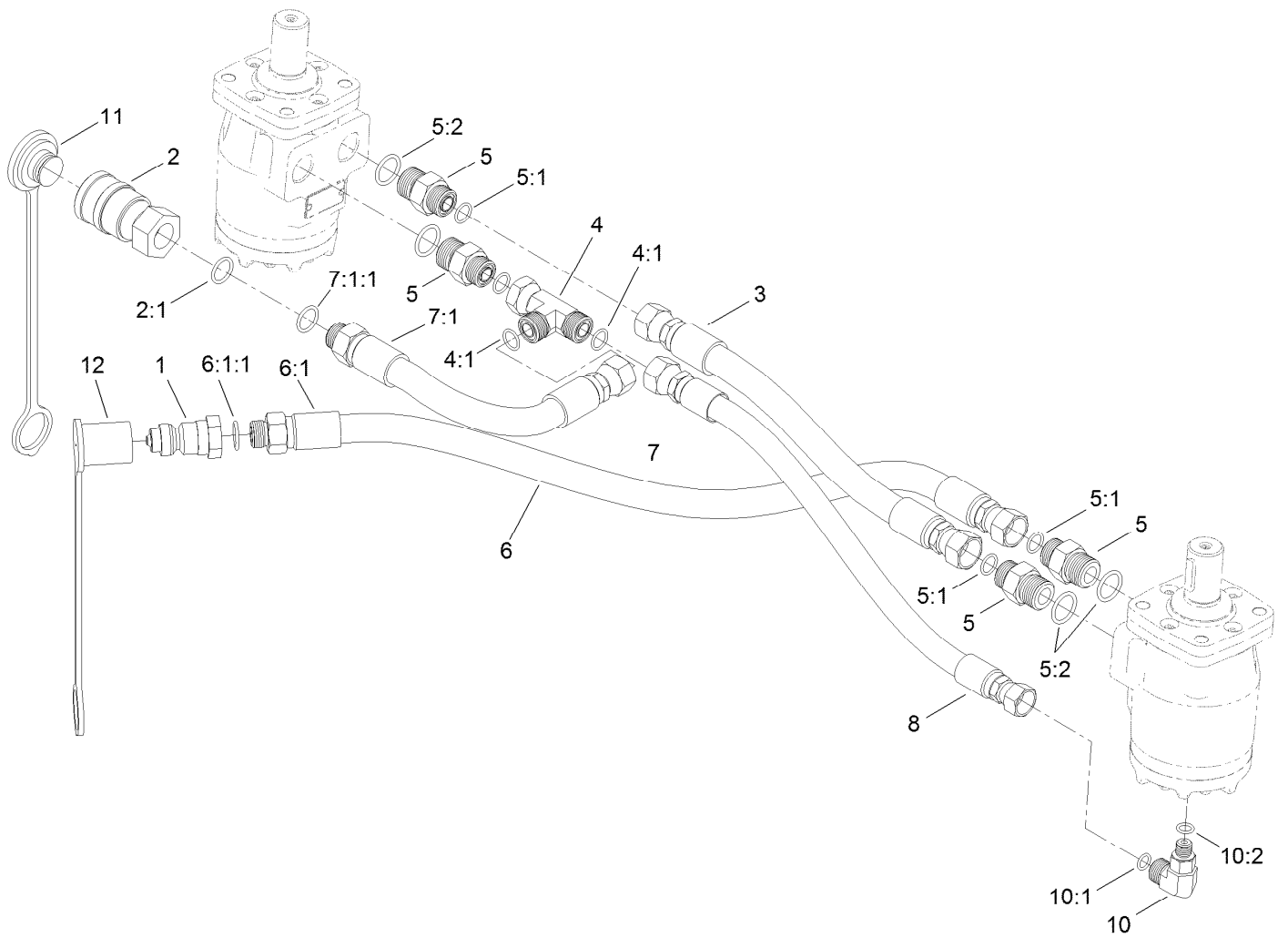
Ref.	Part Number	Qty.	Description
1	119-6792	1	Hydraulic Guard ASM
1:2	119-6806	1	Decal-Danger
1:3	119-6854	1	Decal-Speed, Conveyor
1:4	119-6853	1	Decal-Speed, Attachment
1:5	115-2047	1	Decal-Surface, Hot
2	T36053030-01	1	Hanger-Hose
3	119-6942	1	HYD Valve Control ASM
3:1	119-6944	1	Handle
4	119-6941	1	HYD Valve Control ASM
4:1	119-6944	1	Handle
5	119-6923	1	HYD Hose ASM
6	119-6924	1	HYD Hose ASM
7	119-6935	1	HYD Hose ASM
7:1:1	237-79	1	O-Ring
7:3	237-79	1	O-Ring
8	119-6934	1	HYD Hose ASM
8:1:1	237-79	1	O-Ring
8:3	237-79	1	O-Ring
9	340-152	3	Cap-HYD
10	119-6936	4	HYD Tube ASM
13	119-6939	1	HYD Tube ASM

Ref.	Part Number	Qty.	Description
14	240-3	1	Grommet-Rubber
15	98-4699	1	Female-Disconnect, Quick
15:1	100-4165	1	Seal Kit
16	98-4698	1	Male-Disconnect, Quick
17	100-7671	1	Adapter-HYD
17:1	237-79	1	O-Ring
18	100-7670	1	Adapter-HYD
18:1	237-30	4	O-Ring
19	340-89	2	Fitting-HYD, 45 DEG
19:1	237-30	1	O-Ring
19:2	237-80	1	O-Ring
20	340-157	1	Fitting-HYD, Tee
20:1	237-79	1	O-Ring
20:2	237-30	2	O-Ring
21	340-98	2	Fitting-Elbow, 90 DEG
21:1	237-79	1	O-Ring
21:2	237-30	1	O-Ring
22	340-4	3	Fitting-Straight
22:1	237-30	1	O-Ring
22:2	237-79	1	O-Ring
23	340-104	1	Fitting-Tee



## Hydraulic System Assembly (continued)

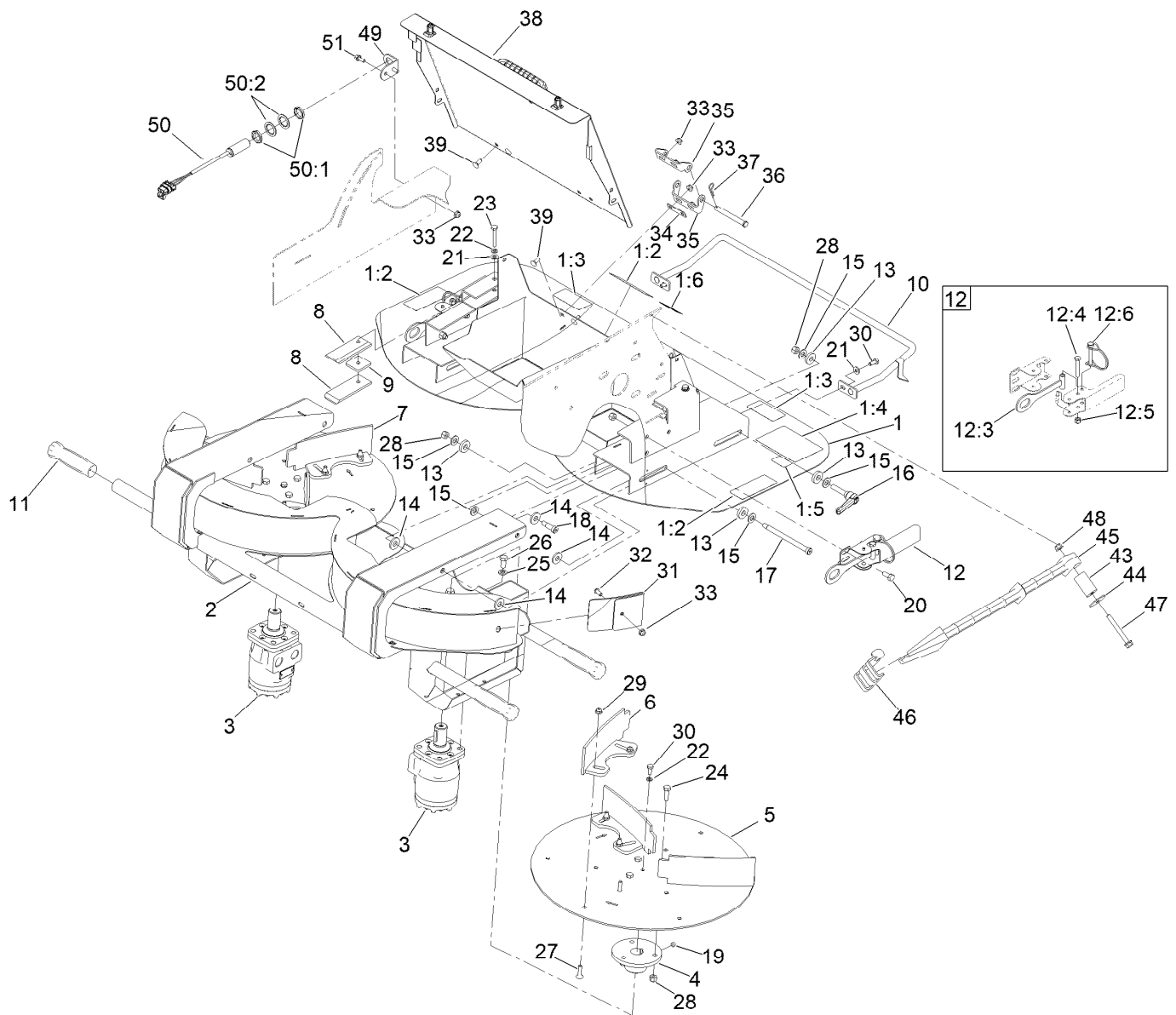
Ref.	Part Number	Qty.	Description	Ref.	Part Number	Qty.	Description
23:1	237-30	2	O-Ring	32	119-6794	1	Mount-Panel, HYD Valve
24	140-2229	2	Solenoid Valve ASM	32:2	119-0217	1	Decal-Danger
24:1	T56054034	1	Body-Valve, Hydraulic	33	321-4	4	Screw-HH
24:2	105-9158	1	Valve-Solenoid, N.O.	34	104-7201	17	Nut-HF, NI
24:2:1	105-9159	1	Seal Kit	35	119-6906	7	Screw-HSBH
24:3	110-6344	1	Coil-12V, DC	37	119-6820	1	Decal-Spinner, Speed
24:4	130-8181	1	Nut-Coil (1/2-20 Unf-2B)	38	340-109	3	Fitting-Tee
26	3256-22	10	Washer-Flat	38:1	237-79	1	O-Ring
27	56-7974	12	Clamp-Tube	38:2	237-30	2	O-Ring
28	321-15	4	Screw-HH	39	3290-379	1	Tie-Cable
29	321-18	4	Screw-HH	40	T36033040	3	Plate-Clamp
30	T36053010	2	Spacer-Valve	41	107069	2	Clip
31	321-19	3	Screw-HH				



## Twin Spinner Hydraulic Assembly

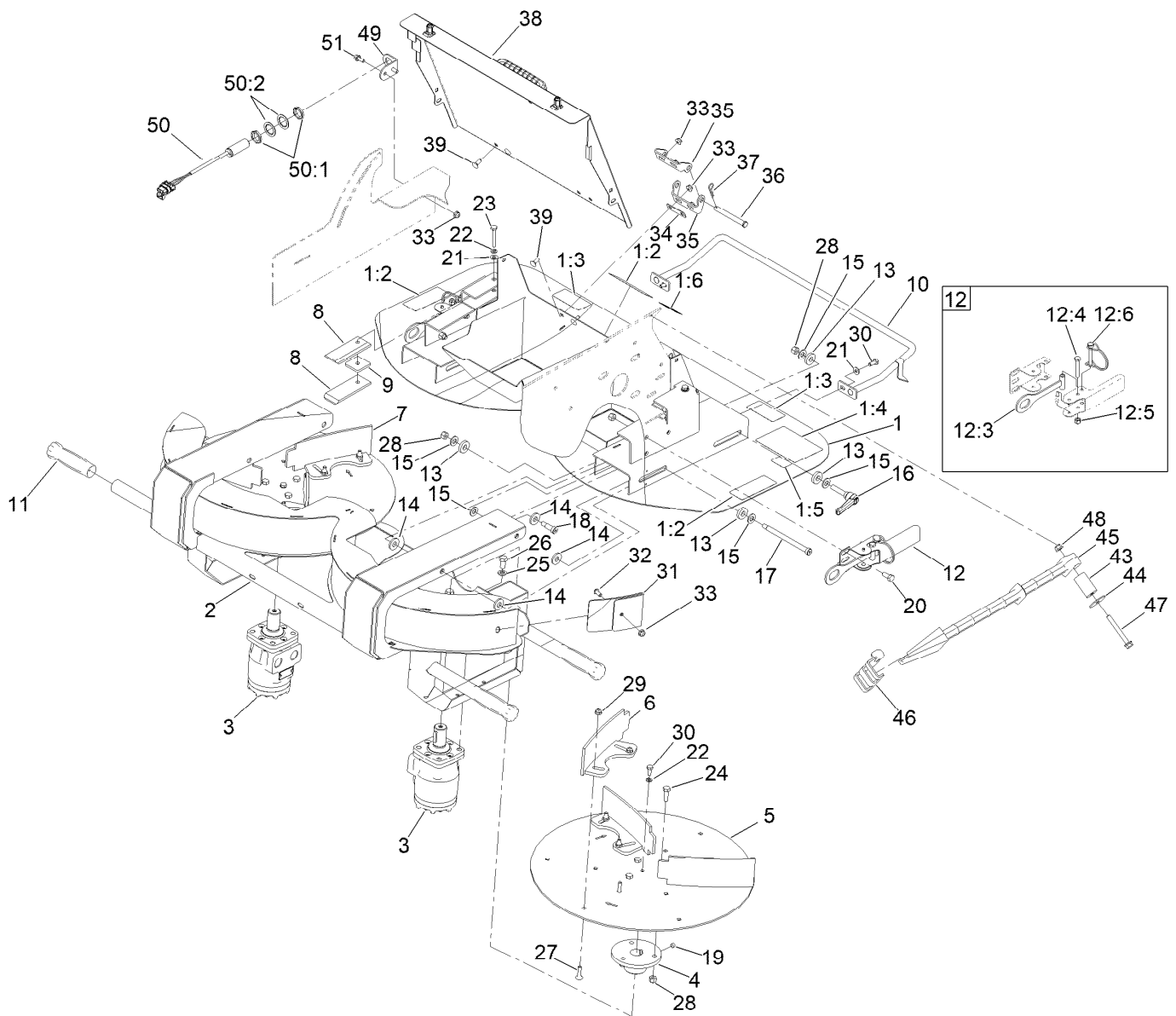
Ref.	Part Number	Qty.	Description	Ref.	Part Number	Qty.	Description
1	98-4698	1	Male-Disconnect, Quick	6:1:1	237-79	1	O-Ring
2	98-4699	1	Female-Disconnect, Quick	7	120-0812	1	HYD Hose ASM
2:1	100-4165	1	Seal Kit	7:1		1	Fitting-Straight ●
3	117-0180	1	Hose-HYD	7:1:1	237-79	1	O-Ring
4	340-104	1	Fitting-Tee	8	120-0810	1	HYD Hose ASM
4:1	237-30	2	O-Ring	10	340-97	1	Fitting-Elbow, 90 DEG
5	340-6	4	Fitting-Straight	10:1	237-22	1	O-Ring
5:1	237-30	1	O-Ring	10:2	237-78	1	O-Ring
5:2	237-80	1	O-Ring	11	T56152150	1	Plug-Quick Connect
6	120-0842	1	HYD Hose ASM	12	T56152152	1	Cap-Connect, Quick
6:1		1	Fitting-Straight ●				

● Not serviced separately



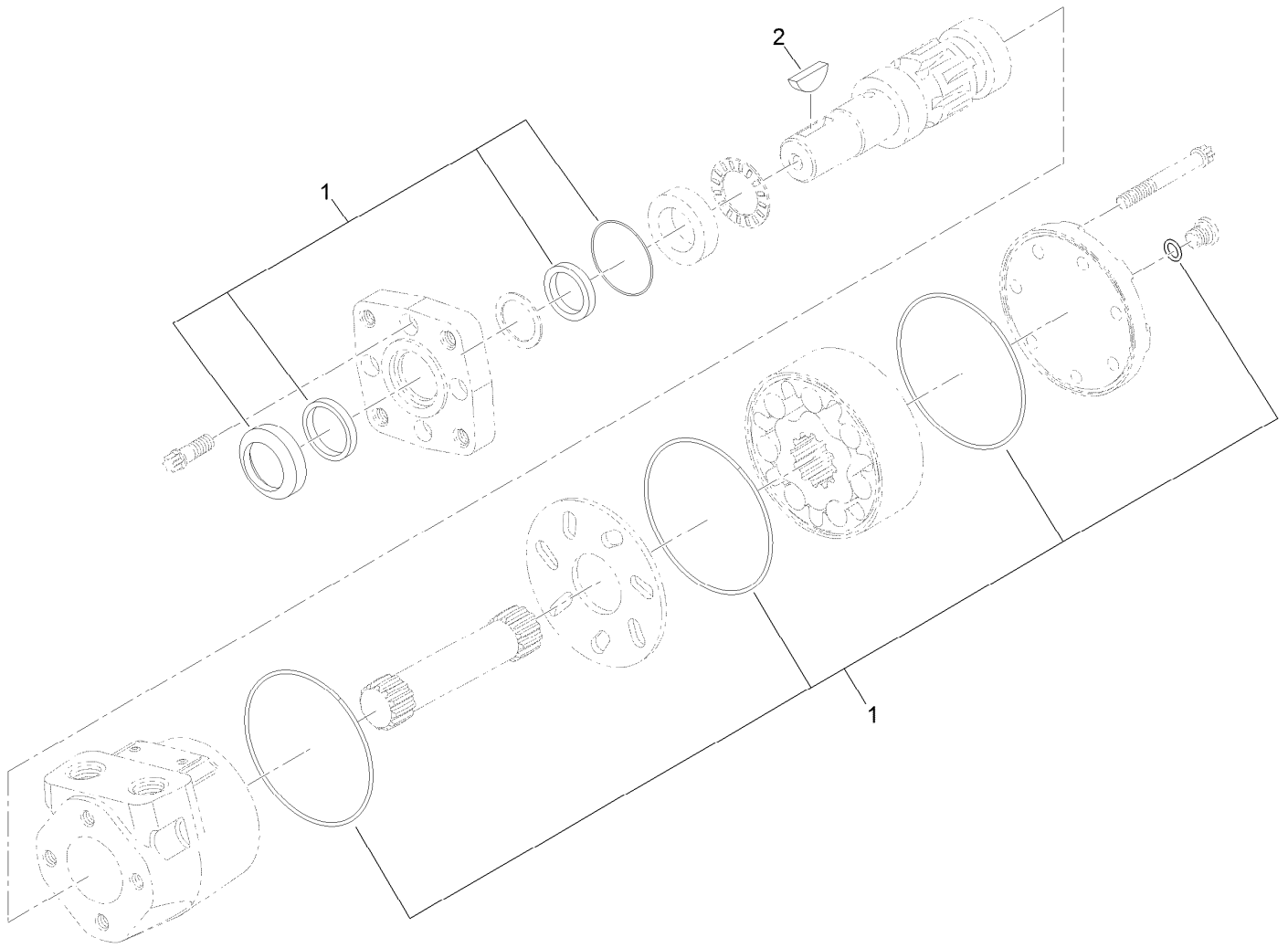
## Twin Spinner Interlock Assembly

Ref.	Part Number	Qty.	Description	Ref.	Part Number	Qty.	Description
1	140-6633	1	Top Plate ASM	12:6	100-1663	1	Pin-Hitch
1:2	119-6804	3	Decal-Warning, Bystanders	13	T0000-2386	8	Washer-Plain
1:3	119-6805	2	Decal-Warning, Moving Parts	14	T0000-2160	8	Washer-Plain
1:4	119-6817	1	Decal-Fine Tuning	15	3256-24	10	Washer-Plain
1:5	119-6816	1	Decal-Adjustment, Slide	16	T0000-2676	2	Handle-Adjustable
1:6	119-6810	1	Decal-Propass, Lift	17	119-6914	2	Screw-Shoulder, HSH
2	144-3626-01	1	Housing-Twin Spinner	18	119-6915	2	Screw-Shoulder, HSH
3	T0001-9863	2	HYD Motor ASM	19	3246-2	4	Screw-Set, HSH
4	T36054780	2	Hub-Disk, Spinner	20	322-3	6	Screw-HH
5	T36054790-01	2	Disk-Spinner	21	3256-22	4	Washer-Flat
6	T0001-2003-01	3	Paddle-Curved, Left	22	3253-3	4	Washer-Lock
7	T0001-2002-01	3	Paddle-Curved, Right	23	321-10	2	Screw-HH
8	T0000-2191	4	Slide-Attachment	24	322-5	6	Screw-HH
9	T0000-2189	2	Spacer-Attachment	25	3253-21	8	Washer-Lock
10	T0000-7686-01	1	Handle-Slide	26	323-4	8	Screw-HH
11	T62021010	4	Grip-Vinyl, Black	27	119-6920	12	Bolt-Carriage
12	T36054750	2	Quick Attach Latch ASM	28	3296-29	16	Nut-Lock, NI
12:3	T0002-1281-01	1	Hook ASM	29	119-6921	12	Nut-Hex, Flange
12:4	321-10	1	Screw-HH	30	321-3	4	Screw-HH
12:5	3296-42	1	Nut-Lock, NI	31	T0002-2373-01	2	Plate-Wear, Spinner
				32	119-6906	7	Screw-HSBH



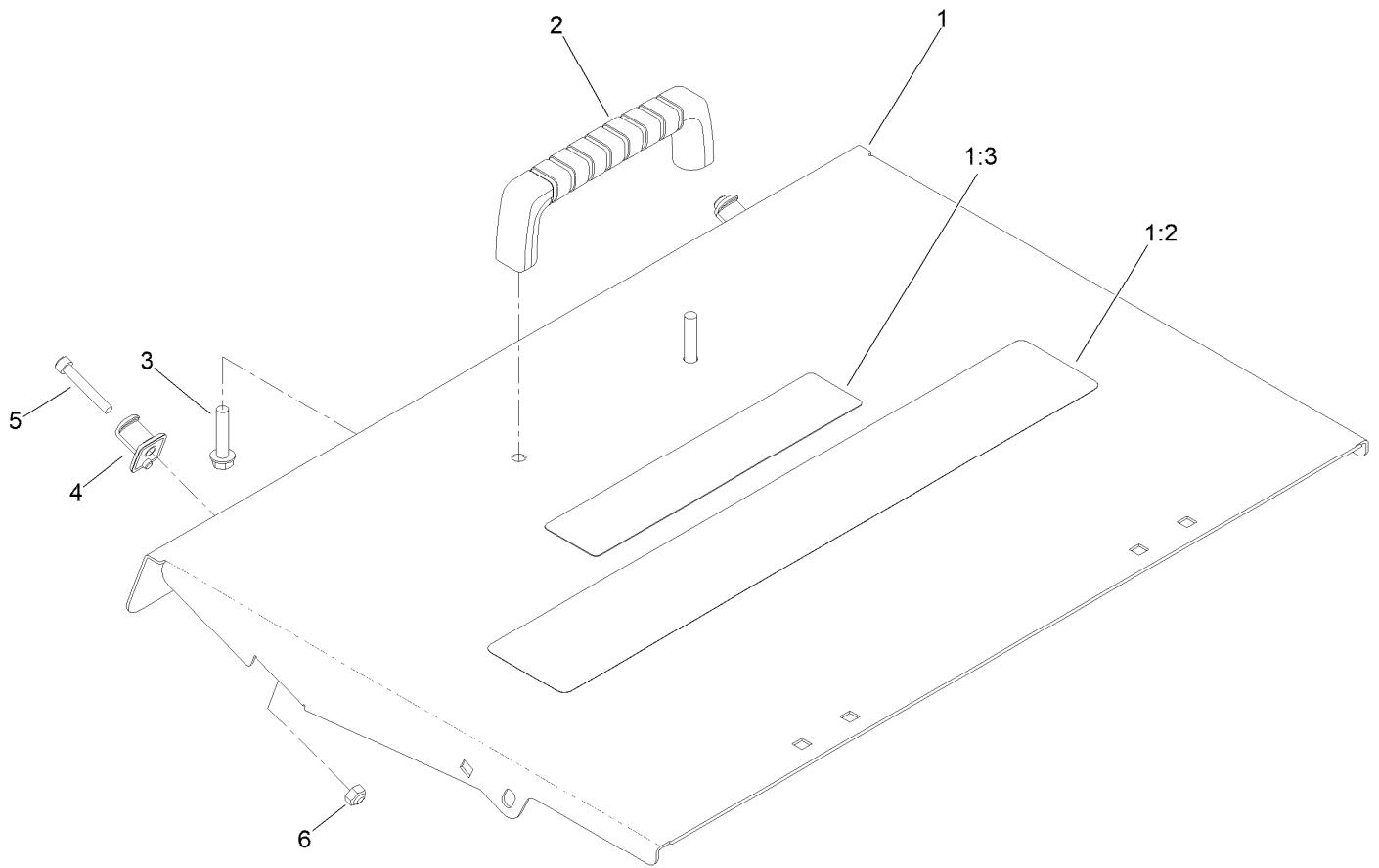
## Twin Spinner Interlock Assembly (continued)

<i>Ref.</i>	<i>Part Number</i>	<i>Qty.</i>	<i>Description</i>	<i>Ref.</i>	<i>Part Number</i>	<i>Qty.</i>	<i>Description</i>
33	104-7201	12	Nut-HF, NI	45	110-3408	1	Stick-Cleanout
34	144-3532	2	Shim-Gate	46	144-3539	1	Bracket-Cleanout Stick
35	107-1549	4	Hinge-Half	47	138-7590	1	Screw-HHF
36	80-2570	2	Pin-Clevis	48	104-8300	1	Nut-HF, NI
37	9335044	2	Pin-Hair	49	140-6536	1	Bracket-Mount, Sensor
38	145-7628	1	Guard-Access, ASM	50	115-5300	1	Proximity Switch ASM
39	100-1445	8	Bolt-CARR	50:1	117-3207	2	Nut-Hex
43	144-3540	1	Spacer	50:2	117-3208	2	Washer-Lock, Internal Tooth
44	115-1151	1	Washer-Flat	51	3234-33	2	Screw-HHF



## Hydraulic Motor Assembly No. T0001-9863

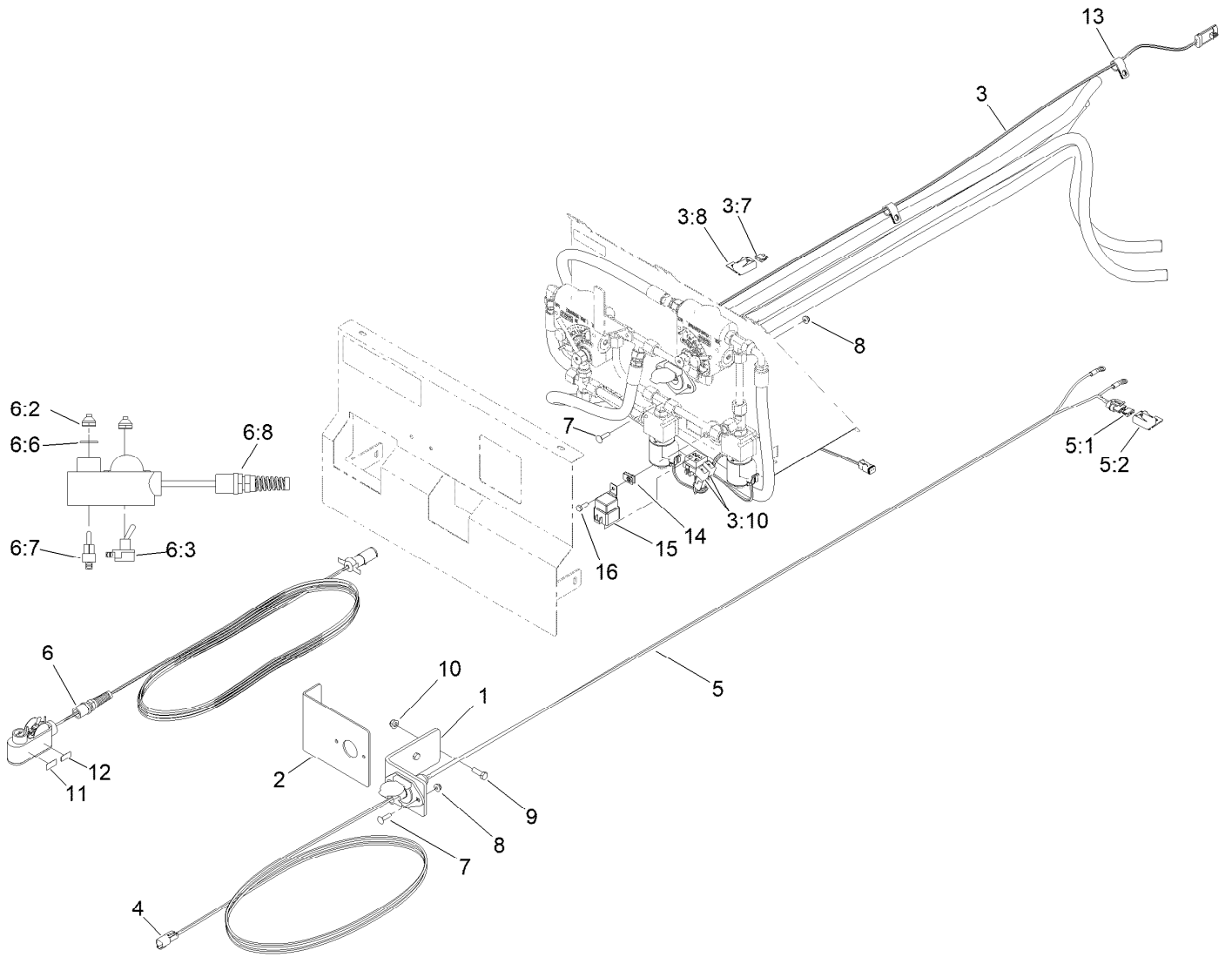
<i>Ref.</i>	<i>Part Number</i>	<i>Qty.</i>	<i>Description</i>
1	161-4894	1	Kit-Seal
2	3257-8	1	Key-Woodruff



## Access Guard Assembly No. 145-7628

<i>Ref.</i>	<i>Part Number</i>	<i>Qty.</i>	<i>Description</i>
1	145-7627	1	Guard-Access
1:2	119-6814	1	Decal-Operating System
1:3	144-3536	1	Decal-Cover, Twin Spinner
2	65-5100	1	Handle-Door
3	137-3101	2	Screw-Plastic, HWH
4	145-7633	2	Latch-Keeper
5	3274-13	2	Screw-HSH
6	3296-2	2	Nut-Lock, NI





## Electrical Assembly

<i>Ref.</i>	<i>Part Number</i>	<i>Qty.</i>	<i>Description</i>	<i>Ref.</i>	<i>Part Number</i>	<i>Qty.</i>	<i>Description</i>
1	T36054030	1	Bracket-Socket, Heavy	6:3	119-7553	1	Switch-Toggle
2	T36054020	1	Bracket-Socket	6:6	41-8440	1	Washer
3	122-2461	1	Harness-Wire, Pp200 Standard	6:7	119-7551	1	Switch-Toggle, 2-Way
3:7	109355	1	Fuse-Blade, 15 Amp	6:8	120-0809	1	Harness-Wire, Pendant
3:8	32180-019	1	Cover-Fuse, Single	7	3229-2	4	Screw-CARR
3:10	100-4918	2	Diode	8	104-7201	4	Nut-HF, NI
4	119-6911	1	Harness-Wire, Intermediate Power	9	322-5	2	Screw-HH
5	119-6910	1	Harness-Wire, Universal Power Lead	10	104-8300	2	Nut-HF, NI
5:1	109355	1	Fuse-Blade, 15 Amp	11	119-6855	1	Decal-Attachment Speed
5:2	32180-019	1	Cover-Fuse, Single	12	119-6856	1	Decal-Conveyor Speed
6	119-6948	1	Pendant ASM	13	92-6064	3	Clamp-R
6:2	119-7554	2	Boot-Toggle Switch, Weatherproof	14	107069	1	Clip
				15	99-7430	1	Relay-Mini
				16	321-4	1	Screw-HH

# Attachments and Accessories

## For 44701 ProPass 200 Top Dresser with Twin Spinner

<b>Product Name</b>	<b>Model/Part</b>
Extension-hopper, Front .....	120-9393-01
Safety Chain Kit .....	139-3179
Kit-Quick Connect Hose Adapter .....	145-7646
Toro Red 12oz Aerosol Can .....	361-10
New Red Paint - Gallon .....	361-11
Semi-Gloss Black Spray Paint .....	361-9
Twin Spinner .....	44702
Conveyor and Swivel Kit .....	44703
Tow-Type Chassis Hose Assembly Kit .....	44706
Toro Workman Chassis .....	44707
Storage Stand .....	44712
Hydraulic Power Pack .....	44713
Propass Deere Pro Gator Mount Kit .....	44714
Hopper Vibrator Kit, ProPass Top Dresser and MH-400 Material Delivery Unit .....	44723
Propass Tow Chassis And Fender Kit .....	44724

**Notes:**



**Count on it.**