



**Count on it.**

**Parts Catalog**

**Sand Pro® 2040Z**

**Traction Unit**

Model No. 08706—Serial No. 416500000 and Up



# Ordering Replacement Parts

To order replacement parts, please supply the part number, the quantity, and the description of each part desired.

## Understanding Reference Numbers

Each identified part in an illustration has a reference number. The reference number for a part also appears in the parts list, along with other information about the part.

This catalog uses two special reference number formats, one to indicate parts in a service assembly and another to indicate the quantity of a given part in an illustration.

## Service Assembly Reference Numbers

Parts in service assemblies have reference numbers in the form a:b. The a represents the reference number of the entire service assembly and the b represents a sequential number unique to each part within the service assembly.

For example, a wheel assembly might be identified by reference number 6, the tire by 6:1, the valve by 6:2, and the wheel by 6:3. When you order the assembly identified by reference number 6, you receive all parts identified by reference numbers 6:1, 6:2, and 6:3. However, you may also order any part individually. Reference numbers of this type appear in illustration and in parts lists.

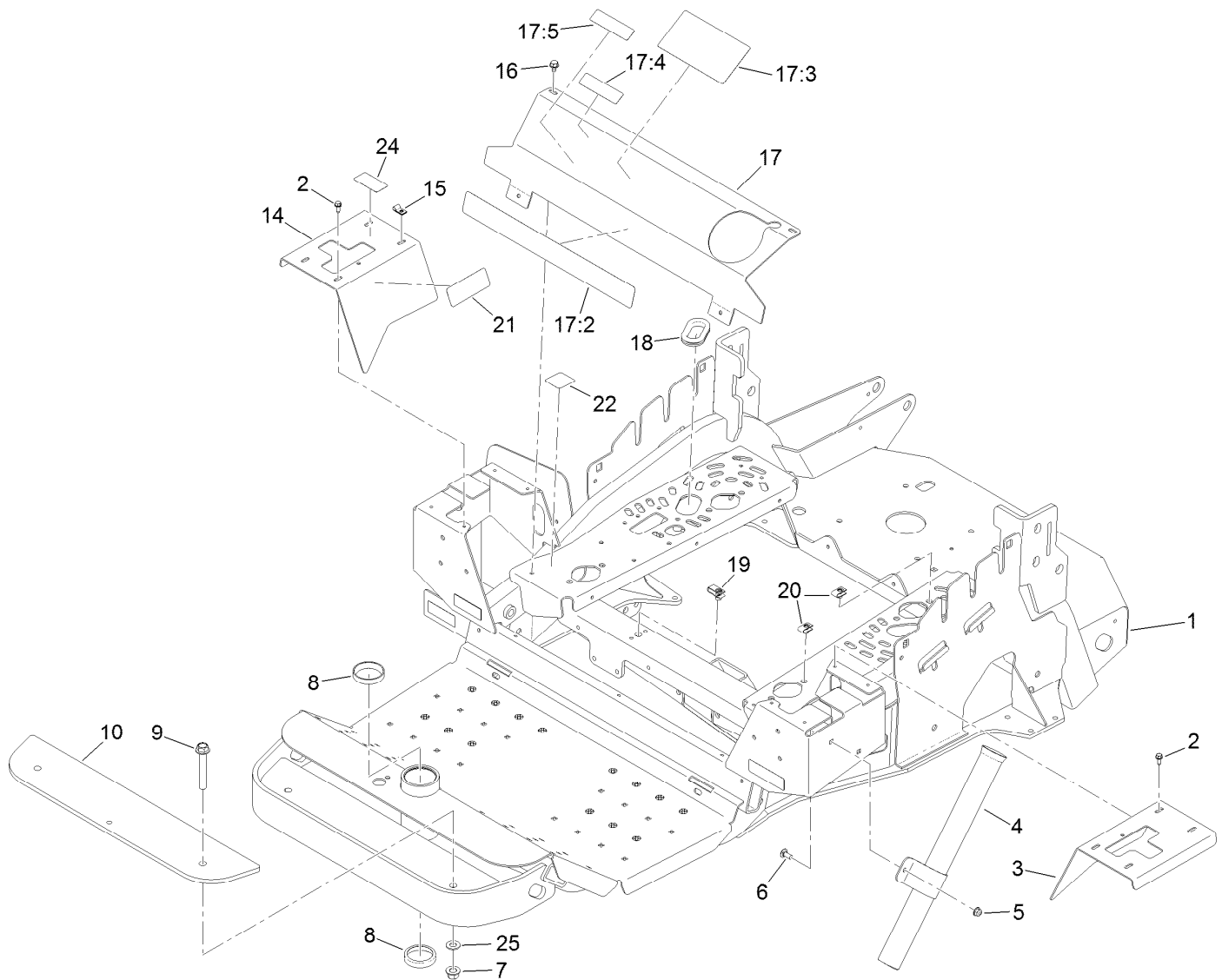
## Reference Numbers Indicating Quantity

In an illustration, if a reference number indicates more than one part, the reference number has the form nX y. The n represents the quantity of the part, the X is the multiplication symbol, and the y represents the reference number.

For example, in an illustration, the reference number 2X 37 means that two of the parts identified by reference number 37 are indicated.

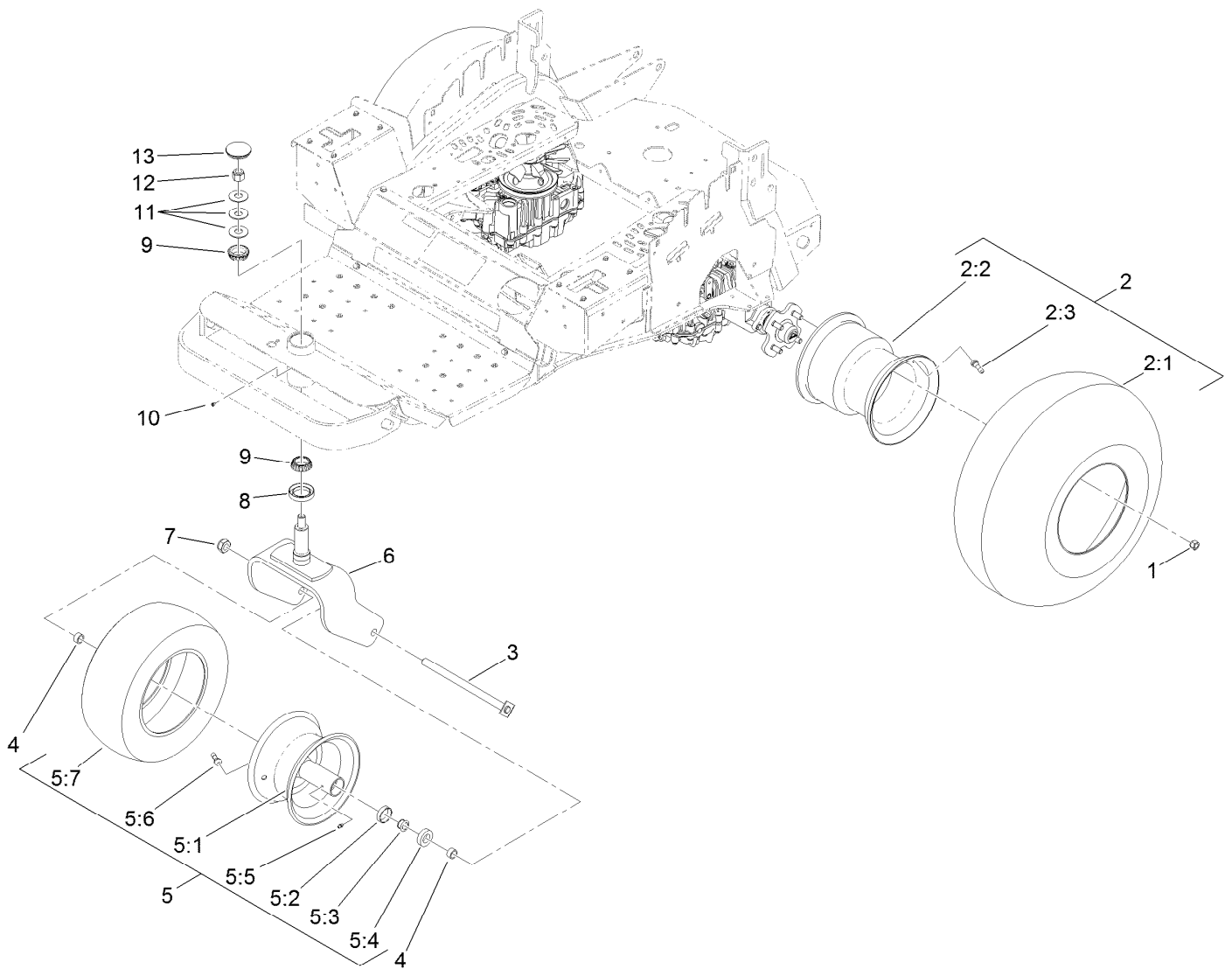
# Contents

Main Frame Assembly . . . . .	4
Tire and Caster Assembly . . . . .	5
Engine and Transmission Assembly . . . . .	6
Pump Idler Assembly No. 116-1255 . . . . .	8
LH Transmission Assembly No. 138-9088 . . . . .	10
RH Transmission Assembly No. 138-9090 . . . . .	12
Hydraulic Tank Assembly . . . . .	14
Hydraulic Manifold Assembly No. 127-7858 . . . . .	16
Exhaust Assembly . . . . .	17
Fuel Tank and Emissions Recovery Assembly . . . . .	18
Engine Controls and Console Assembly . . . . .	19
Seat Assembly . . . . .	20
Seat Assembly No. 144-1371 . . . . .	21
Motion Control Assembly . . . . .	22
Brake Installation Assembly . . . . .	24
Lift Valve Installation Assembly . . . . .	25
Hydraulic Cylinder Assembly No. 125-6466 . . . . .	26
Roll-Over Protection System Assembly . . . . .	27
Battery and Electrical System Assembly . . . . .	28
Attachments and Accessories . . . . .	30



## Main Frame Assembly

<i>Ref.</i>	<i>Part Number</i>	<i>Qty.</i>	<i>Description</i>	<i>Ref.</i>	<i>Part Number</i>	<i>Qty.</i>	<i>Description</i>
1	138-2217	1	Frame	17	127-7888	1	Front Cover ASM
2	32144-10	8	Screw-HWH	17:2	127-4149	1	Decal-Sand Pro 2040Z
3	125-2409-03	1	Cover-Control, LH	17:3	132-4412	1	Decal-Danger
4	127-0353-03	1	Holder-Rake	17:4	133-8062	1	Decal-Spark Arrestor
5	104-8300	2	Nut-HF, NI	17:5	127-7868	1	Decal-Attachment Warning
6	3230-23	2	Bolt-CARR	18	240-12	2	Grommet-Rubber
7	99-5107	2	Nut-Lock	19	127-8408	2	Nut-U
8	254-107	2	Cup-Bearing, Tapered	20	115-7721	4	Nut-Clip, U
9	114-8419	2	Screw-HHF	21	109-7232	2	Decal-Motion Control
10	125-5133-03	4	Bumper-Weight	22	116-5944	1	Decal-Park Brake
14	125-2410-03	1	Cover-Control, RH	24	127-0365	1	Decal-Attachment Control
15	2412-72	1	Clip-Closed, Insulated	25	3256-26	2	Washer-Flat
16	9266934	4	Screw				

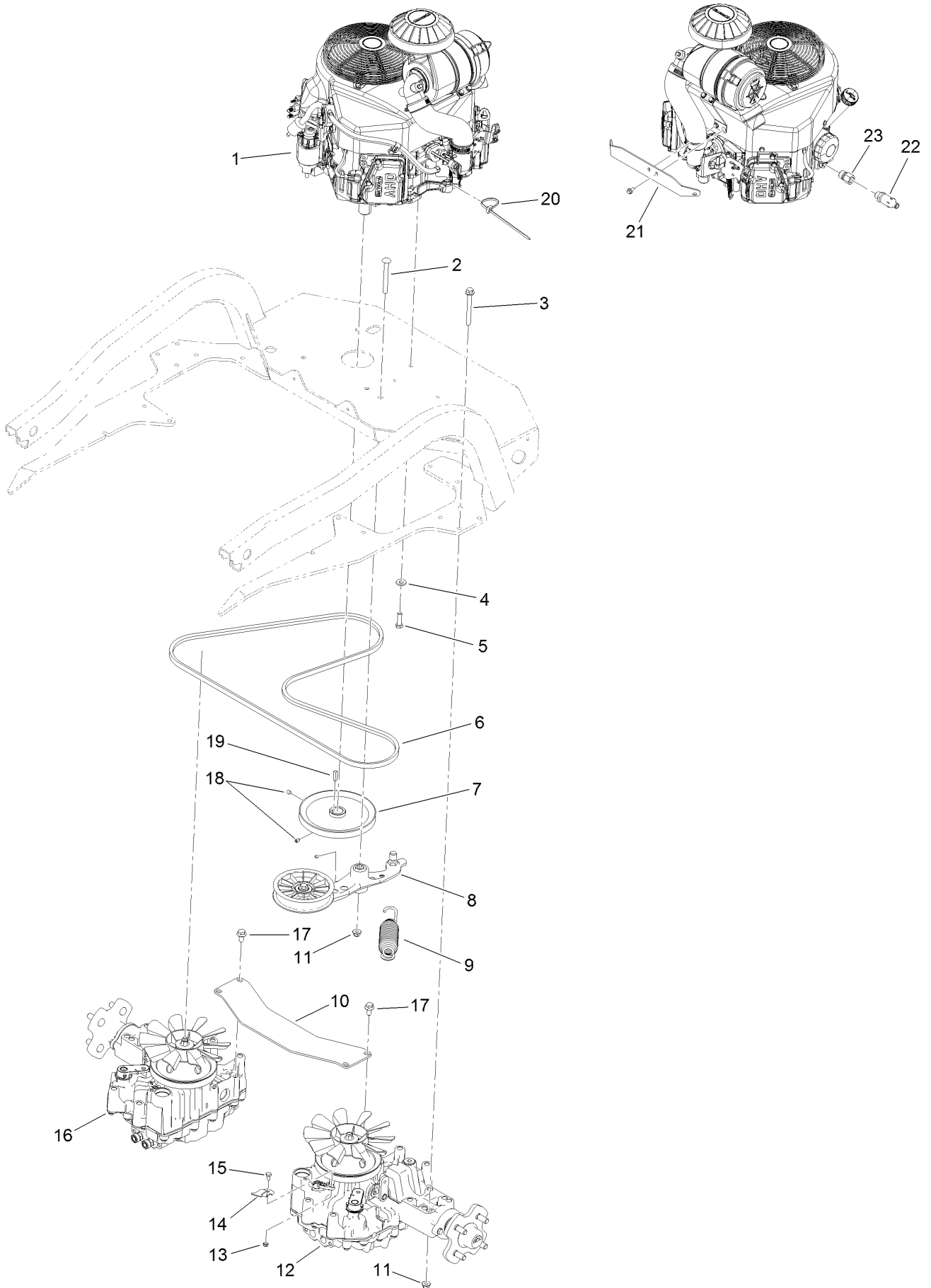


## Tire and Caster Assembly

Ref.	Part Number	Qty.	Description
1	242-50	8	Nut-Lug
2	147-3667	2	Wheel And Tire ASM
2:1	147-3669	1	Rim
2:2	147-3668	1	Tire
2:3	5108	1	Valve
3	5-3934	1	Bolt-Caster
4	74-3730	2	Spacer-Spindle, Rear
5	125-2406	1	Tire ASM
5:1	125-6405	1	Rim ASM
5:2	254-79	2	Bearing-Roller, Cup
5:3	254-78	2	Bearing-Cone
5:4	253-111	2	Seal-Oil

Ref.	Part Number	Qty.	Description
5:5	302-5	1	Fitting-Grease
5:6	232-27	1	Stem-Valve
5:7	125-6406	1	Tire
6	144-7077-01	1	Caster Fork ASM [red]
7	3296-67	1	Nut-Lock, NI
8	69-2980	1	Seal
9	254-106	2	Cone-Bearing, Tapered
10	1-811010	1	Plug
11	108-9957	3	Washer-Belleville
12	3296-51	1	Nut-Lock, NI
13	108-9950	1	Cap-Grease

# Engine and Transmission Assembly



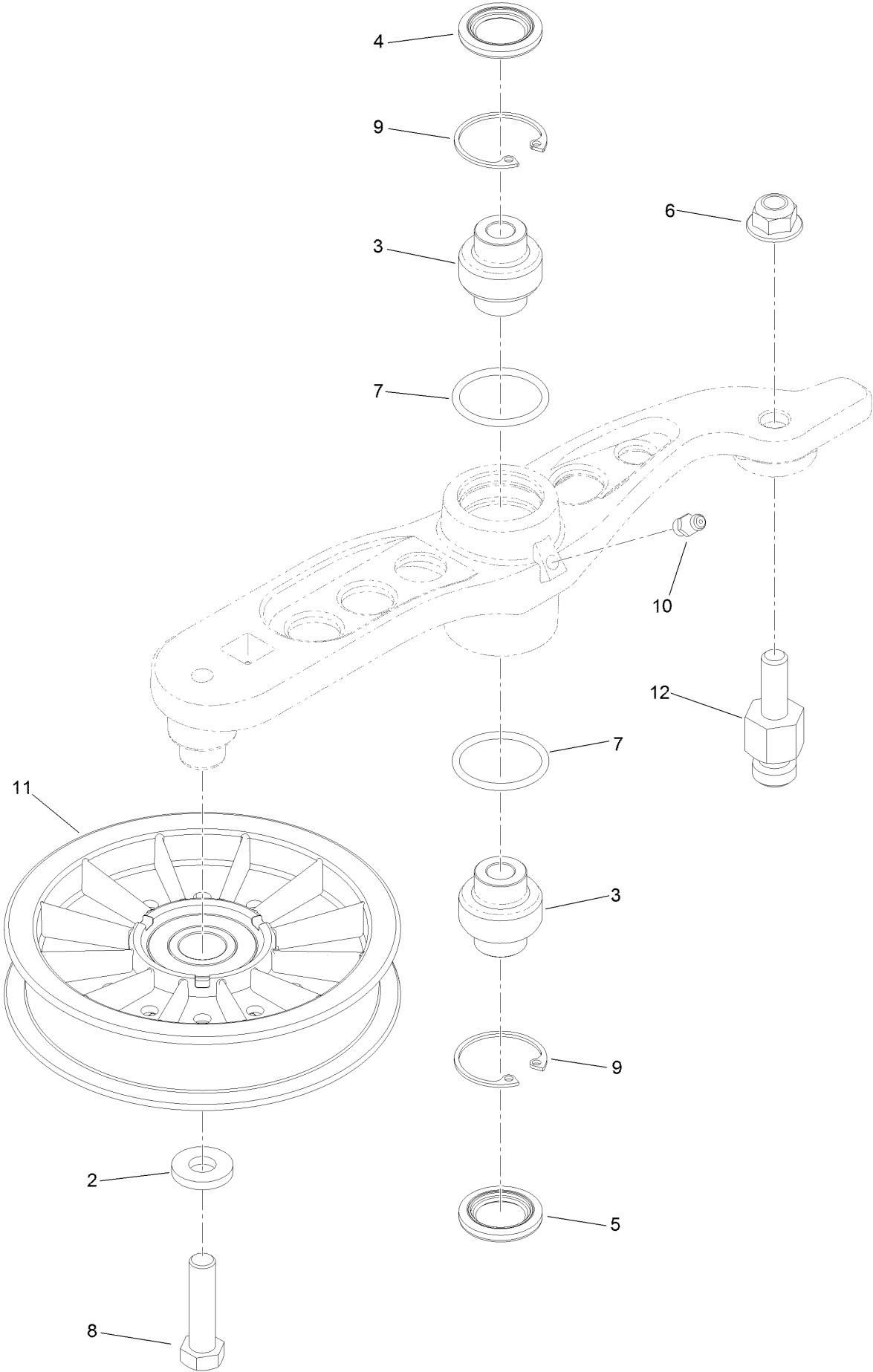
## Engine and Transmission Assembly (continued)

<i>Ref.</i>	<i>Part Number</i>	<i>Qty.</i>	<i>Description</i>	<i>Ref.</i>	<i>Part Number</i>	<i>Qty.</i>	<i>Description</i>
1		1	Engine-Kawasaki, Fx481 ●■	13	3296-56	2	Nut-Lock, NI
2	3231-41	1	Bolt-Carriage	14	127-0390	2	Lever-Valve, Tow
3	116-4701	16	Screw-HHF	15	321-2	2	Screw-HH
4	98-5975	4	Washer-Belleville	16	138-9090	1	RH Transmission ASM
5	323-7	4	Screw-HH	17	33105-020	4	Screw-HHF
6	120-5772	1	Belt-V	18	3246-3	2	Screw-HSH
7	120-5779	1	Pulley	19	1-807259	1	Key
8	116-1255	1	Pump Idler ASM	20	3290-378	1	Tie-Cable
9	127-0351	1	Spring-Extension	21	130-2635-03	1	Bracket-Shroud
10	125-2435-03	1	Crossmember-Hydro	22	92-6877	1	Valve-Drain, Oil
11	104-8301	17	Nut-HF, NI	23	103-1966	1	Adapter-STR
12	138-9088	1	LH Transmission ASM				

● Not serviced separately

■ Obtain parts from [www.kawpower.com](http://www.kawpower.com)

# Pump Idler Assembly No. 116-1255

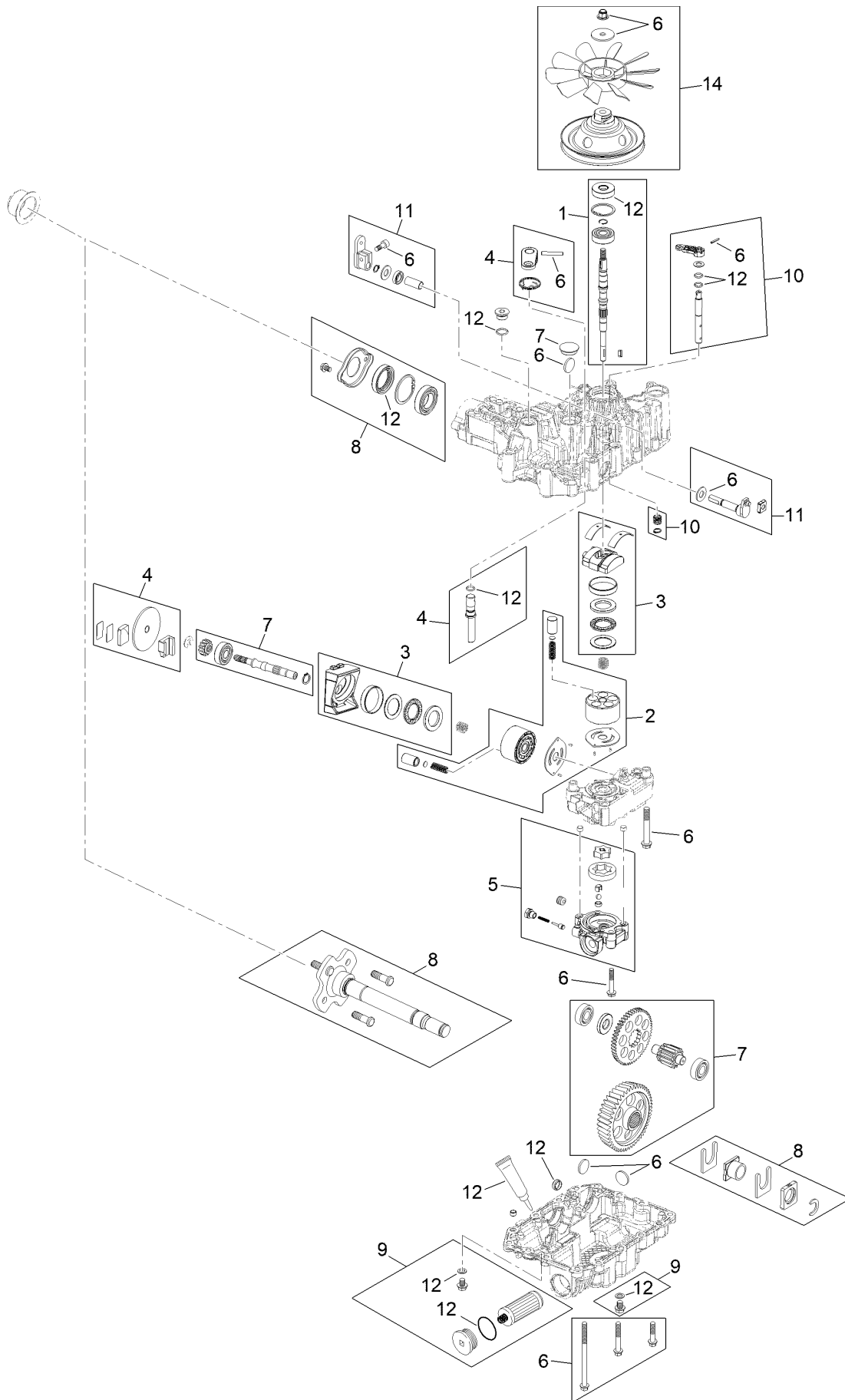




## Pump Idler Assembly No. 116-1255 (continued)

<i>Ref.</i>	<i>Part Number</i>	<i>Qty.</i>	<i>Description</i>	<i>Ref.</i>	<i>Part Number</i>	<i>Qty.</i>	<i>Description</i>
2	43-0940	1	Spacer	8	323-8	1	Screw-HH
3	103-3504	2	Bearing-Spherical	9	32120-10	2	Ring-Snap
4	103-3505	1	Seal-Lip, Double	10	302-19	1	Fitting-Grease
5	103-3506	1	Seal-Lip, Single	11	109-8076	1	Pulley-Idler
6	109-6658	1	Nut-Flange, NI	12	132-4724	1	Pin-Anchor, Spring
7	106-7159	2	O-Ring				

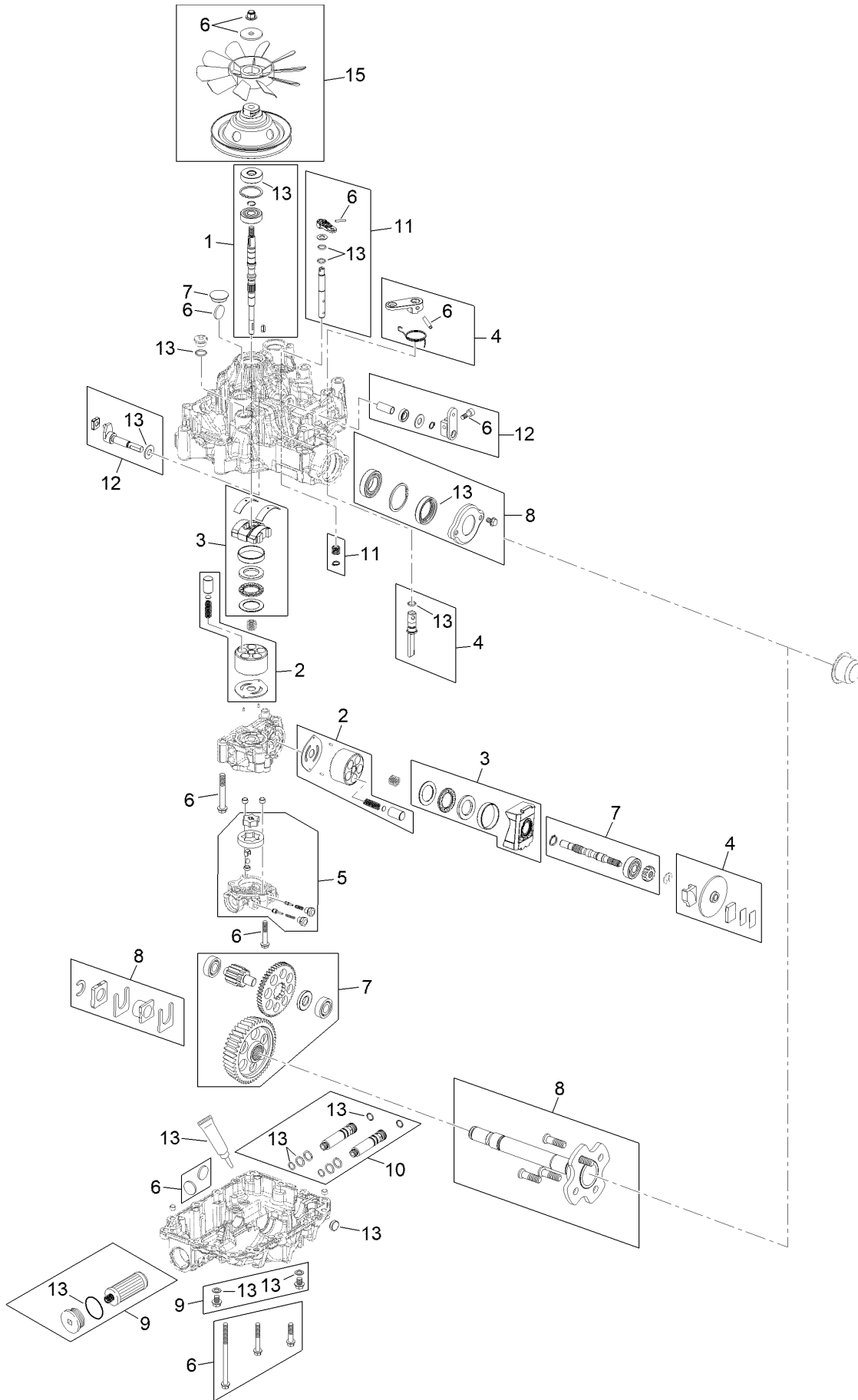
# LH Transmission Assembly No. 138-9088



# LH Transmission Assembly No. 138-9088 (continued)

<i>Ref.</i>	<i>Part Number</i>	<i>Qty.</i>	<i>Description</i>	<i>Ref.</i>	<i>Part Number</i>	<i>Qty.</i>	<i>Description</i>
1	127-0372	1	Input Shaft Kit	8	138-9110	1	Axle Shaft Kit
2	127-0373	1	Pump/Motor Kit	9	144-3842	1	2 Transmission Filter Kit
3	127-0374	1	Thrust Bearing Kit	10	127-0383	1	Bypass Valve Kit
4	130-2607	1	Left Brake Kit	11	127-0384	1	LH Trunion Kit
5	127-0376	1	LH Charge Pump Kit	12	130-7888	1	Seal Kit
6	127-0378	1	Fastener Kit	14	127-0388	1	Pulley/Fan Kit
7	127-0379	1	Drive Gear Kit				

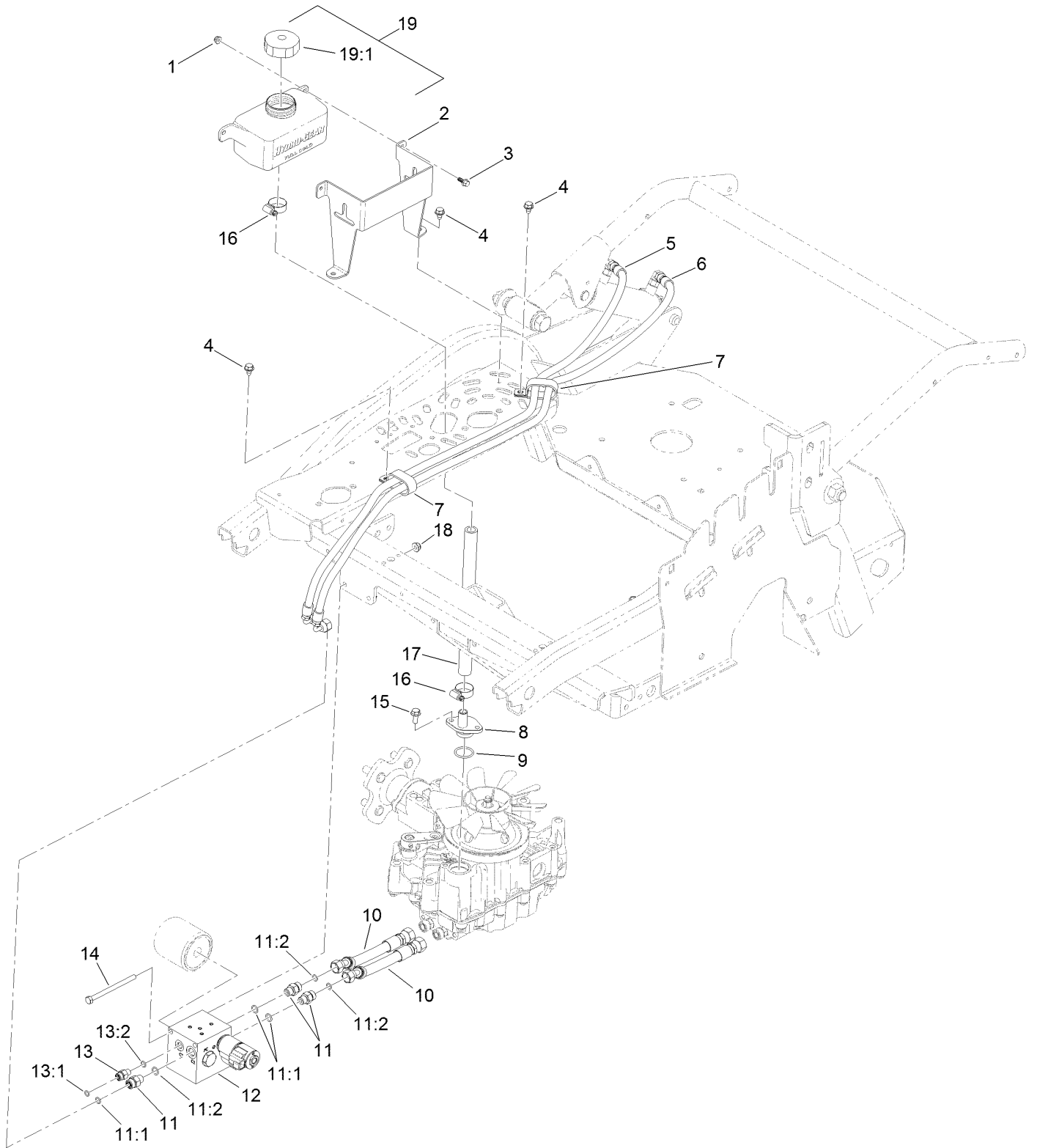
# RH Transmission Assembly No. 138-9090



# RH Transmission Assembly No. 138-9090 (continued)

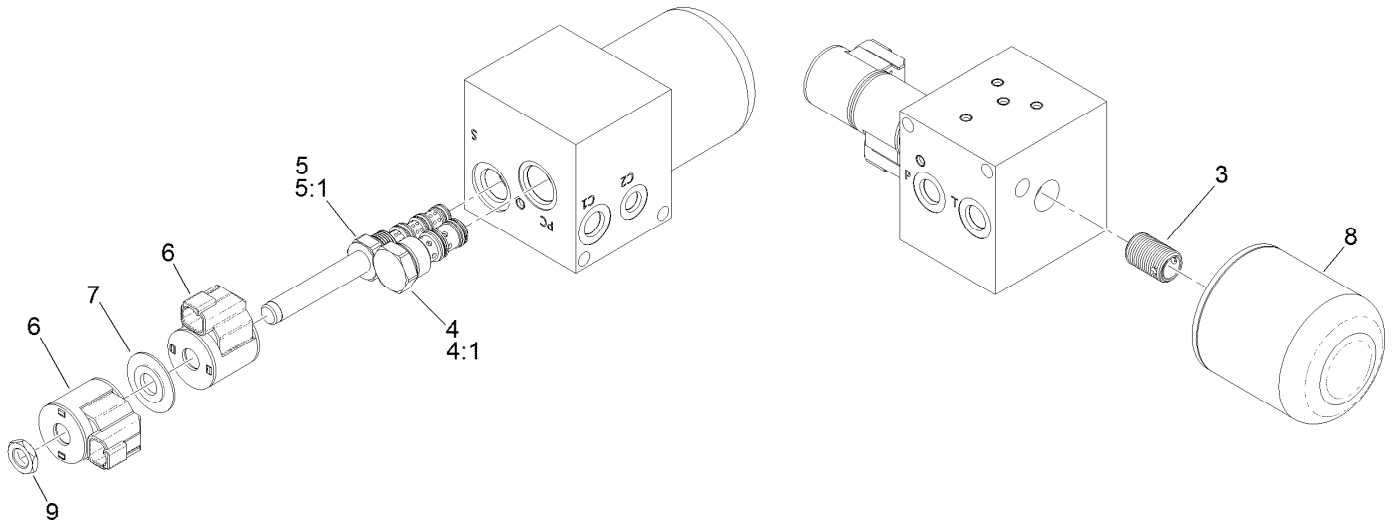
<i>Ref.</i>	<i>Part Number</i>	<i>Qty.</i>	<i>Description</i>	<i>Ref.</i>	<i>Part Number</i>	<i>Qty.</i>	<i>Description</i>
1	127-0372	1	Input Shaft Kit	8	138-9110	1	Axle Shaft Kit
2	127-0373	1	Pump/Motor Kit	9	144-3842	1	2 Transmission Filter Kit
3	127-0374	1	Thrust Bearing Kit	10	127-0382	1	Auxiliary Port Kit
4	127-0375	1	Right Brake Kit	11	127-0383	1	Bypass Valve Kit
5	127-0377	1	RH Charge Pump Kit	12	127-0385	1	RH Trunion Kit
6	127-0378	1	Fastener Kit	13	130-7888	1	Seal Kit
7	127-0379	1	Drive Gear Kit	15	127-0388	1	Pulley/Fan Kit

# Hydraulic Tank Assembly



## Hydraulic Tank Assembly (continued)

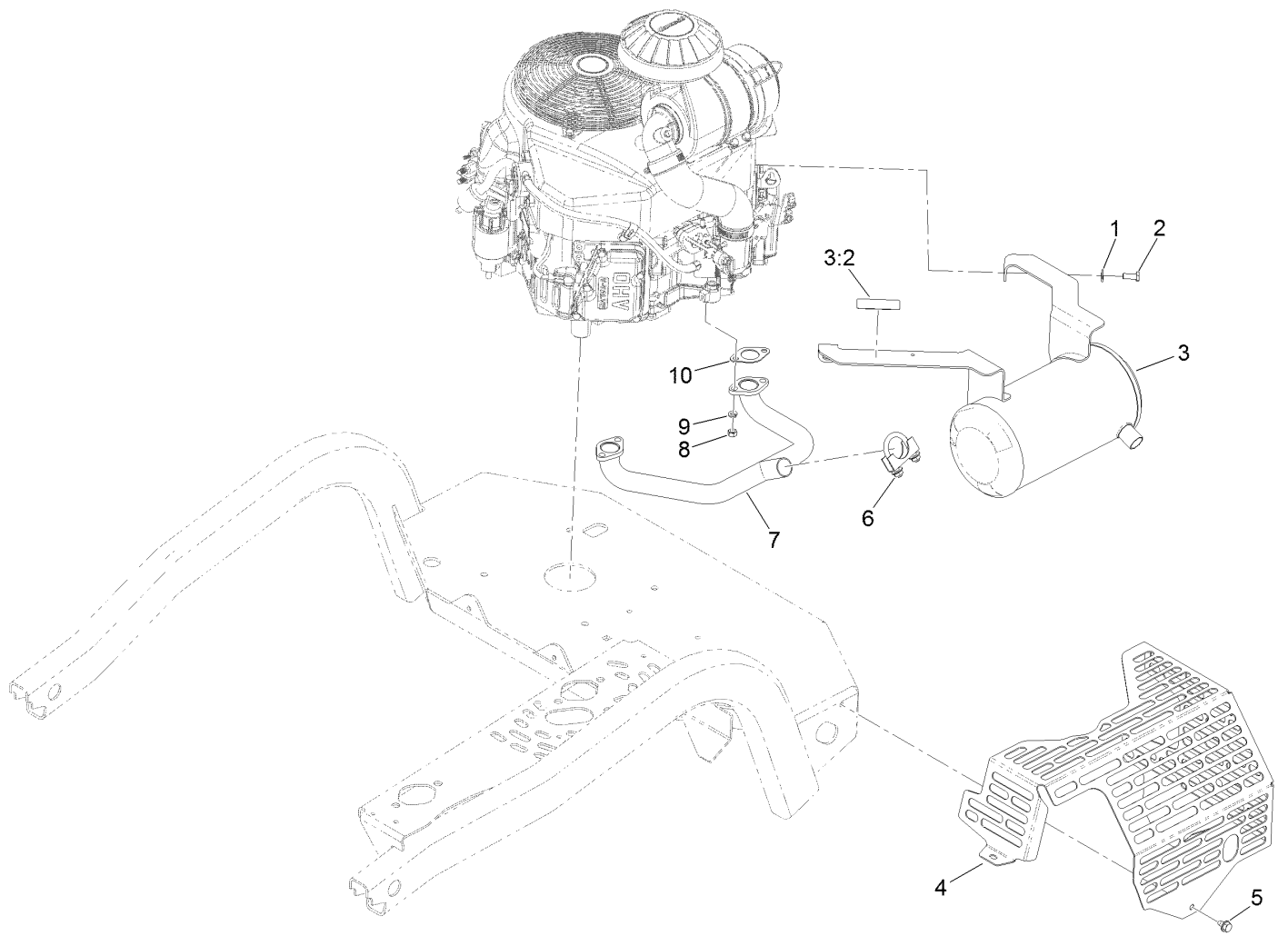
<i>Ref.</i>	<i>Part Number</i>	<i>Qty.</i>	<i>Description</i>	<i>Ref.</i>	<i>Part Number</i>	<i>Qty.</i>	<i>Description</i>
1	104-7201	4	Nut-HF, NI	12	127-7858	1	Hydraulic Manifold ASM (With Filter)
2	125-2438-03	2	Bracket-Tank	13	340-92	1	Fitting-Straight
3	99-6810	4	Screw-HHF	13:1	237-78	1	O-Ring
4	9266934	6	Screw	13:2	237-21	1	O-Ring
5	125-5124	1	HYD Hose ASM	14	322-38	2	Screw-HH
6	125-5125	1	HYD Hose ASM	15	98-7977	2	Screw-HHF
7	2412-137	2	Clamp-R, Double	16	2412-129	4	Clamp-Hose
8	125-2449	2	Fitting-Hydro	17	127-0368	2	Hose-Push Lok
9	130-2615	2	O-Ring	18	104-8300	2	Nut-HF, NI
10	127-7877	2	HYD Hose ASM	19	119-9908	2	Hydraulic Reservoir ASM
11	340-2	3	Fitting-Straight	19:1	109-3320	1	Cap-Reservoir, HYD
11:1	237-22	1	O-Ring				
11:2	237-42	1	O-Ring				



## Hydraulic Manifold Assembly No. 127-7858

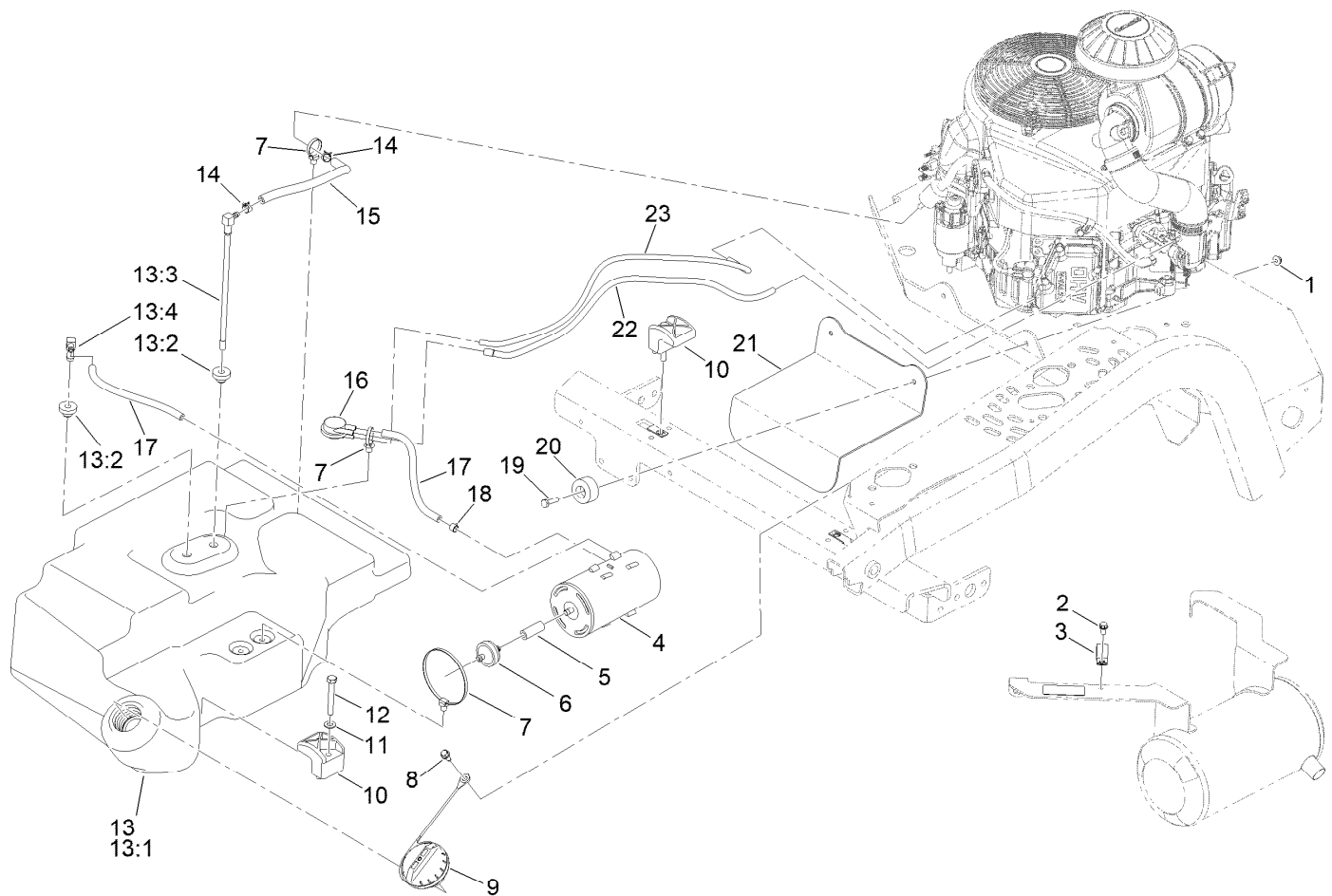
<i>Ref.</i>	<i>Part Number</i>	<i>Qty.</i>	<i>Description</i>
3	127-3885	1	Nipple-Filter
4	127-3884	1	Valve-Check
4:1	105-9154	1	Seal Kit
5	127-3883	1	Valve-Solenoid
5:1	112-6520	1	Seal Kit
6	119-8036	2	Coil
7	120-2586	1	Spacer-Coil
8	114-3494	1	Element-Filter, 25 Micron
9	110-2634	1	Nut-Coil





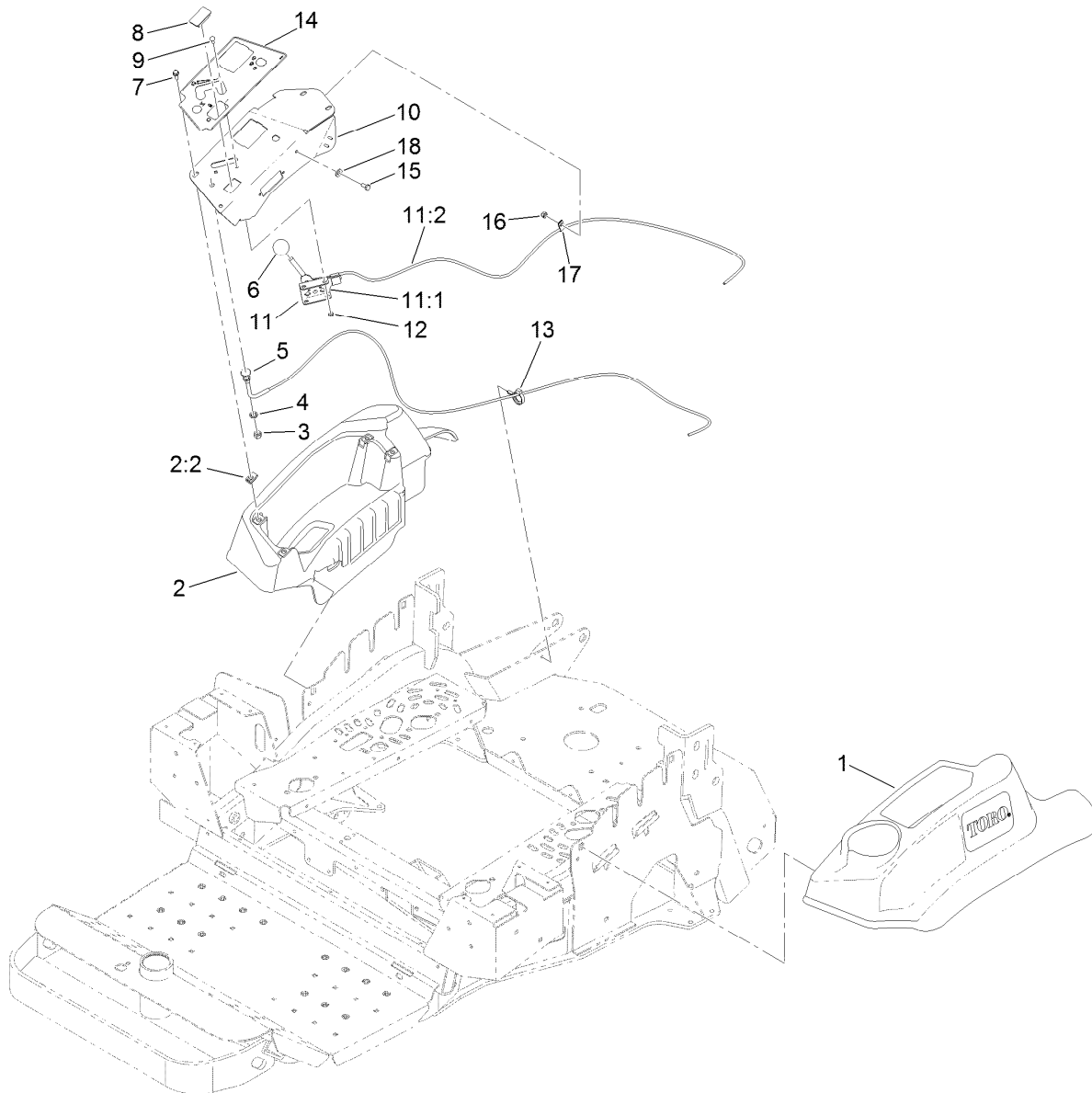
## Exhaust Assembly

Ref.	Part Number	Qty.	Description
1	1-303334	2	Washer-Spring
2	33114-020	2	Screw-HH
3	127-7889	1	Muffler ASM
3:2	127-0392	1	Decal-Hot Surface
4	127-0367-03	1	Shield-Muffler
5	9266934	2	Screw
6	104-4090	1	Clamp-Muffler
7	125-2401	1	Manifold-Exhaust
8	114-3549	4	Nut
9	114-3550	4	Washer-Lock
10	1-653313	2	Gasket-Exhaust



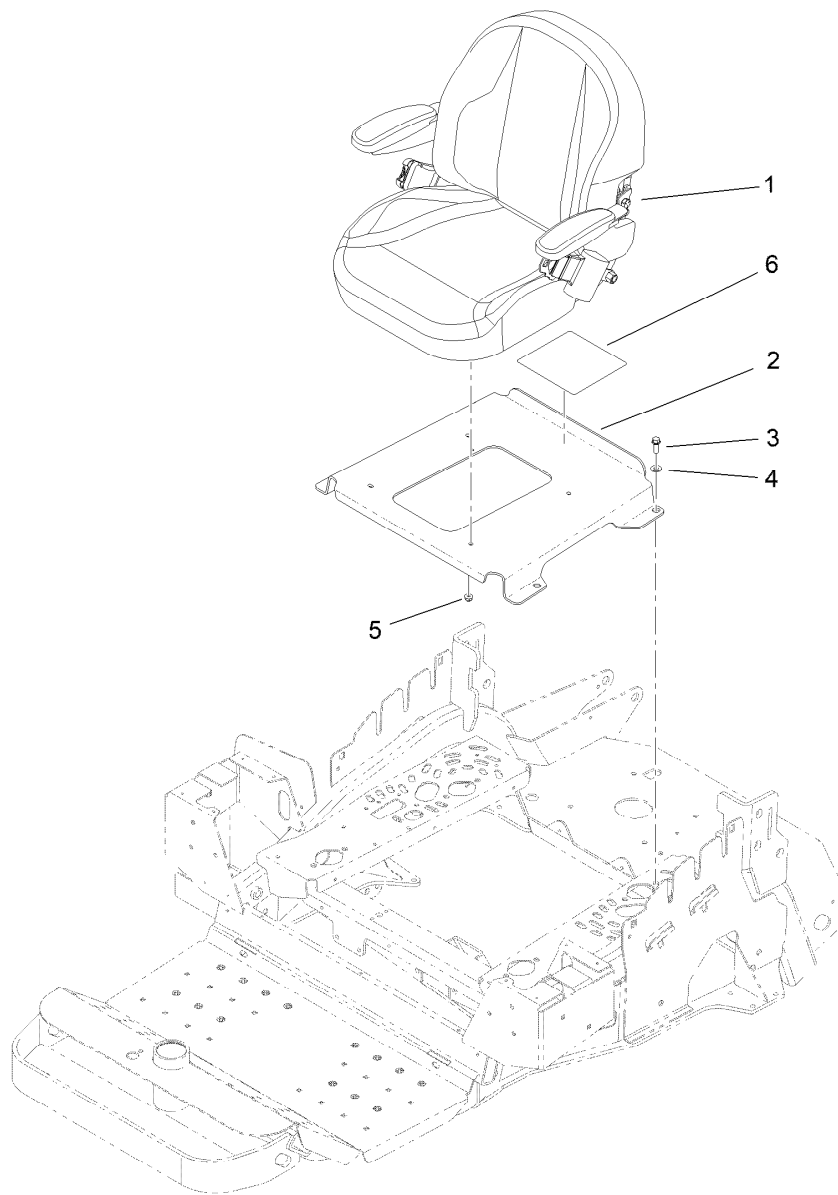
## Fuel Tank and Emissions Recovery Assembly

<i>Ref.</i>	<i>Part Number</i>	<i>Qty.</i>	<i>Description</i>	<i>Ref.</i>	<i>Part Number</i>	<i>Qty.</i>	<i>Description</i>
1	104-7201	2	Nut-HF, NI	13:2	46-6560	2	Bushing
2	32144-4	1	Screw-HWH	13:3	119-8584	1	Fitting-Fuel (W/Line And Screen)
3	2412-105	1	Clamp-Tube, Double	13:4	116-2288	1	Fitting-Elbow, 90 DEG
4	127-8685	1	Canister-Carbon	14	2412-98	2	Clamp-Hose
5	106-5317	1	Hose-Fuel	15	110-3447	1	Hose-Fuel
6	115-7854	1	Filter-Fuel, Inline	16	116-2232	1	Valve-Control, Vacuum
7	32180-118	4	Clip-Tie	17	68-3633	2	Hose-Fuel
8	32144-10	1	Screw-HWH	18	2412-80	1	Clamp-Hose
9	117-1722	1	Cap-Fuel	19	321-6	2	Screw-HH
10	107-4543	2	Clamp	20	94-4548	2	Bumper-Recessed
11	3256-23	2	Washer-Plain	21	125-6426-01	1	Bracket-Mount, Tank
12	33114-060	2	Screw-HH	22	125-6485	1	Hose-Vent, Formed
13	127-0397	1	Fuel Tank ASM	23	125-6484	1	Hose-Vent, Formed
13:1	125-0236	1	Tank-Fuel				



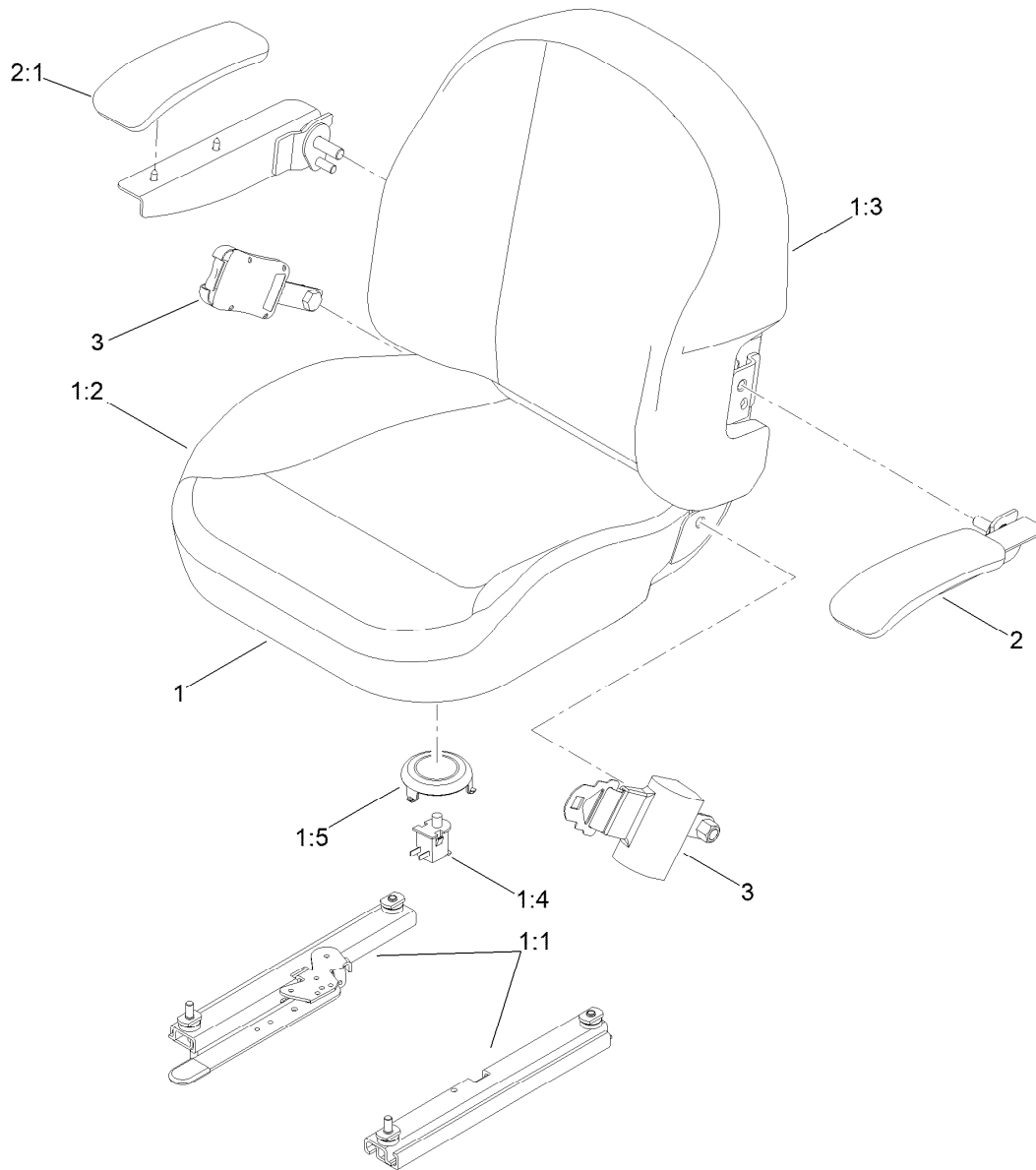
## Engine Controls and Console Assembly

<i>Ref.</i>	<i>Part Number</i>	<i>Qty.</i>	<i>Description</i>	<i>Ref.</i>	<i>Part Number</i>	<i>Qty.</i>	<i>Description</i>
1	119-2602	1	Console-LH	11	110-5727	1	Throttle Control ASM
2	119-2603	1	RH Console ASM	11:1	112-2334	1	Lever-Throttle
2:2	107069	4	Clip	11:2	110-5728	1	Cable-Throttle
3	3219-3	1	Nut-Hex	12	3296-2	2	Nut-Lock, NI
4	3254-6	1	Washer-Lock, Internal	13	105-1853	1	Clamp-Hose
5	115-2753	1	Control-Choke	14	125-0214	1	Decal-Panel, Control
6	1-603175	1	Knob-Ball	15	321-3	1	Screw-HH
7	32105-15	4	Screw-HWH	16	3296-42	1	Nut-Lock, NI
8	99-7420	1	Plug-Hole	17	2412-72	1	Clip-Closed, Insulated
9	3229-34	2	Screw-CARR	18	3256-22	1	Washer-Flat
10	125-0213-03	1	Panel-Control				



## Seat Assembly

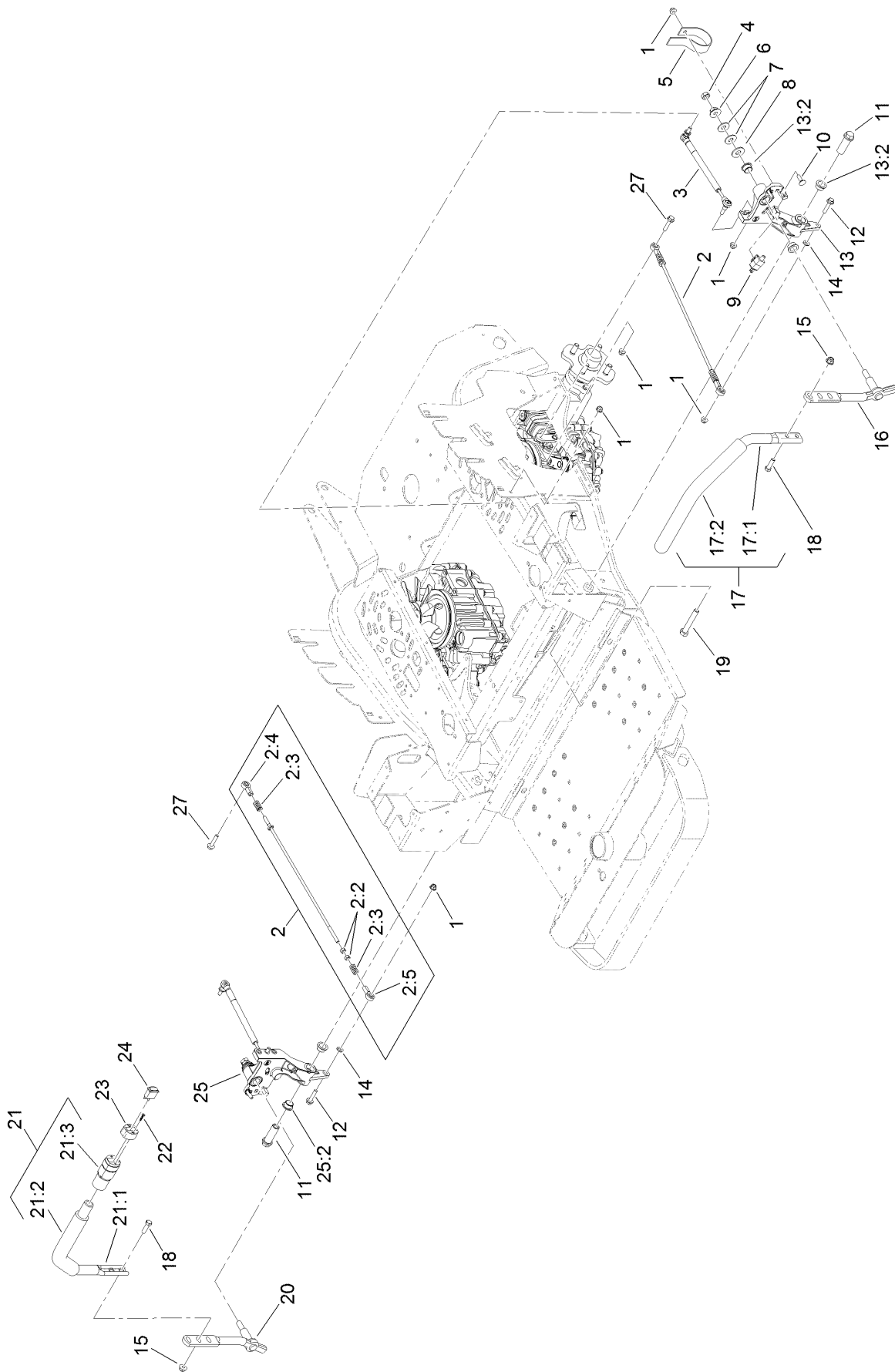
<i>Ref.</i>	<i>Part Number</i>	<i>Qty.</i>	<i>Description</i>
1	144-1371	1	Seat ASM
2	144-7063-03	1	Plate-Support, Seat
3	3234-29	4	Screw-HHF
4	3256-3	4	Washer-Flat
5	104-8300	4	Nut-HF, NI
6	144-1397	1	Decal-Service, CE



## Seat Assembly No. 144-1371

<i>Ref.</i>	<i>Part Number</i>	<i>Qty.</i>	<i>Description</i>
1	144-1350	1	Seat ASM
1:1	144-7068	1	Track ASM
1:2	144-7069	1	Cushion Cover
1:3	144-7070	1	Back Cover
1:4	82-2190	1	Switch-Bail
1:5	140-3468	1	Cap-Switch, Actuator
2	126-2058	1	Armrest Kit
2:1	110-4163	2	Cushion-Rest, Arm
3	144-7071	1	Seat Belt Kit

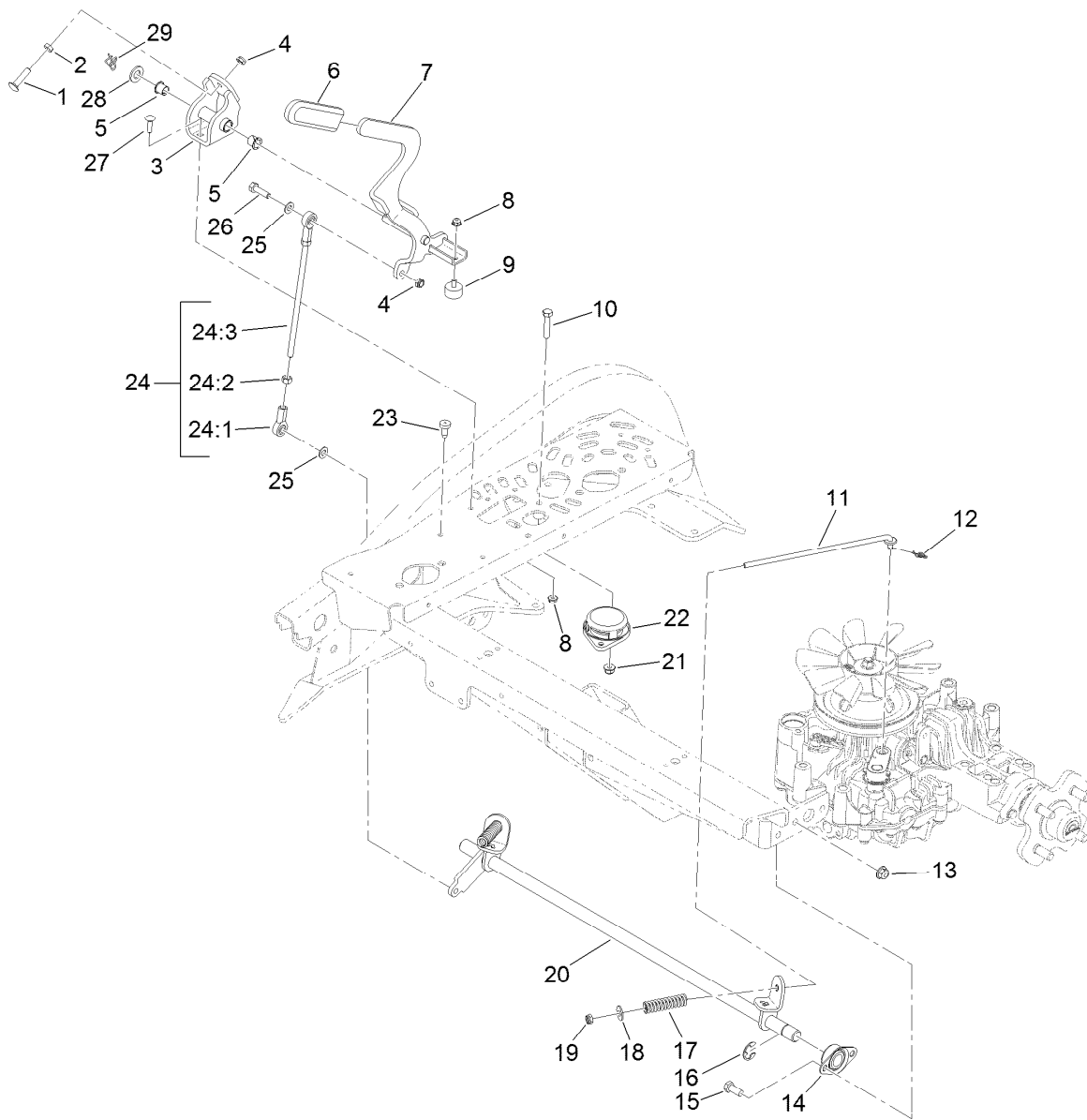
# Motion Control Assembly



## Motion Control Assembly (continued)

<i>Ref.</i>	<i>Part Number</i>	<i>Qty.</i>	<i>Description</i>	<i>Ref.</i>	<i>Part Number</i>	<i>Qty.</i>	<i>Description</i>
1	104-8300	10	Nut-HF, NI	15	104-8301	4	Nut-HF, NI
2	109-8107	2	Pump Linkage Rear ASM	16	116-0040	1	Lever-Control Motion, LH
2:2	3219-2	2	Nut-Hex	17	135-4373	1	LH Handle ASM
2:3	1-323245	2	Spring-Compression	17:1		1	Handle-LH ●
2:4	1-633152	1	Balljoint-LH	17:2	109-5668	1	Grip-Lever, Control
2:5	1-543017	1	Balljoint-RH	18	323-7	4	Screw-HH
3	146-0859	2	Damper, Motion Control	19	325-12	2	Screw-HH
4	3218-5	2	Nut-Jam	20	116-0039	1	Lever-Control Motion, RH
5	109-5575	2	Spring-Leaf	21	135-4807	1	RH Handle W/Grip ASM
6	32128-56	2	Nut-HF	21:1		1	Handle-RH ●
7	109-9505	4	Washer-Spring	21:2	109-5668	1	Grip-Lever, Control
8	3256-6	2	Washer-Flat	21:3	125-2662	1	Case ASM
9	110-6765	2	Switch	22	94-4496	2	Screw-PPH
10	3230-2	2	Bolt-CARR	23	121-3399	1	Cap-Switch
11	109-5891	2	Hub-Threaded	24	121-6574	1	Switch, Spst (On)-Off-(On)
12	115-1794	2	Screw-HHF	25	116-0880	1	RH Motion Control And Bushing ASM
13	116-0881	1	LH Motion Control And Bushing ASM	25:2	109-8054	4	Bushing-Flange
13:2	109-8054	4	Bushing-Flange	27	119-4036	2	Screw-HHF
14	3256-23	2	Washer-Plain				

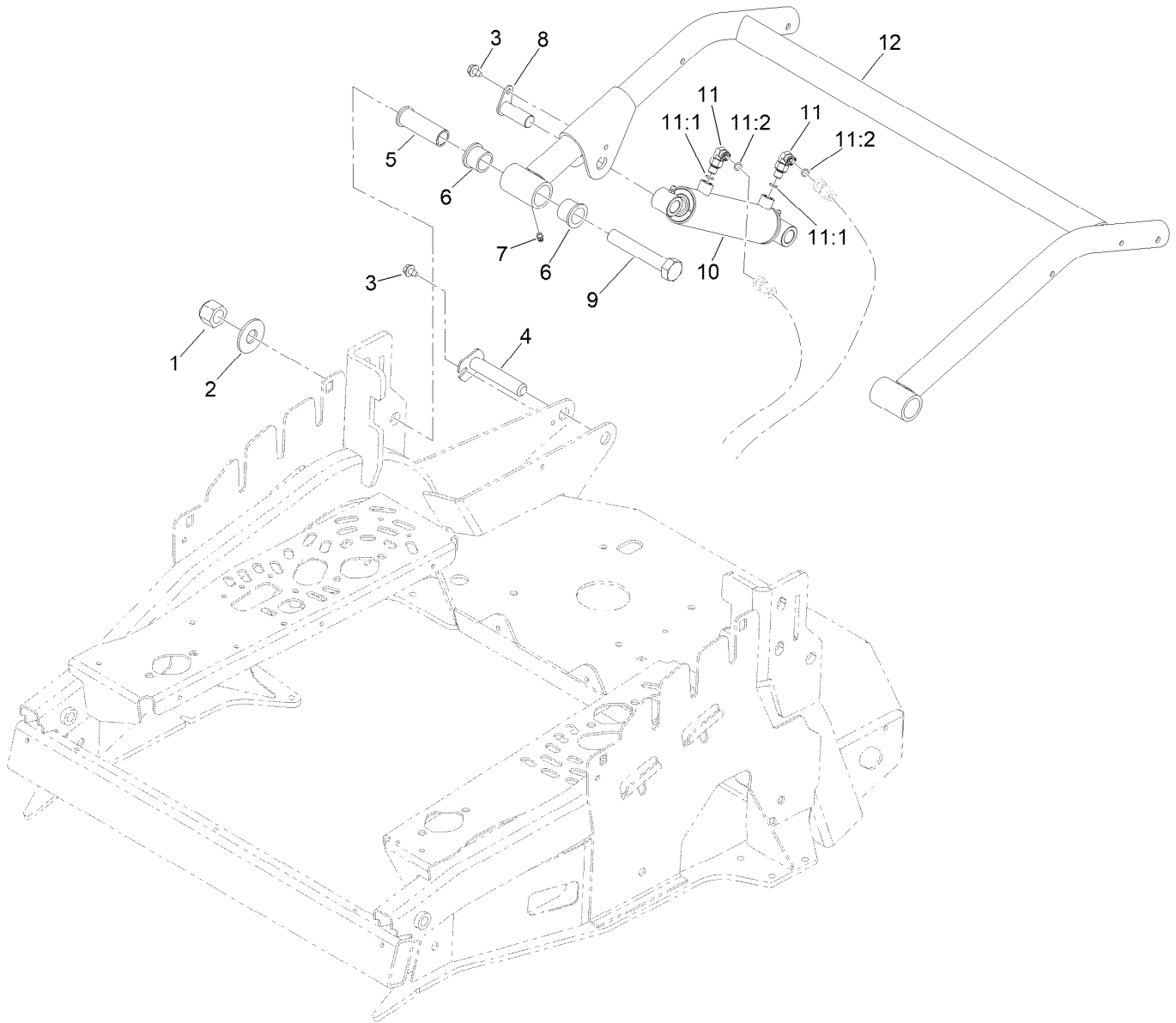
● Not serviced separately



## Brake Installation Assembly

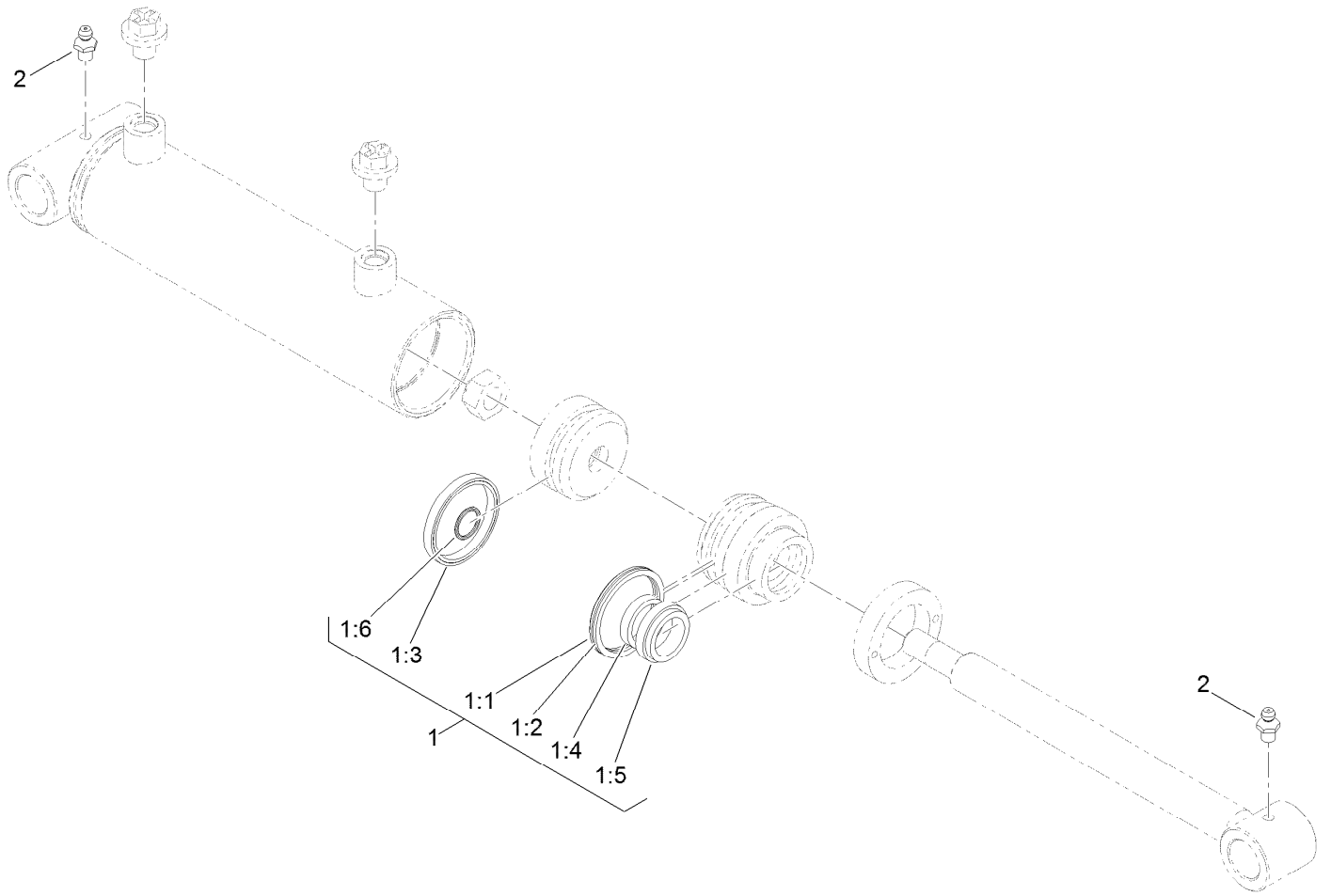
Ref.	Part Number	Qty.	Description	Ref.	Part Number	Qty.	Description
1	112-6950	1	Screw-CARR	17	130-7874	2	Spring-Compression
2	3218-2	1	Nut-Hex Jam	18	3256-3	2	Washer-Flat
3	121-8148-03	1	Bracket-Handle, Brake	19	3296-20	2	Nut-Lock, NI
4	3296-47	3	Nut-Lock,NI	20	125-0209-03	1	Shaft-Brake
5	256-257	2	Bushing-Nyliner	21	104-8300	2	Nut-HF, NI
6	1-633268	1	Grip-Lever	22	92-6282	1	Switch-Seat
7	125-0201-03	1	Handle-Brake	23	87-8460	1	Bumper-Rubber
8	104-7201	3	Nut-HF, NI	24	125-0202	1	Rod-Adjustment
9	240-14	1	Bumper-Rubber	24:1	1-543017	2	Balljoint-RH
10	322-8	2	Screw-HH	24:2	3219-2	2	Nut-Hex
11	125-2351	2	Rod	24:3	127-7857	1	Rod-Brake
12	116-6639	2	Pin-Cotter, Locking	25	3256-23	3	Washer-Plain
13	104-8301	4	Nut-HF, NI	26	322-16	2	Screw-HH
14	1-633102	2	Bearing-Flange, Side	27	3229-2	2	Screw-CARR
15	323-5	4	Screw-HH	28	106-9888	1	Washer-Flat
16	32151-48	1	E-Ring	29	112-1491	1	Pin-Cotter





## Lift Valve Installation Assembly

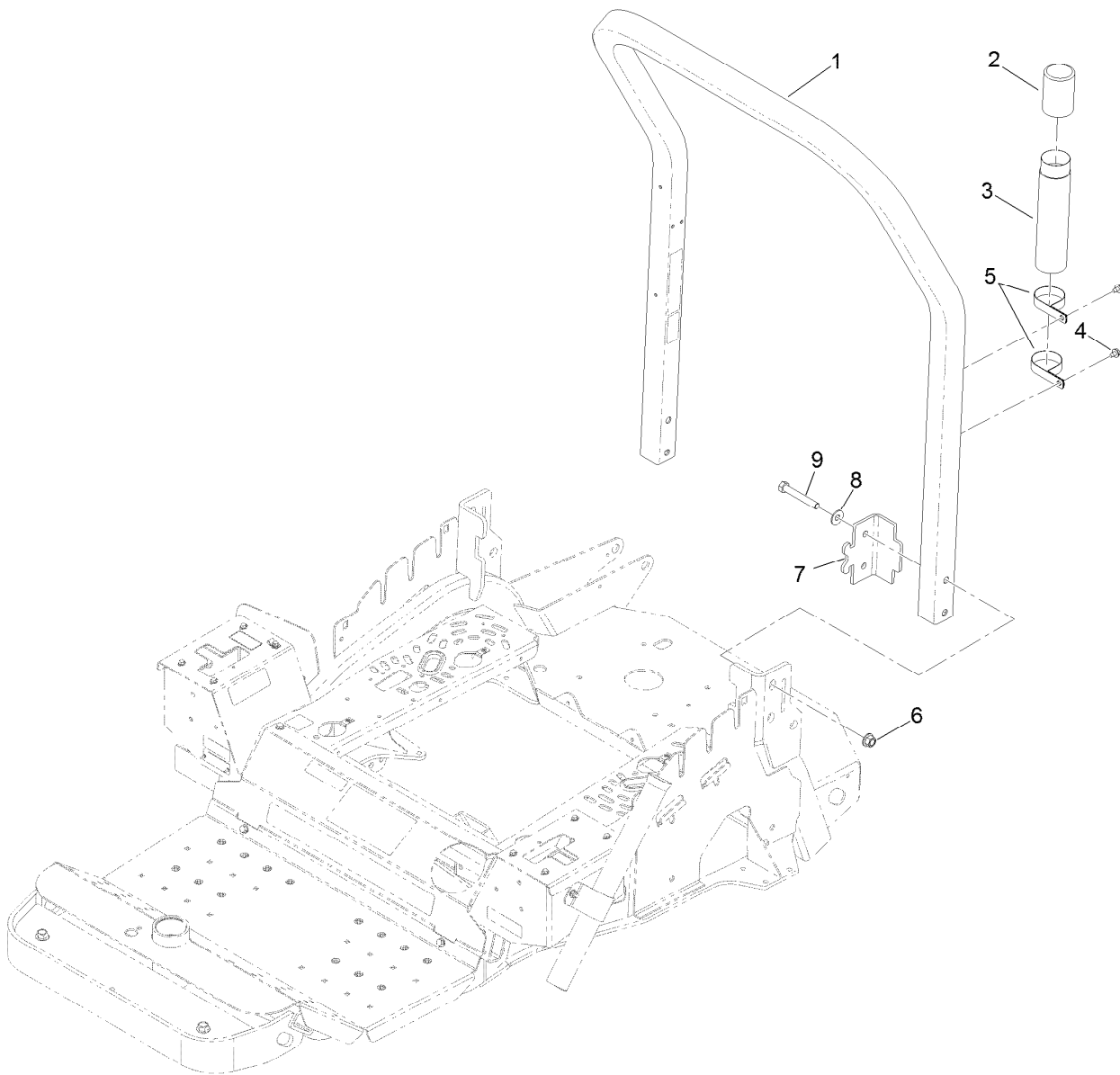
Ref.	Part Number	Qty.	Description
1	3296-51	2	Nut-Lock, NI
2	3256-8	2	Washer-Flat
3	9266934	2	Screw
4	140-5248	1	Pin-Ram, Pivot
5	125-2445	2	Sleeve-Pivot
6	94-8949	4	Bushing-Flange
7	302-5	2	Fitting-Grease
8	108-2905	1	Pin ASM
9	328-8	2	Screw-HH
10	125-6466	1	HYD Cylinder ASM
11	340-132	2	Fitting-Elbow, 90 DEG
11:1	237-78	1	O-Ring
11:2	237-21	1	O-Ring
12	125-2441-03	1	Lift-Groomer



## Hydraulic Cylinder Assembly No. 125-6466

<i>Ref.</i>	<i>Part Number</i>	<i>Qty.</i>	<i>Description</i>
1	127-3880	1	Seal Kit
1:1		1	O-Ring ●
1:2		1	Seal-Back Up ●
1:3		1	Psp Seal ●
1:4		1	Bt Seal ●
1:5		1	Dust Seal ●
1:6		1	O-Ring ●
2	302-5	2	Fitting-Grease

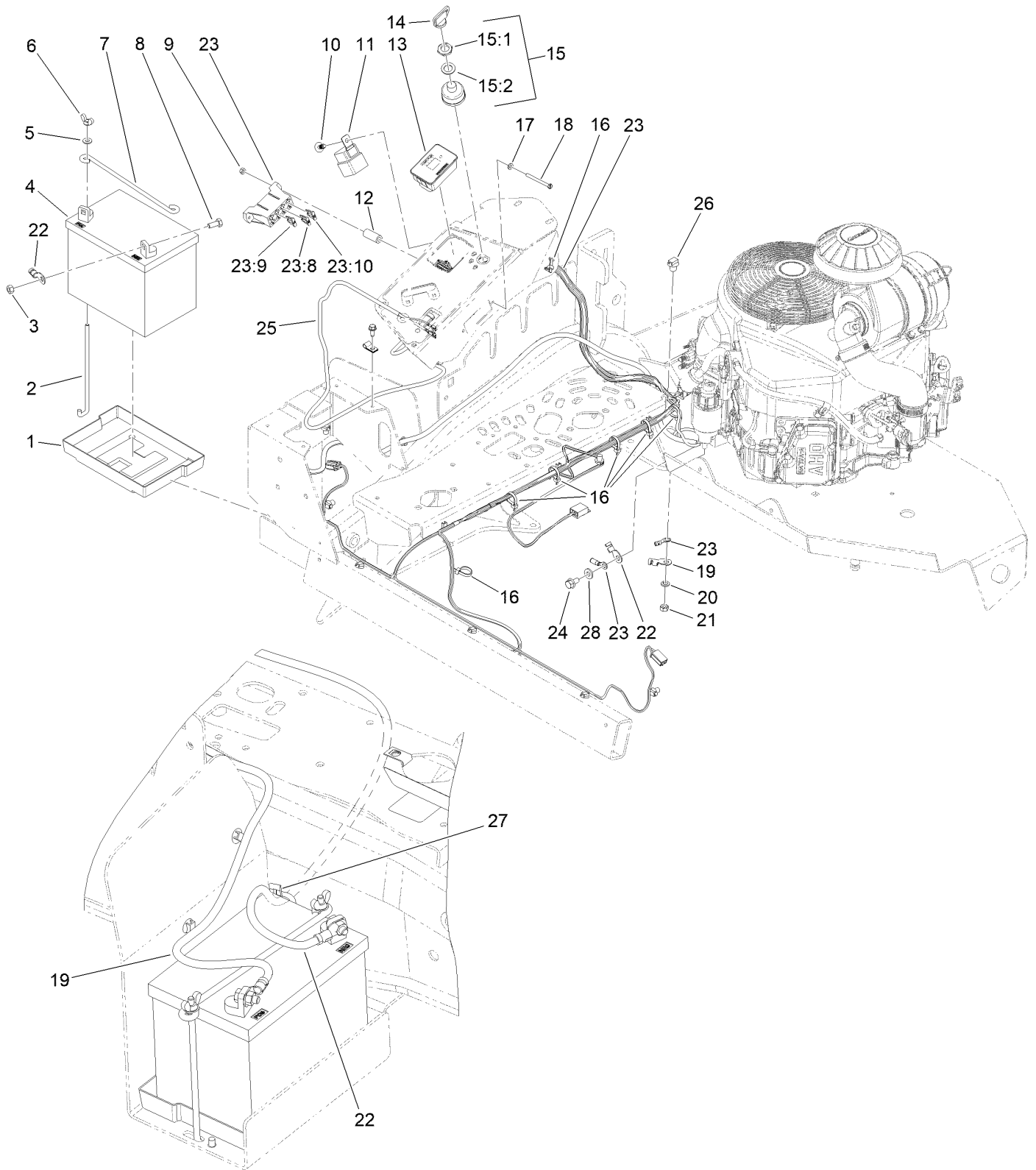
● Not serviced separately



## Roll-Over Protection System Assembly

<i>Ref.</i>	<i>Part Number</i>	<i>Qty.</i>	<i>Description</i>
1	127-0398	1	ROPS ASM
2	104-7048	1	Cap-Housing
3	104-7050	1	Tube-Manual
4	9266934	2	Screw
5	2412-133	2	Clamp-R
6	99-5107	4	Nut-Lock
7	125-2398-01	2	Bracket-ROPS
8	109-9505	4	Washer-Spring
9	325-14	4	Screw-HH

# Battery and Electrical System Assembly



Battery Cables

## Battery and Electrical System Assembly (continued)

<i>Ref.</i>	<i>Part Number</i>	<i>Qty.</i>	<i>Description</i>	<i>Ref.</i>	<i>Part Number</i>	<i>Qty.</i>	<i>Description</i>
1	106948	1	Tray-Battery	16	3290-379	7	Tie-Cable
2	100-6435	2	Post-Battery	17	120-9680	2	Washer-Flat
3	3217-6	2	Nut-Hex	18	32105-14	2	Screw-SHH
4	99-7421	1	Battery- Wet, 12V, 300 CCA	19	122-0143	1	Cable-Battery, Positive
5	3256-22	2	Washer-Flat	20	3253-4	1	Washer-Lock
6	32103-22	2	Nut-Wing	21	3218-13	1	Nut-Jam, Brass
7	100-6434	1	Rod-Hold Down, Battery	22	122-0085	1	Cable-Battery, Negative
8	322-3	2	Screw-HH	23	122-1380	1	Harness-Wire
9	3296-2	2	Nut-Lock, NI	23:8	109102	1	Fuse-Blade, 25 Amp
10	104-0395	2	Plug-Plastic	23:9	218-578	1	Fuse-Blade, 10 Amp
11	99-7430	2	Relay-Mini	23:10	109101	1	Fuse-Blade, 20 Amp
12	103-0384	2	Spacer	24	33104-016	1	Screw-HHF
13	147-3651	1	Module ASM	25	121-8893	1	Harness-Handle, Control
14	63-8360	2	Key-Ignition	26	32180-030	1	Clip-Tie
15	83-0020	1	Switch-Ignition	27	32180-078	1	Clip-Edge
15:1	218-461	1	Nut-HH	28	3256-23	1	Washer-Plain
15:2	3254-5	1	Washer-Lock				

# Attachments and Accessories

## For 08706 Sand Pro 2040Z Traction Unit

<b>Product Name</b>	<b>Model/Part</b>
Flex Tooth Rake.....	08716
Oil Filter .....	119-5852
Broom Finishing Kit.....	08719
Rubber Trowel Kit.....	130-2629
Spark Plug .....	92-2153
Nail Drag.....	08717
Finish Drag .....	08718
Light Kit.....	08721
Speed Limiter Kit .....	08720
Seat Isolation Kit, Sand Pro 2040Z Traction Unit .....	144-7065
Bag Kit.....	127-0359
Tire Assembly .....	125-6462
Bimini Folding Shade Assembly .....	115-4510
Rake Holder Kit.....	130-7876
Filter Minder Gauge.....	99-4664
Speed Plate Kit.....	130-7877
Premium All Purpose Grease (Tube) .....	108-1190
400 Hour Maintenance Kit .....	08725
Fuel Stabilizer (4oz).....	117-0089
Fuel Stabilizer (16oz).....	117-0090
Filter-Air .....	108-3811
Semi-Gloss Black Spray Paint.....	361-9
Premium Transmission/Hydraulic Tractor Fluid (5 Gallon Pail) .....	108-1184
Fuel Filter.....	121-4570
Premium Transmission/Hydraulic Tractor Fluid (55 Gallon Drum).....	108-1183
New Red Paint - Gallon .....	361-11
Dark Metallic Gray Aerosol Paint .....	361-12
Air Dry Red Paint - Qt .....	5340
Spark Arrestor Screen .....	104-6540
Premium Engine Oil 10w30 (5 Gallon Pail) .....	121-6393

**Notes:**



**Count on it.**