



Count on it.

Parts Catalog

**Power Max[®] e26 60V
Snowthrower**

Model No. 39926T—Serial No. 411700000 and Up



Ordering Replacement Parts

To order replacement parts, please supply the part number, the quantity, and the description of each part desired.

Understanding Reference Numbers

Each identified part in an illustration has a reference number. The reference number for a part also appears in the parts list, along with other information about the part.

This catalog uses two special reference number formats, one to indicate parts in a service assembly and another to indicate the quantity of a given part in an illustration.

Service Assembly Reference Numbers

Parts in service assemblies have reference numbers in the form a:b. The a represents the reference number of the entire service assembly and the b represents a sequential number unique to each part within the service assembly.

For example, a wheel assembly might be identified by reference number 6, the tire by 6:1, the valve by 6:2, and the wheel by 6:3. When you order the assembly identified by reference number 6, you receive all parts identified by reference numbers 6:1, 6:2, and 6:3. However, you may also order any part individually. Reference numbers of this type appear in illustration and in parts lists.

Reference Numbers Indicating Quantity

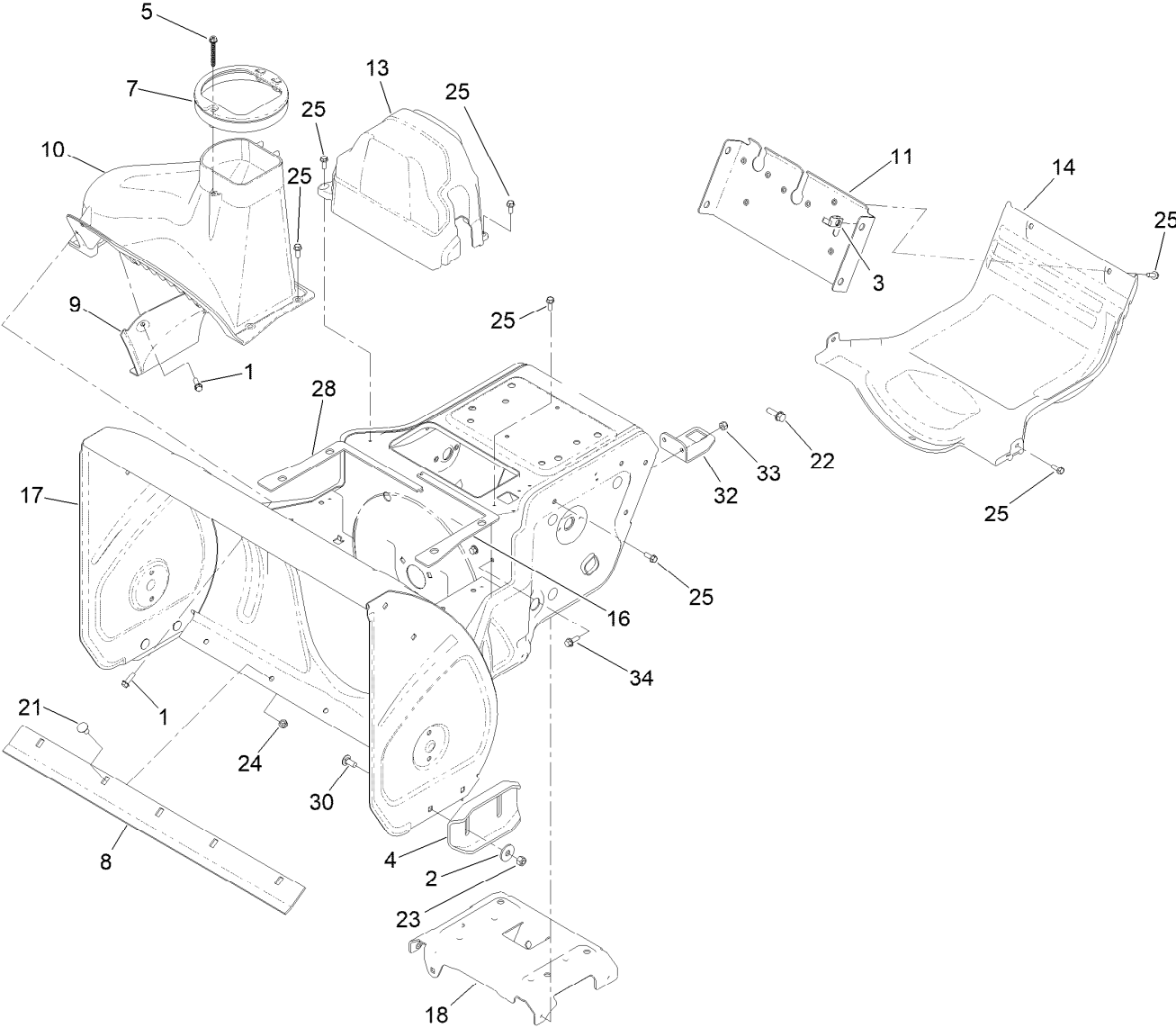
In an illustration, if a reference number indicates more than one part, the reference number has the form nX y. The n represents the quantity of the part, the X is the multiplication symbol, and the y represents the reference number.

For example, in an illustration, the reference number 2X 37 means that two of the parts identified by reference number 37 are indicated.

Contents

| | |
|--|----|
| Main Frame and Auger Housing Assembly | 4 |
| Pulley and Bellcrank Assembly | 6 |
| Impeller Drive Assembly | 8 |
| Drive Assembly | 10 |
| Transmission Assembly | 12 |
| Gearbox, Auger and Impeller Assembly | 14 |
| 26 Inch Auger Gearcase Assembly No. 119-7641 | 16 |
| Impeller Assembly | 18 |
| Battery Assembly | 20 |
| 60 Volt Powerhead Assembly No. 139-5315 | 22 |
| Chute Assembly | 24 |
| Chute Control Assembly | 26 |
| Handle Assembly | 28 |
| Attachments and Accessories | 30 |

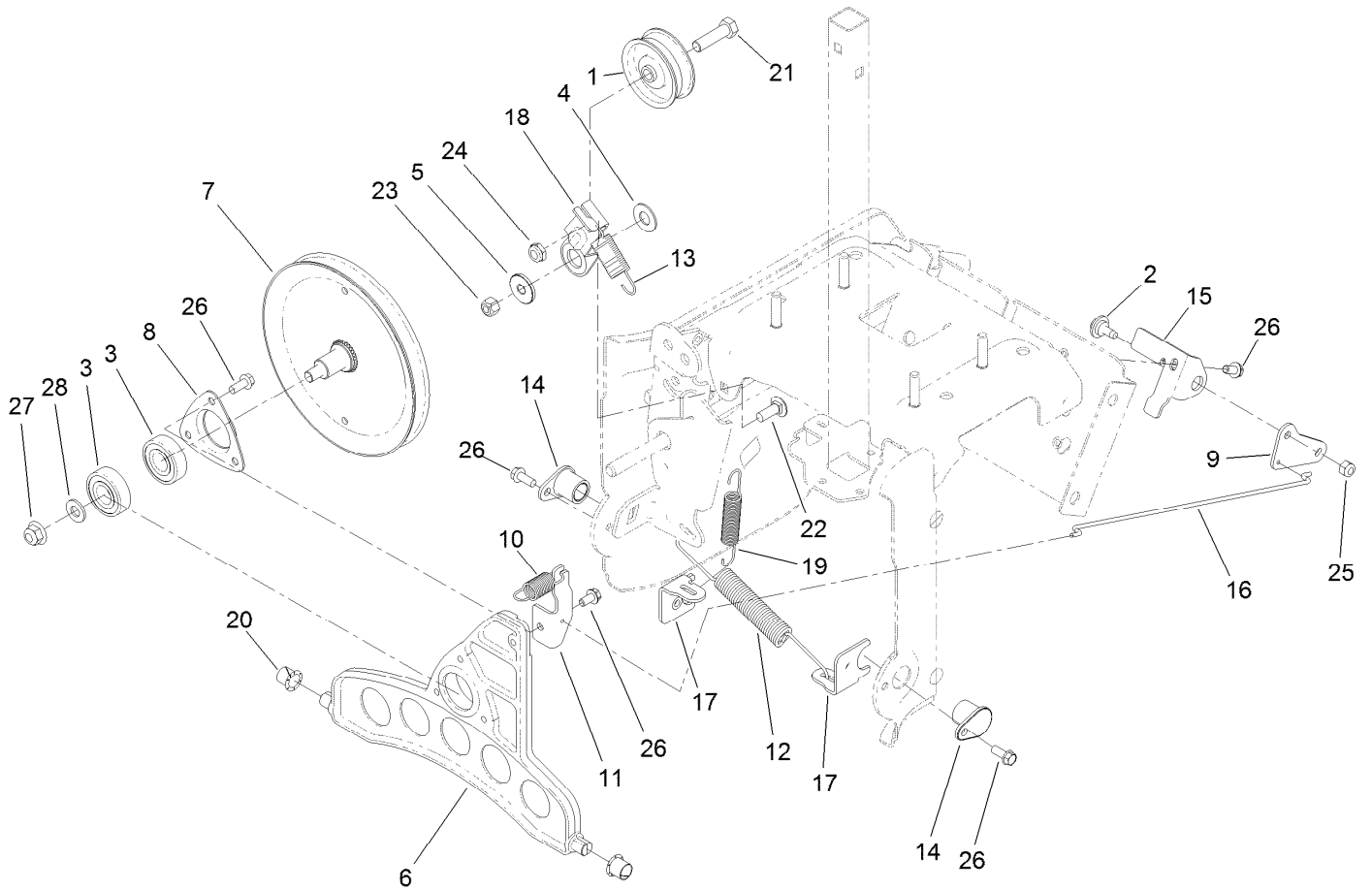
Main Frame and Auger Housing Assembly



Main Frame and Auger Housing Assembly (continued)

| <i>Ref.</i> | <i>Part Number</i> | <i>Qty.</i> | <i>Description</i> | <i>Ref.</i> | <i>Part Number</i> | <i>Qty.</i> | <i>Description</i> |
|-------------|--------------------|-------------|---------------------|-------------|--------------------|-------------|---------------------|
| 1 | 46-8091 | 6 | Screw-HWH | 17 | 147-9471 | 1 | Frame ASM |
| 2 | 52-2861 | 4 | Washer | 18 | 139-5270 | 1 | Brace-Frame |
| 3 | 94-2413 | 4 | Nut-U | 21 | 3230-18 | 5 | Screw-CARR |
| 4 | 106-4588-01 | 2 | Skid | 22 | 3234-29 | 4 | Screw-HHF |
| 5 | 114-3751 | 1 | Screw-HWH, Plastite | 23 | 3296-29 | 4 | Nut-Lock, NI |
| 7 | 138-3608 | 1 | Guide-Chute | 24 | 3296-47 | 5 | Nut-Lock,NI |
| 8 | 120-3872-01 | 1 | Scraper-26 Inch | 25 | 32144-85 | 17 | Screw-HWH Thd Form |
| 9 | 120-7158-01 | 1 | Cover-Liner | 28 | 121-6841 | 1 | Seal-Housing, RH |
| 10 | 120-7159 | 1 | Cover | 30 | 3230-23 | 4 | Bolt-CARR |
| 11 | 120-7161-01 | 1 | Brace-Frame | 32 | 137-3410-03 | 1 | Bracket-Post, Chute |
| 13 | 120-7177 | 1 | Cover-Belt | 33 | 120-9678 | 2 | Screw-HHF |
| 14 | 120-7178 | 1 | Cover-Lower | 34 | 137-3094 | 2 | Nut-Hex |
| 16 | 120-7181 | 1 | Seal-Housing, LH | | | | |

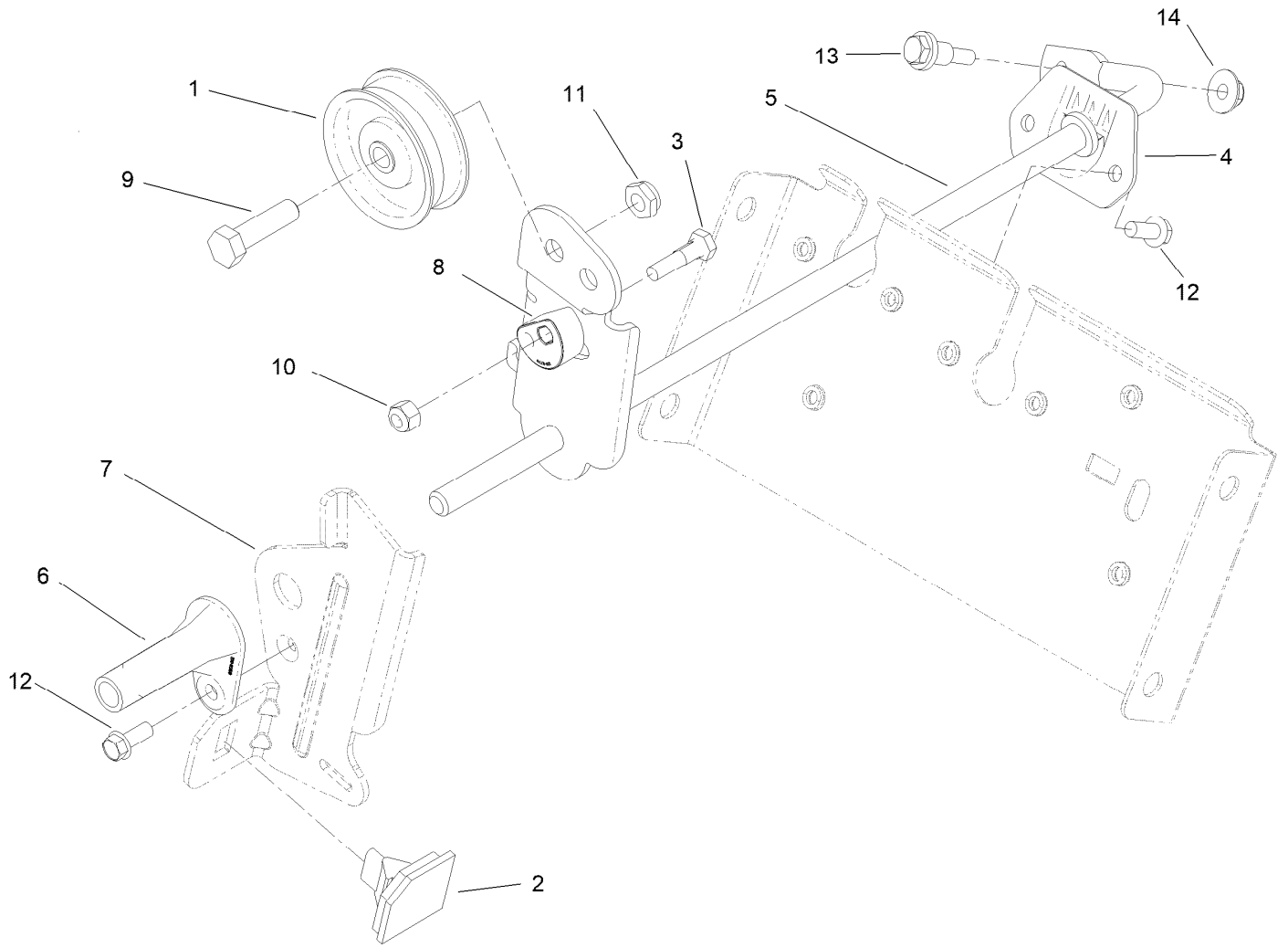
Pulley and Bellcrank Assembly



Pulley and Bellcrank Assembly (continued)

| <i>Ref.</i> | <i>Part Number</i> | <i>Qty.</i> | <i>Description</i> | <i>Ref.</i> | <i>Part Number</i> | <i>Qty.</i> | <i>Description</i> |
|-------------|--------------------|-------------|-------------------------|-------------|--------------------|-------------|------------------------|
| 1 | 3-4244 | 1 | Pulley-Idler | 15 | 120-7165-03 | 1 | Bracket-Bellcrank |
| 2 | 92-9698 | 1 | Screw-Shoulder | 16 | 136-7155 | 1 | Link-Drive |
| 3 | 38-7820 | 2 | Bearing-Ball | 17 | 120-9271 | 2 | Bracket-Anchor, Spring |
| 4 | 25-5640 | 1 | Washer | 18 | 136-7159 | 1 | Arm-Idler, Traction |
| 5 | 117-7711 | 1 | Bushing-Idler | 19 | 120-9275 | 1 | Spring-Extension |
| 6 | 119-7645 | 1 | Plate-Wheel, Friction | 20 | 256-257 | 2 | Bushing-Nyliner |
| 7 | 136-7152 | 1 | Traction Pulley ASM | 21 | 323-29 | 1 | Screw-HH |
| 8 | 136-7124 | 1 | Retainer-Bearing | 22 | 3230-10 | 1 | Bolt-CARR |
| 9 | 119-7670-03 | 1 | Bellcrank-Drive | 23 | 3296-29 | 1 | Nut-Lock, NI |
| 10 | 136-7153 | 1 | Spring-Extension | 24 | 3296-59 | 1 | Nut-Lock, NI |
| 11 | 119-7679 | 1 | Bracket-Plate, Traction | 25 | 3296-73 | 1 | Nut-Lock, NI |
| 12 | 120-3883 | 1 | Spring-Extension | 26 | 32144-85 | 7 | Screw-HWH Thd Form |
| 13 | 137-3435 | 1 | Spring-Extension | 27 | 104-8301 | 1 | Nut-HF, NI |
| 14 | 120-7156 | 2 | Bushing-Plate, Traction | 28 | 3256-24 | 1 | Washer-Plain |

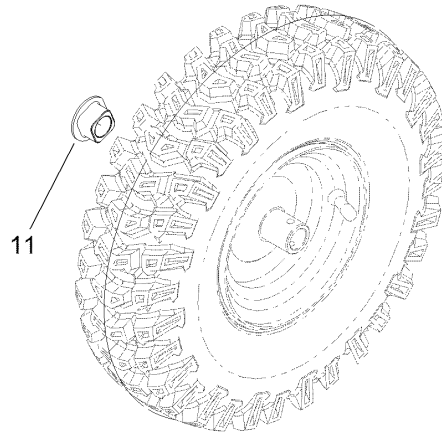
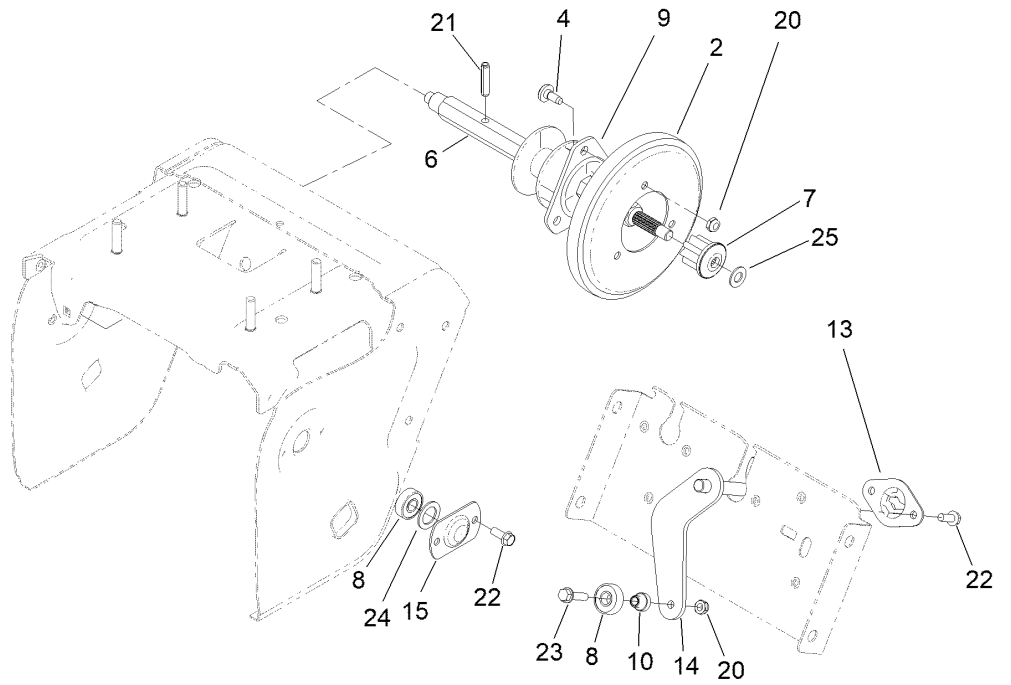
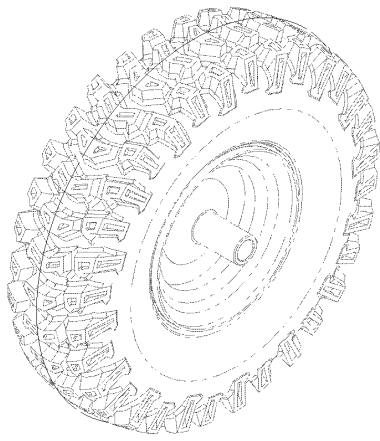
Impeller Drive Assembly



Impeller Drive Assembly (continued)

| <i>Ref.</i> | <i>Part Number</i> | <i>Qty.</i> | <i>Description</i> | <i>Ref.</i> | <i>Part Number</i> | <i>Qty.</i> | <i>Description</i> |
|-------------|--------------------|-------------|-----------------------|-------------|--------------------|-------------|---------------------------|
| 1 | 3-4244 | 1 | Pulley-Idler | 8 | 120-9276 | 1 | Eccentric-Brake, Impeller |
| 2 | 66-8060 | 1 | Pad-Brake | 9 | 323-29 | 1 | Screw-HH |
| 3 | 136-8674 | 1 | Bolt-Pivot, Eccentric | 10 | 3296-42 | 1 | Nut-Lock, NI |
| 4 | 120-7167 | 1 | Bushing-Rod, Clutch | 11 | 3296-59 | 1 | Nut-Lock, NI |
| 5 | 120-9254-03 | 1 | Impeller Clutch ASM | 12 | 32144-85 | 3 | Screw-HWH Thd Form |
| 6 | 120-9256 | 1 | Pivot-Brake, Impeller | 13 | 104-0858 | 1 | Bolt-Shoulder |
| 7 | 120-9257-03 | 1 | Arm-Brake, Impeller | 14 | 137-3016 | 1 | Nut-HF |

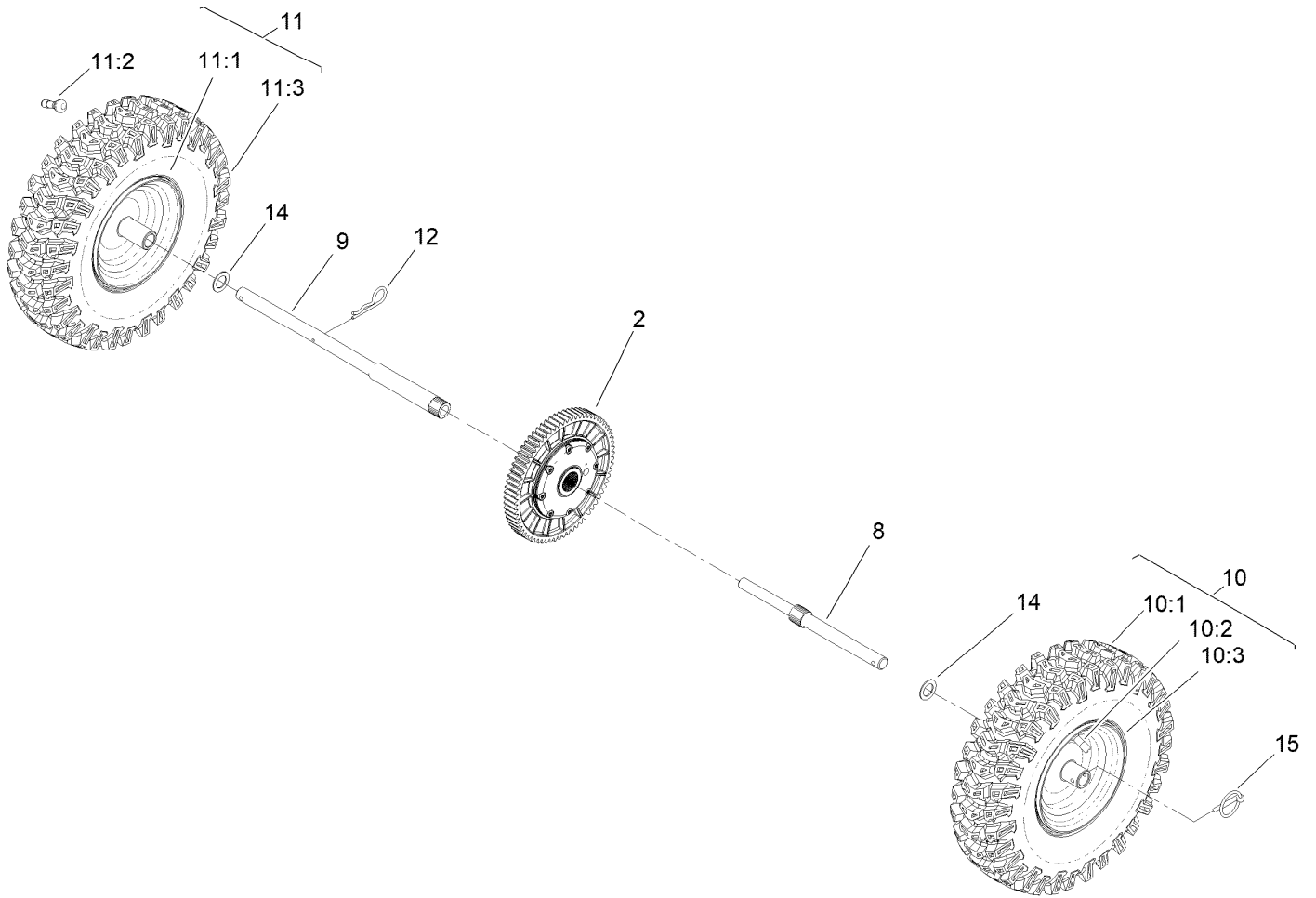
Drive Assembly



Drive Assembly (continued)

| <i>Ref.</i> | <i>Part Number</i> | <i>Qty.</i> | <i>Description</i> | <i>Ref.</i> | <i>Part Number</i> | <i>Qty.</i> | <i>Description</i> |
|-------------|--------------------|-------------|-----------------------|-------------|--------------------|-------------|--------------------|
| 2 | 119-1567 | 1 | Wheel-Friction | 14 | 120-7193-03 | 1 | Shift Plate ASM |
| 4 | 120-7950 | 3 | Screw-Torx | 15 | 136-7158 | 2 | Retainer-Bearing |
| 6 | 140-3745 | 1 | Shaft-Hex | 20 | 3296-56 | 4 | Nut-Lock, NI |
| 7 | 119-7616 | 1 | Gear-Pinion, 8 Tooth | 21 | 32121-9 | 1 | Pin-Roll, Slotted |
| 8 | 121-6835 | 3 | Bearing-Ball | 22 | 32144-85 | 6 | Screw-HWH Thd Form |
| 9 | 119-7630 | 1 | Trunnion | 23 | 32144-86 | 1 | Screw-HWHTF |
| 10 | 119-7684 | 1 | Spacer-Plate, Shift | 24 | 121-6840 | 2 | Washer-Rubber |
| 11 | 120-7162 | 2 | Bushing-Axle | 25 | 145-0743 | 1 | Washer-Flat |
| 13 | 120-7191 | 1 | Retainer-Plate, Shift | | | | |

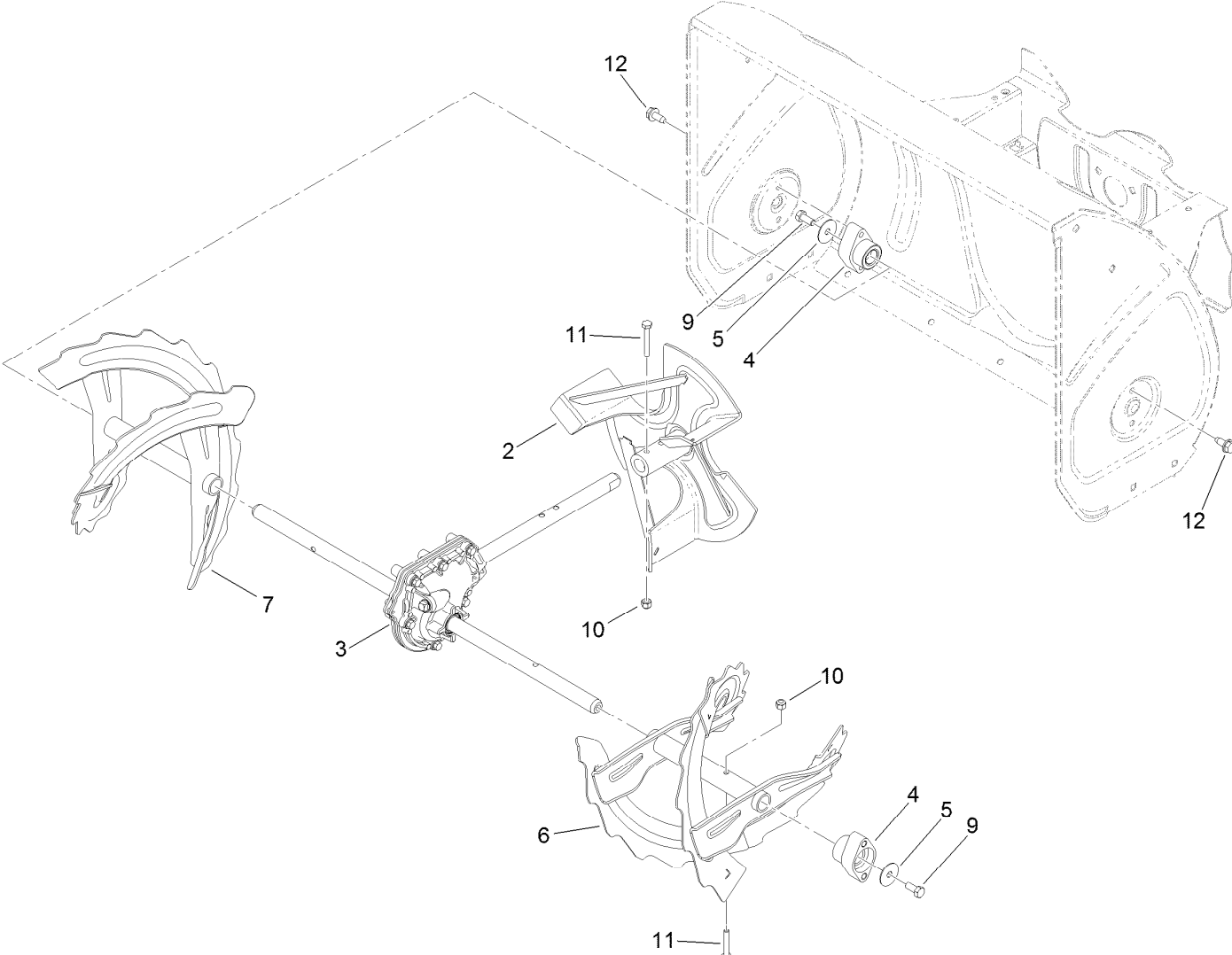
Transmission Assembly



Transmission Assembly (continued)

| <i>Ref.</i> | <i>Part Number</i> | <i>Qty.</i> | <i>Description</i> | <i>Ref.</i> | <i>Part Number</i> | <i>Qty.</i> | <i>Description</i> |
|-------------|--------------------|-------------|------------------------|-------------|--------------------|-------------|-----------------------|
| 2 | 140-3747 | 1 | Transmission-Gt, Di200 | 11 | 138-3659 | 1 | RH Wheel And Tire ASM |
| 8 | 140-3746 | 1 | Axle-Lt, Cts | 11:1 | 138-3669 | 1 | Wheel (15X4 Tire) |
| 9 | 140-3742 | 1 | Axle-Rt, Cts | 11:2 | 232-27 | 1 | Stem-Valve |
| 10 | 138-3660 | 1 | LH Wheel And Tire ASM | 11:3 | 138-3668 | 1 | Tire |
| 10:1 | 138-3669 | 1 | Wheel (15X4 Tire) | 12 | 3290-343 | 1 | Pin-Hair |
| 10:2 | 232-27 | 1 | Stem-Valve | 14 | 3-8664 | 2 | Washer-Thrust |
| 10:3 | 138-3668 | 1 | Tire | 15 | 107-3039 | 2 | Pin-Lynch |

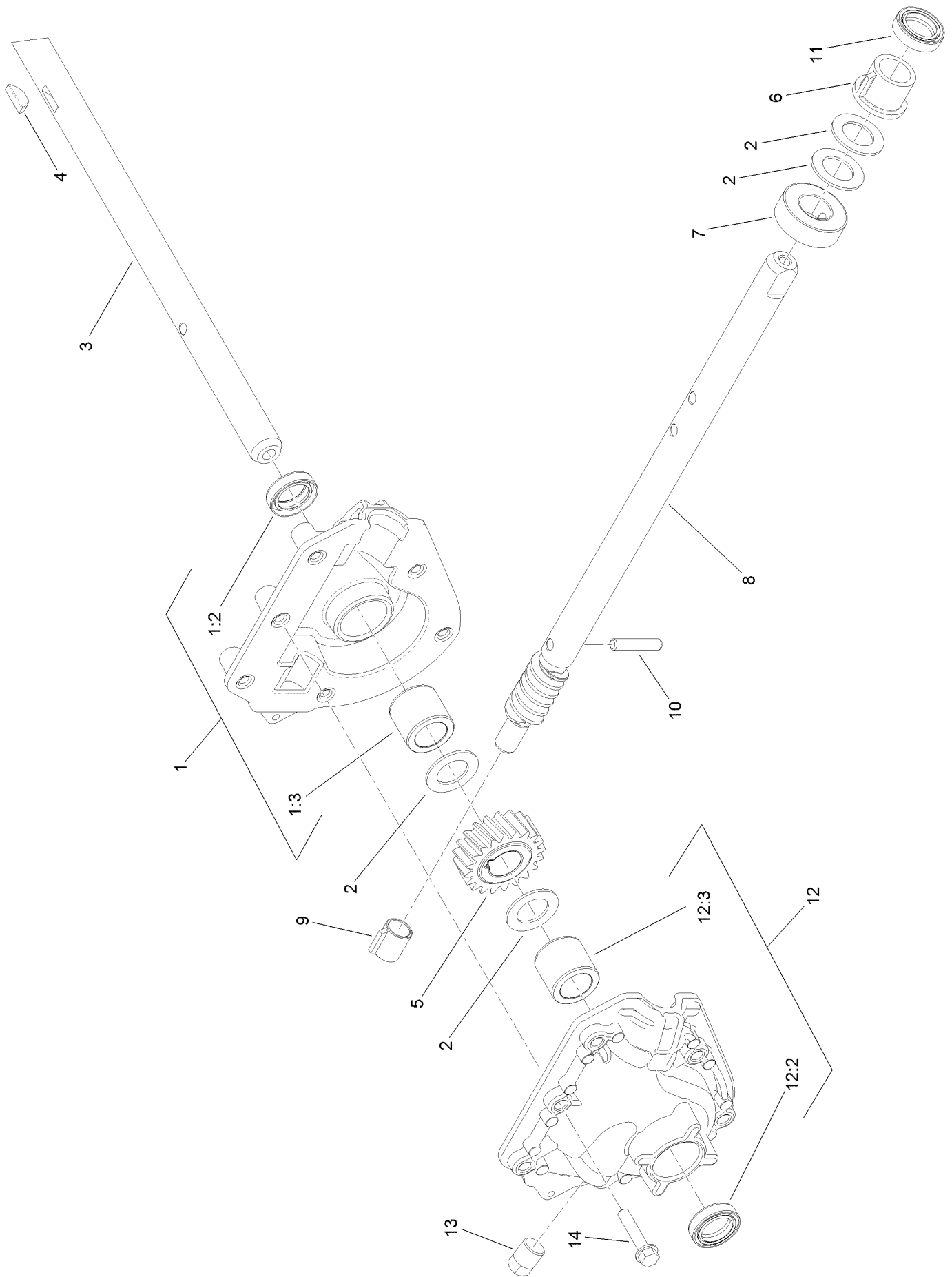
Gearbox, Auger and Impeller Assembly



Gearbox, Auger and Impeller Assembly (continued)

| <i>Ref.</i> | <i>Part Number</i> | <i>Qty.</i> | <i>Description</i> | <i>Ref.</i> | <i>Part Number</i> | <i>Qty.</i> | <i>Description</i> |
|-------------|--------------------|-------------|--------------------|-------------|--------------------|-------------|--------------------|
| 2 | 119-7612-03 | 1 | Impeller ASM | 7 | 120-9290-03 | 1 | RH Auger ASM |
| 3 | 119-7641 | 1 | Gearcase ASM | 9 | 322-3 | 2 | Screw-HH |
| 4 | 120-3860 | 2 | Bearing-Augur | 10 | 3296-42 | 4 | Nut-Lock, NI |
| 5 | 120-3862 | 2 | Washer-Thrust | 11 | 321-10 | 4 | Screw-HH |
| 6 | 120-9287-03 | 1 | LH Auger ASM | 12 | 32144-70 | 4 | Screw-HWHTF |

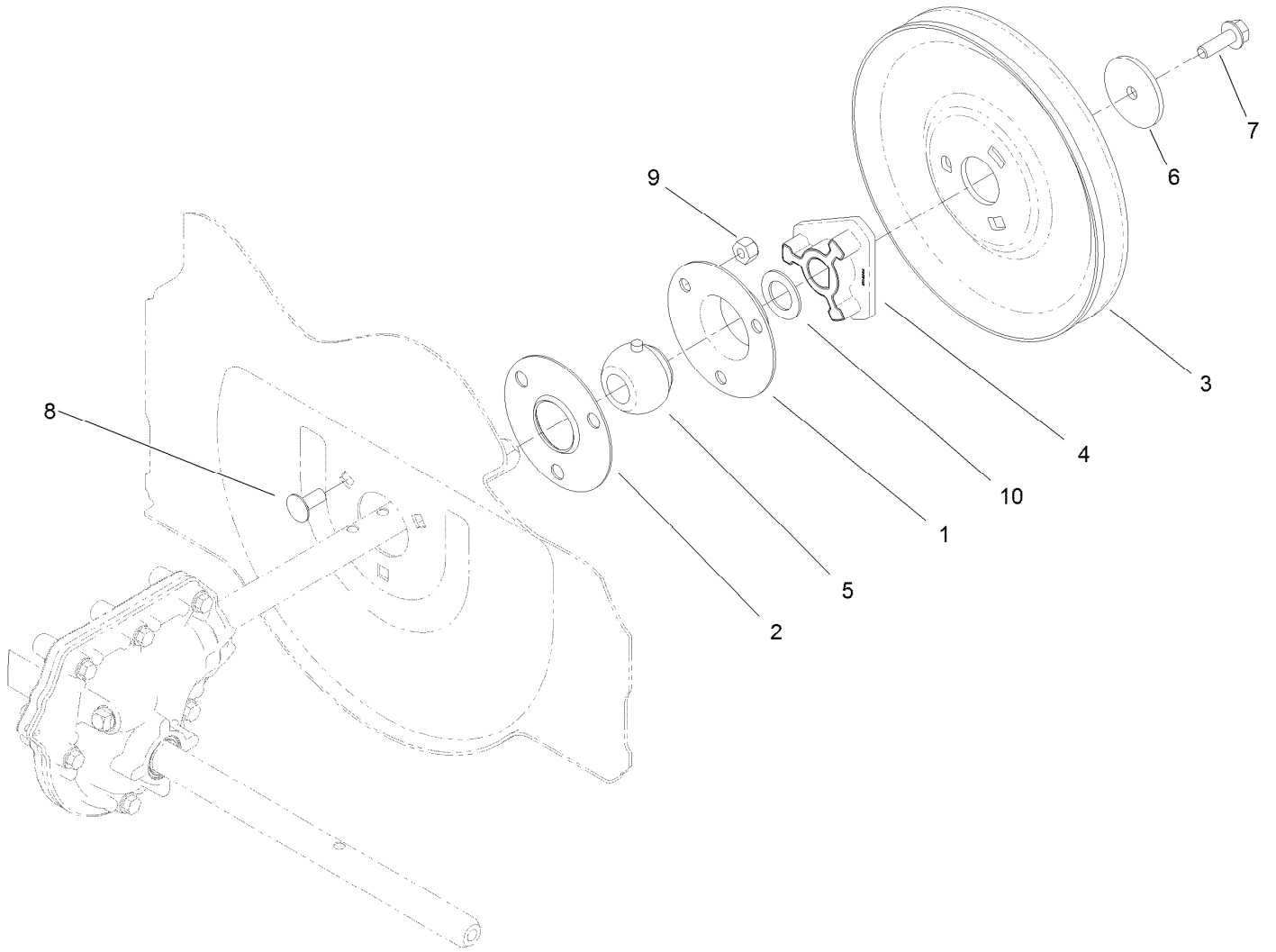
26 Inch Auger Gearcase Assembly No. 119-7641



26 Inch Auger Gearcase Assembly No. 119-7641 (continued)

| <i>Ref.</i> | <i>Part Number</i> | <i>Qty.</i> | <i>Description</i> | <i>Ref.</i> | <i>Part Number</i> | <i>Qty.</i> | <i>Description</i> |
|-------------|--------------------|-------------|------------------------|-------------|--------------------|-------------|------------------------|
| 1 | 121-1209 | 1 | RH Auger Gearcase ASM | 8 | 121-1234 | 1 | Shaft-Impeller, Rolled |
| 1:2 | 121-6634 | 1 | Seal-Shaft | 9 | 62-1150 | 1 | Bushing-Worm |
| 1:3 | 120-9269 | 1 | Bushing-Sleeve | 10 | 107-8899 | 1 | Pin-Dowel |
| 2 | 119-7640 | 4 | Washer-Thrust | 11 | 121-6634 | 1 | Seal-Shaft |
| 3 | 119-7639 | 1 | Shaft-Output, Auger | 12 | 121-1210 | 1 | LH Auger Gearcase ASM |
| 4 | 3257-5 | 1 | Key-Woodruff | 12:2 | 121-6634 | 1 | Seal-Shaft |
| 5 | 119-1576 | 1 | Gear-Helical, 20 Tooth | 12:3 | 120-9269 | 1 | Bushing-Sleeve |
| 6 | 119-7635 | 1 | Bushing-Input | 13 | 121-6832 | 1 | Plug-Pipe, SQH |
| 7 | 119-7636 | 1 | Collar-Thrust | 14 | 108-4862 | 6 | Screw-HWH Thd Roll |

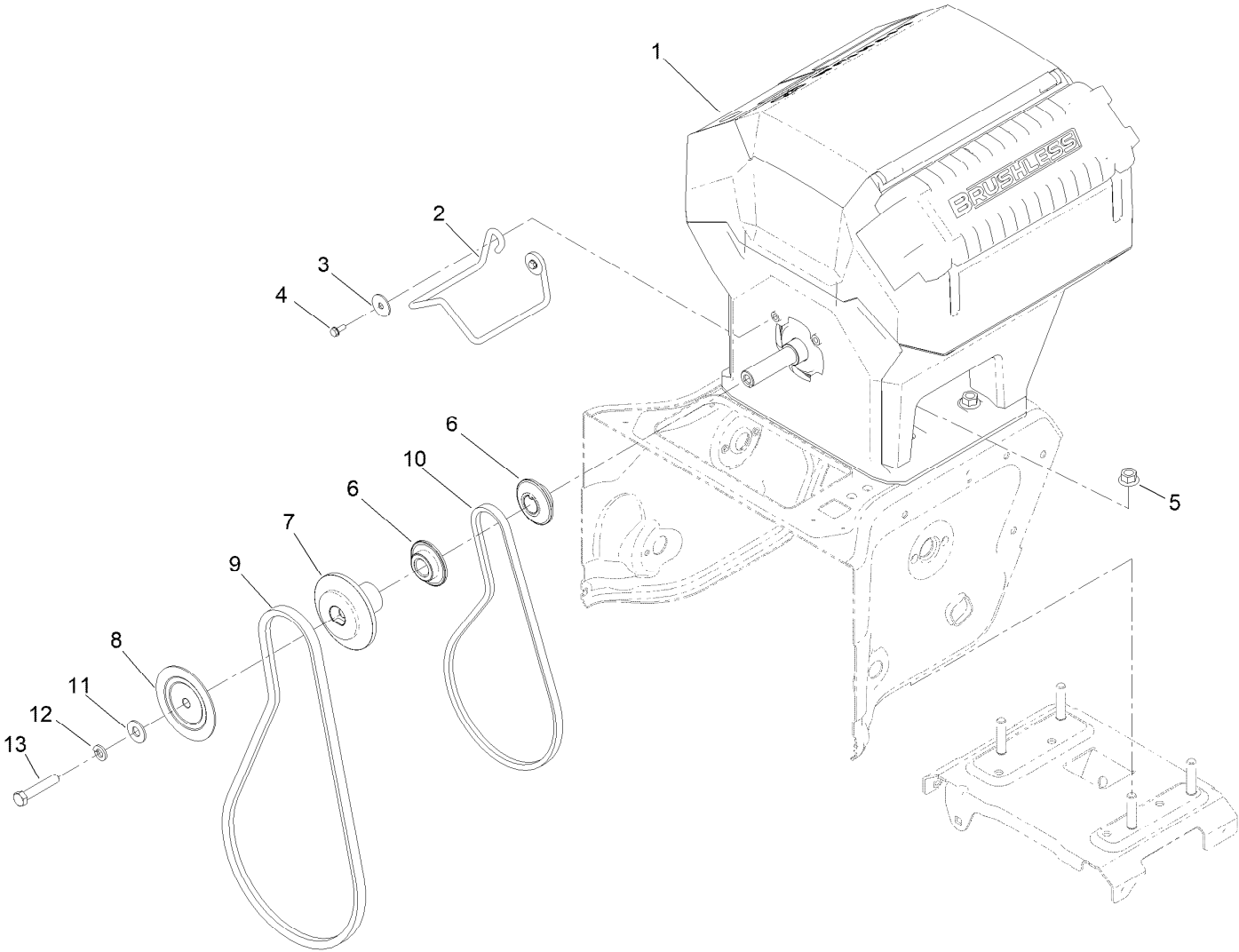
Impeller Assembly



Impeller Assembly (continued)

| <i>Ref.</i> | <i>Part Number</i> | <i>Qty.</i> | <i>Description</i> | <i>Ref.</i> | <i>Part Number</i> | <i>Qty.</i> | <i>Description</i> |
|-------------|--------------------|-------------|----------------------|-------------|--------------------|-------------|--------------------|
| 1 | 26-6110 | 1 | Flange-Cup, Bearing | 6 | 121-1230 | 1 | Washer-Plain |
| 2 | 26-6120 | 1 | Flange-Cup, Bearing | 7 | 115-5142 | 1 | Screw-HHF |
| 3 | 136-7157 | 1 | Pulley-Impeller | 8 | 3230-23 | 3 | Bolt-CARR |
| 4 | 120-9264 | 1 | Hub-Impeller, Pulley | 9 | 3296-29 | 3 | Nut-Lock, NI |
| 5 | 120-9272 | 1 | Bearing | 10 | 119-7640 | 1 | Washer-Thrust |

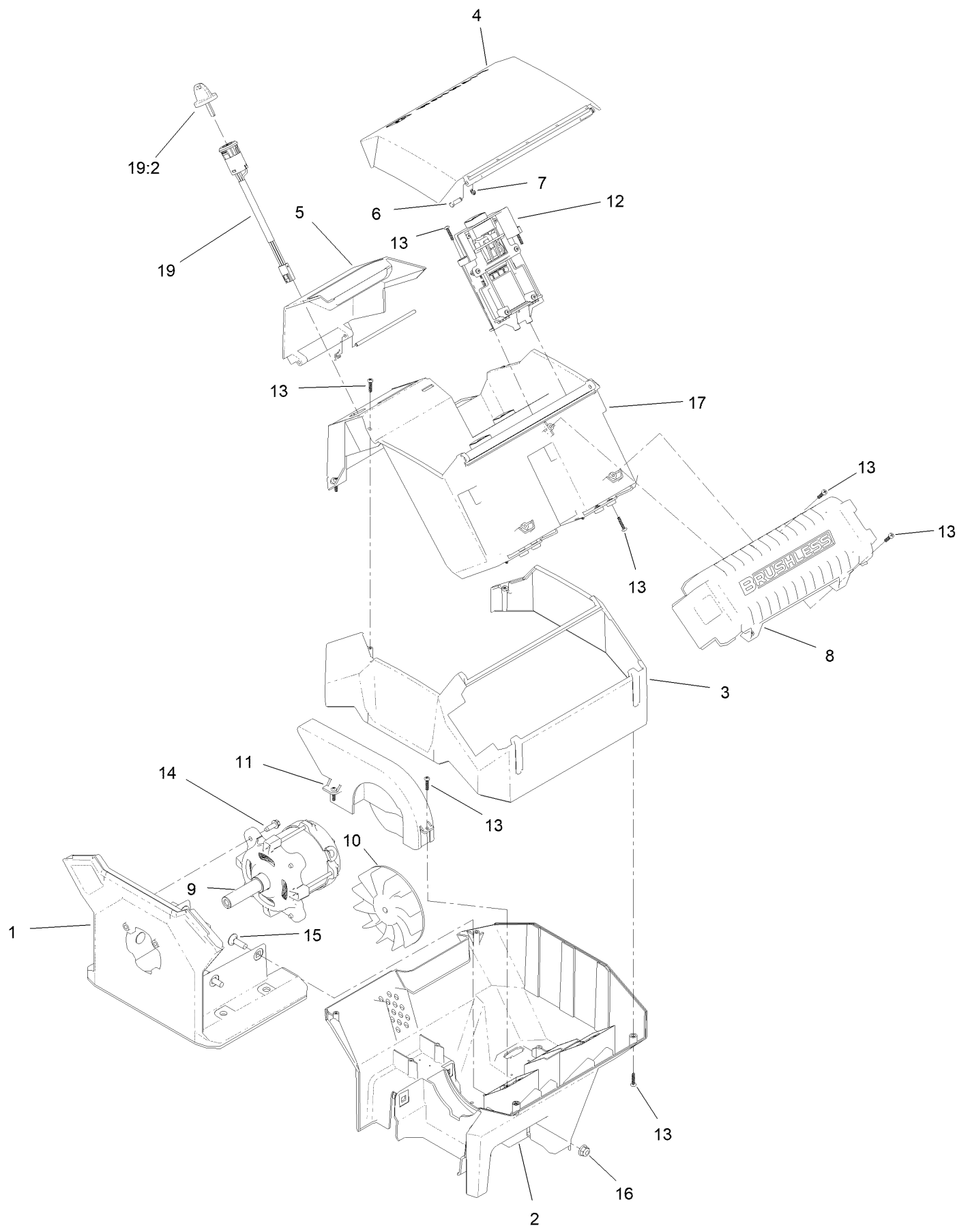
Battery Assembly



Battery Assembly (continued)

| <i>Ref.</i> | <i>Part Number</i> | <i>Qty.</i> | <i>Description</i> | <i>Ref.</i> | <i>Part Number</i> | <i>Qty.</i> | <i>Description</i> |
|-------------|--------------------|-------------|-------------------------|-------------|--------------------|-------------|---------------------|
| 1 | 139-5315 | 1 | Powerhead-60V | 8 | 120-9284 | 1 | Pulley-Auger, Front |
| 2 | 139-5299 | 1 | Guide-Belt | 9 | 120-3892 | 1 | Belt-V |
| 3 | 114-9049 | 2 | Washer-Flat,Fender | 10 | 120-3893 | 1 | Belt-V |
| 4 | 139-1700 | 2 | Screw-HWH, Thd Roll | 11 | 3256-4 | 1 | Washer-Flat |
| 5 | 136-8683 | 4 | Nut-Lock | 12 | 3253-21 | 1 | Washer-Lock |
| 6 | 137-3400 | 2 | Pulley-Engine, Traction | 13 | 120-2302 | 1 | Screw-HH |
| 7 | 120-9283 | 1 | Pulley-Auger, Rear | | | | |

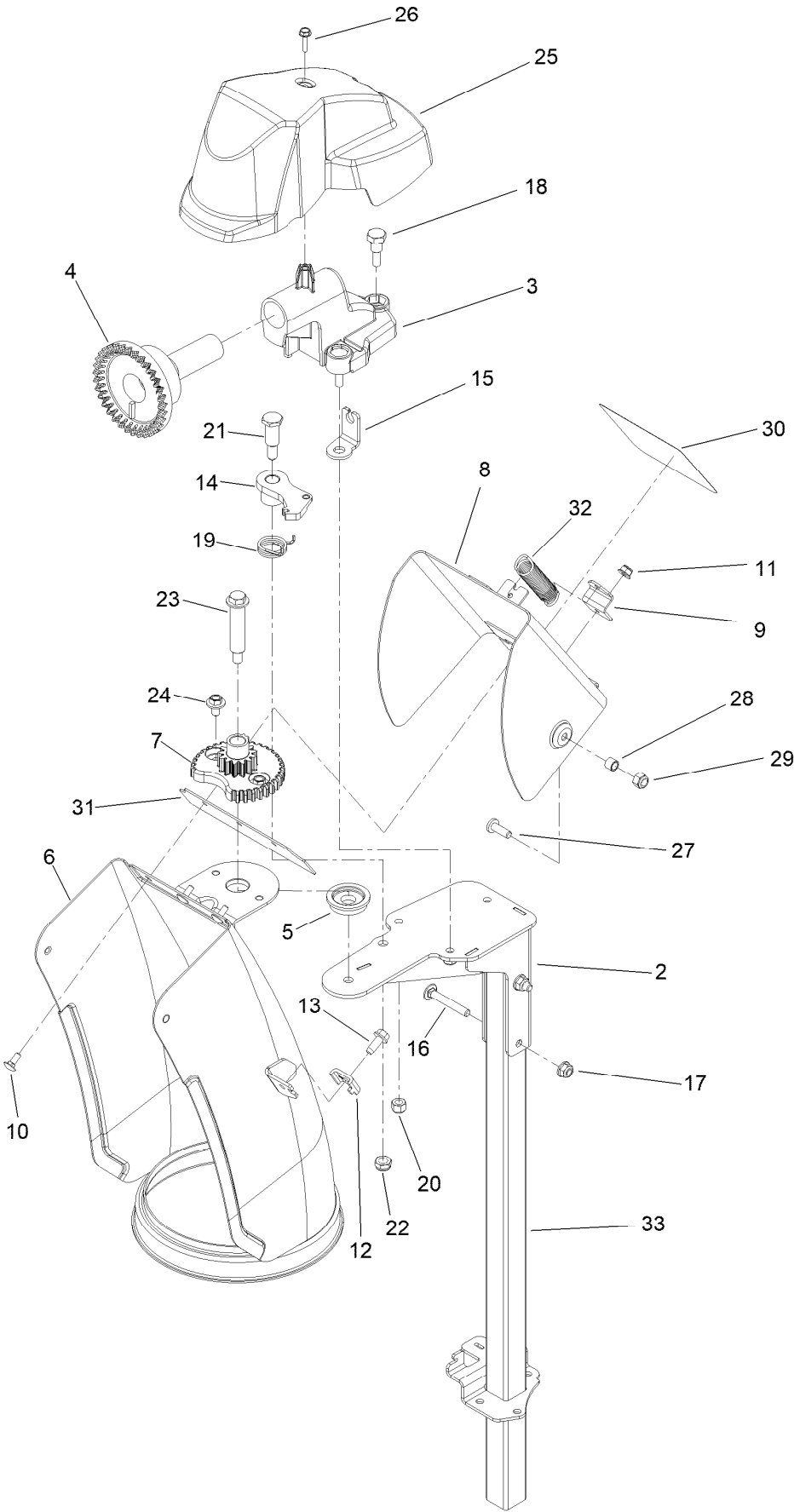
60 Volt Powerhead Assembly No. 139-5315



60 Volt Powerhead Assembly No. 139-5315 (continued)

| <i>Ref.</i> | <i>Part Number</i> | <i>Qty.</i> | <i>Description</i> | <i>Ref.</i> | <i>Part Number</i> | <i>Qty.</i> | <i>Description</i> |
|-------------|--------------------|-------------|-----------------------------------|-------------|--------------------|-------------|-------------------------------|
| 1 | 139-5316 | 1 | Motor Mount | 11 | 139-5269 | 1 | Cover-Fan |
| 2 | 139-5317 | 1 | Housing-Motor | 12 | 137-9435 | 3 | Battery Track Assembly |
| 3 | 139-5318 | 1 | Cover-Controller | 13 | 94-4496 | 27 | Screw-PPH |
| 4 | 139-5320 | 1 | Door-Top | 14 | 49-2040 | 4 | Screw-HWHTF |
| 5 | 139-5321 | 1 | Door-Bottom | 15 | 3230-2 | 4 | Bolt-CARR |
| 6 | 144-4121 | 2 | Pin-Battery Cover | 16 | 104-8300 | 4 | Nut-HF, NI |
| 7 | 110-1758 | 2 | Ring-Retaining | 17 | 139-5319 | 1 | Bucket-Battery |
| 8 | 147-9461 | 1 | Motor Controller ASM-Powerhead | 19 | 161-5981 | 1 | Ignition ASM-Powerhead |
| 9 | 139-5289 | 1 | Motor-60V, 2 Stage | 19:2 | 147-1755 | 1 | Key-60V 2 Stage Power Head |
| 10 | 139-5322 | 1 | Fan-Fc | | | | |

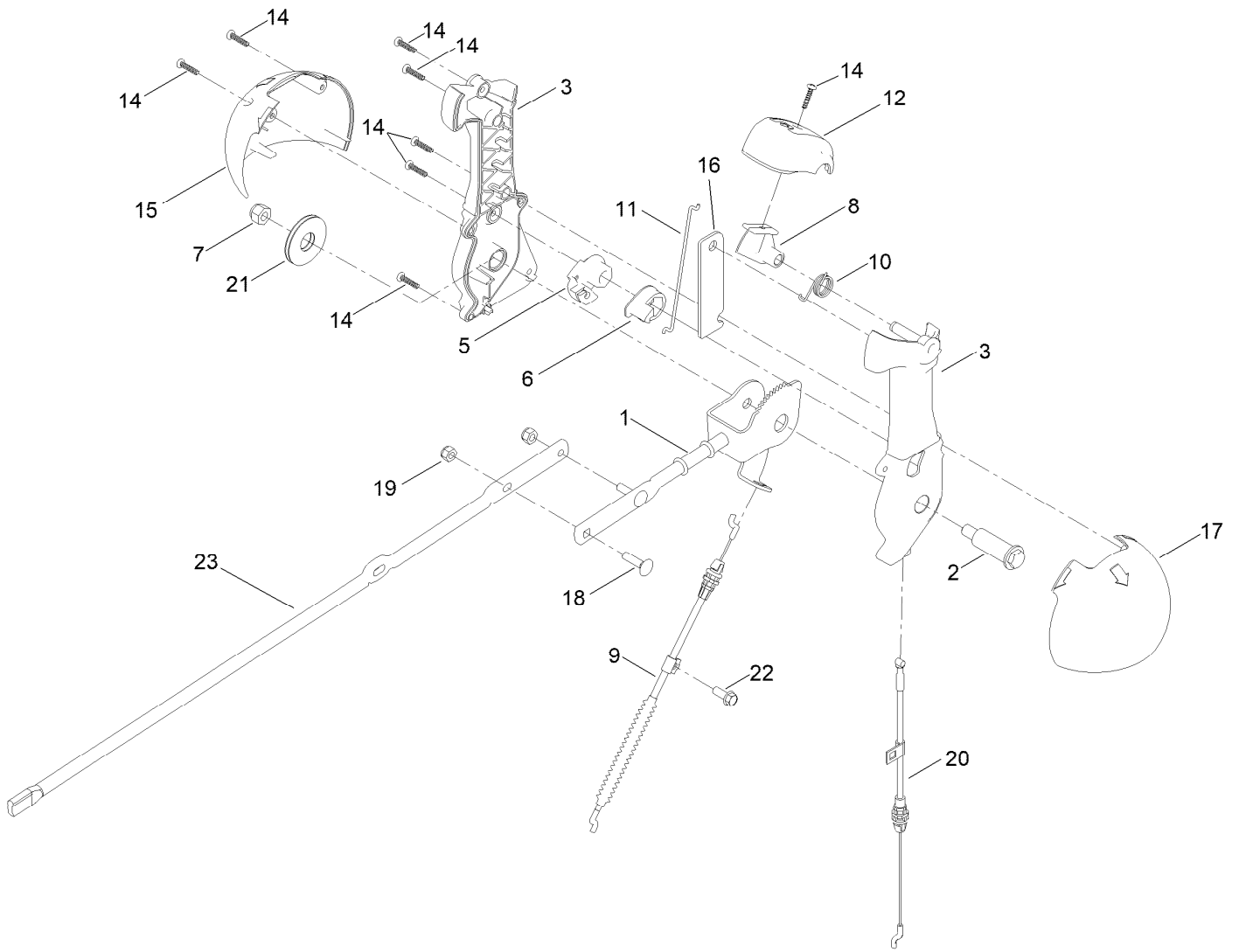
Chute Assembly



Chute Assembly (continued)

| <i>Ref.</i> | <i>Part Number</i> | <i>Qty.</i> | <i>Description</i> | <i>Ref.</i> | <i>Part Number</i> | <i>Qty.</i> | <i>Description</i> |
|-------------|--------------------|-------------|----------------------------------|-------------|--------------------|-------------|---------------------------|
| 2 | 144-1640-03 | 1 | Support-Chute Weld ASM, Upper | 18 | 136-7197 | 3 | Screw-Shoulder |
| 3 | 138-3606 | 1 | Mount-Gear, Face | 19 | 108-7315 | 1 | Spring-Torsion |
| 4 | 106-4471 | 1 | Gear-Face | 20 | 137-3088 | 3 | Nut-Hex |
| 5 | 106-4422 | 1 | Spacer-Chute | 21 | 137-3103 | 1 | Screw-Shoulder, HH |
| 6 | 138-3611-01 | 1 | Chute | 22 | 137-3089 | 3 | Nut-Hex |
| 7 | 106-4472 | 1 | Gear-Chute | 23 | 136-7199 | 1 | Bolt-Shoulder |
| 8 | 138-3615-01 | 1 | Deflector | 24 | 32144-4 | 2 | Screw-HWH |
| 9 | 138-3612-01 | 1 | Bracket-Spring | 25 | 138-3627 | 1 | Cover-Chute, Gear |
| 10 | 135-1929 | 3 | Bolt-CARR | 26 | 98-1375 | 1 | Screw-HWH |
| 11 | 138-0719 | 3 | Nut-HF | 27 | 138-0689 | 1 | Screw-PH |
| 12 | 136-7191 | 1 | Clamp-Cable | 28 | 138-3678 | 1 | Spacer |
| 13 | 137-3043 | 1 | Screw-HWH | 29 | 137-3094 | 1 | Nut-Hex |
| 14 | 106-4476 | 1 | Latch-Chute | 30 | 137-6198 | 1 | Decal-Danger |
| 15 | 138-3607 | 1 | Anchor-Cable | 31 | 138-3671 | 1 | Gasket-Deflector |
| 16 | 120-9698 | 2 | Bolt-CARR | 32 | 138-8493 | 1 | Spring-Chute, Upper |
| 17 | 119-4040 | 2 | Nut-HF, NI | 33 | 144-1642-03 | 1 | Chute Support ASM [black] |

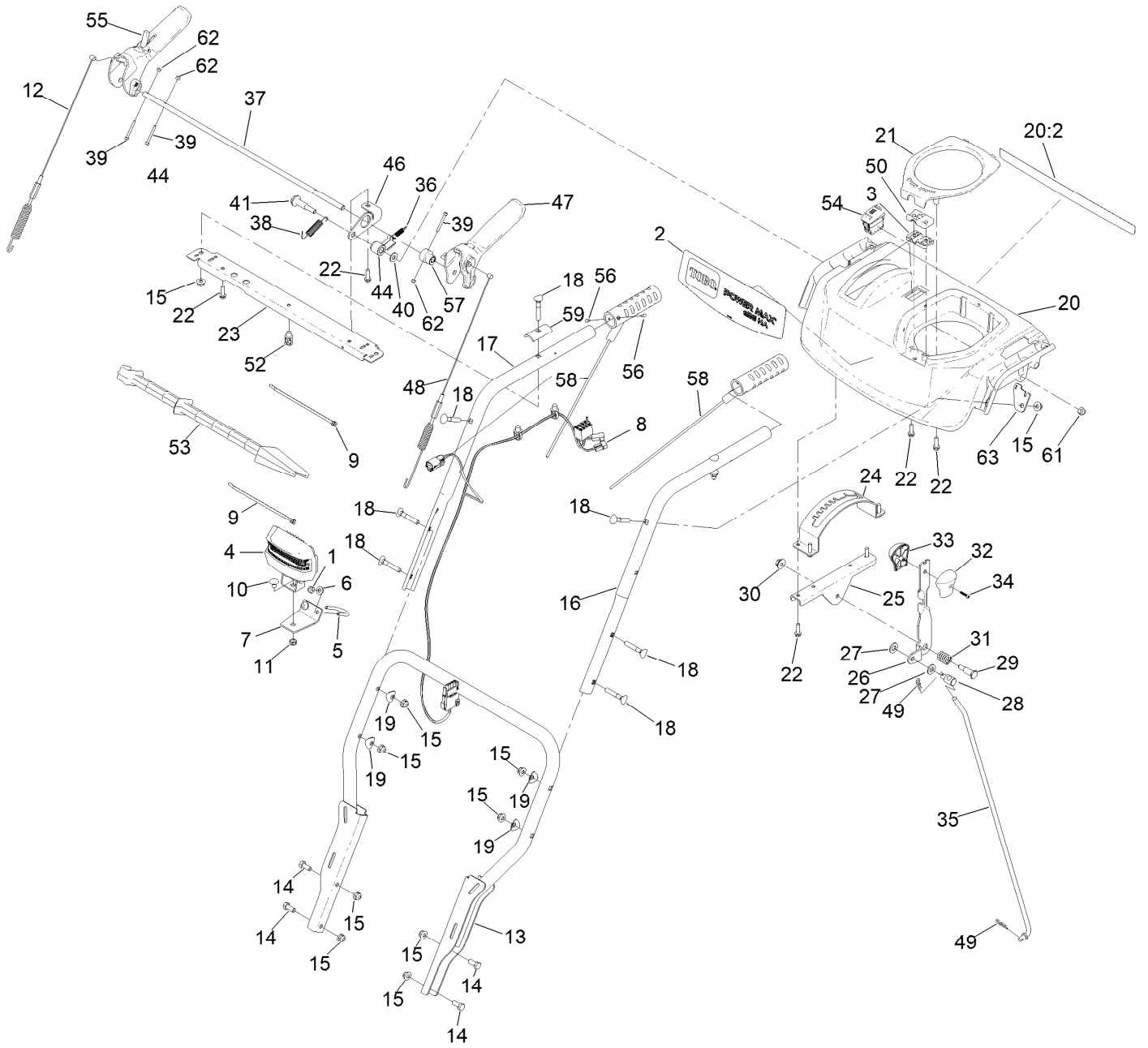
Chute Control Assembly



Chute Control Assembly (continued)

| <i>Ref.</i> | <i>Part Number</i> | <i>Qty.</i> | <i>Description</i> | <i>Ref.</i> | <i>Part Number</i> | <i>Qty.</i> | <i>Description</i> |
|-------------|--------------------|-------------|--------------------------|-------------|--------------------|-------------|----------------------------|
| 1 | 138-0662 | 1 | Rod-Control, Chute | 14 | 94-4496 | 8 | Screw-PPH |
| 2 | 138-0659 | 1 | Screw-Shoulder, HWH | 15 | 136-6677 | 1 | Globe-Quickstick, RH |
| 3 | 139-1552 | 1 | Chute Control Lever ASM | 16 | 136-6632 | 1 | Plate-Stiffner |
| 5 | 105-9988 | 1 | Lever-Cable, Deflector | 17 | 136-6678 | 1 | Globe-Quickstick, LH |
| 6 | 106-7310 | 1 | Pawl-Latch | 18 | 137-3056 | 3 | Bolt-CARR |
| 7 | 137-3087 | 1 | Nut-Hex | 19 | 137-3094 | 3 | Nut-Hex |
| 8 | 137-6238 | 1 | Trigger-Latch | 20 | 144-1237 | 1 | Cable-Rotation, Chute |
| 9 | 138-3672 | 1 | Cable-Control, Deflector | 21 | 138-0744 | 1 | Washer-Friction, Composite |
| 10 | 105-9982 | 1 | Spring-Torsion | 22 | 32144-85 | 1 | Screw-HWH Thd Form |
| 11 | 138-0688 | 1 | Link-Latch | 23 | 144-1236 | 1 | Rod-Chute |
| 12 | 137-6239 | 1 | Cap-Lever | | | | |

Handle Assembly



Handle Assembly (continued)

| <i>Ref.</i> | <i>Part Number</i> | <i>Qty.</i> | <i>Description</i> | <i>Ref.</i> | <i>Part Number</i> | <i>Qty.</i> | <i>Description</i> |
|-------------|--------------------|-------------|---------------------------------------|-------------|--------------------|-------------|--|
| 1 | 137-3094 | 2 | Nut-Hex | 30 | 137-3038 | 1 | Nut-HF |
| 2 | 145-0852 | 1 | Decal - Consol | 31 | 136-7121 | 1 | Spring-Compression |
| 3 | 139-3587 | 1 | Support-Rod, Lower | 32 | 105-9999 | 1 | Knob-Shift, LH |
| 4 | 138-0670 | 1 | LED Light ASM | 33 | 106-4423 | 1 | Knob-Shift, RH |
| 5 | 136-7120 | 1 | Clamp-Light | 34 | 94-4496 | 1 | Screw-PPH |
| 6 | 137-3072 | 2 | Washer-Flat | 35 | 145-0696 | 1 | Rod-Shift |
| 7 | 127-5961-03 | 1 | Bracket-Light | 36 | 136-7161 | 1 | Spring-Lockout, Handle |
| 8 | 145-0899 | 1 | Harness-Wire, LED And Hand Warmers | 37 | 144-1343 | 1 | Rod-Lockout |
| 9 | 614249 | 3 | Tie-Cable | 38 | 136-7162 | 1 | Spring-Return, Lever |
| 10 | 3230-19 | 1 | Bolt-CARR | 39 | 145-0660 | 3 | Screw-HSH,Spl |
| 11 | 137-3089 | 1 | Nut-Hex | 40 | 98-3499 | 1 | Washer-Flat |
| 12 | 121-6812 | 1 | Cable-Auger | 41 | 145-0687 | 1 | Screw-Shoulder |
| 13 | 139-3574-03 | 1 | Handle-Lower, Weld ASM | 44 | 144-1342 | 1 | Latch, Lockout |
| 14 | 137-3052 | 4 | Screw-HH | 46 | 145-0677-03 | 1 | Bracket-Interlock |
| 15 | 138-8401 | 12 | Nut-HF | 47 | 144-1347 | 1 | Lever-Control |
| 16 | 137-6206-03 | 1 | Handle-Upper, LH | 48 | 144-0323 | 1 | Cable-Traction |
| 17 | 137-6207-03 | 1 | Handle-Upper, RH | 49 | 137-3083 | 2 | Pin-Hair |
| 18 | 137-3107 | 8 | Screw-Handle | 50 | 139-3588 | 1 | Support-Rod, Upper |
| 19 | 137-3009 | 4 | Washer-Cup | 52 | 32180-030 | 1 | Clip-Tie |
| 20 | 145-0665 | 1 | Control Panel Assembly | 53 | 110-3408 | 1 | Stick-Cleanout |
| 20:2 | 137-6249 | 1 | Decal-Safety | 54 | 122-1124 | 1 | Switch-Rocker, On-None-Off (Heater) |
| 21 | 137-6178 | 1 | Cover-Quickstick | 55 | 145-0871 | 1 | Auger Control ASM |
| 22 | 137-3099 | 8 | Screw-Plastite, HWH | 56 | 3290-271 | 4 | Rivet-Pop |
| 23 | 145-4075-01 | 1 | Brace-Console | 57 | 144-1341 | 1 | Cam-Lockout |
| 24 | 137-6187-03 | 1 | Gate-Shift | 58 | 144-1604 | 2 | Grip-Heated |
| 25 | 137-6188-03 | 1 | Bracket-Shift | 59 | 145-0872-03 | 1 | Handle Saddle |
| 26 | 144-2827-03 | 1 | Selector-Speed | 61 | 137-3093 | 1 | Nut-Hex |
| 27 | 115-1166 | 2 | Washer-Plain | 62 | 140-3749 | 3 | Nut-Lock Rohs |
| 28 | 136-7193 | 1 | Trunnion-Rod | 63 | 144-1345 | 1 | Plate-Spring |
| 29 | 137-3103 | 1 | Screw-Shoulder, HH | | | | |

Attachments and Accessories

For 39926T Power Max e26 60V Snowthrower

| Product Name | Model/Part |
|---|-------------------|
| Weight Kit | 107-3815 |
| Snow Cab Kit..... | 127-5960 |
| Non-Marking Skid Kit..... | 38211 |
| Heavy-Duty Skid Kit..... | 38212 |
| Drift Breaker Kit | 38213 |
| Toro 2-Stage Cover..... | 490-7466 |
| Plain 2-Stage Cover..... | 490-7467 |
| 60V Battery Charger 2 AMP | 88602 |
| 60V Rapid Battery Charger 5.4 AMP | 88605 |
| 60V LI-ION Battery 6.0 AH..... | 88660 |
| 60V LI-ION Battery 7.5 AH..... | 88675 |

Notes:



Count on it.