



Count on it.

Parts Catalog

**Z Master® Professional 7500-D
Series Riding Mower**

**With 96in TURBO FORCE® Rear Discharge
Mower**

Model No. 72098—Serial No. 416306940 and Up



Ordering Replacement Parts

To order replacement parts, please supply the part number, the quantity, and the description of each part desired.

Understanding Reference Numbers

Each identified part in an illustration has a reference number. The reference number for a part also appears in the parts list, along with other information about the part.

This catalog uses two special reference number formats, one to indicate parts in a service assembly and another to indicate the quantity of a given part in an illustration.

Service Assembly Reference Numbers

Parts in service assemblies have reference numbers in the form a:b. The a represents the reference number of the entire service assembly and the b represents a sequential number unique to each part within the service assembly.

For example, a wheel assembly might be identified by reference number 6, the tire by 6:1, the valve by 6:2, and the wheel by 6:3. When you order the assembly identified by reference number 6, you receive all parts identified by reference numbers 6:1, 6:2, and 6:3. However, you may also order any part individually. Reference numbers of this type appear in illustration and in parts lists.

Reference Numbers Indicating Quantity

In an illustration, if a reference number indicates more than one part, the reference number has the form nX y. The n represents the quantity of the part, the X is the multiplication symbol, and the y represents the reference number.

For example, in an illustration, the reference number 2X 37 means that two of the parts identified by reference number 37 are indicated.

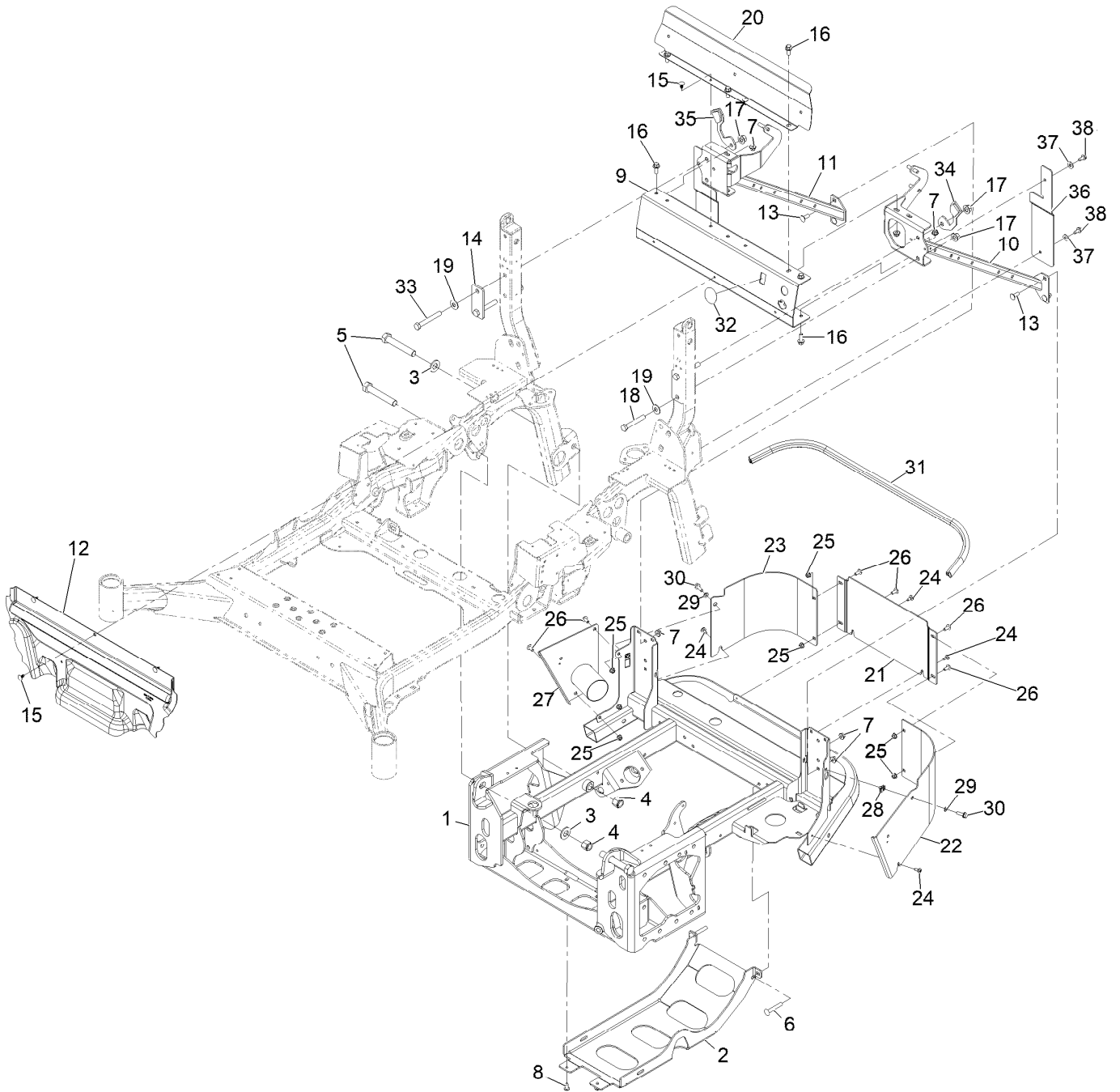
Contents

Power Frame Assembly	6
Front Frame Assembly	8
Roll-Over Protection System Assembly No. 142-9749	10
RH Mud Flap Assembly No. 135-4933	12
LH Mud Flap Assembly No. 135-4943	14
Caster Wheel Assembly	16
Transmission Mounting Assembly	18
Transmission Assembly No. 142-8084	20
Hydraulic Gear Pump Assembly No. 112-9542	22
Drive Wheel Assembly	24
Parking Brake Assembly	26
Fuel Assembly	28
RH Fuel Tank Assembly No. 142-8638	30
LH Fuel Tank Assembly No. 146-1835	32
Seat Mounting Assembly	34
Seat Assembly No. 146-3213	36
Motion Control Assembly	38
Front Linkage Rod Assembly No. 142-8447	40
Hood and Covers Assembly	42
Hood Assembly No. 142-6063	44
Hood Intake Assembly No. 142-4742	46
Electrical Assembly	48
Wire Harness Assembly No. 142-7958	50
Deck Lift Assembly	52
Engine Assembly	54
HDAC Assembly No. 142-3554	56
Deck Assembly	58
RH Wing Deck Assembly	60
RH Wing Deck Decal Assembly No. 146-0680	62
Spindle Assembly No. 137-9780	64
Caster Fork and Wheel Assembly	66
LH Wing Deck Assembly	68
LH Wing Deck Decal Assembly No. 146-0513	70
Rear Caster Wheel Assembly	72
Discharge Tunnel Assembly	74
Mulch Kit Assembly No. 135-2449	76
Hydraulic Drive Assembly	78
Hydraulic Reservoir Assembly No. 142-5034	80
5 Stud Wheel Hub Kit Assembly No. 135-5333	82
Lift and Fold Valve Assembly No. 142-8862	84
Cooling Assembly	86
Cooling Assembly No. 121-3330	88
Cylinder Block Assembly	90
Gear Housing Assembly	92
Flywheel Housing and Oil Sump Assembly	94
Cylinder Head and Cover Assembly	96
Suction Manifold Assembly	98
Exhaust Manifold Assembly	100
Diesel Particulate Filter Assembly	102
Camshaft and Driving Gear Assembly	104
Crankshaft and Piston Assembly	106
Oil Pump Assembly	108
Cooling Water System Assembly	110
Fuel Supply Pump Assembly	112

Contents (continued)

Fuel Injection Valve Assembly	114
Fuel Line Assembly	116
Starting Motor Assembly	118
Generator Assembly	120
Electronic Control Unit Assembly	122
Electric Parts Assembly	124
Fuel Pump Assembly	126
Gasket Set	128
Attachments and Accessories	130

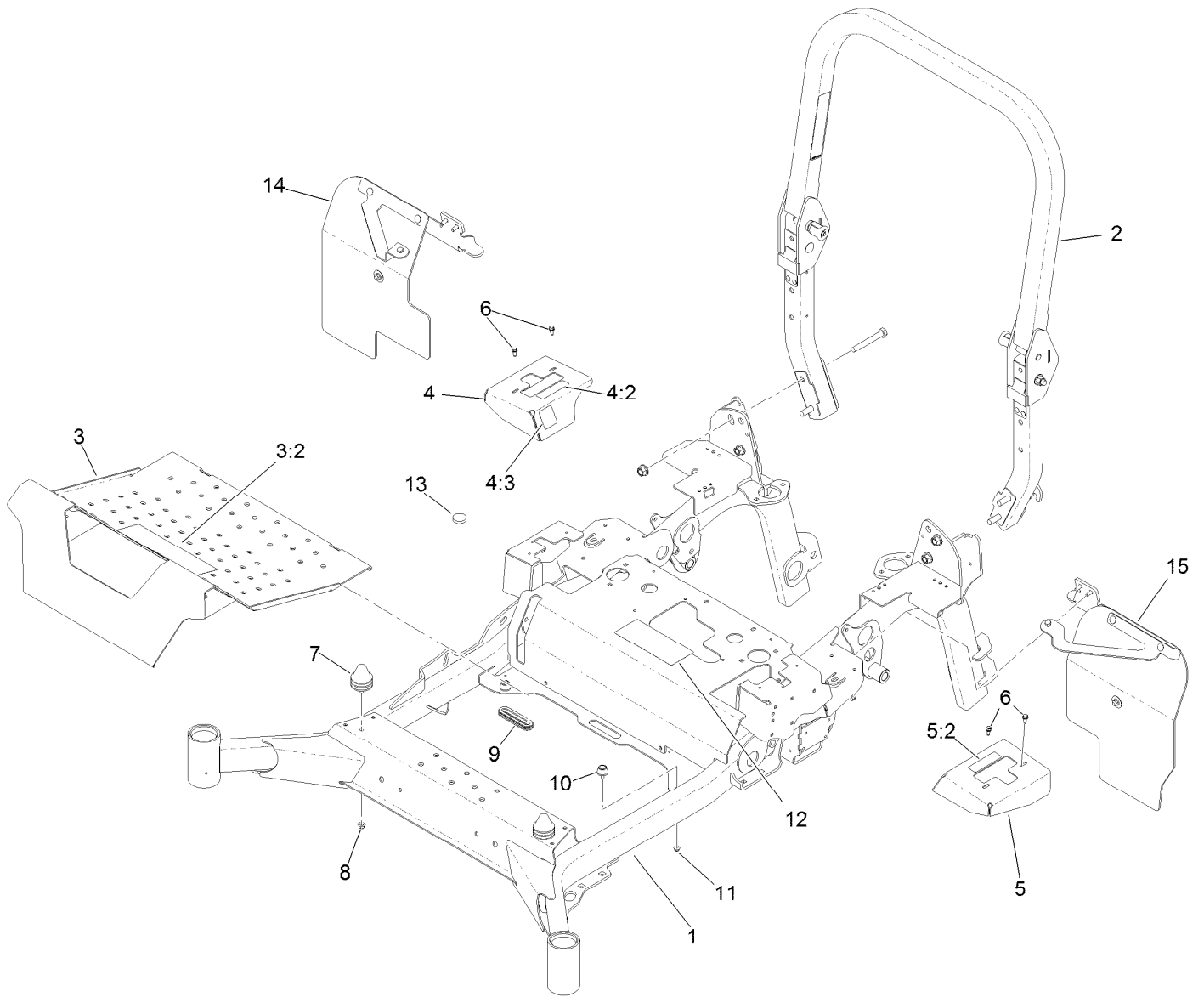
Power Frame Assembly



Power Frame Assembly (continued)

<i>Ref.</i>	<i>Part Number</i>	<i>Qty.</i>	<i>Description</i>	<i>Ref.</i>	<i>Part Number</i>	<i>Qty.</i>	<i>Description</i>
1	126-5929-03	1	Frame-Power	20	126-6557-03	1	Shield-Air
2	126-5922-03	1	Plate-Skid	21	126-8954-03	1	Plate-Bumper, Center
3	103-2802	4	Washer	22	126-8952-03	1	Plate-Bumper, LH
4	3296-51	4	Nut-Lock, NI	23	126-8953-03	1	Plate-Bumper, RH
5	328-8	4	Screw-HH	24	120-7950	4	Screw-Torx
6	3231-44	2	Screw-CARR	25	104-8300	7	Nut-HF, NI
7	104-8301	13	Nut-HF, NI	26	126-6268	7	Screw-TTH
8	138-9753	2	Screw	27	135-0880	1	Plate-Exhaust
9	126-8567-03	1	Channel-Cross	28	112-3306	2	Nut
10	142-9442-03	1	Wldmt-ROPS LH Brace	29	3290-475	2	Washer-Belleville
11	142-9443-03	1	Wldmt-ROPS RH Brace	30	3234-29	2	Screw-HHF
12	126-7458	1	Panel-Deflector, Heat	31	126-6845	1	Seal-Bulb
13	3231-22	4	Screw-CARR	32	135-3728	1	Decal-Cover
14	135-0412-03	2	Plate-Spacer	33	325-35	2	Screw-HH
15	117-2382	5	Plug-Plastic	34	142-6024-03	1	Stop-ROPS [black]
16	131-2220	7	Screw-HHF	35	142-6025-03	1	Stop-ROPS [black]
17	99-5107	4	Nut-Lock	36	142-3197	2	Sheet-ROPS Airdam
18	112-7264	2	Screw-HH	37	3256-3	4	Washer-Flat
19	109-9505	4	Washer-Spring	38	32144-70	4	Screw-HWHTF

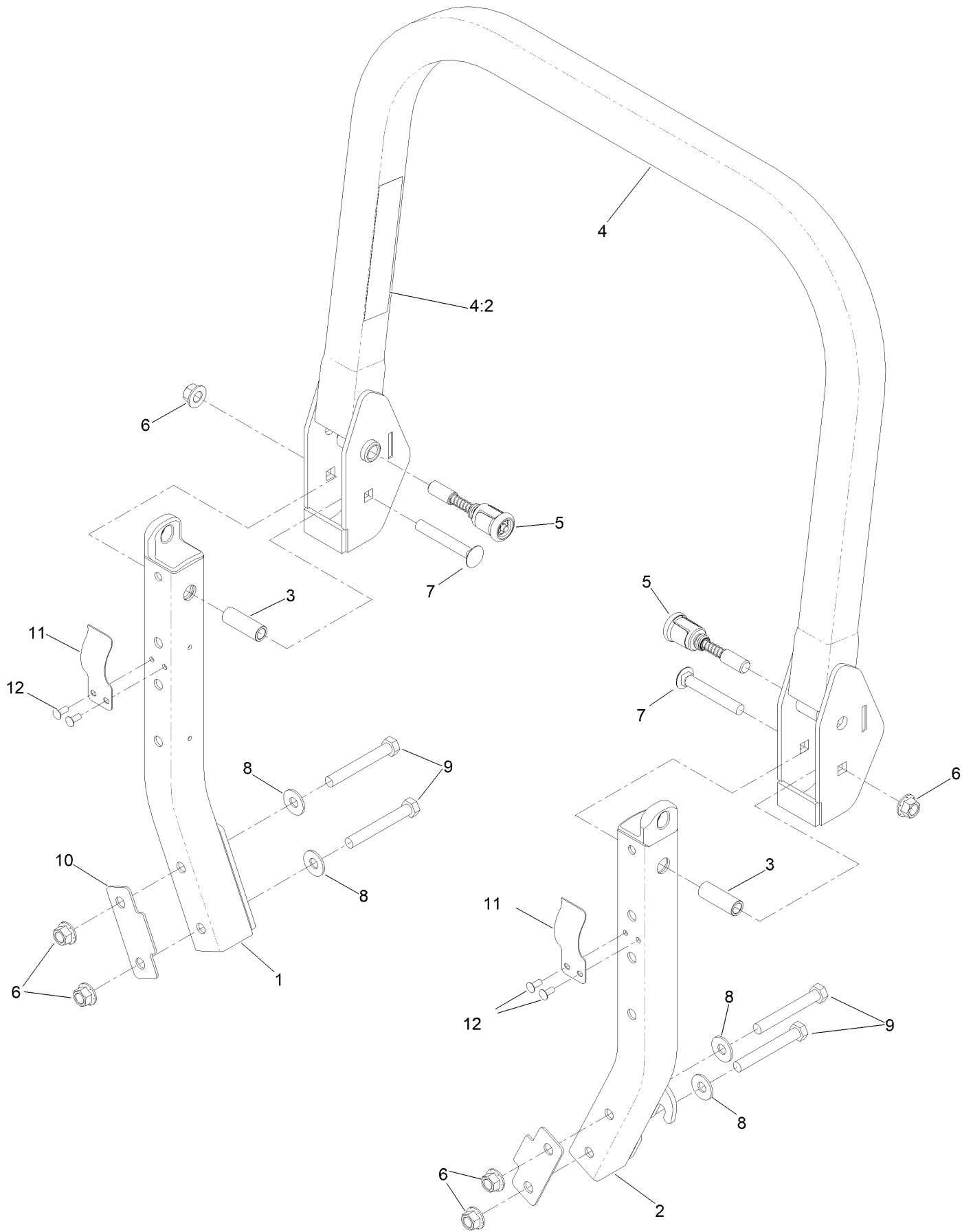
Front Frame Assembly



Front Frame Assembly (continued)

<i>Ref.</i>	<i>Part Number</i>	<i>Qty.</i>	<i>Description</i>	<i>Ref.</i>	<i>Part Number</i>	<i>Qty.</i>	<i>Description</i>
1	142-6829	1	Mainframe ASM, Wd	7	126-5491	2	Isolator
2	142-9749	1	ASM, ROPS-7500D Diesel	8	104-8300	2	Nut-HF, NI
3	126-9066	1	Pan-Floor	9	126-7065	1	Grommet-Rubber
3:2	126-8383	1	Decal-Danger	10	109-2365	2	Bumper-Rubber
4	146-3346	1	Cover-Motion Control, RH	11	104-7201	2	Nut-HF, NI
4:2	99-8936	1	Decal-Control, Motion	12	142-7835	1	Decal-Service Aid
4:3	116-5988	1	Decal-Park Brake, CE	13	109-9233	1	Bumper-Push-In, Rubber
5	146-3345	1	Cover-Motion Control, LH	14	135-4933	1	ASM, RH Mud Flap
5:2	99-8936	1	Decal-Control, Motion	15	135-4943	1	ASM, LH Mud Flap
6	32144-10	4	Screw-HWH				

Roll-Over Protection System Assembly No. 142-9749

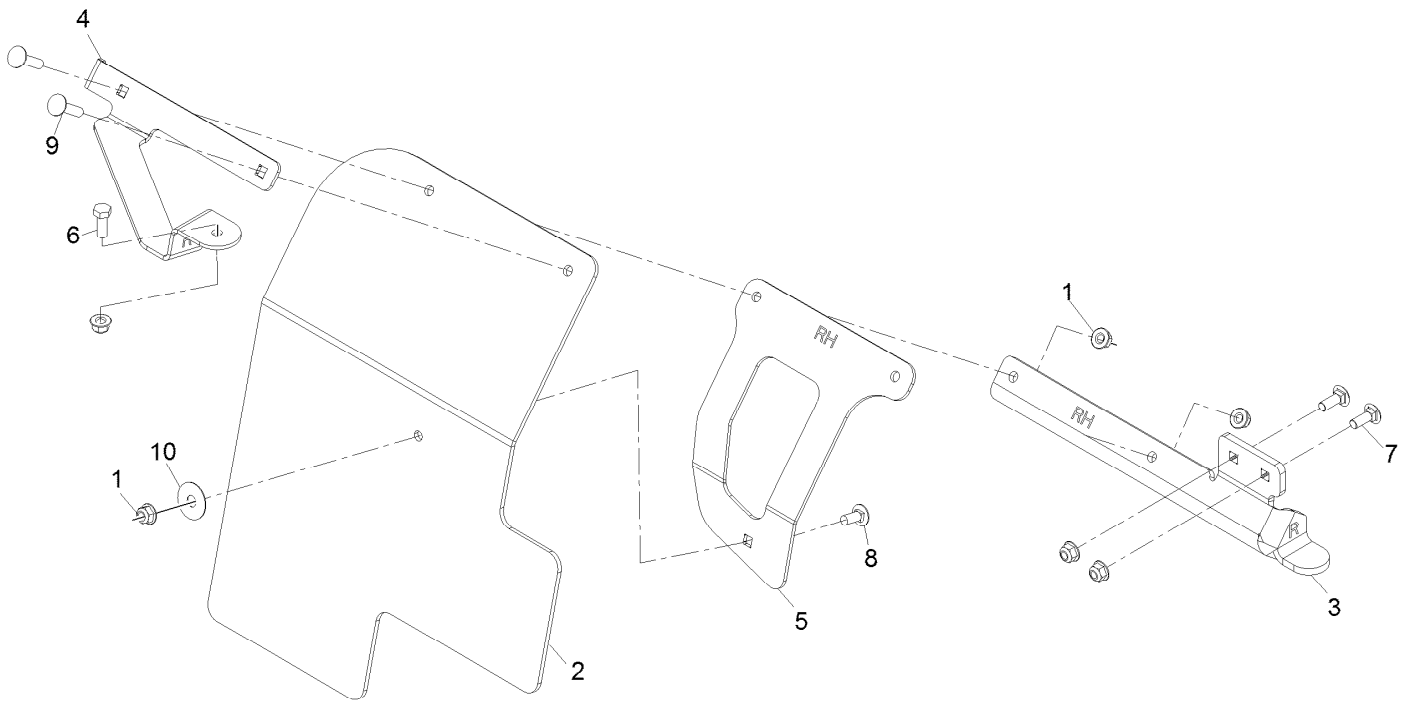


Roll-Over Protection System Assembly No. 142-9749 (continued)

<i>Ref.</i>	<i>Part Number</i>	<i>Qty.</i>	<i>Description</i>	<i>Ref.</i>	<i>Part Number</i>	<i>Qty.</i>	<i>Description</i>
1		1	Lower-ROPS, RH ●	7	3233-10	2	Screw-CARR
2		1	Lower-ROPS, LH ●	8	109-9505	4	Washer-Spring
3	109-6653	2	Spacer	9	325-35	4	Screw-HH
4	142-2385	1	ASM,ROPS Upper W/Decal	10	116-0960	2	Spacer
4:2	107-3069	1	Decal-Warning	11	110-5696	2	Spring-Leaf
5	116-0104	2	Pin-Spring	12	3290-412	4	Rivet-Blind
6	99-5107	6	Nut-Lock				

● Not serviced separately

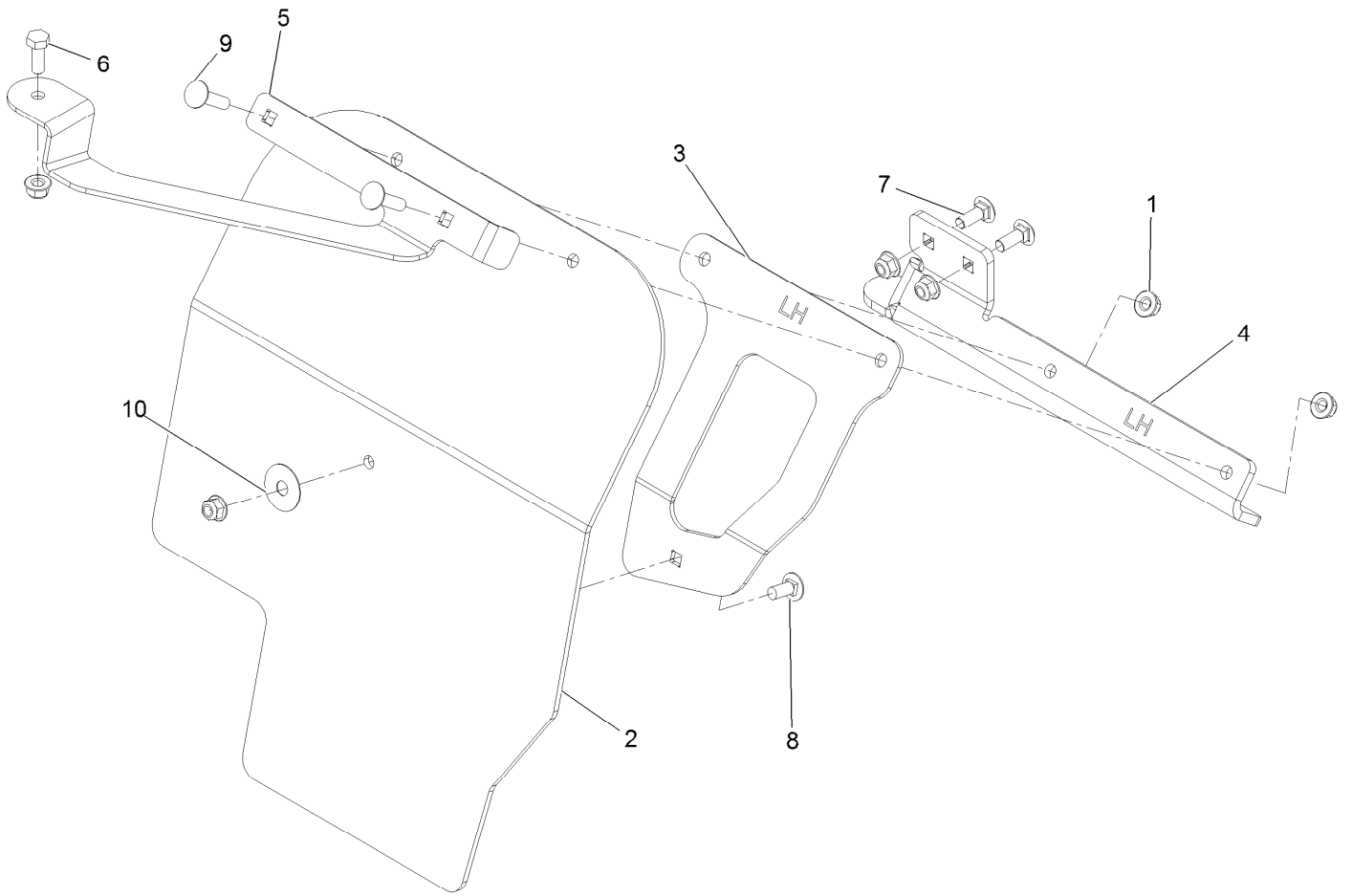
RH Mud Flap Assembly No. 135-4933



RH Mud Flap Assembly No. 135-4933 (continued)

<i>Ref.</i>	<i>Part Number</i>	<i>Qty.</i>	<i>Description</i>	<i>Ref.</i>	<i>Part Number</i>	<i>Qty.</i>	<i>Description</i>
1	104-8300	6	Nut-Nyloc 5/16-18 Flg	7	3230-16	2	Bolt-Carriage 5/16-18 X 7/8
2	135-4909	1	RH Mud Flap	8	3230-23	1	Bolt-Carriage 5/16-18 X 3/4 Short Neck
3	135-6917-03	1	Bracket, RH Mud Flap	9	3230-3	2	Bolt-Carriage 5/16-18 X 1 1/4
4	135-6919-03	1	Forward Support, RH Mud Flap	10	105-6814	1	Washer-Plain
5	135-4942-03	1	Support, RH Mud Flap				
6	322-4	1	Screw-HH 5/16-18 X 7/8				

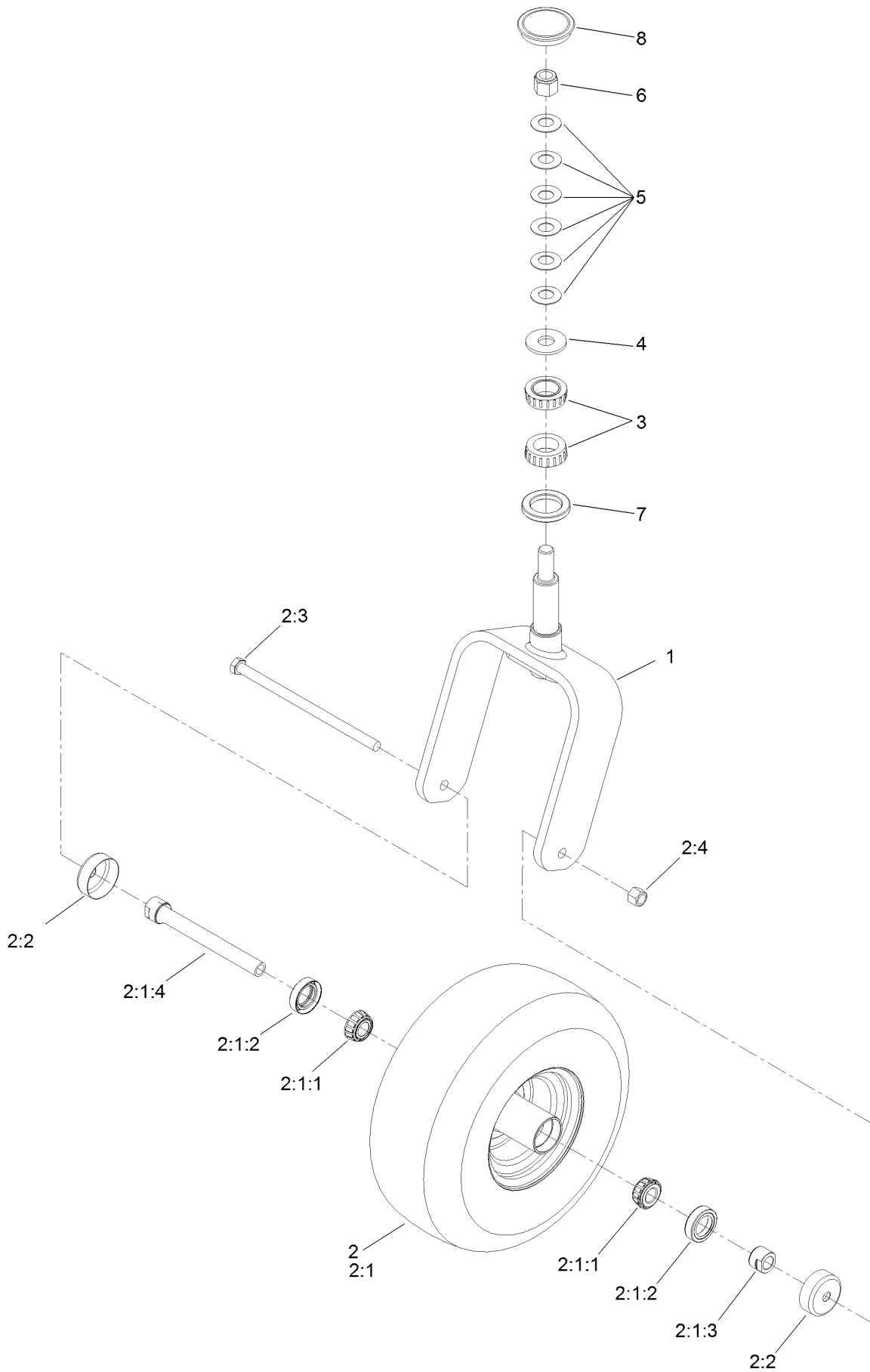
LH Mud Flap Assembly No. 135-4943



LH Mud Flap Assembly No. 135-4943 (continued)

<i>Ref.</i>	<i>Part Number</i>	<i>Qty.</i>	<i>Description</i>	<i>Ref.</i>	<i>Part Number</i>	<i>Qty.</i>	<i>Description</i>
1	104-8300	6	Nut-Nyloc 5/16-18 Flg	7	3230-16	2	Bolt-Carriage 5/16-18 X 7/8
2	135-4912	1	LH Mud Flap	8	3230-23	1	Bolt-Carriage 5/16-18 X 3/4 Short Neck
3	135-4938-03	1	Support, LH Mud Flap	9	3230-3	2	Bolt-Carriage 5/16-18 X 1 1/4
4	135-6916-03	1	Bracket, LH Mud Flap	10	105-6814	1	Washer-Plain
5	135-6918-03	1	Forward Support, LH Mud Flap				
6	322-4	1	Screw-HH 5/16-18 X 7/8				

Caster Wheel Assembly

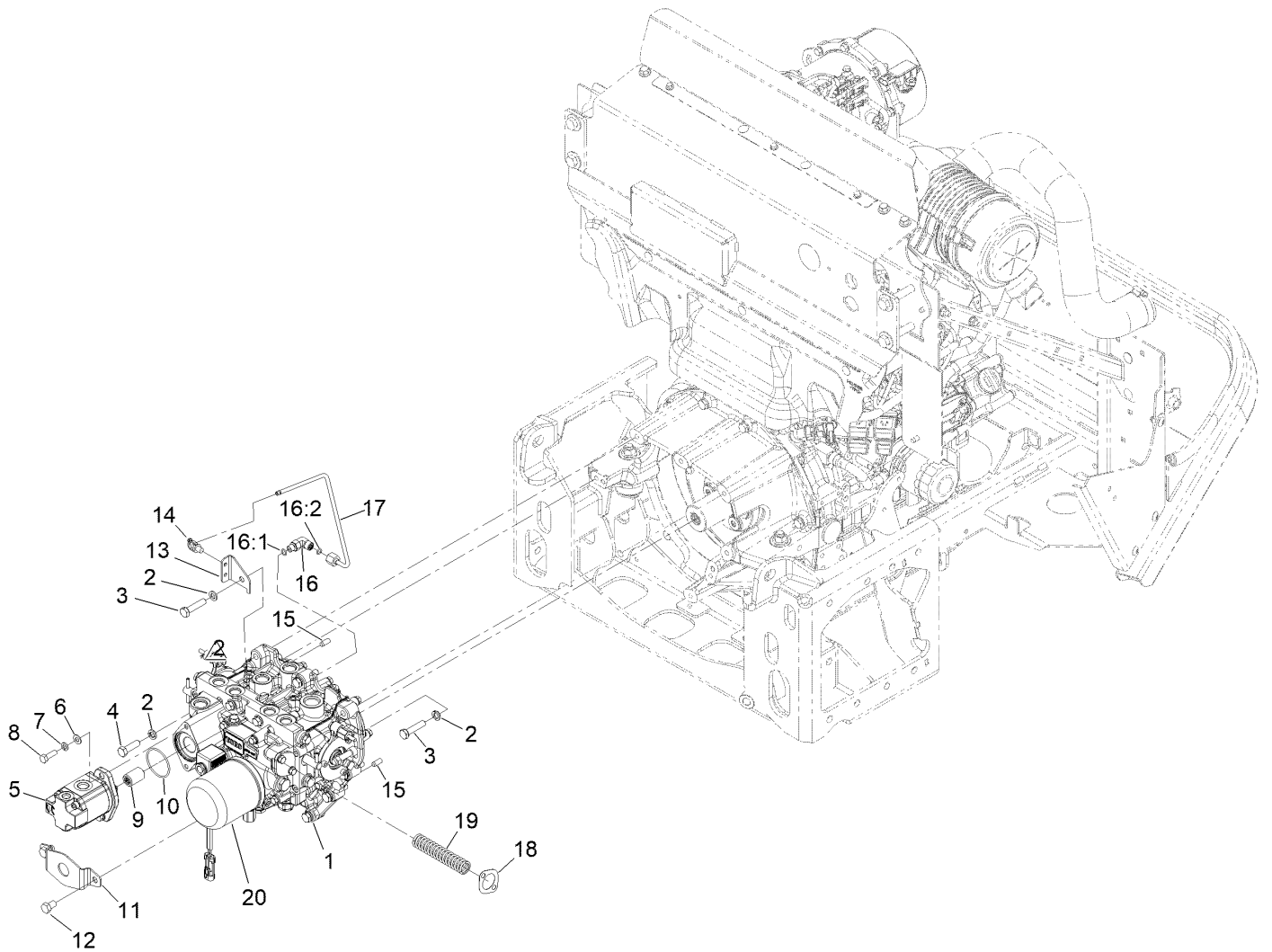


Caster Wheel Assembly (continued)

<i>Ref.</i>	<i>Part Number</i>	<i>Qty.</i>	<i>Description</i>	<i>Ref.</i>	<i>Part Number</i>	<i>Qty.</i>	<i>Description</i>
1	126-8601-01	1	Fork-Caster	2:3	325-39	1	Screw-HH
2	126-9344	1	Wheel And Tire ASM	2:4	3296-23	1	Nut-Lock, NI
2:1		1	Tire And Wheel ASM ●	3	103-9028	2	Bearing-Roller, Cone Taper
2:1:1	1-633585	2	Bearing-Cone, Taper	4	3256-8	1	Washer-Flat
2:1:2	103-0063	2	Seal-Caster	5	1-633508	6	Washer-Bellville
2:1:3	103-3051	1	Spacer-Nut	6	3296-51	1	Nut-Lock, NI
2:1:4	126-5361	1	Axle Caster ASM	7	135-0355	1	Seal-Grease
2:2	103-2768	2	Guard-Seal	8	126-9369	1	Cap-Grease

● Not serviced separately

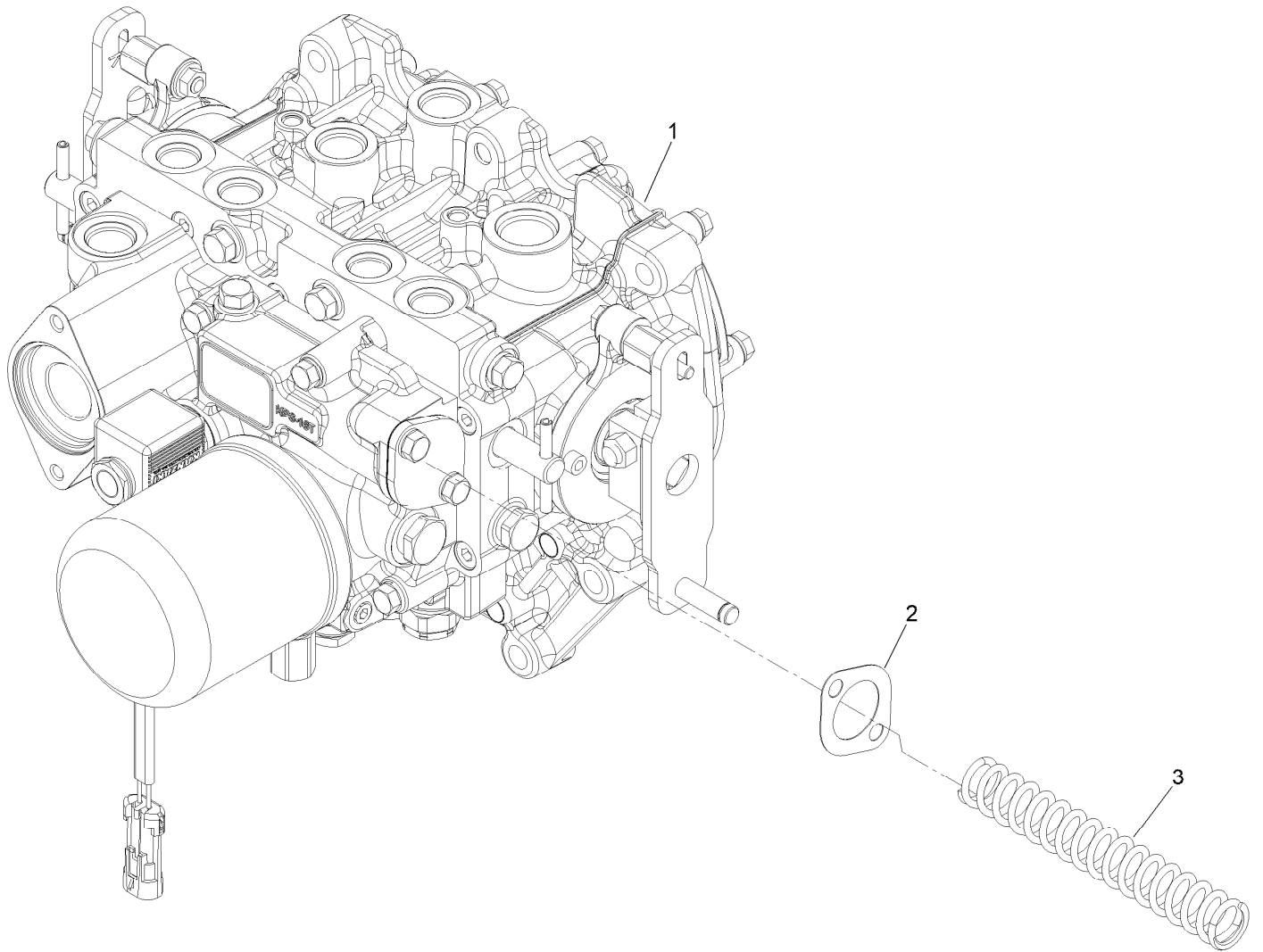
Transmission Mounting Assembly



Transmission Mounting Assembly (continued)

<i>Ref.</i>	<i>Part Number</i>	<i>Qty.</i>	<i>Description</i>	<i>Ref.</i>	<i>Part Number</i>	<i>Qty.</i>	<i>Description</i>
1	142-8084	1	Kit-Transmission ASM	12	33115-016	2	Screw-HH
2	48-9590	7	Washer-Lock	13	126-6806	1	Support-Tube
3	33115-045	6	Screw-HH	14	32180-030	1	Clip-Tie
4	33115-035	1	Screw-HH	15	87-1910	2	Pin-Dowel
5	112-9542	1	HYD Gear Pump ASM	16	340-132	1	Fitting-Elbow, 90 DEG
6	3256-23	2	Washer-Plain	16:1	237-78	1	O-Ring
7	3253-4	2	Washer-Lock	16:2	237-21	1	O-Ring
8	33114-025	2	Screw-HH	17	126-8689	1	Tube ASM
9	108-9920	1	Coupler-Spline	18	107-0847	1	Gasket
10	108-9919	1	O-Ring	19	142-5957	1	Spring-Compression
11	114-4088	1	Shield-Seal	20	108-5194	1	Filter-Oil, HYD

Transmission Assembly No. 142-8084

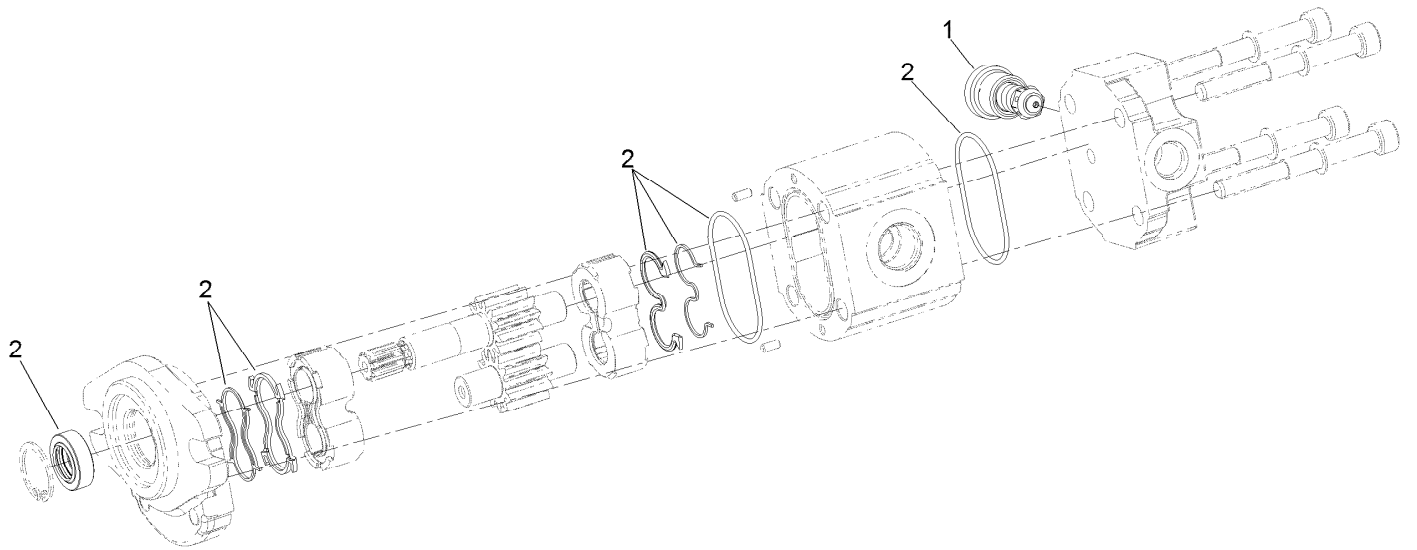


Transmission Assembly No. 142-8084 (continued)

<i>Ref.</i>	<i>Part Number</i>	<i>Qty.</i>	<i>Description</i>
1		1	Transmisson ASM ●
2	107-0847	1	Gasket
3	142-5957	1	Spring-Compression

● Not serviced separately

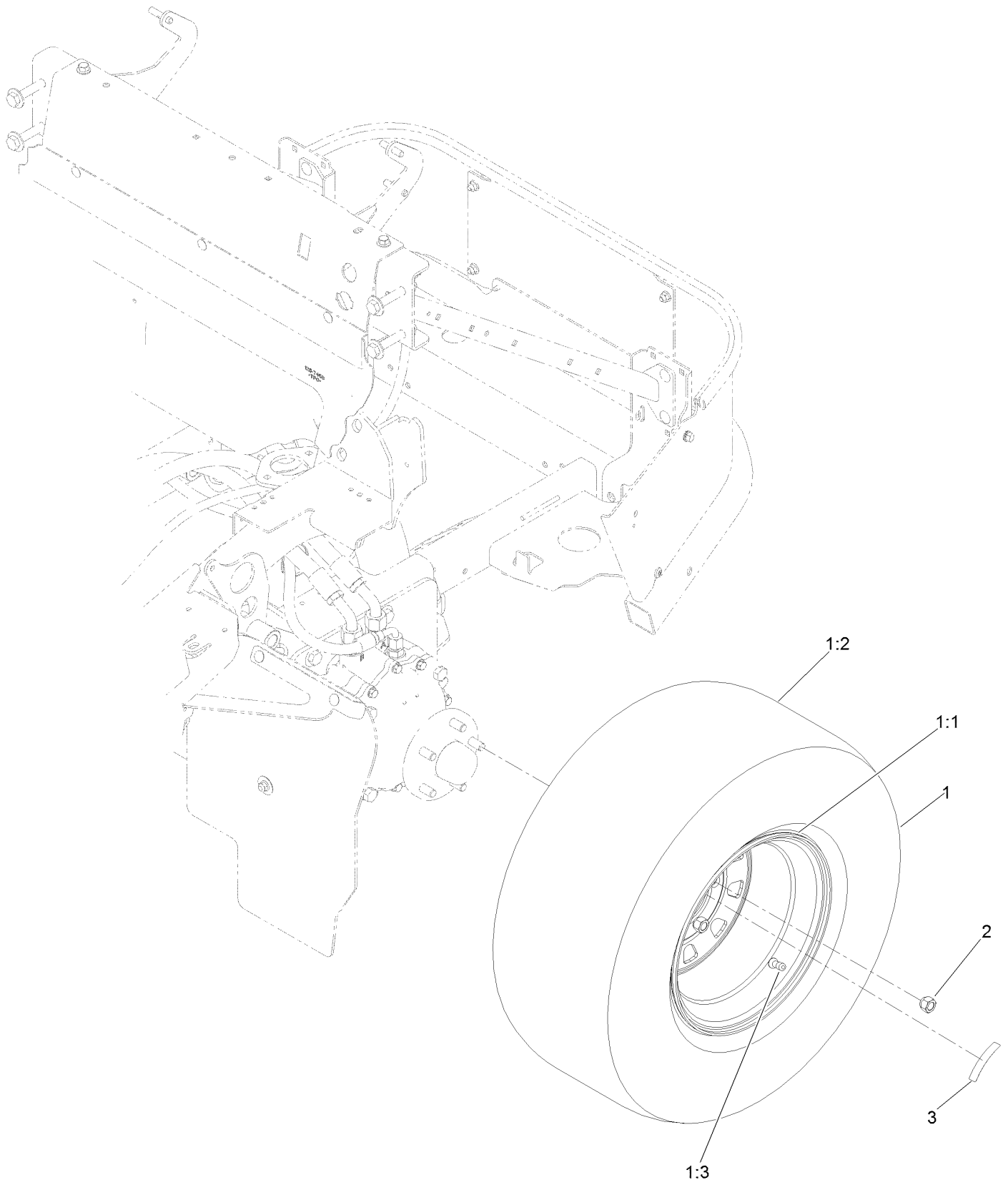
Hydraulic Gear Pump Assembly No. 112-9542



Hydraulic Gear Pump Assembly No. 112-9542 (continued)

<i>Ref.</i>	<i>Part Number</i>	<i>Qty.</i>	<i>Description</i>
1	112-0198	1	Valve
2	112-0199	1	Seal Kit

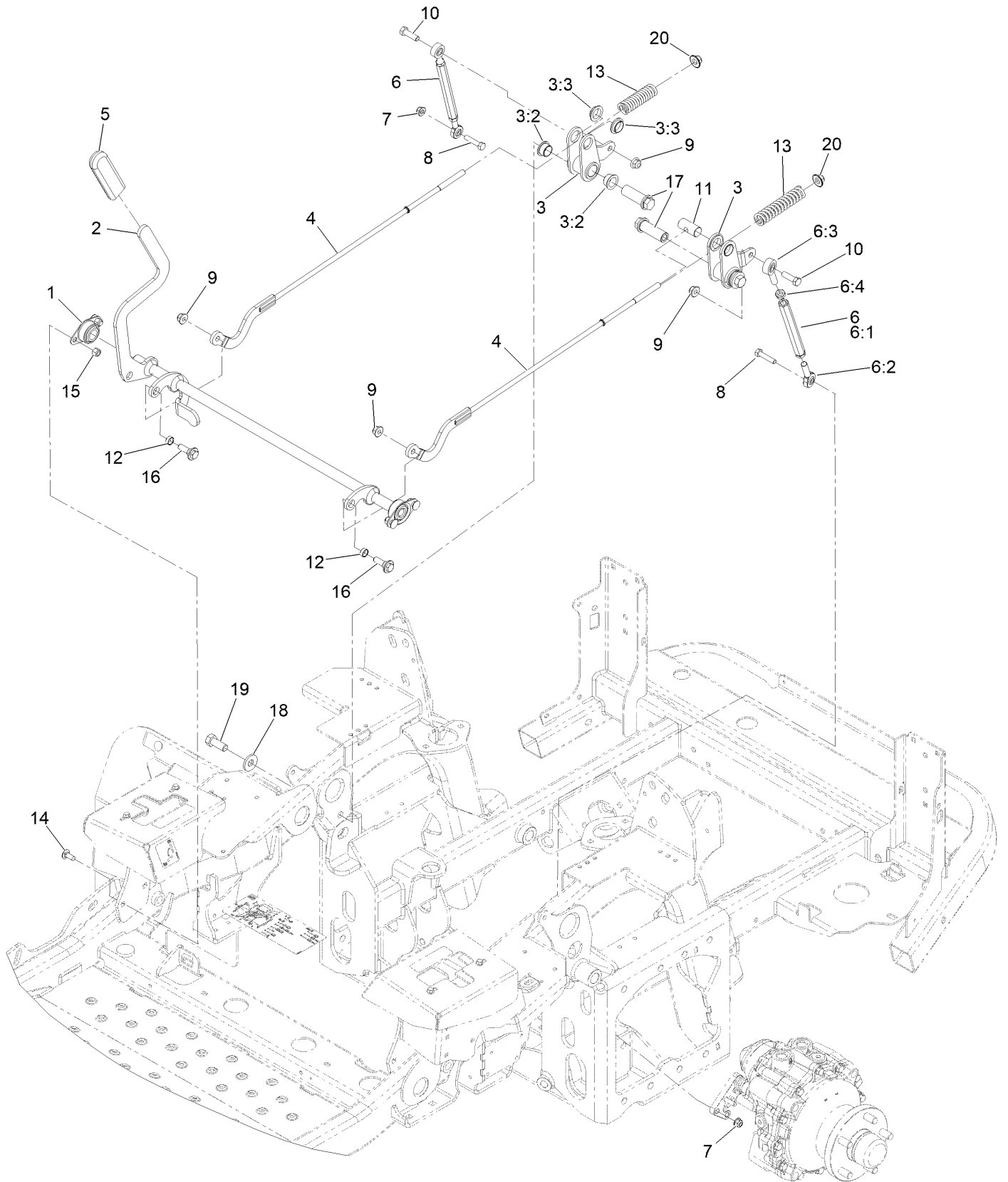
Drive Wheel Assembly



Drive Wheel Assembly (continued)

<i>Ref.</i>	<i>Part Number</i>	<i>Qty.</i>	<i>Description</i>	<i>Ref.</i>	<i>Part Number</i>	<i>Qty.</i>	<i>Description</i>
1	126-7736	2	Tire ASM	1:3	232-27	1	Stem-Valve
1:1	126-8032	1	Rim	2	242-50	10	Nut-Lug
1:2	126-8033	1	Tire	3	135-0328	2	Decal-Torque, Wheel Nut

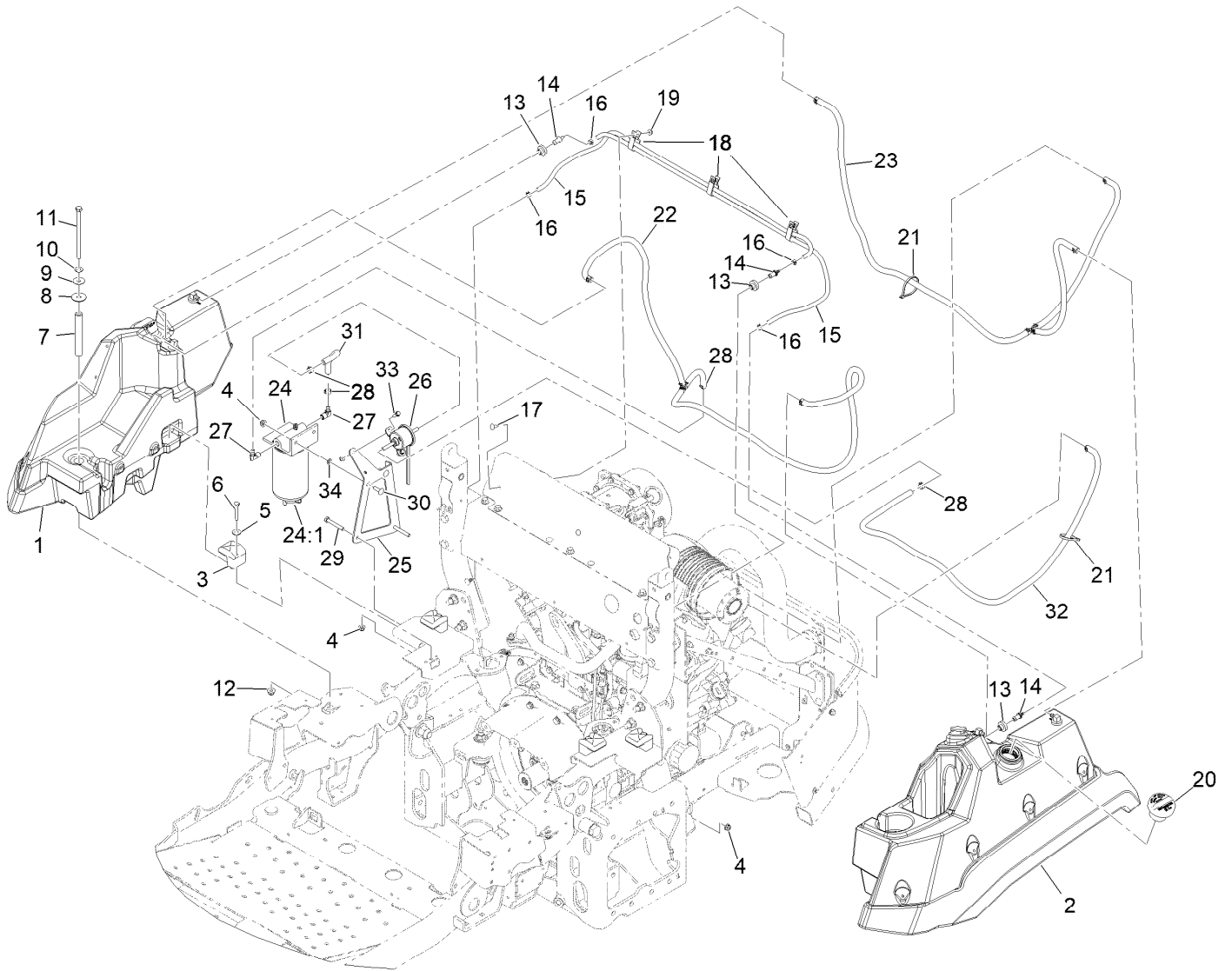
Parking Brake Assembly



Parking Brake Assembly (continued)

<i>Ref.</i>	<i>Part Number</i>	<i>Qty.</i>	<i>Description</i>	<i>Ref.</i>	<i>Part Number</i>	<i>Qty.</i>	<i>Description</i>
1	1-633102	2	Bearing-Flange, Side	8	322-7	2	Screw-HH
2	142-4901	1	Shaft-Brake	9	104-8301	4	Nut-HF, NI
3	126-3010	2	Brake Bellcrank ASM	10	323-7	2	Screw-HH
3:2	109-8054	2	Bushing-Flange	11	1-633144	2	Pin-Trunion
3:3	135-2840	2	Bushing-Flange	12	133-5109	2	Bearing-Sleeve
4	142-4897	2	Link-Brake, Upper	13	109-2230	2	Spring-Compression
5	1-633268	1	Grip-Lever	14	3230-23	4	Bolt-CARR
6	126-9171	2	Turnbuckle ASM	15	3296-29	4	Nut-Lock, NI
6:1	126-9172	1	Turnbuckle	16	614672	2	Screw-Shoulder, HWH
6:2	126-9302	1	Bearing-End, LH Rod	17	109-5891	2	Hub-Threaded
6:3	1-613204	1	Balljoint	18	1-513435	2	Washer-Spring
6:4	3220-3	1	Nut-HJ	19	325-5	2	Screw-HH
7	104-8300	2	Nut-HF, NI	20	109-6658	2	Nut-Flange, NI

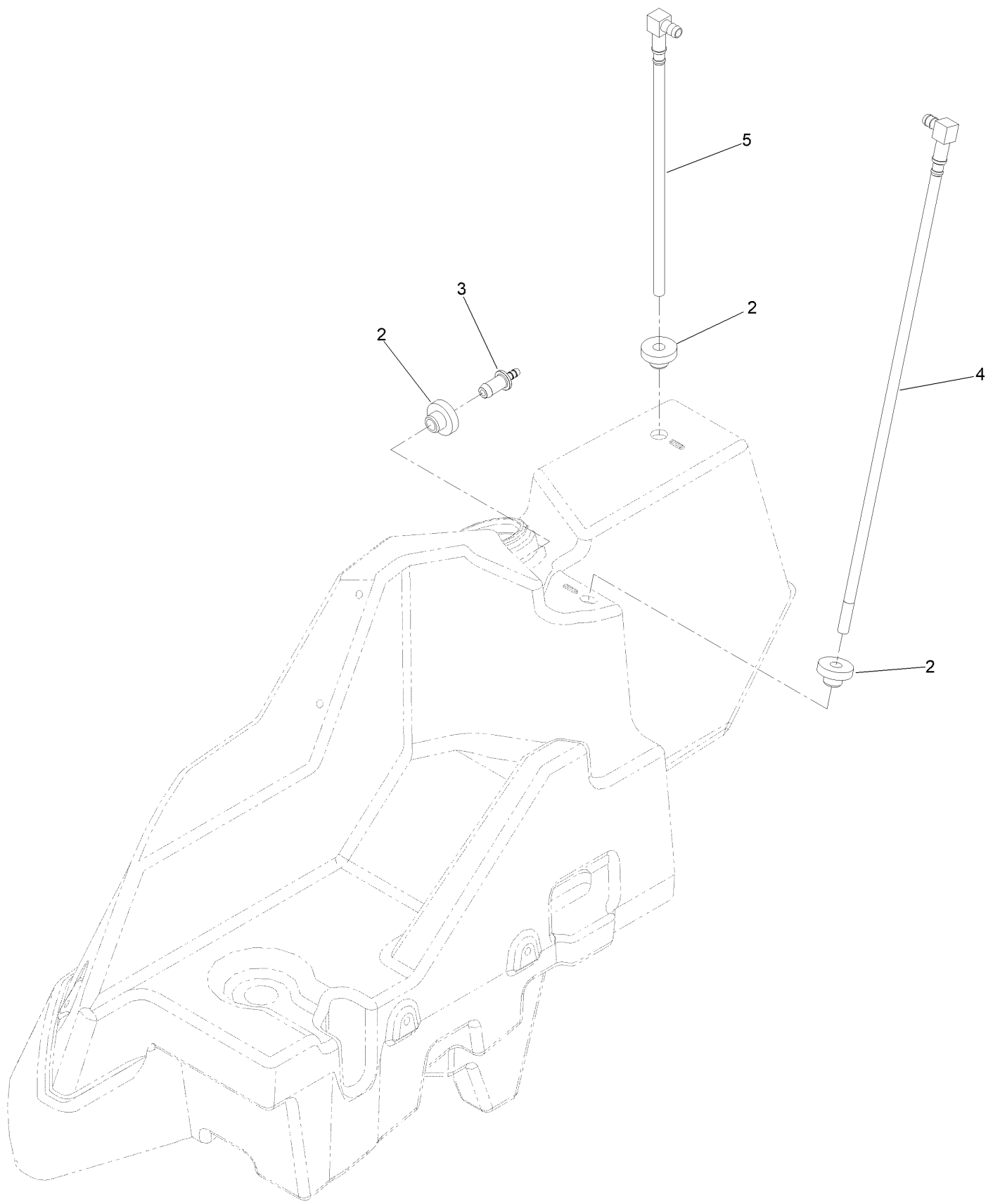
Fuel Assembly



Fuel Assembly (continued)

<i>Ref.</i>	<i>Part Number</i>	<i>Qty.</i>	<i>Description</i>	<i>Ref.</i>	<i>Part Number</i>	<i>Qty.</i>	<i>Description</i>
1	142-8638	1	RH Fuel Tank ASM	19	104-7201	5	Nut-HF, NI
2	146-1835	1	ASM-Fuel Tank, LH	20	142-8001	2	Cap-Fuel, Diesel Ultra Low Sulfur
3	107-4543	4	Clamp	21	3290-378	2	Tie-Cable
4	104-8300	8	Nut-HF, NI	22	135-0512	1	Fuel Suction Line ASM
5	3256-3	4	Washer-Flat	23	135-0513	1	Fuel Return Line ASM
6	322-21	4	Screw-HH	24	125-2914	1	Filter-Separator
7	126-8335	2	Tube-Spacer	24:1	125-2915	1	Filter-Fuel/Water Separator
8	95-1905	2	Washer-Rubber	25	126-8795-03	1	Bracket-Filter, Fuel
9	105-6814	2	Washer-Plain	26	121-5613	1	Pump-Fuel, Electric
10	3256-24	2	Washer-Plain	27	353-781	2	Fitting-HYD, 90
11	323-22	2	Screw-HH	28	92-2379	4	Clamp-Hose
12	104-8301	2	Nut-HF, NI	29	322-11	2	Screw-HH
13	46-6560	2	Bushing	30	3230-22	2	Screw-CARR
14	116-4630	2	Fitting-Orifice, Straight	31	108-3280	1	Hose-Fuel
15	117-6395	2	Hose-Fuel	32	110-7503	1	Hose-Fuel
16	2412-80	4	Clamp-Hose	33	32105-15	2	Screw-HWH
17	3229-11	3	Screw-CARR	34	109-5667	2	Nut-Push
18	92-5753	3	Clamp-Hose				

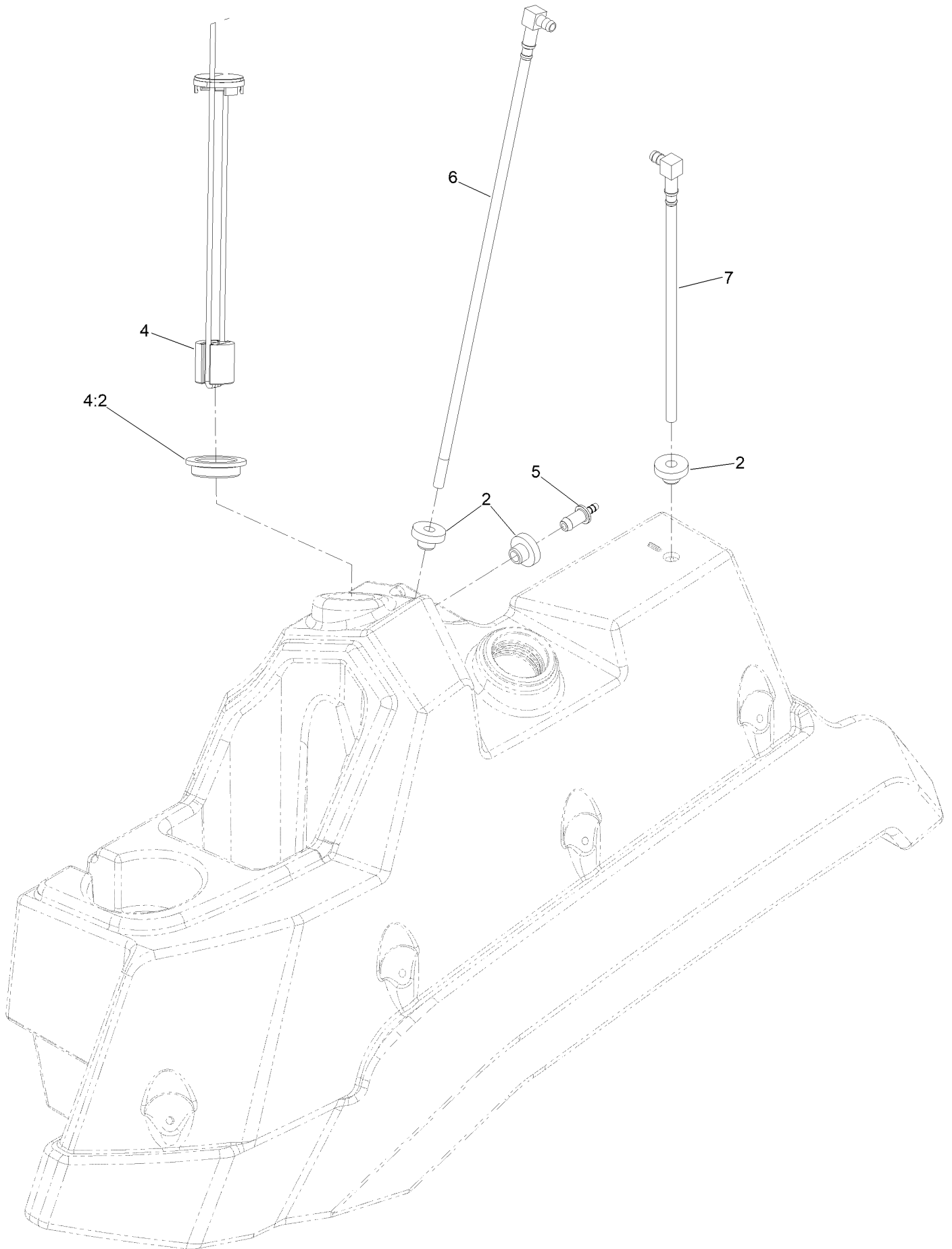
RH Fuel Tank Assembly No. 142-8638



RH Fuel Tank Assembly No. 142-8638 (continued)

<i>Ref.</i>	<i>Part Number</i>	<i>Qty.</i>	<i>Description</i>	<i>Ref.</i>	<i>Part Number</i>	<i>Qty.</i>	<i>Description</i>
2	46-6560	3	Bushing	4	126-8647	1	Pick-Up-Fuel
3	116-4630	1	Fitting-Orifice, Straight	5	126-8649	1	Return-Fuel

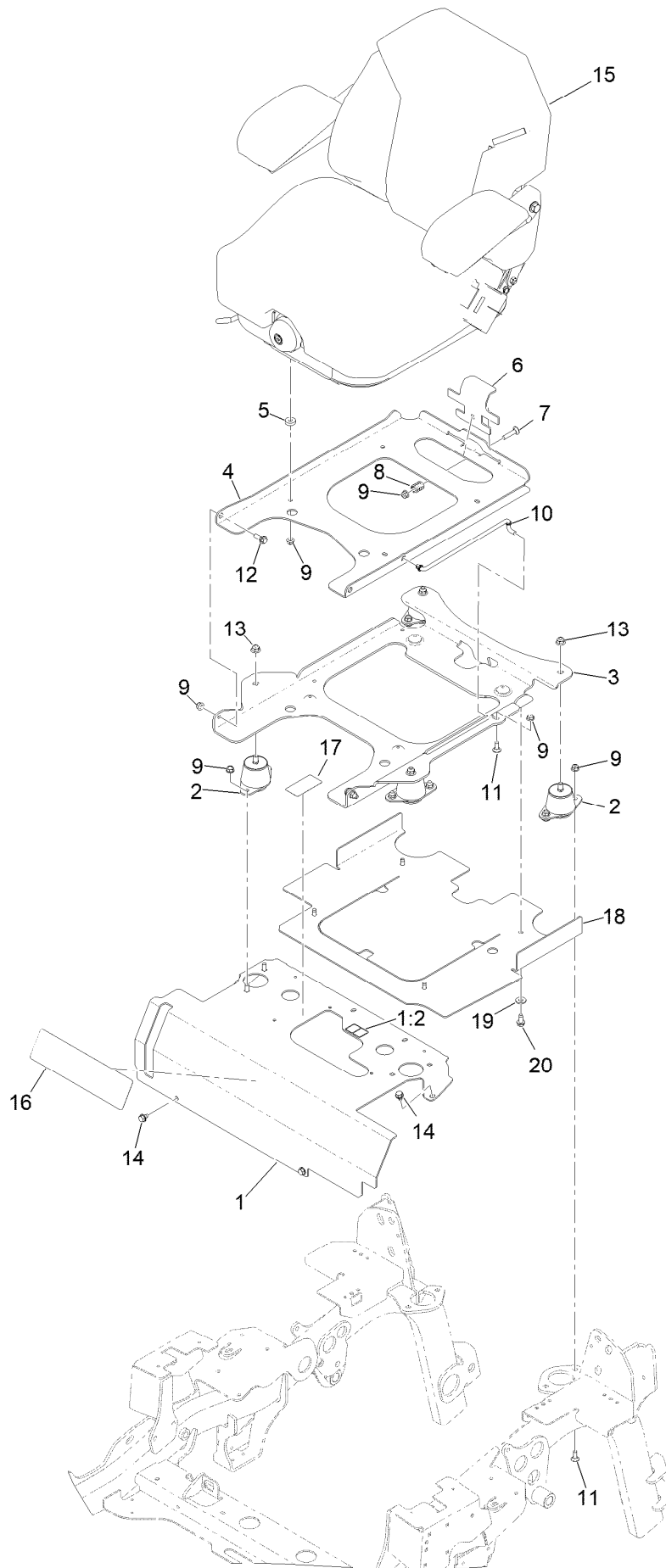
LH Fuel Tank Assembly No. 146-1835



LH Fuel Tank Assembly No. 146-1835 (continued)

<i>Ref.</i>	<i>Part Number</i>	<i>Qty.</i>	<i>Description</i>	<i>Ref.</i>	<i>Part Number</i>	<i>Qty.</i>	<i>Description</i>
2	46-6560	3	Bushing	5	116-4630	1	Fitting-Orifice, Straight
4	146-1833	1	Gauge-Fuel	6	126-8647	1	Pick-Up-Fuel
4:2	146-2382	1	Seal-Fuel Gauge	7	126-8649	1	Return-Fuel

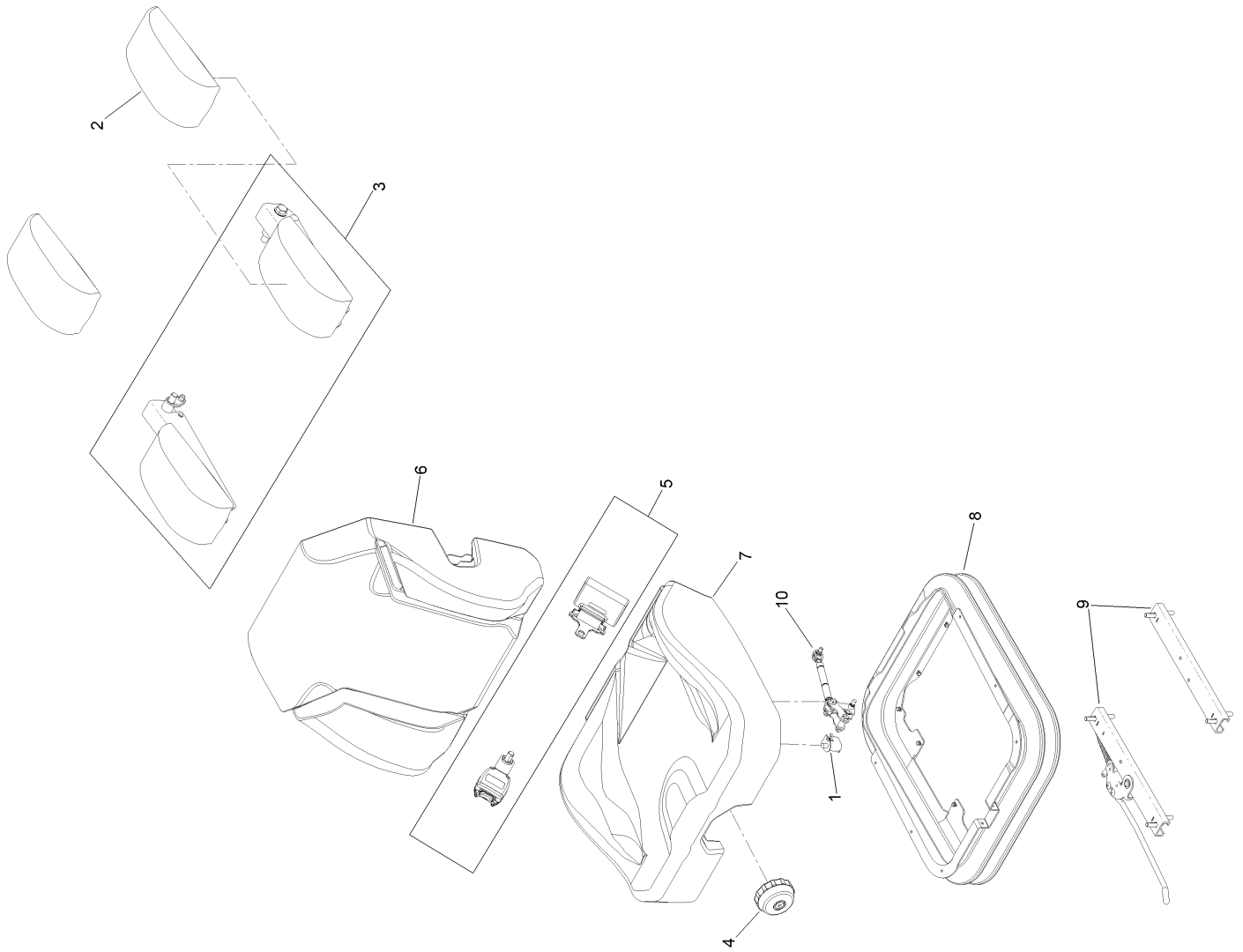
Seat Mounting Assembly



Seat Mounting Assembly (continued)

<i>Ref.</i>	<i>Part Number</i>	<i>Qty.</i>	<i>Description</i>	<i>Ref.</i>	<i>Part Number</i>	<i>Qty.</i>	<i>Description</i>
1	142-6637	1	Mount-Seat W/Decals	11	3230-23	9	Bolt-CARR
1:2	106-5517	1	Decal-Warning	12	116-1297	2	Screw-Shoulder
2	109-9034	4	Isolator-Seat	13	104-8301	4	Nut-HF, NI
3	142-9423-03	1	Plate,Tilt Seat Support	14	9266934	4	Screw
4	126-2700-03	1	Plate-Frame, Seat	15	146-3213	1	ASM-Suspension Seat, Toro
5	26-4840	4	Spacer-Pin, Mounting	16	140-1215	1	Decal-Console
6	126-1855	1	Plate-Latch, Seat	17	135-2837	1	Decal-Fluid, Transmission
7	3230-4	1	Bolt-CARR	18	142-9671	1	Shield-Heat
8	107-3017	1	Spring-Compression	19	3256-3	4	Washer-Flat
9	104-8300	16	Nut-HF, NI	20	32144-70	4	Screw-HWHTF
10	116-0070	1	Rod-Prop				

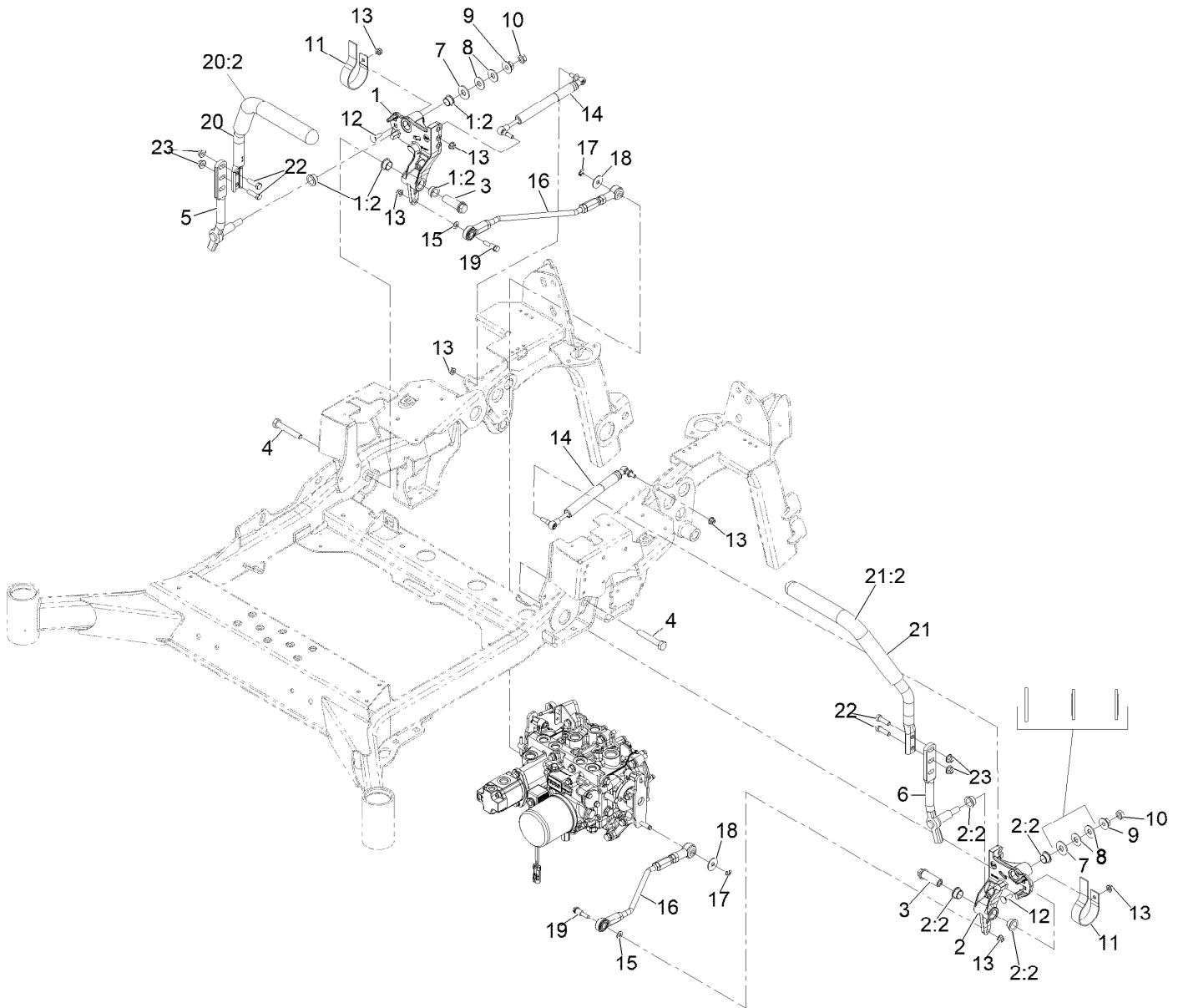
Seat Assembly No. 146-3213



Seat Assembly No. 146-3213 (continued)

<i>Ref.</i>	<i>Part Number</i>	<i>Qty.</i>	<i>Description</i>	<i>Ref.</i>	<i>Part Number</i>	<i>Qty.</i>	<i>Description</i>
1	82-2190	1	Switch-Bail	6	146-0868	1	Cover-Back
2	146-0691	1	Kit-Arm Rest Pads	7	146-3260	1	Cover-Cushion
3	146-0679	1	Kit-Arm Rest Set	8	146-3252	1	Cover-Suspension Bellows
4	116-8911	1	Knob-Adjuster	9	146-3251	1	Set-Seat Track
5	146-0595	1	Seat Belt Kit	10	146-4468	1	Damper-Seat

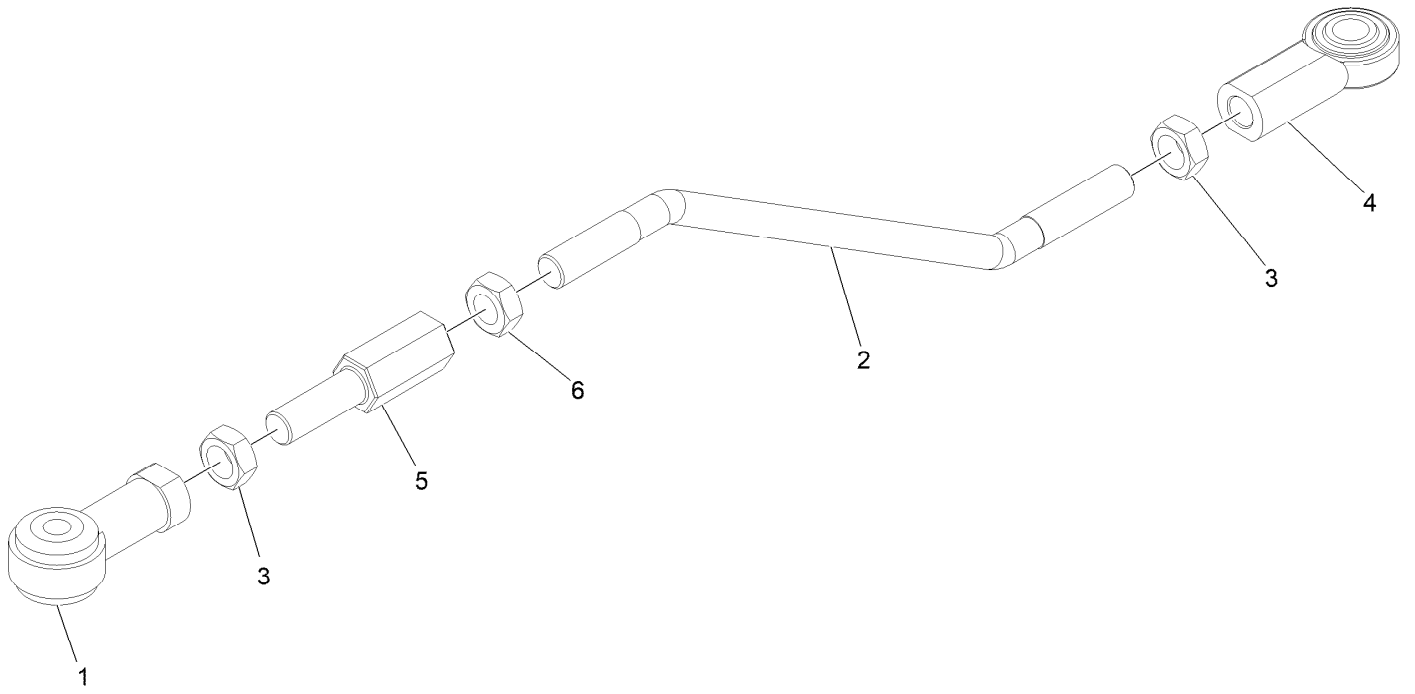
Motion Control Assembly



Motion Control Assembly (continued)

<i>Ref.</i>	<i>Part Number</i>	<i>Qty.</i>	<i>Description</i>	<i>Ref.</i>	<i>Part Number</i>	<i>Qty.</i>	<i>Description</i>
1	116-0880	1	RH Motion Control And Bushing ASM	12	3230-2	2	Bolt-CARR
1:2	109-8054	4	Bushing-Flange	13	104-8300	8	Nut-HF, NI
2	116-0881	1	LH Motion Control And Bushing ASM	14	146-0859	2	Damper, Motion Control
2:2	109-8054	4	Bushing-Flange	15	3256-23	2	Washer-Plain
3	109-5891	2	Hub-Threaded	16	142-8447	2	ASM, Front Linkage Rod
4	325-12	2	Screw-HH	17	32151-47	2	Ring-Retaining
5	116-0039	1	Lever-Control Motion, RH	18	130-8094	2	Washer-Plain
6	116-0040	1	Lever-Control Motion, LH	19	142-8518	2	Bolt-Shoulder,HHF
7	3256-6	2	Washer-Flat	20	126-7700	1	RH Steering Handle ASM
8	109-9505	4	Washer-Spring	20:2	109-5668	1	Grip-Lever, Control
9	32128-56	2	Nut-HF	21	126-7699	1	LH Steering Handle ASM
10	3218-5	2	Nut-Jam	21:2	109-5668	1	Grip-Lever, Control
11	109-5575	2	Spring-Leaf	22	323-7	4	Screw-HH
				23	104-8301	4	Nut-HF, NI

Front Linkage Rod Assembly No. 142-8447

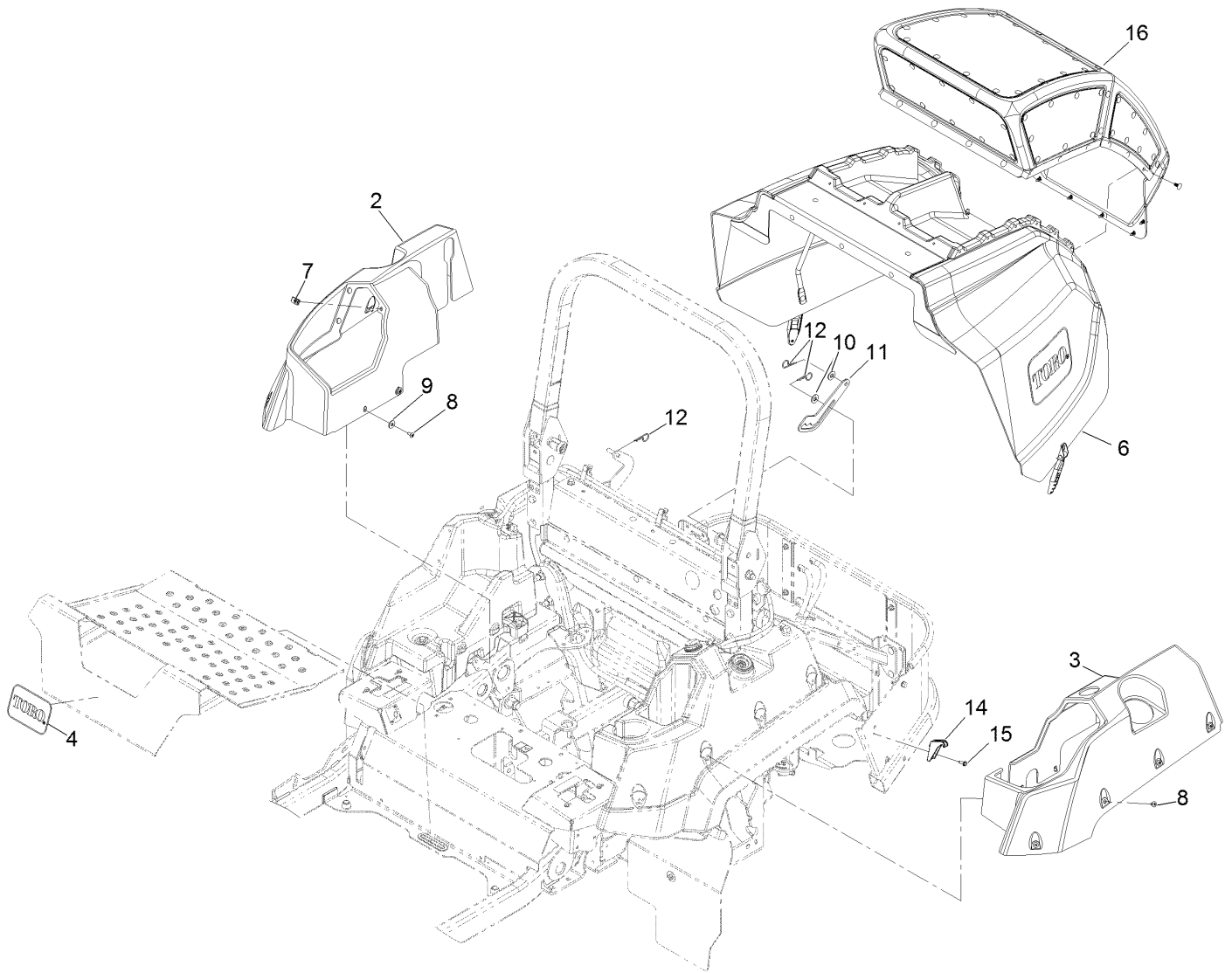


Front Linkage Rod Assembly No. 142-8447 (continued)

<i>Ref.</i>	<i>Part Number</i>	<i>Qty.</i>	<i>Description</i>
1	142-8415	1	Rod End - Isolated 1/2-20
2	142-8412	1	Rod - Linkage
3	3220-5	2	Nut-Jam 1/2-20

<i>Ref.</i>	<i>Part Number</i>	<i>Qty.</i>	<i>Description</i>
4	142-8416	1	Rod End - 1/2-20
5	142-8413	1	Rod - Adjustment
6	3220-12	1	Nut-Hex Jam LH

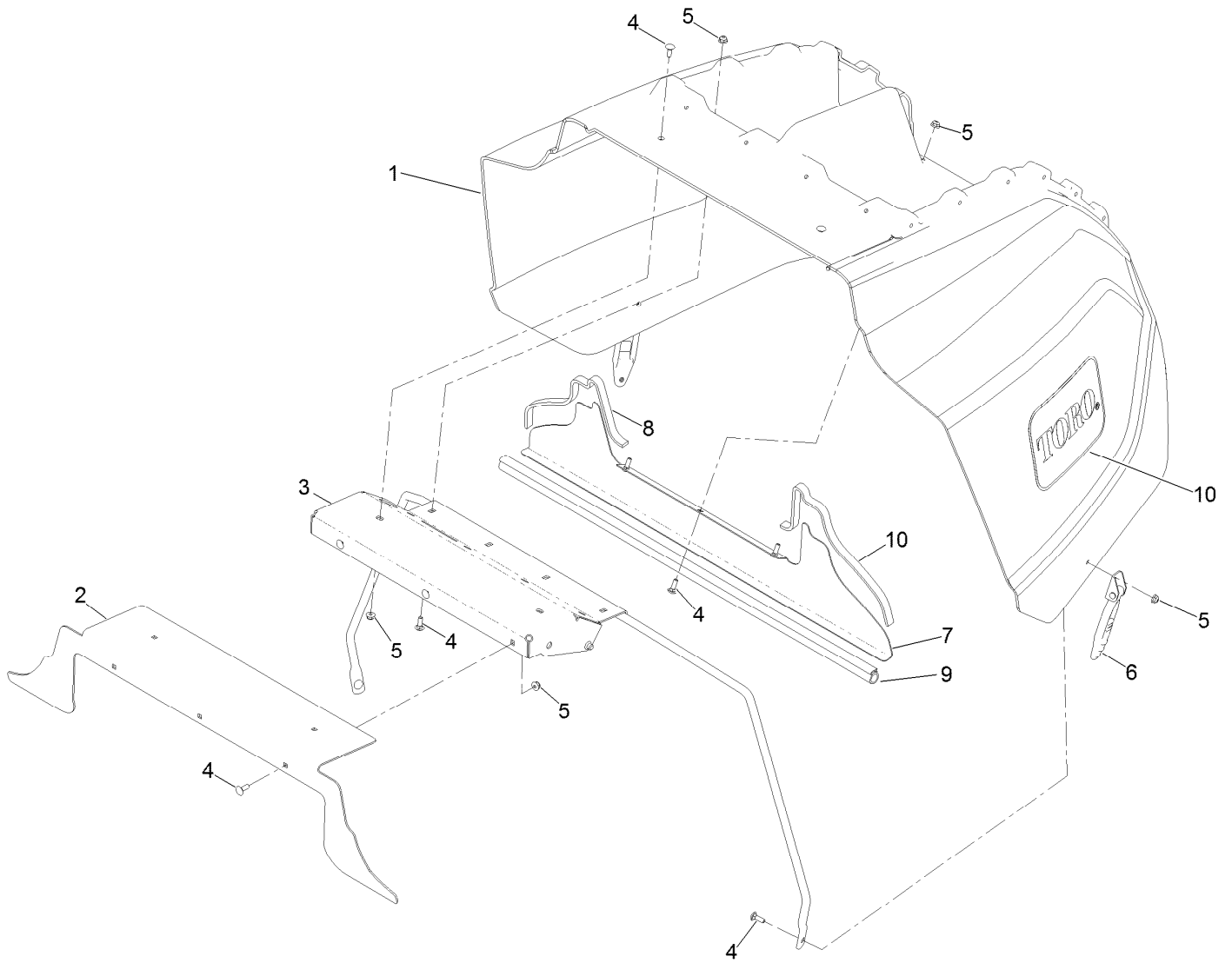
Hood and Covers Assembly



Hood and Covers Assembly (continued)

<i>Ref.</i>	<i>Part Number</i>	<i>Qty.</i>	<i>Description</i>	<i>Ref.</i>	<i>Part Number</i>	<i>Qty.</i>	<i>Description</i>
2	126-8655	1	Cover-Tank, RH	10	3256-4	2	Washer-Flat
3	146-2024	1	Cover-Tank, LH	11	142-6010	1	Prop-Hood
4	68-3640	1	Decal	12	3290-255	3	Pin-Cotter, Hair
6	142-6063	1	ASM, Hood Lzsd	14	126-8672	2	Latch-Catch
7	107069	1	Clip	15	32144-10	2	Screw-HWH
8	126-8216	12	Screw-Torx	16	142-4742	1	ASM, Hood-Intake
9	3256-71	4	Washer-Flat				

Hood Assembly No. 142-6063

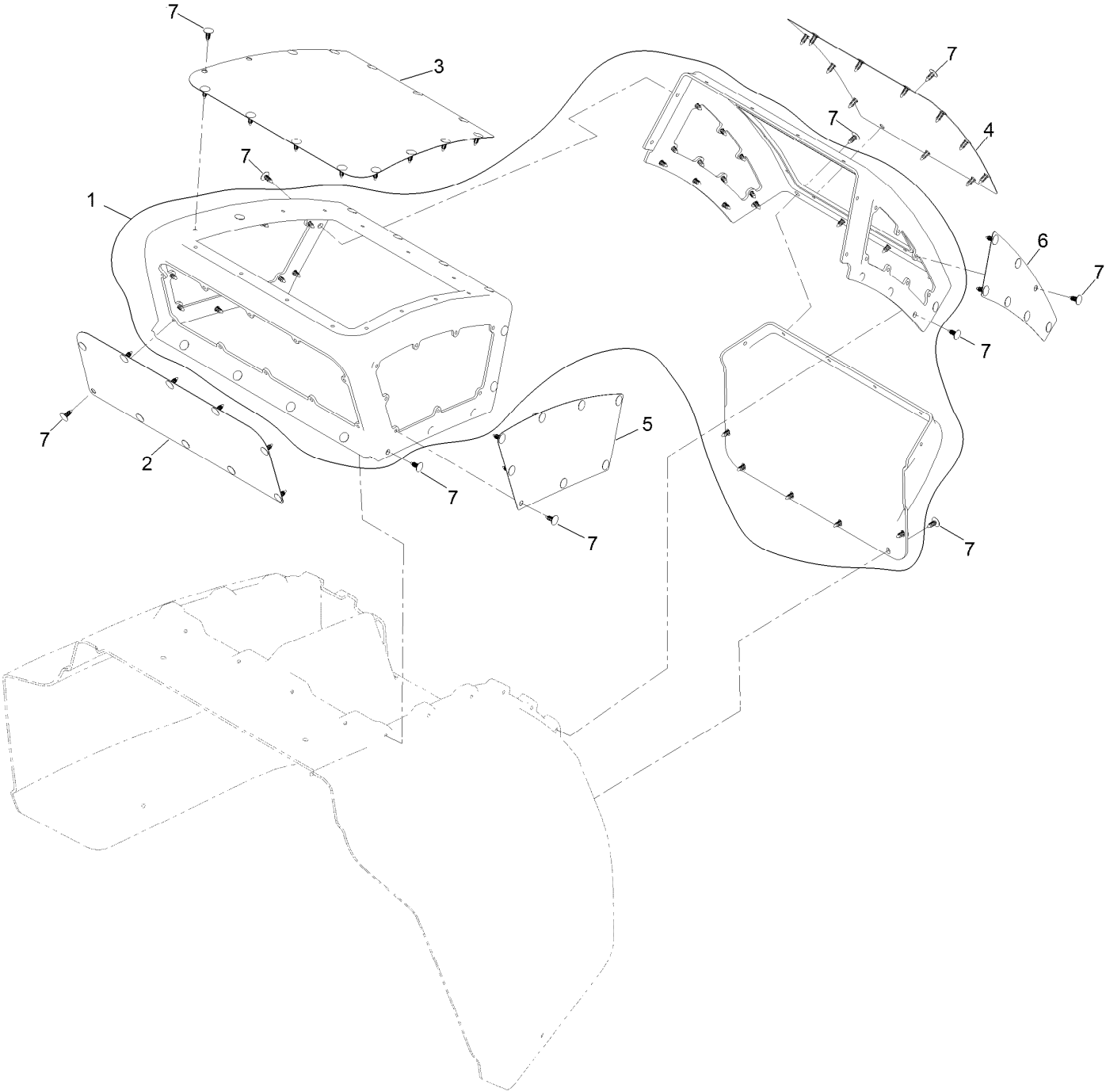


Hood Assembly No. 142-6063 (continued)

<i>Ref.</i>	<i>Part Number</i>	<i>Qty.</i>	<i>Description</i>
1	135-7929	1	Hood
2	135-6750-03	1	Block Off-Hood
3	126-6524-03	1	Support-Hood
4	3229-1	14	Screw-CARR
5	104-7201	14	Nut-HF, NI

<i>Ref.</i>	<i>Part Number</i>	<i>Qty.</i>	<i>Description</i>
6	103-2898	2	Latch-Rubber
7	135-7572-03	1	Plate-Seal
8	135-7573	2	Seal-Foam
9	126-6846	1	Seal-Bulb
10	62-7400	2	Decal-Toro Logo

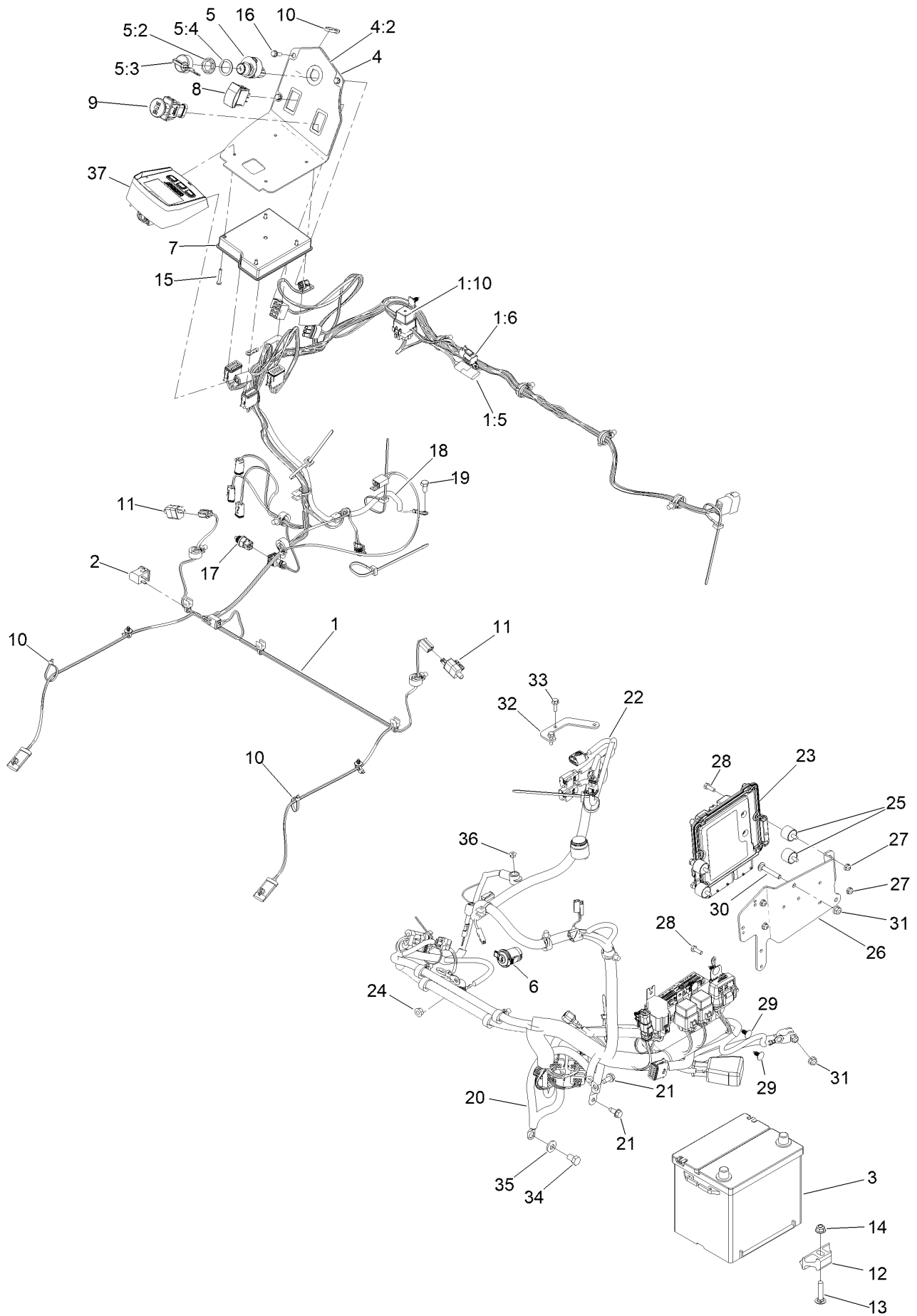
Hood Intake Assembly No. 142-4742



Hood Intake Assembly No. 142-4742 (continued)

<i>Ref.</i>	<i>Part Number</i>	<i>Qty.</i>	<i>Description</i>	<i>Ref.</i>	<i>Part Number</i>	<i>Qty.</i>	<i>Description</i>
1	142-4488	1	Hood-Intake	5	142-4092-03	2	Screen-Intake [black]
2	142-3516-03	1	Screen-Intake [black]	6	142-4093-03	2	Screen-Intake [black]
3	142-4090-03	1	Screen-Intake [black]	7	117-2382	120	Plug-Plastic
4	142-4091-03	1	Screen-Intake [black]				

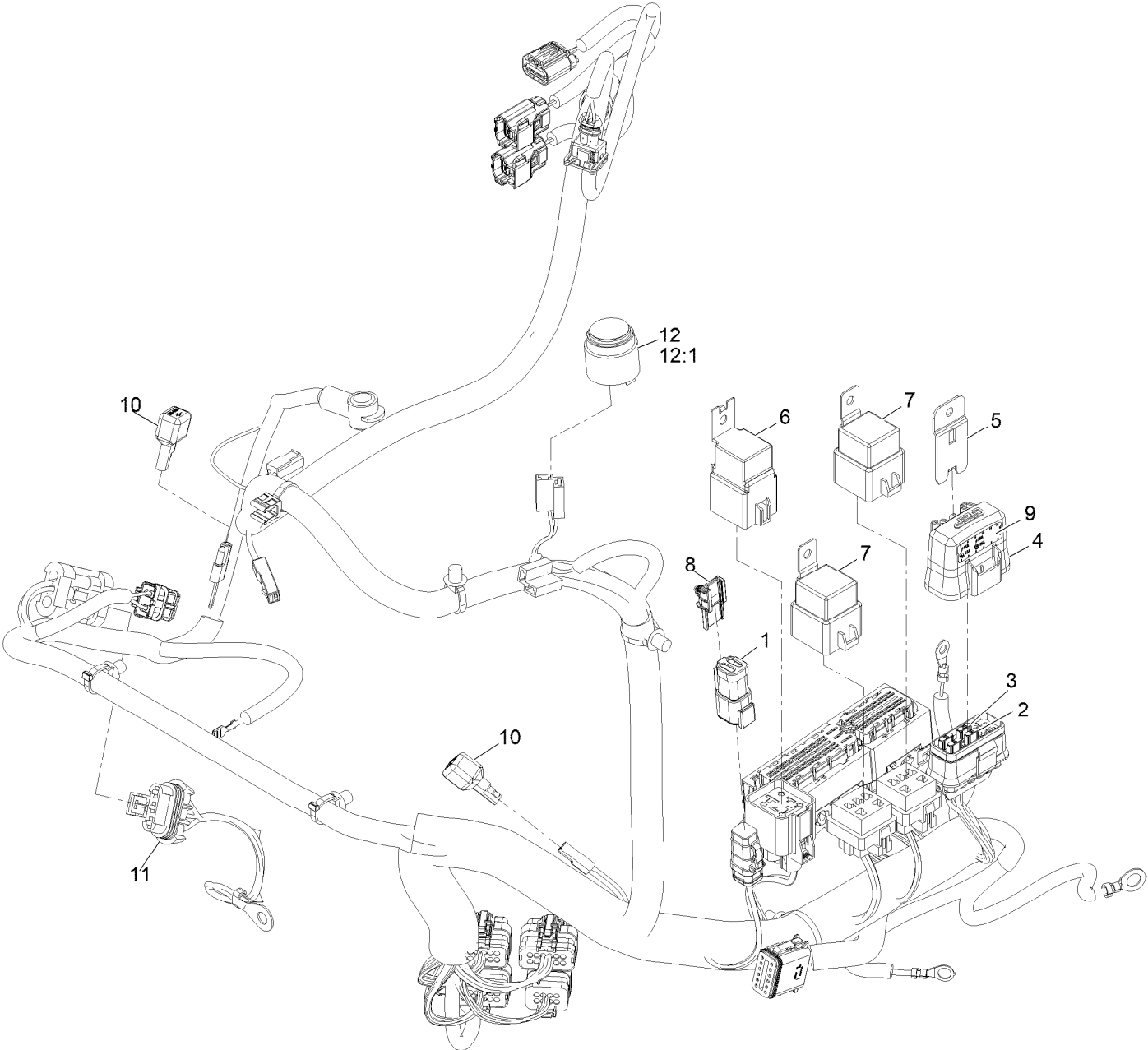
Electrical Assembly



Electrical Assembly (continued)

<i>Ref.</i>	<i>Part Number</i>	<i>Qty.</i>	<i>Description</i>	<i>Ref.</i>	<i>Part Number</i>	<i>Qty.</i>	<i>Description</i>
1	146-0540	1	Harness-Wire, Main	16	32105-15	3	Screw-HWH
1:5	32180-197	1	Cap-Plug	17	126-7698	1	Sensor-Temperature
1:6	32180-156	1	Cap-Plug, 6 Way	18	135-3998	1	Harness-Wire, Jumper
1:10	99-7430	1	Relay-Mini	19	99-5132	1	Bolt
2	82-2190	1	Switch-Bail	20	126-7406	1	Cable-Battery
3	106-5187	1	Battery- Dry, 12V, 525 CCA	21	32144-70	2	Screw-HWHTF
4	146-0811	1	Console ASM	22	142-7958	1	Harness-Wire, Yanmar
4:2	135-0398	1	Decal-Console	23	121-5592	1	Electronic Control Unit
5	126-6285	1	Ignition Switch ASM	24	127-2371	1	Nut-HF
5:2	108-8660	1	Nut-Mounting	25	125-2674	4	Mount-Cylindrical
5:3	106-5270	1	Ignition Key Set	26	126-8706-03	1	Mount-Control Unit, Engine
5:4	108-8659	1	Washer-Backup	27	104-7201	4	Nut-HF, NI
6	126-6499	1	Port-Power, 12V	28	321-4	4	Screw-HH
7	135-3427	1	Module-Mcu	29	117-2382	5	Plug-Plastic
8	100-1535	1	Switch-Rocker, (On)-Off-(On)	30	3230-6	2	Bolt-CARR
9	126-6187	1	Switch-PTO, Sealed	31	104-8300	4	Nut-HF, NI
10	3290-378	9	Tie-Cable	32	135-0071	1	Bracket-Wiring, Engine
11	110-6765	2	Switch	33	33103-020	2	Screw-HHF
12	138-6335	1	Retainer-Battery	34	33115-016	1	Screw-HH
13	3231-5	1	Screw-CARR	35	98-5975	1	Washer-Belleville
14	104-8301	1	Nut-HF, NI	36	33003-00	1	Nut-HF
15	126-5092	4	Screw-PPH	37	126-9976	1	Module-Horizon

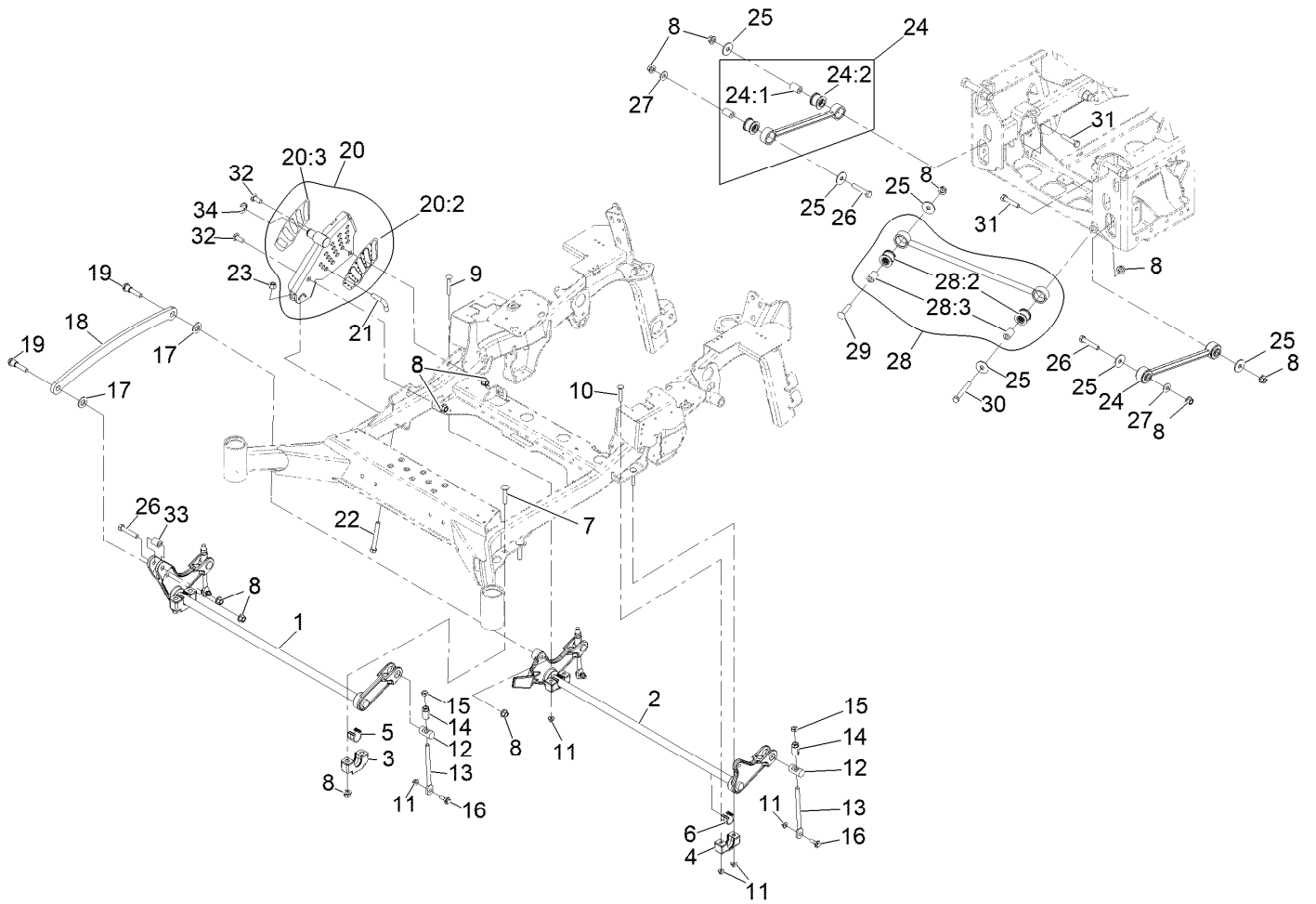
Wire Harness Assembly No. 142-7958



Wire Harness Assembly No. 142-7958 (continued)

<i>Ref.</i>	<i>Part Number</i>	<i>Qty.</i>	<i>Description</i>	<i>Ref.</i>	<i>Part Number</i>	<i>Qty.</i>	<i>Description</i>
1	32160-359	1	Connector (6M)	8	32180-103	1	Clip-Connector
2	121-8867	3	Fuse-Mini Blade, 15 Amp	9	126-9351	1	Decal-Fuse
3	121-8869	1	Fuse-Mini Blade, 25 Amp	10	100-4918	2	Diode
4	32180-176	1	Cover-Block, Fuse	11	99-3441	1	Harness-Wire, Fusible Link
5	32180-177	1	Clip-Mounting	12	80-9330	1	Audio Alarm ASM
6	127-7514	1	Relay-70A	12:1	104-5107	1	Nut-Plastic, Knurled
7	99-7430	2	Relay-Mini				

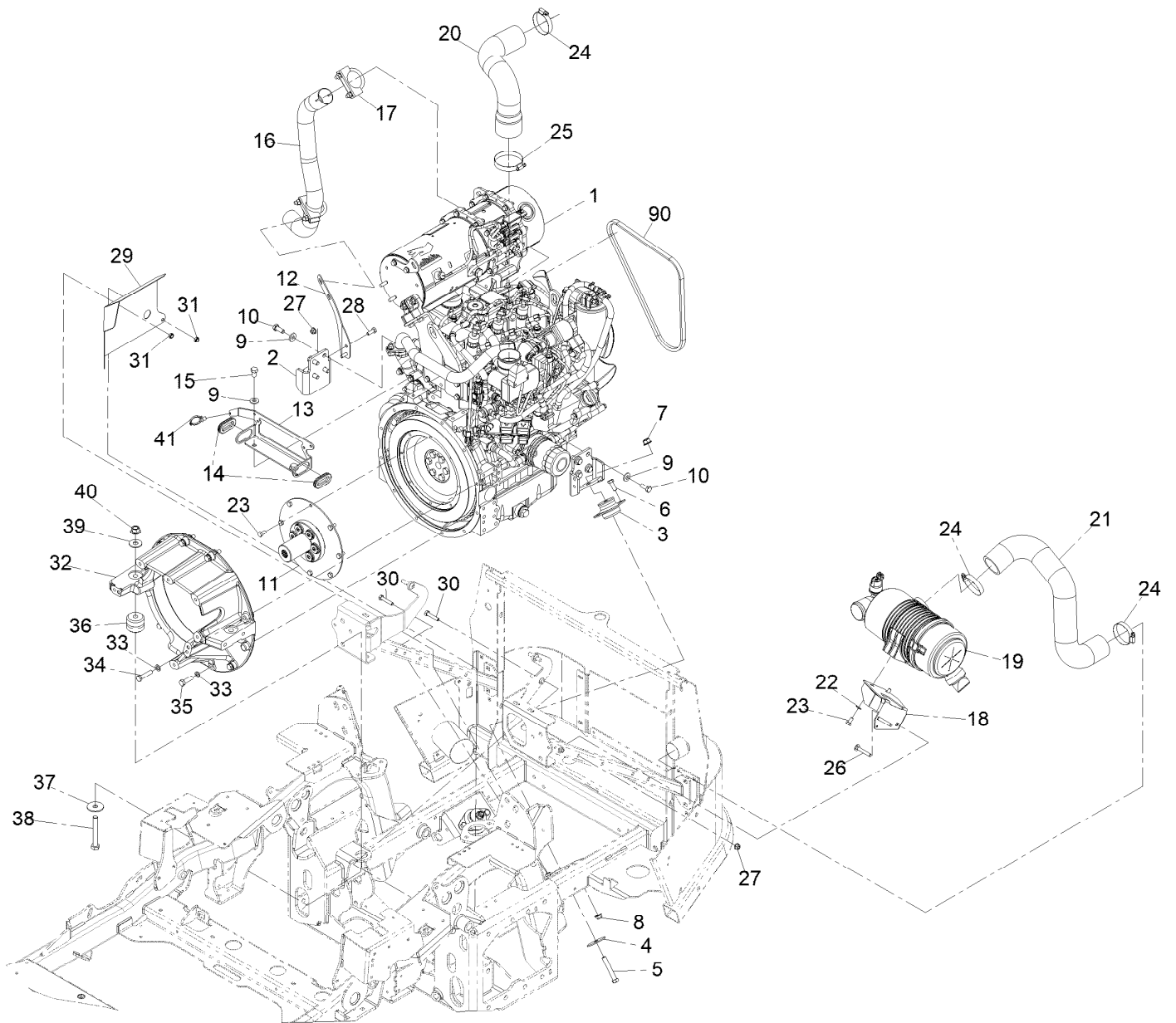
Deck Lift Assembly



Deck Lift Assembly (continued)

<i>Ref.</i>	<i>Part Number</i>	<i>Qty.</i>	<i>Description</i>	<i>Ref.</i>	<i>Part Number</i>	<i>Qty.</i>	<i>Description</i>
1	135-1216-03	1	Lift-Deck, Front	20:2	126-9275	1	Decal-HOC
2	116-2645-03	1	Lift-Deck, Rear	20:3	135-1432	1	Decal-HOC, Outer
3	109-9409	2	Support-Bearing, Cross Shaft (Front)	21	116-5584	1	Pin-HOC
4	127-0553	2	Support-Bearing, Cross Shaft (Rear)	22	116-0559	1	Bolt-TAP
5	109-9410	2	Bearing-Cross Shaft, Front	23	3296-23	1	Nut-Lock, NI
6	109-7173	2	Bearing-Cross Shaft, Rear	24	142-4003	2	Deck Strut ASM 85A
7	116-1700	4	Bolt-CARR	24:1	109-5010	2	Spacer
8	99-5107	15	Nut-Lock	24:2	135-2466	2	Bushing-Rubber
9	3231-9	1	Screw-CARR	25	86-1990	6	Washer-Thrust
10	3231-7	3	Screw-CARR	26	325-11	3	Screw-HH
11	104-8301	8	Nut-HF, NI	27	1-513435	2	Washer-Spring
12	109-8353	4	Trunnion	28	109-5013	1	Panhard Rod ASM
13	109-8007	4	Link-Adjuster, Deck Lift	28:2	109-5009	2	Bushing-Suspension, Rubber
14	109-7840	4	Adjuster-Lift, Deck	28:3	109-5010	2	Spacer
15	3218-5	4	Nut-Jam	29	3233-34	1	Screw-CARR
16	109-9840	4	Screw-Shoulder, HHF	30	325-17	1	Screw-HH
17	3256-28	2	Washer-Flat	31	325-10	2	Screw-HH
18	116-0797-03	1	Link-Lift, Deck	32	3233-26	2	Screw-CARR, Shortneck
19	116-2022	2	Screw-HHF, Shoulder	33	135-1215	1	Spacer-Pivot
20	126-7866	1	HOC ASM	34	32151-91	1	Ring-Retaining

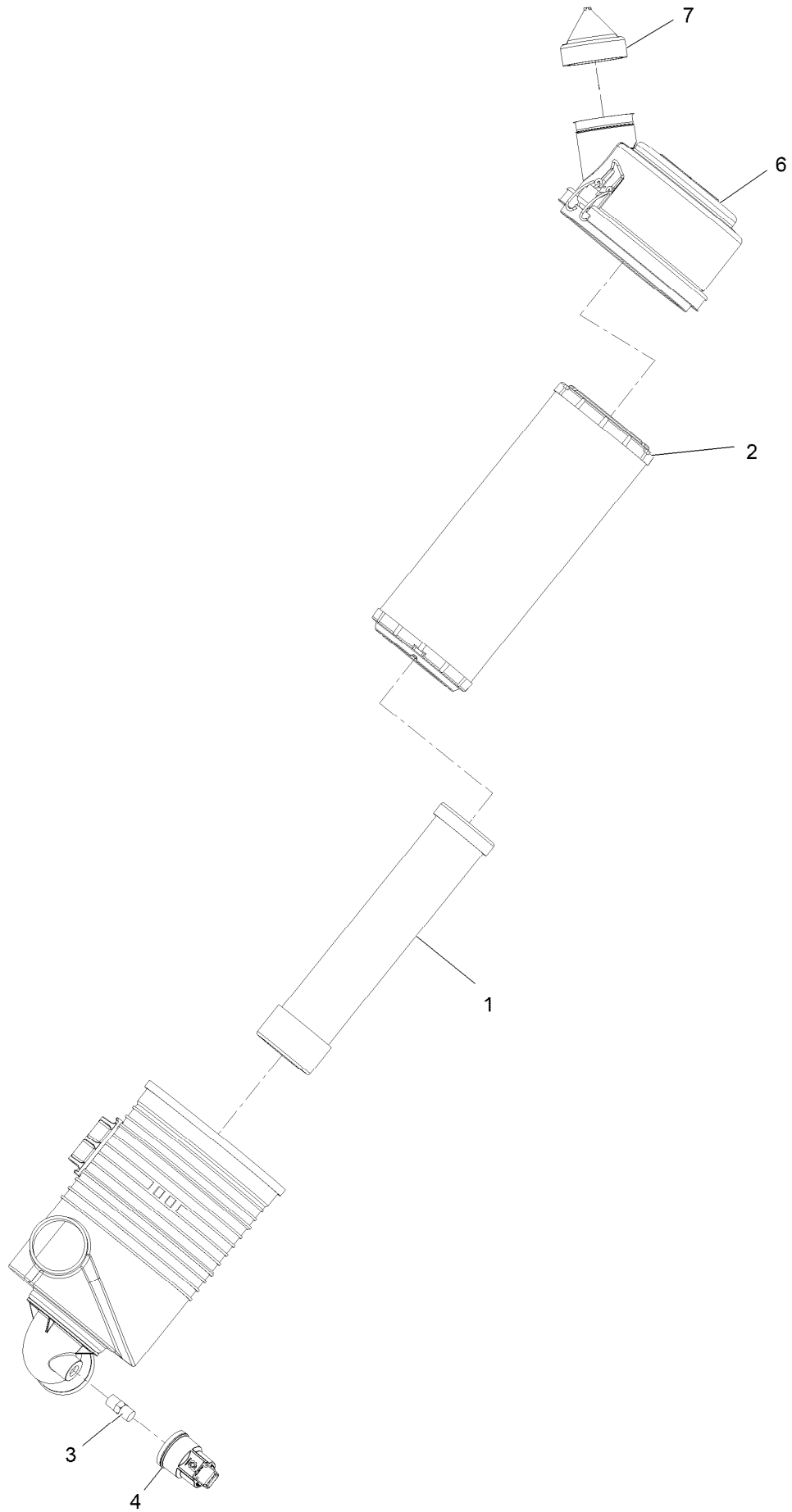
Engine Assembly



Engine Assembly (continued)

<i>Ref.</i>	<i>Part Number</i>	<i>Qty.</i>	<i>Description</i>	<i>Ref.</i>	<i>Part Number</i>	<i>Qty.</i>	<i>Description</i>
1	138-6927	1	Engine-Yanmar, 3Tnv88C-Dtr5	22	3290-475	2	Washer-Belleville
2	120-9180-03	2	Mount-Motor, Upper	23	99-5132	10	Bolt
3	142-8456	2	Mount- Isolator, Engine	24	2412-130	3	Clamp-Hose
4	87-5100	2	Washer-Snubbing	25	2412-125	1	Clamp-Hose
5	324-11	2	Screw-HH	26	3230-6	2	Bolt-Carriage 3/16-18 X 2
6	323-6	4	Screw-HH 3/8-16 X 1	27	104-8300	4	Nut-Nyloc 5/16-18 Flg
7	114-8417	2	Nut-HF, NI	28	322-4	2	Screw-HH 5/16-18 X 7/8
8	104-8301	4	Nut-Nyloc 3/8-16 Flg	29	135-3946-03	1	Deflector-Air
9	98-5975	10	Washer-Spring Disc 3/8	30	322-8	2	Screw-HH
10	33115-025	8	Screw-HH M10-1.5 X 35Mm	31	3296-47	2	Nut-Nyloc 5/16-18 Thin
11	120-9131	1	Coupling-Flywheel	32	125-2836	1	Housing-Flywheel
12	126-8587-03	1	Bracket-Mount	33	48-9590	9	Washer-Lock
13	142-6061-03	1	Plate_guide Bracket	34	33115-045	7	Screw-HH
14	240-7	2	Grommet-Rubber	35	33115-035	2	Screw-HH M10-1.5 X 25Mm
15	33115-016	2	Screw-HH M10-1.5 X 16Mm	36	142-8457	2	Mount-Isolator
16	126-7652	1	Tube-Exhaust	37	86-1990	2	Washer
17	18-2130	2	Clamp	38	325-15	2	Screw-HH
18	126-8730-03	1	Bracket-Cleaner, Air	39	3256-6	2	Washer
19	142-3554	1	ASM, Hdac	40	99-5107	2	Nut-Lock 1/2-13
20	120-9199	1	Hose-Air	41	32180-030	1	Clip-Tie
21	120-9177	1	Hose-Air	90	127-4771	1	V-Belt

HDAC Assembly No. 142-3554

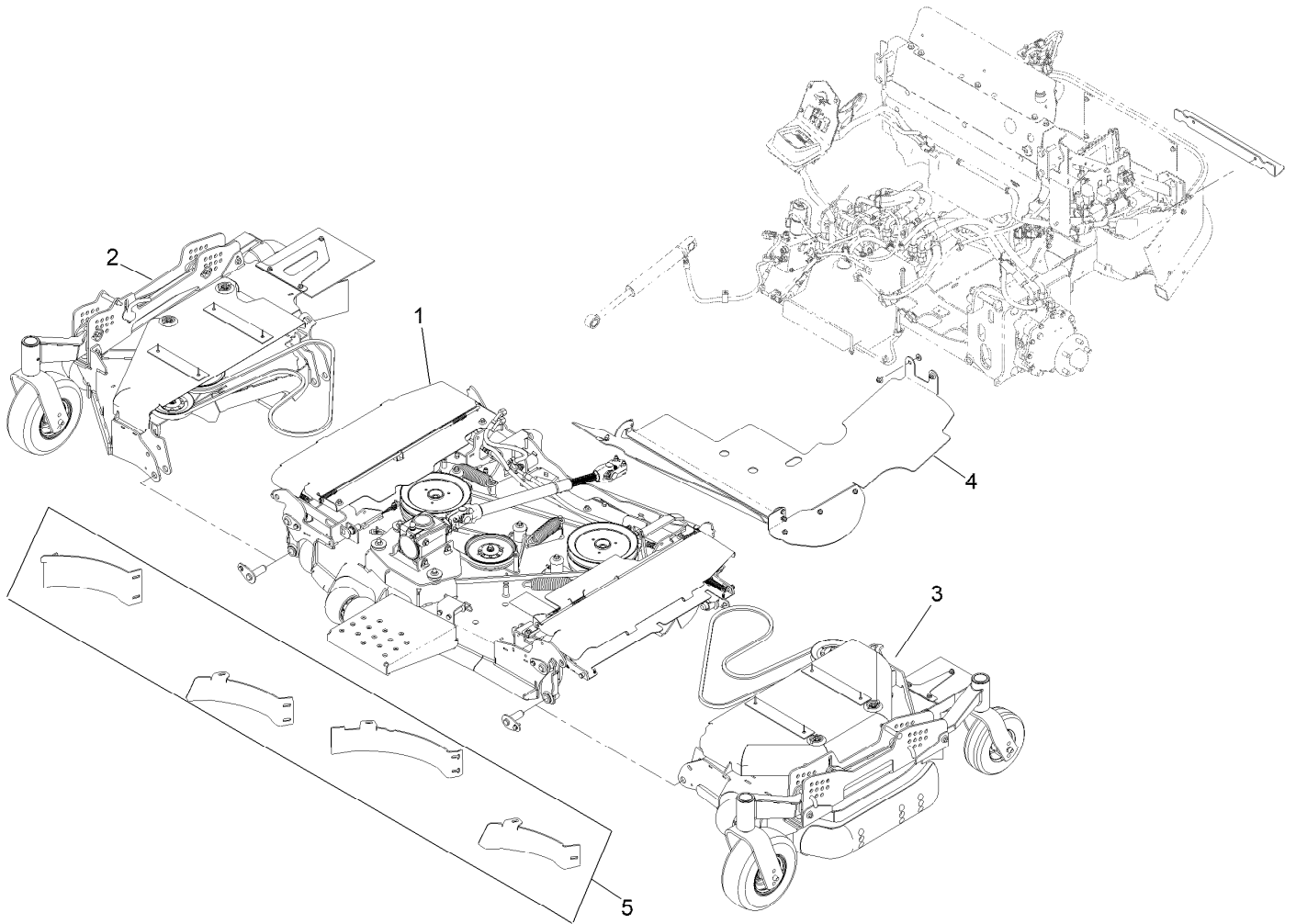


HDAC Assembly No. 142-3554 (continued)

<i>Ref.</i>	<i>Part Number</i>	<i>Qty.</i>	<i>Description</i>
1	103-1326	1	Filter, Safety Air
2	108-3810	1	Filter-Air
3	94-1416	1	Adapter-Indicator

<i>Ref.</i>	<i>Part Number</i>	<i>Qty.</i>	<i>Description</i>
4	126-7651	1	Indicator-Mini
6	98-9771	1	Cover ASM
7	AUA189052	1	Valve-Dust-Air Cleaner

Deck Assembly

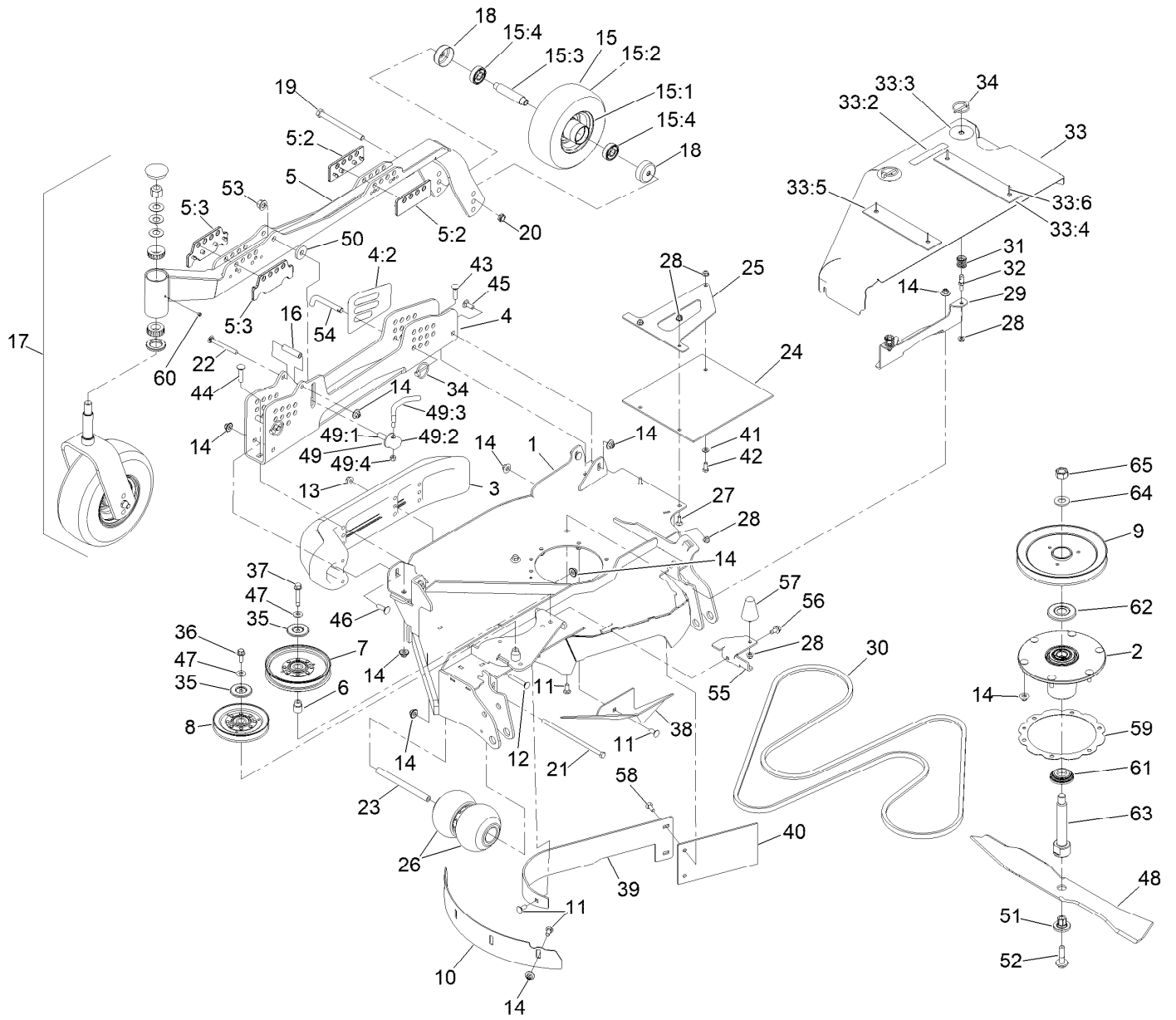


Deck Assembly (continued)

<i>Ref.</i>	<i>Part Number</i>	<i>Qty.</i>	<i>Description</i>	<i>Ref.</i>	<i>Part Number</i>	<i>Qty.</i>	<i>Description</i>
1		1	ASM-Deck, Ctr 96D ●	4		1	Discharge Tunnel ASM ●
2		1	ASM-Deck, RH Wing 96 ●	5	135-2449	1	Mulch Kit
3		1	ASM-Deck, LH Wing 96 ●				

● Not serviced separately

RH Wing Deck Assembly

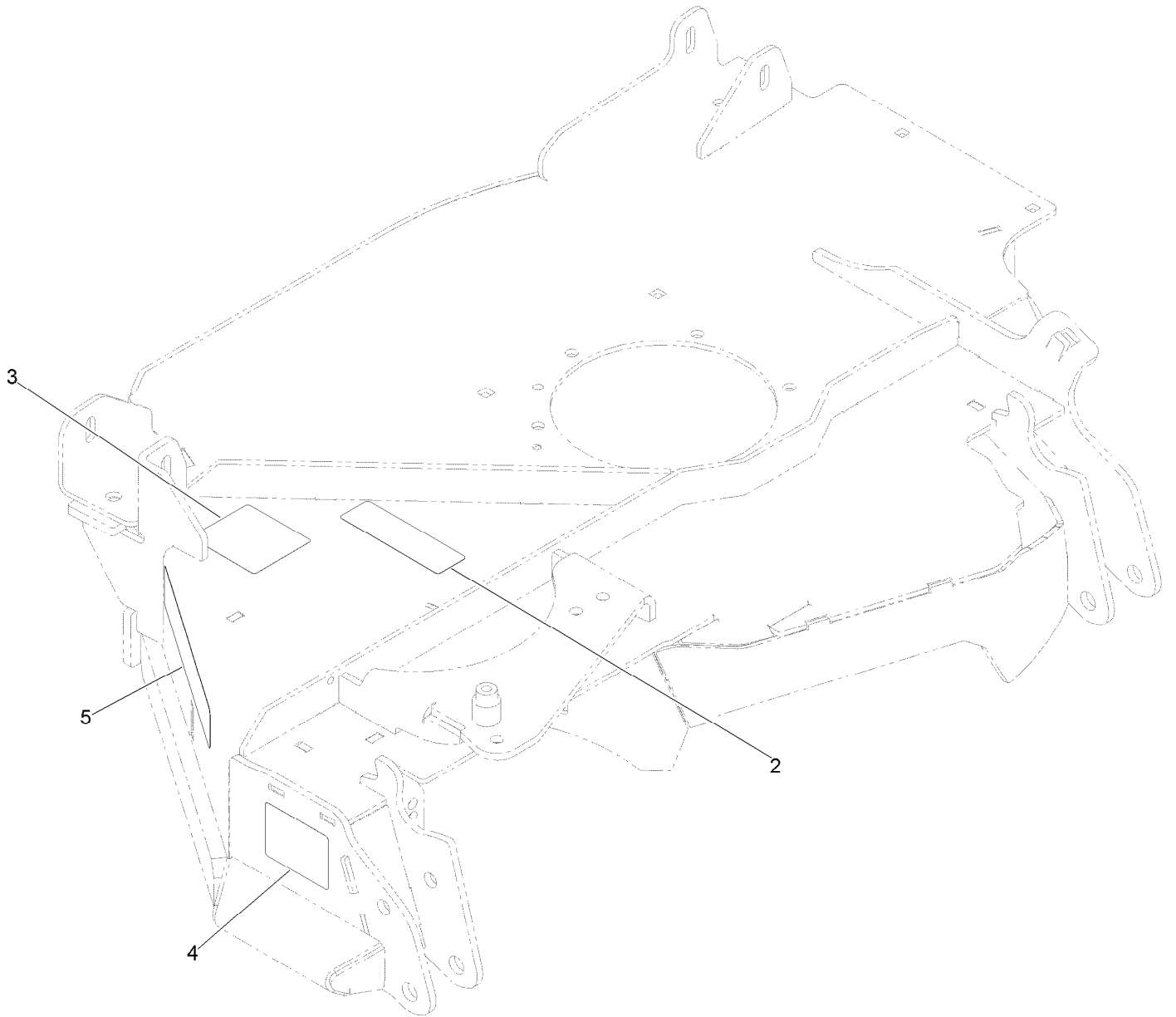


RH Wing Deck Assembly (continued)

<i>Ref.</i>	<i>Part Number</i>	<i>Qty.</i>	<i>Description</i>	<i>Ref.</i>	<i>Part Number</i>	<i>Qty.</i>	<i>Description</i>
1	146-0680	1	ASM-Deck RH Wing 96T	33:2	93-6687	1	Decal-No Step
2	137-9780	1	Spindle ASM	33:3	135-3165	2	Decal-Cover, Scratch
3	112-1479	1	Skid-Bumper, Deck	33:4	135-6706	1	Plate
4	142-4470	1	ASM-Channel, HOC RH W/Decals	33:5	135-6707	1	Plate-Front
4:2	126-8760	2	Decal-HOC, RH	33:6	133-7130	4	Rivet-Pop
5	146-0486	1	ASM-RH Gauge Wheel Arm	34	92-1298	4	Pin-Lynch
5:2	142-3501	2	Plate-Guide, Rear	35	126-8043	2	Shield-Dust
5:3	142-3592	2	Plate-Guide, Front	36	3234-42	1	Screw-HHF
6	1-633456	1	Bushing, Idler	37	126-2956	1	Screw-HHF
7	126-7685	1	Idler-Pulley	38	135-2448-01	1	Baffle-Deflect, RH
8	126-2960	1	Idler-V	39	135-0795-01	1	Baffle-Dogleg, RH
9	140-1185	1	Sheave-Drive, Blade	40	135-0091	1	Flap-Rubber
10	135-2460-01	1	Baffle-Depth, RH	41	3256-23	1	Washer-Plain
11	3231-12	8	Bolt-CARR	42	322-3	1	Screw-HH
12	3231-31	2	Screw-CARR	43	3231-4	1	Screw-CARR
13	104-8301	2	Nut-HF, NI	44	3231-5	1	Screw-CARR
14	109-6658	23	Nut-Flange, NI	45	3231-2	3	Bolt-CARR
15		1	Wheel And Tire ASM ●	46	3231-25	1	Bolt-CARR
15:1	135-2646	1	Wheel	47	98-5975	2	Washer-Belleville
15:2	112-7065	1	Tire	48	140-1246	1	Blade-24.50 Mulch
15:3	126-7904	1	Axle-Caster	49	107-1664	1	Lever ASM
15:4	116-4004	2	Bearing	49:1	106-3239	1	Screw-Lock
16	135-2424	1	Spacer	49:2	107-1644	1	Cap-Lock
17		1	Caster Wheel ASM ●	49:3	106-3241	1	Lever-Lock
18	135-3218	2	Guard, Seal	49:4	3296-29	1	Nut-Lock, NI
19	325-20	1	Screw-HH	50	30-8770	1	Washer
20	3296-45	1	Nut-Hex	51	137-9787	1	Bushing-Hex
21	99-7203	1	Screw-HH	52	109-9220	1	Screw-Sems
22	3231-11	1	Screw-CARR	53	99-5107	1	Nut-Lock
23	126-6115	1	Spacer-Wheel	54	135-2073	2	Pin-HOC
24	135-2068	1	Guard-Tire	55	135-2611-01	1	Bracket-Retainer, Cover
25	135-2067-03	1	Support-Flap, RH	56	110-9380	1	Screw-HWH
26	103-8415	2	Roller-Anti-Scalp	57	114-1925	1	Bumper-Rubber
27	3230-16	2	Screw-CARR	58	3230-22	2	Screw-CARR
28	104-8300	8	Nut-HF, NI	59	140-0986	1	Ring-Spacer, Housing
29	135-2653-03	1	Bracket-Shield Mount, Outer	60	1-811010	1	Plug
30	126-6447	1	Belt-V	61	137-9784	1	Guard-Bottom
31	126-1503	2	Spring	62	103-1330	1	Guard-Bearing, Top
32	135-7455	2	Pin, Spring	63	138-6045	1	Shaft-Spindle
33	135-6171	1	RH Wing Shield ASM	64	103-2802	1	Washer
				65	116-7306	1	Nut-Hex

● Not serviced separately

RH Wing Deck Decal Assembly No. 146-0680



RH Wing Deck Decal Assembly No. 146-0680 (continued)

<i>Ref.</i>	<i>Part Number</i>	<i>Qty.</i>	<i>Description</i>	<i>Ref.</i>	<i>Part Number</i>	<i>Qty.</i>	<i>Description</i>
2	112-9028	1	Decal-Cover, Missing	4	135-0670	1	Decal-Warning, Pinch Point
3	135-0664	1	Decal-Danger, Thrown Object	5	136-9042	1	Decal

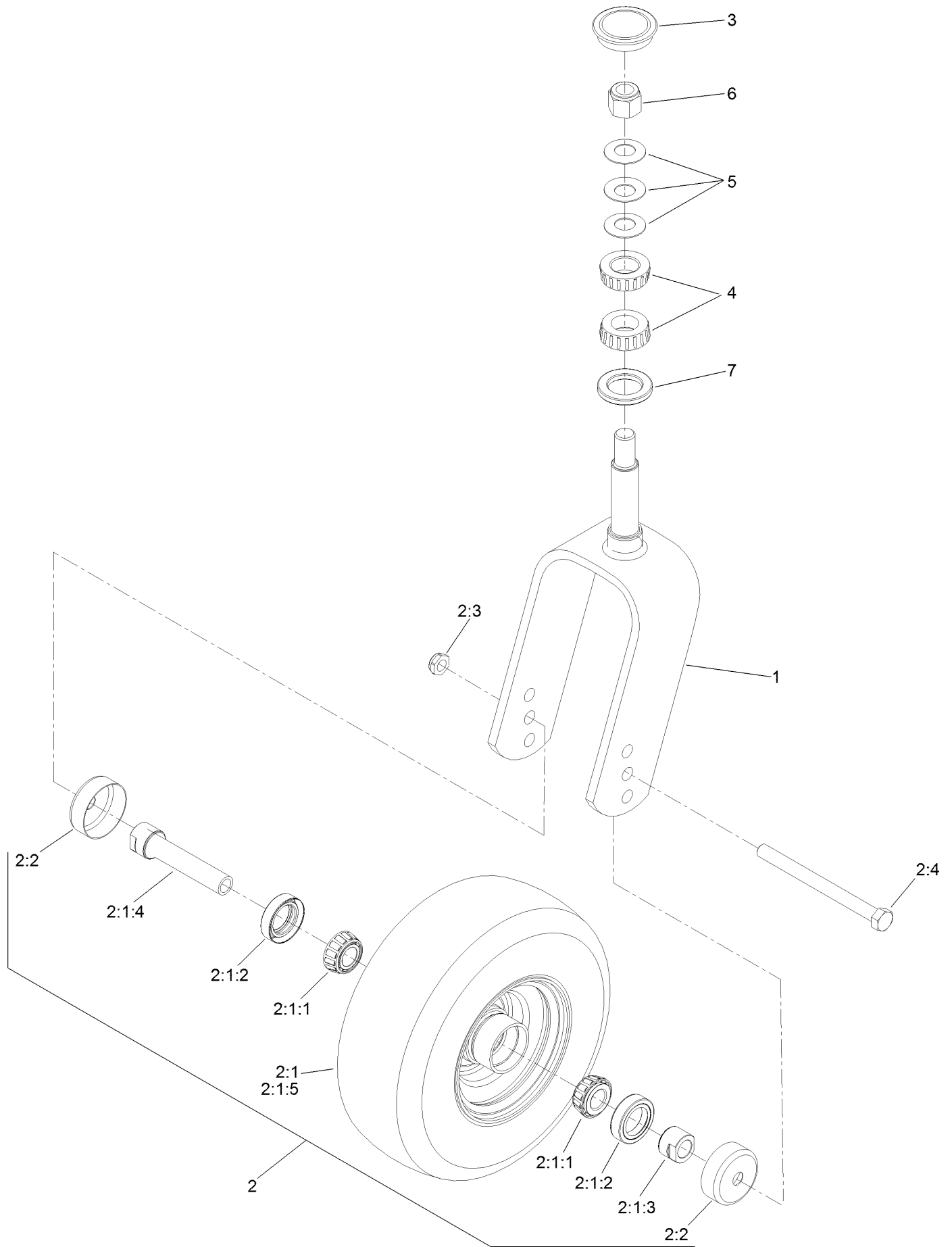
Spindle Assembly No. 137-9780



Spindle Assembly No. 137-9780 (continued)

<i>Ref.</i>	<i>Part Number</i>	<i>Qty.</i>	<i>Description</i>
2	116-0720	2	Bearing-Ball
3	138-6042	1	Spacer-Bearing

Caster Fork and Wheel Assembly



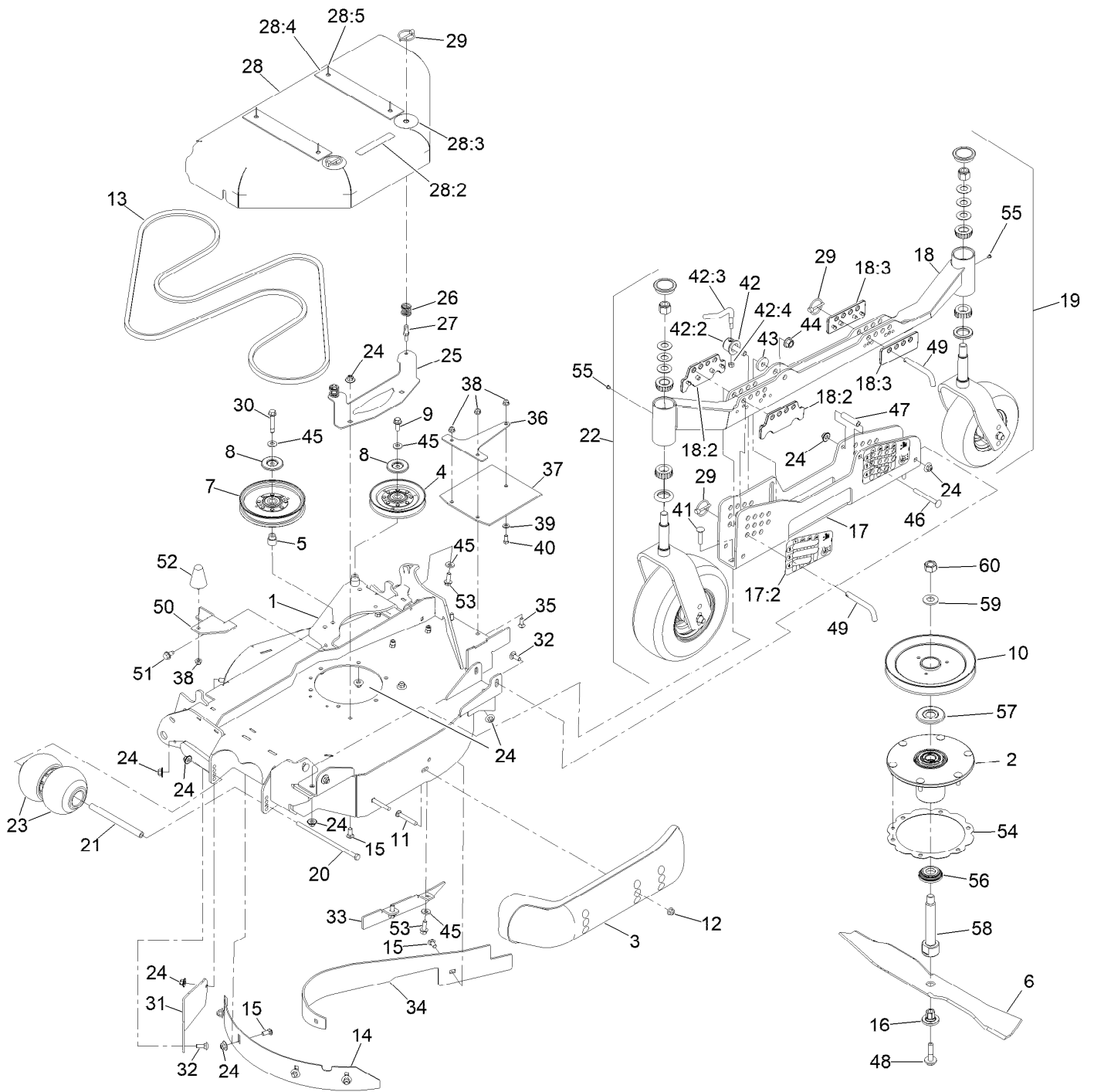
Caster Fork and Wheel Assembly (continued)

<i>Ref.</i>	<i>Part Number</i>	<i>Qty.</i>	<i>Description</i>	<i>Ref.</i>	<i>Part Number</i>	<i>Qty.</i>	<i>Description</i>
1	135-3794-01	1	Fork-Caster	2:2	103-2768	2	Guard-Seal
2	130-4558	1	Wheel/Tire And Bearing ASM	2:3	3296-45	1	Nut-Hex
2:1		1	Wheel And Bearing ASM ●	2:4	325-20	1	Screw-HH
2:1:1	1-633585	2	Bearing-Cone, Taper	3	103-4882	1	Cap-Grease
2:1:2	103-0063	2	Seal-Caster	4	1-543509	2	Bearing-Roller, Tapered
2:1:3	103-3051	1	Spacer-Nut ■	5	1-633508	3	Washer-Bellville
2:1:4	126-5359	1	Caster Axle ASM	6	3296-51	1	Nut-Lock, NI
2:1:5	130-4563	1	Wheel And Tire ASM	7	1-543511	1	Seal-Grease

● Not serviced separately

■ Use Pro-Lock, Nut Type (P/N 1-840022, .5ml tube) on spacer nut

LH Wing Deck Assembly

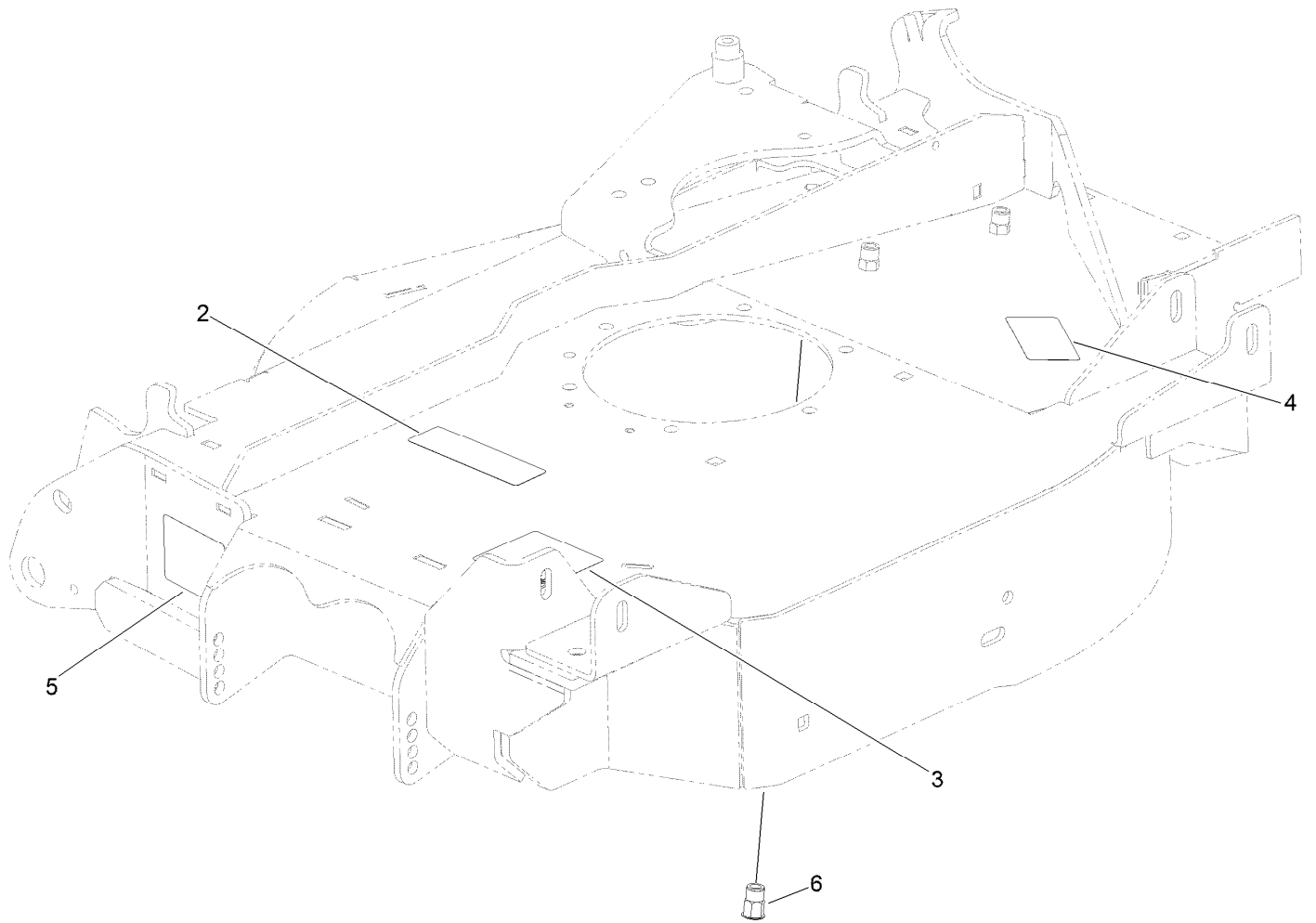


LH Wing Deck Assembly (continued)

<i>Ref.</i>	<i>Part Number</i>	<i>Qty.</i>	<i>Description</i>	<i>Ref.</i>	<i>Part Number</i>	<i>Qty.</i>	<i>Description</i>
1	146-0513	1	ASM-Deck, LH Wing 96 T	30	126-2956	1	Screw-HHF
2	137-9780	1	Spindle ASM	31	126-9757-01	1	Plate-Fill
3	112-1479	1	Skid-Bumper, Deck	32	3231-2	6	Bolt-CARR
4	126-2960	1	Idler-V	33	135-1824-01	1	Fin-Baffle, Discharge Wing (LH)
5	1-633456	1	Bushing, Idler	34	135-0794-01	1	Baffle-Dogleg, Center (RH)
6	140-1246	1	Blade-24.50 Mulch	35	3230-16	2	Screw-CARR
7	126-7685	1	Idler-Pulley	36	135-0618-03	1	Support-Flap, LH
8	126-8043	2	Shield-Dust	37	135-1849	1	Guard-Tire, LH
9	3234-42	1	Screw-HHF	38	104-8300	4	Nut-HF, NI
10	140-1185	1	Sheave-Drive, Blade	39	3256-23	1	Washer-Plain
11	3231-31	2	Screw-CARR	40	322-3	1	Screw-HH
12	104-8301	2	Nut-HF, NI	41	3231-5	2	Screw-CARR
13	126-6442	1	Belt-V	42	107-1664	1	Lever ASM
14	135-2459-01	1	Baffle-Depth, LH	42:2	107-1644	1	Cap-Lock
15	3231-12	8	Bolt-CARR	42:3	106-3241	1	Lever-Lock
16	137-9787	1	Bushing-Hex	42:4	3296-29	1	Nut-Lock, NI
17	142-4241	1	ASM-Channel, HOC LH	43	30-8770	1	Washer
17:2	126-8597	2	Decal-HOC, LH	44	99-5107	1	Nut-Lock
18	142-6582	1	ASM-LH Gauge Wheel Arm	45	98-5975	5	Washer-Belleville
18:2	142-3592	2	Plate-Guide, Front	46	3231-11	1	Screw-CARR
18:3	142-3501	2	Plate-Guide, Rear	47	135-2424	1	Spacer
19		1	Rear Caster Wheel ASM ●	48	109-9220	1	Screw-Sems
20	99-7203	1	Screw-HH	49	135-2073	2	Pin-HOC
21	126-6115	1	Spacer-Wheel	50	135-2611-01	1	Bracket-Retainer, Cover
22		1	Caster Wheel ASM ●	51	110-9380	1	Screw-HWH
23	103-8415	2	Roller-Anti-Scalp	52	114-1925	1	Bumper-Rubber
24	109-6658	25	Nut-Flange, NI	53	3234-11	3	Screw-HHF
25	135-2653-03	1	Bracket-Shield Mount, Outer	54	140-0986	1	Ring-Spacer, Housing
26	126-1503	2	Spring	55	1-811010	2	Plug
27	135-7455	2	Pin, Spring	56	137-9784	1	Guard-Bottom
28	135-6170	1	LH Wing Shield ASM	57	103-1330	1	Guard-Bearing, Top
28:2	93-6687	1	Decal-No Step	58	138-6045	1	Shaft-Spindle
28:3	135-3165	2	Decal-Cover, Scratch	59	103-2802	1	Washer
28:4	135-6706	2	Plate	60	116-7306	1	Nut-Hex
28:5	133-7130	4	Rivet-Pop				
29	92-1298	4	Pin-Lynch				

● Not serviced separately

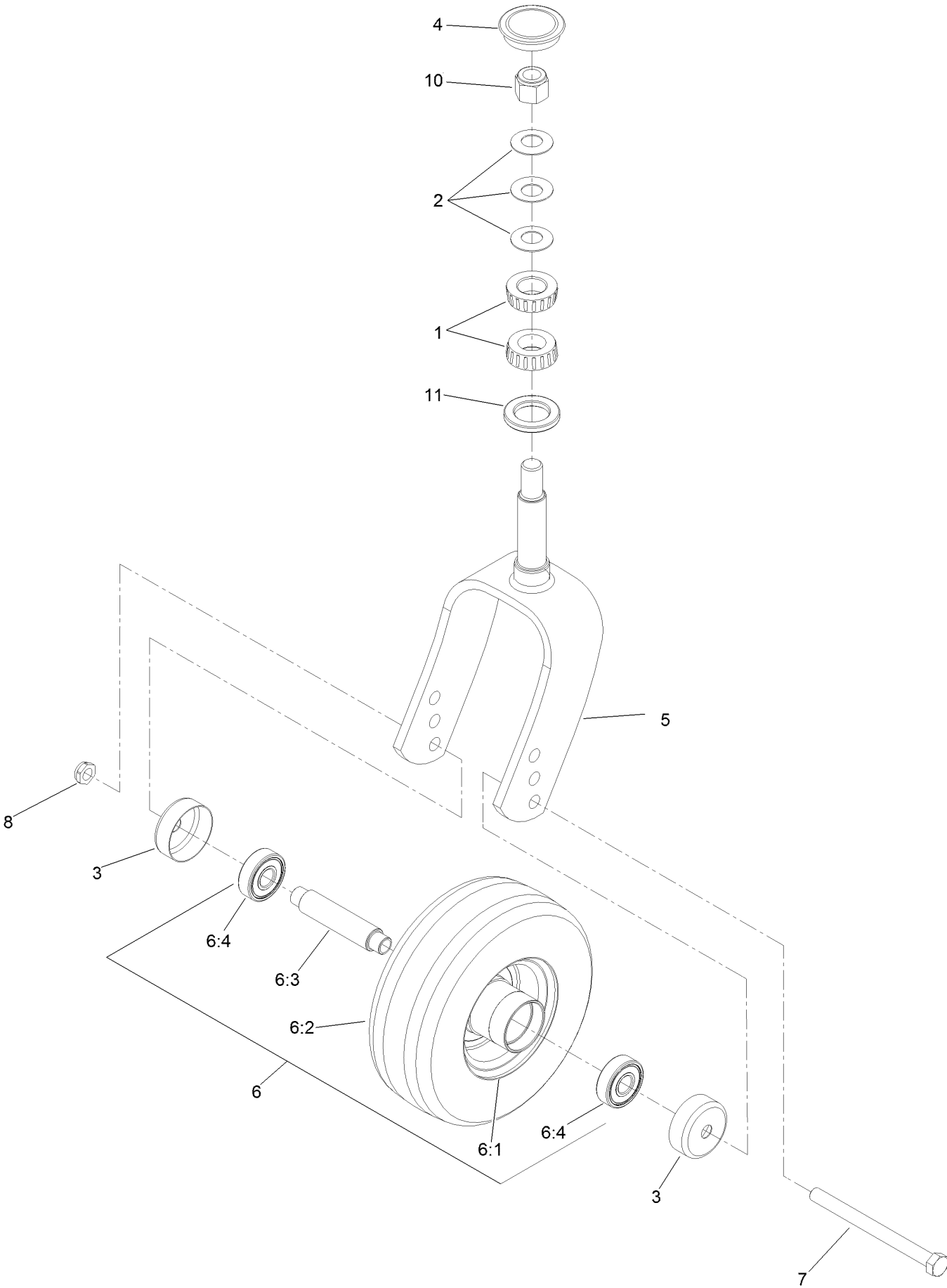
LH Wing Deck Decal Assembly No. 146-0513



LH Wing Deck Decal Assembly No. 146-0513 (continued)

<i>Ref.</i>	<i>Part Number</i>	<i>Qty.</i>	<i>Description</i>	<i>Ref.</i>	<i>Part Number</i>	<i>Qty.</i>	<i>Description</i>
2	112-9028	1	Decal-Cover, Missing	4	116-8283	1	Decal-Torque, Bolt
3	135-0664	1	Decal-Danger, Thrown Object	5	135-0670	1	Decal-Warning, Pinch Point
				6	135-7200	3	Nut-Clinch,Hex

Rear Caster Wheel Assembly

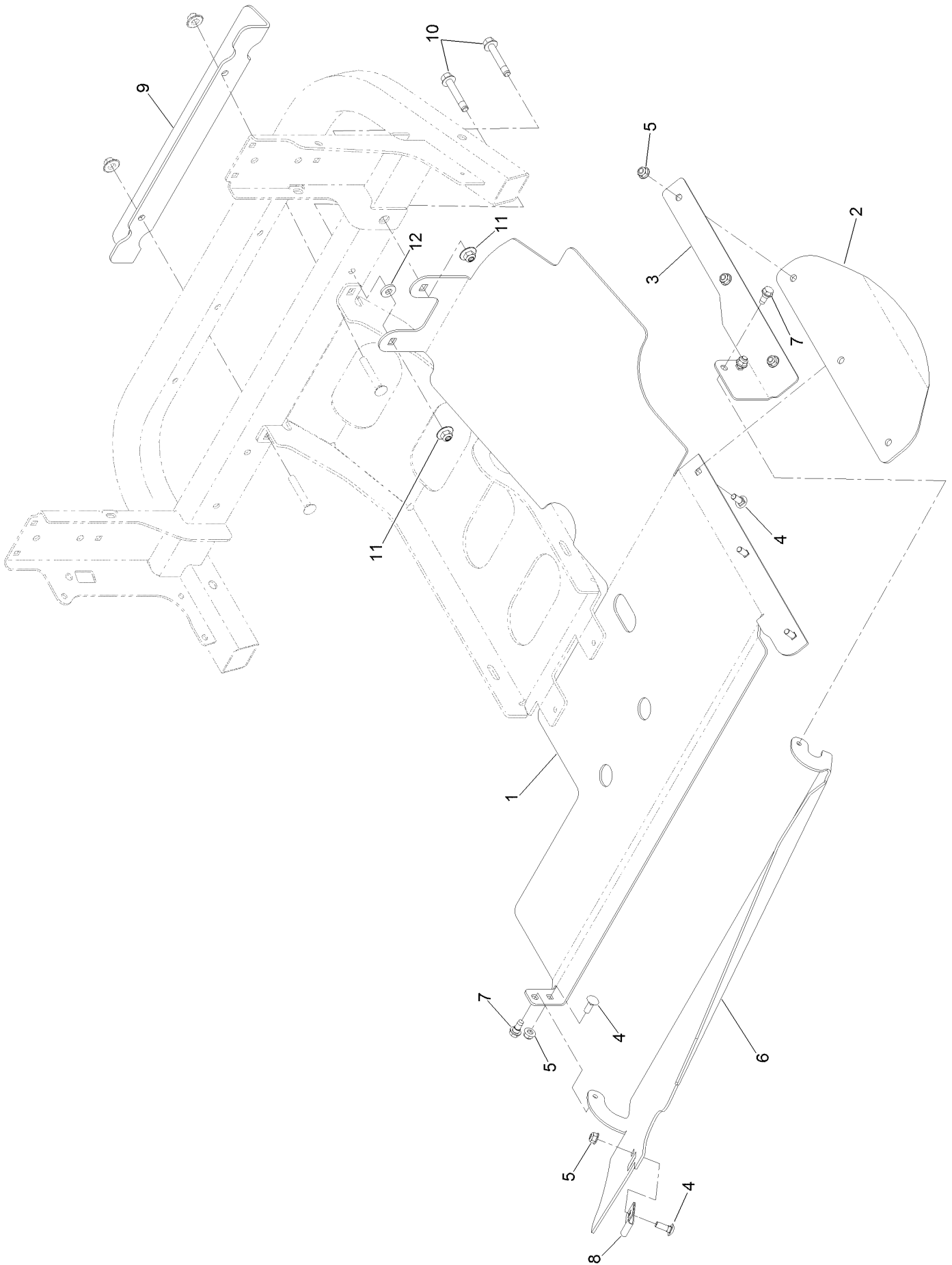


Rear Caster Wheel Assembly (continued)

<i>Ref.</i>	<i>Part Number</i>	<i>Qty.</i>	<i>Description</i>	<i>Ref.</i>	<i>Part Number</i>	<i>Qty.</i>	<i>Description</i>
1	1-543509	2	Bearing-Roller, Tapered	6:2	112-7065	1	Tire
2	1-633508	3	Washer-Bellville	6:3	126-7904	1	Axle-Caster
3	135-3218	2	Guard, Seal	6:4	116-4004	2	Bearing
4	103-4882	1	Cap-Grease	7	325-20	1	Screw-HH
5	135-3793-01	1	Fork-Caster	8	3296-45	1	Nut-Hex
6		1	Wheel And Tire ASM ●	10	3296-51	1	Nut-Lock, NI
6:1	135-2646	1	Wheel	11	1-543511	1	Seal-Grease

● Not serviced separately

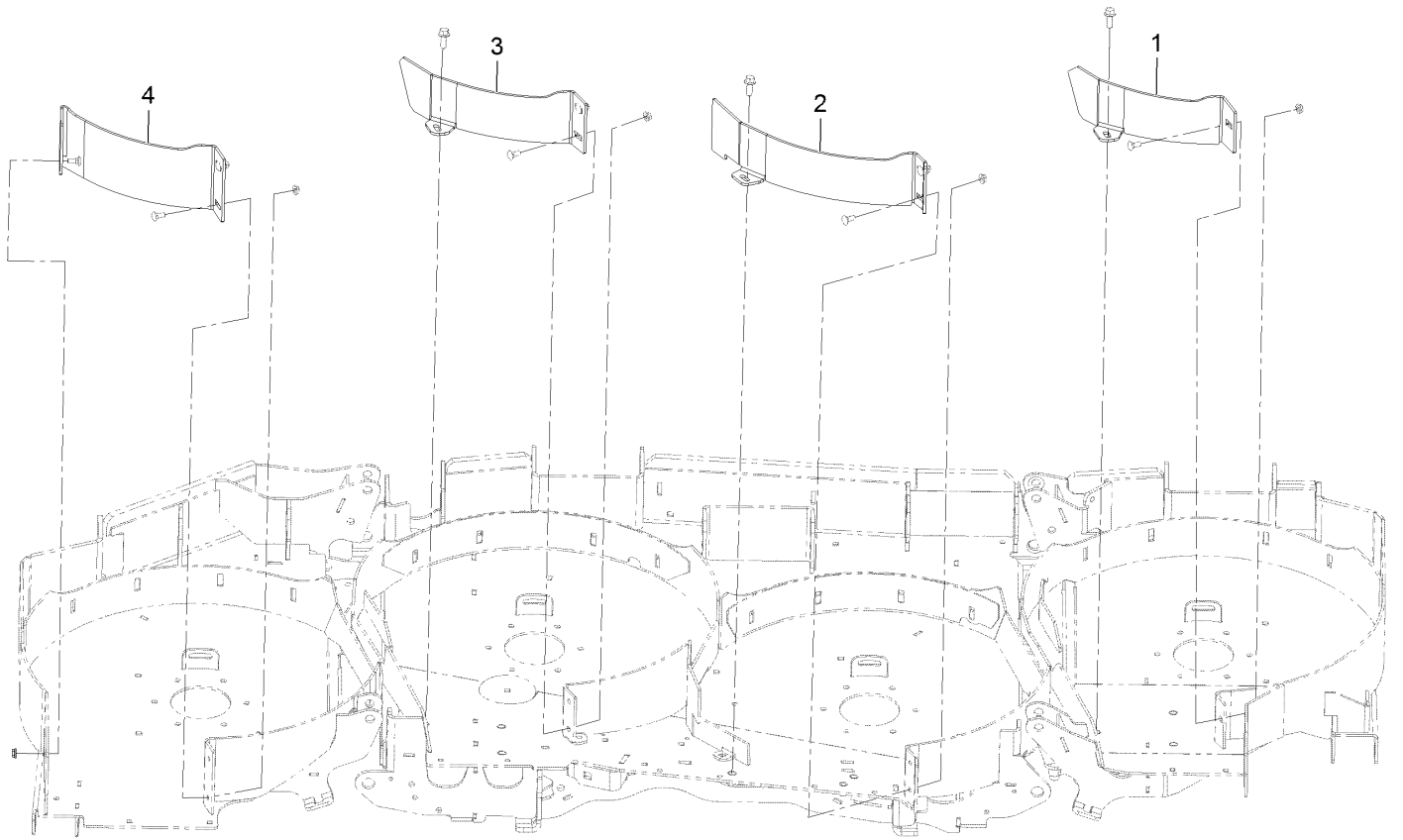
Discharge Tunnel Assembly



Discharge Tunnel Assembly (continued)

<i>Ref.</i>	<i>Part Number</i>	<i>Qty.</i>	<i>Description</i>	<i>Ref.</i>	<i>Part Number</i>	<i>Qty.</i>	<i>Description</i>
1	135-2089-03	1	Plate-Discharge	7	126-4424	2	Screw-Shoulder
2	135-0050	1	Flap-Rubber	8	135-0608	1	Bearing-Strap, Nylon
3	135-2090-03	1	Bracket-Flap, LH	9	135-2092-03	1	Bracket-Tie Down
4	3230-16	6	Screw-CARR	10	3234-39	2	Screw-HHF
5	104-8300	6	Nut-HF, NI	11	109-6658	2	Nut-Flange, NI
6	135-2617-03	1	Panel-Discharge	12	43-0940	1	Spacer

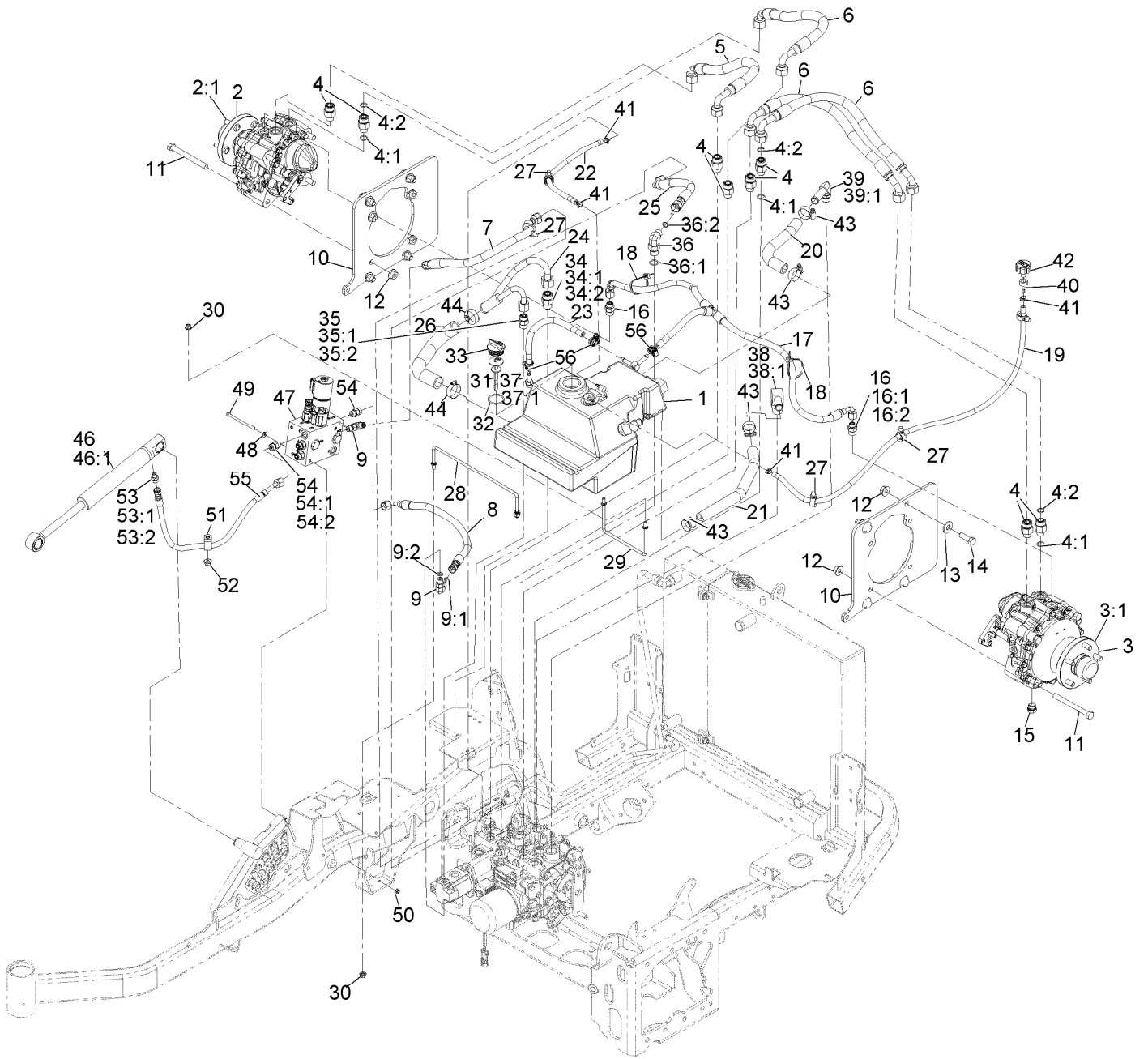
Mulch Kit Assembly No. 135-2449



Mulch Kit Assembly No. 135-2449 (continued)

<i>Ref.</i>	<i>Part Number</i>	<i>Qty.</i>	<i>Description</i>	<i>Ref.</i>	<i>Part Number</i>	<i>Qty.</i>	<i>Description</i>
1	135-3461-01	1	Baffle-Block	3	135-3463-01	1	Baffle-Block, RH Ctr
2	135-3462-01	1	Baffle-Block, LH Ctr	4	135-3540-01	1	Baffle-Block, RH Wing

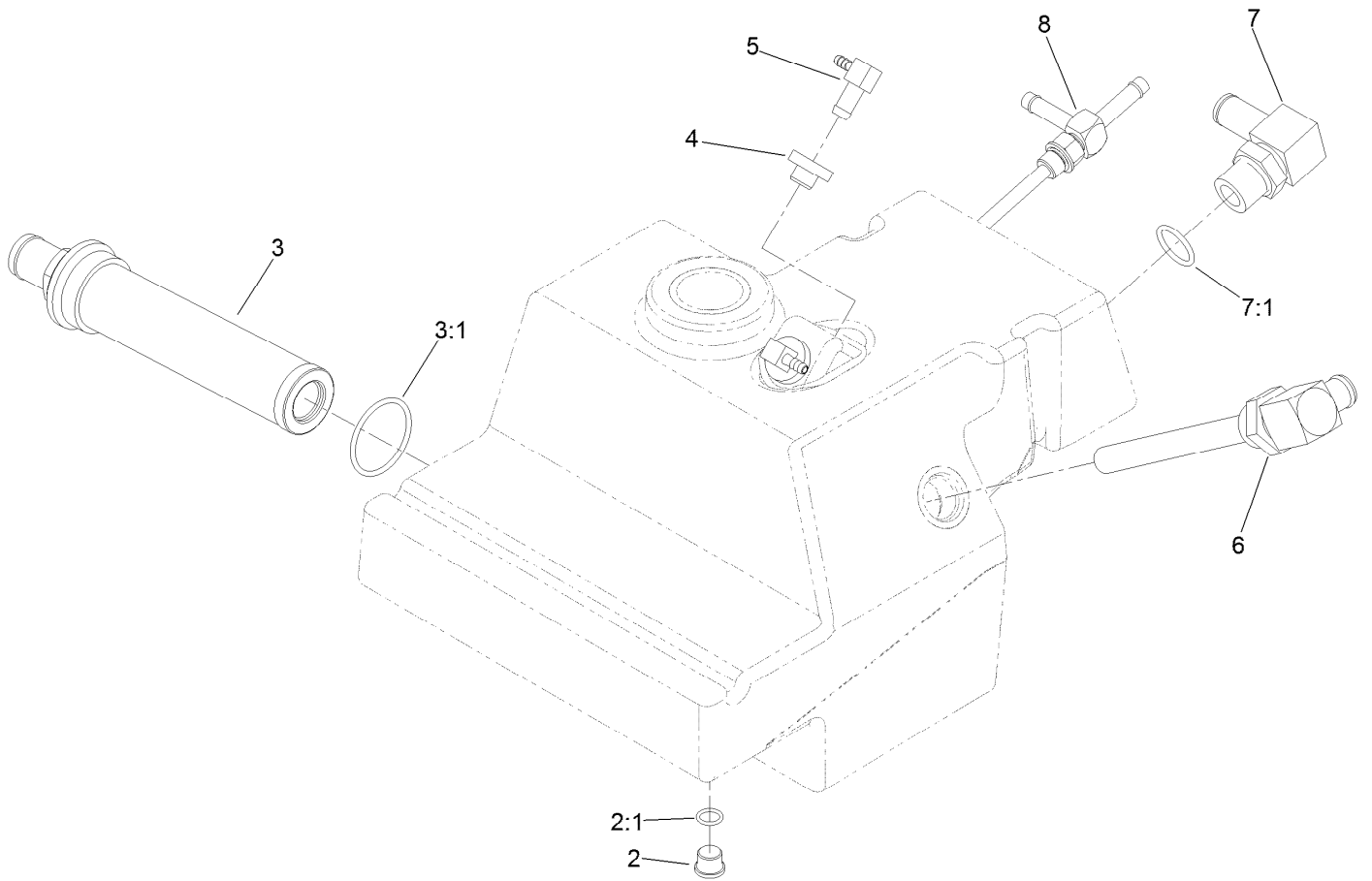
Hydraulic Drive Assembly



Hydraulic Drive Assembly (continued)

<i>Ref.</i>	<i>Part Number</i>	<i>Qty.</i>	<i>Description</i>	<i>Ref.</i>	<i>Part Number</i>	<i>Qty.</i>	<i>Description</i>
1	142-5034	1	HYD Reservoir ASM	32	94-8166	1	O-Ring
2	126-8133	1	Motor-HYD, RH	33	93-7498	1	Plug-Plastic
2:1	135-5333	1	5 Stud Wheel Hub Kit	34	340-7	1	Fitting-Straight
3	126-8134	1	Motor-HYD, LH	34:1	237-65	1	O-Ring
3:1	135-5333	1	5 Stud Wheel Hub Kit	34:2	237-80	1	O-Ring
4	340-155	8	Fitting-Straight	35	340-4	1	Fitting-Straight
4:1	237-79	1	O-Ring	35:1	237-30	1	O-Ring
4:2	237-151	1	O-Ring	35:2	237-79	1	O-Ring
5	126-8686	1	Hose ASM, HYD	36	340-105	1	Fitting-Elbow, 90 DEG
6	126-8687	3	Hose ASM, HYD	36:1	237-80	1	O-Ring
7	126-8685	1	Hose ASM	36:2	237-30	1	O-Ring
8	126-8684	1	Hose ASM	37	103-1912	1	Adapter-Straight
9	340-77	2	Fitting-Elbow, 90 DEG	37:1	237-42	1	O-Ring
9:1	237-22	1	O-Ring	38	353-987	1	Fitting-Elbow, 90
9:2	237-42	1	O-Ring	38:1	237-81	1	O-Ring
10	135-1202-03	2	Plate-Motor	39	87-8170	1	Fitting-90
11	325-19	8	Screw-HH	39:1	237-80	1	O-Ring
12	32128-49	16	Nut-HHF	40	354-95	1	Fitting-Straight
13	1-513435	8	Washer-Spring	41	2412-98	4	Clamp-Hose
14	325-6	8	Screw-HH	42	68-6150	1	Breather
15	142-2435	2	Plug-Magnetic	43	2412-129	4	Clamp-Hose
16	340-3	2	Fitting-Straight	44	2412-34	2	Clamp-Hose
16:1	237-22	1	O-Ring	46	126-7841	1	Lift Cylinder ASM
16:2	237-79	1	O-Ring	46:1	142-2767	1	Kit, CYL Repair
17	135-3731	1	Tee Hose ASM	47	142-8862	1	Valve ASM-Lift And Fold
18	3290-378	2	Tie-Cable	48	3256-16	2	Washer-Flat
19	126-6776	1	Hose-Fuel	49	321-28	2	Screw-HH
20	126-6767	1	Hose-Return	50	32128-33	2	Nut-HF
21	126-6768	1	Hose-Return	51	1-633396	1	Clip-Loom
22	126-6778	1	Hose-Fuel	52	104-8301	1	Nut-HF, NI
23	126-6766	1	Hose	53	126-8692	1	Fitting-HYD, Straight
24	126-8688	1	Tube ASM	53:1	237-78	1	O-Ring
25	126-8682	1	Hose ASM	53:2	237-21	1	O-Ring
26	126-6774	1	Hose-Suction	54	340-2	4	Fitting-Straight
27	32180-030	5	Clip-Tie	54:1	237-22	1	O-Ring
28	126-7547	1	Rod-Support, HYD Tank	54:2	237-42	1	O-Ring
29	126-7546	1	Rod-Support, HYD Tank	55	126-8683	1	Hose ASM
30	104-8300	4	Nut-HF, NI	56	135-7984	3	Clamp-Hose
31	112-6365	1	Dipstick				

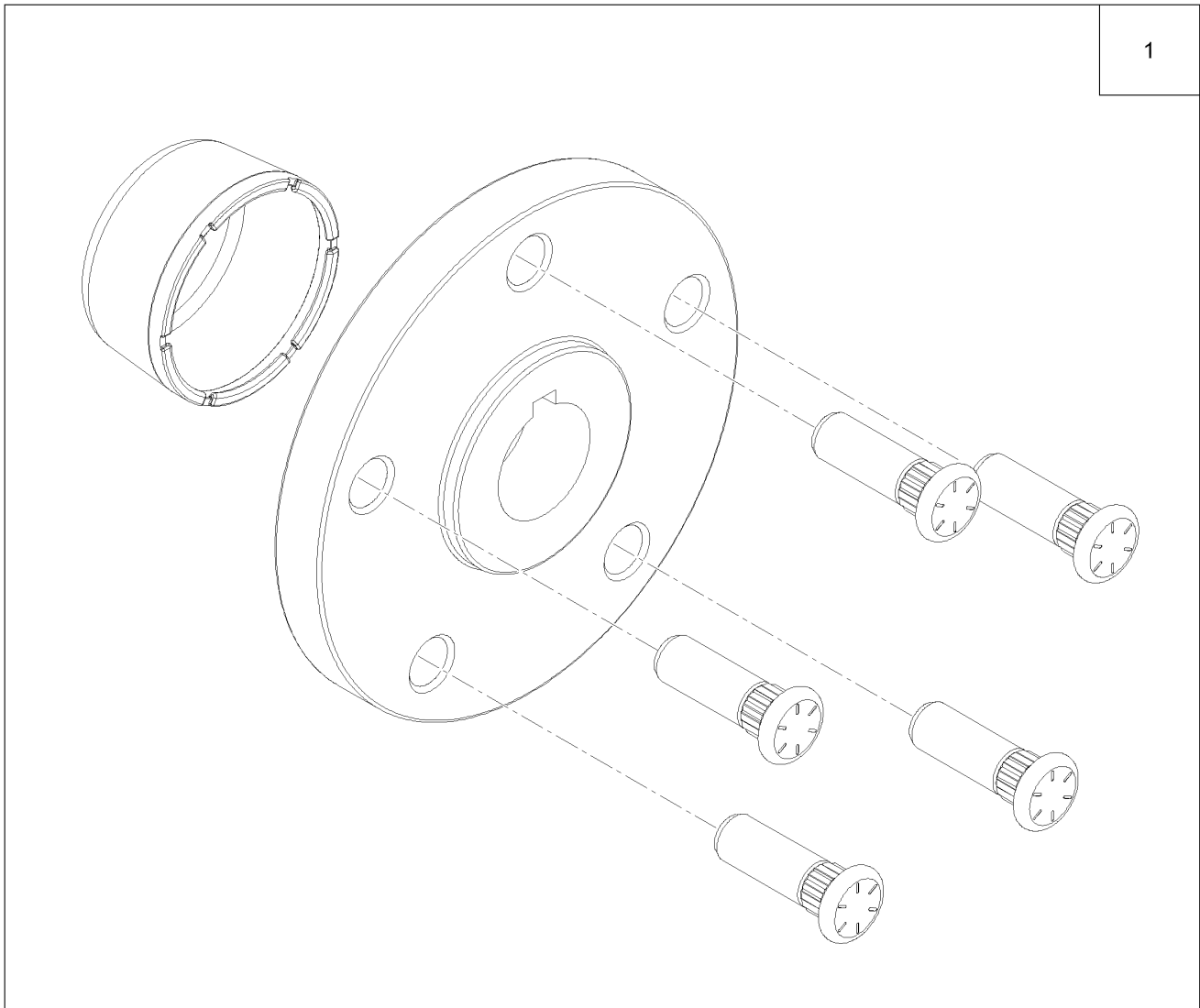
Hydraulic Reservoir Assembly No. 142-5034



Hydraulic Reservoir Assembly No. 142-5034 (continued)

<i>Ref.</i>	<i>Part Number</i>	<i>Qty.</i>	<i>Description</i>	<i>Ref.</i>	<i>Part Number</i>	<i>Qty.</i>	<i>Description</i>
2	353-989	1	Plug-Hex, Hollow	5	104-5228	2	Fitting-Elbow, 90 DEG
2:1	237-42	1	O-Ring	6	126-6782	1	Fitting-Standpipe
3	104-7546	1	Tank Strainer ASM	7	353-987	1	Fitting-Elbow, 90
3:1	340-136	1	O-Ring	7:1	237-81	1	O-Ring
4	46-6560	2	Bushing	8	135-3740	1	Fitting-Tee, Drop Tube

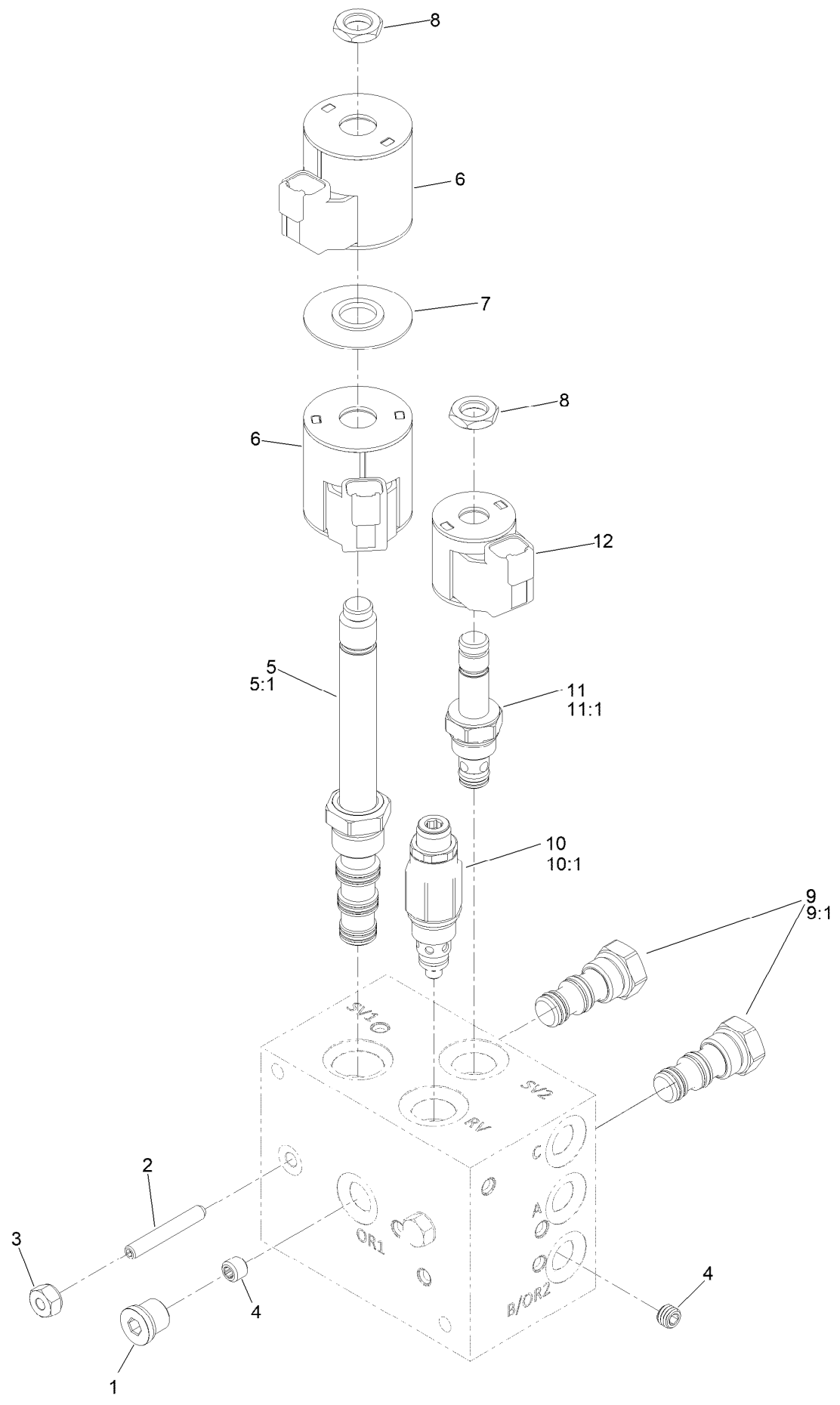
5 Stud Wheel Hub Kit Assembly No. 135-5333



5 Stud Wheel Hub Kit Assembly No. 135-5333 (continued)

<i>Ref.</i>	<i>Part Number</i>	<i>Qty.</i>	<i>Description</i>
1	135-5332	1	Wheel Hub ASM

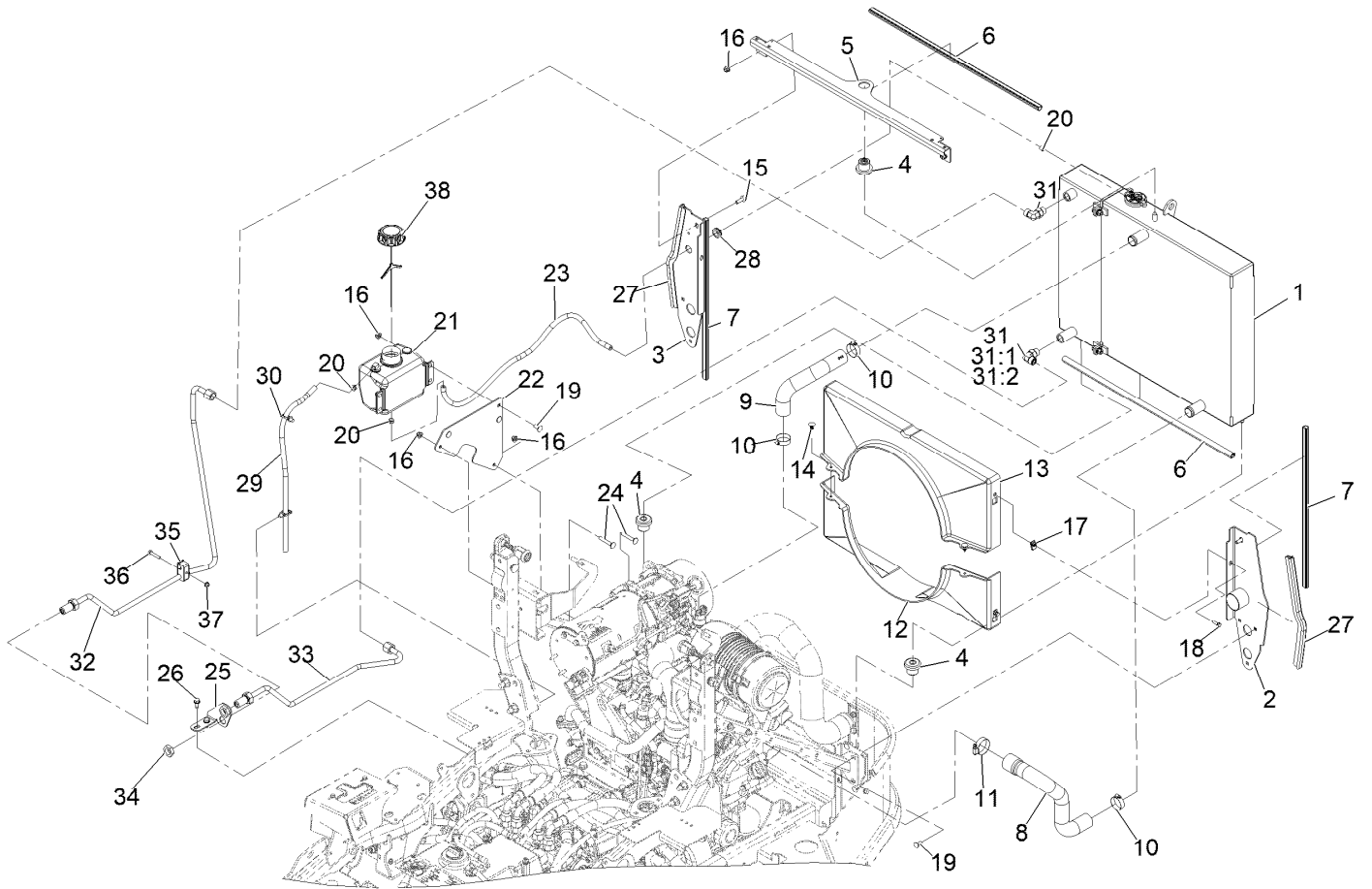
Lift and Fold Valve Assembly No. 142-8862



Lift and Fold Valve Assembly No. 142-8862 (continued)

<i>Ref.</i>	<i>Part Number</i>	<i>Qty.</i>	<i>Description</i>	<i>Ref.</i>	<i>Part Number</i>	<i>Qty.</i>	<i>Description</i>
1	111-5512	1	Plug-HYD, SAE	8	110-2634	2	Nut-Coil
2	135-4544	2	Screw-Set	9	142-4923	2	Po Check Valve
3	135-4545	2	Nut-Sealing, Hex	9:1	142-7526	1	Seal Kit
4	142-8912	2	Plug-Orifice	10	142-8872	1	Valve-HYD, Pressure Relief
5	135-4546	1	Solenoid Valve ASM	10:1	142-8965	1	Seal Kit
5:1	110-8908	1	Spool Valve Seal Kit	11	142-8873	1	Valve-HYD, Solenoid, NC
6	115-3021	2	Coil-12V	11:1	119-7716	1	Seal Kit
7	117-8316	1	Spacer-E Coil	12	119-8036	1	Coil

Cooling Assembly



Cooling Assembly (continued)

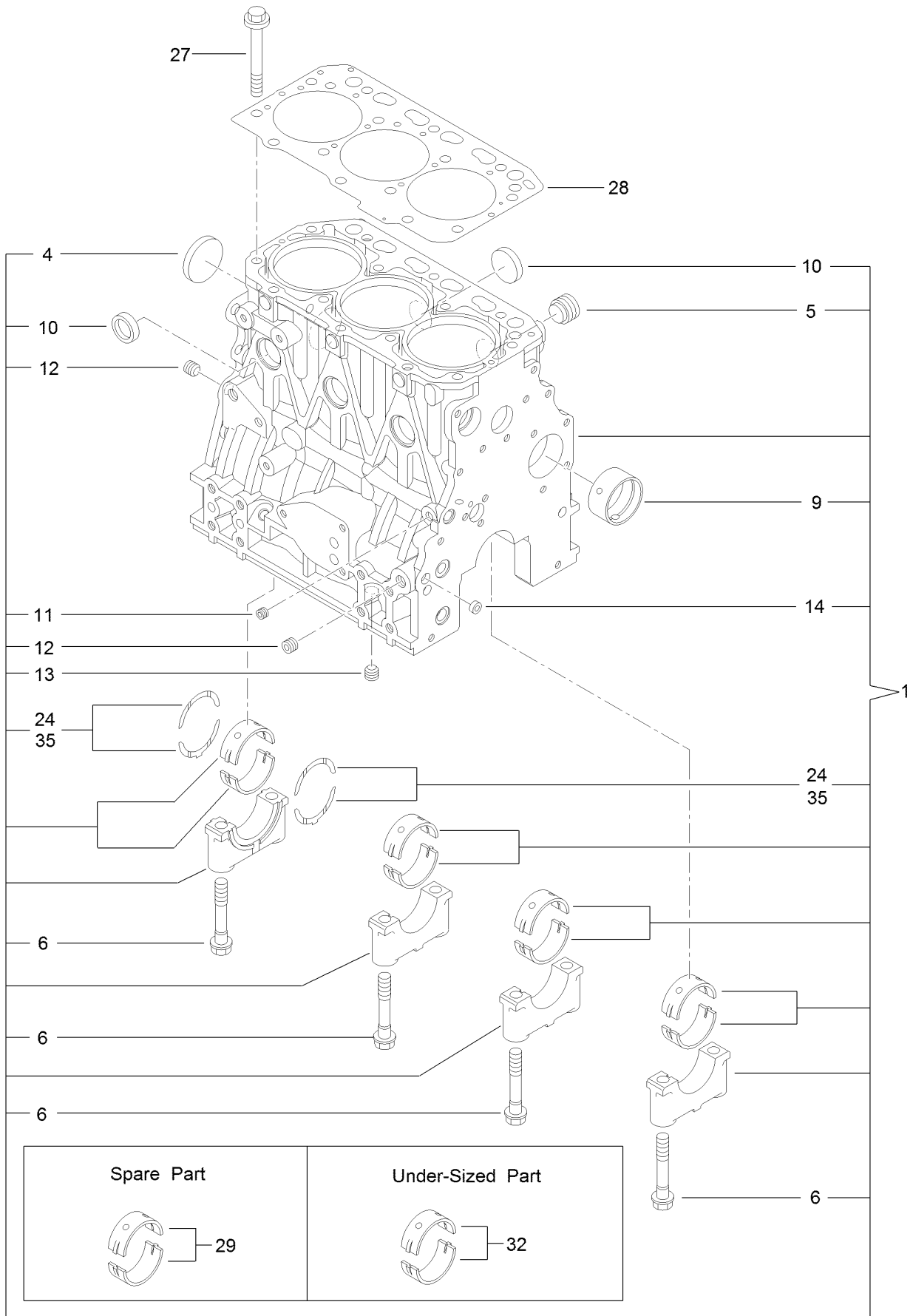
<i>Ref.</i>	<i>Part Number</i>	<i>Qty.</i>	<i>Description</i>	<i>Ref.</i>	<i>Part Number</i>	<i>Qty.</i>	<i>Description</i>
1	121-3330	1	Cooling ASM	21	135-4692	1	Tank-Overflow, W/Cap
2	126-9026-03	1	Support-Radiator, LH	22	126-9178-03	1	Bracket-Bottle
3	126-9028-03	1	Support-Radiator, RH	23	109-0284	1	Hose-Fuel Line 29"
4	119-1422	3	Mount-Isolator	24	3230-6	2	Bolt-Carriage 3/16-18 X 2
5	120-0068-03	1	Bracket-Cooling, Top	25	126-6781-03	1	Bracket-Bulkhead
6	119-1427	2	Seal-Bulb	26	32144-70	2	Screw-HWH 5/16-18 X 3/4 Tf
7	119-1426	2	Seal-Bulb	27	126-6847	2	Seal-Bulb
8	121-3322	1	Hose-Radiator, Lower	28	237-124	1	Grommet
9	121-3321	1	Hose-Radiator, Upper	29	110-4103	1	Hose-Fuel
10	2412-34	3	Clamp-Hose	30	32180-030	2	Clip-Tie
11	2412-130	1	Clamp-Hose	31	340-98	2	Fitting-Elbow, 90 DEG
12	121-3311	1	Shroud-Bottom	31:1	237-79	1	O-Ring
13	121-3312	1	Shroud-Top	31:2	237-30	1	O-Ring
14	117-2382	2	Plug-Plastic	32	126-8690	1	Hydraulic Tube ASM
15	3234-29	2	Screw-HH Flg 5/16-18 X 1	33	126-8691	1	Hydraulic Tube ASM
16	104-8300	13	Nut-Nyloc 5/16-18 Flg	34	340-127	2	Nut-Bulkhead
17	107069	4	Nut-Retainer-Panel 1/4-20	35	135-0641	1	Clamp-Twin
18	32105-15	4	Screw-Machine 1/4-20 X 3/4	36	321-13	1	Screw-HH 1/4-20 X 1 3/8
19	3230-23	9	Bolt-Carriage 5/16-18 X 3/4 Short Neck	37	104-7201	1	Nut-Nyloc 1/4-20 Flg
20	2412-98	3	Clamp-Hose	38	135-4693	1	Cap-W/Tether

Cooling Assembly No. 121-3330 (continued)

<i>Ref.</i>	<i>Part Number</i>	<i>Qty.</i>	<i>Description</i>	<i>Ref.</i>	<i>Part Number</i>	<i>Qty.</i>	<i>Description</i>
1	121-3328	1	Radiator	6	3217-6	3	Nut-Hex
2	121-3329	1	Oil Cooler	7	119-1430	1	Radiator Cap ASM
3	322-5	3	Screw-HH	7:1		1	Cap-Radiator ●
4	3256-23	6	Washer-Plain	7:1:1	117-3276	1	Decal-Danger
5	3253-4	3	Washer-Lock	8	99-8551	1	Plug-Pipe

● Not serviced separately

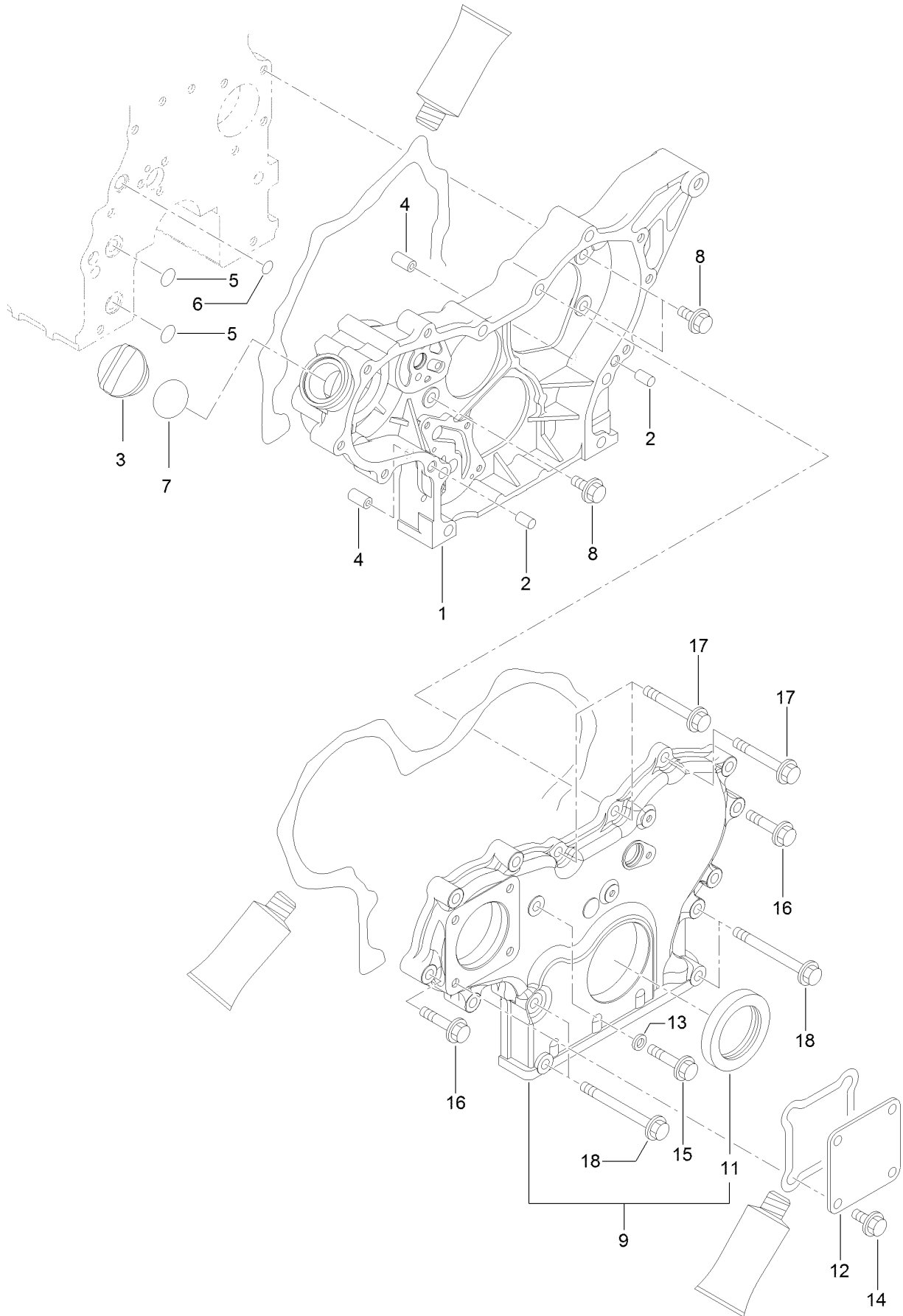
Cylinder Block Assembly



Cylinder Block Assembly (continued)

<i>Ref.</i>	<i>Part Number</i>	<i>Qty.</i>	<i>Description</i>	<i>Ref.</i>	<i>Part Number</i>	<i>Qty.</i>	<i>Description</i>
1	127-4717	1	Cylinder Block ASM	13	125-6973	1	Plug
4	125-6980	1	Plug	14	125-7237	1	Plug
5	125-7170	1	Plug	24	125-7010	2	Metal-Thrust
6	125-7007	8	Bolt	27	125-7006	14	Bolt
9	125-7108	1	Bushing	28	127-4716	1	Head Gasket ASM
10	125-7239	6	Plug	29	125-6981	4	Metal-Main
11	125-6969	1	Plug	32	125-7009	4	Metal-Main (0.25)
12	125-6973	2	Plug	35	125-7011	1	Metal-Thrust (0.25)

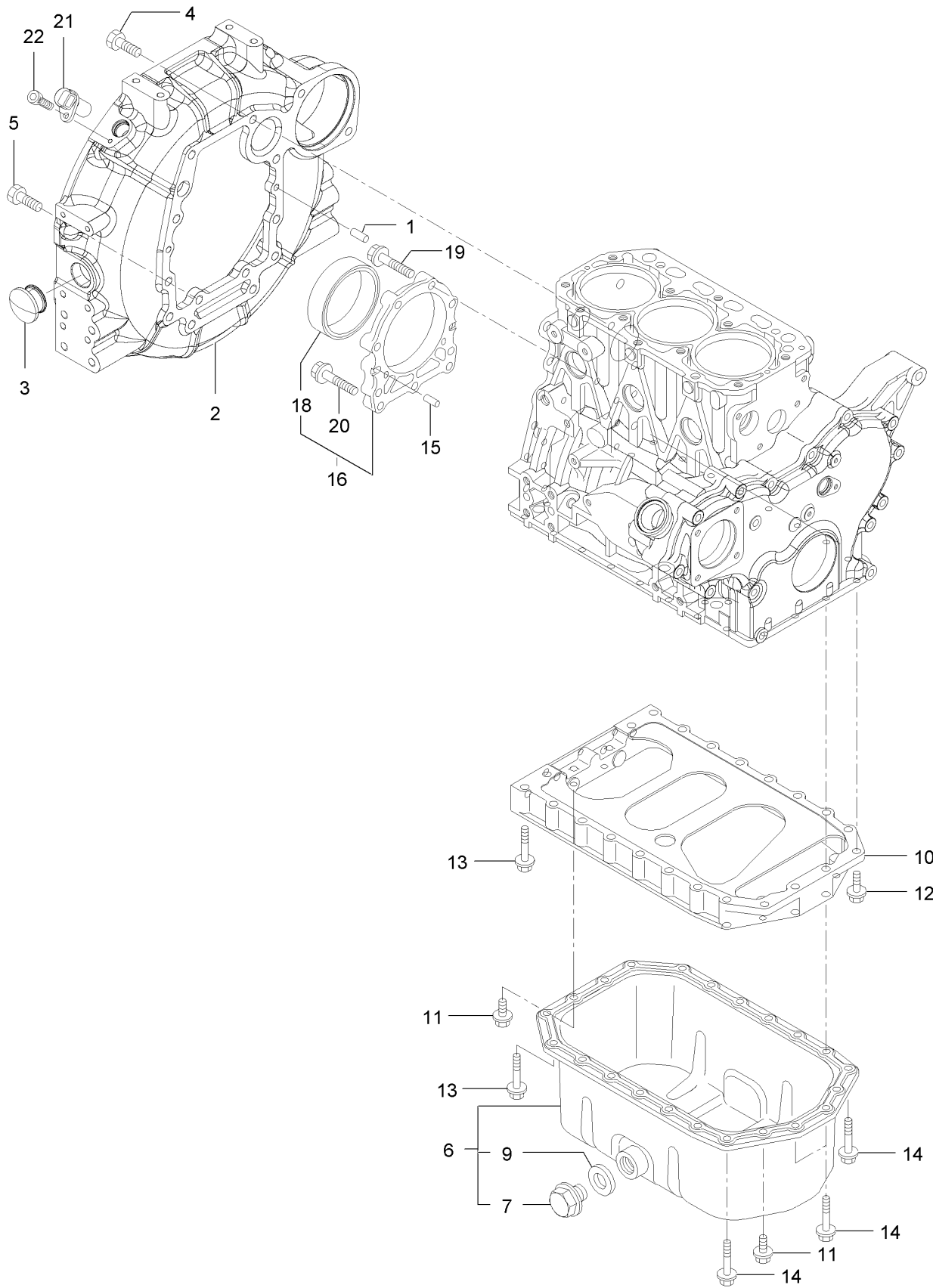
Gear Housing Assembly



Gear Housing Assembly (continued)

<i>Ref.</i>	<i>Part Number</i>	<i>Qty.</i>	<i>Description</i>	<i>Ref.</i>	<i>Part Number</i>	<i>Qty.</i>	<i>Description</i>
1	127-3023	1	Case-Gear	11	125-6944	1	Seal-Oil
2	125-6995	2	Pin	12	125-6977	1	Cover
3	125-6972	1	Cover-Filler	13	125-7174	1	Washer-Seal
4	125-7107	2	Pipe	14	100-6928	4	Bolt
5	125-6909	2	O-Ring	15	125-7217	1	Bolt
6	127-2973	1	O-Ring	16	125-7218	7	Bolt
7	125-7197	1	O-Ring	17	125-7222	3	Bolt
8	100-6928	3	Bolt	18	125-7224	4	Bolt
9	127-3024	1	Gearcase Cover ASM				

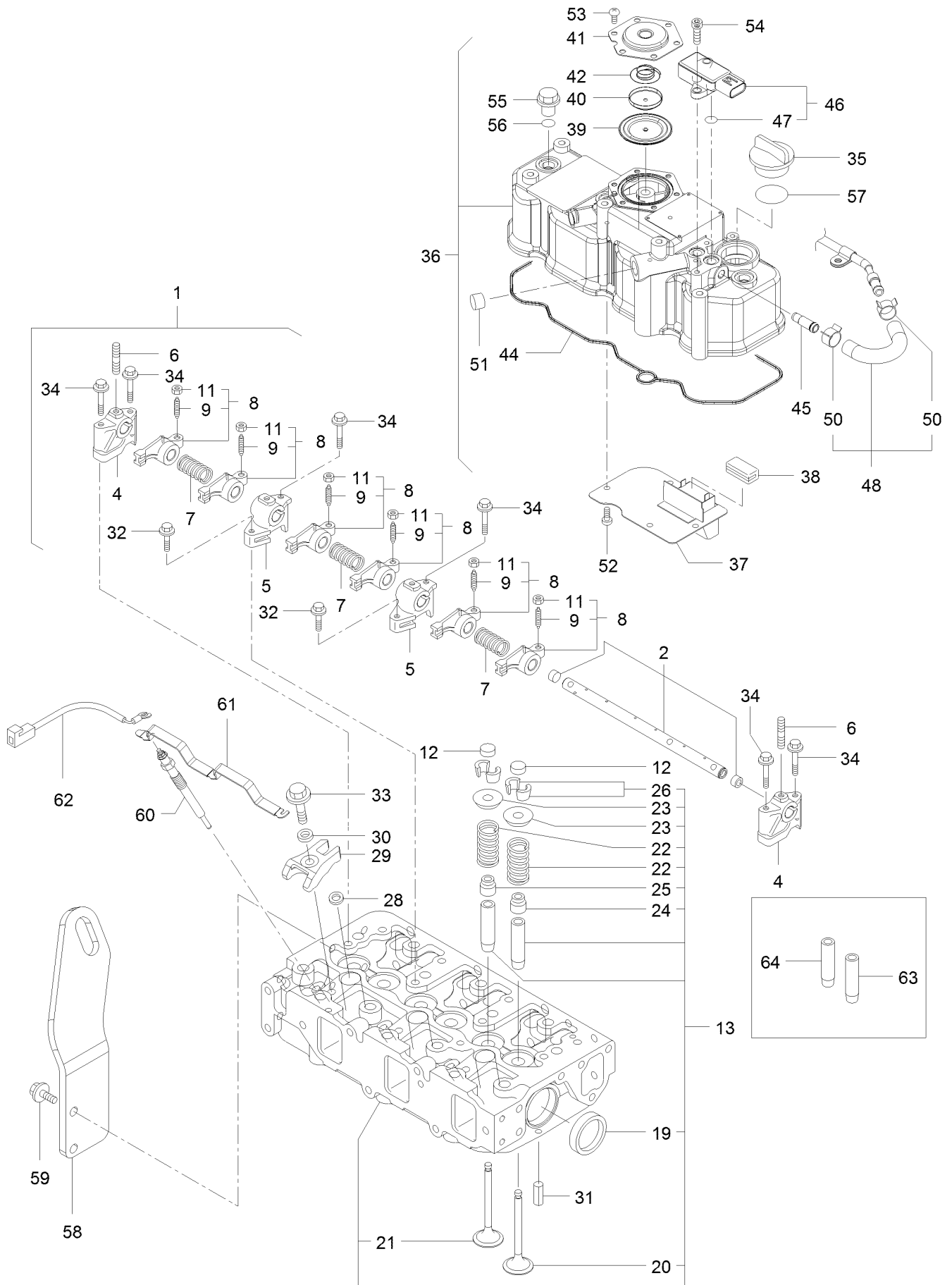
Flywheel Housing and Oil Sump Assembly



Flywheel Housing and Oil Sump Assembly (continued)

<i>Ref.</i>	<i>Part Number</i>	<i>Qty.</i>	<i>Description</i>	<i>Ref.</i>	<i>Part Number</i>	<i>Qty.</i>	<i>Description</i>
1	125-6995	2	Pin	12	125-7215	2	Bolt
2	127-4758	1	Housing-Flywheel	13	125-7219	16	Bolt
3	125-6910	1	Cap	14	125-7220	4	Bolt
4	125-7226	6	Bolt	15	125-6995	2	Pin
5	125-7227	4	Bolt	16	135-4011	1	Case ASM
6	135-4010	1	Oil Pan ASM	18	125-7106	1	Seal-Oil
7	125-6912	1	Plug-Drain	19	125-7045	6	Bolt
9	125-7177	1	Washer-Seal	20	125-7217	3	Bolt
10	127-3756	1	Spacer	21	127-3062	1	Sensor-Rev, Flywheel
11	100-6928	4	Bolt	22	127-3184	1	Bolt

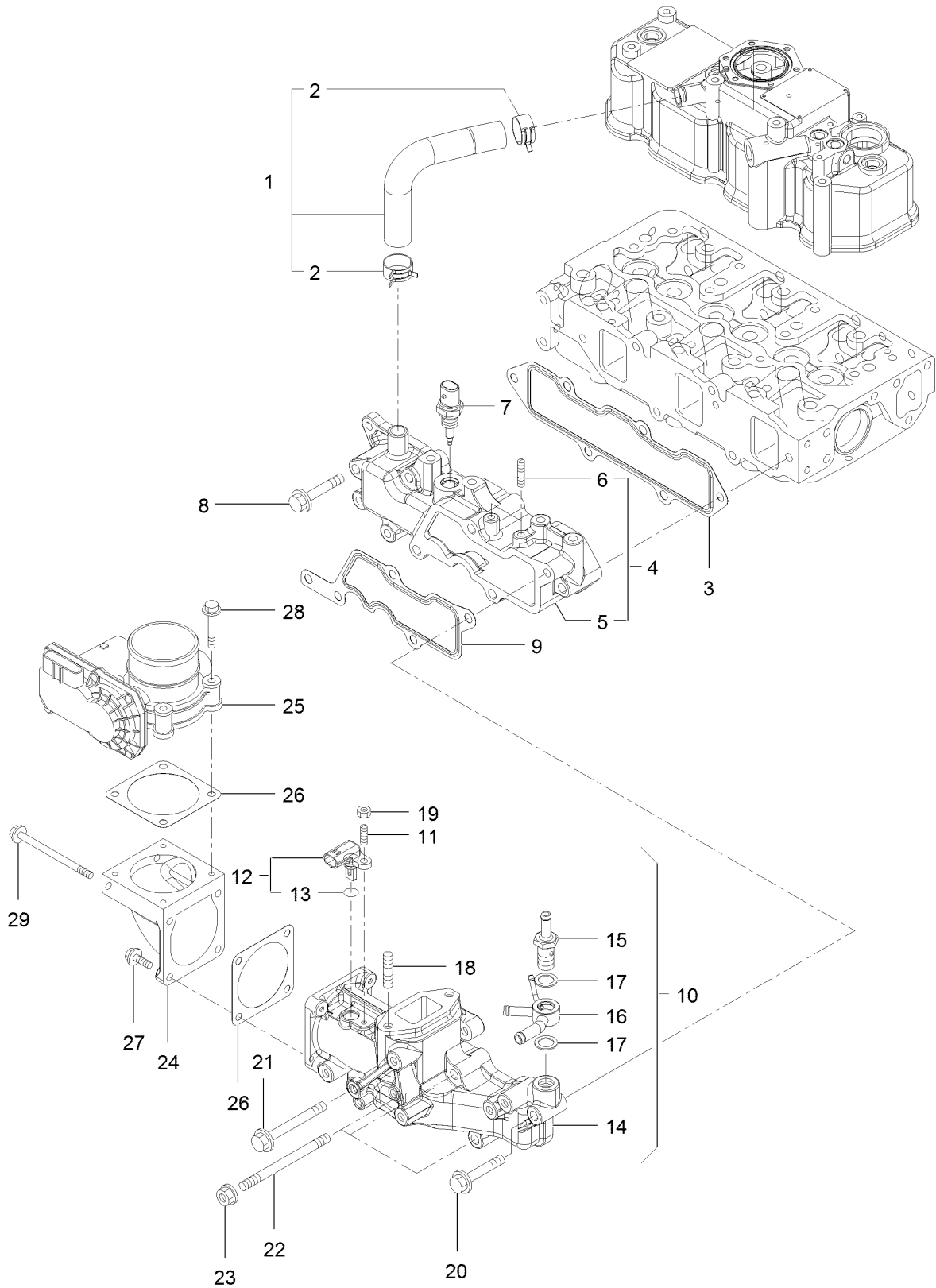
Cylinder Head and Cover Assembly



Cylinder Head and Cover Assembly (continued)

<i>Ref.</i>	<i>Part Number</i>	<i>Qty.</i>	<i>Description</i>	<i>Ref.</i>	<i>Part Number</i>	<i>Qty.</i>	<i>Description</i>
1	127-3757	1	Shaft ASM	36	127-4719	1	Cylinder Head Cover ASM
2	127-3758	1	Shaft	37	127-2988	1	Plate
4	127-2974	2	Support	38	125-7012	1	Baffle
5	127-2975	2	Support	39	125-6959	1	Diaphragm
6	135-4012	3	Bolt,Stud	40	125-6960	1	Plate
7	127-2995	3	Spring	41	125-6961	1	Plate-Breather
8	127-2989	6	Arm-Rocker	42	125-6962	1	Spring-Diaphragm
9	125-7013	6	Screw-Adjust, Valve	44	127-3856	1	Gasket-Valve Cover
11	125-7014	6	Nut	45	127-3026	1	Joint
12	127-2996	6	Cap-Valve	46	127-3029	1	Sensor-Pressure
13	127-4720	1	Cylinder Head ASM	47	127-3032	2	O Ring-Sensor, Pressure
19	125-7240	2	Plug	48	127-3040	1	Hose ASM
20	127-2990	3	Valve	50	127-3041	2	Clip-Hose
21	127-4710	3	Valve	51	125-6913	1	Plug
22	127-3012	6	Spring	52	125-7186	4	Screw
23	127-3013	6	Retainer-Spring	53	125-7186	6	Screw
24	127-2986	3	Seal-Stem, Valve	54	127-3184	2	Bolt
25	127-3027	3	Seal-Stem, Valve	55	125-6974	3	Knob
26	127-3186	6	Pin-Cotter	56	93-0418	3	O-Ring
28	127-3021	3	Gasket-Injector	57	125-7197	1	O-Ring
29	127-3028	3	Retainer-Injector	58	127-4718	1	Lifter-Engine
30	127-2980	3	Washer-Injector	59	100-6928	2	Bolt
31	125-7184	2	Pin-Spring	60	127-2991	3	Plug-Glow
32	125-7215	2	Bolt	61	127-3768	1	Connector-Plug, Glow
33	125-7217	3	Bolt	62	131-2704	1	Harness-Wire
34	125-7220	6	Bolt	63	127-2979	3	Guide
35	125-6972	1	Cover-Filler	64	127-2997	3	Guide-Valve

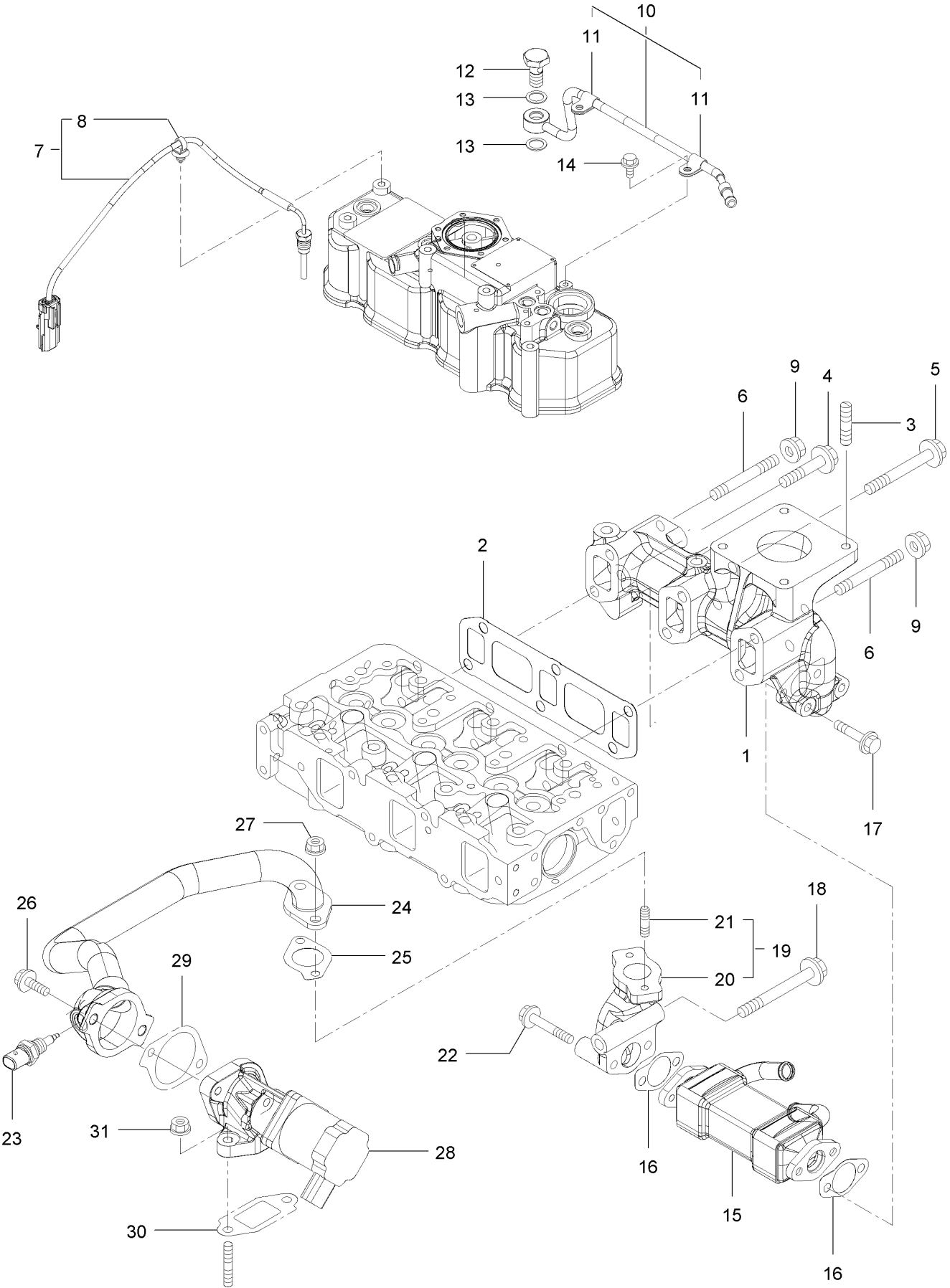
Suction Manifold Assembly



Suction Manifold Assembly (continued)

<i>Ref.</i>	<i>Part Number</i>	<i>Qty.</i>	<i>Description</i>	<i>Ref.</i>	<i>Part Number</i>	<i>Qty.</i>	<i>Description</i>
1	127-4704	1	Pipe	16	127-3081	1	Joint-Hose
2	125-7040	2	Clip-Hose	17	127-3166	2	Washer-Seal
3	127-3857	1	Gasket-Manifold, Intake	18	127-3181	2	Stud
4	127-4722	1	Intake Manifold ASM	19	127-4775	1	Nut
5	127-4721	1	Manifold-Intake	20	125-7220	1	Bolt
6	127-3180	2	Stud	21	127-3178	1	Bolt
7	127-3031	1	Sensor-Temp, Air	22	127-3182	3	Stud
8	125-7220	3	Bolt	23	125-7229	3	Nut
9	127-3034	1	Gasket-Collector	24	127-3035	1	Bend-Inlet
10	127-4725	1	Intake Collector ASM	25	127-3036	1	Body-Throttle
11	127-4701	1	Stud	26	127-3037	2	Gasket-Throttle
12	127-3030	1	Sensor-Temp, Air	27	125-7209	2	Bolt
13	127-3033	1	O-Ring	28	125-7211	4	Bolt
14	127-4724	1	Collector-Intake	29	127-3177	2	Bolt
15	127-3080	1	Joint-Hose				

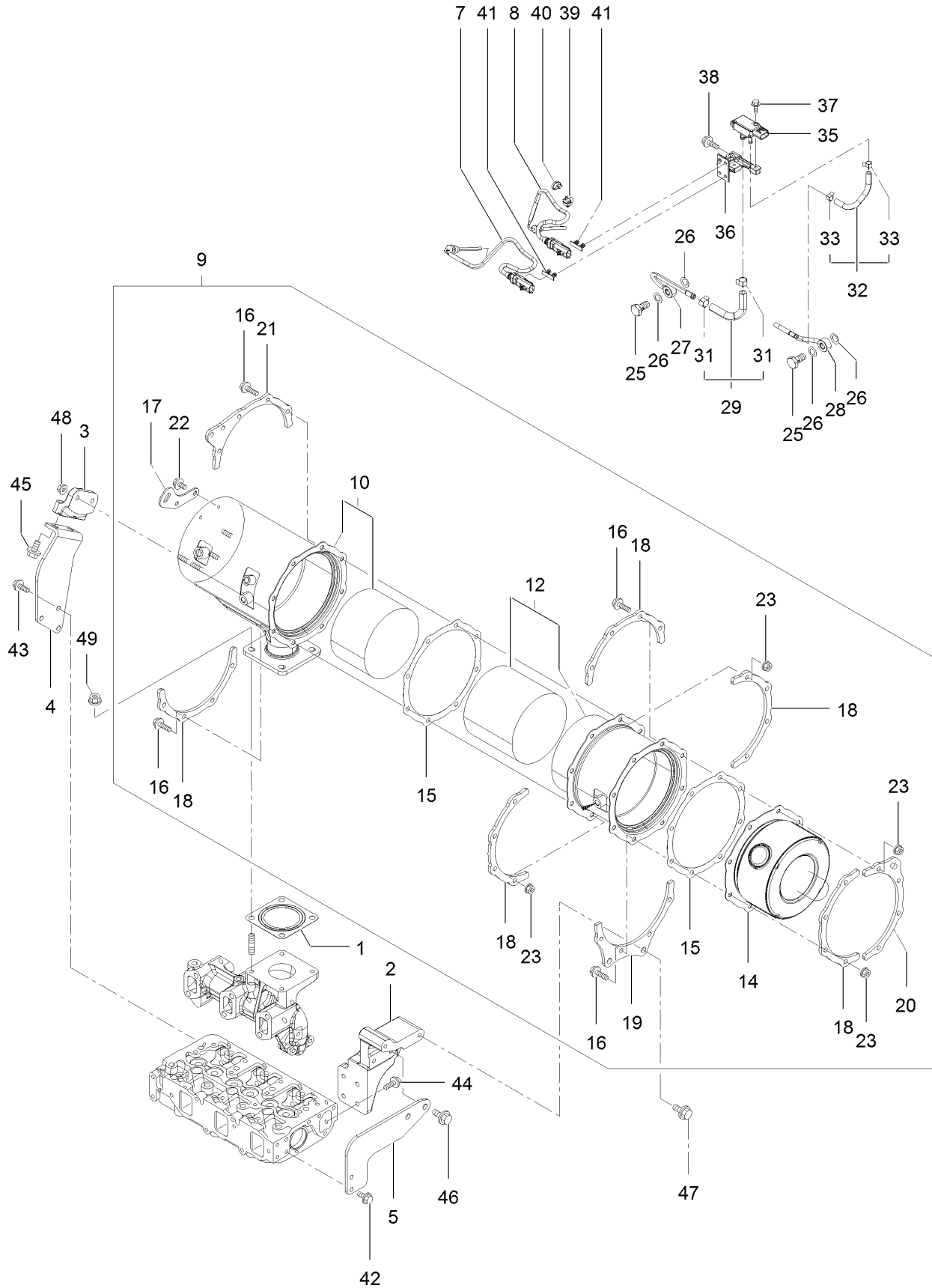
Exhaust Manifold Assembly



Exhaust Manifold Assembly (continued)

<i>Ref.</i>	<i>Part Number</i>	<i>Qty.</i>	<i>Description</i>	<i>Ref.</i>	<i>Part Number</i>	<i>Qty.</i>	<i>Description</i>
1	127-4726	1	Manifold-Exhaust	17	135-4015	2	Bolt
2	127-3775	1	Gasket-Manifold, Exhaust	18	135-4016	1	Bolt
3	127-2984	4	Stud	19	127-3048	1	E G R Pipe ASM
4	135-4013	1	Bolt	20	127-3049	1	Pipe-Out, E G R
5	135-4014	3	Bolt	21	125-7043	2	Stud
6	127-4756	2	Stud	22	125-7220	2	Bolt
7	127-4729	1	Sensor-Temp, Exhaust	23	137-5168	1	Sensor-Gas Temp, E G R
8	127-3087	1	Band-Clip	24	127-3780	1	E G R Pipe ASM
9	125-7230	2	Nut	25	127-3016	1	Gasket
10	127-3038	1	Exhaust Pipe ASM	26	125-7215	2	Bolt
11	127-3173	2	Clamp	27	125-7229	2	Nut
12	127-3039	1	Bolt-Joint, Pipe	28	127-3781	1	Valve-E G R
13	127-3174	2	Gasket	29	127-3050	1	Gasket-Intake Valve, E G R
14	125-7206	2	Bolt	30	127-3051	1	Gasket-Out Valve, E G R
15	127-3042	1	Cooler-E G R	31	125-7229	2	Nut
16	127-3043	2	Gasket-Cooler, E G R				

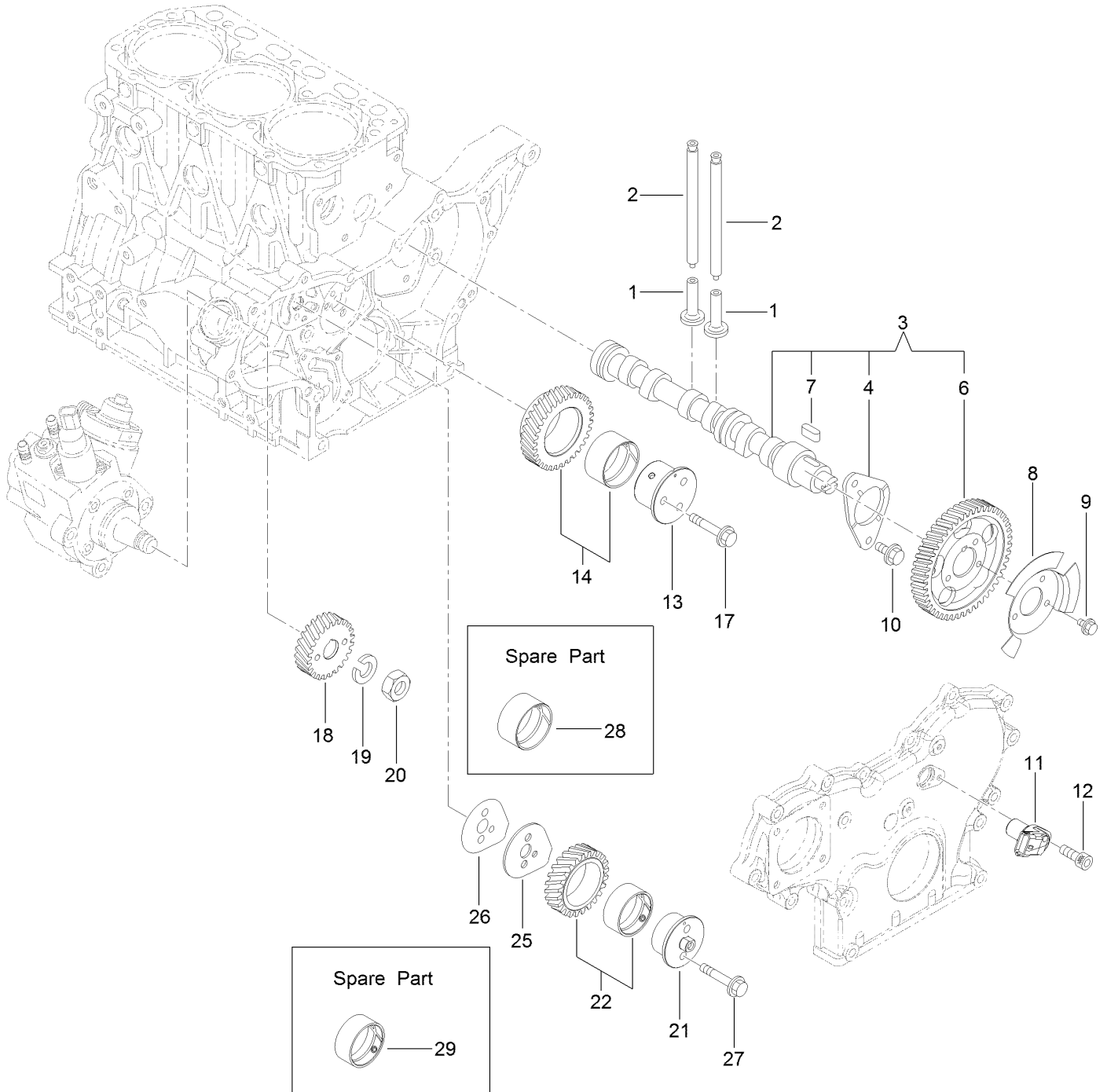
Diesel Particulate Filter Assembly



Diesel Particulate Filter Assembly (continued)

<i>Ref.</i>	<i>Part Number</i>	<i>Qty.</i>	<i>Description</i>	<i>Ref.</i>	<i>Part Number</i>	<i>Qty.</i>	<i>Description</i>
1	127-2987	1	Gasket-Silencer	27	127-4744	1	Sensor Pipe ASM
2	127-4738	1	Stay-D P F	28	127-4745	1	Sensor Pipe ASM
3	127-4739	1	Stay-D P F	29	127-4747	1	Exhaust Hose ASM
4	127-4740	1	Stay-D P F	31	127-3057	2	Clip-Hose
5	127-4741	1	Stay-D P F	32	127-4748	1	Exhaust Hose ASM
7	127-4764	1	Sensor-Temp, Exhaust	33	127-3058	2	Clip-Hose
8	127-4765	1	Sensor-Temp, Exhaust	35	127-3060	1	Sensor-Pressure
9	127-4759	1	D P F ASM	36	127-4750	1	Bracket-Sensor
10	127-4732	1	Case-D O C	37	125-7208	2	Bolt
12	127-4734	1	Case-Filter, Soot	38	125-7595	2	Bolt
14	127-3786	1	Silencer-D P F	39	127-3087	1	Band-Clip
15	127-3859	2	Gasket-D P F	40	127-3124	1	Band
16	127-3055	16	Bolt	41	127-3088	2	Clip-Connector
17	127-3788	1	Lifter-D P F	42	100-6928	2	Bolt
18	127-3789	5	Stiffener-D P F, A	43	100-6928	3	Bolt
19	127-4735	1	Stiffener-D P F, B	44	125-7594	4	Bolt
20	127-3792	1	Stiffener-D P F, C	45	127-4773	2	Bolt
21	127-4736	1	Stiffener-D P F, C	46	127-3179	2	Bolt
22	125-7213	2	Bolt	47	127-3179	2	Bolt
23	125-7229	16	Nut	48	127-3179	2	Bolt
25	127-3039	2	Bolt-Joint, Pipe	49	125-7230	4	Nut
26	127-3056	4	Gasket-Sensor				

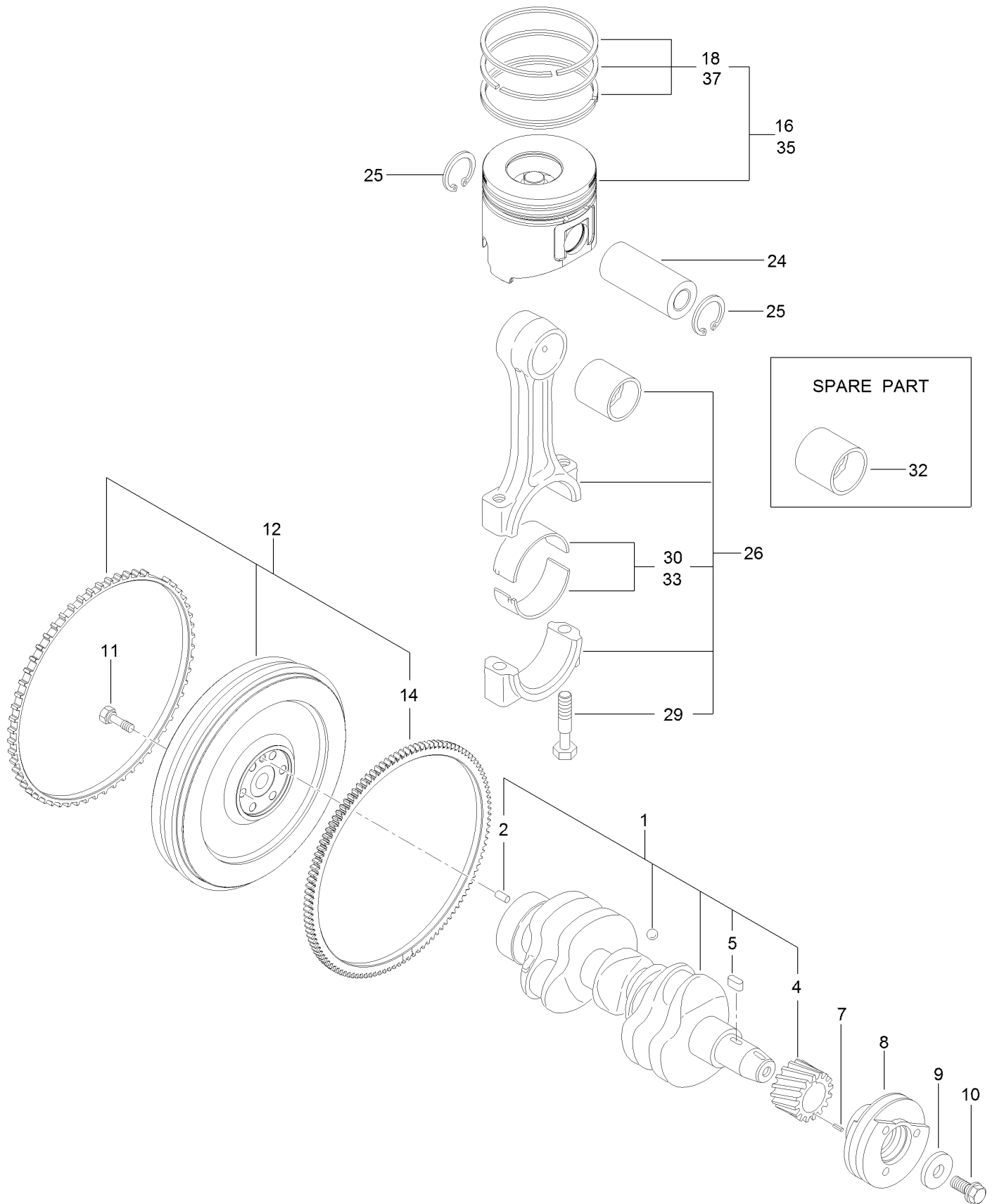
Camshaft and Driving Gear Assembly



Camshaft and Driving Gear Assembly (continued)

<i>Ref.</i>	<i>Part Number</i>	<i>Qty.</i>	<i>Description</i>	<i>Ref.</i>	<i>Part Number</i>	<i>Qty.</i>	<i>Description</i>
1	125-7016	6	Tappet	14	127-3066	1	Idle Gear A ASM
2	125-7017	6	Rod-Push	17	125-7219	3	Bolt
3	127-3797	1	Camshaft ASM	18	127-3070	1	Gear-Pump, Supply
4	125-7008	1	Metal-Thrust	19	127-3167	1	Washer-Spring
6	127-3052	1	Gear-Camshaft	20	127-3185	1	Nut-Lock
7	125-7185	1	Key	21	127-3064	1	Shaft-Idle, Gear B
8	127-3053	1	Pulser-Camshaft	22	127-3067	1	Idle Gear B ASM
9	125-7205	3	Bolt	25	127-3068	1	Plate-Idle, Shaft
10	125-7213	2	Bolt	26	127-3069	1	Gasket-Idle, Shaft B
11	127-3054	1	Sensor-Rev, Gear	27	125-7218	2	Bolt
12	127-3184	1	Bolt	28	125-6927	1	Bushing
13	127-3063	1	Shaft-Idle, Gear A	29	127-3065	1	Bushing

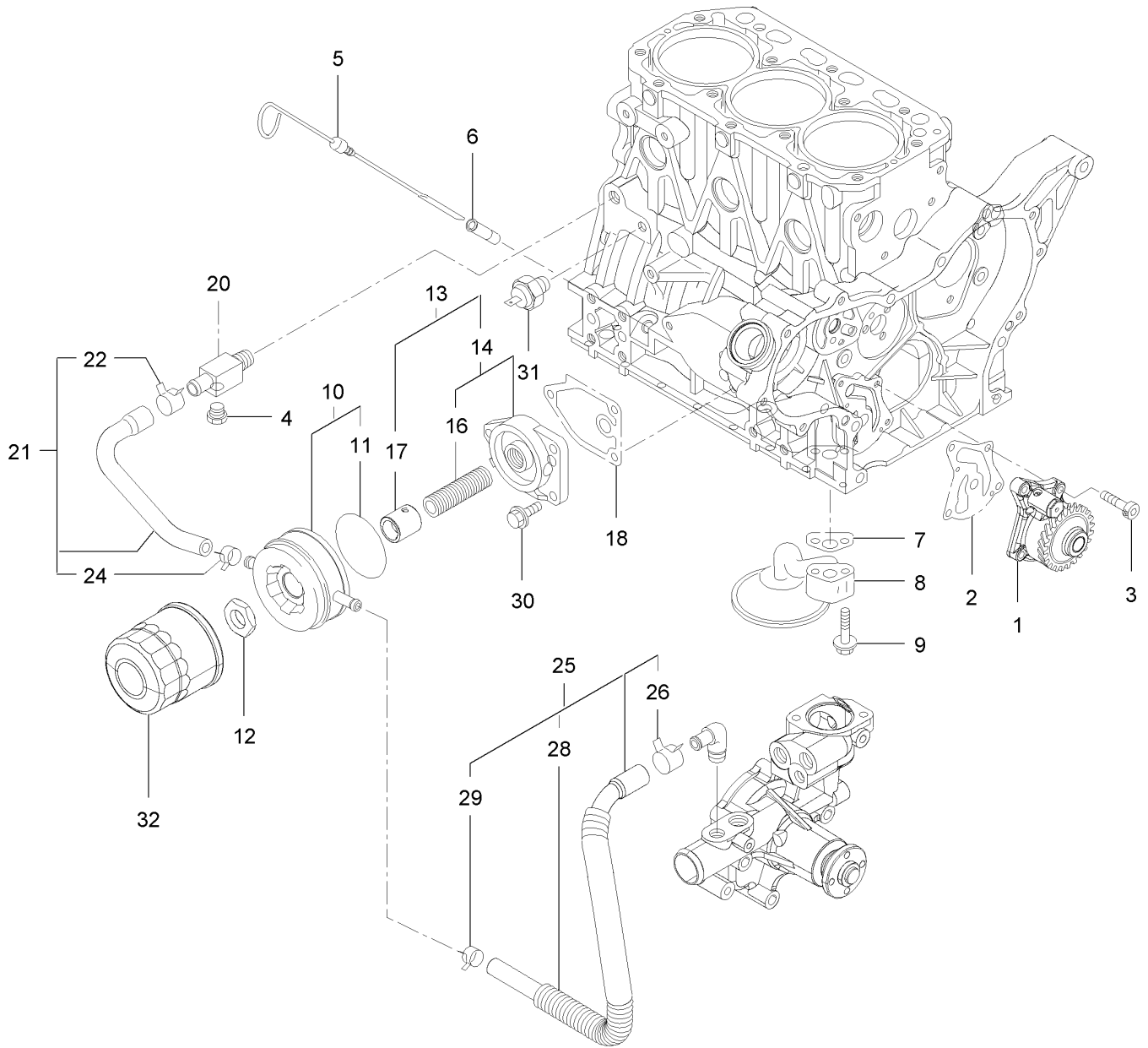
Crankshaft and Piston Assembly



Crankshaft and Piston Assembly (continued)

<i>Ref.</i>	<i>Part Number</i>	<i>Qty.</i>	<i>Description</i>	<i>Ref.</i>	<i>Part Number</i>	<i>Qty.</i>	<i>Description</i>
1	127-3800	1	Crankshaft ASM	16	127-4766	3	Piston ASM
2	125-6995	1	Pin	18	127-4751	3	Piston Ring ASM
4	125-6937	1	Gear	24	125-7030	3	Pin
5	125-7185	1	Key	25	125-7180	6	Ring
7	125-7182	1	Pin-Spring	26	125-7242	3	Connecting Rod ASM
8	127-3801	1	Pulley-V	29	125-6955	6	Bolt
9	125-7109	1	Washer	30	125-7018	3	Pin-Crank
10	125-6956	1	Bolt	32	125-6997	3	Pin-Piston
11	125-6951	6	Bolt	33	125-7019	3	Pin-Crank (.25)
12	127-4761	1	Flywheel ASM	35	127-4767	3	Piston ASM (0.25 O S)
14	127-4703	1	Gear	37	127-4752	3	Ring Set (0.25 O S)

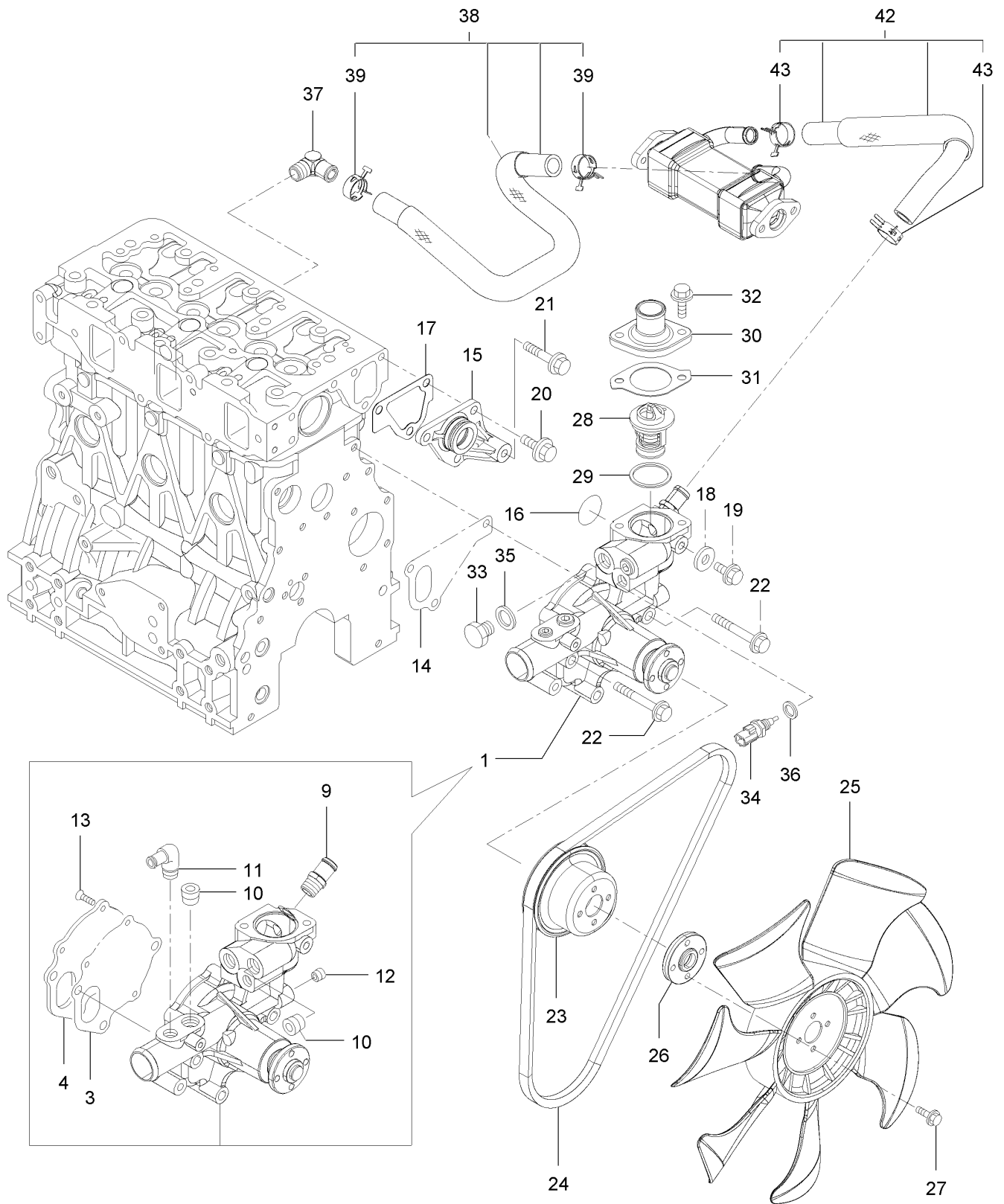
Oil Pump Assembly



Oil Pump Assembly (continued)

<i>Ref.</i>	<i>Part Number</i>	<i>Qty.</i>	<i>Description</i>	<i>Ref.</i>	<i>Part Number</i>	<i>Qty.</i>	<i>Description</i>
1	127-4753	1	Oil Pump ASM	16	125-7042	1	Stud
2	127-3004	1	Gasket	17	135-4022	1	Collar-Cooler, Oil
3	125-7232	4	Bolt	18	125-7024	1	Gasket
4	125-7171	1	Plug-Drain	20	125-6990	1	Joint
5	125-6987	1	Dipstick	21	125-7078	1	Pipe ASM
6	125-6954	1	Guide-Dipstick	22	125-7162	1	Clip
7	125-7022	1	Gasket	24	125-7191	1	Clamp-Hose
8	135-4017	1	Oil Inlet Pipe ASM	25	127-3804	1	Pipe ASM
9	125-7217	2	Bolt	26	125-7162	1	Clip
10	135-4018	1	Oil Cooler ASM	28	127-3805	1	Tube
11	135-4019	1	Packing-Oil Cooler	29	125-7191	1	Clamp-Hose
12	135-4020	1	Nut	30	125-7595	3	Bolt
13	135-4021	1	Lo Filter Bracket ASM	31	125-6918	1	Switch-Oil
14	125-6989	1	Bracket ASM	32	125-7025	1	Filter-Engine, Oil

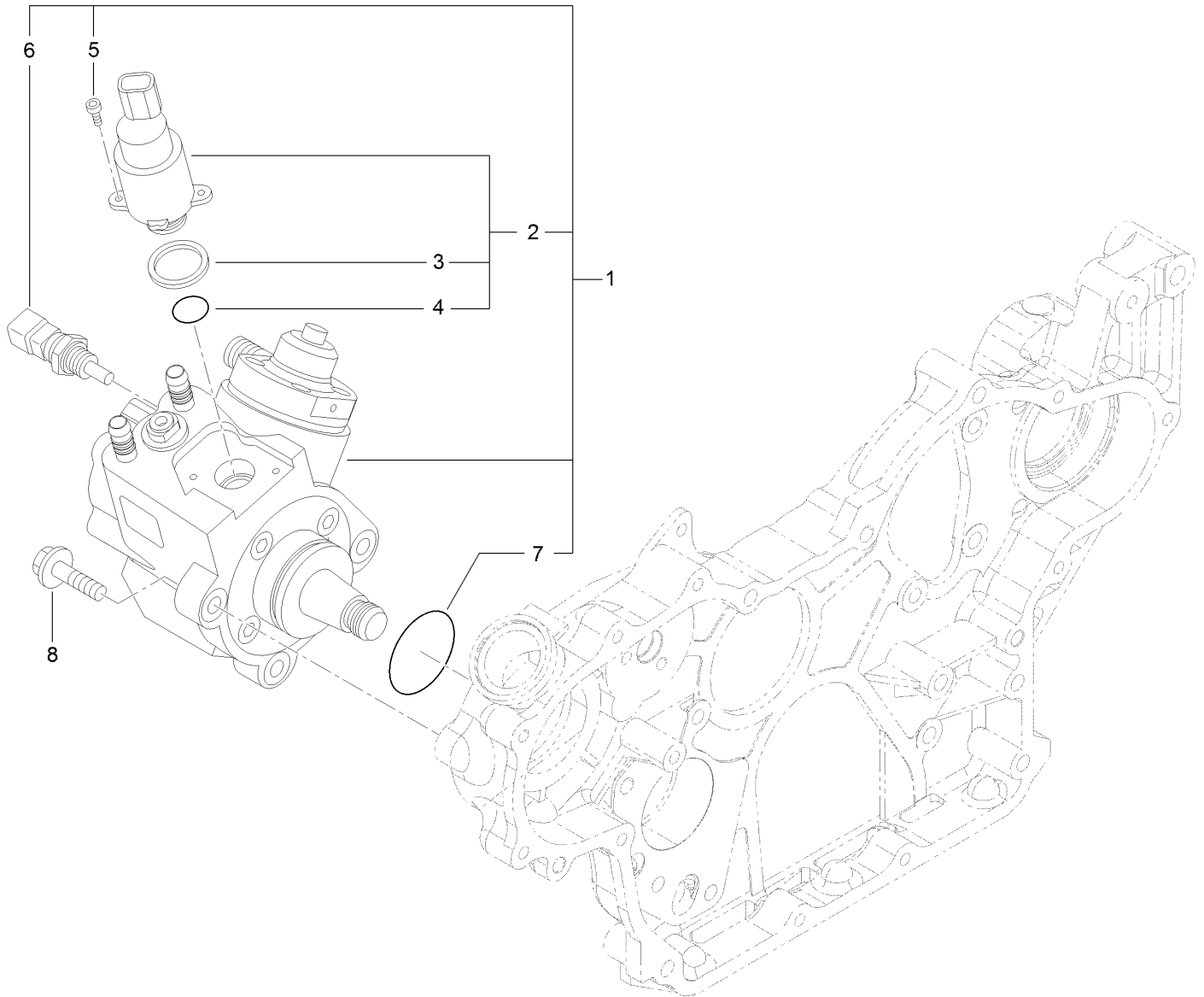
Cooling Water System Assembly



Cooling Water System Assembly (continued)

<i>Ref.</i>	<i>Part Number</i>	<i>Qty.</i>	<i>Description</i>	<i>Ref.</i>	<i>Part Number</i>	<i>Qty.</i>	<i>Description</i>
1	127-3071	1	Water Pump ASM	24	127-4771	1	V-Belt
3	125-6998	1	Gasket	25	127-4702	1	Fan
4	125-6999	1	Plate	26	127-3810	1	Spacer
9	127-3017	1	Joint	27	125-7209	4	Bolt
10	125-7123	2	Plug	28	125-7029	1	Thermostat
11	125-7001	1	Elbow	29	125-7026	1	Gasket
12	125-7195	1	Plug	30	125-7034	1	Cover
13	125-7234	3	Screw	31	125-7110	1	Gasket
14	125-7047	1	Gasket	32	125-7594	2	Bolt
15	125-6986	1	Joint	33	125-6953	1	Plug
16	125-7048	1	O-Ring	34	125-7124	1	Sensor-Thermostat, CW
17	125-6978	1	Gasket	35	125-6979	1	Gasket
18	125-7192	1	Gasket	36	125-7176	1	Washer-Seal
19	93-0362	1	Bolt	37	127-4705	1	Elbow
20	100-6928	3	Bolt	38	127-4757	1	E G R-C Pipe ASM
21	125-7219	1	Bolt	39	127-3020	2	Clip-Hose
22	125-7222	3	Bolt	42	127-3811	1	CW Pipe ASM
23	127-4712	1	V-Pulley	43	127-3020	2	Clip-Hose

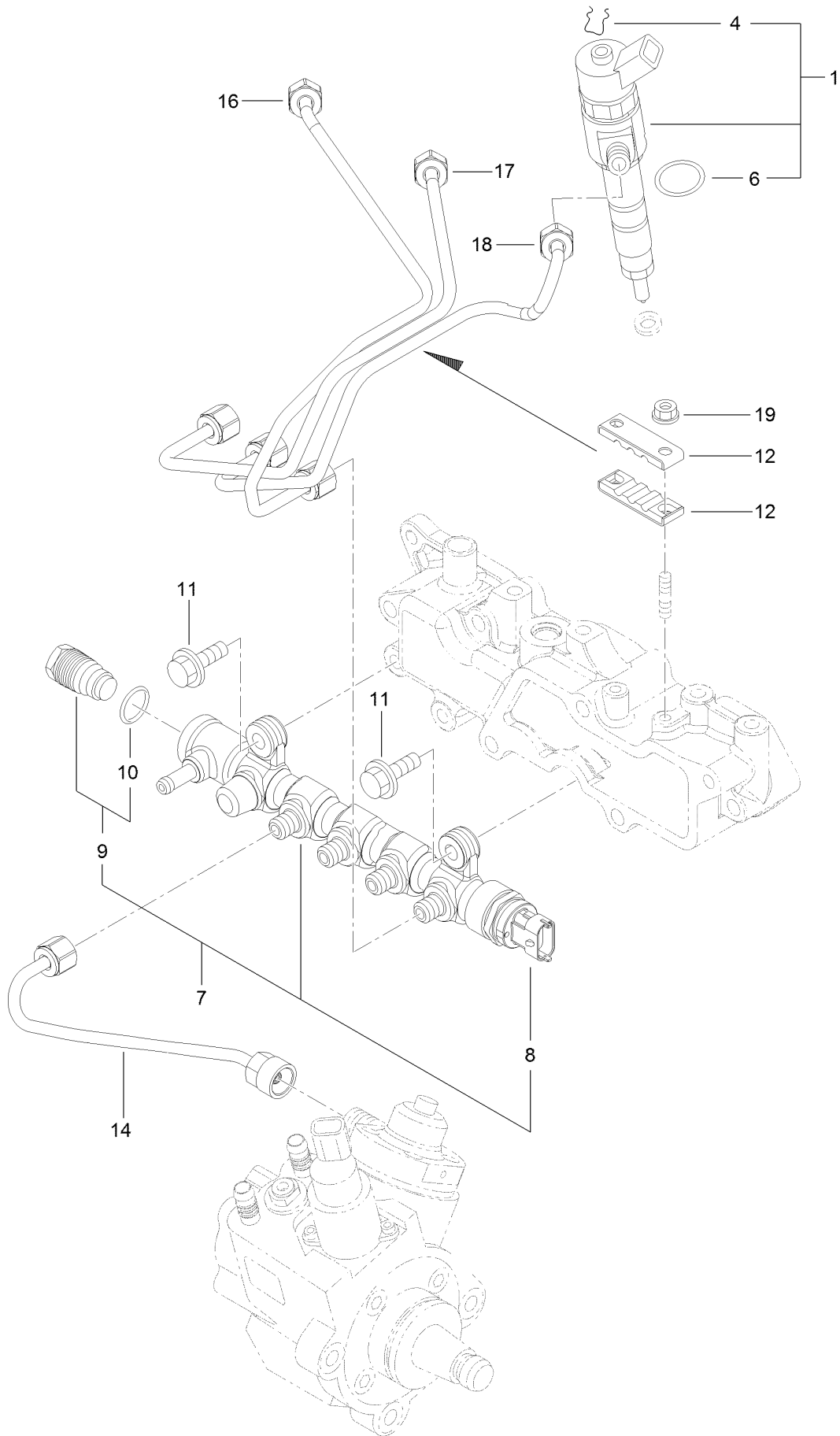
Fuel Supply Pump Assembly



Fuel Supply Pump Assembly (continued)

<i>Ref.</i>	<i>Part Number</i>	<i>Qty.</i>	<i>Description</i>	<i>Ref.</i>	<i>Part Number</i>	<i>Qty.</i>	<i>Description</i>
1	127-3073	1	Fuel Pump ASM	5	131-2107	2	Bolt
2	131-2103	1	Valve ASM	6	131-2108	1	Sensor-Temperature
3	131-2105	1	Ring-Sealing	7	127-3074	1	O-Ring
4	131-2106	1	O-Ring	8	125-7216	3	Bolt

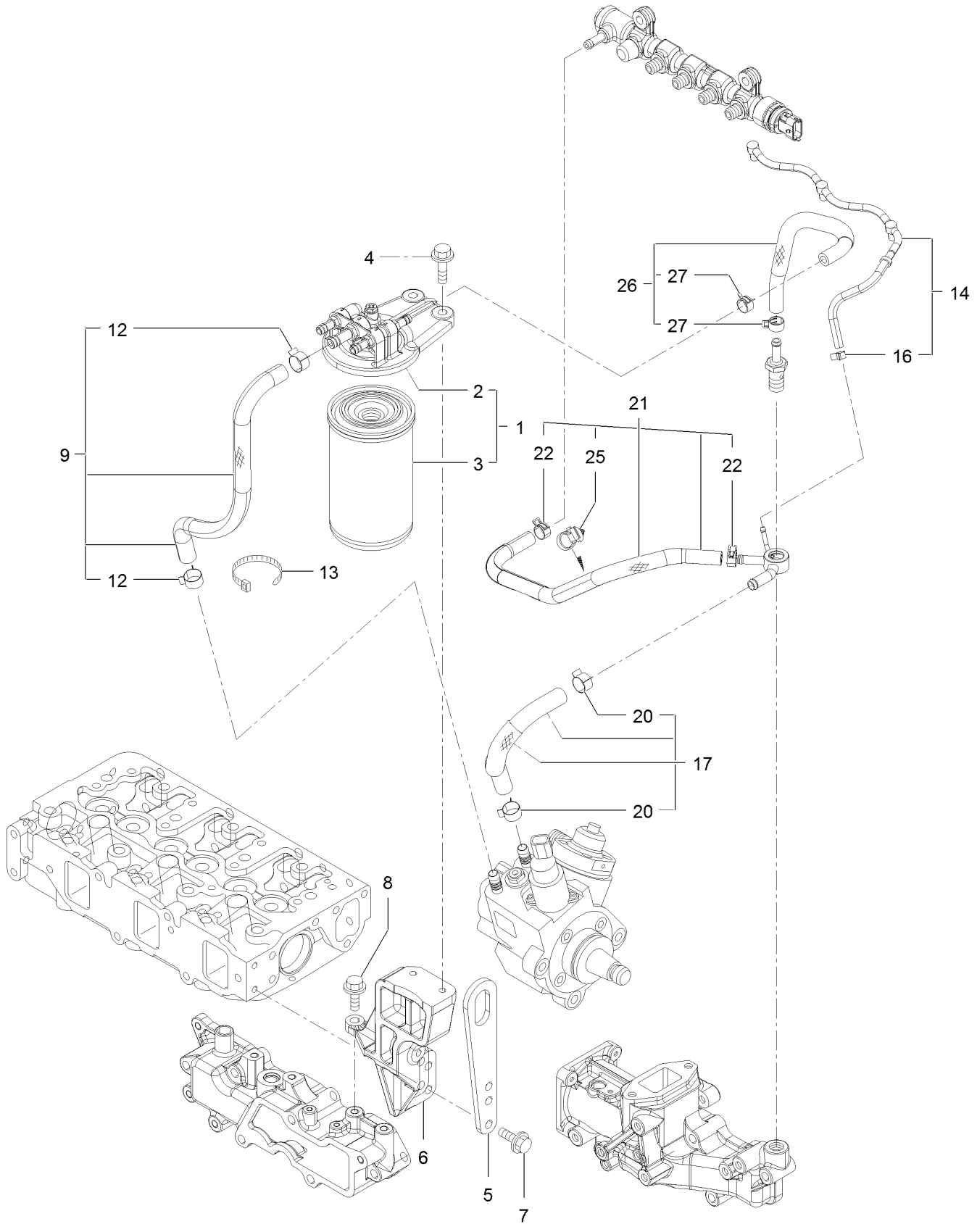
Fuel Injection Valve Assembly



Fuel Injection Valve Assembly (continued)

<i>Ref.</i>	<i>Part Number</i>	<i>Qty.</i>	<i>Description</i>	<i>Ref.</i>	<i>Part Number</i>	<i>Qty.</i>	<i>Description</i>
1	127-4754	3	Injector ASM	11	125-7215	2	Bolt
4	130-7430	3	Ring-Retaining	12	127-3813	2	Retainer
6	137-5173	3	O-Ring	14	127-3082	1	Rail In Pipe ASM
7	127-3812	1	Rail ASM	16	127-3814	1	Injection Pipe ASM
8	131-2709	1	Sensor-Pressure, Rail	17	127-3083	1	Injection Pipe ASM
9	131-2710	1	Valve ASM	18	127-3084	1	Injection Pipe ASM
10	130-7433	1	O-Ring	19	125-7231	2	Nut

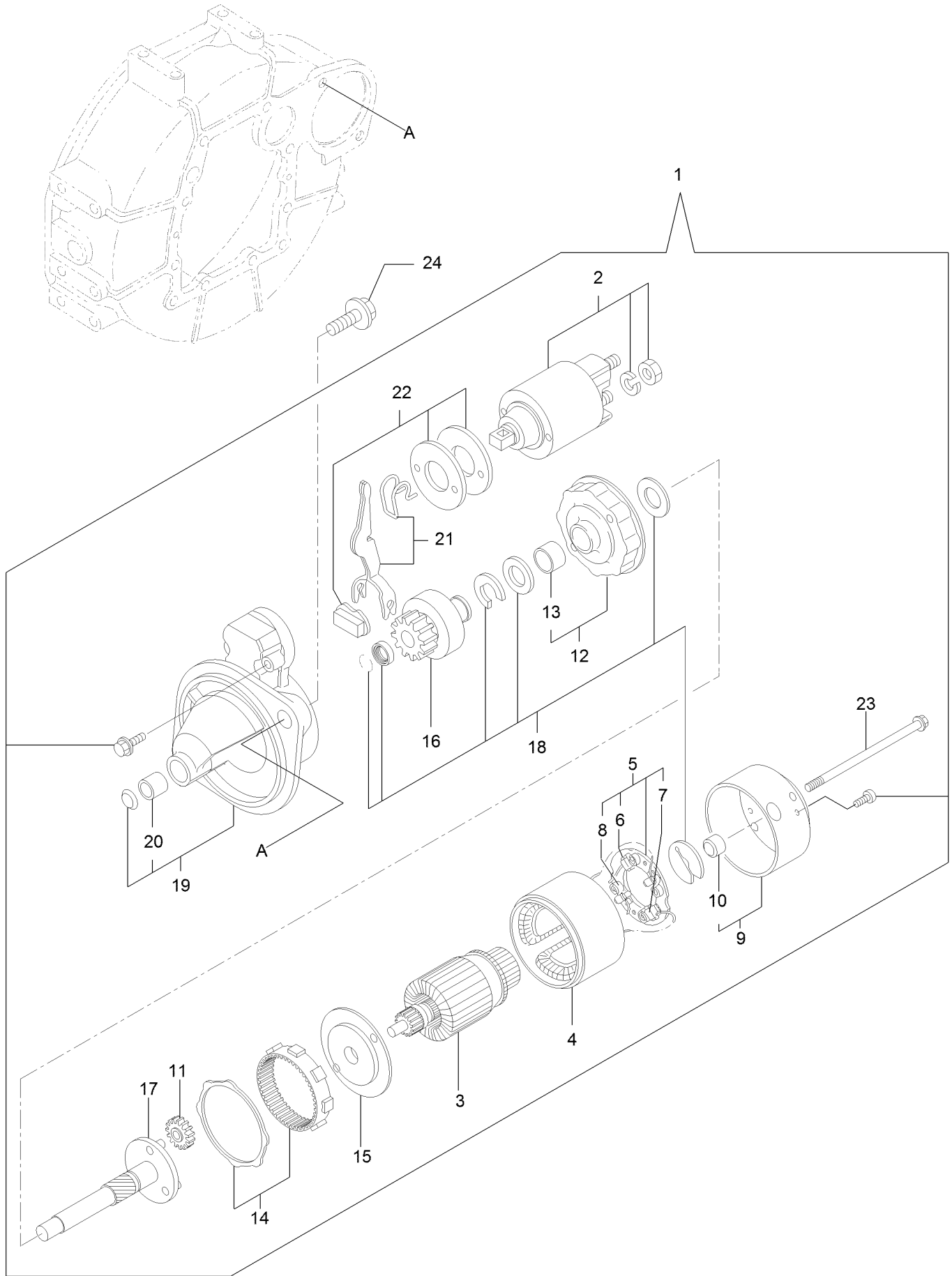
Fuel Line Assembly



Fuel Line Assembly (continued)

<i>Ref.</i>	<i>Part Number</i>	<i>Qty.</i>	<i>Description</i>	<i>Ref.</i>	<i>Part Number</i>	<i>Qty.</i>	<i>Description</i>
1	127-3075	1	Fuel/Oil Filter ASM	13	127-2981	1	Band
2	127-3076	1	Fuel/Oil Filter Bracket ASM	14	135-4023	1	Fuel/Oil Return Pipe ASM
3	125-8752	1	Filter-Fuel/Oil	16	127-3172	1	Clamp-Hose
4	125-7216	2	Bolt	17	127-3078	1	Fuel Pipe ASM
5	125-7111	1	Lifter	20	125-7191	2	Clamp-Hose
6	127-3815	1	Filter Bracket ASM	21	127-3817	1	Fuel Pipe ASM
7	125-7215	2	Bolt	22	127-2950	2	Clip-Hose
8	125-7215	1	Bolt	25	127-3087	1	Band-Clip
9	127-3077	1	Fuel Pipe ASM	26	127-3079	1	Fuel Pipe ASM
12	125-7191	2	Clamp-Hose	27	127-2950	2	Clip-Hose

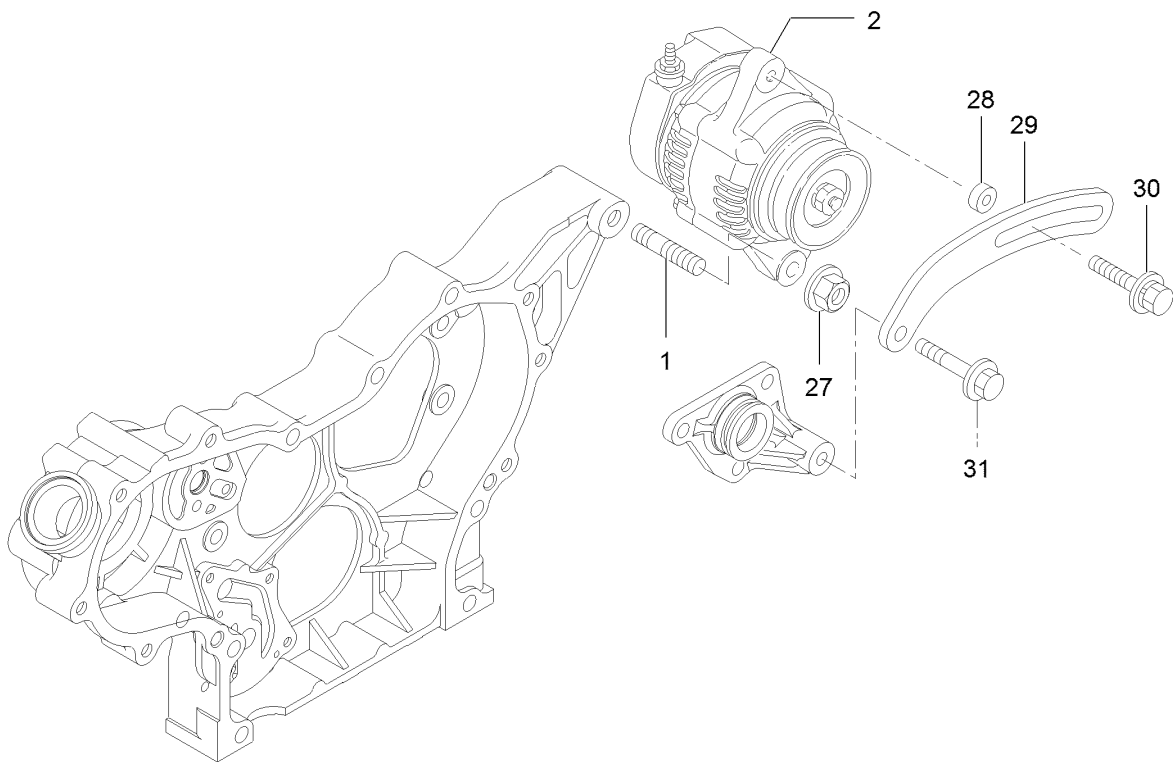
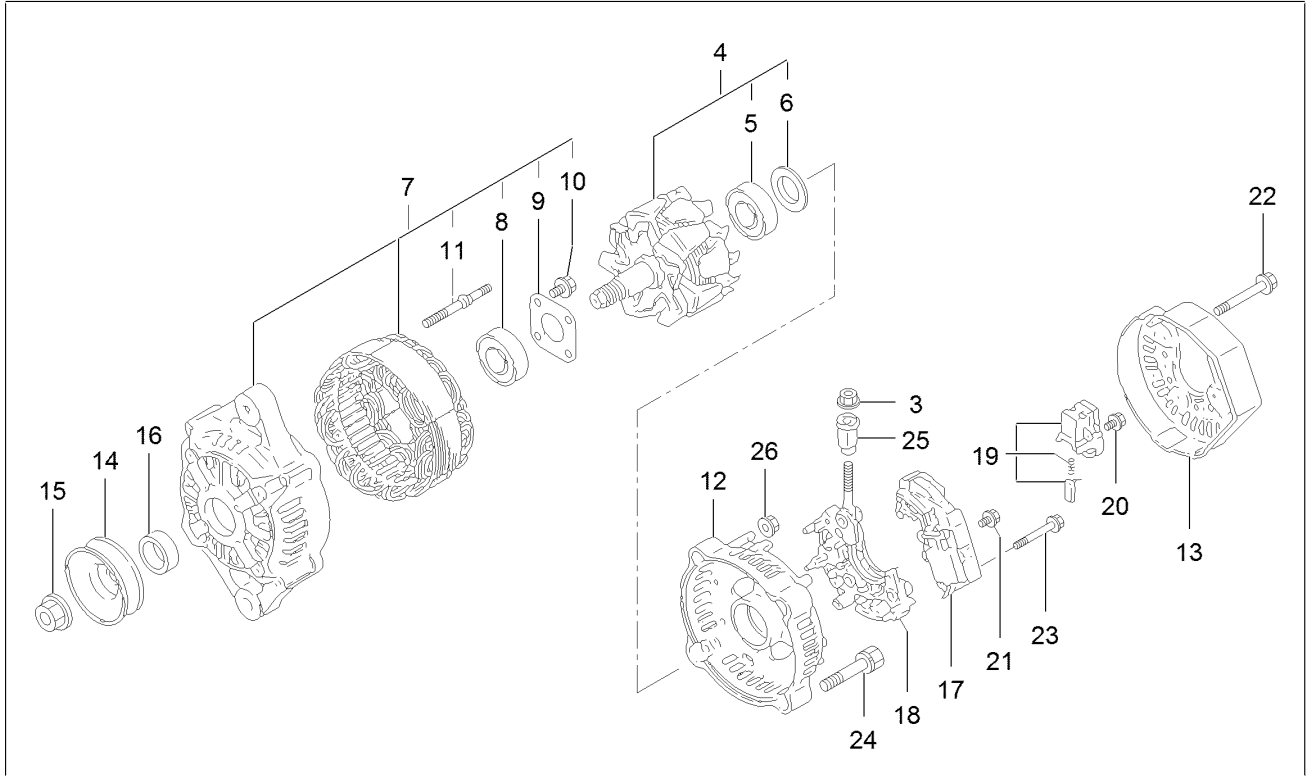
Starting Motor Assembly



Starting Motor Assembly (continued)

<i>Ref.</i>	<i>Part Number</i>	<i>Qty.</i>	<i>Description</i>	<i>Ref.</i>	<i>Part Number</i>	<i>Qty.</i>	<i>Description</i>
1	127-3818	1	Starter ASM	13	127-3830	1	Bracket
2	127-3819	1	Switch ASM	14	127-3831	1	Gear
3	127-3820	1	Armature ASM	15	127-3832	1	Bracket
4	127-3821	1	Yoke ASM	16	127-3833	1	Pinion ASM
5	127-3822	1	Brush Holder ASM	17	127-3834	1	Shaft
6	127-3823	2	Brush	18	127-3835	1	Washer Set
7	127-3824	1	Brush Set	19	127-3836	1	Case ASM
8	127-3825	4	Spring	20	127-3837	1	Metal-Starter
9	127-3826	1	Cover ASM	21	127-3838	1	Lever Set
10	127-3827	1	Metal	22	127-3839	1	Dust Cover ASM
11	127-3828	3	Gear	23	135-4024	2	Bolt-Through
12	127-3829	1	Bracket	24	125-7225	2	Bolt

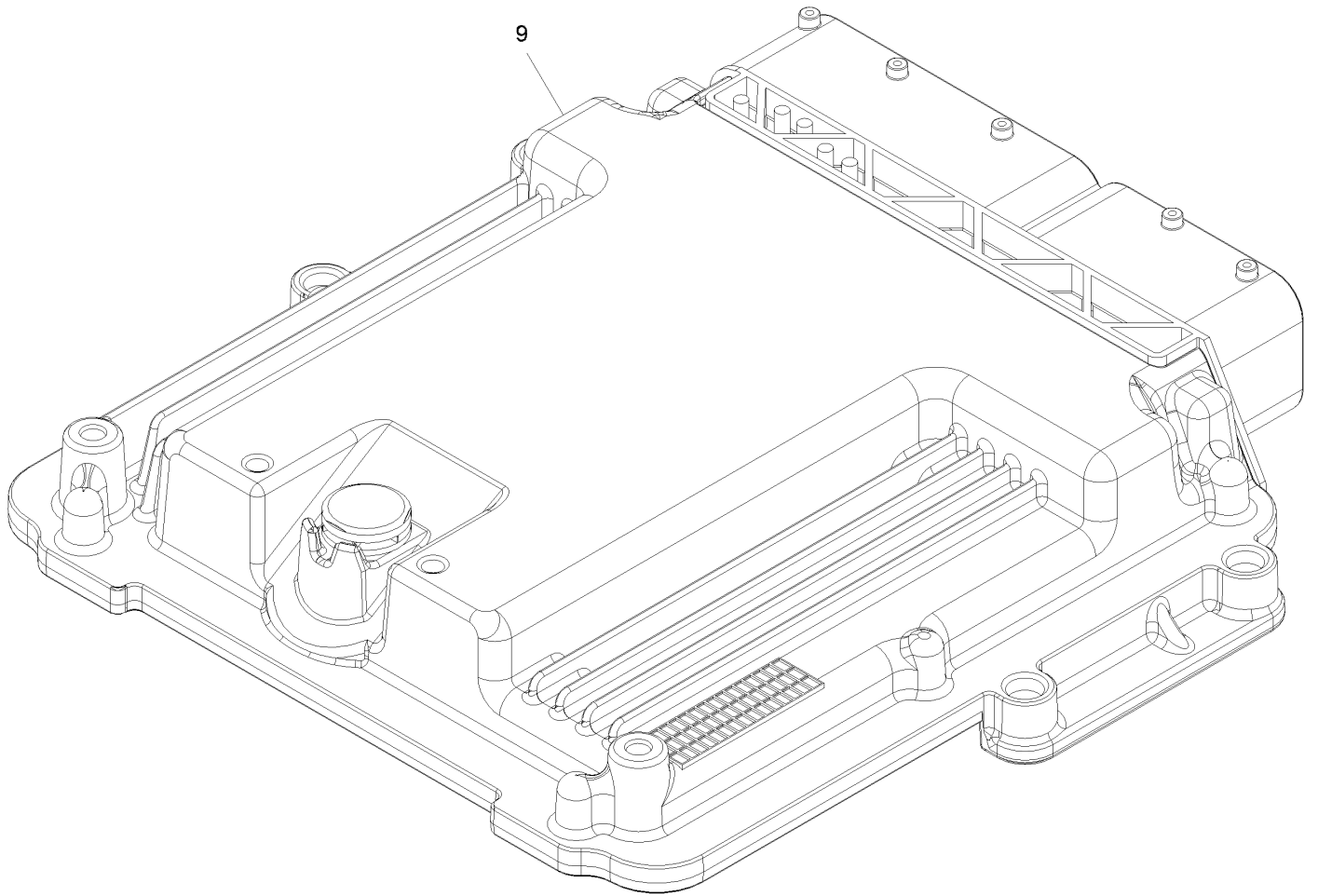
Generator Assembly



Generator Assembly (continued)

<i>Ref.</i>	<i>Part Number</i>	<i>Qty.</i>	<i>Description</i>	<i>Ref.</i>	<i>Part Number</i>	<i>Qty.</i>	<i>Description</i>
1	127-3011	1	Stud	17	135-4026	1	Regulator ASM
2	135-4278	1	Alternator	18	127-3848	1	Holder
3	127-3190	1	Nut	19	127-2993	1	Holder
4	127-3843	1	Rotor ASM	20	127-2965	6	Screw
5	127-2983	1	Bearing-Ball	21	127-2966	1	Screw
6	127-2962	1	Cover	22	127-2967	3	Bolt
7	135-4025	1	Frame ASM	23	127-2968	2	Screw
8	127-2958	1	Bearing-Ball	24	127-2969	2	Bolt
9	127-2959	1	Plate-Retainer	25	127-2970	1	Bushing-Insulation
10	127-2960	4	Screw	26	127-2971	2	Nut
11	127-2961	2	Stud	27	125-7230	1	Nut
12	127-3845	1	Frame	28	125-6947	1	Spacer
13	127-3846	1	Cover	29	127-2977	1	Adjuster
14	127-2954	1	Pulley	30	135-4027	1	Bolt-Adjust
15	127-2955	1	Nut	31	125-7219	1	Bolt
16	127-2957	1	Collar				

Electronic Control Unit Assembly

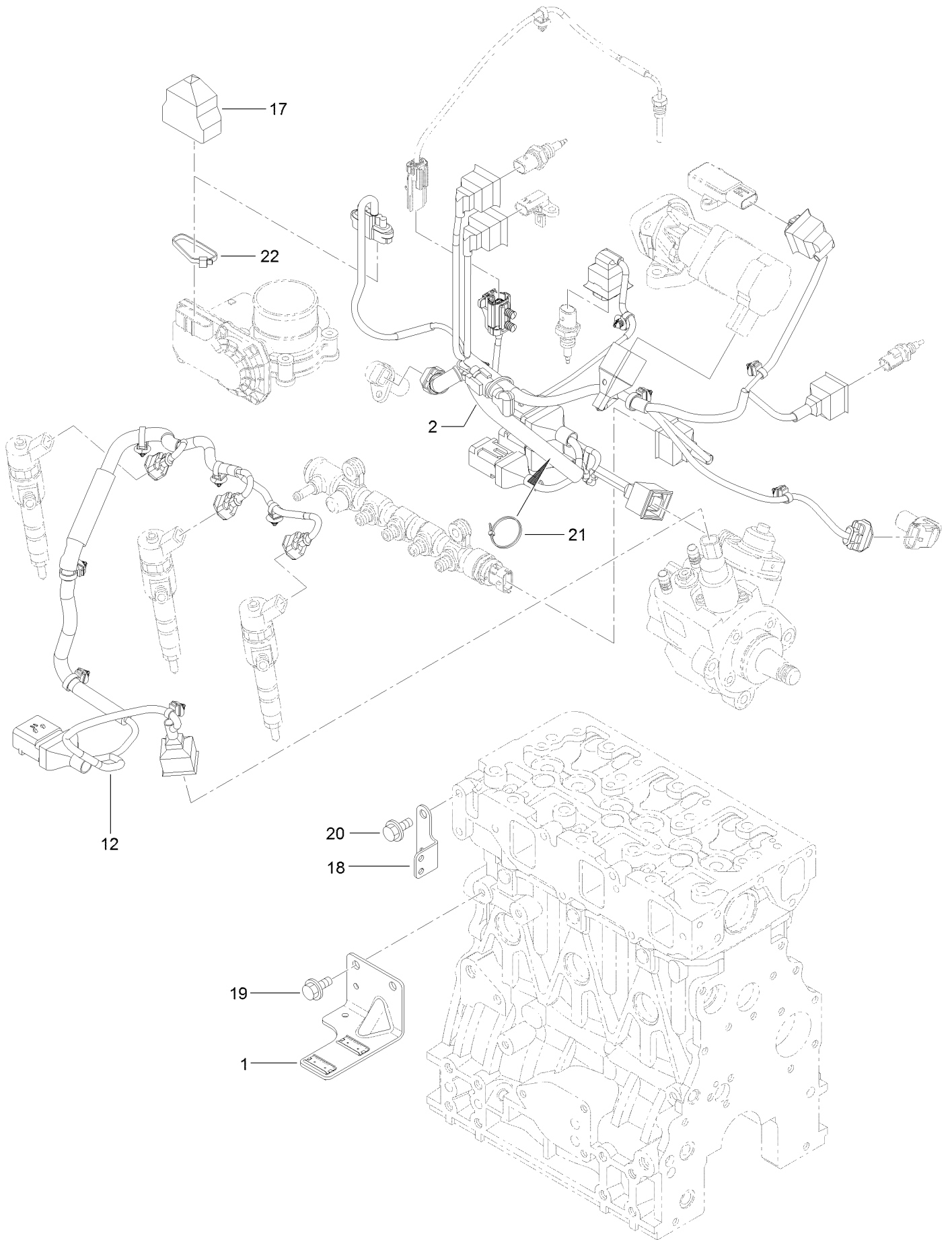


Electronic Control Unit Assembly (continued)

<i>Ref.</i>	<i>Part Number</i>	<i>Qty.</i>	<i>Description</i>
9	121-5592	1	Electronic Control Unit ●

● Contact an Authorized Service Dealer

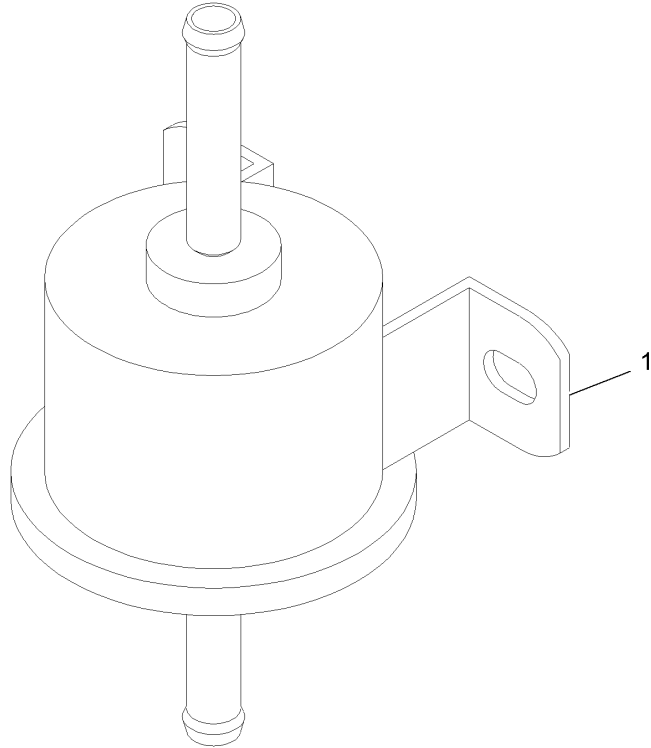
Electric Parts Assembly



Electric Parts Assembly (continued)

<i>Ref.</i>	<i>Part Number</i>	<i>Qty.</i>	<i>Description</i>	<i>Ref.</i>	<i>Part Number</i>	<i>Qty.</i>	<i>Description</i>
1	130-7436	1	Bracket-Connector	19	125-7213	2	Bolt
2	135-4029	1	Harness	20	125-7212	2	Bolt
12	130-7438	1	Harness	21	127-3187	1	Band
17	131-2713	1	Boot-Cap	22	127-3188	1	Band
18	127-3090	1	Bracket-Harness				

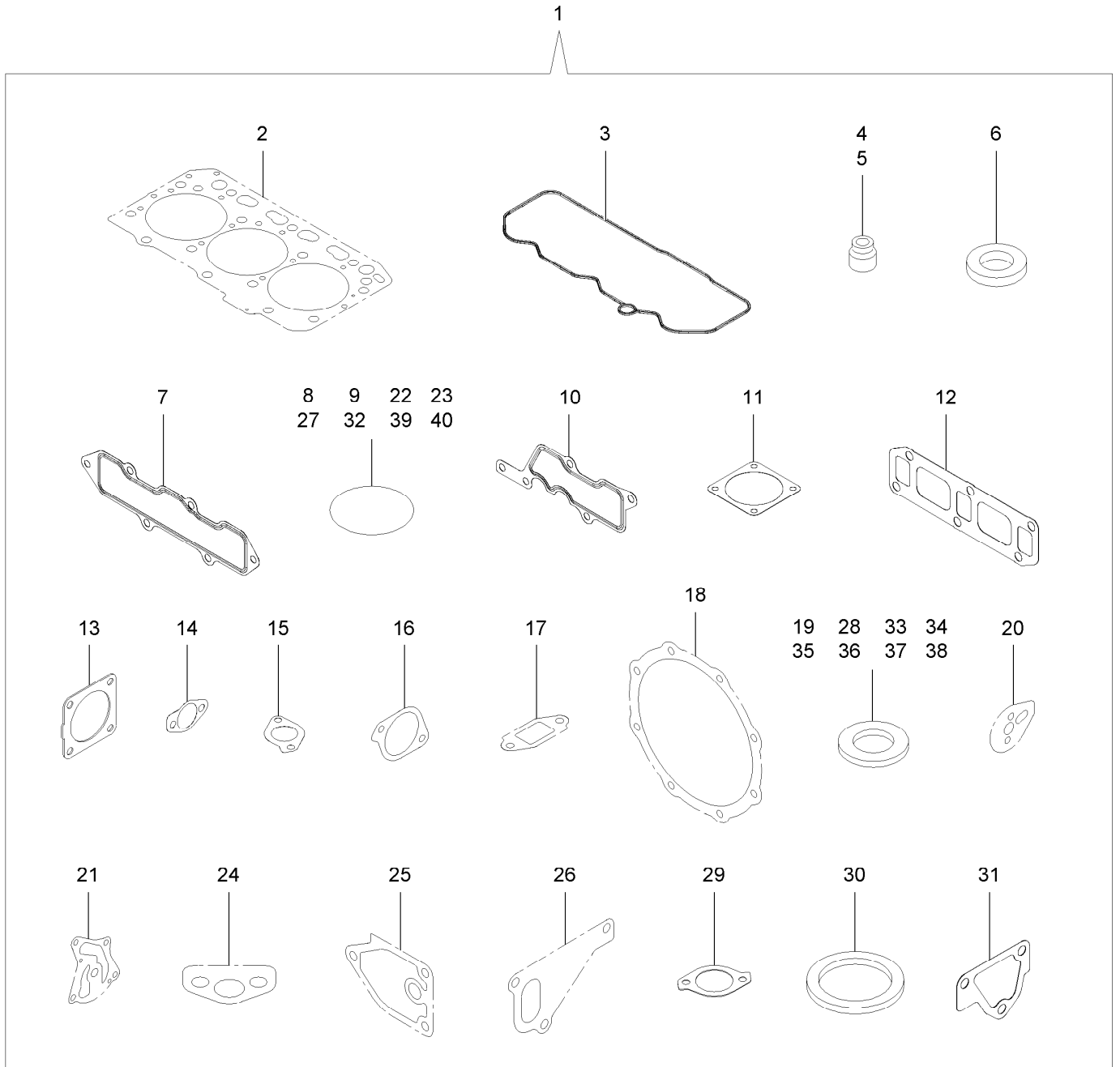
Fuel Pump Assembly



Fuel Pump Assembly (continued)

<i>Ref.</i>	<i>Part Number</i>	<i>Qty.</i>	<i>Description</i>
1	121-5613	1	Pump-Fuel, Electric

Gasket Set



Gasket Set (continued)

<i>Ref.</i>	<i>Part Number</i>	<i>Qty.</i>	<i>Description</i>	<i>Ref.</i>	<i>Part Number</i>	<i>Qty.</i>	<i>Description</i>
1	130-7440	1	Packing (Gasket Set)	21	127-3004	1	Gasket
2	127-4716	1	Head Gasket ASM	22	125-6909	2	O-Ring
3	127-3856	1	Gasket-Valve Cover	23	127-2973	1	O-Ring
4	127-2986	3	Seal-Stem, Valve	24	125-7022	1	Gasket
5	127-3027	3	Seal-Stem, Valve	25	125-7024	1	Gasket
6	127-3021	3	Gasket-Injector	26	125-7047	1	Gasket
7	127-3857	1	Gasket-Manifold, Intake	27	125-7048	1	O-Ring
8	127-3032	2	O Ring-Sensor, Pressure	28	125-6979	1	Gasket
9	127-3033	1	O-Ring	29	125-7110	1	Gasket
10	127-3034	1	Gasket-Collector	30	125-7026	1	Gasket
11	127-3037	2	Gasket-Throttle	31	125-6978	1	Gasket
12	127-3775	1	Gasket-Manifold, Exhaust	32	127-3074	1	O-Ring
13	127-2987	1	Gasket-Silencer	33	125-7174	1	Washer-Seal
14	127-3043	2	Gasket-Cooler, E G R	34	125-7176	1	Washer-Seal
15	127-3016	1	Gasket	35	127-3166	2	Washer-Seal
16	127-3050	1	Gasket-Intake Valve, E G R	36	125-7177	1	Washer-Seal
17	127-3051	1	Gasket-Out Valve, E G R	37	125-7192	1	Gasket
18	127-3859	2	Gasket-D P F	38	127-3174	2	Gasket
19	127-3056	4	Gasket-Sensor	39	93-0418	3	O-Ring
20	127-3069	1	Gasket-Idle, Shaft B	40	125-7197	2	O-Ring

Attachments and Accessories

For 72098 Z Master Professional 7500-D Series Riding Mower With 96in TURBO FORCE Rear Discharge Mower

Product Name	Model/Part
Premium Transmission/Hydraulic Tractor Fluid (55 Gallon Drum).....	108-1183
Premium Transmission/Hydraulic Tractor Fluid (5 Gallon Pail)	108-1184
Sunshade Kit	126-8077
Jack Kit.....	127-6666
Jack Mount Kit.....	135-1768
Mulch Kit-96inch	135-2449
Hitch Kit	135-3616
Worklight Kit	135-7076
15W40 Oil 32oz.	137-1051
Oil-30/10W-30 Synthetic (Quart).....	138-6053
Oil-30/10W-30 Synthetic (Gallon)	138-6054
Blade-24.50 High Flow	140-1238
Blade-24.50 Atomic	140-1239
Blade-24.50 Mulch.....	140-1246
Blade-24.50 Medium Flow	140-4850
Blade-24.50 Low Flow	140-4851
Blade-24.50 Recycler	140-4852
6 Pack-Blade, 24.5 High Flow.....	140-4872
6 Pack-Blade, 24.5 Med Flow	140-4873
6 Pack-Blade, 24.5 Low Flow	140-4874
6 Pack-Blade, 24.5 Atomic.....	140-4875
6 Pack-Blade, 24.5 Recycler.....	140-4876
Kit-96 Rear Discharge Baffle	142-3000
Tilt Sensor-Diesel	142-3372
Kit-Harness Routing	147-7843
Heat Deflector Kit, ZMaster Professional 7500-D Series Riding Mower	147-7913

Notes:



Count on it.