



**Count on it.**

**Parts Catalog**

**Z Master® Professional 7500-D  
Series Riding Mower  
With 144in TURBO FORCE® Rear Discharge  
Mower**

Model No. 72144—Serial No. 412800000 and Up



# Ordering Replacement Parts

To order replacement parts, please supply the part number, the quantity, and the description of each part desired.

## Understanding Reference Numbers

Each identified part in an illustration has a reference number. The reference number for a part also appears in the parts list, along with other information about the part.

This catalog uses two special reference number formats, one to indicate parts in a service assembly and another to indicate the quantity of a given part in an illustration.

## Service Assembly Reference Numbers

Parts in service assemblies have reference numbers in the form a:b. The a represents the reference number of the entire service assembly and the b represents a sequential number unique to each part within the service assembly.

For example, a wheel assembly might be identified by reference number 6, the tire by 6:1, the valve by 6:2, and the wheel by 6:3. When you order the assembly identified by reference number 6, you receive all parts identified by reference numbers 6:1, 6:2, and 6:3. However, you may also order any part individually. Reference numbers of this type appear in illustration and in parts lists.

## Reference Numbers Indicating Quantity

In an illustration, if a reference number indicates more than one part, the reference number has the form nX y. The n represents the quantity of the part, the X is the multiplication symbol, and the y represents the reference number.

For example, in an illustration, the reference number 2X 37 means that two of the parts identified by reference number 37 are indicated.

# Contents

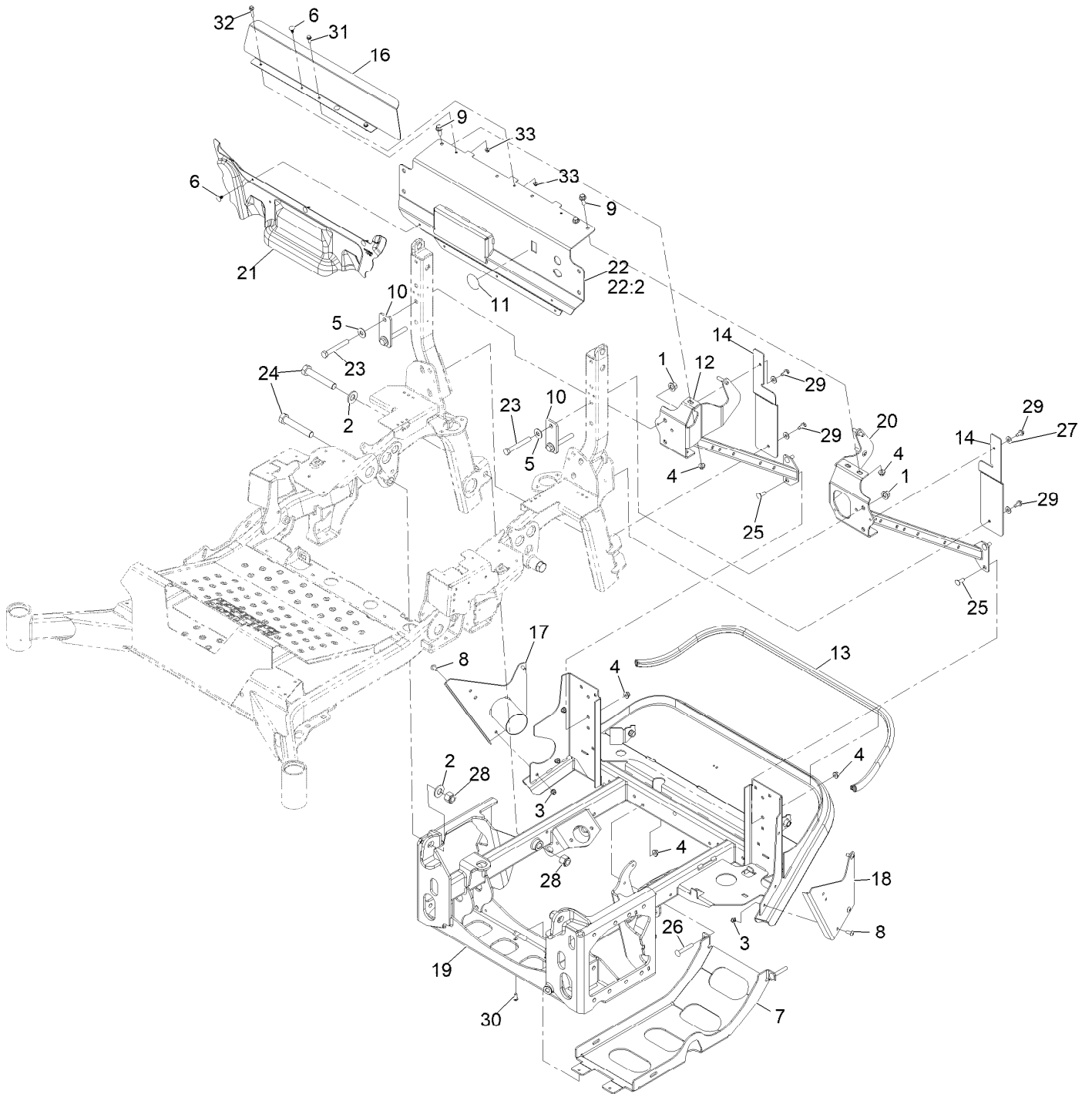
|   |     |
|---|-----|
| Power Frame Assembly .....  | 6   |
| Main Frame Assembly .....   | 8   |
| Roll-Over Protection System Assembly No. 142-9749 .....           | 10  |
| RH Mud Flap Assembly No. 135-4933 .....                           | 12  |
| LH Mud Flap Assembly No. 135-4943 .....                           | 14  |
| Caster Wheel Assembly .....                                       | 16  |
| Transmission Mounting Assembly .....                              | 18  |
| Transmission Assembly No. 142-8084 .....                          | 20  |
| Charge Pump Housing Assembly Transmission Assembly .....          | 22  |
| Transmission Assembly (cont.) Center Section Assembly .....       | 24  |
| Transmission Assembly (cont.) Gear Case and Clutch Assembly ..... | 26  |
| Hydraulic Gear Pump Assembly No. 112-9542 .....                   | 28  |
| Drive Wheel Assembly .....  | 30  |
| Fuel System Assembly .....  | 32  |
| RH Fuel Tank Assembly No. 142-8638 .....                          | 34  |
| LH Fuel Tank Assembly 142-8637 .....                              | 36  |
| Seat Mounting Assembly .....                                      | 38  |
| Seat Assembly No. 142-7524 .....                                  | 40  |
| Motion Control Assembly .....                                     | 42  |
| Front Linkage Rod Assembly No. 142-8447 .....                     | 44  |
| Hood and Covers Assembly .....                                    | 46  |
| Hood Assembly No. 142-5135 .....                                  | 48  |
| Electrical Assembly .....   | 50  |
| Main Wire Harness Assembly No. 122-2377 .....                     | 52  |
| Engine Wire Harness No. 122-2378 .....                            | 54  |
| Deck Lift Assembly .....  | 56  |
| Engine Assembly .....   | 58  |
| Air Cleaner Assembly No. 142-7201 .....                           | 60  |
| Deck Assembly .....   | 62  |
| Discharge Tunnel Assembly No. 142-6621 .....                      | 64  |
| Mulch Kit Assembly No. 142-2744 .....                             | 66  |
| Hydraulic Drive Assembly .....                                    | 68  |
| Hydraulic Reservoir Assembly No. 142-5034 .....                   | 70  |
| Lift and Fold Valve Assembly No. 142-8862 .....                   | 72  |
| Planetary Assembly No. 142-5548 .....                             | 74  |
| Hydraulic Motor Assembly No. 142-5691 .....                       | 76  |
| 2 Speed Hydraulic Brake Valve No. 142-3892 .....                  | 78  |
| Cooling Assembly .....  | 80  |
| Cooling Assembly No. 121-3330 .....                               | 82  |
| Center Deck, Gearbox and Driveshaft Assembly .....                | 84  |
| Gearbox and Mount Assembly .....                                  | 86  |
| Gearbox Assembly No. 142-8061 .....                               | 88  |
| Driveshaft Assembly No. 110-3575 .....                            | 90  |
| Center Deck Assembly .....  | 92  |
| Center Deck Assembly No. 142-6828 .....                           | 94  |
| Idler Arm Assembly No. 126-2585 .....                             | 96  |
| Idler Assembly No. 126-9435 .....                                 | 98  |
| Idler Assembly No. 126-9438 .....                                 | 100 |
| Center Folding Deck Hydraulic Assembly .....                      | 102 |
| Center Deck Cover and Torsion Assembly .....                      | 104 |
| Center Deck Spindle, Baffle and Roller Assembly .....             | 106 |
| LH Wing Deck Assembly .....                                       | 108 |
| LH Wing Deck W/Decals Assembly No. 142-6825 .....                 | 110 |
| Caster Fork and Wheel Assembly .....                              | 112 |

# Contents (continued)

|   |     |
|---|-----|
| Rear Caster Wheel Assembly .....                  | 114 |
| Weight Transfer Spring Assembly No 142-6483 ..... | 116 |
| LH Belt Shield Assembly No. 142-6623 .....        | 118 |
| LH Wing Deck Baffle and Roller Assembly .....     | 120 |
| RH Wing Deck Assembly .....                       | 122 |
| RH Wing Deck Decal Assembly No. 142-6823 .....    | 124 |
| RH Belt Shield Assembly No. 142-6633 .....        | 126 |
| RH Wing Deck Baffle and Roller Assembly .....     | 128 |
| Cylinder Block Assembly .....                     | 130 |
| Gear Housing Assembly .....                       | 132 |
| Flywheel Housing and Oil Sump Assembly .....      | 134 |
| Cylinder Head and Cover Assembly .....            | 136 |
| Suction Manifold Assembly .....                   | 138 |
| Gasket Manifold Assembly .....                    | 140 |
| Diesel Particulate Filter (DPF) Assembly .....    | 142 |
| Camshaft and Driving Gear Assembly .....          | 144 |
| Turbine Assembly .....                            | 146 |
| Crankshaft and Piston Assembly .....              | 148 |
| Oil Pump Assembly .....                           | 150 |
| Lubrication and Oil System Assembly .....         | 152 |
| Cooling Water System Assembly .....               | 154 |
| Fuel Supply Pump Assembly .....                   | 156 |
| Fuel Injection Valve Assembly .....               | 158 |
| Fuel Line Assembly .....                          | 160 |
| Starting Motor Assembly .....                     | 162 |
| Electric Parts Assembly .....                     | 164 |
| Accessory Parts .....                             | 166 |
| Gasket Set .....                                  | 168 |
| Attachments and Accessories .....                 | 170 |



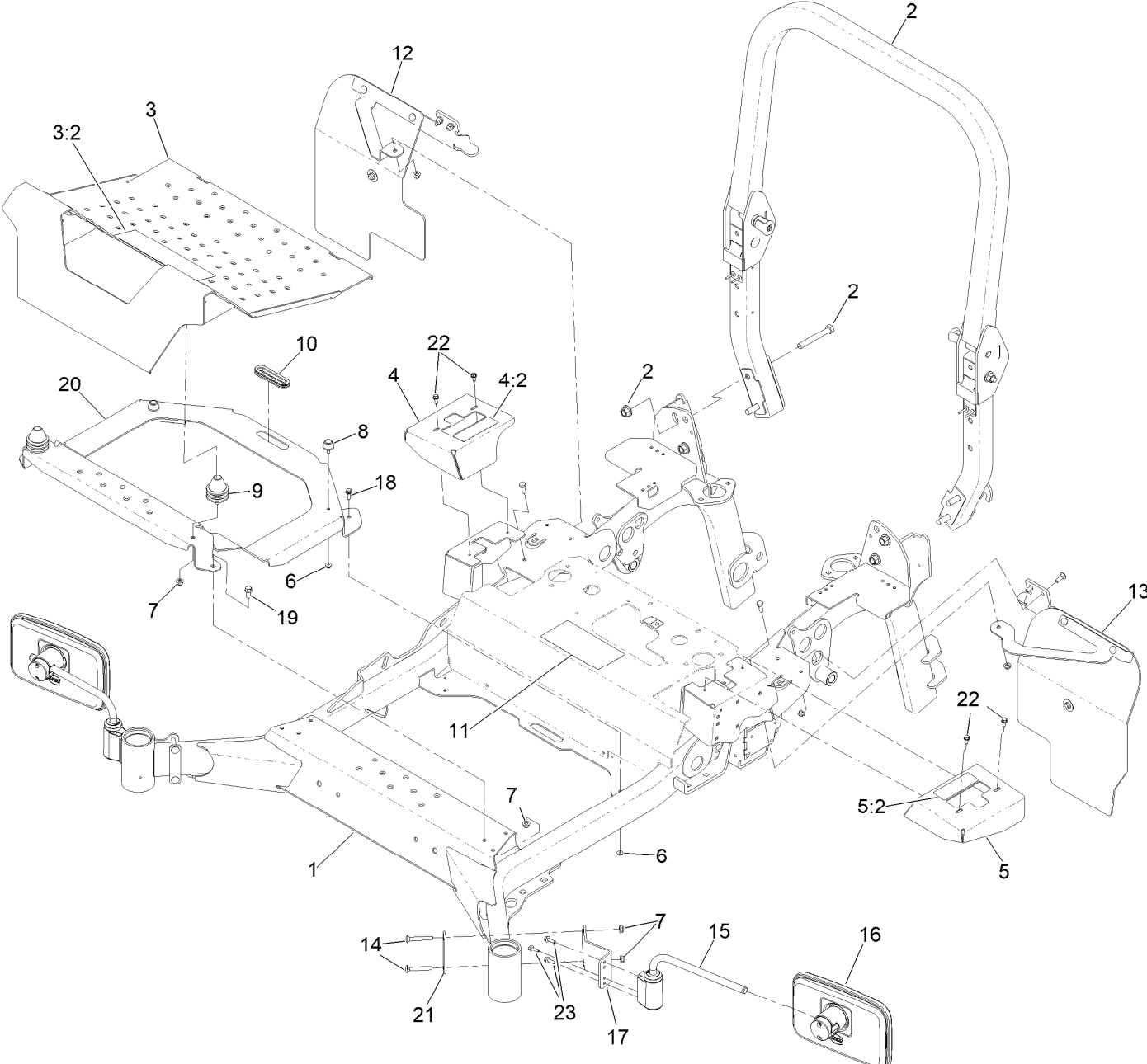
# Power Frame Assembly



## Power Frame Assembly (continued)

| <i>Ref.</i> | <i>Part Number</i> | <i>Qty.</i> | <i>Description</i>                     | <i>Ref.</i> | <i>Part Number</i> | <i>Qty.</i> | <i>Description</i>                  |
|-------------|--------------------|-------------|--|-------------|--------------------|-------------|-------------------------------------|
| 1           | 99-5107            | 4           | Nut-Lock 1/2-13                        | 20          | 142-5163-03        | 1           | Wldmt-ROPS LH Brace                 |
| 2           | 103-2802           | 4           | Washer-Spring Disc 3/4                 | 21          | 142-5165           | 1           | Panel-Heat Deflector                |
| 3           | 104-8300           | 6           | Nut-Nyloc 5/16-18 Flg                  | 22          | 142-8745           | 1           | Channel-Cross, ASM                  |
| 4           | 104-8301           | 9           | Nut-Nyloc 3/8-16 Flg                   | 22:2        | 142-5782           | 1           | Barrier-Heat                        |
| 5           | 109-9505           | 4           | Washer, Spring Disc 1/2                | 23          | 325-35             | 4           | Screw-HH 1/2-13 X 3 3/4 Gr 8        |
| 6           | 117-2382           | 5           | Plug-Plastic                           | 24          | 328-8              | 4           | Screw-HH                            |
| 7           | 126-5922-03        | 1           | Plate-Skid                             | 25          | 3231-22            | 4           | Bolt-Carriage 3/8-16 X 1            |
| 8           | 126-6268           | 6           | Screw-Truss HD 5/16-18 X 3/4 Torx Plus | 26          | 3231-44            | 2           | Bolt-Carriage 3/8-16 X 2 1/2        |
| 9           | 131-2220           | 3           | Screw-HHF                              | 27          | 3256-3             | 4           | Washer-5/16 Std                     |
| 10          | 135-0412-03        | 2           | Plate-Spacer                           | 28          | 3296-51            | 4           | Nut-Nyloc 3/4-10                    |
| 11          | 135-3728           | 1           | Decal-Cover                            | 29          | 32144-70           | 4           | Screw-HWH 5/16-18 X 3/4 Tf          |
| 12          | 142-2353-03        | 1           | Wldmt-ROPS RH Brace                    | 30          | 613381             | 2           | Screw-Button Head 5/16-18 X .725 Tf |
| 13          | 142-3172           | 1           | Seal-Bulb                              | 31          | 115-5103           | 2           | Screw-HHF                           |
| 14          | 142-3197           | 2           | Sheet-ROPS Airdam                      | 32          | 127-8639           | 1           | Screw-HHF                           |
| 16          | 142-7218-03        | 1           | Shield-Air                             | 33          | 104-7201           | 3           | Nut-Nyloc 1/4-20 Flg                |
| 17          | 142-5785           | 1           | Plate-Exhaust                          |             |                    |             |                                     |
| 18          | 142-5788-03        | 1           | Plate-Battery Cover                    |             |                    |             |                                     |
| 19          | 142-5154-03        | 1           | Frame, Power [black]                   |             |                    |             |                                     |

# Main Frame Assembly

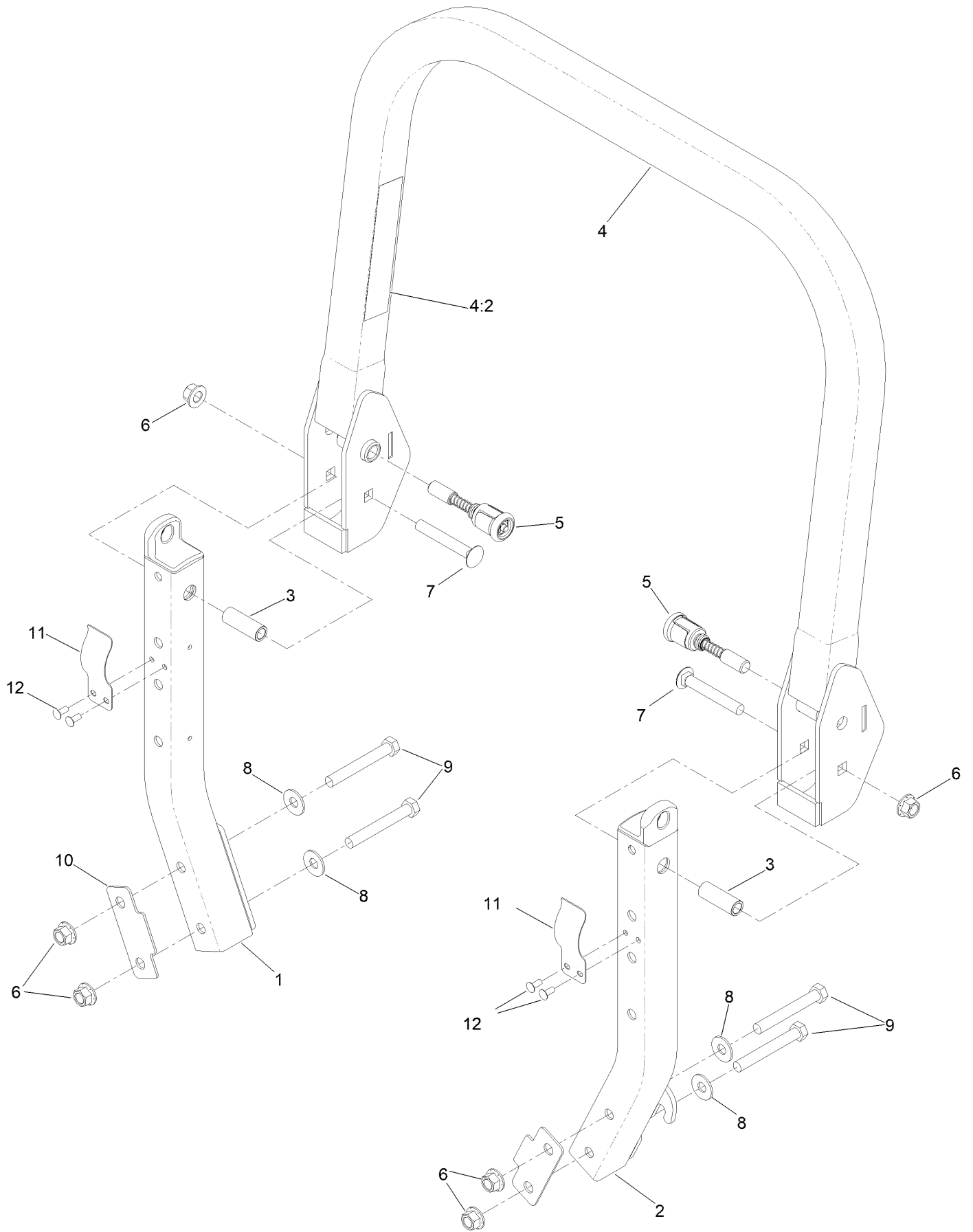




## Main Frame Assembly (continued)

| <i>Ref.</i> | <i>Part Number</i> | <i>Qty.</i> | <i>Description</i>                      | <i>Ref.</i> | <i>Part Number</i> | <i>Qty.</i> | <i>Description</i>       |
|-------------|--------------------|-------------|---|-------------|--------------------|-------------|--------------------------|
| 1           | 142-7219           | 1           | Mainframe ASM, Wd                       | 10          | 126-7065           | 1           | Grommet-Rubber           |
| 2           | 142-9749           | 1           | ASM, ROPS-7500D Diesel                  | 11          | 142-7835           | 1           | Decal-Service Aid        |
| 3           | 126-9066           | 1           | Pan-Floor                               | 12          | 135-4933           | 1           | ASM, RH Mud Flap         |
| 3:2         | 126-8383           | 1           | Decal-Danger                            | 13          | 135-4943           | 1           | ASM, LH Mud Flap         |
| 4           | 142-2392           | 1           | ASM,Motion Control Cover<br>W/Decal, RH | 14          | 3230-7             | 4           | Bolt-CARR                |
| 4:2         | 142-3952           | 1           | Decal-RH Motion Control                 | 15          | 142-4120           | 2           | Mirror Arm               |
| 5           | 142-2393           | 1           | ASM,Motion Control Cover<br>W/Decal LH  | 16          | 142-4121           | 2           | Mirror, 144              |
| 5:2         | 142-3953           | 1           | Decal-LH Motion Control                 | 17          | 142-6584-01        | 2           | Plate-Mirror Mount       |
| 6           | 104-7201           | 4           | Nut-HF, NI                              | 18          | 3234-4             | 2           | Screw-HHF                |
| 7           | 104-8300           | 8           | Nut-HF, NI                              | 19          | 3234-47            | 2           | Screw-HHF                |
| 8           | 109-2365           | 2           | Bumper-Rubber                           | 20          | 142-7203-01        | 1           | Bracket, Floor Pan Riser |
| 9           | 126-5491           | 2           | Isolator                                | 21          | 142-6583-01        | 2           | Bracket-Mirror           |
|             |                    |             |   | 22          | 32144-10           | 4           | Screw-HWH                |
|             |                    |             |   | 23          | 33103-020          | 6           | Screw-HHF                |

# Roll-Over Protection System Assembly No. 142-9749

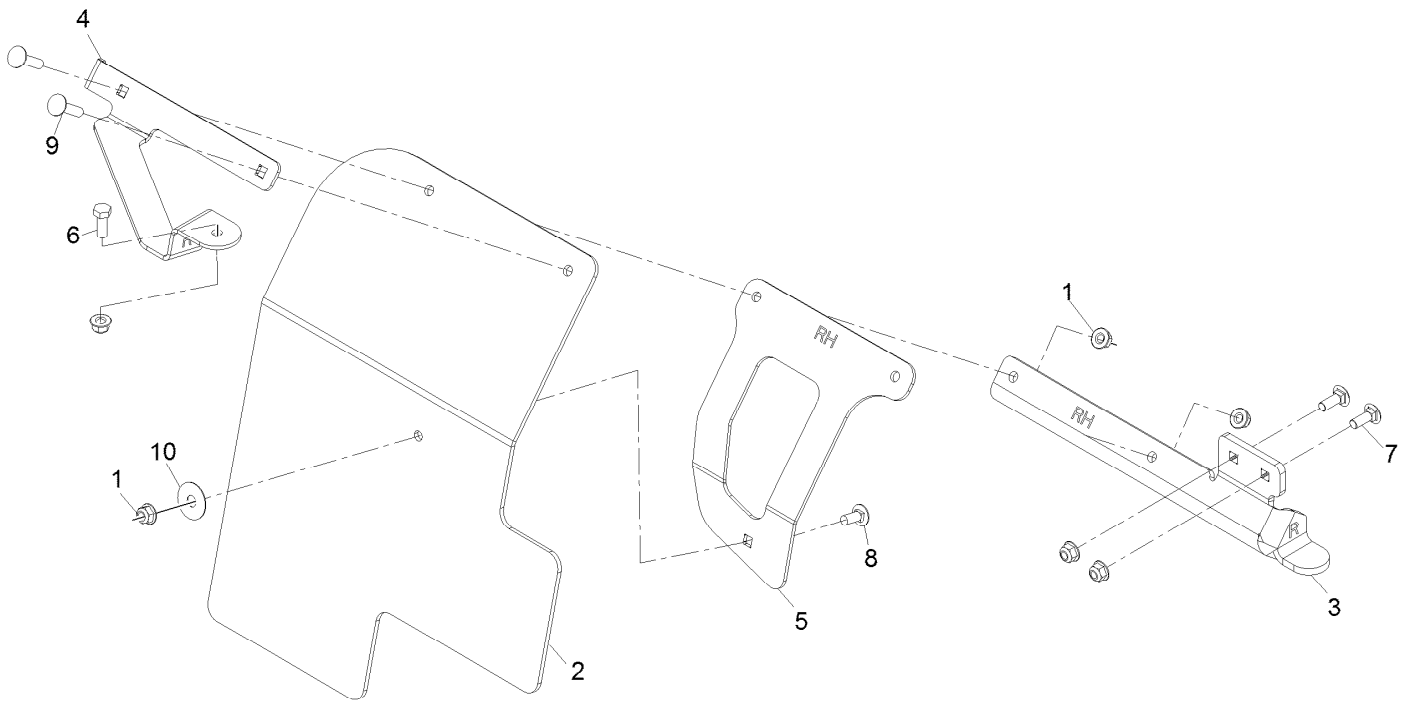


# Roll-Over Protection System Assembly No. 142-9749 (continued)

| <i>Ref.</i> | <i>Part Number</i> | <i>Qty.</i> | <i>Description</i>     | <i>Ref.</i> | <i>Part Number</i> | <i>Qty.</i> | <i>Description</i> |
|-------------|--------------------|-------------|------------------------|-------------|--------------------|-------------|--------------------|
| 1           |                    | 1           | Lower-ROPS, RH ●       | 7           | 3233-10            | 2           | Screw-CARR         |
| 2           |                    | 1           | Lower-ROPS, LH ●       | 8           | 109-9505           | 4           | Washer-Spring      |
| 3           | 109-6653           | 2           | Spacer                 | 9           | 325-35             | 4           | Screw-HH           |
| 4           | 142-2385           | 1           | ASM,ROPS Upper W/Decal | 10          | 116-0960           | 2           | Spacer             |
| 4:2         | 107-3069           | 1           | Decal-Warning          | 11          | 110-5696           | 2           | Spring-Leaf        |
| 5           | 116-0104           | 2           | Pin-Spring             | 12          | 3290-412           | 4           | Rivet-Blind        |
| 6           | 99-5107            | 6           | Nut-Lock               |             |                    |             |                    |

● Not serviced separately

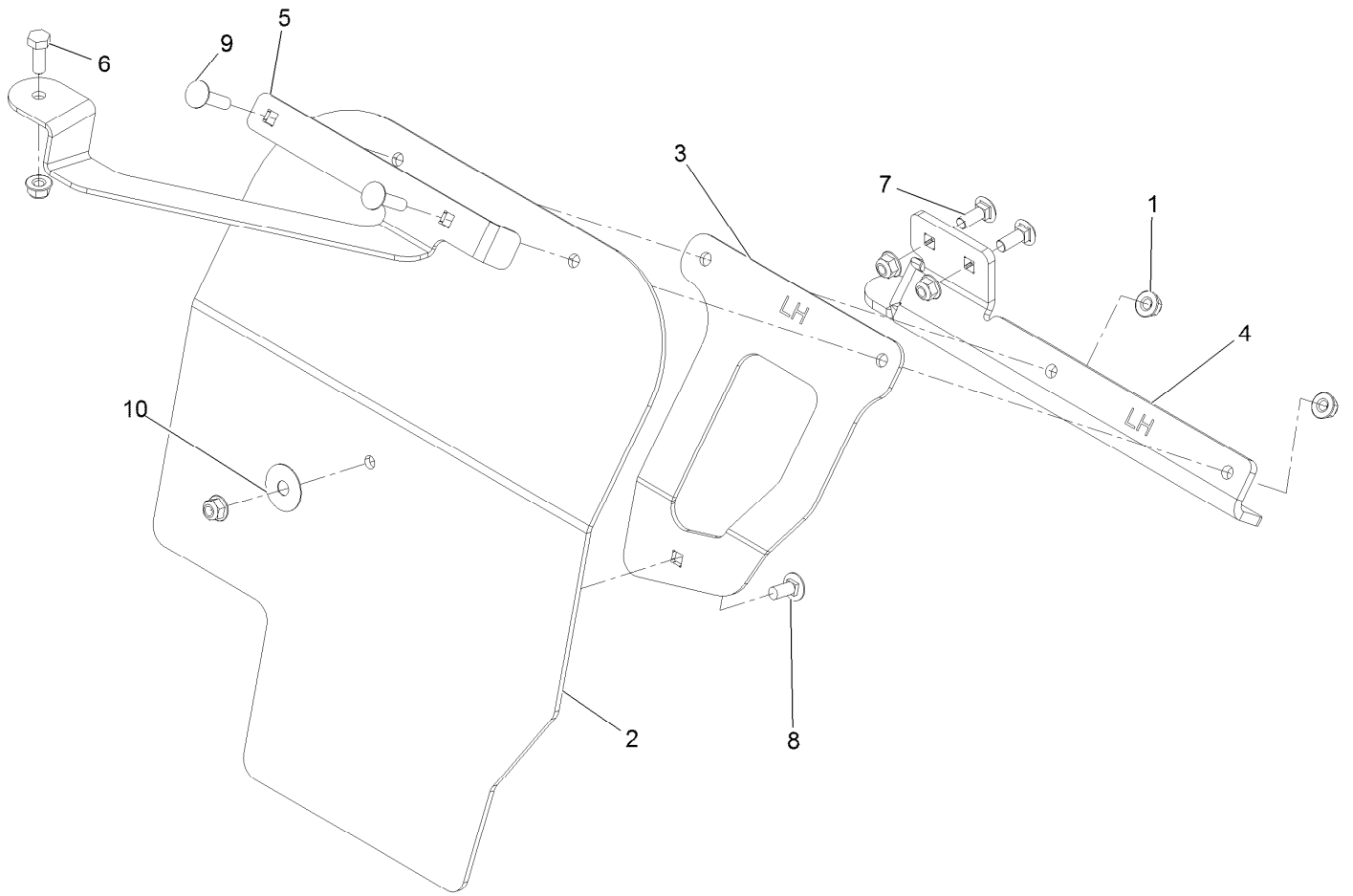
# RH Mud Flap Assembly No. 135-4933



## RH Mud Flap Assembly No. 135-4933 (continued)

| <i>Ref.</i> | <i>Part Number</i> | <i>Qty.</i> | <i>Description</i>              | <i>Ref.</i> | <i>Part Number</i> | <i>Qty.</i> | <i>Description</i>                        |
|-------------|--------------------|-------------|---------------------------------|-------------|--------------------|-------------|---|
| 1           | 104-8300           | 6           | Nut-Nyloc 5/16-18 Flg           | 7           | 3230-16            | 2           | Bolt-Carriage 5/16-18 X 7/8               |
| 2           | 135-4909           | 1           | RH Mud Flap                     | 8           | 3230-23            | 1           | Bolt-Carriage 5/16-18 X 3/4<br>Short Neck |
| 3           | 135-6917-03        | 1           | Bracket, RH Mud Flap            | 9           | 3230-3             | 2           | Bolt-Carriage 5/16-18 X 1<br>1/4          |
| 4           | 135-6919-03        | 1           | Forward Support, RH Mud<br>Flap | 10          | 105-6814           | 1           | Washer-Plain                              |
| 5           | 135-4942-03        | 1           | Support, RH Mud Flap            |             |                    |             |   |
| 6           | 322-4              | 1           | Screw-HH 5/16-18 X 7/8          |             |                    |             |   |

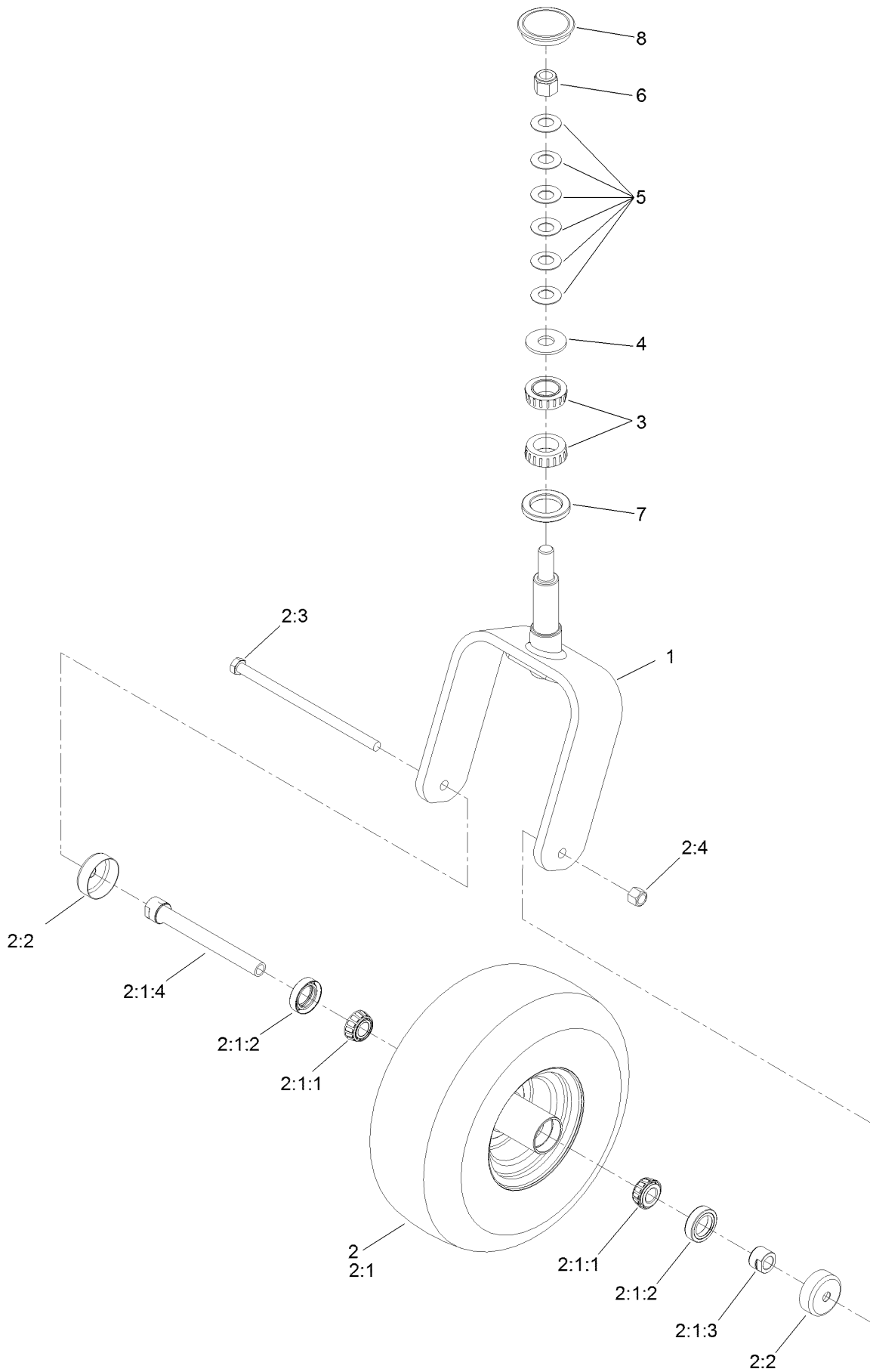
# LH Mud Flap Assembly No. 135-4943



## LH Mud Flap Assembly No. 135-4943 (continued)

| <i>Ref.</i> | <i>Part Number</i> | <i>Qty.</i> | <i>Description</i>              | <i>Ref.</i> | <i>Part Number</i> | <i>Qty.</i> | <i>Description</i>                        |
|-------------|--------------------|-------------|---------------------------------|-------------|--------------------|-------------|---|
| 1           | 104-8300           | 6           | Nut-Nyloc 5/16-18 Flg           | 7           | 3230-16            | 2           | Bolt-Carriage 5/16-18 X 7/8               |
| 2           | 135-4912           | 1           | LH Mud Flap                     | 8           | 3230-23            | 1           | Bolt-Carriage 5/16-18 X 3/4<br>Short Neck |
| 3           | 135-4938-03        | 1           | Support, LH Mud Flap            | 9           | 3230-3             | 2           | Bolt-Carriage 5/16-18 X 1<br>1/4          |
| 4           | 135-6916-03        | 1           | Bracket, LH Mud Flap            | 10          | 105-6814           | 1           | Washer-Plain                              |
| 5           | 135-6918-03        | 1           | Forward Support, LH Mud<br>Flap |             |                    |             |   |
| 6           | 322-4              | 1           | Screw-HH 5/16-18 X 7/8          |             |                    |             |   |

# Caster Wheel Assembly



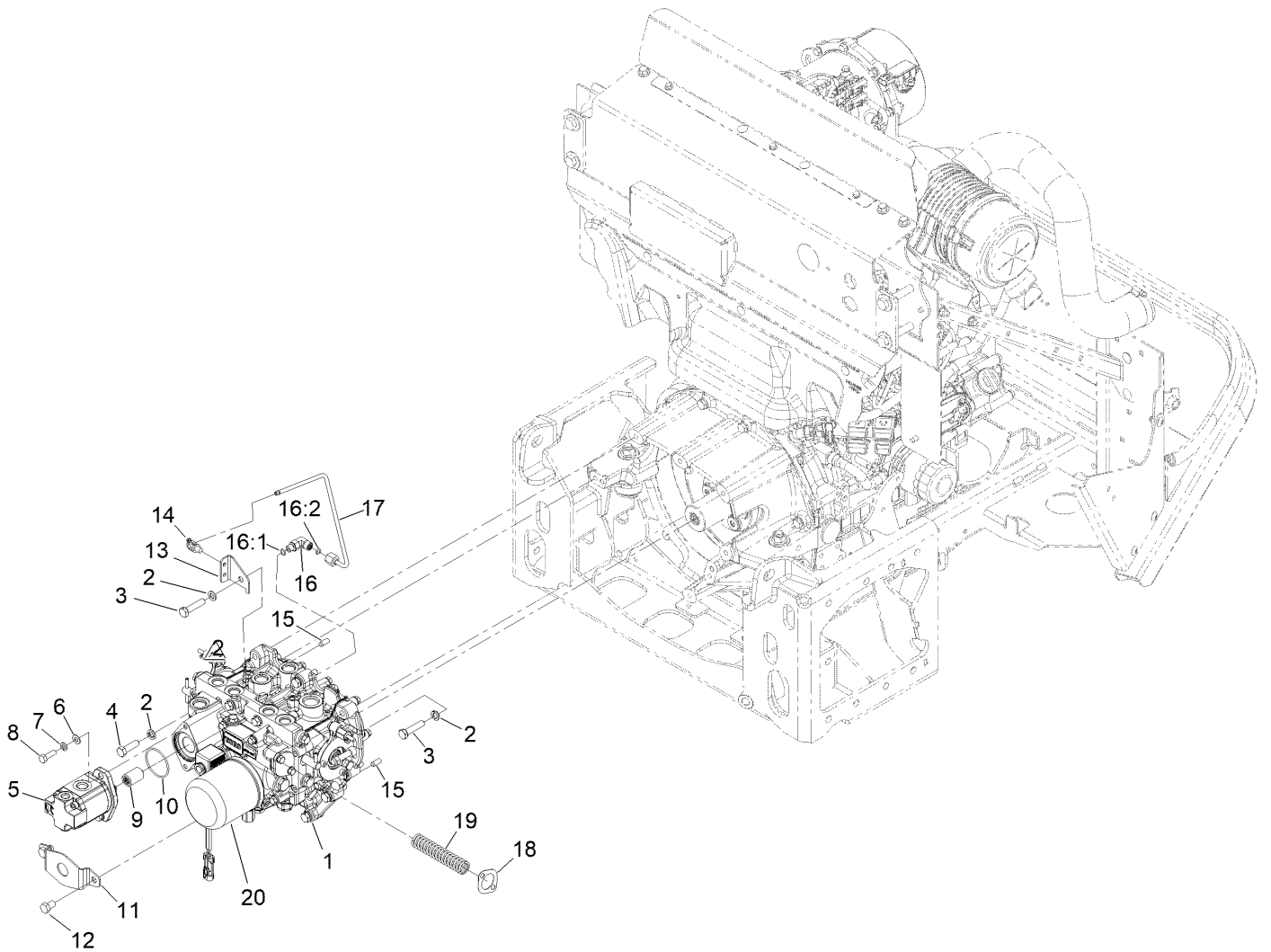


## Caster Wheel Assembly (continued)

| <i>Ref.</i> | <i>Part Number</i> | <i>Qty.</i> | <i>Description</i>   | <i>Ref.</i> | <i>Part Number</i> | <i>Qty.</i> | <i>Description</i>         |
|-------------|--------------------|-------------|----------------------|-------------|--------------------|-------------|----------------------------|
| 1           | 126-8601-01        | 1           | Fork-Caster          | 2:3         | 325-39             | 1           | Screw-HH                   |
| 2           | 126-9344           | 1           | Wheel And Tire ASM   | 2:4         | 3296-23            | 1           | Nut-Lock, NI               |
| 2:1         |                    | 1           | Tire And Wheel ASM ● | 3           | 103-9028           | 2           | Bearing-Roller, Cone Taper |
| 2:1:1       | 1-633585           | 2           | Bearing-Cone, Taper  | 4           | 3256-8             | 1           | Washer-Flat                |
| 2:1:2       | 103-0063           | 2           | Seal-Caster          | 5           | 1-633508           | 6           | Washer-Bellville           |
| 2:1:3       | 103-3051           | 1           | Spacer-Nut           | 6           | 3296-51            | 1           | Nut-Lock, NI               |
| 2:1:4       | 126-5361           | 1           | Axle Caster ASM      | 7           | 135-0355           | 1           | Seal-Grease                |
| 2:2         | 103-2768           | 2           | Guard-Seal           | 8           | 126-9369           | 1           | Cap-Grease                 |

● Not serviced separately

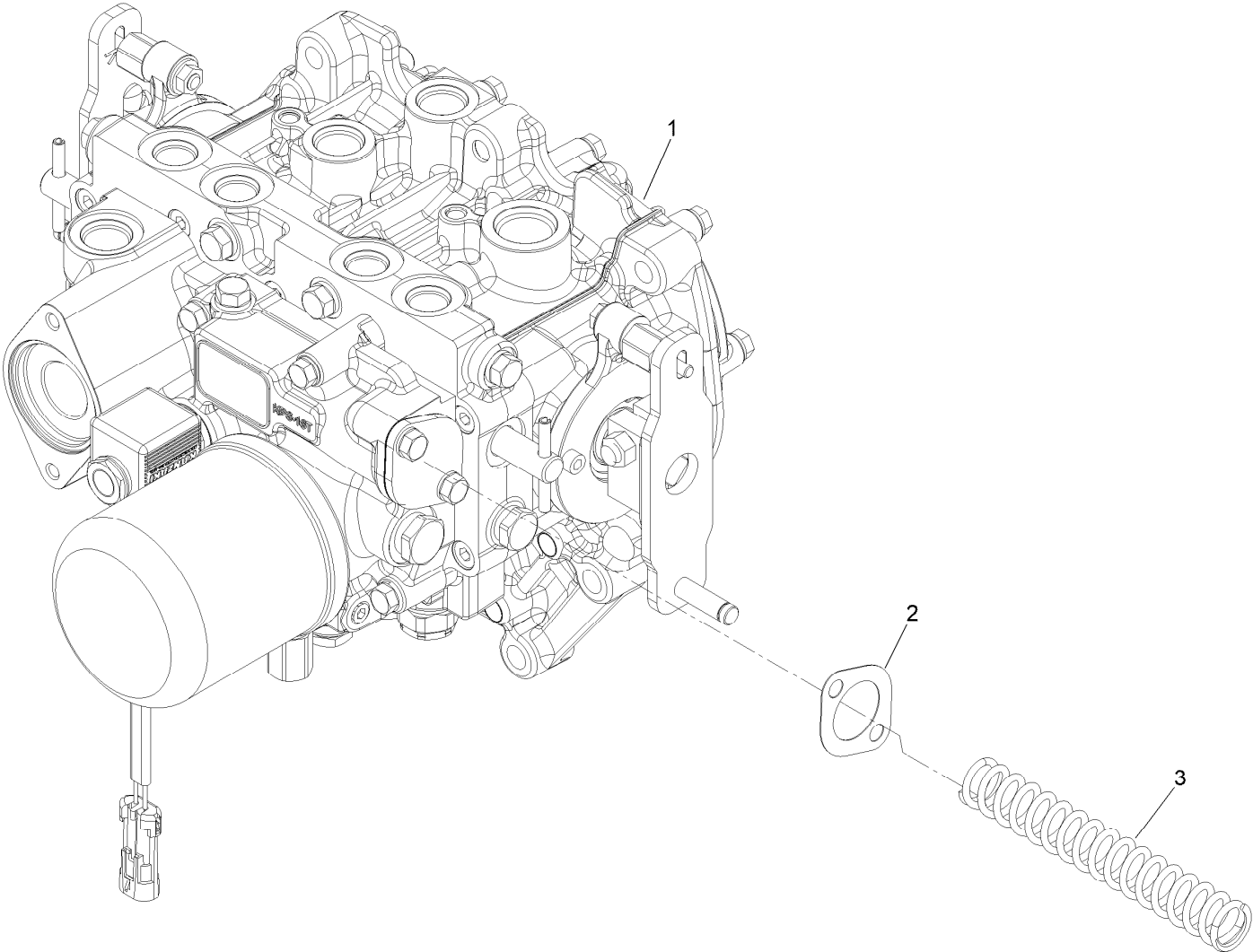
# Transmission Mounting Assembly



## Transmission Mounting Assembly (continued)

| <i>Ref.</i> | <i>Part Number</i> | <i>Qty.</i> | <i>Description</i>   | <i>Ref.</i> | <i>Part Number</i> | <i>Qty.</i> | <i>Description</i>    |
|-------------|--------------------|-------------|----------------------|-------------|--------------------|-------------|-----------------------|
| 1           | 142-8084           | 1           | Kit-Transmission ASM | 12          | 33115-016          | 2           | Screw-HH              |
| 2           | 48-9590            | 7           | Washer-Lock          | 13          | 126-6806           | 1           | Support-Tube          |
| 3           | 33115-045          | 6           | Screw-HH             | 14          | 32180-030          | 1           | Clip-Tie              |
| 4           | 33115-035          | 1           | Screw-HH             | 15          | 87-1910            | 2           | Pin-Dowel             |
| 5           | 112-9542           | 1           | HYD Gear Pump ASM    | 16          | 340-132            | 1           | Fitting-Elbow, 90 DEG |
| 6           | 3256-23            | 2           | Washer-Plain         | 16:1        | 237-78             | 1           | O-Ring                |
| 7           | 3253-4             | 2           | Washer-Lock          | 16:2        | 237-21             | 1           | O-Ring                |
| 8           | 33114-025          | 2           | Screw-HH             | 17          | 126-8689           | 1           | Tube ASM              |
| 9           | 108-9920           | 1           | Coupler-Spline       | 18          | 107-0847           | 1           | Gasket                |
| 10          | 108-9919           | 1           | O-Ring               | 19          | 142-5957           | 1           | Spring-Compression    |
| 11          | 114-4088           | 1           | Shield-Seal          | 20          | 108-5194           | 1           | Filter-Oil, HYD       |

# Transmission Assembly No. 142-8084

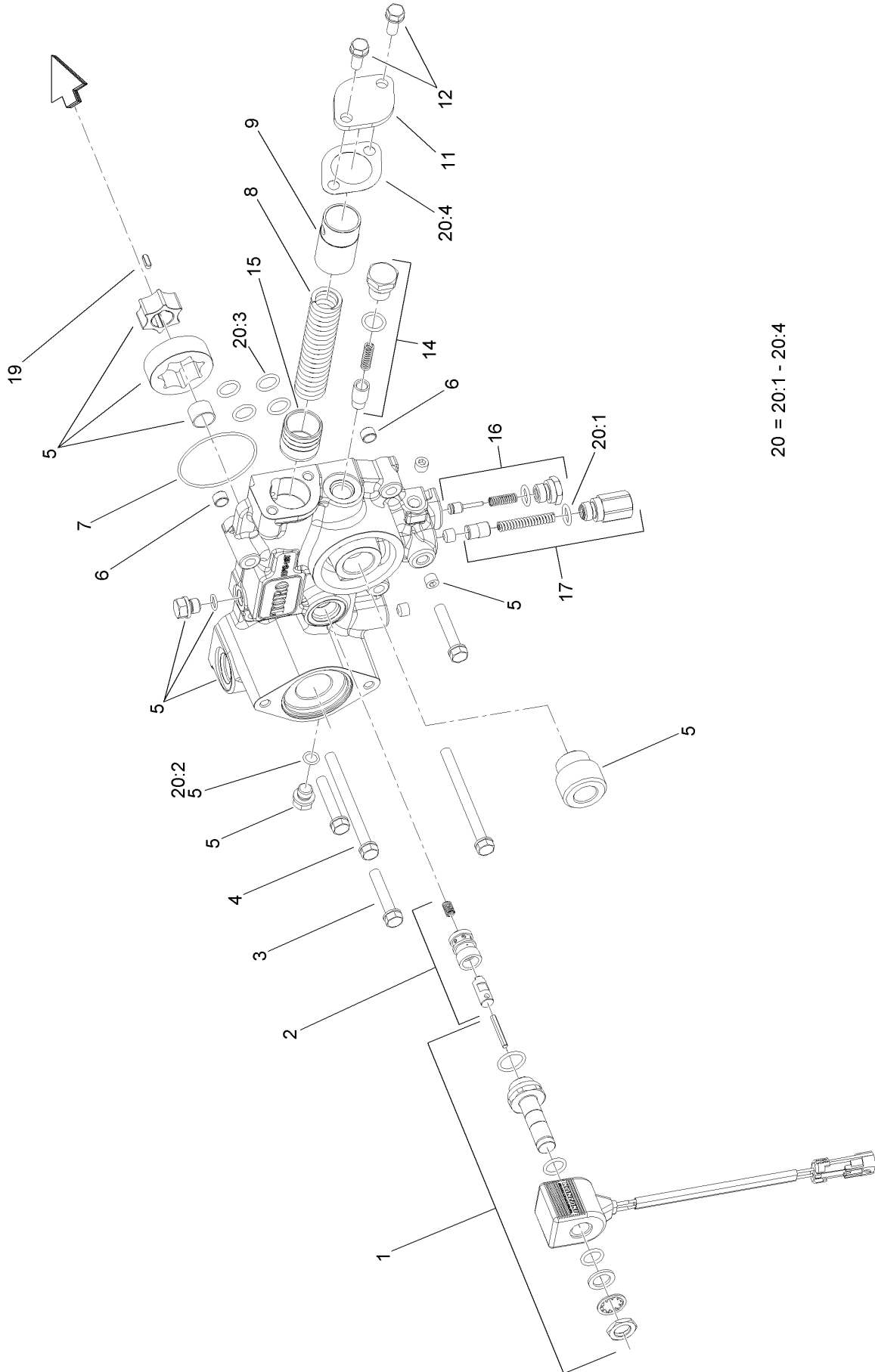


# Transmission Assembly No. 142-8084 (continued)

| <i>Ref.</i> | <i>Part Number</i> | <i>Qty.</i> | <i>Description</i> |
|-------------|--------------------|-------------|--------------------|
| 1           |                    | 1           | Transmisson ASM ●  |
| 2           | 107-0847           | 1           | Gasket             |
| 3           | 142-5957           | 1           | Spring-Compression |

● Not serviced separately

# Charge Pump Housing Assembly Transmission Assembly

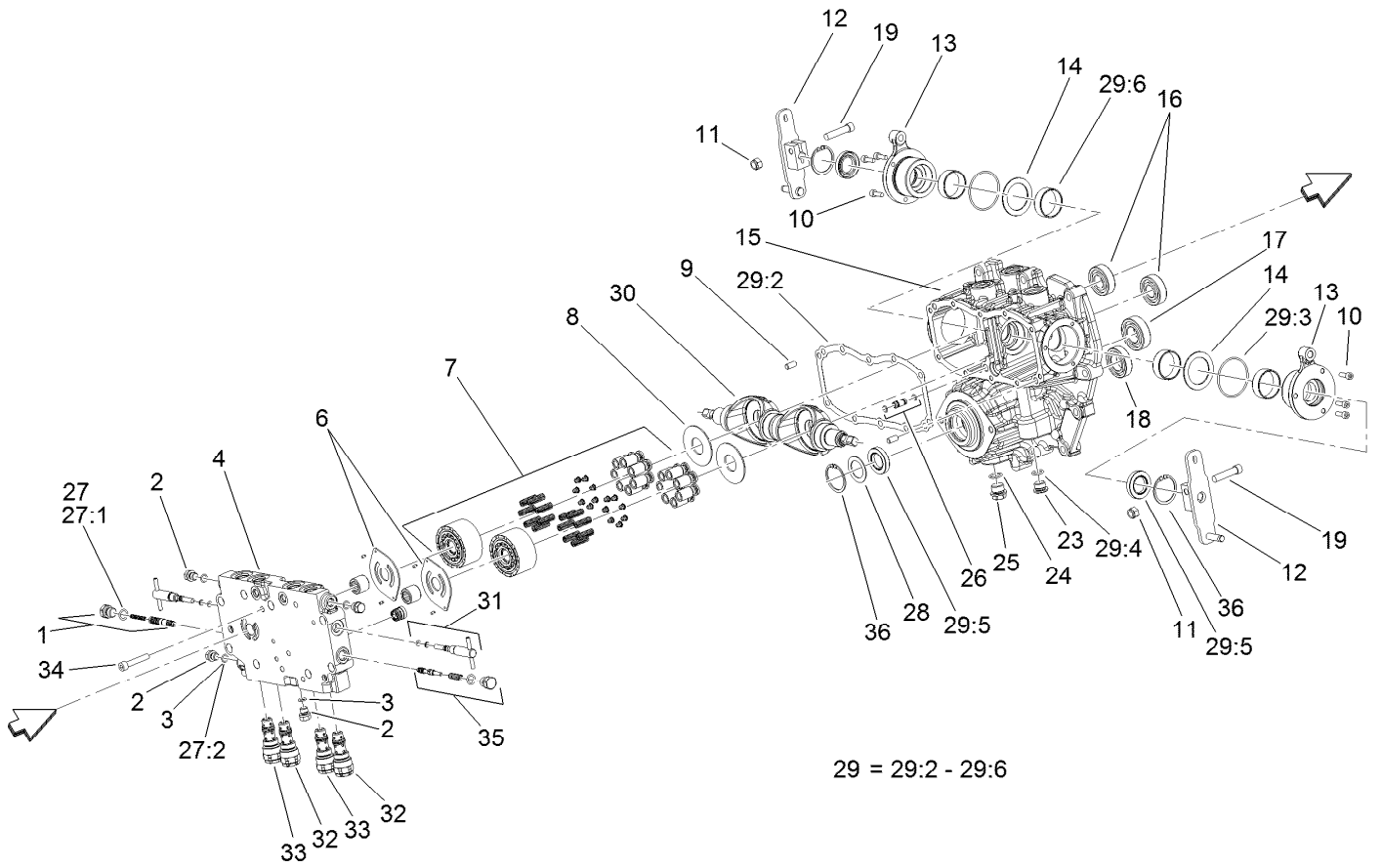


## Charge Pump Housing Assembly Transmission Assembly (continued)

| <i>Ref.</i> | <i>Part Number</i> | <i>Qty.</i> | <i>Description</i>  | <i>Ref.</i> | <i>Part Number</i> | <i>Qty.</i> | <i>Description</i>      |
|-------------|--------------------|-------------|---------------------|-------------|--------------------|-------------|-------------------------|
| 1           | 107-0851           | 1           | Solenoid ASM        | 14          | 107-0843           | 1           | Filter Bypass Valve ASM |
| 2           | 107-0850           | 1           | Solenoid Valve ASM  | 15          | 107-0818           | 1           | Piston                  |
| 3           | 107-0863           | 3           | Bolt                | 16          | 107-0842           | 1           | Charge Relief Valve ASM |
| 4           | 107-0864           | 2           | Bolt                | 17          | 107-0841           | 1           | Pressure Valve ASM      |
| 5           | 107-0840           | 1           | Pump Body ASM       | 19          | 107-0865           | 1           | Key                     |
| 6           | 107-0848           | 2           | Pin                 | 20          | 107-0855           | 1           | Charge Pump Seal Kit    |
| 7           | 107-0856           | 1           | O-Ring              | 20:1        | 93-0418            | 2           | O-Ring                  |
| 8           | 107-0845           | 1           | Spring              | 20:2        | 107-0817           | 2           | O Ring-Plug             |
| 9           | 107-0844           | 1           | Collar              | 20:3        | 104-3298           | 6           | Packing                 |
| 11          | 107-0846           | 1           | Cover               | 20:4        | 107-0847           | 1           | Gasket                  |
| 12          | 93-0457            | 2           | Bolt And Washer ASM |             |                    |             |                         |

# Transmission Assembly (cont.)

## Center Section Assembly

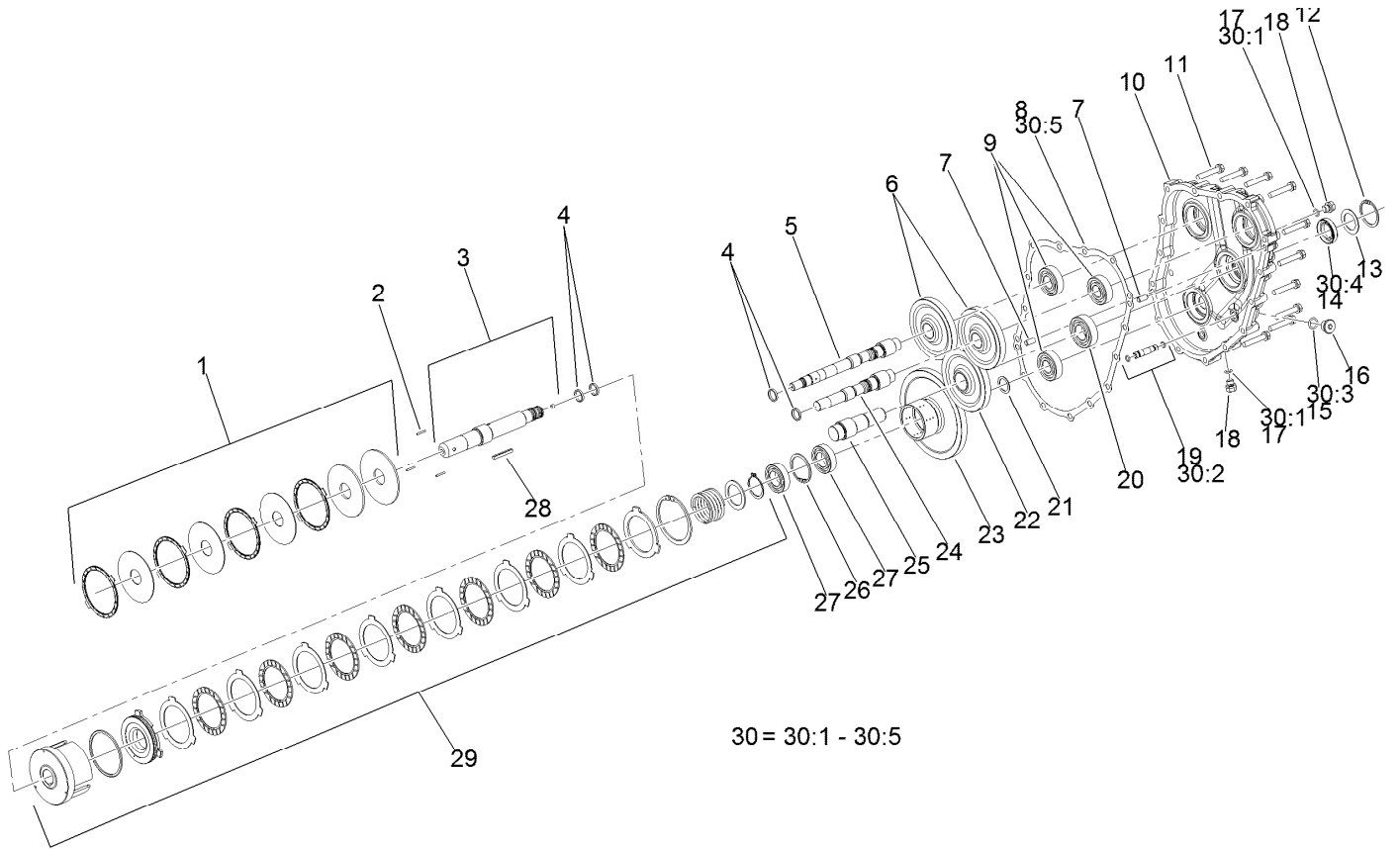




## Transmission Assembly (cont.) Center Section Assembly (continued)

| <i>Ref.</i> | <i>Part Number</i> | <i>Qty.</i> | <i>Description</i>    | <i>Ref.</i> | <i>Part Number</i> | <i>Qty.</i> | <i>Description</i>    |
|-------------|--------------------|-------------|-----------------------|-------------|--------------------|-------------|-----------------------|
| 1           | 107-0807           | 1           | Valve-Flushing, RH    | 25          | 107-0867           | 1           | Plug                  |
| 2           | 107-0857           | 6           | Plug                  | 26          | 107-0812           | 1           | Pipe                  |
| 3           | 107-0817           | 6           | O Ring-Plug           | 27          | 107-0852           | 1           | Center Case Seal Kit  |
| 4           | 121-3377           | 1           | Center Case, Complete | 27:1        | 93-0418            | 2           | O-Ring                |
| 6           | 107-0805           | 2           | Plate-Valve           | 27:2        | 107-0817           | 6           | O Ring-Plug           |
| 7           | 107-0824           | 2           | Cylinder Block ASM    | 28          | 107-0813           | 1           | Spacer                |
| 8           | 107-0830           | 2           | Plate-Thrust          | 29          | 107-0853           | 1           | Pump Housing Seal Kit |
| 9           | 92-0765            | 4           | Pin-Parallel          | 29:2        | 107-0810           | 1           | Gasket-Case, Center   |
| 10          | 107-0859           | 6           | Bolt                  | 29:3        | 107-0817           | 2           | O Ring-Plug           |
| 11          | 120-6681           | 2           | U-Nut                 | 29:4        | 104-3298           | 1           | Packing               |
| 12          | 120-6680           | 2           | Arm-Control           | 29:5        | 107-0814           | 3           | Seal                  |
| 13          | 107-0832           | 2           | Side Cover ASM        | 29:6        | 107-0825           | 4           | Ring-Seal             |
| 14          | 107-0829           | 2           | Washer                | 30          | 120-6679           | 2           | Plate-Swash           |
| 15          | 120-5151           | 1           | Pump Housing ASM      | 31          | 107-0808           | 2           | Valve-Bypass          |
| 16          | 107-0826           | 2           | Bearing               | 32          | 107-0804           | 2           | Valve-Rear            |
| 17          | 107-0821           | 1           | Bearing               | 33          | 107-0803           | 2           | Valve-Front           |
| 18          | 107-0838           | 1           | Bearing               | 34          | 107-0863           | 8           | Bolt                  |
| 19          | 120-6682           | 2           | Bolt                  | 35          | 107-0806           | 1           | Valve-Flushing, LH    |
| 23          | 107-0861           | 1           | Plug-NPTF             | 36          | 92-0757            | 2           | Ring-Snap             |
| 24          | 237-79             | 1           | O-Ring                |             |                    |             |                       |

# Transmission Assembly (cont.) Gear Case and Clutch Assembly

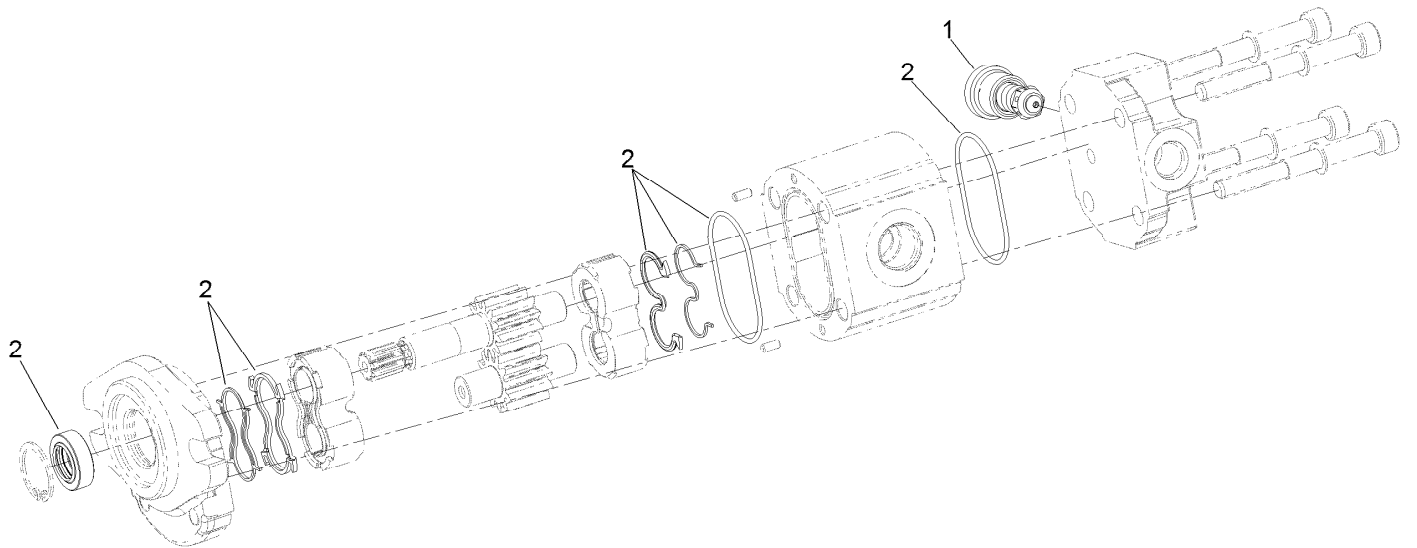


## Transmission Assembly (cont.) Gear Case and Clutch Assembly (continued)

| <i>Ref.</i> | <i>Part Number</i> | <i>Qty.</i> | <i>Description</i>   | <i>Ref.</i> | <i>Part Number</i> | <i>Qty.</i> | <i>Description</i>    |
|-------------|--------------------|-------------|----------------------|-------------|--------------------|-------------|-----------------------|
| 1           | 107-0839           | 1           | PTO Brake ASM        | 19          | 107-0811           | 1           | Pipe                  |
| 2           | 107-0837           | 3           | Rod-Push             | 20          | 107-0821           | 2           | Bearing               |
| 3           | 107-0833           | 1           | PTO Shaft ASM        | 21          | 107-0836           | 1           | Spacer                |
| 4           | 107-0825           | 2           | Ring-Seal            | 22          | 107-0820           | 1           | Gear-Input            |
| 5           | 107-0827           | 1           | Shaft-Pump           | 23          | 107-0834           | 1           | Gear-PTO              |
| 6           | 107-0823           | 2           | Gear-Pump            | 24          | 107-0822           | 1           | Shaft-Pump            |
| 7           | 92-0765            | 4           | Pin-Parallel         | 25          | 107-0819           | 1           | Shaft-Input           |
| 8           | 107-0816           | 1           | Gasket-Housing, Gear | 26          | 92-0758            | 1           | Ring-Snap             |
| 9           | 107-0826           | 4           | Bearing              | 27          | 107-0838           | 3           | Bearing               |
| 10          | 120-5152           | 1           | Housing-Case, Gear   | 28          | 107-0866           | 1           | Key                   |
| 11          | 107-0863           | 13          | Bolt                 | 29          | 107-0835           | 1           | Clutch Cylinder ASM   |
| 12          | 92-0757            | 1           | Ring-Snap            | 30          | 107-0854           | 1           | Gear Housing Seal Kit |
| 13          | 107-0813           | 1           | Spacer               | 30:1        | 107-0817           | 2           | O Ring-Plug           |
| 14          | 107-0814           | 1           | Seal                 | 30:2        |                    | 2           | O-Ring ●              |
| 15          | 104-3298           | 1           | Packing              | 30:3        | 104-3298           | 1           | Packing               |
| 16          | 107-0861           | 1           | Plug-NPTF            | 30:4        | 107-0814           | 1           | Seal                  |
| 17          | 107-0817           | 6           | O Ring-Plug          | 30:5        | 107-0816           | 1           | Gasket-Housing, Gear  |
| 18          | 107-0857           | 6           | Plug                 |             |                    |             |                       |

● Not serviced separately

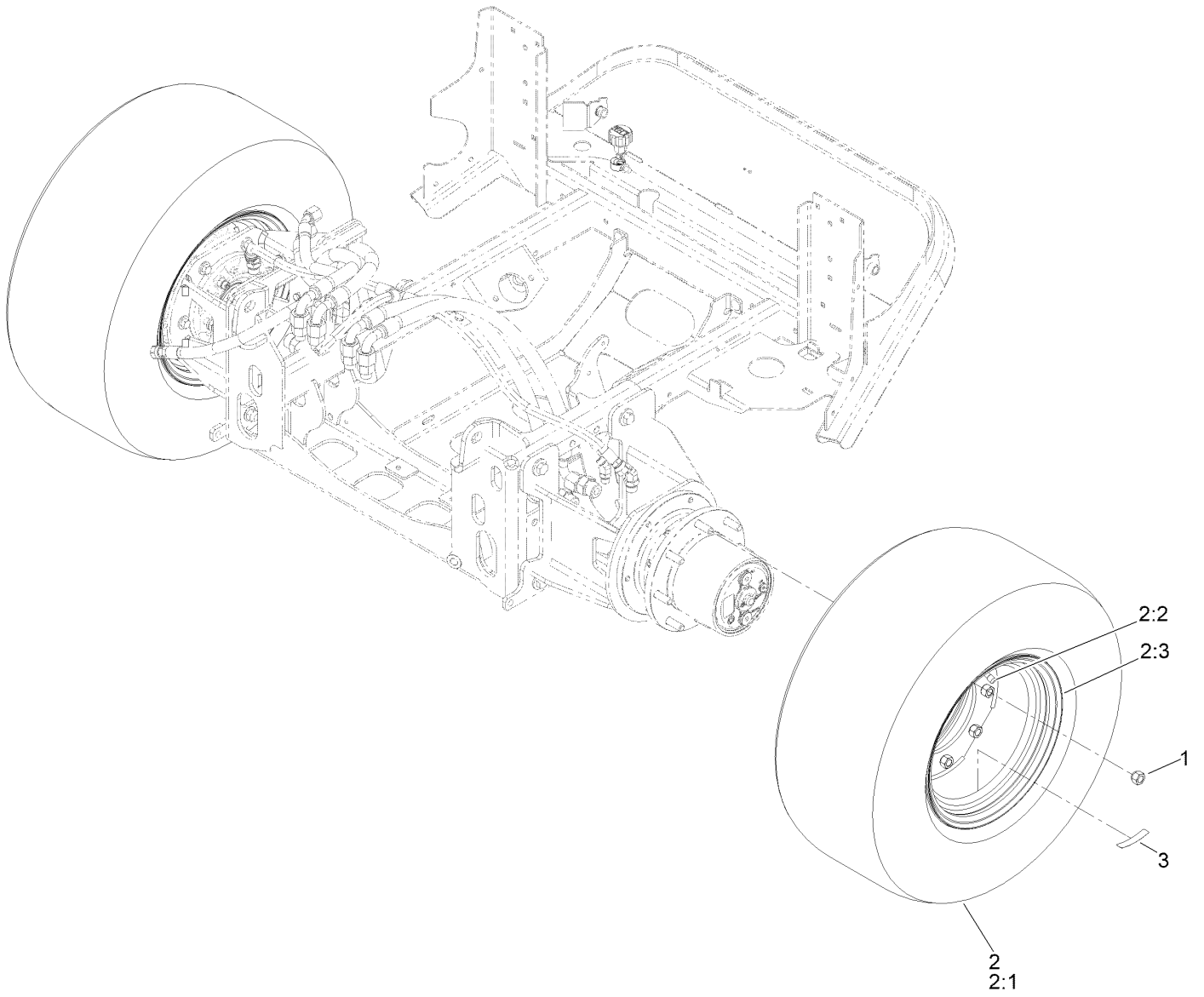
# Hydraulic Gear Pump Assembly No. 112-9542



# Hydraulic Gear Pump Assembly No. 112-9542 (continued)

| <i>Ref.</i> | <i>Part Number</i> | <i>Qty.</i> | <i>Description</i> |
|-------------|--------------------|-------------|--------------------|
| 1           | 112-0198           | 1           | Valve              |
| 2           | 112-0199           | 1           | Seal Kit           |

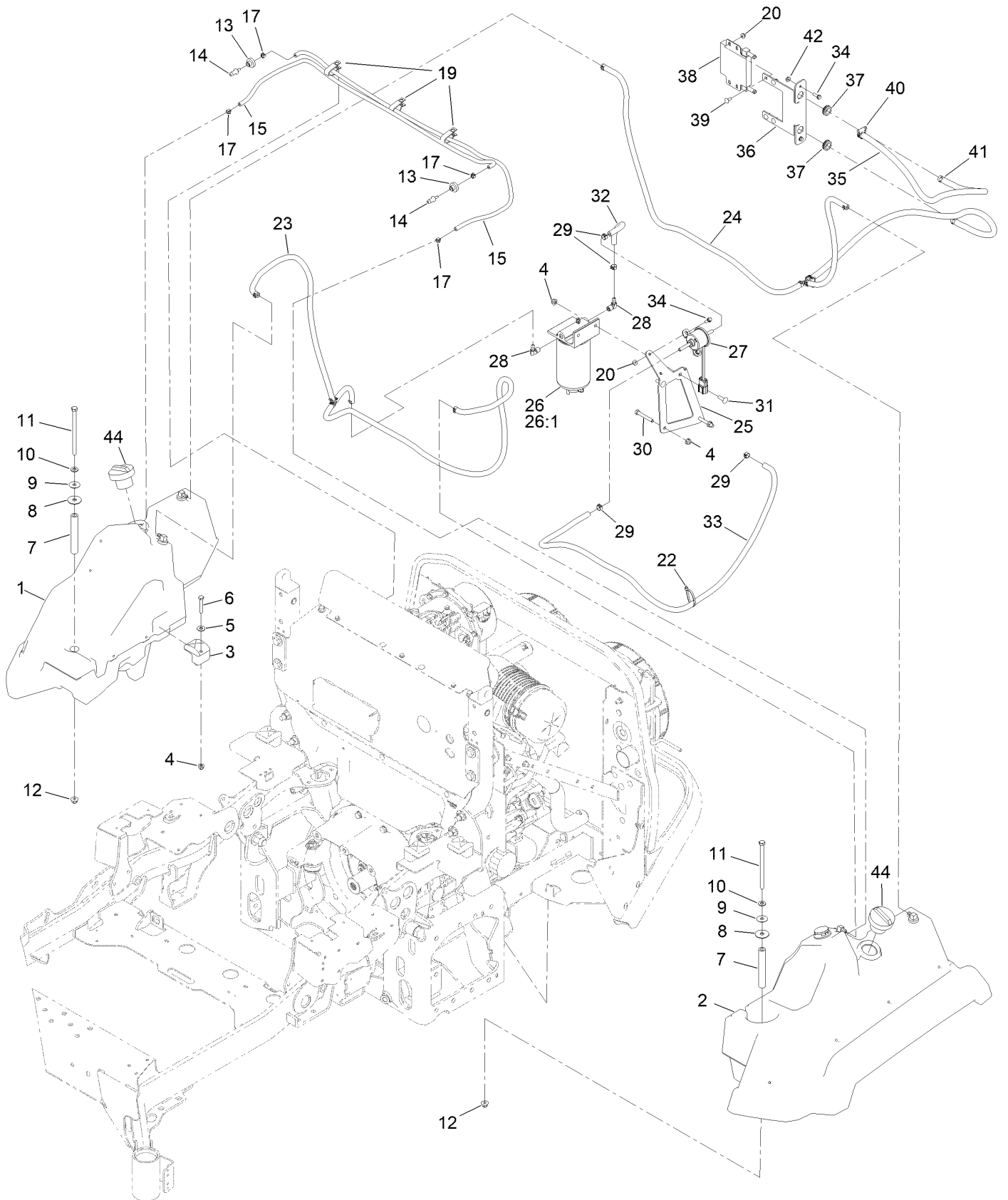
# Drive Wheel Assembly



## Drive Wheel Assembly (continued)

| <i>Ref.</i> | <i>Part Number</i> | <i>Qty.</i> | <i>Description</i>  | <i>Ref.</i> | <i>Part Number</i> | <i>Qty.</i> | <i>Description</i>     |
|-------------|--------------------|-------------|---------------------|-------------|--------------------|-------------|------------------------|
| 1           | 242-50             | 16          | Nut-Lug             | 2:2         | 232-27             | 1           | Stem-Valve             |
| 2           | 142-6798           | 2           | ASM-Tire 26 X 12-12 | 2:3         | 142-6799           | 1           | Wheel - 12.0X8.5 8/8.0 |
| 2:1         | 126-8033           | 1           | Tire                | 3           | 142-7838           | 2           | Decal-Wheel Hub        |

# Fuel System Assembly

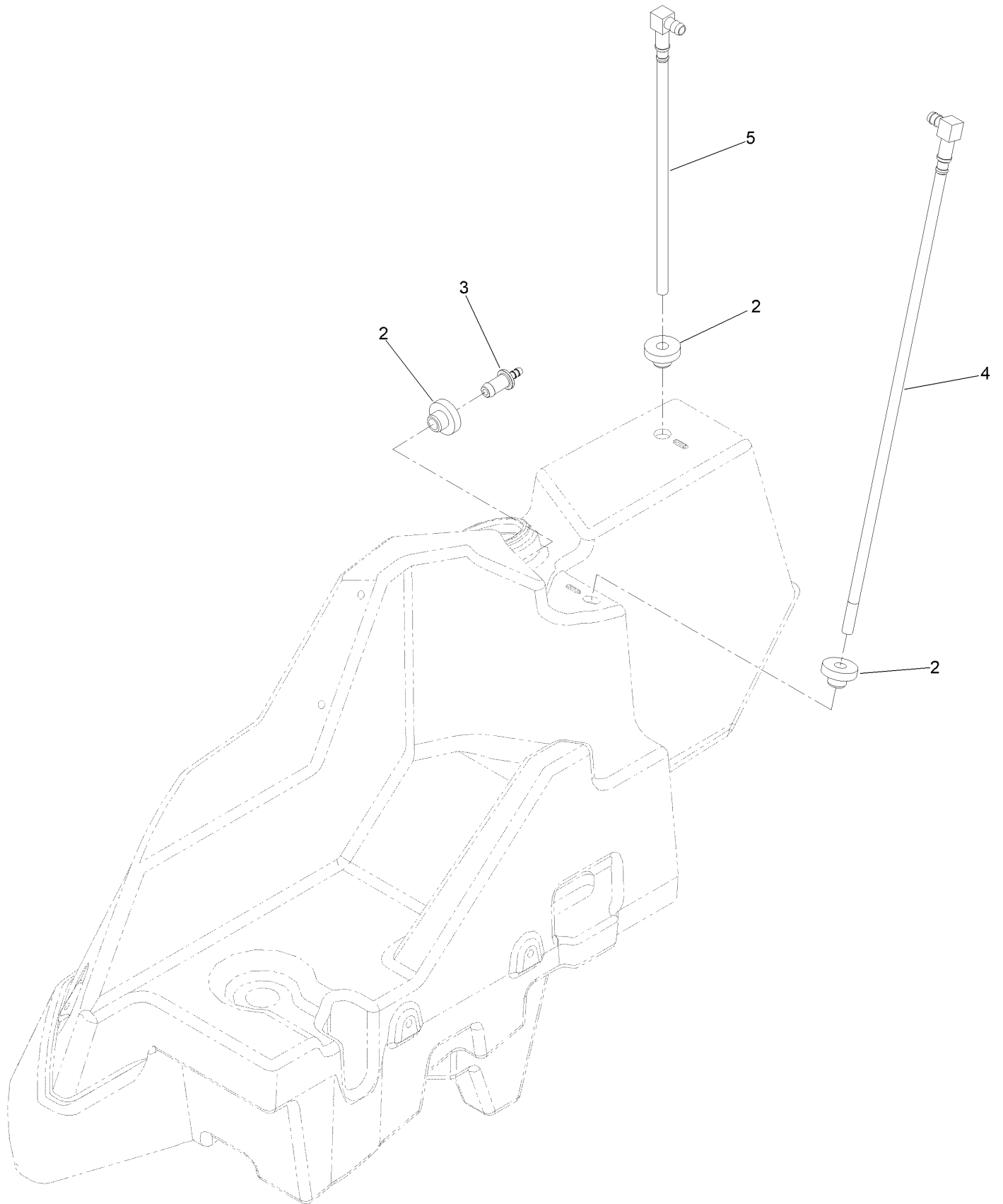




## Fuel System Assembly (continued)

| <i>Ref.</i> | <i>Part Number</i> | <i>Qty.</i> | <i>Description</i>        | <i>Ref.</i> | <i>Part Number</i> | <i>Qty.</i> | <i>Description</i>                  |
|-------------|--------------------|-------------|---------------------------|-------------|--------------------|-------------|-------------------------------------|
| 1           | 142-8638           | 1           | RH Fuel Tank ASM          | 25          | 142-7204-03        | 1           | Brkt-Fuel Filter                    |
| 2           | 142-8637           | 1           | LH Fuel Tank ASM          | 26          | 125-2914           | 1           | Filter-Separator                    |
| 3           | 107-4543           | 4           | Clamp                     | 26:1        | 125-2915           | 1           | Filter-Fuel/Water Separator         |
| 4           | 104-8300           | 8           | Nut-HF, NI                | 27          | 121-5613           | 1           | Pump-Fuel, Electric                 |
| 5           | 3256-3             | 4           | Washer-Flat               | 28          | 353-781            | 2           | Fitting-HYD, 90                     |
| 6           | 322-21             | 4           | Screw-HH                  | 29          | 92-2379            | 4           | Clamp-Hose                          |
| 7           | 126-8335           | 2           | Tube-Spacer               | 30          | 322-11             | 2           | Screw-HH                            |
| 8           | 95-1905            | 2           | Washer-Rubber             | 31          | 3230-22            | 2           | Screw-CARR                          |
| 9           | 105-6814           | 2           | Washer-Plain              | 32          | 108-3280           | 1           | Hose-Fuel                           |
| 10          | 3256-24            | 2           | Washer-Plain              | 33          | 110-7503           | 1           | Hose-Fuel                           |
| 11          | 323-22             | 2           | Screw-HH                  | 34          | 32105-15           | 4           | Screw-HWH                           |
| 12          | 104-8301           | 2           | Nut-HF, NI                | 35          | 142-3195           | 1           | Hose-Fuel                           |
| 13          | 46-6560            | 2           | Bushing                   | 36          | 142-5173-03        | 1           | Mount-Cooler, Fuel                  |
| 14          | 116-4630           | 2           | Fitting-Orifice, Straight | 37          | 237-124            | 2           | Grommet                             |
| 15          | 117-6395           | 2           | Hose-Fuel                 | 38          | 116-7205           | 1           | Cooler                              |
| 17          | 2412-80            | 4           | Clamp-Hose                | 39          | 3229-11            | 4           | Screw-CARR                          |
| 19          | 92-5753            | 3           | Clamp-Hose                | 40          | 135-7984           | 1           | Clamp-Hose                          |
| 20          | 104-7201           | 6           | Nut-HF, NI                | 41          | 103-1988           | 1           | Clamp-Hose                          |
| 22          | 3290-378           | 1           | Tie-Cable                 | 42          | 32128-33           | 2           | Nut-HF                              |
| 23          | 135-0512           | 1           | Fuel Suction Line ASM     | 44          | 125-9170           | 2           | Cap-Fuel, Diesel (Ultra Low Sulfur) |
| 24          | 142-3194           | 1           | Hose ASM-Fuel, Tee        |             |                    |             |                                     |

# RH Fuel Tank Assembly No. 142-8638

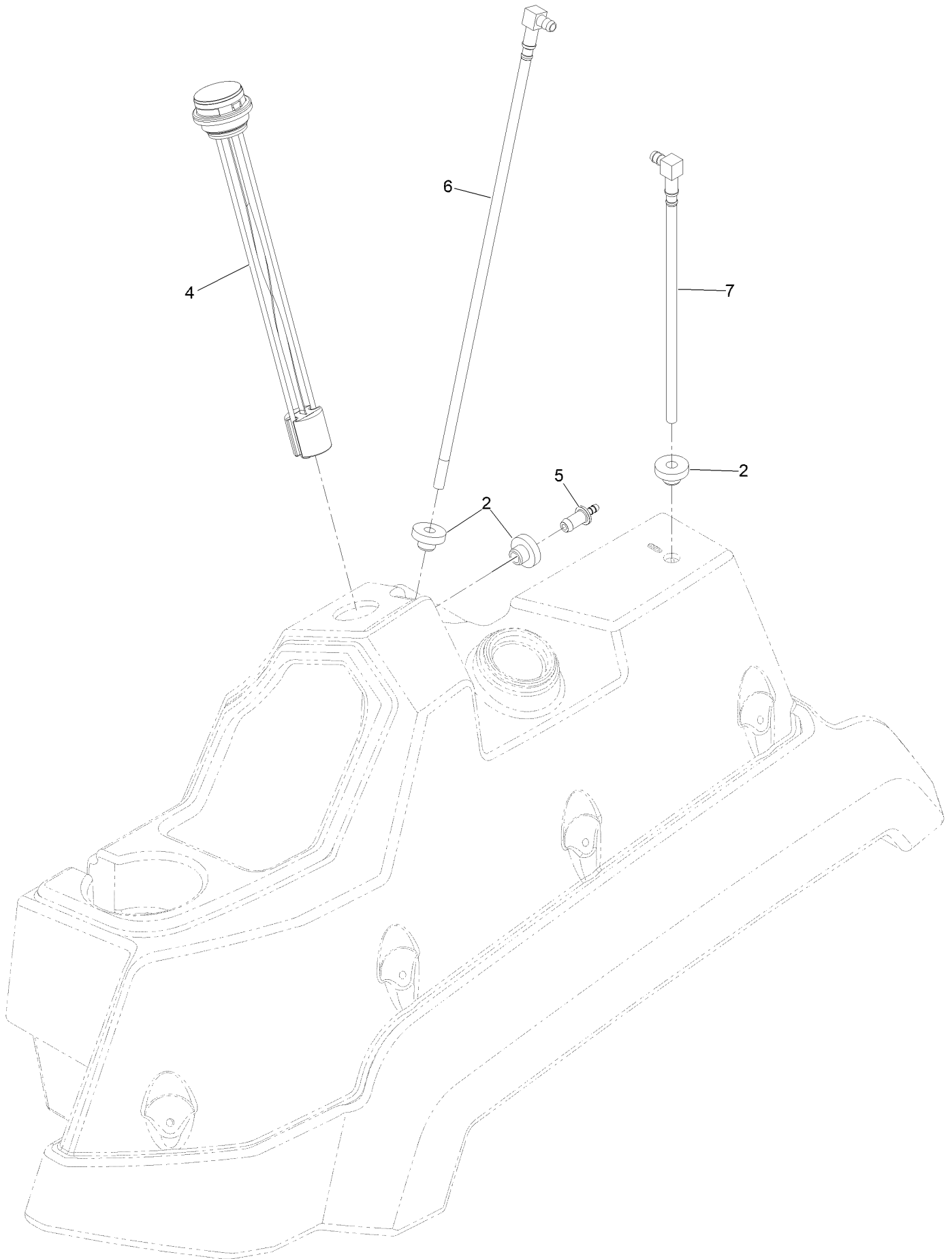


# RH Fuel Tank Assembly No. 142-8638 (continued)

| <i>Ref.</i> | <i>Part Number</i> | <i>Qty.</i> | <i>Description</i>        |
|-------------|--------------------|-------------|---------------------------|
| 2           | 46-6560            | 3           | Bushing                   |
| 3           | 116-4630           | 1           | Fitting-Orifice, Straight |

| <i>Ref.</i> | <i>Part Number</i> | <i>Qty.</i> | <i>Description</i> |
|-------------|--------------------|-------------|--------------------|
| 4           | 126-8647           | 1           | Pick-Up-Fuel       |
| 5           | 126-8649           | 1           | Return-Fuel        |

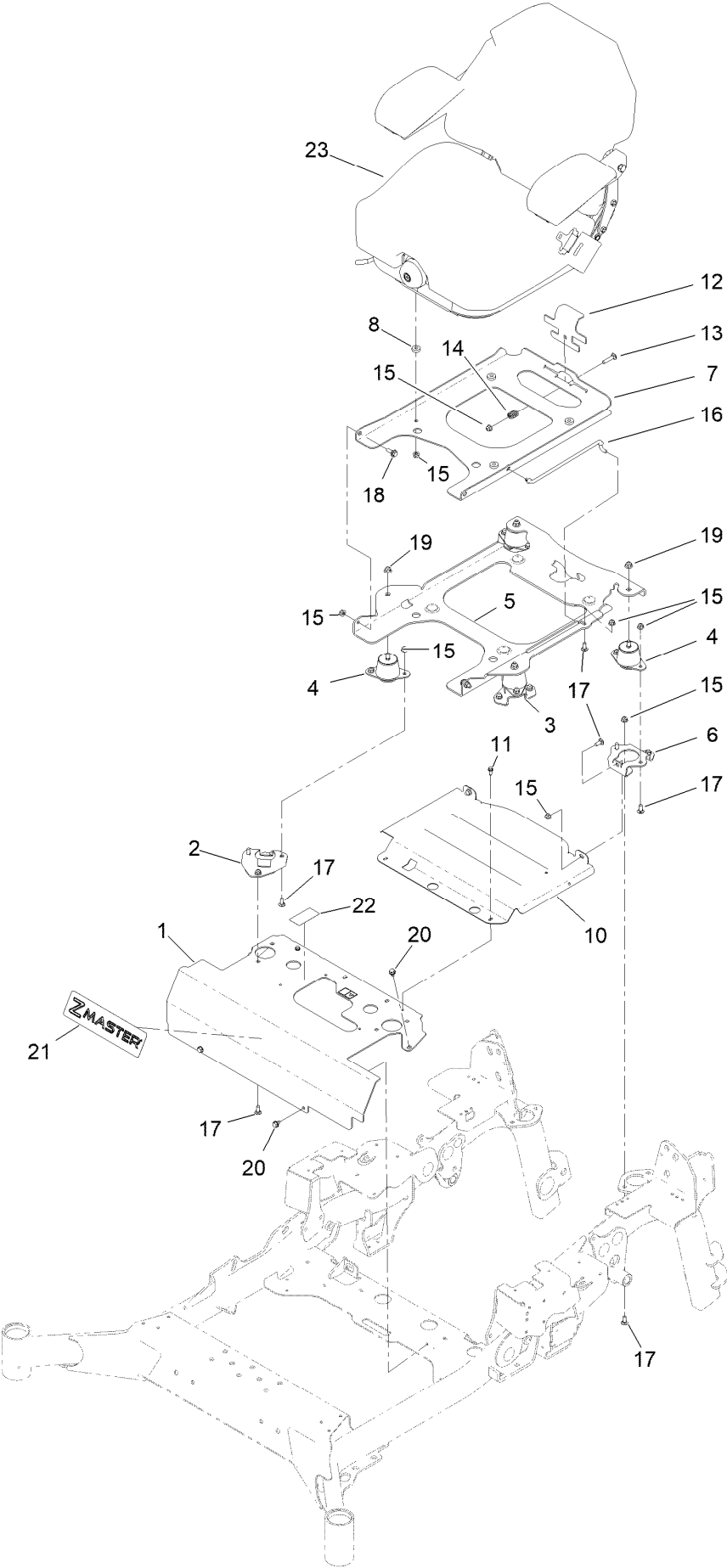
# LH Fuel Tank Assembly 142-8637



## LH Fuel Tank Assembly 142-8637 (continued)

| <i>Ref.</i> | <i>Part Number</i> | <i>Qty.</i> | <i>Description</i>        | <i>Ref.</i> | <i>Part Number</i> | <i>Qty.</i> | <i>Description</i> |
|-------------|--------------------|-------------|---------------------------|-------------|--------------------|-------------|--------------------|
| 2           | 46-6560            | 3           | Bushing                   | 6           | 126-8647           | 1           | Pick-Up-Fuel       |
| 4           | 126-8660           | 1           | Gauge-Fuel                | 7           | 126-8649           | 1           | Return-Fuel        |
| 5           | 116-4630           | 1           | Fitting-Orifice, Straight |             |                    |             |                    |

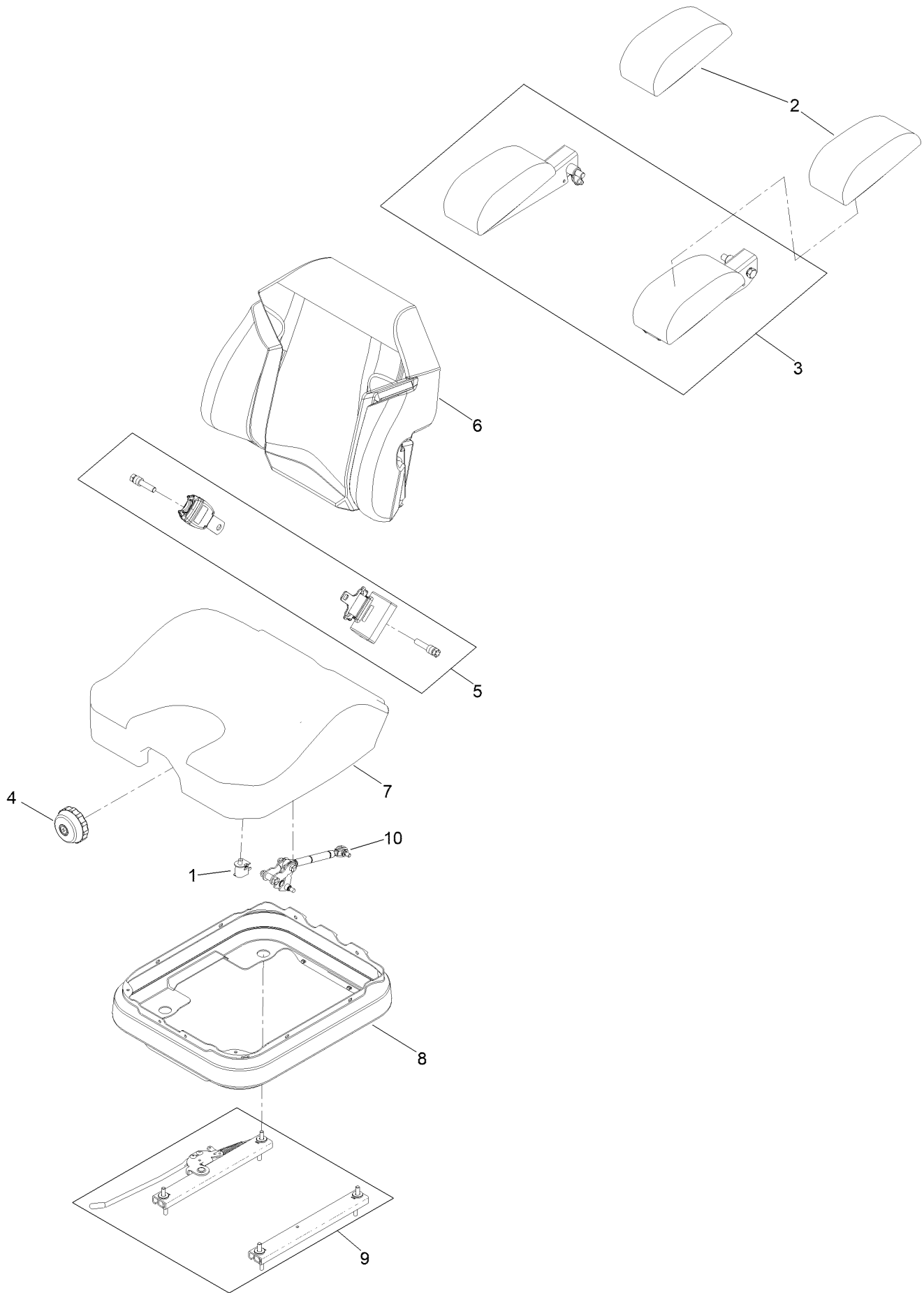
# Seat Mounting Assembly



## Seat Mounting Assembly (continued)

| <i>Ref.</i> | <i>Part Number</i> | <i>Qty.</i> | <i>Description</i>      | <i>Ref.</i> | <i>Part Number</i> | <i>Qty.</i> | <i>Description</i>        |
|-------------|--------------------|-------------|-------------------------|-------------|--------------------|-------------|---------------------------|
| 1           | 142-6618           | 1           | Mount-Seat W/Decals     | 13          | 3230-4             | 1           | Bolt-CARR                 |
| 2           | 142-6658-03        | 1           | Riser-Seat Mount, R     | 14          | 107-3017           | 1           | Spring-Compression        |
| 3           | 142-6659-03        | 1           | Riser-Seat Mount, L     | 15          | 104-8300           | 26          | Nut-HF, NI                |
| 4           | 109-9034           | 4           | Isolator-Seat           | 16          | 116-0070           | 1           | Rod-Prop                  |
| 5           | 142-4142-03        | 1           | Plate,Tilt Seat Support | 17          | 3230-23            | 19          | Bolt-CARR                 |
| 6           | 142-6651-03        | 2           | Riser-Seat Mount, Rear  | 18          | 116-1297           | 2           | Screw-Shoulder            |
| 7           | 126-2700-03        | 1           | Plate-Frame, Seat       | 19          | 104-8301           | 4           | Nut-HF, NI                |
| 8           | 26-4840            | 4           | Spacer-Pin, Mounting    | 20          | 9266934            | 4           | Screw                     |
| 10          | 142-7215-03        | 1           | Heat Shield - Seat      | 21          | 140-1215           | 1           | Decal-Console             |
| 11          | 32144-10           | 2           | Screw-HWH               | 22          | 135-2837           | 1           | Decal-Fluid, Transmission |
| 12          | 126-1855           | 1           | Plate-Latch, Seat       | 23          | 142-7524           | 1           | ASM-Suspension Seat, Toro |

# Seat Assembly No. 142-7524

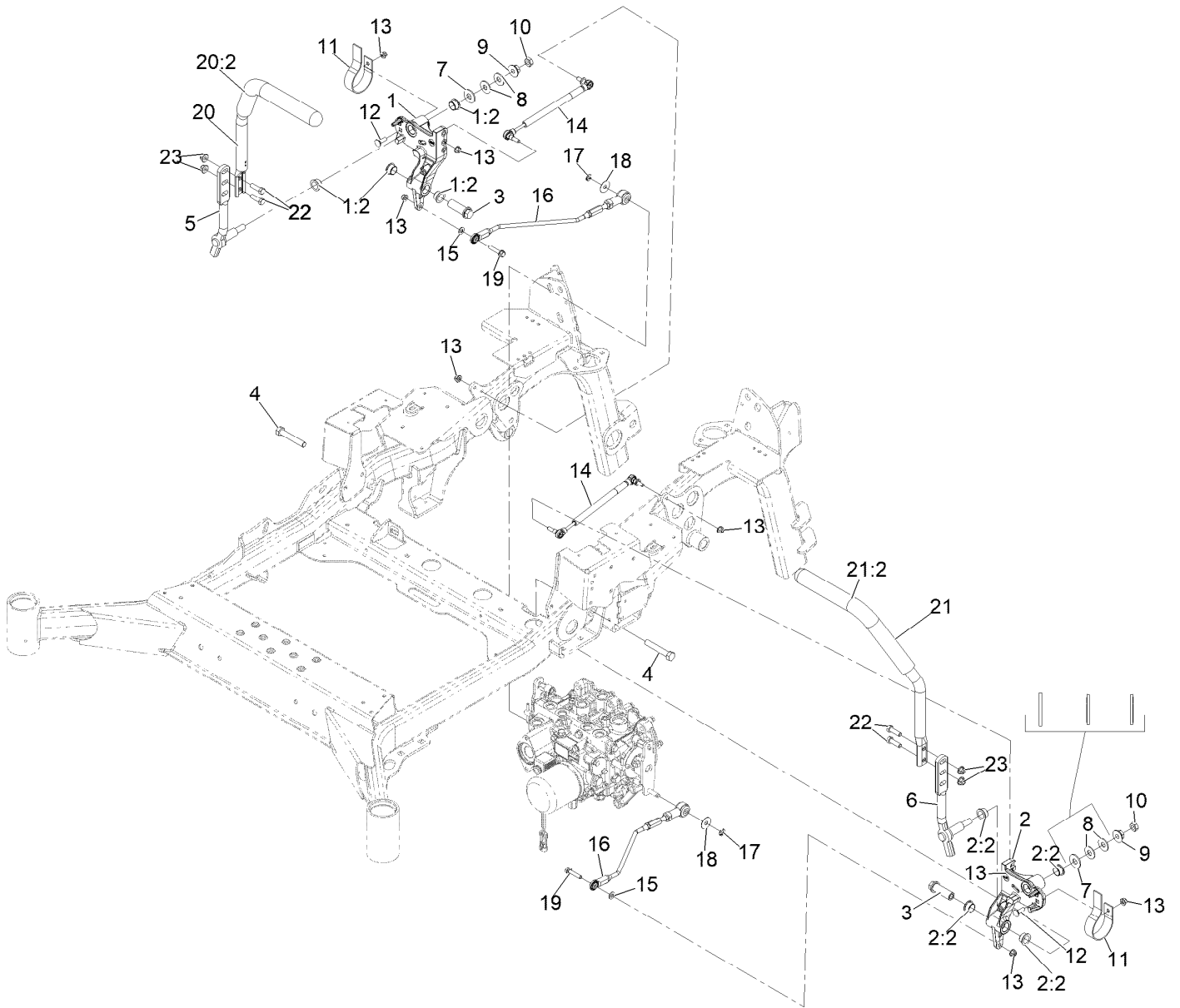




## Seat Assembly No. 142-7524 (continued)

| <i>Ref.</i> | <i>Part Number</i> | <i>Qty.</i> | <i>Description</i> | <i>Ref.</i> | <i>Part Number</i> | <i>Qty.</i> | <i>Description</i>       |
|-------------|--------------------|-------------|--------------------|-------------|--------------------|-------------|--------------------------|
| 1           | 82-2190            | 1           | Switch-Bail        | 6           | 146-0868           | 1           | Cover-Back               |
| 2           | 146-0691           | 1           | Kit-Arm Rest Pads  | 7           | 145-3659           | 1           | Cover-Bottom, Seat       |
| 3           | 146-0679           | 1           | Kit-Arm Rest Set   | 8           | 142-7840           | 1           | Cover-Suspension Bellows |
| 4           | 116-8911           | 1           | Knob-Adjuster      | 9           | 142-7841           | 1           | Set-Seat Track           |
| 5           | 146-0595           | 1           | Seat Belt Kit      | 10          | 146-4468           | 1           | Damper-Seat              |

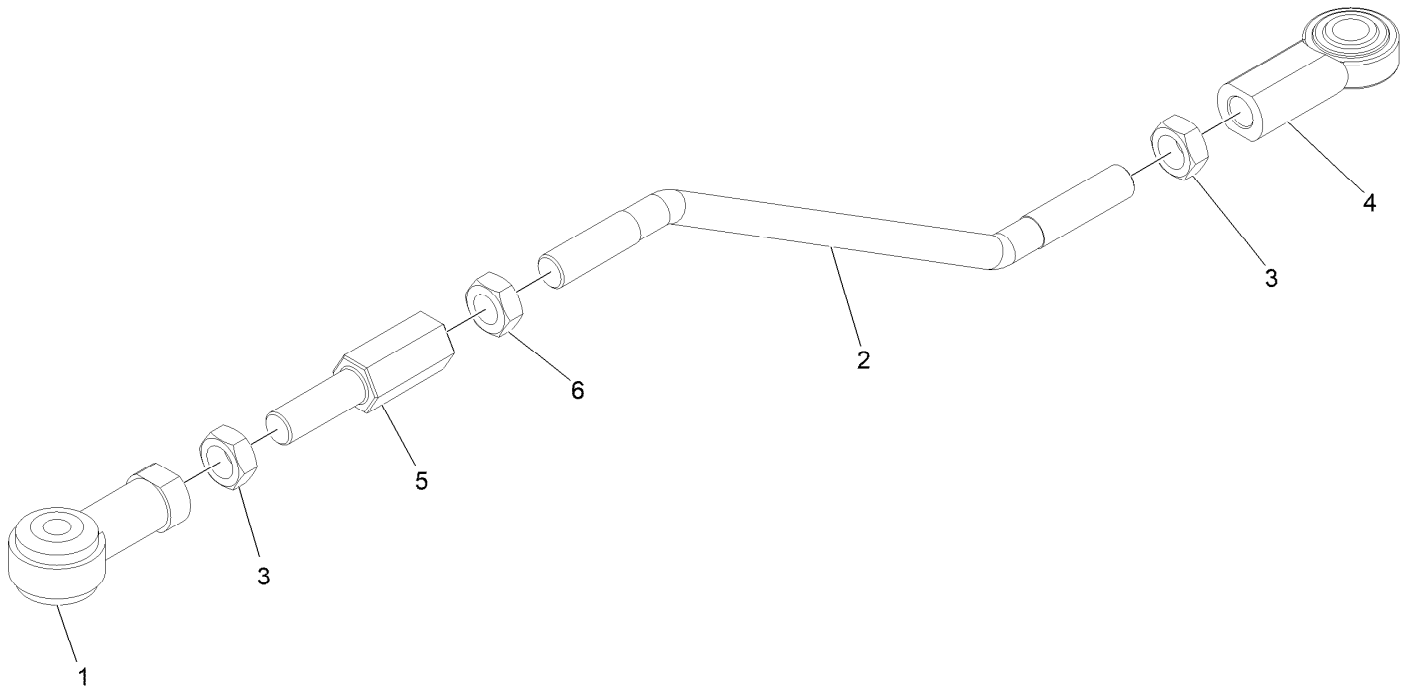
# Motion Control Assembly



## Motion Control Assembly (continued)

| <i>Ref.</i> | <i>Part Number</i> | <i>Qty.</i> | <i>Description</i>                | <i>Ref.</i> | <i>Part Number</i> | <i>Qty.</i> | <i>Description</i>        |
|-------------|--------------------|-------------|-----------------------------------|-------------|--------------------|-------------|---------------------------|
| 1           | 116-0880           | 1           | RH Motion Control And Bushing ASM | 12          | 3230-2             | 2           | Bolt-Carriage 5/16-18 X 1 |
| 1:2         | 109-8054           | 4           | Bushing-Flanged                   | 13          | 104-8300           | 8           | Nut-Nyloc 5/16-18 Flg     |
| 2           | 116-0881           | 1           | LH Motion Control And Bushing ASM | 14          | 116-0027           | 2           | Damper-Control, Motion    |
| 2:2         | 109-8054           | 4           | Bushing-Flanged                   | 15          | 3256-23            | 2           | Washer-5/16 SAE           |
| 3           | 109-5891           | 2           | Hub-Threaded                      | 16          | 142-8447           | 2           | ASM, Front Linkage Rod    |
| 4           | 325-12             | 2           | Screw-HH 1/2-13 X 3               | 17          | 32151-47           | 2           | Ring-Retaining            |
| 5           | 116-0039           | 1           | Lever-Control Motion, RH          | 18          | 130-8094           | 2           | Washer-Plain              |
| 6           | 116-0040           | 1           | Lever-Control Motion, LH          | 19          | 142-8518           | 2           | Bolt-Shoulder,HHF         |
| 7           | 3256-6             | 2           | Washer                            | 20          | 142-2391           | 1           | ASM,Steering Handle RH    |
| 8           | 109-9505           | 4           | Washer, Spring Disc 1/2           | 20:2        | 109-5668           | 1           | Grip-Lever, Control       |
| 9           | 32128-56           | 2           | Nut-Hex 1/2-13 Flange             | 21          | 142-2390           | 1           | ASM,Steering Handle LH    |
| 10          | 3218-5             | 2           | Nut-Jam 1/2-13                    | 21:2        | 109-5668           | 1           | Grip-Lever, Control       |
| 11          | 109-5575           | 2           | Spring-Leaf                       | 22          | 323-7              | 4           | Screw-HH 3/8-16 X 1 1/4   |
|             |                    |             |                                   | 23          | 104-8301           | 4           | Nut-Nyloc 3/8-16 Flg      |

# Front Linkage Rod Assembly No. 142-8447

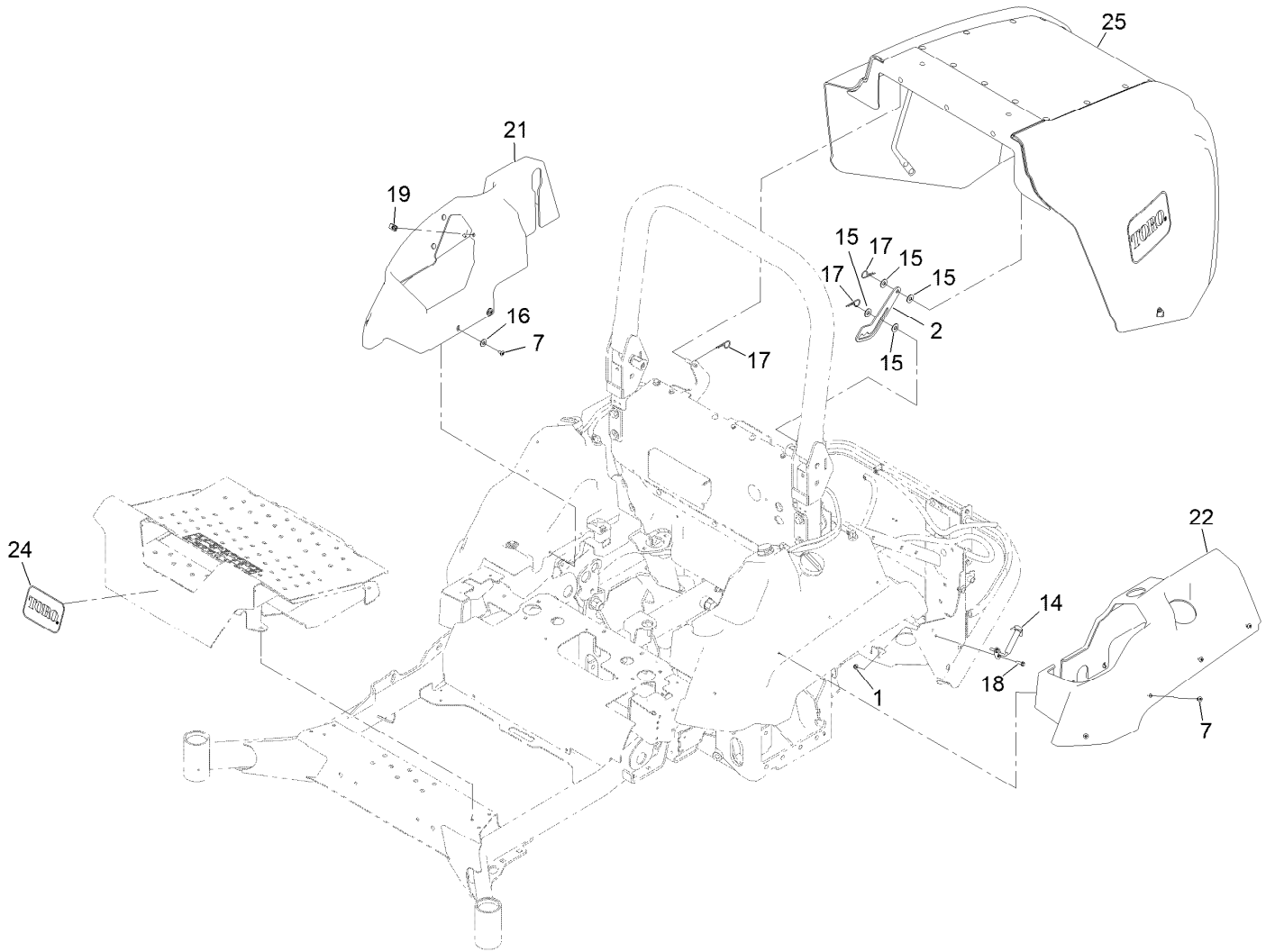


# Front Linkage Rod Assembly No. 142-8447 (continued)

| <i>Ref.</i> | <i>Part Number</i> | <i>Qty.</i> | <i>Description</i>        |
|-------------|--------------------|-------------|---------------------------|
| 1           | 142-8415           | 1           | Rod End - Isolated 1/2-20 |
| 2           | 142-8412           | 1           | Rod - Linkage             |
| 3           | 3220-5             | 2           | Nut-Jam 1/2-20            |

| <i>Ref.</i> | <i>Part Number</i> | <i>Qty.</i> | <i>Description</i> |
|-------------|--------------------|-------------|--------------------|
| 4           | 142-8416           | 1           | Rod End - 1/2-20   |
| 5           | 142-8413           | 1           | Rod - Adjustment   |
| 6           | 3220-12            | 1           | Nut-Hex Jam LH     |

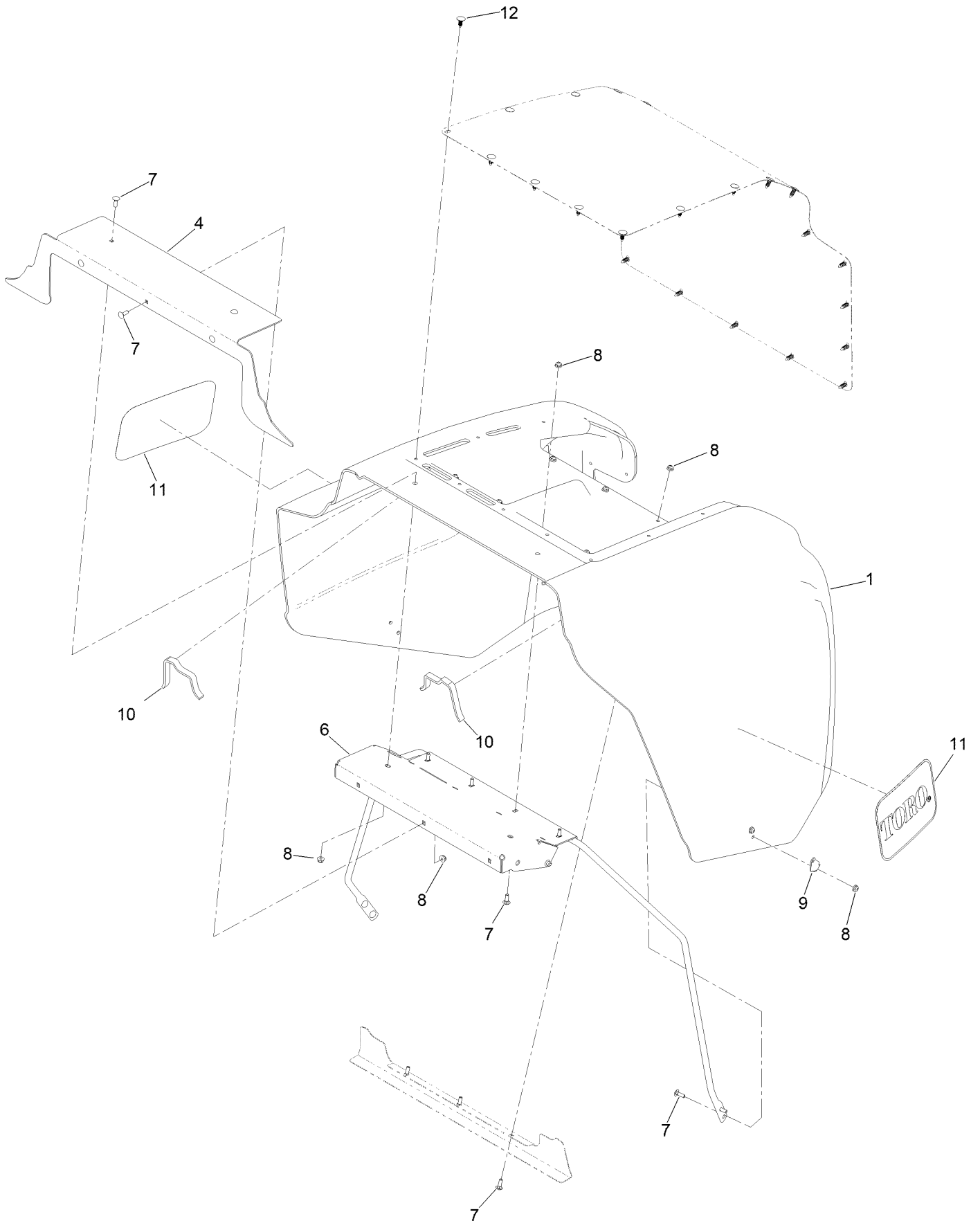
# Hood and Covers Assembly



## Hood and Covers Assembly (continued)

| <i>Ref.</i> | <i>Part Number</i> | <i>Qty.</i> | <i>Description</i> | <i>Ref.</i> | <i>Part Number</i> | <i>Qty.</i> | <i>Description</i> |
|-------------|--------------------|-------------|--------------------|-------------|--------------------|-------------|--------------------|
| 1           | 104-7201           | 4           | Nut-HF, NI         | 18          | 32105-15           | 4           | Screw-HWH          |
| 2           | 142-6010           | 1           | Prop-Hood          | 19          | 107069             | 1           | Clip               |
| 7           | 126-8216           | 12          | Screw-Torx         | 21          | 126-8655           | 1           | Cover-Tank, RH     |
| 14          | 142-5169           | 2           | Latch-Hook         | 22          | 126-8656           | 1           | Cover-Tank, LH     |
| 15          | 3256-4             | 4           | Washer-Flat        | 24          | 68-3640            | 1           | Decal              |
| 16          | 3256-71            | 4           | Washer-Flat        | 25          | 142-5135           | 1           | ASM, Hood Lzsd     |
| 17          | 3290-255           | 3           | Pin-Cotter, Hair   |             |                    |             |                    |

# Hood Assembly No. 142-5135



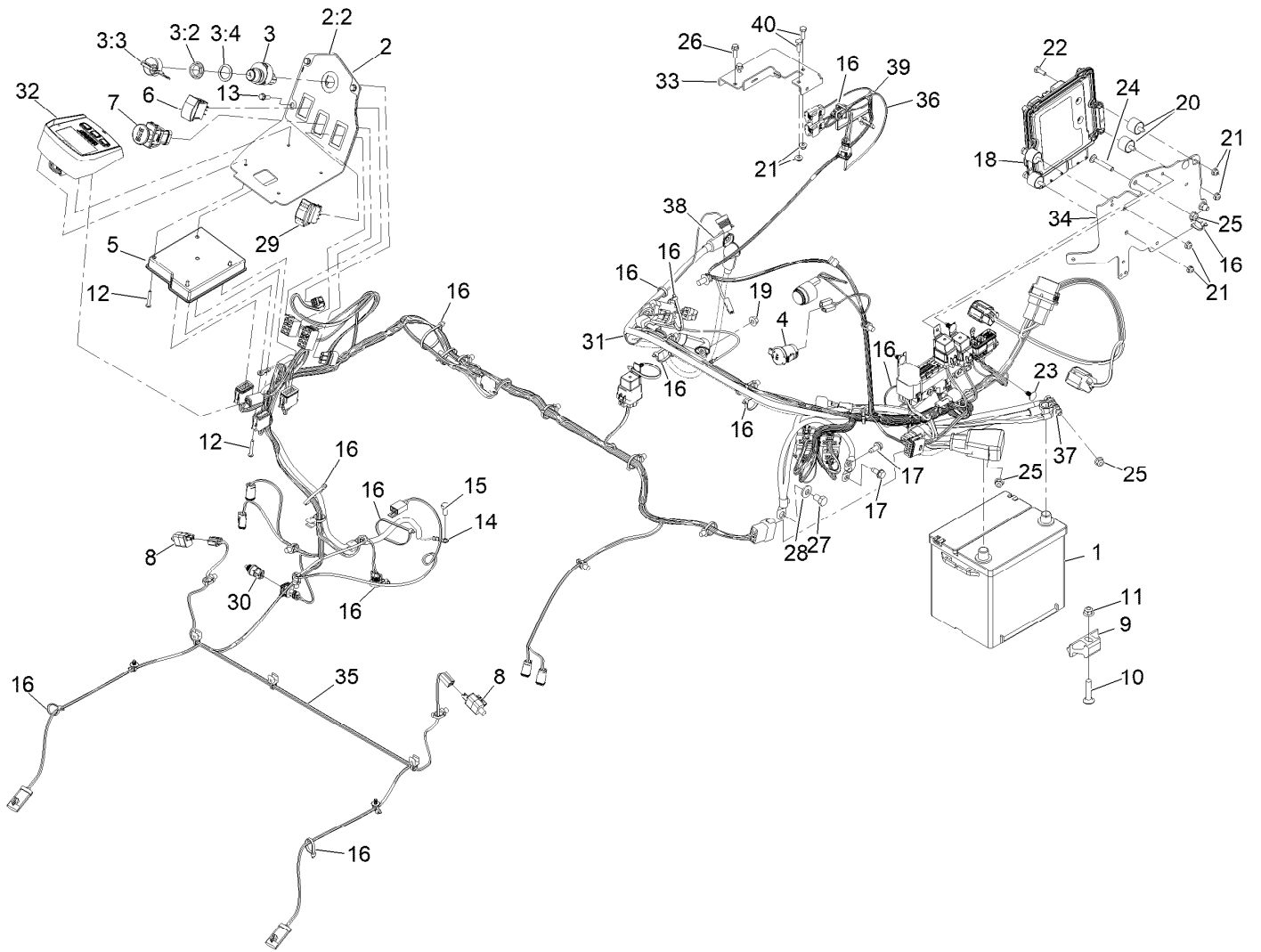


## Hood Assembly No. 142-5135 (continued)

| <i>Ref.</i> | <i>Part Number</i> | <i>Qty.</i> | <i>Description</i>       |
|-------------|--------------------|-------------|--------------------------|
| 1           | 142-5134           | 1           | Hood                     |
| 4           | 142-6641-03        | 1           | Bracket-Hood Block Off   |
| 6           | 142-5133-03        | 1           | Hood Support ASM [black] |
| 7           | 3229-1             | 16          | Screw-CARR               |
| 8           | 104-7201           | 16          | Nut-HF, NI               |

| <i>Ref.</i> | <i>Part Number</i> | <i>Qty.</i> | <i>Description</i> |
|-------------|--------------------|-------------|--------------------|
| 9           | 142-5170           | 2           | Latch, Keeper      |
| 10          | 142-3219           | 2           | Seal-Foam          |
| 11          | 62-7400            | 2           | Decal-Toro Logo    |
| 12          | 117-2382           | 26          | Plug-Plastic       |

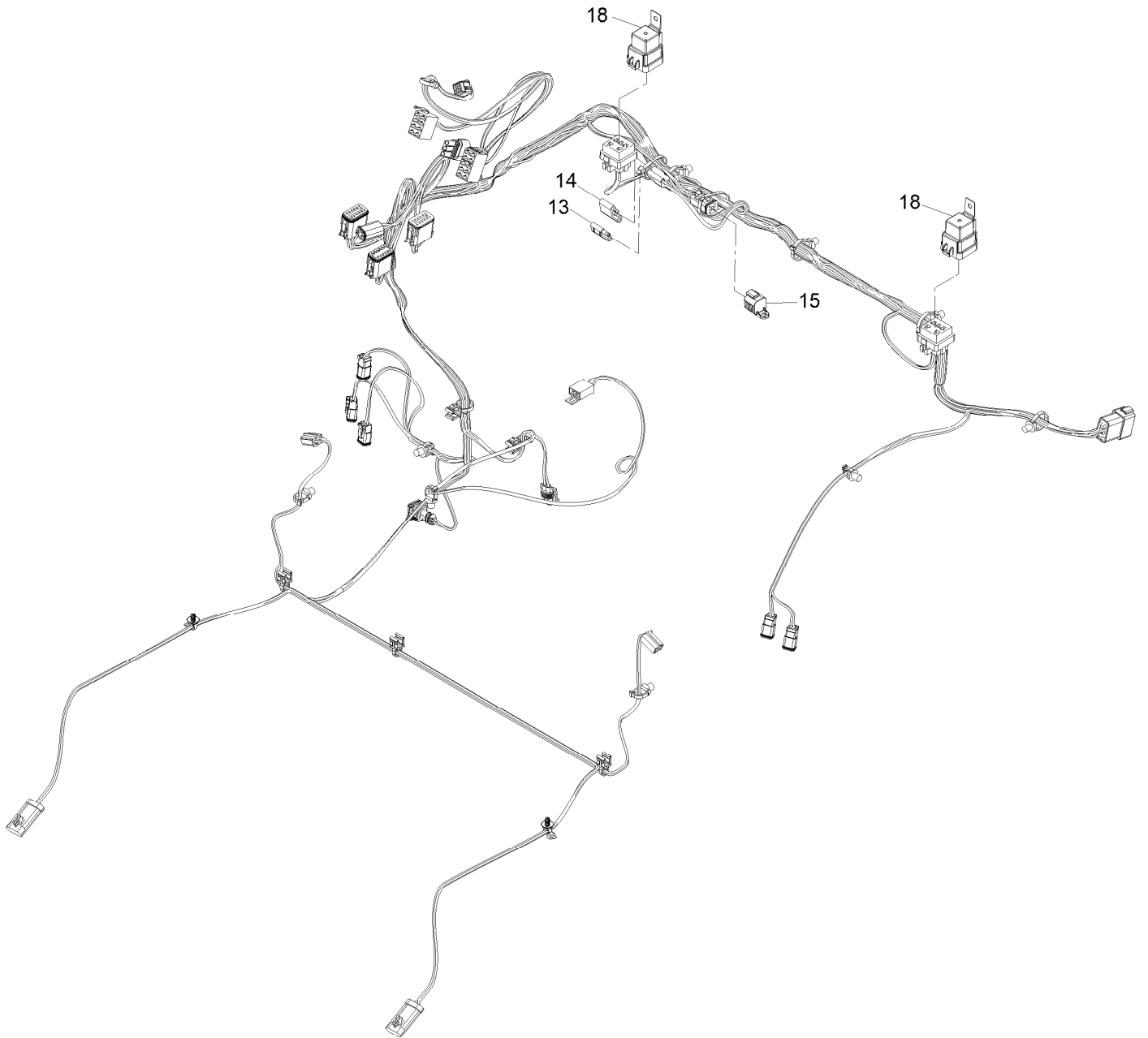
# Electrical Assembly



## Electrical Assembly (continued)

| <i>Ref.</i> | <i>Part Number</i> | <i>Qty.</i> | <i>Description</i>              | <i>Ref.</i> | <i>Part Number</i> | <i>Qty.</i> | <i>Description</i>              |
|-------------|--------------------|-------------|---------------------------------|-------------|--------------------|-------------|---------------------------------|
| 1           | 106-5187           | 1           | Battery- Dry, 12V, 525 CCA      | 20          | 125-2674           | 4           | Mount-Cylindrical               |
| 2           | 142-6613           | 1           | ASM, Console W/ Decal 144       | 21          | 104-7201           | 6           | Nut-HF, NI                      |
| 2:2         | 142-3956           | 1           | Decal-Control Panel             | 22          | 321-4              | 4           | Screw-HH                        |
| 3           | 126-6285           | 1           | Ignition Switch ASM             | 23          | 117-2382           | 5           | Plug-Plastic                    |
| 3:2         | 108-8660           | 1           | Nut-Mounting                    | 24          | 3230-6             | 2           | Bolt-CARR                       |
| 3:3         | 106-5270           | 1           | Ignition Key Set                | 25          | 104-8300           | 4           | Nut-HF, NI                      |
| 3:4         | 108-8659           | 1           | Washer-Backup                   | 26          | 33103-020          | 2           | Screw-HHF                       |
| 4           | 126-6499           | 1           | Port-Power, 12V                 | 27          | 33115-016          | 1           | Screw-HH                        |
| 5           | 135-3427           | 1           | Module-Mcu                      | 28          | 98-5975            | 1           | Washer-Belleville               |
| 6           | 100-1535           | 1           | Switch-Rocker,<br>(On)-Off-(On) | 29          | 122-0249           | 1           | Switch-Rocker,<br>On-None-On    |
| 7           | 126-6187           | 1           | Switch-PTO, Sealed              | 30          | 126-7698           | 1           | Sensor-Temperature              |
| 8           | 110-6765           | 2           | Switch                          | 31          | 32180-030          | 1           | Clip-Tie                        |
| 9           | 138-6335           | 1           | Retainer-Battery                | 32          | 126-9976           | 1           | Module-Horizon                  |
| 10          | 3231-5             | 1           | Screw-CARR                      | 33          | 142-7565           | 1           | Bracket-Sensor, Dpf             |
| 11          | 104-8301           | 1           | Nut-HF, NI                      | 34          | 142-7685-03        | 1           | Plate-Ecu Mount                 |
| 12          | 126-5092           | 4           | Screw-PPH                       | 35          | 122-2377           | 1           | Harness-Wire, Main              |
| 13          | 32105-15           | 3           | Screw-HWH                       | 36          | 122-2378           | 1           | Harness-Wire, Engine            |
| 14          | 135-3998           | 1           | Harness-Wire, Jumper            | 37          | 122-2379           | 1           | Cable-Battery, Rd And Bk<br>ASM |
| 15          | 99-5132            | 1           | Bolt                            | 38          | 122-2380           | 1           | Cable-Battery, Bk ASM           |
| 16          | 3290-378           | 13          | Tie-Cable                       | 39          | 3290-379           | 1           | Tie-Cable                       |
| 17          | 32144-70           | 2           | Screw-HWHTF                     | 40          | 32105-15           | 2           | Screw-HWH                       |
| 18          | 121-5592           | 1           | Electronic Control Unit         |             |                    |             |                                 |
| 19          | 127-2371           | 1           | Nut-HF                          |             |                    |             |                                 |

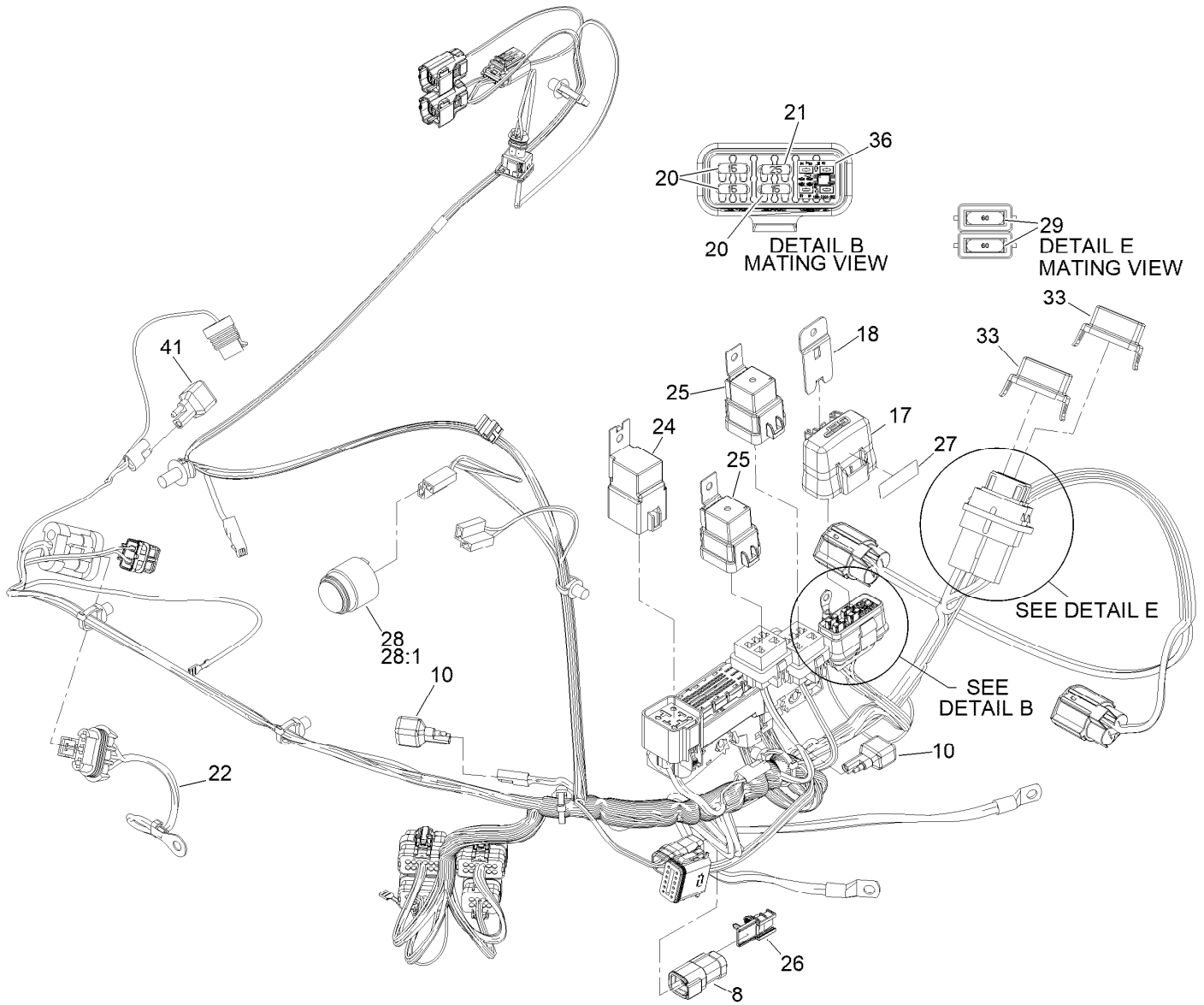
# Main Wire Harness Assembly No. 122-2377



# Main Wire Harness Assembly No. 122-2377 (continued)

| <i>Ref.</i> | <i>Part Number</i> | <i>Qty.</i> | <i>Description</i> | <i>Ref.</i> | <i>Part Number</i> | <i>Qty.</i> | <i>Description</i> |
|-------------|--------------------|-------------|--------------------|-------------|--------------------|-------------|--------------------|
| 13          | 116-0053           | 1           | Cap-Plug           | 15          | 32180-156          | 1           | Cap-Plug, 6 Way    |
| 14          | 32180-197          | 1           | Cap-Plug           | 18          | 99-7430            | 2           | Relay-Mini         |

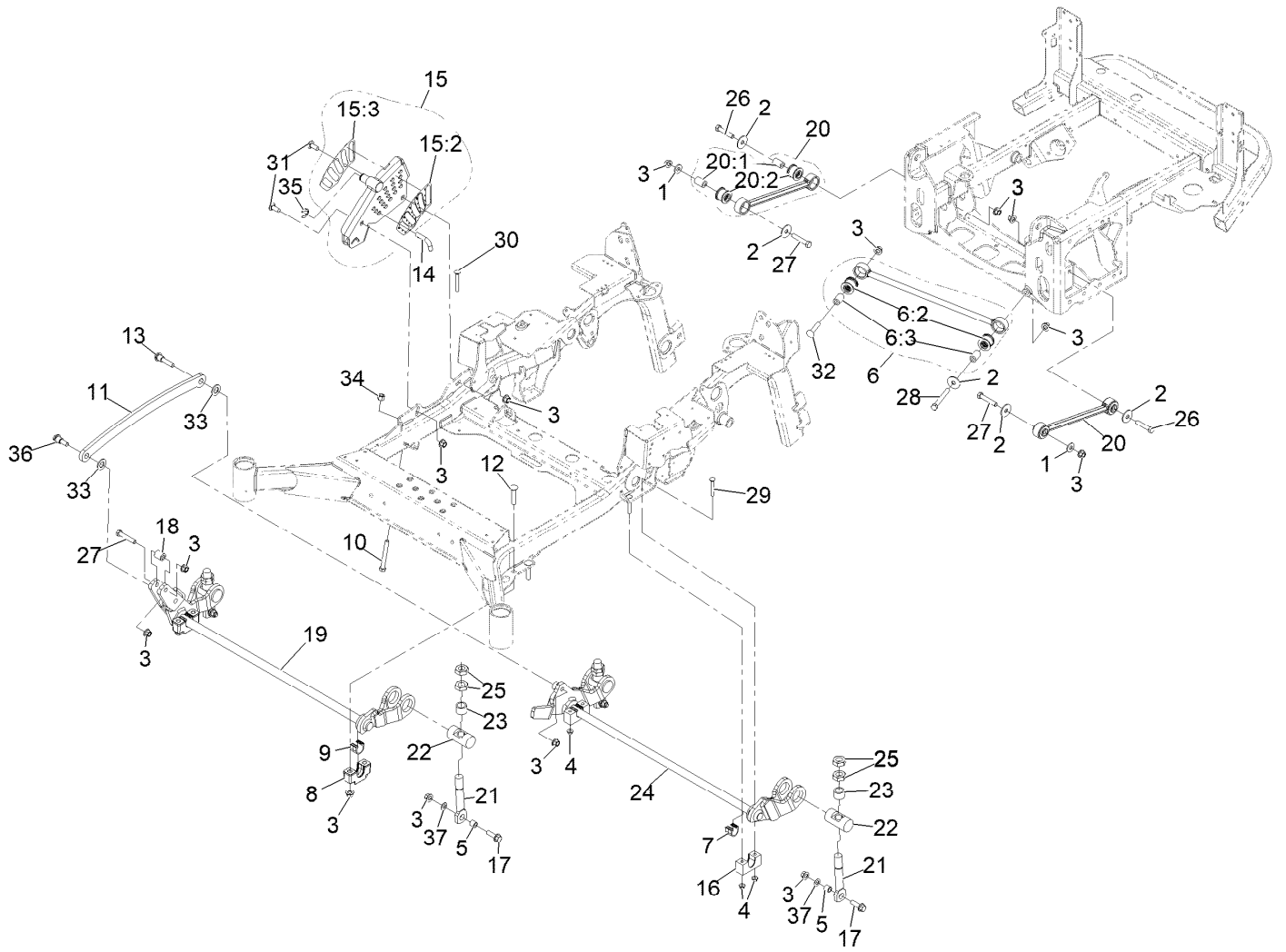
# Engine Wire Harness No. 122-2378



## Engine Wire Harness No. 122-2378 (continued)

| <i>Ref.</i> | <i>Part Number</i> | <i>Qty.</i> | <i>Description</i>         | <i>Ref.</i> | <i>Part Number</i> | <i>Qty.</i> | <i>Description</i>                    |
|-------------|--------------------|-------------|----------------------------|-------------|--------------------|-------------|---------------------------------------|
| 8           | 32160-359          | 1           | Connector (6M)             | 27          | 142-6728           | 1           | Decal-Fuse                            |
| 10          | 100-4918           | 2           | Diode                      | 28          | 80-9330            | 1           | Audio Alarm ASM                       |
| 17          | 32180-176          | 1           | Cover-Block, Fuse          | 28:1        | 104-5107           | 1           | Nut-Plastic, Knurled                  |
| 18          | 32180-177          | 1           | Clip-Mounting              | 29          | 114-3342           | 2           | Fuse-Maxi, 60 Amp                     |
| 20          | 121-8867           | 3           | Fuse-Mini Blade, 15 Amp    | 33          | 32181-014          | 2           | Cover-Fuse Holder, Maxi               |
| 21          | 121-8869           | 1           | Fuse-Mini Blade, 25 Amp    | 36          | 142-3979           | 1           | Relay-Solid State, Mp280,<br>Assembly |
| 22          | 99-3441            | 1           | Harness-Wire, Fusible Link | 41          | 142-3904           | 1           | Resistor-220<br>Ohms,2W,5%,Overmolded |
| 24          | 127-7514           | 1           | Relay-70A                  |             |                    |             |                                       |
| 25          | 99-7430            | 2           | Relay-Mini                 |             |                    |             |                                       |
| 26          | 32180-103          | 1           | Clip-Connector             |             |                    |             |                                       |

# Deck Lift Assembly

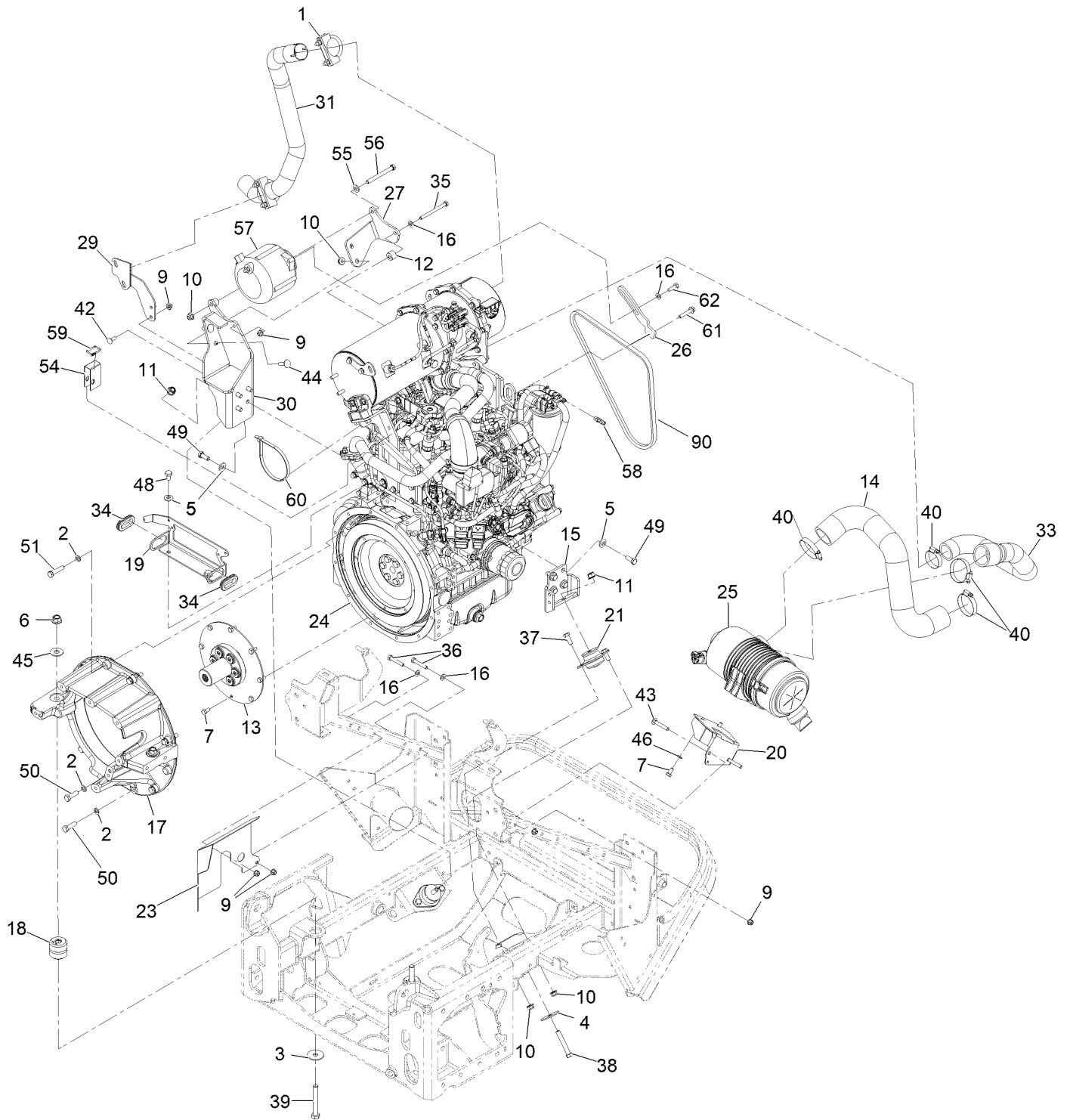




## Deck Lift Assembly (continued)

| <i>Ref.</i> | <i>Part Number</i> | <i>Qty.</i> | <i>Description</i>                       | <i>Ref.</i> | <i>Part Number</i> | <i>Qty.</i> | <i>Description</i>                  |
|-------------|--------------------|-------------|--|-------------|--------------------|-------------|-------------------------------------|
| 1           | 1-513435           | 2           | Washer-Spring Disc 1/2                   | 17          | 130-6481           | 4           | Screw-HHF                           |
| 2           | 86-1990            | 6           | Washer                                   | 18          | 135-1215           | 1           | Spacer-Pivot                        |
| 3           | 99-5107            | 19          | Nut-Lock 1/2-13                          | 19          | 142-8093-03        | 1           | Decklift-Front, 144 [black]         |
| 4           | 104-8301           | 4           | Nut-Nyloc 3/8-16 Fig                     | 20          | 142-4003           | 2           | Deck Strut ASM 85A                  |
| 5           | 108-8483           | 4           | Spacer-Plain                             | 20:1        | 109-5010           | 2           | Spacer                              |
| 6           | 109-5013           | 1           | Panhard Rod ASM                          | 20:2        | 135-2466           | 2           | Bushing-Rubber                      |
| 6:2         | 109-5009           | 2           | Bushing-Suspension,<br>Rubber            | 21          | 142-7187           | 4           | Link, Deck Lift Adjuster            |
| 6:3         | 109-5010           | 2           | Spacer                                   | 22          | 142-7188           | 4           | Trunnion, Deck Lift                 |
| 7           | 109-7173           | 2           | Bearing-Cross Shaft, Rear                | 23          | 142-7192           | 4           | Spacer, Deck Link                   |
| 8           | 109-9409           | 2           | Support-Bearing, Cross<br>Shaft (Front)  | 24          | 142-7197-03        | 1           | Wld, Deck Lift-Rear                 |
| 9           | 109-9410           | 2           | Bearing-Cross Shaft, Front               | 25          | 142-7212           | 8           | Nut-Hex                             |
| 10          | 116-0559           | 1           | Bolt-HH 1/2-13 X 4 Tap                   | 26          | 325-10             | 2           | Screw-HH 1/2-13 X 2 1/2             |
| 11          | 116-0797-03        | 1           | Link-Lift, Deck                          | 27          | 325-11             | 3           | Screw-HH 1/2-13 X 2 3/4             |
| 12          | 116-1700           | 4           | Bolt-Carriage 1/2-13 X 2 1/2<br>Spl Neck | 28          | 325-17             | 1           | Screw-HH 1/2-13 X 4                 |
| 13          | 116-2022           | 1           | Screw-Hex Flange 1/2-13 X<br>1.90        | 29          | 3231-31            | 3           | Bolt-Carriage 3/8-16 X 2 1/2        |
| 14          | 116-5584           | 1           | Pin-HOC                                  | 30          | 3231-10            | 1           | Bolt-Carriage 3/8-16 X 3            |
| 15          | 126-7866           | 1           | HOC ASM                                  | 31          | 3233-26            | 2           | Screw-CARR,Shortneck                |
| 15:2        | 126-9275           | 1           | Decal-HOC                                | 32          | 3233-34            | 1           | Bolt-Carriage 1/2-13 X 2 1/2        |
| 15:3        | 135-1432           | 1           | Decal-HOC, Outer                         | 33          | 3256-28            | 2           | Washer-3/4 SAE                      |
| 16          | 142-8321           | 2           | Support-Cross Shaft                      | 34          | 3296-23            | 1           | Nut-Nyloc 1/2-13                    |
|             |                    |             |  | 35          | 32151-91           | 1           | Ring-Retaining                      |
|             |                    |             |  | 36          | 116-0780           | 1           | Screw-Shoulder HHF 1/2-13<br>X 1.12 |
|             |                    |             |  | 37          | 3-6803             | 4           | Washer-Adjusting                    |

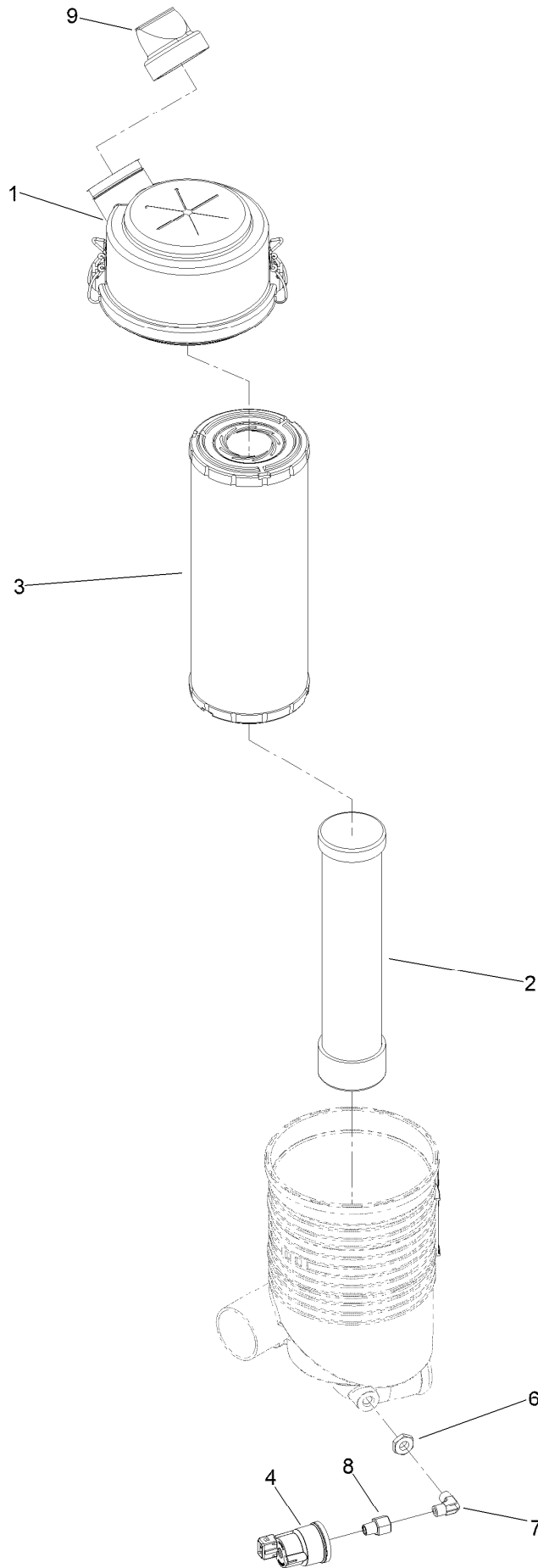
# Engine Assembly



## Engine Assembly (continued)

| <i>Ref.</i> | <i>Part Number</i> | <i>Qty.</i> | <i>Description</i>              | <i>Ref.</i> | <i>Part Number</i> | <i>Qty.</i> | <i>Description</i>  |
|-------------|--------------------|-------------|---------------------------------|-------------|--------------------|-------------|---------------------|
| 1           | 18-2130            | 2           | Clamp                           | 31          | 142-4158           | 1           | Tube-Exhaust        |
| 2           | 48-9590            | 9           | Washer-Lock                     | 33          | 142-5171           | 1           | Hose-Air            |
| 3           | 86-1990            | 2           | Washer-Thrust                   | 34          | 240-7              | 2           | Grommet-Rubber      |
| 4           | 87-5100            | 2           | Washer-Snubbing                 | 35          | 322-23             | 1           | Screw-HH            |
| 5           | 98-5975            | 10          | Washer-Belleville               | 36          | 322-21             | 2           | Screw-HH            |
| 6           | 99-5107            | 2           | Nut-Lock                        | 37          | 323-6              | 4           | Screw-HH            |
| 7           | 99-5132            | 10          | Bolt                            | 38          | 324-11             | 2           | Screw-HH            |
| 9           | 104-8300           | 7           | Nut-HF, NI                      | 39          | 325-15             | 2           | Screw-HH            |
| 10          | 104-8301           | 7           | Nut-HF, NI                      | 40          | 2412-130           | 4           | Clamp-Hose          |
| 11          | 114-8417           | 2           | Nut-HF, NI                      | 42          | 3230-16            | 2           | Screw-CARR          |
| 12          | 116-9329           | 1           | Spacer                          | 43          | 3230-6             | 2           | Bolt-CARR           |
| 13          | 120-9131           | 1           | Coupling-Flywheel               | 44          | 3231-25            | 2           | Bolt-CARR           |
| 14          | 120-9177           | 1           | Hose-Air                        | 45          | 3256-6             | 2           | Washer-Flat         |
| 15          | 120-9180-03        | 1           | Mount-Motor, Upper              | 46          | 3290-475           | 2           | Washer-Belleville   |
| 16          | 3256-23            | 4           | Washer-Plain                    | 48          | 33115-016          | 2           | Screw-HH            |
| 17          | 125-2836           | 1           | Housing-Flywheel                | 49          | 33115-025          | 8           | Screw-HH            |
| 18          | 142-8457           | 2           | Mount-Isolator                  | 50          | 33115-035          | 2           | Screw-HH            |
| 19          | 142-6061-03        | 1           | Plate_guide Bracket             | 51          | 33115-045          | 7           | Screw-HH            |
| 20          | 126-8730-03        | 1           | Bracket-Cleaner, Air            | 54          | 142-6642           | 1           | Insulation-Heat     |
| 21          | 142-8456           | 2           | Mount- Isolator, Engine         | 55          | 100-4852           | 1           | Washer-Hardened     |
| 23          | 142-9188-03        | 1           | Sheet-Air Deflector             | 56          | 116-9362           | 1           | Screw-HH            |
| 24          | 142-7566           | 1           | Engine-Yanmar,<br>3Tnv86Ct-Dtr2 | 57          | 146-0514           | 1           | Alternator-12V 175A |
| 25          | 142-7201           | 1           | ASM, Hdac                       | 58          | 142-7698           | 1           | Fitting-Straight    |
| 26          | 142-5783-03        | 1           | Tension Arm-Alternator          | 59          | 142-8170           | 1           | Tie-Cable, SS       |
| 27          | 142-4117-03        | 1           | Bracket, Alternator             | 60          | 103-2446           | 1           | Tie-Cable           |
| 29          | 142-4151-03        | 1           | Exhaust Bracket                 | 61          | 33104-045          | 1           | Screw-HHF           |
| 30          | 142-4152-03        | 1           | Mount ASM-Upper [black]         | 62          | 33114-025          | 1           | Screw-HH            |
|             |                    |             |                                 | 90          | 142-6650           | 1           | Belt-V, Cogged      |

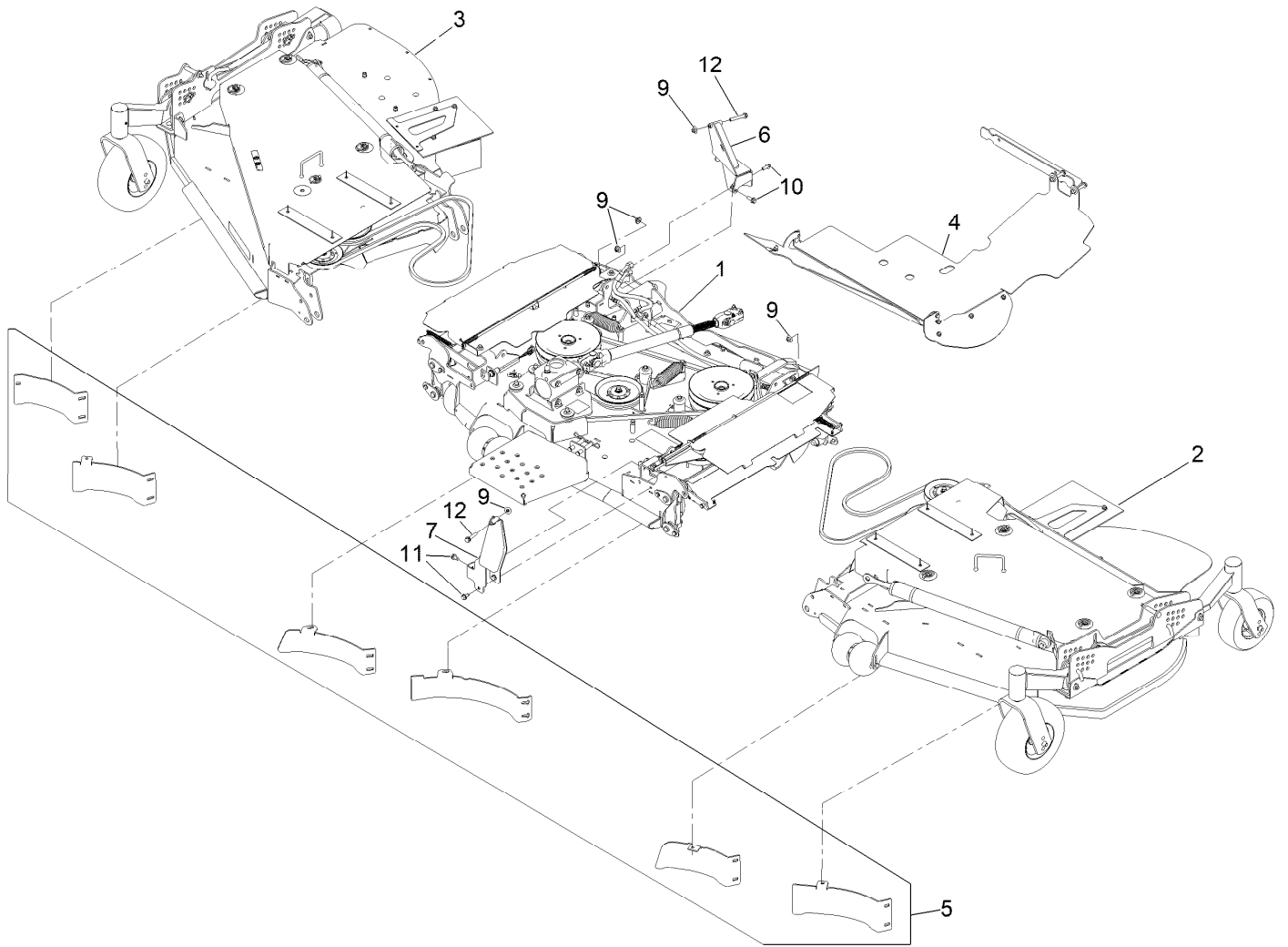
# Air Cleaner Assembly No. 142-7201



## Air Cleaner Assembly No. 142-7201 (continued)

| <i>Ref.</i> | <i>Part Number</i> | <i>Qty.</i> | <i>Description</i> | <i>Ref.</i> | <i>Part Number</i> | <i>Qty.</i> | <i>Description</i>         |
|-------------|--------------------|-------------|--------------------|-------------|--------------------|-------------|----------------------------|
| 1           | 98-9771            | 1           | Cover ASM          | 6           | 142-7209           | 1           | Nut-Hex                    |
| 2           | 103-1326           | 1           | Filter, Safety Air | 7           | 142-7210           | 1           | Fitting-Elbow-90           |
| 3           | 108-3810           | 1           | Filter-Air         | 8           | 142-7211           | 1           | Insert-Restriction Adapter |
| 4           | 126-7651           | 1           | Indicator-Mini     | 9           | AUA189052          | 1           | Valve-Dust-Air Cleaner     |

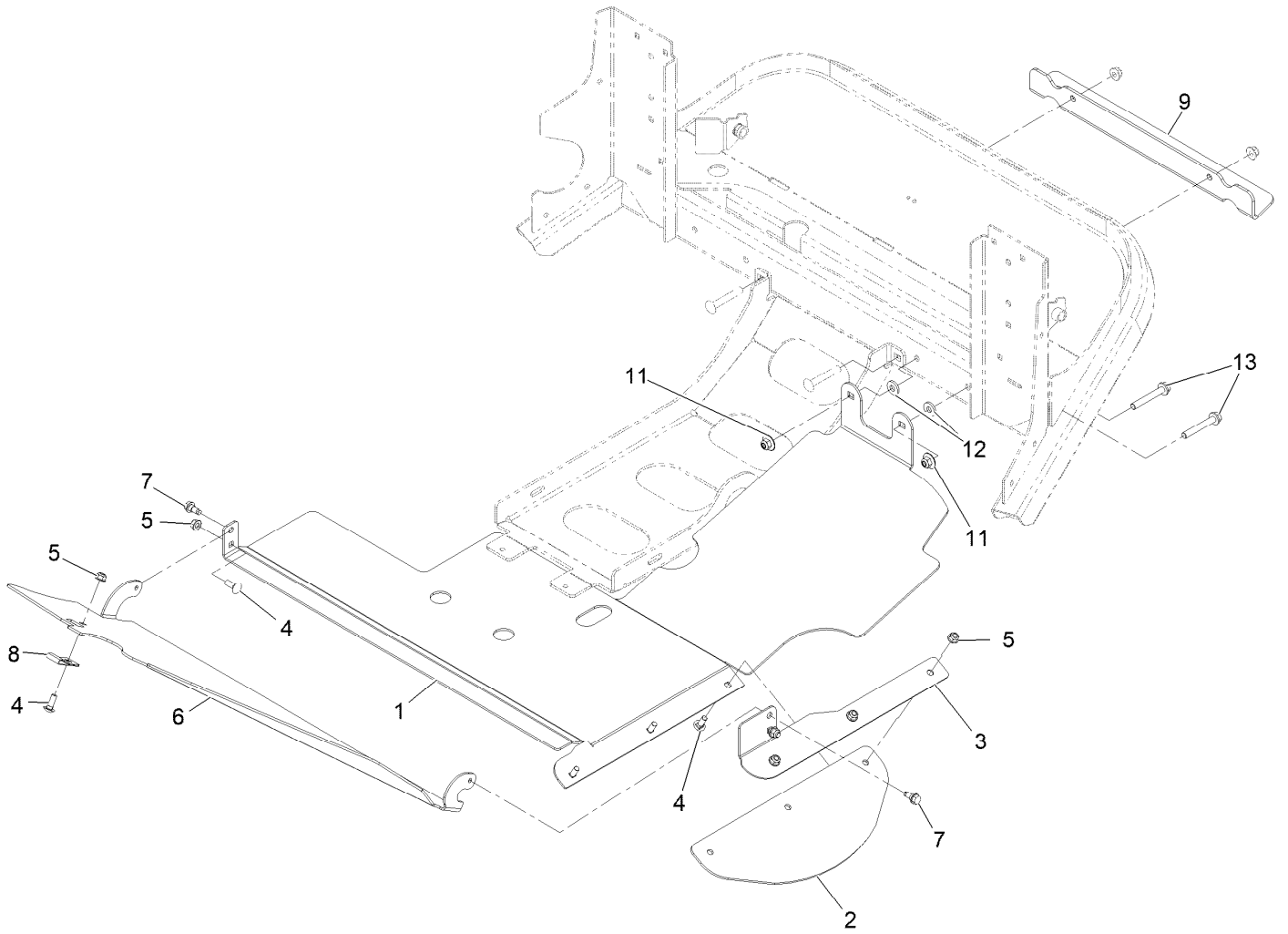
# Deck Assembly



## Deck Assembly (continued)

| <i>Ref.</i> | <i>Part Number</i> | <i>Qty.</i> | <i>Description</i>             | <i>Ref.</i> | <i>Part Number</i> | <i>Qty.</i> | <i>Description</i> |
|-------------|--------------------|-------------|--------------------------------|-------------|--------------------|-------------|--------------------|
| 1           | 142-2743           | 1           | Assy-Deck Ctr 144 Toro         | 7           | 142-4221-03        | 1           | Bracket, LH        |
| 2           | 142-2183           | 1           | ASM-Deck Wing LH 144<br>Toro   | 9           | 109-6658           | 5           | Nut-Flange, NI     |
| 3           | 142-2742           | 1           | ASM-Deck, Wing RH 144<br>Toro  | 10          | 3234-42            | 3           | Screw-HHF          |
| 4           | 142-6621           | 1           | Discharge-Tunnel ASM, 144      | 11          | 110-9380           | 3           | Screw-HWH          |
| 5           | 142-2744           | 1           | Kit-Finish Cut Baffle 144      | 12          | 3234-39            | 2           | Screw-HHF          |
| 6           | 142-8451-03        | 1           | Weld-RH Spring<br>Mount-Upstop |             |                    |             |                    |

# Discharge Tunnel Assembly No. 142-6621

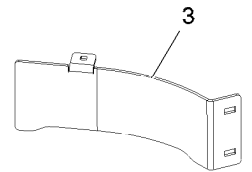
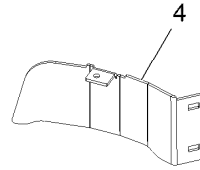
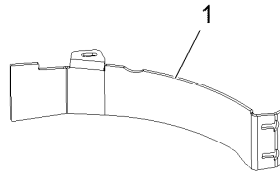
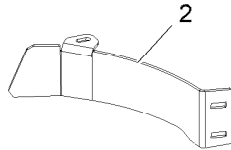
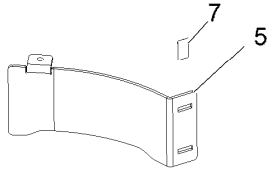
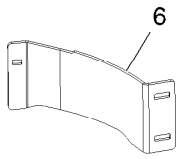




## Discharge Tunnel Assembly No. 142-6621 (continued)

| <i>Ref.</i> | <i>Part Number</i> | <i>Qty.</i> | <i>Description</i>                    | <i>Ref.</i> | <i>Part Number</i> | <i>Qty.</i> | <i>Description</i>       |
|-------------|--------------------|-------------|---------------------------------------|-------------|--------------------|-------------|--------------------------|
| 1           | 135-2089-03        | 1           | Plate-Discharge                       | 8           | 135-0608           | 1           | Bearing-Strap, Nylon     |
| 2           | 135-0050           | 1           | Flap-Rubber                           | 9           | 135-2092-03        | 1           | Bracket-Tie Down         |
| 3           | 135-2090-03        | 1           | Bracket-Flap, LH                      | 11          | 109-6658           | 2           | Nut-Nyloc 3/8-16 Flg     |
| 4           | 3230-16            | 6           | Bolt-Carriage 5/16-18 X 7/8           | 12          | 43-0940            | 2           | Spacer                   |
| 5           | 104-8300           | 6           | Nut-Nyloc 5/16-18 Flg                 | 13          | 3234-39            | 2           | Screw-Hfh 3/8-16 X 2 1/2 |
| 6           | 135-2617-03        | 1           | Panel-Discharge                       |             |                    |             |                          |
| 7           | 126-4424           | 2           | Screw-HHF Shoulder 3/8-16<br>X 3/4 Tf |             |                    |             |                          |

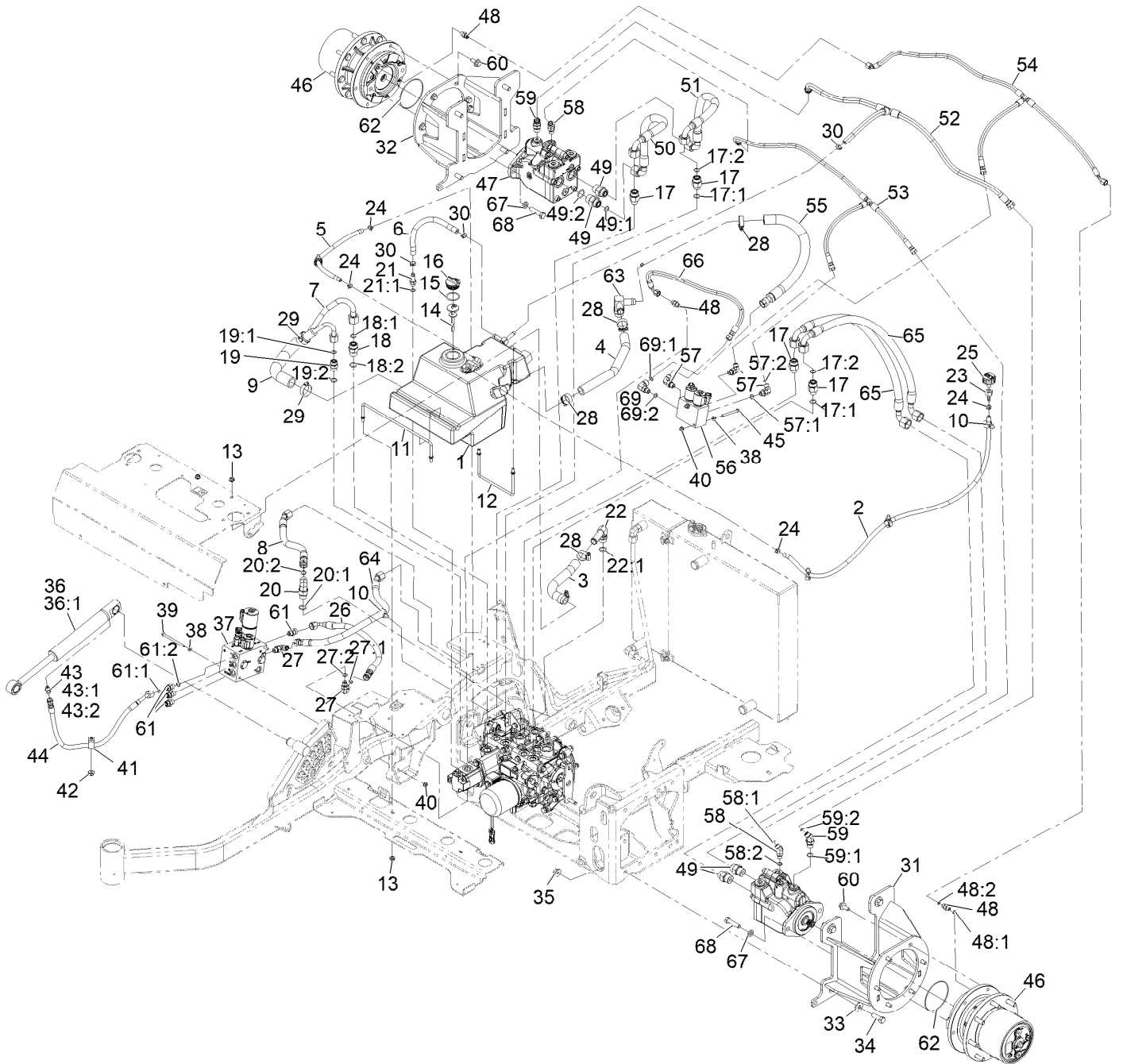
# Mulch Kit Assembly No. 142-2744



## Mulch Kit Assembly No. 142-2744 (continued)

| <i>Ref.</i> | <i>Part Number</i> | <i>Qty.</i> | <i>Description</i>      | <i>Ref.</i> | <i>Part Number</i> | <i>Qty.</i> | <i>Description</i>        |
|-------------|--------------------|-------------|-------------------------|-------------|--------------------|-------------|---------------------------|
| 1           | 135-3462-01        | 1           | Baffle-Block, LH Ctr    | 5           | 135-7204-01        | 1           | Plate-Mulch               |
| 2           | 135-3463-01        | 1           | Baffle-Block, RH Ctr    | 6           | 142-6039-01        | 1           | Baffle-Wide Outside Mulch |
| 3           | 142-4302-01        | 1           | Baffle-LH Wing Block    | 7           | 126-4345           | 1           | Decal-Patent              |
| 4           | 142-4739-01        | 1           | Baffle-Mulch, LH Inside |             |                    |             |                           |

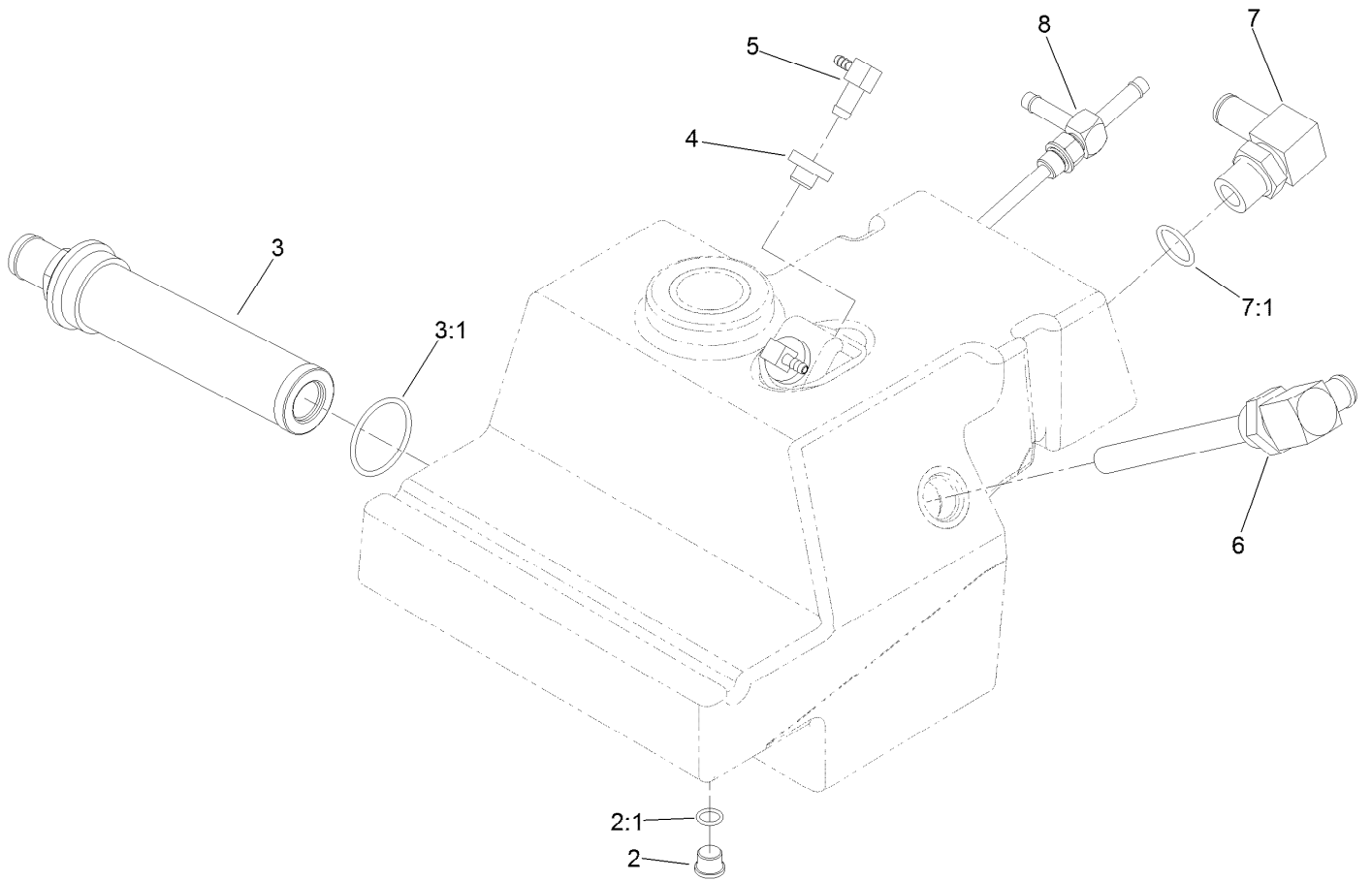
# Hydraulic Drive Assembly



## Hydraulic Drive Assembly (continued)

| <i>Ref.</i> | <i>Part Number</i> | <i>Qty.</i> | <i>Description</i>      | <i>Ref.</i> | <i>Part Number</i> | <i>Qty.</i> | <i>Description</i>      |
|-------------|--------------------|-------------|-------------------------|-------------|--------------------|-------------|-------------------------|
| 1           | 142-5034           | 1           | HYD Reservoir ASM       | 37          | 142-8862           | 1           | Valve ASM-Lift And Fold |
| 2           | 126-6776           | 1           | Hose-Fuel               | 38          | 3256-16            | 4           | Washer-#12 Std          |
| 3           | 126-6767           | 1           | Hose-Return             | 39          | 321-28             | 2           | Screw-HH                |
| 4           | 126-6768           | 1           | Hose-Return             | 40          | 32128-33           | 4           | Nut-Whizlock 1/4-20     |
| 5           | 126-6778           | 1           | Hose-Fuel               | 41          | 1-633396           | 1           | Clip-Loom 5/8           |
| 6           | 126-6766           | 1           | Hose                    | 42          | 104-8301           | 1           | Nut-Nyloc 3/8-16 Flg    |
| 7           | 126-8688           | 1           | Tube ASM                | 43          | 126-8692           | 1           | Fitting-HYD, Straight   |
| 8           | 142-5180           | 1           | Hose ASM-HYD HP         | 43:1        | 237-78             | 1           | O-Ring                  |
| 9           | 126-6774           | 1           | Hose-Suction            | 43:2        | 237-21             | 1           | O-Ring                  |
| 10          | 32180-030          | 5           | Clip-Tie                | 44          | 126-8683           | 1           | Hose ASM                |
| 11          | 126-7547           | 1           | Rod-Support, HYD Tank   | 45          | 321-14             | 2           | Screw-HH 1/4-20 X 2 3/4 |
| 12          | 126-7546           | 1           | Rod-Support, HYD Tank   | 46          | 142-5548           | 2           | Planetary ASM-11.96:1   |
| 13          | 104-8300           | 4           | Nut-Nyloc 5/16-18 Flg   | 47          | 142-5691           | 2           | Motor-HYD, Piston, 30Cc |
| 14          | 112-6365           | 1           | Dipstick                | 48          | 340-92             | 3           | Fitting-Straight        |
| 15          | 94-8166            | 1           | O-Ring                  | 48:1        | 237-78             | 1           | O-Ring                  |
| 16          | 93-7498            | 1           | Plug-Plastic            | 48:2        | 237-21             | 1           | O-Ring                  |
| 17          | 340-155            | 4           | Fitting-Straight        | 49          | 340-8              | 4           | Fitting-Straight        |
| 17:1        | 237-79             | 1           | O-Ring                  | 49:1        | 237-65             | 1           | O-Ring                  |
| 17:2        | 237-151            | 1           | O-Ring                  | 49:2        | 237-81             | 1           | O-Ring                  |
| 18          | 340-7              | 1           | Fitting-Straight        | 50          | 142-5611           | 1           | Hose-HP                 |
| 18:1        | 237-65             | 1           | O-Ring                  | 51          | 142-5612           | 1           | Hose-HP                 |
| 18:2        | 237-80             | 1           | O-Ring                  | 52          | 142-6631           | 1           | Hose ASM-Hydlptee       |
| 19          | 340-4              | 1           | Fitting-Straight        | 53          | 142-6640           | 1           | Hose ASM-HYD HP Tee     |
| 19:1        | 237-30             | 1           | O-Ring                  | 54          | 142-6639           | 1           | Hose ASM-HYD HP Tee     |
| 19:2        | 237-79             | 1           | O-Ring                  | 55          | 142-5768           | 1           | Hose ASM-Hydlp          |
| 20          | 340-105            | 1           | Fitting-Elbow, 90 DEG   | 56          | 142-3892           | 1           | Valve-HYD, Brk-2Spd     |
| 20:1        | 237-80             | 1           | O-Ring                  | 57          | 340-82             | 3           | Fitting-Elbow, 90 DEG   |
| 20:2        | 237-30             | 1           | O-Ring                  | 57:1        | 237-42             | 1           | O-Ring                  |
| 21          | 103-1912           | 1           | Adapter-Straight        | 57:2        | 237-21             | 1           | O-Ring                  |
| 21:1        | 237-42             | 1           | O-Ring                  | 58          | 340-137            | 2           | Fitting                 |
| 22          | 87-8170            | 1           | Fitting-90              | 58:1        | 237-21             | 1           | O-Ring                  |
| 22:1        | 237-80             | 1           | O-Ring                  | 58:2        | 237-42             | 1           | O-Ring                  |
| 23          | 354-95             | 1           | Fitting-Straight        | 59          | 340-138            | 2           | Fitting-HYD, 45 DEG     |
| 24          | 2412-98            | 4           | Clamp-Hose              | 59:1        | 237-79             | 1           | O-Ring                  |
| 25          | 68-6150            | 1           | Breather                | 59:2        | 237-22             | 1           | O-Ring                  |
| 26          | 126-8684           | 1           | Hose ASM                | 60          | 33106-025          | 12          | Screw-HHF               |
| 27          | 340-77             | 2           | Fitting-Elbow, 90 DEG   | 61          | 340-2              | 4           | Fitting-Straight        |
| 27:1        | 237-22             | 1           | O-Ring                  | 61:1        | 237-22             | 1           | O-Ring                  |
| 27:2        | 237-42             | 1           | O-Ring                  | 61:2        | 237-42             | 1           | O-Ring                  |
| 28          | 2412-129           | 5           | Clamp-Hose              | 62          | 237-166            | 2           | O-Ring                  |
| 29          | 2412-34            | 2           | Clamp-Hose              | 63          | AUH339762          | 1           | Tee                     |
| 30          | 103-1988           | 3           | Clamp-Hose 11/16        | 64          | 142-5778           | 1           | Hose ASM-HYD HP         |
| 31          | 142-5791-03        | 1           | Motor Mount, L [black]  | 65          | 142-6632           | 2           | Hose-HP                 |
| 32          | 142-5790-03        | 1           | Motor Mount, R [black]  | 66          | 142-5789           | 1           | Hose ASM-HYD HP         |
| 33          | 1-513435           | 8           | Washer-Spring Disc 1/2  | 67          | 9202424            | 4           | Spacer                  |
| 34          | 325-6              | 8           | Screw-HH 1/2-13 X 1 1/2 | 68          | 94-2702            | 4           | Screw-HH                |
| 35          | 32128-49           | 8           | Nut-Whizlock 1/2-13     | 69          | 340-99             | 1           | Fitting-HYD, 90 DEG     |
| 36          | 126-7841           | 1           | Lift Cylinder ASM       | 69:1        | 237-30             | 1           | O-Ring                  |
| 36:1        | 142-2767           | 1           | Kit, CYL Repair         | 69:2        | 237-42             | 1           | O-Ring                  |

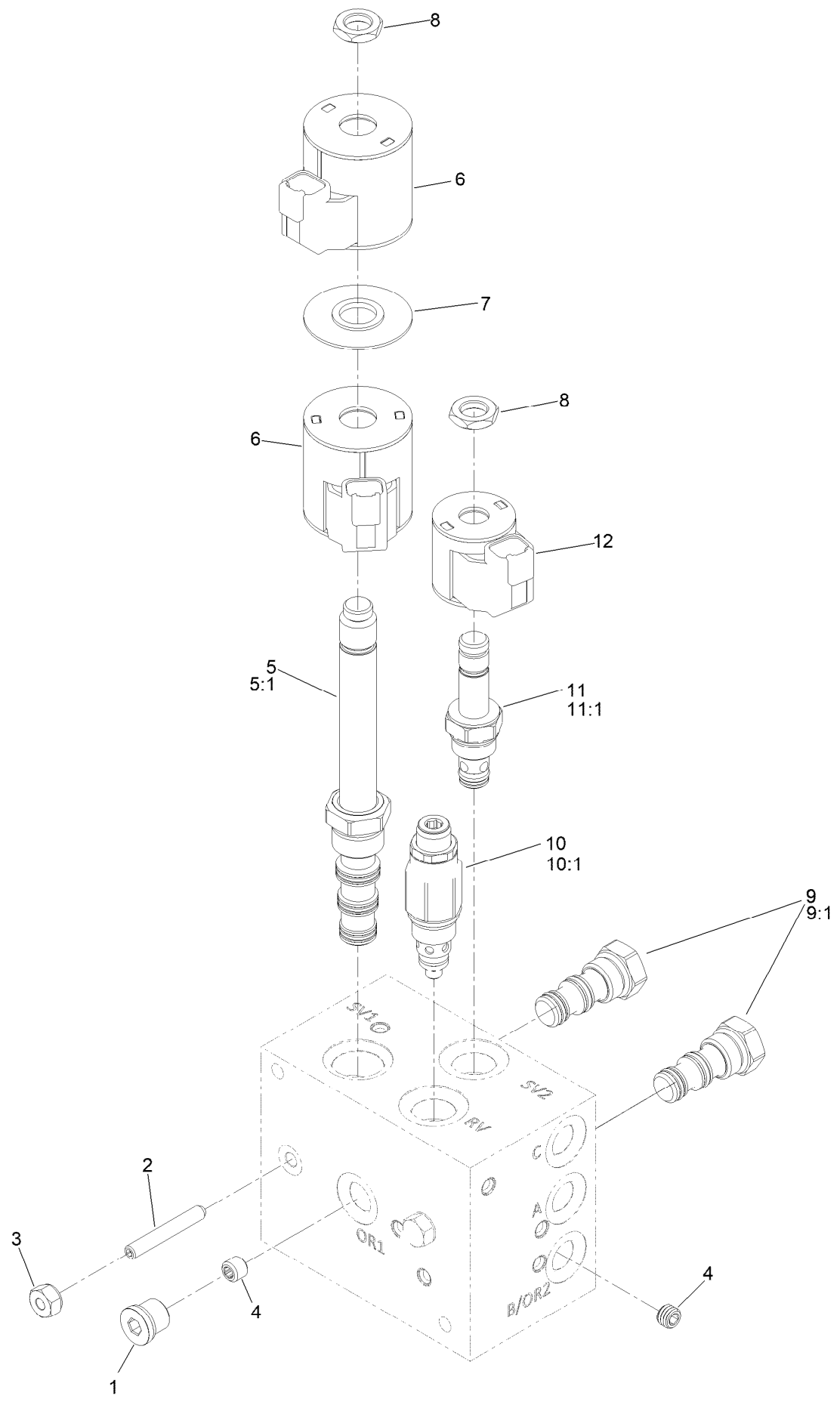
# Hydraulic Reservoir Assembly No. 142-5034



# Hydraulic Reservoir Assembly No. 142-5034 (continued)

| <i>Ref.</i> | <i>Part Number</i> | <i>Qty.</i> | <i>Description</i> | <i>Ref.</i> | <i>Part Number</i> | <i>Qty.</i> | <i>Description</i>     |
|-------------|--------------------|-------------|--------------------|-------------|--------------------|-------------|------------------------|
| 2           | 353-989            | 1           | Plug-Hex, Hollow   | 5           | 104-5228           | 2           | Fitting-Elbow, 90 DEG  |
| 2:1         | 237-42             | 1           | O-Ring             | 6           | 126-6782           | 1           | Fitting-Standpipe      |
| 3           | 104-7546           | 1           | Tank Strainer ASM  | 7           | 353-987            | 1           | Fitting-Elbow, 90      |
| 3:1         | 340-136            | 1           | O-Ring             | 7:1         | 237-81             | 1           | O-Ring                 |
| 4           | 46-6560            | 2           | Bushing            | 8           | 135-3740           | 1           | Fitting-Tee, Drop Tube |

# Lift and Fold Valve Assembly No. 142-8862

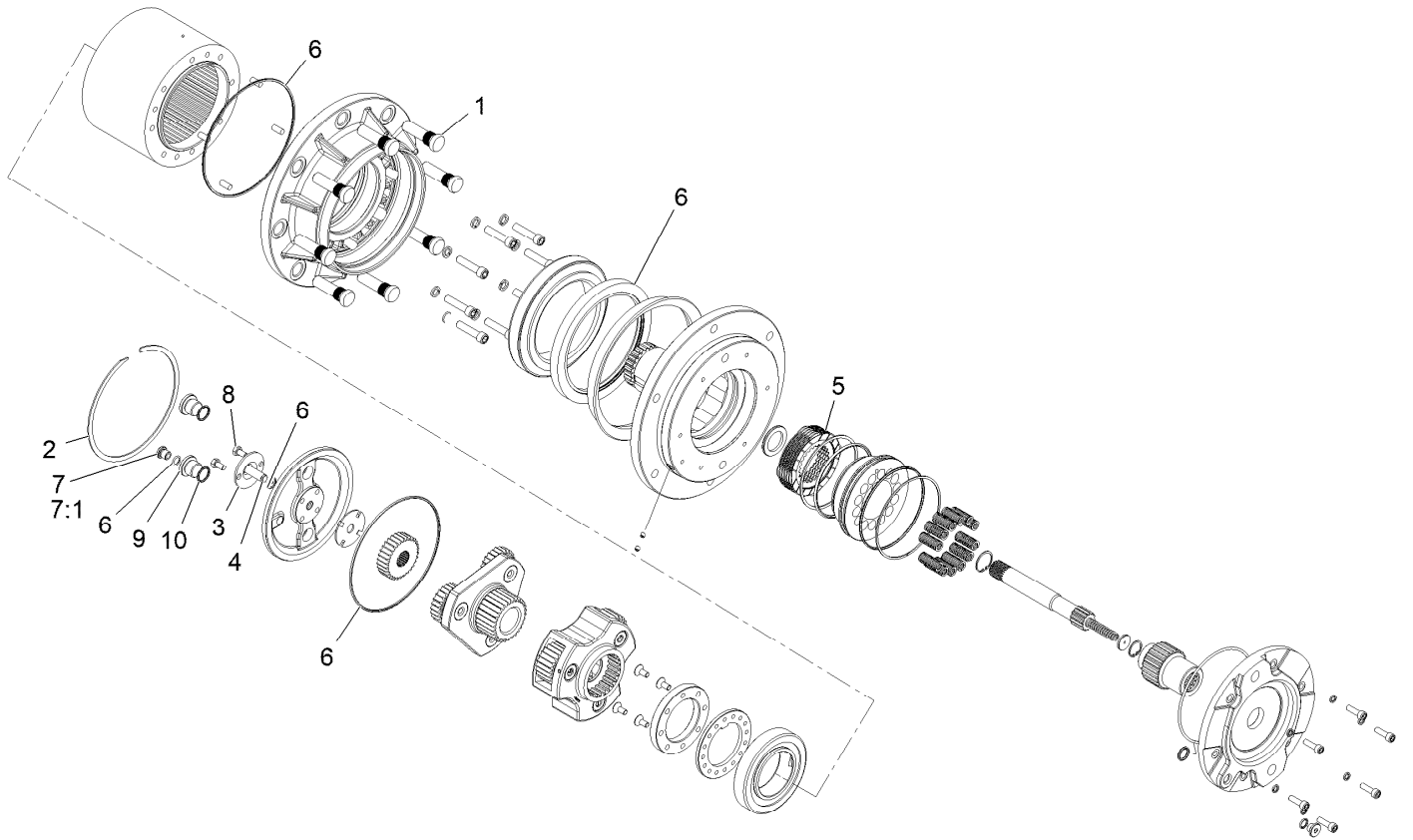




## Lift and Fold Valve Assembly No. 142-8862 (continued)

| <i>Ref.</i> | <i>Part Number</i> | <i>Qty.</i> | <i>Description</i>   | <i>Ref.</i> | <i>Part Number</i> | <i>Qty.</i> | <i>Description</i>         |
|-------------|--------------------|-------------|----------------------|-------------|--------------------|-------------|----------------------------|
| 1           | 111-5512           | 1           | Plug-HYD, SAE        | 8           | 110-2634           | 2           | Nut-Coil                   |
| 2           | 135-4544           | 2           | Screw-Set            | 9           | 142-4923           | 2           | Po Check Valve             |
| 3           | 135-4545           | 2           | Nut-Sealing, Hex     | 9:1         | 142-7526           | 1           | Seal Kit                   |
| 4           | 142-8912           | 2           | Plug-Orifice         | 10          | 142-8872           | 1           | Valve-HYD, Pressure Relief |
| 5           | 135-4546           | 1           | Solenoid Valve ASM   | 10:1        | 142-8965           | 1           | Seal Kit                   |
| 5:1         | 110-8908           | 1           | Spool Valve Seal Kit | 11          | 142-8873           | 1           | Valve-HYD, Solenoid, NC    |
| 6           | 115-3021           | 2           | Coil-12V             | 11:1        | 119-7716           | 1           | Seal Kit                   |
| 7           | 117-8316           | 1           | Spacer-E Coil        | 12          | 119-8036           | 1           | Coil                       |

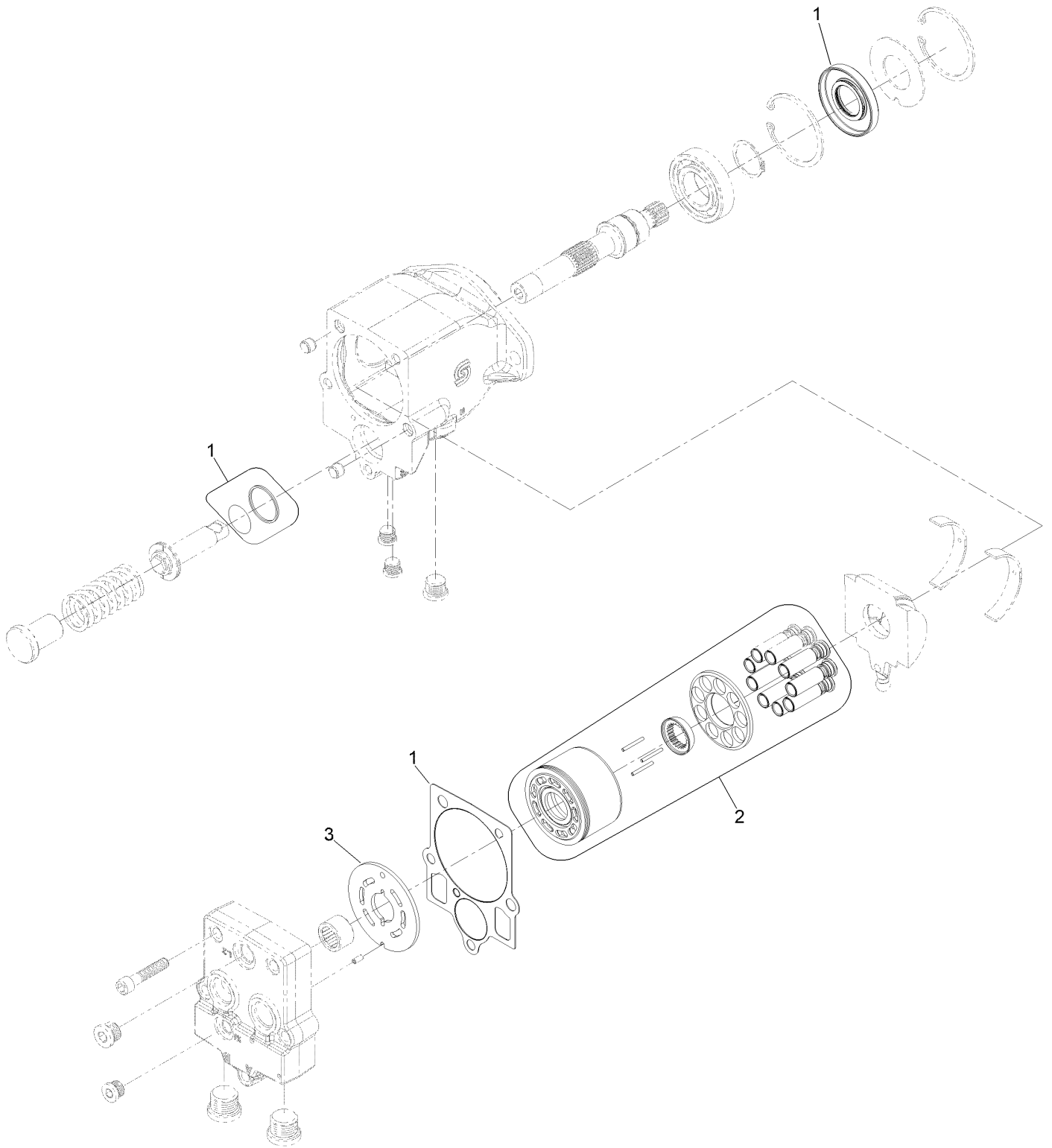
# Planetary Assembly No. 142-5548



## Planetary Assembly No. 142-5548 (continued)

| <i>Ref.</i> | <i>Part Number</i> | <i>Qty.</i> | <i>Description</i> | <i>Ref.</i> | <i>Part Number</i> | <i>Qty.</i> | <i>Description</i>    |
|-------------|--------------------|-------------|--------------------|-------------|--------------------|-------------|-----------------------|
| 1           | 105-8124           | 8           | Stud-Wheel         | 7           | 353-990            | 1           | Plug ASM              |
| 2           | 138-1210           | 1           | Ring-Snap          | 7:1         | 237-78             | 1           | O-Ring                |
| 3           | 142-9125           | 1           | Cap-Lockout        | 8           | 33113-012          | 2           | Screw-HH M6-1 X 12Mm  |
| 4           | 142-9126           | 1           | Plunger            | 9           | 138-1211           | 2           | Plug-Flange, Magnetic |
| 5           | 142-9127           | 1           | Brake              | 10          | 138-6248           | 2           | O-Ring M18            |
| 6           | 142-9128           | 1           | Seal Kit-Gearbox   |             |                    |             |                       |

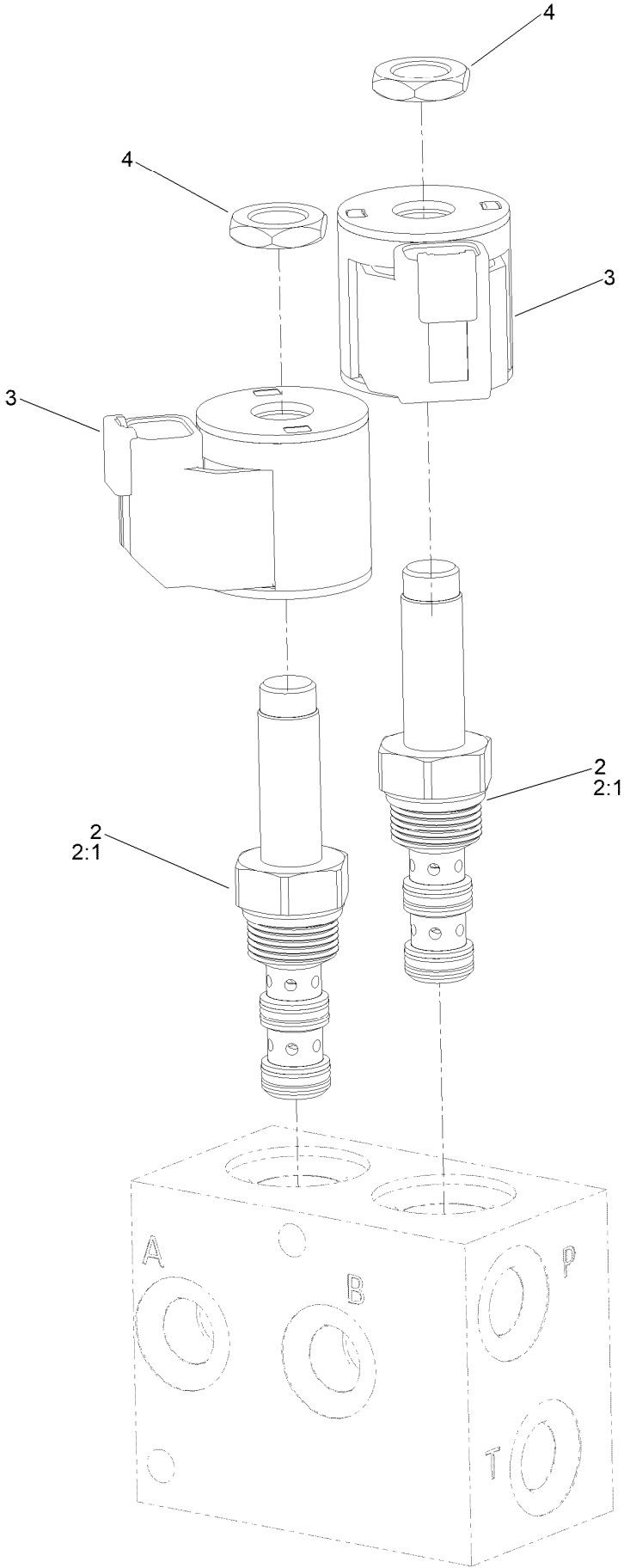
# Hydraulic Motor Assembly No. 142-5691



# Hydraulic Motor Assembly No. 142-5691 (continued)

| <i>Ref.</i> | <i>Part Number</i> | <i>Qty.</i> | <i>Description</i>       |
|-------------|--------------------|-------------|--------------------------|
| 1           | 142-9120           | 1           | *obs* Seal Kit-HYD Motor |
| 2           | 142-9121           | 1           | Rotating Group           |
| 3           | 142-9122           | 1           | Valve Plate              |

# 2 Speed Hydraulic Brake Valve No. 142-3892

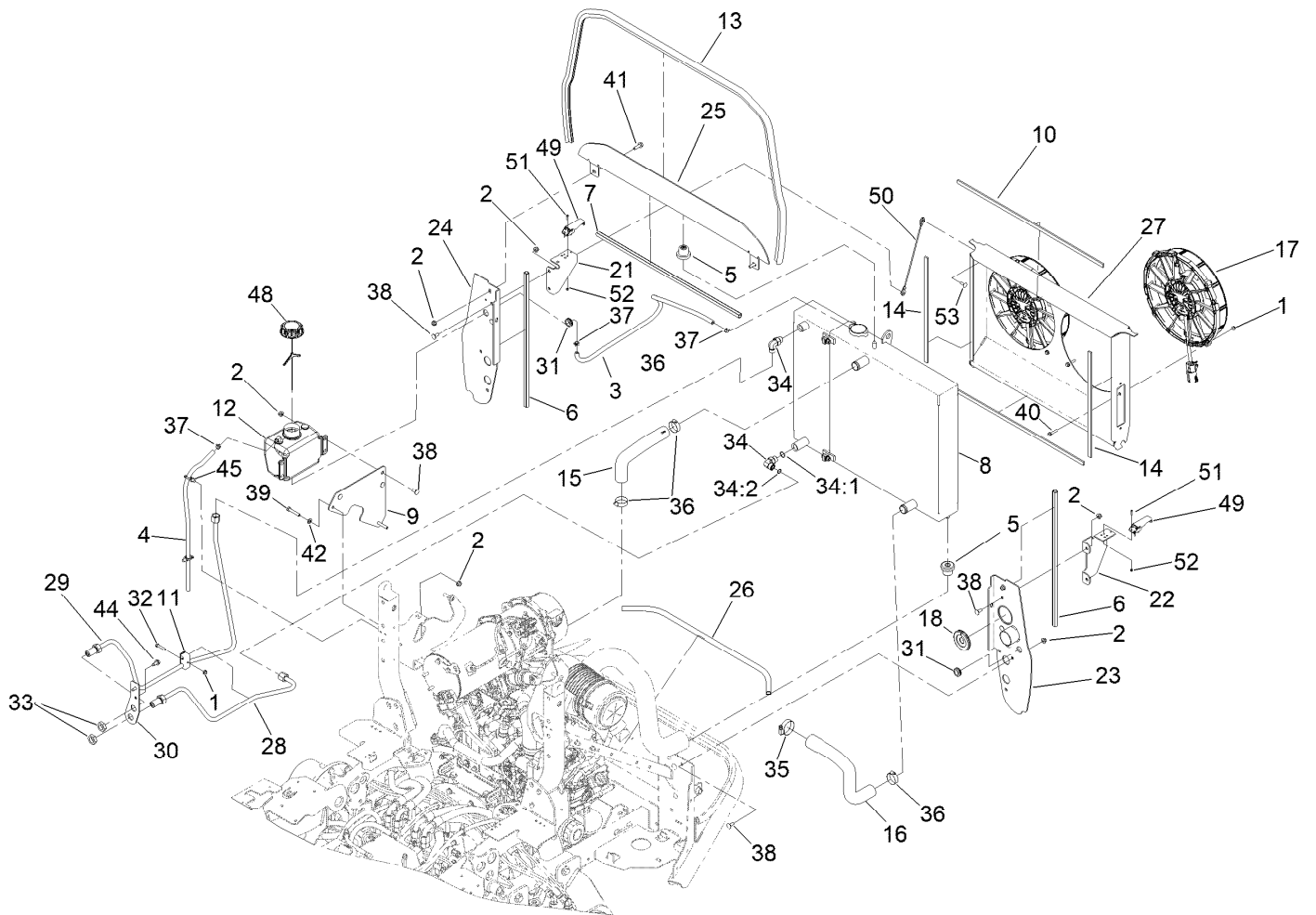


## 2 Speed Hydraulic Brake Valve No. 142-3892 (continued)

| <i>Ref.</i> | <i>Part Number</i> | <i>Qty.</i> | <i>Description</i> |
|-------------|--------------------|-------------|--------------------|
| 2           | 106-1995           | 2           | Valve-3 Way        |
| 2:1         | 110-8773           | 1           | Seal Kit           |

| <i>Ref.</i> | <i>Part Number</i> | <i>Qty.</i> | <i>Description</i> |
|-------------|--------------------|-------------|--------------------|
| 3           | 119-8036           | 2           | Coil               |
| 4           | 110-2634           | 2           | Nut-Coil           |

# Cooling Assembly

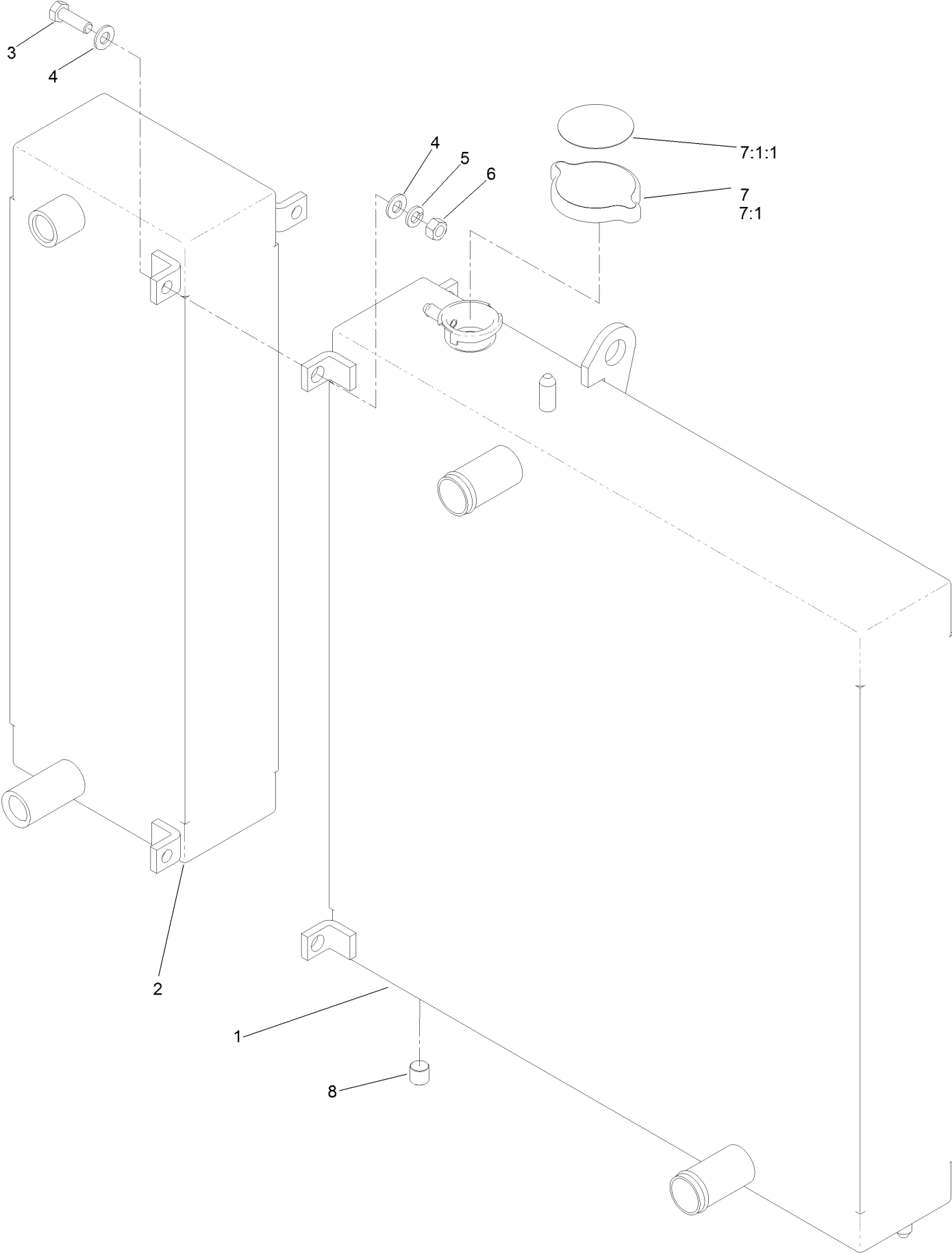




## Cooling Assembly (continued)

| <i>Ref.</i> | <i>Part Number</i> | <i>Qty.</i> | <i>Description</i>                         | <i>Ref.</i> | <i>Part Number</i> | <i>Qty.</i> | <i>Description</i>    |
|-------------|--------------------|-------------|--|-------------|--------------------|-------------|-----------------------|
| 1           | 104-7201           | 11          | Nut-HF, NI                                 | 27          | 142-8458-03        | 1           | Fan Shroud            |
| 2           | 104-8300           | 17          | Nut-HF, NI                                 | 28          | 142-5174           | 1           | Hydraulic Tube ASM    |
| 3           | 109-0284           | 1           | Hose-Fuel                                  | 29          | 142-5175           | 1           | Hydraulic Tube ASM    |
| 4           | 110-4103           | 1           | Hose-Fuel                                  | 30          | 142-5181-03        | 1           | Bracket-Bulkhead      |
| 5           | 119-1422           | 3           | Mount-Isolator                             | 31          | 237-124            | 3           | Grommet               |
| 6           | 119-1426           | 2           | Seal-Bulb                                  | 32          | 321-13             | 1           | Screw-HH              |
| 7           | 119-1427           | 1           | Seal-Bulb                                  | 33          | 340-127            | 2           | Nut-Bulkhead          |
| 8           | 121-3330           | 1           | Cooling ASM                                | 34          | 340-98             | 2           | Fitting-Elbow, 90 DEG |
| 9           | 126-9178-03        | 1           | Bracket-Bottle                             | 34:1        | 237-79             | 1           | O-Ring                |
| 10          | 142-8747           | 2           | Foam-Adhesive Backed                       | 34:2        | 237-30             | 1           | O-Ring                |
| 11          | 135-0641           | 1           | Clamp-Twin                                 | 35          | 2412-130           | 1           | Clamp-Hose            |
| 12          | 135-4692           | 1           | Tank-Overflow, W/Cap                       | 36          | 2412-34            | 3           | Clamp-Hose            |
| 13          | 142-4136           | 1           | Seal-Bulb                                  | 37          | 2412-98            | 3           | Clamp-Hose            |
| 14          | 142-8746           | 2           | Foam-Adhesive Backed                       | 38          | 3230-23            | 13          | Bolt-CARR             |
| 15          | 142-3192           | 1           | Hose-Radiator, Upper                       | 39          | 322-21             | 2           | Screw-HH              |
| 16          | 142-3193           | 1           | Hose-Radiator, Lower                       | 40          | 127-8639           | 8           | Screw-HHF             |
| 17          | 142-3375           | 2           | Fan-12", 12V, Electric,<br>Reversing       | 41          | 3234-29            | 2           | Screw-HHF             |
| 18          | 142-6616           | 1           | Grommet-Split, 2.38 Gd X<br>0.14 Gw X 0.82 | 42          | 3256-23            | 2           | Washer-Plain          |
| 21          | 146-0568-03        | 1           | Plate-Right Latch Bracket                  | 44          | 32144-70           | 2           | Screw-HWHTF           |
| 22          | 146-0567-03        | 1           | Plate-Left Latch Bracket                   | 45          | 32180-030          | 2           | Clip-Tie              |
| 23          | 142-5136-03        | 1           | Support-Radiator, LH [black]               | 48          | 135-4693           | 1           | Cap-W/Tether          |
| 24          | 142-5138-03        | 1           | Bracket-Cooling, RH                        | 49          | 146-0562           | 2           | Latch-Draw            |
| 25          | 142-5139-03        | 1           | Bracket-Cooling, Top                       | 50          | 109-2628           | 1           | Cable-Stop, Seat      |
| 26          | 142-5156           | 1           | Seal-Bulb                                  | 51          | 111-3473           | 6           | Screw-Button          |
|             |                    |             |  | 52          | 140-3749           | 6           | Nut-Lock Rohs         |
|             |                    |             |  | 53          | 3229-1             | 2           | Screw-CARR            |

# Cooling Assembly No. 121-3330

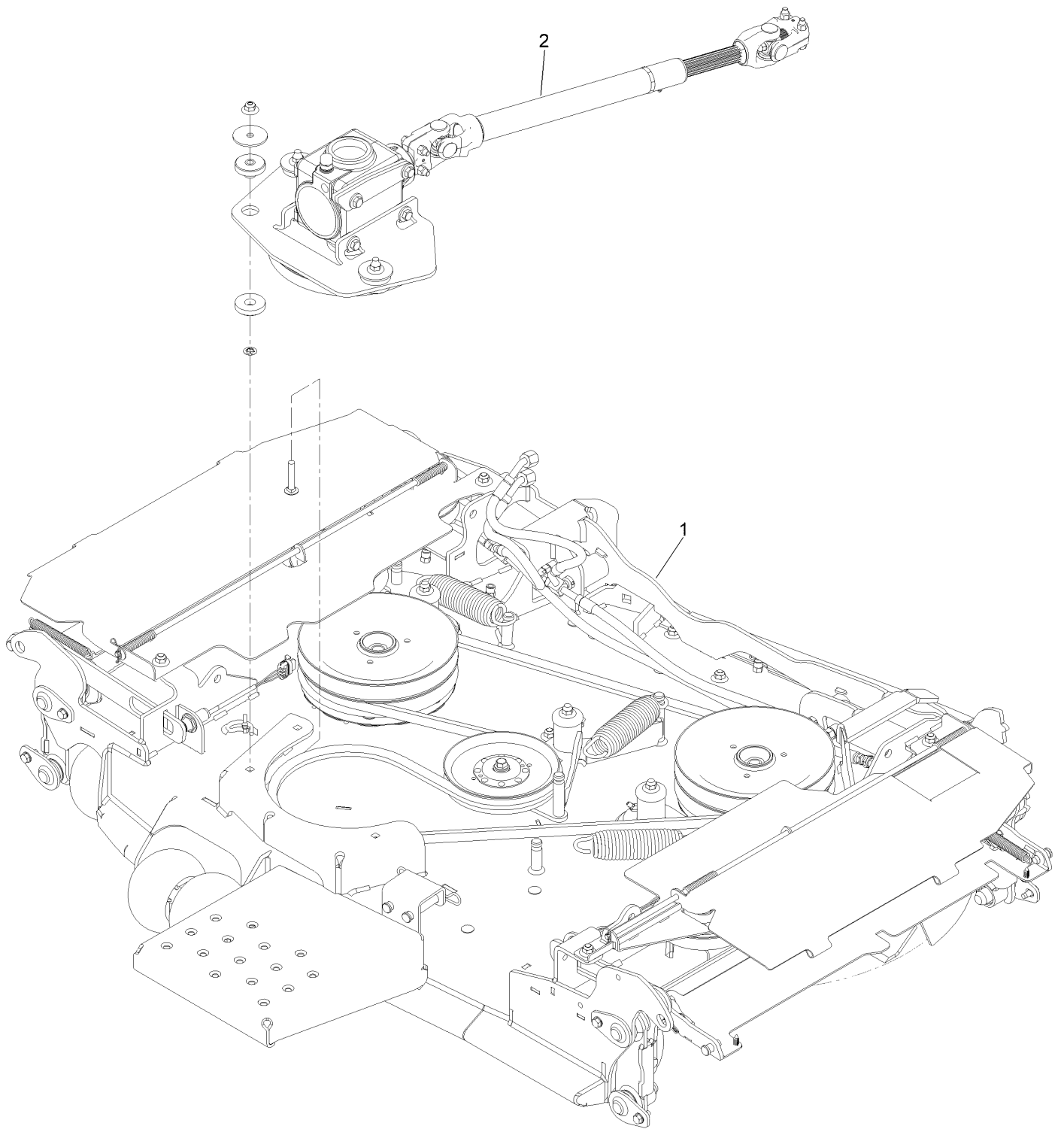


## Cooling Assembly No. 121-3330 (continued)

| <i>Ref.</i> | <i>Part Number</i> | <i>Qty.</i> | <i>Description</i> | <i>Ref.</i> | <i>Part Number</i> | <i>Qty.</i> | <i>Description</i> |
|-------------|--------------------|-------------|--------------------|-------------|--------------------|-------------|--------------------|
| 1           | 121-3328           | 1           | Radiator           | 6           | 3217-6             | 3           | Nut-Hex            |
| 2           | 121-3329           | 1           | Oil Cooler         | 7           | 119-1430           | 1           | Radiator Cap ASM   |
| 3           | 322-5              | 3           | Screw-HH           | 7:1         |                    | 1           | Cap-Radiator ●     |
| 4           | 3256-23            | 6           | Washer-Plain       | 7:1:1       | 117-3276           | 1           | Decal-Danger       |
| 5           | 3253-4             | 3           | Washer-Lock        | 8           | 99-8551            | 1           | Plug-Pipe          |

● Not serviced separately

# Center Deck, Gearbox and Driveshaft Assembly

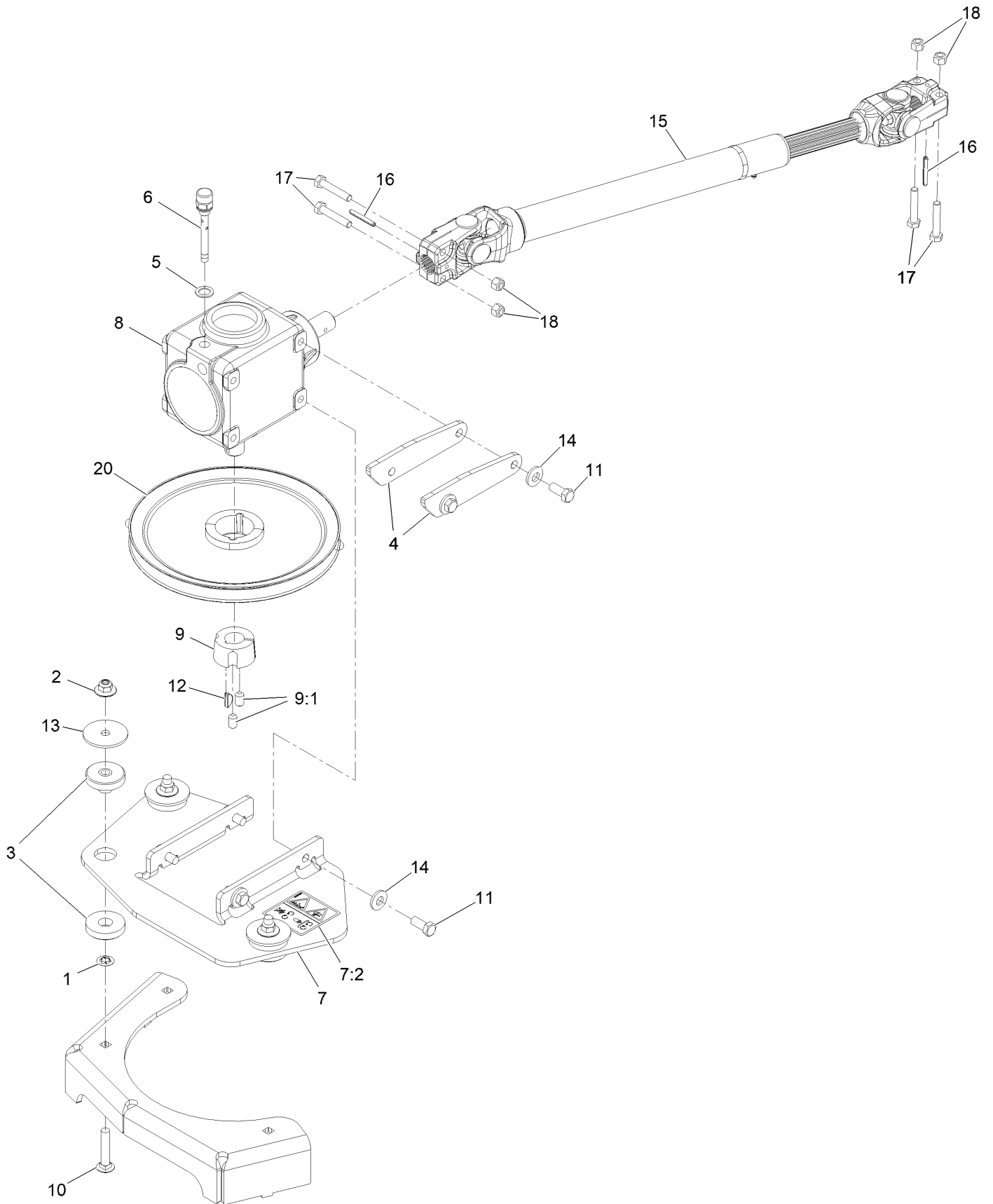


# Center Deck, Gearbox and Driveshaft Assembly (continued)

| <i>Ref.</i> | <i>Part Number</i> | <i>Qty.</i> | <i>Description</i> |
|-------------|--------------------|-------------|--------------------|
| 1           |                    | 1           | ASM-Center Deck ●  |
| 2           | 142-2474           | 1           | Gear Box-ASM       |

● Not serviced separately

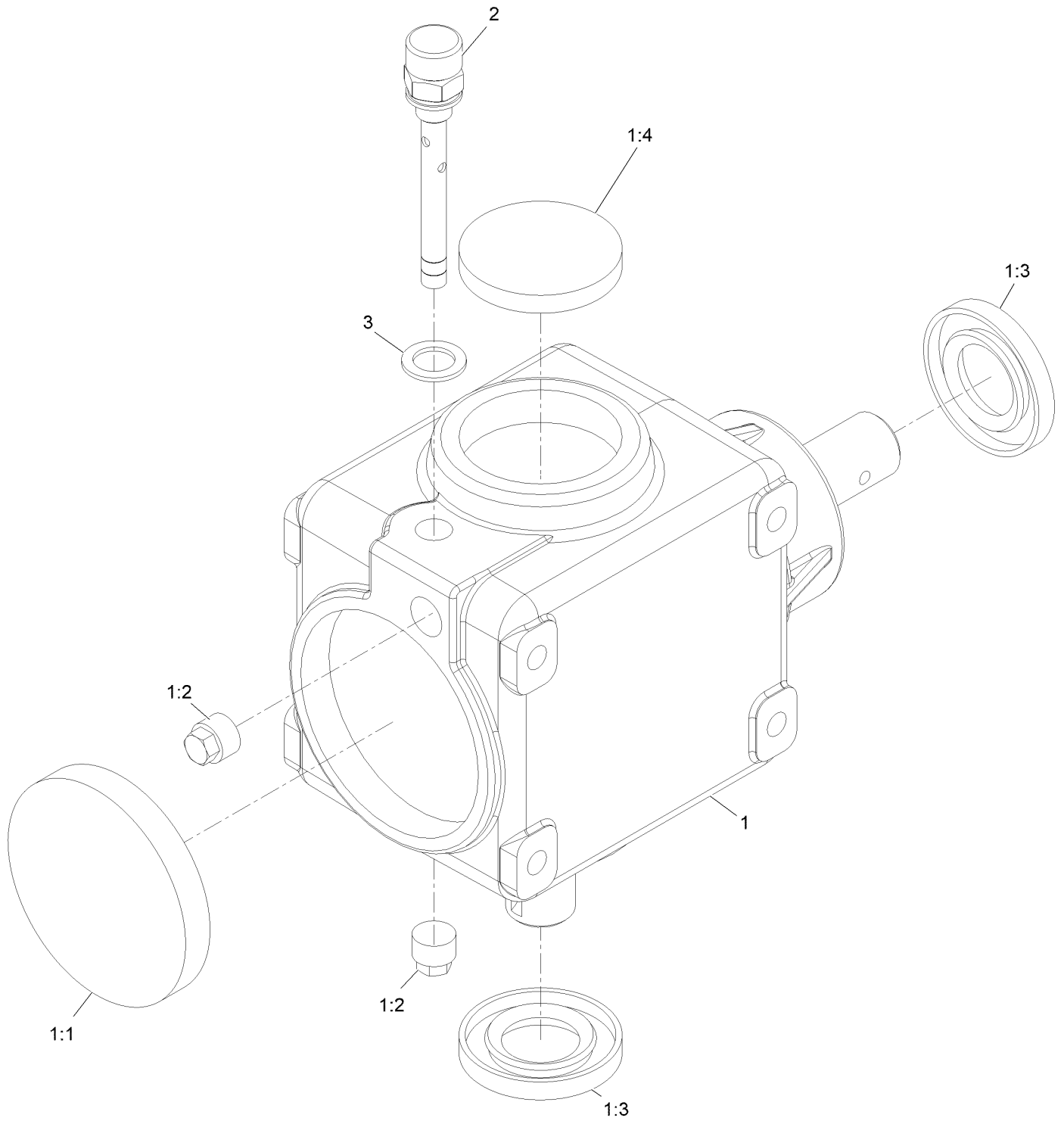
# Gearbox and Mount Assembly



## Gearbox and Mount Assembly (continued)

| <i>Ref.</i> | <i>Part Number</i> | <i>Qty.</i> | <i>Description</i>            | <i>Ref.</i> | <i>Part Number</i> | <i>Qty.</i> | <i>Description</i>         |
|-------------|--------------------|-------------|-------------------------------|-------------|--------------------|-------------|----------------------------|
| 1           | 107-3154           | 3           | Nut-Push 3/8-16               | 9:1         | 3247-4             | 2           | Setscrew-HSH 3/8-16 X 5/8  |
| 2           | 109-6658           | 3           | Nut-Nyloc 3/8-16 Flg          | 10          | 3231-6             | 3           | Bolt-Carriage 3/8-16 X 2   |
| 3           | 126-3074           | 3           | Mount-ISO                     | 11          | 323-6              | 6           | Screw-HH 3/8-16 X 1        |
| 4           | 126-3544           | 2           | Stop-Gearbox                  | 12          | 3257-5             | 1           | Key-Woodruff #9 3/4 X 3/16 |
| 5           | 130-4899           | 1           | Washer                        | 13          | 83-1040            | 3           | Washer                     |
| 6           | 130-8661           | 1           | Plug-Breather                 | 14          | 98-5975            | 6           | Washer-Spring Disc 3/8     |
| 7           | 135-0874           | 1           | Mount-Gearbox                 | 15          | 110-3575           | 1           | Driveshaft ASM             |
| 7:2         | 135-0679           | 1           | Decal-Hazard,<br>Entanglement | 16          | 32121-34           | 2           | Pin-Roll                   |
| 8           | 142-8061           | 1           | Gearbox ASM                   | 17          | 322-9              | 4           | Screw-HH 5/16-18 X 1 3/4   |
| 9           | 23-1640            | 1           | Bushing-Taperlock             | 18          | 3296-29            | 4           | Nut-Nyloc 5/16-18          |
|             |                    |             |                               | 20          | 126-2822           | 1           | Pulley                     |

# Gearbox Assembly No. 142-8061





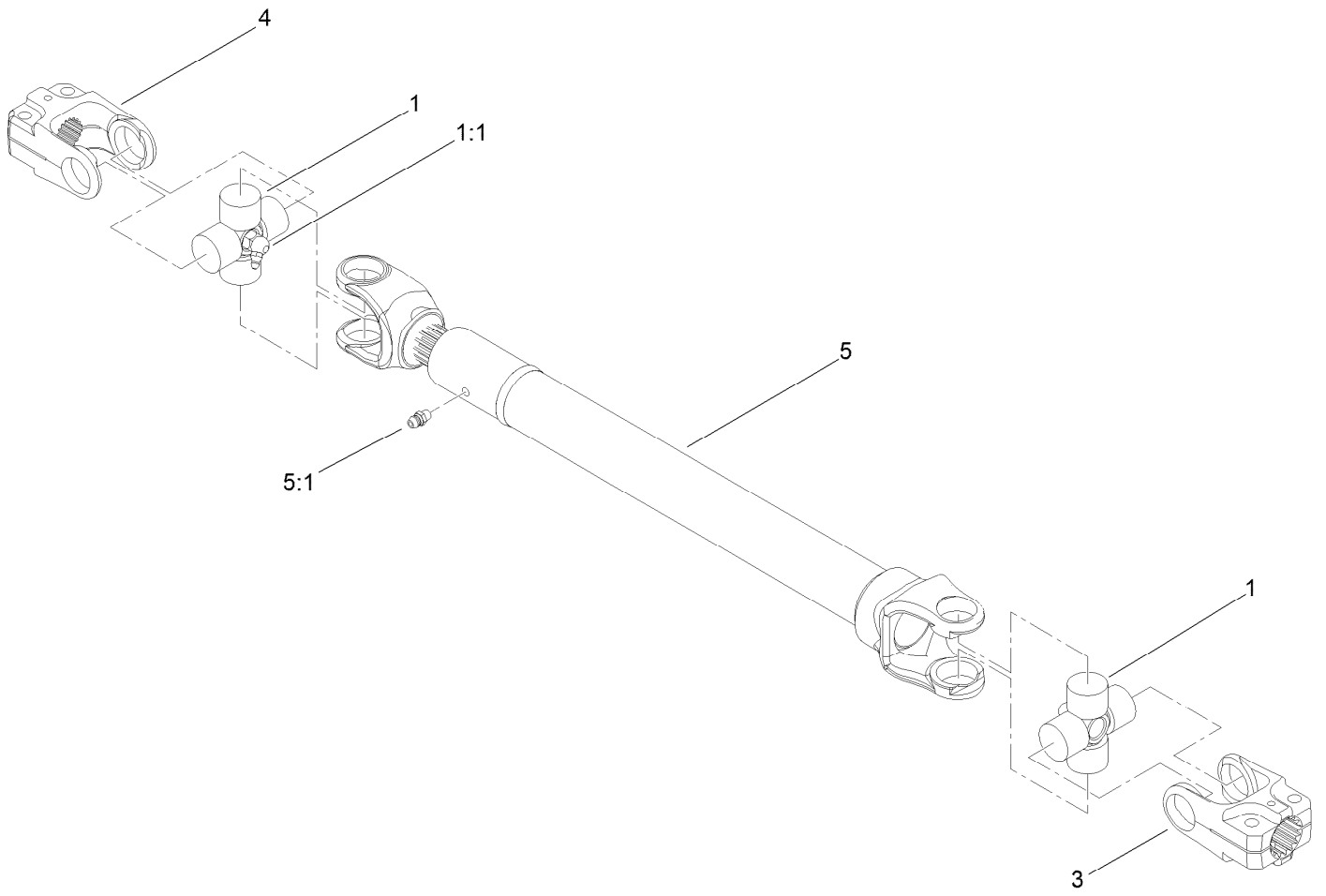
## Gearbox Assembly No. 142-8061 (continued)

| <i>Ref.</i> | <i>Part Number</i> | <i>Qty.</i> | <i>Description</i>   |
|-------------|--------------------|-------------|----------------------|
| 1           |                    | 1           | Gearbox ASM-90 DEG ● |
| 1:1         | 107-2932           | 1           | Cap-Oil              |
| 1:2         | 107-2933           | 2           | Plug                 |
| 1:3         | 117-9247           | 2           | Seal                 |

| <i>Ref.</i> | <i>Part Number</i> | <i>Qty.</i> | <i>Description</i> |
|-------------|--------------------|-------------|--------------------|
| 1:4         | 107-2935           | 1           | Cap-Oil            |
| 2           | 130-8661           | 1           | Plug-Breather      |
| 3           | 130-4899           | 1           | Washer             |

● Not serviced separately

# Driveshaft Assembly No. 110-3575

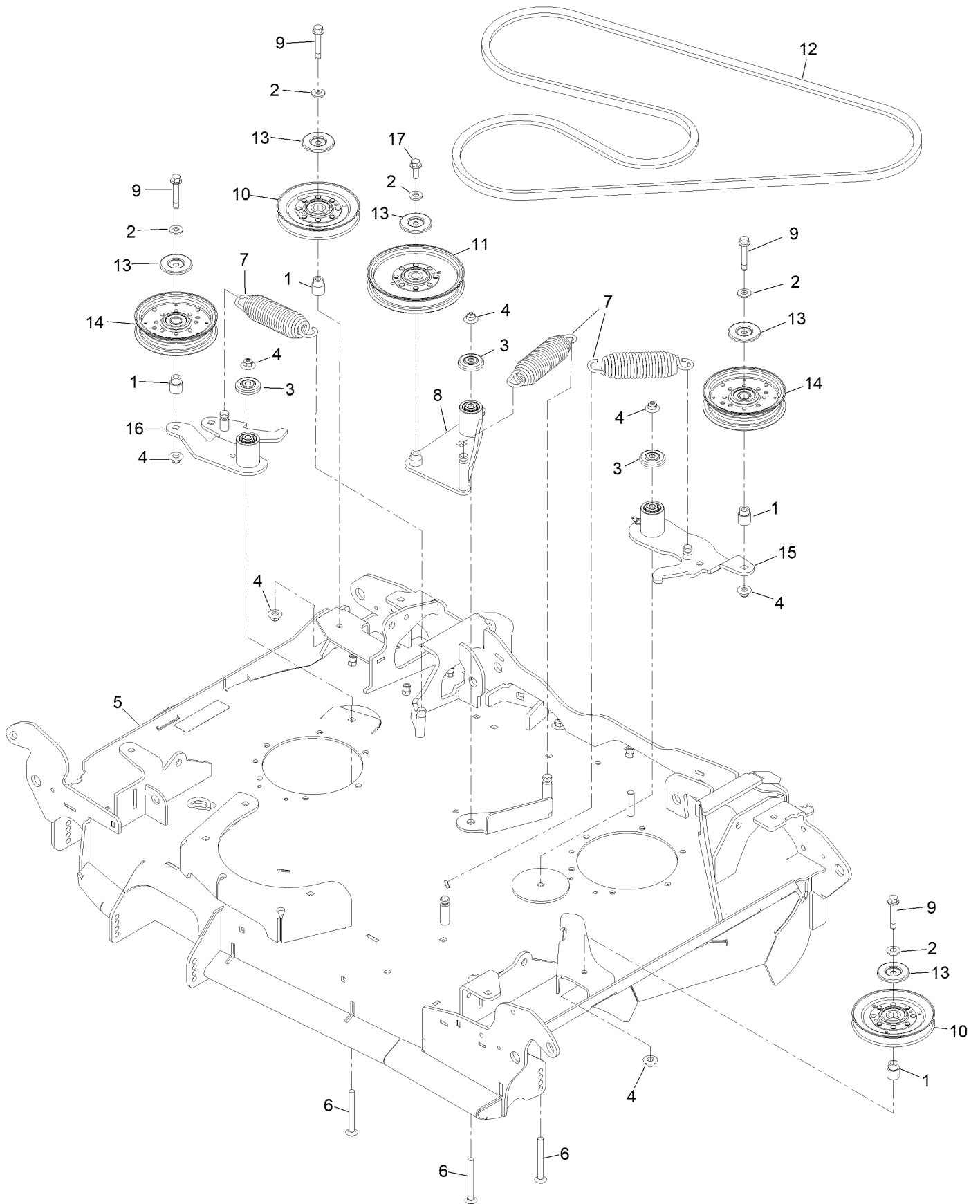


## Driveshaft Assembly No. 110-3575 (continued)

| <i>Ref.</i> | <i>Part Number</i> | <i>Qty.</i> | <i>Description</i>    | <i>Ref.</i> | <i>Part Number</i> | <i>Qty.</i> | <i>Description</i> |
|-------------|--------------------|-------------|-----------------------|-------------|--------------------|-------------|--------------------|
| 1           | 112-1687           | 2           | Cross And Bearing Kit | 4           | 54-9090            | 1           | Yoke-End           |
| 1:1         | 62-3820            | 1           | Fitting-Grease        | 5           |                    | 1           | Tube-Yoke, Slip ●  |
| 3           | 54-9040            | 1           | Yoke-End              | 5:1         | 302-22             | 1           | Fitting-Grease     |

● Not serviced separately

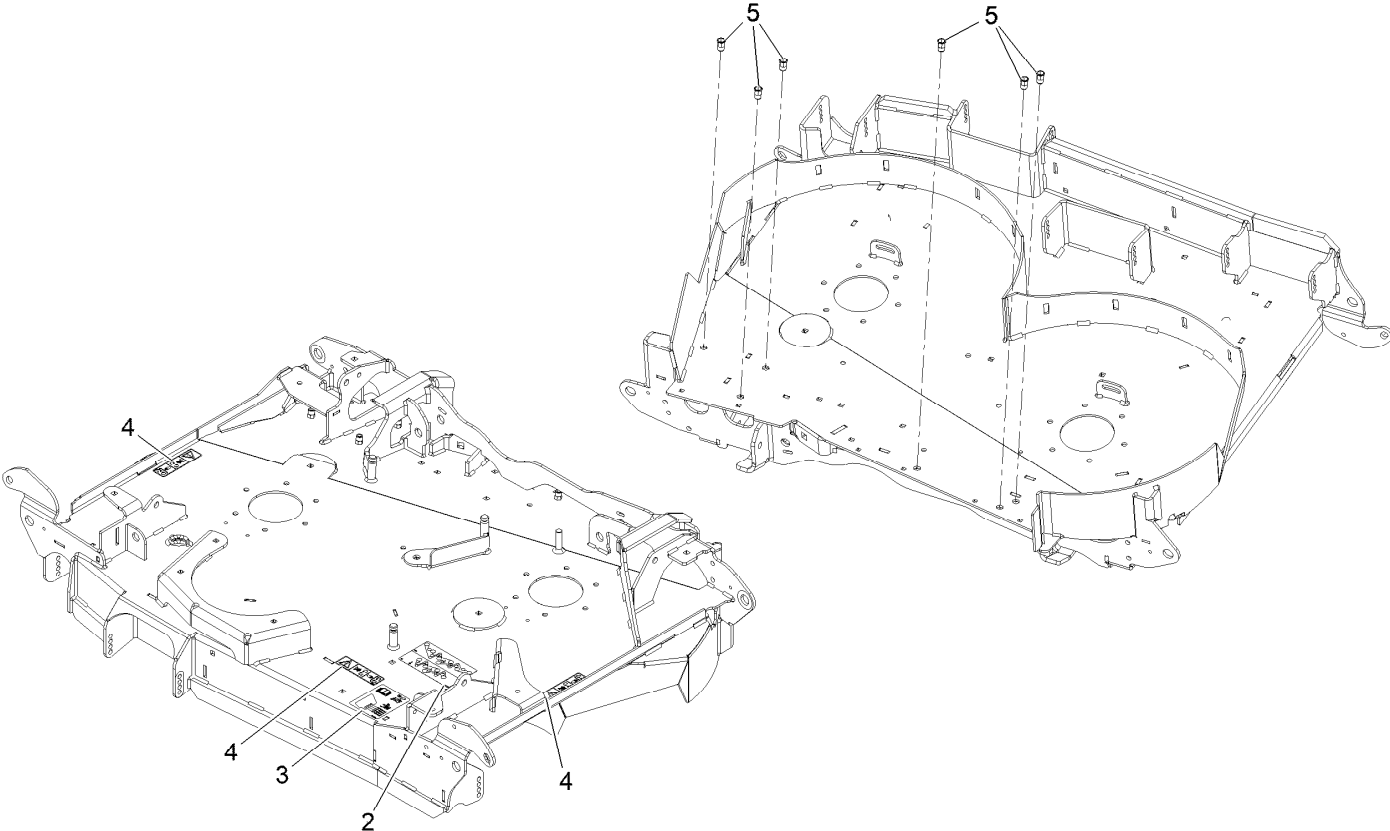
# Center Deck Assembly



## Center Deck Assembly (continued)

| <i>Ref.</i> | <i>Part Number</i> | <i>Qty.</i> | <i>Description</i>      | <i>Ref.</i> | <i>Part Number</i> | <i>Qty.</i> | <i>Description</i> |
|-------------|--------------------|-------------|-------------------------|-------------|--------------------|-------------|--------------------|
| 1           | 1-633456           | 4           | Bushing, Idler          | 10          | 126-2960           | 2           | Idler-V            |
| 2           | 98-5975            | 5           | Washer-Belleville       | 11          | 126-7685           | 1           | Idler-Pulley       |
| 3           | 103-2916           | 3           | Guard-Top               | 12          | 126-7924           | 1           | V-Belt             |
| 4           | 109-6658           | 7           | Nut-Flange, NI          | 13          | 126-8043           | 5           | Shield-Dust        |
| 5           | 142-6828           | 1           | ASM-Center Deck 96/144  | 14          | 126-9187           | 2           | Pulley-Idler, Flat |
| 6           | 116-1502           | 3           | Bolt-Shoulder, Carriage | 15          | 126-9435           | 1           | Idler ASM          |
| 7           | 116-6317           | 3           | Spring-Extension        | 16          | 126-9438           | 1           | Idler ASM          |
| 8           | 126-2585           | 1           | Idler Arm ASM           | 17          | 3234-42            | 1           | Screw-HHF          |
| 9           | 126-2956           | 4           | Screw-HHF               |             |                    |             |                    |

# Center Deck Assembly No. 142-6828

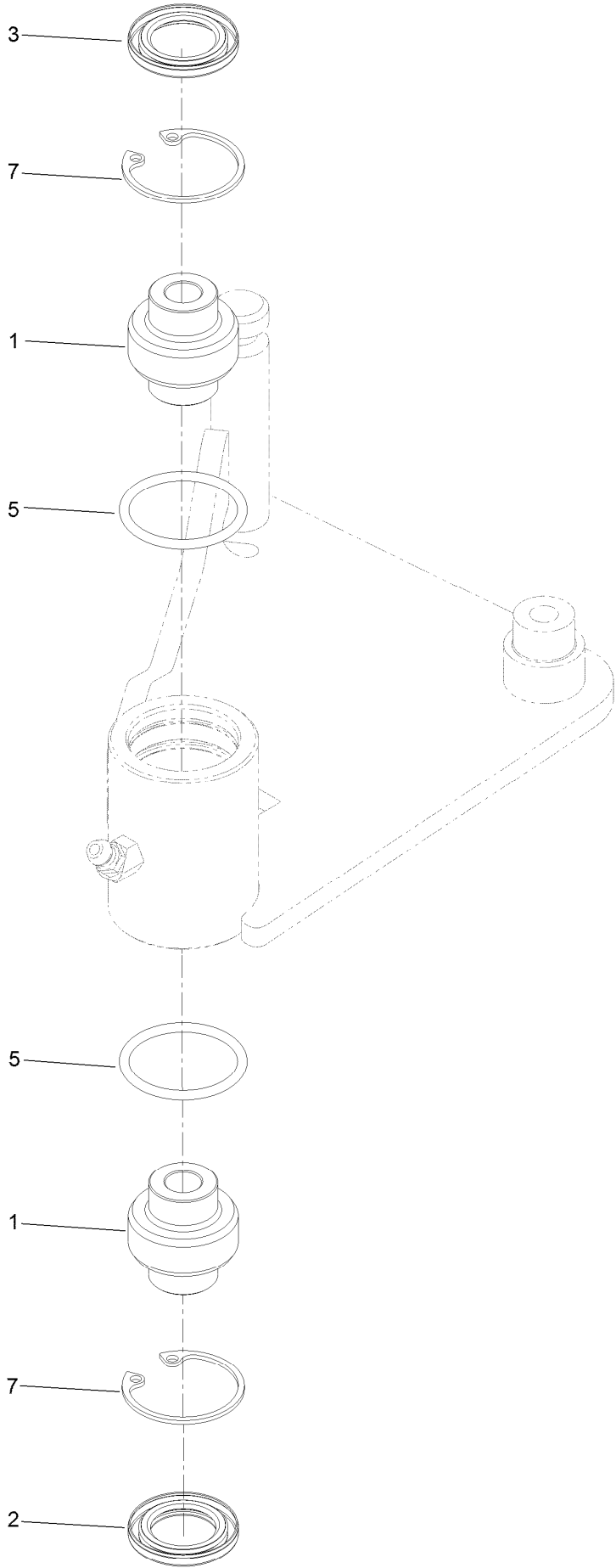


## Center Deck Assembly No. 142-6828 (continued)

| <i>Ref.</i> | <i>Part Number</i> | <i>Qty.</i> | <i>Description</i>       |
|-------------|--------------------|-------------|--------------------------|
| 2           | 142-3903           | 1           | Decal-Deck Belt Routing  |
| 3           | 109-6036           | 1           | Decal-Roller, Anti-Scalp |

| <i>Ref.</i> | <i>Part Number</i> | <i>Qty.</i> | <i>Description</i>   |
|-------------|--------------------|-------------|----------------------|
| 4           | 112-9028           | 3           | Decal-Cover, Missing |
| 5           | 135-7200           | 6           | Nut-Clinch,Hex       |

# Idler Arm Assembly No. 126-2585



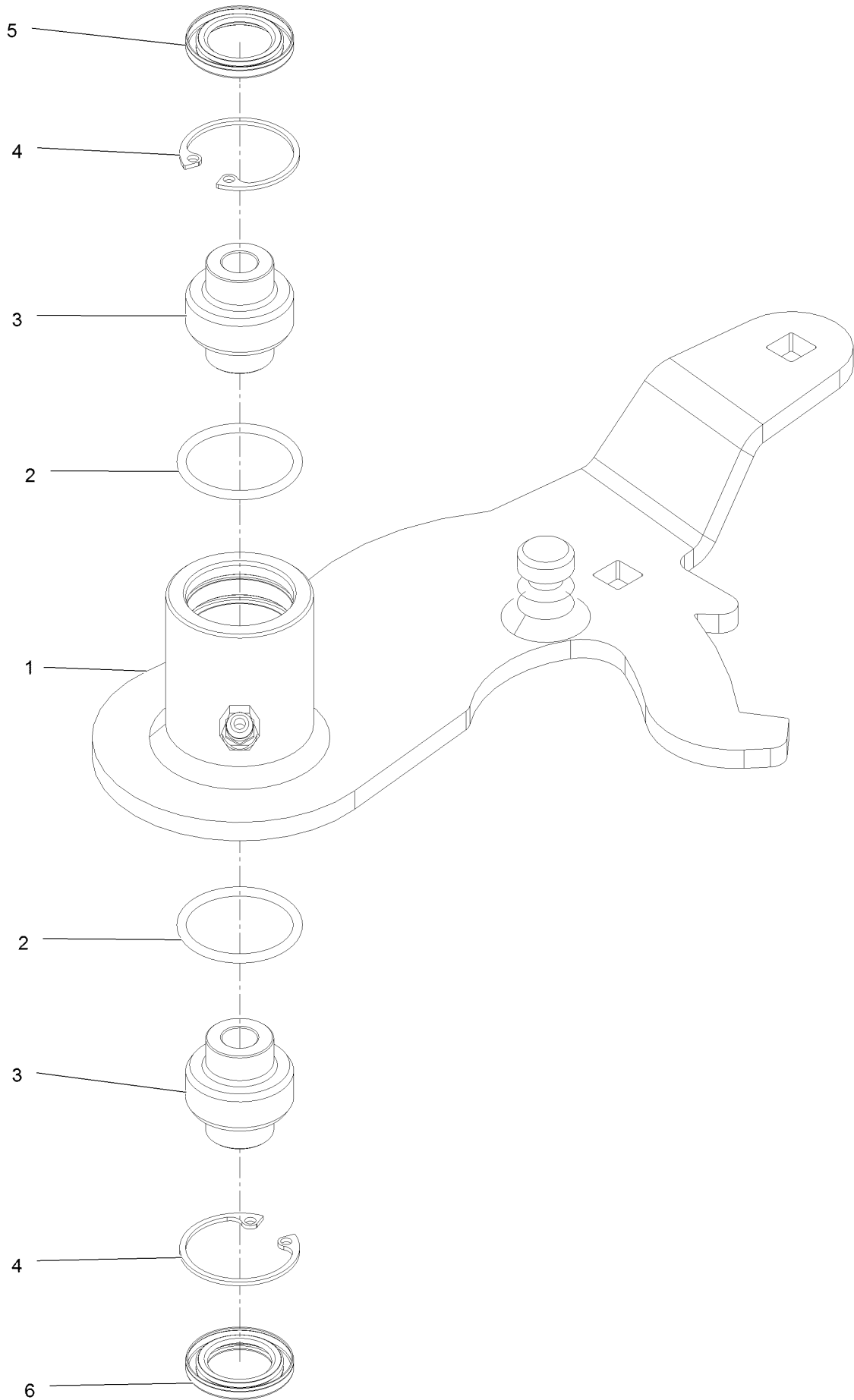


## Idler Arm Assembly No. 126-2585 (continued)

| <i>Ref.</i> | <i>Part Number</i> | <i>Qty.</i> | <i>Description</i> |
|-------------|--------------------|-------------|--------------------|
| 1           | 103-3504           | 2           | Bearing-Spherical  |
| 2           | 103-3505           | 1           | Seal-Lip, Double   |
| 3           | 103-3506           | 1           | Seal-Lip, Single   |

| <i>Ref.</i> | <i>Part Number</i> | <i>Qty.</i> | <i>Description</i> |
|-------------|--------------------|-------------|--------------------|
| 5           | 106-7159           | 2           | O-Ring             |
| 7           | 32120-10           | 2           | Ring-Snap          |

# Idler Assembly No. 126-9435



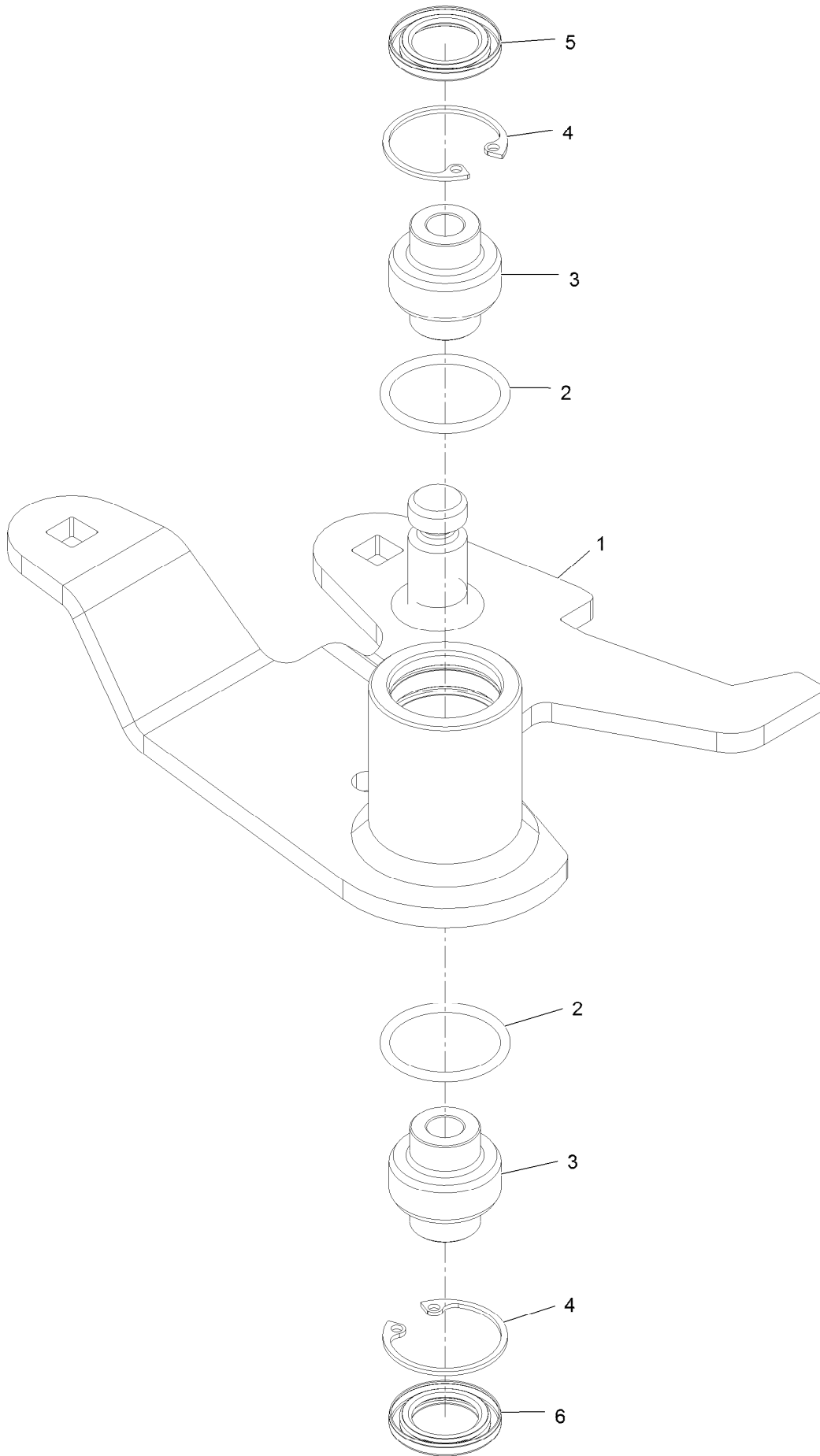
## Idler Assembly No. 126-9435 (continued)

| <i>Ref.</i> | <i>Part Number</i> | <i>Qty.</i> | <i>Description</i>               |
|-------------|--------------------|-------------|----------------------------------|
| 1           |                    | 1           | ASM-Idler Arm 96Rd LH<br>[red] ● |
| 2           | 106-7159           | 2           | O-Ring                           |
| 3           | 103-3504           | 2           | Bearing-Spherical                |

| <i>Ref.</i> | <i>Part Number</i> | <i>Qty.</i> | <i>Description</i> |
|-------------|--------------------|-------------|--------------------|
| 4           | 32120-10           | 2           | Ring-Snap          |
| 5           | 103-3506           | 1           | Seal-Lip, Single   |
| 6           | 103-3505           | 1           | Seal-Lip, Double   |

● Not serviced separately

# Idler Assembly No. 126-9438

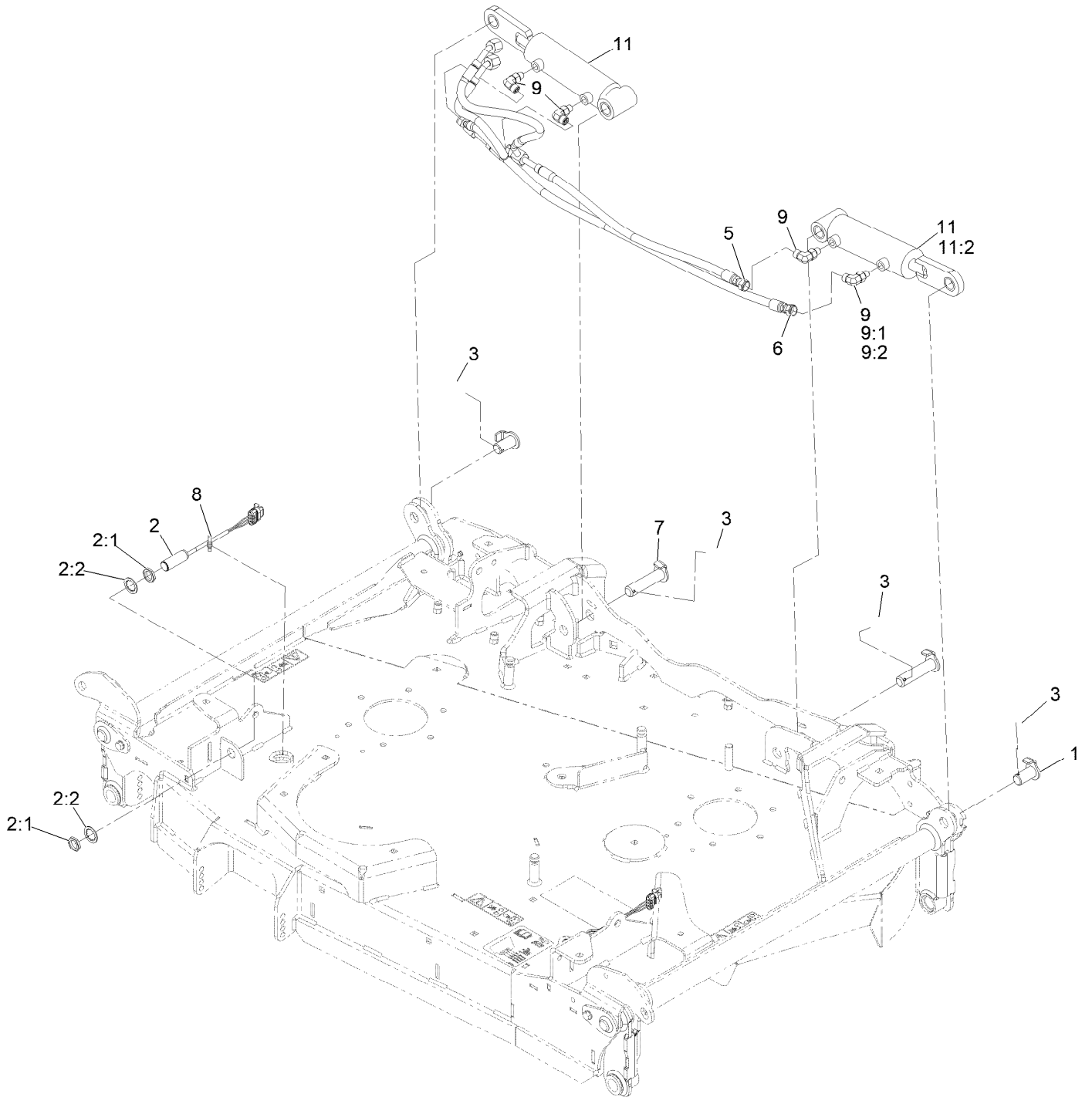


## Idler Assembly No. 126-9438 (continued)

| <i>Ref.</i> | <i>Part Number</i> | <i>Qty.</i> | <i>Description</i>          | <i>Ref.</i> | <i>Part Number</i> | <i>Qty.</i> | <i>Description</i> |
|-------------|--------------------|-------------|-----------------------------|-------------|--------------------|-------------|--------------------|
| 1           |                    | 1           | ASM-Idler Arm, 96Rd [red] ● | 4           | 32120-10           | 2           | Ring-Snap          |
| 2           | 106-7159           | 2           | O-Ring                      | 5           | 103-3506           | 1           | Seal-Lip, Single   |
| 3           | 103-3504           | 2           | Bearing-Spherical           | 6           | 103-3505           | 1           | Seal-Lip, Double   |

● Not serviced separately

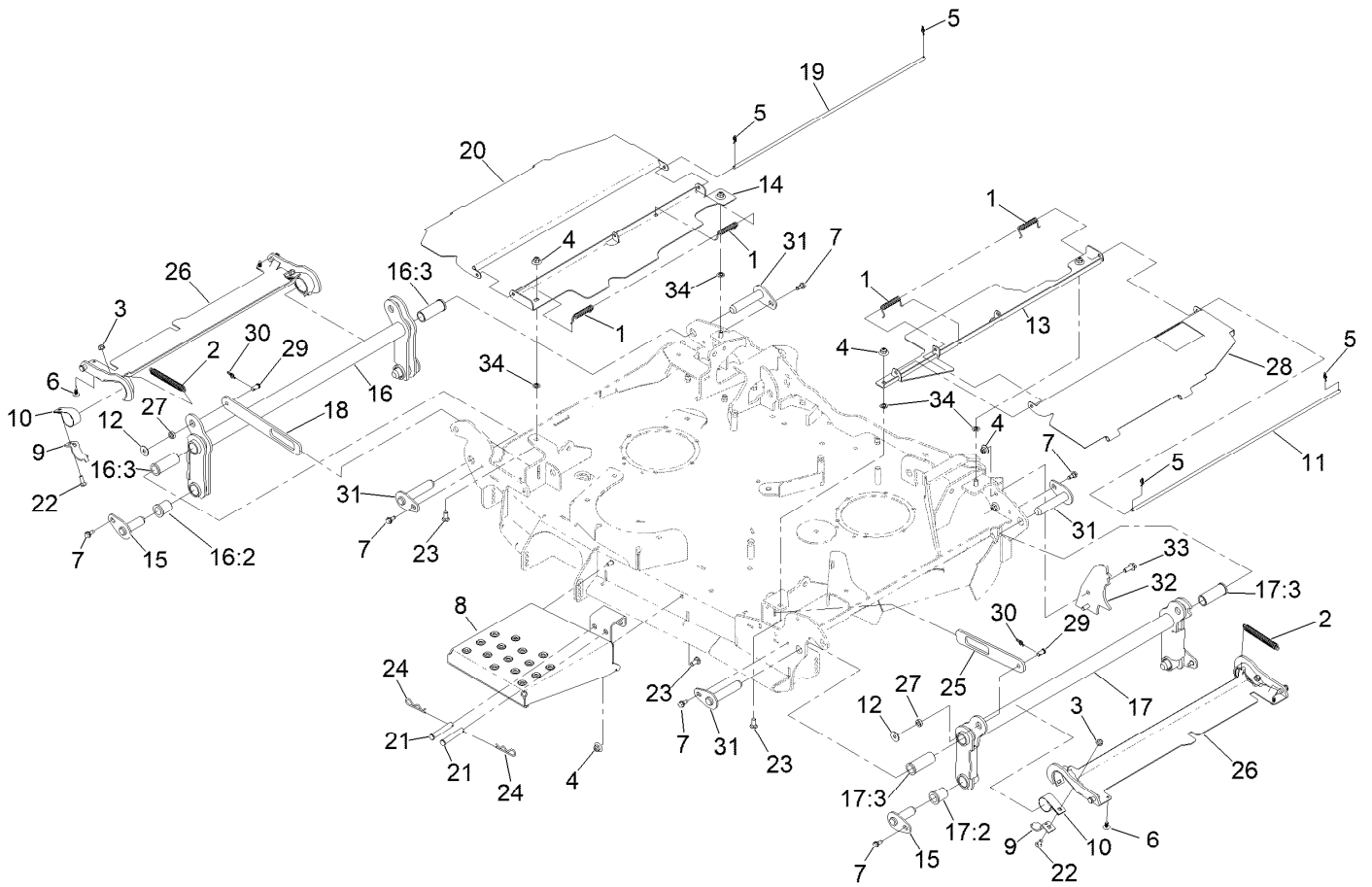
# Center Folding Deck Hydraulic Assembly



## Center Folding Deck Hydraulic Assembly (continued)

| <i>Ref.</i> | <i>Part Number</i> | <i>Qty.</i> | <i>Description</i>          | <i>Ref.</i> | <i>Part Number</i> | <i>Qty.</i> | <i>Description</i>             |
|-------------|--------------------|-------------|-----------------------------|-------------|--------------------|-------------|--------------------------------|
| 1           | 142-3999           | 2           | Pin-Cylinder                | 8           | 3290-378           | 2           | Tie-Cable                      |
| 2           | 115-5300           | 2           | Proximity Switch ASM        | 9           | 340-132            | 4           | Fitting-Elbow, 90 DEG          |
| 2:1         | 117-3207           | 2           | Nut-Hex                     | 9:1         | 237-78             | 1           | O-Ring                         |
| 2:2         | 117-3208           | 2           | Washer-Lock, Internal Tooth | 9:2         | 237-21             | 1           | O-Ring                         |
| 3           | 142-4002           | 4           | Pin-Locking Cotter          | 11          | 142-6609           | 2           | CYL-Deck Fold                  |
| 5           | 135-1760           | 1           | Hose ASM                    | 11:2        | 142-5808           | 3           | Bushing-0.75X1.00X0.50<br>Long |
| 6           | 135-1761           | 1           | Hose ASM                    |             |                    |             |                                |
| 7           | 142-5437           | 2           | ASM-CYL Pin Base            |             |                    |             |                                |

# Center Deck Cover and Torsion Assembly

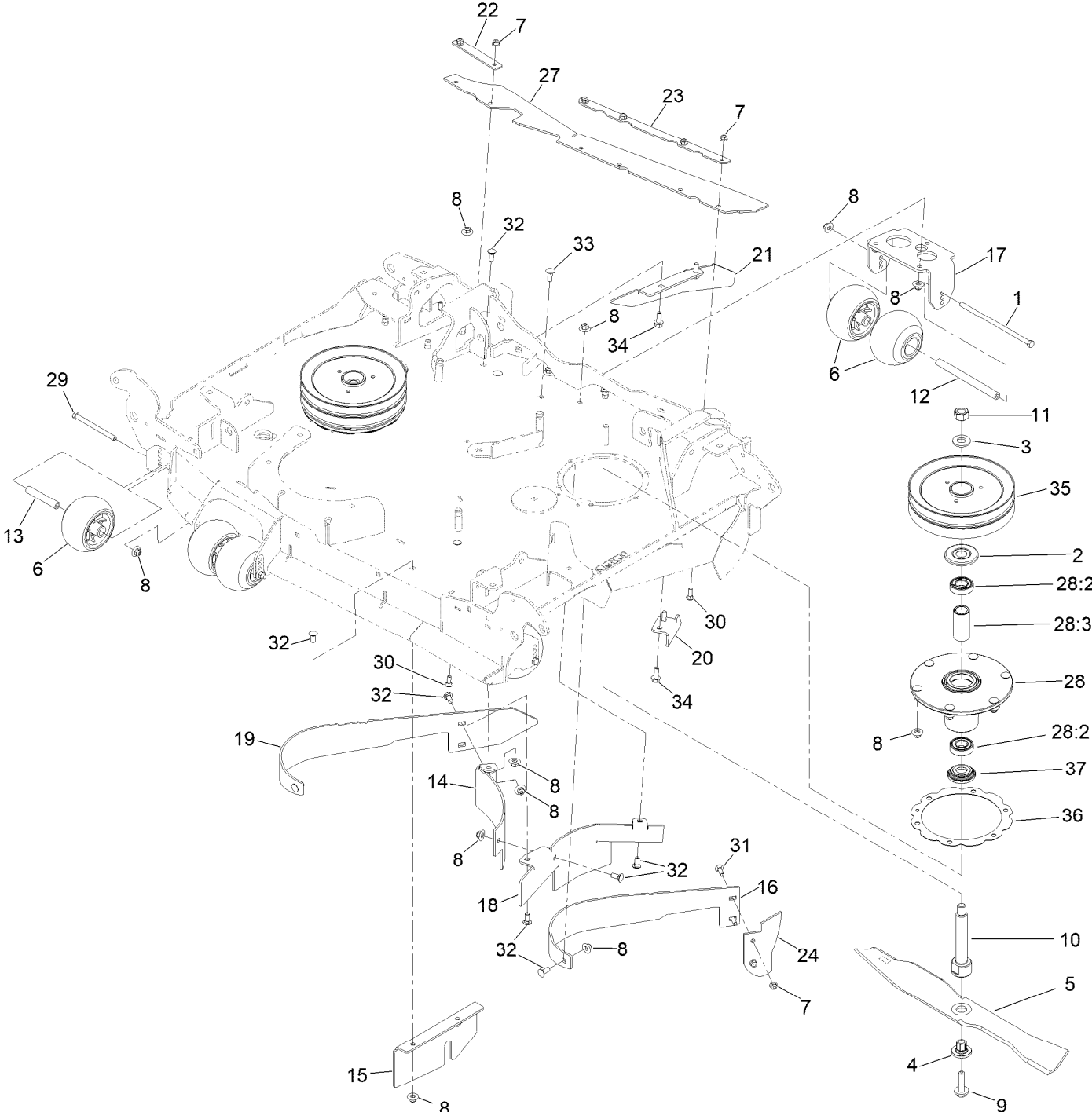




## Center Deck Cover and Torsion Assembly (continued)

| <i>Ref.</i> | <i>Part Number</i> | <i>Qty.</i> | <i>Description</i>      | <i>Ref.</i> | <i>Part Number</i> | <i>Qty.</i> | <i>Description</i>       |
|-------------|--------------------|-------------|-------------------------|-------------|--------------------|-------------|--------------------------|
| 1           | 99-5293            | 4           | Spring-Torsion          | 17:2        | 142-4794           | 2           | Bushing-Flanged          |
| 2           | 103-4813           | 2           | Spring                  | 17:3        | 142-8114           | 2           | Bushing-Flange           |
| 3           | 104-8300           | 4           | Nut-HF, NI              | 18          | 142-6466           | 1           | Strap-RH Flag            |
| 4           | 109-6658           | 8           | Nut-Flange, NI          | 19          | 142-2704           | 1           | Rod-Center Cover         |
| 5           | 116-6639           | 4           | Pin-Cotter, Locking     | 20          | 142-2706-03        | 1           | Plate-Hinged Cover       |
| 6           | 117-2382           | 4           | Plug-Plastic            | 21          | 283-55             | 2           | Pin-Clevis               |
| 7           | 126-4424           | 8           | Screw-Shoulder          | 22          | 3230-16            | 4           | Screw-CARR               |
| 8           | 146-0669-03        | 1           | Plate-Deck Step         | 23          | 3231-12            | 6           | Bolt-CARR                |
| 9           | 126-9764           | 4           | Plate-Retainer, Bearing | 24          | 3290-355           | 2           | Pin-Hair                 |
| 10          | 135-0584           | 4           | Strap-Bearing, Nylon    | 25          | 142-6467           | 1           | Strap-LH Flag            |
| 11          | 135-1023           | 1           | Cover-Rod, Pivot        | 26          | 142-6649-01        | 2           | ASM-Wing Cover, [red]    |
| 12          | 52-2860            | 2           | Washer                  | 27          | 142-6724           | 2           | Bushing                  |
| 13          | 142-8103-01        | 1           | Shield-LH Center [red]  | 28          | 142-8106-03        | 1           | Cover-Hinged, LH [black] |
| 14          | 135-6566-01        | 1           | Shield-Center, RH       | 29          | 283-85             | 2           | Pin-Clevis               |
| 15          | 142-4813           | 4           | ASM-Deck Pin            | 30          | 140-9312           | 2           | Pin-Cotter, Locking      |
| 16          | 142-6419           | 1           | ASM-RH Fold Arm         | 31          | 142-8450           | 4           | ASM-Deck Pin             |
| 16:2        | 142-4794           | 2           | Bushing-Flanged         | 32          | 142-3841-01        | 1           | Bracket-Deck Stop LH     |
| 16:3        | 142-8114           | 2           | Bushing-Flange          | 33          | 131-2220           | 2           | Screw-HHF                |
| 17          | 142-6428           | 1           | ASM-LH Fold Arm         | 34          | 107-3154           | 4           | Nut-Push                 |

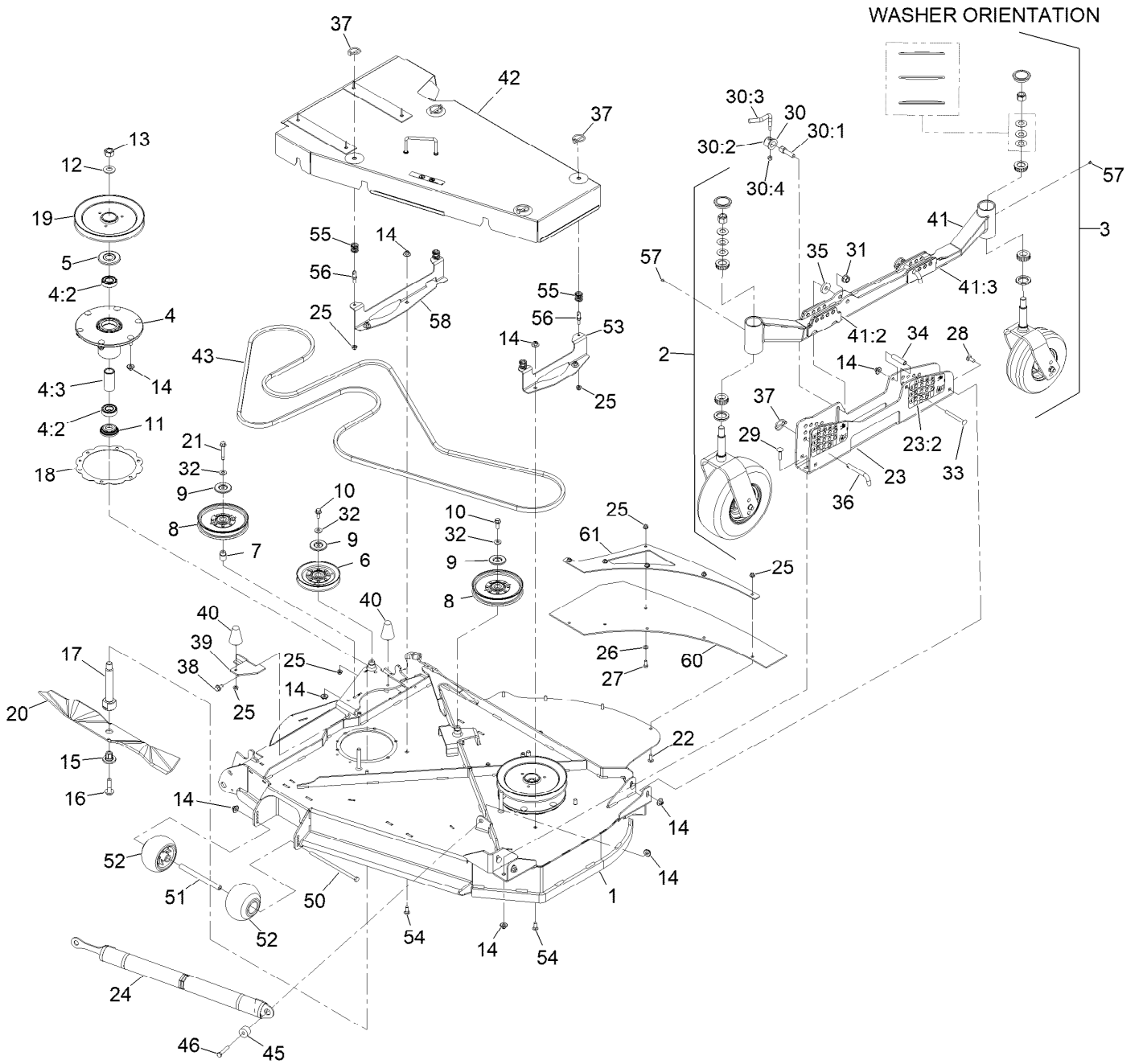
# Center Deck Spindle, Baffle and Roller Assembly



## Center Deck Spindle, Baffle and Roller Assembly (continued)

| <i>Ref.</i> | <i>Part Number</i> | <i>Qty.</i> | <i>Description</i>         | <i>Ref.</i> | <i>Part Number</i> | <i>Qty.</i> | <i>Description</i>        |
|-------------|--------------------|-------------|----------------------------|-------------|--------------------|-------------|---------------------------|
| 1           | 99-7203            | 4           | Screw-HH                   | 20          | 135-2452-01        | 1           | Baffle-Breaker            |
| 2           | 103-1330           | 2           | Guard-Bearing, Top         | 21          | 135-2453-01        | 1           | Plate-Fin, Discharge      |
| 3           | 103-2802           | 2           | Washer                     | 22          | 135-2455-03        | 1           | Support-Flap, LH          |
| 4           | 137-9787           | 2           | Bushing-Hex                | 23          | 135-2457-03        | 1           | Support-Flap, LH          |
| 5           | 140-1246           | 2           | Blade-24.50 Mulch          | 24          | 135-2458           | 1           | Guard-Discharge           |
| 6           | 103-8415           | 9           | Roller-Anti-Scalp          | 27          | 135-2618           | 1           | Flap-Discharge            |
| 7           | 104-8300           | 8           | Nut-HF, NI                 | 28          | 137-9780           | 2           | Spindle ASM               |
| 8           | 109-6658           | 30          | Nut-Flange, NI             | 28:2        | 116-0720           | 2           | Bearing-Ball              |
| 9           | 109-9220           | 2           | Screw-Sems                 | 28:3        | 138-6042           | 1           | Spacer-Bearing            |
| 10          | 138-6045           | 2           | Shaft-Spindle              | 29          | 323-38             | 1           | Screw-HH                  |
| 11          | 116-7306           | 2           | Nut-Hex                    | 30          | 3230-16            | 6           | Screw-CARR                |
| 12          | 126-6115           | 4           | Spacer-Wheel               | 31          | 3230-22            | 2           | Screw-CARR                |
| 13          | 126-7140           | 1           | Spacer-Wheel, Short        | 32          | 3231-12            | 10          | Bolt-CARR                 |
| 14          | 135-0601-01        | 1           | Baffle-Center, Rear (RH)   | 33          | 3231-2             | 2           | Bolt-CARR                 |
| 15          | 135-0603-01        | 1           | Plate-Block, Front         | 34          | 3234-11            | 7           | Screw-HHF                 |
| 16          | 135-0792-01        | 1           | Baffle-Dogleg, Center (LH) | 35          | 140-1186           | 2           | Sheave-Double Blade Drive |
| 17          | 135-1036-01        | 1           | Bracket-Antiscalp, Rear    | 36          | 140-0986           | 2           | Ring-Spacer, Housing      |
| 18          | 135-1827-01        | 1           | Baffle-Center              | 37          | 137-9784           | 2           | Guard-Bottom              |
| 19          | 135-2451-01        | 1           | Baffle-Dogleg, Center (RH) |             |                    |             |                           |

# LH Wing Deck Assembly

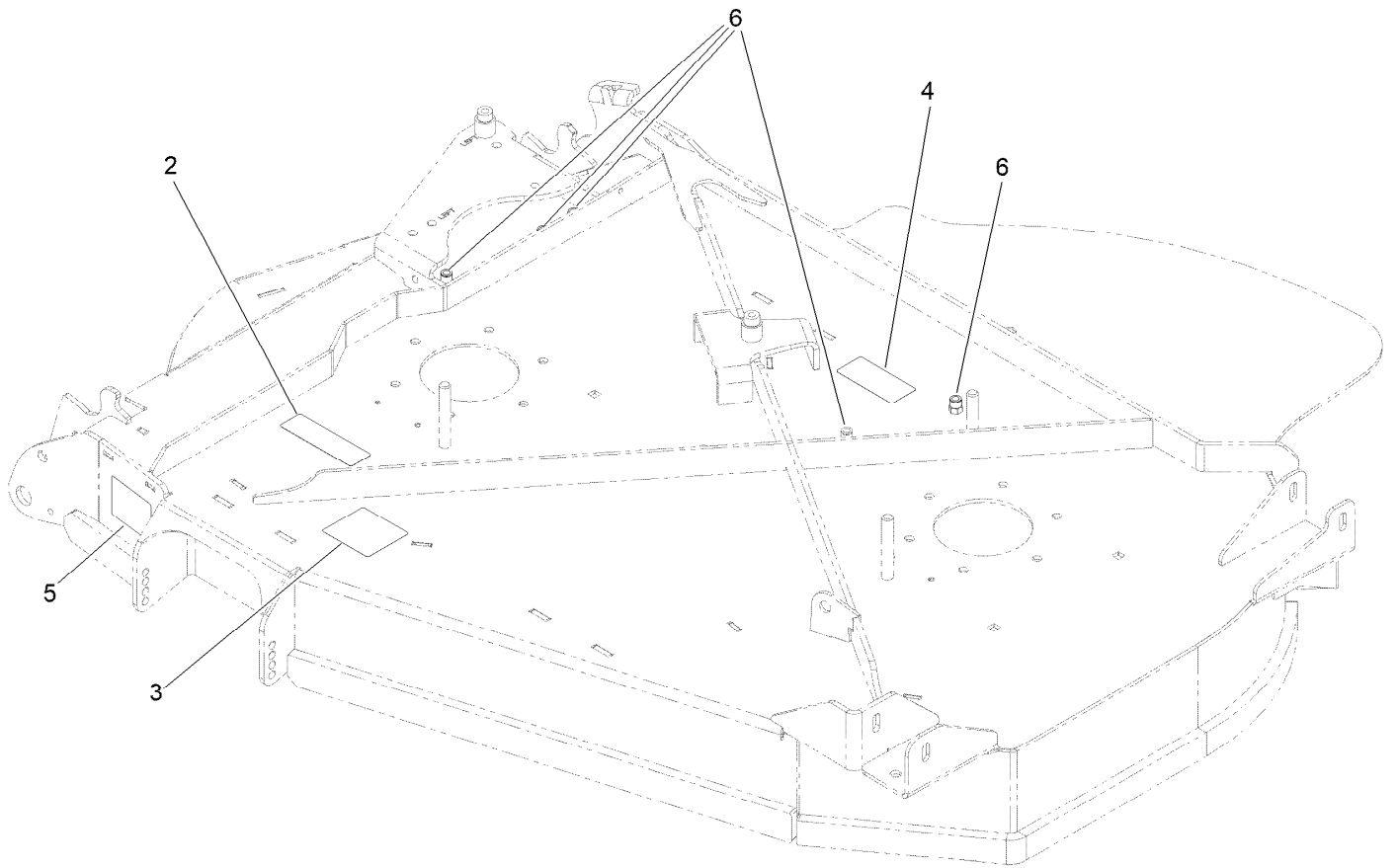


## LH Wing Deck Assembly (continued)

| <i>Ref.</i> | <i>Part Number</i> | <i>Qty.</i> | <i>Description</i>         | <i>Ref.</i> | <i>Part Number</i> | <i>Qty.</i> | <i>Description</i>               |
|-------------|--------------------|-------------|----------------------------|-------------|--------------------|-------------|----------------------------------|
| 1           | 142-6825           | 1           | ASM-LH Wing Deck 144       | 30:1        | 106-3239           | 1           | Screw-Lock                       |
| 2           |                    | 1           | Caster Wheel ASM ●         | 30:2        | 107-1644           | 1           | Cap-Lock                         |
| 3           |                    | 1           | Rear Caster Wheel ASM ●    | 30:3        | 106-3241           | 1           | Lever-Lock                       |
| 4           | 137-9780           | 2           | Spindle ASM                | 30:4        | 3296-29            | 1           | Nut-Lock, NI                     |
| 4:2         | 116-0720           | 2           | Bearing-Ball               | 31          | 99-5107            | 1           | Nut-Lock                         |
| 4:3         | 138-6042           | 1           | Spacer-Bearing             | 32          | 98-5975            | 3           | Washer-Belleville                |
| 5           | 103-1330           | 2           | Guard-Bearing, Top         | 33          | 3231-11            | 1           | Screw-CARR                       |
| 6           | 126-2960           | 1           | Idler-V                    | 34          | 135-2424           | 1           | Spacer                           |
| 7           | 1-633456           | 1           | Bushing, Idler             | 35          | 30-8770            | 1           | Washer                           |
| 8           | 126-7685           | 2           | Idler-Pulley               | 36          | 135-2073           | 2           | Pin-HOC                          |
| 9           | 126-8043           | 3           | Shield-Dust                | 37          | 92-1298            | 6           | Pin-Lynch                        |
| 10          | 3234-42            | 2           | Screw-HHF                  | 38          | 110-9380           | 1           | Screw-HWH                        |
| 11          | 137-9784           | 2           | Guard-Bottom               | 39          | 135-2611-01        | 1           | Bracket-Retainer, Cover          |
| 12          | 103-2802           | 2           | Washer                     | 40          | 114-1925           | 2           | Bumper-Rubber                    |
| 13          | 116-7306           | 2           | Nut-Hex                    | 41          | 142-6582           | 1           | ASM-LH Gauge Wheel Arm           |
| 14          | 109-6658           | 26          | Nut-Flange, NI             | 41:2        | 142-3592           | 2           | Plate-Guide, Front               |
| 15          | 137-9787           | 2           | Bushing-Hex                | 41:3        | 142-3501           | 2           | Plate-Guide, Rear                |
| 16          | 109-9220           | 2           | Screw-Sems                 | 42          | 142-6623           | 1           | ASM-Belt Shield                  |
| 17          | 138-6045           | 2           | Shaft-Spindle              | 43          | 135-5775           | 1           | Belt                             |
| 18          | 140-0986           | 2           | Ring-Spacer, Housing       | 45          | 135-7307           | 1           | Bushing-Lift Spring              |
| 19          | 140-1185           | 2           | Sheave-Drive, Blade        | 46          | 323-11             | 1           | Screw-HH                         |
| 20          | 140-1246           | 2           | Blade-24.50 Mulch          | 50          | 99-7203            | 1           | Screw-HH                         |
| 21          | 126-2956           | 1           | Screw-HHF                  | 51          | 126-6115           | 1           | Spacer-Wheel                     |
| 22          | 3230-10            | 5           | Bolt-CARR                  | 52          | 103-8415           | 2           | Roller-Anti-Scalp                |
| 23          | 142-4241           | 1           | ASM-Channel, HOC LH        | 53          | 135-2653-03        | 1           | Bracket-Shield Mount, Outer      |
| 23:2        | 126-8597           | 2           | Decal-HOC, LH              | 54          | 3231-12            | 4           | Bolt-CARR                        |
| 24          | 142-6483           | 1           | ASM-Weight-Transfer-Spring | 55          | 126-1503           | 4           | Spring                           |
| 25          | 104-8300           | 12          | Nut-HF, NI                 | 56          | 135-7455           | 4           | Pin, Spring                      |
| 26          | 3256-23            | 1           | Washer-Plain               | 57          | 1-811010           | 2           | Plug                             |
| 27          | 322-3              | 1           | Screw-HH                   | 58          | 142-6627-03        | 1           | Bracket-Shield Mount, Outer Long |
| 28          | 3231-2             | 4           | Bolt-CARR                  | 60          | 142-8358           | 1           | Guard-LH Rear Wing               |
| 29          | 3231-4             | 2           | Screw-CARR                 | 61          | 142-8359-03        | 1           | Support-LH Rear Guard            |
| 30          | 107-1664           | 1           | Lever ASM                  |             |                    |             |                                  |

● Not serviced separately

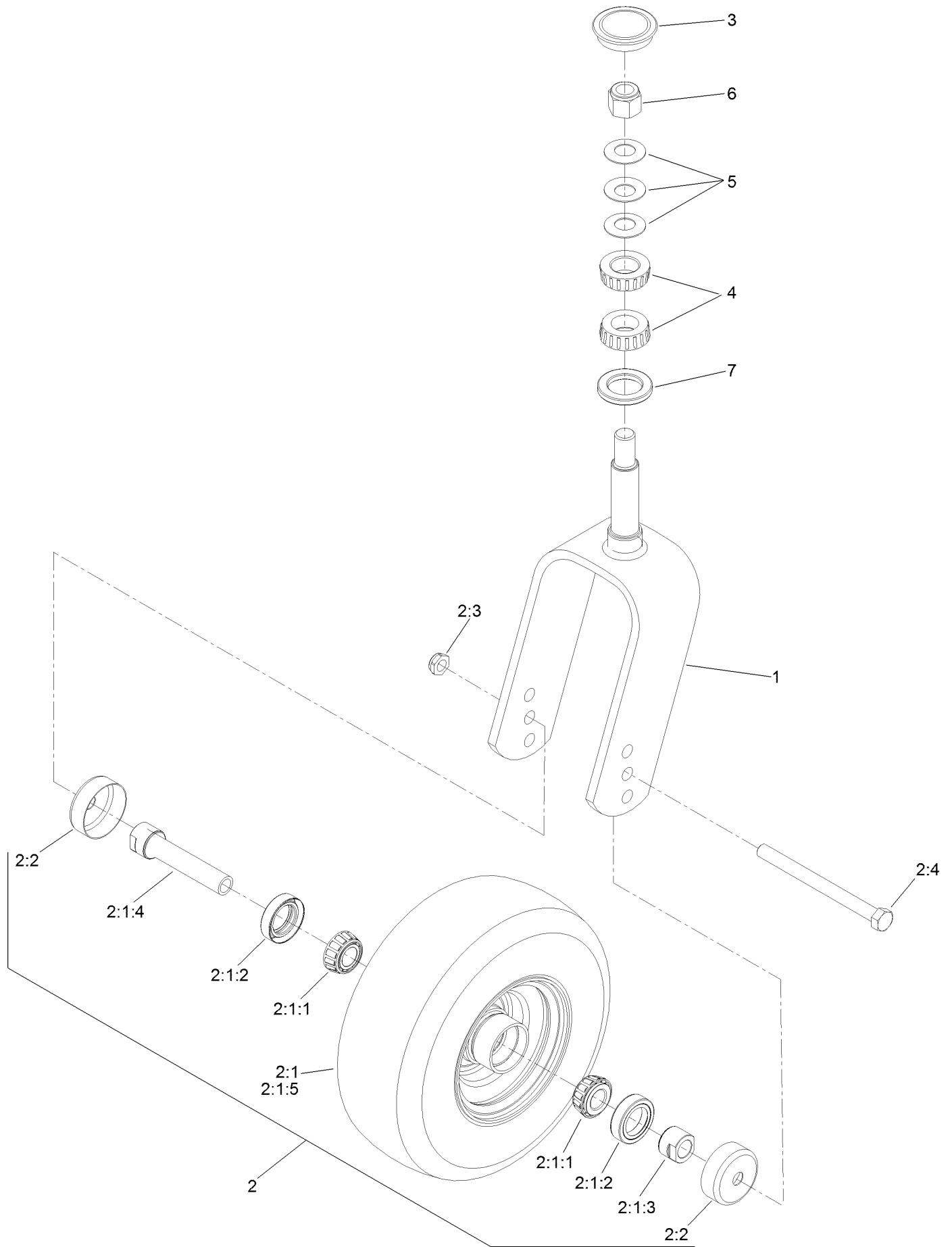
# LH Wing Deck W/Decals Assembly No. 142-6825



# LH Wing Deck W/Decals Assembly No. 142-6825 (continued)

| <i>Ref.</i> | <i>Part Number</i> | <i>Qty.</i> | <i>Description</i>             | <i>Ref.</i> | <i>Part Number</i> | <i>Qty.</i> | <i>Description</i>         |
|-------------|--------------------|-------------|--------------------------------|-------------|--------------------|-------------|----------------------------|
| 2           | 112-9028           | 1           | Decal-Cover, Missing           | 4           | 116-8283           | 1           | Decal-Torque, Bolt         |
| 3           | 135-0664           | 1           | Decal-Danger, Thrown<br>Object | 5           | 135-0670           | 1           | Decal-Warning, Pinch Point |
|             |                    |             |                                | 6           | 135-7200           | 6           | Nut-Clinch,Hex             |

# Caster Fork and Wheel Assembly





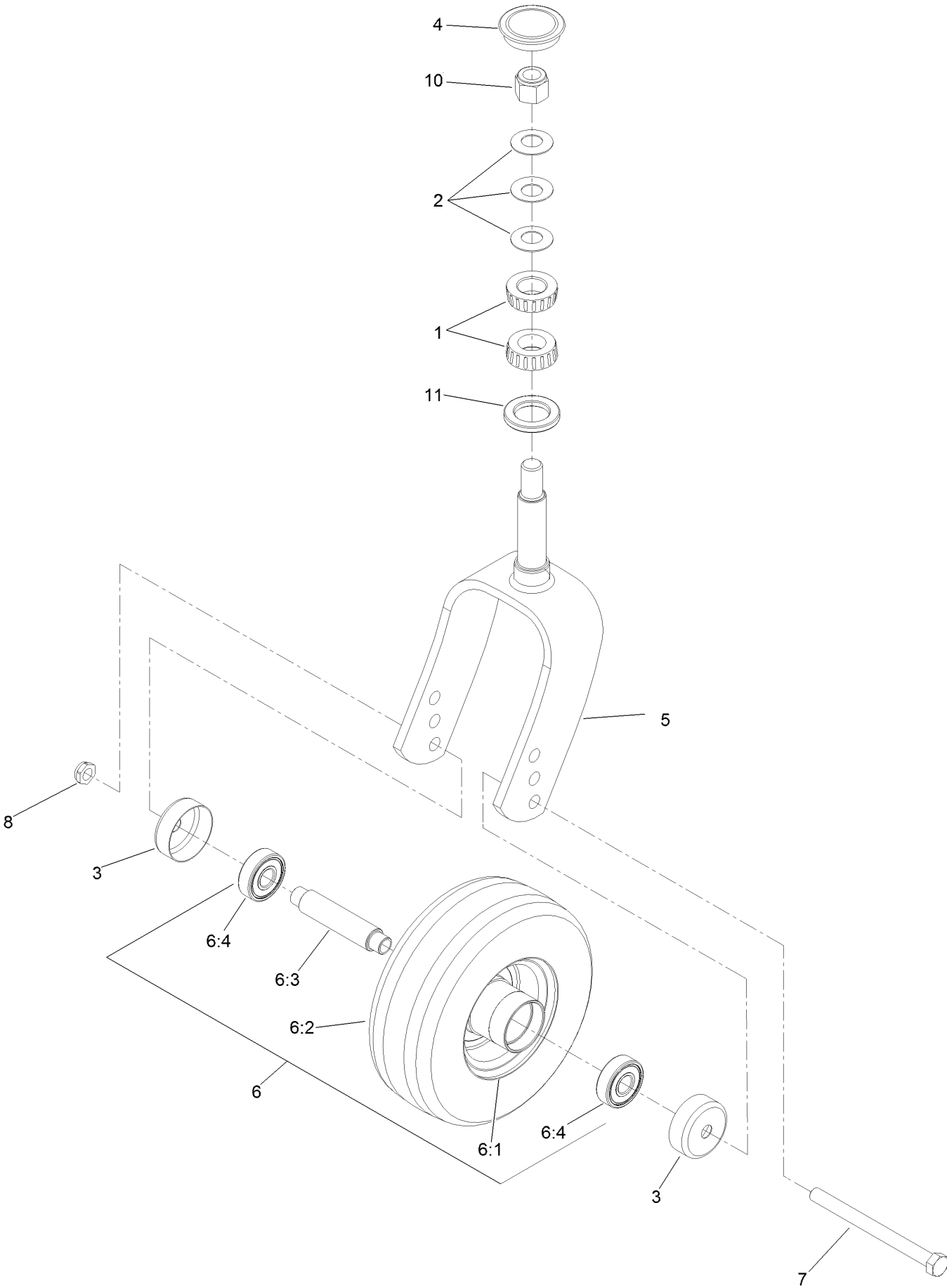
## Caster Fork and Wheel Assembly (continued)

| <i>Ref.</i> | <i>Part Number</i> | <i>Qty.</i> | <i>Description</i>            | <i>Ref.</i> | <i>Part Number</i> | <i>Qty.</i> | <i>Description</i>      |
|-------------|--------------------|-------------|-------------------------------|-------------|--------------------|-------------|-------------------------|
| 1           | 135-3794-01        | 1           | Fork-Caster                   | 2:2         | 103-2768           | 2           | Guard-Seal              |
| 2           | 130-4558           | 1           | Wheel/Tire And Bearing<br>ASM | 2:3         | 3296-45            | 1           | Nut-Hex                 |
| 2:1         |                    | 1           | Wheel And Bearing ASM ●       | 2:4         | 325-20             | 1           | Screw-HH                |
| 2:1:1       | 1-633585           | 2           | Bearing-Cone, Taper           | 3           | 103-4882           | 1           | Cap-Grease              |
| 2:1:2       | 103-0063           | 2           | Seal-Caster                   | 4           | 1-543509           | 2           | Bearing-Roller, Tapered |
| 2:1:3       | 103-3051           | 1           | Spacer-Nut ■                  | 5           | 1-633508           | 3           | Washer-Bellville        |
| 2:1:4       | 126-5359           | 1           | Caster Axle ASM               | 6           | 3296-51            | 1           | Nut-Lock, NI            |
| 2:1:5       | 130-4563           | 1           | Wheel And Tire ASM            | 7           | 1-543511           | 1           | Seal-Grease             |

● Not serviced separately

■ Use Pro-Lock, Nut Type (P/N 1-840022, .5ml tube) on spacer nut

# Rear Caster Wheel Assembly

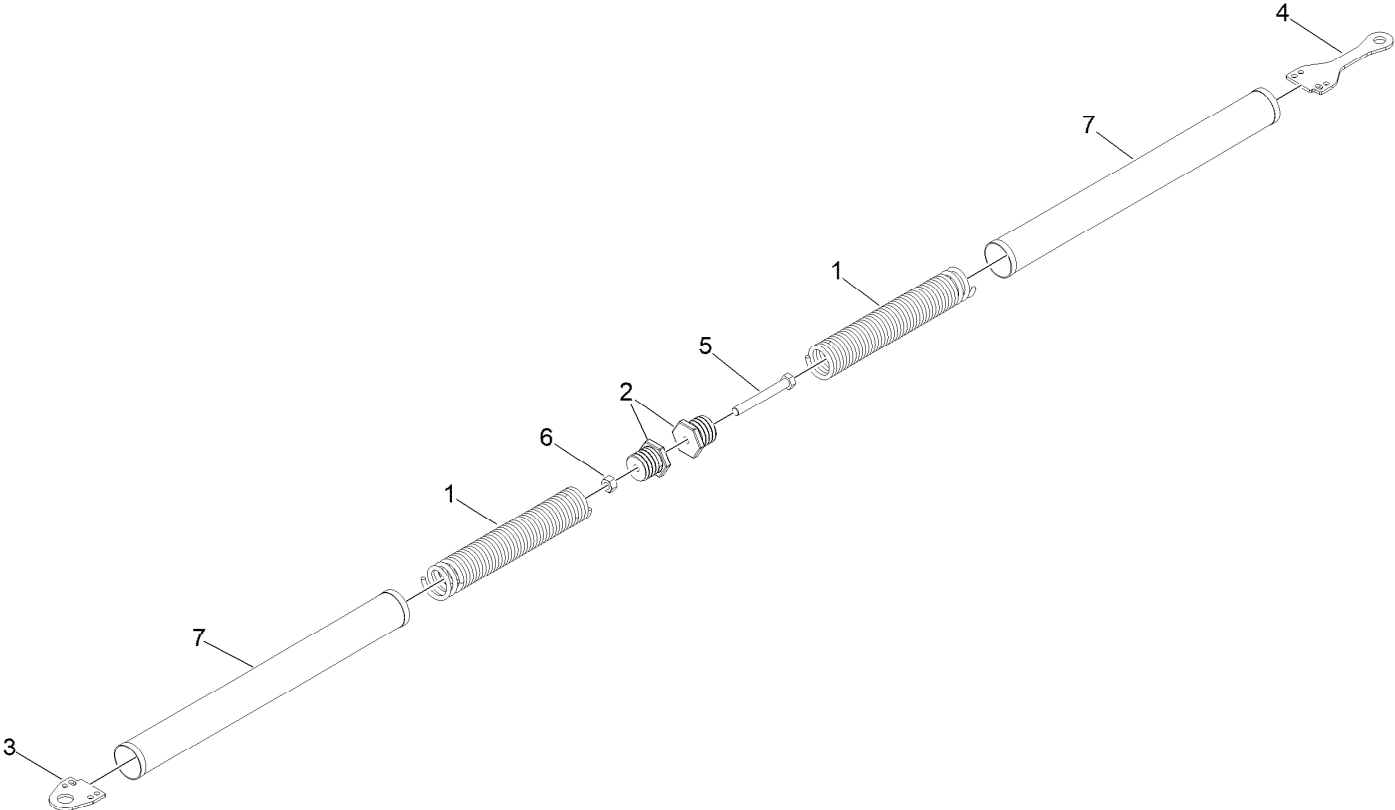


## Rear Caster Wheel Assembly (continued)

| <i>Ref.</i> | <i>Part Number</i> | <i>Qty.</i> | <i>Description</i>      | <i>Ref.</i> | <i>Part Number</i> | <i>Qty.</i> | <i>Description</i> |
|-------------|--------------------|-------------|-------------------------|-------------|--------------------|-------------|--------------------|
| 1           | 1-543509           | 2           | Bearing-Roller, Tapered | 6:2         | 112-7065           | 1           | Tire               |
| 2           | 1-633508           | 3           | Washer-Bellville        | 6:3         | 126-7904           | 1           | Axle-Caster        |
| 3           | 135-3218           | 2           | Guard, Seal             | 6:4         | 116-4004           | 2           | Bearing            |
| 4           | 103-4882           | 1           | Cap-Grease              | 7           | 325-20             | 1           | Screw-HH           |
| 5           | 135-3793-01        | 1           | Fork-Caster             | 8           | 3296-45            | 1           | Nut-Hex            |
| 6           |                    | 1           | Wheel And Tire ASM ●    | 10          | 3296-51            | 1           | Nut-Lock, NI       |
| 6:1         | 135-2646           | 1           | Wheel                   | 11          | 1-543511           | 1           | Seal-Grease        |

● Not serviced separately

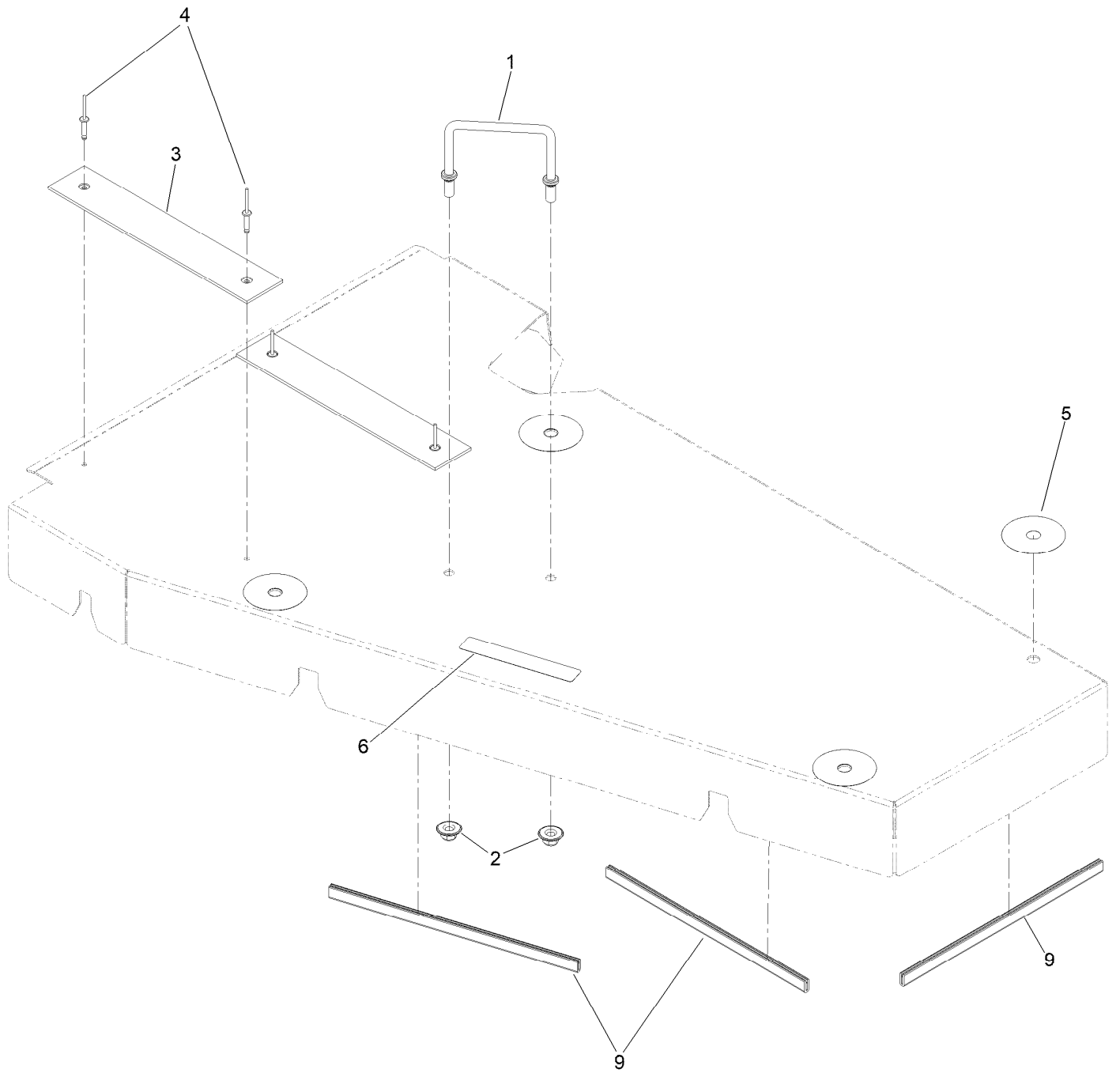
# Weight Transfer Spring Assembly No 142-6483



# Weight Transfer Spring Assembly No 142-6483 (continued)

| <i>Ref.</i> | <i>Part Number</i> | <i>Qty.</i> | <i>Description</i>    | <i>Ref.</i> | <i>Part Number</i> | <i>Qty.</i> | <i>Description</i> |
|-------------|--------------------|-------------|-----------------------|-------------|--------------------|-------------|--------------------|
| 1           | 103-4281           | 2           | Spring-Extension      | 5           | 116-3114           | 1           | Bolt-TAP           |
| 2           | 103-3772           | 2           | Plug-Adjuster, Spring | 6           | 3217-9             | 1           | Nut-Hex 1/2-13     |
| 3           | 126-7579           | 1           | Plate-Spring Eye      | 7           | 103-7971           | 2           | Cover-Spring, Deck |
| 4           | 142-6482           | 1           | Spring-Tab            |             |                    |             |                    |

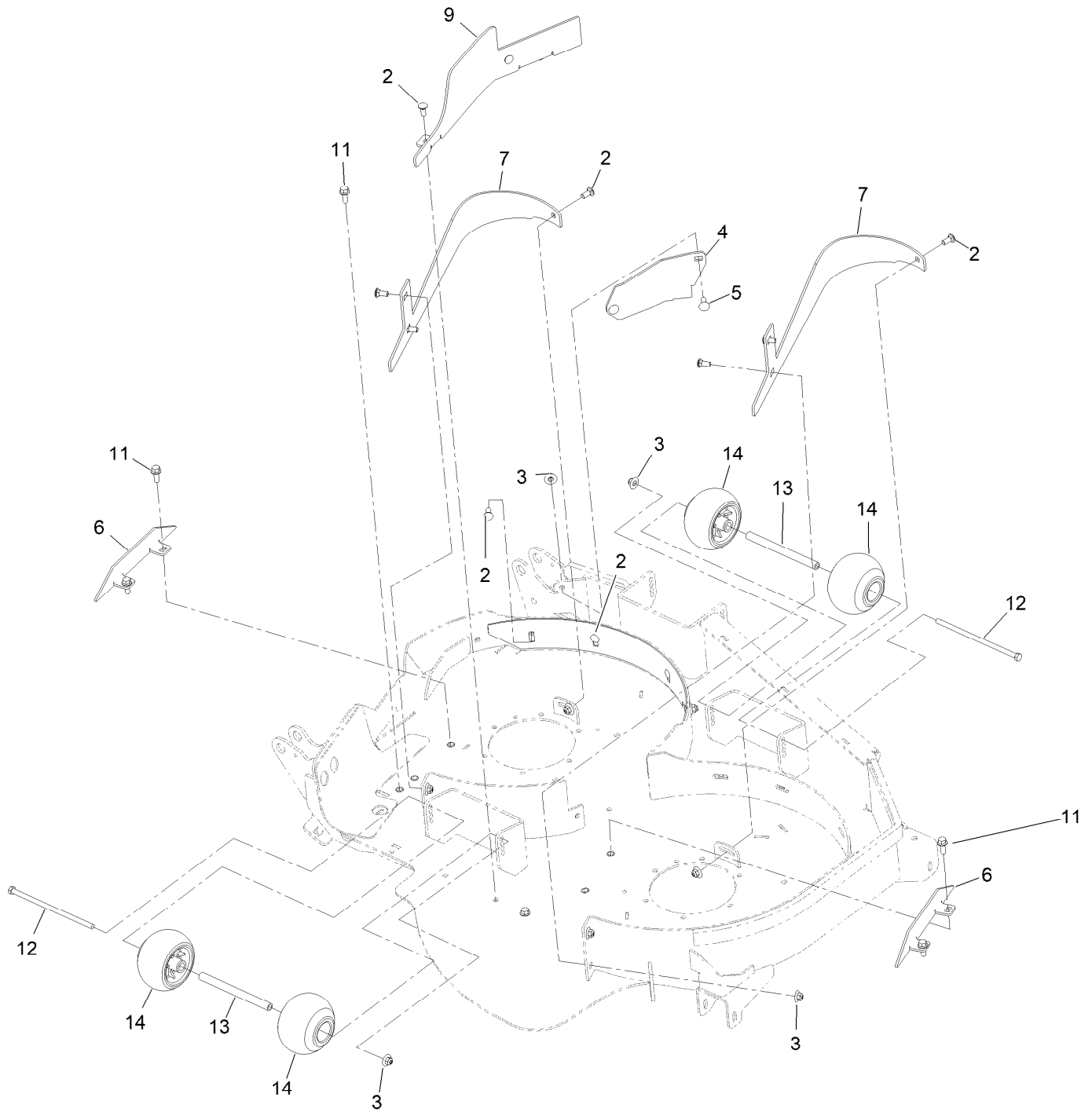
# LH Belt Shield Assembly No. 142-6623



# LH Belt Shield Assembly No. 142-6623 (continued)

| <i>Ref.</i> | <i>Part Number</i> | <i>Qty.</i> | <i>Description</i>   | <i>Ref.</i> | <i>Part Number</i> | <i>Qty.</i> | <i>Description</i>   |
|-------------|--------------------|-------------|----------------------|-------------|--------------------|-------------|----------------------|
| 1           | 109-6982           | 1           | Wireform-Cover       | 5           | 135-3165           | 4           | Decal-Cover, Scratch |
| 2           | 109-6658           | 2           | Nut-Nyloc 3/8-16 Flg | 6           | 93-6687            | 1           | Decal-No Step        |
| 3           | 135-6706           | 2           | Plate                | 9           | 142-6629           | 3           | Guard-Edge           |
| 4           | 133-7130           | 4           | Rivet-Pop            |             |                    |             |                      |

# LH Wing Deck Baffle and Roller Assembly

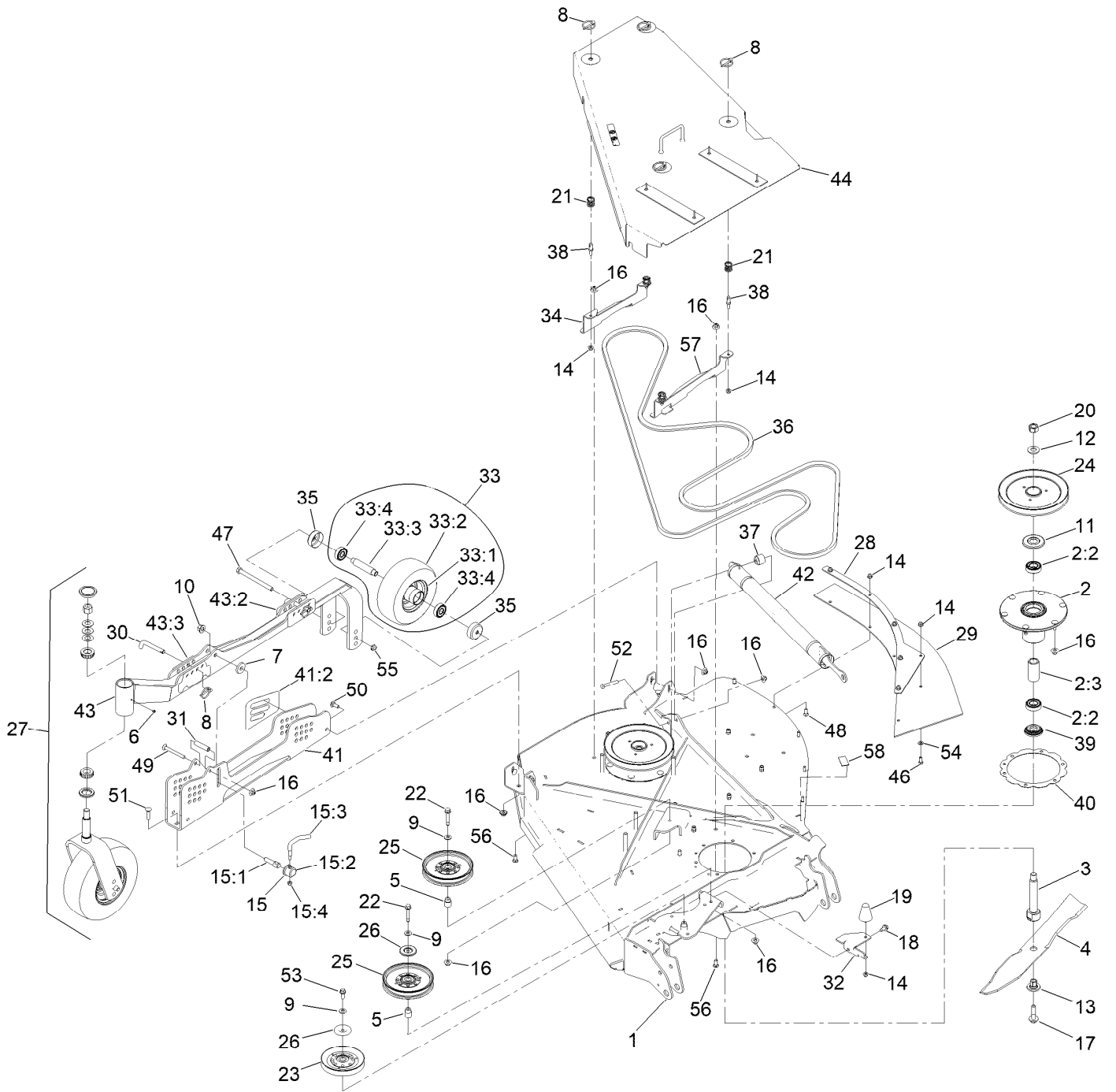




## LH Wing Deck Baffle and Roller Assembly (continued)

| <i>Ref.</i> | <i>Part Number</i> | <i>Qty.</i> | <i>Description</i>       | <i>Ref.</i> | <i>Part Number</i> | <i>Qty.</i> | <i>Description</i> |
|-------------|--------------------|-------------|--------------------------|-------------|--------------------|-------------|--------------------|
| 2           | 3231-12            | 9           | Bolt-CARR                | 9           | 135-7653-01        | 1           | Baffle-Center, LH  |
| 3           | 109-6658           | 13          | Nut-Flange, NI           | 11          | 3234-11            | 6           | Screw-HHF          |
| 4           | 126-9757-01        | 1           | Plate-Fill               | 12          | 99-7203            | 2           | Screw-HH           |
| 5           | 3231-2             | 2           | Bolt-CARR                | 13          | 126-6115           | 2           | Spacer-Wheel       |
| 6           | 142-2405-01        | 2           | Plate-Baffle Straight RH | 14          | 103-8415           | 4           | Roller-Anti-Scalp  |
| 7           | 135-7274-01        | 2           | Baffle-Dogleg, Outside   |             |                    |             |                    |

# RH Wing Deck Assembly

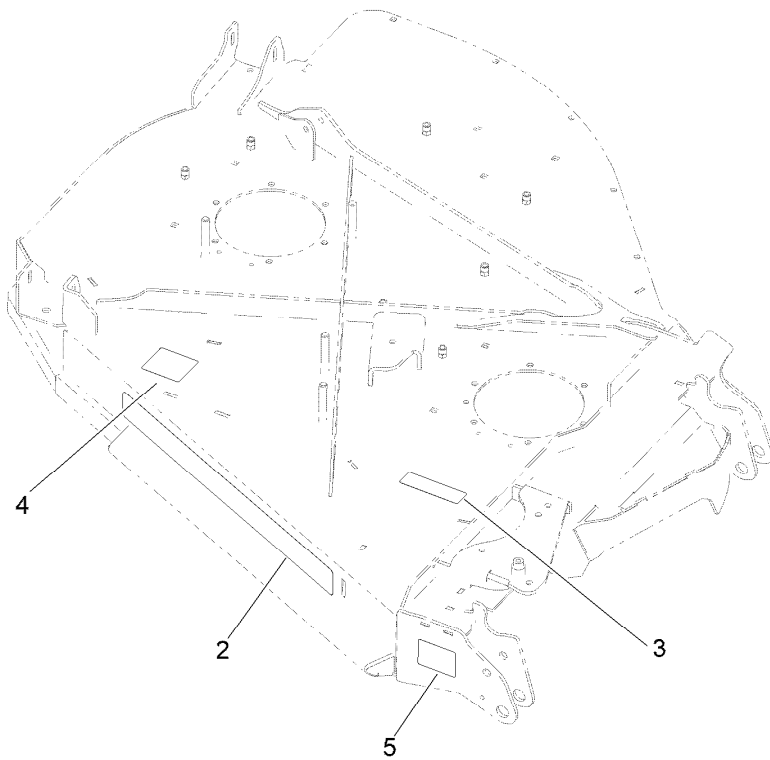
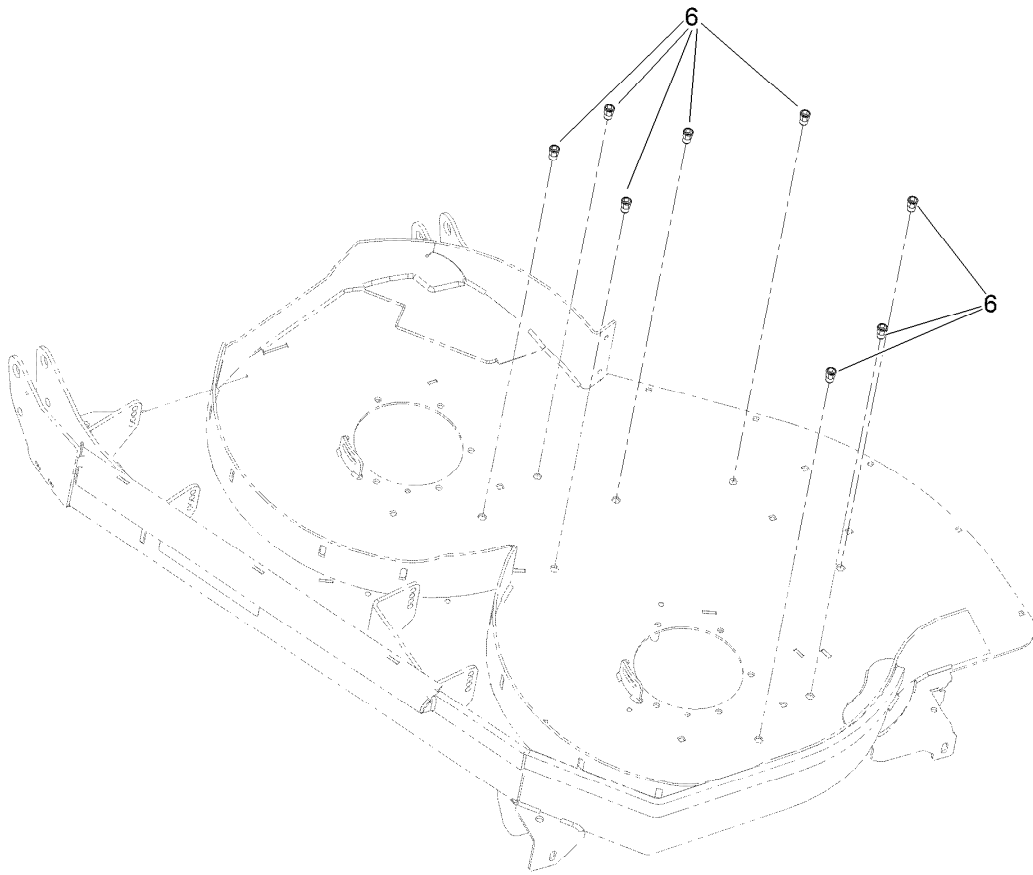


## RH Wing Deck Assembly (continued)

| <i>Ref.</i> | <i>Part Number</i> | <i>Qty.</i> | <i>Description</i>    | <i>Ref.</i> | <i>Part Number</i> | <i>Qty.</i> | <i>Description</i>                  |
|-------------|--------------------|-------------|-----------------------|-------------|--------------------|-------------|-------------------------------------|
| 1           | 142-6823           | 1           | ASM-RH Wing Deck 144  | 31          | 135-2424           | 1           | Spacer                              |
| 2           | 137-9780           | 2           | Spindle ASM           | 32          | 135-2611-01        | 1           | Bracket-Retainer, Cover             |
| 2:2         | 116-0720           | 2           | Bearing-Ball          | 33          | 135-2645           | 1           | Wheel And Tire ASM                  |
| 2:3         | 138-6042           | 1           | Spacer-Bearing        | 33:1        | 135-2646           | 1           | Wheel                               |
| 3           | 138-6045           | 2           | Shaft-Spindle         | 33:2        | 112-7065           | 1           | Tire                                |
| 4           | 140-1246           | 2           | Blade-24.50 Mulch     | 33:3        | 126-7904           | 1           | Axle-Caster                         |
| 5           | 1-633456           | 2           | Bushing, Idler        | 33:4        | 116-4004           | 2           | Bearing                             |
| 6           | 1-811010           | 1           | Plug                  | 34          | 135-2653-03        | 1           | Bracket-Shield Mount, Outer         |
| 7           | 30-8770            | 1           | Washer                | 35          | 135-3218           | 2           | Guard, Seal                         |
| 8           | 92-1298            | 6           | Pin-Lynch             | 36          | 135-5774           | 1           | Belt,V-5V-198.75                    |
| 9           | 98-5975            | 3           | Washer-Belleville     | 37          | 135-7307           | 1           | Bushing-Lift Spring                 |
| 10          | 99-5107            | 1           | Nut-Lock              | 38          | 135-7455           | 4           | Pin, Spring                         |
| 11          | 103-1330           | 2           | Guard-Bearing, Top    | 39          | 137-9784           | 2           | Guard-Bottom                        |
| 12          | 103-2802           | 2           | Washer                | 40          | 140-0986           | 2           | Ring-Spacer, Housing                |
| 13          | 137-9787           | 2           | Bushing-Hex           | 41          | 142-4470           | 1           | ASM-Channel, HOC RH<br>W/Decals     |
| 14          | 104-8300           | 11          | Nut-HF, NI            | 41:2        | 126-8760           | 2           | Decal-HOC, RH                       |
| 15          | 107-1664           | 1           | Lever ASM             | 42          | 142-6483           | 1           | ASM-Weight-Transfer-Spring          |
| 15:1        | 106-3239           | 1           | Screw-Lock            | 43          | 142-6581           | 1           | ASM-RH Gauge Wheel Arm              |
| 15:2        | 107-1644           | 1           | Cap-Lock              | 43:2        | 142-3501           | 2           | Plate-Guide, Rear                   |
| 15:3        | 106-3241           | 1           | Lever-Lock            | 43:3        | 142-3592           | 2           | Plate-Guide, Front                  |
| 15:4        | 3296-29            | 1           | Nut-Lock, NI          | 44          | 142-6633           | 1           | ASM-Belt Shield RH                  |
| 16          | 109-6658           | 26          | Nut-Flange, NI        | 46          | 322-3              | 1           | Screw-HH                            |
| 17          | 109-9220           | 2           | Screw-Sems            | 47          | 325-20             | 1           | Screw-HH                            |
| 18          | 110-9380           | 1           | Screw-HWH             | 48          | 3230-16            | 5           | Screw-CARR                          |
| 19          | 114-1925           | 1           | Bumper-Rubber         | 49          | 3231-11            | 1           | Screw-CARR                          |
| 20          | 116-7306           | 2           | Nut-Hex               | 50          | 3231-2             | 4           | Bolt-CARR                           |
| 21          | 126-1503           | 4           | Spring                | 51          | 3231-4             | 2           | Screw-CARR                          |
| 22          | 126-2956           | 2           | Screw-HHF             | 52          | 323-11             | 1           | Screw-HH                            |
| 23          | 126-2960           | 1           | Idler-V               | 53          | 3234-42            | 1           | Screw-HHF                           |
| 24          | 140-1185           | 2           | Sheave-Drive, Blade   | 54          | 3256-23            | 1           | Washer-Plain                        |
| 25          | 126-7685           | 2           | Idler-Pulley          | 55          | 3296-45            | 1           | Nut-Hex                             |
| 26          | 126-8043           | 3           | Shield-Dust           | 56          | 3231-12            | 4           | Bolt-CARR                           |
| 27          |                    | 1           | Caster Wheel ASM ●    | 57          | 142-6636-03        | 1           | Bracket-Shield Mount, Right<br>Long |
| 28          | 142-8360-03        | 1           | Support-RH Rear Guard | 58          | 130-0733           | 1           | Pad-Rubber                          |
| 29          | 142-8323           | 1           | Guard-RH Rear Wing    |             |                    |             |                                     |
| 30          | 135-2073           | 2           | Pin-HOC               |             |                    |             |                                     |

● Not serviced separately

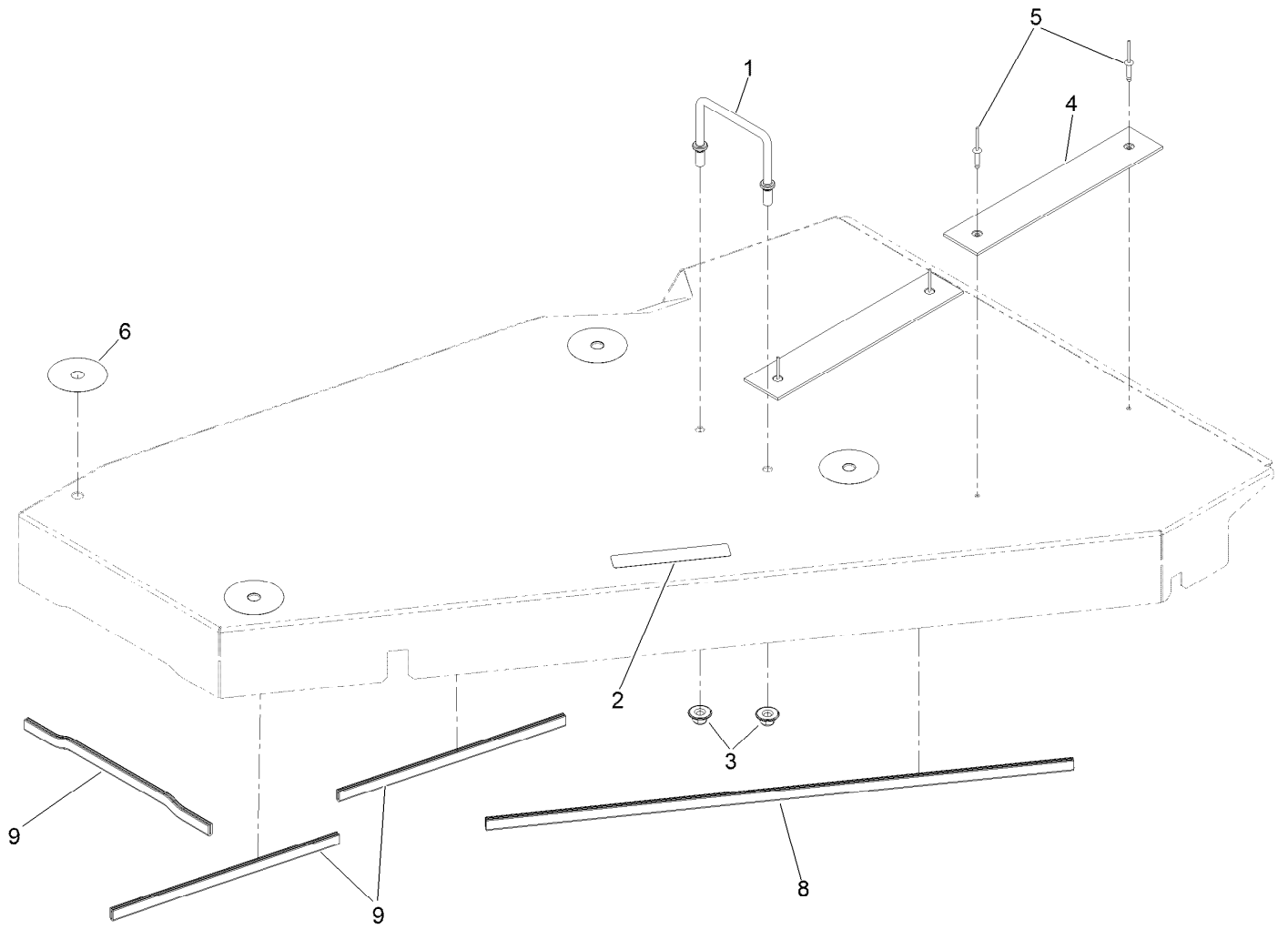
# RH Wing Deck Decal Assembly No. 142-6823



# RH Wing Deck Decal Assembly No. 142-6823 (continued)

| <i>Ref.</i> | <i>Part Number</i> | <i>Qty.</i> | <i>Description</i>             | <i>Ref.</i> | <i>Part Number</i> | <i>Qty.</i> | <i>Description</i>         |
|-------------|--------------------|-------------|--------------------------------|-------------|--------------------|-------------|----------------------------|
| 2           | 145-3596           | 1           | Decal-144 Inch                 | 5           | 135-0670           | 1           | Decal-Warning, Pinch Point |
| 3           | 112-9028           | 1           | Decal-Cover, Missing           | 6           | 135-7200           | 8           | Nut-Clinch,Hex             |
| 4           | 135-0664           | 1           | Decal-Danger, Thrown<br>Object |             |                    |             |                            |

# RH Belt Shield Assembly No. 142-6633

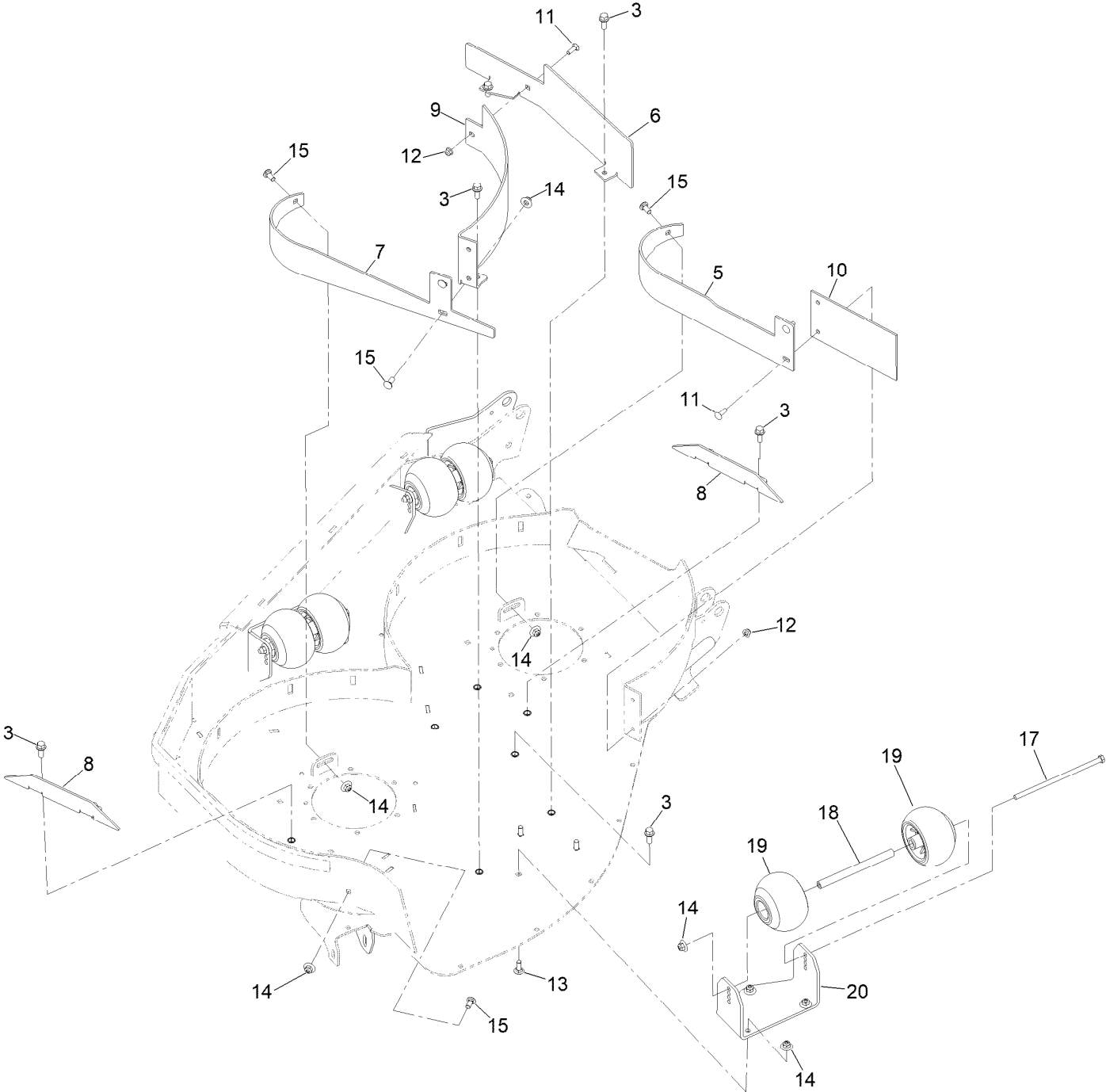


## RH Belt Shield Assembly No. 142-6633 (continued)

| <i>Ref.</i> | <i>Part Number</i> | <i>Qty.</i> | <i>Description</i>   |
|-------------|--------------------|-------------|----------------------|
| 1           | 109-6982           | 1           | Wireform-Cover       |
| 2           | 93-6687            | 1           | Decal-No Step        |
| 3           | 109-6658           | 2           | Nut-Nyloc 3/8-16 Flg |
| 4           | 135-6706           | 2           | Plate                |

| <i>Ref.</i> | <i>Part Number</i> | <i>Qty.</i> | <i>Description</i>   |
|-------------|--------------------|-------------|----------------------|
| 5           | 133-7130           | 4           | Rivet-Pop            |
| 6           | 135-3165           | 4           | Decal-Cover, Scratch |
| 8           | 142-6628           | 1           | Guard Edge           |
| 9           | 142-6629           | 2           | Guard-Edge           |

# RH Wing Deck Baffle and Roller Assembly

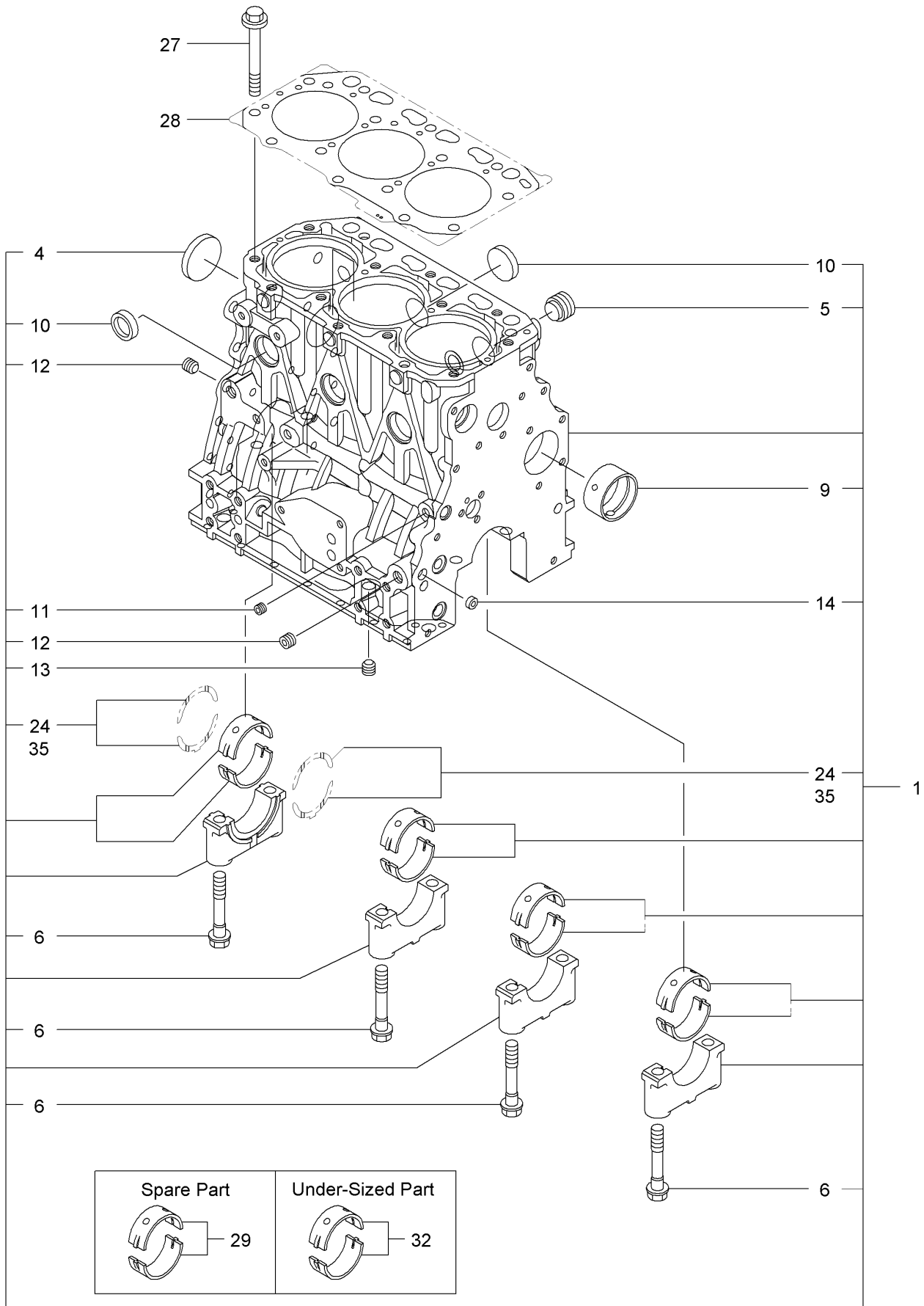




## RH Wing Deck Baffle and Roller Assembly (continued)

| <i>Ref.</i> | <i>Part Number</i> | <i>Qty.</i> | <i>Description</i>       | <i>Ref.</i> | <i>Part Number</i> | <i>Qty.</i> | <i>Description</i>    |
|-------------|--------------------|-------------|--------------------------|-------------|--------------------|-------------|-----------------------|
| 3           | 3234-11            | 8           | Screw-HHF                | 12          | 104-8300           | 2           | Nut-HF, NI            |
| 5           | 135-0795-01        | 1           | Baffle-Dogleg, RH        | 13          | 3231-2             | 3           | Bolt-CARR             |
| 6           | 135-7171-01        | 1           | Baffle-Ctr               | 14          | 109-6658           | 12          | Nut-Flange, NI        |
| 7           | 135-7274-01        | 1           | Baffle-Dogleg, Outside   | 15          | 3231-12            | 6           | Bolt-CARR             |
| 8           | 142-2405-01        | 2           | Plate-Baffle Straight RH | 17          | 99-7203            | 3           | Screw-HH              |
| 9           | 142-7551-01        | 1           | Baffle-Wing Rear Center  | 18          | 126-6115           | 3           | Spacer-Wheel          |
| 10          | 135-0091           | 1           | Flap-Rubber              | 19          | 103-8415           | 6           | Roller-Anti-Scalp     |
| 11          | 3230-22            | 2           | Screw-CARR               | 20          | 142-7550-01        | 1           | Plate-Rear As Bracket |

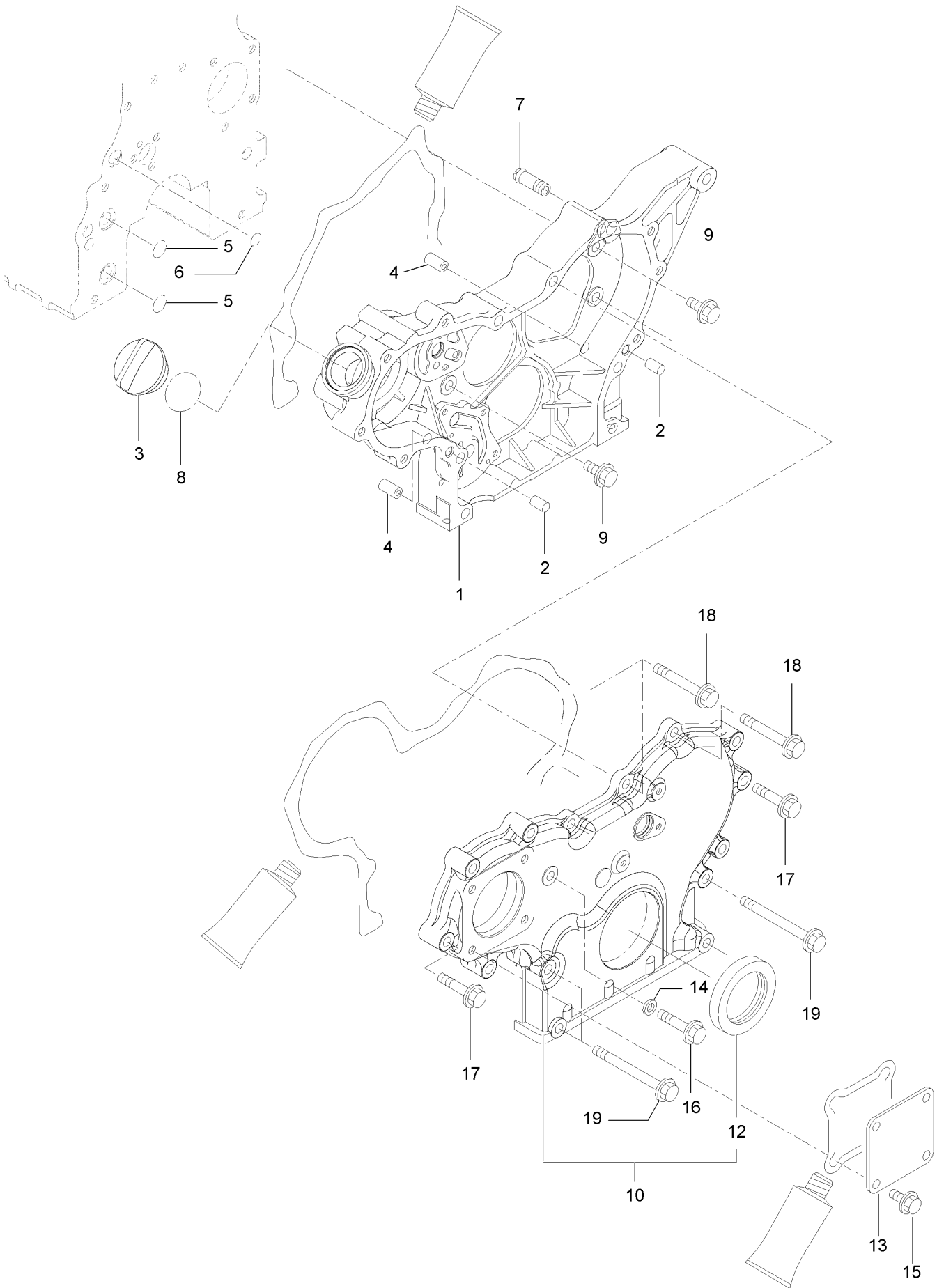
# Cylinder Block Assembly



## Cylinder Block Assembly (continued)

| <i>Ref.</i> | <i>Part Number</i> | <i>Qty.</i> | <i>Description</i> | <i>Ref.</i> | <i>Part Number</i> | <i>Qty.</i> | <i>Description</i>  |
|-------------|--------------------|-------------|--------------------|-------------|--------------------|-------------|---------------------|
| 1           | 127-3750           | 1           | Cylinder Block ASM | 13          | 125-6973           | 1           | Plug                |
| 4           | 125-6980           | 1           | Plug               | 14          | 125-7237           | 1           | Plug                |
| 5           | 125-7170           | 1           | Plug               | 24          | 125-7010           | 2           | Metal-Thrust        |
| 6           | 125-7007           | 8           | Bolt               | 27          | 125-7006           | 14          | Bolt                |
| 9           | 125-7108           | 1           | Bushing            | 28          | 127-3751           | 1           | Head Gasket ASM     |
| 10          | 140-7182           | 6           | Plug 30            | 29          | 125-6981           | 4           | Metal-Main          |
| 11          | 125-6969           | 1           | Plug               | 32          | 125-7009           | 4           | Metal-Main (0.25)   |
| 12          | 125-6973           | 2           | Plug               | 35          | 125-7011           | 1           | Metal-Thrust (0.25) |

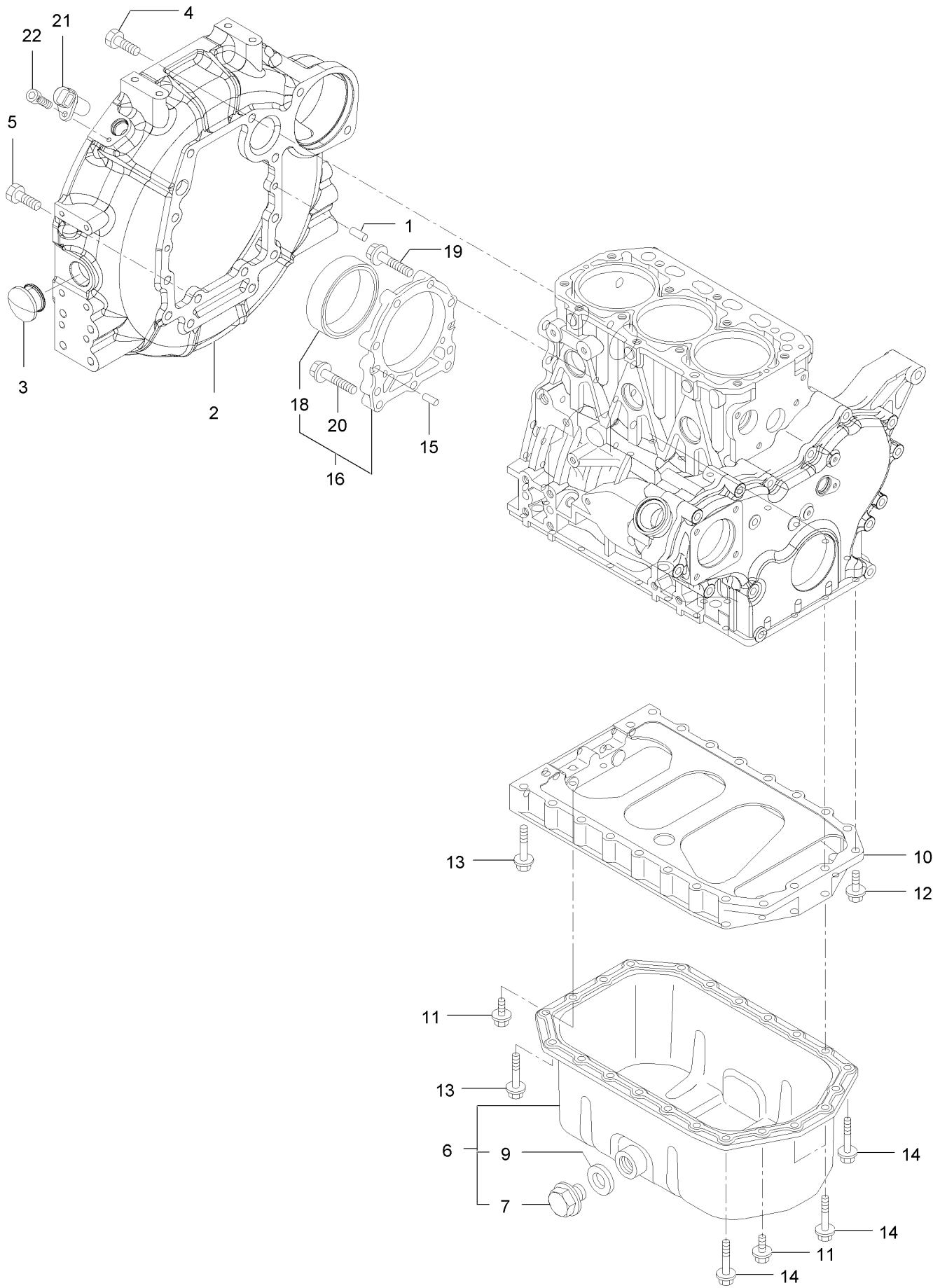
# Gear Housing Assembly



## Gear Housing Assembly (continued)

| <i>Ref.</i> | <i>Part Number</i> | <i>Qty.</i> | <i>Description</i> | <i>Ref.</i> | <i>Part Number</i> | <i>Qty.</i> | <i>Description</i> |
|-------------|--------------------|-------------|--------------------|-------------|--------------------|-------------|--------------------|
| 1           | 142-8721           | 1           | Case-Gear          | 10          | 127-3024           | 1           | Gearcase Cover ASM |
| 2           | 125-6995           | 2           | Pin                | 12          | 125-6944           | 1           | Seal-Oil           |
| 3           | 125-6972           | 1           | Cover-Filler       | 13          | 125-6977           | 1           | Cover              |
| 4           | 125-7107           | 2           | Pipe               | 14          | 125-7174           | 1           | Washer-Seal        |
| 5           | 125-6909           | 2           | O-Ring             | 15          | 125-7214           | 4           | Bolt               |
| 6           | 127-2973           | 1           | O-Ring             | 16          | 125-7217           | 1           | Bolt               |
| 7           | 127-3753           | 1           | Joint              | 17          | 125-7218           | 7           | Bolt               |
| 8           | 125-7197           | 1           | O-Ring             | 18          | 125-7222           | 3           | Bolt               |
| 9           | 125-7214           | 3           | Bolt               | 19          | 125-7224           | 4           | Bolt               |

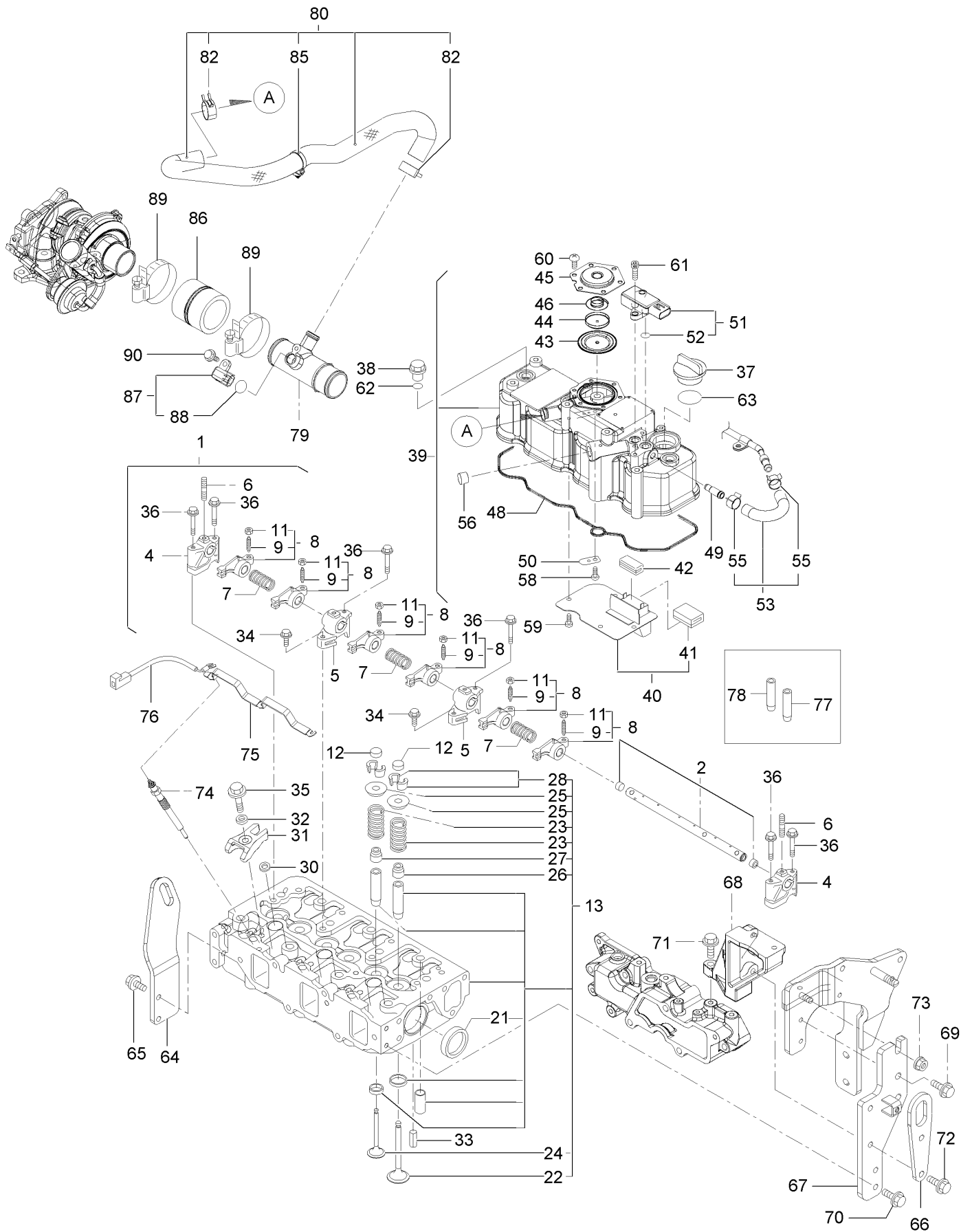
# Flywheel Housing and Oil Sump Assembly



## Flywheel Housing and Oil Sump Assembly (continued)

| <i>Ref.</i> | <i>Part Number</i> | <i>Qty.</i> | <i>Description</i> | <i>Ref.</i> | <i>Part Number</i> | <i>Qty.</i> | <i>Description</i>   |
|-------------|--------------------|-------------|--------------------|-------------|--------------------|-------------|----------------------|
| 1           | 125-6995           | 2           | Pin                | 12          | 125-7215           | 2           | Bolt                 |
| 2           | 127-4758           | 1           | Housing-Flywheel   | 13          | 125-7219           | 16          | Bolt                 |
| 3           | 125-6910           | 1           | Cap                | 14          | 125-7220           | 4           | Bolt                 |
| 4           | 125-7226           | 6           | Bolt               | 15          | 125-6995           | 2           | Pin                  |
| 5           | 125-7227           | 4           | Bolt               | 16          | 140-7173           | 1           | Oil Seal Case ASM    |
| 6           | 135-4010           | 1           | Oil Pan ASM        | 18          | 140-7174           | 1           | Seal-Oil             |
| 7           | 125-6912           | 1           | Plug-Drain         | 19          | 125-7045           | 6           | Bolt                 |
| 9           | 125-7177           | 1           | Washer-Seal        | 20          | 125-7217           | 3           | Bolt                 |
| 10          | 131-3863           | 1           | Spacer, Oil Pan    | 21          | 127-3062           | 1           | Sensor-Rev, Flywheel |
| 11          | 125-7214           | 4           | Bolt               | 22          | 127-3184           | 1           | Bolt                 |

# Cylinder Head and Cover Assembly

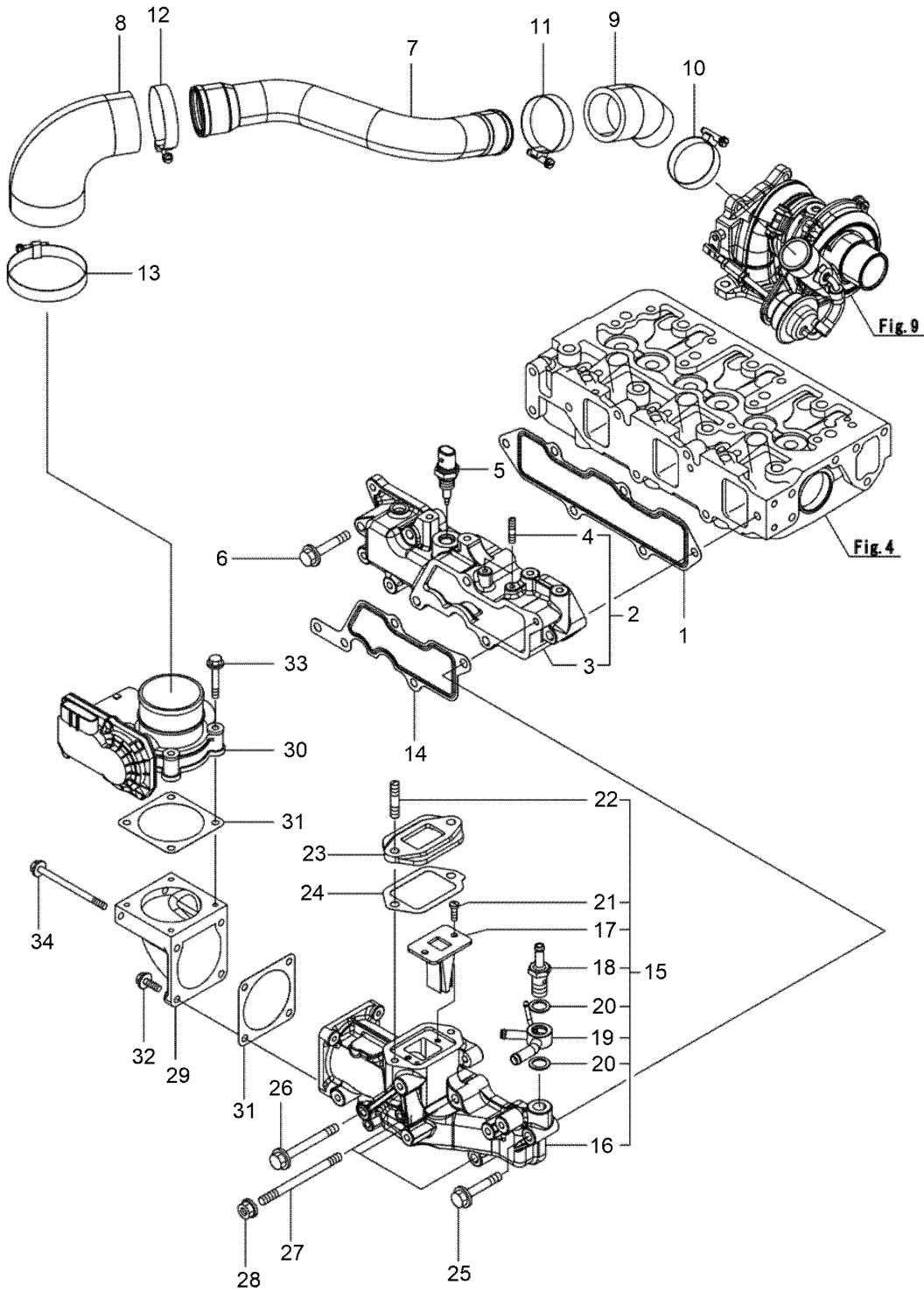




## Cylinder Head and Cover Assembly (continued)

| <i>Ref.</i> | <i>Part Number</i> | <i>Qty.</i> | <i>Description</i>             | <i>Ref.</i> | <i>Part Number</i> | <i>Qty.</i> | <i>Description</i>      |
|-------------|--------------------|-------------|--------------------------------|-------------|--------------------|-------------|-------------------------|
| 1           | 127-3757           | 1           | Shaft ASM                      | 49          | 127-3026           | 1           | Joint                   |
| 2           | 127-3758           | 1           | Shaft                          | 50          | 125-6994           | 1           | Spring                  |
| 4           | 127-2974           | 2           | Support                        | 51          | 127-3029           | 1           | Sensor-Pressure         |
| 5           | 127-2975           | 2           | Support                        | 52          | 127-3032           | 2           | O Ring-Sensor, Pressure |
| 6           | 135-4012           | 3           | Bolt,Stud                      | 53          | 127-3040           | 1           | Hose ASM                |
| 7           | 127-2995           | 3           | Spring                         | 55          | 127-3041           | 2           | Clip-Hose               |
| 8           | 127-2989           | 6           | Arm-Rocker                     | 56          | 125-6913           | 1           | Plug                    |
| 9           | 125-7013           | 6           | Screw-Adjust, Valve            | 58          | 125-7186           | 1           | Screw                   |
| 11          | 125-7014           | 6           | Nut                            | 59          | 125-7186           | 4           | Screw                   |
| 12          | 127-2996           | 6           | Cap-Valve                      | 60          | 125-7186           | 6           | Screw                   |
| 13          | 127-3760           | 1           | Cylinder Head ASM              | 61          | 127-3184           | 2           | Bolt                    |
| 21          | 125-7240           | 2           | Plug                           | 62          | 138-7829           | 3           | O-Ring                  |
| 22          | 127-2990           | 3           | Valve                          | 63          | 125-7197           | 1           | O-Ring                  |
| 23          | 127-3012           | 6           | Spring                         | 64          | 127-4718           | 1           | Lifter-Engine           |
| 24          | 127-2994           | 3           | Valve                          | 65          | 125-7595           | 2           | Bolt                    |
| 25          | 127-3013           | 6           | Retainer-Spring                | 66          | 127-3091           | 1           | Lifter-Engine           |
| 26          | 127-2986           | 3           | Seal-Stem, Valve               | 67          | 127-3095           | 1           | Stay-D P F              |
| 27          | 127-3027           | 3           | Seal-Stem, Valve               | 68          | 127-3105           | 1           | Stay-Bracket, Filter    |
| 28          | 127-3186           | 6           | Pin-Cotter                     | 69          | 125-7595           | 2           | Bolt                    |
| 30          | 127-3021           | 3           | Gasket-Injector                | 70          | 125-7595           | 2           | Bolt                    |
| 31          | 127-3028           | 3           | Retainer-Injector              | 71          | 125-7215           | 1           | Bolt                    |
| 32          | 127-2980           | 3           | Washer-Injector                | 72          | 125-7216           | 2           | Bolt                    |
| 33          | 125-7184           | 2           | Pin-Spring                     | 73          | 125-7229           | 1           | Nut                     |
| 34          | 125-7215           | 2           | Bolt                           | 74          | 127-2991           | 3           | Plug-Glow               |
| 35          | 125-7217           | 3           | Bolt                           | 75          | 127-3768           | 1           | Connector-Plug, Glow    |
| 36          | 125-7220           | 6           | Bolt                           | 76          | 131-2704           | 1           | Harness-Wire            |
| 37          | 125-6972           | 1           | Cover-Filler                   | 77          | 127-2979           | 3           | Guide                   |
| 38          | 125-6974           | 3           | Knob                           | 78          | 127-2997           | 3           | Guide-Valve             |
| 39          | 139-6019           | 1           | Cylinder Head ASM              | 79          | 131-3864           | 1           | Joint, Breather         |
| 40          | 127-2988           | 1           | Plate                          | 80          | 131-3865           | 1           | Hose Assy, Breather     |
| 41          | 125-6920           | 1           | Baffle                         | 82          | 125-7040           | 2           | Clip-Hose               |
| 42          | 125-7012           | 1           | Baffle                         | 85          | 127-3087           | 1           | Band-Clip               |
| 43          | 125-6959           | 1           | Diaphragm                      | 86          | 142-8736           | 1           | Hose-Air                |
| 44          | 125-6960           | 1           | Plate                          | 87          | 127-3030           | 1           | Sensor-Temp, Air        |
| 45          | 125-6961           | 1           | Plate-Breather                 | 88          | 127-3033           | 1           | O-Ring                  |
| 46          | 125-6962           | 1           | Spring-Diaphragm               | 89          | 127-3170           | 2           | Clamp-Hose              |
| 48          | 127-3762           | 1           | Gasket-Cover, Cylinder<br>Head | 90          | 125-7208           | 1           | Bolt                    |

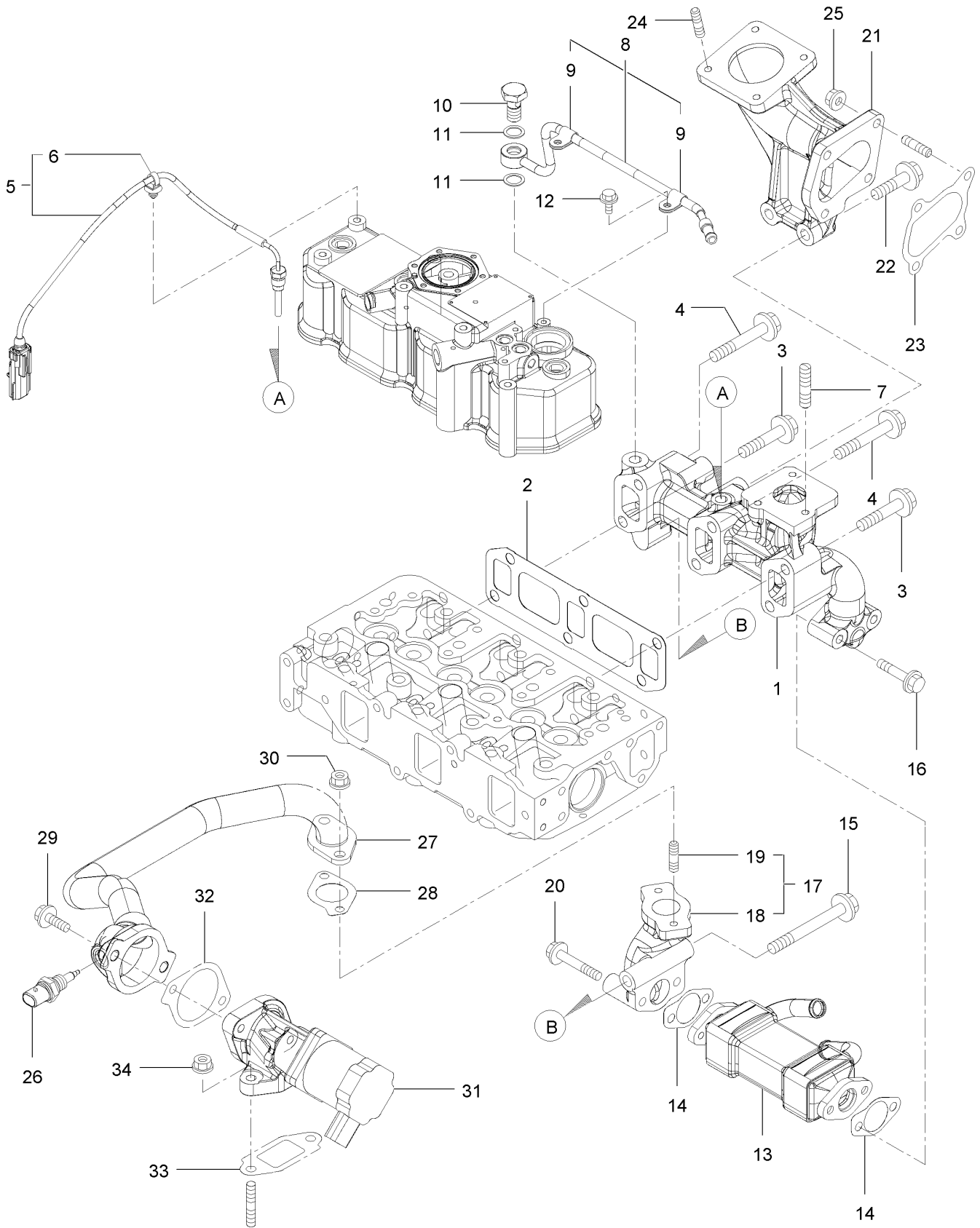
# Suction Manifold Assembly



## Suction Manifold Assembly (continued)

| <i>Ref.</i> | <i>Part Number</i> | <i>Qty.</i> | <i>Description</i>      | <i>Ref.</i> | <i>Part Number</i> | <i>Qty.</i> | <i>Description</i>  |
|-------------|--------------------|-------------|-------------------------|-------------|--------------------|-------------|---------------------|
| 1           | 127-3769           | 1           | Gasket-Manifold, Intake | 18          | 127-3080           | 1           | Joint-Hose          |
| 2           | 127-3770           | 1           | Intake Manifold ASM     | 19          | 127-3081           | 1           | Joint-Hose          |
| 3           | 127-3771           | 1           | Manifold-Intake, Air    | 20          | 127-3166           | 2           | Washer-Seal         |
| 4           | 127-3180           | 2           | Stud                    | 21          | 127-3168           | 2           | Screw               |
| 5           | 137-5167           | 1           | Sensor-Temperature, Air | 22          | 138-7831           | 2           | Stud, M8X 35        |
| 6           | 125-7220           | 3           | Bolt                    | 23          | 127-3045           | 1           | Spacer-Valve, E G R |
| 7           | 127-3772           | 1           | Duct Suction            | 24          | 127-3046           | 1           | Gasket-E G R        |
| 8           | 127-3096           | 1           | Joint-Rubber            | 25          | 125-7220           | 1           | Bolt                |
| 9           | 127-3773           | 1           | Joint, Rubber           | 26          | 127-3178           | 1           | Bolt                |
| 10          | 125-7189           | 1           | Clamp-Hose              | 27          | 127-3182           | 3           | Stud                |
| 11          | 127-3170           | 1           | Clamp-Hose              | 28          | 125-7229           | 3           | Nut                 |
| 12          | 125-7190           | 1           | Clamp-Hose              | 29          | 127-3035           | 1           | Bend-Inlet          |
| 13          | 127-3171           | 1           | Clamp-Hose              | 30          | 127-3036           | 1           | Body-Throttle       |
| 14          | 127-3034           | 1           | Gasket-Collector        | 31          | 127-3037           | 2           | Gasket-Throttle     |
| 15          | 127-3093           | 1           | Intake Collector ASM    | 32          | 125-7209           | 2           | Bolt                |
| 16          | 127-3092           | 1           | Collector-Intake        | 33          | 125-7211           | 4           | Bolt                |
| 17          | 127-3139           | 1           | Valve-Reed              | 34          | 127-3177           | 2           | Bolt                |

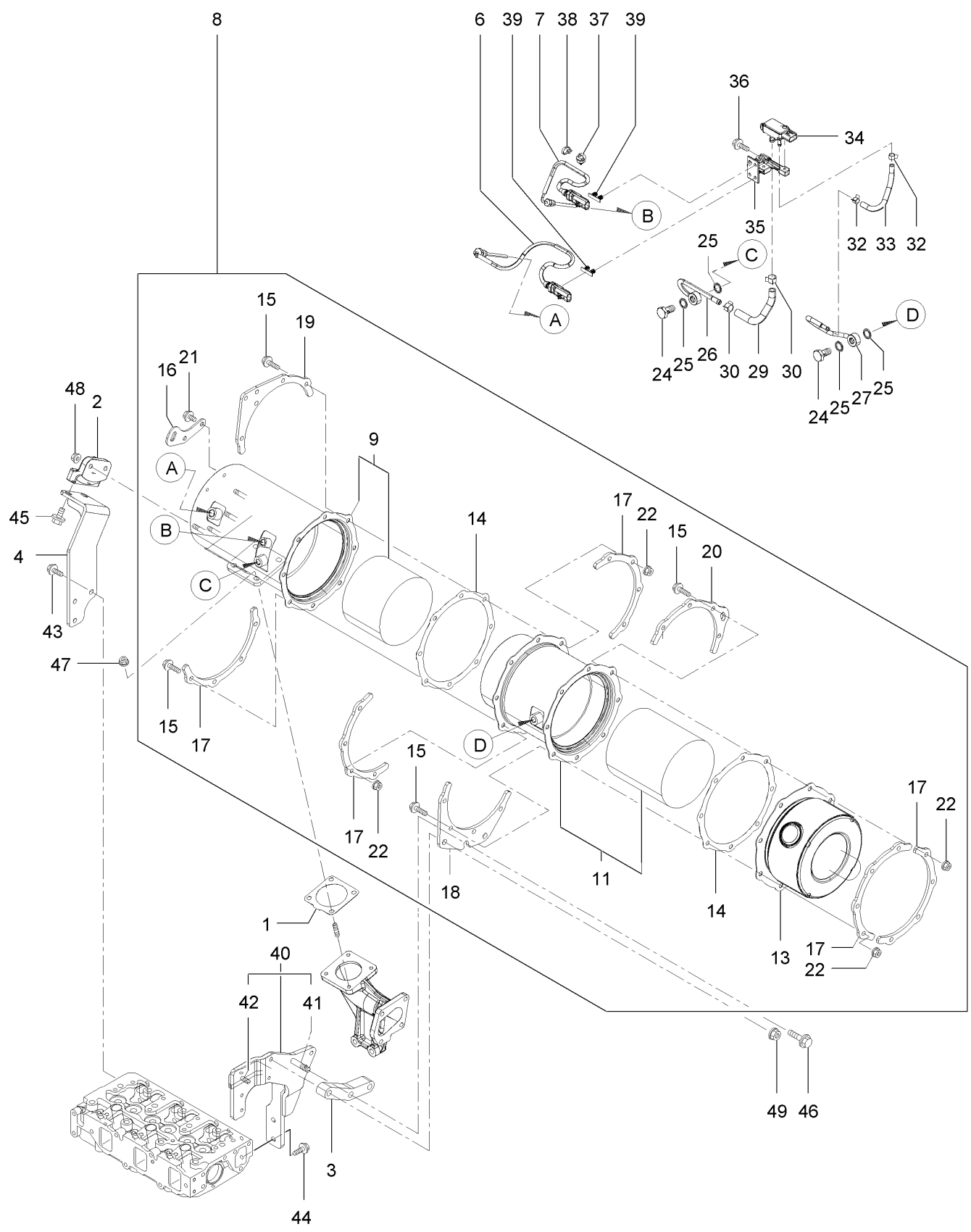
# Gasket Manifold Assembly



## Gasket Manifold Assembly (continued)

| <i>Ref.</i> | <i>Part Number</i> | <i>Qty.</i> | <i>Description</i>       | <i>Ref.</i> | <i>Part Number</i> | <i>Qty.</i> | <i>Description</i>         |
|-------------|--------------------|-------------|--------------------------|-------------|--------------------|-------------|----------------------------|
| 1           | 127-3774           | 1           | Manifold-Exhaust         | 18          | 127-3049           | 1           | Pipe-Out, E G R            |
| 2           | 127-3775           | 1           | Gasket-Manifold, Exhaust | 19          | 125-7043           | 2           | Stud                       |
| 3           | 135-4013           | 2           | Bolt                     | 20          | 125-7220           | 2           | Bolt                       |
| 4           | 131-3866           | 4           | Bolt, M10X65 10.9T       | 21          | 131-3867           | 1           | Pipe, Exhaust              |
| 5           | 127-3777           | 1           | Sensor-Temp, Exhaust     | 22          | 133-6792           | 2           | Bolt                       |
| 6           | 127-3087           | 1           | Band-Clip                | 23          | 127-3779           | 1           | Gasket-Out, T C            |
| 7           | 125-7043           | 3           | Stud                     | 24          | 125-6906           | 4           | Stud                       |
| 8           | 127-3038           | 1           | Exhaust Pipe ASM         | 25          | 125-7229           | 4           | Nut                        |
| 9           | 127-3173           | 2           | Clamp                    | 26          | 137-5168           | 1           | Sensor-Gas Temp, E G R     |
| 10          | 127-3039           | 1           | Bolt-Joint, Pipe         | 27          | 127-3780           | 1           | E G R Pipe ASM             |
| 11          | 127-3174           | 2           | Gasket                   | 28          | 127-3016           | 1           | Gasket                     |
| 12          | 125-7206           | 2           | Bolt                     | 29          | 125-7215           | 2           | Bolt                       |
| 13          | 127-3042           | 1           | Cooler-E G R             | 30          | 125-7229           | 2           | Nut                        |
| 14          | 127-3043           | 2           | Gasket-Cooler, E G R     | 31          | 127-3781           | 1           | Valve-E G R                |
| 15          | 135-4016           | 1           | Bolt                     | 32          | 127-3050           | 1           | Gasket-Intake Valve, E G R |
| 16          | 135-4015           | 2           | Bolt                     | 33          | 127-3051           | 1           | Gasket-Out Valve, E G R    |
| 17          | 127-3048           | 1           | E G R Pipe ASM           | 34          | 125-7229           | 2           | Nut                        |

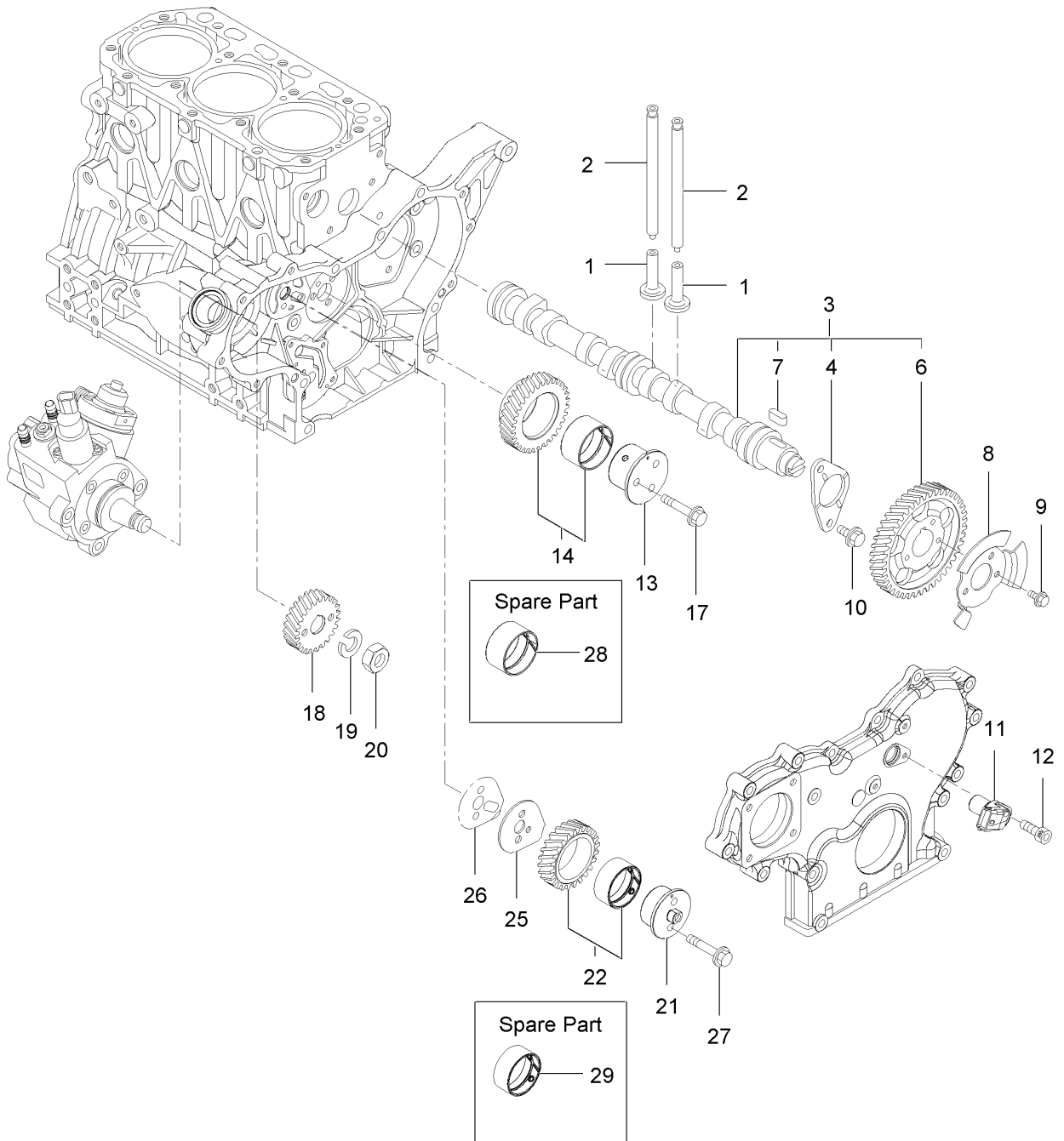
# Diesel Particulate Filter (DPF) Assembly



## Diesel Particulate Filter (DPF) Assembly (continued)

| <i>Ref.</i> | <i>Part Number</i> | <i>Qty.</i> | <i>Description</i>   | <i>Ref.</i> | <i>Part Number</i> | <i>Qty.</i> | <i>Description</i>     |
|-------------|--------------------|-------------|----------------------|-------------|--------------------|-------------|------------------------|
| 1           | 127-3019           | 1           | Gasket               | 27          | 127-4745           | 1           | Sensor Pipe ASM        |
| 2           | 127-4739           | 1           | Stay-D P F           | 29          | 140-7175           | 1           | Hose-Pressure          |
| 3           | 131-3868           | 1           | Stay, Dpf            | 30          | 127-3057           | 2           | Clip-Hose              |
| 4           | 131-3869           | 1           | Stay, Dpf            | 32          | 127-3058           | 2           | Clip-Hose              |
| 6           | 142-8722           | 1           | Sensor-Temp, Exhaust | 33          | 142-8726           | 1           | Hose, Exhaust Pressure |
| 7           | 142-8723           | 1           | Sensor-Temp, Exhaust | 34          | 127-3060           | 1           | Sensor-Pressure        |
| 8           | 142-8724           | 1           | D P F ASM            | 35          | 127-4750           | 1           | Bracket-Sensor         |
| 9           | 142-8725           | 1           | Case, Doc            | 36          | 125-7595           | 2           | Bolt                   |
| 11          | 131-3872           | 1           | Case, Soot Filter    | 37          | 127-3087           | 1           | Band-Clip              |
| 13          | 127-3786           | 1           | Silencer-D P F       | 38          | 127-3124           | 1           | Band                   |
| 14          | 127-3787           | 2           | Gasket-D P F         | 39          | 127-3088           | 2           | Clip-Connector         |
| 15          | 127-3055           | 16          | Bolt                 | 40          | 131-3878           | 1           | Stay, Dpf              |
| 16          | 127-3788           | 1           | Lifter-D P F         | 41          | 142-8727           | 1           | Bolt-Stud              |
| 17          | 127-3789           | 5           | Stiffener-D P F, A   | 42          | 142-8728           | 1           | Bolt-Stud              |
| 18          | 131-3874           | 1           | Stiffener, Dpf B     | 43          | 125-7214           | 3           | Bolt                   |
| 19          | 131-3875           | 1           | Stiffener, Dpf C     | 44          | 125-7595           | 2           | Bolt                   |
| 20          | 127-3792           | 1           | Stiffener-D P F, C   | 45          | 130-7444           | 2           | Bolt                   |
| 21          | 93-0362            | 2           | Bolt                 | 46          | 131-3879           | 2           | Bolt, M10X 40 Plated   |
| 22          | 125-7229           | 16          | Nut                  | 47          | 125-7229           | 4           | Nut                    |
| 24          | 127-3039           | 2           | Bolt-Joint, Pipe     | 48          | 125-7229           | 2           | Nut                    |
| 25          | 127-3056           | 4           | Gasket-Sensor        | 49          | 125-7230           | 1           | Nut                    |
| 26          | 127-4744           | 1           | Sensor Pipe ASM      |             |                    |             |                        |

# Camshaft and Driving Gear Assembly

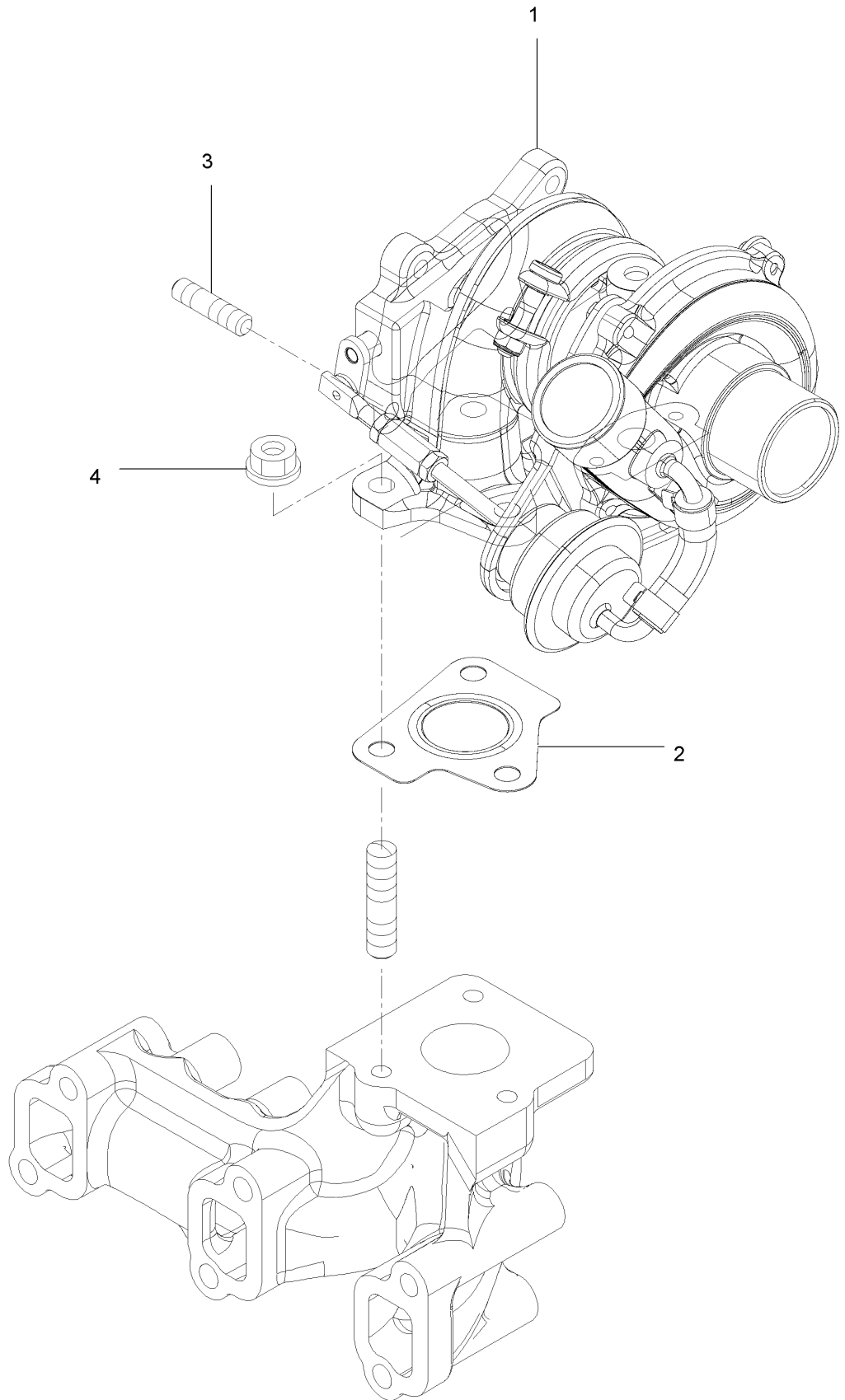




## Camshaft and Driving Gear Assembly (continued)

| <i>Ref.</i> | <i>Part Number</i> | <i>Qty.</i> | <i>Description</i> | <i>Ref.</i> | <i>Part Number</i> | <i>Qty.</i> | <i>Description</i>   |
|-------------|--------------------|-------------|--------------------|-------------|--------------------|-------------|----------------------|
| 1           | 125-7016           | 6           | Tappet             | 14          | 127-3066           | 1           | Idle Gear A ASM      |
| 2           | 125-7017           | 6           | Rod-Push           | 17          | 125-7219           | 3           | Bolt                 |
| 3           | 127-3797           | 1           | Camshaft ASM       | 18          | 127-3070           | 1           | Gear-Pump, Supply    |
| 4           | 125-7008           | 1           | Metal-Thrust       | 19          | 127-3167           | 1           | Washer-Spring        |
| 6           | 127-3052           | 1           | Gear-Camshaft      | 20          | 127-3185           | 1           | Nut-Lock             |
| 7           | 125-7185           | 1           | Key                | 21          | 127-3064           | 1           | Shaft-Idle, Gear B   |
| 8           | 131-3880           | 1           | Pulser, Camshaft   | 22          | 127-3067           | 1           | Idle Gear B ASM      |
| 9           | 125-7205           | 3           | Bolt               | 25          | 127-3068           | 1           | Plate-Idle, Shaft    |
| 10          | 125-7213           | 2           | Bolt               | 26          | 127-3069           | 1           | Gasket-Idle, Shaft B |
| 11          | 127-3054           | 1           | Sensor-Rev, Gear   | 27          | 125-7218           | 2           | Bolt                 |
| 12          | 127-3184           | 1           | Bolt               | 28          | 125-6927           | 1           | Bushing              |
| 13          | 127-3063           | 1           | Shaft-Idle, Gear A | 29          | 127-3065           | 1           | Bushing              |

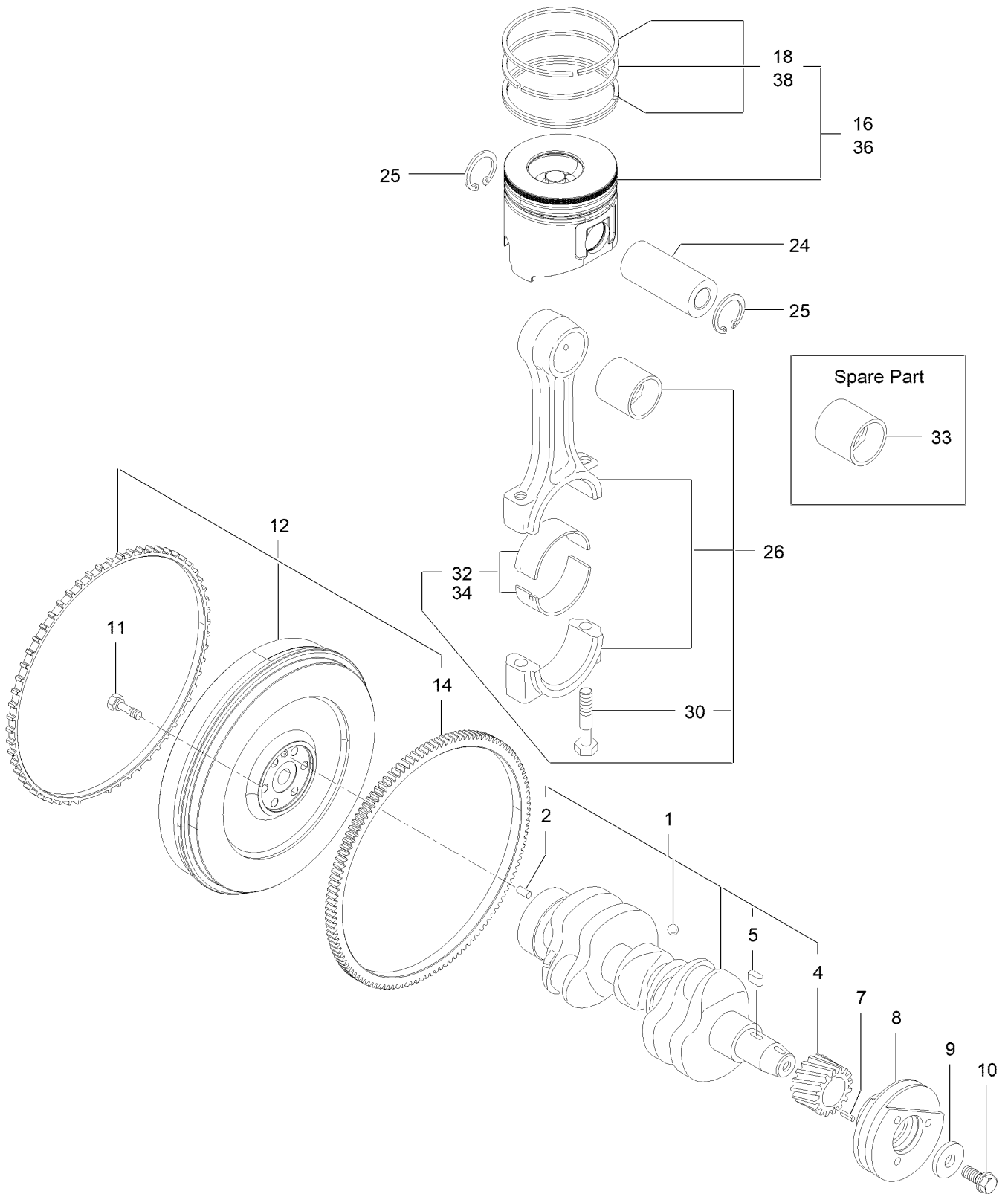
# Turbine Assembly



## Turbine Assembly (continued)

| <i>Ref.</i> | <i>Part Number</i> | <i>Qty.</i> | <i>Description</i> | <i>Ref.</i> | <i>Part Number</i> | <i>Qty.</i> | <i>Description</i> |
|-------------|--------------------|-------------|--------------------|-------------|--------------------|-------------|--------------------|
| 1           | 135-4151           | 1           | Turbocharger       | 3           | 125-6906           | 4           | Stud               |
| 2           | 127-3799           | 1           | Gasket-In, T C     | 4           | 125-7229           | 3           | Nut                |

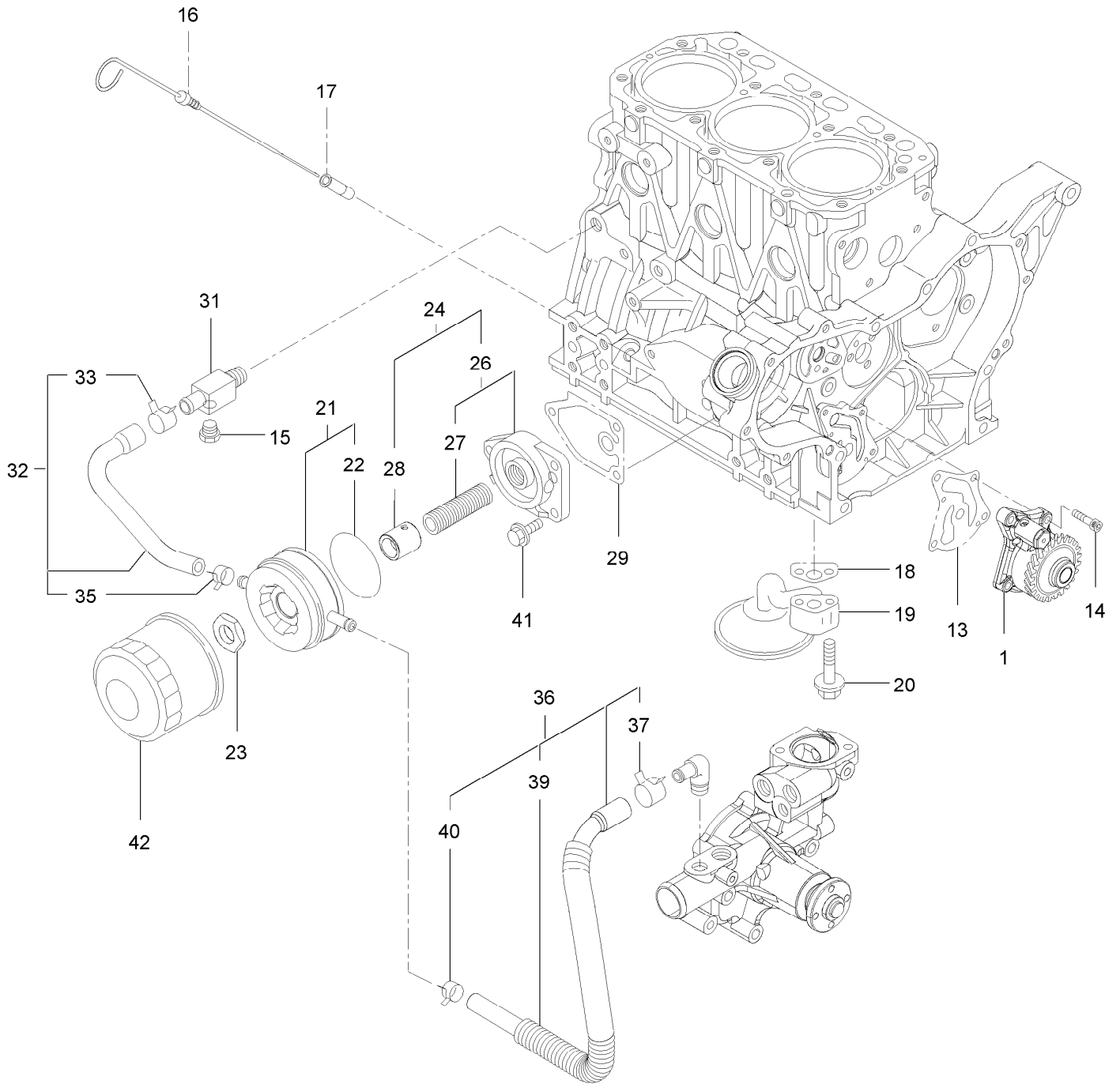
# Crankshaft and Piston Assembly



## Crankshaft and Piston Assembly (continued)

| <i>Ref.</i> | <i>Part Number</i> | <i>Qty.</i> | <i>Description</i>   | <i>Ref.</i> | <i>Part Number</i> | <i>Qty.</i> | <i>Description</i>          |
|-------------|--------------------|-------------|----------------------|-------------|--------------------|-------------|-----------------------------|
| 1           | 127-3800           | 1           | Crankshaft ASM       | 16          | 127-3097           | 3           | Piston ASM                  |
| 2           | 125-6995           | 1           | Pin                  | 18          | 127-3098           | 3           | Piston Ring ASM             |
| 4           | 125-6937           | 1           | Gear                 | 24          | 125-7030           | 3           | Pin                         |
| 5           | 125-7185           | 1           | Key                  | 25          | 125-7180           | 6           | Ring                        |
| 7           | 125-7182           | 1           | Pin-Spring           | 26          | 125-7242           | 3           | Connecting Rod ASM          |
| 8           | 142-8729           | 1           | Pulley-V, Crankshaft | 30          | 125-6955           | 6           | Bolt                        |
| 9           | 125-7109           | 1           | Washer               | 32          | 125-7018           | 3           | Pin-Crank                   |
| 10          | 125-6956           | 1           | Bolt                 | 33          | 125-6997           | 3           | Pin-Piston                  |
| 11          | 125-6951           | 6           | Bolt                 | 34          | 125-7019           | 3           | Pin-Crank (.25)             |
| 12          | 127-4761           | 1           | Flywheel ASM         | 36          | 127-3099           | 3           | Piston ASM (0.25 O.S.)      |
| 14          | 127-4703           | 1           | Gear                 | 38          | 127-3100           | 3           | Piston Ring ASM (0.25 O.S.) |

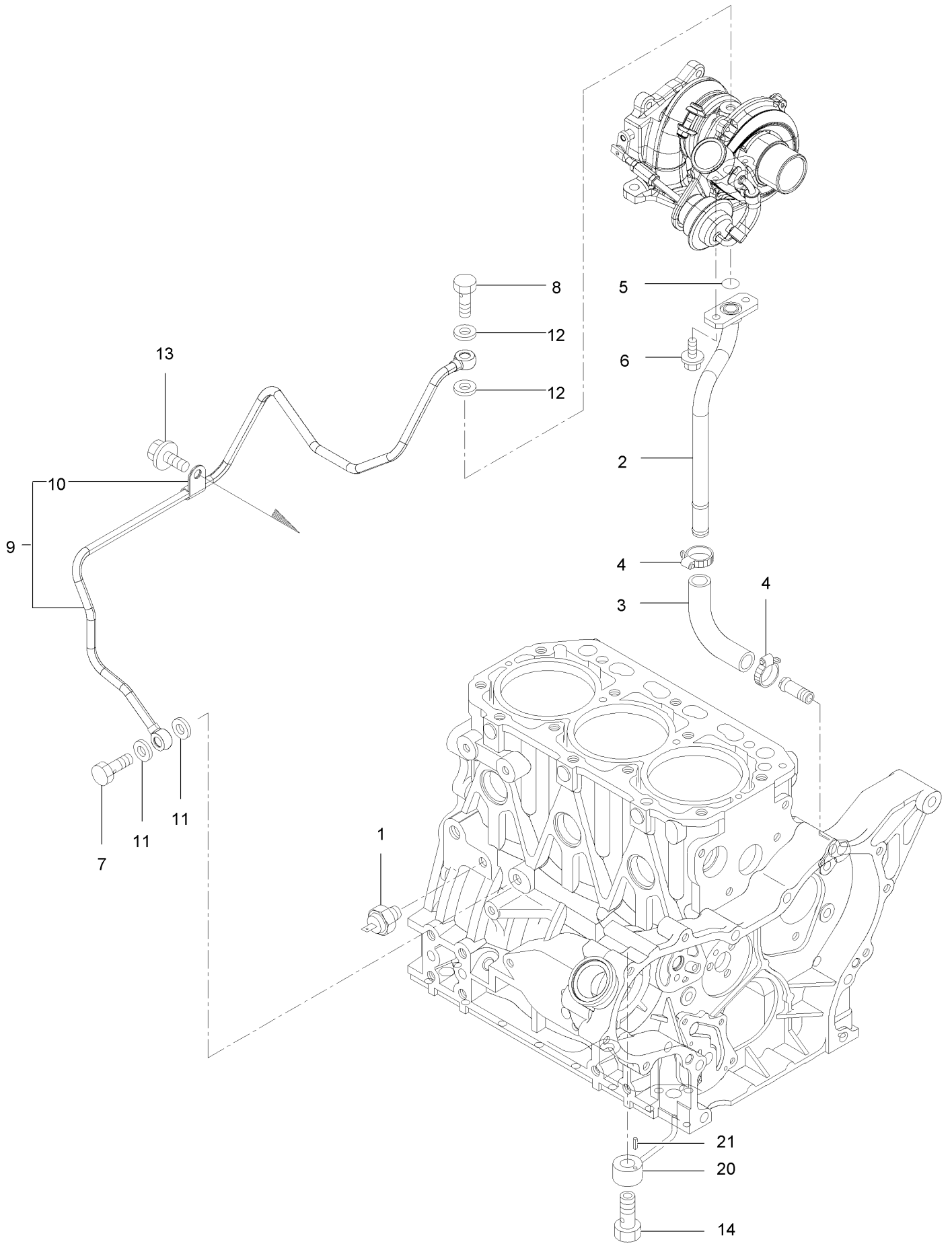
# Oil Pump Assembly



## Oil Pump Assembly (continued)

| <i>Ref.</i> | <i>Part Number</i> | <i>Qty.</i> | <i>Description</i>    | <i>Ref.</i> | <i>Part Number</i> | <i>Qty.</i> | <i>Description</i> |
|-------------|--------------------|-------------|-----------------------|-------------|--------------------|-------------|--------------------|
| 1           | 127-3101           | 1           | Oil Lube Pump ASM     | 27          | 125-7042           | 1           | Stud               |
| 13          | 127-3004           | 1           | Gasket                | 28          | 135-4022           | 1           | Collar-Cooler, Oil |
| 14          | 125-7232           | 4           | Bolt                  | 29          | 125-7024           | 1           | Gasket             |
| 15          | 125-7171           | 1           | Plug-Drain            | 31          | 125-6990           | 1           | Joint              |
| 16          | 140-7168           | 1           | Dipstick-Oil          | 32          | 125-7078           | 1           | Pipe ASM           |
| 17          | 125-6954           | 1           | Guide-Dipstick        | 33          | 125-7162           | 1           | Clip               |
| 18          | 125-7022           | 1           | Gasket                | 35          | 125-7191           | 1           | Clamp-Hose         |
| 19          | 135-4017           | 1           | Oil Inlet Pipe ASM    | 36          | 127-3804           | 1           | Pipe ASM           |
| 20          | 125-7217           | 2           | Bolt                  | 37          | 125-7162           | 1           | Clip               |
| 21          | 135-4018           | 1           | Oil Cooler ASM        | 39          | 127-3805           | 1           | Tube               |
| 22          | 135-4019           | 1           | Packing-Oil Cooler    | 40          | 125-7191           | 3           | Clamp-Hose         |
| 23          | 135-4020           | 1           | Nut                   | 41          | 125-7595           | 1           | Bolt               |
| 24          | 135-4021           | 1           | Lo Filter Bracket ASM | 42          | 125-7025           | 1           | Filter-Engine, Oil |
| 26          | 140-7169           | 1           | Filter Bracket ASM    |             |                    |             |                    |

# Lubrication and Oil System Assembly

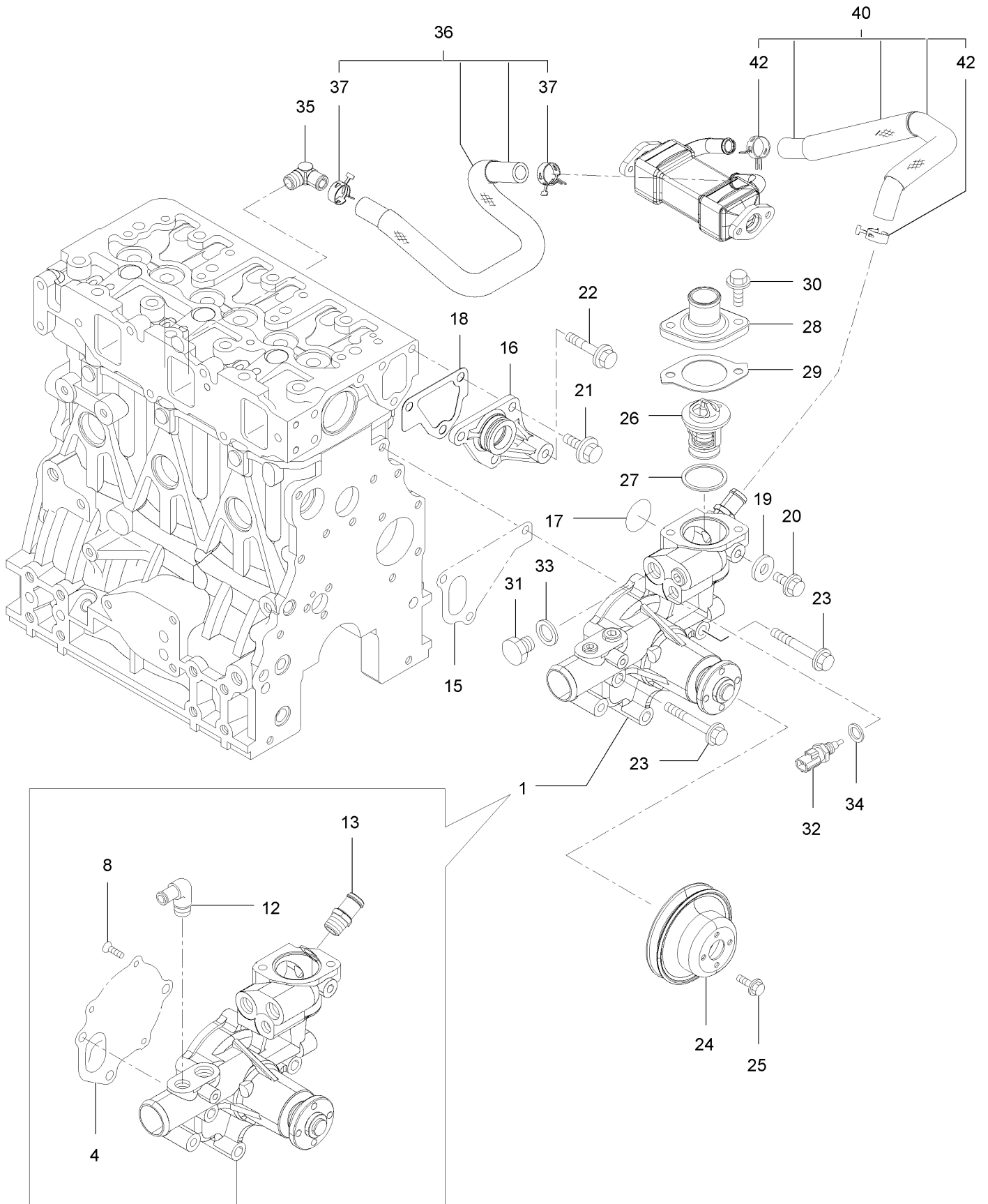




## Lubrication and Oil System Assembly (continued)

| <i>Ref.</i> | <i>Part Number</i> | <i>Qty.</i> | <i>Description</i> | <i>Ref.</i> | <i>Part Number</i> | <i>Qty.</i> | <i>Description</i> |
|-------------|--------------------|-------------|--------------------|-------------|--------------------|-------------|--------------------|
| 1           | 125-6918           | 1           | Switch-Oil         | 9           | 139-6021           | 1           | Lube Oil Pipe ASM  |
| 2           | 142-8730           | 1           | Pipe, Oil Return   | 10          | 125-6976           | 1           | Retainer           |
| 3           | 127-3808           | 1           | Joint              | 11          | 125-7175           | 2           | Washer-Seal        |
| 4           | 127-3169           | 2           | Clamp-Hose         | 12          | 125-7193           | 2           | Gasket             |
| 5           | 125-7198           | 1           | O-Ring             | 13          | 93-0362            | 1           | Bolt               |
| 6           | 125-7208           | 2           | Bolt               | 14          | 125-7105           | 3           | Check Valve ASM    |
| 7           | 125-6975           | 1           | Bolt-Joint, Pipe   | 20          | 125-7098           | 3           | Nozzle             |
| 8           | 125-6952           | 1           | Bolt-Joint, Pipe   | 21          | 125-7182           | 3           | Pin-Spring         |

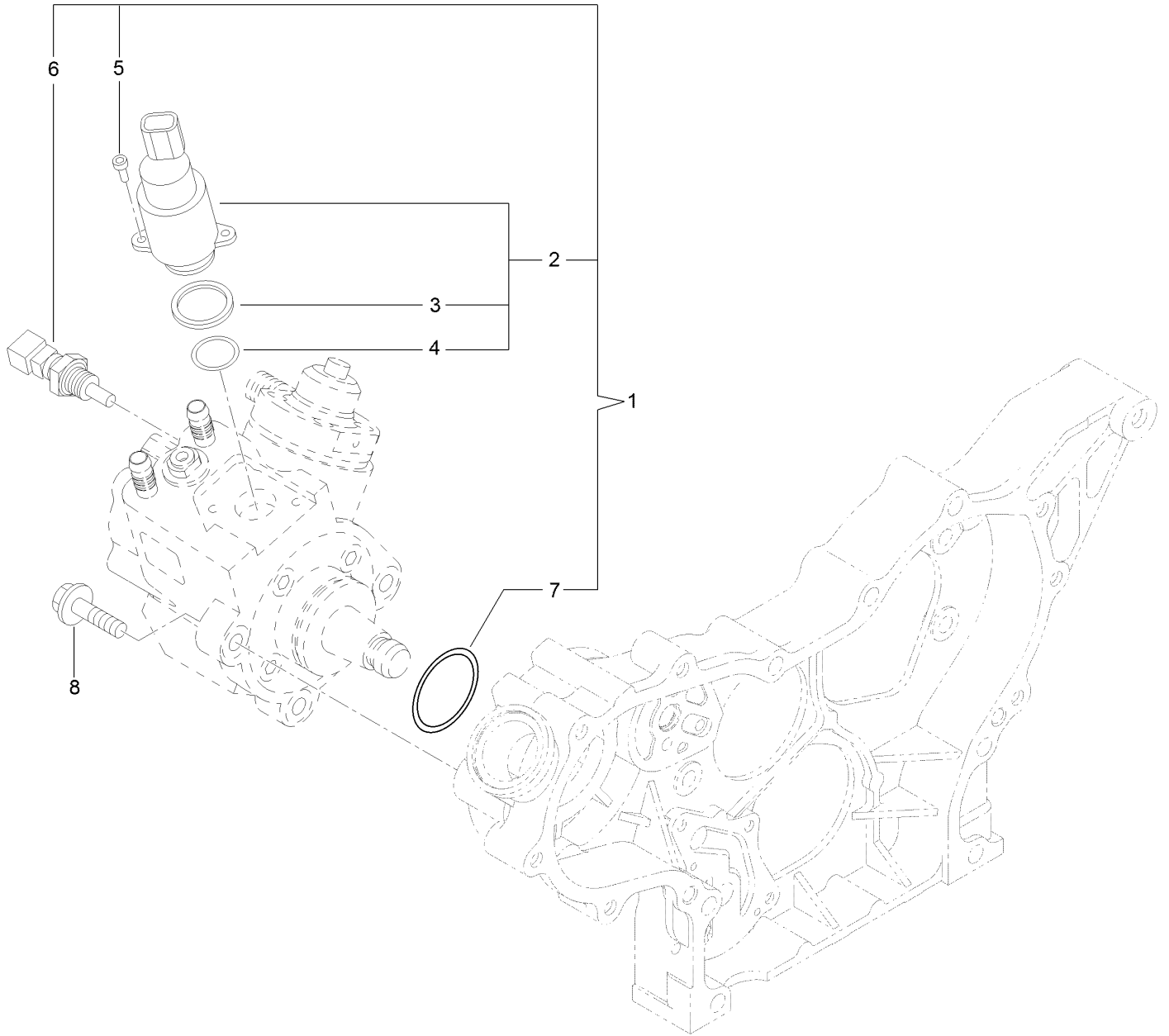
# Cooling Water System Assembly



## Cooling Water System Assembly (continued)

| <i>Ref.</i> | <i>Part Number</i> | <i>Qty.</i> | <i>Description</i> | <i>Ref.</i> | <i>Part Number</i> | <i>Qty.</i> | <i>Description</i>    |
|-------------|--------------------|-------------|--------------------|-------------|--------------------|-------------|-----------------------|
| 1           | 142-8731           | 1           | Water Pump ASM     | 25          | 125-7206           | 4           | Bolt                  |
| 4           | 125-6998           | 1           | Gasket             | 26          | 125-7029           | 1           | Thermostat            |
| 8           | 140-7170           | 3           | Screw-Flat         | 27          | 125-7026           | 1           | Gasket                |
| 12          | 125-7001           | 1           | Elbow              | 28          | 140-7171           | 1           | Cover-Thermostat      |
| 13          | 142-8732           | 1           | Elbow              | 29          | 125-7110           | 1           | Gasket                |
| 15          | 125-7047           | 1           | Gasket             | 30          | 125-7594           | 2           | Bolt                  |
| 16          | 125-6986           | 1           | Joint              | 31          | 125-6953           | 1           | Plug                  |
| 17          | 125-7048           | 1           | O-Ring             | 32          | 125-7124           | 1           | Sensor-Thermostat, CW |
| 18          | 125-6978           | 1           | Gasket             | 33          | 125-6979           | 1           | Gasket                |
| 19          | 125-7192           | 1           | Gasket             | 34          | 125-7176           | 1           | Washer-Seal           |
| 20          | 93-0362            | 1           | Bolt               | 35          | 127-4705           | 1           | Elbow                 |
| 21          | 125-7214           | 3           | Bolt               | 36          | 127-4757           | 1           | E G R-C Pipe ASM      |
| 22          | 125-7219           | 1           | Bolt               | 37          | 127-3020           | 2           | Clip-Hose             |
| 23          | 125-7222           | 3           | Bolt               | 40          | 142-8734           | 1           | Pipe ASM, CW          |
| 24          | 142-8733           | 1           | Pulley-V, Pump     | 42          | 127-3020           | 2           | Clip-Hose             |

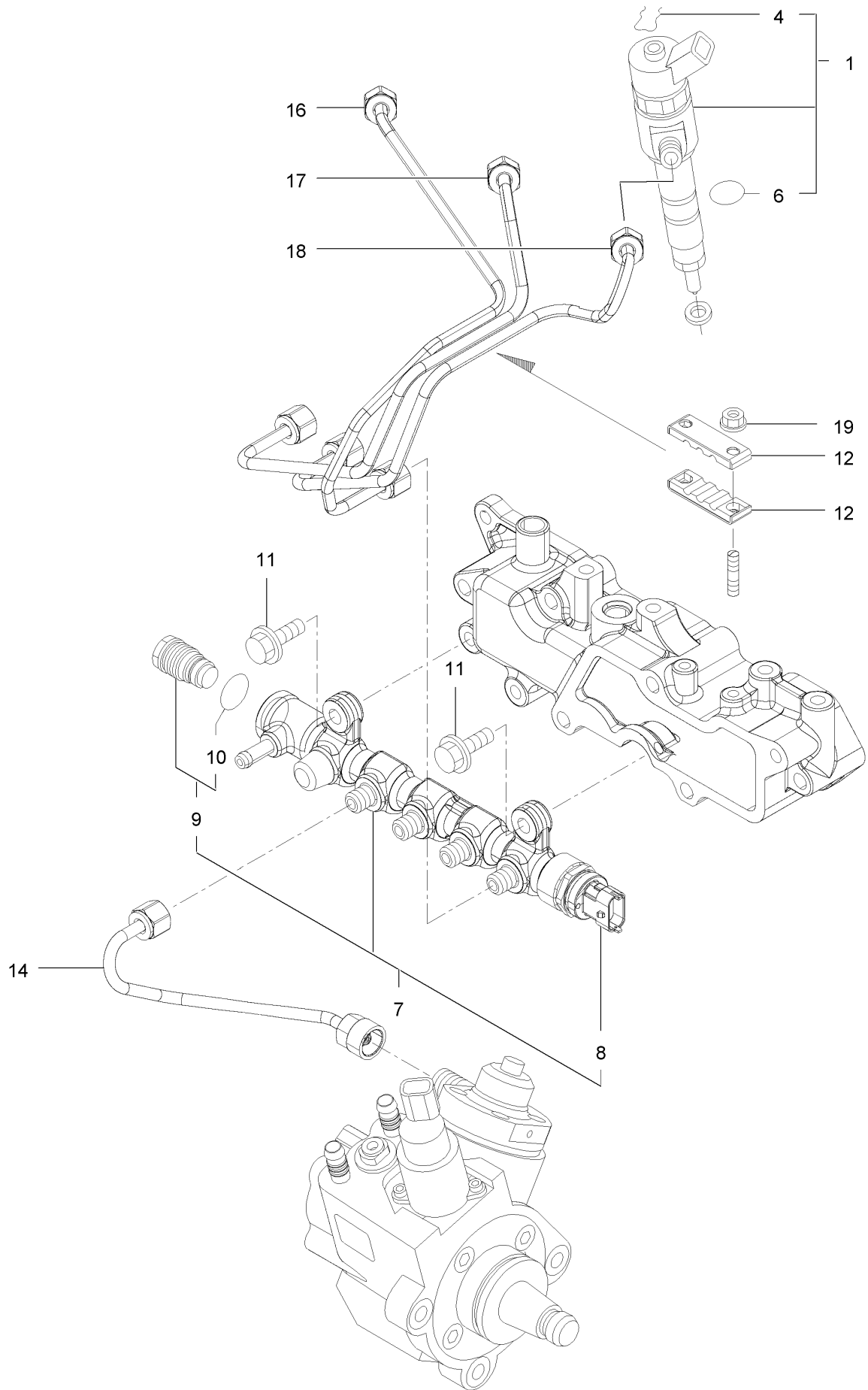
# Fuel Supply Pump Assembly



## Fuel Supply Pump Assembly (continued)

| <i>Ref.</i> | <i>Part Number</i> | <i>Qty.</i> | <i>Description</i> | <i>Ref.</i> | <i>Part Number</i> | <i>Qty.</i> | <i>Description</i> |
|-------------|--------------------|-------------|--------------------|-------------|--------------------|-------------|--------------------|
| 1           | 140-7178           | 1           | Fuel Pump ASM      | 5           | 131-2107           | 2           | Bolt               |
| 2           | 131-2103           | 1           | Valve ASM          | 6           | 131-2108           | 1           | Sensor-Temperature |
| 3           | 131-2105           | 1           | Ring-Sealing       | 7           | 127-3074           | 1           | O-Ring             |
| 4           | 131-2106           | 1           | O-Ring             | 8           | 125-7216           | 3           | Bolt               |

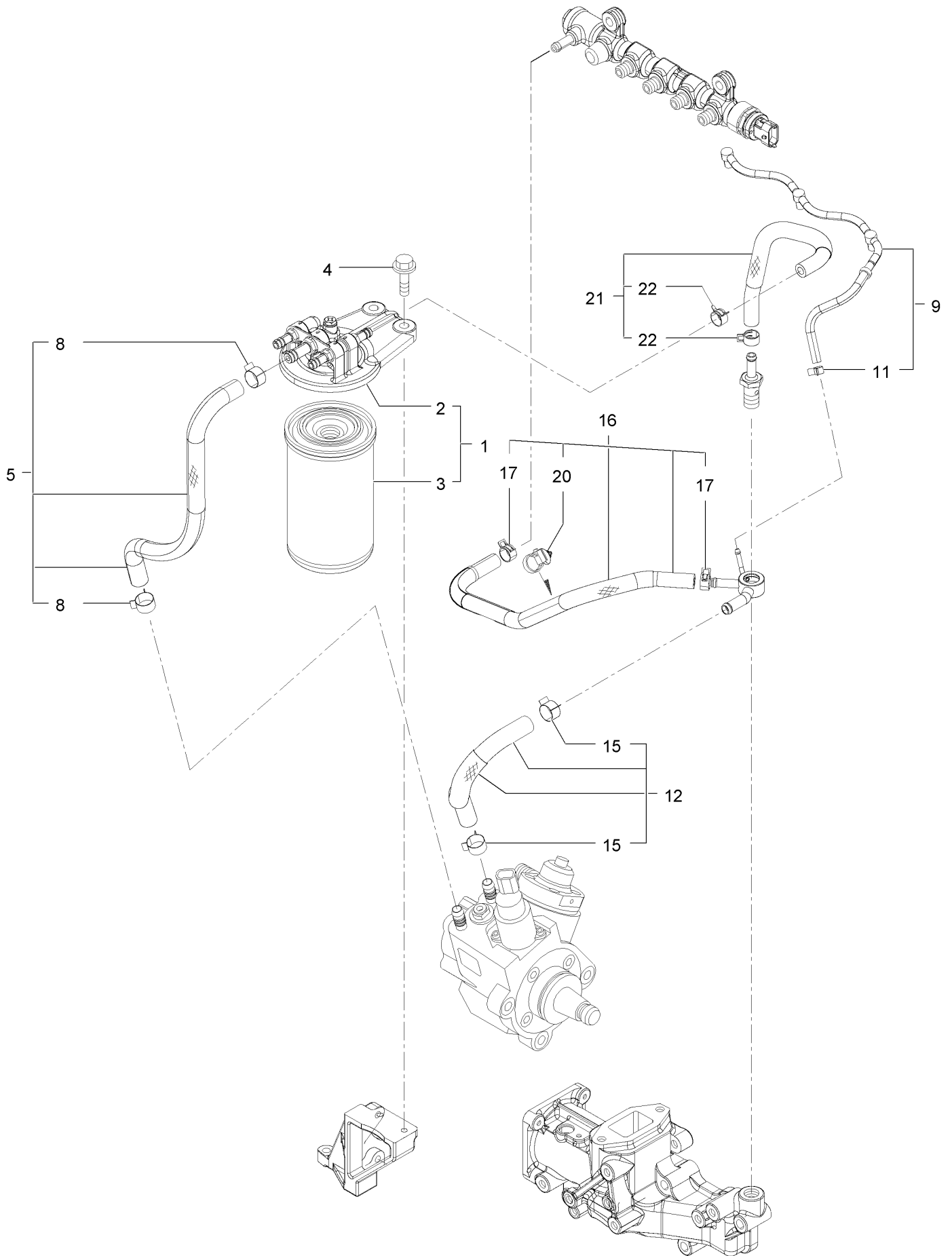
# Fuel Injection Valve Assembly



## Fuel Injection Valve Assembly (continued)

| <i>Ref.</i> | <i>Part Number</i> | <i>Qty.</i> | <i>Description</i>    | <i>Ref.</i> | <i>Part Number</i> | <i>Qty.</i> | <i>Description</i> |
|-------------|--------------------|-------------|-----------------------|-------------|--------------------|-------------|--------------------|
| 1           | 127-3104           | 3           | Injector ASM          | 11          | 125-7215           | 2           | Bolt               |
| 4           | 138-7843           | 3           | Ring, Retaining       | 12          | 127-3813           | 2           | Retainer           |
| 6           | 137-5173           | 3           | O-Ring                | 14          | 127-3082           | 1           | Rail In Pipe ASM   |
| 7           | 127-3812           | 1           | Rail ASM              | 16          | 127-3814           | 1           | Injection Pipe ASM |
| 8           | 131-2709           | 1           | Sensor-Pressure, Rail | 17          | 127-3083           | 1           | Injection Pipe ASM |
| 9           | 131-2710           | 1           | Valve ASM             | 18          | 127-3084           | 1           | Injection Pipe ASM |
| 10          | 138-7844           | 1           | O-Ring, Plv4          | 19          | 125-7231           | 2           | Nut                |

# Fuel Line Assembly

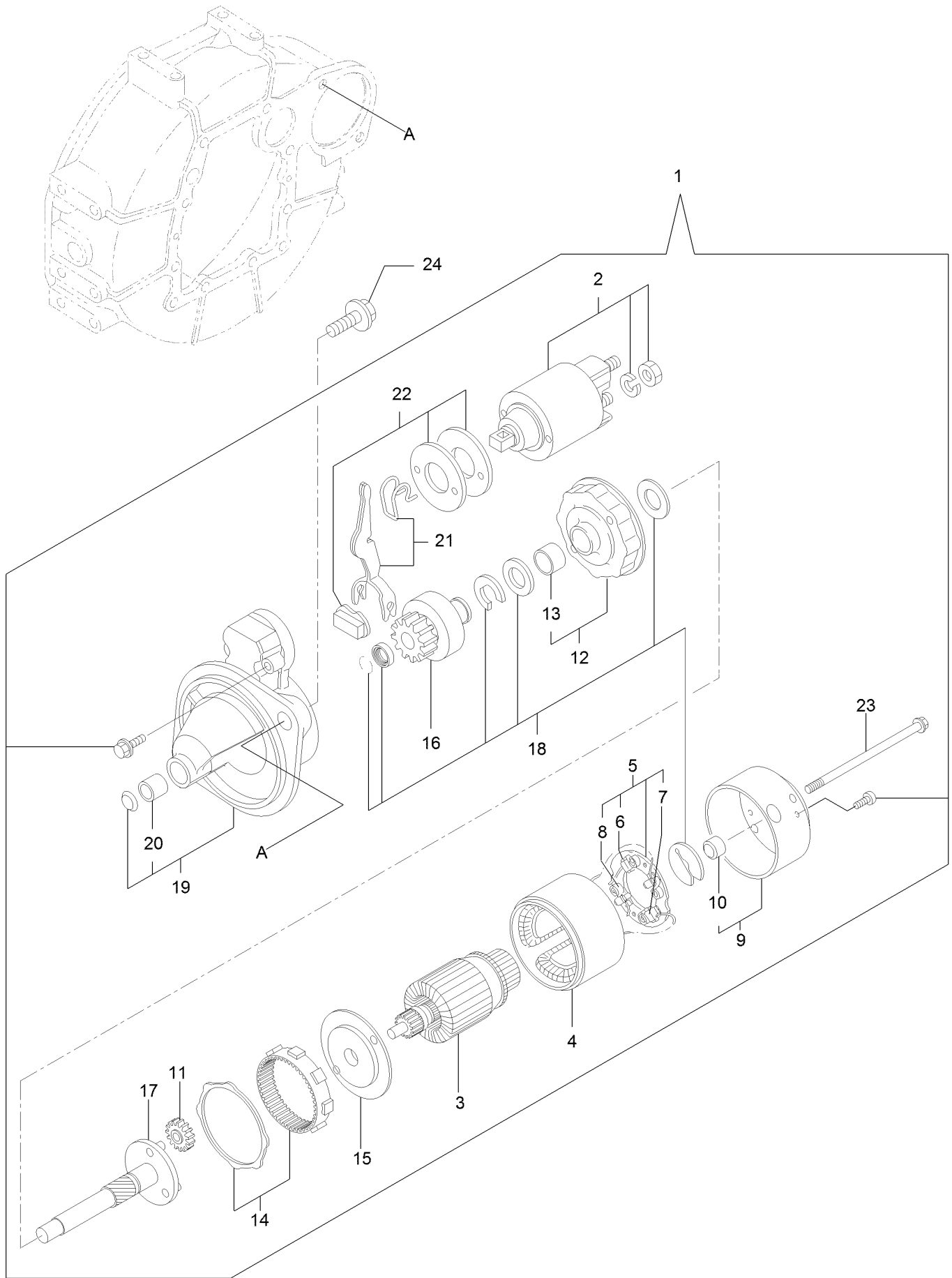




## Fuel Line Assembly (continued)

| <i>Ref.</i> | <i>Part Number</i> | <i>Qty.</i> | <i>Description</i>          | <i>Ref.</i> | <i>Part Number</i> | <i>Qty.</i> | <i>Description</i> |
|-------------|--------------------|-------------|-----------------------------|-------------|--------------------|-------------|--------------------|
| 1           | 139-6016           | 1           | Fuel/Oil Filter ASM         | 12          | 127-3078           | 1           | Fuel Pipe ASM      |
| 2           | 127-3076           | 1           | Fuel/Oil Filter Bracket ASM | 15          | 125-7191           | 2           | Clamp-Hose         |
| 3           | 139-6017           | 1           | Filter-Fuel                 | 16          | 127-3817           | 1           | Fuel Pipe ASM      |
| 4           | 125-7216           | 2           | Bolt                        | 17          | 127-2950           | 2           | Clip-Hose          |
| 5           | 127-3077           | 1           | Fuel Pipe ASM               | 20          | 127-3087           | 1           | Band-Clip          |
| 8           | 125-7191           | 2           | Clamp-Hose                  | 21          | 127-3079           | 1           | Fuel Pipe ASM      |
| 9           | 135-4023           | 1           | Fuel/Oil Return Pipe ASM    | 22          | 127-2950           | 2           | Clip-Hose          |
| 11          | 127-3172           | 1           | Clamp-Hose                  |             |                    |             |                    |

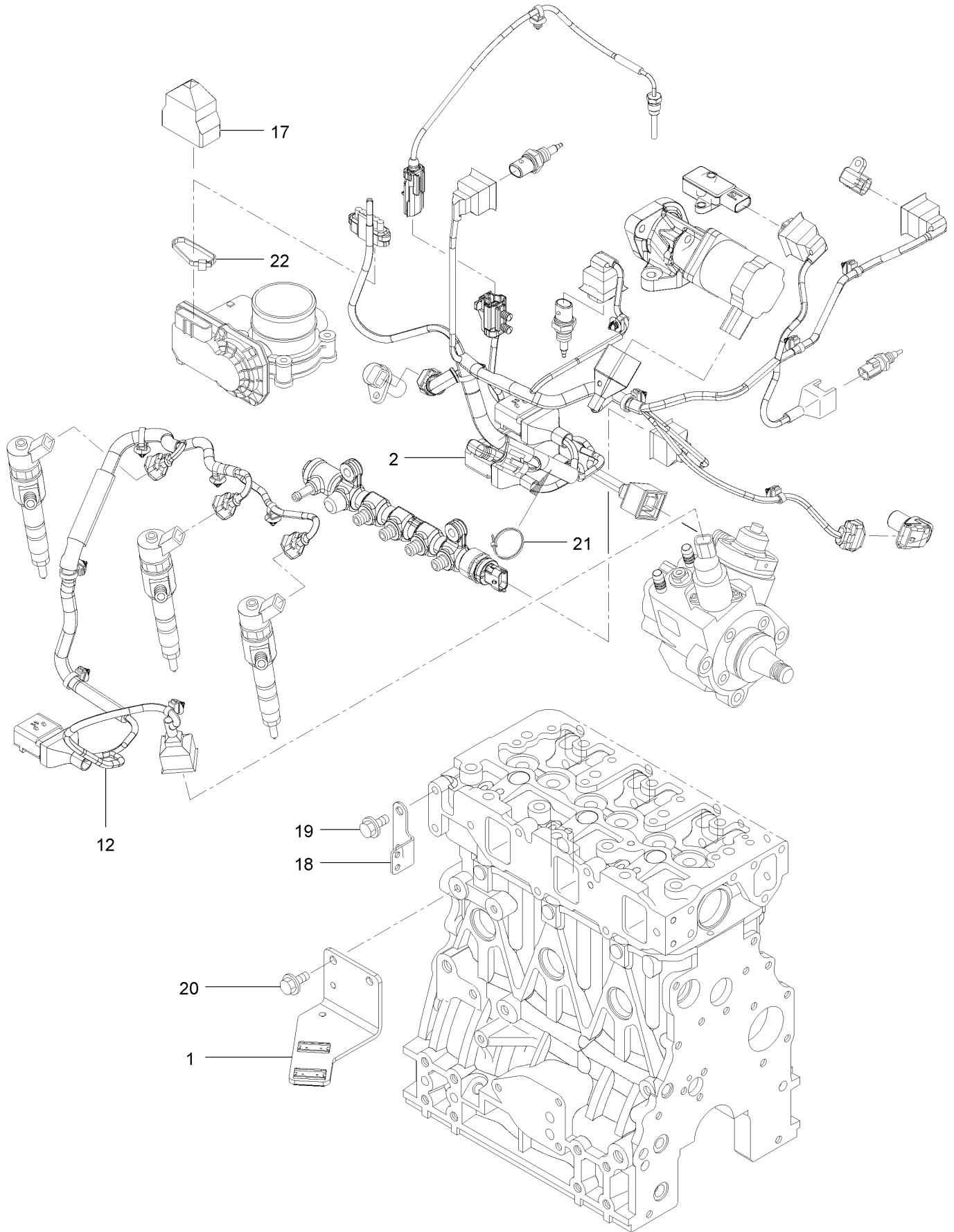
# Starting Motor Assembly



## Starting Motor Assembly (continued)

| <i>Ref.</i> | <i>Part Number</i> | <i>Qty.</i> | <i>Description</i> | <i>Ref.</i> | <i>Part Number</i> | <i>Qty.</i> | <i>Description</i> |
|-------------|--------------------|-------------|--------------------|-------------|--------------------|-------------|--------------------|
| 1           | 127-3818           | 1           | Starter ASM        | 13          | 127-3830           | 1           | Bracket            |
| 2           | 127-3819           | 1           | Switch ASM         | 14          | 127-3831           | 1           | Gear               |
| 3           | 127-3820           | 1           | Armature ASM       | 15          | 127-3832           | 1           | Bracket            |
| 4           | 127-3821           | 1           | Yoke ASM           | 16          | 127-3833           | 1           | Pinion ASM         |
| 5           | 127-3822           | 1           | Brush Holder ASM   | 17          | 127-3834           | 1           | Shaft              |
| 6           | 127-3823           | 2           | Brush              | 18          | 127-3835           | 1           | Washer Set         |
| 7           | 127-3824           | 1           | Brush Set          | 19          | 127-3836           | 1           | Case ASM           |
| 8           | 127-3825           | 4           | Spring             | 20          | 127-3837           | 1           | Metal-Starter      |
| 9           | 127-3826           | 1           | Cover ASM          | 21          | 127-3838           | 1           | Lever Set          |
| 10          | 127-3827           | 1           | Metal              | 22          | 127-3839           | 1           | Dust Cover ASM     |
| 11          | 127-3828           | 3           | Gear               | 23          | 135-4024           | 2           | Bolt-Through       |
| 12          | 127-3829           | 1           | Bracket            | 24          | 125-7225           | 2           | Bolt               |

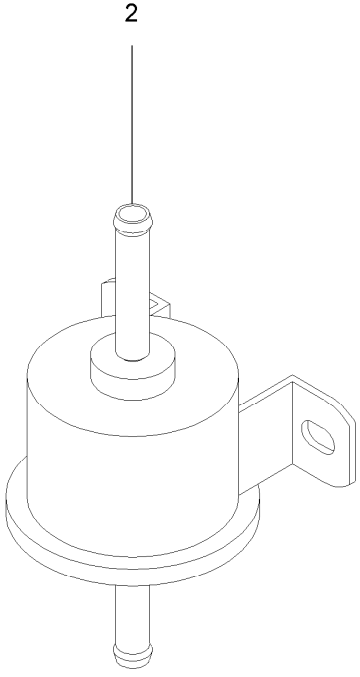
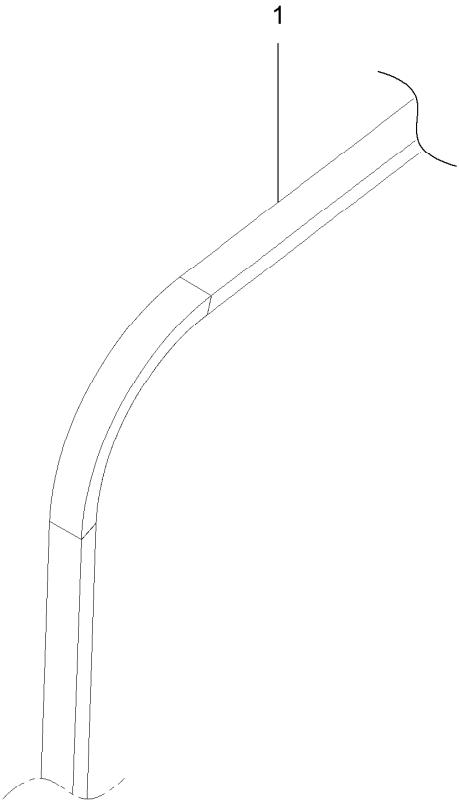
# Electric Parts Assembly



## Electric Parts Assembly (continued)

| <i>Ref.</i> | <i>Part Number</i> | <i>Qty.</i> | <i>Description</i>      | <i>Ref.</i> | <i>Part Number</i> | <i>Qty.</i> | <i>Description</i> |
|-------------|--------------------|-------------|-------------------------|-------------|--------------------|-------------|--------------------|
| 1           | 131-2735           | 1           | Bracket-Connector       | 19          | 93-0362            | 1           | Bolt               |
| 2           | 127-3850           | 1           | Harness B-Engine, E C O | 20          | 125-7213           | 1           | Bolt               |
| 12          | 130-7438           | 1           | Harness                 | 21          | 127-3187           | 2           | Band               |
| 17          | 131-2713           | 1           | Boot-Cap                | 22          | 127-3188           | 2           | Band               |
| 18          | 127-3090           | 1           | Bracket-Harness         |             |                    |             |                    |

# Accessory Parts

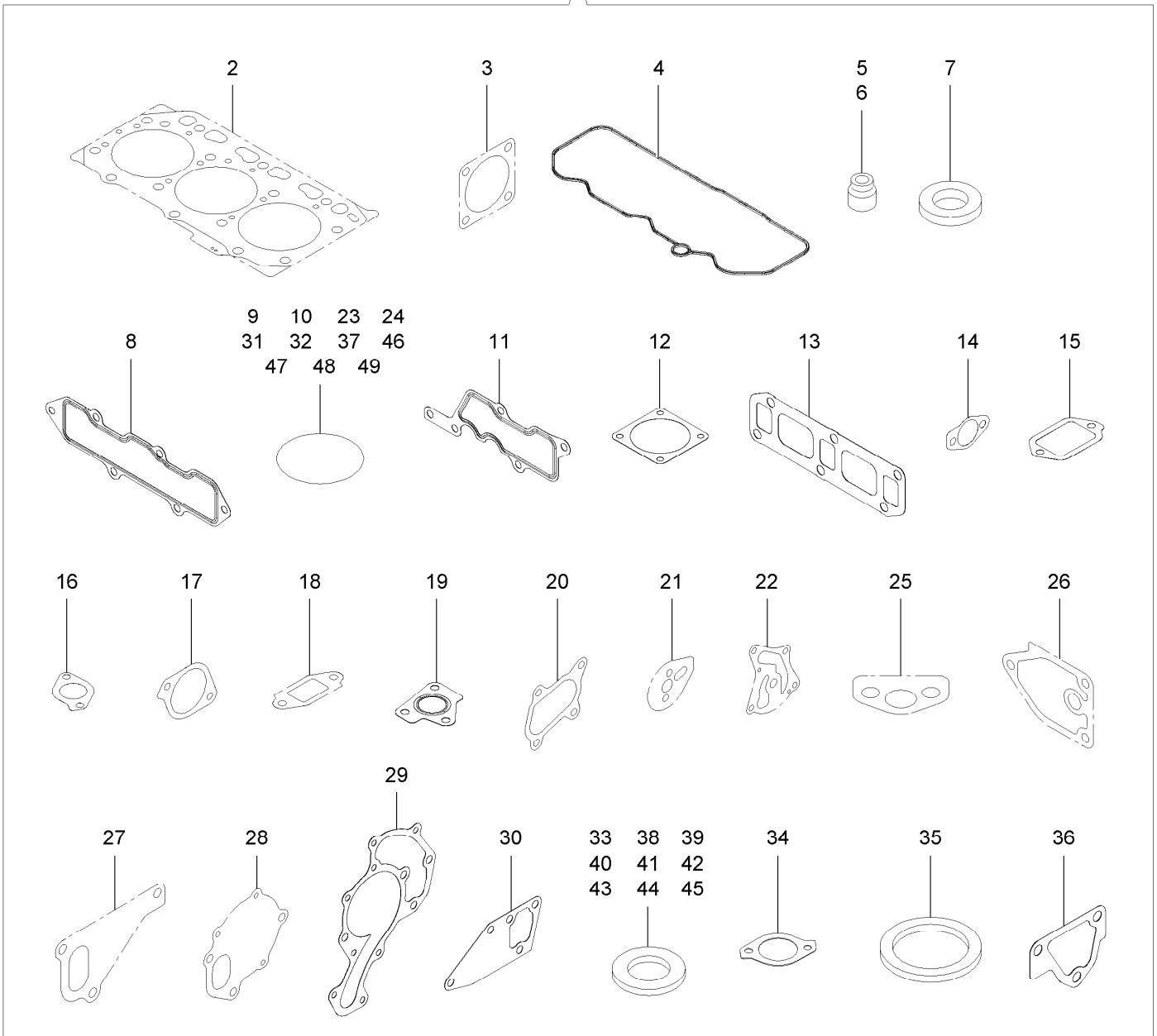


## Accessory Parts (continued)

| <i>Ref.</i> | <i>Part Number</i> | <i>Qty.</i> | <i>Description</i>  |
|-------------|--------------------|-------------|---------------------|
| 1           | 142-6650           | 1           | Belt-V, Cogged      |
| 2           | 121-5613           | 1           | Pump-Fuel, Electric |

# Gasket Set

1





## Gasket Set (continued)

| <i>Ref.</i> | <i>Part Number</i> | <i>Qty.</i> | <i>Description</i>             | <i>Ref.</i> | <i>Part Number</i> | <i>Qty.</i> | <i>Description</i> |
|-------------|--------------------|-------------|--------------------------------|-------------|--------------------|-------------|--------------------|
| 1           | 127-3854           | 1           | Gasket Kit                     | 25          | 125-7022           | 1           | Gasket             |
| 2           | 127-3751           | 1           | Head Gasket ASM                | 26          | 125-7024           | 1           | Gasket             |
| 3           | 131-3886           | 2           | Gasket, Pump                   | 27          | 125-7047           | 1           | Gasket             |
| 4           | 127-3762           | 1           | Gasket-Cover, Cylinder<br>Head | 28          | 125-6998           | 1           | Gasket             |
| 5           | 127-2986           | 3           | Seal-Stem, Valve               | 29          | 131-3887           | 1           | Gasket             |
| 6           | 127-3027           | 3           | Seal-Stem, Valve               | 30          | 131-3888           | 1           | Gasket, Water Pump |
| 7           | 127-3021           | 3           | Gasket-Injector                | 31          | 125-7048           | 1           | O-Ring             |
| 8           | 127-3769           | 1           | Gasket-Manifold, Intake        | 32          | 131-3889           | 1           | O-Ring             |
| 9           | 127-3032           | 2           | O Ring-Sensor, Pressure        | 33          | 125-6979           | 1           | Gasket             |
| 10          | 127-3033           | 1           | O-Ring                         | 34          | 125-7110           | 1           | Gasket             |
| 11          | 127-3034           | 1           | Gasket-Collector               | 35          | 125-7026           | 1           | Gasket             |
| 12          | 127-3037           | 2           | Gasket-Throttle                | 36          | 125-6978           | 1           | Gasket             |
| 13          | 127-3775           | 1           | Gasket-Manifold, Exhaust       | 37          | 127-3074           | 1           | O-Ring             |
| 14          | 127-3043           | 2           | Gasket-Cooler, E G R           | 38          | 125-7174           | 3           | Washer-Seal        |
| 15          | 127-3046           | 1           | Gasket-E G R                   | 39          | 125-7175           | 2           | Washer-Seal        |
| 16          | 127-3016           | 1           | Gasket                         | 40          | 125-7176           | 1           | Washer-Seal        |
| 17          | 127-3050           | 1           | Gasket-Intake Valve, E G R     | 41          | 127-3166           | 2           | Washer-Seal        |
| 18          | 127-3051           | 1           | Gasket-Out Valve, E G R        | 42          | 136-8236           | 1           | Washer-Seal        |
| 19          | 127-3799           | 1           | Gasket-In, T C                 | 43          | 125-7192           | 1           | Gasket             |
| 20          | 127-3779           | 1           | Gasket-Out, T C                | 44          | 125-7193           | 2           | Gasket             |
| 21          | 127-3069           | 1           | Gasket-Idle, Shaft B           | 45          | 127-3174           | 2           | Gasket             |
| 22          | 127-3004           | 1           | Gasket                         | 46          | 138-7829           | 3           | O-Ring             |
| 23          | 125-6909           | 2           | O-Ring                         | 47          | 125-7197           | 2           | O-Ring             |
| 24          | 127-2973           | 1           | O-Ring                         | 48          | 125-7198           | 1           | O-Ring             |
|             |                    |             |                                | 49          | 131-3890           | 1           | O-Ring, 524031     |

# Attachments and Accessories

## For 72144 Z Master Professional 7500-D Series Riding Mower With 144in TURBO FORCE Rear Discharge Mower

| <b>Product Name</b>  | <b>Model/Part</b> |
|--|-------------------|
| Premium Transmission/Hydraulic Tractor Fluid (55 Gallon Drum)..... | 108-1183          |
| Premium Transmission/Hydraulic Tractor Fluid (5 Gallon Pail) ..... | 108-1184          |
| Sunshade Kit .....   | 126-8077          |
| Jack Kit.....  | 127-6666          |
| Jack Mount Kit.....  | 135-1768          |
| Light Flasher Kit.....   | 135-2892          |
| Worklight Kit .....  | 135-7076          |
| 15W40 Oil 32oz. ....   | 137-1051          |
| Oil-30/10W-30 Synthetic (Quart).....                               | 138-6053          |
| Oil-30/10W-30 Synthetic (Gallon) .....                             | 138-6054          |
| Blade-24.50 High Flow .....  | 140-1238          |
| Blade-24.50 Atomic .....   | 140-1239          |
| Blade-24.50 Mulch.....   | 140-1246          |
| Blade-24.50 Medium Flow .....                                      | 140-4850          |
| Blade-24.50 Low Flow .....   | 140-4851          |
| Blade-24.50 Recycler .....   | 140-4852          |
| 6 Pack-Blade, 24.5 High Flow.....                                  | 140-4872          |
| 6 Pack-Blade, 24.5 Med Flow .....                                  | 140-4873          |
| 6 Pack-Blade, 24.5 Low Flow .....                                  | 140-4874          |
| 6 Pack-Blade, 24.5 Atomic.....                                     | 140-4875          |
| 6 Pack-Blade, 24.5 Recycler.....                                   | 140-4876          |
| Finish Cut Baffle 144.....   | 142-2744          |
| Tilt Sensor-Diesel .....   | 142-3372          |

**Notes:**



**Count on it.**