



Count on it.

Parts Catalog

**Z Master® Professional 7500-D
Series Riding Mower
With 144in TURBO FORCE® Rear Discharge
Mower**

Model No. 72144—Serial No. 400000000 and Up



Ordering Replacement Parts

To order replacement parts, please supply the part number, the quantity, and the description of each part desired.

Understanding Reference Numbers

Each identified part in an illustration has a reference number. The reference number for a part also appears in the parts list, along with other information about the part.

This catalog uses two special reference number formats, one to indicate parts in a service assembly and another to indicate the quantity of a given part in an illustration.

Service Assembly Reference Numbers

Parts in service assemblies have reference numbers in the form a:b. The a represents the reference number of the entire service assembly and the b represents a sequential number unique to each part within the service assembly.

For example, a wheel assembly might be identified by reference number 6, the tire by 6:1, the valve by 6:2, and the wheel by 6:3. When you order the assembly identified by reference number 6, you receive all parts identified by reference numbers 6:1, 6:2, and 6:3. However, you may also order any part individually. Reference numbers of this type appear in illustration and in parts lists.

Reference Numbers Indicating Quantity

In an illustration, if a reference number indicates more than one part, the reference number has the form nX y. The n represents the quantity of the part, the X is the multiplication symbol, and the y represents the reference number.

For example, in an illustration, the reference number 2X 37 means that two of the parts identified by reference number 37 are indicated.

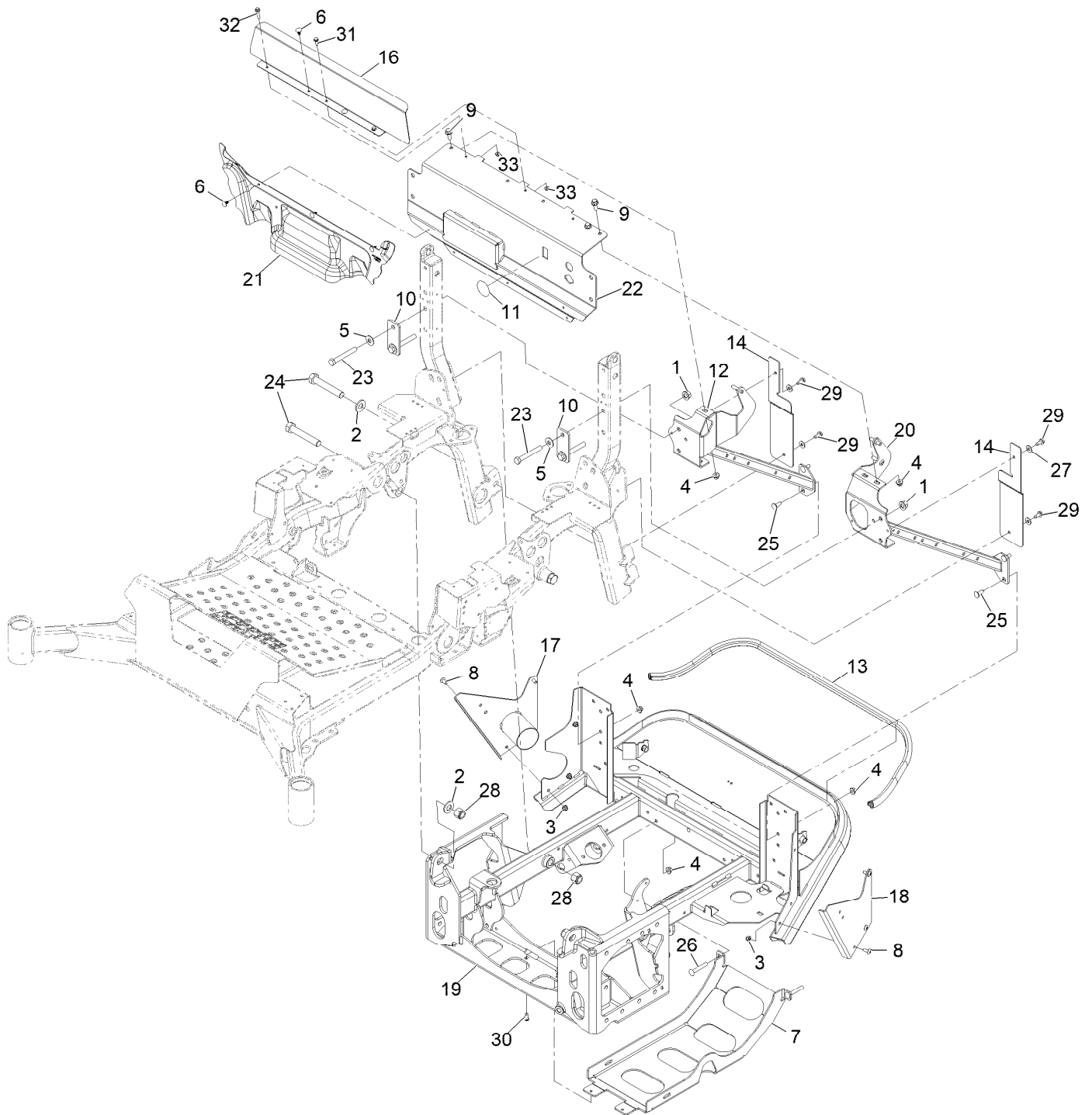
Contents

Power Frame Assembly	6
Main Frame Assembly	8
Roll-Over Protection System Assembly No. 142-7220	10
RH Mud Flap Assembly No. 135-4933	12
LH Mud Flap Assembly No. 135-4934	14
Caster Wheel Assembly	16
Transmission Mounting Assembly	18
Transmission Assembly No. 142-8084	20
Charge Pump Housing Assembly Transmission Assembly	22
Transmission Assembly (cont.) Center Section Assembly	24
Transmission Assembly (cont.) Gear Case and Clutch Assembly	26
Hydraulic Gear Pump Assembly No. 112-9542	28
Drive Wheel Assembly	30
Fuel System Assembly	32
RH Fuel Tank Assembly No. 126-8651	34
LH Fuel Tank Assembly 126-8652	36
Seat Mounting Assembly	38
Seat Assembly No. 142-7524	40
Motion Control Assembly	42
Rod Linkage Assembly No. 142-8447	44
Hood and Covers Assembly	46
Hood Assembly No. 142-5135	48
Electrical Assembly	50
Main Electrical Harness Assembly No. 122-2377	52
Engine Wire Harness No. 122-2378	54
Deck Lift Assembly	56
Engine Assembly	58
Air Cleaner Assembly No. 142-7201	60
Hydraulic Assembly	62
Lift and Fold Valve Assembly No. 142-8862	64
2 Speed Hydraulic Brake Valve No. 142-3892	66
Hydraulic Reservoir Assembly No. 142-5034	68
Hydraulic Motor Assembly No. 142-5691	70
Planetary Assembly No. 142-5548	72
Cooling Assembly	74
Cooling Assembly No. 121-3330	76
Deck Assembly	78
Gearbox and Mount Assembly	80
Gearbox Assembly	82
Discharge Tunnel Assembly	84
Mulch Kit Assembly	86
Center Deck Assembly	88
Center Deck Assembly No. 142-6828	90
Idler Arm Assembly No. 126-2585	92
Idler Assembly No. 126-9435	94
Idler Assembly No. 126-9438	96
Center Folding Deck Hydraulic Assembly	98
Center Deck Cover and Torsion Assembly	100
Center Deck Spindle, Baffle and Roller Assembly	102
LH Wing Deck Assembly	104
LH Wing Deck W/Decals Assembly No. 142-6825	106
Caster Fork and Wheel Assembly	108
Rear Caster Wheel Assembly	110
Weight Transfer Spring Assembly No 142-6483	112

Contents (continued)

LH Belt Shield Assembly No. 142-6623	114
LH Wing Deck Baffle and Roller Assembly	116
RH Wing Deck Assembly	118
RH Wing Deck Decal Assembly No. 142-6823	120
RH Belt Shield Assembly No. 142-6633	122
RH Wing Deck Baffle and Roller Assembly	124
Cylinder Block Assembly	126
Gear Housing Assembly	128
Flywheel Housing and Oil Sump Assembly	130
Cylinder Head and Cover Assembly	132
Suction Manifold Assembly	134
Gasket Manifold Assembly	136
Diesel Particulate Filter (DPF) Assembly	138
Camshaft and Driving Gear Assembly	140
Turbine Assembly	142
Crankshaft and Piston Assembly	144
Oil Pump Assembly	146
Lubrication and Oil System Assembly	148
Cooling Water System Assembly	150
Fuel Supply Pump Assembly	152
Fuel Injection Valve Assembly	154
Fuel Line Assembly	156
Starting Motor Assembly	158
Electric Parts Assembly	160
Accessory Parts	162
Gasket Set	164
Attachments and Accessories	166

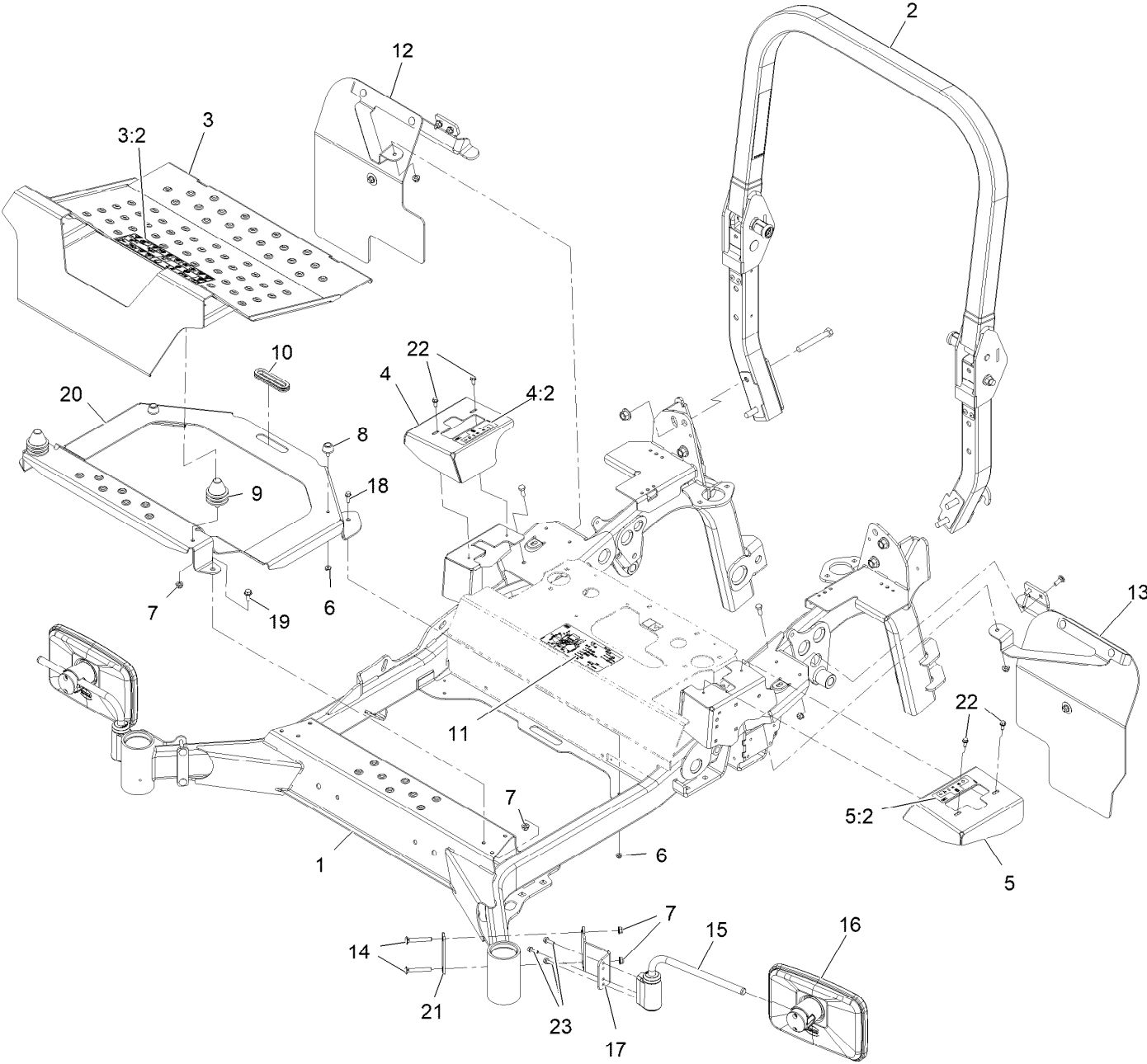
Power Frame Assembly



Power Frame Assembly (continued)

<i>Ref.</i>	<i>Part Number</i>	<i>Qty.</i>	<i>Description</i>	<i>Ref.</i>	<i>Part Number</i>	<i>Qty.</i>	<i>Description</i>
1	99-5107	4	Nut-Lock 1/2-13	19	142-5154-03	1	Frame, Power [black]
2	103-2802	4	Washer-Spring Disc 3/4	20	142-5163-03	1	Wldmt-ROPS LH Brace
3	104-8300	6	Nut-Nyloc 5/16-18 Flg	21	142-5165	1	Panel-Heat Deflector
4	104-8301	9	Nut-Nyloc 3/8-16 Flg	22	142-8745	1	Channel-Cross, ASM
5	109-9505	4	Washer, Spring Disc 1/2	23	325-35	4	Screw-HH
6	117-2382	5	Plug-Plastic	24	328-8	4	Screw-HH
7	126-5922-03	1	Plate-Skid	25	3231-22	4	Bolt-Carriage 3/8-16 X 1
8	126-6268	6	Screw-Truss HD 5/16-18 X 3/4 Torx Plus	26	3231-44	2	Bolt-Carriage 3/8-16 X 2 1/2
9	131-2220	3	Screw-HHF	27	3256-3	4	Washer-Flat
10	135-0412-03	2	Plate-Spacer	28	3296-51	4	Nut-Nyloc 3/4-10
11	135-3728	1	Decal-Cover	29	32144-70	4	Screw-HWH 5/16-18 X 3/4 Tf
12	142-2353-03	1	Wldmt-ROPS RH Brace	30	613381	2	Screw-Button Head 5/16-18 X .725 Tf
13	142-3172	1	Seal-Bulb	31	115-5103	2	Screw-HHF
14	142-3197	2	Sheet-ROPS Airdam	32	127-8639	1	Screw-HHF
16	142-7218-03	1	Shield-Air	33	104-7201	3	Nut-Nyloc 1/4-20 Flg
17	142-5785	1	Plate-Exhaust				
18	142-5788-03	1	Plate-Battery Cover				

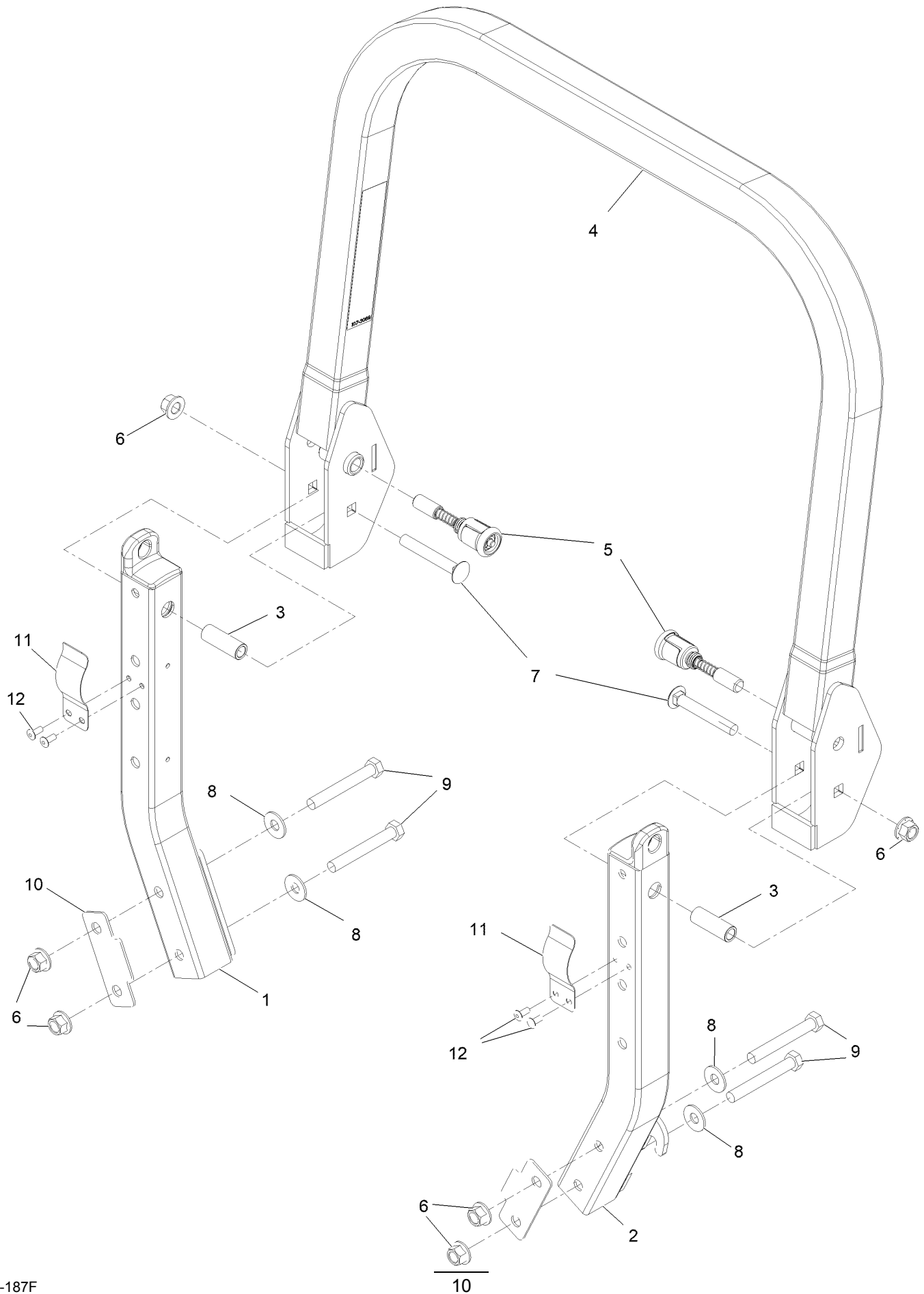
Main Frame Assembly



Main Frame Assembly (continued)

<i>Ref.</i>	<i>Part Number</i>	<i>Qty.</i>	<i>Description</i>	<i>Ref.</i>	<i>Part Number</i>	<i>Qty.</i>	<i>Description</i>
1	142-7219	1	Mainframe ASM, Wd	11	142-7835	1	Decal-Service Aid
2	142-7220	1	ROPS ASM	12	135-4933	1	ASM, RH Mud Flap
3	126-9066	1	Pan-Floor	13	135-4943	1	ASM, LH Mud Flap
3:2	126-8383	1	Decal-Danger	14	3230-7	4	Bolt-Carriage 5/16-18 X 2 1/4
4	142-2392	1	ASM,Motion Control Cover W/Decal RH	15	142-4120	2	Mirror Arm
4:2	142-3952	1	Decal-RH Motion Control	16	142-4121	2	Mirror
5	142-2393	1	ASM,Motion Control Cover W/Decal LH	17	142-6584-01	2	Plate-Mirror Mount
5:2	142-3953	1	Decal-LH Motion Control	18	3234-4	2	Screw-HH Flg 1/4-20 X 3/4
6	104-7201	4	Nut-Nyloc 1/4-20 Flg	19	3234-47	2	Screw-HH Flg 5/16-18 X 3/4
7	104-8300	8	Nut-Nyloc 5/16-18 Flg	20	142-7203-01	1	Bracket, Floor Pan Riser
8	109-2365	2	Bumper-Rubber	21	142-6583-01	2	Bracket-Mirror
9	126-5491	2	Isolator	22	32144-10	4	Screw-HWH 1/4-20 X .62
10	126-7065	1	Grommet-Rubber	23	33103-020	6	Screw-HHF M6-1 X 20Mm

Roll-Over Protection System Assembly No. 142-7220

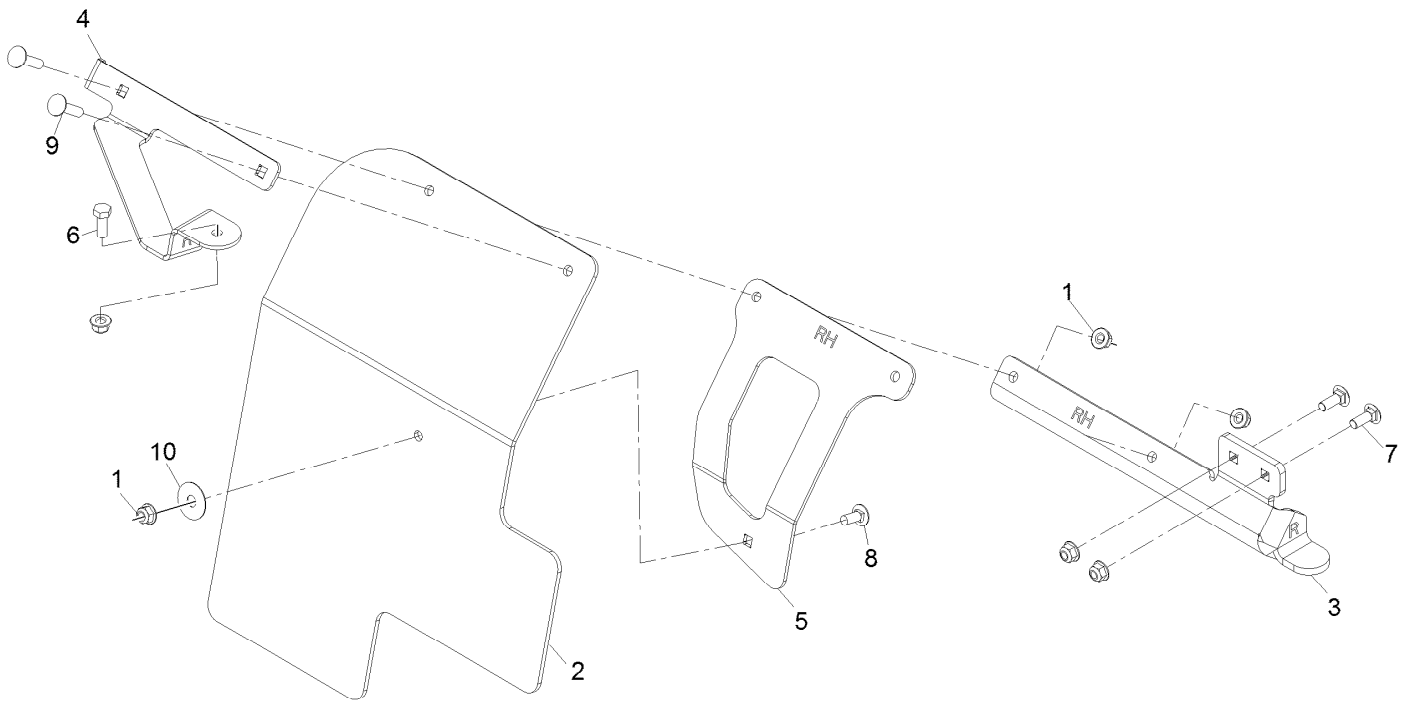


Roll-Over Protection System Assembly No. 142-7220 (continued)

<i>Ref.</i>	<i>Part Number</i>	<i>Qty.</i>	<i>Description</i>	<i>Ref.</i>	<i>Part Number</i>	<i>Qty.</i>	<i>Description</i>
1		1	Lower-ROPS, RH ●	7	3233-10	2	Screw-CARR
2		1	Lower-ROPS, LH ●	8	109-9505	4	Washer-Spring
3	109-6653	2	Spacer	9	325-35	4	Screw-HH
4	142-2385	1	ASM,ROPS Upper W/Decal	10	116-0960	2	Spacer
5	116-0104	2	Pin-Spring	11	110-5696	2	Spring-Leaf
6	99-5107	6	Nut-Lock	12	3290-412	4	Rivet-Blind

● Not serviced separately

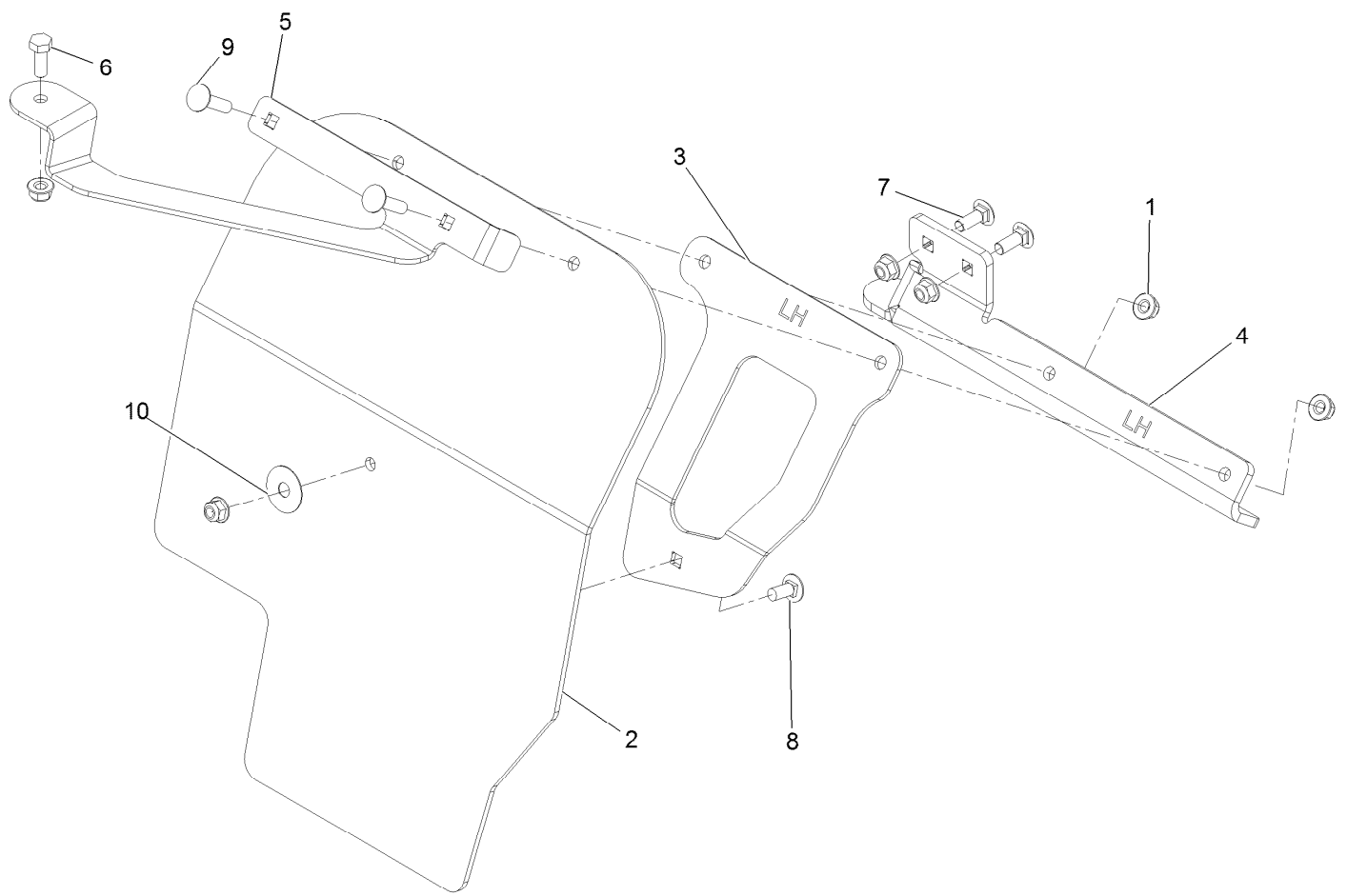
RH Mud Flap Assembly No. 135-4933



RH Mud Flap Assembly No. 135-4933 (continued)

<i>Ref.</i>	<i>Part Number</i>	<i>Qty.</i>	<i>Description</i>	<i>Ref.</i>	<i>Part Number</i>	<i>Qty.</i>	<i>Description</i>
1	104-8300	6	Nut-Nyloc 5/16-18 Flg	7	3230-16	2	Bolt-Carriage 5/16-18 X 7/8
2	135-4909	1	RH Mud Flap	8	3230-23	1	Bolt-Carriage 5/16-18 X 3/4 Short Neck
3	135-6917-03	1	Bracket, RH Mud Flap	9	3230-3	2	Bolt-Carriage 5/16-18 X 1 1/4
4	135-6919-03	1	Forward Support, RH Mud Flap	10	105-6814	1	Washer-Plain
5	135-4942-03	1	Support, RH Mud Flap				
6	322-4	1	Screw-HH 5/16-18 X 7/8				

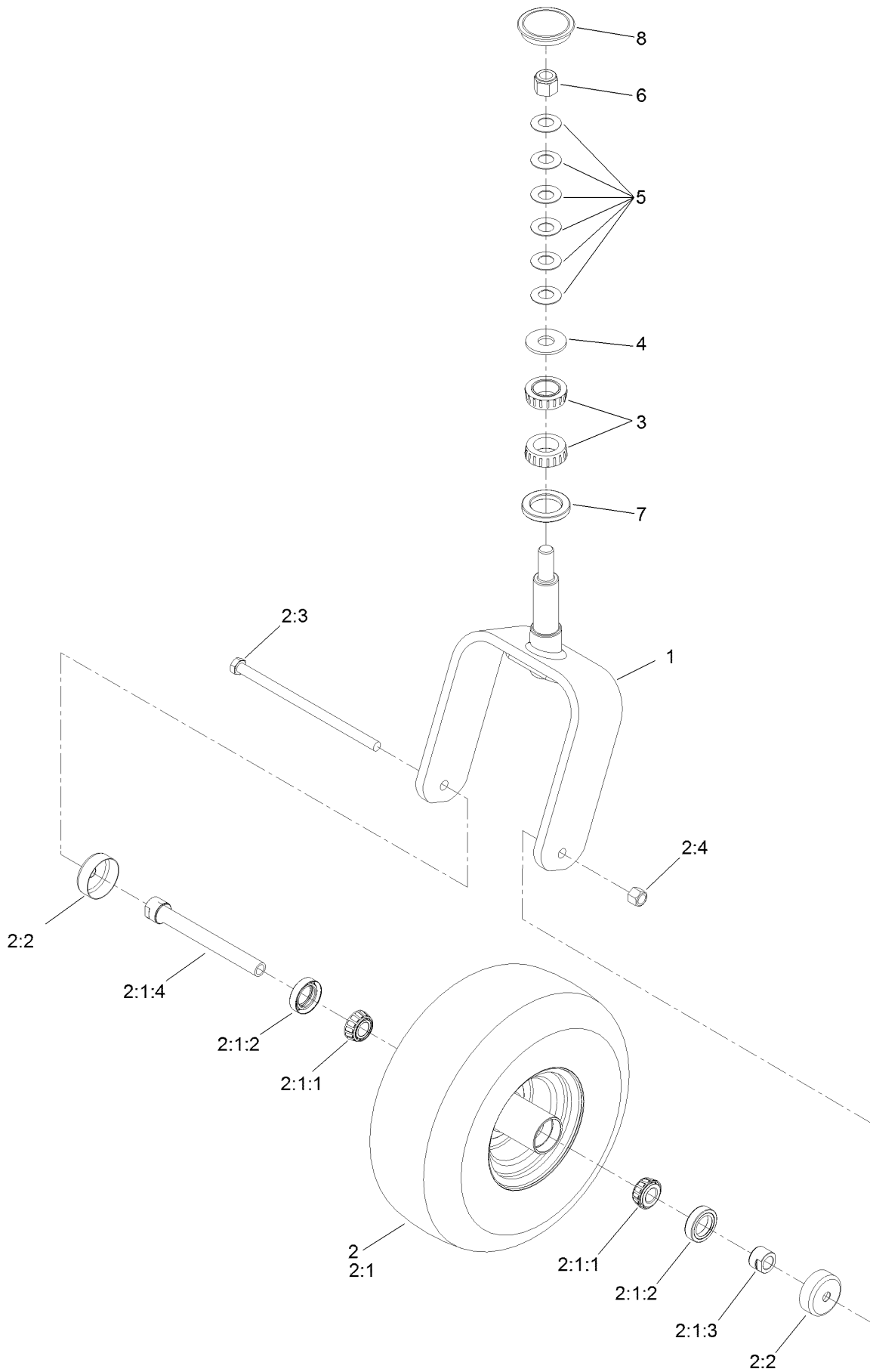
LH Mud Flap Assembly No. 135-4934



LH Mud Flap Assembly No. 135-4934 (continued)

<i>Ref.</i>	<i>Part Number</i>	<i>Qty.</i>	<i>Description</i>	<i>Ref.</i>	<i>Part Number</i>	<i>Qty.</i>	<i>Description</i>
1	104-8300	6	Nut-Nyloc 5/16-18 Flg	7	3230-16	2	Bolt-Carriage 5/16-18 X 7/8
2	135-4912	1	LH Mud Flap	8	3230-23	1	Bolt-Carriage 5/16-18 X 3/4 Short Neck
3	135-4938-03	1	Support, LH Mud Flap	9	3230-3	2	Bolt-Carriage 5/16-18 X 1 1/4
4	135-6916-03	1	Bracket, LH Mud Flap	10	105-6814	1	Washer-Plain
5	135-6918-03	1	Forward Support, LH Mud Flap				
6	322-4	1	Screw-HH 5/16-18 X 7/8				

Caster Wheel Assembly

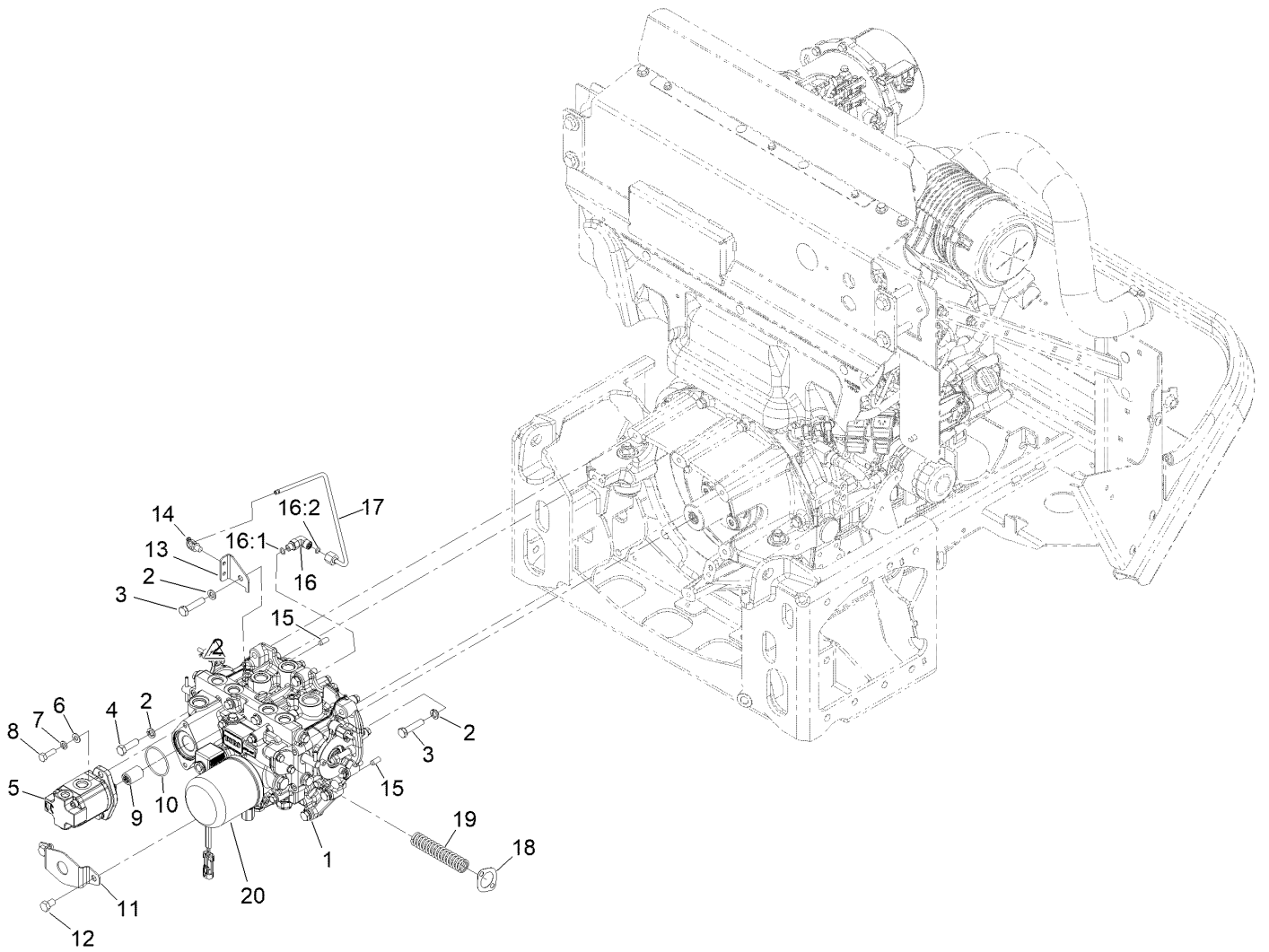


Caster Wheel Assembly (continued)

<i>Ref.</i>	<i>Part Number</i>	<i>Qty.</i>	<i>Description</i>	<i>Ref.</i>	<i>Part Number</i>	<i>Qty.</i>	<i>Description</i>
1	126-8601-01	1	Fork-Caster	2:3	325-39	1	Screw-HH
2	126-9344	1	Wheel And Tire ASM	2:4	3296-23	1	Nut-Lock, NI
2:1		1	Tire And Wheel ASM ●	3	103-9028	2	Bearing-Roller, Cone Taper
2:1:1	1-633585	2	Bearing-Cone, Taper	4	3256-8	1	Washer-Flat
2:1:2	103-0063	2	Seal-Caster	5	1-633508	6	Washer-Bellville
2:1:3	103-3051	1	Spacer-Nut	6	3296-51	1	Nut-Lock, NI
2:1:4	126-5361	1	Axle Caster ASM	7	135-0355	1	Seal-Grease
2:2	103-2768	2	Guard-Seal	8	126-9369	1	Cap-Grease

● Not serviced separately

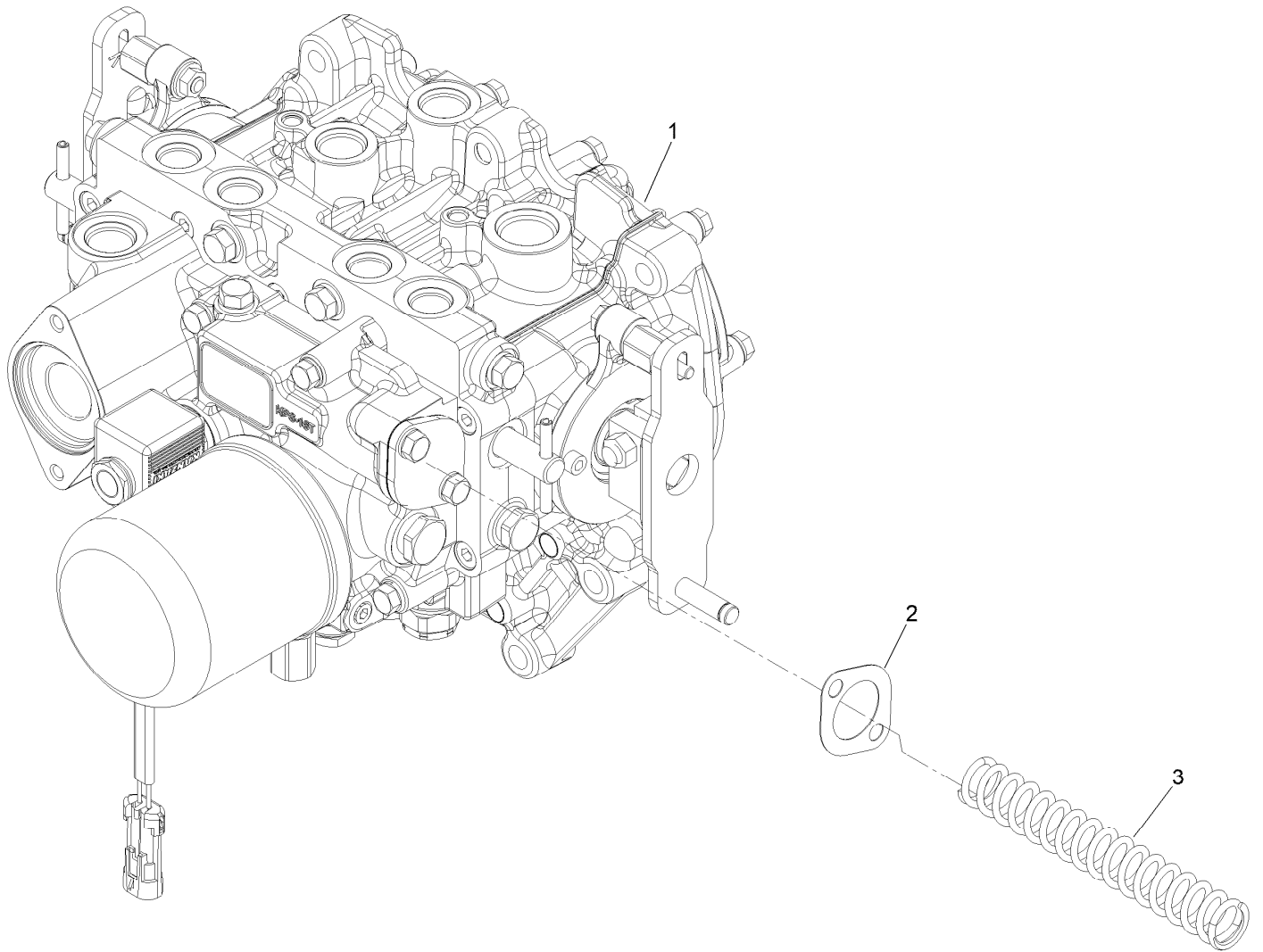
Transmission Mounting Assembly



Transmission Mounting Assembly (continued)

<i>Ref.</i>	<i>Part Number</i>	<i>Qty.</i>	<i>Description</i>	<i>Ref.</i>	<i>Part Number</i>	<i>Qty.</i>	<i>Description</i>
1	142-8084	1	Kit-Transmission ASM	12	33115-016	2	Screw-HH
2	48-9590	7	Washer-Lock	13	126-6806	1	Support-Tube
3	33115-045	6	Screw-HH	14	32180-030	1	Clip-Tie
4	33115-035	1	Screw-HH	15	87-1910	2	Pin-Dowel
5	112-9542	1	HYD Gear Pump ASM	16	340-132	1	Fitting-Elbow, 90 DEG
6	3256-23	2	Washer-Plain	16:1	237-78	1	O-Ring
7	3253-4	2	Washer-Lock	16:2	237-21	1	O-Ring
8	33114-025	2	Screw-HH	17	126-8689	1	Tube ASM
9	108-9920	1	Coupler-Spline	18	107-0847	1	Gasket
10	108-9919	1	O-Ring	19	142-5957	1	Spring-Compression
11	114-4088	1	Shield-Seal	20	108-5194	1	Filter-Oil, HYD

Transmission Assembly No. 142-8084

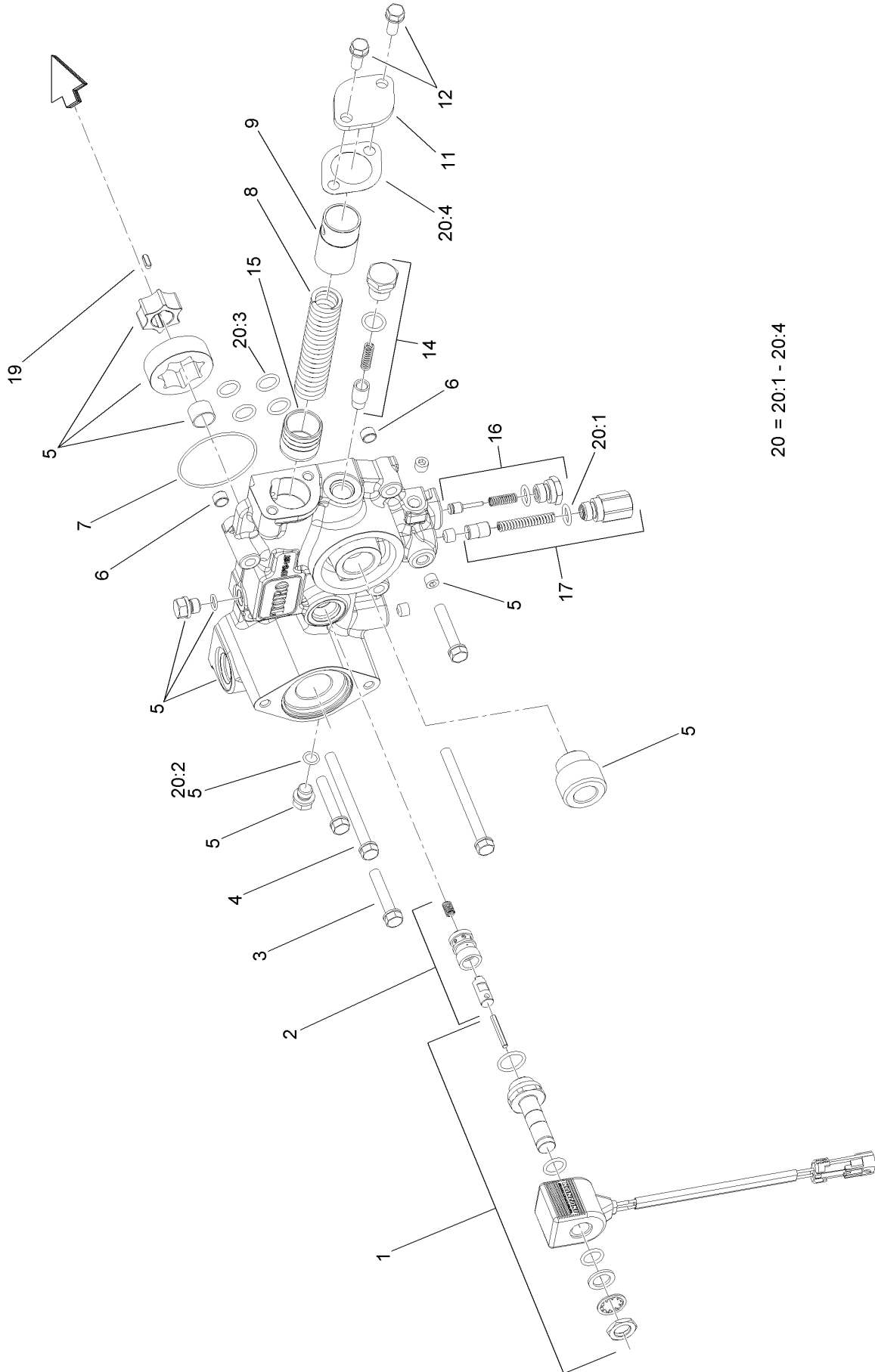


Transmission Assembly No. 142-8084 (continued)

<i>Ref.</i>	<i>Part Number</i>	<i>Qty.</i>	<i>Description</i>
1		1	Transmisson ASM ●
2	107-0847	1	Gasket
3	142-5957	1	Spring-Compression

● Not serviced separately

Charge Pump Housing Assembly Transmission Assembly

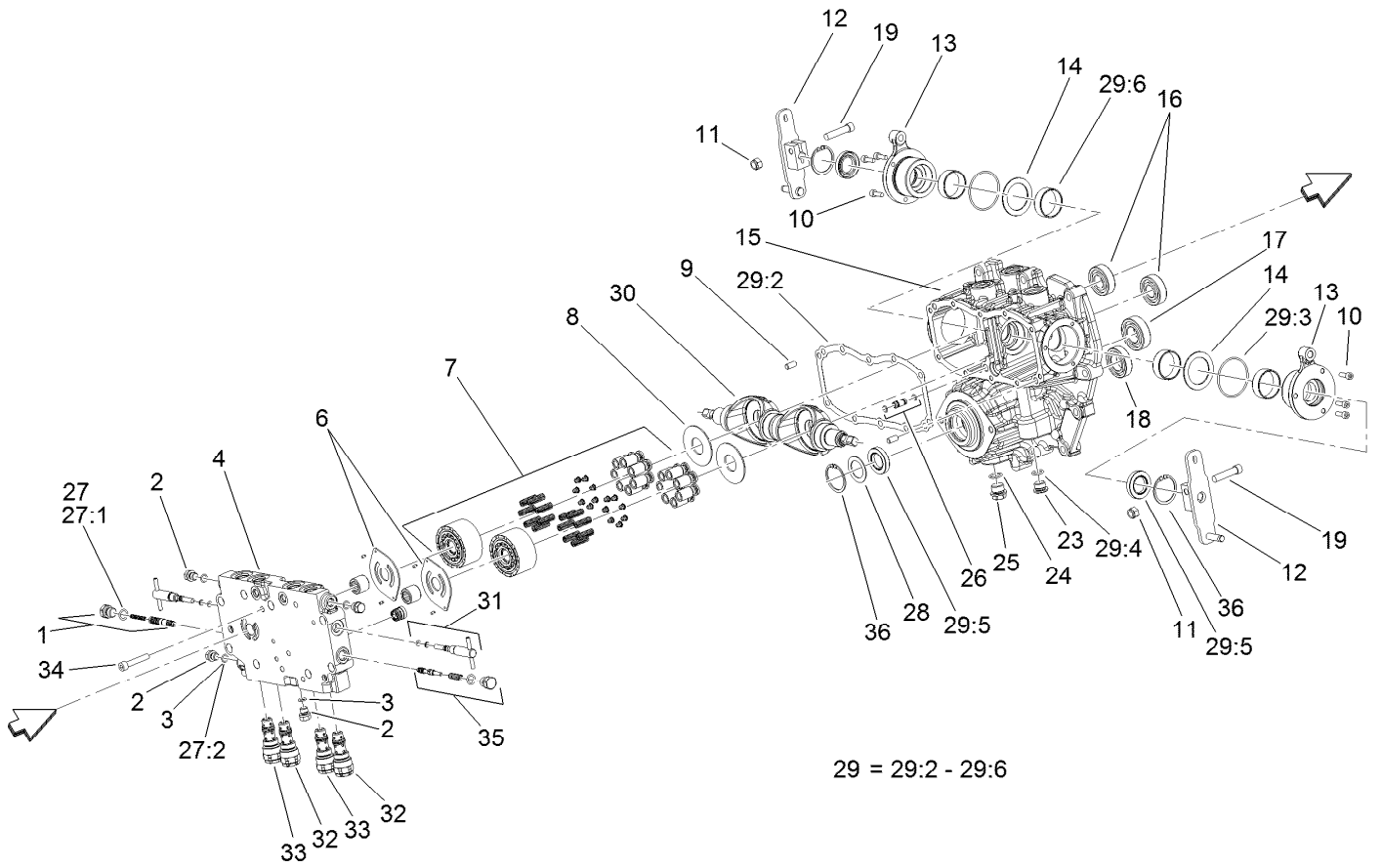


Charge Pump Housing Assembly Transmission Assembly (continued)

<i>Ref.</i>	<i>Part Number</i>	<i>Qty.</i>	<i>Description</i>	<i>Ref.</i>	<i>Part Number</i>	<i>Qty.</i>	<i>Description</i>
1	107-0851	1	Solenoid ASM	14	107-0843	1	Filter Bypass Valve ASM
2	107-0850	1	Solenoid Valve ASM	15	107-0818	1	Piston
3	107-0863	3	Bolt	16	107-0842	1	Charge Relief Valve ASM
4	107-0864	2	Bolt	17	107-0841	1	Pressure Valve ASM
5	107-0840	1	Pump Body ASM	19	107-0865	1	Key
6	107-0848	2	Pin	20	107-0855	1	Charge Pump Seal Kit
7	107-0856	1	O-Ring	20:1	93-0418	2	O-Ring
8	107-0845	1	Spring	20:2	107-0817	2	O Ring-Plug
9	107-0844	1	Collar	20:3	104-3298	6	Packing
11	107-0846	1	Cover	20:4	107-0847	1	Gasket
12	93-0457	2	Bolt And Washer ASM				

Transmission Assembly (cont.)

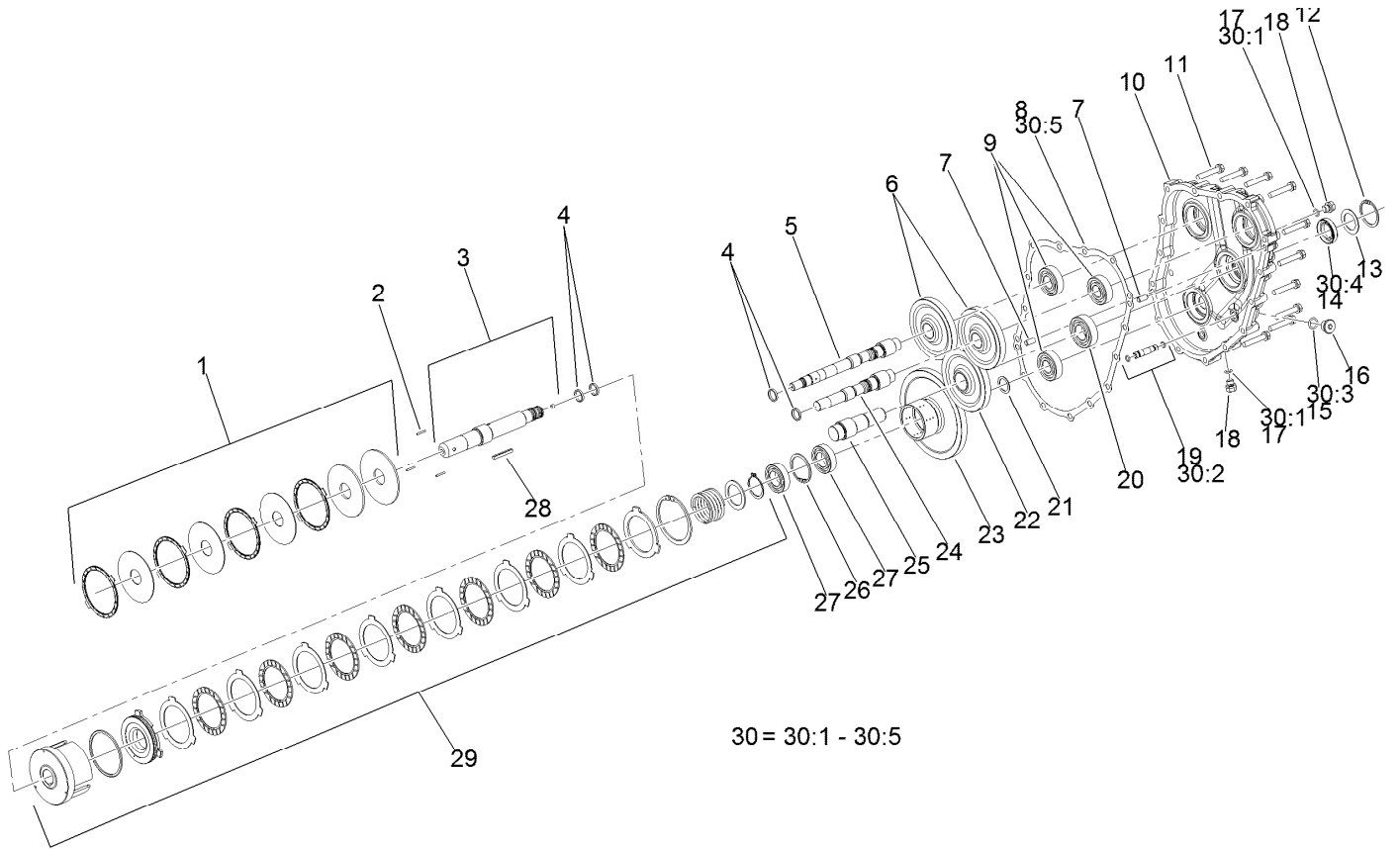
Center Section Assembly



Transmission Assembly (cont.) Center Section Assembly (continued)

<i>Ref.</i>	<i>Part Number</i>	<i>Qty.</i>	<i>Description</i>	<i>Ref.</i>	<i>Part Number</i>	<i>Qty.</i>	<i>Description</i>
1	107-0807	1	Valve-Flushing, RH	25	107-0867	1	Plug
2	107-0857	6	Plug	26	107-0812	1	Pipe
3	107-0817	6	O Ring-Plug	27	107-0852	1	Center Case Seal Kit
4	121-3377	1	Center Case, Complete	27:1	93-0418	2	O-Ring
6	107-0805	2	Plate-Valve	27:2	107-0817	6	O Ring-Plug
7	107-0824	2	Cylinder Block ASM	28	107-0813	1	Spacer
8	107-0830	2	Plate-Thrust	29	107-0853	1	Pump Housing Seal Kit
9	92-0765	4	Pin-Parallel	29:2	107-0810	1	Gasket-Case, Center
10	107-0859	6	Bolt	29:3	107-0817	2	O Ring-Plug
11	120-6681	2	U-Nut	29:4	104-3298	1	Packing
12	120-6680	2	Arm-Control	29:5	107-0814	3	Seal
13	107-0832	2	Side Cover ASM	29:6	107-0825	4	Ring-Seal
14	107-0829	2	Washer	30	120-6679	2	Plate-Swash
15	120-5151	1	Pump Housing ASM	31	107-0808	2	Valve-Bypass
16	107-0826	2	Bearing	32	107-0804	2	Valve-Rear
17	107-0821	1	Bearing	33	107-0803	2	Valve-Front
18	107-0838	1	Bearing	34	107-0863	8	Bolt
19	120-6682	2	Bolt	35	107-0806	1	Valve-Flushing, LH
23	107-0861	1	Plug-NPTF	36	92-0757	2	Ring-Snap
24	237-79	1	O-Ring				

Transmission Assembly (cont.) Gear Case and Clutch Assembly

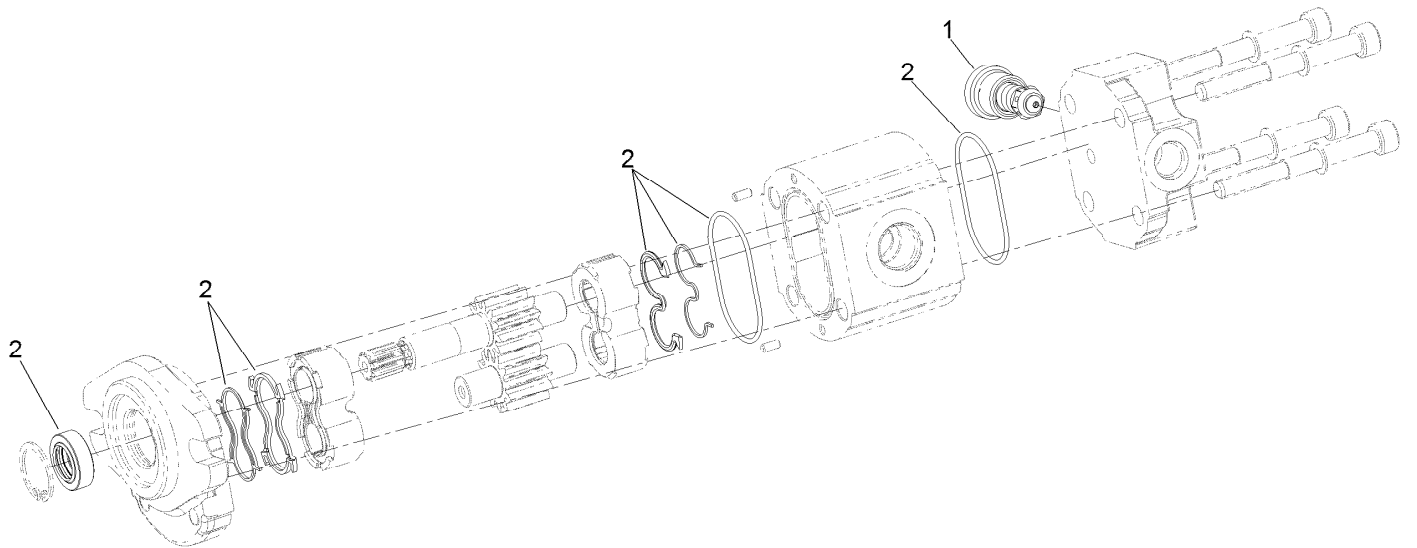


Transmission Assembly (cont.) Gear Case and Clutch Assembly (continued)

<i>Ref.</i>	<i>Part Number</i>	<i>Qty.</i>	<i>Description</i>	<i>Ref.</i>	<i>Part Number</i>	<i>Qty.</i>	<i>Description</i>
1	107-0839	1	PTO Brake ASM	19	107-0811	1	Pipe
2	107-0837	3	Rod-Push	20	107-0821	2	Bearing
3	107-0833	1	PTO Shaft ASM	21	107-0836	1	Spacer
4	107-0825	2	Ring-Seal	22	107-0820	1	Gear-Input
5	107-0827	1	Shaft-Pump	23	107-0834	1	Gear-PTO
6	107-0823	2	Gear-Pump	24	107-0822	1	Shaft-Pump
7	92-0765	4	Pin-Parallel	25	107-0819	1	Shaft-Input
8	107-0816	1	Gasket-Housing, Gear	26	92-0758	1	Ring-Snap
9	107-0826	4	Bearing	27	107-0838	3	Bearing
10	120-5152	1	Housing-Case, Gear	28	107-0866	1	Key
11	107-0863	13	Bolt	29	107-0835	1	Clutch Cylinder ASM
12	92-0757	1	Ring-Snap	30	107-0854	1	Gear Housing Seal Kit
13	107-0813	1	Spacer	30:1	107-0817	2	O Ring-Plug
14	107-0814	1	Seal	30:2		2	O-Ring ●
15	104-3298	1	Packing	30:3	104-3298	1	Packing
16	107-0861	1	Plug-NPTF	30:4	107-0814	1	Seal
17	107-0817	6	O Ring-Plug	30:5	107-0816	1	Gasket-Housing, Gear
18	107-0857	6	Plug				

● Not serviced separately

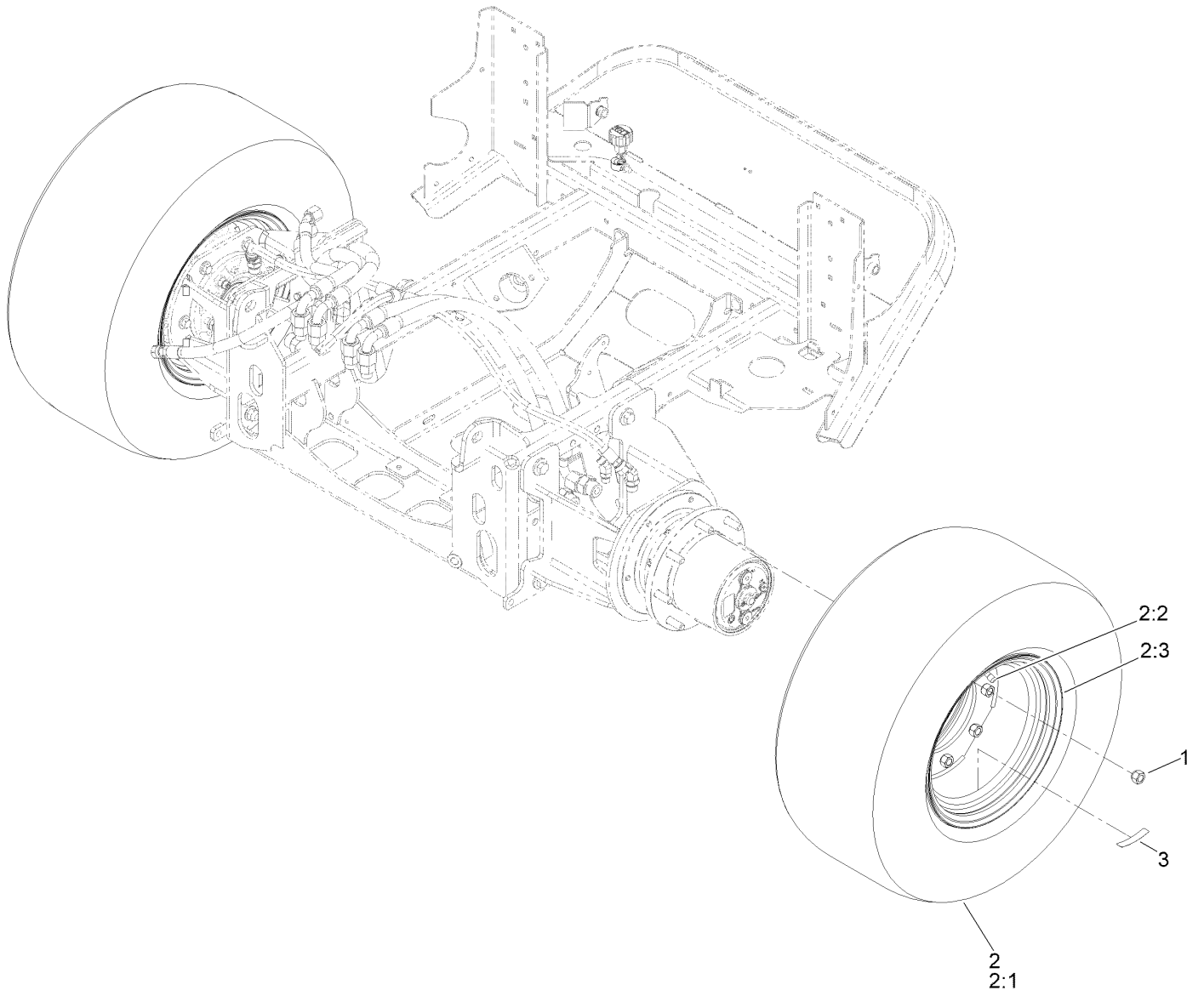
Hydraulic Gear Pump Assembly No. 112-9542



Hydraulic Gear Pump Assembly No. 112-9542 (continued)

<i>Ref.</i>	<i>Part Number</i>	<i>Qty.</i>	<i>Description</i>
1	112-0198	1	Valve
2	112-0199	1	Seal Kit

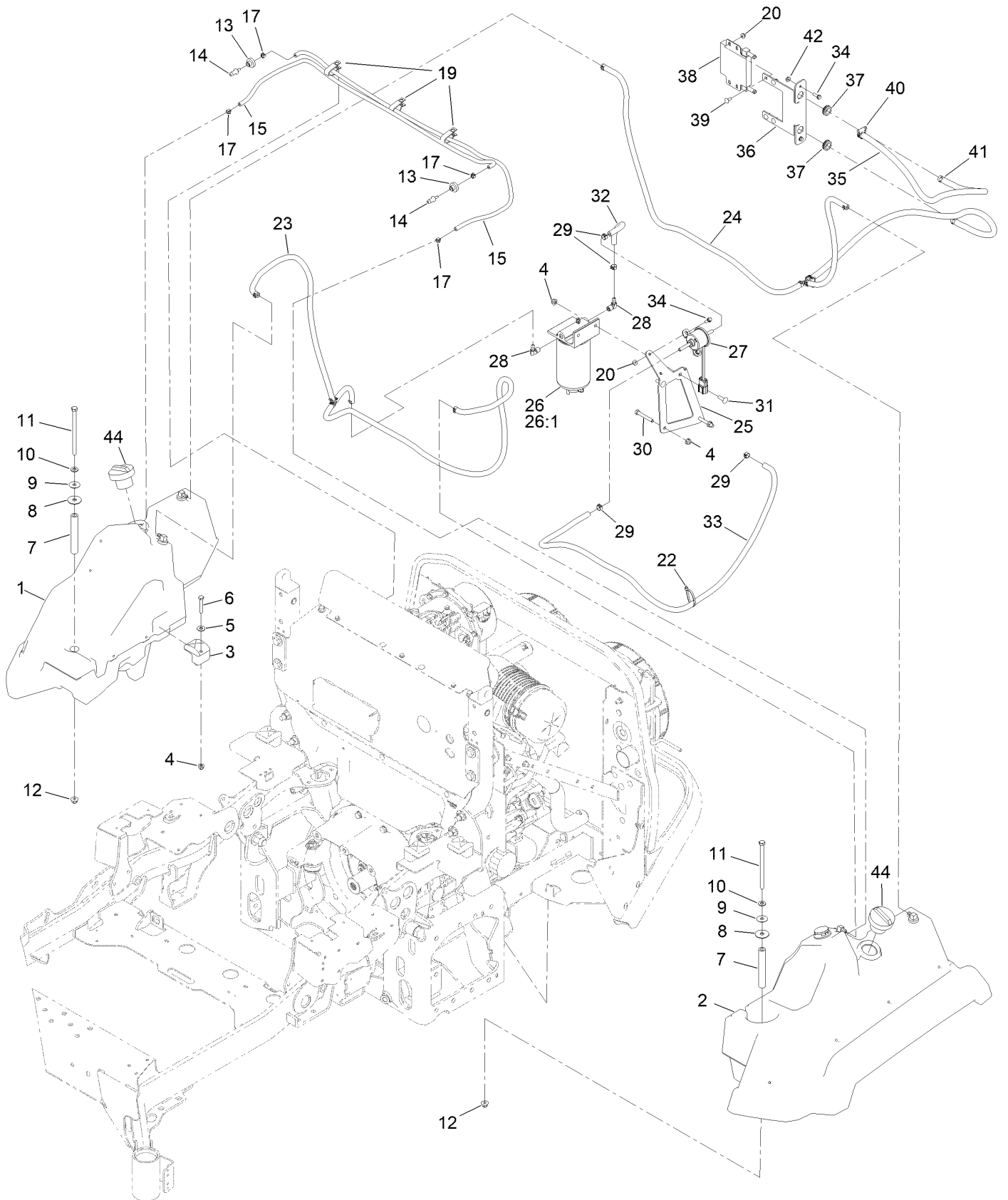
Drive Wheel Assembly



Drive Wheel Assembly (continued)

<i>Ref.</i>	<i>Part Number</i>	<i>Qty.</i>	<i>Description</i>	<i>Ref.</i>	<i>Part Number</i>	<i>Qty.</i>	<i>Description</i>
1	242-50	16	Nut-Lug	2:2	232-27	1	Stem-Valve
2	142-6798	2	ASM-Tire 26 X 12-12	2:3	142-6799	1	Wheel - 12.0X8.5 8/8.0
2:1	126-8033	1	Tire	3	142-7838	2	Decal-Wheel Hub

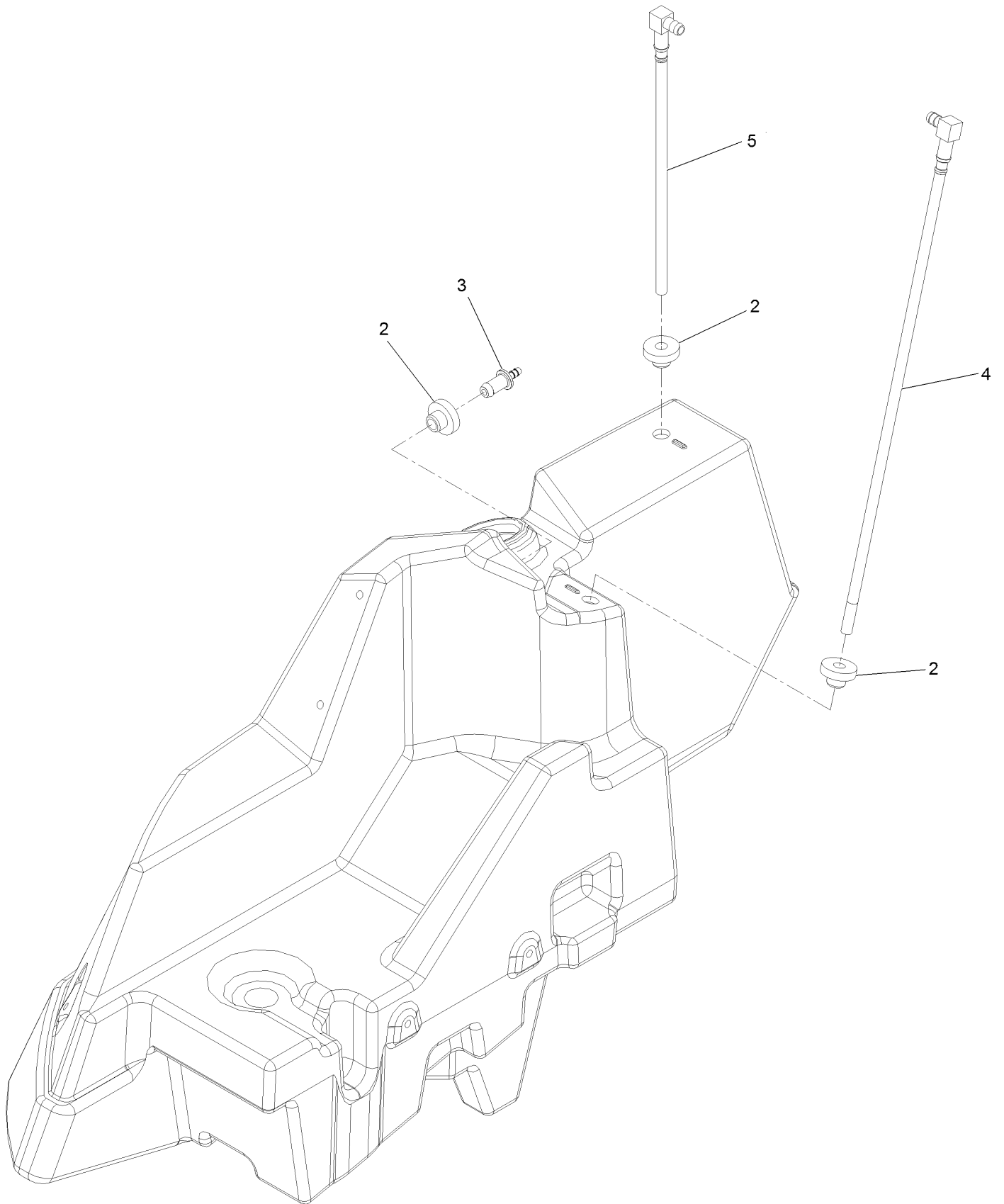
Fuel System Assembly



Fuel System Assembly (continued)

<i>Ref.</i>	<i>Part Number</i>	<i>Qty.</i>	<i>Description</i>	<i>Ref.</i>	<i>Part Number</i>	<i>Qty.</i>	<i>Description</i>
1	126-8651	1	RH Fuel Tank ASM	25	142-7204-03	1	Brkt-Fuel Filter
2	126-8652	1	LH Fuel Tank ASM	26	125-2914	1	Filter-Separator
3	107-4543	4	Clamp	26:1	125-2915	1	Filter-Fuel/Water Separator
4	104-8300	8	Nut-HF, NI	27	121-5613	1	Pump-Fuel, Electric
5	3256-3	4	Washer-Flat	28	353-781	2	Fitting-HYD, 90
6	322-21	4	Screw-HH	29	92-2379	4	Clamp-Hose
7	126-8335	2	Tube-Spacer	30	322-11	2	Screw-HH
8	95-1905	2	Washer-Rubber	31	3230-22	2	Screw-CARR
9	105-6814	2	Washer-Plain	32	108-3280	1	Hose-Fuel
10	3256-24	2	Washer-Plain	33	110-7503	1	Hose-Fuel
11	323-22	2	Screw-HH	34	32105-15	4	Screw-HWH
12	104-8301	2	Nut-HF, NI	35	142-3195	1	Hose-Fuel
13	46-6560	2	Bushing	36	142-5173-03	1	Mount-Cooler, Fuel
14	116-4630	2	Fitting-Orifice, Straight	37	237-124	2	Grommet
15	117-6395	2	Hose-Fuel	38	116-7205	1	Cooler
17	2412-80	4	Clamp-Hose	39	127-2610	4	Screw-CARR
19	92-5753	3	Clamp-Hose	40	135-7984	1	Clamp-Hose
20	104-7201	6	Nut-HF, NI	41	103-1988	1	Clamp-Hose
22	3290-378	1	Tie-Cable	42	32128-33	2	Nut-HF
23	135-0512	1	Fuel Suction Line ASM	44	125-9170	2	Cap-Fuel, Diesel (Ultra Low Sulfur)
24	142-3194	1	Hose ASM-Fuel, Tee				

RH Fuel Tank Assembly No. 126-8651

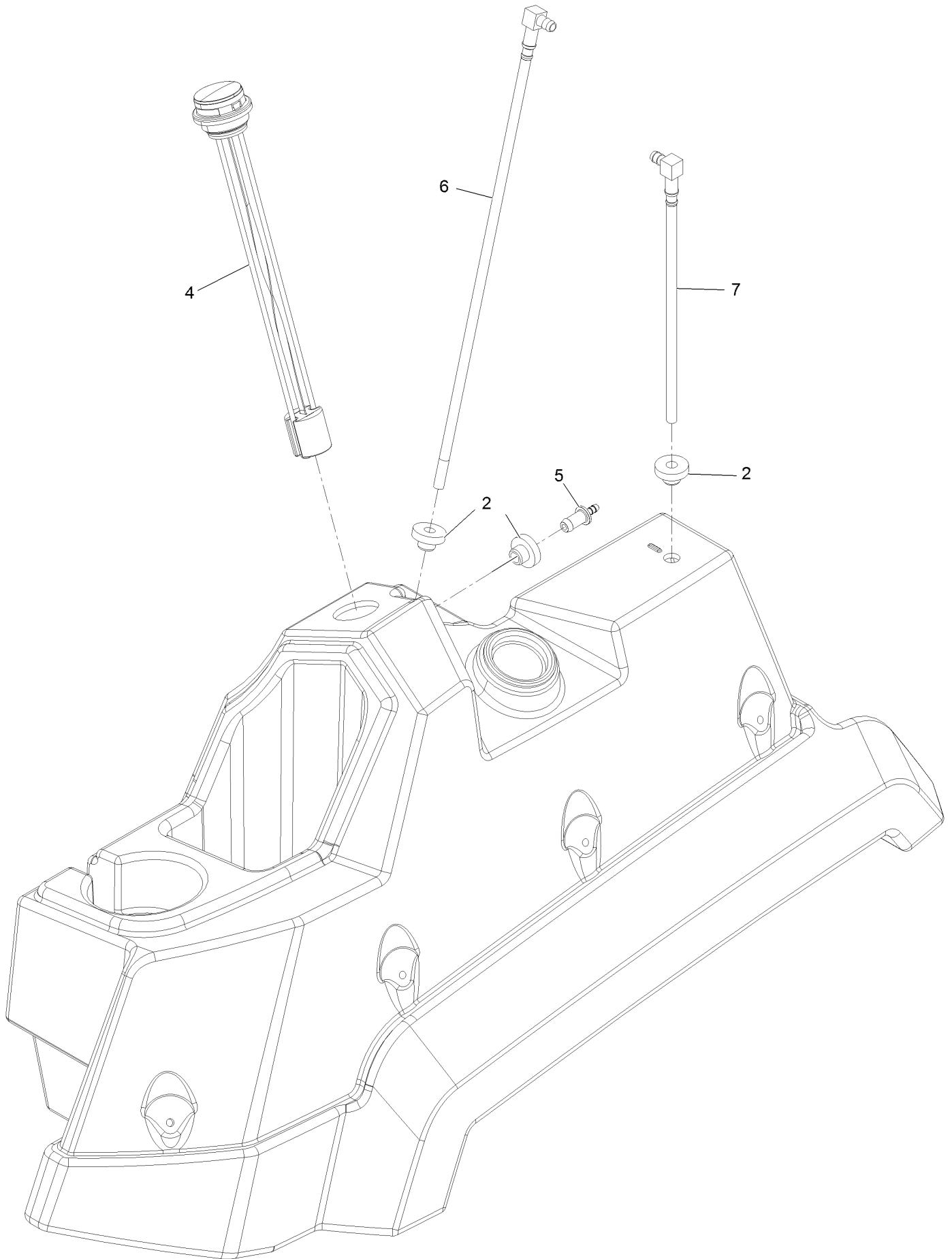


RH Fuel Tank Assembly No. 126-8651 (continued)

<i>Ref.</i>	<i>Part Number</i>	<i>Qty.</i>	<i>Description</i>
2	46-6560	3	Bushing
3	116-4630	1	Fitting-Orifice, Straight

<i>Ref.</i>	<i>Part Number</i>	<i>Qty.</i>	<i>Description</i>
4	126-8647	1	Pick-Up-Fuel
5	126-8649	1	Return-Fuel

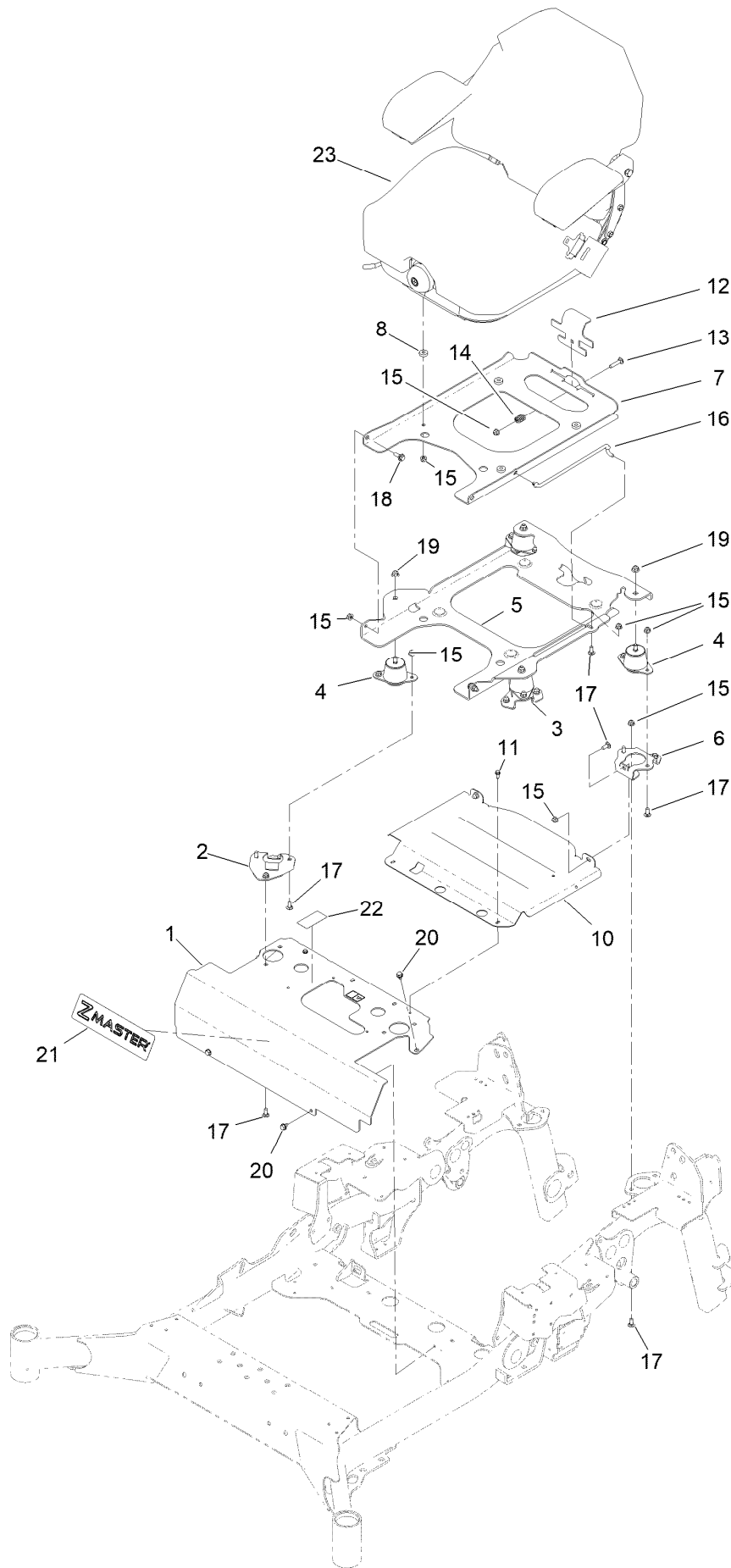
LH Fuel Tank Assembly 126-8652



LH Fuel Tank Assembly 126-8652 (continued)

<i>Ref.</i>	<i>Part Number</i>	<i>Qty.</i>	<i>Description</i>	<i>Ref.</i>	<i>Part Number</i>	<i>Qty.</i>	<i>Description</i>
2	46-6560	3	Bushing	6	126-8647	1	Pick-Up-Fuel
4	126-8660	1	Gauge-Fuel	7	126-8649	1	Return-Fuel
5	116-4630	1	Fitting-Orifice, Straight				

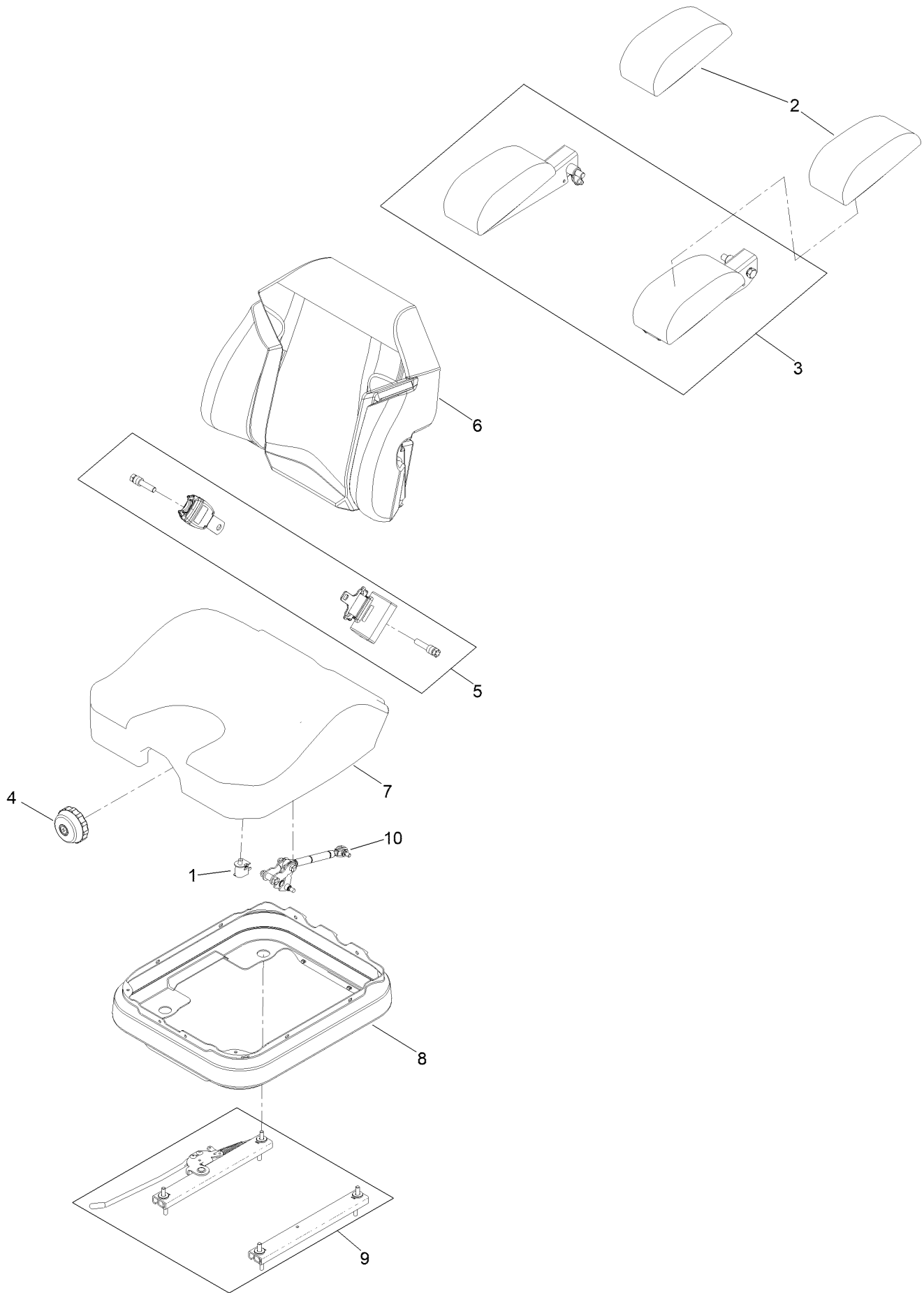
Seat Mounting Assembly



Seat Mounting Assembly (continued)

<i>Ref.</i>	<i>Part Number</i>	<i>Qty.</i>	<i>Description</i>	<i>Ref.</i>	<i>Part Number</i>	<i>Qty.</i>	<i>Description</i>
1	142-6618	1	Mount-Seat W/Decals	13	3230-4	1	Bolt-CARR
2	142-6658-03	1	Riser-Seat Mount, R	14	107-3017	1	Spring-Compression
3	142-6659-03	1	Riser-Seat Mount, L	15	104-8300	26	Nut-HF, NI
4	109-9034	4	Isolator-Seat	16	116-0070	1	Rod-Prop
5	142-4142-03	1	Plate,Tilt Seat Support	17	3230-23	19	Bolt-CARR
6	142-6651-03	2	Riser-Seat Mount, Rear	18	116-1297	2	Screw-Shoulder
7	126-2700-03	1	Plate-Frame, Seat	19	104-8301	4	Nut-HF, NI
8	26-4840	4	Spacer-Pin, Mounting	20	9266934	4	Screw
10	142-7215-03	1	Heat Shield - Seat	21	140-1215	1	Decal-Console
11	32144-10	2	Screw-HWH	22	135-2837	1	Decal-Fluid, Transmission
12	126-1855	1	Plate-Latch, Seat	23	142-7524	1	ASM-Suspension Seat, Toro

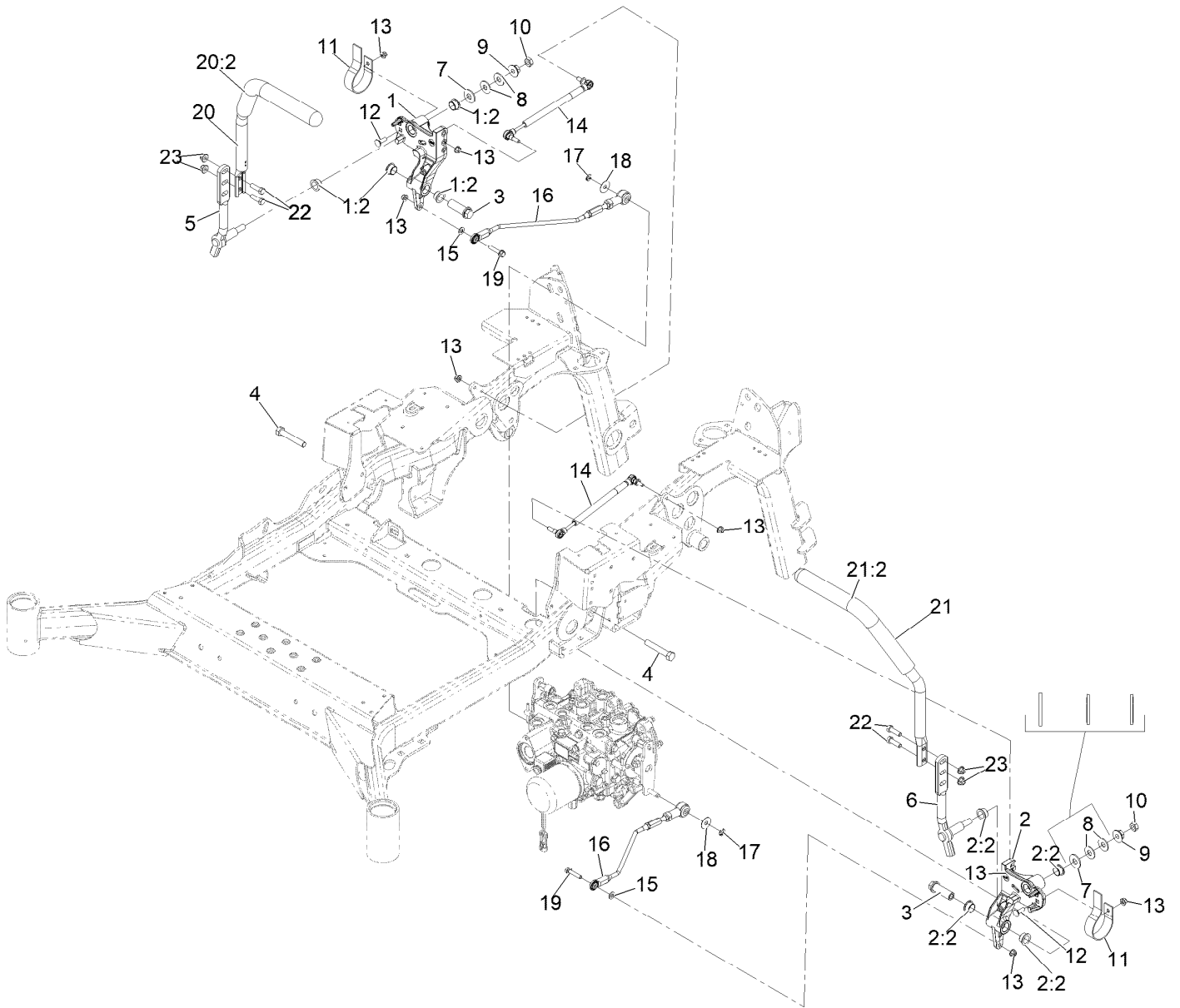
Seat Assembly No. 142-7524



Seat Assembly No. 142-7524 (continued)

<i>Ref.</i>	<i>Part Number</i>	<i>Qty.</i>	<i>Description</i>	<i>Ref.</i>	<i>Part Number</i>	<i>Qty.</i>	<i>Description</i>
1	82-2190	1	Switch-Bail	6	146-0868	1	Cover-Back
2	146-0691	1	Kit-Arm Rest Pads	7	145-3659	1	Cover-Bottom, Seat
3	146-0679	1	Kit-Arm Rest Set	8	142-7840	1	Cover-Suspension Bellows
4	116-8911	1	Knob-Adjuster	9	142-7841	1	Set-Seat Track
5	146-0595	1	Seat Belt Kit	10	146-4468	1	Damper-Seat

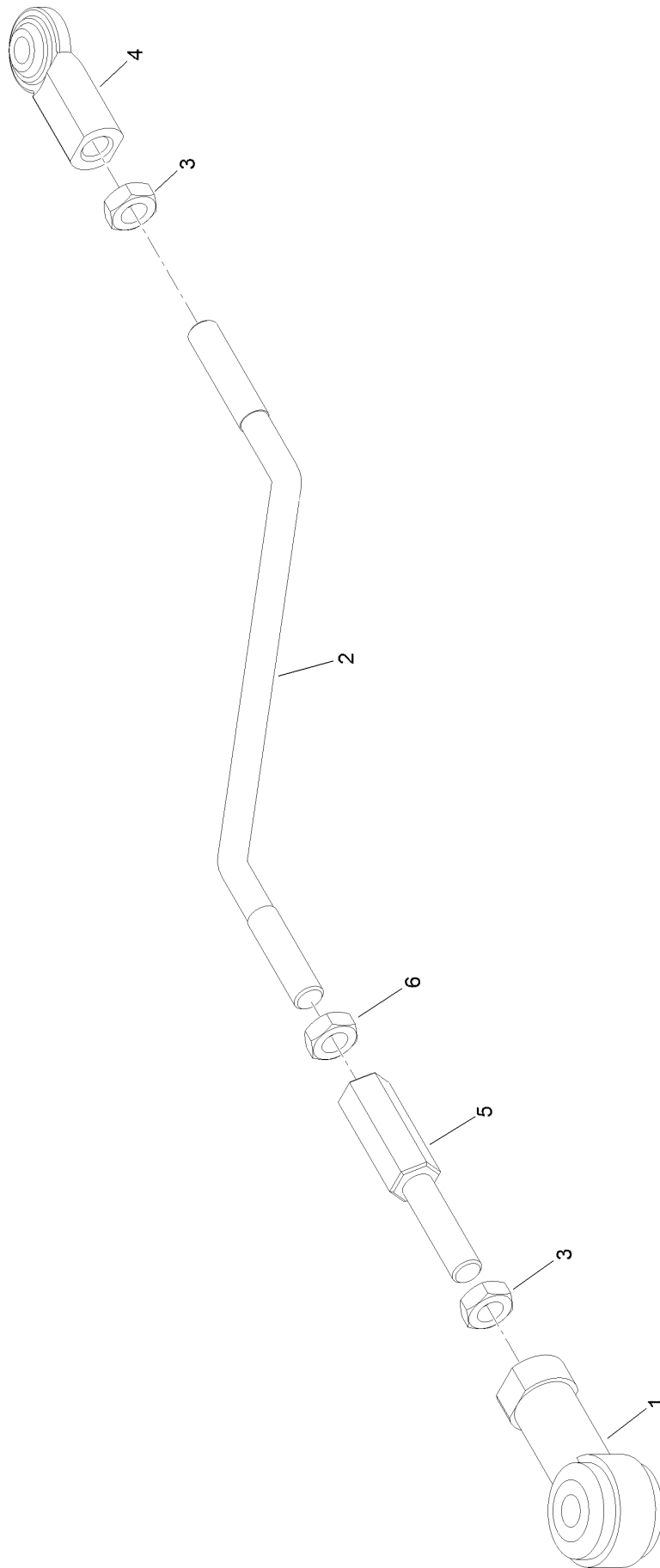
Motion Control Assembly



Motion Control Assembly (continued)

<i>Ref.</i>	<i>Part Number</i>	<i>Qty.</i>	<i>Description</i>	<i>Ref.</i>	<i>Part Number</i>	<i>Qty.</i>	<i>Description</i>
1	116-0880	1	RH Motion Control And Bushing ASM	12	3230-2	2	Bolt-Carriage 5/16-18 X 1
1:2	109-8054	4	Bushing-Flanged	13	104-8300	8	Nut-Nyloc 5/16-18 Flg
2	116-0881	1	LH Motion Control And Bushing ASM	14	116-0027	2	Damper-Control, Motion
2:2	109-8054	4	Bushing-Flanged	15	3256-23	2	Washer-5/16 SAE
3	109-5891	2	Hub-Threaded	16	142-8447	2	ASM, Front Linkage Rod
4	325-12	2	Screw-HH 1/2-13 X 3	17	32151-47	2	Ring-Retaining
5	116-0039	1	Lever-Control Motion, RH	18	130-8094	2	Washer-Plain
6	116-0040	1	Lever-Control Motion, LH	19	142-8518	2	Bolt-Shoulder,HHF
7	3256-6	2	Washer	20	142-2391	1	ASM,Steering Handle RH
8	109-9505	4	Washer, Spring Disc 1/2	20:2	109-5668	1	Grip-Lever, Control
9	32128-56	2	Nut-Hex 1/2-13 Flange	21	142-2390	1	ASM,Steering Handle LH
10	3218-5	2	Nut-Jam 1/2-13	21:2	109-5668	1	Grip-Lever, Control
11	109-5575	2	Spring-Leaf	22	323-7	4	Screw-HH 3/8-16 X 1 1/4
				23	104-8301	4	Nut-Nyloc 3/8-16 Flg

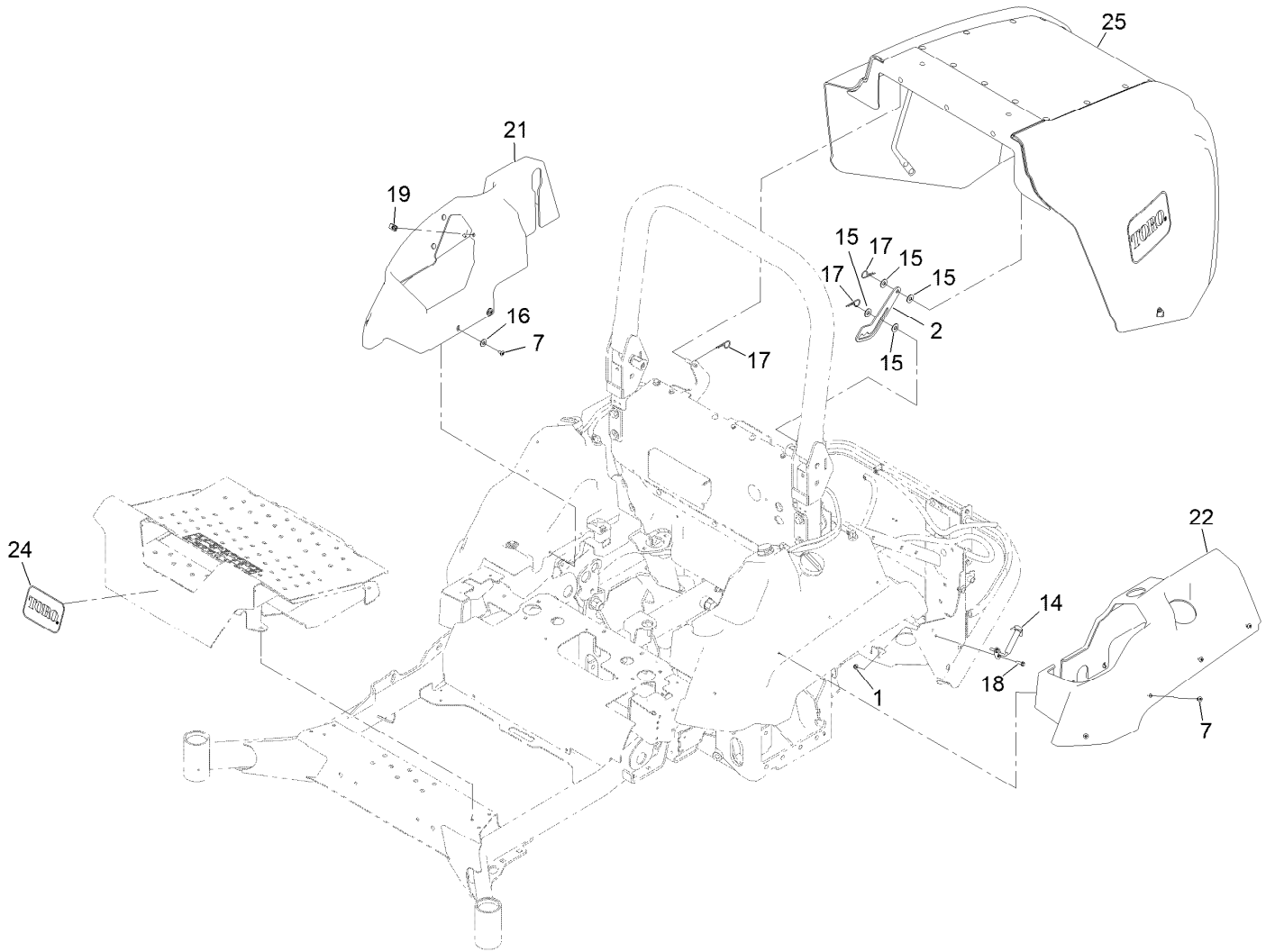
Rod Linkage Assembly No. 142-8447



Rod Linkage Assembly No. 142-8447 (continued)

<i>Ref.</i>	<i>Part Number</i>	<i>Qty.</i>	<i>Description</i>	<i>Ref.</i>	<i>Part Number</i>	<i>Qty.</i>	<i>Description</i>
1	105-7199	1	End-Rod, Isolated	4	103-2463	1	Joint-Ball, End
2	126-6469	1	Rod-Linkage, Rear	5	116-4755	1	Rod-Adjustment
3	3220-3	2	Nut-HJ	6	3220-16	1	Nut-Hex Jam, LH

Hood and Covers Assembly



Hood and Covers Assembly (continued)

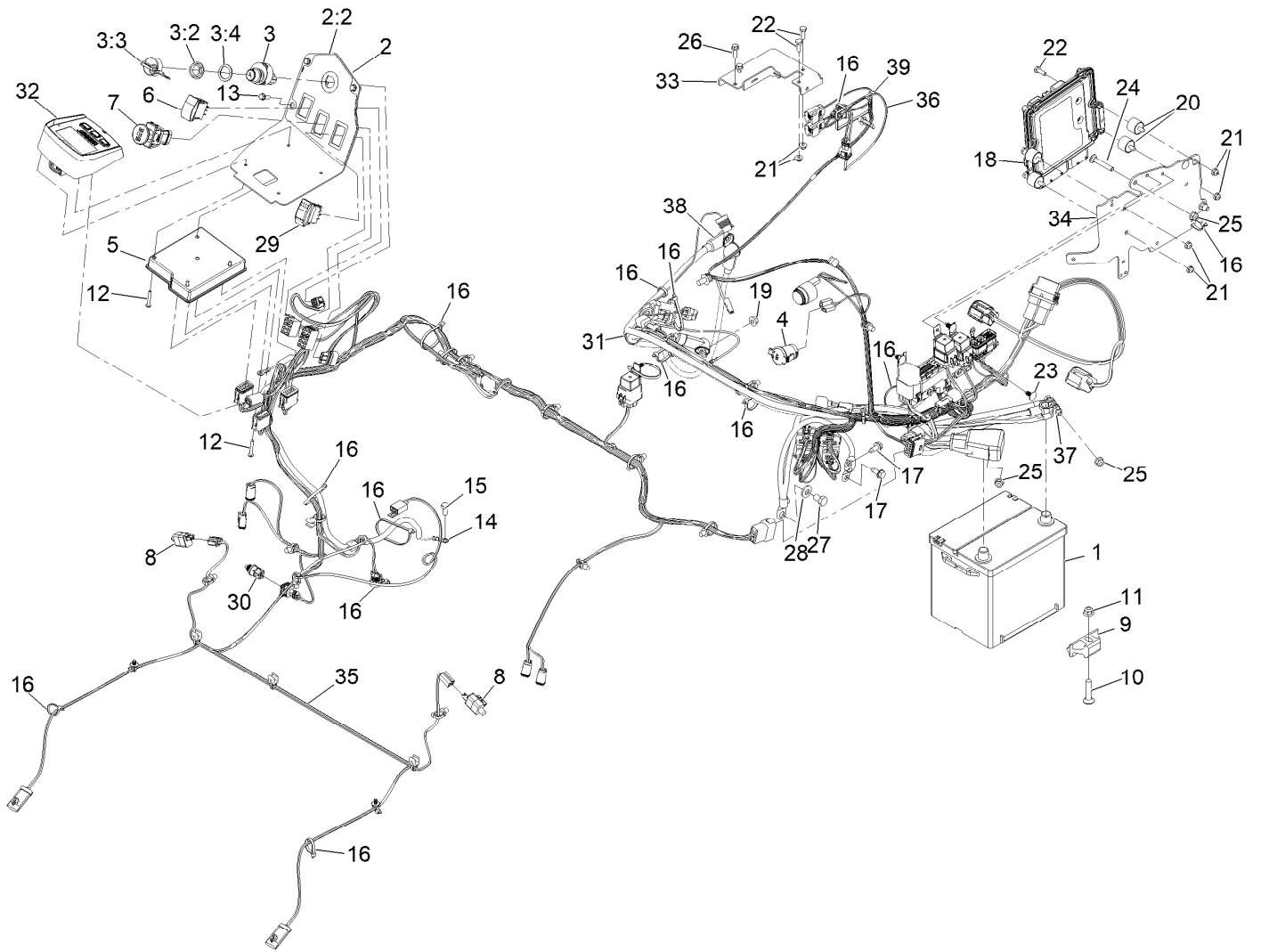
<i>Ref.</i>	<i>Part Number</i>	<i>Qty.</i>	<i>Description</i>	<i>Ref.</i>	<i>Part Number</i>	<i>Qty.</i>	<i>Description</i>
1	104-7201	4	Nut-HF, NI	18	32105-15	4	Screw-HWH
2	142-6010	1	Prop-Hood	19	107069	1	Clip
7	126-8216	12	Screw-Torx	21	126-8655	1	Cover-Tank, RH
14	142-5169	2	Latch-Hook	22	126-8656	1	Cover-Tank, LH
15	3256-4	4	Washer-Flat	24	68-3640	1	Decal
16	3256-71	4	Washer-Flat	25	142-5135	1	ASM, Hood Lzsd
17	3290-255	3	Pin-Cotter, Hair				

Hood Assembly No. 142-5135 (continued)

<i>Ref.</i>	<i>Part Number</i>	<i>Qty.</i>	<i>Description</i>
1	142-5134	1	Hood
4	142-6641-03	1	Bracket-Hood Block Off
6	142-5133-03	1	Hood Support ASM [black]
7	3229-1	16	Screw-CARR
8	104-7201	16	Nut-HF, NI

<i>Ref.</i>	<i>Part Number</i>	<i>Qty.</i>	<i>Description</i>
9	142-5170	2	Latch, Keeper
10	142-3219	2	Seal-Foam
11	62-7400	2	Decal-Toro Logo
12	117-2382	26	Plug-Plastic

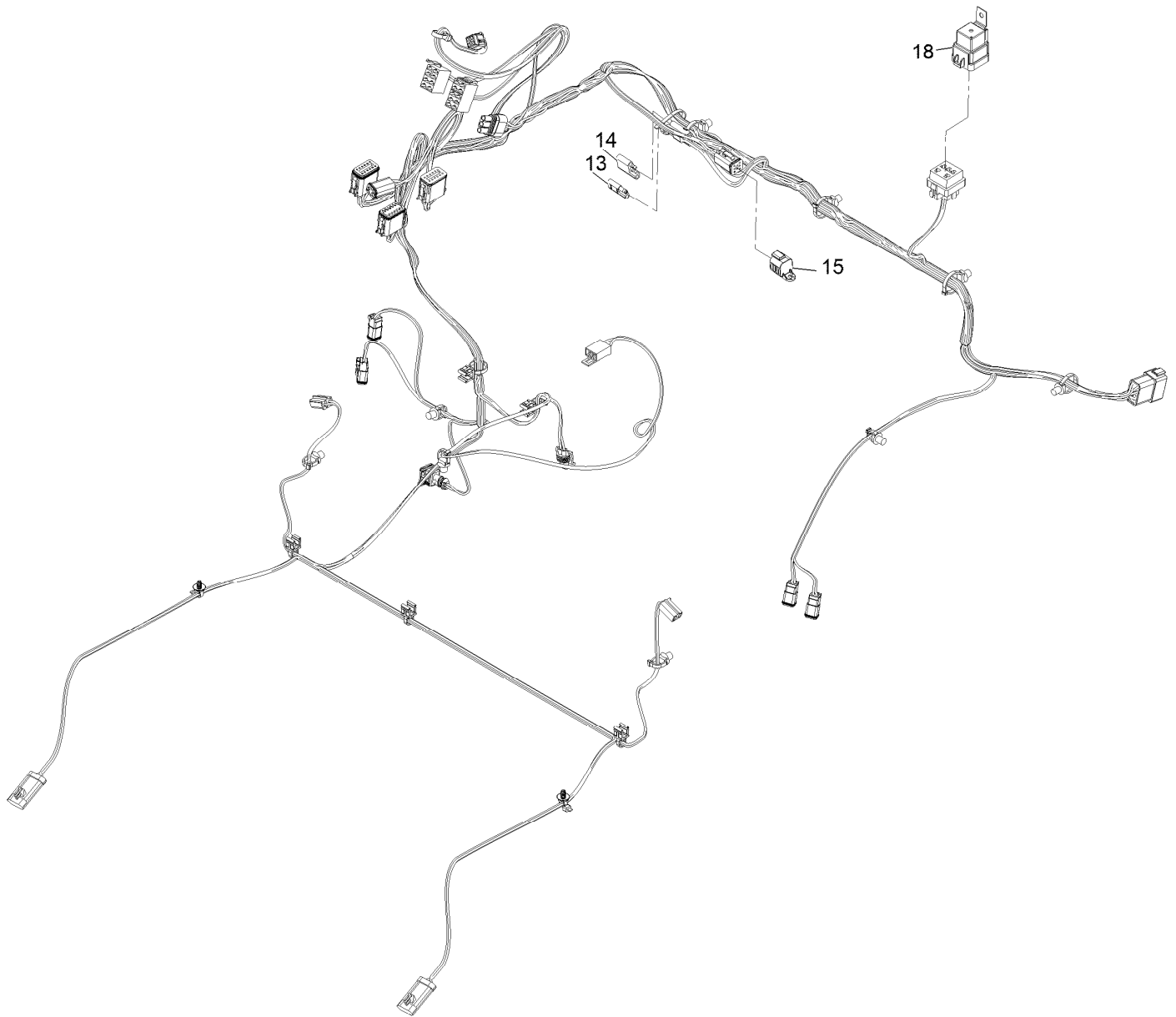
Electrical Assembly



Electrical Assembly (continued)

<i>Ref.</i>	<i>Part Number</i>	<i>Qty.</i>	<i>Description</i>	<i>Ref.</i>	<i>Part Number</i>	<i>Qty.</i>	<i>Description</i>
1	106-5187	1	Battery- Dry, 12V, 525 CCA	19	127-2371	1	Nut-HF
2	142-6613	1	ASM, Console W/ Decal 144	20	125-2674	4	Mount-Cylindrical
2:2	142-3956	1	Decal-Control Panel	21	104-7201	6	Nut-HF, NI
3	126-6285	1	Ignition Switch ASM	22	321-4	6	Screw-HH
3:2	108-8660	1	Nut-Mounting	23	117-2382	5	Plug-Plastic
3:3	106-5270	1	Ignition Key Set	24	3230-6	2	Bolt-CARR
3:4	108-8659	1	Washer-Backup	25	104-8300	4	Nut-HF, NI
4	126-6499	1	Port-Power, 12V	26	33103-020	2	Screw-HHF
5	135-3427	1	Module-Mcu	27	33115-016	1	Screw-HH
6	100-1535	1	Switch-Rocker, (On)-Off-(On)	28	98-5975	1	Washer-Belleville
7	126-6187	1	Switch-PTO, Sealed	29	122-0249	1	Switch-Rocker, On-None-On
8	110-6765	2	Switch	30	126-7698	1	Sensor-Temperature
9	138-6335	1	Retainer-Battery	31	32180-030	1	Clip-Tie
10	3231-5	1	Screw-CARR	32	126-9976	1	Module-Horizon
11	104-8301	1	Nut-HF, NI	33	142-7565	1	Bracket-Sensor, Dpf
12	126-5092	4	Screw-PPH	34	142-7685-03	1	Plate-Ecu Mount
13	32105-15	3	Screw-HWH	35	122-2377	1	Harness-Wire, Main
14	135-3998	1	Harness-Wire, Jumper	36	122-2378	1	Harness-Wire, Engine
15	99-5132	1	Bolt	37	122-2379	1	Cable-Battery, Rd And Bk ASM
16	3290-378	13	Tie-Cable	38	122-2380	1	Cable-Battery, Bk ASM
17	32144-70	2	Screw-HWHTF	39	3290-379	1	Tie-Cable
18	121-5592	1	Electronic Control Unit				

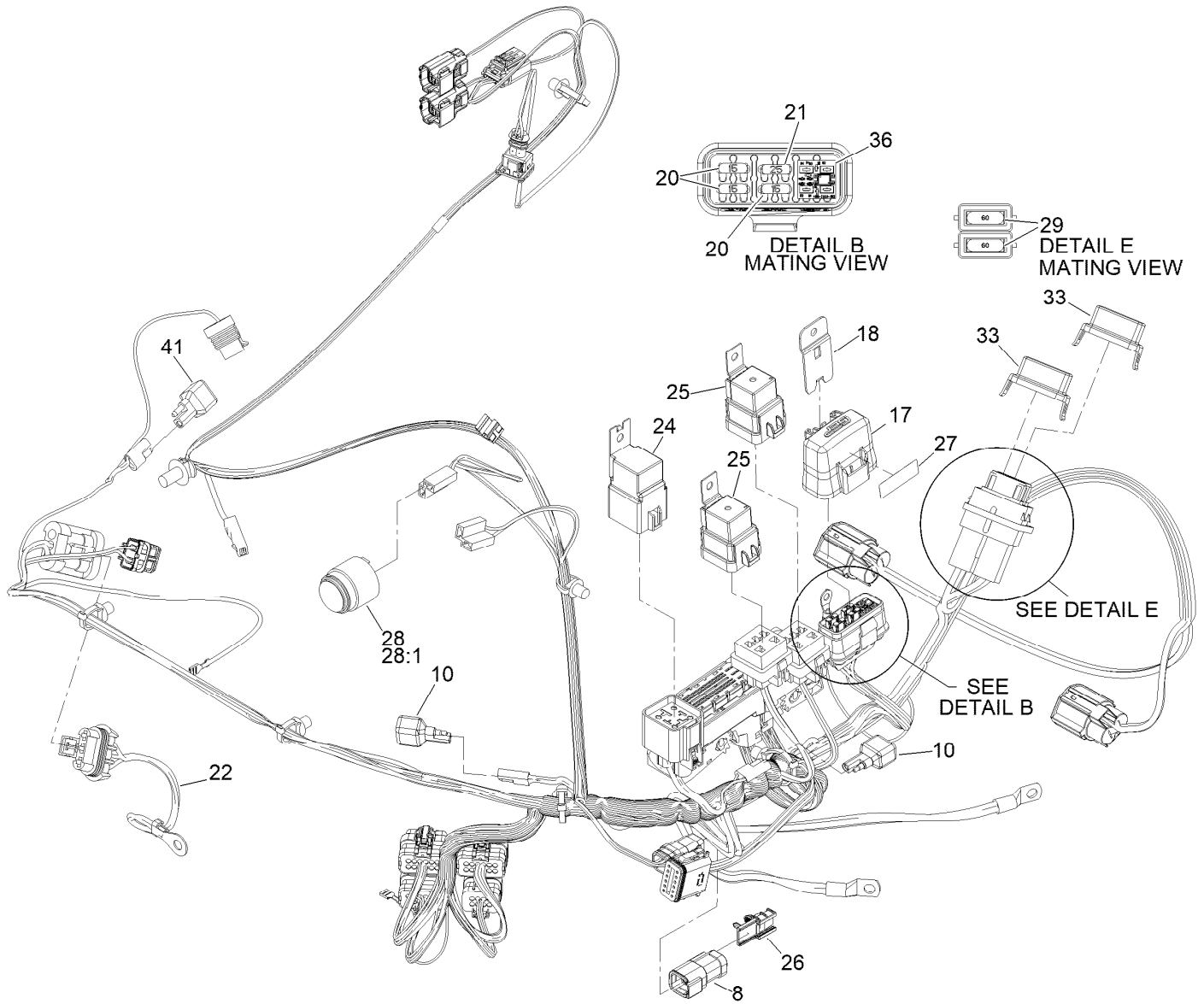
Main Electrical Harness Assembly No. 122-2377



Main Electrical Harness Assembly No. 122-2377 (continued)

<i>Ref.</i>	<i>Part Number</i>	<i>Qty.</i>	<i>Description</i>	<i>Ref.</i>	<i>Part Number</i>	<i>Qty.</i>	<i>Description</i>
13	116-0053	1	Cap-Plug	15	32180-156	1	Cap-Plug, 6 Way
14	32180-197	1	Cap-Plug	18	99-7430	1	Relay-Mini

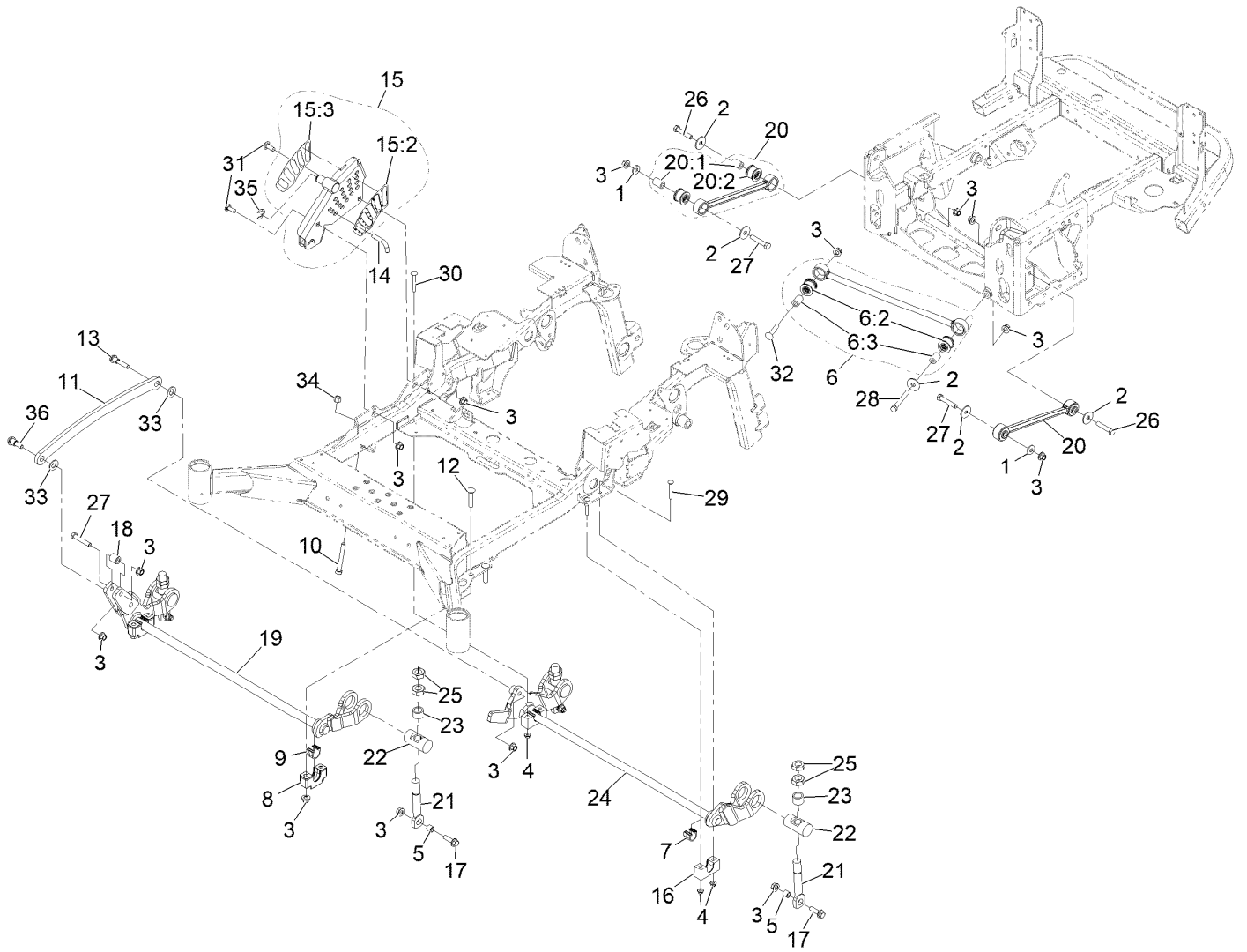
Engine Wire Harness No. 122-2378



Engine Wire Harness No. 122-2378 (continued)

<i>Ref.</i>	<i>Part Number</i>	<i>Qty.</i>	<i>Description</i>	<i>Ref.</i>	<i>Part Number</i>	<i>Qty.</i>	<i>Description</i>
8	32160-359	1	Connector (6M)	27	142-6728	1	Decal-Fuse
10	100-4918	2	Diode	28	80-9330	1	Audio Alarm ASM
17	32180-176	1	Cover-Block, Fuse	28:1	104-5107	1	Nut-Plastic, Knurled
18	32180-177	1	Clip-Mounting	29	114-3342	2	Fuse-Maxi, 60 Amp
20	121-8867	3	Fuse-Mini Blade, 15 Amp	33	32181-014	2	Cover-Fuse Holder, Maxi
21	121-8869	1	Fuse-Mini Blade, 25 Amp	36	142-3979	1	Relay-Solid State, Mp280, Assembly
22	99-3441	1	Harness-Wire, Fusible Link	41	142-3904	1	Resistor-220 Ohms,2W,5%,Overmolded
24	127-7514	1	Relay-70A				
25	99-7430	2	Relay-Mini				
26	32180-103	1	Clip-Connector				

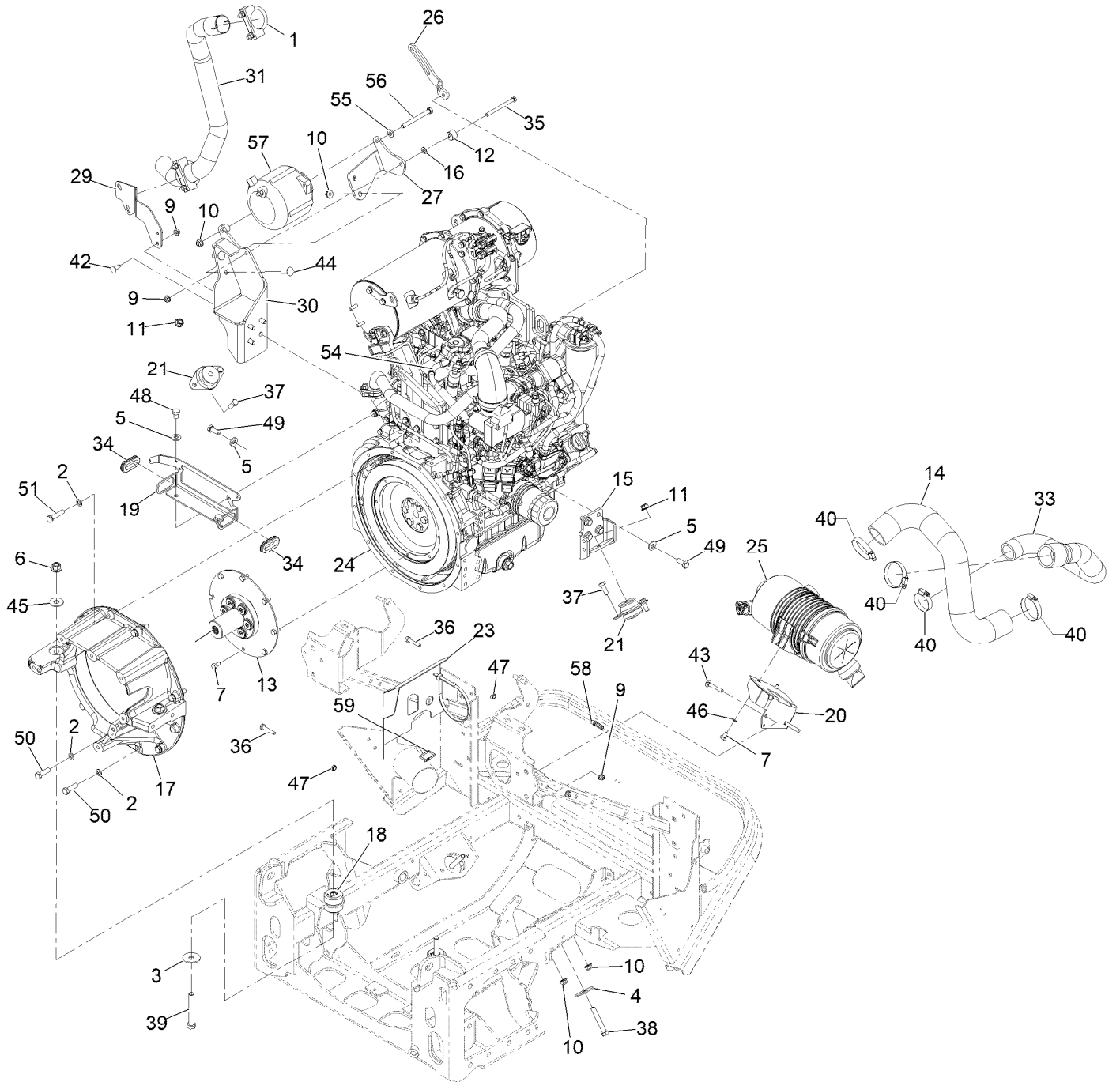
Deck Lift Assembly



Deck Lift Assembly (continued)

<i>Ref.</i>	<i>Part Number</i>	<i>Qty.</i>	<i>Description</i>	<i>Ref.</i>	<i>Part Number</i>	<i>Qty.</i>	<i>Description</i>
1	1-513435	2	Washer-Spring Disc 1/2	17	130-6481	4	Screw-HHF
2	86-1990	6	Washer	18	135-1215	1	Spacer-Pivot
3	99-5107	19	Nut-Lock 1/2-13	19	142-8093-03	1	Decklift-Front, 144 [black]
4	104-8301	4	Nut-Nyloc 3/8-16 Flg	20	142-4003	2	Deck Strut ASM 85A
5	108-8483	4	Spacer-Plain	20:1	109-5010	2	Spacer
6	109-5013	1	Panhard Rod ASM	20:2	135-2466	2	Bushing-Rubber
6:2	109-5009	2	Bushing-Suspension, Rubber	21	142-7187	4	Link, Deck Lift Adjuster
6:3	109-5010	2	Spacer	22	142-7188	4	Trunnion, Deck Lift
7	109-7173	2	Bearing-Cross Shaft, Rear	23	142-7192	4	Spacer, Deck Link
8	109-9409	2	Support-Bearing, Cross Shaft (Front)	24	142-7197-03	1	Wld, Deck Lift-Rear
9	109-9410	2	Bearing-Cross Shaft, Front	25	142-7212	8	Nut-Hex
10	116-0559	1	Bolt-HH 1/2-13 X 4 Tap	26	325-10	2	Screw-HH 1/2-13 X 2 1/2
11	116-0797-03	1	Link-Lift, Deck	27	325-11	3	Screw-HH 1/2-13 X 2 3/4
12	116-1700	4	Bolt-Carriage 1/2-13 X 2 1/2 Spl Neck	28	325-17	1	Screw-HH 1/2-13 X 4
13	116-2022	1	Screw-Hex Flange 1/2-13 X 1.90	29	3231-31	3	Bolt-Carriage 3/8-16 X 2 1/2
14	116-5584	1	Pin-HOC	30	3231-10	1	Screw-CARR
15	126-7866	1	HOC ASM	31	3233-26	2	Screw-CARR,Shortneck
15:2	126-9275	1	Decal-HOC	32	3233-34	1	Bolt-Carriage 1/2-13 X 2 1/2
15:3	135-1432	1	Decal-HOC, Outer	33	3256-28	2	Washer-3/4 SAE
16	142-8321	2	Support-Cross Shaft	34	3296-23	1	Nut-Nyloc 1/2-13
				35	32151-91	1	Ring-Retaining
				36	116-0780	1	Screw-Shoulder HHF 1/2-13 X 1.12

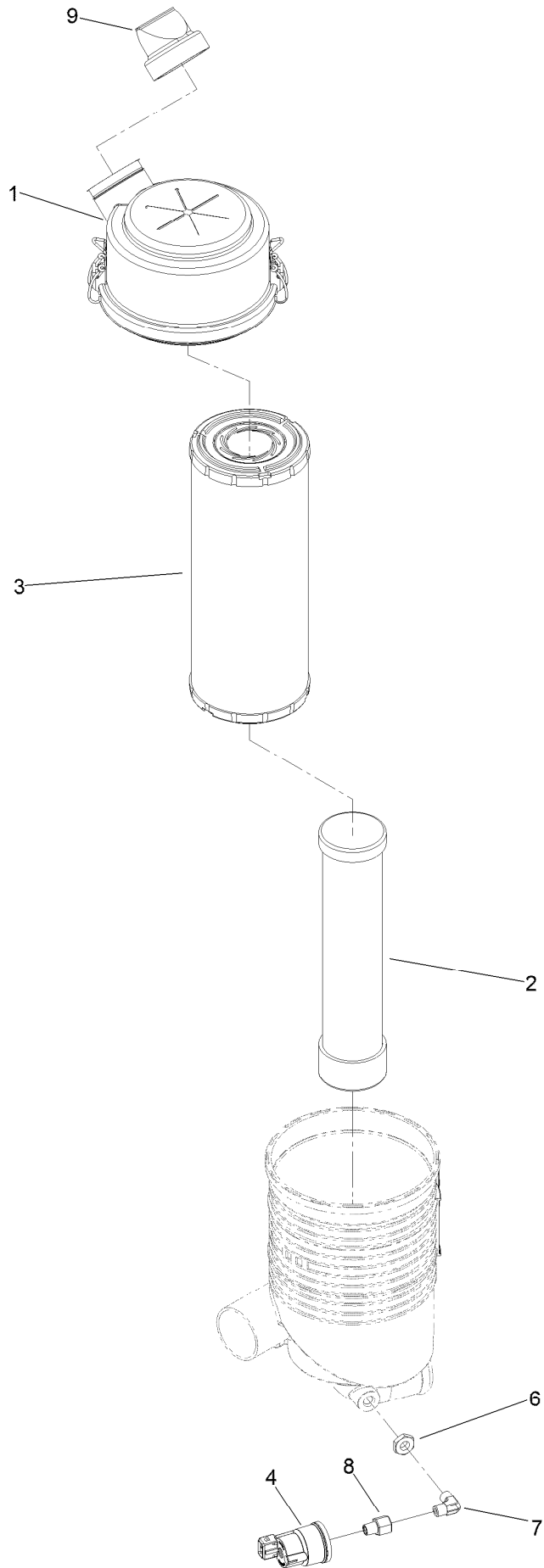
Engine Assembly



Engine Assembly (continued)

<i>Ref.</i>	<i>Part Number</i>	<i>Qty.</i>	<i>Description</i>	<i>Ref.</i>	<i>Part Number</i>	<i>Qty.</i>	<i>Description</i>
1	18-2130	2	Clamp	30	142-4152-03	1	Mount ASM-Upper [black]
2	48-9590	9	Washer-Lock	31	142-4158	1	Tube-Exhaust
3	86-1990	2	Washer-Thrust	33	142-5171	1	Hose-Air
4	87-5100	2	Washer-Snubbing	34	240-7	2	Grommet-Rubber
5	98-5975	10	Washer-Belleville	35	322-23	1	Screw-HH
6	99-5107	2	Nut-Lock	36	322-8	2	Screw-HH
7	99-5132	10	Bolt	37	323-6	4	Screw-HH
9	104-8300	5	Nut-HF, NI	38	324-11	2	Screw-HH
10	104-8301	7	Nut-HF, NI	39	325-15	2	Screw-HH
11	114-8417	2	Nut-HF, NI	40	2412-130	4	Clamp-Hose
12	116-9329	1	Spacer	42	3230-16	2	Screw-CARR
13	120-9131	1	Coupling-Flywheel	43	3230-6	2	Bolt-CARR
14	120-9177	1	Hose-Air	44	3231-25	2	Bolt-CARR
15	120-9180-03	1	Mount-Motor, Upper	45	3256-6	2	Washer-Flat
16	120-9683	1	Washer-Plain	46	3290-475	2	Washer-Belleville
17	125-2836	1	Housing-Flywheel	47	3296-47	2	Nut-Lock,NI
18	126-6095	2	Mount-Isolator	48	33115-016	2	Screw-HH
19	142-6061-03	1	Plate_guide Bracket	49	33115-025	8	Screw-HH
20	126-8730-03	1	Bracket-Cleaner, Air	50	33115-035	2	Screw-HH
21	130-2486	2	Mount	51	33115-045	7	Screw-HH
23	142-7205-03	1	Deflector-Air	54	142-6642	1	Insulation-Heat
24	142-7566	1	Engine-Yanmar, 3Tnv86Ct-Dtr2	55	100-4852	1	Washer-Hardened
25	142-7201	1	ASM, Hdac	56	116-9362	1	Screw-HH
26	142-5783-03	1	Tension Arm-Alternator	57	142-7226	1	Alternator-12V 175A
27	142-4117-03	1	Bracket, Alternator	58	142-7698	1	Fitting-Straight
29	142-4151-03	1	Exhaust Bracket	59	142-8170	1	Tie-Cable, SS

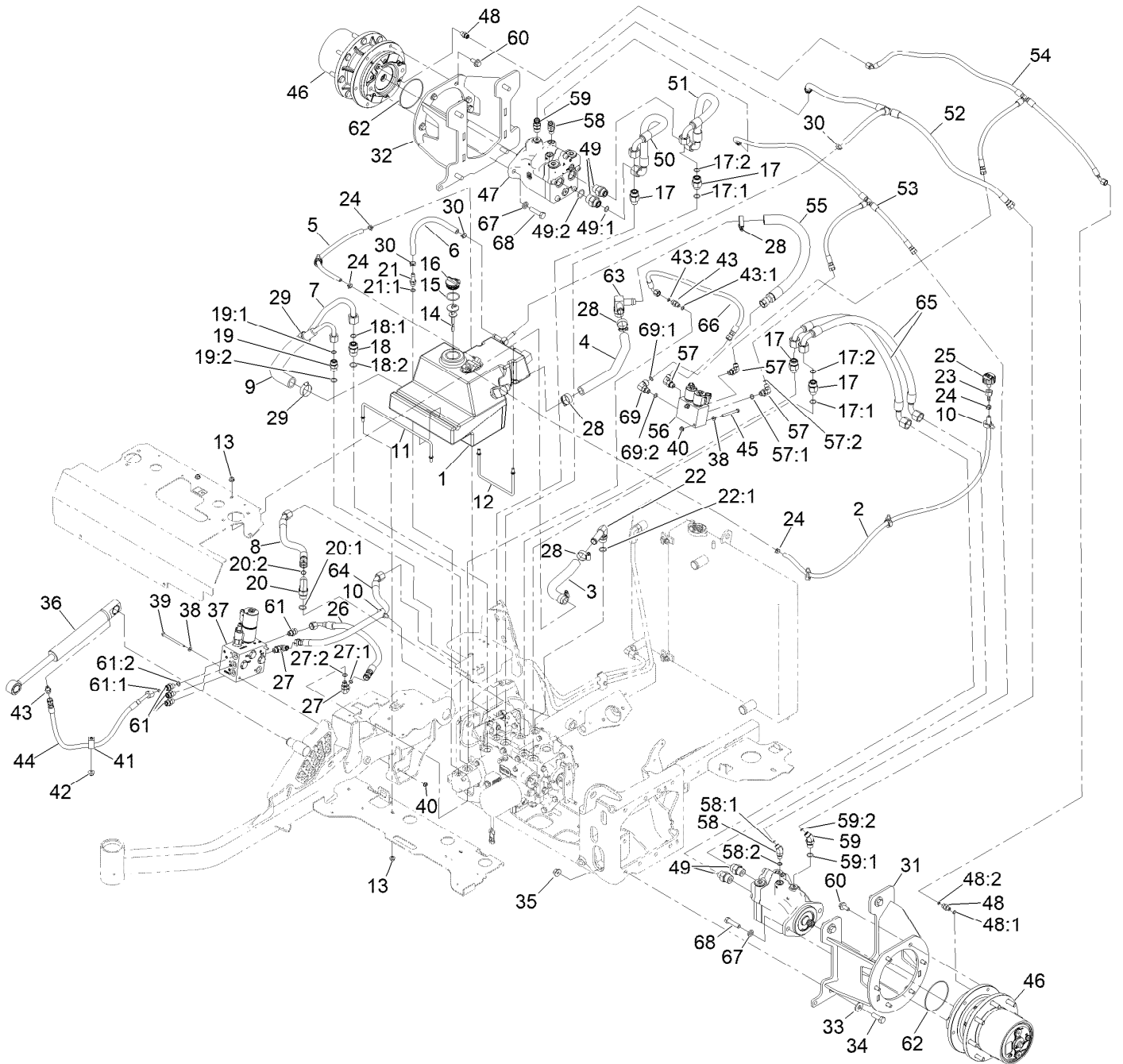
Air Cleaner Assembly No. 142-7201



Air Cleaner Assembly No. 142-7201 (continued)

<i>Ref.</i>	<i>Part Number</i>	<i>Qty.</i>	<i>Description</i>	<i>Ref.</i>	<i>Part Number</i>	<i>Qty.</i>	<i>Description</i>
1	98-9771	1	Cover ASM	6	142-7209	1	Nut-Hex
2	103-1326	1	Filter, Safety Air	7	142-7210	1	Fitting-Elbow-90
3	108-3810	1	Filter-Air	8	142-7211	1	Insert-Restriction Adapter
4	126-7651	1	Indicator-Mini	9	AUA189052	1	Valve-Dust-Air Cleaner

Hydraulic Assembly

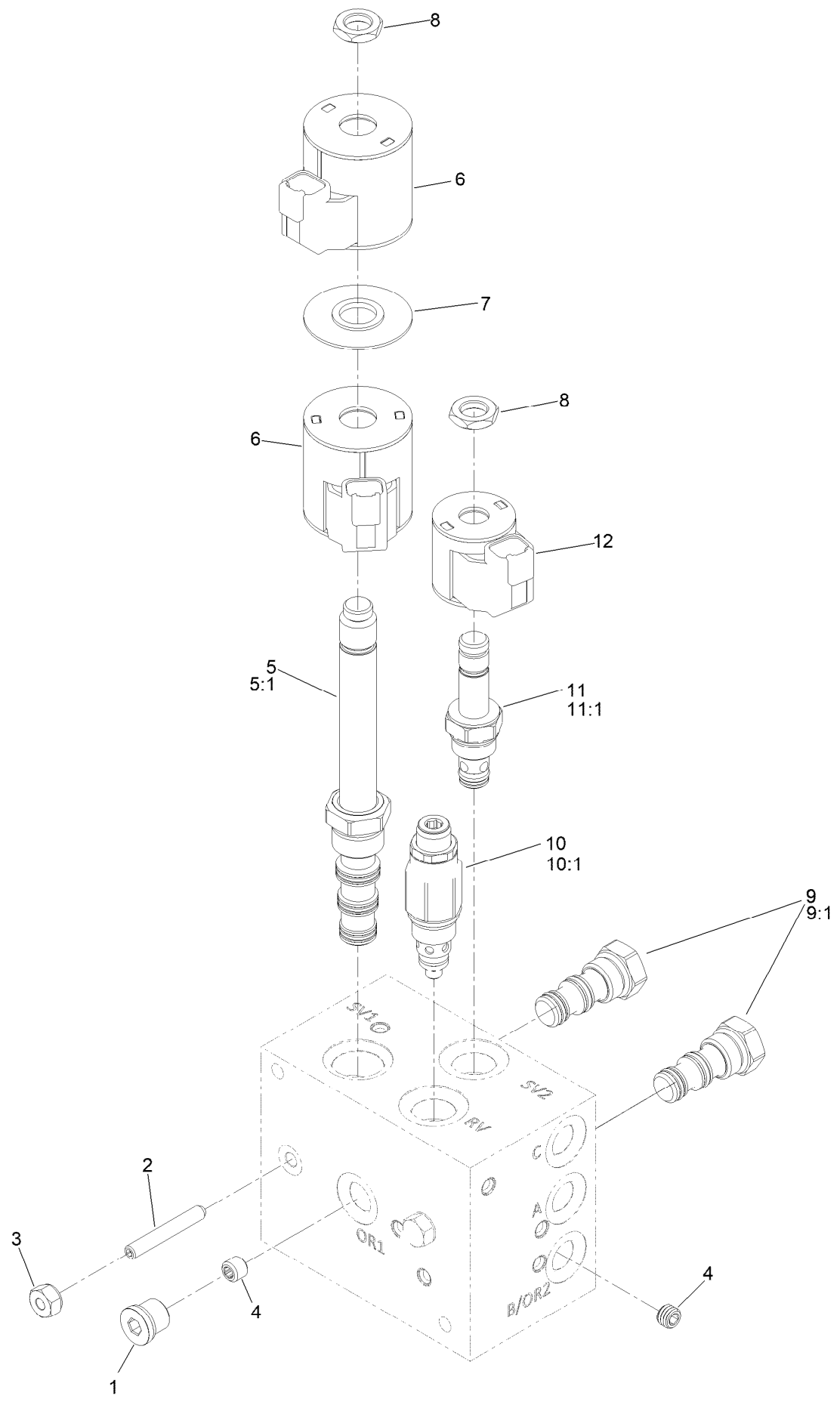


Hydraulic Assembly (continued)

<i>Ref.</i>	<i>Part Number</i>	<i>Qty.</i>	<i>Description</i>	<i>Ref.</i>	<i>Part Number</i>	<i>Qty.</i>	<i>Description</i>
1	142-5034	1	HYD Reservoir ASM	37	142-8862	1	Valve ASM-Lift And Fold
2	126-6776	1	Hose-Fuel	38	3256-16	4	Washer-Flat
3	126-6767	1	Hose-Return	39	321-28	2	Screw-HH
4	126-6768	1	Hose-Return	40	32128-33	4	Nut-HF
5	126-6778	1	Hose-Fuel	41	1-633396	1	Clip-Loom
6	126-6766	1	Hose	42	104-8301	1	Nut-HF, NI
7	126-8688	1	Tube ASM	43	126-8692	1	Fitting-HYD, Straight
8	142-5180	1	Hose ASM-HYD HP	43:1	237-78	1	O-Ring
9	126-6774	1	Hose-Suction	43:2	237-21	1	O-Ring
10	32180-030	5	Clip-Tie	44	126-8683	1	Hose ASM
11	126-7547	1	Rod-Support, HYD Tank	45	321-14	2	Screw-HH
12	126-7546	1	Rod-Support, HYD Tank	46	142-5548	2	Planetary ASM-11.96:1
13	104-8300	4	Nut-HF, NI	47	142-5691	2	Motor-HYD, Piston, 30Cc
14	112-6365	1	Dipstick	48	340-92	3	Fitting-Straight
15	94-8166	1	O-Ring	48:1	237-78	1	O-Ring
16	93-7498	1	Plug-Plastic	48:2	237-21	1	O-Ring
17	340-155	4	Fitting-Straight	49	340-8	4	Fitting-Straight
17:1	237-79	1	O-Ring	49:1	237-65	1	O-Ring
17:2	237-151	1	O-Ring	49:2	237-81	1	O-Ring
18	340-7	1	Fitting-Straight	50	142-5611	1	Hose-HP
18:1	237-65	1	O-Ring	51	142-5612	1	Hose-HP
18:2	237-80	1	O-Ring	52	142-6631	1	Hose ASM-Hydlp tee
19	340-4	1	Fitting-Straight	53	142-6640	1	Hose ASM-HYD HP Tee
19:1	237-30	1	O-Ring	54	142-6639	1	Hose ASM-HYD HP Tee
19:2	237-79	1	O-Ring	55	142-5768	1	Hose ASM-Hydlp
20	340-105	1	Fitting-Elbow, 90 DEG	56	142-3892	1	Valve-HYD, Brk-2Spd
20:1	237-80	1	O-Ring	57	340-82	3	Fitting-Elbow, 90 DEG
20:2	237-30	1	O-Ring	57:1	237-42	1	O-Ring
21	103-1912	1	Adapter-Straight	57:2	237-21	1	O-Ring
21:1	237-42	1	O-Ring	58	340-137	2	Fitting
22	87-8170	1	Fitting-90	58:1	237-21	1	O-Ring
22:1	237-80	1	O-Ring	58:2	237-42	1	O-Ring
23	354-95	1	Fitting-Straight	59	340-138	2	Fitting-HYD, 45 DEG
24	2412-98	4	Clamp-Hose	59:1	237-79	1	O-Ring
25	68-6150	1	Breather	59:2	237-22	1	O-Ring
26	126-8684	1	Hose ASM	60	33106-025	12	Screw-HHF
27	340-77	2	Fitting-Elbow, 90 DEG	61	340-2	4	Fitting-Straight
27:1	237-22	1	O-Ring	61:1	237-22	1	O-Ring
27:2	237-42	1	O-Ring	61:2	237-42	1	O-Ring
28	2412-129	5	Clamp-Hose	62	237-166	2	O-Ring
29	2412-34	2	Clamp-Hose	63	AUH339762	1	Tee
30	103-1988	3	Clamp-Hose	64	142-5778	1	Hose ASM-HYD HP
31	142-5791-03	1	Motor Mount, L [black]	65	142-6632	2	Hose-HP
32	142-5790-03	1	Motor Mount, R [black]	66	142-5789	1	Hose ASM-HYD HP
33	1-513435	8	Washer-Spring	67	9202424	4	Spacer
34	325-6	8	Screw-HH	68	94-2702	4	Screw-HH
35	32128-49	8	Nut-HHF	69	340-99	1	Fitting-HYD, 90 DEG
36	126-7841	1	Lift Cylinder ASM	69:1	237-30	1	O-Ring
36:1	142-2767	1	Kit, CYL Repair ●	69:2	237-42	1	O-Ring

● Not illustrated

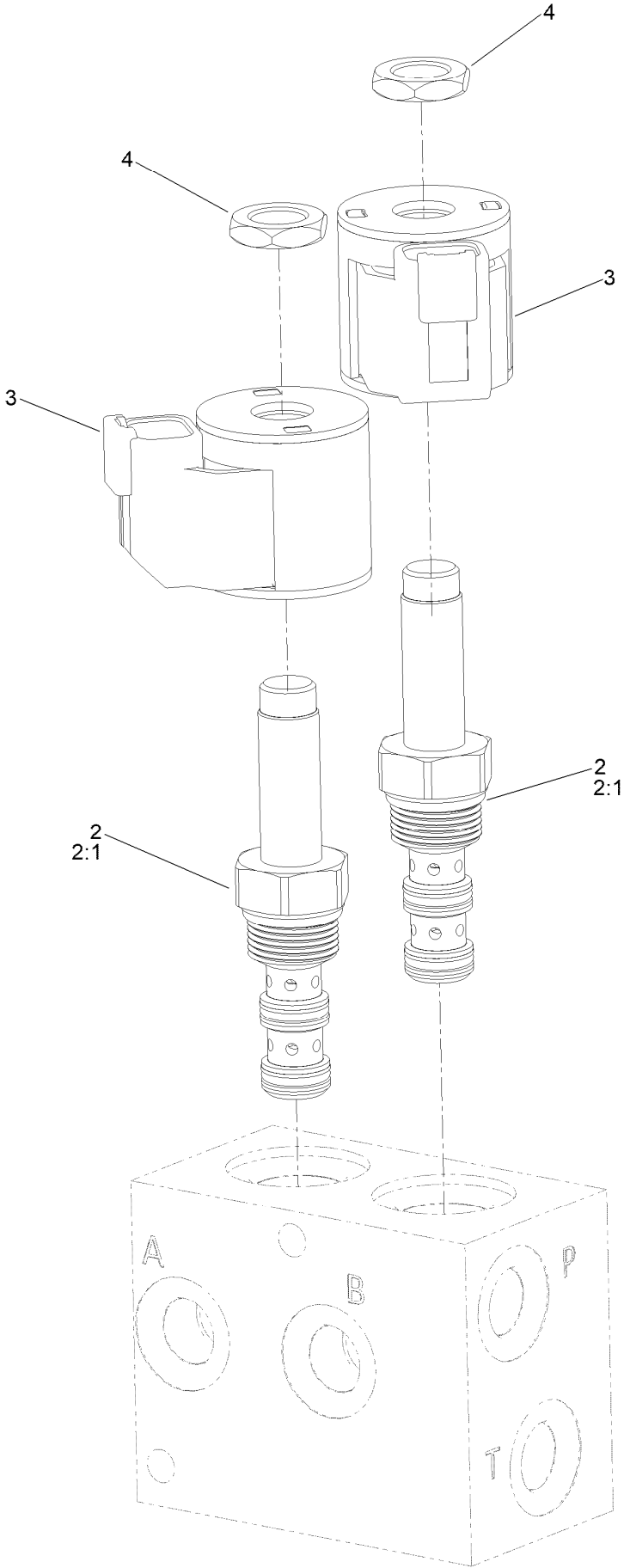
Lift and Fold Valve Assembly No. 142-8862



Lift and Fold Valve Assembly No. 142-8862 (continued)

<i>Ref.</i>	<i>Part Number</i>	<i>Qty.</i>	<i>Description</i>	<i>Ref.</i>	<i>Part Number</i>	<i>Qty.</i>	<i>Description</i>
1	111-5512	1	Plug-HYD, SAE	8	110-2634	2	Nut-Coil
2	135-4544	2	Screw-Set	9	142-4923	2	Po Check Valve
3	135-4545	2	Nut-Sealing, Hex	10	142-8872	1	Valve-HYD, Pressure Relief
4	142-8912	2	Plug-Orifice	10:1	142-8965	1	Seal Kit
5	135-4546	1	Solenoid Valve ASM	11	142-8873	1	Valve-HYD, Solenoid, NC
5:1	110-8908	1	Spool Valve Seal Kit	11:1	119-7716	1	Seal Kit
6	115-3021	2	Coil-12V	12	119-8036	1	Coil
7	117-8316	1	Spacer-E Coil				

2 Speed Hydraulic Brake Valve No. 142-3892

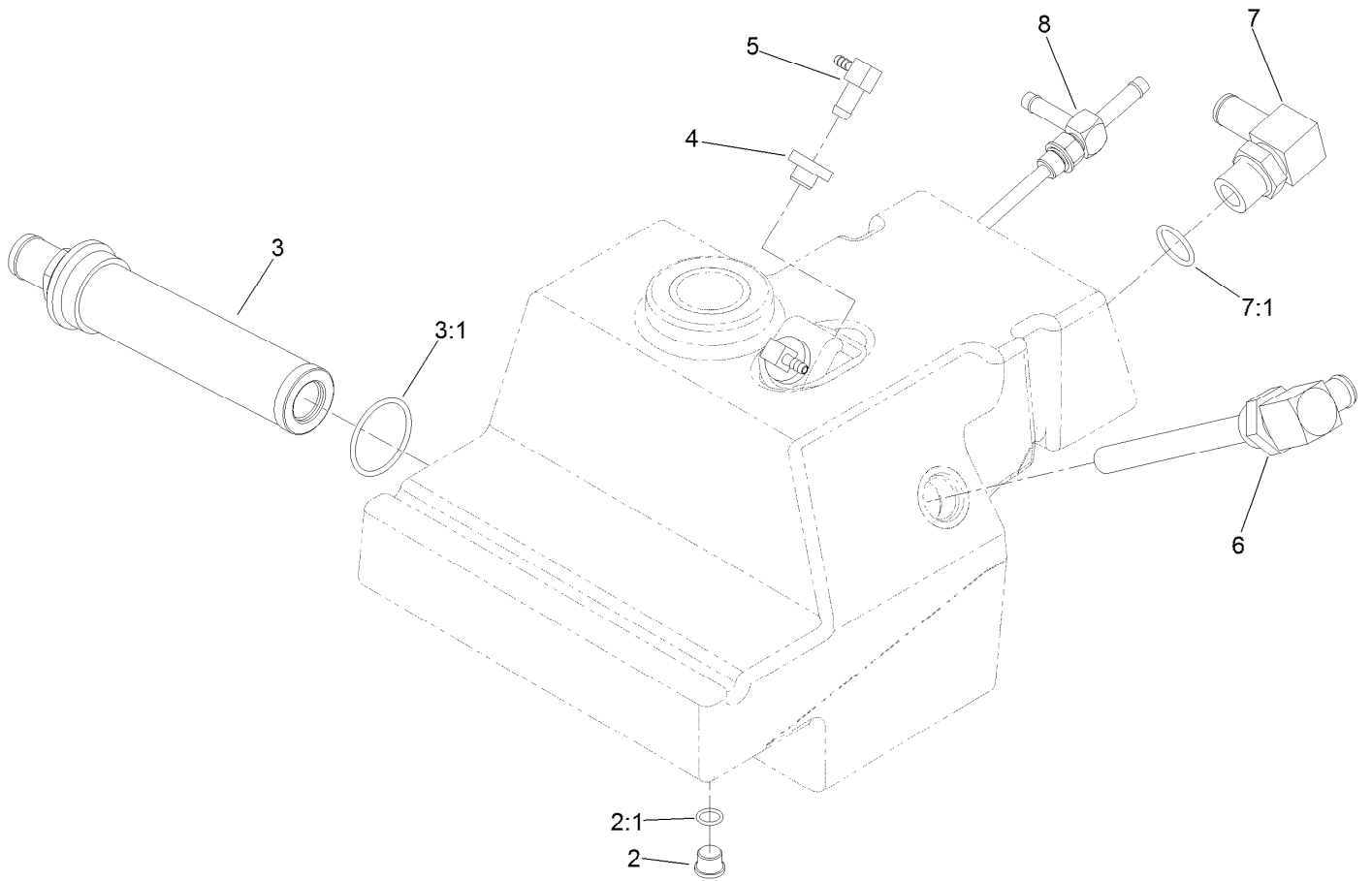


2 Speed Hydraulic Brake Valve No. 142-3892 (continued)

<i>Ref.</i>	<i>Part Number</i>	<i>Qty.</i>	<i>Description</i>
2	106-1995	2	Valve-3 Way
2:1	110-8773	1	Seal Kit

<i>Ref.</i>	<i>Part Number</i>	<i>Qty.</i>	<i>Description</i>
3	119-8036	2	Coil
4	110-2634	2	Nut-Coil

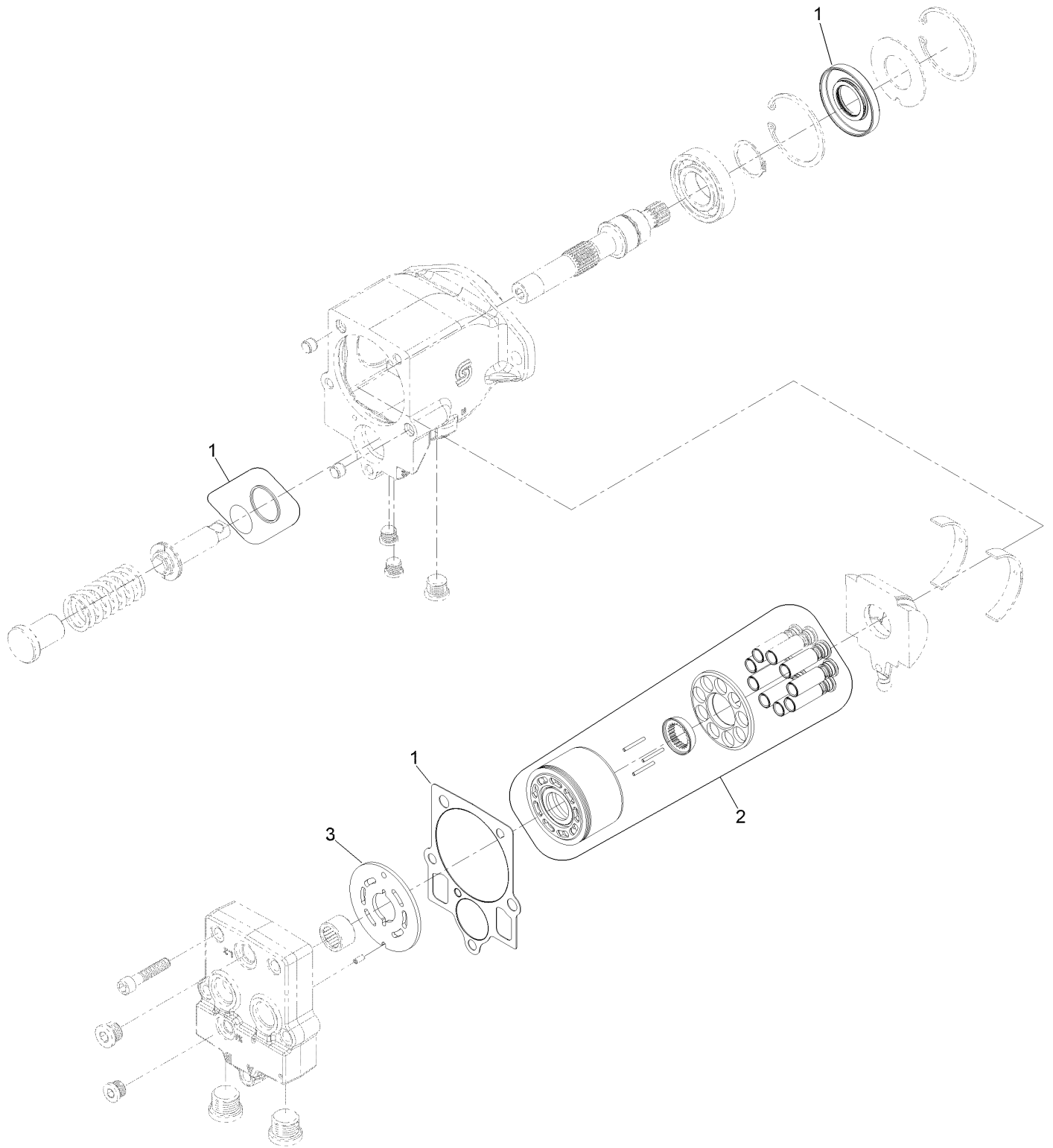
Hydraulic Reservoir Assembly No. 142-5034



Hydraulic Reservoir Assembly No. 142-5034 (continued)

<i>Ref.</i>	<i>Part Number</i>	<i>Qty.</i>	<i>Description</i>	<i>Ref.</i>	<i>Part Number</i>	<i>Qty.</i>	<i>Description</i>
2	353-989	1	Plug-Hex, Hollow	5	104-5228	2	Fitting-Elbow, 90 DEG
2:1	237-42	1	O-Ring	6	126-6782	1	Fitting-Standpipe
3	104-7546	1	Tank Strainer ASM	7	353-987	1	Fitting-Elbow, 90
3:1	340-136	1	O-Ring	7:1	237-81	1	O-Ring
4	46-6560	2	Bushing	8	135-3740	1	Fitting-Tee, Drop Tube

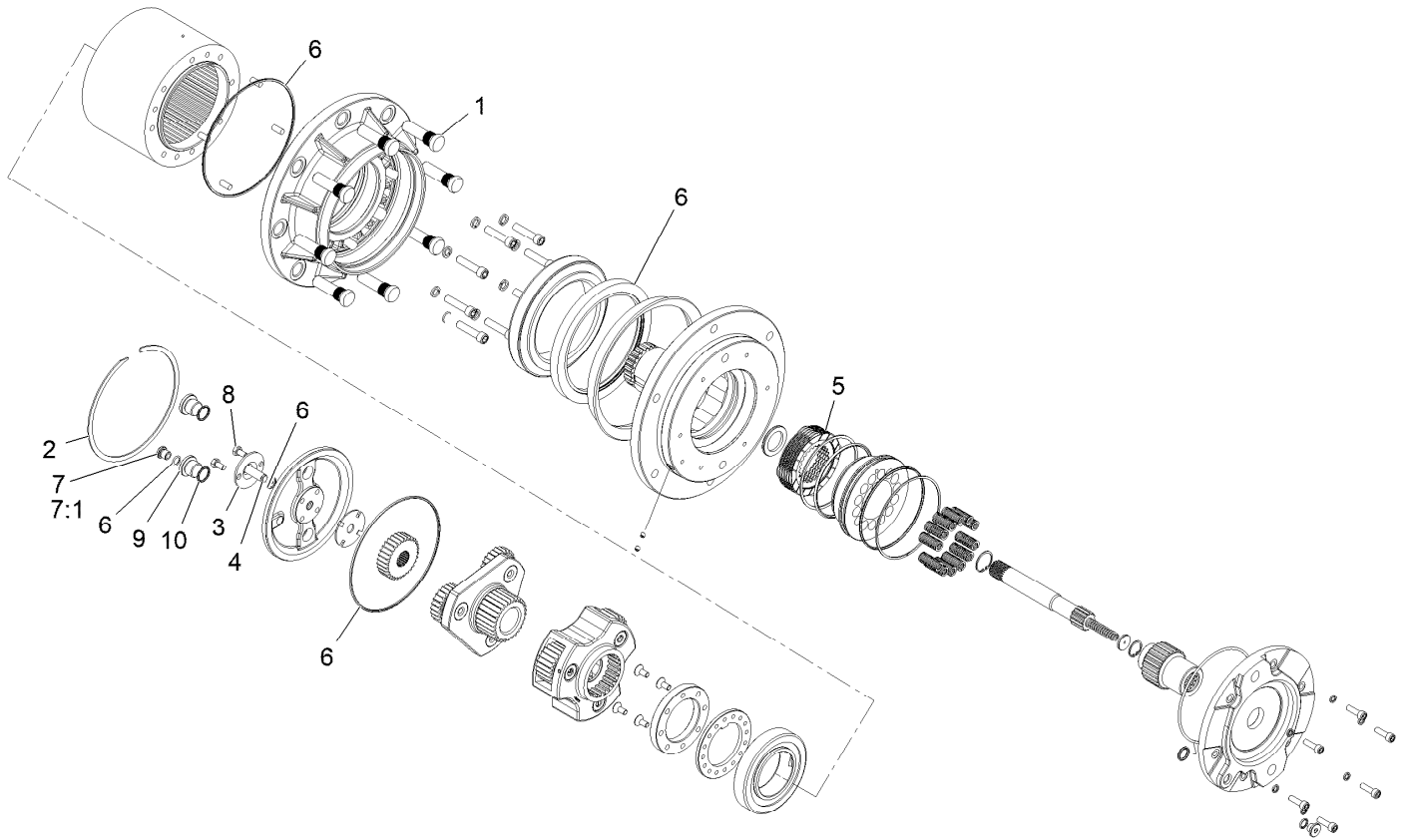
Hydraulic Motor Assembly No. 142-5691



Hydraulic Motor Assembly No. 142-5691 (continued)

<i>Ref.</i>	<i>Part Number</i>	<i>Qty.</i>	<i>Description</i>
1	142-9120	1	*obs* Seal Kit-HYD Motor
2	142-9121	1	Rotating Group
3	142-9122	1	Valve Plate

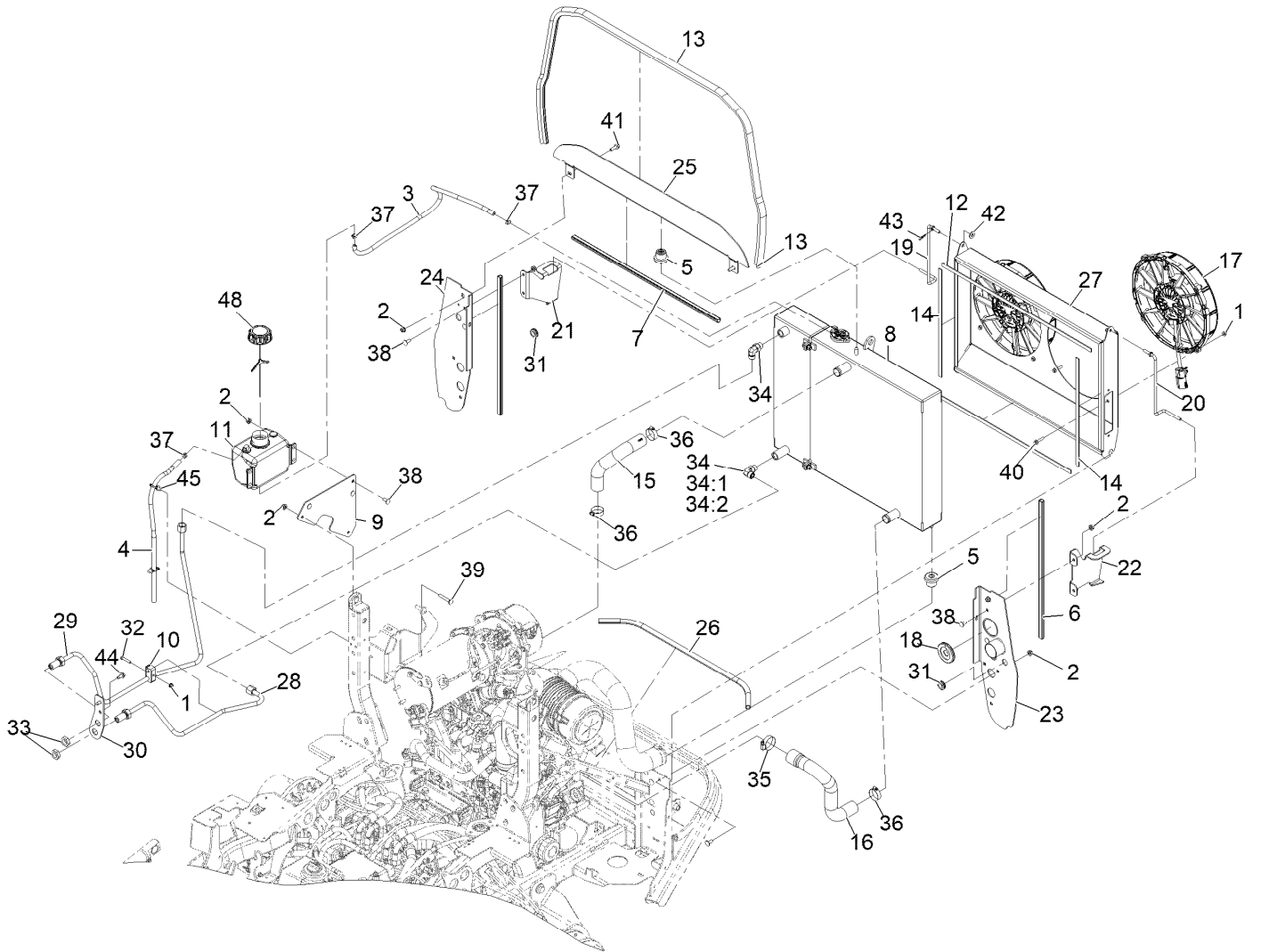
Planetary Assembly No. 142-5548



Planetary Assembly No. 142-5548 (continued)

<i>Ref.</i>	<i>Part Number</i>	<i>Qty.</i>	<i>Description</i>	<i>Ref.</i>	<i>Part Number</i>	<i>Qty.</i>	<i>Description</i>
1	105-8124	8	Stud-Wheel	7	353-990	1	Plug ASM
2	138-1210	1	Ring-Snap	7:1	237-78	1	O-Ring
3	142-9125	1	Cap-Lockout	8	33113-012	2	Screw-HH M6-1 X 12Mm
4	142-9126	1	Plunger	9	138-1211	2	Plug-Flange, Magnetic
5	142-9127	1	Brake	10	138-6248	2	O-Ring M18
6	142-9128	1	Seal Kit-Gearbox				

Cooling Assembly



Cooling Assembly (continued)

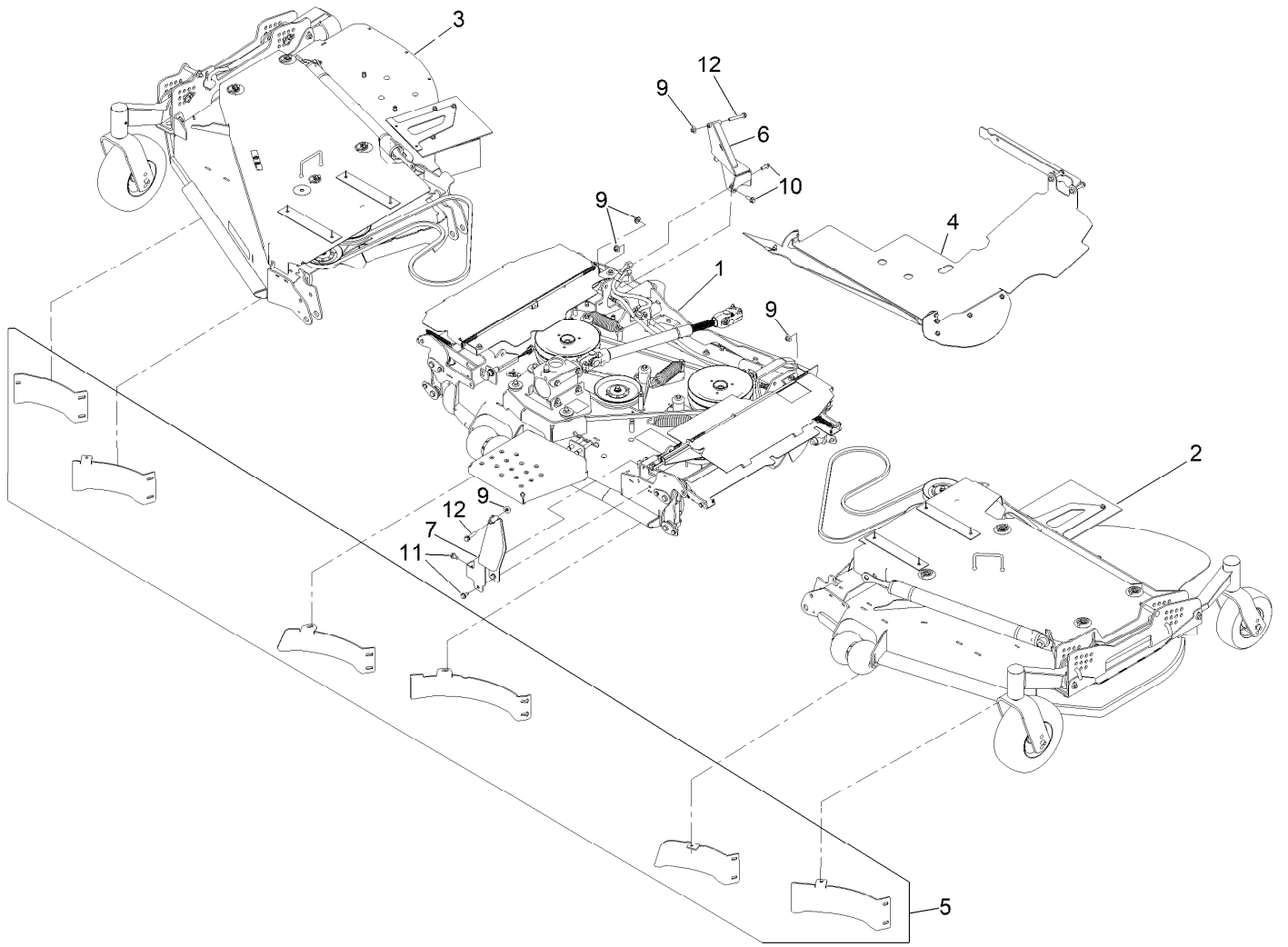
<i>Ref.</i>	<i>Part Number</i>	<i>Qty.</i>	<i>Description</i>	<i>Ref.</i>	<i>Part Number</i>	<i>Qty.</i>	<i>Description</i>
1	104-7201	9	Nut-Nyloc 1/4-20 Flg	25	142-5139-03	1	Bracket-Cooling, Top
2	104-8300	17	Nut-Nyloc 5/16-18 Flg	26	142-5156	1	Seal-Bulb
3	109-0284	1	Hose-Fuel Line 29"	27	142-5161-03	1	Fan Shroud
4	110-4103	1	Hose-Fuel	28	142-5174	1	Hydraulic Tube ASM
5	119-1422	3	Mount-Isolator	29	142-5175	1	Hydraulic Tube ASM
6	119-1426	2	Seal-Bulb	30	142-5181-03	1	Bracket-Bulkhead
7	119-1427	1	Seal-Bulb	31	237-124	3	Grommet
8	121-3330	1	Cooling ASM	32	321-13	1	Screw-HH 1/4-20 X 1 3/8
9	126-9178-03	1	Bracket-Bottle	33	340-127	2	Nut-Bulkhead
10	142-7206	2	Foam-Adhesive Backed	34	340-98	2	Fitting-Elbow, 90 DEG
11	135-0641	1	Clamp-Twin	34:1	237-79	1	O-Ring
12	135-4692	1	Tank-Overflow, W/Cap	34:2	237-30	1	O-Ring
13	142-4136	1	Seal-Bulb	35	2412-130	1	Clamp-Hose
14	142-3191	2	Foam-Adhesive Backed "	36	2412-34	3	Clamp-Hose
15	142-3192	1	Hose-Radiator, Upper	37	2412-98	3	Clamp-Hose
16	142-3193	1	Hose-Radiator, Lower	38	3230-23	13	Bolt-Carriage 5/16-18 X 3/4 Short Neck
17	142-3375	2	Fan-12", 12V, Electric, Reversing	39	3230-6	2	Bolt-Carriage 3/16-18 X 2
18	142-6616	1	Grommet-Split, 2.38 Gd X 0.14 Gw X 0.82	40	3234-21	8	Screw-HHF
19	142-4154	1	Wire Form-Fan Shroud, R	41	3234-29	2	Screw-HH Flg 5/16-18 X 1
20	142-4155	1	Wire Form-Fan Shroud, L	42	3256-3	2	Washer-5/16 Std
21	142-4156-03	1	Bracket-Shroud Latch Right	43	3290-307	2	Pin-Cotter
22	142-4157-03	1	Bracket-Shroud Latch Left	44	32144-70	2	Screw-HWH 5/16-18 X 3/4 Tf
23	142-5136-03	1	Support-Radiator, LH [black]	45	32180-030	2	Clip-Tie
24	142-5138-03	1	Bracket-Cooling, RH	48	135-4693	1	Cap-W/Tether

Cooling Assembly No. 121-3330 (continued)

<i>Ref.</i>	<i>Part Number</i>	<i>Qty.</i>	<i>Description</i>	<i>Ref.</i>	<i>Part Number</i>	<i>Qty.</i>	<i>Description</i>
1	121-3328	1	Radiator	6	3217-6	3	Nut-Hex
2	121-3329	1	Oil Cooler	7	119-1430	1	Radiator Cap ASM
3	322-5	3	Screw-HH	7:1		1	Cap-Radiator ●
4	3256-23	6	Washer-Plain	7:1:1	117-3276	1	Decal-Danger
5	3253-4	3	Washer-Lock	8	99-8551	1	Plug-Pipe

● Not serviced separately

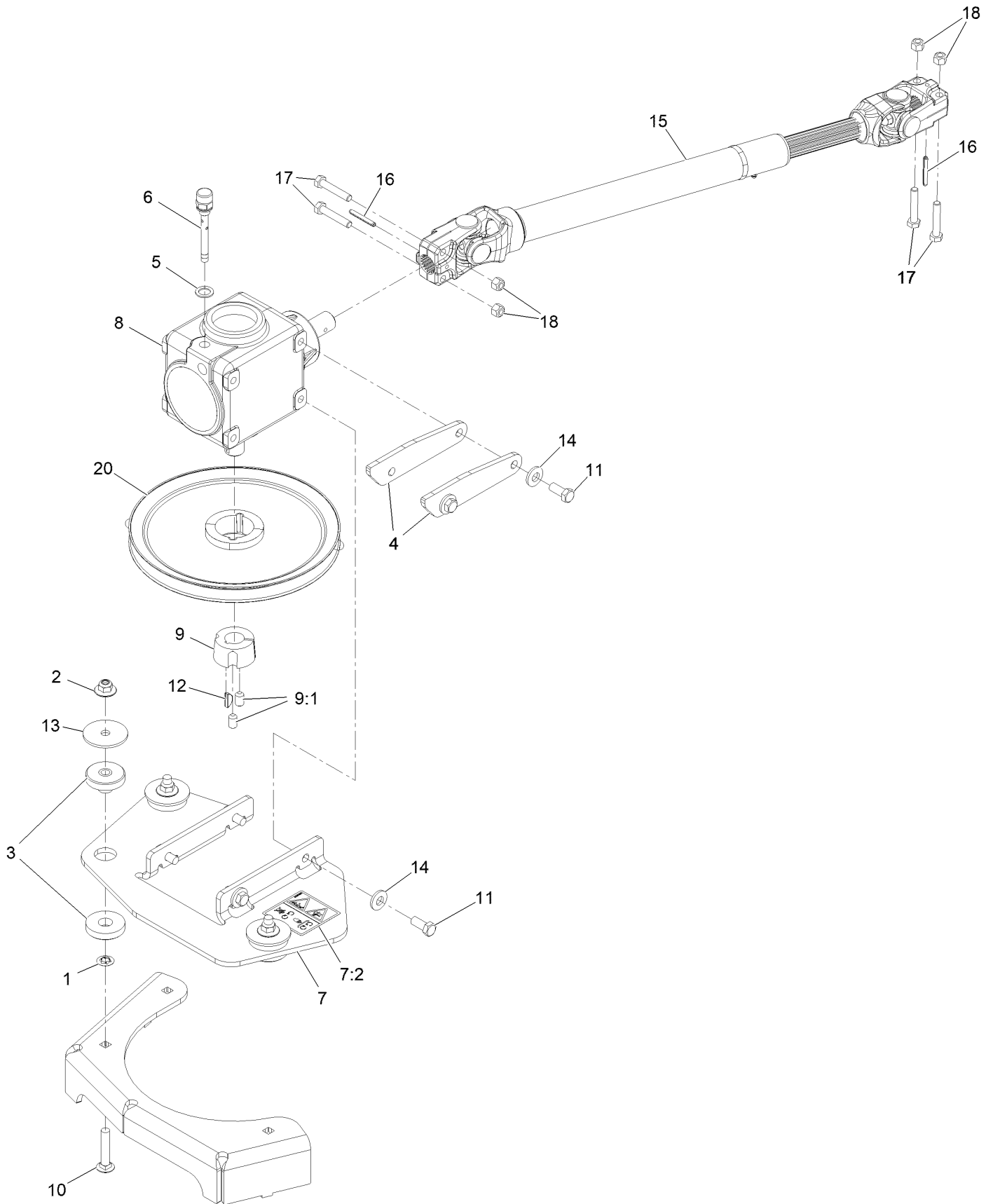
Deck Assembly



Deck Assembly (continued)

<i>Ref.</i>	<i>Part Number</i>	<i>Qty.</i>	<i>Description</i>	<i>Ref.</i>	<i>Part Number</i>	<i>Qty.</i>	<i>Description</i>
1	142-2743	1	Assy-Deck Ctr 144 Toro	7	142-4221-03	1	Bracket, LH
2	142-2183	1	ASM-Deck Wing LH 144 Toro	9	109-6658	5	Nut-Flange, NI
3	142-2742	1	ASM-Deck, Wing RH 144 Toro	10	3234-42	3	Screw-HHF
4	142-6621	1	Discharge-Tunnel ASM, 144	11	110-9380	3	Screw-HWH
5	142-2744	1	Kit-Finish Cut Baffle 144	12	3234-39	2	Screw-HHF
6	142-8451-03	1	Weld-RH Spring Mount-Upstop				

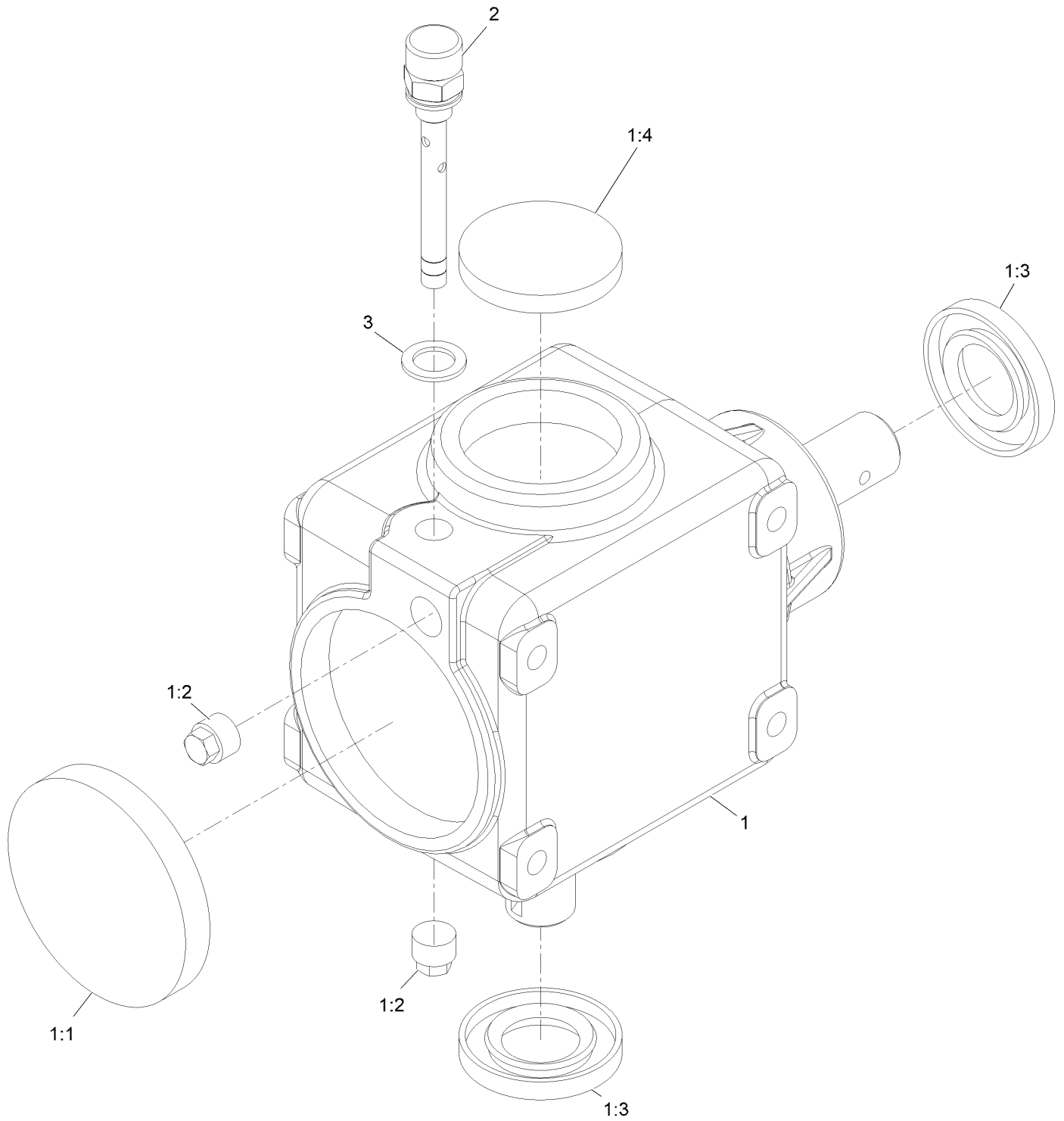
Gearbox and Mount Assembly



Gearbox and Mount Assembly (continued)

<i>Ref.</i>	<i>Part Number</i>	<i>Qty.</i>	<i>Description</i>	<i>Ref.</i>	<i>Part Number</i>	<i>Qty.</i>	<i>Description</i>
1	107-3154	3	Nut-Push 3/8-16	9:1	3247-4	2	Setscrew-HSH 3/8-16 X 5/8
2	109-6658	3	Nut-Nyloc 3/8-16 Flg	10	3231-6	3	Bolt-Carriage 3/8-16 X 2
3	126-3074	3	Mount-ISO	11	323-6	6	Screw-HH 3/8-16 X 1
4	126-3544	2	Stop-Gearbox	12	3257-5	1	Key-Woodruff #9 3/4 X 3/16
5	130-4899	1	Washer	13	83-1040	3	Washer
6	130-8661	1	Plug-Breather	14	98-5975	6	Washer-Spring Disc 3/8
7	135-0874	1	Mount-Gearbox	15	110-3575	1	Driveshaft ASM
7:2	135-0679	1	Decal-Hazard, Entanglement	16	32121-34	2	Pin-Roll
8	142-8061	1	Gearbox ASM	17	322-9	4	Screw-HH 5/16-18 X 1 3/4
9	23-1640	1	Bushing-Taperlock	18	3296-29	4	Nut-Nyloc 5/16-18
				20	126-2822	1	Pulley

Gearbox Assembly

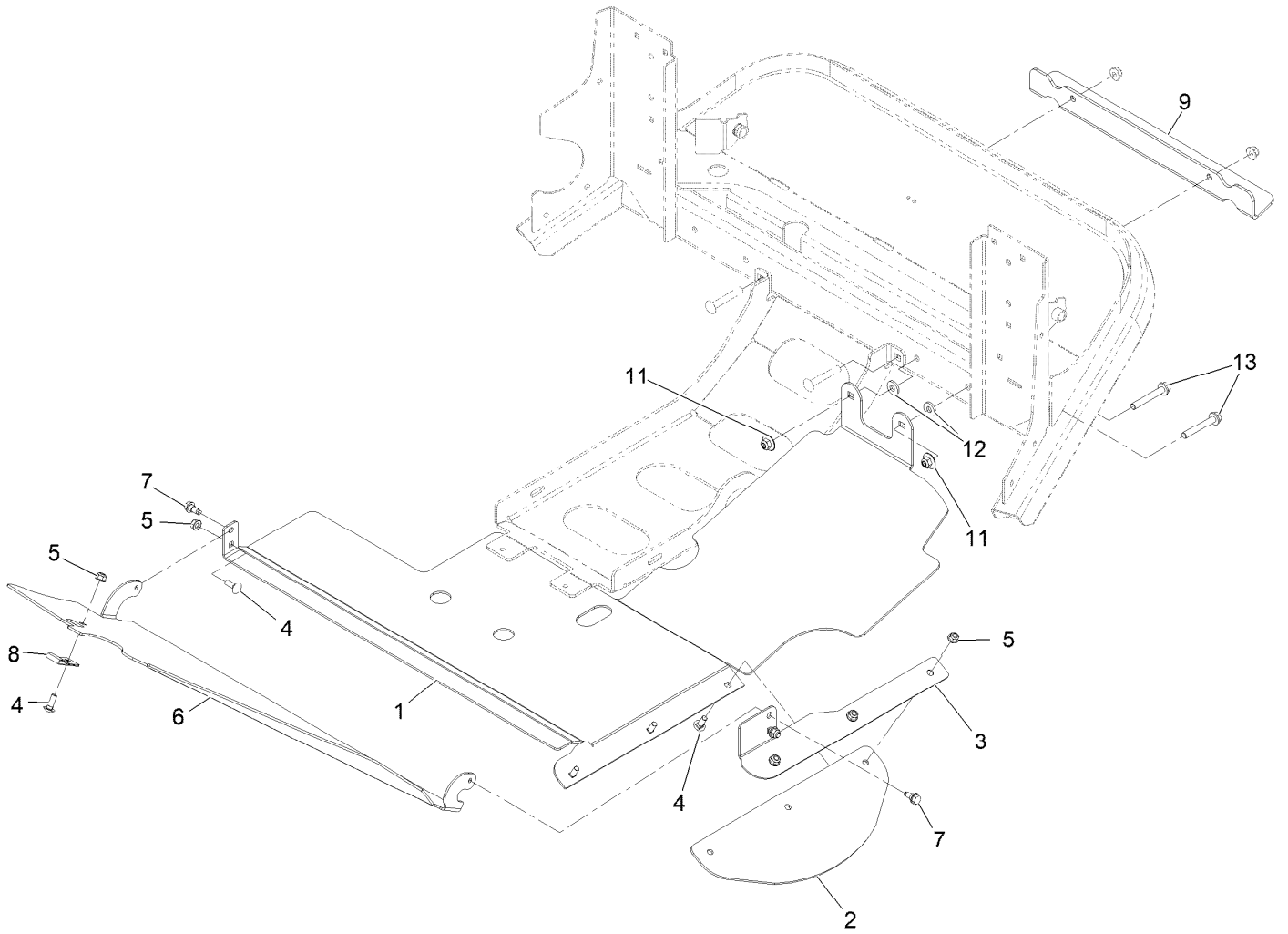


Gearbox Assembly (continued)

<i>Ref.</i>	<i>Part Number</i>	<i>Qty.</i>	<i>Description</i>	<i>Ref.</i>	<i>Part Number</i>	<i>Qty.</i>	<i>Description</i>
1		1	Gearbox ASM-90 DEG ●	1:4	107-2935	1	Cap-Oil
1:1	107-2932	1	Cap-Oil	2	130-8661	1	Plug-Breather
1:2	107-2933	2	Plug	3	130-4899	1	Washer
1:3	117-9247	2	Seal				

● Not serviced separately

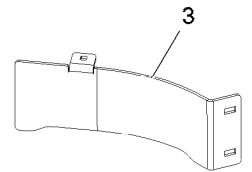
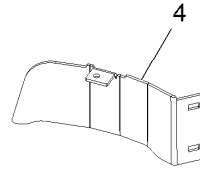
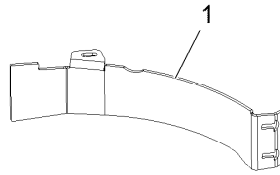
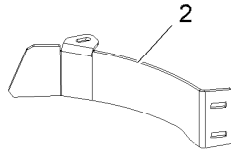
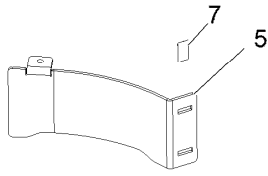
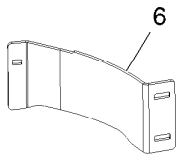
Discharge Tunnel Assembly



Discharge Tunnel Assembly (continued)

<i>Ref.</i>	<i>Part Number</i>	<i>Qty.</i>	<i>Description</i>	<i>Ref.</i>	<i>Part Number</i>	<i>Qty.</i>	<i>Description</i>
1	135-2089-03	1	Plate-Discharge	8	135-0608	1	Bearing-Strap, Nylon
2	135-0050	1	Flap-Rubber	9	135-2092-03	1	Bracket-Tie Down
3	135-2090-03	1	Bracket-Flap, LH	11	109-6658	2	Nut-Nyloc 3/8-16 Flg
4	3230-16	6	Bolt-Carriage 5/16-18 X 7/8	12	43-0940	2	Spacer
5	104-8300	6	Nut-Nyloc 5/16-18 Flg	13	3234-39	2	Screw-Hfh 3/8-16 X 2 1/2
6	135-2617-03	1	Panel-Discharge				
7	126-4424	2	Screw-HHF Shoulder 3/8-16 X 3/4 Tf				

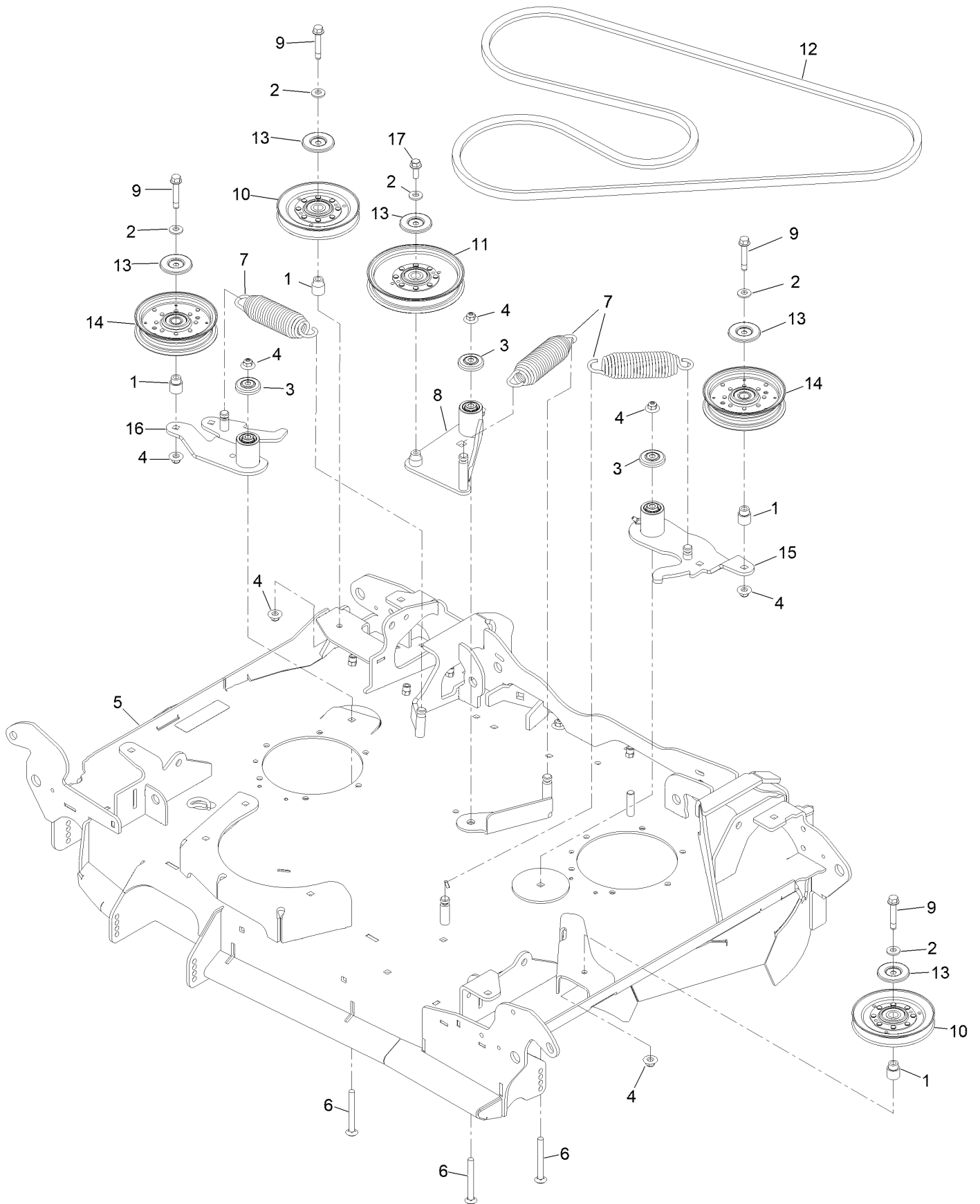
Mulch Kit Assembly



Mulch Kit Assembly (continued)

<i>Ref.</i>	<i>Part Number</i>	<i>Qty.</i>	<i>Description</i>	<i>Ref.</i>	<i>Part Number</i>	<i>Qty.</i>	<i>Description</i>
1	135-3462-01	1	Baffle-Block, LH Ctr	5	135-7204-01	1	Plate-Mulch
2	135-3463-01	1	Baffle-Block, RH Ctr	6	142-6039-01	1	Baffle-Wide Outside Mulch
3	142-4302-01	1	Baffle-LH Wing Block	7	126-4345	1	Decal-Patent
4	142-4739-01	1	Baffle-Mulch, LH Inside				

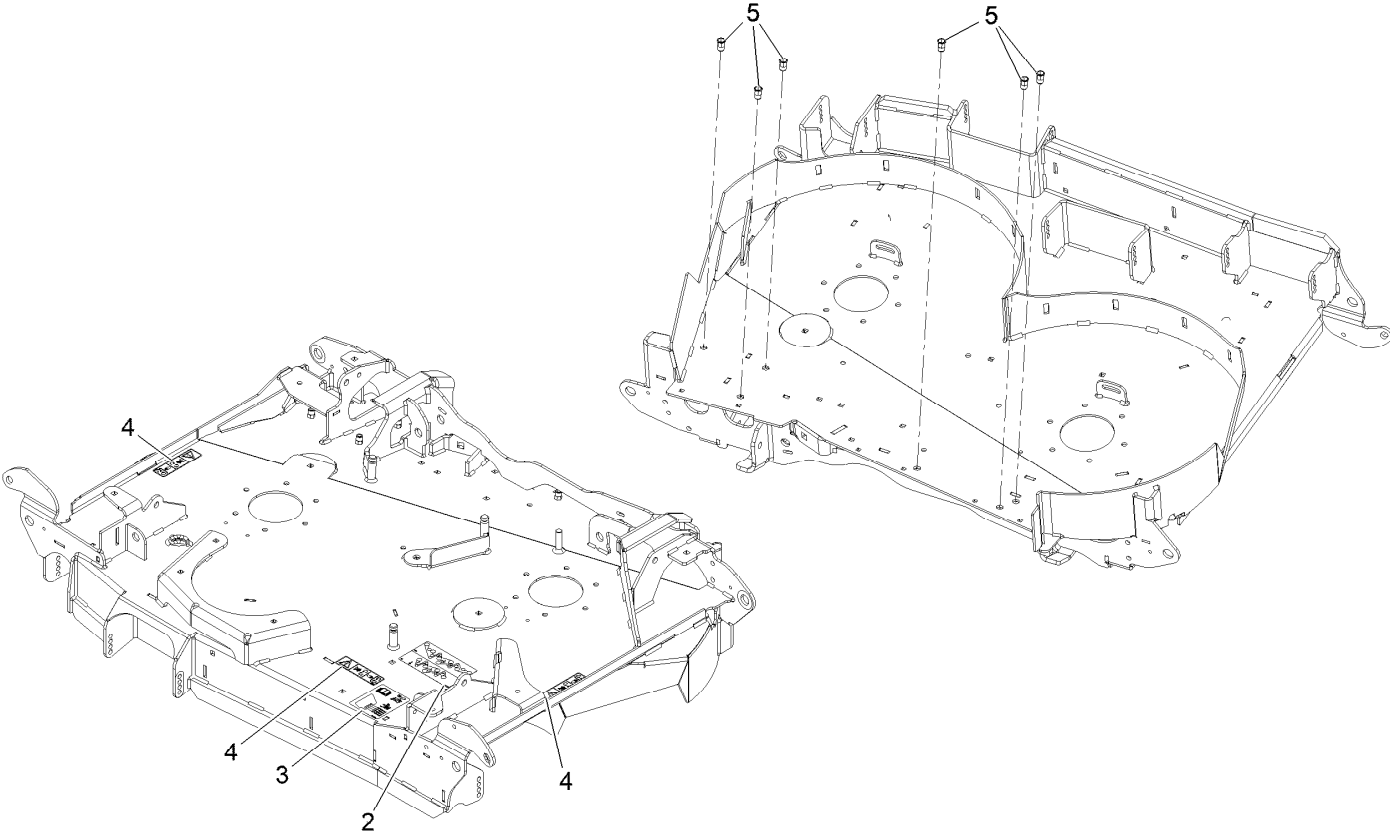
Center Deck Assembly



Center Deck Assembly (continued)

<i>Ref.</i>	<i>Part Number</i>	<i>Qty.</i>	<i>Description</i>	<i>Ref.</i>	<i>Part Number</i>	<i>Qty.</i>	<i>Description</i>
1	1-633456	4	Bushing, Idler	10	126-2960	2	Idler-V
2	98-5975	5	Washer-Belleville	11	126-7685	1	Idler-Pulley
3	103-2916	3	Guard-Top	12	126-7924	1	V-Belt
4	109-6658	7	Nut-Flange, NI	13	126-8043	5	Shield-Dust
5	142-6828	1	ASM-Center Deck 96/144	14	126-9187	2	Pulley-Idler, Flat
6	116-1502	3	Bolt-Shoulder, Carriage	15	126-9435	1	Idler ASM
7	116-6317	3	Spring-Extension	16	126-9438	1	Idler ASM
8	126-2585	1	Idler Arm ASM	17	3234-42	1	Screw-HHF
9	126-2956	4	Screw-HHF				

Center Deck Assembly No. 142-6828

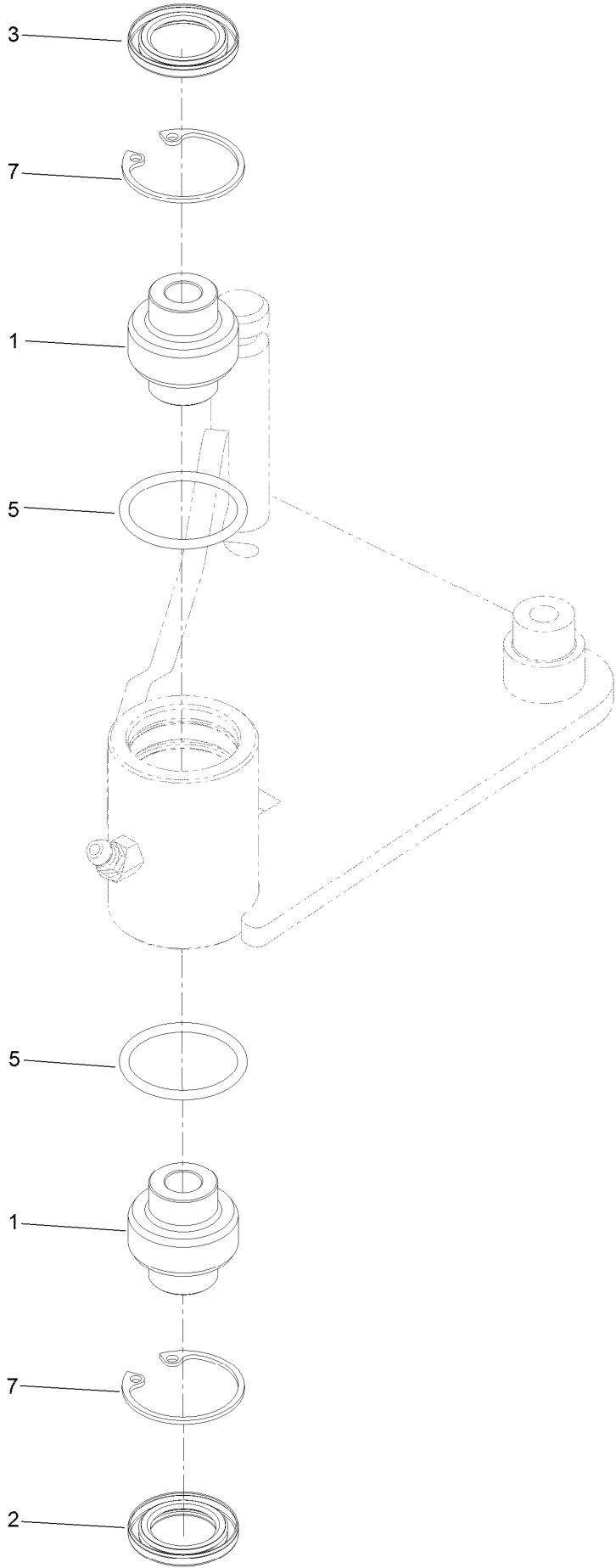


Center Deck Assembly No. 142-6828 (continued)

<i>Ref.</i>	<i>Part Number</i>	<i>Qty.</i>	<i>Description</i>
2	142-3903	1	Decal-Deck Belt Routing
3	109-6036	1	Decal-Roller, Anti-Scalp

<i>Ref.</i>	<i>Part Number</i>	<i>Qty.</i>	<i>Description</i>
4	112-9028	3	Decal-Cover, Missing
5	135-7200	6	Nut-Clinch,Hex

Idler Arm Assembly No. 126-2585

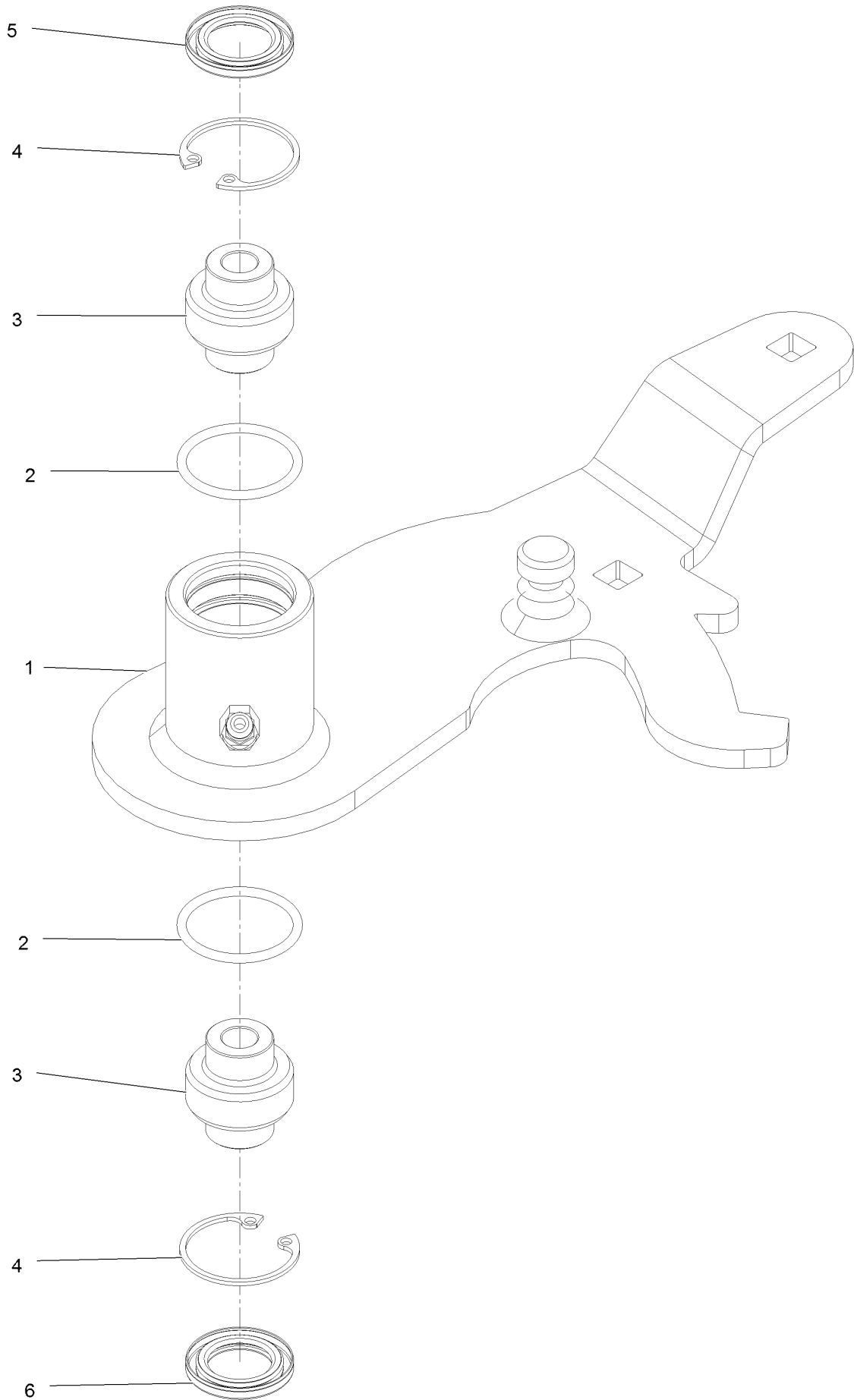


Idler Arm Assembly No. 126-2585 (continued)

<i>Ref.</i>	<i>Part Number</i>	<i>Qty.</i>	<i>Description</i>
1	103-3504	2	Bearing-Spherical
2	103-3505	1	Seal-Lip, Double
3	103-3506	1	Seal-Lip, Single

<i>Ref.</i>	<i>Part Number</i>	<i>Qty.</i>	<i>Description</i>
5	106-7159	2	O-Ring
7	32120-10	2	Ring-Snap

Idler Assembly No. 126-9435



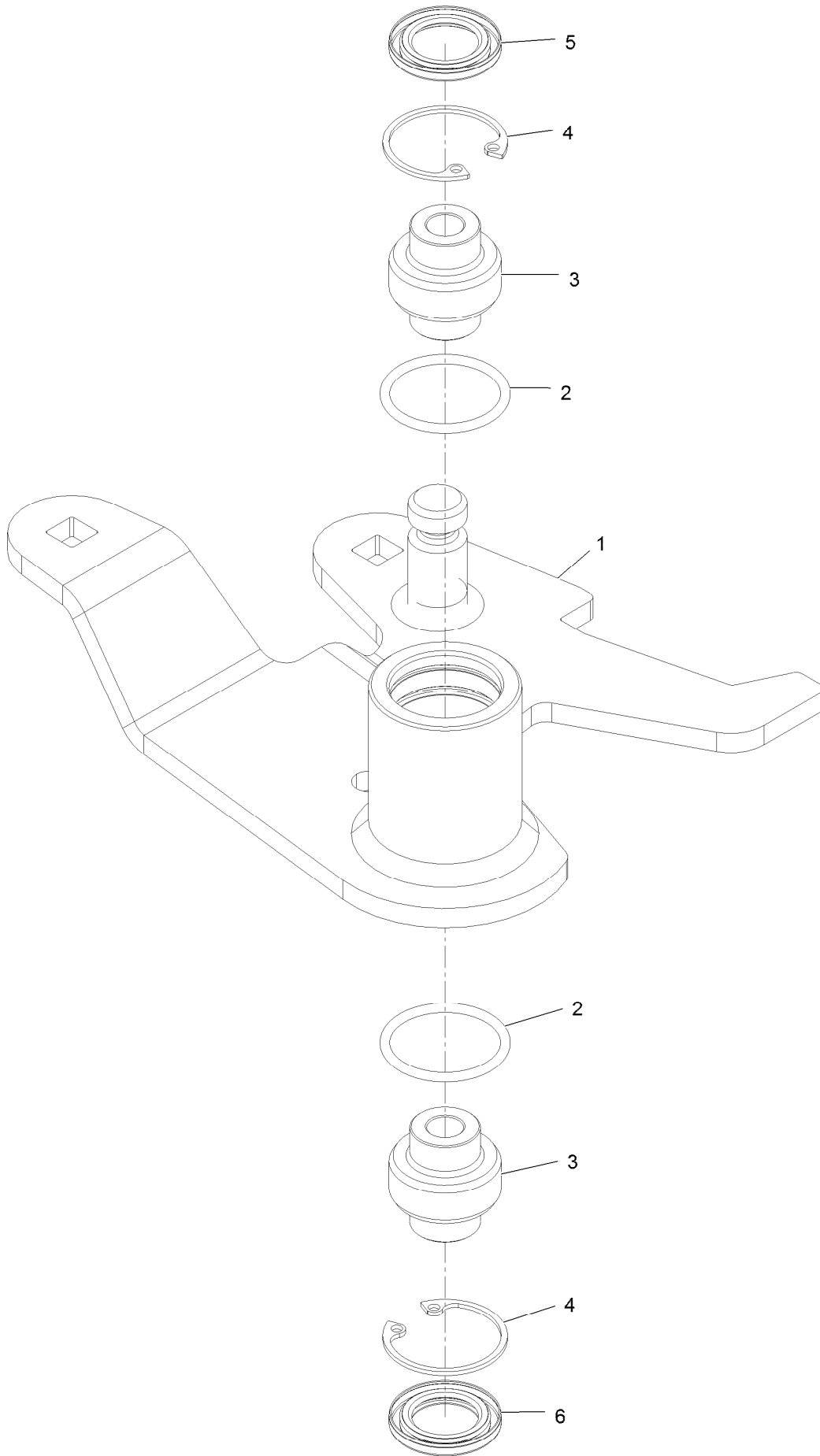
Idler Assembly No. 126-9435 (continued)

<i>Ref.</i>	<i>Part Number</i>	<i>Qty.</i>	<i>Description</i>
1		1	ASM-Idler Arm 96Rd LH [red] ●
2	106-7159	2	O-Ring
3	103-3504	2	Bearing-Spherical

<i>Ref.</i>	<i>Part Number</i>	<i>Qty.</i>	<i>Description</i>
4	32120-10	2	Ring-Snap
5	103-3506	1	Seal-Lip, Single
6	103-3505	1	Seal-Lip, Double

● Not serviced separately

Idler Assembly No. 126-9438

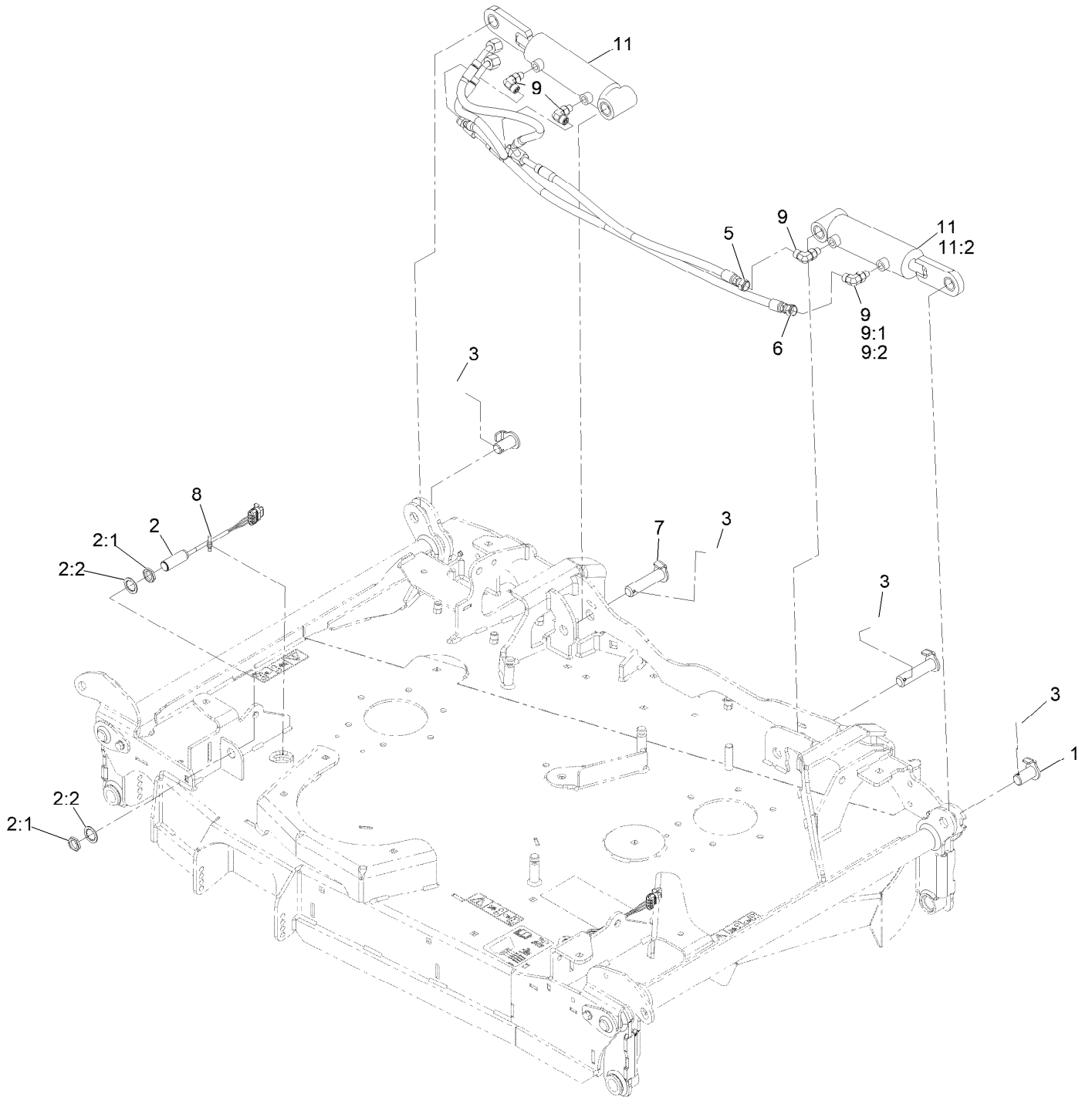


Idler Assembly No. 126-9438 (continued)

<i>Ref.</i>	<i>Part Number</i>	<i>Qty.</i>	<i>Description</i>	<i>Ref.</i>	<i>Part Number</i>	<i>Qty.</i>	<i>Description</i>
1		1	ASM-Idler Arm, 96Rd [red] ●	4	32120-10	2	Ring-Snap
2	106-7159	2	O-Ring	5	103-3506	1	Seal-Lip, Single
3	103-3504	2	Bearing-Spherical	6	103-3505	1	Seal-Lip, Double

● Not serviced separately

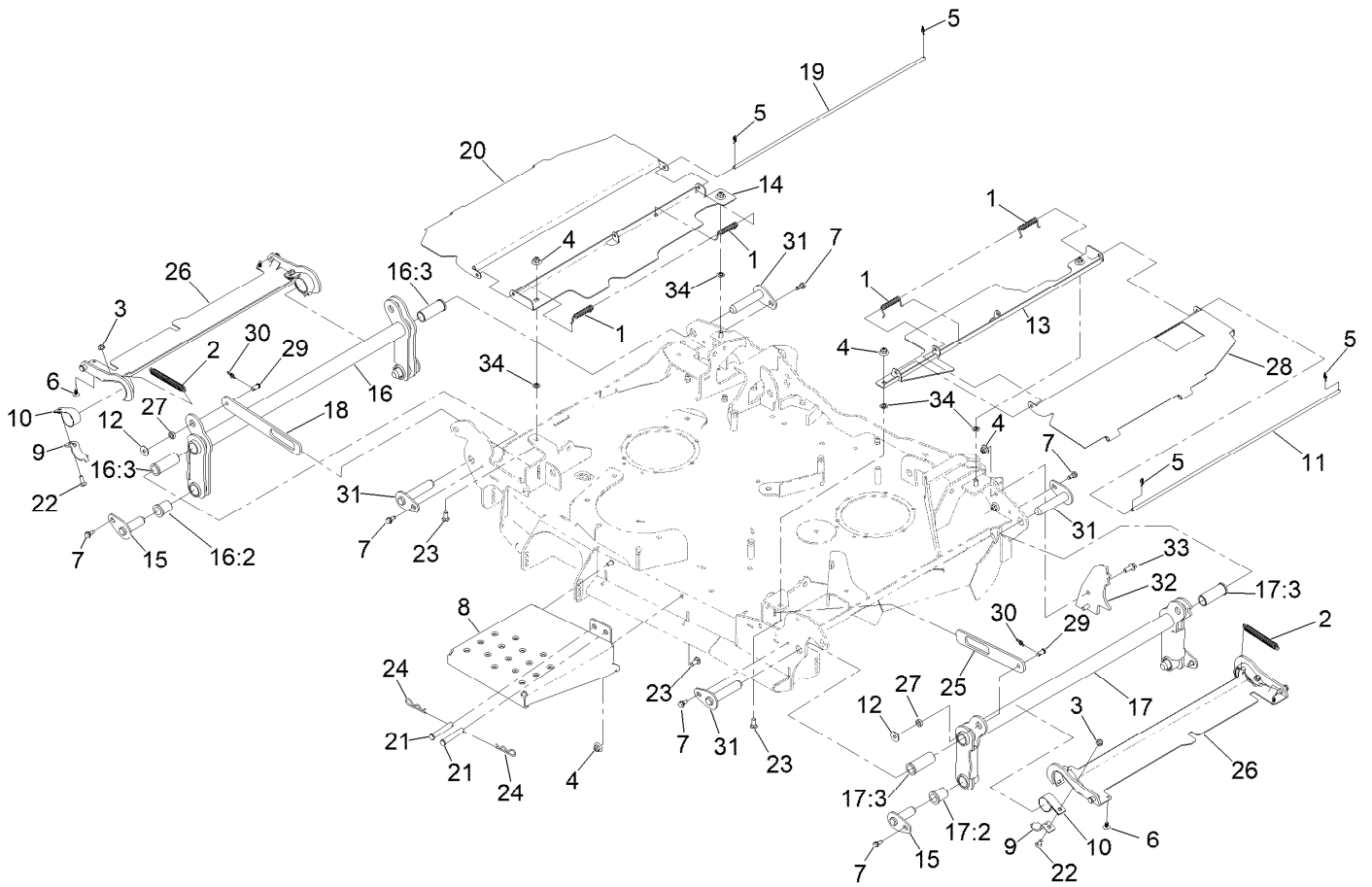
Center Folding Deck Hydraulic Assembly



Center Folding Deck Hydraulic Assembly (continued)

<i>Ref.</i>	<i>Part Number</i>	<i>Qty.</i>	<i>Description</i>	<i>Ref.</i>	<i>Part Number</i>	<i>Qty.</i>	<i>Description</i>
1	142-3999	2	Pin-Cylinder	8	3290-378	2	Tie-Cable
2	115-5300	2	Proximity Switch ASM	9	340-132	4	Fitting-Elbow, 90 DEG
2:1	117-3207	2	Nut-Hex	9:1	237-78	1	O-Ring
2:2	117-3208	2	Washer-Lock, Internal Tooth	9:2	237-21	1	O-Ring
3	142-4002	4	Pin-Locking Cotter	11	142-6609	2	CYL-Deck Fold
5	135-1760	1	Hose ASM	11:2	142-5808	3	Bushing-0.75X1.00X0.50 Long
6	135-1761	1	Hose ASM				
7	142-5437	2	ASM-CYL Pin Base				

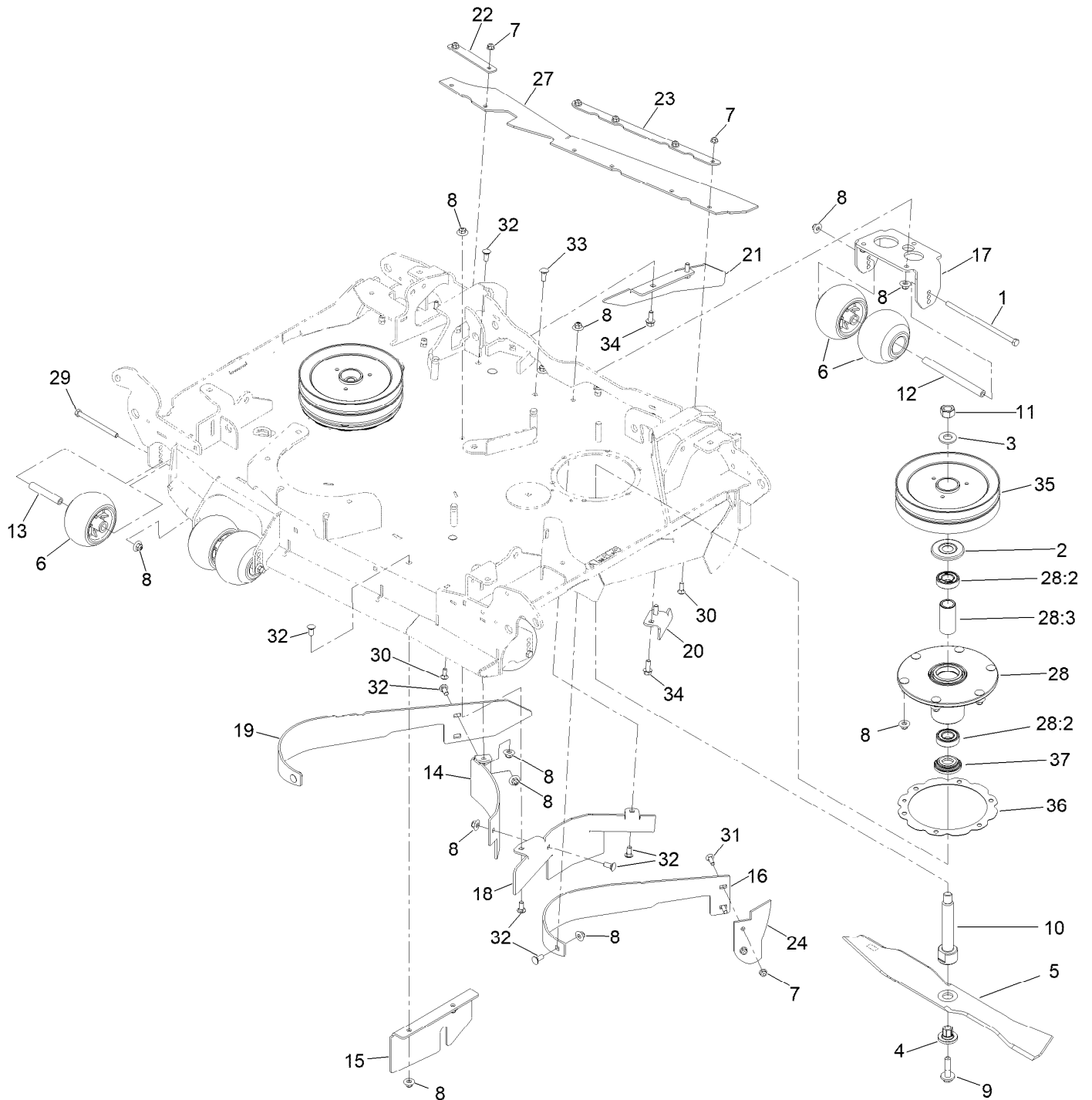
Center Deck Cover and Torsion Assembly



Center Deck Cover and Torsion Assembly (continued)

<i>Ref.</i>	<i>Part Number</i>	<i>Qty.</i>	<i>Description</i>	<i>Ref.</i>	<i>Part Number</i>	<i>Qty.</i>	<i>Description</i>
1	99-5293	4	Spring-Torsion	17:2	142-4794	2	Bushing-Flanged
2	103-4813	2	Spring	17:3	142-8114	2	Bushing-Flange
3	104-8300	4	Nut-HF, NI	18	142-6466	1	Strap-RH Flag
4	109-6658	8	Nut-Flange, NI	19	142-2704	1	Rod-Center Cover
5	116-6639	4	Pin-Cotter, Locking	20	142-2706-03	1	Plate-Hinged Cover
6	117-2382	4	Plug-Plastic	21	283-55	2	Pin-Clevis
7	126-4424	8	Screw-Shoulder	22	3230-16	4	Screw-CARR
8	142-7961-03	1	Panel-Step	23	3231-12	6	Bolt-CARR
9	126-9764	4	Plate-Retainer, Bearing	24	3290-355	2	Pin-Hair
10	135-0584	4	Strap-Bearing, Nylon	25	142-6467	1	Strap-LH Flag
11	135-1023	1	Cover-Rod, Pivot	26	142-6649-01	2	ASM-Wing Cover, [red]
12	52-2860	2	Washer	27	142-6724	2	Bushing
13	142-8103-01	1	Shield-LH Center [red]	28	142-8106-03	1	Cover-Hinged, LH [black]
14	135-6566-01	1	Shield-Center, RH	29	283-85	2	Pin-Clevis
15	142-4813	4	ASM-Deck Pin	30	140-9312	2	Pin-Cotter, Locking
16	142-6419	1	ASM-RH Fold Arm	31	142-8450	4	ASM-Deck Pin
16:2	142-4794	2	Bushing-Flanged	32	142-3841-01	1	Bracket-Deck Stop LH
16:3	142-8114	2	Bushing-Flange	33	131-2220	2	Screw-HHF
17	142-6428	1	ASM-LH Fold Arm	34	107-3154	4	Nut-Push

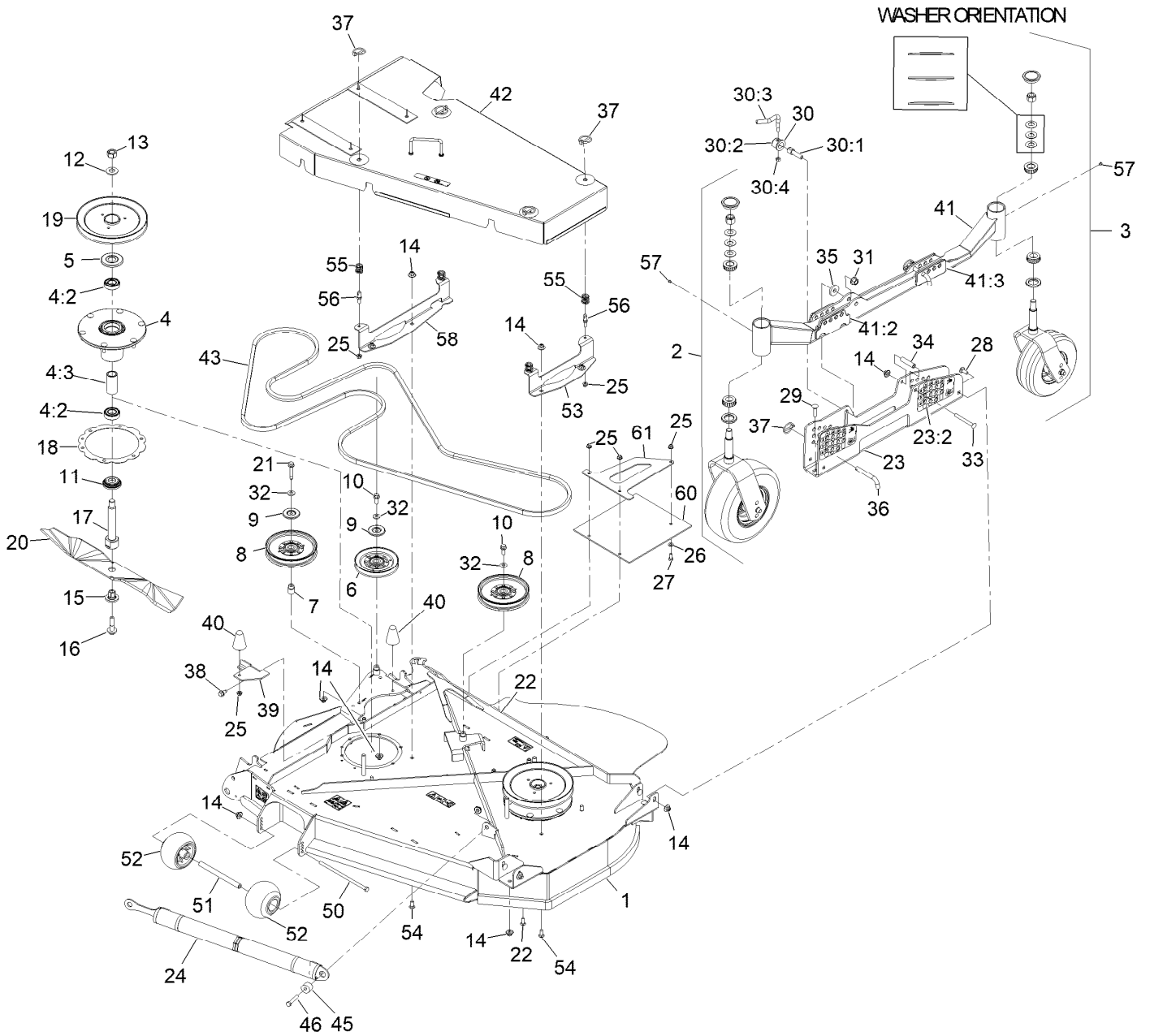
Center Deck Spindle, Baffle and Roller Assembly



Center Deck Spindle, Baffle and Roller Assembly (continued)

<i>Ref.</i>	<i>Part Number</i>	<i>Qty.</i>	<i>Description</i>	<i>Ref.</i>	<i>Part Number</i>	<i>Qty.</i>	<i>Description</i>
1	99-7203	4	Screw-HH	20	135-2452-01	1	Baffle-Breaker
2	103-1330	2	Guard-Bearing, Top	21	135-2453-01	1	Plate-Fin, Discharge
3	103-2802	2	Washer	22	135-2455-03	1	Support-Flap, LH
4	137-9787	2	Bushing-Hex	23	135-2457-03	1	Support-Flap, LH
5	140-1246	2	Blade-24.50 Mulch	24	135-2458	1	Guard-Discharge
6	103-8415	9	Roller-Anti-Scalp	27	135-2618	1	Flap-Discharge
7	104-8300	8	Nut-HF, NI	28	137-9780	2	Spindle ASM
8	109-6658	30	Nut-Flange, NI	28:2	116-0720	2	Bearing-Ball
9	109-9220	2	Screw-Sems	28:3	138-6042	1	Spacer-Bearing
10	138-6045	2	Shaft-Spindle	29	323-38	1	Screw-HH
11	116-7306	2	Nut-Hex	30	3230-16	6	Screw-CARR
12	126-6115	4	Spacer-Wheel	31	3230-22	2	Screw-CARR
13	126-7140	1	Spacer-Wheel, Short	32	3231-12	10	Bolt-CARR
14	135-0601-01	1	Baffle-Center, Rear (RH)	33	3231-2	2	Bolt-CARR
15	135-0603-01	1	Plate-Block, Front	34	3234-11	7	Screw-HHF
16	135-0792-01	1	Baffle-Dogleg, Center (LH)	35	140-1186	2	Sheave-Double Blade Drive
17	135-1036-01	1	Bracket-Antiscalp, Rear	36	140-0986	2	Ring-Spacer, Housing
18	135-1827-01	1	Baffle-Center	37	137-9784	2	Guard-Bottom
19	135-2451-01	1	Baffle-Dogleg, Center (RH)				

LH Wing Deck Assembly

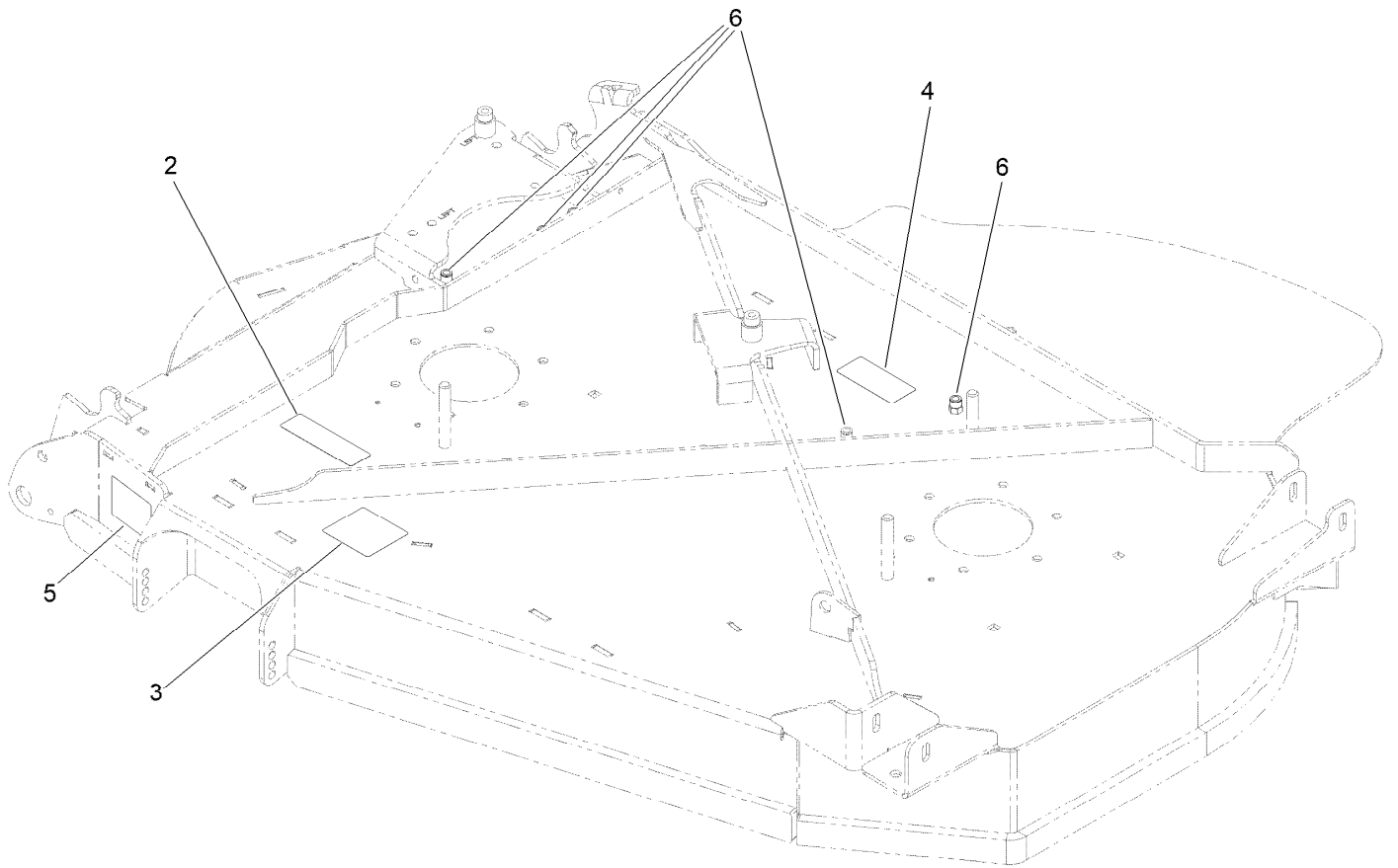


LH Wing Deck Assembly (continued)

<i>Ref.</i>	<i>Part Number</i>	<i>Qty.</i>	<i>Description</i>	<i>Ref.</i>	<i>Part Number</i>	<i>Qty.</i>	<i>Description</i>
1	142-6825	1	ASM-LH Wing Deck 144	30:1	106-3239	1	Screw-Lock
2		1	Caster Wheel ASM ●	30:2	107-1644	1	Cap-Lock
3		1	Rear Caster Wheel ASM ●	30:3	106-3241	1	Lever-Lock
4	137-9780	2	Spindle ASM	30:4	3296-29	1	Nut-Lock, NI
4:2	116-0720	2	Bearing-Ball	31	99-5107	1	Nut-Lock
4:3	138-6042	1	Spacer-Bearing	32	98-5975	3	Washer-Belleville
5	103-1330	2	Guard-Bearing, Top	33	3231-11	1	Screw-CARR
6	126-2960	1	Idler-V	34	135-2424	1	Spacer
7	1-633456	1	Bushing, Idler	35	30-8770	1	Washer
8	126-7685	2	Idler-Pulley	36	135-2073	2	Pin-HOC
9	126-8043	2	Shield-Dust	37	92-1298	6	Pin-Lynch
10	3234-42	2	Screw-HHF	38	110-9380	1	Screw-HWH
11	137-9784	2	Guard-Bottom	39	135-2611-01	1	Bracket-Retainer, Cover
12	103-2802	2	Washer	40	114-1925	2	Bumper-Rubber
13	116-7306	2	Nut-Hex	41	142-6582	1	ASM-LH Gauge Wheel Arm
14	109-6658	26	Nut-Flange, NI	41:2	142-3592	2	Plate-Guide, Front
15	137-9787	2	Bushing-Hex	41:3	142-3501	2	Plate-Guide, Rear
16	109-9220	2	Screw-Sems	42	142-6623	1	ASM-Belt Shield
17	138-6045	2	Shaft-Spindle	43	135-5775	1	Belt
18	140-0986	2	Ring-Spacer, Housing	45	135-7307	1	Bushing-Lift Spring
19	140-1185	2	Sheave-Drive, Blade	46	323-11	1	Screw-HH
20	140-1246	2	Blade-24.50 Mulch	50	99-7203	1	Screw-HH
21	126-2956	1	Screw-HHF	51	126-6115	1	Spacer-Wheel
22	3230-10	5	Bolt-CARR	52	103-8415	2	Roller-Anti-Scalp
23	142-4241	1	ASM-Channel, HOC LH	53	135-2653-03	1	Bracket-Shield Mount, Outer
23:2	126-8597	2	Decal-HOC, LH	54	3231-12	4	Bolt-CARR
24	142-6483	1	ASM-Weight-Transfer-Spring	55	126-1503	4	Spring
25	104-8300	12	Nut-HF, NI	56	135-7455	4	Pin, Spring
26	3256-23	1	Washer-Plain	57	1-811010	2	Plug
27	322-3	1	Screw-HH	58	142-6627-03	1	Bracket-Shield Mount, Outer Long
28	3231-2	4	Bolt-CARR	60	142-8358	1	Guard-LH Rear Wing
29	3231-4	2	Screw-CARR	61	142-8359-03	1	Support-LH Rear Guard
30	107-1664	1	Lever ASM				

● Not serviced separately

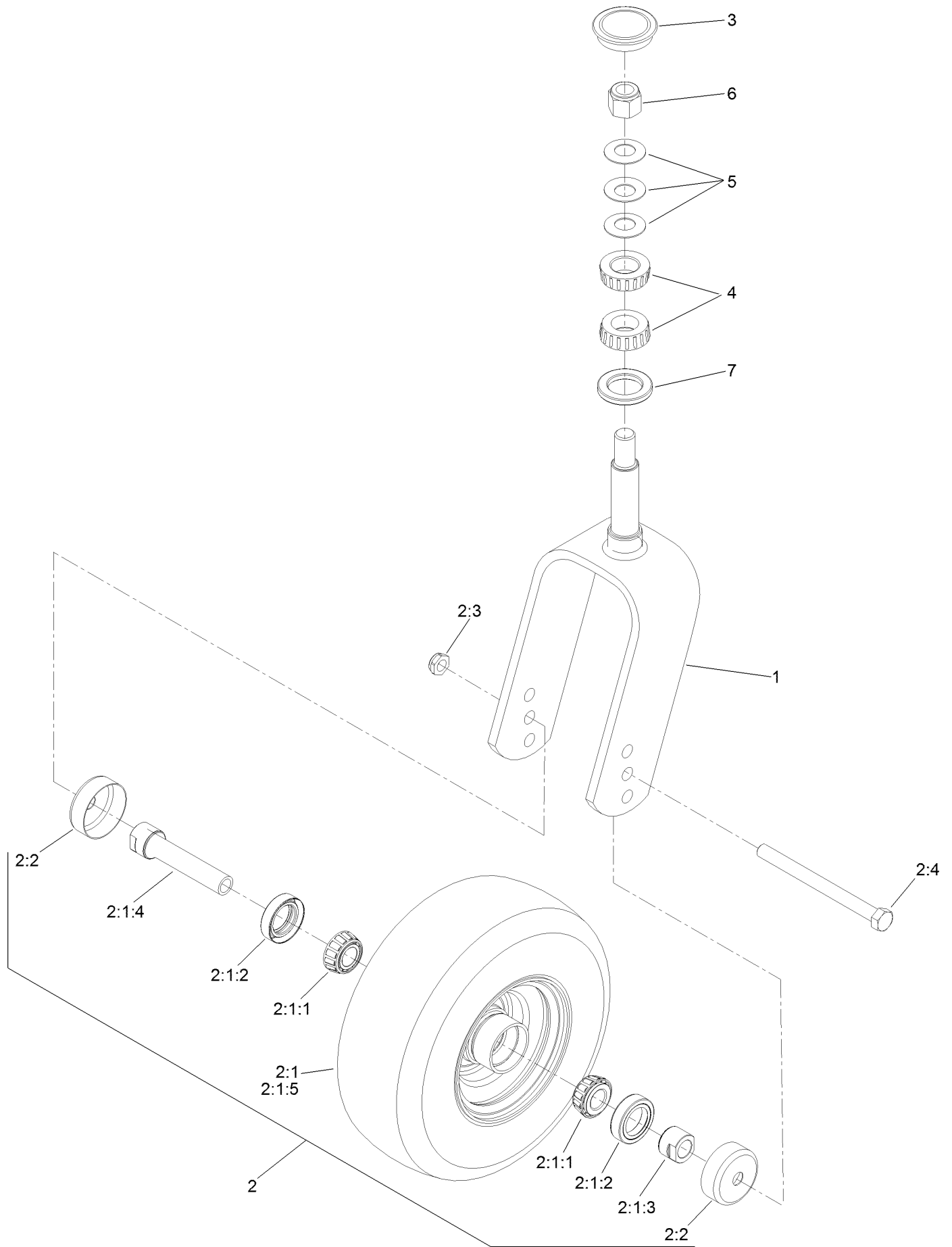
LH Wing Deck W/Decals Assembly No. 142-6825



LH Wing Deck W/Decals Assembly No. 142-6825 (continued)

<i>Ref.</i>	<i>Part Number</i>	<i>Qty.</i>	<i>Description</i>	<i>Ref.</i>	<i>Part Number</i>	<i>Qty.</i>	<i>Description</i>
2	112-9028	1	Decal-Cover, Missing	4	116-8283	1	Decal-Torque, Bolt
3	135-0664	1	Decal-Danger, Thrown Object	5	135-0670	1	Decal-Warning, Pinch Point
				6	135-7200	6	Nut-Clinch,Hex

Caster Fork and Wheel Assembly



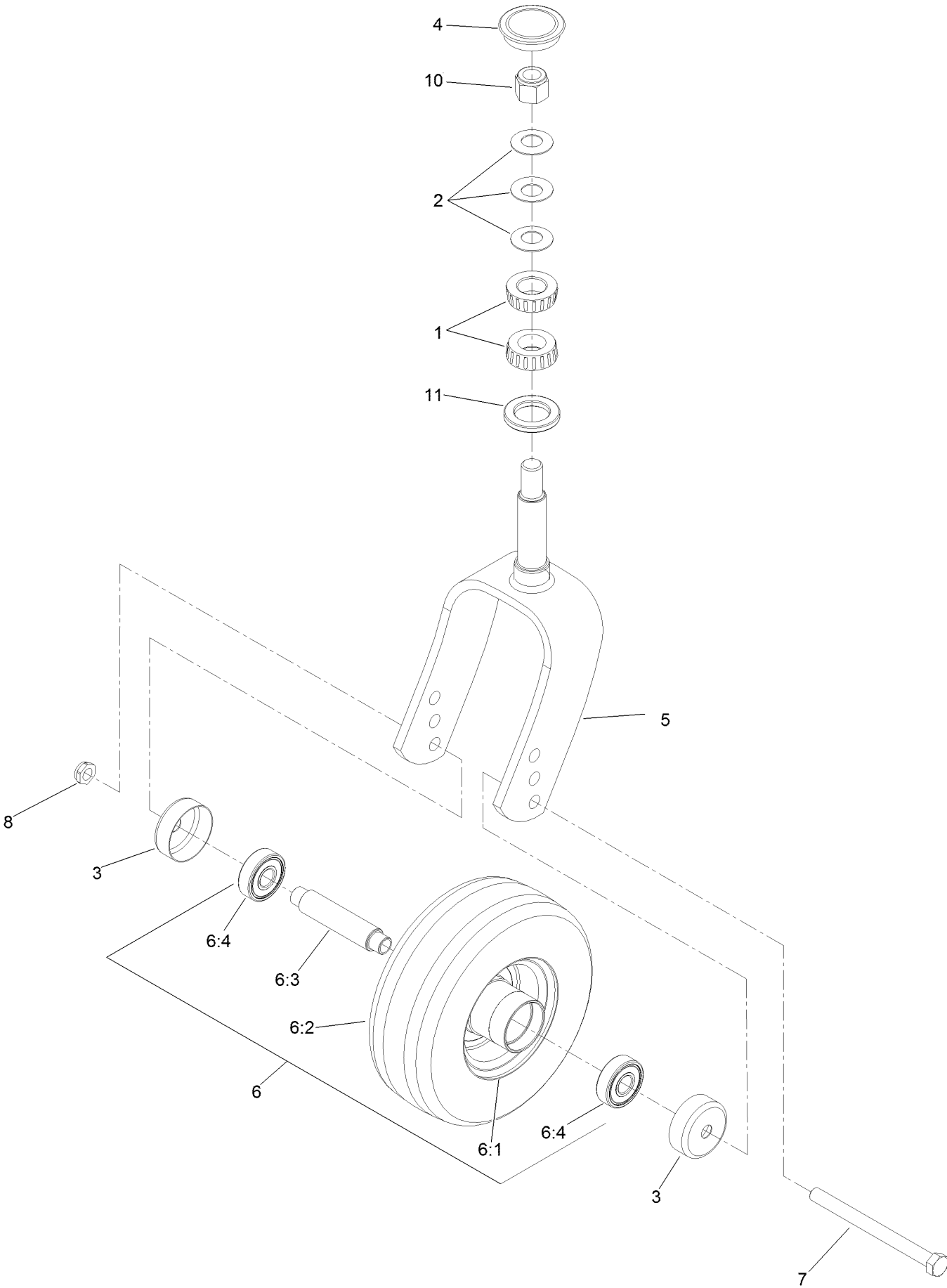
Caster Fork and Wheel Assembly (continued)

<i>Ref.</i>	<i>Part Number</i>	<i>Qty.</i>	<i>Description</i>	<i>Ref.</i>	<i>Part Number</i>	<i>Qty.</i>	<i>Description</i>
1	135-3794-01	1	Fork-Caster	2:2	103-2768	2	Guard-Seal
2	130-4558	1	Wheel/Tire And Bearing ASM	2:3	3296-45	1	Nut-Hex
2:1		1	Wheel And Bearing ASM ●	2:4	325-20	1	Screw-HH
2:1:1	1-633585	2	Bearing-Cone, Taper	3	103-4882	1	Cap-Grease
2:1:2	103-0063	2	Seal-Caster	4	1-543509	2	Bearing-Roller, Tapered
2:1:3	103-3051	1	Spacer-Nut ■	5	1-633508	3	Washer-Bellville
2:1:4	126-5359	1	Caster Axle ASM	6	3296-51	1	Nut-Lock, NI
2:1:5	130-4563	1	Wheel And Tire ASM	7	1-543511	1	Seal-Grease

● Not serviced separately

■ Use Pro-Lock, Nut Type (P/N 1-840022, .5ml tube) on spacer nut

Rear Caster Wheel Assembly

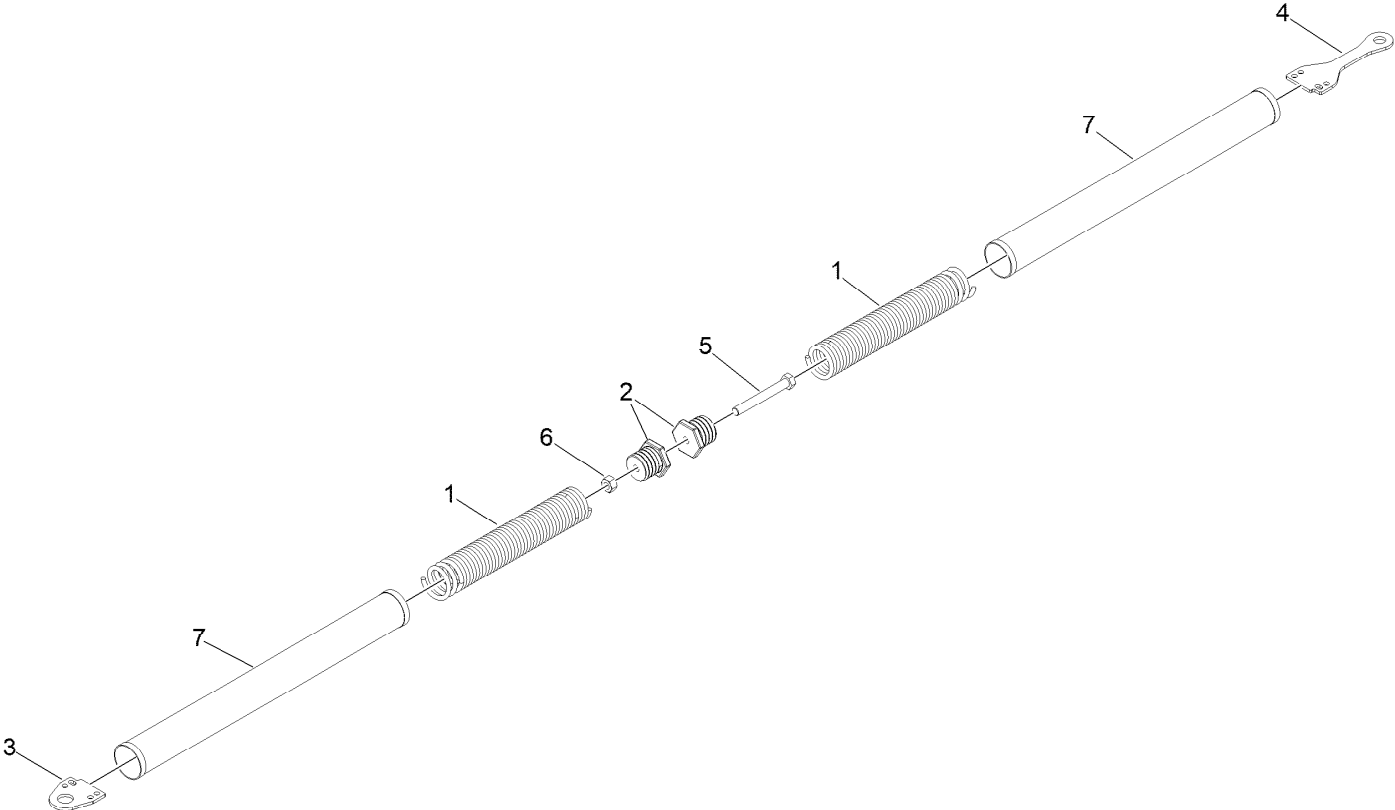


Rear Caster Wheel Assembly (continued)

<i>Ref.</i>	<i>Part Number</i>	<i>Qty.</i>	<i>Description</i>	<i>Ref.</i>	<i>Part Number</i>	<i>Qty.</i>	<i>Description</i>
1	1-543509	2	Bearing-Roller, Tapered	6:2	112-7065	1	Tire
2	1-633508	3	Washer-Bellville	6:3	126-7904	1	Axle-Caster
3	135-3218	2	Guard, Seal	6:4	116-4004	2	Bearing
4	103-4882	1	Cap-Grease	7	325-20	1	Screw-HH
5	135-3793-01	1	Fork-Caster	8	3296-45	1	Nut-Hex
6		1	Wheel And Tire ASM ●	10	3296-51	1	Nut-Lock, NI
6:1	135-2646	1	Wheel	11	1-543511	1	Seal-Grease

● Not serviced separately

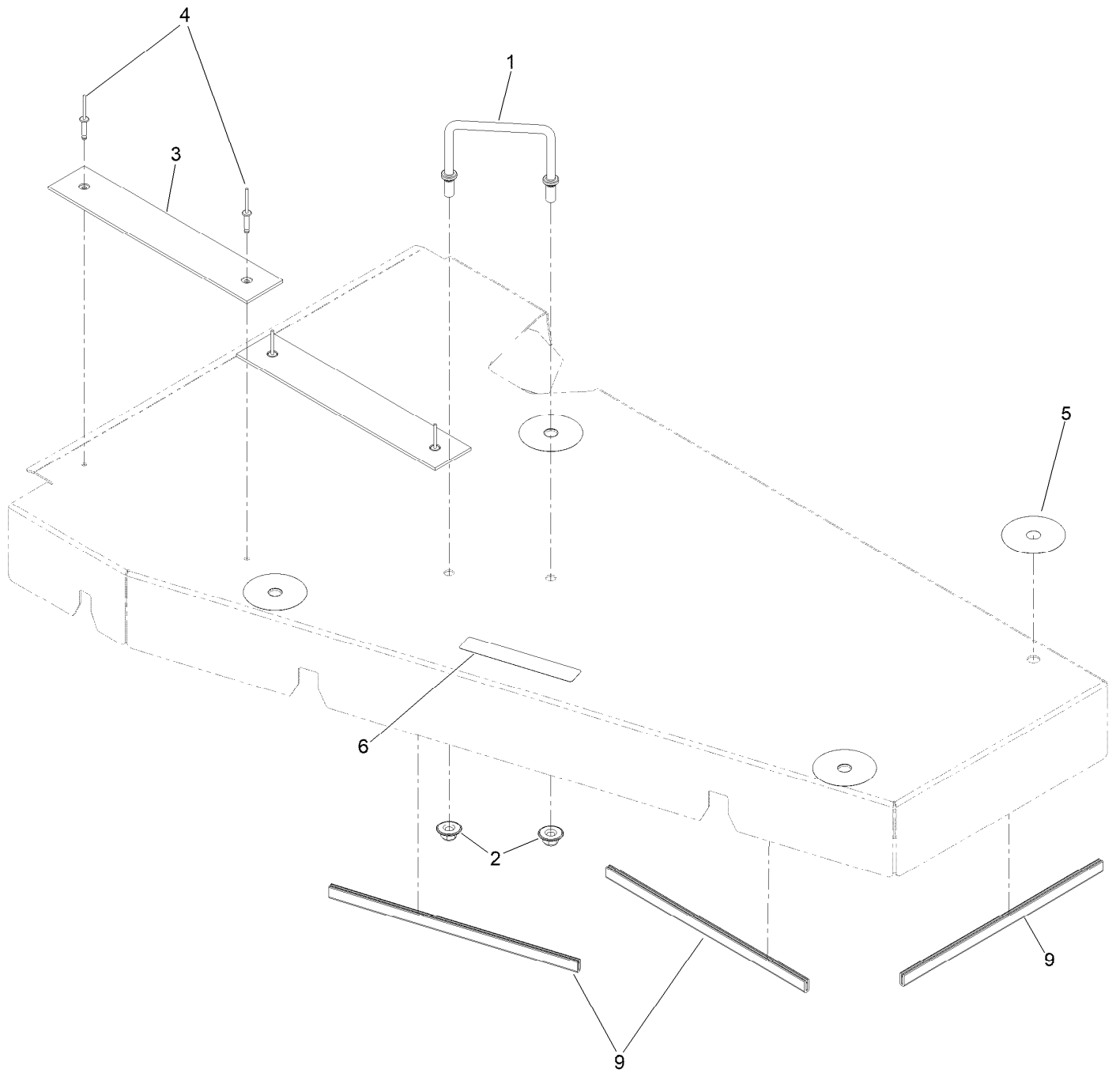
Weight Transfer Spring Assembly No 142-6483



Weight Transfer Spring Assembly No 142-6483 (continued)

<i>Ref.</i>	<i>Part Number</i>	<i>Qty.</i>	<i>Description</i>	<i>Ref.</i>	<i>Part Number</i>	<i>Qty.</i>	<i>Description</i>
1	103-4281	2	Spring-Extension	5	116-3114	1	Bolt-TAP
2	103-3772	2	Plug-Adjuster, Spring	6	3217-9	1	Nut-Hex 1/2-13
3	126-7579	1	Plate-Spring Eye	7	103-7971	2	Cover-Spring, Deck
4	142-6482	1	Spring-Tab				

LH Belt Shield Assembly No. 142-6623

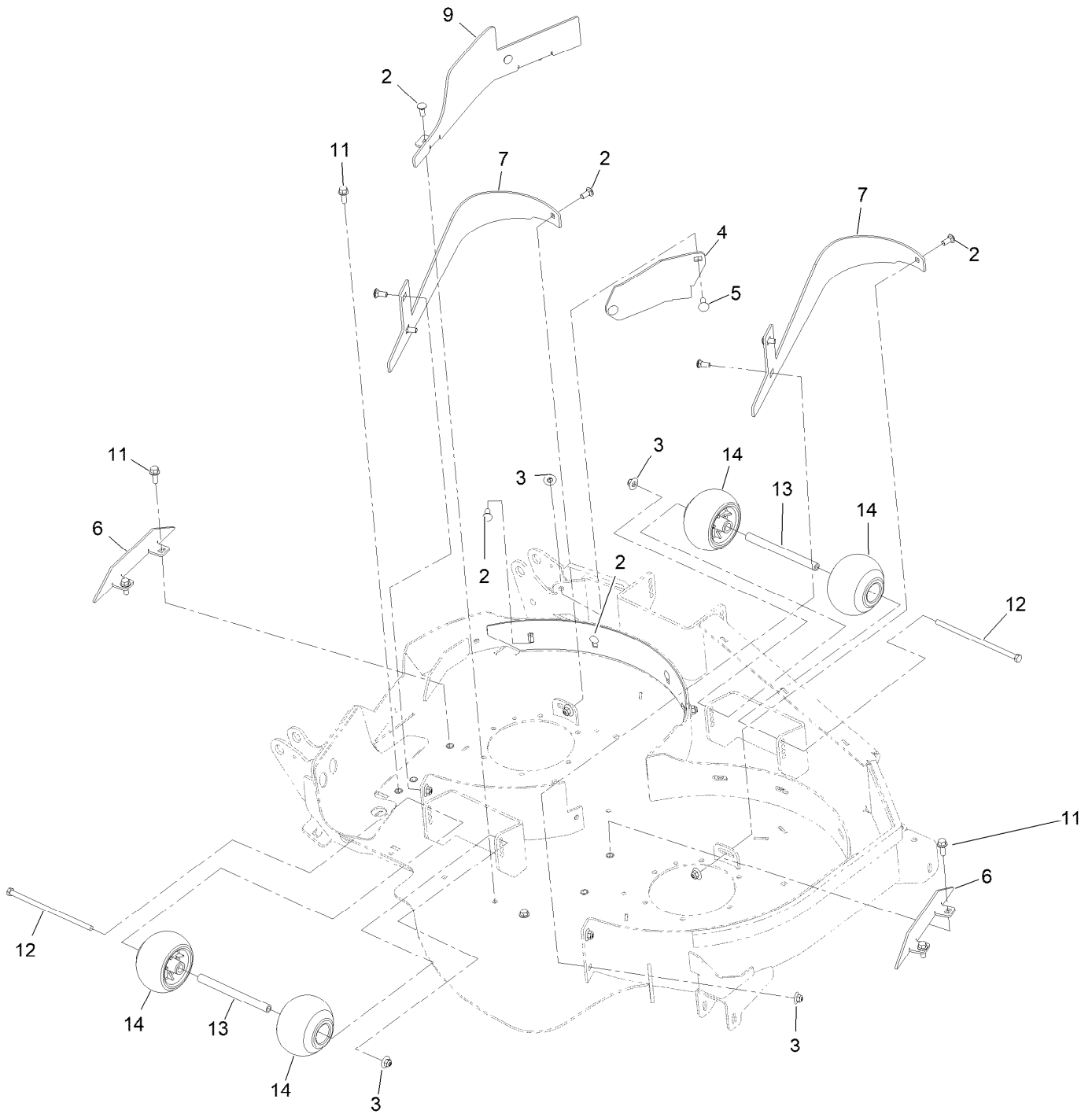


LH Belt Shield Assembly No. 142-6623 (continued)

<i>Ref.</i>	<i>Part Number</i>	<i>Qty.</i>	<i>Description</i>
1	109-6982	1	Wireform-Cover
2	109-6658	2	Nut-Nyloc 3/8-16 Flg
3	135-6706	2	Plate
4	133-7130	4	Rivet-Pop

<i>Ref.</i>	<i>Part Number</i>	<i>Qty.</i>	<i>Description</i>
5	135-3165	4	Decal-Cover, Scratch
6	93-6687	1	Decal-No Step
9	142-6629	3	Guard-Edge

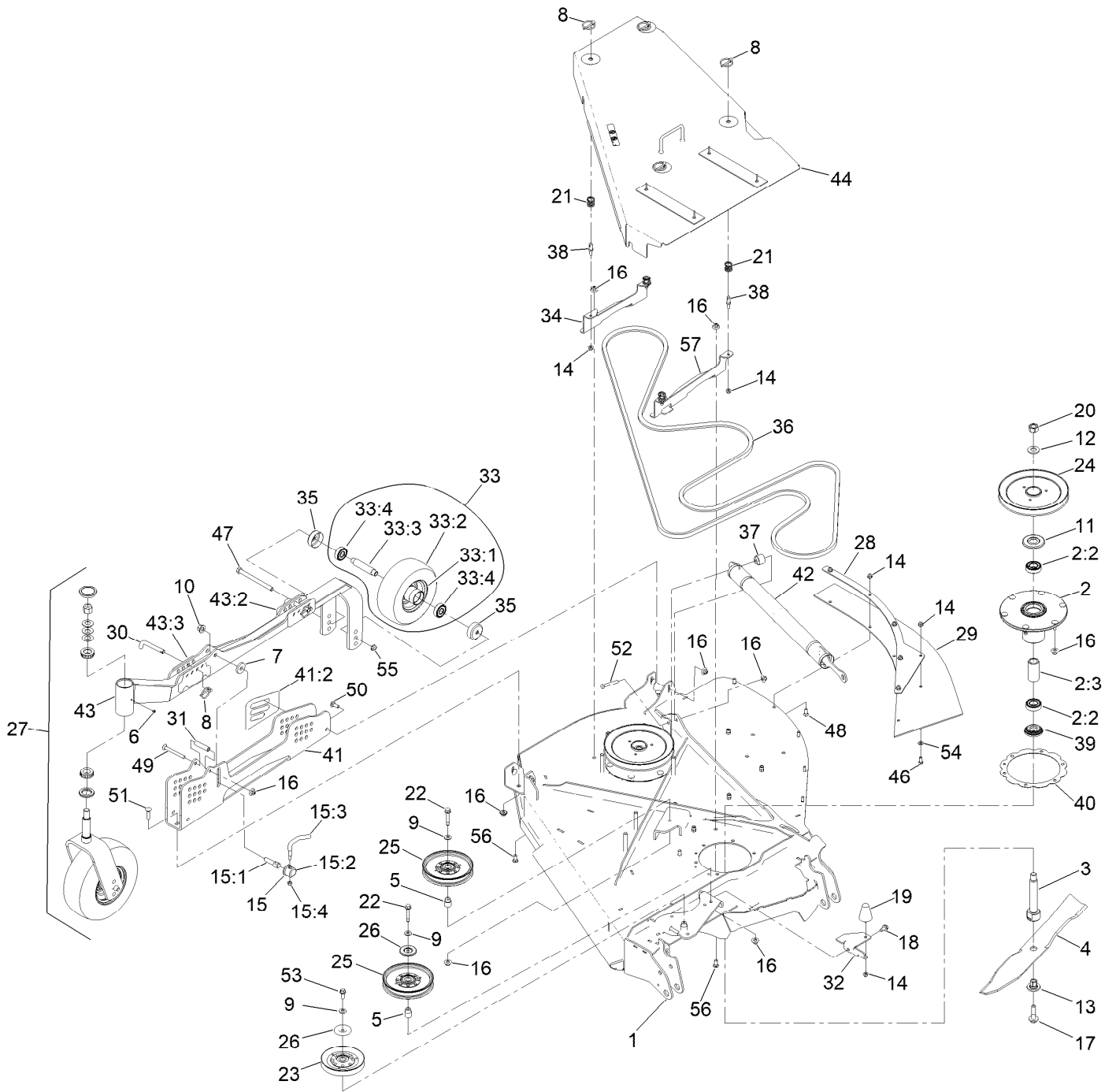
LH Wing Deck Baffle and Roller Assembly



LH Wing Deck Baffle and Roller Assembly (continued)

<i>Ref.</i>	<i>Part Number</i>	<i>Qty.</i>	<i>Description</i>	<i>Ref.</i>	<i>Part Number</i>	<i>Qty.</i>	<i>Description</i>
2	3231-12	9	Bolt-CARR	9	135-7653-01	1	Baffle-Center, LH
3	109-6658	13	Nut-Flange, NI	11	3234-11	6	Screw-HHF
4	126-9757-01	1	Plate-Fill	12	99-7203	2	Screw-HH
5	3231-2	2	Bolt-CARR	13	126-6115	2	Spacer-Wheel
6	142-2405-01	2	Plate-Baffle Straight RH	14	103-8415	4	Roller-Anti-Scalp
7	135-7274-01	2	Baffle-Dogleg, Outside				

RH Wing Deck Assembly

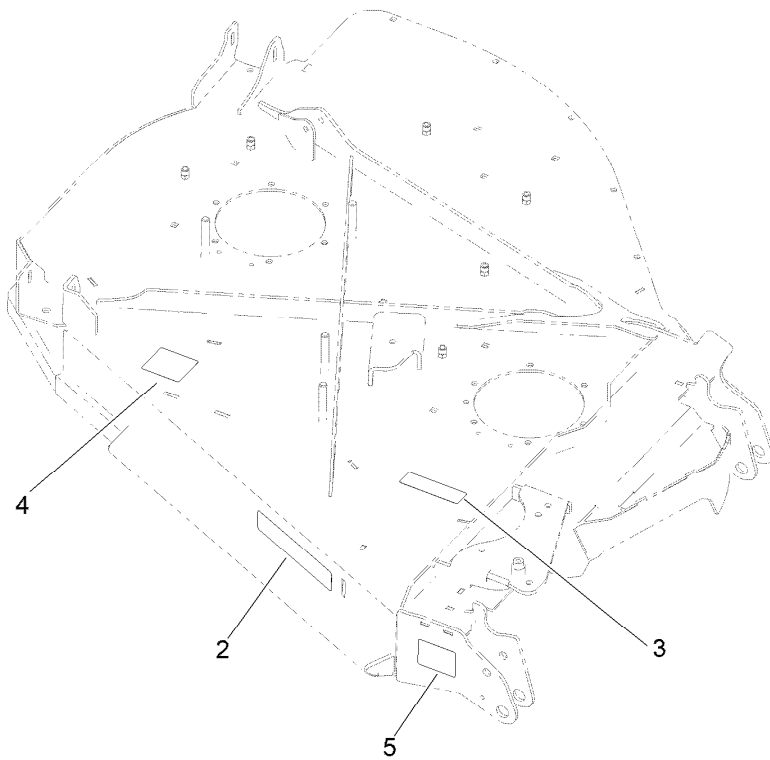
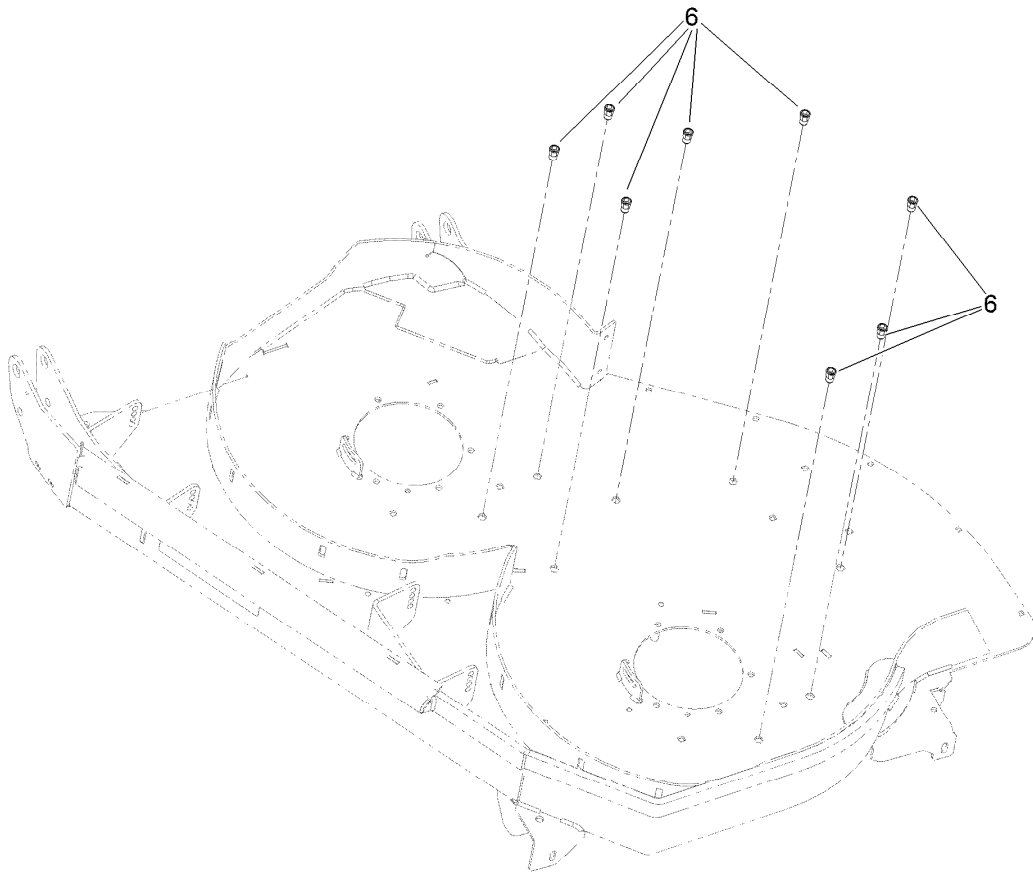


RH Wing Deck Assembly (continued)

<i>Ref.</i>	<i>Part Number</i>	<i>Qty.</i>	<i>Description</i>	<i>Ref.</i>	<i>Part Number</i>	<i>Qty.</i>	<i>Description</i>
1	142-6823	1	ASM-RH Wing Deck 144	31	135-2424	1	Spacer
2	137-9780	2	Spindle ASM	32	135-2611-01	1	Bracket-Retainer, Cover
2:2	116-0720	2	Bearing-Ball	33	135-2645	1	Wheel And Tire ASM
2:3	138-6042	1	Spacer-Bearing	33:1	135-2646	1	Wheel
3	138-6045	2	Shaft-Spindle	33:2	112-7065	1	Tire
4	140-1246	2	Blade-24.50 Mulch	33:3	126-7904	1	Axle-Caster
5	1-633456	2	Bushing, Idler	33:4	116-4004	2	Bearing
6	1-811010	1	Plug	34	135-2653-03	1	Bracket-Shield Mount, Outer
7	30-8770	1	Washer	35	135-3218	2	Guard, Seal
8	92-1298	6	Pin-Lynch	36	135-5774	1	Belt,V-5V-198.75
9	98-5975	3	Washer-Belleville	37	135-7307	1	Bushing-Lift Spring
10	99-5107	1	Nut-Lock	38	135-7455	4	Pin, Spring
11	103-1330	2	Guard-Bearing, Top	39	137-9784	2	Guard-Bottom
12	103-2802	2	Washer	40	140-0986	2	Ring-Spacer, Housing
13	137-9787	2	Bushing-Hex	41	142-4470	1	ASM-Channel, HOC RH W/Decals
14	104-8300	11	Nut-HF, NI	41:2	126-8760	2	Decal-HOC, RH
15	107-1664	1	Lever ASM	42	142-6483	1	ASM-Weight-Transfer-Spring
15:1	106-3239	1	Screw-Lock	43	142-6581	1	ASM-RH Gauge Wheel Arm
15:2	107-1644	1	Cap-Lock	43:2	142-3501	2	Plate-Guide, Rear
15:3	106-3241	1	Lever-Lock	43:3	142-3592	2	Plate-Guide, Front
15:4	3296-29	1	Nut-Lock, NI	44	142-6633	1	ASM-Belt Shield RH
16	109-6658	26	Nut-Flange, NI	46	322-3	1	Screw-HH
17	109-9220	2	Screw-Sems	47	325-20	1	Screw-HH
18	110-9380	1	Screw-HWH	48	3230-16	5	Screw-CARR
19	114-1925	1	Bumper-Rubber	49	3231-11	1	Screw-CARR
20	116-7306	2	Nut-Hex	50	3231-2	4	Bolt-CARR
21	126-1503	4	Spring	51	3231-4	2	Screw-CARR
22	126-2956	2	Screw-HHF	52	323-11	1	Screw-HH
23	126-2960	1	Idler-V	53	3234-42	1	Screw-HHF
24	140-1185	2	Sheave-Drive, Blade	54	3256-23	1	Washer-Plain
25	126-7685	2	Idler-Pulley	55	3296-45	1	Nut-Hex
26	126-8043	2	Shield-Dust	56	3231-12	4	Bolt-CARR
27		1	Caster Wheel ASM ●	57	142-6636-03	1	Bracket-Shield Mount, Right Long
28	142-8360-03	1	Support-RH Rear Guard				
29	142-8323	1	Guard-RH Rear Wing				
30	135-2073	2	Pin-HOC				

● Not serviced separately

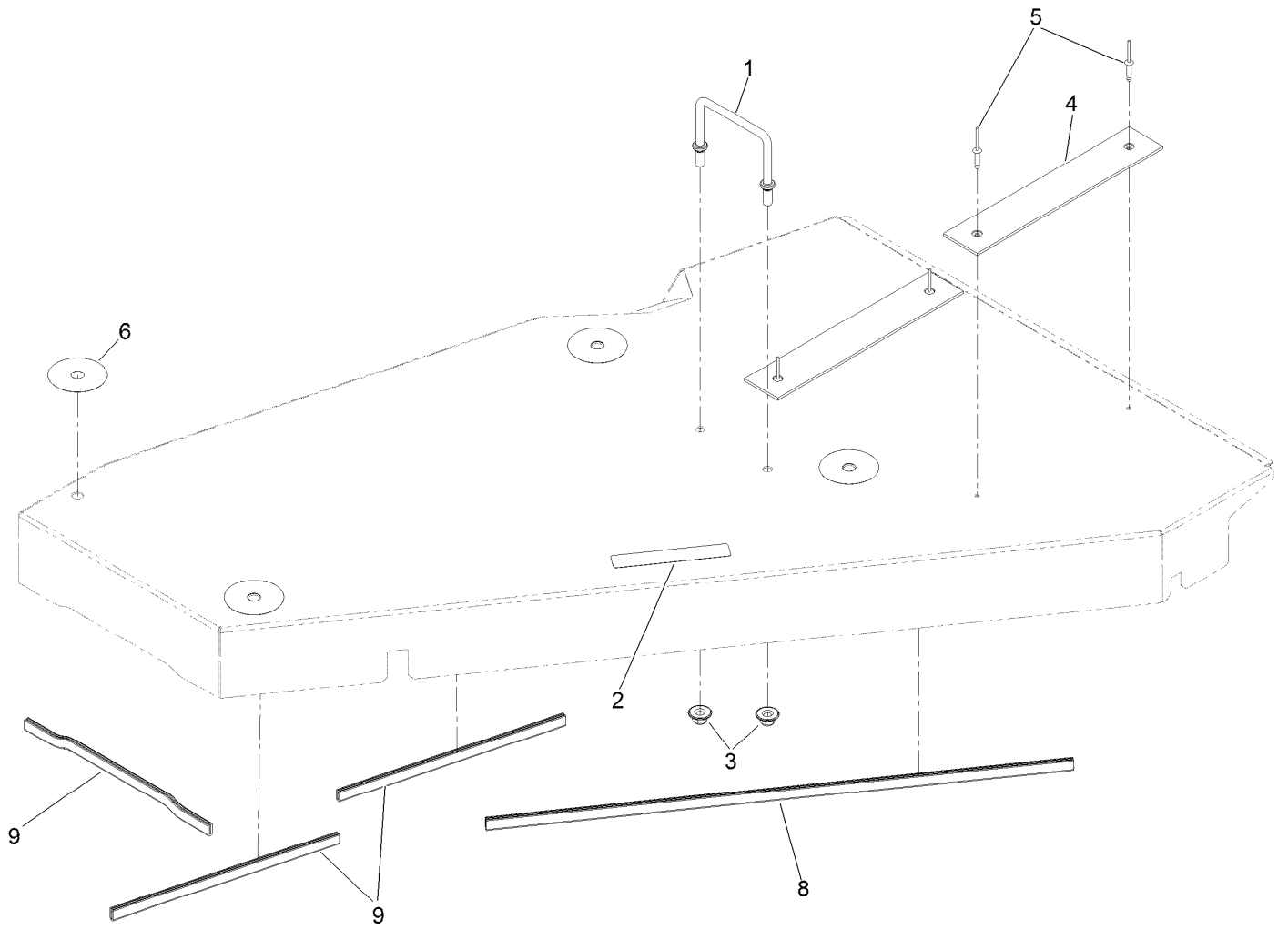
RH Wing Deck Decal Assembly No. 142-6823



RH Wing Deck Decal Assembly No. 142-6823 (continued)

<i>Ref.</i>	<i>Part Number</i>	<i>Qty.</i>	<i>Description</i>	<i>Ref.</i>	<i>Part Number</i>	<i>Qty.</i>	<i>Description</i>
2	142-7962	1	Decal-Turbo Force 144	5	135-0670	1	Decal-Warning, Pinch Point
3	112-9028	1	Decal-Cover, Missing	6	135-7200	8	Nut-Clinch,Hex
4	135-0664	1	Decal-Danger, Thrown Object				

RH Belt Shield Assembly No. 142-6633

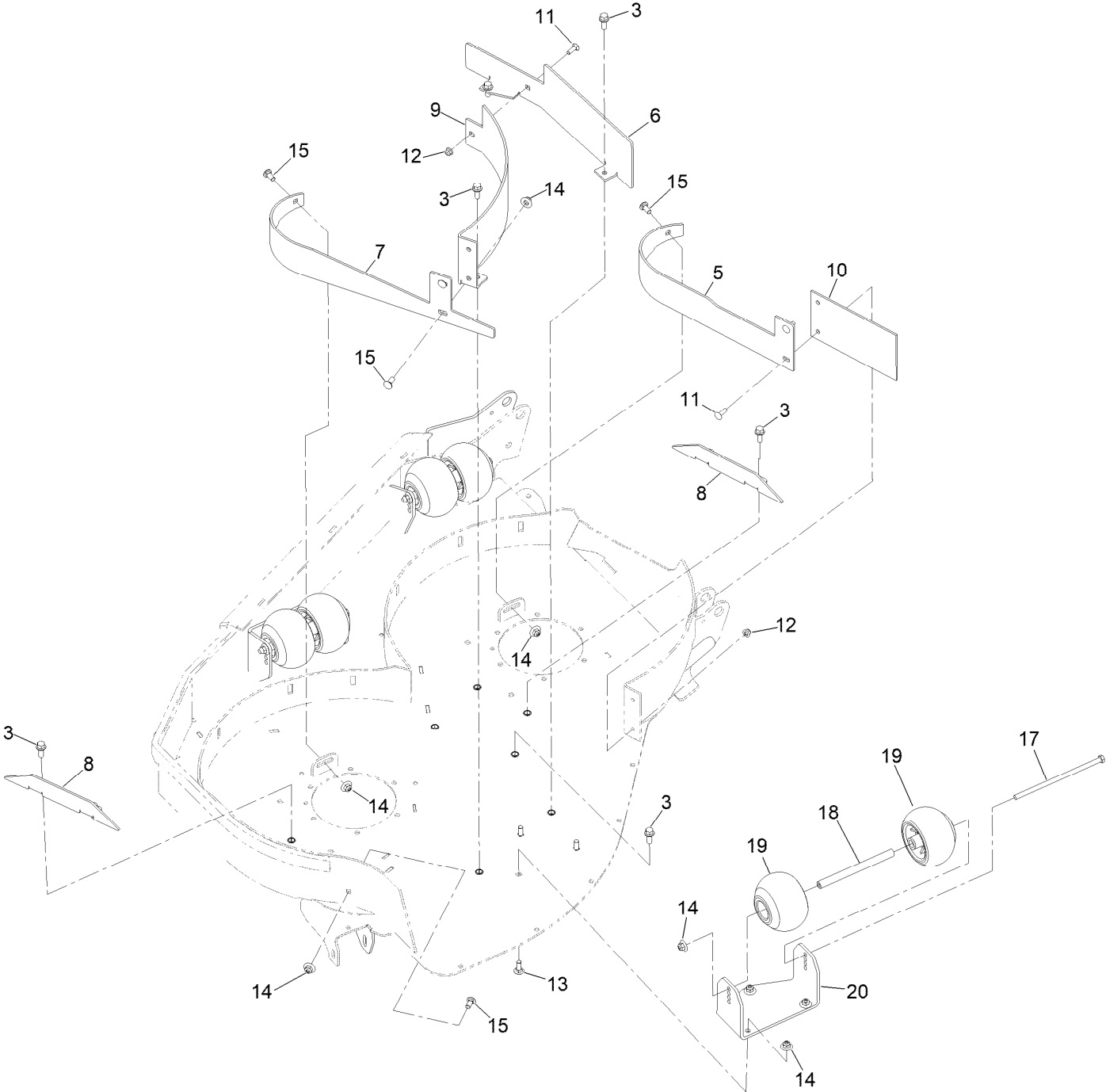


RH Belt Shield Assembly No. 142-6633 (continued)

<i>Ref.</i>	<i>Part Number</i>	<i>Qty.</i>	<i>Description</i>
1	109-6982	1	Wireform-Cover
2	93-6687	1	Decal-No Step
3	109-6658	2	Nut-Nyloc 3/8-16 Flg
4	135-6706	2	Plate

<i>Ref.</i>	<i>Part Number</i>	<i>Qty.</i>	<i>Description</i>
5	133-7130	4	Rivet-Pop
6	135-3165	4	Decal-Cover, Scratch
8	142-6628	1	Guard Edge
9	142-6629	2	Guard-Edge

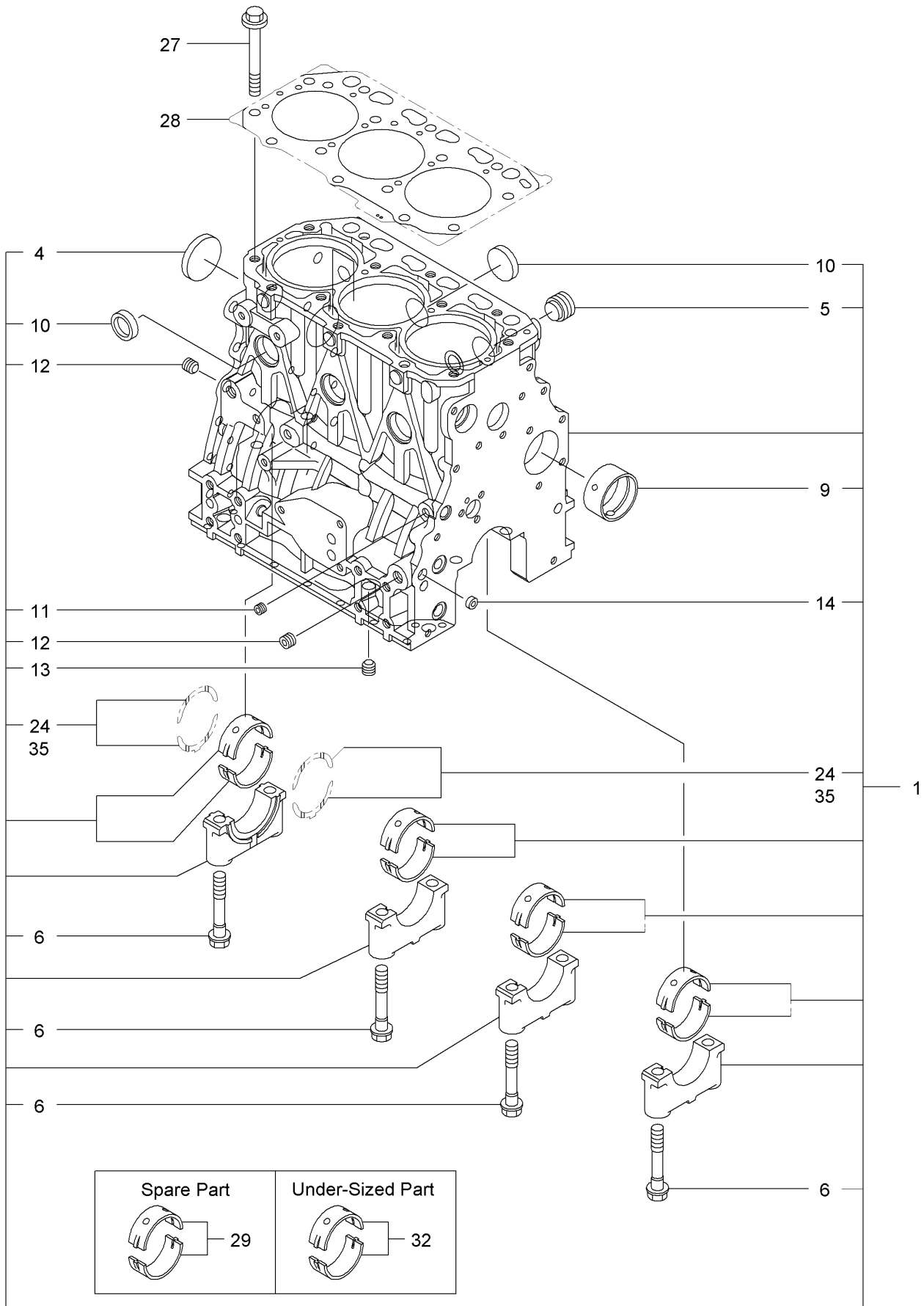
RH Wing Deck Baffle and Roller Assembly



RH Wing Deck Baffle and Roller Assembly (continued)

<i>Ref.</i>	<i>Part Number</i>	<i>Qty.</i>	<i>Description</i>	<i>Ref.</i>	<i>Part Number</i>	<i>Qty.</i>	<i>Description</i>
3	3234-11	8	Screw-HHF	12	104-8300	3	Nut-HF, NI
5	135-0795-01	1	Baffle-Dogleg, RH	13	3231-2	3	Bolt-CARR
6	135-7171-01	1	Baffle-Ctr	14	109-6658	11	Nut-Flange, NI
7	135-7274-01	1	Baffle-Dogleg, Outside	15	3231-12	5	Bolt-CARR
8	142-2405-01	2	Plate-Baffle Straight RH	17	99-7203	3	Screw-HH
9	142-7551-01	1	Baffle-Wing Rear Center	18	126-6115	3	Spacer-Wheel
10	135-0091	1	Flap-Rubber	19	103-8415	6	Roller-Anti-Scalp
11	3230-22	3	Screw-CARR	20	142-7550-01	1	Plate-Rear As Bracket

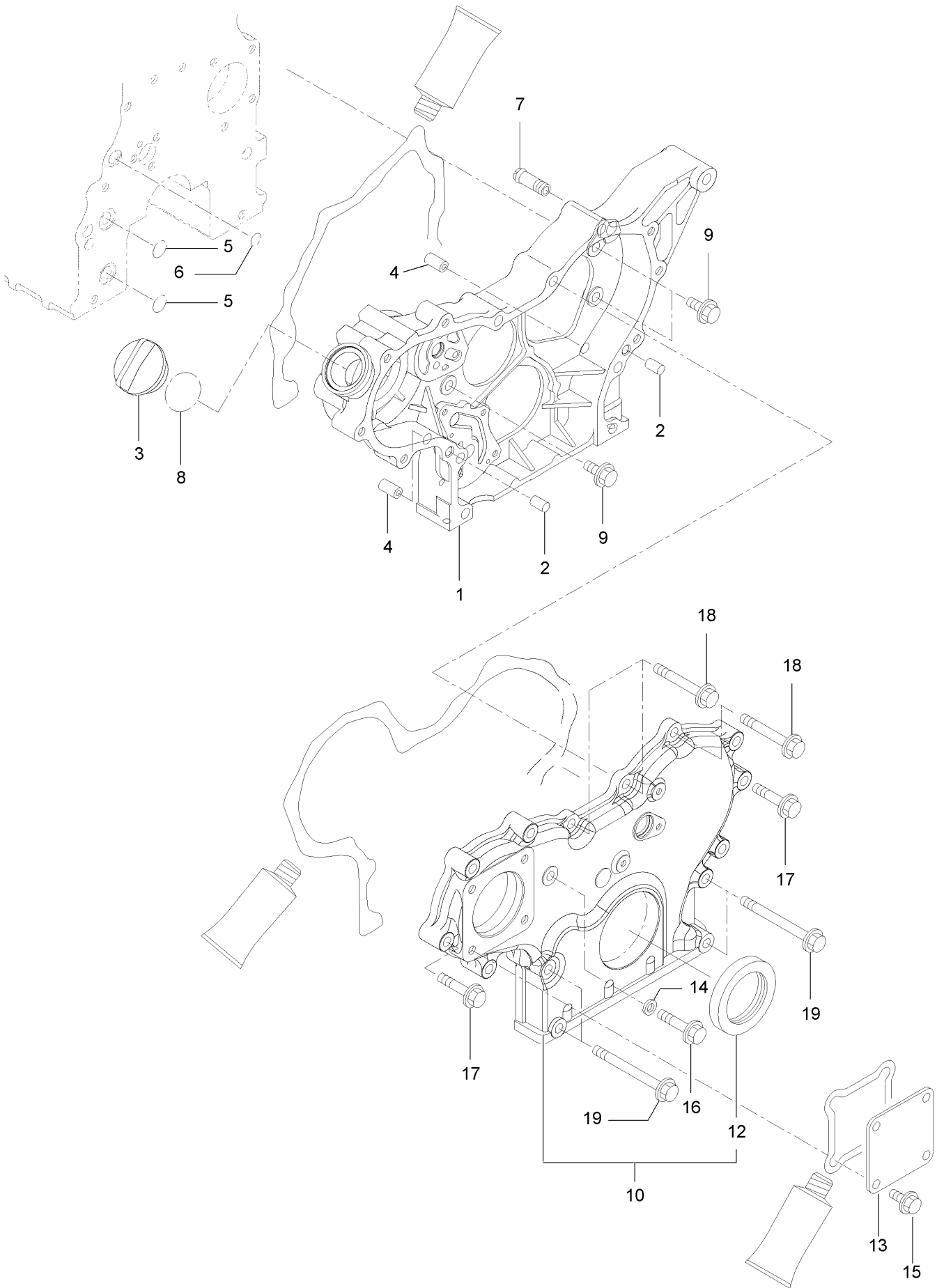
Cylinder Block Assembly



Cylinder Block Assembly (continued)

<i>Ref.</i>	<i>Part Number</i>	<i>Qty.</i>	<i>Description</i>	<i>Ref.</i>	<i>Part Number</i>	<i>Qty.</i>	<i>Description</i>
1	127-3750	1	Cylinder Block ASM	13	125-6973	1	Plug
4	125-6980	1	Plug	14	125-7237	1	Plug
5	125-7170	1	Plug	24	125-7010	2	Metal-Thrust
6	125-7007	8	Bolt	27	125-7006	14	Bolt
9	125-7108	1	Bushing	28	127-3751	1	Head Gasket ASM
10	140-7182	6	Plug 30	29	125-6981	4	Metal-Main
11	125-6969	1	Plug	32	125-7009	4	Metal-Main (0.25)
12	125-6973	2	Plug	35	125-7011	1	Metal-Thrust (0.25)

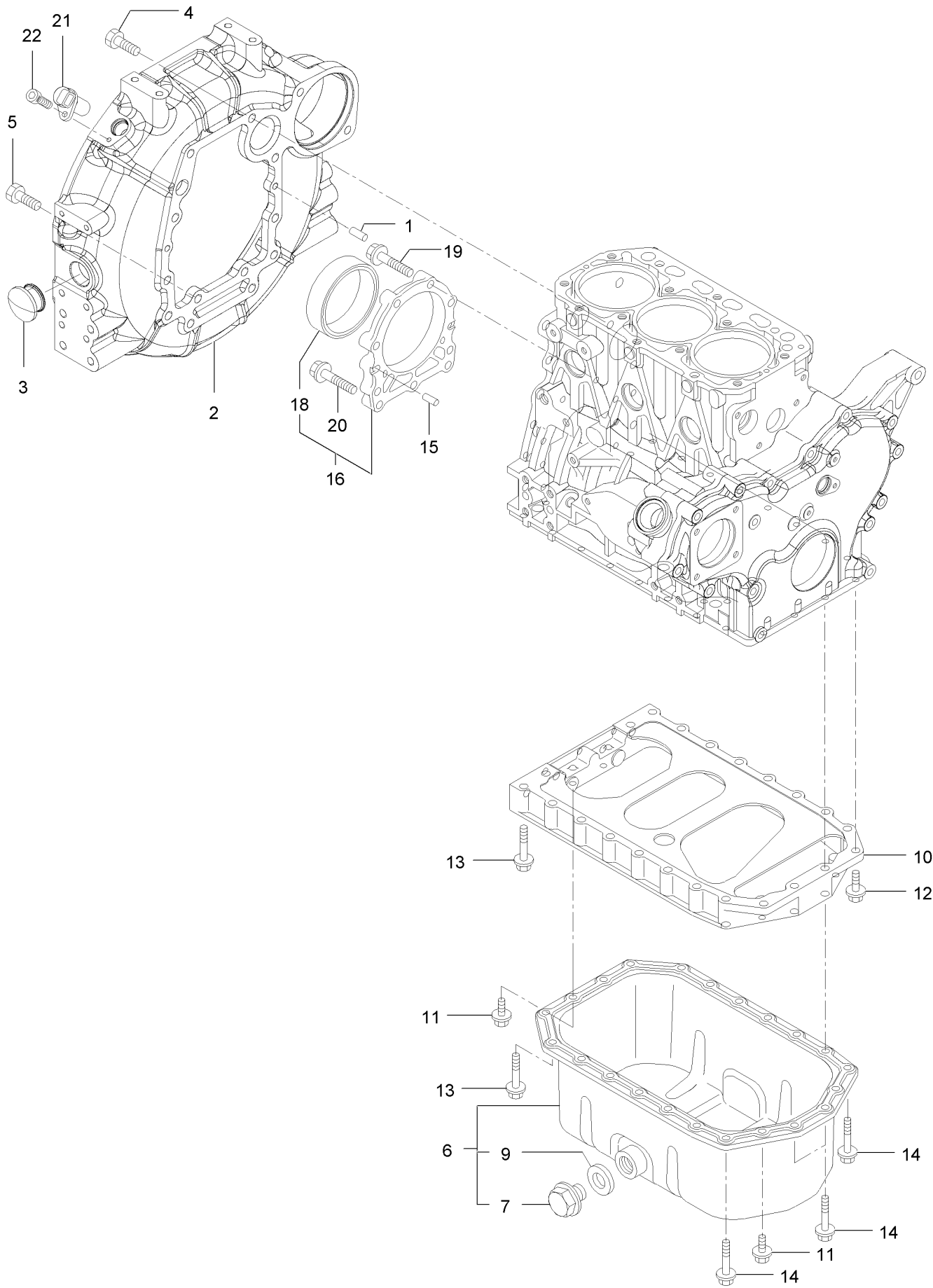
Gear Housing Assembly



Gear Housing Assembly (continued)

<i>Ref.</i>	<i>Part Number</i>	<i>Qty.</i>	<i>Description</i>	<i>Ref.</i>	<i>Part Number</i>	<i>Qty.</i>	<i>Description</i>
1	142-8721	1	Case-Gear	10	127-3024	1	Gearcase Cover ASM
2	125-6995	2	Pin	12	125-6944	1	Seal-Oil
3	125-6972	1	Cover-Filler	13	125-6977	1	Cover
4	125-7107	2	Pipe	14	125-7174	1	Washer-Seal
5	125-6909	2	O-Ring	15	125-7214	4	Bolt
6	127-2973	1	O-Ring	16	125-7217	1	Bolt
7	127-3753	1	Joint	17	125-7218	7	Bolt
8	125-7197	1	O-Ring	18	125-7222	3	Bolt
9	125-7214	3	Bolt	19	125-7224	4	Bolt

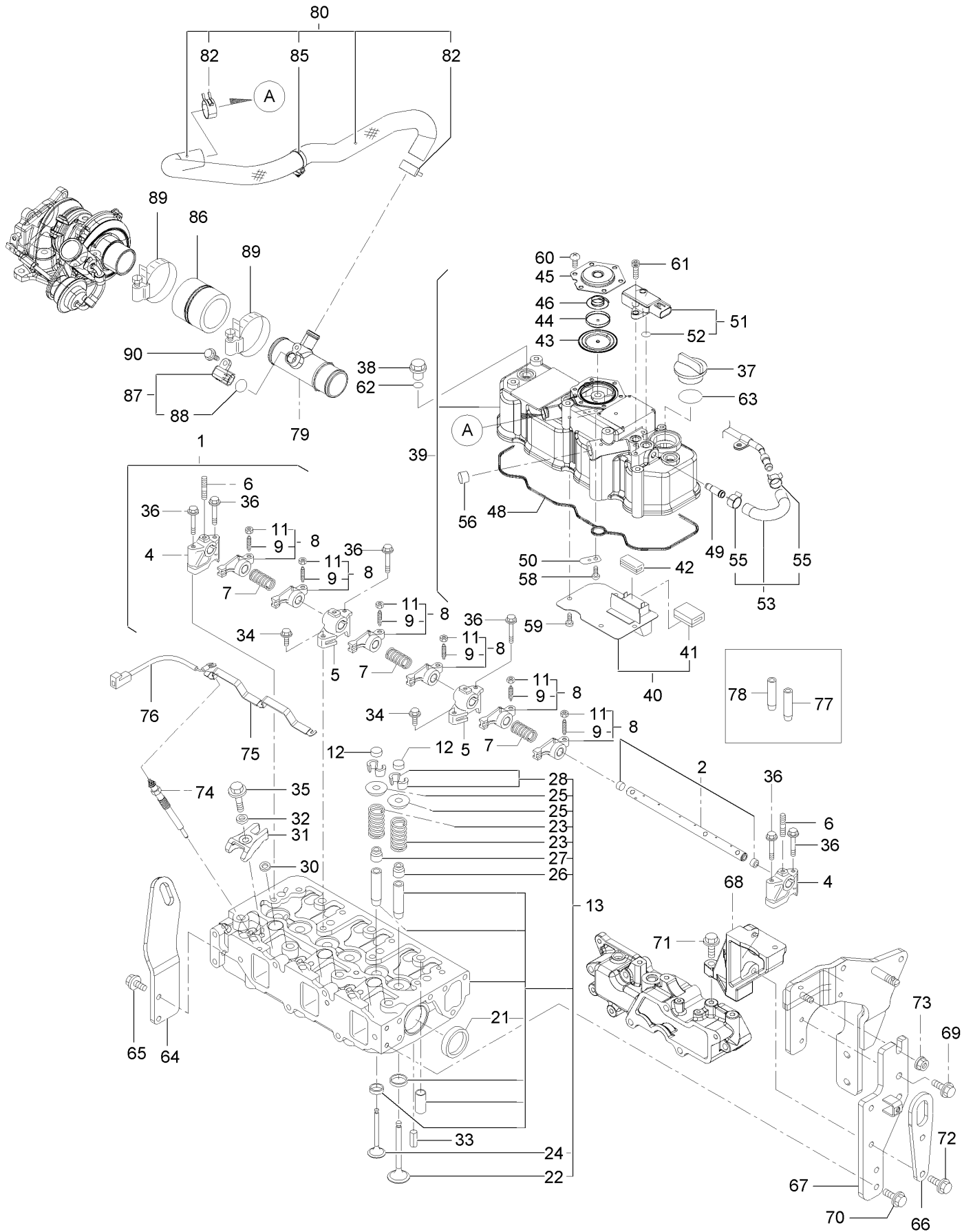
Flywheel Housing and Oil Sump Assembly



Flywheel Housing and Oil Sump Assembly (continued)

<i>Ref.</i>	<i>Part Number</i>	<i>Qty.</i>	<i>Description</i>	<i>Ref.</i>	<i>Part Number</i>	<i>Qty.</i>	<i>Description</i>
1	125-6995	2	Pin	12	125-7215	2	Bolt
2	127-4758	1	Housing-Flywheel	13	125-7219	16	Bolt
3	125-6910	1	Cap	14	125-7220	4	Bolt
4	125-7226	6	Bolt	15	125-6995	2	Pin
5	125-7227	4	Bolt	16	140-7173	1	Oil Seal Case ASM
6	135-4010	1	Oil Pan ASM	18	140-7174	1	Seal-Oil
7	125-6912	1	Plug-Drain	19	125-7045	6	Bolt
9	125-7177	1	Washer-Seal	20	125-7217	3	Bolt
10	131-3863	1	Spacer, Oil Pan	21	127-3062	1	Sensor-Rev, Flywheel
11	125-7214	4	Bolt	22	127-3184	1	Bolt

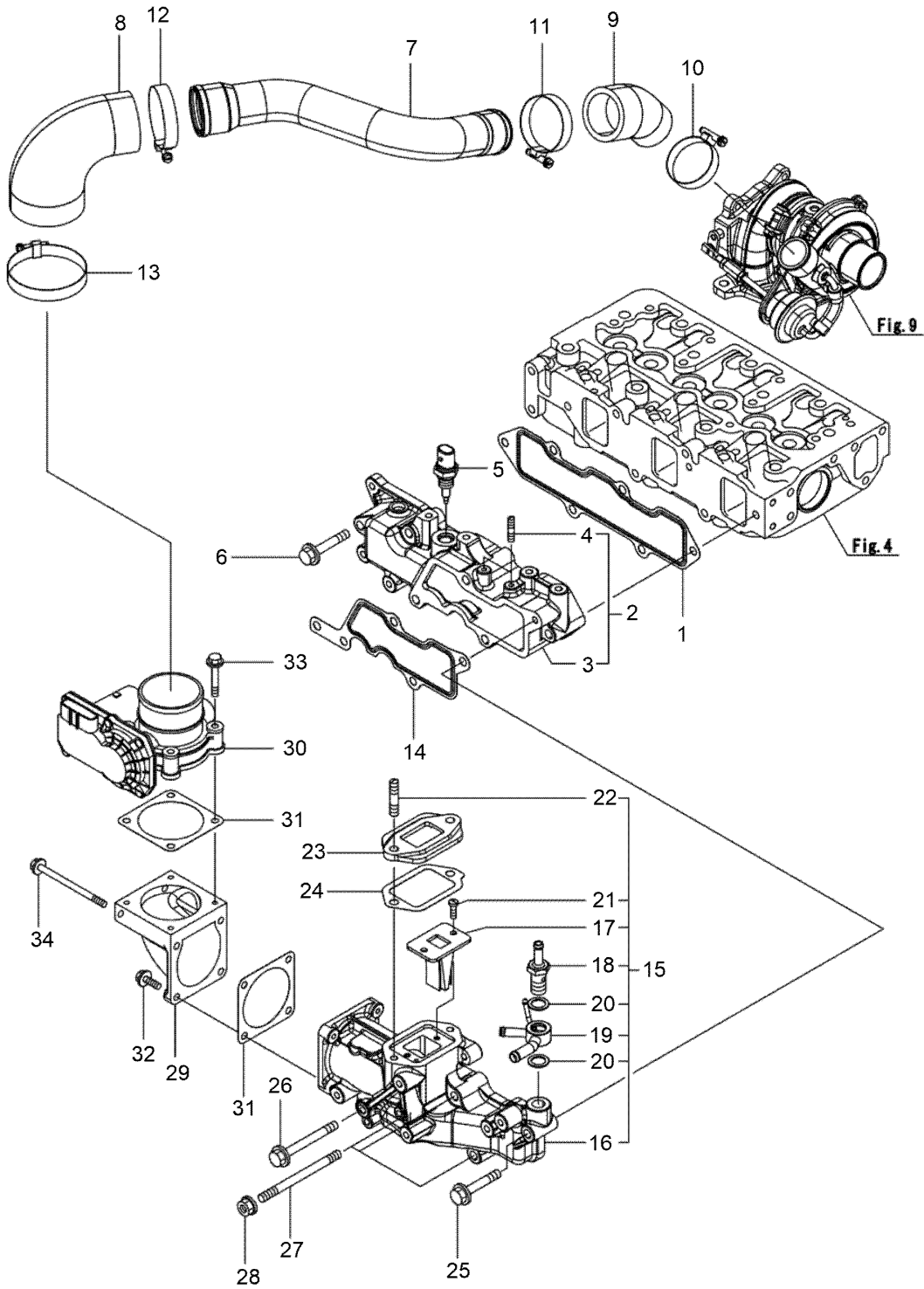
Cylinder Head and Cover Assembly



Cylinder Head and Cover Assembly (continued)

<i>Ref.</i>	<i>Part Number</i>	<i>Qty.</i>	<i>Description</i>	<i>Ref.</i>	<i>Part Number</i>	<i>Qty.</i>	<i>Description</i>
1	127-3757	1	Shaft ASM	49	127-3026	1	Joint
2	127-3758	1	Shaft	50	125-6994	1	Spring
4	127-2974	2	Support	51	127-3029	1	Sensor-Pressure
5	127-2975	2	Support	52	127-3032	2	O Ring-Sensor, Pressure
6	135-4012	3	Bolt,Stud	53	127-3040	1	Hose ASM
7	127-2995	3	Spring	55	127-3041	2	Clip-Hose
8	127-2989	6	Arm-Rocker	56	125-6913	1	Plug
9	125-7013	6	Screw-Adjust, Valve	58	125-7186	1	Screw
11	125-7014	6	Nut	59	125-7186	4	Screw
12	127-2996	6	Cap-Valve	60	125-7186	6	Screw
13	127-3760	1	Cylinder Head ASM	61	127-3184	2	Bolt
21	125-7240	2	Plug	62	138-7829	3	O-Ring
22	127-2990	3	Valve	63	125-7197	1	O-Ring
23	127-3012	6	Spring	64	127-4718	1	Lifter-Engine
24	127-2994	3	Valve	65	125-7595	2	Bolt
25	127-3013	6	Retainer-Spring	66	127-3091	1	Lifter-Engine
26	127-2986	3	Seal-Stem, Valve	67	127-3095	1	Stay-D P F
27	127-3027	3	Seal-Stem, Valve	68	127-3105	1	Stay-Bracket, Filter
28	127-3186	6	Pin-Cotter	69	125-7595	2	Bolt
30	127-3021	3	Gasket-Injector	70	125-7595	2	Bolt
31	127-3028	3	Retainer-Injector	71	125-7215	1	Bolt
32	127-2980	3	Washer-Injector	72	125-7216	2	Bolt
33	125-7184	2	Pin-Spring	73	125-7229	1	Nut
34	125-7215	2	Bolt	74	127-2991	3	Plug-Glow
35	125-7217	3	Bolt	75	127-3768	1	Connector-Plug, Glow
36	125-7220	6	Bolt	76	131-2704	1	Harness-Wire
37	125-6972	1	Cover-Filler	77	127-2979	3	Guide
38	125-6974	3	Knob	78	127-2997	3	Guide-Valve
39	139-6019	1	Cylinder Head ASM	79	131-3864	1	Joint, Breather
40	127-2988	1	Plate	80	131-3865	1	Hose Assy, Breather
41	125-6920	1	Baffle	82	125-7040	2	Clip-Hose
42	125-7012	1	Baffle	85	127-3087	1	Band-Clip
43	125-6959	1	Diaphragm	86	142-8736	1	Hose-Air
44	125-6960	1	Plate	87	127-3030	1	Sensor-Temp, Air
45	125-6961	1	Plate-Breather	88	127-3033	1	O-Ring
46	125-6962	1	Spring-Diaphragm	89	127-3170	2	Clamp-Hose
48	127-3762	1	Gasket-Cover, Cylinder Head	90	125-7208	1	Bolt

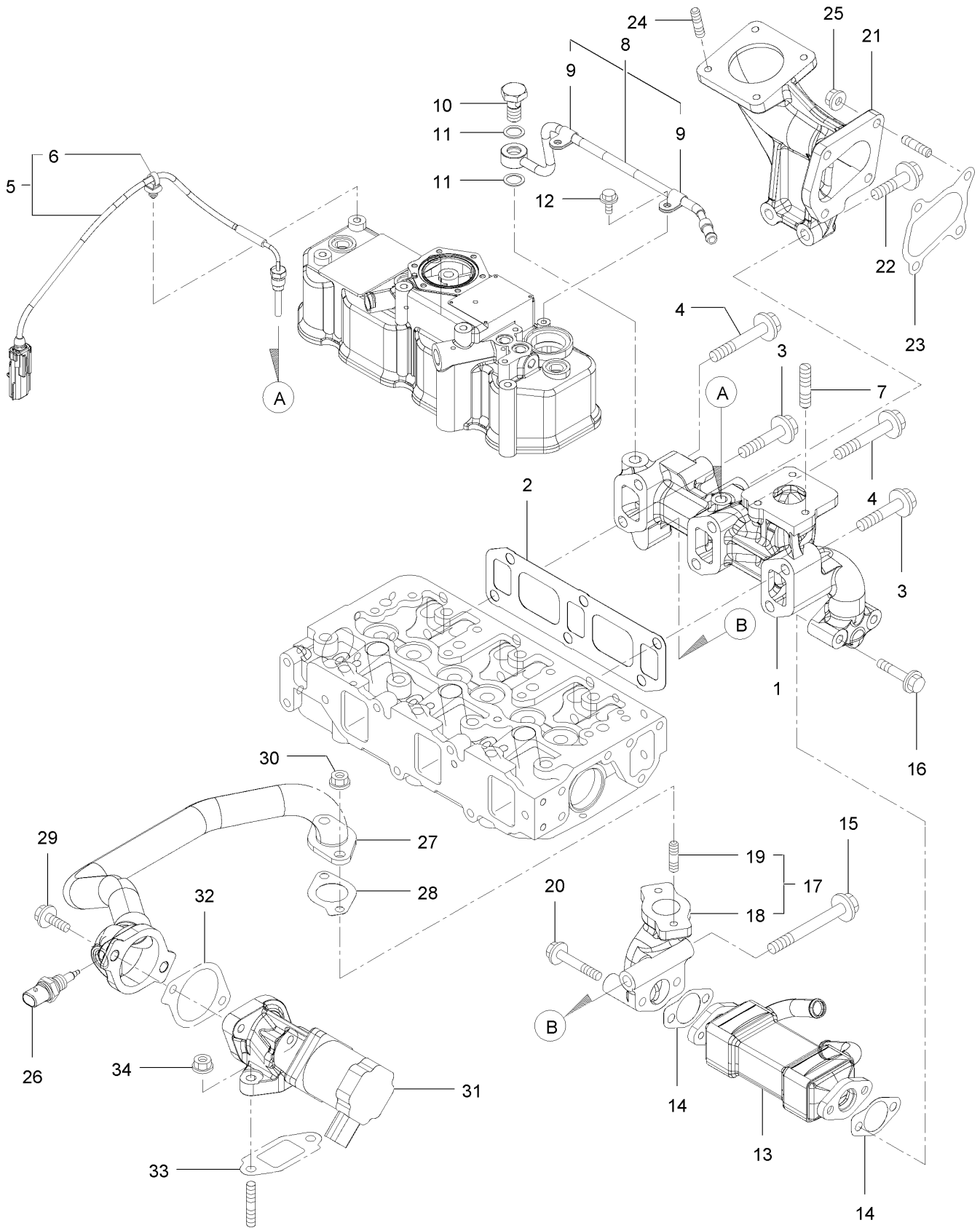
Suction Manifold Assembly



Suction Manifold Assembly (continued)

<i>Ref.</i>	<i>Part Number</i>	<i>Qty.</i>	<i>Description</i>	<i>Ref.</i>	<i>Part Number</i>	<i>Qty.</i>	<i>Description</i>
1	127-3769	1	Gasket-Manifold, Intake	18	127-3080	1	Joint-Hose
2	127-3770	1	Intake Manifold ASM	19	127-3081	1	Joint-Hose
3	127-3771	1	Manifold-Intake, Air	20	127-3166	2	Washer-Seal
4	127-3180	2	Stud	21	127-3168	2	Screw
5	137-5167	1	Sensor-Temperature, Air	22	138-7831	2	Stud, M8X 35
6	125-7220	3	Bolt	23	127-3045	1	Spacer-Valve, E G R
7	127-3772	1	Duct Suction	24	127-3046	1	Gasket-E G R
8	127-3096	1	Joint-Rubber	25	125-7220	1	Bolt
9	127-3773	1	Joint, Rubber	26	127-3178	1	Bolt
10	125-7189	1	Clamp-Hose	27	127-3182	3	Stud
11	127-3170	1	Clamp-Hose	28	125-7229	3	Nut
12	125-7190	1	Clamp-Hose	29	127-3035	1	Bend-Inlet
13	127-3171	1	Clamp-Hose	30	127-3036	1	Body-Throttle
14	127-3034	1	Gasket-Collector	31	127-3037	2	Gasket-Throttle
15	127-3093	1	Intake Collector ASM	32	125-7209	2	Bolt
16	127-3092	1	Collector-Intake	33	125-7211	4	Bolt
17	127-3139	1	Valve-Reed	34	127-3177	2	Bolt

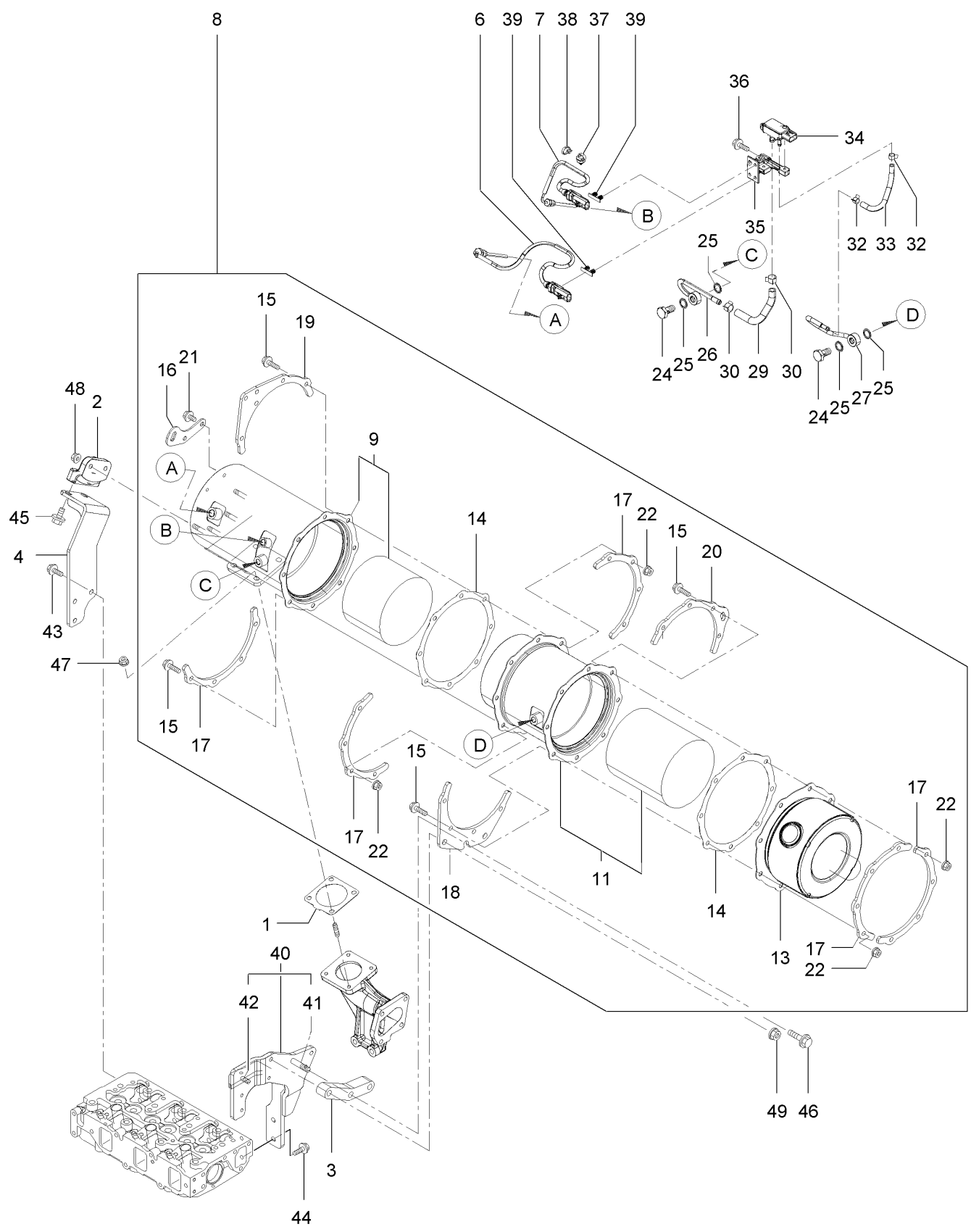
Gasket Manifold Assembly



Gasket Manifold Assembly (continued)

<i>Ref.</i>	<i>Part Number</i>	<i>Qty.</i>	<i>Description</i>	<i>Ref.</i>	<i>Part Number</i>	<i>Qty.</i>	<i>Description</i>
1	127-3774	1	Manifold-Exhaust	18	127-3049	1	Pipe-Out, E G R
2	127-3775	1	Gasket-Manifold, Exhaust	19	125-7043	2	Stud
3	135-4013	2	Bolt	20	125-7220	2	Bolt
4	131-3866	4	Bolt, M10X65 10.9T	21	131-3867	1	Pipe, Exhaust
5	127-3777	1	Sensor-Temp, Exhaust	22	133-6792	2	Bolt
6	127-3087	1	Band-Clip	23	127-3779	1	Gasket-Out, T C
7	125-7043	3	Stud	24	125-6906	4	Stud
8	127-3038	1	Exhaust Pipe ASM	25	125-7229	4	Nut
9	127-3173	2	Clamp	26	137-5168	1	Sensor-Gas Temp, E G R
10	127-3039	1	Bolt-Joint, Pipe	27	127-3780	1	E G R Pipe ASM
11	127-3174	2	Gasket	28	127-3016	1	Gasket
12	125-7206	2	Bolt	29	125-7215	2	Bolt
13	127-3042	1	Cooler-E G R	30	125-7229	2	Nut
14	127-3043	2	Gasket-Cooler, E G R	31	127-3781	1	Valve-E G R
15	135-4016	1	Bolt	32	127-3050	1	Gasket-Intake Valve, E G R
16	135-4015	2	Bolt	33	127-3051	1	Gasket-Out Valve, E G R
17	127-3048	1	E G R Pipe ASM	34	125-7229	2	Nut

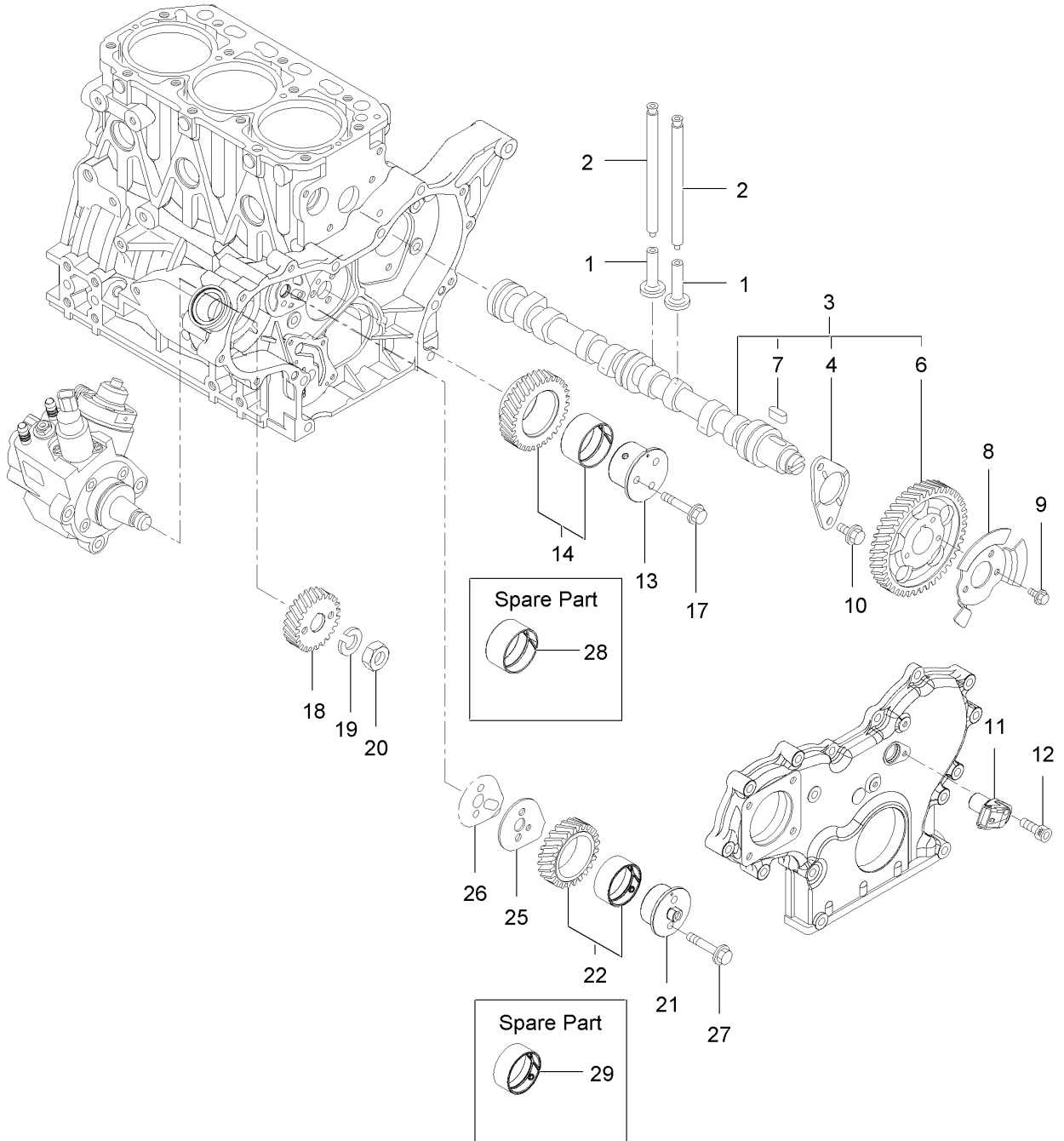
Diesel Particulate Filter (DPF) Assembly



Diesel Particulate Filter (DPF) Assembly (continued)

<i>Ref.</i>	<i>Part Number</i>	<i>Qty.</i>	<i>Description</i>	<i>Ref.</i>	<i>Part Number</i>	<i>Qty.</i>	<i>Description</i>
1	127-3019	1	Gasket	27	127-4745	1	Sensor Pipe ASM
2	127-4739	1	Stay-D P F	29	140-7175	1	Hose-Pressure
3	131-3868	1	Stay, Dpf	30	127-3057	2	Clip-Hose
4	131-3869	1	Stay, Dpf	32	127-3058	2	Clip-Hose
6	142-8722	1	Sensor-Temp, Exhaust	33	142-8726	1	Hose, Exhaust Pressure
7	142-8723	1	Sensor-Temp, Exhaust	34	127-3060	1	Sensor-Pressure
8	142-8724	1	D P F ASM	35	127-4750	1	Bracket-Sensor
9	142-8725	1	Case, Doc	36	125-7595	2	Bolt
11	131-3872	1	Case, Soot Filter	37	127-3087	1	Band-Clip
13	127-3786	1	Silencer-D P F	38	127-3124	1	Band
14	127-3787	2	Gasket-D P F	39	127-3088	2	Clip-Connector
15	127-3055	16	Bolt	40	131-3878	1	Stay, Dpf
16	127-3788	1	Lifter-D P F	41	142-8727	1	Bolt-Stud
17	127-3789	5	Stiffener-D P F, A	42	142-8728	1	Bolt-Stud
18	131-3874	1	Stiffener, Dpf B	43	125-7214	3	Bolt
19	131-3875	1	Stiffener, Dpf C	44	125-7595	2	Bolt
20	127-3792	1	Stiffener-D P F, C	45	130-7444	2	Bolt
21	93-0362	2	Bolt	46	131-3879	2	Bolt, M10X 40 Plated
22	125-7229	16	Nut	47	125-7229	4	Nut
24	127-3039	2	Bolt-Joint, Pipe	48	125-7229	2	Nut
25	127-3056	4	Gasket-Sensor	49	125-7230	1	Nut
26	127-4744	1	Sensor Pipe ASM				

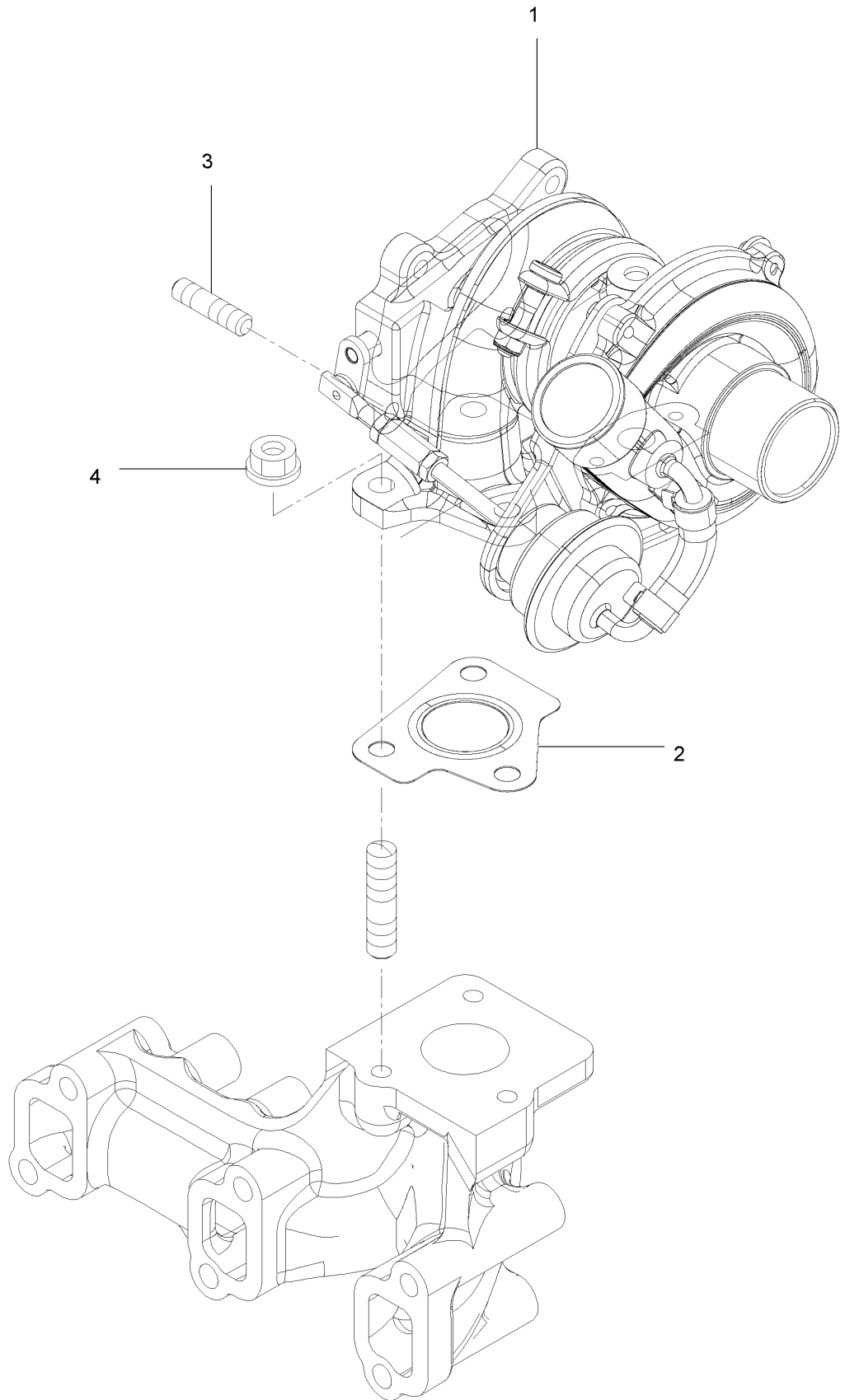
Camshaft and Driving Gear Assembly



Camshaft and Driving Gear Assembly (continued)

<i>Ref.</i>	<i>Part Number</i>	<i>Qty.</i>	<i>Description</i>	<i>Ref.</i>	<i>Part Number</i>	<i>Qty.</i>	<i>Description</i>
1	125-7016	6	Tappet	14	127-3066	1	Idle Gear A ASM
2	125-7017	6	Rod-Push	17	125-7219	3	Bolt
3	127-3797	1	Camshaft ASM	18	127-3070	1	Gear-Pump, Supply
4	125-7008	1	Metal-Thrust	19	127-3167	1	Washer-Spring
6	127-3052	1	Gear-Camshaft	20	127-3185	1	Nut-Lock
7	125-7185	1	Key	21	127-3064	1	Shaft-Idle, Gear B
8	131-3880	1	Pulser, Camshaft	22	127-3067	1	Idle Gear B ASM
9	125-7205	3	Bolt	25	127-3068	1	Plate-Idle, Shaft
10	125-7213	2	Bolt	26	127-3069	1	Gasket-Idle, Shaft B
11	127-3054	1	Sensor-Rev, Gear	27	125-7218	2	Bolt
12	127-3184	1	Bolt	28	125-6927	1	Bushing
13	127-3063	1	Shaft-Idle, Gear A	29	127-3065	1	Bushing

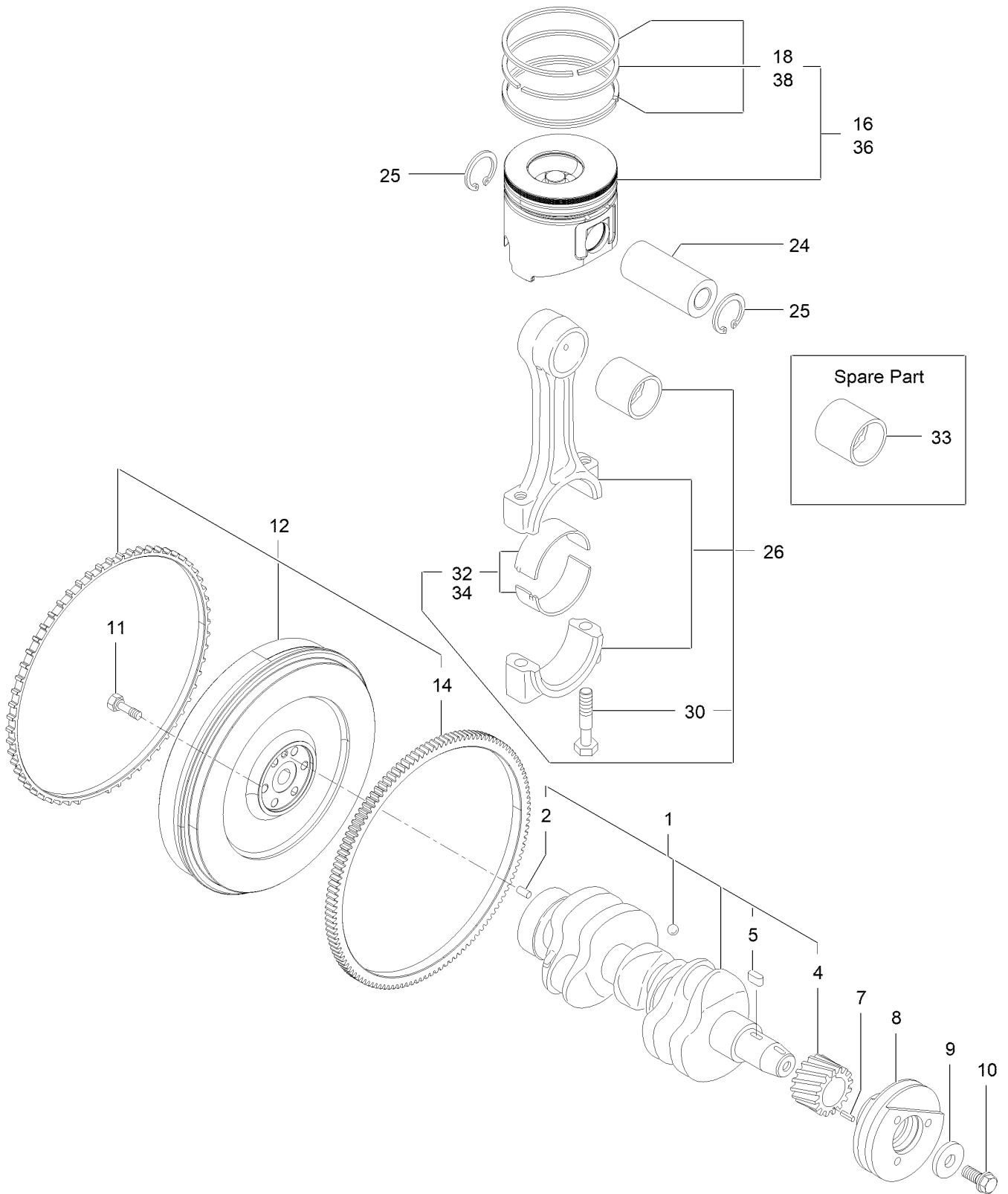
Turbine Assembly



Turbine Assembly (continued)

<i>Ref.</i>	<i>Part Number</i>	<i>Qty.</i>	<i>Description</i>	<i>Ref.</i>	<i>Part Number</i>	<i>Qty.</i>	<i>Description</i>
1	135-4151	1	Turbocharger	3	125-6906	4	Stud
2	127-3799	1	Gasket-In, T C	4	125-7229	3	Nut

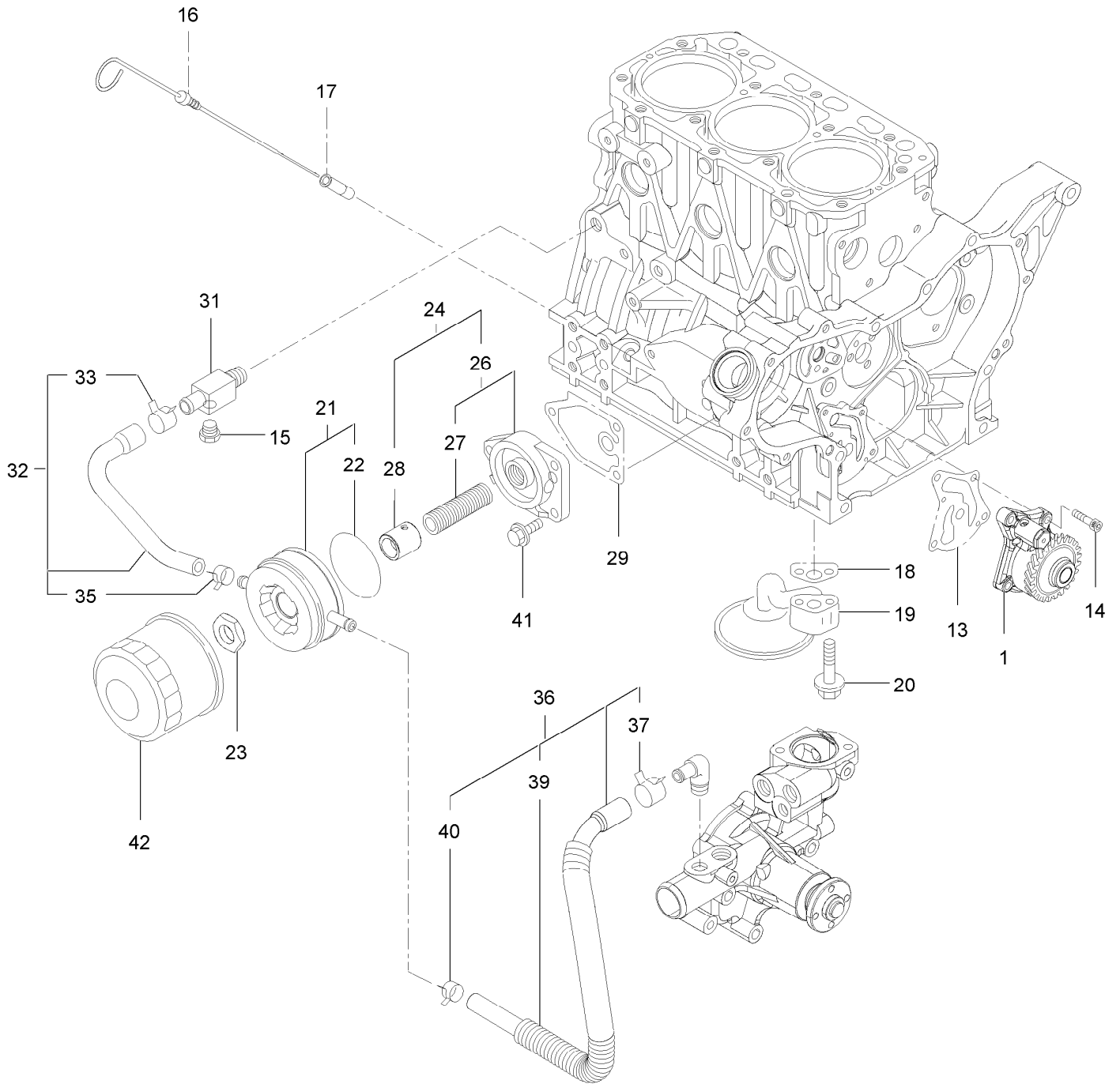
Crankshaft and Piston Assembly



Crankshaft and Piston Assembly (continued)

<i>Ref.</i>	<i>Part Number</i>	<i>Qty.</i>	<i>Description</i>	<i>Ref.</i>	<i>Part Number</i>	<i>Qty.</i>	<i>Description</i>
1	127-3800	1	Crankshaft ASM	16	127-3097	3	Piston ASM
2	125-6995	1	Pin	18	127-3098	3	Piston Ring ASM
4	125-6937	1	Gear	24	125-7030	3	Pin
5	125-7185	1	Key	25	125-7180	6	Ring
7	125-7182	1	Pin-Spring	26	125-7242	3	Connecting Rod ASM
8	142-8729	1	Pulley-V, Crankshaft	30	125-6955	6	Bolt
9	125-7109	1	Washer	32	125-7018	3	Pin-Crank
10	125-6956	1	Bolt	33	125-6997	3	Pin-Piston
11	125-6951	6	Bolt	34	125-7019	3	Pin-Crank (.25)
12	127-4761	1	Flywheel ASM	36	127-3099	3	Piston ASM (0.25 O.S.)
14	127-4703	1	Gear	38	127-3100	3	Piston Ring ASM (0.25 O.S.)

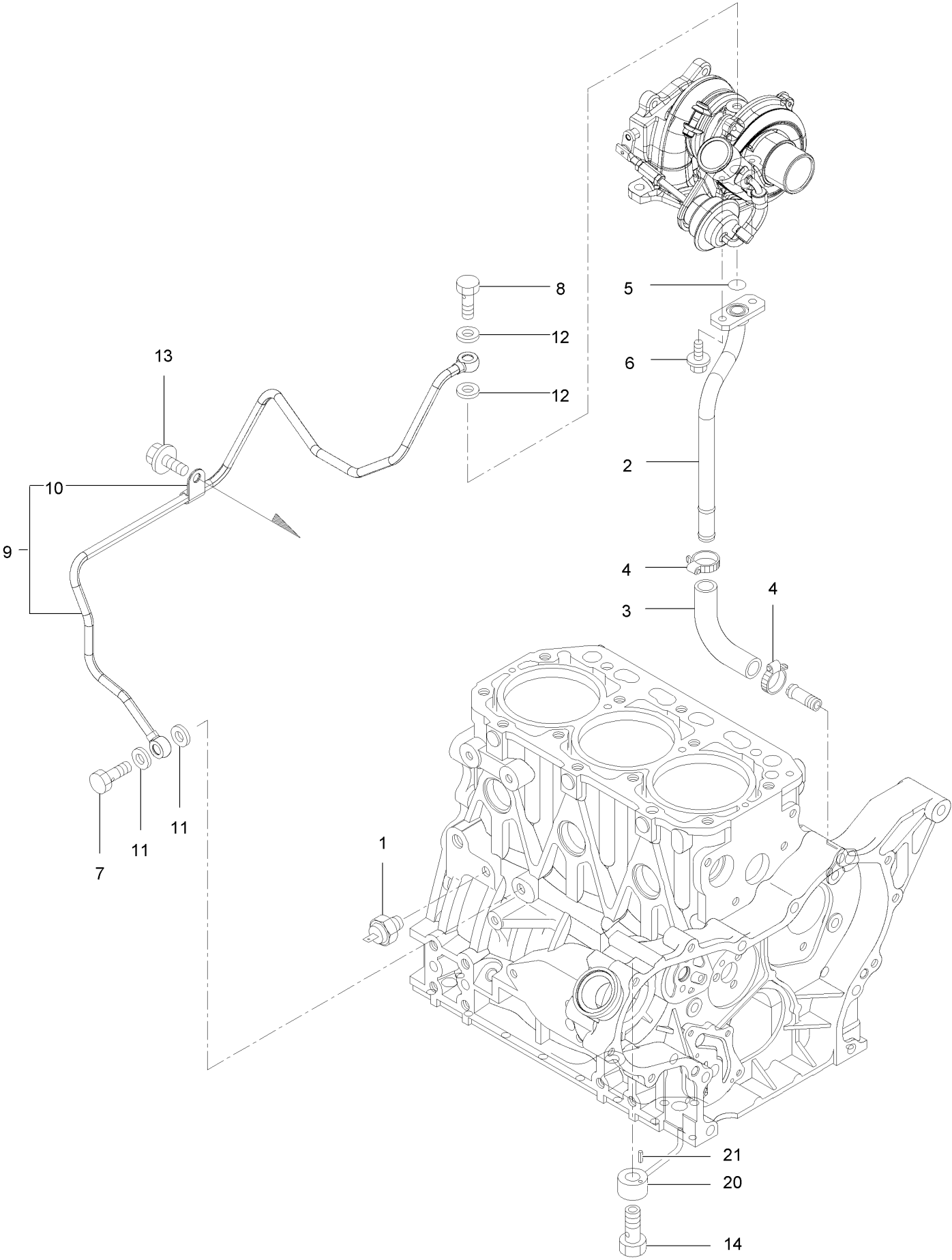
Oil Pump Assembly



Oil Pump Assembly (continued)

<i>Ref.</i>	<i>Part Number</i>	<i>Qty.</i>	<i>Description</i>	<i>Ref.</i>	<i>Part Number</i>	<i>Qty.</i>	<i>Description</i>
1	127-3101	1	Oil Lube Pump ASM	27	125-7042	1	Stud
13	127-3004	1	Gasket	28	135-4022	1	Collar-Cooler, Oil
14	125-7232	4	Bolt	29	125-7024	1	Gasket
15	125-7171	1	Plug-Drain	31	125-6990	1	Joint
16	140-7168	1	Dipstick-Oil	32	125-7078	1	Pipe ASM
17	125-6954	1	Guide-Dipstick	33	125-7162	1	Clip
18	125-7022	1	Gasket	35	125-7191	1	Clamp-Hose
19	135-4017	1	Oil Inlet Pipe ASM	36	127-3804	1	Pipe ASM
20	125-7217	2	Bolt	37	125-7162	1	Clip
21	135-4018	1	Oil Cooler ASM	39	127-3805	1	Tube
22	135-4019	1	Packing-Oil Cooler	40	125-7191	3	Clamp-Hose
23	135-4020	1	Nut	41	125-7595	1	Bolt
24	135-4021	1	Lo Filter Bracket ASM	42	125-7025	1	Filter-Engine, Oil
26	140-7169	1	Filter Bracket ASM				

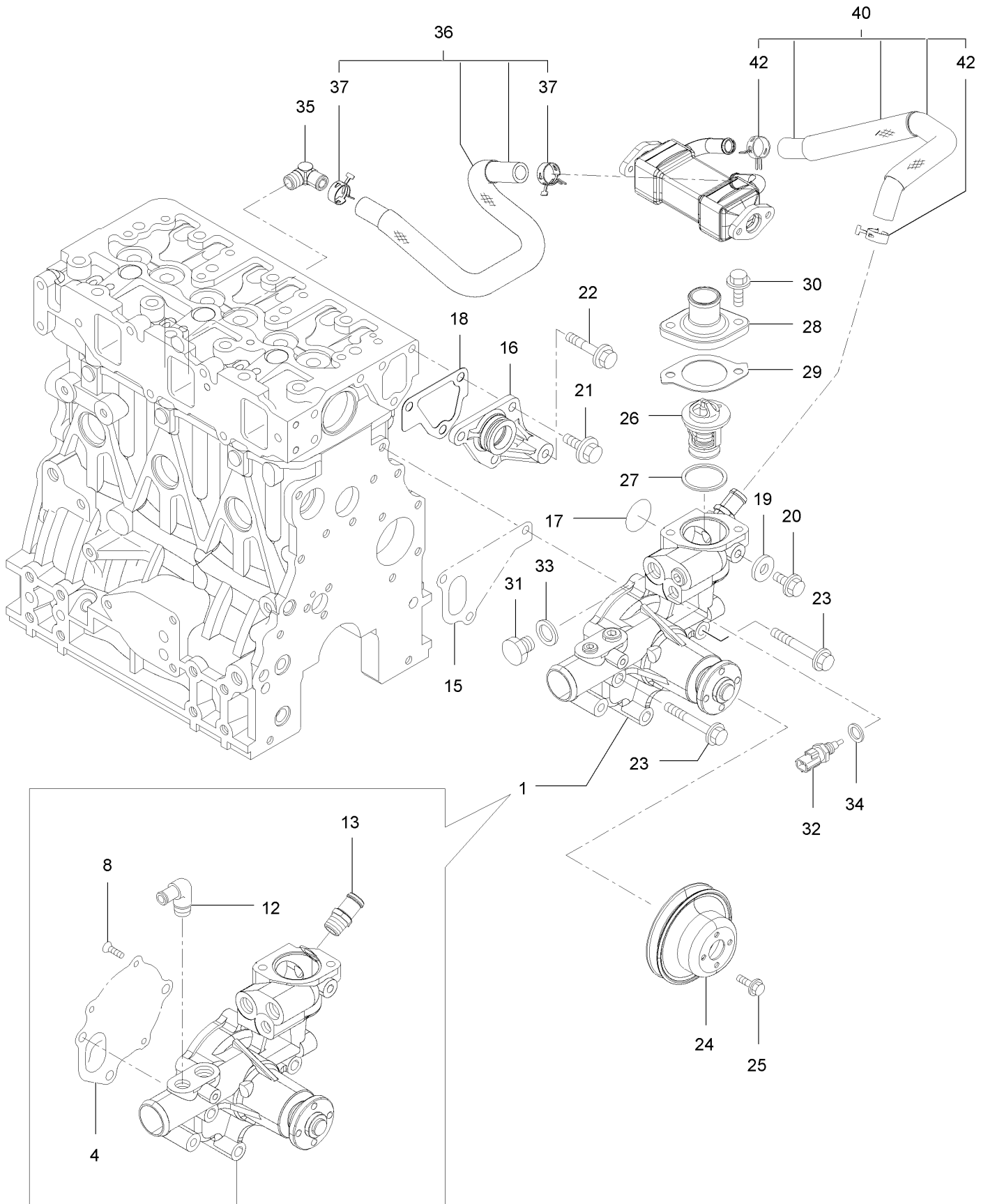
Lubrication and Oil System Assembly



Lubrication and Oil System Assembly (continued)

<i>Ref.</i>	<i>Part Number</i>	<i>Qty.</i>	<i>Description</i>	<i>Ref.</i>	<i>Part Number</i>	<i>Qty.</i>	<i>Description</i>
1	125-6918	1	Switch-Oil	9	139-6021	1	Lube Oil Pipe ASM
2	142-8730	1	Pipe, Oil Return	10	125-6976	1	Retainer
3	127-3808	1	Joint	11	125-7175	2	Washer-Seal
4	127-3169	2	Clamp-Hose	12	125-7193	2	Gasket
5	125-7198	1	O-Ring	13	93-0362	1	Bolt
6	125-7208	2	Bolt	14	125-7105	3	Check Valve ASM
7	125-6975	1	Bolt-Joint, Pipe	20	125-7098	3	Nozzle
8	125-6952	1	Bolt-Joint, Pipe	21	125-7182	3	Pin-Spring

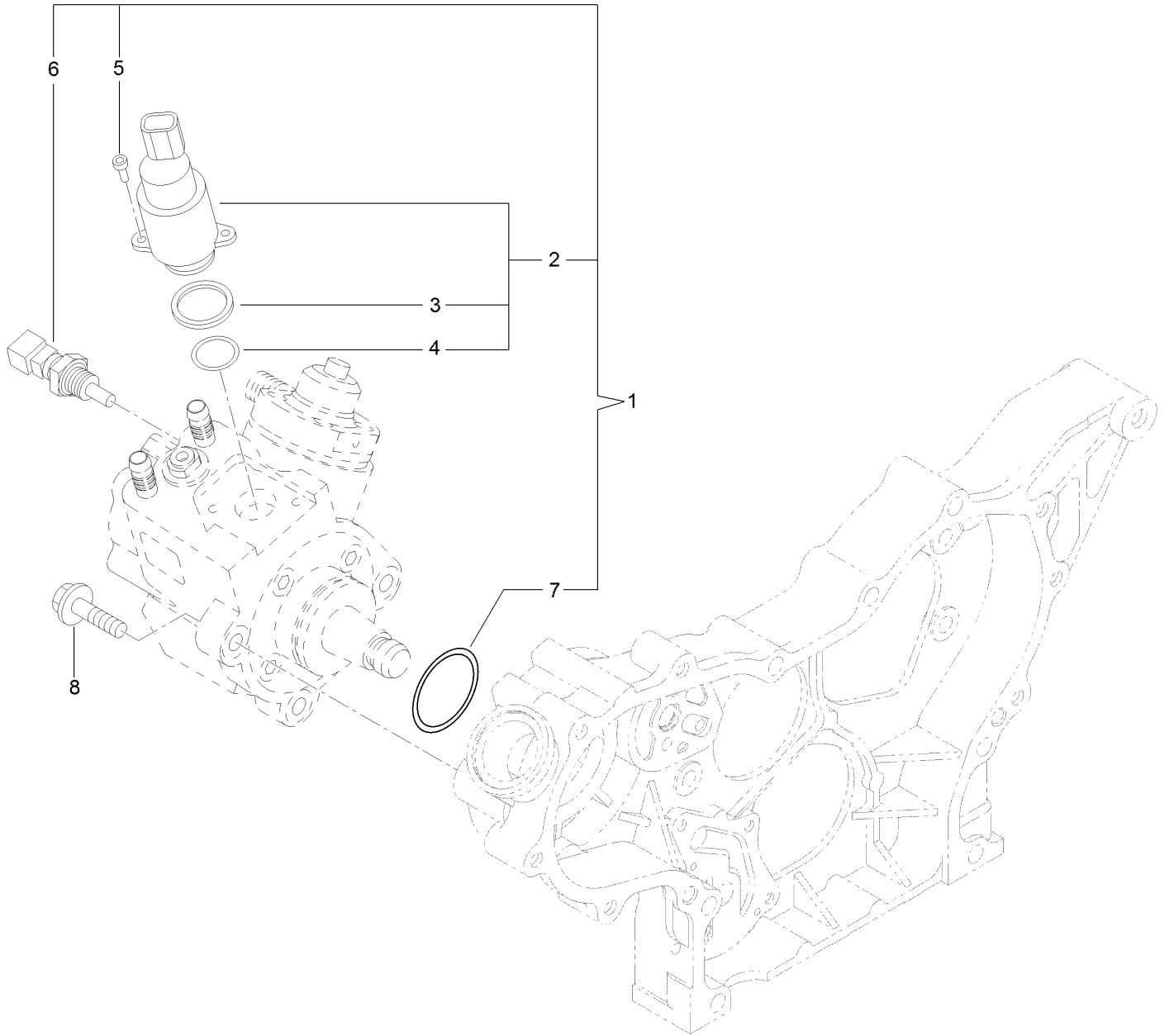
Cooling Water System Assembly



Cooling Water System Assembly (continued)

<i>Ref.</i>	<i>Part Number</i>	<i>Qty.</i>	<i>Description</i>	<i>Ref.</i>	<i>Part Number</i>	<i>Qty.</i>	<i>Description</i>
1	142-8731	1	Water Pump ASM	25	125-7206	4	Bolt
4	125-6998	1	Gasket	26	125-7029	1	Thermostat
8	140-7170	3	Screw-Flat	27	125-7026	1	Gasket
12	125-7001	1	Elbow	28	140-7171	1	Cover-Thermostat
13	142-8732	1	Elbow	29	125-7110	1	Gasket
15	125-7047	1	Gasket	30	125-7594	2	Bolt
16	125-6986	1	Joint	31	125-6953	1	Plug
17	125-7048	1	O-Ring	32	125-7124	1	Sensor-Thermostat, CW
18	125-6978	1	Gasket	33	125-6979	1	Gasket
19	125-7192	1	Gasket	34	125-7176	1	Washer-Seal
20	93-0362	1	Bolt	35	127-4705	1	Elbow
21	125-7214	3	Bolt	36	127-4757	1	E G R-C Pipe ASM
22	125-7219	1	Bolt	37	127-3020	2	Clip-Hose
23	125-7222	3	Bolt	40	142-8734	1	Pipe ASM, CW
24	142-8733	1	Pulley-V, Pump	42	127-3020	2	Clip-Hose

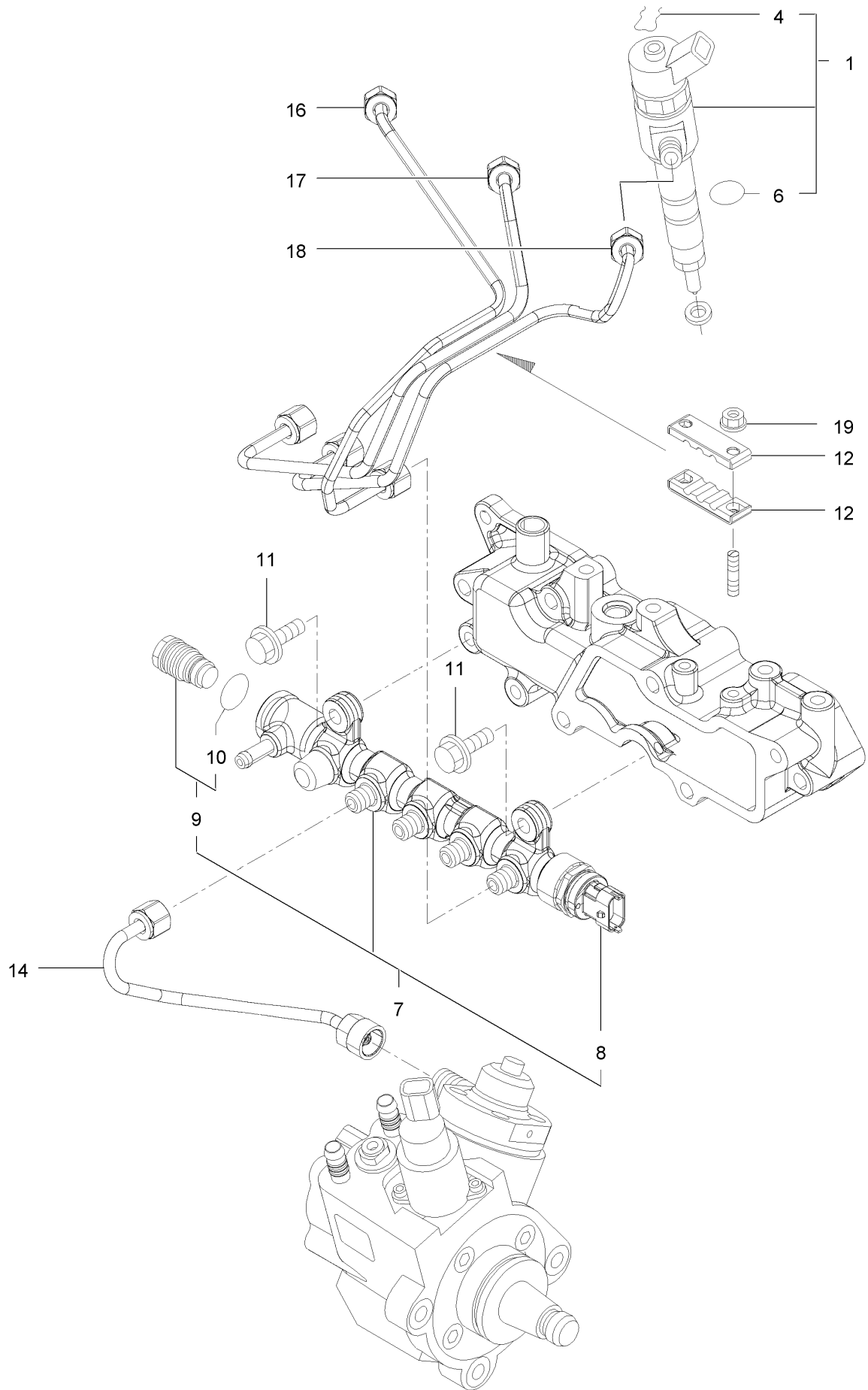
Fuel Supply Pump Assembly



Fuel Supply Pump Assembly (continued)

<i>Ref.</i>	<i>Part Number</i>	<i>Qty.</i>	<i>Description</i>	<i>Ref.</i>	<i>Part Number</i>	<i>Qty.</i>	<i>Description</i>
1	140-7178	1	Fuel Pump ASM	5	131-2107	2	Bolt
2	131-2103	1	Valve ASM	6	131-2108	1	Sensor-Temperature
3	131-2105	1	Ring-Sealing	7	127-3074	1	O-Ring
4	131-2106	1	O-Ring	8	125-7216	3	Bolt

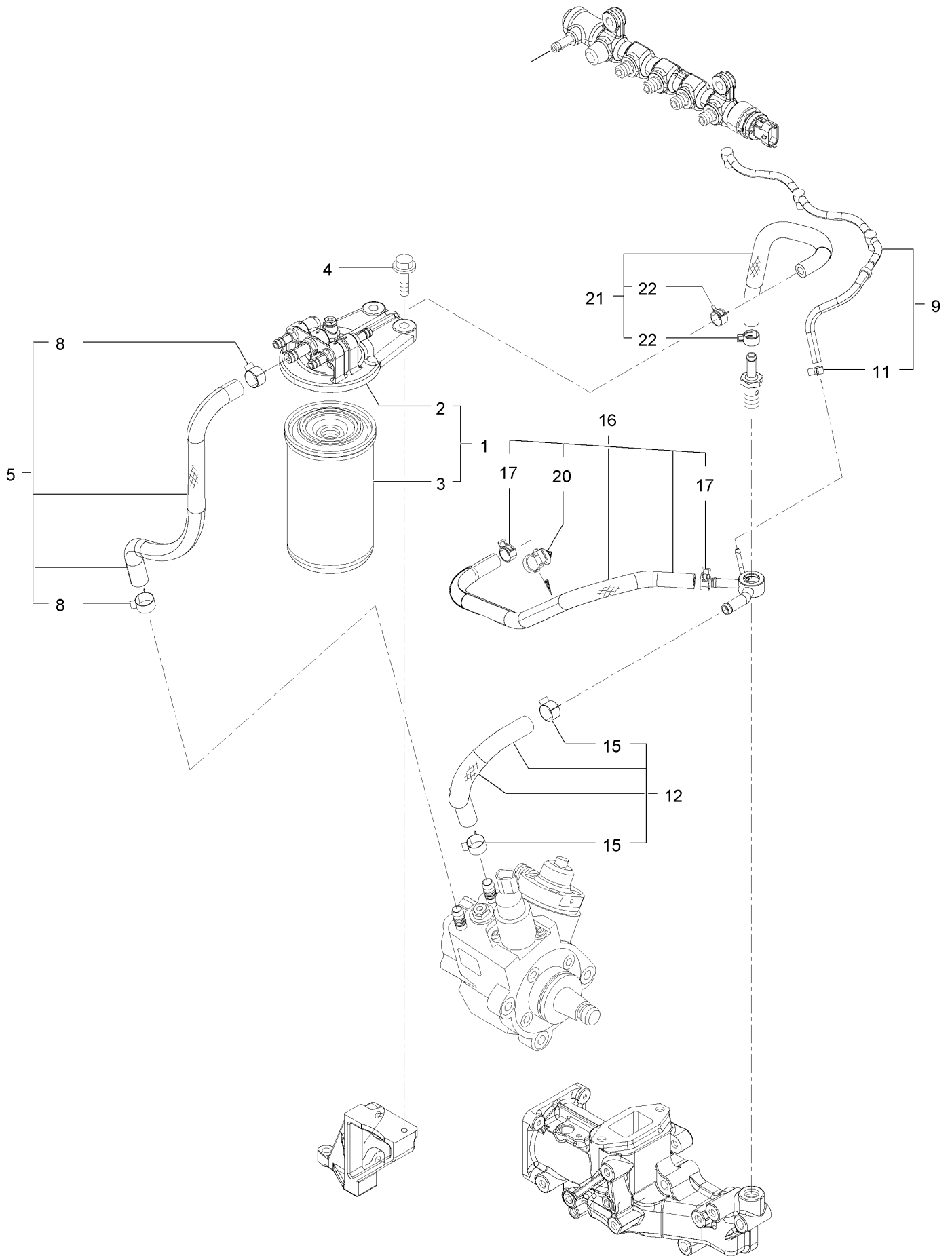
Fuel Injection Valve Assembly



Fuel Injection Valve Assembly (continued)

<i>Ref.</i>	<i>Part Number</i>	<i>Qty.</i>	<i>Description</i>	<i>Ref.</i>	<i>Part Number</i>	<i>Qty.</i>	<i>Description</i>
1	127-3104	3	Injector ASM	11	125-7215	2	Bolt
4	138-7843	3	Ring, Retaining	12	127-3813	2	Retainer
6	137-5173	3	O-Ring	14	127-3082	1	Rail In Pipe ASM
7	127-3812	1	Rail ASM	16	127-3814	1	Injection Pipe ASM
8	131-2709	1	Sensor-Pressure, Rail	17	127-3083	1	Injection Pipe ASM
9	131-2710	1	Valve ASM	18	127-3084	1	Injection Pipe ASM
10	138-7844	1	O-Ring, Plv4	19	125-7231	2	Nut

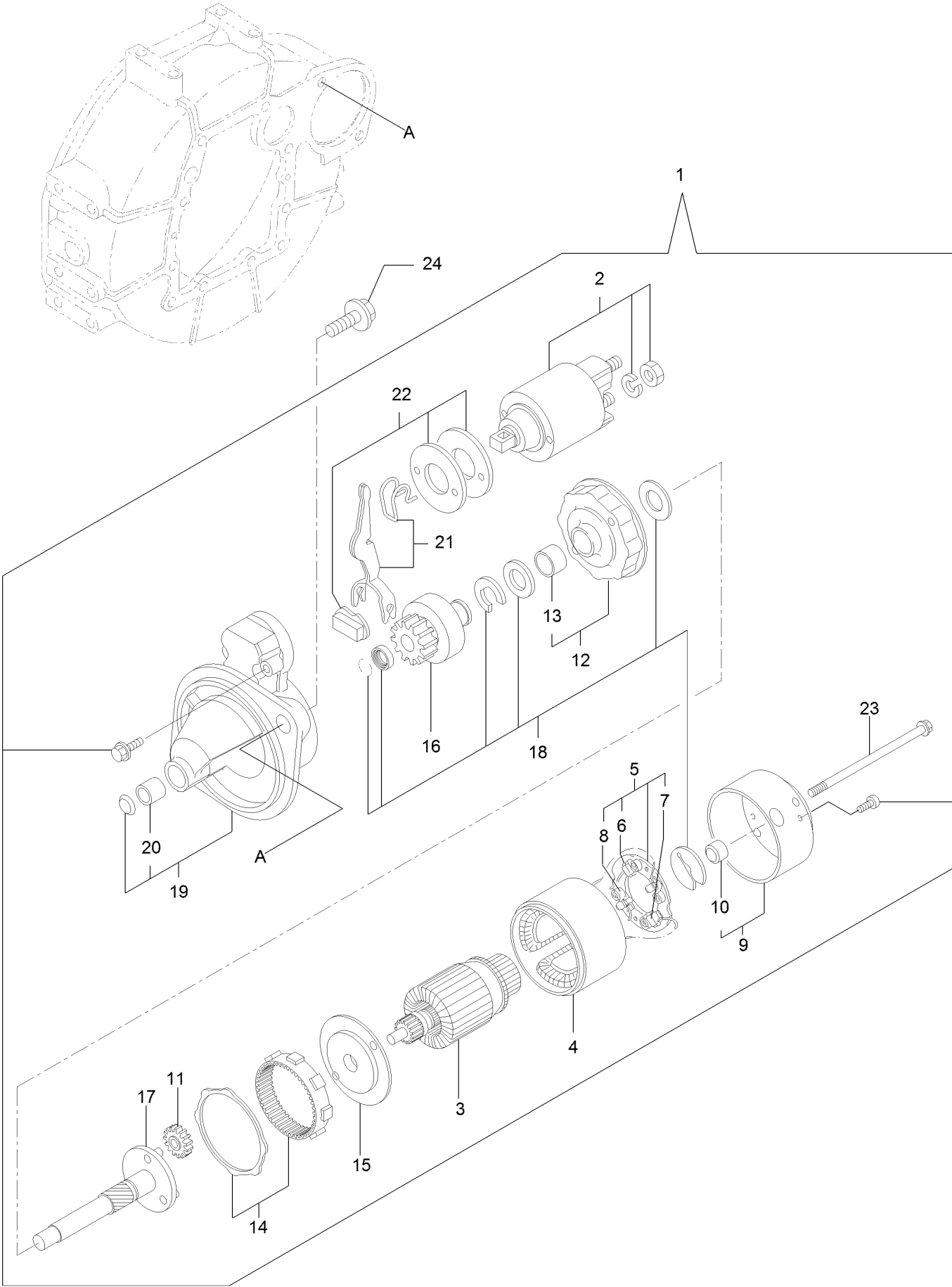
Fuel Line Assembly



Fuel Line Assembly (continued)

<i>Ref.</i>	<i>Part Number</i>	<i>Qty.</i>	<i>Description</i>	<i>Ref.</i>	<i>Part Number</i>	<i>Qty.</i>	<i>Description</i>
1	139-6016	1	Fuel/Oil Filter ASM	12	127-3078	1	Fuel Pipe ASM
2	127-3076	1	Fuel/Oil Filter Bracket ASM	15	125-7191	2	Clamp-Hose
3	139-6017	1	Filter-Fuel	16	127-3817	1	Fuel Pipe ASM
4	125-7216	2	Bolt	17	127-2950	2	Clip-Hose
5	127-3077	1	Fuel Pipe ASM	20	127-3087	1	Band-Clip
8	125-7191	2	Clamp-Hose	21	127-3079	1	Fuel Pipe ASM
9	135-4023	1	Fuel/Oil Return Pipe ASM	22	127-2950	2	Clip-Hose
11	127-3172	1	Clamp-Hose				

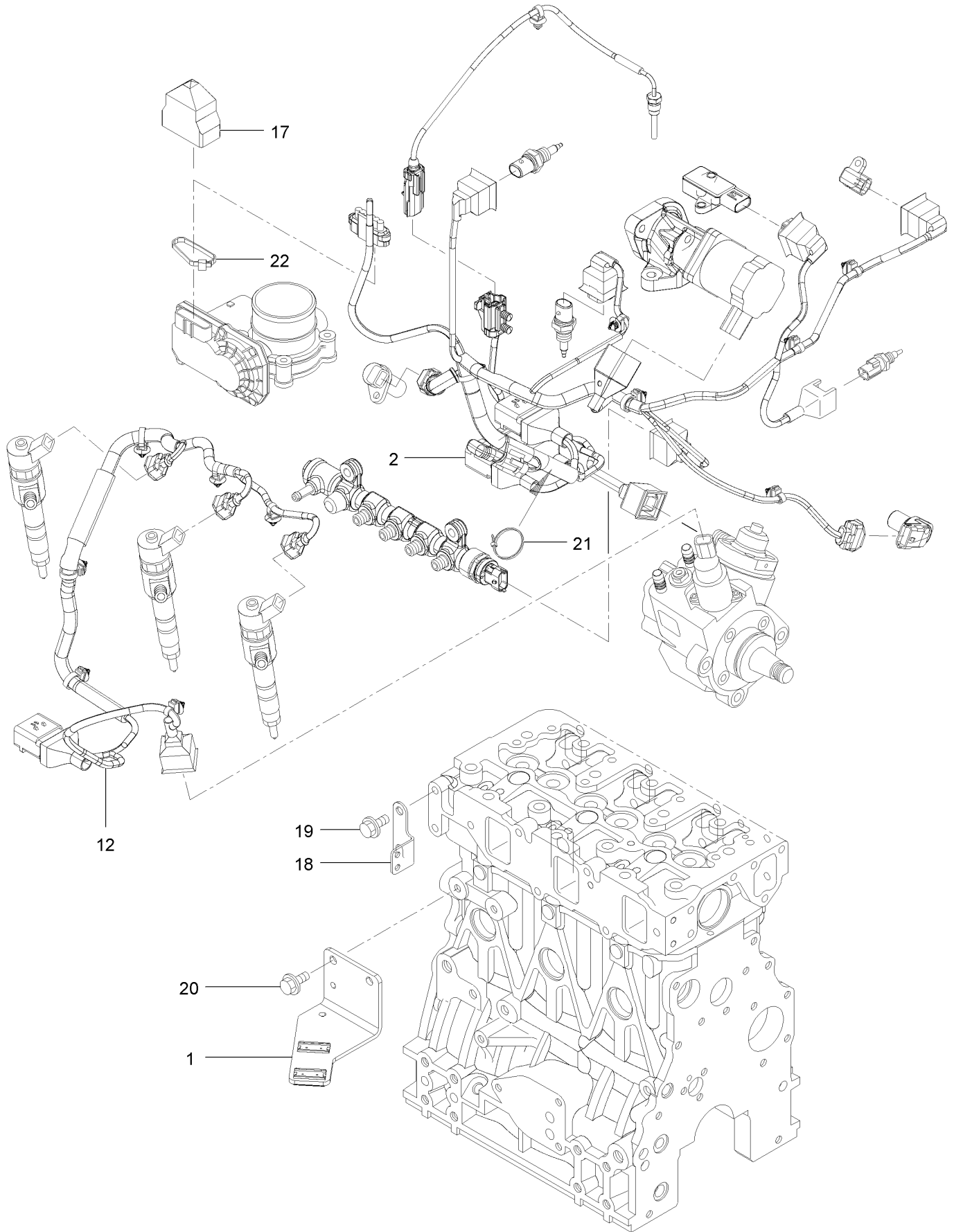
Starting Motor Assembly



Starting Motor Assembly (continued)

<i>Ref.</i>	<i>Part Number</i>	<i>Qty.</i>	<i>Description</i>	<i>Ref.</i>	<i>Part Number</i>	<i>Qty.</i>	<i>Description</i>
1	127-3818	1	Starter ASM	13	127-3830	1	Bracket
2	127-3819	1	Switch ASM	14	127-3831	1	Gear
3	127-3820	1	Armature ASM	15	127-3832	1	Bracket
4	127-3821	1	Yoke ASM	16	127-3833	1	Pinion ASM
5	127-3822	1	Brush Holder ASM	17	127-3834	1	Shaft
6	127-3823	2	Brush	18	127-3835	1	Washer Set
7	127-3824	1	Brush Set	19	127-3836	1	Case ASM
8	127-3825	4	Spring	20	127-3837	1	Metal-Starter
9	127-3826	1	Cover ASM	21	127-3838	1	Lever Set
10	127-3827	1	Metal	22	127-3839	1	Dust Cover ASM
11	127-3828	3	Gear	23	135-4024	2	Bolt-Through
12	127-3829	1	Bracket	24	125-7225	2	Bolt

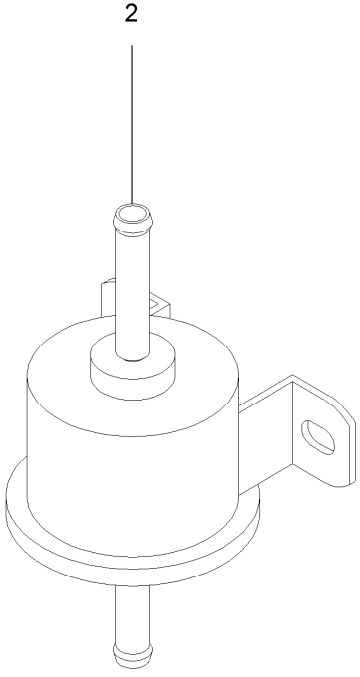
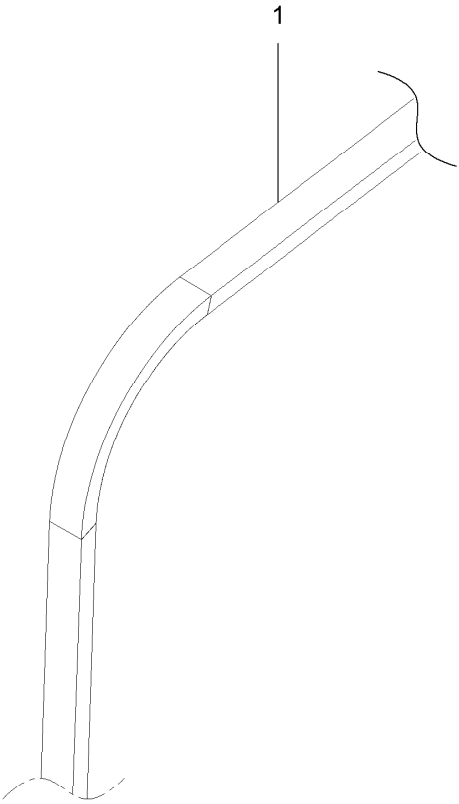
Electric Parts Assembly



Electric Parts Assembly (continued)

<i>Ref.</i>	<i>Part Number</i>	<i>Qty.</i>	<i>Description</i>	<i>Ref.</i>	<i>Part Number</i>	<i>Qty.</i>	<i>Description</i>
1	131-2735	1	Bracket-Connector	19	93-0362	1	Bolt
2	127-3850	1	Harness B-Engine, E C O	20	125-7213	1	Bolt
12	131-2712	1	Harness	21	127-3187	2	Band
17	131-2713	1	Boot-Cap	22	127-3188	2	Band
18	127-3090	1	Bracket-Harness				

Accessory Parts

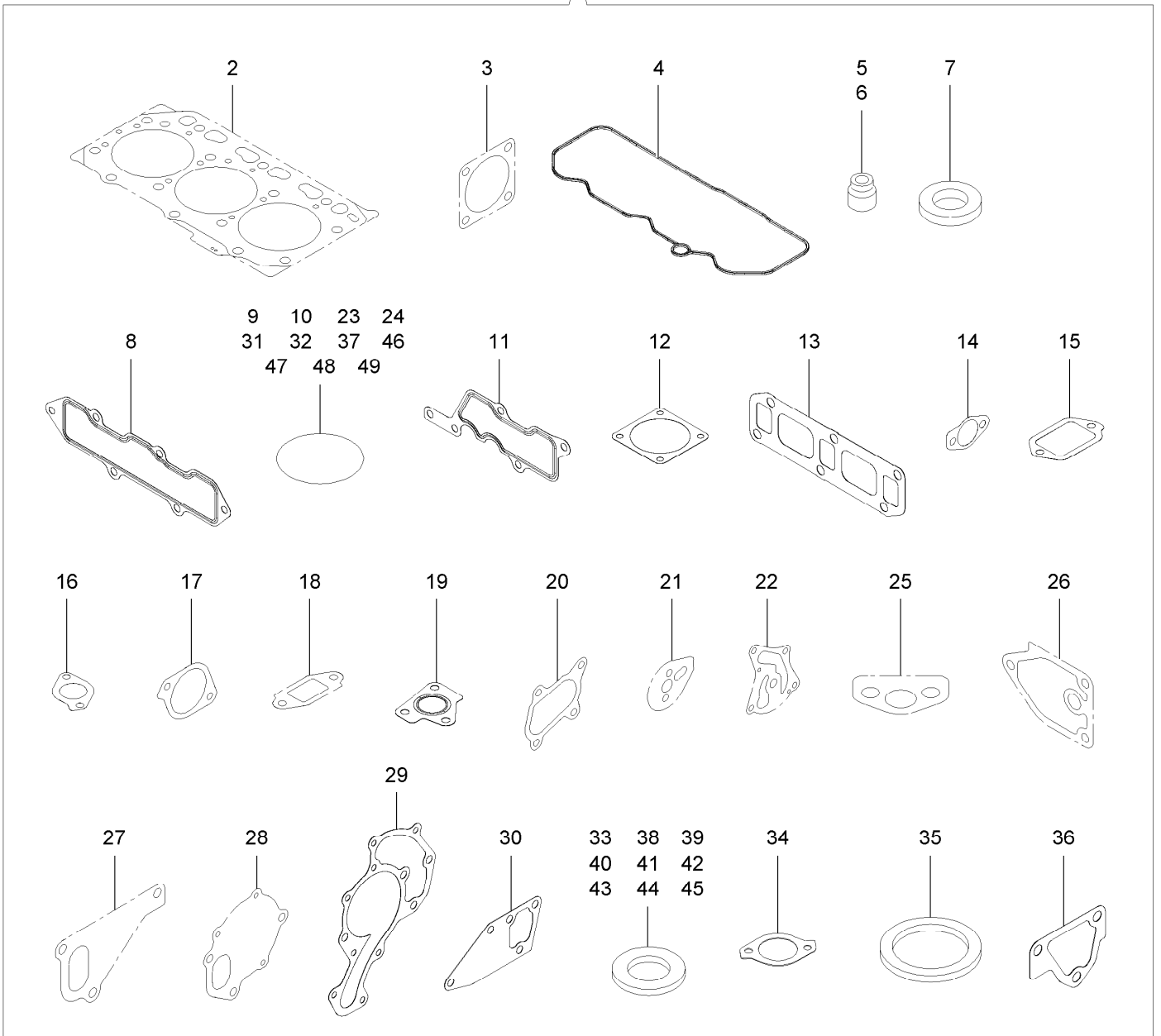


Accessory Parts (continued)

<i>Ref.</i>	<i>Part Number</i>	<i>Qty.</i>	<i>Description</i>
1	142-6650	1	Belt-V, Cogged
2	121-5613	1	Pump-Fuel, Electric

Gasket Set

1



Gasket Set (continued)

<i>Ref.</i>	<i>Part Number</i>	<i>Qty.</i>	<i>Description</i>	<i>Ref.</i>	<i>Part Number</i>	<i>Qty.</i>	<i>Description</i>
1	127-3854	1	Gasket Kit	25	125-7022	1	Gasket
2	127-3751	1	Head Gasket ASM	26	125-7024	1	Gasket
3	131-3886	2	Gasket, Pump	27	125-7047	1	Gasket
4	127-3762	1	Gasket-Cover, Cylinder Head	28	125-6998	1	Gasket
5	127-2986	3	Seal-Stem, Valve	29	131-3887	1	Gasket
6	127-3027	3	Seal-Stem, Valve	30	131-3888	1	Gasket, Water Pump
7	127-3021	3	Gasket-Injector	31	125-7048	1	O-Ring
8	127-3769	1	Gasket-Manifold, Intake	32	131-3889	1	O-Ring
9	127-3032	2	O Ring-Sensor, Pressure	33	125-6979	1	Gasket
10	127-3033	1	O-Ring	34	125-7110	1	Gasket
11	127-3034	1	Gasket-Collector	35	125-7026	1	Gasket
12	127-3037	2	Gasket-Throttle	36	125-6978	1	Gasket
13	127-3775	1	Gasket-Manifold, Exhaust	37	127-3074	1	O-Ring
14	127-3043	2	Gasket-Cooler, E G R	38	125-7174	3	Washer-Seal
15	127-3046	1	Gasket-E G R	39	125-7175	2	Washer-Seal
16	127-3016	1	Gasket	40	125-7176	1	Washer-Seal
17	127-3050	1	Gasket-Intake Valve, E G R	41	127-3166	2	Washer-Seal
18	127-3051	1	Gasket-Out Valve, E G R	42	136-8236	1	Washer-Seal
19	127-3799	1	Gasket-In, T C	43	125-7192	1	Gasket
20	127-3779	1	Gasket-Out, T C	44	125-7193	2	Gasket
21	127-3069	1	Gasket-Idle, Shaft B	45	127-3174	2	Gasket
22	127-3004	1	Gasket	46	138-7829	3	O-Ring
23	125-6909	2	O-Ring	47	125-7197	2	O-Ring
24	127-2973	1	O-Ring	48	125-7198	1	O-Ring
				49	131-3890	1	O-Ring, 524031

Attachments and Accessories

For 72144 Z Master Professional 7500-D Series Riding Mower With 144in TURBO FORCE Rear Discharge Mower

Product Name	Model/Part
Premium Transmission/Hydraulic Tractor Fluid (55 Gallon Drum).....	108-1183
Premium Transmission/Hydraulic Tractor Fluid (5 Gallon Pail)	108-1184
Sunshade Kit	126-8077
Jack Kit.....	127-6666
Jack Mount Kit.....	135-1768
Worklight Kit	135-7076
15W40 Oil 32oz.	137-1051
Oil-30/10W-30 Synthetic (Quart).....	138-6053
Oil-30/10W-30 Synthetic (Gallon)	138-6054
Blade-24.50 High Flow	140-1238
Blade-24.50 Atomic	140-1239
Blade-24.50 Mulch.....	140-1246
Blade-24.50 Medium Flow	140-4850
Blade-24.50 Low Flow	140-4851
Blade-24.50 Recycler	140-4852
6 Pack-Blade, 24.5 High Flow.....	140-4872
6 Pack-Blade, 24.5 Med Flow	140-4873
6 Pack-Blade, 24.5 Low Flow	140-4874
6 Pack-Blade, 24.5 Atomic.....	140-4875
6 Pack-Blade, 24.5 Recycler.....	140-4876

Notes:



Count on it.