



Count on it.

Parts Catalog

**Vista™ 8 Passenger EFI
Shuttle Vehicle**

Model No. 08918—Serial No. 40000000 and Up



Ordering Replacement Parts

To order replacement parts, please supply the part number, the quantity, and the description of each part desired.

Understanding Reference Numbers

Each identified part in an illustration has a reference number. The reference number for a part also appears in the parts list, along with other information about the part.

This catalog uses two special reference number formats, one to indicate parts in a service assembly and another to indicate the quantity of a given part in an illustration.

Service Assembly Reference Numbers

Parts in service assemblies have reference numbers in the form a:b. The a represents the reference number of the entire service assembly and the b represents a sequential number unique to each part within the service assembly.

For example, a wheel assembly might be identified by reference number 6, the tire by 6:1, the valve by 6:2, and the wheel by 6:3. When you order the assembly identified by reference number 6, you receive all parts identified by reference numbers 6:1, 6:2, and 6:3. However, you may also order any part individually. Reference numbers of this type appear in illustration and in parts lists.

Reference Numbers Indicating Quantity

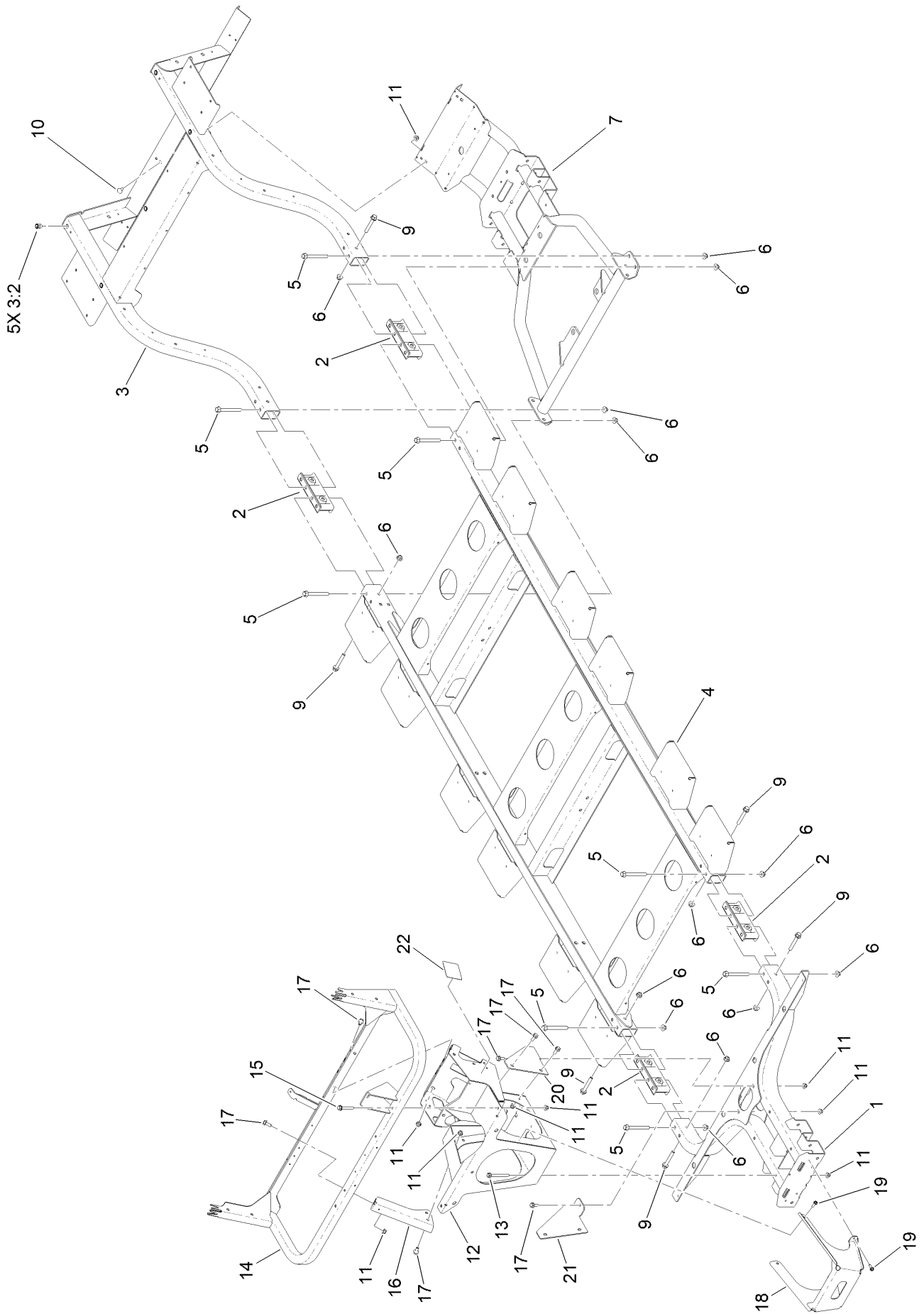
In an illustration, if a reference number indicates more than one part, the reference number has the form nX y. The n represents the quantity of the part, the X is the multiplication symbol, and the y represents the reference number.

For example, in an illustration, the reference number 2X 37 means that two of the parts identified by reference number 37 are indicated.

Contents

Frame Assembly	4
Front Suspension Assembly	6
Steering Assembly	8
Rear Suspension Assembly	10
Brake and Throttle Pedal Assembly	12
Front and Rear Brake Assembly	14
Master Cylinder Assembly No. 104-6782	16
Brake Caliper Assembly No. 161-1890	17
Hood, Front Fenders and Dash Assembly	18
Main Seat and Rear Fenders Assembly	20
Passenger Seat Assembly	22
Rear Facing Seat Assembly	24
Engine and Transaxle Assembly	26
Primary Clutch Assembly No. 147-4088	28
Transaxle Assembly No. 140-9807	30
Secondary Clutch Assembly No. 119-6011	32
Starter Generator Assembly No. 131-8444	33
Battery Assembly	34
Electrical Assembly	36
Wire Harness Assembly No. 122-2217	38
Fuel System Assembly	40
Fuel Tank Assembly No. 144-5395	42
Attachments and Accessories	44

Frame Assembly



Frame Assembly (continued)

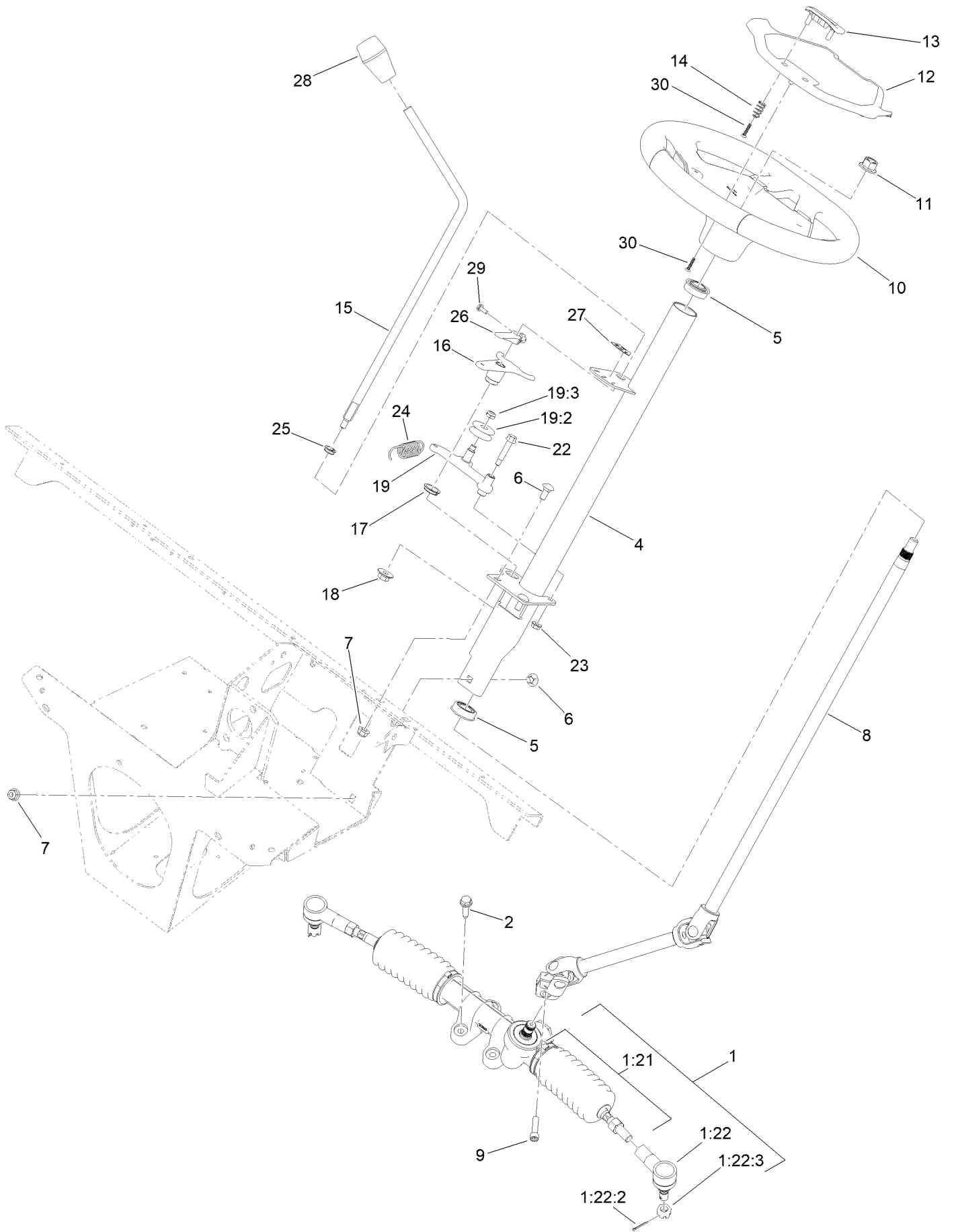
<i>Ref.</i>	<i>Part Number</i>	<i>Qty.</i>	<i>Description</i>	<i>Ref.</i>	<i>Part Number</i>	<i>Qty.</i>	<i>Description</i>
1	140-0797	1	Front Frame ASM	12	140-0777-03	1	Shock Tower ASM
2	144-5479	4	Connector-Frame	13	126-4687	4	Screw-HHF
3	144-5465	1	Rear Frame ASM	14	140-9712-03	1	Canopy Support ASM
3:2	138-2899	5	Nut-Clinch	15	140-9909	2	Screw-HHF
4	144-5365	1	Curved Frame ASM	16	140-0759-03	1	Support, Canopy
5	139-3370	16	Screw-HF	17	3234-47	11	Screw-HHF
6	139-3380	24	Nut-HF	18	140-0940-03	1	Bracket-Support, Bumper
7	140-9775	1	Subframe ASM	19	49-2040	4	Screw-HWHTF
9	144-5559	8	Screw-HHF	20	145-7152-03	1	Gusset-Frame, LH
10	3230-1	2	Bolt-CARR	21	145-7153-03	1	Gusset-Frame, RH
11	104-8300	19	Nut-HF, NI	22	144-5579	1	Decal - Vista EFI Service

Front Suspension Assembly (continued)

<i>Ref.</i>	<i>Part Number</i>	<i>Qty.</i>	<i>Description</i>	<i>Ref.</i>	<i>Part Number</i>	<i>Qty.</i>	<i>Description</i>
1	145-7338	2	Strut ASM	3:6	93-0309	1	Washer-Tab
1:1	145-7158	1	Spring-Coil	3:7	3220-7	1	Nut-Jam
1:2	131-8574	1	Isolator-Shock	3:8	93-0307	1	Nut-Lock, Retainer
2		1	LH Spindle ASM ●	3:9	3272-12	1	Pin-Cotter
2:1	144-5468	1	Spindle ASM LH	3:10	241-119	1	Cap-Dust
2:1:2	140-4615	2	Bushing-Flange	3:11	139-4474	1	Rotor-Brake
2:4	144-5470	1	Front Hub ASM	3:12	121-9671	4	Screw-HSBH
2:4:2	10-6830	4	Stud-Type, Drive	12	140-9801	2	Tire ASM
2:4:3	254-72	2	Bearing-Cup, Tapered	12:1	131-8317	1	Wheel
2:4:4	254-94	2	Bearing-Cone, Tapered	12:2	232-27	1	Stem-Valve
2:5	112-1690	1	Seal-Oil	12:3	140-9794	1	Tire
2:6	93-0309	1	Washer-Tab	13	242-50	8	Nut-Lug
2:7	3220-7	1	Nut-Jam	14	161-1819	2	Control Arm ASM
2:8	93-0307	1	Nut-Lock, Retainer	14:3	147-3983	2	Bushing-Flange
2:9	3272-12	1	Pin-Cotter	15	144-5634	2	Sleeve-Outer
2:10	241-119	1	Cap-Dust	16	131-8582	2	Sleeve-Kingpin
2:11	139-4474	1	Rotor-Brake	17	139-3350	2	Screw-HF
2:12	121-9671	4	Screw-HSBH	18	139-3370	2	Screw-HF
3		1	RH Spindle ASM ●	19	140-9853	4	Screw-HF
3:1	144-5469	1	Spindle ASM RH	20	139-3380	8	Nut-HF
3:1:2	140-4615	2	Bushing-Flange	21	3234-46	2	Screw-HHF
3:4	144-5470	1	Front Hub ASM	22	99-5107	2	Nut-Lock
3:4:2	10-6830	4	Stud-Type, Drive	23	140-0933	2	Wheel Cover ASM
3:4:3	254-72	2	Bearing-Cup, Tapered	23:2	140-0932	3	Clip-Cover, Wheel
3:4:4	254-94	2	Bearing-Cone, Tapered	24	140-9793	4	Pin Seal
3:5	112-1690	1	Seal-Oil				

● Not serviced separately

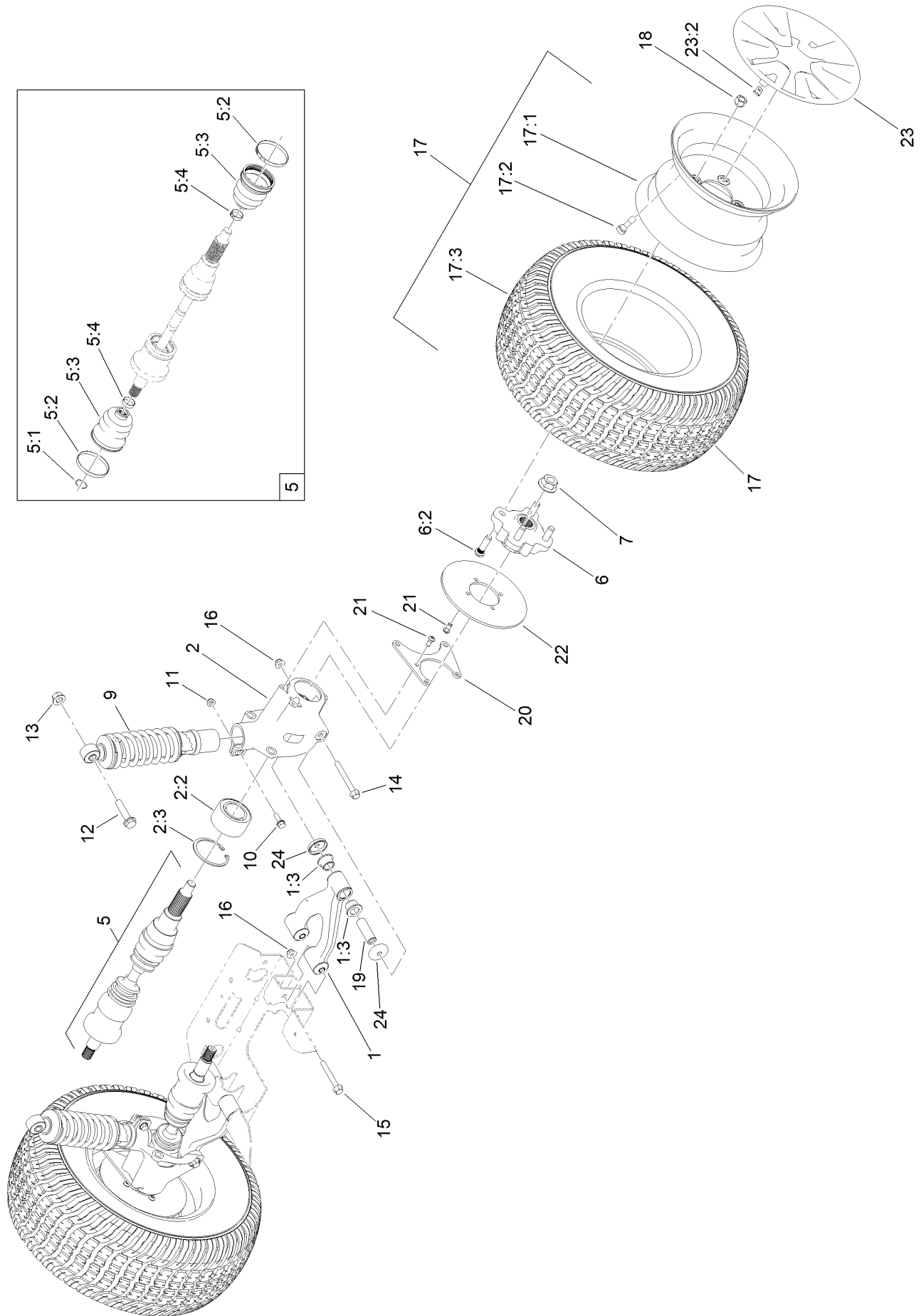
Steering Assembly



Steering Assembly (continued)

<i>Ref.</i>	<i>Part Number</i>	<i>Qty.</i>	<i>Description</i>	<i>Ref.</i>	<i>Part Number</i>	<i>Qty.</i>	<i>Description</i>
1	140-9830	1	Steering Rack ASM	15	144-5439	1	Shaft-Shift
1:21	140-9829	1	Kit-Tie Rod ASM	16	144-5438	1	Shift Arm
1:22	140-4592	1	Kit-Rod End ASM	17	114-8893	1	Bushing-Clip
1:22:2	3272-42	1	Pin-Cotter	18	32128-30	1	Nut-HF
1:22:3	140-2493	1	Nut-Hex, Slotted	19	138-6432	1	Detent Arm Assembly
2	32144-49	4	Screw-HWHTF	19:2	145-2095	1	Bushing-Detent, Shift
4	140-9805	1	Steering Column ASM-Gas	19:3	3296-47	1	Nut-Lock,NI
5	112-3262	2	Bearing	22	116-6876	1	Screw-Shoulder
6	3230-1	3	Bolt-CARR	23	32128-33	1	Nut-HF
7	104-8300	3	Nut-HF, NI	24	131-8419	1	Spring-Extension
8	140-9704	1	Shaft-Steering	25	110-3318	1	Bushing-Snap
9	145-7145	1	Screw-HSH,Lock	26	144-5419	1	Indicator-Gear
10	144-5570	1	Steering Wheel ASM	27	131-8463	1	Decal-Shift
11	99-5107	1	Nut-Lock	28	131-8473	1	Knob-Tapered
12	144-5567	1	Cover-Wheel, Steering	29	117-5036	1	Screw-Plastic, HWH
13	144-5566	1	Clip-Wheel, Steering	30	94-4496	5	Screw-PPH
14	144-5537	2	Spring-Compression				

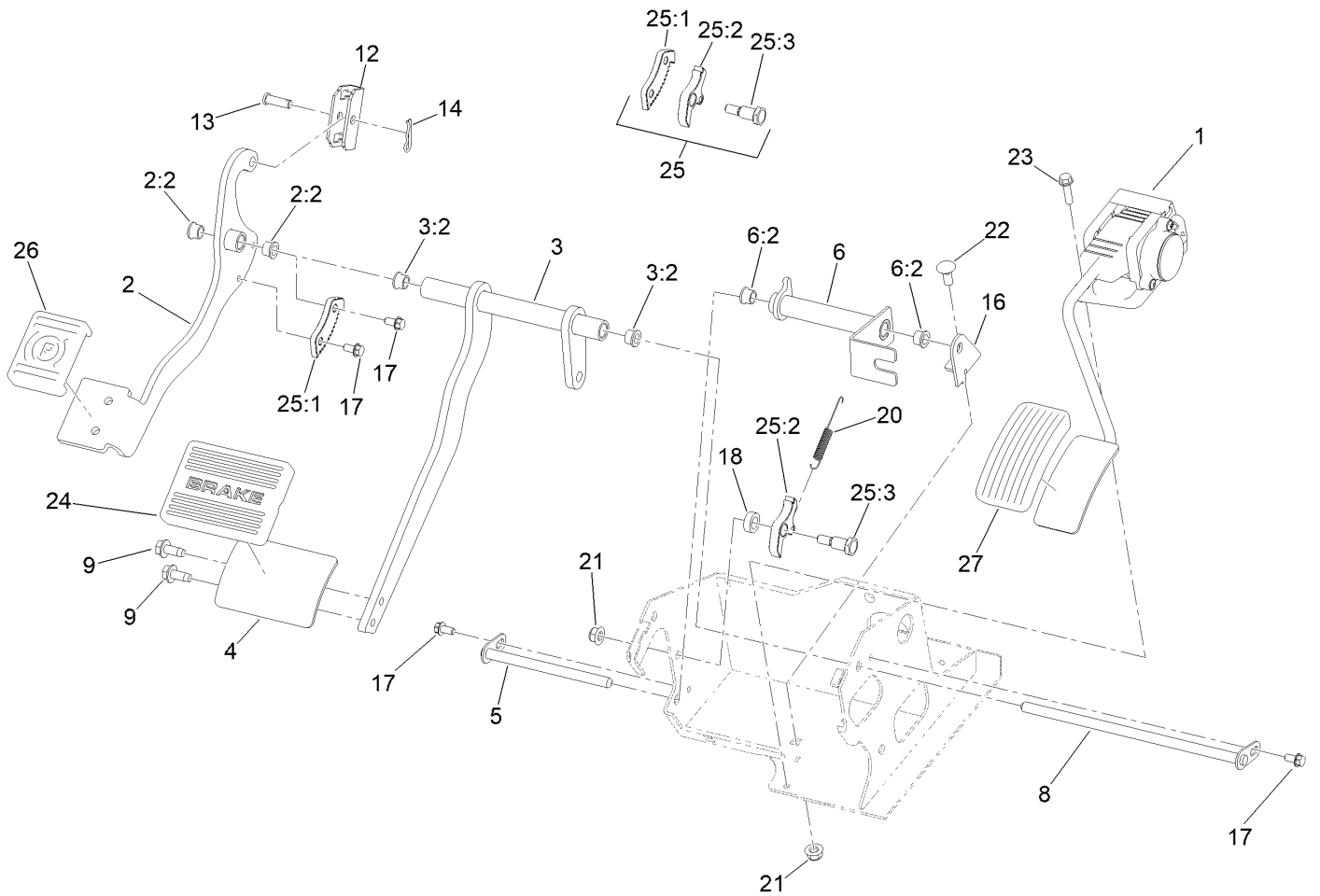
Rear Suspension Assembly



Rear Suspension Assembly (continued)

<i>Ref.</i>	<i>Part Number</i>	<i>Qty.</i>	<i>Description</i>	<i>Ref.</i>	<i>Part Number</i>	<i>Qty.</i>	<i>Description</i>
1	161-1819	2	Control Arm ASM	13	99-5107	2	Nut-Lock
1:3	147-3983	2	Bushing-Flange	14	139-3370	2	Screw-HF
2	144-5555	2	Rear Upright ASM	15	140-9853	4	Screw-HF
2:2	133-7272	1	Bearing-Ball	16	139-3380	6	Nut-HF
2:3	144-2207	1	Ring-Retaining	17	140-9801	2	Tire ASM
5	145-7062	2	Cv Axle	17:1	131-8317	1	Wheel
5:1	145-7195	1	Circlip	17:2	232-27	1	Stem-Valve
5:2	145-7196	2	Clamp	17:3	140-9794	1	Tire
5:3	145-7197	2	Boot-Cv	18	242-50	8	Nut-Lug
5:4	145-7198	2	Clamp-Cv	19	144-5634	2	Sleeve-Outer
6	145-7151	2	Rear Hub ASM	20	140-9749	2	Plate-Caliper
6:2	10-6830	4	Stud-Type, Drive	21	121-9671	14	Screw-HSBH
7	32128-53	2	Nut-HF	22	139-4474	2	Rotor-Brake
9	139-4291	2	Shock ASM	23	140-0933	2	Wheel Cover ASM
10	3234-29	2	Screw-HHF	23:2	140-0932	3	Clip-Cover, Wheel
11	104-8300	2	Nut-HF, NI	24	140-9793	4	Pin Seal
12	3234-46	2	Screw-HHF				

Brake and Throttle Pedal Assembly

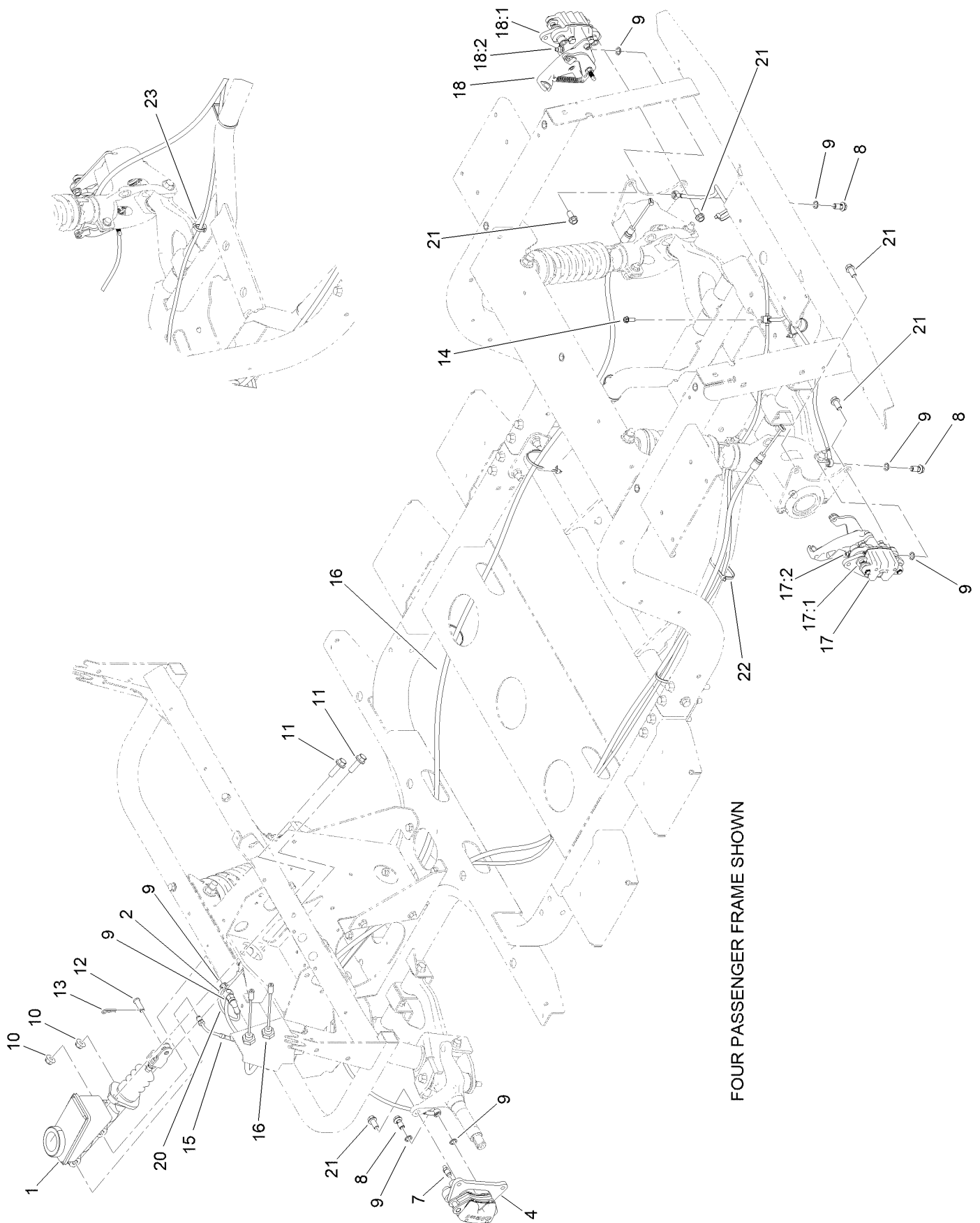


Brake and Throttle Pedal Assembly (continued)

<i>Ref.</i>	<i>Part Number</i>	<i>Qty.</i>	<i>Description</i>	<i>Ref.</i>	<i>Part Number</i>	<i>Qty.</i>	<i>Description</i>
1	140-9859	1	Throttle-Electronic	16	140-9814	1	Plate-Pivot
2	147-4093	1	Parking Brake Pedal ASM	17	32144-4	4	Screw-HWH
2:2	256-116	2	Bushing-Flange	18	256-276	1	Spacer-Nylon
3	144-5492	1	Brake Pedal ASM	20	140-9858	1	Spring-Extension
3:2	256-116	2	Bushing-Flange	21	104-8300	2	Nut-HF, NI
4	138-5763-03	1	Brake Pedal ASM	22	3230-1	1	Bolt-CARR
5	140-9810	1	Flag Pin ASM	23	32144-86	3	Screw-HWHTF
6	144-5491	1	Trip Pivot ASM	24	7-3900	1	Pad-Brake
6:2	256-116	2	Bushing-Flange	25	145-7274	1	Kit-Brake Pawl
8	140-0772	1	Flag Pin ASM	25:1		1	Plate-Ratcheting ●
9	32144-70	2	Screw-HWHTF	25:2		1	Pawl-Parking ●
12	87-3480	1	Bracket-Equalizer, Cable	25:3		1	Screw-Shoulder ●
13	1-808280	1	Pin-Clevis	26	144-5551	1	Pad-Parking Brake
14	1-806003	1	Pin-Cotter	27	140-4572	1	Pedal Pad-Throttle

● Not serviced separately

Front and Rear Brake Assembly



FOUR PASSENGER FRAME SHOWN

Front and Rear Brake Assembly (continued)

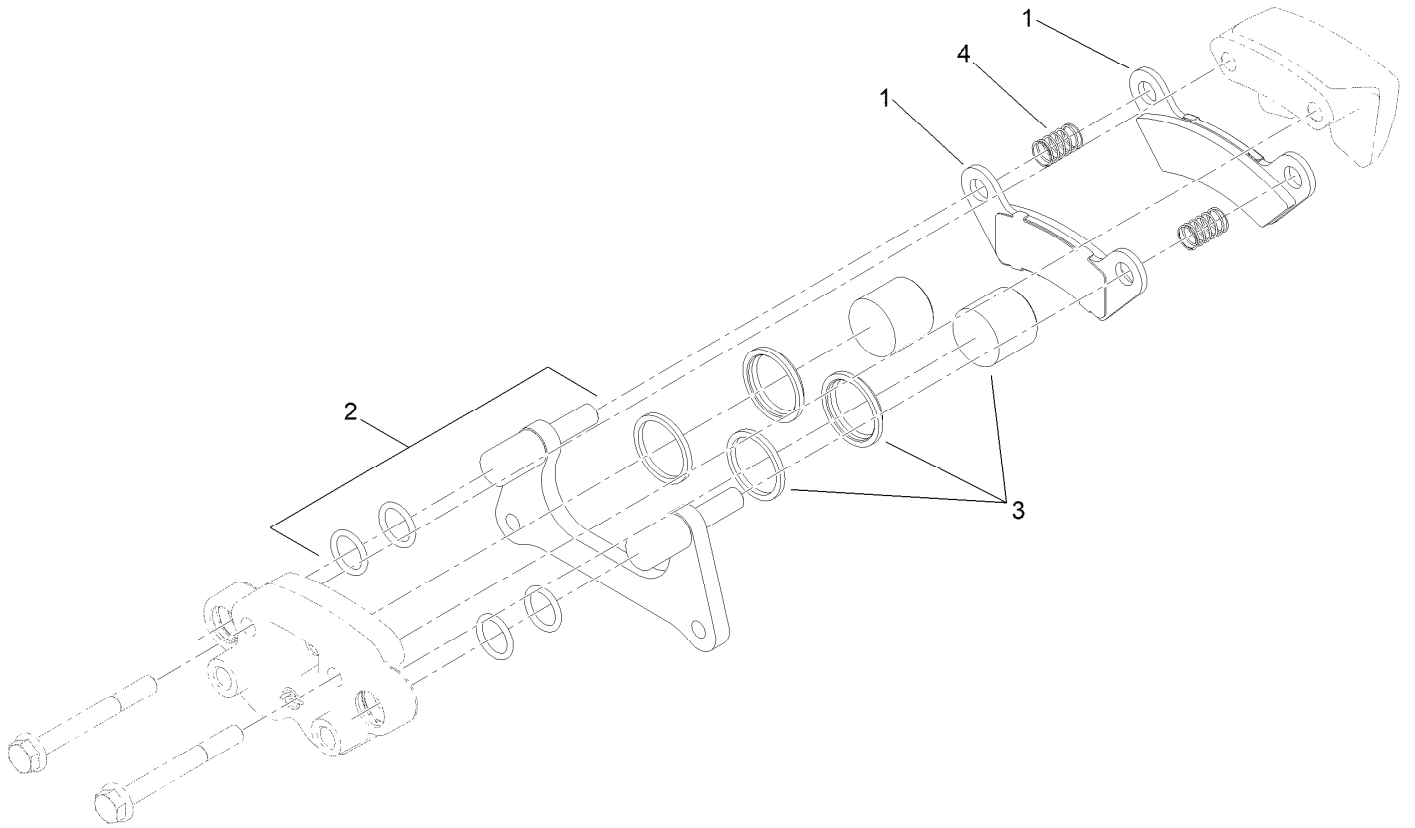
<i>Ref.</i>	<i>Part Number</i>	<i>Qty.</i>	<i>Description</i>	<i>Ref.</i>	<i>Part Number</i>	<i>Qty.</i>	<i>Description</i>
1	104-6782	1	Master Cylinder ASM	17:1	140-2595	1	Brake Pad Service Kit (Rear, Qty 4)
2	140-9993	1	Brake Line ASM	17:2	119-9509	1	Screw-Bleed
4	161-1890	2	Brake Caliper ASM	17:3	136-6328	2	Spring-Rattle, Anti ●
7	119-9509	2	Screw-Bleed	18	140-2590	1	Brake Caliper ASM, RH
8	120-4875	4	Bolt-Flange, Banjo	18:1	140-2595	1	Brake Pad Service Kit (Rear, Qty 4)
9	115-2341	10	Washer-Banjo	18:2	119-9509	1	Screw-Bleed
10	104-8301	2	Nut-HF, NI	18:3	136-6328	2	Spring-Rattle, Anti ●
11	119-4061	2	Screw-HHF	20	144-2227	1	Switch-Brake, Pressure
12	283-2	1	Pin-Clevis	21	144-5550	8	Screw-Spl
13	1-806003	1	Pin-Cotter	22	3290-378	12	Tie-Cable
14	49-2040	2	Screw-HWHTF	23	32180-030	1	Clip-Tie
15	140-9997	1	Brake Line ASM				
16	144-5358	2	Cable-Parking				
17	140-2585	1	Brake Caliper ASM, LH				

● Not illustrated



Master Cylinder Assembly No. 104-6782

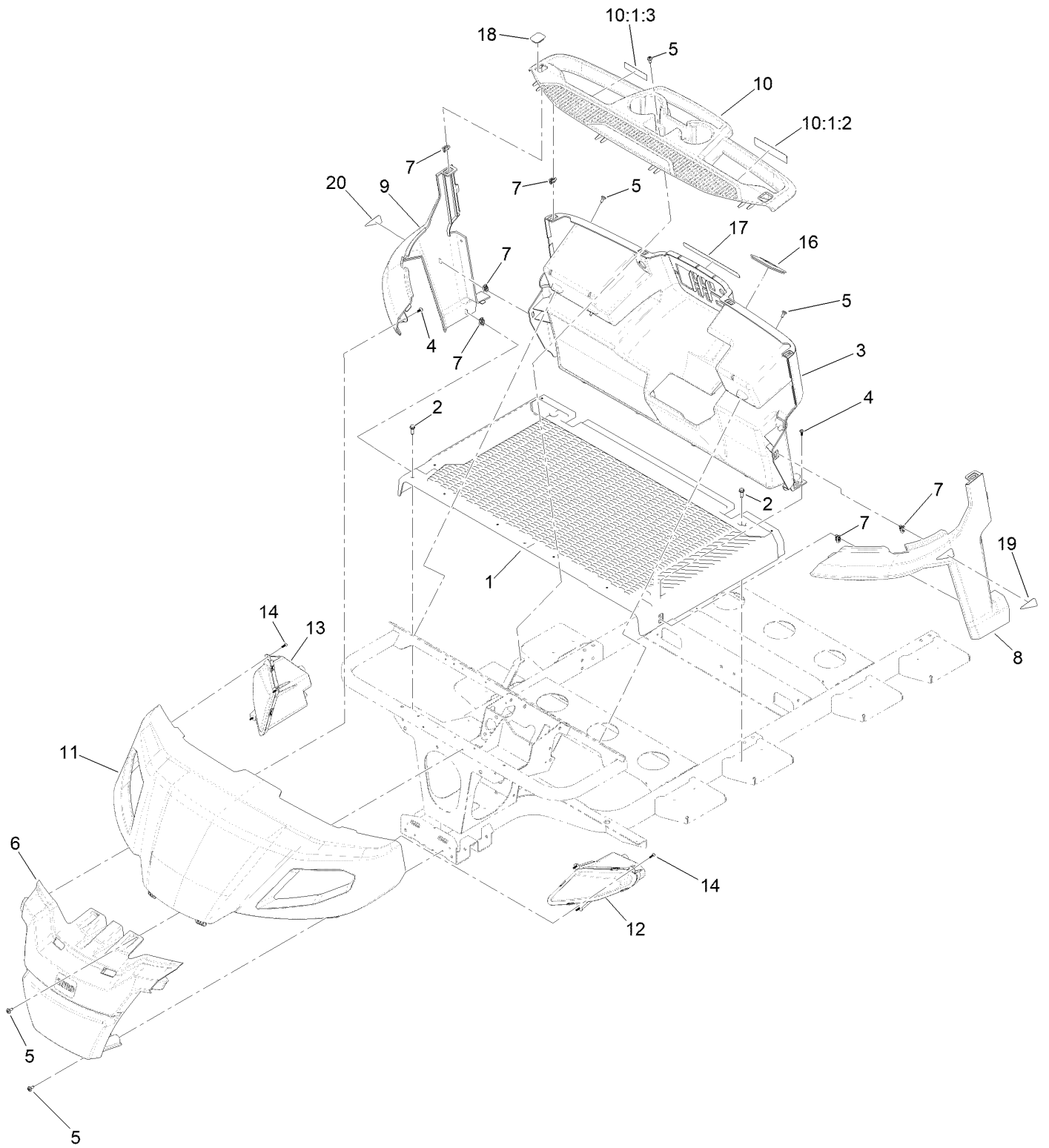
Ref.	Part Number	Qty.	Description
1	104-6845	1	Reservoir ASM
1:1	92-4112	1	Cap ASM
2	93-8971	2	Seal-Port, Flange
3	92-4103	1	Pin-Stop
4	92-4102	1	Secondary Piston ASM
5	92-4110	1	Clevis
6	21-0360	1	Nut-Hex
7	94-5209	1	Cover-Dust
8	94-5210	1	Rod-Push
9	92-4109	1	Ring-Snap
10	92-4108	1	Retainer-Washer
11	92-4101	1	Primary Piston ASM



Brake Caliper Assembly No. 161-1890

<i>Ref.</i>	<i>Part Number</i>	<i>Qty.</i>	<i>Description</i>
1	140-2580	1	Brake Pad Service Kit (Front, Qty 4)
2	119-9511	1	Bracket Kit
3	133-0614	1	Piston Kit
4	161-1889	2	Spring-Compression, Service

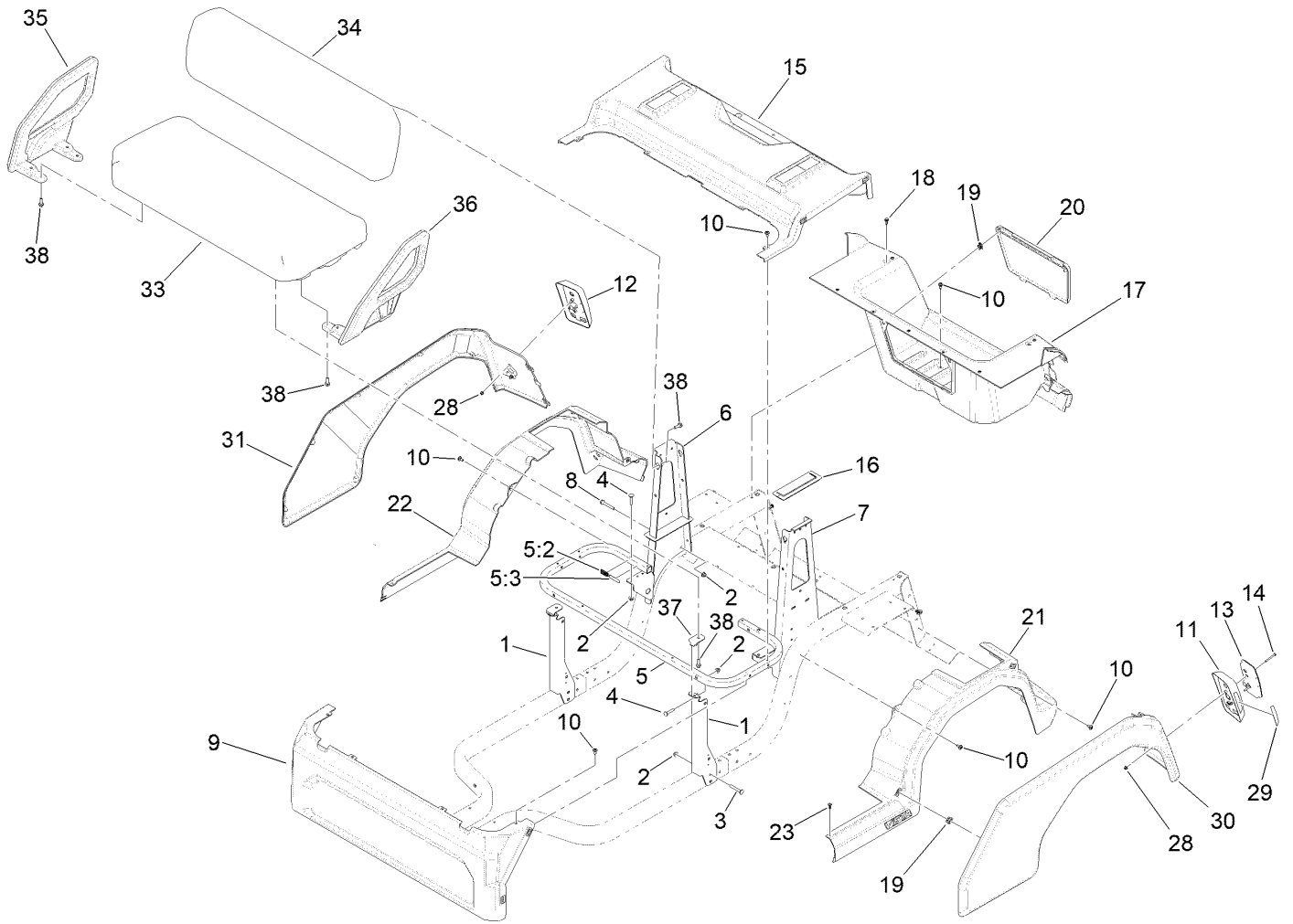
Hood, Front Fenders and Dash Assembly



Hood, Front Fenders and Dash Assembly (continued)

<i>Ref.</i>	<i>Part Number</i>	<i>Qty.</i>	<i>Description</i>	<i>Ref.</i>	<i>Part Number</i>	<i>Qty.</i>	<i>Description</i>
1	140-0850SP	1	Floor-Front	10:1:3	140-0920	1	Decal-Vista Safety, Passenger
2	701243	5	Screw-Thd Roll, HWH	11	145-7200SP	1	Hood-Vista, Beige
3	140-9901SP	1	Dash	12	140-0890	1	Headlight-LH
4	138-5775	10	Screw-Delta Point	13	140-0891	1	Headlight-RH
5	120-7950	8	Screw-Torx	14	140-9930	6	Screw-Bhf, Plastic
6	140-0845SP	1	Bumper-Front	16	140-9903	1	Grommet-Column, Steering
7	140-9908	10	Clip-Trim	17	144-5572	1	Decal-Control Panel, Gas
8	140-0842SP	1	Fender-Front, LH	18	145-7122	2	Cap-Plug, Dash
9	140-0843SP	1	Fender-Front, RH	19	140-0941	1	Decal-Reflector, Front, LH
10	145-7051SP	1	Dash-Top 6/8P	20	140-0942	1	Decal-Reflector, Front, RH
10:1:2	144-5571	1	Decal-Vista Safety, Driver				

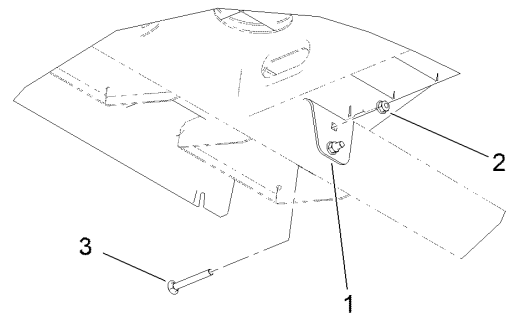
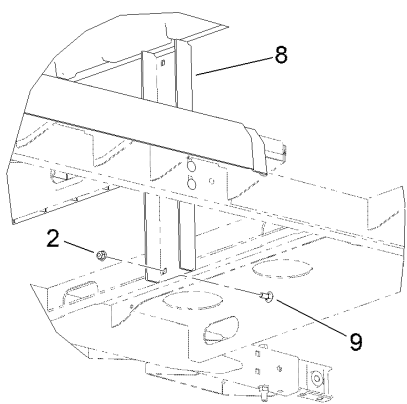
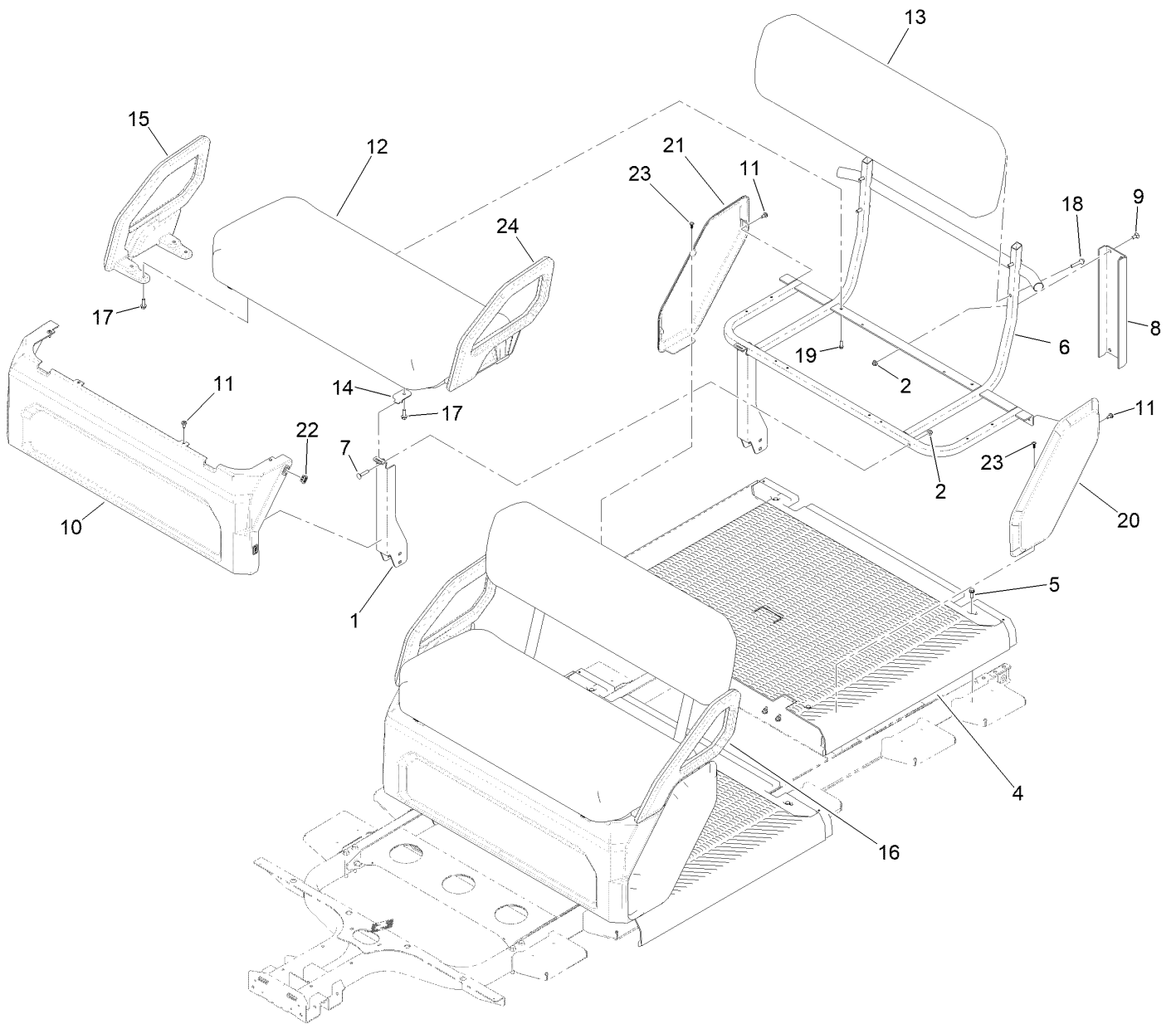
Main Seat and Rear Fenders Assembly



Main Seat and Rear Fenders Assembly (continued)

<i>Ref.</i>	<i>Part Number</i>	<i>Qty.</i>	<i>Description</i>	<i>Ref.</i>	<i>Part Number</i>	<i>Qty.</i>	<i>Description</i>
1	140-0800-03	2	Bracket-Support, Seat Frame	16	140-9904	2	Grommet-Bracket, Seat
2	104-8300	12	Nut-HF, NI	17	140-0851SP	1	Tub-Rear
3	3230-7	4	Bolt-CARR	18	125-9622	8	Rivet-Blind
4	3230-4	4	Bolt-CARR	19	140-9908	14	Clip-Trim
5	145-7056	1	Gas Seat Tube	20	140-0866	1	Door-Access, Rear
5:2	127-3866	1	Decal-Warning, Hot Surface	21	140-0847SP	1	Fender-Rear, LH
5:3	120-9570	1	Decal-Warning	22	140-0848SP	1	Fender-Rear, RH
6	144-5623-03	1	Bracket-Back, RH	23	138-5775	2	Screw-Delta Point
7	144-5622-03	1	Bracket-Back, LH	28	138-0719	4	Nut-HF
8	139-4479	4	Screw-HHF	29	140-0943	2	Decal-Reflector, Rear
9	140-0849SP	1	Panel-Base, Seat	30	145-7210SP	1	Panel-Rear, LH Beige
10	120-7950	14	Screw-Torx	31	145-7220SP	1	Panel-Rear, RH Beige
11	140-9910	1	Housing-Tail Light, LH	33	140-9941SP	1	Seat Bottom ASM-Beige
12	140-9911	1	Housing-Tail Light, RH	34	140-9943SP	1	Seat Backrest ASM-Beige
13	139-2071	2	Light-Rear Tail/Stop/Turn	35	140-0804SP	1	Restraint-Hip, RH
14	3250-48	4	Screw-PPH	36	140-0802SP	1	Restraint-Hip, LH
15	140-0846SP	1	Cover-Rear	37	140-0812	2	Bracket-Hinge, Seat
				38	115-5142	14	Screw-HHF

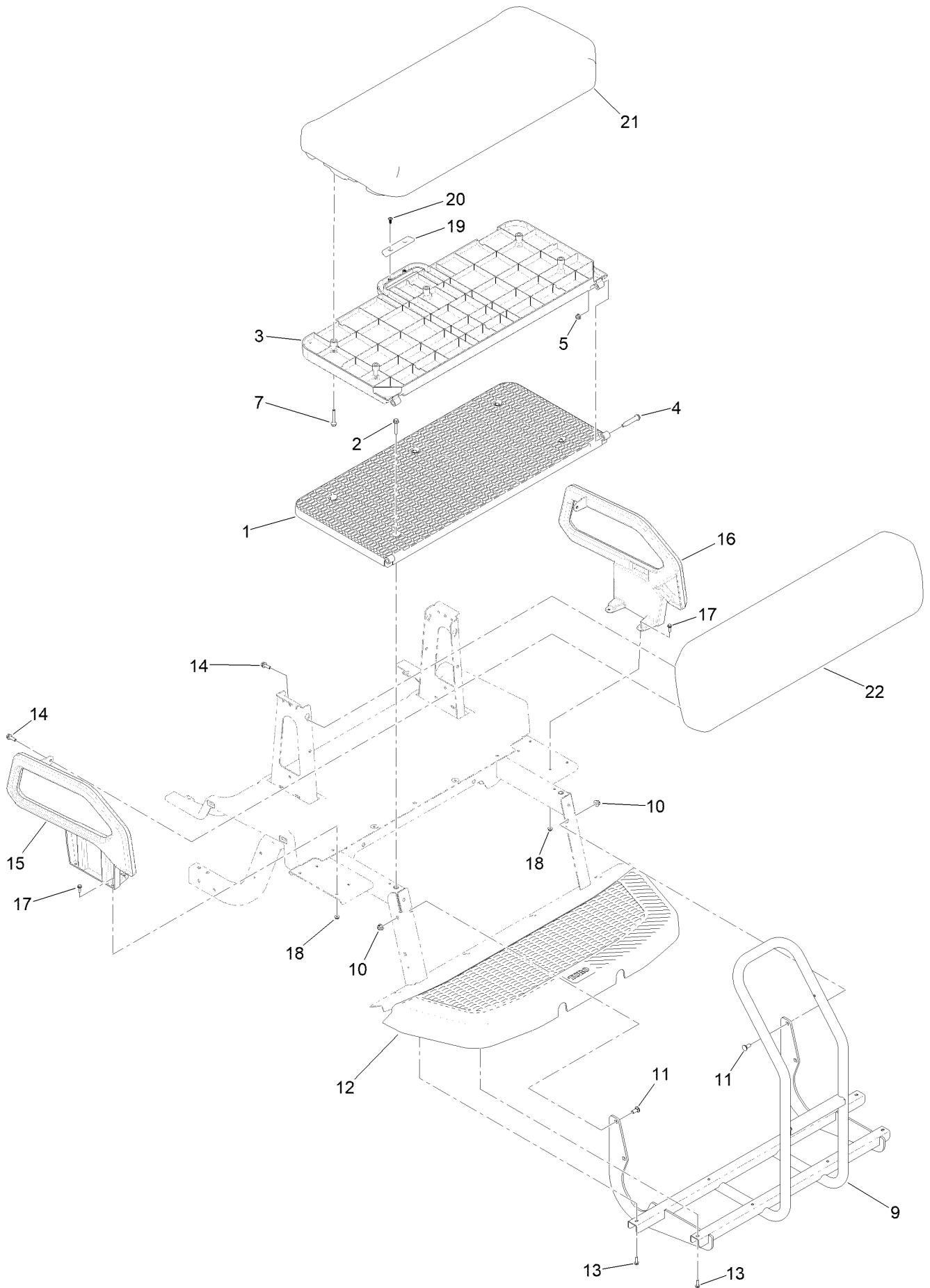
Passenger Seat Assembly



Passenger Seat Assembly (continued)

<i>Ref.</i>	<i>Part Number</i>	<i>Qty.</i>	<i>Description</i>	<i>Ref.</i>	<i>Part Number</i>	<i>Qty.</i>	<i>Description</i>
1	144-5556-03	4	Bracket-Support, Seat [bla	13	140-9943SP	2	Seat Backrest ASM-Beige
2	104-8300	20	Nut-HF, NI	14	140-0812	4	Bracket-Hinge, Seat
3	3230-9	8	Screw-CARR	15	140-0804SP	2	Restraint-Hip, RH
4	140-0870SP	2	Floor-Middle	16	140-0803SP	1	Restraint-Hip, Driver
5	701243	8	Screw-Thd Roll, HWH	17	115-5142	20	Screw-HHF
6	140-9785SP	2	Seat Support ASM	18	145-7105	8	Screw-HHF
7	3230-4	4	Bolt-CARR	19	46-8091	4	Screw-HWH
8	140-9753-05	2	Post-Center	20	145-7230	2	Panel-Seat, LH
9	3230-1	8	Bolt-CARR	21	145-7240	2	Panel-Seat, RH
10	140-0849SP	2	Panel-Base, Seat	22	140-9908	8	Clip-Trim
11	120-7950	12	Screw-Torx	23	138-5775	4	Screw-Delta Point
12	140-9941SP	2	Seat Bottom ASM-Beige	24	140-0802SP	1	Restraint-Hip, LH

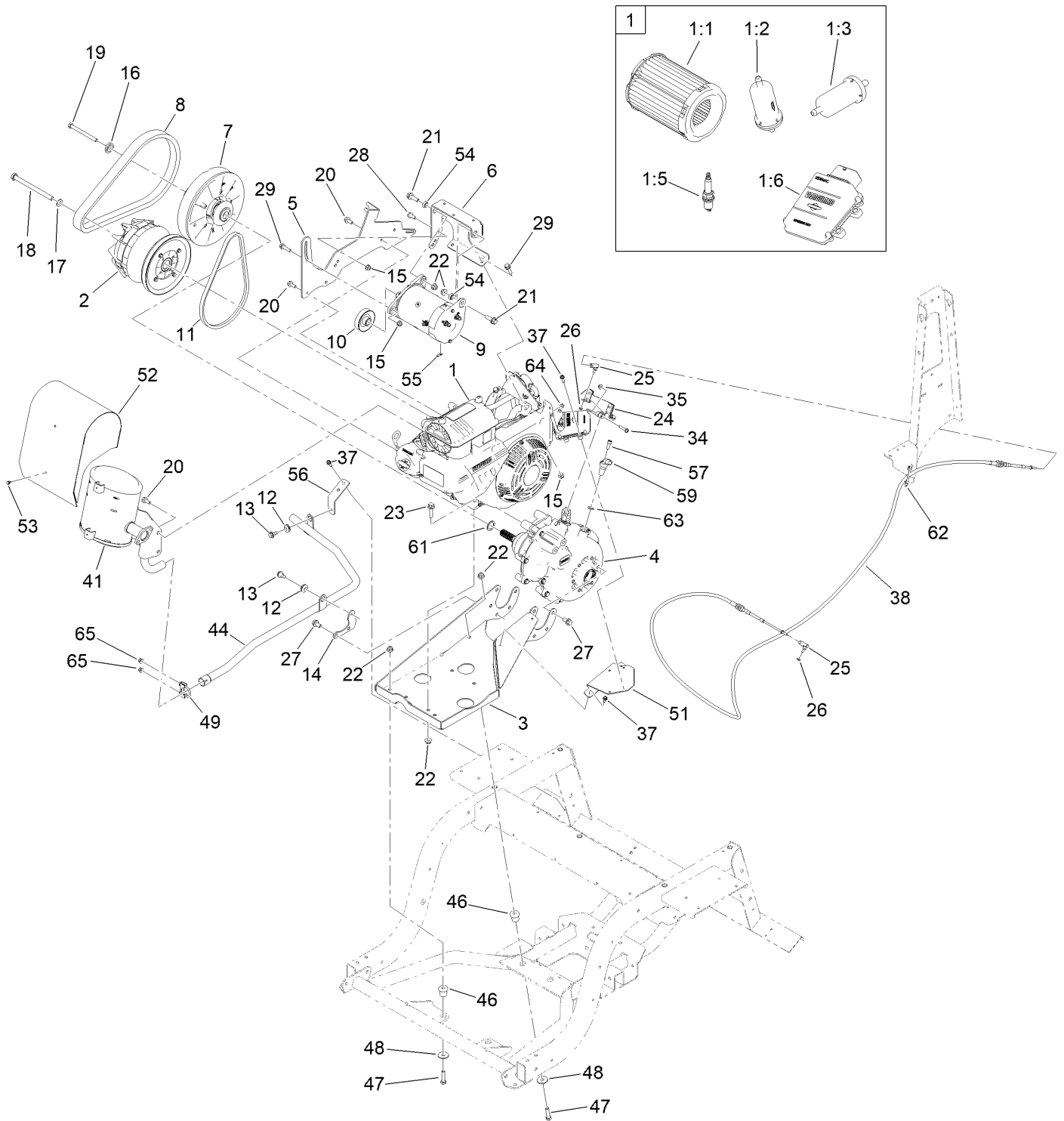
Rear Facing Seat Assembly



Rear Facing Seat Assembly (continued)

<i>Ref.</i>	<i>Part Number</i>	<i>Qty.</i>	<i>Description</i>	<i>Ref.</i>	<i>Part Number</i>	<i>Qty.</i>	<i>Description</i>
1	140-0821SP	1	Floor-Box, Cargo	13	46-8091	8	Screw-HWH
2	145-7105	5	Screw-HHF	14	115-5142	6	Screw-HHF
3	140-0820SP	1	Floor-Flip Seat	15	140-0833	1	Restraint-Hip, LH Rear
4	136-7199	2	Bolt-Shoulder	16	140-0834	1	Restraint-Hip, RH Rear
5	104-8300	2	Nut-HF, NI	17	32105-15	8	Screw-HWH
7	140-9909	5	Screw-HHF	18	104-7201	8	Nut-HF, NI
9	140-0875SP	1	Rear Floor Frame ASM	19	145-7100	1	Bumper-Rubber, Flip Seat
10	104-8301	4	Nut-HF, NI	20	138-5775	2	Screw-Delta Point
11	3231-12	4	Bolt-CARR	21	140-9941SP	1	Seat Bottom ASM-Beige
12	140-0872	1	Floor-Rear	22	140-9943SP	1	Seat Backrest ASM-Beige

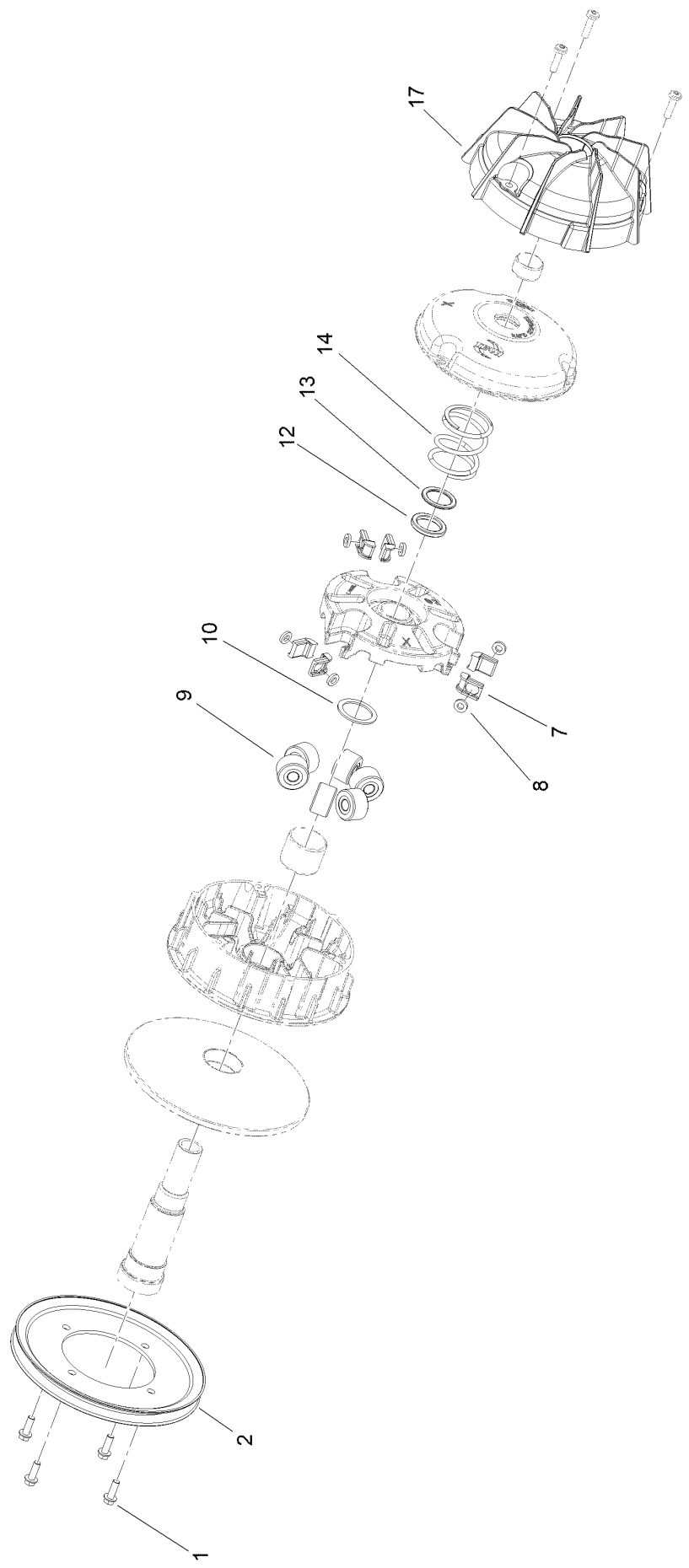
Engine and Transaxle Assembly



Engine and Transaxle Assembly (continued)

<i>Ref.</i>	<i>Part Number</i>	<i>Qty.</i>	<i>Description</i>	<i>Ref.</i>	<i>Part Number</i>	<i>Qty.</i>	<i>Description</i>
1	161-2035	1	Engine-Briggs	25	2411-38	2	Joint-Ball
1:1	145-7199	1	Filter-Air, Briggs	26	3296-27	2	Nut-Lock, NI
1:2	145-7282	1	Filter-Fuel, 10 Micron	27	139-6300	10	Screw-Hfl
1:3	145-7283	1	Filter-Fuel, 30 Micron	28	3234-47	2	Screw-HHF
1:5	147-3473	1	Spark Plug	29	3234-36	3	Screw-HHF
1:6	145-7284	1	ECM-Briggs	34	132-6777	1	Screw-Twh Thd Roll
2	147-4088	1	Primary Clutch ASM	35	104-7201	1	Nut-HF, NI
3	140-9783-03	1	Tray-Engine ASM	37	49-2040	8	Screw-HWHTF
4	140-9807	1	Transaxle-Gas	38	140-9999	1	Cable-Shift
5	140-9777-03	1	Plate-Spanner	41	144-5447	1	Muffler-Briggs
6	144-5490-03	1	Bracket-Starter	44	144-5435	1	Tailpipe-Long
7	119-6011	1	Secondary Clutch ASM	46	63-9750	4	Mount
8	131-8567	1	Belt-Variable	47	323-8	4	Screw-HH
9	131-8444	1	Starter/Generator ASM	48	2844	4	Washer
10	140-9821	1	Pulley-Drive	49	144-5467	1	Clamp-Muffler
11	63-2951	1	V-Belt, Traction	51	144-5477-03	1	Bracket-Ecu
12	1-633630	2	Grommet	52	144-5590	1	Muffler Shield
13	99-5105	2	Screw-Shoulder	53	104-2065	4	Screw-HWH
14	144-5496	1	Bracket-Exhaust	54	107-0758	2	Spacer-Bearing
15	104-8300	5	Nut-HF, NI	55	32180-535	1	Terminal-Tab
16	104-6563	1	Washer-Stepped	56	145-7188-03	1	Bracket-Exhaust
17	3256-25	1	Washer-Flat	57	3274-10	1	Screw-HSH
18	131-8521	1	Screw-HH	59	145-7335	1	Sensor, Ground Speed
19	119-0723	1	Screw-HH, Lock	61	1-303352	1	Washer-Spindle
20	139-3392	9	Screw-Lock	62	3290-378	2	Tie-Cable
21	119-4061	2	Screw-HHF	63	237-142	1	Seal-O-Ring
22	104-8301	10	Nut-HF, NI	64	33003-00	1	Nut-HF
23	114-4681	4	Screw-HHF	65	32128-32	2	Nut-HHF
24	133-7260-03	1	Arm-Shift				

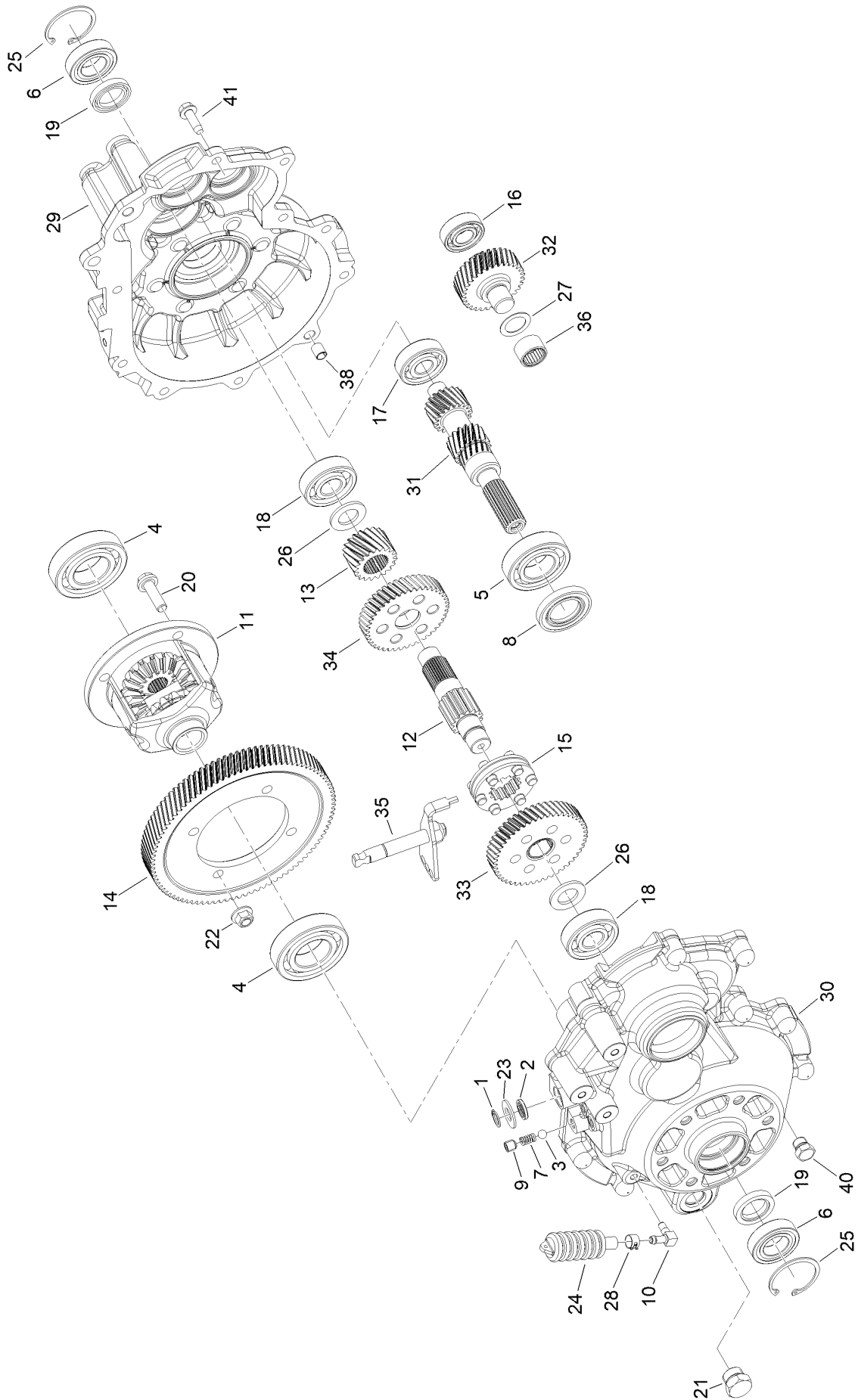
Primary Clutch Assembly No. 147-4088



Primary Clutch Assembly No. 147-4088 (continued)

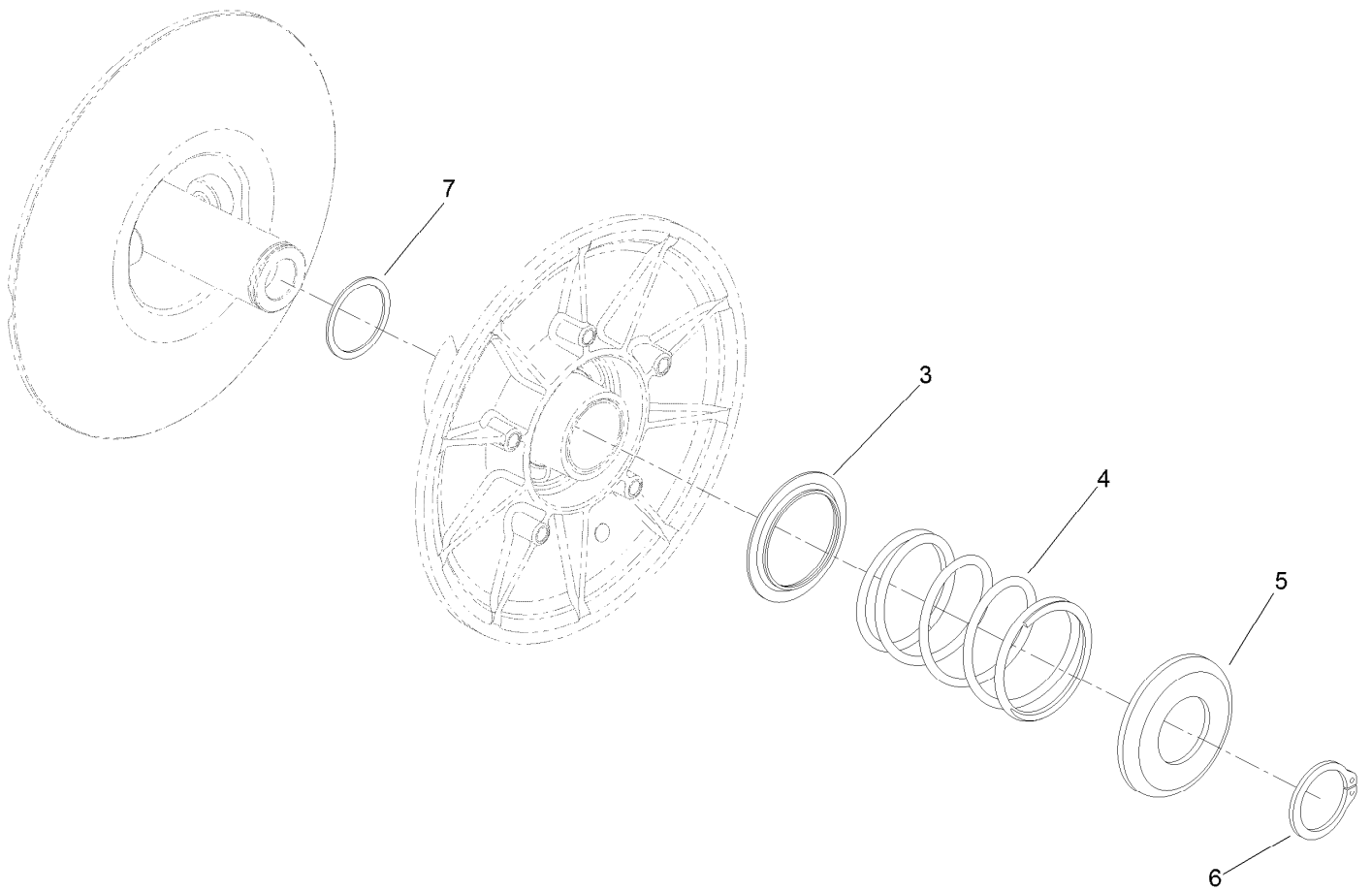
<i>Ref.</i>	<i>Part Number</i>	<i>Qty.</i>	<i>Description</i>	<i>Ref.</i>	<i>Part Number</i>	<i>Qty.</i>	<i>Description</i>
1	49-2040	7	Screw-HWHTF	10	119-0812	1	Shim-Spider
2	119-0813	1	Pulley-Primary	12	119-0807	1	Shim-Limiter
7	127-8689	6	Button-Primary, Torque	13	147-3963	1	Limiter-Shift
8	127-8690	6	Plug-Button, Torque	14	119-9532	1	Spring-Red/White
9	119-0804	6	Weight-Roller	17	145-7339	1	Clutch Fan ASM

Transaxle Assembly No. 140-9807



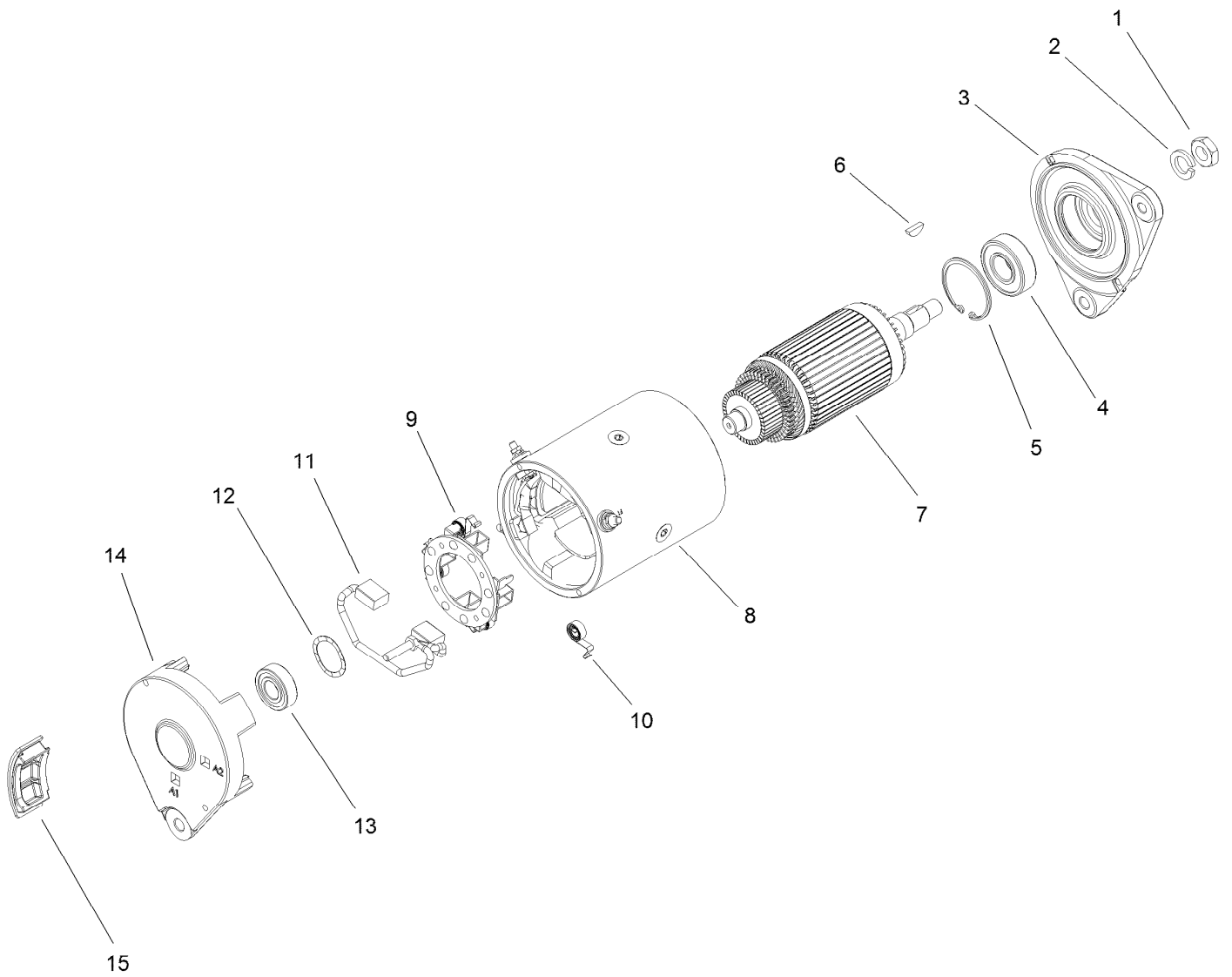
Transaxle Assembly No. 140-9807 (continued)

<i>Ref.</i>	<i>Part Number</i>	<i>Qty.</i>	<i>Description</i>	<i>Ref.</i>	<i>Part Number</i>	<i>Qty.</i>	<i>Description</i>
1	145-7304	1	Ring, Retaining, External, .500 Shaft	19	145-7289	2	Seal, Oil, .945 Shaft, 1.499 Bore
2	145-7305	1	Seal, Oil, .500 Shaft, .750 Bore	20	133-2462	4	Bolt-HHF
3	110-3154	1	Ball-Detent	21	133-2466	1	Plug-HH
4	145-7287	2	Bearing, Ball, Single Row, 6207	22	133-2463	4	Nut-Lock
5	145-7307	1	Bearing, Ball, Single Row, 6206	23	145-7320	1	Washer, .510 X 1.061 X .073
6	145-7288	2	Bearing, Ball, Single Row, 6005-2Rs	24	145-7294	1	Vent, Bellows
7	145-7309	1	Spring, Compression, Detent	25	133-2450	2	Ring-Retaining
8	145-7310	1	Seal, Oil, 30 MM Shaft, 52 MM Bore	26	145-7322	2	Spacer, Flat, .790 X 1.378 X .108
9	145-7311	1	Screw, Set, Hex Dr, Cup Pt, 3/8-16 Unc	27	145-7323	1	Washer, Thrust, .805 X 1.190 X .031
10	147-4096	1	Tube, Vent	28	145-7295	1	Clamp, Hose
11	145-7290	1	Assembly, Differential Case, Standard	29	145-7325	1	Housing, Left
12	145-7313	1	Shaft, Intermediate, Finish	30	145-7326	1	Housing, Right
13	145-7314	1	Gear, Helical, Intermediate, 19T, Finish	31	145-7327	1	Shaft, Input, 16T/18T
14	145-7315	1	Gear, Helical, Output, 93T	32	145-7328	1	Gear, Helical, Idler, 31T
15	145-7316	1	Clutch, Gear, Finish	33	145-7329	1	ASM, Gear, Intermediate, Reverse, 47T
16	133-2453	1	Bearing-Ball	34	145-7330	1	ASM, Gear, Intermediate, Forward, 42T
17	133-2456	1	Bearing-Ball	35	145-7331	1	Assembly, Shift Shaft
18	145-7317	2	Bearing, Ball, Single Row, 6304	36	145-7332	1	Bearing, Needle, Caged, Drawn Cup
				38	145-7301	2	Bushing, Dowel, .313 X .500
				40	145-7302	1	Drain Plug, Magnetic, O-Ring, 1/2-20
				41	147-4095	11	Screw, Hex Head, 5/16-18, Thread Forming



Secondary Clutch Assembly No. 119-6011

<i>Ref.</i>	<i>Part Number</i>	<i>Qty.</i>	<i>Description</i>
3	119-0809	1	Cup-Spring Retainer, Inner
4	119-9360	1	Spring-Compression, Black/Almond
5	119-0810	1	Cup-Spring Retainer, Outer
6	119-0811	1	Ring-Retaining
7	119-6018	1	Shim-Thrust

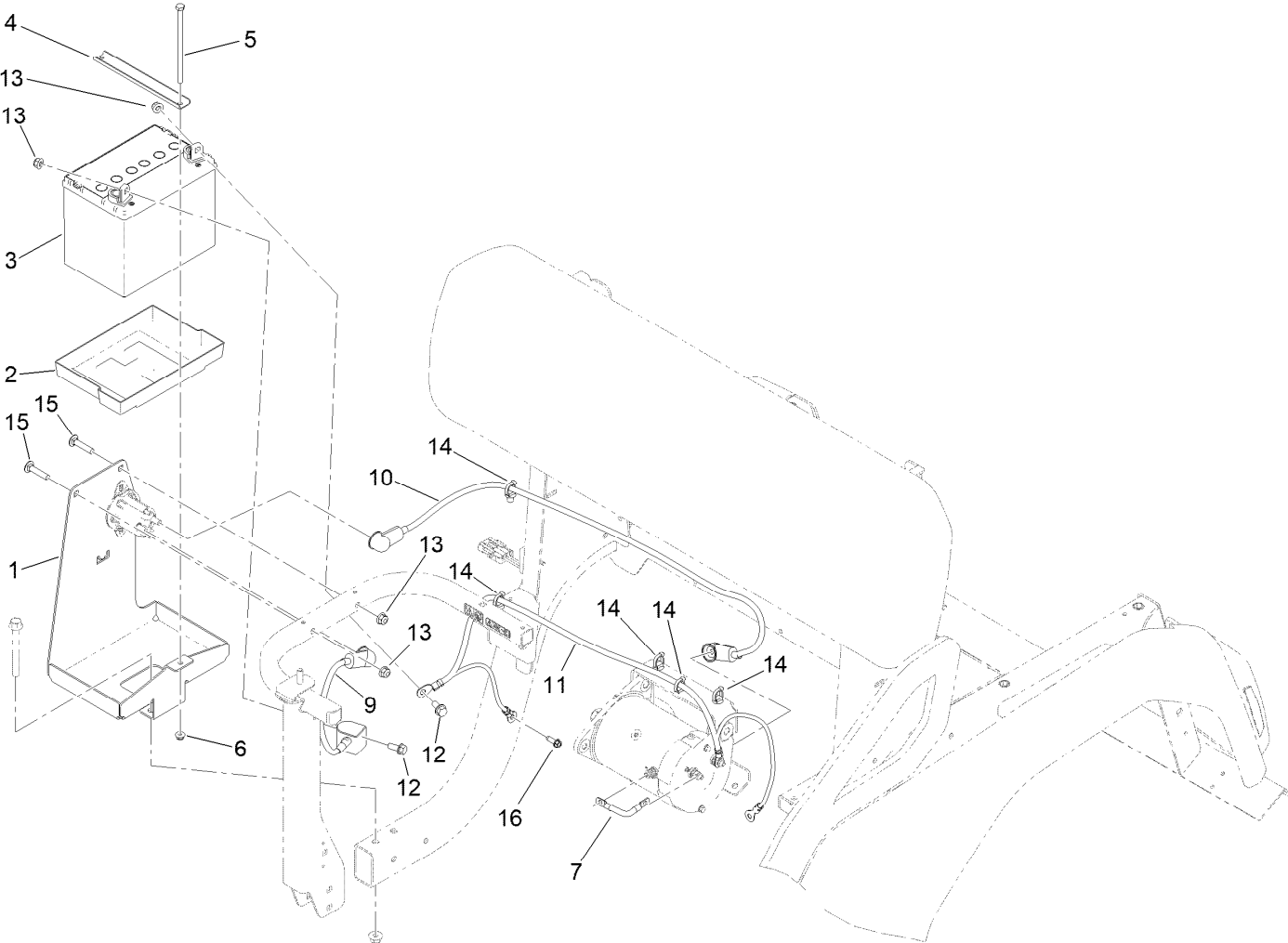


Starter Generator Assembly No. 131-8444

Ref.	Part Number	Qty.	Description
1	119-9651	1	Nut
2	119-9652	1	Washer-Lock
3	133-0599	1	Head-Drive End
4	119-9655	1	Bearing
5	119-9656	1	Ring-Retaining
6	119-9657	1	Key-Woodruff
7	119-9658	1	Armature ASM
8		1	Frame And Field Assembly ●
9	119-9661	1	Brush Box ASM
10	119-9660	4	Spring-Brush
11	119-9659	1	Brush Lead And Terminal Service Kit
12	119-9662	1	Washer-Wave
13	119-9663	1	Bearing
14		1	Head-End, Cummutator ●
15	133-0600	4	Plug-Rubber

● Not serviced separately

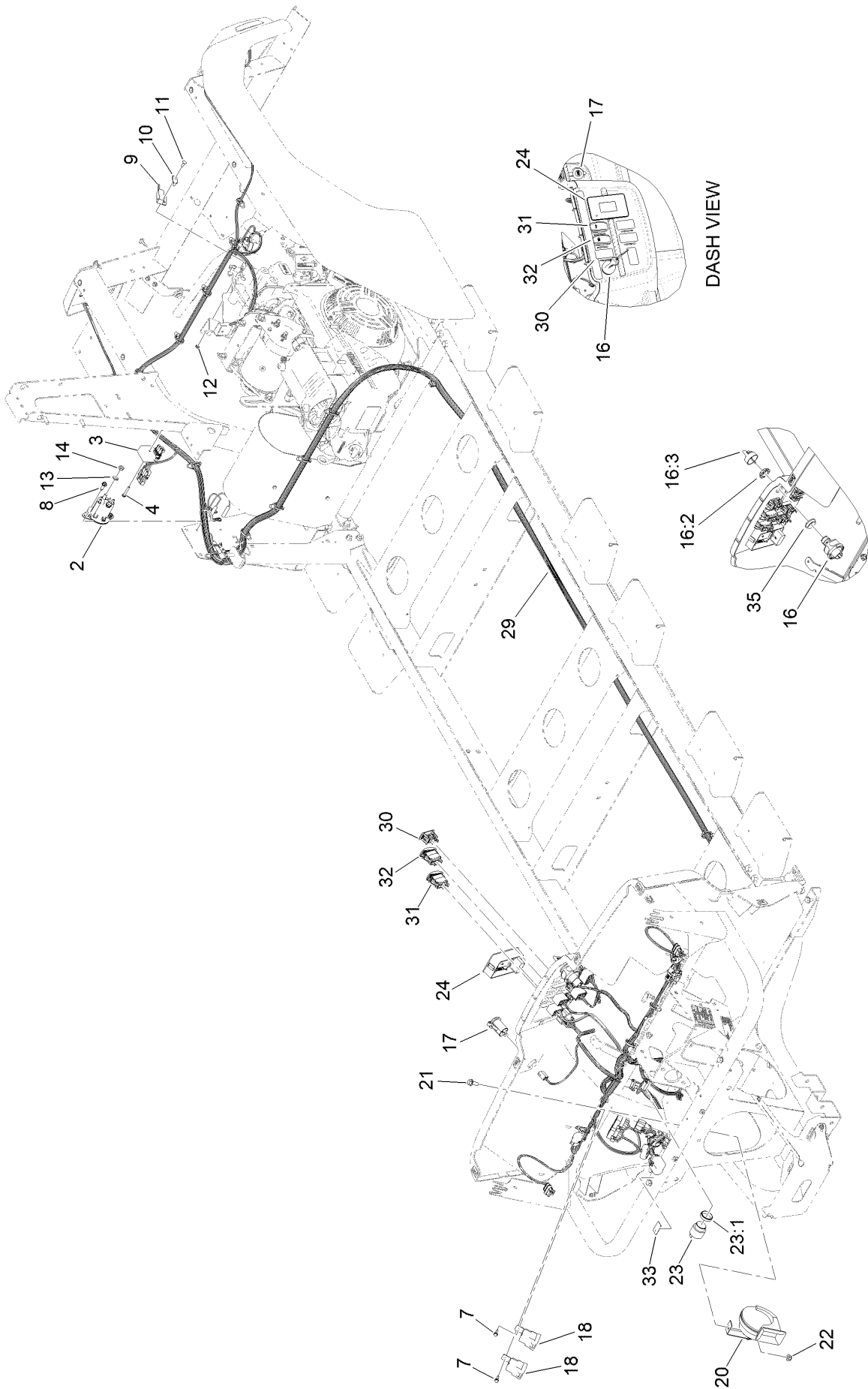
Battery Assembly



Battery Assembly (continued)

<i>Ref.</i>	<i>Part Number</i>	<i>Qty.</i>	<i>Description</i>	<i>Ref.</i>	<i>Part Number</i>	<i>Qty.</i>	<i>Description</i>
1	140-9869-03	1	Tray-Battery	10	140-9889	1	Cable-Battery, Rd ASM
2	106948	1	Tray-Battery	11	140-9890	1	Cable-Battery, Bk ASM
3	99-7421	1	Battery- Wet, 12V, 300 CCA	12	3234-5	2	Screw-HHF
4	127-7816-03	1	Channel-Clamp, Battery	13	104-8300	4	Nut-HF, NI
5	321-47	1	Screw-HH	14	32180-030	5	Clip-Tie
6	104-7201	1	Nut-HF, NI	15	3230-4	2	Bolt-CARR
7	122-1176	1	Cable-Battery, Negative	16	49-2040	1	Screw-HWHTF
9	140-9888	1	Cable-Battery, Rd ASM				

Electrical Assembly



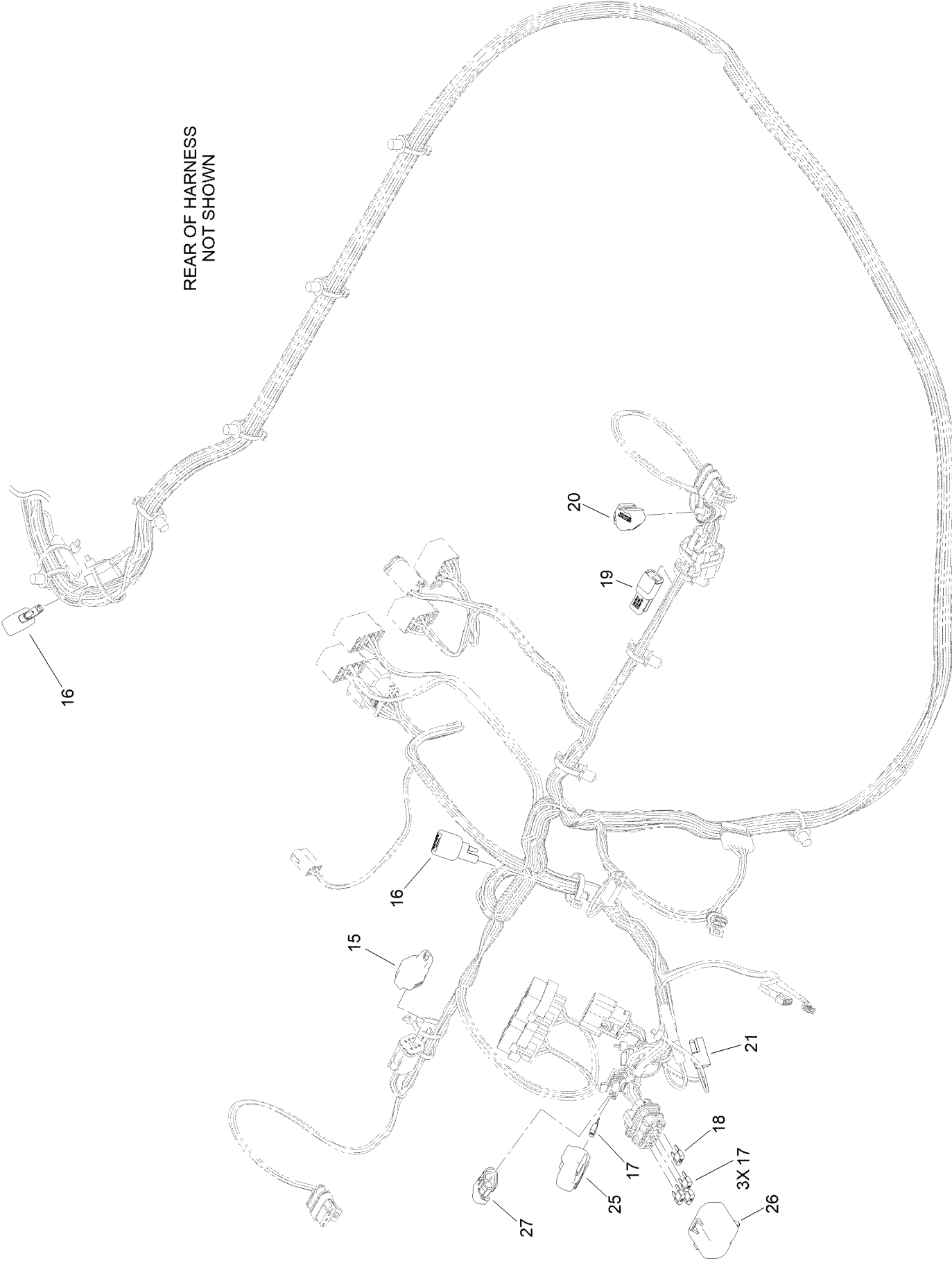
Electrical Assembly (continued)

<i>Ref.</i>	<i>Part Number</i>	<i>Qty.</i>	<i>Description</i>	<i>Ref.</i>	<i>Part Number</i>	<i>Qty.</i>	<i>Description</i>
2	114-3315	1	Solenoid	18	99-7430	2	Relay-Mini
3	119-9492	1	Regulator-Voltage	20	110-2594	1	Horn
4	100-4352	1	Screw-HWH	21	3234-5	1	Screw-HHF
7	100-4351	2	Screw-HWH	22	104-8300	1	Nut-HF, NI
8	49-2040	2	Screw-HWHTF	23	80-9330	1	Audio Alarm ASM
9	100-1270	1	Switch-Proximity	23:1	104-5107	1	Nut-Plastic, Knurled
10	100-4872	1	Plate-Switch, Neutral	24	122-2152	1	Controller, Tdm-1601
11	3229-34	1	Screw-CARR	29	122-2217	1	Harness-Wire, Vista, B&s (6&8 Pass)
12	138-0719	1	Nut-HF	30	119-7791	4	Plug-Hole
13	3255-8	2	Washer-Lock	31	144-2415	1	Switch-Rocker, (On)-None-Off
14	3220-2	2	Nut-Jam	32	144-2405	1	Switch-Rocker, On-None-On
16	122-2513	1	Switch-Ignition, Suns	33	144-5575	1	Decal-Fuse Block EFI
16:1	121-5160	1	Nut-Hex ●	35	145-7110	1	Adapter-Switch, Key
16:2	122-2704	1	Nut-Face, M22 (Plastic)				
16:3	121-5162	1	Set-Key, Ignition				
17	140-7955	1	Port-Power, USB				

● Not illustrated

Wire Harness Assembly No. 122-2217

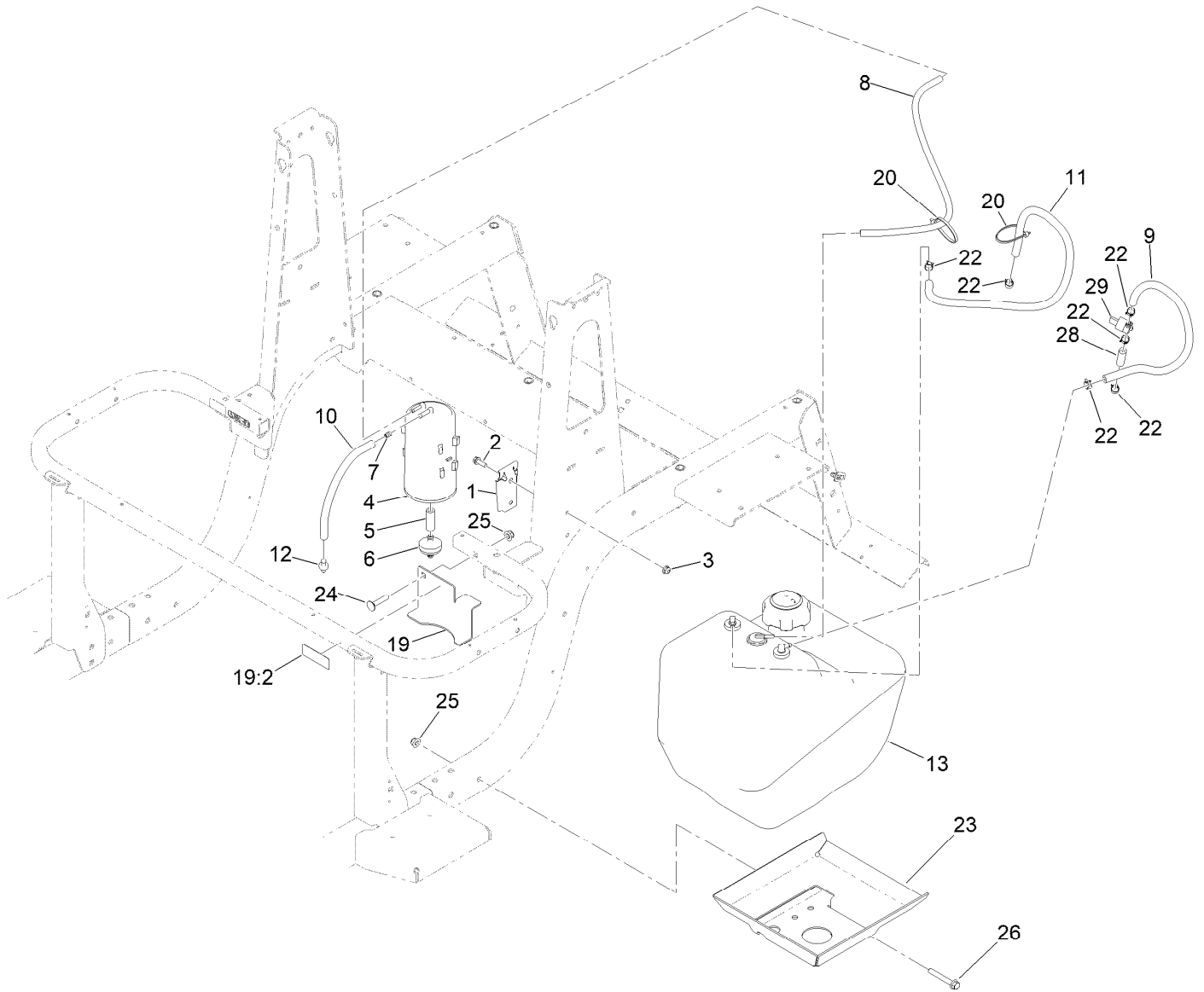
REAR OF HARNESS
NOT SHOWN



Wire Harness Assembly No. 122-2217 (continued)

<i>Ref.</i>	<i>Part Number</i>	<i>Qty.</i>	<i>Description</i>	<i>Ref.</i>	<i>Part Number</i>	<i>Qty.</i>	<i>Description</i>
15	32180-156	1	Cap-Plug, 6 Way	21	32180-416	1	Cap-Tethered
16	100-4918	2	Diode	25	32180-101	1	Cover-Fuse, Single
17	121-8866	4	Fuse-Mini Blade, 10 Amp	26	32180-181	1	Cover-Cooper-Bussman, Atm ST Pin Brkt
18	121-8868	2	Fuse-Mini Blade, 20 Amp	27	32160-072	1	Connector-Wp,2M
19	32180-282	1	Resistor-120 Ohm				
20	32180-089	1	Cap-Plug, 3 Way				

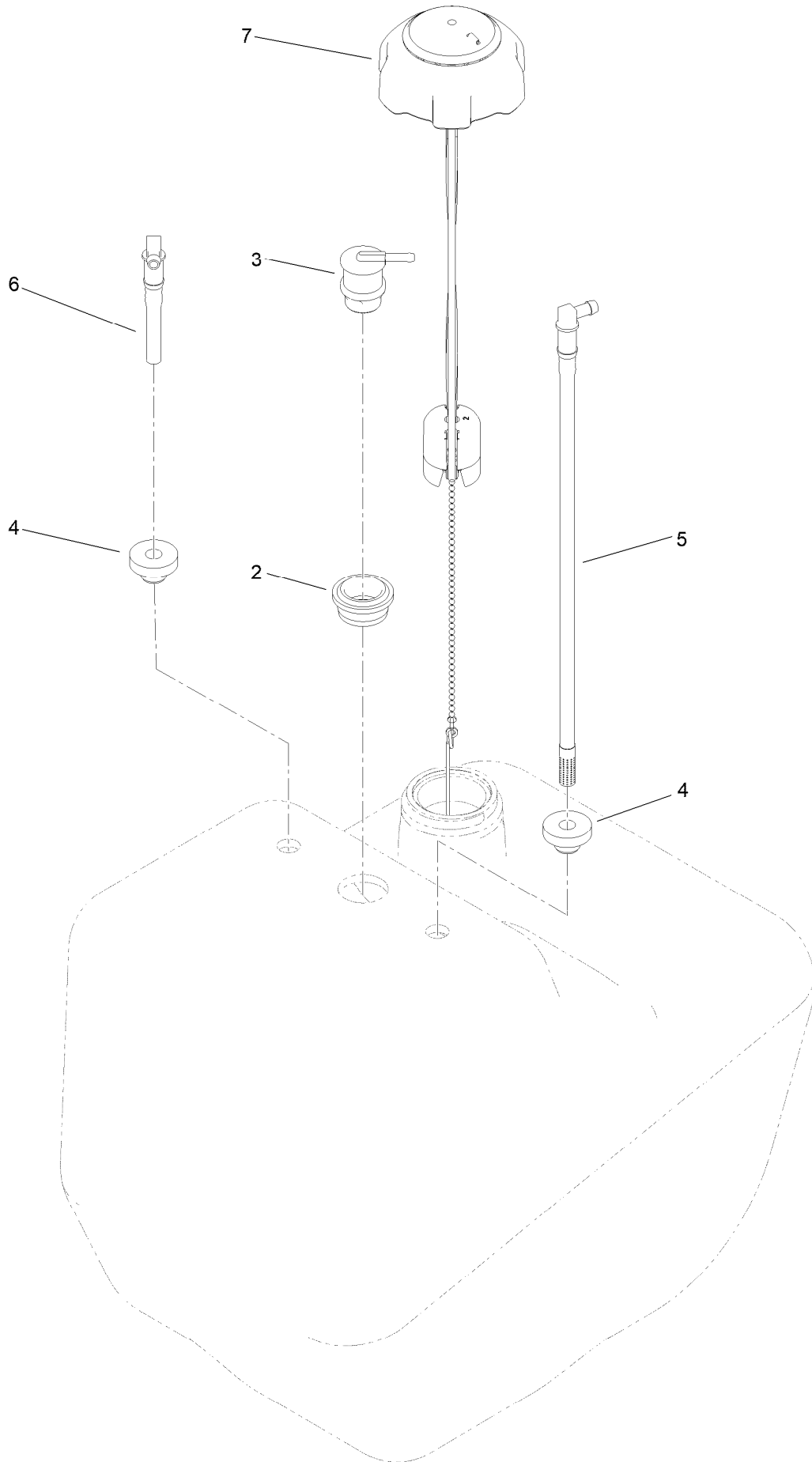
Fuel System Assembly



Fuel System Assembly (continued)

<i>Ref.</i>	<i>Part Number</i>	<i>Qty.</i>	<i>Description</i>	<i>Ref.</i>	<i>Part Number</i>	<i>Qty.</i>	<i>Description</i>
1	114-0292	1	Bracket-Canister, Carbon	13	144-5395	1	Fuel Tank ASM
2	32105-15	2	Screw-HWH	19	145-7058	1	Tank Bracket ASM
3	104-7201	2	Nut-HF, NI	19:2	131-8410	1	Decal-Danger, Fuel
4	127-8685	1	Canister-Carbon	20	3290-378	2	Tie-Cable
5	106-5317	1	Hose-Fuel	22	2412-98	6	Clamp-Hose
6	115-7854	1	Filter-Fuel, Inline	23	144-5355-03	1	Tank Support ASM
7	120-2038	1	Cartridge-Valve, Check	24	3230-4	1	Bolt-CARR
8	119-8149	1	Hose-Fuel	25	104-8300	2	Nut-HF, NI
9	110-5701	1	Hose-Fuel	26	139-4479	1	Screw-HHF
10	109-0282	1	Hose-Fuel	28	109-0304	1	Hose-Fuel
11	109-1395	1	Hose-Fuel	29	1-603770	1	Valve-Fuel
12	117-5399	1	Adaptor-Orifice				

Fuel Tank Assembly No. 144-5395



Fuel Tank Assembly No. 144-5395 (continued)

<i>Ref.</i>	<i>Part Number</i>	<i>Qty.</i>	<i>Description</i>	<i>Ref.</i>	<i>Part Number</i>	<i>Qty.</i>	<i>Description</i>
2	114-0284	1	Grommet	5	115-9044	1	Pipe-Stand
3	114-0285	1	Valve-Rollover	6	145-7285	1	Fitting-Return, Fuel
4	46-6560	2	Bushing	7	131-8357	1	Cap-Gauge

Attachments and Accessories

For 08918 Vista 8 Passenger EFI Shuttle Vehicle

Product Name	Model/Part
Rear View Mirror Kit.....	08141
Folding Windshield Kit.....	08220
Beige Canopy, Vista 8 Passenger Shuttle Vehicle.....	08223
Beacon Kit.....	08225
Shim-Limiter.....	119-0807
Wide Angle Mirror Kit.....	133-1009
Wide Angle Mirror Kit.....	133-1038
Universal Wireless Hourmeter Kit.....	144-2436
Turn Signal Kit.....	144-5587
Side Mirrors Kit.....	145-7140

Notes:

Notes:

Notes:



Count on it.