



Count on it.

Parts Catalog

**52in Z Master® Professional 2000
Series Riding Mower**

Model No. 77291TA—Serial No. 415200000 and Up



Ordering Replacement Parts

To order replacement parts, please supply the part number, the quantity, and the description of each part desired.

Understanding Reference Numbers

Each identified part in an illustration has a reference number. The reference number for a part also appears in the parts list, along with other information about the part.

This catalog uses two special reference number formats, one to indicate parts in a service assembly and another to indicate the quantity of a given part in an illustration.

Service Assembly Reference Numbers

Parts in service assemblies have reference numbers in the form a:b. The a represents the reference number of the entire service assembly and the b represents a sequential number unique to each part within the service assembly.

For example, a wheel assembly might be identified by reference number 6, the tire by 6:1, the valve by 6:2, and the wheel by 6:3. When you order the assembly identified by reference number 6, you receive all parts identified by reference numbers 6:1, 6:2, and 6:3. However, you may also order any part individually. Reference numbers of this type appear in illustration and in parts lists.

Reference Numbers Indicating Quantity

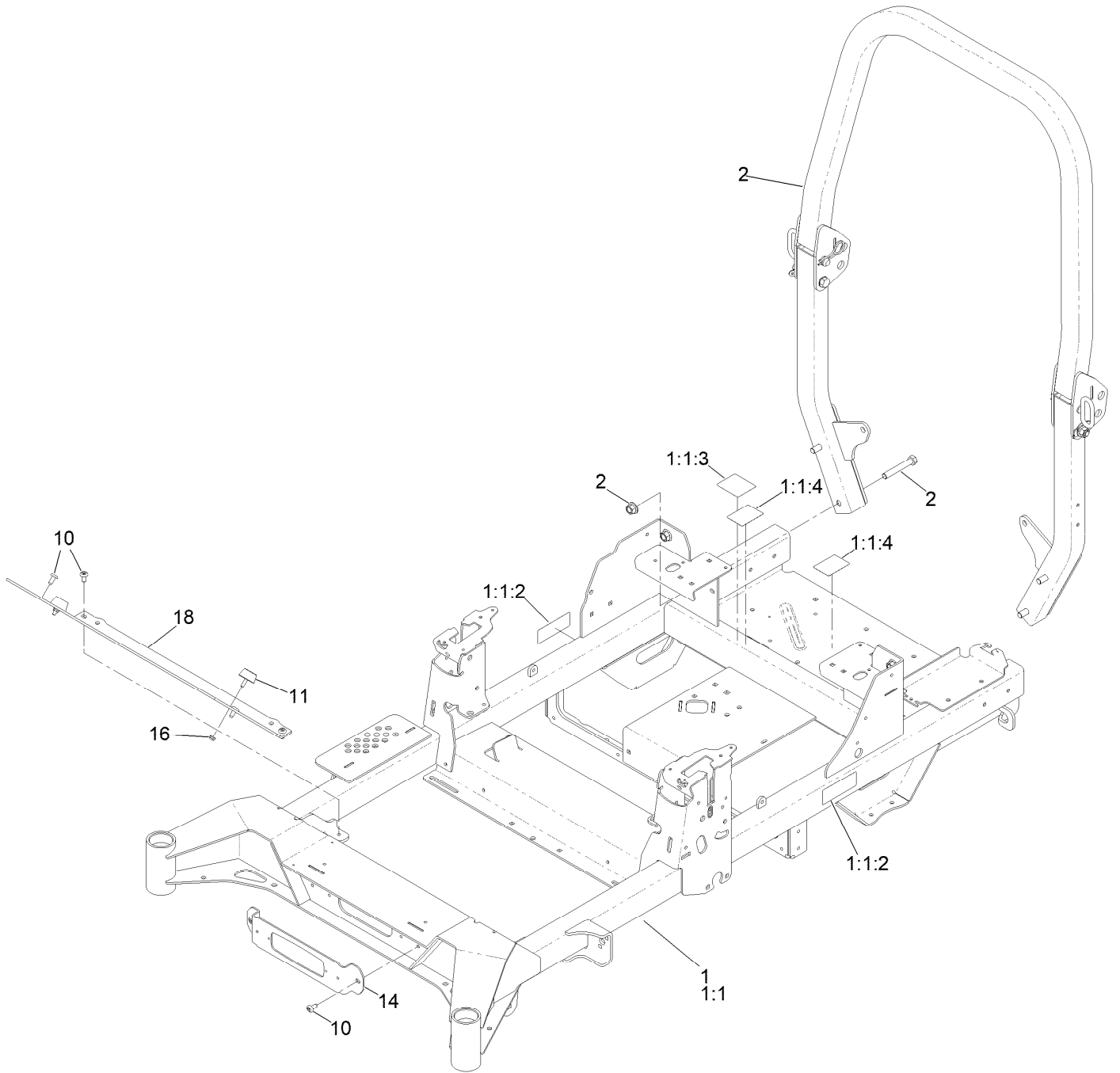
In an illustration, if a reference number indicates more than one part, the reference number has the form nX y. The n represents the quantity of the part, the X is the multiplication symbol, and the y represents the reference number.

For example, in an illustration, the reference number 2X 37 means that two of the parts identified by reference number 37 are indicated.

Contents

| | |
|---|----|
| Frame Assembly | 4 |
| Roll-Over Protection System Assembly No. 139-8063 | 6 |
| Hydro Drive Assembly | 8 |
| LH Transaxle Assembly No. 145-8424 | 10 |
| RH Transaxle Assembly No. 145-8425 | 12 |
| Throttle, Choke and Guards Assembly | 14 |
| Fuel Assembly | 16 |
| Fuel Tank Assembly No. 147-2403 | 18 |
| Seat Mount Assembly | 20 |
| Motion Control Assembly | 22 |
| Left and Right Motion Control Assembly | 24 |
| Front Caster Wheel Assembly | 26 |
| Fork and Caster Assembly | 28 |
| Rear Drive Wheel Assembly | 30 |
| Electrical Assembly | 32 |
| Wire Harness Assembly No. 147-2363 | 34 |
| Deck Lift Assembly | 36 |
| Deck Strut Assembly No. 140-1179 | 38 |
| Engine, Clutch and Muffler Assembly | 40 |
| Seat Suspension Assembly | 42 |
| Seat Assembly No. 147-2383 | 44 |
| Decal Assembly | 46 |
| Deck Assembly | 48 |
| Deck Decal Assembly No. 147-7372 | 50 |
| Spindle Assembly No. 139-2357 | 52 |
| Deflector Assembly No. 144-2635 | 54 |
| Idler Arm Assembly No. 139-1087 | 56 |
| Attachments and Accessories | 58 |

Frame Assembly

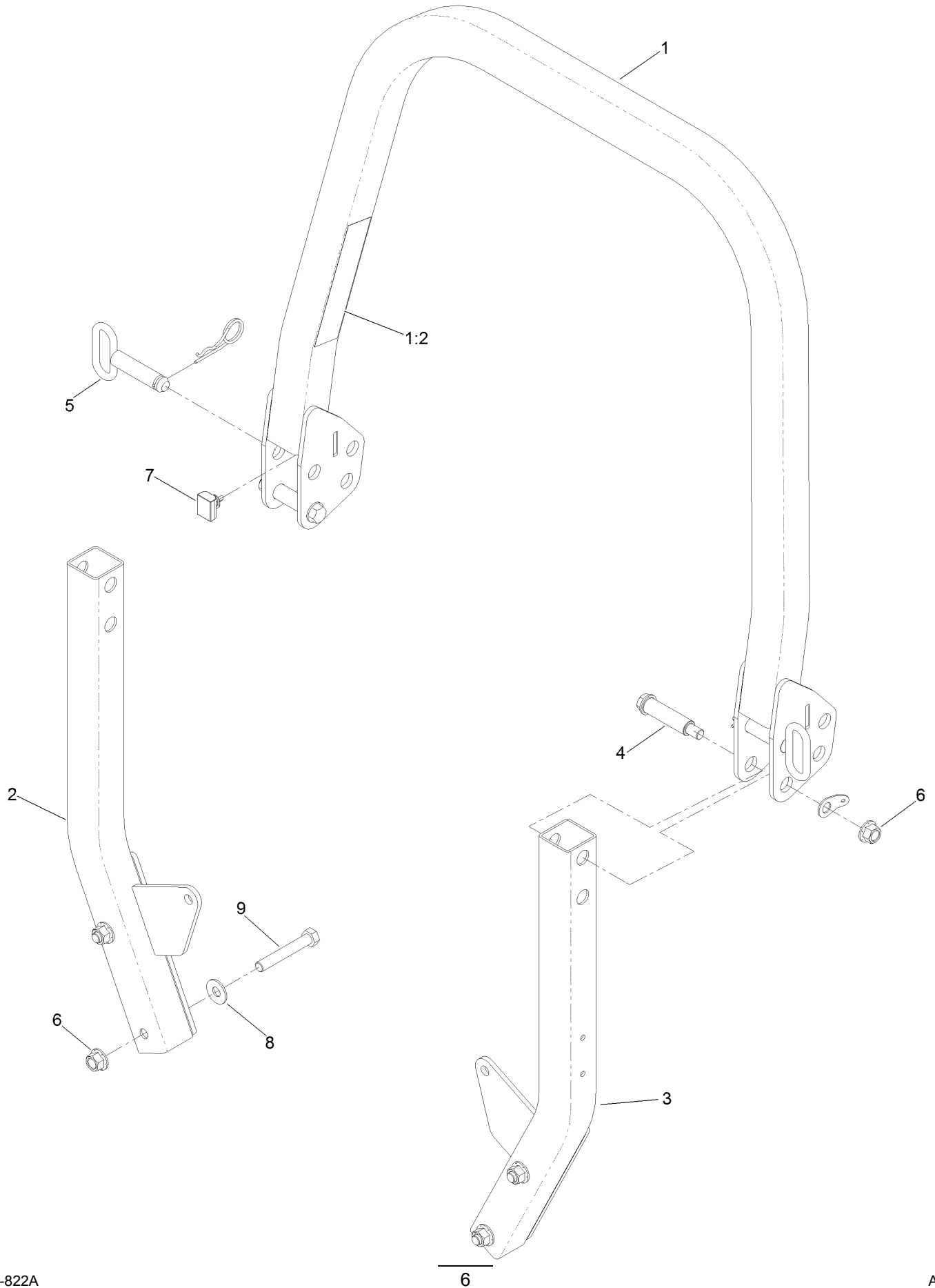


Frame Assembly (continued)

| <i>Ref.</i> | <i>Part Number</i> | <i>Qty.</i> | <i>Description</i> | <i>Ref.</i> | <i>Part Number</i> | <i>Qty.</i> | <i>Description</i> |
|-------------|--------------------|-------------|---------------------|-------------|--------------------|-------------|--------------------|
| 1 | 145-8476 | 1 | Frame ASM | 10 | 138-9753 | 6 | Screw |
| 1:1 | | 1 | Frame-48/52 ● | 11 | 131-8834 | 2 | Bumper |
| 1:1:2 | 126-4363 | 2 | Decal-Warning | 14 | 140-4994-01 | 1 | Bracket-Light |
| 1:1:3 | 109-6014 | 1 | Decal-Routing, Belt | 16 | 104-7201 | 2 | Nut-HF, NI |
| 1:1:4 | 147-4982 | 2 | Decal-Bypass | 18 | 140-4997-01 | 1 | Toeboard |
| 2 | 139-8063 | 1 | ASM-ROPS | | | | |

● Not serviced separately

Roll-Over Protection System Assembly No. 139-8063



Roll-Over Protection System Assembly No. 139-8063 (continued)

| <i>Ref.</i> | <i>Part Number</i> | <i>Qty.</i> | <i>Description</i> | <i>Ref.</i> | <i>Part Number</i> | <i>Qty.</i> | <i>Description</i> |
|-------------|--------------------|-------------|--------------------------------------|-------------|--------------------|-------------|--------------------|
| 1 | | 1 | Upper ROPS ASM ● | 4 | 126-9209 | 2 | Bolt-Shoulder |
| 1:2 | 107-3069 | 1 | Decal-Warning | 5 | 103-4553 | 2 | ROPS Fold Pin ASM |
| 2 | | 1 | ASM-ROPS, RH Suspension [black] ● | 6 | 99-5107 | 6 | Nut-Lock |
| 3 | | 1 | ASM-ROPS, LH Suspension [black] ● | 7 | 109-5337 | 2 | Bumper-ROPS |
| | | | | 8 | 109-9505 | 4 | Washer-Spring |
| | | | | 9 | 325-13 | 4 | Screw-HH |

● Not serviced separately

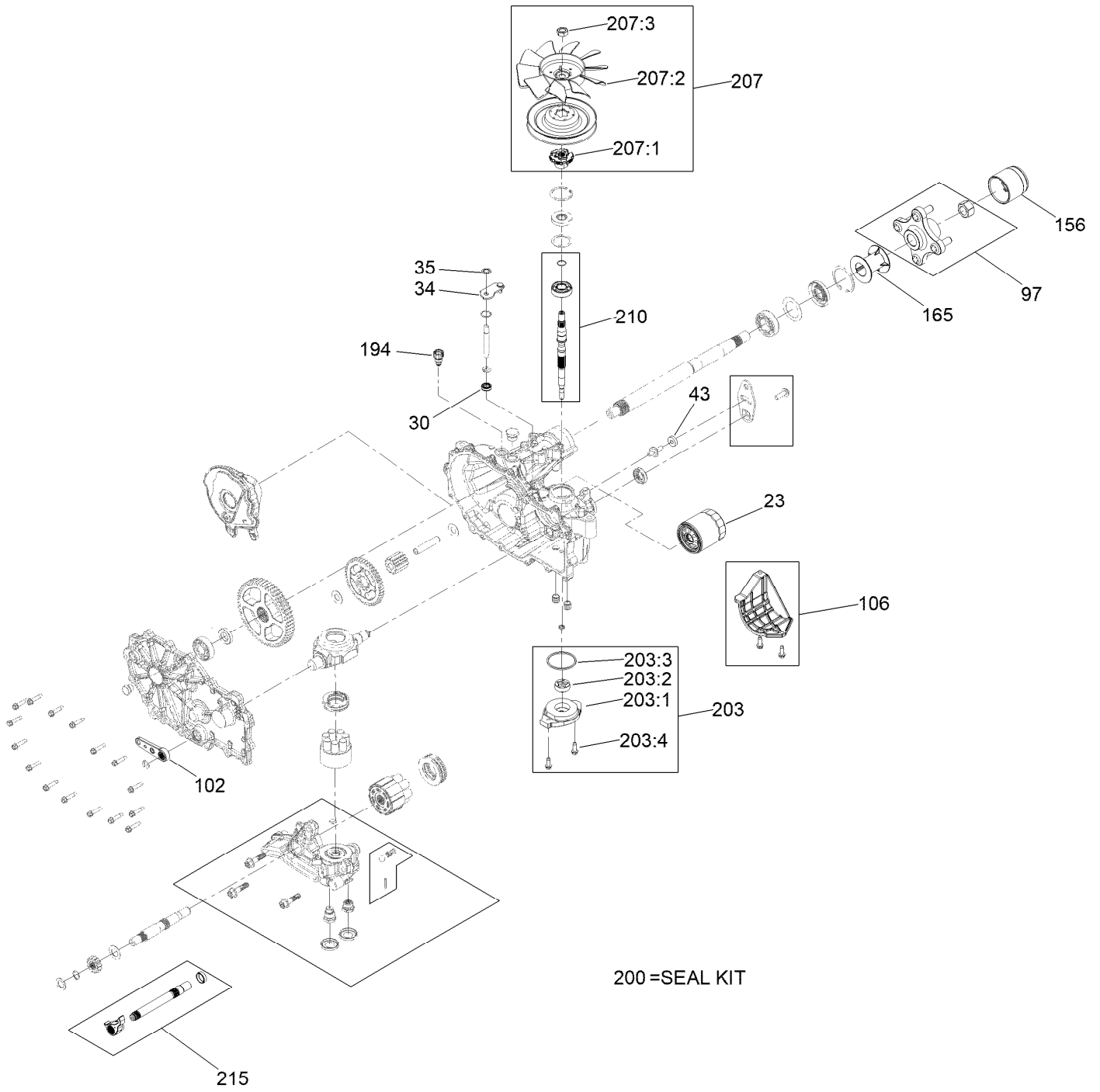
Hydro Drive Assembly



Hydro Drive Assembly (continued)

| <i>Ref.</i> | <i>Part Number</i> | <i>Qty.</i> | <i>Description</i> | <i>Ref.</i> | <i>Part Number</i> | <i>Qty.</i> | <i>Description</i> |
|-------------|--------------------|-------------|--------------------|-------------|--------------------|-------------|---------------------|
| 1 | 145-8424 | 1 | Transaxle ASM | 8 | 94-7972 | 2 | Screw-HH W/Loctite |
| 2 | 145-8425 | 1 | Transaxle ASM | 9 | 109-3652 | 2 | Spacer |
| 3 | 126-4687 | 4 | Screw-HHF | 10 | 126-5896 | 2 | Screw HHF |
| 4 | 1-303334 | 4 | Washer-Spring | 11 | 3230-7 | 2 | Bolt-CARR |
| 5 | 104-8300 | 8 | Nut-HF, NI | 12 | 125-8950 | 2 | Rod-Bypass |
| 6 | 145-5708 | 1 | Shaft-Spacer | 13 | 119-1415 | 2 | Pin-Cotter, Locking |
| 7 | 3256-4 | 2 | Washer-Flat | | | | |

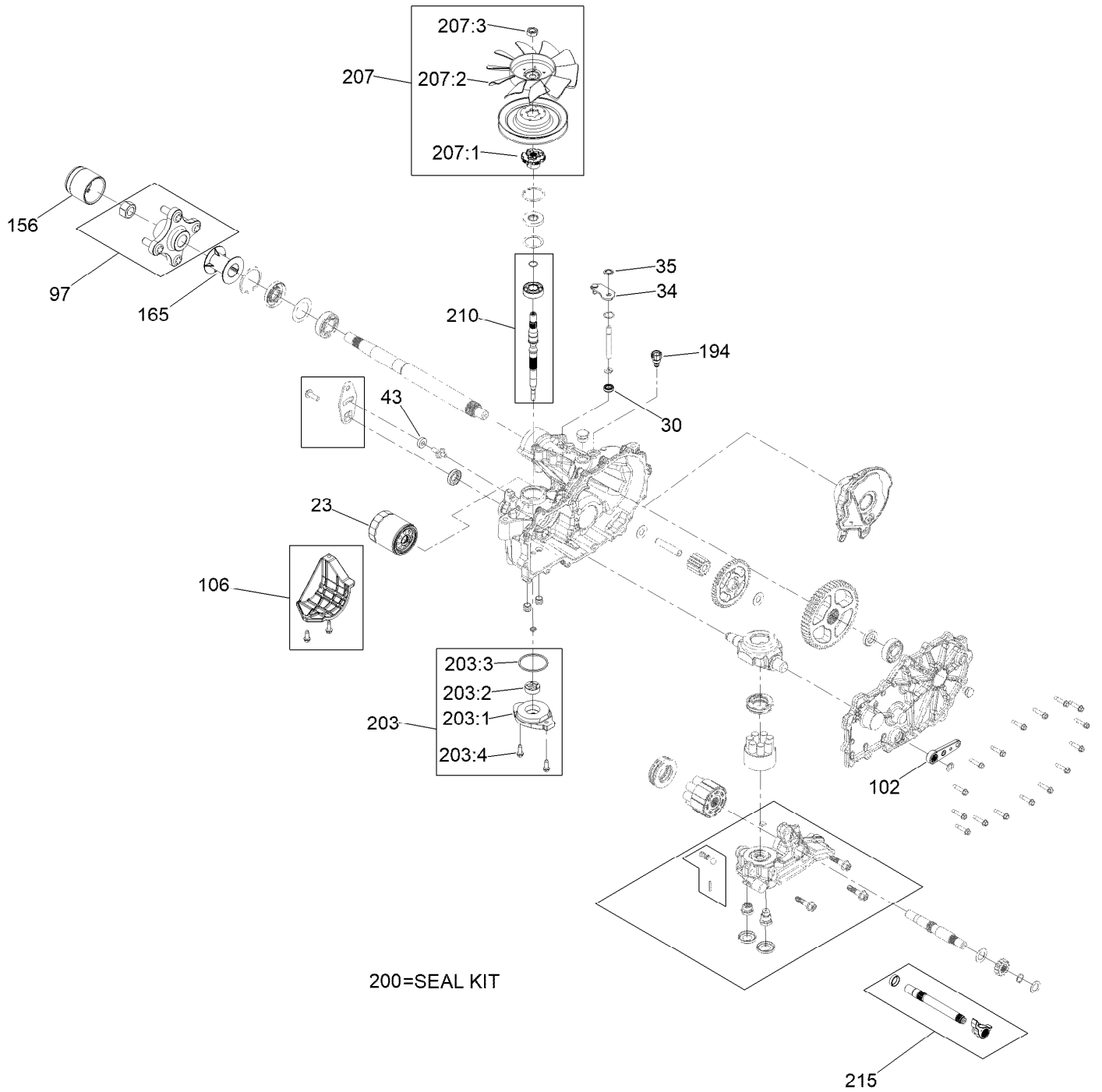
LH Transaxle Assembly No. 145-8424



LH Transaxle Assembly No. 145-8424 (continued)

| <i>Ref.</i> | <i>Part Number</i> | <i>Qty.</i> | <i>Description</i> | <i>Ref.</i> | <i>Part Number</i> | <i>Qty.</i> | <i>Description</i> |
|-------------|--------------------|-------------|----------------------------|-------------|--------------------|-------------|--------------------|
| 23 | 109-3321 | 1 | Element-Oil Filter, HYD | 203 | 114-8465 | 1 | Charge Kit |
| 30 | 139-7497 | 1 | Seal-Lip | 203:1 | 114-8457 | 1 | Cover-Charge Pump |
| 34 | 107-2490 | 1 | Arm-Bypass | 203:2 | 104-2122 | 1 | Gerotor ASM |
| 35 | 106-8681 | 1 | Ring-Retaining, External | 203:3 | 109-3540 | 1 | O Ring-Seal |
| 43 | 112-9853 | 1 | Puck-Friction | 203:4 | 104-2120 | 1 | Screw |
| 97 | 116-3872 | 1 | Hub-Offset | 207 | 126-8904 | 1 | Fan And Pulley Kit |
| 102 | 125-0021 | 1 | Handle-Brake | 207:1 | 126-8905 | 1 | Hub-Fan |
| 106 | 120-7979 | 1 | Guard-Filter, LH | 207:2 | 126-0226 | 1 | Fan |
| 156 | 116-6214 | 1 | Cap-Axle, Long | 207:3 | 116-9714 | 1 | Nut-HJ |
| 165 | 116-6213 | 1 | Tube-Axle | 210 | 121-3248 | 1 | Input Shaft Kit |
| 194 | 147-7366 | 1 | Assembly-Fitting, Breather | 215 | 140-8353 | 1 | Inboard Kit |
| 200 | 121-3243 | 1 | Seal Kit | | | | |

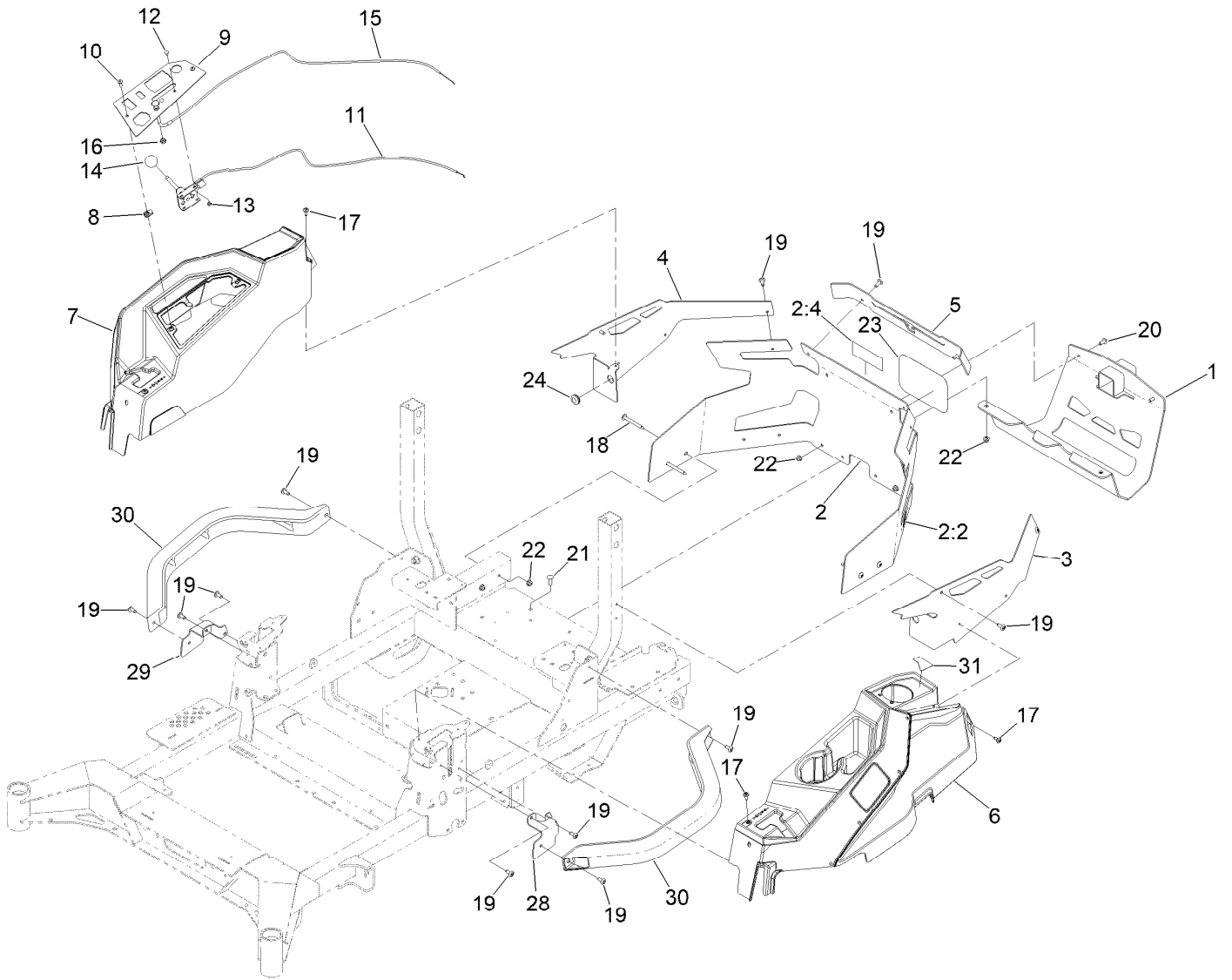
RH Transaxle Assembly No. 145-8425



RH Transaxle Assembly No. 145-8425 (continued)

| <i>Ref.</i> | <i>Part Number</i> | <i>Qty.</i> | <i>Description</i> | <i>Ref.</i> | <i>Part Number</i> | <i>Qty.</i> | <i>Description</i> |
|-------------|--------------------|-------------|----------------------------|-------------|--------------------|-------------|--------------------|
| 23 | 109-3321 | 1 | Element-Oil Filter, HYD | 203 | 114-8465 | 1 | Charge Kit |
| 30 | 139-7497 | 1 | Seal-Lip | 203:1 | 114-8457 | 1 | Cover-Charge Pump |
| 34 | 107-2490 | 1 | Arm-Bypass | 203:2 | 104-2122 | 1 | Gerotor ASM |
| 35 | 106-8681 | 1 | Ring-Retaining, External | 203:3 | 109-3540 | 1 | O Ring-Seal |
| 43 | 112-9853 | 1 | Puck-Friction | 203:4 | 104-2120 | 1 | Screw |
| 97 | 116-3872 | 1 | Hub-Offset | 207 | 126-8904 | 1 | Fan And Pulley Kit |
| 102 | 125-0021 | 1 | Handle-Brake | 207:1 | 126-8905 | 1 | Hub-Fan |
| 106 | 120-7981 | 1 | Guard-Filter, RH | 207:2 | 126-0226 | 1 | Fan |
| 156 | 116-6214 | 1 | Cap-Axle, Long | 207:3 | 116-9714 | 1 | Nut-HJ |
| 165 | 116-6213 | 1 | Tube-Axle | 210 | 121-3248 | 1 | Input Shaft Kit |
| 194 | 147-7366 | 1 | Assembly-Fitting, Breather | 215 | 140-8353 | 1 | Inboard Kit |
| 200 | 121-3243 | 1 | Seal Kit | | | | |

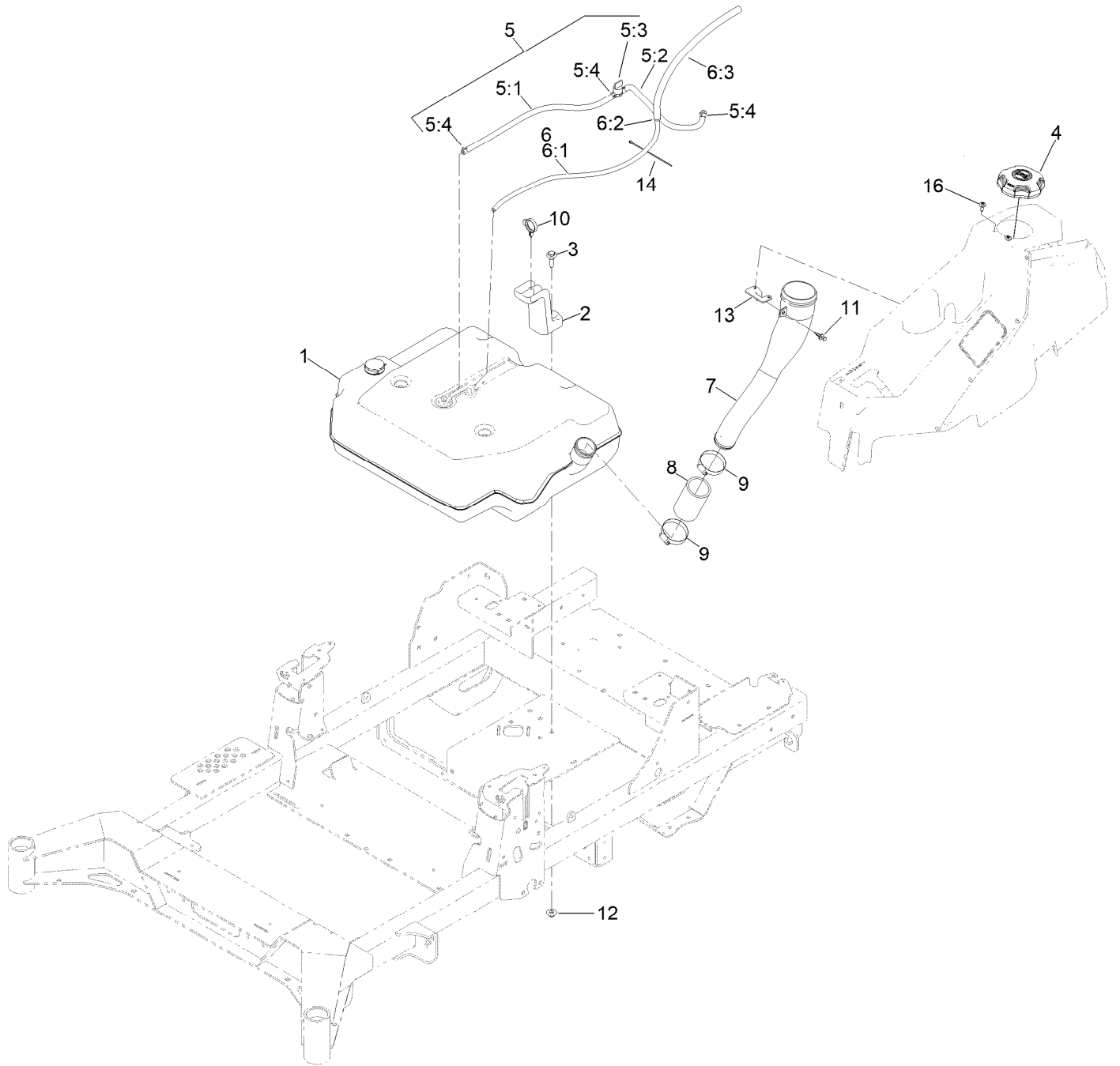
Throttle, Choke and Guards Assembly



Throttle, Choke and Guards Assembly (continued)

| <i>Ref.</i> | <i>Part Number</i> | <i>Qty.</i> | <i>Description</i> | <i>Ref.</i> | <i>Part Number</i> | <i>Qty.</i> | <i>Description</i> |
|-------------|--------------------|-------------|-------------------------|-------------|--------------------|-------------|----------------------|
| 1 | 147-2408-03 | 1 | Guard-Muffler | 14 | 1-603175 | 1 | Knob-Ball |
| 2 | 145-7022 | 1 | Rear Guard ASM | 15 | 139-6735 | 1 | Cable-Control, Choke |
| 2:2 | 106-5517 | 2 | Decal-Warning | 16 | 3220-3 | 1 | Nut-HJ |
| 2:4 | 147-7364 | 1 | Decal-Hitch | 17 | 120-7950 | 6 | Screw-Torx |
| 3 | 145-8443-01 | 1 | Guard-Rear, LH | 18 | 126-6267 | 4 | Screw-TTH |
| 4 | 145-8444-01 | 1 | Guard-Rear, RH | 19 | 138-9753 | 14 | Screw |
| 5 | 145-7007-01 | 1 | Guard-Rear, Top | 20 | 126-6268 | 2 | Screw-TTH |
| 6 | 147-2352 | 1 | LH Pod ASM | 21 | 3230-22 | 2 | Screw-CARR |
| 7 | 147-2353 | 1 | RH Pod ASM | 22 | 104-8300 | 8 | Nut-HF, NI |
| 8 | 107069 | 2 | Clip | 23 | 67-7320 | 1 | Decal |
| 9 | 145-8498-03 | 1 | Panel-Control | 24 | 112-7069 | 1 | Grommet |
| 10 | 138-0689 | 2 | Screw-PH | 28 | 145-8481-01 | 1 | Bracket-Mount, LH |
| 11 | 139-6734 | 1 | Cable-Control, Throttle | 29 | 145-8484-01 | 1 | Bracket-Mount, RH |
| 12 | 1-807513 | 2 | Bolt-CARR | 30 | 147-2385-01 | 2 | Tube-Pod |
| 13 | 3296-2 | 2 | Nut-Lock, NI | 31 | 147-2399 | 1 | Decal-Fuel Fill |

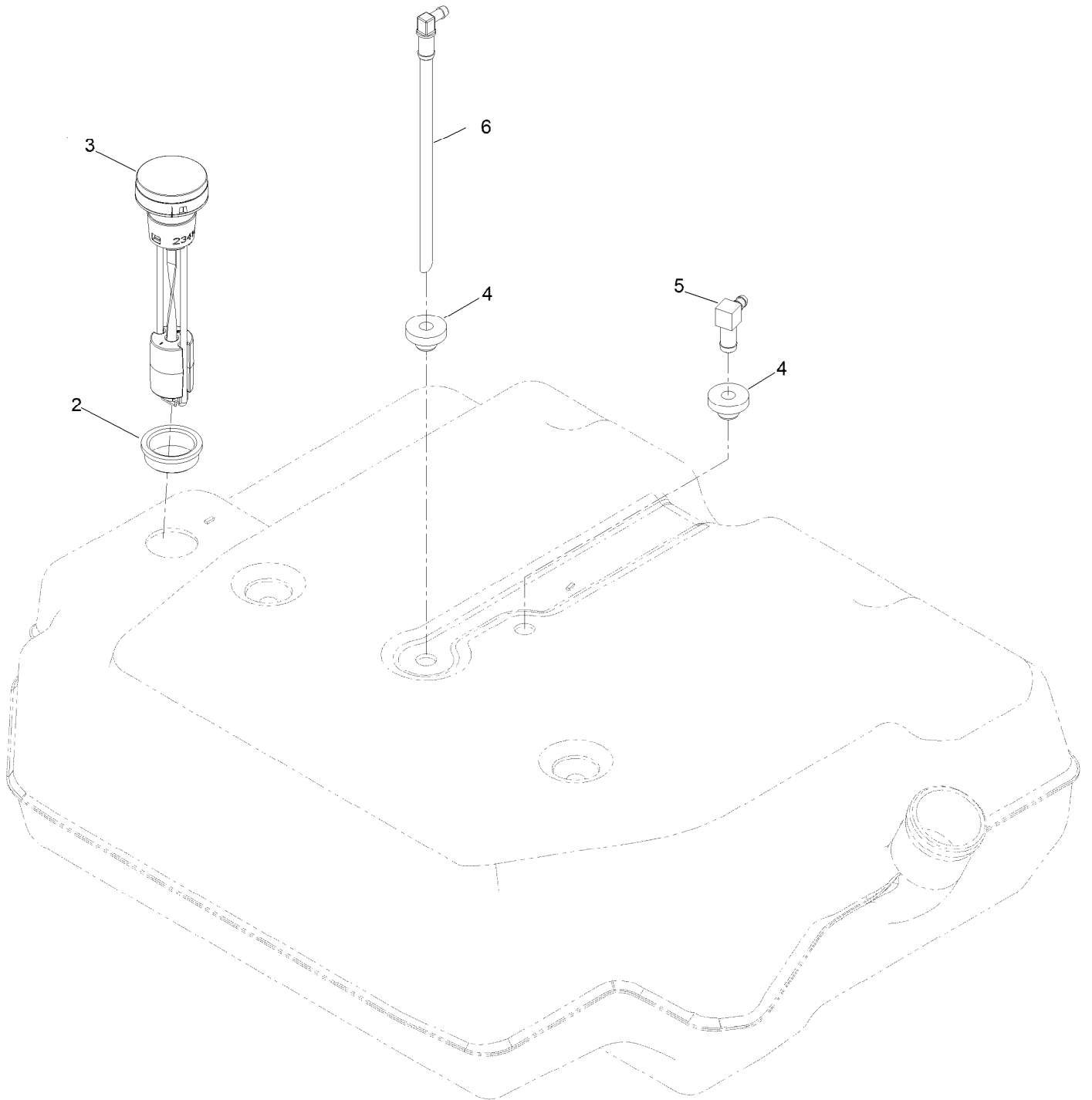
Fuel Assembly



Fuel Assembly (continued)

| <i>Ref.</i> | <i>Part Number</i> | <i>Qty.</i> | <i>Description</i> | <i>Ref.</i> | <i>Part Number</i> | <i>Qty.</i> | <i>Description</i> |
|-------------|--------------------|-------------|---------------------------|-------------|--------------------|-------------|-----------------------------------|
| 1 | 147-2403 | 1 | Tank ASM-Fuel | 6:3 | 116-4344 | 1 | Hose-Fuel |
| 2 | 145-5778 | 1 | Retainer-Tank, Rear | 7 | 147-7350 | 1 | Neck-Filler, Fuel |
| 3 | 614672 | 1 | Screw-Shoulder, HWH | 8 | 145-4698 | 1 | Hose-Filler, Fuel |
| 4 | 137-4119 | 1 | Cap-Fuel, Ratcheting | 9 | 2412-130 | 2 | Clamp-Hose |
| 5 | 163-0110 | 1 | Hose Assembly-Fuel/Valve | 10 | 104-2490 | 1 | Clamp-Hose |
| 5:1 | 109-0301 | 1 | Hose-Fuel | 11 | 125-9622 | 1 | Rivet-Blind |
| 5:2 | 114-3766 | 1 | Hose-Fuel | 12 | 104-8301 | 1 | Nut-HF, NI |
| 5:3 | 1-603770 | 1 | Valve-Fuel | 13 | 161-2890 | 1 | Bracket-Mounting, Fill |
| 5:4 | 2412-98 | 4 | Clamp-Hose | 14 | 32180-082 | 1 | Clip-Edge W/Tie, Perpendicular |
| 6 | 140-4957 | 1 | ASM-Fuel Vent | 16 | 120-7950 | 2 | Screw-Torx |
| 6:1 | 138-3152 | 1 | Hose-Fuel | | | | |
| 6:2 | 116-4630 | 1 | Fitting-Orifice, Straight | | | | |

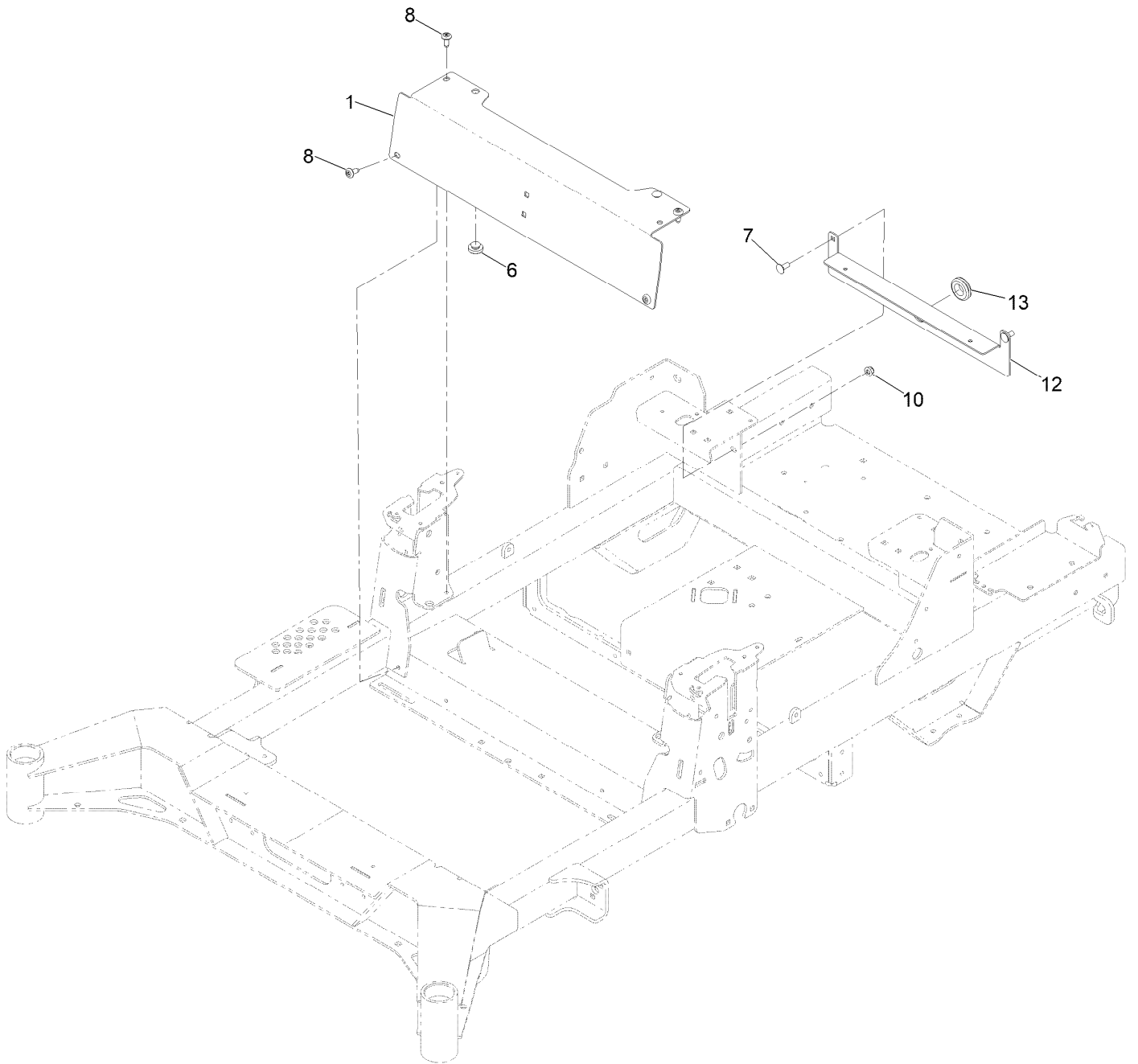
Fuel Tank Assembly No. 147-2403



Fuel Tank Assembly No. 147-2403 (continued)

| <i>Ref.</i> | <i>Part Number</i> | <i>Qty.</i> | <i>Description</i> | <i>Ref.</i> | <i>Part Number</i> | <i>Qty.</i> | <i>Description</i> |
|-------------|--------------------|-------------|--------------------|-------------|--------------------|-------------|------------------------|
| 2 | 133-9269 | 1 | Grommet-Fuel | 5 | 126-9057 | 1 | Fitting-90 DEG |
| 3 | 139-8058 | 1 | Gauge-Fuel | 6 | 140-4955 | 1 | Connector Elbow-90 DEG |
| 4 | 46-6560 | 2 | Bushing | | | | |

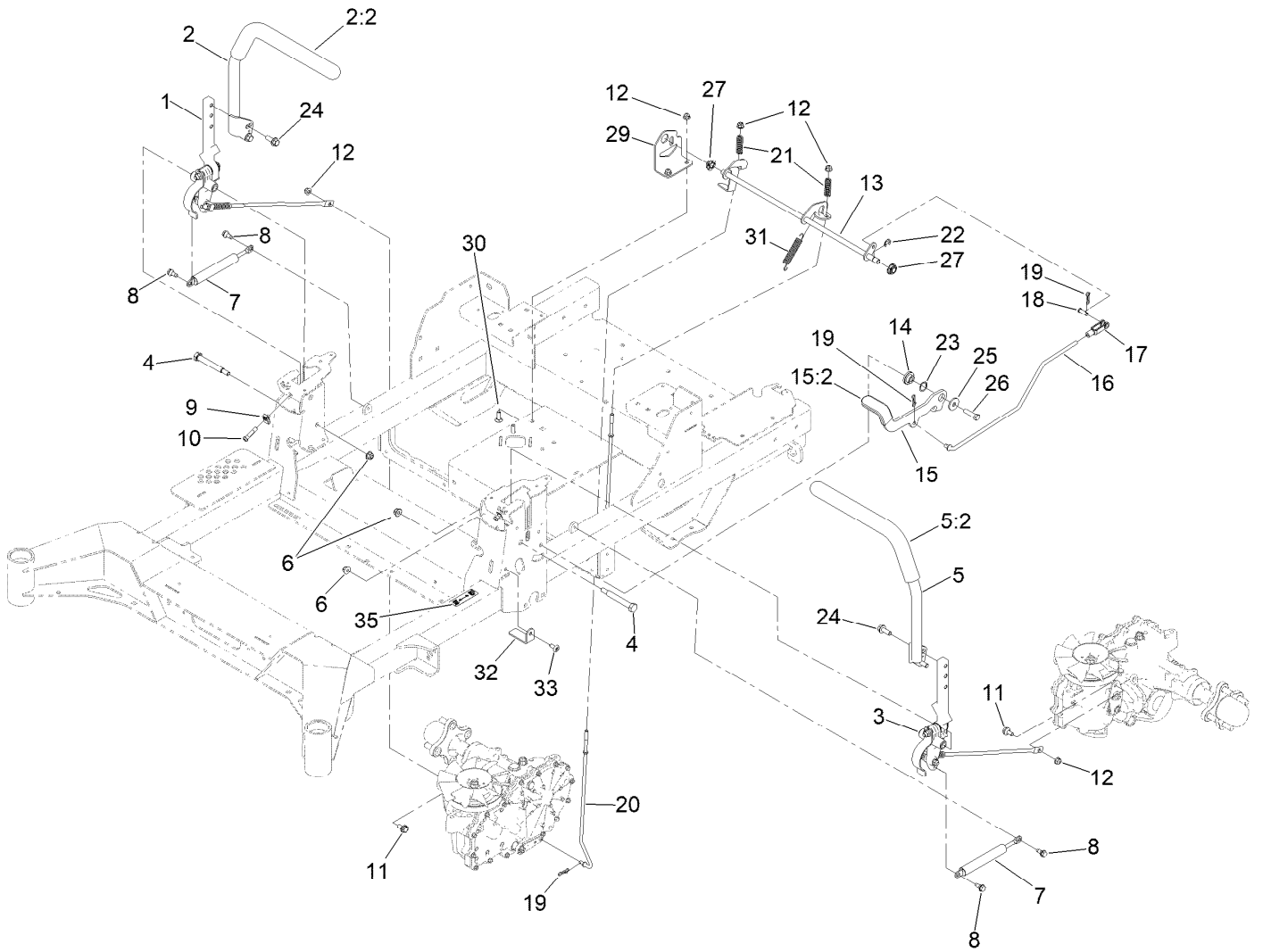
Seat Mount Assembly



Seat Mount Assembly (continued)

| <i>Ref.</i> | <i>Part Number</i> | <i>Qty.</i> | <i>Description</i> | <i>Ref.</i> | <i>Part Number</i> | <i>Qty.</i> | <i>Description</i> |
|-------------|--------------------|-------------|----------------------------|-------------|--------------------|-------------|--------------------|
| 1 | 147-2398-03 | 1 | Plate-Badge, Front [black] | 10 | 104-8300 | 2 | Nut-HF, NI |
| 6 | 135-0505 | 2 | Bumper-Seat | 12 | 147-2362-03 | 1 | Bracket-Firewall |
| 7 | 3230-23 | 2 | Bolt-CARR | 13 | 1-543286 | 1 | Grommet |
| 8 | 138-9753 | 4 | Screw | | | | |

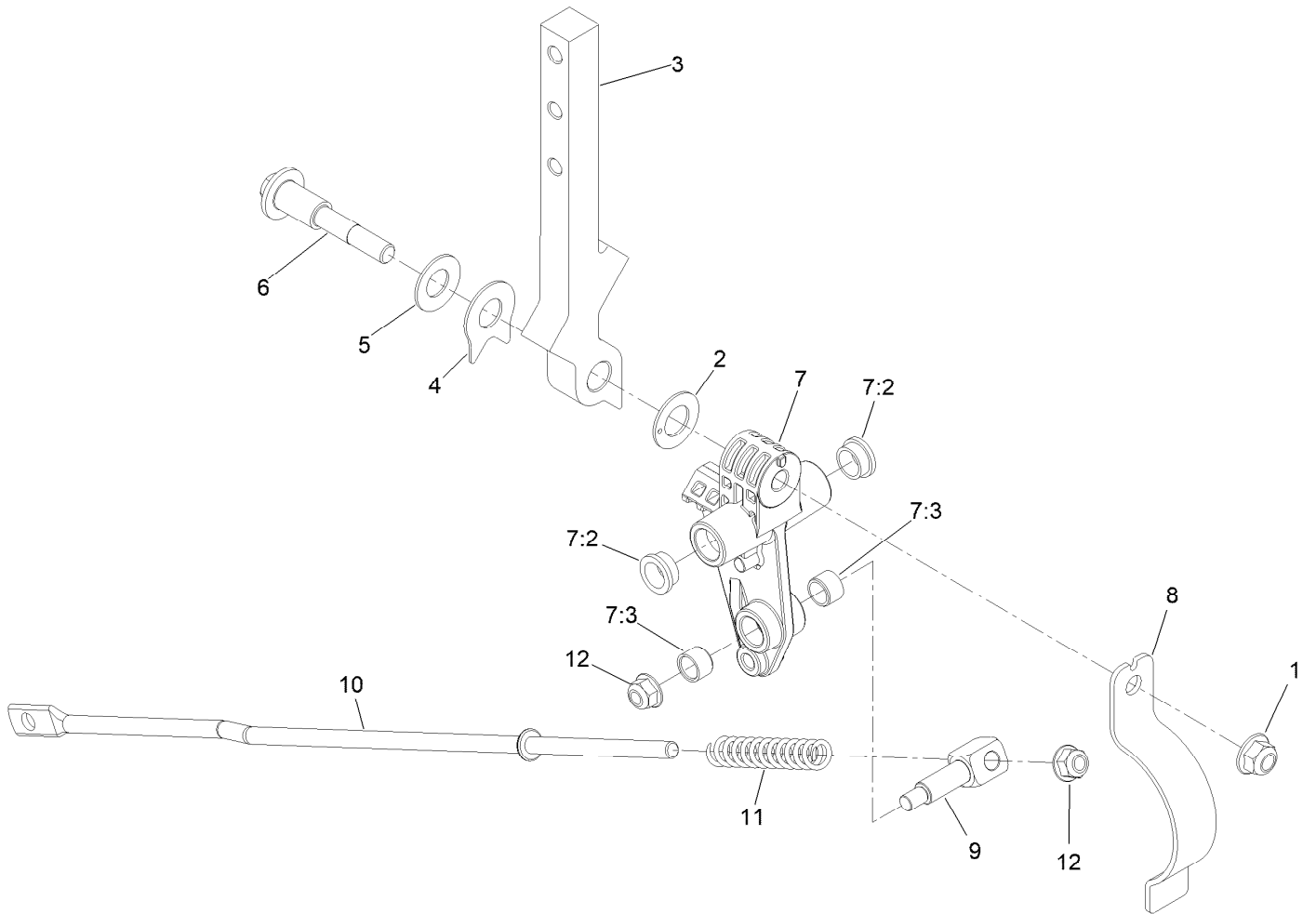
Motion Control Assembly



Motion Control Assembly (continued)

| <i>Ref.</i> | <i>Part Number</i> | <i>Qty.</i> | <i>Description</i> | <i>Ref.</i> | <i>Part Number</i> | <i>Qty.</i> | <i>Description</i> |
|-------------|--------------------|-------------|-----------------------|-------------|--------------------|-------------|--------------------------|
| 1 | 145-5725 | 1 | Motion Control ASM-RH | 16 | 145-5722 | 1 | Linkage-Brake, Upper |
| 2 | 147-2390 | 1 | Handle ASM - RH | 17 | 1-303105 | 1 | Yoke-Adjustable |
| 2:2 | 109-5668 | 1 | Grip-Lever, Control | 18 | 1-808280 | 1 | Pin-Clevis |
| 3 | 145-5724 | 1 | Motion Control ASM-LH | 19 | 119-1415 | 4 | Pin-Cotter, Locking |
| 4 | 115-5099 | 2 | Bolt-Pivot | 20 | 126-7217 | 2 | Linkage-Brake, Lower |
| 5 | 147-2391 | 1 | Handle ASM - LH | 21 | 109-7694 | 2 | Spring-Compression |
| 5:2 | 109-5668 | 1 | Grip-Lever, Control | 22 | 32120-47 | 1 | Ring-Retaining, External |
| 6 | 104-8301 | 3 | Nut-HF, NI | 23 | 119-4164 | 1 | Washer-Wave |
| 7 | 142-6851 | 2 | Damper | 24 | 110-5052 | 4 | Screw-HHF |
| 8 | 126-4424 | 4 | Screw-Shoulder | 25 | 2844 | 1 | Washer |
| 9 | 112-3306 | 2 | Nut | 26 | 323-8 | 1 | Screw-HH |
| 10 | 126-4299 | 2 | Screw-HSBH | 27 | 126-5820 | 2 | Bearing-Spherical |
| 11 | 37-8771 | 2 | Bolt-Shoulder, HF | 29 | 145-5726 | 1 | Bracket-Brake |
| 12 | 104-8300 | 6 | Nut-HF, NI | 30 | 3230-22 | 2 | Screw-CARR |
| 13 | 145-5719 | 1 | Shaft-Brake | 31 | 109-7124 | 1 | Spring-Extension |
| 14 | 126-5989 | 1 | Pivot-Flange | 32 | 145-3685 | 2 | Plate-Stop, Rtn |
| 15 | 147-7375 | 1 | Lever-Brake | 33 | 138-9753 | 2 | Screw |
| 15:2 | 132-4749 | 1 | Grip-Lever | 35 | 115-9625 | 1 | Decal-Brake, Parking |

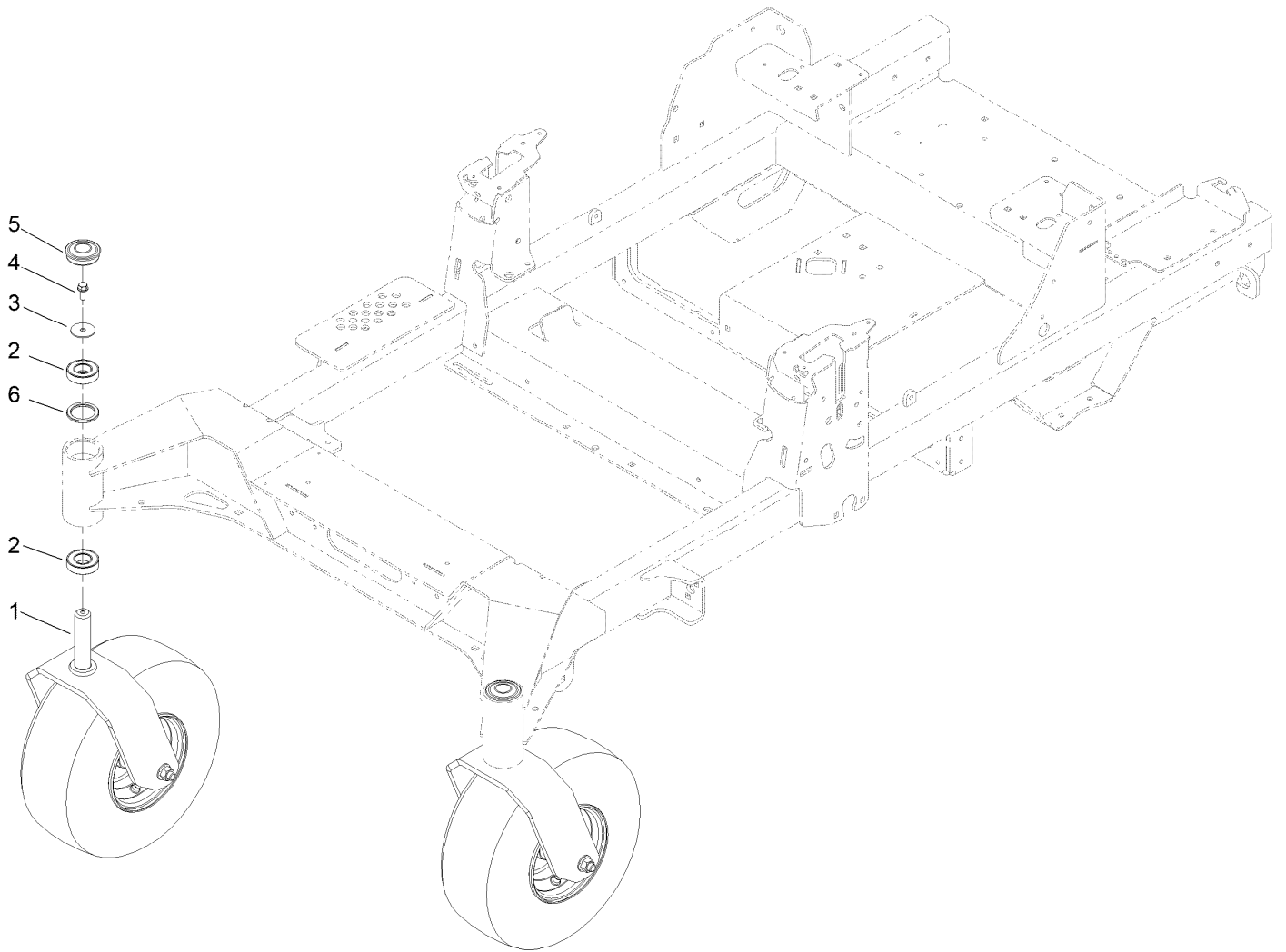
Left and Right Motion Control Assembly



Left and Right Motion Control Assembly (continued)

| <i>Ref.</i> | <i>Part Number</i> | <i>Qty.</i> | <i>Description</i> | <i>Ref.</i> | <i>Part Number</i> | <i>Qty.</i> | <i>Description</i> |
|-------------|--------------------|-------------|-----------------------|-------------|--------------------|-------------|------------------------|
| 1 | 104-8301 | 1 | Nut-HF, NI | 7:2 | 126-8909 | 2 | Bushing |
| 2 | 126-7296 | 1 | Washer-Friction | 7:3 | 1-413152 | 2 | Bushing-Sleeve |
| 3 | 147-2389 | 1 | Arm-Control | 8 | 145-5799 | 1 | Spring-Rtn |
| 4 | 142-8478 | 1 | Spacer, Anti-Rotation | 9 | 126-5434 | 1 | Swivel |
| 5 | 119-8925 | 1 | Washer-Belleville | 10 | 145-5723 | 1 | Link-Control |
| 6 | 117-1198 | 1 | Bolt-Pivot | 11 | 126-8195 | 1 | Spring-Return, Neutral |
| 7 | 145-5798 | 1 | ASM-Control Arm | 12 | 104-8300 | 2 | Nut-HF, NI |

Front Caster Wheel Assembly

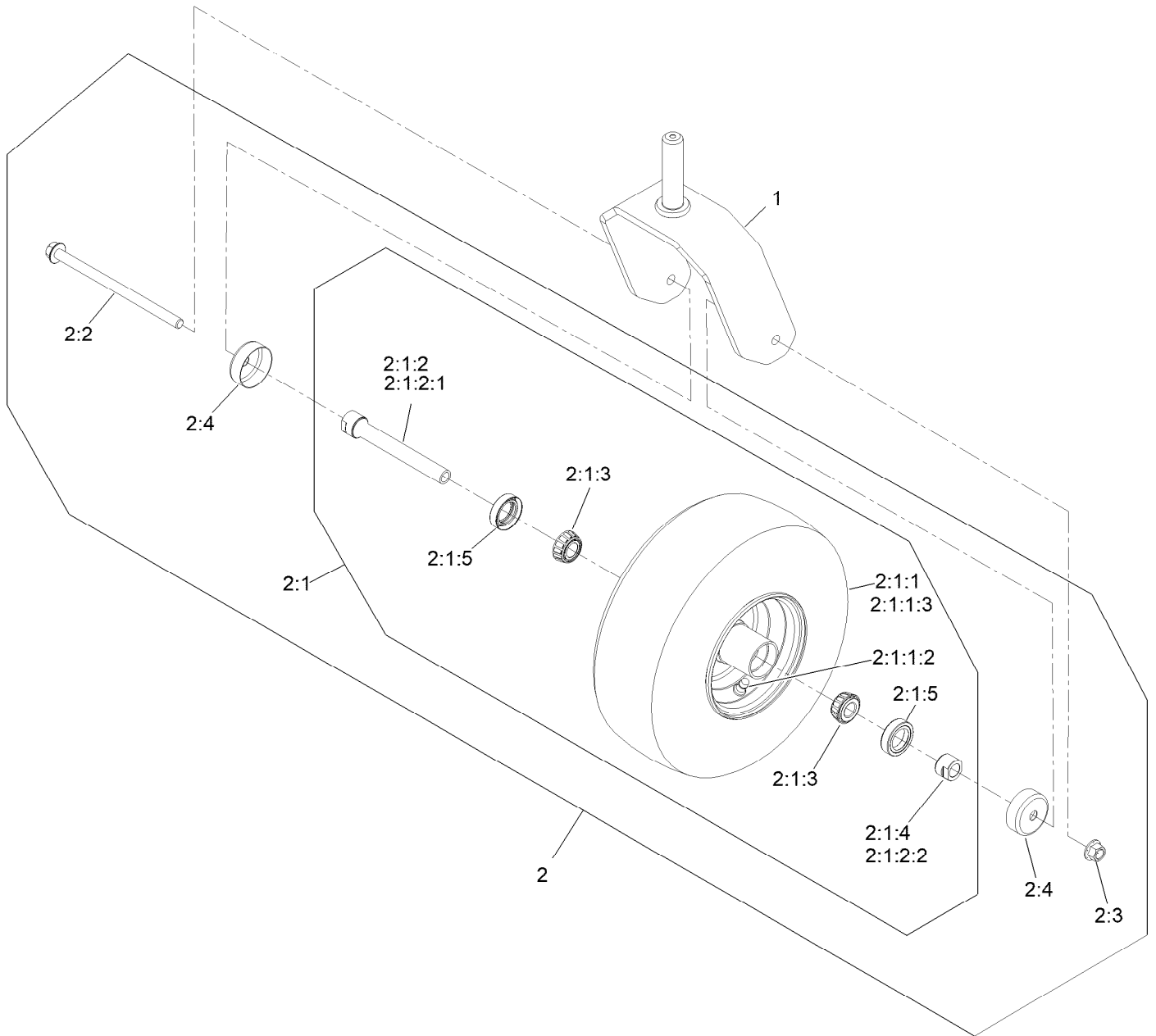


Front Caster Wheel Assembly (continued)

| <i>Ref.</i> | <i>Part Number</i> | <i>Qty.</i> | <i>Description</i> | <i>Ref.</i> | <i>Part Number</i> | <i>Qty.</i> | <i>Description</i> |
|-------------|--------------------|-------------|--------------------------------|-------------|--------------------|-------------|--------------------|
| 1 | | 2 | ASM, Front Caster W/ Fork ● | 4 | 100-1668 | 2 | Screw-HHF |
| 2 | 109-3678 | 4 | Bearing-Ball | 5 | 144-0375 | 2 | Cap, Grease |
| 3 | 3256-68 | 2 | Washer-Flat | 6 | 145-3660 | 2 | Spacer-Bearing |

● Not serviced separately

Fork and Caster Assembly

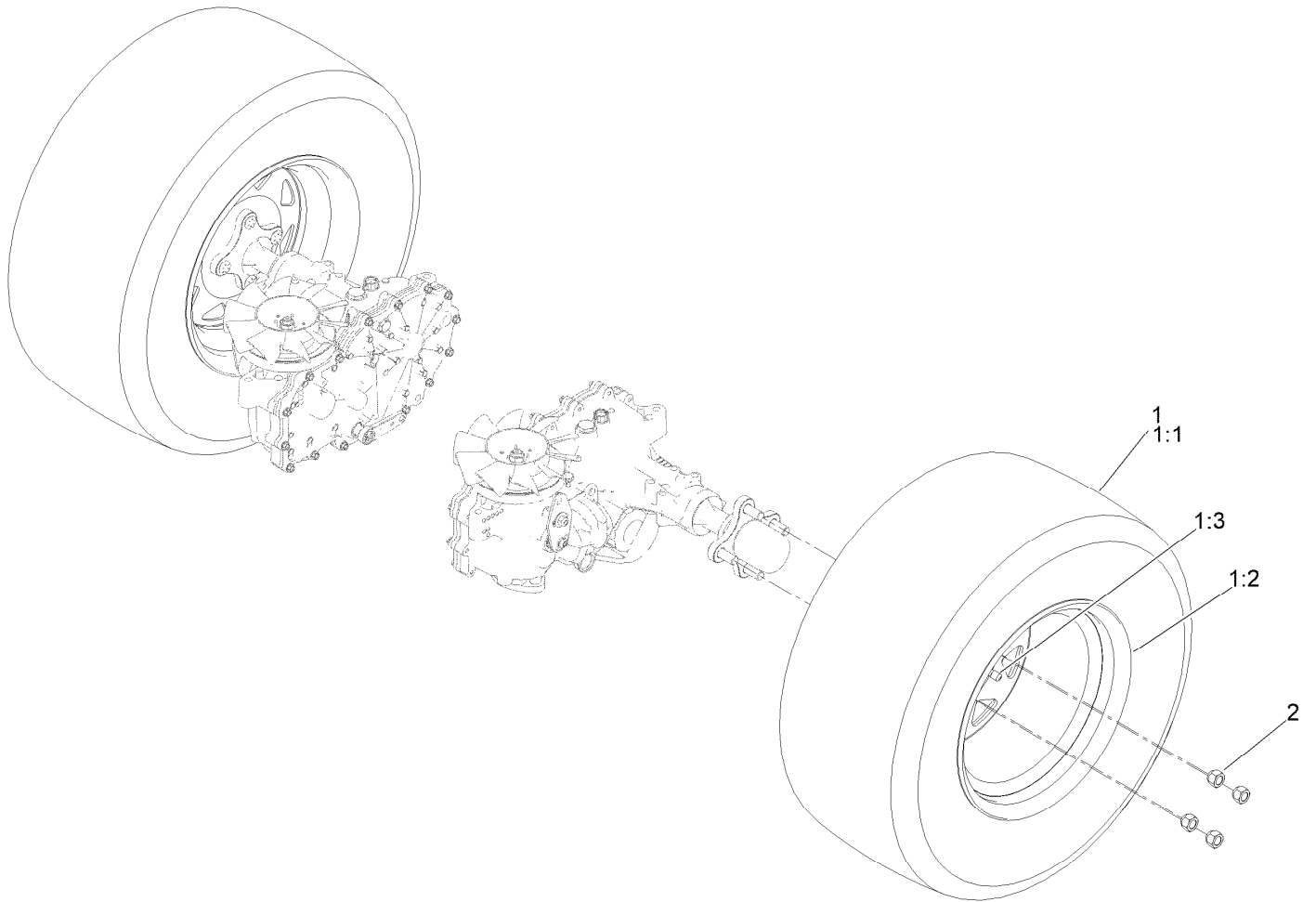


Fork and Caster Assembly (continued)

| <i>Ref.</i> | <i>Part Number</i> | <i>Qty.</i> | <i>Description</i> | <i>Ref.</i> | <i>Part Number</i> | <i>Qty.</i> | <i>Description</i> |
|-------------|--------------------|-------------|----------------------------------|-------------|--------------------|-------------|---------------------|
| 1 | 142-7827-01 | 1 | Fork-Caster | 2:1:2:1 | 126-5220 | 1 | Axle-Caster |
| 2 | 139-3639 | 1 | ASM-Pneumatic 13X6.50-6 | 2:1:2:2 | 103-3051 | 1 | Spacer-Nut |
| 2:1 | | 1 | Wheel And Bearings ASM ● | 2:1:3 | 1-633585 | 2 | Bearing-Cone, Taper |
| 2:1:1 | | 1 | Wheel And Tire ASM 13X6.5-6 ● | 2:1:4 | 103-3051 | 1 | Spacer-Nut |
| 2:1:1:2 | 5108 | 1 | Valve | 2:1:5 | 103-0063 | 2 | Seal-Caster |
| 2:1:1:3 | 126-5959 | 1 | Tire | 2:2 | 126-5389 | 1 | Screw-HHF |
| 2:1:2 | 126-7796 | 1 | Caster Axle ASM | 2:3 | 99-5107 | 1 | Nut-Lock |
| | | | | 2:4 | 103-2768 | 2 | Guard-Seal |

● Not serviced separately

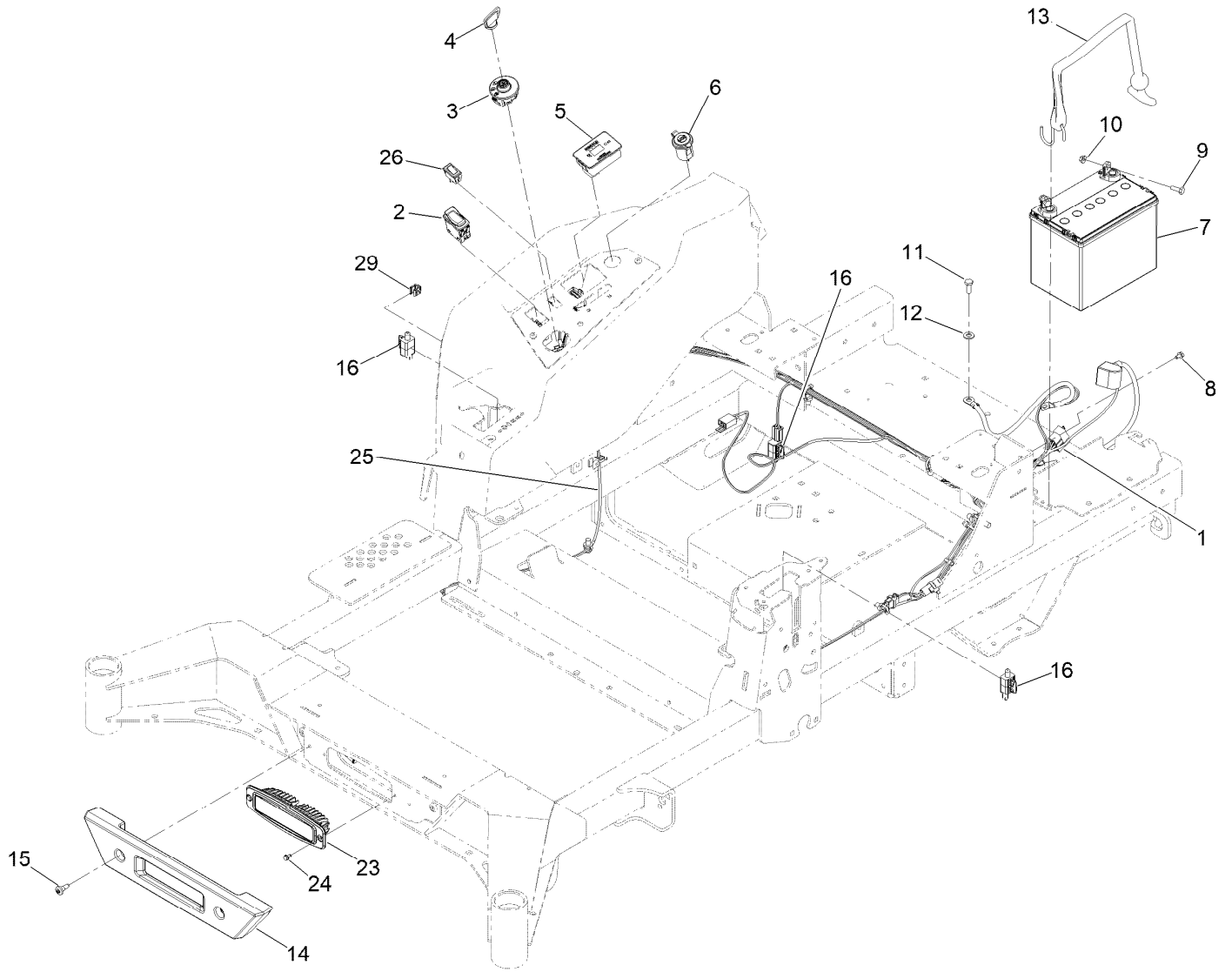
Rear Drive Wheel Assembly



Rear Drive Wheel Assembly (continued)

| <i>Ref.</i> | <i>Part Number</i> | <i>Qty.</i> | <i>Description</i> | <i>Ref.</i> | <i>Part Number</i> | <i>Qty.</i> | <i>Description</i> |
|-------------|--------------------|-------------|-------------------------------|-------------|--------------------|-------------|--------------------|
| 1 | 147-5030 | 2 | ASM-Voodoo Trac 24X10.5-12 | 1:2 | 140-7969 | 1 | Wheel |
| 1:1 | 147-5033 | 1 | Tire-Voodoo 24X10.5-12 | 1:3 | 232-27 | 1 | Stem-Valve |
| | | | | 2 | 242-50 | 8 | Nut-Lug |

Electrical Assembly



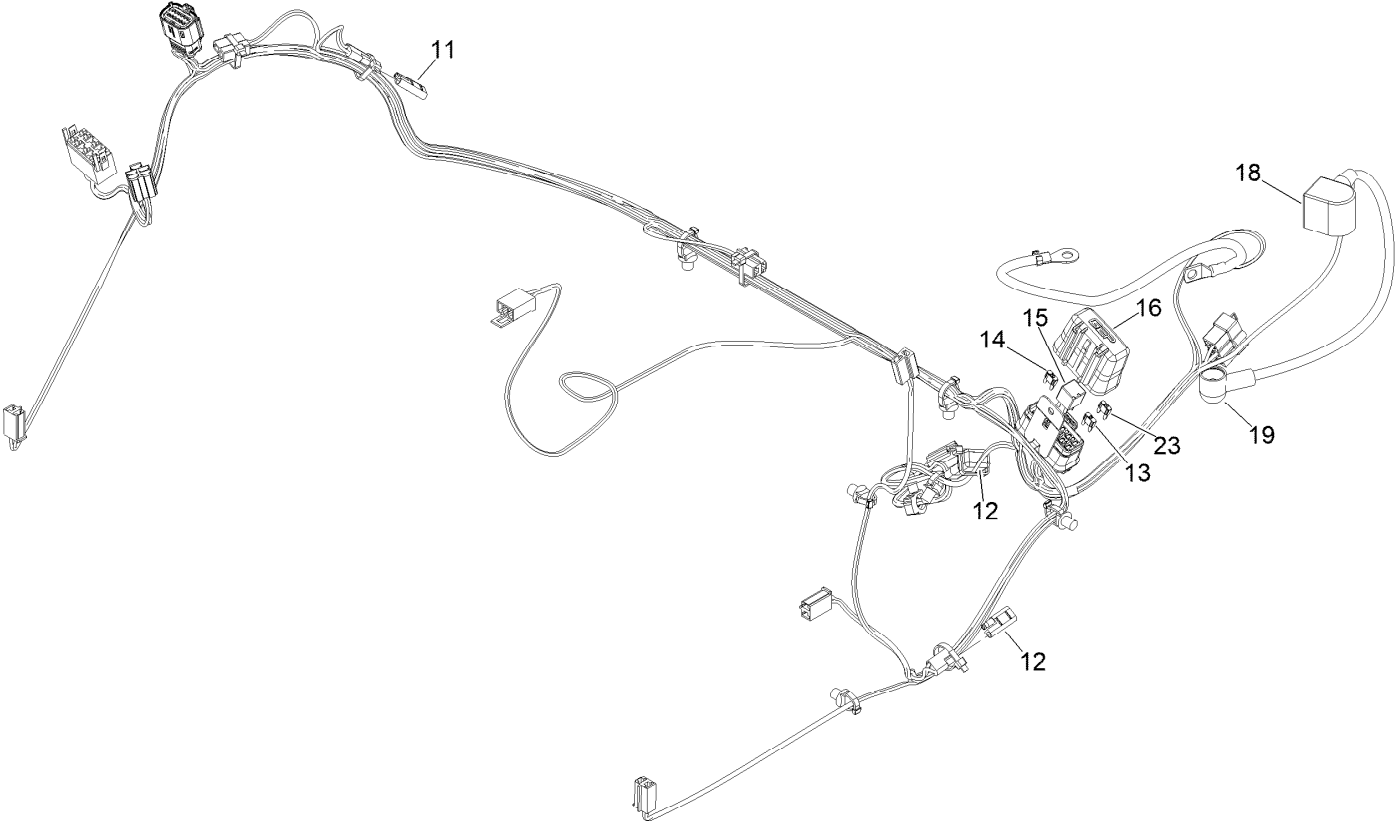
Electrical Assembly (continued)

| <i>Ref.</i> | <i>Part Number</i> | <i>Qty.</i> | <i>Description</i> | <i>Ref.</i> | <i>Part Number</i> | <i>Qty.</i> | <i>Description</i> |
|-------------|--------------------|-------------|------------------------------|-------------|--------------------|-------------|-----------------------------------|
| 1 | 147-2363 | 1 | Harness-Wire, Zmaster | 13 | 142-8697 | 1 | Strap, Bungee |
| 2 | 139-6368 | 1 | Switch-Rocker, On-None-On | 14 | 140-4993 | 1 | Bumper-Front |
| 3 | 137-4100 | 1 | Switch-Ignition | 15 | 135-2015 | 2 | Screw-Shoulder |
| 4 | 63-8360 | 1 | Key-Ignition | 16 | 110-6765 | 3 | Switch |
| 5 | 116-5609 | 1 | Module ASM | 23 | 139-8089 | 1 | Mount-Flush, Light |
| 6 | 140-7955 | 1 | Port-Power, USB | 24 | 104-2065 | 2 | Screw-HWH |
| 7 | 104-8162 | 1 | Battery | 25 | 140-1213 | 1 | Harness-Wire, Light Kit |
| 8 | 99-8445 | 1 | Screw-HWH | 26 | 92-8875 | 1 | Switch-Rocker |
| 9 | 321-4 | 2 | Screw-HH | 29 | 32180-082 | 1 | Clip-Edge W/Tie, Perpendicular |
| 10 | 32128-33 | 2 | Nut-HF | 99 | 1-603511 | 1 | Keys-Ignition (Spare Pair) ■ ● |
| 11 | 33114-020 | 1 | Screw-HH | | | | |
| 12 | 33094-00 | 1 | Washer-Plain | | | | |

● Not illustrated

■ Optional Equipment

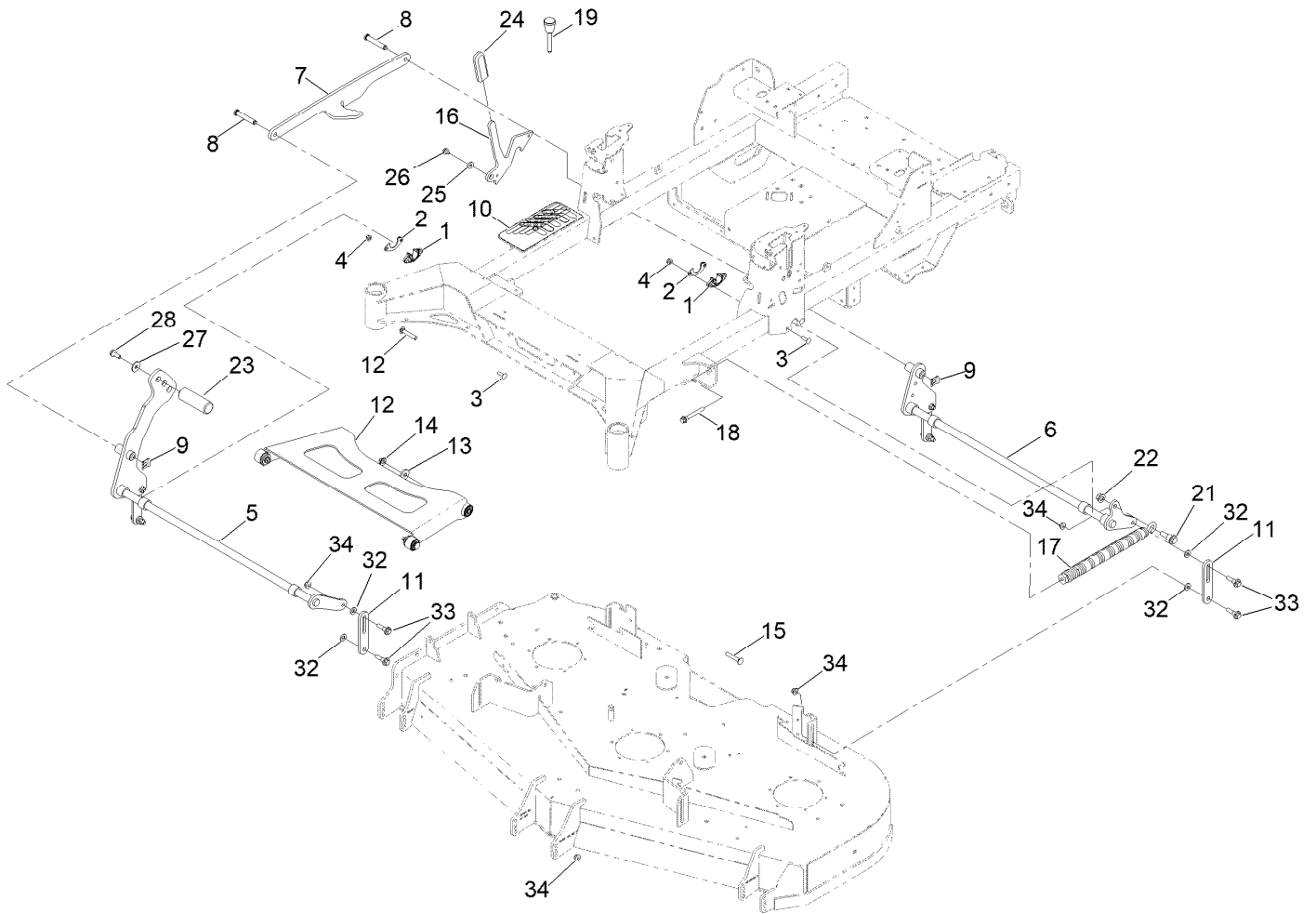
Wire Harness Assembly No. 147-2363



Wire Harness Assembly No. 147-2363 (continued)

| <i>Ref.</i> | <i>Part Number</i> | <i>Qty.</i> | <i>Description</i> | <i>Ref.</i> | <i>Part Number</i> | <i>Qty.</i> | <i>Description</i> |
|-------------|--------------------|-------------|-------------------------|-------------|--------------------|-------------|-------------------------|
| 11 | 116-0053 | 3 | Cap-Plug | 16 | 32180-176 | 1 | Cover-Block, Fuse |
| 12 | 103-3895 | 1 | Diode | 18 | 126-8876 | 1 | Insulator-Battery |
| 13 | 121-8867 | 1 | Fuse-Mini Blade, 15 Amp | 19 | 1-543393 | 1 | Insulator-Solenoid |
| 14 | 121-8868 | 1 | Fuse-Mini Blade, 20 Amp | 23 | 121-8869 | 1 | Fuse-Mini Blade, 25 Amp |
| 15 | 126-3991 | 1 | Relay-Micro | | | | |

Deck Lift Assembly



Deck Lift Assembly (continued)

| <i>Ref.</i> | <i>Part Number</i> | <i>Qty.</i> | <i>Description</i> | <i>Ref.</i> | <i>Part Number</i> | <i>Qty.</i> | <i>Description</i> |
|-------------|--------------------|-------------|-------------------------------|-------------|--------------------|-------------|----------------------|
| 1 | 139-5872 | 4 | Bearing-Flange | 16 | 145-8475-03 | 1 | Plate-Transport Lock |
| 2 | 116-2887 | 4 | Gusset-Lift, Deck | 17 | 116-0886 | 1 | Spring-Extension |
| 3 | 3230-22 | 8 | Screw-CARR | 18 | 92-7674 | 1 | Bolt-Shoulder |
| 4 | 104-8300 | 8 | Nut-HF, NI | 19 | 126-5401 | 1 | Pin-HOC |
| 5 | 147-7389-03 | 1 | Shaft-Lift, Deck | 21 | 116-0780 | 1 | Screw-Shoulder, HHF |
| 6 | 140-4975-03 | 1 | Shaft-Lift, Deck | 22 | 99-5107 | 1 | Nut-Lock |
| 7 | 126-4639-03 | 1 | Link-HOC | 23 | 140-4959 | 1 | Pedal-Footer Lift |
| 8 | 126-9181 | 2 | Pin-Clevis | 24 | 132-4749 | 1 | Grip-Lever |
| 9 | 138-8491 | 2 | Clip-Pin | 25 | 104-7658 | 1 | Spacer |
| 10 | 147-2360 | 1 | Decal-HOC | 26 | 9266934 | 1 | Screw |
| 11 | 145-5702-03 | 4 | Link-Lift, Deck | 27 | 2844 | 1 | Washer |
| 12 | 140-1179 | 1 | Deck Strut W/ Bushings ASM | 28 | 3234-42 | 1 | Screw-HHF |
| 13 | 1-373034 | 2 | Washer | 32 | 43-0940 | 8 | Spacer |
| 14 | 109-6658 | 2 | Nut-Flange, NI | 33 | 130-0742 | 8 | Bolt-Shoulder |
| 15 | 3231-7 | 2 | Screw-CARR | 34 | 104-8301 | 8 | Nut-HF, NI |

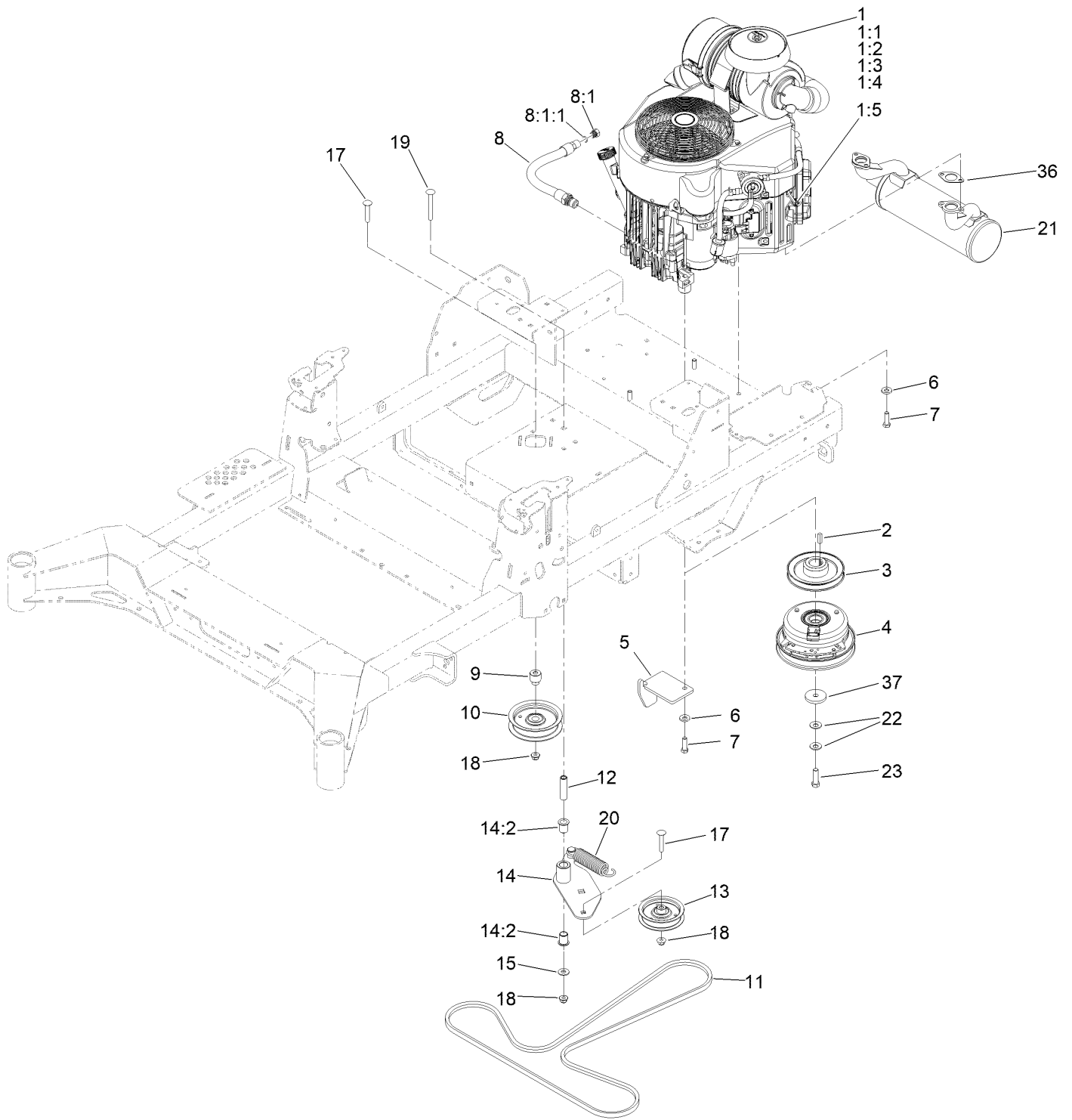
Deck Strut Assembly No. 140-1179



Deck Strut Assembly No. 140-1179 (continued)

| <i>Ref.</i> | <i>Part Number</i> | <i>Qty.</i> | <i>Description</i> | <i>Ref.</i> | <i>Part Number</i> | <i>Qty.</i> | <i>Description</i> |
|-------------|--------------------|-------------|-------------------------------|-------------|--------------------|-------------|--------------------|
| 2 | 126-8360 | 4 | Bushing-Rubber, Suspension | 4 | 3231-7 | 2 | Screw-CARR |
| 3 | 108-6544 | 4 | Spacer | 5 | 2844 | 2 | Washer |
| | | | | 6 | 104-8301 | 2 | Nut-HF, NI |

Engine, Clutch and Muffler Assembly



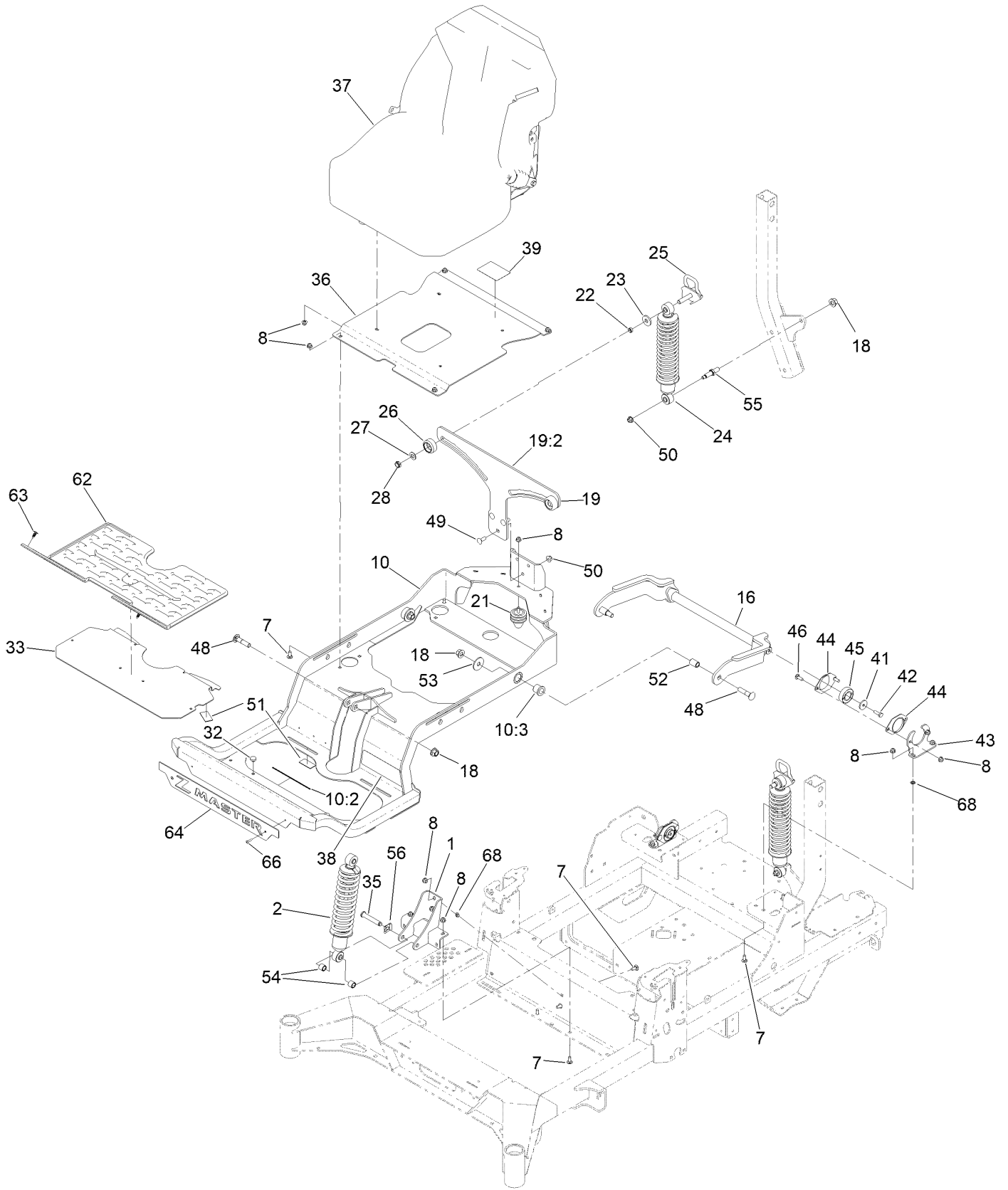
Engine, Clutch and Muffler Assembly (continued)

| <i>Ref.</i> | <i>Part Number</i> | <i>Qty.</i> | <i>Description</i> | <i>Ref.</i> | <i>Part Number</i> | <i>Qty.</i> | <i>Description</i> |
|-------------|--------------------|-------------|-------------------------------------|-------------|--------------------|-------------|----------------------|
| 1 | | 1 | Engine-Kawasaki, Fx730V ▲◆ | 8:1:1 | 237-42 | 1 | O-Ring |
| 1:1 | | 1 | Filter-Oil ●▲◆ | 9 | 126-7684 | 1 | Bushing-Idler |
| 1:2 | | 1 | Filter-Fuel ●▲◆ | 10 | 132-4718 | 1 | Pulley-Idler, Flat |
| 1:3 | | 1 | Element-Filter, Air (Inner) ● ▲◆ | 11 | 145-5727 | 1 | Belt-V |
| 1:4 | | 1 | Element-Filter, Air (Outer) ● ▲◆ | 12 | 139-6690 | 1 | Bushing, Idler Pivot |
| 1:5 | 92-2153 | 2 | Plug-Spark | 13 | 140-4964 | 1 | Pulley-Idler, Flat |
| 2 | 1-807259 | 1 | Key | 14 | 145-5731 | 1 | Idler Arm ASM |
| 3 | 126-5358 | 1 | Sheave (W/Hub) | 14:2 | 138-2573 | 1 | Bushing-Flange |
| 4 | 147-2401 | 1 | Clutch 6.75, 105 Ftlb, 1.125 Dd | 15 | 3256-4 | 1 | Washer-Flat |
| 5 | 140-1190 | 1 | Anchor-Clutch | 17 | 117-9971 | 2 | Bolt-Carriage |
| 6 | 98-5975 | 4 | Washer-Belleville | 18 | 104-8301 | 3 | Nut-HF, NI |
| 7 | 323-7 | 4 | Screw-HH | 19 | 3231-42 | 1 | Screw-CARR |
| 8 | 116-4924 | 1 | Engine Oil Drain Hose ASM | 20 | 138-7264 | 1 | Spring-Extension |
| 8:1 | 353-508 | 1 | Plug-HH ■ | 21 | 126-4360 | 1 | Muffler |
| | | | | 22 | 1-603610 | 2 | Washer-Spring |
| | | | | 23 | 109-9761 | 1 | Screw-HH |
| | | | | 36 | 1-653313 | 2 | Gasket-Exhaust |
| | | | | 37 | 109-6919 | 1 | Washer-Plain |

● Not illustrated
▲ Not serviced separately

■ Torque to 24-26 ft-lb
◆ Obtain parts from www.kawpower.com

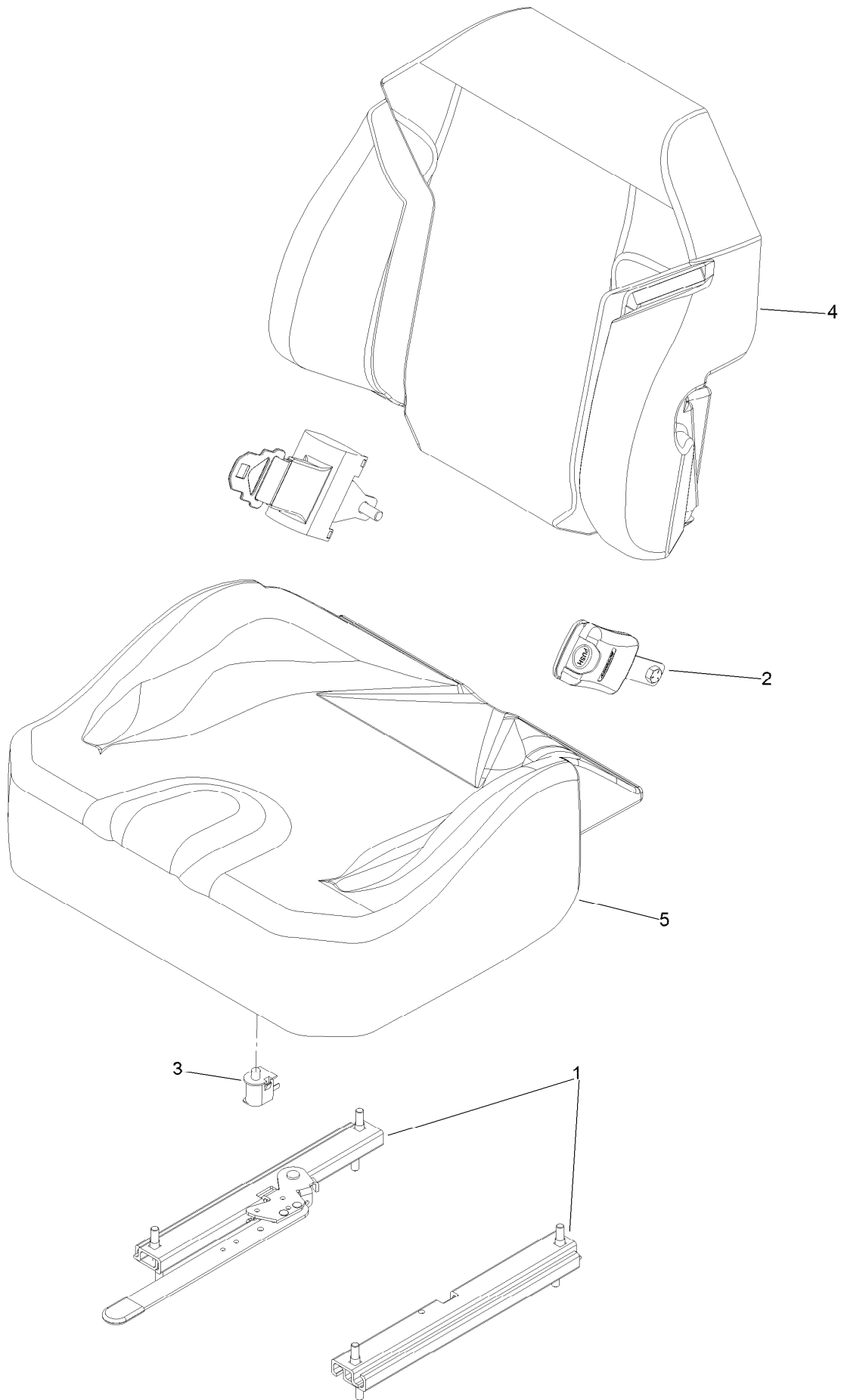
Seat Suspension Assembly



Seat Suspension Assembly (continued)

| <i>Ref.</i> | <i>Part Number</i> | <i>Qty.</i> | <i>Description</i> | <i>Ref.</i> | <i>Part Number</i> | <i>Qty.</i> | <i>Description</i> |
|-------------|--------------------|-------------|----------------------------|-------------|--------------------|-------------|--------------------------|
| 1 | 145-7036-03 | 1 | Mount-Shock, Lower [black] | 37 | 147-2383 | 1 | Seat ASM-Standard |
| 2 | 136-1719 | 1 | Shock ASM-Front | 38 | 144-0437 | 1 | Decal-Myride |
| 7 | 3230-23 | 8 | Bolt-CARR | 39 | 144-2669 | 1 | Decal-Service Aid |
| 8 | 104-8300 | 21 | Nut-HF, NI | 41 | 105-3048 | 2 | Washer-Flat |
| 10 | 147-4978 | 1 | Subframe ASM | 42 | 116-0648 | 2 | Screw-HH, Thread Locking |
| 10:2 | 132-0871 | 1 | Decal-Danger | 43 | 127-6759-03 | 2 | Bracket-Bearing |
| 10:3 | 127-6745 | 2 | Bushing-Flange | 44 | 127-6743 | 4 | Housing-Bearing, Flange |
| 16 | 127-6754-03 | 1 | Arm-Trailing | 45 | 1-653346 | 2 | Bearing |
| 18 | 99-5107 | 5 | Nut-Lock | 46 | 3230-10 | 8 | Bolt-CARR |
| 19 | 144-2602 | 1 | Bracket-Mounting | 48 | 127-6768 | 3 | Screw-CARR |
| 19:2 | 132-5067 | 1 | Decal-Adjustment, Ride | 49 | 3231-22 | 3 | Screw-CARR |
| 21 | 126-5491 | 1 | Isolator | 50 | 104-8301 | 5 | Nut-HF, NI |
| 22 | 133-5109 | 2 | Bearing-Sleeve | 51 | 130-0733 | 4 | Pad-Rubber |
| 23 | 131-4699 | 2 | Washer-Plastic | 52 | 127-6751 | 2 | Spacer-Aluminum |
| 24 | 133-1815 | 2 | Shock/Spring ASM | 53 | 86-1990 | 2 | Washer-Thrust |
| 25 | 136-9017 | 2 | Cam Lock ASM | 54 | 140-4869 | 2 | Spacer-Tube |
| 26 | 136-5636 | 2 | Knob-Lock, Cam | 55 | 133-4401 | 2 | Bolt-Shoulder |
| 27 | 3-6803 | 2 | Washer-Adjusting | 56 | 138-8491 | 1 | Clip-Pin |
| 28 | 3296-45 | 2 | Nut-Hex | 62 | 144-0355 | 1 | Floormat-Myride |
| 32 | 1-513658 | 2 | Bumper | 63 | 117-2382 | 2 | Plug-Plastic |
| 33 | 144-0381-01 | 1 | Floorpan | 64 | 147-4956-03 | 1 | Plate-Badge |
| 35 | 126-9181 | 1 | Pin-Clevis | 66 | 130-8451 | 2 | Rivet-Trifold |
| 36 | 140-1197-03 | 1 | Pan-Seat | 68 | 117-2749 | 6 | Nut-Push |

Seat Assembly No. 147-2383

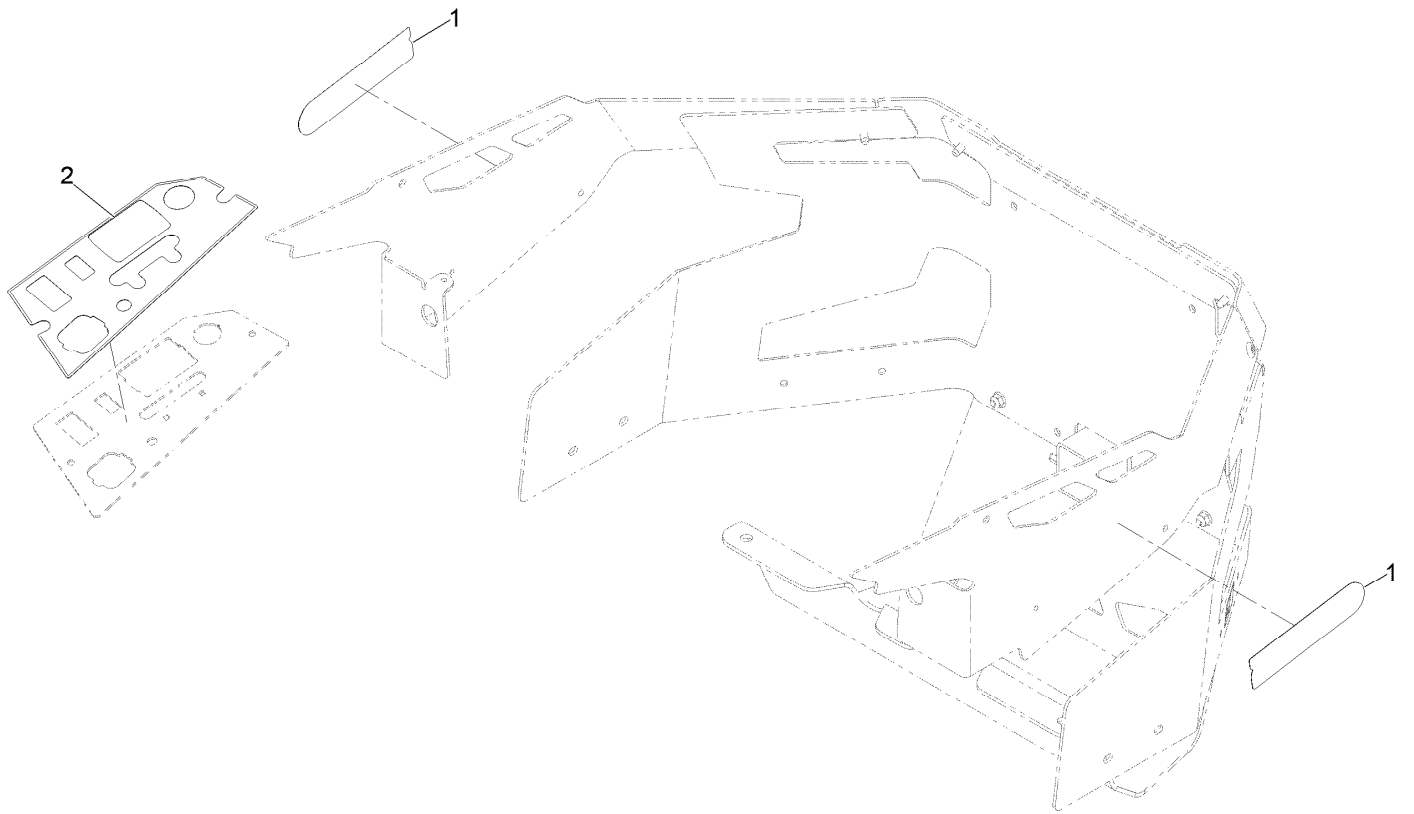


Seat Assembly No. 147-2383 (continued)

| <i>Ref.</i> | <i>Part Number</i> | <i>Qty.</i> | <i>Description</i> |
|-------------|--------------------|-------------|--------------------|
| 1 | 147-7883 | 1 | Seat Track Kit |
| 2 | 130-2854 | 1 | Seat Belt Kit |
| 3 | 82-2190 | 1 | Switch-Bail |

| <i>Ref.</i> | <i>Part Number</i> | <i>Qty.</i> | <i>Description</i> |
|-------------|--------------------|-------------|--------------------|
| 4 | 147-7367 | 1 | Cover-Back, Seat |
| 5 | 147-7369 | 1 | Cover-Bottom, Seat |

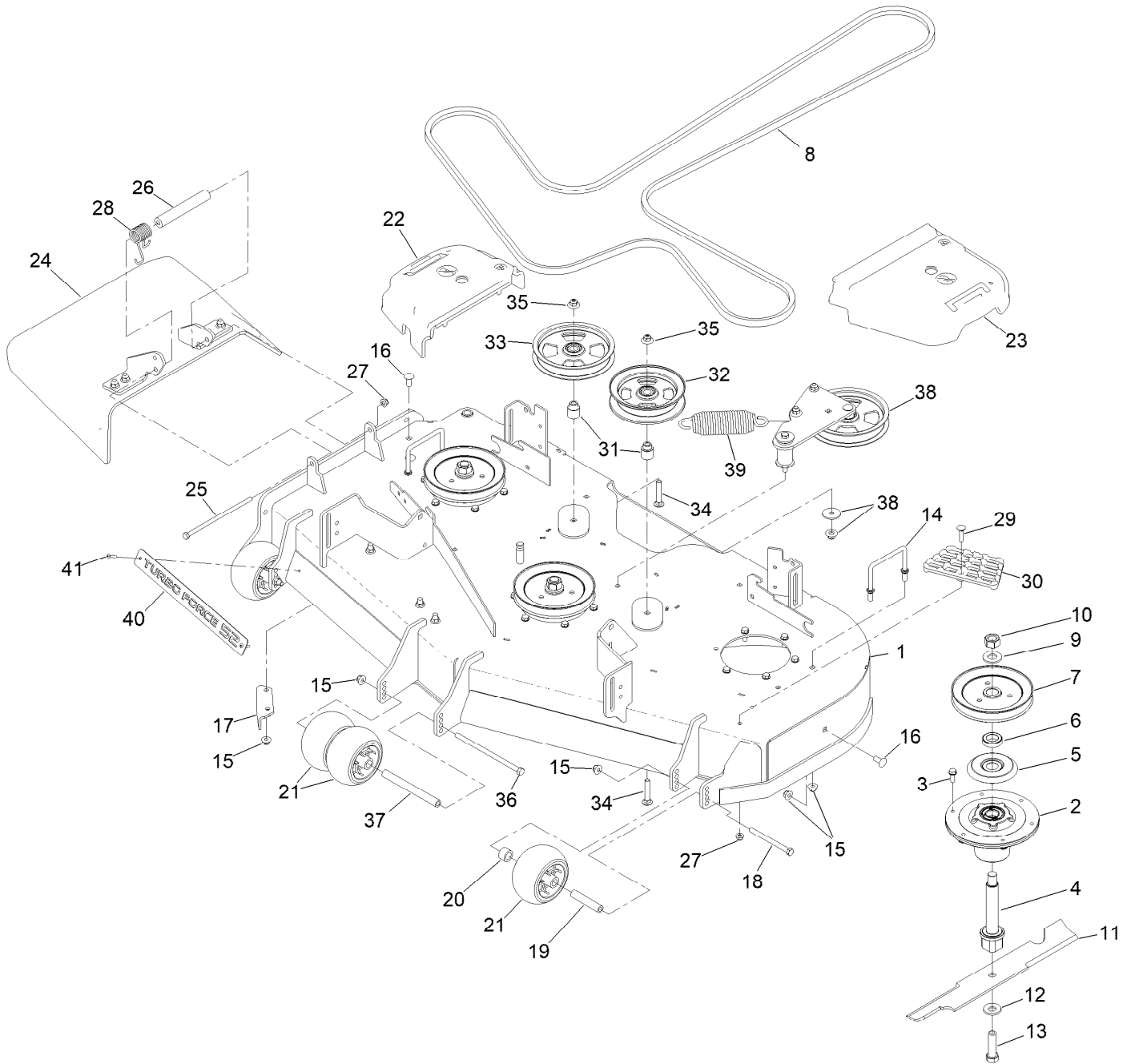
Decal Assembly



Decal Assembly (continued)

| <i>Ref.</i> | <i>Part Number</i> | <i>Qty.</i> | <i>Description</i> |
|-------------|--------------------|-------------|----------------------|
| 1 | 145-8407 | 2 | Decal-2000 Series |
| 2 | 147-4953 | 1 | Decal-Panel, Control |

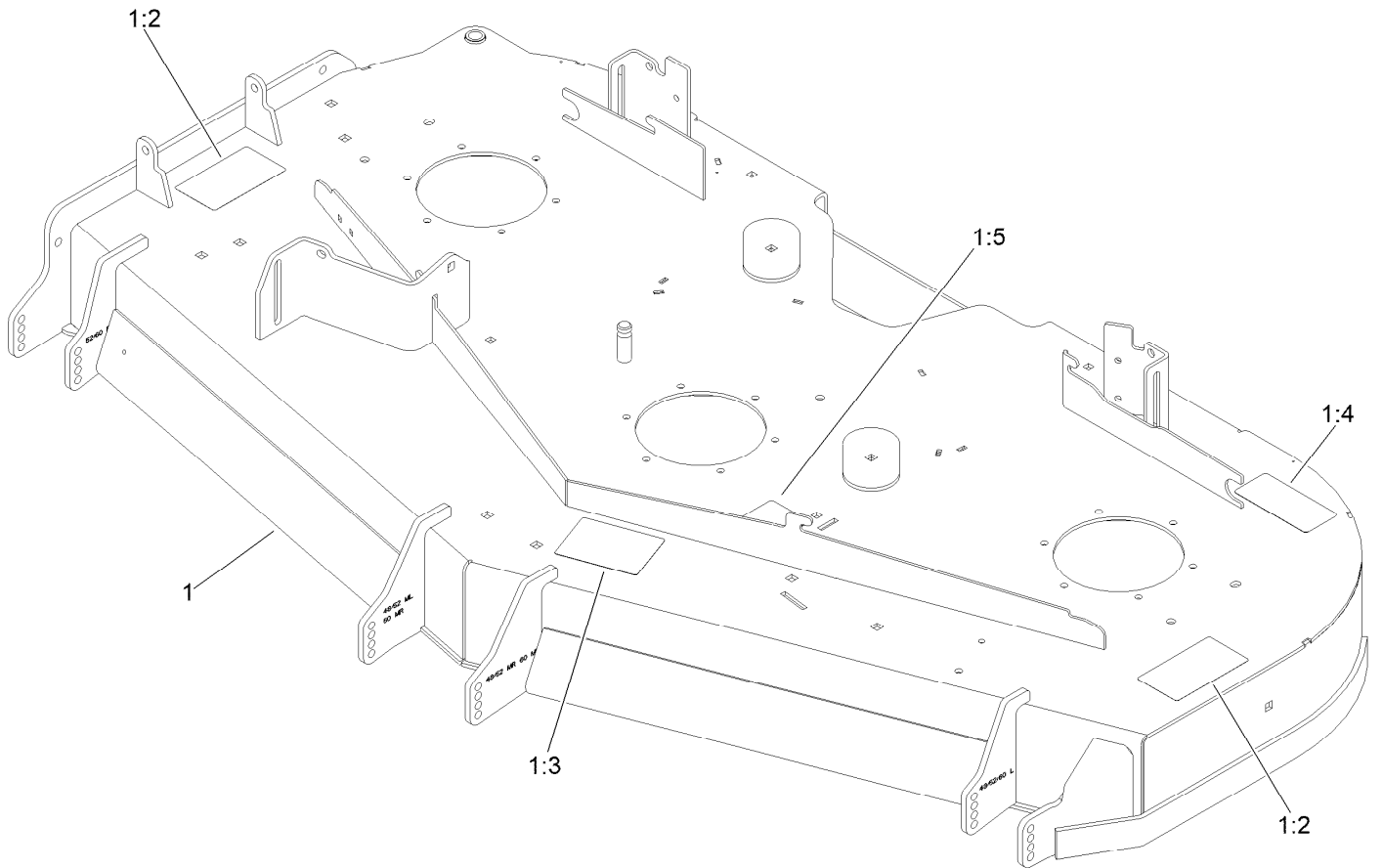
Deck Assembly



Deck Assembly (continued)

| <i>Ref.</i> | <i>Part Number</i> | <i>Qty.</i> | <i>Description</i> | <i>Ref.</i> | <i>Part Number</i> | <i>Qty.</i> | <i>Description</i> |
|-------------|--------------------|-------------|--------------------------------|-------------|--------------------|-------------|---------------------------|
| 1 | 147-7372 | 1 | Deck Decal ASM | 21 | 1-603299 | 4 | Roller-Scalp, Anti |
| 2 | 139-2357 | 3 | Spindle ASM | 22 | 109-6935 | 1 | Cover-Belt, RH |
| 3 | 32144-41 | 18 | Screw-Taptite | 23 | 109-6936 | 1 | Cover-Belt, LH |
| 4 | 133-2126 | 3 | Shaft-Spindle | 24 | 144-2635 | 1 | Rubber Deflector ASM |
| 5 | 117-7210 | 3 | Shield-Bearing | 25 | 322-50 | 1 | Screw-HH |
| 6 | 147-2381 | 3 | Spacer-Pulley | 26 | 105-4622 | 1 | Spacer |
| 7 | 138-6058 | 3 | Sheave-Blade Drive 6.50 | 27 | 104-8300 | 2 | Nut-HF, NI |
| 8 | 144-0356 | 1 | Belt-V | 28 | 108-4052 | 1 | Spring-Torsion |
| 9 | 103-2802 | 3 | Washer | 29 | 3230-3 | 1 | Screw-CARR |
| 10 | 116-7306 | 3 | Nut-Hex | 30 | 126-4781-03 | 1 | Step-Deck |
| 11 | 133-2134 | 3 | Blade-Rotary, 18.0In (Hi Flow) | 31 | 139-8061 | 2 | Bushing, Idler |
| 12 | 125-1736 | 3 | Washer-Belleville | 32 | 132-9425 | 1 | Pulley-Idler, Flat |
| 13 | 51-4060 | 3 | Screw-Blade | 33 | 132-9424 | 1 | Pulley-Idler, Flat |
| 14 | 109-6982 | 2 | Wireform-Cover | 34 | 3231-7 | 2 | Screw-CARR |
| 15 | 104-8301 | 15 | Nut-HF, NI | 35 | 109-6658 | 2 | Nut-Flange, NI |
| 16 | 3231-27 | 8 | Screw-CARR | 36 | 108-5388 | 1 | Screw-HH |
| 17 | 107-8541-01 | 1 | Baffle-Discharge | 37 | 98-5967 | 1 | Spacer-Wheel |
| 18 | 323-23 | 2 | Screw-HH | 38 | 139-1087 | 1 | Idler Arm ASM |
| 19 | 133-2129 | 2 | Tube-Shafting | 39 | 116-6317 | 1 | Spring-Extension |
| 20 | 133-2128 | 2 | Tube-Spacer | 40 | 147-4975-03 | 1 | Plate-Turbo Force [black] |
| | | | | 41 | 130-8451 | 2 | Rivet-Trifold |

Deck Decal Assembly No. 147-7372

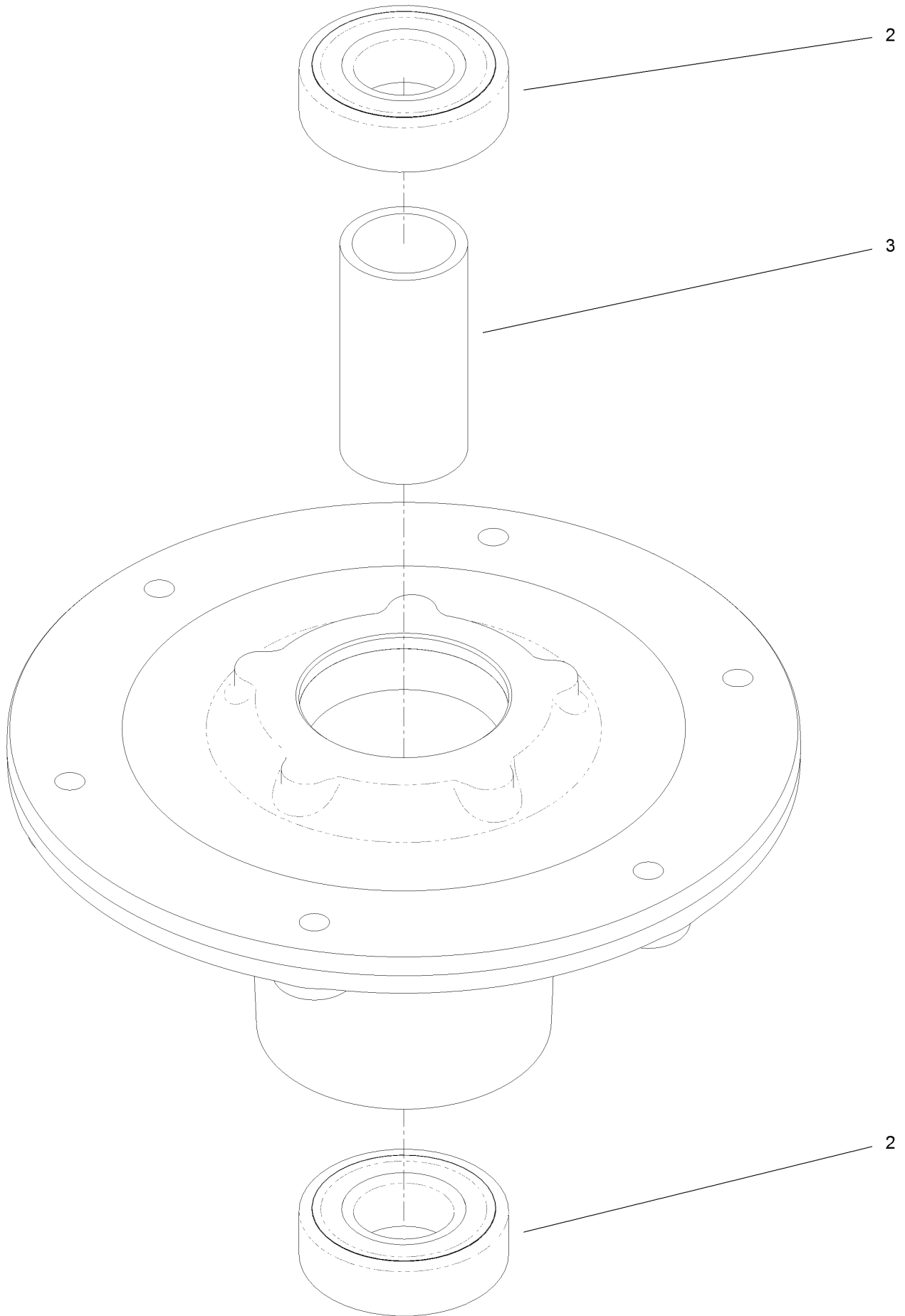


Deck Decal Assembly No. 147-7372 (continued)

| <i>Ref.</i> | <i>Part Number</i> | <i>Qty.</i> | <i>Description</i> | <i>Ref.</i> | <i>Part Number</i> | <i>Qty.</i> | <i>Description</i> |
|-------------|--------------------|-------------|---------------------|-------------|--------------------|-------------|--------------------------|
| 1 | | 1 | ASM-Deck W/Decals ● | 1:4 | 93-7818 | 1 | Decal-Torque, Blade Bolt |
| 1:2 | 117-3848 | 2 | Decal-Danger | 1:5 | 109-6035 | 1 | Decal-Routing, Belt |
| 1:3 | 127-0326 | 1 | Decal-Scalp, Anti | | | | |

● Not serviced separately

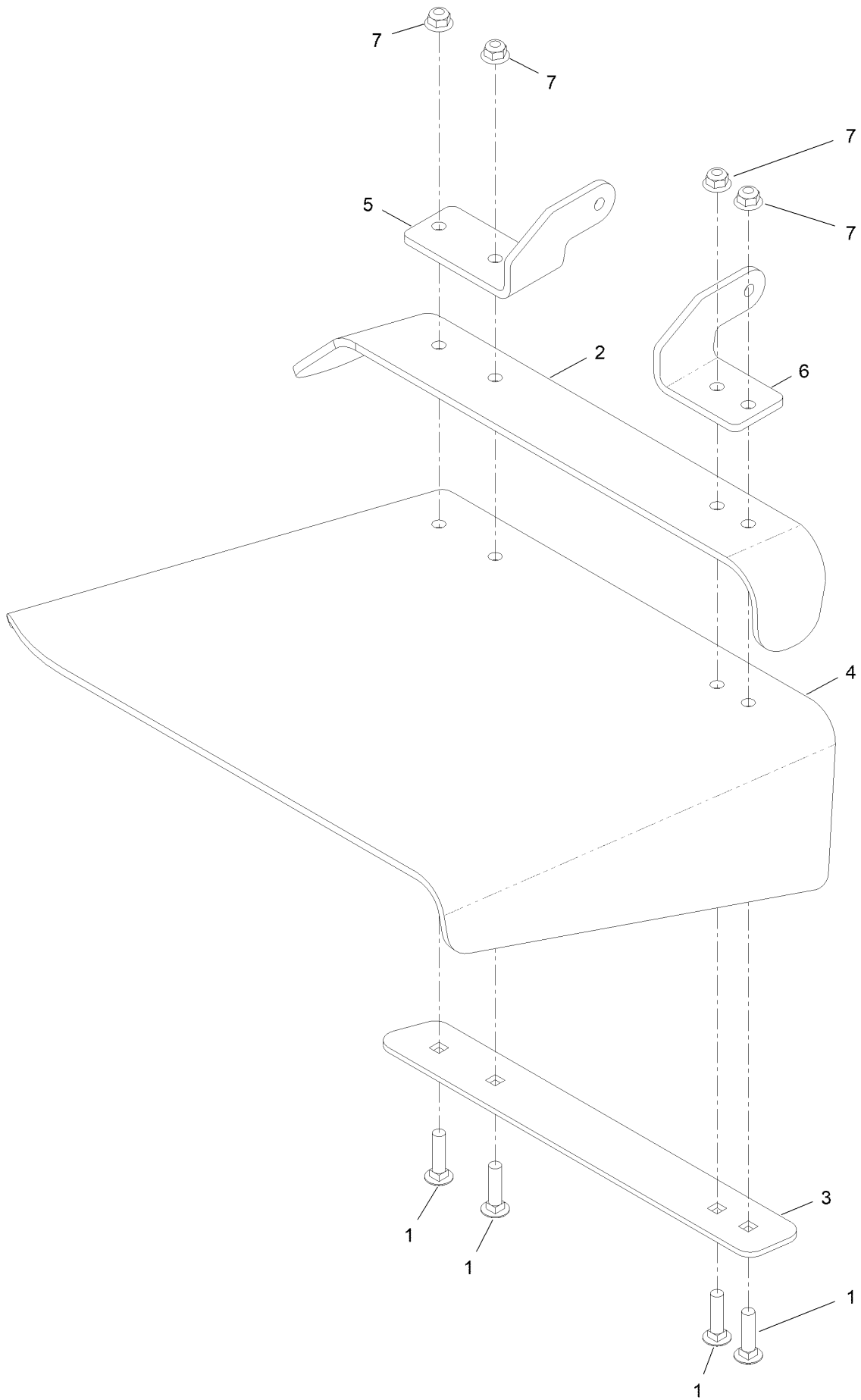
Spindle Assembly No. 139-2357



Spindle Assembly No. 139-2357 (continued)

| <i>Ref.</i> | <i>Part Number</i> | <i>Qty.</i> | <i>Description</i> |
|-------------|--------------------|-------------|--------------------|
| 2 | 116-0720 | 2 | Bearing-Ball |
| 3 | 138-7220 | 1 | Spacer-Bearing |

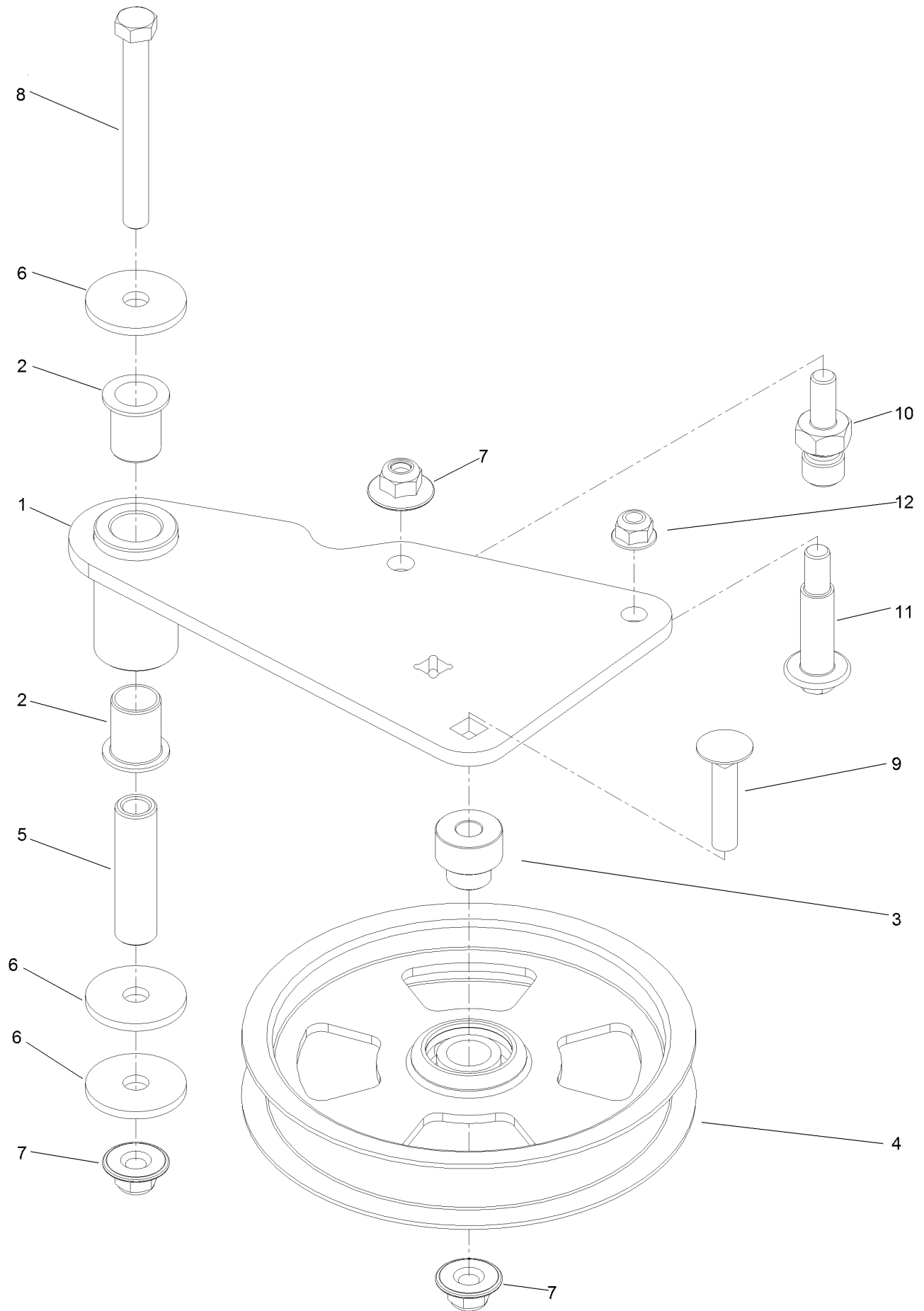
Deflector Assembly No. 144-2635



Deflector Assembly No. 144-2635 (continued)

| <i>Ref.</i> | <i>Part Number</i> | <i>Qty.</i> | <i>Description</i> | <i>Ref.</i> | <i>Part Number</i> | <i>Qty.</i> | <i>Description</i> |
|-------------|--------------------|-------------|------------------------|-------------|--------------------|-------------|--------------------|
| 1 | 3231-4 | 4 | Screw-CARR | 5 | 108-4059-01 | 1 | Plate-Hinge, Rear |
| 2 | 106-3246-01 | 1 | Deflector | 6 | 106-3253-01 | 1 | Plate-Hinge, Front |
| 3 | 106-3248-03 | 1 | Strap-Discharge | 7 | 104-8301 | 4 | Nut-HF, NI |
| 4 | 161-3464 | 1 | Deflector-Deck, Rubber | | | | |

Idler Arm Assembly No. 139-1087



Idler Arm Assembly No. 139-1087 (continued)

| <i>Ref.</i> | <i>Part Number</i> | <i>Qty.</i> | <i>Description</i> | <i>Ref.</i> | <i>Part Number</i> | <i>Qty.</i> | <i>Description</i> |
|-------------|--------------------|-------------|----------------------|-------------|--------------------|-------------|----------------------|
| 1 | 139-1086 | 1 | Idler Arm ASM | 7 | 109-6658 | 3 | Nut-Flange, NI |
| 2 | 138-2573 | 2 | Bushing-Flange | 8 | 323-15 | 1 | Screw-HH |
| 3 | 139-8060 | 1 | Bushing, Idler | 9 | 3231-5 | 1 | Screw-CARR |
| 4 | 132-9424 | 1 | Pulley-Idler, Flat | 10 | 132-4729 | 1 | Anchor-Spring, Short |
| 5 | 139-6690 | 1 | Bushing, Idler Pivot | 11 | 136-9028 | 1 | Bolt-Shoulder, HWH |
| 6 | 1-213069 | 3 | Washer | 12 | 104-8301 | 1 | Nut-HF, NI |

Attachments and Accessories

For 77291TA 52in Z Master Professional 2000 Series Riding Mower

| Product Name | Model/Part |
|--|-------------------|
| Hypr-Oil 500 (quart) | 114-4713 |
| Hypr-Oil 500 (gallon)..... | 114-4714 |
| Hypr-Oil 500-5 (5 gallon)..... | 114-4715 |
| Striper Kit..... | 126-7882 |
| Jack Kit..... | 127-6666 |
| Blade-Rotary, 18.0in (Hi Flow)..... | 133-2134 |
| Blade-Rotary, Atomic 18.0..... | 133-2159 |
| Blade-Rotary, Recycling 18.0in..... | 133-2162 |
| Blade (6 Pack) 18in Hi Flow..... | 133-2175 |
| Blade (6 Pack) 18in Recycle..... | 133-2178 |
| Blade (6 Pack) 18in Atomic..... | 133-2181 |
| Spark Arrestor, 1.25 I.D. | 137-8098 |
| Tweel-Turf Tire..... | 139-3649 |
| Recycler Kit | 139-6653 |
| Semi Pneumatic Wheel and Tire Assembly, 13x6.50-6..... | 140-4896 |
| Wheel And Tire Asm | 140-7959 |
| Trimmer Mount | 144-2665 |
| Jack Mount Kit..... | 144-2676 |
| Hardtop Sun Canopy | 144-3719 |
| Handle Extension Kit | 145-3615 |
| 13x6.5n6 Caster Tweel Asm..... | 147-6294 |
| Bucket Mount Kit, Z Master 2000 or 4000 Series Riding Mower | 147-6345 |
| Universal Mount Kit, Z Master 2000 or 4000 Series Riding Mower | 147-6346 |
| Kit-Baffle, Turbo Force 52in | 147-7361 |
| Arm Rest Kit..... | 147-7397 |
| Kit-Elec Deck Lift | 147-7867 |
| 2in Reciever Hitch Kit..... | 161-2810 |
| Fuel Pickup with Screen Kit | 161-6806 |
| Bagger Kit, Z Master 2000 / 4000 | 78439 |
| Z 4000 52in Completion Kit..... | 78465 |

Notes:



Count on it.