



**Count on it.**

**Parts Catalog**

**60in Blower and Drive Kit  
Grandstand® Mower**

Model No. 78527—Serial No. 416400000 and Up



# Ordering Replacement Parts

To order replacement parts, please supply the part number, the quantity, and the description of each part desired.

## Understanding Reference Numbers

Each identified part in an illustration has a reference number. The reference number for a part also appears in the parts list, along with other information about the part.

This catalog uses two special reference number formats, one to indicate parts in a service assembly and another to indicate the quantity of a given part in an illustration.

## Service Assembly Reference Numbers

Parts in service assemblies have reference numbers in the form a:b. The a represents the reference number of the entire service assembly and the b represents a sequential number unique to each part within the service assembly.

For example, a wheel assembly might be identified by reference number 6, the tire by 6:1, the valve by 6:2, and the wheel by 6:3. When you order the assembly identified by reference number 6, you receive all parts identified by reference numbers 6:1, 6:2, and 6:3. However, you may also order any part individually. Reference numbers of this type appear in illustration and in parts lists.

## Reference Numbers Indicating Quantity

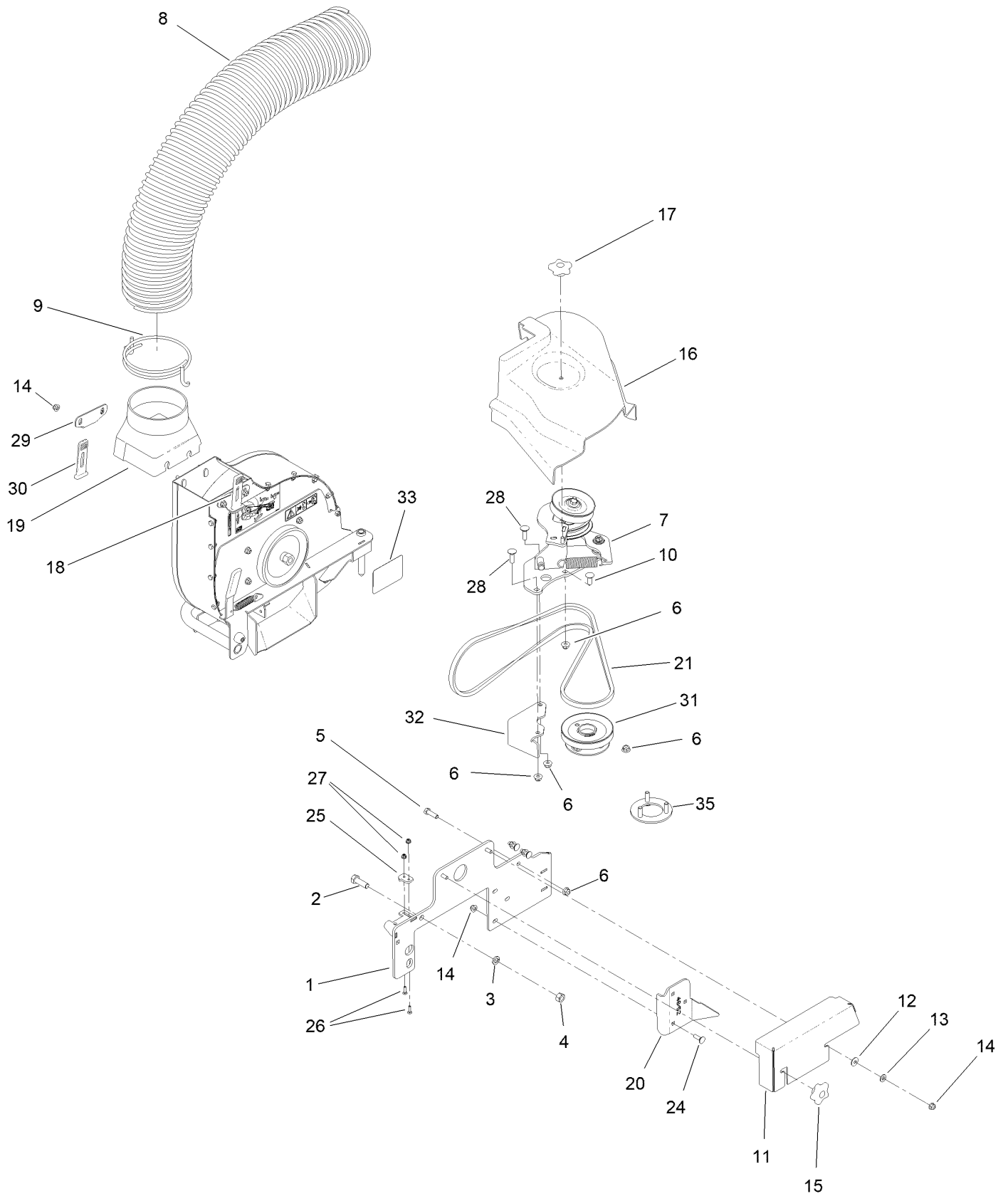
In an illustration, if a reference number indicates more than one part, the reference number has the form nX y. The n represents the quantity of the part, the X is the multiplication symbol, and the y represents the reference number.

For example, in an illustration, the reference number 2X 37 means that two of the parts identified by reference number 37 are indicated.

# Contents

Blower Drive Assembly ..... 4  
Idler Assembly No. 136-0595..... 6  
Blower Assembly-136-0570 ..... 8

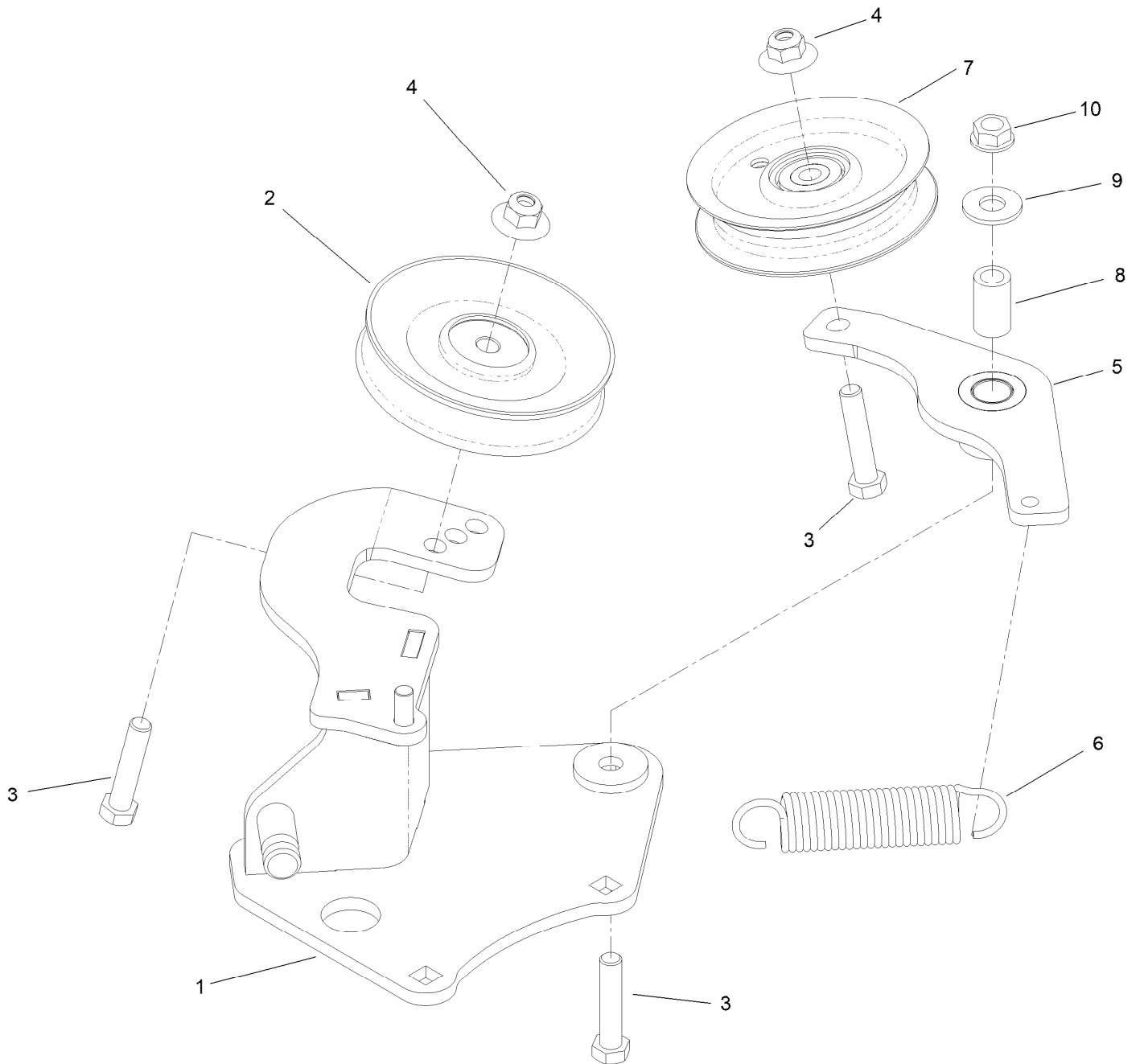
# Blower Drive Assembly



## Blower Drive Assembly (continued)

<i>Ref.</i>	<i>Part Number</i>	<i>Qty.</i>	<i>Description</i>	<i>Ref.</i>	<i>Part Number</i>	<i>Qty.</i>	<i>Description</i>
1	139-1545-03	1	Blower Deck Mount ASM	17	106-4161	1	Knob-Handle
2	325-6	1	Screw-HH	18	136-0570	1	Blower ASM
3	3253-7	1	Washer-Lock	19	137-6425	1	Transition
4	3217-9	1	Nut-HH	20	136-4082-03	1	Baffle
5	323-7	1	Screw-HH	21	139-7872	1	Belt-V
6	104-8301	7	Nut-HF, NI	24	3230-2	3	Bolt-CARR
7	136-0595	1	Idler ASM	25	136-4118	1	Plate-Latch
8	139-1483	1	Hose-Flexible	26	3229-20	2	Screw-CARR
9	139-1466	1	Clamp-Hose, Bagger	27	120-4578	2	Nut-HF
10	3231-2	1	Bolt-CARR	28	3231-25	2	Bolt-CARR
11	133-8735-03	1	Guard-Belt	29	138-5887-03	2	Plate
12	3290-456	1	Washer-Belleville	30	131-8402	2	Strap-Down, Hold
13	62-1230	1	Washer-Rubber	31	112-8670-03	1	Pulley
14	104-8300	8	Nut-HF, NI	32	138-8872-01	1	Baffle-Bagger, 60"
15	117-5976	1	Knob-Handle	33	138-8866	1	Decal-Routing, Belt
16	136-0503	1	Cover-Belt	35	140-4906	1	Pulley Mount ASM

# Idler Assembly No. 136-0595

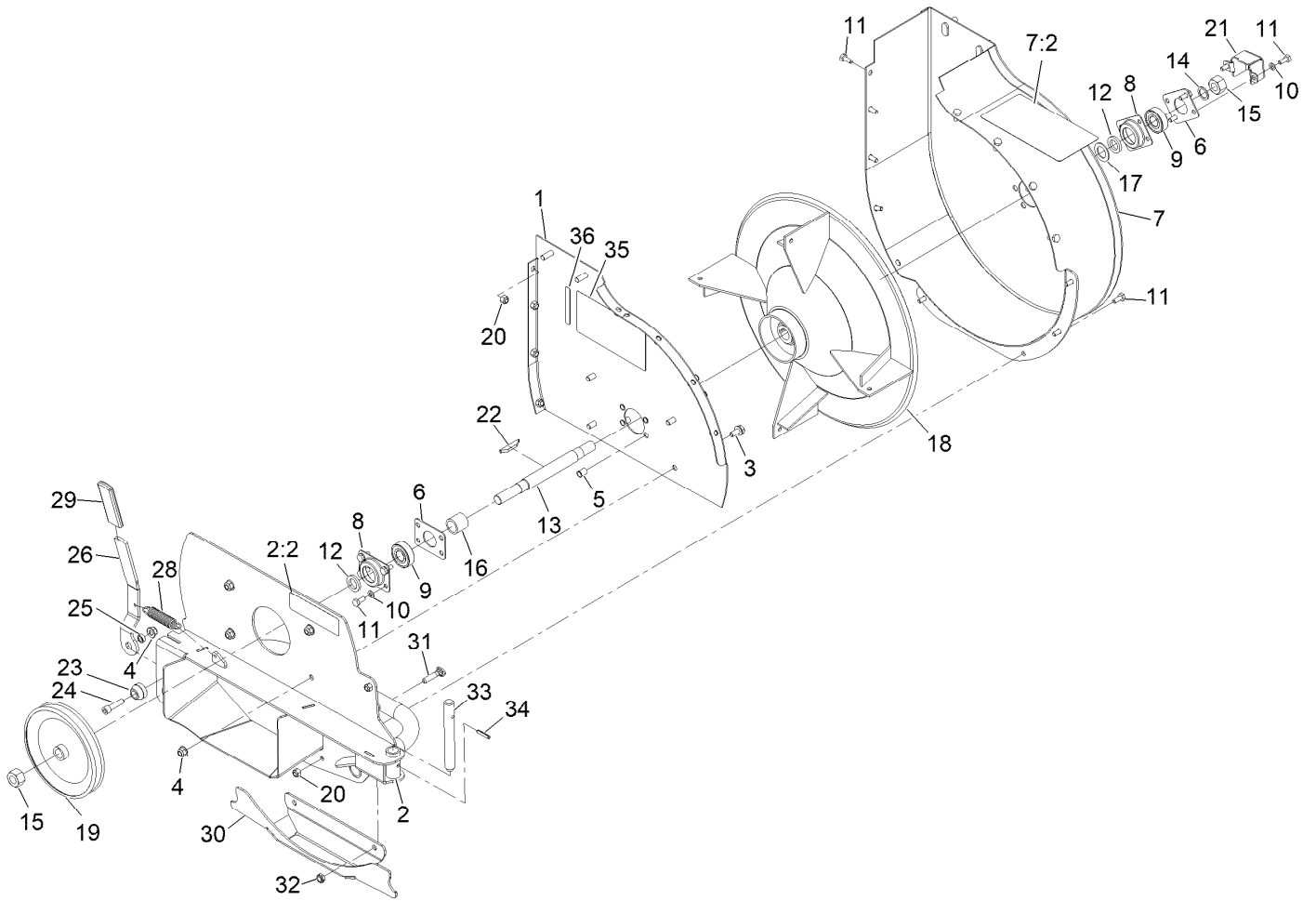


## Idler Assembly No. 136-0595 (continued)

<i>Ref.</i>	<i>Part Number</i>	<i>Qty.</i>	<i>Description</i>
1	136-0580-03	1	Bracket-Idler
2	92-7099	1	Pulley-Idler
3	323-9	3	Screw-HH
4	109-6658	2	Nut-Flange, NI
5	136-0554	1	Idler ASM

<i>Ref.</i>	<i>Part Number</i>	<i>Qty.</i>	<i>Description</i>
6	115-4712	1	Spring-Extension
7	92-7084	1	Pulley-Idler, Flat
8	103-0130	1	Bushing-Pivot, Idler
9	3256-4	1	Washer-Flat
10	3290-357	1	Nut-HSF

# Blower Assembly-136-0570





## Blower Assembly-136-0570 (continued)

<i>Ref.</i>	<i>Part Number</i>	<i>Qty.</i>	<i>Description</i>	<i>Ref.</i>	<i>Part Number</i>	<i>Qty.</i>	<i>Description</i>
1	133-8665-03	1	Mounting Plate ASM	18	56-4780-03	1	Impeller ASM
2	146-4577	1	Blower Pivot ASM	19	92-0874	1	Pulley-Transaxle
2:2	112-9028	1	Decal-Cover, Missing	20	3296-42	12	Nut-Nyloc 1/4-20
3	3234-14	4	Screw-HH Flg 5/16-18 X 5/8	21	106-3076-03	1	Cover-Shaft
4	104-8300	5	Nut-Nyloc 5/16-18 Flg	22	3257-40	1	Key
5	32117-2	8	Nut-Clinch	23	136-4135	1	Pin-Guide
6	63-9700-03	2	Plate-Cover	24	3274-18	1	Screw-Sh 5/16-18 X 1 1/4
7	136-0578	1	Blower Housing Outer ASM	25	99-2018	1	Spacer-Arm, Idler
7:2	136-4087	1	Decal-Warning	26	136-4116	1	Handle
8	37-6730	2	Cup-Bearing	28	104-6415	1	Spring-Return, Pedal
9	38-7820	2	Bearing-Ball	29	47-1970	1	Grip
10	3253-3	8	Washer-Lock 1/4	30	136-4097-03	1	Plate-Skid
11	321-3	20	Screw-HH 1/4-20 X 5/8	31	92-4095	2	Screw-Handle
12	63-9710	2	Spacer-Bearing	32	3296-47	2	Nut-Nyloc 5/16-18 Thin
13	105-5893	1	Shaft-Blower	33	146-4187	1	Pin-Blower Pivot
14	9202154	1	Washer-Flat	34	32121-16	1	Pin-Spring
15	3217-11	2	Nut-Hex 5/8-11	35	146-4438	1	Decal-Blower Belt Routing
16	7989	1	Spacer	36	133-8061	1	Decal-Warning
17	1535	1	Washer-Thrust				

**Notes:**

**Notes:**



**Count on it.**