



Count on it.

Parts Catalog

**52in Blower and Drive Kit
Grandstand® Mower**

Model No. 78526—Serial No. 416500000 and Up



Ordering Replacement Parts

To order replacement parts, please supply the part number, the quantity, and the description of each part desired.

Understanding Reference Numbers

Each identified part in an illustration has a reference number. The reference number for a part also appears in the parts list, along with other information about the part.

This catalog uses two special reference number formats, one to indicate parts in a service assembly and another to indicate the quantity of a given part in an illustration.

Service Assembly Reference Numbers

Parts in service assemblies have reference numbers in the form a:b. The a represents the reference number of the entire service assembly and the b represents a sequential number unique to each part within the service assembly.

For example, a wheel assembly might be identified by reference number 6, the tire by 6:1, the valve by 6:2, and the wheel by 6:3. When you order the assembly identified by reference number 6, you receive all parts identified by reference numbers 6:1, 6:2, and 6:3. However, you may also order any part individually. Reference numbers of this type appear in illustration and in parts lists.

Reference Numbers Indicating Quantity

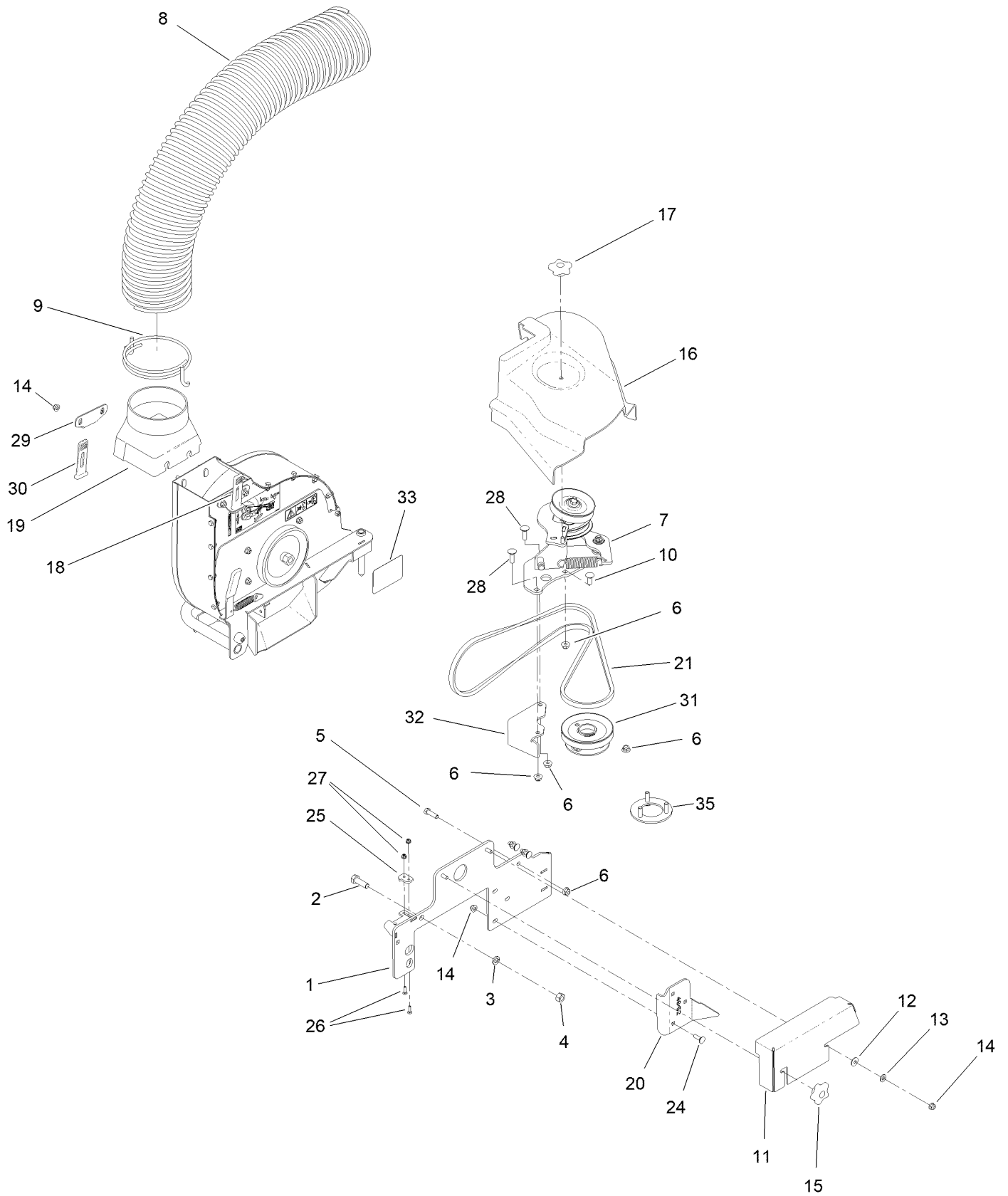
In an illustration, if a reference number indicates more than one part, the reference number has the form nX y. The n represents the quantity of the part, the X is the multiplication symbol, and the y represents the reference number.

For example, in an illustration, the reference number 2X 37 means that two of the parts identified by reference number 37 are indicated.

Contents

Blower Drive Assembly	4
Idler Assembly No. 136-0575.....	6
Blower Assembly-136-0570	8

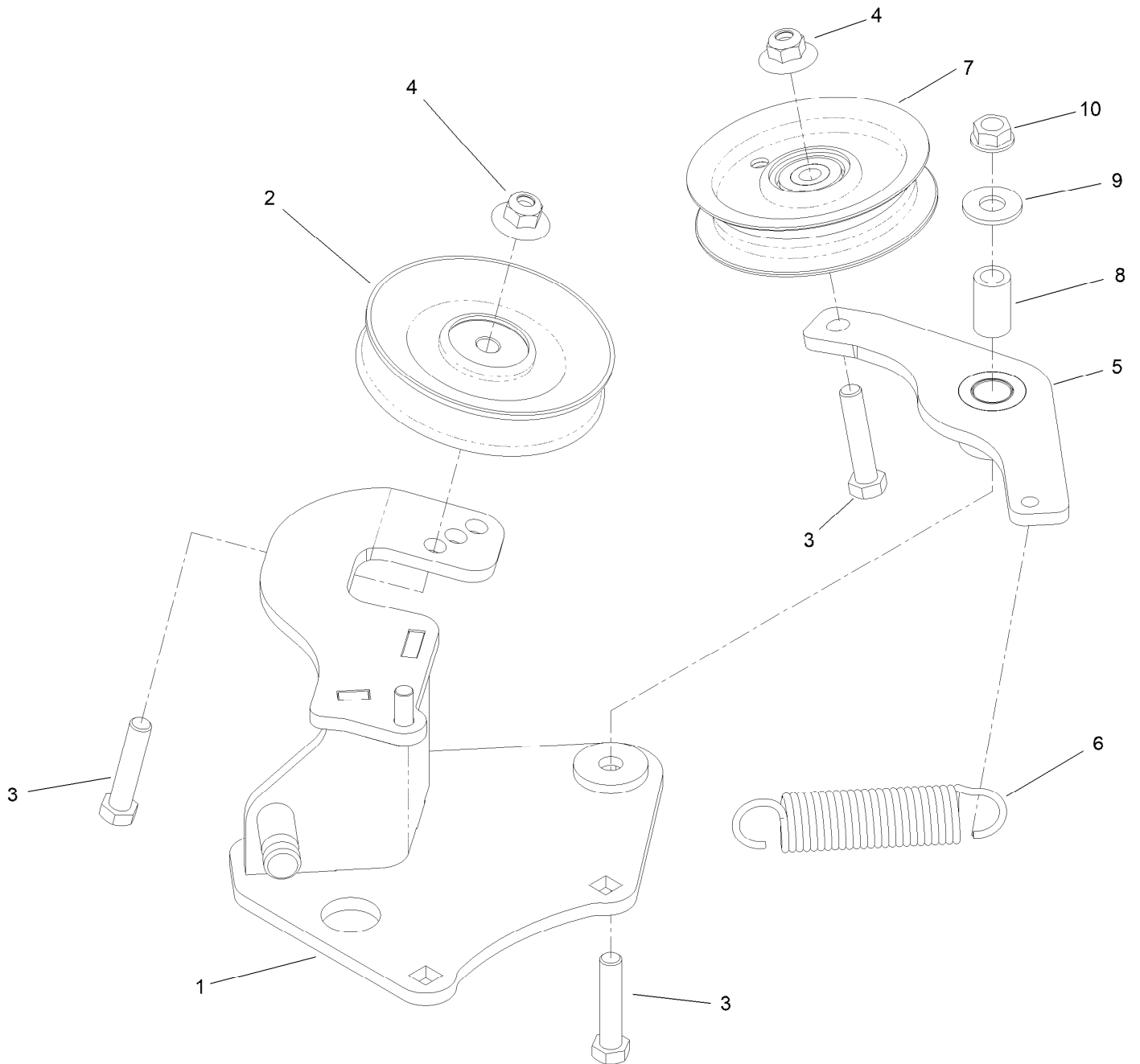
Blower Drive Assembly



Blower Drive Assembly (continued)

<i>Ref.</i>	<i>Part Number</i>	<i>Qty.</i>	<i>Description</i>	<i>Ref.</i>	<i>Part Number</i>	<i>Qty.</i>	<i>Description</i>
1	139-1545-03	1	Blower Deck Mount ASM	17	106-4161	1	Knob-Handle
2	325-6	1	Screw-HH	18	136-0570	1	Blower ASM
3	3253-7	1	Washer-Lock	19	137-6425	1	Transition
4	3217-9	1	Nut-HH	20	136-4081-03	1	Baffle
5	323-7	1	Screw-HH	21	139-7872	1	Belt-V
6	104-8301	7	Nut-HF, NI	24	3230-2	3	Bolt-CARR
7	136-0575	1	Idler ASM	25	136-4118	1	Plate-Latch
8	138-5879	1	Hose-Flexible	26	3229-20	2	Screw-CARR
9	139-1466	1	Clamp-Hose, Bagger	27	120-4578	2	Nut-HF
10	3231-2	1	Bolt-CARR	28	3231-25	2	Bolt-CARR
11	133-8735-03	1	Guard-Belt	29	138-5887-03	2	Plate
12	3290-456	1	Washer-Belleville	30	131-8402	2	Strap-Down, Hold
13	62-1230	1	Washer-Rubber	31	112-8670-03	1	Pulley
14	104-8300	8	Nut-HF, NI	32	140-5445-01	1	Baffle-Bagger, 52"
15	117-5976	1	Knob-Handle	33	138-8866	1	Decal-Routing, Belt
16	133-8729	1	Cover-Belt	35	140-4906	1	Pulley Mount ASM

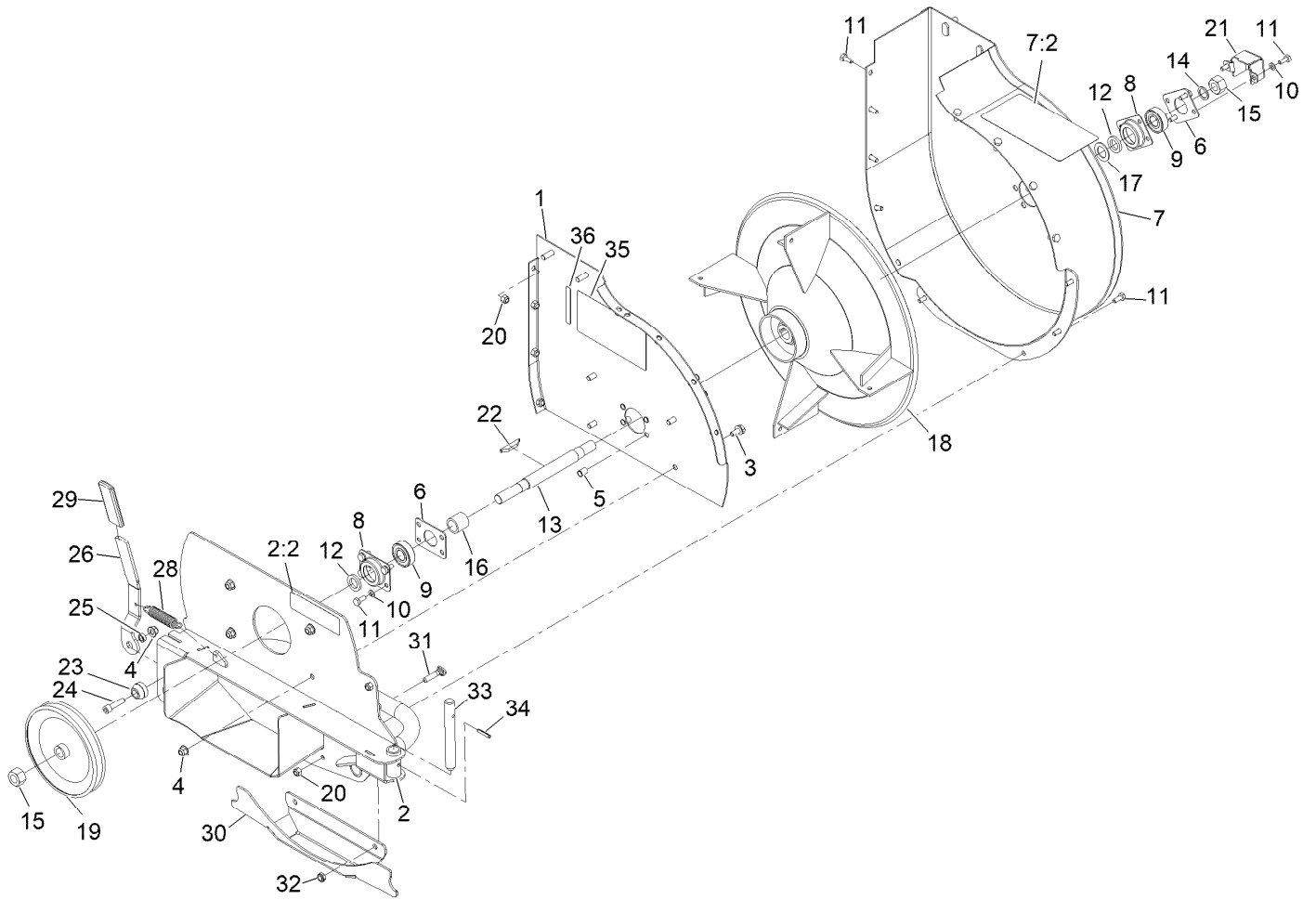
Idler Assembly No. 136-0575



Idler Assembly No. 136-0575 (continued)

<i>Ref.</i>	<i>Part Number</i>	<i>Qty.</i>	<i>Description</i>	<i>Ref.</i>	<i>Part Number</i>	<i>Qty.</i>	<i>Description</i>
1	136-0559-03	1	Bracket-Idler	6	115-4712	1	Spring-Extension
2	92-7099	1	Pulley-Idler	7	92-7084	1	Pulley-Idler, Flat
3	323-9	3	Screw-HH	8	103-0130	1	Bushing-Pivot, Idler
4	109-6658	2	Nut-Flange, NI	9	3256-4	1	Washer-Flat
5	136-0554	1	Idler ASM	10	3290-357	1	Nut-HSF

Blower Assembly-136-0570



Blower Assembly-136-0570 (continued)

<i>Ref.</i>	<i>Part Number</i>	<i>Qty.</i>	<i>Description</i>	<i>Ref.</i>	<i>Part Number</i>	<i>Qty.</i>	<i>Description</i>
1	133-8665-03	1	Mounting Plate ASM	18	56-4780-03	1	Impeller ASM
2	146-4577	1	Blower Pivot ASM	19	92-0874	1	Pulley-Transaxle
2:2	112-9028	1	Decal-Cover, Missing	20	3296-42	12	Nut-Nyloc 1/4-20
3	3234-14	4	Screw-HH Flg 5/16-18 X 5/8	21	106-3076-03	1	Cover-Shaft
4	104-8300	5	Nut-Nyloc 5/16-18 Flg	22	3257-40	1	Key
5	32117-2	8	Nut-Clinch	23	136-4135	1	Pin-Guide
6	63-9700-03	2	Plate-Cover	24	3274-18	1	Screw-Sh 5/16-18 X 1 1/4
7	136-0578	1	Blower Housing Outer ASM	25	99-2018	1	Spacer-Arm, Idler
7:2	136-4087	1	Decal-Warning	26	136-4116	1	Handle
8	37-6730	2	Cup-Bearing	28	104-6415	1	Spring-Return, Pedal
9	38-7820	2	Bearing-Ball	29	47-1970	1	Grip
10	3253-3	8	Washer-Lock 1/4	30	136-4097-03	1	Plate-Skid
11	321-3	20	Screw-HH 1/4-20 X 5/8	31	92-4095	2	Screw-Handle
12	63-9710	2	Spacer-Bearing	32	3296-47	2	Nut-Nyloc 5/16-18 Thin
13	105-5893	1	Shaft-Blower	33	146-4187	1	Pin-Blower Pivot
14	9202154	1	Washer-Flat	34	32121-16	1	Pin-Spring
15	3217-11	2	Nut-Hex 5/8-11	35	146-4438	1	Decal-Blower Belt Routing
16	7989	1	Spacer	36	133-8061	1	Decal-Warning
17	1535	1	Washer-Thrust				

Notes:

Notes:



Count on it.