



**Count on it.**

**Parts Catalog**

**Reelmaster® 5610**

**Traction Unit**

Model No. 03678—Serial No. 415191610 and Up



# Ordering Replacement Parts

To order replacement parts, please supply the part number, the quantity, and the description of each part desired.

## Understanding Reference Numbers

Each identified part in an illustration has a reference number. The reference number for a part also appears in the parts list, along with other information about the part.

This catalog uses two special reference number formats, one to indicate parts in a service assembly and another to indicate the quantity of a given part in an illustration.

## Service Assembly Reference Numbers

Parts in service assemblies have reference numbers in the form a:b. The a represents the reference number of the entire service assembly and the b represents a sequential number unique to each part within the service assembly.

For example, a wheel assembly might be identified by reference number 6, the tire by 6:1, the valve by 6:2, and the wheel by 6:3. When you order the assembly identified by reference number 6, you receive all parts identified by reference numbers 6:1, 6:2, and 6:3. However, you may also order any part individually. Reference numbers of this type appear in illustration and in parts lists.

## Reference Numbers Indicating Quantity

In an illustration, if a reference number indicates more than one part, the reference number has the form nX y. The n represents the quantity of the part, the X is the multiplication symbol, and the y represents the reference number.

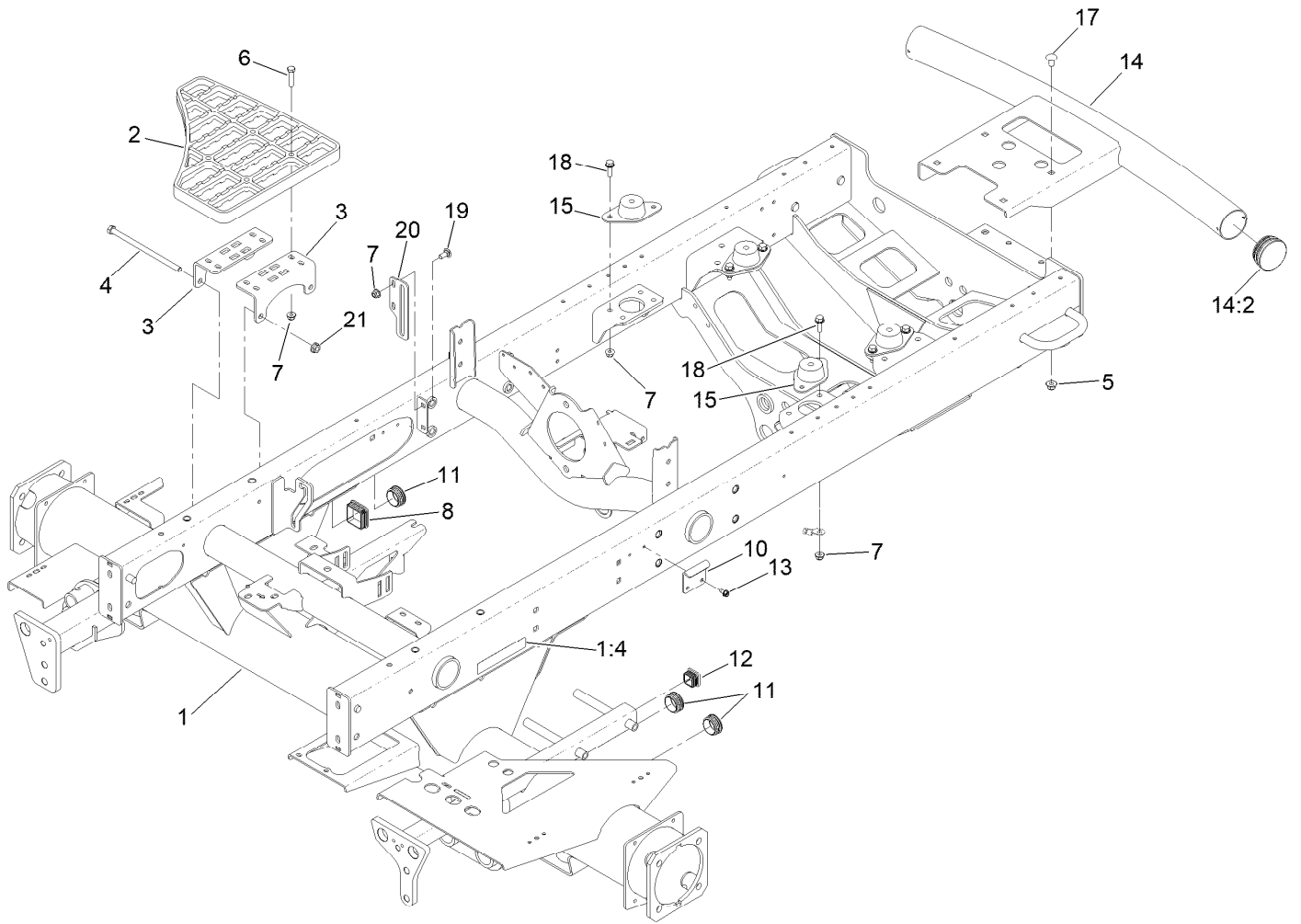
For example, in an illustration, the reference number 2X 37 means that two of the parts identified by reference number 37 are indicated.

# Contents

Frame Assembly	5
Operator Platform and Front Shroud Assembly	6
Pedal Assembly	7
Steering Assembly	9
Steering Tilt Column Assembly No. 106-3622	10
Steering Valve Assembly No. 106-3621	11
Console and Control Arm Assembly	12
Joystick Bracket Assembly No. 120-5280	14
Front Axle Assembly	15
LH Brake Assembly No. 139-5952	16
RH Brake Assembly No. 139-5951	17
Rear Axle Assembly	18
Tie Rod Assembly No. 139-6029	19
No. 1, 4 and 5 Lift Arm Assembly	20
No. 2 and 3 Lift Arm Assembly	22
Seat and Control Arm Wiring Harness Assembly	23
Main Wiring Harness Assembly	24
Battery Mounting Assembly	25
Gear Pump Assembly	26
Gear Pump Assembly No. 107-4547	27
Seat Base Assembly	28
Hood Assembly	29
Cooling System Assembly	31
Hydraulic Tank Assembly	33
Fuel System Assembly	34
Seat Mounting Assembly	36
Seat Assembly No. 139-2700	37
Mechanical Seat Suspension Assembly No. 145-5295	38
Traction Pump Mounting Assembly	39
Hydraulic Pump Assembly No. 119-6972	40
Hydraulic Drive Assembly	42
Hydraulic Motor Assembly No. 133-2935 (CCW)	44
Hydraulic Motor Assembly No. 133-2934 (CW)	45
Hydraulic Motor Assembly No. 110-0901	46
Hydraulic Motor Assembly No. 107-4544	47
Four Wheel Drive Manifold Assembly No. 108-1825	48
No. 1, 4 and 5 Reel Drive Hydraulic Assembly	49
Hydraulic Motor Assembly No. 120-6272	51
Manifold Assembly No. 121-5628	52
No. 2 and 3 Reel Drive Hydraulic Assembly	53
No. 1, 4 and 5 Lift Arm Hydraulic Assembly	55
Hydraulic Cylinder Assembly No. 138-6999	56
Hydraulic Cylinder Assembly No. 119-6987	57
Hydraulic Manifold Block Assembly No. 105-7577	58
Rear Lift Hydraulic Assembly	59
Steering Hydraulic Assembly	60
Hydraulic Cylinder Assembly No. 110-9035	62
Engine, Muffler and Air Cleaner Assembly	63
Air Cleaner Assembly No. 110-8917	65
Driveshaft Assembly No. 108-1641	66
Crankcase Assembly	67
Oil Pan Assembly	68
Cylinder Head Assembly	69
Gear Case Assembly	70

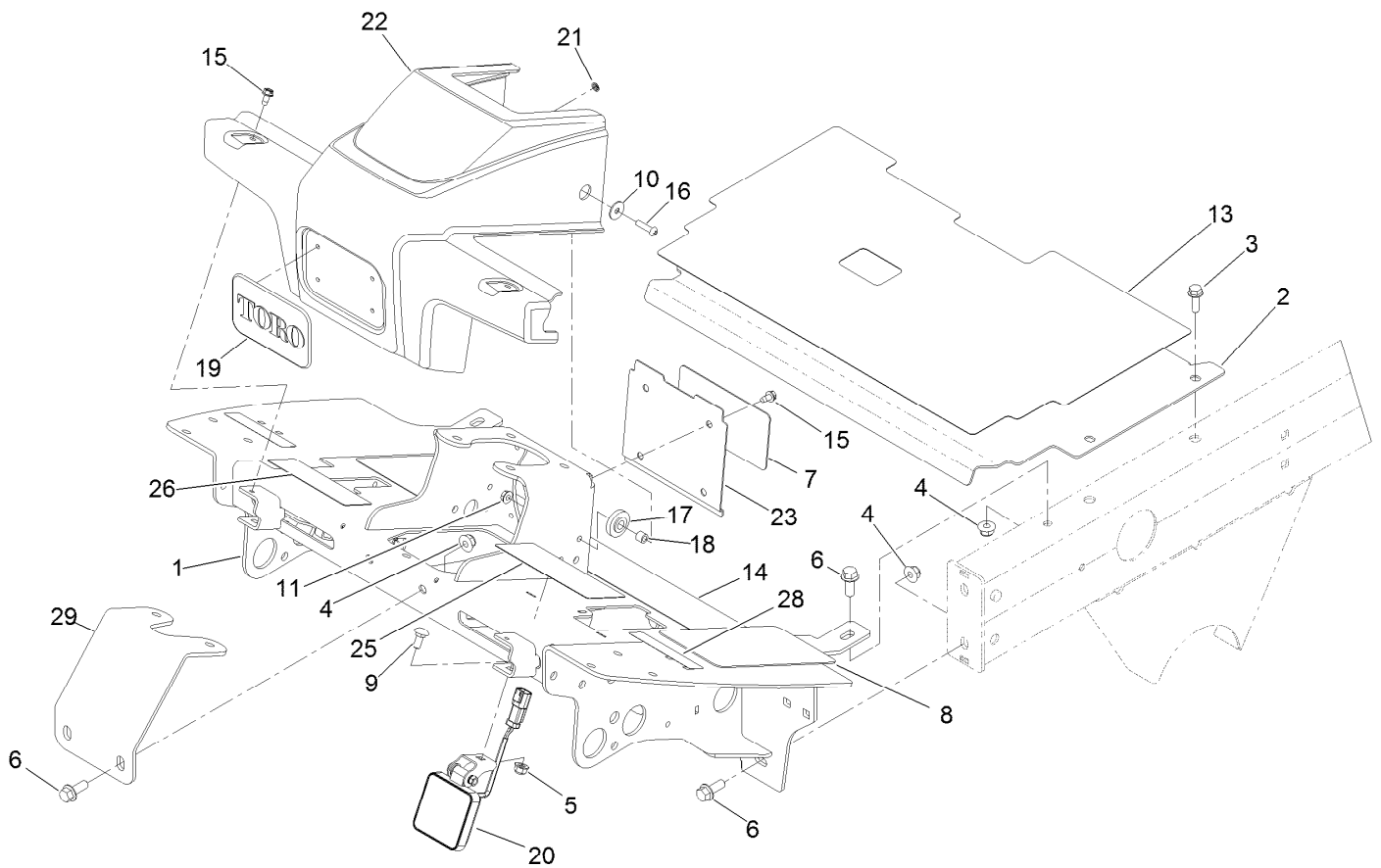
# Contents (continued)

Cylinder Head Cover Assembly .....	71
Dipstick and Guide Assembly .....	72
Main Bearing Case Assembly .....	73
Cam Shaft and Idle Gear Shaft Assembly .....	74
Piston and Crankshaft Assembly .....	75
Flywheel Assembly .....	76
Fuel Camshaft and Governor Shaft Assembly .....	77
Idle Apparatus Assembly .....	78
Injection Pump Assembly .....	79
Speed Control Plate Assembly .....	80
Nozzle Holder and Glow Plug Assembly .....	81
Nozzle Holder Component Assembly .....	82
Governor Assembly .....	83
Alternator and Pulley Assembly .....	84
Alternator Components Assembly .....	85
Starter Assembly .....	86
Water Flange and Thermostat Assembly .....	87
Water Pump Assembly .....	88
Overflow Bottle Assembly .....	89
Valve and Rocker Arm Assembly .....	90
Inlet and Exhaust Manifold Assembly .....	91
Turbo Charger Assembly .....	92
Oil Pipe (Turbo Charger) Assembly .....	93
Oil Cooler Assembly .....	94
Attachments and Accessories .....	95



## Frame Assembly

<i>Ref.</i>	<i>Part Number</i>	<i>Qty.</i>	<i>Description</i>	<i>Ref.</i>	<i>Part Number</i>	<i>Qty.</i>	<i>Description</i>
1	120-3803	1	Frame ASM	12	110-9013	1	Caplug
1:4	93-6689	2	Decal-No Riders	13	32104-17	2	Screw-HWH
2	110-9041	2	Step-Aluminum	14	147-3550	1	Bumper ASM
3	127-2697-01	4	Bracket-Step	14:2	2410-42	2	Cap-End
4	323-36	4	Screw-HH	15	120-6274	4	Mount-Engine
5	104-8301	4	Nut-HF, NI	17	3231-21	4	Screw-CARR
6	322-17	8	Screw-HH	18	3234-29	8	Screw-HHF
7	104-8300	18	Nut-HF, NI	19	3230-1	2	Bolt-CARR
8	95-9495	1	Cap	20	108-7584-01	1	Plate-Guide, Rod
10	110-8972	1	Hook-Latch	21	32128-21	4	Nut-HF Lock
11	110-9012	3	Caplug				



## Operator Platform and Front Shroud Assembly

<i>Ref.</i>	<i>Part Number</i>	<i>Qty.</i>	<i>Description</i>	<i>Ref.</i>	<i>Part Number</i>	<i>Qty.</i>	<i>Description</i>
1	127-2310-01	1	Platform ASM	16	106-9518	2	Screw-PRH
2	115-8064-01	1	Plate-Floor	17	240-11	2	Bushing-Flange
3	3234-17	4	Screw-HHF	18	66-8010	2	Spacer
4	104-8301	6	Nut-HF, NI	19	93-6028	1	Plate-Logo
5	104-8300	2	Nut-HF, NI	20	140-6990	2	Light-Work, LED
6	3234-11	6	Screw-HHF	21	138-6996	4	Nut-Push
7	110-0986	1	Decal-Plate, Cover	22	110-0944	1	Shroud-Platform
8	125-2910	2	Tread-Floor, Side	23	110-0947-03	1	Plate-Cover
9	3230-1	2	Bolt-CARR	25	133-2930	1	Decal-Danger
10	87-6630	2	Washer-Plain	25	133-2931	1	Decal-Danger (CE)
11	32128-33	2	Nut-HF	26	110-8921	1	Decal-Speed, Mow
13	125-2911	1	Tread-Panel, Service	28	133-8062	1	Decal-Spark Arrestor
14	125-2909	1	Tread-Floorboard	29	110-8876-0P	1	Brace-Column
15	32104-17	6	Screw-HWH				



## Pedal Assembly

Ref.	Part Number	Qty.	Description	Ref.	Part Number	Qty.	Description
1	117-5199	1	Hub-Pedal, Traction	20:1	117-3207	2	Nut-Hex
2	117-9507	1	Pedal-Accelerator	20:2	117-3208	2	Washer-Lock, Internal Tooth
3	74-9100	1	Pad-Pedal, Forward	21	256-156	2	Bushing-Flange
4	256-236	2	Bearing-Mount, Flange	22	323-17	1	Screw-HH
5	106-3840	1	Pedal-Traction	23	104662	8	Spacer
6	92-7305	1	Spring-Extension	24	3296-39	1	Nut-Lock, NI
7	3234-5	6	Screw-HHF	25	117-8066	1	Mow-Stop
8	3296-29	6	Nut-Lock, NI	26	32121-6	1	Pin-Roll, Slotted
9	32121-45	1	Pin-Spring	27	106-3731	1	Rod-Pivot
10	74-9110	1	Pad-Pedal, Reverse	28	110-8982	2	Washer-Spring
11	127-2721	1	Cable-Traction	29	32121-16	1	Pin-Spring
11:1	3220-1	2	Nut-Jam	30	115-0120-03	1	Pedal-Brake
12	3234-13	2	Screw-HHF	31	125-8775	2	Bushing-Flange
13	3296-42	1	Nut-Lock, NI	32	104-7179	1	Pivot-Pedal
14	66-8010	1	Spacer	33	32144-4	1	Screw-HWH
15	2411-41	1	Rod End-Ball Joint	34	99-7963-03	1	Pedal-Park
16	33093-00	1	Washer-Flat	35	115-5300	1	Proximity Switch ASM
17	3256-22	3	Washer-Flat	35:1	117-3207	2	Nut-Hex
18	321-9	1	Screw-HH	35:2	117-3208	2	Washer-Lock, Internal Tooth
19	93-2092	1	Clamp-Cable	36	115-0129	1	Rod-Pawl, Brake
20	115-0282	1	Proximity Sensor ASM	37	3272-6	2	Pin-Cotter



## Pedal Assembly (continued)

<i>Ref.</i>	<i>Part Number</i>	<i>Qty.</i>	<i>Description</i>	<i>Ref.</i>	<i>Part Number</i>	<i>Qty.</i>	<i>Description</i>
38	104-8301	1	Nut-HF, NI	46	3272-10	2	Pin-Cotter
39	99-7214	1	Pawl-Brake	47	117-0106	1	Cable-Brake, RH
40	99-7140	1	Spring-Torsion	48	117-0107	1	Cable-Brake, LH
41	52-2891	2	Bushing-Flanged, Nylon	49	302-60	1	Fitting-Grease
42	323-12	1	Screw-HH	50	115-8060	1	Clevis-Double
43	117-0238	1	Detent	51	115-8059	1	Yoke-Cable
44	5-0652	2	Spacer	52	104-7201	1	Nut-HF, NI
45	283-14	2	Pin-Clevis				





## Steering Assembly

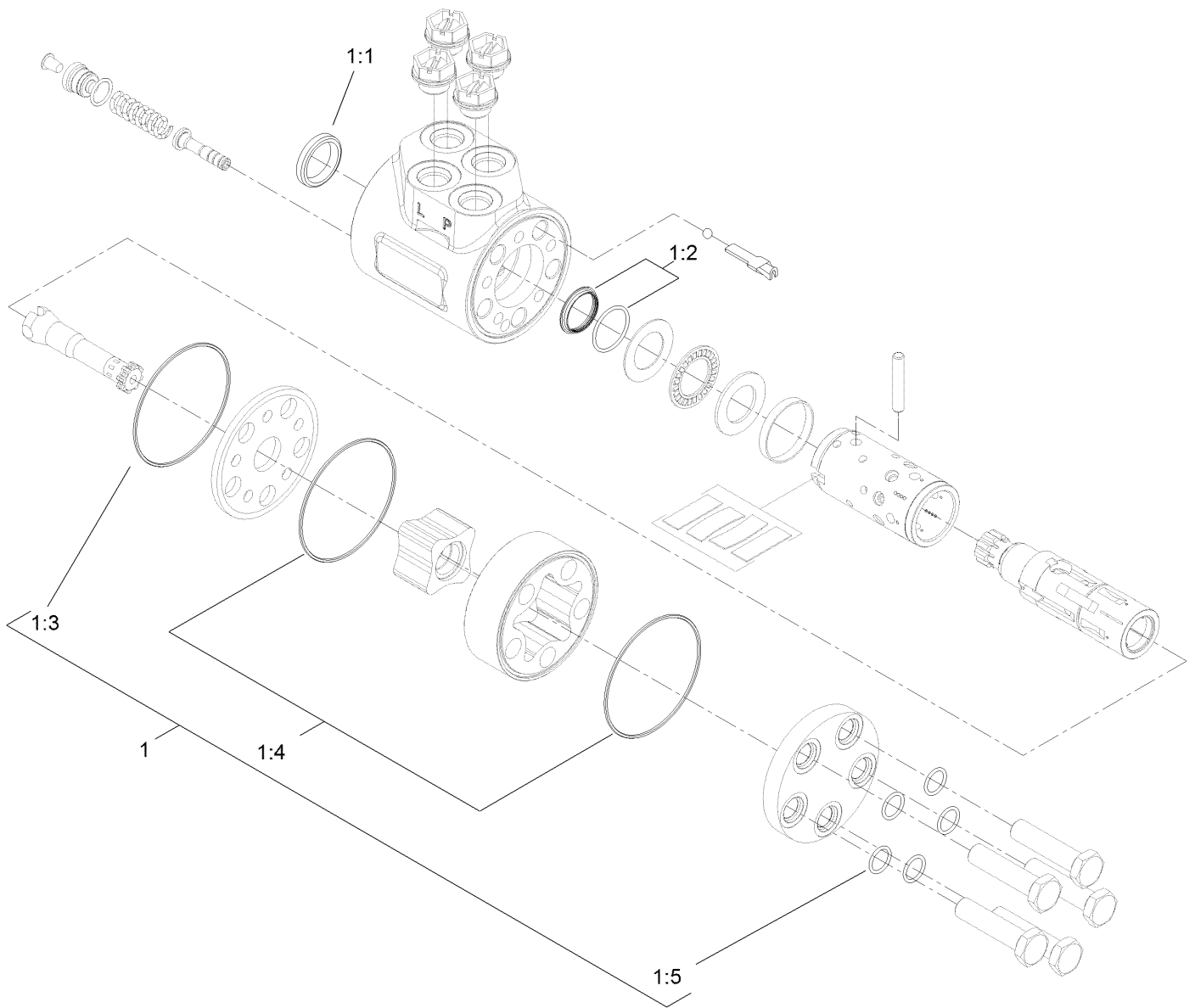
<b>Ref.</b>	<b>Part Number</b>	<b>Qty.</b>	<b>Description</b>
1	106-3622	1	Steering Tilt Column ASM
2	340-2	4	Fitting-Straight
2:1	237-22	1	O-Ring
2:2	237-42	1	O-Ring
3	98-1471	1	Wheel-Steering
3:1	98-1468	1	Cover-Wheel, Steering
4	98-1459	1	Decal
5	105-2409	4	Screw-HSH
6	106-3621	1	Steering Valve ASM
7	3274-1	4	Screw-HSH
8	3296-33	1	Nut-Lock, NI
9	3256-27	1	Washer-Flat
10	104-8301	4	Nut-HF, NI



## Steering Tilt Column Assembly No. 106-3622

Ref.	Part Number	Qty.	Description
1	110-6462	1	Bellows-Rubber
2	110-6463	1	Cylinder Service Kit
2:1		1	Cylinder-Gas ●
2:2		1	Block-Pedal ●
2:3		2	Bolt ●
2:4		1	Pin ●
2:5		2	Washer-Lock ●
3	110-6464	1	Pedal Service Kit
3:1		1	Pedal ●
3:2		1	Pin ●
3:3		1	Spring ●
4	110-6465	1	Cover-Pedal
5	120-6256	1	Universal Joint Kit

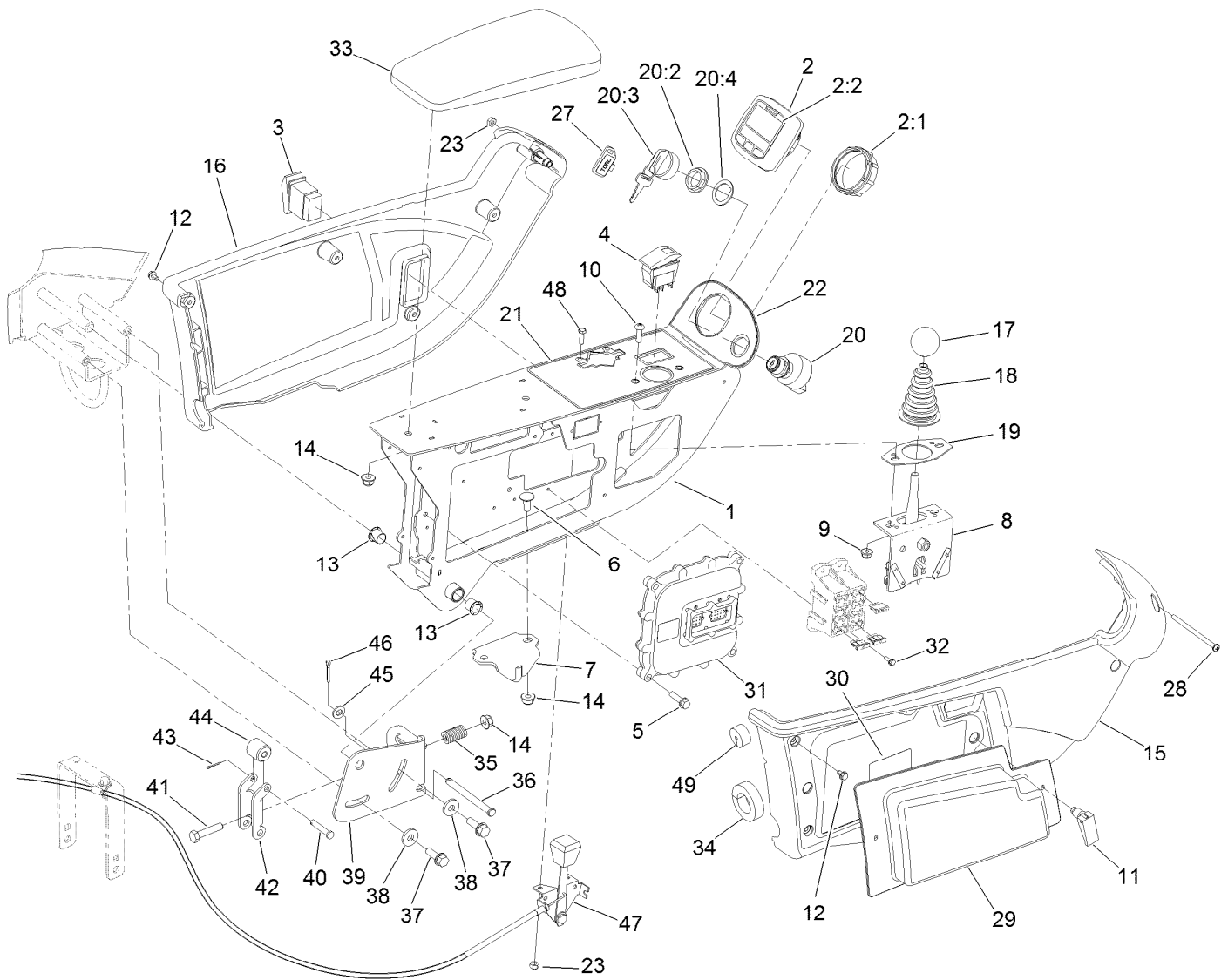
● Not serviced separately



## Steering Valve Assembly No. 106-3621

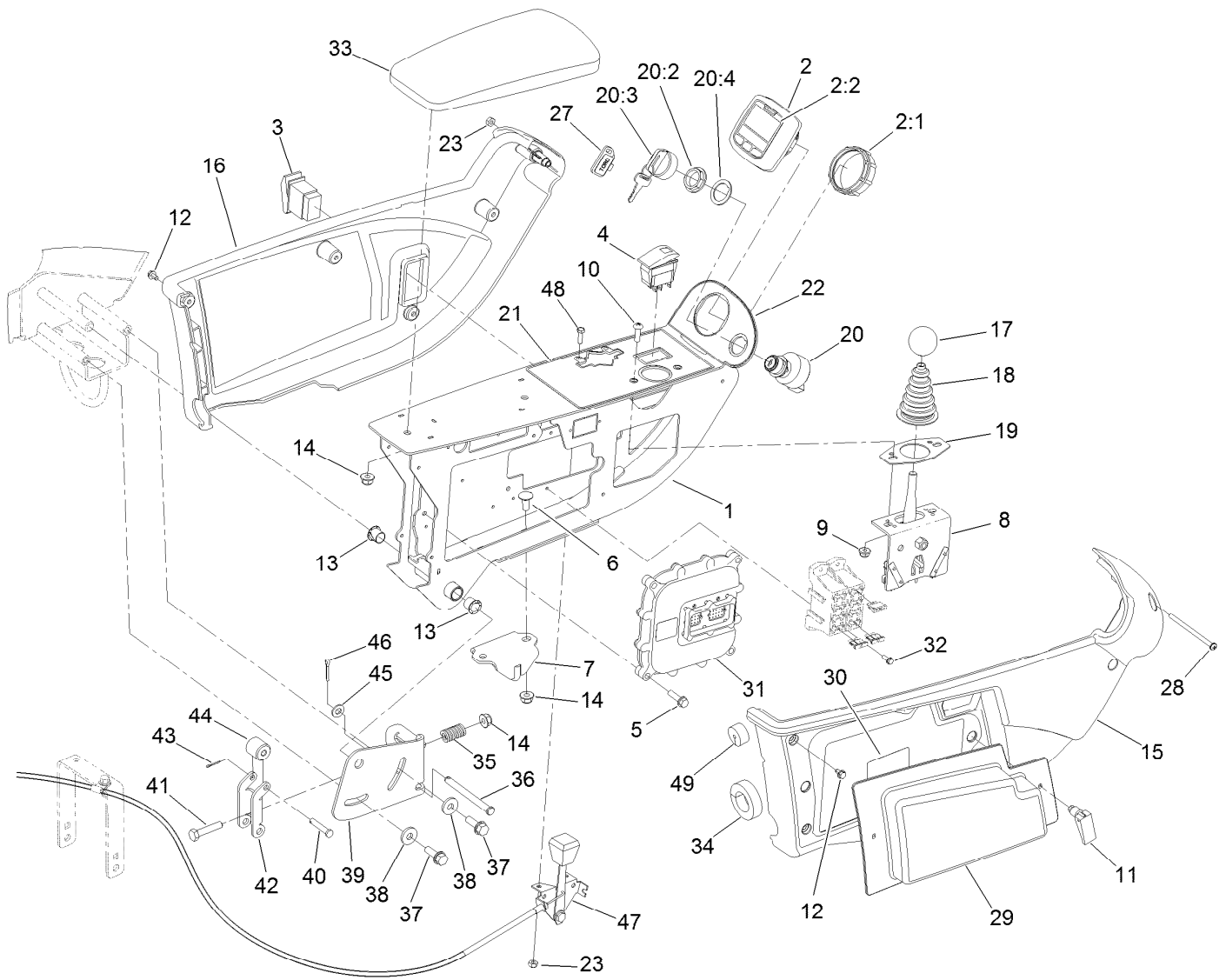
<i>Ref.</i>	<i>Part Number</i>	<i>Qty.</i>	<i>Description</i>
1	106-6716	1	Seal Kit
1:1		1	Ring-Seal, Dust ●
1:2		1	Seal-Shaft ●
1:3		1	O-Ring ●
1:4		2	O-Ring ●
1:5		5	O-Ring ●

● Not serviced separately



## Console and Control Arm Assembly

Ref.	Part Number	Qty.	Description	Ref.	Part Number	Qty.	Description
1	120-3801-03	1	Frame-Arm, Control	18	93-5961	1	Boot-Lever
2	120-6310	1	LCD Display ASM Kantrak 1700	19	112-9181	1	Plate-Boot
2:1	120-4630	1	Nut-Display	20	106-5269	1	Ignition Switch ASM
2:2	120-6311	1	Decal-Display	20:2	108-8660	1	Nut-Mounting
3	95-8999	1	Switch-Rocker, On-None-On	20:3	106-5270	1	Ignition Key Set
4	105-4232	1	Switch	20:4	108-8659	1	Washer-Backup
5	32144-86	4	Screw-HWHTF	21	121-5644	1	Decal-Control Panel
6	3230-23	2	Bolt-CARR	22	120-4158	1	Decal-Console, Upper
7	125-1938	1	Latch	23	3296-2	3	Nut-Lock, NI
8	120-5280	1	Bracket-Joystick	27	99-8970	1	Key-Latch, Hood
9	104-7201	2	Nut-HF, NI	28	3250-22	1	Screw-PPH
10	3258-166	2	Screw-PRH	29	114-0446	1	Panel-Access
11	74-5950	2	Latch-Swell	30	145-5261	1	Decal-Fuse
12	104-2065	10	Screw-HWH	31	122-3375	1	Controller-Tec
13	256-257	2	Bushing-Nyliner	32	32144-87	4	Screw-HWHTF
14	104-8300	5	Nut-HF, NI	33	108-7602	1	Rest-Arm
15	108-7605	1	Cover-RH	34	110-8912	1	Seal-Foam
16	108-7604	1	Cover-LH	35	110-5331	1	Spring-Compression
17	233-42	1	Knob	36	283-88	1	Pin-Clevis
				37	32144-41	2	Screw-Taptite
				38	4-2390	2	Washer-Flat



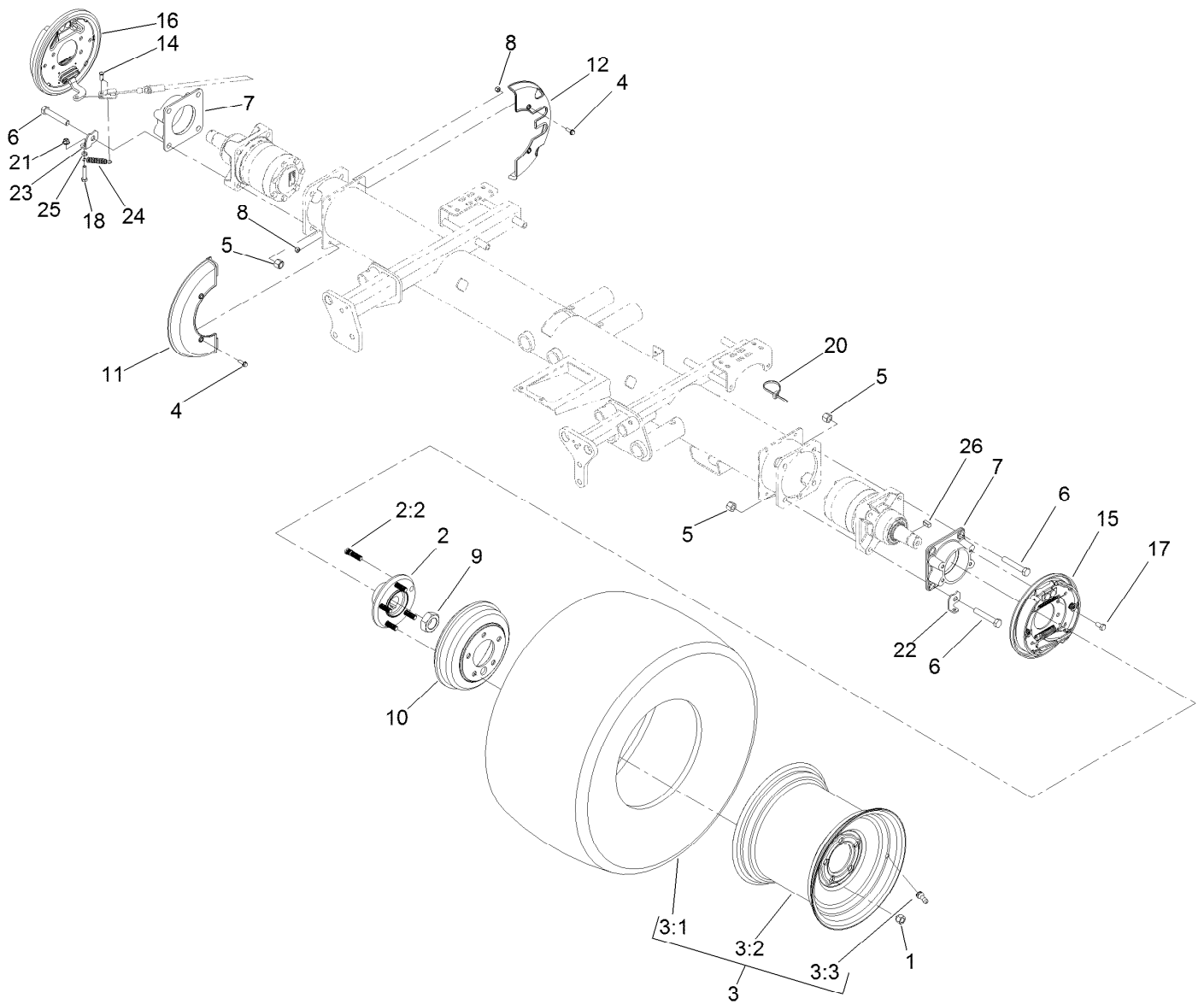
## Console and Control Arm Assembly (continued)

<i>Ref.</i>	<i>Part Number</i>	<i>Qty.</i>	<i>Description</i>	<i>Ref.</i>	<i>Part Number</i>	<i>Qty.</i>	<i>Description</i>
39	110-5313-03	1	Bracket-Retainer	45	3256-23	1	Washer-Plain
40	283-73	1	Pin-Clevis	46	3272-11	1	Pin-Cotter
41	322-7	1	Screw-HH	47	133-2929	1	Control-Throttle
42	110-5314	1	Latch	48	3290-134	2	Screw
43	3272-1	1	Pin-Cotter	49	110-8911	1	Seal-Foam
44	110-8856	1	Spacer				



## Joystick Bracket Assembly No. 120-5280

<i>Ref.</i>	<i>Part Number</i>	<i>Qty.</i>	<i>Description</i>
1	115-5357-03	1	Bracket-Joystick
2	106-4192	1	Spacer
3	93-5547	2	Bushing-Nylon
4	119-3540	1	Hub-Pivot, Joystick
5	105-8289	1	Spring-Torsion
6	106-4193	2	Washer-Finger, Spring
7	322-9	1	Screw-HH
8	3296-29	1	Nut-Lock, NI
9	3290-354	2	Nut-Speed
10	108-6496	2	Switch (W/Boot)
11	95-3003	4	Screw-PPHTF
12	3256-3	1	Washer-Flat



## Front Axle Assembly

Ref.	Part Number	Qty.	Description	Ref.	Part Number	Qty.	Description
1	242-50	10	Nut-Lug	11	127-2741	2	Shield-Wheel, Front
2	121-5631	2	Hub ASM	12	127-2742	2	Shield-Wheel, Rear
2:2	114-3918	5	Stud-Wheel	14	283-62	2	Pin-Clevis
3	139-6005	2	Tire ASM	15	139-5952	1	LH Brake ASM
3:1	133-2724	1	Tire	16	139-5951	1	RH Brake ASM
3:2	139-6006	1	Wheel	17	323-4	8	Screw-HH
3:3	232-27	1	Stem-Valve	18	322-7	2	Screw-HH
4	115-5103	8	Screw-HHF	20	3290-378	2	Tie-Cable
5	3296-23	8	Nut-Lock, NI	21	104-8300	2	Nut-HF, NI
6	325-12	8	Screw-HH	22	120-6267	1	Clip-Spring, LH
7	120-6253-03	2	Adapter-Brake	23	120-6266	1	Clip-Spring, RH
8	3296-42	8	Nut-Lock, NI	24	87-4020	2	Spring-Extension
9	117-3290	2	Nut-Hex	25	3218-2	2	Nut-Hex Jam
10	114-8864	2	Drum-Brake	26	117-5198	2	Key-Square



## LH Brake Assembly No. 139-5952

Ref.	Part Number	Qty.	Description
1	139-5950	1	Brake Shoe Kit
2	108-6983	1	Brake Hardware Kit
3	110-8910	1	LH Actuator Kit
3:1		1	Housing ●
3:2		1	Lever-LH ●
3:3		1	Pin-Pivot ●
3:4		1	E-Ring ●
4	110-8885	1	Dust Boot Kit
4:1		1	Boot ●
4:2		1	Plate-Back Up ●
4:3		2	Rivet ●

● Not serviced separately

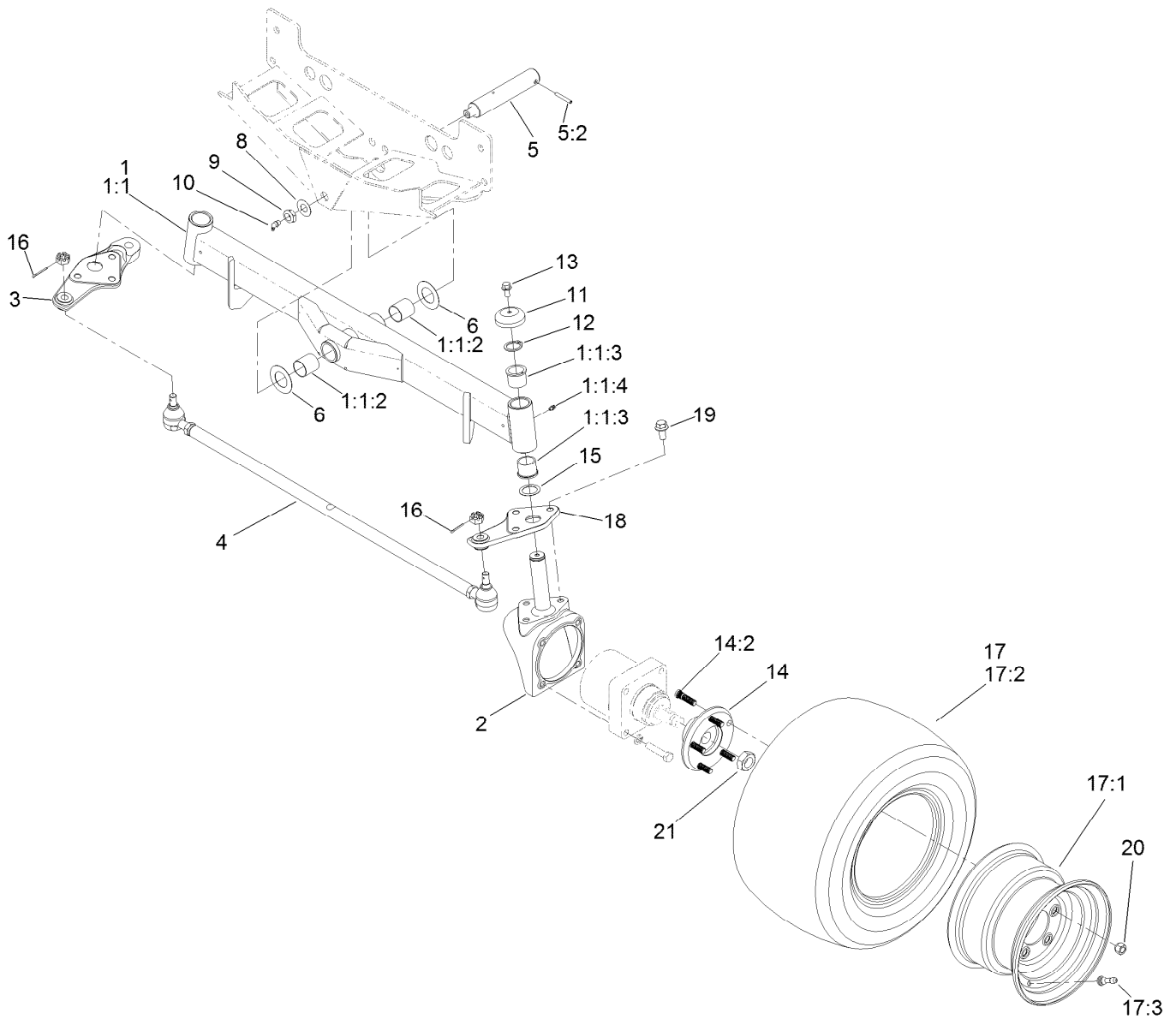




## RH Brake Assembly No. 139-5951

Ref.	Part Number	Qty.	Description
1	139-5950	1	Brake Shoe Kit
2	108-6983	1	Brake Hardware Kit
3	110-8884	1	RH Actuator Kit
3:1		1	Housing ●
3:2		1	Lever-RH ●
3:3		1	Pin-Pivot ●
3:4		1	E-Ring ●
4	110-8885	1	Dust Boot Kit
4:1		1	Boot ●
4:2		1	Plate-Back Up ●
4:3		2	Rivet ●

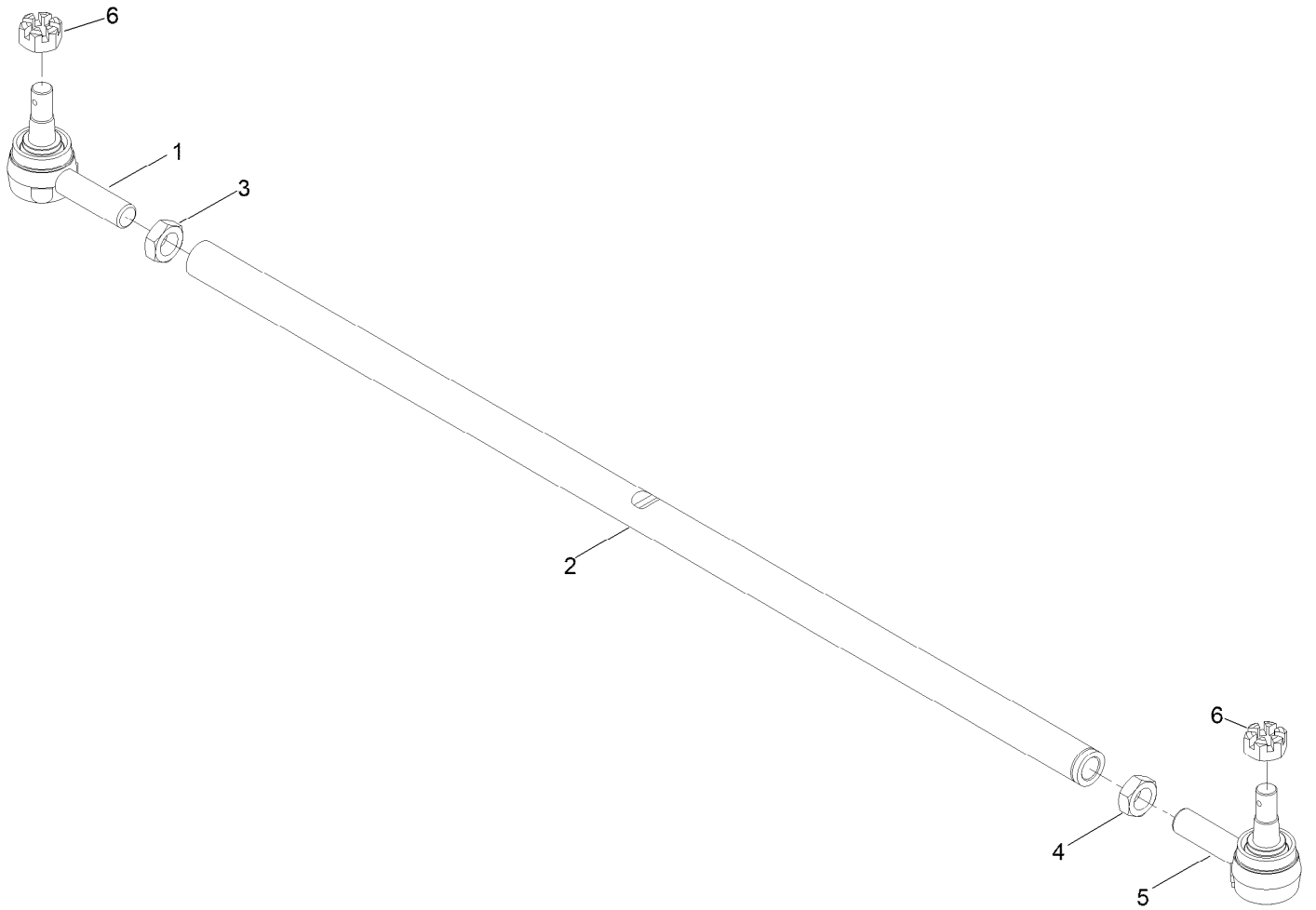
● Not serviced separately



## Rear Axle Assembly

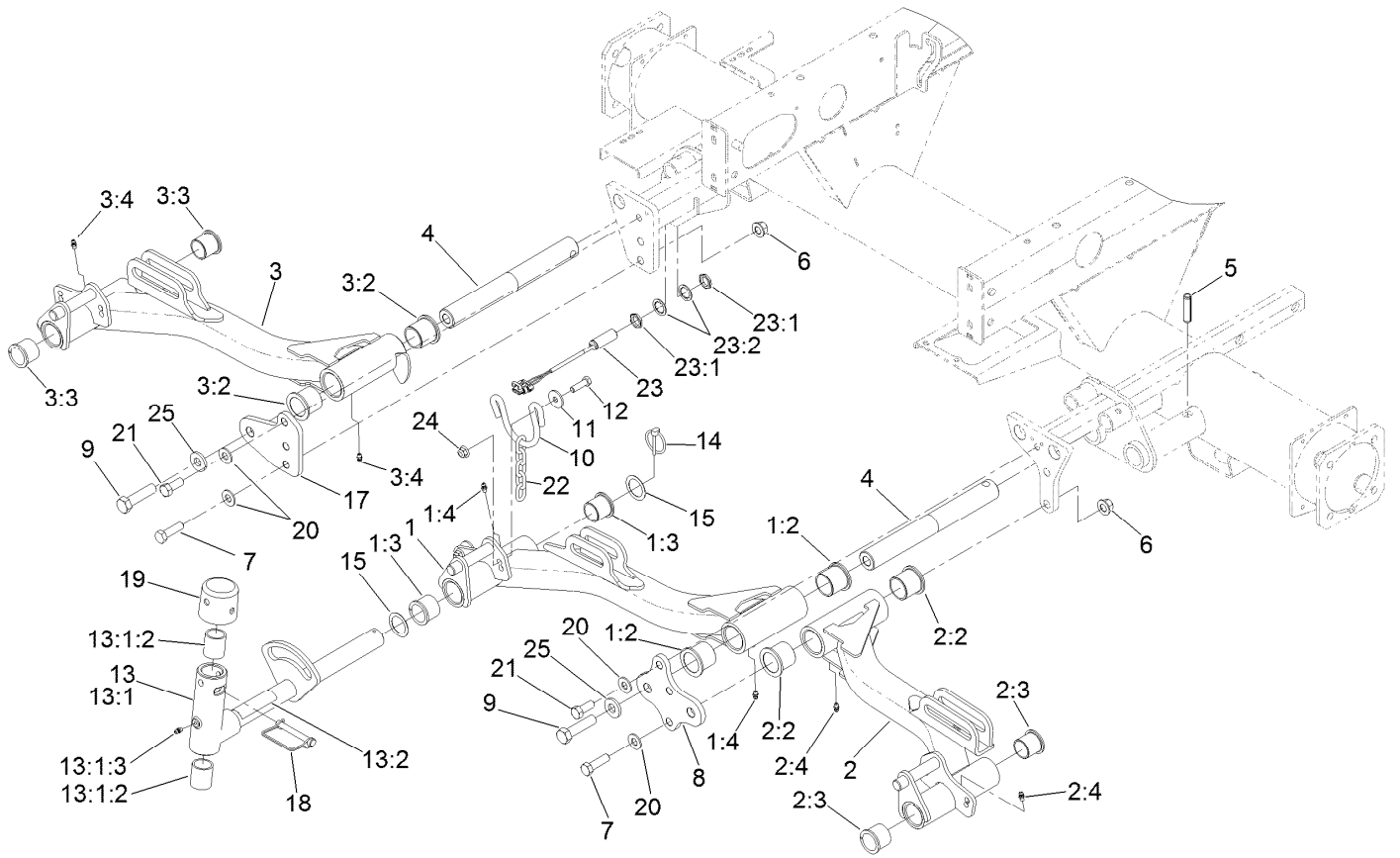
Ref.	Part Number	Qty.	Description	Ref.	Part Number	Qty.	Description
1	107-4546-03	1	Axle ASM	12	32151-77	2	Ring-Retaining, External
1:1		1	Axle ●	13	3234-1	2	Screw-HHF
1:1:2	99-6964	2	Bushing-Axle	14	121-5633	2	Hub ASM
1:1:3	104-0015	4	Bushing-Flange	14:2	114-3918	5	Stud-Wheel
1:1:4	302-5	2	Fitting-Grease	15	76-2980	2	Washer-Thrust
2	107-4517-03	2	Housing-Motor	16	3272-12	2	Pin-Cotter
3	140-3142	1	Link-Drag, RH	17	117-0281	2	Rim And Tire ASM
4	139-6029	1	Tie Rod ASM	17:1	117-0280	1	Rim
5	140-6101	1	Pin ASM-Axle Pivot	17:2	117-5125	1	Tire
5:2	32121-32	1	Pin-Roll	17:3	232-27	1	Stem-Valve
6	99-8432	2	Washer-Thrust	18	140-3144	1	Link-Drag, LH
8	71-4540	1	Washer-Thrust	19	3234-38	6	Screw-HHF
9	3296-15	1	Nut-Lock, NI	20	242-50	10	Nut-Lug
10	302-33	1	Fitting-Grease	21	26-3790	2	Nut-Lock
11	69-8890	2	Cap-Spindle				

● Not serviced separately



## Tie Rod Assembly No. 139-6029

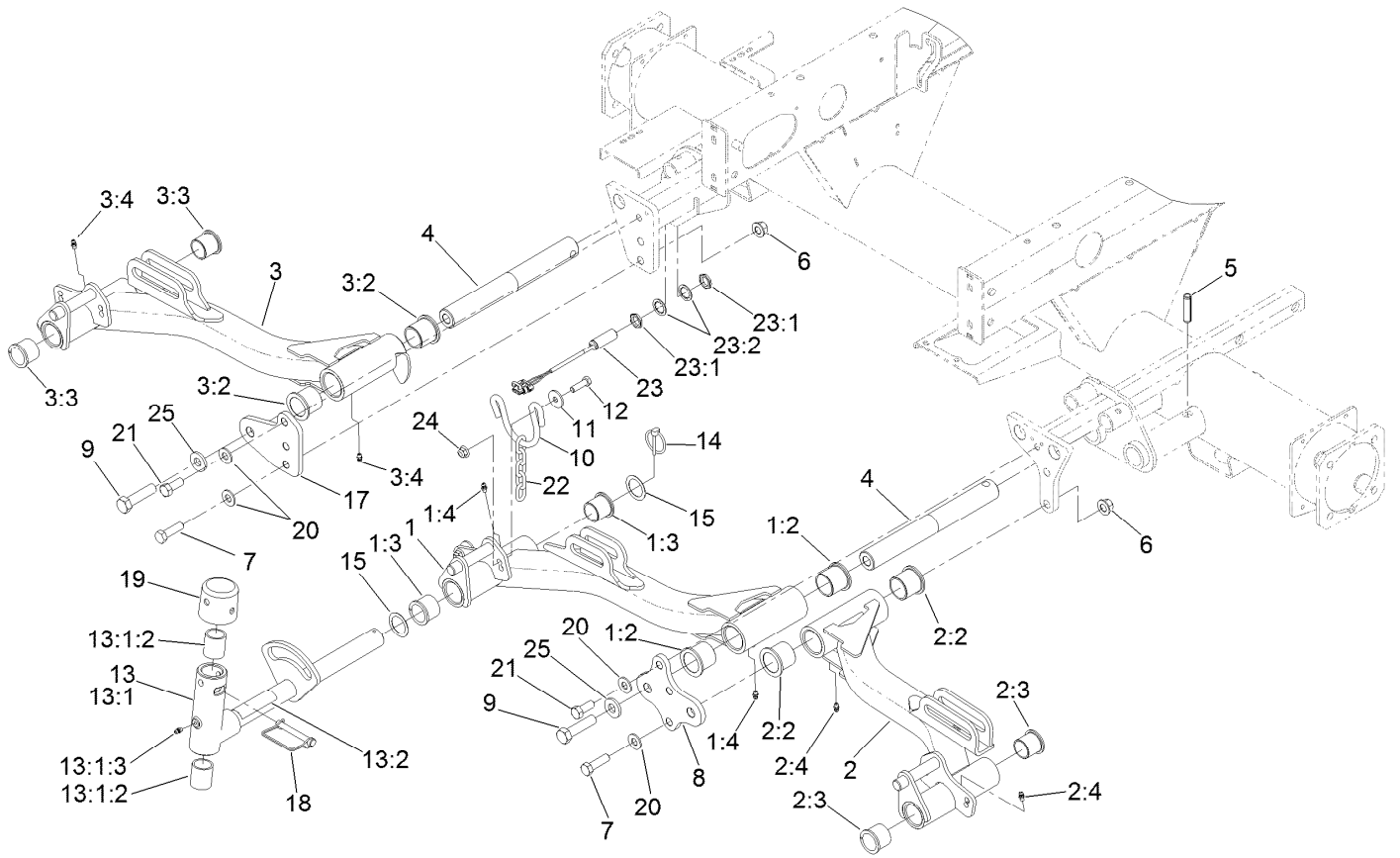
<i>Ref.</i>	<i>Part Number</i>	<i>Qty.</i>	<i>Description</i>
1	144-3901	1	Tie Rod End
2	139-6030	1	Rod-Tie
3	84-5300	1	Nut-Jam
4	110-5337	1	Nut-Jam
5	144-3902	1	Tie Rod End
6	140-6135	2	Nut-Hex, Slotted



## No. 1, 4 and 5 Lift Arm Assembly

Ref.	Part Number	Qty.	Description	Ref.	Part Number	Qty.	Description
1	133-2911	1	Lift Arm ASM #1	10	110-0922	3	Hoop-Chain
1:2	69-6470	2	Bushing-Caster	11	63-8410	6	Washer
1:3	104-0015	2	Bushing-Flange	12	323-7	6	Screw-HH
1:4	302-5	2	Fitting-Grease	13	138-1248	3	Pivot Yoke ASM
2	133-2914	1	Lift Arm ASM #4	13:1		1	Yoke-Pivot ●
2:2	69-6470	2	Bushing-Caster	13:1:2	121-3187	2	Bushing
2:3	104-0015	2	Bushing-Flange	13:1:3	302-5	1	Fitting-Grease
2:4	302-5	2	Fitting-Grease	13:2	110-9642	1	Decal-Warning
3	133-2915	1	Lift Arm ASM #5	14	92-1298	3	Pin-Lynch
3:2	69-6470	2	Bushing-Caster	15	76-2980	6	Washer-Thrust
3:3	104-0015	2	Bushing-Flange	17	117-5153-01	1	Plate-Bridge 5
3:4	302-5	2	Fitting-Grease	18	107-7400	3	Pin-Lynch
4	117-0208	3	Shaft-Pivot, Liftarm	19	107-4027	3	Cap
5	32121-122	3	Pin-Roll	20	87-7270	6	Washer-Thrust
6	99-5107	4	Nut-Lock	21	325-5	2	Screw-HH
7	325-7	4	Screw-HH	22	84-2451	3	Chain-Straight, 5 Link
8	117-5154-01	1	Plate-Bridge 1 And 4	23	115-5300	1	Proximity Switch ASM
9	327-7	3	Screw-HH	23:1	117-3207	2	Nut-Hex

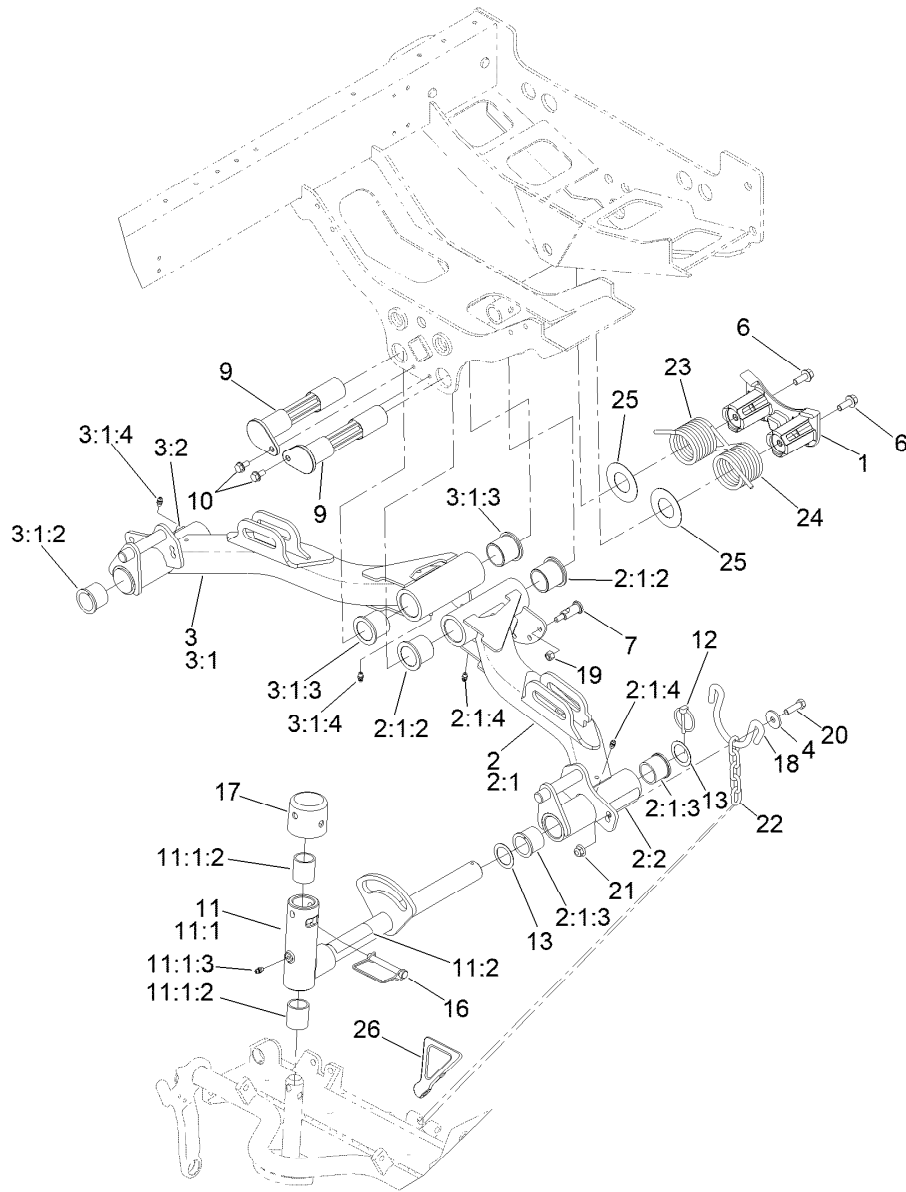
● Not serviced separately



## No. 1, 4 and 5 Lift Arm Assembly (continued)

<i>Ref.</i>	<i>Part Number</i>	<i>Qty.</i>	<i>Description</i>	<i>Ref.</i>	<i>Part Number</i>	<i>Qty.</i>	<i>Description</i>
23:2	117-3208	2	Washer-Lock, Internal Tooth	24	104-8301	6	Nut-HF, NI
				25	99-7667	3	Washer-Flat

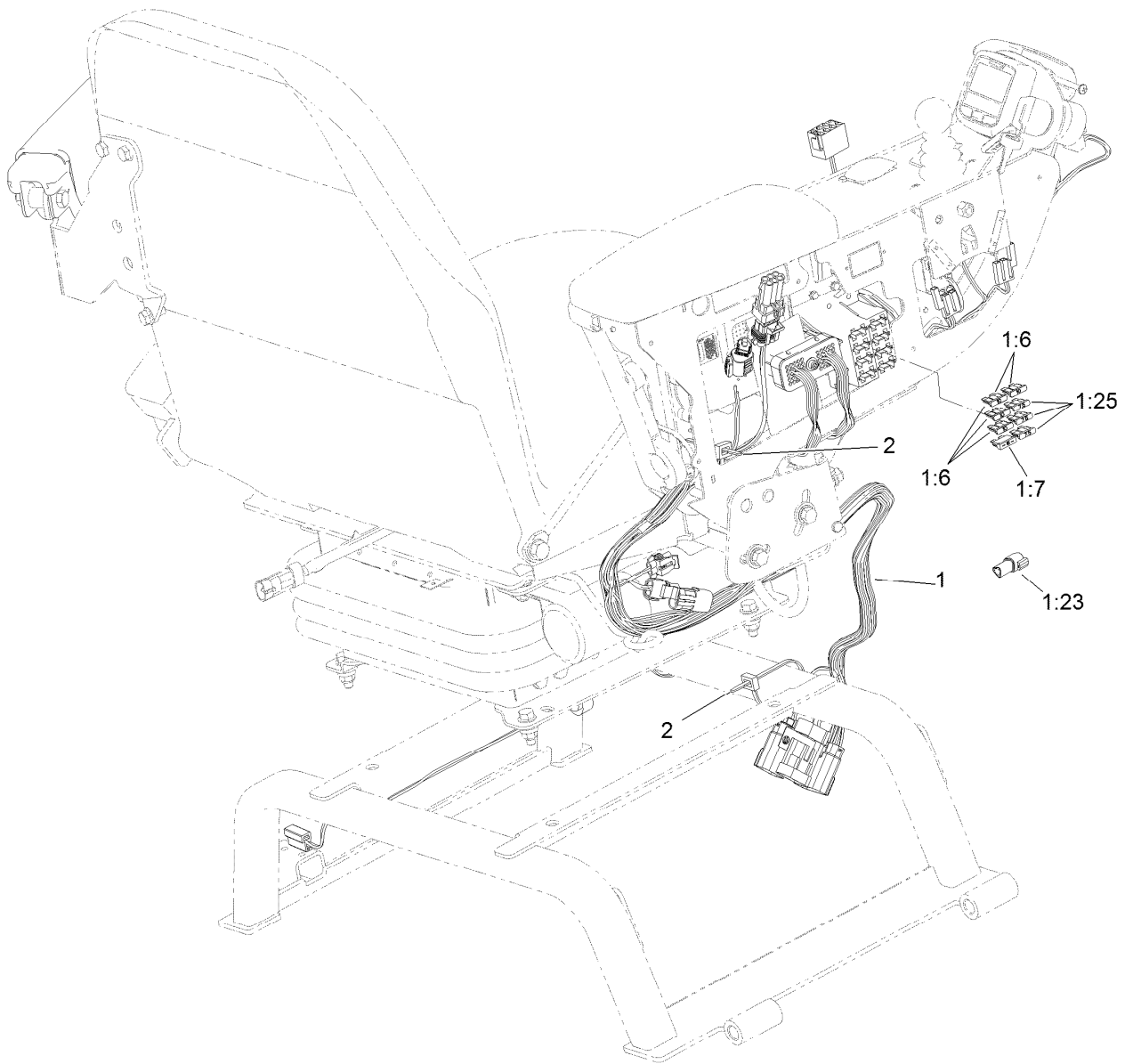
● Not serviced separately



## No. 2 and 3 Lift Arm Assembly

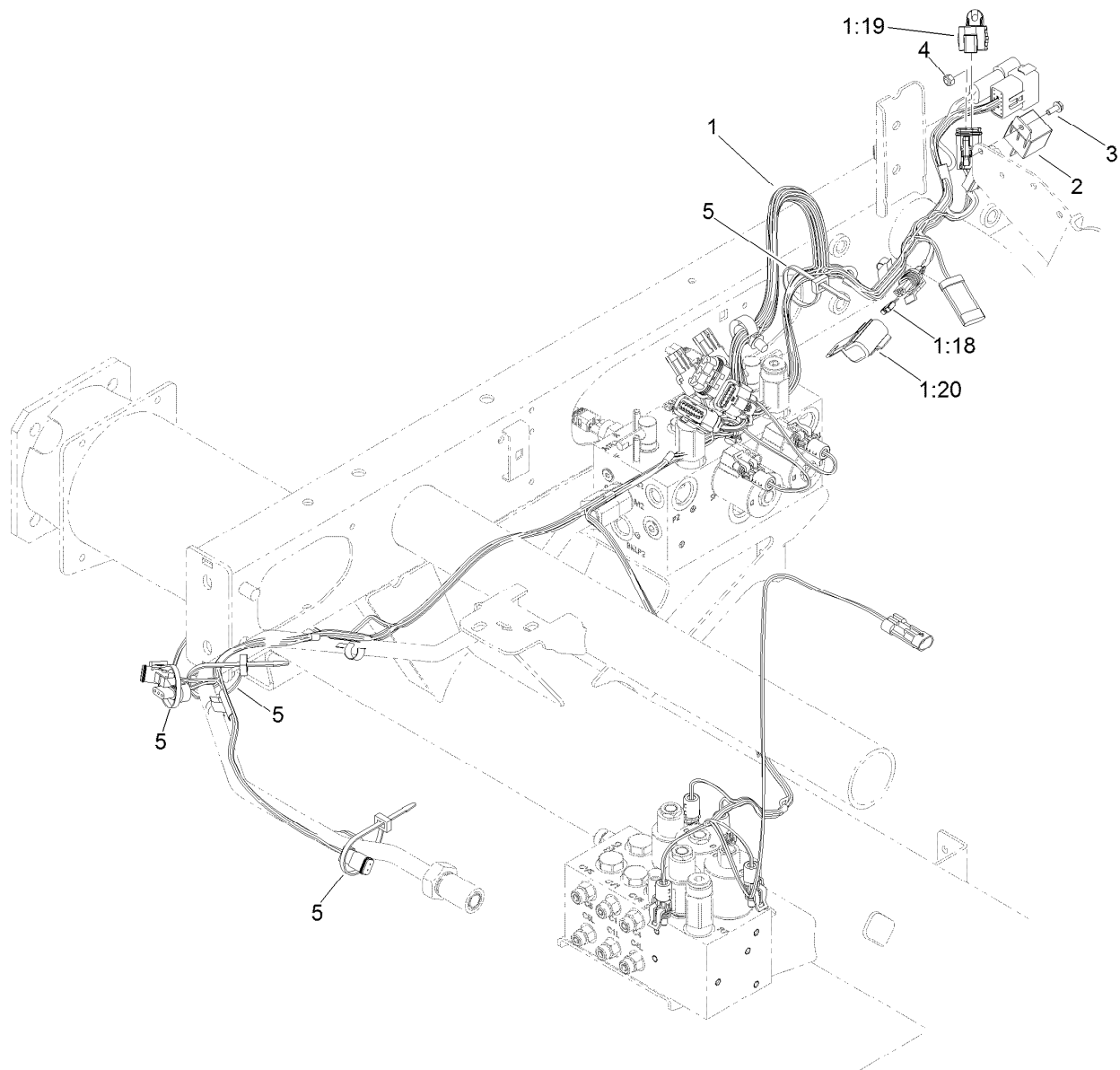
Ref.	Part Number	Qty.	Description	Ref.	Part Number	Qty.	Description
1	125-2018	1	Housing	11	138-1248	2	Pivot Yoke ASM
2	136-8002	1	Lift Arm #2	11:1		1	Yoke-Pivot ●
2:1		1	Lift Arm ASM #2 ●	11:1:2	121-3187	2	Bushing
2:1:2	69-6470	2	Bushing-Caster	11:1:3	302-5	1	Fitting-Grease
2:1:3	104-0015	2	Bushing-Flange	11:2	110-9642	1	Decal-Warning
2:1:4	302-5	2	Fitting-Grease	12	92-1298	2	Pin-Lynch
2:2	93-6696	1	Decal-Warning	13	76-2980	4	Washer-Thrust
3	136-8003	1	Lift Arm #3	16	107-7400	2	Pin-Lynch
3:1		1	Lift Arm ASM #3 ●	17	107-4027	2	Cap
3:1:2	69-6470	2	Bushing-Caster	18	110-0922	2	Hoop-Chain
3:1:3	104-0015	2	Bushing-Flange	19	3296-29	6	Nut-Lock, NI
3:1:4	302-5	2	Fitting-Grease	20	323-7	4	Screw-HH
3:2	93-6696	1	Decal-Warning	21	104-8301	4	Nut-HF, NI
4	63-8410	4	Washer	22	84-2451	2	Chain-Straight, 5 Link
6	3234-11	2	Screw-HHF	23	99-5608-03	1	Spring-Torsion, RH
7	120-6283	6	Stud-Shouldered	24	99-5609-03	1	Spring-Torsion, LH
9	125-2037	2	Shaft	25	110-5345	2	Washer
10	32144-14	2	Screw-HWHTF	26	119-8010-03	1	Kickstand

● Not serviced separately



## Seat and Control Arm Wiring Harness Assembly

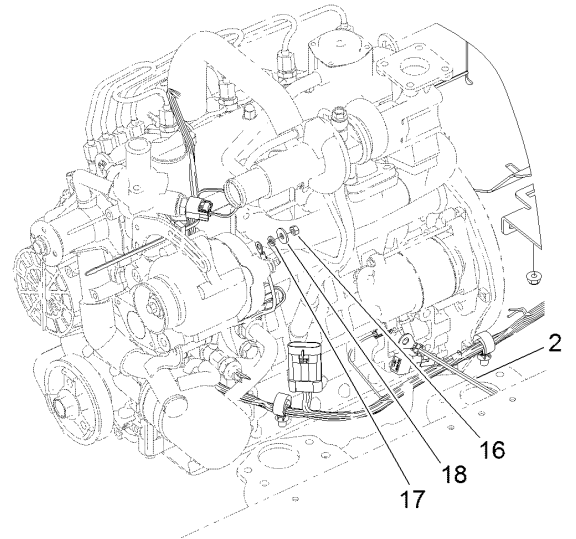
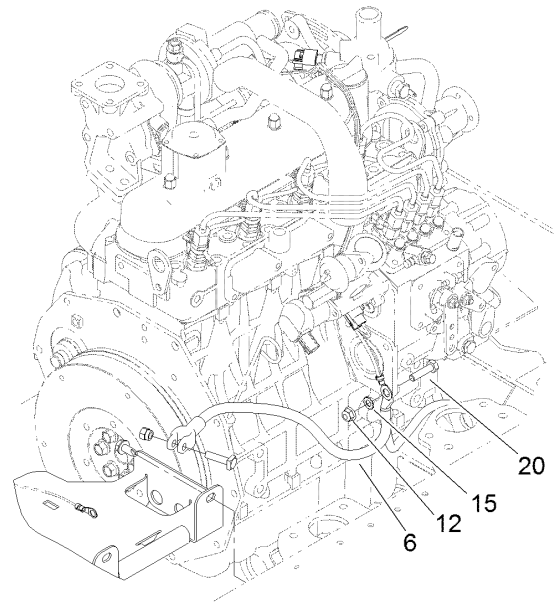
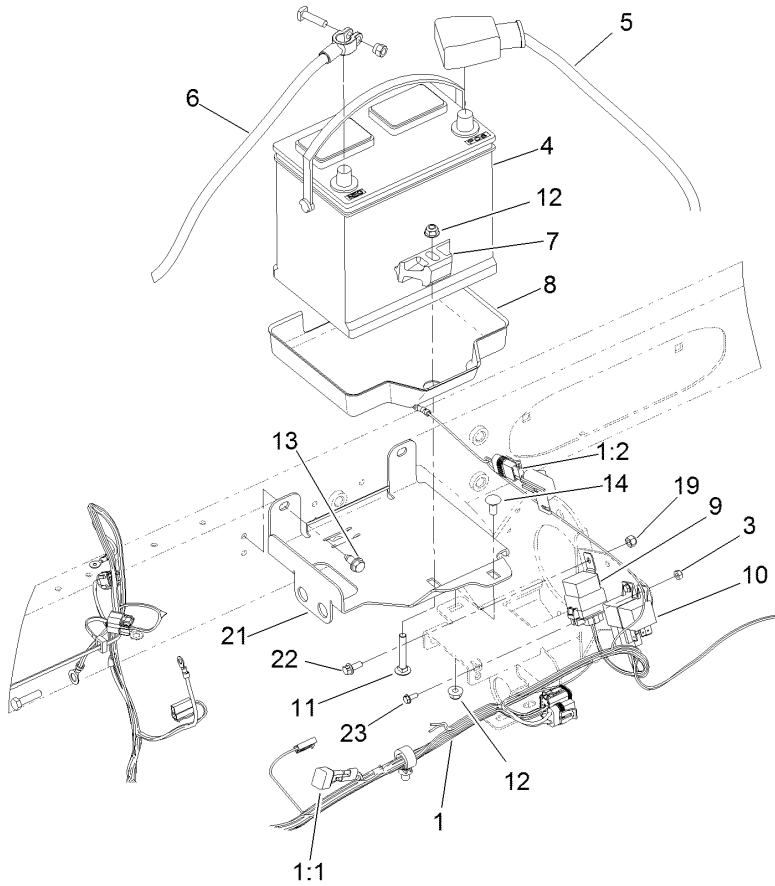
<i>Ref.</i>	<i>Part Number</i>	<i>Qty.</i>	<i>Description</i>
1	115-8081	1	Harness-Wire, Seat
1:6	218-578	3	Fuse-Blade, 10 Amp
1:7	109355	1	Fuse-Blade, 15 Amp
1:23	32180-043	1	Resistor-120 Ohm
1:25	114241	3	Fuse-Blade, 7.5 Amp
2	3290-378	3	Tie-Cable



## Main Wiring Harness Assembly

<b>Ref.</b>	<b>Part Number</b>	<b>Qty.</b>	<b>Description</b>
1	122-1726	1	Harness-Wire, Rm5010 Main
1:18	121-8866	1	Fuse-Mini Blade, 10 Amp
1:19	32180-156	1	Cap-Plug, 6 Way
1:20	32180-101	1	Cover-Fuse, Single
2	99-7435	1	Relay
3	3290-321	1	Screw-HWH
4	3296-2	1	Nut-Lock, NI
5	3290-378	10	Tie-Cable

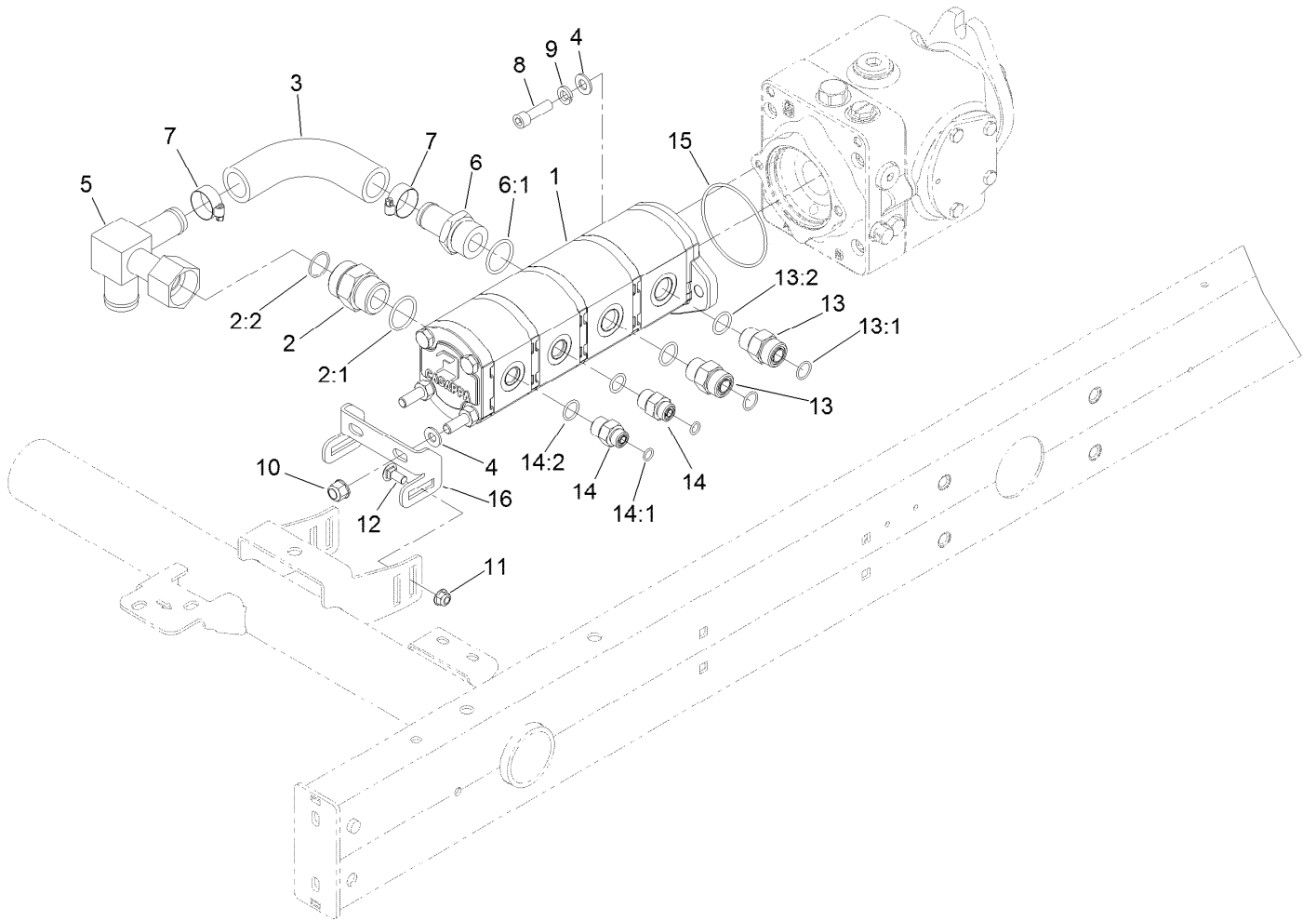




## Battery Mounting Assembly

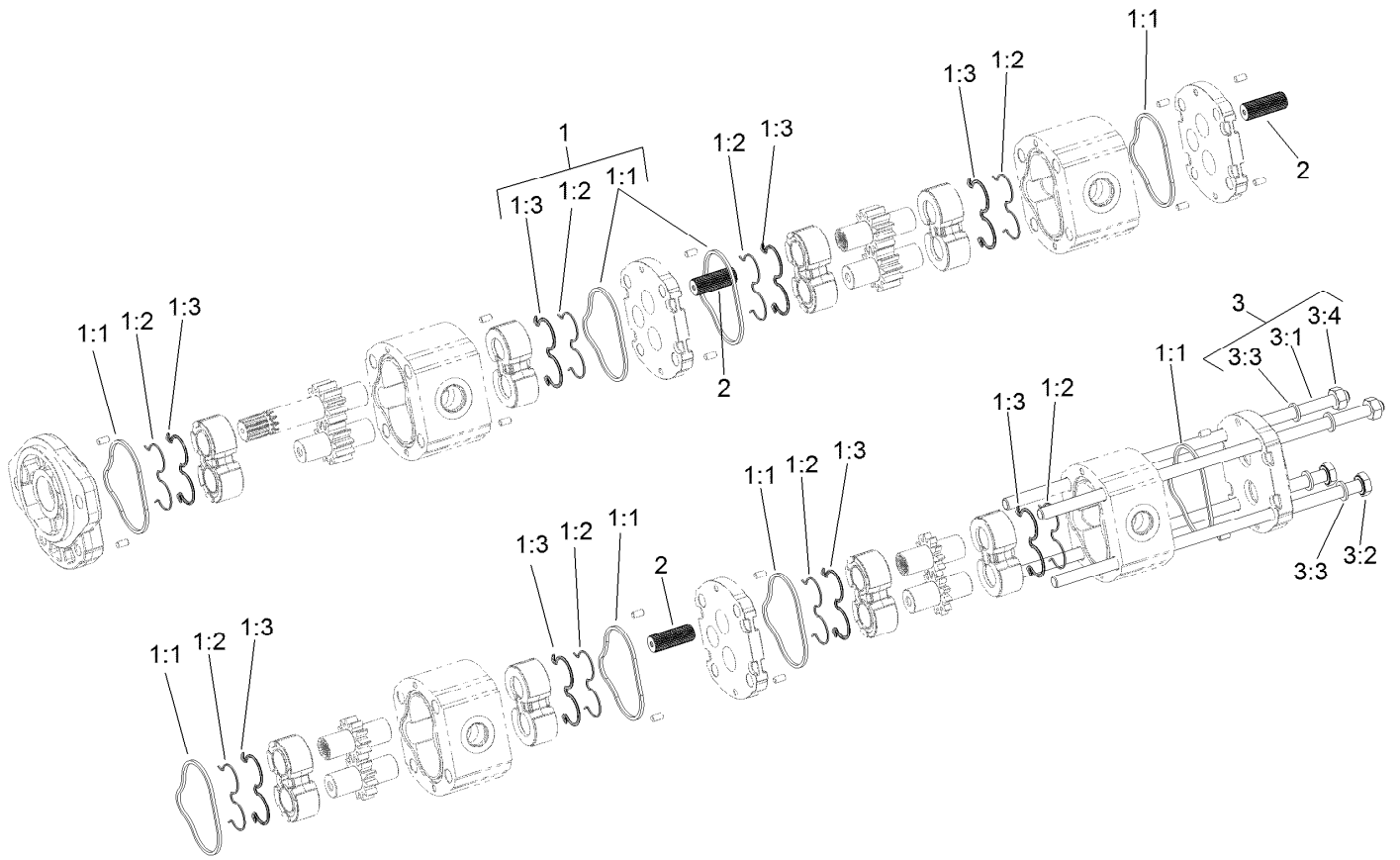
Ref.	Part Number	Qty.	Description
1	120-6346	1	Harness-Wire, Row Engine
1:1	100-4918	1	Diode
1:2	94-6710	1	Fuse-2 Amp
2	99-3441	1	Harness-Wire, Fusible Link
3	3296-2	1	Nut-Lock, NI
4	104-9979	1	Battery
5	108-1802	1	Cable-Battery, Positive
6	110-8813	1	Cable-Battery, Negative
7	138-6335	1	Retainer-Battery
8	99-3513	1	Tray-Battery
9	99-7430	1	Relay-Mini
10	99-7435	1	Relay
11	3230-6	1	Bolt-CARR

Ref.	Part Number	Qty.	Description
12	104-8300	4	Nut-HF, NI
13	32104-32	2	Screw-HWH
14	3230-1	1	Bolt-CARR
15	3255-8	1	Washer-Lock
16	48-7890	1	Nut-Hex
17	43-5930	1	Washer-Lock, Spring
18	3256-78	1	Washer-Flat
19	3296-42	1	Nut-Lock, NI
20	322-6	1	Screw-HH
21	110-0907-01	1	Bracket-Battery
22	3234-33	1	Screw-HHF
23	3290-321	1	Screw-HWH



## Gear Pump Assembly

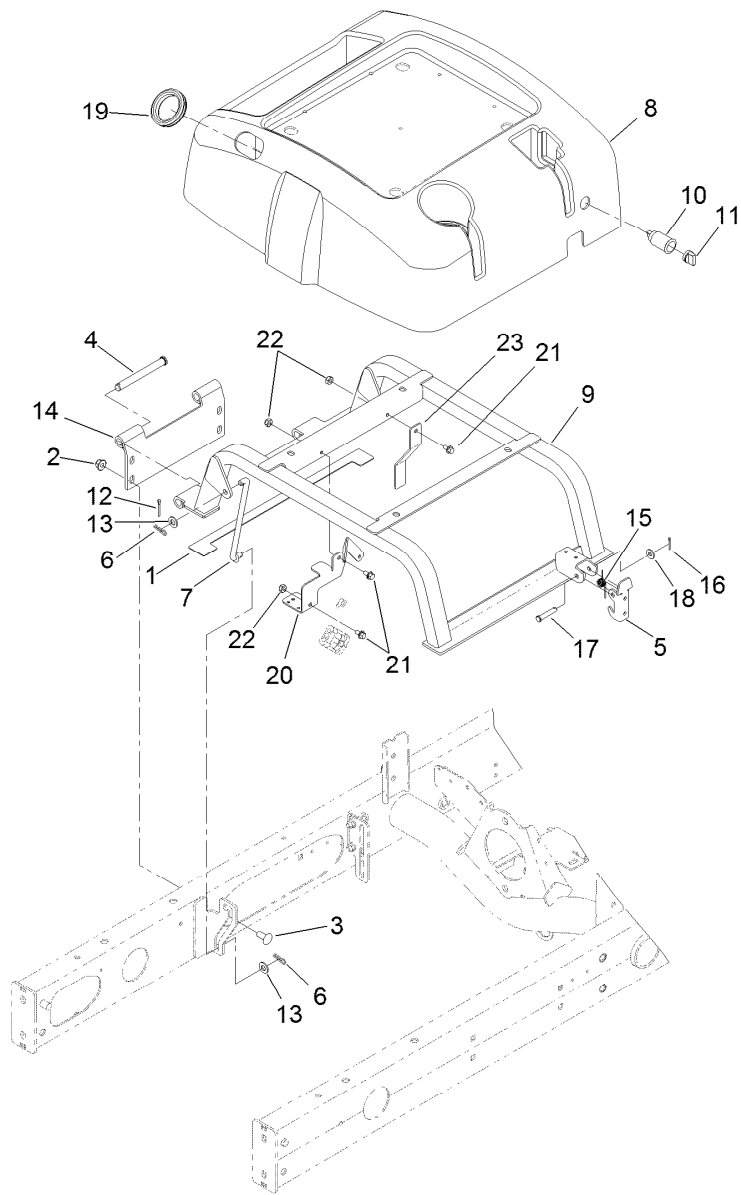
<i>Ref.</i>	<i>Part Number</i>	<i>Qty.</i>	<i>Description</i>	<i>Ref.</i>	<i>Part Number</i>	<i>Qty.</i>	<i>Description</i>
1	107-4547	1	Gear Pump ASM	10	103-9511	2	Nut-Lock, NI
2	104-3797	1	Fitting-Straight	11	104-8300	2	Nut-HF, NI
2:1	237-146	1	O-Ring	12	3230-1	2	Bolt-CARR
2:2	340-65	1	O-Ring	13	340-7	2	Fitting-Straight
3	108-1683	1	Hose-Formed	13:1	237-65	1	O-Ring
4	3256-24	4	Washer-Plain	13:2	237-80	1	O-Ring
5	108-1672	1	Manifold-Tube	14	340-3	2	Fitting-Straight
6	354-78	1	Fitting-STR	14:1	237-22	1	O-Ring
6:1	237-146	1	O-Ring	14:2	237-79	1	O-Ring
7	2412-34	2	Clamp-Hose	15	237-161	1	O-Ring
8	3274-1	2	Screw-HSH	16	108-1801-0P	1	Bracket - Pump Support
9	3253-5	2	Washer-Lock				



## Gear Pump Assembly No. 107-4547

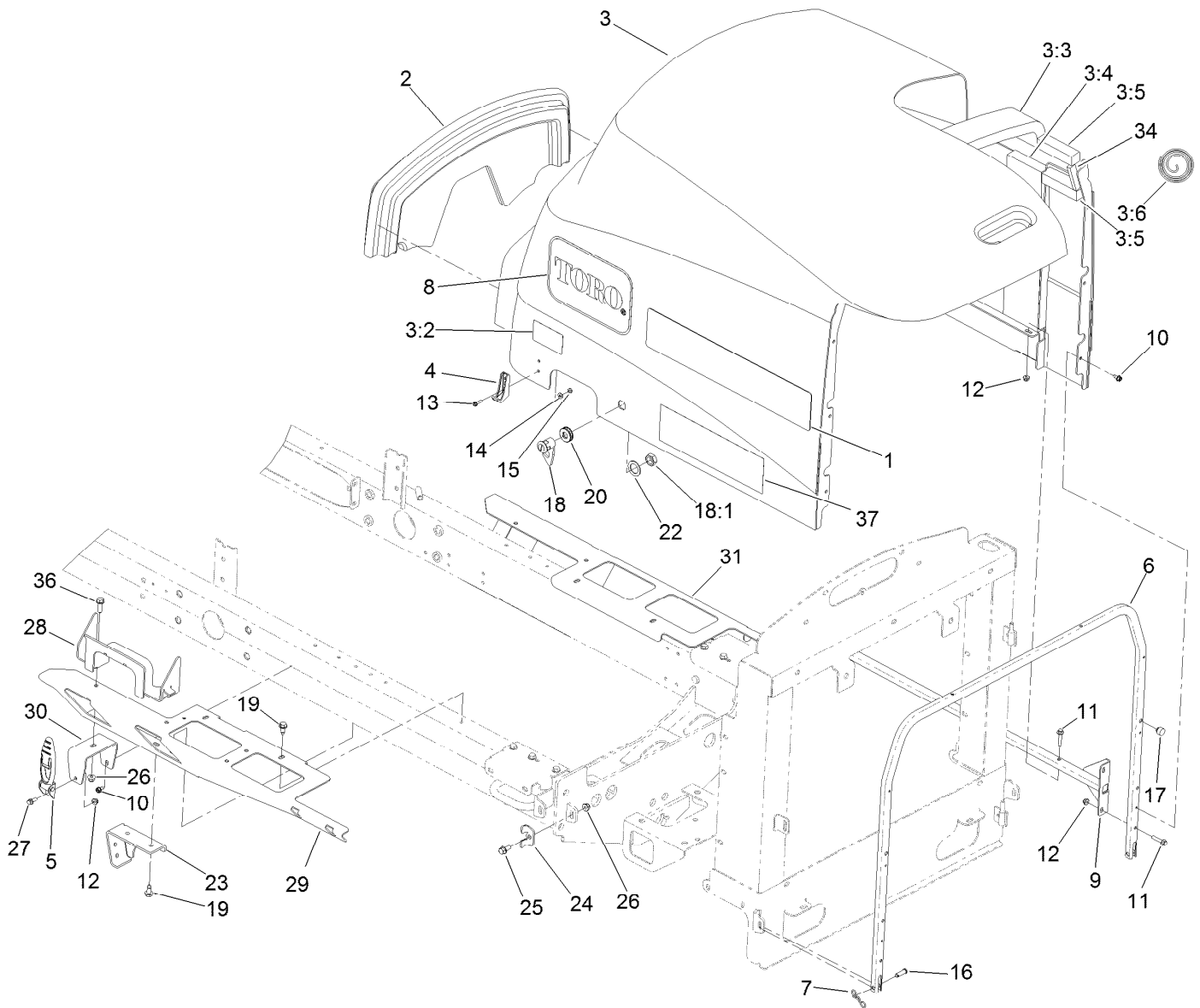
Ref.	Part Number	Qty.	Description
1	108-4595	1	Seal Kit
1:1		8	Seal ●
1:2		8	Seal ●
1:3		8	Ring-Back Up ●
2	120-6284	3	Hub-Connecting
3	125-8760	1	Kit-Bolt
3:1		2	Bolt-Stud ●
3:2		2	Screw ●
3:3		4	Washer ●
3:4		2	Nut ●

● Not serviced separately



## Seat Base Assembly

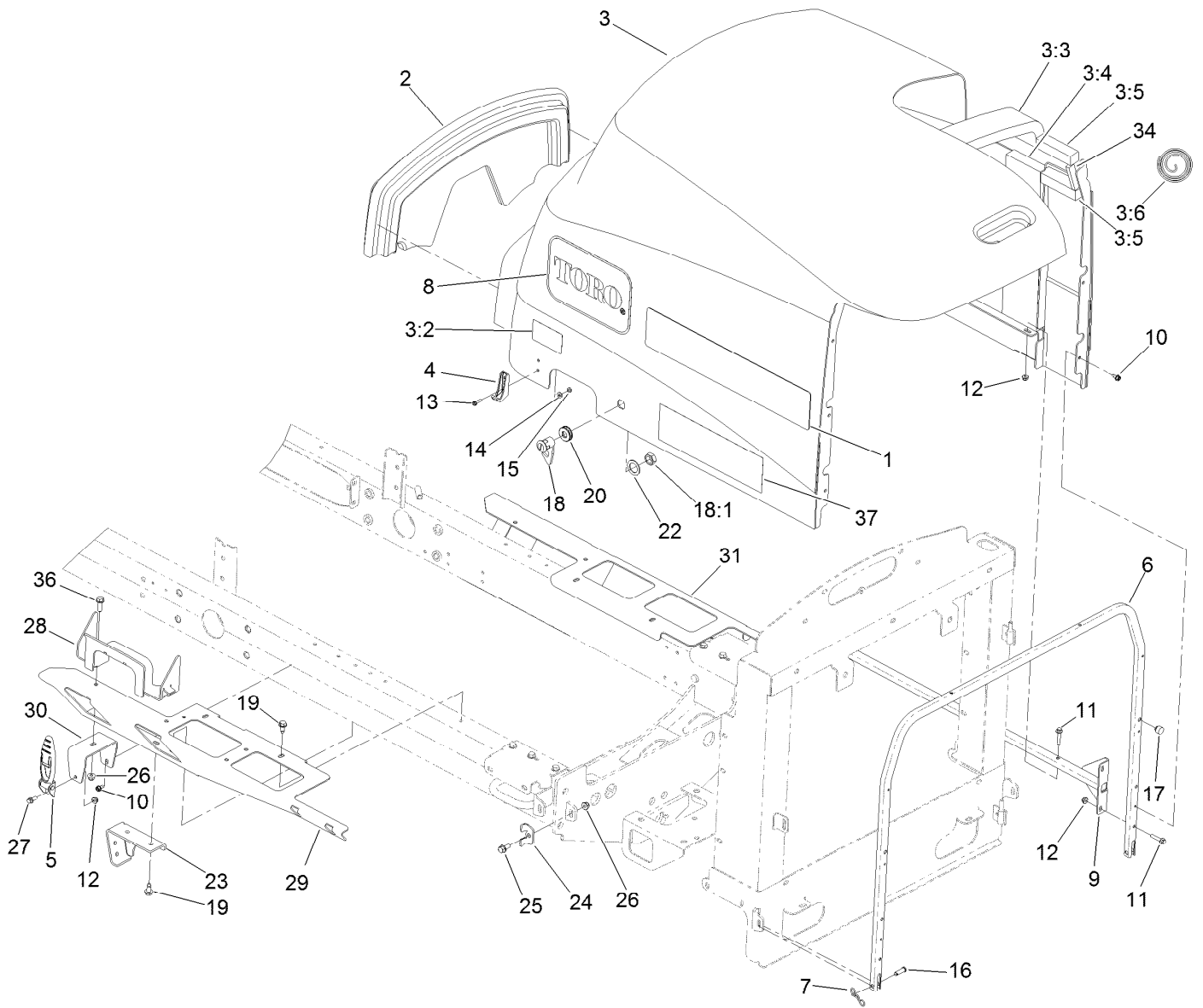
<i>Ref.</i>	<i>Part Number</i>	<i>Qty.</i>	<i>Description</i>	<i>Ref.</i>	<i>Part Number</i>	<i>Qty.</i>	<i>Description</i>
1	110-5255	2	Bumper-Base, Seat	13	3256-24	4	Washer-Plain
2	104-8301	4	Nut-HF, NI	14	125-2121-03	1	Hinge-Seatbase
3	3231-27	4	Screw-CARR	15	104-4821	1	Spring-Torsion
4	283-83	2	Pin-Clevis	16	3272-6	1	Pin-Cotter
5	110-8971	1	Latch	17	94-3829	1	Pin-Clevis
6	3290-307	4	Pin-Cotter	18	3256-2	1	Washer-Flat
7	98-0917	2	Rod-Prop	19	240-12	1	Grommet-Rubber
8	108-1757	1	Cover-Seatbase	20	127-2711-0P	1	Bracket-Harness
9	125-2122-03	1	Seat Base ASM	21	3234-13	3	Screw-HHF
10	99-7411	1	Point-Power	22	3296-16	3	Nut-Lock, NI
11	99-7416	1	Cap	23	127-2615-0P	1	Brkt-Wire Harness
12	3272-11	2	Pin-Cotter				



## Hood Assembly

Ref.	Part Number	Qty.	Description	Ref.	Part Number	Qty.	Description
1	110-0965	2	Decal	14	3256-14	4	Washer-Flat
2	108-7587	1	Saddle-Hood	15	3296-12	4	Nut-Lock, NI
3	110-8995	1	Hood ASM	16	283-61	2	Pin-Yoke
3:2	106-6754	1	Decal-Danger	17	107-8042	2	Bumper-Rubber
3:3	110-8948	1	Foam-Hood	18	98-5398	1	Latch
3:4	110-8947	2	Foam-Hood	18:1	3218-20	1	Nut-Jam ●
3:5	110-8949	4	Seal-Foam	19	32104-32	6	Screw-HWH
3:6	110-9002	1	Foil Tape Kit	20	104-1453	1	Grommet
4	103-2897	2	Latch-Catch	22	99-4958	1	Spacer
5	103-2898	2	Latch-Rubber	23	110-0979-03	2	Bracket-Deflector
6	125-8820-03	1	Tube-Hood	24	110-8946	2	Clamp-Frame, Radiator
7	105-7512	2	Pin-Tie, Bow	25	3234-5	2	Screw-HHF
8	66-6140	2	Decal	26	104-8300	6	Nut-HF, NI
9	108-1790-03	2	Tube	27	3234-33	2	Screw-HHF
10	32104-17	8	Screw-HWH	28	121-5627-03	2	Guide-Hood
11	3234-21	10	Screw-HHF	29	110-5253-01	1	Adapter-Hood, LH
12	104-7201	12	Nut-HF, NI	30	110-5256-01	2	Bracket-Latch, Hood
13	32105-13	4	Screw-HWH	31	110-5254-01	1	Adapter-Hood, RH

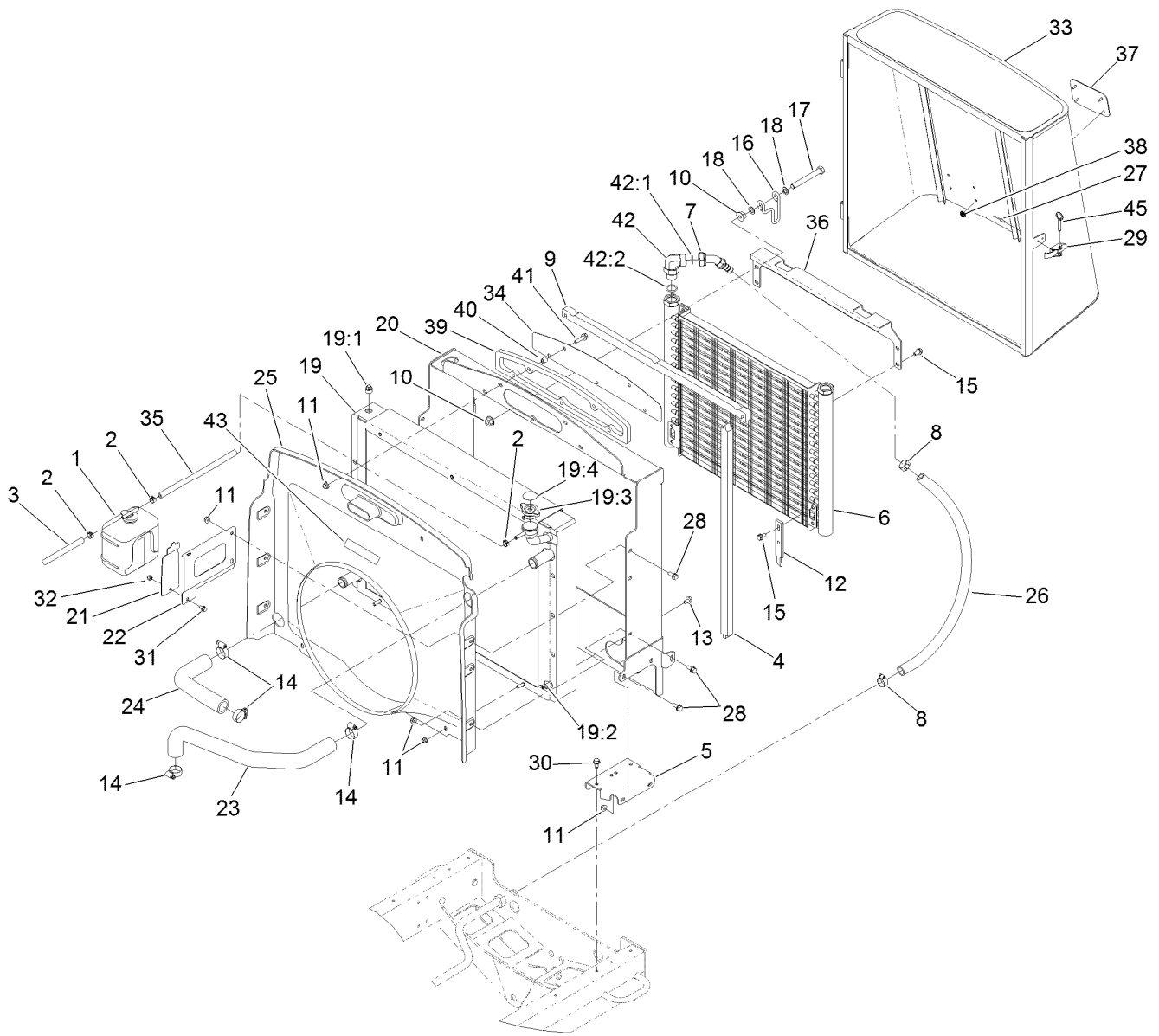
● Not illustrated



## Hood Assembly (continued)

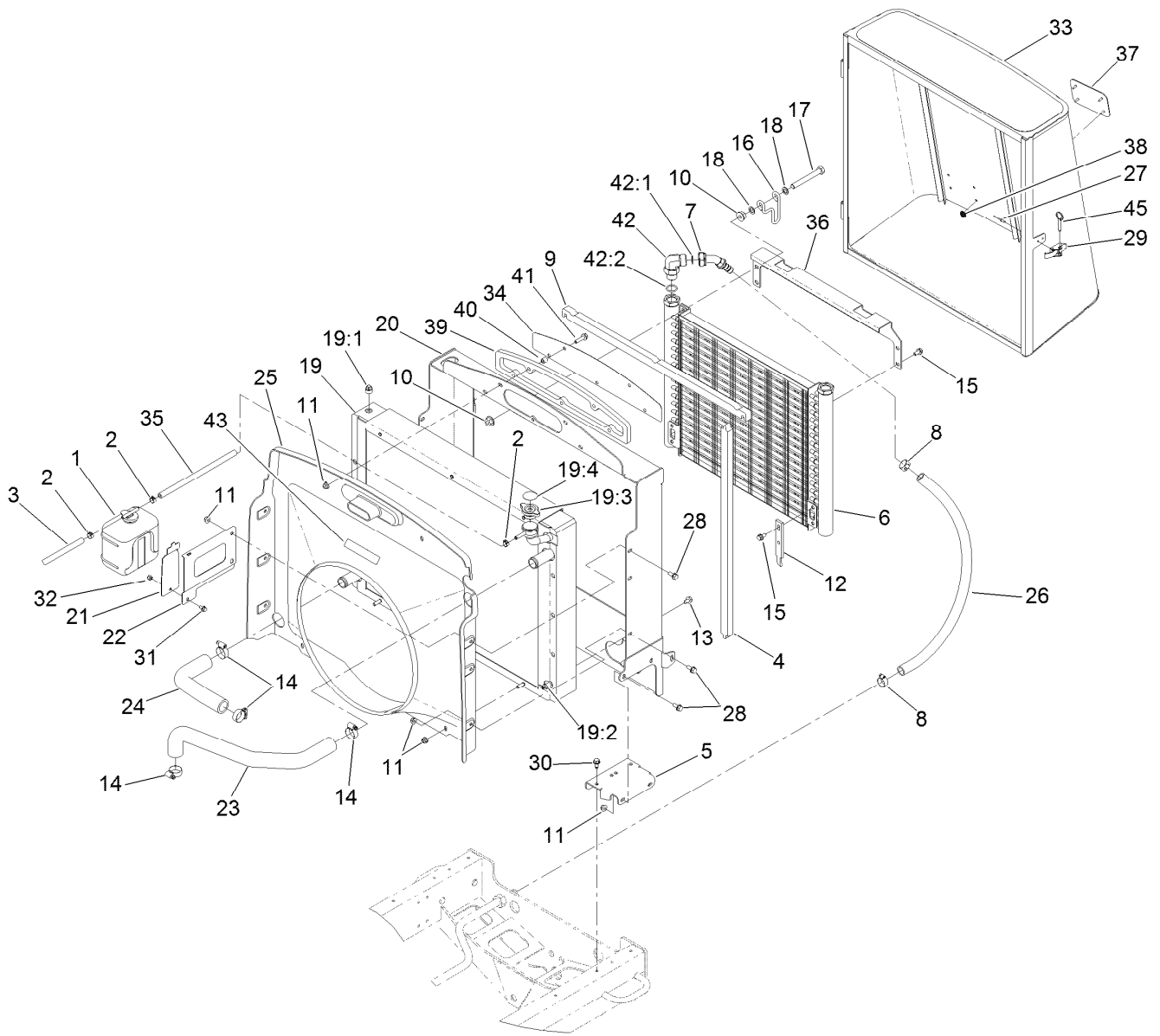
<i>Ref.</i>	<i>Part Number</i>	<i>Qty.</i>	<i>Description</i>	<i>Ref.</i>	<i>Part Number</i>	<i>Qty.</i>	<i>Description</i>
34	110-8950	2	Seal-Foam	36	3234-17	4	Screw-HHF
				37	110-8859	2	Decal

● Not illustrated



## Cooling System Assembly

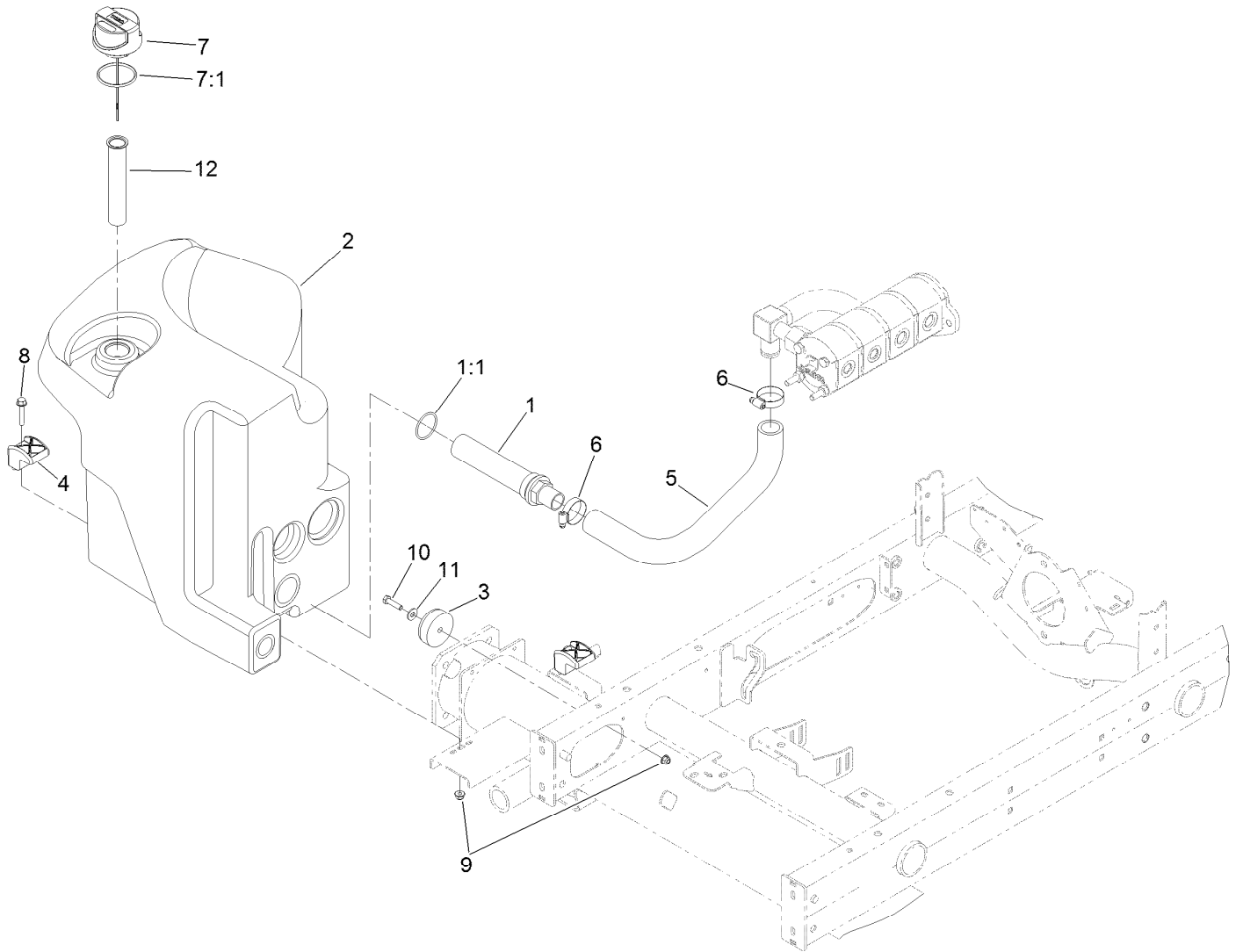
<i>Ref.</i>	<i>Part Number</i>	<i>Qty.</i>	<i>Description</i>	<i>Ref.</i>	<i>Part Number</i>	<i>Qty.</i>	<i>Description</i>
1	108-0638	1	Bottle-Overflow	19:3	93-5957	1	Cap-Radiator
2	92-2379	3	Clamp-Hose	19:4	106-6755	1	Decal-Cap, Radiator
3	110-3257	1	Hose-Fuel	20	110-5251-03	1	Frame-Radiator
4	110-5275	2	Seal-Foam	21	108-1665-0P	1	Bracket - Reservoir
5	110-5310-0P	2	Bracket - Mounting	22	108-1666-0P	1	Bracket - Reservoir
6	110-0485	1	Cooler-Oil	23	110-8942	1	Hose-Formed
7	104-7851	2	Fitting-HYD, 45 DEG	24	110-8943	1	Hose-Formed
8	2412-34	4	Clamp-Hose	25	110-5311	1	Shroud-Fan
9	110-5276	2	Seal-Foam	26	110-8955	2	Hose
10	32128-49	4	Nut-HHF	27	3269-15	2	Rivet-Pop
11	104-8300	17	Nut-HF, NI	28	3234-5	10	Screw-HHF
12	104-5460-03	2	Plate-Mount, Oil Cooler	29	115-1554	1	Latch-Draw
13	3234-30	6	Screw-HHF	30	32104-32	6	Screw-HWH
14	2412-129	4	Clamp-Hose	31	3234-13	1	Screw-HHF
15	3234-14	8	Clamp-Hose	32	3296-42	1	Nut-Lock, NI
16	104-5429	2	Clamp-Form, Wire	33	110-5269-03	1	Screen
17	325-17	2	Screw-HH	34	108-1843-0P	1	Screen - Air Intake
18	41-8440	4	Washer	35	110-4104	1	Hose-Fuel
19	117-8093	1	Radiator ASM	36	104-5428	1	Bracket-Oil Cooler, Top
19:1	281-13	1	Plug-Pipe	37	93-6028	1	Plate-Logo
19:2	304-46	1	Draincock	38	138-6996	4	Nut-Push



## Cooling System Assembly (continued)

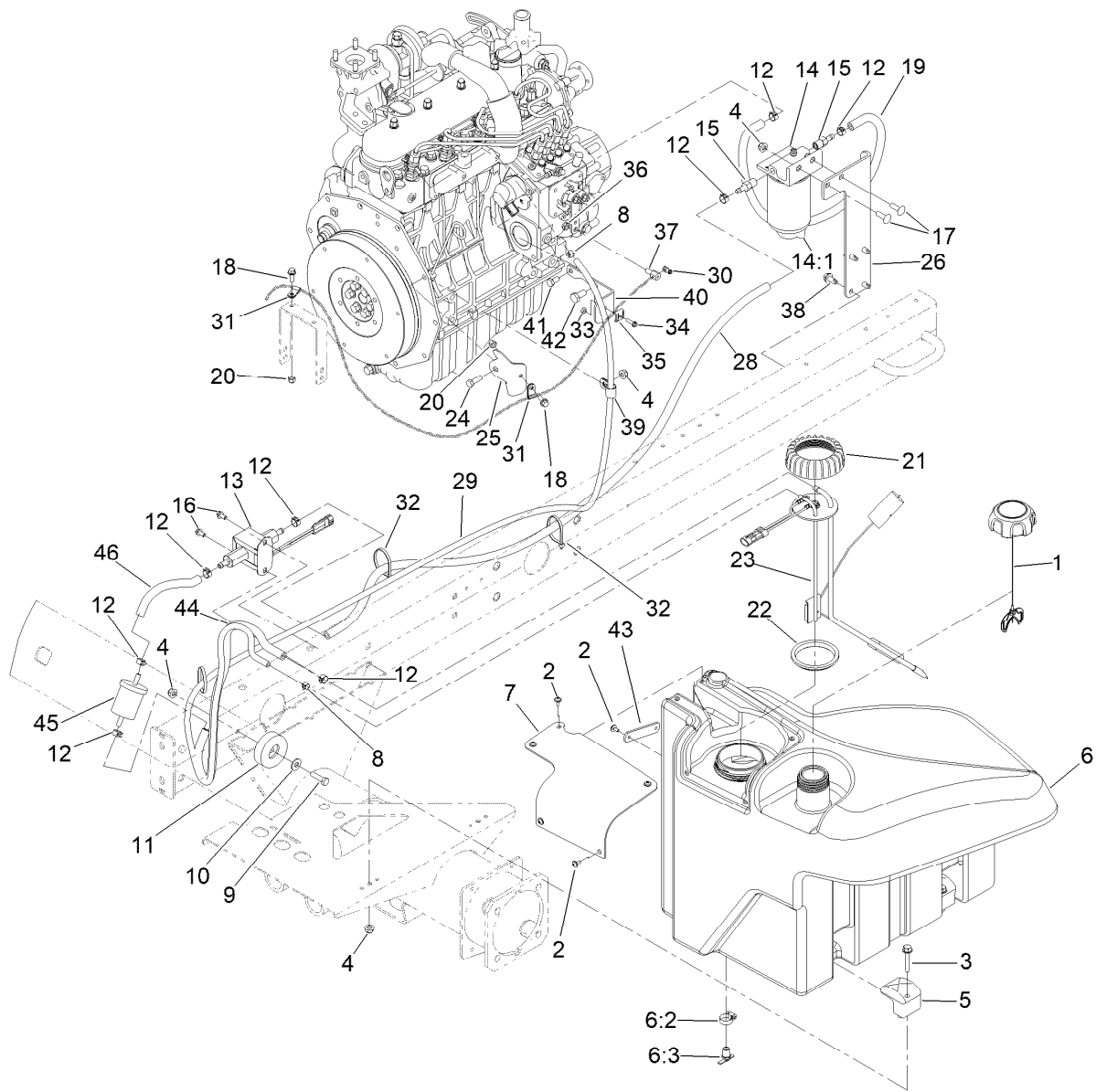
<i>Ref.</i>	<i>Part Number</i>	<i>Qty.</i>	<i>Description</i>	<i>Ref.</i>	<i>Part Number</i>	<i>Qty.</i>	<i>Description</i>
39	110-5324	1	Seal-Foam	42:1	237-58	1	O-Ring
40	1-603903	5	Spacer	42:2	237-81	1	O-Ring
41	3234-36	5	Screw-HHF	43	93-7272	1	Decal-Warning
42	340-142	2	Fitting-Elbow, 90 DEG	45	115-1556	1	Pin-Ball, Detent





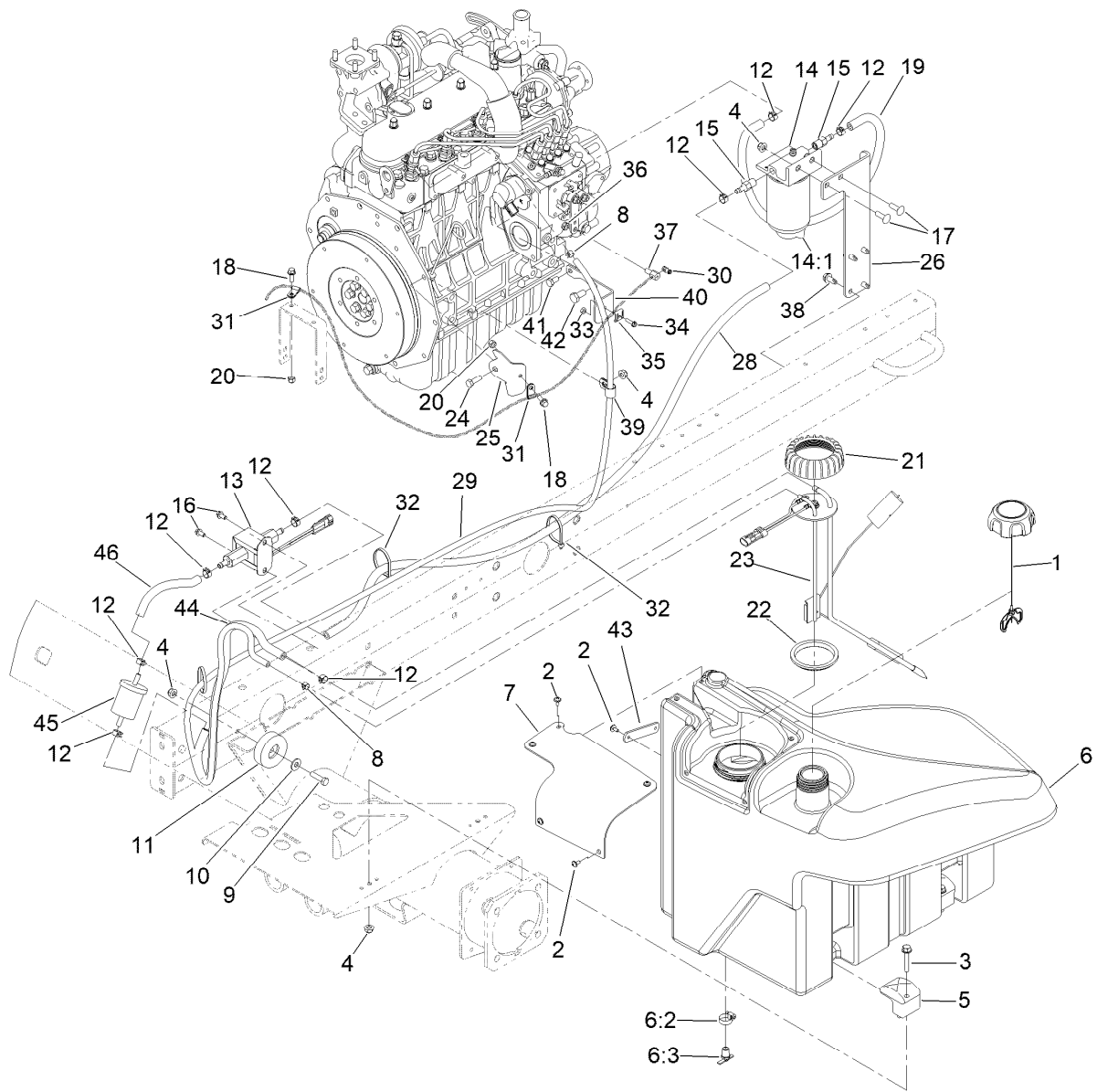
## Hydraulic Tank Assembly

<i>Ref.</i>	<i>Part Number</i>	<i>Qty.</i>	<i>Description</i>
1	145-2463	1	Strainer-Tank, Hydraulic
1:1	340-136	1	O-Ring
2	121-5587	1	Tank-Hydraulic
3	108-1605	1	Bumper-Recess
4	107-4543	2	Clamp
5	108-1685	1	Hose-Formed
6	2412-3	2	Clamp-Hose
7	117-0193	1	Cap-Hydraulic, Vented Breather
7:1	237-101	1	O-Ring
8	94-5780	2	Screw-HWH
9	104-8300	3	Nut-HF, NI
10	322-6	1	Screw-HH
11	3256-3	1	Washer-Flat
12	61-2790	1	Filter-Screen



## Fuel System Assembly

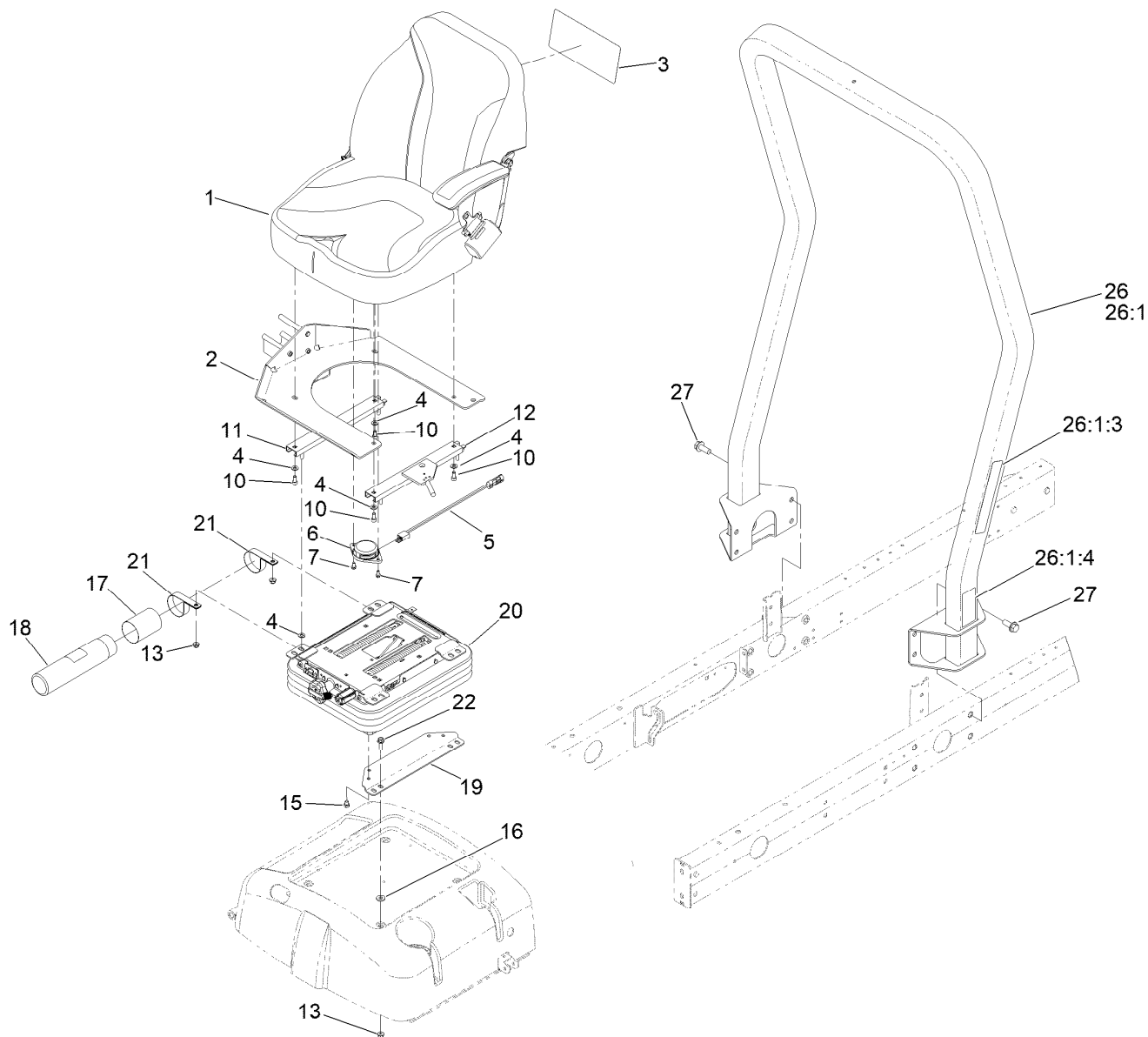
Ref.	Part Number	Qty.	Description	Ref.	Part Number	Qty.	Description
1	117-5894	1	Fuel Cap ASM	19	109-0309	1	Hose-Fuel
2	109-2661	7	Screw-PPH	20	3296-42	2	Nut-Lock, NI
3	94-5780	2	Screw-HWH	21	115-2162	1	Cap-Pump, Fuel
4	104-8300	6	Nut-HF, NI	22	115-2163	1	Gasket-Pump, Fuel
5	107-4543	2	Clamp	23	121-5642	1	Sender-Fuel
6	125-2907	1	Fuel Tank ASM	24	322-5	1	Screw-HH
6:2	2412-36	1	Clamp-Hose	25	110-9007-0P	1	Support - Cable, Throttle
6:3	304-46	1	Draincock	26	110-8968-0P	1	Mount-Water Separator
7	125-2903	1	Cover-Pump/Sender	28	110-3259	1	Hose-Fuel
8	2412-80	2	Clamp-Hose	29	125-8808	1	Hose-Fuel
9	322-6	1	Screw-HH	30	112-9919	1	Stop-Cable, Throttle
10	3256-3	1	Washer-Flat	31	2412-149	2	Clamp-R
11	108-1605	1	Bumper-Recess	32	3290-378	5	Tie-Cable
12	92-2379	8	Clamp-Hose	33	3296-2	1	Nut-Lock, NI
13	145-3160	1	Pump-Fuel, Electric	34	32105-13	1	Screw-HWH
14	110-9044	1	Separator-Filter	35	81-1690	1	Clamp-Cable
14:1	110-9049	1	Filter-Spin On, Fuel/Water	36	3296-20	1	Nut-Lock, NI
15	353-783	2	Fitting-STR	37	98-9311	1	Swivel-Throttle
16	32144-4	2	Screw-HWH	38	32104-32	4	Screw-HWH
17	3230-22	2	Screw-CARR	39	2412-41	1	Clamp-R
18	3234-4	2	Screw-HHF	40	110-9009-0P	1	Bracket-Cable, Throttle



## Fuel System Assembly (continued)

<i>Ref.</i>	<i>Part Number</i>	<i>Qty.</i>	<i>Description</i>
41	33114-016	1	Screw-HH
42	63-7790	1	Screw-Cap
43	125-2945	1	Strap-Cable

<i>Ref.</i>	<i>Part Number</i>	<i>Qty.</i>	<i>Description</i>
44	110-3257	1	Hose-Fuel
45	98-7612	1	Filter-Fuel
46	112-2386	1	Hose-Fuel

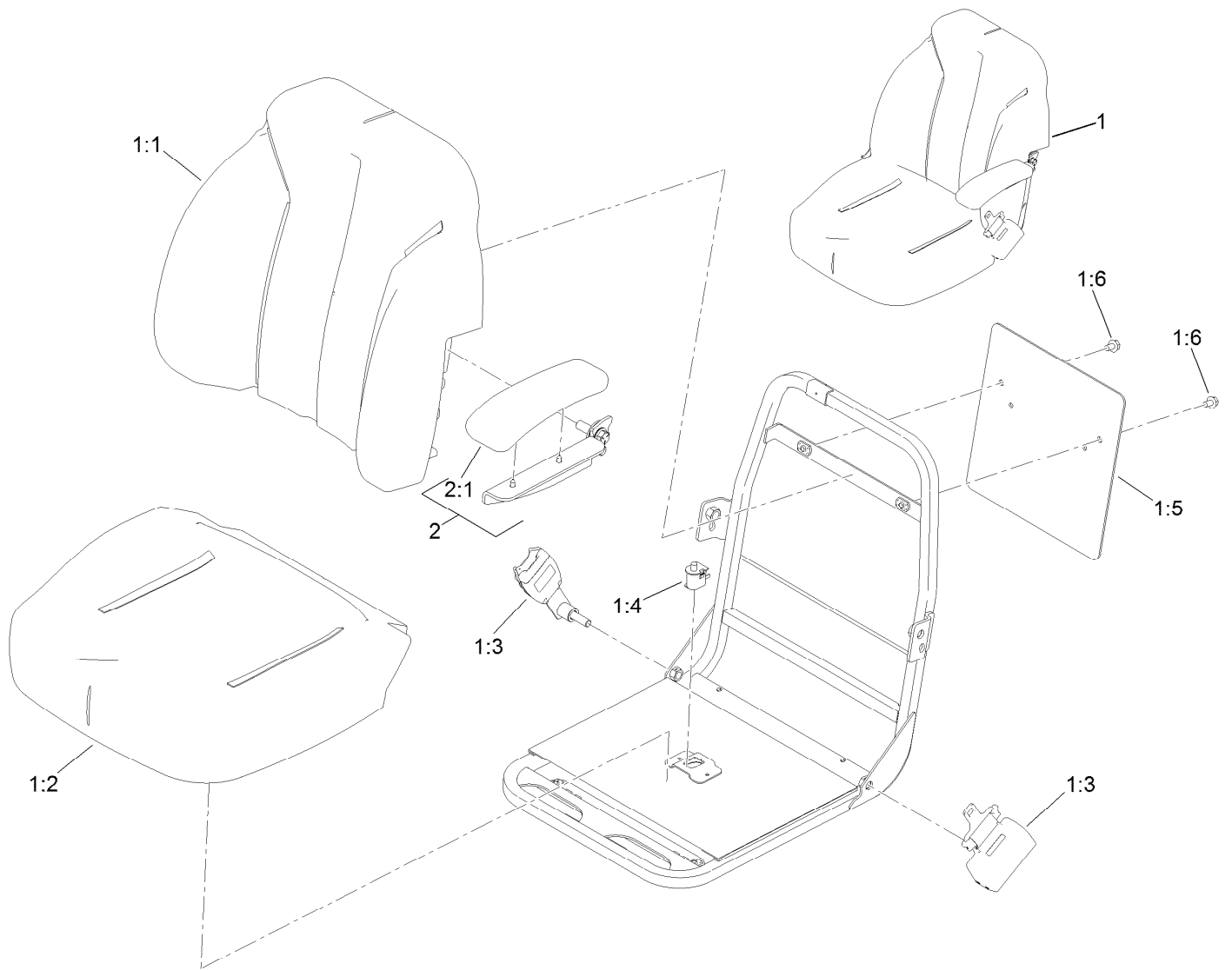


## Seat Mounting Assembly

Ref.	Part Number	Qty.	Description
1	139-2700	1	Seat ASM
2	138-6985-03	1	Mount-Seat
3	136-3721	1	Decal-Service
4	3256-23	8	Washer-Plain
5	108-8657	1	Harness-Wire, Seat
6	136-9002	4	Spacer-Mounting
7	130-7100	1	Trim-Seatbase
10	3290-511	4	Screw-HSBH
11	92-8990	1	Adjuster-Seat, Non-Locking
12	92-8991	1	Adjuster (W/Latch)
13	104-8300	8	Nut-HF, NI
15	48-7680	4	Screw-HH

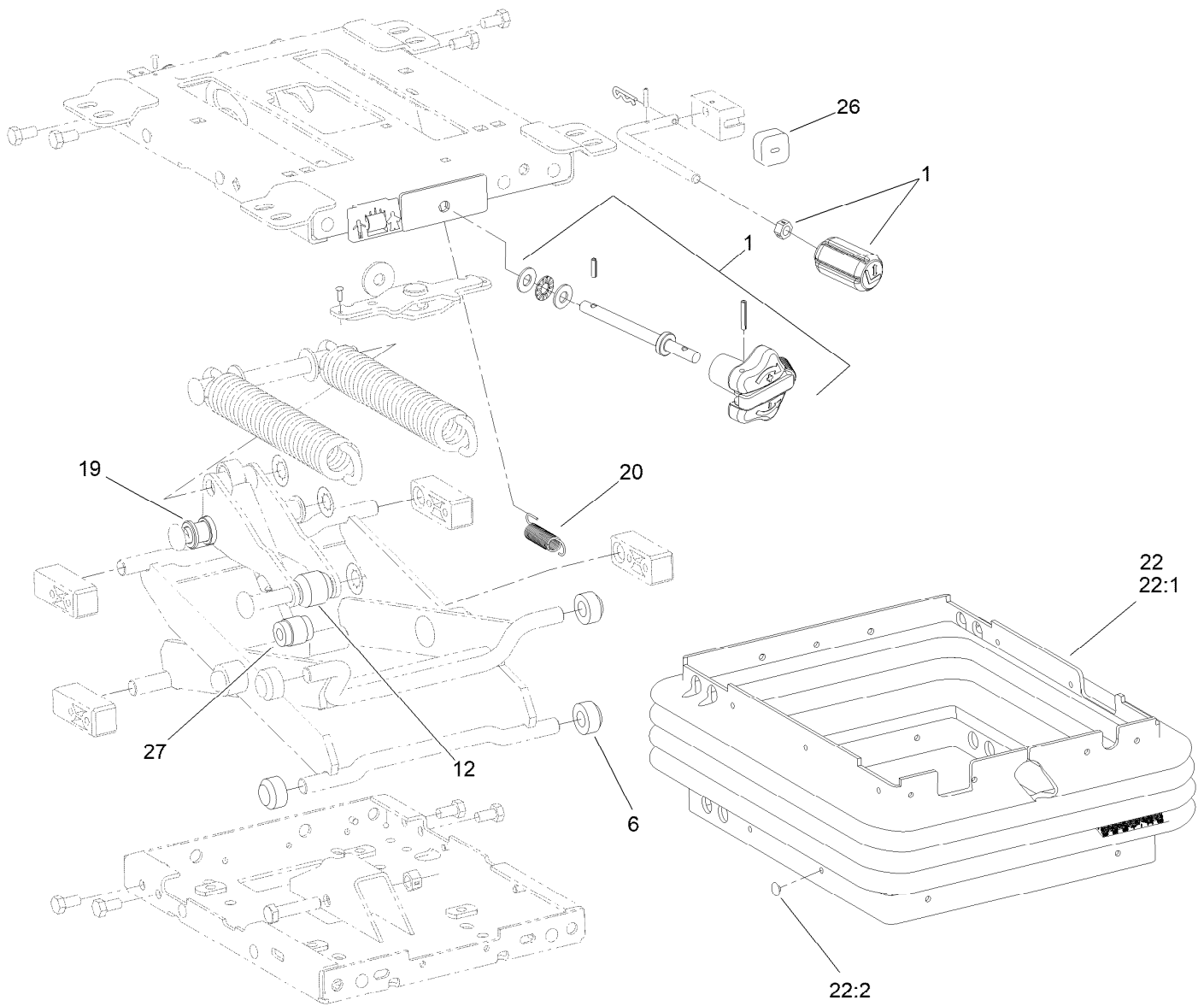
Ref.	Part Number	Qty.	Description
16	71-9310	4	Spacer
17	104-7048	1	Cap-Housing
18	104-7050	1	Tube-Manual
19	108-6590-0P	2	Bracket-Seat, Lower
20	145-5295	1	Suspension ASM
21	2412-133	2	Clamp-R
22	3234-17	4	Screw-HHF
26	136-7954	1	ROPS ASM
26:1		1	ROPS ASM ●
26:1:3	136-3702	1	Decal-Safety, ROPS
26:1:4	136-2159	1	Decal-Seat Service
27	3234-38	8	Screw-HHF

● Not serviced separately



## Seat Assembly No. 139-2700

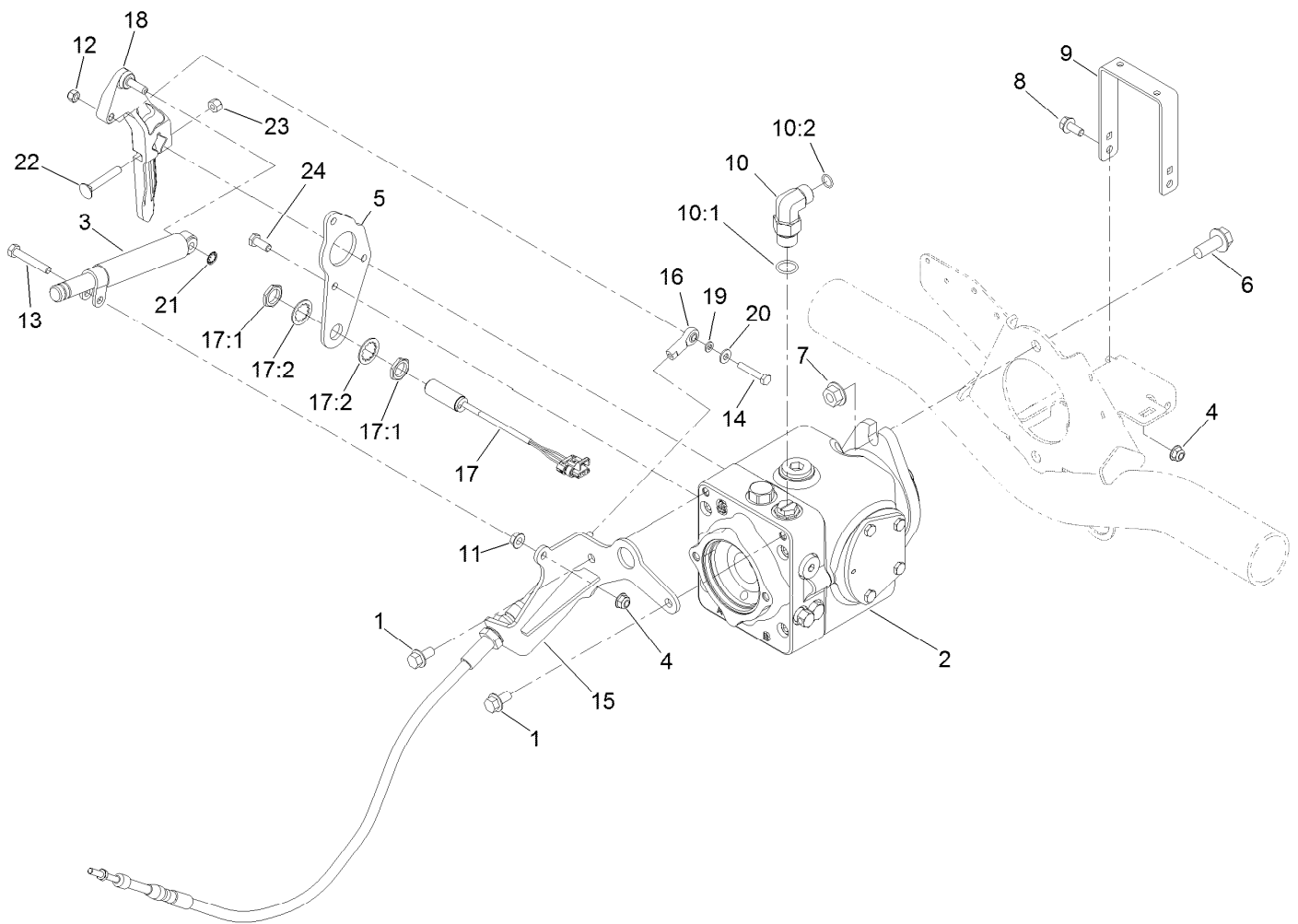
<i>Ref.</i>	<i>Part Number</i>	<i>Qty.</i>	<i>Description</i>
1	139-2680	1	Seat ASM
1:1	145-0083	1	Cover-Seat, Back
1:2	145-0084	1	Cover-Seat, Bottom
1:3	139-2707	1	Seat Belt Kit
1:4	82-2190	1	Switch-Bail
1:5	139-2701	1	Plate-Decal
1:6	3234-30	2	Screw-HHF
2	121-3660	1	LH Arm Rest Kit
2:1	110-4163	1	Cushion-Rest, Arm



## Mechanical Seat Suspension Assembly No. 145-5295

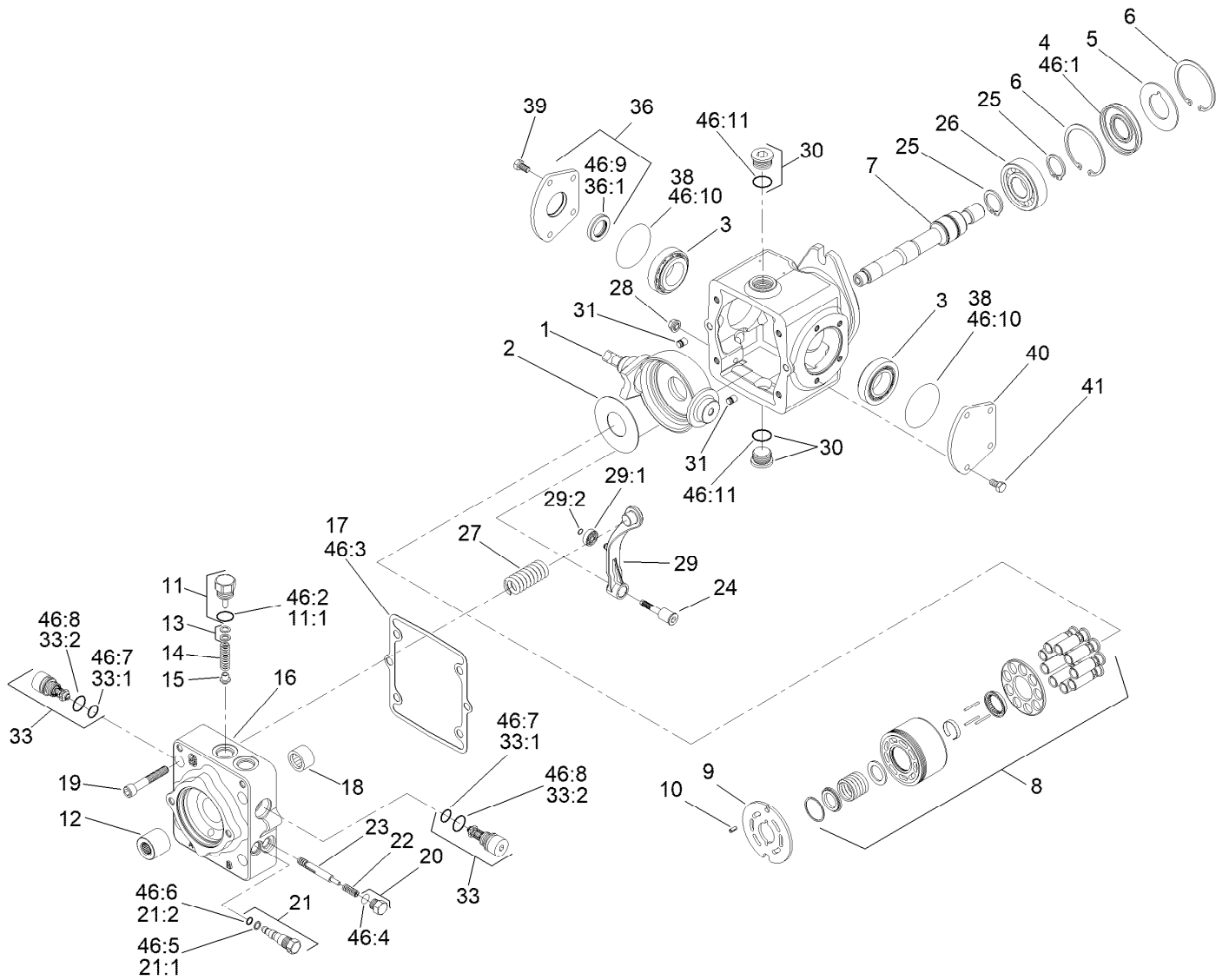
Ref.	Part Number	Qty.	Description
1	145-5296	1	Knob Service Kit
6	108-9632	4	Roller
12	145-5297	1	Roller-Plastic, 36MM
19	108-9622	2	Tube
20	108-9633	1	Spring-Extension
22	112-0164	1	Boot Kit
22:1		1	Boot-Suspension ●
22:2	108-9641	21	Clip-Plug
26	108-9634	1	Bumper
27	108-9614	1	Damper

● Not serviced separately



## Traction Pump Mounting Assembly

Ref.	Part Number	Qty.	Description	Ref.	Part Number	Qty.	Description
1	3234-1	2	Screw-HHF	13	322-10	1	Screw-HH
2	119-6972	1	Variable Hydraulic Pump ASM	14	321-9	1	Screw-HH
3	140-6248	1	Damper	15	127-2356-0P	1	Brkt-Cable [primed]
4	104-8300	3	Nut-HF, NI	16	2411-41	1	Rod End-Ball Joint
5	125-8822-0P	1	Plate-Pump	17	115-5300	1	Proximity Switch ASM
6	3234-38	2	Screw-HHF	17:1	117-3207	2	Nut-Hex
7	32128-49	2	Nut-HHF	17:2	117-3208	2	Washer-Lock, Internal Tooth
8	3234-5	2	Screw-HHF	18	117-0265	1	Lever-Pump
9	108-1799-0P	1	Hoop - Guard	19	33093-00	1	Washer-Flat
10	340-105	1	Fitting-Elbow, 90 DEG	20	3256-22	1	Washer-Flat
10:1	237-80	1	O-Ring	21	32151-72	1	Ring-Retaining
10:2	237-30	1	O-Ring	22	3230-6	1	Bolt-CARR
11	32128-20	1	Nut-HF	23	3296-29	1	Nut-Lock, NI
12	3296-42	1	Nut-Lock, NI	24	33114-020	3	Screw-HH

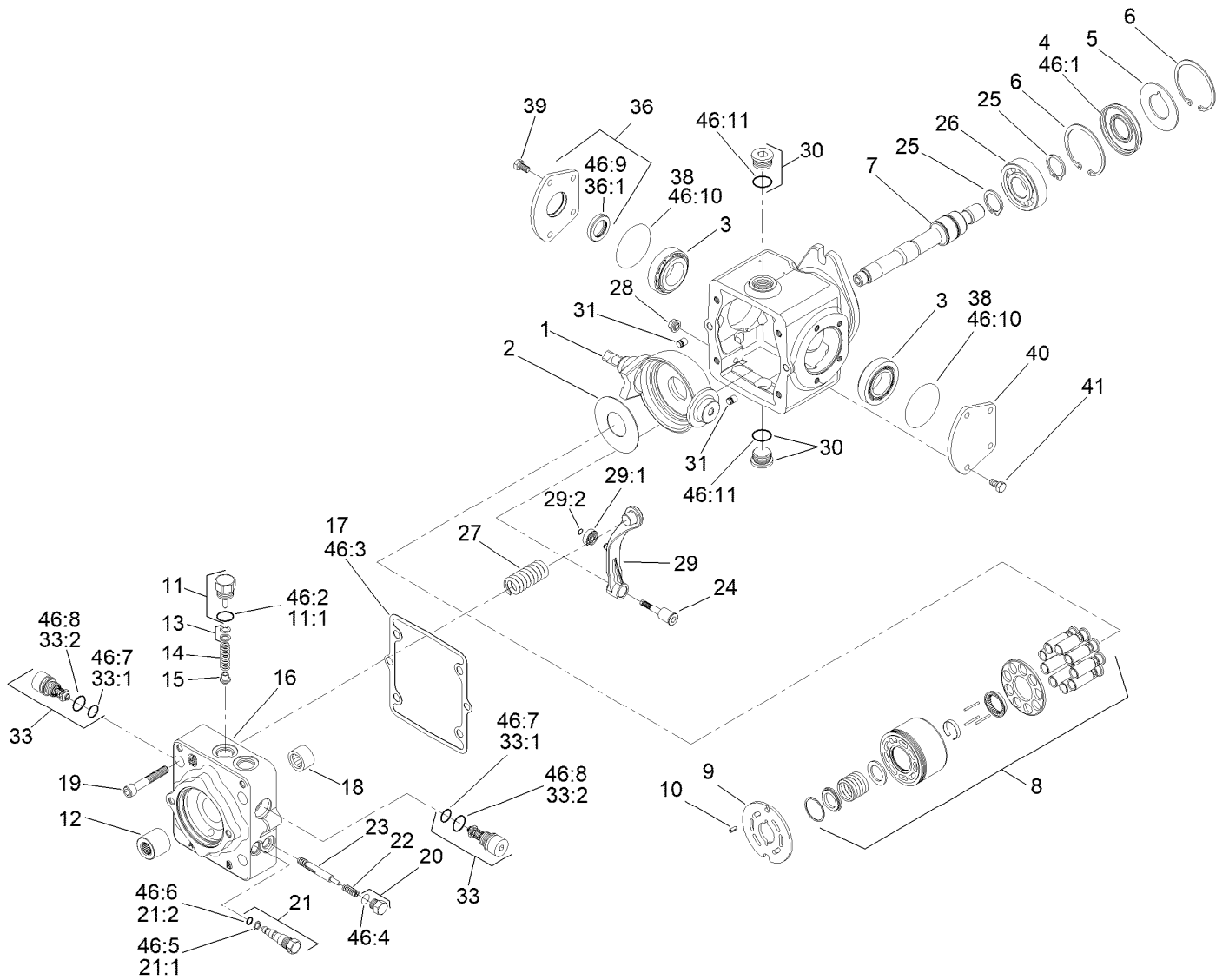


## Hydraulic Pump Assembly No. 119-6972

Ref.	Part Number	Qty.	Description	Ref.	Part Number	Qty.	Description
1	115-8092	1	Swashplate	18	75-0500	1	Bearing-Needle
2	75-0400	1	Plate-Thrust	19	110-6489	4	Screw
3	110-6483	2	Bearing Kit	20	94-9415	2	Plug ASM
4	110-6471	1	Seal-Lip	21	107-4364	1	Bypass Valve ASM
5	95-4400	1	Washer-Backup	21:1	25-2630	1	Ring-Back Up
6	69-3200	2	Ring-Retaining	21:2	110-6498	1	O-Ring
7	110-6484	1	Shaft-Auxiliary	22	110-6491	2	Spring
8	110-6472	1	Cylinder Block Kit ASM	23	110-6492	1	Spool-Loop, Flush
9	110-6473	1	Plate-Valve (Clockwise)	24	110-6493	1	Pivot-Return, Neutral
10	110-6485	1	Pin-Slotted	25	69-3170	2	Ring-Retaining
11	110-6486	1	Plug-Relief, Charge	26	75-0460	1	Bearing-Ball
11:1	28-3570	1	O-Ring	27	115-8085	1	Spring-Neutral Return
12	110-6480	1	Coupling	28	110-6496	1	Nut-Seal
13	92-1353	1	Shim Kit	29	110-6497	1	Neutral Return Arm ASM
14	110-6474	1	Spring	29:1	110-6494	1	Bearing-Cam
15	110-6475	1	Poppet	29:2	110-3056	1	Ring-Retaining
16	115-8087	1	Cap-End	30	69-3130	2	Plug
17	110-6476	1	Gasket-Cap, End	31	112-0158	2	Pin

● Not illustrated

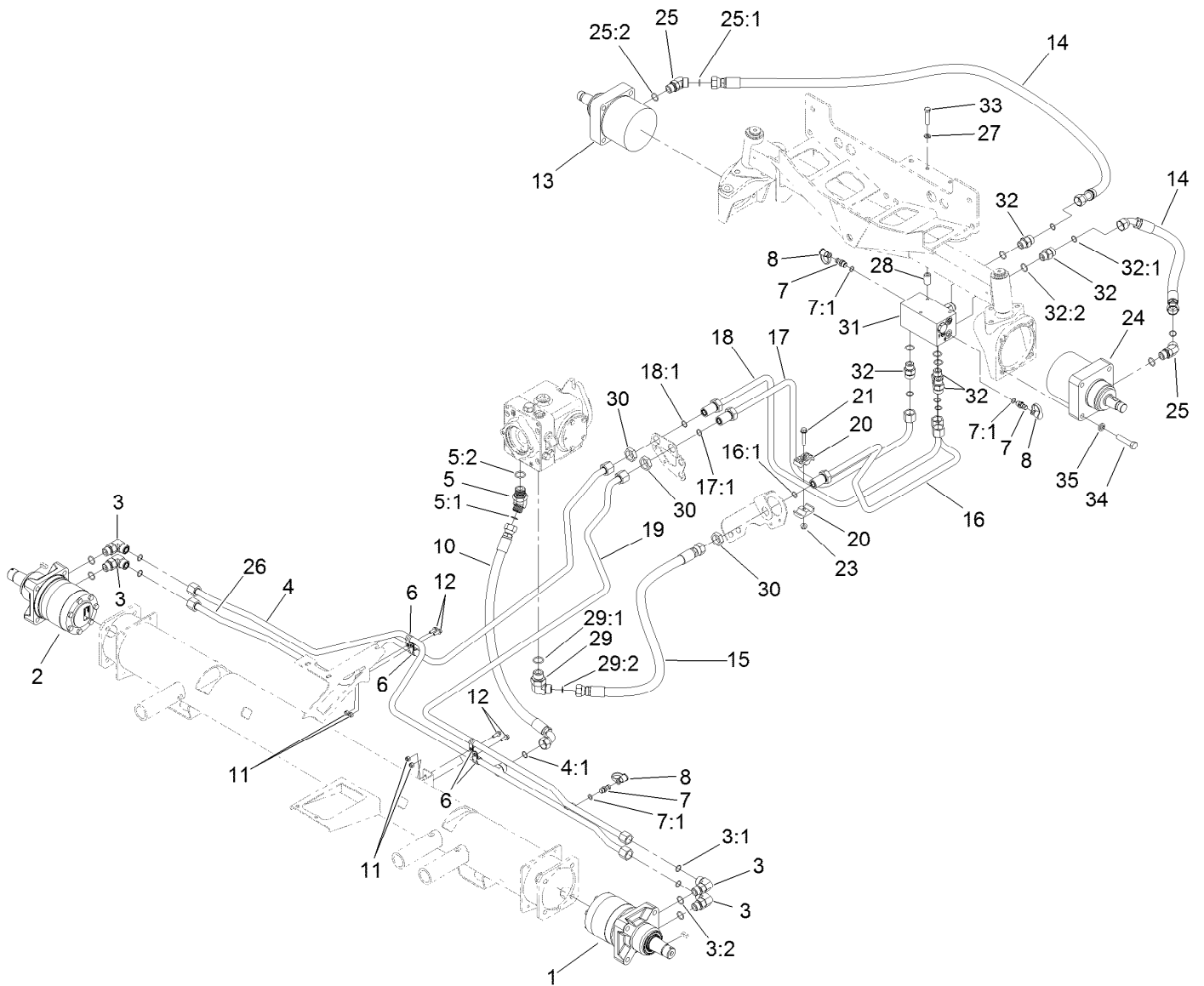




## Hydraulic Pump Assembly No. 119-6972 (continued)

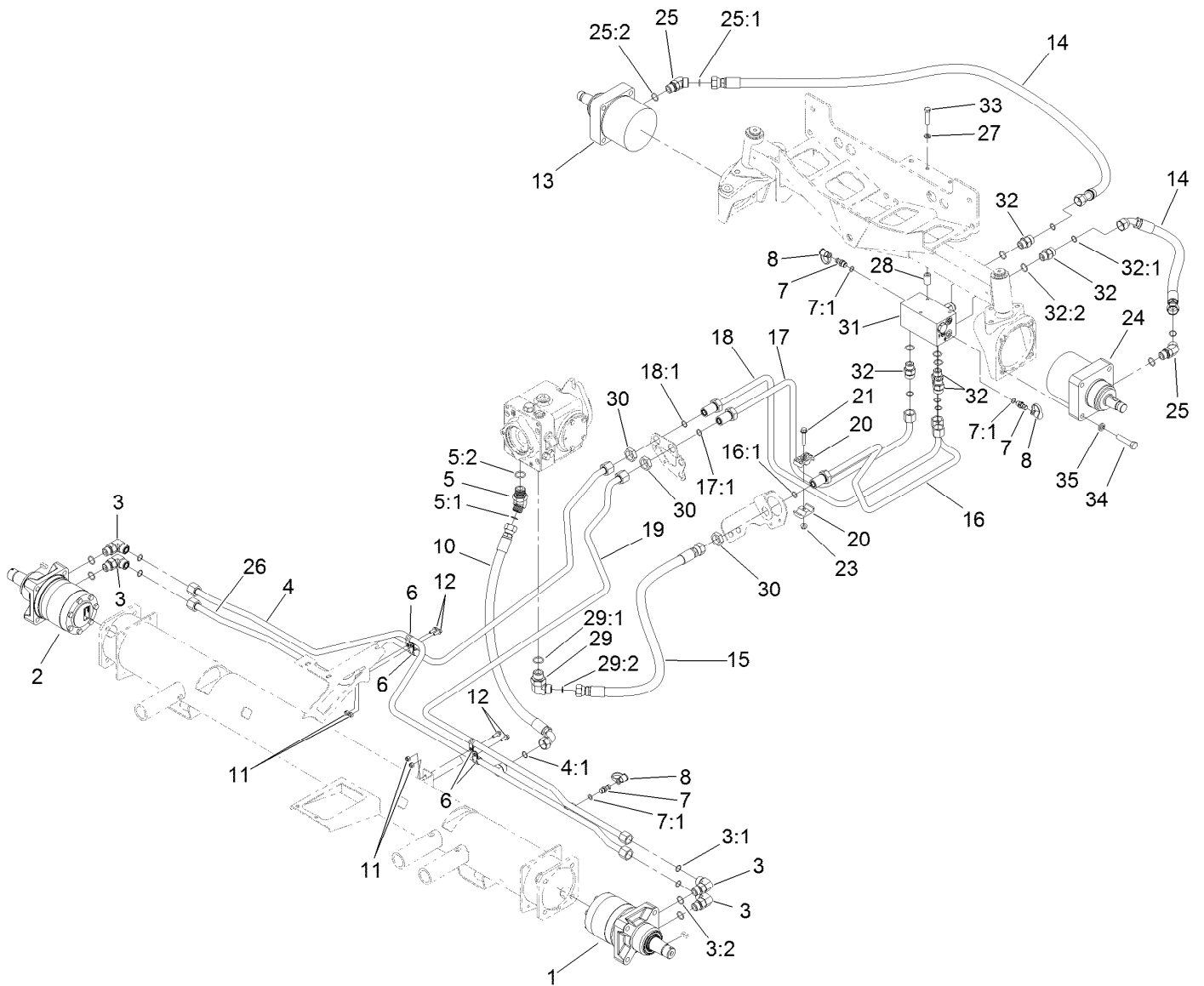
Ref.	Part Number	Qty.	Description	Ref.	Part Number	Qty.	Description
33	110-6477	2	Valve-Relief	46:2	28-3570	1	O-Ring
33:1	75-0240	1	O-Ring ●	46:3	110-6476	1	Gasket-Cap, End
33:2	84-0560	1	O-Ring ●	46:4	131-8631	2	O-Ring
36	110-6499	1	Trunnion Cover ASM	46:5	25-2630	1	Ring-Back Up
36:1	110-6478	1	Seal-Lip	46:6	110-6498	1	O-Ring
38	84-0430	2	O-Ring	46:7	75-0240	2	O-Ring
39	112-0150	4	Screw	46:8	84-0560	2	O-Ring
40	84-0440	1	Cover-Trunnion	46:9	110-6478	1	Seal-Lip
41	112-0151	4	Screw	46:10	84-0430	2	O-Ring
46	110-6481	1	Seal Kit ●	46:11	131-8614	2	O-Ring
46:1	110-6471	1	Seal-Lip				

● Not illustrated



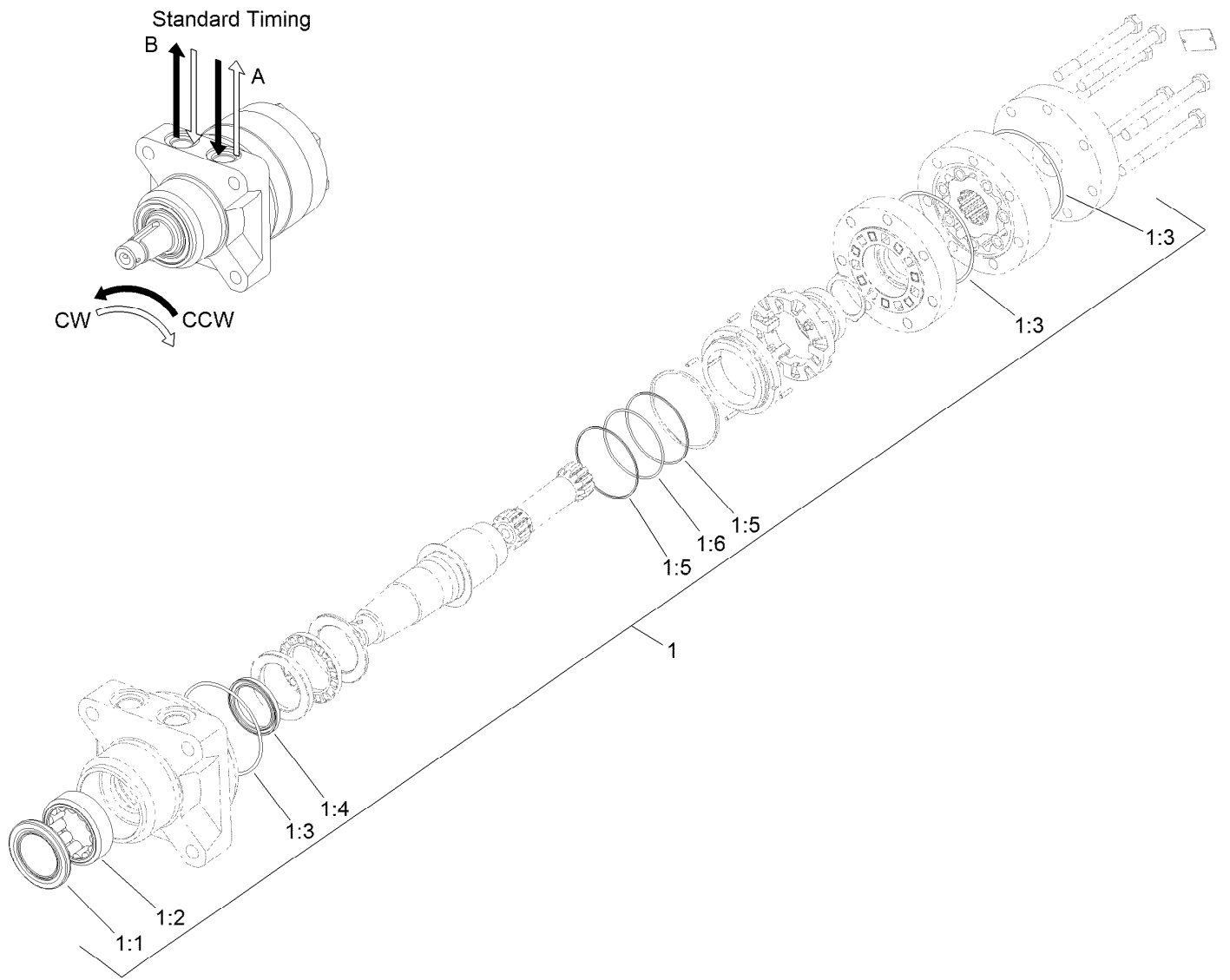
## Hydraulic Drive Assembly

Ref.	Part Number	Qty.	Description	Ref.	Part Number	Qty.	Description
1	133-2935	1	Hydraulic Motor ASM	16:1	237-65	1	O-Ring
2	133-2934	1	Hydraulic Motor ASM	17	108-7625	1	Tube ASM
3	340-17	4	Fitting-Elbow, 90 DEG	17:1	237-65	1	O-Ring
3:1	237-65	1	O-Ring	18	108-7624	1	Tube ASM
3:2	237-80	1	O-Ring	18:1	237-65	1	O-Ring
4	108-7632	1	Hydraulic Tube ASM	19	108-7623	1	Hydraulic Tube ASM
4:1	237-65	1	O-Ring	20	56-7971	2	Clamp-Tube
5	340-156	1	Fitting-Elbow 45	21	94-5780	1	Screw-HWH
5:1	237-65	1	O-Ring	23	104-8300	1	Nut-HF, NI
5:2	237-81	1	O-Ring	24	107-4544	1	HYD Motor ASM
6	2412-134	4	Clamp-R	25	340-14	4	Fitting-HYD, 45 DEG
7	59-7410	3	Fitting-Diagnostic	25:1	237-65	1	O-Ring
7:1	237-42	1	O-Ring	25:2	237-80	1	O-Ring
8	354-79	3	Cap-Dust	26	108-7622	1	Hydraulic Tube ASM
10	108-1679	1	Hose-HYD	27	3253-21	3	Washer-Lock
11	3296-42	4	Nut-Lock, NI	28	93-6981	3	Spacer
12	3234-4	4	Screw-HHF	29	340-139	1	Fitting-Elbow 90
13	110-0901	1	HYD Motor ASM	29:1	237-81	1	O-Ring
14	106-3662	4	Hose-HYD	29:2	237-65	1	O-Ring
15	108-7645	1	Hose-HYD	30	340-74	3	Nut-Lock, Bulkhead
16	108-7626	1	Tube ASM	31	108-1825	1	HYD Manifold ASM



## Hydraulic Drive Assembly (continued)

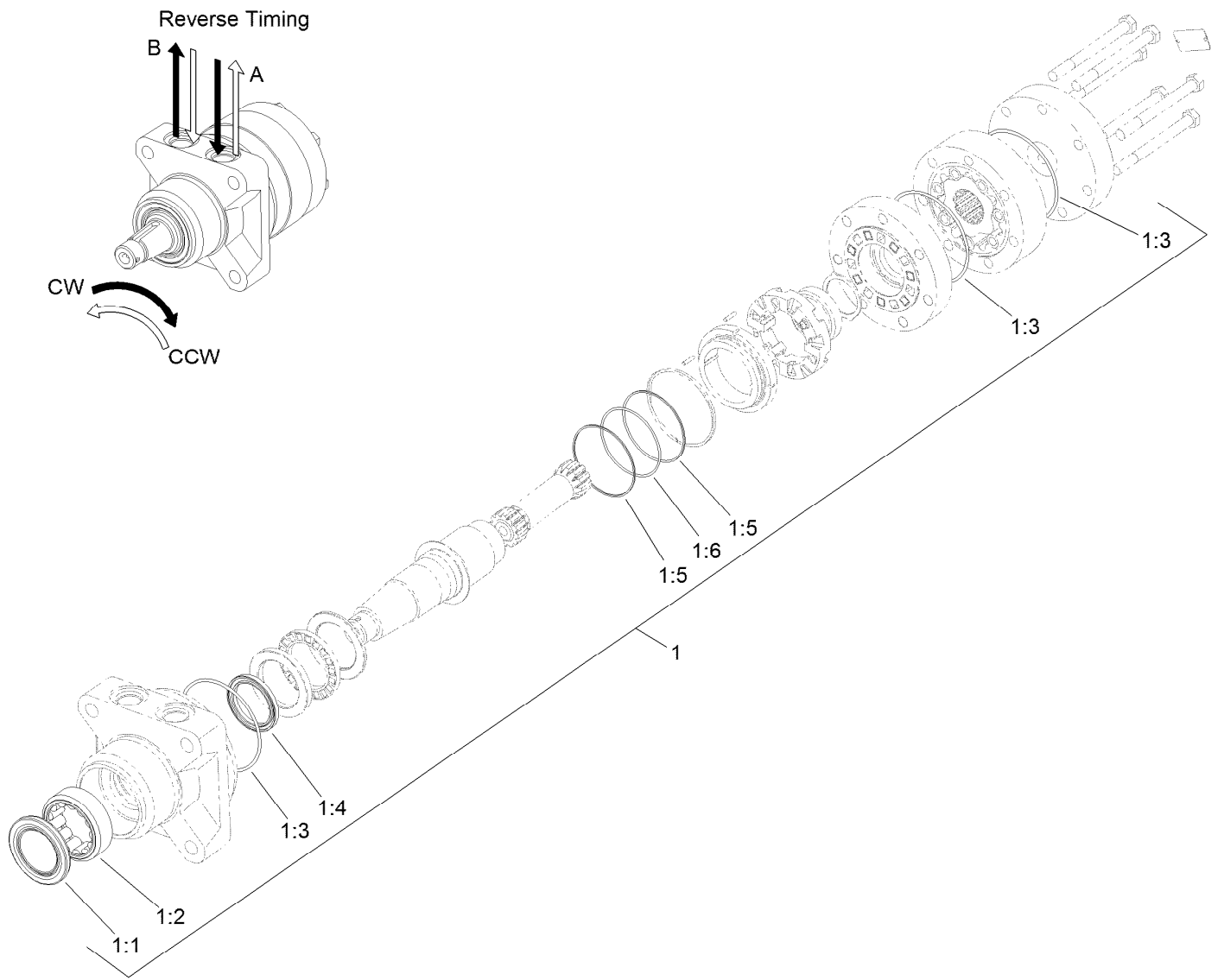
<i>Ref.</i>	<i>Part Number</i>	<i>Qty.</i>	<i>Description</i>	<i>Ref.</i>	<i>Part Number</i>	<i>Qty.</i>	<i>Description</i>
32	340-7	7	Fitting-Straight	33	323-9	3	Screw-HH
32:1	237-65	1	O-Ring	34	325-9	8	Screw-HH
32:2	237-80	1	O-Ring	35	3253-7	8	Washer-Lock



## Hydraulic Motor Assembly No. 133-2935 (CCW)

Ref.	Part Number	Qty.	Description
1	120-6268	1	Seal Kit
1:1		1	Seal-Grease ●
1:2		1	Shell-Bearing ●
1:3		3	O-Ring ●
1:4		1	Seal-Shaft ●
1:5		2	Ring-Back Up ●
1:6		1	O-Ring ●

● Not serviced separately

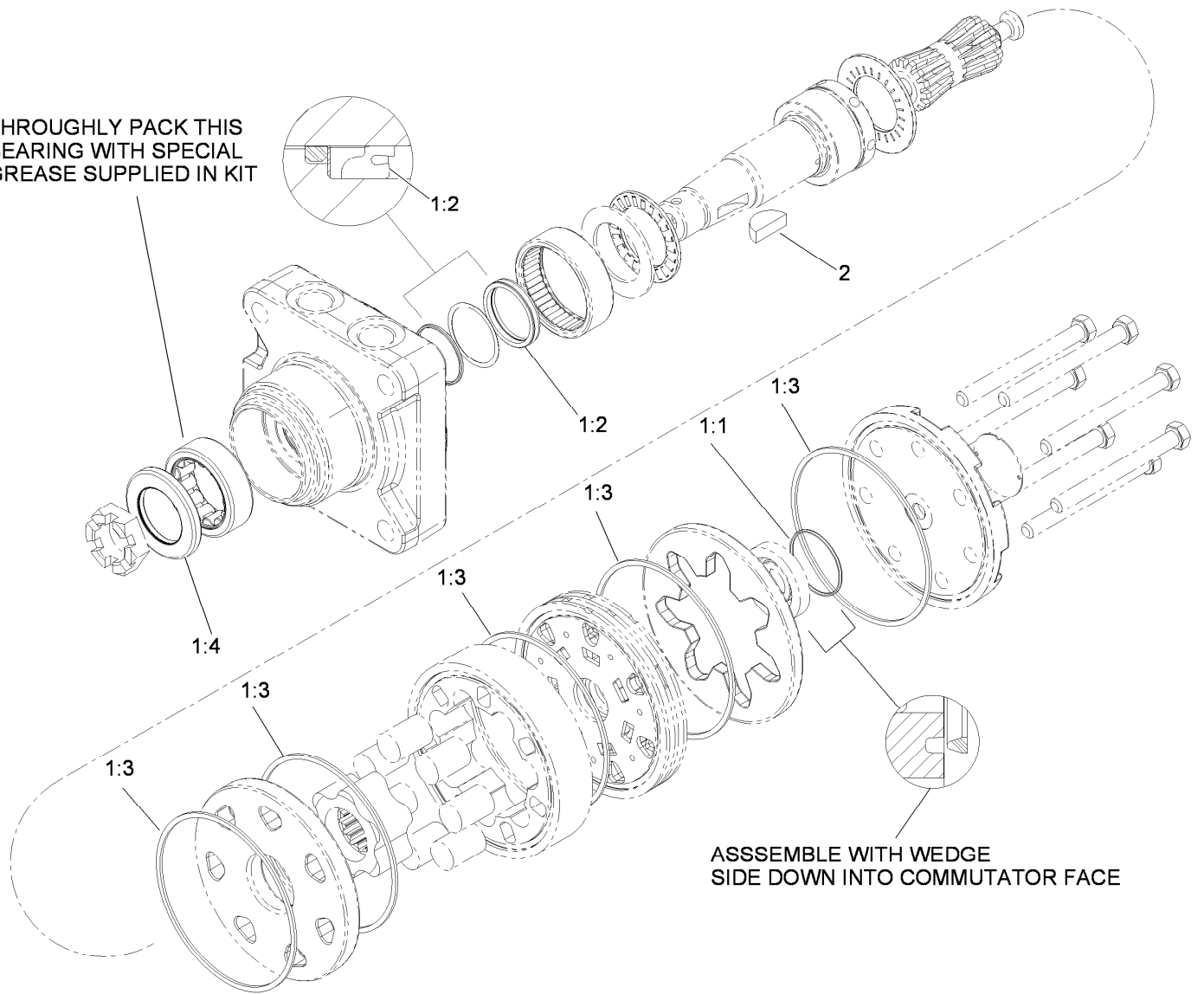


## Hydraulic Motor Assembly No. 133-2934 (CW)

Ref.	Part Number	Qty.	Description
1	120-6268	1	Seal Kit
1:1		1	Seal-Grease ●
1:2		1	Shell-Bearing ●
1:3		3	O-Ring ●
1:4		1	Seal-Shaft ●
1:5		2	Ring-Back Up ●
1:6		1	O-Ring ●

● Not serviced separately

THOROUGHLY PACK THIS BEARING WITH SPECIAL GREASE SUPPLIED IN KIT



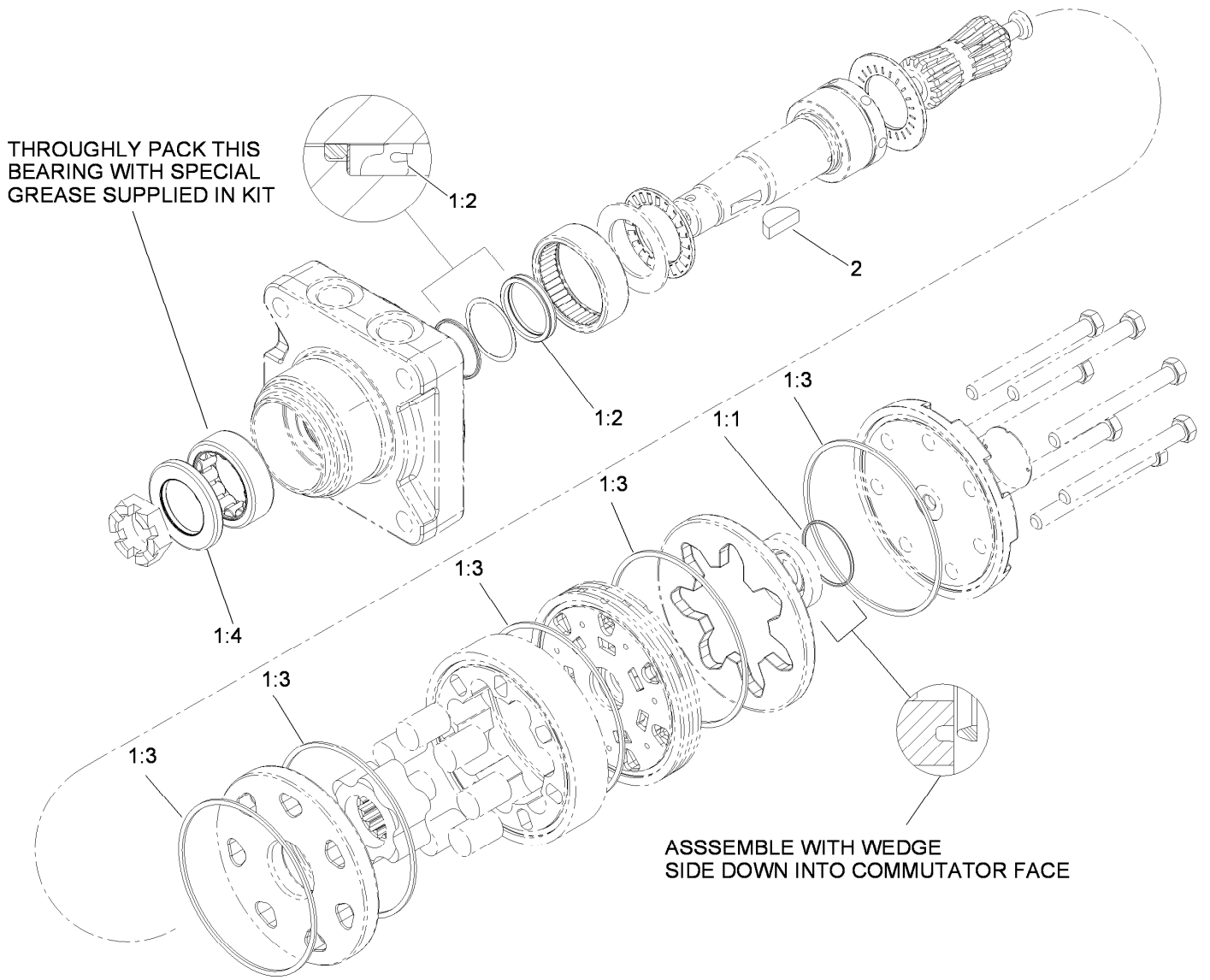
ASSEMBLE WITH WEDGE  
SIDE DOWN INTO COMMUTATOR FACE

## Hydraulic Motor Assembly No. 110-0901

Ref.	Part Number	Qty.	Description
1	110-8897	1	Seal Kit ●
1:1		1	Seal-Commutator, Vespel ■
1:2		1	Seal-Shaft ■
1:3		5	Seal-Body, Buna ■
1:4		1	Seal-Dirt / Water ■
2	3257-42	1	Key-Woodruff

● Not illustrated

■ Not serviced separately

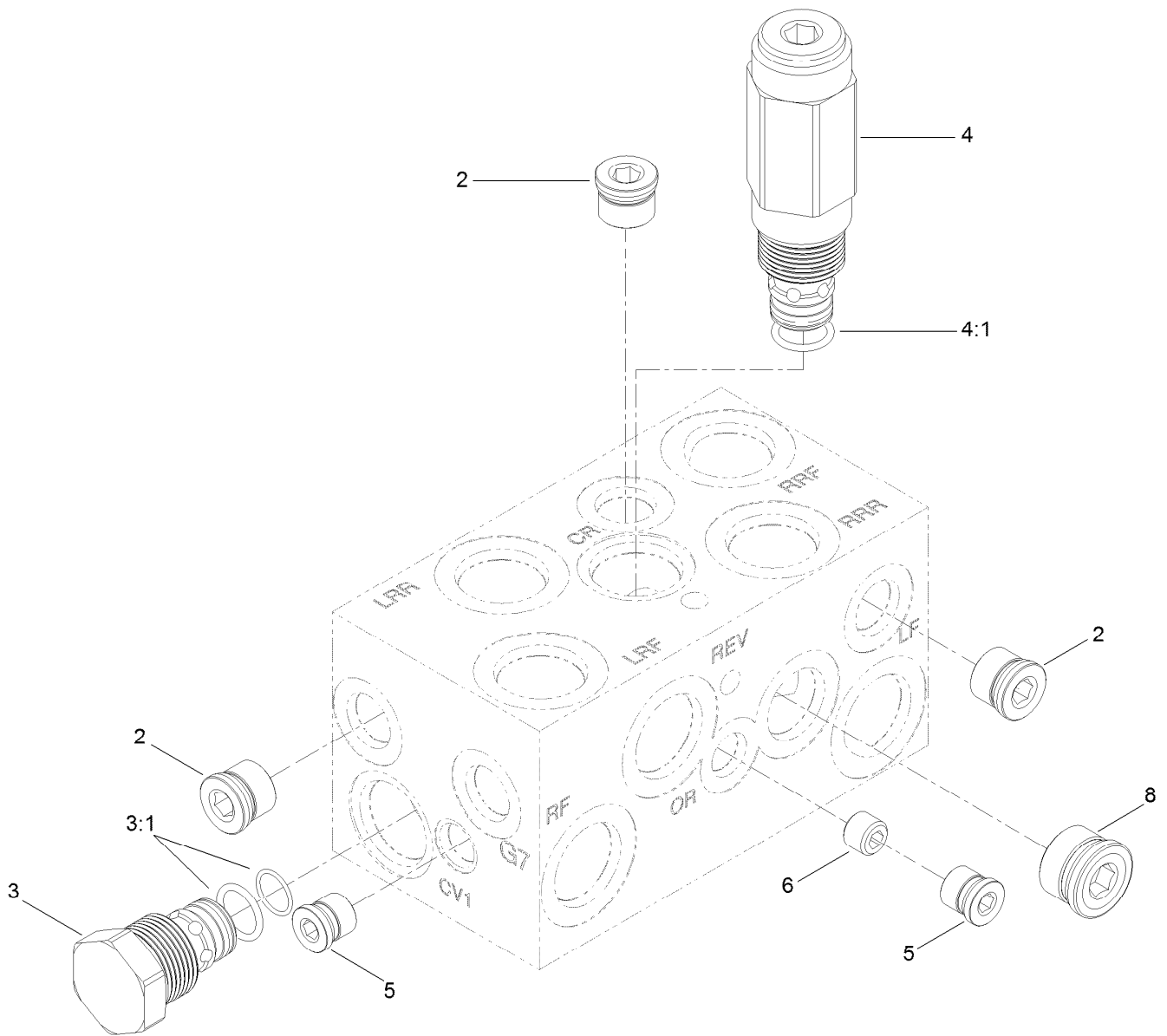


## Hydraulic Motor Assembly No. 107-4544

Ref.	Part Number	Qty.	Description
1	110-8897	1	Seal Kit ●
1:1		1	Seal-Commutator, Vespel ■
1:2		1	Seal-Shaft ■
1:3		5	Seal-Body, Buna ■
1:4		1	Seal-Dirt / Water ■
2	3257-42	1	Key-Woodruff

● Not illustrated

■ Not serviced separately

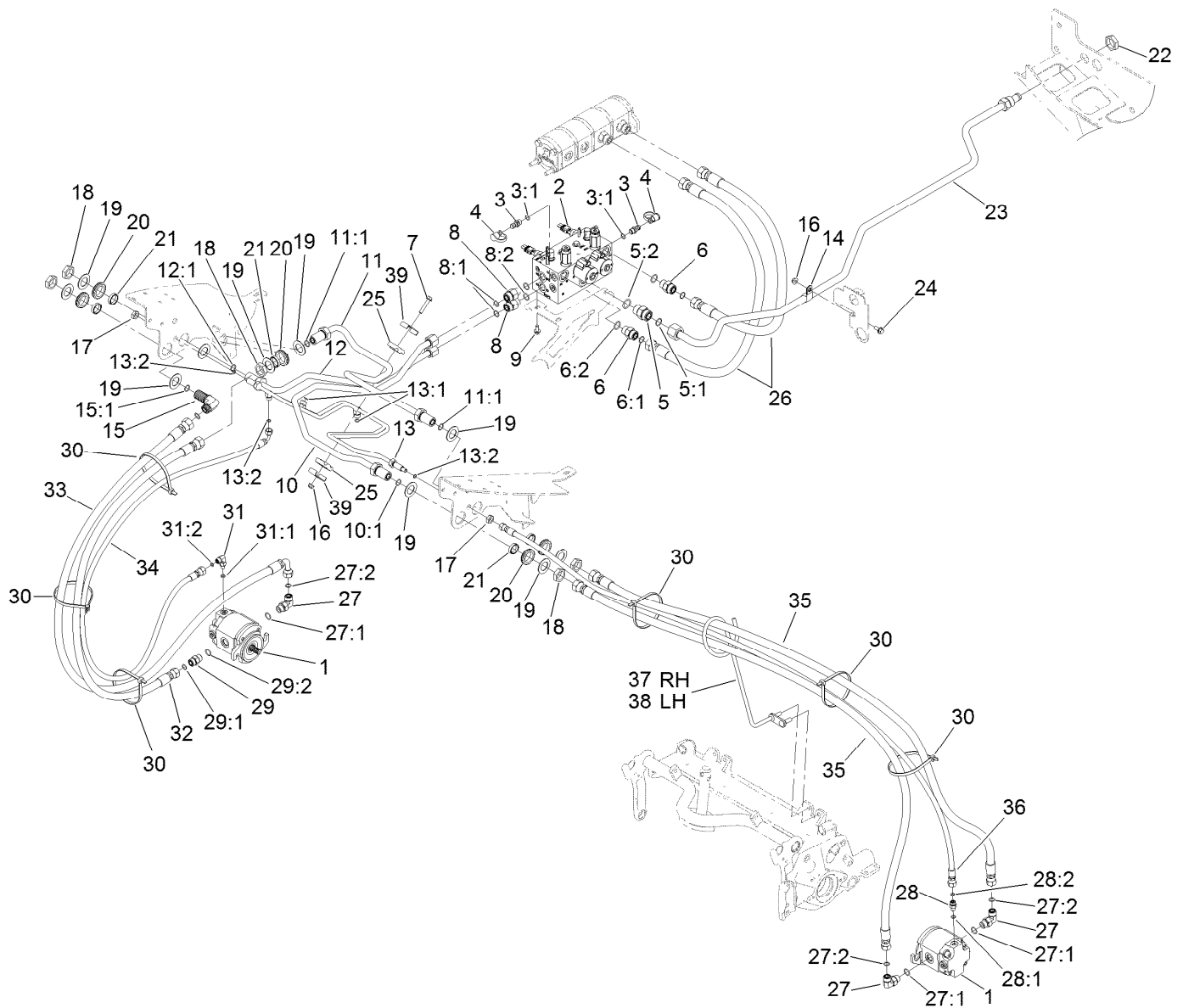


## Four Wheel Drive Manifold Assembly No. 108-1825

Ref.	Part Number	Qty.	Description
2	106-1026	3	Plug-HYD
3	110-8881	2	Valve-Check
3:1	105-9159	1	Seal Kit ●
4	110-8882	1	Valve-Relief, Cross Over
4:1	110-6316	1	Seal Kit
5	106-1025	2	Plug-HYD
6	110-8883	1	Plug-Orifice (0.040)
8	106-1027	1	Plug

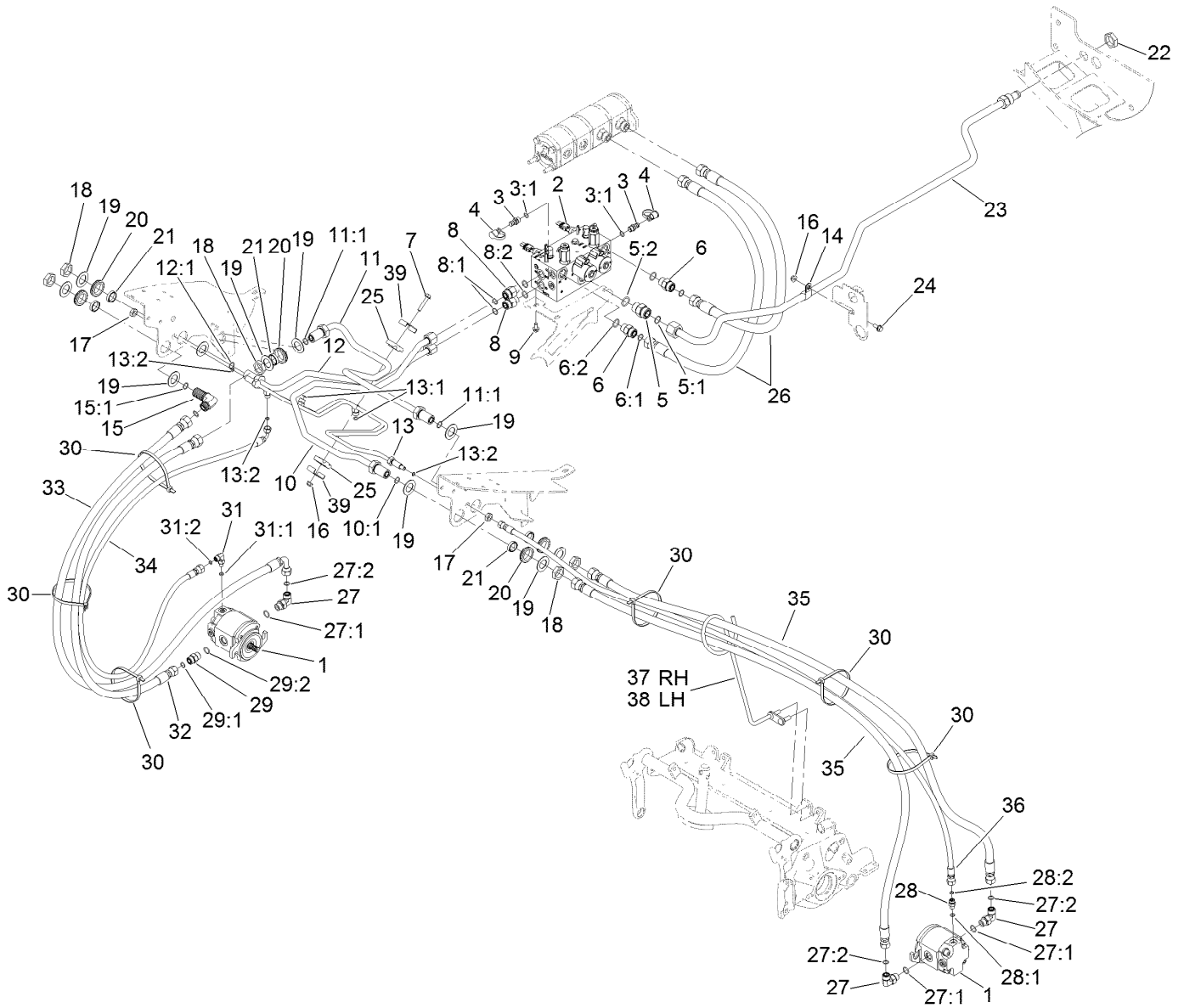
● Not illustrated





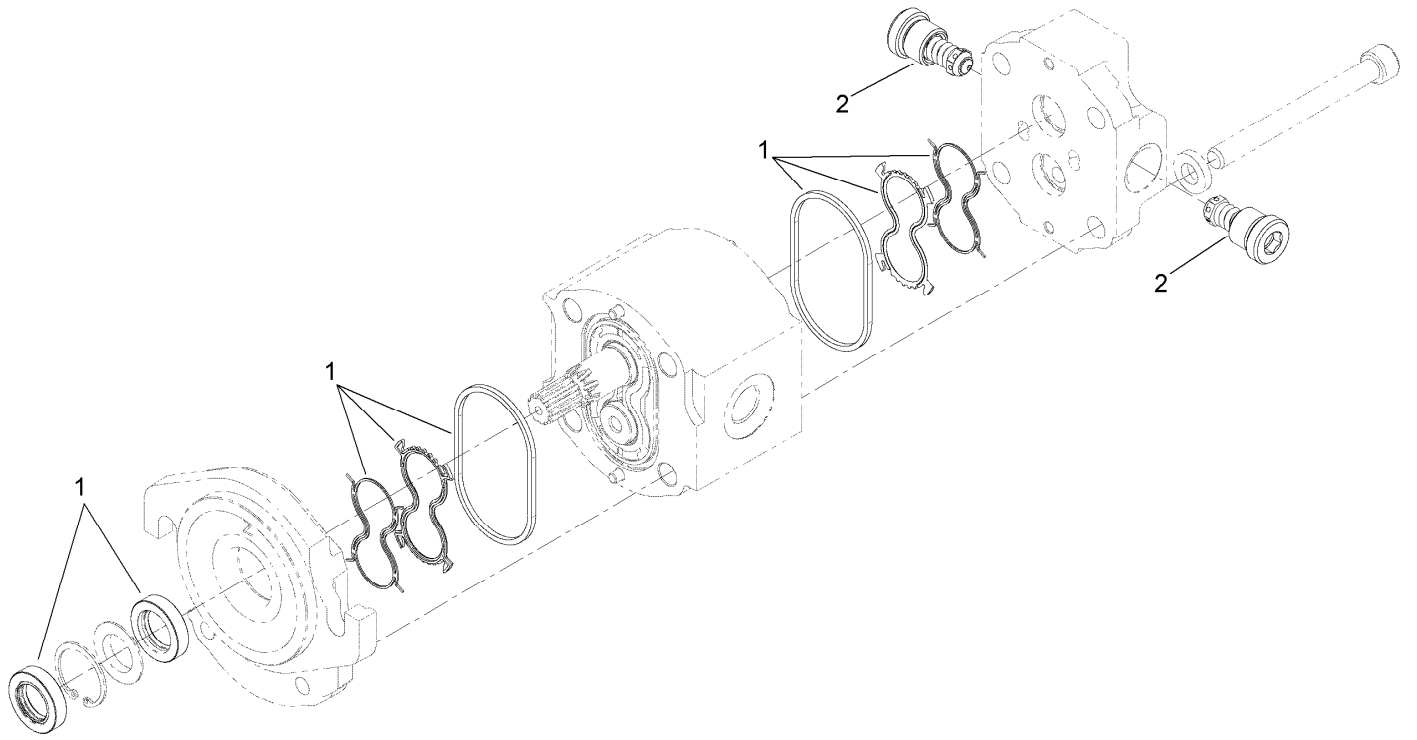
## No. 1, 4 and 5 Reel Drive Hydraulic Assembly

Ref.	Part Number	Qty.	Description	Ref.	Part Number	Qty.	Description
1	120-6272	3	HYD Motor ASM	12:1	237-65	1	O-Ring
2	121-5628	1	Hydraulic Manifold ASM	13	110-5286	1	Tube ASM
3	59-7410	2	Fitting-Diagnostic	13:1	237-22	2	O-Ring
3:1	237-42	1	O-Ring	13:2	237-21	3	O-Ring
4	354-79	2	Cap-Dust	14	2412-4	1	Clamp-R
5	340-9	1	Fitting-STR	15	340-72	1	Fitting-Bulkhead, 90 DEG
5:1	237-58	1	O-Ring	15:1	237-65	2	O-Ring
5:2	237-81	1	O-Ring	16	104-8300	2	Nut-HF, NI
6	340-7	2	Fitting-Straight	17	340-78	2	Nut-Lock
6:1	237-65	1	O-Ring	18	340-74	5	Nut-Lock, Bulkhead
6:2	237-80	1	O-Ring	19	69-9010	10	Washer
7	94-5780	1	Screw-HWH	20	240-3	5	Grommet-Rubber
8	340-155	2	Fitting-Straight	21	125-1984	5	Spacer
8:1	237-79	1	O-Ring	22	340-126	1	Nut-Bulkhead
8:2	237-151	1	O-Ring	23	108-1700	1	Tube ASM
9	3234-14	3	Screw-HHF	24	3234-5	1	Screw-HHF
10	117-0138	1	Tube ASM	25	56-7970	2	Clamp-Tube
10:1	237-65	1	O-Ring	26	108-1686	2	Hose-HYD
11	117-0137	1	Tube ASM	27	340-98	5	Fitting-Elbow, 90 DEG
11:1	237-65	2	O-Ring	27:1	237-79	1	O-Ring
12	117-0139	1	Tube ASM	27:2	237-30	1	O-Ring



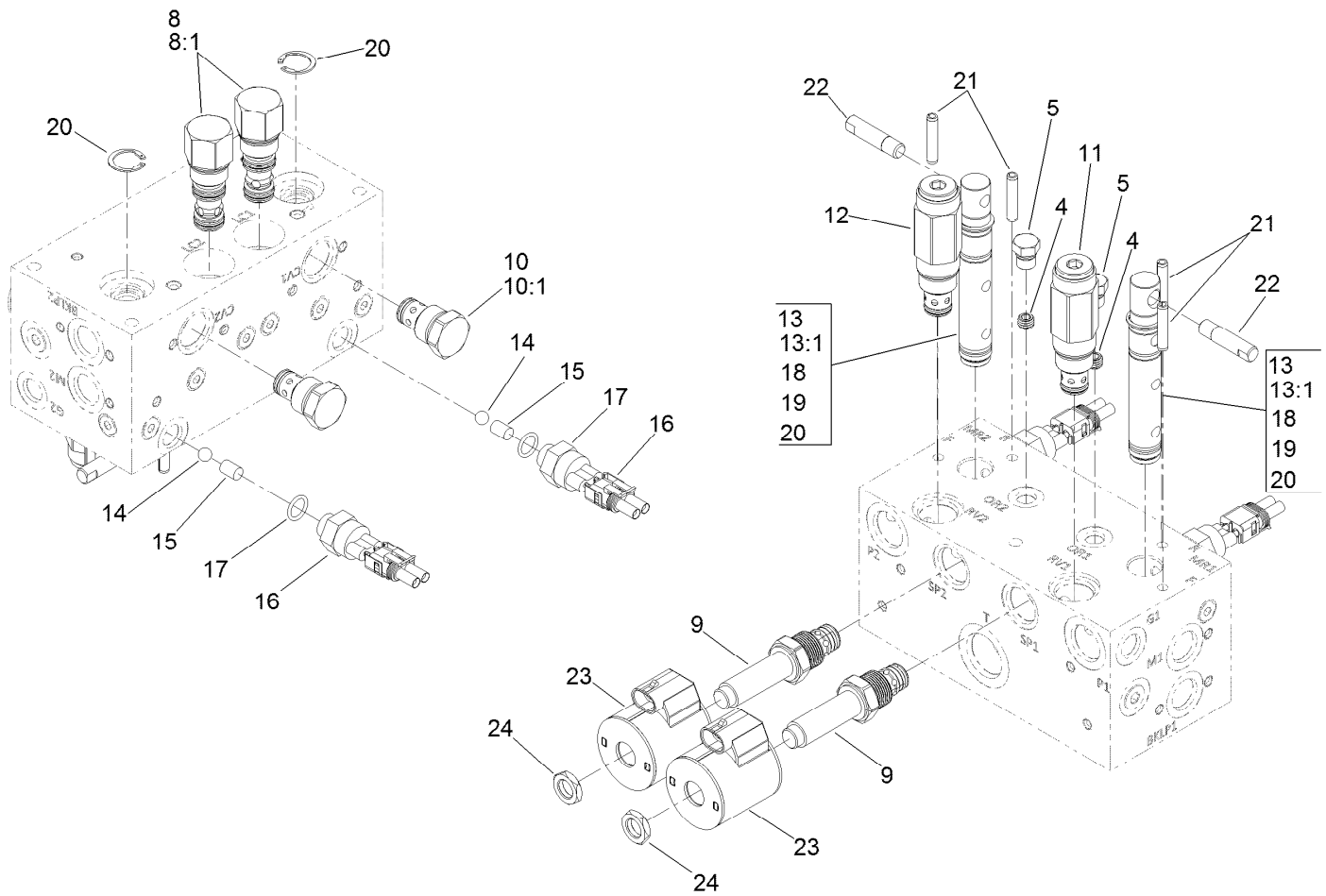
## No. 1, 4 and 5 Reel Drive Hydraulic Assembly (continued)

<i>Ref.</i>	<i>Part Number</i>	<i>Qty.</i>	<i>Description</i>	<i>Ref.</i>	<i>Part Number</i>	<i>Qty.</i>	<i>Description</i>
28	340-92	2	Fitting-Straight	31:2	237-21	1	O-Ring
28:1	237-78	1	O-Ring	32	114-0633	1	Hose-HYD
28:2	237-21	1	O-Ring	33	117-5190	1	Hose-HYD
29	340-4	1	Fitting-Straight	34	106-3671	1	Hose-HYD
29:1	237-30	1	O-Ring	35	117-5188	4	Hose-HYD
29:2	237-79	1	O-Ring	36	106-3680	2	Hose-HYD
30	3334-945	9	Tie-Cable	37	139-5995	1	Guide-Hose, RH
31	340-132	1	Fitting-Elbow, 90 DEG	38	139-5996	1	Hose Guide ASM-LH
31:1	237-78	1	O-Ring	39	119-1419	2	Plate-Clamp



## Hydraulic Motor Assembly No. 120-6272

<i>Ref.</i>	<i>Part Number</i>	<i>Qty.</i>	<i>Description</i>
1	138-1234	1	Seal Kit
2	117-5107	1	Valve-Check

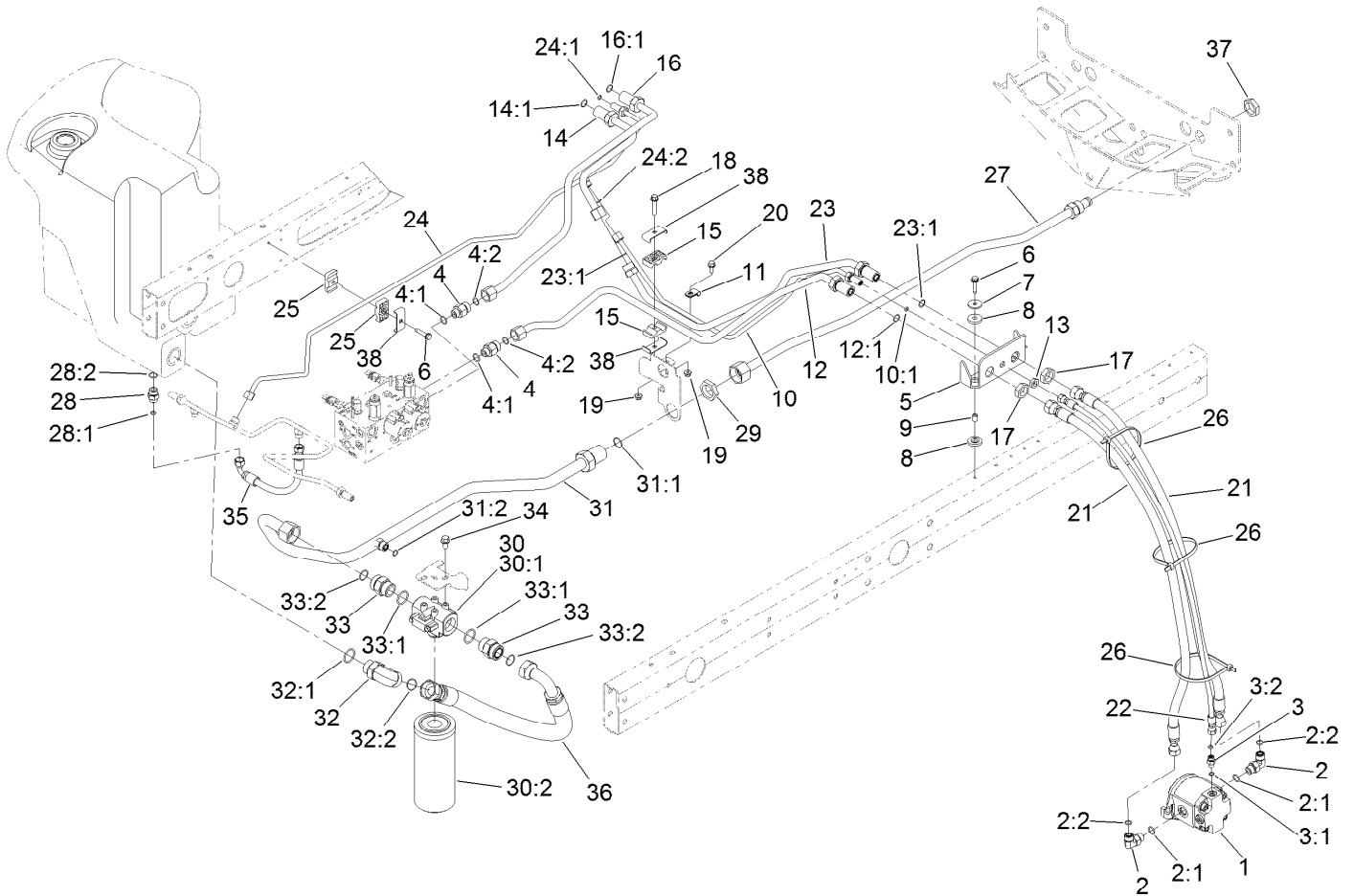


## Manifold Assembly No. 121-5628

Ref.	Part Number	Qty.	Description
4	110-8883	1	Plug-Orifice (0.040)
5	117-0115	1	Plug
8	120-1693	2	Compensator-Pressure
8:1	119-2159	1	Seal Kit
9	138-6961	2	Valve-Proportional, NC
10	110-8881	2	Valve-Check
10:1	105-9159	1	Seal Kit ●
11	138-6962	1	Valve-Relief, 2500 PSI
12	138-6963	1	Valve-Relief, 3500 PSI
13	117-0108	2	Spool-Rotary
13:1	117-0109	1	Seal Kit

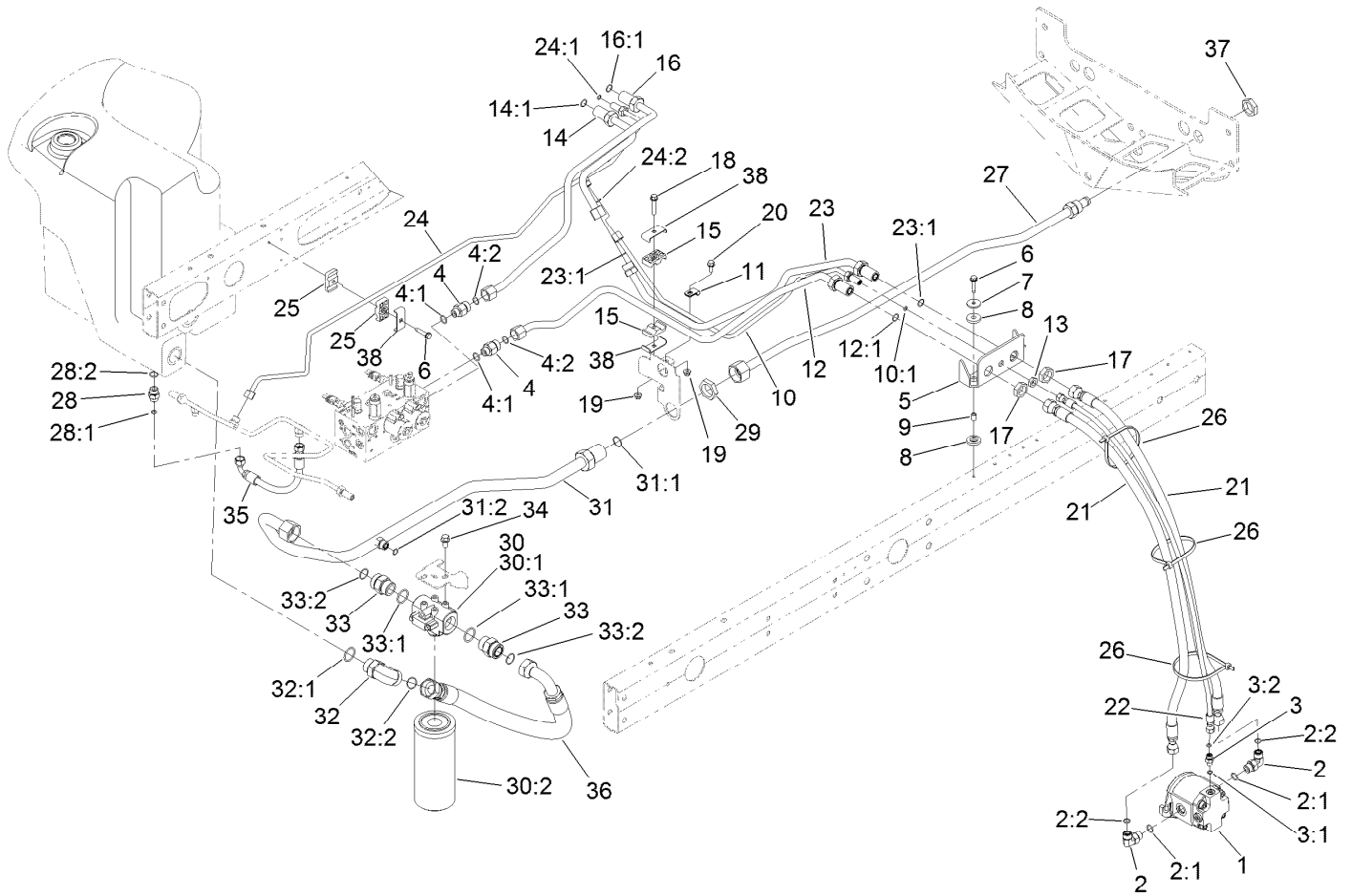
Ref.	Part Number	Qty.	Description
14	117-4605	2	Ball-SS
15	120-1650	2	Pin
16	72-4310	2	Switch-Ball
17	110-8757	2	O-Ring
18	117-4606	6	O-Ring
19	112-6534	4	Ring-Back Up
20	112-6532	4	Ring-Retaining
21	112-6531	4	Pin-Spring
22	110-8758	2	Handle-Spool
23	110-6344	2	Coil-12V, DC
24	110-2634	2	Nut-Coil

● Not illustrated



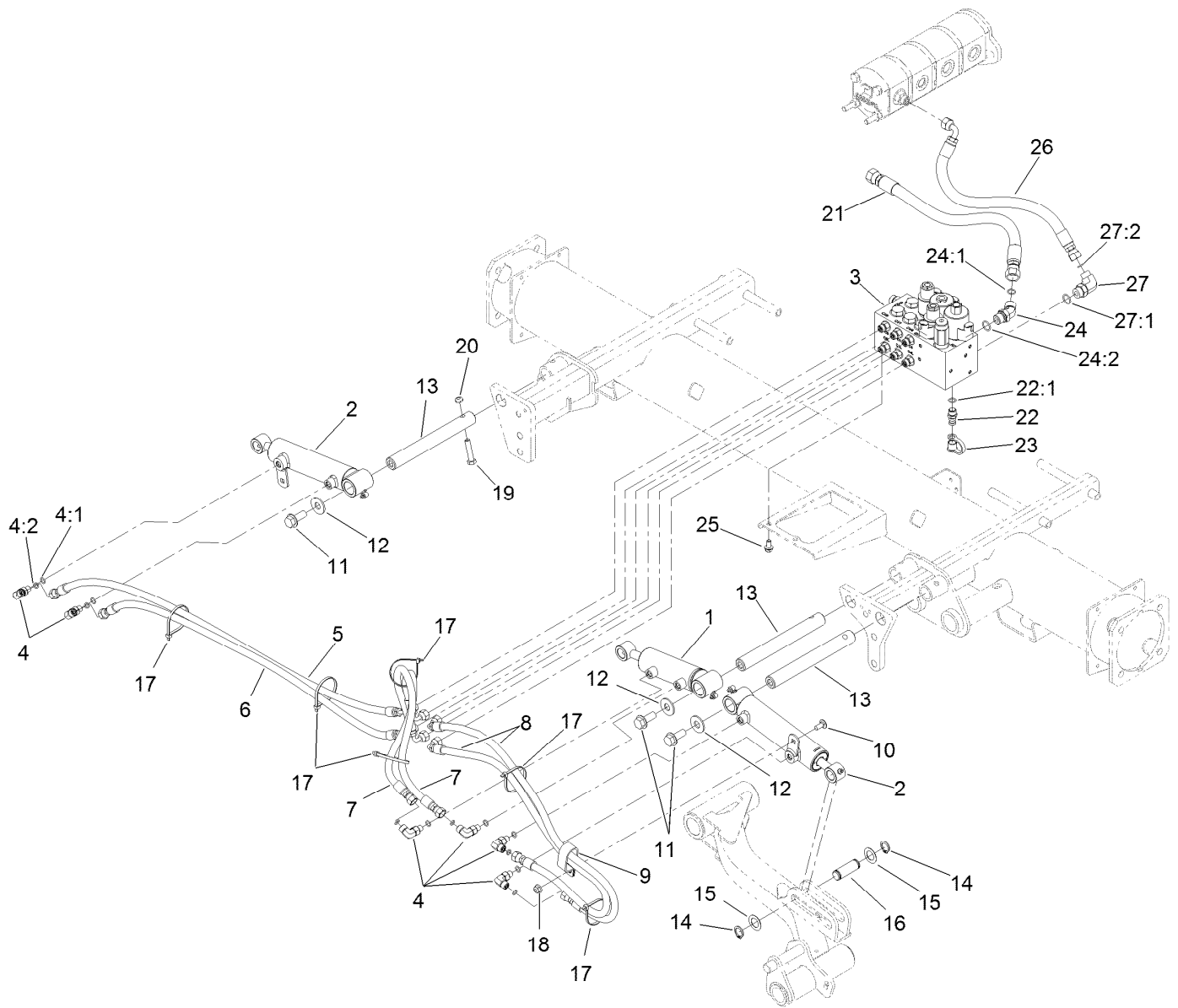
## No. 2 and 3 Reel Drive Hydraulic Assembly

Ref.	Part Number	Qty.	Description	Ref.	Part Number	Qty.	Description
1	120-6272	2	HYD Motor ASM	14	117-0140	1	Tube ASM
2	340-98	4	Fitting-Elbow, 90 DEG	14:1	237-65	1	O-Ring
2:1	237-79	1	O-Ring	15	56-7971	2	Clamp-Tube
2:2	237-30	1	O-Ring	16	117-0141	1	Tube ASM
3	340-92	2	Fitting-Straight	16:1	237-65	1	O-Ring
3:1	237-78	1	O-Ring	17	340-74	4	Nut-Lock, Bulkhead
3:2	237-21	1	O-Ring	18	94-5780	1	Screw-HWH
4	340-155	2	Fitting-Straight	19	104-8300	2	Nut-HF, NI
4:1	237-79	1	O-Ring	20	3234-5	1	Screw-HHF
4:2	237-151	1	O-Ring	21	114-0633	4	Hose-HYD
5	117-0174-03	2	Bracket-Bulkhead	22	98-4590	2	Hose-HYD
6	32144-57	5	Screw	23	117-0177	1	Tube ASM
7	105-3048	4	Washer-Flat	23:1	237-65	2	O-Ring
8	240-11	8	Bushing-Flange	24	114-8888	1	Tube ASM
9	99-8611	4	Spacer	24:1	237-22	1	O-Ring
10	114-8887	1	Tube ASM	24:2	237-21	1	O-Ring
10:1	237-21	1	O-Ring	25	56-7972	2	Clamp-Tube
11	2412-113	1	Clamp-R	26	3334-945	6	Tie-Cable
12	117-0142	1	Tube ASM	27	108-1691	1	Tube ASM
12:1	237-65	1	O-Ring	28	340-3	1	Fitting-Straight
13	340-78	2	Nut-Lock	28:1	237-22	1	O-Ring



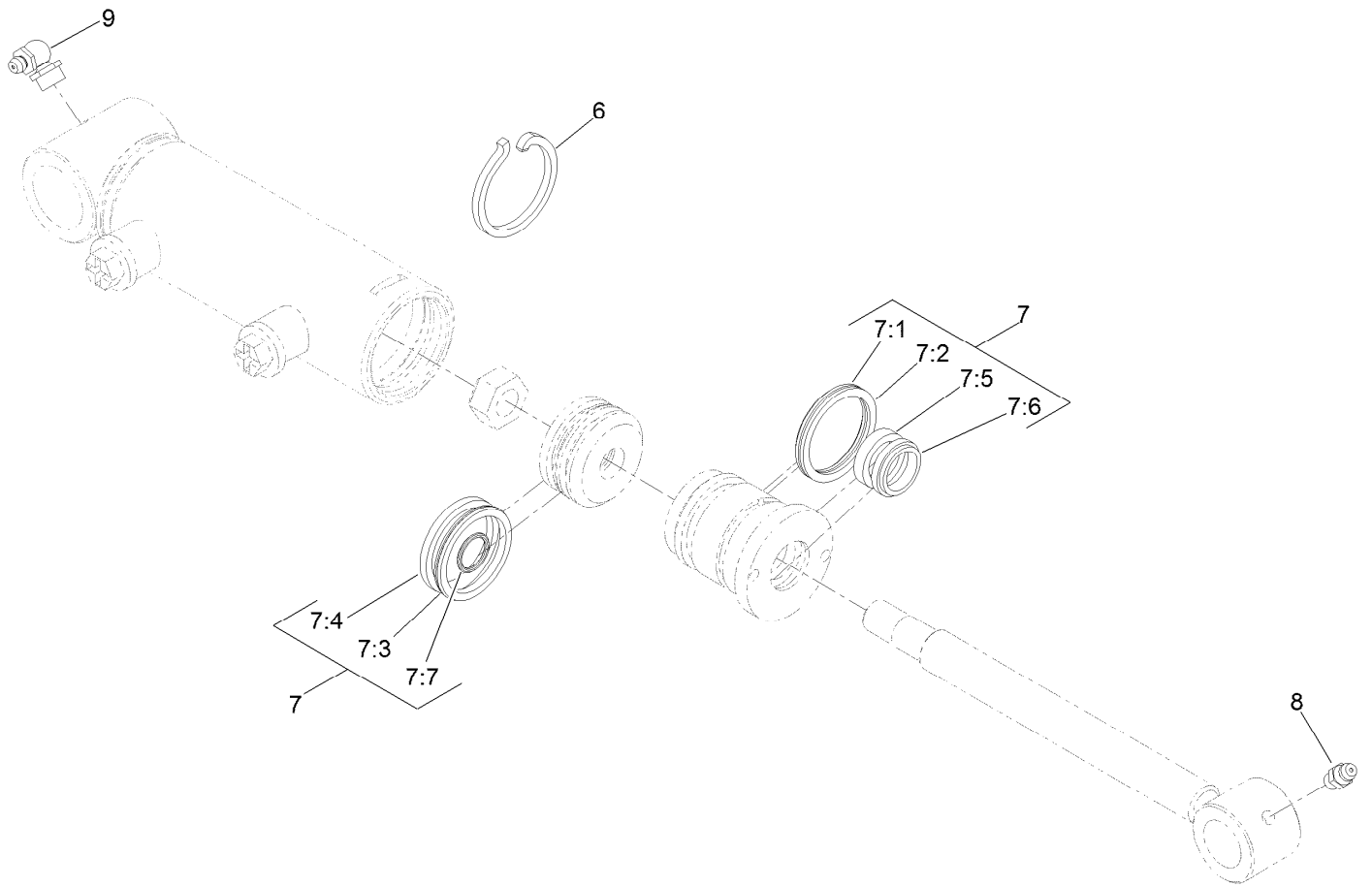
## No. 2 and 3 Reel Drive Hydraulic Assembly (continued)

Ref.	Part Number	Qty.	Description	Ref.	Part Number	Qty.	Description
28:2	237-79	1	O-Ring	32:2	340-65	1	O-Ring
29	340-128	1	Nut-Bulkhead	33	104-3797	2	Fitting-Straight
30	98-3923	1	Oil Filter ASM	33:1	237-146	1	O-Ring
30:1	104-0080	1	Filter Head ASM	33:2	340-65	1	O-Ring
30:2	94-2621	1	Element-Filter	34	3234-1	2	Screw-HHF
31	108-1699	1	Tube ASM	35	66-8490	1	Hose-HYD
31:1	340-65	1	O-Ring	36	108-1689	1	Hose-HYD
31:2	237-30	1	O-Ring	37	340-126	1	Nut-Bulkhead
32	340-129	1	Fitting-Elbow, 90 DEG	38	119-1419	2	Plate-Clamp
32:1	237-146	1	O-Ring				



## No. 1, 4 and 5 Lift Arm Hydraulic Assembly

Ref.	Part Number	Qty.	Description	Ref.	Part Number	Qty.	Description
1	138-6999	1	HYD Cylinder ASM	16	104-0046	3	Pin-Slide, Cylinder
2	119-6987	2	HYD Cylinder ASM	17	3290-379	6	Tie-Cable
3	105-7577	1	HYD Lift Block Manifold ASM	18	104-8300	1	Nut-HF, NI
4	340-132	6	Fitting-Elbow, 90 DEG	19	323-9	3	Screw-HH
4:1	237-78	1	O-Ring	20	3296-59	3	Nut-Lock, NI
4:2	237-21	1	O-Ring	21	117-0180	1	Hose-HYD
5	106-3692	1	Hose-HYD	22	59-7410	1	Fitting-Diagnostic
6	106-3693	1	Hose-HYD	22:1	237-42	1	O-Ring
7	93-6887	2	Hose-HYD	23	354-79	1	Cap-Dust
8	85-4940	2	Hose-HYD	24	340-101	1	Fitting-HYD, 45 DEG
9	2412-137	1	Clamp-R, Double	24:1	237-30	1	O-Ring
10	3230-23	1	Bolt-CARR	24:2	237-79	1	O-Ring
11	3234-38	3	Screw-HHF	25	3234-14	2	Screw-HHF
12	3256-6	3	Washer-Flat	26	92-5694	1	Hose-Hydraulic
13	117-0148	3	Pin-Cylinder	27	340-18	1	Fitting-HYD, 90 DEG
14	32120-93	6	Ring-Retaining	27:1	237-79	1	O-Ring
15	3-6498	6	Washer-Thrust	27:2	237-22	1	O-Ring

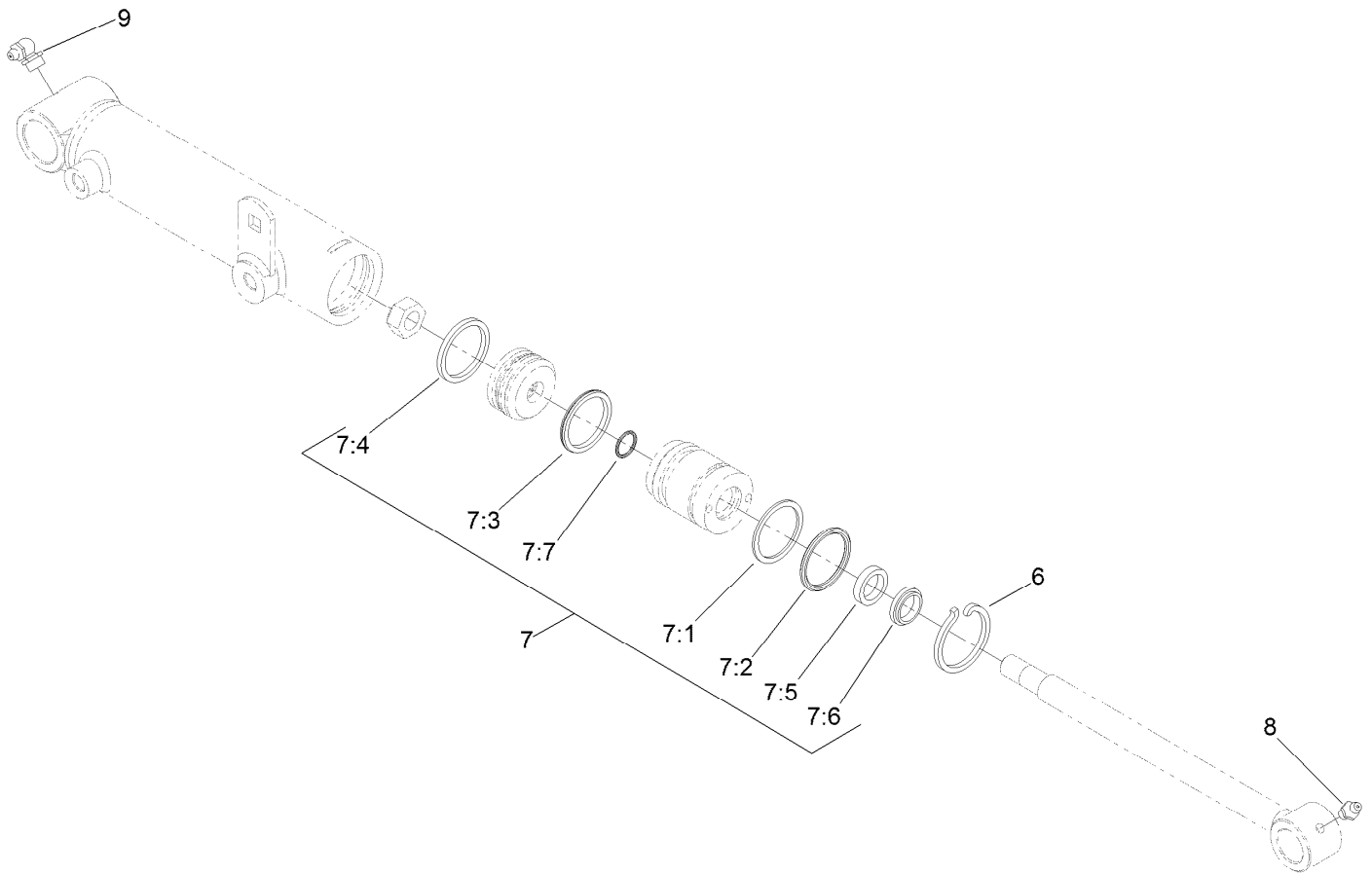


## Hydraulic Cylinder Assembly No. 138-6999

Ref.	Part Number	Qty.	Description
6	84-1680	1	Ring-Retaining
7	133-2900	1	Seal Kit
7:1		1	O-Ring ●
7:2		1	Backup ●
7:3		1	Bp Seal ●
7:4		1	Wear Ring-Ht ●
7:5		1	Bt Seal ●
7:6		1	Dust Seal-Dt ●
7:7		1	O-Ring ●
8	302-5	1	Fitting-Grease
9	302-33	1	Fitting-Grease

● Not serviced separately

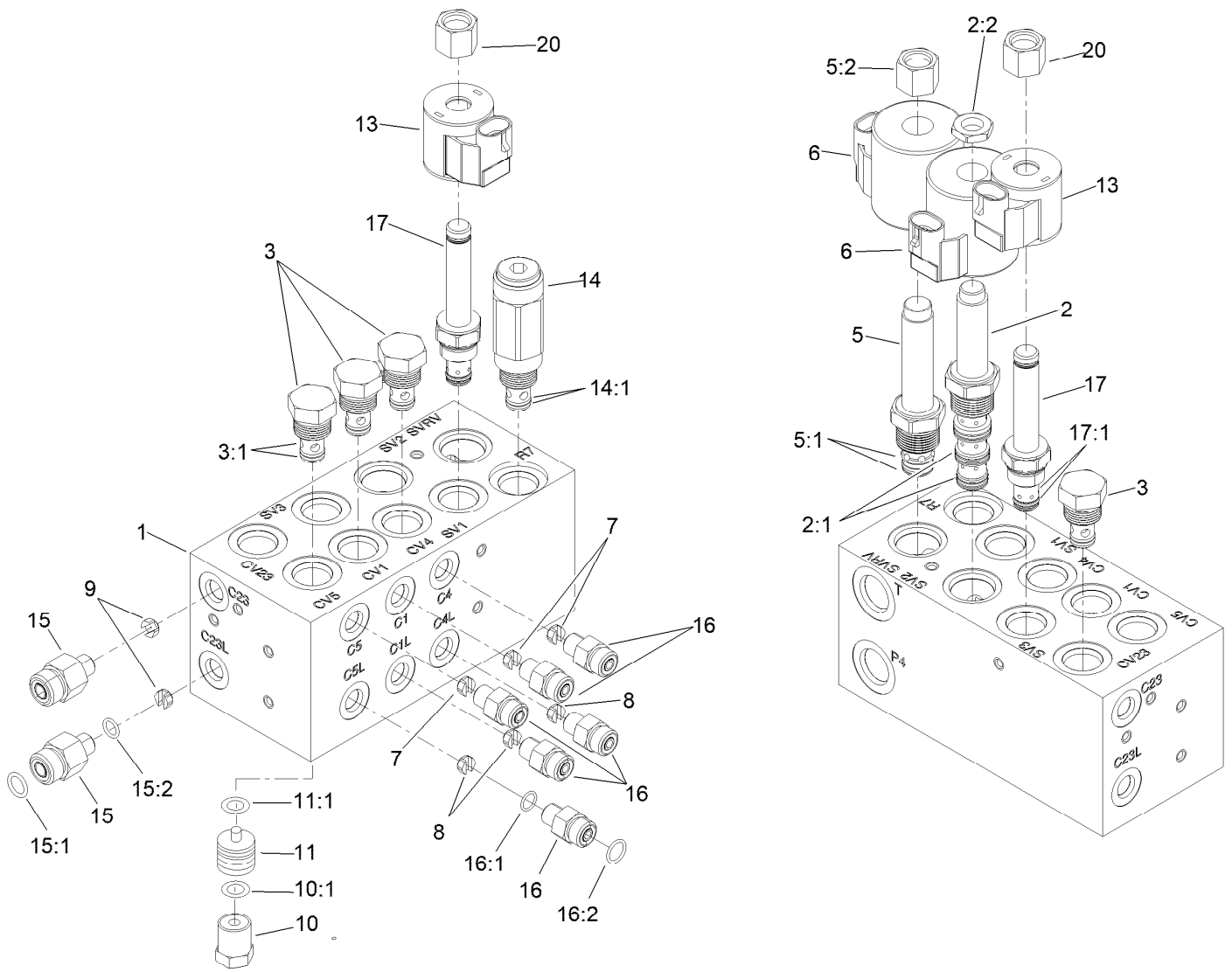




## Hydraulic Cylinder Assembly No. 119-6987

Ref.	Part Number	Qty.	Description
6	84-1680	1	Ring-Retaining
7	133-2900	1	Seal Kit
7:1		1	O-Ring ●
7:2		1	Backup ●
7:3		1	Bp Seal ●
7:4		1	Wear Ring-Ht ●
7:5		1	Bt Seal ●
7:6		1	Dust Seal-Dt ●
7:7		1	O-Ring ●
8	302-5	1	Fitting-Grease
9	302-60	1	Fitting-Grease

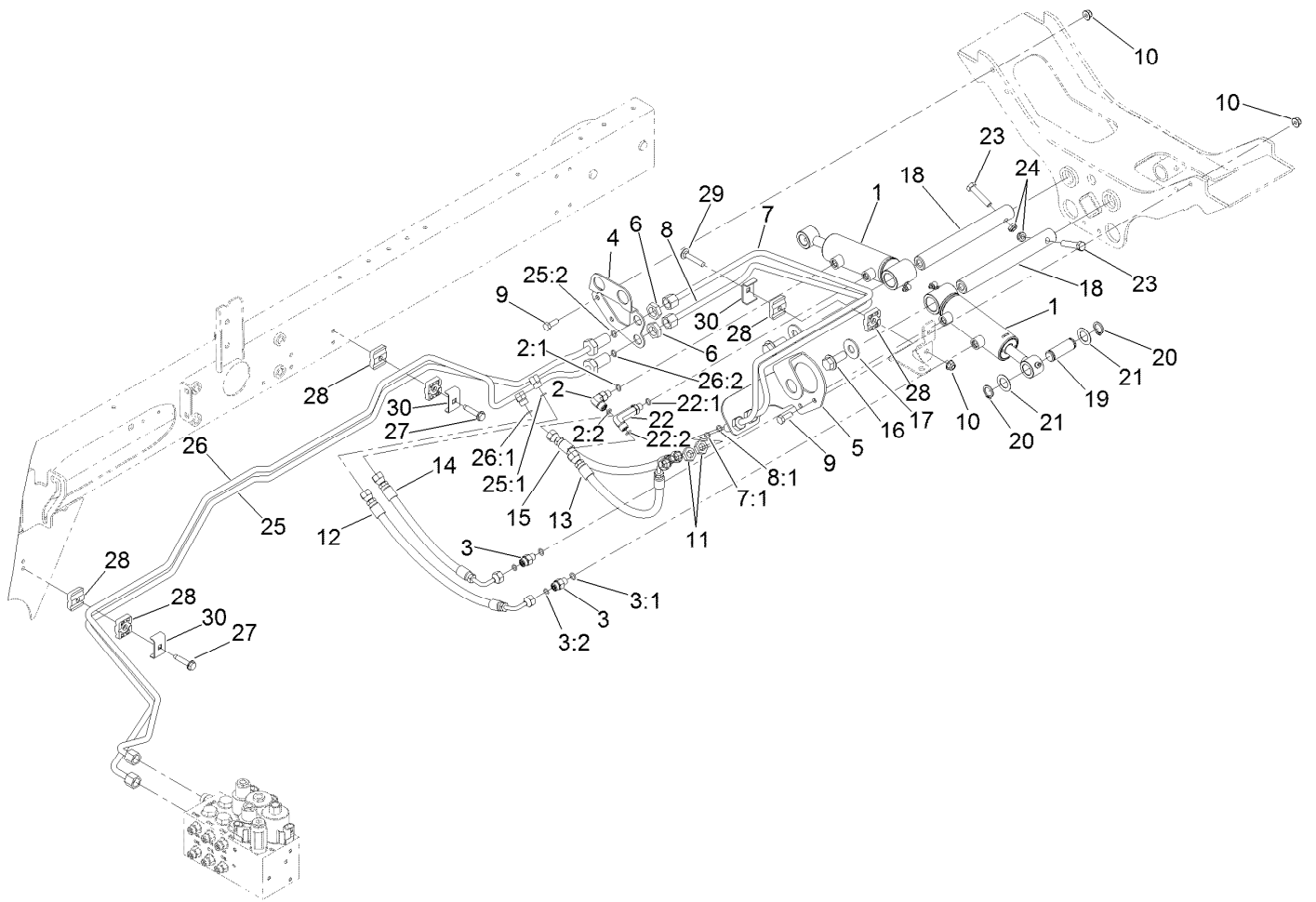
● Not serviced separately



## Hydraulic Manifold Block Assembly No. 105-7577

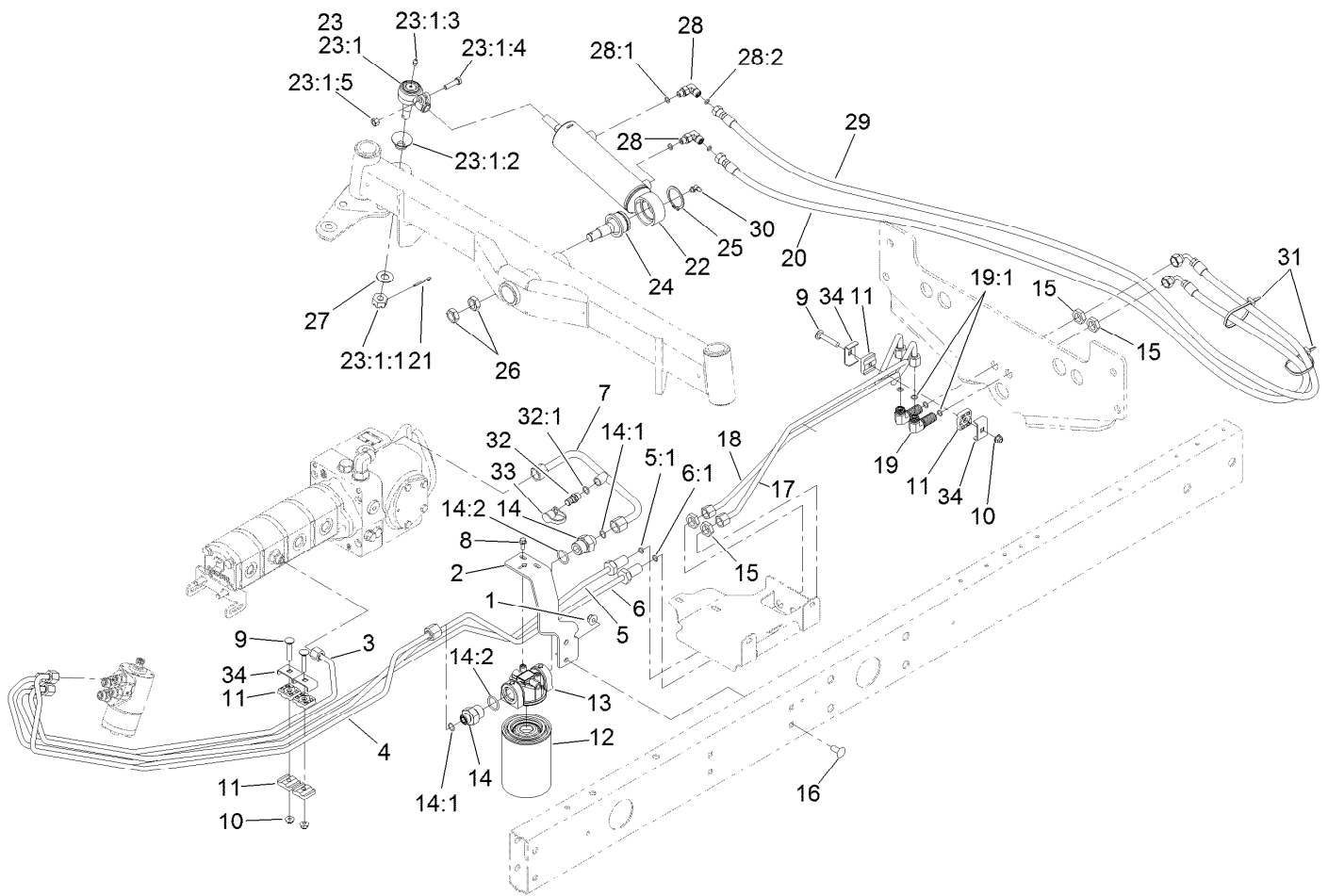
Ref.	Part Number	Qty.	Description	Ref.	Part Number	Qty.	Description
1		1	Block-Manifold ●	11	110-8901	4	Piston-Pilot
2	110-8906	1	Valve-Solenoid	11:1	110-8900	1	O-Ring
2:1	110-8908	1	Spool Valve Seal Kit	13	110-0497	2	Coil-Solenoid
2:2	110-2634	1	Nut-Coil	14	110-8899	1	Valve-Relief
3	110-9006	4	Valve-Check	14:1	105-9156	1	Seal Kit
3:1	105-9156	1	Seal Kit	15	340-88	2	Fitting-Straight
5	110-8905	1	Valve-Relief, Solenoid	15:1	237-22	1	O-Ring
5:1	110-6316	1	Seal Kit	15:2	237-78	1	O-Ring
5:2	130-8180	1	Nut-Coil (9/16-24 Unef-2B)	16	340-92	6	Fitting-Straight
6	110-6344	2	Coil-12V, DC	16:1	237-78	1	O-Ring
7	110-8904	3	Orifice-Control, Flow (0.028)	16:2	237-21	1	O-Ring
8	110-8903	3	Orifice-Control, Flow (0.055)	17	147-3090	2	Valve-Solenoid
9	110-8902	2	Orifice-Control, Flow (0.046)	17:1	107-7527	1	Seal Kit
10	354-70	4	Plug-Hex, Hollow	20	107-7812	2	Nut-Solenoid
10:1	237-80	1	O-Ring				

● Not serviced separately



## Rear Lift Hydraulic Assembly

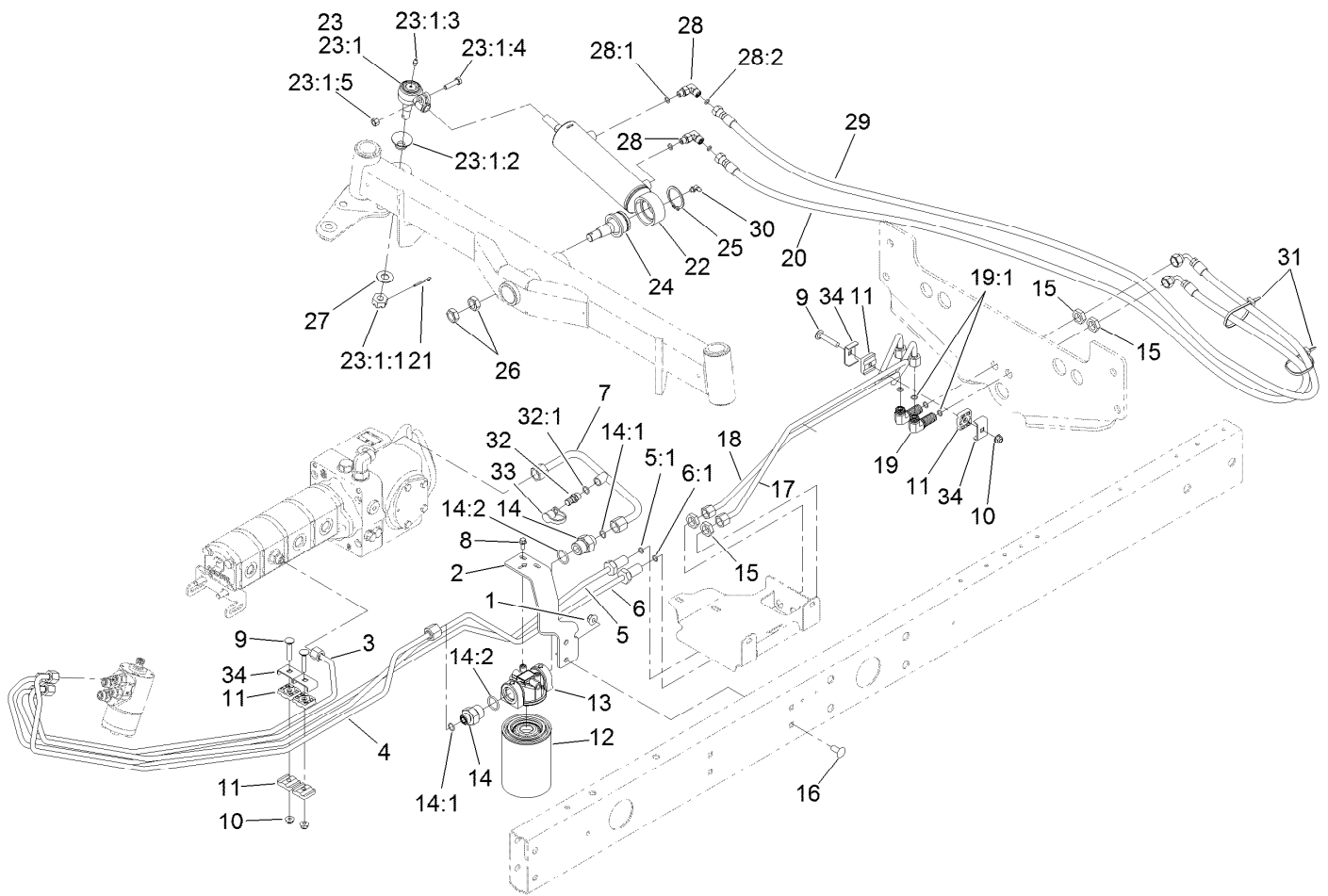
<i>Ref.</i>	<i>Part Number</i>	<i>Qty.</i>	<i>Description</i>	<i>Ref.</i>	<i>Part Number</i>	<i>Qty.</i>	<i>Description</i>
1	138-6999	2	HYD Cylinder ASM	16	3234-38	2	Screw-HHF
2	340-132	1	Fitting-Elbow, 90 DEG	17	3256-6	2	Washer-Flat
2:1	237-78	1	O-Ring	18	117-0148	2	Pin-Cylinder
2:2	237-21	1	O-Ring	19	104-0046	2	Pin-Slide, Cylinder
3	340-92	2	Fitting-Straight	20	32120-93	4	Ring-Retaining
3:1	237-78	1	O-Ring	21	3-6498	4	Washer-Thrust
3:2	237-21	1	O-Ring	22	100-7695	1	Fitting-Elbow 90
4	120-3782-0P	1	Brkt-Bulhead, RH	22:1	237-78	1	O-Ring
5	110-0917-0P	1	Bracket-Bulkhead, LH	22:2	237-21	1	O-Ring
6	340-70	2	Nut-Lock	23	323-9	2	Screw-HH
7	133-2987	1	Tube-ASM	24	3296-59	2	Nut-Lock, NI
7:1	237-21	1	O-Ring	25	120-3766	1	HYD Tube ASM
8	133-2986	1	Tube-ASM	25:1	237-21	1	O-Ring
8:1	237-21	1	O-Ring	25:2	237-22	1	O-Ring
9	322-4	4	Screw-HH	26	120-3771	1	HYD Tube ASM
10	104-8300	5	Nut-HF, NI	26:1	237-21	1	O-Ring
11	340-78	2	Nut-Lock	26:2	237-22	1	O-Ring
12	110-0930	1	Hose-HYD	27	32144-57	2	Screw
13	110-8966	1	Hose-HYD	28	56-7973	6	Clamp-Tube
14	110-0929	1	Hose-HYD	29	94-5780	1	Screw-HWH
15	110-0931	1	Hose-HYD	30	119-1418	4	Plate-Clamp, Short



## Steering Hydraulic Assembly

Ref.	Part Number	Qty.	Description	Ref.	Part Number	Qty.	Description
1	104-8301	2	Nut-HF, NI	15	340-70	4	Nut-Lock
2	110-0906-0P	1	Support - Filter, Oil	16	3231-27	2	Screw-CARR
3	108-1710	1	Tube ASM	17	110-9019	1	Tube-HYD
4	108-1711	1	Tube-HYD	18	110-9020	1	Tube-HYD
5	108-1712	1	Tube ASM	19	340-154	2	Union-Bulkhead
5:1	237-22	1	O-Ring	19:1	237-22	2	O-Ring
6	108-1713	1	Tube ASM	20	110-0928	1	Hose-HYD
6:1	237-22	1	O-Ring	21	3272-12	1	Pin-Cotter
7	121-5601	1	Tube-HYD	22	110-9035	1	HYD Cylinder ASM
8	3234-33	2	Screw-HHF	23	106-6895-03	1	Ball Joint ASM
9	94-5780	3	Screw-HWH	23:1		1	Joint-Ball ●
10	104-8300	3	Nut-HF, NI	23:1:1	32136-13	1	Nut-SHH
11	56-7973	6	Clamp-Tube	23:1:2	106-6896	1	Seal
12	86-3010	1	Filter-Oil	23:1:3	302-5	1	Fitting-Grease
13	117-5820	1	Head-Filter	23:1:4	3210-7	1	Screw-HH
14	100-4240	2	Fitting-STR	23:1:5	32152-5	1	Nut-Hex
14:1	237-30	1	O-Ring	24	106-6774	1	Joint-Ball
14:2	237-81	1	O-Ring	25	32151-104	1	Ring-Retaining, External

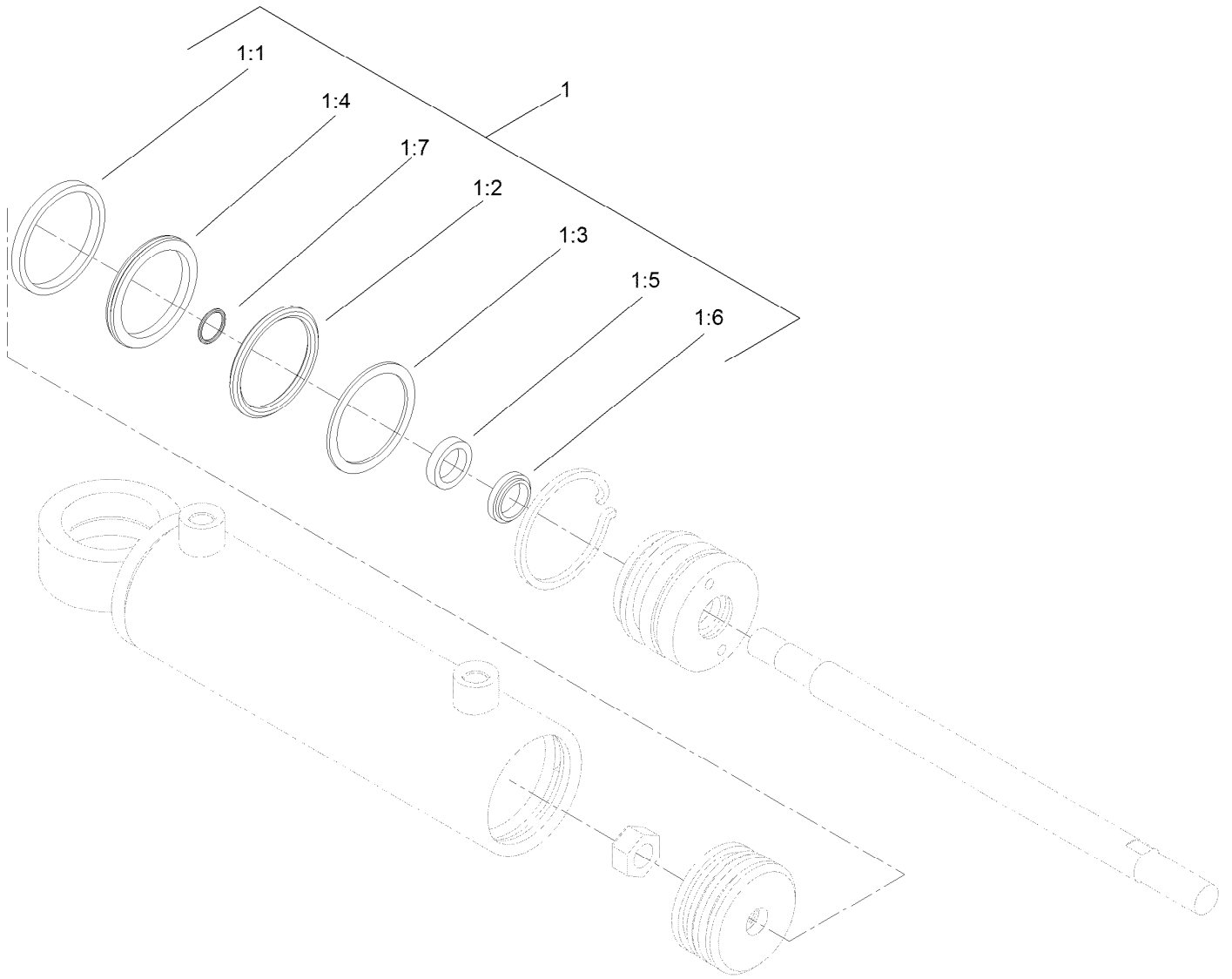
● Not serviced separately



## Steering Hydraulic Assembly (continued)

<i>Ref.</i>	<i>Part Number</i>	<i>Qty.</i>	<i>Description</i>	<i>Ref.</i>	<i>Part Number</i>	<i>Qty.</i>	<i>Description</i>
26	3220-6	2	Nut-Jam	30	302-40	1	Fitting-Grease, 90 DEG
27	69-8980	1	Washer	31	3290-378	2	Tie-Cable
28	340-132	2	Fitting-Elbow, 90 DEG	32	59-7410	1	Fitting-Diagnostic
28:1	237-78	1	O-Ring	32:1	237-42	1	O-Ring
28:2	237-21	1	O-Ring	33	354-79	1	Cap-Dust
29	110-0973	1	Hose-HYD	34	119-1418	4	Plate-Clamp, Short

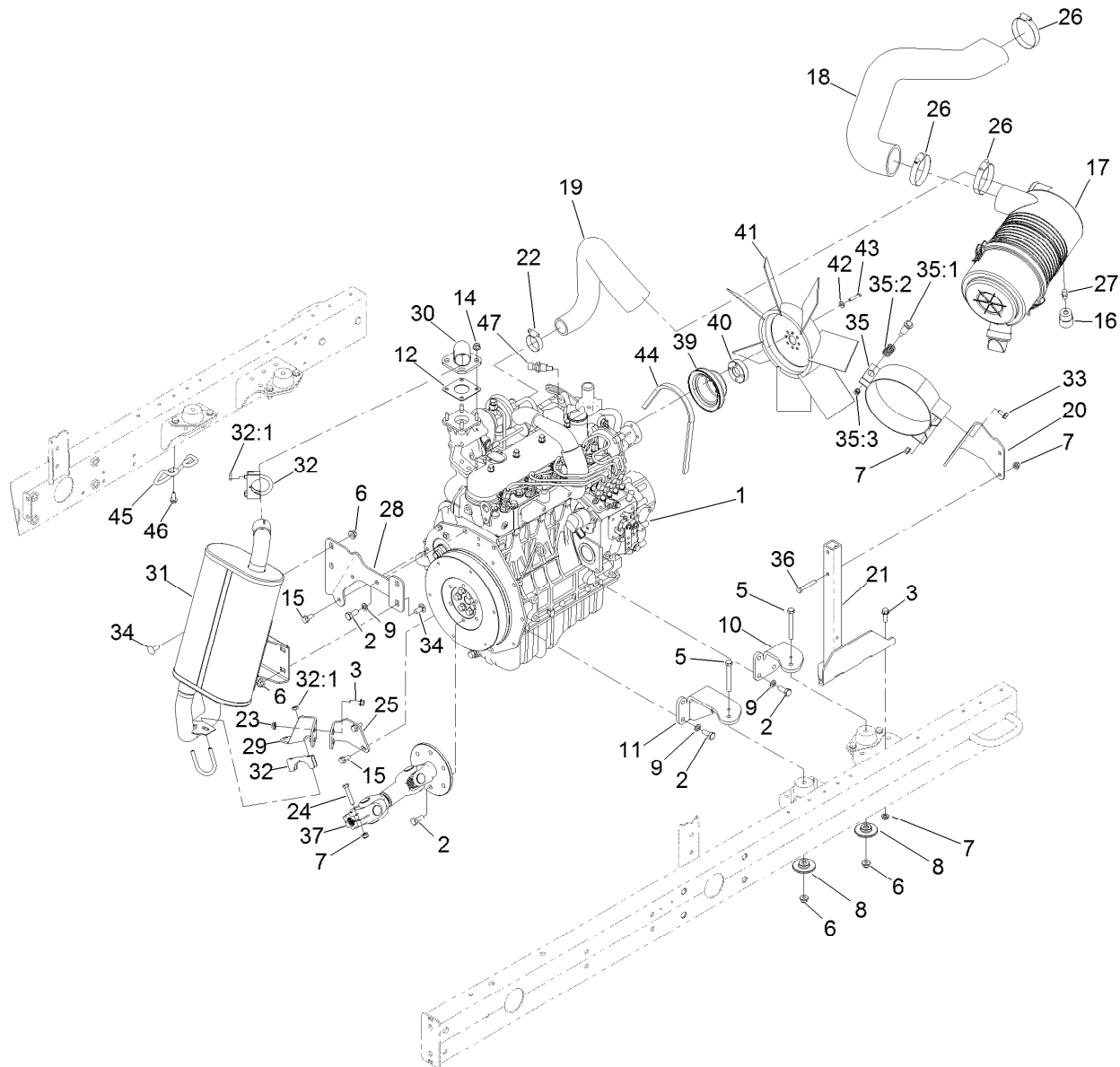
● Not serviced separately



## Hydraulic Cylinder Assembly No. 110-9035

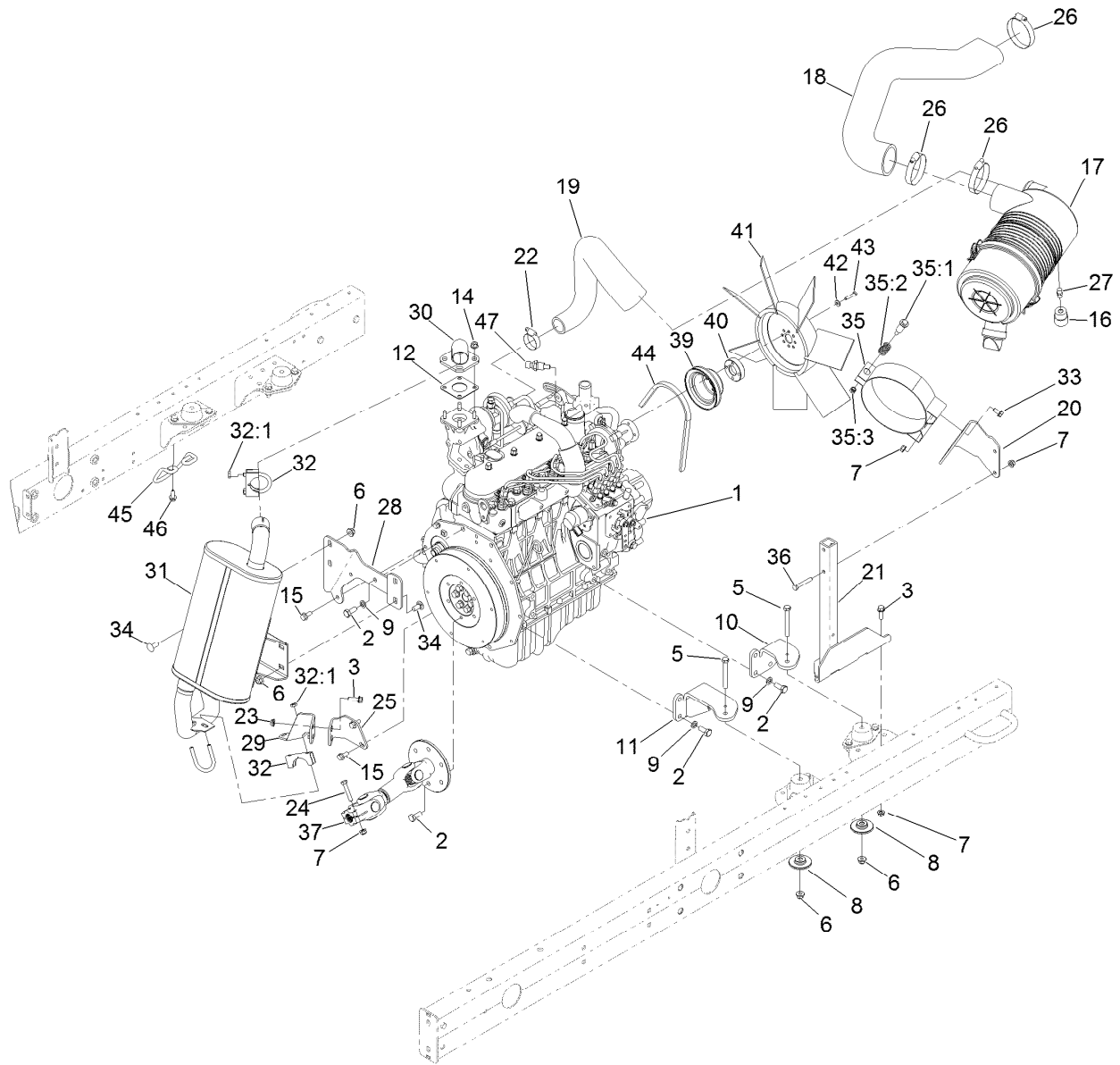
<i>Ref.</i>	<i>Part Number</i>	<i>Qty.</i>	<i>Description</i>
1	114-8875	1	Seal Kit
1:1		1	O-Ring ●
1:2		1	Backup ●
1:3		1	Bp Seal ●
1:4		1	Wear Ring ●
1:5		1	Bt Seal ●
1:6		1	Dust Seal ●
1:7		1	O-Ring ●

● Not serviced separately



## Engine, Muffler and Air Cleaner Assembly

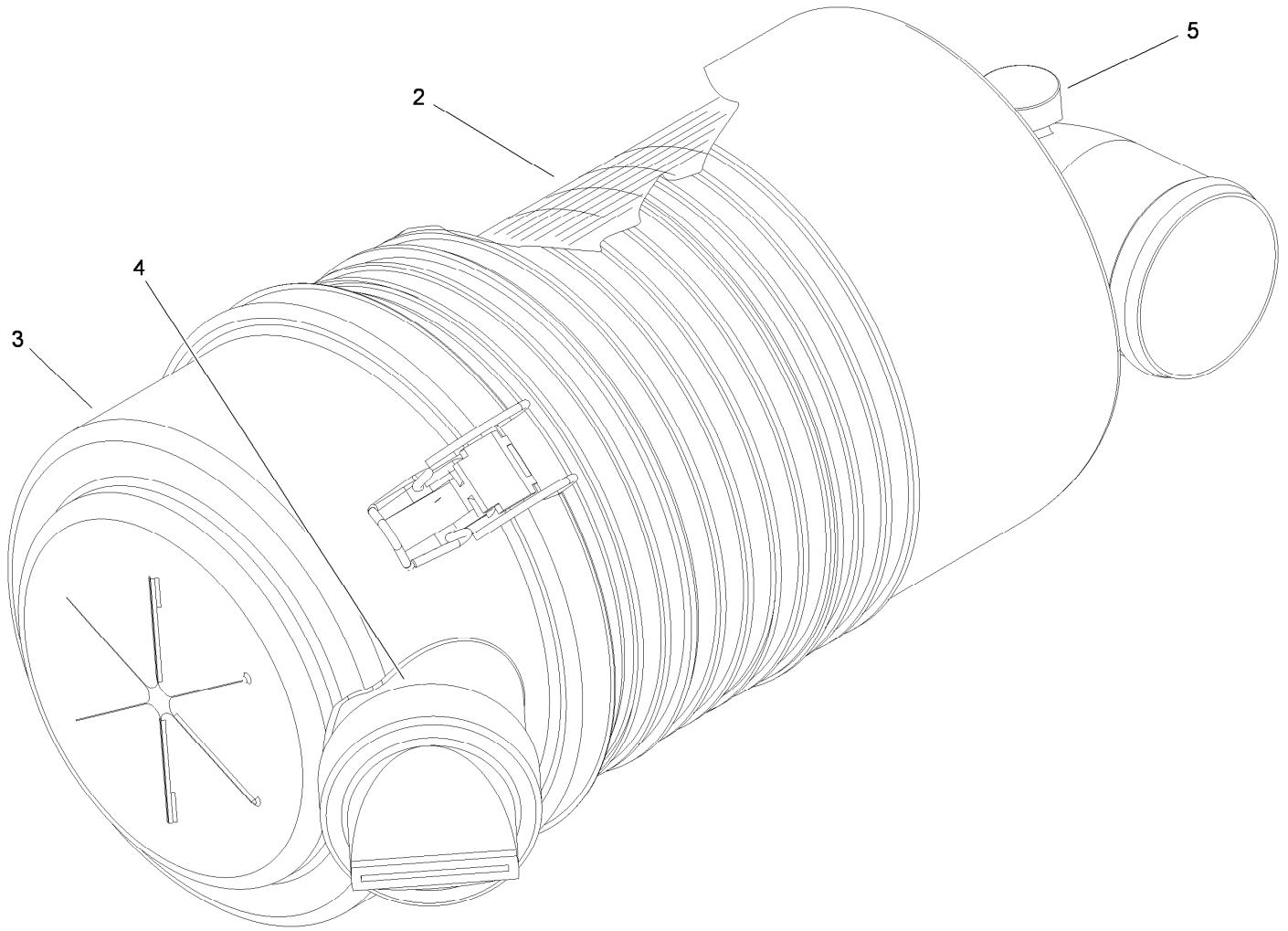
Ref.	Part Number	Qty.	Description	Ref.	Part Number	Qty.	Description
1	132-5209	1	Engine-Kubota, V1505T	23	32128-20	2	Nut-HF
2	43-0090	19	Screw-HH	24	322-9	2	Screw-HH
3	3234-29	5	Screw-HHF	25	117-0286	1	Bracket-Tailpipe
5	323-14	4	Screw-HH	26	2412-125	3	Clamp-Hose
6	104-8301	8	Nut-HF, NI	27	94-1416	1	Adapter-Indicator
7	104-8300	9	Nut-HF, NI	28	108-1785-0P	1	Bracket -Support, Muffler
8	138-6462	4	Support-Isolator	29	117-0288	1	Bracket-Tailpipe
9	48-9590	13	Washer-Lock	30	108-1783	1	Header ASM
10	115-8066-0P	2	Mount-Engine	31	108-7643	1	Muffler
11	120-3812-0P	2	Mount ASM [primed]	32	2112-9	2	Clamp
12	99-8343	1	Gasket-Muffler	32:1	32128-20	2	Nut-HF
14	104-2612	4	Nut-HF	33	3234-14	2	Screw-HHF
15	33104-020	4	Screw-HHF	34	3231-27	4	Screw-CARR
16	93-9164	1	Indicator-Mini	35	93-7486	1	Clamp ASM
17	110-8917	1	Air Cleaner ASM	35:1	94-3653	1	Bolt
18	110-8944	1	Hose-Formed	35:2	94-3654	1	Spring
19	117-8061	1	Hose-Turbo	35:3	33024-00	1	Nut-Lock, NI
20	110-8981-0P	1	Bracket-Mnt AC Turbo	36	322-10	2	Screw-HH
21	121-5611-0P	1	Stand W.A. -Air Cleaner [primed]	37	108-1641	1	Driveshaft ASM
22	2412-3	1	Clamp-Hose	39	110-0972	1	Pulley
				40	105-0000	1	Spacer-Fan



## Engine, Muffler and Air Cleaner Assembly (continued)

<i>Ref.</i>	<i>Part Number</i>	<i>Qty.</i>	<i>Description</i>	<i>Ref.</i>	<i>Part Number</i>	<i>Qty.</i>	<i>Description</i>
41	110-8852	1	Fan-Cooling	45	127-2612	1	Guard-Pipe, Tail
42	3256-22	4	Washer-Flat	46	32104-32	2	Screw-HWH
43	33113-030	4	Screw-HH	47	119-4478	1	Sender-Temperature
44	98-9676	1	V-Belt				

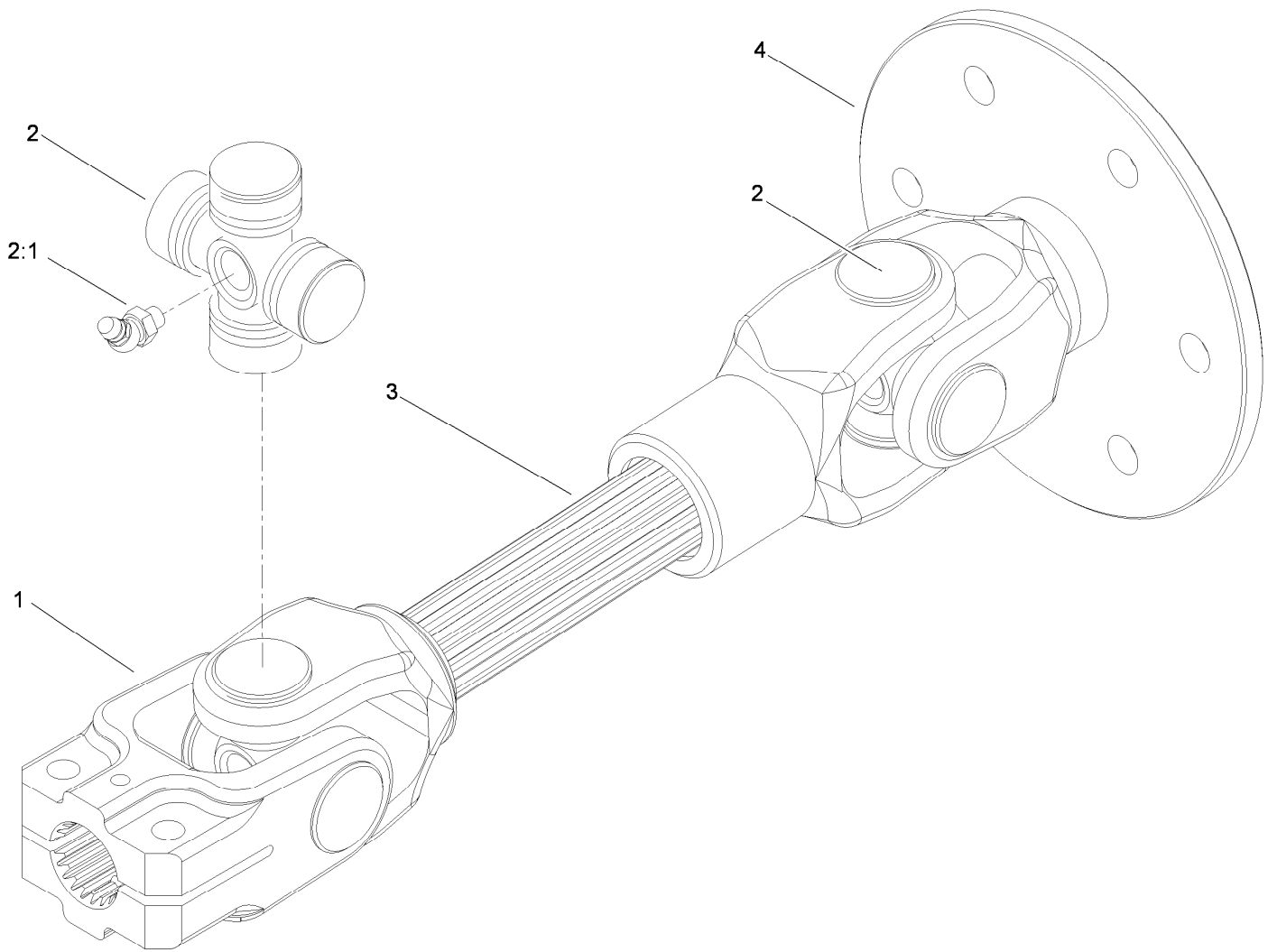




## Air Cleaner Assembly No. 110-8917

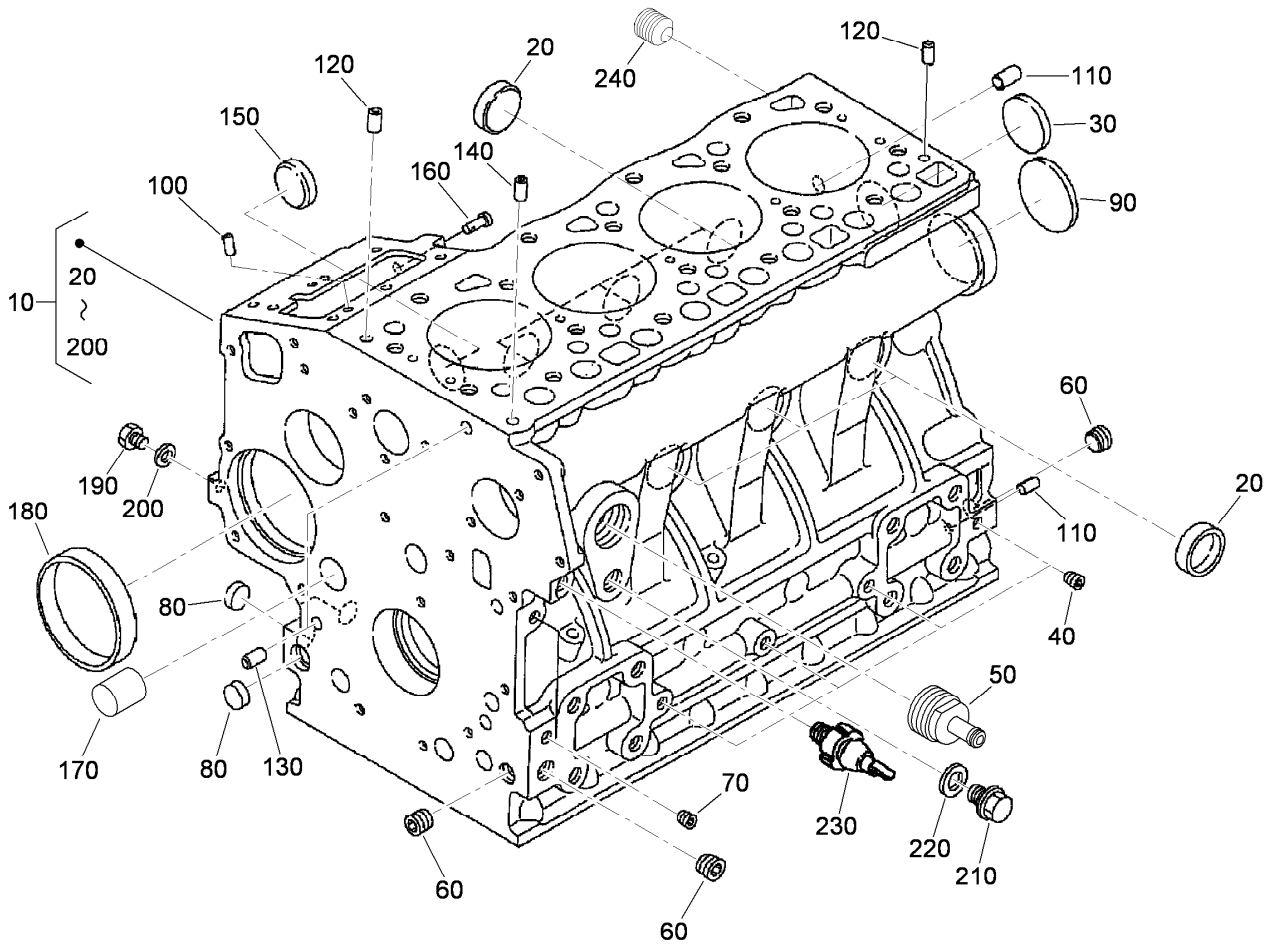
<i>Ref.</i>	<i>Part Number</i>	<i>Qty.</i>	<i>Description</i>
2	108-3812	1	Filter-Air
3	93-5986	1	Cover ASM
4	87-9400	1	Valve-Vacuator
5	285-17	1	Plug-Pipe ●

● Not illustrated



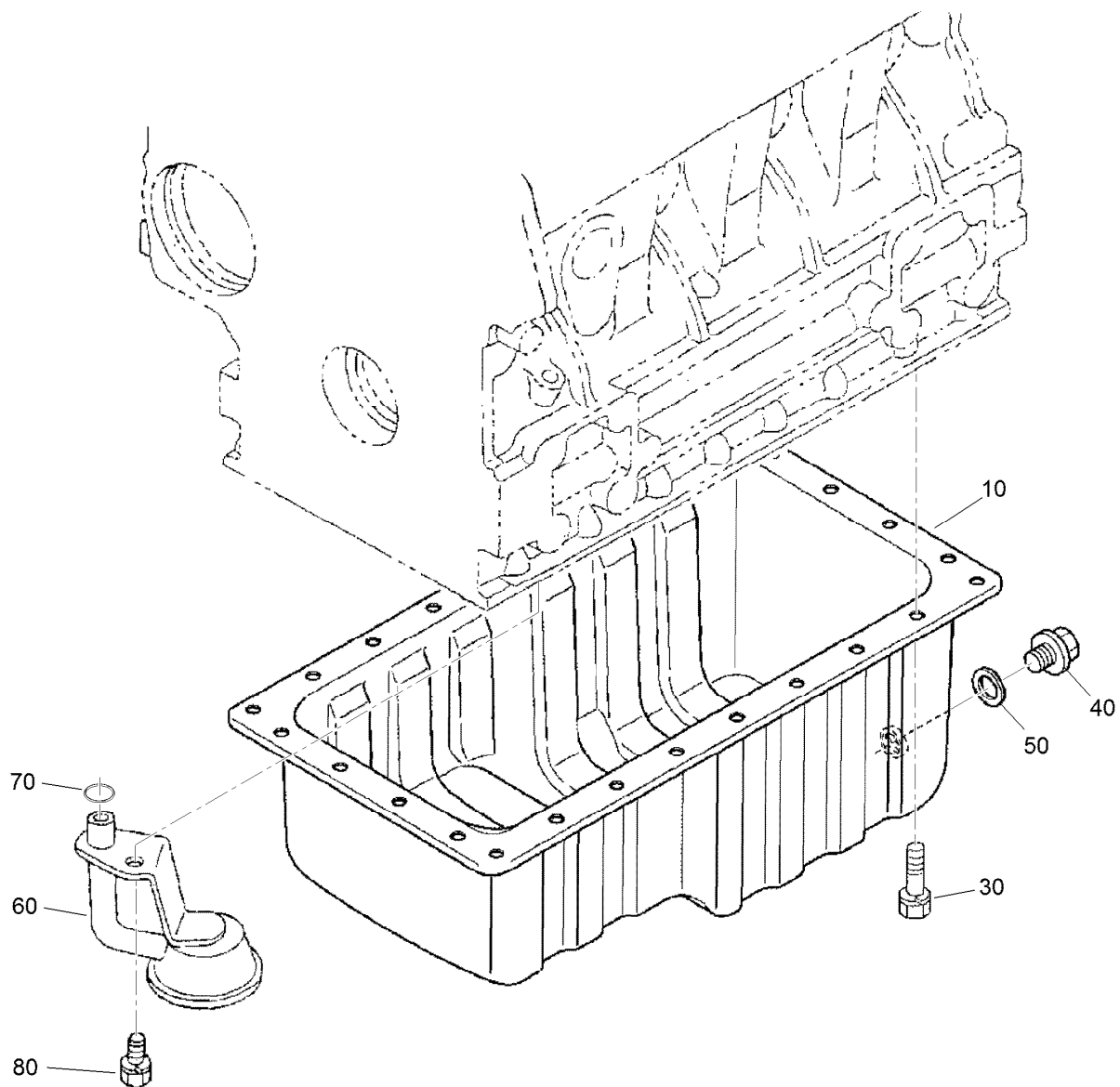
## Driveshaft Assembly No. 108-1641

<i>Ref.</i>	<i>Part Number</i>	<i>Qty.</i>	<i>Description</i>
1	54-9040	1	Yoke-End
2	54-9180	2	U-Joint Kit
2:1	62-3820	1	Fitting-Grease
3	108-4574	1	Joint And Shaft ASM
4	108-4575	1	Joint And Yoke ASM



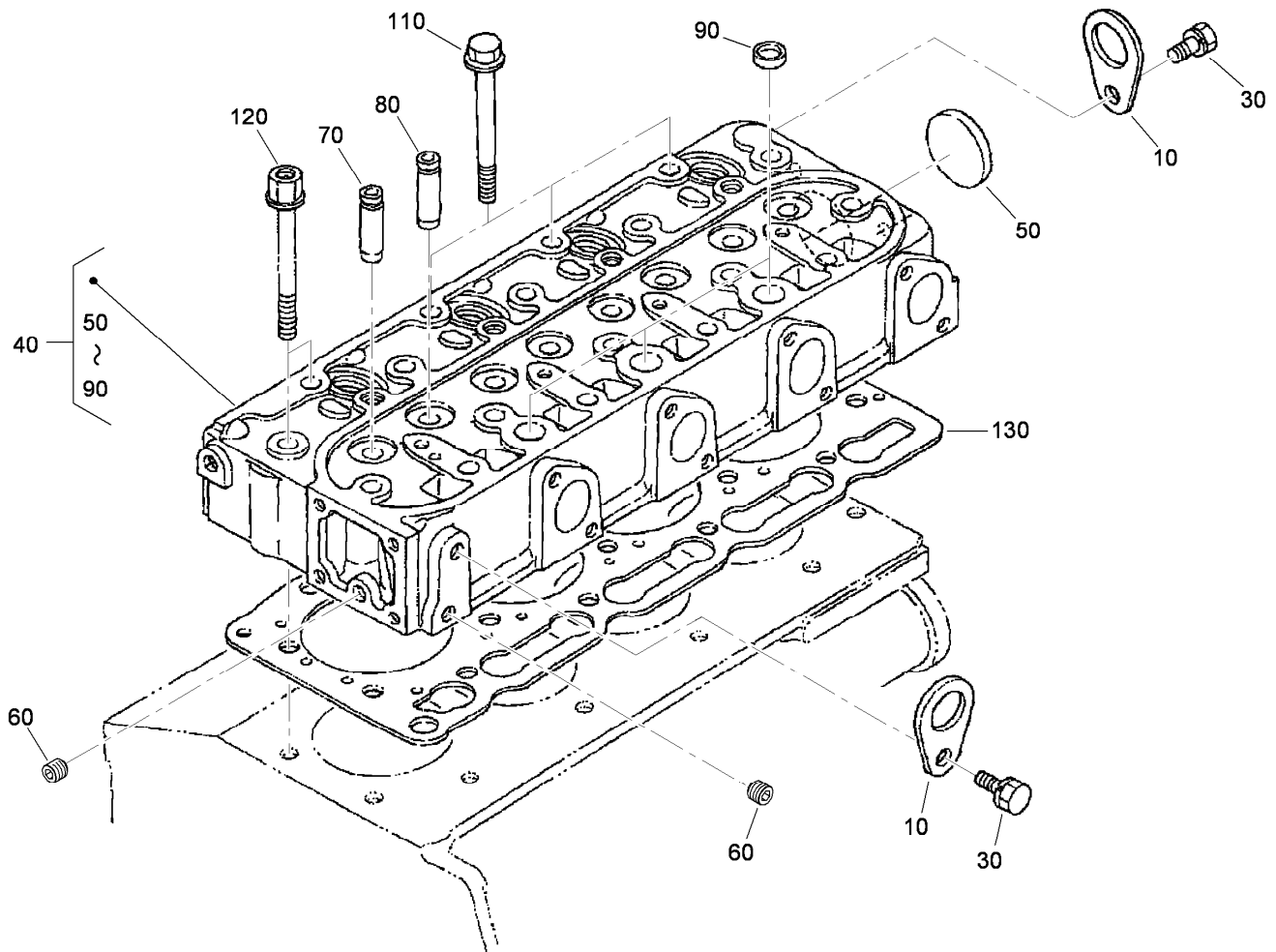
## Crankcase Assembly

Ref.	Part Number	Qty.	Description
10	115-4115	1	Crankcase ASM
20	98-9398	6	Cap-Sealing
30	98-7539	1	Cap-Sealing
40	98-7540	4	Plug
50	99-8347	1	Joint-Pipe, Drain
60	98-9597	3	Plug
70	98-7487	2	Plug
80	98-9379	3	Plug-Expansion
90	98-9668	1	Plug-Expansion
100	98-9375	1	Pin-Straight
110	98-9377	1	Pin-Straight
120	98-9376	2	Pin-Straight
130	98-9387	2	Pin-Pipe
140	98-9539	1	Pin-Pipe
150	98-9599	1	Plug
160	105-3796	1	Pin-Spring, Start
170	98-9675	1	Plug
180	98-9656	1	Bushing-Governor, Gear
190	98-7507	1	Plug
200	98-7428	1	Gasket
210	99-3447	1	Plug
220	106-7056	1	Gasket
230	98-9416	1	Switch-Oil
240	98-9444	1	Plug



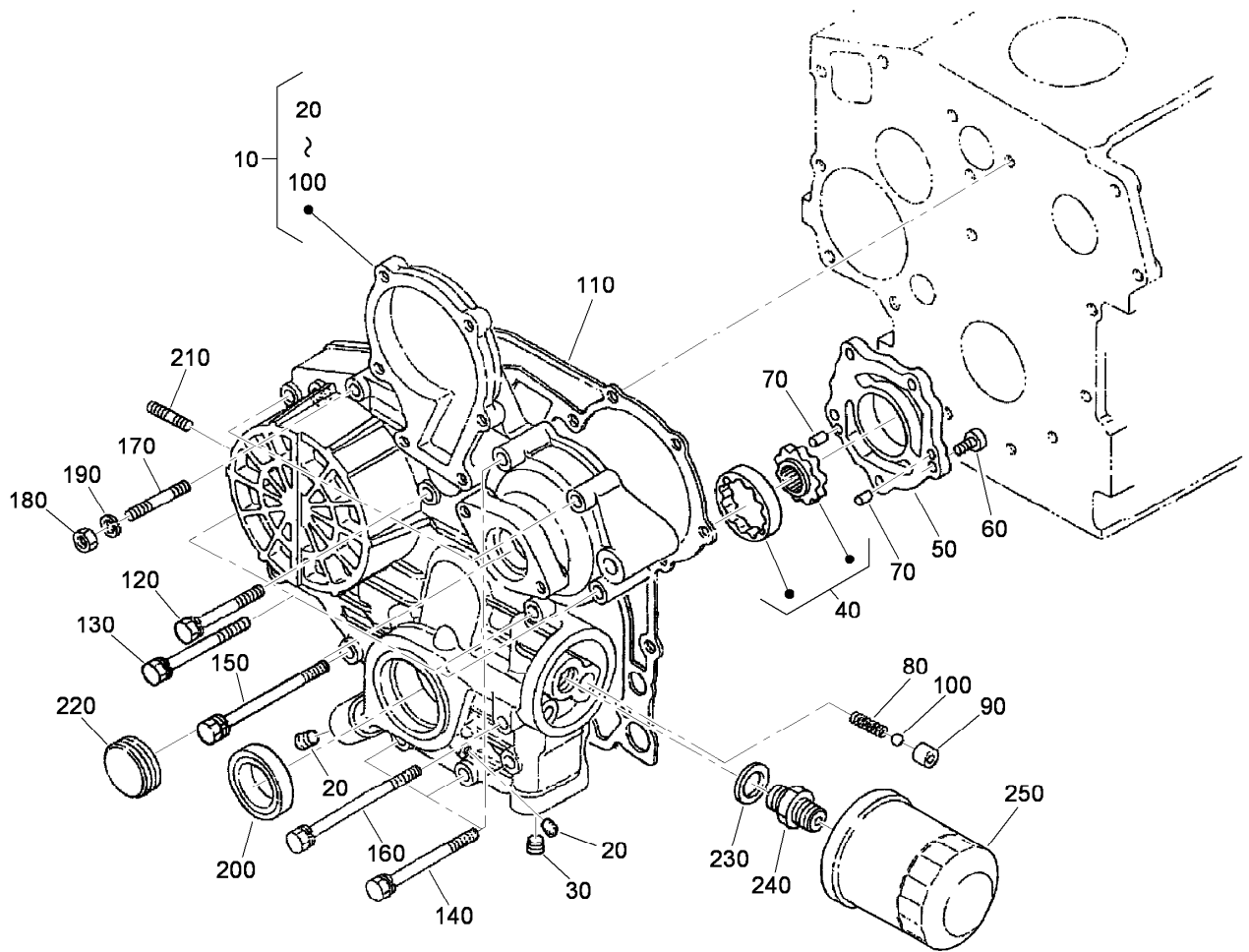
## Oil Pan Assembly

<i>Ref.</i>	<i>Part Number</i>	<i>Qty.</i>	<i>Description</i>
10	112-0186	1	Oil Pan ASM
30	98-9351	26	Bolt
40	114-8151	1	Plug-Drain
50	98-7524	1	Gasket
60	112-7003	1	Head-Filter, Oil
70	105-3776	1	O-Ring
80	98-7526	1	Bolt



## Cylinder Head Assembly

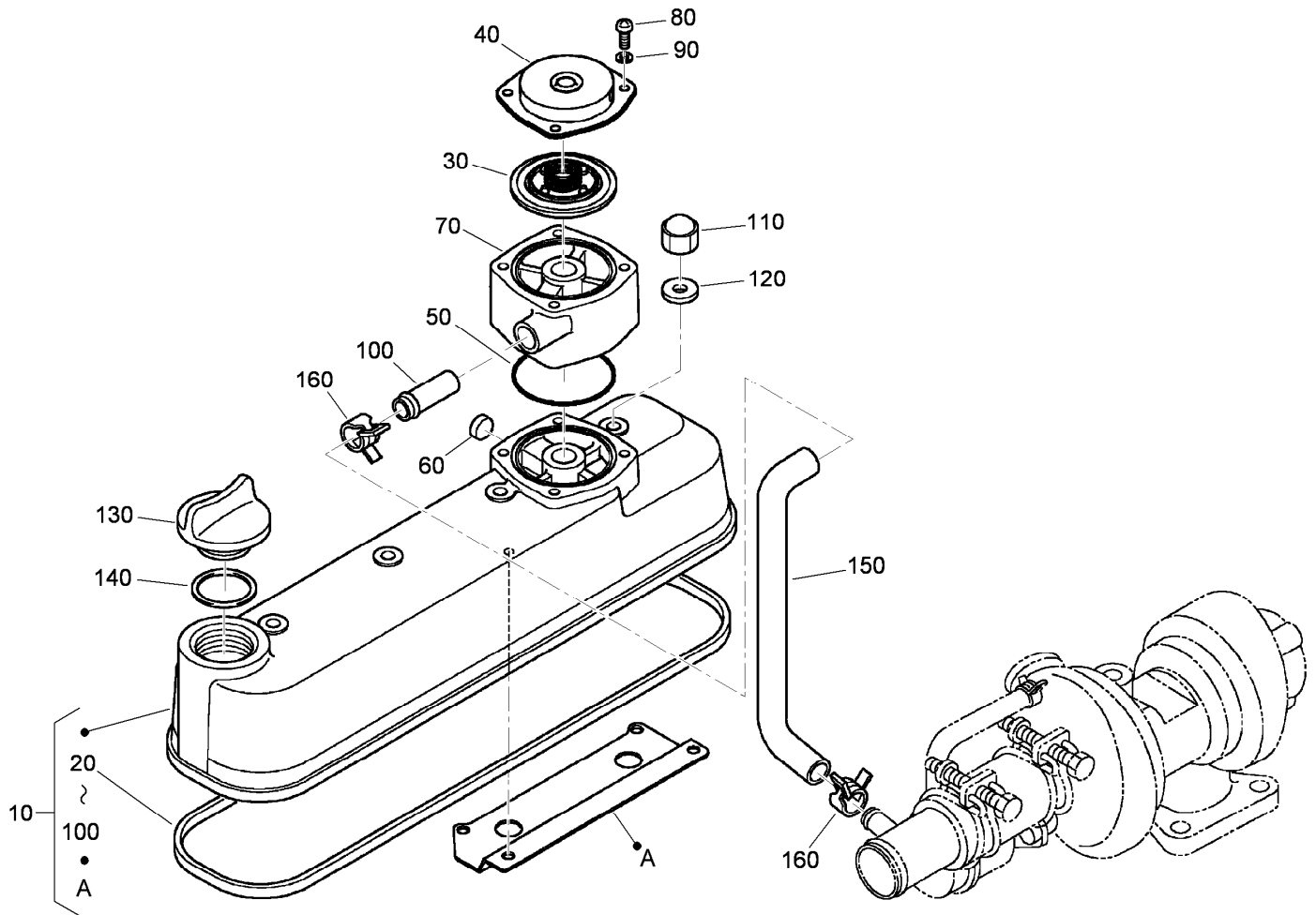
<i>Ref.</i>	<i>Part Number</i>	<i>Qty.</i>	<i>Description</i>
10	98-7531	2	Hook-Engine
30	100-9195	2	Bolt
40	108-2854	1	Cylinder Head ASM
50	105-3705	1	Cap-Sealing
60	98-7540	2	Plug
70	107-9066	4	Guide-Valve, Inlet
80	107-9067	4	Guide-Valve, Exhaust
90	98-9389	3	Cap-Sealing
110	98-9479	16	Bolt-Head, Cylinder
120	98-9647	2	Bolt-Head, Cylinder
130	108-2855	1	Gasket-Head, Cylinder



## Gear Case Assembly

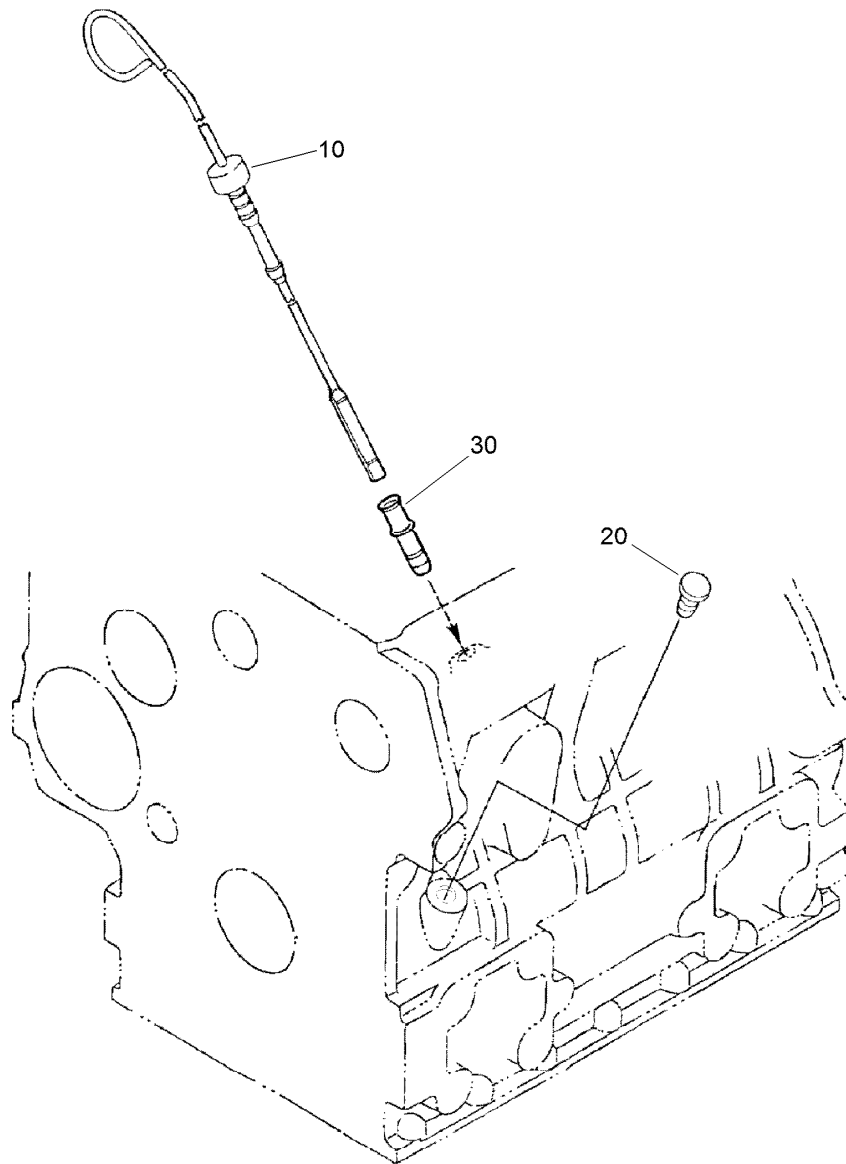
<i>Ref.</i>	<i>Part Number</i>	<i>Qty.</i>	<i>Description</i>
10	115-4111	1	Gear Case ASM
20	98-9598	5	Plug
30	98-7487	1	Plug
40	98-9540	1	Oil Pump Rotor ASM
50	107-9069	1	Cover-Pump, Oil
60	107-9071	1	Screw
70	107-9072	1	Pin-Straight
80	98-9544	1	Spring
90	98-9543	1	Seat-Valve
100	98-9380	1	Ball
110	98-9633	1	Gasket-Case, Gear
120	98-7496	3	Bolt
130	105-3797	4	Bolt

<i>Ref.</i>	<i>Part Number</i>	<i>Qty.</i>	<i>Description</i>
140	98-9356	2	Bolt
150	107-9074	1	Bolt
160	98-9586	1	Bolt
170	105-3709	1	Stud
180	98-7572	1	Nut
190	98-7699	1	Washer-Spring
200	98-9482	1	Seal-Oil
210	105-3710	2	Stud
220	98-9641	1	Cover-Case, Gear
230	98-9727	1	Collar
240	104-5159	1	Holder ASM
250	108-3841	1	Filter-Oil



## Cylinder Head Cover Assembly

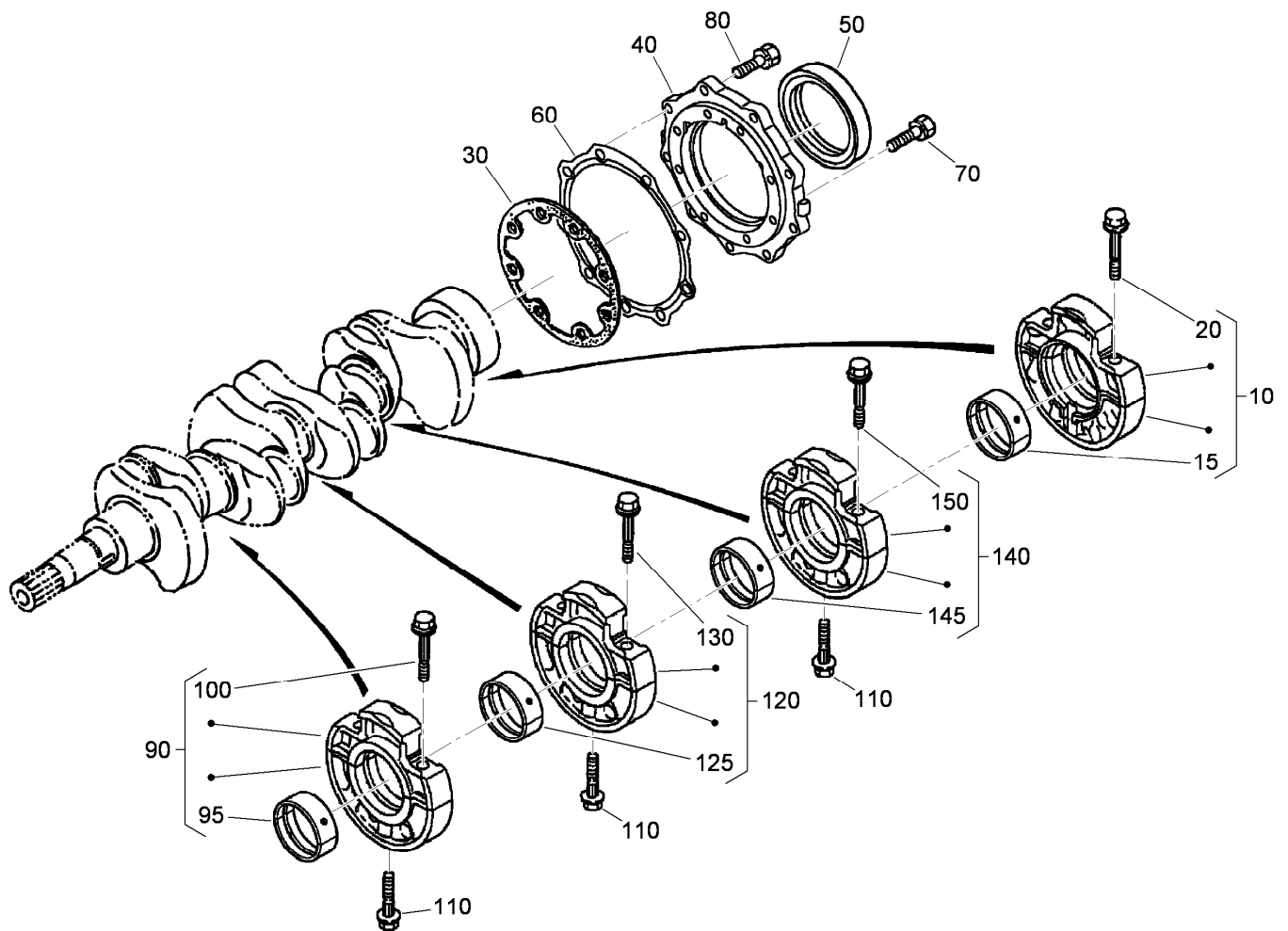
<i>Ref.</i>	<i>Part Number</i>	<i>Qty.</i>	<i>Description</i>
10	115-3041	1	Cylinder Head Cover ASM
20	105-3712	1	Gasket-Cover, Head
30	110-3715	1	Valve-Breather
40	110-3714	1	Cover-Breather
50	110-3846	1	O Ring-Breather
60	115-3042	1	Cap-Sealing
70	115-3043	1	Spacer-Breather
80	115-3044	4	Screw-Pan Head
90	100-2204	4	Washer-Spring
100	98-7766	1	Pipe-Return, Water
110	98-9455	4	Nut-Cap
120	98-9454	4	Gasket
130	107-9075	1	Plug-Filler, Oil
140	99-3446	1	O-Ring
150	115-4119	1	Tube-Breather, Turbo
160	108-2859	2	Clamp-Hose



## Dipstick and Guide Assembly

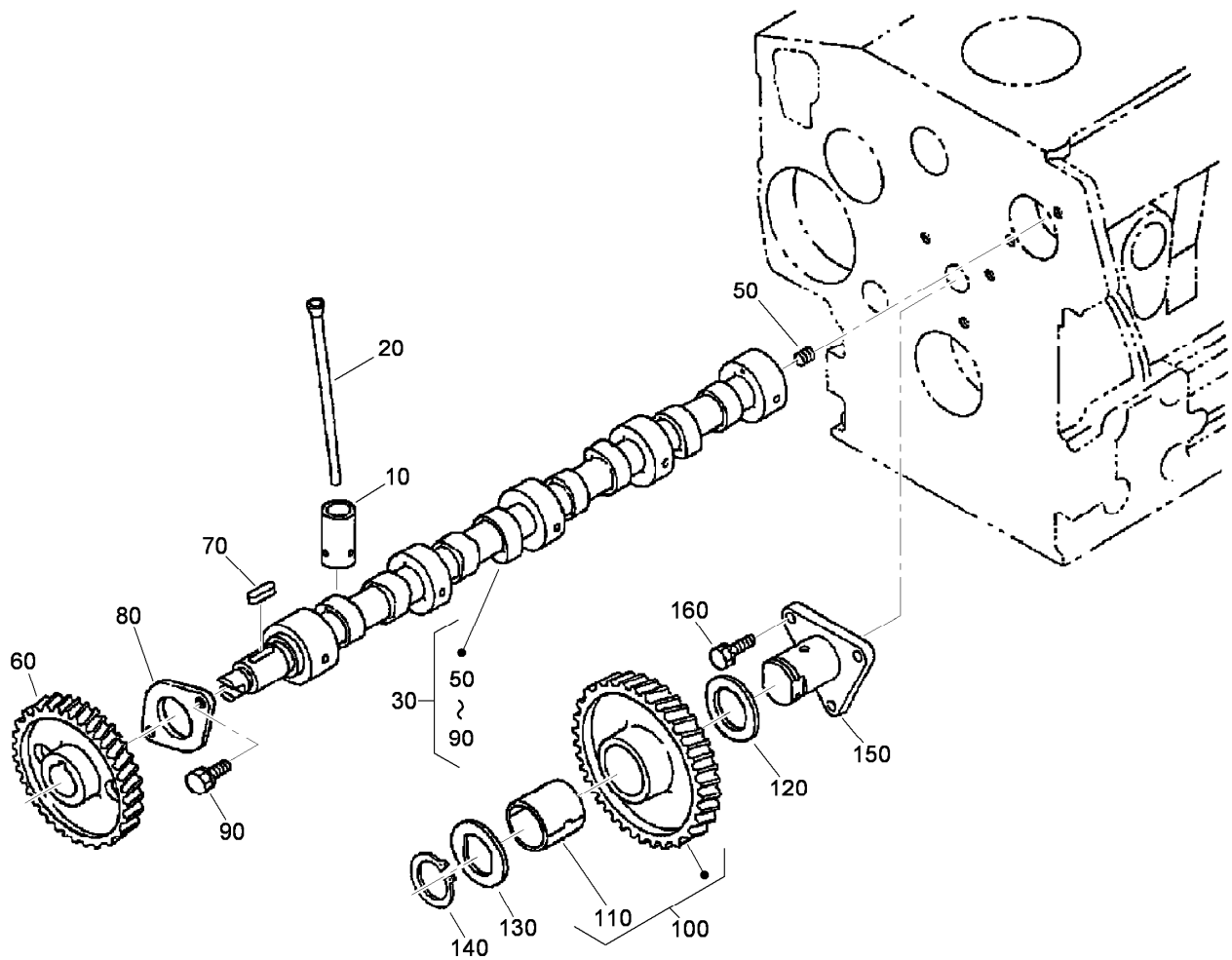
<i>Ref.</i>	<i>Part Number</i>	<i>Qty.</i>	<i>Description</i>
10	105-3714	1	Gauge-Oil
20	110-3720	1	Plug-Gauge, Oil
30	105-4580	1	Guide-Gauge, Oil





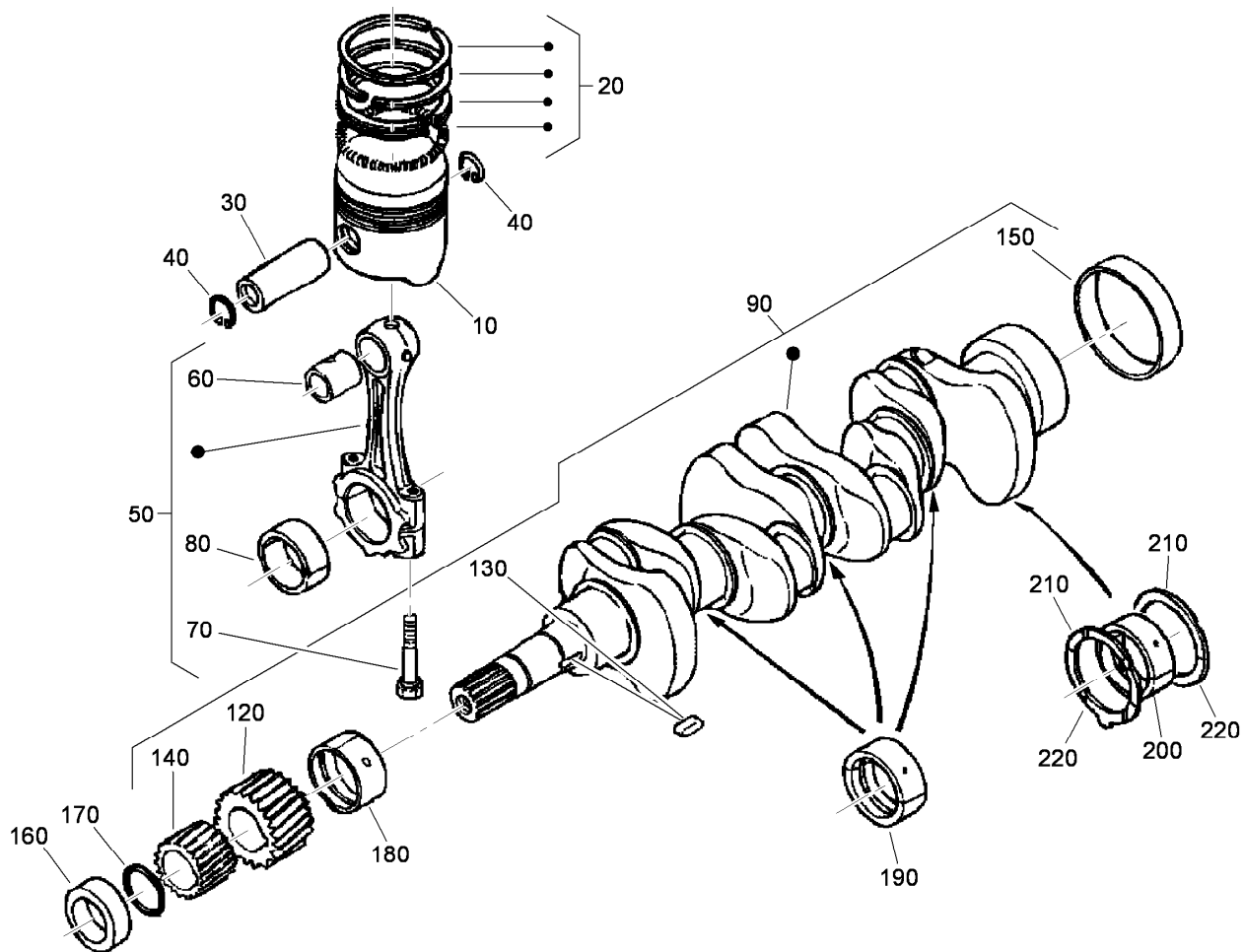
## Main Bearing Case Assembly

<i>Ref.</i>	<i>Part Number</i>	<i>Qty.</i>	<i>Description</i>
10	112-7026	1	Wheel Bearing Case ASM
15	112-7045	1	Metal-Crankshaft
20	98-9484	2	Bolt-Case, Bearing
30	98-9634	1	Gasket-Case, Bearing
40	112-7046	1	Cover-Case, Bearing
50	112-0180	1	Seal-Oil
60	112-7037	1	Gasket-Cover, Case
70	98-9352	8	Bolt
80	98-7568	9	Bolt
90	112-7028	1	Bearing ASM
95	112-7011	1	Bearing-Main (STD)
100	98-9484	2	Bolt-Case, Bearing
110	98-9485	3	Bolt-Case, Bearing
120	112-7027	1	Bearing ASM
125	112-7011	1	Bearing-Main (STD)
130	98-9484	2	Bolt-Case, Bearing
140	115-4120	1	Bearing Case ASM
145	112-7011	1	Bearing-Main (STD)
150	98-9484	2	Bolt-Case, Bearing



## Cam Shaft and Idle Gear Shaft Assembly

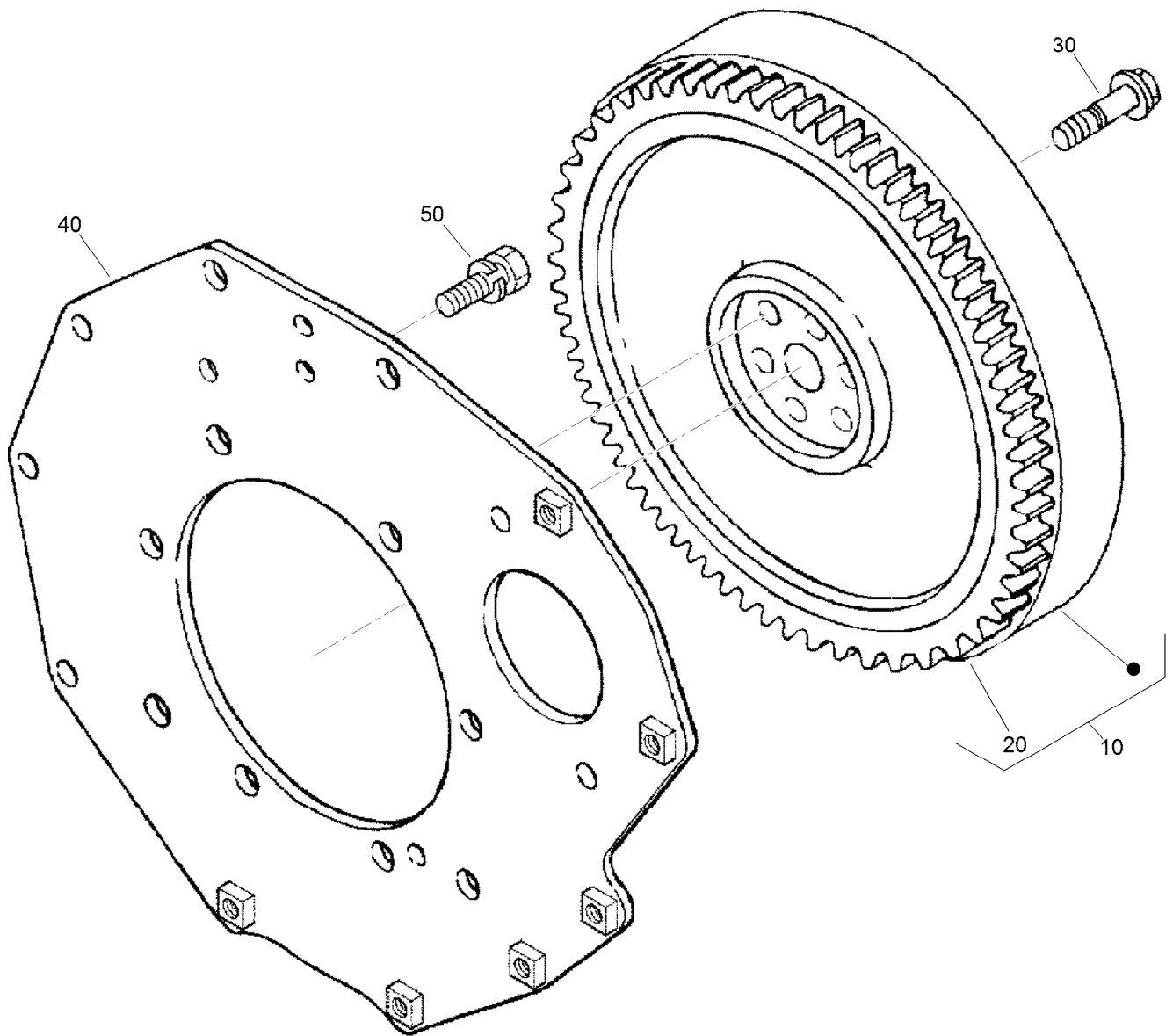
<i>Ref.</i>	<i>Part Number</i>	<i>Qty.</i>	<i>Description</i>
10	112-0185	8	Tappet
20	98-9509	8	Rod-Push
30	112-8402	1	Camshaft ASM
50	98-7449	1	Screw-Set
60	120-3116	1	Camshaft ASM
70	98-9378	1	Key-Feather
80	98-9510	1	Stopper-Camshaft
90	98-7692	2	Bolt
100	98-9649	1	Idle Gear ASM
110	98-9650	1	Bushing-Gear, Idle
120	98-9535	1	Collar-Gear, Idle
130	98-9536	1	Collar-Gear, Idle
140	98-9534	1	Circlip-Gear, Idle
150	98-9533	1	Shaft-Gear, Idle
160	98-7692	3	Bolt



## Piston and Crankshaft Assembly

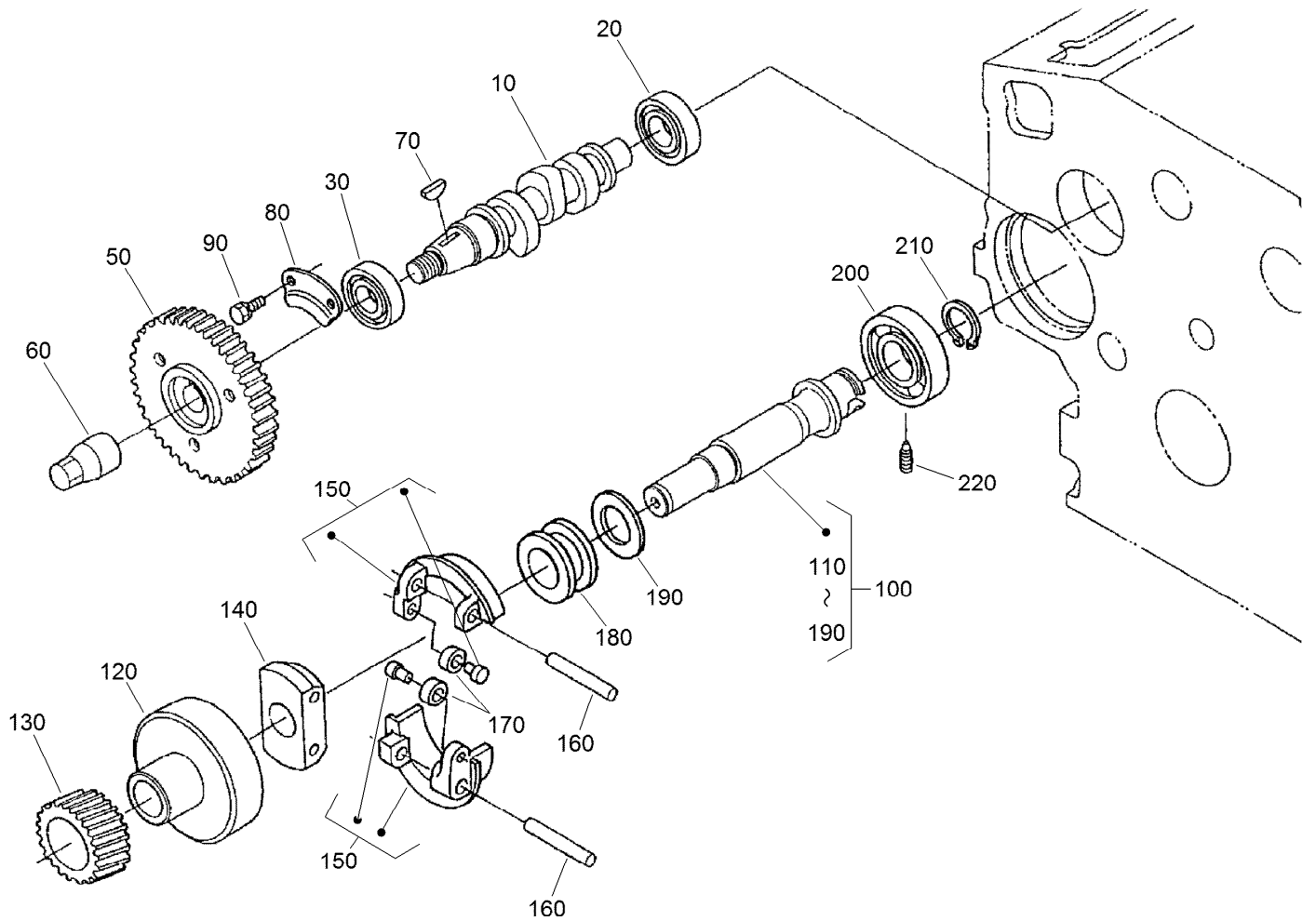
<i>Ref.</i>	<i>Part Number</i>	<i>Qty.</i>	<i>Description</i>
10	98-9550	4	Piston (STD)
10	108-1417	4	Piston (+0.5MM)
20	98-9551	4	Piston Ring ASM (STD)
20	108-1404	4	Piston Ring ASM (+0.5MM)
30	98-9513	4	Pin-Piston
40	98-9514	8	Circlip-Pin, Piston
50	98-9552	4	Connecting Rod ASM
60	115-3014	4	Bushing-Pin, Piston
70	98-9517	8	Bolt-Rod, Connecting
80	98-9553	4	Bearing-Rod (STD)
80	108-1405	4	Metal-Crankpin (-0.2MM)
80	108-1406	4	Metal-Crankpin (-0.4MM)
90	105-3718	1	Crankshaft ASM
120	98-9532	1	Gear-Crankshaft
130	98-9666	1	Key
140	98-9542	1	Gear-Drive, Oil Pump
150	98-9522	1	Sleeve-Crankshaft

<i>Ref.</i>	<i>Part Number</i>	<i>Qty.</i>	<i>Description</i>
160	98-9521	1	Collar-Crankshaft
170	105-3783	1	O-Ring
180	112-7005	1	Bearing-Main (STD)
180	112-7009	1	Metal-Crankpin (-0.2MM)
180	112-7010	1	Metal-Crankpin (-0.4MM)
190	112-7011	3	Bearing-Main (STD)
190	127-0433	3	Metal-Crankshaft (-0.2MM)
190	112-7013	3	Metal-Crankpin (-0.4MM)
200	112-7006	1	Bearing-Main (STD)
200	112-7007	1	Metal-Crankshaft (.2MM)
200	112-7040	1	Metal-Crankshaft (-0.4Mm)
210	98-9413	2	Bearing-Thrust (STD)
210	98-9414	2	Bearing-Thrust (0.2MM)
210	98-9415	2	Bearing-Thrust (0.4MM)
220	98-9688	2	Bearing-Thrust (STD)
220	98-9689	2	Bearing-Thrust (0.2MM)
220	127-0438	2	Metal-Side (+0.40MM)



## Flywheel Assembly

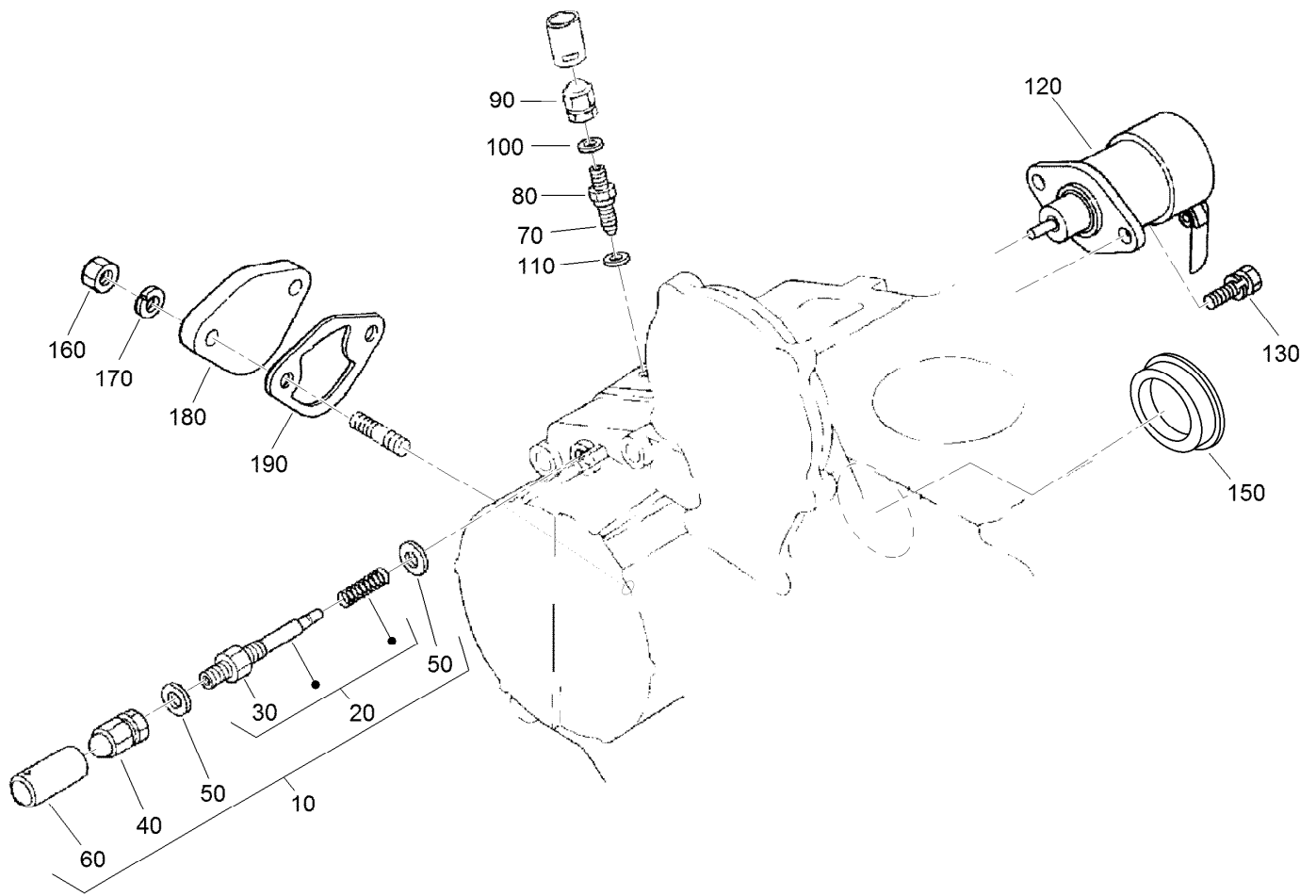
<i>Ref.</i>	<i>Part Number</i>	<i>Qty.</i>	<i>Description</i>
10	105-3721	1	Flywheel ASM
20	115-3015	1	Gear-Ring
30	98-9537	6	Bolt-Flywheel
40	98-9486	1	Plate-End, Rear
50	98-9392	8	Bolt



## Fuel Camshaft and Governor Shaft Assembly

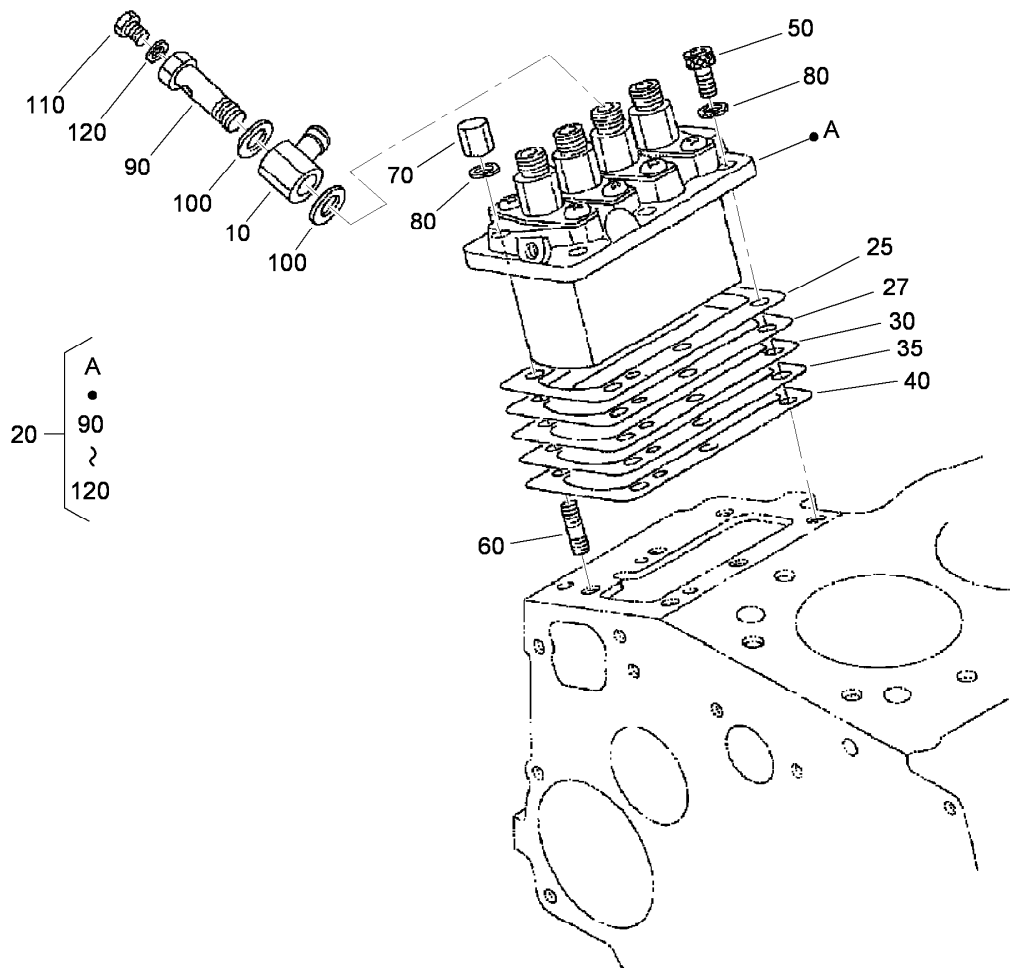
Ref.	Part Number	Qty.	Description
10	105-3723	1	Camshaft-Fuel
20	107-9077	1	Bearing-Ball
30	107-9078	1	Bearing-Ball
50	98-9669	1	Gear-Pump, Injection
60	98-9590	1	Nut-Cap
70	98-9595	1	Key-Woodruff
80	98-9511	1	Stopper-Fuel, Camshaft
90	98-7692	2	Bolt
100	105-3724	1	Governor Shaft ASM
110	105-3725	1	Shaft-Governor
120	98-9562	1	Holder-Gear, Governor

Ref.	Part Number	Qty.	Description
130	98-9673	1	Gear-Governor
140	98-9561	1	Holder-Weight, Governor
150	98-9559	2	Governor Weight ASM
160	98-9560	2	Shaft-Weight, Governor
170	98-9692	2	Roller
180	98-9563	1	Sleeve-Governor
190	98-9564	1	Washer-Thrust
200	107-9079	1	Bearing-Ball
210	98-9657	1	Circlip-Shaft, Governor
220	98-9565	1	Screw-Set



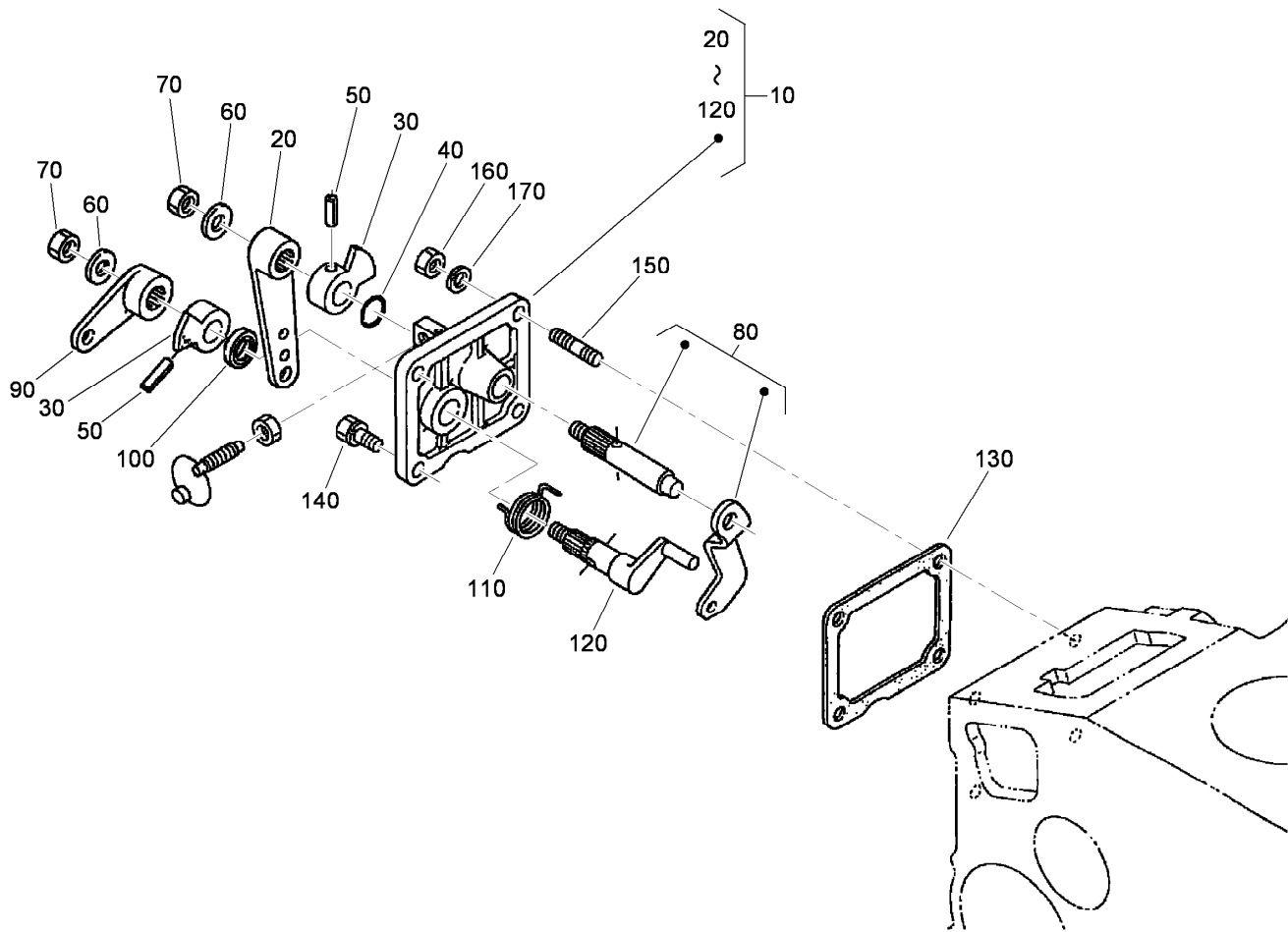
## Idle Apparatus Assembly

<i>Ref.</i>	<i>Part Number</i>	<i>Qty.</i>	<i>Description</i>
10	98-9678	1	Idle Apparatus ASM
20	112-7014	1	Adjusting Bolt ASM
30	98-9439	1	Nut
40	112-0181	1	Nut
50	98-7654	2	Gasket
60	98-7656	1	Cap
70	112-7015	1	Bolt-Adjusting
80	100-2175	1	Nut-Lock
90	112-0181	1	Nut
100	98-7654	1	Gasket
110	107-9081	1	Gasket
120	104-5155	1	Solenoid-Stop
130	115-3039	2	Bolt-HSH
150	112-7016	1	Cover-Pump
160	98-7572	2	Nut
170	98-7699	2	Washer-Spring
180	99-3514	1	Cover
190	98-9636	1	Gasket-Pump, Fuel



## Injection Pump Assembly

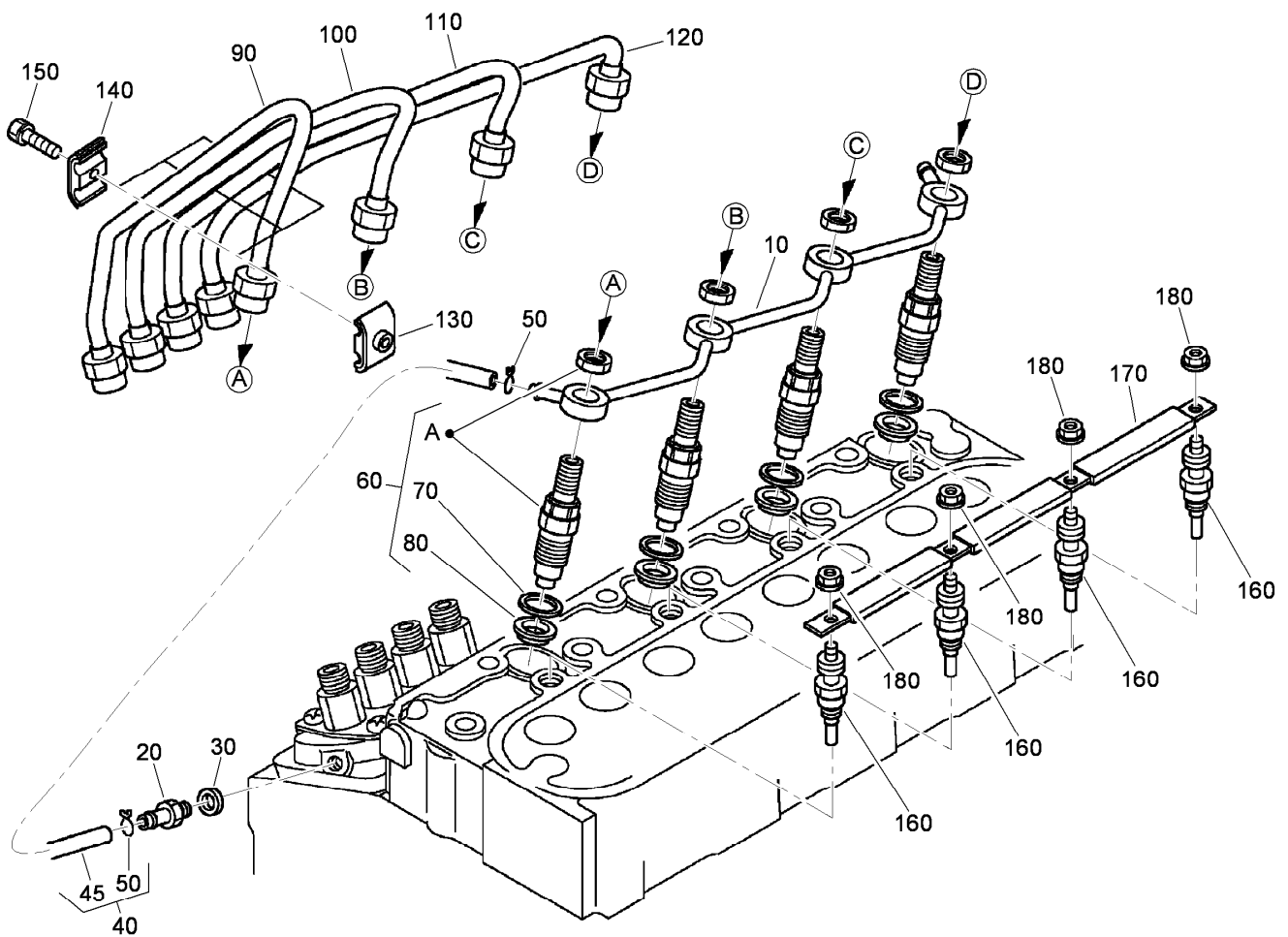
<i>Ref.</i>	<i>Part Number</i>	<i>Qty.</i>	<i>Description</i>
10	98-9596	1	Joint-Eye
20	105-3727	1	Injection Pump ASM
25	115-3016	1	Shim-Pump, Injection (.350MM)
27	115-3017	1	Shim-Pump, Injection (.175MM)
30	105-3728	1	Shim-Pump, Injection (.20MM)
35	105-3729	1	Shim-Pump, Injection (.25MM)
40	105-3730	1	Shim-Pump, Injection (.30MM)
50	98-9361	3	Bolt-HSH
60	98-9438	3	Stud
70	98-9440	3	Nut-Cap
80	98-7699	6	Washer-Spring
90	98-9464	1	Bolt-Joint
100	98-9445	2	Gasket
110	98-9430	1	Screw
120	98-9446	1	Gasket



## Speed Control Plate Assembly

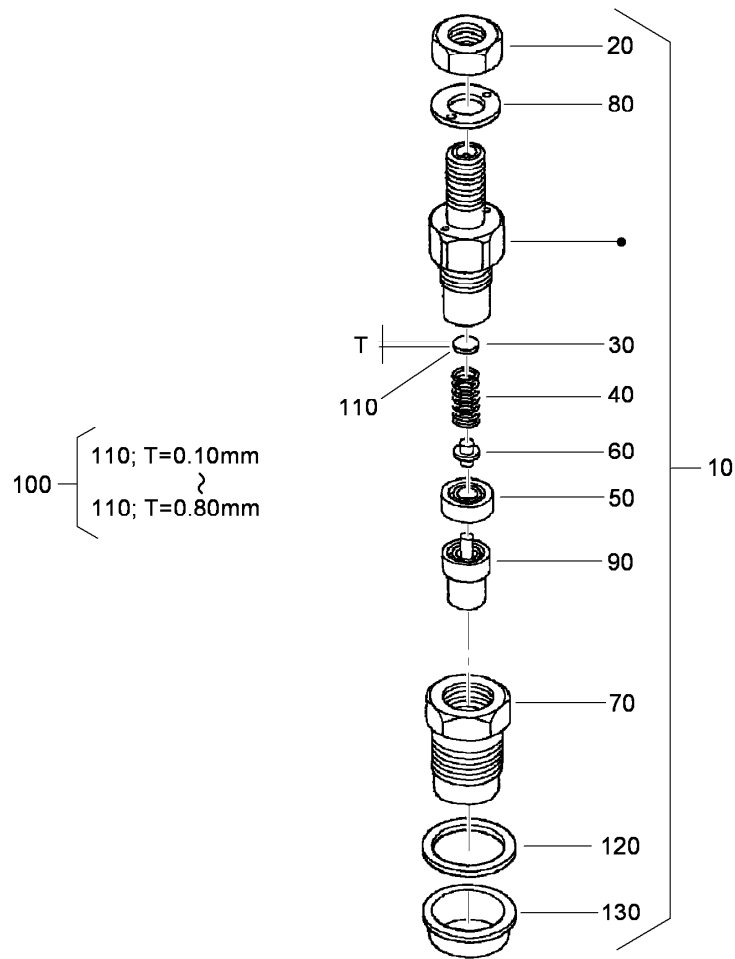
<i>Ref.</i>	<i>Part Number</i>	<i>Qty.</i>	<i>Description</i>
10	105-3735	1	Control Plate ASM
20	98-9662	1	Lever-Control, Speed
30	98-9572	2	Lever-Control, Speed
40	105-3788	1	O-Ring
50	98-7602	2	Pin-Spring
60	98-9594	2	Washer-Plain
70	98-9589	2	Nut
80	98-9658	1	Governor Lever ASM
90	98-9663	1	Lever-Stop, Engine
100	98-7601	1	Seal-Oil
110	98-9472	1	Spring-Return
120	98-9664	1	Shaft-Lever, Stop
130	98-9637	1	Gasket
140	98-7692	2	Bolt
150	105-3710	2	Stud
160	98-7572	2	Nut
170	98-7699	2	Washer-Spring





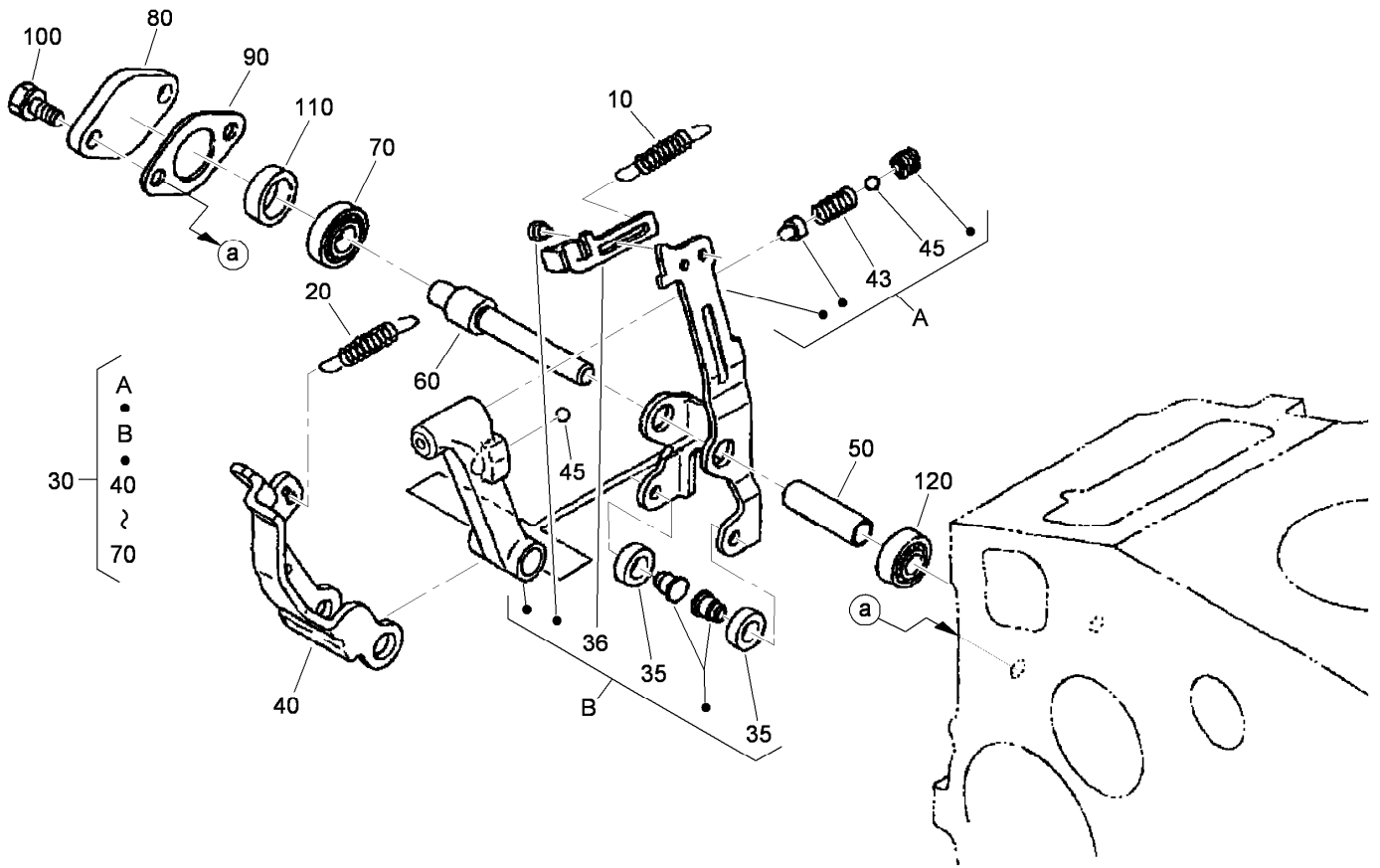
## Nozzle Holder and Glow Plug Assembly

Ref.	Part Number	Qty.	Description
10	105-3737	1	Over Flow Pipe ASM
20	98-9431	1	Screw-Bleeder, Air
30	98-7654	1	Gasket
40	98-9420	1	Overflow Pipe ASM
45	112-0182	1	Pipe-Overflow
50	98-7671	2	Clip-Pipe
60	108-2866	4	Nozzle Holder Kit
70	98-7676	4	Gasket
80	98-7677	4	Seal-Heat
90	98-9622	1	Pipe-Injection
100	98-9654	1	Pipe-Injection
110	98-9655	1	Pipe-Injection
120	105-3738	1	Pipe-Injection
130	98-7682	3	Clamp-Pipe
140	98-7683	3	Clamp-Pipe
150	98-7684	3	Screw (W/Washer)
160	98-9623	4	Plug-Glow
170	105-3739	1	Cord-Plug, Glow
180	99-8377	4	Nut-Flange



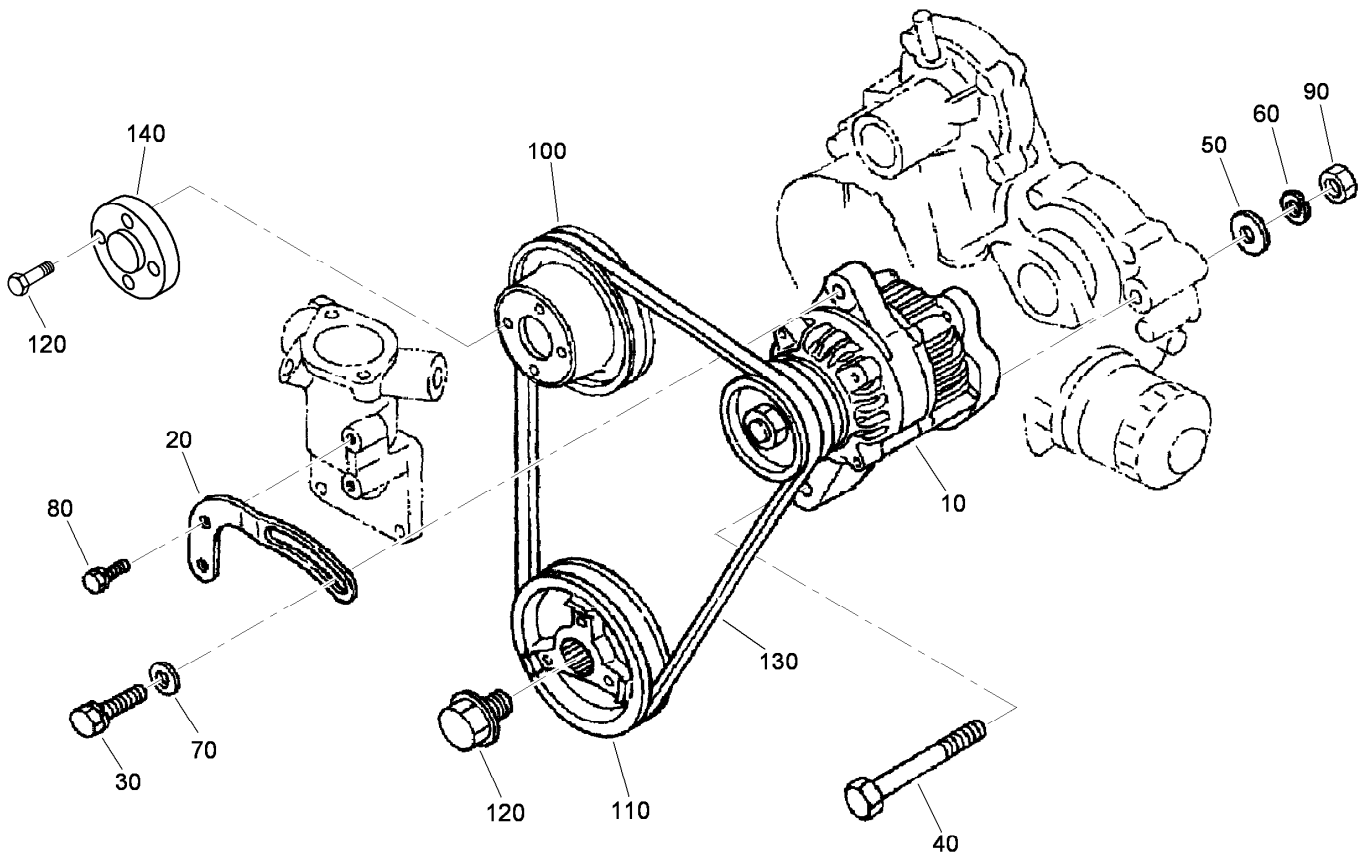
## Nozzle Holder Component Assembly

Ref.	Part Number	Qty.	Description
10	108-2866	4	Nozzle Holder Kit
20	99-8301	4	Nut
30	99-8302	4	Washer-Adjusting
40	99-8303	4	Spring-Nozzle
50	99-8304	4	Spacer-Distance
60	99-8305	4	Rod-Push
70	99-8306	4	Nut-Nozzle
80	99-8307	4	Washer-Plain
90	107-7826	4	Piece-Nozzle
100	99-8309	4	Adjusting Washer ASM
110	99-8310	4	Washer-Adjust (0.10MM)
110	99-8311	4	Washer-Adjust (0.20MM)
110	99-8312	4	Washer-Adjust (0.30MM)
110	99-8313	4	Washer-Adjust (0.40MM)
110	99-8314	4	Washer-Adjust (0.50MM)
110	99-8315	4	Washer-Adjust (0.52MM)
110	99-8316	4	Washer-Adjust (0.54MM)
110	99-8317	4	Washer-Adjust (0.56MM)
110	99-8318	4	Washer-Adjust (0.58MM)
110	99-8319	4	Washer-Adjust (0.80MM)
120	98-7676	4	Gasket
130	98-7677	4	Seal-Heat



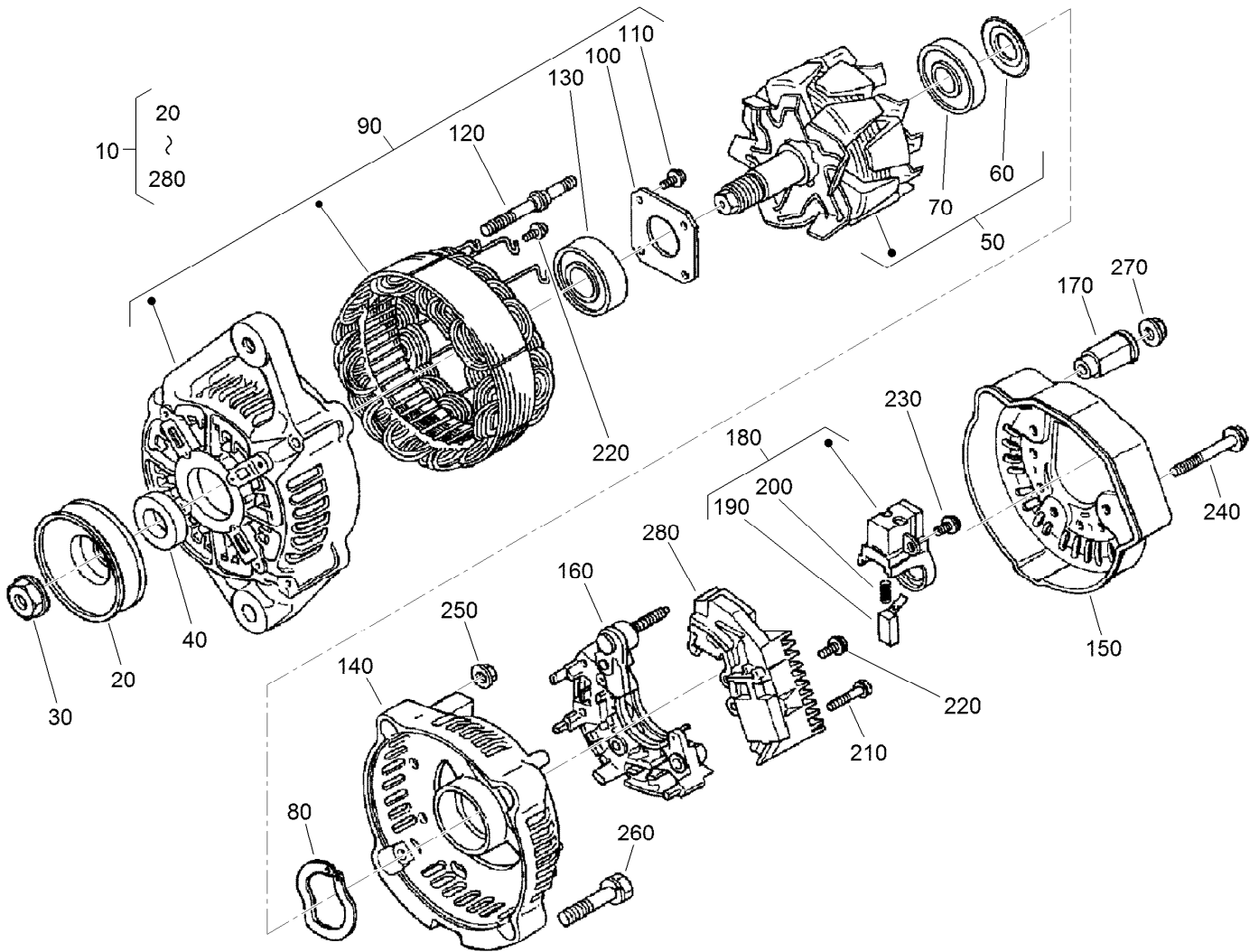
## Governor Assembly

<i>Ref.</i>	<i>Part Number</i>	<i>Qty.</i>	<i>Description</i>
10	105-3741	1	Spring-Start
20	98-9681	1	Spring-Governor
30	108-4427	1	Fork Lever ASM
35	98-9692	2	Roller
36	107-9083	1	Lever-Thrust
40	107-9084	1	Lever-Fork
43	108-2867	1	Spring
45	98-7580	2	Ball
50	107-9085	1	Shaft-Lever, Fork
60	107-9086	1	Shaft-Lever, Fork
70	98-9570	1	Bearing-Miniaturize
80	115-4122	1	Cover-Shaft, Fork Lever
90	98-9682	1	Gasket
100	98-9350	2	Bolt
110	98-9567	1	Collar
120	98-9571	1	Bearing-Miniaturize



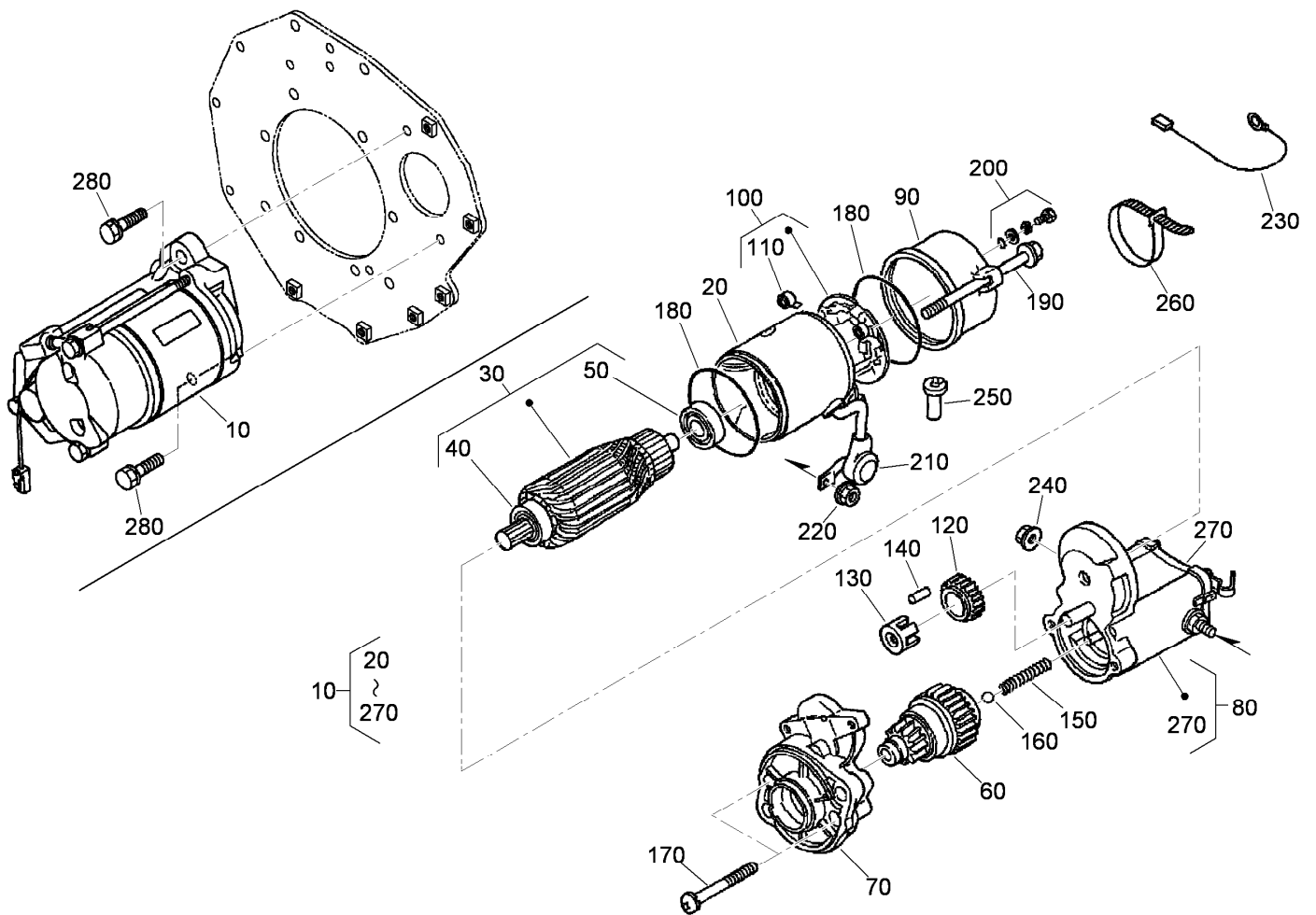
## Alternator and Pulley Assembly

<i>Ref.</i>	<i>Part Number</i>	<i>Qty.</i>	<i>Description</i>
10	98-9474	1	Alternator ASM
20	112-7047	1	Stay-Dynamo
30	108-7088	1	Bolt
40	98-9360	1	Bolt
50	98-7696	1	Washer-Plain
60	98-7738	1	Washer-Spring
70	100-9233	1	Washer-Plain
80	98-7692	1	Bolt
90	98-7737	1	Nut
100	110-0972	1	Pulley
110	105-3745	1	Pulley-Drive, Fan
120	98-9585	1	Bolt
130	98-9676	1	V-Belt
140	108-2872	1	Collar-Fan



## Alternator Components Assembly

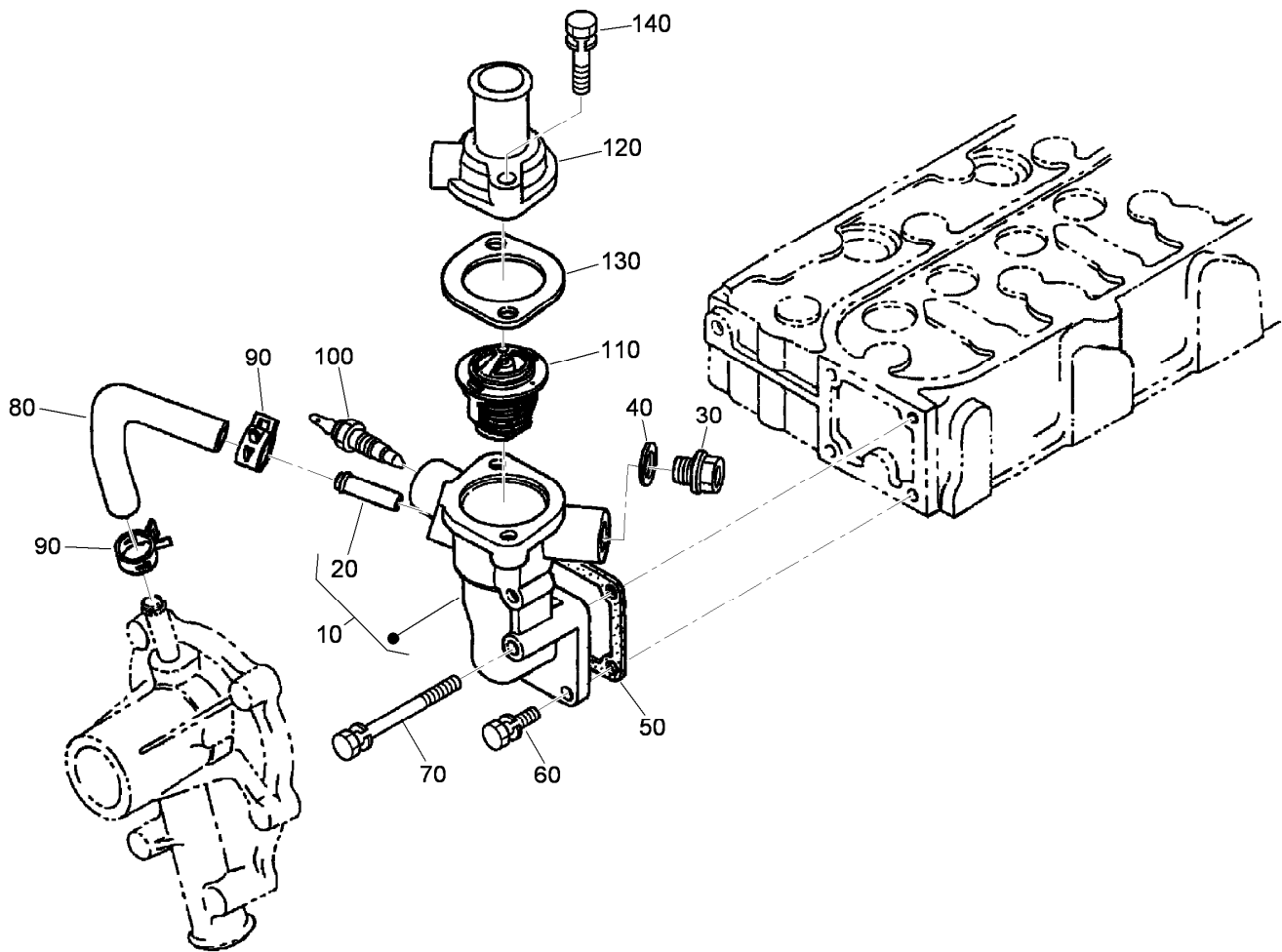
<i>Ref.</i>	<i>Part Number</i>	<i>Qty.</i>	<i>Description</i>	<i>Ref.</i>	<i>Part Number</i>	<i>Qty.</i>	<i>Description</i>
10	98-9474	1	Alternator ASM	150	107-0140	1	Cover-End
20	98-9453	1	Pulley-Dynamo	160	98-7721	1	Rectifier ASM
30	98-7708	1	Nut	170	98-7722	1	Bushing-Insulation
40	98-7709	1	Collar	180	107-0141	1	Brush Holder ASM
50	107-0136	1	Rotor ASM	190	98-7724	2	Brush
60	98-7711	1	Cover-Bearing	200	98-7725	2	Spring-Brush
70	107-0138	1	Bearing-Ball	210	98-7726	2	Screw-Head, Round
80	98-7713	1	Washer-Thrust	220	98-7727	6	Screw-Head, Round
90	107-0139	1	Drive End Frame ASM	230	98-7728	1	Screw-Head, Round
100	98-7715	1	Plate-Retainer	240	98-7729	3	Bolt
110	98-7716	4	Screw-Head, Round	250	98-7730	2	Nut
120	98-7717	2	Bolt-Through	260	98-7731	2	Bolt
130	133-2811	1	Bearing	270	98-7732	1	Nut
140	107-9087	1	Frame-End	280	110-3799	1	Regulator ASM



## Starter Assembly

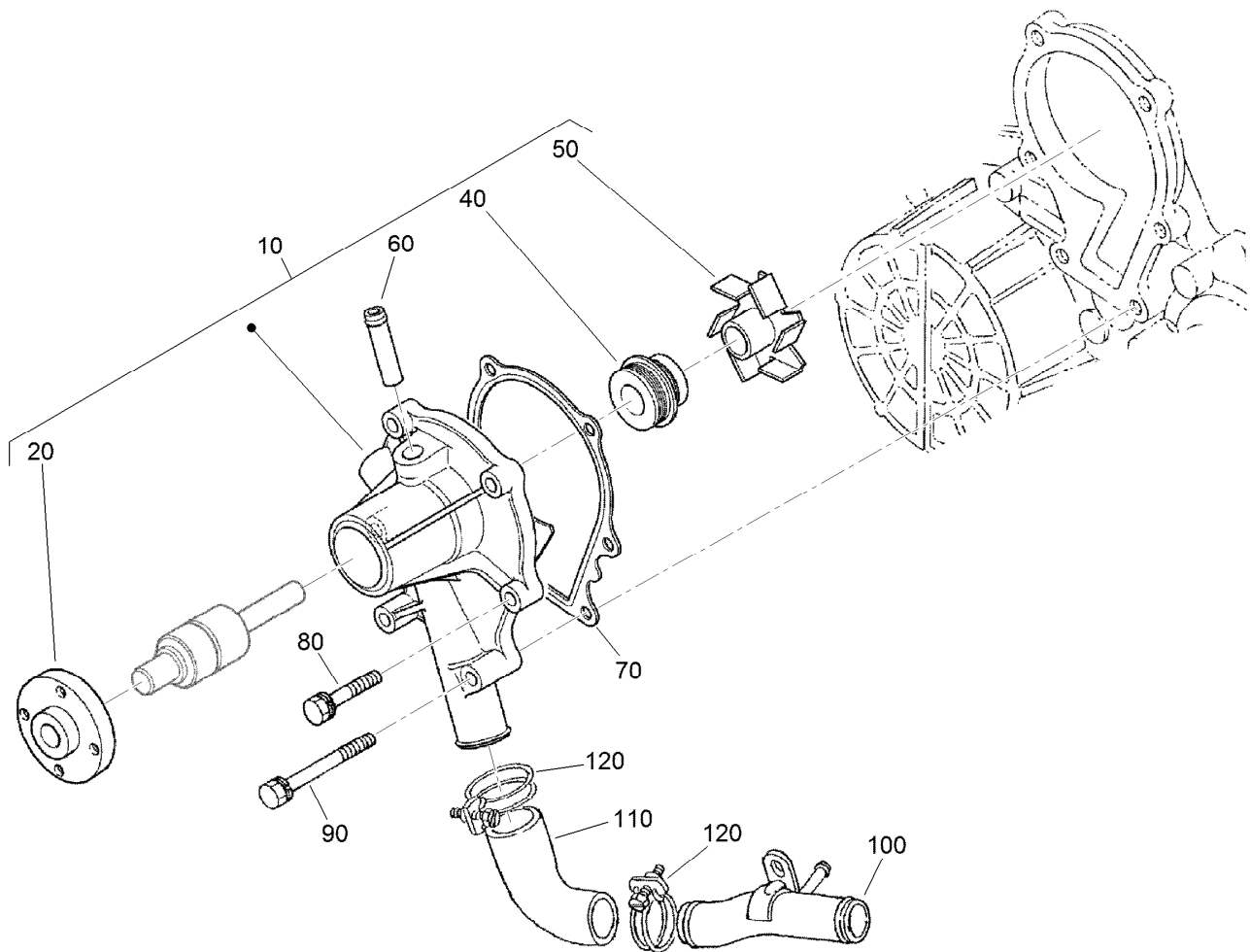
Ref.	Part Number	Qty.	Description
10	98-9705	1	Starter ASM
20	104-8608	1	Yoke ASM
30	98-7742	1	Armature ASM
40	98-7744	1	Bearing
50	98-7743	1	Bearing
60	99-8373	1	Clutch-Running, Over
70	99-8374	1	Frame-End, Drive
80	105-3746	1	Magnetic Switch ASM
90	98-7748	1	Frame-End
100	98-7749	1	Brush Holder ASM
110	98-7750	4	Spring-Brush
120	98-7751	1	Gear
130	98-7752	1	Retainer
140	98-7753	5	Roller

Ref.	Part Number	Qty.	Description
150	98-7754	1	Spring
160	98-7755	1	Ball
170	98-7756	2	Bolt
180	98-7757	2	O-Ring
190	100-9240	2	Bolt
200	98-7758	2	Bolt ASM
210	99-8375	1	Cover
220	99-8371	1	Nut-Hex
230	98-9711	1	Cord-Solenoid, Stop
240	99-8376	1	Nut-Hex
250	98-7759	1	Pipe-Drain
260	98-9712	1	Band-Cover
270	105-2886	1	Cover ASM
280	98-7697	2	Bolt



## Water Flange and Thermostat Assembly

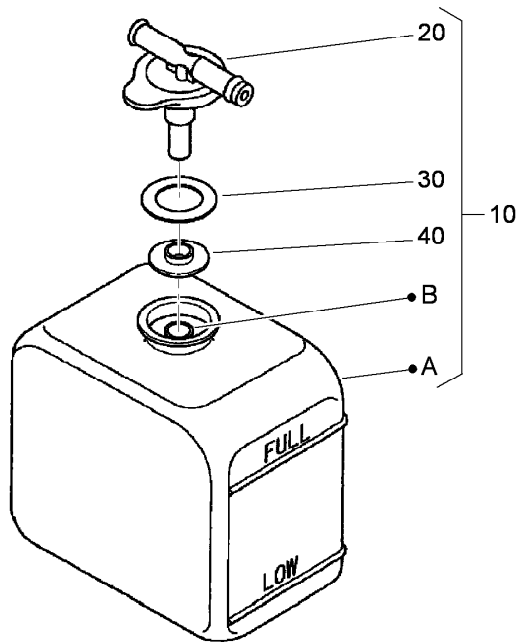
<i>Ref.</i>	<i>Part Number</i>	<i>Qty.</i>	<i>Description</i>
10	98-9713	1	Water Flange ASM
20	98-9580	1	Pipe-Return, Water
30	105-3747	1	Plug
40	99-3583	1	Gasket
50	98-9638	1	Gasket-Flange, Water
60	98-7692	3	Bolt
70	98-9356	1	Bolt
80	98-9578	1	Pipe-Return, Water
90	98-9579	2	Band-Pipe
100	112-0183	1	Switch-Thermometer
110	98-7778	1	Thermostat ASM
120	98-9471	1	Cover-Thermostat
130	105-3748	1	Gasket-Thermostat
140	98-7777	2	Bolt



## Water Pump Assembly

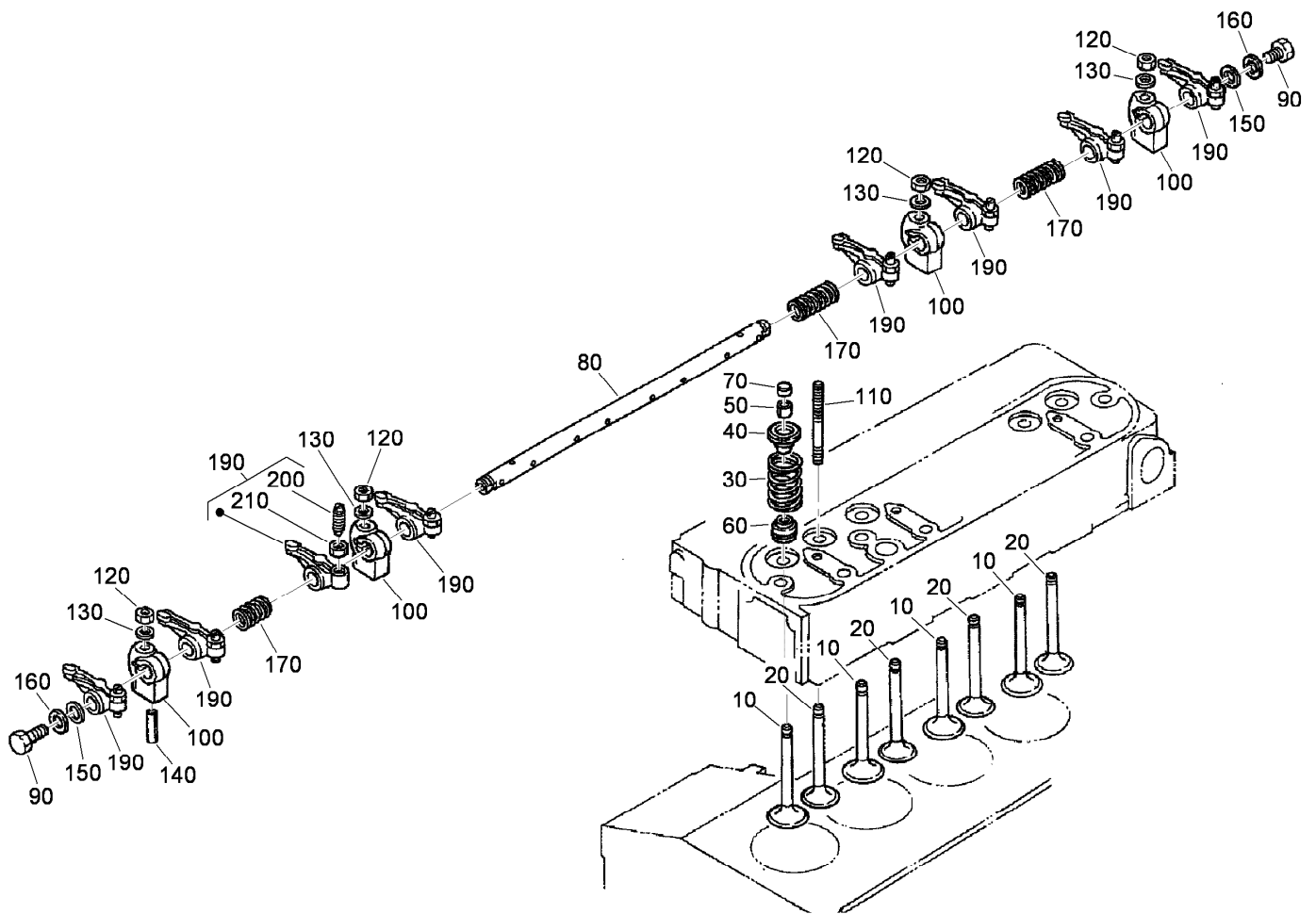
<i>Ref.</i>	<i>Part Number</i>	<i>Qty.</i>	<i>Description</i>
10	107-9089	1	Water Pump ASM
20	99-3516	1	Flange-Pump, Water
40	105-3750	1	Mechanical Seal ASM
50	112-7017	1	Impeller-Pump, Water
60	100-1932	1	Pipe-Return, Water
70	99-3454	1	Gasket-Pump, Water
80	98-9353	4	Bolt
90	107-9090	2	Bolt
100	99-8379	1	Pipe-Water
110	107-9091	1	Pipe-Water
120	98-9717	2	Clamp





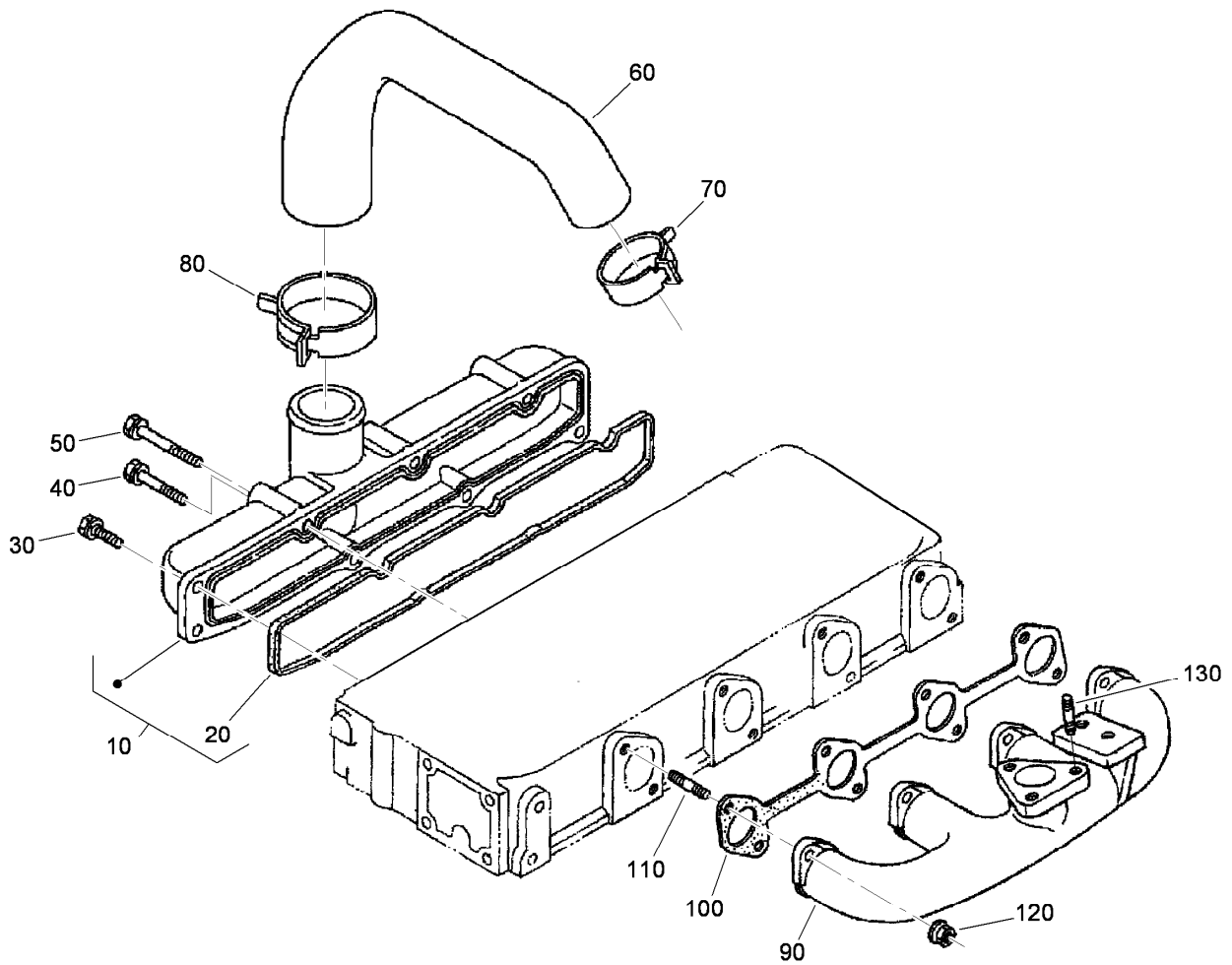
## Overflow Bottle Assembly

<i>Ref.</i>	<i>Part Number</i>	<i>Qty.</i>	<i>Description</i>
10	104-9318	1	Bottle-Overflow
20	115-4132	1	Cap
30	105-3755	1	Gasket
40	105-3756	1	Plate



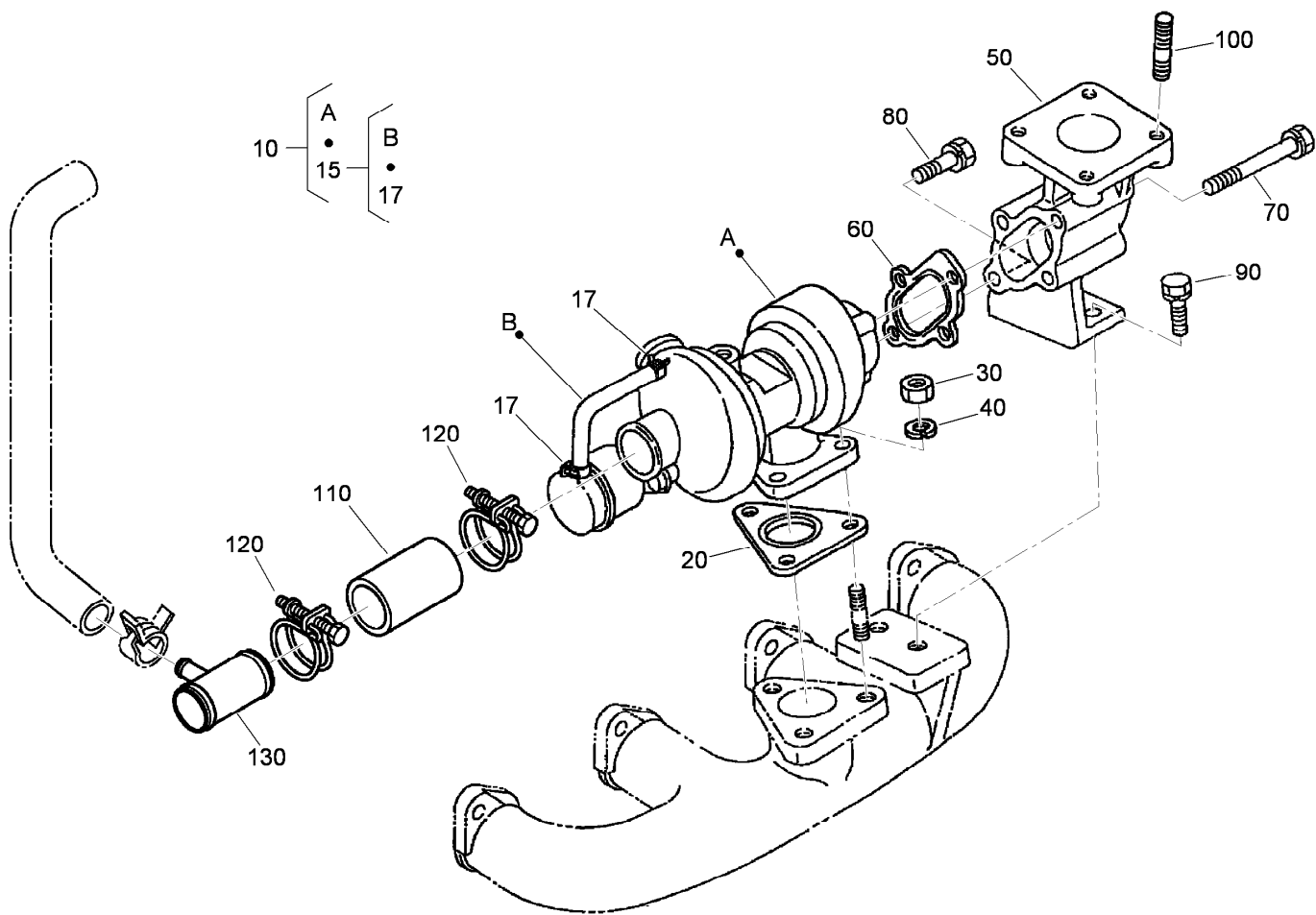
## Valve and Rocker Arm Assembly

<i>Ref.</i>	<i>Part Number</i>	<i>Qty.</i>	<i>Description</i>
10	112-7018	4	Valve-Inlet
20	112-7019	4	Valve-Exhaust
30	98-9626	8	Spring-Valve
40	107-9092	8	Retainer-Spring
50	98-9390	8	Collet-Spring, Valve
60	99-8385	8	Seal-Stem, Valve
70	98-9497	8	Cap-Valve
80	105-3757	1	Shaft-Arm, Rocker
90	100-9265	2	Bolt
100	98-9505	4	Bracket-Arm, Rocker
110	98-9506	4	Stud
120	98-9393	4	Nut
130	98-9385	4	Washer-Flat
140	105-3758	2	Pin-Spring
150	98-9507	2	Washer-Shaft, Rocker Arm
160	110-3832	2	Washer-Plain
170	98-9504	3	Spring-Arm, Rocker
190	112-7020	8	Rocker Arm ASM
200	98-9502	8	Screw-Adjusting
210	98-9503	8	Nut



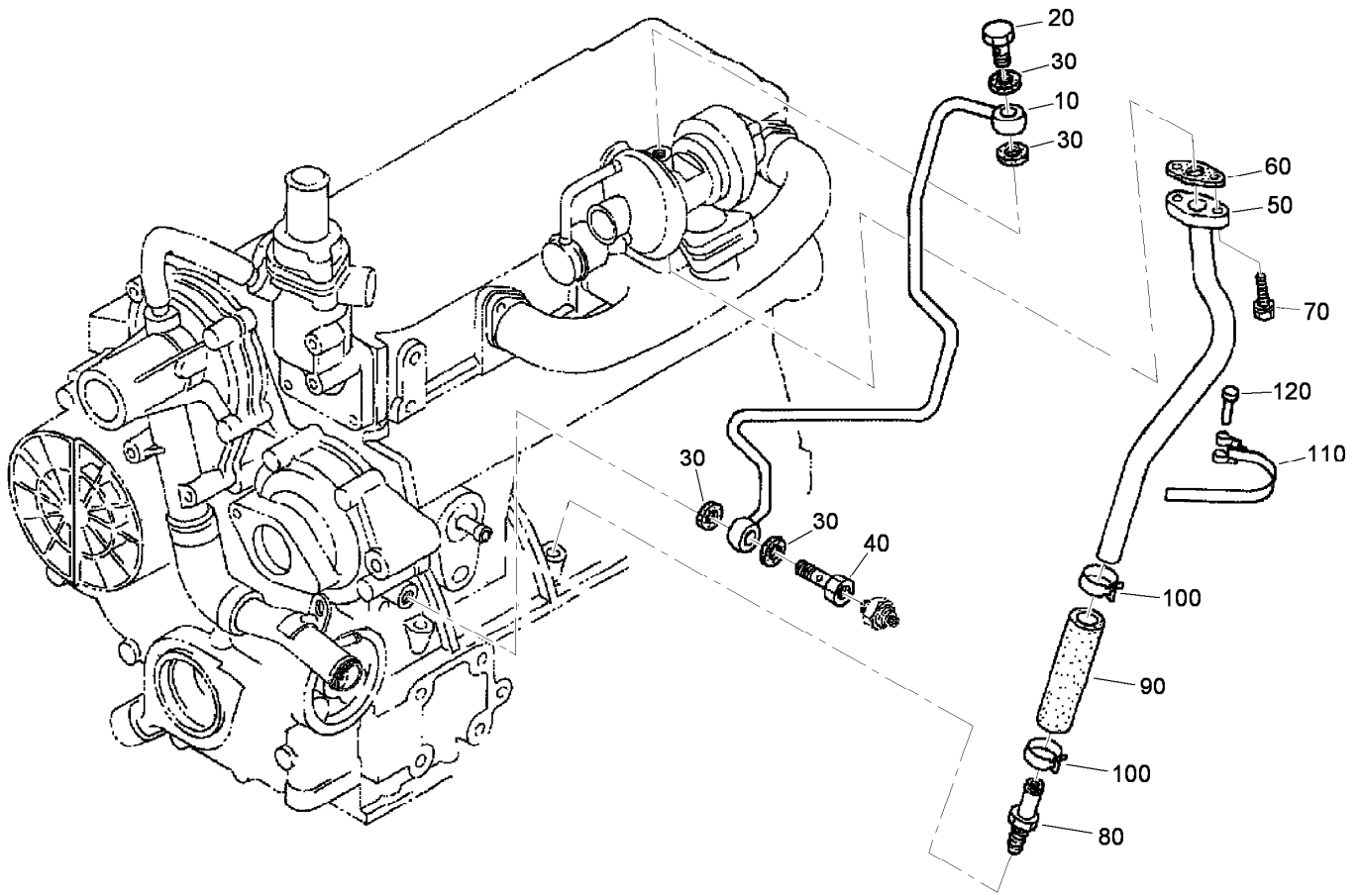
## Inlet and Exhaust Manifold Assembly

<i>Ref.</i>	<i>Part Number</i>	<i>Qty.</i>	<i>Description</i>
10	105-3759	1	Inlet Manifold ASM
20	105-3760	1	Gasket-Manifold, Intake
30	98-7605	3	Bolt
40	98-9353	2	Bolt
50	105-3797	3	Bolt
60	115-4123	1	Hose-Inlet
70	115-3048	1	Clamp-Hose
80	115-3049	1	Clamp-Hose
90	108-4425	1	Manifold-Exhaust
100	105-3765	1	Gasket-Manifold, Exhaust
110	98-9588	8	Stud
120	98-9665	8	Nut
130	99-8342	3	Stud



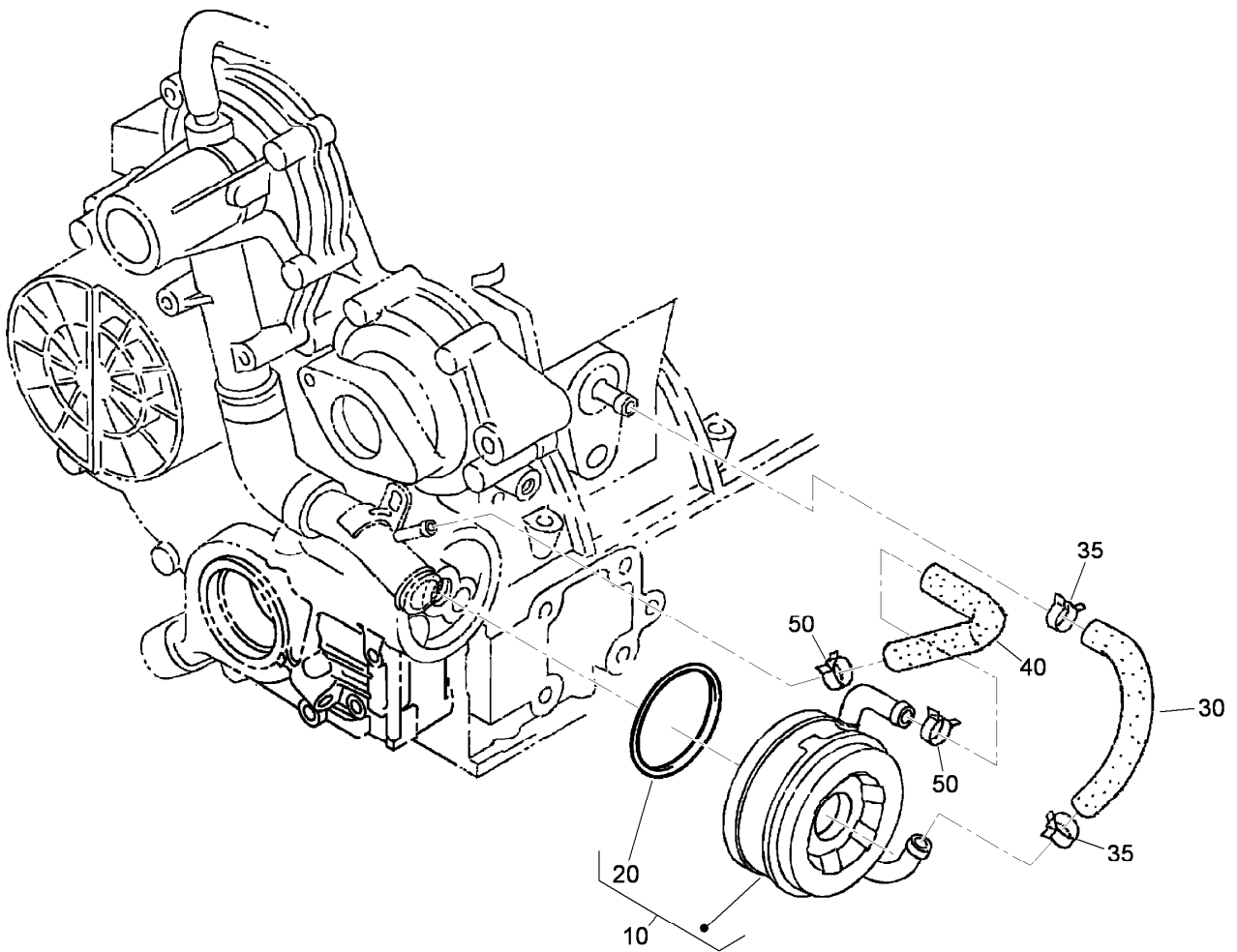
## Turbo Charger Assembly

<i>Ref.</i>	<i>Part Number</i>	<i>Qty.</i>	<i>Description</i>
10	108-1412	1	Turbo Charger ASM
15	108-1413	1	Hose ASM
17	108-1414	2	Clamp-Hose
20	105-3767	1	Gasket
30	98-7534	3	Nut
40	105-2893	3	Washer-Spring
50	99-8335	1	Flange-Muffler
60	105-3768	1	Gasket
70	99-8336	3	Bolt
80	105-2895	1	Bolt
90	98-7610	2	Bolt
100	98-7769	4	Stud
110	115-4101	1	Tube-Inlet, Turbo
120	115-4102	2	Band
130	115-4103	1	Pipe-Inlet, Breather



## Oil Pipe (Turbo Charger) Assembly

<i>Ref.</i>	<i>Part Number</i>	<i>Qty.</i>	<i>Description</i>
10	108-4424	1	Oil Pipe ASM
20	115-4126	1	Bolt-Joint, Eye
30	99-8346	4	Gasket
40	98-9417	1	Bolt-Joint, Eye
50	108-4423	1	Oil Pipe ASM
60	108-4422	1	Gasket
70	98-7605	2	Bolt
80	105-3771	1	Oil Pipe ASM
90	98-9721	1	Pipe-Oil
100	98-9714	2	Clamp-Hose
110	98-9601	1	Clamp-Pipe
120	98-9591	1	Pin-Band



## Oil Cooler Assembly

<i>Ref.</i>	<i>Part Number</i>	<i>Qty.</i>	<i>Description</i>
10	104-5158	1	Oil Cooler ASM
20	112-7030	1	O-Ring
30	98-9724	1	Pipe-Cooler, Oil
35	98-9579	2	Band-Pipe
40	98-9578	1	Pipe-Return, Water
50	98-9579	2	Band-Pipe

# Attachments and Accessories

## For 03678 Reelmaster 5610 Traction Unit

<b>Product Name</b>	<b>Model/Part</b>
Operator Cooling Fan .....	03247
Switch Panel-Universal Sunshade.....	03248
Operator Golf Ball Guard, Reelmaster 3100/3500/5010 or Groundsmaster 3500/4300 Series Traction Unit .....	03614
Verticutter for 7in Reel Cutting Unit.....	03619
8-Blade Radial Reel DPA Cutting Unit with 7in Reel.....	03638
8-Blade Forward Swept Reel DPA Cutting Unit with 7in Reel .....	03639
11-Blade Forward Swept Reel DPA Cutting Unit with 7in Reel .....	03641
7-in, 11 Blade ES (RR) DPA Cutting Unit .....	03643
CrossTrax All-Wheel Drive Kit .....	03655
Air Ride Seat Suspension Kit.....	03667
Turf Evaluator .....	04399
Wheel Weight Kit .....	104-1478
Premium All Purpose Grease (Tube) .....	108-1190
Weight Plate .....	110-8985-03
Rear Lift Cylinder Limit Kit .....	110-9604
5in Air Cleaner Safety Element .....	114-4057
Premium Synthetic Bio-Degradable Hydraulic Fluid (5 Gallon Pail) .....	119-2157
Premium Synthetic Bio-Degradable Hydraulic Fluid (55 Gallon Drum).....	119-2158
Cutting Unit Hydraulic Hose Kit.....	119-6955
Premium Engine Oil 10w30 (55 Gallon Drum) .....	121-6392
Premium Engine Oil 10w30 (5 Gallon Pail) .....	121-6393
Smooth Rear Tire .....	127-2796
Hi-Back Seat Cover .....	133-1308
Smooth Front Tire .....	133-2940
PX Hydraulic Fluid (5 Gal) .....	133-8086
PX Hydraulic Fluid (55 Gal).....	133-8087
Pin and Lanyard Asm .....	136-8045
Beacon Kit .....	138-2699
Power Harness Kit.....	138-2993
Work Lights Kit, Groundsmaster and Reelmaster Traction Units with Universal Sunshade.....	140-1554
Brush and Handle Kit.....	29-9100
White Universal Sunshade .....	30669
Red Universal Sunshade .....	30671
EU Light Kit.....	31579
New Red Paint - Gallon .....	361-11
Dark Metallic Gray Aerosol Paint .....	361-12
Semi-Gloss Black Spray Paint.....	361-9
MVP Kit 1000 Hour .....	44959
Air Dry Red Paint - Qt .....	5340
Spark Arrestor .....	98-9099



**Count on it.**