



**Count on it.**

**Parts Catalog**

**TX 700**

**Wide Track Compact Tool Carrier**

Model No. 22352—Serial No. 412900000 and Up



# Ordering Replacement Parts

To order replacement parts, please supply the part number, the quantity, and the description of each part desired.

## Understanding Reference Numbers

Each identified part in an illustration has a reference number. The reference number for a part also appears in the parts list, along with other information about the part.

This catalog uses two special reference number formats, one to indicate parts in a service assembly and another to indicate the quantity of a given part in an illustration.

## Service Assembly Reference Numbers

Parts in service assemblies have reference numbers in the form a:b. The a represents the reference number of the entire service assembly and the b represents a sequential number unique to each part within the service assembly.

For example, a wheel assembly might be identified by reference number 6, the tire by 6:1, the valve by 6:2, and the wheel by 6:3. When you order the assembly identified by reference number 6, you receive all parts identified by reference numbers 6:1, 6:2, and 6:3. However, you may also order any part individually. Reference numbers of this type appear in illustration and in parts lists.

## Reference Numbers Indicating Quantity

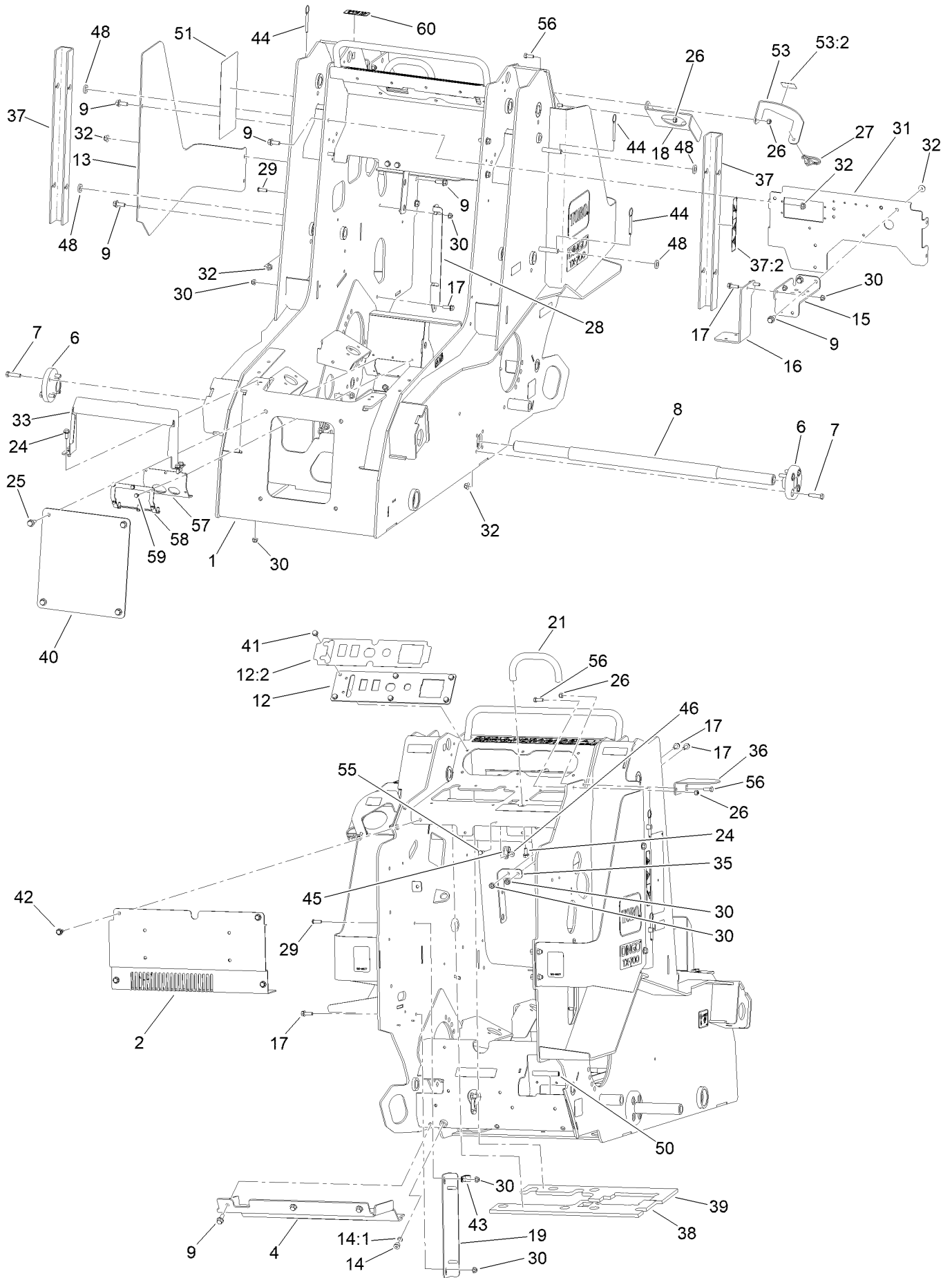
In an illustration, if a reference number indicates more than one part, the reference number has the form nX y. The n represents the quantity of the part, the X is the multiplication symbol, and the y represents the reference number.

For example, in an illustration, the reference number 2X 37 means that two of the parts identified by reference number 37 are indicated.

# Contents

Frame Assembly	4
Frame Assembly No. 144-6092	6
Track Assembly	8
RH Track Assembly No. 139-7293	10
LH Track Assembly No. 139-7294	12
Parking Brake Assembly	14
Traction Hydraulic Assembly	16
Radiator and Air Cleaner Assembly	18
Air Cleaner Assembly No. 117-9989	20
Engine and Pump Assembly	22
Hydraulic Pump Assembly No. 140-3048	24
Hydraulic Assembly	26
Traction Control Assembly No. 140-2940	28
Control Valve Assembly No. 145-3279	30
Loader Arm Assembly	32
Loader Arm Assembly No. 145-3225	34
Hydraulic Cylinder Assembly No. 140-2974	36
Loader Arm Hydraulic Assembly	38
Quick Attach Assembly	40
Quick Attach Assembly No. 132-8418	42
Hydraulic Cylinder Assembly No. 145-3202	44
Fuel Assembly	46
Fuel Tank Assembly No. 140-5762	48
Hood and Manual Tube Assembly	50
Hood Assembly No. 140-2936	52
Platform Assembly	54
Electrical Assembly	56
Wiring Harness Assembly No. 122-2177	58
Cylinder Block Assembly	60
Gear Housing Assembly	62
Flywheel Housing and Oil Sump Assembly	64
Cylinder Head and Cover Assembly	66
Exhaust Manifold and Muffler Assembly	68
Camshaft and Driving Gear Assembly	70
Crankshaft and Piston Assembly	72
Lubrication and Oil System Assembly	74
Cooling Water System Assembly	76
Fuel Injection Pump Assembly	78
Governor Assembly	80
Fuel Injection Valve Assembly	82
Starter Motor Assembly	84
Generator Assembly	86
Timer Assembly	88
Gasket Set	90
Attachments and Accessories	92

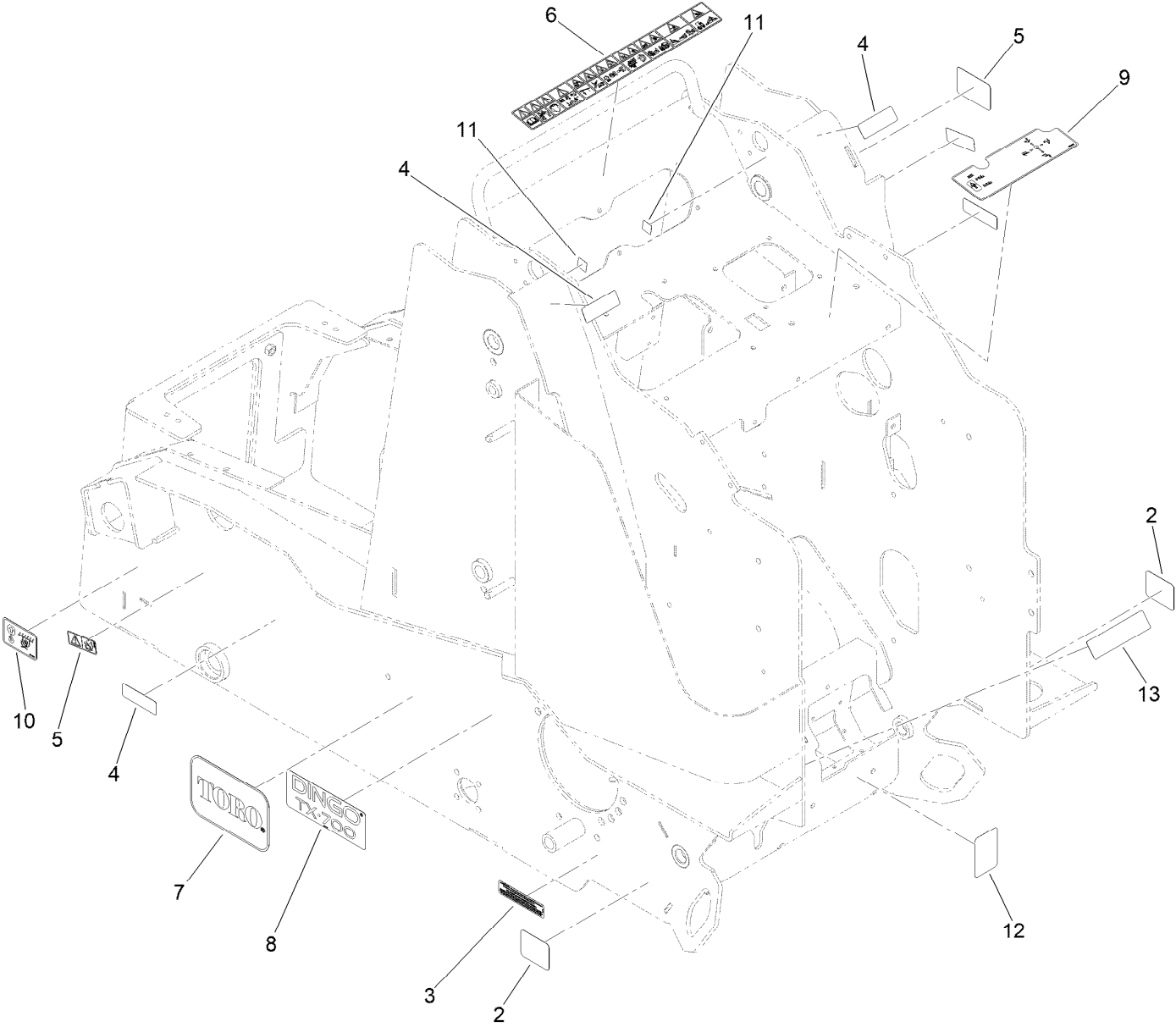
# Frame Assembly



## Frame Assembly (continued)

<i>Ref.</i>	<i>Part Number</i>	<i>Qty.</i>	<i>Description</i>	<i>Ref.</i>	<i>Part Number</i>	<i>Qty.</i>	<i>Description</i>
1	144-6092	1	Main Frame ASM	33	140-5736-03	1	Strap-Hood
2	144-6085-03	1	Air Box [black]	35	140-2924-03	1	Bracket-Tank
4	140-2888-01	1	Plate-Bottom, Frame	36	147-9010-03	1	Cap-Cover
6	132-9074	2	Hub-Shaft	37	130-5315	2	Arm-Locking
7	323-8	8	Screw-HH	37:2	115-4858	1	Decal-Danger
8	125-0425	1	Shaft-Track	38	140-5756	1	Foam-Heat Shield
9	3234-42	13	Screw-HHF	39	140-5755	1	Foam-Heat Shield
12	144-7451	1	Plate-Console	40	144-6070-01	1	Cover-Front
12:2	140-5791	1	Decal-Controls	41	700057	6	Screw-HWH
13	145-0640	1	Wrap-Tank, RH	42	105-6245	4	Screw-Tapping
14	353-989	1	Plug-Hex, Hollow	43	92-6064	1	Clamp-R
14:1	237-42	1	O-Ring	44	108-0094	4	Pin-Cotterless
15	145-3332-01	1	Bracket-Tank	45	2412-134	1	Clamp-R
16	140-2923-01	1	Bracket-Tank	46	32128-33	1	Nut-HF
17	3234-17	4	Screw-HHF	48	83-1470	4	Washer-Neoprene
18	144-6068-03	1	Bracket-Fuel	50	144-6078	1	Trim
19	140-5734-03	1	Angle	51	147-9016	1	Decal-Service
21	112-2620	1	Bar-Reference	53	130-5317	1	Plate-Lock, Fuel Cap, RH
24	3234-5	6	Screw-HHF	53:2	130-2845	1	Decal-Ultra Low Sulfur Diesel
25	3234-24	4	Screw-HHF	55	321-5	1	Screw-HH
26	3296-29	4	Nut-Lock, NI	56	322-4	4	Screw-HH
27	145-3228	1	Pin-Lynch	57	145-3270	1	Air - Guard
28	140-5735-03	1	Angle	58	145-3271	1	Retaining - Ring
29	109-4872	4	Screw-HSH	59	32144-4	7	Screw-HWH
30	104-8300	12	Nut-HF, NI	60	125-8483	1	Decal-HYD Fluid
31	140-2849-01	1	Plate-Console Cover, Front				
32	104-8301	18	Nut-HF, NI				

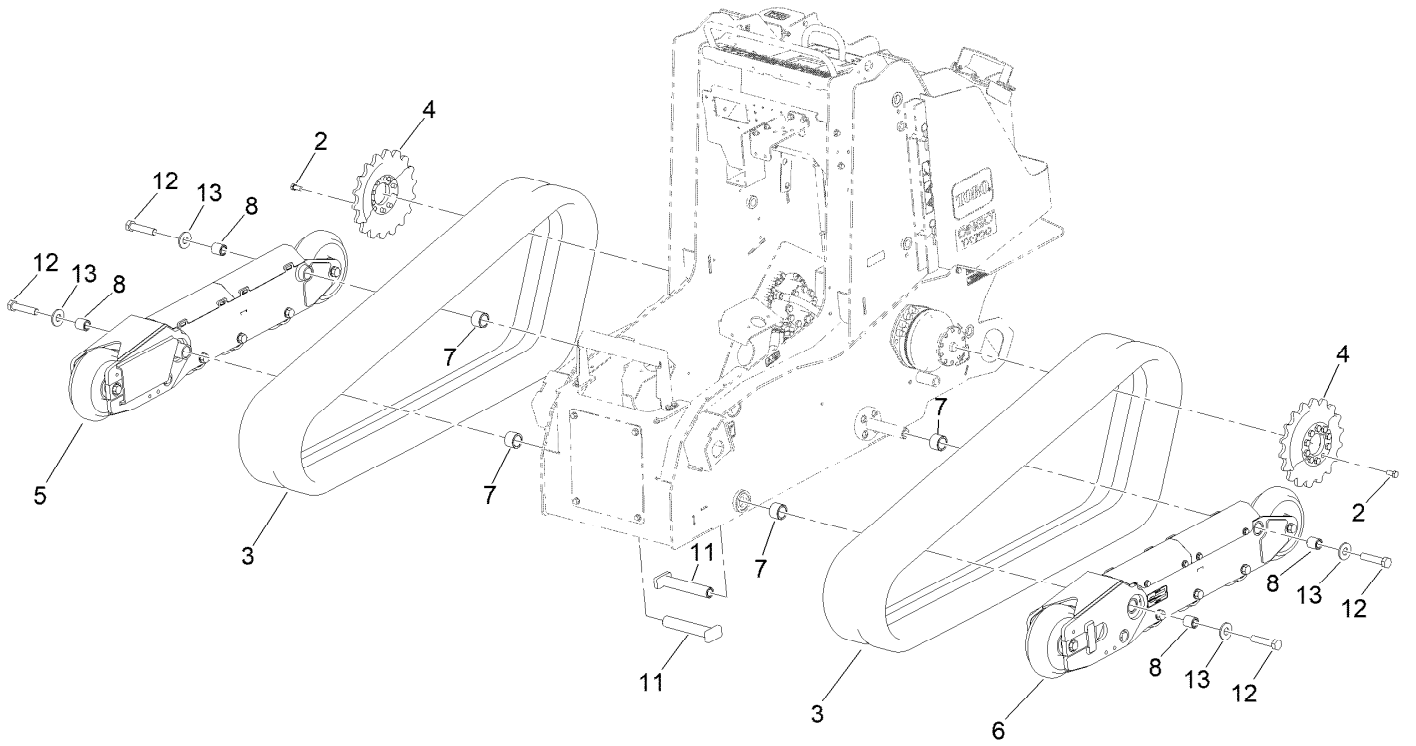
# Frame Assembly No. 144-6092



## Frame Assembly No. 144-6092 (continued)

<i>Ref.</i>	<i>Part Number</i>	<i>Qty.</i>	<i>Description</i>	<i>Ref.</i>	<i>Part Number</i>	<i>Qty.</i>	<i>Description</i>
2	125-6694	2	Decal-Tie Down	8	140-5790	1	Decal-Dingo Tx700
3	133-8062	1	Decal-Spark Arrestor	9	145-0638	1	Decal-Loader Control
4	120-0625	4	Decal-Warning	10	125-6139	2	Decal-Lift/Tie Down
5	115-2047	2	Decal-Surface, Hot	11	93-9084	2	Decal-Point, Lift
6	145-0637	1	Decal-Safety	12	100-4627	1	Reflector
7	145-0609	1	Decal-Toro Logo	13	131-0709	1	Decal-Parking Brake

# Track Assembly

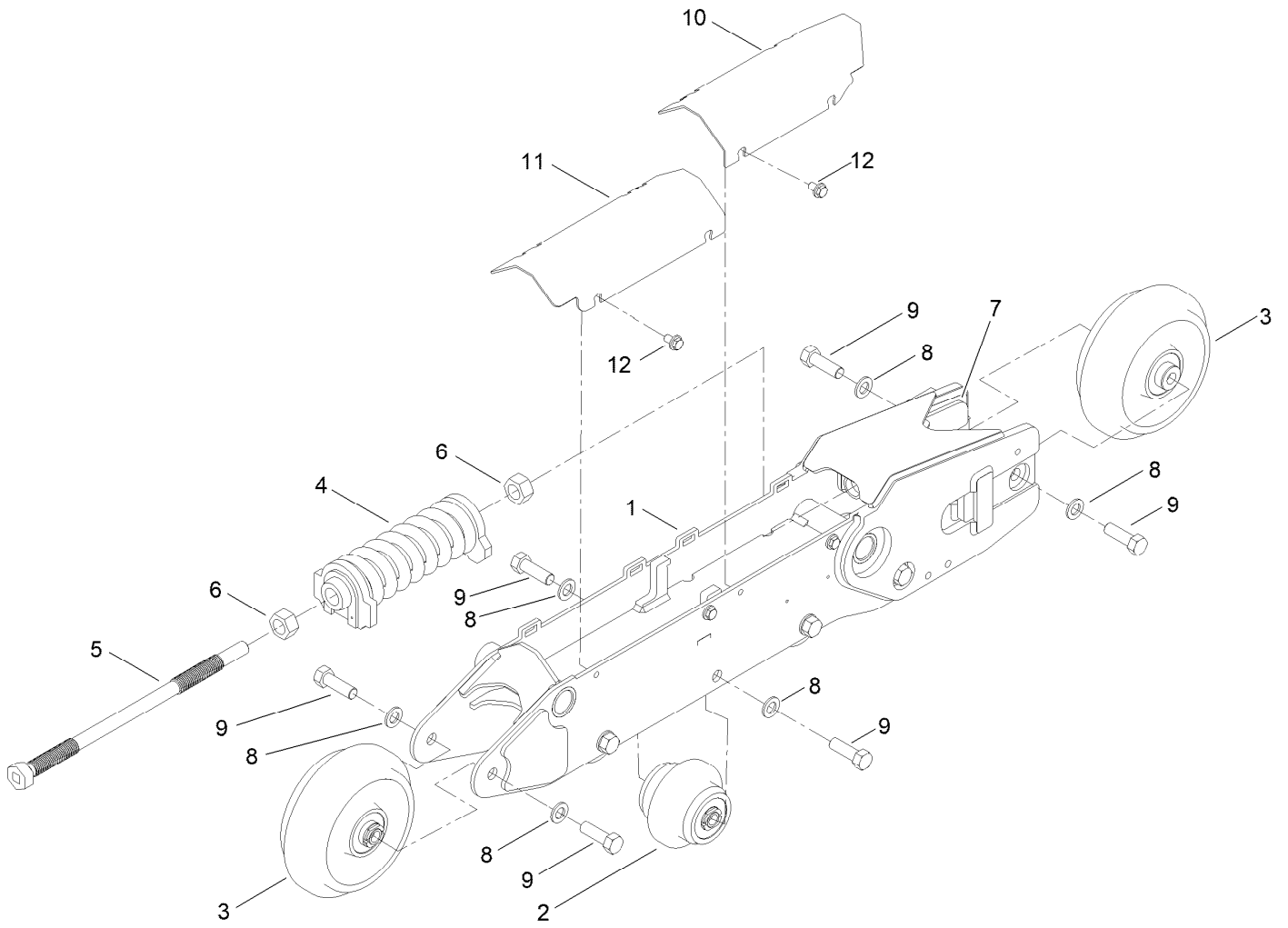




## Track Assembly (continued)

<i>Ref.</i>	<i>Part Number</i>	<i>Qty.</i>	<i>Description</i>	<i>Ref.</i>	<i>Part Number</i>	<i>Qty.</i>	<i>Description</i>
2	33116-025	20	Screw-HH	7	144-4268	4	Spacer-Track
3	138-0777	2	Track-Wide,	8	145-3157	4	Sleeve-Track
4	139-7118	4	Sprocket-Drive	11	145-3322	2	Pin-Track
5	139-7293	1	Track ASM-RH	12	AU426-1256	4	Screw-HH
6	139-7294	1	Track ASM-LH	13	99-2659	4	Washer

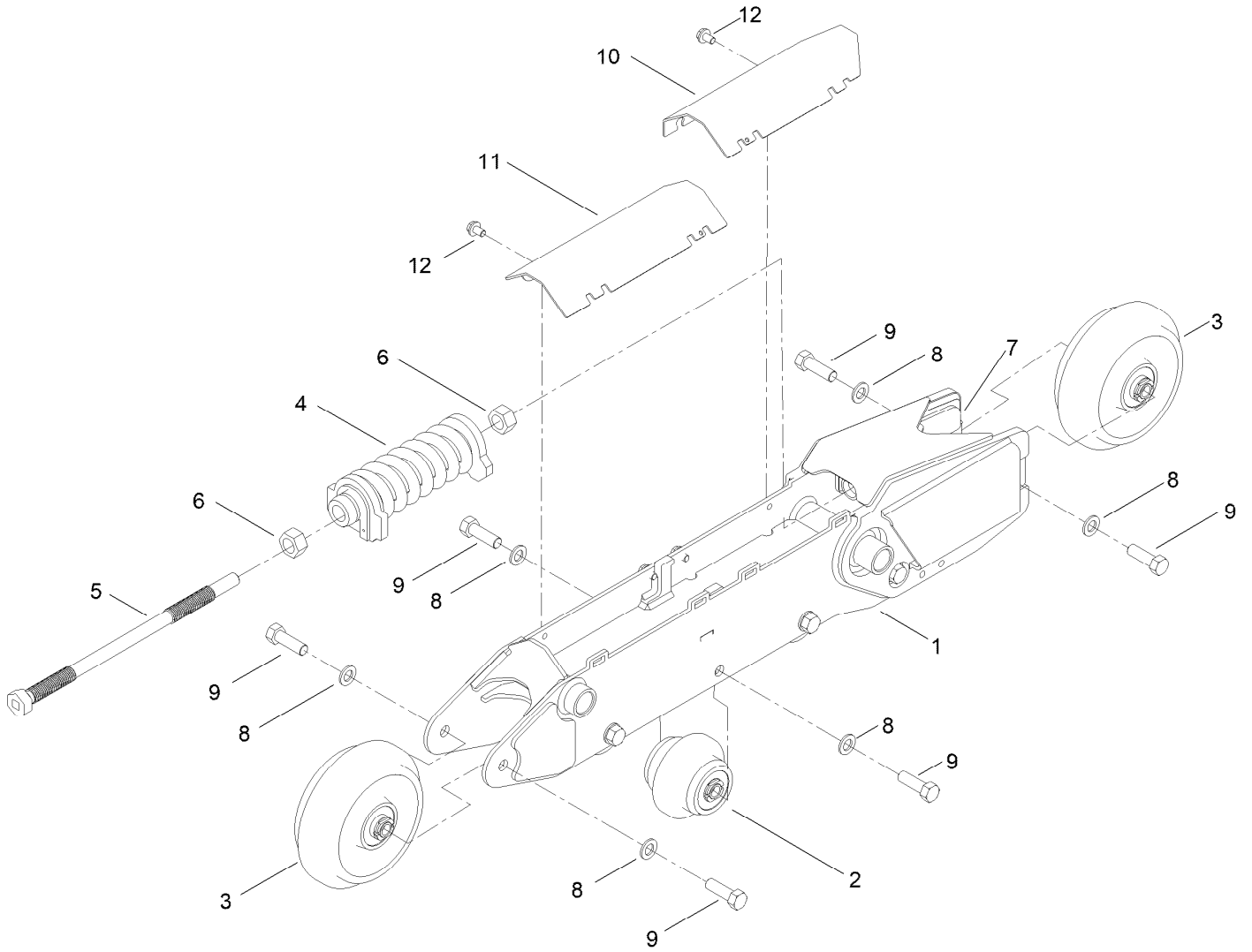
# RH Track Assembly No. 139-7293



## RH Track Assembly No. 139-7293 (continued)

<i>Ref.</i>	<i>Part Number</i>	<i>Qty.</i>	<i>Description</i>	<i>Ref.</i>	<i>Part Number</i>	<i>Qty.</i>	<i>Description</i>
1	139-7292	1	Frame-Track RH	7	139-7301	1	Yoke-Tensioner
2	137-8808	4	Wheel ASM,	8	139-7310	12	Washer
3	137-8807	2	Tensioner Wheel ASM	9	111-3484	12	Screw-HH
4	140-5872	1	Kit-Spring Tension	10	139-7311	1	Plate-Cover RH
5	139-7298	1	Screw-Tensioner	11	139-7312	1	Plate-Cover RH
6	3217-15	2	Nut-Hex	12	63-11-019	4	Screw-HHF

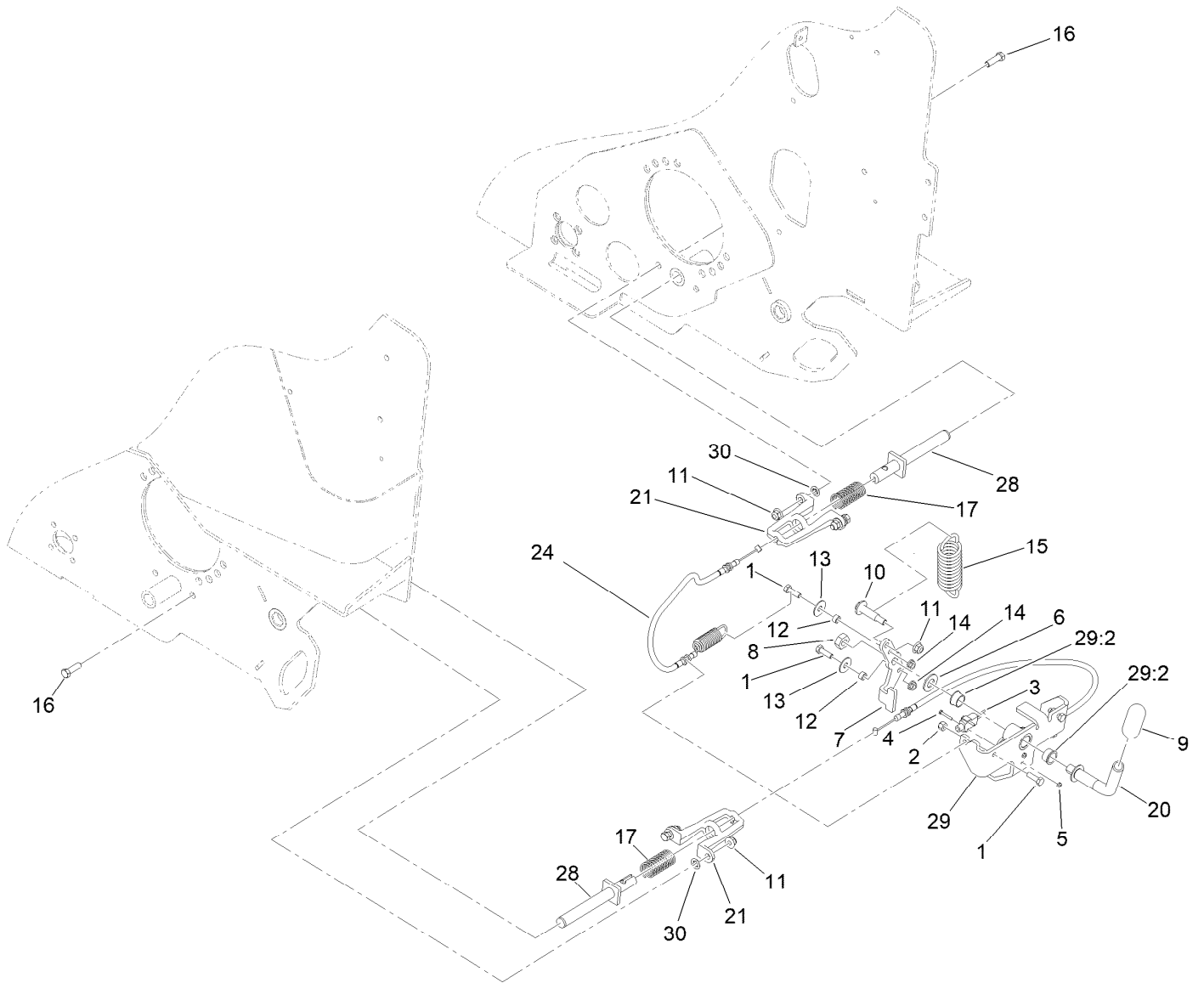
# LH Track Assembly No. 139-7294



## LH Track Assembly No. 139-7294 (continued)

<i>Ref.</i>	<i>Part Number</i>	<i>Qty.</i>	<i>Description</i>	<i>Ref.</i>	<i>Part Number</i>	<i>Qty.</i>	<i>Description</i>
1	139-7303	1	Frame-Track LH	7	139-7301	1	Yoke-Tensioner
2	137-8808	4	Wheel ASM,	8	139-7310	12	Washer
3	137-8807	2	Tensioner Wheel ASM	9	111-3484	12	Screw-HH
4	140-5872	1	Kit-Spring Tension	10	139-7304	1	Plate-Cover LH
5	139-7298	1	Screw-Tensioner	11	139-7305	1	Plate-Cover LH
6	3217-15	2	Nut-Hex	12	63-11-019	4	Screw-HHF

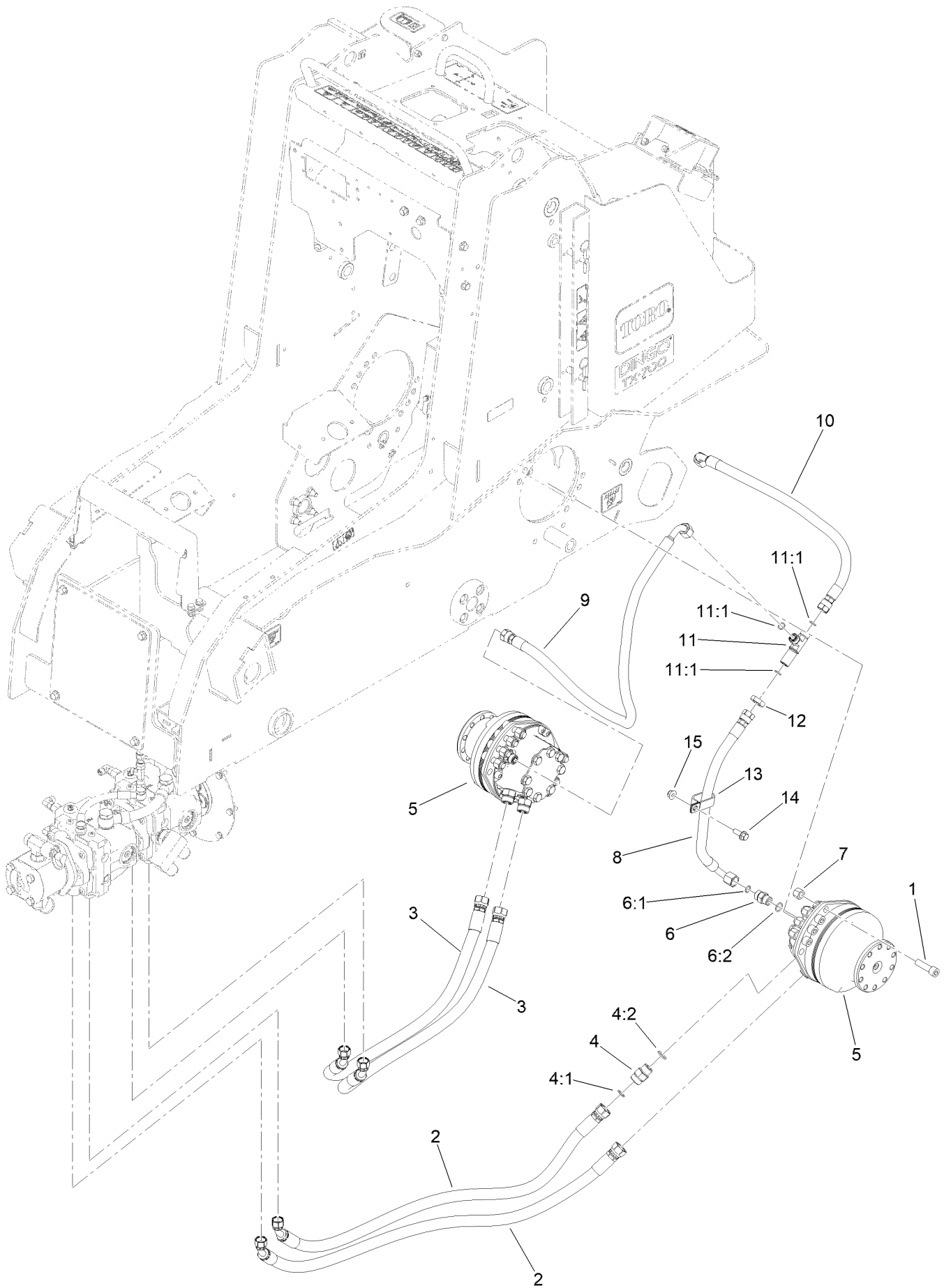
# Parking Brake Assembly



## Parking Brake Assembly (continued)

<i>Ref.</i>	<i>Part Number</i>	<i>Qty.</i>	<i>Description</i>	<i>Ref.</i>	<i>Part Number</i>	<i>Qty.</i>	<i>Description</i>
1	322-5	4	Screw-HH	13	52-2860	2	Washer
2	3296-29	2	Nut-Lock, NI	14	32128-20	2	Nut-HF
3	95-8900	1	Switch	15	136-4787	1	Spring-EXT
4	32105-9	2	Screw-HH	16	323-7	4	Screw-HH
5	3296-9	2	Nut-Hex	17	125-0344	2	Spring-Compression
6	3256-27	1	Washer-Flat	20	133-0232	1	Lever-Brake
7	138-0205-0P	1	Plate-Brake Linkage	21	138-0207-03	2	Mount-Pin [black]
8	3296-33	1	Nut-Lock, NI	24	136-4789	2	Cable-Brake
9	110-1037	1	Grip-Handle	28	145-3170	2	Brake Rod ASM
10	136-7198	1	Bolt-Shoulder	29	145-3171	1	Brake Bracket ASM
11	104-8301	5	Nut-HF, NI	29:2	256-252	2	Bearing-Flange
12	85-9120	2	Spacer-Pivot, Tilt	30	107-3154	4	Nut-Push

# Traction Hydraulic Assembly

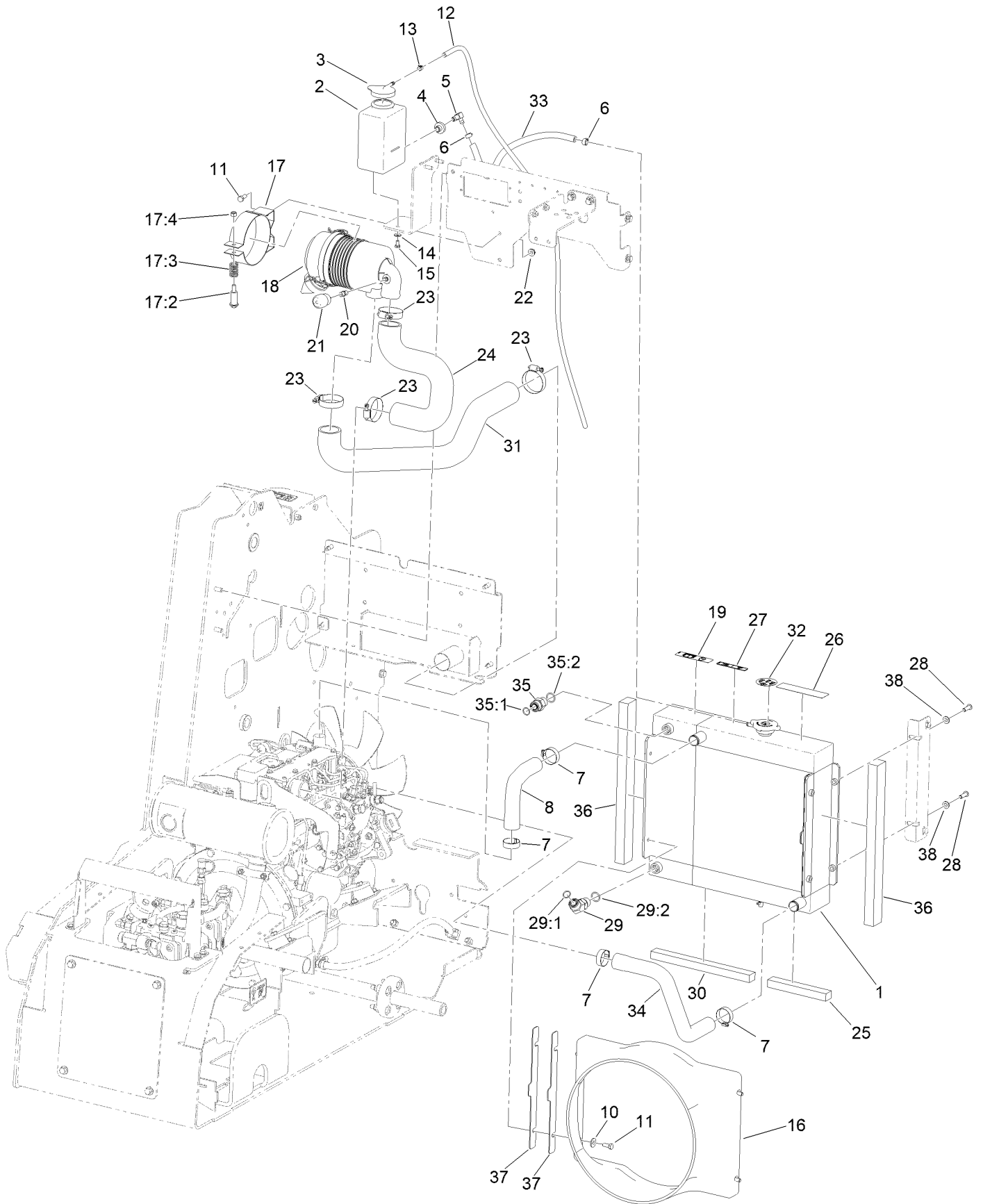




## Traction Hydraulic Assembly (continued)

<i>Ref.</i>	<i>Part Number</i>	<i>Qty.</i>	<i>Description</i>	<i>Ref.</i>	<i>Part Number</i>	<i>Qty.</i>	<i>Description</i>
1	3296-23	16	Nut-Lock, NI	7	131-0661	16	Screw-HSH
2	140-2874	2	Hose ASM-HYD	8	145-3310	1	Hose ASM-HYD
3	140-2913	2	Hose ASM-HYD	9	145-3311	1	Hose ASM-HYD
4	340-7	4	Fitting-Straight	10	145-3312	1	Hose ASM-HYD
4:1	237-65	1	O-Ring	11	340-121	1	Fitting-Tee
4:2	237-80	1	O-Ring	11:1	237-30	3	O-Ring
5	145-4427	2	Wheelmotor ASM	12	340-127	1	Nut-Bulkhead
6	340-4	2	Fitting-Straight	13	2412-137	1	Clamp-R, Double
6:1	237-30	1	O-Ring	14	3234-42	1	Screw-HHF
6:2	237-79	1	O-Ring	15	104-8301	1	Nut-HF, NI

# Radiator and Air Cleaner Assembly

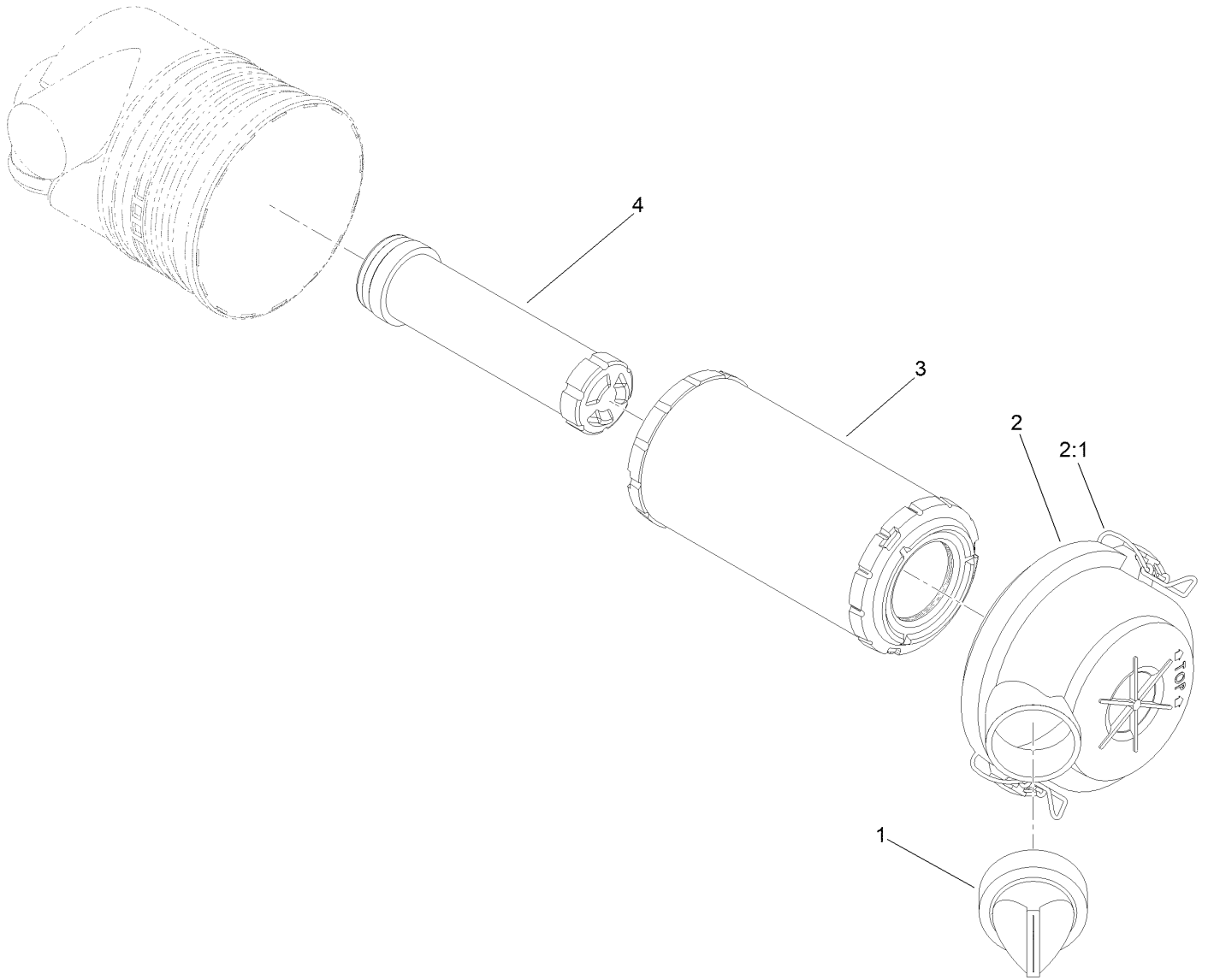


## Radiator and Air Cleaner Assembly (continued)

<i>Ref.</i>	<i>Part Number</i>	<i>Qty.</i>	<i>Description</i>	<i>Ref.</i>	<i>Part Number</i>	<i>Qty.</i>	<i>Description</i>
1	140-2852	1	Rad/Oil Cooler	21	104-3563	1	Indicator
2	1-643163	1	Tank-Overflow	21:1	94-1416	1	Adapter-Indicator ●
3	1-643164	1	Cap-Tank, Overflow	22	32128-20	2	Nut-HF
4	46-6560	1	Bushing	23	2412-92	4	Clamp-Hose
5	46-6550	1	Fitting-Elbow, 90 DEG	24	140-2856	1	Hose-Air, Inlet
6	92-2379	2	Clamp-Hose	25	144-2132	1	Foam-Radiator Bottom LH
7	2412-34	4	Clamp-Hose	26	93-7814	1	Decal-Danger
8	140-2858	1	Hose-Radiator, Upper	27	93-6681	1	Decal-Warning, Fan
10	3256-3	4	Washer-Flat	28	109-4872	4	Screw-HSH
11	322-3	6	Screw-HH	29	340-14	1	Fitting-HYD, 45 DEG
12	108-9698	1	Hose-Fuel	29:1	237-65	1	O-Ring
13	2412-80	1	Clamp-Hose	29:2	237-80	1	O-Ring
14	3256-22	2	Washer-Flat	30	144-2131	1	Foam-Radiator Bottom RH
15	321-2	2	Screw-HH	31	144-6082	1	Hose-Air, Inlet
16	140-5745	1	Shroud-Fan	32	117-3276	1	Decal-Danger
17	93-2191	1	Air Cleaner Mounting Band ASM	33	110-3257	1	Hose-Fuel
17:2	94-3653	1	Bolt	34	140-2857	1	Hose-Radiator, Lower
17:3	94-3654	1	Spring	35	340-7	1	Fitting-Straight
17:4	33024-00	1	Nut-Lock, NI	35:1	237-65	1	O-Ring
18	117-9989	1	Air Cleaner ASM	35:2	237-80	1	O-Ring
19	115-4865	1	Decal-Fill, Radiator	36	144-2130	2	Foam-Radiator Side
20	105-4292	1	Nipple-Pipe	37	145-3326	4	Spacer-Radiator
				38	3256-23	4	Washer-Plain

● Not illustrated

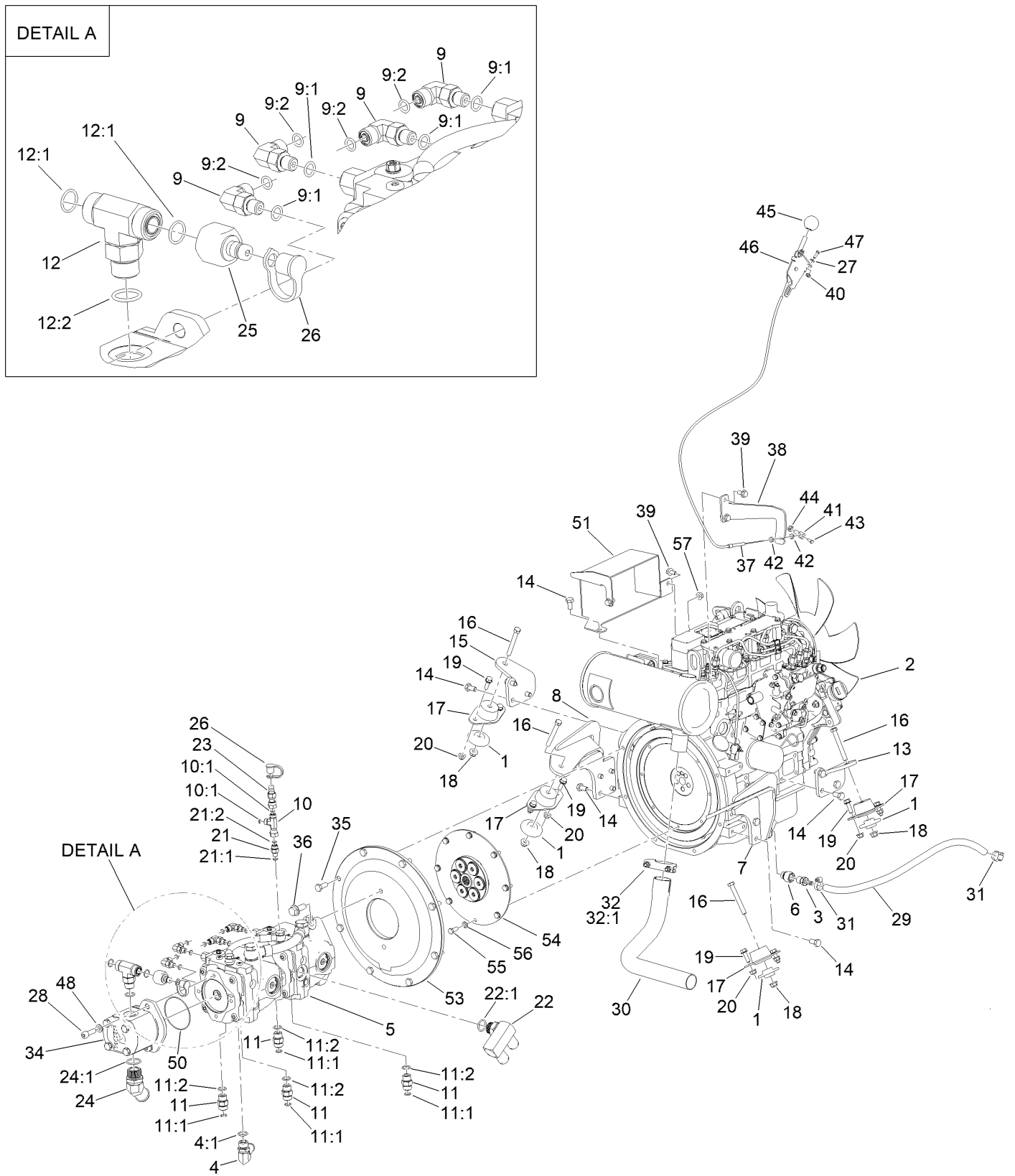
# Air Cleaner Assembly No. 117-9989



## Air Cleaner Assembly No. 117-9989 (continued)

<i>Ref.</i>	<i>Part Number</i>	<i>Qty.</i>	<i>Description</i>	<i>Ref.</i>	<i>Part Number</i>	<i>Qty.</i>	<i>Description</i>
1	87-9400	1	Valve-Vacuator	3	108-3811	1	Filter-Air V-Twin HD
2	94-3652	1	Cover ASM	4	98-2982	1	Filter-Element, Safety
2:1	1-643283	2	Latch-Cleaner, Air				

# Engine and Pump Assembly



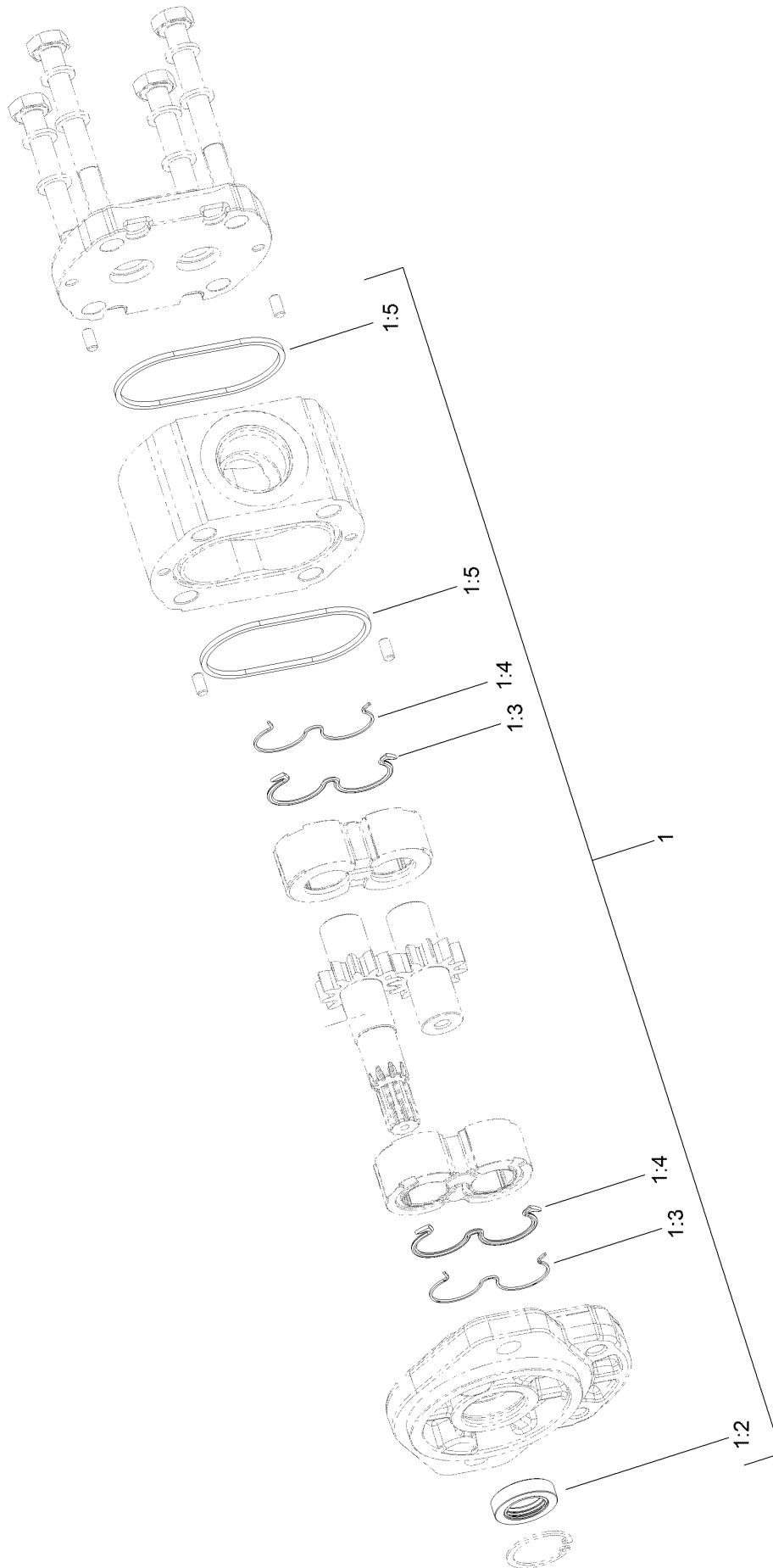
## Engine and Pump Assembly (continued)

<i>Ref.</i>	<i>Part Number</i>	<i>Qty.</i>	<i>Description</i>	<i>Ref.</i>	<i>Part Number</i>	<i>Qty.</i>	<i>Description</i>
1	138-6462	4	Support-Isolator	16	323-14	4	Screw-HH
2	145-3262	1	Engine-Yanmar 3Tnv80F-Nxdtr2	17	120-6274	4	Mount-Engine
3	1-513200	1	Fitting,Male	18	104-8301	4	Nut-HF, NI
4	87-8170	1	Fitting-90	19	3234-29	8	Screw-HHF
4:1	237-80	1	O-Ring	20	104-8300	8	Nut-HF, NI
5	145-3277	1	Pump - Tandem	21	340-92	1	Fitting-Straight
5:1	132-6041	1	Seal Kit ●	21:1	237-78	1	O-Ring
5:1:1		2	Seal Kit ●■	21:2	237-21	1	O-Ring
5:2	132-6042	1	Spacer-Jet ●	22	145-0621	1	Fitting
5:2:1		4	Jet-1-Hc-M5-5.5 ●■	22:1	237-81	1	O-Ring
5:3	132-6045	1	Shaft Seal Kit ●	23	115-8886	1	Nipple-Test
5:3:1		1	Shaft Seal Kit ●■	24	136-6071	1	Fitting-45 Elbow
5:4	132-6047	1	Tandem Connection Pipe Kit ●	24:1	237-146	1	O-Ring
5:4:1		1	Tandem Connection Kit ●■	25	86-5860	1	Nipple
5:5	138-0781	1	Valve-Relief ●	26	354-79	2	Cap-Dust
5:6	140-5300	1	Hardware Kit ●	27	3256-51	2	Washer-Flat
5:6:1		2	Bolt-Hex ●■	28	AU862-10030	2	Screw-HSH
5:6:2		2	Washer ●■	29	119-8562	1	Hose-Fuel
5:6:3		1	O-Ring ●■	30	140-5731	1	Pipe-Exhaust
5:7	144-7490	1	Jet-Kit ●	31	2412-36	2	Clamp-Hose
5:8	144-7491	1	Flushing Valve-Kit ●	32	2112-6	1	Clamp-Muffler
5:9	144-7363	1	Bolt Kit ●	32:1	3218-2	2	Nut-Hex Jam
5:9:1		4	Poclain P/N 4485 ●■	34	140-3048	1	Pump-Hydraulic
5:9:2		1	Poclain P/N 4670 ●■	35	33115-025	8	Screw-HH
5:9:3		1	Poclain P/N 4480 ●■	36	137-4653	2	Screw-HHF
6	139-2218	1	Adaptor-STR	37	144-7483	1	Throttle Cable
7	145-3341-03	1	Left Hand Mount [black]	38	147-9011	1	Bracket-Throttle Cable
8	145-3340-03	1	Right Hand Mount [black]	39	33104-016	4	Screw-HHF
9	340-132	4	Fitting-Elbow, 90 DEG	40	32149-7	2	Nut-Keps
9:1	237-78	1	O-Ring	41	98-9311	1	Swivel-Throttle
9:2	237-21	1	O-Ring	42	3220-1	2	Nut-Jam
10	340-151	1	Fitting-Tee	43	25-8640	1	Screw-HH
10:1	237-21	2	O-Ring	44	3296-20	1	Nut-Lock, NI
11	340-4	4	Fitting-Straight	45	233-42	1	Knob
11:1	237-30	1	O-Ring	46	108-9730	1	Lever-Control
11:2	237-79	1	O-Ring	47	3290-134	2	Screw
12	340-93	1	Tee-Adapter	48	107-1413	2	Washer-Hardened
12:1	237-65	2	O-Ring	50	353-949	1	O-Ring
12:2	237-80	1	O-Ring	51	145-3176-03	1	Shield-Exhaust [black]
13	140-2771-03	1	Bracket-Engine Mount, Rear LH	53	145-3210-0P	1	Cover-Flywheel
14	33115-020	15	Screw-HH	54	126-6531	1	Coupler-Flywheel
15	140-2772-03	1	Bracket-Engine Mount, Rear RH	55	33114-020	8	Screw-HH
				56	3253-4	8	Washer-Lock
				57	33004-00	1	Nut-HF

● Not illustrated

■ Not serviced separately

# Hydraulic Pump Assembly No. 140-3048





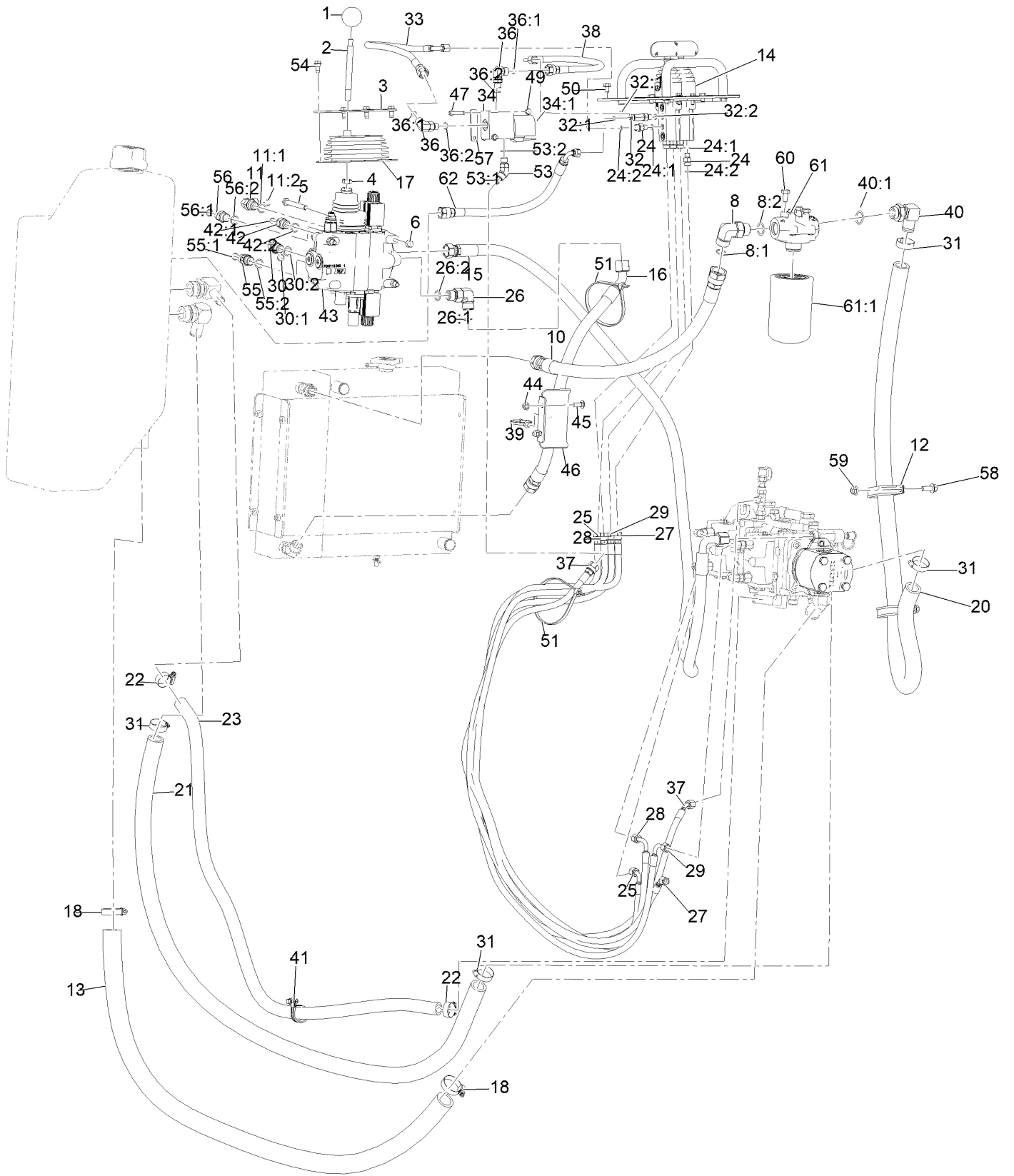
# Hydraulic Pump Assembly No. 140-3048 (continued)

<i>Ref.</i>	<i>Part Number</i>	<i>Qty.</i>	<i>Description</i>
1	119-7135	1	Kit-Seal
1:2		1	Shaft Seal ●
1:3		2	Anti-Extrusion Seal ●

<i>Ref.</i>	<i>Part Number</i>	<i>Qty.</i>	<i>Description</i>
1:4		2	Seal ●
1:5		2	Seal Square Section ●

● Not serviced separately

# Hydraulic Assembly

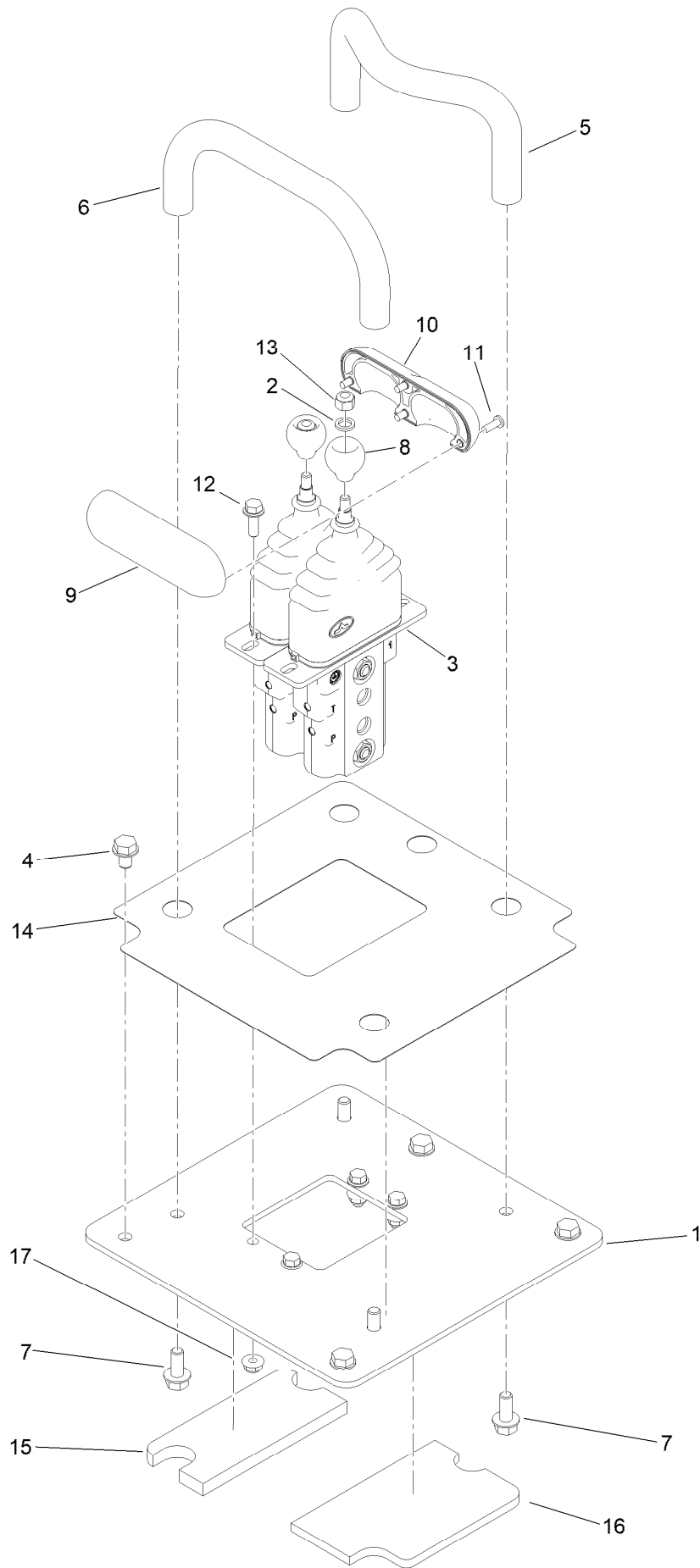


## Hydraulic Assembly (continued)

<i>Ref.</i>	<i>Part Number</i>	<i>Qty.</i>	<i>Description</i>	<i>Ref.</i>	<i>Part Number</i>	<i>Qty.</i>	<i>Description</i>
1	233-21	1	Knob	42	340-3	2	Fitting-Straight
2	108-4675	1	Shaft-Handle, Loader	42:1	237-22	1	O-Ring
3	144-7489-03	1	Ring-Boot	42:2	237-79	1	O-Ring
4	51-2070	1	Nut	43	144-4257	1	Loader Valve ASM,
5	323-15	3	Screw-HH	43:1	106-7724	1	Joystick Kit ●
6	3296-39	3	Nut-Lock, NI	43:1:1	98-0668	3	Nut ●
8	340-142	1	Fitting-Elbow, 90 DEG	43:1:2	106-7726	1	Pivot-Joystick ●
8:1	237-58	1	O-Ring	43:1:3	106-7727	1	Pin-Joystick ●
8:2	237-81	1	O-Ring	43:1:4	106-7728	1	End-Rod ●
10	140-3013	1	Hose ASM-HYD	43:1:5	42-9850	3	Washer-Lock, Spring ●
11	340-98	1	Fitting-Elbow, 90 DEG	43:1:6	98-5828	3	Screw-HSH ●
11:1	237-79	1	O-Ring	43:1:7	106-7729	1	Bellow-Rubber ●
11:2	237-30	1	O-Ring	43:1:8	3290-379	1	Tie-Cable ●
12	127-0516	2	Clamp-R, Double	43:1:9	106-7730	2	Joint-Joystick ●
13	140-3023	1	Hose-Return	43:1:10	106-7731	1	Holder-Articulated ●
14	140-2940	1	Traction Control ASM	43:2	106-7725	1	Seal-Joystick ●
15	140-3014	1	Hose-HYD ASM	43:3	106-7738	2	Seal-Valve, Spool ●
16	140-3012	1	Hose ASM-HYD	43:4	106-7737	1	Spool-Valve ●
17	144-2128	1	Boot-Control	43:5	106-7736	1	Spool-Valve ●
18	2412-111	2	Clamp-Hose, W/Liner	43:6	132-6031	1	Valve-Relief, Main ●
20	145-3295	1	Hose-Return	43:7	353-988	2	Plug-Hex ●
21	140-3025	1	Hose-Return	43:7:1	237-79	1	O-Ring ●
22	2412-129	2	Clamp-Hose	43:8	106-7734	3	Valve-Relief ●
23	140-3026	1	Hose-Return	43:9	106-7719	2	Seal-Valve ●
24	340-92	5	Fitting-Straight	43:10	106-7732	1	Valve Spring Kit ●
24:1	237-78	1	O-Ring	43:11	106-7733	1	Detent Spring Kit ●
24:2	237-21	1	O-Ring	43:12	132-6032	1	Joint-SAE 8 ●
25	140-3015	1	Hose ASM-HYD	43:13	132-6033	1	Plug ●
26	340-17	2	Fitting-Elbow, 90 DEG	44	104-8300	2	Nut-HF, NI
26:1	237-65	1	O-Ring	45	3230-10	2	Bolt-CARR
26:2	237-80	1	O-Ring	46	140-5738-03	1	Plate-Hose
27	140-3016	1	Hose ASM-HYD	47	321-18	2	Screw-HH
28	140-3017	1	Hose ASM-HYD	49	104-7201	3	Nut-HF, NI
29	140-3018	1	Hose ASM-HYD	50	3234-4	1	Screw-HHF
30	340-101	1	Fitting-HYD, 45 DEG	51	3334-945	2	Tie-Cable
30:1	237-30	1	O-Ring	53	340-87	1	Fitting-Elbow, 45 DEG
30:2	237-79	1	O-Ring	53:1	237-22	1	O-Ring
31	2412-34	4	Clamp-Hose	53:2	237-42	1	O-Ring
32	340-140	1	Fitting-Tee	54	126-4424	4	Screw-Shoulder
32:1	237-21	2	O-Ring	55	145-4333	1	Valve-Check
32:2	237-78	1	O-Ring	55:1	237-79	1	O-Ring
33	140-3019	1	Hose ASM-HYD	55:2	237-30	1	O-Ring
34	158-627	1	Solenoid Valve	56	340-4	1	Fitting-Straight
34:1	217-770	1	Solenoid Coil	56:1	237-30	1	O-Ring
36	340-77	2	Fitting-Elbow, 90 DEG	56:2	237-79	1	O-Ring
36:1	237-22	1	O-Ring	57	145-3260	1	Plate, Backing
36:2	237-42	1	O-Ring	58	3234-42	2	Screw-HHF
37	140-3020	1	Hose ASM-HYD	59	104-8301	2	Nut-HF, NI
38	140-3021	1	Hose ASM-HYD	60	33115-020	4	Screw-HH
39	32180-030	1	Clip-Tie	61	93-2242	1	Oil Filter ASM
40	100-4202	1	Fitting-90	61:1	75-1310	1	Filter-HYD
40:1	237-81	1	O-Ring	62	145-3293	1	Hose ASM-HYD
41	119-9037	1	Clamp-R				

● Not illustrated

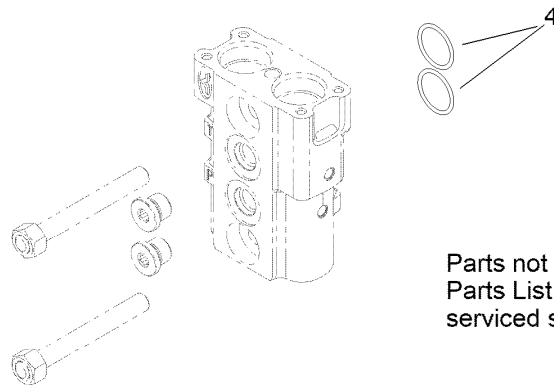
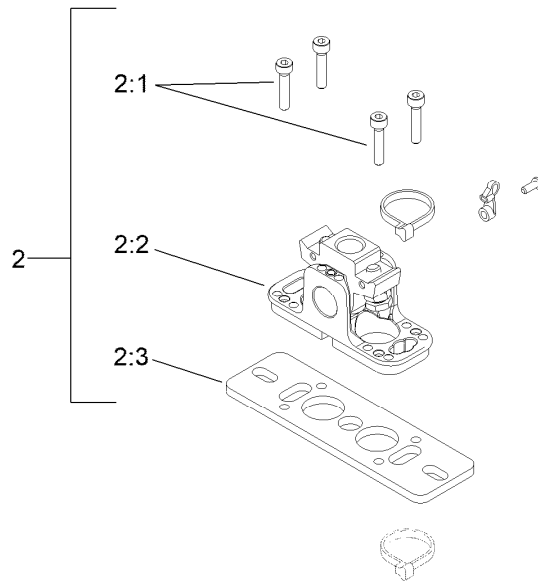
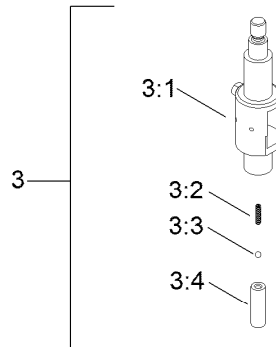
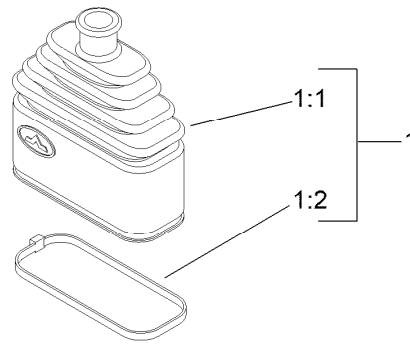
# Traction Control Assembly No. 140-2940



## Traction Control Assembly No. 140-2940 (continued)

<i>Ref.</i>	<i>Part Number</i>	<i>Qty.</i>	<i>Description</i>	<i>Ref.</i>	<i>Part Number</i>	<i>Qty.</i>	<i>Description</i>
1	140-5749-01	1	Panel-Cover	10	131-9162	1	Handle-Traction
2	75-5470	2	Spacer-Bearing	11	94-6961	4	Screw
3	145-3279	1	Valve-Control (Traction)	12	115-5103	4	Screw-HHF
4	700057	4	Screw-HWH	13	3296-42	2	Nut-Lock, NI
5	138-0791	1	Bar-Reference	14	145-3242	1	Decal-Traction
6	145-4400	1	Bar-Reference	15	132-8415	1	Foam-Shield, Heat
7	3234-5	4	Screw-HHF	16	145-3241	1	Foam-Shield, Heat
8	130-7723	2	Ball-Traction	17	104-7201	4	Nut-HF, NI
9	130-7692	1	Handle-Control				

# Control Valve Assembly No. 145-3279



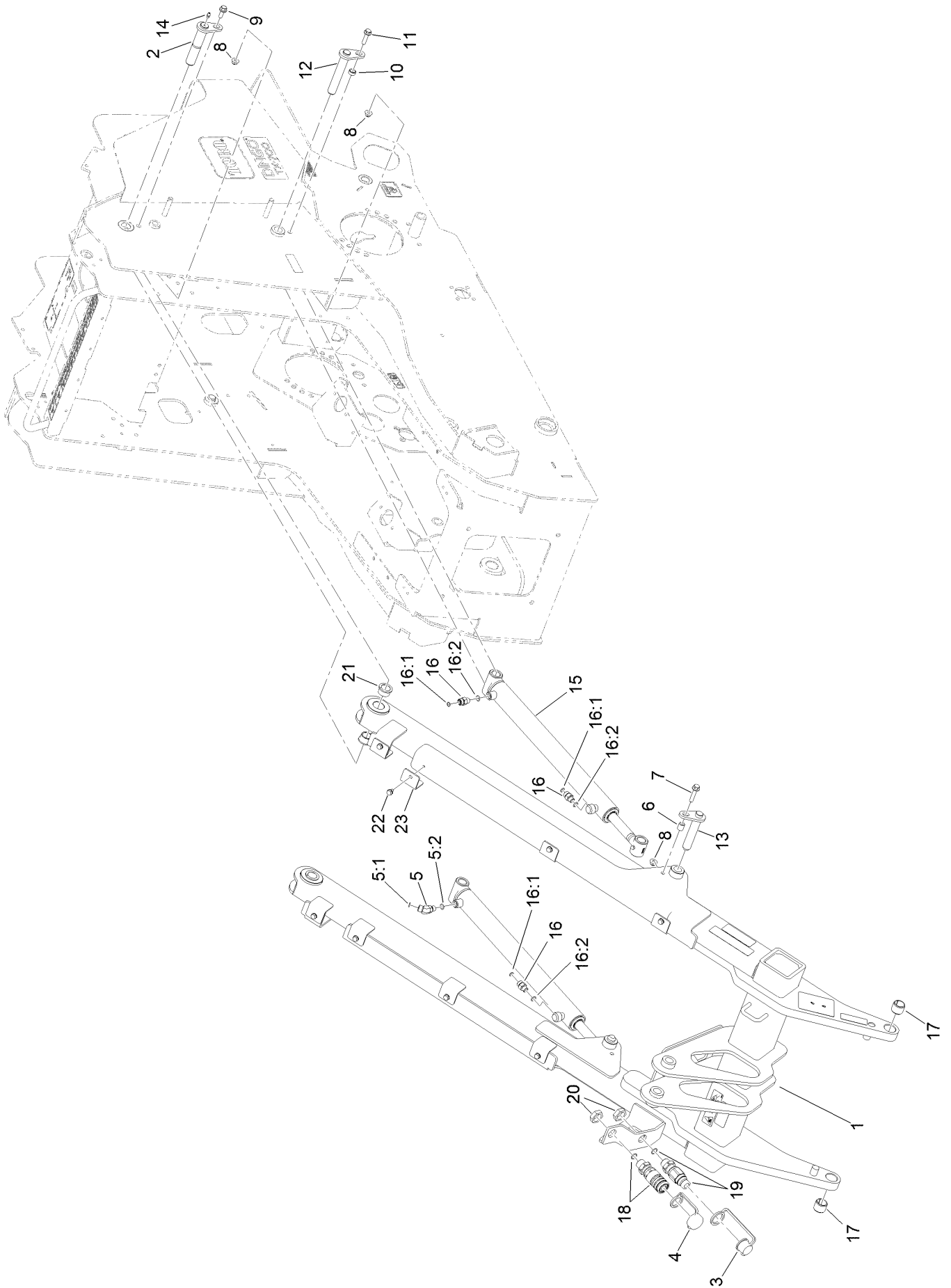
Parts not listed in  
Parts List are not  
serviced separately

# Control Valve Assembly No. 145-3279 (continued)

<i>Ref.</i>	<i>Part Number</i>	<i>Qty.</i>	<i>Description</i>	<i>Ref.</i>	<i>Part Number</i>	<i>Qty.</i>	<i>Description</i>
1	132-6034	2	Bellow Kit	3	132-6037	2	Switch Holder Lever Kit
1:1		1	Bellow-Rubber ●	3:1		1	Lever-Holder, Switch ●
1:2		1	Tie-Cable ●	3:2		1	Spring-Return ●
2	132-6036	2	Fulcrum Kit	3:3		1	Sphere ●
2:1		4	Screw ●	3:4		1	Holder-Spring ●
2:2		1	Support Kit ●	4	100-7246	2	O-Ring
2:3		1	Plate-Mounting ●				

● Not serviced separately

# Loader Arm Assembly

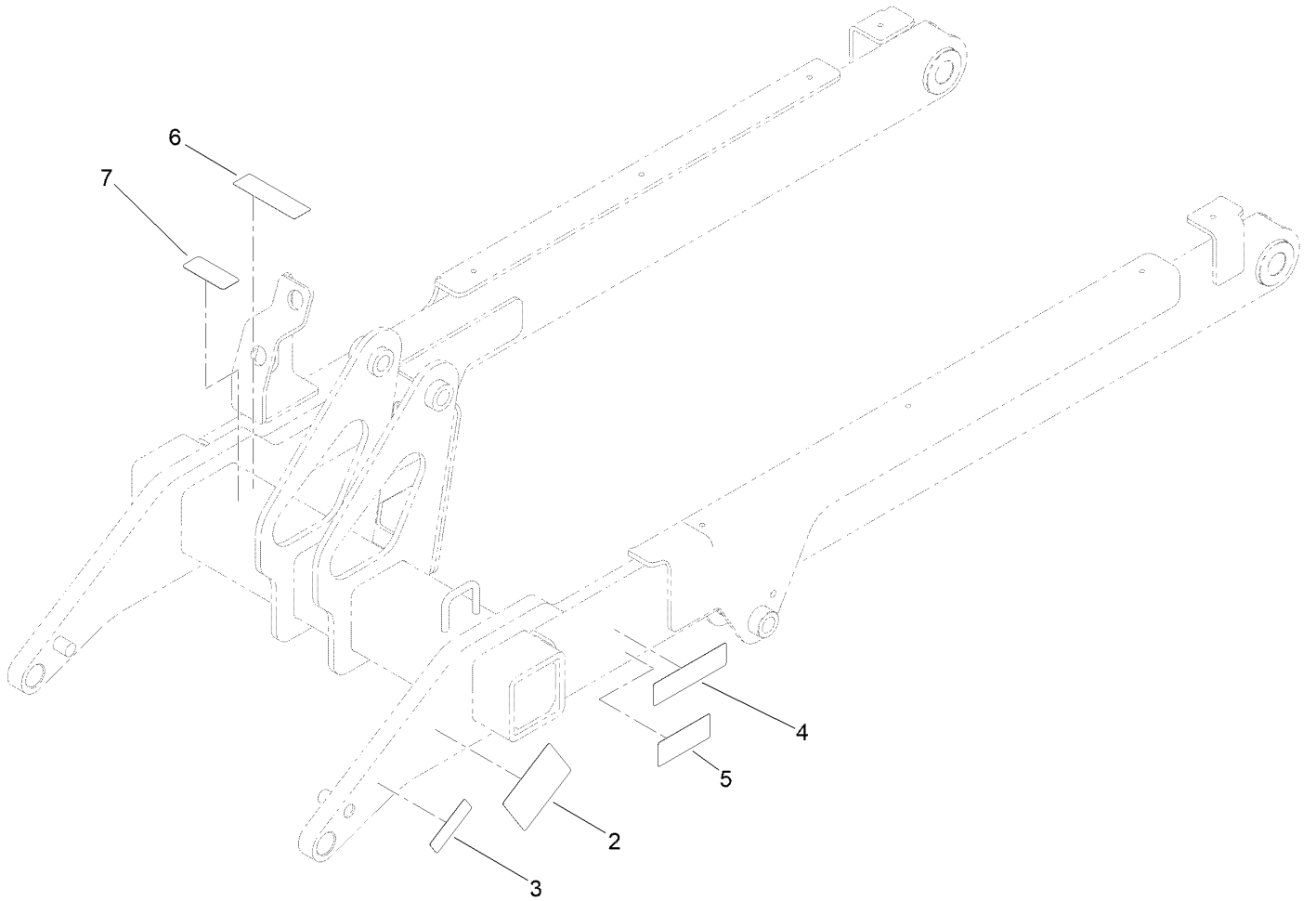




## Loader Arm Assembly (continued)

<i>Ref.</i>	<i>Part Number</i>	<i>Qty.</i>	<i>Description</i>	<i>Ref.</i>	<i>Part Number</i>	<i>Qty.</i>	<i>Description</i>
1	145-3225	1	Loader Arm ASM	13	140-2925	2	Pivot Pin ASM (Welded)
2	139-7270	2	Pin-Flag	14	302-5	2	Fitting-Grease
3	100-8815	1	Cap-Dust, Nipple	15	140-2974	2	Cly-HYD
4	100-8816	1	Cap-Dust, Coupler	16	340-2	3	Fitting-Straight
5	340-87	1	Fitting-Elbow, 45 DEG	16:1	237-22	1	O-Ring
5:1	237-22	1	O-Ring	16:2	237-42	1	O-Ring
5:2	237-42	1	O-Ring	17	98-4871	2	Bushing-Tension
6	136-1462	2	Spacer	18	139-4798	1	Coupler ASM,Bulkhead,
7	3234-19	2	Screw-HHF	19	139-4799	1	Coupler ASM,Bulkhead,
8	104-8301	6	Nut-HF, NI	20	340-74	2	Nut-Lock, Bulkhead
9	3234-42	2	Screw-HHF	21	112-1626	4	Bushing-Flange
10	99-4201	2	Tube-Spacer	22	700057	8	Screw-HWH
11	3234-18	2	Screw-HHF	23	145-3304	8	Plate-Retainer, Hose
12	140-2927	2	Pivot Pin ASM (Welded)				

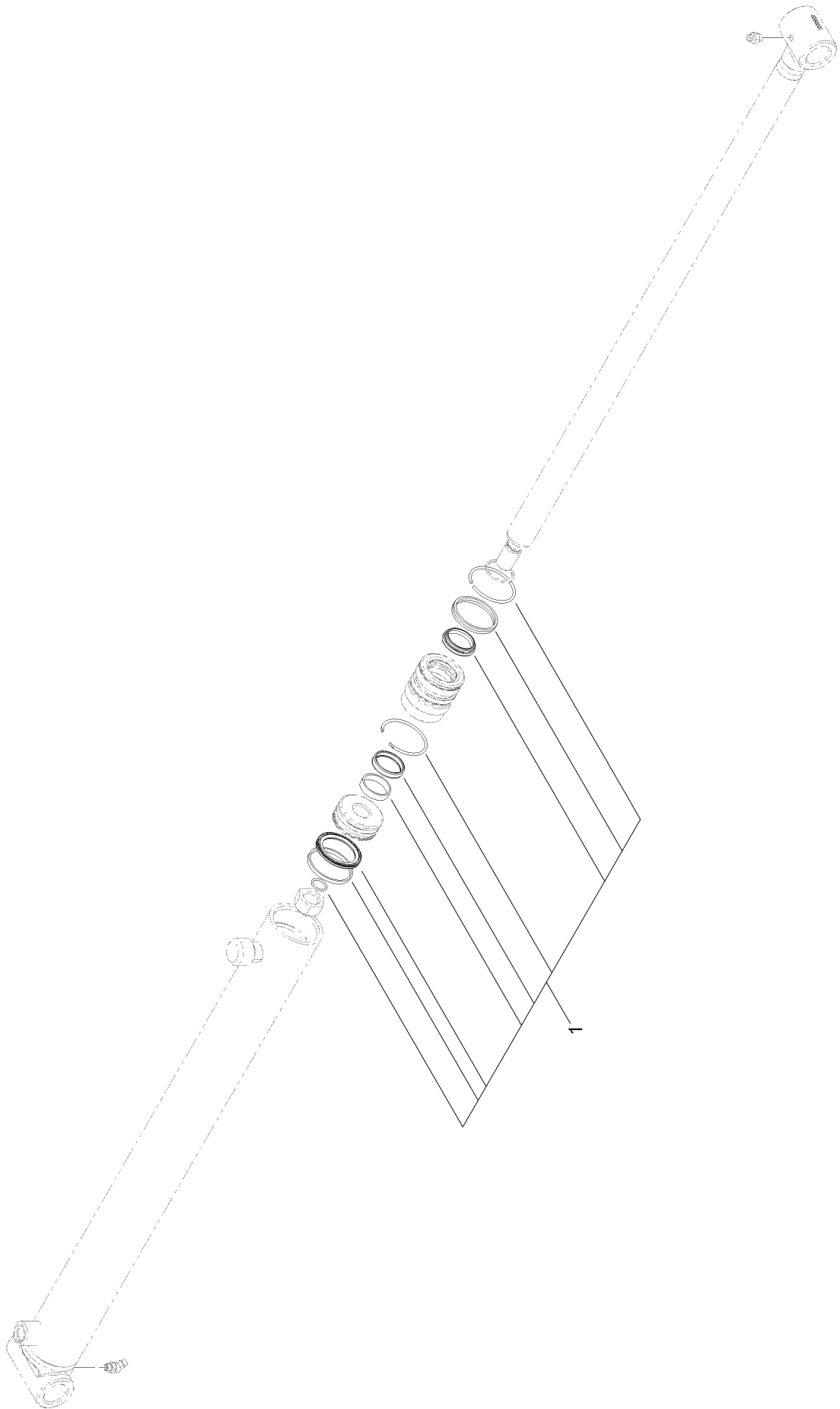
# Loader Arm Assembly No. 145-3225



## Loader Arm Assembly No. 145-3225 (continued)

<i>Ref.</i>	<i>Part Number</i>	<i>Qty.</i>	<i>Description</i>	<i>Ref.</i>	<i>Part Number</i>	<i>Qty.</i>	<i>Description</i>
2	145-3252	2	Decal - Warning, Bucket	5	139-1159	2	Decal-Warning
3	120-0625	2	Decal-Warning	6	115-4855	1	Decal-Caution
4	139-1158	2	Decal-Warning	7	139-1173	1	Decal-Warning

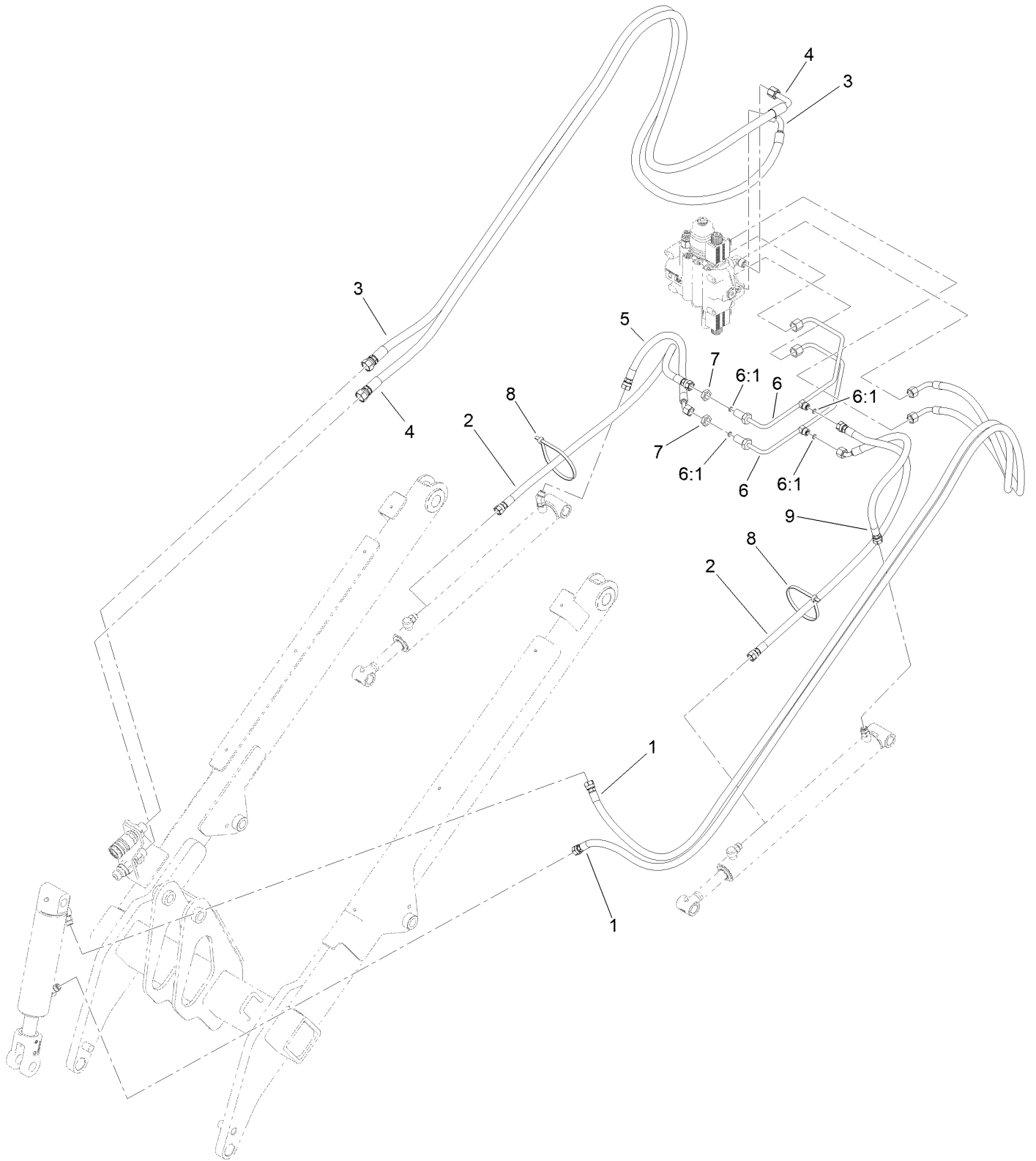
# Hydraulic Cylinder Assembly No. 140-2974



# Hydraulic Cylinder Assembly No. 140-2974 (continued)

<i>Ref.</i>	<i>Part Number</i>	<i>Qty.</i>	<i>Description</i>
1	144-7487	1	Kit-Seal, Hydraulic CYL

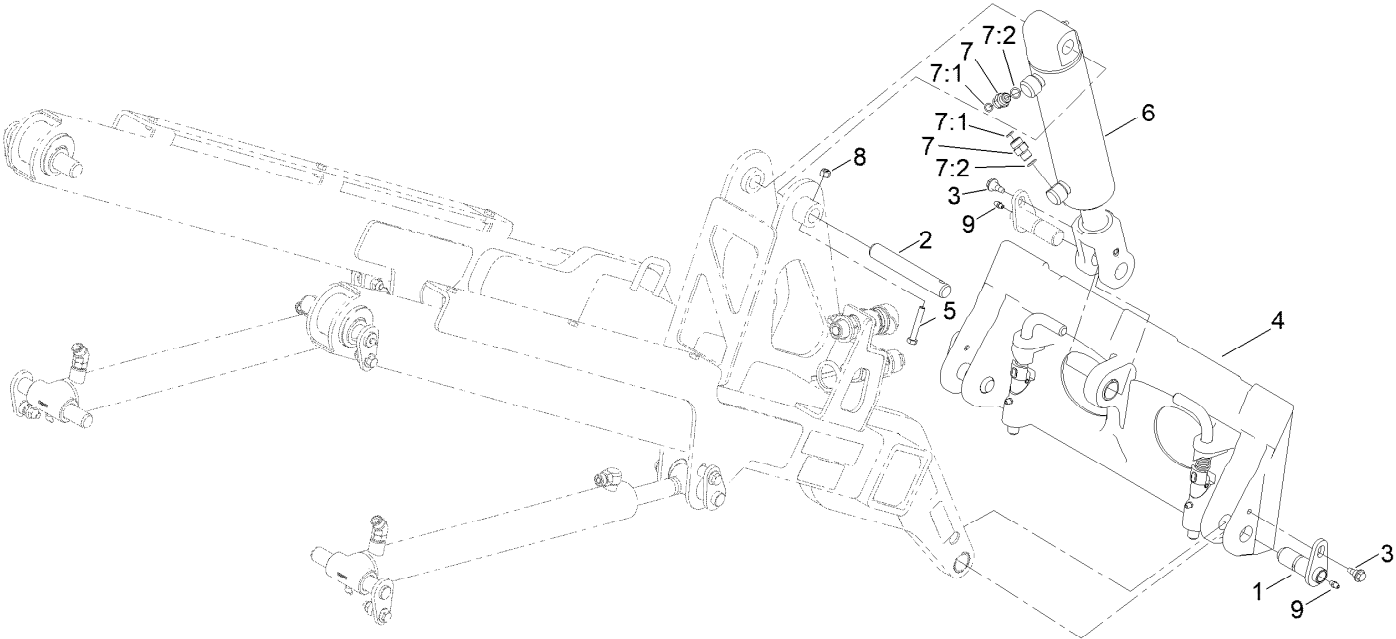
# Loader Arm Hydraulic Assembly



## Loader Arm Hydraulic Assembly (continued)

<i>Ref.</i>	<i>Part Number</i>	<i>Qty.</i>	<i>Description</i>	<i>Ref.</i>	<i>Part Number</i>	<i>Qty.</i>	<i>Description</i>
1	140-3008	2	Hose ASM-HYD	6	140-3007	2	Hydraulic Tube ASM
2	140-5732	2	Hose ASM-HYD	6:1	237-22	2	O-Ring
3	140-3010	1	Hose ASM-HYD	7	340-70	2	Nut-Lock
4	140-3011	1	Hose ASM-HYD	8	3334-945	2	Tie-Cable
5	140-2892	1	Hose ASM-HYD	9	145-3329	1	Hose ASM-HYD

# Quick Attach Assembly

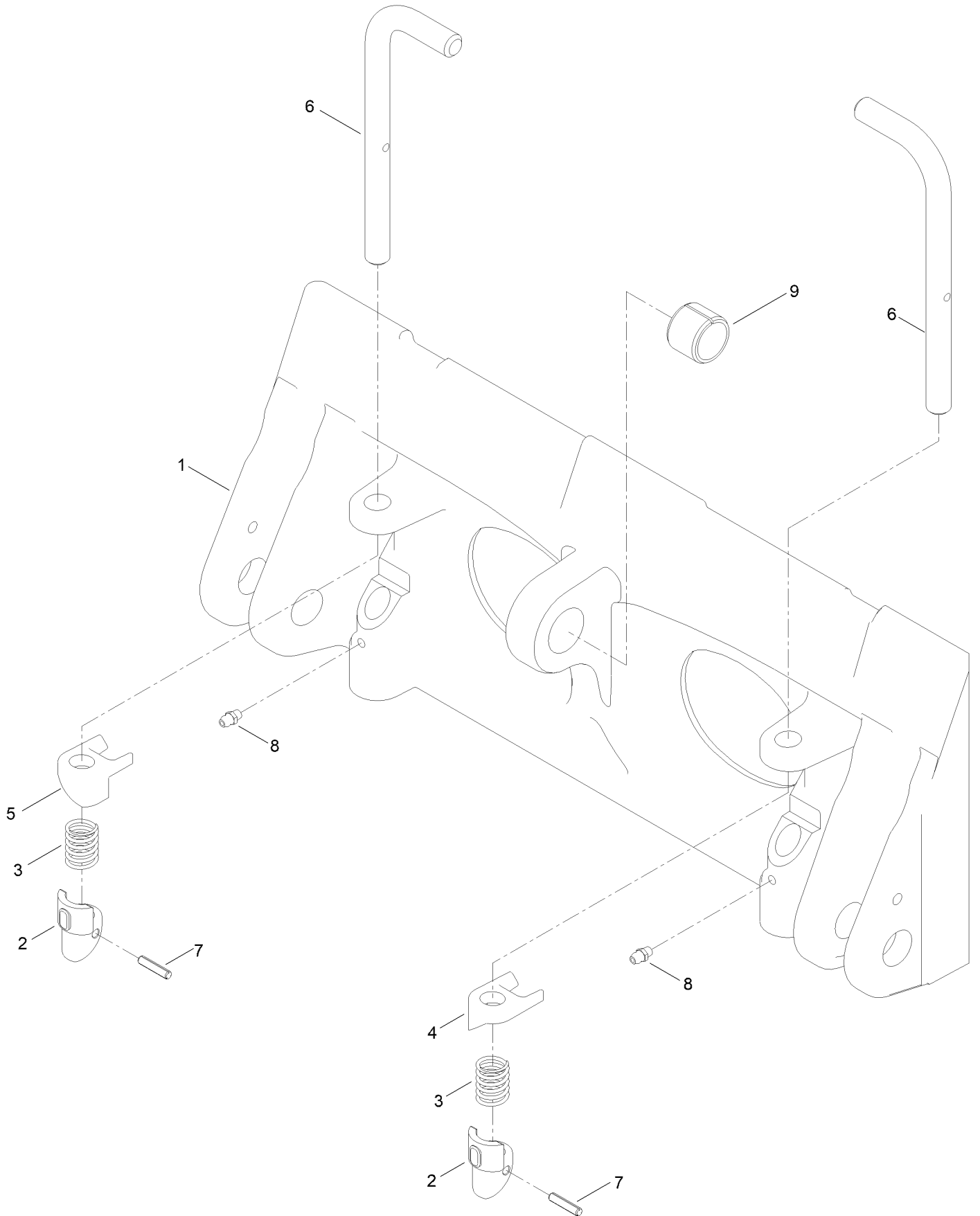




## Quick Attach Assembly (continued)

<i>Ref.</i>	<i>Part Number</i>	<i>Qty.</i>	<i>Description</i>	<i>Ref.</i>	<i>Part Number</i>	<i>Qty.</i>	<i>Description</i>
1	130-5222	2	Pin-Pivot	7	340-2	2	Fitting-Straight
2	104-2849	1	Pin-Locking	7:1	237-22	1	O-Ring
3	99-5105	3	Screw-Shoulder	7:2	237-42	1	O-Ring
4	132-8418	1	Quick Attach ASM	8	3296-29	1	Nut-Lock, NI
5	322-10	1	Screw-HH	9	302-5	3	Fitting-Grease
6	145-3202	1	HYD CYL ASM				

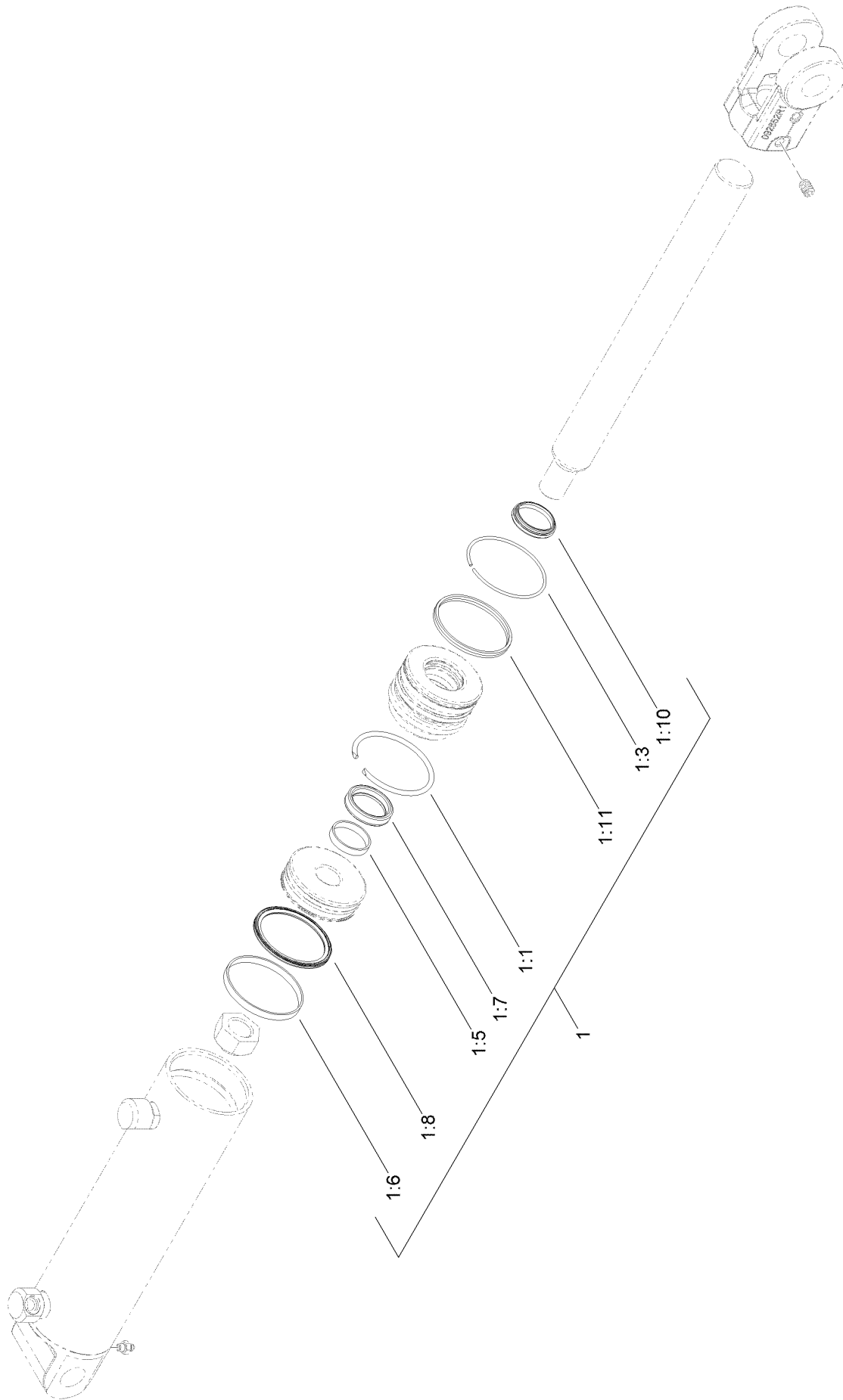
# Quick Attach Assembly No. 132-8418



## Quick Attach Assembly No. 132-8418 (continued)

<i>Ref.</i>	<i>Part Number</i>	<i>Qty.</i>	<i>Description</i>	<i>Ref.</i>	<i>Part Number</i>	<i>Qty.</i>	<i>Description</i>
1	130-7708-03	1	Mount-Qtach	6	132-8419	2	Pin-Locking
2	105-0246	2	Cam	7	3285-1	2	Pin-Grooved
3	98-4694	2	Spring-Compression	8	302-5	2	Fitting-Grease
4	104-5909	1	Stop-RH	9	98-4871	1	Bushing-Tension
5	104-5903	1	Stop-LH				

# Hydraulic Cylinder Assembly No. 145-3202



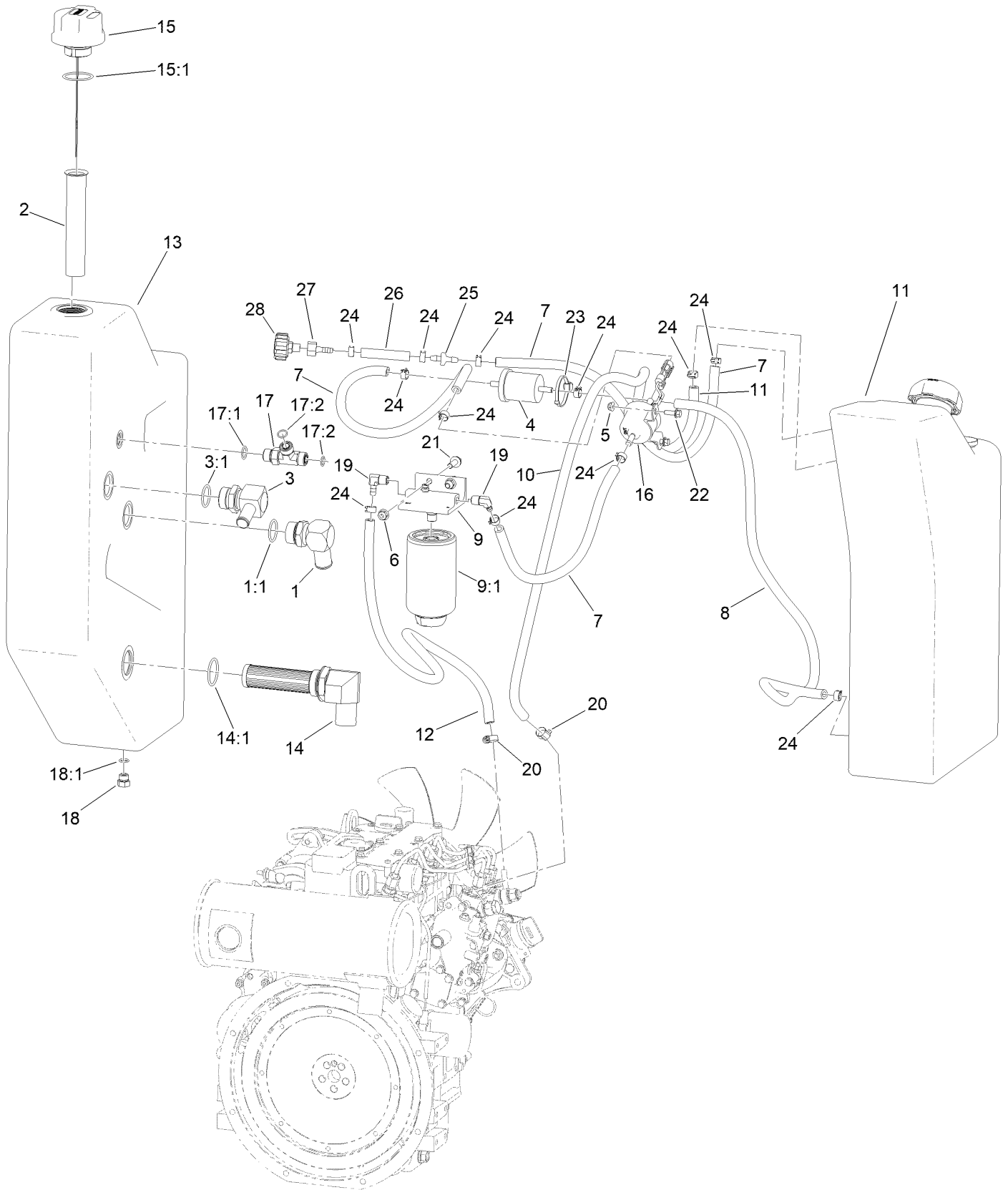
# Hydraulic Cylinder Assembly No. 145-3202 (continued)

<i>Ref.</i>	<i>Part Number</i>	<i>Qty.</i>	<i>Description</i>	<i>Ref.</i>	<i>Part Number</i>	<i>Qty.</i>	<i>Description</i>
1	145-3227	1	Kit-Seal, Hydraulic CYL	1:8		1	Seal Zurcon Wynseal 2.75"-I ■
1:1		1	Retaining Ring Internal 2.7 ■	1:9		1	Seal Zurcon Glyd Ring P 2.7 ● ■
1:2		2	Retaining Ring Remov Tool 2 ● ■	1:10		1	Seal Wiper 1.38 Snap In Da2 ■
1:3		1	Retaining Ring External 2.7 ■	1:11		2	Seal Dual 2.75 ■
1:4		1	Clamp Gear 2.75" ● ■	1:12		1	Seal Kit Stuff Wire Rng Rep ● ■
1:5		1	Wear Ring 1.50-1.38-0.250 ■	1:13		1	Seal Kit Stuff Tss Seals ● ■
1:6		1	Wear Ring 2.75-2.63-0.250 ■				
1:7		1	Seal Zurcon U-Cup Ru9 1.38 ■				

● Not illustrated

■ Not serviced separately

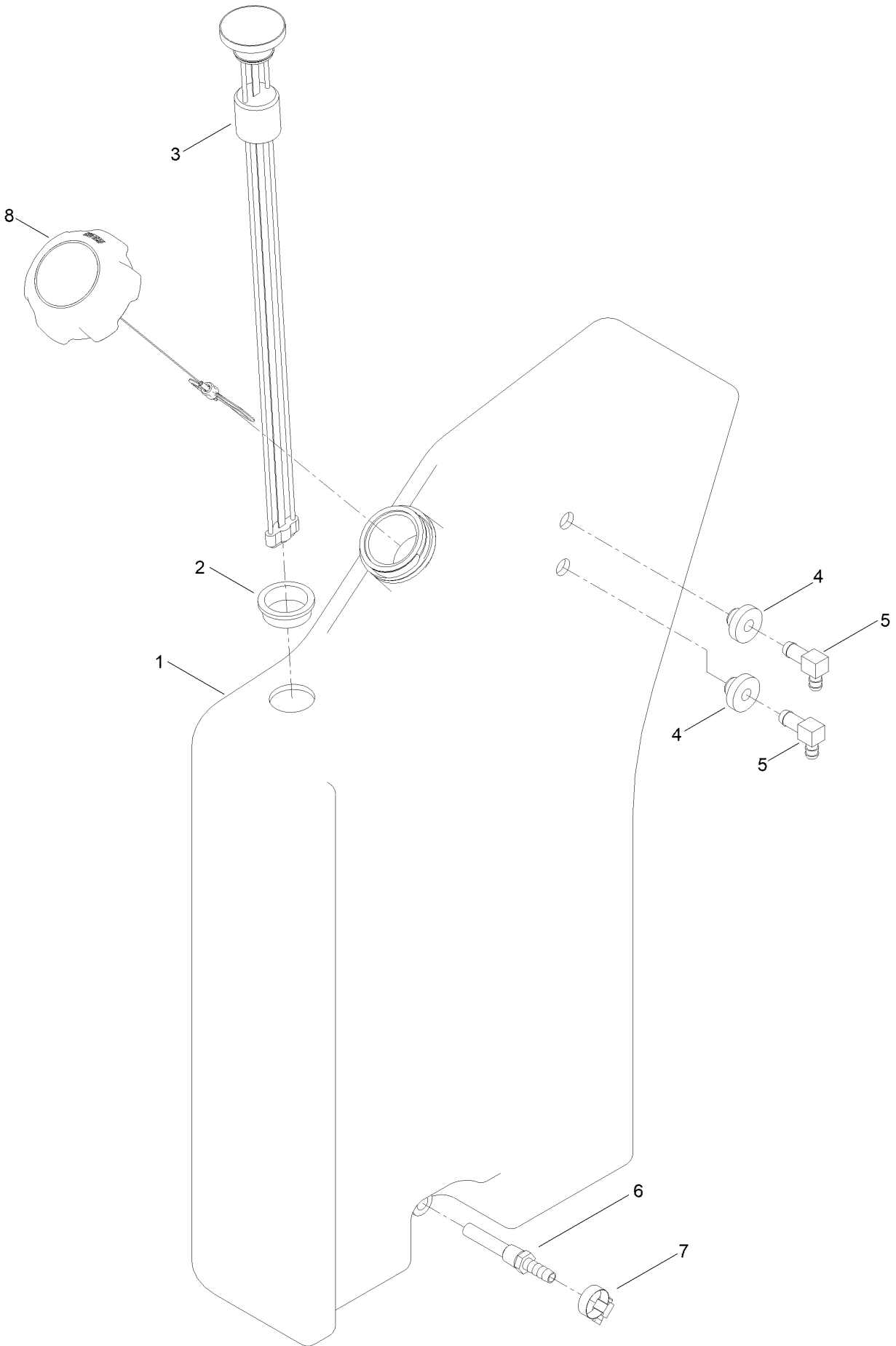
# Fuel Assembly



## Fuel Assembly (continued)

<i>Ref.</i>	<i>Part Number</i>	<i>Qty.</i>	<i>Description</i>	<i>Ref.</i>	<i>Part Number</i>	<i>Qty.</i>	<i>Description</i>
1	23-8910	1	Stem-Barb-90	15	145-0642	1	Cap-Filler, Breather
1:1	237-146	1	O-Ring	15:1	237-101	1	O-Ring
2	61-2790	1	Filter-Screen	16	145-3154	1	Pump-Fuel, Electric
3	98-0971	1	Fitting-Elbow, 90	17	340-109	1	Fitting-Tee
3:1	237-117	1	O-Ring	17:1	237-79	1	O-Ring
4	98-7612	1	Filter-Fuel	17:2	237-30	2	O-Ring
5	104-7201	2	Nut-HF, NI	18	353-508	1	Plug-HH
6	104-8300	2	Nut-HF, NI	18:1	237-42	1	O-Ring
7	108-3284	3	Hose-Fuel	19	353-781	2	Fitting-HYD, 90
8	109-0309	1	Hose-Fuel	20	2412-108	2	Clamp-Worm
9	110-9044	1	Separator-Filter	21	3234-17	2	Screw-HHF
9:1	110-9049	1	Filter-Spin On, Fuel/Water	22	3234-4	2	Screw-HHF
10	130-4346	1	Hose-Fuel	23	32180-030	1	Clip-Tie
11	140-5762	1	Tank ASM, LH	24	92-2379	12	Clamp-Hose
12	140-5774	1	Hose-Fuel	25	99-5000	1	Valve-Check, Fuel
13	144-6096	1	Tank-Hydraulic	26	112-6388	1	Hose-Fuel
14	145-0622	1	Strainer Fitting ASM	27	354-95	1	Fitting-Straight
14:1	237-101	1	O-Ring	28	68-6150	1	Breather

# Fuel Tank Assembly No. 140-5762

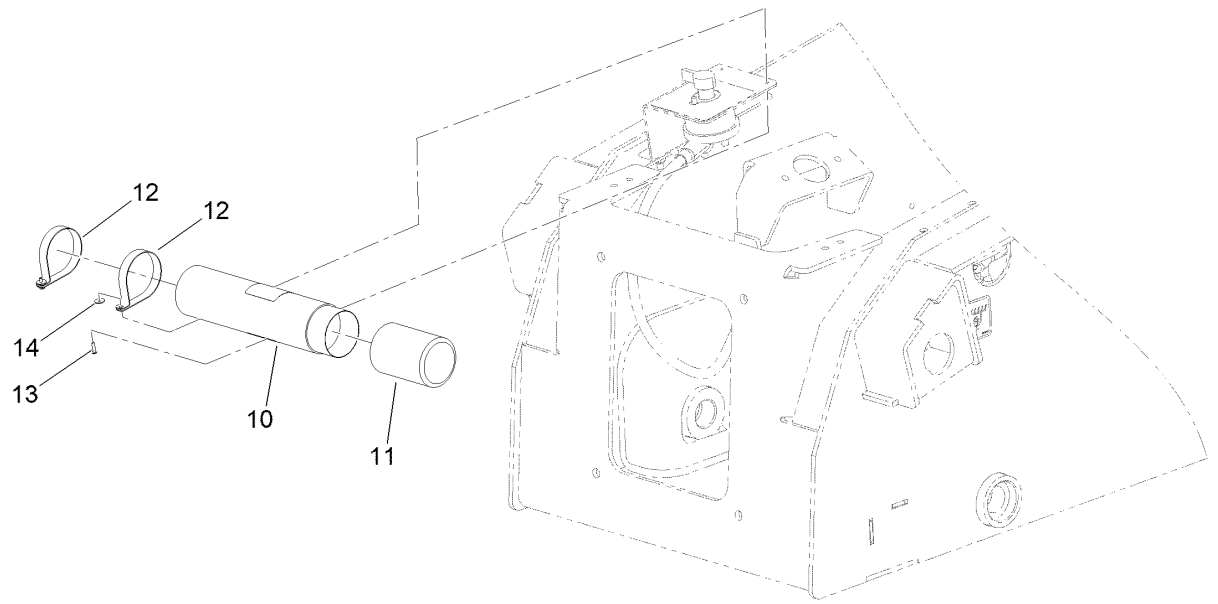
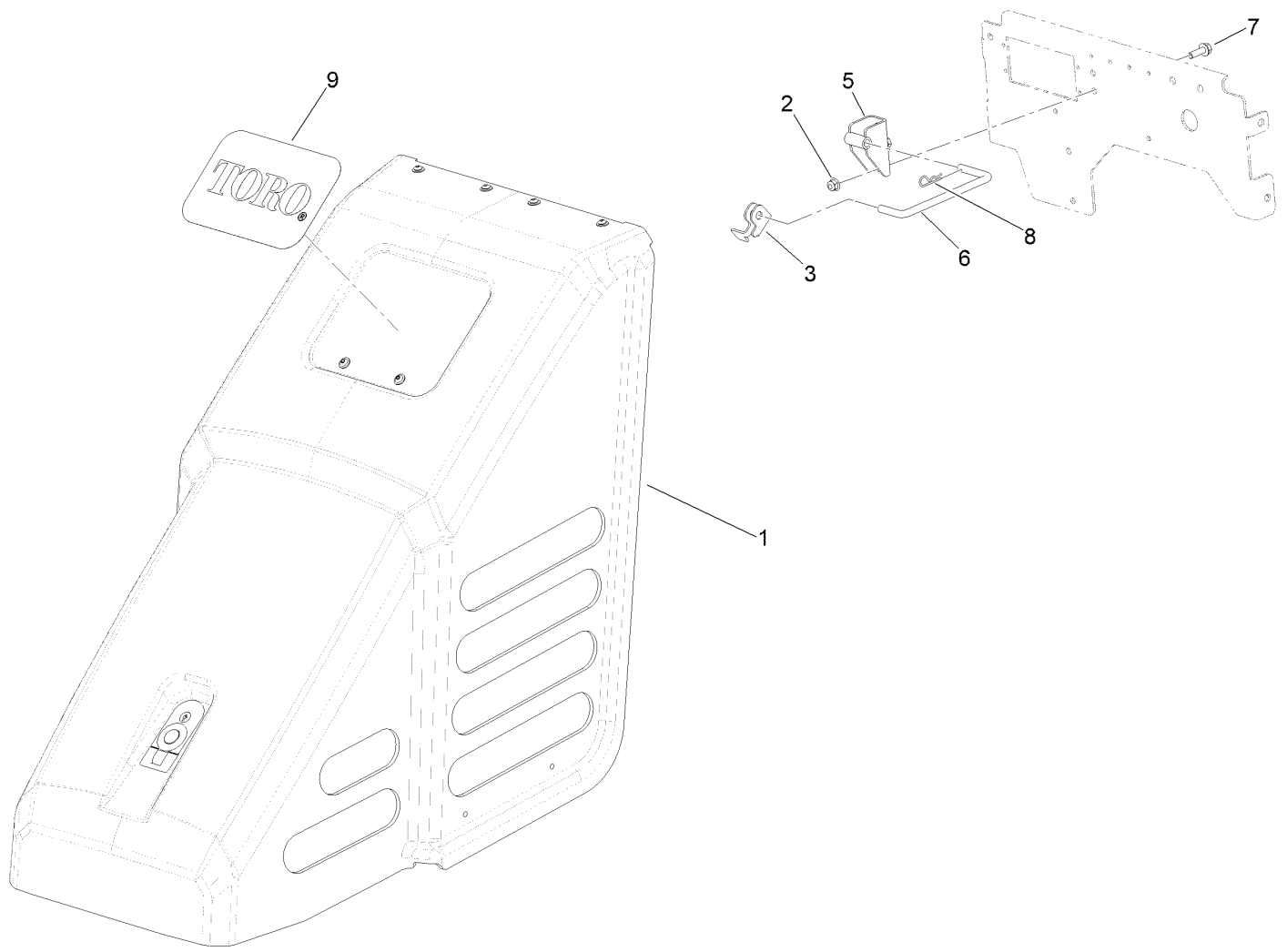




## Fuel Tank Assembly No. 140-5762 (continued)

<i>Ref.</i>	<i>Part Number</i>	<i>Qty.</i>	<i>Description</i>	<i>Ref.</i>	<i>Part Number</i>	<i>Qty.</i>	<i>Description</i>
1	125-3709	1	Fuel Tank ASM	5	46-6550	2	Fitting-Elbow, 90 DEG
2	95-8972	1	Grommet	6	112-6374	1	Fitting-Strainer
3	104-5603	1	Gauge-Level, Fuel	7	2412-36	1	Clamp-Hose
4	46-6560	2	Bushing	8	130-7567	1	Cap-Diesel,

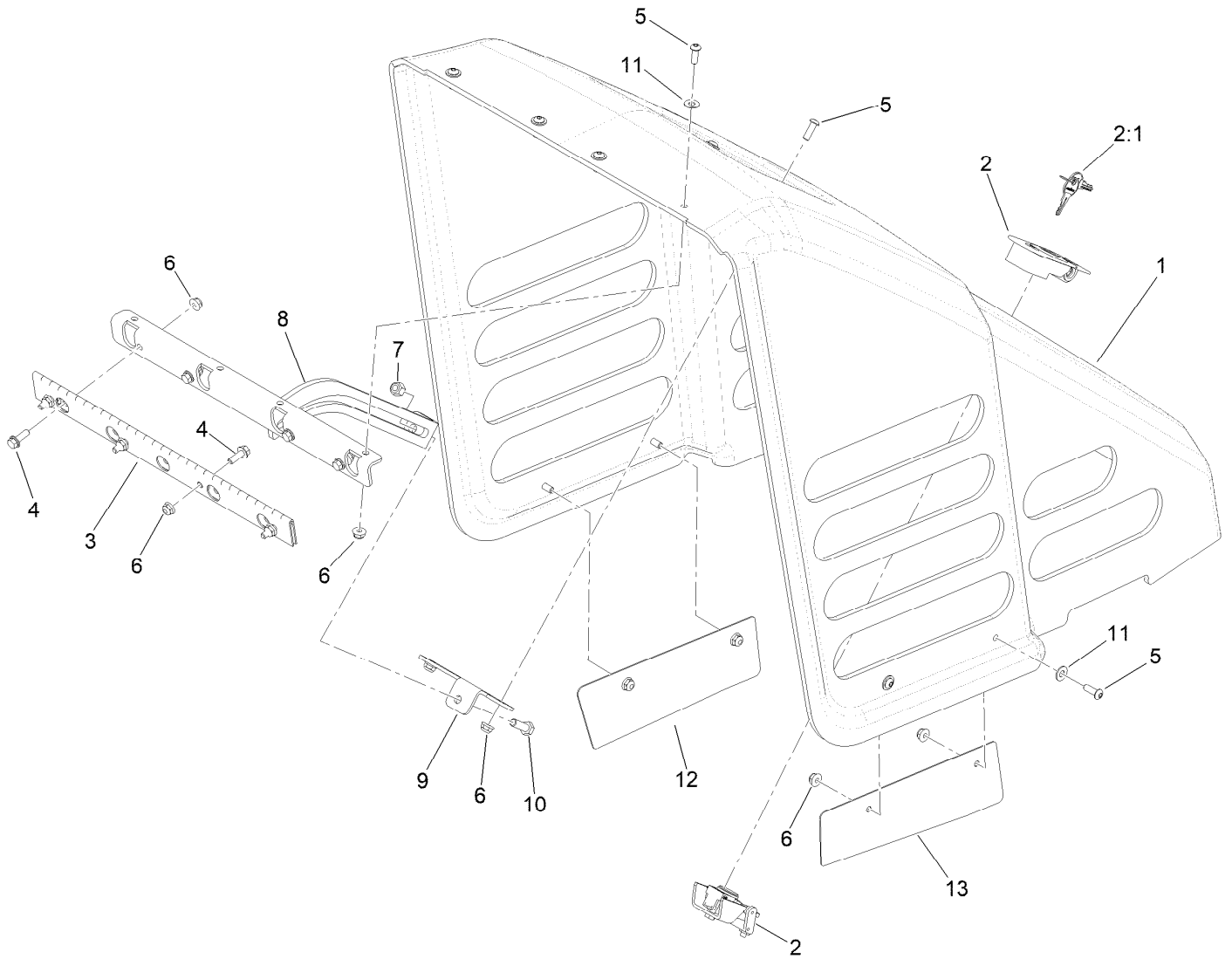
# Hood and Manual Tube Assembly



## Hood and Manual Tube Assembly (continued)

<i>Ref.</i>	<i>Part Number</i>	<i>Qty.</i>	<i>Description</i>	<i>Ref.</i>	<i>Part Number</i>	<i>Qty.</i>	<i>Description</i>
1	140-2936	1	Hood ASM	9	92-1242	1	Decal
2	104-8300	2	Nut-HF, NI	10	104-7050	1	Tube-Manual
3	115-0714	1	Bracket-Latch, Locking	11	104-7048	1	Cap-Housing
5	144-6089-0P	1	Bracket ASM Rod	12	2412-120	2	Clamp-R
6	144-6091	1	Rod-Support,Hood	13	3269-17	2	Rivet-Pop
7	3234-17	2	Screw-HHF	14	3269-10	2	Washer-Back
8	3290-250	1	Pin-Cotter				

# Hood Assembly No. 140-2936

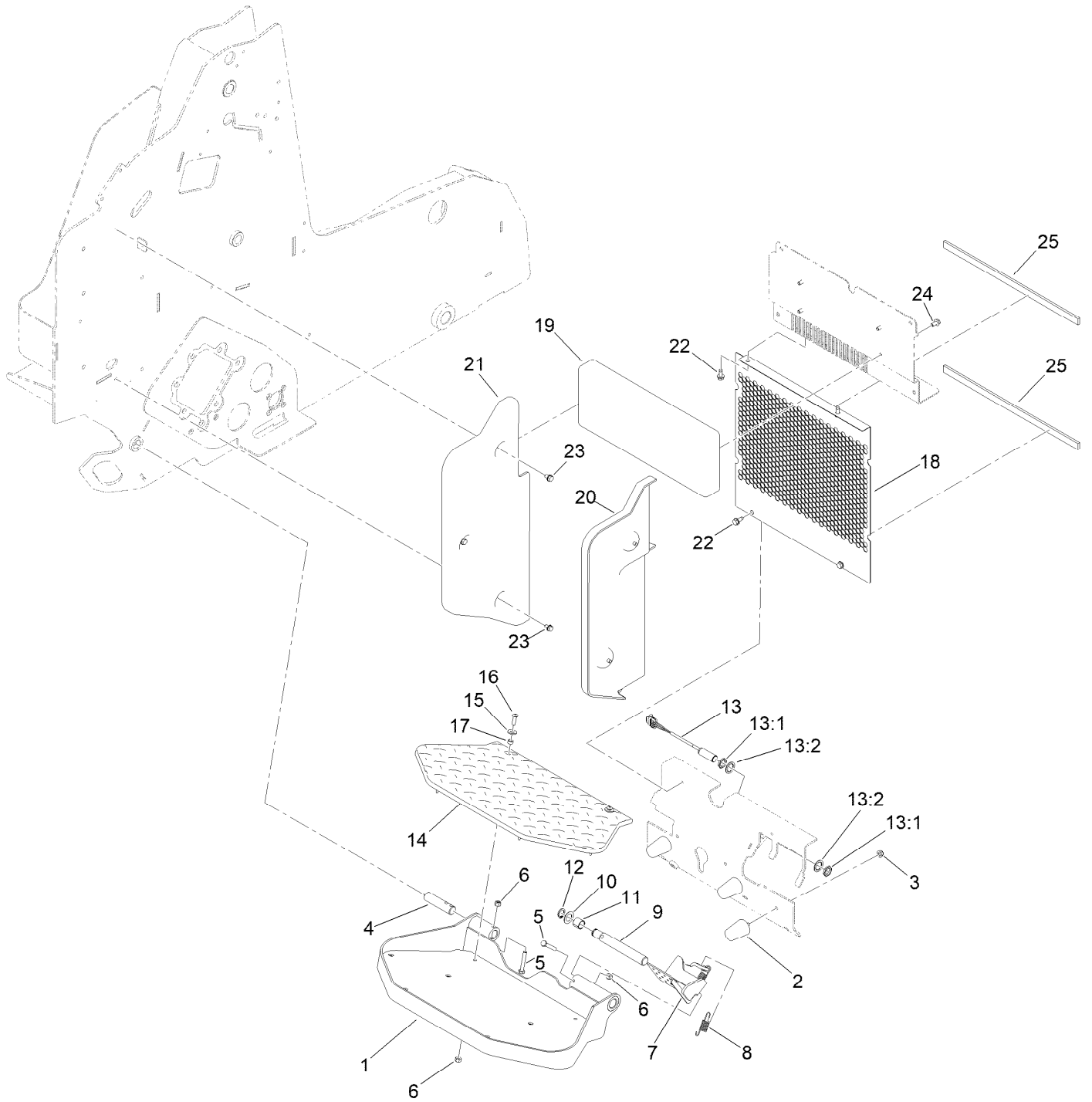


## Hood Assembly No. 140-2936 (continued)

<i>Ref.</i>	<i>Part Number</i>	<i>Qty.</i>	<i>Description</i>
1	145-3251	1	Hood
2	144-4364	1	Latch-Compression, Locking
2:1	145-4488	1	Keys-Latch
3	140-2953	1	Hinge-Hood
4	115-5103	8	Screw-HHF
5	3274-69	10	Screw-HSBH
6	104-7201	18	Nut-HF, NI

<i>Ref.</i>	<i>Part Number</i>	<i>Qty.</i>	<i>Description</i>
7	3296-29	1	Nut-Lock, NI
8	144-7454-03	1	Bracket-Slot Hood
9	145-3330-0P	1	Bracket-Rod
10	322-5	1	Screw-HH
11	3256-1	10	Washer-Flat
12	145-3302-0P	1	Hood-Retainer,LH
13	145-3313-0P	1	Hood-Retainer,RH

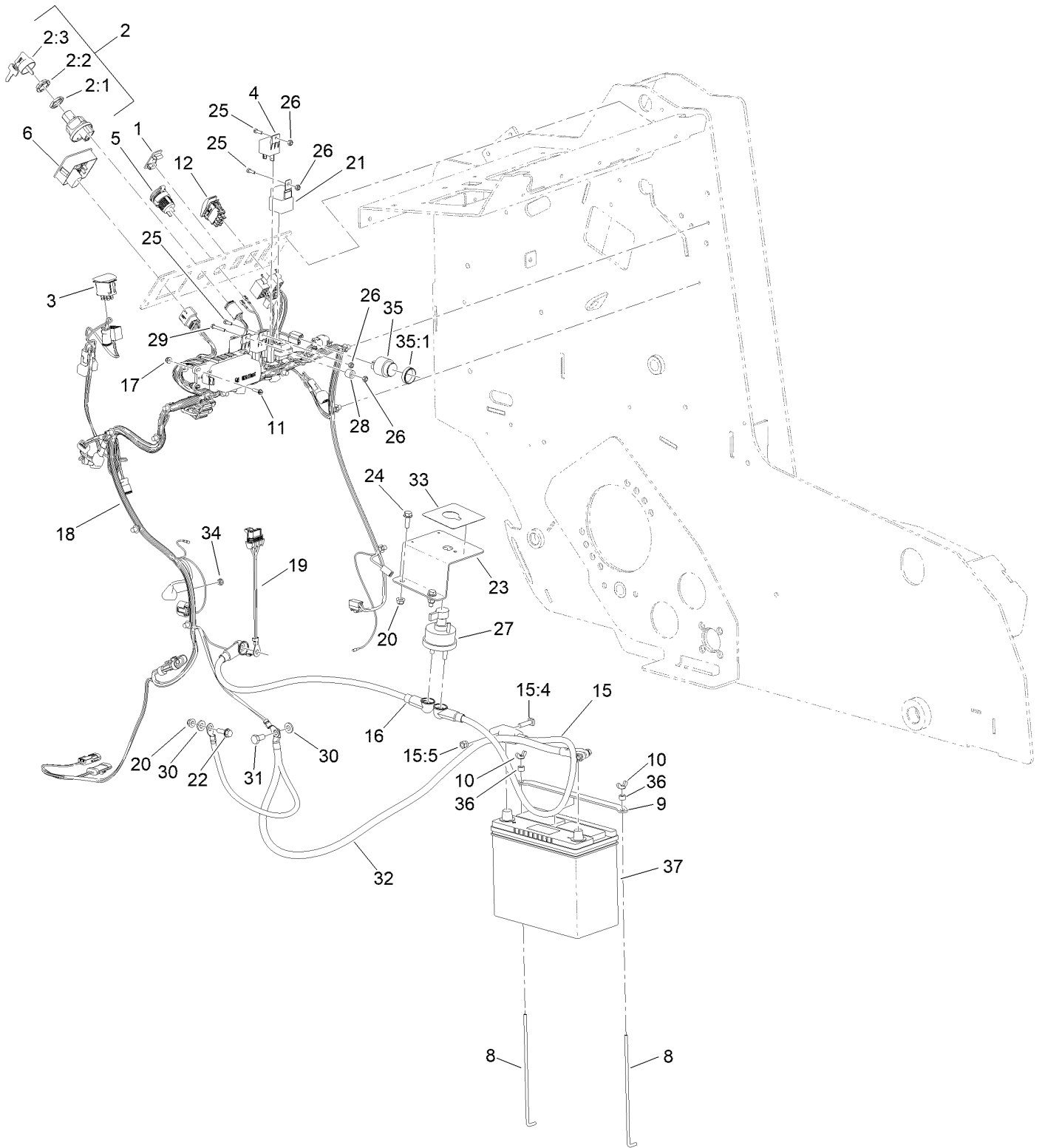
# Platform Assembly



## Platform Assembly (continued)

<i>Ref.</i>	<i>Part Number</i>	<i>Qty.</i>	<i>Description</i>	<i>Ref.</i>	<i>Part Number</i>	<i>Qty.</i>	<i>Description</i>
1	144-2124-03	1	Platform ASM [black]	13:2	117-3208	2	Washer-Lock, Internal Tooth
2	110-5070	3	Bumper	14	144-2116	1	Mat-Platform
3	104-8300	3	Nut-HF, NI	15	3256-3	2	Washer-Flat
4	125-3749	1	Pin-Cylinder	16	109-4872	2	Screw-HSH
5	322-10	2	Screw-HH	17	85-9120	2	Spacer-Pivot, Tilt
6	3296-29	4	Nut-Lock, NI	18	140-5781-03	1	Screen-Radiator
7	144-2118-03	1	Aux Pedal ASM, [black]	19	144-6059	1	Cushion-Pad
8	137-6189	2	Spring-Extension	20	144-2113	1	Cover-Right
9	144-2115	1	Pin-Platform	21	144-2114	1	Cover-Left
10	9202574	1	Washer-Flat	22	32144-70	4	Screw-HWHTF
11	94-9609	1	Bushing-Straight	23	700057	5	Screw-HWH
12	32120-93	1	Ring-Retaining	24	3234-7	4	Screw-HHF
13	115-5300	1	Proximity Switch ASM	25	145-3276	2	Pad-Rubber
13:1	117-3207	2	Nut-Hex				

# Electrical Assembly

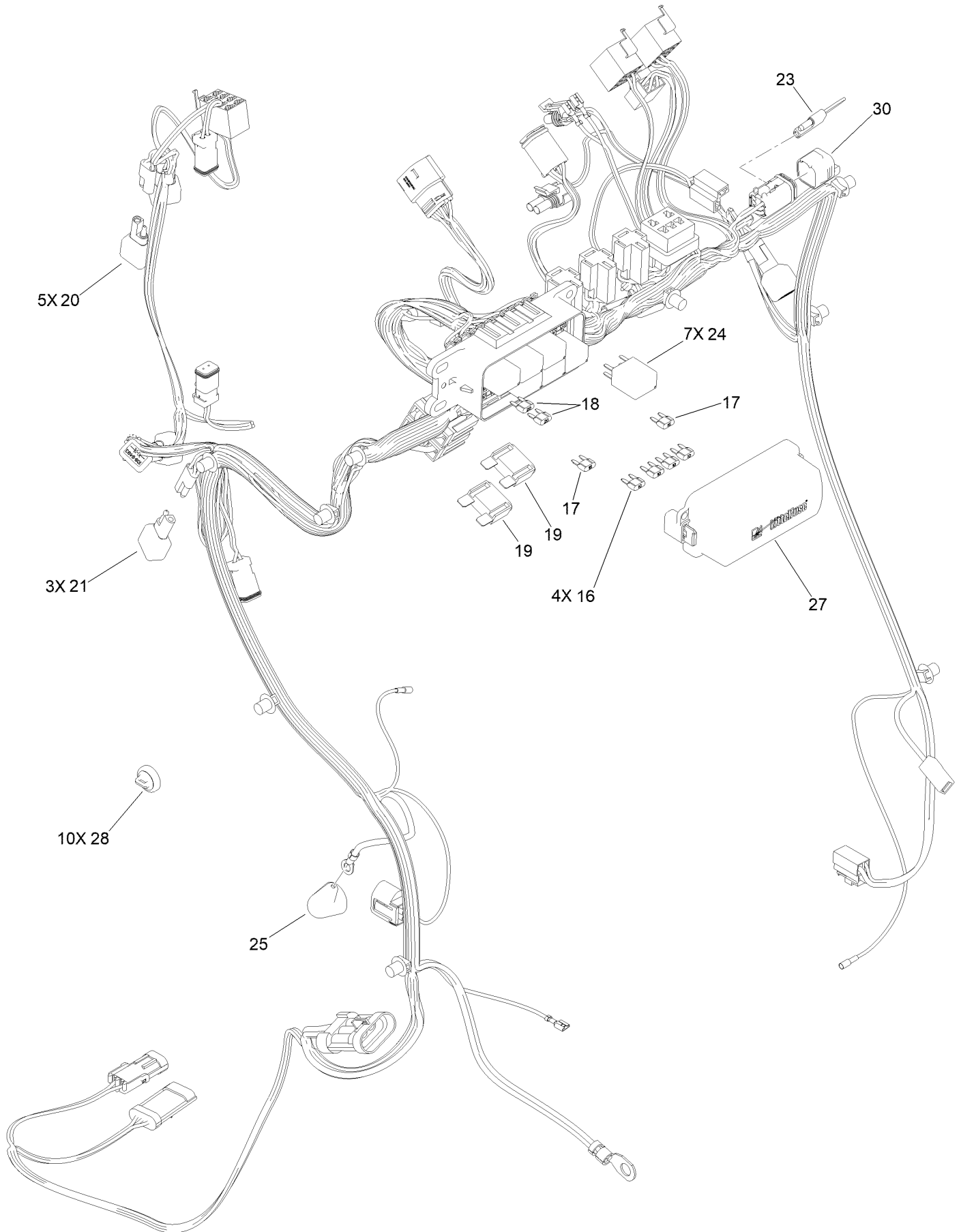




## Electrical Assembly (continued)

<i>Ref.</i>	<i>Part Number</i>	<i>Qty.</i>	<i>Description</i>	<i>Ref.</i>	<i>Part Number</i>	<i>Qty.</i>	<i>Description</i>
1	99-7420	1	Plug-Hole	18	122-2177	1	Harness-Wire, Tx700
2	121-5159	1	Switch-Ignition	19	99-3441	1	Harness-Wire, Fusible Link
2:1	121-5160	1	Nut-Hex	20	104-8300	3	Nut-HF, NI
2:2	122-2704	1	Nut-Face, M22 (Plastic)	21	99-7430	1	Relay-Mini
2:3	121-5162	1	Set-Key, Ignition	22	3234-29	1	Screw-HHF
3	100-1535	1	Switch-Rocker, (On)-Off-(On)	23	140-2938-03	1	Switch Bracket
4	99-7435	3	Relay	24	3234-17	2	Screw-HHF
5	109-9376	1	Receptacle-12V	25	3290-134	3	Screw
6	130-7635	1	Module-Hour Meter	26	3296-2	4	Nut-Lock, NI
8	136-5756	2	Rod-Hold Down, Battery	27	AUR52278	1	Switch-Disconnect, Master
9	136-5755-03	1	Strap-Hold Down, Battery	28	93-1144	1	Spacer - Fuel Tank
10	1-803038	2	Wingnut	29	3290-360	1	Screw-HH
11	32105-13	4	Screw-HWH	30	100-4852	2	Washer-Hardened
12	100-8072	1	Switch-Rocker, On-None-(On)	31	33115-020	1	Screw-HH
15	122-2825	1	Cable-Battery, Rd ASM	32	122-2827	1	Cable-Battery, Bk ASM
15:4	32180-109	1	Bolt-Battery Clamp, 5/16-18 Unc	33	131-8026	1	Decal-Battery Disconnect
15:5	32180-108	1	Nut-Hex Shoulder	34	33003-00	1	Nut-HF
16	122-2826	1	Cable-Battery, Rd ASM	35	80-9330	1	Audio Alarm ASM
17	120-4578	4	Nut-HF	35:1	104-5107	1	Nut-Plastic, Knurled
				36	98-4799	2	Spacer
				37	145-3278	1	Battery - Corrosive

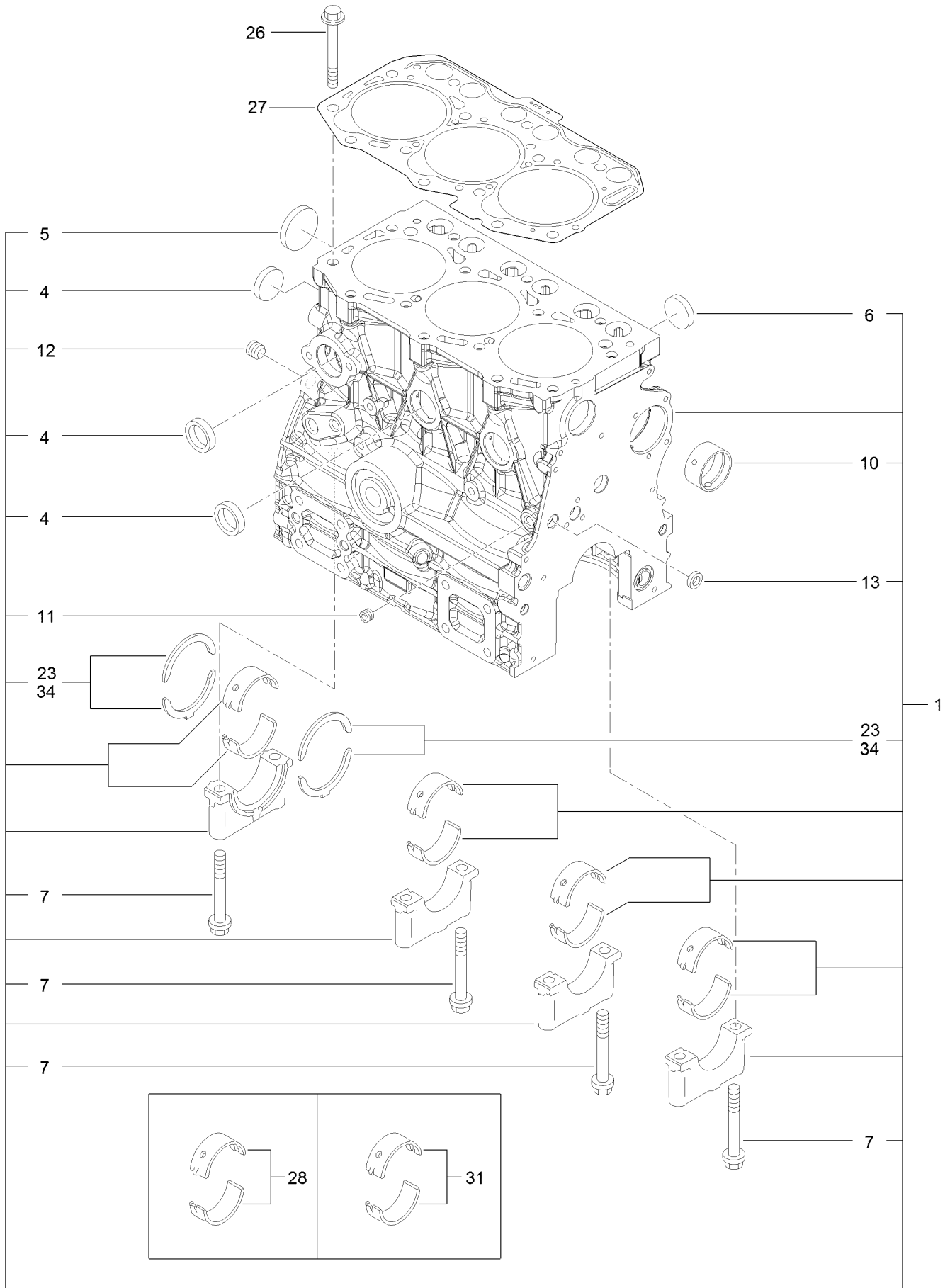
# Wiring Harness Assembly No. 122-2177



## Wiring Harness Assembly No. 122-2177 (continued)

<i>Ref.</i>	<i>Part Number</i>	<i>Qty.</i>	<i>Description</i>	<i>Ref.</i>	<i>Part Number</i>	<i>Qty.</i>	<i>Description</i>
16	121-8866	4	Fuse-Mini Blade, 10 Amp	23	32180-416	1	Cap-Tethered
17	121-8867	2	Fuse-Mini Blade, 15 Amp	24	122-0368	7	Relay-280 ISO
18	121-8868	2	Fuse-Mini Blade, 20 Amp	25	32180-017	1	Insulater-Terminal, Black
19	94-8002	2	Fuse-Blade, 50 Amp	27	32180-229	1	Cover-Littelfuse, Pdm 60F
20	100-4918	5	Diode	28	32180-139	10	Mount-Tie Wrap, Magnetic
21	108-9493	3	Diode-Tvs	30	32180-156	1	Cap-Plug, 6 Way

# Cylinder Block Assembly



## Cylinder Block Assembly (continued)

<i>Ref.</i>	<i>Part Number</i>	<i>Qty.</i>	<i>Description</i>	<i>Ref.</i>	<i>Part Number</i>	<i>Qty.</i>	<i>Description</i>
1	135-4030	1	Cylinder Block ASM	13	125-7237	1	Plug
4	135-4031	4	Plug-Cup	23	135-4036	2	Thrust Bearing ASM
5	135-4032	1	Plug-Dish	26	135-4037	14	Bolt-Head, Cylinder
6	135-4033	3	Plug-Cup	27	135-4038	1	Head Gasket Set
7	135-4034	8	Bolt-Cap	28	135-4039	4	Main Bearing ASM
10	135-4035	1	Bushing-Camshaft	31	135-4040	4	Main Bearing ASM
11	125-6969	1	Plug	34	135-4041	2	Bearing-Thrust
12	125-6973	1	Plug				

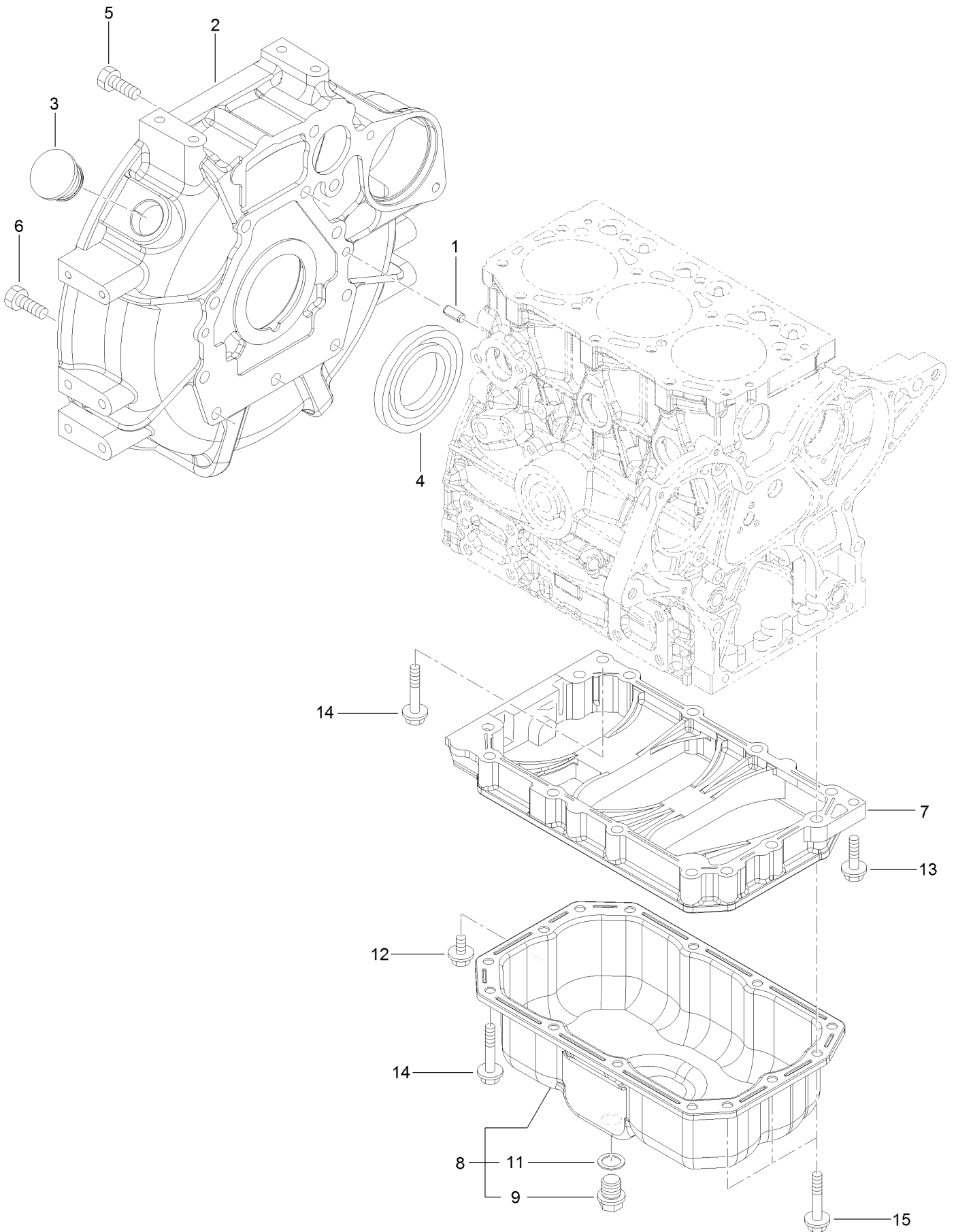
# Gear Housing Assembly



## Gear Housing Assembly (continued)

<i>Ref.</i>	<i>Part Number</i>	<i>Qty.</i>	<i>Description</i>	<i>Ref.</i>	<i>Part Number</i>	<i>Qty.</i>	<i>Description</i>
1	135-4042	1	Case-Gear	16	135-4056	1	Cover-Pump
2	135-4043	3	Bolt-Stud	17	135-4057	4	Dowel-Pipe
3	135-4044	1	Gear Case Cover ASM	18	127-2973	1	O-Ring
4	135-4045	1	Gear Case Cover ASM	19	135-4058	3	O-Ring
5	135-4046	1	Cover-Case, Gear	20	125-6957	1	O-Ring
6	133-6798	2	Plug	21	125-7206	1	Bolt
7	135-4047	1	Seal-Oil	22	125-7208	4	Bolt
8	135-4048	1	Cover ASM	23	125-7211	4	Bolt
9	135-4049	1	Cover-Pump	24	125-7211	3	Bolt
10	135-4050	1	Valve-Relief	25	135-4059	7	Bolt
11	135-4051	1	Spring	26	136-8257	2	Bolt
12	135-4052	1	Plug	27	125-7229	3	Nut
13	135-4053	1	Rotor-Inner	28	125-6972	1	Cover-Filler
14	135-4054	1	Rotor-Outer	29	125-7197	1	O-Ring
15	135-4055	8	Screw				

# Flywheel Housing and Oil Sump Assembly

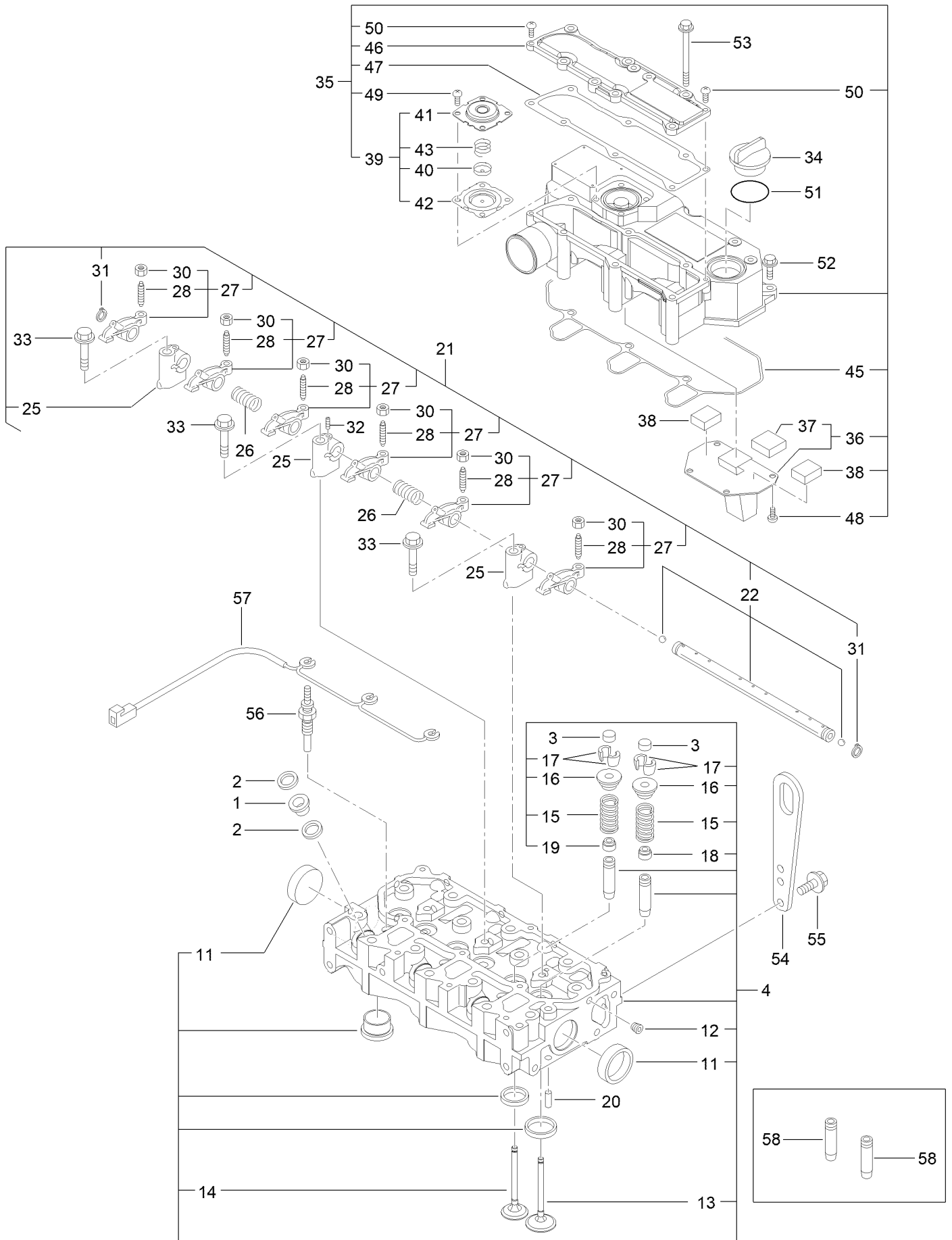




## Flywheel Housing and Oil Sump Assembly (continued)

<i>Ref.</i>	<i>Part Number</i>	<i>Qty.</i>	<i>Description</i>	<i>Ref.</i>	<i>Part Number</i>	<i>Qty.</i>	<i>Description</i>
1	125-6995	2	Pin	8	134-1398	1	Oil Pan ASM
2	134-1397	1	Housing-Flywheel	9	135-4068	1	Plug
3	125-6910	1	Cap	11	136-8236	1	Washer-Seal
4	135-4064	1	Seal-Oil	12	125-7212	1	Bolt
5	125-7226	8	Bolt	13	125-7216	1	Bolt
6	125-7227	3	Bolt	14	125-7219	11	Bolt
7	135-4066	1	Spacer-Pan, Oil	15	125-7220	3	Bolt

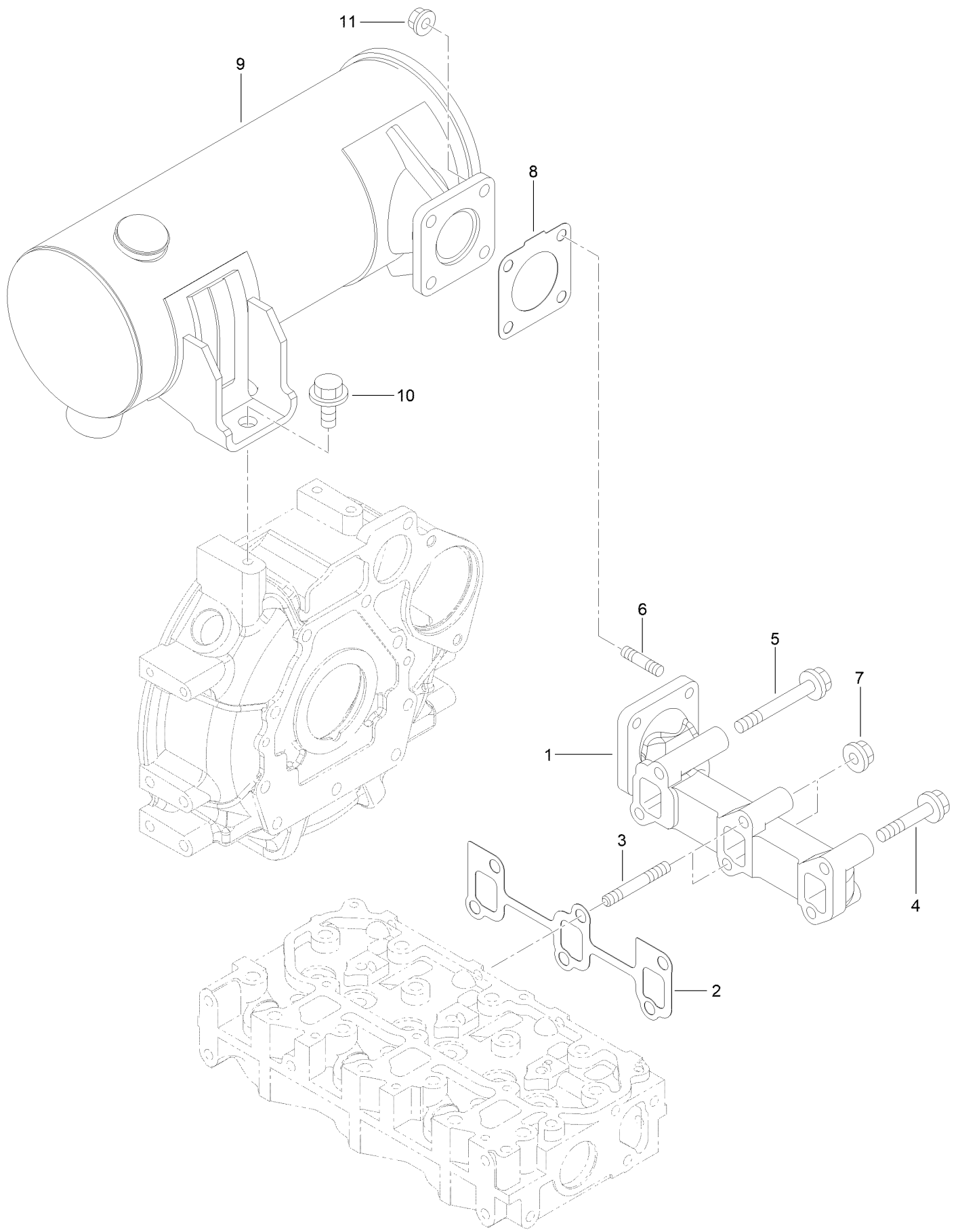
# Cylinder Head and Cover Assembly



## Cylinder Head and Cover Assembly (continued)

<i>Ref.</i>	<i>Part Number</i>	<i>Qty.</i>	<i>Description</i>	<i>Ref.</i>	<i>Part Number</i>	<i>Qty.</i>	<i>Description</i>
1	135-4069	3	Protector-Nozzle	35	134-1402	1	Cylinder Head Cover ASM
2	135-4070	6	Gasket-Nozzle	36	135-4085	1	Plate-Baffle
3	135-4071	6	Cap-Valve	37	135-4086	1	Baffle-Breather
4	134-4001	1	Cylinder Head ASM	38	135-4086	2	Baffle-Breather
11	135-4073	2	Plug-Cup	39	135-4088	1	Diaphragm ASM
12	133-6797	1	Plug	40	135-4089	1	Plate-Diaphragm
13	135-4074	3	Valve-Suction	41	135-4090	1	Cover-Diaphragm
14	135-4075	3	Valve-Exhaust	42	135-4091	1	Diaphragm
15	135-4076	6	Spring-Valve	43	135-4092	1	Spring-Diaphragm
16	125-7054	6	Retainer	45	135-4093	1	Gasket-Cover, Cylinder Head
17	125-6914	12	Cotter				
18	125-6915	3	Seal-Stem, Valve	46	134-1401	1	Cover-Head, Cylinder
19	125-6916	3	Seal-Stem, Valve	47	135-4095	1	Gasket
20	125-7184	2	Pin-Spring	48	125-7186	4	Screw
21	135-4077	1	Rocker Support ASM	49	125-7186	4	Screw
22	135-4078	1	Rocker Shaft ASM	50	127-3168	2	Screw
25	135-4079	3	Support-Arm, Rocker	51	125-7197	1	O-Ring
26	135-4080	2	Spring-Rocker	52	125-7209	3	Bolt
27	135-4081	6	Rocker Arm ASM	53	135-4096	6	Bolt
28	125-7013	6	Screw-Adjust, Valve	54	144-0583	1	Lifter, Engine
30	125-7014	6	Nut	55	125-7214	2	Bolt
31	135-7082	2	Ring	56	135-4291	3	Plug-Glow
32	145-7836	1	Screw	57	134-1443	1	Connector-Plug, Glow
33	125-7218	3	Bolt	58	125-6917	6	Guide
34	125-6972	1	Cover-Filler				

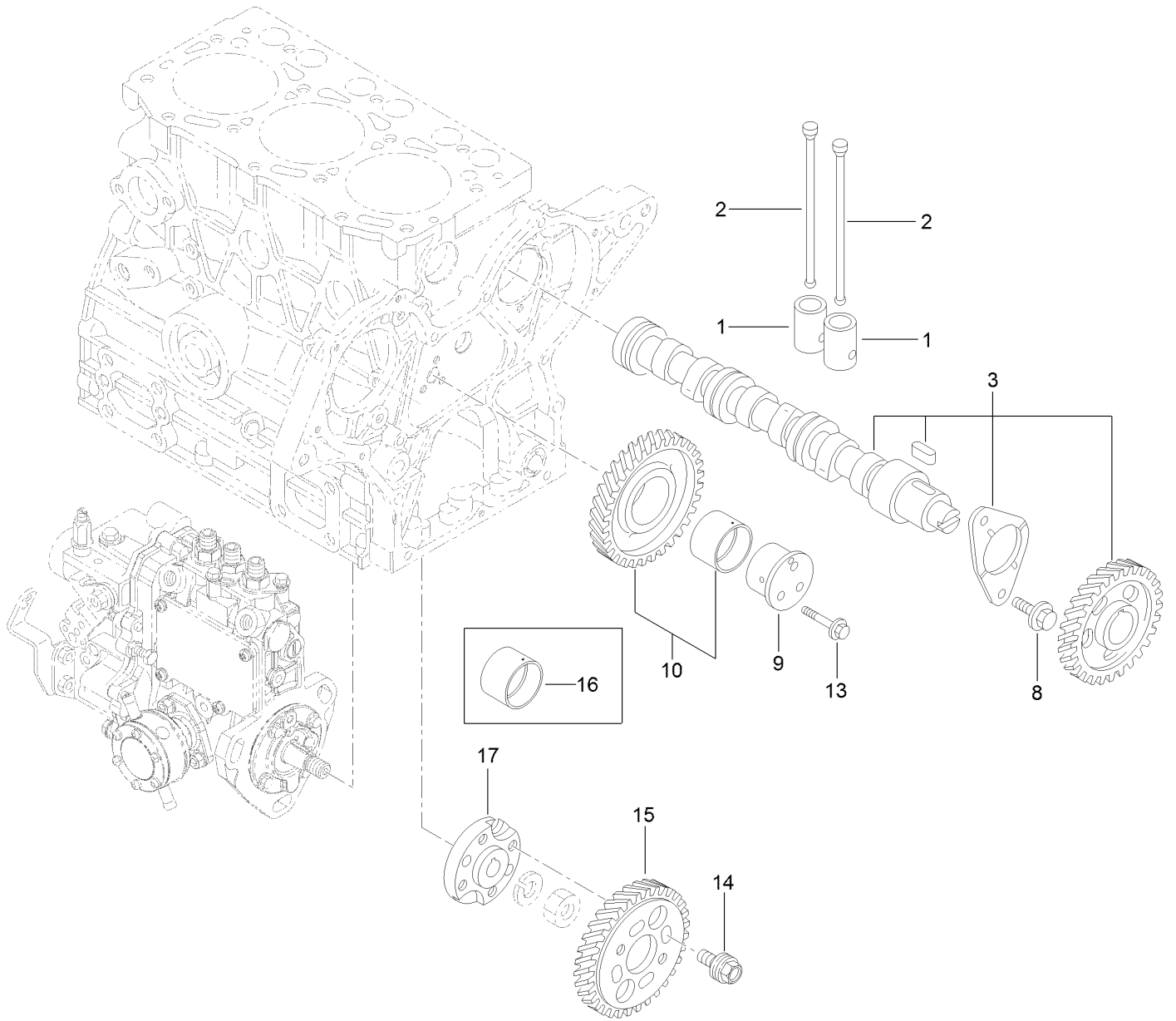
# Exhaust Manifold and Muffler Assembly



## Exhaust Manifold and Muffler Assembly (continued)

<i>Ref.</i>	<i>Part Number</i>	<i>Qty.</i>	<i>Description</i>	<i>Ref.</i>	<i>Part Number</i>	<i>Qty.</i>	<i>Description</i>
1	145-3238	1	Manifold, Exhaust	7	125-7229	2	Nut
2	135-4107	1	Gasket-Manifold, Exhaust	8	134-1383	1	Gasket-Silencer
3	134-1404	2	Bolt-Stud	9	145-3240	1	Muffler
4	133-6714	2	Bolt	10	127-4773	1	Bolt
5	145-3239	2	Bolt,	11	125-7229	4	Nut
6	125-6906	4	Stud				

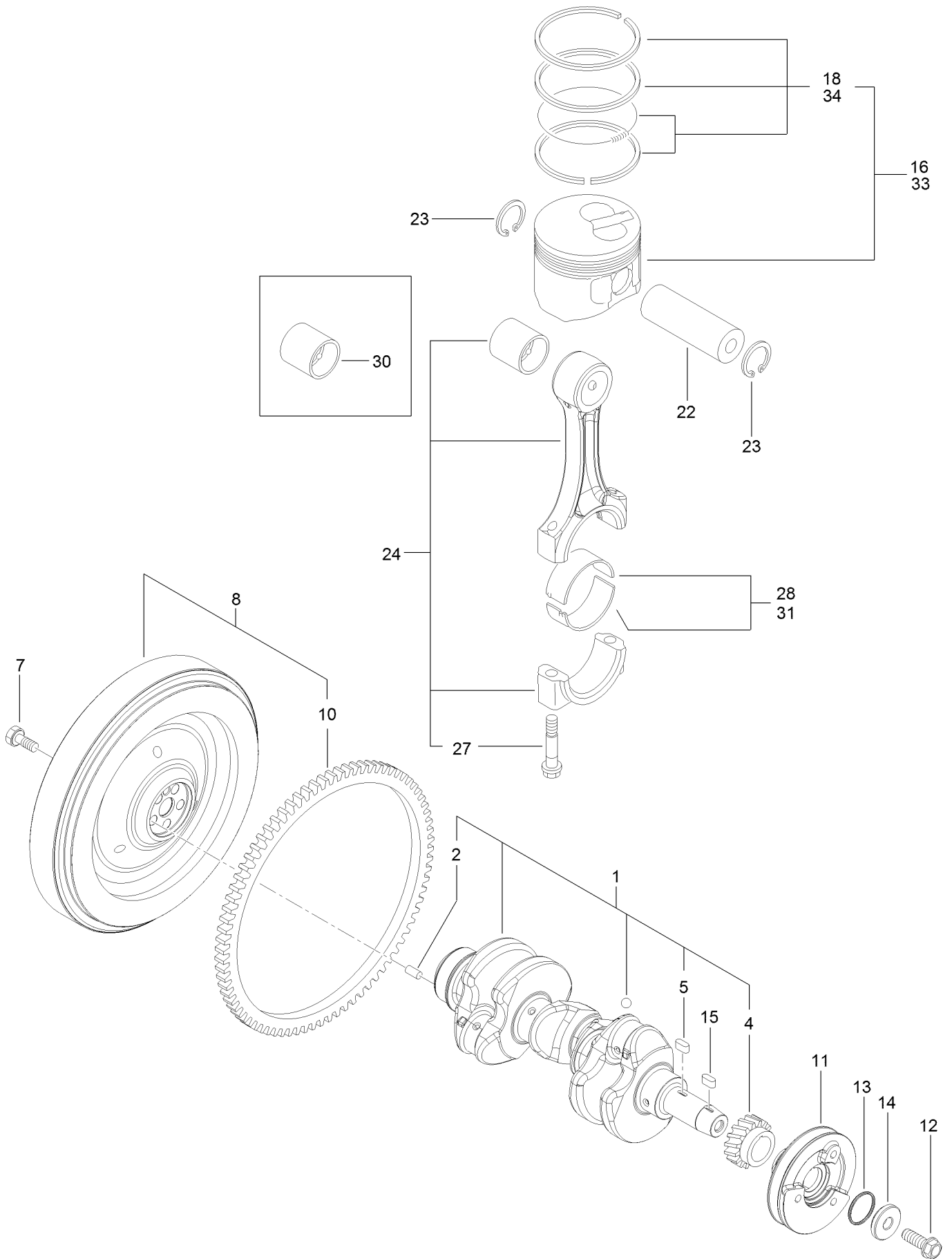
# Camshaft and Driving Gear Assembly



## Camshaft and Driving Gear Assembly (continued)

<i>Ref.</i>	<i>Part Number</i>	<i>Qty.</i>	<i>Description</i>	<i>Ref.</i>	<i>Part Number</i>	<i>Qty.</i>	<i>Description</i>
1	135-4108	6	Tappet	13	135-4147	3	Bolt
2	135-4109	6	Push-Rod	14	125-7020	4	Bolt
3	135-4110	1	Camshaft ASM	15	135-4148	1	Gear-Pump
8	125-7206	2	Bolt	16	135-4149	1	Bushing-Gear, Idle
9	135-4145	1	Shaft-Idle	17	135-4150	1	Flange
10	135-4146	1	Idle Gear ASM				

# Crankshaft and Piston Assembly

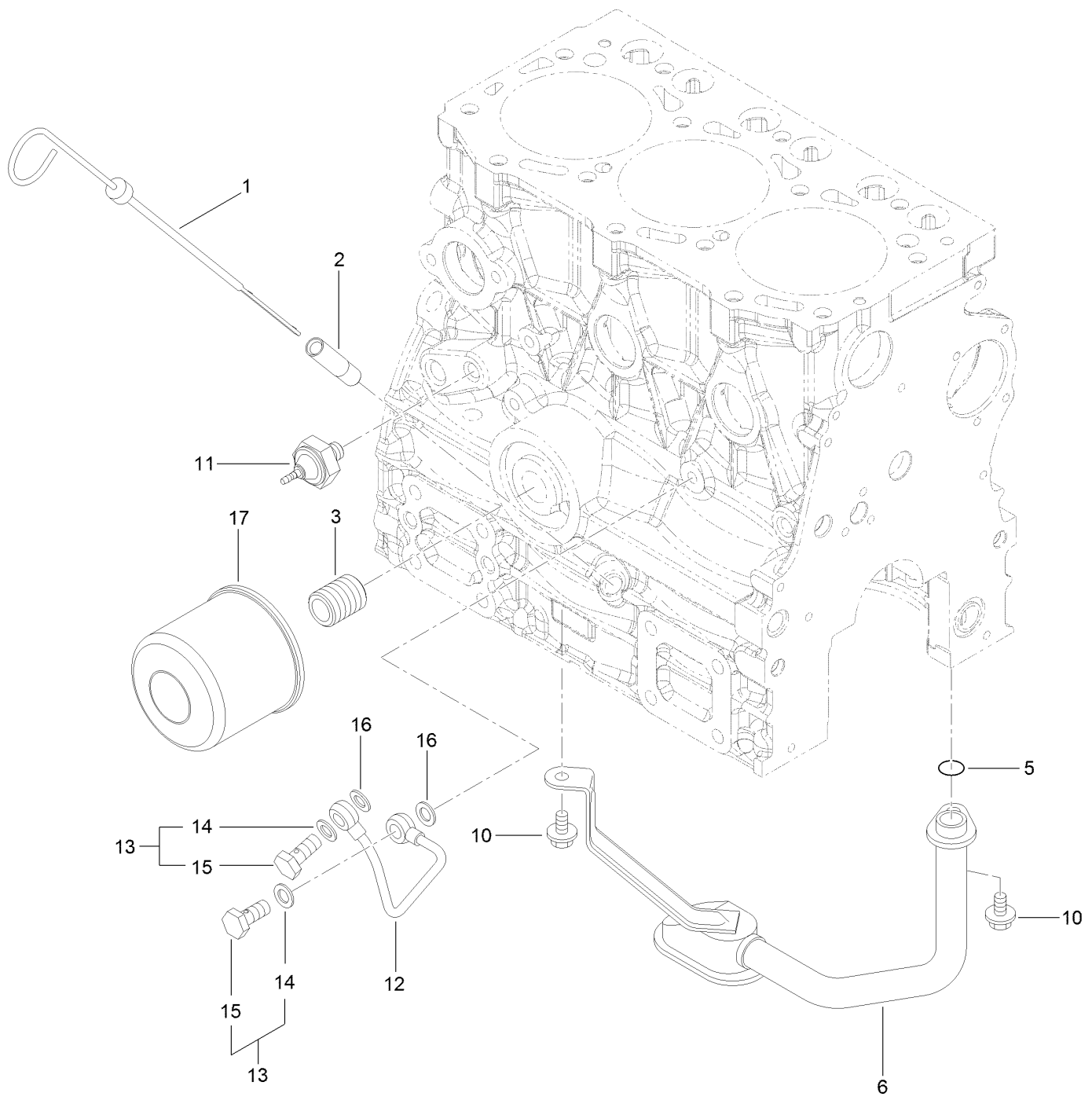




## Crankshaft and Piston Assembly (continued)

<i>Ref.</i>	<i>Part Number</i>	<i>Qty.</i>	<i>Description</i>	<i>Ref.</i>	<i>Part Number</i>	<i>Qty.</i>	<i>Description</i>
1	135-4152	1	Crankshaft ASM	16	135-4163	3	Piston ASM
2	125-6995	1	Pin	18	135-4164	3	Ring ASM
4	135-4153	1	Gear-Crankshaft	22	135-4165	3	Pin-Piston
5	135-4154	1	Key	23	135-4166	6	Ring
7	125-6951	5	Bolt	24	134-4005	3	Connecting Rod ASM
8	140-7164	1	Flywheel ASM	27	135-4168	6	Bolt-Rod, Connecting
10	125-6943	1	Gear	28	135-4169	3	Bearing-Pin, Crank
11	135-4158	1	V-Pulley, Crankshaft	30	134-4006	3	Bushing-Pin, Piston
12	135-4159	1	Bolt-Flange	31	135-4171	3	Bearing-Pin (0.25)
13	134-4004	1	Packing-Washer	33	134-4007	3	Piston ASM (0.25 Os)
14	135-4161	1	Washer	34	135-4173	3	Ring ASM
15	135-4154	1	Key				

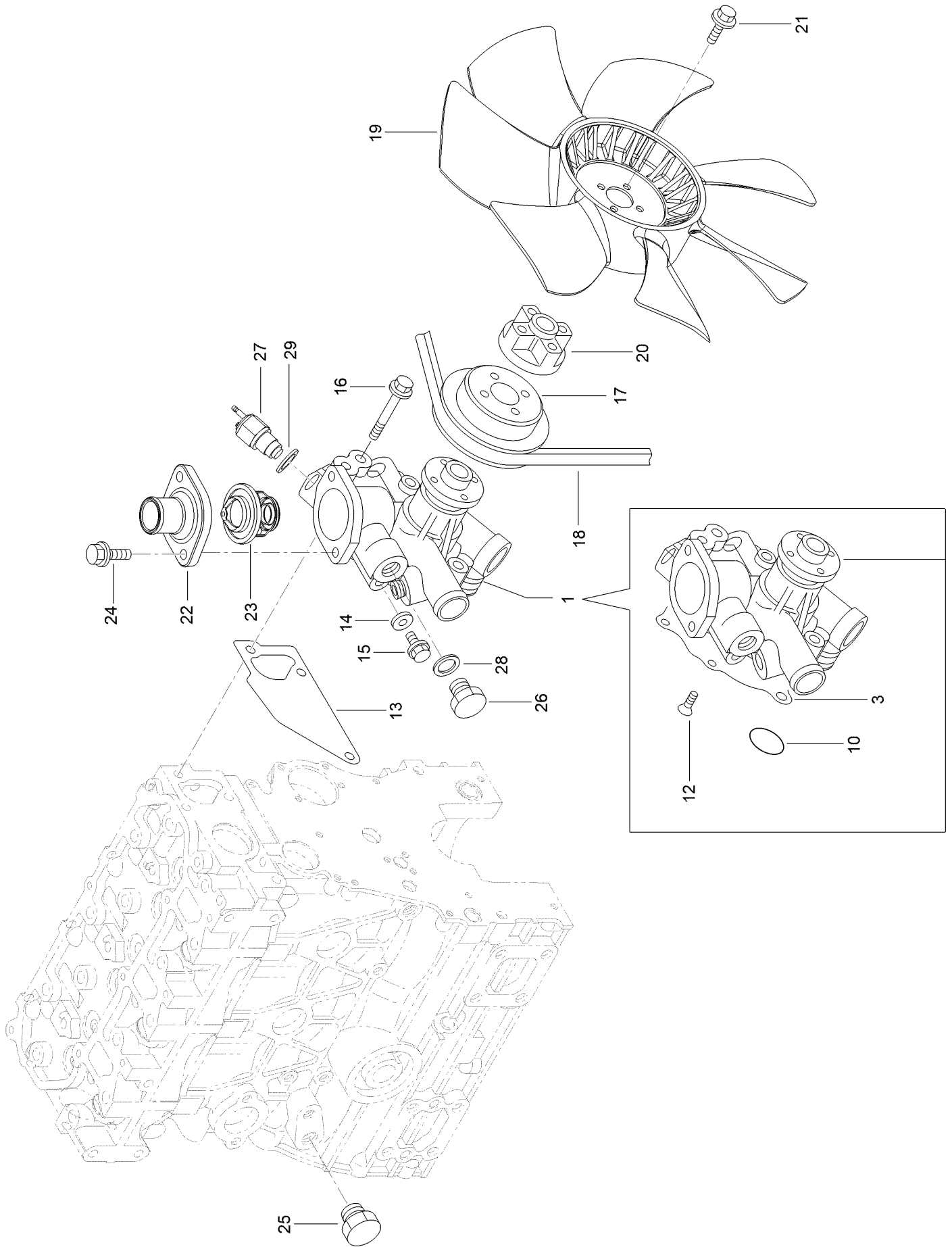
# Lubrication and Oil System Assembly



## Lubrication and Oil System Assembly (continued)

<i>Ref.</i>	<i>Part Number</i>	<i>Qty.</i>	<i>Description</i>	<i>Ref.</i>	<i>Part Number</i>	<i>Qty.</i>	<i>Description</i>
1	134-1413	1	Dipstick	12	135-4182	1	Pipe-Oil
2	125-6954	1	Guide-Dipstick	13	125-6988	2	Joint Bolt ASM
3	134-4008	1	Stud	14	125-7174	2	Washer-Seal
5	135-4178	1	O-Ring	15	125-7194	2	Bolt-Joint
6	134-1414	1	Oil Inlet Pipe ASM	16	125-7174	2	Washer-Seal
10	125-7205	2	Bolt	17	135-4181	1	Filter-Oil, Engine
11	134-1377	1	Switch-Hydraulic				

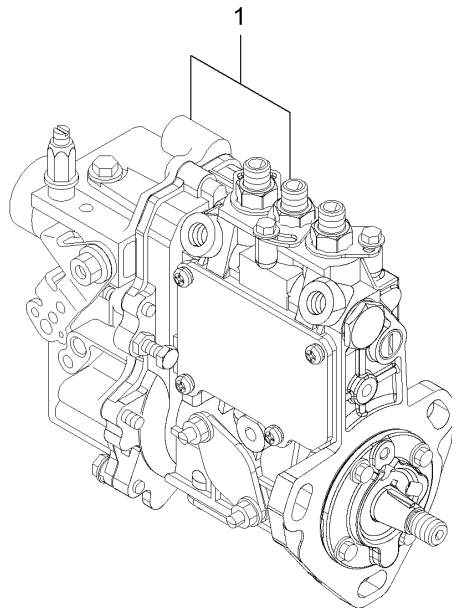
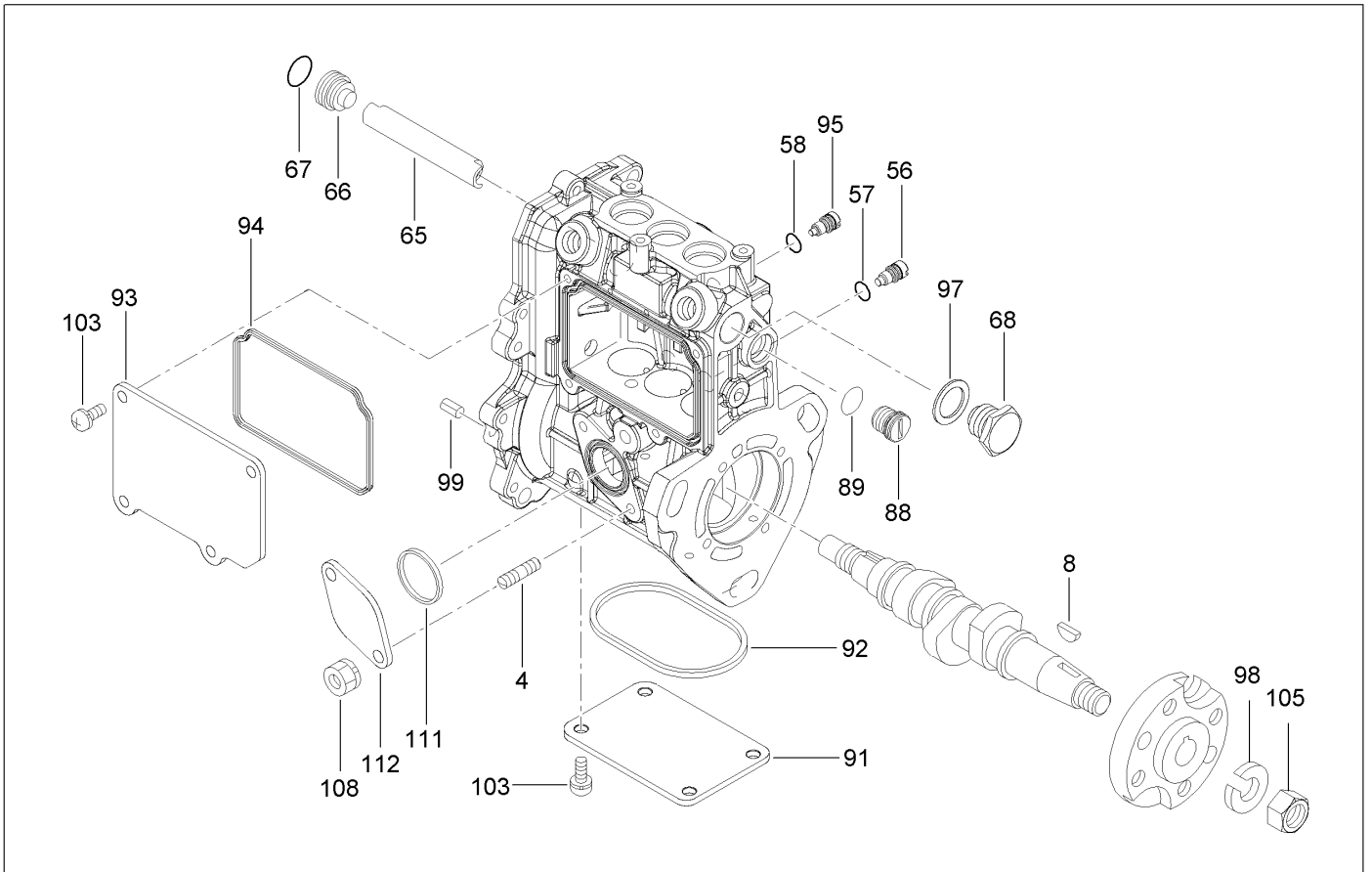
# Cooling Water System Assembly



## Cooling Water System Assembly (continued)

<i>Ref.</i>	<i>Part Number</i>	<i>Qty.</i>	<i>Description</i>	<i>Ref.</i>	<i>Part Number</i>	<i>Qty.</i>	<i>Description</i>
1	134-4009	1	CW Pump ASM	20	131-2705	1	Spacer
3	135-4188	1	Gasket	21	131-2739	4	Bolt
10	135-4190	1	O-Ring	22	140-7171	1	Cover-Thermostat
12	133-2504	4	Screw	23	135-4200	1	Thermostat
13	135-4193	1	Gasket-Pump, Water	24	125-7595	2	Bolt
14	125-7192	1	Gasket	25	125-7171	1	Plug-Drain
15	125-7212	1	Bolt	26	125-6953	1	Plug
16	125-7220	3	Bolt	27	145-3244	1	Switch, Temperature
17	134-1417	1	V-Pulley	28	125-6979	1	Gasket
18	140-7179	1	V-Belt	29	125-6979	1	Gasket
19	140-7157	1	Fan-Cooling				

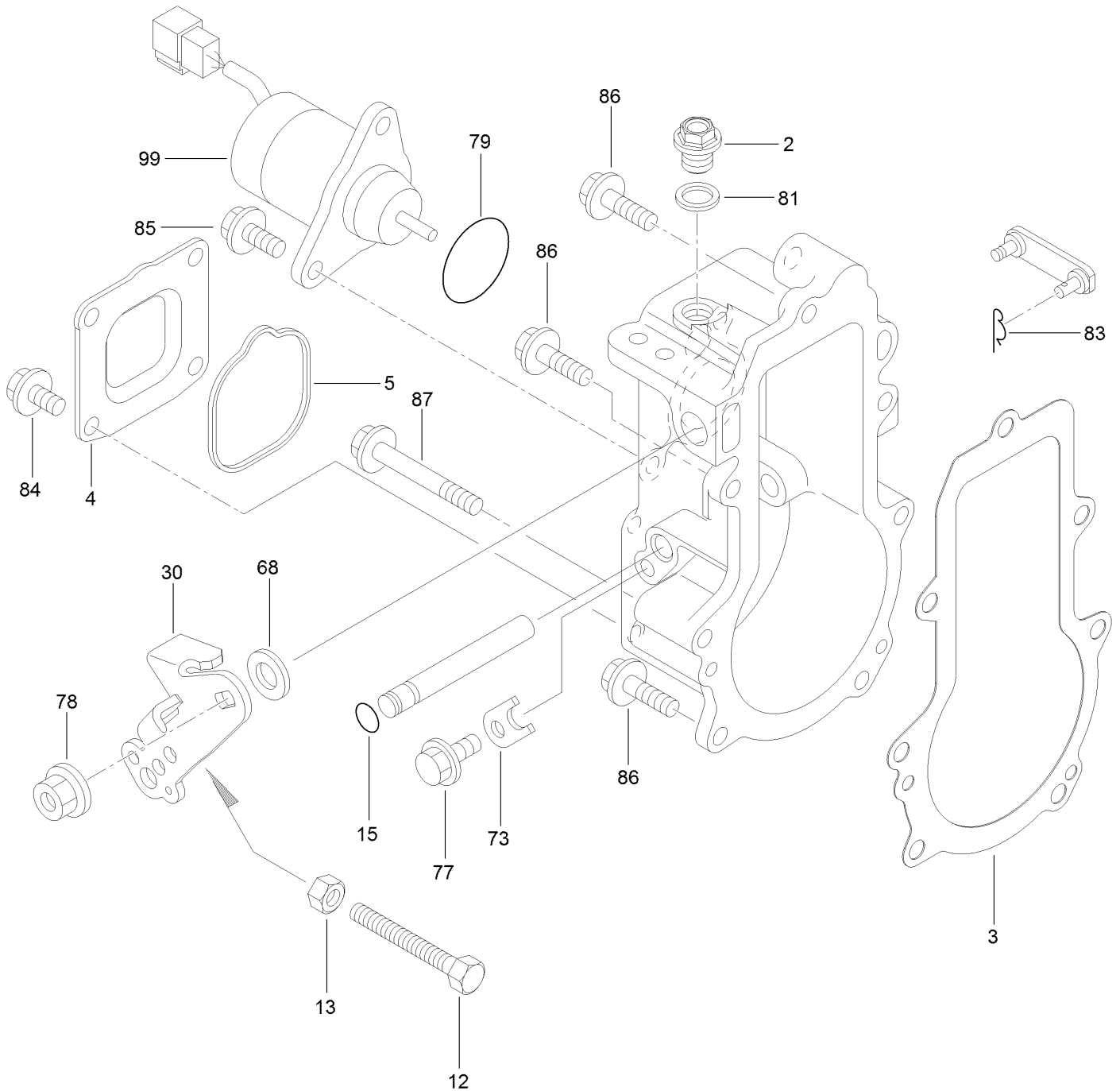
# Fuel Injection Pump Assembly



## Fuel Injection Pump Assembly (continued)

<i>Ref.</i>	<i>Part Number</i>	<i>Qty.</i>	<i>Description</i>	<i>Ref.</i>	<i>Part Number</i>	<i>Qty.</i>	<i>Description</i>
1	140-7183	1	Fuel Injection Equipment ASM	91	135-4215	1	Cover
4	135-4205	2	Bolt-Stud	92	135-4216	1	Gasket
8	135-4206	1	Key-Feather, Woodruff	93	135-4217	1	Cover
56	125-7156	3	Stopper	94	135-4218	1	Gasket
57	135-4207	3	O-Ring	95	135-4219	1	Stopper-Rack
58	135-4207	1	O-Ring	97	136-8236	1	Washer-Seal
65	135-4209	1	Deflector	98	135-4220	1	Washer-Spring
66	135-4210	1	Plug-Deflector	99	125-7183	2	Pin-Spring
67	135-4211	1	O-Ring	103	135-4221	8	Screw
68	135-4212	1	Plug-Deflector	105	133-2506	1	Nut
88	135-4213	1	Plug-Rack	108	135-4222	2	Nut
89	135-4214	1	O-Ring	111	135-4223	1	Gasket
				112	135-4224	1	Cover-Pump

# Governor Assembly

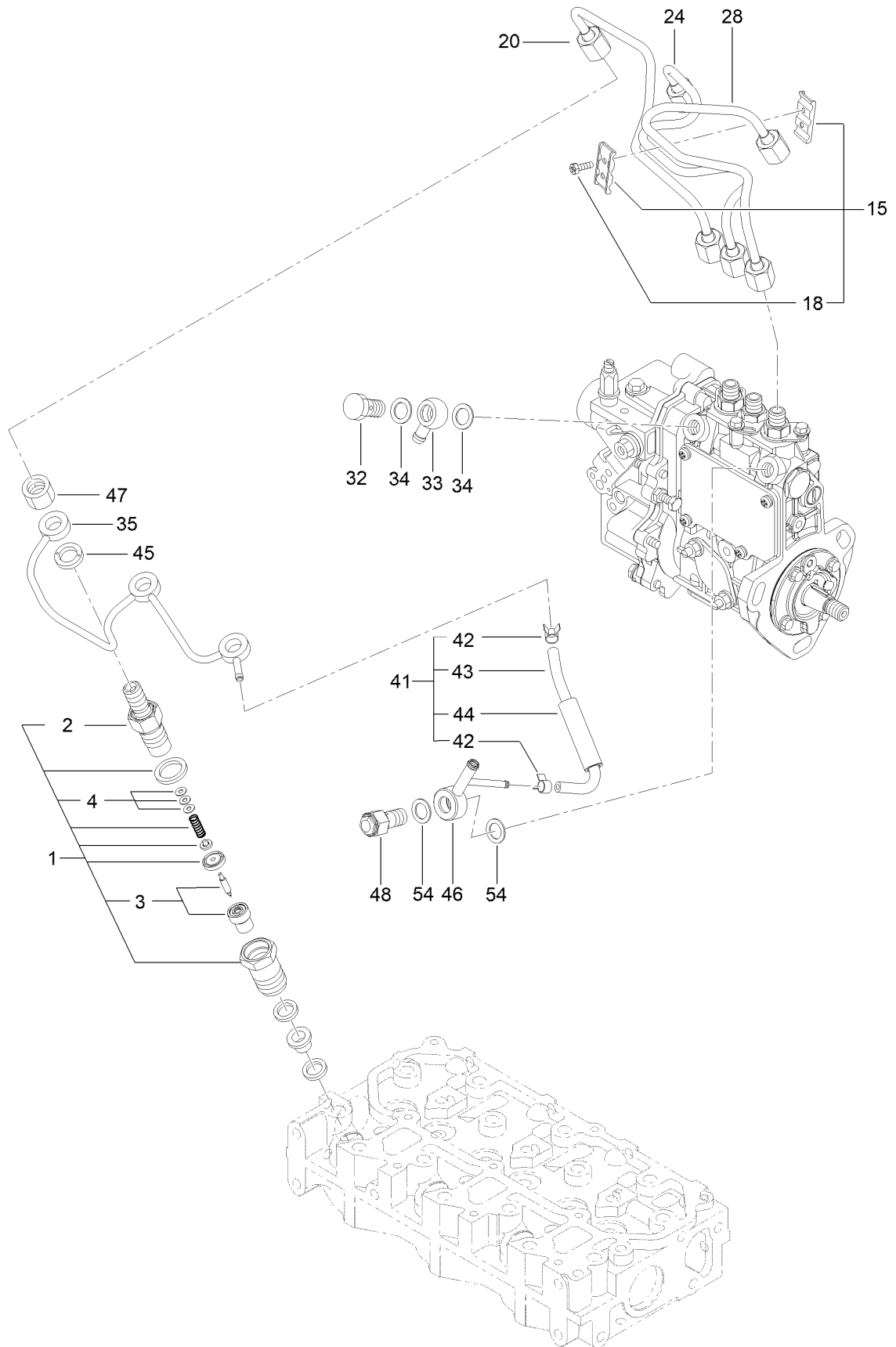




## Governor Assembly (continued)

<i>Ref.</i>	<i>Part Number</i>	<i>Qty.</i>	<i>Description</i>	<i>Ref.</i>	<i>Part Number</i>	<i>Qty.</i>	<i>Description</i>
2	135-4226	1	Plug	77	125-7205	1	Bolt
3	135-4227	1	Gasket	78	134-4012	1	Nut-M8
4	140-7159	1	Cover-Case, Governor	79	134-1520	1	O-Ring
5	134-1435	1	Gasket	81	125-7175	1	Washer-Seal
12	134-4013	1	Bolt-Limit, Idle	83	134-1529	1	Pin
13	134-4014	1	Nut	84	125-7205	4	Bolt
15	135-4207	1	O-Ring	85	125-7207	2	Bolt
30	134-1385	1	Lever-Control	86	125-7209	4	Bolt
68	134-1518	1	Shim Set	87	136-8256	3	Bolt
73	134-1395	1	Stopper-Shaft	99	140-7172	1	Stop-Solenoid

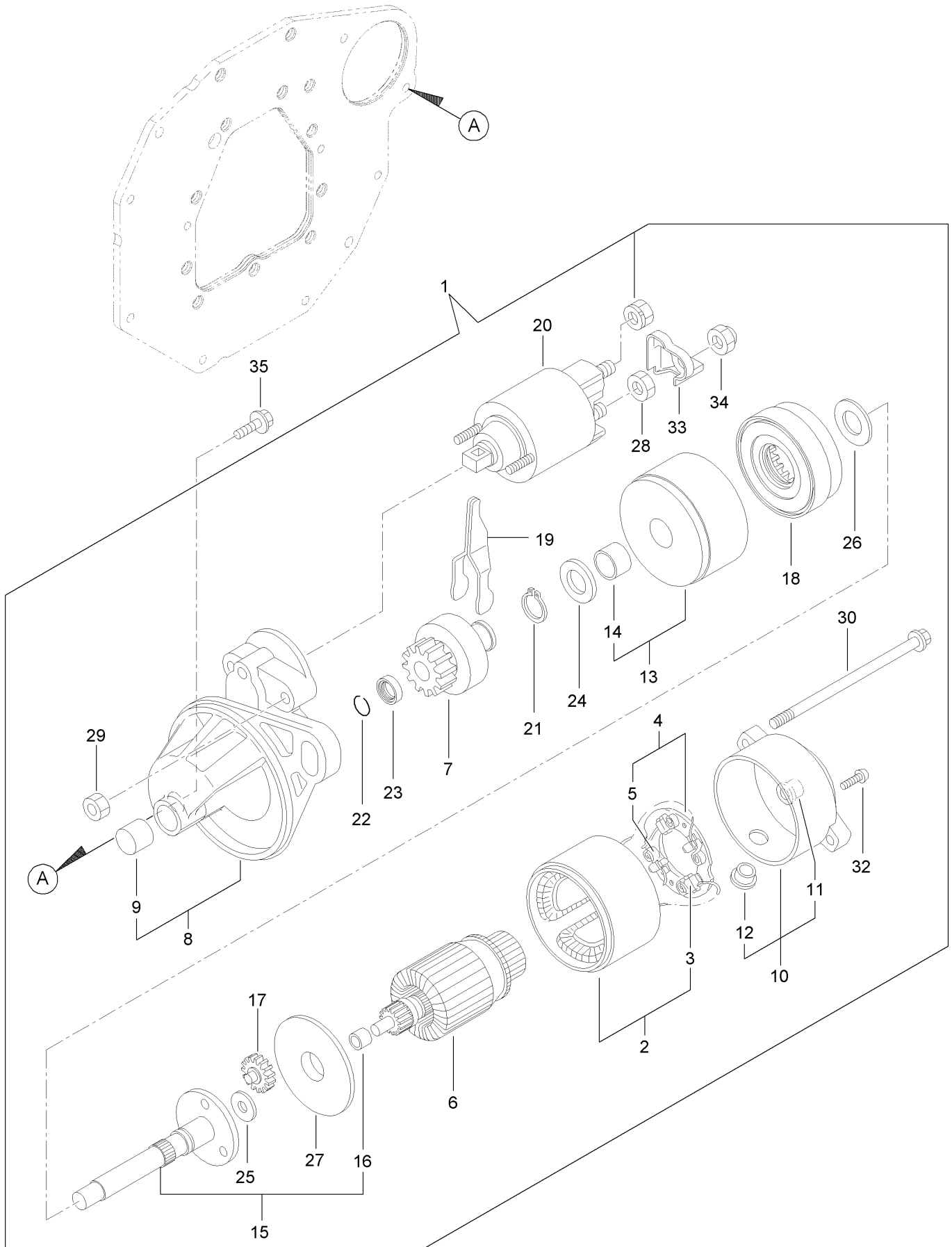
# Fuel Injection Valve Assembly



## Fuel Injection Valve Assembly (continued)

<i>Ref.</i>	<i>Part Number</i>	<i>Qty.</i>	<i>Description</i>	<i>Ref.</i>	<i>Part Number</i>	<i>Qty.</i>	<i>Description</i>
1	135-4229	3	Nozzle ASM	34	125-7176	2	Washer-Seal
2	134-1378	3	Holder-Nozzle	35	134-1431	1	Return Pipe ASM
3	135-4230	3	Nozzle ASM	41	145-3245	1	Pipe Assy, Fo Return
4	135-4231	3	Adjusting Shim Set	42	136-8225	2	Clamp-Hose
15	134-1488	1	Retainer-Pipe	43	145-3246	1	Pipe, Fo Return
18	125-7027	2	Bolt	44	145-3247	1	Tube, Corrugated
20	135-4233	1	Pipe ASM (Inj No1)	45	135-4237	3	Gasket
24	135-4234	1	Pipe ASM (Inj No2)	46	135-4239	1	Joint-Over Flow
28	135-4235	1	Pipe ASM (Inj No3)	47	135-4240	3	Nut-Nozzle
32	135-4242	1	Bolt-Joint, Pipe	48	135-4241	1	Check Valve ASM
33	135-4243	1	Joint-Pipe	54	125-7176	2	Washer-Seal

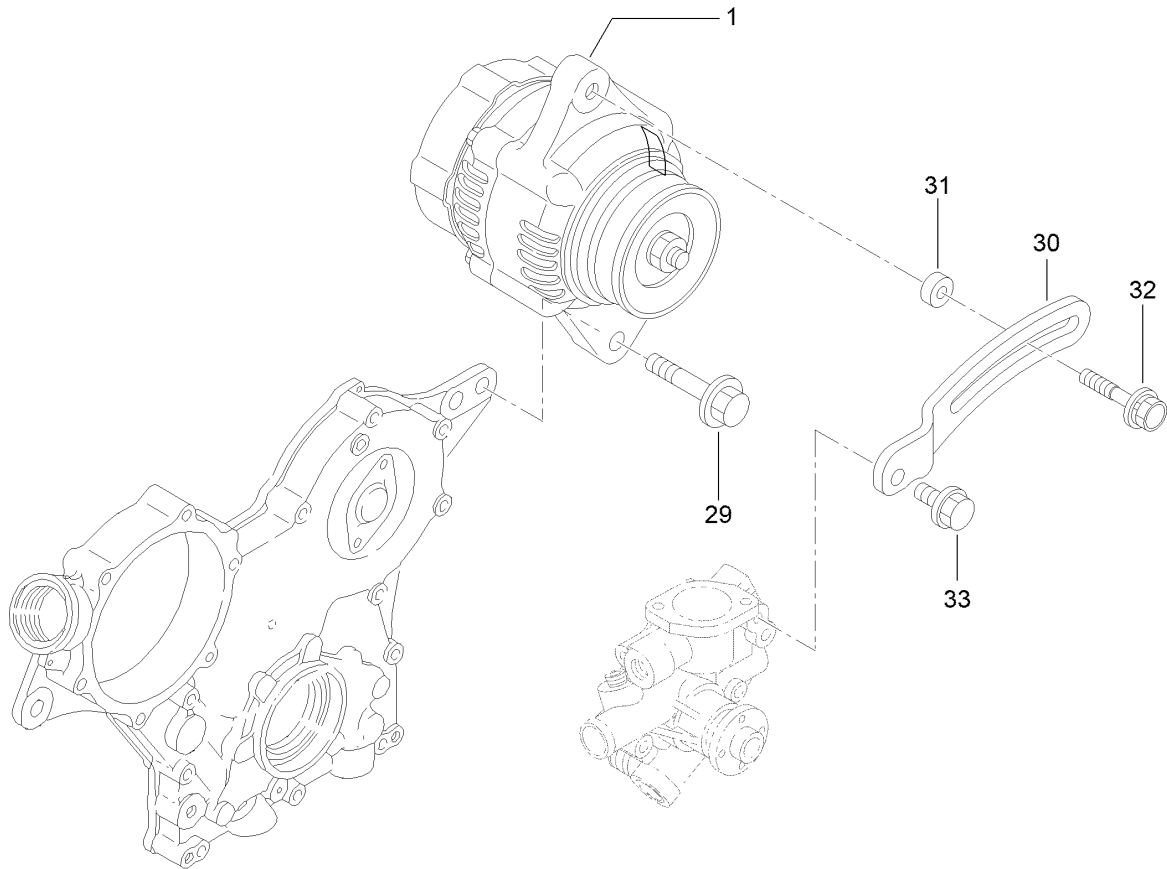
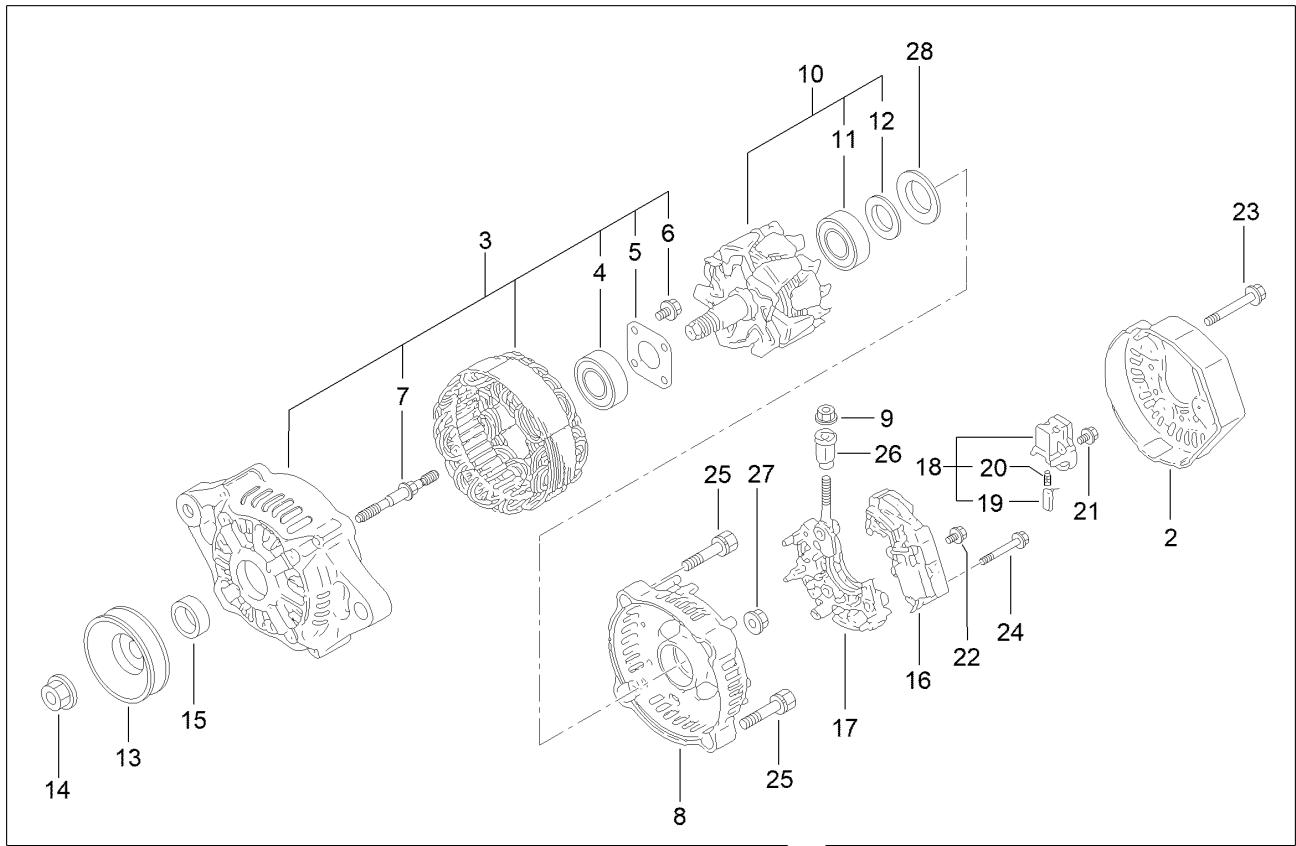
# Starter Motor Assembly



## Starter Motor Assembly (continued)

<i>Ref.</i>	<i>Part Number</i>	<i>Qty.</i>	<i>Description</i>	<i>Ref.</i>	<i>Part Number</i>	<i>Qty.</i>	<i>Description</i>
1	135-4244	1	Starter ASM	18	135-4261	1	Gear
2	135-4245	1	Yoke ASM	19	135-4262	1	Lever
3	135-4246	2	Starter Kit	20	135-4263	1	Switch ASM
4	135-4247	1	Holder ASM	21	135-4264	1	Ring
5	135-4248	4	Spring	22	135-4265	1	Ring
6	135-4249	1	Armature ASM	23	135-4266	1	Nut
7	135-4250	1	Clutch ASM	24	135-4267	1	Washer
8	135-4251	1	Housing ASM	25	135-4268	1	Washer
9	135-4252	1	Bearing-Needle	26	135-4269	1	Washer
10	135-4253	1	Frame ASM	27	135-4270	1	Plate
11	135-4254	1	Bearing	28	135-4271	1	Nut
12	135-4255	1	Cover	29	135-4272	2	Nut
13	135-4256	1	Bearing ASM	30	135-4273	2	Bolt-Through
14	135-4257	1	Bearing	32	135-4274	2	Screw
15	135-4258	1	Shaft ASM	33	135-4275	1	Cover-Terminal
16	135-4259	1	Bearing	34	135-4276	1	Nut
17	135-4260	3	Gear	35	133-2496	2	Bolt

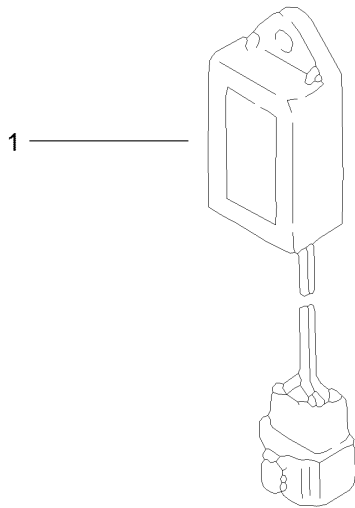
# Generator Assembly



## Generator Assembly (continued)

<i>Ref.</i>	<i>Part Number</i>	<i>Qty.</i>	<i>Description</i>	<i>Ref.</i>	<i>Part Number</i>	<i>Qty.</i>	<i>Description</i>
1	140-7162	1	Alternator (12V-40A)	18	127-2993	1	Holder
2	127-2999	1	Cover	19	127-2956	2	Brush ASM
3	135-4025	1	Frame ASM	20	127-2964	2	Spring
4	127-2958	1	Bearing-Ball	21	127-2965	6	Screw
5	127-2959	1	Plate-Retainer	22	127-2966	1	Screw
6	127-2960	4	Screw	23	127-2967	3	Bolt
7	127-2961	2	Stud	24	127-2968	2	Screw
8	140-7163	1	Rear Frame ASM	25	127-2969	2	Bolt
9	127-3190	1	Nut	26	127-2970	1	Bushing-Insulation
10	127-2951	1	Rotor ASM	27	127-2971	2	Nut
11	127-2983	1	Bearing-Ball	28	127-2972	1	Washer
12	127-2962	1	Cover	29	135-4277	1	Bolt
13	127-2954	1	Pulley	30	125-6947	1	Spacer
14	127-2955	1	Nut	31	140-7166	1	Spacer-Adjuster
15	127-2957	1	Collar	32	125-7134	1	Bolt
16	145-7881	1	Regulator Assy	33	125-7595	1	Bolt
17	127-2963	1	Holder				

# Timer Assembly

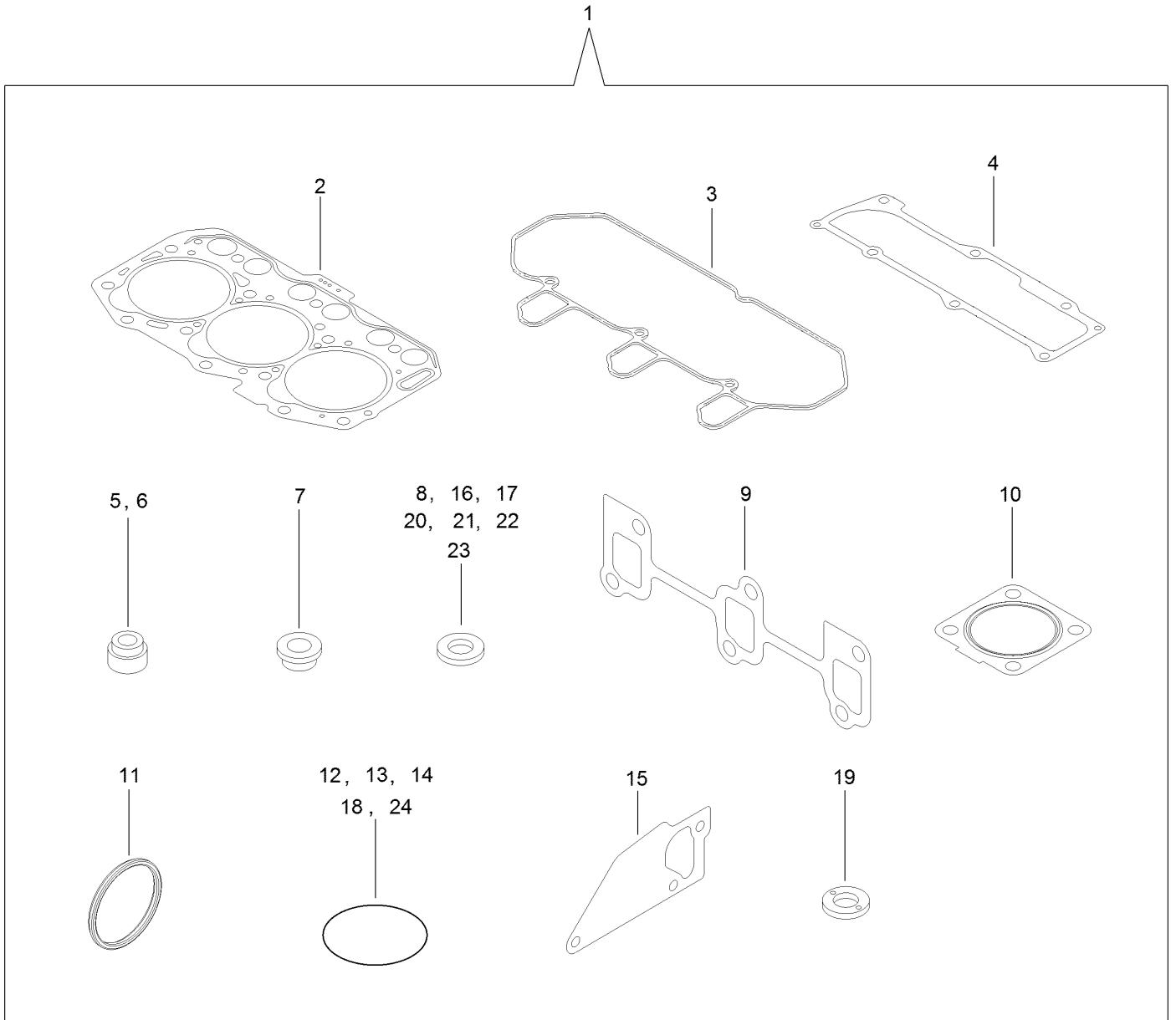




## Timer Assembly (continued)

<i>Ref.</i>	<i>Part Number</i>	<i>Qty.</i>	<i>Description</i>
1	134-1507	1	Timer

# Gasket Set



## Gasket Set (continued)

<i>Ref.</i>	<i>Part Number</i>	<i>Qty.</i>	<i>Description</i>	<i>Ref.</i>	<i>Part Number</i>	<i>Qty.</i>	<i>Description</i>
1	140-7184	1	Gasket Set	13	135-4058	2	O-Ring
2	135-4038	1	Head Gasket Set	14	135-4178	1	O-Ring
3	135-4093	1	Gasket-Cover, Cylinder Head	15	135-4193	1	Gasket-Pump, Water
4	135-4095	1	Gasket	16	125-6979	1	Gasket
5	125-6915	3	Seal-Stem, Valve	17	134-4010	1	Gasket
6	125-6916	3	Seal-Stem, Valve	18	125-6957	1	O-Ring
7	135-4069	3	Protector-Nozzle	19	135-4237	3	Gasket
8	135-4070	6	Gasket-Nozzle	20	125-7174	4	Washer-Seal
9	135-4107	1	Gasket-Manifold, Exhaust	21	125-7176	4	Washer-Seal
10	134-1383	1	Gasket-Silencer	22	136-8236	1	Washer-Seal
11	134-4004	1	Packing-Washer	23	125-7192	1	Gasket
12	127-2973	1	O-Ring	24	125-7197	2	O-Ring

# Attachments and Accessories

## For 22352 TX 700 Wide Track Compact Tool Carrier

<b>Product Name</b>	<b>Model/Part</b>
Premium Engine Oil 10w30 (55 Gallon Drum) .....	121-6392
Premium Engine Oil 10w30 (5 Gallon Pail) .....	121-6393
Premium Engine Oil 15w40 (55 Gallon Drum) .....	121-6394
Premium Engine Oil 15w40 (5 Gallon Pail) .....	121-6395
PX Hydraulic Fluid (5 Gal) .....	133-8086
PX Hydraulic Fluid (55 Gal).....	133-8087
Standard Bucket .....	22340
Adjustable Forks .....	22341
4 Cubic Foot Standard Bucket .....	22409
Loose Materials Bucket .....	22410
48in Hydraulic Blade .....	22414
Bore Drive Head .....	22420
Rod and Reamer .....	22421
Multi-Purpose Tool .....	22423
Direct Drive Power Box Rake .....	22426
Stump Grinder .....	22429
Tree Forks .....	22438
Cement Bowl .....	22442
40in Tiller .....	22445
Crumber Kit .....	22464
Trench Filler.....	22472
High-Torque Trencher Head .....	22473
High-Speed Trencher Head .....	22474
Crumber Kit .....	22477
4-in-1 Bucket .....	22478
Narrow Bucket.....	22520
Standard Bucket with Spacer.....	22522
Grapple Rake .....	22577
Snow Thrower .....	22585
Grapple Bucket.....	22590
Auger Head .....	22805
Universal Swivel Auger Head .....	22806
18in Auger Bit .....	22814
24in Auger Bit .....	22815
30in Auger Bit .....	22816
12in Auger Bit Extension .....	22818
24in Auger Bit Extension .....	22819
6in Full-Flight Auger Bit .....	22820
9in Full-Flight Auger Bit .....	22821
12in Full-Flight Auger Bit.....	22822
15in Full-Flight Auger Bit.....	22823
Vibratory Plow .....	22911
Soil Cultivator .....	23102
Concrete Breaker .....	23135
Backhoe.....	23163
Leveler.....	23165

# Attachments and Accessories (continued)

New Red Paint - Gallon .....361-11  
Semi-Gloss Black Spray Paint ..... 361-9  
Air Dry Red Paint - Qt ..... 5340

**Notes:**

**Notes:**



**Count on it.**