



Count on it.

Parts Catalog

**Brush Cutter
Walk Behind**

Model No. 23521—Serial No. 40000000 and Up



Ordering Replacement Parts

To order replacement parts, please supply the part number, the quantity, and the description of each part desired.

Understanding Reference Numbers

Each identified part in an illustration has a reference number. The reference number for a part also appears in the parts list, along with other information about the part.

This catalog uses two special reference number formats, one to indicate parts in a service assembly and another to indicate the quantity of a given part in an illustration.

Service Assembly Reference Numbers

Parts in service assemblies have reference numbers in the form a:b. The a represents the reference number of the entire service assembly and the b represents a sequential number unique to each part within the service assembly.

For example, a wheel assembly might be identified by reference number 6, the tire by 6:1, the valve by 6:2, and the wheel by 6:3. When you order the assembly identified by reference number 6, you receive all parts identified by reference numbers 6:1, 6:2, and 6:3. However, you may also order any part individually. Reference numbers of this type appear in illustration and in parts lists.

Reference Numbers Indicating Quantity

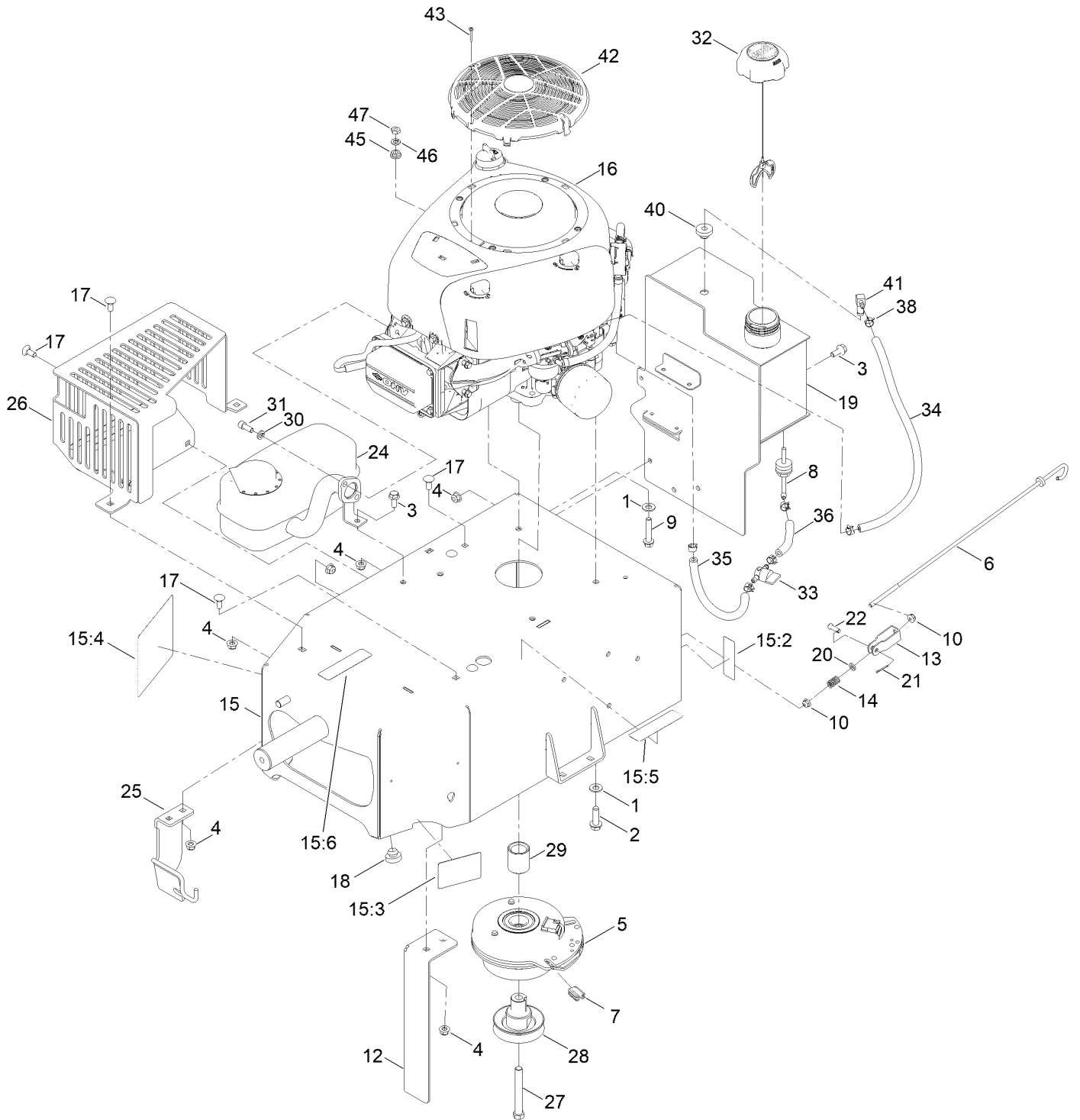
In an illustration, if a reference number indicates more than one part, the reference number has the form nX y. The n represents the quantity of the part, the X is the multiplication symbol, and the y represents the reference number.

For example, in an illustration, the reference number 2X 37 means that two of the parts identified by reference number 37 are indicated.

Contents

Engine and Frame Assembly	4
Drive Assembly	6
Transmission Assembly No. 121-1908	8
Deck Assembly	10
Handle Assembly	12
Electrical Assembly	14
Attachments and Accessories	16

Engine and Frame Assembly



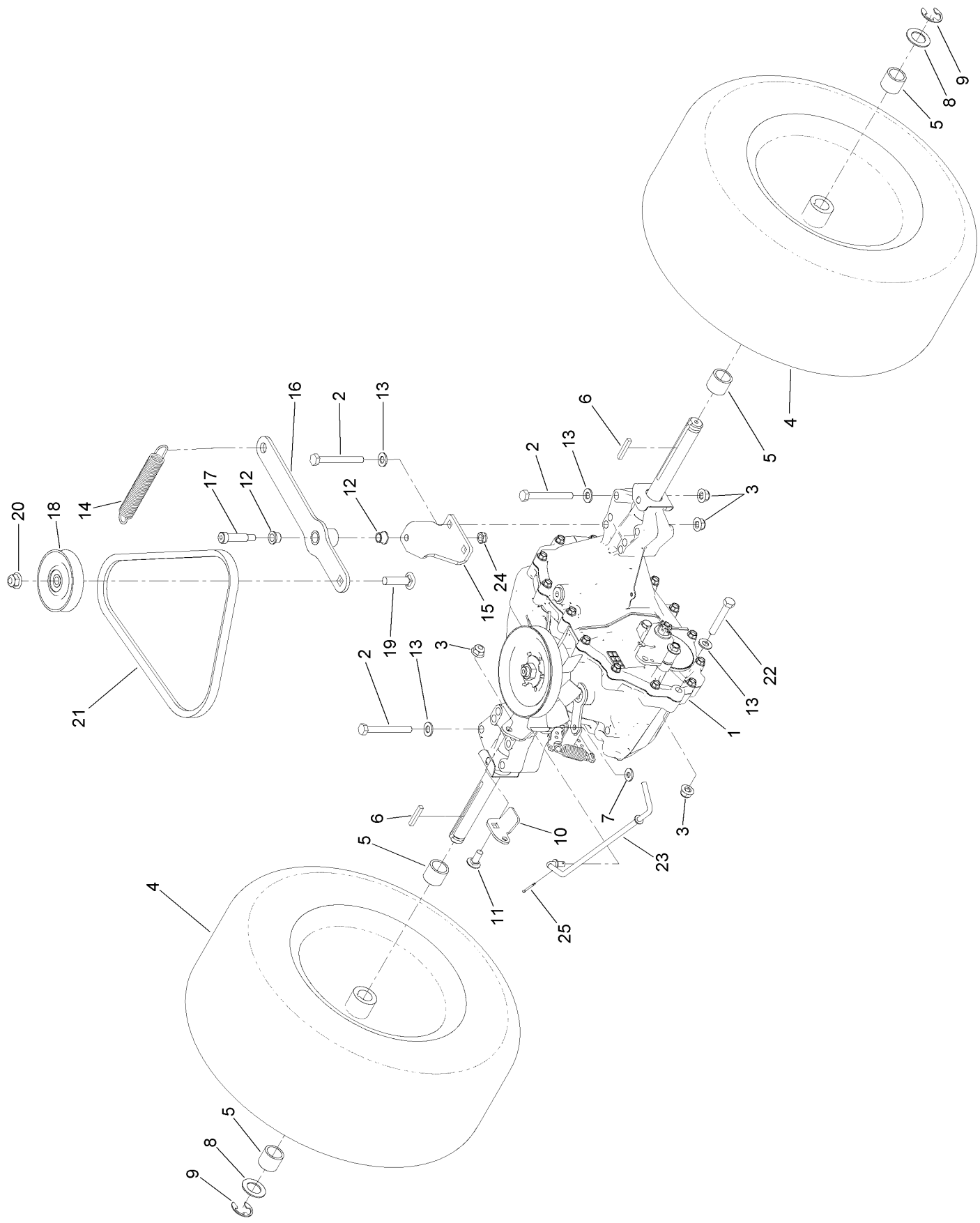
Engine and Frame Assembly (continued)

<i>Ref.</i>	<i>Part Number</i>	<i>Qty.</i>	<i>Description</i>	<i>Ref.</i>	<i>Part Number</i>	<i>Qty.</i>	<i>Description</i>
1	3256-24	4	Washer-Plain	21	3272-4	1	Pin-Cotter
2	32144-109	3	Screw-Thd	22	1-808265	1	Pin-Clevis
3	3234-47	4	Screw-HHF	24	147-7033	1	Muffler, Brush Cutter
4	104-8300	12	Nut-HF, NI	25	133-9711-01	1	Guide-Belt/Cable
5	136-1425	1	Clutch-Electric	26	161-6861-03	1	Guard-Muffler [black]
6	161-2364	1	Rod-Brake	27	3212-14	1	Screw-HH
7	120-2217	1	Isolator-Clutch	28	136-1424	1	Pulley-Hydro
8	103-2605	1	Fitting-Fuel, Bulkhead	29	161-2361	1	Spacer, Clutch
9	94-5780	1	Screw-HWH	30	3253-4	2	Washer-Lock
10	104-7201	2	Nut-HF, NI	31	3274-10	2	Screw-HSH
12	132-4060-01	1	Bracket-Torque	32	137-4127	1	Cap-Fuel
13	39-3080	1	Clevis	33	1-603770	1	Valve-Fuel
14	63-4220	1	Spring-Compression	34	109-0296	1	Hose-Fuel
15	161-2369	1	Frame ASM	35	109-0306	1	Hose-Fuel
15:2	115-9625	1	Decal-Brake, Parking	36	144-5368	1	Hose-Fuel
15:3	136-4646	1	Decal-Bypass	38	2412-98	6	Clamp-Hose
15:4	161-6879	1	Decal-Service	40	46-6560	1	Bushing
15:5	133-8062	1	Decal-Spark Arrestor	41	104-5228	1	Fitting-Elbow, 90 DEG
15:6	127-0392	1	Decal-Hot Surface	42	145-4669	1	Cover-Fan
16		1	Engine-B&s Professional ●■	43	145-4670	1	Screw-Fan
17	3230-1	8	Bolt-CARR	45	137-3039	1	Nut-HF
18	104-1412	2	Bumper-Rubber	46	136-8682	1	Washer-Lock
19	147-3271	1	Tank-Fuel	47	120-9638	1	Nut-Jam
20	55-9620	1	Spacer-Plate, Pivot				

● Not serviced separately

■ Obtain parts from www.briggsandstratton.com

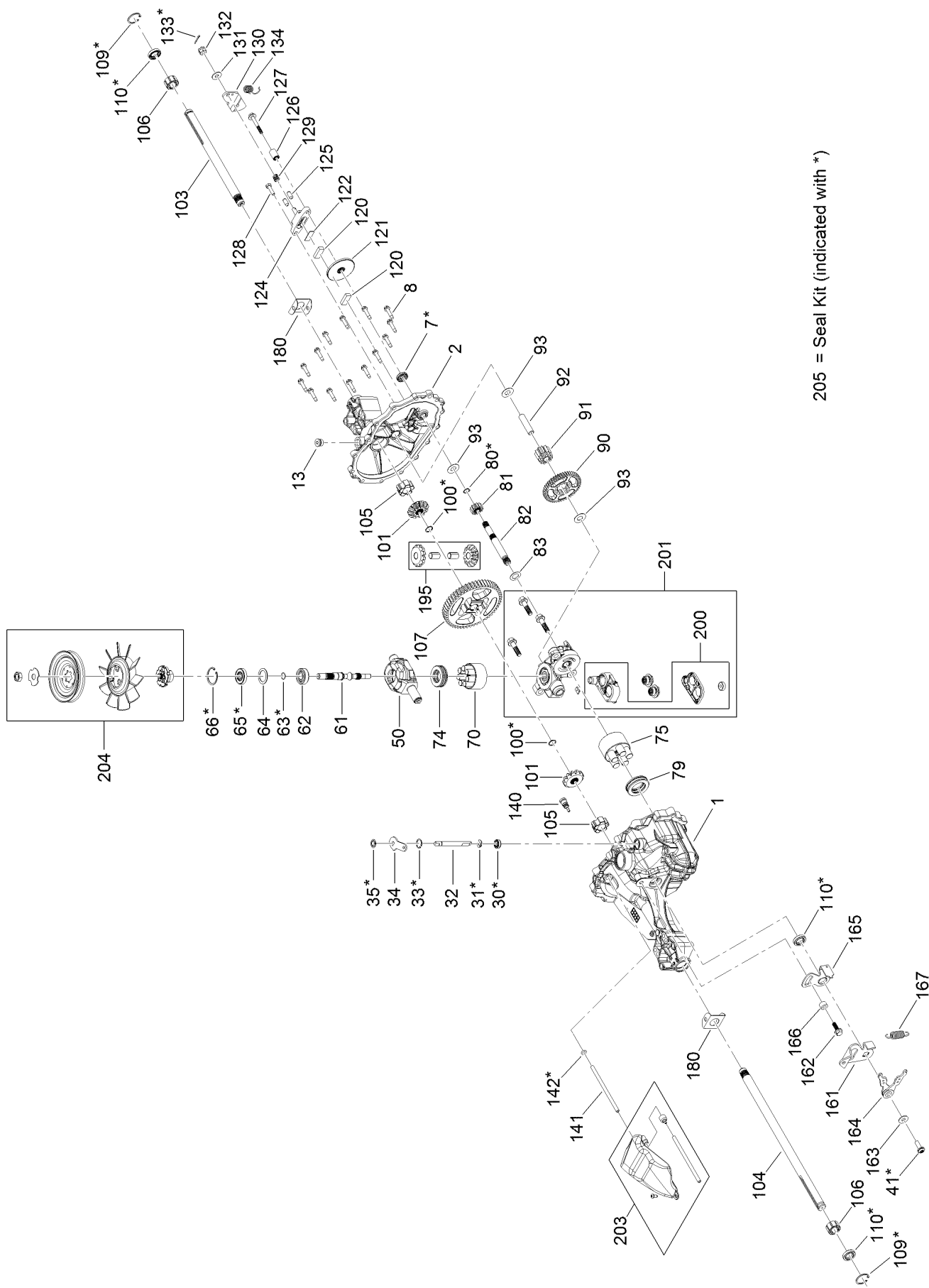
Drive Assembly



Drive Assembly (continued)

<i>Ref.</i>	<i>Part Number</i>	<i>Qty.</i>	<i>Description</i>	<i>Ref.</i>	<i>Part Number</i>	<i>Qty.</i>	<i>Description</i>
1	121-1908	1	Transaxle ASM	14	21-1830	1	Spring-Extension
2	322-13	6	Screw-HH	15	132-4079-03	1	Mount-Arm, Tension
3	104-8300	8	Nut-HF, NI	16	132-4061-03	1	Arm-Tension, Belt
4	132-7001	2	Tire ASM	17	114-0239	1	Screw-HSH
5	132-4062	4	Spacer	18	62-4530	1	Pulley
6	92-0049	2	Key-Square	19	3231-26	1	Screw-CARR
7	3256-22	1	Washer-Flat	20	104-8301	1	Nut-HF, NI
8	67-9410	2	Washer	21	707081	1	V-Belt
9	32151-48	2	E-Ring	22	322-10	1	Screw-HH
10	132-7048-03	1	Bracket-Cable	23	133-9715	1	Lever-Valve, Tow
11	3230-23	1	Bolt-CARR	24	3296-47	1	Nut-Lock,NI
12	132-4097	2	Bushing	25	3272-4	1	Pin-Cotter
13	3256-23	7	Washer-Plain				

Transmission Assembly No. 121-1908



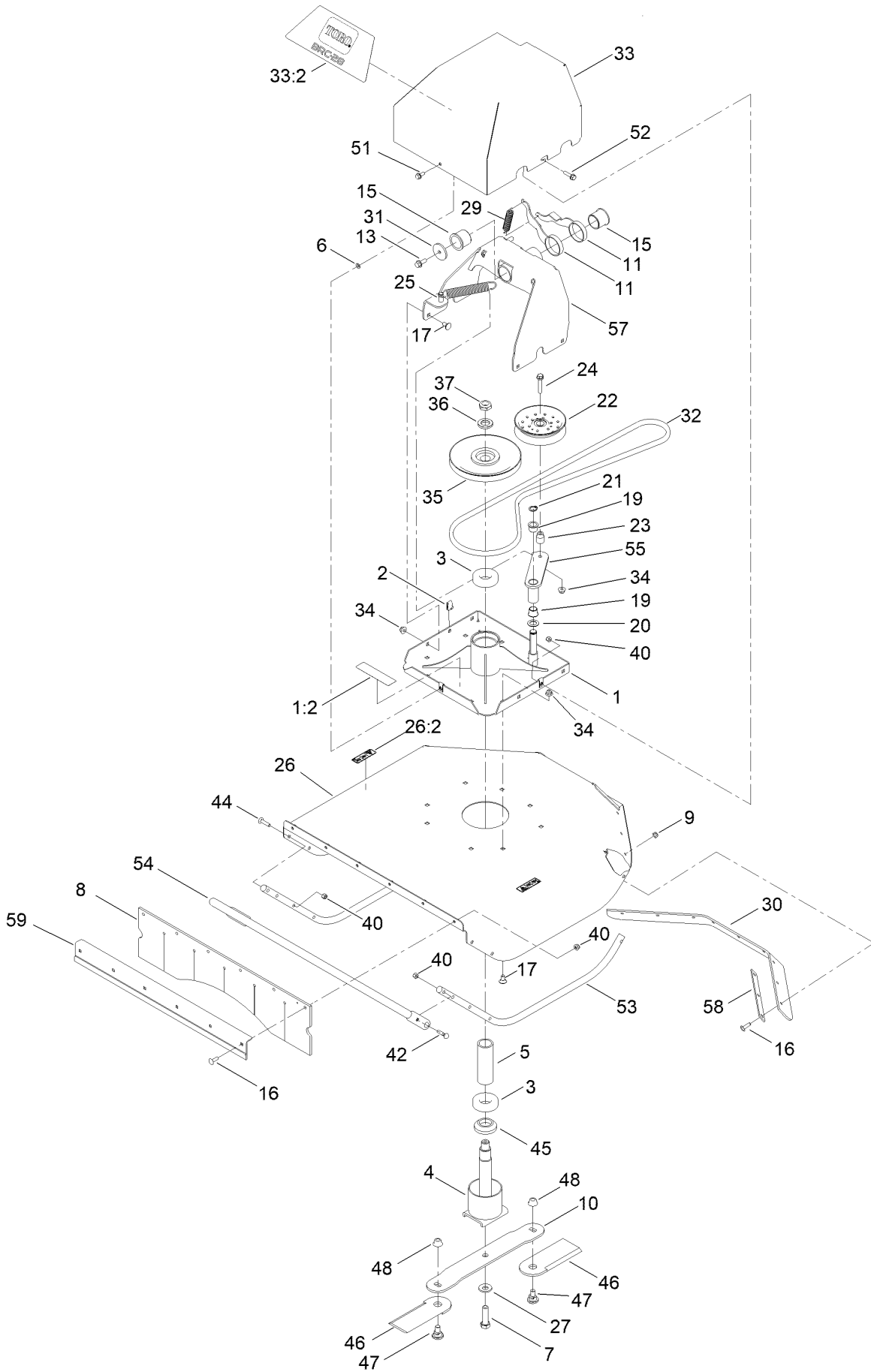
205 = Seal Kit (indicated with *)

Transmission Assembly No. 121-1908 (continued)

<i>Ref.</i>	<i>Part Number</i>	<i>Qty.</i>	<i>Description</i>	<i>Ref.</i>	<i>Part Number</i>	<i>Qty.</i>	<i>Description</i>
1	115-8313	1	Main Housing Kit	105	115-8314	2	Bushing-Inboard
2	119-5538	1	Housing Side Kit	106	115-8304	2	Bushing-Outboard
7	115-8335	1	Seal-Lip	107	115-8325	1	Gear-53T, Bull
8	117-5359	14	Screw-HHF	109	115-8303	2	Ring-Retaining, Internal
10	104-2147	1	Sealant, Silicone - Non-Flammable ●	110	121-0970	3	Seal-Lip
13	104-2189	1	Plug-Thread, Straight	120	104-2171	2	Puck-Brake
30	106-8676	1	Seal-Lip	121	115-8337	1	Rotor-Brake
31	106-8677	1	Ring-Retaining, External	122	104-2181	1	Puck-Plate
32	115-8312	1	Rod-Bypass, Actuator	124	104-5341	1	Bearing-Block, Center
33	106-8679	1	Ring-Retaining, Internal	125	104-2176	2	Pin-Brake
34	115-8311	1	Arm-Bypass	126	104-2180	1	Spacer
35	106-8681	1	Ring-Retaining, External	127	104-5345	1	Screw-HF
41	107-2488	1	Screw	128	115-8339	1	Screw-HHCS
50	115-8319	1	Trunnion-Plate, Swash	129	104-2188	1	Spring-Brake, Anti Drag
61	115-8317	1	Shaft-Input	130	112-6195	1	Brake-Arm
62	94-1904	1	Bearing-Shaft, Ball	131	114-8491	1	Washer
63	119-5531	1	Ring-Retaining, Wire	132	119-5543	1	Nut-Castle
64	104-2104	1	Spacer	133	3272-7	1	Pin-Cotter
65	119-5532	1	Seal-Lip	134	104-2184	1	Spring-Arm, Brake (Bias)
66	119-5533	1	Ring-Retaining	140	104-5349	1	Fitting-SAE
70	121-0967	1	Piston Block ASM	141	115-8302	1	Hose
74	115-8320	1	Bearing-Thrust, Ball	142	104-5361	1	O-Ring
75	103-2666	1	Cylinder Block Kit	161	115-8308	1	Arm-Control, Return
79	94-6922	1	Bearing-Thrust	162	104-5312	1	Screw-HF
80	115-8331	1	Ring-Retaining, External	163	114-8491	1	Washer
81	119-5539	1	Gear-Pinion	164	115-8306	1	Bi Directional Return Kit
82	115-8329	1	Shaft-Motor	165	115-8310	1	Arm-Neutral
83	115-8328	1	Washer	166	115-8309	1	Bushing
90	119-5540	1	Gear	167	115-8307	1	Spring-Extension
91	115-8333	1	Gear-Jackshaft, 11T	180	119-5527	2	Spring Clip-Housing Thrust
92	115-8334	1	Pin-Jackshaft	195	137-0656	1	Miter Gears W/Pins Kit
93	94-1933	3	Washer	200	115-8323	1	Filter Kit
100	104-5328	2	Ring-Retaining, Spiral	201	137-0657	1	Centersection W/Filter Kit
101	115-8315	2	Gear-Bevel, 12T (Spline, ID)	203	115-8301	1	Expansion Tank Kit
103	121-0968	1	Shaft-Axle, Keyed	204	137-0658	1	Fan/Pulley Kit
104	121-0969	1	Shaft-Axle, Keyed	205	115-8316	1	Seal Kit

● Not illustrated

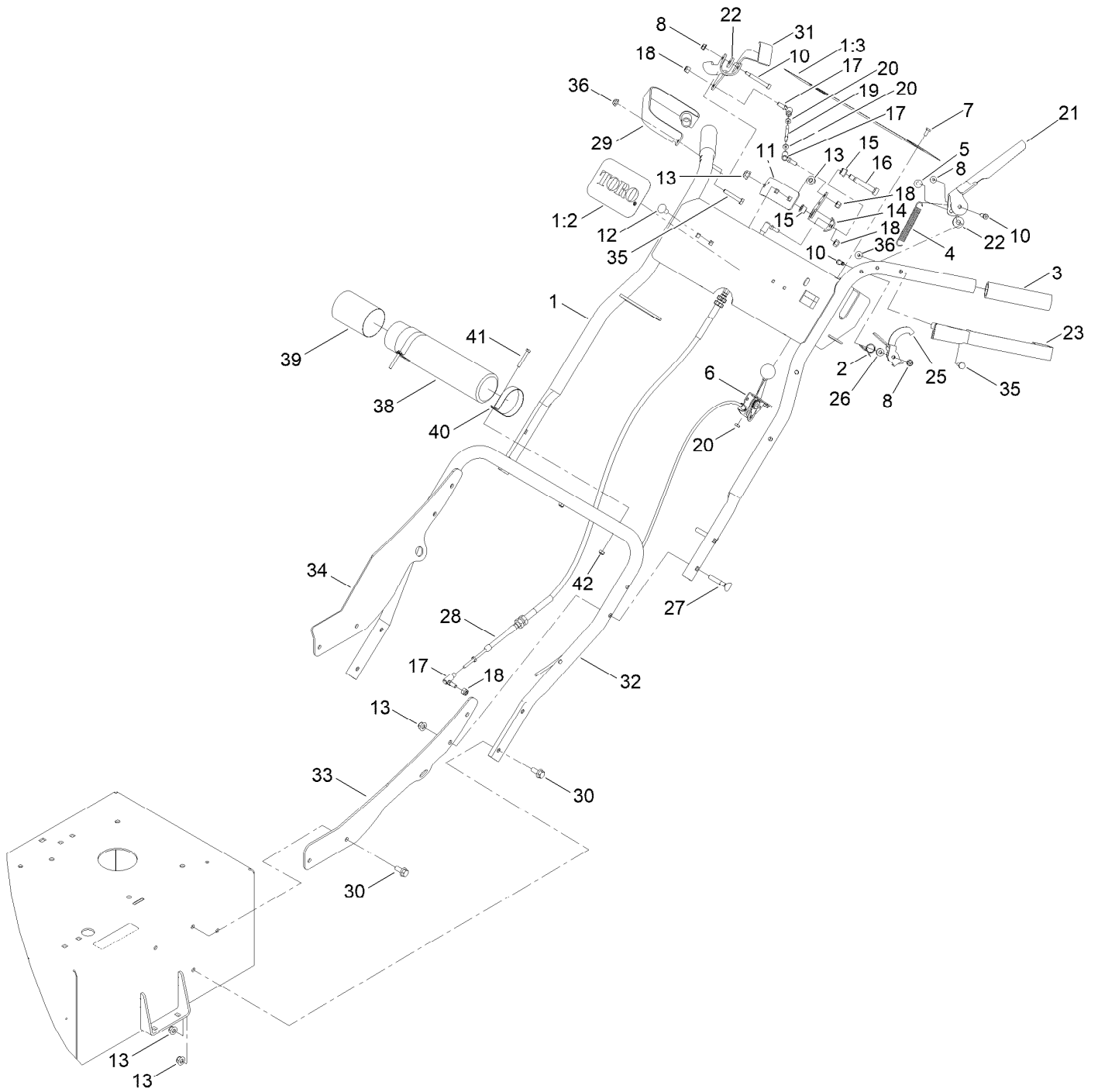
Deck Assembly



Deck Assembly (continued)

<i>Ref.</i>	<i>Part Number</i>	<i>Qty.</i>	<i>Description</i>	<i>Ref.</i>	<i>Part Number</i>	<i>Qty.</i>	<i>Description</i>
1	136-4637	1	Spindle ASM	29	13-0480	1	Spring
1:2	93-7814	1	Decal-Danger	30	133-9700	1	Flap-Deck
2	94-2413	3	Nut-U	31	132-4055	1	Washer-Flat
3	132-4088	2	Bearing-Spindle	32	132-7047	1	Belt-Deck
4	132-7040	1	Spindle Cup ASM	33	136-4627	1	Guard-Belt
5	132-7006	1	Spacer-Bearing	33:2	132-4011	1	Decal
6	117-2749	1	Nut-Push	34	104-8301	13	Nut-HF, NI
7	51-4060	1	Screw-Blade	35	104-3546	1	Pulley-Driven, Low
8	136-4599	1	Flap-Rubber	36	120-5576	1	Washer-Hardened
9	104-8300	15	Nut-HF, NI	37	3296-60	1	Nut-Lock, NI
10	132-4066	1	Blade-Flail	40	3296-29	12	Nut-Lock, NI
11	132-4064-03	2	Arm-Return	42	130-2356	4	Screw-Handle, Lock
13	3234-11	1	Screw-HHF	44	112-6950	6	Screw-CARR
15	132-4091	2	Bushing	45	136-4609	1	Cap-Spindle
16	3230-22	15	Screw-CARR	46	132-4067	2	End-Blade
17	3231-1	12	Screw-CARR	47	132-4069	2	Bolt
19	132-4089	2	Bushing	48	131-0703	2	Nut-HHF
20	67-9410	1	Washer	51	3234-5	1	Screw-HHF
21	32120-93	1	Ring-Retaining	52	3234-36	2	Screw-HHF
22	116-4665	1	Pulley-Idler, Flat	53	132-7008-03	2	Bar-Skid
23	1-633456	1	Bushing, Idler	54	132-7009-03	1	Guard-Brush
24	108-3742	1	Screw-HHF	55	132-7033-03	1	Arm-Tension
25	106-2177	1	Spring-Extension	57	132-7044-03	1	Frame-Pivot
26	136-4625	1	Deck ASM	58	133-9709-03	3	Plate-Flap, Deck
26:2	130-9670	2	Decal-Warning, Blade	59	136-1421-01	1	Guard-Flap, Rubber
27	125-1736	1	Washer-Belleville				

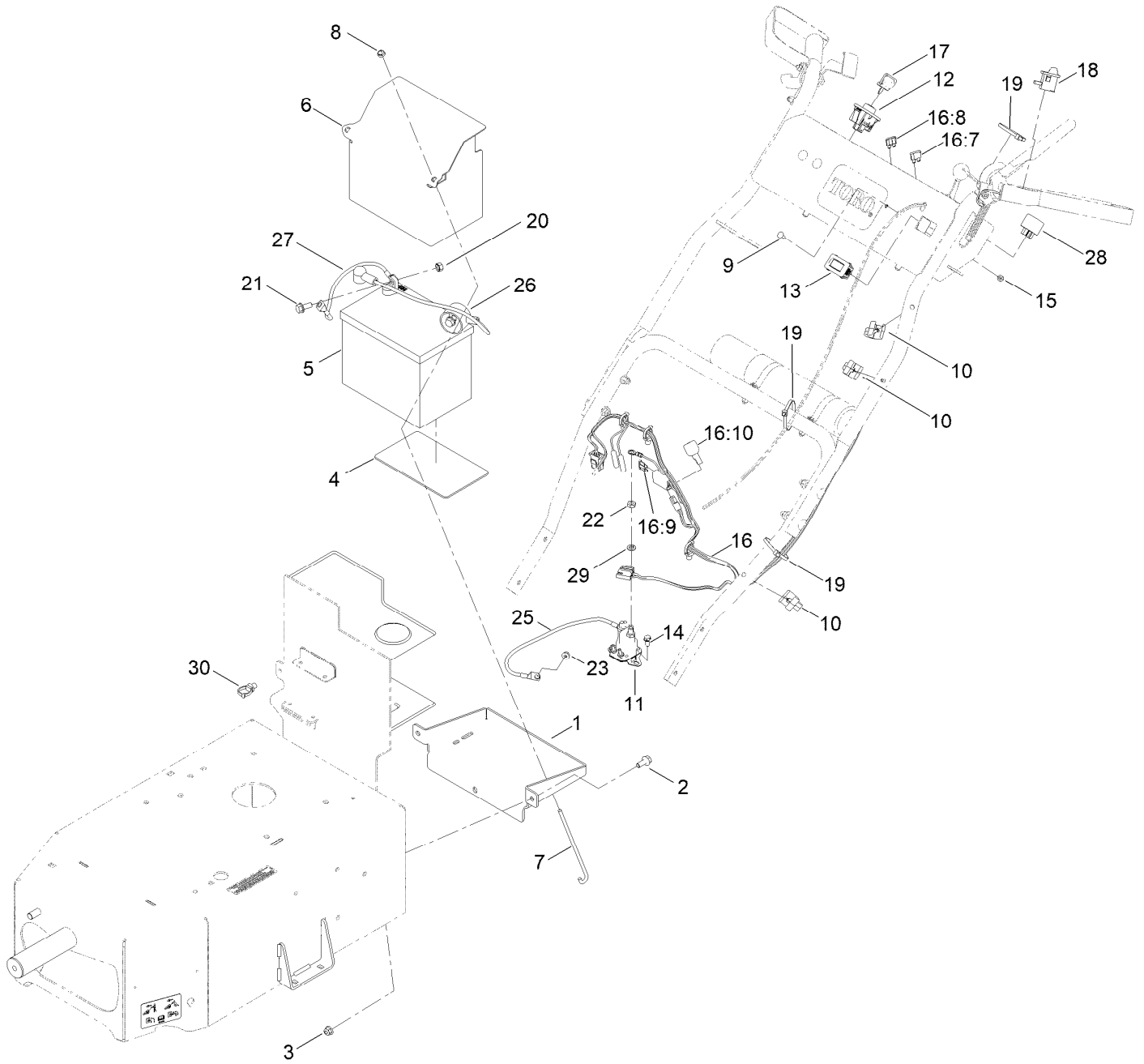
Handle Assembly



Handle Assembly (continued)

<i>Ref.</i>	<i>Part Number</i>	<i>Qty.</i>	<i>Description</i>	<i>Ref.</i>	<i>Part Number</i>	<i>Qty.</i>	<i>Description</i>
1	136-4624	1	Handle ASM	21	132-7029-03	1	Handle-Clutch
1:2	105-8278	1	Decal	22	88-7200	2	Washer-Flat
1:3	132-4005	1	Decal-Operation, Safety	23	136-4633-03	1	Guard-Knuckle
2	132-4085	1	Spring	25	136-4596	1	Lockout
3	136-1433	2	Grip-Foam	26	136-4595	1	Spacer
4	95-3805	1	Spring	27	92-2260	4	Screw-Handle
5	32112-11	1	Nut-Push	28	132-4095	1	Cable-Traction
6	161-6867	1	Cable-Throttle	29	136-1430-03	1	Guard- Knuckle
7	25-8640	2	Screw-HH	30	3234-47	8	Screw-HHF
8	32128-17	3	Nut-Lock, Flange	31	132-4049-03	1	Handle-Traction
10	137-0550	3	Bolt-Shoulder	32	133-9714-03	1	Handle-Lower
11	132-7023-03	1	Mount-Bell Crank	33	161-2370-03	1	Brace-Handle [black]
12	3230-1	2	Bolt-CARR	34	161-2372-03	1	Brace-Handle [black]
13	104-8300	15	Nut-HF, NI	35	321-9	2	Screw-HH
14	132-7024-03	1	Bell Crank ASM	36	104-7201	2	Nut-HF, NI
15	132-4097	2	Bushing	38	104-7050	1	Tube-Manual
16	126-0277	1	Screw-Shoulder	39	104-7048	1	Cap-Housing
17	100-8559	4	Ball Joint ASM	40	2412-120	2	Clamp-R
18	3296-3	4	Nut-Lock	41	32105-1	2	Screw-SHH
19	132-4083	1	Link-Control	42	3296-2	2	Nut-Lock, NI
20	3219-14	4	Nut-Hex				

Electrical Assembly



Electrical Assembly (continued)

<i>Ref.</i>	<i>Part Number</i>	<i>Qty.</i>	<i>Description</i>	<i>Ref.</i>	<i>Part Number</i>	<i>Qty.</i>	<i>Description</i>
1	136-1401-01	1	Tray-Battery	16:8	109102	1	Fuse-Blade, 25 Amp
2	3234-47	3	Screw-HHF	16:9	109103	1	Fuse-Blade, 30 Amp
3	104-8300	3	Nut-HF, NI	16:10	100-4918	2	Diode
4	62-4300	1	Pad-Skid, Anti	17	63-8360	1	Key-Ignition
5	105-1692	1	Battery- Dry, 12V, 230 CCA	18	133-4654	1	Switch-Plunger
6	136-1408-01	1	Tray-Battery	19	614249	3	Tie-Cable
7	1-633651	2	Bolt-Holddown	20	32149-1	2	Nut-Keps
8	104-7201	2	Nut-HF, NI	21	3234-5	2	Screw-HHF
9	1-807513	2	Bolt-CARR	22	3220-2	2	Nut-Jam
10	114-7988	3	Guide-Cable	23	33003-00	1	Nut-HF
11	117-1197	1	Solenoid	25	122-1000	1	Cable-Battery, Positive
12	137-4100	1	Switch-Ignition	26	122-0999	1	Cable-Battery, Positive
13	120-2244	1	Hourmeter	27	122-0959	1	Cable-Battery, Negative
14	32144-4	2	Screw-HWH	28	98-7249	3	Relay
15	3296-2	2	Nut-Lock, NI	29	3253-4	2	Washer-Lock
16	122-0925	1	Harness-Wire	30	32180-030	1	Clip-Tie
16:7	218-578	1	Fuse-Blade, 10 Amp				

Attachments and Accessories

For 23521 Brush Cutter Walk Behind

Product Name	Model/Part
Spark Arrester Kit	131-4160
Blade-Brush.....	132-7036-03
Flail Blade Kit.....	136-4622
Flail Ends Kit.....	136-4623
Deck Ski Kit	137-7608

Notes:

Notes:

Notes:



Count on it.