



**Count on it.**

**Parts Catalog**

**e-Dingo 500  
Compact Tool Carrier**

Model No. 22219—Serial No. 40000000 and Up



# Ordering Replacement Parts

To order replacement parts, please supply the part number, the quantity, and the description of each part desired.

## Understanding Reference Numbers

Each identified part in an illustration has a reference number. The reference number for a part also appears in the parts list, along with other information about the part.

This catalog uses two special reference number formats, one to indicate parts in a service assembly and another to indicate the quantity of a given part in an illustration.

## Service Assembly Reference Numbers

Parts in service assemblies have reference numbers in the form a:b. The a represents the reference number of the entire service assembly and the b represents a sequential number unique to each part within the service assembly.

For example, a wheel assembly might be identified by reference number 6, the tire by 6:1, the valve by 6:2, and the wheel by 6:3. When you order the assembly identified by reference number 6, you receive all parts identified by reference numbers 6:1, 6:2, and 6:3. However, you may also order any part individually. Reference numbers of this type appear in illustration and in parts lists.

## Reference Numbers Indicating Quantity

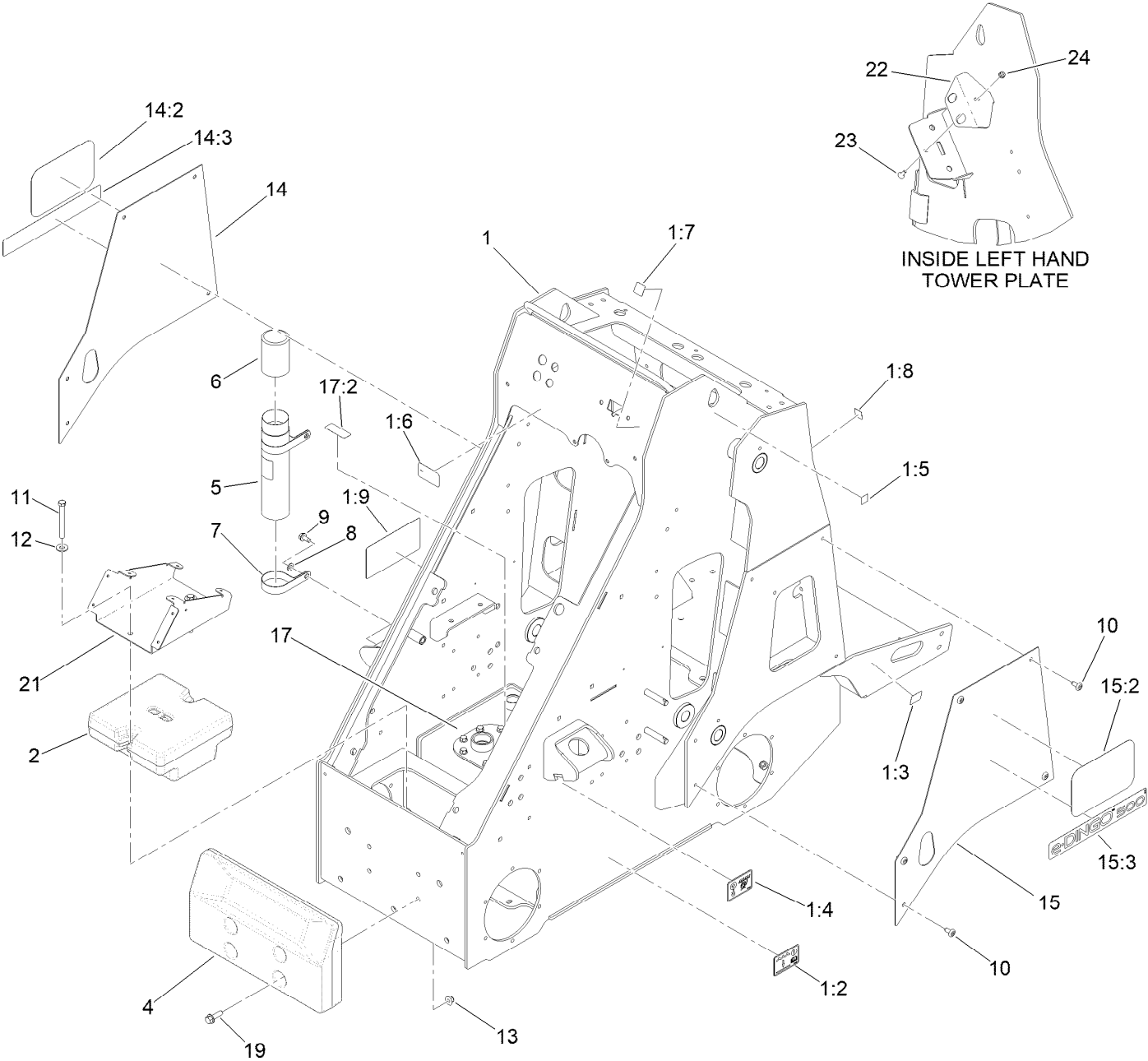
In an illustration, if a reference number indicates more than one part, the reference number has the form nX y. The n represents the quantity of the part, the X is the multiplication symbol, and the y represents the reference number.

For example, in an illustration, the reference number 2X 37 means that two of the parts identified by reference number 37 are indicated.

# Contents

Main Frame Assembly . . . . .	4
Hood and Service Panel Assembly . . . . .	6
Counterweights, Skid Plates and Foot Pad Assembly . . . . .	8
Drivetrain Assembly . . . . .	10
Drivetrain Assembly Motor/Generator Assembly . . . . .	12
Drivetrain Assembly Planetary Gearbox Assembly . . . . .	14
Drivetrain Assembly Brake Assembly . . . . .	16
Motor/Generator and Hydraulic Pump Assembly . . . . .	18
Hydraulic Pump Assembly No. 139-7665 . . . . .	20
Hydraulic Tank Filter and Hydraulic Bulkhead Assembly . . . . .	22
Hydraulic Loader Valve Assembly . . . . .	24
Hydraulic Loader Valve Assembly No. 144-2909 . . . . .	26
Hydraulic Loader Cylinder Assembly . . . . .	28
Loader Arm Assembly . . . . .	30
Quick Attach Assembly No. 132-8418 . . . . .	32
Battery Assembly . . . . .	34
Onboard Charger Assembly . . . . .	36
Inverter Assembly . . . . .	38
Main Wire Harness Assembly . . . . .	40
Drivetrain Electrical Connection Assembly . . . . .	42
Control Panel Assembly . . . . .	44
Attachments and Accessories . . . . .	46

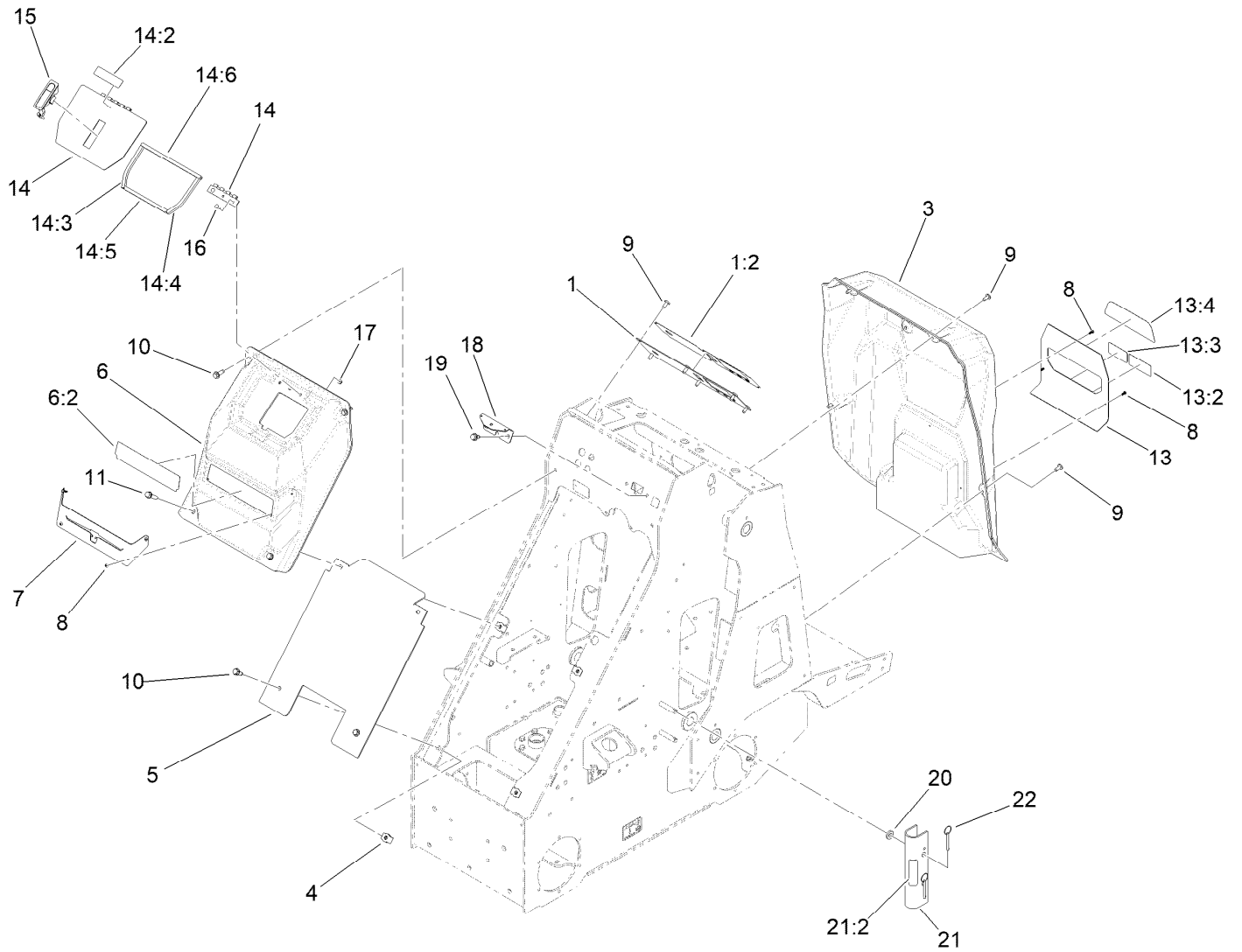
# Main Frame Assembly



## Main Frame Assembly (continued)

<i>Ref.</i>	<i>Part Number</i>	<i>Qty.</i>	<i>Description</i>	<i>Ref.</i>	<i>Part Number</i>	<i>Qty.</i>	<i>Description</i>
1	145-4721	1	Main Frame ASM	11	323-15	2	Screw-HH
1:2	139-7709	2	Decal-Water Level	12	3256-4	2	Washer-Flat
1:3	132-9051	2	Decal-Tiedown	13	104-8301	4	Nut-HF, NI
1:4	125-6139	2	Decal-Lift/Tie Down	14	145-4723	1	Panel-Access, RH
1:5	93-9084	2	Decal-Point, Lift	14:2	145-1978	1	Decal-Logo, Silver
1:6	145-4779	1	Decal - Fuses	14:3	139-7658	1	Decal- E-Dingo
1:7	147-0290	1	Decal-Light, Warning	15	145-4728	1	Panel-Access, LH
1:8	125-1414	1	Decal-Ground, Earth	15:2	145-1978	1	Decal-Logo, Silver
1:9	145-4789	1	Decal - Quick Reference Aid	15:3	139-7658	1	Decal- E-Dingo
2	145-4706-0P	1	Counterweight-Front	17	145-4790	1	Plate - Cover
4	145-2399-03	1	Counterweight-Front	17:2	93-6686	1	Decal-Oil, HYD
5	104-7050	1	Tube-Manual	19	3234-24	4	Screw-HHF
6	104-7048	1	Cap-Housing	21	145-4751-03	1	Bracket-Mount, Fan
7	2412-133	2	Clamp-R	22	145-4772-01	1	Bracket-Fitting, Adjustable
8	3256-23	2	Washer-Plain	23	1-807512	1	Bolt-CARR
9	32144-70	2	Screw-HWHTF	24	119-4040	1	Nut-HF, NI
10	138-9753	10	Screw				

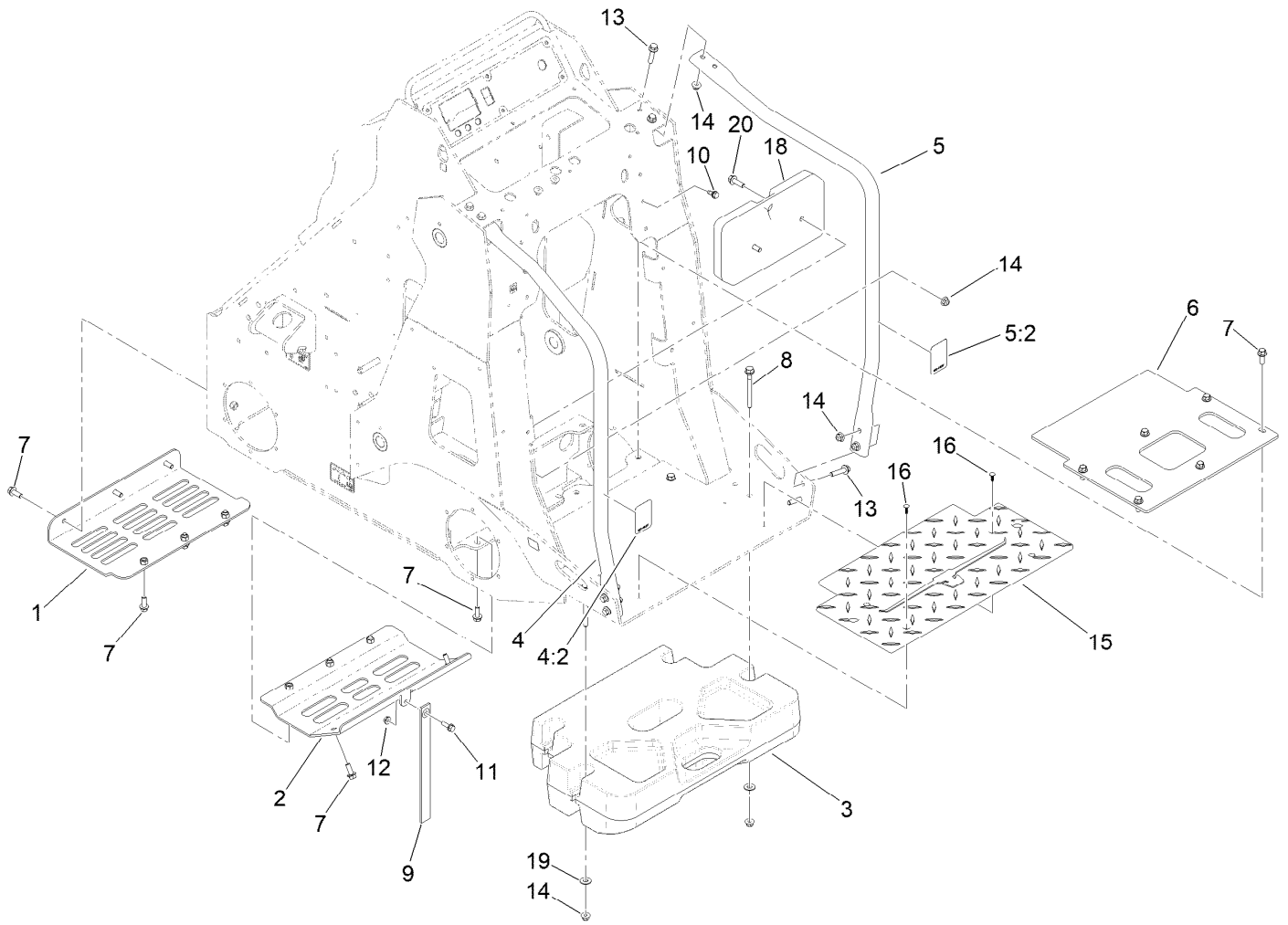
# Hood and Service Panel Assembly



## Hood and Service Panel Assembly (continued)

<i>Ref.</i>	<i>Part Number</i>	<i>Qty.</i>	<i>Description</i>	<i>Ref.</i>	<i>Part Number</i>	<i>Qty.</i>	<i>Description</i>
1	145-4725	1	Panel-Instrument	14	145-4787	1	Door - Access
1:2	145-2442	1	Decal - Controls	14:2	145-1175	1	Decal-Service, Shut-Off
3	145-4749	1	Panel-Service	14:3	145-4799	1	Foam - Door, RH
4	105-4886	4	Nut-Tinnerman	14:4	147-6019	1	Foam - Door, LH
5	145-2393-03	1	Cover-Front,Lower	14:5	147-6020	1	Foam - Door, Bottom
6	145-4722	1	Hood ASM, Front	14:6	147-6021	1	Foam - Door, Top
6:2	145-4757	1	Decal - Backer, Red	15	145-4788	1	Latch - Compression
7	145-4761-03	1	Plate-Hood	16	1-807533	2	Bolt-CARR
8	127-6843	7	Screw-Plastite, Torx Pan	17	138-0719	2	Nut-HF
9	138-9753	12	Screw	18	145-4777-01	1	Bracket - Light
10	139-2428	4	Screw-HWH	19	110-9380	2	Screw-HWH
11	32144-102	2	Screw-HWH	20	83-1470	4	Washer-Neoprene
13	145-4791	1	Plate - Cord	21	145-4724	2	Lock Cylinder ASM
13:2	145-2445	1	Decal - Charging Port	21:2	145-4729	1	Decal - Cylinder Lock
13:3	145-1174	1	Decal-Battery Charger	22	108-0094	4	Pin-Cotterless
13:4	145-1172	1	Decal-Hypercell				

# Counterweights, Skid Plates and Foot Pad Assembly

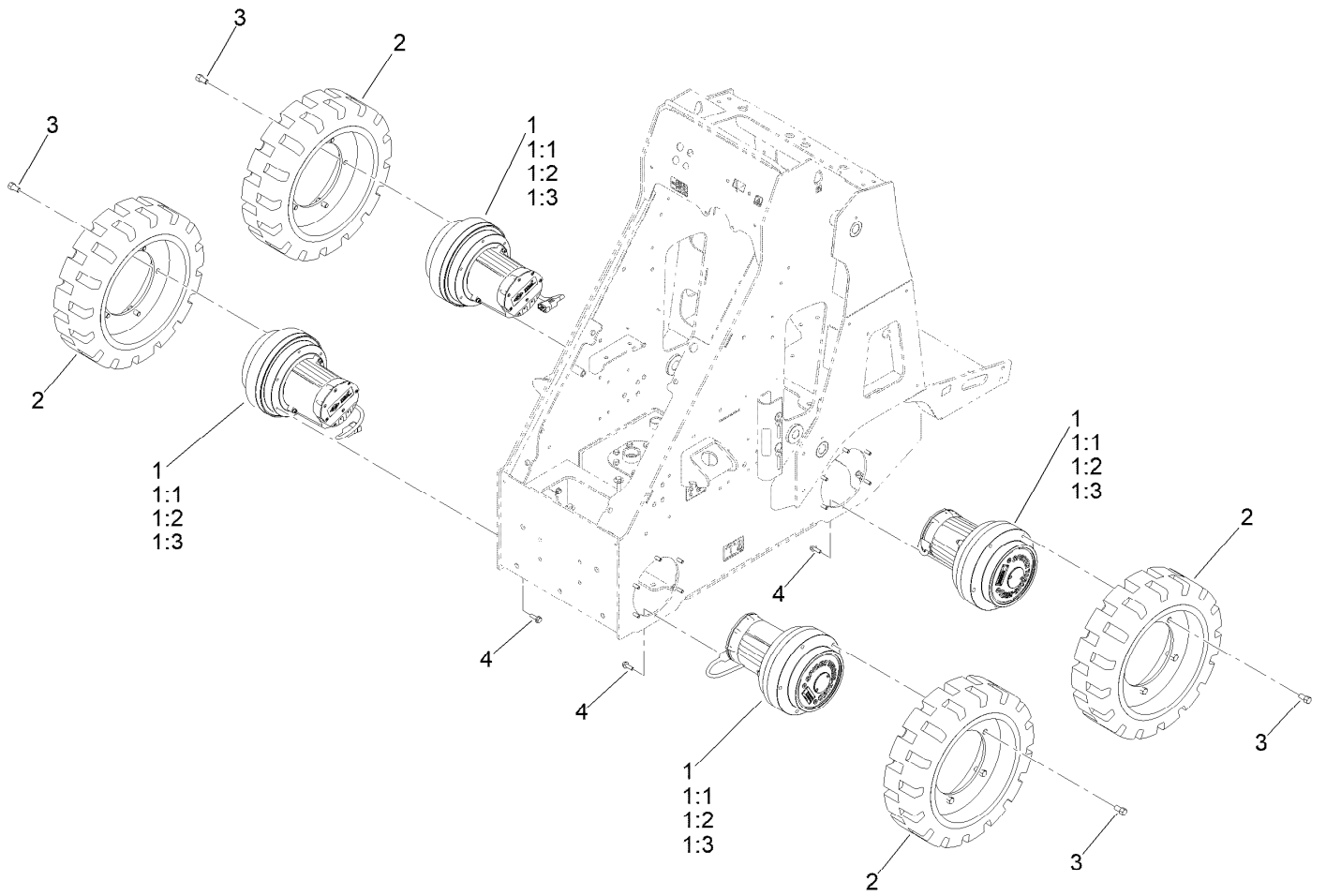




# Counterweights, Skid Plates and Foot Pad Assembly (continued)

<i>Ref.</i>	<i>Part Number</i>	<i>Qty.</i>	<i>Description</i>	<i>Ref.</i>	<i>Part Number</i>	<i>Qty.</i>	<i>Description</i>
1	140-7260-01	1	Skid Plate ASM, Front	10	126-4424	2	Screw-Shoulder
2	140-7261-01	1	Skid Plate ASM, Rear	11	3234-17	1	Screw-HHF
3	145-2398-03	1	Counterweight	12	32128-26	1	Nut-HF
4	145-4797	1	Tube-Handle,LH	13	3234-19	8	Screw-HHF
4:2	100-4627	1	Reflector	14	104-8301	14	Nut-HF, NI
5	145-4798	1	Tube-Handle,RH	15	145-4784	1	Pad - Foot
5:2	100-4627	1	Reflector	16	125-8067	4	Plug-Plastic
6	145-2350-01	1	Plate-Cover,Motor	18	145-4719-0P	1	Counterweight
7	3234-42	17	Screw-HHF	19	3256-4	4	Washer-Flat
8	140-5522	4	Screw-HHF 5/8, Patch	20	3234-24	2	Screw-HHF
9	139-7731	1	Strap, Static				

# Drivetrain Assembly

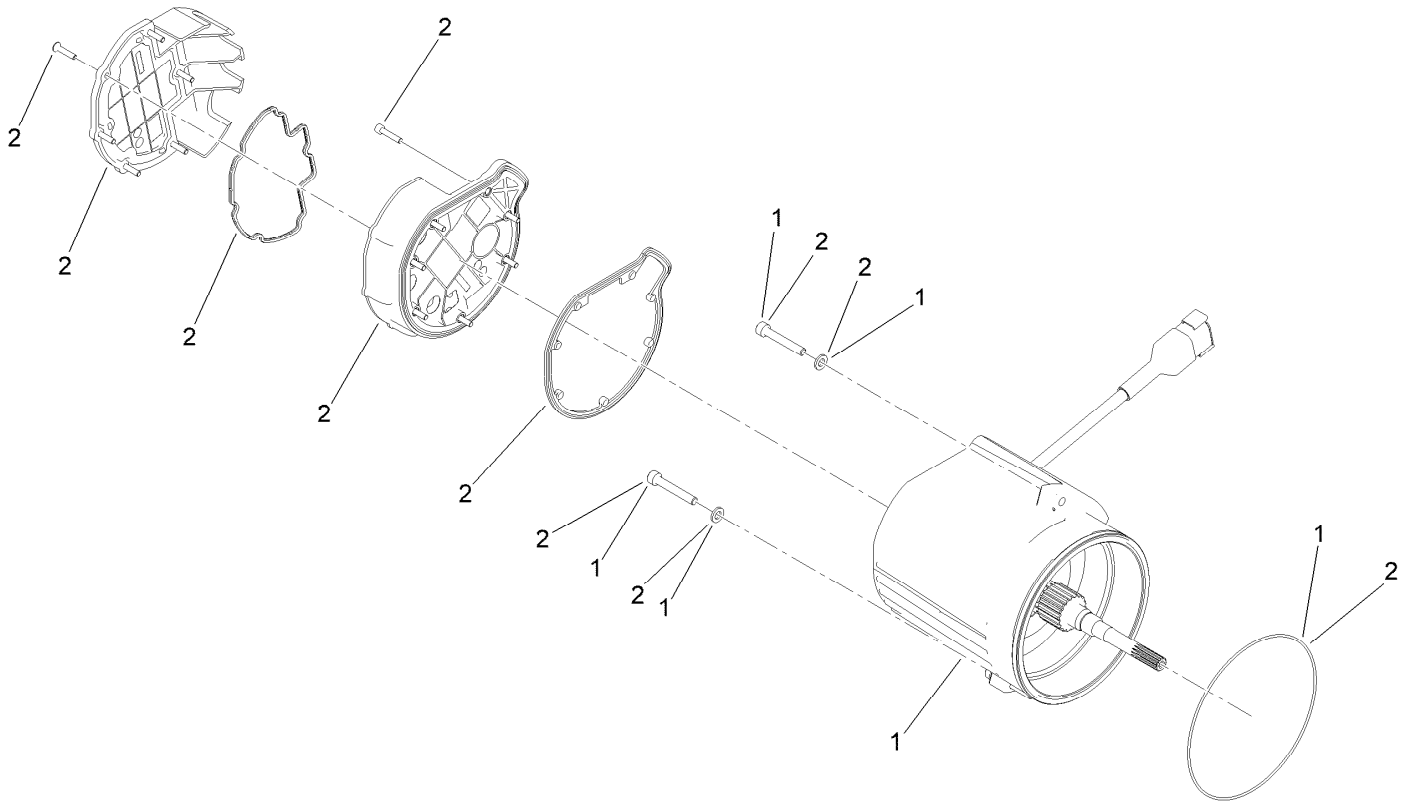


## Drivetrain Assembly (continued)

<i>Ref.</i>	<i>Part Number</i>	<i>Qty.</i>	<i>Description</i>	<i>Ref.</i>	<i>Part Number</i>	<i>Qty.</i>	<i>Description</i>
1	138-8973	4	Motor/Gen Torquehub ASM-3Kw 45:1 Rdctn	1:3		1	Brake,Parking-Torquehub ●
1:1		1	Motor/Gen-48V,3Kw ●	2	145-2376	4	Tire-Solid
1:2		1	Gearbox,Plntry-45:1 Rdctn ●	3	144-1739	20	Screw-HH, Lug M12 X 1.50
				4	33104-025	24	Screw-HHF

● Not serviced separately

# Drivetrain Assembly Motor/Generator Assembly

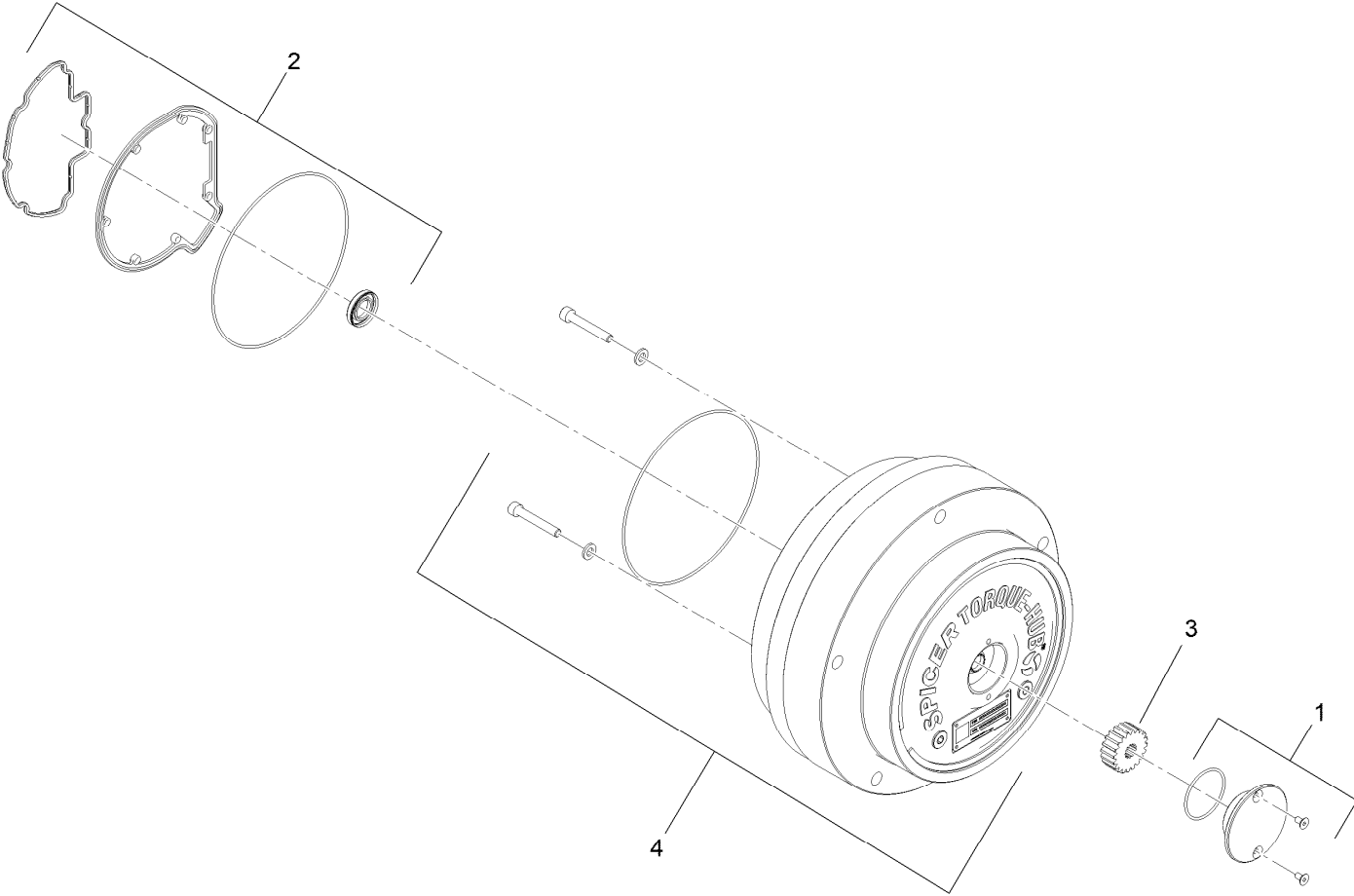


# Drivetrain Assembly

## Motor/Generator Assembly (continued)

<i>Ref.</i>	<i>Part Number</i>	<i>Qty.</i>	<i>Description</i>
1	145-5055	1	Kit-Motor, Service
2	145-5057	1	Kit-Cover/Seal, Motor

# Drivetrain Assembly Planetary Gearbox Assembly

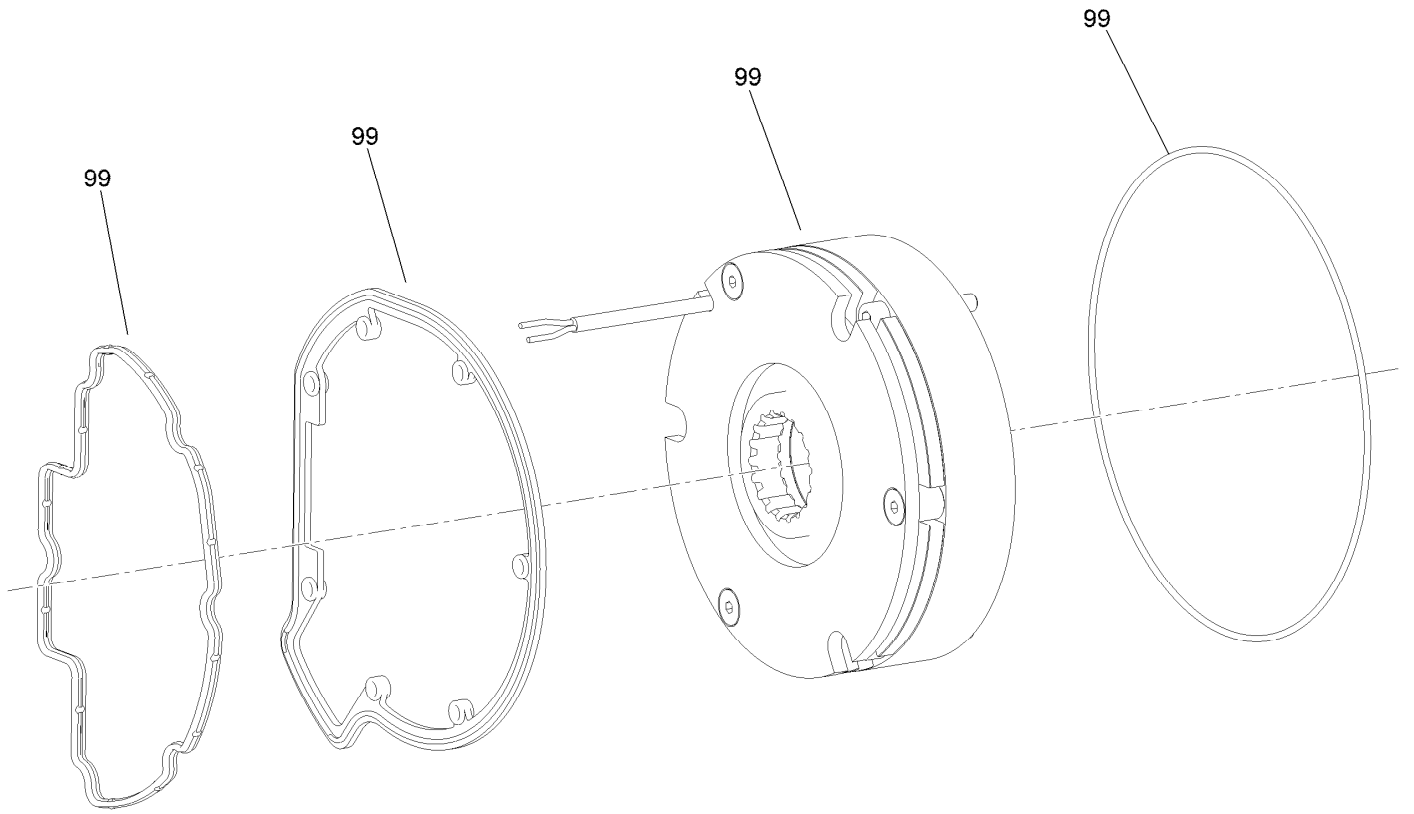


# Drivetrain Assembly

## Planetary Gearbox Assembly (continued)

<i>Ref.</i>	<i>Part Number</i>	<i>Qty.</i>	<i>Description</i>	<i>Ref.</i>	<i>Part Number</i>	<i>Qty.</i>	<i>Description</i>
1	145-5060	1	Kit-Cover, Sun Gear	3	145-5063	1	Gear-Sun
2	145-5061	1	Kit-Seal, Main	4	145-5064	1	Kit-Gearbox

# Drivetrain Assembly Brake Assembly





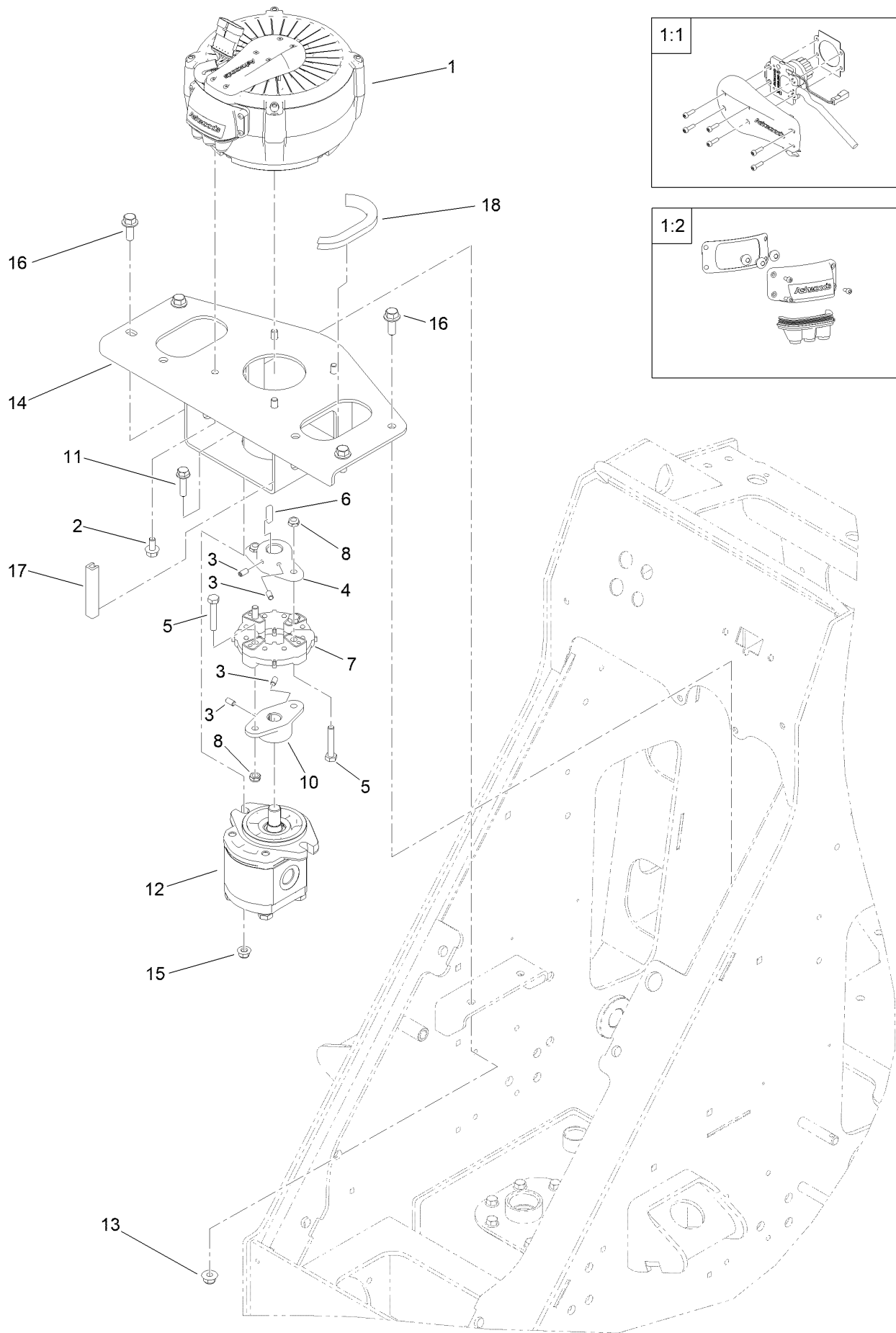
# Drivetrain Assembly Brake Assembly (continued)

---

<i>Ref.</i>	<i>Part Number</i>	<i>Qty.</i>	<i>Description</i>
99	145-5058	1	Kit-Brake

---

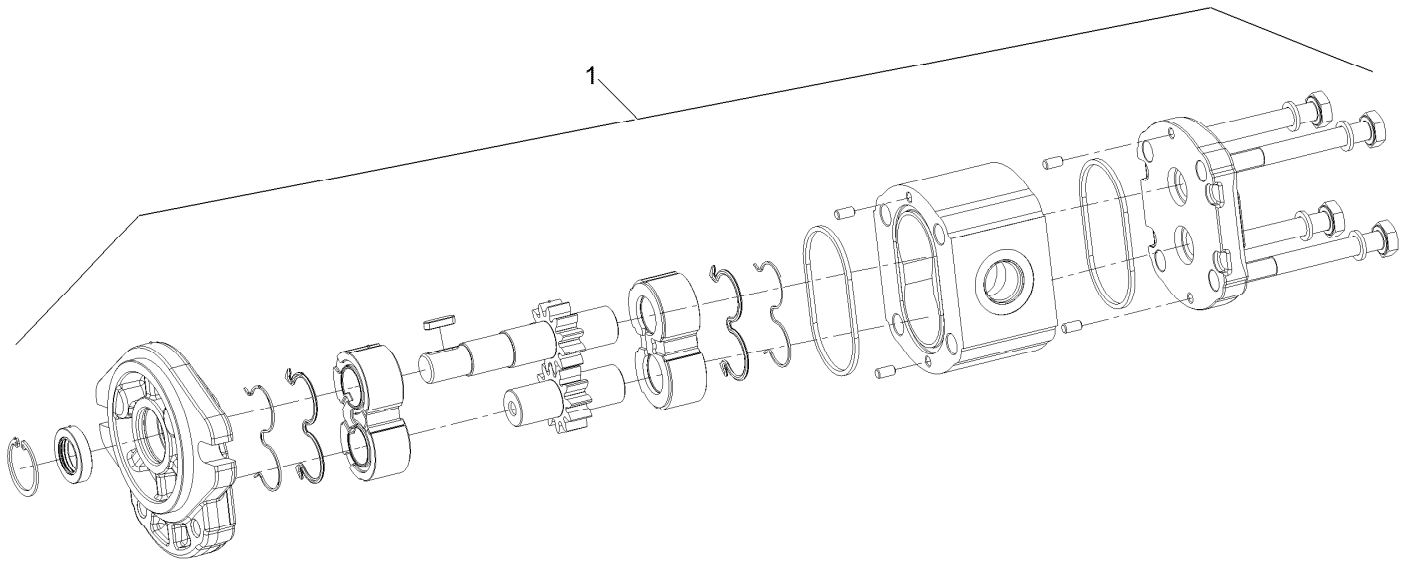
# Motor/Generator and Hydraulic Pump Assembly



## Motor/Generator and Hydraulic Pump Assembly (continued)

<i>Ref.</i>	<i>Part Number</i>	<i>Qty.</i>	<i>Description</i>	<i>Ref.</i>	<i>Part Number</i>	<i>Qty.</i>	<i>Description</i>
1	138-8926	1	Motor/Gen	10	98-4701	1	Hub-Pump
1:1	138-8941	1	Kit-Encoder, Mtr/Gen	11	3234-36	2	Screw-HHF
1:2	138-8942	1	Kit-Terminal Cover	12	139-7665	1	Pump-Hydraulic
2	33104-016	4	Screw-HHF	13	104-8301	4	Nut-HF, NI
3	3245-9	4	Screw-Set, HSH	14	144-2948-01	1	Plate-Motor ASM [red]
4	139-7664	1	Hub-Pump	15	104-8300	2	Nut-HF, NI
5	322-9	4	Screw-HH	16	3234-42	4	Screw-HHF
6	104-3097	1	Key-Square	17	70-2041	1	Trim - Edge
7	119-0652	1	Coupler-Rubber	18	133-8571	1	Trim-Seal
8	3296-47	4	Nut-Lock,NI				

# Hydraulic Pump Assembly No. 139-7665

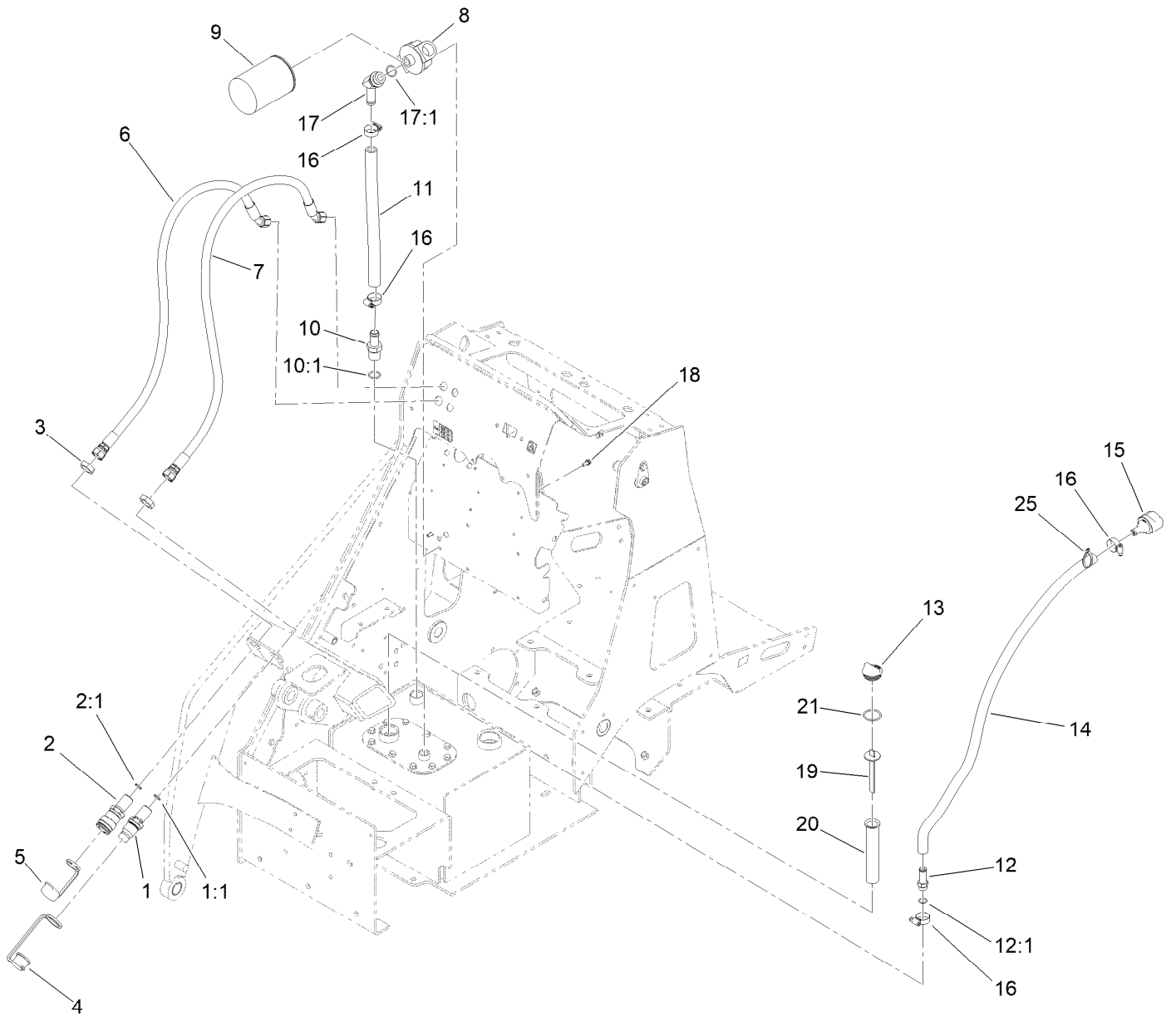


# Hydraulic Pump Assembly No. 139-7665 (continued)

<i>Ref.</i>	<i>Part Number</i>	<i>Qty.</i>	<i>Description</i>
1	139-7705	1	Kit-Seal ●

● Not illustrated

# Hydraulic Tank Filter and Hydraulic Bulkhead Assembly

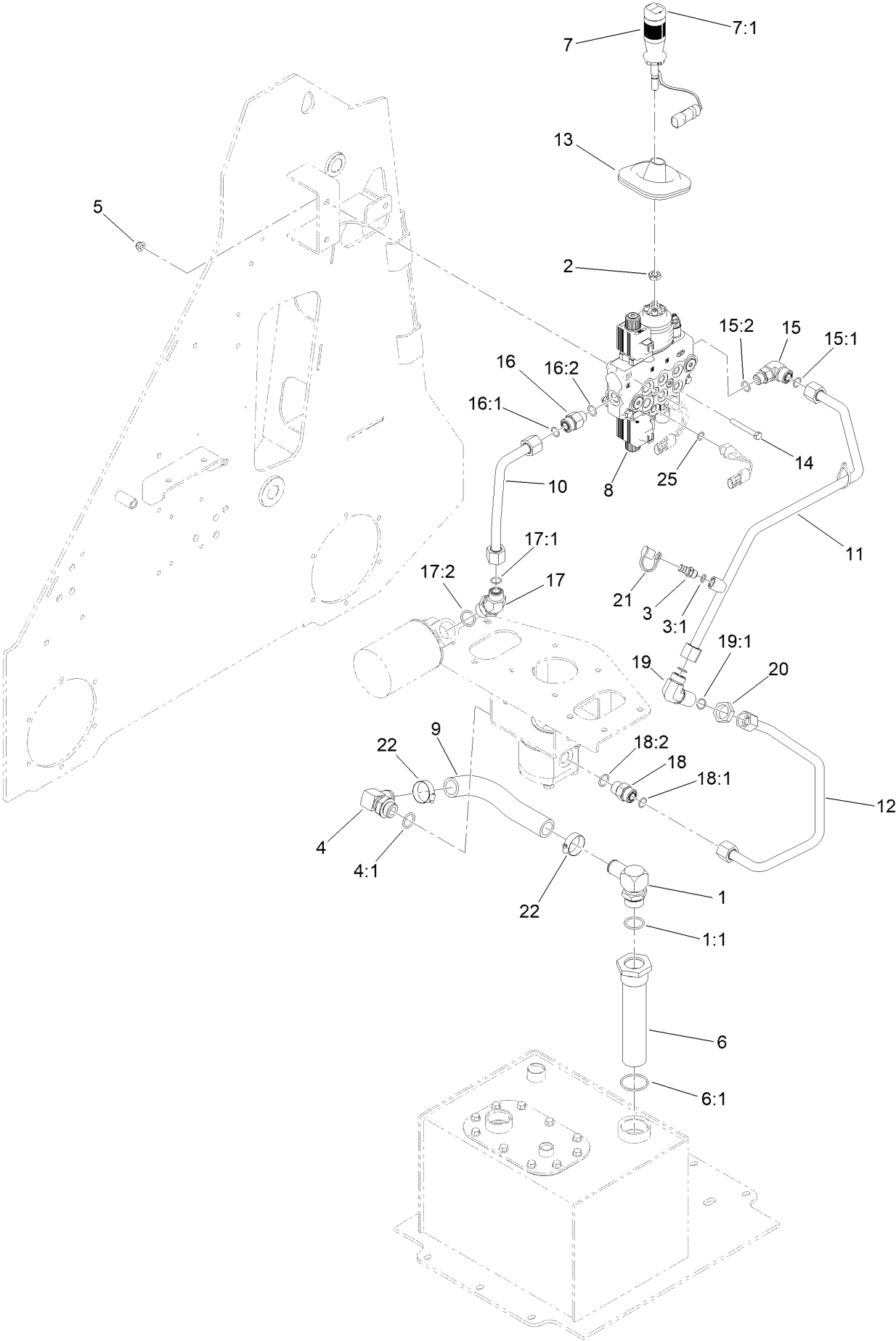


## Hydraulic Tank Filter and Hydraulic Bulkhead Assembly (continued)

<i>Ref.</i>	<i>Part Number</i>	<i>Qty.</i>	<i>Description</i>	<i>Ref.</i>	<i>Part Number</i>	<i>Qty.</i>	<i>Description</i>
1	105-8395	1	Bulkhead Nipple ASM	11	145-4701	1	Hose-HYD, Return
1:1	237-65	1	O-Ring	12	107-7569	1	Fitting-STR
1:2	100-6120	1	Seal Kit ●	12:1	237-79	1	O-Ring
2	105-8394	1	Bulkhead Coupler ASM	13	93-7498	1	Plug-Plastic
2:1	237-65	1	O-Ring	14	147-6018	1	Hose - Vent
3	340-74	2	Nut-Lock, Bulkhead	15	147-6017	1	Breather (Air)
4	100-8815	1	Cap-Dust, Nipple	16	2412-129	4	Clamp-Hose
5	100-8816	1	Cap-Dust, Coupler	17	354-127	1	Fitting-Elbow45
6	144-2973	1	Hose ASM-HYD	17:1	237-81	1	O-Ring
7	144-2974	1	Hose ASM-HYD	18	3234-33	2	Screw-HHF
8	92-5821	1	Head-Filter	19	147-6024	1	Dipstick - Oil,
9	86-3010	1	Filter-Oil	20	61-2790	1	Filter-Screen
10	354-73	1	Fitting	21	237-101	1	O-Ring
10:1	237-81	1	O-Ring	25	3290-378	1	Tie-Cable

● Not illustrated

# Hydraulic Loader Valve Assembly

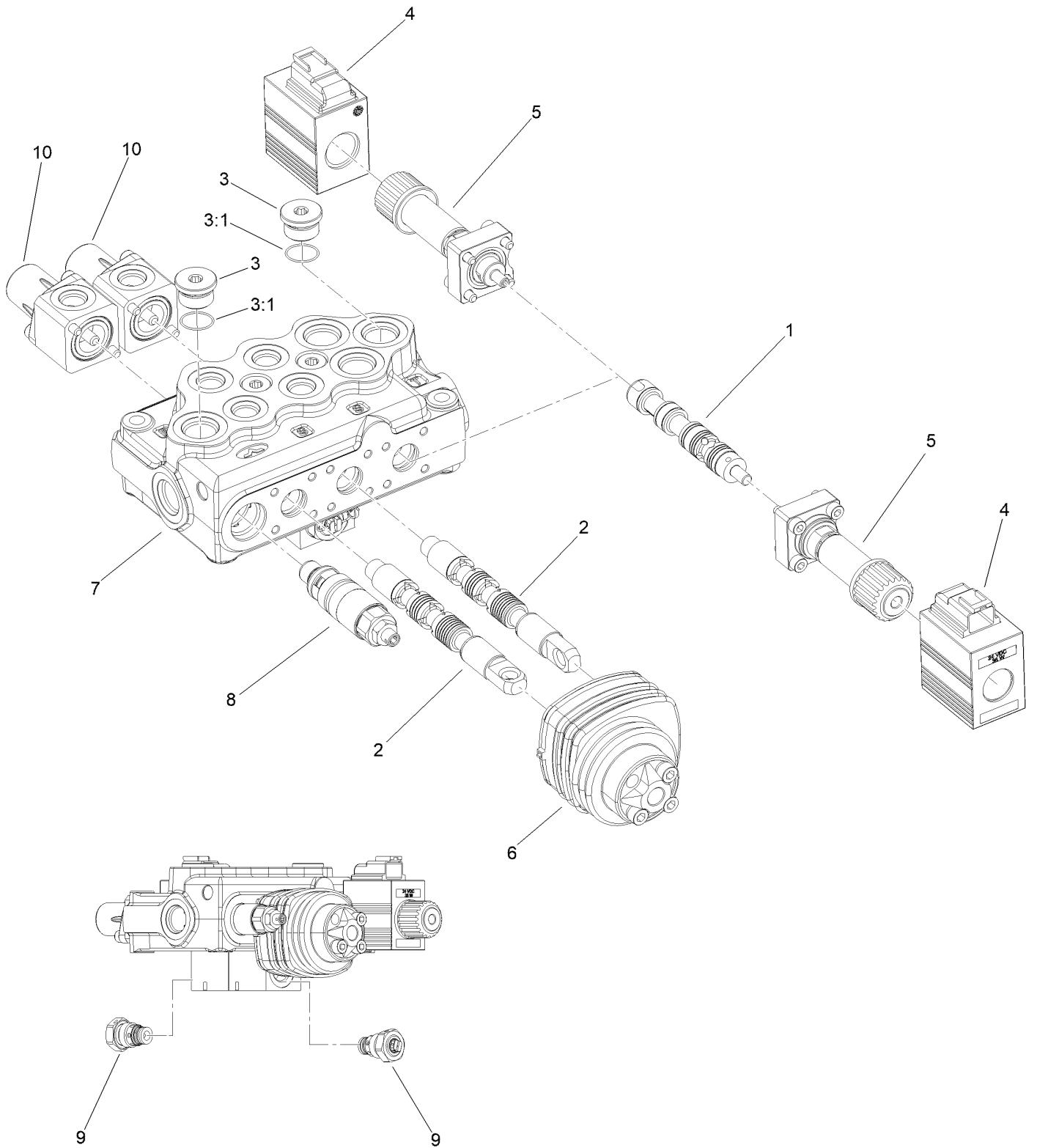




## Hydraulic Loader Valve Assembly (continued)

<i>Ref.</i>	<i>Part Number</i>	<i>Qty.</i>	<i>Description</i>	<i>Ref.</i>	<i>Part Number</i>	<i>Qty.</i>	<i>Description</i>
1	23-8910	1	Stem-Barb-90	15	340-153	1	Fitting-Elbow, 90 DEG
1:1	237-146	1	O-Ring	15:1	237-79	1	O-Ring
2	51-2070	1	Nut	15:2	237-151	1	O-Ring
3	59-7410	1	Fitting-Diagnostic	16	340-155	1	Fitting-Straight
3:1	237-42	1	O-Ring	16:1	237-79	1	O-Ring
4	100-4202	1	Fitting-90	16:2	237-151	1	O-Ring
4:1	237-81	1	O-Ring	17	340-156	1	Fitting-Elbow 45
5	104-8300	3	Nut-HF, NI	17:1	237-65	1	O-Ring
6	115-2230	1	Strainer-In Tank	17:2	237-81	1	O-Ring
6:1	340-136	1	O-Ring	18	340-7	1	Fitting-Straight
7	140-5742	1	Handle-Auxiliary ASM	18:1	237-65	1	O-Ring
7:1	147-6873	1	Boot-Switch, Joystick	18:2	237-80	1	O-Ring
8	144-2909	1	Valve-HYD-Loader	19	340-72	1	Fitting-Bulkhead, 90 DEG
9	144-3009	1	Hose	19:1	237-65	2	O-Ring
10	145-2373	1	Hydraulic Tube ASM	20	340-74	1	Nut-Lock, Bulkhead
11	145-2401	1	Hydraulic Tube ASM	21	353-947	1	Cap-Dust, Black
12	145-2402	1	Hydraulic Tube ASM	22	2412-34	2	Clamp-Hose
13	145-4746	1	Boot-Joystick	25	237-42	2	O-Ring
14	322-12	3	Screw-HH				

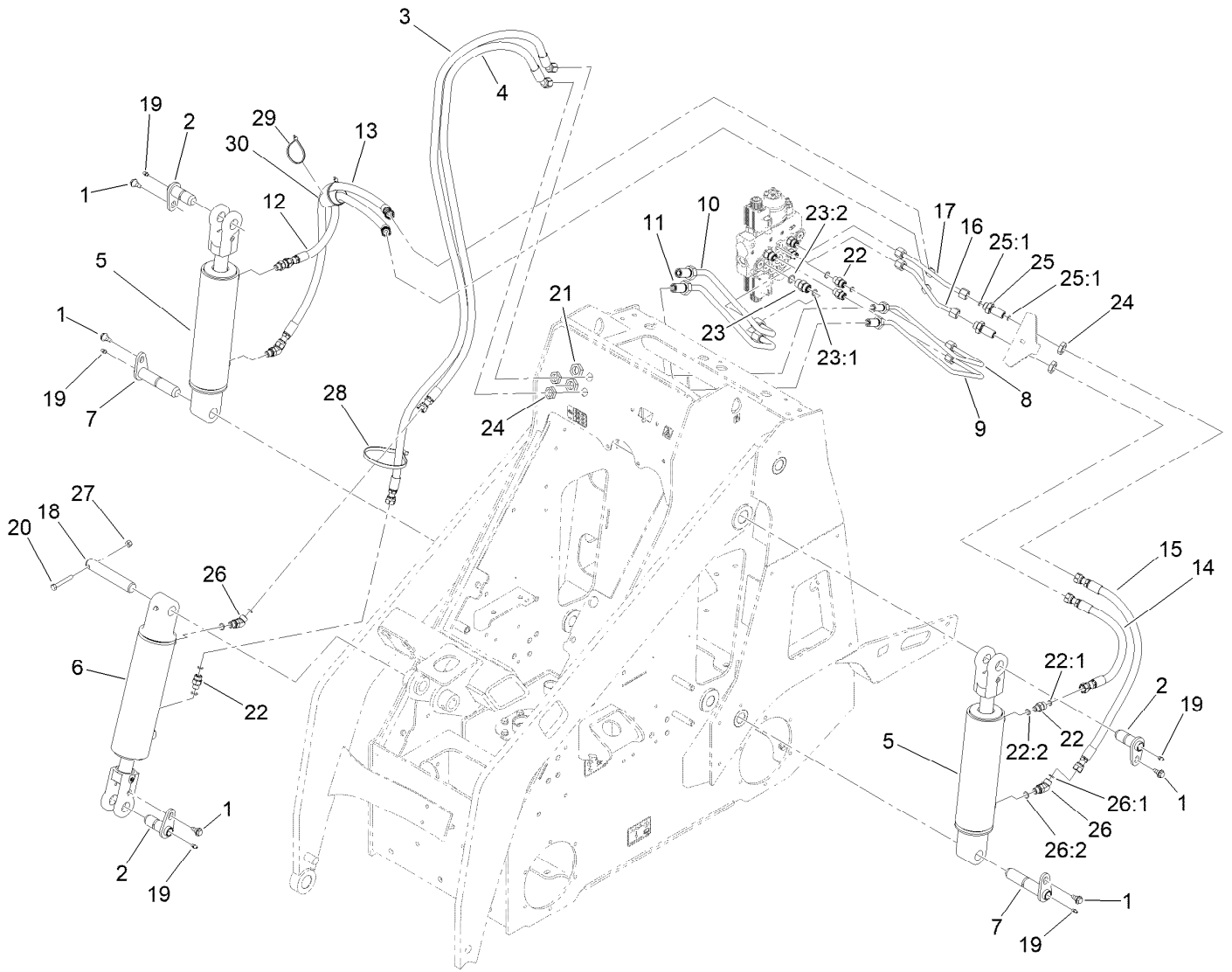
# Hydraulic Loader Valve Assembly No. 144-2909



# Hydraulic Loader Valve Assembly No. 144-2909 (continued)

<i>Ref.</i>	<i>Part Number</i>	<i>Qty.</i>	<i>Description</i>	<i>Ref.</i>	<i>Part Number</i>	<i>Qty.</i>	<i>Description</i>
1	147-6043	1	Valve-Spool	6	147-6046	1	Kit - Joystick
2	114-8624	2	Valve-Spool	7	147-6047	1	Kit - Body
3	353-988	2	Plug-Hex	8	147-6048	1	Kit - Valve
3:1	237-79	1	O-Ring	9	147-6049	2	Kit - Valve [100 - 155 Bar]
4	147-6044	2	Coil	10	115-4093	2	Switch Spring Return Kit
5	147-6045	1	Kit - Controller				

# Hydraulic Loader Cylinder Assembly

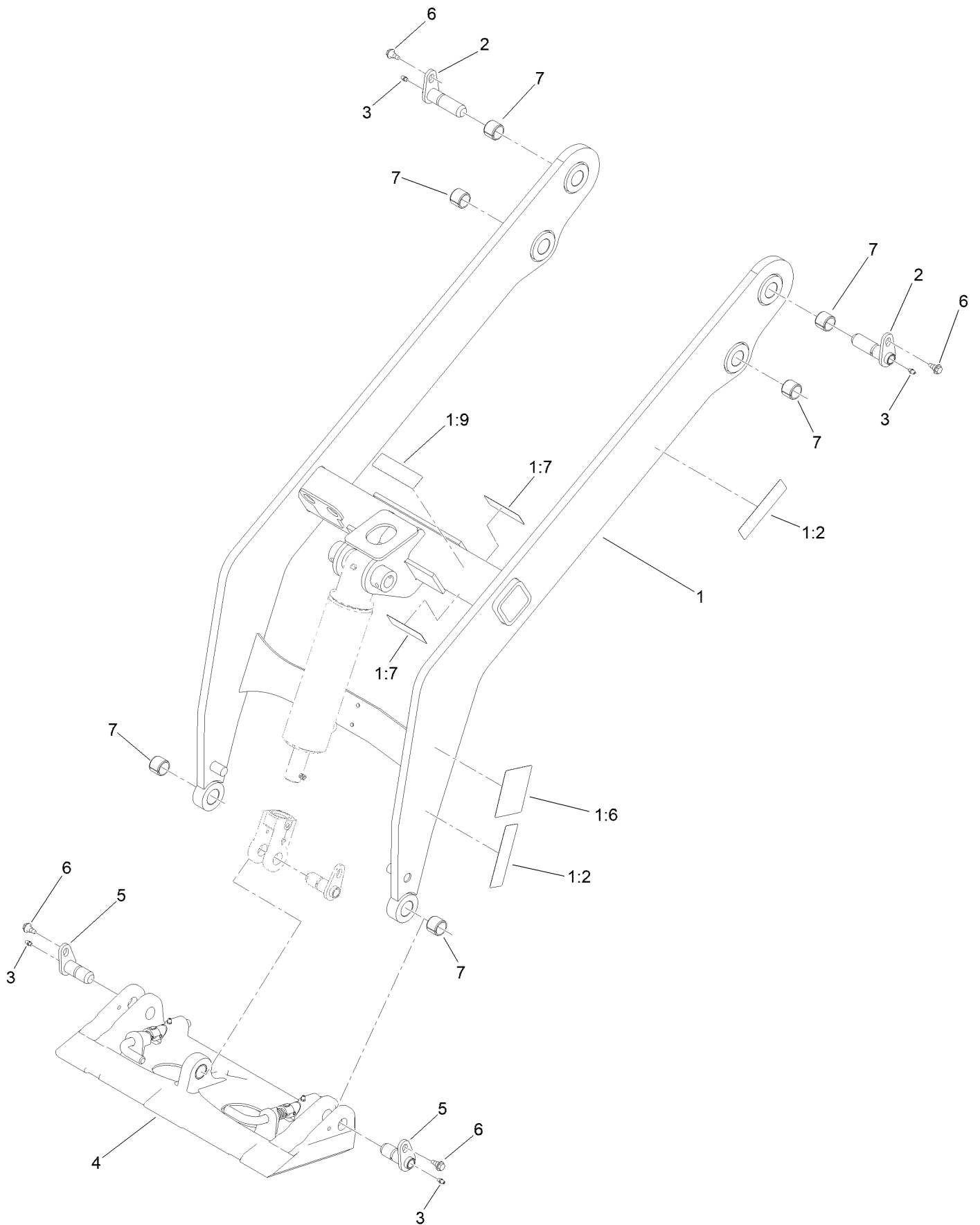


# Hydraulic Loader Cylinder Assembly (continued)

<i>Ref.</i>	<i>Part Number</i>	<i>Qty.</i>	<i>Description</i>	<i>Ref.</i>	<i>Part Number</i>	<i>Qty.</i>	<i>Description</i>
1	99-5105	5	Screw-Shoulder	19	302-5	5	Fitting-Grease
2	112-2609	3	Pin-Pivot	20	322-11	1	Screw-HH
3	140-7253	1	Hose ASM-HYD	21	340-127	2	Nut-Bulkhead
4	140-7254	1	Hose ASM-HYD	22	340-2	7	Fitting-Straight
5	140-7290	2	Cylinder-Hydraulic	22:1	237-22	1	O-Ring
5:99	139-7713	1	Kit-Seal, Hydraulic CYL ●	22:2	237-42	1	O-Ring
6	140-7292	1	HYD-Cylinder	23	340-4	2	Fitting-Straight
6:99	139-7713	1	Kit-Seal, Hydraulic CYL ●	23:1	237-30	1	O-Ring
7	144-2910	2	Pin-Pivot	23:2	237-79	1	O-Ring
8	144-2959	1	Hydraulic Tube ASM	24	340-70	4	Nut-Lock
9	144-2960	1	Hydraulic Tube ASM	25	340-71	2	Fitting-Straight, Bulkhead
10	144-2961	1	Hydraulic Tube ASM	25:1	237-22	2	O-Ring
11	144-2962	1	Hydraulic Tube ASM	26	340-87	3	Fitting-Elbow, 45 DEG
12	144-2971	1	Hose ASM-HYD	26:1	237-22	1	O-Ring
13	144-2972	1	Hose ASM-HYD	26:2	237-42	1	O-Ring
14	144-2976	1	Hose ASM-HYD	27	3296-29	1	Nut-Lock, NI
15	144-2977	1	Hose ASM-HYD	28	3334-945	1	Tie-Cable
16	145-2374	1	Hydraulic Tube ASM	29	3290-378	2	Tie-Cable
17	145-2375	1	Hydraulic Tube ASM	30	AU112950	1	Protector-Hose
18	145-2394	1	Pin-Locking				

● Not illustrated

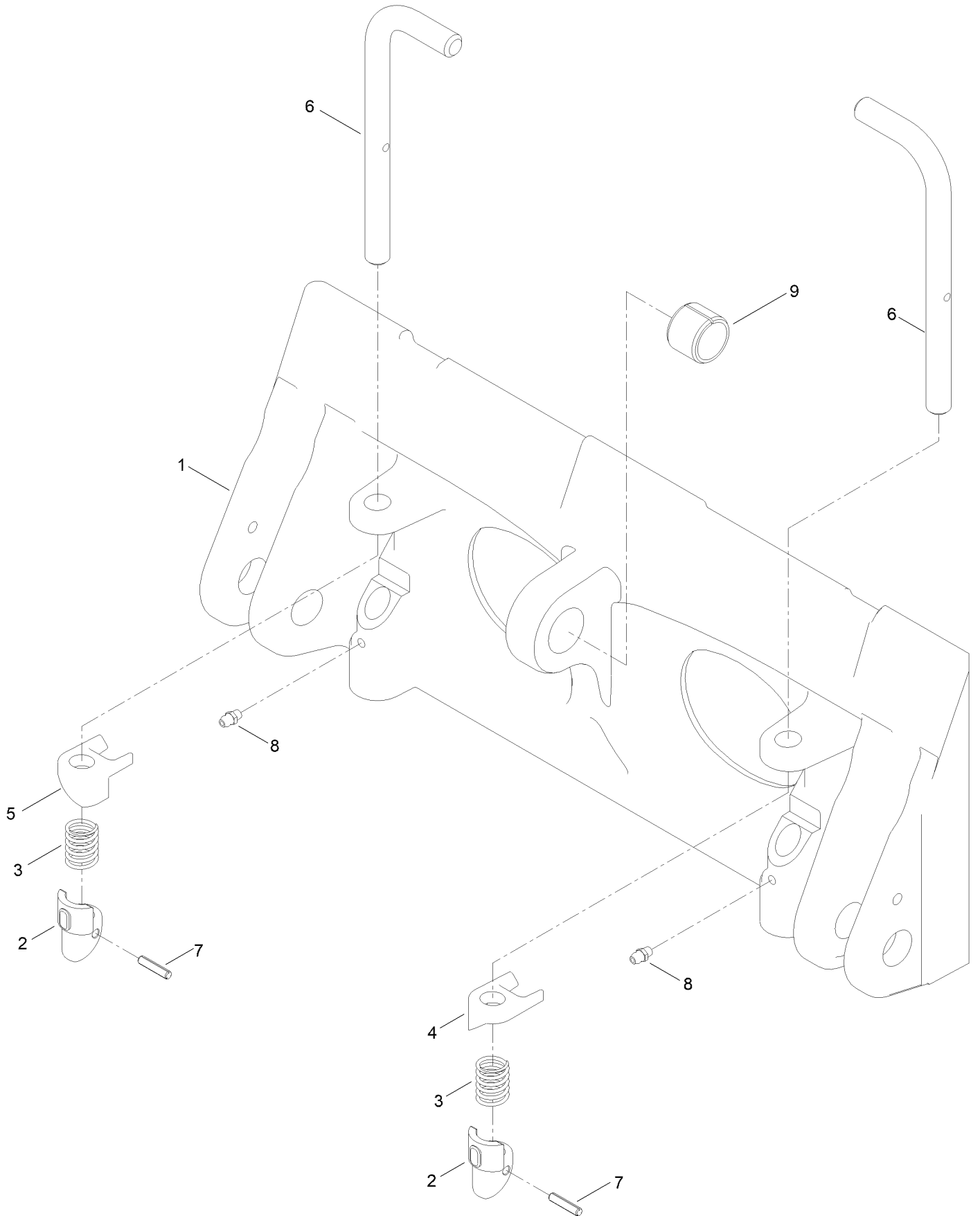
# Loader Arm Assembly



## Loader Arm Assembly (continued)

<i>Ref.</i>	<i>Part Number</i>	<i>Qty.</i>	<i>Description</i>	<i>Ref.</i>	<i>Part Number</i>	<i>Qty.</i>	<i>Description</i>
1	144-2908	1	Loader And Decal ASM	3	302-5	4	Fitting-Grease
1:2	130-2836	4	Decal-Warning, Crushing	4	132-8418	1	Quick Attach ASM
1:6	139-7708	2	Decal-Warning, Bucket	5	112-2609	2	Pin-Pivot
1:7	130-2837	2	Decal-Warning, No Rider	6	99-5105	4	Screw-Shoulder
1:9	115-4855	1	Decal-Caution	7	98-4871	6	Bushing-Tension
2	120-5363	2	Pin-Pivot				

# Quick Attach Assembly No. 132-8418

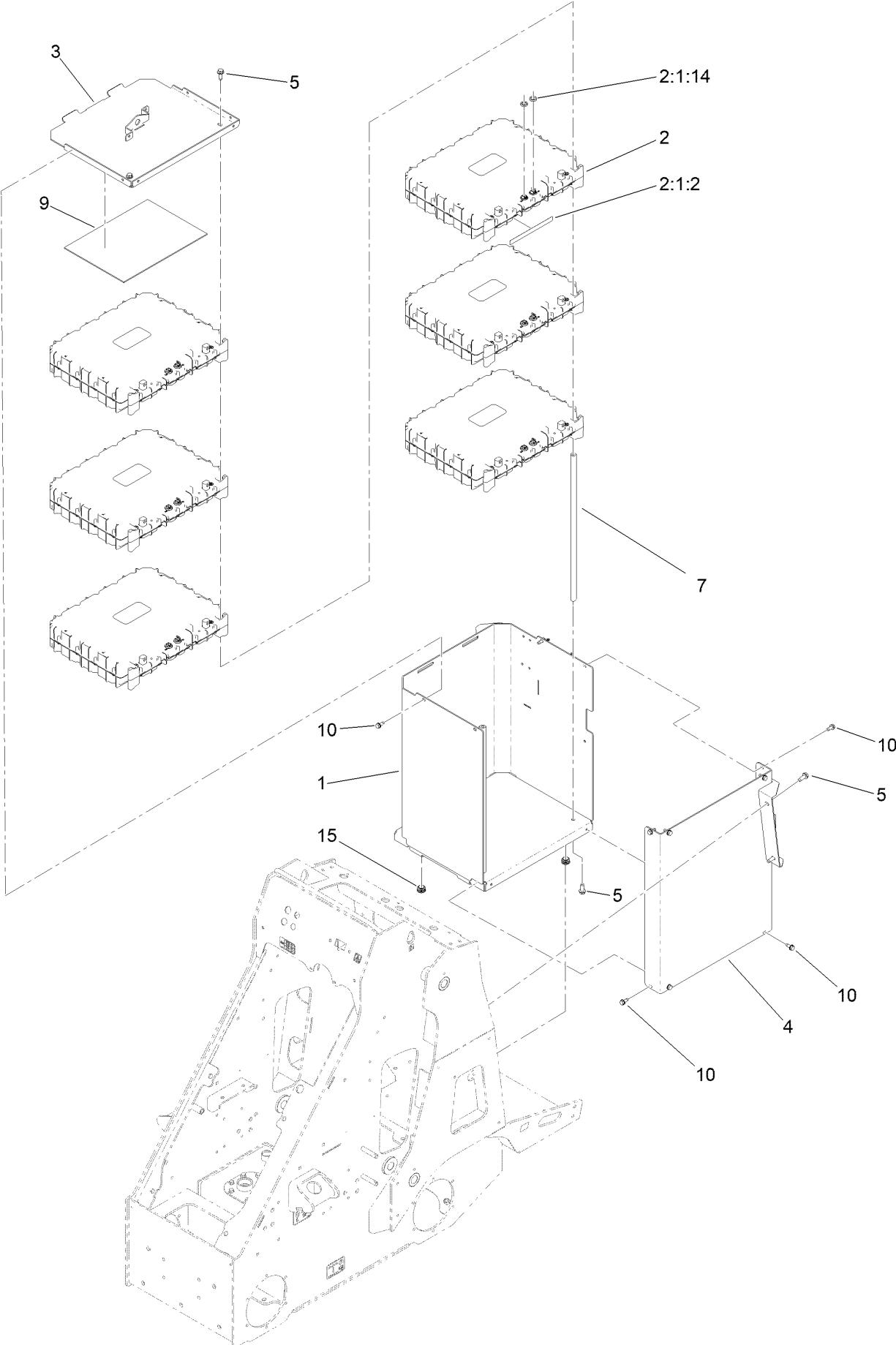




## Quick Attach Assembly No. 132-8418 (continued)

<i>Ref.</i>	<i>Part Number</i>	<i>Qty.</i>	<i>Description</i>	<i>Ref.</i>	<i>Part Number</i>	<i>Qty.</i>	<i>Description</i>
1	130-7708-03	1	Mount-Qtach	6	132-8419	2	Pin-Locking
2	105-0246	2	Cam	7	3285-1	2	Pin-Grooved
3	98-4694	2	Spring-Compression	8	302-5	2	Fitting-Grease
4	104-5909	1	Stop-RH	9	98-4871	1	Bushing-Tension
5	104-5903	1	Stop-LH				

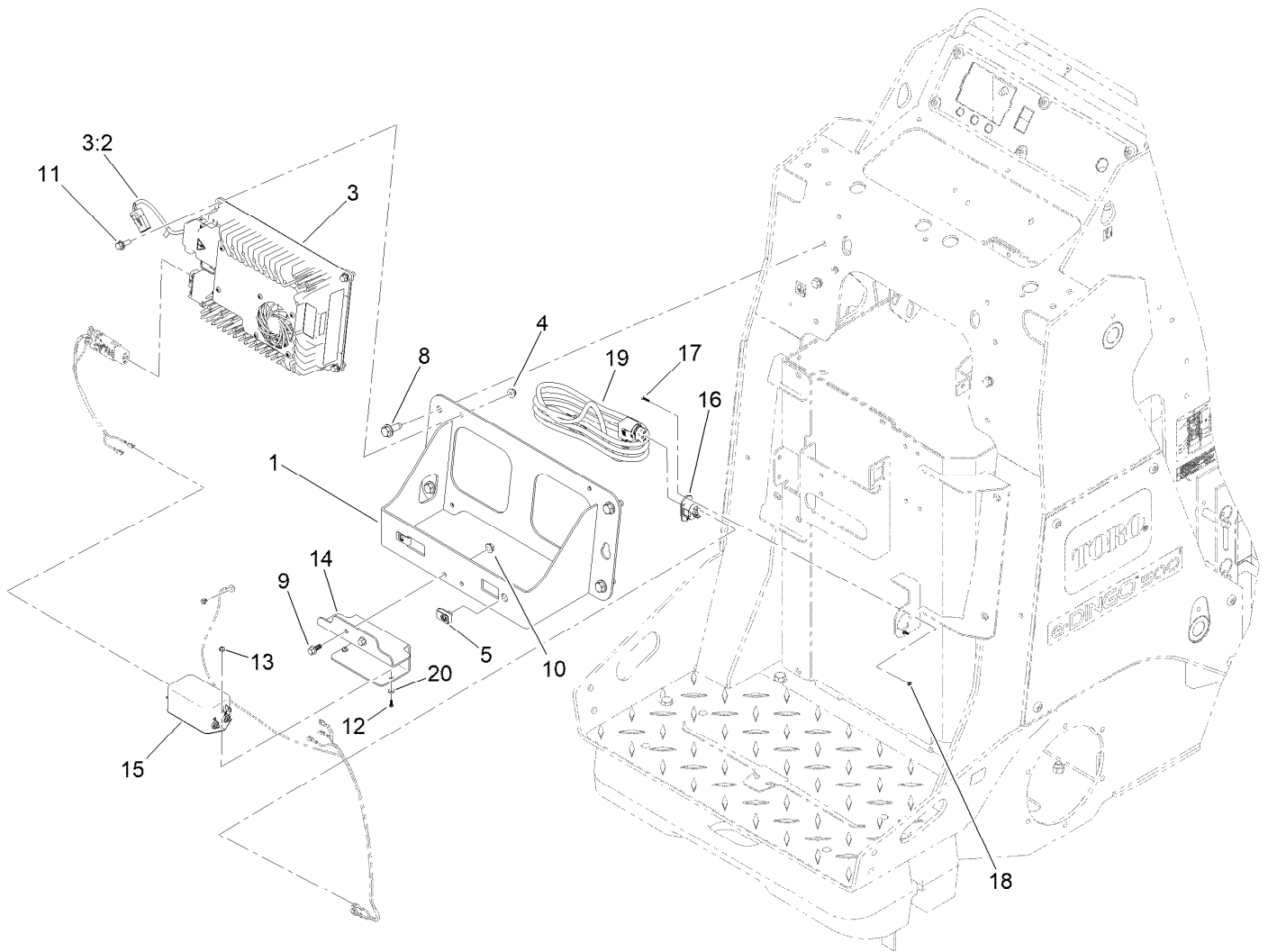
# Battery Assembly



## Battery Assembly (continued)

<i>Ref.</i>	<i>Part Number</i>	<i>Qty.</i>	<i>Description</i>	<i>Ref.</i>	<i>Part Number</i>	<i>Qty.</i>	<i>Description</i>
1	145-4765-0P	1	Base-Battery, Box [primed]	4	145-4740-0P	1	Mount-Battery [primed]
2	145-5320	6	Battery ASM	5	139-2428	8	Screw-HWH
2:1:2	145-5338	1	Decal-Warning, Battery	7	140-7293	2	Lock-Battery
2:1:14	32180-466	2	Nut-Mounting, Jwpcf Panel Lock	9	145-2366	1	Foam-Battery Box
3	145-4770-0P	1	Cover-Battery [primed]	10	32144-11	11	Screw-HWH
				15	145-2365	4	Glide-Battery Box

# Onboard Charger Assembly

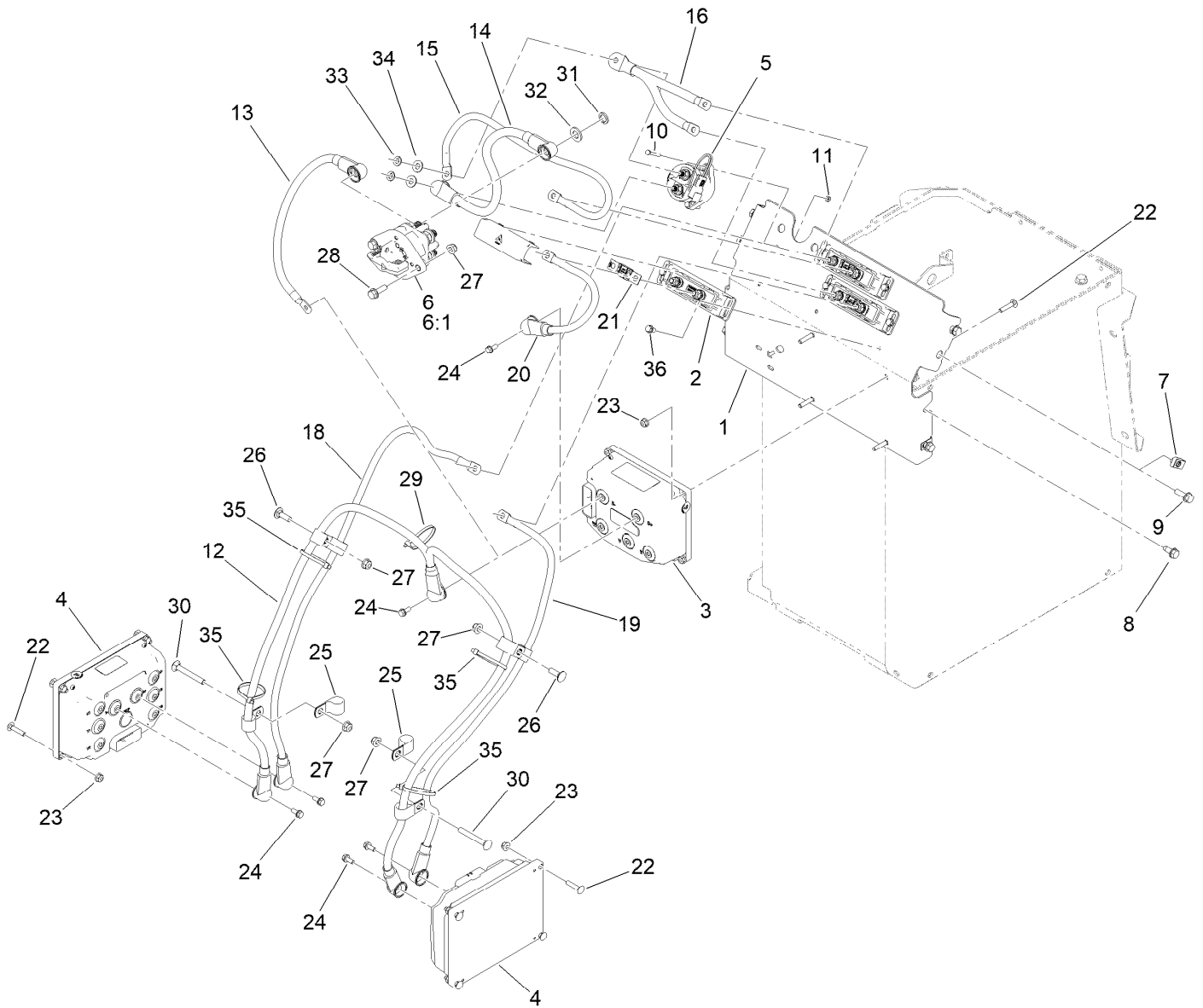


## Onboard Charger Assembly (continued)

<i>Ref.</i>	<i>Part Number</i>	<i>Qty.</i>	<i>Description</i>	<i>Ref.</i>	<i>Part Number</i>	<i>Qty.</i>	<i>Description</i>
1	145-2369-03	1	Mount-Charger [black]	13	120-9684	2	Nut-Lock
3	145-1177	1	Charger-Onboard	14	147-6007-0P	1	Bracket - Filter
3:2	147-3234	1	Kit-Service, DC Harness	15	147-3225	1	Filter
4	104-7201	4	Nut-HF, NI	16	147-3230	1	Connector-1ec
5	115-7721	2	Nut-Clip, U	17	510-0015	2	Screw
8	139-2428	4	Screw-HWH	18	3296-52	2	Nut-Lock, NI
9	99-6810	2	Screw-HHF	19	107-0382	1	Powercord-AC, Europe ●
10	32128-14	2	Nut-HF	19	107-0383	1	Powercord-AC, U.K. ●
11	120-9678	4	Screw-HHF	19	137-7983	1	Cord-AC, 120V
12	363-6518	2	Scr,Mch,6-32X3/8,Phph,Sst,Rohs	20	3256-12	2	Washer-Flat

● Not illustrated

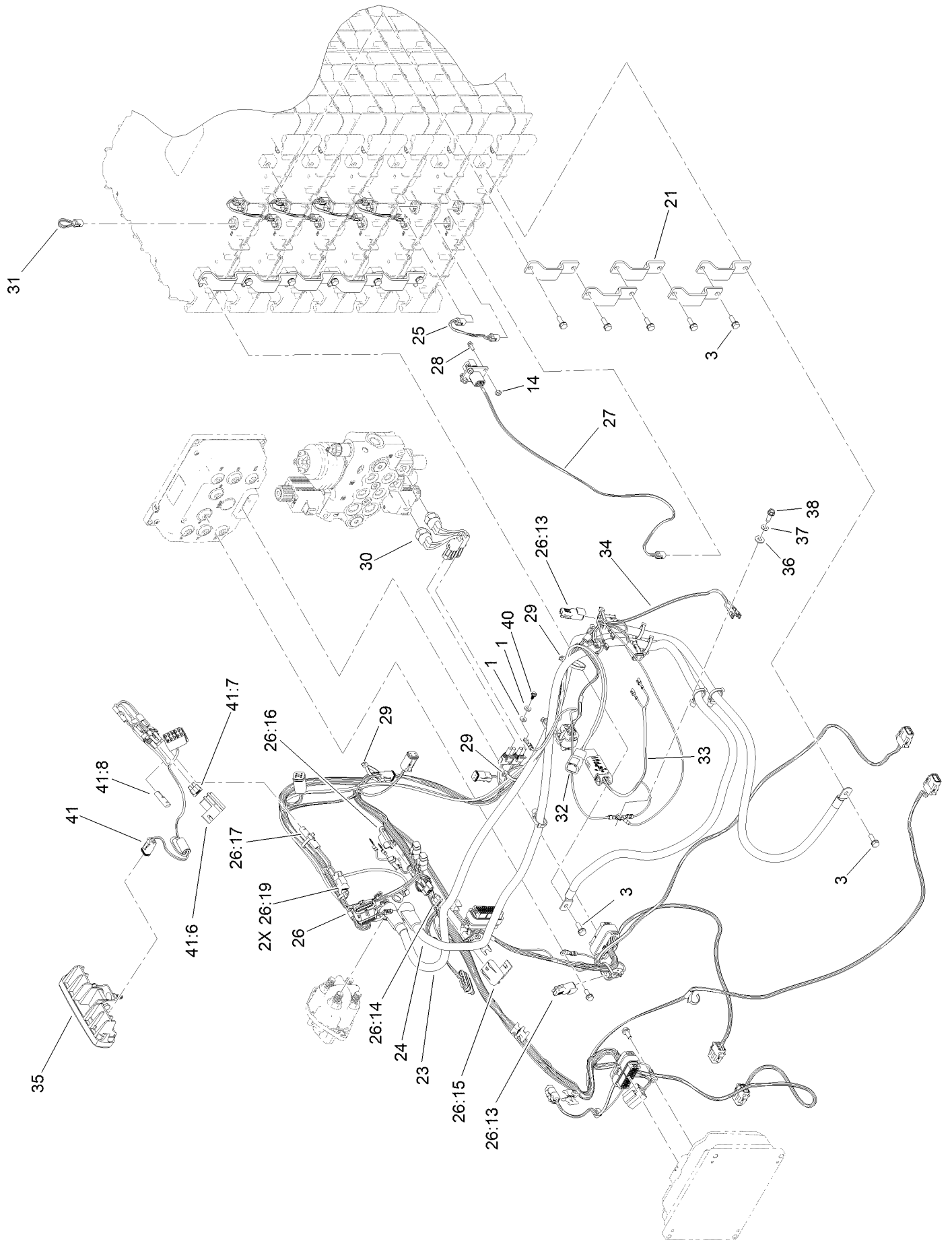
# Inverter Assembly



## Inverter Assembly (continued)

<i>Ref.</i>	<i>Part Number</i>	<i>Qty.</i>	<i>Description</i>	<i>Ref.</i>	<i>Part Number</i>	<i>Qty.</i>	<i>Description</i>
1	145-2351-03	1	Bracket-Mount, Inverter	20	122-2653	1	Cable-Battery, Rd ASM
2	145-4958	3	Holder-Fuse	21	122-2561	3	Fuse-200A
3	145-5050	1	Inv/Ctrlr-48V, 185Arms	22	3229-3	12	Screw-CARR
4	138-8984	2	Inv/Ctrlr-48V, Dual 94Arms	23	119-4040	12	Nut-HF, NI
5	122-2594	1	Contacto-48V	24	145-5782	6	Screw-Sems
6	122-0603	1	Switch-Disconnect	25	2412-4	8	Clamp-R
6:1	33006-00	1	Nut-HF	26	3230-2	2	Bolt-CARR
7	94-2413	4	Nut-U	27	104-8300	6	Nut-HF, NI
8	32144-11	4	Screw-HWH	28	3234-17	2	Screw-HHF
9	115-5142	4	Screw-HHF	29	3290-378	1	Tie-Cable
10	87-5150	2	Screw-HH	30	3230-8	2	Screw-CARR
11	87-5140	2	Nut-Lock	31	HDW14457	4	Split Lock
12	122-2751	1	Cable-Battery, Bk ASM				Washer, 1/2, ST/ST, 18-8
13	122-2765	1	Cable-Battery, Bk ASM	32	147-3238	4	Washer-Flat
14	122-2646	1	Cable-Battery, Rd ASM	33	107-0280	2	Washer-Lock
15	122-2648	1	Cable-Battery, Rd ASM	34	107-0279	2	Washer
16	122-2753	1	Cable-Battery, Rd ASM	35	3290-379	4	Tie-Cable
18	122-2651	1	Cable-Battery, Rd ASM	36	32144-4	6	Screw-HWH
19	122-2652	1	Cable-Battery, Rd ASM				

# Main Wire Harness Assembly

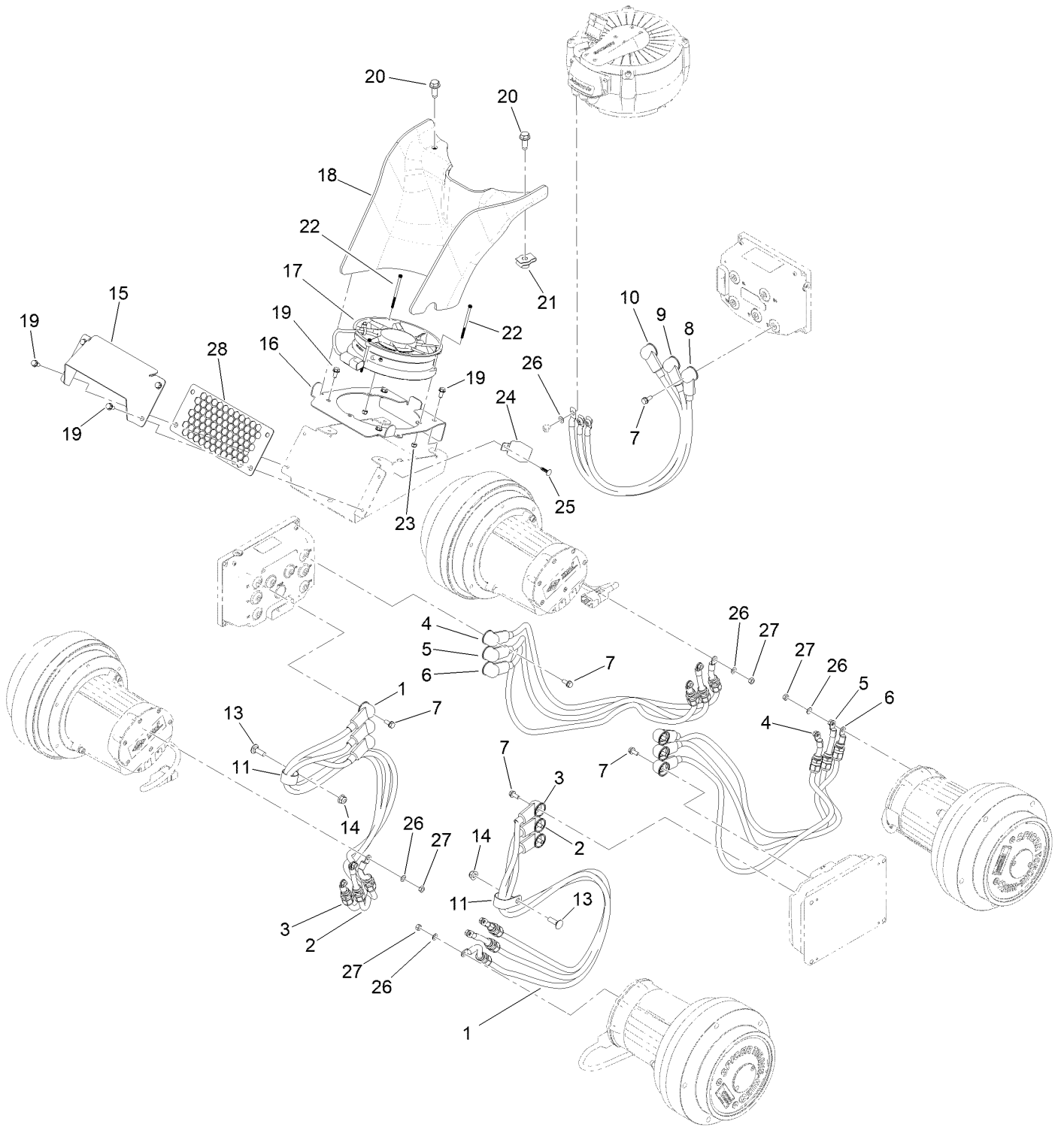




## Main Wire Harness Assembly (continued)

<i>Ref.</i>	<i>Part Number</i>	<i>Qty.</i>	<i>Description</i>	<i>Ref.</i>	<i>Part Number</i>	<i>Qty.</i>	<i>Description</i>
1	3256-21	2	Washer-Flat	29	3290-378	3	Tie-Cable
3	145-5783	12	Screw-Sems	30	72-4320	2	Switch-Ball
14	3296-1	4	Nut-Lock	31	122-2323	1	Harness-Wire, Can Terminator
21	147-6031	10	Bar-Bus, 400A	32	122-2728	1	Harness-Wire, Jumper
23	122-2645	1	Cable-Battery, Rd ASM	33	122-2744	1	Harness-Wire, AC Charger
24	122-2752	1	Cable-Battery, Bk ASM	34	122-2824	1	Harness-Wire, AC Charger
25	140-9565	5	Harness-Wire, Data Interface	35	145-4774	1	Light-Work, LED Bar
26	122-2509	1	Harness-Wire, Main	36	120-9679	1	Washer-Flat
26:13	32180-282	2	Resistor-120 Ohm	37	1-303435	1	Washer-Spring
26:14	117-4724	1	Fuse-Blade, 10A	38	49-2040	1	Screw-HWHTF
26:15	32180-019	1	Cover-Fuse, Single	40	147-3228	1	Screw-Ground
26:16	32180-089	1	Cap-Plug, 3 Way	41	122-2367	1	Harness-Wire, Light Kit
26:17	116-0053	1	Cap-Plug	41:6	32180-019	1	Cover-Fuse, Single
26:19	32180-091	2	Cap-Dust, 2 Way	41:7	117-4720	1	Fuse-Blade, 3A
27	122-2402	1	Harness-Wire, Pack Comm	41:8	116-0053	1	Cap-Plug
28	112-3169	4	Screw-HHF, Serrated				

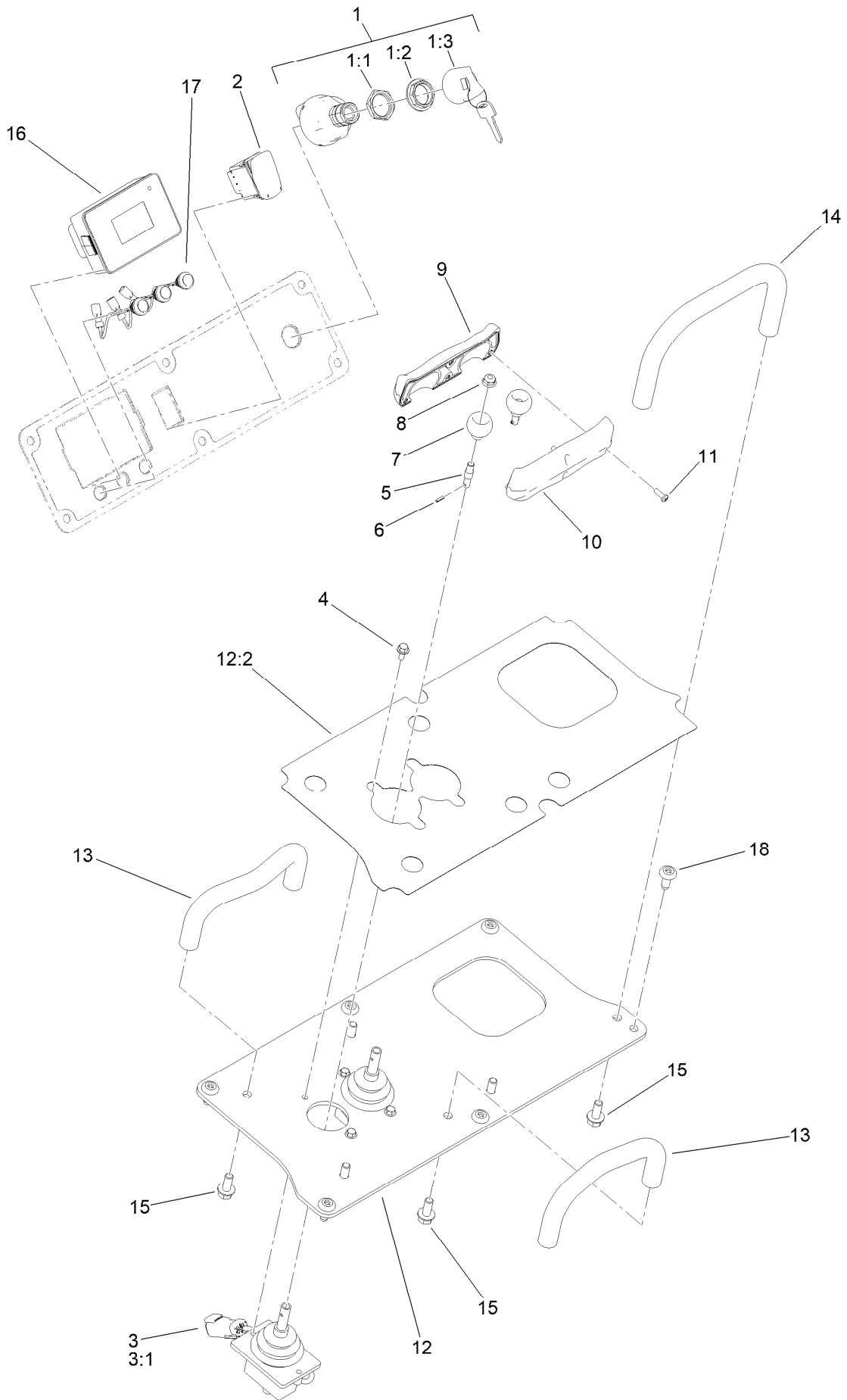
# Drivetrain Electrical Connection Assembly



## Drivetrain Electrical Connection Assembly (continued)

<i>Ref.</i>	<i>Part Number</i>	<i>Qty.</i>	<i>Description</i>	<i>Ref.</i>	<i>Part Number</i>	<i>Qty.</i>	<i>Description</i>
1	122-2345	2	Cable-Battery, Rd ASM	16	145-4753-03	1	Plate-Adapter,Fan
2	122-2346	2	Cable-Battery, Rd ASM	17	145-4747	1	Fan-48V, 6.8"
3	122-2347	2	Cable-Battery, Rd ASM	18	145-4754	1	Shroud-Fan
4	122-2390	2	Cable-Battery, Rd ASM	19	32144-4	8	Screw-HWH
5	122-2391	2	Cable-Battery, Rd ASM	20	139-2428	2	Screw-HWH
6	122-2392	2	Cable-Battery, Rd ASM	21	105-4886	2	Nut-Tinnerman
7	145-5782	15	Screw-Sems	22	145-4759	3	Screw-HSH
8	122-2343	1	Cable-Battery, Rd ASM	23	3296-1	3	Nut-Lock
9	122-2348	1	Cable-Battery, Rd ASM	24	122-2401	1	Relay, 48V Coil, 50A At 48V
10	122-2389	1	Cable-Battery, Rd ASM	25	125-8067	1	Plug-Plastic
11	2412-126	2	R-Clamp	26	1-303435	15	Washer-Spring
13	3230-2	2	Bolt-CARR	27	HDW21408	12	Nut-Hex
14	104-8300	2	Nut-HF, NI	28	145-4786-03	1	Screen - Fan Guard
15	145-4752-03	1	Deflector-Fan				

# Control Panel Assembly



## Control Panel Assembly (continued)

<i>Ref.</i>	<i>Part Number</i>	<i>Qty.</i>	<i>Description</i>	<i>Ref.</i>	<i>Part Number</i>	<i>Qty.</i>	<i>Description</i>
1	122-2513	1	Switch-Ignition, Suns	9	139-1166	1	Handle-Front
1:1	121-5160	1	Nut-Hex ●	10	139-1167	1	Handle-Rear
1:2	122-2704	1	Nut-Face, M22 (Plastic)	11	94-6961	4	Screw
1:3	121-5162	1	Set-Key, Ignition	12	145-4726	1	Panel-Controls
2	112-9421	1	Switch	12:2	145-2443	1	Decal - Control Panel
3	136-4784	2	Lever-Control	13	138-4693	2	Bar-Reference
3:1	133-0289	1	Lever-Control, Joystick	14	145-4760	1	Bar-Reference
4	120-4579	4	Screw-HHF	15	3234-5	6	Screw-HHF
5	137-0431	2	Shaft-Handle	16	122-2152	1	Controller, Tdm-1601
6	137-0432	2	Pin-Roll	17	136-9678	3	Switch-Pushbutton
7	130-7723	2	Ball-Traction	18	138-9753	6	Screw
8	104-7201	2	Nut-HF, NI				

● Not illustrated

# Attachments and Accessories

## For 22219 e-Dingo 500 Compact Tool Carrier

<b>Product Name</b>	<b>Model/Part</b>
Oil-Gear, Synthetic, Quart.....	144-6880
4 Cubic Foot Standard Bucket .....	22409
Loose Materials Bucket .....	22410
48in Hydraulic Blade.....	22414
Tree Forks .....	22438
Cement Bowl .....	22442
4-in-1 Bucket .....	22478
Narrow Bucket.....	22520
Grapple Rake .....	22577
Adjustable Forks.....	22586
Grapple Bucket.....	22590
Floor Scraper.....	22670
Universal Swivel Auger Head .....	22806
6in Full-Flight Auger Bit .....	22820
9in Full-Flight Auger Bit .....	22821
12in Full-Flight Auger Bit.....	22822
Hydraulic Breaker .....	23136
Leveler.....	23165

**Notes:**



**Count on it.**