



Count on it.

Parts Catalog

**e-Dingo 500
Compact Tool Carrier**

Model No. 22219—Serial No. 415200000 and Up



Ordering Replacement Parts

To order replacement parts, please supply the part number, the quantity, and the description of each part desired.

Understanding Reference Numbers

Each identified part in an illustration has a reference number. The reference number for a part also appears in the parts list, along with other information about the part.

This catalog uses two special reference number formats, one to indicate parts in a service assembly and another to indicate the quantity of a given part in an illustration.

Service Assembly Reference Numbers

Parts in service assemblies have reference numbers in the form a:b. The a represents the reference number of the entire service assembly and the b represents a sequential number unique to each part within the service assembly.

For example, a wheel assembly might be identified by reference number 6, the tire by 6:1, the valve by 6:2, and the wheel by 6:3. When you order the assembly identified by reference number 6, you receive all parts identified by reference numbers 6:1, 6:2, and 6:3. However, you may also order any part individually. Reference numbers of this type appear in illustration and in parts lists.

Reference Numbers Indicating Quantity

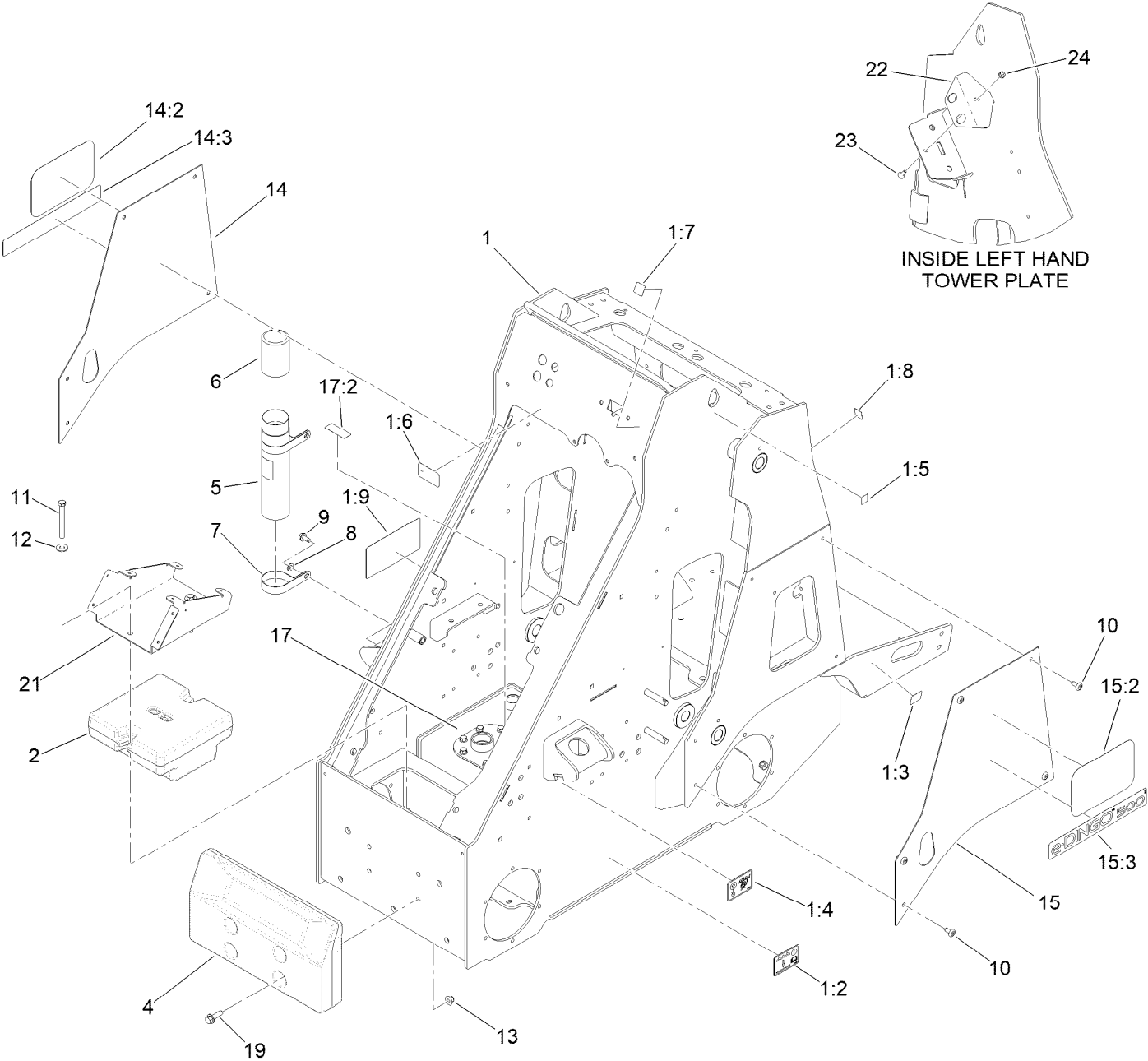
In an illustration, if a reference number indicates more than one part, the reference number has the form nX y. The n represents the quantity of the part, the X is the multiplication symbol, and the y represents the reference number.

For example, in an illustration, the reference number 2X 37 means that two of the parts identified by reference number 37 are indicated.

Contents

Main Frame Assembly	4
Hood and Service Panel Assembly	6
Counterweights, Skid Plates and Foot Pad Assembly	8
Drivetrain Assembly	10
Drivetrain Assembly Motor/Generator Assembly	12
Drivetrain Assembly Planetary Gearbox Assembly	14
Drivetrain Assembly Brake Assembly	16
Motor/Generator and Hydraulic Pump Assembly	18
Hydraulic Pump Assembly No. 139-7665	20
Hydraulic Tank Filter and Hydraulic Bulkhead Assembly	22
Hydraulic Loader Valve Assembly	24
Hydraulic Loader Valve Assembly No. 144-2909	26
Hydraulic Loader Cylinder Assembly	28
Loader Arm Assembly	30
Quick Attach Assembly No. 132-8418	32
Battery Assembly	34
Onboard Charger Assembly	36
Inverter Assembly	38
Main Wire Harness Assembly	40
Drivetrain Electrical Connection Assembly	42
Control Panel Assembly	44
Attachments and Accessories	46

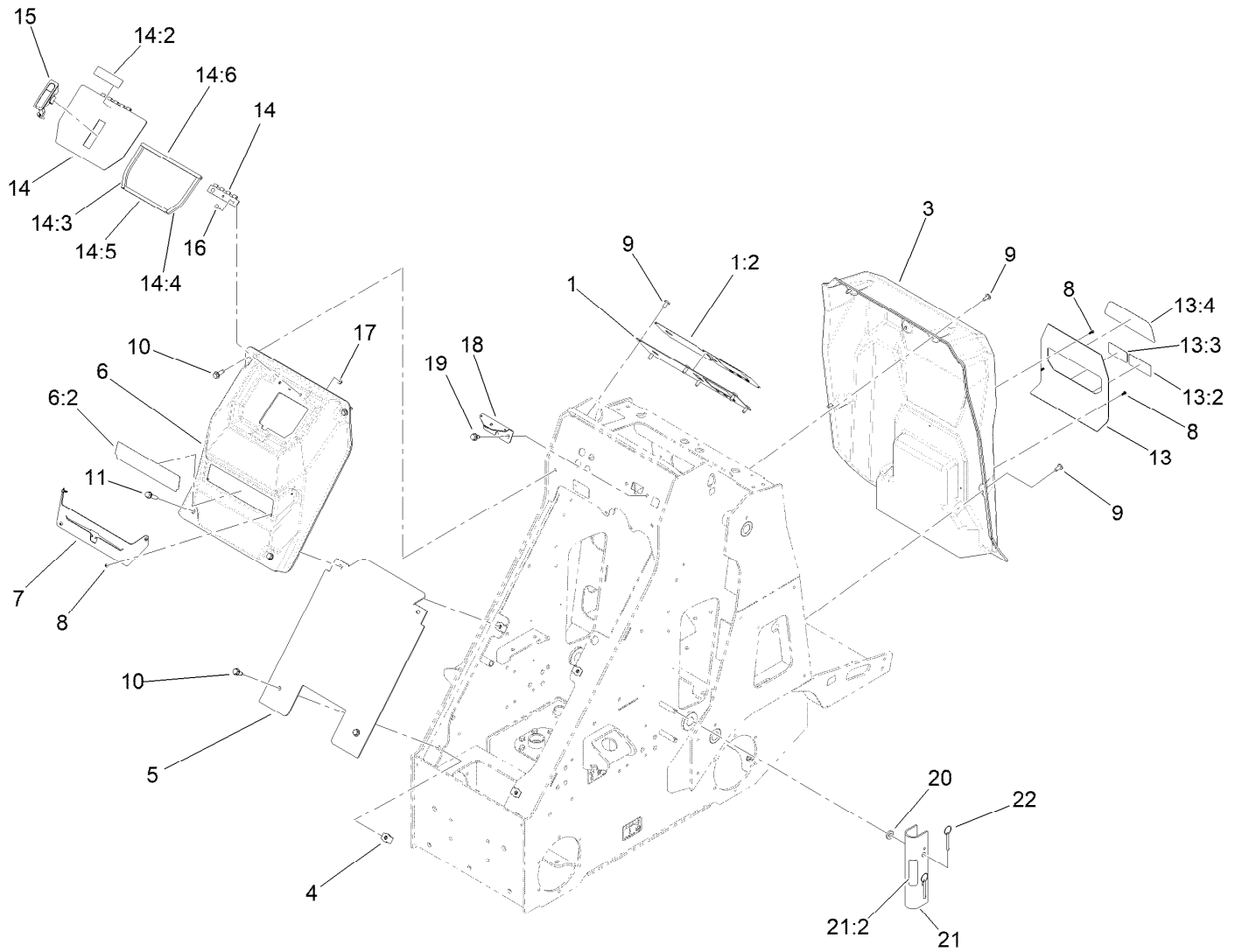
Main Frame Assembly



Main Frame Assembly (continued)

<i>Ref.</i>	<i>Part Number</i>	<i>Qty.</i>	<i>Description</i>	<i>Ref.</i>	<i>Part Number</i>	<i>Qty.</i>	<i>Description</i>
1	145-4721	1	Main Frame ASM	11	323-15	2	Screw-HH
1:2	139-7709	2	Decal-Water Level	12	3256-4	2	Washer-Flat
1:3	132-9051	2	Decal-Tiedown	13	104-8301	4	Nut-HF, NI
1:4	125-6139	2	Decal-Lift/Tie Down	14	145-4723	1	Panel-Access, RH
1:5	93-9084	2	Decal-Point, Lift	14:2	145-1978	1	Decal-Logo, Silver
1:6	145-4779	1	Decal - Fuses	14:3	139-7658	1	Decal- E-Dingo
1:7	147-0290	1	Decal-Light, Warning	15	145-4728	1	Panel-Access, LH
1:8	125-1414	1	Decal-Ground, Earth	15:2	145-1978	1	Decal-Logo, Silver
1:9	145-4789	1	Decal - Quick Reference Aid	15:3	139-7658	1	Decal- E-Dingo
2	145-4706-0P	1	Counterweight-Front	17	145-4790	1	Plate - Cover
4	145-2399-03	1	Counterweight-Front	17:2	93-6686	1	Decal-Oil, HYD
5	104-7050	1	Tube-Manual	19	3234-24	4	Screw-HHF
6	104-7048	1	Cap-Housing	21	145-4751-03	1	Bracket-Mount, Fan
7	2412-133	2	Clamp-R	22	145-4772-01	1	Bracket-Fitting, Adjustable
8	3256-23	2	Washer-Plain	23	1-807512	1	Bolt-CARR
9	32144-70	2	Screw-HWHTF	24	119-4040	1	Nut-HF, NI
10	138-9753	10	Screw				

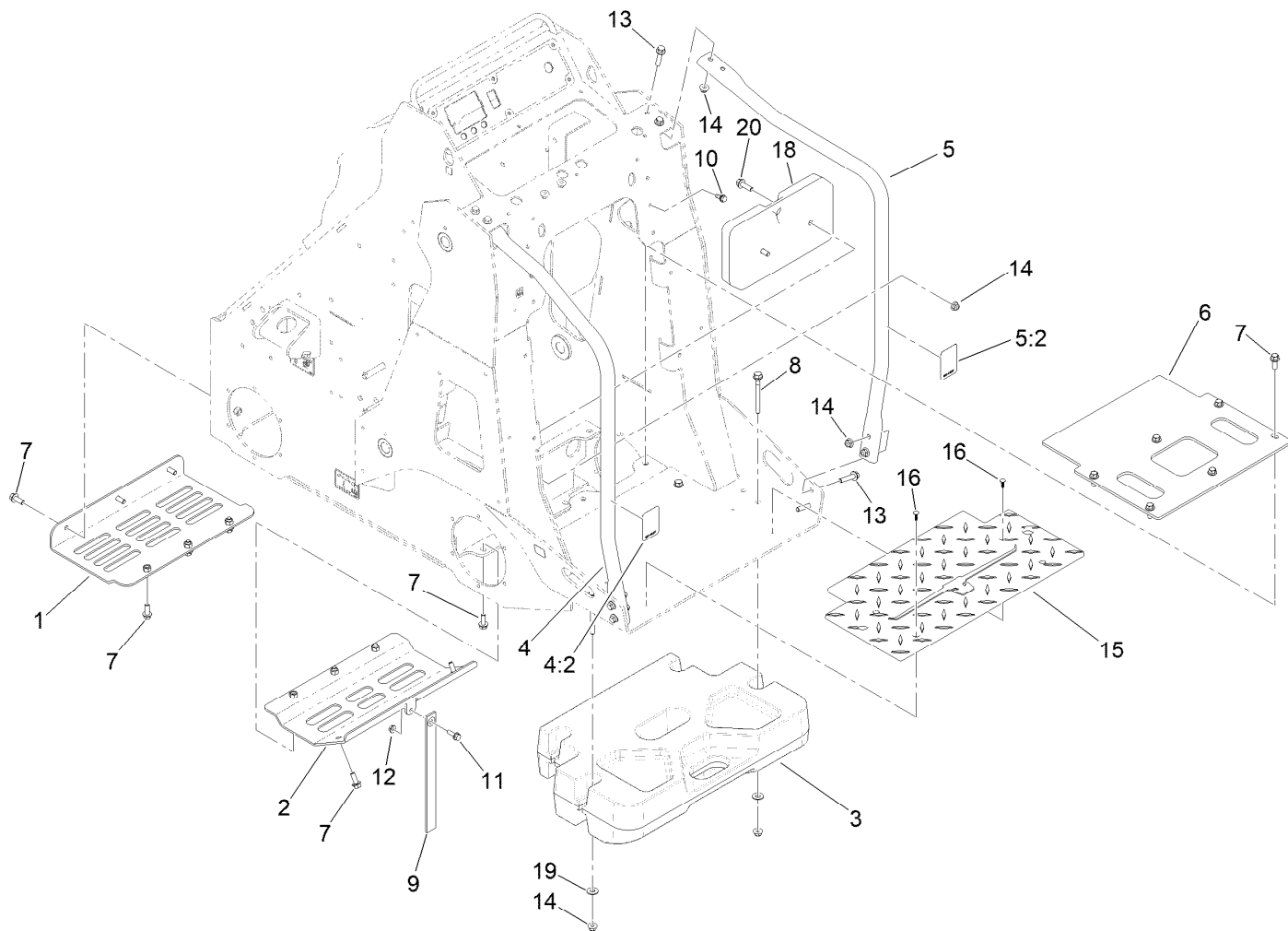
Hood and Service Panel Assembly



Hood and Service Panel Assembly (continued)

<i>Ref.</i>	<i>Part Number</i>	<i>Qty.</i>	<i>Description</i>	<i>Ref.</i>	<i>Part Number</i>	<i>Qty.</i>	<i>Description</i>
1	145-4725	1	Panel-Instrument	14	145-4787	1	Door - Access
1:2	145-2442	1	Decal - Controls	14:2	145-1175	1	Decal-Service, Shut-Off
3	161-1090	1	Hood ASM, Rear	14:3	145-4799	1	Foam - Door, RH
4	105-4886	4	Nut-Tinnerman	14:4	147-6019	1	Foam - Door, LH
5	145-2393-03	1	Cover-Front,Lower	14:5	147-6020	1	Foam - Door, Bottom
6	145-4722	1	Hood ASM, Front	14:6	147-6021	1	Foam - Door, Top
6:2	145-4757	1	Decal - Backer, Red	15	145-4788	1	Latch - Compression
7	145-4761-03	1	Plate-Hood	16	1-807533	2	Bolt-CARR
8	127-6843	7	Screw-Plastite, Torx Pan	17	138-0719	2	Nut-HF
9	138-9753	12	Screw	18	145-4777-01	1	Bracket - Light
10	139-2428	4	Screw-HWH	19	110-9380	2	Screw-HWH
11	32144-102	2	Screw-HWH	20	47-4440	4	Washer-Plastic
13	145-4791	1	Plate - Cord	21	145-4724	2	Lock Cylinder ASM
13:2	145-2445	1	Decal - Charging Port	21:2	145-4729	1	Decal - Cylinder Lock
13:3	145-1174	1	Decal-Battery Charger	22	108-0094	4	Pin-Cotterless
13:4	145-1172	1	Decal-Hypercell				

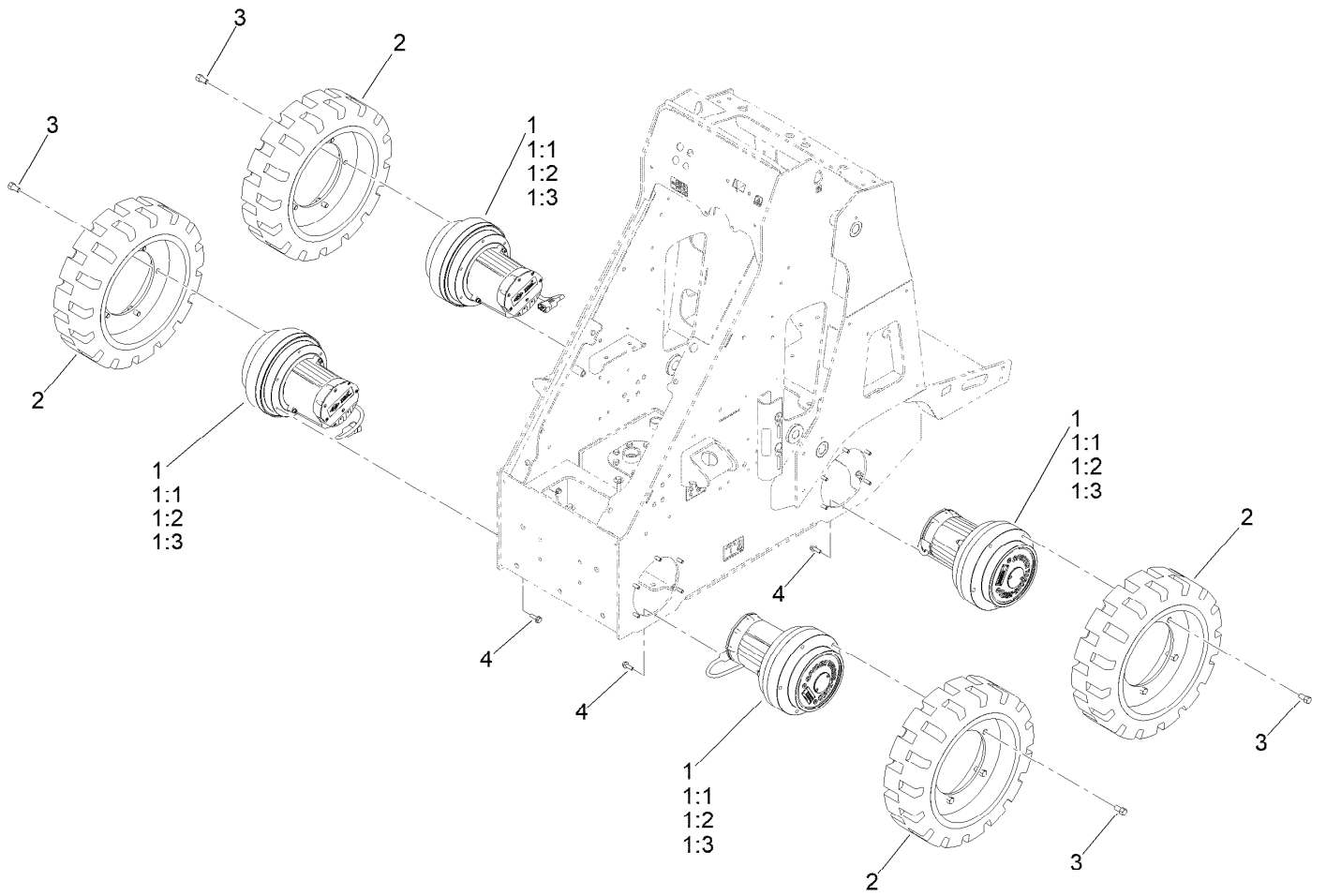
Counterweights, Skid Plates and Foot Pad Assembly



Counterweights, Skid Plates and Foot Pad Assembly (continued)

<i>Ref.</i>	<i>Part Number</i>	<i>Qty.</i>	<i>Description</i>	<i>Ref.</i>	<i>Part Number</i>	<i>Qty.</i>	<i>Description</i>
1	140-7260-01	1	Skid Plate ASM, Front	10	126-4424	2	Screw-Shoulder
2	140-7261-01	1	Skid Plate ASM, Rear	11	3234-17	1	Screw-HHF
3	145-2398-03	1	Counterweight	12	32128-26	1	Nut-HF
4	145-4797	1	Tube-Handle,LH	13	3234-19	8	Screw-HHF
4:2	100-4627	1	Reflector	14	104-8301	14	Nut-HF, NI
5	145-4798	1	Tube-Handle,RH	15	145-4784	1	Pad - Foot
5:2	100-4627	1	Reflector	16	125-8067	4	Plug-Plastic
6	145-2350-01	1	Plate-Cover,Motor	18	145-4719-0P	1	Counterweight
7	3234-42	17	Screw-HHF	19	3256-4	4	Washer-Flat
8	140-5522	4	Screw-HHF 5/8, Patch	20	3234-18	2	Screw-HHF
9	139-7731	1	Strap, Static				

Drivetrain Assembly

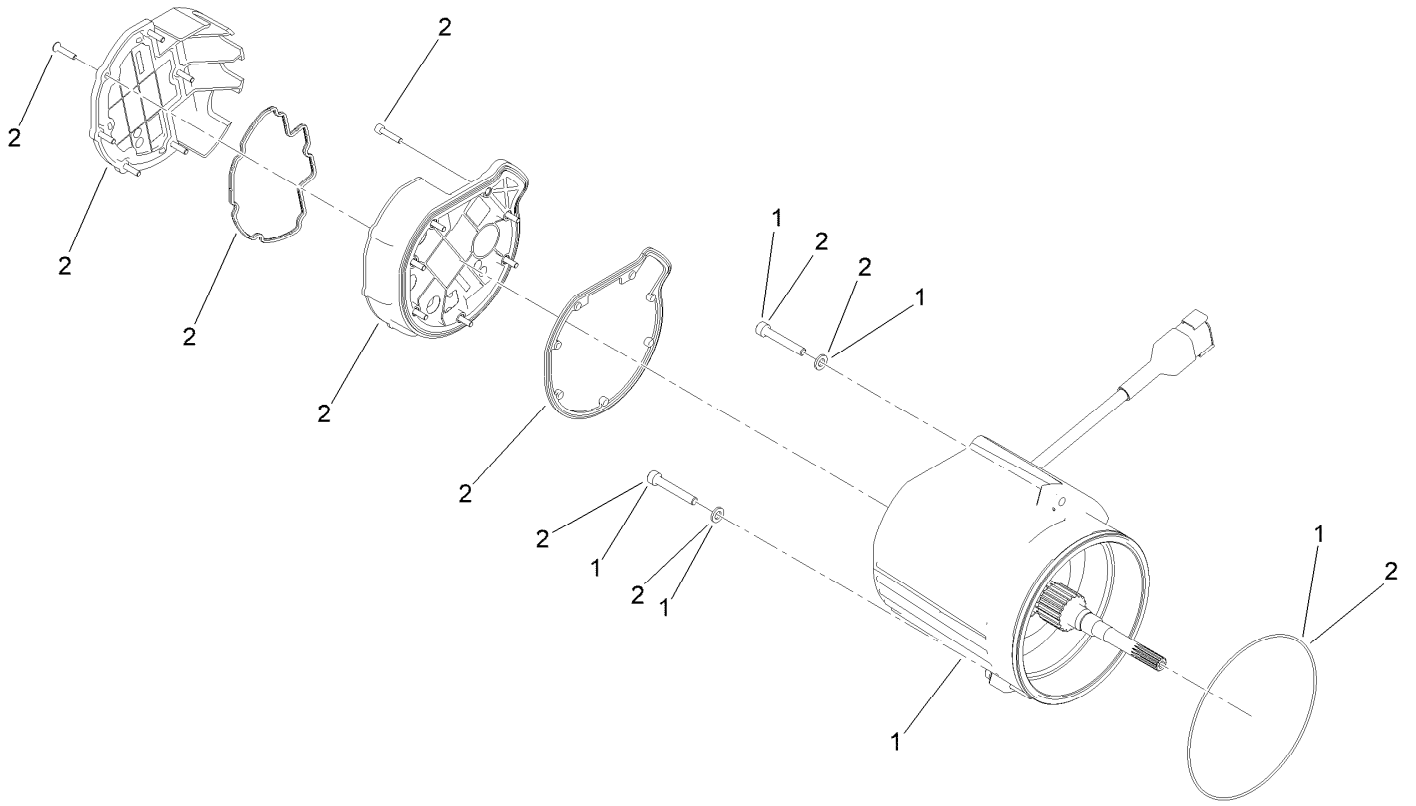


Drivetrain Assembly (continued)

<i>Ref.</i>	<i>Part Number</i>	<i>Qty.</i>	<i>Description</i>	<i>Ref.</i>	<i>Part Number</i>	<i>Qty.</i>	<i>Description</i>
1	138-8973	4	Motor/Gen Torquehub ASM-3Kw 45:1 Rdctn	1:3		1	Brake,Parking-Torquehub ●
1:1		1	Motor/Gen-48V,3Kw ●	2	145-2376	4	Tire-Solid
1:2		1	Gearbox,Plntry-45:1 Rdctn ●	3	144-1739	20	Screw-HH, Lug M12 X 1.50
				4	33104-025	24	Screw-HHF

● Not serviced separately

Drivetrain Assembly Motor/Generator Assembly

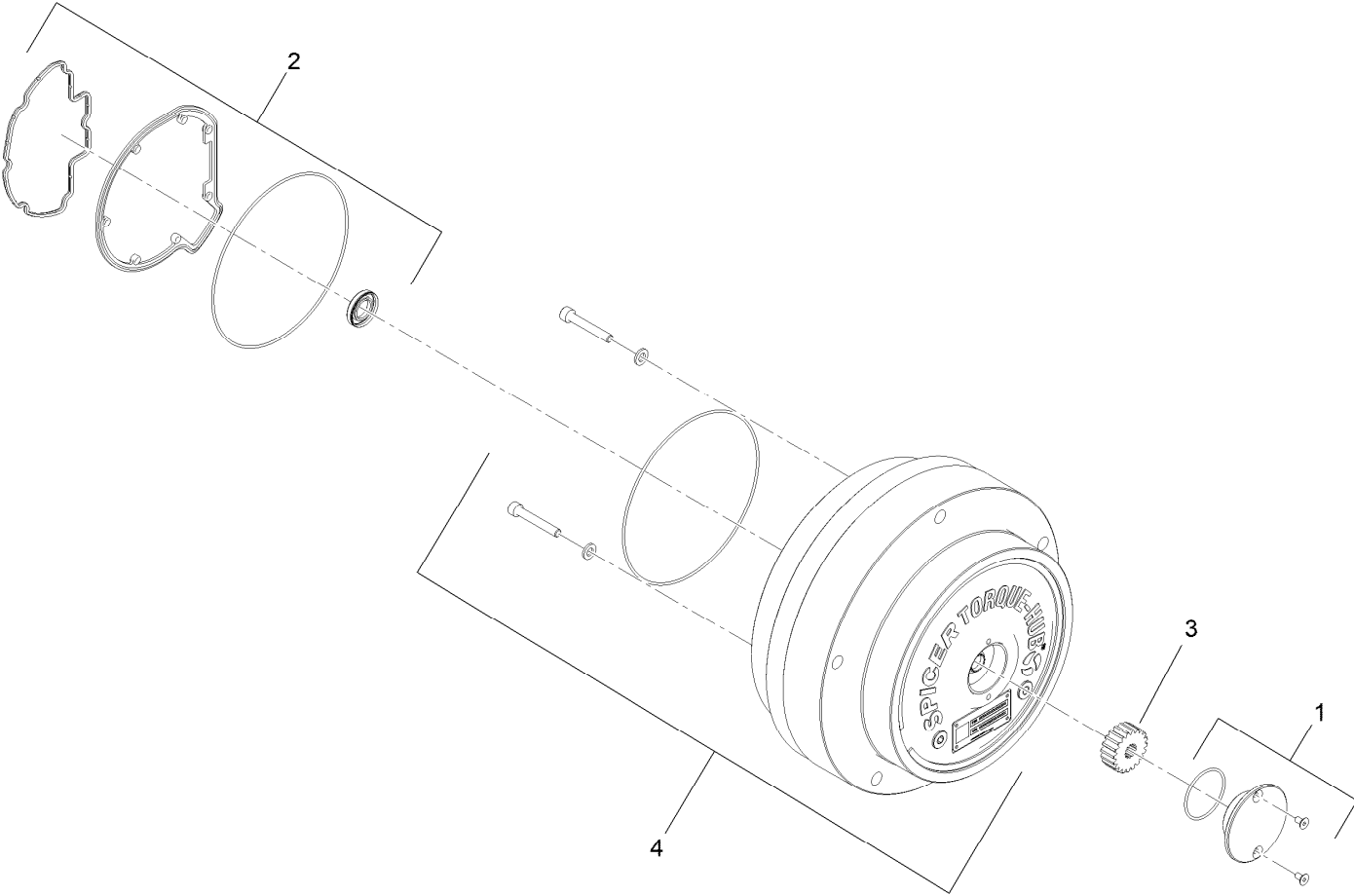


Drivetrain Assembly

Motor/Generator Assembly (continued)

<i>Ref.</i>	<i>Part Number</i>	<i>Qty.</i>	<i>Description</i>
1	145-5055	1	Kit-Motor, Service
2	145-5057	1	Kit-Cover/Seal, Motor

Drivetrain Assembly Planetary Gearbox Assembly

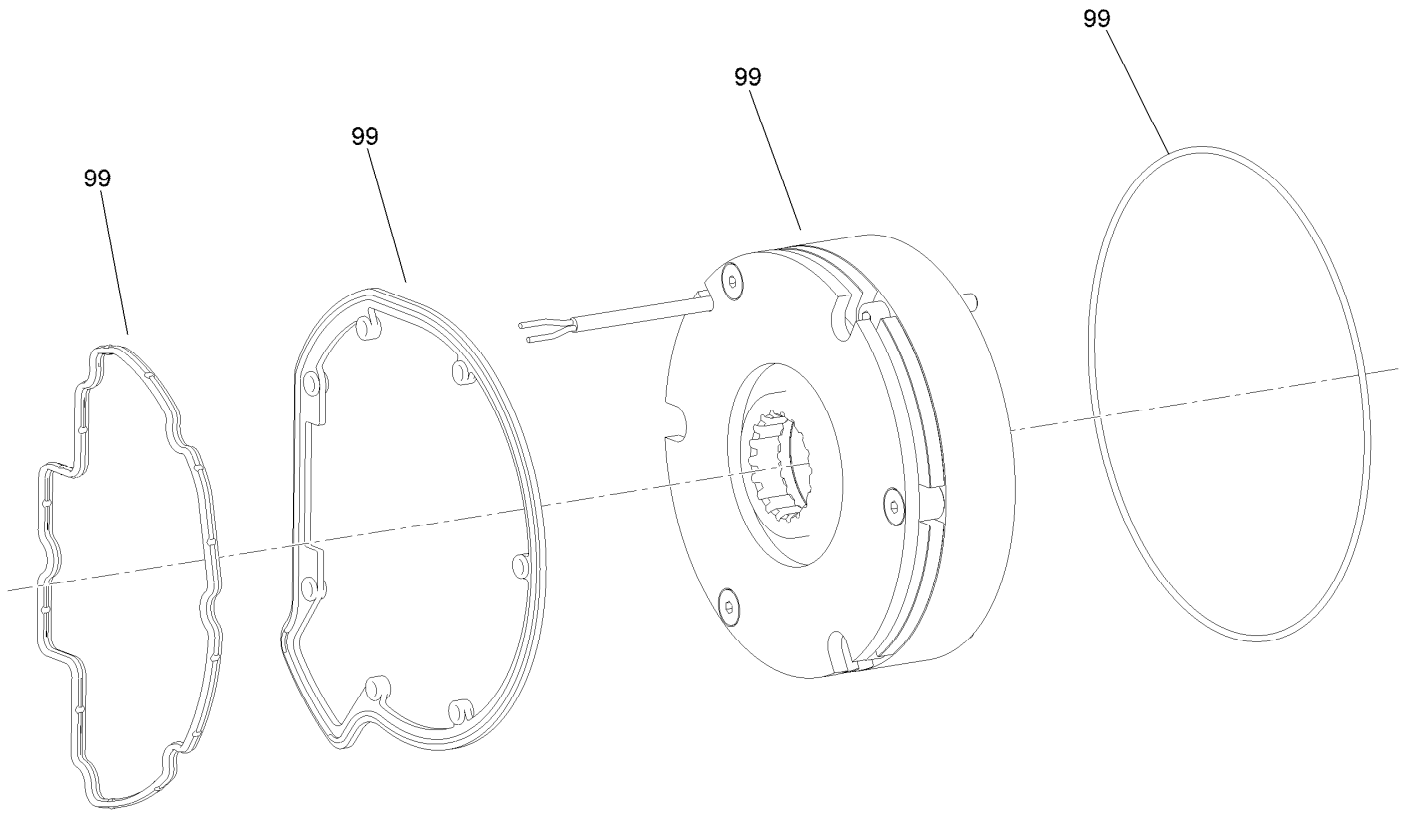


Drivetrain Assembly

Planetary Gearbox Assembly (continued)

<i>Ref.</i>	<i>Part Number</i>	<i>Qty.</i>	<i>Description</i>	<i>Ref.</i>	<i>Part Number</i>	<i>Qty.</i>	<i>Description</i>
1	145-5060	1	Kit-Cover, Sun Gear	3	145-5063	1	Gear-Sun
2	145-5061	1	Kit-Seal, Main	4	145-5064	1	Kit-Gearbox

Drivetrain Assembly Brake Assembly

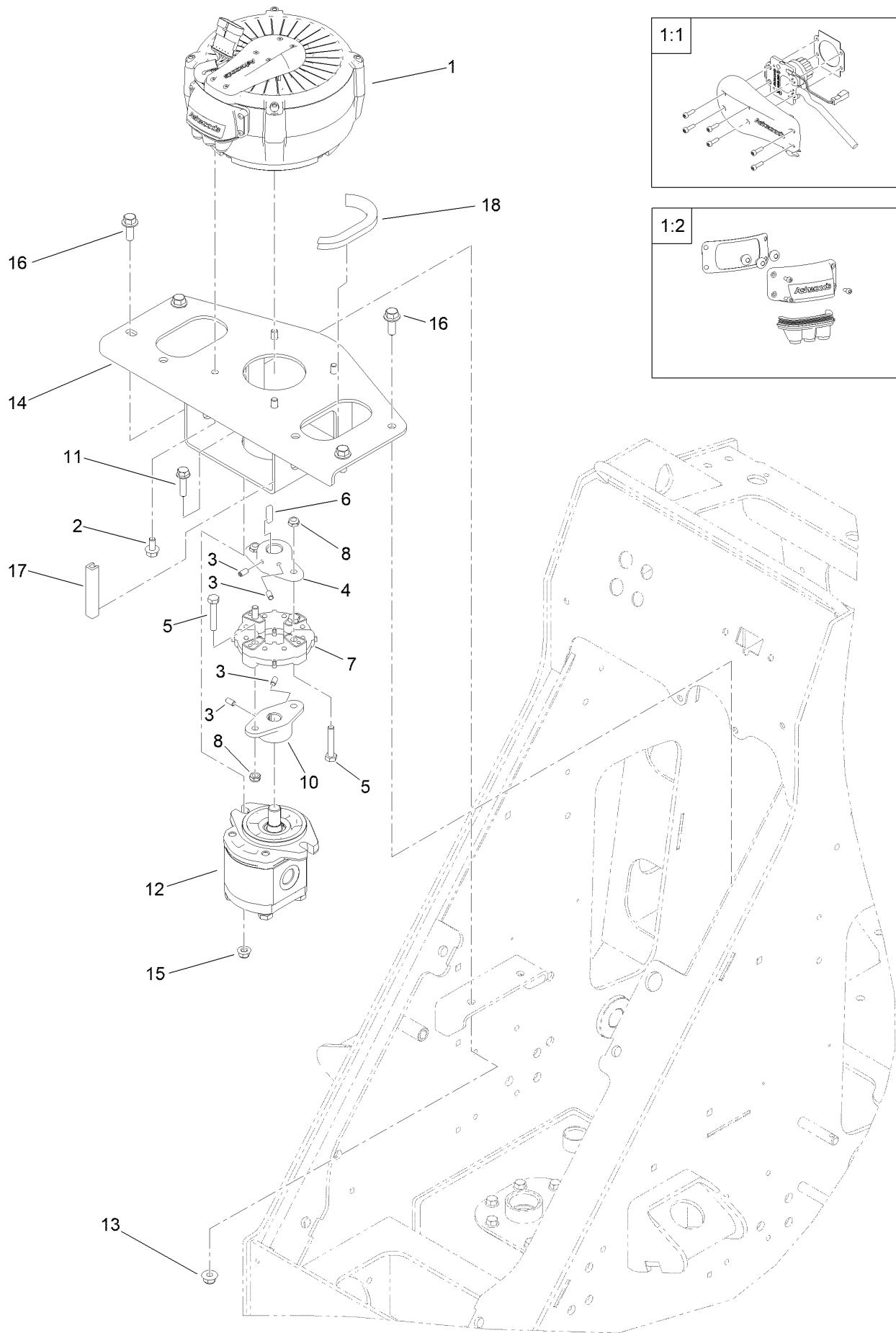


Drivetrain Assembly

Brake Assembly (continued)

<i>Ref.</i>	<i>Part Number</i>	<i>Qty.</i>	<i>Description</i>
99	145-5058	1	Kit-Brake

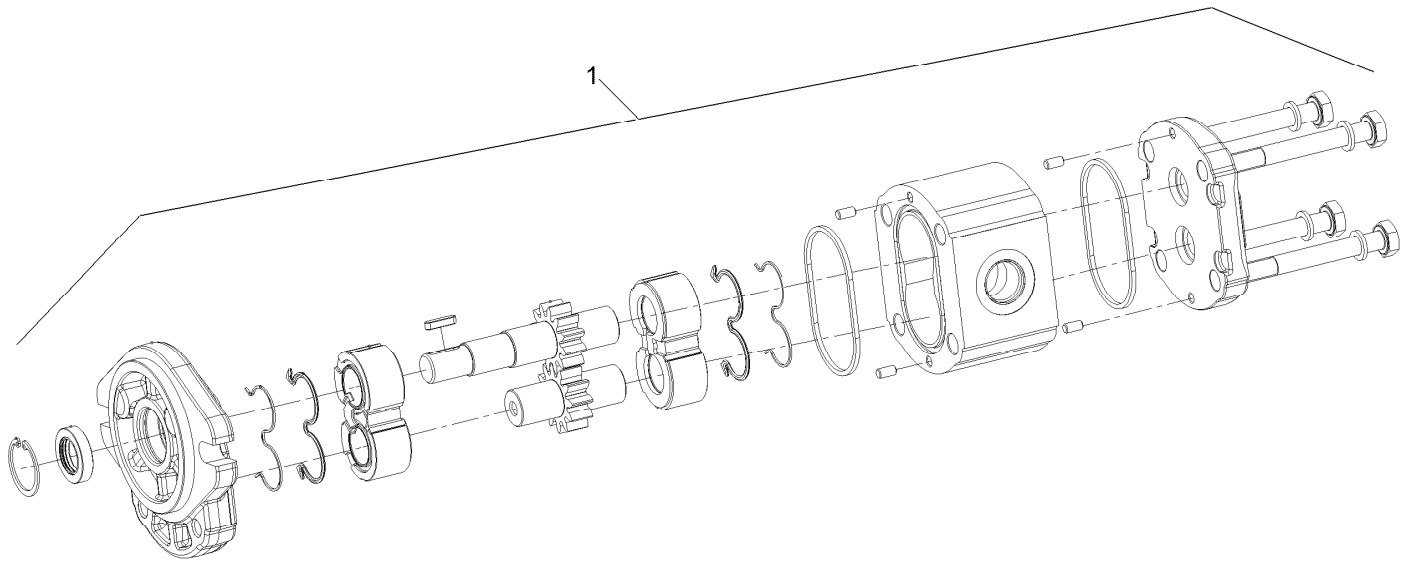
Motor/Generator and Hydraulic Pump Assembly



Motor/Generator and Hydraulic Pump Assembly (continued)

<i>Ref.</i>	<i>Part Number</i>	<i>Qty.</i>	<i>Description</i>	<i>Ref.</i>	<i>Part Number</i>	<i>Qty.</i>	<i>Description</i>
1	138-8926	1	Motor/Gen	10	98-4701	1	Hub-Pump
1:1	138-8941	1	Kit-Encoder, Mtr/Gen	11	3234-36	2	Screw-HHF
1:2	138-8942	1	Kit-Terminal Cover	12	139-7665	1	Pump-Hydraulic
2	33104-016	4	Screw-HHF	13	104-8301	4	Nut-HF, NI
3	3245-9	4	Screw-Set, HSH	14	144-2948-01	1	Plate-Motor ASM [red]
4	139-7664	1	Hub-Pump	15	104-8300	2	Nut-HF, NI
5	322-9	4	Screw-HH	16	3234-42	4	Screw-HHF
6	104-3097	1	Key-Square	17	70-2041	1	Trim - Edge
7	119-0652	1	Coupler-Rubber	18	133-8571	1	Trim-Seal
8	3296-47	4	Nut-Lock,NI				

Hydraulic Pump Assembly No. 139-7665

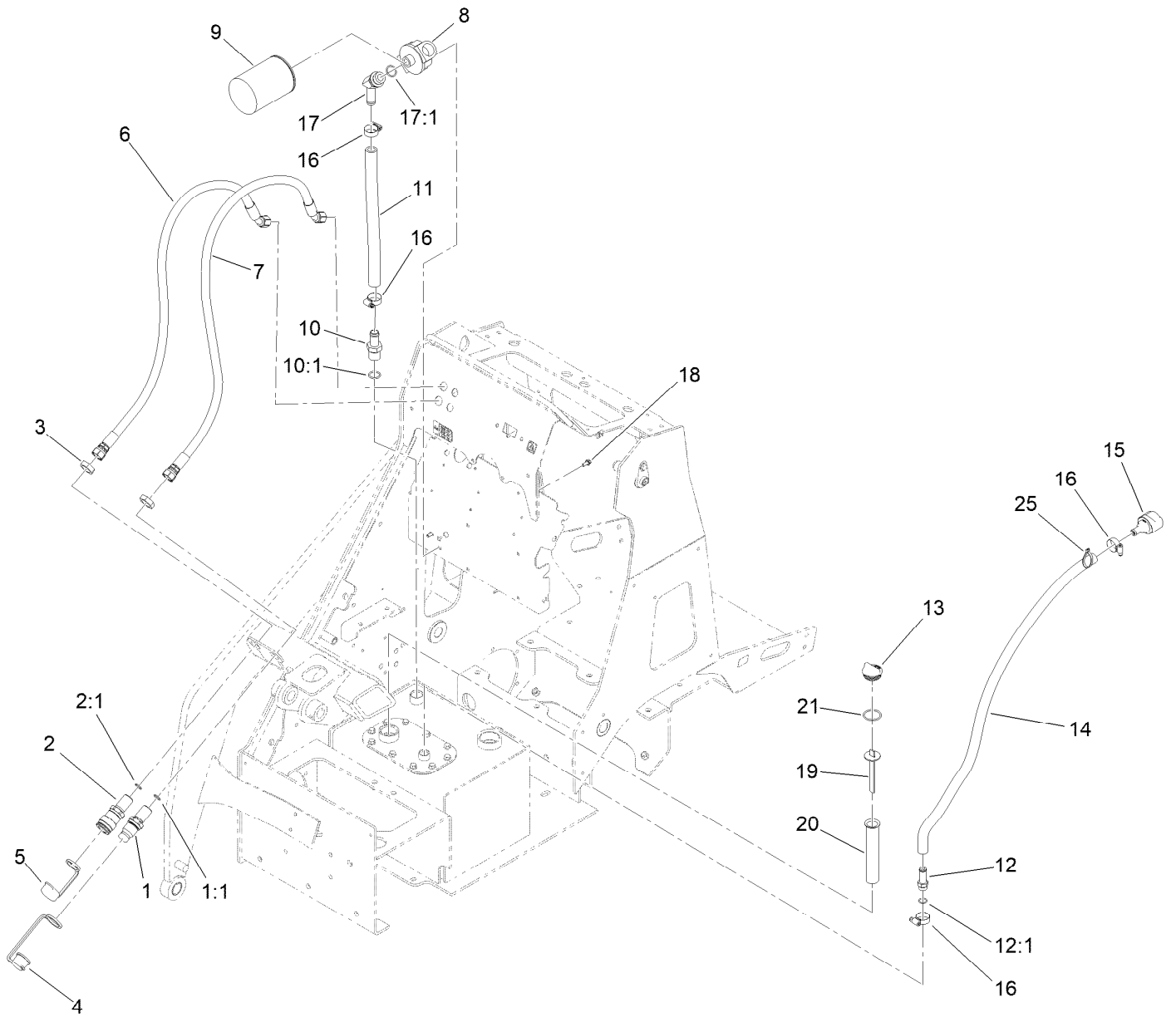


Hydraulic Pump Assembly No. 139-7665 (continued)

<i>Ref.</i>	<i>Part Number</i>	<i>Qty.</i>	<i>Description</i>
1	139-7705	1	Kit-Seal ●

● Not illustrated

Hydraulic Tank Filter and Hydraulic Bulkhead Assembly

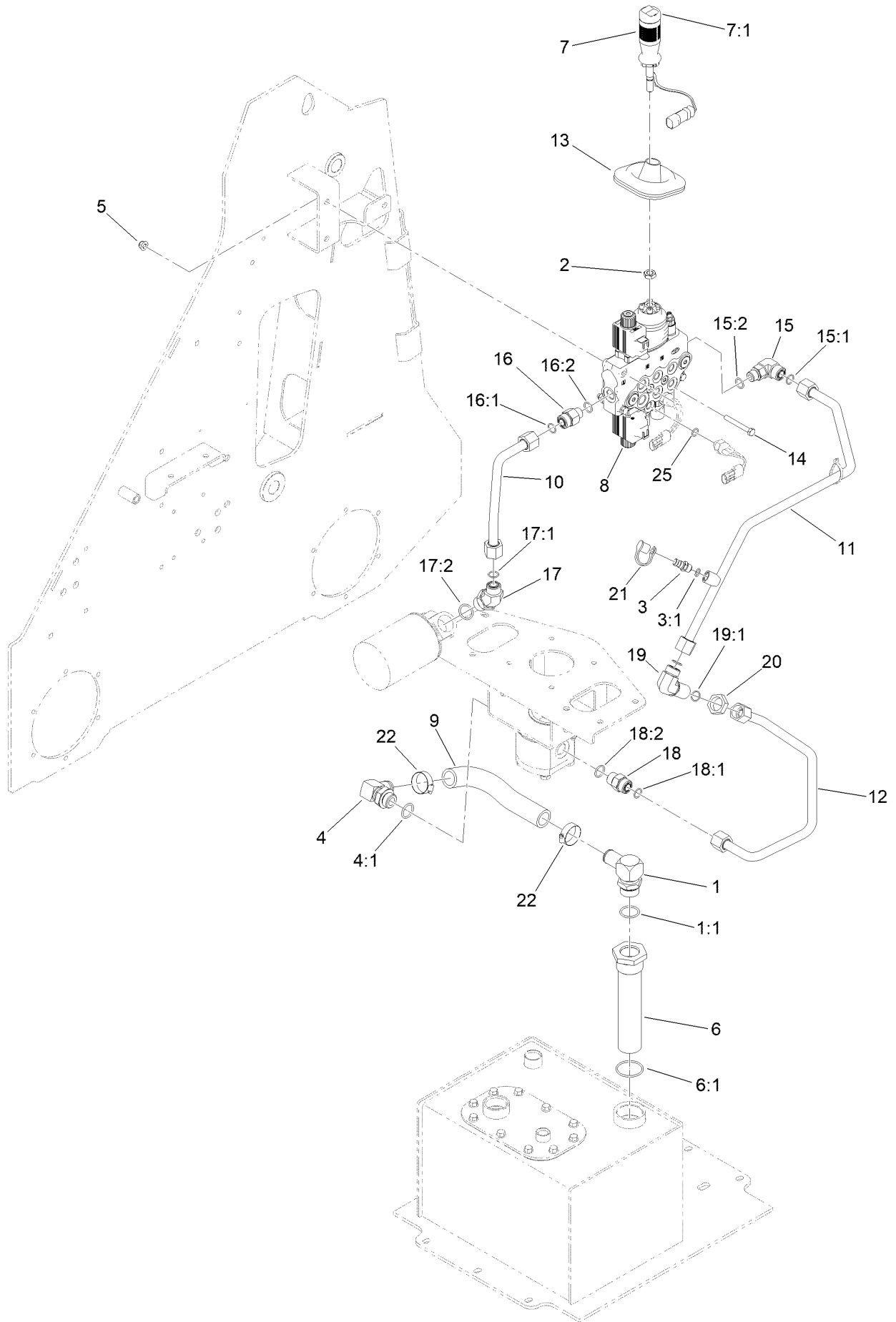


Hydraulic Tank Filter and Hydraulic Bulkhead Assembly (continued)

<i>Ref.</i>	<i>Part Number</i>	<i>Qty.</i>	<i>Description</i>	<i>Ref.</i>	<i>Part Number</i>	<i>Qty.</i>	<i>Description</i>
1	105-8395	1	Bulkhead Nipple ASM	11	145-4701	1	Hose-HYD, Return
1:1	237-65	1	O-Ring	12	107-7569	1	Fitting-STR
1:2	100-6120	1	Seal Kit ●	12:1	237-79	1	O-Ring
2	105-8394	1	Bulkhead Coupler ASM	13	93-7498	1	Plug-Plastic
2:1	237-65	1	O-Ring	14	147-6018	1	Hose - Vent
3	340-74	2	Nut-Lock, Bulkhead	15	147-6017	1	Breather (Air)
4	100-8815	1	Cap-Dust, Nipple	16	2412-129	4	Clamp-Hose
5	100-8816	1	Cap-Dust, Coupler	17	354-127	1	Fitting-Elbow45
6	144-2973	1	Hose ASM-HYD	17:1	237-81	1	O-Ring
7	144-2974	1	Hose ASM-HYD	18	3234-33	2	Screw-HHF
8	92-5821	1	Head-Filter	19	147-6024	1	Dipstick - Oil,
9	86-3010	1	Filter-Oil	20	61-2790	1	Filter-Screen
10	354-73	1	Fitting	21	237-101	1	O-Ring
10:1	237-81	1	O-Ring	25	3290-378	1	Tie-Cable

● Not illustrated

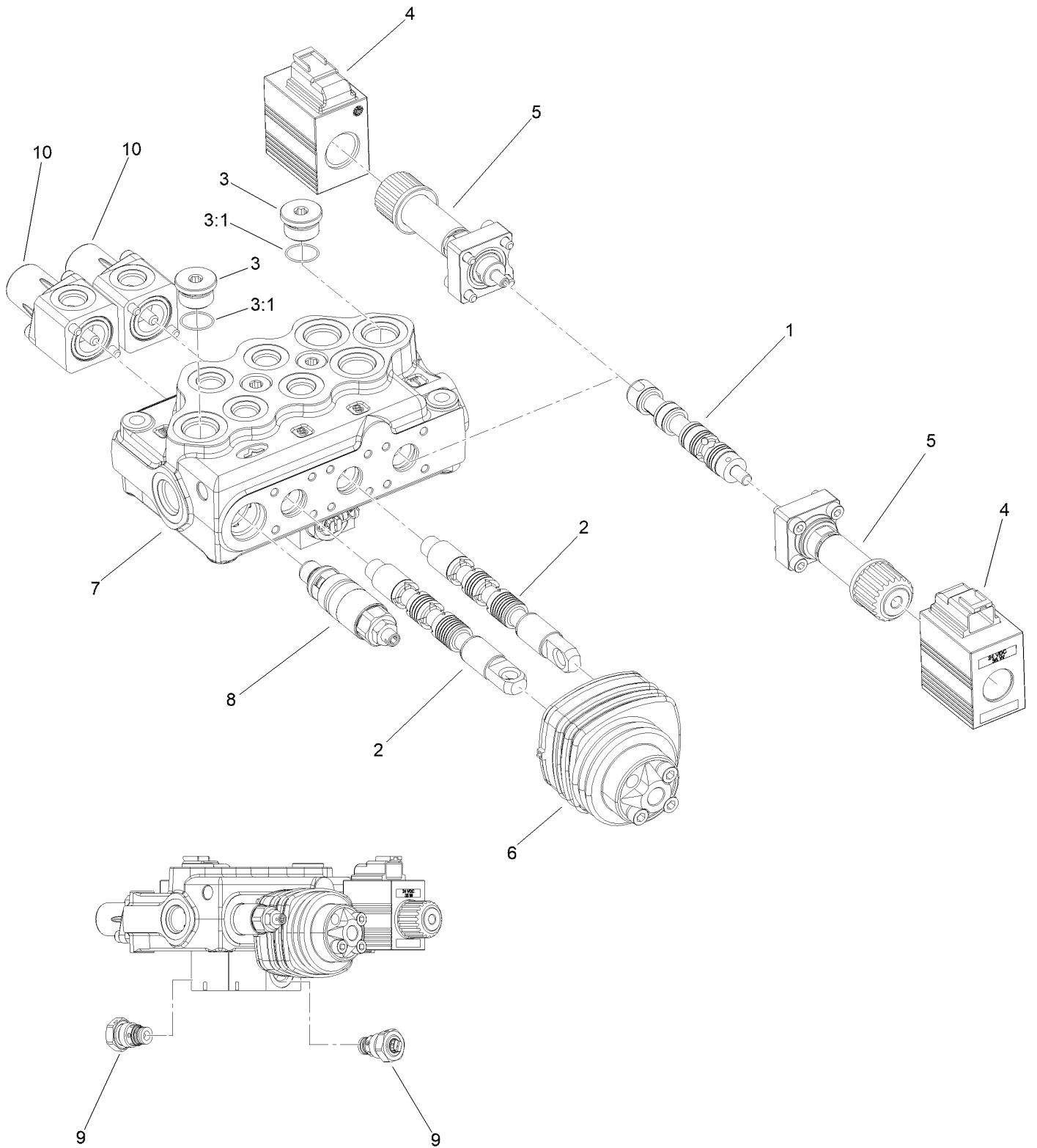
Hydraulic Loader Valve Assembly



Hydraulic Loader Valve Assembly (continued)

<i>Ref.</i>	<i>Part Number</i>	<i>Qty.</i>	<i>Description</i>	<i>Ref.</i>	<i>Part Number</i>	<i>Qty.</i>	<i>Description</i>
1	23-8910	1	Stem-Barb-90	15	340-153	1	Fitting-Elbow, 90 DEG
1:1	237-146	1	O-Ring	15:1	237-79	1	O-Ring
2	51-2070	1	Nut	15:2	237-151	1	O-Ring
3	59-7410	1	Fitting-Diagnostic	16	340-155	1	Fitting-Straight
3:1	237-42	1	O-Ring	16:1	237-79	1	O-Ring
4	100-4202	1	Fitting-90	16:2	237-151	1	O-Ring
4:1	237-81	1	O-Ring	17	340-156	1	Fitting-Elbow 45
5	104-8300	3	Nut-HF, NI	17:1	237-65	1	O-Ring
6	115-2230	1	Strainer-In Tank	17:2	237-81	1	O-Ring
6:1	340-136	1	O-Ring	18	340-7	1	Fitting-Straight
7	140-5742	1	Handle-Auxiliary ASM	18:1	237-65	1	O-Ring
7:1	147-6873	1	Boot-Switch, Joystick	18:2	237-80	1	O-Ring
8	144-2909	1	Valve-HYD-Loader	19	340-72	1	Fitting-Bulkhead, 90 DEG
9	144-3009	1	Hose	19:1	237-65	2	O-Ring
10	145-2373	1	Hydraulic Tube ASM	20	340-74	1	Nut-Lock, Bulkhead
11	145-2401	1	Hydraulic Tube ASM	21	353-947	1	Cap-Dust, Black
12	145-2402	1	Hydraulic Tube ASM	22	2412-34	2	Clamp-Hose
13	145-4746	1	Boot-Joystick	25	237-42	2	O-Ring
14	322-12	3	Screw-HH				

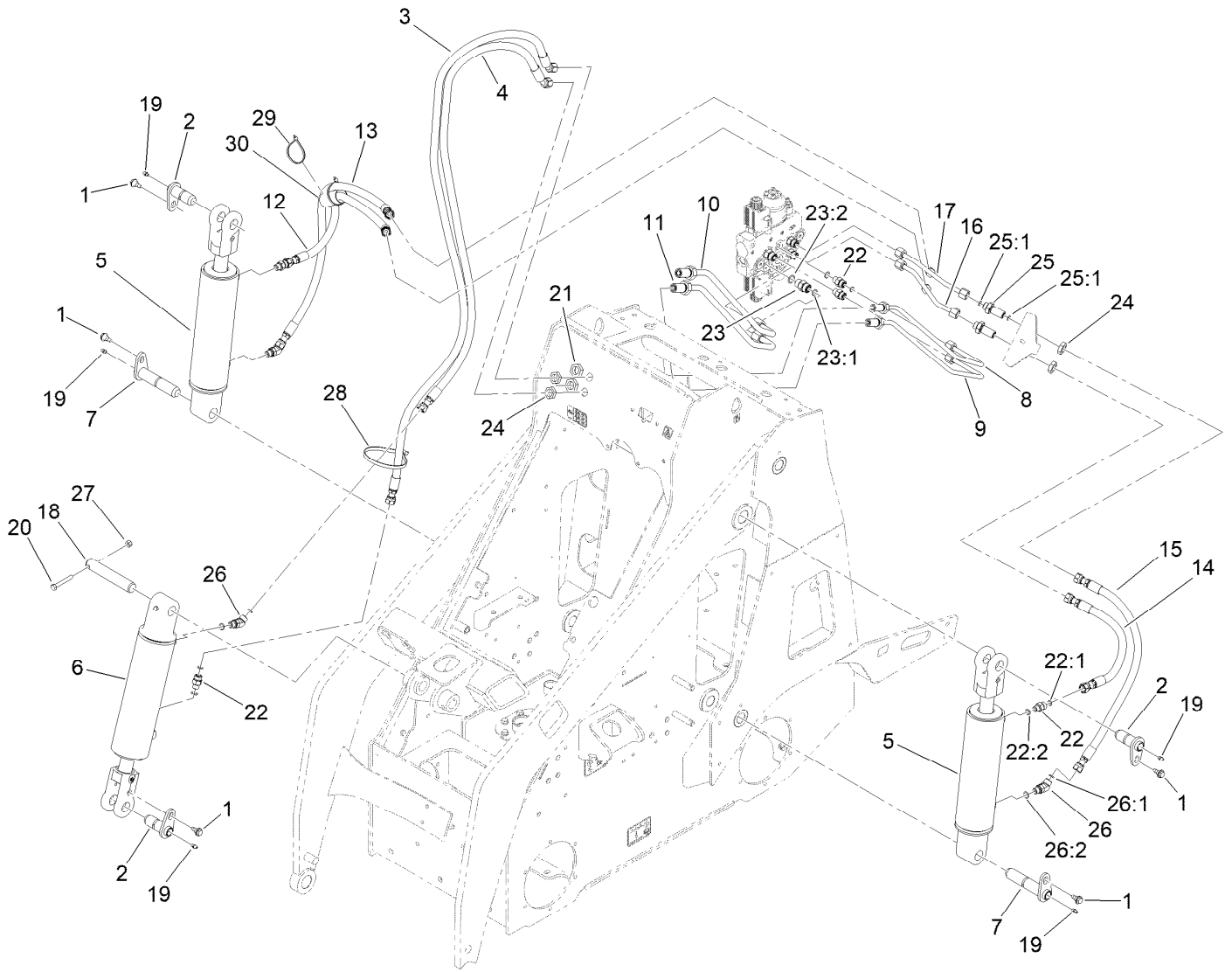
Hydraulic Loader Valve Assembly No. 144-2909



Hydraulic Loader Valve Assembly No. 144-2909 (continued)

<i>Ref.</i>	<i>Part Number</i>	<i>Qty.</i>	<i>Description</i>	<i>Ref.</i>	<i>Part Number</i>	<i>Qty.</i>	<i>Description</i>
1	147-6043	1	Valve-Spool	6	147-6046	1	Kit - Joystick
2	114-8624	2	Valve-Spool	7	147-6047	1	Kit - Body
3	353-988	2	Plug-Hex	8	147-6048	1	Kit - Valve
3:1	237-79	1	O-Ring	9	147-6049	2	Kit - Valve [100 - 155 Bar]
4	147-6044	2	Coil	10	115-4093	2	Switch Spring Return Kit
5	147-6045	1	Kit - Controller				

Hydraulic Loader Cylinder Assembly

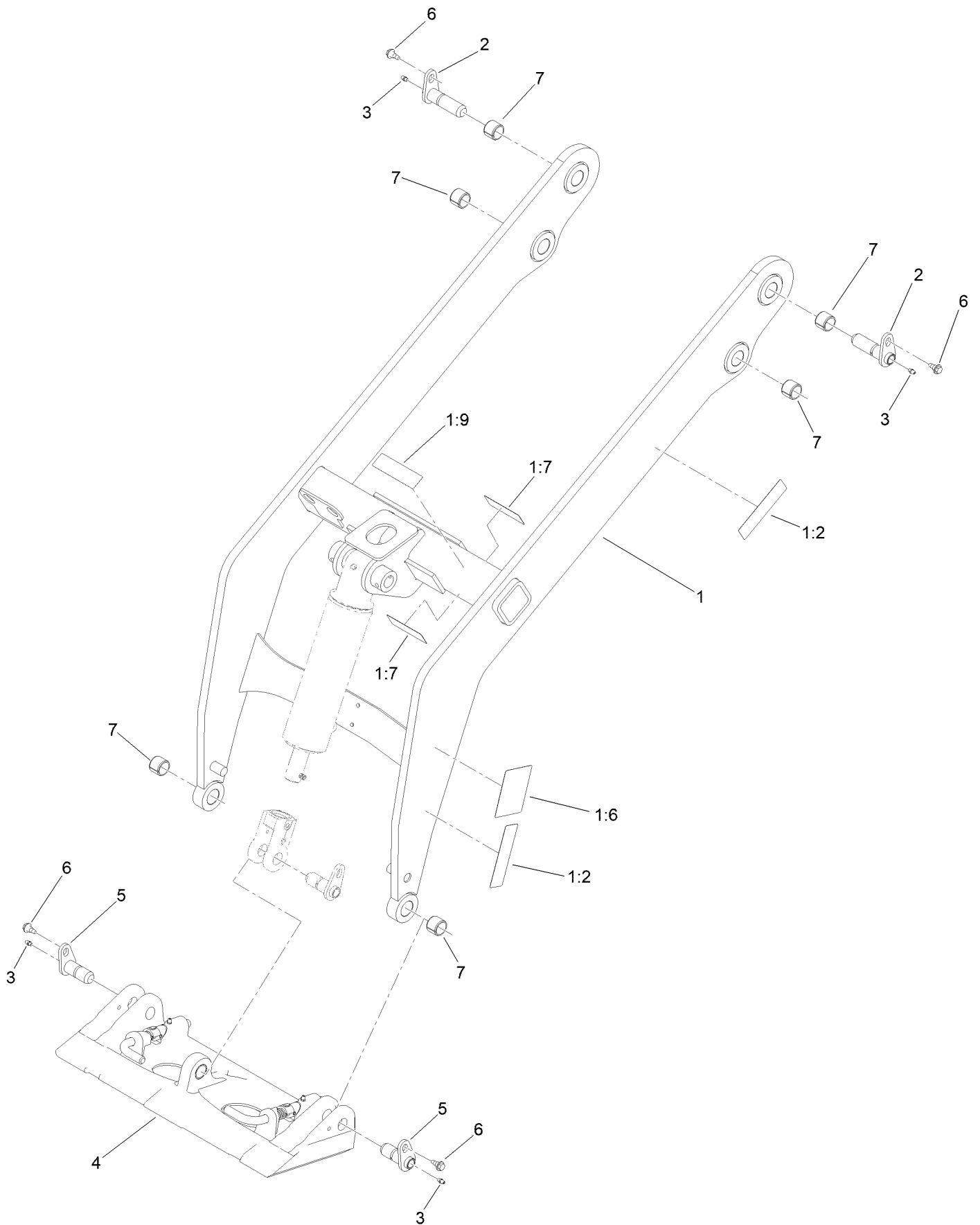


Hydraulic Loader Cylinder Assembly (continued)

<i>Ref.</i>	<i>Part Number</i>	<i>Qty.</i>	<i>Description</i>	<i>Ref.</i>	<i>Part Number</i>	<i>Qty.</i>	<i>Description</i>
1	99-5105	5	Screw-Shoulder	19	302-5	5	Fitting-Grease
2	112-2609	3	Pin-Pivot	20	322-11	1	Screw-HH
3	140-7253	1	Hose ASM-HYD	21	340-127	2	Nut-Bulkhead
4	140-7254	1	Hose ASM-HYD	22	340-2	7	Fitting-Straight
5	140-7290	2	Cylinder-Hydraulic	22:1	237-22	1	O-Ring
5:99	139-7713	1	Kit-Seal, Hydraulic CYL ●	22:2	237-42	1	O-Ring
6	140-7292	1	HYD-Cylinder	23	340-4	2	Fitting-Straight
6:99	139-7713	1	Kit-Seal, Hydraulic CYL ●	23:1	237-30	1	O-Ring
7	144-2910	2	Pin-Pivot	23:2	237-79	1	O-Ring
8	144-2959	1	Hydraulic Tube ASM	24	340-70	4	Nut-Lock
9	144-2960	1	Hydraulic Tube ASM	25	340-71	2	Fitting-Straight, Bulkhead
10	144-2961	1	Hydraulic Tube ASM	25:1	237-22	2	O-Ring
11	144-2962	1	Hydraulic Tube ASM	26	340-87	3	Fitting-Elbow, 45 DEG
12	144-2971	1	Hose ASM-HYD	26:1	237-22	1	O-Ring
13	144-2972	1	Hose ASM-HYD	26:2	237-42	1	O-Ring
14	144-2976	1	Hose ASM-HYD	27	3296-29	1	Nut-Lock, NI
15	144-2977	1	Hose ASM-HYD	28	3334-945	1	Tie-Cable
16	145-2374	1	Hydraulic Tube ASM	29	3290-378	2	Tie-Cable
17	145-2375	1	Hydraulic Tube ASM	30	AU112950	1	Protector-Hose
18	145-2394	1	Pin-Locking				

● Not illustrated

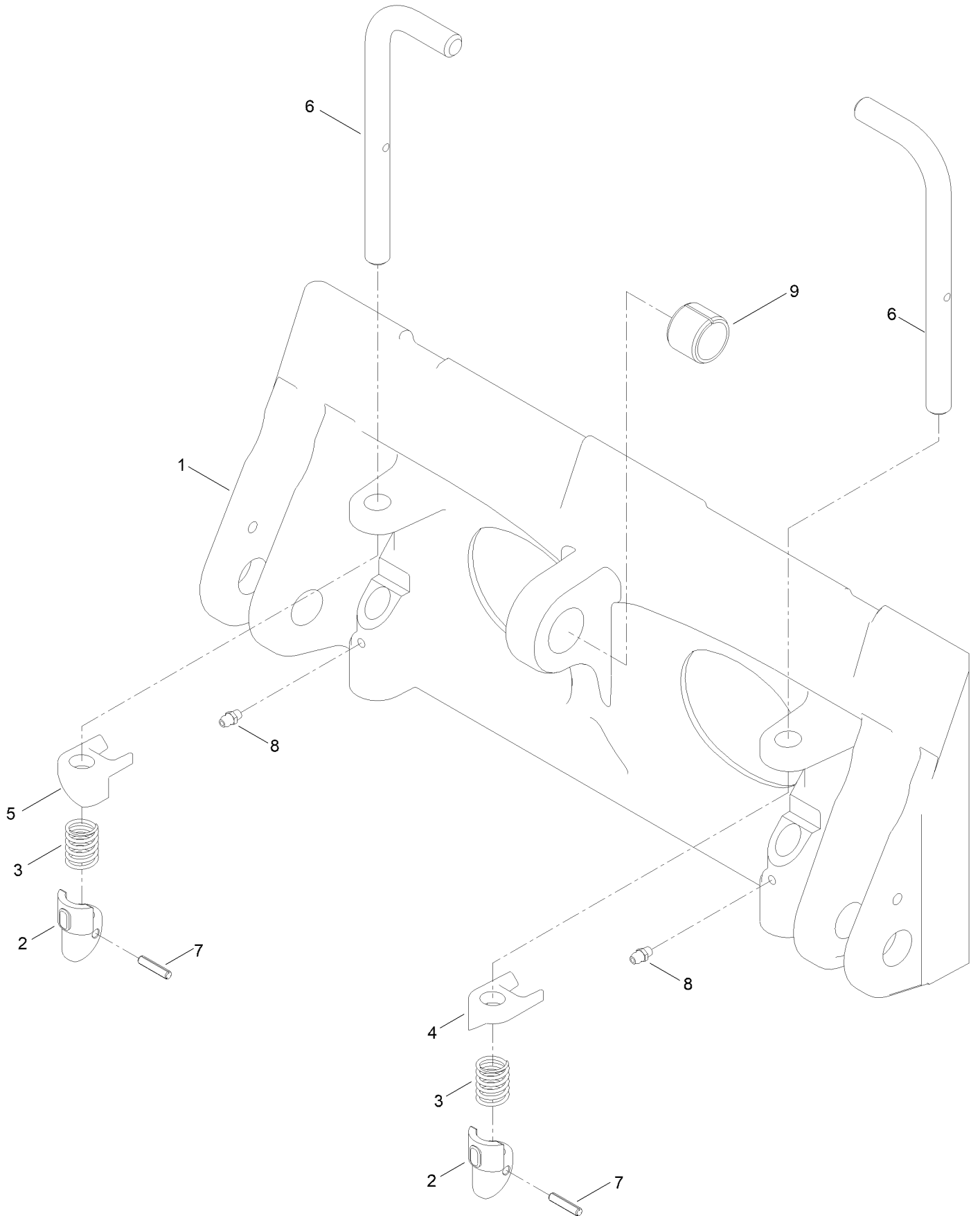
Loader Arm Assembly



Loader Arm Assembly (continued)

<i>Ref.</i>	<i>Part Number</i>	<i>Qty.</i>	<i>Description</i>	<i>Ref.</i>	<i>Part Number</i>	<i>Qty.</i>	<i>Description</i>
1	144-2908	1	Loader And Decal ASM	3	302-5	4	Fitting-Grease
1:2	130-2836	4	Decal-Warning, Crushing	4	132-8418	1	Quick Attach ASM
1:6	139-7708	2	Decal-Warning, Bucket	5	112-2609	2	Pin-Pivot
1:7	130-2837	2	Decal-Warning, No Rider	6	99-5105	4	Screw-Shoulder
1:9	115-4855	1	Decal-Caution	7	98-4871	6	Bushing-Tension
2	120-5363	2	Pin-Pivot				

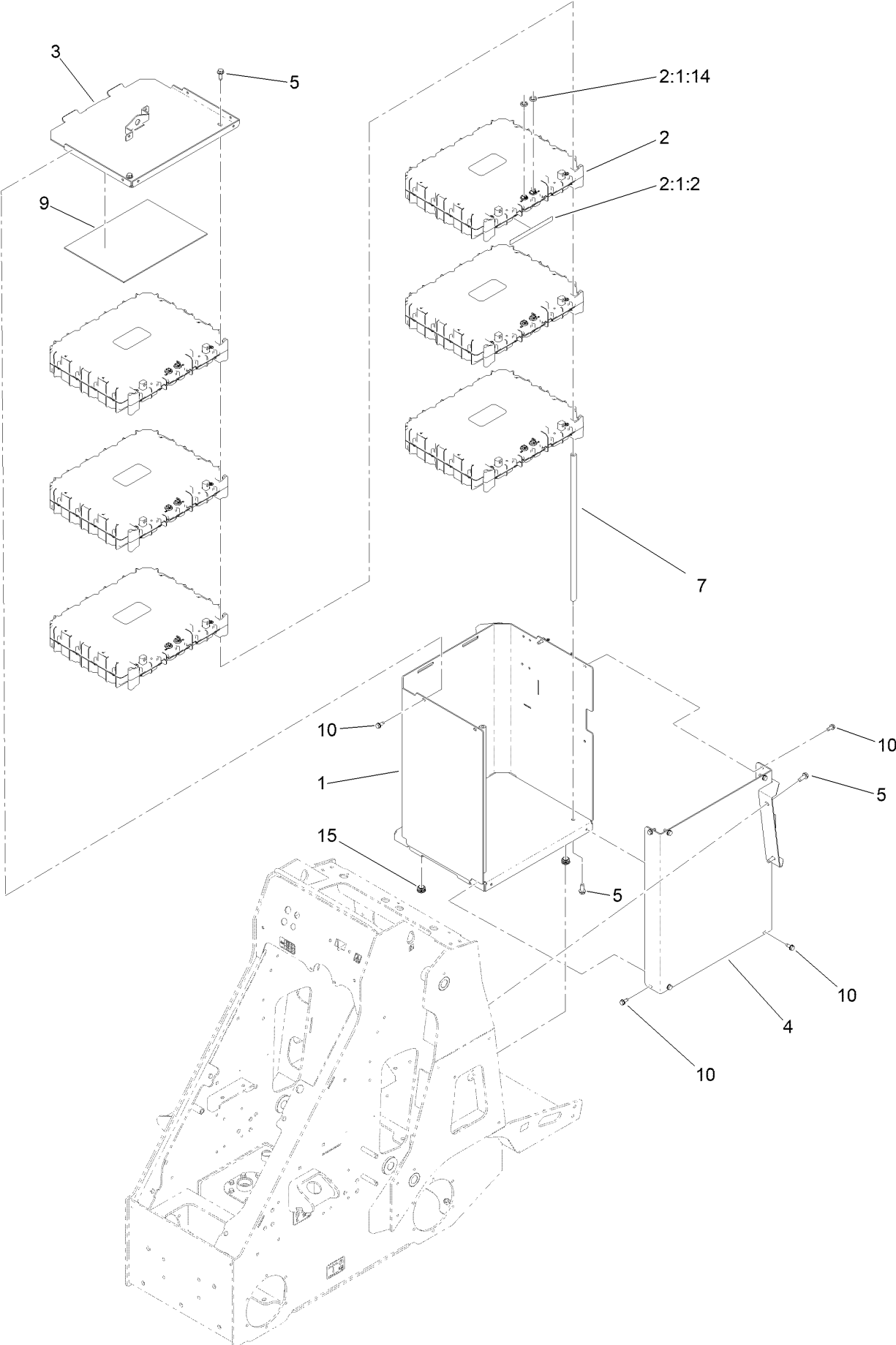
Quick Attach Assembly No. 132-8418



Quick Attach Assembly No. 132-8418 (continued)

<i>Ref.</i>	<i>Part Number</i>	<i>Qty.</i>	<i>Description</i>	<i>Ref.</i>	<i>Part Number</i>	<i>Qty.</i>	<i>Description</i>
1	130-7708-03	1	Mount-Qtach	6	132-8419	2	Pin-Locking
2	105-0246	2	Cam	7	3285-1	2	Pin-Grooved
3	98-4694	2	Spring-Compression	8	302-5	2	Fitting-Grease
4	104-5909	1	Stop-RH	9	98-4871	1	Bushing-Tension
5	104-5903	1	Stop-LH				

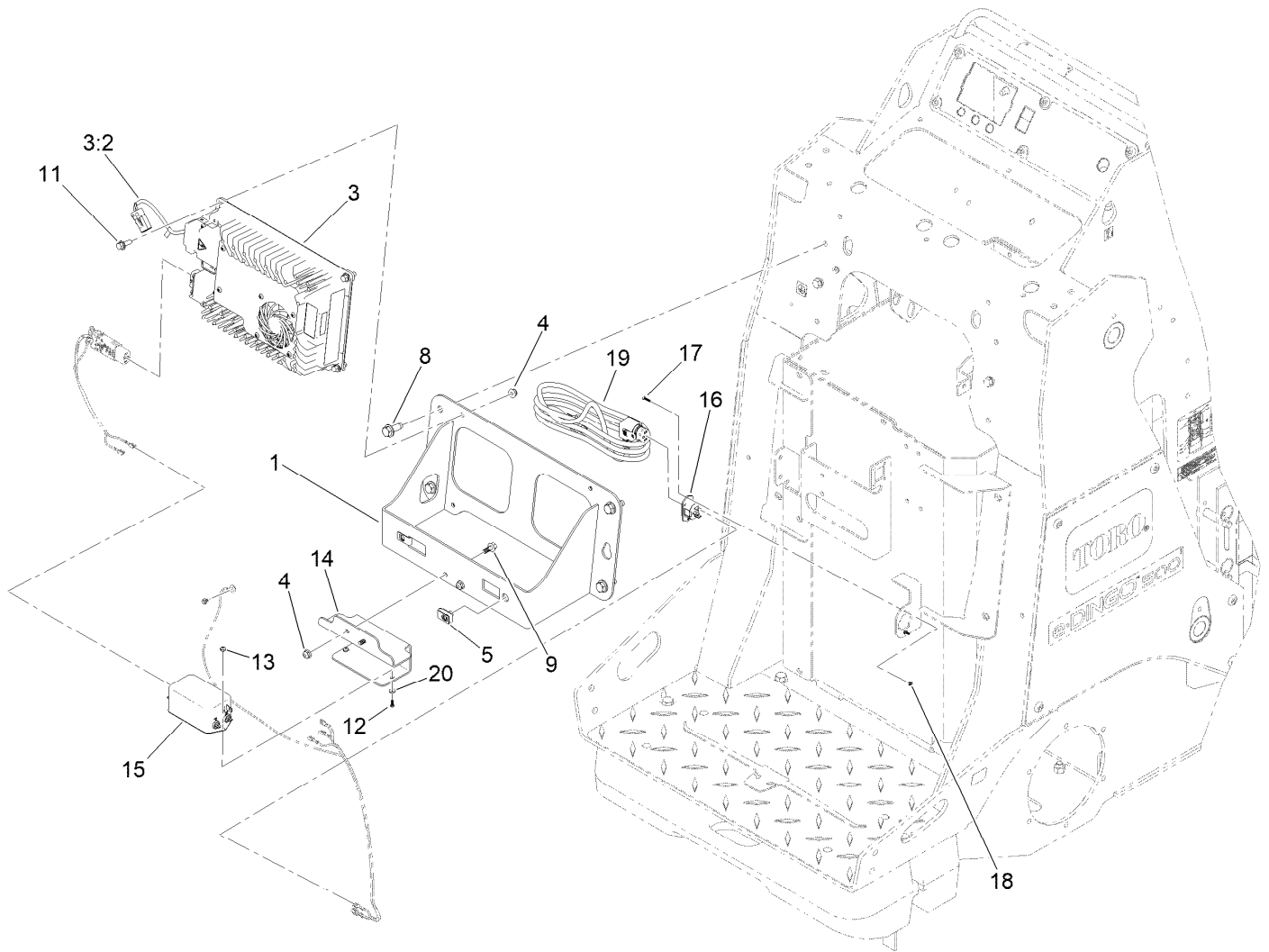
Battery Assembly



Battery Assembly (continued)

<i>Ref.</i>	<i>Part Number</i>	<i>Qty.</i>	<i>Description</i>	<i>Ref.</i>	<i>Part Number</i>	<i>Qty.</i>	<i>Description</i>
1	145-4765-0P	1	Base-Battery, Box [primed]	4	145-4740-0P	1	Mount-Battery [primed]
2	145-5320	6	Battery ASM	5	139-2428	8	Screw-HWH
2:1:2	145-5338	1	Decal-Warning, Battery	7	140-7293	2	Lock-Battery
2:1:14	32180-466	2	Nut-Mounting, Jwpcf Panel Lock	9	145-2366	1	Foam-Battery Box
3	145-4770-0P	1	Cover-Battery [primed]	10	32144-11	11	Screw-HWH
				15	145-2365	4	Glide-Battery Box

Onboard Charger Assembly

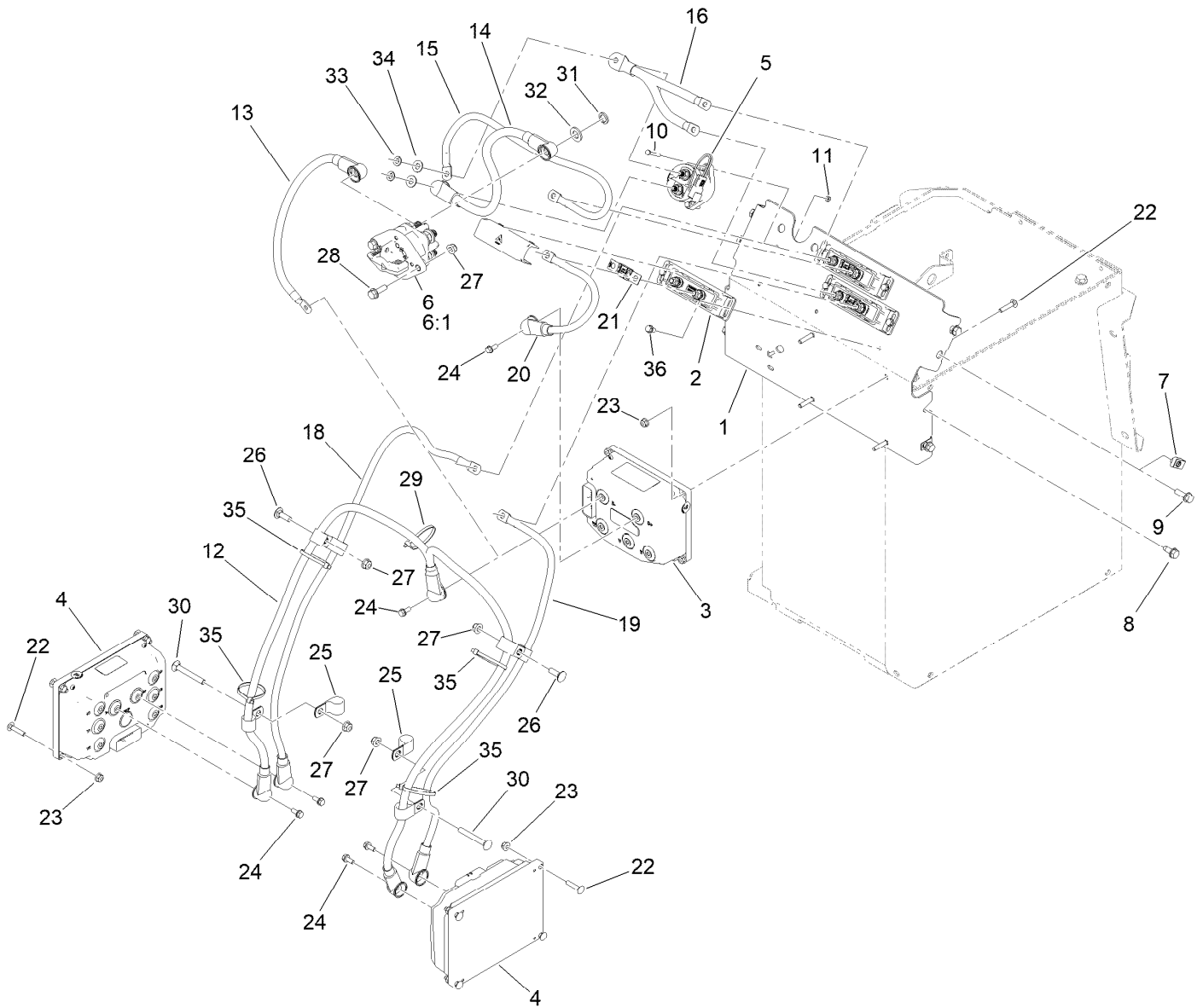


Onboard Charger Assembly (continued)

<i>Ref.</i>	<i>Part Number</i>	<i>Qty.</i>	<i>Description</i>	<i>Ref.</i>	<i>Part Number</i>	<i>Qty.</i>	<i>Description</i>
1	145-2369-03	1	Mount-Charger [black]	14	147-6007-0P	1	Bracket - Filter
3	145-1177	1	Charger-Onboard	15	147-3225	1	Filter
3:2	147-3234	1	Kit-Service, DC Harness	16	147-3230	1	Connector-lec
4	104-7201	6	Nut-HF, NI	17	510-0015	2	Ball, Governor
5	115-7721	2	Nut-Clip, U	18	3296-52	2	Nut-Lock, NI
8	139-2428	4	Screw-HWH	19	107-0382	1	Powercord-AC, Europe ●
9	99-6810	2	Screw-HHF	19	107-0383	1	Powercord-AC, U.K. ●
11	120-9678	4	Screw-HHF	19	137-7983	1	Cord-AC, 120V
12	363-6518	2	Scr,Mch,6-32X3/8,Phph,Sst,Rohs	20	3256-12	2	Washer-Flat
13	120-9684	2	Nut-Lock				

● Not illustrated

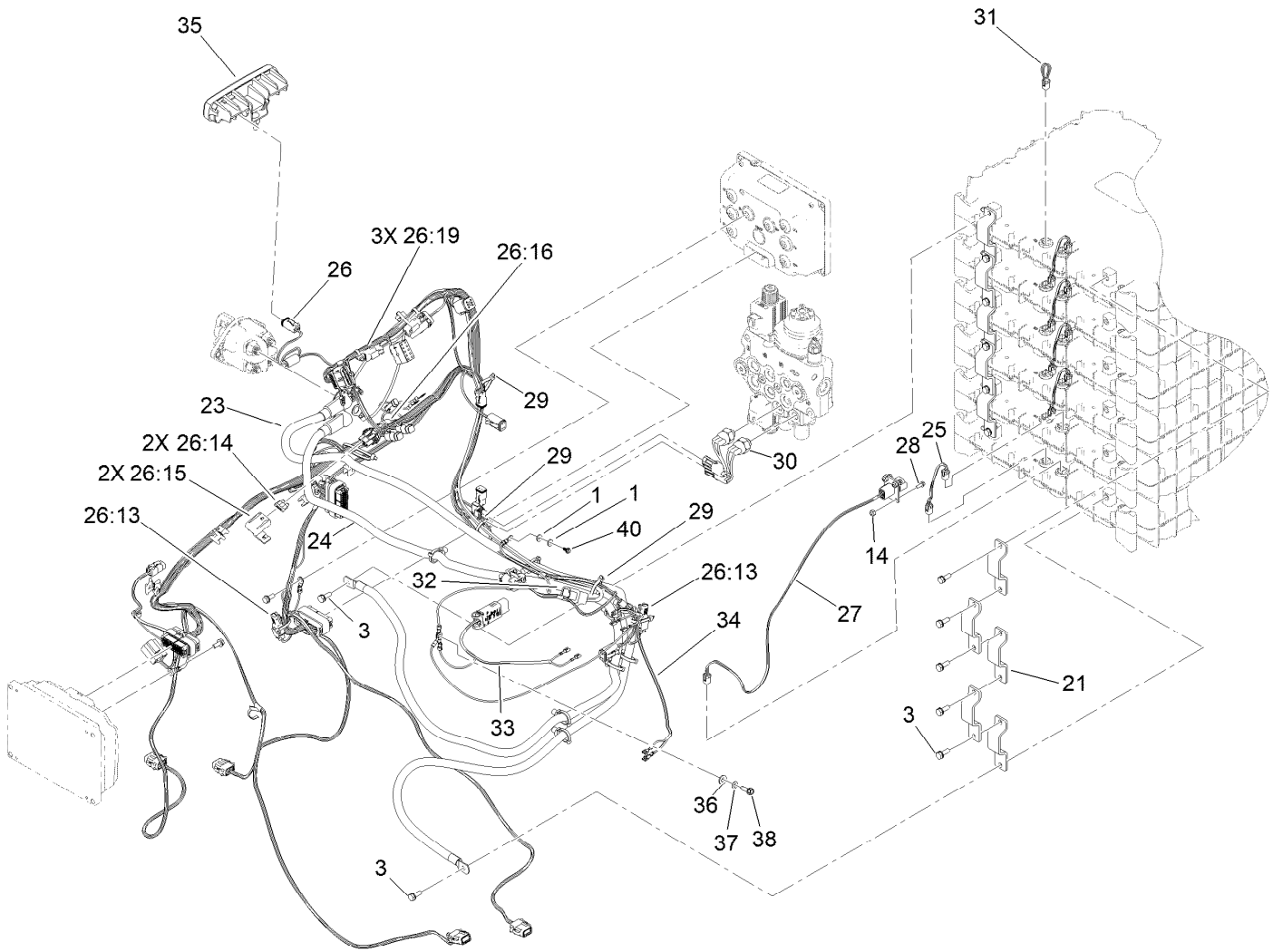
Inverter Assembly



Inverter Assembly (continued)

<i>Ref.</i>	<i>Part Number</i>	<i>Qty.</i>	<i>Description</i>	<i>Ref.</i>	<i>Part Number</i>	<i>Qty.</i>	<i>Description</i>
1	145-2351-03	1	Bracket-Mount, Inverter	20	122-2653	1	Cable-Battery, Rd ASM
2	145-4958	3	Holder-Fuse	21	122-2561	3	Fuse-200A
3	145-5050	1	Inv/Ctrlr-48V, 185Arms	22	3229-3	12	Screw-CARR
4	138-8984	2	Inv/Ctrlr-48V, Dual 94Arms	23	119-4040	12	Nut-HF, NI
5	122-2594	1	Contacto-48V	24	145-5782	6	Screw-Sems
6	122-0603	1	Switch-Disconnect	25	2412-4	8	Clamp-R
6:1	33006-00	1	Nut-HF	26	3230-2	2	Bolt-CARR
7	94-2413	4	Nut-U	27	104-8300	6	Nut-HF, NI
8	32144-11	4	Screw-HWH	28	3234-17	2	Screw-HHF
9	115-5142	4	Screw-HHF	29	3290-378	1	Tie-Cable
10	87-5150	2	Screw-HH	30	3230-8	2	Screw-CARR
11	87-5140	2	Nut-Lock	31	HDW14457	4	Split Lock Washer, 1/2, ST/ST, 18-8
12	122-2751	1	Cable-Battery, Bk ASM	32	147-3238	4	Washer-Flat
13	122-2765	1	Cable-Battery, Bk ASM	33	107-0280	2	Washer-Lock
14	122-2646	1	Cable-Battery, Rd ASM	34	107-0279	2	Washer
15	122-2648	1	Cable-Battery, Rd ASM	35	3290-379	4	Tie-Cable
16	122-2753	1	Cable-Battery, Rd ASM	36	32144-4	6	Screw-HWH
18	122-2651	1	Cable-Battery, Rd ASM				
19	122-2652	1	Cable-Battery, Rd ASM				

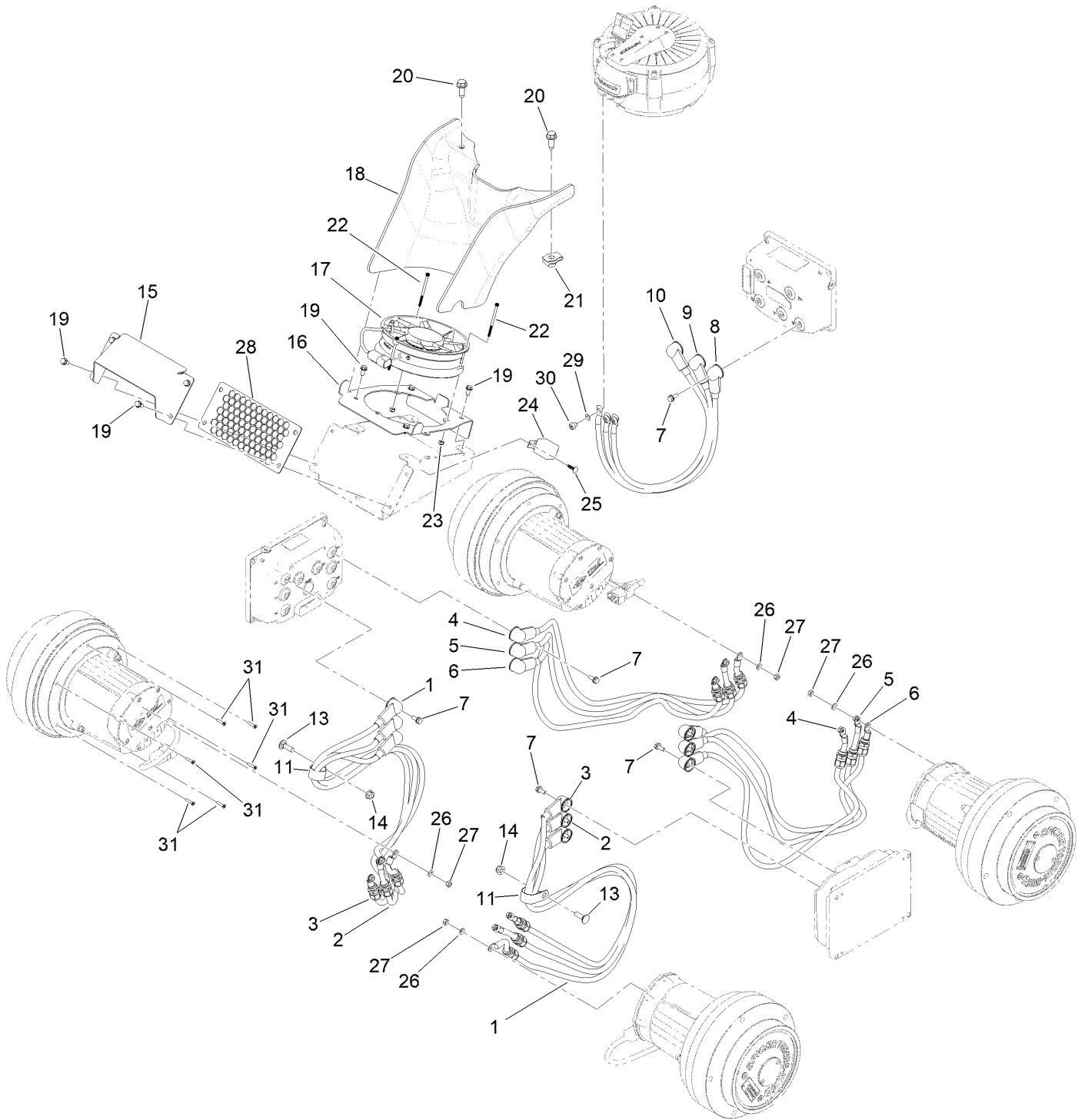
Main Wire Harness Assembly



Main Wire Harness Assembly (continued)

<i>Ref.</i>	<i>Part Number</i>	<i>Qty.</i>	<i>Description</i>	<i>Ref.</i>	<i>Part Number</i>	<i>Qty.</i>	<i>Description</i>
1	3256-21	2	Washer-Flat	27	122-2402	1	Harness-Wire, Pack Comm
3	145-5783	12	Screw-Sems	28	112-3169	4	Screw-HHF, Serrated
14	3296-1	4	Nut-Lock	29	3290-378	3	Tie-Cable
21	147-3877	10	Bar-Bus, 400A	30	72-4320	2	Switch-Ball
23	122-2645	1	Cable-Battery, Rd ASM	31	122-2323	1	Harness-Wire, Can Terminator
24	122-2752	1	Cable-Battery, Bk ASM	32	122-2728	1	Harness-Wire, Jumper
25	140-9565	5	Harness-Wire, Data Interface	33	122-2744	1	Harness-Wire, AC Charger
26	122-2921	1	Harness-Wire, Main	34	122-2824	1	Harness-Wire, AC Charger
26:13	32180-282	2	Resistor-120 Ohm	35	145-4774	1	Light-Work, LED Bar
26:14	117-4724	2	Fuse-Blade, 10A	36	120-9679	1	Washer-Flat
26:15	32180-567	2	Cover-Aptiv, Modified	37	1-303435	1	Washer-Spring
26:16	32180-089	1	Cap-Plug, 3 Way	38	49-2040	1	Screw-HWHTF
26:19	32180-091	3	Cap-Dust, 2 Way	40	147-3228	1	Screw-Ground

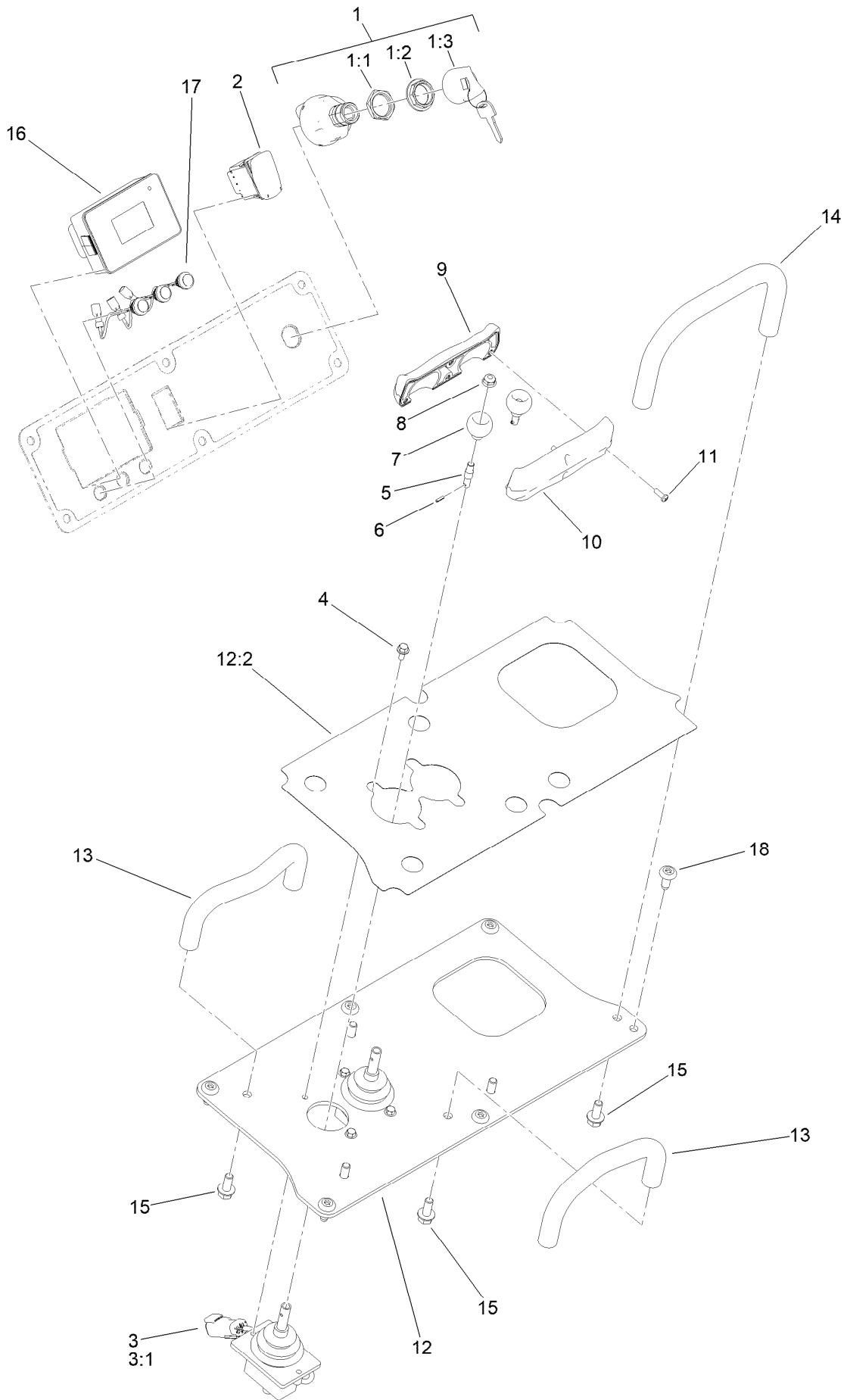
Drivetrain Electrical Connection Assembly



Drivetrain Electrical Connection Assembly (continued)

<i>Ref.</i>	<i>Part Number</i>	<i>Qty.</i>	<i>Description</i>	<i>Ref.</i>	<i>Part Number</i>	<i>Qty.</i>	<i>Description</i>
1	122-2345	2	Cable-Battery, Rd ASM	17	145-4747	1	Fan-48V, 6.8"
2	122-2346	2	Cable-Battery, Rd ASM	18	145-4754	1	Shroud-Fan
3	122-2347	2	Cable-Battery, Rd ASM	19	32144-4	8	Screw-HWH
4	122-2390	2	Cable-Battery, Rd ASM	20	139-2428	2	Screw-HWH
5	122-2391	2	Cable-Battery, Rd ASM	21	105-4886	2	Nut-Tinnerman
6	122-2392	2	Cable-Battery, Rd ASM	22	145-4759	3	Screw-HSH
7	145-5782	15	Screw-Sems	23	3296-1	3	Nut-Lock
8	122-2343	1	Cable-Battery, Rd ASM	24	122-2401	1	Relay, 48V Coil, 50A At 48V
9	122-2348	1	Cable-Battery, Rd ASM	25	125-8067	1	Plug-Plastic
10	122-2389	1	Cable-Battery, Rd ASM	26	1-303435	12	Washer-Spring
11	2412-126	2	R-Clamp	27	HDW21408	12	Nut-Hex
13	3230-2	2	Bolt-CARR	28	145-4786-03	1	Screen - Fan Guard
14	104-8300	2	Nut-HF, NI	29	147-5054	3	Washer-Belleville
15	145-4752-03	1	Deflector-Fan	30	147-5055	3	Screw-HSBH
16	145-4753-03	1	Plate-Adapter,Fan	31	147-6042	24	Screw-Tfh

Control Panel Assembly



Control Panel Assembly (continued)

<i>Ref.</i>	<i>Part Number</i>	<i>Qty.</i>	<i>Description</i>	<i>Ref.</i>	<i>Part Number</i>	<i>Qty.</i>	<i>Description</i>
1	122-2513	1	Switch-Ignition, Suns	9	139-1166	1	Handle-Front
1:1	121-5160	1	Nut-Hex ●	10	139-1167	1	Handle-Rear
1:2	122-2704	1	Nut-Face, M22 (Plastic)	11	94-6961	4	Screw
1:3	121-5162	1	Set-Key, Ignition	12	145-4726	1	Panel-Controls
2	112-9421	1	Switch	12:2	145-2443	1	Decal - Control Panel
3	136-4784	2	Lever-Control	13	138-4693	2	Bar-Reference
3:1	133-0289	1	Lever-Control, Joystick	14	145-4760	1	Bar-Reference
4	120-4579	4	Screw-HHF	15	3234-5	6	Screw-HHF
5	137-0431	2	Shaft-Handle	16	122-2152	1	Controller, Tdm-1601
6	137-0432	2	Pin-Roll	17	136-9678	3	Switch-Pushbutton
7	130-7723	2	Ball-Traction	18	138-9753	6	Screw
8	104-7201	2	Nut-HF, NI				

● Not illustrated

Attachments and Accessories

For 22219 e-Dingo 500 Compact Tool Carrier

Product Name	Model/Part
Oil-Gear, Synthetic, Quart.....	144-6880
Tire-Solid 18in X 7in.....	161-1050
Decal Kit - e-Dingo 2, United Rentals.....	161-2359
4 Cubic Foot Standard Bucket.....	22409
Loose Materials Bucket.....	22410
48in Hydraulic Blade.....	22414
Tree Forks.....	22438
Cement Bowl.....	22442
4-in-1 Bucket.....	22478
Narrow Bucket.....	22520
Grapple Rake.....	22577
Adjustable Forks.....	22586
Grapple Bucket.....	22590
Floor Scraper.....	22670
Universal Swivel Auger Head.....	22806
6in Full-Flight Auger Bit.....	22820
9in Full-Flight Auger Bit.....	22821
12in Full-Flight Auger Bit.....	22822
Hydraulic Breaker.....	23136
Leveler.....	23165
30in Standard Bucket.....	23174
30in Pallet Fork.....	23175
30in Grapple.....	23176
Toro Red 12oz Aerosol Can.....	361-10
New Red Paint - Gallon.....	361-11
Semi-Gloss Black Spray Paint.....	361-9

Notes:



Count on it.