



Count on it.

Parts Catalog

**SnowMaster® e24 60V
Snowthrower**

Model No. 39914—Serial No. 400000000 and Up



Ordering Replacement Parts

To order replacement parts, please supply the part number, the quantity, and the description of each part desired.

Understanding Reference Numbers

Each identified part in an illustration has a reference number. The reference number for a part also appears in the parts list, along with other information about the part.

This catalog uses two special reference number formats, one to indicate parts in a service assembly and another to indicate the quantity of a given part in an illustration.

Service Assembly Reference Numbers

Parts in service assemblies have reference numbers in the form a:b. The a represents the reference number of the entire service assembly and the b represents a sequential number unique to each part within the service assembly.

For example, a wheel assembly might be identified by reference number 6, the tire by 6:1, the valve by 6:2, and the wheel by 6:3. When you order the assembly identified by reference number 6, you receive all parts identified by reference numbers 6:1, 6:2, and 6:3. However, you may also order any part individually. Reference numbers of this type appear in illustration and in parts lists.

Reference Numbers Indicating Quantity

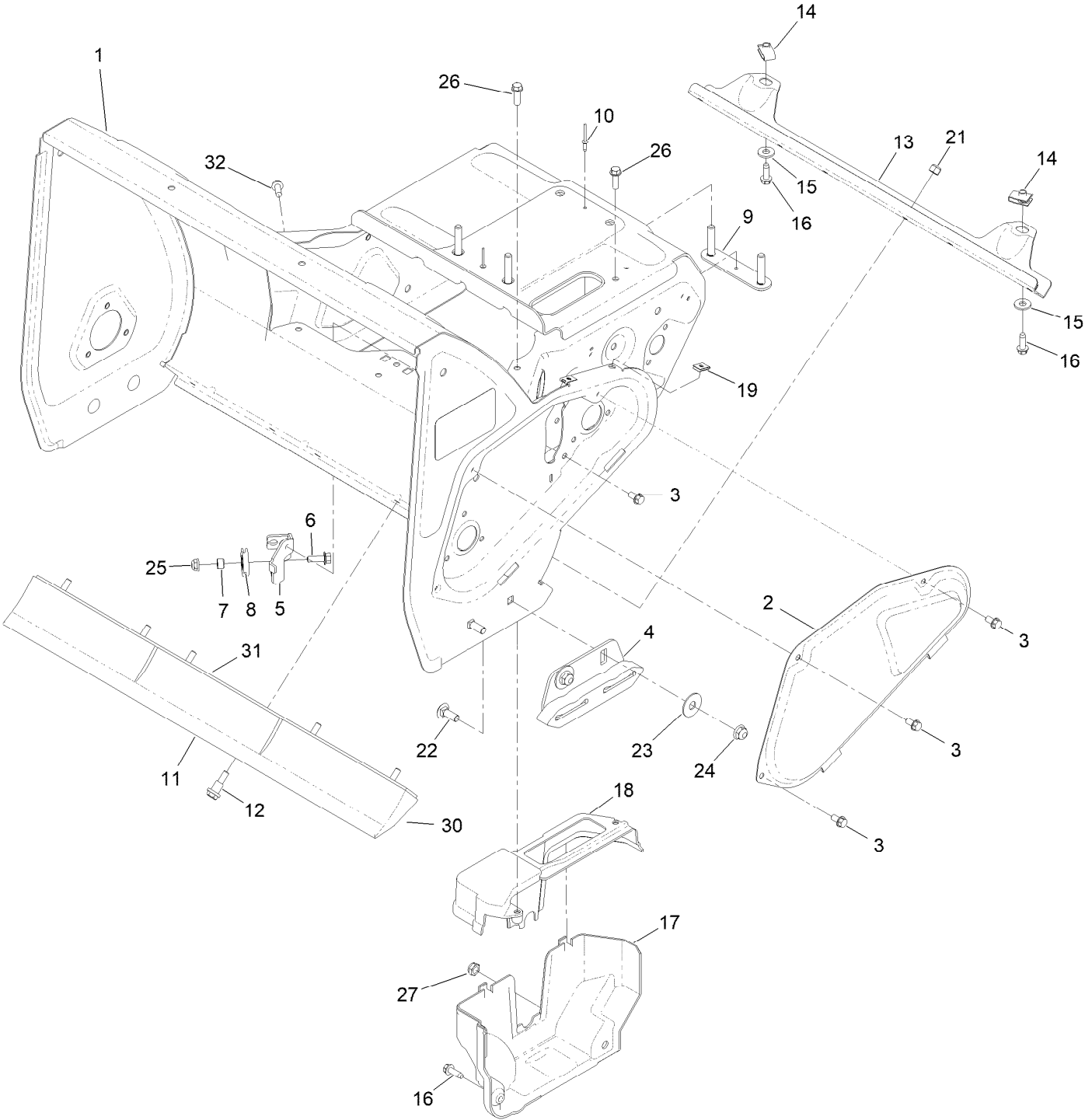
In an illustration, if a reference number indicates more than one part, the reference number has the form nX y. The n represents the quantity of the part, the X is the multiplication symbol, and the y represents the reference number.

For example, in an illustration, the reference number 2X 37 means that two of the parts identified by reference number 37 are indicated.

Contents

Main Frame Assembly	4
Rotor Assembly	6
Rotor Drive Assembly	8
Transmission, Drive and Tire Assembly	10
Powerhead Assembly	12
Powerhead Assembly No. 147-1799	14
Chute Assembly	16
Quickstick Assembly	18
Handles and Control Assembly	20
Attachments and Accessories	22

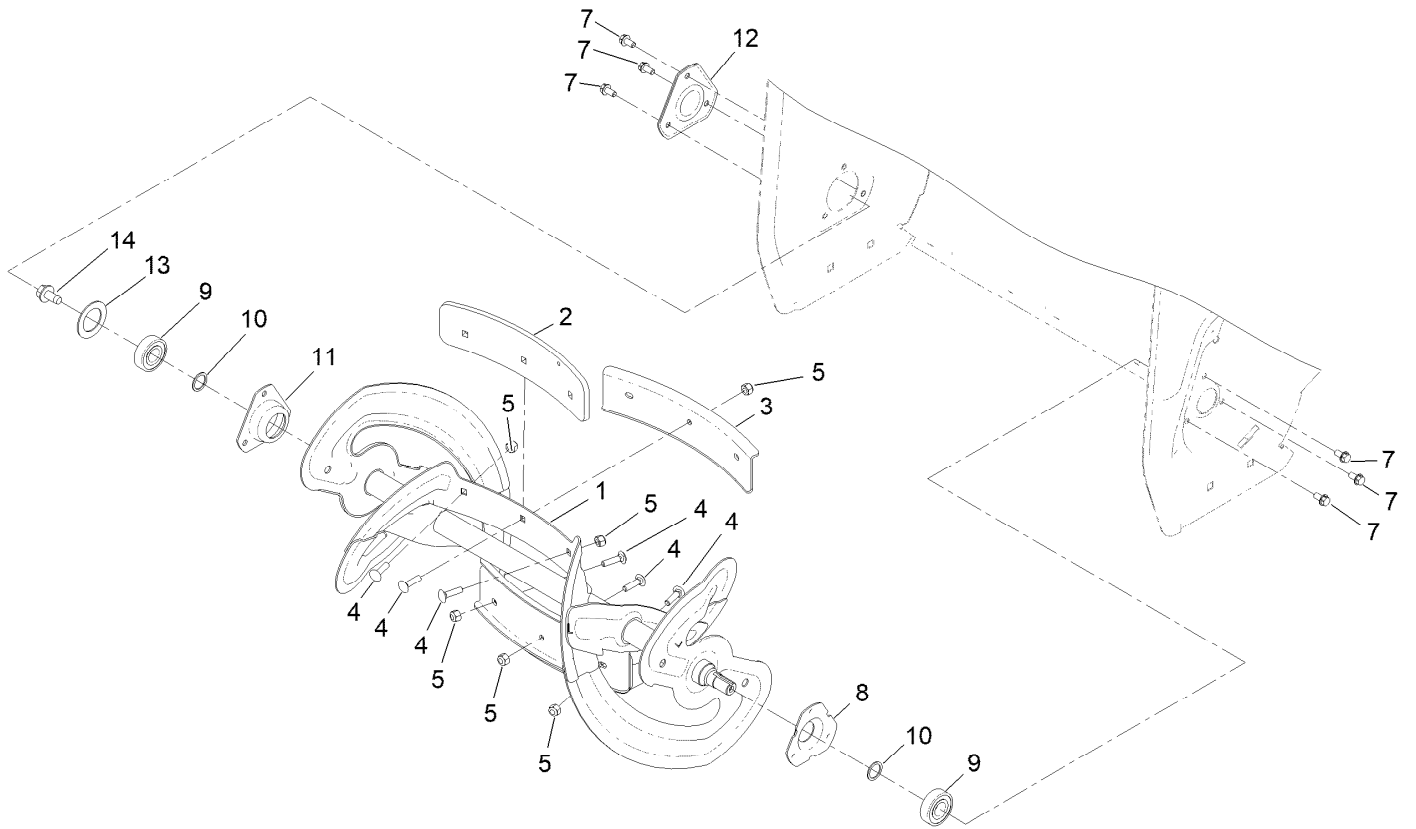
Main Frame Assembly



Main Frame Assembly (continued)

<i>Ref.</i>	<i>Part Number</i>	<i>Qty.</i>	<i>Description</i>	<i>Ref.</i>	<i>Part Number</i>	<i>Qty.</i>	<i>Description</i>
1	147-9466	1	Frame ASM	16	49-2040	3	Screw-HWHTF
2	130-9581-01	1	Cover-Belt	17	131-1763	1	Cover-Belt, Lower
3	32144-4	4	Screw-HWH	18	131-1764	1	Cover-Belt, Upper
4	130-9619	2	Skid ASM	19	107-1013	2	Nut-Speed
5	131-1793-03	1	Bracket-Cable	21	137-3088	6	Nut-Hex
6	120-9678	1	Screw-HHF	22	137-3059	4	Bolt-CARR
7	55-9370	1	Spacer-Blade, Rotor	23	119-4150	4	Washer-Flat
8	95-7949	1	Cable-Pulley	24	119-4041	4	Nut-HF
9	136-7177	2	Plate-Stud, Rear	25	137-3005	1	Nut-HF
10	923786	2	Rivet	26	137-3099	2	Screw-Plastite, HWH
11	130-9628	1	Scraper ASM	27	137-3089	1	Nut-Hex
12	104-0858	6	Bolt-Shoulder	30	130-9575	1	Blade-Scraper
13	131-1797-01	1	Support-Frame, Lower	31	130-9627	1	Foam-Scraper
14	107069	2	Clip	32	32144-85	1	Screw-HWH Thd Form
15	120-9646	2	Washer-Flat				

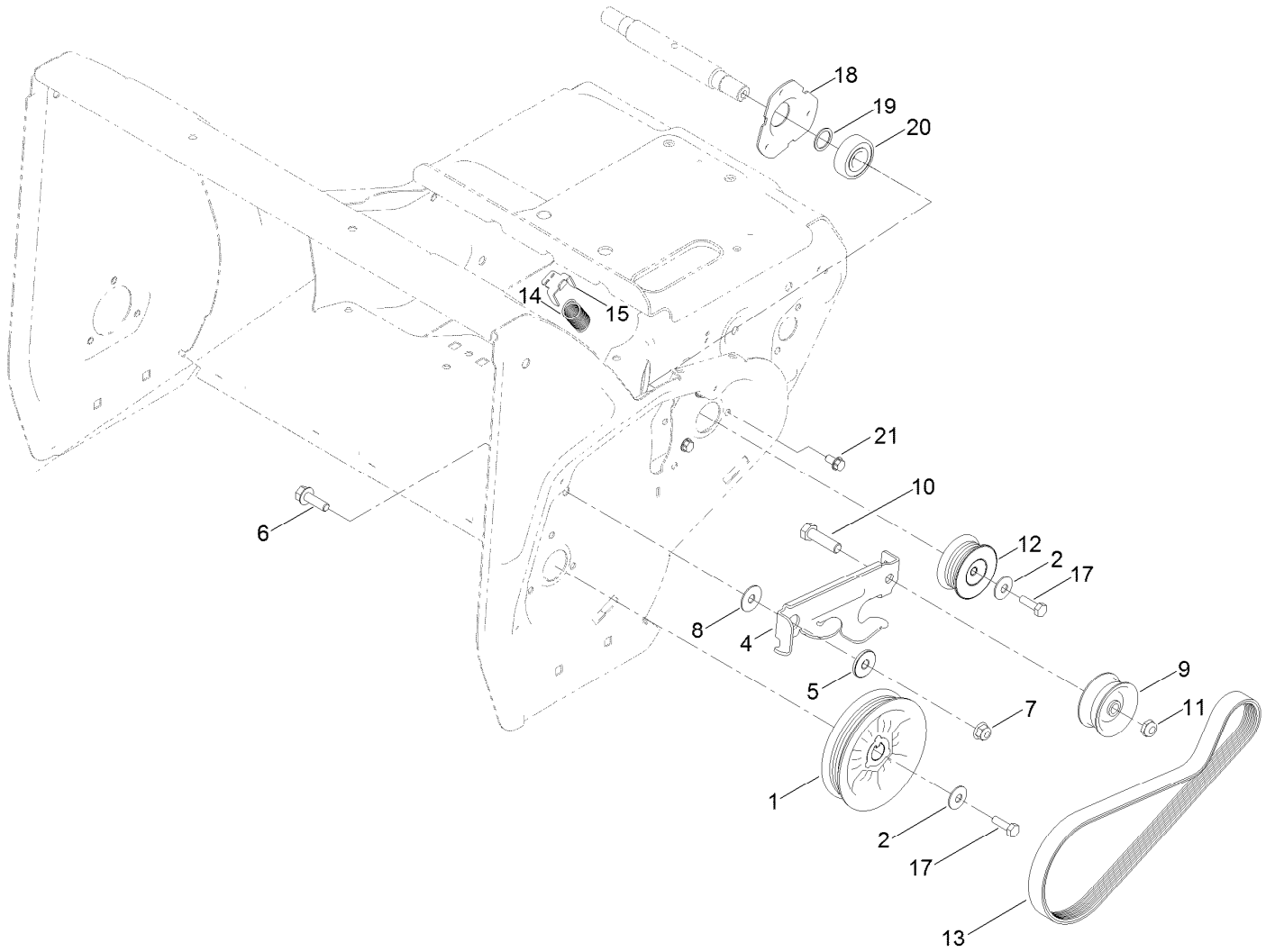
Rotor Assembly



Rotor Assembly (continued)

<i>Ref.</i>	<i>Part Number</i>	<i>Qty.</i>	<i>Description</i>	<i>Ref.</i>	<i>Part Number</i>	<i>Qty.</i>	<i>Description</i>
1	130-9571-03	1	Rotor ASM	9	38-7820	2	Bearing-Ball
2	130-9569	2	Paddle-Center	10	52-7280	2	Washer-Thrust
3	130-9568-03	2	Support-Center, Rotor	11	136-7169	1	Flange-Bearing
4	137-3055	6	Bolt-CARR	12	130-9558-01	1	Cap-Bearing
5	137-3088	6	Nut-Hex	13	131-5905	1	Washer-Rubber
7	32144-4	6	Screw-HWH	14	110-9380	1	Screw-HWH
8	136-7134	1	Flange-Bearing				

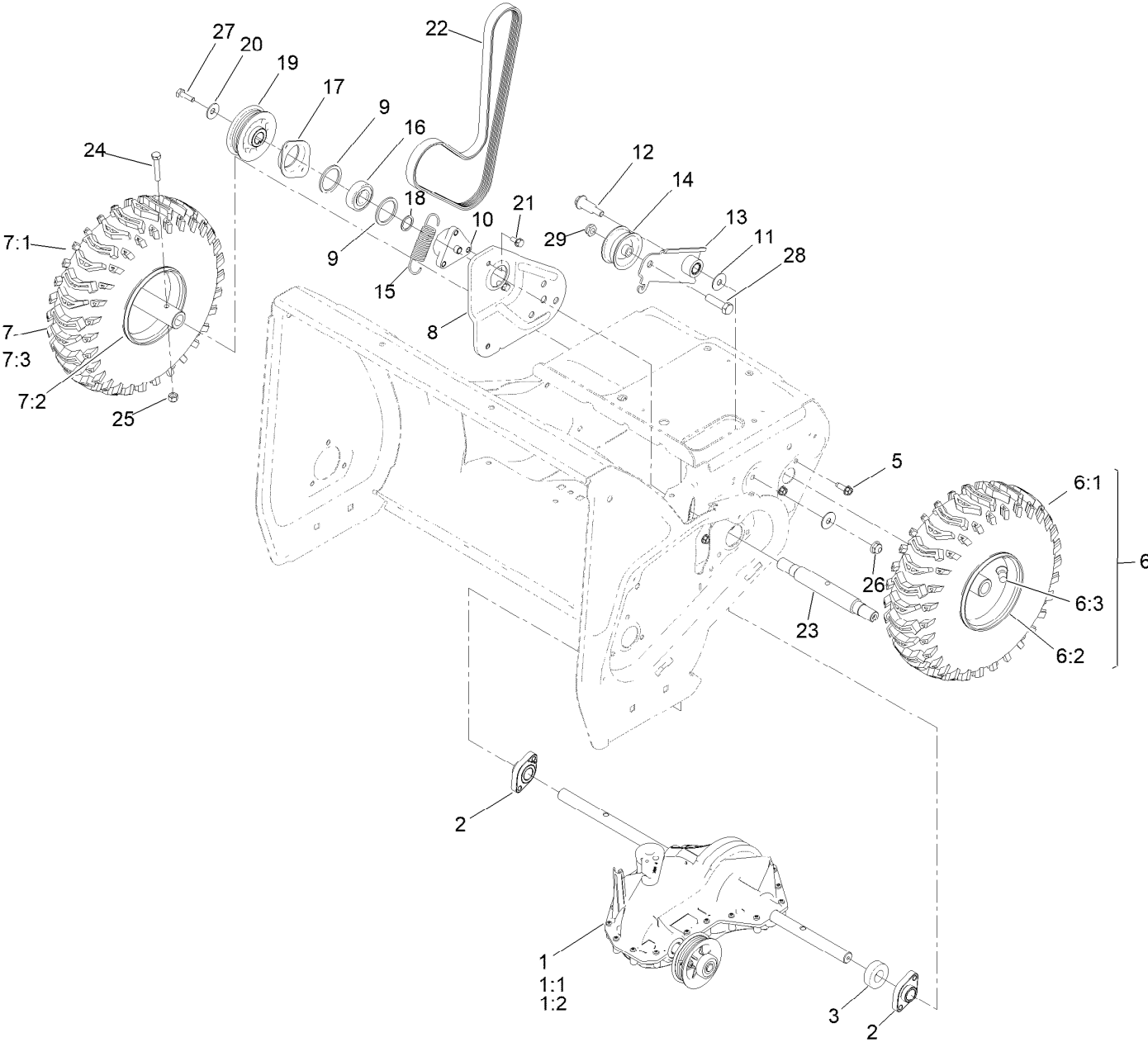
Rotor Drive Assembly



Rotor Drive Assembly (continued)

<i>Ref.</i>	<i>Part Number</i>	<i>Qty.</i>	<i>Description</i>	<i>Ref.</i>	<i>Part Number</i>	<i>Qty.</i>	<i>Description</i>
1	130-9574	1	Pulley-Rotor	12	130-9577	1	Pulley-Jackshaft, Rotor
2	3290-456	2	Washer-Belleville	13	131-5967	1	Belt-Poly V
4	136-7179	1	Arm-Engagement, Rotor	14	130-9572	1	Spring-Extension
5	117-7711	1	Bushing-Idler	15	136-7133	1	Clip-Spring
6	137-3067	1	Screw-HHF	17	9080046	2	Screw-HH
7	119-4041	1	Nut-HF	18	136-7134	1	Flange-Bearing
8	108-4925	1	Washer	19	52-7280	1	Washer-Thrust
9	131-5988	1	Pulley-Idler, Flat	20	38-7820	1	Bearing-Ball
10	137-3065	1	Screw-HH	21	32144-4	3	Screw-HWH
11	121-4600	1	Nut-Hex				

Transmission, Drive and Tire Assembly

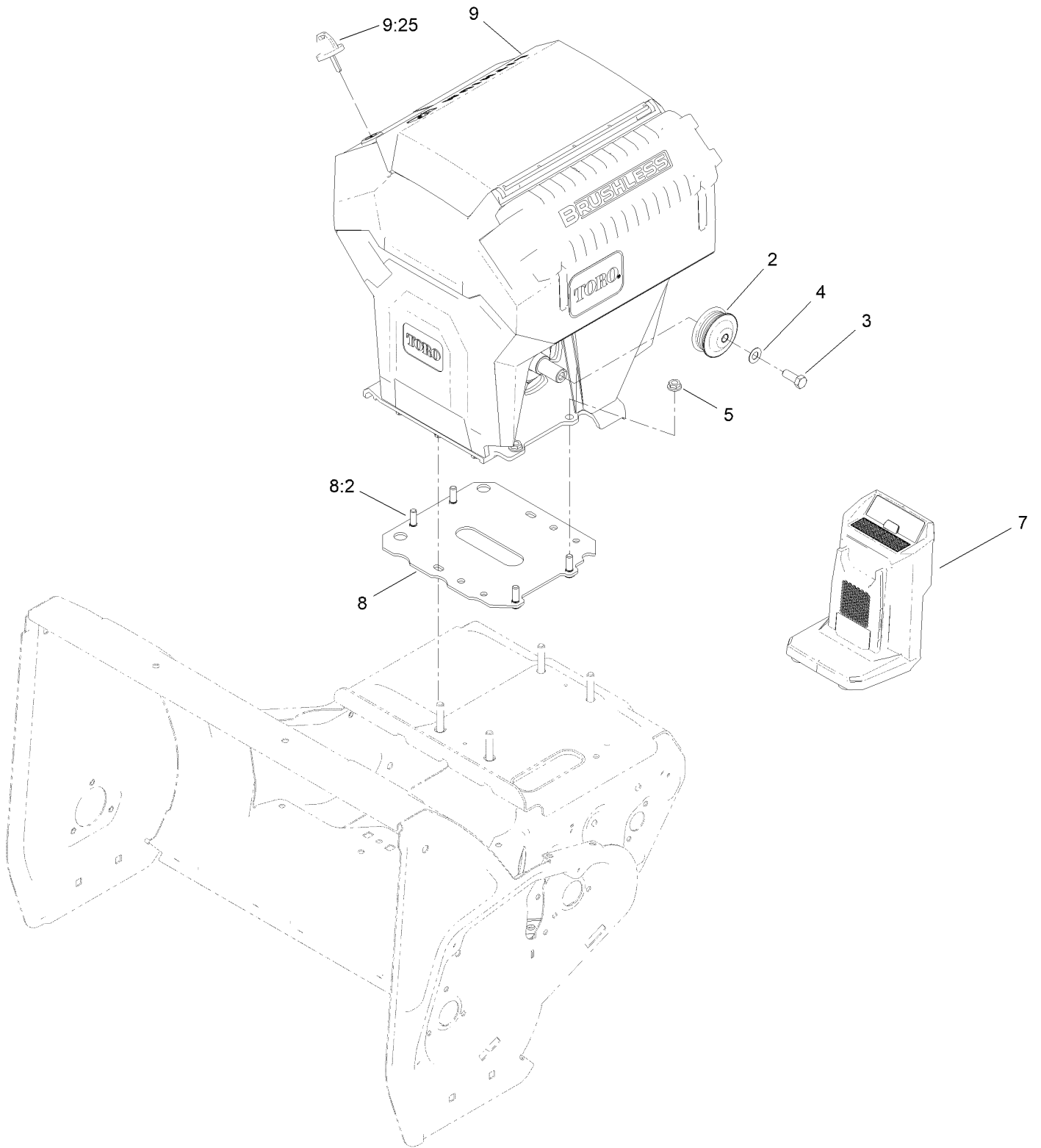


Transmission, Drive and Tire Assembly (continued)

<i>Ref.</i>	<i>Part Number</i>	<i>Qty.</i>	<i>Description</i>	<i>Ref.</i>	<i>Part Number</i>	<i>Qty.</i>	<i>Description</i>
1	130-9642	1	Transmission	12	136-7192	1	Bolt-Shoulder, HHF
1:1	131-5973	1	Pulley Repair Kit	13	131-1795	1	Idler-Traction
1:2	131-5984	1	Plug-Oil	14	131-5988	1	Pulley-Idler, Flat
2	130-9643	2	Bearing-Axle	15	130-9645	1	Spring-Extension
3	131-5910	1	Spacer-Axle	16	38-7820	1	Bearing-Ball
5	49-2040	7	Screw-HWHTF	17	136-7171	1	Retainer-Bearing
6		1	LH Wheel And Tire ASM ●	18	52-7280	1	Washer-Thrust
6:1	130-9559	1	Tire	19	130-9583	1	Pulley-Jackshaft
6:2	130-9560	1	Wheel	20	3290-456	1	Washer-Belleville
6:3	232-27	1	Stem-Valve	21	32144-4	2	Screw-HWH
7		1	RH Wheel And Tire ASM ●	22	131-5968	1	Belt-Poly V
7:1	130-9559	1	Tire	23	130-9585	1	Jackshaft
7:2	130-9560	1	Wheel	24	137-3050	2	Screw-HH
7:3	232-27	1	Stem-Valve	25	137-3088	2	Nut-Hex
8	130-9586-03	1	Plate-Support, Jackshaft	26	119-4041	1	Nut-HF
9	131-5904	2	Washer-Rubber	27	137-3003	1	Screw-HH,Lock
10	131-1794	1	Support-Bearing	28	137-3065	1	Screw-HH
11	108-4925	2	Washer	29	121-4600	1	Nut-Hex

● Not serviced separately

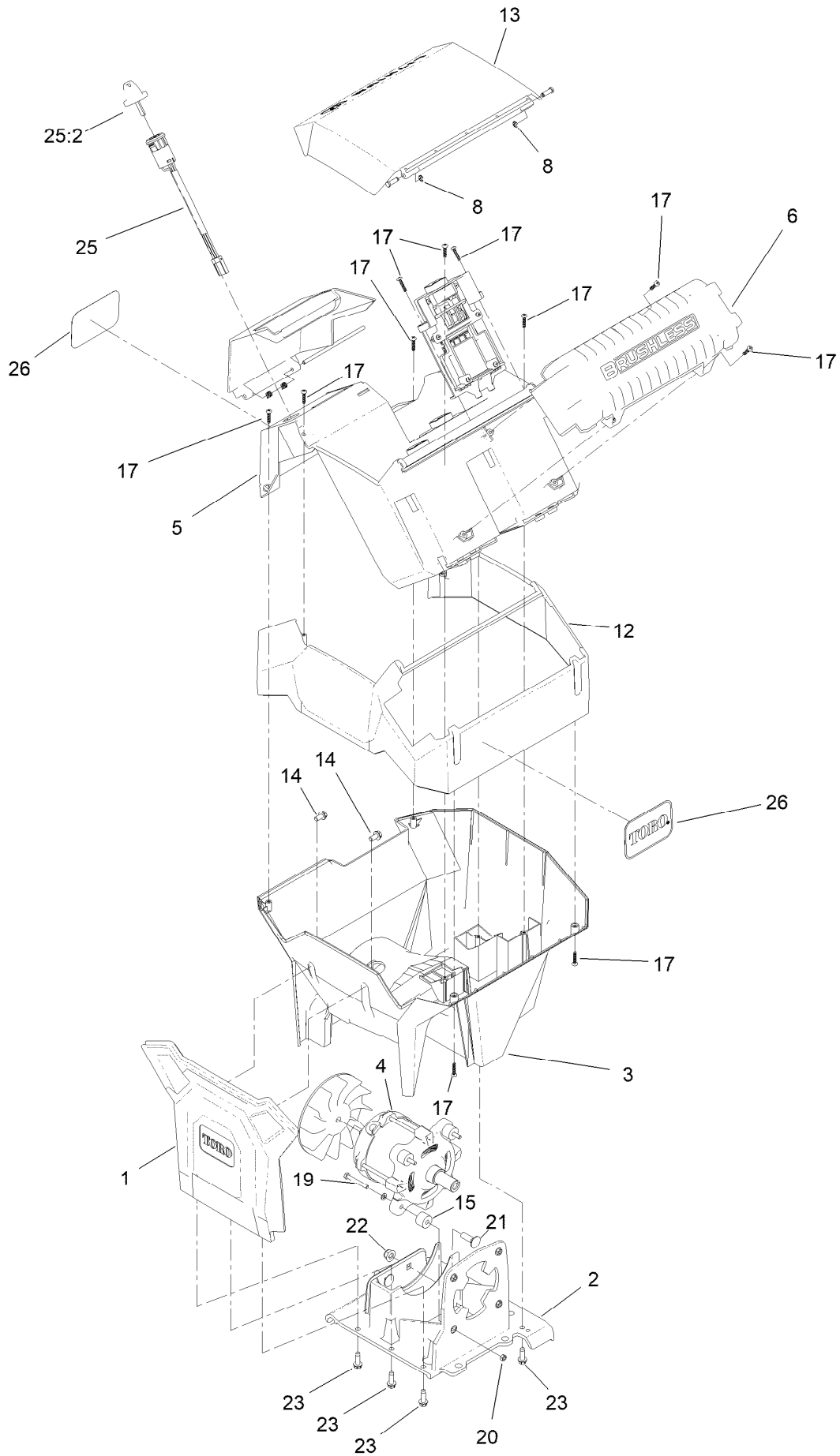
Powerhead Assembly



Powerhead Assembly (continued)

<i>Ref.</i>	<i>Part Number</i>	<i>Qty.</i>	<i>Description</i>	<i>Ref.</i>	<i>Part Number</i>	<i>Qty.</i>	<i>Description</i>
2	131-5908	1	Pulley-Engine	8	147-9408	1	Adapter ASM
3	147-9409	1	Screw-HH	8:2	147-9401	4	Stud-Press
4	108-1438	1	Washer-Hardened	9	147-1799	1	Powerhead- 60V Snowmaster
5	137-3039	8	Nut-HF	9:25	161-5981	1	Ignition ASM-Powerhead
7	88602	1	Charger-Battery, 60V 2 Amp				

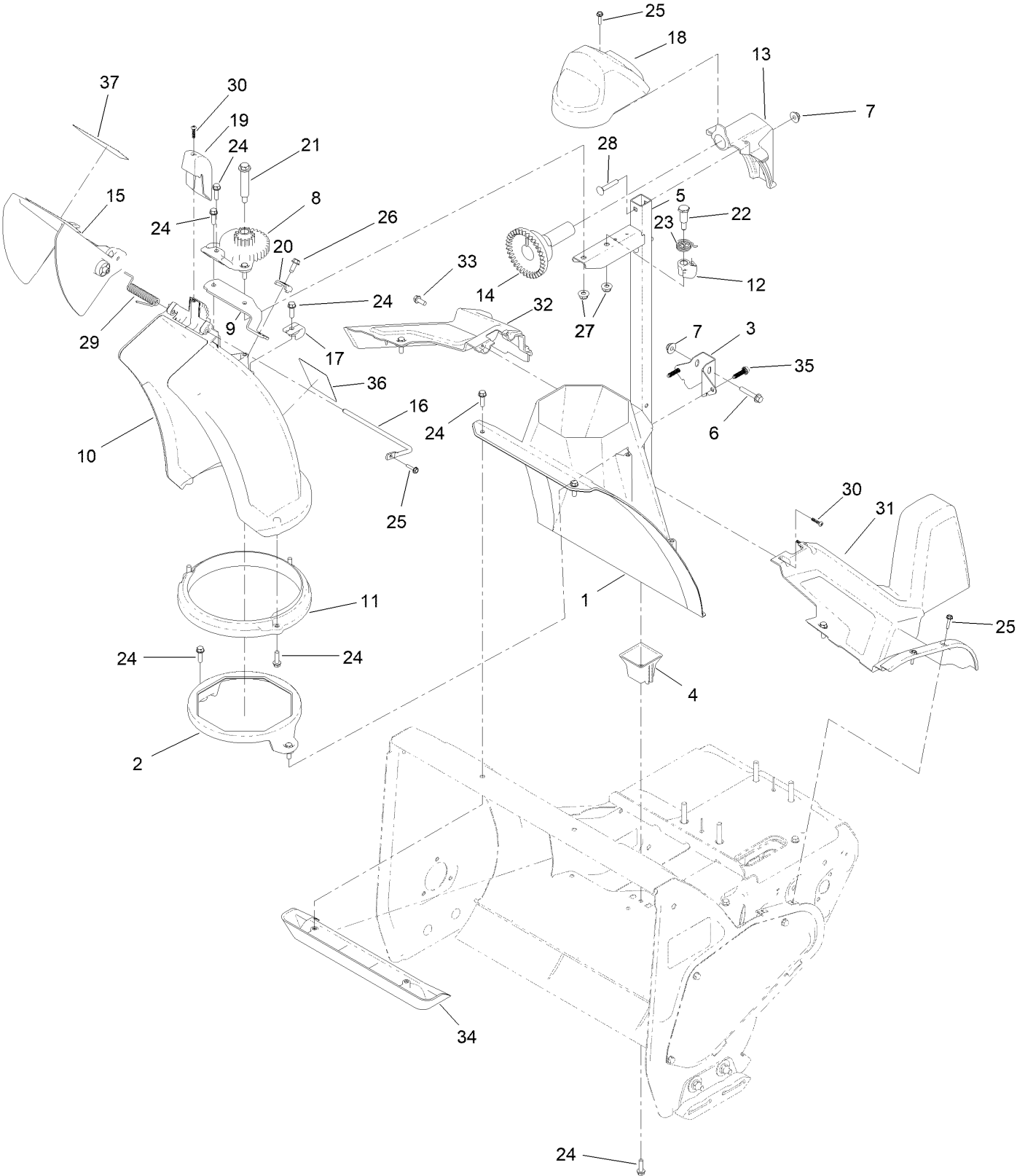
Powerhead Assembly No. 147-1799



Powerhead Assembly No. 147-1799 (continued)

<i>Ref.</i>	<i>Part Number</i>	<i>Qty.</i>	<i>Description</i>	<i>Ref.</i>	<i>Part Number</i>	<i>Qty.</i>	<i>Description</i>
1	147-1792	1	Badge-Plate	17	94-4496	12	Screw-PPH
2	147-1783	1	Mount-Powerhead	19	135-4328	8	Bolt-M5X0.8Mm X 40 MM Long
3	147-1793	1	Housing-Motor	20	48-7880	4	Nut-Hex
4	147-4102	1	Motor-60V, Snowmaster	21	3230-2	2	Bolt-CARR
5	139-5319	1	Bucket-Battery	22	104-8300	2	Nut-HF, NI
6	147-9461	1	Motor Controller ASM-Powerhead	23	49-2040	4	Screw-HWHTF
8	110-1758	2	Ring-Retaining	25	161-5981	1	Ignition ASM-Powerhead
12	139-5318	1	Cover-Controller	25:2	147-1755	1	Key-60V 2 Stage Power Head
13	139-5320	1	Door-Top	26	140-4183	2	Decal
14	32144-4	2	Screw-HWH				
15	147-4103	4	Spacer-Motor				

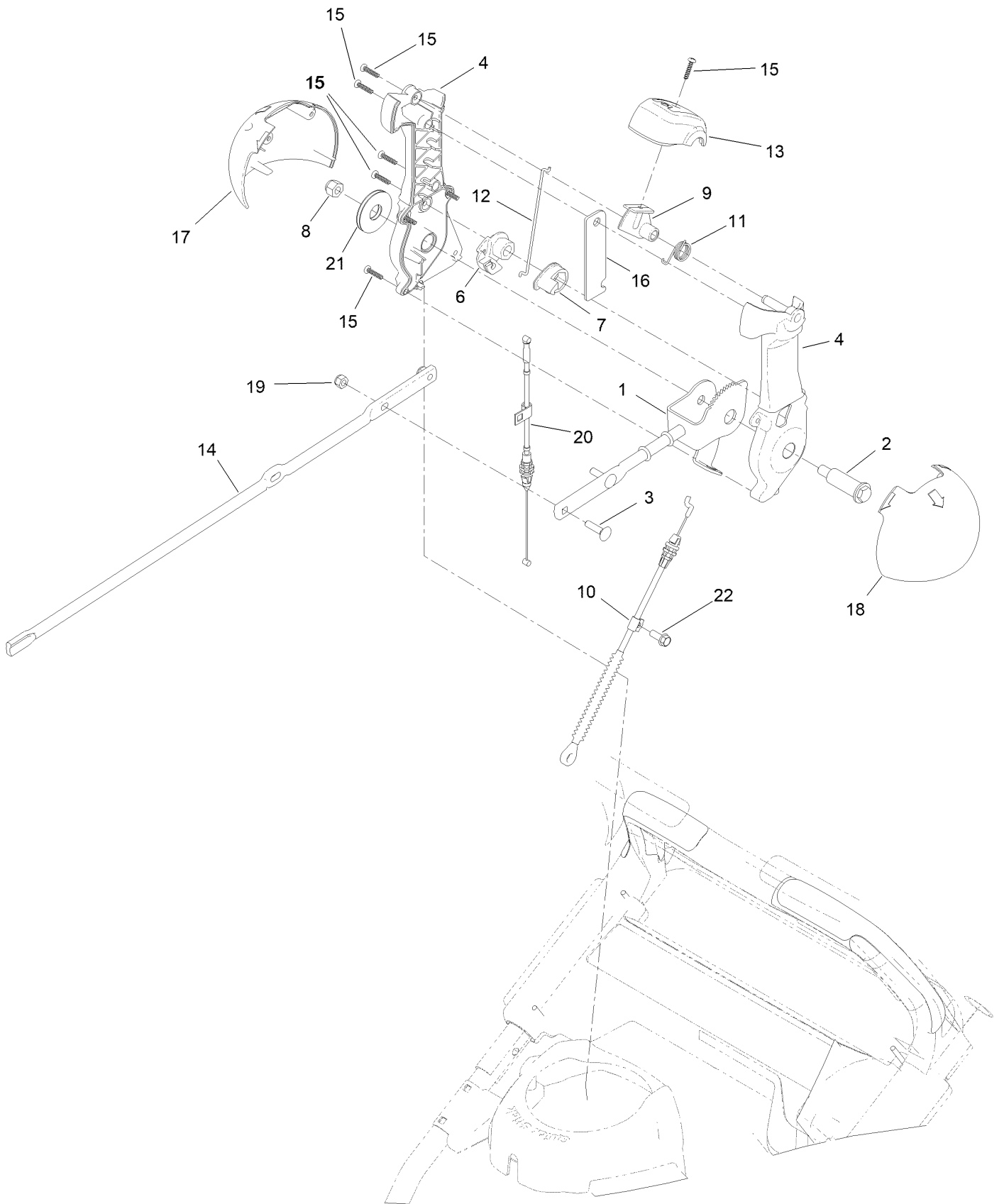
Chute Assembly



Chute Assembly (continued)

<i>Ref.</i>	<i>Part Number</i>	<i>Qty.</i>	<i>Description</i>	<i>Ref.</i>	<i>Part Number</i>	<i>Qty.</i>	<i>Description</i>
1	130-9587	1	Chute-Lower	19	120-9299	1	Chute-Cover
1	147-9468	1	Chute-Discharge	20	136-7191	1	Clamp-Cable
2	130-9588	1	Guide-Chute	21	136-7199	1	Bolt-Shoulder
3	130-9589-03	1	Bracket-Post, Support (Chute)	22	137-3103	1	Screw-Shoulder, HH
4	130-9590	1	Retainer- Post, Chute	23	130-9616	1	Spring-Torsion, Latch (Chute)
5	130-9603-03	1	Post-Chute	24	137-3099	17	Screw-Plastite, HWH
6	137-3027	1	Screw-HHF	25	137-3110	5	Screw-Plastite, HWH
7	137-3016	3	Nut-HF	26	137-3043	1	Screw-HWH
8	130-9605	1	Gear-Chute	27	119-4041	2	Nut-HF
9	136-7170	1	Bracket-Cable	28	137-3011	2	Bolt-CARR
10	133-5591	1	Chute-Discharge	29	136-7143	1	Spring-Torsion
11	130-9596	1	Ring-Chute	30	94-4496	3	Screw-PPH
12	130-9607	1	Latch-Chute	31	131-1754	1	Shroud-Upper, LH
13	130-9608	1	Mount-Gear, Chute	32	131-1765	1	Shroud-Lower, RH
14	106-4471	1	Gear-Face	33	32144-85	2	Screw-HWH Thd Form
15	147-9467	1	Deflector-Chute	34	131-1768	1	Kicker-Housing
16	136-7145	1	Rod-Deflector	35	130-6658	2	Screw-Flange, Plastic
17	130-9609	1	Guide-Cable	36	147-9438	1	Decal - Danger
18	130-9611	1	Cover-Gear, Chute	37	147-9420	1	Decal-Danger

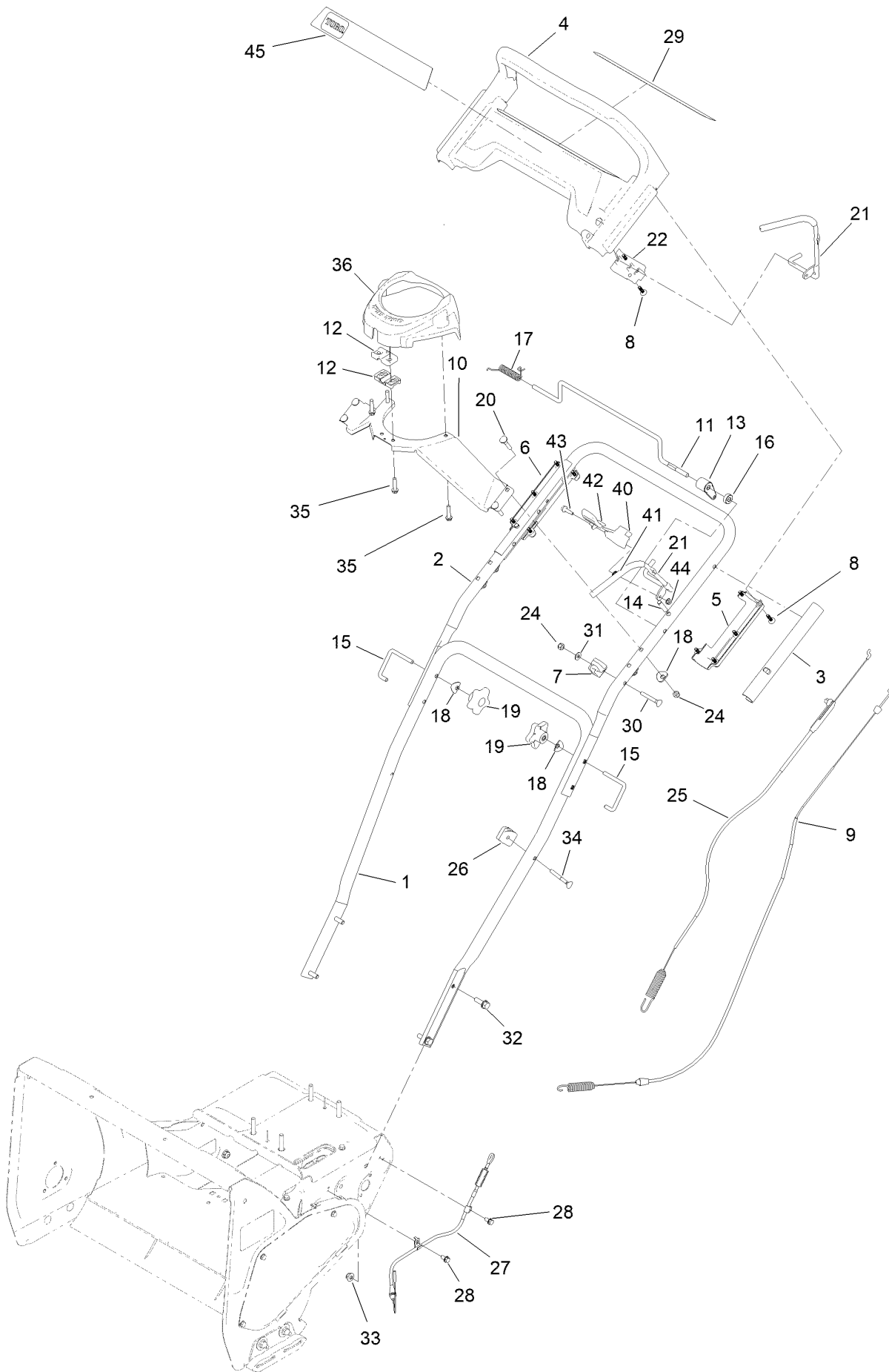
Quickstick Assembly



Quickstick Assembly (continued)

<i>Ref.</i>	<i>Part Number</i>	<i>Qty.</i>	<i>Description</i>	<i>Ref.</i>	<i>Part Number</i>	<i>Qty.</i>	<i>Description</i>
1	138-0662	1	Rod-Control, Chute	13	137-6239	1	Cap-Lever
2	138-0659	1	Screw-Shoulder, HWH	14	144-1236	1	Rod-Chute
3	137-3056	3	Bolt-CARR	15	94-4496	8	Screw-PPH
4	139-1552	1	Chute Control Lever ASM	16	136-6632	1	Plate-Stiffner
6	105-9988	1	Lever-Cable, Deflector	17	136-6677	1	Globe-Quickstick, RH
7	106-7310	1	Pawl-Latch	18	136-6678	1	Globe-Quickstick, LH
8	137-3087	1	Nut-Hex	19	137-3094	3	Nut-Hex
9	137-6238	1	Trigger-Latch	20	130-9614	1	Cable-Release, Chute
10	130-9613	1	Cable-Control, Deflector	21	138-0744	1	Washer-Friction, Composite
11	105-9982	1	Spring-Torsion	22	32144-85	1	Screw-HWH Thd Form
12	138-0688	1	Link-Latch				

Handles and Control Assembly



Handles and Control Assembly (continued)

<i>Ref.</i>	<i>Part Number</i>	<i>Qty.</i>	<i>Description</i>	<i>Ref.</i>	<i>Part Number</i>	<i>Qty.</i>	<i>Description</i>
1	120-2334-03	1	Handle-Lower	22	131-5901	1	Bail-Mount
2	120-2333-03	1	Handle-Upper	24	137-3094	4	Nut-Hex
3	120-2343	2	Sleeve Handle	25	120-2338	1	Cable-Rotor, Upper
4	147-9402	1	Handle Pp ASM W/ Decal	26	92-7729	1	Anchor-Cable, Upper
5	120-2336	1	Handle-Bottom, LH	27	131-1753	1	Cable-Rotor, Lower
6	131-1770	1	Handle-Bottom, RH	28	32144-4	2	Screw-HWH
7	131-5903	1	Cable-Guide	29	147-9404	1	Decal-Control, Panel
8	120-2349	12	Screw	30	137-3109	1	Bolt-CARR
9	131-5924	1	Cable-Transmission	31	139-1699	2	Washer-Flat
10	120-2342-03	1	Bracket-Chute, Control	32	137-3067	4	Screw-HHF
11	136-7150	1	Bar-Control, Traction	33	119-4041	4	Nut-HF
12	105-9987	2	Support-Rod	34	137-3108	1	Screw-Handle
13	131-5917	1	Lever-Traction	35	137-3101	4	Screw-Plastic, HWH
14	131-1771	2	Pin-Dowel	36	139-3507	1	Cover-Top
15	136-7130	2	Lock-Handle	40	147-7530	1	Lever
16	130-2343	1	Spacer	41	147-7532	1	Spring-Torsion
17	136-7166	1	Spring-Torsion	42	112-8884	1	Knob
18	137-3009	6	Washer-Cup	43	139-1709	1	Screw-Shoulder
19	106-4161	2	Knob-Handle	44	139-1712	1	Nut-Hex Flange
20	117-7737	4	Screw-Handle	45	147-9403	1	Decal-Display
21	147-7523	1	ASM-Bail				

Attachments and Accessories

For 39914 SnowMaster e24 60V Snowthrower

Product Name	Model/Part
Center Paddle Replacement Kit.....	130-9569P
Skid Replacement Kit	130-9619P
Scraper Kit.....	130-9628P
Rotor Belt.....	131-5967P
Headlight Kit-Snowmaster E24.....	147-9472
Toro 2-Stage Cover.....	490-7466

Notes:



Count on it.