



Count on it.

Parts Catalog

**Pro Force®
Debris Blower**

Model No. 44554—Serial No. 412300000 and Up



Ordering Replacement Parts

To order replacement parts, please supply the part number, the quantity, and the description of each part desired.

Understanding Reference Numbers

Each identified part in an illustration has a reference number. The reference number for a part also appears in the parts list, along with other information about the part.

This catalog uses two special reference number formats, one to indicate parts in a service assembly and another to indicate the quantity of a given part in an illustration.

Service Assembly Reference Numbers

Parts in service assemblies have reference numbers in the form a:b. The a represents the reference number of the entire service assembly and the b represents a sequential number unique to each part within the service assembly.

For example, a wheel assembly might be identified by reference number 6, the tire by 6:1, the valve by 6:2, and the wheel by 6:3. When you order the assembly identified by reference number 6, you receive all parts identified by reference numbers 6:1, 6:2, and 6:3. However, you may also order any part individually. Reference numbers of this type appear in illustration and in parts lists.

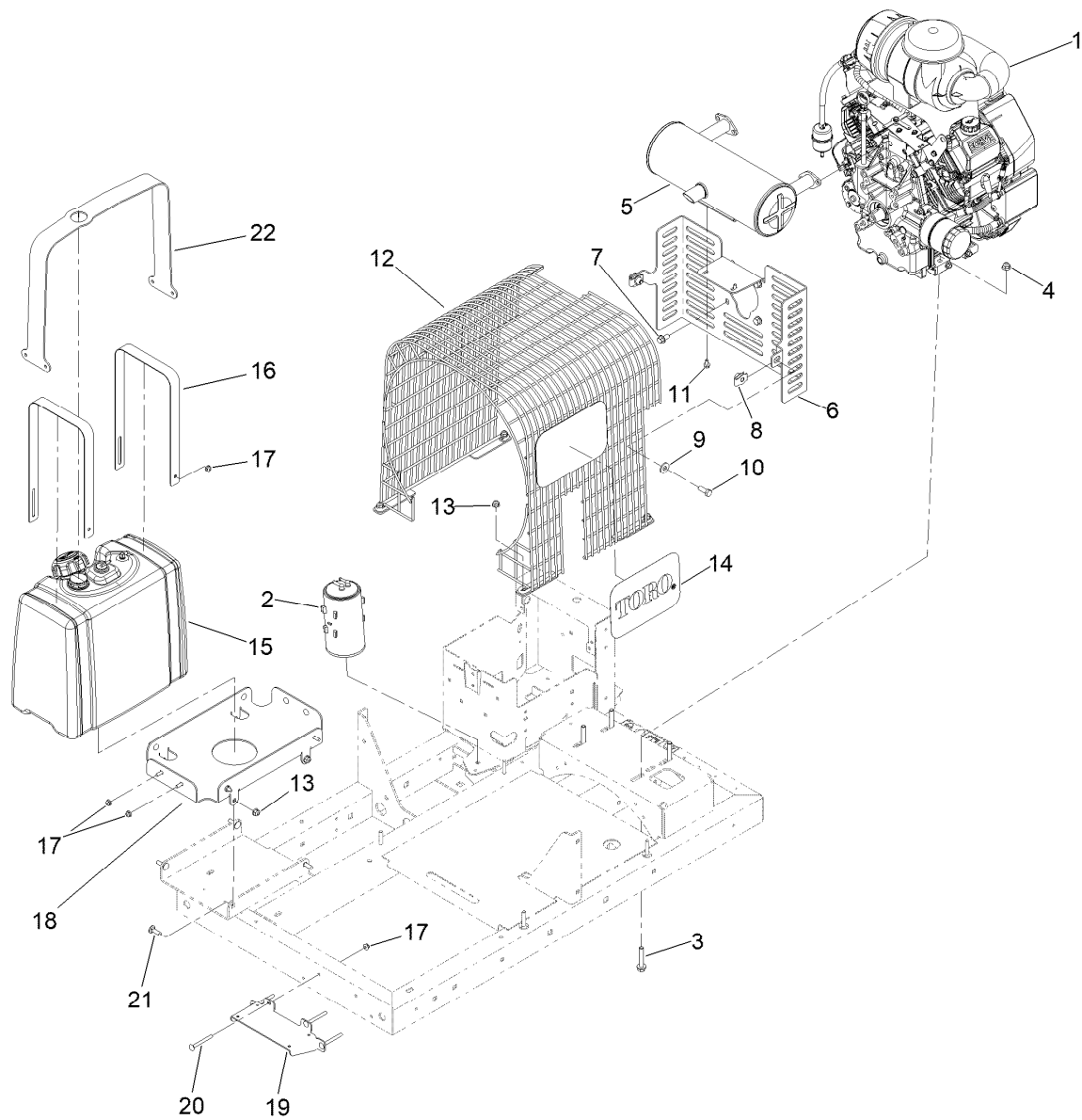
Reference Numbers Indicating Quantity

In an illustration, if a reference number indicates more than one part, the reference number has the form nX y. The n represents the quantity of the part, the X is the multiplication symbol, and the y represents the reference number.

For example, in an illustration, the reference number 2X 37 means that two of the parts identified by reference number 37 are indicated.

Contents

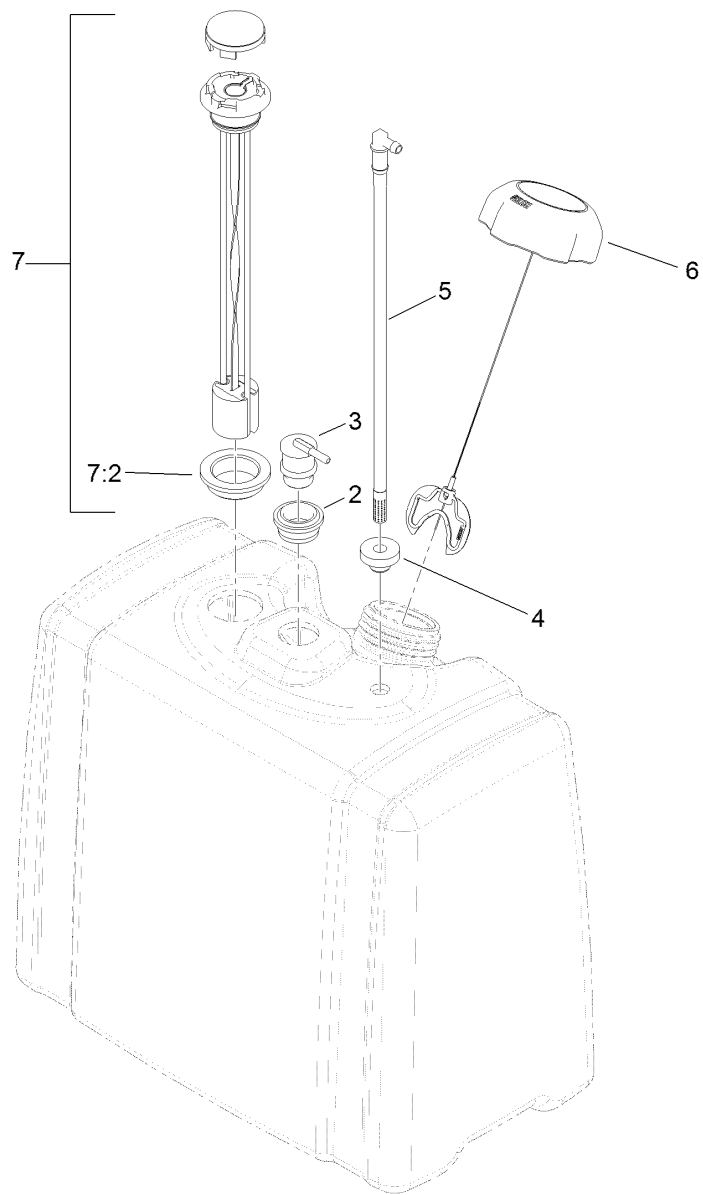
Engine, Muffler and Fuel Tank Assembly	4
Fuel Tank Assembly No. 115-9048	5
Fuel Delivery Assembly	6
Electrical Assembly	7
Tethered Control Assembly No. 119-6341	8
Frame, Wheel, Axle and Hitch Assembly	9
Hub and Axle Assembly No. 144-3630	11
Turbine Mounting Assembly	12
Turbine Service Assembly No. 145-7489	13
Turbine Assembly No. 140-6946	14
Nozzle Assembly	15
Driveshaft and Battery Assembly	16
Attachments and Accessories	17



Engine, Muffler and Fuel Tank Assembly

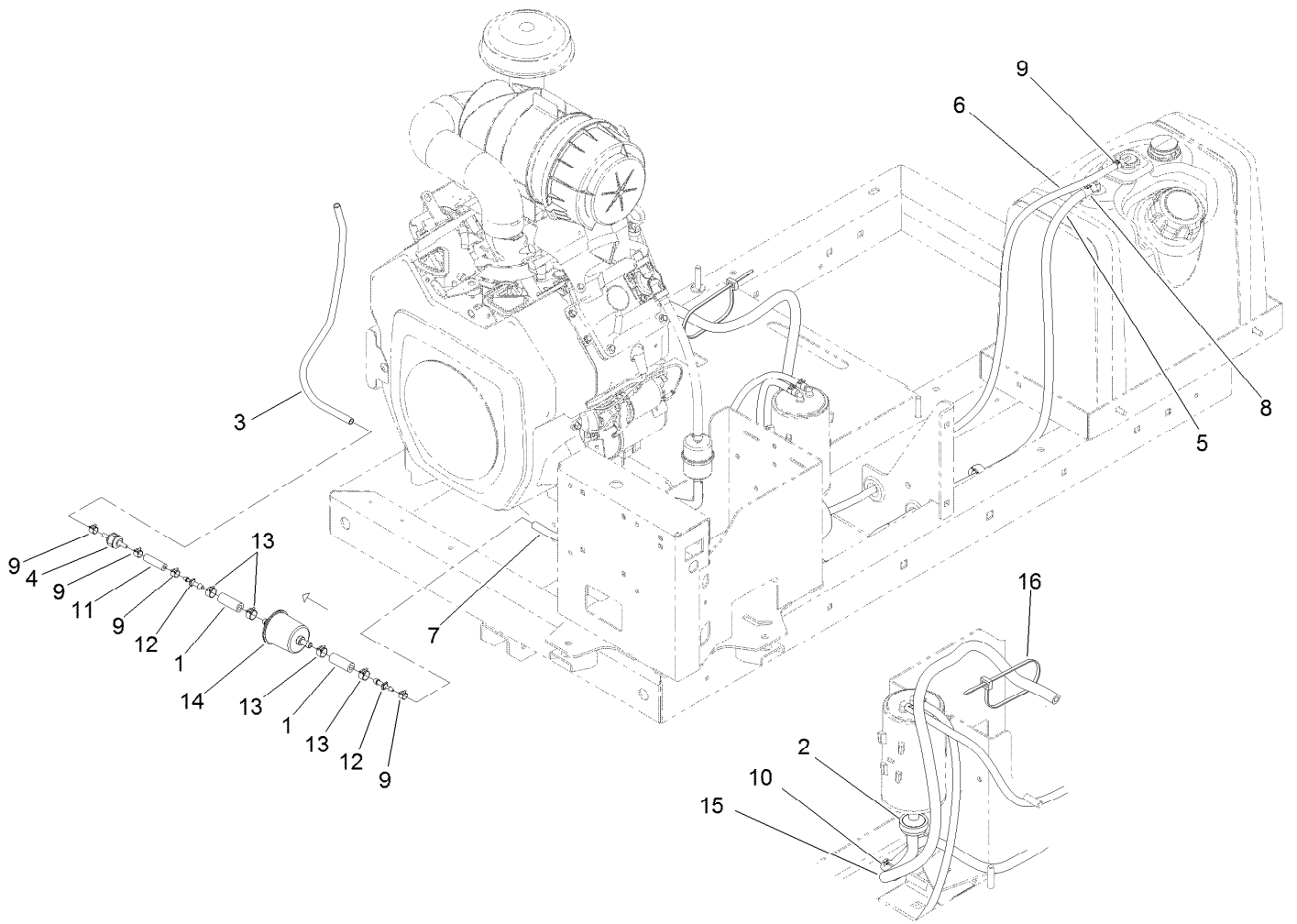
Ref.	Part Number	Qty.	Description	Ref.	Part Number	Qty.	Description
1	144-3302	1	Engine-Kohler ●	12	112-6876	1	Grill-Top
2	127-8685	1	Canister-Carbon	13	104-8300	8	Nut-HF, NI
3	66-9302	4	Screw-HHF Lock	14	92-1242	2	Decal
4	104-8301	4	Nut-HF, NI	15	115-9048	1	Fuel Tank ASM
5	112-6862	1	Muffler	16	119-6285	2	Strap-Hold Down, Tank
6	119-6171-03	1	Mount-Muffler	17	104-7201	12	Nut-HF, NI
7	110-1718	4	Screw-HHF	18	145-7461-01	1	Mount-Tank, 5GA [red]
8	105-4886	2	Nut-Tinnerman	19	140-6766-01	1	Plate-Mount
9	80-6990	2	Washer-Hardened	20	3229-8	4	Screw-CARR
10	323-6	2	Screw-HH	21	3230-2	4	Bolt-CARR
11	33103-012	2	Screw-HHF	22	144-3629-03	1	Guard-Gauges

● Obtain parts from www.kohlerplus.com



Fuel Tank Assembly No. 115-9048

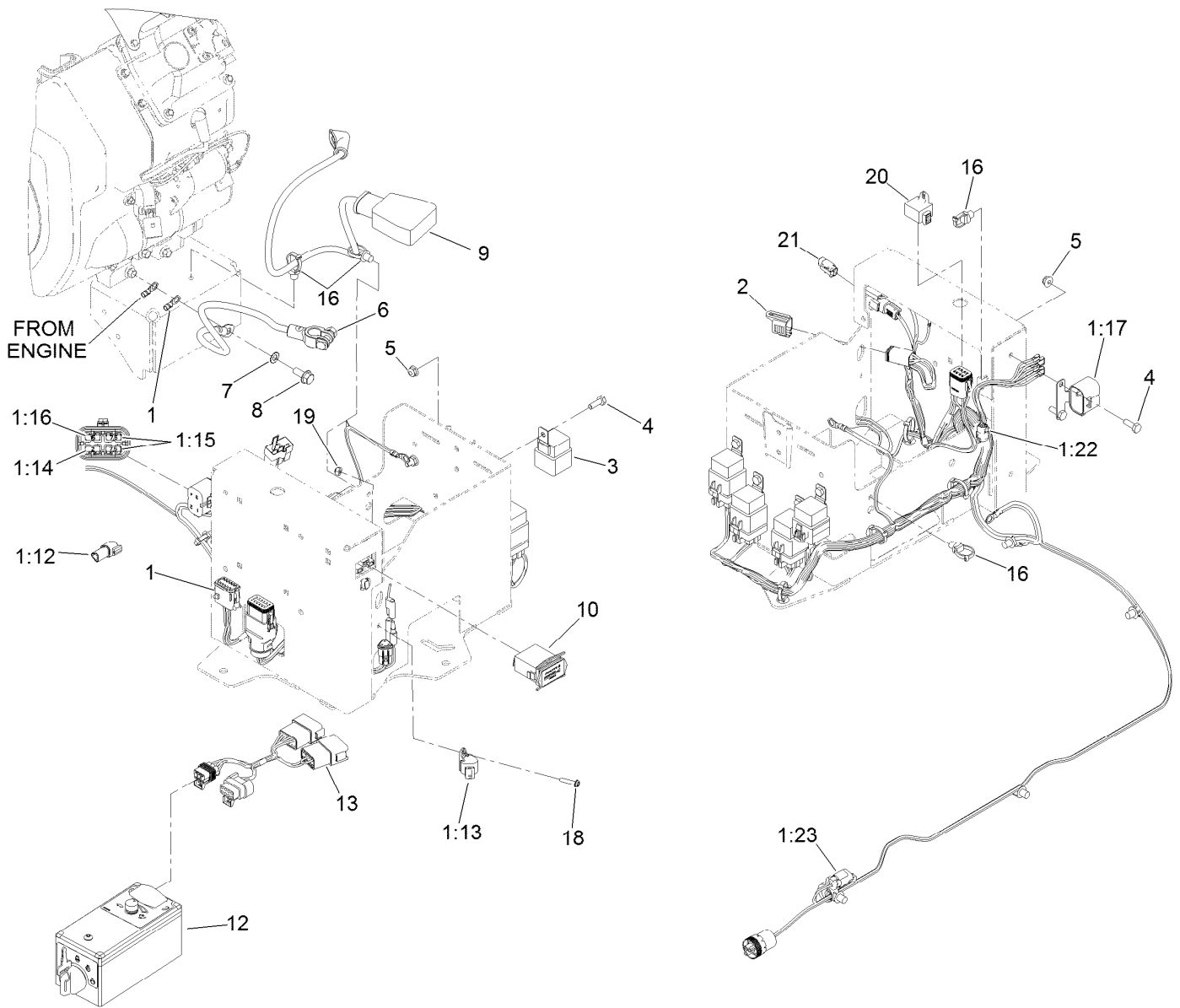
<i>Ref.</i>	<i>Part Number</i>	<i>Qty.</i>	<i>Description</i>
2	114-0284	1	Grommet
3	114-0285	1	Valve-Rollover
4	46-6560	1	Bushing
5	115-9044	1	Pipe-Stand
6	137-4127	1	Cap-Fuel
7	119-0509	1	Gauge ASM
7:2	119-0508	1	Seal



Fuel Delivery Assembly

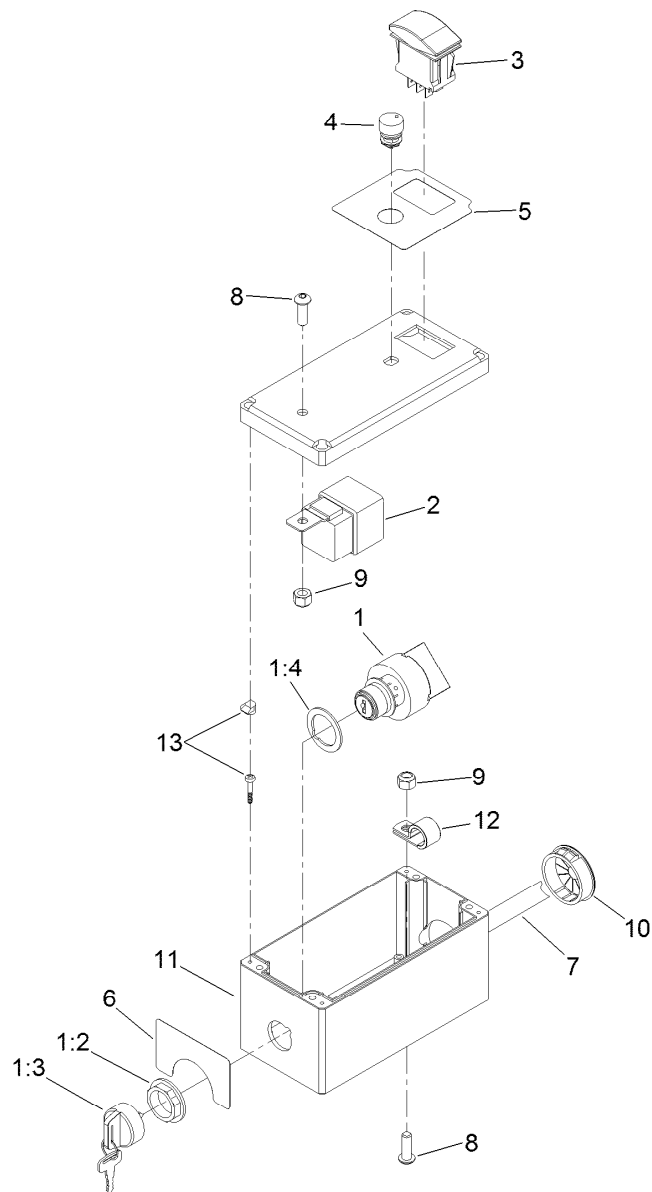
<i>Ref.</i>	<i>Part Number</i>	<i>Qty.</i>	<i>Description</i>
1	106-5317	3	Hose-Fuel
2	115-7854	1	Filter-Fuel, Inline
3	119-8150	1	Hose-Fuel
4	133-8499	1	Valve-Check, Vacuum
5	107-9298	1	Hose-Fuel
6	119-6073	1	Hose-Fuel
7	110-3254	1	Hose-Fuel
8	2412-98	2	Clamp-Hose

<i>Ref.</i>	<i>Part Number</i>	<i>Qty.</i>	<i>Description</i>
9	2412-80	5	Clamp-Hose
10	32180-030	6	Clip-Tie
11	119-8561	1	Hose-Fuel
12	106-8150	2	Fitting-Straight
13	92-2379	4	Clamp-Hose
14	120-2235	1	Filter-Fuel
15	110-4109	1	Hose-Fuel
16	3290-378	1	Tie-Cable



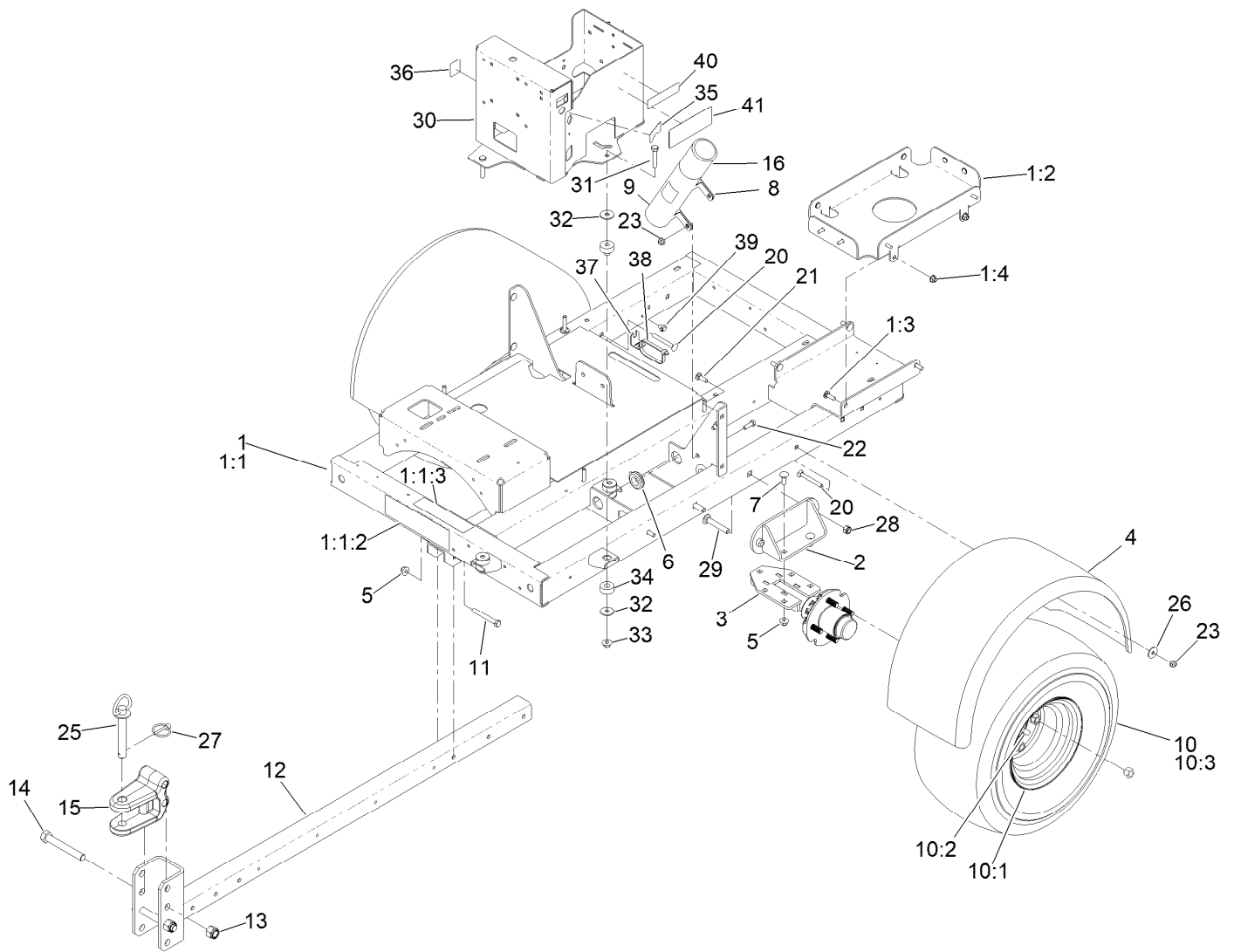
Electrical Assembly

<i>Ref.</i>	<i>Part Number</i>	<i>Qty.</i>	<i>Description</i>	<i>Ref.</i>	<i>Part Number</i>	<i>Qty.</i>	<i>Description</i>
1	122-1747	1	Harness-Wire, Proforce Blower Rf2Can	6	125-5966	1	Cable-Battery, Negative
1:12	32180-043	2	Resistor-120 Ohm	7	3255-8	1	Washer-Lock
1:13	32180-089	1	Cap-Plug, 3 Way	8	33104-020	1	Screw-HHF
1:14	121-8861	1	Fuse-Mini Blade, 2 Amp	9	122-0629	1	Cable-Battery, Positive
1:15	121-8865	2	Fuse-Mini Blade, 7.5 Amp	10	120-2244	1	Hourmeter
1:16	121-8867	1	Fuse-Mini Blade, 15 Amp	12	119-6341	1	Tethered Control ASM
1:17	32180-179	1	Cover-Bussman	13	122-0620	1	Harness-Wire, Tether Adapter
1:22	32180-156	1	Cap-Plug, 6 Way	16	32180-030	3	Clip-Tie
1:23	32180-091	1	Cap-Dust, 2 Way	18	106-9169	1	Screw-HWH
2	32180-156	1	Cap-Plug, 6 Way	19	3296-2	1	Nut-Lock, NI
3	99-7430	4	Relay-Mini	20	32180-201	1	Cap-Plug
4	321-4	6	Screw-HH	21	32180-202	1	Cap-Plug
5	104-7201	6	Nut-HF, NI				



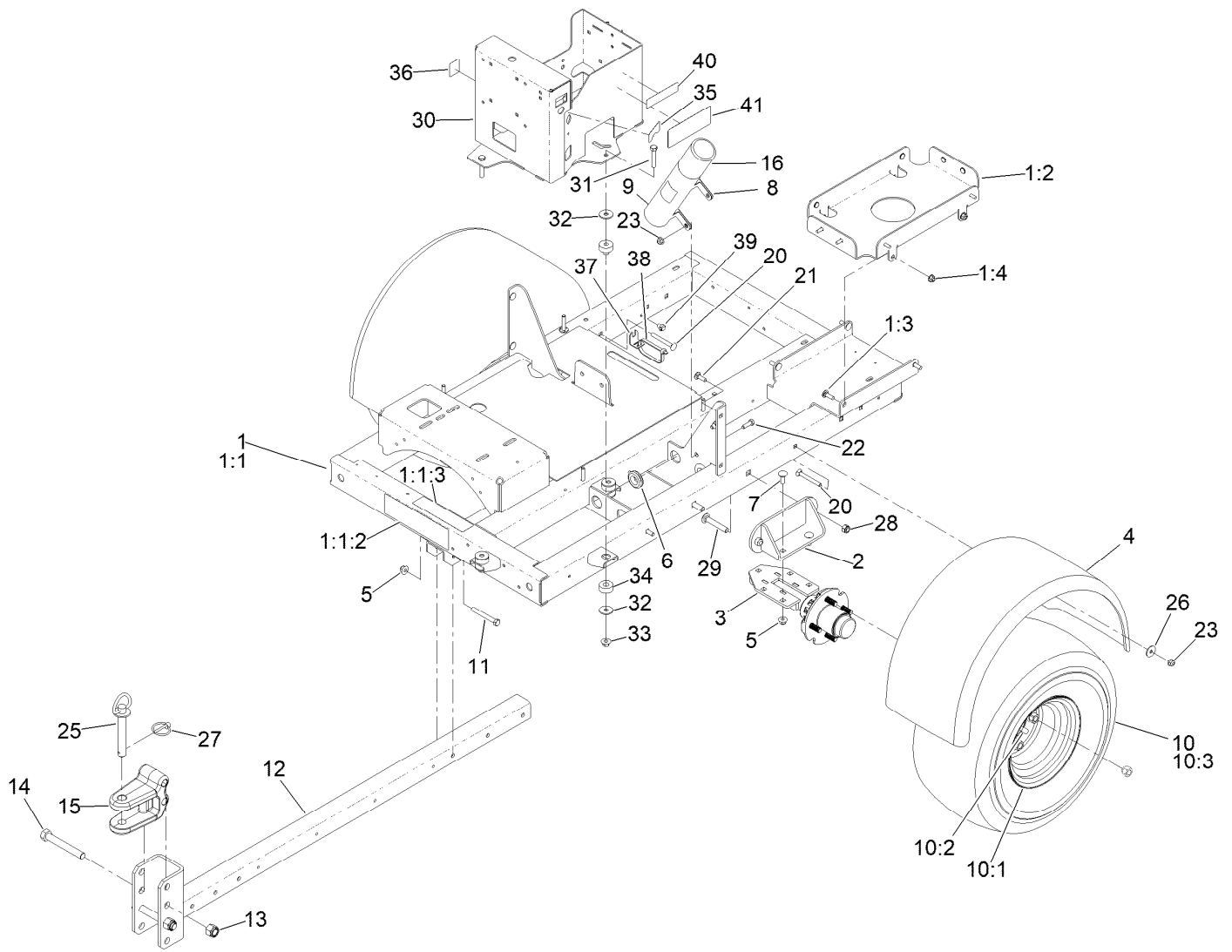
Tethered Control Assembly No. 119-6341

<i>Ref.</i>	<i>Part Number</i>	<i>Qty.</i>	<i>Description</i>	<i>Ref.</i>	<i>Part Number</i>	<i>Qty.</i>	<i>Description</i>
1	106-5269	1	Ignition Switch ASM	6	119-1776	1	Decal-Tether, Start
1:2	108-8660	1	Nut-Mounting	7	119-1757	1	Harness-Tethered Control
1:3	106-5270	1	Ignition Key Set	8	3274-69	2	Screw-HSBH
1:4	108-8659	1	Washer-Backup	9	3296-42	2	Nut-Lock, NI
2	99-7430	1	Relay-Mini	10	119-1105	1	Bushing
3	100-1535	1	Switch-Rocker, (On)-Off-(On)	11	119-1101	1	Box-Control
4	119-1774	1	Potentiometer	12	2412-73	1	Clamp-R
5	119-1775	1	Decal-Tether, Throttle	13	119-6243	1	Hardware Kit



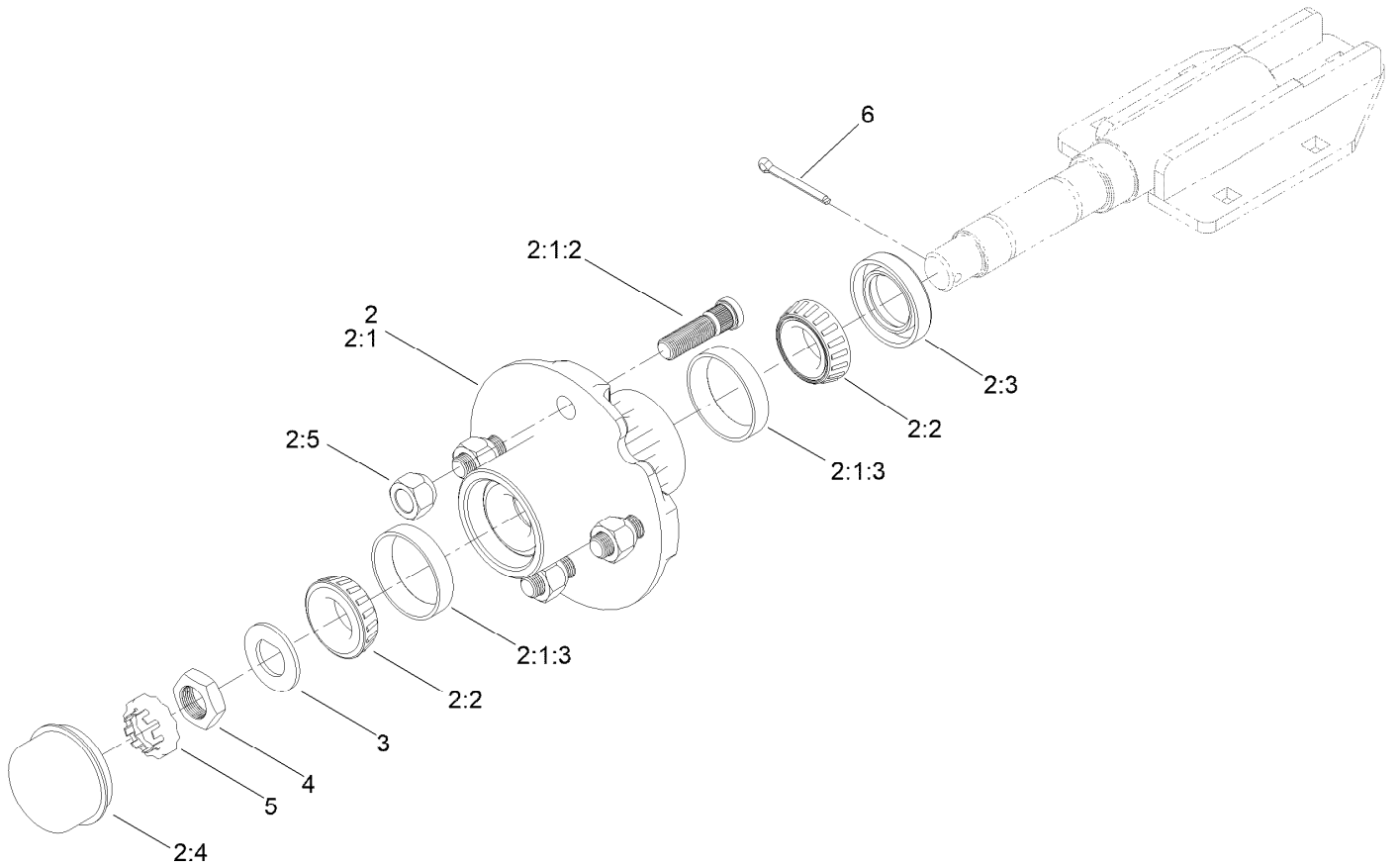
Frame, Wheel, Axle and Hitch Assembly

Ref.	Part Number	Qty.	Description	Ref.	Part Number	Qty.	Description
1	161-7874	1	Frame ASM Service Kit	12	112-6942-01	1	Hitch
1:1	144-3212	1	Frame ASM, Service	13	3296-53	2	Nut-Lock, NI
1:1:2	140-6767	1	Decal-Warning,Db	14	327-23	2	Screw-HH
1:1:3	115-5113	1	Decal-Protection, Eye And Ear	15	131-4381-01	1	Hitch-Clevis
1:2	145-7461-01	1	Mount-Tank, 5GA [red]	16	104-7048	1	Cap-Housing
1:3	3230-2	4	Bolt-CARR	20	3230-9	4	Screw-CARR
1:4	104-8300	4	Nut-HF, NI	21	3230-2	4	Bolt-CARR
2	119-2958-01	2	Mount-Axle	22	322-5	2	Screw-HH
3	144-3630	2	Hub Axle Assembly	23	104-8300	10	Nut-HF, NI
4	112-6852	2	Fender	25	13-6200	1	Pin-Hitch, Pointed
5	104-8301	8	Nut-HF, NI	26	3256-82	8	Washer-Flat
6	1-543286	2	Grommet	27	92-1298	1	Pin-Lynch
7	3231-2	6	Bolt-CARR	28	3296-48	4	Nut-Hex
8	2412-133	2	Clamp-R	29	3232-17	4	Screw-CARR
9	104-7050	1	Tube-Manual	30	125-6055-01	1	Tower-Control, Wa
10	144-3664	2	Wheel-Assembly	31	323-10	3	Screw-HH
10:1	137-2597	1	Rim	32	93-8806	6	Washer-Hardened
10:2	232-27	1	Stem-Valve	33	32128-19	3	Nut-HF Lock, Large Flg
10:3	144-3665	1	Tire	34	121-2870	3	Mount-2 Piece
11	323-14	2	Screw-HH	35	119-6165	1	Decal-Ignition
				36	131-6766	1	Decal-Fuses



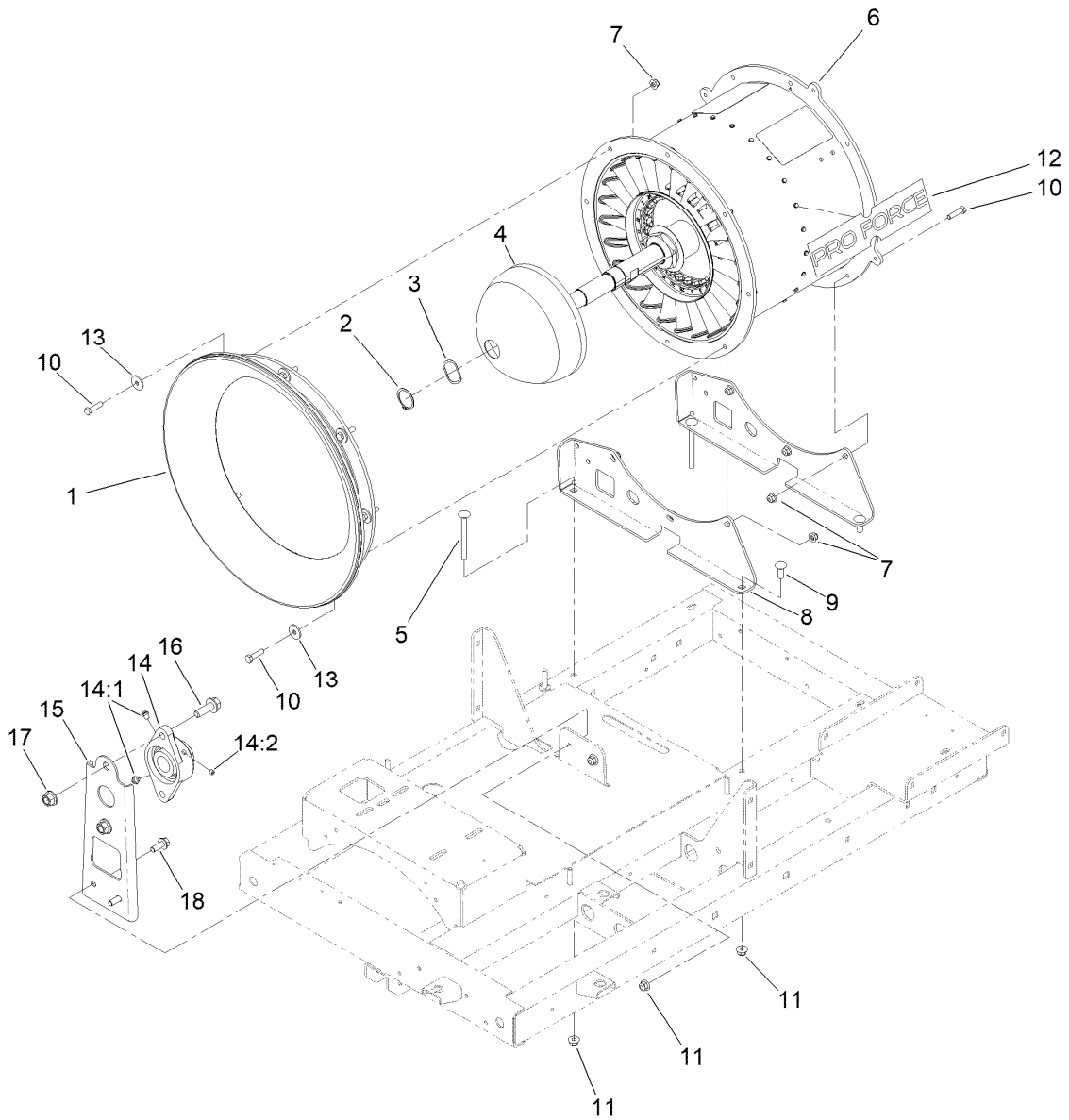
Frame, Wheel, Axle and Hitch Assembly (continued)

<i>Ref.</i>	<i>Part Number</i>	<i>Qty.</i>	<i>Description</i>	<i>Ref.</i>	<i>Part Number</i>	<i>Qty.</i>	<i>Description</i>
37	131-6703	1	Bracket-Hold Down, Electrical	39	32180-030	1	Clip-Tie
38	3334-945	1	Tie-Cable	40	133-8062	1	Decal-Spark Arrestor
				41	140-6843	1	Decal - Proforce Frame



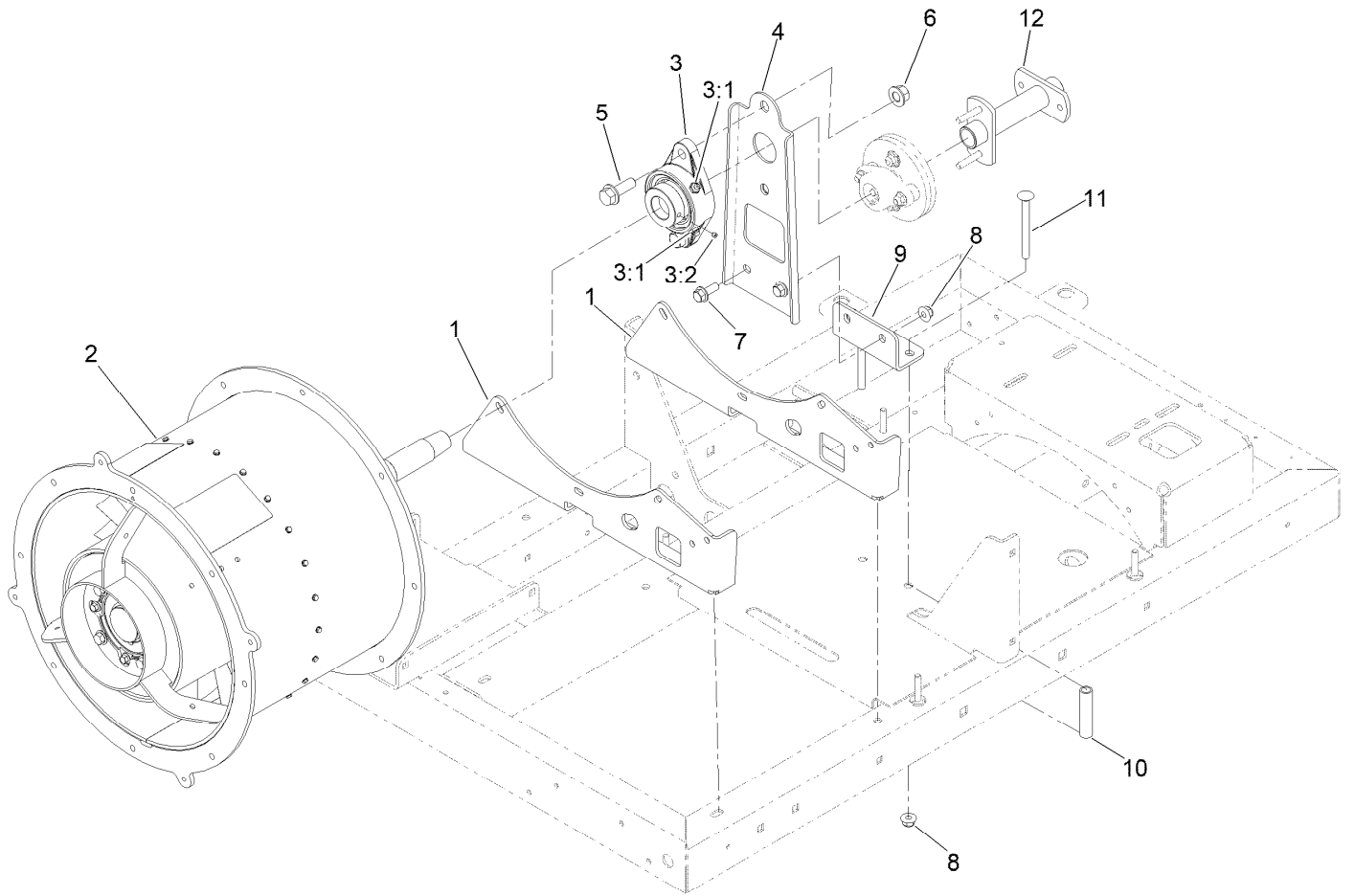
Hub and Axle Assembly No. 144-3630

<i>Ref.</i>	<i>Part Number</i>	<i>Qty.</i>	<i>Description</i>
2	117-5115	1	Hub And Bearing ASM
2:1	117-8251	1	Hub ASM
2:1:2	114-3918	4	Stud-Wheel
2:1:3	254-72	2	Bearing-Cup, Tapered
2:2	254-94	2	Bearing-Cone, Tapered
2:3	112-1690	1	Seal-Oil
2:4	241-119	1	Cap-Dust
2:5	242-50	4	Nut-Lug
3	117-8259	1	Washer-Spindle
4	117-8260	1	Nut
5	93-0307	1	Nut-Lock, Retainer
6	3272-18	1	Pin-Cotter



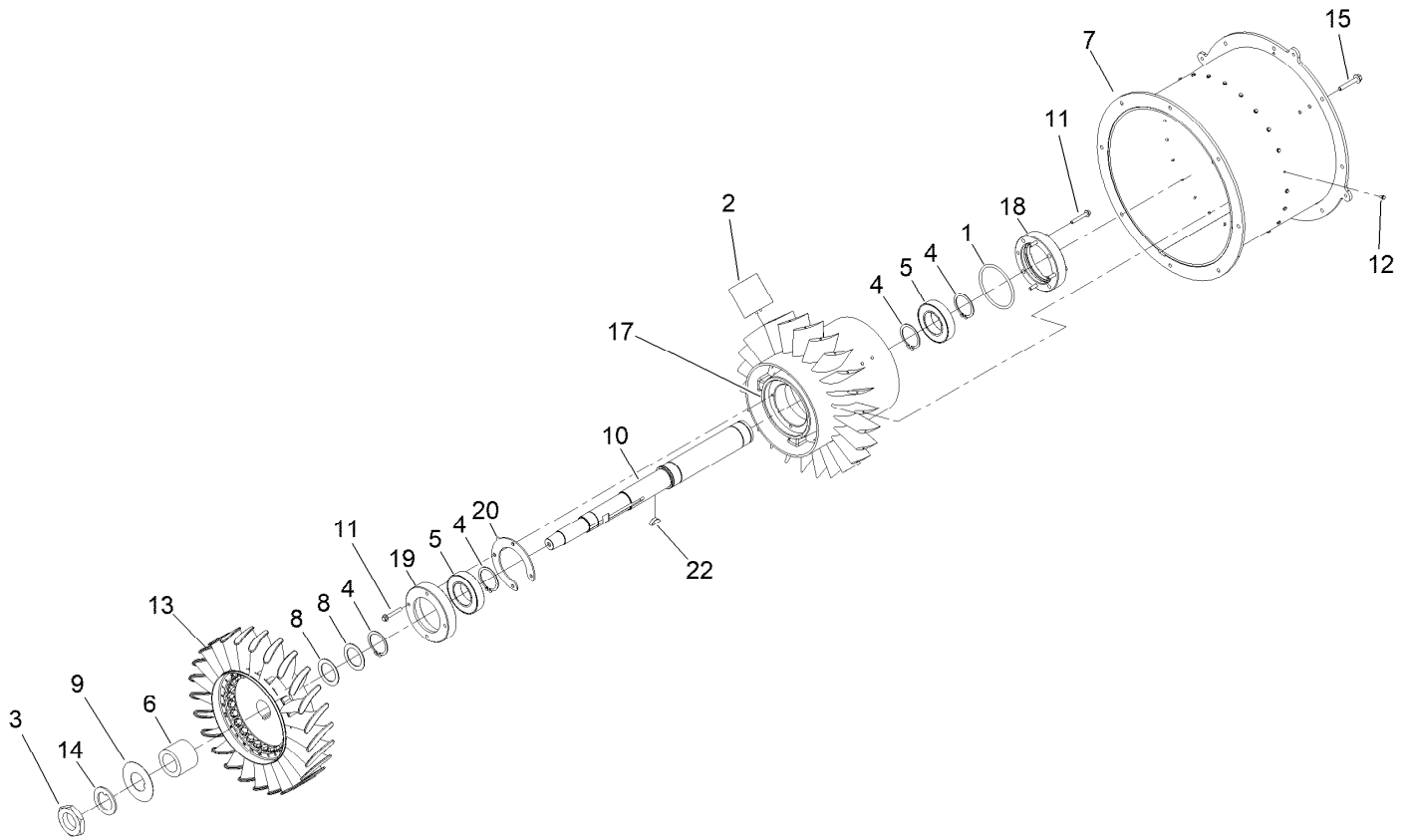
Turbine Mounting Assembly

<i>Ref.</i>	<i>Part Number</i>	<i>Qty.</i>	<i>Description</i>	<i>Ref.</i>	<i>Part Number</i>	<i>Qty.</i>	<i>Description</i>
1	117-8329	1	Bell-Inlet	11	104-8301	4	Nut-HF, NI
2	112-1952	1	Ring-Snap, EXT	12	115-5102	2	Decal
3	93-4632	1	Washer-Wavey	13	115-7109	8	Washer-Flat
4	131-9440	1	Cap-Front	14	94-7484	1	Bearing
5	3231-24	2	Screw-CARR	14:1	302-2	2	Fitting-Grease
6	145-7489	1	Service-Turbine, Kit	14:2	106-9662	1	Screw-Set, HSH
7	104-8300	11	Nut-HF, NI	15	144-3316-01	1	Mount-Bearing
8	140-6983-01	2	Mount-Housing	16	100-6116	2	Screw-HHF
9	3231-22	2	Screw-CARR	17	99-5107	2	Nut-Lock
10	322-6	11	Screw-HH	18	3234-42	2	Screw-HHF



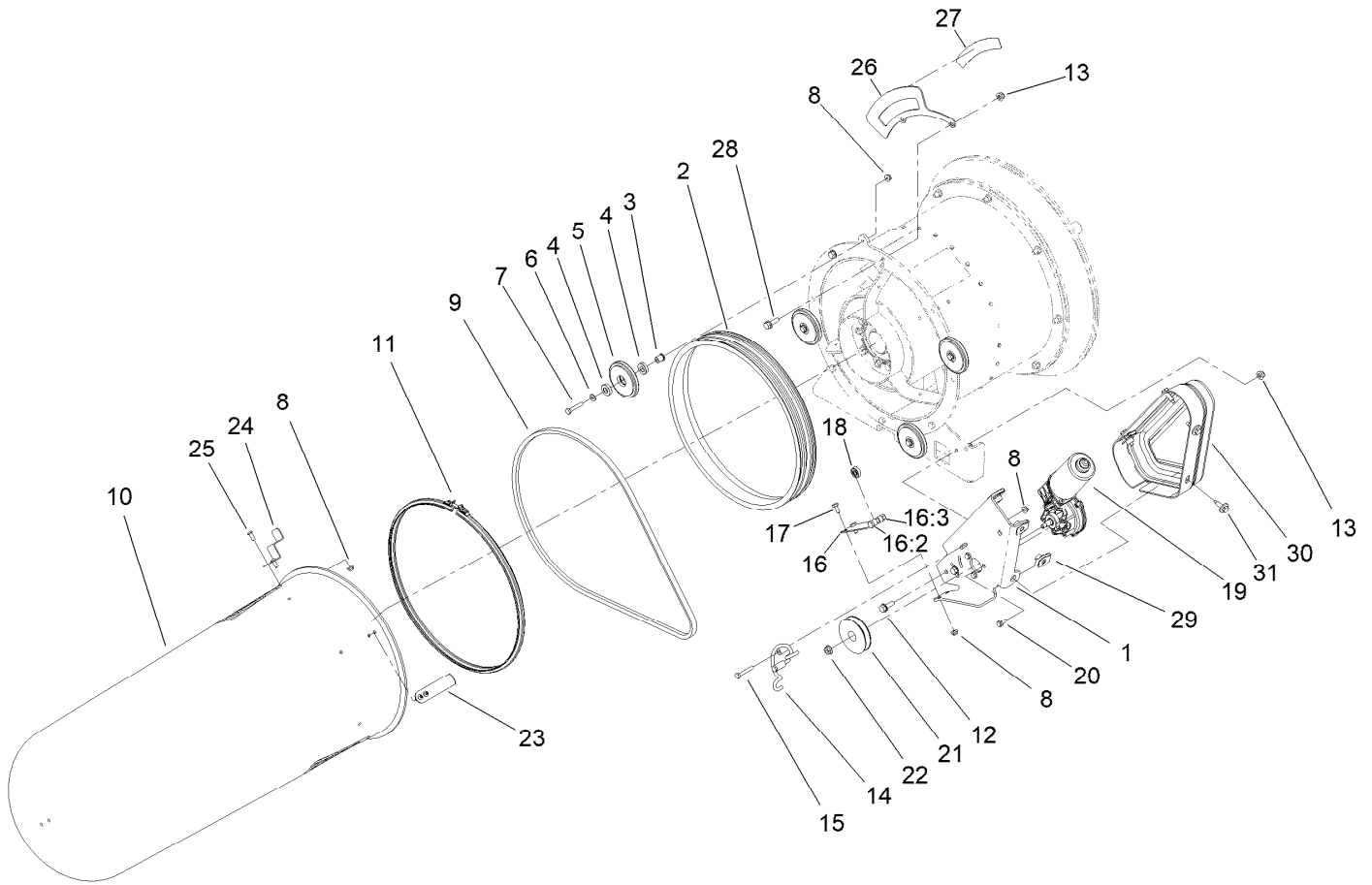
Turbine Service Assembly No. 145-7489

<i>Ref.</i>	<i>Part Number</i>	<i>Qty.</i>	<i>Description</i>
1	140-6983-01	2	Mount-Housing
2	140-6946	1	Turbine ASM
3	94-7484	1	Bearing
3:1	302-2	2	Fitting-Grease
3:2	106-9662	1	Screw-Set, HSH
4	144-3316-01	1	Mount-Bearing
5	100-6116	2	Screw-HHF
6	99-5107	2	Nut-Lock
7	3234-42	2	Screw-HHF
8	104-8301	4	Nut-HF, NI
9	145-7490	1	Mount-Bearing
10	145-7493	2	Spacer
11	3231-24	2	Screw-CARR
12	140-6936-03	1	Drive-Shaft, Short [black]



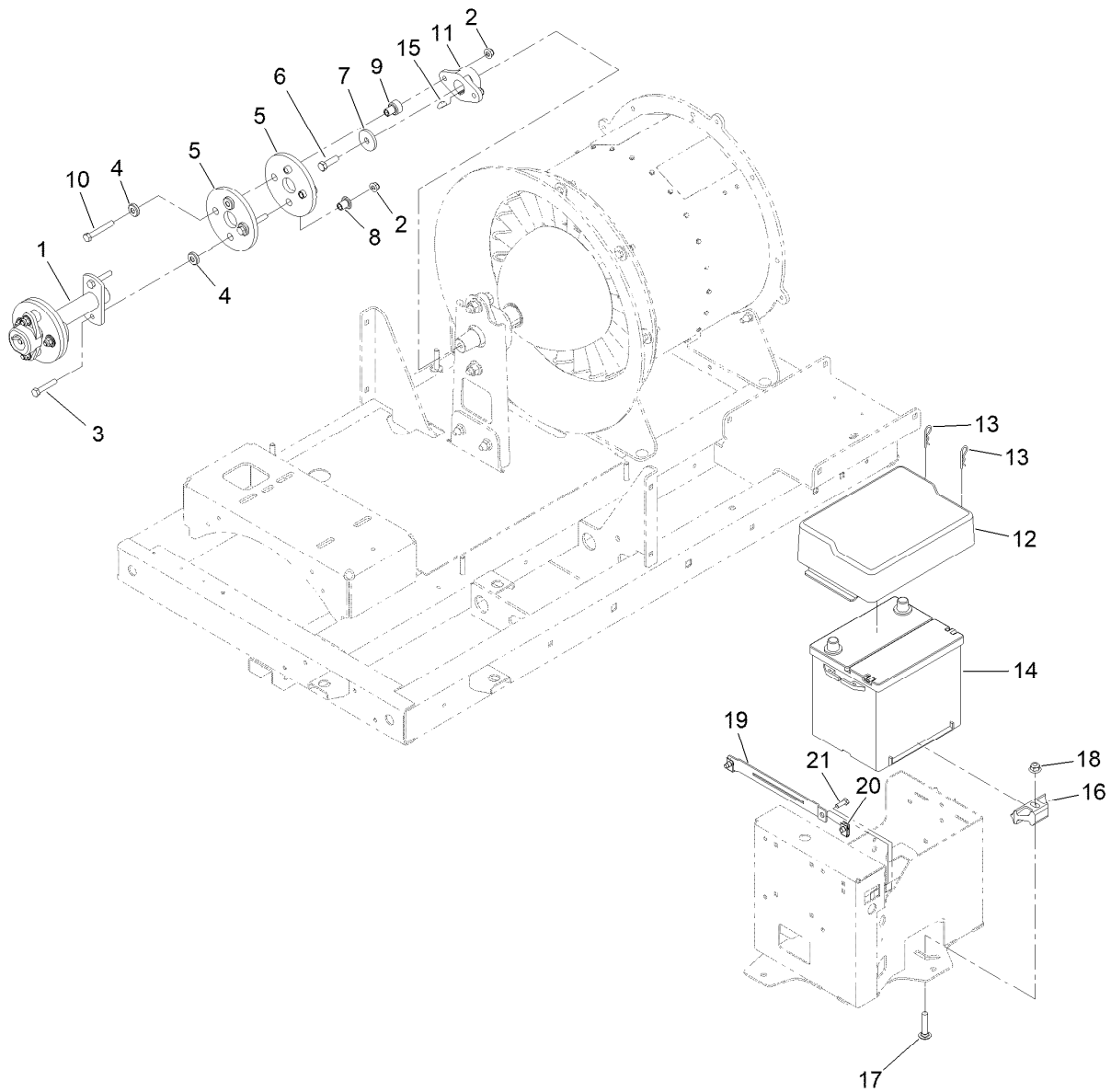
Turbine Assembly No. 140-6946

<i>Ref.</i>	<i>Part Number</i>	<i>Qty.</i>	<i>Description</i>	<i>Ref.</i>	<i>Part Number</i>	<i>Qty.</i>	<i>Description</i>
1	92-9533	1	O-Ring	11	125-4287	8	Screw-HHF
2	112-1871	24	Vane-Stator	12	117-8303	24	Screw-HWH
3	112-1899	1	Nut	13	117-8356	1	Rotor
4	112-1951	4	Ring-Snap, EXT	14	119-6202	1	Washer-Tab
5	112-6764	2	Bearing-Ball	15	161-7875	4	Screw-HHSF
6	114-2164	1	Spacer	17	145-7514	1	Inner Housing
7	140-6945	1	Housing-Horizontal, Service ASM	18	140-6933	1	End-Oring
8	115-5131	2	Washer	19	120-6061	1	Bearing-Cap
9	115-9005	1	Washer-Tab	20	120-6063	1	End-Cap
10	139-2128	1	Shaft-Fan,Long	22	3257-42	1	Key-Woodruff



Nozzle Assembly

<i>Ref.</i>	<i>Part Number</i>	<i>Qty.</i>	<i>Description</i>	<i>Ref.</i>	<i>Part Number</i>	<i>Qty.</i>	<i>Description</i>
1	140-6849-01	1	Bracket-Motor, Covered	16:3	3296-42	1	Nut-Lock, NI
2	144-3653	1	Pulley-Nozzle	17	321-3	2	Screw-HH
3	140-6982	4	Spacer-Bearing	18	251-259	1	Bearing-Ball
4	115-6870	8	Bearing-Ball, Sealed	19	144-3274	1	Motor-Reversible
5	140-6979	4	Roller-Bearing	20	114-8414	3	Screw-HHF
6	120-9679	4	Washer-Flat	21	115-5147	1	Pulley
7	321-9	4	Screw-HH	22	98-0668	1	Nut
8	104-7201	12	Nut-HF, NI	23	140-2220-01	1	Indicator
9	112-1853	1	Belt-V	24	140-6685-07	1	Indicator
10	119-6287	1	Nozzle	25	119-6906	4	Screw-HSBH
11	112-6899	1	Clamp-Nozzle	26	140-6814-03	1	Gauge-Rotation
12	3234-29	2	Screw-HHF	27	140-2247	1	Decal-Position, Chute
13	104-8300	2	Nut-HF, NI	28	3234-17	2	Screw-HHF
14	112-6924	1	Guard-Belt, Drive	29	105-4886	4	Nut-Tinnerman
15	321-37	2	Screw-HH	30	140-6848	1	Motor-Cover
16	110-9650	1	Leaf Spring ASM	31	3234-42	4	Screw-HHF
16:2	36-2250	1	Bolt-Shoulder				



Driveshaft and Battery Assembly

Ref.	Part Number	Qty.	Description
1	140-6936-03	1	Drive-Shaft, Short [black]
2	104-8300	8	Nut-HF, NI
3	322-39	4	Screw-HH
4	131-6761	8	Washer
5	115-5129	4	Coupling-Rubber
6	323-7	2	Screw-HH
7	114-2120	2	Washer
8	131-6763	4	Spacer-Coupling, Rubber
9	131-6762	4	Spacer-Coupling, Rubber
10	322-32	4	Screw-HH
11	114-2122	2	Hub-Engine

Ref.	Part Number	Qty.	Description
12	130-8569	1	Cover-Battery
13	3290-467	2	Pin-Hair
14	106-5187	1	Battery- Dry, 12V, 525 CCA
15	3257-5	2	Key-Woodruff
16	138-6335	1	Retainer-Battery
17	3231-5	1	Screw-CARR
18	104-8301	1	Nut-HF, NI
19	130-0932-01	1	Bracket-Cover
20	107069	2	Clip
21	321-4	2	Screw-HH

Attachments and Accessories

For 44554 Pro Force Debris Blower

Product Name	Model/Part
Tapered Nozzle Kit.....	119-6280
Rectangular Nozzle Kit	119-6281
10 Gallon Kit, Pro Force Debris Blower.....	130-4371
Alignment Tool Asm	137-6616
Safety Chain Kit.....	139-3179
Chute Position Indicator Kit.....	140-2257
Spark Arrestor Screen	94-8157

Notes:

Notes:



Count on it.