



**Count on it.**

**Parts Catalog**

**60in Rear Discharge Rotary  
Mower**

**Groundsmaster® e3200 2-Wheel Drive  
Traction Unit**

Model No. 31891—Serial No. 416600000 and Up



# Ordering Replacement Parts

To order replacement parts, please supply the part number, the quantity, and the description of each part desired.

## Understanding Reference Numbers

Each identified part in an illustration has a reference number. The reference number for a part also appears in the parts list, along with other information about the part.

This catalog uses two special reference number formats, one to indicate parts in a service assembly and another to indicate the quantity of a given part in an illustration.

## Service Assembly Reference Numbers

Parts in service assemblies have reference numbers in the form a:b. The a represents the reference number of the entire service assembly and the b represents a sequential number unique to each part within the service assembly.

For example, a wheel assembly might be identified by reference number 6, the tire by 6:1, the valve by 6:2, and the wheel by 6:3. When you order the assembly identified by reference number 6, you receive all parts identified by reference numbers 6:1, 6:2, and 6:3. However, you may also order any part individually. Reference numbers of this type appear in illustration and in parts lists.

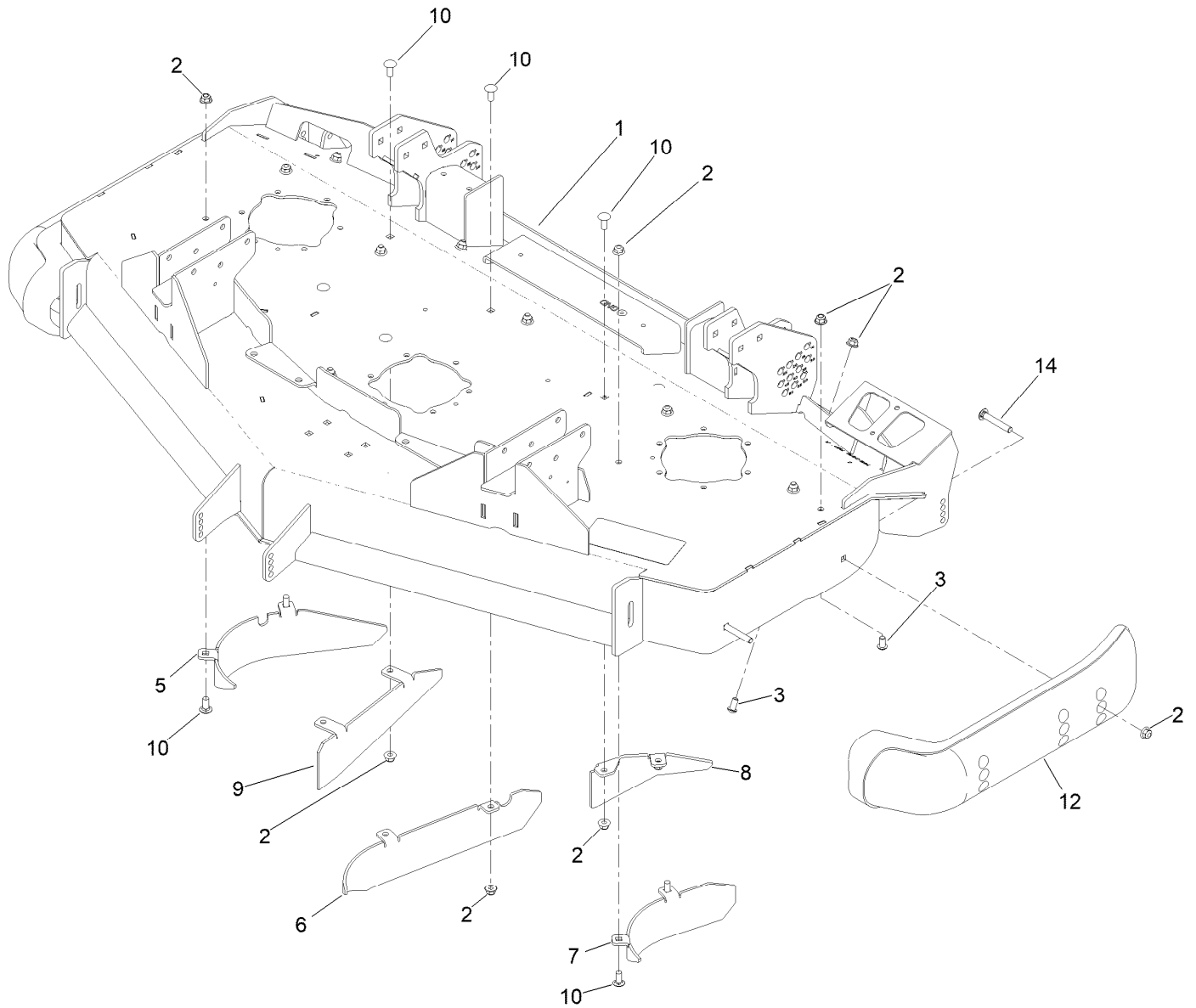
## Reference Numbers Indicating Quantity

In an illustration, if a reference number indicates more than one part, the reference number has the form nX y. The n represents the quantity of the part, the X is the multiplication symbol, and the y represents the reference number.

For example, in an illustration, the reference number 2X 37 means that two of the parts identified by reference number 37 are indicated.

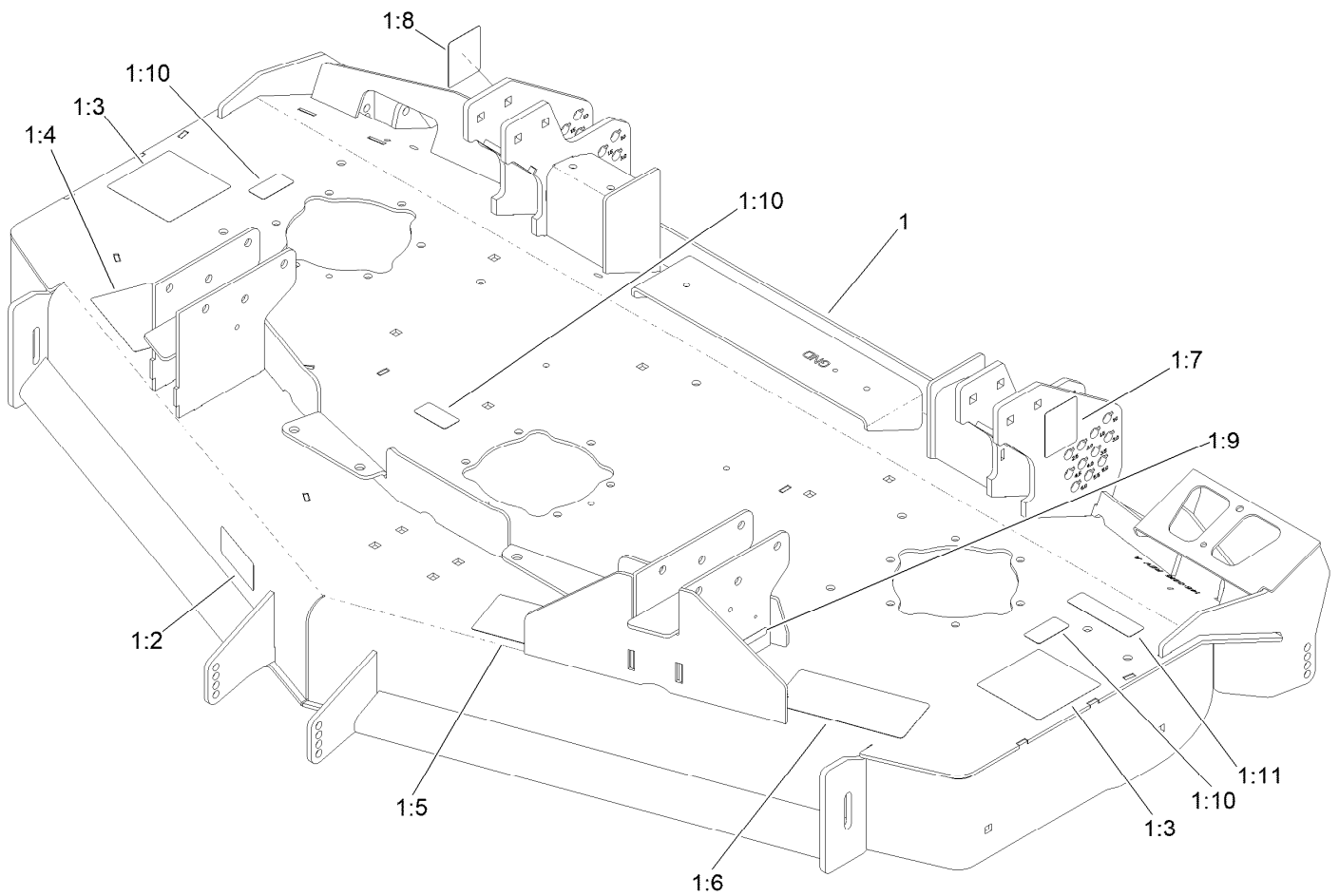
# Contents

Deck and Baffle Assembly .....	4
Deck Decal Assembly No. 145-0914SP.....	5
Caster Wheel and Latch Assembly .....	6
Wheel Assembly No. 137-5529.....	7
Latch Assembly No. 147-0070.....	8
Electrical Assembly .....	9



## Deck and Baffle Assembly

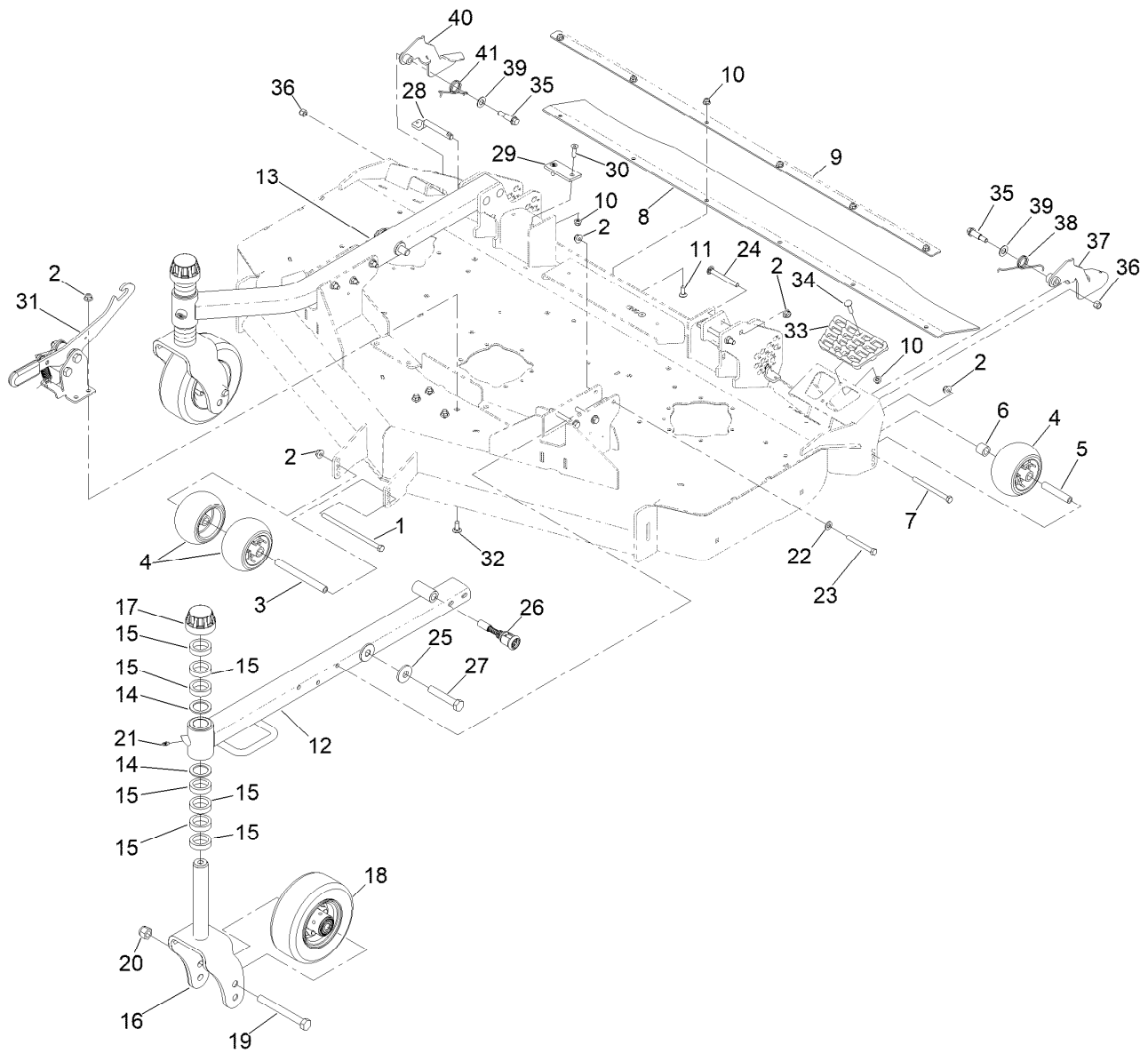
Ref.	Part Number	Qty.	Description
1	145-0914SP	1	60" Service Deck Rd
2	104-8301	22	Nut-HF, NI
3	3274-80	8	Screw-HH
5	138-0252-0P	1	Baffle-Inner, RH
6	145-1008-0P	1	Baffle-Inner, Center [primed]
7	137-5800-0P	1	Baffle-Inner, RH
8	137-5903-0P	1	Baffle-Kicker, LH
9	137-5902-0P	1	Baffle, Long RH
10	3231-27	10	Screw-CARR
12	112-1479	2	Skid-Bumper, Deck
14	3231-44	4	Screw-CARR



## Deck Decal Assembly No. 145-0914SP

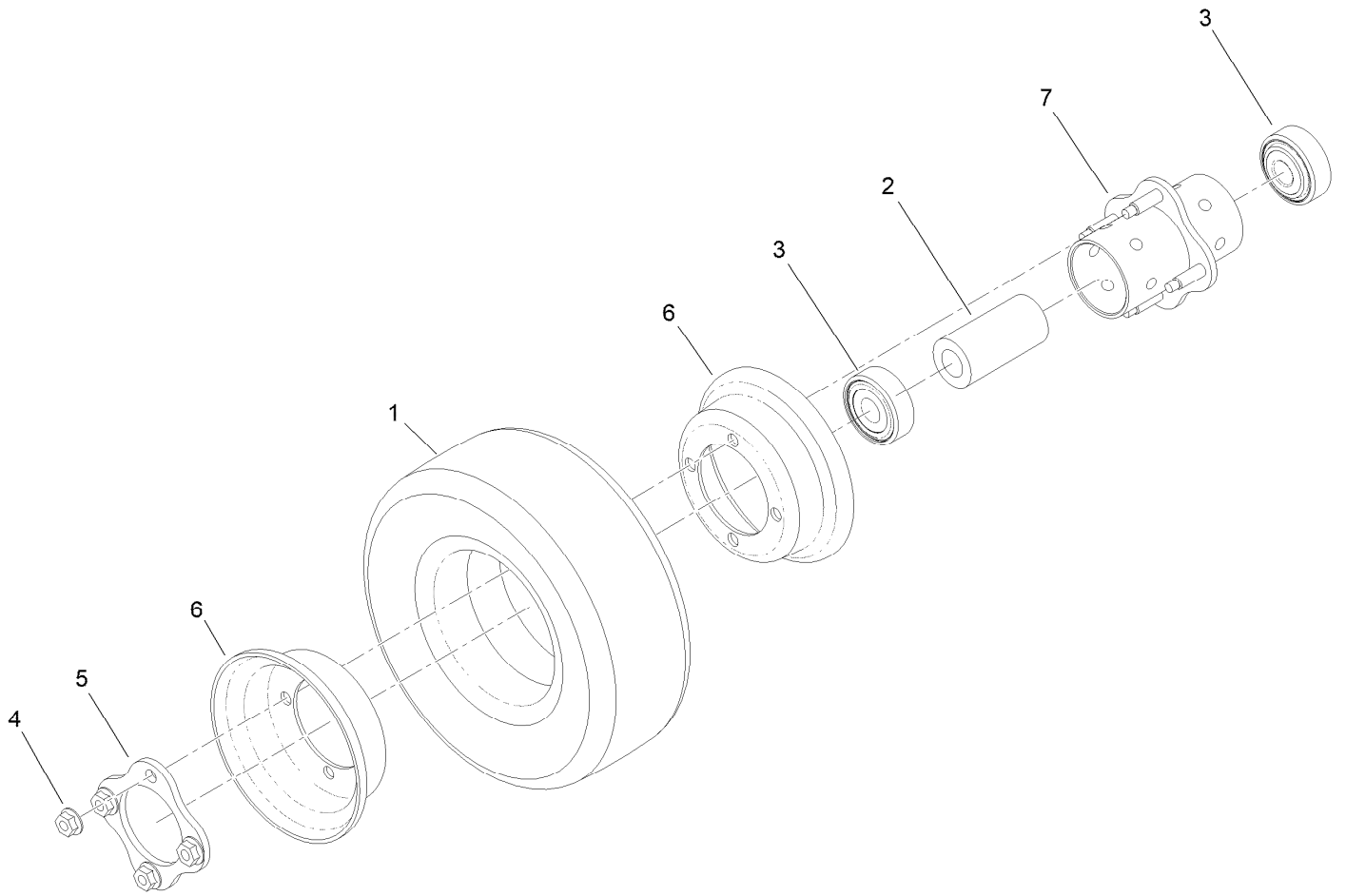
Ref.	Part Number	Qty.	Description
1		1	Service Deck 60"rd ●
1:2	116-8283	1	Decal-Torque, Bolt
1:3	120-6604	2	Decal-Danger
1:4	108-1990	1	Decal
1:5	127-0326	1	Decal-Scalp, Anti
1:6	137-5949	1	Decal-HOC
1:7	144-0542	1	Decal-HOC, LH
1:8	144-0543	1	Decal-HOC, RH
1:9	133-8061	1	Decal-Warning
1:10	137-8127	3	Decal-No Spray
1:11	144-7008	1	Decal-Service, Shut-Off

● Not serviced separately



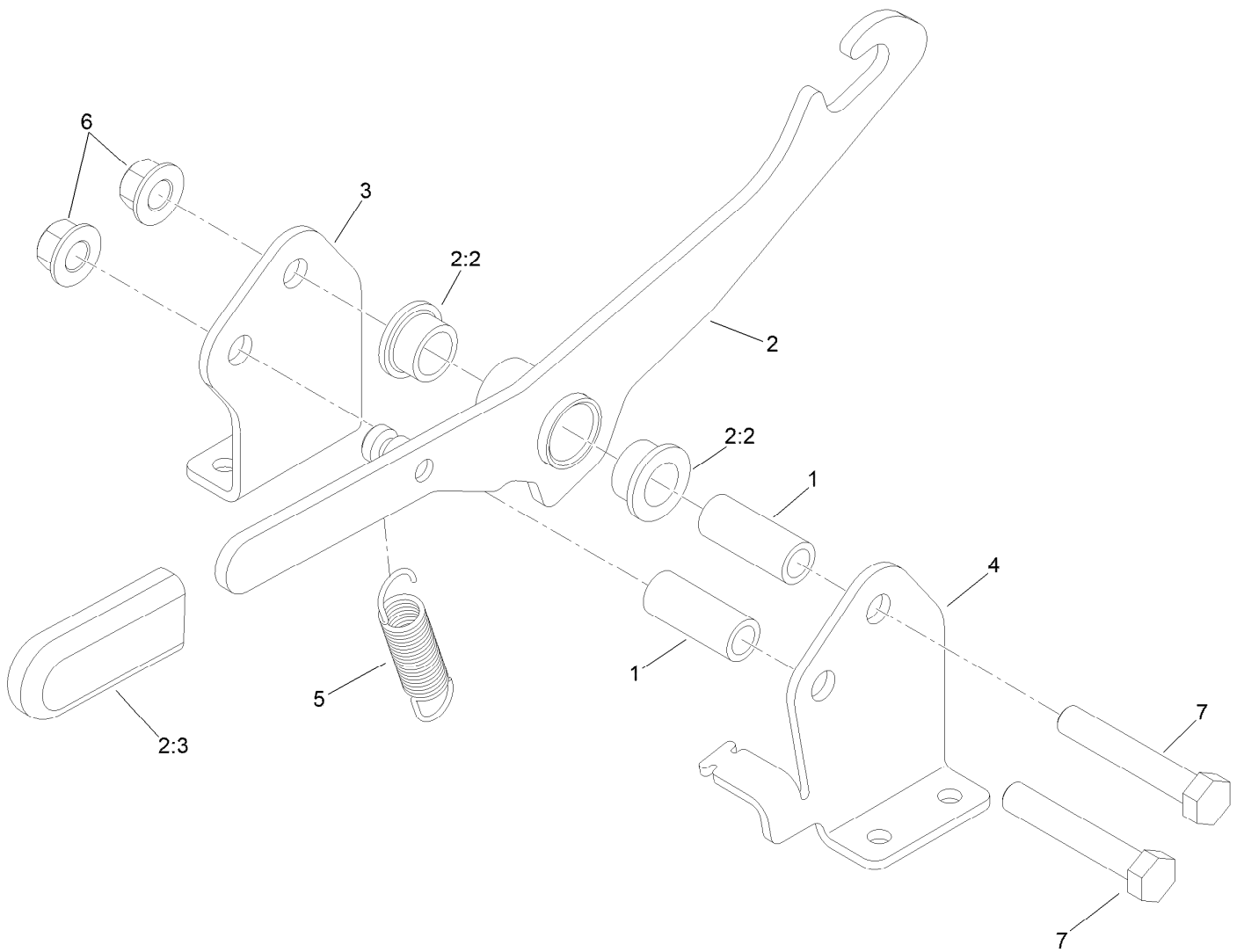
## Caster Wheel and Latch Assembly

Ref.	Part Number	Qty.	Description	Ref.	Part Number	Qty.	Description
1	108-5388	1	Screw-HH	22	3256-24	6	Washer-Plain
2	104-8301	17	Nut-HF, NI	23	323-20	6	Screw-HH
3	98-5967	1	Spacer-Wheel	24	3231-11	4	Screw-CARR
4	1-603299	4	Roller-Scalp, Anti	25	103-0865	2	Washer-Blade Bolt, Heavy
5	98-7912	2	Tube-Spanner	26	139-6345	1	Spring-Pin
6	98-7913	2	Tube-Spacer	27	139-6203	2	Screw-HH
7	323-23	2	Screw-HH	28	140-3064	2	Pin-HOC ASM
8	140-9031	1	Flap Rubber	29	138-4452	2	Pad-Stop, Deck
9	139-0919-01	1	Bracket-Flap	30	133-4543	4	Screw
10	104-8300	11	Nut-HF, NI	31	147-0070	1	Latch ASM
11	3230-10	6	Bolt-CARR	32	3231-27	4	Screw-CARR
12	138-0269-01	1	LH Caster Arm ASM	33	126-4781	1	Step-Deck
13	138-0271-01	1	RH Caster Arm ASM	34	3230-3	1	Screw-CARR
14	69-6860	4	Washer-Thrust	35	66-0561	2	Screw-Shoulder
15	69-1510	14	Spacer	36	3296-6	2	Nut-Lock
16	137-2546-01	2	Fork-Caster	37	139-6319-03	1	Guard-LH
17	92-9727	2	HOC Cap ASM	38	51-4380	1	Spring-Torsion, LH
18	137-5529	2	Wheel ASM	39	3-6803	2	Washer-Adjusting
19	327-24	2	Screw-HH	40	139-6317-03	1	Guard-RH
20	3296-53	2	Nut-Lock, NI	41	51-4370	1	Spring-Torsion, RH
21	302-5	2	Fitting-Grease				



## Wheel Assembly No. 137-5529

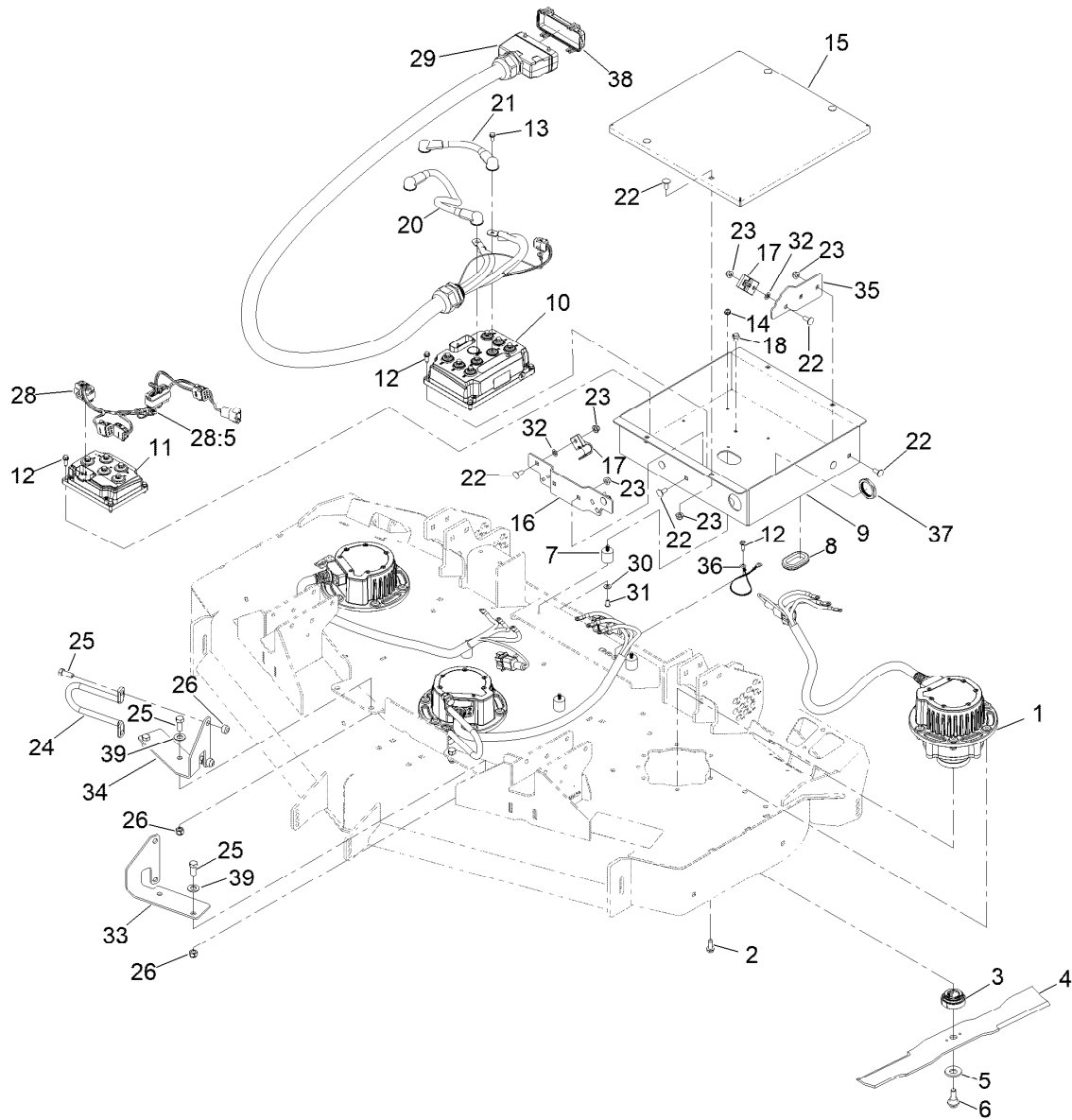
<i>Ref.</i>	<i>Part Number</i>	<i>Qty.</i>	<i>Description</i>
1	136-4424	1	Tire-Pneumatic, Semi
2	93-4241	1	Spacer-Bearing, Inner
3	120-3366	2	Bearing
4	32128-16	4	Nut-HHF
5	93-4242	1	Plate
6	137-5552	2	Rim-Wheel, Half
7	93-5980	1	Hub



## Latch Assembly No. 147-0070

<i>Ref.</i>	<i>Part Number</i>	<i>Qty.</i>	<i>Description</i>
1	117-0380	2	Spacer
2	147-0066	1	Latch Arm ASM
2:2	93-2877	2	Bushing
2:3	119-1846	1	Grip
3	139-0889	1	Bracket-Latch, Mount (RH)
4	139-0887	1	Bracket-Latch, Mount (LH)
5	130-9645	1	Spring-Extension
6	99-5107	2	Nut-Lock
7	325-12	2	Screw-HH





## Electrical Assembly

Ref.	Part Number	Qty.	Description	Ref.	Part Number	Qty.	Description
1	144-6868	3	Motor/Gen-48V, 3Kw	22	3230-23	11	Bolt-CARR
2	701243	18	Screw-Thd Roll, HWH	23	104-8300	11	Nut-HF, NI
3	145-3439	3	Retainer-Blade	24	105-5740	2	Hook-Lift (GR30/31X0)
4	145-1114	3	Blade-20.50 Low Flow	25	324-4	8	Screw-HH
5	125-1736	3	Washer-Belleville	26	3296-48	8	Nut-Hex
6	145-3499	3	Screw-Shoulder, HWH	28	122-2685	1	Harness-Wire, Deck, 60"
7	147-2089	4	Mount-Isolator	28:5	32180-282	1	Resistor-120 Ohm
8	240-2	3	Grommet-Rubber	29	122-2783	1	Harness-Wire, Implement
9	161-0812-01	1	Box-Controller	30	3256-1	4	Washer-Flat
10	138-8984	1	Inv/Ctrlr-48V,Dual 94Arms	31	135-6367	4	Screw-HSBH
11	145-7270	1	Inv/Ctrlr-48V	32	109-5667	3	Nut-Push
12	32144-44	9	Screw-HWH, Thread Roll	33	147-5095-01	1	Bracket-Cable LH
13	145-5782	13	Screw-Sems	34	147-5096-01	1	Bracket-Cable RH
14	104-7201	4	Nut-HF, NI	35	161-0845-01	1	Brkt-Cable
15	145-1071-01	1	Lid-Controller	36	122-3473	1	Cable-Strap, Braided
16	147-2071-01	1	Brkt-Cable	37	32180-563	1	Nut - Locknut, M40X1.5
17	145-6985	3	Mount-Cable	38	32180-609	1	Cover-Harting, Han 24B, Plastic
18	32180-030	1	Clip-Tie	39	3256-25	4	Washer-Flat
20	122-2957	1	Cable-Battery, Rd ASM				
21	122-2958	1	Cable-Battery, Bk ASM				

**Notes:**

**Notes:**



**Count on it.**