



**Count on it.**

**Parts Catalog**

**60in Side Discharge Rotary  
Mower**

**Groundsmaster® e3200 2-Wheel Drive  
Traction Unit**

**Model No. 31890—Serial No. 416600000 and Up**



# Ordering Replacement Parts

To order replacement parts, please supply the part number, the quantity, and the description of each part desired.

## Understanding Reference Numbers

Each identified part in an illustration has a reference number. The reference number for a part also appears in the parts list, along with other information about the part.

This catalog uses two special reference number formats, one to indicate parts in a service assembly and another to indicate the quantity of a given part in an illustration.

## Service Assembly Reference Numbers

Parts in service assemblies have reference numbers in the form a:b. The a represents the reference number of the entire service assembly and the b represents a sequential number unique to each part within the service assembly.

For example, a wheel assembly might be identified by reference number 6, the tire by 6:1, the valve by 6:2, and the wheel by 6:3. When you order the assembly identified by reference number 6, you receive all parts identified by reference numbers 6:1, 6:2, and 6:3. However, you may also order any part individually. Reference numbers of this type appear in illustration and in parts lists.

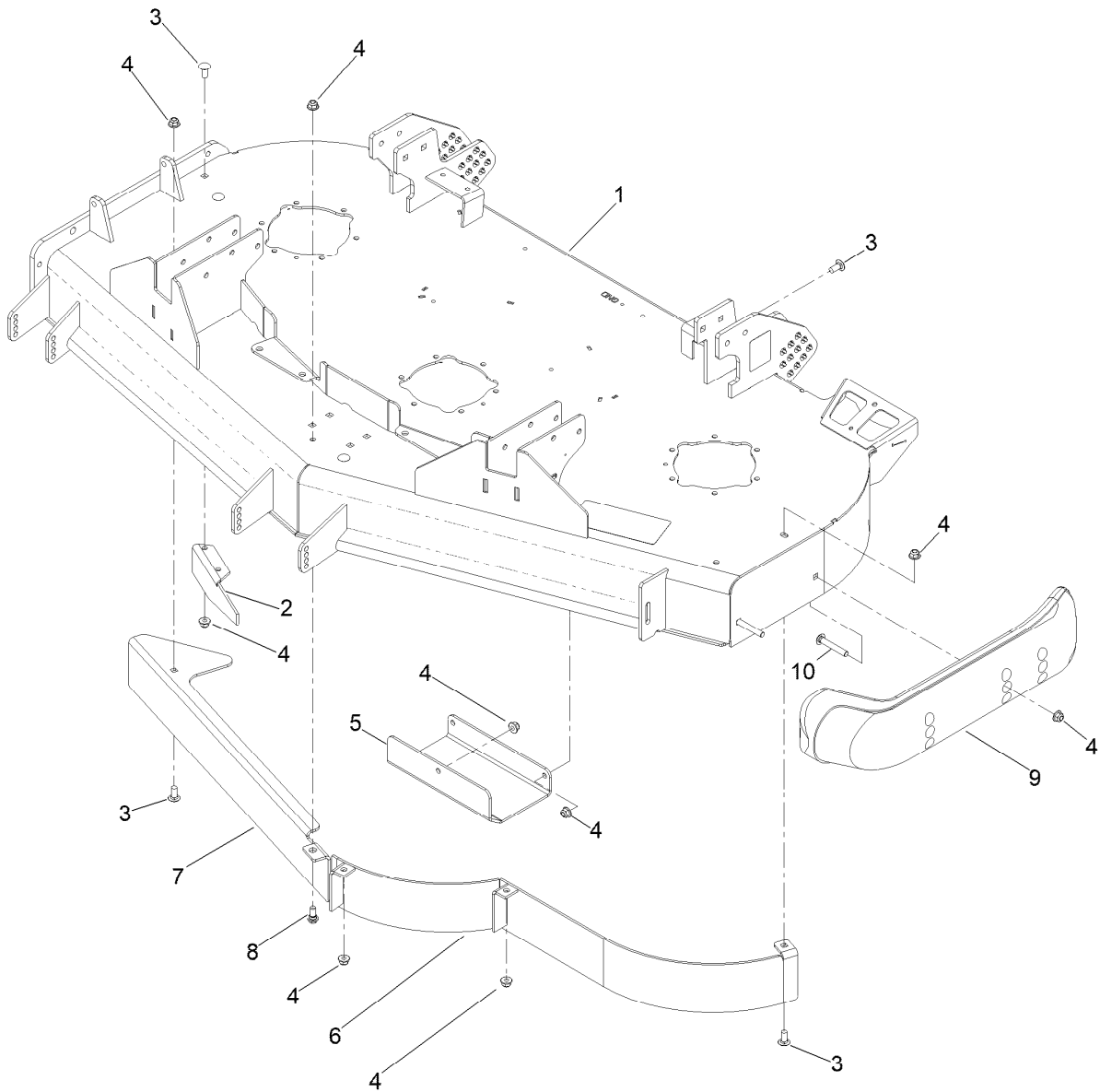
## Reference Numbers Indicating Quantity

In an illustration, if a reference number indicates more than one part, the reference number has the form nX y. The n represents the quantity of the part, the X is the multiplication symbol, and the y represents the reference number.

For example, in an illustration, the reference number 2X 37 means that two of the parts identified by reference number 37 are indicated.

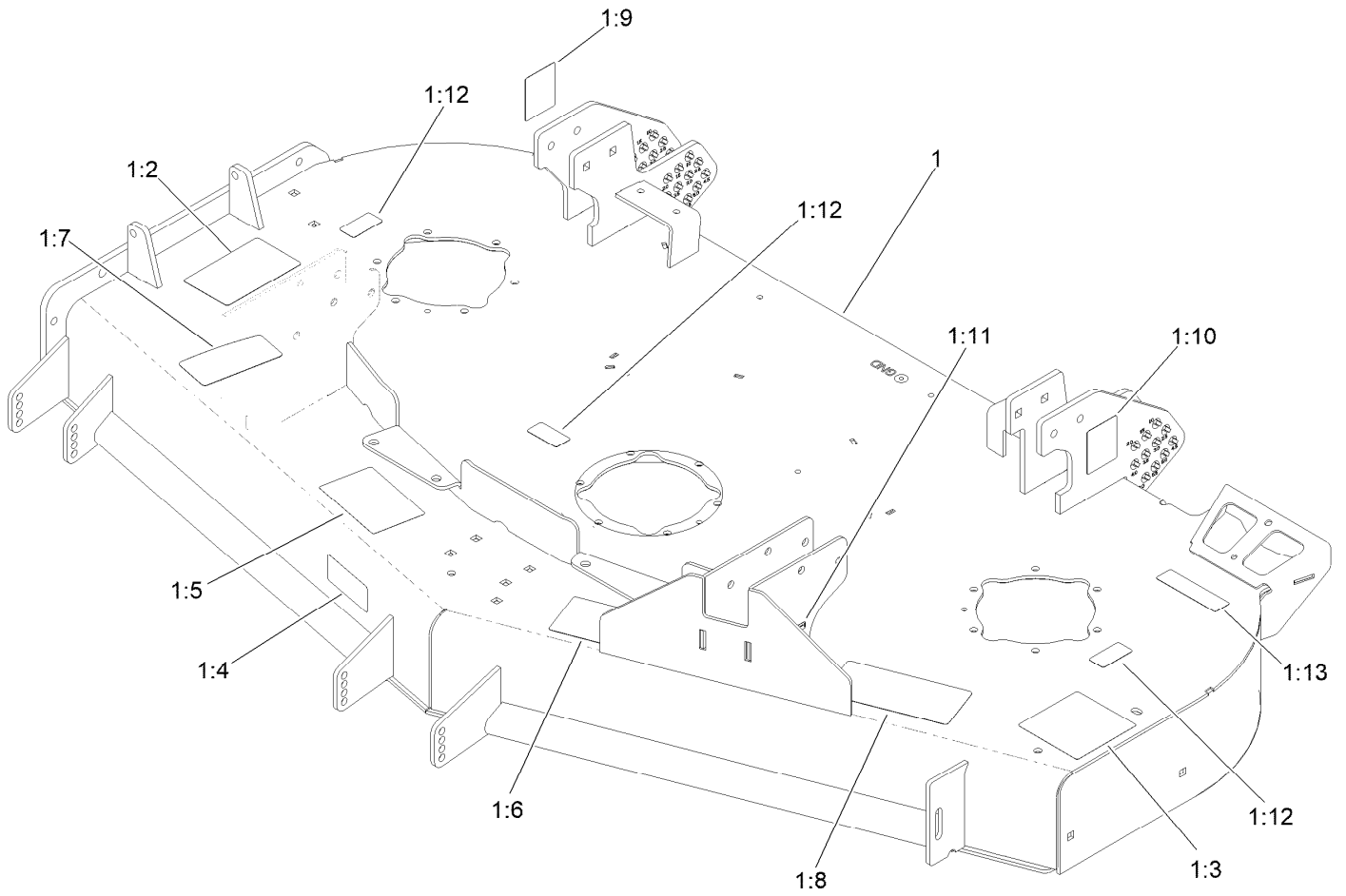
# Contents

Deck and Baffle Assembly .....	4
Deck Decal Assembly No. 145-0941SP.....	5
Caster Wheel, Deflector and Latch Assembly .....	6
Deflector Assembly No. 144-2635.....	7
Wheel Assembly No. 137-5529.....	8
Latch Assembly No. 147-0070.....	9
Electrical Assembly .....	10



## Deck and Baffle Assembly

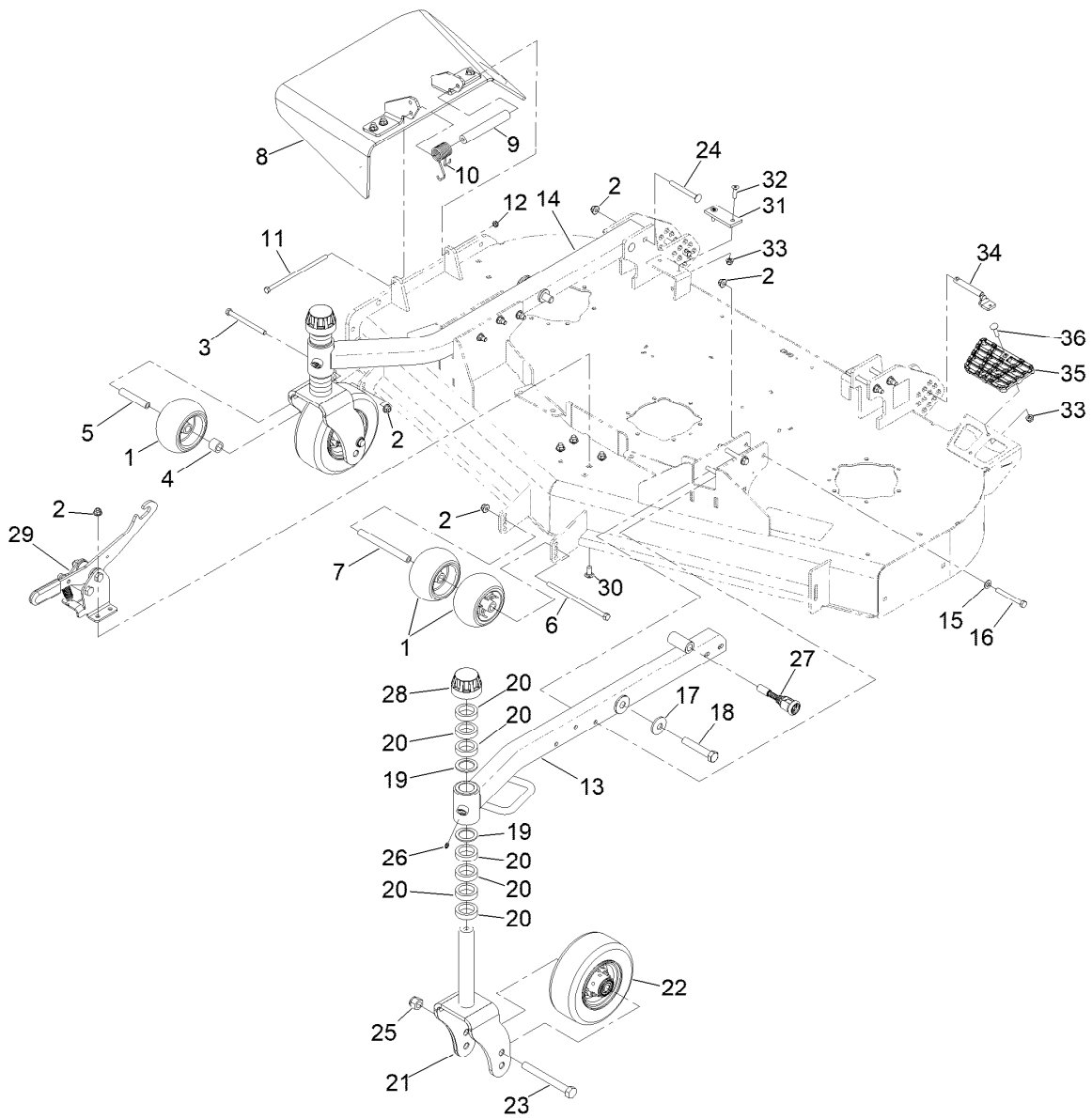
Ref.	Part Number	Qty.	Description
1	145-0941SP	1	Service Deck 60" Sd
2	106-3216-01	1	Baffle-Discharge
3	3231-27	9	Screw-CARR
4	104-8301	12	Nut-HF, NI
5	137-5918-01	1	Bracket-Skid
6	138-7322-01	1	Front-Baffle
7	138-6051-01	1	Plate-Baffle
8	94-7582	1	Bolt-Shoulder
9	112-1479	1	Skid-Bumper, Deck
10	3231-44	2	Screw-CARR



## Deck Decal Assembly No. 145-0941SP

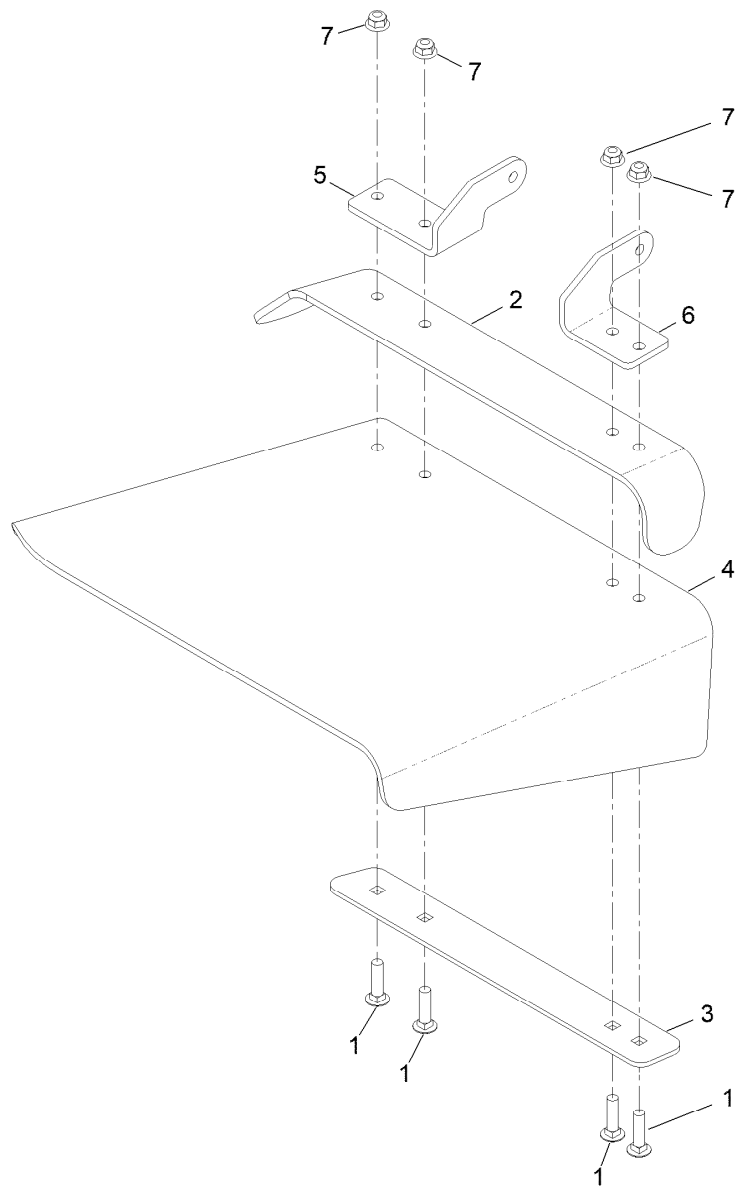
Ref.	Part Number	Qty.	Description
1		1	Service Deck 60"sd ●
1:2	147-2081	1	Decal-Danger, CE
1:3	120-6604	1	Decal-Danger
1:4	116-8283	1	Decal-Torque, Bolt
1:5	108-1990	1	Decal
1:6	127-0326	1	Decal-Scalp, Anti
1:7	131-1180	1	Decal-Adjustment, Baffle
1:8	137-5949	1	Decal-HOC
1:9	137-5946	1	Decal-HOC, RH
1:10	137-5945	1	Decal-HOC, LH
1:11	133-8061	1	Decal-Warning
1:12	137-8127	3	Decal-No Spray
1:13	144-7008	1	Decal-Service, Shut-Off

● Not serviced separately



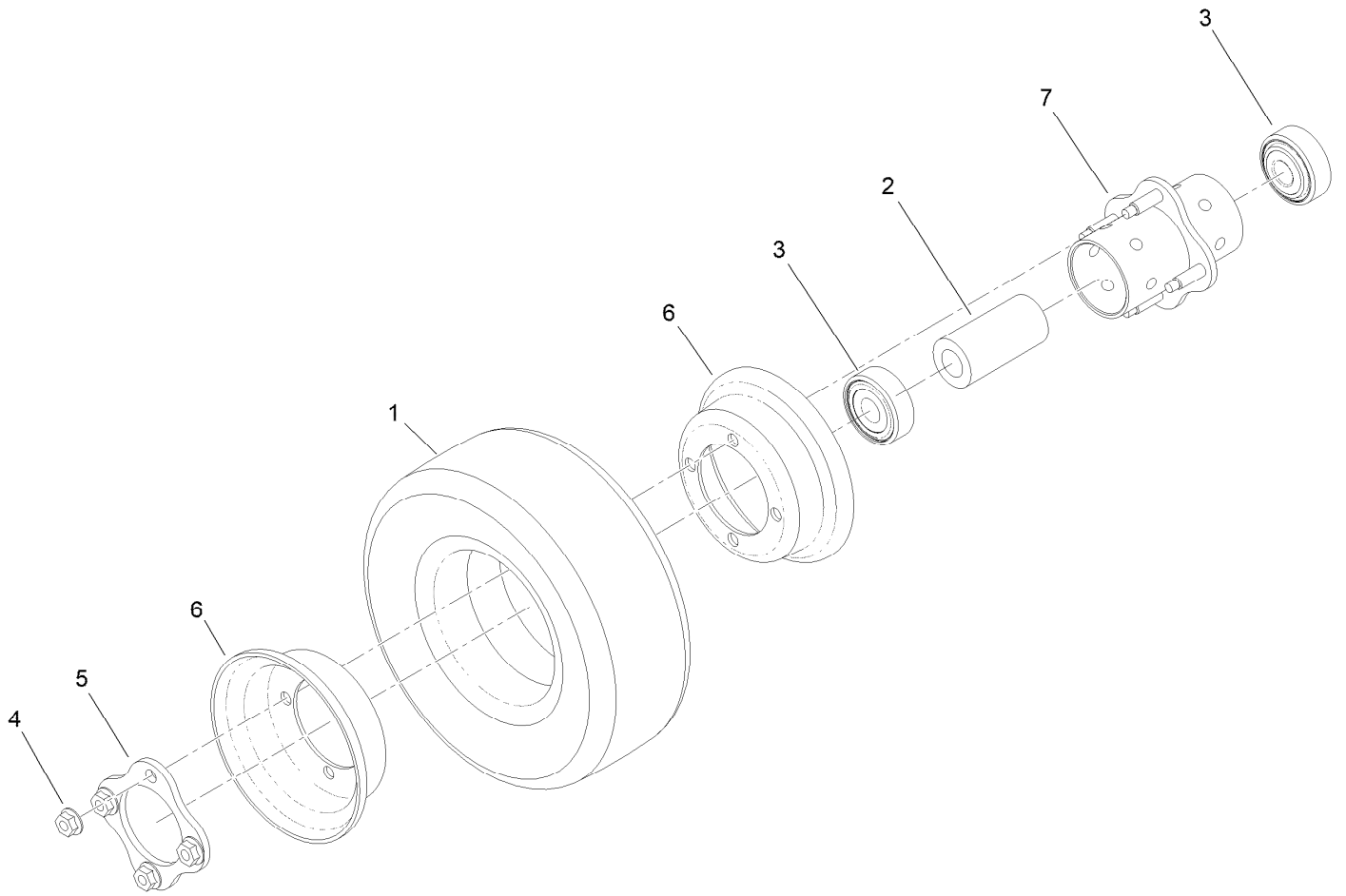
## Caster Wheel, Deflector and Latch Assembly

Ref.	Part Number	Qty.	Description	Ref.	Part Number	Qty.	Description
1	1-603299	3	Roller-Scalp, Anti	19	69-6860	4	Washer-Thrust
2	104-8301	16	Nut-HF, NI	20	69-1510	14	Spacer
3	323-23	1	Screw-HH	21	137-2546-01	2	Fork-Caster
4	98-7913	1	Tube-Spacer	22	137-5529	2	Wheel ASM
5	98-7912	1	Tube-Spinner	23	327-24	2	Screw-HH
6	108-5388	1	Screw-HH	24	3231-11	4	Screw-CARR
7	98-5967	1	Spacer-Wheel	25	3296-53	2	Nut-Lock, NI
8	144-2635	1	Rubber Deflector ASM	26	302-5	2	Fitting-Grease
9	105-4622	1	Spacer	27	139-6345	1	Spring-Pin
10	108-4052	1	Spring-Torsion	28	92-9727	2	HOC Cap ASM
11	322-50	1	Screw-HH	29	147-0070	1	Latch ASM
12	3296-47	1	Nut-Lock,NI	30	3231-27	4	Screw-CARR
13	137-5912-01	1	Arm-Caster, LH	31	138-4452	2	Pad-Stop, Deck
14	138-0279-01	1	Arm-Caster, RH	32	133-4543	4	Screw
15	3256-24	6	Washer-Plain	33	104-8300	5	Nut-HF, NI
16	323-20	6	Screw-HH	34	140-3064	2	Pin-HOC ASM
17	103-0865	2	Washer-Blade Bolt, Heavy	35	126-4781	1	Step-Deck
18	139-6203	2	Screw-HH	36	3230-3	1	Screw-CARR



## Deflector Assembly No. 144-2635

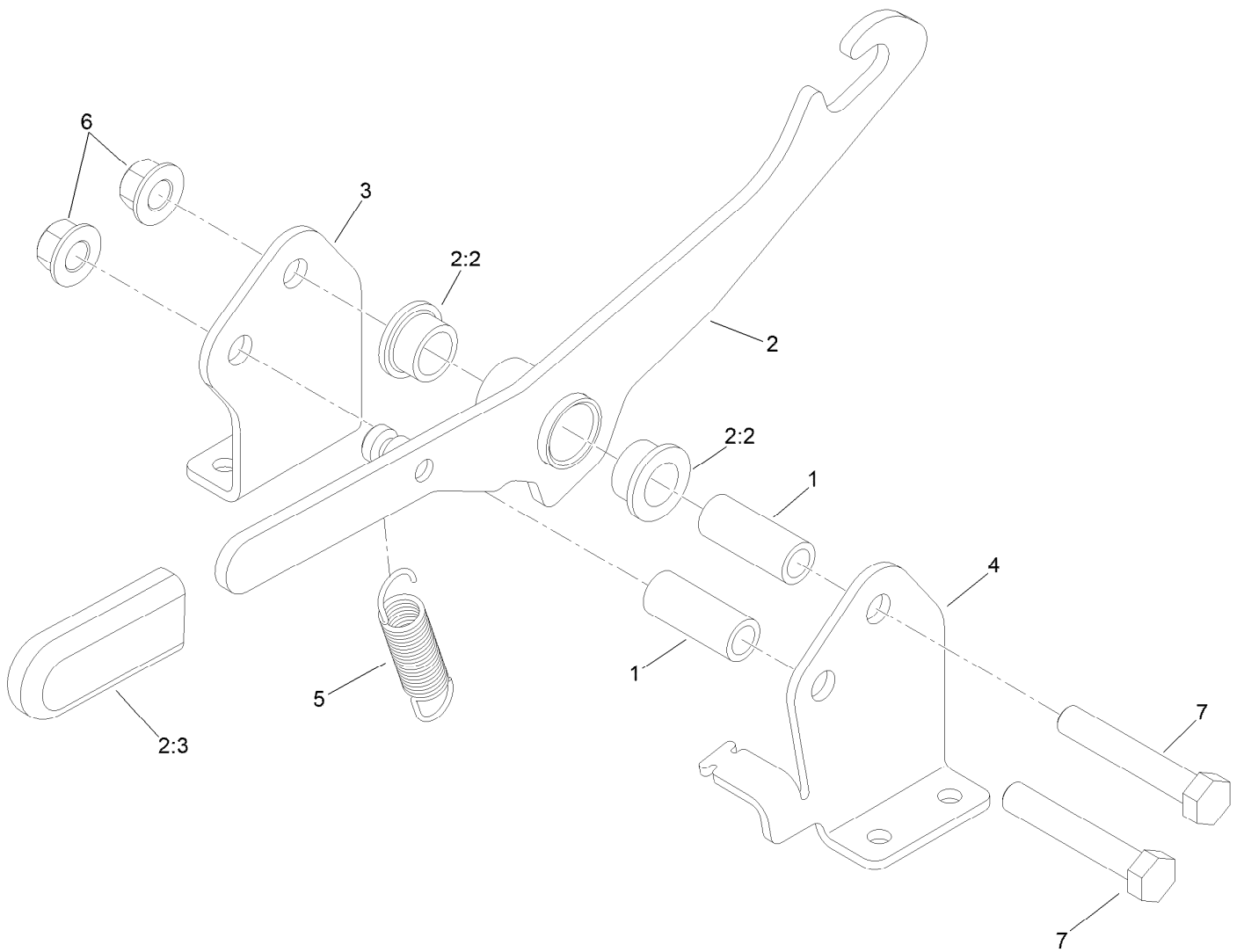
Ref.	Part Number	Qty.	Description
1	3231-4	4	Screw-CARR
2	106-3246-01	1	Deflector
3	106-3248-03	1	Strap-Discharge
4	161-3464	1	Deflector-Deck, Rubber
5	108-4059-01	1	Plate-Hinge, Rear
6	106-3253-01	1	Plate-Hinge, Front
7	104-8301	4	Nut-HF, NI



## Wheel Assembly No. 137-5529

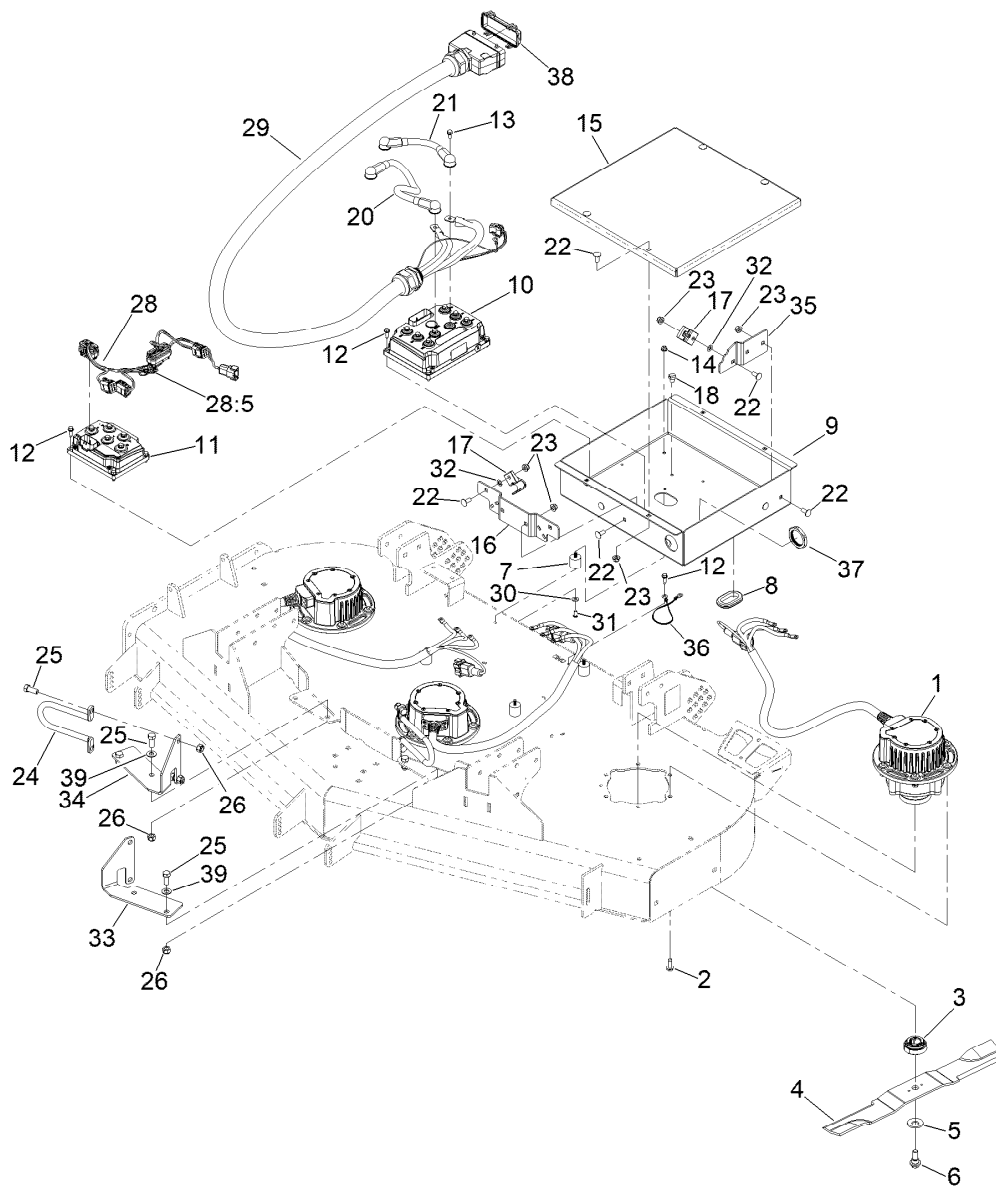
<i>Ref.</i>	<i>Part Number</i>	<i>Qty.</i>	<i>Description</i>
1	136-4424	1	Tire-Pneumatic, Semi
2	93-4241	1	Spacer-Bearing, Inner
3	120-3366	2	Bearing
4	32128-16	4	Nut-HHF
5	93-4242	1	Plate
6	137-5552	2	Rim-Wheel, Half
7	93-5980	1	Hub





## Latch Assembly No. 147-0070

<i>Ref.</i>	<i>Part Number</i>	<i>Qty.</i>	<i>Description</i>
1	117-0380	2	Spacer
2	147-0066	1	Latch Arm ASM
2:2	93-2877	2	Bushing
2:3	119-1846	1	Grip
3	139-0889	1	Bracket-Latch, Mount (RH)
4	139-0887	1	Bracket-Latch, Mount (LH)
5	130-9645	1	Spring-Extension
6	99-5107	2	Nut-Lock
7	325-12	2	Screw-HH



## Electrical Assembly

Ref.	Part Number	Qty.	Description	Ref.	Part Number	Qty.	Description
1	144-6868	3	Motor/Gen-48V, 3Kw	22	3230-23	11	Bolt-CARR
2	701243	18	Screw-Thd Roll, HWH	23	104-8300	11	Nut-HF, NI
3	145-3439	3	Retainer-Blade	24	105-5740	2	Hook-Lift (GR30/31X0)
4	145-1114	3	Blade-20.50 Low Flow	25	324-4	8	Screw-HH
5	125-1736	3	Washer-Belleville	26	3296-48	8	Nut-Hex
6	145-3499	3	Screw-Shoulder, HWH	28	122-2685	1	Harness-Wire, Deck, 60"
7	147-2089	4	Mount-Isolator	28:5	32180-282	1	Resistor-120 Ohm
8	240-2	3	Grommet-Rubber	29	122-2783	1	Harness-Wire, Implement
9	161-0812-01	1	Box-Controller	30	3256-1	4	Washer-Flat
10	138-8984	1	Inv/Ctrlr-48V,Dual 94Arms	31	135-6367	4	Screw-HSBH
11	145-7270	1	Inv/Ctrlr-48V	32	109-5667	3	Nut-Push
12	32144-44	9	Screw-HWH, Thread Roll	33	147-5095-01	1	Bracket-Cable LH
13	145-5782	13	Screw-Sems	34	147-5096-01	1	Bracket-Cable RH
14	104-7201	4	Nut-HF, NI	35	161-0845-01	1	Brkt-Cable
15	145-1071-01	1	Lid-Controller	36	122-3473	1	Cable-Strap, Braided
16	147-2071-01	1	Brkt-Cable	37	32180-563	1	Nut - Locknut, M40X1.5
17	145-6985	3	Mount-Cable	38	32180-609	1	Cover-Harting, Han 24B, Plastic
18	32180-030	1	Clip-Tie	39	3256-25	4	Washer-Flat
20	122-2957	1	Cable-Battery, Rd ASM				
21	122-2958	1	Cable-Battery, Bk ASM				

**Notes:**



**Count on it.**