



**Count on it.**

**Parts Catalog**

**ProLine H600**

**Rotary Mower**

Model No. 31040—Serial No. 323000101 and Up



# Ordering Replacement Parts

To order replacement parts, please supply the part number, the quantity, and the description of each part desired.

## **Understanding Reference Numbers**

Each identified part in an illustration has a reference number. The reference number for a part also appears in the parts list, along with other information about the part.

This catalog uses two special reference number formats, one to indicate parts in a service assembly and another to indicate the quantity of a given part in an illustration.

## **Service Assembly Reference Numbers**

Parts in service assemblies have reference numbers in the form a:b. The a represents the reference number of the entire service assembly and the b represents a sequential number unique to each part within the service assembly.

For example, a wheel assembly might be identified by reference number 6, the tire by 6:1, the valve by 6:2, and the wheel by 6:3. When you order the assembly identified by reference number 6, you receive all parts identified by reference numbers 6:1, 6:2, and 6:3. However, you may also order any part individually. Reference numbers of this type appear in illustration and in parts lists.

## **Reference Numbers Indicating Quantity**

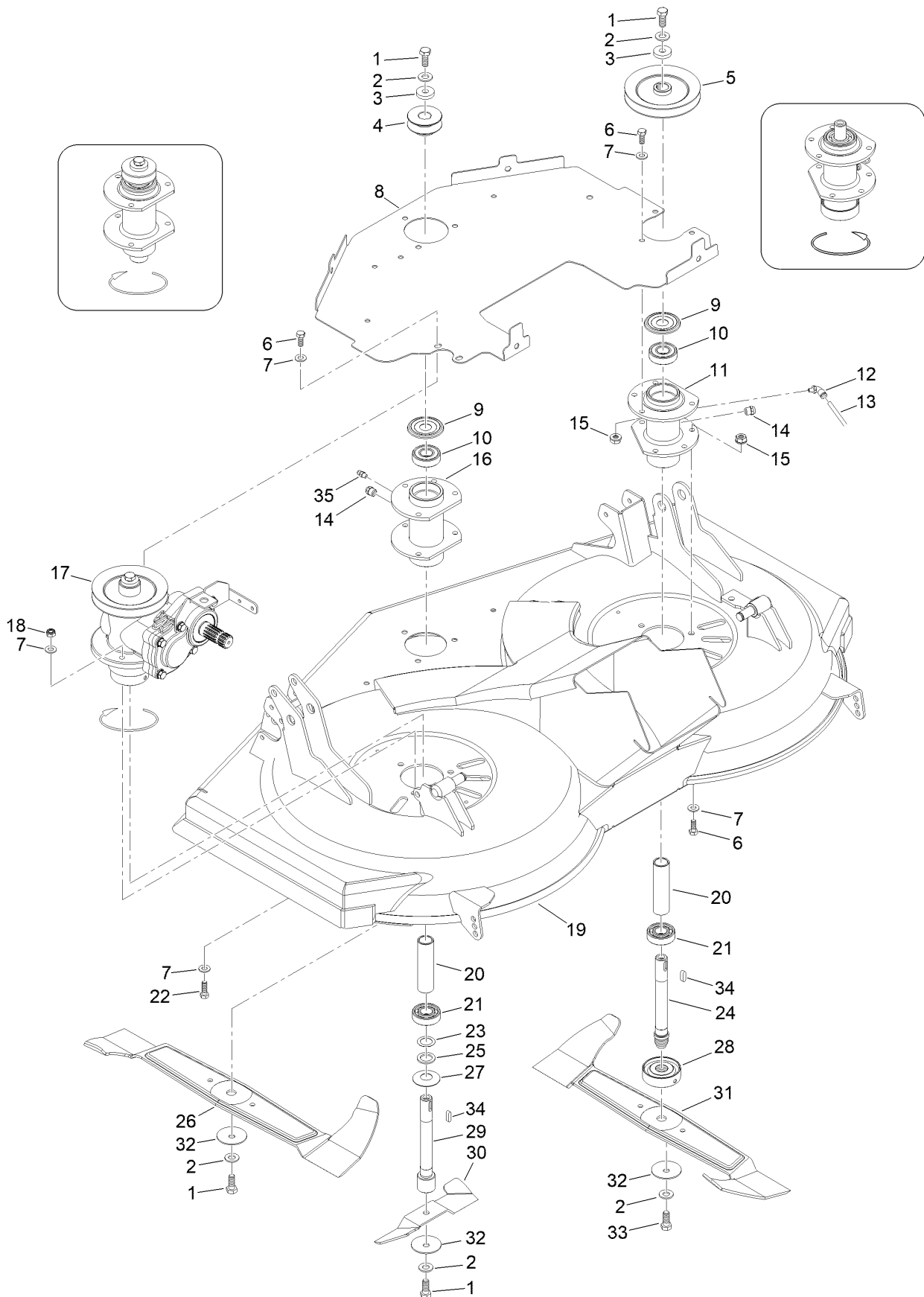
In an illustration, if a reference number indicates more than one part, the reference number has the form nX y. The n represents the quantity of the part, the X is the multiplication symbol, and the y represents the reference number.

For example, in an illustration, the reference number 2X 37 means that two of the parts identified by reference number 37 are indicated.

# Contents

Cutting Deck Blade and Pulley Assembly . . . . .	4
Cutting Deck Belt and Idlers Assembly . . . . .	6
Cutting Deck Frame and Casters Assembly . . . . .	8
Cutting Deck Anti-Scalp Assembly . . . . .	10
Cutting Deck Cover and Chute Assembly . . . . .	12
Cutting Deck Gearbox Assembly . . . . .	14
Cutting Deck and Lift Arms Assembly . . . . .	16
Exhaust Manifold Assembly . . . . .	18
Engine and Air Filter Assembly . . . . .	20
Engine Fuel Tank and Water Expansion Tank Assembly . . . . .	22
Main Frame Assembly . . . . .	24
Central Bar and Rear Axle Frame Assembly . . . . .	26
Operator Platform and Seat Assembly . . . . .	28
Gearbox Assembly No. 1 . . . . .	30
Gearbox Assembly No. 2 . . . . .	32
Transmission Assembly . . . . .	34
Transmission, PTO and Drive Shaft Assembly . . . . .	36
Parking Brakes Assembly . . . . .	38
Axle and Front Wheels Assembly . . . . .	40
Axle and Steering Rear Assembly . . . . .	42
Cooling Water System Assembly . . . . .	44
Body and Pedals Assembly . . . . .	46
Body Assembly . . . . .	48
Hydraulic Assembly No. 1 . . . . .	50
Hydraulic Assembly No. 2 . . . . .	52
Hydraulic Assembly No. 3 . . . . .	54
Hydraulic Assembly No. 4 . . . . .	56
Hopper and Frame Assembly . . . . .	58
Hopper Parts Assembly . . . . .	60
Hopper Electrical Assembly . . . . .	62
Hopper Lift Frame Assembly . . . . .	64
Electric Equipment Assembly . . . . .	66
Decals Assembly . . . . .	68
Attachments and Accessories . . . . .	70

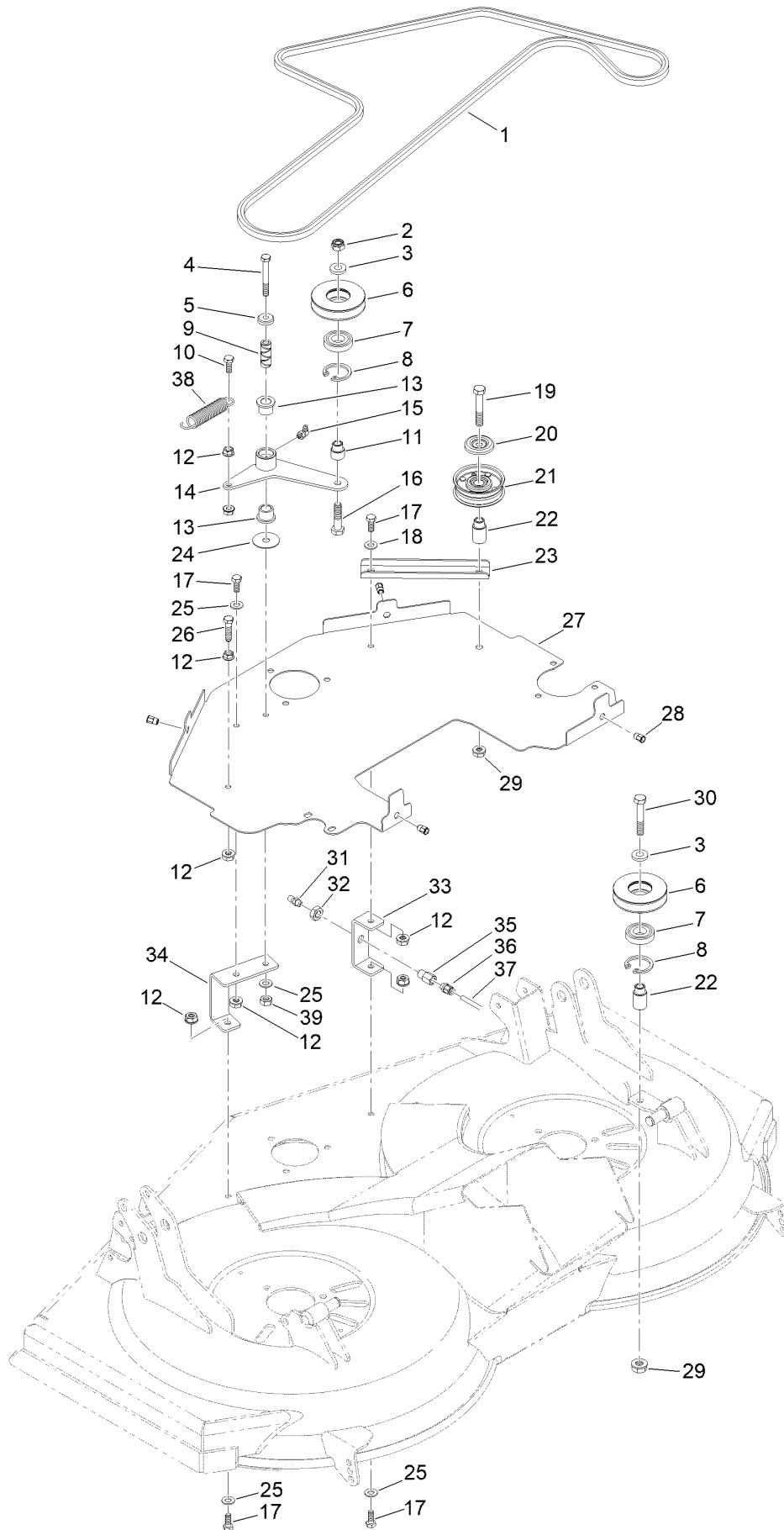
# Cutting Deck Blade and Pulley Assembly



## Cutting Deck Blade and Pulley Assembly (continued)

<i>Ref.</i>	<i>Part Number</i>	<i>Qty.</i>	<i>Description</i>	<i>Ref.</i>	<i>Part Number</i>	<i>Qty.</i>	<i>Description</i>
1	134-2956	4	Screw	19	134-9072	1	Deck, Chassis
2	134-1051	5	Washer	20	134-9011	2	Spacer, Hub
3	134-1337	2	Washer	21	134-9010	2	Bearing, 6204 Rs
4	134-9014	1	Pulley, Central Blade	22	134-1013	3	Screw
5	134-9451	1	Pulley, Blade Shaft	23	134-1354	1	Spacer
6	134-1011	8	Screw	24	162-0035	1	Shaft, Right Blade
7	134-1045	14	Washer	25	134-9013	1	Shim
8	134-9020	1	Shell, Deck	26	134-8390	1	Blade-Rotary, LH
9	134-9002	2	Guard, Pulley Side	27	134-9012	1	Guard, Blade Side
10	134-9001	2	Bearing, 6204 2Rs	28	134-9467	1	Support, Blade
11	134-9015	1	Hub, Right Blade	29	134-9004	1	Shaft, Central Blade
12	134-9017	1	Fitting, Taper	30	134-8392	1	Blade-Rotary, Center
13	134-9038	1	Hose	31	134-8391	1	Blade-Rotary, RH
14	134-9003	2	Purge Valve	32	134-9006	3	Washer, Belleville
15	134-1082	6	Nut	33	134-1347	1	Screw-HH, LH Thd
16	134-9000	1	Hub, Central Blade	34	134-8267	2	Key
17	134-9466	1	Deck Gearbox Assy	35	134-1065	1	Fitting-Grease
18	134-1092	3	Nut				

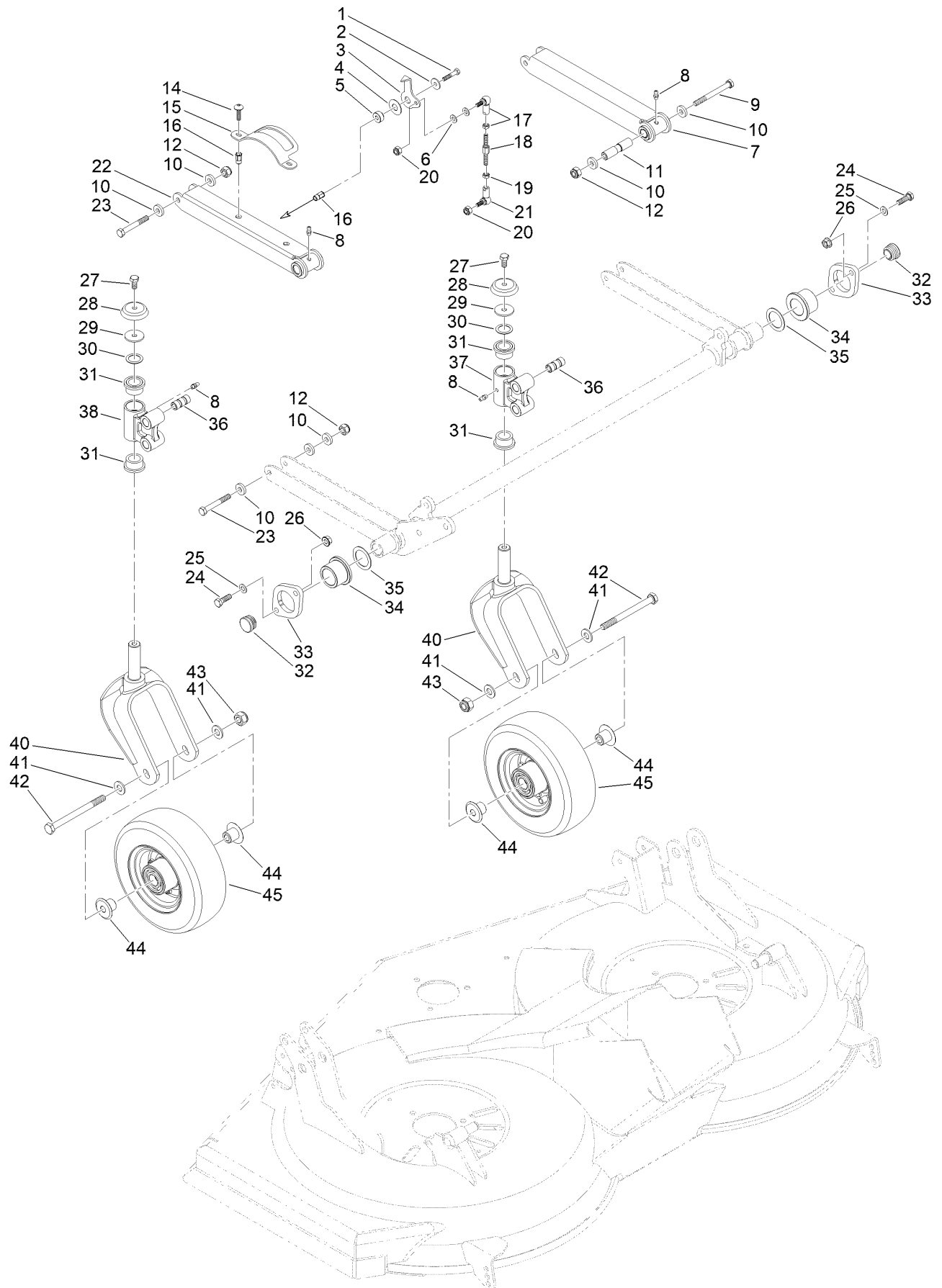
# Cutting Deck Belt and Idlers Assembly



## Cutting Deck Belt and Idlers Assembly (continued)

<i>Ref.</i>	<i>Part Number</i>	<i>Qty.</i>	<i>Description</i>	<i>Ref.</i>	<i>Part Number</i>	<i>Qty.</i>	<i>Description</i>
1	134-9021	1	Belt, Deck	20	134-9023	1	Guard, Idler
2	134-1081	1	Nut	21	134-9022	1	Pulley, Idler
3	134-9408	2	Washer	22	134-9024	2	Bushing
4	134-2953	1	Screw	23	134-9030	1	Reinforcement Bracket
5	134-9032	1	Washer	24	134-9029	1	Shim
6	134-9177	2	Pulley, Belt Tensioner	25	134-1045	4	Washer
7	134-9176	2	Bearing	26	134-1014	1	Screw
8	134-9175	2	Retainer	27	134-9020	1	Shell, Deck
9	134-0730	1	Spacer	28	134-1257	4	Insert-Threaded
10	134-1015	1	Screw	29	134-3009	2	Nut
11	134-9025	1	Bushing	30	134-8134	1	Screw-HH
12	134-1082	8	Nut	31	134-1065	1	Fitting-Grease
13	134-2954	2	Bushing	32	134-1035	1	Nut
14	134-9026	1	Bracket, Deck Belt Tensioner	33	134-9035	1	Bracket, Shell RH
15	134-9034	1	Nipple, Grease	34	134-9033	1	Bracket, Shell LH
16	134-9031	1	Screw, HH Cap	35	134-9036	1	Fitting
17	134-1011	4	Screw	36	134-9037	1	Fitting-Straight
18	134-3126	1	Washer	37	134-9038	1	Hose
19	134-3090	1	Screw	38	134-9028	1	Spring-Extension
				39	134-1092	1	Nut

# Cutting Deck Frame and Casters Assembly

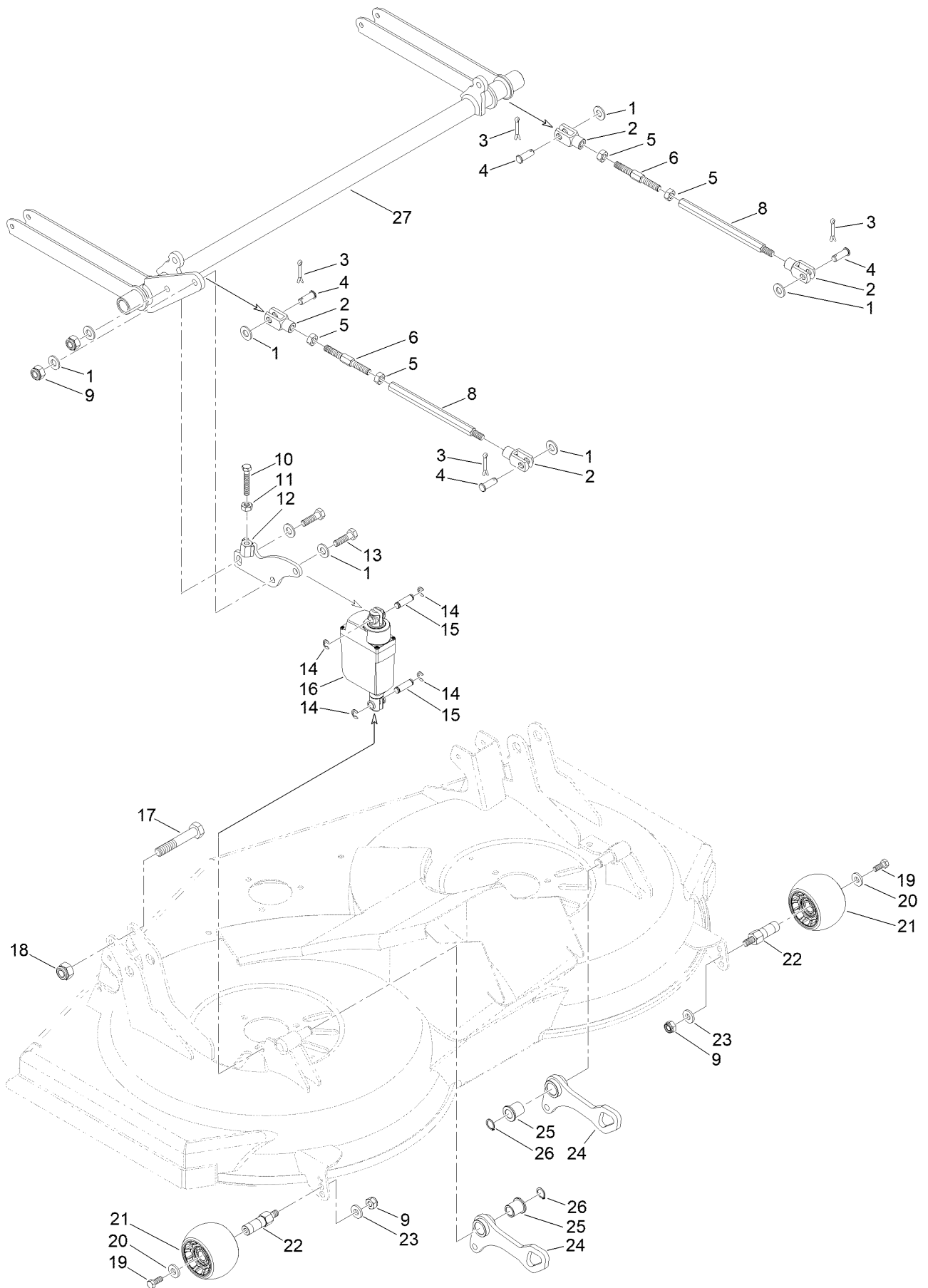




# Cutting Deck Frame and Casters Assembly (continued)

<i>Ref.</i>	<i>Part Number</i>	<i>Qty.</i>	<i>Description</i>	<i>Ref.</i>	<i>Part Number</i>	<i>Qty.</i>	<i>Description</i>
1	134-3019	1	Screw	24	134-1015	4	Screw
2	134-1234	1	Washer	25	134-1045	4	Washer
3	134-9055	1	Indicator, HOC	26	134-1082	4	Nut
4	134-9056	1	Washer, Belleville	27	134-1010	2	Screw
5	134-9057	1	Bushing	28	134-9054	2	Guard, Castor Wheel
6	134-1044	2	Washer	29	134-8239	2	Washer
7	134-9042	1	Arm Assy, RH Castor Wheel	30	134-1354	2	Spacer
8	134-1065	4	Fitting-Grease	31	134-9043	4	Bushing
9	134-9040	1	Screw	32	134-9052	2	Plug
10	134-0997	10	Washer	33	134-9049	2	Flange, Bar
11	134-9048	1	Pivot, Arms	34	134-9050	2	Bushing
12	134-1038	4	Nut	35	134-9051	2	Shim
14	134-1304	2	Screw	36	134-9047	2	Pivot, Joint
15	134-9044	1	Bracket, HOC Decal	37	134-9053	1	Joint, RH Castor Wheel
16	134-1194	3	Insert-Threaded	38	134-9039	1	Joint, LH Castor Wheel
17	134-9059	1	Tie, Rod-End	40	134-9041	2	Yoke, Castor Wheel
18	134-9058	1	Rod	41	134-1046	4	Washer
19	134-1083	1	Nut	42	134-1295	2	Screw
20	134-1042	2	Nut	43	134-1081	2	Nut
21	134-1327	1	Articulation	44	134-0731	4	Bushing
22	134-9045	1	Arm Assy, LH Castor Wheel	45	134-9046	2	Castor Wheel Assy
23	134-1024	3	Screw				

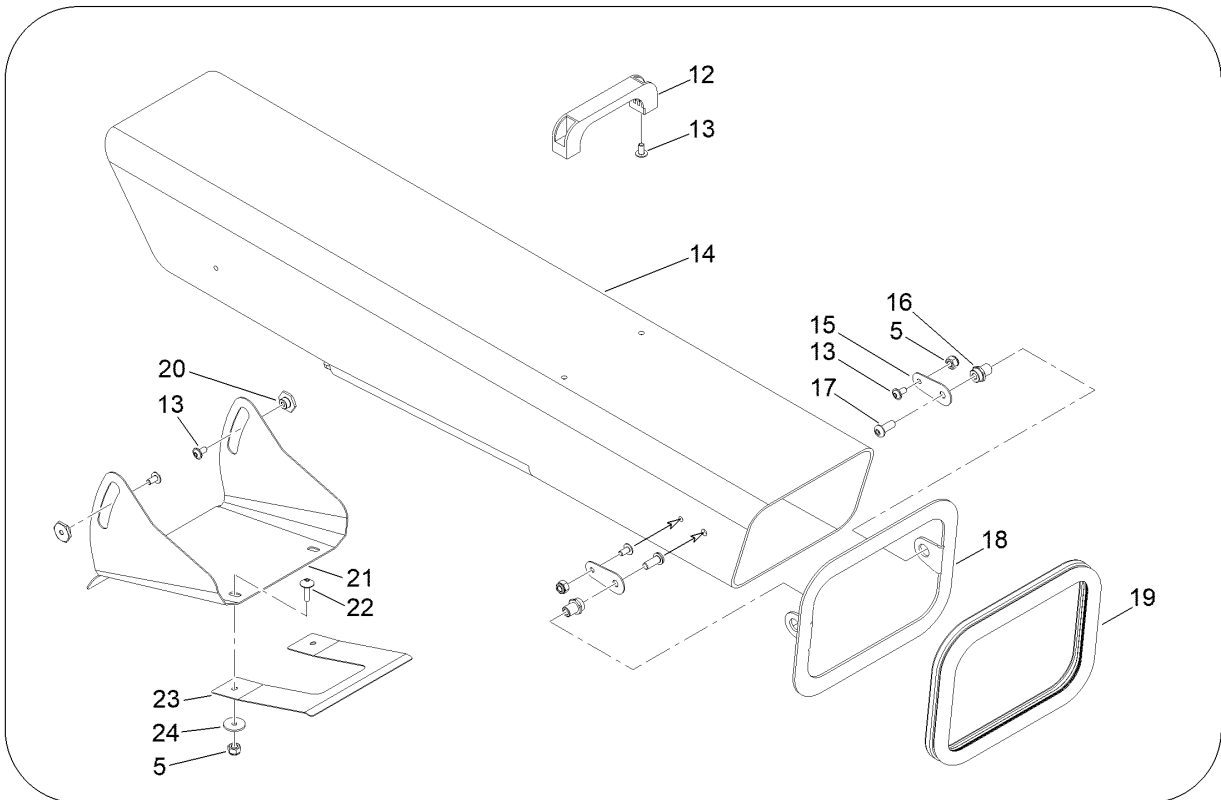
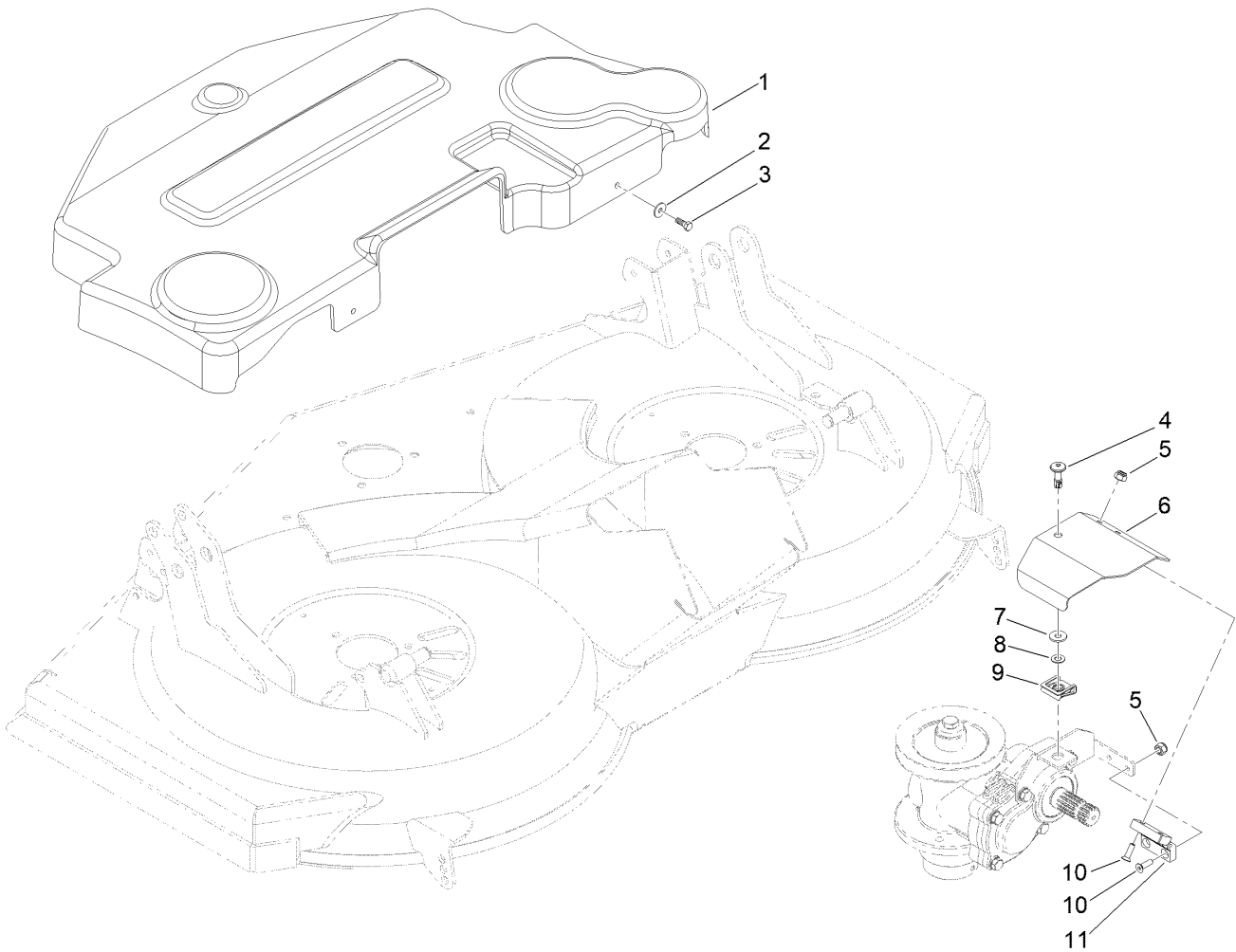
# Cutting Deck Anti-Scalp Assembly



## Cutting Deck Anti-Scalp Assembly (continued)

<i>Ref.</i>	<i>Part Number</i>	<i>Qty.</i>	<i>Description</i>	<i>Ref.</i>	<i>Part Number</i>	<i>Qty.</i>	<i>Description</i>
1	134-1046	8	Washer	15	134-9063	2	Pin, Electric Actuator
2	134-1241	4	Fork	16	134-9064	1	Actuator, Electric
3	134-2957	4	Pin-Split	17	134-9062	1	Screw, HH Cap
4	134-1242	4	Pin	18	134-2969	1	Nut
5	134-9069	4	Nut	19	134-1011	2	Screw
6	134-9068	2	Rod-Adjustment	20	134-0997	2	Washer
8	134-9070	2	Rod	21	134-0639	2	Wheel-Anti Scalp
9	134-1081	4	Nut	22	134-9060	2	Pivot, Anti-Scalp Wheel
10	134-9354	1	Screw-HH	23	134-9449	2	Washer
11	134-1034	1	Nut	24	134-9061	2	Pivot-Arm, Connecting Rod
12	134-9065	1	Bracket, Electric Actuator	25	134-1264	2	Bushing
13	134-1023	2	Screw	26	134-9274	2	Retainer
14	134-2966	4	Ring Snap	27	134-9066	1	Torsion-Bar, Deck

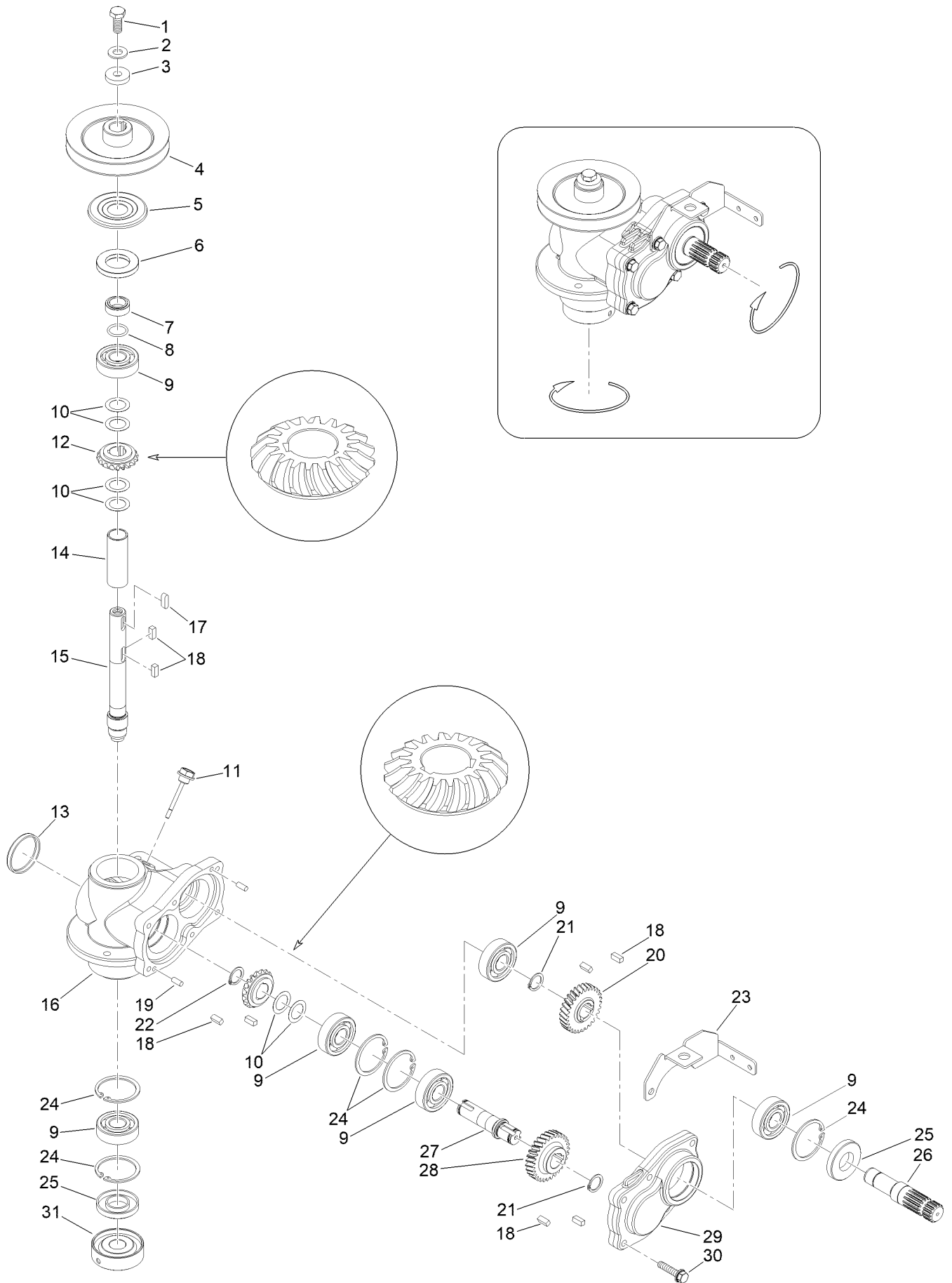
# Cutting Deck Cover and Chute Assembly



## Cutting Deck Cover and Chute Assembly (continued)

<i>Ref.</i>	<i>Part Number</i>	<i>Qty.</i>	<i>Description</i>	<i>Ref.</i>	<i>Part Number</i>	<i>Qty.</i>	<i>Description</i>
1	134-9071	1	Cover, Deck	13	134-1314	6	Screw
2	134-1234	4	Washer	14	134-9073	1	Chute
3	134-1008	4	Screw	15	134-9078	2	Plate, Chute
4	134-9082	1	Fastener-Retained	16	134-9076	2	Pin, Chute
5	134-1042	8	Nut	17	134-9149	2	Screw, H-Sckt B Head
6	134-9080	1	Cover, Cardan Shaft	18	134-9074	1	Frame, Chute
7	134-3003	1	Washer	19	134-9077	1	Gasket, Chute
8	134-1192	1	Washer	20	134-0803	2	Pin
9	134-1193	1	Plate-Small	21	134-9075	1	Bulkhead, Chute
10	134-3111	4	Screw	22	134-1304	2	Screw
11	134-1147	1	Hinge-Plastic	23	134-0801	1	Plate
12	134-1140	1	Handle	24	134-1232	2	Washer

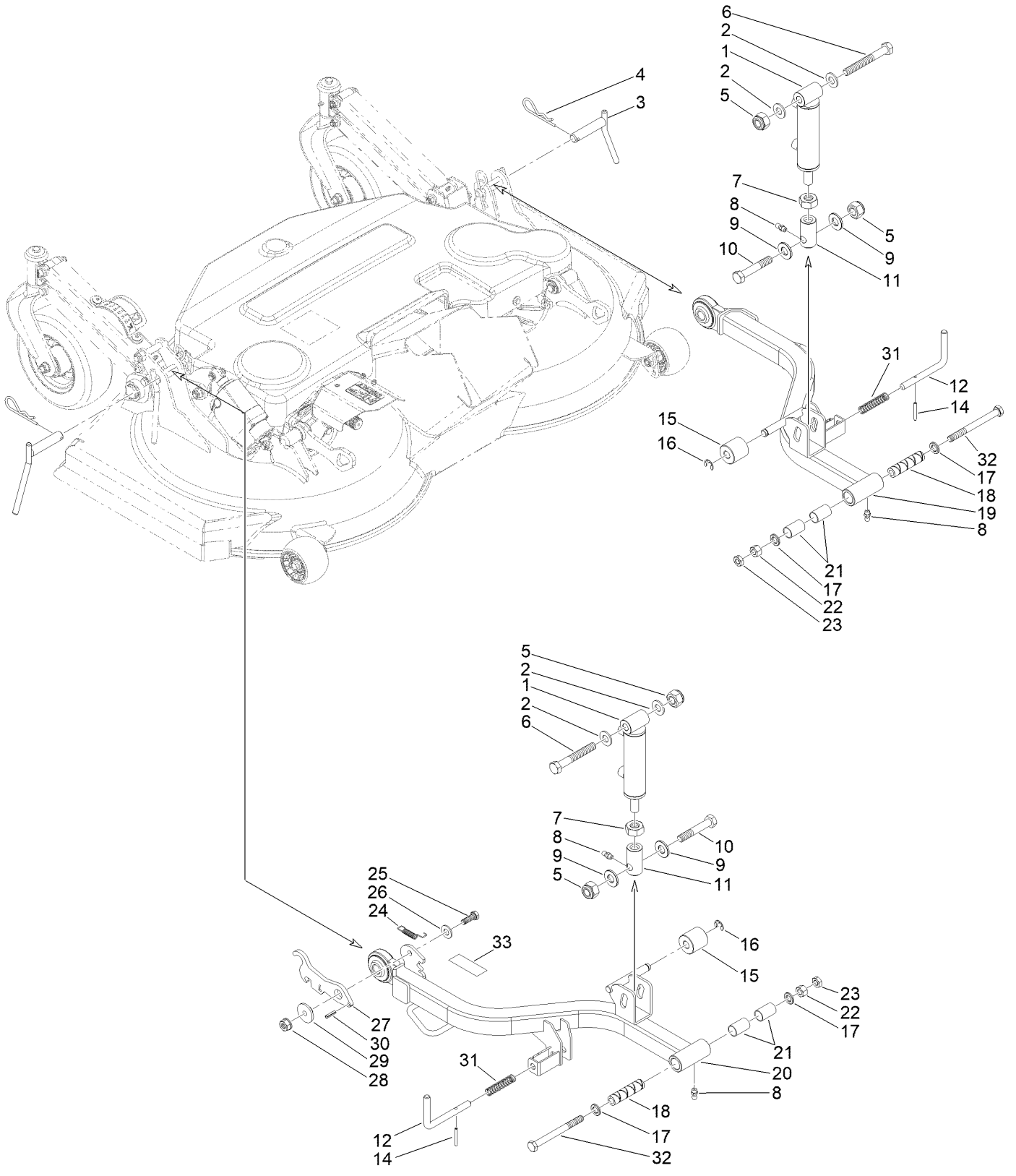
# Cutting Deck Gearbox Assembly



## Cutting Deck Gearbox Assembly (continued)

<i>Ref.</i>	<i>Part Number</i>	<i>Qty.</i>	<i>Description</i>	<i>Ref.</i>	<i>Part Number</i>	<i>Qty.</i>	<i>Description</i>
1	134-2956	1	Screw	18	134-1341	8	Key-Shaft
2	134-1051	1	Washer	19	134-9462	2	Pin
3	134-1337	1	Washer	20	134-9470	1	Gear, Helical-LH
4	134-9451	1	Pulley, Blade Shaft	21	134-1060	3	Ring-Retaining, Int
5	134-9452	1	Guard, Deck Gearbox	22	134-9464	1	Spiral Bevel Gear, RH
6	134-9453	1	Oil Seal	23	134-9465	1	Support, Cardan Shaft Cover
7	134-9454	1	Ring, Deck Gearbox	24	134-1057	5	Ring-Retaining, Int
8	134-9455	1	O-Ring,	25	134-9481	2	Seal, Oil
9	134-1110	6	Bearing	26	134-9471	1	Shaft, Primary Deck Gearbox
10	134-1354	6	Spacer	27	134-9468	1	Shaft, Secondary Deck Gearbox
11	134-9456	1	Dipstick, Transmission	28	134-9469	1	Gear, Helical-LH
12	134-9457	1	Spiral Bevel Gear, LH	29	134-9461	1	Cover, Deck Gearbox
13	134-1238	1	Cap	30	134-9463	6	Screw-HHF
14	134-9459	1	Spacer	31	134-9467	1	Support, Blade
15	134-9460	1	Shaft, LH Blade				
16	134-9458	1	Gearbox, Deck				
17	134-8267	1	Key				

# Cutting Deck and Lift Arms Assembly

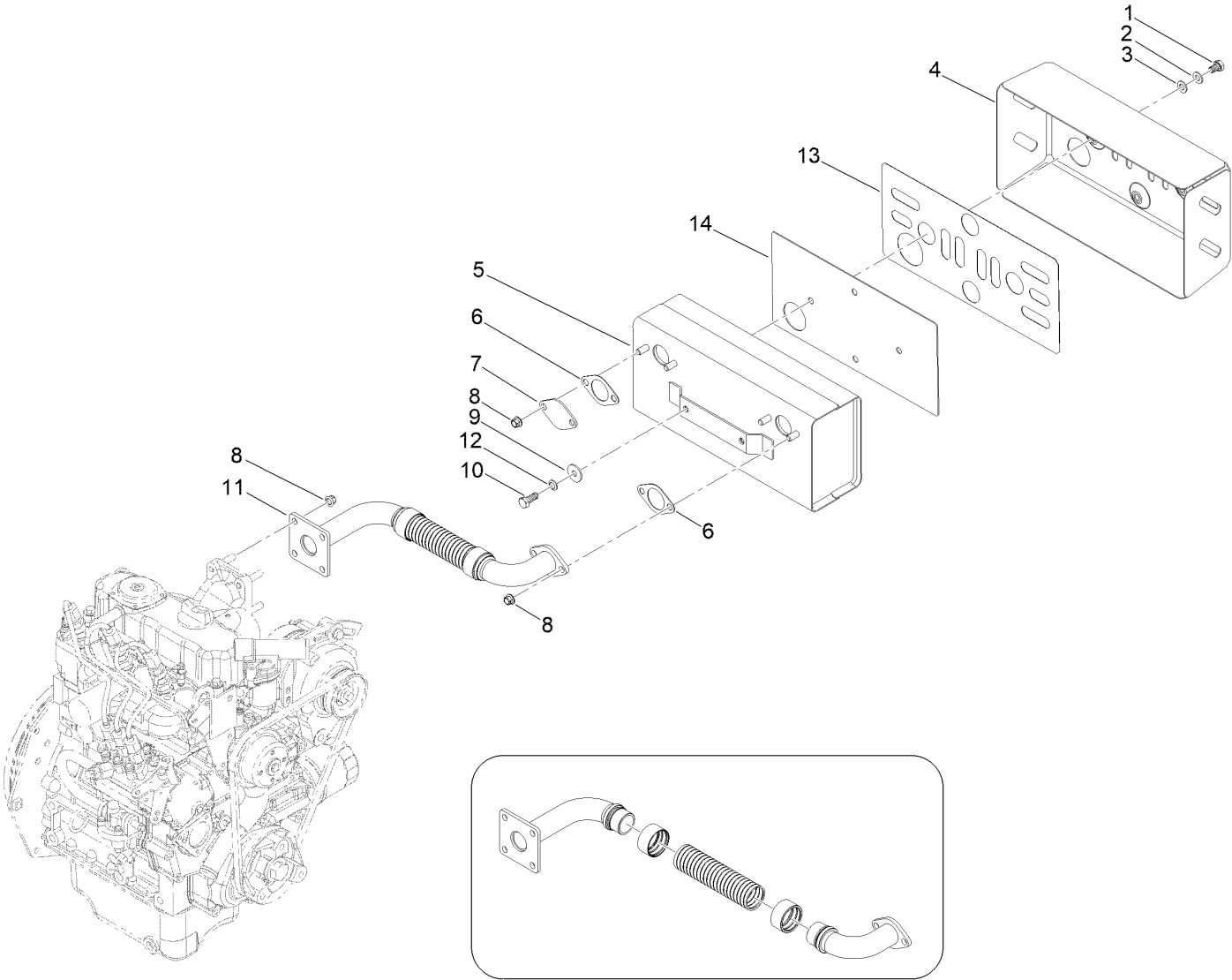




## Cutting Deck and Lift Arms Assembly (continued)

<i>Ref.</i>	<i>Part Number</i>	<i>Qty.</i>	<i>Description</i>	<i>Ref.</i>	<i>Part Number</i>	<i>Qty.</i>	<i>Description</i>
1	134-9337	2	Ram	18	134-0899	2	Bushing
2	134-3012	4	Washer	19	134-9086	1	RH Arm, Deck
3	134-9091	2	Pin-Pivot	20	134-9088	1	LH Arm, Deck
4	134-1098	2	Pin-Spring	21	134-1187	4	Bushing
5	134-1090	4	Nut	22	134-8075	2	Nut-Hex
6	134-9089	2	Screw, HH Cap	23	134-1035	2	Nut
7	134-1037	2	Nut	24	134-0695	1	Spring
8	134-1065	4	Fitting-Grease	25	134-1023	1	Screw
9	134-0977	4	Washer-Plastic	26	134-1046	1	Washer
10	134-9090	2	Screw, HH Cap	27	134-9084	1	Hook, Deck
11	134-0692	2	Support	28	134-3009	1	Nut
12	134-0660	2	Pin-Unhooking	29	134-0710	1	Bushing
14	134-1205	2	Plug-Spirol	30	134-1136	1	Plug-Spirol
15	134-9083	2	Roller, Platform	31	134-0641	2	Spring
16	134-2964	2	Ring-Snap	32	134-8074	2	Screw-HH
17	134-8073	4	Washer-Plain, Chamfered	33	134-9472	2	Tape, Non-Slip

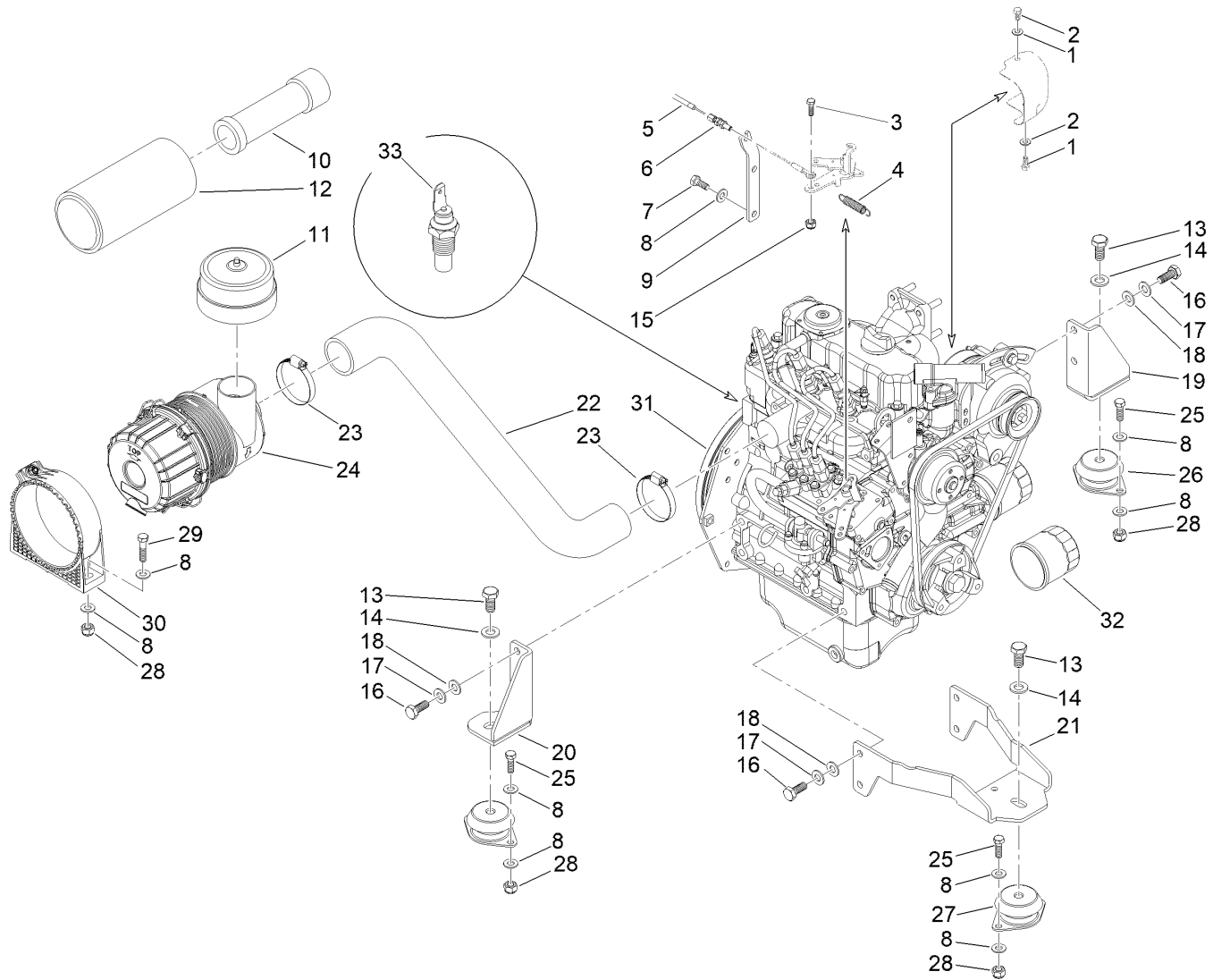
# Exhaust Manifold Assembly



## Exhaust Manifold Assembly (continued)

<i>Ref.</i>	<i>Part Number</i>	<i>Qty.</i>	<i>Description</i>	<i>Ref.</i>	<i>Part Number</i>	<i>Qty.</i>	<i>Description</i>
1	134-9095	4	Screw	8	134-1166	8	Nut
2	134-1054	4	Washer	9	134-3126	2	Washer
3	134-1045	4	Washer	10	134-1011	2	Screw
4	134-9098	1	Cover, Muffler	11	134-9097	1	Manifold, Exhaust
5	134-9096	1	Muffler	12	134-1054	2	Washer
6	134-9093	2	Gasket, Muffler	13	134-9847	1	Tape, Muffler
7	134-9094	1	Flange, Muffler	14	134-9848	1	Plate, Spacer-Muffler

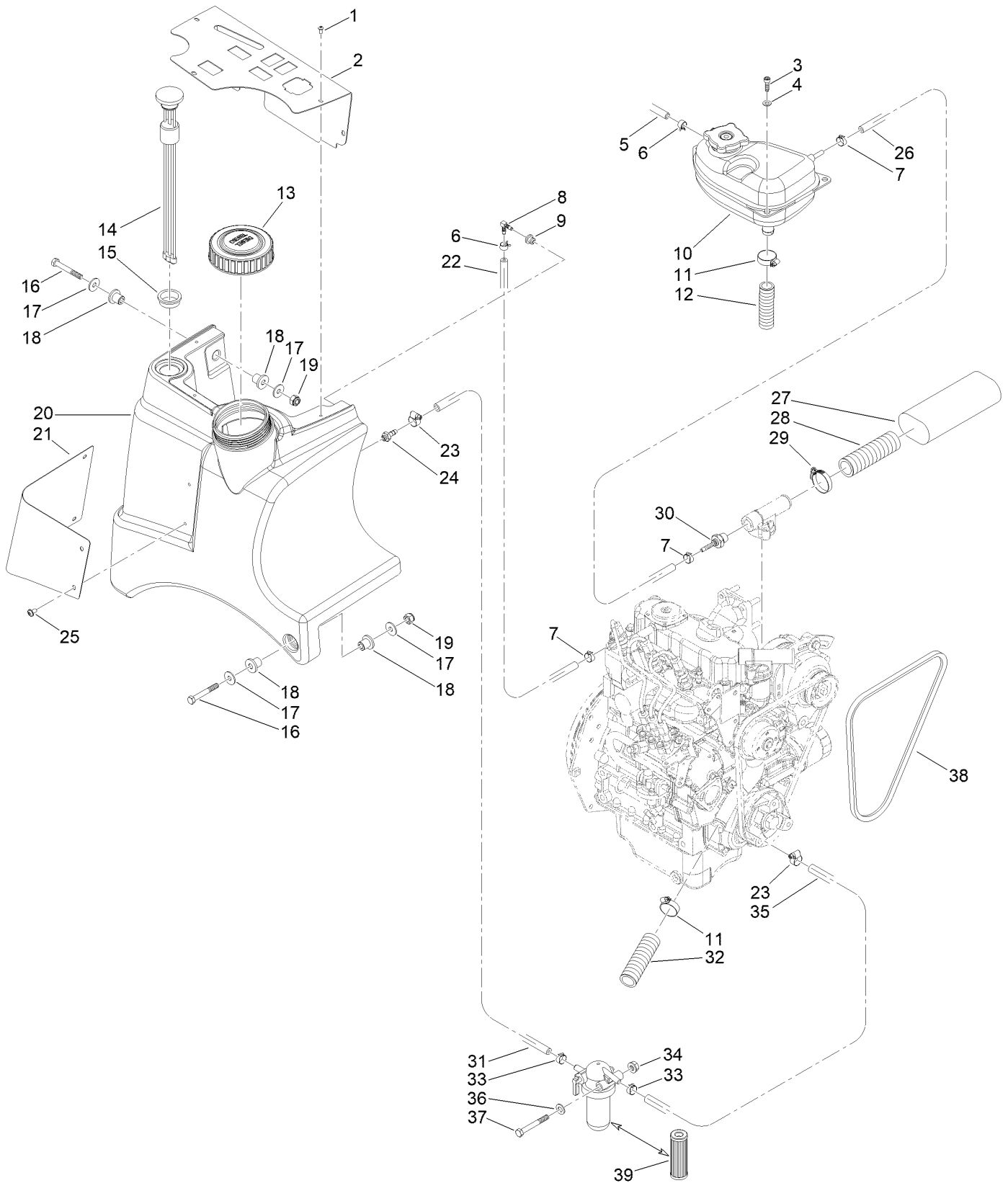
# Engine and Air Filter Assembly



## Engine and Air Filter Assembly (continued)

<i>Ref.</i>	<i>Part Number</i>	<i>Qty.</i>	<i>Description</i>	<i>Ref.</i>	<i>Part Number</i>	<i>Qty.</i>	<i>Description</i>
1	134-9104	2	Screw-HH, Cap	18	134-1046	8	Washer
2	134-1044	2	Washer	19	134-9105	1	Support-Front, Engine RH
3	134-1008	1	Screw	20	134-9108	1	Support-Front, Engine LH
4	134-9110	1	Spring	21	134-9112	1	Engine Support, Rear
5	134-9163	1	Cable, Throttle	22	134-9109	1	Hose, Engine Intake
6	134-9111	1	Screw HH	23	134-1103	2	Clamp
7	134-1011	2	Screw	24	134-0575	1	Filter-Air
8	134-1045	18	Washer	25	134-1015	6	Screw
9	134-9113	1	Bracket, Throttle Cable	26	134-9103	2	Shock Absorber
10	134-0576	1	Element-Air Filter, Inner	27	134-1157	1	Shock Absorber
11	134-0567	1	Prefilter-Air	28	134-1038	8	Nut
12	134-0574	1	Cartridge-Filter	29	134-1014	2	Screw
13	134-1020	3	Screw	30	134-1177	1	Clamp
14	134-1047	3	Washer	31	134-9482	1	Engine
15	134-1042	1	Nut	32	134-9483	1	Oil-Filter
16	134-2956	8	Screw	33	134-9849	1	Sensor, Coolant-Temp
17	134-1051	8	Washer				

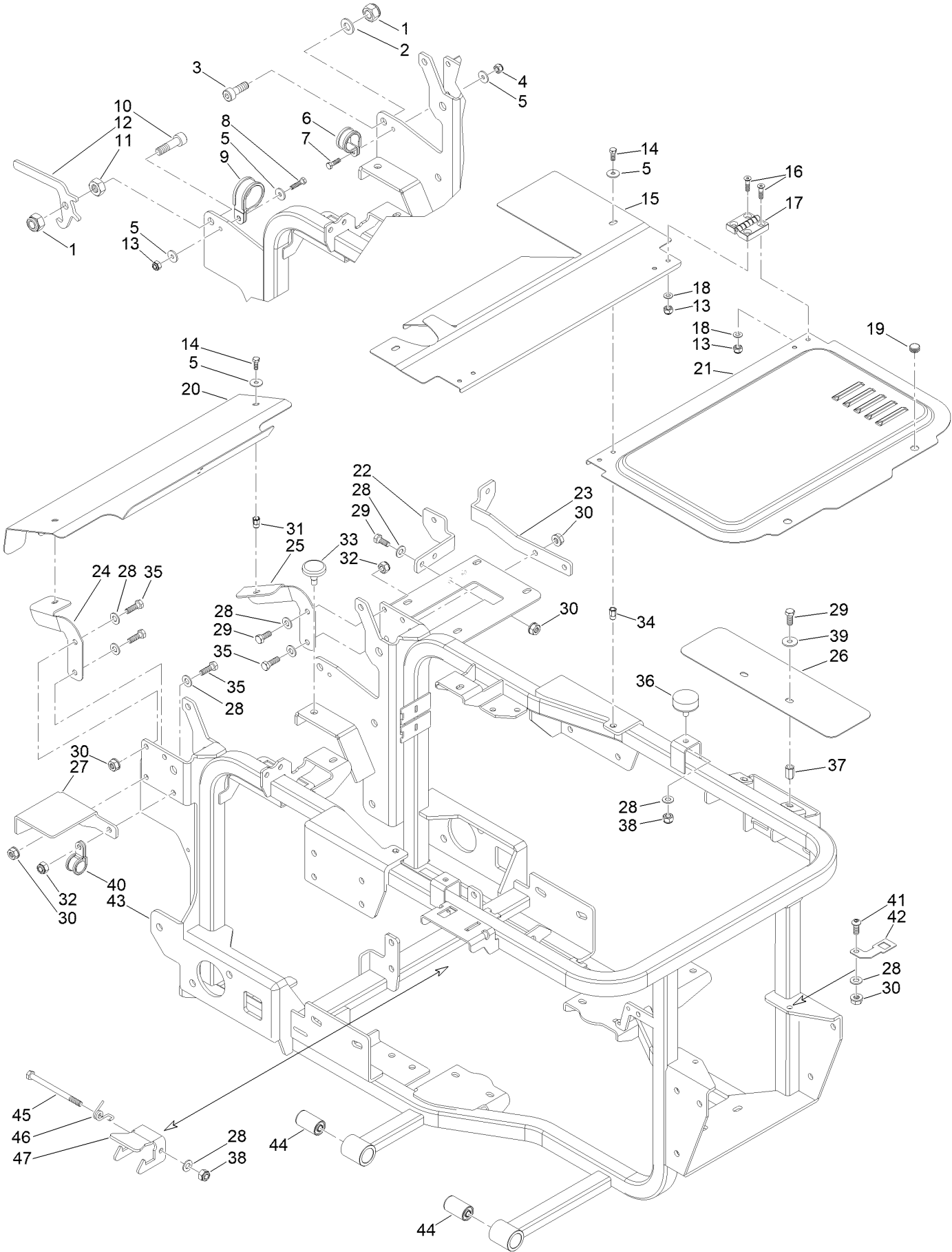
# Engine Fuel Tank and Water Expansion Tank Assembly



## Engine Fuel Tank and Water Expansion Tank Assembly (continued)

<i>Ref.</i>	<i>Part Number</i>	<i>Qty.</i>	<i>Description</i>	<i>Ref.</i>	<i>Part Number</i>	<i>Qty.</i>	<i>Description</i>
1	134-9117	5	Screw-H-Sckt B Head Cap	21	134-9122	1	Cover, Fuel Tank
2	134-9116	1	Dashboard, LH	22	134-9129	1	Hose
3	134-1071	3	Screw	23	134-8234	2	Clip-Worm
4	134-1044	3	Washer	24	134-9121	1	Fitting,
5	134-2973	1	Pipe	25	134-1314	4	Screw
6	134-1199	2	Clamp	26	134-9115	1	Hose
7	134-1200	3	Clamp	27	134-9266	1	Hose Guard
8	134-9124	1	Fitting, 90 DEG	28	134-9265	1	Hose, Radiator 25X1240
9	134-9125	1	Gasket, Fitting Ws5	29	134-1277	1	Clamp
10	134-9130	1	Water Expansion Tank	30	134-9114	1	Fitting-Taper
11	134-9320	2	Clamp	31	134-9127	1	Hose-Rubber
12	134-9268	1	Hose, Radiator	32	134-9267	1	Hose, Radiator
13	134-1988	1	Cap-Tank, Diesel	33	134-1203	2	Clamp
14	134-9118	1	Fuel Gauge	34	134-1082	1	Nut
15	134-9119	1	Gasket, Fuel Gauge	35	134-9126	1	Hose
16	134-1024	3	Screw	36	134-1045	1	Washer
17	134-3126	6	Washer	37	134-2953	1	Screw
18	134-9120	6	Bushing	38	134-9484	1	Belt, Engine
19	134-1038	3	Nut	39	134-9485	1	Filter, Gasoline
20	134-9128	1	Fuel Tank				

# Main Frame Assembly

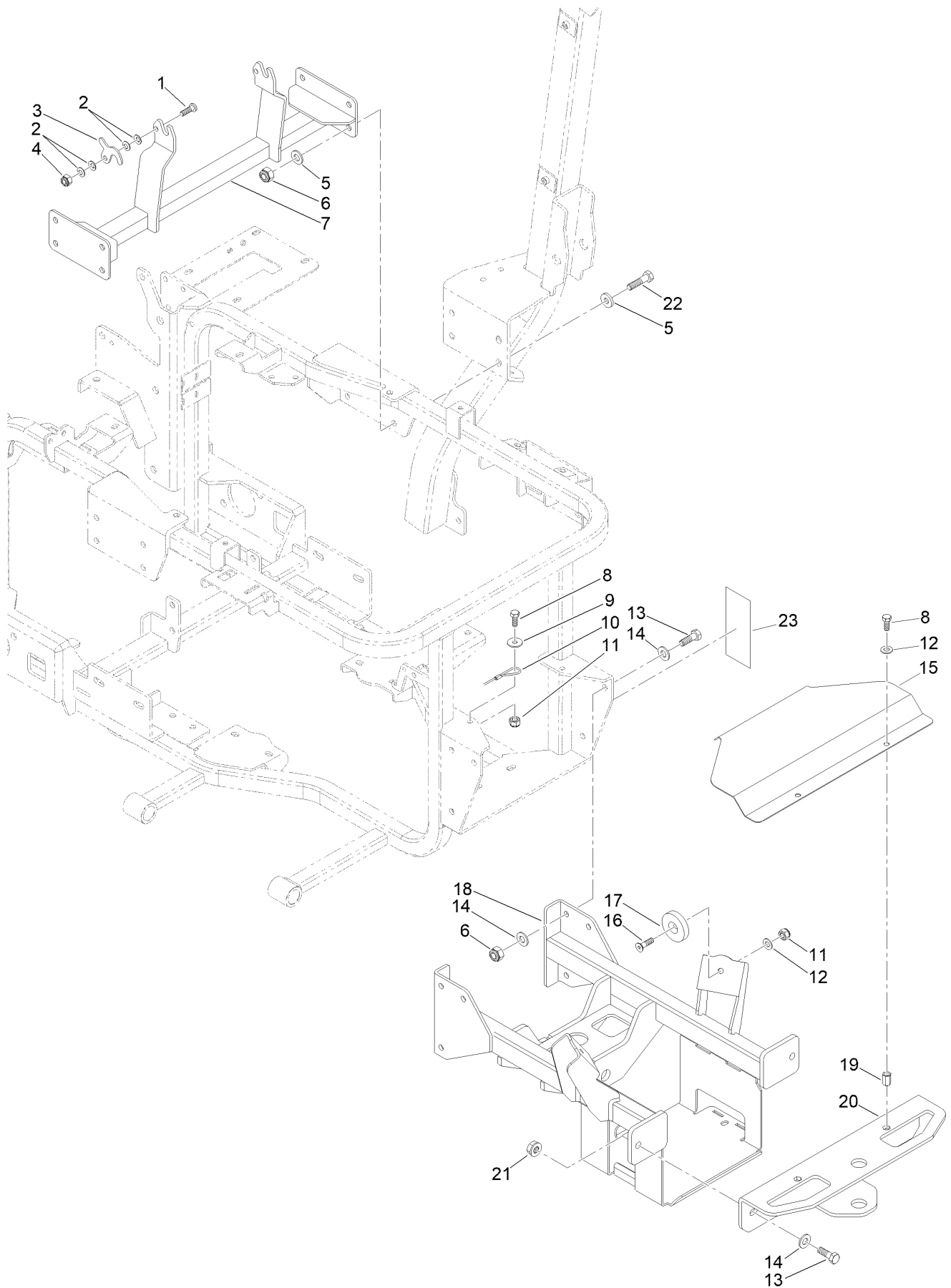




## Main Frame Assembly (continued)

<i>Ref.</i>	<i>Part Number</i>	<i>Qty.</i>	<i>Description</i>	<i>Ref.</i>	<i>Part Number</i>	<i>Qty.</i>	<i>Description</i>
1	134-0561	2	Nut	25	134-9140	1	Bracket, RH Chute Box
2	134-1047	1	Washer	26	134-9141	1	Cover, Muffler Collector
3	134-9146	1	Screw, H-Sckt Cap	27	134-9137	1	Bracket, Fuel Tank
4	134-1041	1	Nut	28	134-1045	10	Washer
5	134-1234	7	Washer	29	134-1011	5	Screw
6	134-1318	1	Clamp	30	134-1082	7	Nut
7	134-1009	1	Screw	31	134-1257	2	Insert-Threaded
8	134-1028	1	Screw	32	134-1038	2	Nut
9	134-1319	1	Clamp	33	134-9144	2	Plug, Shock-Absorber
10	134-9147	1	Screw, H-Sckt Cap	34	134-1194	2	Insert-Threaded
11	134-1035	1	Nut	35	134-1015	4	Screw
12	134-9148	1	Hook, Platform	36	134-1338	2	Pad-Rubber
13	134-1042	5	Nut	37	134-9193	2	Insert-Hex
14	134-1008	4	Screw	38	134-1092	2	Nut
15	134-9135	1	Cover, Engine Box	39	134-3126	2	Washer
16	134-9131	4	Screw, H-Sckt Csk	40	134-1197	1	Clamp
17	134-1147	2	Hinge-Plastic	41	134-9149	1	Screw, H-Sckt B Head
18	134-1044	4	Washer	42	134-9150	1	Fuse Support
19	134-3007	1	Plug-Rubber	43	134-9170	1	Chassis, Main
20	134-9138	1	Cover, Chute Box	44	134-9142	3	Shock Absorber
21	134-9136	1	Bonnet, Engine Box	45	134-9132	1	Screw-HH
22	134-9143	1	Bracket, Fairing Side	46	134-9133	1	Spring-Torsion
23	134-9145	1	Bracket, Fairing Front	47	134-9134	1	Handle, Radiator
24	134-9139	1	Bracket, LH Chute Box				

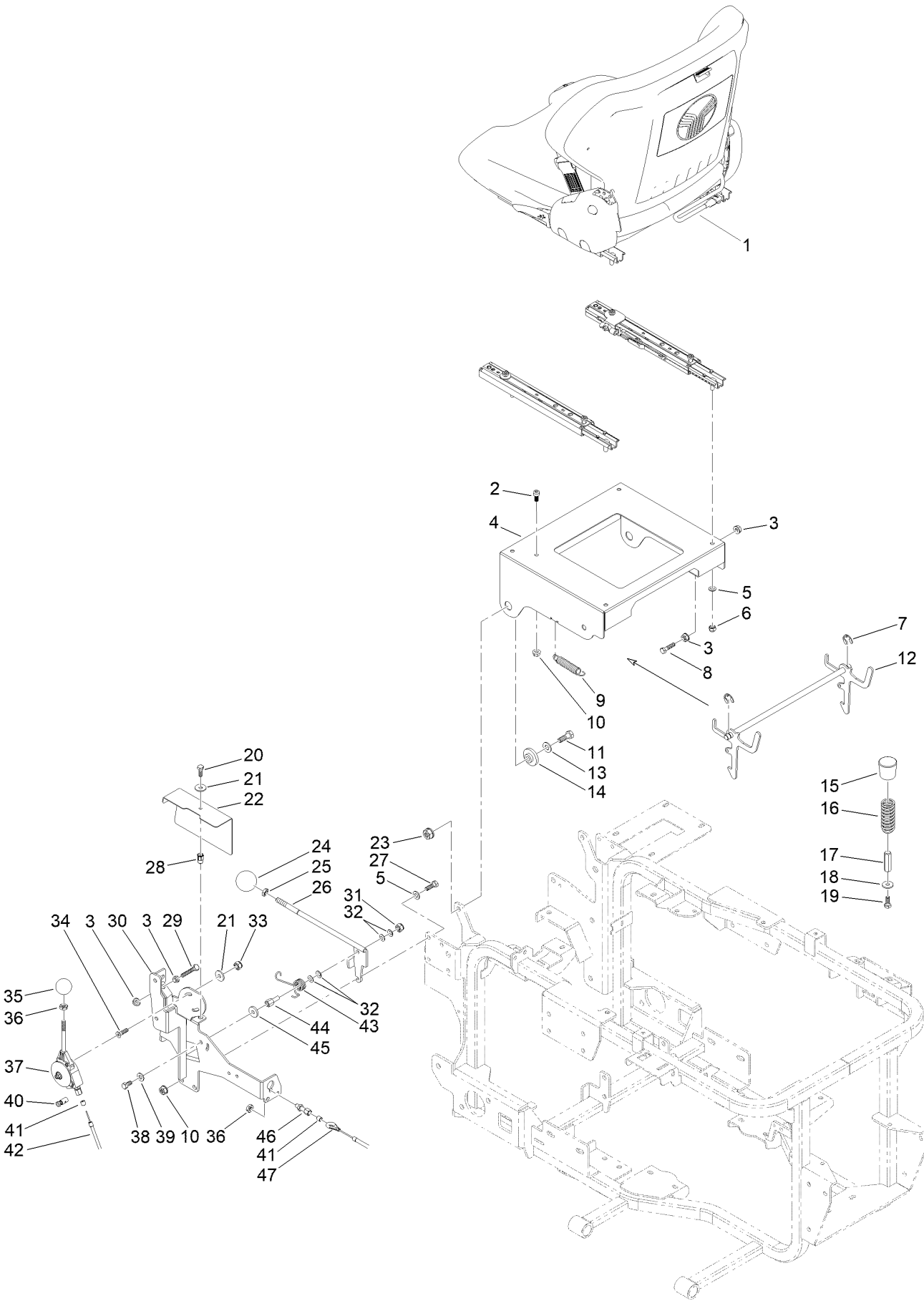
# Central Bar and Rear Axle Frame Assembly



## Central Bar and Rear Axle Frame Assembly (continued)

<i>Ref.</i>	<i>Part Number</i>	<i>Qty.</i>	<i>Description</i>	<i>Ref.</i>	<i>Part Number</i>	<i>Qty.</i>	<i>Description</i>
1	134-1302	1	Screw	13	134-1023	8	Screw
2	134-9164	4	Washer, Belleville	14	134-1046	14	Washer
3	134-9155	2	Hook, Chute	15	134-9153	1	Cover, Battery
4	134-1038	1	Nut	16	134-1121	1	Screw
5	134-9408	16	Washer	17	134-0759	2	Support
6	134-1079	14	Nut	18	134-9151	1	Chassis, Rear Axle
7	134-9154	1	Chassis, Central Bar	19	134-9193	2	Insert-Hex
8	134-1011	3	Screw	20	134-9152	1	Bumper
9	134-3126	1	Washer	21	134-3009	2	Nut
10	134-9264	1	Cable, Radiator	22	134-1030	8	Screw
11	134-1092	2	Nut	23	134-8378	1	Decal-Model/Serial
12	134-1045	3	Washer				

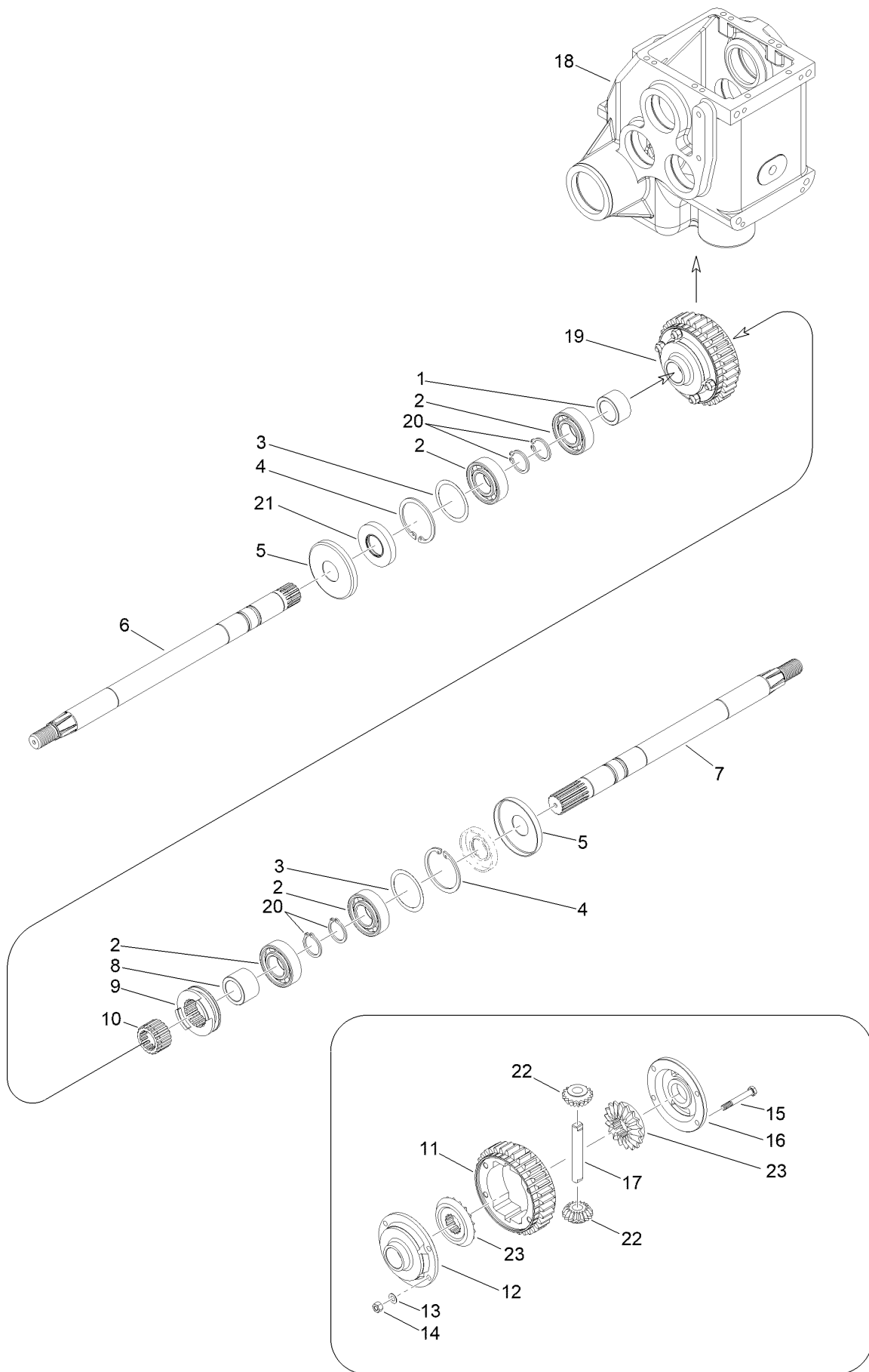
# Operator Platform and Seat Assembly



## Operator Platform and Seat Assembly (continued)

<i>Ref.</i>	<i>Part Number</i>	<i>Qty.</i>	<i>Description</i>	<i>Ref.</i>	<i>Part Number</i>	<i>Qty.</i>	<i>Description</i>
1	134-9171	1	Seat, S421	26	134-9169	1	Handle, Parking Brake
2	134-9172	1	Screw	27	134-1015	2	Screw
3	134-1084	4	Nut	28	134-1257	1	Insert-Threaded
4	134-9159	1	Support, Seat	29	134-9158	1	Screw, H-Sckt Csk
5	134-1045	6	Washer	30	134-9165	1	Support, Throttle/Parking Brake Devices
6	134-1038	4	Nut	31	134-1092	1	Nut
7	134-1099	2	Ring-Snap	32	134-9164	4	Washer, Belleville
8	134-1028	1	Screw	33	134-1042	2	Nut
9	134-1353	1	Spring	34	134-3111	2	Screw
10	134-1082	3	Nut	35	134-1146	1	Ball
11	134-1023	2	Screw	36	134-1078	2	Nut
12	134-9156	1	Hook, Seat	37	134-0568	1	Lever-Throttle
13	134-1051	2	Washer	38	134-1010	1	Screw
14	134-0689	2	Bushing	39	134-1054	1	Washer
15	134-9160	2	Plug, Rubber	40	134-8128	1	Cable-Clamp
16	134-9161	2	Spring-Compression	41	134-8129	2	Cable-End, Nipple
17	134-9162	2	Column - Hex	42	134-9163	1	Cable, Throttle
18	134-3126	2	Washer	43	134-9167	1	Spring, Parking Brake Handle
19	134-1011	2	Screw	44	134-9168	1	Pivot, Parking Brake Handle
20	134-1008	1	Screw	45	134-8037	1	Washer-Plain
21	134-1234	3	Washer	46	134-9283	1	Register
22	134-9157	1	Cover, Parking Brake Lever	47	134-9211	1	Cable, Parking-Brake
23	134-3009	2	Nut				
24	134-9166	1	Ball, Threaded Insert M10				
25	134-1043	1	Nut				

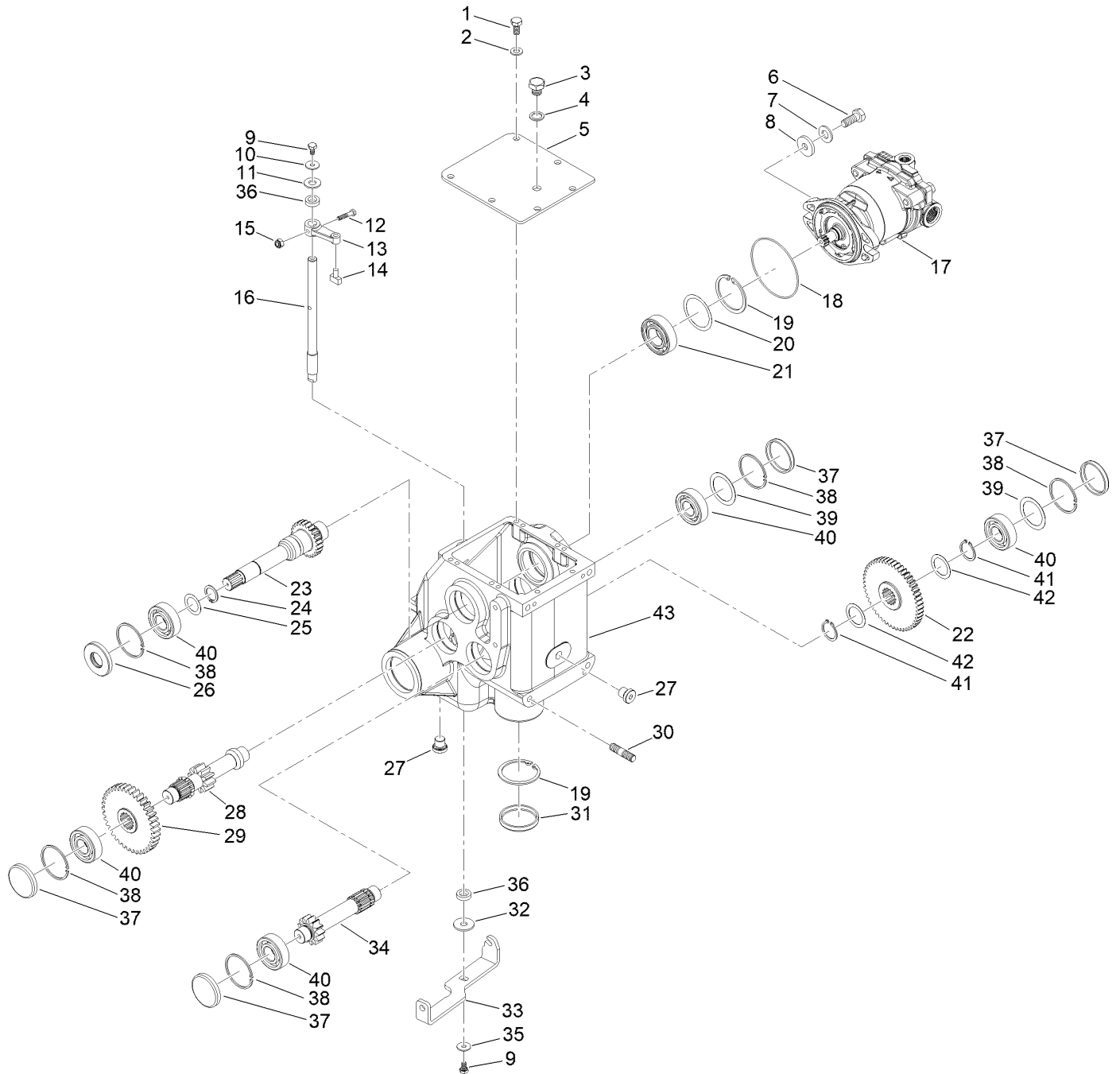
# Gearbox Assembly No. 1



## Gearbox Assembly No. 1 (continued)

<i>Ref.</i>	<i>Part Number</i>	<i>Qty.</i>	<i>Description</i>	<i>Ref.</i>	<i>Part Number</i>	<i>Qty.</i>	<i>Description</i>
1	134-9418	1	Spacer, Shaft	13	134-3027	4	Washer-Wave
2	134-5172	4	Bearing	14	134-1039	4	Nut
3	134-0996	2	Spacer	15	134-9426	4	Screw-HH
4	134-1057	2	Ring-Retaining, Int	16	134-9424	1	Cover, RH Differential Gear
5	134-7646	2	Cap, Gearbox	17	134-9427	1	Pin, Satellite
6	134-9419	1	Driveshaft, LH	18	134-9587	1	Gearbox
7	134-9420	1	Driveshaft, RH	19	134-9589	1	Differential Gear, Assembly
8	134-9421	1	Spacer	20	134-9491	4	Retainer, Shaft
9	134-9422	1	Sleeve, Differential Lock	21	134-9492	1	Seal, Oil
10	134-9423	1	Splined Bushing	22	134-9495	2	Gear, Satellite
11	134-9425	1	Spur Gear, Differential	23	134-9494	2	Gear, Planetary
12	134-9428	1	Cover, LH Differential Gear				

# Gearbox Assembly No. 2

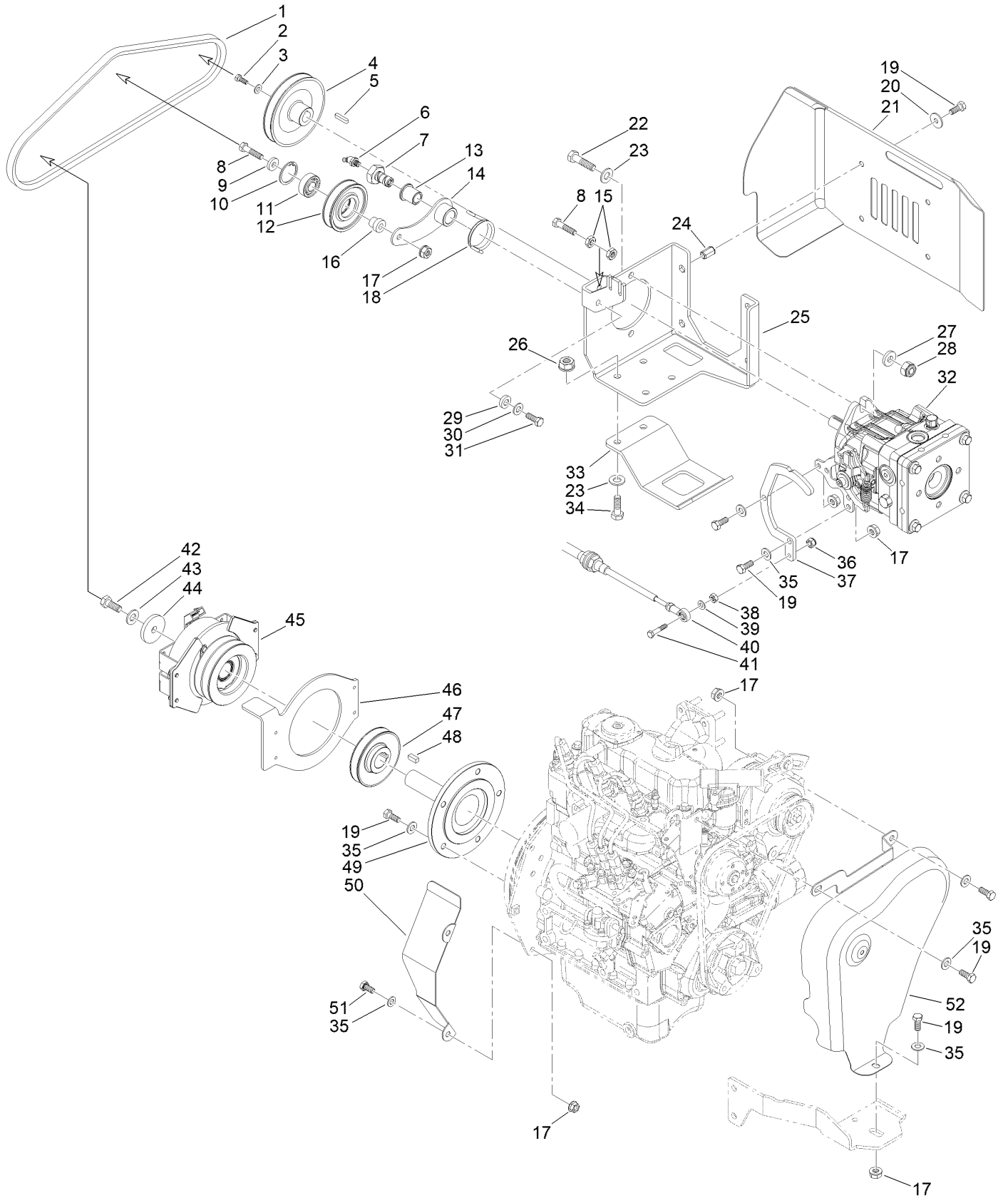




## Gearbox Assembly No. 2 (continued)

<i>Ref.</i>	<i>Part Number</i>	<i>Qty.</i>	<i>Description</i>	<i>Ref.</i>	<i>Part Number</i>	<i>Qty.</i>	<i>Description</i>
1	134-1010	6	Screw	24	134-1060	1	Ring-Retaining, Int
2	134-1045	6	Washer	25	134-1354	1	Spacer
3	134-9435	1	Plug-HH	26	134-9443	1	Oil Seal
4	134-1255	1	Washer	27	134-7645	2	Plug, Gearbox
5	134-9434	1	Cover, Transmission Gearbox	28	134-9446	1	Shaft, Tertiary Transmission Gearbox
6	134-1018	2	Screw	29	134-9447	1	Spur Gear, Tertiary Shaft
7	134-1051	2	Washer	30	134-9433	4	Stud
8	134-9449	2	Washer	31	134-1238	1	Cap
9	134-3008	2	Screw	32	134-9441	1	Washer
10	134-1232	1	Washer	33	134-9442	1	Bracket, Differential Lock
11	134-1047	1	Washer	34	134-9448	1	Shaft, Secondary Transmission Gearbox
12	134-9436	1	Screw-HH Cap	35	134-1234	1	Washer
13	134-9437	1	Lever, Differential Lock	36	134-9588	2	Oil Seal,
14	134-9438	1	Pad, Differential Lock	37	134-9496	4	Plug, Rca
15	134-1094	1	Nut	38	134-9497	5	Retainer, Hub
16	134-9439	1	Shaft, Differential Lock	39	134-9498	2	Shim
17	134-9310	1	Motor, Transmission	40	134-9499	5	Bearing, DIA 20 X 47 X 14
18	134-9429	1	O-Ring	41	134-9586	2	Retainer, Shaft
19	134-1057	2	Ring-Retaining, Int	42	134-9585	2	Shim,
20	134-0996	1	Spacer	43	134-9587	1	Gearbox
21	134-5172	1	Bearing				
22	134-9432	1	Spur Gear, Secondary Shaft				
23	134-9444	1	Shaft, Primary Transmission Gearbox				

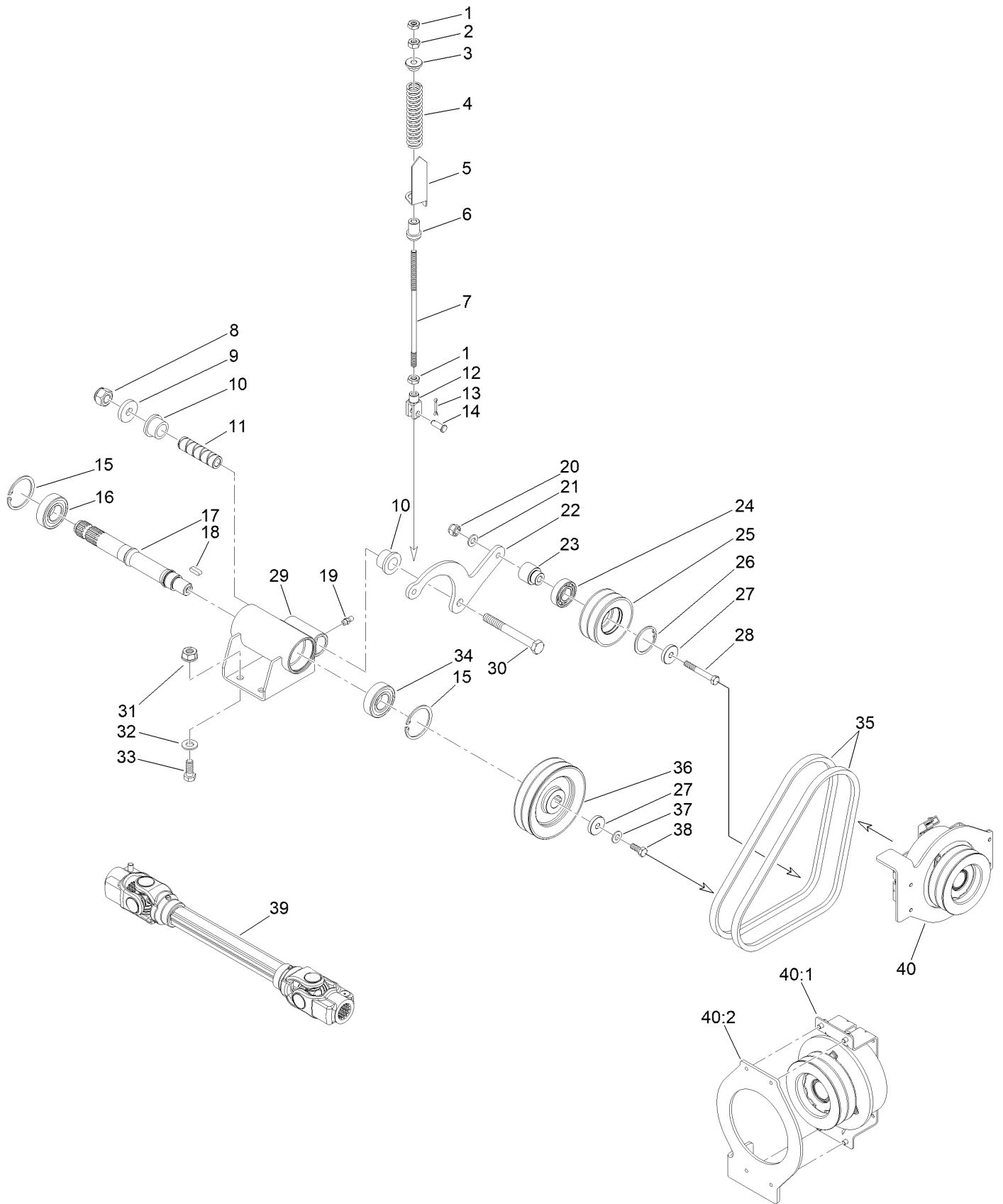
# Transmission Assembly



## Transmission Assembly (continued)

<i>Ref.</i>	<i>Part Number</i>	<i>Qty.</i>	<i>Description</i>	<i>Ref.</i>	<i>Part Number</i>	<i>Qty.</i>	<i>Description</i>
1	134-9185	1	Belt, Transmission Pump	26	134-3009	4	Nut
2	134-1008	1	Screw	27	134-9408	2	Washer
3	134-1235	1	Washer	28	134-1079	2	Nut
4	134-9180	1	Pulley, Transmission Pump	29	134-1355	1	Washer
5	134-9181	1	Key	30	134-1054	1	Washer
6	134-1258	1	Fitting-Grease	31	134-9186	1	Screw-HH
7	134-9182	1	Pivot, Belt Tensioner	32	134-9306	1	Pump, Transmission
8	134-1014	2	Screw	33	134-9187	1	Skid, Transmission Pipes
9	134-0997	1	Washer	34	134-1023	4	Screw
10	134-9175	1	Retainer	35	134-1045	12	Washer
11	134-9176	1	Bearing	36	134-1042	1	Nut
12	134-9177	1	Pulley, Belt Tensioner	37	134-9188	1	Bracket, Neutral Switch
13	134-1264	1	Bushing	38	134-1039	1	Nut
14	134-9194	1	Bracket, Transmission Pump Belt Tensioner	39	134-1044	1	Washer
15	134-1078	2	Nut	40	134-9282	1	Cable, Transmission
16	134-9179	1	Bushing, Belt Tensioner	41	134-9370	1	Screw-HH
17	134-1082	7	Nut	42	134-2956	1	Screw
18	134-9183	1	Spring-Torsion	43	134-1051	1	Washer
19	134-1011	14	Screw	44	134-9189	1	Washer
20	134-3126	4	Washer	45	134-9173	1	Clutch, Gt1.5-GR15D
21	134-9196	1	Cover, Transmission Pump	46	134-9174	1	Brake, Clutch
22	134-1030	2	Screw	47	134-9191	1	Pulley, Engine
23	134-1046	6	Washer	48	134-9192	1	Key
24	134-9193	4	Insert-Hex	49	134-9190	1	Shaft, Engine
25	134-9184	1	Support, Transmission Pump	50	134-9197	1	Cover, Engine Flywheel
				51	134-1010	2	Screw
				52	134-9198	1	Cover, Engine Belt

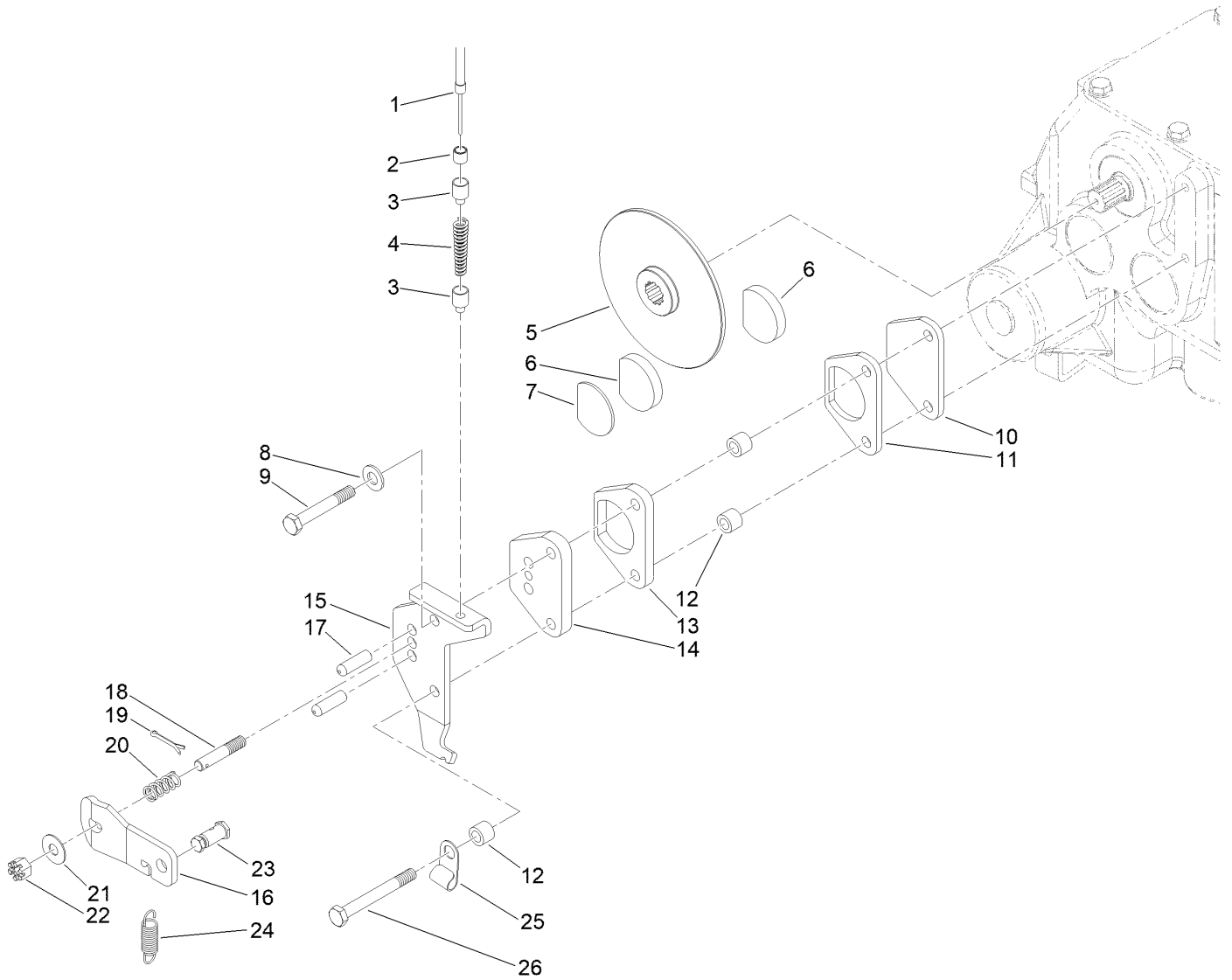
# Transmission, PTO and Drive Shaft Assembly



## Transmission, PTO and Drive Shaft Assembly (continued)

<i>Ref.</i>	<i>Part Number</i>	<i>Qty.</i>	<i>Description</i>	<i>Ref.</i>	<i>Part Number</i>	<i>Qty.</i>	<i>Description</i>
1	134-1078	2	Nut	22	134-9199	1	Bracket, PTO Belt Tensioner
2	134-1034	1	Nut	23	134-0784	1	Bushing
3	134-1349	1	Guide-Spring	24	134-1107	1	Bearing
4	134-9028	1	Spring-Extension	25	134-9200	1	Pulley, PTO Belt Tensioner
5	134-9209	1	Indicator, PTO Belt Tensioner	26	134-1058	1	Ring-Retaining, Int
6	134-0783	1	Pin-Guide, Nylon	27	134-1355	2	Washer
7	134-9210	1	Rod, PTO Belt Tensioner	28	134-1024	1	Screw
8	134-2969	1	Nut	29	134-9205	1	Hub, PTO
9	134-0866	1	Washer	30	134-1075	1	Screw
10	134-1249	2	Bushing	31	134-3009	4	Nut
11	134-1351	1	Spacer	32	134-1046	4	Washer
12	134-1271	1	Fork-Clevis, M8	33	134-1018	4	Screw
13	134-1132	1	Pin-Spring	34	134-9201	1	Bearing
14	134-1236	1	Pin	35	134-9206	2	Belt, PTO
15	134-1057	2	Ring-Retaining, Int	36	134-9202	1	Pulley, PTO Shaft
16	134-1105	1	Bearing	37	134-1054	1	Washer
17	134-9204	1	Shaft, PTO	38	134-1015	1	Screw
18	134-8267	1	Key	39	134-9203	1	Shaft, Cardan Joint
19	134-1065	1	Fitting-Grease	40	134-9207	1	Clutch Assy
20	134-1038	1	Nut	40:1	134-9173	1	Clutch, Gt1.5-GR15D
21	134-1045	1	Washer	40:2	134-9174	1	Brake, Clutch

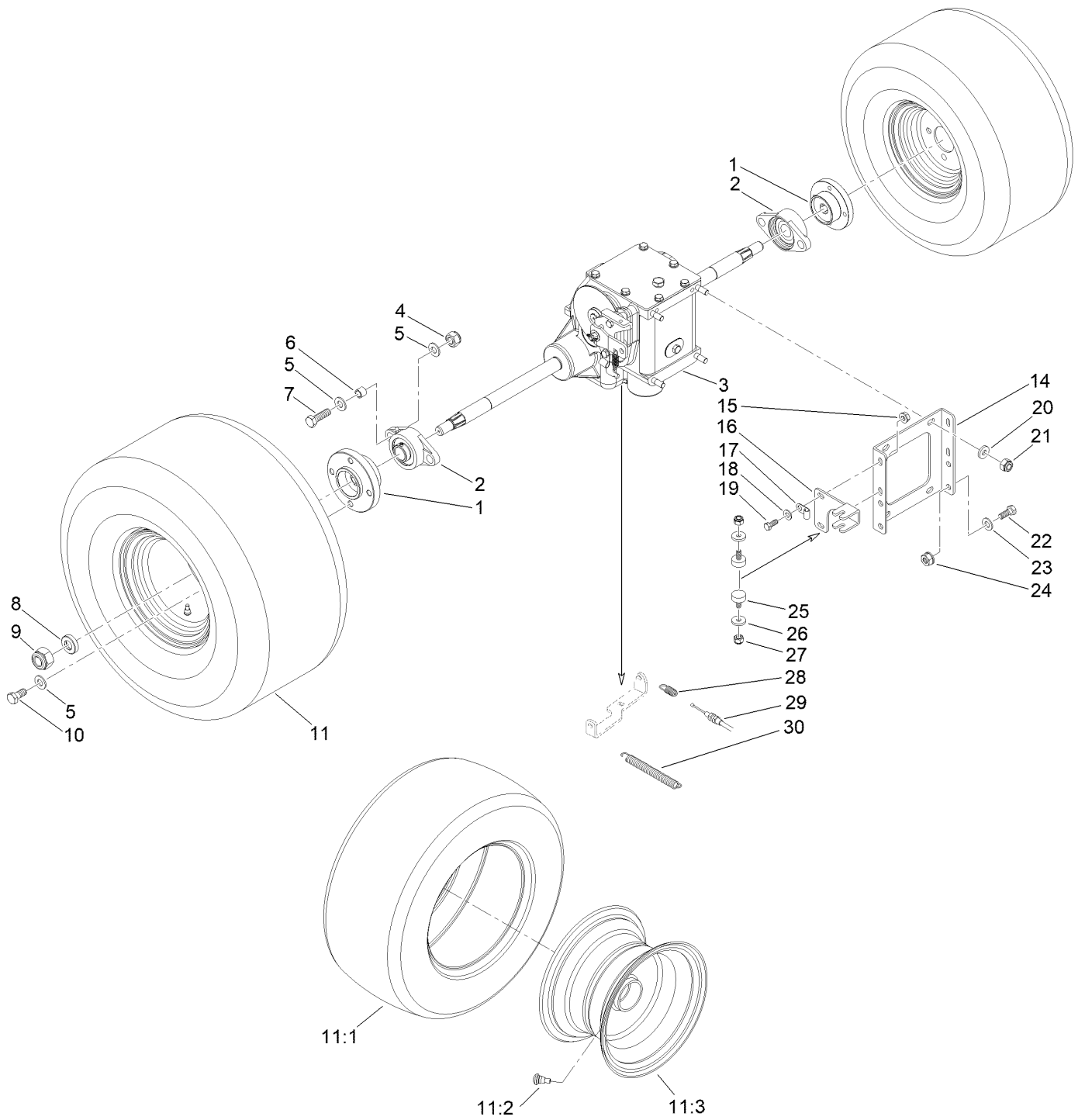
# Parking Brakes Assembly



## Parking Brakes Assembly (continued)

<i>Ref.</i>	<i>Part Number</i>	<i>Qty.</i>	<i>Description</i>	<i>Ref.</i>	<i>Part Number</i>	<i>Qty.</i>	<i>Description</i>
1	134-9211	1	Cable, Parking-Brake	14	134-9221	1	Support, Pad
2	134-8129	1	Cable-End, Nipple	15	134-9222	1	Support, Parking Brake Lever
3	134-9212	2	Bushing, Parking Brake Cable	16	134-9223	1	Lever, Parking Brake
4	134-9213	1	Spring-Compression	17	134-9231	2	Pin
5	134-9216	1	Disc, Parking Brake	18	134-9226	1	Stud, Parking Brake
6	134-9214	2	Pad, Parking Brake	19	134-9227	1	Pin
7	134-9215	1	Shim, Parking Brake Pad	20	134-9228	1	Spring, Parking Brake Lever
8	134-1045	1	Washer	21	134-9224	1	Shim
9	134-2955	1	Screw	22	134-9225	1	Nut,
10	134-9217	1	Support, Pad	23	134-9229	1	Clamp, Parking Brake Cable
11	134-9218	1	Support, Pad	24	134-9230	1	Spring, Parking Brake Cable
12	134-9219	3	Spacer	25	134-1348	1	Grommet
13	134-9220	1	Support, Pad	26	134-3083	1	Screw

# Axle and Front Wheels Assembly

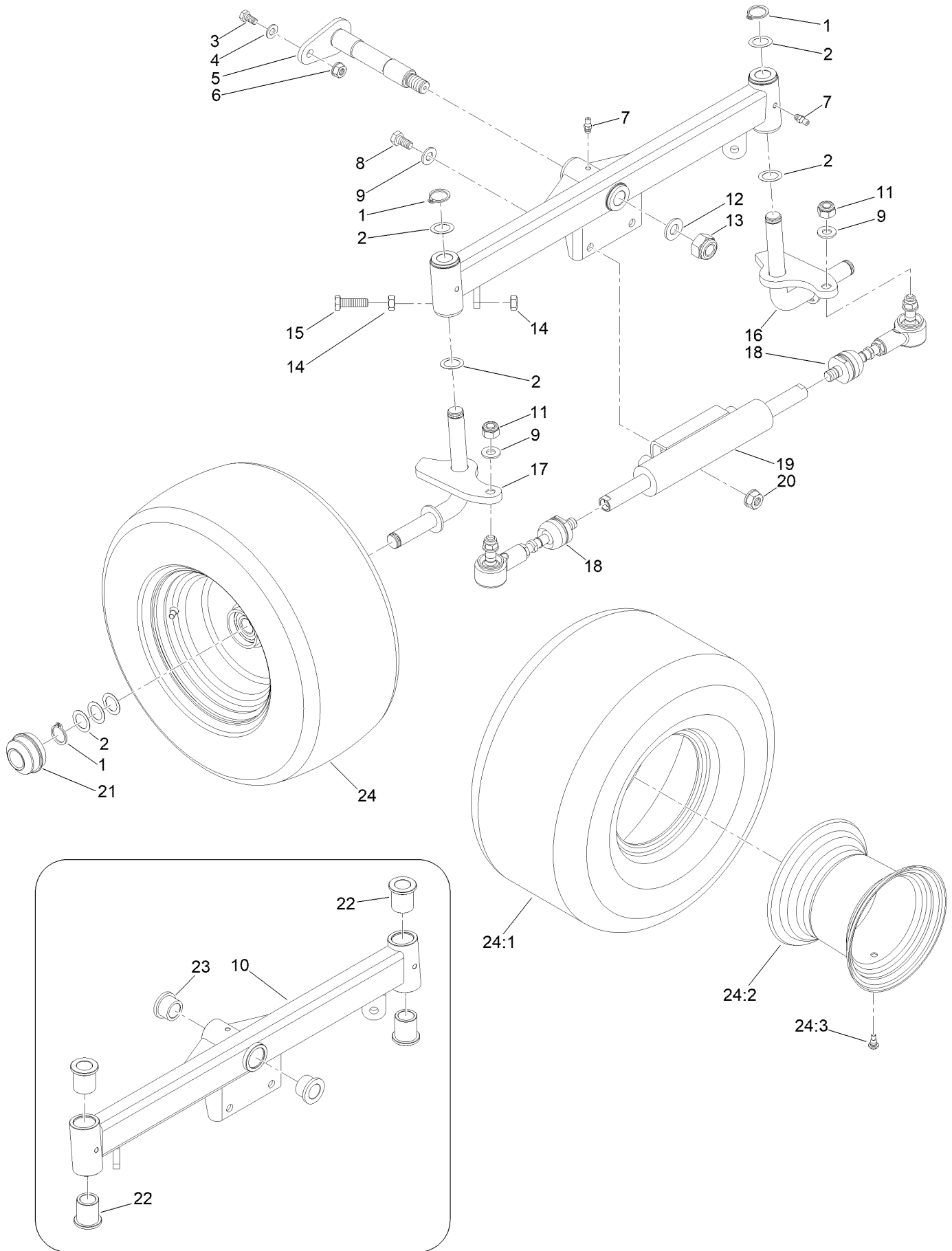




## Axle and Front Wheels Assembly (continued)

<i>Ref.</i>	<i>Part Number</i>	<i>Qty.</i>	<i>Description</i>	<i>Ref.</i>	<i>Part Number</i>	<i>Qty.</i>	<i>Description</i>
1	134-9241	2	Hub, Front Wheel	15	134-1082	2	Nut
2	134-9242	2	Bearing	16	134-9245	1	Retainer, Clutch
3	134-9237	1	Transmission Gearbox Assy	17	134-1348	1	Grommet
4	134-0561	2	Nut	18	134-1045	2	Washer
5	134-1047	12	Washer	19	134-1011	2	Screw
6	134-9244	2	Spacer	20	134-9408	4	Washer
7	134-3011	2	Screw-HH	21	134-1079	4	Nut
8	134-9243	2	Washer	22	134-1018	4	Screw
9	134-9239	2	Nut-HH	23	134-1046	4	Washer
10	134-1020	8	Screw	24	134-3009	4	Nut
11	134-9238	2	Front Wheel ASM	25	134-9233	2	Shock Absorber
11:1	134-9235	1	Tyre	26	134-8037	2	Washer-Plain
11:2	134-1261	1	Valve-Tire	27	134-1092	2	Nut
11:3	134-9236	1	Rim	28	134-9240	1	Spring, Diff Lock Cable
14	134-9232	1	Support, Transmission Gearbox	29	134-9288	1	Cable, Diff Lock
				30	134-9234	1	Spring, Diff Lock Lever

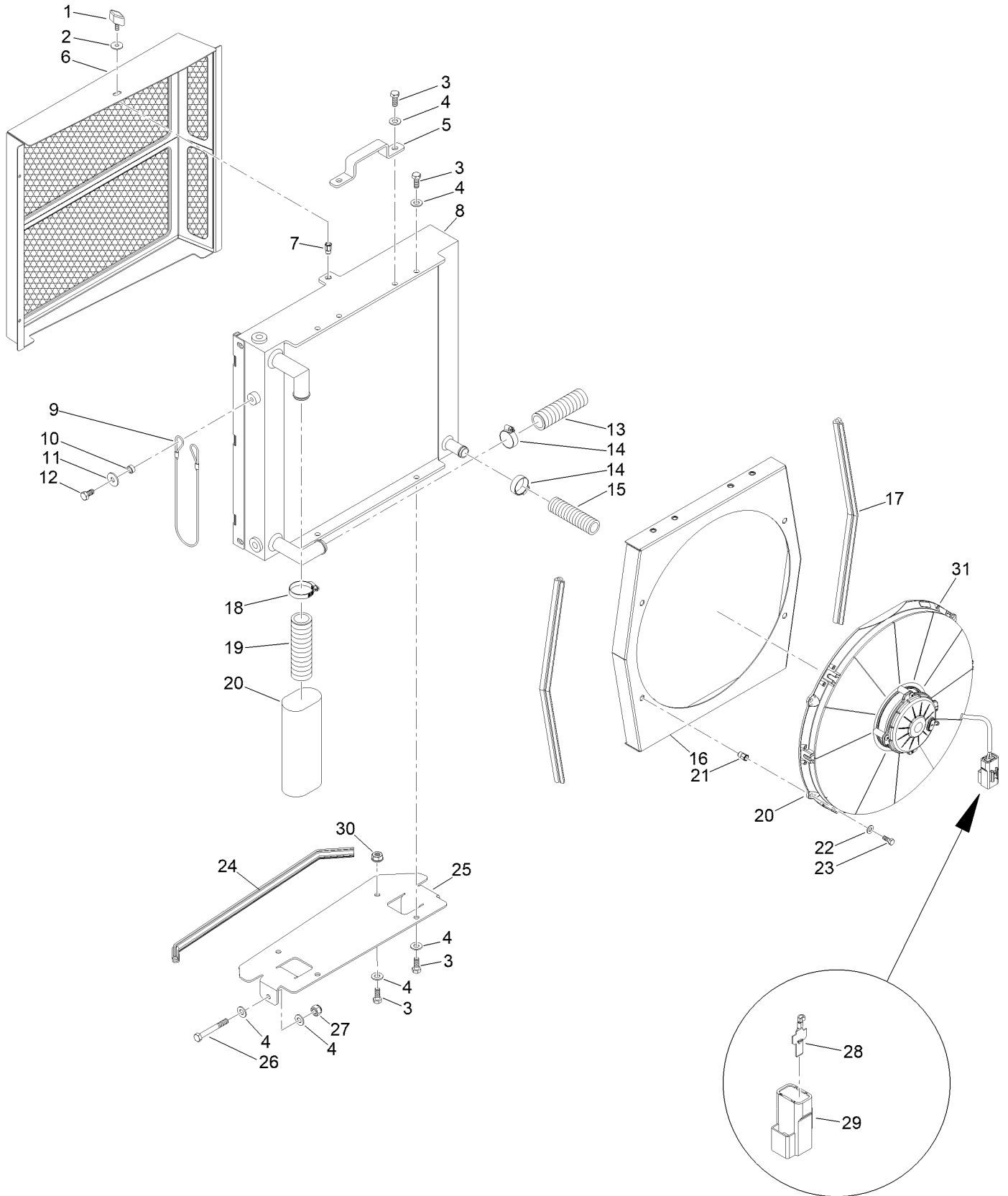
# Axle and Steering Rear Assembly



## Axle and Steering Rear Assembly (continued)

<i>Ref.</i>	<i>Part Number</i>	<i>Qty.</i>	<i>Description</i>	<i>Ref.</i>	<i>Part Number</i>	<i>Qty.</i>	<i>Description</i>
1	134-9250	4	Retainer	15	134-9252	2	Screw, HH
2	134-1354	7	Spacer	16	134-9259	1	Spindle, RH Rear Wheel
3	134-1015	1	Screw	17	134-9258	1	Spindle, LH Rear Wheel
4	134-1045	1	Washer	18	134-0860	2	Articulation
5	134-9254	1	Pivot, Rear Axle	19	134-9345	1	Ram
6	134-1082	1	Nut	20	134-3009	2	Nut
7	134-1065	3	Fitting-Grease	21	134-9251	2	Cover, Rear Wheel Hub
8	134-1017	2	Screw	22	134-9255	4	Bushing
9	134-1046	4	Washer	23	134-9256	2	Bushing
10	134-9246	1	Rear Axle	24	134-9249	2	Rear Wheel ASM
11	134-3110	2	Nut	24:1	134-9247	1	Tyre
12	134-1091	1	Nut	24:2	134-9248	1	Rim
13	134-3012	1	Washer	24:3	134-1261	1	Valve-Tire
14	134-9069	4	Nut				

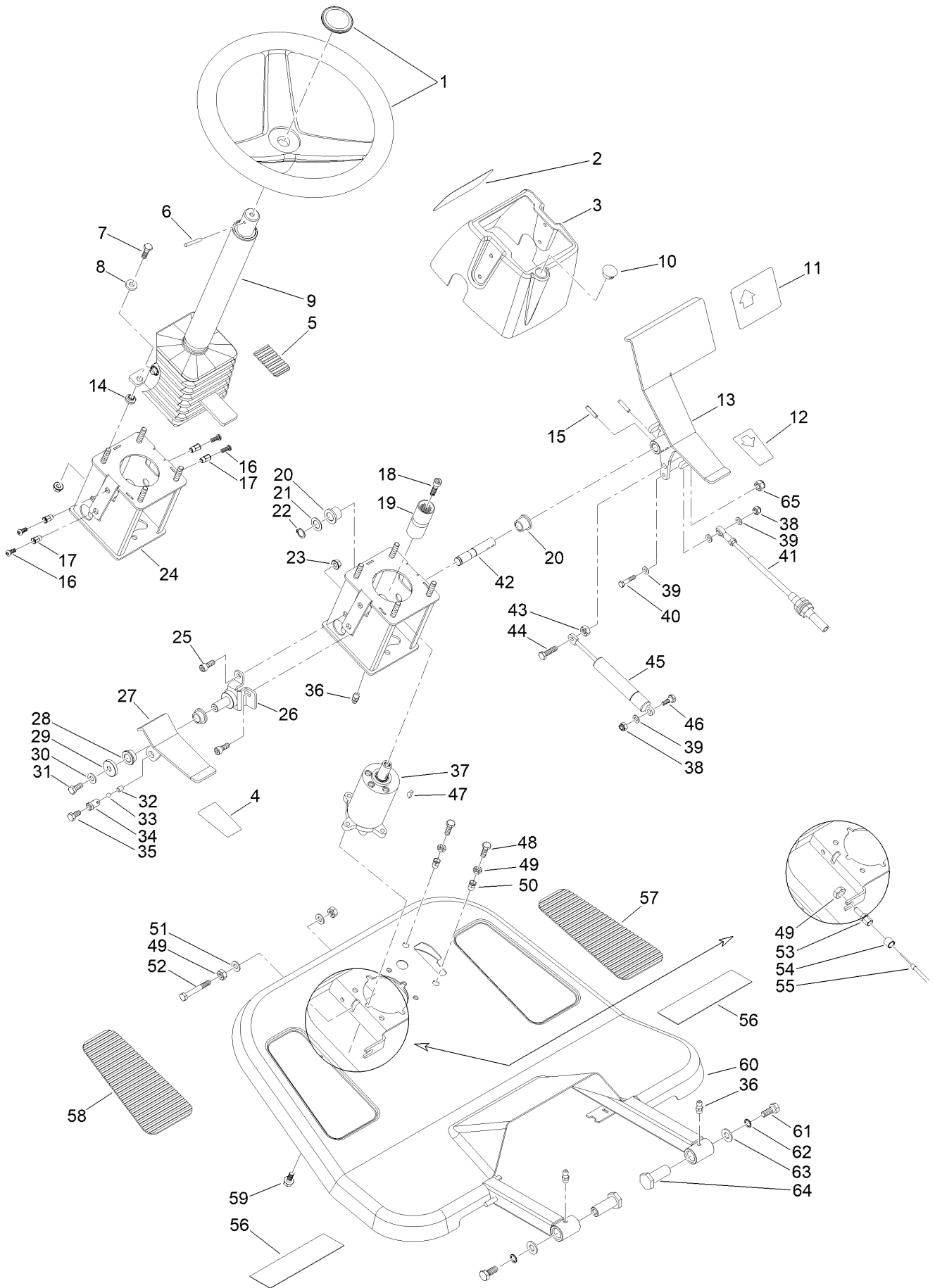
# Cooling Water System Assembly



## Cooling Water System Assembly (continued)

<i>Ref.</i>	<i>Part Number</i>	<i>Qty.</i>	<i>Description</i>	<i>Ref.</i>	<i>Part Number</i>	<i>Qty.</i>	<i>Description</i>
1	134-1148	1	Knob	17	134-9269	2	Gasket, MM 410
2	134-1234	1	Washer	18	134-1277	1	Clamp
3	134-1011	8	Screw	19	134-9265	1	Hose, Radiator 25X1240
4	134-1045	12	Washer	20	134-9266	1	Hose Guard
5	134-9260	1	Bracket, Radiator Handle	21	134-1257	4	Insert-Threaded
6	134-9262	1	Grid, Radiator	22	134-1044	4	Washer
7	134-1194	1	Insert-Threaded	23	134-1008	4	Screw
8	134-9261	1	Radiator	24	134-9272	1	Gasket, MM 440
9	134-9264	1	Cable, Radiator	25	134-9273	1	Support, Radiator
10	134-9263	1	Spacer	26	134-2953	2	Screw
11	134-3126	1	Washer	27	134-1038	2	Nut
12	134-1010	1	Screw	28	134-8133	2	Connector-Terminal
13	134-9267	1	Hose, Radiator	29	134-8132	1	Connector-2Way
14	134-9320	2	Clamp	30	134-1082	2	Nut
15	134-9268	1	Hose, Radiator	31	134-9271	1	Fan, Radiator
16	134-9270	1	Conveyor, Radiator				

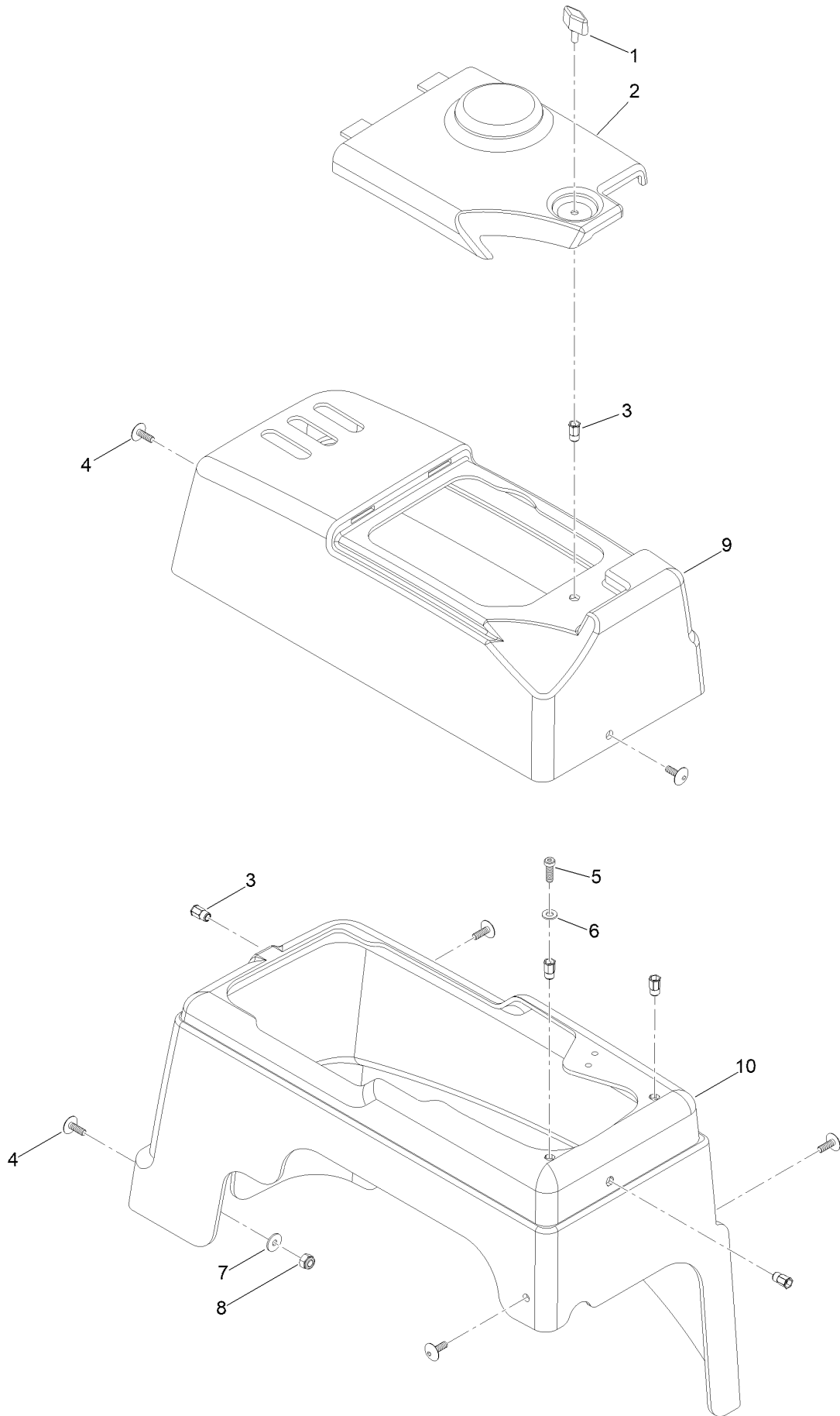
# Body and Pedals Assembly



## Body and Pedals Assembly (continued)

<i>Ref.</i>	<i>Part Number</i>	<i>Qty.</i>	<i>Description</i>	<i>Ref.</i>	<i>Part Number</i>	<i>Qty.</i>	<i>Description</i>
1	134-0958	1	Wheel-Steering	34	134-9478	1	Clamp, Brake Cable
2	126-5060	1	Decal-Logo, Toro	35	134-1010	1	Screw
3	134-9473	1	Shroud, Steering-Column	36	134-1065	3	Fitting-Grease
4	134-9474	1	Tape, Non-Slip	37	134-9344	1	Steering Valve
5	134-9475	1	Pad, Rubber	38	134-1042	2	Nut
6	134-1135	1	Plug	39	134-1044	4	Washer
7	134-1038	4	Nut	40	134-9370	1	Screw-HH
8	134-0997	4	Washer	41	134-9282	1	Cable, Transmission
9	134-9293	1	Steering Column	42	134-9480	1	Shaft, Traction Pedal
10	134-9476	1	Plug, Steering-Clmn	43	134-9286	1	Nut
11	94-3307	1	Pad-Pedal, Traction	44	134-1012	1	Screw
12	94-3308	1	Pad-Pedal, Traction	45	134-0594	1	Absorber-Shock
13	134-9275	1	Pedal, Transmission	46	134-0757	1	Pin
14	134-9294	4	Bushing	47	134-1272	1	Key-Shaft
15	134-9276	2	Pin	48	134-1015	2	Screw
16	134-1303	4	Screw	49	134-1078	5	Nut
17	134-1194	4	Insert-Threaded	50	134-1260	2	Insert-Threaded
18	134-1115	1	Screw	51	134-1045	2	Washer
19	134-9477	1	Hub, Steering Valve	52	134-1024	1	Screw
20	134-2954	2	Bushing	53	134-9283	1	Register
21	134-0861	1	Spacer	54	134-8129	1	Cable-End, Nipple
22	134-9274	1	Retainer	55	134-9288	1	Cable, Diff Lock
23	134-1082	2	Nut	56	134-9289	2	Grip Strip
24	134-9295	1	Support, Steering Column	57	134-9284	1	Footrest, Rubber RH
25	134-1026	2	Screw	58	134-9281	1	Footrest, Rubber LH
26	134-9277	1	Support, Diff Lock Pedal	59	134-9479	4	Screw-HHF
27	134-9290	1	Pedal, Diff Lock	60	134-9287	1	Platform
28	134-9278	2	Bushing	61	134-1018	2	Screw
29	134-1355	1	Washer	62	134-1051	2	Washer
30	134-1054	1	Washer	63	134-1046	2	Washer
31	134-1011	1	Screw	64	134-9285	2	Pivot, Platform
32	134-9279	1	Stud	65	134-1038	1	Nut
33	134-9280	1	Ball				

# Body Assembly

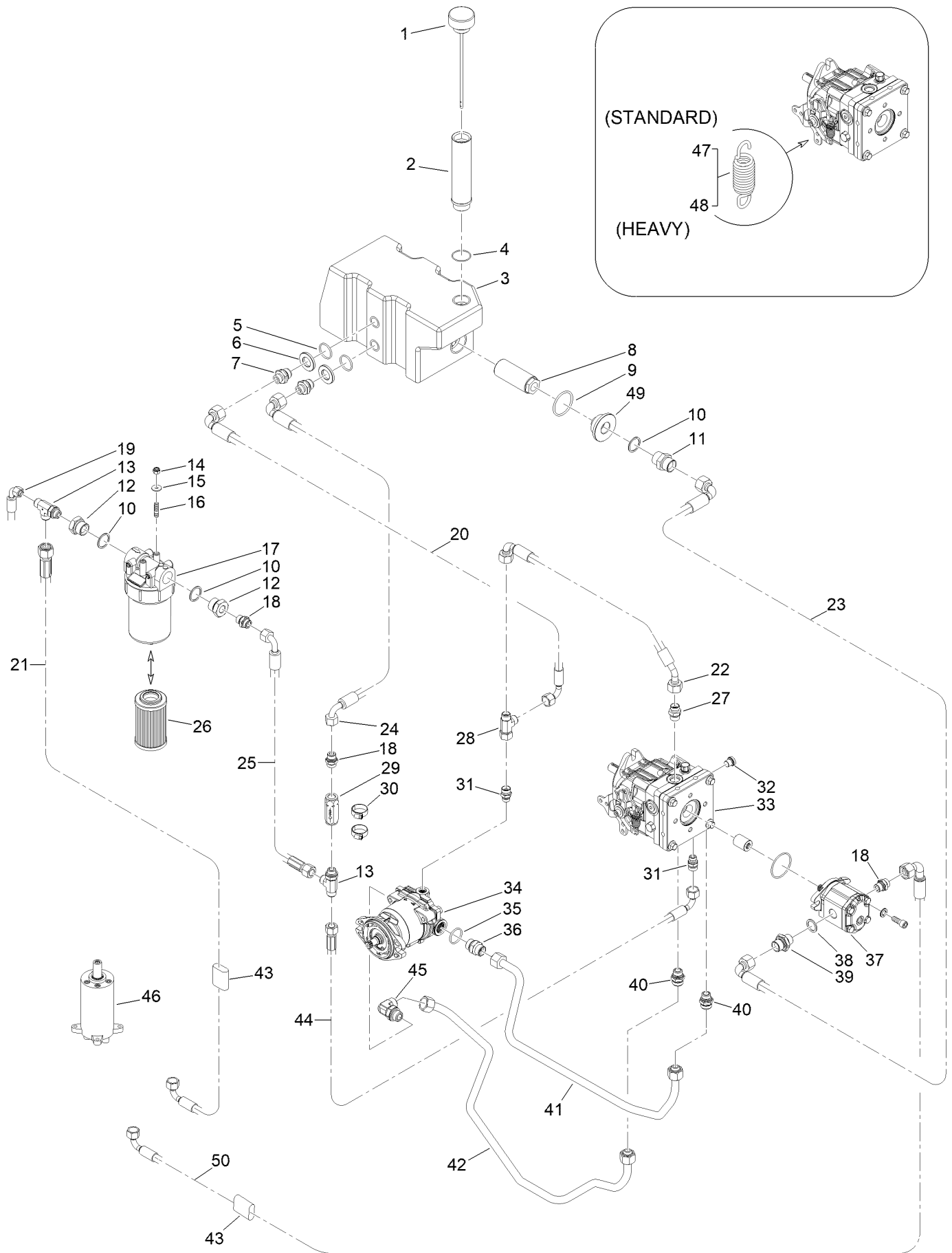




## Body Assembly (continued)

<i>Ref.</i>	<i>Part Number</i>	<i>Qty.</i>	<i>Description</i>	<i>Ref.</i>	<i>Part Number</i>	<i>Qty.</i>	<i>Description</i>
1	134-1148	1	Knob	6	134-1044	3	Washer
2	134-9297	1	Cover, RH Dashboard	7	134-1234	4	Washer
3	134-1194	5	Insert-Threaded	8	134-1042	4	Nut
4	134-1304	6	Screw	9	134-9298	1	Dashboard, RH
5	134-1071	3	Screw	10	134-9299	1	Fairing

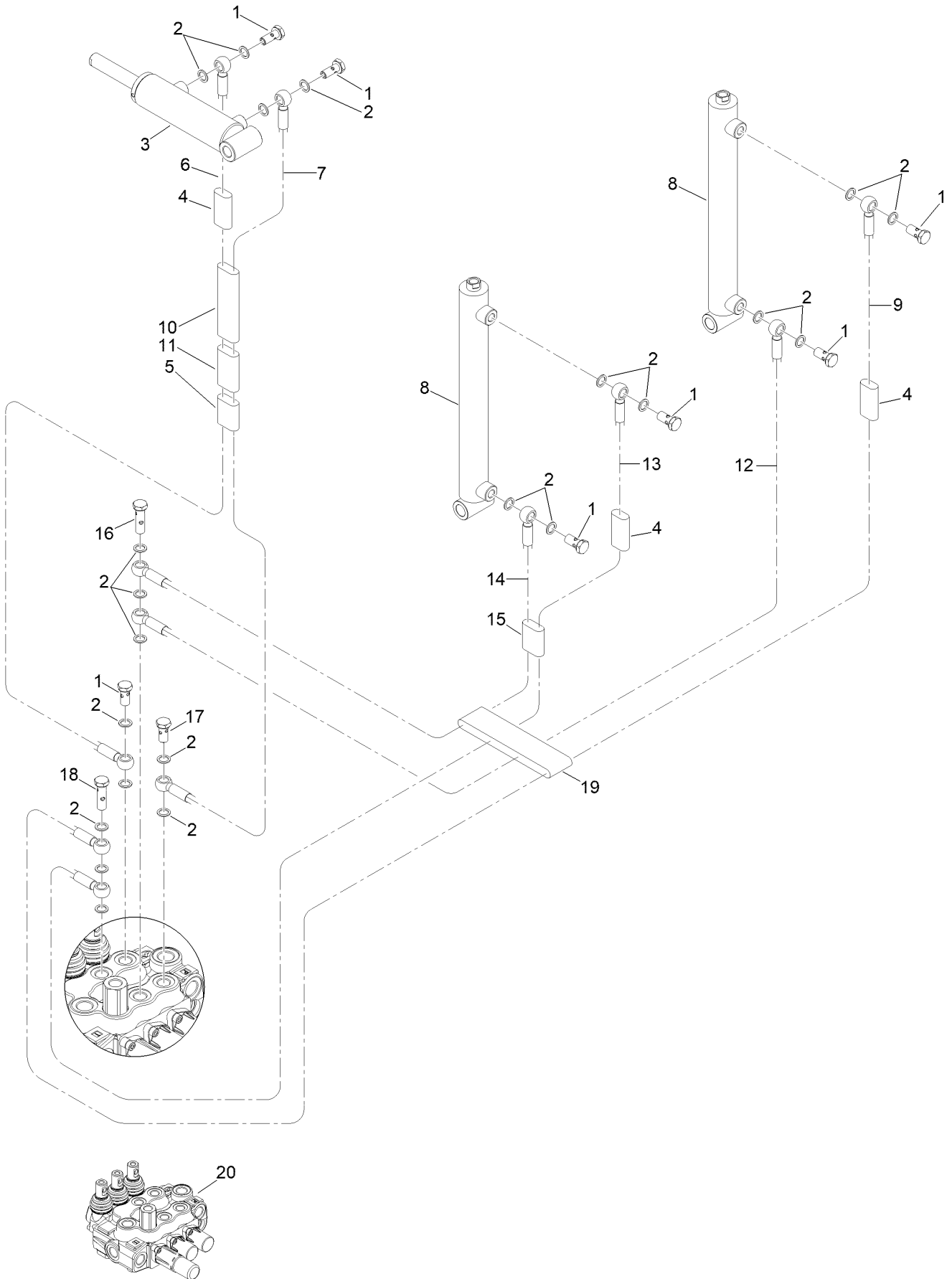
# Hydraulic Assembly No. 1



# Hydraulic Assembly No. 1 (continued)

<i>Ref.</i>	<i>Part Number</i>	<i>Qty.</i>	<i>Description</i>	<i>Ref.</i>	<i>Part Number</i>	<i>Qty.</i>	<i>Description</i>
1	134-1210	1	Cap-Oil	27	134-9307	1	Fitting,Nipple
2	134-0786	1	Filler-Tank, Oil	28	134-9300	1	Fitting-Tee
3	134-0635	1	Tank-Oil	29	134-9319	1	Check-Valve
4	134-8240	1	O-Ring	30	134-9320	2	Clamp
5	134-0569	2	O-Ring	31	134-1268	2	Fitting-Nipple
6	134-0887	2	Washer	32	134-9324	1	Plug {9/16-18 Unf L10 CE6}
7	134-1267	2	Fitting	33	134-9306	1	Pump, Transmission
8	134-3123	1	Filter-Tank, Hydraulic	34	134-9310	1	Motor, Transmission
9	134-0617	1	O-Ring	35	134-1064	1	O-Ring
10	134-1256	3	Washer	36	134-9301	1	Fitting, Nipple
11	134-9302	1	Fitting, Nipple	37	134-9323	1	Gear Pump
12	134-1219	2	Fitting-Reducer	38	134-1332	1	Washer
13	134-1218	2	Adaptor-90 DEG	39	134-1216	1	Fitting
14	134-1042	2	Nut	40	134-9303	2	Fitting, Nipple
15	134-1234	2	Washer	41	134-9318	1	Pipe, Forward Gear
16	134-9322	2	Stud	42	134-9305	1	Pipe, Reverse Gear
17	134-9321	1	Filter, Transmission Oil	43	134-0985	2	Protector-Hose
18	134-1266	3	Fitting-Nipple	44	134-9308	1	Hose
19	134-9338	1	Hose	45	134-9309	1	Fitting
20	134-9312	1	Hose	46	134-9344	1	Steering Valve
21	134-9315	1	Hose	47	134-9326	1	Spring, Rtn Standard 51833
22	134-9313	1	Hose	48	134-9325	1	Spring, Rtn Heavy 51605
23	134-9317	1	Hose	49	134-0820	1	Support-Filter, Oil
24	134-9316	1	Hose	50	134-9304	1	Hose
25	134-9311	1	Hose				
26	134-9314	1	Filter Element, Transmission Oil Filter				

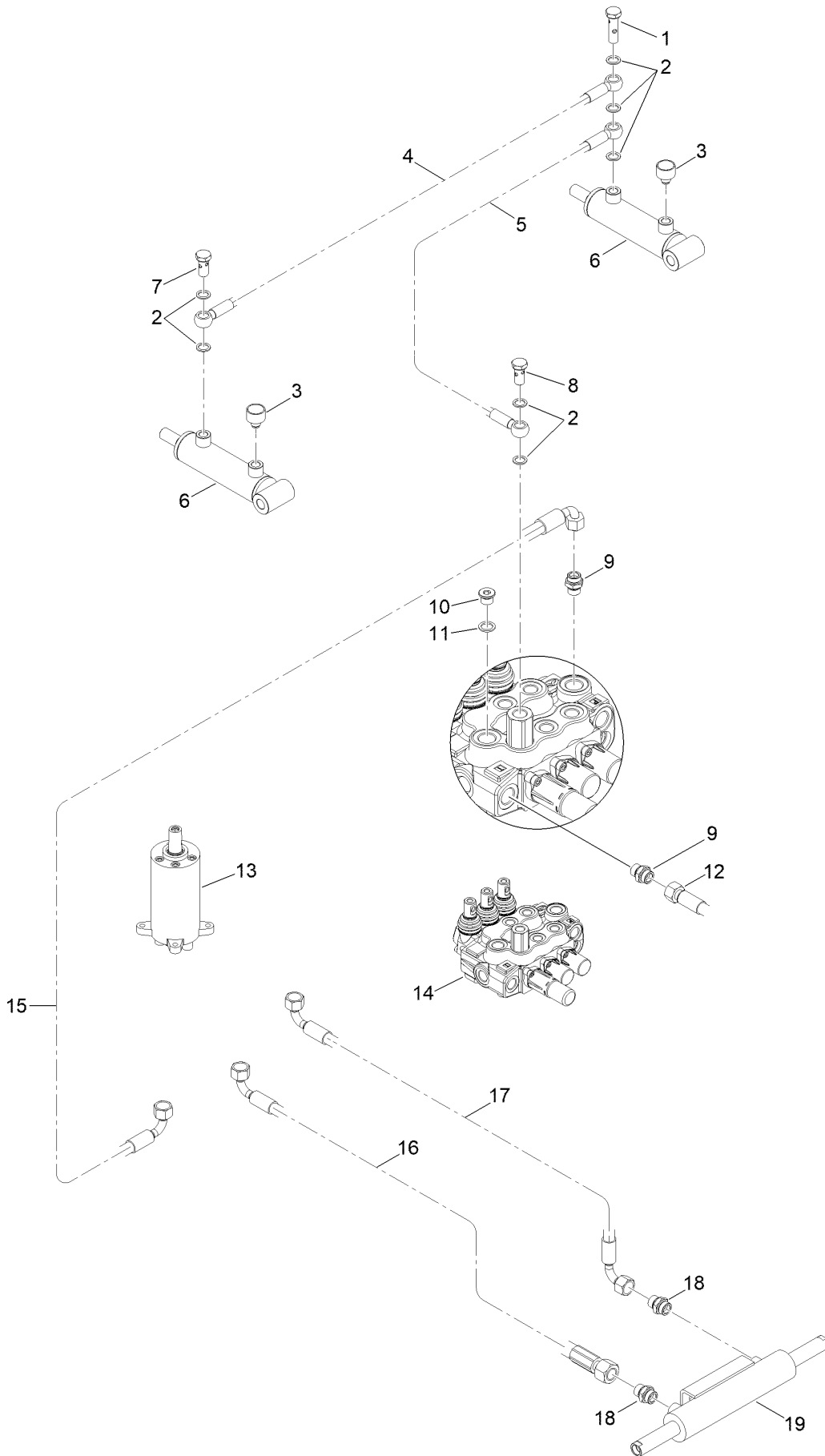
# Hydraulic Assembly No. 2



## Hydraulic Assembly No. 2 (continued)

<i>Ref.</i>	<i>Part Number</i>	<i>Qty.</i>	<i>Description</i>	<i>Ref.</i>	<i>Part Number</i>	<i>Qty.</i>	<i>Description</i>
1	134-1102	7	Screw	11	134-9328	1	Hose Guard
2	134-1255	21	Washer	12	134-9334	1	Hose
3	134-9392	1	Ram, Dual Acting	13	134-9332	1	Hose
4	134-0988	3	Protector-Hose	14	134-9333	1	Hose
5	134-0985	3	Protector-Hose	15	134-9330	1	Hose Guard
6	134-9336	1	Hose	16	134-3055	1	Screw
7	134-9335	1	Hose	17	134-3050	1	Screw
8	134-0811	2	Cylinder	18	134-1245	1	Screw
9	134-9331	1	Hose	19	134-9329	1	Hose Guard
10	134-9327	1	Hose Guard	20	134-3054	1	Valve-Lift

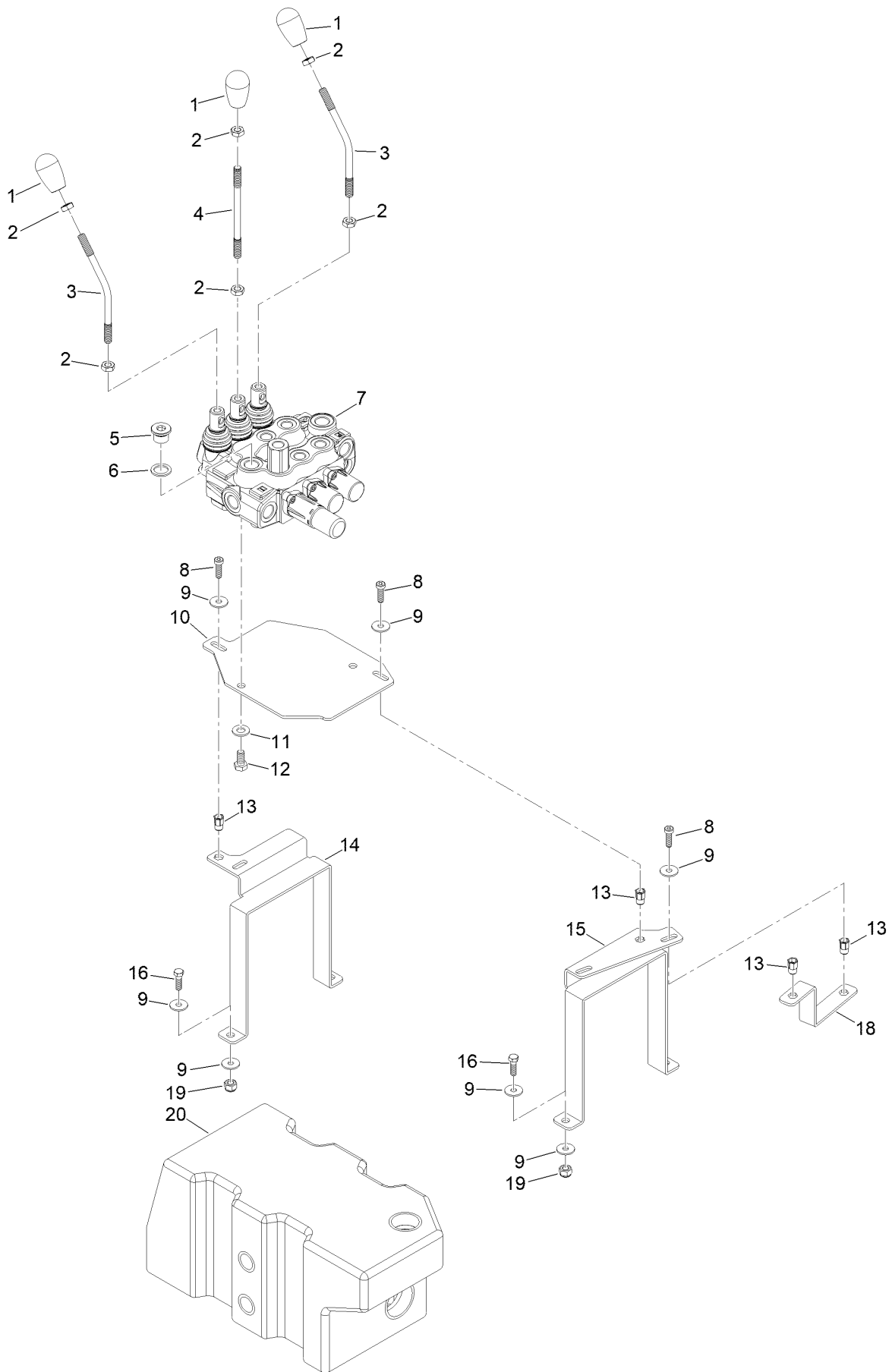
# Hydraulic Assembly No. 3



## Hydraulic Assembly No. 3 (continued)

<i>Ref.</i>	<i>Part Number</i>	<i>Qty.</i>	<i>Description</i>	<i>Ref.</i>	<i>Part Number</i>	<i>Qty.</i>	<i>Description</i>
1	134-1245	1	Screw	11	134-7633	1	Seal - 3/8In
2	134-1255	7	Washer	12	134-9338	1	Hose
3	134-1153	2	Cap-Breather	13	134-9344	1	Steering Valve
4	134-9339	1	Hose	14	134-3054	1	Valve-Lift
5	134-9340	1	Hose	15	134-9343	1	Hose
6	134-9337	2	Ram	16	134-9342	1	Hose
7	134-1102	1	Screw	17	134-9341	1	Hose
8	134-7804	1	Fitting-Orifice	18	134-1270	2	Fitting-Nipple
9	134-1266	2	Fitting-Nipple	19	134-9345	1	Ram
10	134-9348	1	Plug				

# Hydraulic Assembly No. 4

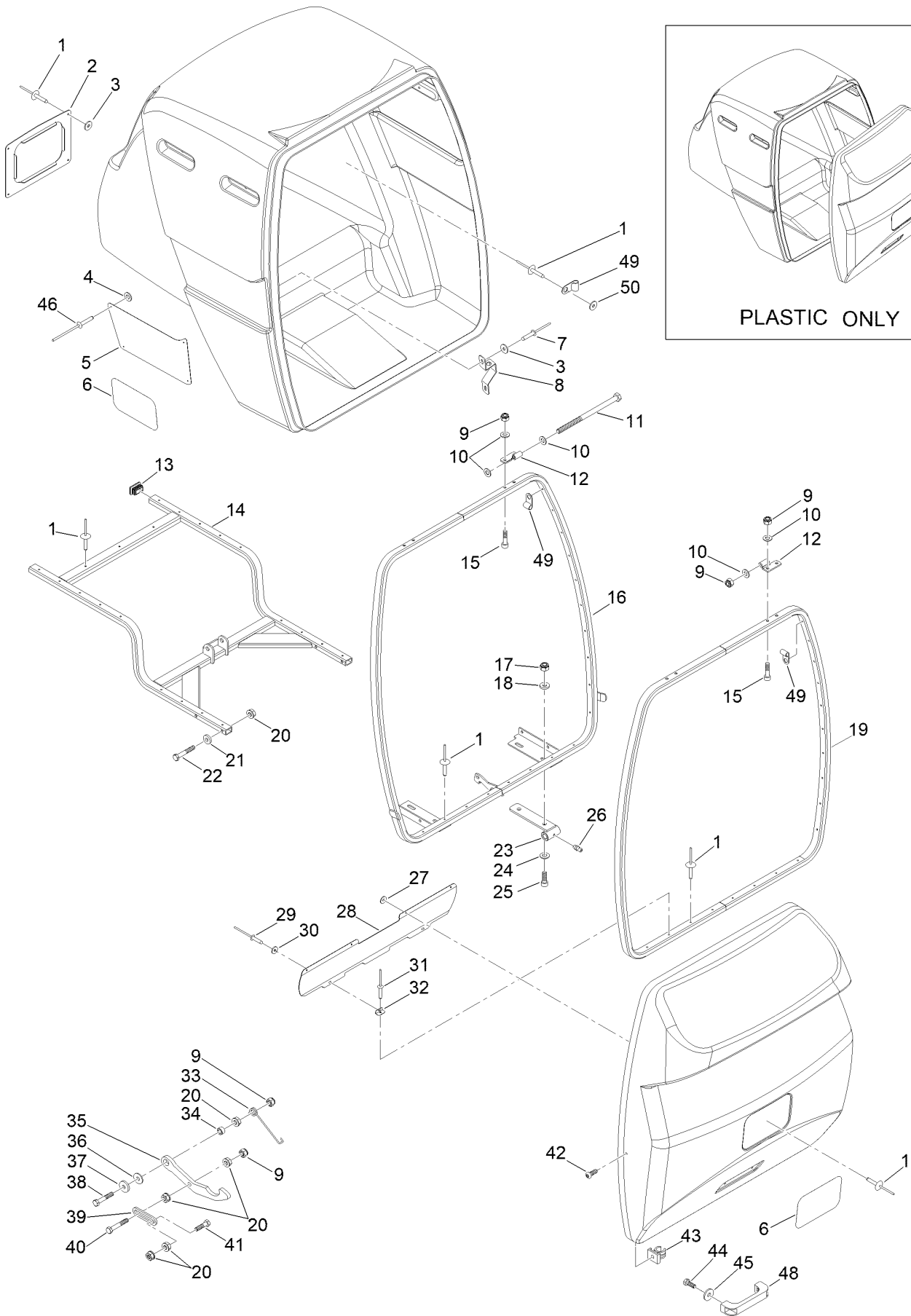




## Hydraulic Assembly No. 4 (continued)

<i>Ref.</i>	<i>Part Number</i>	<i>Qty.</i>	<i>Description</i>	<i>Ref.</i>	<i>Part Number</i>	<i>Qty.</i>	<i>Description</i>
1	134-1179	3	Knob	11	134-1045	2	Washer
2	134-1078	6	Nut	12	134-1010	2	Screw
3	134-9346	2	Lever	13	134-1257	4	Insert-Threaded
4	134-9347	1	Lever	14	134-0795	1	Clamp-Band
5	134-9348	1	Plug	15	134-0794	1	Clamp-Band
6	134-7633	1	Seal - 3/8In	16	134-1009	4	Screw
7	134-3054	1	Valve-Lift	18	134-9351	1	Support, Water Expansion Tank
8	134-1071	3	Screw	19	134-1042	4	Nut
9	134-1234	11	Washer	20	134-0635	1	Tank-Oil
10	134-9349	1	Plate, Lift Valve				

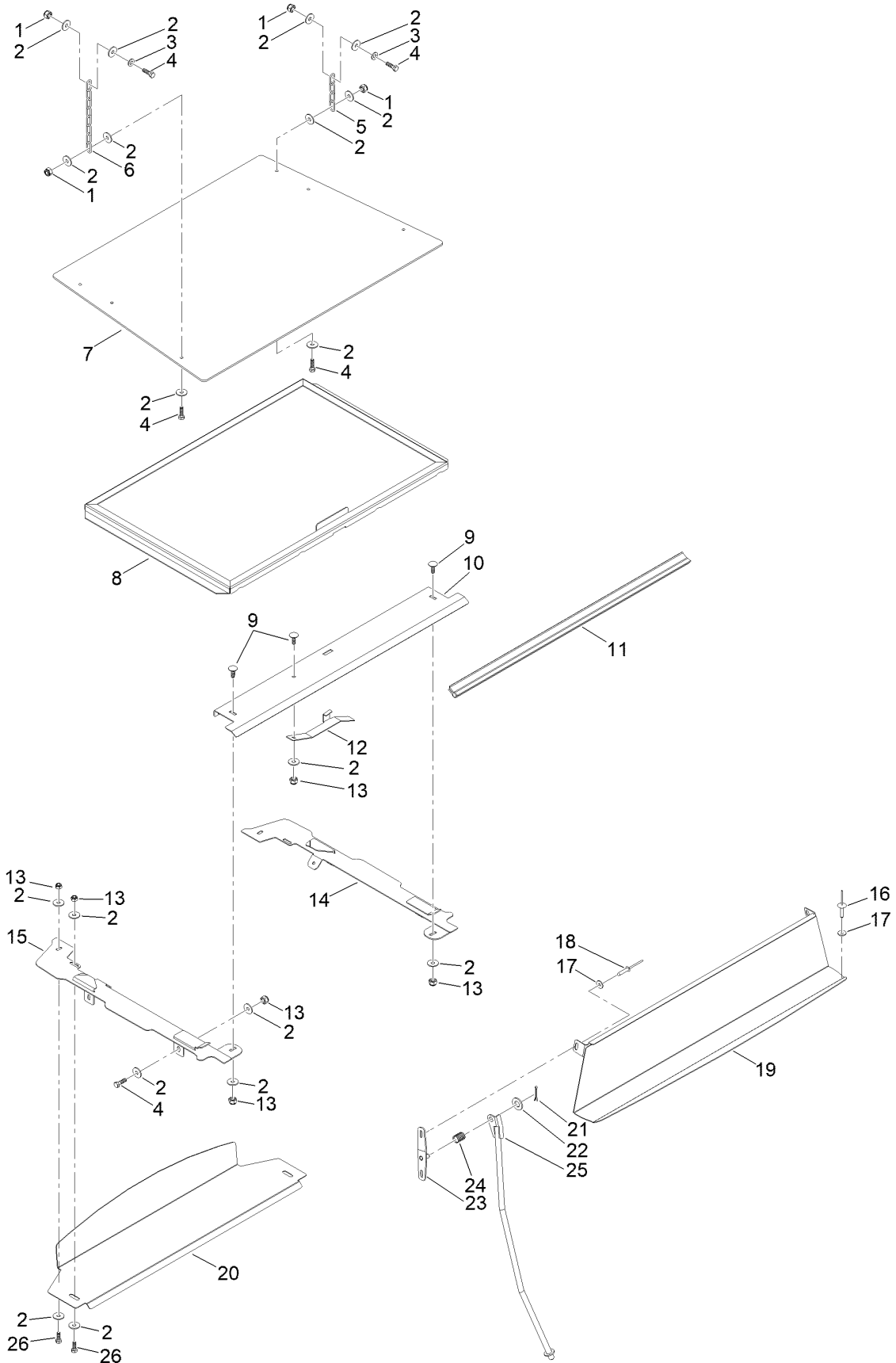
# Hopper and Frame Assembly



## Hopper and Frame Assembly (continued)

<i>Ref.</i>	<i>Part Number</i>	<i>Qty.</i>	<i>Description</i>	<i>Ref.</i>	<i>Part Number</i>	<i>Qty.</i>	<i>Description</i>
1	134-1273	97	Rivet	26	134-1065	2	Fitting-Grease
2	134-9359	1	Flange, Chute Coupling	27	134-1231	8	Washer
3	134-1231	6	Washer	28	134-9486	1	Slide, Hopper Door
4	134-1050	8	Washer	29	134-1204	2	Rivet
5	134-3124	2	Plate-Logo, Hopper	30	134-1053	2	Washer
6	134-0551	3	Decal-Toro Logo	31	134-1244	2	Rivet
7	134-1190	2	Rivet	32	134-0753	2	Bracket
8	134-0744	1	Bracket	33	134-0740	1	Spring
9	134-1092	7	Nut	34	134-0687	1	Spacer
10	134-1045	7	Washer	35	134-9353	1	Hook, Hopper Door
11	134-1117	1	Screw	36	134-3126	1	Washer
12	134-0758	4	Hinge	37	134-8037	1	Washer-Plain
13	134-1181	2	Cap-Plastic, Black	38	134-1029	1	Screw
14	134-9357	1	Chassis, Hopper	39	134-9354	1	Screw-HH
15	134-1122	4	Screw	40	134-9355	1	Ring, Hopper Hook
16	134-9360	1	Frame, Hopper	41	134-1012	1	Screw
17	134-1081	2	Nut	42	134-1303	1	Screw
18	134-9408	2	Washer	43	134-1160	1	Collar
19	134-9356	1	Frame, Hopper Door	44	134-1008	2	Screw
20	134-1082	9	Nut	45	134-1234	2	Washer
21	134-0997	4	Washer	46	134-1183	8	Rivet
22	134-8036	4	Screw-HH	47	134-9352	1	Hopper, Cut And Drilled
23	134-9381	2	Frame, Hopper Body	48	134-1140	1	Handle
24	134-1046	2	Washer	49	134-1348	4	Grommet
25	134-8233	2	Screw-HSH	50	134-1231	4	Washer

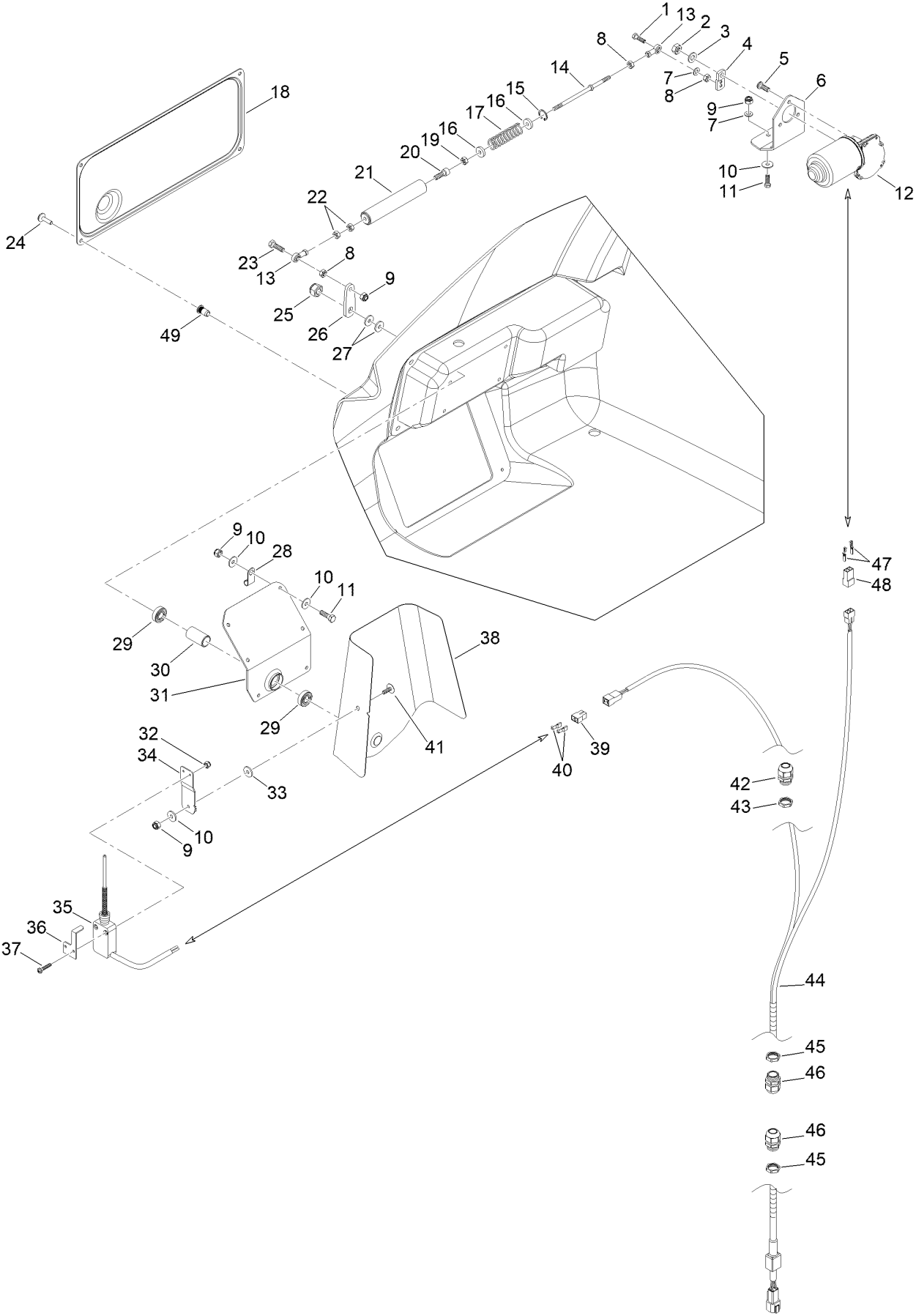
# Hopper Parts Assembly



## Hopper Parts Assembly (continued)

<i>Ref.</i>	<i>Part Number</i>	<i>Qty.</i>	<i>Description</i>	<i>Ref.</i>	<i>Part Number</i>	<i>Qty.</i>	<i>Description</i>
1	134-1042	4	Nut	14	134-9367	1	Slide, Removable Grid RH
2	134-1234	21	Washer	15	134-9365	1	Slide, Grid LH
3	134-1044	2	Washer	16	134-1273	3	Rivet
4	134-1009	6	Screw	17	134-1231	5	Washer
5	134-0869	2	Chain	18	134-1190	2	Rivet
6	134-0870	2	Chain	19	134-9368	1	Grid, Door
7	134-0871	1	Panel-Plastic, Grass Catcher	20	134-9366	1	Plate, Hopper Grid
8	134-9364	1	Grid, Removable	21	134-1129	1	Pin-Spring
9	134-1296	3	Screw	22	134-1046	1	Washer
10	134-9362	1	Support, Removable Grid	23	134-0741	1	Support
11	134-9363	1	Gasket	24	134-0727	1	Spring
12	134-9361	1	Handle, Hopper Grid	25	134-0747	1	Rod
13	134-1041	7	Nut	26	134-1008	2	Screw

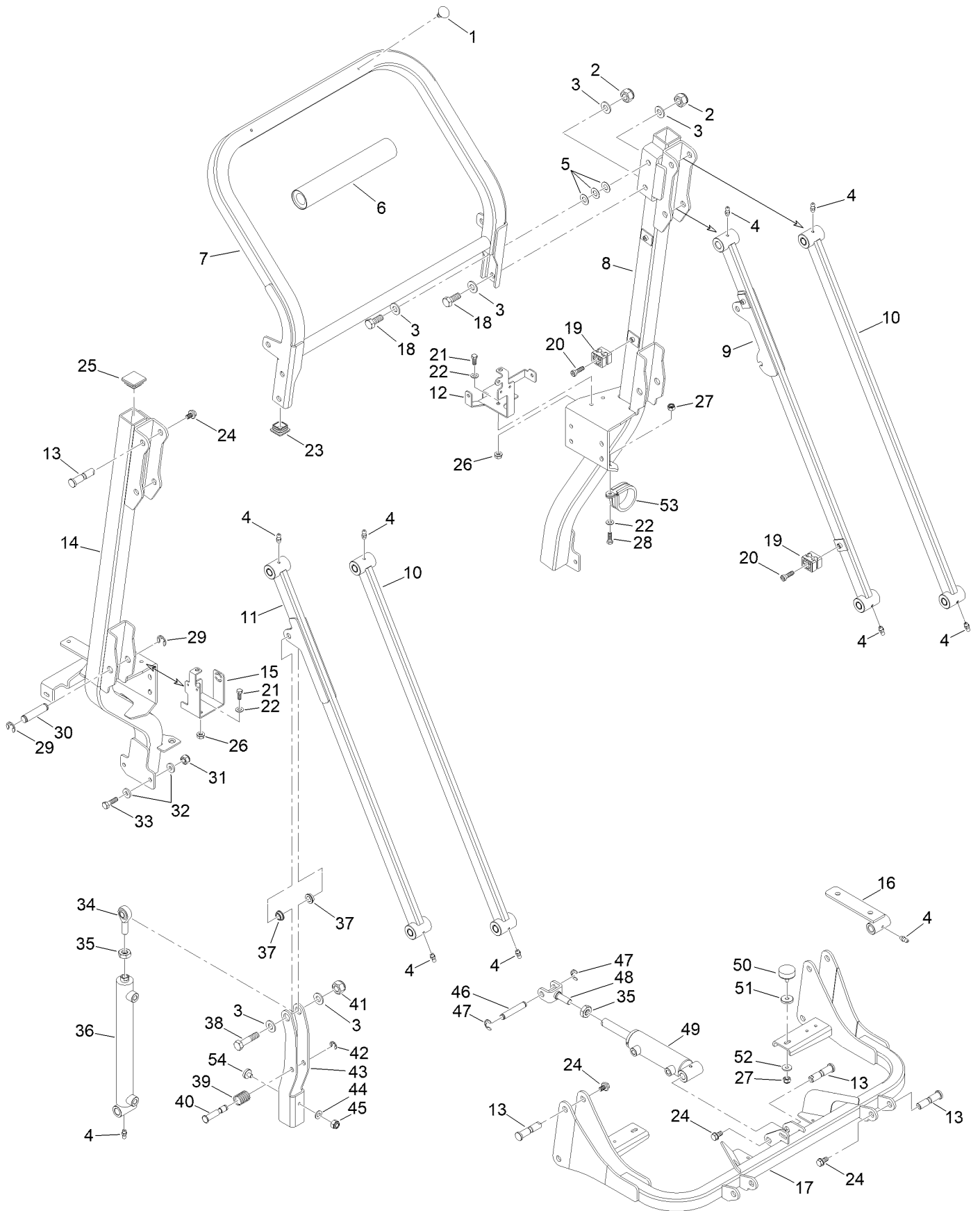
# Hopper Electrical Assembly



## Hopper Electrical Assembly (continued)

<i>Ref.</i>	<i>Part Number</i>	<i>Qty.</i>	<i>Description</i>	<i>Ref.</i>	<i>Part Number</i>	<i>Qty.</i>	<i>Description</i>
1	134-9371	1	Screw	25	134-1081	1	Nut
2	134-1078	1	Nut	26	134-0768	1	Lever-Hopper
3	134-1054	1	Washer	27	134-0998	2	Spacer
4	134-1003	1	Plate, Hopper-Spreader	28	134-1348	1	Grommet
5	134-1303	3	Screw	29	134-1104	2	Bearing
6	134-0766	1	Support-Engine	30	134-0841	1	Spacer
7	134-1044	4	Washer	31	134-0767	1	Support-Spreader
8	134-1039	3	Nut	32	134-1040	2	Nut
9	134-1041	11	Nut	33	134-1237	1	Washer-Belleville
10	134-1234	16	Washer	34	134-0916	1	Support-Sensor, Catcher
11	134-1009	9	Screw	35	134-9372	1	Microswitch, Hopper
12	134-0595	1	Baffle-Motor	36	134-0700	1	Bracket
13	134-0592	2	Head-Joint	37	134-1113	2	Screw
14	134-9369	1	Shock Absorber, Grass Spreader	38	134-3103	1	Manifold
15	134-9613	1	Ring-Retaining, Int	39	134-1288	1	Connector-Electric
16	134-0691	2	Washer	40	134-1221	2	Cap-Cable End, Female
17	134-0926	1	Spring	41	134-1304	1	Screw
18	134-0914	1	Cover	42	134-1278	1	Fitting-Union
19	134-1042	1	Nut	43	134-1292	1	Nut-Plastic
20	134-1025	1	Screw	44	134-0601	1	Wiring-Catcher, Grass
21	134-9614	1	Body Shock Kit	45	134-9374	2	Nut
22	134-1080	1	Nut	46	134-9373	2	Fitting, Cable
23	134-9370	1	Screw-HH	47	134-1225	2	Connector
24	134-8236	4	Screw-Flange	48	134-1222	1	Connector-Electric
				49	134-8237	4	Nutsert-Blind

# Hopper Lift Frame Assembly

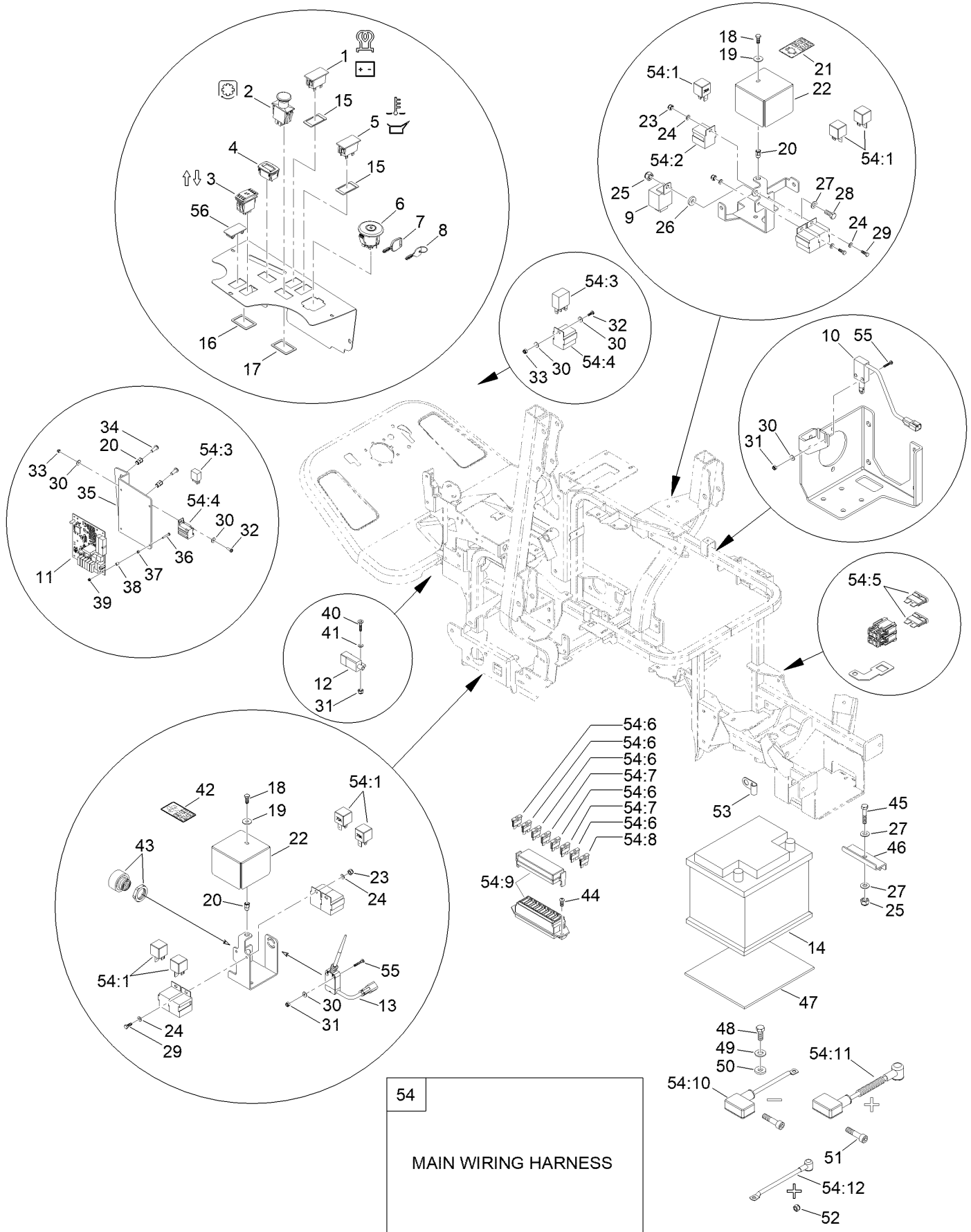




## Hopper Lift Frame Assembly (continued)

<i>Ref.</i>	<i>Part Number</i>	<i>Qty.</i>	<i>Description</i>	<i>Ref.</i>	<i>Part Number</i>	<i>Qty.</i>	<i>Description</i>
1	134-1162	2	Rivet-Plastic	28	134-1015	4	Screw
2	134-1090	4	Nut	29	134-2964	2	Ring-Snap
3	134-3012	12	Washer	30	134-0873	1	Pin
4	134-1065	11	Fitting-Grease	31	134-1079	2	Nut
5	134-9385	6	Shim	32	134-9408	4	Washer
6	134-9384	1	Neck Protection	33	134-1019	2	Screw
7	134-9391	1	Roll-Bar	34	134-1328	1	Joint-Ball
8	134-9388	1	Pillar, Lifter RH	35	134-1036	2	Nut
9	134-9382	1	Arm-Hopper	36	134-0811	2	Cylinder
10	134-9376	2	Arm Assy, Upper	37	134-0761	2	Bushing
11	134-9383	1	Arm-Hopper	38	134-1072	2	Screw
12	134-9394	1	Bracket, Engine Relays	39	134-0727	2	Spring
13	134-9378	9	Pivot, Lifter	40	134-0776	2	Pin
14	134-9389	1	Pillar, Lifter LH	41	134-1091	2	Nut
15	134-9395	1	Bracket, Fan Relays	42	134-2966	2	Ring Snap
16	134-9381	2	Frame, Hopper Body	43	134-0909	2	Rod-Safety
17	134-9380	1	Frame, Hopper Assy	44	134-3027	2	Washer-Wave
18	134-9386	4	Screw-HH Cap	45	134-1042	2	Nut
19	134-1330	4	Collar	46	134-9377	1	Pivot, Hopper Ram
20	134-1071	2	Screw	47	134-1099	2	Ring-Snap
21	134-1011	4	Screw	48	134-9379	1	Fork, Tilter Ram
22	134-1045	5	Washer	49	134-9392	1	Ram, Dual Acting
23	134-9387	2	Plug	50	134-1338	2	Pad-Rubber
24	134-1310	9	Screw	51	134-1355	2	Washer
25	134-9390	1	Plug	52	134-3126	2	Washer
26	134-1082	4	Nut	53	134-9393	1	Clamp
27	134-1092	3	Nut	54	134-1326	1	Magnet

# Electric Equipment Assembly

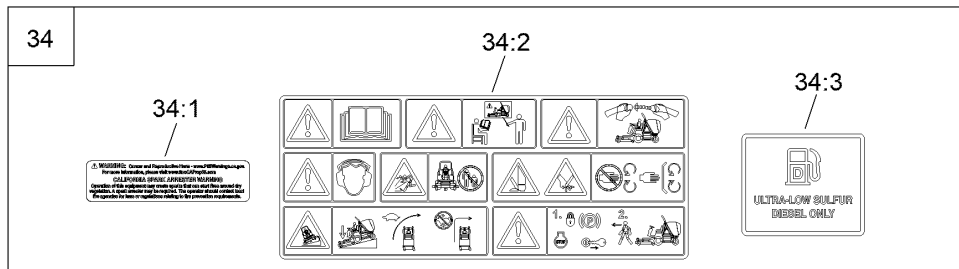
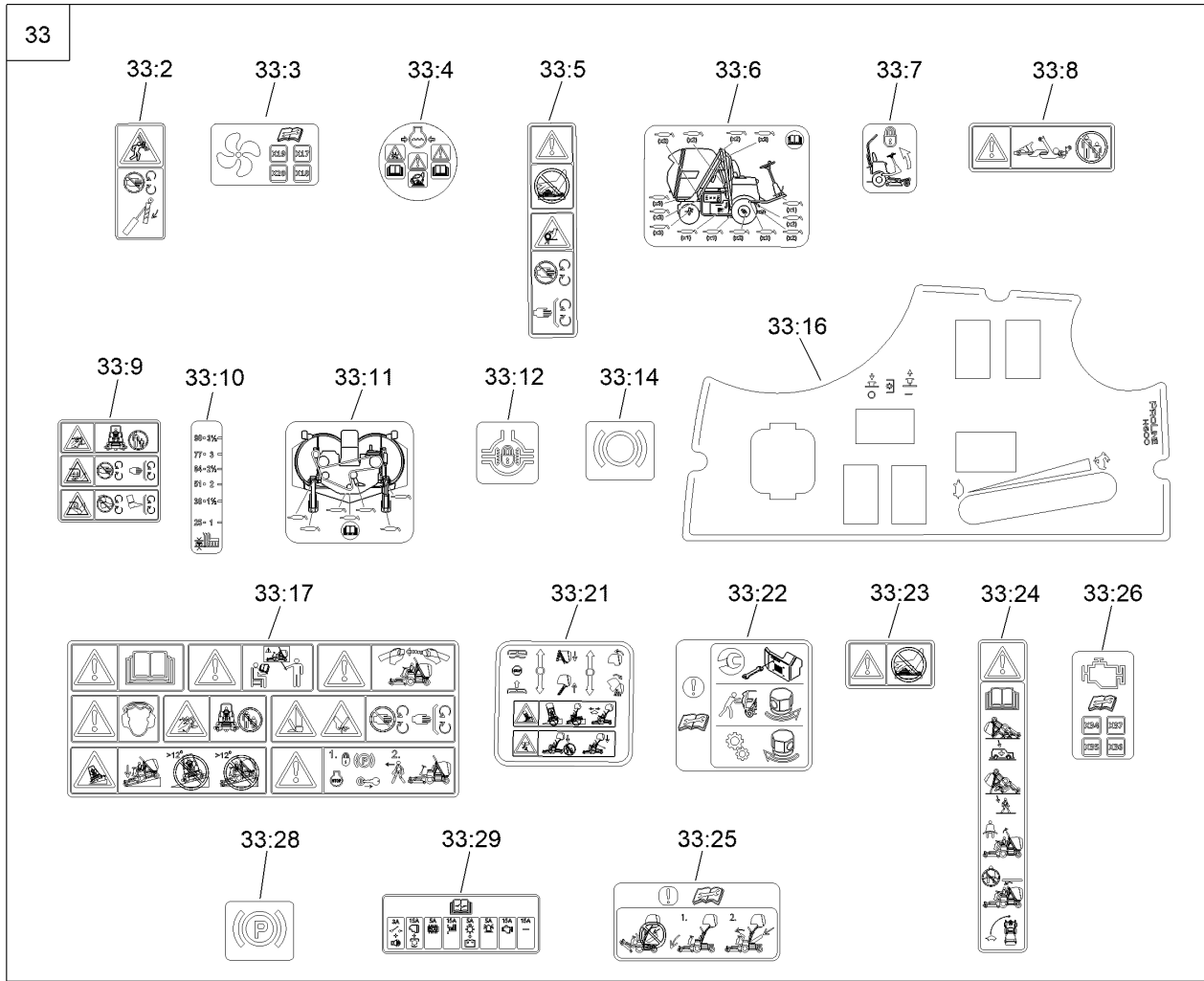
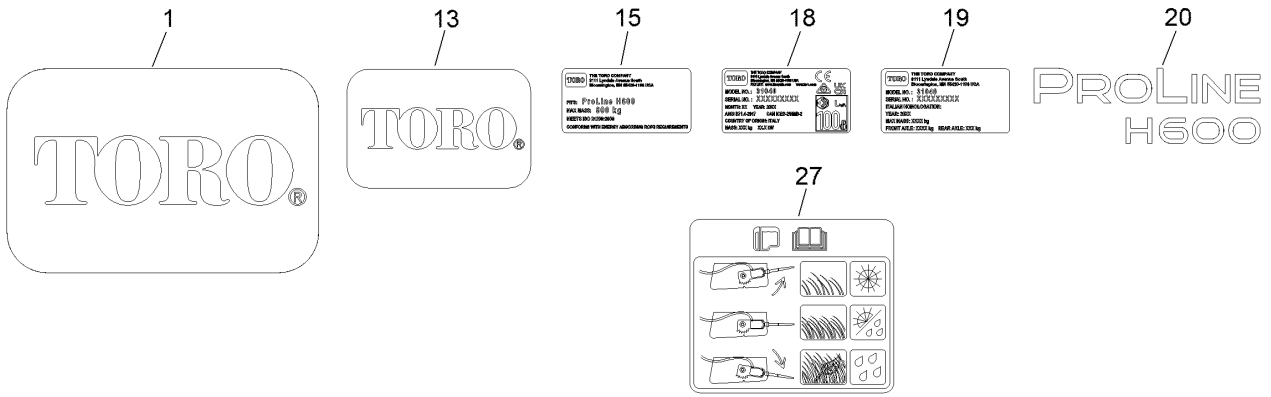


54  
**MAIN WIRING HARNESS**

## Electric Equipment Assembly (continued)

<i>Ref.</i>	<i>Part Number</i>	<i>Qty.</i>	<i>Description</i>	<i>Ref.</i>	<i>Part Number</i>	<i>Qty.</i>	<i>Description</i>
1	122-0334	1	Light-Indicator, Glow/Battery	36	134-1313	4	Screw
2	93-9999	1	Switch-PTO	37	134-1167	4	Nut
3	134-9411	1	Switch, HOC	38	134-1031	4	Bushing-Nylon
4	134-9412	1	Hour Meter	39	134-1085	4	Nut
5	134-9410	1	Lamp, Oil/Water	40	134-1307	2	Screw
6	134-9413	1	Switch, Key	41	134-1052	2	Washer
7	134-1286	1	Key-Ignition, Metal	42	134-8800	1	Decal-Relay Fan
8	134-1285	1	Key-Ignition, Plastic Cover	43	134-9401	1	Buzzer
9	134-9403	1	Timer, Kubota	44	134-2987	2	Screw
10	134-9409	1	Microswitch, Neutral	45	134-1014	1	Screw
11	134-9417	1	Electric Board, Machine	46	134-2998	1	Bracket-Clamp, Battery
12	134-9396	1	Microswitch, Parking Brake	47	134-0720	1	Bushing-Plastic
13	134-9404	1	Microswitch, Lifted Hopper	48	134-2956	1	Screw
14	134-9397	1	Battery	49	134-1046	1	Washer
15	134-1284	2	Gasket	50	134-9408	1	Washer
16	134-9415	1	Frame, Hour Meter	51	134-1068	2	Screw
17	134-0981	1	Retainer-Switch	52	134-1042	1	Nut
18	134-1008	2	Screw	53	134-1348	1	Grommet
19	134-1234	2	Washer	54	134-9493	1	Main Wiring Harness, PIh600
20	134-1257	4	Insert-Threaded				
21	134-8801	1	Decal-Engine Relay	54:1	134-2996	7	Relay
22	134-9400	2	Cover, Relays	54:2	134-8250	3	Base-Relay 70A
23	134-1094	4	Nut	54:3	134-8245	2	Relay
24	134-1049	8	Washer	54:4	134-8246	2	Base-Relay, Minature
25	134-1092	2	Nut	54:5	111-2898	2	Fuse-40A
26	134-0997	1	Washer	54:6	134-2985	5	Fuse 15A
27	134-1045	3	Washer	54:7	134-2983	2	Fuse 5A
28	134-1011	1	Screw	54:8	134-2986	1	Fuse-Blade, 3 Amp
29	134-9399	4	Screw-HH Cap	54:9	134-2988	1	Box-Fuse
30	134-1053	8	Washer	54:10	134-9405	1	Cable, Battery Negative
31	134-1040	6	Nut	54:11	134-9406	1	Cable, Battery Positive
32	134-8247	2	Screw-Pan	54:12	134-9407	1	Cable, Alternator
33	134-1093	2	Nut	55	134-1113	4	Screw
34	134-1311	2	Screw	56	134-9972	1	Plug, Switch
35	134-9416	1	Support, Electric Board				

# Decals Assembly



## Decals Assembly (continued)

<i>Ref.</i>	<i>Part Number</i>	<i>Qty.</i>	<i>Description</i>	<i>Ref.</i>	<i>Part Number</i>	<i>Qty.</i>	<i>Description</i>
1	134-0551	3	Decal-Toro Logo	33:12	134-8817	1	Decal-Differential Lock
13	126-5060	1	Decal-Logo, Toro	33:14	134-0547	1	Decal-Brake
15	134-8375	1	Decal-ROPS Compliance	33:16	134-8769	1	Decal-Control Panel
18	134-8378	1	Decal-Model/Serial	33:17	134-8866	1	Decal-Warning
19	134-8377	1	Decal-Homologation	33:21	134-8781	1	Decal-Controls Safety
20	134-8376	2	Decal-Proline H600	33:22	134-8806	1	Decal-Hydrostatic Pump Bypass
27	162-0010	1	Decal-Hopper Sensor	33:23	134-8818	1	Decal-Hot Surface
33	134-8895	1	Proline H600 Decal Set	33:24	134-0542	1	Decal-ROPS Warning
33:2	134-8770	2	Decal-Warning Arm	33:25	134-1359	1	Decal-Attention, Deck Service
33:3	134-8800	1	Decal-Relay Fan	33:26	134-8801	1	Decal-Engine Relay
33:4	117-3276	1	Decal-Danger	33:28	134-0548	1	Decal-Parking Brake
33:5	134-8768	1	Decal-Warning Engine	33:29	134-8802	1	Decal-Fuse
33:6	134-8775	1	Decal-Service	34	134-4172	1	Ansi Decal Kit
33:7	134-8782	1	Decal-Footplate Tilt	34:1	133-8062	1	Decal-Spark Arrestor
33:8	134-8816	1	Decal-Cardan Joint	34:2	134-1986	1	Decal-Warning
33:9	134-8772	2	Decal-Warning Deck	34:3	125-6135	1	Decal-Ultra-Low Diesel Only
33:10	134-8771	1	Decal-HOC				
33:11	134-8780	1	Decal-Service				

# Attachments and Accessories

## For 31040 ProLine H600 Rotary Mower

<b>Product Name</b>	<b>Model/Part</b>
LED Road Light Kit .....	31046
LED Flashing Beacon Kit .....	31047
Mulching Kit .....	31048

**Notes:**



**Count on it.**