



Count on it.

Parts Catalog

CrossTrax[®] All-Wheel Drive Kit
Reelmaster[®] 5010-H, 5410-D, or 5510-D
Series Traction Unit

Model No. 03645



Ordering Replacement Parts

To order replacement parts, please supply the part number, the quantity, and the description of each part desired.

Understanding Reference Numbers

Each identified part in an illustration has a reference number. The reference number for a part also appears in the parts list, along with other information about the part.

This catalog uses two special reference number formats, one to indicate parts in a service assembly and another to indicate the quantity of a given part in an illustration.

Service Assembly Reference Numbers

Parts in service assemblies have reference numbers in the form a:b. The a represents the reference number of the entire service assembly and the b represents a sequential number unique to each part within the service assembly.

For example, a wheel assembly might be identified by reference number 6, the tire by 6:1, the valve by 6:2, and the wheel by 6:3. When you order the assembly identified by reference number 6, you receive all parts identified by reference numbers 6:1, 6:2, and 6:3. However, you may also order any part individually. Reference numbers of this type appear in illustration and in parts lists.

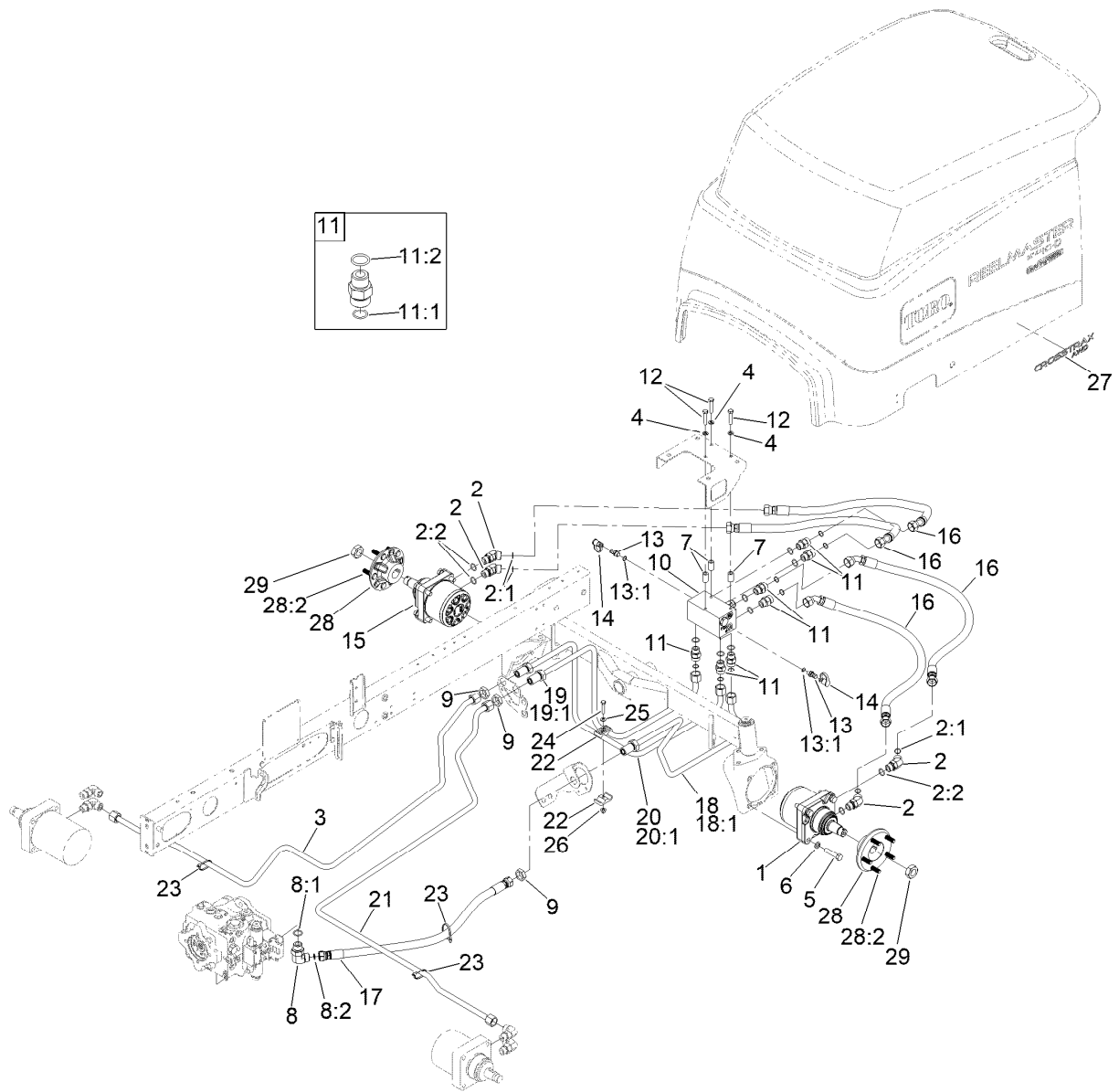
Reference Numbers Indicating Quantity

In an illustration, if a reference number indicates more than one part, the reference number has the form nX y. The n represents the quantity of the part, the X is the multiplication symbol, and the y represents the reference number.

For example, in an illustration, the reference number 2X 37 means that two of the parts identified by reference number 37 are indicated.

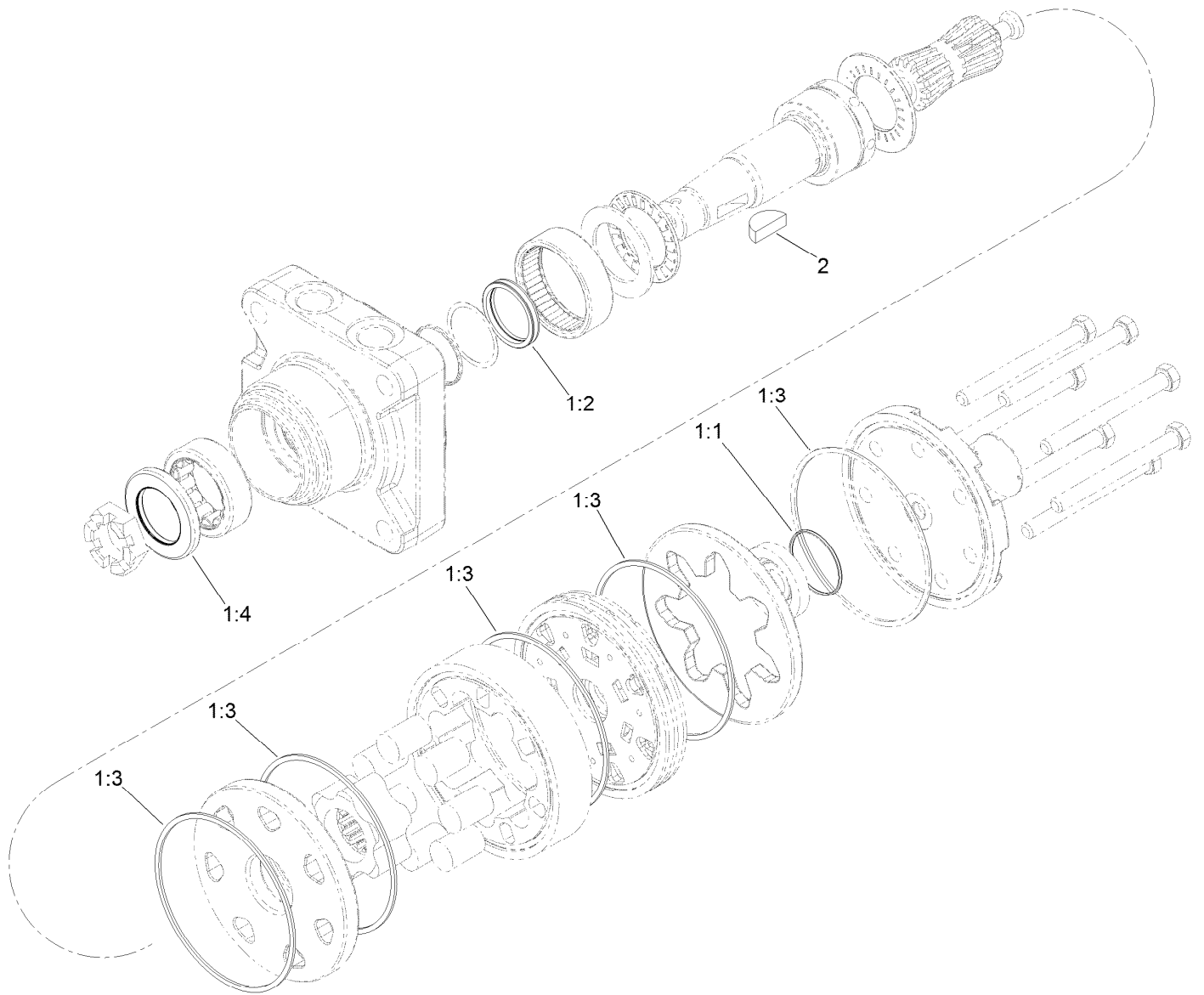
Contents

CrossTrax All-Wheel Drive Assembly 4
Hydraulic Motor Assembly No. 138-0435..... 5
Four Wheel Drive Manifold Assembly No. 108-1825 6
Hydraulic Motor Assembly No. 138-0436..... 7



CrossTrax All-Wheel Drive Assembly

Ref.	Part Number	Qty.	Description	Ref.	Part Number	Qty.	Description
1	138-0435	1	Motor-Hydraulic, CCW	14	354-79	2	Cap-Dust
2	340-14	4	Fitting-HYD, 45 DEG	15	138-0436	1	Motor-Hydraulic, CW
2:1	237-65	1	O-Ring	16	106-3662	4	Hose-HYD
2:2	237-80	1	O-Ring	17	108-7645	1	Hose-HYD
3	108-7622	1	Hydraulic Tube ASM	18	108-7626	1	Tube ASM
4	3253-21	3	Washer-Lock	18:1	237-65	1	O-Ring
5	325-9	8	Screw-HH	19	108-7625	1	Tube ASM
6	3253-7	8	Washer-Lock	19:1	237-65	1	O-Ring
7	93-6981	3	Spacer	20	108-7624	1	Tube ASM
8	340-139	1	Fitting-Elbow 90	20:1	237-65	1	O-Ring
8:1	237-81	1	O-Ring	21	108-7623	1	Hydraulic Tube ASM
8:2	237-65	1	O-Ring	22	56-7971	2	Clamp-Tube
9	340-74	3	Nut-Lock, Bulkhead	23	3290-378	3	Tie-Cable
10	108-1825	1	HYD Manifold ASM	24	322-7	1	Screw-HH
11	340-7	7	Fitting-Straight	25	3256-23	1	Washer-Plain
11:1	237-65	1	O-Ring	26	104-8300	1	Nut-HF, NI
11:2	237-80	1	O-Ring	27	110-8859	2	Decal
12	323-9	3	Screw-HH	28	121-5633	2	Hub ASM
13	59-7410	2	Fitting-Diagnostic	28:2	114-3918	5	Stud-Wheel
13:1	237-42	1	O-Ring	29	26-3790	2	Nut-Lock

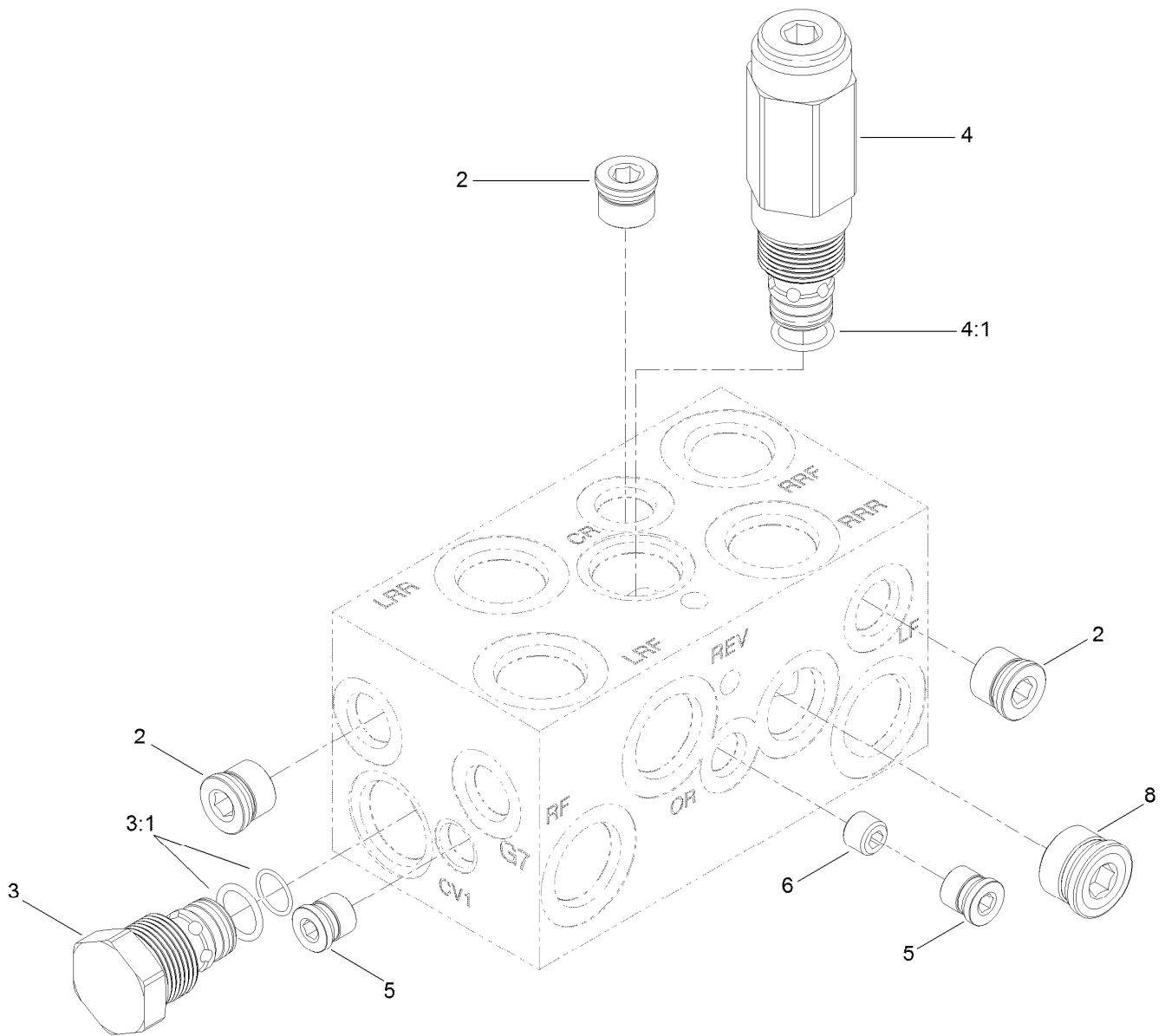


Hydraulic Motor Assembly No. 138-0435

<i>Ref.</i>	<i>Part Number</i>	<i>Qty.</i>	<i>Description</i>
1	110-8897	1	Seal Kit ●
1:1		1	Seal-Commutator, Vespel ■
1:2		1	Seal-Shaft ■
1:3		5	Seal-Body, Buna ■
1:4		1	Seal-Dirt / Water ■
2	3257-42	1	Key-Woodruff

● Not illustrated

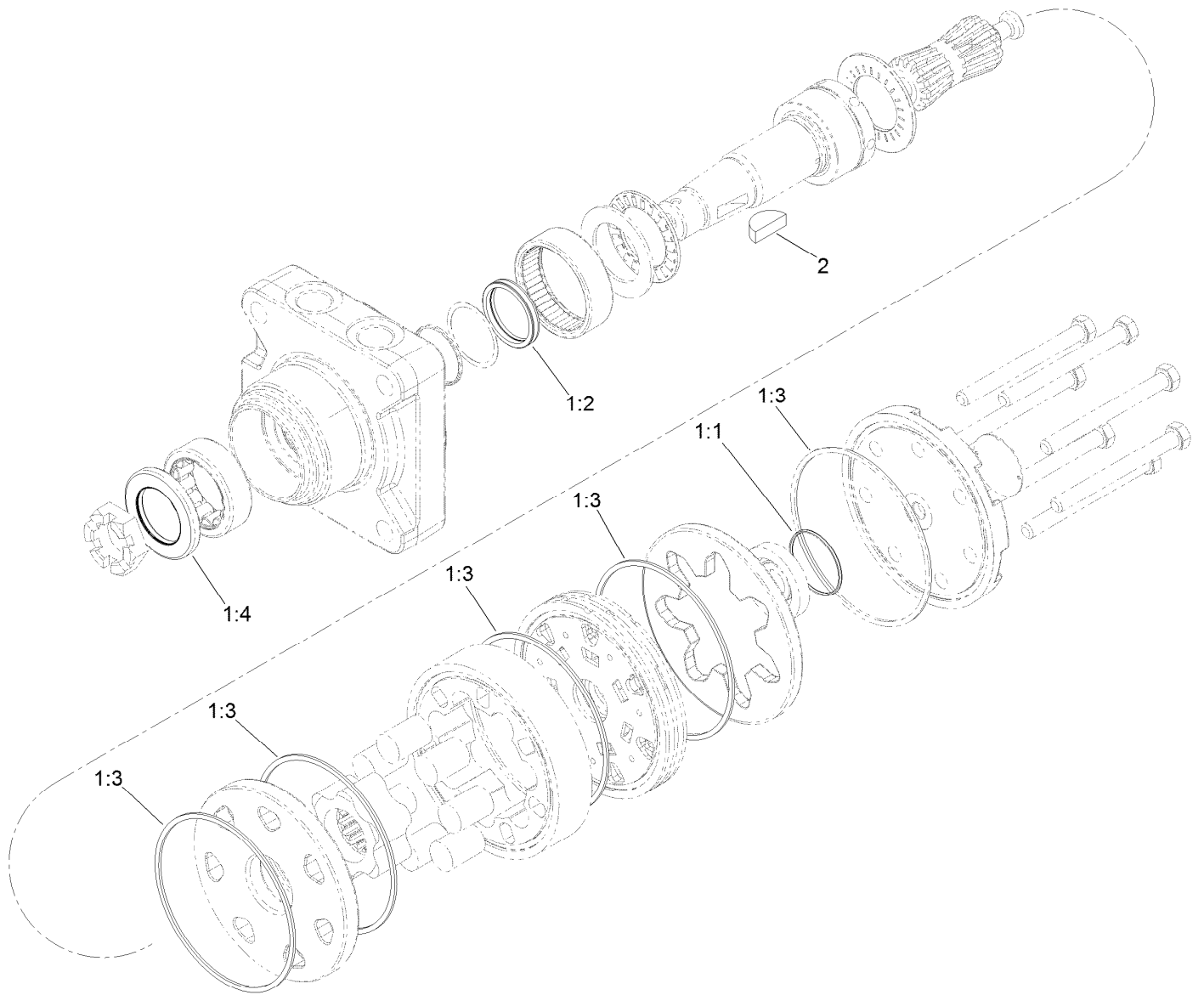
■ Not serviced separately



Four Wheel Drive Manifold Assembly No. 108-1825

Ref.	Part Number	Qty.	Description
2	106-1026	3	Plug-HYD
3	110-8881	2	Valve-Check
3:1	105-9159	1	Seal Kit ●
4	110-8882	1	Valve-Relief, Cross Over
4:1	110-6316	1	Seal Kit
5	106-1025	2	Plug-HYD
6	110-8883	1	Plug-Orifice (0.040)
8	106-1027	1	Plug

● Not illustrated



Hydraulic Motor Assembly No. 138-0436

<i>Ref.</i>	<i>Part Number</i>	<i>Qty.</i>	<i>Description</i>
1	110-8897	1	Seal Kit ●
1:1		1	Seal-Commutator, Vespel ■
1:2		1	Seal-Shaft ■
1:3		5	Seal-Body, Buna ■
1:4		1	Seal-Dirt / Water ■
2	3257-42	1	Key-Woodruff

● Not illustrated

■ Not serviced separately



Count on it.