



Count on it.

Parts Catalog

**Power Max[®] 824 OE
Snowthrower**

Model No. 37798—Serial No. 411309389 and Up



Ordering Replacement Parts

To order replacement parts, please supply the part number, the quantity, and the description of each part desired.

Understanding Reference Numbers

Each identified part in an illustration has a reference number. The reference number for a part also appears in the parts list, along with other information about the part.

This catalog uses two special reference number formats, one to indicate parts in a service assembly and another to indicate the quantity of a given part in an illustration.

Service Assembly Reference Numbers

Parts in service assemblies have reference numbers in the form a:b. The a represents the reference number of the entire service assembly and the b represents a sequential number unique to each part within the service assembly.

For example, a wheel assembly might be identified by reference number 6, the tire by 6:1, the valve by 6:2, and the wheel by 6:3. When you order the assembly identified by reference number 6, you receive all parts identified by reference numbers 6:1, 6:2, and 6:3. However, you may also order any part individually. Reference numbers of this type appear in illustration and in parts lists.

Reference Numbers Indicating Quantity

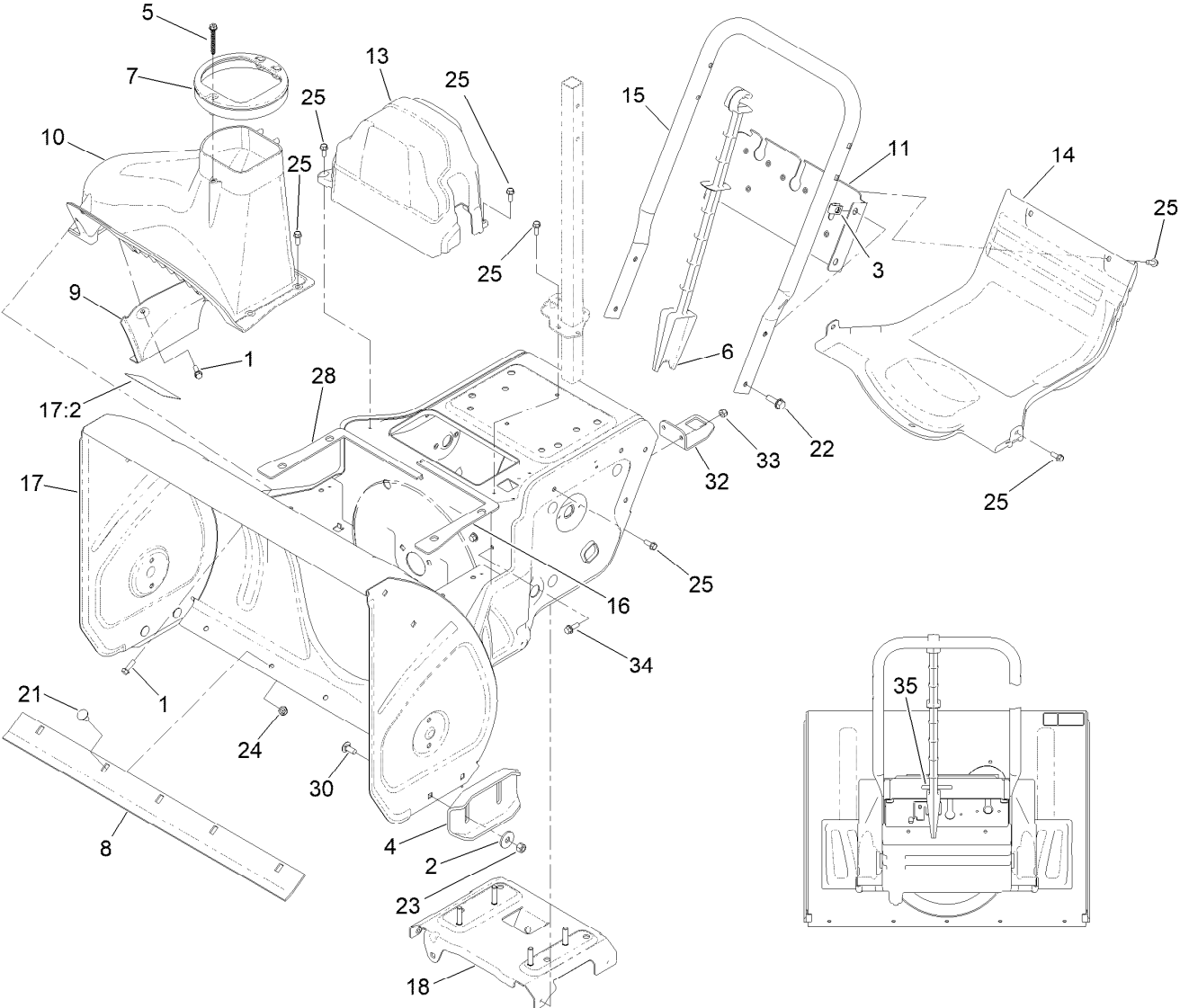
In an illustration, if a reference number indicates more than one part, the reference number has the form nX y. The n represents the quantity of the part, the X is the multiplication symbol, and the y represents the reference number.

For example, in an illustration, the reference number 2X 37 means that two of the parts identified by reference number 37 are indicated.

Contents

| | |
|--|----|
| Main Frame and Auger Housing Assembly | 4 |
| Pulley and Bellcrank Assembly | 6 |
| Impeller Drive Assembly | 8 |
| Drive Assembly | 10 |
| Gearbox, Auger and Impeller Assembly | 12 |
| 24 Inch Auger Gearcase Assembly No. 120-3859 | 14 |
| Impeller Assembly | 16 |
| Engine Assembly | 18 |
| Fuel System and Carburetor Assembly | 20 |
| Intake and Exhaust Assembly | 22 |
| Ignition and Electrical Assembly | 24 |
| Crankcase Assembly | 26 |
| Governor Assembly | 28 |
| Piston and Head Assembly | 30 |
| Blower Housing and Shrouds Assembly | 32 |
| Engine Decal Assembly | 34 |
| Chute Assembly | 36 |
| Lever Chute Control Assembly | 38 |
| Handle Assembly | 40 |
| Control Assembly | 42 |
| Attachments and Accessories | 44 |

Main Frame and Auger Housing Assembly



Main Frame and Auger Housing Assembly (continued)

| <i>Ref.</i> | <i>Part Number</i> | <i>Qty.</i> | <i>Description</i> | <i>Ref.</i> | <i>Part Number</i> | <i>Qty.</i> | <i>Description</i> |
|-------------|--------------------|-------------|---------------------|-------------|--------------------|-------------|--|
| 1 | 46-8091 | 6 | Screw-HWH | 17 | 139-3690 | 1 | Frame (ASM Compact 2 Stage 24In W/Decal) |
| 2 | 52-2861 | 4 | Washer | 17:2 | 121-6817 | 1 | Decal-Danger, Auger |
| 3 | 94-2413 | 4 | Nut-U | 18 | 136-7187 | 1 | Brace-Frame |
| 4 | 106-4588-01 | 2 | Skid | 21 | 3230-18 | 5 | Screw-CARR |
| 5 | 114-3751 | 1 | Screw-HWH, Plastite | 22 | 3234-29 | 4 | Screw-HHF |
| 6 | 121-6833 | 1 | Stick-Cleanout | 23 | 3296-29 | 4 | Nut-Lock, NI |
| 7 | 138-3608 | 1 | Guide-Chute | 24 | 3296-47 | 5 | Nut-Lock,NI |
| 8 | 119-7601-01 | 1 | Scraper-24 Inch | 25 | 32144-85 | 17 | Screw-HWH Thd Form |
| 9 | 120-7158-01 | 1 | Cover-Liner | 28 | 121-6841 | 1 | Seal-Housing, RH |
| 10 | 120-7159 | 1 | Cover | 30 | 3230-23 | 4 | Bolt-CARR |
| 11 | 120-7161-01 | 1 | Brace-Frame | 32 | 137-3410-03 | 1 | Bracket-Post, Chute |
| 13 | 120-7177 | 1 | Cover-Belt | 33 | 120-9678 | 2 | Screw-HHF |
| 14 | 120-7178 | 1 | Cover-Lower | 34 | 137-3094 | 2 | Nut-Hex |
| 15 | 140-3740-03 | 1 | Handle-Lower, Cts | 35 | 133-8061 | 1 | Decal-Warning |
| 16 | 120-7181 | 1 | Seal-Housing, LH | | | | |

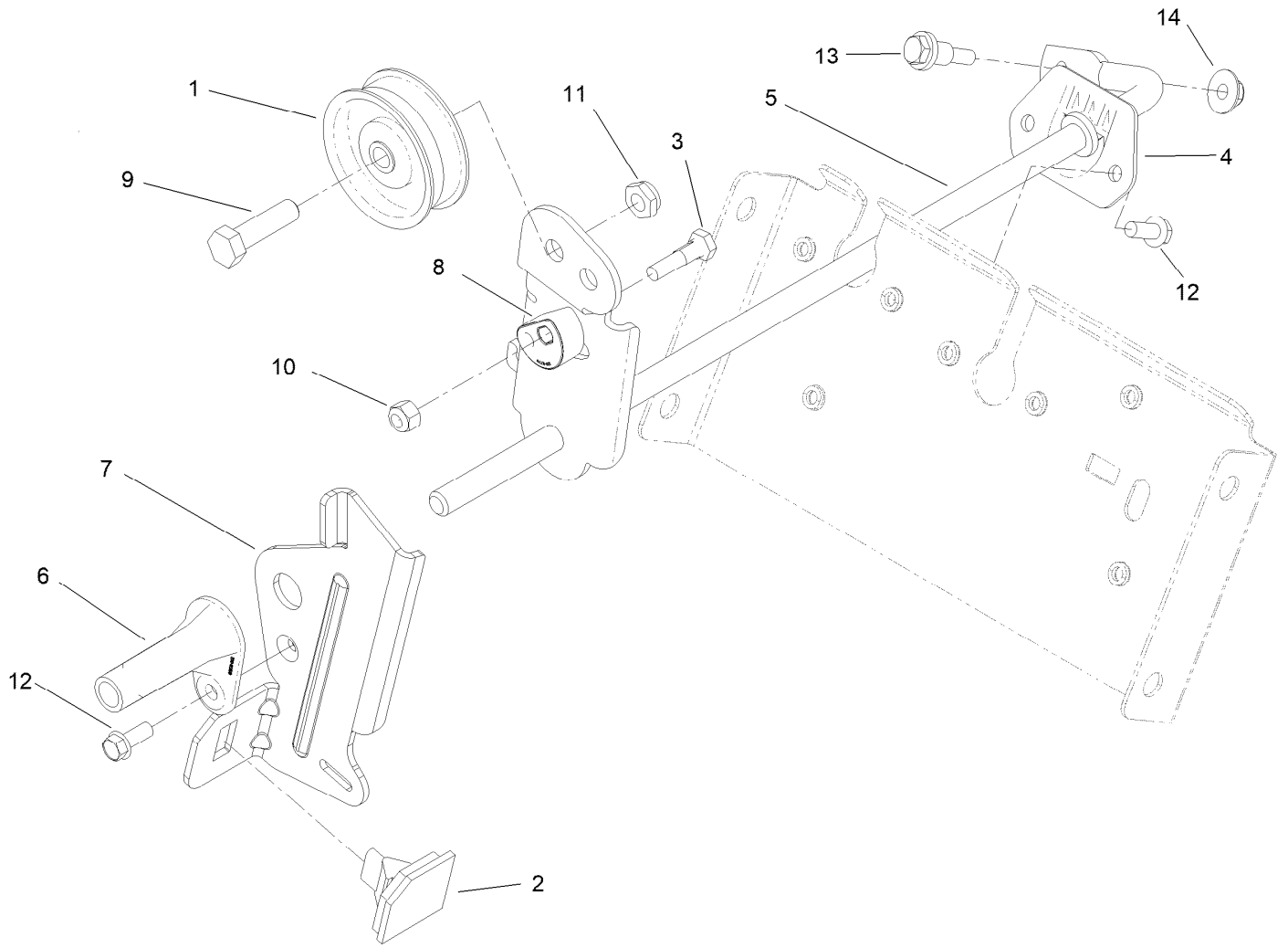
Pulley and Bellcrank Assembly



Pulley and Bellcrank Assembly (continued)

| <i>Ref.</i> | <i>Part Number</i> | <i>Qty.</i> | <i>Description</i> | <i>Ref.</i> | <i>Part Number</i> | <i>Qty.</i> | <i>Description</i> |
|-------------|--------------------|-------------|-------------------------|-------------|--------------------|-------------|------------------------|
| 1 | 3-4244 | 1 | Pulley-Idler | 15 | 120-7165-03 | 1 | Bracket-Bellcrank |
| 2 | 92-9698 | 1 | Screw-Shoulder | 16 | 136-7155 | 1 | Link-Drive |
| 3 | 38-7820 | 2 | Bearing-Ball | 17 | 120-9271 | 2 | Bracket-Anchor, Spring |
| 4 | 25-5640 | 1 | Washer | 18 | 136-7159 | 1 | Arm-Idler, Traction |
| 5 | 117-7711 | 1 | Bushing-Idler | 19 | 120-9275 | 1 | Spring-Extension |
| 6 | 119-7645 | 1 | Plate-Wheel, Friction | 20 | 256-257 | 2 | Bushing-Nyliner |
| 7 | 136-7152 | 1 | Traction Pulley ASM | 21 | 323-29 | 1 | Screw-HH |
| 8 | 136-7124 | 1 | Retainer-Bearing | 22 | 3230-10 | 1 | Bolt-CARR |
| 9 | 119-7670-03 | 1 | Bellcrank-Drive | 23 | 3296-29 | 1 | Nut-Lock, NI |
| 10 | 136-7153 | 1 | Spring-Extension | 24 | 3296-59 | 1 | Nut-Lock, NI |
| 11 | 119-7679 | 1 | Bracket-Plate, Traction | 25 | 3296-73 | 1 | Nut-Lock, NI |
| 12 | 120-3883 | 1 | Spring-Extension | 26 | 32144-85 | 7 | Screw-HWH Thd Form |
| 13 | 137-3435 | 1 | Spring-Extension | 27 | 104-8301 | 1 | Nut-HF, NI |
| 14 | 120-7156 | 2 | Bushing-Plate, Traction | 28 | 3256-24 | 1 | Washer-Plain |

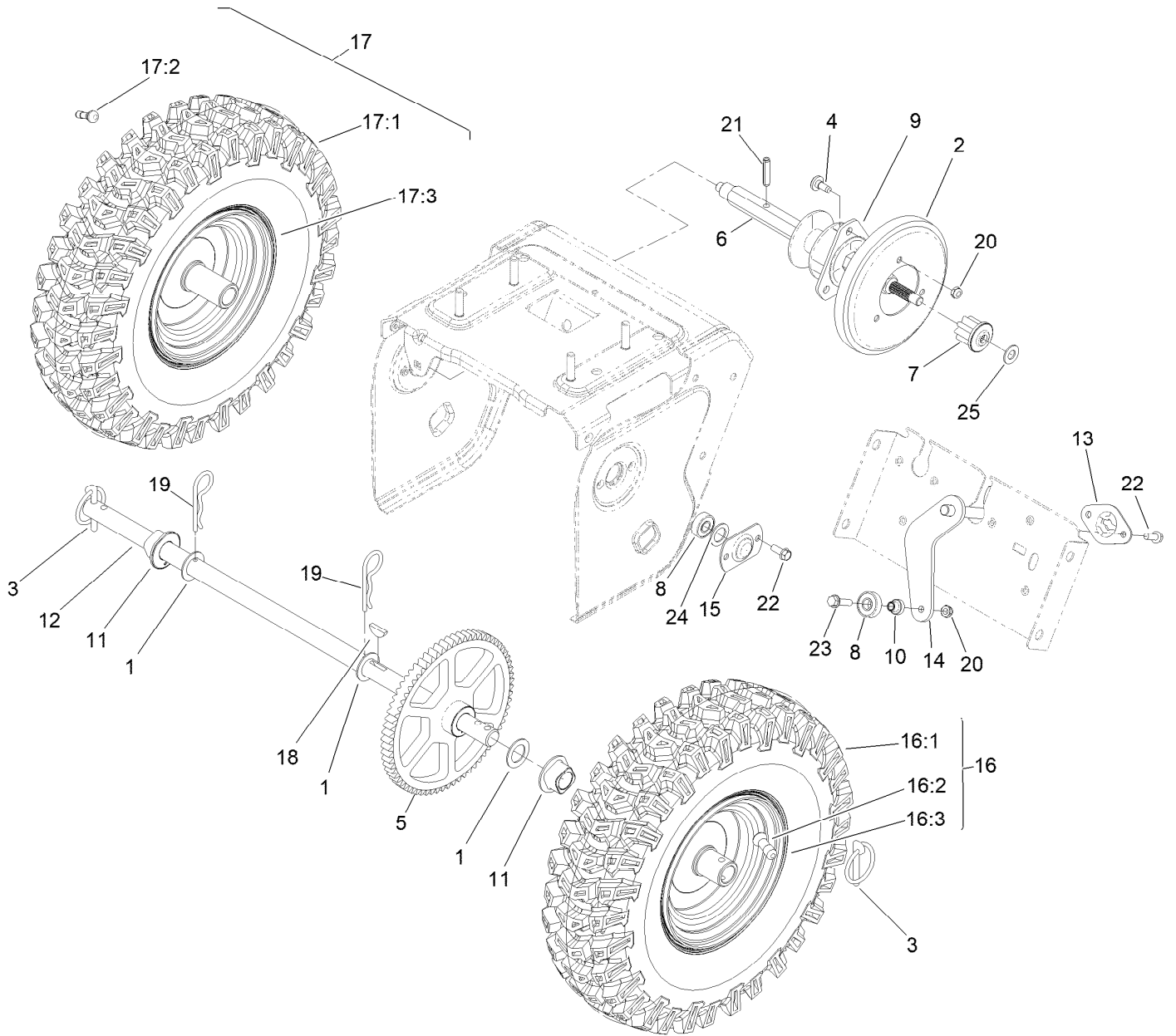
Impeller Drive Assembly



Impeller Drive Assembly (continued)

| <i>Ref.</i> | <i>Part Number</i> | <i>Qty.</i> | <i>Description</i> | <i>Ref.</i> | <i>Part Number</i> | <i>Qty.</i> | <i>Description</i> |
|-------------|--------------------|-------------|-----------------------|-------------|--------------------|-------------|---------------------------|
| 1 | 3-4244 | 1 | Pulley-Idler | 8 | 120-9276 | 1 | Eccentric-Brake, Impeller |
| 2 | 66-8060 | 1 | Pad-Brake | 9 | 323-29 | 1 | Screw-HH |
| 3 | 136-8674 | 1 | Bolt-Pivot, Eccentric | 10 | 3296-42 | 1 | Nut-Lock, NI |
| 4 | 120-7167 | 1 | Bushing-Rod, Clutch | 11 | 3296-59 | 1 | Nut-Lock, NI |
| 5 | 120-9254-03 | 1 | Impeller Clutch ASM | 12 | 32144-85 | 3 | Screw-HWH Thd Form |
| 6 | 120-9256 | 1 | Pivot-Brake, Impeller | 13 | 104-0858 | 1 | Bolt-Shoulder |
| 7 | 120-9257-03 | 1 | Arm-Brake, Impeller | 14 | 137-3016 | 1 | Nut-HF |

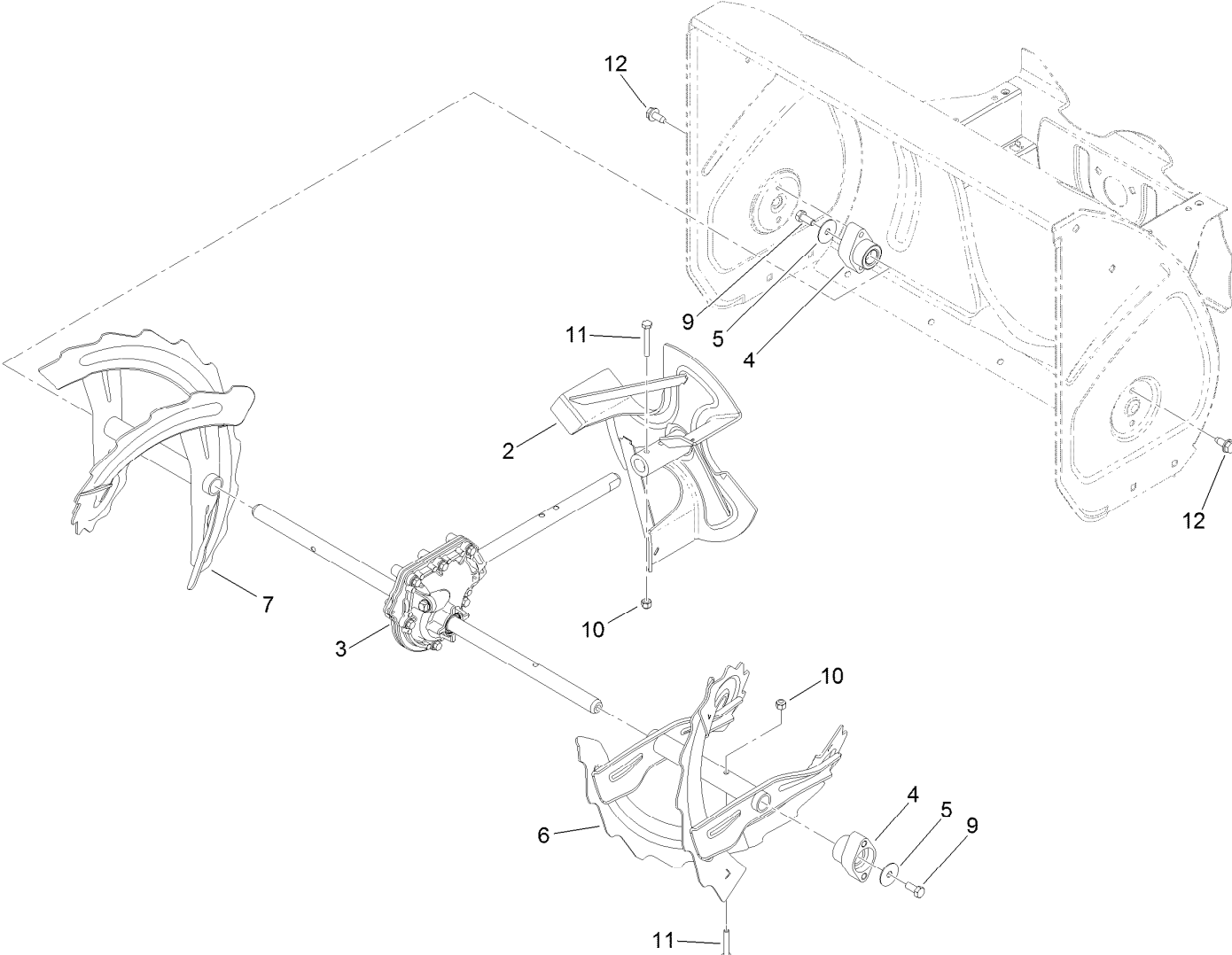
Drive Assembly



Drive Assembly (continued)

| <i>Ref.</i> | <i>Part Number</i> | <i>Qty.</i> | <i>Description</i> | <i>Ref.</i> | <i>Part Number</i> | <i>Qty.</i> | <i>Description</i> |
|-------------|--------------------|-------------|-----------------------|-------------|--------------------|-------------|-----------------------|
| 1 | 3-8664 | 3 | Washer-Thrust | 16:1 | 138-3669 | 1 | Wheel (15X4 Tire) |
| 2 | 119-1567 | 1 | Wheel-Friction | 16:2 | 232-27 | 1 | Stem-Valve |
| 3 | 107-3039 | 2 | Pin-Lynch | 16:3 | 138-3668 | 1 | Tire |
| 4 | 120-7950 | 3 | Screw-Torx | 17 | 138-3659 | 1 | RH Wheel And Tire ASM |
| 5 | 119-7613 | 1 | Gear-Axle | 17:1 | 138-3669 | 1 | Wheel (15X4 Tire) |
| 6 | 140-3745 | 1 | Shaft-Hex | 17:2 | 232-27 | 1 | Stem-Valve |
| 7 | 119-7616 | 1 | Gear-Pinion, 8 Tooth | 17:3 | 138-3668 | 1 | Tire |
| 8 | 121-6835 | 3 | Bearing-Ball | 18 | 3257-7 | 1 | Key-Woodruff |
| 9 | 119-7630 | 1 | Trunnion | 19 | 3290-343 | 2 | Pin-Hair |
| 10 | 119-7684 | 1 | Spacer-Plate, Shift | 20 | 3296-56 | 4 | Nut-Lock, NI |
| 11 | 120-7162 | 2 | Bushing-Axle | 21 | 32121-9 | 1 | Pin-Roll, Slotted |
| 12 | 120-7180 | 1 | Axle | 22 | 32144-85 | 6 | Screw-HWH Thd Form |
| 13 | 120-7191 | 1 | Retainer-Plate, Shift | 23 | 32144-86 | 1 | Screw-HWHTF |
| 14 | 120-7193-03 | 1 | Shift Plate ASM | 24 | 121-6840 | 2 | Washer-Rubber |
| 15 | 136-7158 | 2 | Retainer-Bearing | 25 | 145-0743 | 1 | Washer-Flat |
| 16 | 138-3660 | 1 | LH Wheel And Tire ASM | | | | |

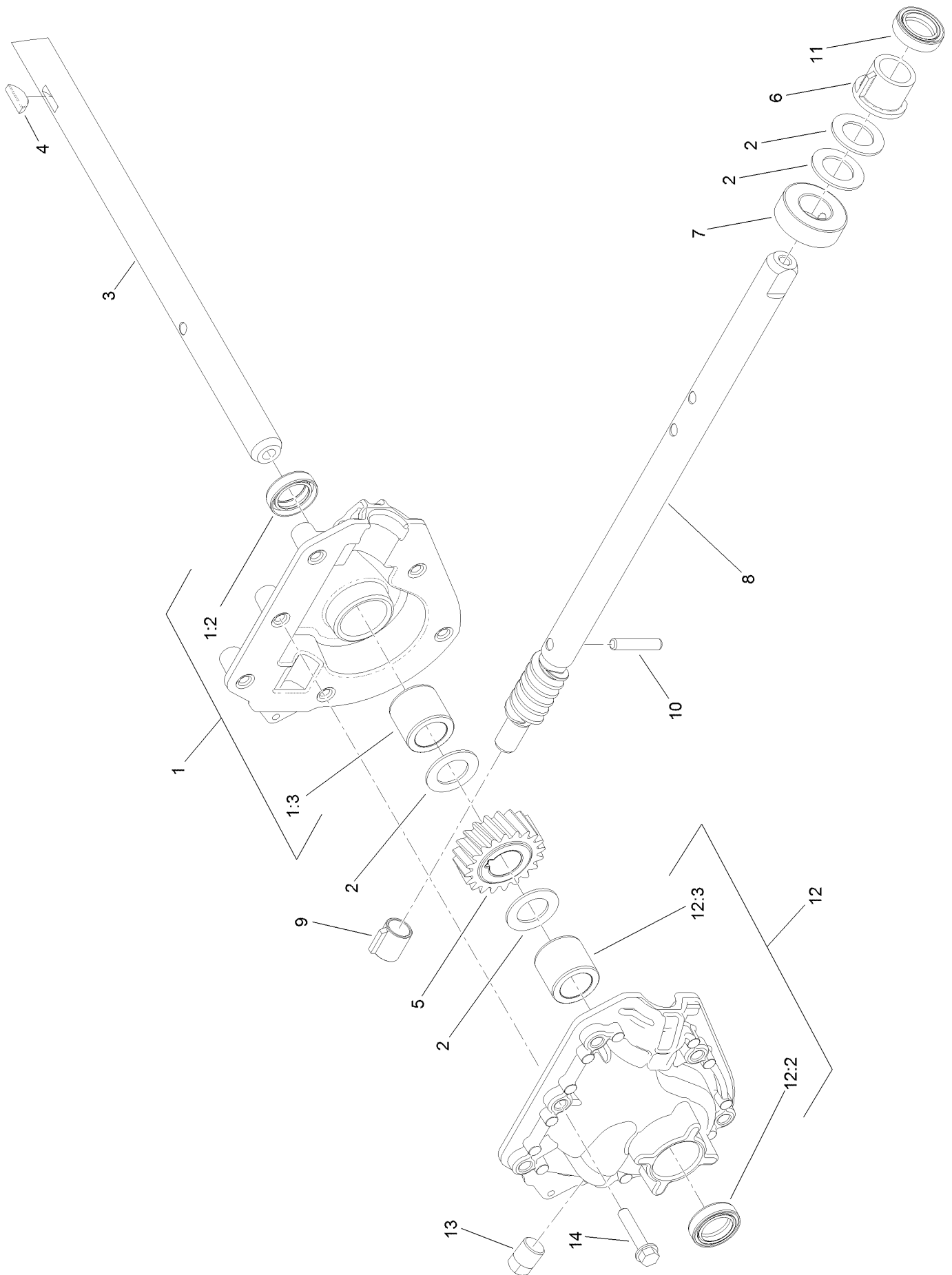
Gearbox, Auger and Impeller Assembly



Gearbox, Auger and Impeller Assembly (continued)

| <i>Ref.</i> | <i>Part Number</i> | <i>Qty.</i> | <i>Description</i> | <i>Ref.</i> | <i>Part Number</i> | <i>Qty.</i> | <i>Description</i> |
|-------------|--------------------|-------------|--------------------|-------------|--------------------|-------------|--------------------|
| 2 | 119-7612-03 | 1 | Impeller ASM | 7 | 120-9290-03 | 1 | RH Auger ASM |
| 3 | 120-3859 | 1 | Gearcase ASM | 9 | 322-3 | 2 | Screw-HH |
| 4 | 120-3860 | 2 | Bearing-Augur | 10 | 3296-42 | 4 | Nut-Lock, NI |
| 5 | 120-3862 | 2 | Washer-Thrust | 11 | 321-10 | 4 | Screw-HH |
| 6 | 120-9287-03 | 1 | LH Auger ASM | 12 | 32144-70 | 4 | Screw-HWHTF |

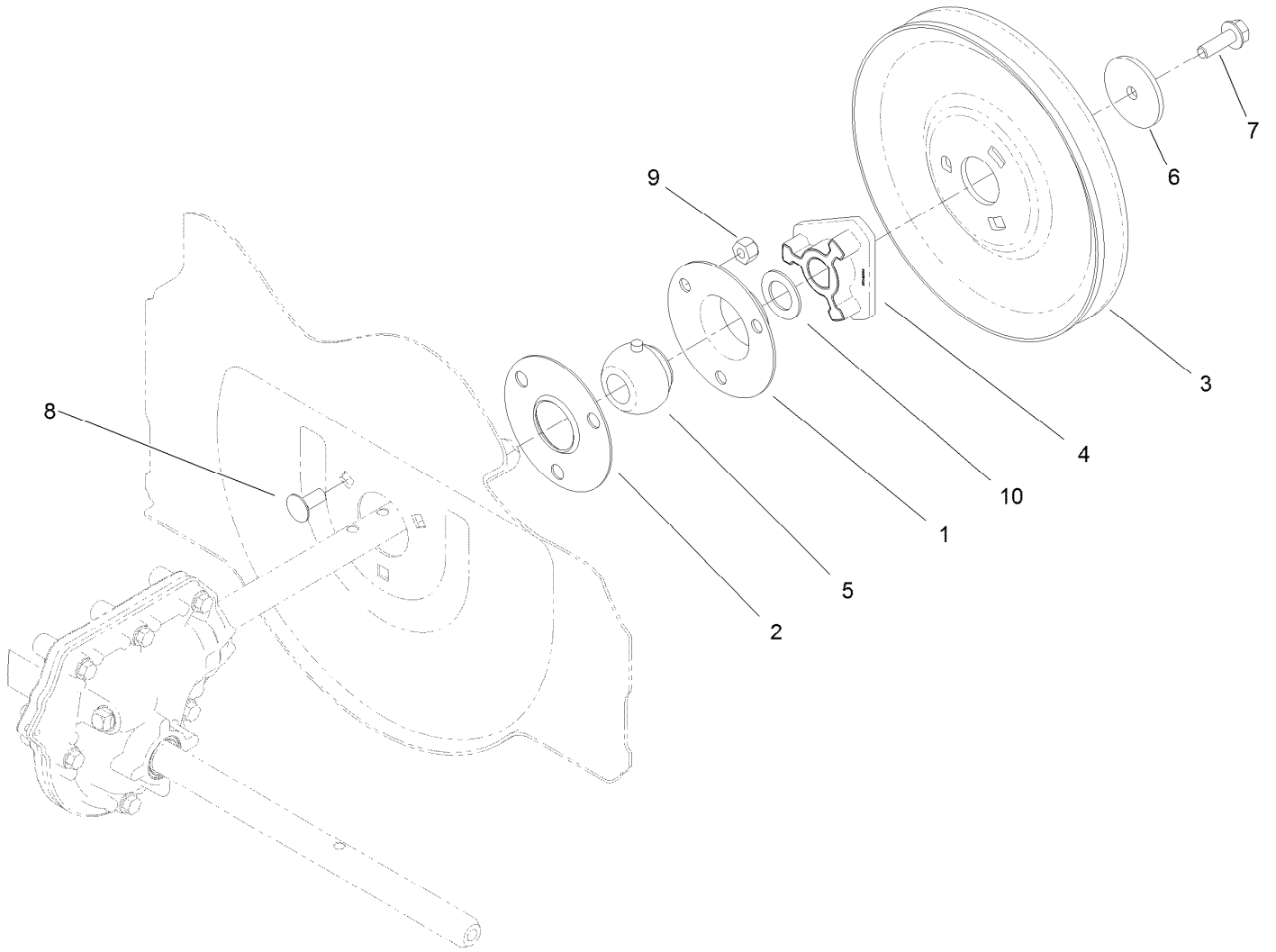
24 Inch Auger Gearcase Assembly No. 120-3859



24 Inch Auger Gearcase Assembly No. 120-3859 (continued)

| <i>Ref.</i> | <i>Part Number</i> | <i>Qty.</i> | <i>Description</i> | <i>Ref.</i> | <i>Part Number</i> | <i>Qty.</i> | <i>Description</i> |
|-------------|--------------------|-------------|------------------------|-------------|--------------------|-------------|------------------------|
| 1 | 121-1209 | 1 | RH Auger Gearcase ASM | 8 | 121-1234 | 1 | Shaft-Impeller, Rolled |
| 1:2 | 121-6634 | 1 | Seal-Shaft | 9 | 62-1150 | 1 | Bushing-Worm |
| 1:3 | 120-9269 | 1 | Bushing-Sleeve | 10 | 107-8899 | 1 | Pin-Dowel |
| 2 | 119-7640 | 4 | Washer-Thrust | 11 | 121-6634 | 1 | Seal-Shaft |
| 3 | 120-3858 | 1 | Shaft-Output, Auger | 12 | 121-1210 | 1 | LH Auger Gearcase ASM |
| 4 | 3257-5 | 1 | Key-Woodruff | 12:2 | 121-6634 | 1 | Seal-Shaft |
| 5 | 119-1576 | 1 | Gear-Helical, 20 Tooth | 12:3 | 120-9269 | 1 | Bushing-Sleeve |
| 6 | 119-7635 | 1 | Bushing-Input | 13 | 121-6832 | 1 | Plug-Pipe, SQH |
| 7 | 119-7636 | 1 | Collar-Thrust | 14 | 108-4862 | 6 | Screw-HWH Thd Roll |

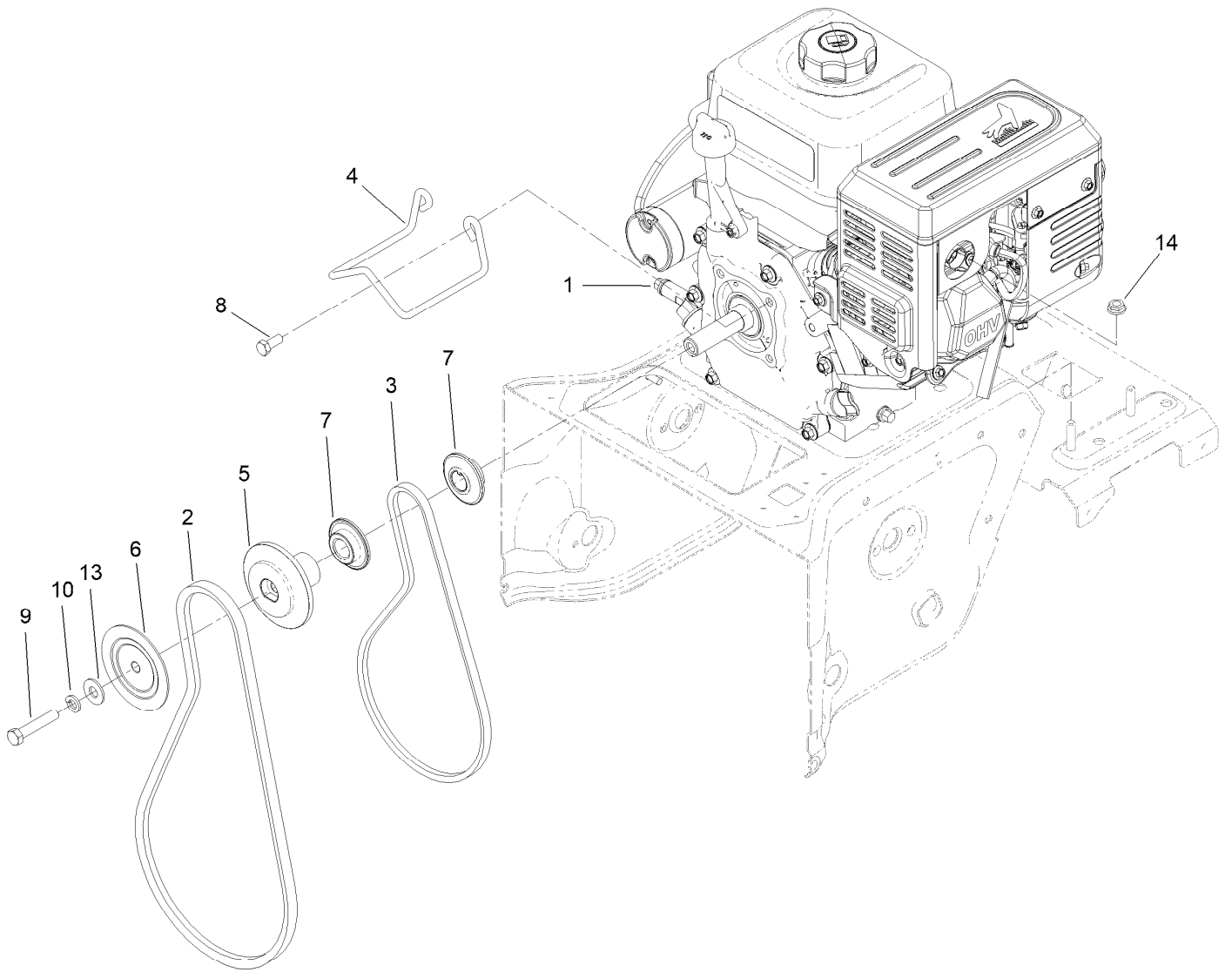
Impeller Assembly



Impeller Assembly (continued)

| <i>Ref.</i> | <i>Part Number</i> | <i>Qty.</i> | <i>Description</i> | <i>Ref.</i> | <i>Part Number</i> | <i>Qty.</i> | <i>Description</i> |
|-------------|--------------------|-------------|----------------------|-------------|--------------------|-------------|--------------------|
| 1 | 26-6110 | 1 | Flange-Cup, Bearing | 6 | 121-1230 | 1 | Washer-Plain |
| 2 | 26-6120 | 1 | Flange-Cup, Bearing | 7 | 115-5142 | 1 | Screw-HHF |
| 3 | 136-7157 | 1 | Pulley-Impeller | 8 | 3230-23 | 3 | Bolt-CARR |
| 4 | 120-9264 | 1 | Hub-Impeller, Pulley | 9 | 3296-29 | 3 | Nut-Lock, NI |
| 5 | 120-9272 | 1 | Bearing | 10 | 119-7640 | 1 | Washer-Thrust |

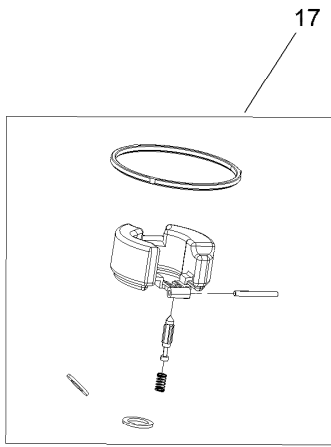
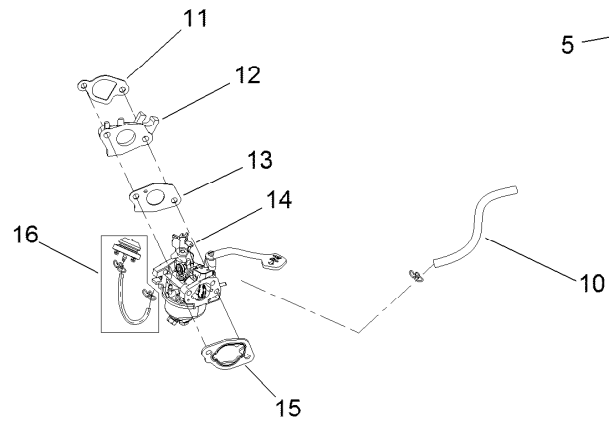
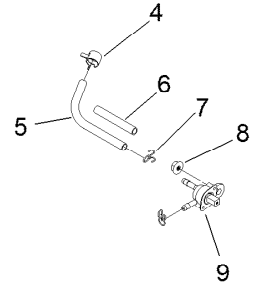
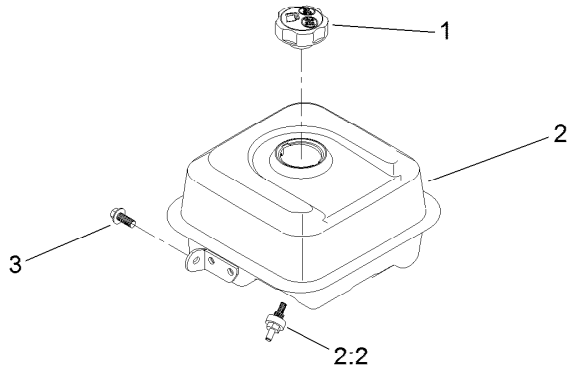
Engine Assembly



Engine Assembly (continued)

| <i>Ref.</i> | <i>Part Number</i> | <i>Qty.</i> | <i>Description</i> | <i>Ref.</i> | <i>Part Number</i> | <i>Qty.</i> | <i>Description</i> |
|-------------|--------------------|-------------|---------------------|-------------|--------------------|-------------|-------------------------|
| 1 | 136-7752 | 1 | Engine-G250Fds-1 | 7 | 137-3400 | 2 | Pulley-Engine, Traction |
| 2 | 120-3892 | 1 | Belt-V | 8 | 138-0690 | 2 | Screw-HH |
| 3 | 120-3893 | 1 | Belt-V | 9 | 120-2302 | 1 | Screw-HH |
| 4 | 136-7156 | 1 | Guide-Belt | 10 | 3253-21 | 1 | Washer-Lock |
| 5 | 120-9283 | 1 | Pulley-Auger, Rear | 13 | 3256-4 | 1 | Washer-Flat |
| 6 | 120-9284 | 1 | Pulley-Auger, Front | 14 | 32128-20 | 4 | Nut-HF |

Fuel System and Carburetor Assembly

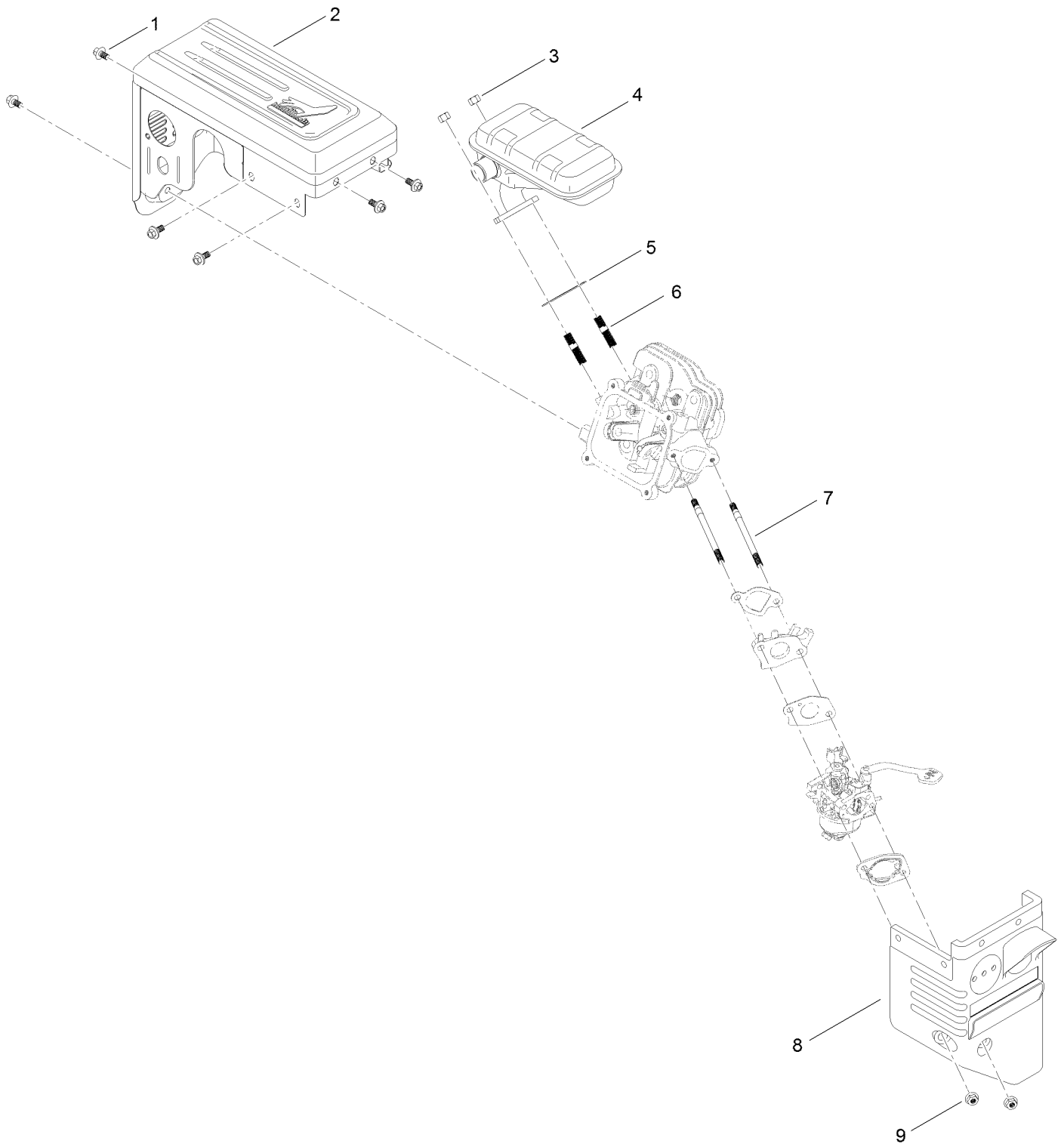


Fuel System and Carburetor Assembly (continued)

| <i>Ref.</i> | <i>Part Number</i> | <i>Qty.</i> | <i>Description</i> | <i>Ref.</i> | <i>Part Number</i> | <i>Qty.</i> | <i>Description</i> |
|-------------|--------------------|-------------|--------------------------|-------------|--------------------|-------------|---------------------------|
| 1 | 133-9823 | 1 | Cap-Fuel | 10 | 127-9489 | 1 | Hose-Fuel |
| 2 | 133-1553 | 1 | Fuel Tank And Filter ASM | 11 | 133-1531 | 1 | Gasket-Carburetor |
| 2:2 | 127-9065 | 1 | Filter-Fuel | 12 | 133-1532 | 1 | Insulator-Carburetor |
| 3 | 121-0294 | 1 | Screw-HHF | 13 | 133-1533 | 1 | Gasket-Carburetor |
| 4 | 127-9120 | 1 | Clamp-Hose | 14 | 133-1534 | 1 | Carburetor ASM |
| 5 | 133-1556 | 1 | Hose-Fuel | 15 | 121-0080 | 1 | Gasket-Carburetor |
| 6 | 133-9997 | 1 | Sleeve-Abrasion | 16 | 127-9079 | 1 | Primer Kit |
| 7 | 121-0087 | 3 | Clamp-Hose | 17 | 127-9395 | 1 | Internal Carb Service Kit |
| 8 | 120-4236 | 1 | Nut-Flange | 99 | 133-9937 | 1 | High Altitude Kit ● |
| 9 | 127-9117 | 1 | Valve-Fuel | | | | |

● Not illustrated

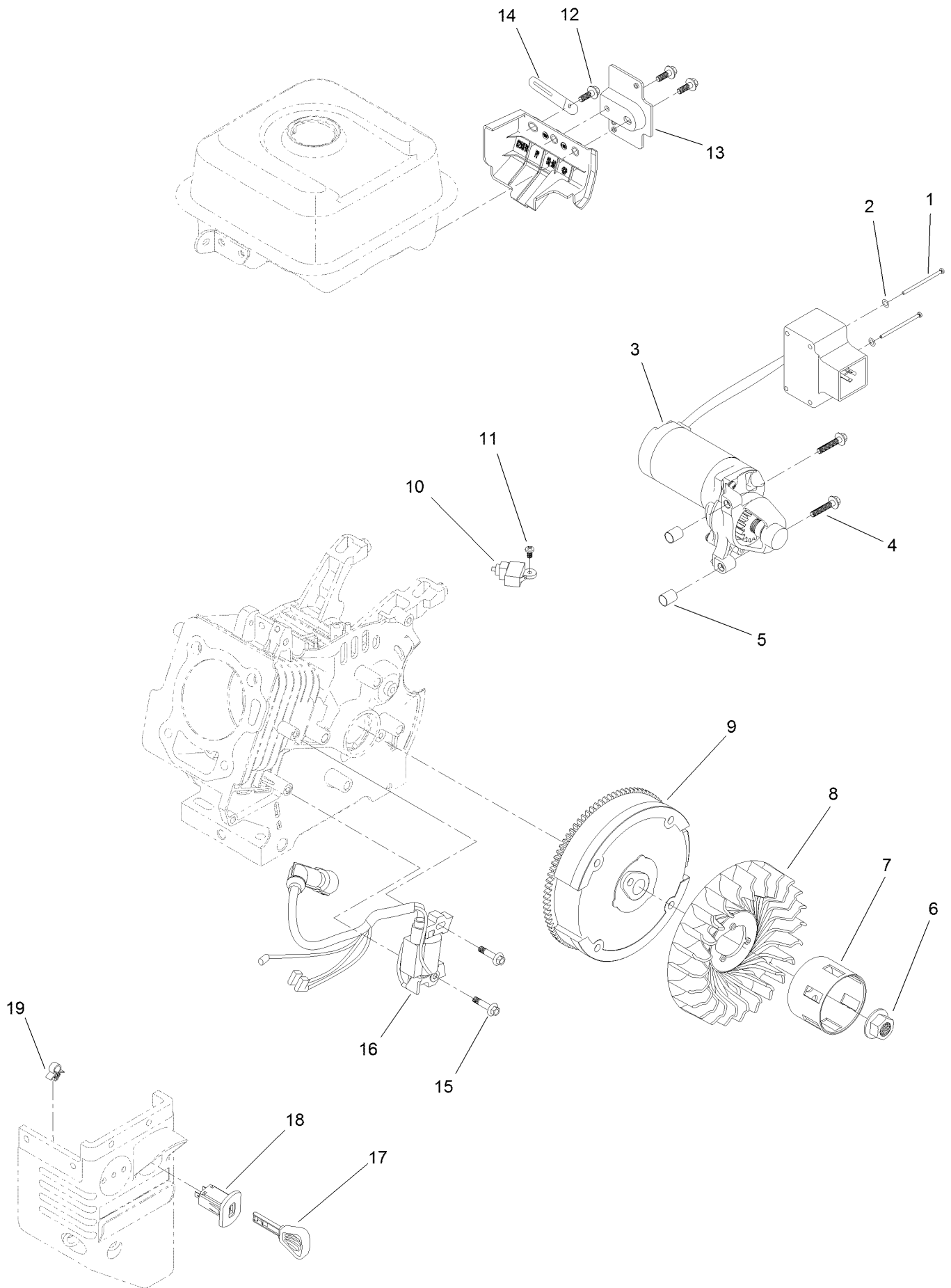
Intake and Exhaust Assembly



Intake and Exhaust Assembly (continued)

| <i>Ref.</i> | <i>Part Number</i> | <i>Qty.</i> | <i>Description</i> | <i>Ref.</i> | <i>Part Number</i> | <i>Qty.</i> | <i>Description</i> |
|-------------|--------------------|-------------|--------------------|-------------|--------------------|-------------|--------------------|
| 1 | 121-0294 | 6 | Screw-HHF | 6 | 121-0464 | 2 | Stud-Exhaust |
| 2 | 127-9491 | 1 | Muffler Cover ASM | 7 | 121-4112 | 2 | Stud-Intake |
| 3 | 121-0199 | 2 | Nut-HH | 8 | 127-9112 | 1 | Box-Heater |
| 4 | 127-9490 | 1 | Muffler ASM | 9 | 121-0308 | 2 | Nut-Flange |
| 5 | 133-1539 | 1 | Gasket-Exhaust | | | | |

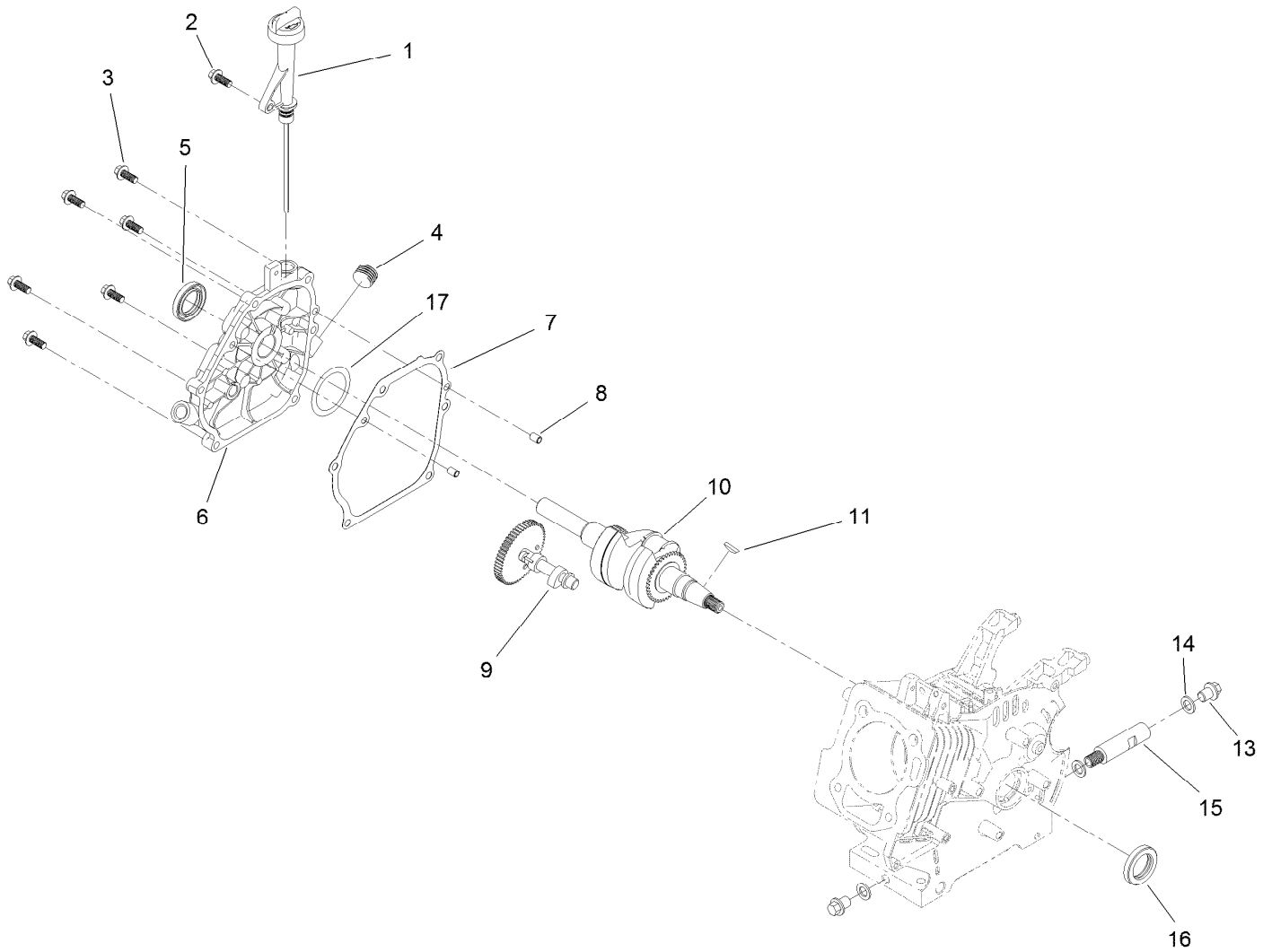
Ignition and Electrical Assembly



Ignition and Electrical Assembly (continued)

| <i>Ref.</i> | <i>Part Number</i> | <i>Qty.</i> | <i>Description</i> | <i>Ref.</i> | <i>Part Number</i> | <i>Qty.</i> | <i>Description</i> |
|-------------|--------------------|-------------|-------------------------------|-------------|--------------------|-------------|----------------------------|
| 1 | 121-0306 | 2 | Screw-Bhp | 10 | 121-0284 | 1 | Switch-Kill, Engine |
| 2 | 121-0312 | 2 | Washer-Plain | 11 | 120-4461 | 1 | Screw-PPH |
| 3 | 144-0988 | 1 | Motor-Starter | 12 | 127-9123 | 3 | Screw-HHF |
| 4 | 133-1546 | 2 | Screw-Flange | 13 | 133-1554 | 1 | Bracket-Switchbox, Starter |
| 5 | 121-0055 | 2 | Pin-Dowel | 14 | 121-0017 | 1 | Clip-Harness, Wire |
| 6 | 121-0047 | 1 | Nut-Flange | 15 | 121-0097 | 2 | Screw-HHF |
| 7 | 133-1527 | 1 | Cup-Starter | 16 | 133-9996 | 1 | Ignition Coil ASM |
| 8 | 133-1526 | 1 | Fan-Cooling | 17 | 117-7728 | 1 | Key |
| 9 | 133-1525 | 1 | Flywheel And Ring Gear ASM | 18 | 121-0283 | 1 | Switch-Key |
| | | | | 19 | 121-0326 | 1 | Clip |

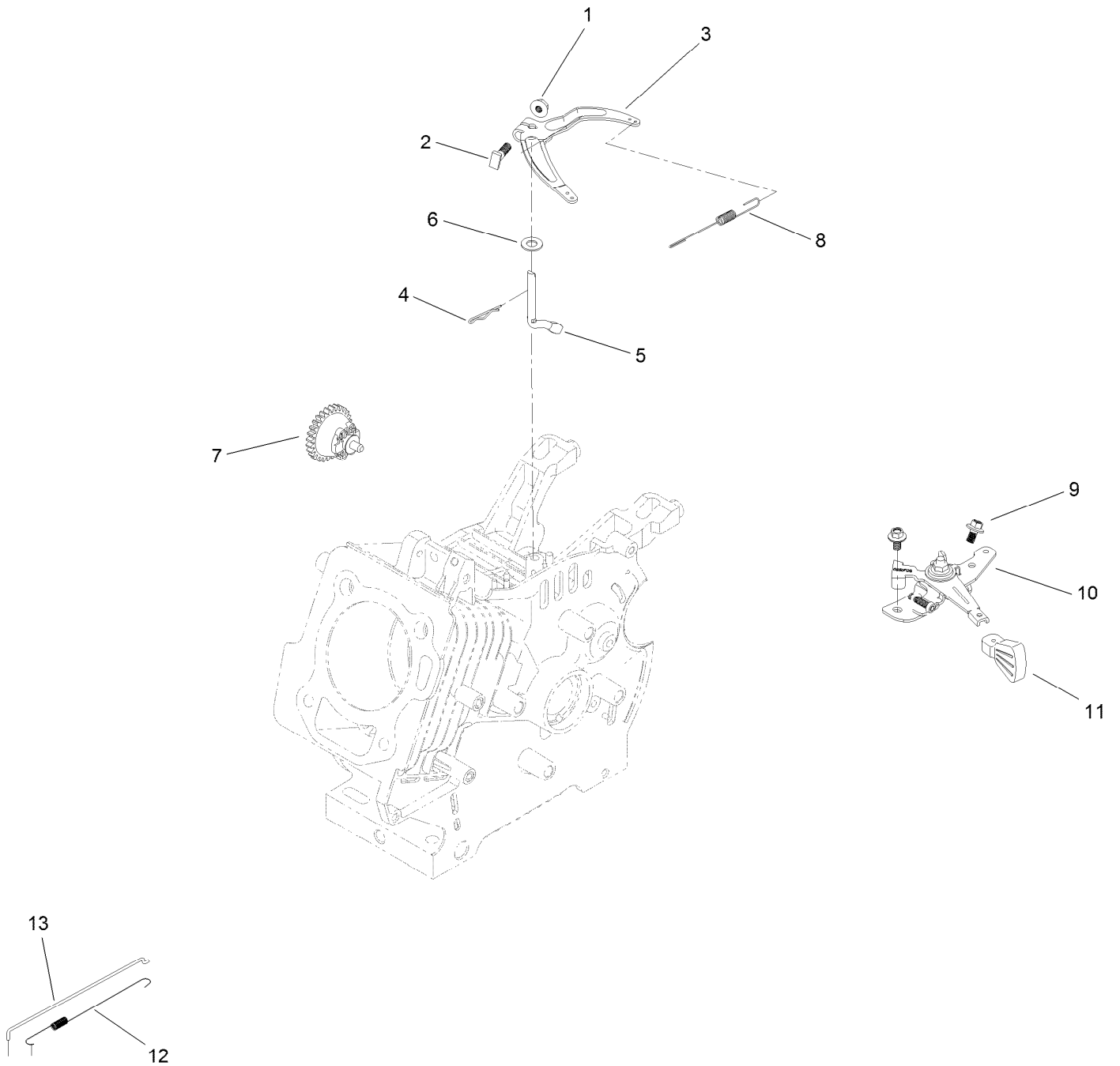
Crankcase Assembly



Crankcase Assembly (continued)

| <i>Ref.</i> | <i>Part Number</i> | <i>Qty.</i> | <i>Description</i> | <i>Ref.</i> | <i>Part Number</i> | <i>Qty.</i> | <i>Description</i> |
|-------------|--------------------|-------------|-------------------------|-------------|--------------------|-------------|--------------------|
| 1 | 139-0734 | 1 | Oil Fill ASM | 9 | 133-9991 | 1 | Camshaft ASM |
| 2 | 127-9123 | 1 | Screw-HHF | 10 | 127-9495 | 1 | Crankshaft |
| 3 | 121-4114 | 6 | Screw-HHF | 11 | 120-4320 | 1 | Key-Woodruff |
| 4 | 133-9805 | 1 | Plug-Drain | 13 | 121-0030 | 2 | Screw-HHF |
| 5 | 133-1516 | 1 | Seal-Oil | 14 | 121-0048 | 3 | Washer-Plain |
| 6 | 133-9865 | 1 | Cover-Crankcase | 15 | 127-9104 | 1 | Tube-Drain, Oil |
| 7 | 127-9493 | 1 | Gasket-Cover, Crankcase | 16 | 133-9864 | 1 | Seal-Oil |
| 8 | 121-0054 | 2 | Pin-Dowel | 17 | 133-9863 | 1 | Washer-Thrust |

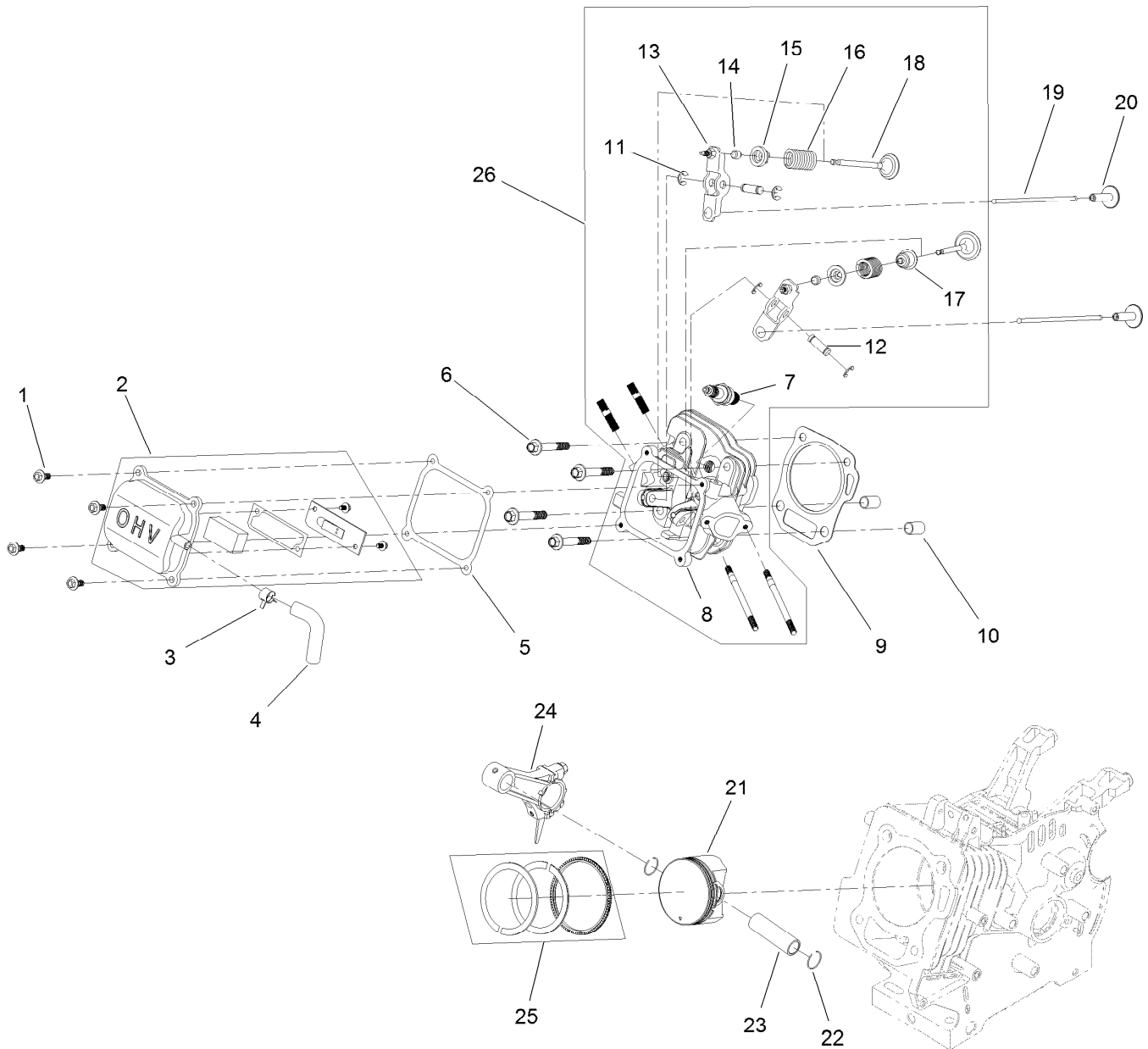
Governor Assembly



Governor Assembly (continued)

| <i>Ref.</i> | <i>Part Number</i> | <i>Qty.</i> | <i>Description</i> | <i>Ref.</i> | <i>Part Number</i> | <i>Qty.</i> | <i>Description</i> |
|-------------|--------------------|-------------|--------------------|-------------|--------------------|-------------|-------------------------|
| 1 | 120-4236 | 1 | Nut-Flange | 8 | 127-9483 | 1 | Spring-Governor |
| 2 | 120-4238 | 1 | Bolt-Arm, Governor | 9 | 121-0116 | 2 | Screw-HHF |
| 3 | 127-9482 | 1 | Arm-Governor | 10 | 133-1555 | 1 | Throttle Control ASM |
| 4 | 120-4256 | 1 | Pin-Hair | 11 | 121-0269 | 1 | Knob-Control, Throttle |
| 5 | 133-9995 | 1 | Shaft-Governor | 12 | 133-1536 | 1 | Spring-Return, Throttle |
| 6 | 121-0498 | 1 | Washer-Plain | 13 | 133-1535 | 1 | Rod-Governor |
| 7 | 133-9994 | 1 | Governor Gear ASM | | | | |

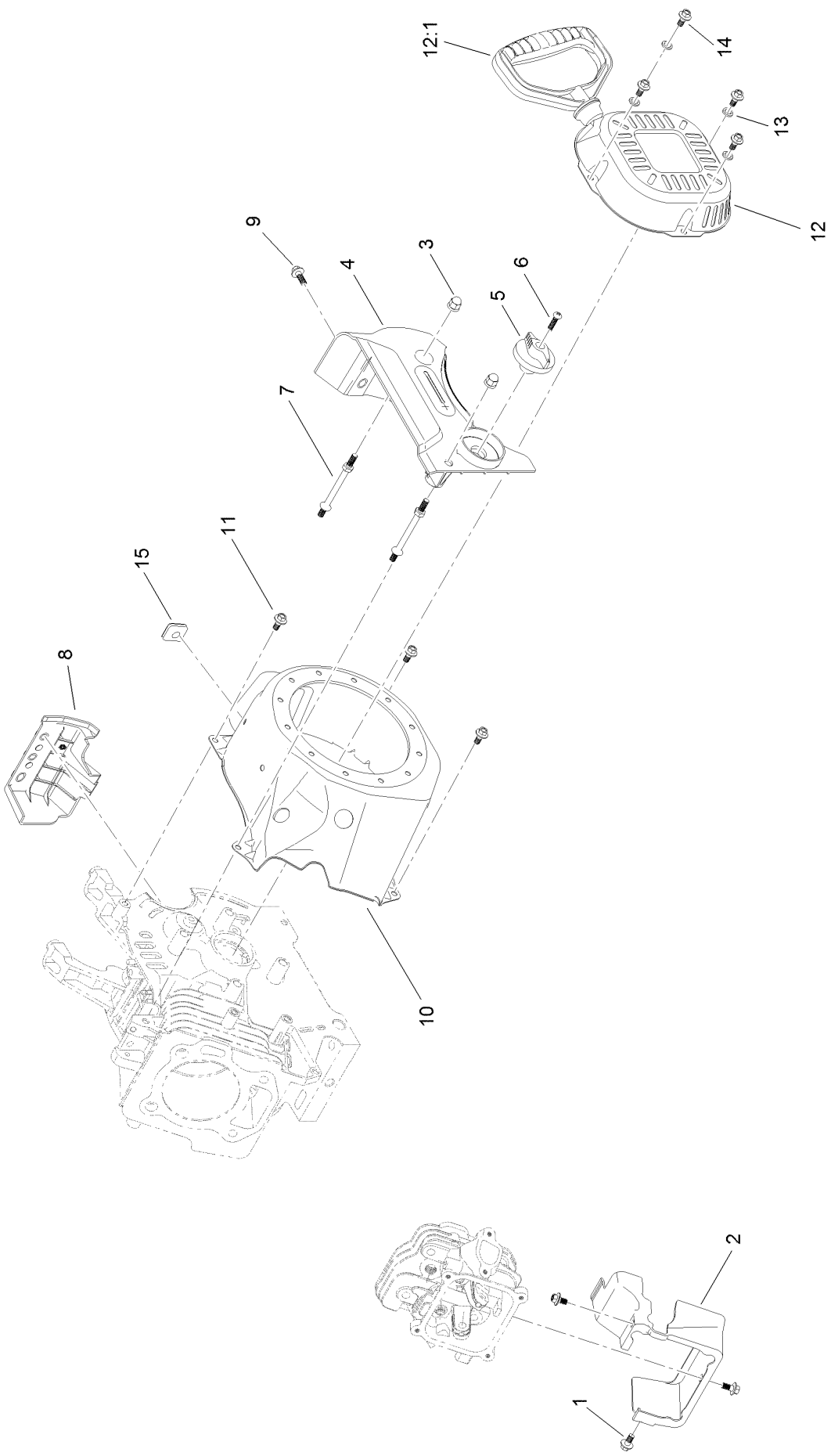
Piston and Head Assembly



Piston and Head Assembly (continued)

| <i>Ref.</i> | <i>Part Number</i> | <i>Qty.</i> | <i>Description</i> | <i>Ref.</i> | <i>Part Number</i> | <i>Qty.</i> | <i>Description</i> |
|-------------|--------------------|-------------|---------------------|-------------|--------------------|-------------|------------------------|
| 1 | 120-4454 | 4 | Screw-HHF | 14 | 121-4116 | 2 | Rotator-Valve |
| 2 | 133-1500 | 1 | Valve Cover ASM | 15 | 121-4117 | 2 | Retainer-Spring, Valve |
| 3 | 133-1558 | 1 | Clamp-Hose | 16 | 127-9014 | 2 | Spring-Valve |
| 4 | 133-9990 | 1 | Tube-Breather | 17 | 121-4202 | 1 | Seal-Stem, Valve |
| 5 | 133-1507 | 1 | Gasket-Cover, Valve | 18 | 133-1515 | 1 | Set-Valve |
| 6 | 133-1508 | 4 | Screw-Flange | 19 | 133-1514 | 2 | Rod-Push |
| 7 | 81-3250 | 1 | Spark Plug | 20 | 127-9015 | 2 | Tappet-Valve |
| 8 | 133-1509 | 1 | Head-Cylinder | 21 | 133-1522 | 1 | Piston |
| 9 | 133-1510 | 1 | Gasket-Head | 22 | 121-0313 | 2 | Clip-Pin, Piston |
| 10 | 120-4200 | 2 | Pin-Dowel | 23 | 121-4128 | 1 | Pin-Piston |
| 11 | 133-1511 | 4 | E-Clip | 24 | 121-4123 | 1 | Connecting Rod ASM |
| 12 | 133-1512 | 2 | Pin-Arm, Rocker | 25 | 133-1521 | 1 | Set-Ring, Piston |
| 13 | 133-1513 | 2 | Rocker Arm ASM | 26 | 133-9867 | 1 | Complete Head ASM |

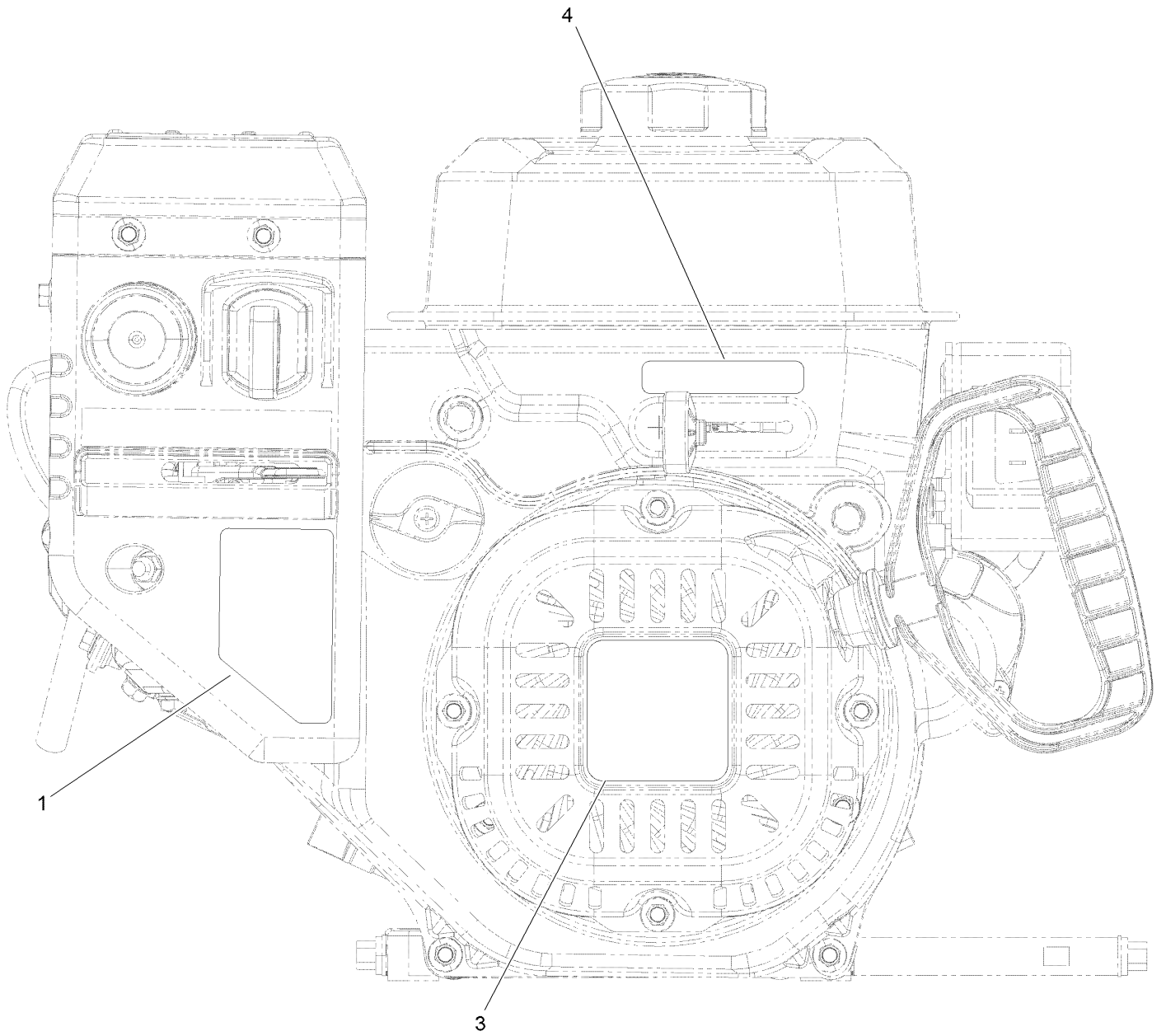
Blower Housing and Shrouds Assembly



Blower Housing and Shrouds Assembly (continued)

| <i>Ref.</i> | <i>Part Number</i> | <i>Qty.</i> | <i>Description</i> | <i>Ref.</i> | <i>Part Number</i> | <i>Qty.</i> | <i>Description</i> |
|-------------|--------------------|-------------|----------------------|-------------|--------------------|-------------|--------------------|
| 1 | 121-0116 | 3 | Screw-HHF | 9 | 127-9123 | 1 | Screw-HHF |
| 2 | 133-1530 | 1 | Shroud-Head | 10 | 133-1528 | 1 | Shroud-Flywheel |
| 3 | 127-9383 | 2 | Nut-Acorn | 11 | 121-0294 | 3 | Screw-HHF |
| 4 | 133-1557 | 1 | Panel-Control, Front | 12 | 127-9487 | 1 | Recoil ASM |
| 5 | 121-0268 | 1 | Knob-Valve, Fuel | 12:1 | 121-0287 | 1 | Handle-Recoil |
| 6 | 121-0305 | 1 | Screw-Bhp | 13 | 127-9380 | 4 | Washer-Plain |
| 7 | 127-9110 | 2 | Stud-Mount | 14 | 127-9031 | 4 | Screw-HHF |
| 8 | 133-1543 | 1 | Panel-Side, Engine | 15 | 133-1548 | 1 | Grommet-Rubber |

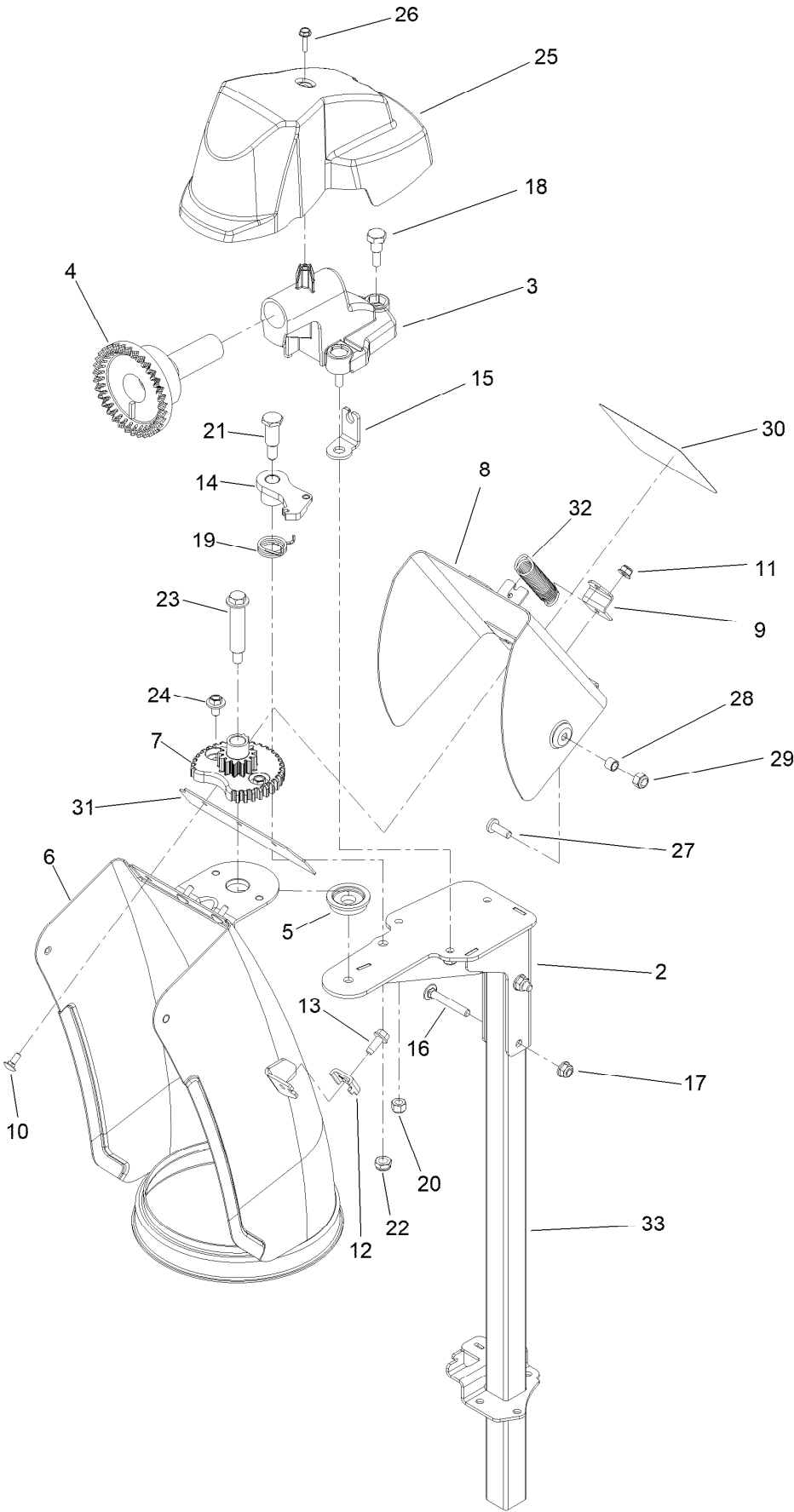
Engine Decal Assembly



Engine Decal Assembly (continued)

| <i>Ref.</i> | <i>Part Number</i> | <i>Qty.</i> | <i>Description</i> |
|-------------|--------------------|-------------|-----------------------|
| 1 | 120-9805 | 1 | Decal-Control, Engine |
| 3 | 131-5912 | 1 | Decal-Recoil, G250 |
| 4 | 131-6487 | 1 | Decal-Throttle |

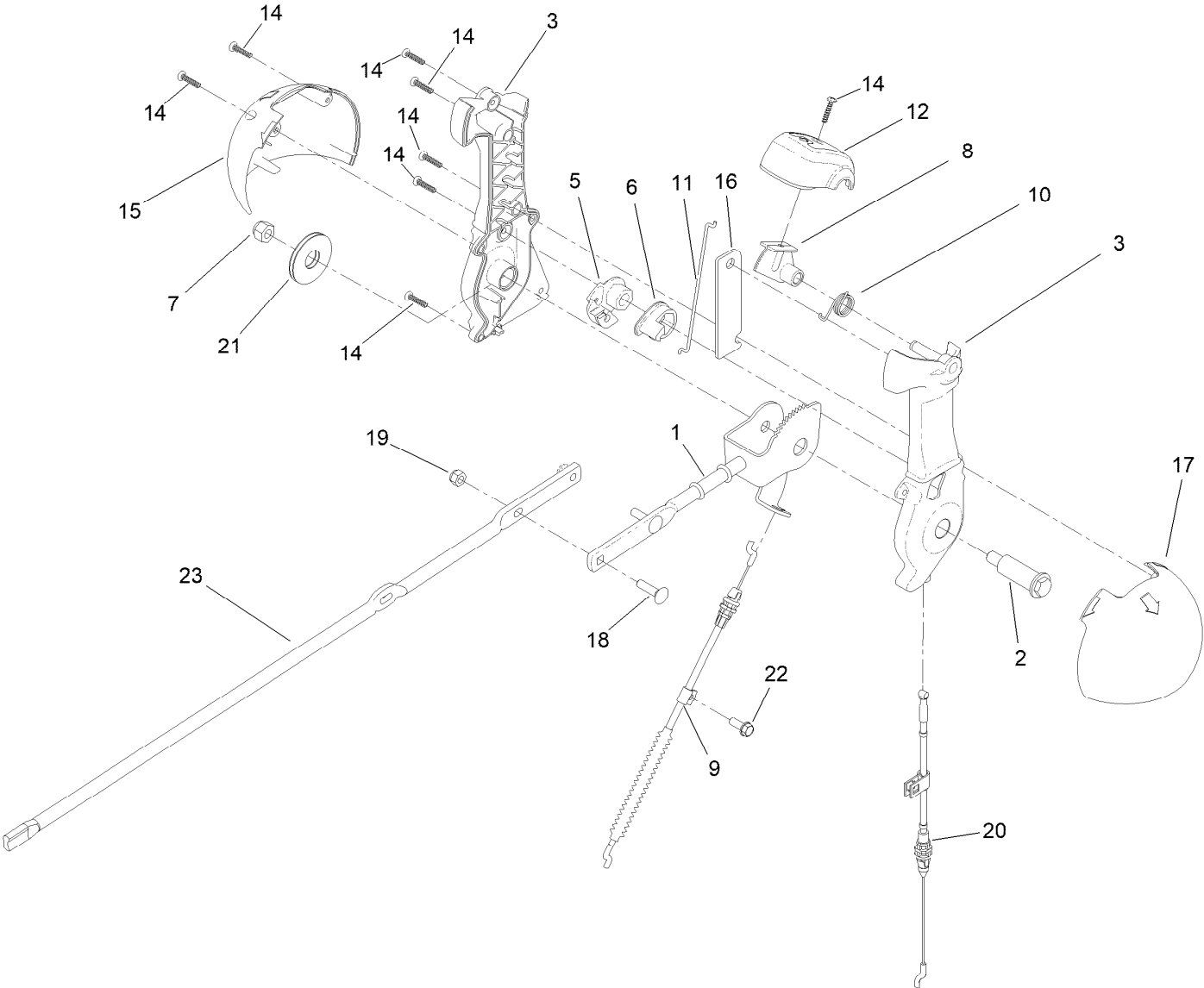
Chute Assembly



Chute Assembly (continued)

| <i>Ref.</i> | <i>Part Number</i> | <i>Qty.</i> | <i>Description</i> | <i>Ref.</i> | <i>Part Number</i> | <i>Qty.</i> | <i>Description</i> |
|-------------|--------------------|-------------|----------------------------------|-------------|--------------------|-------------|---------------------------|
| 2 | 144-1640-03 | 1 | Support-Chute Weld ASM, Upper | 18 | 136-7197 | 3 | Screw-Shoulder |
| 3 | 138-3606 | 1 | Mount-Gear, Face | 19 | 108-7315 | 1 | Spring-Torsion |
| 4 | 106-4471 | 1 | Gear-Face | 20 | 137-3088 | 3 | Nut-Hex |
| 5 | 106-4422 | 1 | Spacer-Chute | 21 | 137-3103 | 1 | Screw-Shoulder, HH |
| 6 | 138-3611-01 | 1 | Chute | 22 | 137-3089 | 3 | Nut-Hex |
| 7 | 106-4472 | 1 | Gear-Chute | 23 | 136-7199 | 1 | Bolt-Shoulder |
| 8 | 138-3615-01 | 1 | Deflector | 24 | 46-6810 | 2 | Screw And Washer ASM |
| 9 | 138-3612-01 | 1 | Bracket-Spring | 25 | 138-3627 | 1 | Cover-Chute, Gear |
| 10 | 135-1929 | 3 | Bolt-CARR | 26 | 98-1375 | 1 | Screw-HWH |
| 11 | 138-0719 | 3 | Nut-HF | 27 | 138-0689 | 1 | Screw-PH |
| 12 | 136-7191 | 1 | Clamp-Cable | 28 | 138-3678 | 1 | Spacer |
| 13 | 137-3043 | 1 | Screw-HWH | 29 | 137-3094 | 1 | Nut-Hex |
| 14 | 106-4476 | 1 | Latch-Chute | 30 | 137-6198 | 1 | Decal-Danger |
| 15 | 138-3607 | 1 | Anchor-Cable | 31 | 138-3671 | 1 | Gasket-Deflector |
| 16 | 120-9698 | 2 | Bolt-CARR | 32 | 138-8493 | 1 | Spring-Chute, Upper |
| 17 | 119-4040 | 2 | Nut-HF, NI | 33 | 144-1642-03 | 1 | Chute Support ASM [black] |

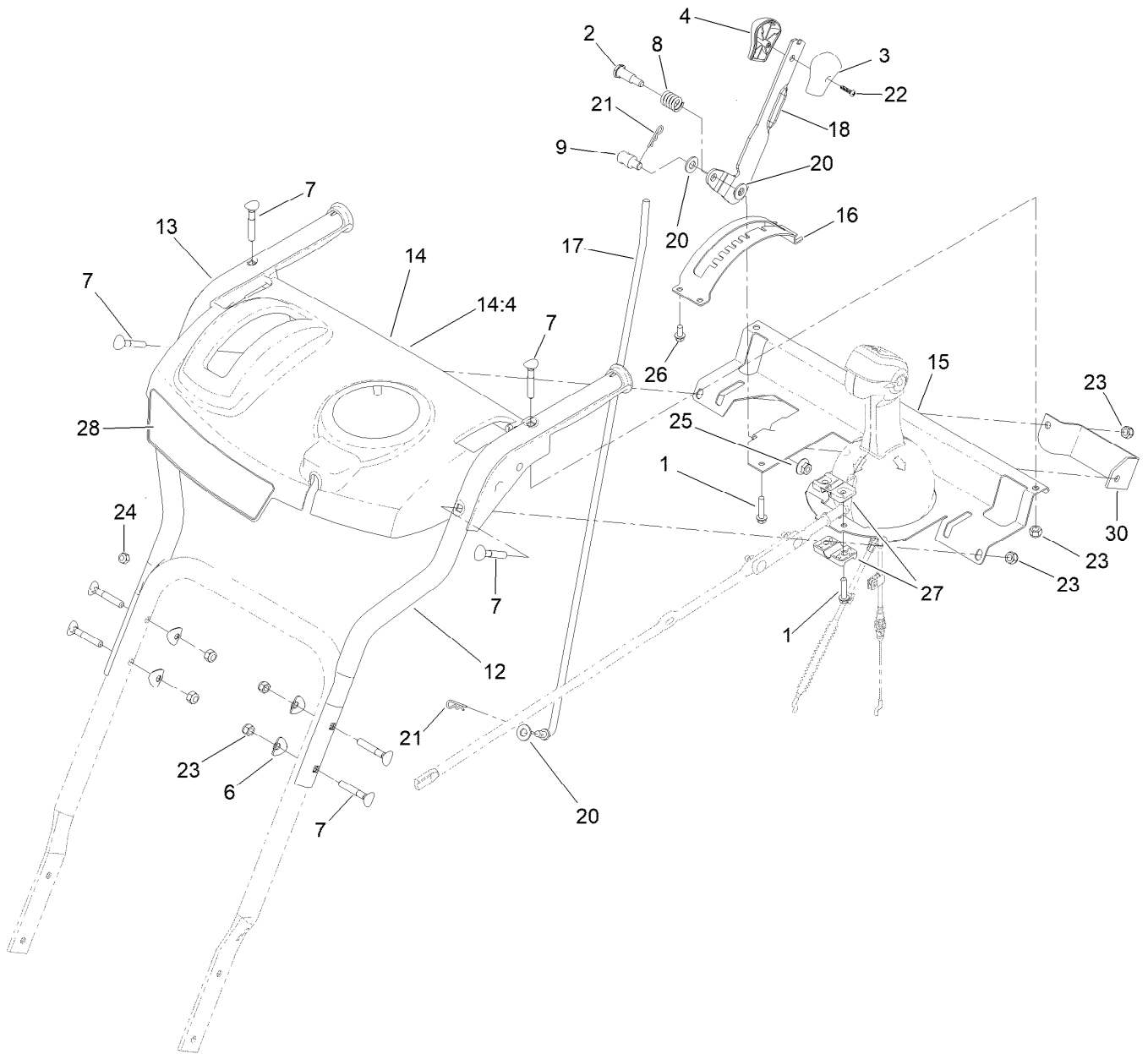
Lever Chute Control Assembly



Lever Chute Control Assembly (continued)

| <i>Ref.</i> | <i>Part Number</i> | <i>Qty.</i> | <i>Description</i> | <i>Ref.</i> | <i>Part Number</i> | <i>Qty.</i> | <i>Description</i> |
|-------------|--------------------|-------------|--------------------------|-------------|--------------------|-------------|----------------------------|
| 1 | 138-0662 | 1 | Rod-Control, Chute | 14 | 94-4496 | 8 | Screw-PPH |
| 2 | 138-0659 | 1 | Screw-Shoulder, HWH | 15 | 136-6677 | 1 | Globe-Quickstick, RH |
| 3 | 139-1552 | 1 | Chute Control Lever ASM | 16 | 136-6632 | 1 | Plate-Stiffner |
| 5 | 105-9988 | 1 | Lever-Cable, Deflector | 17 | 136-6678 | 1 | Globe-Quickstick, LH |
| 6 | 106-7310 | 1 | Pawl-Latch | 18 | 137-3056 | 3 | Bolt-CARR |
| 7 | 137-3087 | 1 | Nut-Hex | 19 | 137-3094 | 3 | Nut-Hex |
| 8 | 137-6238 | 1 | Trigger-Latch | 20 | 144-1237 | 1 | Cable-Rotation, Chute |
| 9 | 138-3672 | 1 | Cable-Control, Deflector | 21 | 138-0744 | 1 | Washer-Friction, Composite |
| 10 | 105-9982 | 1 | Spring-Torsion | 22 | 32144-85 | 1 | Screw-HWH Thd Form |
| 11 | 138-0688 | 1 | Link-Latch | 23 | 138-3635 | 1 | Rod-Chute |
| 12 | 137-6239 | 1 | Cap-Lever | | | | |

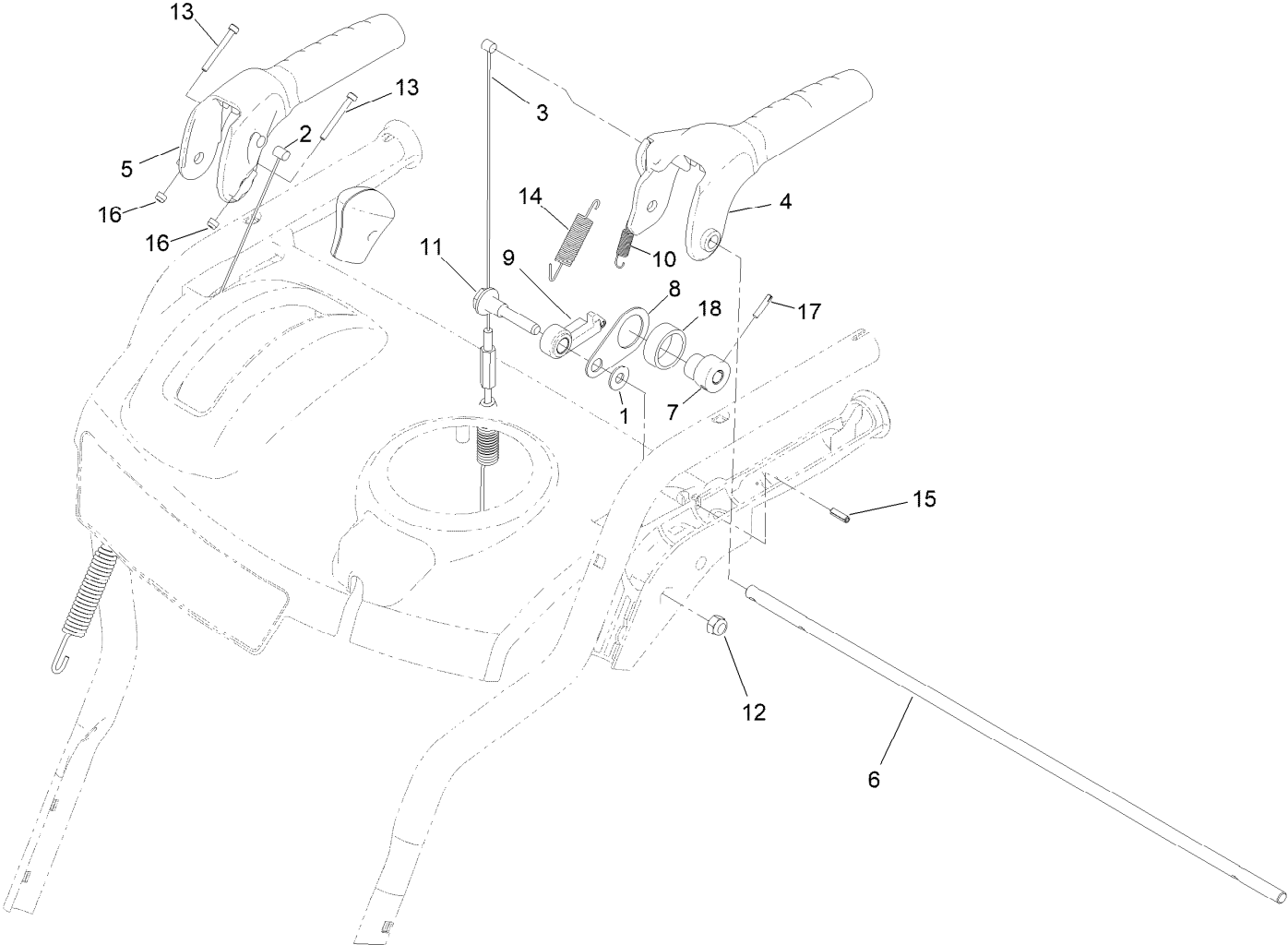
Handle Assembly



Handle Assembly (continued)

| <i>Ref.</i> | <i>Part Number</i> | <i>Qty.</i> | <i>Description</i> | <i>Ref.</i> | <i>Part Number</i> | <i>Qty.</i> | <i>Description</i> |
|-------------|--------------------|-------------|------------------------|-------------|--------------------|-------------|-----------------------|
| 1 | 137-3101 | 3 | Screw-Plastic, HWH | 16 | 120-9258-03 | 1 | Mount-Selector, Speed |
| 2 | 137-3103 | 1 | Screw-Shoulder, HH | 17 | 136-7163 | 1 | Rod-Selector, Gear |
| 3 | 105-9999 | 1 | Knob-Shift, LH | 18 | 121-1242-03 | 1 | Selector-Speed |
| 4 | 106-4423 | 1 | Knob-Shift, RH | 20 | 131-8667 | 3 | Washer-Thrust |
| 6 | 137-3009 | 4 | Washer-Cup | 21 | 137-3083 | 2 | Pin-Hair |
| 7 | 137-3107 | 8 | Screw-Handle | 22 | 94-4496 | 1 | Screw-PPH |
| 8 | 136-7121 | 1 | Spring-Compression | 23 | 137-3093 | 8 | Nut-Hex |
| 9 | 136-7193 | 1 | Trunnion-Rod | 24 | 137-3094 | 2 | Nut-Hex |
| 12 | 120-7173-03 | 1 | Handle-Upper, LH | 25 | 137-3038 | 1 | Nut-HF |
| 13 | 120-7174-03 | 1 | Handle-Upper, RH | 26 | 46-8093 | 4 | Screw-Plastite |
| 14 | 138-8487 | 1 | Control Panel ASM | 27 | 105-9987 | 2 | Support-Rod |
| 14:4 | 121-1240 | 1 | Decal-Safety | 28 | 136-8698 | 1 | Decal |
| 15 | 138-3676-03 | 1 | Support-Panel, Control | 30 | 120-2301-03 | 1 | Plate-Support, Shift |

Control Assembly



Control Assembly (continued)

| <i>Ref.</i> | <i>Part Number</i> | <i>Qty.</i> | <i>Description</i> | <i>Ref.</i> | <i>Part Number</i> | <i>Qty.</i> | <i>Description</i> |
|-------------|--------------------|-------------|--------------------------|-------------|--------------------|-------------|------------------------|
| 1 | 98-3499 | 1 | Washer-Flat | 10 | 136-7161 | 1 | Spring-Lockout, Handle |
| 2 | 121-6812 | 1 | Cable-Auger | 11 | 136-7194 | 1 | Screw-Shoulder |
| 3 | 121-6813 | 1 | Cable-Traction | 12 | 137-3093 | 1 | Nut-Hex |
| 4 | 121-1200 | 1 | Handle-Control, Traction | 13 | 145-0660 | 2 | Screw-HSH,Spl |
| 5 | 121-1201 | 1 | Handle-Control, Auger | 14 | 136-7162 | 1 | Spring-Return, Lever |
| 6 | 136-7125 | 1 | Rod-Lockout | 15 | 32121-2 | 1 | Pin-Roll, Slotted |
| 7 | 121-1203 | 1 | Cam-Lockout | 16 | 140-3749 | 2 | Nut-Lock Rohs |
| 8 | 136-7160 | 1 | Link-Lockout | 17 | 145-0668 | 1 | Pin-Groove Type A |
| 9 | 121-1205 | 1 | Latch-Lockout | 18 | 145-0667 | 1 | Spacer-Plastic |

Attachments and Accessories

For 37798 Power Max 824 OE Snowthrower

| Product Name | Model/Part |
|--|-------------------|
| Weight Kit | 107-3815 |
| Snow Cab Kit..... | 127-5960 |
| Engine Maintenance Kit..... | 138-0702 |
| Non-Marking Skid Kit..... | 38211 |
| Heavy-Duty Skid Kit..... | 38212 |
| Drift Breaker Kit | 38213 |
| Toro Snow Oil 0W30 Synthetic 20-Ounce Bottle | 38913 |
| Toro 2-Stage Cover..... | 490-7466 |
| Plain 2-Stage Cover..... | 490-7467 |

Notes:

Notes:

Notes:



Count on it.