



EN TimeCutter® Max 50in Zero Turn Riding Mower

77505

ES Cortacésped giro cero de asiento TimeCutter® Max de 127 cm (50")

77505

FR TimeCutter® Tondeuse autoportée à rayon de braquage zéro Max de 127 cm (50 po)

77505



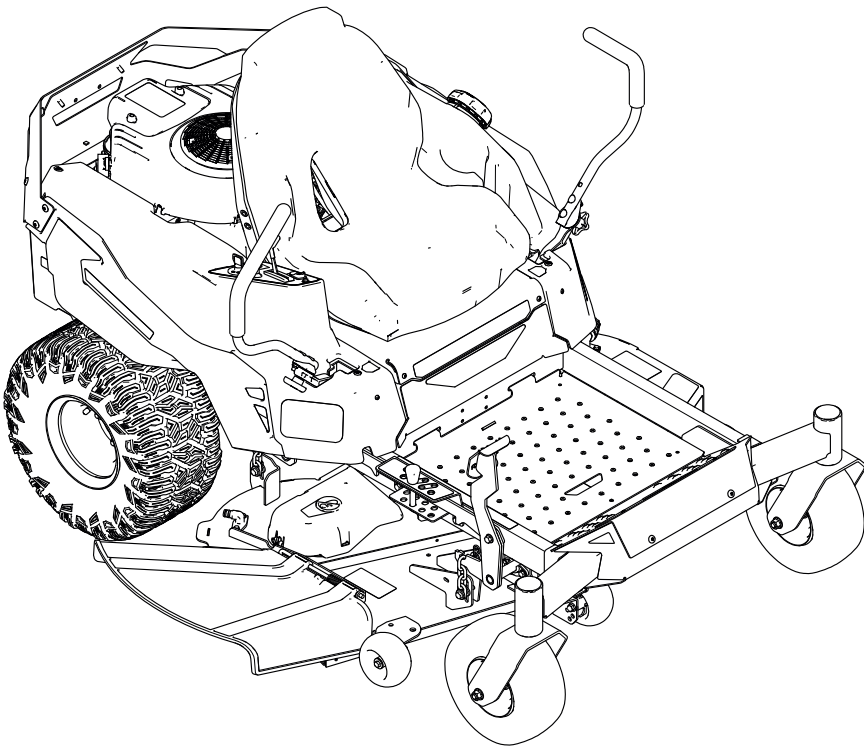


Operator's Manual

TimeCutter® Max 50in Zero Turn Riding Mower

Model—Serial Range

77505—400000000 and Up



Disclaimers and Regulatory Information

It is a violation of California Public Resource Code Section 4442 or 4443 to use or operate the engine on any forest-covered, brush-covered, or grass-covered land unless the engine is equipped with a spark arrester, as defined in Section 4442, maintained in effective working order or the engine is constructed, equipped, and maintained for the prevention of fire.

Gross or Net Torque: The gross or net torque of this engine was laboratory rated by the engine manufacturer in accordance with the Society of Automotive Engineers (SAE) J1940 or J2723. As configured to meet safety, emission, and operating requirements, the actual engine torque on this class of mower will be significantly lower. Please refer to the engine manufacturer's information included with the machine.

The enclosed engine owner's manual is supplied for information regarding the US Environmental Protection Agency (EPA) and the California Emission Control Regulation of emission systems, maintenance, and warranty. Replacements may be ordered through the engine manufacturer.

⚠ WARNING

CALIFORNIA Proposition 65

The engine exhaust from this product contains chemicals known to the State of California to cause cancer, birth defects, or other reproductive harm.

Battery posts, terminals, and related accessories contain lead and lead compounds, chemicals known to the State of California to cause cancer and reproductive harm. Wash hands after handling.

Use of this product may cause exposure to chemicals known to the State of California to cause cancer, birth defects, or other reproductive harm.

Table of Contents

Chapter 1: Introduction.....	1-1
Intended Use	1-1
Getting Help	1-1
Manual Conventions	1-2
Safety Alert Classifications.....	1-2
Chapter 2: Safety.....	2-1
General Safety	2-1
Slope Indicator	2-2
Safety and Instructional Decals	2-3
Chapter 3: Product Overview	3-1
Control Panel.....	3-1
Motion-Control Levers.....	3-3
Park Position	3-3
Height-of-Cut Pin	3-3

Deck-Lift Pedal	3-3
Specifications	3-4
Chapter 4: Operation	4-1
Before Operation	4-1
Before Operation Safety	4-1
Fuel	4-3
Performing Daily Maintenance	4-3
Break-In Time	4-4
Safety-Interlock System	4-4
Positioning the Seat	4-5
Adjusting the Motion-Control Lever Height	4-6
Adjusting the Motion-Control Lever Tilt	4-7
During Operation	4-7
During Operation Safety	4-7
Starting the Engine	4-10
Shutting Off the Engine	4-11
Driving the Machine	4-12
Operating the Mower Blade-Control Switch (PTO)	4-13
Side Discharge	4-14
Adjusting the Height of Cut	4-15
Adjusting the Anti-Scalp Rollers	4-15
Operating Tips	4-15
After Operation	4-17
After Operation Safety	4-17
Cleaning the Machine	4-17
Hauling the Machine	4-17
Chapter 5: Maintenance	5-1
Maintenance Safety	5-1
Recommended Maintenance Schedule	5-2
Pre-Maintenance Procedures	5-3
Moving a Non-Functioning Machine	5-3
Raising the Machine	5-4
Lubrication	5-5
Greasing the Bearings	5-5
Engine Maintenance	5-5
Engine Safety	5-5
Air Cleaner Service	5-5
Engine-Oil Service	5-7
Servicing the Spark Plug	5-11
Fuel Maintenance	5-13
Replacing the Fuel Filter	5-13
Electrical System Maintenance	5-14
Electrical System Safety	5-14
Battery Service	5-14
Jump-Starting the Machine	5-18
Servicing the Fuses	5-20
Drive System Maintenance	5-20
Checking the Tire Pressure	5-20
Checking the Wheel Lug Nuts	5-21
Adjusting the Tracking	5-21
Belt Maintenance	5-22
Inspecting the Belts	5-22
Replacing the Mower Belt	5-22
Mower-Deck Maintenance	5-25

Blade Safety	5-25
Blade Service	5-25
Leveling the Mower Deck	5-28
Removing the Mower Deck	5-30
Installing the Mower Deck	5-30
Replacing the Grass Deflector	5-31
Cleaning	5-32
Washing the Underside of the Mower Deck	5-32
Disposing of Waste	5-33
Chapter 6: Storage	6-1
Storage Safety	6-1
Preparing the Machine for Storage Over 30 Days.....	6-1
Storing the Battery.....	6-3
Battery Storage Tips	6-3
Chapter 7: Troubleshooting	7-1
Chapter 8: Schematics.....	8-1
Electrical Diagram	8-1
California Proposition 65 Warning Information	



Intended Use

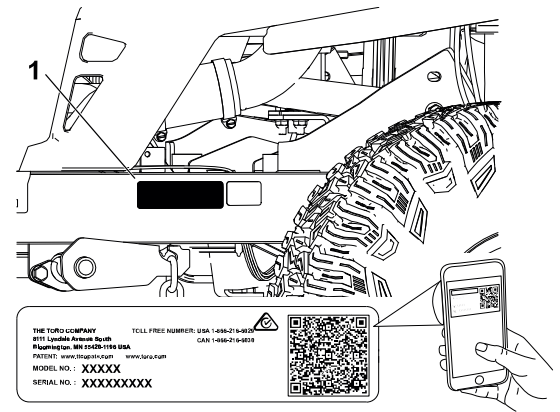
This rotary-blade, riding lawn mower is intended to be used by homeowners in residential applications. It is designed primarily for cutting grass on well-maintained lawns. Using this product for purposes other than its intended use could prove dangerous to you and bystanders.

Read this information carefully to learn how to operate and maintain your product properly and to avoid injury and product damage. You are responsible for operating the product properly and safely.

Getting Help

Visit www.Toro.com for product safety and operation training materials, accessory information, help finding a dealer, or to register your product.

Whenever you need service, genuine Toro parts, or additional information, contact an Authorized Service Dealer or Toro Customer Service and have the model and serial numbers of your product ready. These numbers are located on the serial plate on your product (1). Write the numbers in the space provided.



G451770

IMPORTANT

With your mobile device, you can scan the QR code on the serial number decal (if equipped) to access warranty, parts, and other product information.

Model Number:		Serial Number:	
---------------	--	----------------	--

Manual Conventions

This manual identifies potential hazards and has safety messages identified by the safety-alert symbol, which signals a hazard that may cause serious injury or death if you do not follow the recommended precautions.



This manual uses 2 words to highlight information. **Important** calls attention to special mechanical information and **Note** emphasizes general information worthy of special attention.

Safety Alert Classifications

The safety-alert symbol shown in this manual and on the machine identifies important safety messages that you must follow to prevent accidents.

Safety-alert symbol appears above information that alerts you to unsafe actions or situations and is followed by the word **DANGER**, **WARNING**, or **CAUTION**.

DANGER

Danger indicates an imminently hazardous situation which, if not avoided, *will* result in death or serious injury.

WARNING

Warning indicates a potentially hazardous situation which, if not avoided, *could* result in death or serious injury.

CAUTION

Caution indicates a potentially hazardous situation which, if not avoided, *may* result in minor or moderate injury.



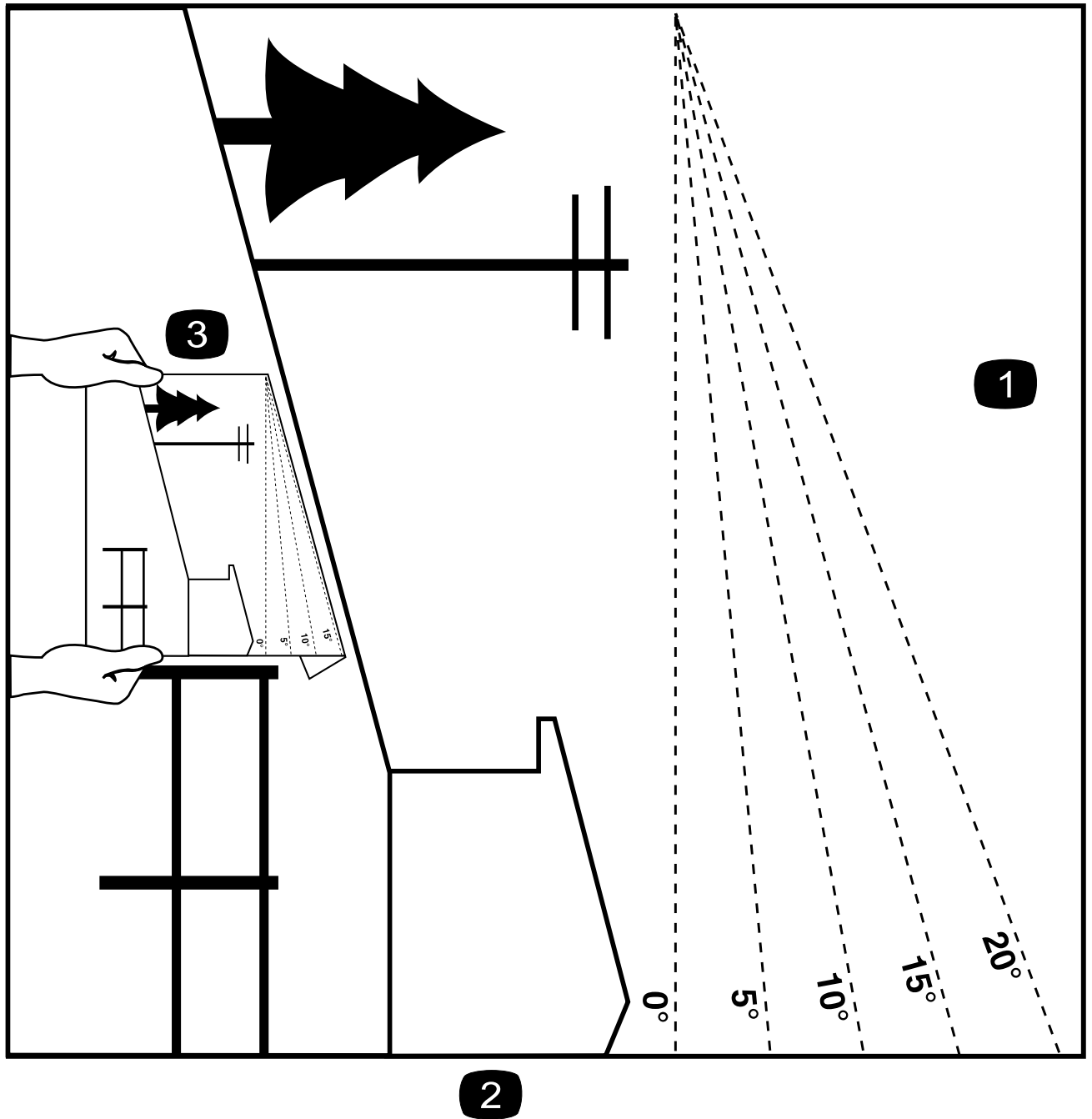
General Safety

This product is capable of amputating hands and feet and of throwing objects. Always follow all safety instructions to avoid serious personal injury or death.

- Read, understand, and follow the instructions and warnings in this *Operator's Manual* and on the machine, engine, and attachments before starting the engine.
- Do not allow children or untrained people to operate or service the machine. Allow only people who are responsible, trained, familiar with the instructions, and physically capable to operate or service the machine.
- Keep bystanders, particularly children, away from the operating area.
- Do not operate the machine near drop-offs, ditches, embankments, water, or other hazards, or on slopes greater than 15°.
- Do not put your hands or feet near moving parts.
- Do not operate the machine without all safety shields, guards, switches, and other devices in place and working properly.
- Park the machine on a level surface, disengage the drives, engage the parking brake, shut off the engine, remove the key, and wait for all moving parts to stop before leaving the operator's position.
- Wait for the machine to cool before servicing, adjusting, fueling, cleaning, or storing it.

Slope Indicator

You may copy this page for personal use.



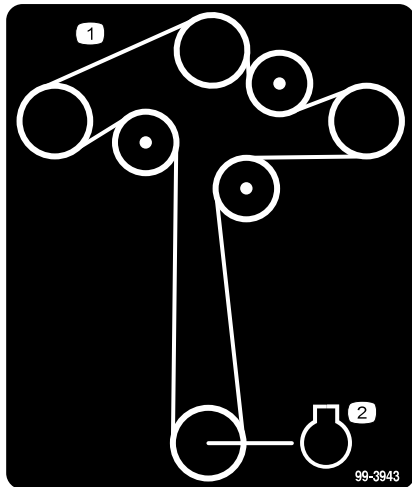
- ① The maximum slope you can operate the machine on is 15 degrees. Use the slope chart to determine the degree of slope of hills before operating. **Do not operate this machine on a slope greater than 15 degrees.** Fold along the appropriate line to match the recommended slope.
- ② Align this edge with a vertical surface, a tree, building, fence pole, etc.
- ③ Example of how to compare slope with folded edge

Safety and Instructional Decals



Safety decals and instructions are easily visible to the operator and are located near any area of potential danger. Replace any decal that is damaged or missing.

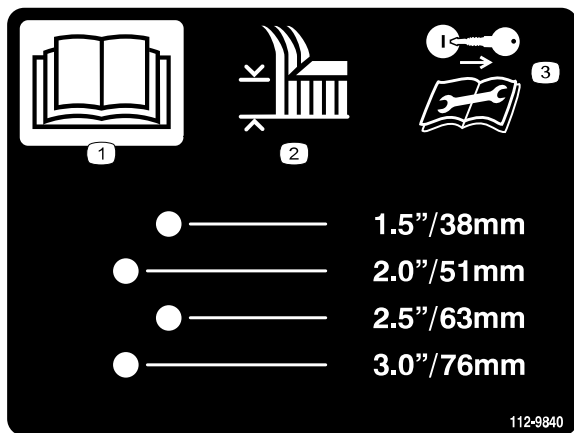
Decal Part: 99-3943



s_dec99-3943

- ① Belt routing
- ② Engine

Decal Part: 112-9840



s_decal112-9840

- ① Read the *Operator's Manual*.
- ② Height of cut
- ③ Remove the ignition key and read the instructions before servicing or performing maintenance.

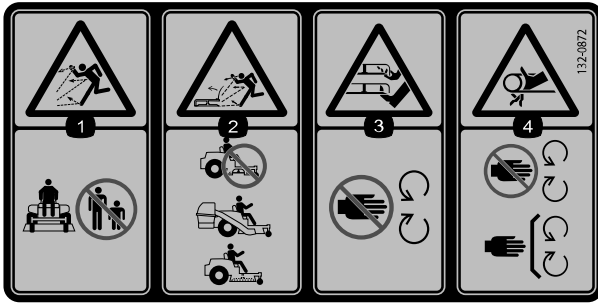
Decal Part: 130-0731



s_decal130-0731

- ① Warning—thrown object hazard; keep the deflector in place.
- ② Cutting hazard of hand or foot, mower blade—keep away from moving parts.

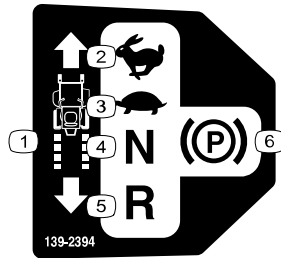
Decal Part: 132-0872



s_dec132-0872

- ① Thrown object hazard—keep bystanders away.
- ② Thrown object hazard, mower—do not operate the machine with an open deck; use a bagger or a deflector.
- ③ Cutting/dismemberment hazard of hands or feet, mower blade—stay away from moving parts.
- ④ Entanglement hazard of hands, belt—stay away from moving parts; keep all guards and shields in place.

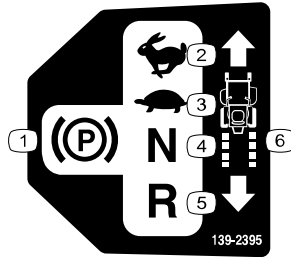
Decal Part: 139-2394



s_dec139-2394

- ① Traction controls
- ② Fast
- ③ Slow
- ④ Neutral
- ⑤ Reverse
- ⑥ Parking brake

Decal Part: 139-2395



s_dec139-2395

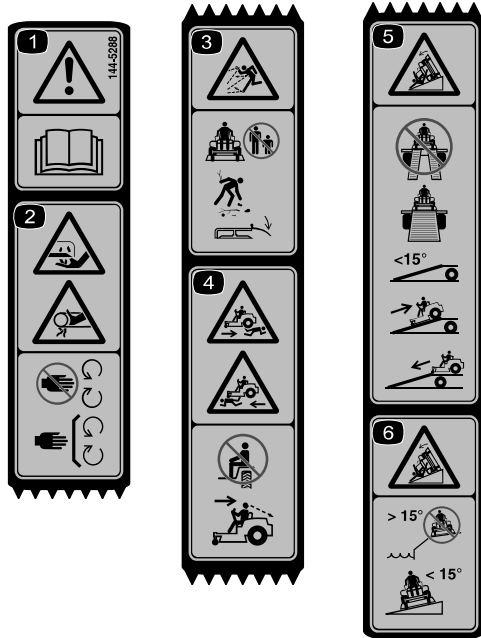
- ① Parking brake
- ② Fast
- ③ Slow
- ④ Neutral
- ⑤ Reverse
- ⑥ Traction controls

Decal Part: 142-5864



dec142-5864

Decal Part: 144-5288

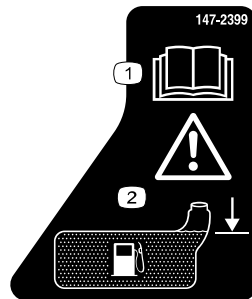


s_dec144-5288

- ① Warning—read the *Operator's Manual*.
- ② Cutting/dismemberment hazard of the fingers or hand—keep hands away from moving parts; keep all guards and shields in place.
- ③ Thrown object hazard—keep bystanders away; pick up debris; keep the deflector in place.
- ④ Runover hazard—do not carry passengers; look behind you and down when moving in reverse.
- ⑤ Tipping hazard—when loading onto a trailer, do not use dual ramps; only use a singular ramp wide enough for the machine; do not use a ramp with a slope greater than 15°; back up the ramp (in reverse) and drive forward off the ramp.
- ⑥ Tipping hazard—do not use the machine near drop-offs with slopes greater than 15°; only operate across slopes less than 15°.

Note: This machine complies with the industry standard stability test in the static lateral and longitudinal tests with the maximum recommended slope indicated on the decal. Review the instructions for operating the machine on slopes in the *Operator's Manual* as well as the conditions in which you would operate the machine to determine whether you can operate the machine in the conditions on that day and at that site. Changes in the terrain can result in a change in slope operation for the machine.

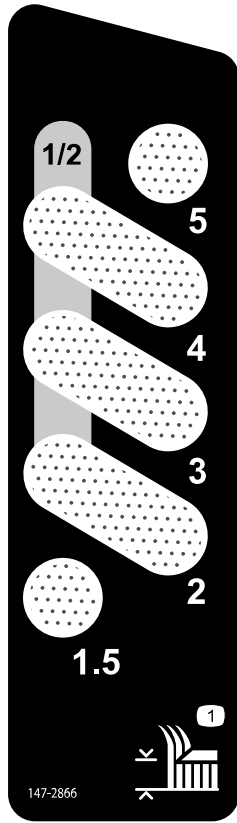
Decal Part: 147-2399



s_dec147-2399

- ① Read the *Operator's Manual*.
- ② Warning—Fill to bottom of filler neck; warning—do not overfill the tank.

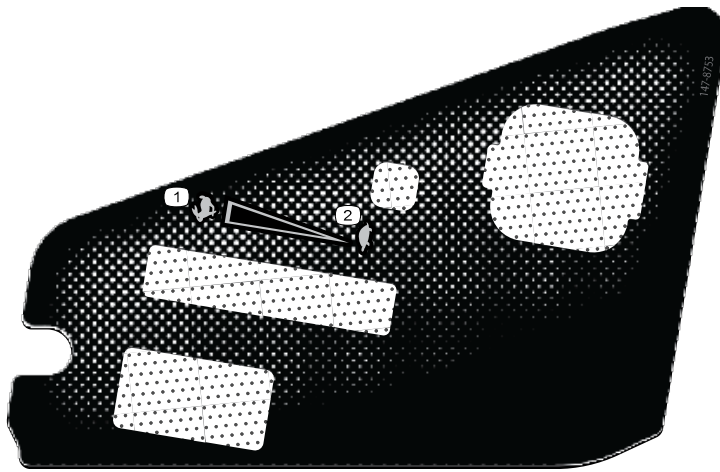
Decal Part: 147-2866



decal147-2866

① Height of cut

Decal Part: 147-8753

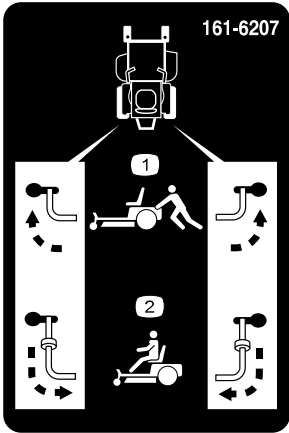


decal147-8753

① Fast

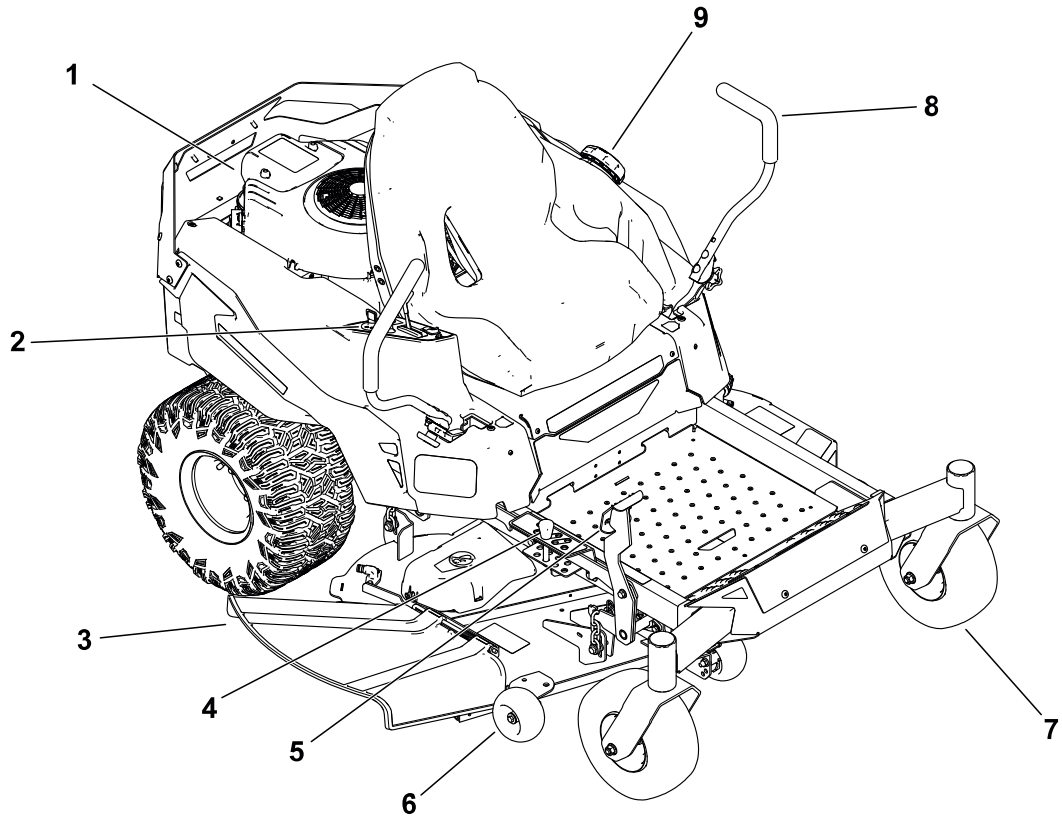
② Slow

Decal Part: 161-6207



decal161-6207

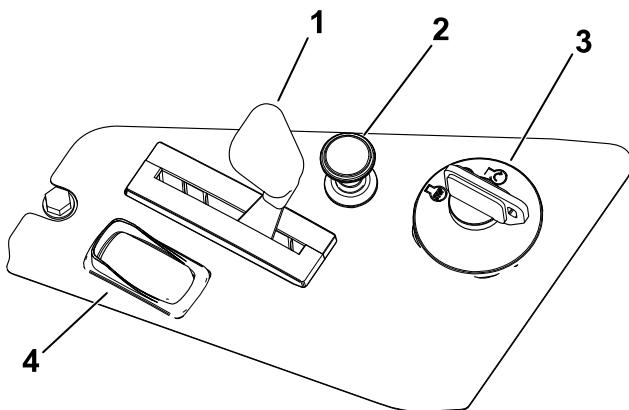
- ① Bypass lever position for pushing the machine
- ② Bypass lever position for operating the machine



G460483

- ① Engine
- ② Control panel
- ③ Deflector
- ④ Height-of-cut pin
- ⑤ Deck-lift pedal
- ⑥ Anti-scalp roller
- ⑦ Front caster wheel
- ⑧ Motion-control lever
- ⑨ Fuel-tank cap

Control Panel

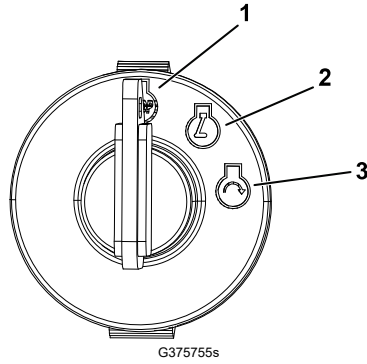


G450844

- ① Throttle control
- ② Choke control
- ③ Key switch
- ④ Blade-control switch (power takeoff)

Key Switch

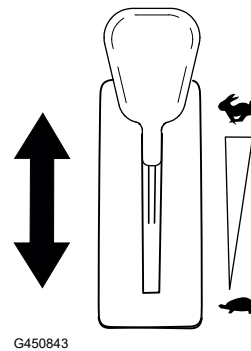
Use the key switch to start or shut off the machine.



- ① Shut off the engine
- ② Run the engine
- ③ Start engine

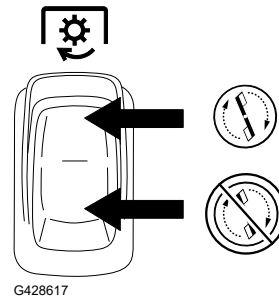
Throttle Control

The throttle controls the engine speed, and it has a continuous-variable setting from the SLOW to FAST position.



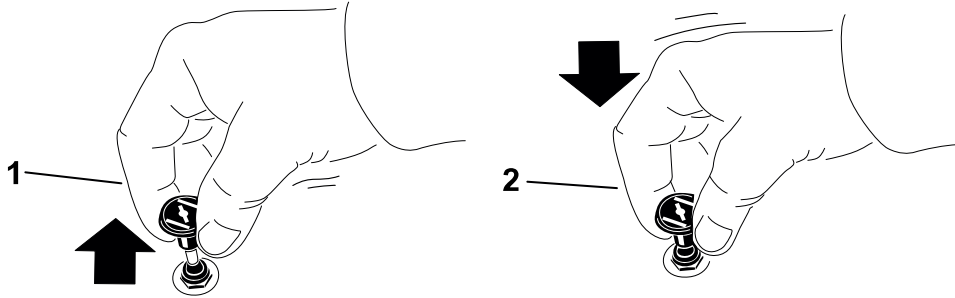
Blade-Control (PTO) Switch

The blade-control switch, represented by a power-takeoff (PTO) symbol, engages and disengages power to the mower blades.



Choke Control

Use the choke control to aid in starting a cold engine.



G419508

① Engaged

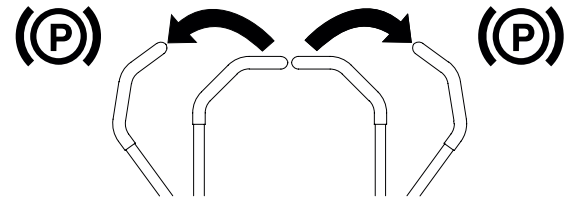
② Disengaged

Motion-Control Levers

Use the motion-control levers to drive the machine forward, reverse, and turn either direction.

Park Position

Move the motion-control levers outward from the center to the PARK position to engage the parking brake when stopping or exiting the machine.



G438246

Height-of-Cut Pin

The height-of-cut pin works with the foot pedal to lock the deck in a specific cutting height. Adjust the height of cut only when the machine is not moving.

Deck-Lift Pedal

Use the deck-lift pedal to briefly raise the mower deck from the seated position to avoid obstacles or when adjusting the height of cut.

Specifications

Note: Specifications and design are subject to change without notice.

Cutting width	127 cm (50 inches)
Width with deflector down	166 cm (65-1/2 inches)
Width with deflector up	140 cm (55 inches)
Length	203 cm (80 inches)
Height	116 cm (45-1/2 inches)
Weight	292 kg (644 lb)

Attachments/Accessories

A selection of Toro approved attachments and accessories is available for use with the machine to enhance and expand its capabilities. Contact your Authorized Service Dealer or authorized Toro distributor or go to www.Toro.com for a list of all approved attachments and accessories.

To ensure optimum performance and continued safety certification of the machine, use only genuine Toro replacement parts and accessories.



Before Operation

Before Operation Safety

- Do not allow children or untrained people to operate or service the machine. Local regulations may restrict the age of the operator. The owner is responsible for training all operators and mechanics.
- Inspect the area where you will use the machine and remove all objects that could be thrown or could interfere with the operation of the machine.
- Evaluate the terrain to determine the appropriate equipment and any attachments or accessories required to operate the machine properly and safely.
- Do not carry passengers on the machine.
- Become familiar with the safe operation of the equipment, operator controls, and safety signs.
- Check that operator-presence controls, safety switches, and guards are attached and working properly. Do not operate the machine unless they are functioning properly.
- Wear appropriate clothing, including eye protection; long pants; substantial, slip-resistant footwear; and hearing protection. Tie back long hair and do not wear loose clothing or loose jewelry.
- Do not operate the machine unless all guards and safety devices, such as the deflectors and the entire grass catcher, are in place and functioning properly. Replace worn or deteriorated parts when necessary.
- Shut off the engine, remove the key, and wait for all moving parts to stop before leaving the operator's position. Wait for the machine to cool before servicing, adjusting, fueling, cleaning, or storing it.



WARNING



Contacting the blade can result in serious personal injury.

When you shut off the engine, the blade(s) should stop. If not, stop using your machine immediately and contact an Authorized Service Dealer.

- Before mowing, inspect the machine to ensure that the cutting assemblies are working properly.
- Keep bystanders, particularly children, and pets away from the machine during operation. Shut off the machine and attachment(s) if anyone enters the area.

Before Operation Safety (continued)

Fuel Safety

- Fuel is extremely flammable and highly explosive. A fire or explosion from fuel can burn you and others and can damage property.
 - To prevent a static charge from igniting the fuel, place the container and/or machine directly on the ground before filling, not in a vehicle or on an object.
 - Fill the fuel tank outdoors on level ground, in an open area, and when the engine is cold. Wipe up any fuel that spills.
 - Do not handle fuel when smoking or around an open flame or sparks.
 - Do not remove the fuel cap or add fuel to the tank while the engine is running or hot.
 - If you spill fuel, do not attempt to start the engine. Avoid creating a source of ignition until the fuel vapors have dissipated.
 - Store fuel in an approved container and keep it out of the reach of children.
- Do not overfill the fuel tank. Replace the fuel cap and tighten it securely.
- In certain conditions during fueling, static electricity can be released, causing a spark that can ignite fuel vapors.
- Do not fill containers inside a vehicle or on a truck or trailer bed with a plastic liner. Always place containers on the ground and away from your vehicle before filling.
- Remove the equipment from the truck or trailer and refuel it while it is on the ground. If this is not possible, then refuel from a portable container rather than from a fuel-dispenser nozzle.
- Keep the fuel-dispenser nozzle in contact with the rim of the fuel tank or container opening at all times until fueling is complete. Do not use a nozzle lock-open device.
- Fuel is harmful or fatal if swallowed. Long-term exposure to vapors can cause serious injury and illness.
 - Avoid prolonged breathing of vapors.
 - Keep your hands and face away from the nozzle and the fuel-tank opening.
 - Keep fuel away from your eyes and skin.
- Clean up any spilled fuel.
- Do not store the machine or fuel container where there is an open flame, spark, or pilot light, such as on a water heater or on other appliances.
- Do not operate the machine without the entire exhaust system in place and in proper working condition.

Fuel

Fuel Specifications

Capacity	19 L (5 US gallons)
Type	Unleaded gasoline
Minimum octane rating	87 (US) or 91 (research octane; outside the US)
Ethanol	No more than 10% by volume
Methanol	None
MTBE (methyl tertiary butyl ether)	Less than 15% by volume
Oil	Do not add to the fuel

Use only clean, fresh (no more than 30 days old), fuel from a reputable source.

IMPORTANT

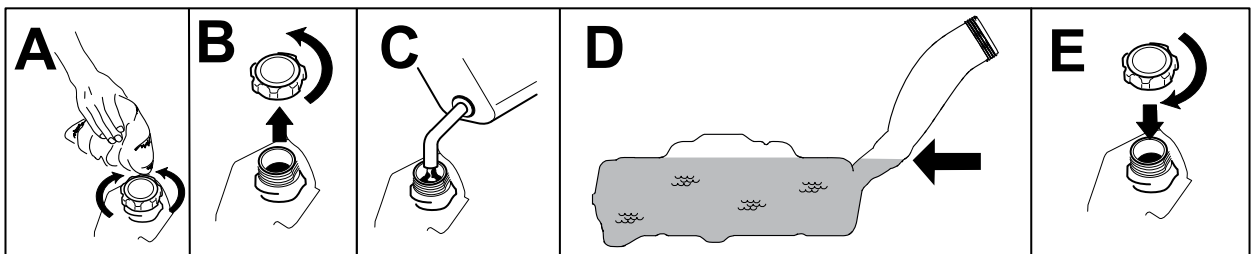
To reduce starting problems, add fuel stabilizer/conditioner to fresh fuel as directed by the fuel-stabilizer/conditioner manufacturer.

Filling the Fuel Tank

1. Park the machine on a level surface.
2. Move the motion-control levers outward to the PARK position.
3. Shut off the engine and remove the key.
4. Clean around the fuel-tank cap and fill the fuel tank.

IMPORTANT

Fill the fuel tank to the bottom of the filler neck. Do not fill the fuel tank completely full.



Performing Daily Maintenance

Before starting the machine each day, perform the Each Use/Daily procedures listed in the Maintenance Schedule.

Break-In Time

New engines take time to develop full power. Mower decks and drive systems have higher friction when new, placing additional load on the engine. Allow 40 to 50 hours of break-in time for new machines to develop full power and best performance.

Safety-Interlock System

The safety-interlock system is designed to prevent the engine from starting unless:

- The blade-control switch (PTO) is disengaged.
- The motion-control levers are in the PARK position.

The safety-interlock system also is designed to shut off the engine whenever the control levers are out of the PARK position and you rise from the seat.

⚠ WARNING ⚠

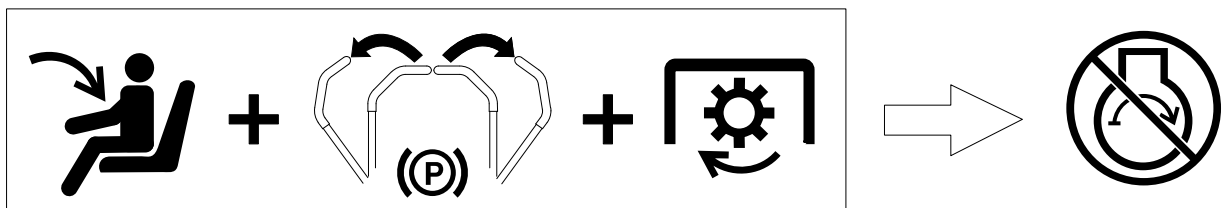
If the safety-interlock switches are disconnected or damaged, the machine could operate unexpectedly, causing personal injury.

- **Do not tamper with the interlock switches.**
- **Check the operation of the interlock switches daily and replace any damaged switches before operating the machine.**

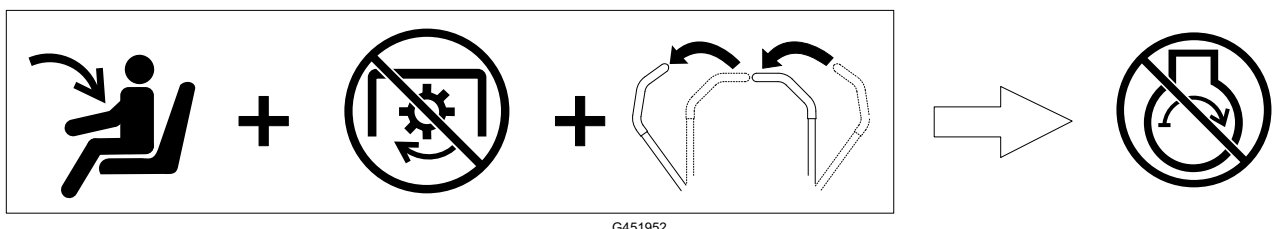
Testing the Safety-Interlock System

Test the safety-interlock system before you use the machine each time. If the safety system does not operate as described below, have an Authorized Service Dealer repair the safety system immediately.

1. Sit on the seat, move the motion-control levers to the PARK position, and move the blade-control switch to the ON position. Try starting the engine; the engine should not crank.

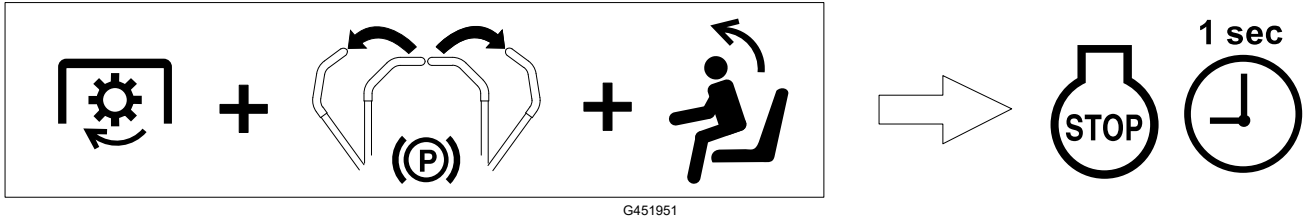


2. Sit on the seat and move the blade-control switch to the OFF position. Move either motion-control lever to the center, unlocked position. Try starting the engine; the engine should not crank. Repeat with the other motion-control lever.

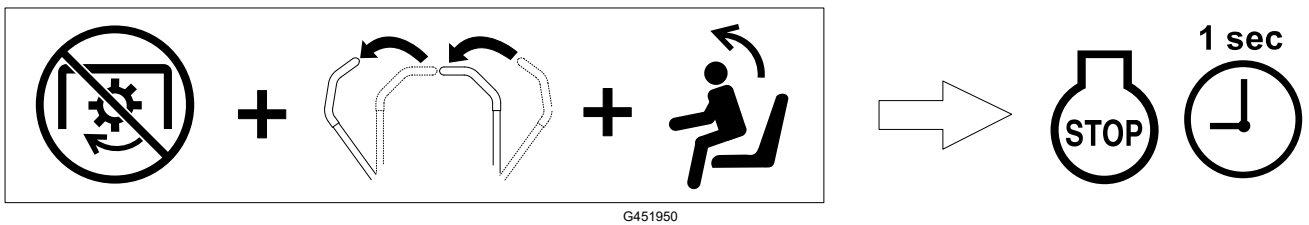


Safety-Interlock System (continued)

3. Sit on the seat, move the blade-control switch to the OFF position, and move the motion-control levers to the PARK position. Start the engine. While the engine is running, engage the blade-control switch, and rise slightly from the seat; the engine should shut off within 1 second.

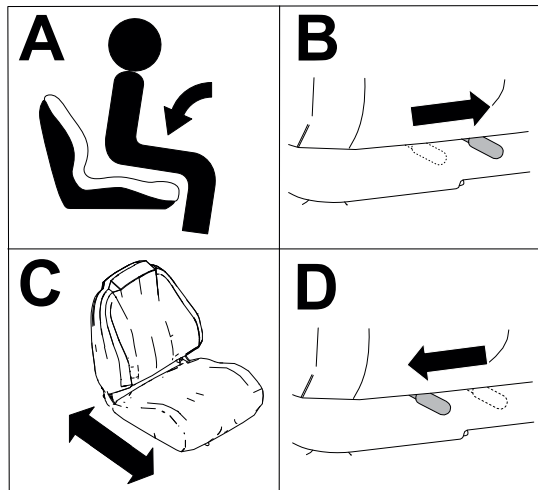


4. Sit on the seat, move the blade-control switch to the OFF position, and move the motion-control levers to the PARK position. Start the engine. While the engine is running, move the motion-control levers to the center, unlocked position and rise slightly from the seat; the engine should shut off within 1 second.



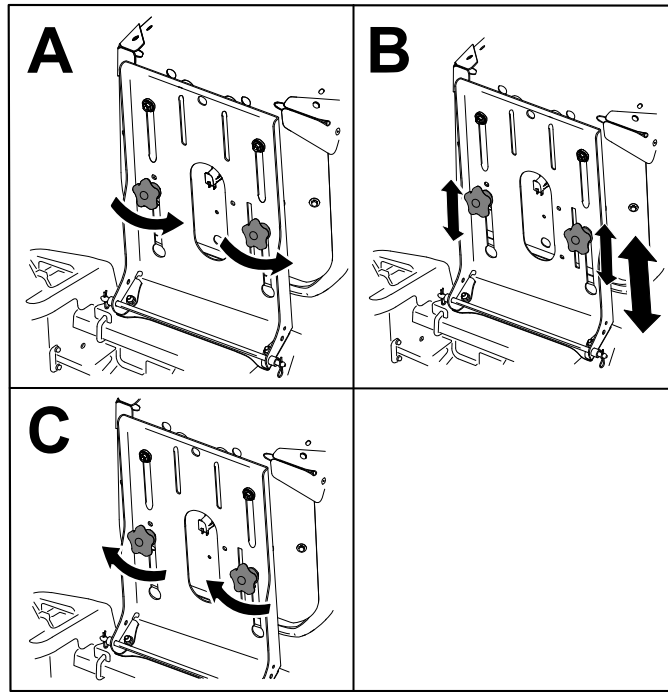
Positioning the Seat

Machines with MyRide Suspension



Positioning the Seat (continued)

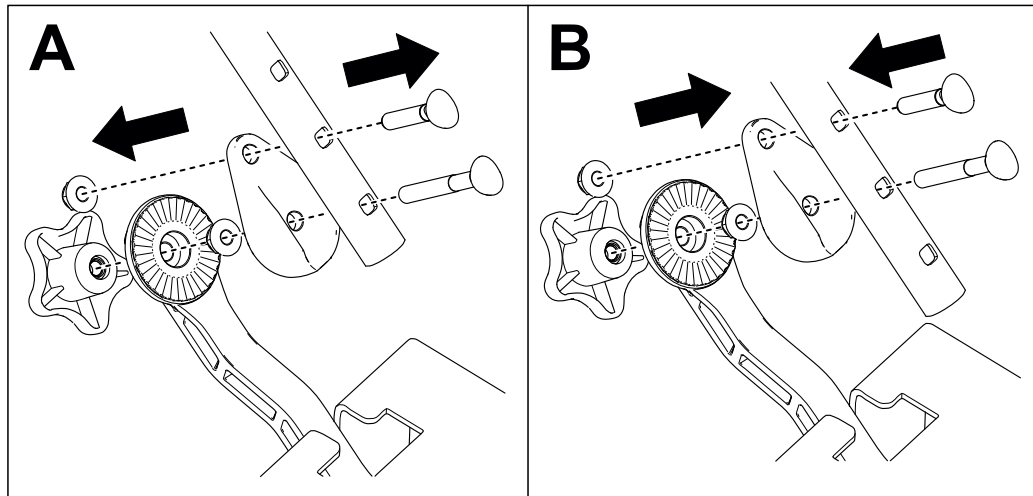
Machines without MyRide Suspension



G293874s

Adjusting the Motion-Control Lever Height

Adjust the motion-control levers higher or lower for your comfort.

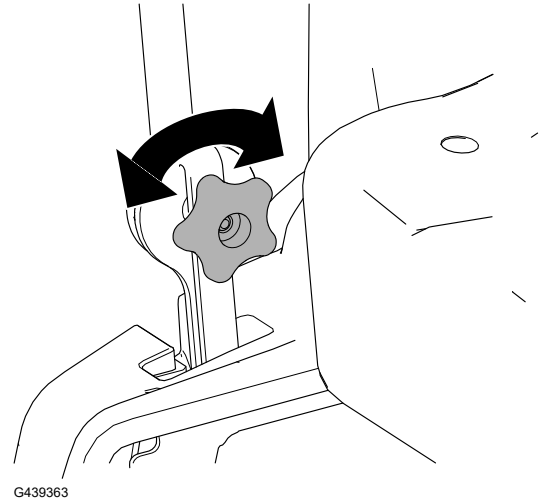


G450938

Adjusting the Motion-Control Lever Tilt

Adjust the motion-control levers forward or rearward for your comfort.

1. Loosen the knob.
2. Pivot the control lever forward or rearward.
3. Tighten the knob.
4. Repeat the adjustment for the other control lever.



During Operation

During Operation Safety

- The owner/operator can prevent and is responsible for accidents that may cause personal injury or property damage.
- Use your full attention while operating the machine. Do not engage in any activity that causes distractions; otherwise, injury or property damage may occur.
- Do not operate the machine while ill, tired, or under the influence of alcohol or drugs.
- Do not operate the machine unless all guards and safety devices, such as the deflectors and the entire grass catcher, are in place and functioning properly. Replace worn or deteriorated parts with genuine Toro parts when necessary.
- Operating engine parts, especially the muffler, can become extremely hot. Severe burns can occur on contact and debris, such as leaves, grass, brush, etc. can catch fire. Keep the engine area free from debris and excessive oil and grease.
- Operate the engine only in well-ventilated areas. Exhaust gases contain carbon monoxide, which is lethal if inhaled.
- Operate the machine only in good visibility and appropriate weather conditions. Do not operate the machine when there is the risk of lightning.
- Start the engine with your feet well away from the blades.
- Keep your hands and feet away from moving parts. Keep clear of the discharge opening.
- Keep away from holes, ruts, bumps, rocks, and other hazards. Use care when approaching blind corners, shrubs, trees, tall grass or other objects that may hide obstacles or obscure your view.
- Do not mow with the discharge deflector raised, removed, or altered unless there is a grass-collection system or mulch kit in place and working properly.

During Operation Safety (continued)

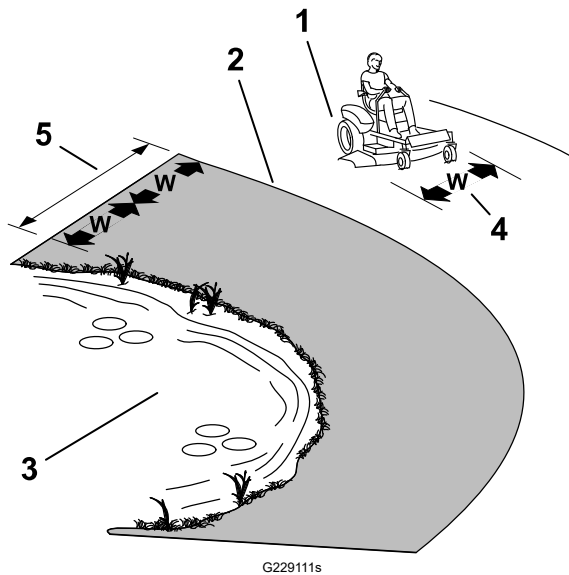
- Do not mow in reverse unless it is absolutely necessary. Always look down and behind you before moving the machine in reverse.
- Stop the blades whenever you are not mowing. Slow down the machine, and use caution when crossing surfaces other than grass or when transporting the machine to and from the operating area.
- Be aware of the mower discharge path and direct the discharge away from others. Avoid discharging material against a wall or obstruction because the material may ricochet back toward you.
- If the machine strikes an object or starts to vibrate, immediately shut off the engine, remove the key, and wait for all moving parts to stop before examining the machine for damage. Make all necessary repairs before resuming operation.
- Slow down and use caution when making turns and crossing roads and sidewalks with the machine. Always yield the right-of-way.
- Never leave a running machine unattended.
- Before you leave the operating position, do the following:
 - Park the machine on a level surface.
 - Disengage the power takeoff and lower the attachments.
 - Engage the parking brake.
 - Shut off the engine and remove the key.
 - Wait for all moving parts to stop.
- Never carry children on the machine.
- Do not carry children on the machine, even when the blades are not moving. Children could fall off and be seriously injured or prevent you from safely operating the machine. Children who have been given rides in the past could appear in the operating area without warning and be run over or backed over by the machine.
- Children are often attracted to the machine and the mowing activity. Never assume that children will remain where you last saw them.
- Keep children out of the operating area and under the watchful care of a responsible adult other than the operator.
- Be alert and shut off the machine if children enter the operating area.
- Before backing up or turning the machine, look down and all around for small children.
- Do not use the machine as a towing vehicle unless it has a hitch installed. Attach towed equipment to the machine only at the hitch point.
- Use only accessories and attachments approved by The Toro® Company.

Slope Safety

- Slopes are a major factor related to loss of control and rollover accidents, which can result in severe injury or death. The operator is responsible for safe slope operation. Operating the machine on any slope requires extra caution. Before using the machine on a slope, do the following:
 - Review and understand the slope instructions in the manual and on the machine.

During Operation Safety (continued)

- Use an angle indicator to determine the approximate slope angle of the area.
- Never operate on slopes greater than 15°.
- Evaluate the site conditions of the day to determine if the slope is safe for machine operation. Use common sense and good judgment when performing this evaluation. Changes in the terrain, such as moisture, can quickly affect the operation of the machine on a slope.
- Identify hazards at the base of the slope. Do not operate the machine near drop-offs, ditches, embankments, water, or other hazards. The machine could suddenly roll over if a wheel goes over the edge or the edge collapses. Keep a safe distance (twice the width of the machine) between the machine and any hazard. Use a walk-behind machine or a hand trimmer to mow the grass in these areas.



- ① Safe Zone—use the machine here on slopes less than 15° or flat areas.
- ② Danger Zone—use a walk-behind mower and/or a hand trimmer on slopes greater than 15° and near drop-offs or water.
- ③ Water
- ④ W = Width of the machine
- ⑤ Keep a safe distance (twice the width of the machine) between the machine and any hazard.

- Avoid starting, stopping, or turning the machine on slopes. Avoid making sudden changes in speed or direction; turn slowly and gradually.
- Do not operate a machine under any conditions where traction, steering, or stability is in question. Be aware that operating the machine on wet grass, across slopes, or downhill may cause the machine to lose traction. Loss of traction to the drive wheels may result in sliding and a loss of braking and steering. The machine can slide even if the drive wheels are stopped.
- Remove or mark obstacles such as ditches, holes, ruts, bumps, rocks, or other hidden hazards. Tall grass can hide obstacles. Uneven terrain could overturn the machine.
- Use extra care while operating with accessories or attachments, such as grass-collection systems. These can change the stability of the machine and cause a loss of control. Follow directions for counterweights.
- If possible, keep the deck lowered to the ground while operating on slopes. Raising the deck while operating on slopes can cause the machine to become unstable.

During Operation Safety (continued)

Towing Safety

- Do not attach towed equipment except at the hitch point.
- Do not use the machine as a towing vehicle unless it has a hitch installed.
- Do not exceed the maximum gross towing weight.
- Never allow children or others near the towed equipment.
- On slopes, the weight of the towed equipment may cause loss of traction, increased risk of rollover, and loss of control. Reduce the towed weight and slow down.
- The stopping distance may increase with the weight of a towed load. Travel slowly and allow extra distance to stop.
- Make wide turns to keep the attachment clear of the machine.

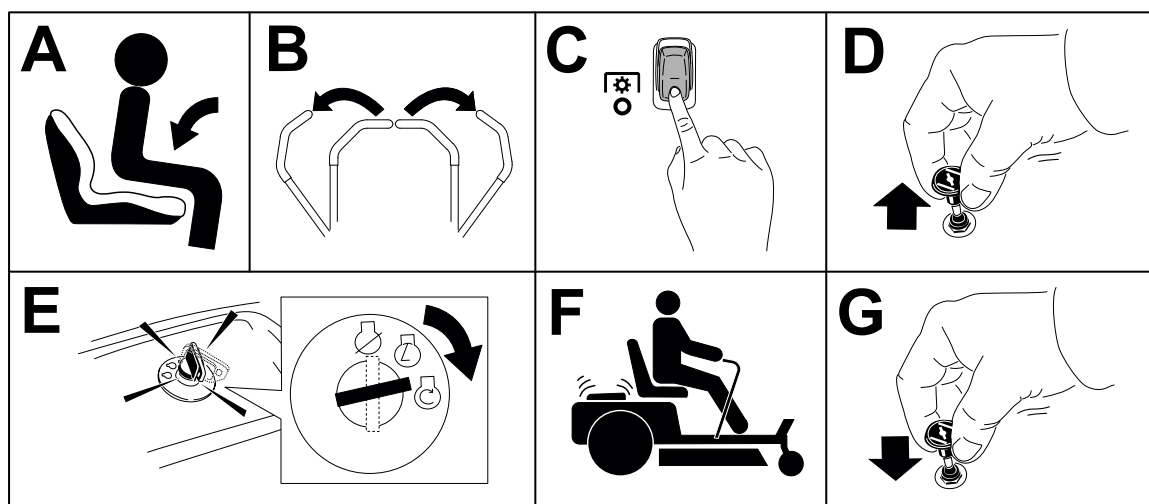
Starting the Engine

Start the engine as shown.

Note: A warm or hot engine may not require choking.

IMPORTANT

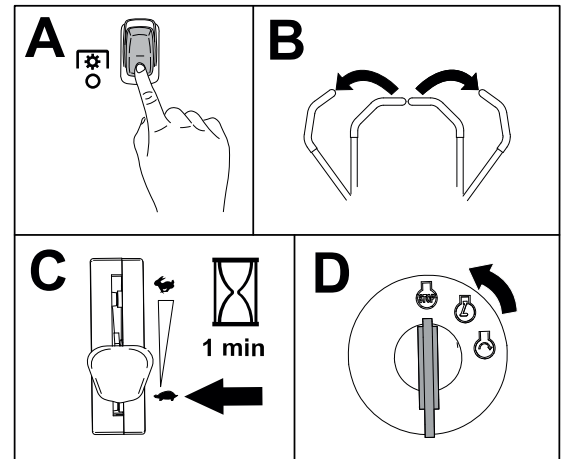
Do not engage the starter for more than 5 seconds at a time; otherwise, you can damage the starter motor. If the engine fails to start, wait 1 minute before operating the engine starter again.



G451068

Shutting Off the Engine

1. Disengage the blades by moving the blade-control switch to the OFF position.
2. Move the motion-control levers outward to the PARK position.
3. Move the throttle control to the SLOW position and let the engine idle for 1 minute.
4. Turn the key to the OFF position and remove the key.



G451067



CAUTION



Children or bystanders may be injured if they move or attempt to operate the machine while it is unattended.

Always remove the key and engage the parking brake when leaving the machine unattended.

Driving the Machine



CAUTION

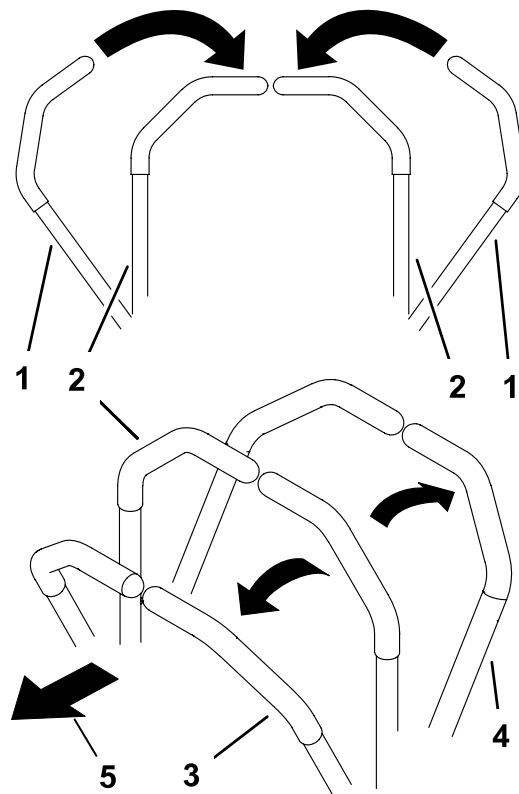


Positioning one lever too far in front of the other causes the machine to spin very rapidly. As a result, you may lose control of the machine, causing personal injury to you and damage to the machine.

Slow down the machine before making sharp turns.

The drive wheels turn independently, powered by motors on each axle. You can turn 1 side in reverse while you turn the other forward, causing the machine to spin rather than turn. This greatly improves the machine maneuverability but may require some time for you to adapt to how it moves.

1. Move the motion-control levers down to the center, unlocked position.



- ① Motion-control levers—PARK position
- ② Center, unlocked position
- ③ Forward
- ④ Reverse
- ⑤ Front of the machine

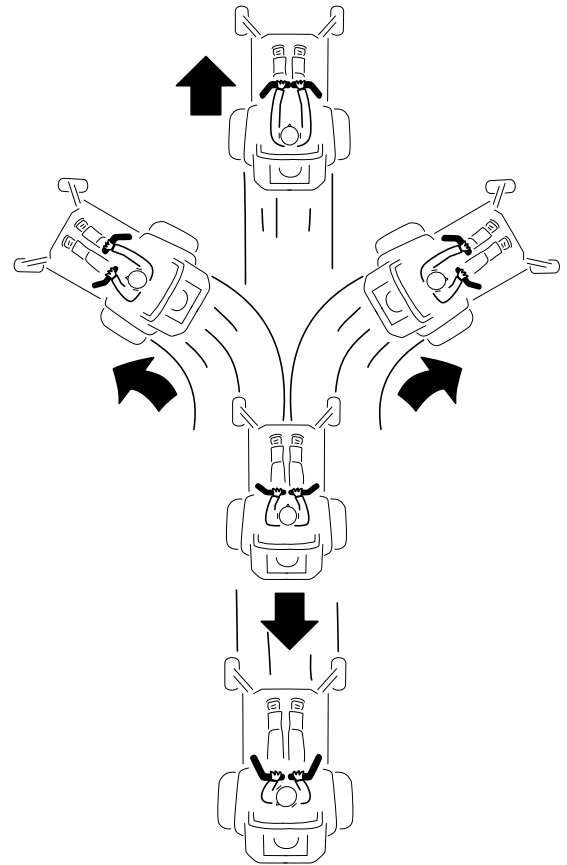
G426843s

Driving the Machine (continued)

2. Slowly push the motion-control levers forward or rearward. Move 1 lever farther than the other lever to turn.

Note: The farther you move the motion-control levers, the faster the machine moves in that direction.

3. To stop, pull the motion-control levers back to the NEUTRAL position.



G397314s

Operating the Mower Blade-Control Switch (PTO)



DANGER



The rotating blades under the mower deck are dangerous. Blade contact will cause serious injury or death.

Do not put your hands or feet under the mower or mower deck when the blades are engaged.



DANGER



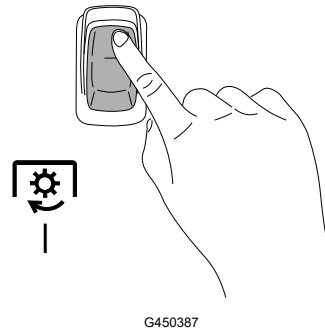
An uncovered discharge opening allows objects to be thrown toward you or bystanders. Also, contact with the blade could occur. Thrown objects or blade contact will cause serious injury or death.

Do not operate the mower with the discharge deflector raised, removed, or altered unless a grass collection system or mulch kit is in place and working properly.

1. Move the throttle control to the FAST position.

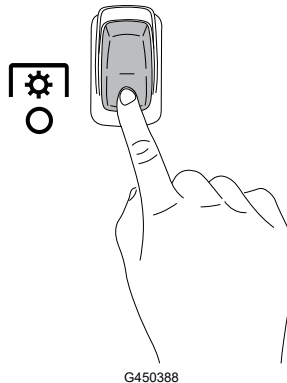
Operating the Mower Blade-Control Switch (PTO) (continued)

2. Engage the blade-control switch.



G450387

3. Mow as desired.
4. Disengage the blade-control switch.



G450388

Side Discharge

The hinged grass deflector disperses clippings to the side and down toward the turf.



DANGER



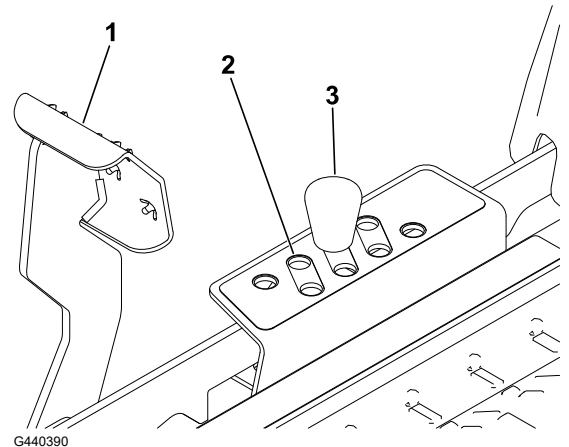
Without the grass deflector, discharge cover, or complete grass catcher assembly mounted in place, you and bystanders are exposed to blade contact and thrown debris. Contact with rotating mower blade(s) and thrown debris will cause injury or death.

- **Do not remove the grass deflector from the machine, because the grass deflector routes material down toward the turf. If the grass deflector is ever damaged, replace it immediately.**
- **Never put your hands or feet under the mower.**
- **Never try to clear the discharge area or mower blades unless the power takeoff (PTO) is off. Rotate the key to the OFF position and remove the key.**

Adjusting the Height of Cut

You can adjust the height of cut from 38 to 127 mm (1-1/2 to 5 inches) in 13 mm (1/2 inch) increments.

1. Push the deck-lift pedal ① with your foot to raise the mower deck.
2. Remove the pin ③ from the height-of-cut bracket.
3. Insert the pin into the hole corresponding to the desired height of cut ②.
4. Lower the deck slowly until the lever contacts the pin.

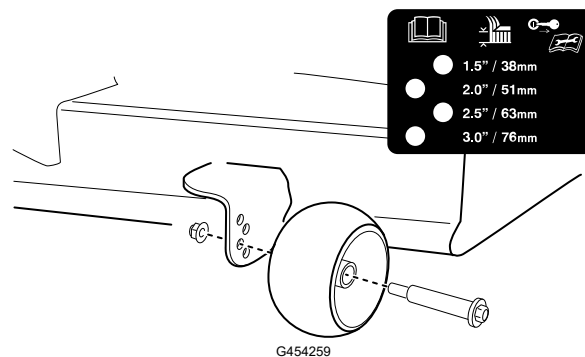


Adjusting the Anti-Scalp Rollers

Whenever you change the height of cut, adjust the height of the anti-scalp rollers.

1. Park the machine on a level surface, disengage the blade-control switch, and move the motion-control levers outward to the PARK position.
2. Shut off the engine, remove the key, and wait for all moving parts to stop before leaving the operating position.
3. Adjust the anti-scalp rollers to match the closest height-of-cut position.

Note: Adjust the anti-scalp rollers so that the rollers do not touch the ground in normal, flat mowing areas.



Operating Tips

Maximize Air Circulation

For best mowing and maximum air circulation, operate the engine at the FAST position. Air circulation is required to thoroughly cut grass clippings, so do not set the height-of-cut so low as to totally surround the mower deck in uncut grass. Always try to have 1 side of the mower deck free from uncut grass, which allows air to be drawn into the mower deck.

Operating Tips (continued)

Avoid Cutting Too Low

When mowing uneven ground, raise the cutting height to slightly higher than normal to avoid scalping the turf. However, the cutting height used in the past is generally the best one to use. When cutting grass longer than 15 cm (6 inches) tall, you may want to cut the lawn twice to ensure an acceptable quality of cut.

Cut a Third of the Grass Blade

It is best to cut only about a third of the grass blade. Cutting more than that is not recommended unless grass is sparse, or it is late fall when grass grows more slowly.

Alternate the Mowing Direction

Alternate the mowing direction to keep the grass standing straight. This also helps disperse clippings, which enhances decomposition and fertilization.

Mowing Frequency

Grass grows at different rates at different times of the year. To maintain the same cutting height, mow more often in early spring. As the grass growth rate slows in mid summer, mow less frequently. If you cannot mow for an extended period, first mow at a high cutting height, then mow again 2 days later at a lower height setting.

Mow at Slower Ground Speeds

In certain conditions, mowing at a slower ground speed can improve cut quality.

Avoid Grass Clumps

If you must stop driving forward while mowing, a clump of grass clippings may drop onto your lawn. To avoid this, move onto a previously cut area with the blades engaged or disengage the mower deck while moving forward.

Keep the Underside of the Mower Deck Clean

Clean clippings and dirt from the underside of the mower deck after each use. Grass and dirt build-up will eventually decrease the cutting quality.

Maintain the Blades

Maintain a sharp blade throughout the cutting season because a sharp blade cuts cleanly without tearing or shredding the grass blades. Tearing and shredding turns grass brown at the edges, which slows growth and increases the chance of disease. Check the mower blades after each use for sharpness, and for any wear or damage. File down any nicks and sharpen the blades as necessary. If a blade is damaged or worn, replace it.

After Operation

After Operation Safety

- Park the machine on a level surface, disengage the drives, engage the parking brake, shut off the engine, remove the key, and wait for all moving parts to stop before leaving the operator's position.
- Wait for the machine to cool before servicing, adjusting, fueling, cleaning, or storing it.
- Clean grass, leaves, excessive grease and oil, and other debris from the mower deck, muffler, drives, grass catcher, and engine area to help prevent fires.
- Close the fuel-shutoff valve (if equipped) before storing or transporting the machine.
- Use full-width ramps for loading the machine into a trailer or truck.
- Tie the machine down securely using straps, chains, cable, or ropes. Both front and rear straps should be directed down and outward from the machine.

Cleaning the Machine

Clean the machine after each use.

1. Park the machine on a level surface, disengage the blade-control switch, and move the motion-control levers outward to the PARK position.
2. Shut off the engine, remove the key, and wait for all moving parts to stop before leaving the operating position.
3. Clean grass and debris from cutting unit, muffler, drives, grass catcher, and engine.

IMPORTANT

You can wash the machine with a mild detergent and water. Do not pressure wash the machine. Avoid excessive use of water, especially near the control panel, under the seat, around the engine, hydraulic pumps, and motors.

Hauling the Machine

Use a heavy-duty trailer or truck to haul the machine. Use a full-width ramp. Ensure that the trailer or truck has all the necessary brakes, lighting, and marking as required by law. Please carefully read all the safety instructions. Knowing this information could help you or bystanders avoid injury. Refer to your local ordinances for trailer and tie-down requirements.



WARNING



Driving on the street or roadway without turn signals, lights, reflective markings, or a slow-moving-vehicle emblem is dangerous and can lead to accidents causing personal injury.

Do not drive the machine on a public street or roadway.

Hauling the Machine (continued)

Trailer Requirements

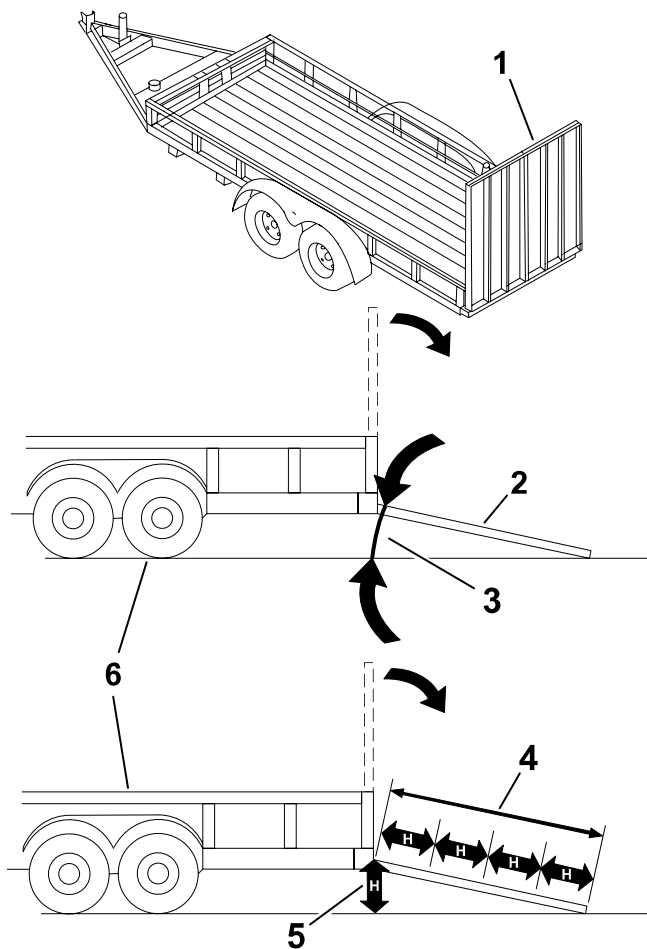


WARNING



Loading a machine onto a trailer or truck increases the possibility of tip-over and could cause serious injury or death.

- Use only a full-width ramp; do not use individual ramps for each side of the machine.
- Do not exceed a 15-degree angle between the ramp and the ground or between the ramp and the trailer or truck.
- Ensure that the length of ramp is at least 4 times as long as the height of the trailer or truck bed to the ground.



- ① Full-width ramp(s) in stowed position
- ② Side view of full-width ramp in loading position
- ③ Not greater than 15 degrees
- ④ Ramp is at least 4 times as long as the height of the trailer or truck bed to the ground
- ⑤ H = height of the trailer or truck bed to the ground
- ⑥ Trailer

G027996s

Hauling the Machine (continued)

Loading the Machine



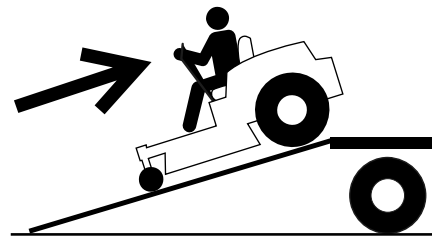
WARNING



Loading a machine onto a trailer or truck increases the possibility of tip-over and could cause serious injury or death.

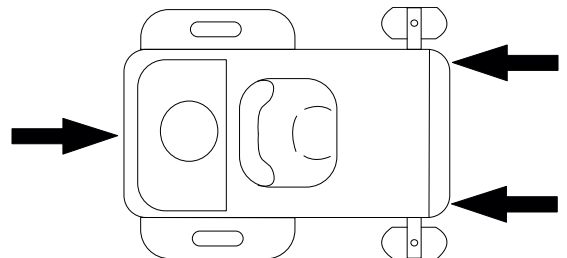
- Use extreme caution when operating a machine on a ramp.
- Back the machine up the ramp and drive it forward down the ramp.
- Avoid sudden acceleration or deceleration while driving the machine on a ramp as this could cause a loss of control or a tip-over situation.

1. If using a trailer, connect it to the towing vehicle and connect the safety chains.
2. If applicable, connect the trailer brakes.
3. Lower the ramp, ensuring that the angle between the ramp and the ground does not exceed 15 degrees.
4. Back the machine up the ramp.
5. Shut off the engine, remove the key, and move the motion-control levers outward to the PARK position.



G414592

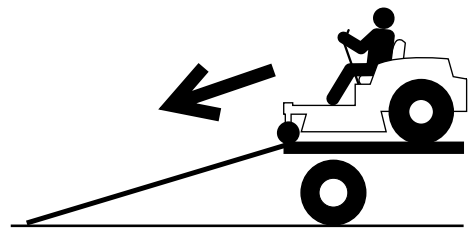
6. Tie down the machine using straps, chains, cable, or ropes. Refer to local regulations for tie-down requirements.



G451313

Unloading the Machine

1. Lower the ramp, ensuring that the angle between the ramp and the ground does not exceed 15 degrees.
2. Drive the machine forward down the ramp.



G414593



Maintenance Safety

- If you leave the key in the switch, someone could accidentally start the engine and seriously injure you or other bystanders. Remove the key from the switch before you perform any maintenance.
- Before you leave the operator's position, do the following:
 - Park the machine on a level surface.
 - Disengage the drives.
 - Engage the parking brake.
 - Shut off the engine and remove the key.
 - Wait for the machine to cool before performing maintenance.
- Do not allow untrained personnel to service the machine.
- Keep your hands and feet away from moving parts or hot surfaces. If possible, do not make adjustments with the engine running.
- Keep all guards, shields, switches, and all safety devices in place and in proper working condition. Frequently check for worn or deteriorating components and replace them with genuine Toro parts when necessary.
- Carefully release pressure from components with stored energy.



WARNING



Removing or modifying original equipment, parts, and/or accessories may alter the warranty, controllability, and safety of the machine. Making unauthorized modifications to the original equipment or failing to use original Toro parts could lead to serious injury or death.

- Check the parking brake operation frequently. Adjust and service it as required.
- Never tamper with safety devices. Check their proper operation regularly.
- Clean grass, leaves, excessive grease and oil, and other debris from the cutting unit, muffler, drives, grass catcher, and engine compartment to prevent fires.
- Clean up oil or fuel spills and remove fuel-soaked debris.
- Do not rely solely on mechanical or hydraulic jacks to support the machine. Use adequate jack stands.
- Keep all parts in good working condition and all hardware tightened, especially the blade-attachment hardware.

- To ensure optimum performance, use only genuine Toro replacement parts and accessories. Replacement parts and accessories made by other manufacturers could be dangerous.

Recommended Maintenance Schedule

Maintenance Service Interval	Maintenance Procedure
After the first 50 hours	Check the lug-nut torque.
Before each use or daily	Check the safety-interlock system.
	Check the engine-oil level.
	Clean the air-intake screen.
	Inspect the blades.
After each use	Inspect the grass deflector for damage.
	Clean grass and debris from the machine.
Every 25 hours	Clean the mower-deck housing.
	Grease the caster wheel bearings (more often in sandy soil conditions).
	Clean the air-cleaner foam element (more often in dusty, dirty conditions).
Every 100 hours or yearly, whichever comes first	Check the tire pressure.
	Check the belts for wear or cracks.
Before storage	Replace the paper air-cleaner element (more often in dirty or dusty conditions).
	Change the engine oil and oil filter (more often in dirty or dusty conditions).
	Charge the battery and disconnect the battery cables.
Yearly	Perform all maintenance procedures listed above before storage.
	Paint any chipped surfaces.
	Check the lug-nut torque.
	Replace the air-cleaner paper and foam elements (more often in dusty, dirty conditions).
	Change the spark plug(s).
	Replace the in-line fuel filter.
	Clean the cooling system; contact an Authorized Service Dealer.

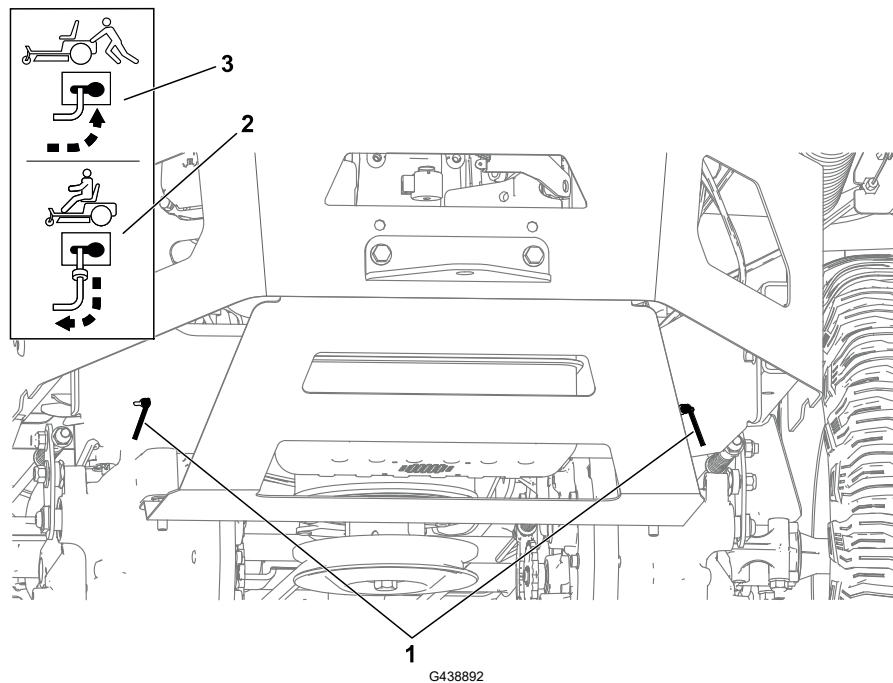
IMPORTANT

Refer to your engine owner's manual for additional maintenance procedures.

Pre-Maintenance Procedures

Moving a Non-Functioning Machine

1. Park the machine on a level surface, disengage the blade-control switch, and move the motion-control levers outward to the PARK position.
2. Shut off the engine and wait for all moving parts to stop before leaving the operating position.
3. Locate the bypass levers ^① on the frame on both sides of the engine.



4. Move both bypass levers forward through the slotted hole and over to lock them in place ^③.



WARNING



Contact with hot surfaces may cause personal injury.

Keep your hands, feet, face, clothing and other body parts away the engine, muffler and other hot surfaces.



WARNING



The machine could unintentionally move while the bypass levers are locked forward in the slot and injure you or bystanders.

Lock the bypass levers rearward after moving the machine.

Moving a Non-Functioning Machine (continued)

5. Disengage the parking brake by moving both motion-control levers down to the center, unlocked position.

Note: Do not start the machine.

6. Move the machine as required.

IMPORTANT

Always push the machine by hand. Do not tow the machine, because towing may damage it.

7. Move the motion-control levers outward to the PARK position.
8. Move both bypass levers rearward and over through the slotted hole to lock them in place (2).

Raising the Machine

Use jackstands to support the machine when you raise it.

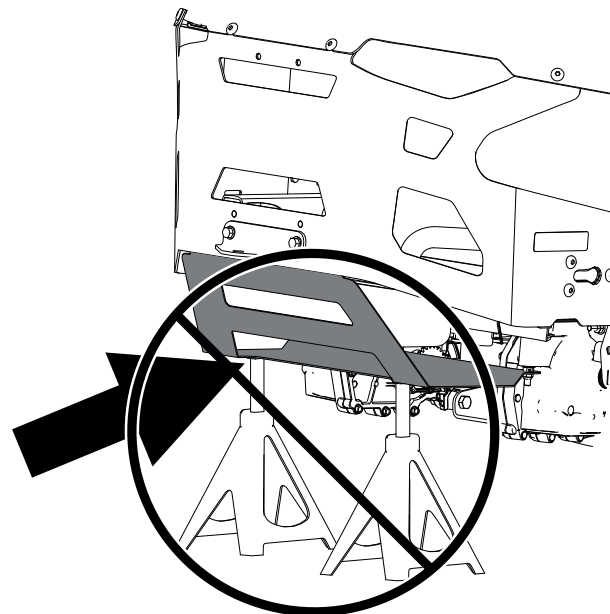


WARNING



Supporting the machine on the lower muffler shield may damage the shield and cause the machine to fall, injuring you or bystanders.

Do not use the lower muffler shield to lift or support the machine.



G451399

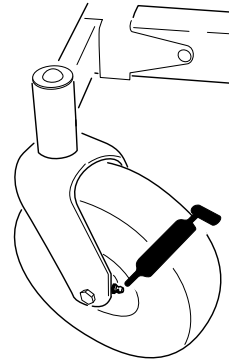
Lubrication

Greasing the Bearings

1. Park the machine on a level surface, disengage the blade-control switch, and move the motion-control levers outward to the PARK position.
2. Shut off the engine and wait for all moving parts to stop before leaving the operating position.
3. Clean the grease fittings with a rag.

Note: Scrape any paint off the front of the fittings.

4. Connect a grease gun to each fitting.
5. Pump grease into the fittings until grease begins to ooze out of the bearings.
6. Wipe up any excess grease.



G451140

Engine Maintenance

Engine Safety

- Keep your hands, feet, face, other body parts, and clothing away from the muffler and other hot surfaces. Wait for the engine to cool before performing maintenance.
- Do not change the engine governor speed or overspeed the engine.

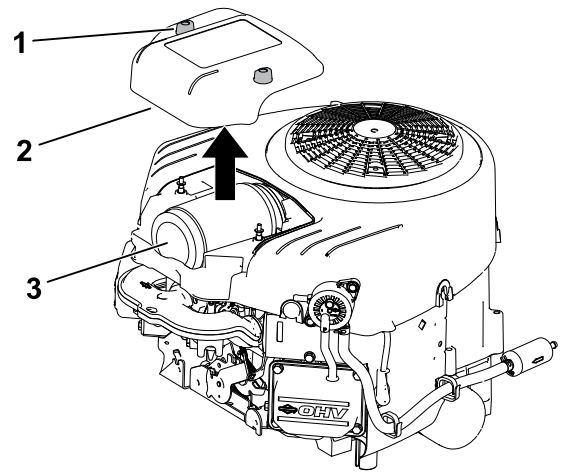
Air Cleaner Service

Removing the Air-Cleaner Elements

1. Park the machine on a level surface, disengage the blade-control switch, and move the motion-control levers outward to the PARK position.
2. Shut off the engine and wait for all moving parts to stop before leaving the operating position.

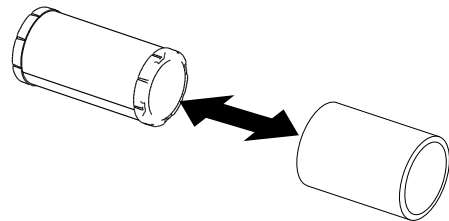
Air Cleaner Service (continued)

3. Clean around the air-cleaner cover (2) to prevent dirt from getting into the engine and causing damage.
4. Loosen the fasteners (1) and remove the cover.
5. Remove the air-cleaner elements (3).



G399637s

6. Separate the foam and paper elements.



G451151

Servicing the Foam Element

1. Wash the foam element in liquid soap and warm water. When the element is clean, rinse it thoroughly.
2. Dry the element by squeezing it in a clean cloth.

IMPORTANT

Replace the foam element if it is torn or worn.

3. Lightly oil the foam element using new engine oil and squeeze out any excess oil.

Servicing the Paper Air-Cleaner Element

1. Clean the paper element by tapping it gently to remove dust.
Note: If it is very dirty, replace the paper element with a new one.
2. Inspect the element for tears, an oily film, or damage to the rubber seal.
3. Replace the paper element if it is damaged.

IMPORTANT

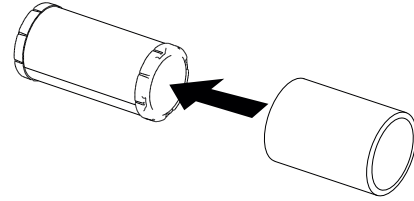
Do not clean the paper filter.

Air Cleaner Service (continued)

Installing the Air-Cleaner Elements

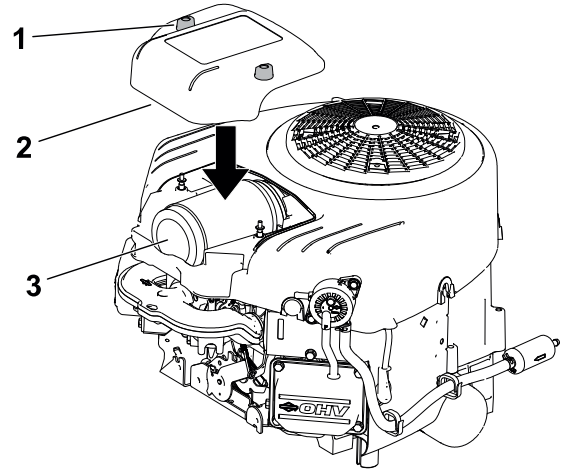
1. Install the foam pre-cleaner element over the paper element.

Note: Ensure that you do not damage the elements.



G451670

2. Install the air-cleaner elements (3) onto the air-cleaner base.
3. Install the cover (2) and tighten the fasteners (1).

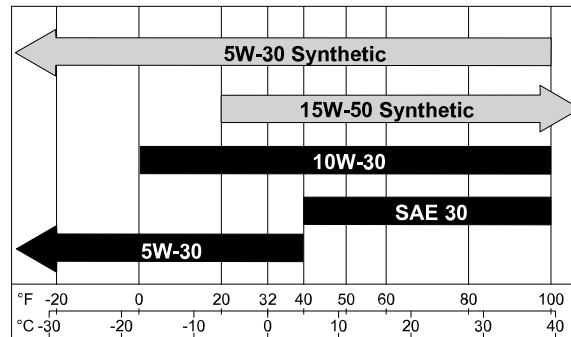


G451671

Engine-Oil Service

Engine-Oil Specifications

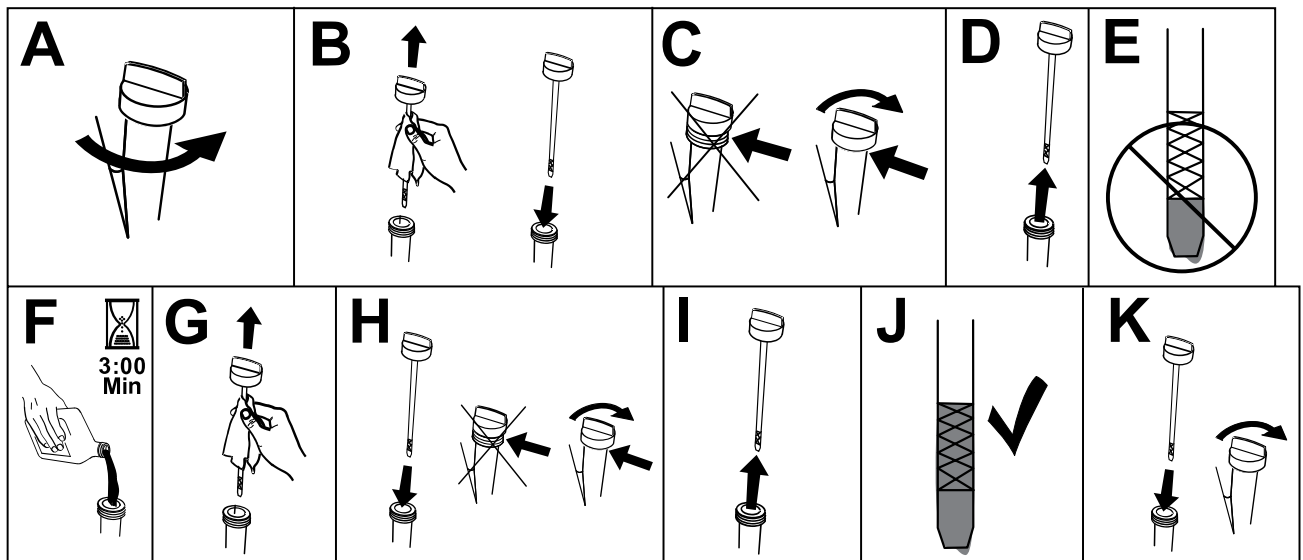
Oil Type	Detergent oil (including synthetic) of API service SJ or higher
Crankcase Capacity	1.9 L (64 fl oz) with oil filter; 1.8 L (60 fl oz) without oil filter
Viscosity	See the table below



Engine-Oil Service (continued)

Checking the Engine-Oil Level

1. Park the machine on a level surface, disengage the blade-control switch, and move the motion-control levers outward to the **PARK** position.
2. Shut off the engine, remove the key, and wait for all moving parts to stop before leaving the operating position.
3. Wait for the engine to cool so that the oil has had time to drain into the sump.
4. To keep dirt, grass clippings, etc., out of the engine, clean the area around the oil-fill cap and dipstick before removing it.
5. Check the engine-oil level as shown.



G373146s

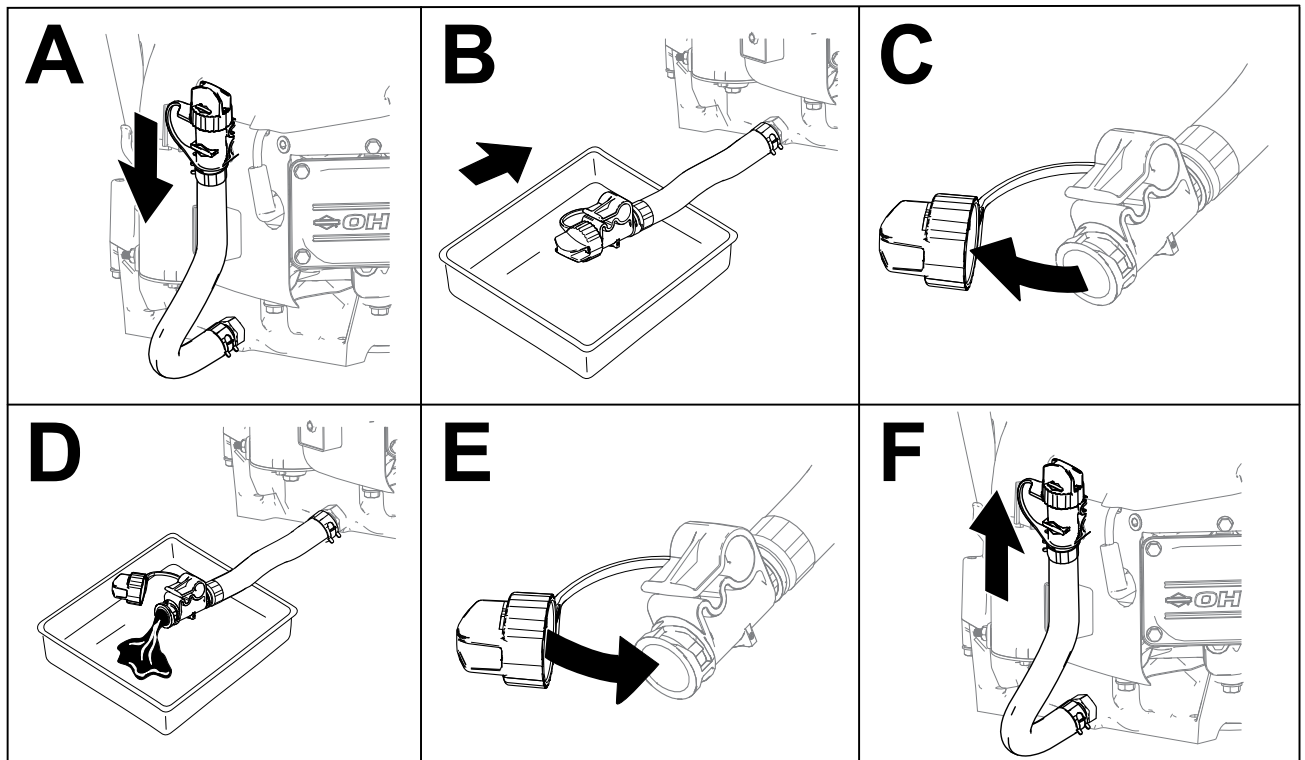
IMPORTANT

If you overfill or underfill the engine crankcase with oil and run the engine, you may damage the engine.

Engine-Oil Service (continued)

Changing the Engine Oil and Oil Filter

1. Park the machine on a level surface to ensure that the oil drains completely.
2. Disengage the blade-control switch, and move the motion-control levers outward to the PARK position.
3. Shut off the engine, remove the key, and wait for all moving parts to stop before leaving the operating position.
4. Drain the oil from the engine.

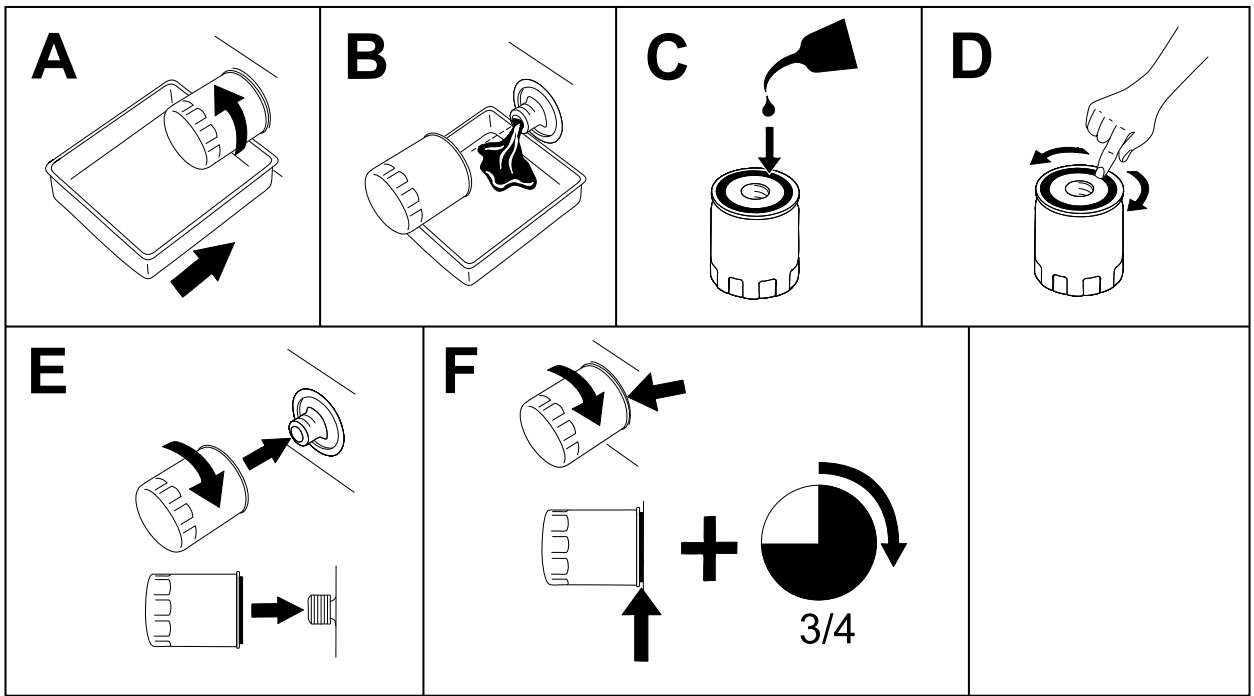


G399817s

5. Change the engine-oil filter.

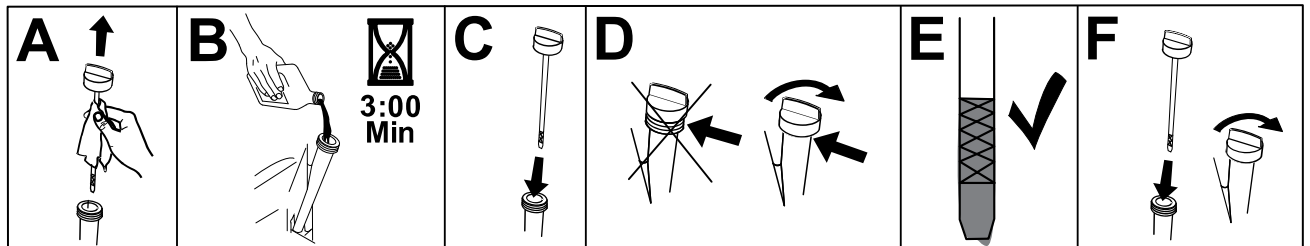
Note: Ensure that the oil-filter gasket touches the engine and then turn the filter an extra 3/4 turn.

Engine-Oil Service (continued)



G398545s

6. Slowly pour approximately 80% of the specified oil into the filler tube and slowly add the additional oil to bring it to the Full mark.



G373565s

7. Dispose of the used oil at a recycling center.

Servicing the Spark Plug

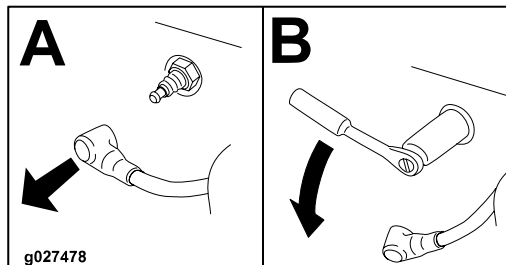
Ensure that the air gap between the center and side electrodes is correct before installing the spark plug. Use a spark plug wrench for removing and installing the spark plug and a gapping tool or feeler gauge to check and adjust the air gap. Install a new spark plug if necessary.

Type: Champion® XC92YC

Air gap: 0.76 mm (0.03 inch)

Removing the Spark Plug

1. Park the machine on a level surface, disengage the blade-control switch, and move the motion-control levers outward to the PARK position.
2. Shut off the engine, remove the key, and wait for all moving parts to stop before leaving the operating position.
3. Clean the area around the base of the plug to keep dirt and debris out of the engine.
4. Remove the spark plug.



G437139

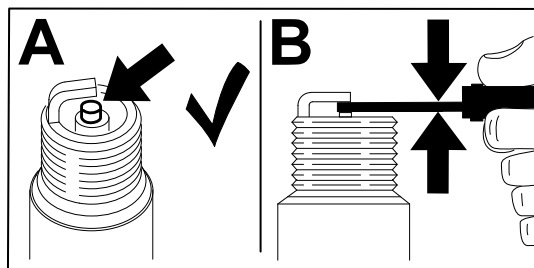
Checking the Spark Plug

IMPORTANT

Do not clean the spark plug(s). Always replace the spark plug(s) when it has a black coating, worn electrodes, an oily film, or cracks.

If you see light brown or gray on the insulator, the engine is operating properly. A black coating on the insulator usually means the air cleaner is dirty.

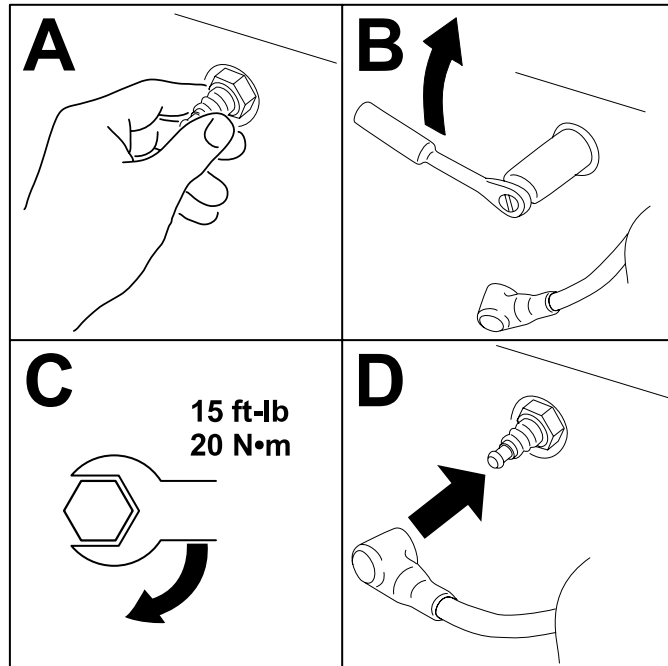
Set the gap to 0.75 mm (0.03 inch).



G437150

Servicing the Spark Plug (continued)

Installing the Spark Plug



g027480s

Fuel Maintenance



DANGER



In certain conditions, fuel is extremely flammable and highly explosive. A fire or explosion from fuel can burn you and others and can damage property.

Refer to [Fuel Safety, page 4–2](#) for a complete list of fuel related precautions.

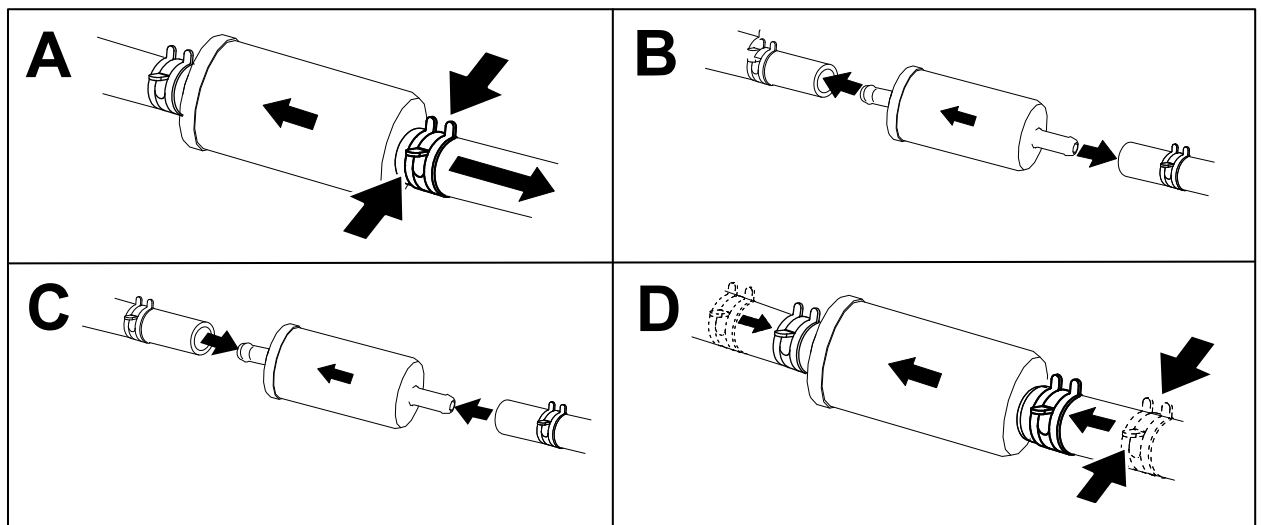
Replacing the Fuel Filter

1. Park the machine on a level surface, disengage the blade-control switch, and move the motion-control levers outward to the PARK position.
2. Shut off the engine, remove the key, and wait for all moving parts to stop before leaving the operating position.
3. Clamp the fuel lines on both sides of the fuel filter.
4. Replace the filter.

Note: Ensure that the flow-direction arrow on the replacement filter points toward the engine.

IMPORTANT

Never install a dirty filter after removing it from the fuel line.



G451172

5. Remove the clamps blocking the fuel flow.

Electrical System Maintenance

Electrical System Safety

- Disconnect the cable from the negative terminal of the battery before repairing the machine.
- Charge the battery in an open, well-ventilated area, away from sparks and flames. Unplug the charger before connecting or disconnecting the battery. Wear protective clothing and use insulated tools.

Battery Service

Removing the Battery



WARNING



Battery terminals or metal tools could short against metal machine components, causing sparks. Sparks can cause the battery gasses to explode, resulting in personal injury.

- **When removing or installing the battery, do not allow the battery terminals to touch any metal parts of the machine.**
- **Do not allow metal tools to short between the battery terminals and metal parts of the machine.**

1. Park the machine on a level surface, disengage the blade-control switch, and move the motion-control levers outward to the PARK position.
2. Shut off the engine, remove the key, and wait for all moving parts to stop before leaving the operating position.
3. Disconnect the negative (black) ground cable from the battery post.

Note: Retain all fasteners.



WARNING



Incorrectly removing the cables from battery could damage the machine and cables, causing sparks. Sparks can cause the battery gasses to explode, resulting in personal injury.

- **Always disconnect the negative (black) battery cable before disconnecting the positive (red) cable.**
- **Always connect the positive (red) battery cable before connecting the negative (black) cable.**

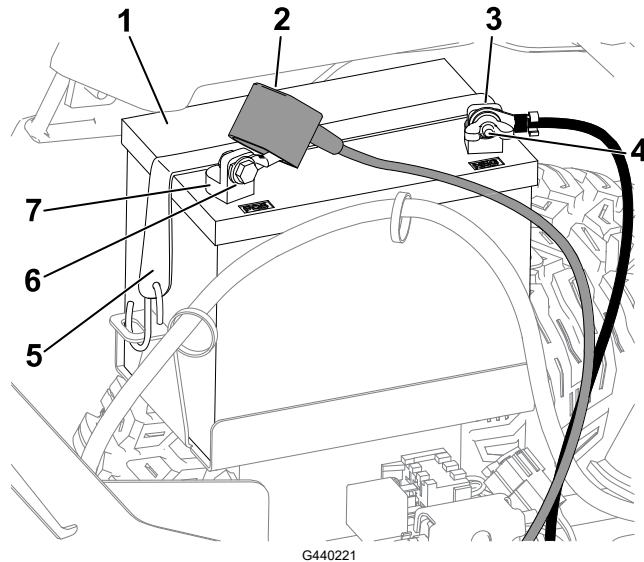
4. Slide the rubber cover off the positive (red) cable.

Battery Service (continued)

5. Disconnect the positive (red) cable from the battery post (+).

Note: Retain all fasteners.

6. Remove the battery hold-down and lift the battery from the battery tray.



- | | |
|------------------------------|-----------------------------|
| ① Battery | ⑤ Battery hold-down |
| ② Terminal boot | ⑥ Bolt, washer, and nut |
| ③ Negative (-) battery post | ⑦ Positive (+) battery post |
| ④ Wing nut, washer, and bolt | |

Charging the Battery



WARNING



Charging the battery produces gasses that can explode.

Never smoke near the battery and keep sparks and flames away from battery.

IMPORTANT

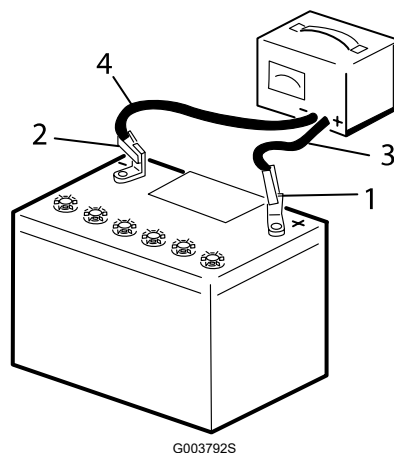
Always keep the battery fully charged. This is especially important to prevent battery damage when the temperature is below 0°C (32°F).

1. Remove the battery from the machine.
2. Charge the battery per the battery charger manufacturer's instructions.

Battery Service (continued)

IMPORTANT

Do not overcharge the battery; otherwise, you could damage it.



G003792S

- ① Positive battery post
- ② Negative battery post
- ③ Red (+) charger lead
- ④ Black (-) charger lead

3. When the battery is fully charged, unplug the charger from the electrical outlet (if applicable), then disconnect the charger leads from the battery posts.

Cleaning the Battery

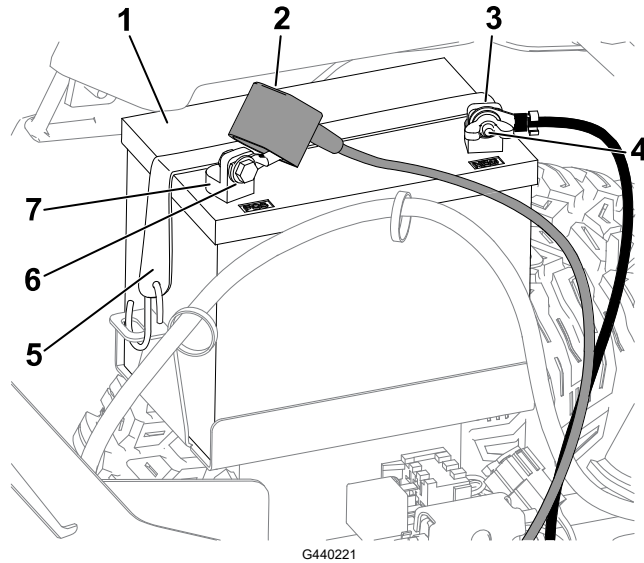
Note: Keep the terminals and the entire battery case clean, because a dirty battery discharges slowly.

1. Park the machine on a level surface, disengage the blade-control switch, and move the motion-control levers outward to the PARK position.
2. Shut off the engine and wait for all moving parts to stop before leaving the operating position.
3. Remove the battery from the machine.
4. Wash the entire case with a solution of baking soda and water.
5. Rinse the battery with clear water.
6. Coat the battery posts and cable connectors with Grafo 112X (skin-over) grease or petroleum jelly to prevent corrosion.
7. Install the battery.

Battery Service (continued)

Installing the Battery

1. Position the battery in the tray.
2. Using the fasteners previously removed, install the positive (red) battery cable to the positive (+) battery terminal.
3. Using the fasteners previously removed, install the negative battery cable to the negative (-) battery post.
4. Slide the red terminal boot onto the positive (red) battery post.
5. Secure the battery with the hold-down.



- | | |
|------------------------------|-----------------------------|
| ① Battery | ⑤ Battery hold-down |
| ② Terminal boot | ⑥ Bolt, washer, and nut |
| ③ Negative (-) battery post | ⑦ Positive (+) battery post |
| ④ Wing nut, washer, and bolt | |

Jump-Starting the Machine



WARNING



Jump-starting the battery can produce gasses that can explode.

Do not smoke near the battery, and keep sparks and flames away from battery.



DANGER



Jump-starting a weak battery that is cracked or frozen or has a low electrolyte level or an open/shorted battery cell can cause an explosion, resulting in serious personal injury.

Do not jump-start a weak battery if these conditions exist.

1. Check and clean corrosion from the battery terminals before jump-starting. Ensure that the connections are tight.



CAUTION



Corrosion or loose connections can cause unwanted electrical voltage spikes at any time during the jump-starting procedure.

Do not attempt to jump-start the machine with loose or corroded battery terminals, or damage to the engine may occur.

2. Make sure that the booster battery is a good and fully charged lead-acid battery at 12.6 V or greater.

Note: Use properly sized jumper cables with short lengths to reduce voltage drop between systems. Make sure that the cables are color coded or labeled for the correct polarity.



WARNING



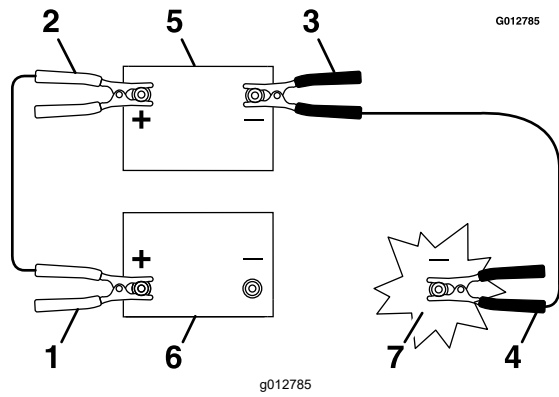
Batteries contain acid and produce explosive gases.

- Shield your eyes and face from the batteries at all times.
 - Do not lean over the batteries.
-

Note: Ensure that the vent caps are tight and level. Place a damp cloth, if available, over any vent caps on both batteries. Also ensure that the machines do not touch and that both electrical systems are off and at the same rated system voltage. These instructions are for negative ground systems only.

3. Connect the positive (+) cable to the positive (+) terminal of the discharged battery that is wired to the starter or solenoid as shown:

Jump-Starting the Machine (continued)



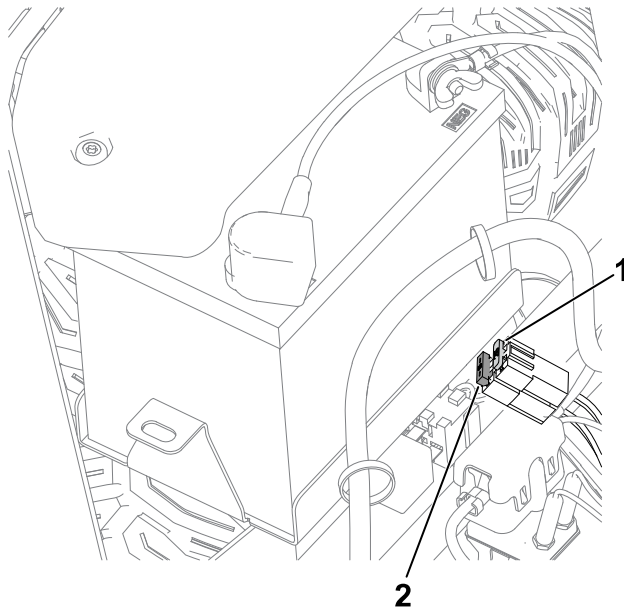
- ① Positive (+) cable on discharged battery
- ② Positive (+) cable on booster battery
- ③ Negative (-) cable on the booster battery
- ④ Negative (-) cable on the engine block
- ⑤ Booster battery
- ⑥ Discharged battery
- ⑦ Engine block

4. Connect the other end of the positive (+) jumper cable to the positive terminal of the battery in the other machine.
5. Connect an end of the negative (-) jumper cable to the negative post of the battery in the other machine.
6. Connect the other end of the negative (-) jumper cable to a ground point, such as an unpainted bolt or chassis member.
7. Start the engine in the other machine. Let it run a few minutes, then start your engine.
8. Remove the cables in the reverse order of connection.
9. Install the cover to the jump post.

Servicing the Fuses

The electrical system is protected by fuses. It requires no maintenance; however, if a fuse blows, check the component/circuit for a malfunction or short.

1. Park the machine on a level surface, disengage the blade-control switch, and move the motion-control levers outward to the PARK position.
2. Shut off the engine, remove the key, and wait for all moving parts to stop before leaving the operating position.
3. Replace the blown fuse with a new fuse.



① Charge circuit (15 A)

② Main (25 A)

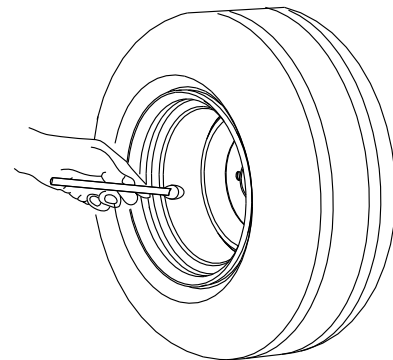
G440132

Drive System Maintenance

Checking the Tire Pressure

Maintain the air pressure in the front and rear tires as specified. Uneven tire pressure can cause an uneven cut. Check the pressure at the valve stem when the tires are cold to get the most accurate pressure reading.

1. Inflate the front caster wheel tires to 206 kPa (30 psi) or the pressure indicated on the sidewall, whichever is lower.
2. Inflate the rear drive-wheel tires to 90 kPa (13 psi).



G441539

Checking the Wheel Lug Nuts



Check and torque the wheel lug nuts to **108 N·m (80 ft-lb)**.

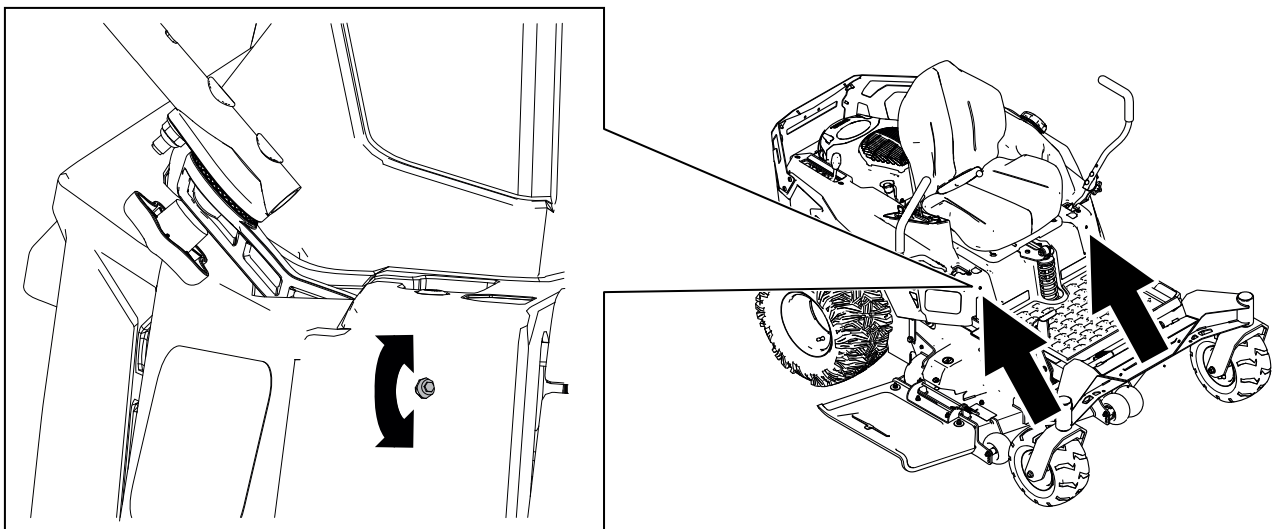
Adjusting the Tracking

When driving the machine forward full speed across a flat, level surface, if the machine pulls to 1 side, adjust the tracking.

If the machine pulls to the left, adjust the right motion-control lever; if the machine pulls to the right, adjust the left motion-control lever.

Note: You can adjust the tracking only for driving forward.

1. Park the machine on a level surface, disengage the blade-control switch, and move the motion-control levers outward to the PARK position.
2. Shut off the engine, remove the key, and wait for all moving parts to stop before leaving the operating position.
3. Locate the tracking-adjustment bolt near the motion-control lever on the particular side that needs adjusting.



G451231

4. Rotate the bolt to decrease the speed for that particular wheel.

Note: Rotate the bolt a small amount to make minor adjustments.

5. Start the machine and drive forward across a flat, level surface with the motion-control levers fully forward to check if the machine tracks straight. Repeat the procedure as needed.

Belt Maintenance

Inspecting the Belts

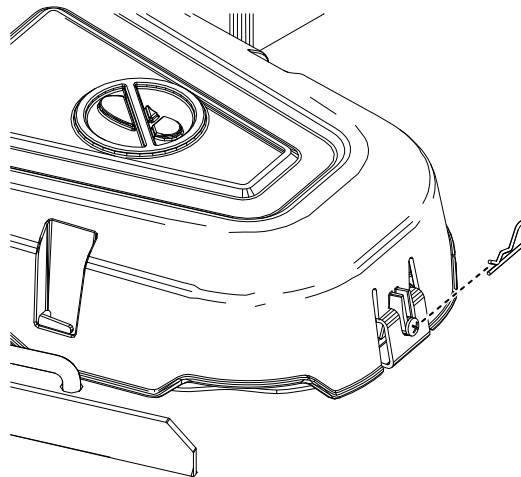
1. Park the machine on a level surface, disengage the blade-control switch, and move the motion-control levers outward to the PARK position.
2. Shut off the engine and wait for all moving parts to stop before leaving the operating position.
3. Set the height of cut at the lowest cutting position.
4. Inspect the belt for wear. Replace the belt if it is worn.

The signs of a worn belt include squealing while the belt is rotating; the blades slipping while cutting grass; and frayed edges, burn marks, and cracks on the belt.

Replacing the Mower Belt

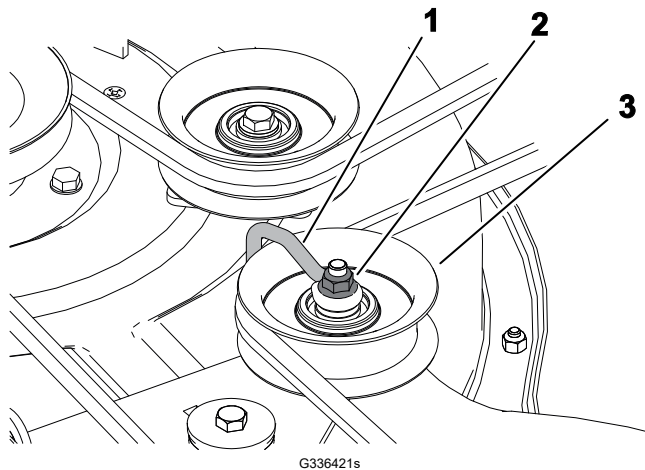
The signs of a worn belt include squealing while the belt is rotating, blades slipping while cutting grass, and frayed edges, burn marks, and cracks on the belt. Replace the mower belt if any of these conditions are evident.

1. Park the machine on a level surface, disengage the blade-control switch, and move the motion-control levers outward to the PARK position.
2. Shut off the engine, remove the key, and wait for all moving parts to stop before leaving the operating position.
3. Set the height of cut at the lowest cutting position.
4. Remove the hairpin cotter (2) and push in the tab on the cover (1) to remove the pulley covers.



5. Loosen the nut securing the wire form to the idler pulley.

Replacing the Mower Belt (continued)



- ① Wire form
- ② Nut
- ③ Idler pulley

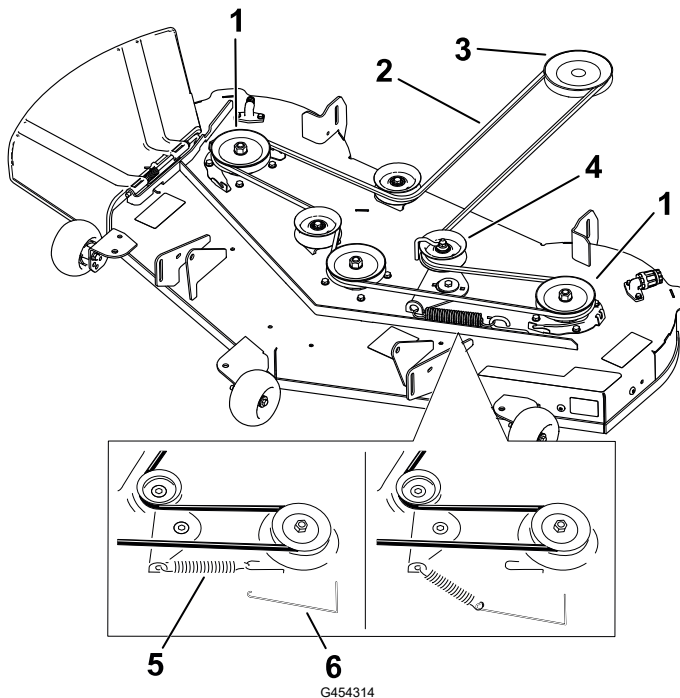
6. Using a spring-removal tool (Toro Part No. 92-5771), remove the idler spring from the deck hook to remove tension on the idler pulley.



WARNING



The spring is under tension when installed and can cause personal injury.
Be careful when removing the belt.



- ① Deck pulley
- ② Mower belt
- ③ Engine pulley
- ④ Idler pulley
- ⑤ Spring
- ⑥ Spring-removal tool

7. Roll the belt off the pulleys.
8. Route the new belt around the engine pulley and mower pulleys.

Replacing the Mower Belt (continued)

9. Use the spring-removal tool to install the idler spring over the deck hook and place tension on the idler pulley and the mower belt.
10. Tighten the nut securing the wire form to the idler pulley.
Note: Position the wire form against the idler arm.
11. Install the pulley covers.

Mower-Deck Maintenance

Blade Safety

- Inspect the blades periodically for wear or damage.
- Use care when checking the blades. Wrap the blade(s) or wear gloves and use caution when servicing them. Only replace damaged blades; never straighten or weld them.
- On multi-bladed machines, take care as rotating one blade can cause other blades to rotate.
- Replace worn or damaged blades and bolts in sets to preserve balance.

Blade Service

To ensure a superior quality of cut, keep the blades sharp. For convenient sharpening and replacement, keep extra blades on hand.

Replace the blades if they hit a solid object, or if the blade is out of balance or bent.

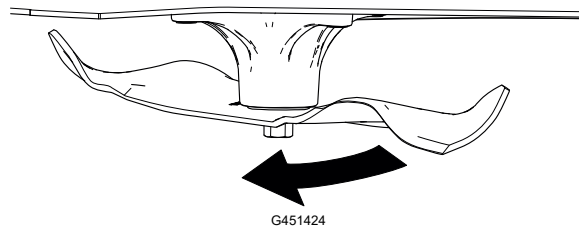
Before Inspecting or Servicing the Blades

1. Park the machine on a level surface, disengage the blade-control switch, and move the motion-control levers outward to the PARK position.
2. Shut off the engine, remove the key, and wait for all moving parts to stop before leaving the operating position.
3. Disconnect the spark-plug wires from the spark plugs.

Checking for Bent Blades

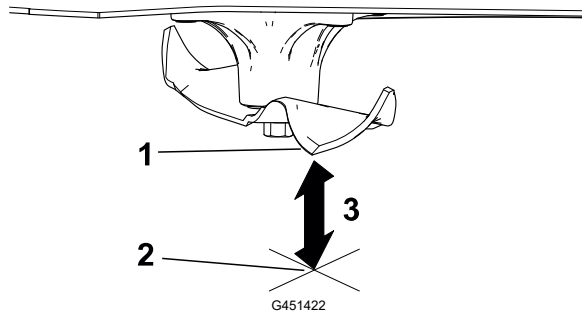
The machine must be on a level surface for this procedure.

1. Raise the mower deck to the highest height-of-cut position.
2. While wearing thickly padded gloves, or other adequate hand protection, slowly rotate the blade into a position that allows you to measure the distance between the cutting edge and the level surface.



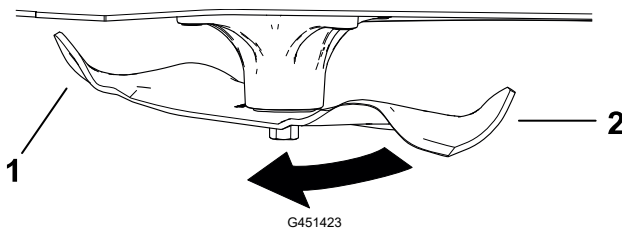
3. Measure from the tip of the blade to the level surface.

Blade Service (continued)



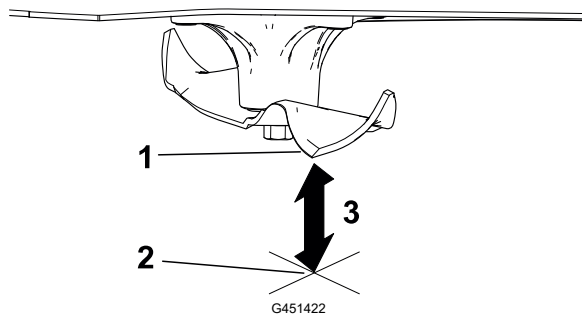
- ① Blade (in position for measuring)
- ② Level surface
- ③ Measured distance between blade and the surface (A)

4. Rotate the same blade 180 degrees so that the opposite blade edge is now in the same position.



- ① Blade edge previous measured
- ② Opposite blade edge

5. Measure from the tip of the blade to the level surface.



- ① Blade (in position for measuring)
- ② Level surface
- ③ Measured distance between blade and the surface (B)

6. If the difference between A and B is greater than 3 mm (1/8 inch), replace the blade.

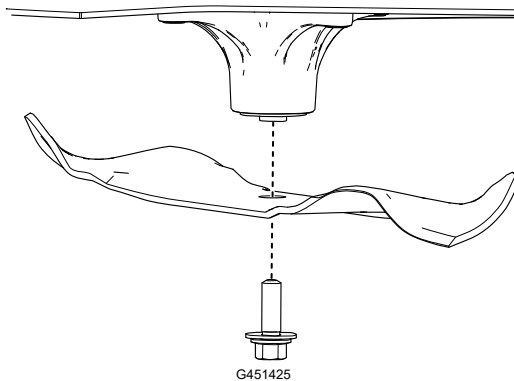
Note: If you replace the blade and the difference continues to exceed 3 mm (1/8 inch), the blade spindle could be bent. Contact an Authorized Service Dealer for service.

7. Repeat this procedure each blade.

Blade Service (continued)

Removing the Blades

1. Hold the blade end using a rag or thickly padded glove.
2. Remove the blade as shown.



Sharpening the Blades

1. Use a file to sharpen the cutting edge at both ends of the blade. Ensure to maintain the original angle (1).

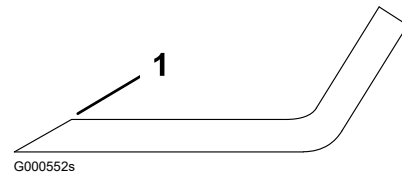
Note: Remove the same amount of material from both cutting edges so that the blade retains its balance.

2. Check the balance of the blade (1) by putting it on a blade balancer (2).

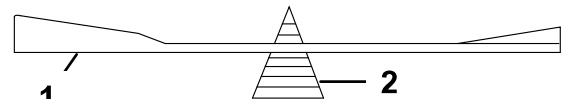
Note: If the blade stays in a horizontal position, the blade is balanced and can be used.

If the blade is not balanced, file some metal off the end of the sail area only.

3. Repeat this procedure until the blade is balanced.



G000552s



G000553s

Installing the Blades



WARNING



Operating a machine after incorrectly installing the blade assembly and/or not using genuine Toro blade and blade hardware could allow a blade or blade component to be thrown out from under the deck, resulting in serious injury or death.

Always install genuine Toro blades and blade hardware according to the instructions.

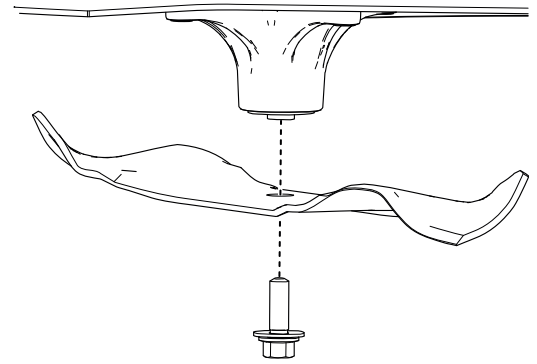
Blade Service (continued)

1. Install the blade as shown.

Note: The curved part of the blade must be pointing upward toward the inside of the mower to ensure proper cutting.



2. Torque the blade bolt to **81 to 108 N·m (60 to 80 ft-lb)**.



G451425

Leveling the Mower Deck

Ensure that the mower deck is level any time you install the mower deck or when you see an uneven cut on your lawn.

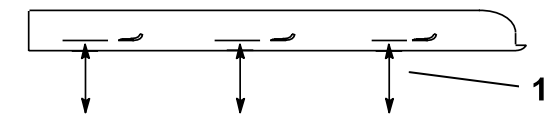
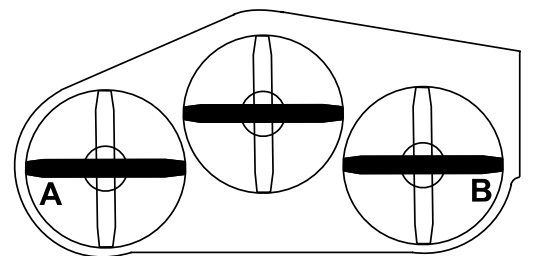
Preparing to Level the Mower Deck

1. Park the machine on a level surface, disengage the blade-control switch, and move the motion-control levers outward to the PARK position.
2. Shut off the engine, remove the key, and wait for all moving parts to stop before leaving the operating position.
3. Ensure that the tires are inflated to the correct specifications and the caster wheels are facing straight forward.
4. Check the mower deck for bent blades; remove and replace any bent blades.
5. Raise the mower deck to the 76 mm (3 inch) height-of-cut setting.

Checking the Mower-Deck Level

1. Position the blades side-to-side.
2. Measure at locations (A) and (B) from a level surface to the cutting edge of the blade tips (1).

The difference between the measurements should be no more than 5 mm (3/16 inch). If the measurement is larger, adjust the side-to-side level.

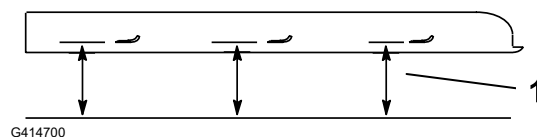
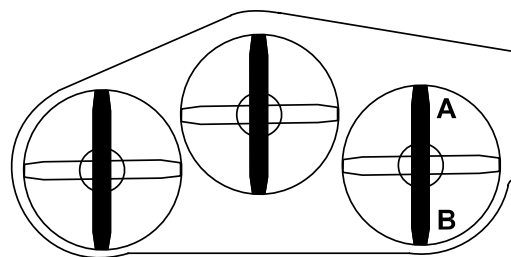


G414698

Leveling the Mower Deck (continued)

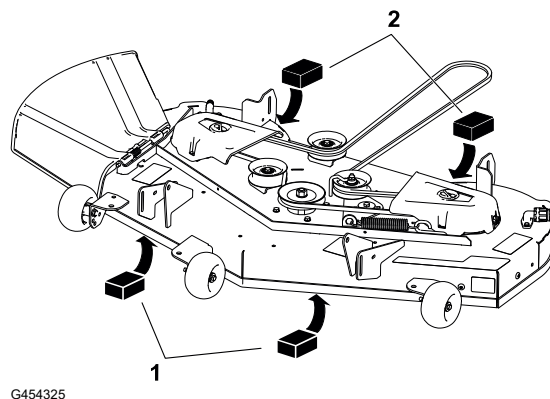
3. Position 1 blade front-to-rear.
4. Measure at locations (A) and (B) from a level surface to the cutting edge of the blade tips (1).

The front blade tip should be 1.6 to 7.9 mm (1/16 to 5/16 inch) lower than the rear blade tip. If the measurement is not correct, adjust the front-to-rear level.



Leveling the Mower Deck

1. Set the anti-scalp rollers to the top holes or remove them completely for this procedure.
2. Set the height-of-cut lever to the 76 mm (3 inch) position.
3. Place 2 blocks (1), each having a thickness of 6.6 cm (2-5/8 inches), under each side of the front edge of the deck.



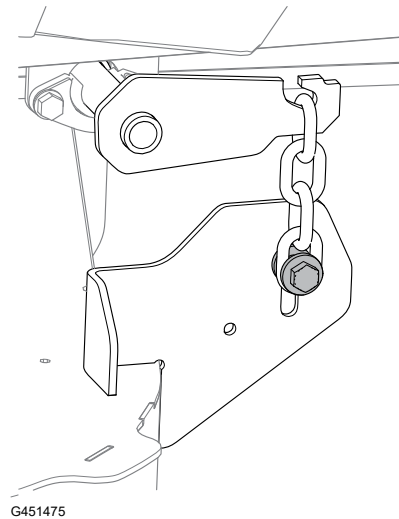
IMPORTANT

Do not place the blocks under the anti-scalp roller brackets.

4. Place 2 blocks (2), each having a thickness of 7.3 cm (2-7/8 inches), under each side of the rear edge of the deck.

Leveling the Mower Deck (continued)

5. Loosen the fasteners connecting the chains on all 4 corners of the deck and ensure that the mower deck sits securely on all 4 blocks.
6. Remove any slack from the deck chains and ensure that the deck-lift foot lever is pushed back against the stop.
7. Tighten the fasteners.
8. Ensure that the blocks fit snugly under the deck edge and that all attachment bolts are tight.
9. Check the side-to-side level and front-to-rear level; repeat the procedure until the measurements are correct.

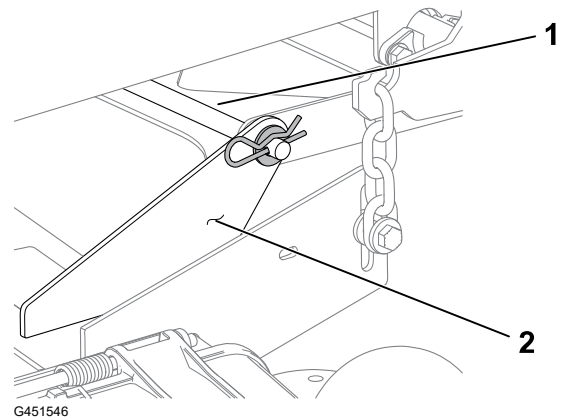


Removing the Mower Deck

1. Park the machine on a level surface, disengage the blade-control switch, and move the motion-control levers outward to the PARK position.
2. Shut off the engine, remove the key, and wait for all moving parts to stop before leaving the operating position.
3. Lower the height-of-cut lever to the lowest position.
4. Remove the hairpin cotter and washer from the front support rod (1), and remove the rod from the deck bracket (2).

Note: Retain all parts for future installation.

5. Lift the deck and chains off the brackets at all 4 corners of the deck.
6. Slide the mower deck rearward to remove the mower belt from the engine pulley.
7. Slide the mower deck out from underneath the machine.

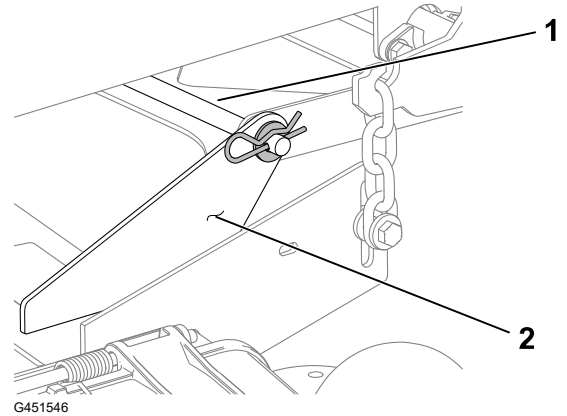


Installing the Mower Deck

1. Park the machine on a level surface, disengage the blade-control switch, and move the motion-control levers outward to the PARK position.
2. Shut off the engine, remove the key, and wait for all moving parts to stop before leaving the operating position.
3. Slide the mower deck under the machine.
4. Lower the height-of-cut lever to the lowest position.
5. Lift the mower deck chains onto the deck-lift brackets.

Installing the Mower Deck (continued)

6. Attach the front support rod (1) to the deck bracket (2) with the hairpin cotter and washer.
7. Install the mower belt onto the engine pulley.



Replacing the Grass Deflector



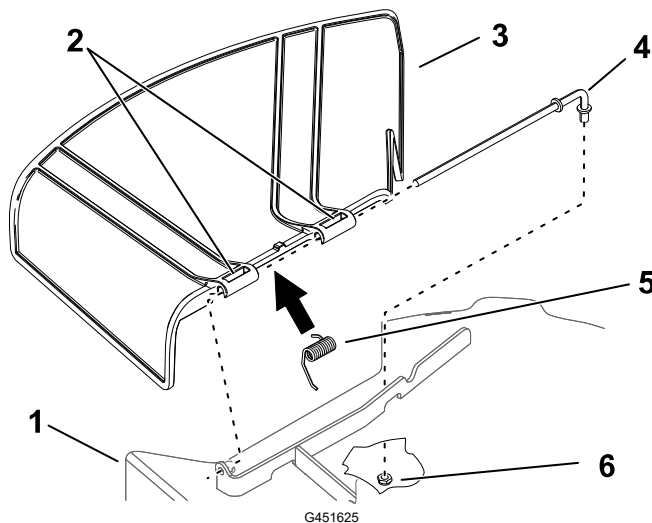
DANGER



An uncovered discharge opening allows objects to be thrown toward you or bystanders. Also, contact with the blade could occur. Thrown objects or blade contact will cause serious injury or death.

Do not operate the mower with the discharge deflector raised, removed, or altered unless a grass collection system or mulch kit is in place and working properly.

1. Park the machine on a level surface, disengage the blade-control switch, and move the motion-control levers outward to the PARK position.
2. Shut off the engine, remove the key, and wait for all moving parts to stop before leaving the operating position.
3. Remove the nut from the rod under the mower deck.



- (1) Mower deck
- (2) Grass-deflector pivot
- (3) Grass deflector
- (4) Rod
- (5) Spring
- (6) Nut

Replacing the Grass Deflector (continued)

4. Slide the rod out.
5. Remove the damaged or worn grass deflector.
6. Install the new grass deflector.
7. Slide the straight end of the rod through the rear grass deflector pivot.
8. Place the spring on the rod, with end wires down, and between the grass deflector brackets.
9. Slide the rod through the second grass-deflector pivot.
10. Insert the rod at the front of the grass deflector into the bracket on the deck.
11. Secure the rear end of the rod into the mower with the nut.

IMPORTANT

The grass deflector must be spring-loaded in the down position. Lift the deflector up to test that it snaps into the full-down position.

Cleaning

Washing the Underside of the Mower Deck

IMPORTANT

You can wash the machine with a mild detergent and water. Do not pressure wash the machine. Avoid excessive use of water, especially near the control panel, under the seat, around the engine, hydraulic pumps, and motors.

Wash the underside of the mower deck after each use to prevent grass buildup for improved mulch action and clipping dispersal.

1. Park the machine on a level surface, disengage the blade-control switch (PTO), and move the motion-control levers outward to the **PARK** position.
2. Shut off the engine, remove the key, and wait for all moving parts to stop before leaving the operating position.

Washing the Underside of the Mower Deck (continued)

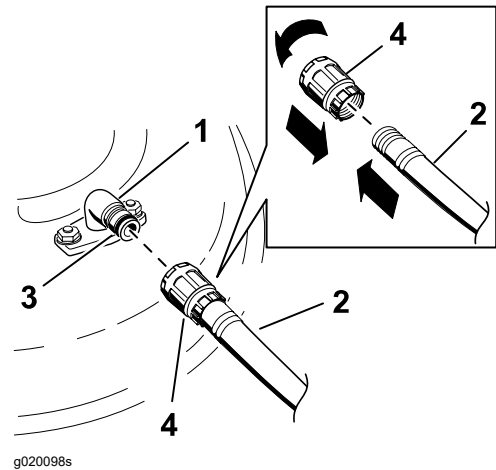
3. Attach a hose (2) to the hose coupling (4), then attach the hose coupling to the end of the mower washout fitting (1) and turn the water on high.

Note: Spread petroleum jelly on the washout fitting O-ring (3) to make the coupling slide on easier and protect the O-ring.

4. Sit on the seat, lower the mower to the lowest height-of-cut, and start the engine.
5. Engage the blade-control switch and let the mower run for 1 to 3 minutes.
6. Disengage the blade-control switch, shut off the engine, remove the key, and wait for all moving parts to stop.
7. Turn the water off and remove the coupling from the washout fitting.

Note: If the mower is not clean after 1 washing, soak it and let it stand for 30 minutes. Then repeat the process.

8. Run the mower again for 1 to 3 minutes to remove excess water.



g020098s



WARNING



A broken or missing washout fitting could expose you and others to thrown objects or blade contact. Contact with a blade or thrown debris can cause injury or death.

- **Replace broken or missing washout fitting immediately, before using machine again.**
- **Never put your hands or feet under the mower or through openings in the machine.**

Disposing of Waste

Engine oil, batteries, hydraulic fluid, and engine coolant are pollutants to the environment. Dispose of these according to your state and local regulations.



Storage Safety

- Park the machine on a level surface, disengage the drives, engage the parking brake, shut off the engine, remove the key, and wait for all moving parts to stop before leaving the operator's position.
- Wait for the machine to cool before servicing, adjusting, fueling, cleaning, or storing it.
- Clean grass and debris from the cutting unit, muffler, drives, grass catcher, and engine compartment to prevent fires.
- Clean up oil and fuel spills and remove fuel-soaked debris.
- Do not store the machine or fuel container where there is an open flame, spark, or pilot light, such as on a water heater or other appliance.

Preparing the Machine for Storage Over 30 Days

1. Park the machine on a level surface, disengage the blade-control switch, and move the motion-control levers outward to the PARK position.
2. Shut off the engine, remove the key, and wait for all moving parts to stop before leaving the operating position.
3. Clean the machine.

IMPORTANT

You can wash the machine with a mild detergent and water. Do not pressure-wash the machine. Avoid excessive use of water, especially near the drive system and engine. Pressure-washing can force dirt and water into critical parts, such as spindle bearings and electrical switches.

- A. Remove grass clippings, dirt, and grime from the external parts of the entire machine, especially the engine.
 - B. Scrape any heavy buildup of grass and dirt from the underside of the mower, then wash the machine with a garden hose.
 - C. Run the machine with the PTO switch engaged and the engine at high idle for 2 to 5 minutes after washing.
4. Check the parking brake operation.
 5. Grease the machine.

6. Check the tire pressure.
7. Charge the battery.
8. Check the condition of the cutting blades.
9. Prepare the fuel system.
 - A. Add a petroleum-based fuel stabilizer/conditioner to the fuel in the tank. **Do not use an alcohol-based stabilizer (ethanol or methanol).**
 - B. Run the engine to distribute conditioned fuel through the fuel system for 5 minutes.
 - C. Shut off the engine, allow it to cool, and drain the fuel tank using a pump-type syphon or operate the engine until it shuts off.
 - D. Dispose of fuel properly. Recycle as per local codes.

IMPORTANT

Do not store fuel containing stabilizer/conditioner longer than the duration recommended by the fuel-stabilizer manufacturer.

10. Prepare the engine.
 - A. Service the air cleaner.
 - B. Change the engine oil.
 - C. Remove the spark plugs and pour 30 ml (2 tablespoons) of engine oil into the spark plug holes.
 - D. Place a rag over the spark plug holes to catch any oil spray, then crank the engine and distribute the oil inside the cylinder.
 - E. Install the spark plugs, but do not install the wires.
11. Remove the battery or disconnect the negative (-) battery cable.

Note: Store the battery in a cool, dry location, where it will not be exposed to extreme temperatures or water. Keep the battery fully charged, especially in temperatures below 0°C (32°F).
12. Check and tighten all fasteners. Repair or replace any worn, damaged, or missing parts.
13. Paint all scratched or bare metal surfaces with paint available from your Authorized Service Dealer.
14. Store the machine in a clean, dry garage or storage area. Cover the machine to protect it and keep it clean.

Storing the Battery

Note: Follow the tips below to properly store the battery.

- If you are storing the machine for more than 30 days, remove the battery and charge it fully.
- Store it either on the shelf or on the machine.
- Leave the cables disconnected if they are stored on the machine.
- Store the battery in a cool atmosphere to avoid quick deterioration of the charge in the battery.
- To prevent the battery from freezing, ensure that it is fully charged.
- The specific gravity of a fully charged battery is 1.265 to 1.299.

Battery Storage Tips

If you are storing the battery outside the machine, do the following:

- Store the battery in a cool, dry area in an upright position.
- Do not stack batteries directly on top of each other, unless they are in cartons.
- Do not stack more than 3 batteries (only 2 if the battery type is commercial).
- Test a wet battery every 4 to 6 months and charge it, if necessary.
- Always test and charge the battery before installation.



Troubleshooting

The fuel tank is showing signs of collapsing or the machine is frequently showing signs of running out of fuel.

Possible Cause	Corrective Action
The air-cleaner paper element clogged.	Clean the paper element.

The engine overheats.

Possible Cause	Corrective Action
The engine load is excessive.	Reduce the ground speed.
The oil level in the crankcase is low.	Add oil to the crankcase.
The cooling fins and air passages under the engine-blower housing are plugged.	Remove the obstruction from the cooling fins and air passages.
The air cleaner is dirty.	Clean or replace the air-cleaner element.
Dirt, water, or stale fuel is in the fuel system.	Contact an Authorized Service Dealer.

The starter does not crank.

Possible Cause	Corrective Action
The blade-control switch is engaged.	Disengage the blade-control switch.
The motion-control levers are not in the PARK position.	Move the motion-control levers outward to the PARK position.
The battery is dead.	Charge the battery.
The electrical connections are corroded or loose.	Check the electrical connections for good contact.
A fuse is blown.	Replace the fuse.
A relay or switch is damaged.	Contact an Authorized Service Dealer.

The engine does not start, starts hard, or fails to keep running.

Possible Cause	Corrective Action
The fuel tank is empty.	Fill the fuel tank.
The choke (if applicable) is not on.	Move the choke lever to the ON position.
The air cleaner is dirty.	Clean or replace the air-cleaner element.
The spark-plug wire(s) is loose or disconnected.	Install the wire(s) on the spark plug.
The spark plug(s) is pitted, fouled, or the gap is incorrect.	Install a new, correctly gapped spark plug (s).
There is dirt in fuel filter.	Replace the fuel filter.
Dirt, water, or stale fuel is in fuel system.	Contact an Authorized Service Dealer.
There is incorrect fuel in the fuel tank.	Drain the tank and replace the fuel with the proper type.
The oil level in the crankcase is low.	Add oil to the crankcase.

The engine loses power.

Possible Cause	Corrective Action
The engine load is excessive.	Reduce the ground speed.
The air cleaner is dirty.	Clean the air-cleaner element.
The oil level in the crankcase is low.	Add oil to the crankcase.
The cooling fins and air passages under the engine blower housing are plugged.	Remove the obstruction from the cooling fins and air passages.
The spark plug(s) is pitted, fouled, or the gap is incorrect.	Install a new, correctly gapped spark plug (s).
The fuel-tank vent is blocked.	Contact an Authorized Service Dealer.
There is dirt in the fuel filter.	Replace the fuel filter.
Dirt, water, or stale fuel is in the fuel system.	Contact an Authorized Service Dealer.
There is incorrect fuel in the fuel tank.	Contact an Authorized Service Dealer.

The machine does not drive.

Possible Cause	Corrective Action
The bypass valves are open.	Close the tow valves.
The traction belts are worn, loose, or broken.	Contact an Authorized Service Dealer.
The traction belts are off the pulleys.	Contact an Authorized Service Dealer.
The transmission has failed.	Contact an Authorized Service Dealer.

The machine vibrates abnormally.

Possible Cause	Corrective Action
The cutting blade(s) is/are bent or unbalanced.	Install new cutting blade(s).
The blade mounting bolt is loose.	Tighten the blade mounting bolt.
The engine mounting bolts are loose.	Tighten the engine mounting bolts.
The engine pulley, idler pulley, or blade pulley is loose.	Tighten the appropriate pulley.
The engine pulley is damaged.	Contact an Authorized Service Dealer.
The blade spindle is bent.	Contact an Authorized Service Dealer.
The motor mount is loose or worn.	Contact an Authorized Service Dealer.

The cutting height is uneven.

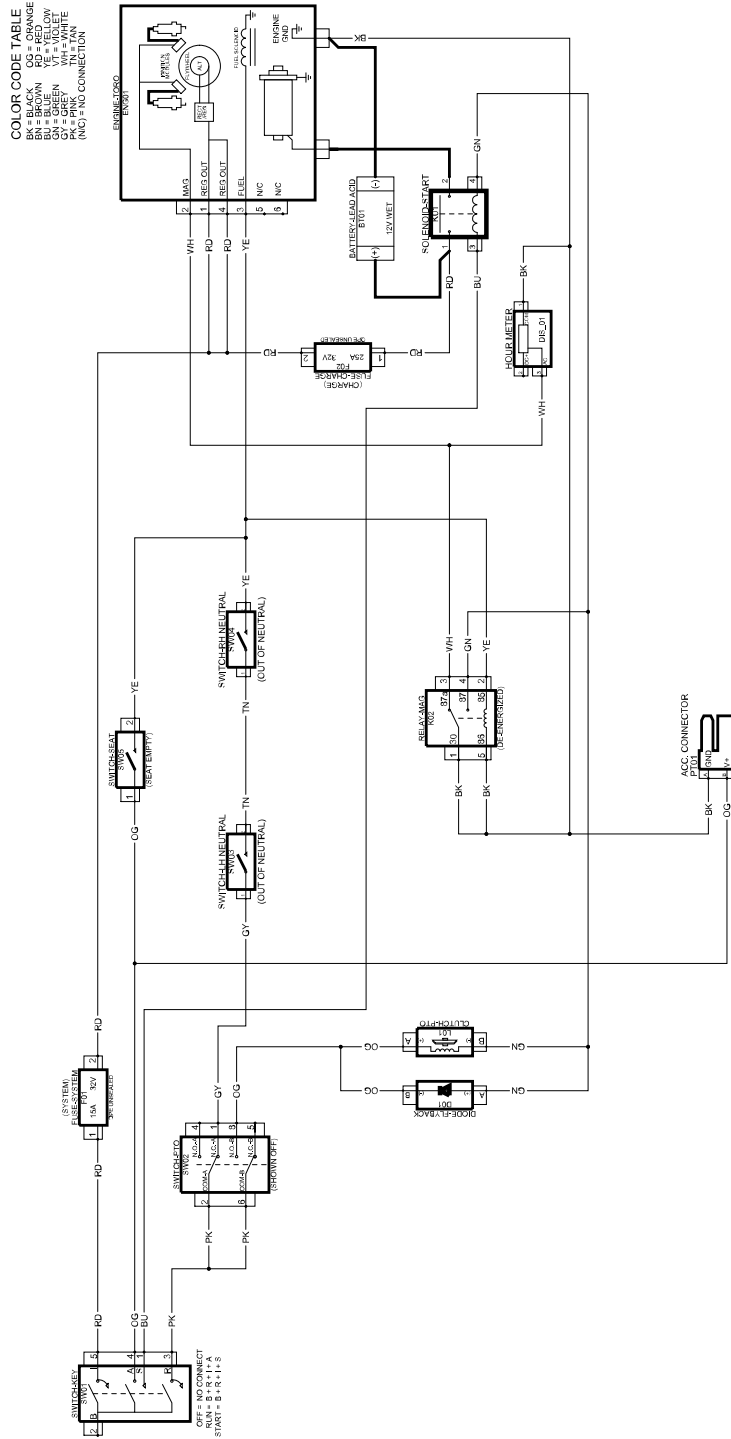
Possible Cause	Corrective Action
The blade(s) is not sharp.	Sharpen the blade(s).
A cutting blade(s) is/are bent.	Install a new cutting blade(s).
The mower is not level.	Level the mower from side-to-side and front-to-rear.
An anti-scalp roller (if applicable) is not set correctly.	Adjust the anti-scalp wheel height.
The underside of the mower deck is dirty.	Clean the underside of the mower deck.
The tire pressure is incorrect.	Adjust the tire pressure.
A blade spindle is bent.	Contact an Authorized Service Dealer.

The blades do not rotate.

Possible Cause	Corrective Action
The drive belt is worn, loose or broken.	Install a new drive belt.
The drive belt is off of the pulley.	Install the drive belt and check the adjusting shafts and belt guides for the correct position.
The power-takeoff (PTO) switch or PTO clutch is faulty.	Contact an Authorized Service Dealer.
The mower belt is worn, loose, or broken.	Install a new mower belt.



Electrical Diagram



G454156

California Proposition 65 Warning Information

What is this warning?

You may see a product for sale that has a warning label like the following:



WARNING: Cancer and Reproductive Harm—www.p65Warnings.ca.gov.

What is Prop 65?

Prop 65 applies to any company operating in California, selling products in California, or manufacturing products that may be sold in or brought into California. It mandates that the Governor of California maintain and publish a list of chemicals known to cause cancer, birth defects, and/or other reproductive harm. The list, which is updated annually, includes hundreds of chemicals found in many everyday items. The purpose of Prop 65 is to inform the public about exposure to these chemicals.

Prop 65 does not ban the sale of products containing these chemicals but instead requires warnings on any product, product packaging, or literature with the product. Moreover, a Prop 65 warning does not mean that a product is in violation of any product safety standards or requirements. In fact, the California government has clarified that a Prop 65 warning “is not the same as a regulatory decision that a product is ‘safe’ or ‘unsafe.’” Many of these chemicals have been used in everyday products for years without documented harm. For more information, go to <https://oag.ca.gov/prop65/faqs-view-all>.

A Prop 65 warning means that a company has either (1) evaluated the exposure and has concluded that it exceeds the “no significant risk level”; or (2) has chosen to provide a warning based on its understanding about the presence of a listed chemical without attempting to evaluate the exposure.

Does this law apply everywhere?

Prop 65 warnings are required under California law only. These warnings are seen throughout California in a wide range of settings, including but not limited to restaurants, grocery stores, hotels, schools, and hospitals, and on a wide variety of products. Additionally, some online and mail order retailers provide Prop 65 warnings on their websites or in catalogs.

How do the California warnings compare to federal limits?

Prop 65 standards are often more stringent than federal and international standards. There are various substances that require a Prop 65 warning at levels that are far lower than federal action limits. For example, the Prop 65 standard for warnings for lead is 0.5 µg/day, which is well below the federal and international standards.

Why don't all similar products carry the warning?

- Products sold in California require Prop 65 labelling while similar products sold elsewhere do not.
- A company involved in a Prop 65 lawsuit reaching a settlement may be required to use Prop 65 warnings for its products, but other companies making similar products may have no such requirement.
- The enforcement of Prop 65 is inconsistent.
- Companies may elect not to provide warnings because they conclude that they are not required to do so under Prop 65; a lack of warnings for a product does not mean that the product is free of listed chemicals at similar levels.

Why does Toro include this warning?

Toro has chosen to provide consumers with as much information as possible so that they can make informed decisions about the products they buy and use. Toro provides warnings in certain cases based on its knowledge of the presence of one or more listed chemicals without evaluating the level of exposure, as not all the listed chemicals provide exposure limit requirements. While the exposure from Toro products may be negligible or well within the “no significant risk” range, out of an abundance of caution, Toro has elected to provide the Prop 65 warnings. Moreover, if Toro does not provide these warnings, it could be sued by the State of California or by private parties seeking to enforce Prop 65 and subject to substantial penalties.

Notes:



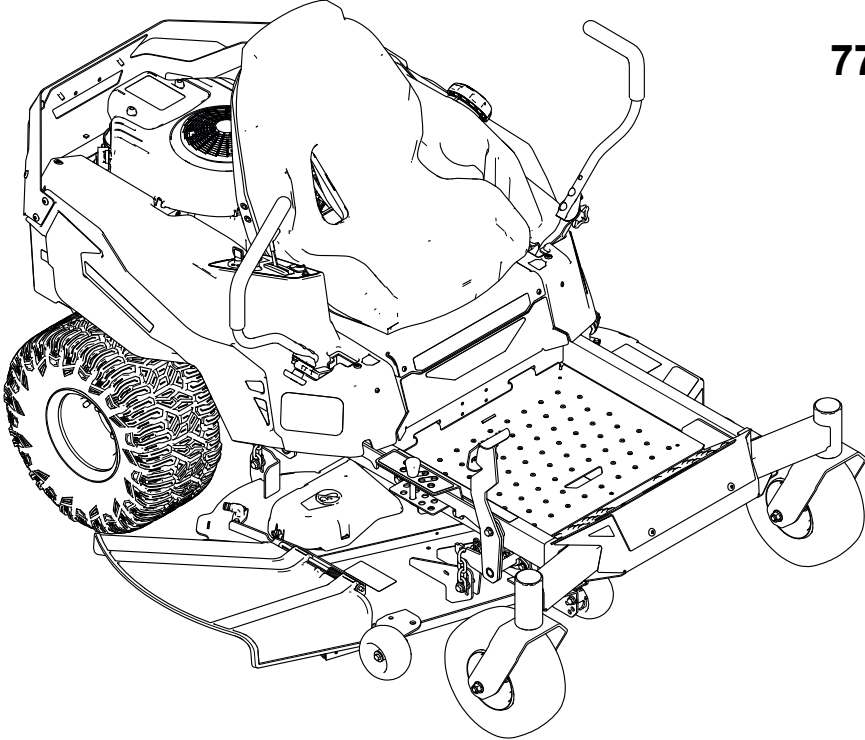


Manual del operador

Cortacésped giro cero de asiento TimeCutter® Max de 127 cm (50")

Modelo—Intervalo de números de serie

77505—400000000 y superiores



Aviso legal e información reglamentaria

Constituye una infracción de la legislación de California (California Public Resource Code Section 4442 o 4443) el uso o la operación del motor en cualquier terreno forestal, de monte o cubierto de hierba, a menos que el motor esté equipado con un parachispas (conforme a la definición de la sección 4442) que esté en buenas condiciones de funcionamiento, o que el motor haya sido fabricado, equipado y mantenido para la prevención de incendios.

Par bruto o neto: el par bruto o neto de este motor fue calculada por el fabricante del motor con arreglo a lo estipulado en el documento J1940 o J2723 de la Society of Automotive Engineers (Sociedad de Ingenieros del Automóvil - SAE). Debido a que el motor está configurado para cumplir los requisitos de seguridad, emisiones y operación, su potencia real en este tipo de cortacésped será significativamente menor. Consulte la información del fabricante del motor incluida con la máquina.

El Manual del propietario del motor adjunto ofrece información sobre las normas de la U.S. Environmental Protection Agency (EPA) y de la California Emission Control Regulation sobre sistemas de emisiones, mantenimiento y garantía. Puede solicitarse un manual nuevo al fabricante del motor.

▲ ADVERTENCIA

CALIFORNIA Propuesta 65

Los gases de escape de este producto contienen sustancias químicas identificadas por el Estado de California como causantes de cáncer, defectos de nacimiento u otros daños reproductivos.

Los bornes, terminales y otros accesorios de la batería contienen plomo y compuestos de plomo, productos químicos reconocidos por el Estado de California como causantes de cáncer y daños reproductivos. Lávese las manos después de manejar el material.

El uso de este producto puede causar la exposición a sustancias químicas identificadas por el Estado de California como causantes de cáncer, defectos de nacimiento u otros daños reproductivos.

Tabla de contenidos

Capítulo 1: Introducción	1-1
Uso previsto	1-1
Cómo obtener ayuda	1-1
Convenciones del Manual	1-2
Clasificaciones de las alertas de seguridad	1-2
Capítulo 2: Seguridad	2-1
Seguridad general	2-1
Indicador de pendientes	2-2
Calcomanías de seguridad e instrucciones	2-3
Capítulo 3: Resumen del producto	3-1
Panel de control	3-2
Palancas de control de movimiento	3-3

Posición Aparcar	3-3
Pasador de selección de la altura de corte	3-3
Pedal de elevación de la carcasa	3-4
Especificaciones	3-4
Capítulo 4: Operación	4-1
Antes del uso	4-1
Seguridad antes del uso	4-1
Combustible	4-4
Mantenimiento diario	4-5
Tiempo de rodaje	4-5
Sistema de interruptores de seguridad	4-5
Colocación del asiento	4-7
Ajuste de la altura de las palancas de control de movimiento	4-7
Ajuste de la inclinación de las palancas de control de movimiento	4-8
Durante el uso	4-8
Seguridad durante el uso	4-8
Arranque del motor	4-12
Apagado del motor	4-13
Conducción de la máquina	4-14
Uso del mando de control de las cuchillas (TDF)	4-15
Descarga lateral	4-16
Ajuste de la altura de corte	4-18
Ajuste de los rodillos protectores del césped	4-18
Consejos de uso	4-18
Después del uso	4-20
Seguridad después del uso	4-20
Cómo limpiar la máquina	4-20
Acarreo de la máquina	4-21
Capítulo 5: Mantenimiento	5-1
Seguridad en el mantenimiento	5-1
Calendario de mantenimiento recomendado	5-2
Procedimientos previos al mantenimiento	5-3
Cómo mover una máquina averiada	5-3
Elevación de la máquina	5-4
Lubricación	5-5
Engrasado de los cojinetes	5-5
Mantenimiento del motor	5-6
Seguridad del motor	5-6
Mantenimiento del limpiador de aire	5-6
Mantenimiento del aceite del motor	5-8
Mantenimiento de la bujía	5-12
Mantenimiento del combustible	5-14
Cambio del filtro de combustible	5-14
Mantenimiento del sistema eléctrico	5-15
Seguridad del sistema eléctrico	5-15
Mantenimiento de la batería	5-15
Arranque de la máquina con cables puente	5-19
Mantenimiento de los fusibles	5-21
Mantenimiento del sistema de transmisión	5-21
Comprobación de la presión de los neumáticos	5-21
Comprobación de las tuercas de las ruedas	5-22
Ajuste de la dirección	5-22
Mantenimiento de la correa	5-23

Inspección de las correas	5-23
Sustitución de la correa del cortacésped	5-23
Mantenimiento de la carcasa de corte	5-26
Seguridad de las cuchillas	5-26
Mantenimiento de las cuchillas	5-26
Nivelación de la carcasa de corte	5-29
Retirada de la carcasa del cortacésped	5-31
Instalación de la carcasa de corte	5-31
Cambio del deflector de hierba	5-32
Limpieza	5-34
Cómo lavar la parte inferior de la carcasa de corte	5-34
Eliminación de residuos	5-35
Capítulo 6: Almacenamiento	6-1
Seguridad durante el almacenamiento	6-1
Preparación de la máquina para el almacenamiento durante más de 30 días	6-1
Cómo almacenar la batería	6-3
Consejos de almacenamiento de la batería	6-3
Capítulo 7: Solución de problemas	7-1
Capítulo 8: Esquemas	8-1
Diagrama de cableado	8-1
Información sobre las Advertencias de la Proposición 65 de California	



Uso previsto

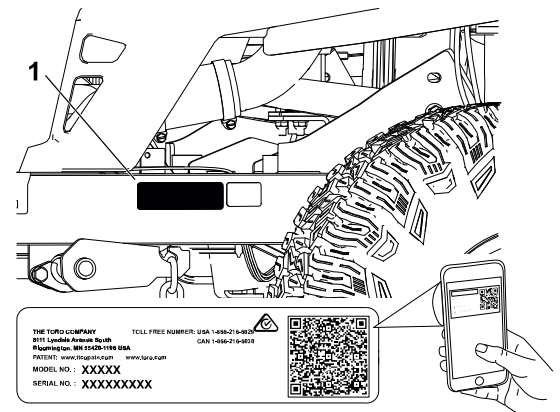
Este cortacésped de asiento de cuchillas rotativas está diseñado para ser usado por usuarios domésticos en aplicaciones residenciales. Está diseñado principalmente para segar césped bien mantenido. El uso de este producto para otros propósitos que los previstos podría ser peligroso para usted y para otras personas.

Lea este manual detenidamente para aprender a utilizar y mantener correctamente su producto, y para evitar lesiones y daños al producto. Usted es responsable de utilizar el producto de forma correcta y segura.

Cómo obtener ayuda

Visite www.Toro.com para buscar materiales de formación y seguridad o información sobre accesorios, para localizar un distribuidor o para registrar su producto.

Cuando necesite asistencia técnica, piezas genuinas Toro o información adicional, póngase en contacto con un Servicio Técnico Autorizado o con Atención al cliente de Toro, y tenga a mano los números de modelo y serie de su producto. Estos números se encuentran en la placa del número de serie de su producto ①. Escriba los números en el espacio provisto.



G451770

IMPORTANTE

Con su dispositivo móvil, puede escanear el código QR de la pegatina del número de serie (en su caso) para acceder a información sobre la garantía, las piezas, y otra información sobre el producto.

Número de modelo:		Número de serie:	
-------------------	--	------------------	--

Convenciones del Manual

Este manual identifica peligros potenciales y contiene mensajes de seguridad identificados por el símbolo de alerta de seguridad, que señala un peligro que puede causar lesiones graves o la muerte si usted no sigue las precauciones recomendadas.



Este manual utiliza 2 palabras para resaltar información. **Importante** llama la atención sobre información mecánica especial, y **Nota** resalta información general que merece una atención especial.

Clasificaciones de las alertas de seguridad

El símbolo de alerta de seguridad que aparece en este manual y en la máquina identifica mensajes de seguridad importantes que usted debe observar para evitar accidentes.

El símbolo de alerta de seguridad aparece encima de información que le alerta ante acciones o situaciones inseguras, y va seguido de la palabra **PELIGRO, ADVERTENCIA o CUIDADO**.



PELIGRO



Peligro indica una situación peligrosa inminente, que si no se evita, *causará* la muerte o lesiones graves.



ADVERTENCIA



Advertencia indica una situación potencialmente peligrosa que si no se evita, *podría* causar la muerte o lesiones graves.



PRECAUCIÓN



Cuidado indica una situación potencialmente peligrosa que si no se evita, *podría* causar lesiones menores o moderadas.



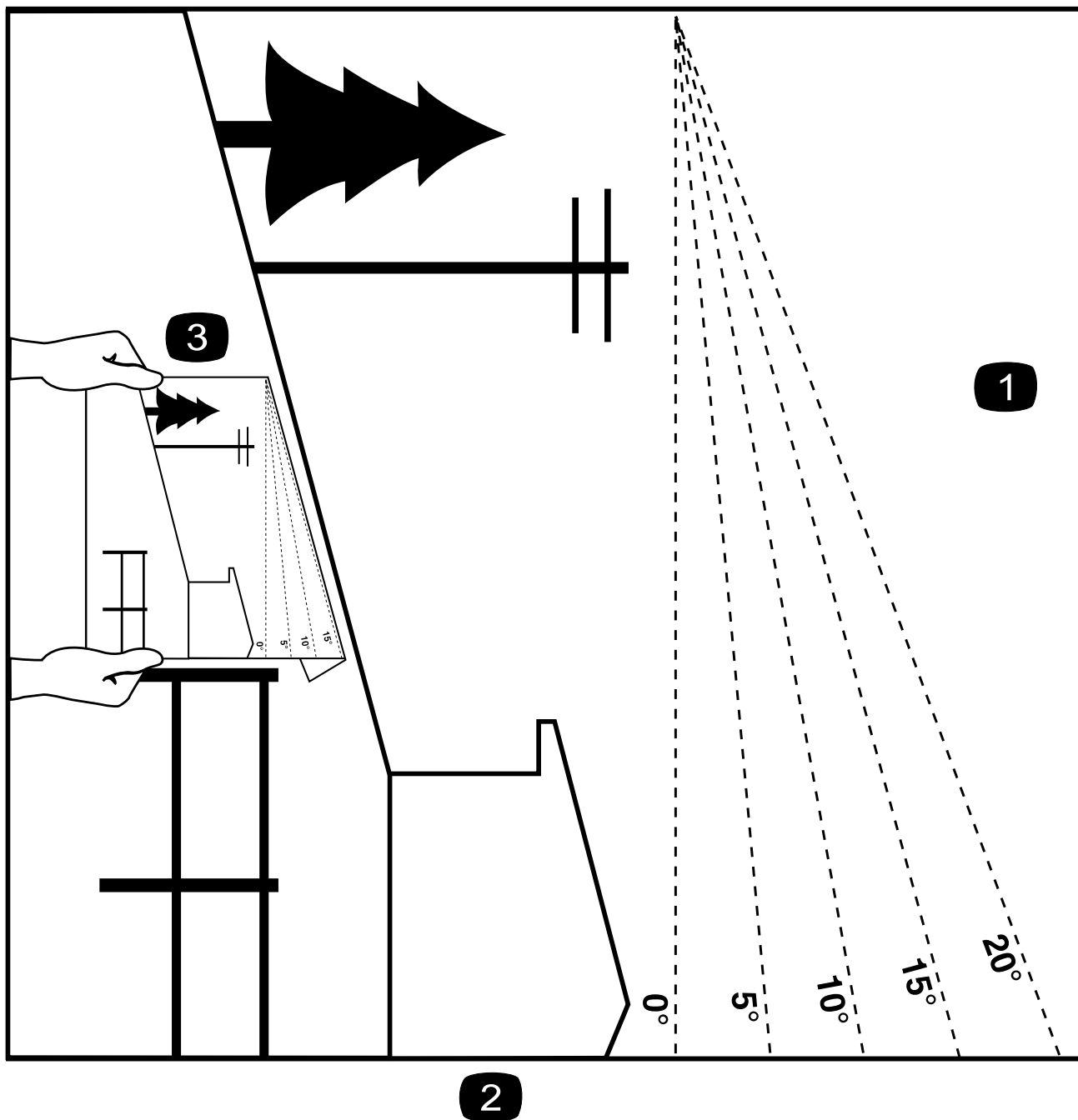
Seguridad general

Este producto es capaz de amputar manos y pies y de lanzar objetos al aire. Siga siempre todas las instrucciones de seguridad con el fin de evitar lesiones personales graves o la muerte.

- Antes de arrancar el motor, lea, comprenda y siga las instrucciones y advertencias de este *Manual del operador* y las que están colocadas en la máquina, el motor y los accesorios/aperos.
- No deje que la máquina sea utilizada o mantenida por niños o por personas que no hayan recibido la formación adecuada. Sólo permita que manejen o mantengan la máquina personas responsables, formadas, familiarizadas con las instrucciones y físicamente capaces de utilizar la máquina.
- No permita que otras personas, sobre todo niños, entren en la zona de trabajo.
- No utilice la máquina cerca de terraplenes, fosas, taludes, agua, u otros peligros, o en pendientes de más de 15°.
- No ponga las manos o los pies cerca de las piezas móviles.
- No haga funcionar la máquina si no están colocados o si no funcionan correctamente todos los protectores, defensas, interruptores y otros dispositivos de seguridad.
- Aparque la máquina en una superficie nivelada, desengrane las transmisiones, ponga el freno de estacionamiento, apague el motor, retire la llave y espere a que se detengan todas las piezas en movimiento antes de abandonar el puesto del operador.
- Deje que la máquina se enfríe antes de hacer trabajos de ajuste, mantenimiento, repostaje, limpieza o almacenamiento.

Indicador de pendientes

Puede copiar esta página para su uso personal.



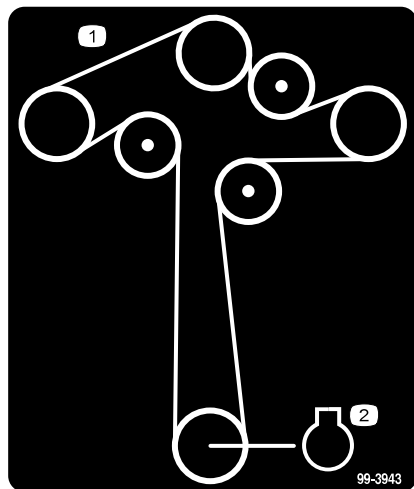
- ① La pendiente máxima en la que puede utilizar la máquina es de 15 grados. Utilice el Diagrama de pendientes para determinar el ángulo de una pendiente antes de proseguir. **No utilice esta máquina en pendientes de más de 15 grados.** Doble por la línea correspondiente a la pendiente recomendada.
- ② Alinee este borde con una superficie vertical (árbol, edificio, el poste de una valla, etc.).
- ③ Ejemplo de cómo comparar la pendiente con el borde doblado

Calcomanías de seguridad e instrucciones



Las pegatinas de seguridad e instrucciones están a la vista del operador y están ubicadas cerca de cualquier zona de peligro potencial. Sustituya cualquier pegatina que esté dañada o que falte.

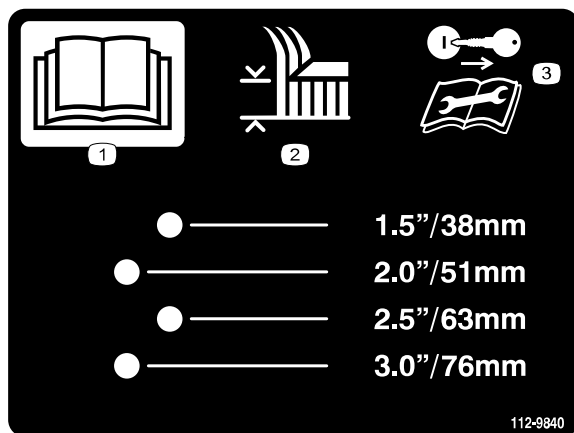
Pegatina pieza: 99-3943



s_decal99-3943

- ① Enrutado de la correa
- ② Motor

Pegatina pieza: 112-9840



s_decal112-9840

- ① Lea el *Manual del operador*.
- ② Altura de corte
- ③ Retire la llave de contacto y lea las instrucciones antes de realizar cualquier operación de mantenimiento o ajuste a la máquina.

Pegatina pieza: 130-0731

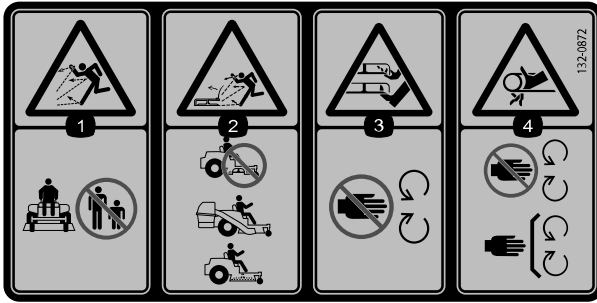


s_decal130-0731

acerque a las piezas en movimiento.

- ① Advertencia – peligro de objetos arrojados; mantenga colocado el deflector.
- ② Peligro de corte de mano o pie, cuchilla del cortacésped – no se

Pegatina pieza: 132-0872

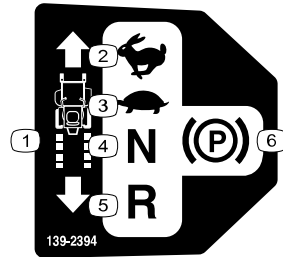


s_decal132-0872

manos, correa – no se acerque a las piezas en movimiento; mantenga colocados todos los protectores y defensas.

- ① Peligro de objetos arrojados – mantenga alejadas a otras personas.
- ② Peligro de objetos arrojados, carcasa de corte – no haga funcionar la máquina con la carcasa abierta; utilice un ensacador o un deflector.
- ③ Peligro de corte/desmembramiento de manos o pies, cuchilla del cortacésped – no se acerque a las piezas en movimiento.
- ④ Peligro de enredamiento de las

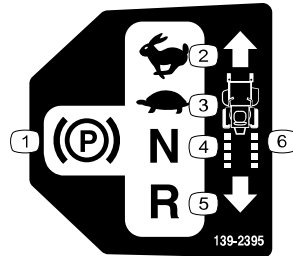
Pegatina pieza: 139-2394



s_decal139-2394

- ① Controles de tracción
- ② Rápido
- ③ Lento
- ④ Punto muerto
- ⑤ Hacia atrás
- ⑥ Freno de estacionamiento

Pegatina pieza: 139-2395



s_decal139-2395

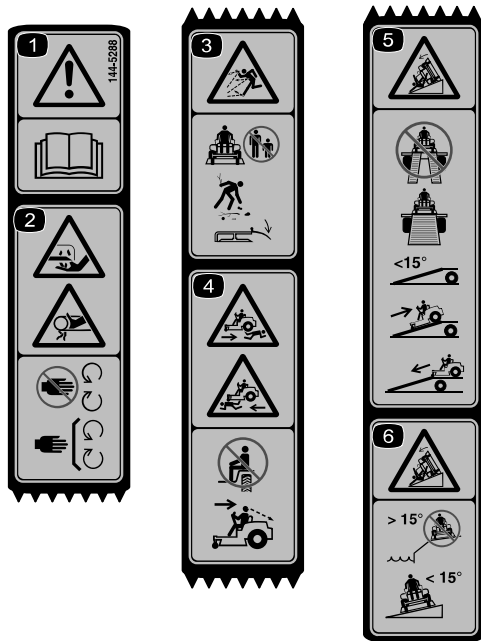
- ① Freno de estacionamiento
- ② Rápido
- ③ Lento
- ④ Punto muerto
- ⑤ Hacia atrás
- ⑥ Controles de tracción

Pegatina pieza: 142-5864



decal142-5864

Pegatina pieza: 144-5288

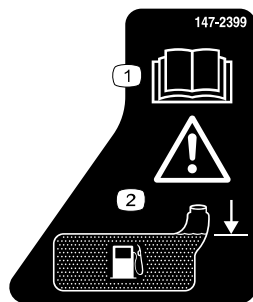


s_decal144-5288

- ⑥ Peligro de vuelco – no utilice la máquina cerca de taludes con pendientes de más de 15° ; atraviese únicamente pendientes de menos de 15° .

Nota: Esta máquina cumple la prueba de estabilidad estándar de la industria en las pruebas estáticas laterales y longitudinales con la pendiente máxima recomendada indicada en la pegatina. Revise las instrucciones del Manual del operador sobre la operación de la máquina en pendientes, y compruebe las condiciones en las que se va a utilizar la máquina para determinar si la máquina puede utilizarse en las condiciones reinantes en ese día y ese lugar en concreto. Los cambios de terreno pueden dar lugar a un cambio en el modo de operación de la máquina en pendientes.

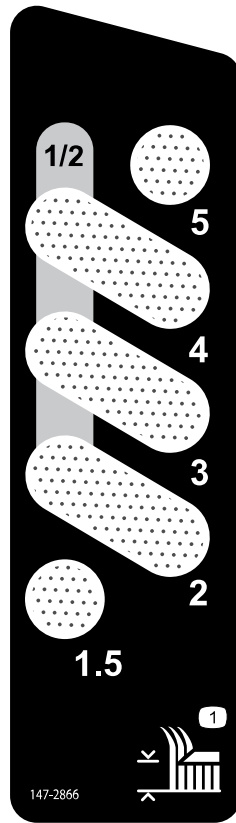
Pegatina pieza: 147-2399



s_decal147-2399

- ① Lea el *Manual del operador*.
- ② Advertencia: llene hasta la parte inferior del cuello de llenado; advertencia: no llene demasiado el depósito.

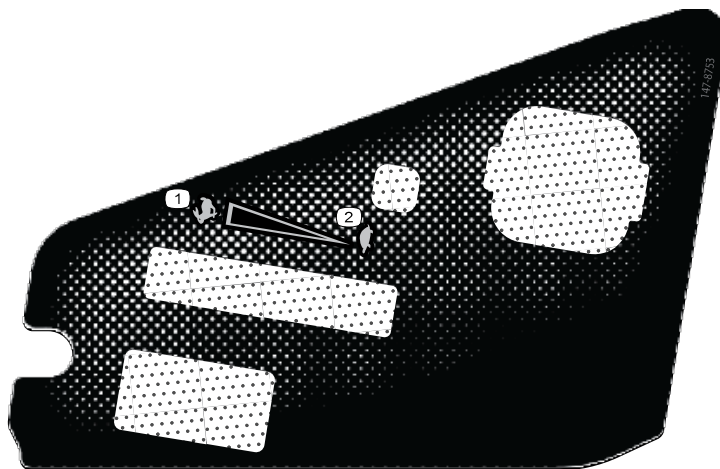
Pegatina pieza: 147-2866



decal147-2866

① Altura de corte

Pegatina pieza: 147-8753

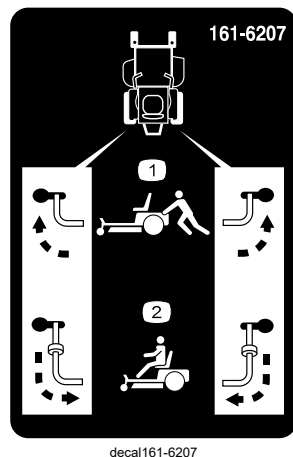


decal147-8753

① Rápido

② Lento

Pegatina pieza: 161-6207

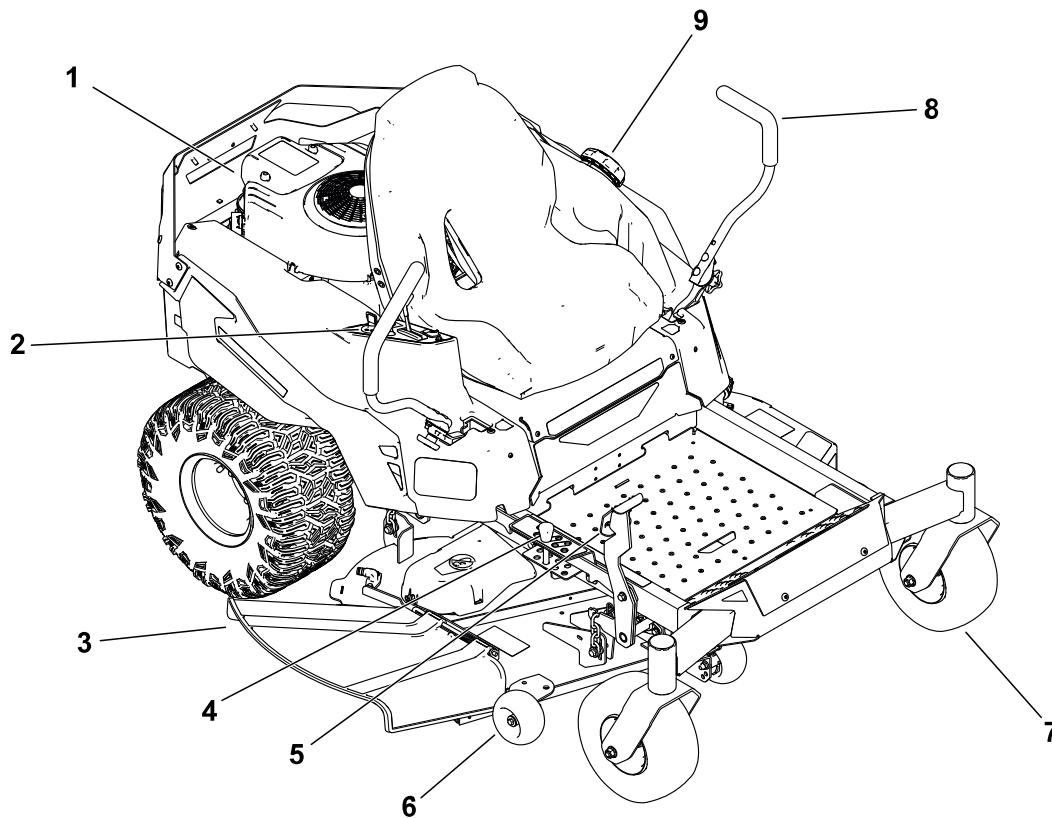


① Posición de la palanca de desvío para empujar la máquina

② Posición de la palanca de desvío para operar la máquina



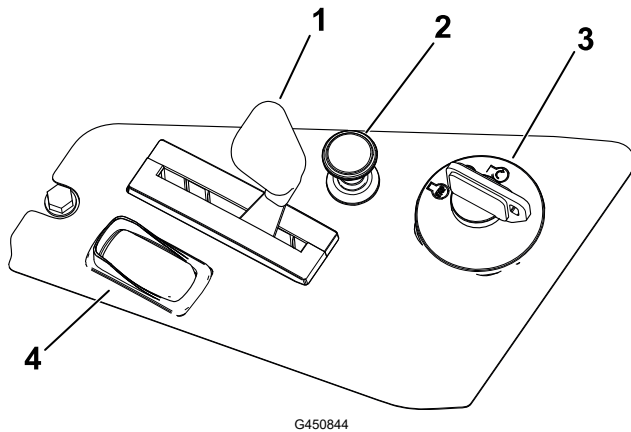
Resumen del producto



G460483

- | | | |
|------------------------------|------------------------------------|-------------------------------------|
| ① Motor | ⑤ Pedal de elevación de la carcasa | ⑧ Palanca de control de movimiento |
| ② Panel de control | ⑥ Rodillo protector del césped | ⑨ Tapón del depósito de combustible |
| ③ Deflector | ⑦ Rueda giratoria delantera | |
| ④ Pasador de altura de corte | | |

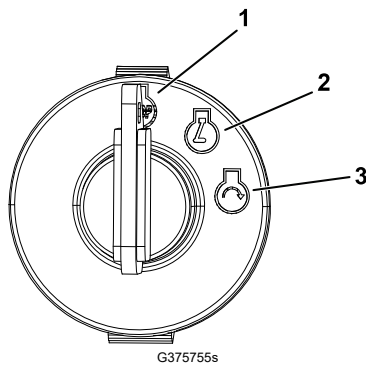
Panel de control



- ① Control del acelerador
- ② Control del estárter
- ③ Interruptor de encendido
- ④ Mando de control de las cuchillas (toma de fuerza)

Interruptor de encendido

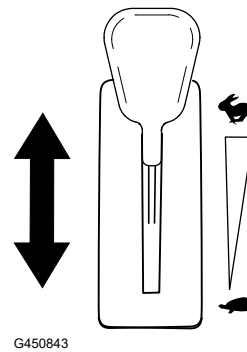
Utilice el interruptor de encendido para arrancar o apagar la máquina.



- ① Motor - Apagar
- ② Motor - Marcha
- ③ Motor - Arranque

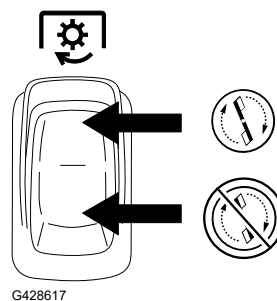
Control del acelerador

El acelerador controla la velocidad del motor y tiene un ajuste variable continuo desde LENTO hasta RÁPIDO.



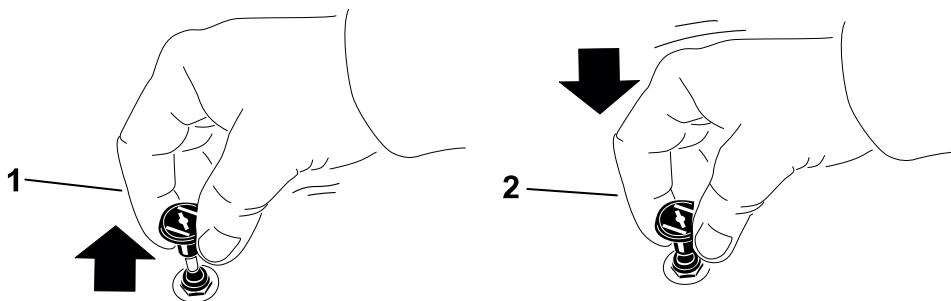
Mando de control de las cuchillas (TDF)

El mando de control de las cuchillas, representado por un símbolo de toma de fuerza (TDF), engrana y desengrana la transmisión de potencia a las cuchillas.



Control del estárter

Utilice el control del estárter para facilitar el arranque de un motor frío.



① Activada

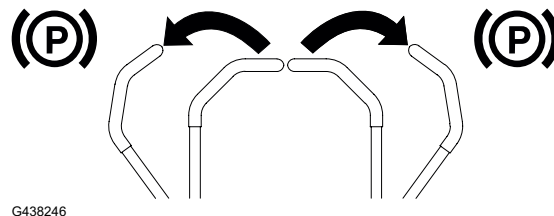
② Desactivada

Palancas de control de movimiento

Las palancas de control de movimiento se utilizan para conducir la máquina hacia adelante, hacia atrás y girarla en ambos sentidos.

Posición Aparcar

Mueva las palancas de control de movimiento desde el centro hacia fuera, a la posición APARCAR, para poner el freno de estacionamiento al detener o bajarse de la máquina.



Pasador de selección de la altura de corte

La palanca de selección de la altura de corte funciona conjuntamente con el pedal para bloquear la carcasa en una altura de corte determinada. Ajuste la altura de corte solamente cuando la máquina esté detenida.

Pedal de elevación de la carcasa

El pedal de elevación de la carcasa se utiliza para elevar brevemente la carcasa de corte desde el asiento a fin de evitar obstáculos o al ajustar la altura de corte.

Especificaciones

Nota: Las especificaciones y diseños están sujetos a modificación sin previo aviso.

Anchura de corte	127 cm (50")
Anchura con el deflector bajado	166 cm (65½")
Anchura con el deflector elevado	140 cm (55")
Longitud	203 cm (80")
Altura	116 cm (45½")
Peso	292 kg (644 libras)

Aperos/Accesorios

Está disponible una selección de aperos y accesorios homologados por Toro que pueden utilizarse con la máquina a fin de potenciar y aumentar sus prestaciones. Póngase en contacto con su Servicio Técnico Autorizado o con su distribuidor autorizado Toro, o visite www.Toro.com para obtener una lista de todos los aperos y accesorios homologados.

Para asegurar un rendimiento óptimo y mantener la certificación de seguridad de la máquina, utilice solamente piezas y accesorios genuinos Toro.



Antes del uso

Seguridad antes del uso

- No deje que la máquina sea utilizada o mantenida por niños o por personas que no hayan recibido la formación adecuada. La normativa local puede imponer límites sobre la edad del operador. El propietario es responsable de proporcionar formación a todos los operadores y mecánicos.
- Inspeccione el área donde se va a utilizar la máquina, y retire cualquier objeto que pudiera ser arrojado o impedir el funcionamiento correcto de la máquina.
- Evalúe el terreno para determinar cuáles son los equipos y aperos o accesorios apropiados que se requieren para operar la máquina de manera adecuada y segura.
- No lleve pasajeros en la máquina.
- Familiarícese con la operación segura del equipo, los controles del operador y las señales de seguridad.
- Compruebe que los controles de presencia del operador, los interruptores de seguridad y los protectores están instalados y que funcionan correctamente. No utilice la máquina si no funcionan correctamente.
- Lleve ropa adecuada, incluyendo protección ocular, pantalón largo, calzado resistente y antideslizante y protección auricular. Si tiene el pelo largo, recójase, y no lleve joyas o prendas sueltas.
- No utilice la máquina a menos que todos los protectores y dispositivos de seguridad, como por ejemplo los deflectores y el recogedor entero, estén colocados y funcionen correctamente. Sustituya cualquier pieza desgastada o deteriorada cuando sea necesario.
- Apague el motor, retire la llave y espere a que se detengan todas las piezas en movimiento antes de abandonar el puesto del operador. Deje que la máquina se enfríe antes de hacer trabajos de ajuste, mantenimiento, repostaje, limpieza o almacenamiento.



ADVERTENCIA



El contacto con la cuchilla puede causar lesiones personales graves.

Cuando usted apaga el motor, las cuchillas deben detenerse. Si no, deje de usar la máquina inmediatamente y póngase en contacto con un Servicio Técnico Autorizado.

- Antes de segar, inspeccione la máquina para asegurarse de que los conjuntos de corte funcionan correctamente.

Seguridad antes del uso (continuación)

- No permita que otras personas, sobre todo niños, o animales domésticos se acerquen a la máquina durante el uso. Apague la máquina y los accesorios si alguien entra en la zona.

Seguridad en el manejo del combustible

- El combustible es extremadamente inflamable y altamente explosivo. Un incendio o una explosión provocados por el combustible puede causarle quemaduras a usted y a otras personas así como daños materiales.
 - Para evitar que una carga estática incendie el combustible, coloque el recipiente y/o la máquina directamente sobre el suelo antes de repostar, no en un vehículo o sobre otro objeto.
 - Llene el depósito de combustible en el exterior sobre terreno llano, en una zona abierta y con el motor frío. Limpie cualquier combustible derramado.
 - No maneje combustible si está fumando, ni cerca de una llama desnuda o chispas.
 - No retire el tapón de combustible ni añada combustible al depósito si el motor está caliente o en marcha.
 - Si se derrama combustible, no intente arrancar el motor. Evite crear una fuente de ignición hasta que los vapores del combustible se hayan disipado.
 - Almacene el combustible en un recipiente homologado y manténgalo fuera del alcance de los niños.
- No llene demasiado el depósito de combustible. Vuelva a colocar el tapón de combustible y apriételo firmemente.
- En determinadas condiciones durante el repostaje, puede producirse una descarga de electricidad estática con chispa que puede prender los vapores del combustible.
- No llene los recipientes dentro de un vehículo o sobre la plataforma de un camión o remolque con forro de plástico. Coloque siempre los recipientes de gasolina en el suelo y lejos del vehículo, antes de llenarlos.
- Retire el equipo del camión o del remolque y repóstele mientras se encuentra sobre el suelo. Si esto no es posible, repóstele usando un recipiente portátil, en vez de usar un surtidor de combustible con boquilla.
- Mantenga la boquilla en contacto con el borde del depósito de combustible o el orificio del recipiente en todo momento hasta que termine de repostar. No utilice dispositivos que mantengan abierta la boquilla.
- El combustible es dañino o mortal si es ingerido. La exposición a largo plazo a los vapores puede causar lesiones y enfermedades graves.
 - Evite la respiración prolongada de los vapores.
 - Mantenga las manos y la cara alejadas de la boquilla y de la abertura del depósito de combustible.
 - Mantenga el combustible alejado de los ojos y la piel.
- Limpie cualquier combustible derramado.

Seguridad antes del uso (continuación)

- No guarde la máquina o un recipiente de combustible en un lugar donde pudiera haber una llama desnuda, chispas o una llama piloto, por ejemplo en un calentador de agua u otro electrodoméstico.
- No utilice la máquina a menos que esté instalado un sistema completo de escape en buenas condiciones de funcionamiento.

Combustible

Especificaciones de combustible

Capacidad	19 litros (5 galones US)
Tipo	Gasolina sin plomo
Octanaje mínimo	87 (US) o 91 (RON; fuera de los Estados Unidos)
Etanol	No más del 10 % por volumen
Metanol	Ninguna
MTBE (éter metil tert-butílico)	Menos del 15 % por volumen
Aceite	No añadir al combustible

Utilice solamente combustible limpio y fresco (no más de 30 días de antigüedad) de origen acreditado.

IMPORTANTE

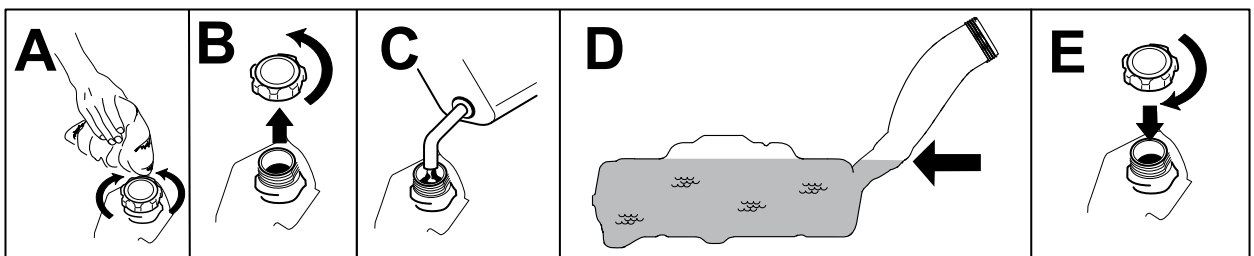
Para reducir los problemas de arranque, añada estabilizador/acondicionador al combustible fresco, siguiendo las indicaciones del fabricante del estabilizador/acondicionador de combustible.

Llenado del depósito de combustible

1. Aparque la máquina en una superficie nivelada.
2. Mueva las palancas de control de movimiento hacia fuera, a la posición APARCAR.
3. Apague el motor y retire la llave.
4. Limpie alrededor del tapón del depósito de combustible y llene el depósito de combustible.

IMPORTANTE

Llene el depósito de combustible hasta la parte inferior del cuello de llenado. No llene completamente el depósito de combustible.



G450855

Mantenimiento diario

Cada día, antes de arrancar la máquina, siga los procedimientos marcados como "Cada uso/A diario" en el Calendario de mantenimiento.

Tiempo de rodaje

Los motores nuevos necesitan tiempo para desarrollar toda su potencia. La fricción generada por las carcasas y los sistemas de propulsión de los cortacéspedes es mayor cuando éstos son nuevos, lo que supone una carga adicional para el motor. Las máquinas nuevas necesitan un periodo de rodaje de 40–50 horas para desarrollar la máxima potencia y el mejor rendimiento.

Sistema de interruptores de seguridad

El sistema de interruptores de seguridad ha sido diseñado para impedir que el motor arranque, a menos que:

- El mando de control de las cuchillas (TDF) está desengranado.
- Las palancas de control de movimiento están en la posición APARCAR.

El sistema de interruptores de seguridad está diseñado para detener el motor si se mueven las palancas de control fuera de la posición APARCAR y usted se levanta del asiento.



ADVERTENCIA



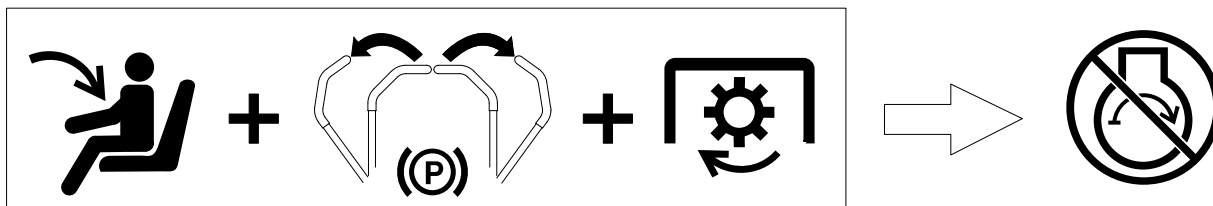
Si los interruptores de seguridad están desconectados o dañados, la máquina podría ponerse en marcha inesperadamente y causar lesiones personales.

- **No manipule los interruptores de seguridad.**
- **Compruebe la operación de los interruptores de seguridad cada día, y sustituya cualquier interruptor dañado antes de operar la máquina.**

Comprobación del sistema de interruptores de seguridad

Compruebe el sistema de interruptores de seguridad cada vez que vaya a trabajar con la máquina. Si el sistema no funciona de la forma que se describe a continuación, póngase en contacto con un Servicio Técnico Autorizado para que lo reparen inmediatamente.

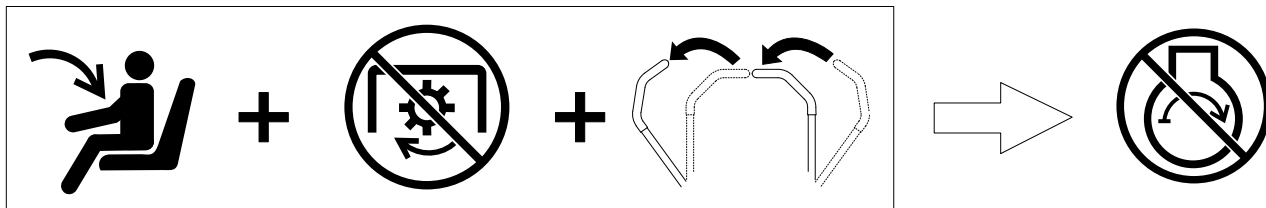
1. Siéntese en el asiento, mueva las palancas de control de movimiento a la posición APARCAR, y mueva el mando de control de las cuchillas a la posición de ENGRANADO. Intente arrancar el motor; el motor no debe arrancar.



G451953

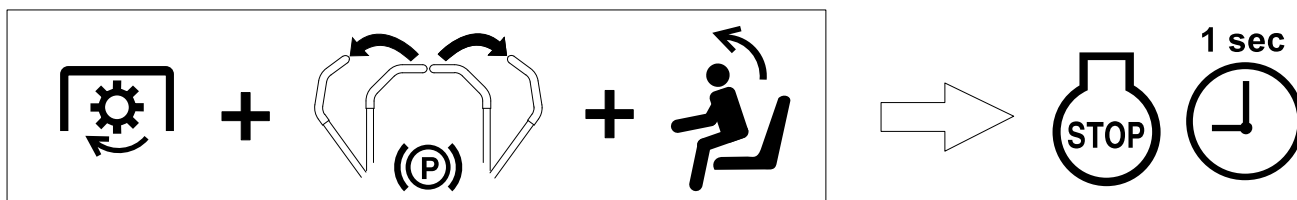
Sistema de interruptores de seguridad (continuación)

2. Siéntese en el asiento y ponga el mando de control de las cuchillas en la posición de **DESENGRANADO**. Mueva cualquiera de las palancas de control de movimiento a la posición central desbloqueada. Intente arrancar el motor; el motor no debe arrancar. Repita con la otra palanca de control de movimiento.



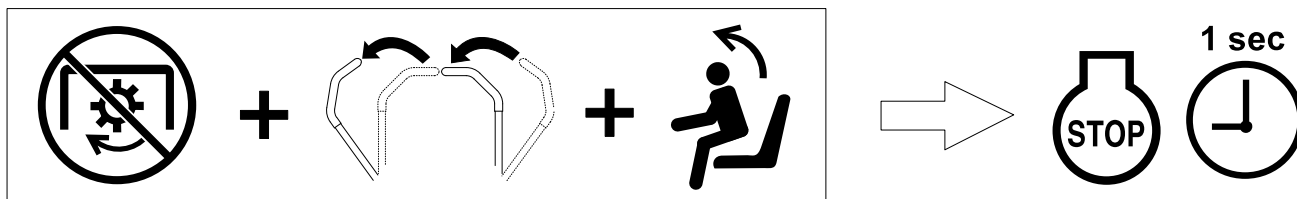
G451952

3. Siéntese en el asiento, mueva el mando de control de las cuchillas a **DESENGRANADO** y mueva las palancas de control de movimiento a la posición **APARCAR**. Arranque el motor. Con el motor en marcha, engrane el mando de control de las cuchillas y levántese un poco del asiento; el motor debe pararse en menos de 1 segundo.



G451951

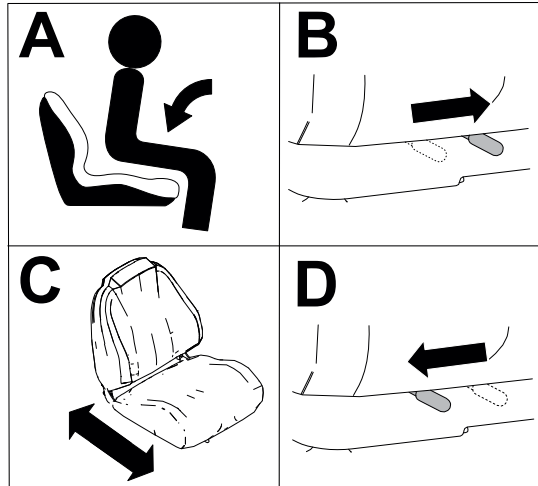
4. Siéntese en el asiento, mueva el mando de control de las cuchillas a **DESENGRANADO** y mueva las palancas de control de movimiento a la posición **APARCAR**. Arranque el motor. Con el motor en marcha, mueva las palancas de control de movimiento a la posición central desbloqueada y levántese un poco del asiento; el motor debe pararse en menos de 1 segundo.



G451950

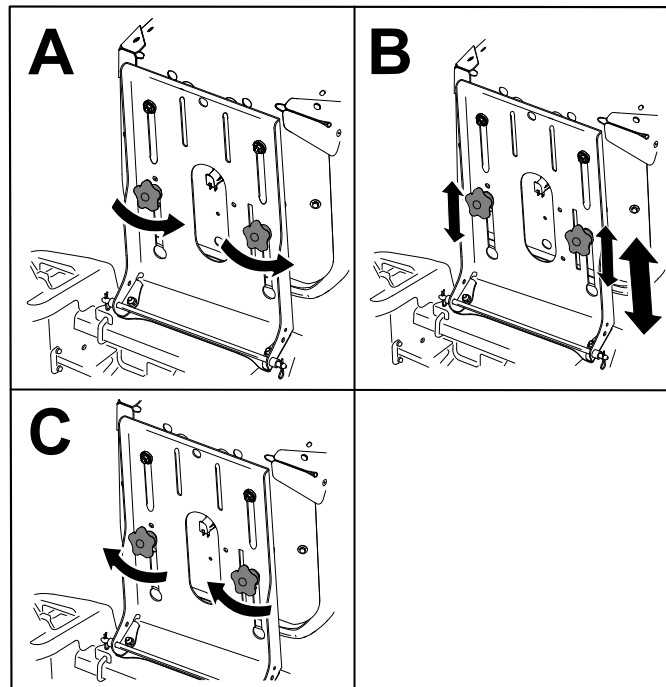
Colocación del asiento

Máquinas con suspensión MyRide



G451798

Máquinas sin suspensión MyRide

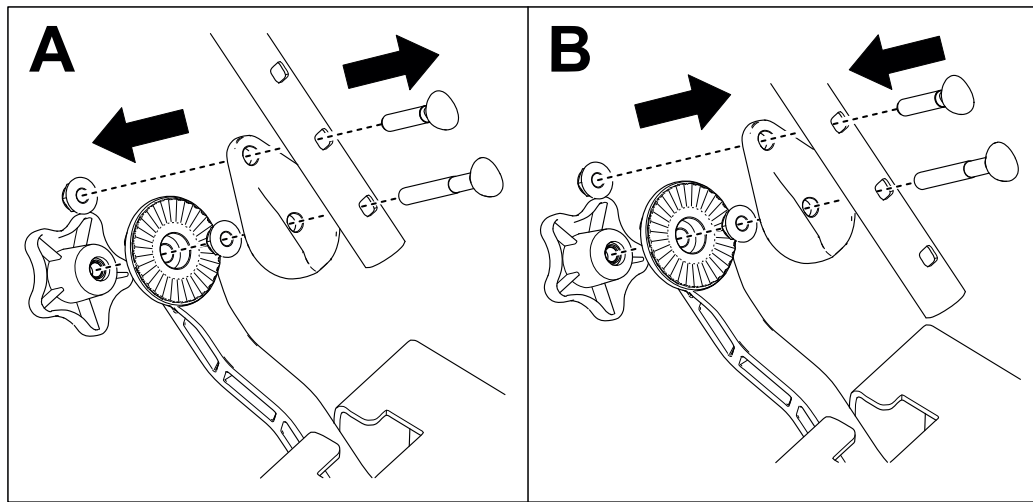


G293874s

Ajuste de la altura de las palancas de control de movimiento

Ajuste las palancas de control de movimiento hacia arriba o hacia abajo para que su manejo sea más cómodo.

Ajuste de la altura de las palancas de control de movimiento (continuación)

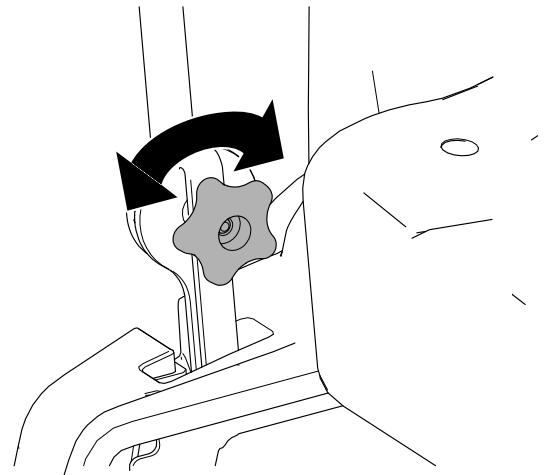


G450938

Ajuste de la inclinación de las palancas de control de movimiento

Ajuste las palancas de control de movimiento hacia delante o hacia atrás a la posición más cómoda.

1. Afloje el pomo.
2. Gire la palanca de control hacia adelante o hacia atrás.
3. Apriete el pomo.
4. Repita el ajuste con la otra palanca de control.



G439363

Durante el uso

Seguridad durante el uso

- El propietario/operador puede prevenir, y es responsable de cualquier accidente que pueda provocar lesiones personales o daños materiales.
- Dedique toda su atención al manejo de la máquina. No realice ninguna actividad que pudiera distraerle; de lo contrario, pueden producirse lesiones o daños materiales.

Seguridad durante el uso (continuación)

- No utilice la máquina si está enfermo, cansado, o bajo la influencia de alcohol o drogas.
- No utilice la máquina a menos que todos los protectores y dispositivos de seguridad, como por ejemplo los deflectores y el recogedor entero, estén colocados y funcionen correctamente. Sustituya cualquier pieza desgastada o deteriorada por piezas genuinas Toro.
- Las piezas del motor, especialmente el silenciador, pueden alcanzar temperaturas extremadamente altas durante el uso. Pueden provocar quemaduras graves por contacto, e incendiar residuos tales como hojas, hierbas, maleza, etc. Mantenga la zona del motor libre de residuos y exceso de aceite y grasa.
- Haga funcionar el motor únicamente en zonas bien ventiladas. Los gases de escape contienen monóxido de carbono, que es letal si se inhala.
- Utilice la máquina solo en buenas condiciones de visibilidad y bajo condiciones meteorológicas apropiadas. No haga funcionar la máquina cuando hay riesgo de tormentas eléctricas.
- Arranque el motor con los pies bien alejados de las cuchillas.
- Mantenga las manos y los pies alejados de las piezas en movimiento. Manténgase alejado del orificio de descarga.
- No se acerque a agujeros, surcos, montículos, rocas u otros peligros ocultos. Tenga cuidado al acercarse a esquinas ciegas, arbustos, árboles, hierba alta u otros objetos que puedan ocultar obstáculos o dificultar la visión.
- No siegue con el deflector de descarga elevado, retirado o modificado, a menos que tenga colocado y en buenas condiciones de funcionamiento un sistema de recogida de hierba o un kit de mulching.
- No corte el césped en marcha atrás a menos que sea absolutamente necesario. Mire siempre hacia abajo y detrás de usted antes de conducir la máquina en marcha atrás.
- Pare las cuchillas siempre que no esté segando. Reduzca la velocidad de la máquina y extreme las precauciones al cruzar superficies que no sean de hierba o al transportar la máquina a y desde la zona de trabajo.
- Esté pendiente del sentido de descarga del cortacésped y no oriente la descarga hacia nadie. Evite descargar material contra una pared u otra obstrucción, porque el material podría rebotar hacia usted.
- Si la máquina golpea un objeto o empieza a vibrar, apague inmediatamente el motor, retire la llave, y espere a que se detengan todas las piezas en movimiento antes de examinar la máquina en busca de daños. Haga todas las reparaciones necesarias antes de volver a utilizar la máquina.
- Vaya más despacio y tenga cuidado al girar y al cruzar calles y aceras con la máquina. Ceda el paso siempre.
- No deje nunca desatendida la máquina si está funcionando.
- Antes de abandonar la posición del operador, haga lo siguiente:
 - Aparque la máquina en una superficie nivelada.
 - Desengrane la TDF y baje los accesorios.
 - Ponga el freno de estacionamiento.
 - Apague el motor y retire la llave.

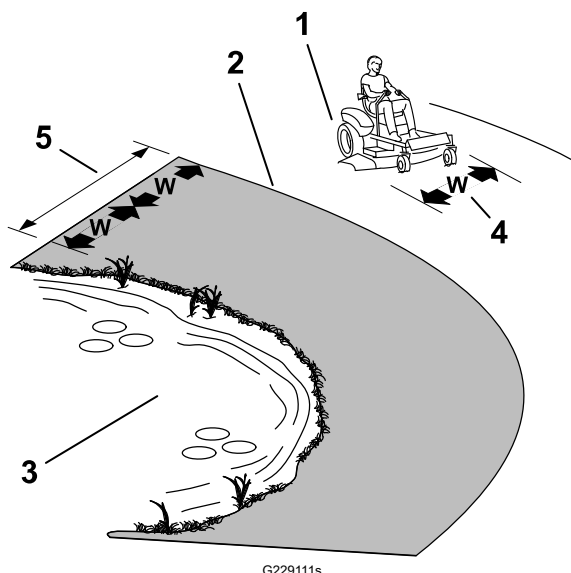
Seguridad durante el uso (continuación)

- Espere a que se detengan todas las piezas en movimiento.
- Nunca lleve niños en la máquina.
- No lleve niños en la máquina, incluso cuando las cuchillas no están en movimiento. Los niños podrían caerse y sufrir lesiones graves, o podrían impedir que usted maneje la máquina con seguridad. Cualquier niño que haya sido transportado en el pasado podría aparecer sin aviso en la zona de trabajo, y podría ser arrollado por la máquina, incluso en marcha atrás.
- A menudo los niños se sienten atraídos por la máquina y la actividad de segar. No suponga nunca que los niños van a permanecer en el último lugar en que los vio.
- Mantenga a los niños alejados de la zona de trabajo y bajo la atenta mirada de un adulto responsable que no sea el operador.
- Esté alerta y apague la máquina si entran niños en la zona de trabajo.
- Antes de conducir en marcha atrás o girar la máquina, mire hacia abajo y alrededor para asegurarse de que no hay niños pequeños presentes.
- No utilice la máquina como vehículo de remolque a menos que tenga instalado un enganche. Conecte los equipos remolcados a la máquina únicamente en el punto de enganche.
- Utilice solamente accesorios y aperos homologados por The Toro® Company.

Seguridad en pendientes

- Las pendientes son una de las principales causas de accidentes por pérdida de control y vuelcos, que pueden causar lesiones graves o la muerte. El operador es responsable de la seguridad cuando trabaja en pendientes. El uso de la máquina en cualquier pendiente exige un cuidado especial. Antes de usar la máquina en una pendiente, haga lo siguiente:
 - Lea y comprenda las instrucciones sobre pendientes del manual y las que están colocadas en la máquina.
 - Utilice un indicador de ángulo para determinar la inclinación aproximada de la zona.
 - No utilice la máquina nunca en pendientes de más de 15°.
 - Evalúe las condiciones del lugar de trabajo para determinar si es seguro trabajar en la pendiente con la máquina. Utilice el sentido común y el buen juicio al realizar esta evaluación. Cualquier cambio que se produzca en el terreno, como por ejemplo un cambio de humedad, puede afectar rápidamente al uso de la máquina en una pendiente.
- Identifique cualquier obstáculo situado en la base de la pendiente. No utilice la máquina cerca de terraplenes, fosas, taludes, agua, u otros peligros. La máquina podría volcar repentinamente si una rueda pasa por el borde de un terraplén o fosa, o si se socava un talud. Mantenga una distancia prudente (el doble de la anchura de la máquina) entre la máquina y cualquier obstáculo. Utilice una máquina dirigida o una desbrozadora manual para segar la hierba en estas zonas.

Seguridad durante el uso (continuación)



- ① Zona segura – utilice la máquina aquí en pendientes de menos de 15° o zonas planas.
- ② Zona de peligro – utilice un cortacésped manual y/o una desbrozadora manual en pendientes de más de 15°, y cerca de terraplenes o agua.
- ③ Agua
- ④ W = anchura de la máquina
- ⑤ Mantenga una distancia prudente (el doble de la anchura de la máquina) entre la máquina y cualquier obstáculo.

- Evite arrancar, parar o girar la máquina en cuestas o pendientes. Evite hacer cambios bruscos de velocidad o de dirección; gire poco a poco, y a baja velocidad.
- No utilice la máquina en condiciones que puedan comprometer la tracción, la dirección o la estabilidad de la máquina. Tenga en cuenta que conducir en hierba mojada, atravesar pendientes empinadas, o bajar cuestas puede hacer que la máquina pierda tracción. La transferencia de peso a las ruedas delanteras puede hacer que patine la máquina, con pérdida de frenado y de control de dirección. La máquina puede deslizarse incluso con las ruedas motrices inmovilizadas.
- Retire o señale cualquier obstáculo, como zanjas, baches, surcos, montículos, rocas u otros peligros ocultos. La hierba alta puede ocultar obstáculos. Un terreno irregular puede hacer que la máquina vuelque.
- Extreme las precauciones al trabajar con accesorios o aperos, como por ejemplo sistemas de recogida de hierba. Éstos pueden afectar a la estabilidad de la máquina y causar pérdidas de control. Siga las instrucciones sobre los contrapesos.
- Si es posible, mantenga la carcasa bajada al suelo mientras trabaje en pendientes. La elevación de la carcasa mientras se trabaja en pendientes puede hacer que la máquina pierda estabilidad.

Seguridad durante el uso (continuación)

Seguridad durante el remolcado

- Enganche el equipo a remolcar únicamente en el punto de enganche.
- No utilice la máquina como vehículo de remolque a menos que tenga un enganche instalado.
- No supere el peso bruto de remolque máximo.
- No deje que se acerquen niños u otras personas al equipo remolcado.
- En las pendientes, el peso del equipo remolcado puede causar una pérdida de tracción, aumentar el riesgo de vuelco o provocar una pérdida de control. Reduzca el peso remolcado y vaya más despacio.
- La distancia de parada puede aumentar con el peso de la carga remolcada. Conduzca lentamente y deje una distancia de parada mayor.
- Haga giros abiertos para mantener el accesorio alejado de la máquina.

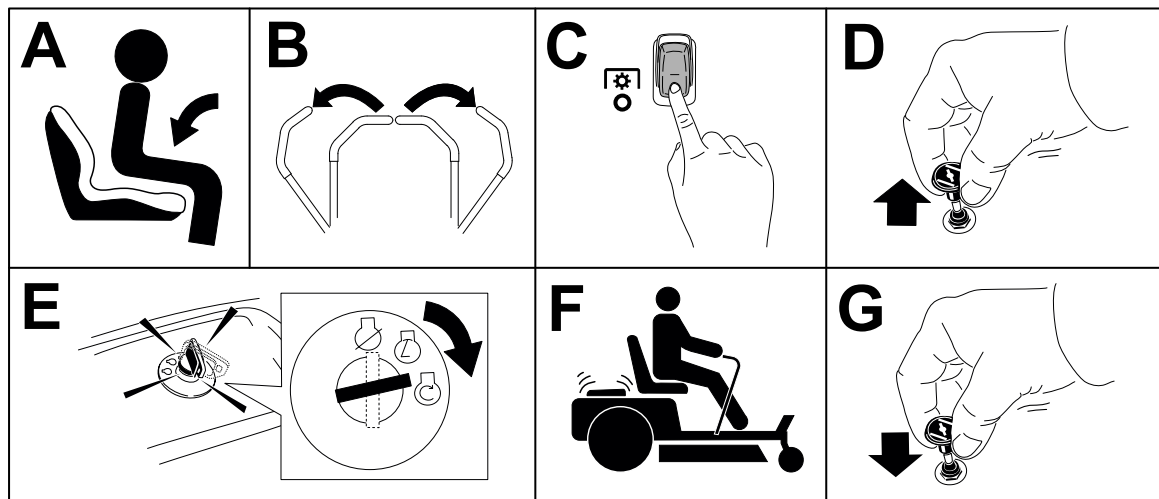
Arranque del motor

Arranque el motor como se indica.

Nota: Si el motor está caliente, puede no ser necesario usar el estarter.

IMPORTANTE

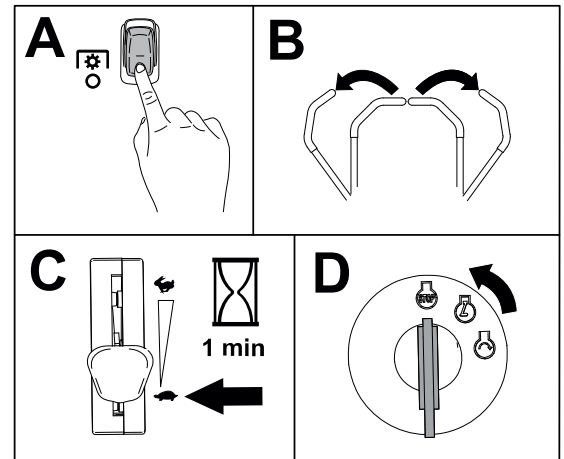
No active el motor de arranque durante más de 5 segundos cada vez, porque podría dañar el motor de arranque. Si el motor no arranca, espere 1 minuto antes de utilizar el motor de arranque de nuevo.



G451068

Apagado del motor

1. Desengrane las cuchillas moviendo el mando de control de las cuchillas a la posición de **DESENGRANADO**.
2. Mueva las palancas de control de movimiento hacia fuera, a la posición **APARCAR**.
3. Mueva el control del acelerador a la posición de **LENTO** y deje que el motor funcione en ralentí durante 1 minuto.
4. Gire la llave a la posición de **DESCONECTADO** y retire la llave.



G451067



PRECAUCIÓN



Los niños u otras personas podrían resultar lesionados si mueven o intentan operar la máquina mientras está desatendida.

Retire siempre la llave y ponga el freno de estacionamiento cuando deje la máquina sin supervisión.

Conducción de la máquina



PRECAUCIÓN

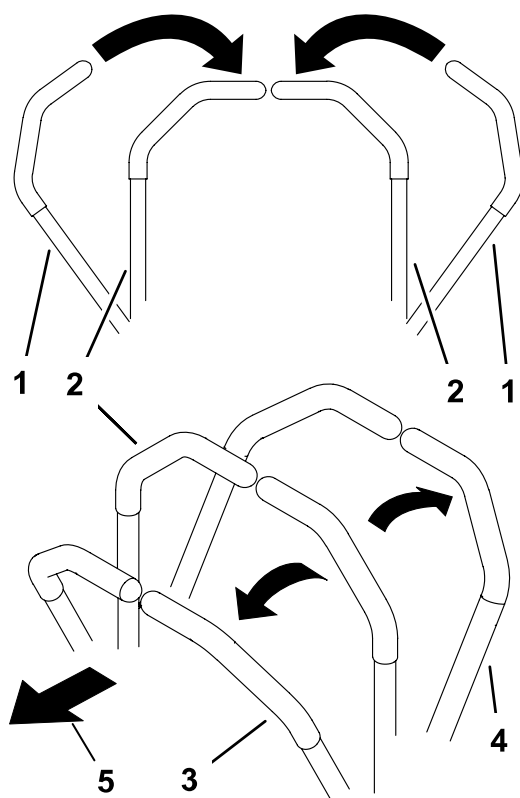


Si una de las palancas se avanza demasiado respecto a la otra, la máquina girará muy rápidamente. Como resultado, usted puede perder el control de la máquina, causando lesiones personales a usted y los posibles daños en la máquina.

Reduzca la velocidad de la máquina antes de efectuar giros cerrados.

Las ruedas motrices giran de manera independiente, impulsadas por motores en cada eje. Un lado puede girar hacia atrás mientras el otro lado gira hacia adelante, haciendo que la máquina rote sobre su eje en lugar de trazar una curva. Esto mejora mucho la maniobrabilidad de la máquina, pero puede ser necesario un periodo de adaptación si no está familiarizado con este sistema.

1. Mueva las palancas de control de movimiento hacia abajo a la posición central desbloqueada.



- ① Palanca de control de movimiento – posición APARCAR
- ② Posición central de desbloqueo
- ③ Hacia adelante
- ④ Hacia atrás
- ⑤ Parte delantera de la máquina

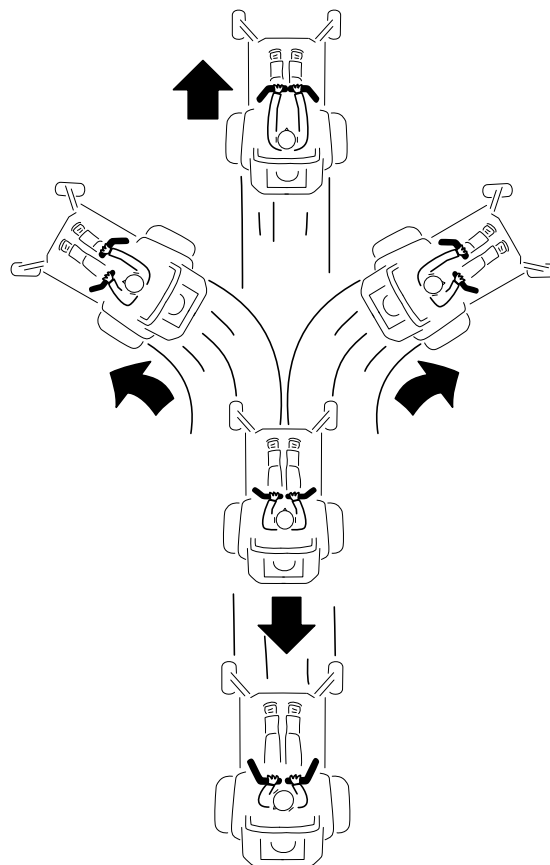
G426843s

Conducción de la máquina (continuación)

- Empuje lentamente las palancas de control de movimiento hacia adelante o hacia atrás. Mueva una palanca más lejos que la otra para girar.

Nota: Cuanto más se mueven las palancas de control de movimiento, más rápidamente se desplaza la máquina en ese sentido.

- Para detenerse, tire de las palancas de control de movimiento a la posición de PUNTO MUERTO.



G397314s

Uso del mando de control de las cuchillas (TDF)



PELIGRO



Las cuchillas rotativas, situadas debajo de la carcasa de corte, son peligrosas. Cualquier contacto con las cuchillas causará lesiones graves o la muerte.

No ponga las manos o los pies debajo del cortacésped o de la carcasa de corte cuando las cuchillas están engranadas.



PELIGRO

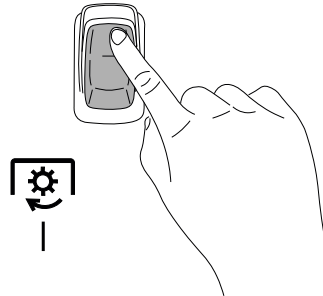


Si el hueco de descarga se deja destapado, podrían salir despedidos objetos hacia usted u otras personas. También podría producirse un contacto con la cuchilla. Los objetos lanzados o cualquier contacto con las palas causarán lesiones graves o la muerte.

No utilice el cortacésped con el deflector de descarga elevado, retirado o modificado, a menos que tenga colocado y en buenas condiciones de funcionamiento un sistema de recogida de hierba o un kit de mulching.

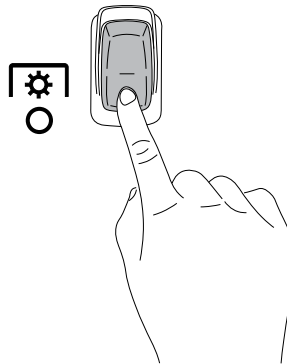
Uso del mando de control de las cuchillas (TDF) (continuación)

1. Mueva el control del acelerador a la posición de RÁPIDO.
2. Engrane el mando de control de las cuchillas.



G450387

3. Siegue según desee.
4. Desengrane el mando de control de las cuchillas.



G450388

Descarga lateral

El deflector de hierba abisagrado dispersa los recortes de hierba a un lado y hacia abajo al césped.

Descarga lateral (continuación)



PELIGRO



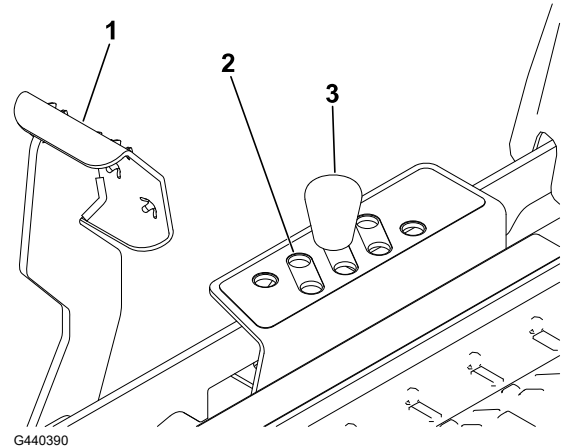
Sin el deflector de hierba, la tapa de descarga o el recogedor completo adecuadamente montado, usted y otras personas están expuestos a contacto con las cuchillas y a residuos lanzados al aire. El contacto con las cuchillas del cortacésped en rotación y con los residuos lanzados al aire causará lesiones o muerte.

- No retire el deflector de hierba de la máquina porque el deflector de hierba dirige el material hacia abajo, al césped. Si el deflector de hierba se deteriora alguna vez, sustitúyalo inmediatamente.
 - No coloque nunca las manos o los pies debajo del cortacésped.
 - No intente nunca despejar la zona de descarga o las cuchillas del cortacésped sin antes desengranar la toma de fuerza (TDF). Gire la llave a la posición de **DESCONECTADO** y retire la llave.
-

Ajuste de la altura de corte

Puede ajustar la altura de corte de 38 a 127 mm (1½" a 5") en incrementos de 13 mm (½").

1. Pise el pedal de elevación de la carcasa ① para elevar la carcasa de corte.
2. Retire el pasador ③ del soporte de altura de corte.
3. Introduzca el pasador en el orificio que corresponda a la altura de corte deseada ②.
4. Baje la carcasa lentamente hasta que la palanca entre en contacto con el pasador.

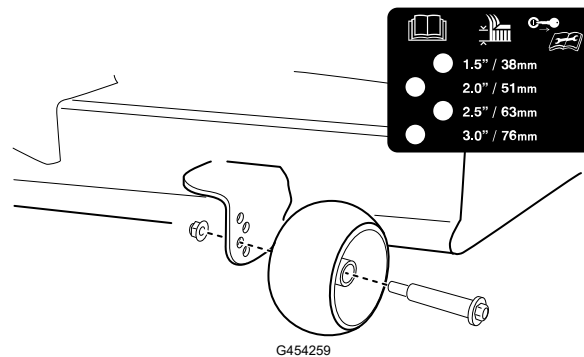


Ajuste de los rodillos protectores del césped

Cada vez que cambie la altura de corte, ajuste también la altura de los rodillos protectores del césped.

1. Aparque la máquina en una superficie nivelada, desengrane el mando de control de las cuchillas y mueva las palancas de control de movimiento hacia fuera a la posición APARCAR.
2. Apague el motor, retire la llave y espere a que se detengan todas las piezas en movimiento antes de abandonar el puesto del operador.
3. Ajuste los rodillos protectores del césped a la posición de altura de corte más próxima.

Nota: Ajuste los rodillos protectores del césped para que los rodillos no toquen el suelo en zonas de siega llanas normales.



Consejos de uso

Maximice la circulación de aire

Para aumentar al máximo la calidad de corte y la circulación de aire, trabaje con el motor en la posición de RÁPIDO. Es necesario que haya una corriente de aire para que se trituren bien los recortes de hierba, así que no ponga la altura de corte tan baja como para rodar

Consejos de uso (continuación)

totalmente la carcasa de corte de hierba sin cortar. Trate siempre de mantener un lado de la carcasa de corte libre de hierba sin cortar para que pueda entrar aire en la carcasa.

Evite cortar demasiado bajo

Al segar en terrenos irregulares, eleve la altura de corte un poco más de lo habitual para evitar dejar calvas en el césped. Sin embargo, la altura de corte utilizada habitualmente suele ser la mejor. Si la hierba tiene más de 15 cm (6") de alto, es preferible cortar el césped dos veces para asegurar una calidad de corte aceptable.

Corte un tercio de la hoja de hierba

Es mejor cortar solamente un tercio aproximadamente de la hoja de hierba. No se recomienda cortar más, a menos que la hierba sea escasa o al final del otoño, cuando la hierba crece más despacio.

Alterne la dirección de la siega

Alterne la dirección de corte para mantener la hierba erguida. De esta forma también se ayuda a dispersar mejor los recortes sobre el césped y se conseguirá una mejor descomposición y fertilización.

Frecuencia de siega

La hierba crece a velocidades diferentes en diferentes épocas del año. Para mantener la misma altura de corte, corte el césped con más frecuencia durante la primavera. A medida que avanza el verano, la velocidad de crecimiento de la hierba decrece, por ello debe cortarse con menor frecuencia. Si no puede segar durante un período de tiempo prolongado, siegue primero con una altura de corte alta y, después de dos días, vuelva a segar con un ajuste más bajo.

Siegue a velocidades de avance más bajas

En ciertas condiciones, segar a una velocidad de avance más baja puede mejorar la calidad de corte.

Evite depositar acumulaciones de recortes

Si es necesario detener el avance de la máquina durante la siega, pueden caer acumulaciones de recortes sobre el césped. Para evitar esto, al entrar en una zona del césped que ya haya sido segada mantenga engranadas las cuchillas, o desengrane la carcasa de corte al desplazarse hacia adelante.

Limpieza de la parte inferior de la carcasa de corte

Limpie los recortes y la suciedad de la parte inferior de la carcasa de corte después de cada uso. La acumulación de hierba y tierra irá reduciendo la calidad de corte.

Consejos de uso (continuación)

Mantenimiento de las cuchillas

Mantenga las cuchillas afiladas durante toda la temporada de corte, ya que una cuchilla afilada corta limpiamente y sin rasgar o deshilar las hojas de hierba. Si se rasgan o se deshilaran, los bordes de las hojas se secarán, lo cual retardará su crecimiento y favorecerá la aparición de enfermedades. Compruebe después de cada uso que las cuchillas están bien afiladas y que no están desgastadas o dañadas. Elimine cualquier mella con una lima, y afile las cuchillas si es necesario. Si una cuchilla está desgastada o dañada, cámbiela.

Después del uso

Seguridad después del uso

- Aparque la máquina en una superficie nivelada, desengrane las transmisiones, ponga el freno de estacionamiento, apague el motor, retire la llave y espere a que se detengan todas las piezas en movimiento antes de abandonar el puesto del operador.
- Deje que la máquina se enfríe antes de hacer trabajos de ajuste, mantenimiento, repostaje, limpieza o almacenamiento.
- Limpie la hierba, las hojas, el exceso de grasa o aceite y otros residuos de la carcasa de corte, el silenciador, las transmisiones, el recogedor y la zona del motor para ayudar a prevenir incendios.
- Cierre la válvula de cierre del combustible (en su caso) antes de almacenar o transportar la máquina.
- Utilice rampas de ancho completo para cargar la máquina en un remolque o un camión.
- Amarre la máquina firmemente con correas, cadenas, cables o cuerdas. Tanto las correas delanteras como las traseras deben orientarse hacia abajo y hacia fuera respecto a la máquina.

Cómo limpiar la máquina

Limpie la máquina después de cada uso.

1. Aparque la máquina en una superficie nivelada, desengrane el mando de control de las cuchillas y mueva las palancas de control de movimiento hacia fuera a la posición APARCAR.
2. Apague el motor, retire la llave y espere a que se detengan todas las piezas en movimiento antes de abandonar el puesto del operador.
3. Limpie la hierba y los residuos de la unidad de corte, el silenciador, las transmisiones, el recogedor y el motor.

Cómo limpiar la máquina (continuación)

IMPORTANTE

La máquina puede lavarse con un detergente suave y agua. No lave la máquina a presión. Evite el uso excesivo de agua, especialmente cerca del panel de control, debajo del asiento, y alrededor del motor, de las bombas hidráulicas y de los motores eléctricos.

Acarreo de la máquina

Utilice un remolque o un camión para tareas pesadas para acarrear la máquina. Utilice una rampa de ancho completo. Asegúrese de que el remolque o el camión tenga todos los frenos, las luces y las señalizaciones necesarios requeridos por la ley. Lea detenidamente todas las instrucciones de seguridad. El conocer esta información puede ayudar a evitarles lesiones a usted o a otras personas. Consulte en la normativa local los requisitos aplicables al remolque y al sistema de amarre.



ADVERTENCIA



Conducir por la calle o la carretera sin intermitentes, luces, reflectores o señales de vehículo lento es peligroso y puede derivar en accidentes que pueden provocar lesiones personales.

No conduzca la máquina en una calle o carretera pública.

Requisitos del remolque



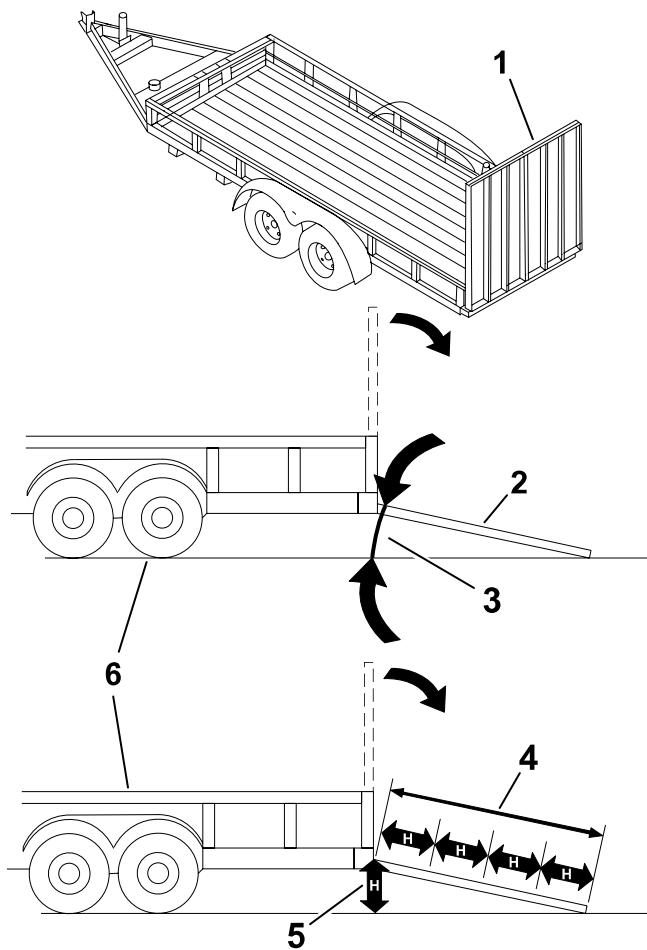
ADVERTENCIA



El cargar la máquina en un remolque o un camión aumenta la posibilidad de un vuelco y podría causar lesiones graves o la muerte.

- Utilice únicamente una rampa de ancho completo; no utilice rampas individuales para cada lado de la máquina.
 - No supere un ángulo de 15 grados entre la rampa y el suelo, o entre la rampa y el remolque o camión.
 - Asegúrese de que la rampa tiene una longitud mínima igual a cuatro veces la altura entre la plataforma del remolque o del camión y el suelo.
-

Acarreo de la máquina (continuación)



G027996s

- ① Rampa(s) de ancho completo en posición de almacenamiento
- ② Vista lateral de una rampa de ancho completo en la posición de la carga
- ③ No más de 15 grados
- ④ La longitud de la rampa es al menos 4 veces mayor que la altura de la plataforma del camión o del remolque sobre el suelo.
- ⑤ H = altura de la plataforma del remolque o del camión sobre el suelo.
- ⑥ Remolque

Cómo cargar la máquina



ADVERTENCIA



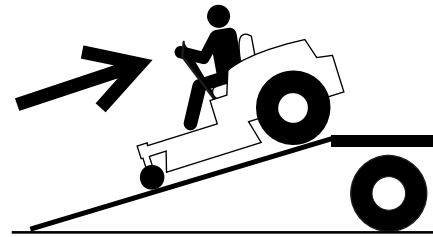
El cargar la máquina en un remolque o un camión aumenta la posibilidad de un vuelco y podría causar lesiones graves o la muerte.

- Extreme las precauciones al hacer funcionar la máquina en una rampa.
- Suba la máquina por la rampa en marcha atrás y baje la máquina por la rampa conduciendo hacia adelante.
- Evite acelerar o desacelerar bruscamente al conducir la máquina en una rampa, porque esto podría provocar un vuelco o una pérdida de control.

1. Si utiliza un remolque, conéctelo al vehículo que lo arrastra y conecte las cadenas de seguridad.
2. En su caso, conecte los frenos del remolque.

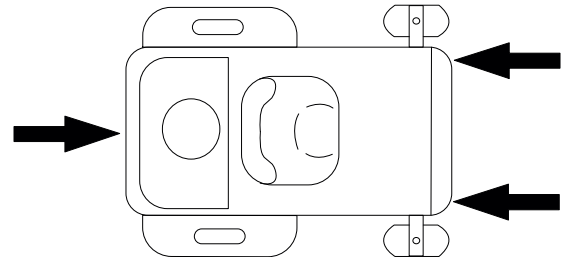
Acarreo de la máquina (continuación)

3. Baje la rampa, asegurándose de que el ángulo entre la rampa y el suelo no supera los 15 grados.
4. Suba por la rampa conduciendo la máquina hacia atrás.
5. Apague el motor, retire la llave y mueva las palancas de control de movimiento hacia fuera a la posición APARCAR.



G414592

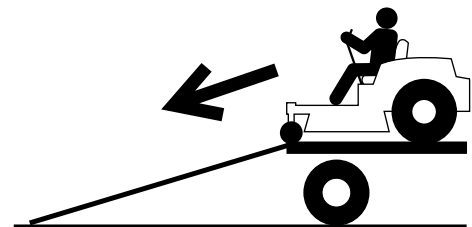
6. Amarre la máquina usando correas, cadenas, cables o cuerdas. Consulte la normativa local respecto a los requisitos de amarre.



G451313

Cómo descargar la máquina

1. Baje la rampa, asegurándose de que el ángulo entre la rampa y el suelo no supera los 15 grados.
2. Baje la máquina por la rampa conduciendo hacia adelante.



G414593



Seguridad en el mantenimiento

- Si deja la llave en el interruptor, alguien podría arrancar el motor accidentalmente y causar lesiones graves a usted o a otras personas. Retire la llave del interruptor de encendido antes de realizar cualquier operación de mantenimiento.
- Antes de abandonar el puesto del operador, haga lo siguiente:
 - Aparque la máquina en una superficie nivelada.
 - Desengrane las transmisiones.
 - Ponga el freno de estacionamiento.
 - Apague el motor y retire la llave.
 - Espere a que la máquina se enfríe antes de realizar tareas de mantenimiento.
- No permita que personas que no hayan recibido formación realicen mantenimiento en la máquina.
- Mantenga las manos y los pies alejados de las piezas en movimiento y las superficies calientes. Si es posible, no haga ajustes mientras el motor está funcionando.
- Mantenga colocados y en buenas condiciones de funcionamiento todos los protectores, defensas e interruptores y todos los dispositivos de seguridad. Compruebe frecuentemente el estado de desgaste o deterioro de los componentes y sustitúyalos con piezas genuinas de Toro cuando sea necesario.
- Alivie con cuidado la tensión de aquellos componentes que tengan energía almacenada.



ADVERTENCIA



La retirada o modificación de equipos, piezas y/o accesorios originales puede afectar a la garantía, la capacidad de control y la seguridad de la máquina. La modificación sin autorización del equipo original o el uso de piezas que no sean piezas originales de Toro puede causar lesiones graves o la muerte.

- Compruebe frecuentemente el funcionamiento del freno de estacionamiento. Ajústelo y realice el mantenimiento cuando sea necesario.
- No manipule nunca los dispositivos de seguridad. Compruebe regularmente que funcionan correctamente.
- Limpie la hierba, las hojas, el exceso de grasa y aceite y otros residuos de la unidad de corte, el silenciador, las transmisiones, el recogedor y el compartimento del motor para prevenir incendios.
- Limpie cualquier derrame de aceite o combustible y retire cualquier residuo empapado en combustible.

- No confíe únicamente en gatos mecánicos o hidráulicos para apoyar la máquina. Utilice caballetes apropiados.
- Mantenga todas las piezas en buenas condiciones de uso y todas las fijaciones bien apretadas, especialmente las fijaciones de las cuchillas.
- Para asegurar un rendimiento óptimo, utilice únicamente piezas y accesorios genuinos de Toro. Las piezas de repuesto y los accesorios de otros fabricantes podrían ser peligrosos.

Calendario de mantenimiento recomendado

Intervalo de mantenimiento	Procedimiento de mantenimiento
Después de las 50 primeras horas	Compruebe el par de apriete de las tuercas de las ruedas.
Antes de cada uso o a diario	Comprobación del sistema de interruptores de seguridad.
	Comprobación del nivel de aceite del motor.
	Limpie la rejilla de la entrada de aire.
	Inspección de las cuchillas.
	Compruebe que el deflector de hierba no está deteriorado.
Después de cada uso	Limpie la hierba y los residuos de la máquina.
	Limpie la carcasa de corte.
Cada 25 horas	Engrase los cojinetes de las ruedas giratorias (más a menudo en condiciones de suelo arenoso).
	Limpie el elemento de espuma del limpiador de aire (más a menudo en condiciones de mucho polvo o suciedad).
	Compruebe la presión de los neumáticos.
	Compruebe que las correas no están desgastadas ni agrietadas.
Cada 100 horas o cada año, lo que ocurra primero	Cambie el elemento de papel del limpiador de aire (más a menudo en condiciones de mucho polvo o suciedad).
	Cambie el aceite del motor y el filtro de aceite (más a menudo en condiciones de mucho polvo o suciedad).
Antes del almacenamiento	Cargue la batería y desconecte los cables.
	Realice todos los procedimientos de mantenimiento arriba citados antes del almacenamiento
	Pinte cualquier superficie desconchada.
Cada año	Compruebe el par de apriete de las tuercas de las ruedas.
	Cambie los elementos de papel y espuma del limpiador de aire (más a menudo en condiciones de mucho polvo o suciedad).
	Cambie la(s) bujía(s).
	Cambio del filtro de combustible en línea.
	Limpie el sistema de refrigeración; póngase en contacto con un Servicio Técnico Autorizado.

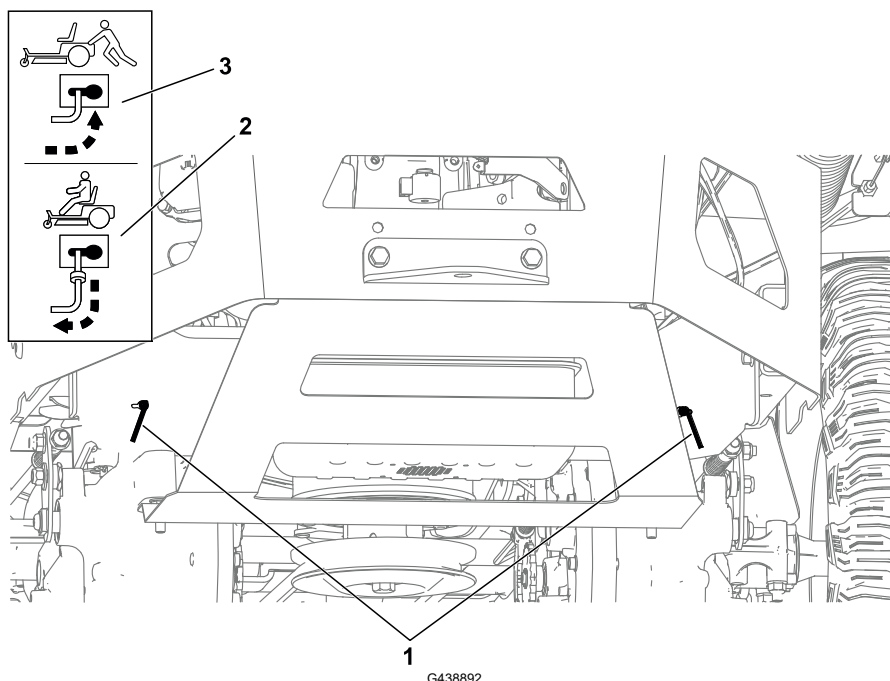
IMPORTANTE

Consulte los demás procedimientos de mantenimiento del manual del propietario del motor.

Procedimientos previos al mantenimiento

Cómo mover una máquina averiada

1. Aparque la máquina en una superficie nivelada, desengrane el mando de control de las cuchillas y mueva las palancas de control de movimiento hacia fuera a la posición APARCAR.
2. Apague el motor y espere a que se detengan todas las piezas en movimiento antes de abandonar el puesto del operador.
3. Localice las palancas de desvío ① en el bastidor en cada lado del motor.



4. Mueva ambas palancas de desvío hacia delante a través del orificio ranurado y hacia el lado para bloquearlas en esa posición ③.



ADVERTENCIA



El contacto con superficies calientes puede causar lesiones personales.

Mantenga las manos, los pies, la cara, la ropa y otras partes del cuerpo alejados del motor, del silenciador y de otras superficies calientes.

Cómo mover una máquina averiada (continuación)



ADVERTENCIA



La máquina podría desplazarse accidentalmente mientras las palancas de derivación están bloqueadas hacia adelante en la ranura, y causar lesiones a usted o a otras personas.

Bloquee las palancas de desvío hacia atrás después de mover la máquina.

5. Para quitar el freno de estacionamiento, mueva ambas palancas de control de movimiento hacia abajo a la posición central desbloqueada.

Nota: No arranque la máquina.

6. Mueva la máquina según sea necesario.

IMPORTANTE

Empuje siempre la máquina a mano. No remolque la máquina porque podría dañarla.

7. Mueva las palancas de control de movimiento hacia fuera, a la posición APARCAR.
8. Mueva ambas palancas de desvío hacia atrás y hacia el lado a través del orificio ranurado para bloquearlas en esa posición ②.

Elevación de la máquina

Utilice caballetes para apoyar la máquina después de elevarla.



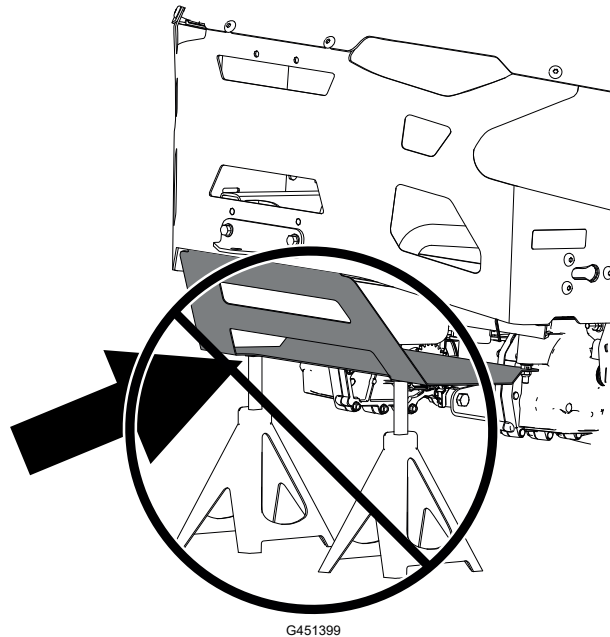
ADVERTENCIA



Apoyar la máquina sobre el protector inferior del silenciador puede dañar el protector y hacer que la máquina caiga, causando lesiones a usted o a otras personas.

No utilice el protector inferior del silenciador para elevar o apoyar la máquina.

Elevación de la máquina (continuación)



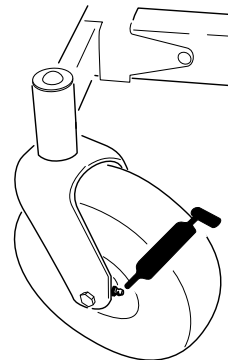
Lubricación

Engrasado de los cojinetes

1. Aparque la máquina en una superficie nivelada, desengrane el mando de control de las cuchillas y mueva las palancas de control de movimiento hacia fuera a la posición APARCAR.
2. Apague el motor y espere a que se detengan todas las piezas en movimiento antes de abandonar el puesto del operador.
3. Limpie los engrasadores con un trapo.

Nota: Rasque cualquier pintura de la parte delantera de los engrasadores.

4. Conecte una pistola de engrasar a cada engrasador.
5. Bombee grasa hasta que empiece a rezumar grasa de los cojinetes.
6. Limpie cualquier exceso de grasa.



Mantenimiento del motor

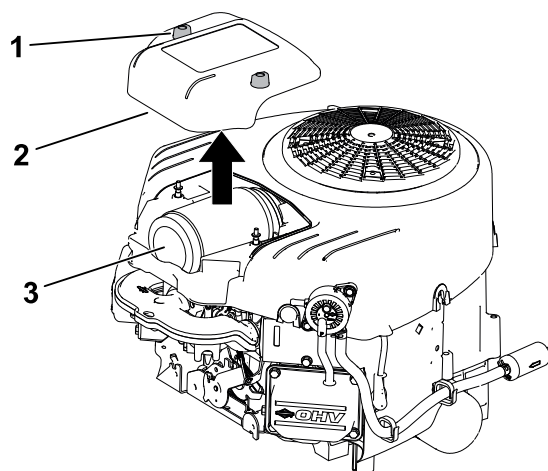
Seguridad del motor

- Mantenga las manos, los pies, la cara, otras partes del cuerpo y la ropa alejados del silenciador y de otras superficies calientes. Espere a que se enfríe el motor antes de realizar tareas de mantenimiento.
- No cambie la velocidad del regulador del motor ni haga funcionar el motor a una velocidad excesiva.

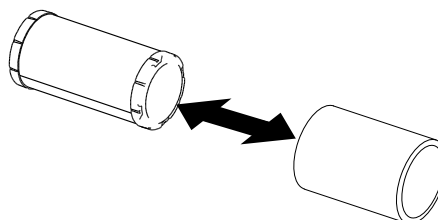
Mantenimiento del limpiador de aire

Retirada de los elementos del limpiador de aire

1. Aparque la máquina en una superficie nivelada, desengrane el mando de control de las cuchillas y ponga las palancas de control de movimiento hacia fuera en la posición de APARCAR.
2. Pare el motor y espere a que se detengan todas las piezas en movimiento antes de abandonar el puesto del operador.
3. Limpie alrededor de la tapa del limpiador de aire ② para evitar que entre suciedad en el motor y cause daños.
4. Afloje las fijaciones ① y retire la tapa.
5. Retire los elementos del limpiador de aire ③.
6. Separe los elementos de espuma y papel.



G399637s



G451151

Mantenimiento del elemento de gomaespuma

1. Lave el elemento de gomaespuma con jabón líquido y agua templada. Cuando el elemento esté limpio, enjuáguelo bien.
2. Seque el elemento apretándolo con un paño limpio.

Mantenimiento del limpiador de aire (continuación)

IMPORTANTE

Sustituya el elemento de gomaespuma si está roto o desgastado.

3. Lubrique ligeramente el elemento de gomaespuma con aceite de motor nuevo y apriételo para retirar cualquier exceso de aceite.

Mantenimiento del elemento de papel del limpiador de aire.

1. Limpie el elemento de papel golpeándolo suavemente para eliminar el polvo.

Nota: Si está muy sucio, cambie el elemento de papel por uno nuevo.

2. Inspeccione el filtro por si estuviera roto, tuviera una película aceitosa o la junta de goma estuviera dañada.
3. Cambie el elemento de papel si está dañado.

IMPORTANTE

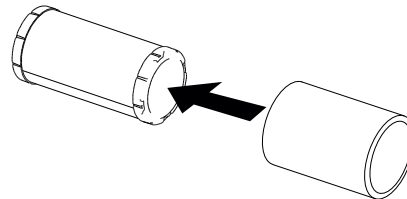
No limpie el filtro de papel.

Instalación de los elementos del limpiador de aire

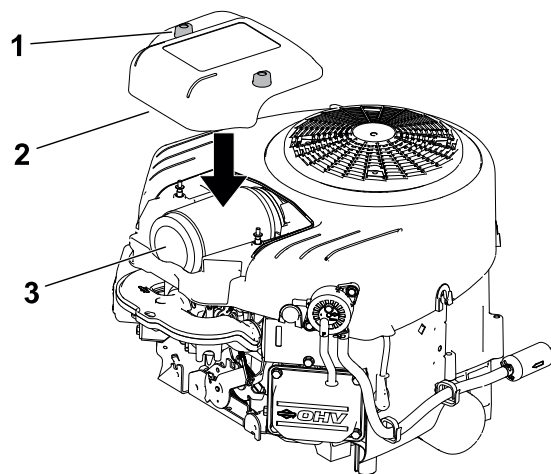
1. Instale el elemento de espuma del prelimpiador sobre el elemento de papel.

Nota: Asegúrese de no dañar los elementos.

2. Instale los elementos ③ del limpiador de aire en la base del limpiador de aire.
3. Instale la tapa ② y apriete las fijaciones ①.



G451670

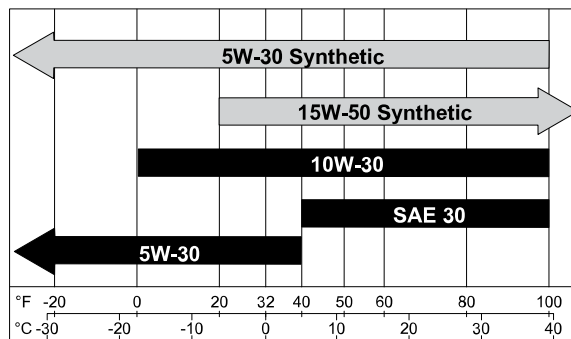


G451671

Mantenimiento del aceite del motor

Especificaciones del aceite del motor

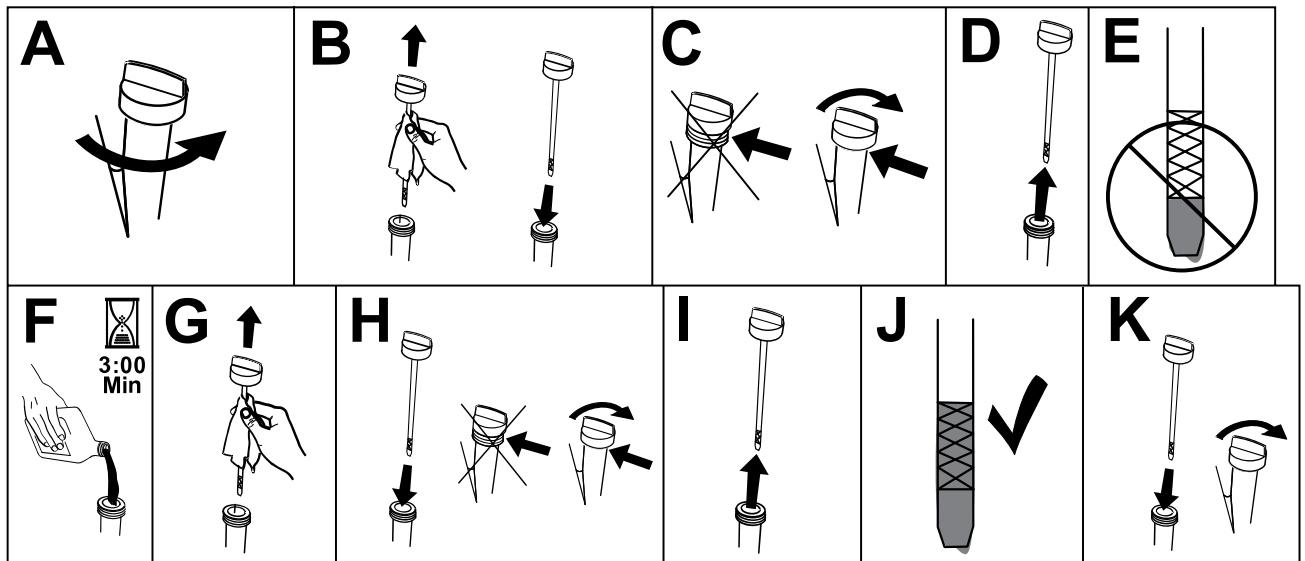
Tipo de aceite	Aceite detergente (incluyendo sintético) de servicio API SJ o superior
Capacidad del cárter	1.9 Litros (64 onzas fluidas) sin filtro de aceite; 1.8 litros (60 onzas fluidas) con filtro de aceite
Viscosidad	Consulte la tabla siguiente



Comprobación del nivel de aceite del motor

1. Aparque la máquina en una superficie nivelada, desengrane el mando de control de las cuchillas y mueva las palancas de control de movimiento hacia fuera a la posición APARCAR.
2. Apague el motor, retire la llave y espere a que se detengan todas las piezas en movimiento antes de abandonar el puesto del operador.
3. Espere hasta que el motor esté frío y el aceite haya tenido tiempo para drenarse al cárter.
4. Para que no entre suciedad, recortes de hierba, etc., en el motor, limpie la zona alrededor del tapón de llenado/varilla de aceite antes de retirarlo.
5. Compruebe el nivel de aceite del motor como se indica.

Mantenimiento del aceite del motor (continuación)



G373146s

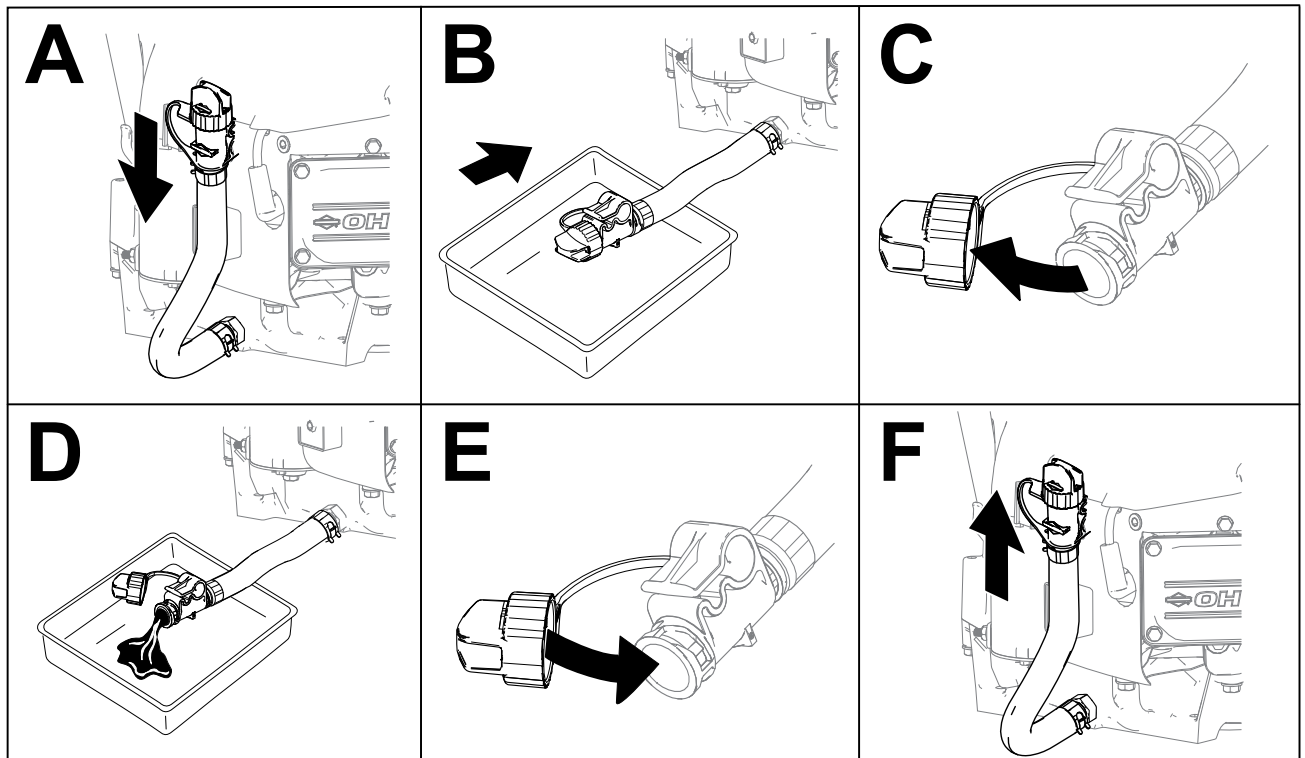
IMPORTANTE

Si sobrecarga o no llena lo suficiente el cárter del motor con aceite, podría dañarse el motor al ponerse en marcha.

Mantenimiento del aceite del motor (continuación)

Cambio del aceite de motor y el filtro de aceite

1. Aparque la máquina en una superficie nivelada para asegurarse de que el aceite se drene por completo.
2. Desengrane el mando de control de las cuchillas y mueva las palancas de control de movimiento hacia fuera a la posición de APARCAR.
3. Apague el motor, retire la llave y espere a que se detengan todas las piezas en movimiento antes de abandonar el puesto del operador.
4. Drene el aceite del motor.

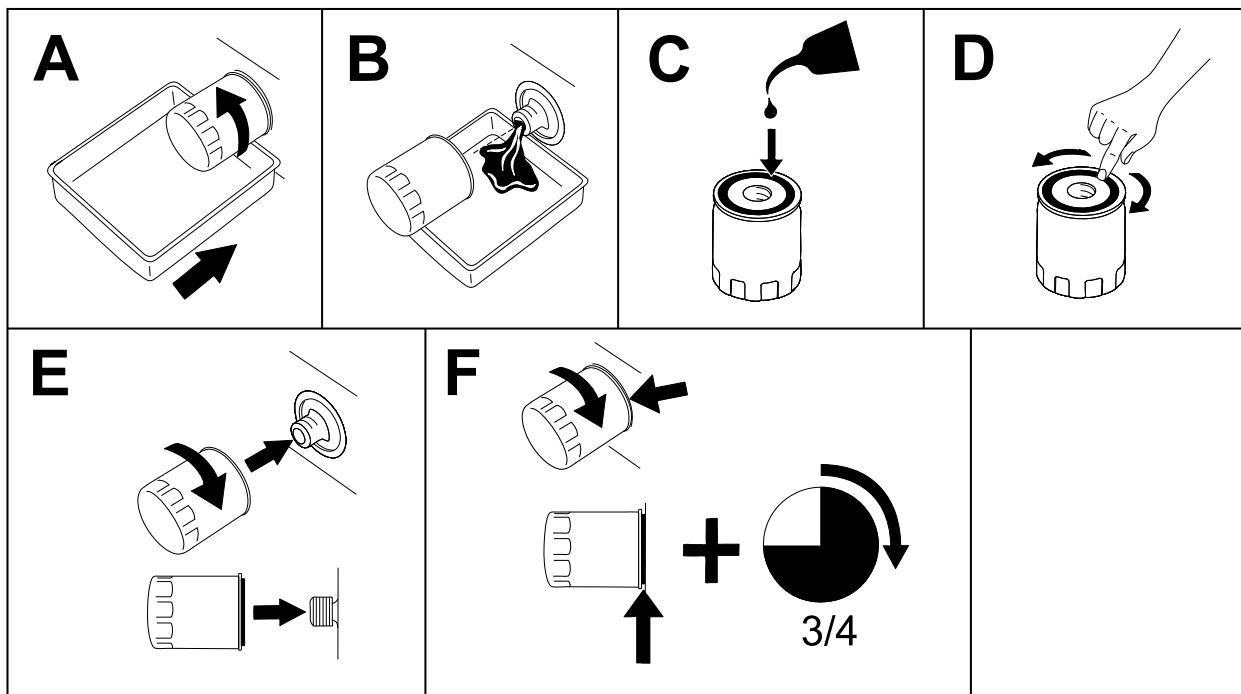


G399817s

5. Sustituya el filtro de aceite del motor.

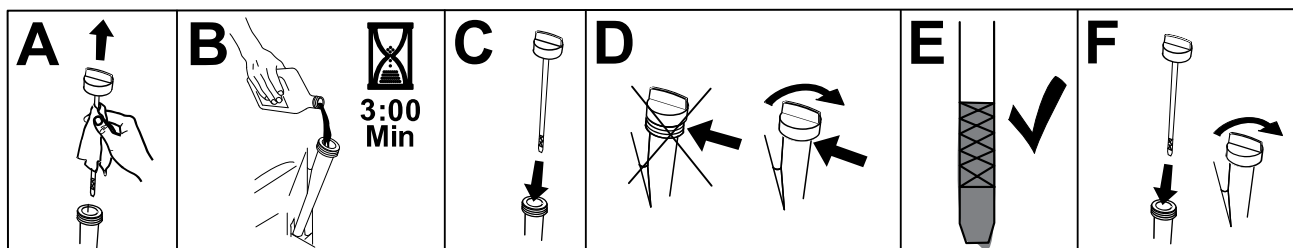
Nota: Asegúrese de que la junta del filtro de aceite toca el motor, luego apriete $\frac{3}{4}$ de vuelta más.

Mantenimiento del aceite del motor (continuación)



G398545s

6. Vierta lentamente alrededor del 80 % del aceite especificado por el tubo de llenado y añada lentamente el resto del aceite hasta que llegue a la marca Lleno.



G373565s

7. Elimine el aceite usado en un centro de reciclaje.

Mantenimiento de la bujía

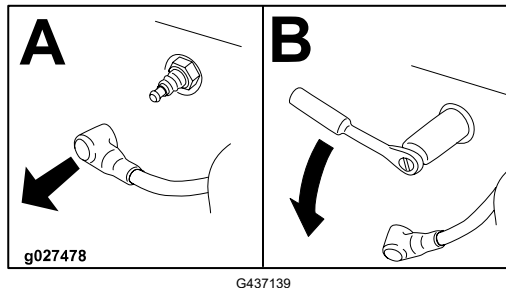
Asegúrese de que la distancia entre los electrodos central y lateral es correcta antes de instalar la bujía. Utilice una llave para bujías para desmontar e instalar la bujía y una galga de espesores/herramienta de separación de electrodos para comprobar y ajustar la distancia entre los mismos. Instale una bujía nueva si es necesario.

Tipo: Champion® XC92YC

Distancia entre electrodos: 0.76 mm (0.03")

Retirada de la bujía

1. Aparque la máquina en una superficie nivelada, desengrane el mando de control de las cuchillas y mueva las palancas de control de movimiento hacia fuera a la posición APARCAR.
2. Apague el motor, retire la llave y espere a que se detengan todas las piezas en movimiento antes de abandonar el puesto del operador.
3. Limpie la zona alrededor de la base de la bujía para que no caiga suciedad en el motor.
4. Retire la bujía.



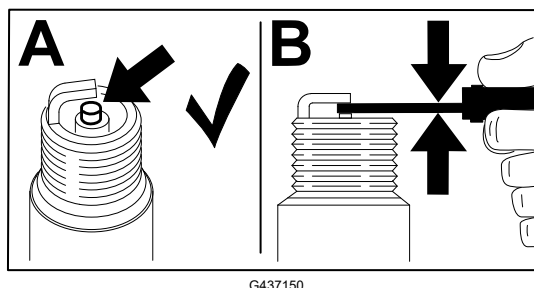
Inspección de la bujía

IMPORTANTE

No limpie la(s) bujía(s). Cambie siempre las bujías si tienen un revestimiento negro, electrodos desgastados, una película aceitosa o grietas.

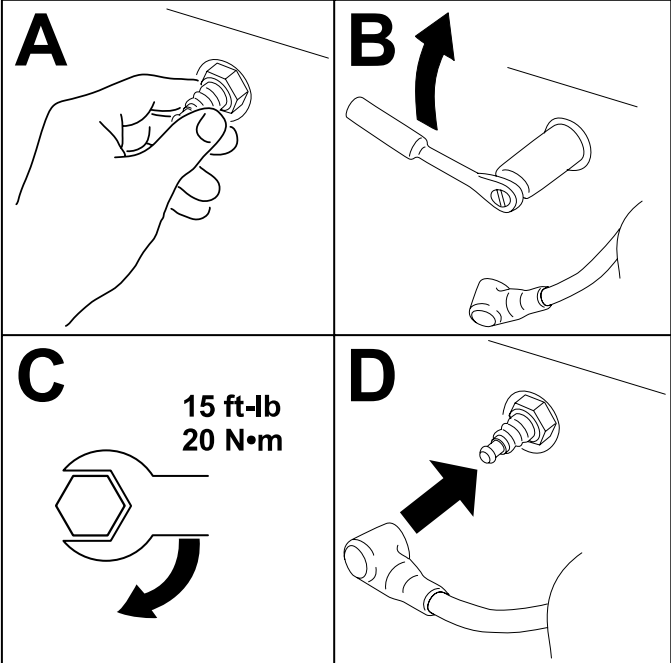
Si se observa un color gris o marrón claro en el aislante, el motor está funcionando correctamente. Si el aislante aparece de color negro, significa que el limpiador de aire está sucio.

Ajuste la distancia a 0.75 mm (0.03").



Mantenimiento de la bujía (continuación)

Instalación de la bujía



g027480s

Mantenimiento del combustible



PELIGRO



En ciertas condiciones, el combustible es extremadamente inflamable y altamente explosivo. Un incendio o una explosión provocados por el combustible puede causarles quemaduras a usted y a otras personas así como daños materiales.

Consulte [Seguridad en el manejo del combustible, página 4–2](#) para obtener una lista completa de precauciones relacionadas con el sistema de combustible.

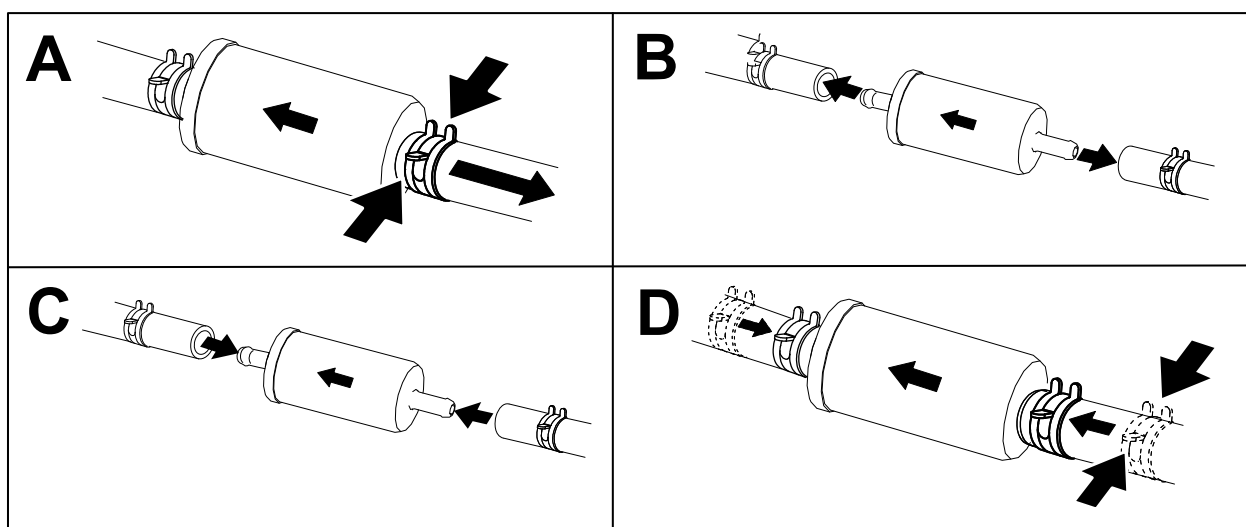
Cambio del filtro de combustible

1. Aparque la máquina en una superficie nivelada, desengrane el mando de control de las cuchillas y mueva las palancas de control de movimiento hacia fuera a la posición APARCAR.
2. Apague el motor, retire la llave y espere a que se detengan todas las piezas en movimiento antes de abandonar el puesto del operador.
3. Bloquee los tubos de combustible en ambos lados del filtro de combustible.
4. Cambie el filtro.

Nota: Asegúrese de que la flecha de dirección de flujo del filtro nuevo apunta hacia el motor.

IMPORTANTE

No instale nunca un filtro sucio después de retirarlo del tubo de combustible.



G451172

5. Retire las abrazaderas que bloquean el flujo de combustible.

Mantenimiento del sistema eléctrico

Seguridad del sistema eléctrico

- Desconecte el cable del borne negativo de la batería antes de reparar la máquina.
- Cargue la batería en una zona abierta y bien ventilada, lejos de chispas y llamas. Desenchufe el cargador antes de conectar o desconectar la batería. Lleve ropa protectora y utilice herramientas aisladas.

Mantenimiento de la batería

Retirada de la batería



ADVERTENCIA



Los bornes de la batería o una herramienta metálica podrían hacer cortocircuito si entran en contacto con los componentes metálicos de la máquina, causando chispas. Las chispas podrían hacer explotar los gases de la batería, causando lesiones personales.

- Al retirar o colocar la batería, no deje que los bornes toquen ninguna parte metálica de la máquina.
- No deje que las herramientas metálicas hagan cortocircuito entre los bornes de la batería y las partes metálicas de la máquina.

1. Aparque la máquina en una superficie nivelada, desengrane el mando de control de las cuchillas y mueva las palancas de control de movimiento hacia fuera a la posición APARCAR.
2. Apague el motor, retire la llave y espere a que se detengan todas las piezas en movimiento antes de abandonar el puesto del operador.
3. Desconecte el cable negativo de tierra (negro) del borne de la batería.

Nota: Guarde todas las fijaciones.



ADVERTENCIA



Una desconexión incorrecta de los cables de la batería podría dañar la máquina y los cables, causando chispas. Las chispas podrían hacer explotar los gases de la batería, causando lesiones personales.

- Desconecte siempre el cable negativo (negro) de la batería antes de desconectar el cable positivo (rojo).
- Conecte siempre el cable positivo (rojo) de la batería antes de conectar el cable negativo (negro).

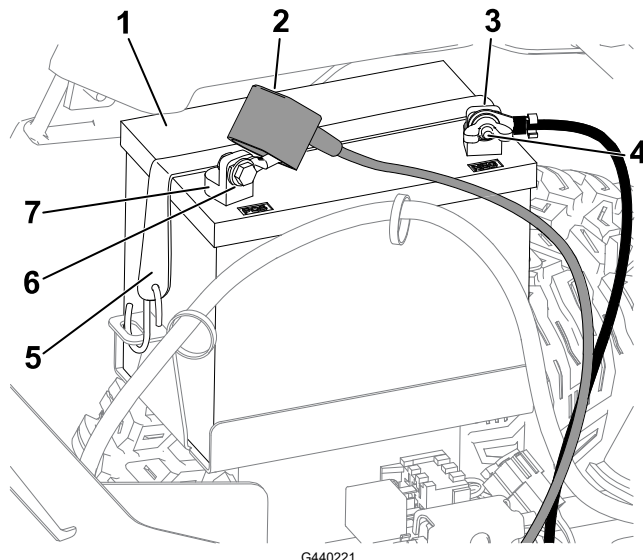
4. Retire la cubierta de goma del cable positivo (rojo).

Mantenimiento de la batería (continuación)

- Desconecte el cable positivo (rojo) del borne de la batería (+).

Nota: Guarde todas las fijaciones.

- Retire la correa de sujeción de la batería y levante la batería de la bandeja.



- | | |
|--|------------------------------------|
| ① Batería | ⑤ Correa de sujeción de la batería |
| ② Cubierta del borne | ⑥ Perno, arandela y tuerca |
| ③ Borne negativo (-) de la batería | ⑦ Borne positivo (+) de la batería |
| ④ Tuerca de orejeta, arandela, y perno | |

Cómo cargar la batería



ADVERTENCIA



El proceso de carga de la batería produce gases que pueden explotar.

No fume nunca cerca de la batería, y mantenga alejados de la batería chispas y llamas.

IMPORTANTE

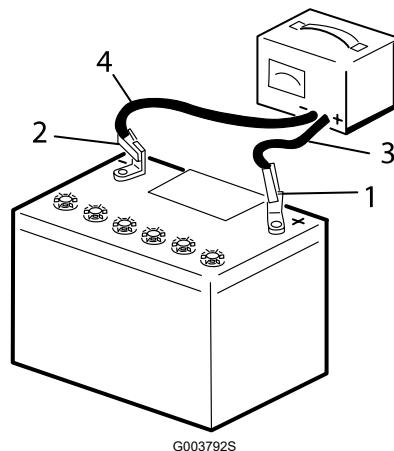
Mantenga siempre la batería completamente cargada. Esto es especialmente importante para evitar daños a la batería cuando la temperatura está por debajo de los 0 °C (32 °F).

- Retire la batería de la máquina.
- Cargue la batería siguiendo las indicaciones del fabricante del cargador de baterías.

Mantenimiento de la batería (continuación)

IMPORTANTE

No sobrecargue la batería; de lo contrario, podría dañarla.



- ① Borne positivo de la batería
- ② Borne negativo de la batería
- ③ Cable rojo (+) del cargador
- ④ Cable negro (-) del cargador

3. Cuando la batería esté completamente cargada, desconecte el cargador de la toma de corriente (en su caso), luego desconecte los cables del cargador de los bornes de la batería.

Limpieza de la batería

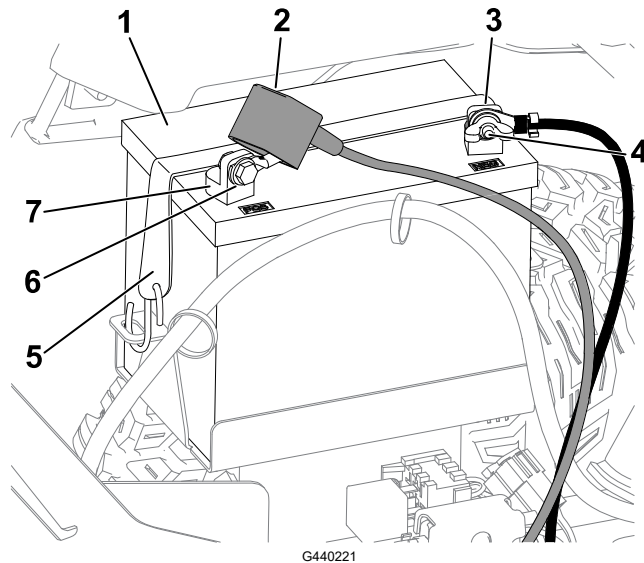
Nota: Mantenga limpios los bornes y toda la carcasa de la batería, porque una batería sucia se descargará lentamente.

1. Aparque la máquina en una superficie nivelada, desengrane el mando de control de las cuchillas y mueva las palancas de control de movimiento hacia fuera a la posición APARCAR.
2. Apague el motor y espere a que se detengan todas las piezas en movimiento antes de abandonar el puesto del operador.
3. Retire la batería de la máquina.
4. Lave toda la carcasa con una solución de bicarbonato y agua.
5. Enjuague la batería con agua limpia.
6. Aplique una capa de grasa Grafo 112X o de vaselina a los conectores de los cables y a los bornes de la batería para evitar la corrosión.
7. Instale la batería.

Mantenimiento de la batería (continuación)

Instalación de la batería

1. Coloque la batería en la bandeja.
2. Usando las fijaciones que retiró anteriormente, conecte el cable positivo (rojo) al borne positivo (+) de la batería.
3. Usando las fijaciones que retiró anteriormente, conecte el cable negativo al borne negativo (-) de la batería.
4. Deslice la cubierta de goma roja sobre el borne positivo (rojo) de la batería.
5. Fije la batería con la correa de sujeción.



- | | |
|--|------------------------------------|
| ① Batería | ⑤ Correa de sujeción de la batería |
| ② Cubierta del borne | ⑥ Perno, arandela y tuerca |
| ③ Borne negativo (-) de la batería | ⑦ Borne positivo (+) de la batería |
| ④ Tuerca de orejeta, arandela, y perno | |

Arranque de la máquina con cables puente



ADVERTENCIA



El arranque de la batería con cables puente puede producir gases explosivos.

No fume cerca de la batería, y mantenga alejada de la batería cualquier chispa o llama.



PELIGRO



Cualquier intento de arrancar una batería agrietada, congelada, con bajo nivel de electrolito o que tenga una celda abierta o cortocircuitada podría provocar una explosión y causar lesiones personales graves.

No arranque una batería descargada si existe cualquiera de estas condiciones.

1. Compruebe y limpie cualquier corrosión de los bornes de la batería antes de arrancar el motor con la ayuda de una batería externa. Asegúrese de que las conexiones están bien apretadas.



PRECAUCIÓN



La corrosión y las conexiones sueltas pueden causar picos de voltaje no deseados en cualquier momento durante el procedimiento de arranque externo.

No intente arrancar la máquina con cables externos si los bornes de la batería están sueltos o corroídos, porque podría dañar el motor.

2. Asegúrese de que la batería externa es una batería de ácido-plomo de 12.6 voltios o más, y que está en buenas condiciones y completamente cargada.

Nota: Utilice cables pasa-corriente de la sección correcta que no sean demasiado largos a fin de reducir la caída de voltaje entre los dos sistemas. Asegúrese de que los cables están codificados por color o etiquetados con la polaridad correcta.



ADVERTENCIA



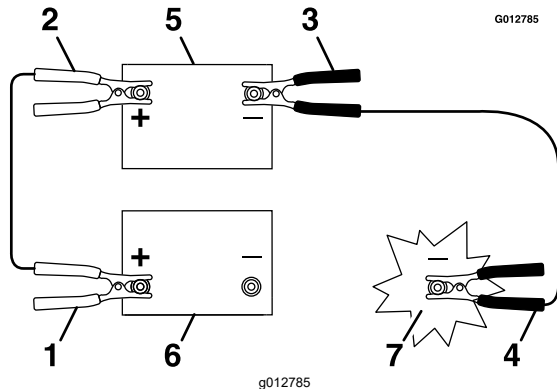
Las baterías contienen ácido y producen gases explosivos.

- Proteja los ojos y la cara de las baterías en todo momento.
- No se incline sobre las baterías.

Arranque de la máquina con cables puente (continuación)

Nota: Asegúrese de que los tapones de ventilación están apretados y nivelados. Coloque un paño húmedo, si tiene uno, sobre los tapones de ventilación de ambas baterías. Asegúrese también de que las máquinas no están en contacto entre sí y que los sistemas eléctricos de ambas están desconectados y son del mismo voltaje nominal. Estas instrucciones son aplicables únicamente a sistemas con negativo a tierra.

3. Conecte el cable positivo (+) al borne positivo (+) de la batería descargada que está conectado al motor de arranque o al solenoide, como se indica:



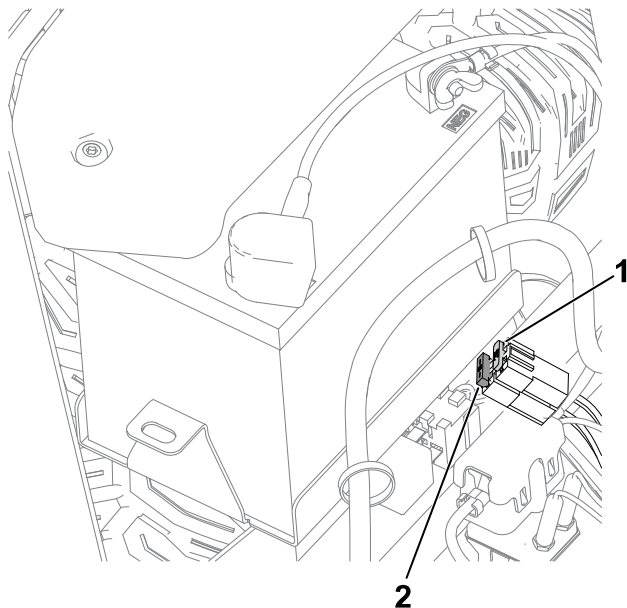
- ① Cable positivo (+) a la batería descargada
- ② Cable positivo (+) a la batería externa
- ③ Cable negativo (-) a la batería externa
- ④ Cable negativo (-) al bloque motor
- ⑤ Batería externa
- ⑥ Batería descargada
- ⑦ Bloque motor

4. Conecte el otro extremo del cable puente positivo (+) al borne positivo de la batería de la otra máquina.
5. Conecte un extremo del cable puente negativo (-) al borne negativo de la batería de la otra máquina.
6. Conecte el otro extremo del cable puente negativo (-) a una conexión de tierra, por ejemplo un perno o un travesaño del bastidor sin pintar.
7. Arranque el motor en la otra máquina. Déjelo funcionar durante unos minutos, luego arranque su motor.
8. Retire los cables en el orden inverso de conexión.
9. Coloque la tapa del borne auxiliar.

Mantenimiento de los fusibles

El sistema eléctrico está protegido con fusibles. No requiere mantenimiento; no obstante, si se funde un fusible, compruebe que no hay avería ni cortocircuito en el componente/ circuito.

1. Aparque la máquina en una superficie nivelada, desengrane el mando de control de las cuchillas y mueva las palancas de control de movimiento hacia fuera a la posición APARCAR.
2. Apague el motor, retire la llave y espere a que se detengan todas las piezas en movimiento antes de abandonar el puesto del operador.
3. Cambie el fusible fundido por un fusible nuevo.



① Circuito de carga (15 A)

② Principal (25 A)

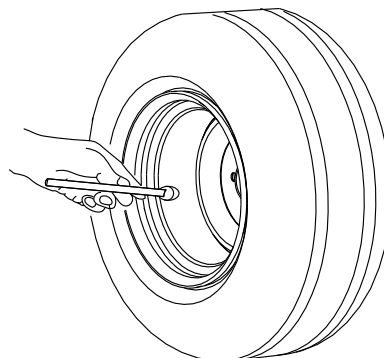
G440132

Mantenimiento del sistema de transmisión

Comprobación de la presión de los neumáticos

Mantenga la presión especificada de los neumáticos delanteros y traseros. Una presión desigual en los neumáticos puede hacer que el corte sea desigual. Compruebe la presión en la válvula con los neumáticos fríos para obtener una lectura de presión más exacta.

1. Infle las ruedas giratorias delanteras a 2.06 bar (30 psi) o a la presión que se indica en el flanco, la que sea inferior.
2. Infle los neumáticos de las ruedas motrices traseros a 0.9 bar (13 psi).



G441539

Comprobación de las tuercas de las ruedas



Compruebe la torsión de las tuercas de las ruedas y apriételas a **108 N·m (80 pies-libra)**.

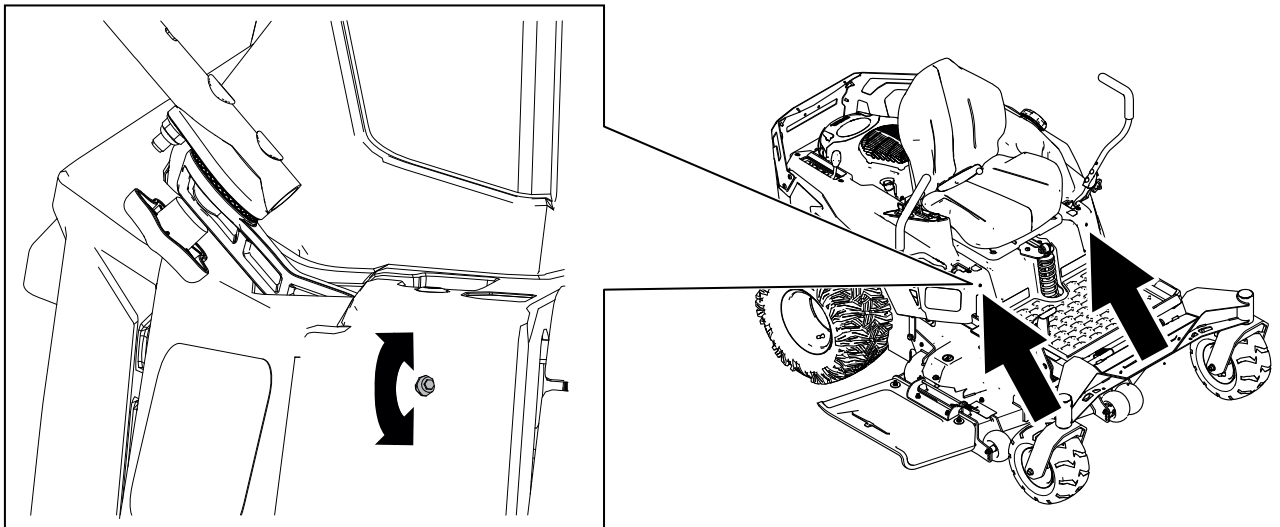
Ajuste de la dirección

Si la máquina se desvía hacia un lado al conducirla hacia adelante a velocidad máxima en una superficie plana y nivelada, ajuste la dirección.

Si la máquina se desvía hacia la izquierda, ajuste la palanca de control de movimiento derecha; si la máquina se desvía hacia la derecha, ajuste la palanca de control de movimiento izquierda.

Nota: Sólo puede ajustar la dirección para la conducción hacia adelante.

1. Aparque la máquina en una superficie nivelada, desengrane el mando de control de las cuchillas y mueva las palancas de control de movimiento hacia fuera a la posición APARCAR.
2. Apague el motor, retire la llave y espere a que se detengan todas las piezas en movimiento antes de abandonar el puesto del operador.
3. Localice el perno de ajuste de la dirección cerca de la palanca de control de movimiento del lado que debe ajustarse.



G451231

4. Gire el perno para reducir la velocidad de esa rueda en particular.

Nota: Gire el perno una pequeña cantidad para realizar ajustes menores.

5. Arranque la máquina y conduzca hacia adelante por una superficie plana y nivelada con las palancas de control de movimiento totalmente hacia adelante para comprobar si la máquina avanza en línea recta. Repita el procedimiento según sea necesario.

Mantenimiento de la correa

Inspección de las correas

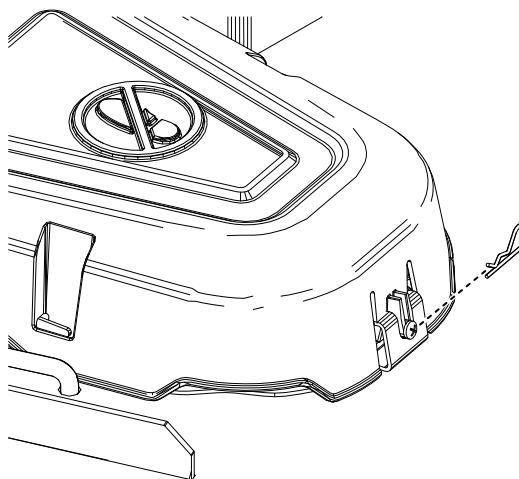
1. Aparque la máquina en una superficie nivelada, desengrane el mando de control de las cuchillas y mueva las palancas de control de movimiento hacia fuera a la posición APARCAR.
2. Apague el motor y espere a que se detengan todas las piezas en movimiento antes de abandonar el puesto del operador.
3. Ajuste la altura de corte a la posición más baja.
4. Compruebe que la correa no está desgastada. Cambie la correa si está desgastada.

Las señales de una correa desgastada incluyen chirridos cuando la correa está en movimiento; patinaje de las cuchillas durante la siega; bordes deshilachados, o marcas de quemaduras o grietas en la correa.

Sustitución de la correa del cortacésped

Las señales de una correa desgastada incluyen chirridos cuando la correa está en movimiento, patinaje de las cuchillas durante la siega, bordes deshilachados, o marcas de quemaduras o grietas. Cambie la correa si observa cualquiera de estas condiciones.

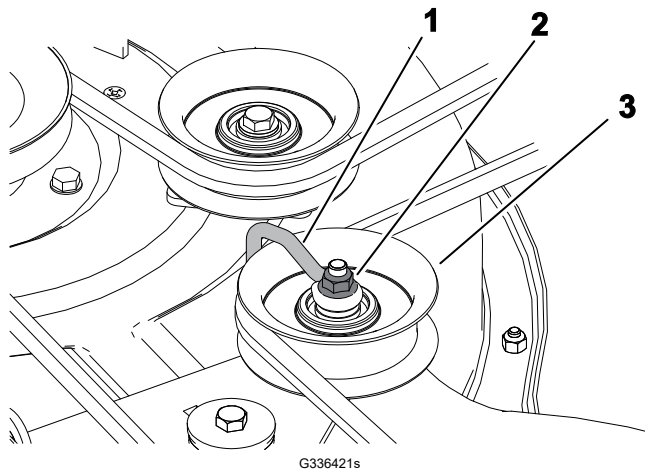
1. Aparque la máquina en una superficie nivelada, desengrane el mando de control de las cuchillas y mueva las palancas de control de movimiento hacia fuera a la posición APARCAR.
2. Apague el motor, retire la llave y espere a que se detengan todas las piezas en movimiento antes de abandonar el puesto del operador.
3. Ajuste la altura de corte a la posición más baja.
4. Retire el pasador de horquilla ② y presione la pestaña de la cubierta ① para retirar las cubiertas de las poleas.



G451184

5. Afloje la tuerca que sujeta el soporte de alambre a la polea tensora.

Sustitución de la correa del cortacésped (continuación)



- ① Soporte de alambre
- ② Tuerca
- ③ Polea tensora

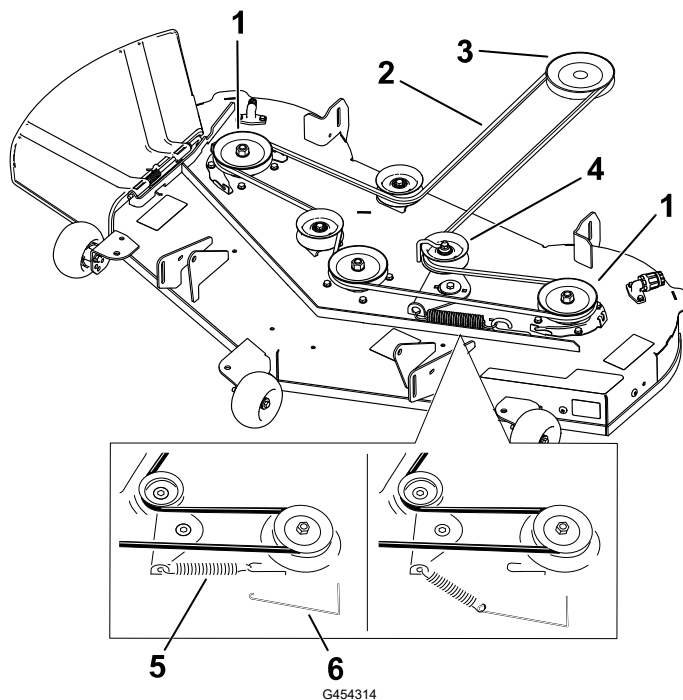
6. Usando una herramienta para la retirada de muelles (Pieza Toro N.º 92-5771), retire el muelle tensor del gancho de la carcasa para eliminar la tensión de la polea tensora.



ADVERTENCIA



El muelle está tensado cuando está instalado, y puede causar lesiones personales. Tenga cuidado al retirar la correa.



- ① Polea de la carcasa
- ② Correa del cortacésped
- ③ Polea del motor
- ④ Polea tensora
- ⑤ Muelle
- ⑥ Herramienta para la retirada de muelles

7. Retire la correa de las poleas.
8. Pase la correa nueva alrededor de las poleas del motor y del cortacésped.

Sustitución de la correa del cortacésped (continuación)

9. Utilice la herramienta para la retirada de muelles para instalar el muelle tensor sobre el gancho de la carcasa, y tense la polea tensora y la correa del cortacésped.
10. Apriete la tuerca que sujeta el soporte de alambre a la polea tensora.

Nota: Coloque el soporte de alambre contra el brazo tensor.

11. Instale las cubiertas de las poleas.

Mantenimiento de la carcasa de corte

Seguridad de las cuchillas

- Inspeccione periódicamente las cuchillas en busca de desgaste y daños.
- Tenga cuidado al revisar las cuchillas. Envuelva la(s) cuchilla(s) o lleve guantes, y extreme las precauciones al manejarlas. Si las cuchillas están dañadas, la única solución es cambiarlas; no las enderece ni las suelde nunca.
- En máquinas con múltiples cuchillas, tenga cuidado puesto que hacer girar una de las cuchillas puede hacer que también giren otras.
- Sustituya las cuchillas o los pernos gastados o dañados en conjuntos completos para no desequilibrar la máquina.

Mantenimiento de las cuchillas

Para garantizar una calidad de corte superior, mantenga afiladas las cuchillas. Para que el afilado y la sustitución sean más cómodos, conserve un stock de cuchillas de repuesto.

Cambie las cuchillas si han golpeado un objeto sólido o si una cuchilla está desequilibrada o doblada.

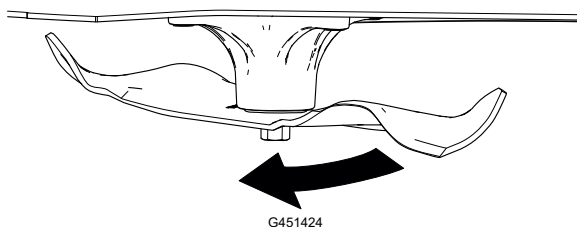
Antes de inspeccionar o realizar mantenimiento en las cuchillas

1. Aparque la máquina en una superficie nivelada, desengrane el mando de control de las cuchillas y mueva las palancas de control de movimiento hacia fuera a la posición APARCAR.
2. Apague el motor, retire la llave y espere a que se detengan todas las piezas en movimiento antes de abandonar el puesto del operador.
3. Desconecte los cables de las bujías.

Verificación de la rectilinealidad de las cuchillas

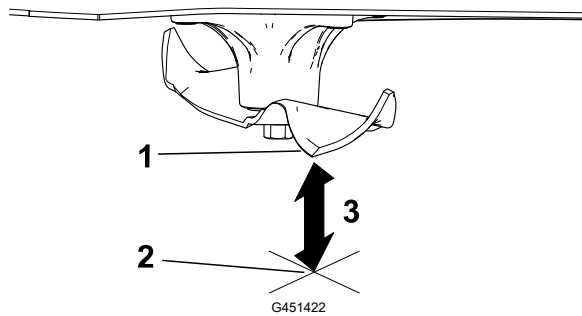
La máquina debe estar sobre una superficie nivelada para realizar este procedimiento.

1. Eleve la carcasa de corte a la altura de corte más alta.
2. Llevando guantes fuertemente acolchados u otro tipo de protección apropiada para las manos, gire la cuchilla lentamente hasta una posición que permita medir la distancia entre el filo de corte y la superficie nivelada.



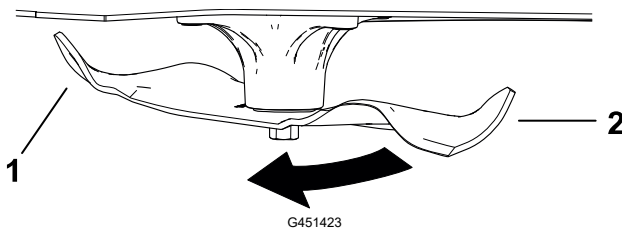
3. Mida aquí la distancia entre la punta de la cuchilla y la superficie plana.

Mantenimiento de las cuchillas (continuación)



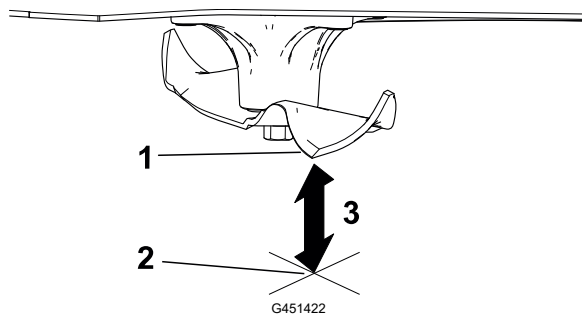
- ① Cuchilla (posicionada para la medición)
- ② Superficie nivelada
- ③ Distancia medida entre la cuchilla y la superficie (A)

4. Gire la misma cuchilla 180 grados de manera que el otro extremo esté en la misma posición.



- ① Filo medido anteriormente
- ② Filo opuesto

5. Mida aquí la distancia entre la punta de la cuchilla y la superficie plana.



- ① Cuchilla (posicionada para la medición)
- ② Superficie nivelada
- ③ Distancia medida entre la cuchilla y la superficie (B)

6. Si la diferencia entre A y B es de más de 3 mm ($\frac{1}{8}$ "), sustituya la cuchilla.

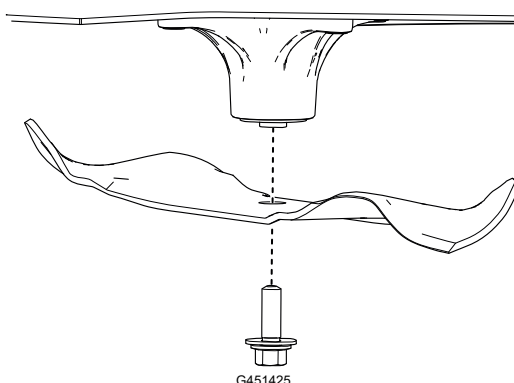
Nota: Si después de cambiar la cuchilla la diferencia sigue siendo superior a 3 mm ($\frac{1}{8}$ "), el eje de la cuchilla podría estar doblado. Póngase en contacto con su Servicio Técnico Autorizado para que revise la máquina.

7. Repita este procedimiento con cada cuchilla.

Mantenimiento de las cuchillas (continuación)

Retirada de las cuchillas

1. Sujete el extremo de la cuchilla usando un trapo o un guante grueso.
2. Retire la cuchilla como se indica.



Afilado de las cuchillas

1. Utilice una lima para afilar el filo de corte en ambos extremos de la cuchilla. Asegúrese de mantener el ángulo original ①.

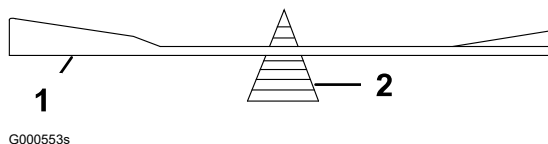
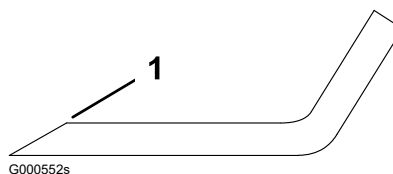
Nota: Retire la misma cantidad de material de ambos filos de corte para que la cuchilla mantenga su equilibrio.

2. Verifique el equilibrio de la cuchilla ① colocándola sobre un equilibrador de cuchillas ②.

Nota: Si la cuchilla se mantiene horizontal, está equilibrada y puede utilizarse.

Si la cuchilla no está equilibrada, rebaje algo el metal afilando únicamente el extremo de la zona de la vela.

3. Repita este procedimiento hasta que la cuchilla esté equilibrada.



Instalación de las cuchillas



ADVERTENCIA



Si se utiliza la máquina después de instalar de forma incorrecta el conjunto de la cuchilla, o si no se usan piezas y fijaciones genuinos de Toro, una cuchilla o uno de sus componentes podría salir despedido desde debajo de la carcasa y causar lesiones graves o la muerte.

Instale siempre cuchillas y fijaciones genuinos de Toro siguiendo las instrucciones.

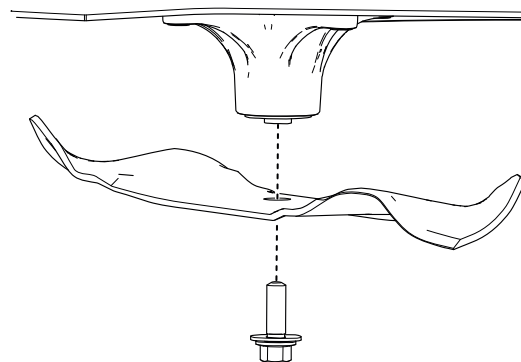
Mantenimiento de las cuchillas (continuación)

1. Instale la batería como se indica.

Nota: La parte curva de la cuchilla debe apuntar hacia arriba, hacia el interior del cortacésped, para asegurar un corte correcto.



2. Apriete el perno de la cuchilla a **81-108 N·m (60-80 pies-libra)**.



G451425

Nivelación de la carcasa de corte

Compruebe que la carcasa de corte está nivelada cada vez que instale la carcasa de corte o cuando observe un corte desigual en el césped.

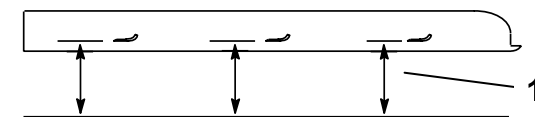
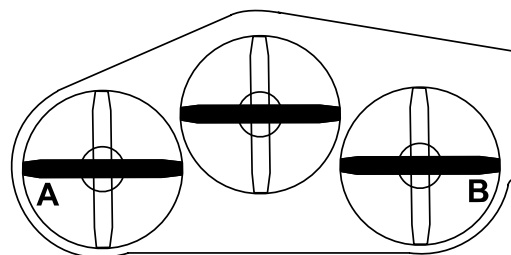
Preparación para nivelar la carcasa de corte

1. Aparque la máquina en una superficie nivelada, desengrane el mando de control de las cuchillas y mueva las palancas de control de movimiento hacia fuera a la posición APARCAR.
2. Apague el motor, retire la llave y espere a que se detengan todas las piezas en movimiento antes de abandonar el puesto del operador.
3. Asegúrese de que los neumáticos están inflados a las especificaciones correctas, y que las ruedas giratorias están orientadas hacia adelante en línea recta.
4. Compruebe que las cuchillas de la carcasa de corte no están dobladas; retire y sustituya cualquier cuchilla que esté doblada.
5. Eleve la carcasa de corte a la posición de altura de corte de 76 mm (3").

Comprobación de la nivelación de la carcasa de corte

1. Coloque las cuchillas en posición lateral.
2. Mida en las posiciones (A) y (B) desde una superficie nivelada hasta el filo de corte en los extremos de la cuchilla (1).

La diferencia entre las medidas no debe ser superior a 5 mm (3/16"). Si la medida es superior, ajuste la nivelación lateral.

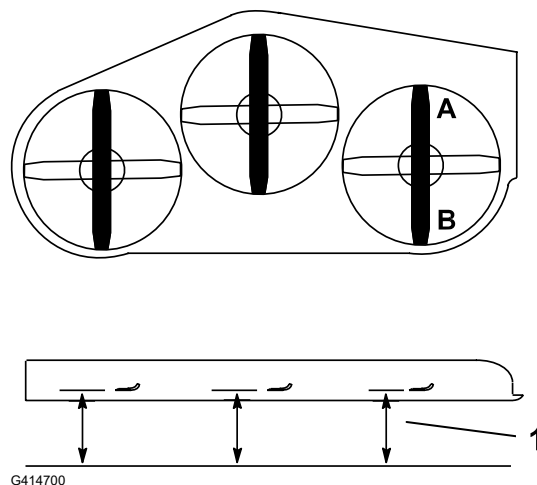


G414698

Nivelación de la carcasa de corte (continuación)

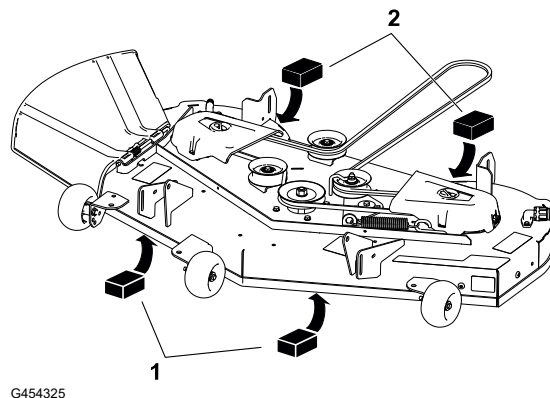
3. Coloque una cuchilla en posición longitudinal.
4. Mida en las posiciones (A) y (B) desde una superficie nivelada hasta el filo de corte en los extremos de la cuchilla (1).

La punta delantera de la cuchilla debe estar entre 1.6 y 7.9 mm (1/16" y 5/16") más baja que la punta trasera de la cuchilla. Si la medida no es correcta, ajuste el nivel longitudinal.



Nivelación de la carcasa de corte

1. Coloque los rodillos protectores del césped en los orificios superiores o retírelos completamente para este procedimiento.
2. Ponga la palanca de ajuste de altura de corte en la posición de 76 mm (3 pulgadas).
3. Coloque dos bloques (1) de 6.6 cm (2 5/8") de grosor debajo del borde delantero de la carcasa, uno en cada lado.



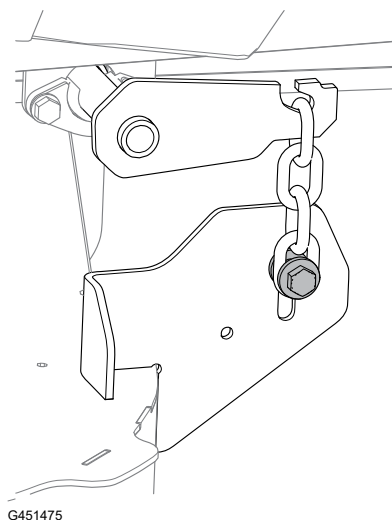
IMPORTANTE

No coloque los bloques debajo de los soportes de los rodillos protectores del césped.

4. Coloque dos bloques (2) de 7.3 cm (2 7/8") de grosor debajo del borde trasero de la carcasa de corte, uno en cada lado.

Nivelación de la carcasa de corte (continuación)

5. Afloje las fijaciones que conectan las cadenas en las 4 esquinas de la carcasa y asegúrese de que la carcasa de corte queda apoyada firmemente sobre los 4 bloques.
6. Elimine cualquier holgura de las cadenas de la carcasa y asegúrese de que el pedal de elevación de la carcasa está hacia atrás, contra el tope.
7. Apriete las fijaciones.
8. Compruebe que los bloques están ajustados debajo del borde de la carcasa y que todos los pernos de fijación están bien apretados.
9. Compruebe la nivelación lateral y la nivelación longitudinal; repita el procedimiento hasta que las medidas sean correctas.

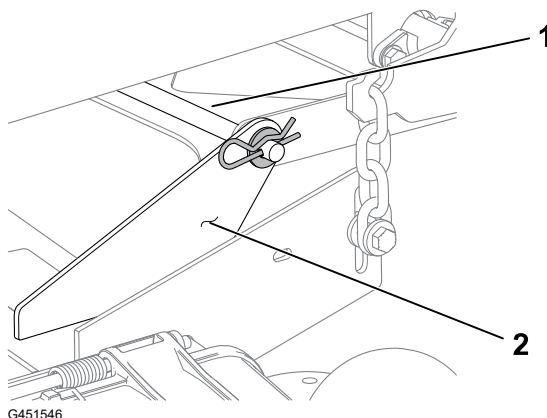


Retirada de la carcasa del cortacésped

1. Aparque la máquina en una superficie nivelada, desengrane el mando de control de las cuchillas y mueva las palancas de control de movimiento hacia fuera a la posición APARCAR.
2. Apague el motor, retire la llave y espere a que se detengan todas las piezas en movimiento antes de abandonar el puesto del operador.
3. Baje la palanca de ajuste de la altura de corte a la posición más baja.
4. Retire la chaveta y la arandela de la varilla de apoyo delantera (1) y retire la varilla del soporte de la carcasa (2).

Nota: Guarde todas las piezas para instalaciones futuras.

5. Retire la carcasa y las cadenas de los soportes en las 4 esquinas de la carcasa.
6. Deslice la carcasa de corte hacia atrás para retirar la correa del cortacésped de la polea del motor.
7. Retire la carcasa de corte de debajo de la máquina.

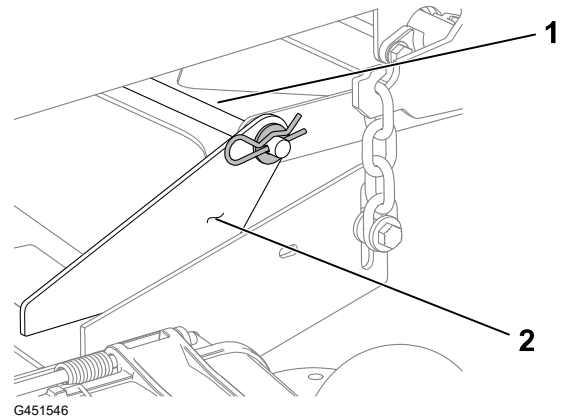


Instalación de la carcasa de corte

1. Aparque la máquina en una superficie nivelada, desengrane el mando de control de las cuchillas y mueva las palancas de control de movimiento hacia fuera a la posición APARCAR.

Instalación de la carcasa de corte (continuación)

2. Apague el motor, retire la llave y espere a que se detengan todas las piezas en movimiento antes de abandonar el puesto del operador.
3. Deslice la carcasa de corte debajo de la máquina.
4. Baje la palanca de ajuste de la altura de corte a la posición más baja.
5. Levante las cadenas de la carcasa de corte y colóquelas sobre los soportes de elevación de la carcasa.
6. Conecte la varilla de apoyo delantera ① al soporte de la carcasa ② con la chaveta y la arandela.
7. Instale la correa del cortacésped sobre la polea del motor.



Cambio del deflector de hierba



PELIGRO

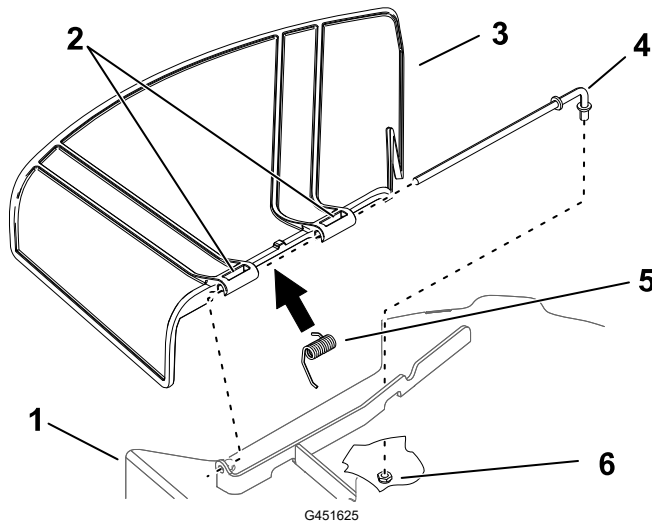


Si el hueco de descarga se deja destapado, podrían salir despedidos objetos hacia usted u otras personas. También podría producirse un contacto con la cuchilla. Los objetos lanzados o cualquier contacto con la cuchilla causarán lesiones graves o la muerte.

No utilice el cortacésped con el deflector de descarga elevado, retirado o modificado, a menos que tenga colocado y en buenas condiciones de funcionamiento un sistema de recogida de hierba o un kit de mulching.

1. Aparque la máquina en una superficie nivelada, desengrane el mando de control de las cuchillas y mueva las palancas de control de movimiento hacia fuera a la posición APARCAR.
2. Apague el motor, retire la llave y espere a que se detengan todas las piezas en movimiento antes de abandonar el puesto del operador.
3. Retire la tuerca de la varilla situada debajo de la carcasa de corte.

Cambio del deflector de hierba (continuación)



- ① Carcasa de corte
- ② Pivote del deflector de hierba
- ③ Deflector de hierba
- ④ Varilla
- ⑤ Muelle
- ⑥ Tuerca

4. Retire la varilla.
5. Retire el deflector de hierba dañado o desgastado.
6. Instale el deflector de hierba nuevo.
7. Deslice el extremo recto de la varilla a través del pivote trasero del deflector de hierba.
8. Coloque el muelle sobre la varilla, con los extremos de los alambres hacia abajo, y entre los soportes del deflector de hierba.
9. Deslice la varilla por el otro pivote del deflector de hierba.
10. Introduzca la varilla de la parte delantera del deflector de hierba a través del soporte de la carcasa.
11. Sujete el extremo trasero de la varilla al cortacésped con la tuerca.

IMPORTANTE

El muelle debe mantener el deflector de hierba en la posición de abatido. Levante el deflector para verificar que baja a la posición de totalmente abatido.

Limpieza

Cómo lavar la parte inferior de la carcasa de corte

IMPORTANTE

La máquina puede lavarse con un detergente suave y agua. No lave la máquina a presión. Evite el uso excesivo de agua, especialmente cerca del panel de control, debajo del asiento, y alrededor del motor, de las bombas hidráulicas y de los motores eléctricos.

Lave los bajos de la carcasa de corte después de cada uso para evitar la acumulación de hierba y así mejorar el picado de la hierba y la dispersión de los recortes.

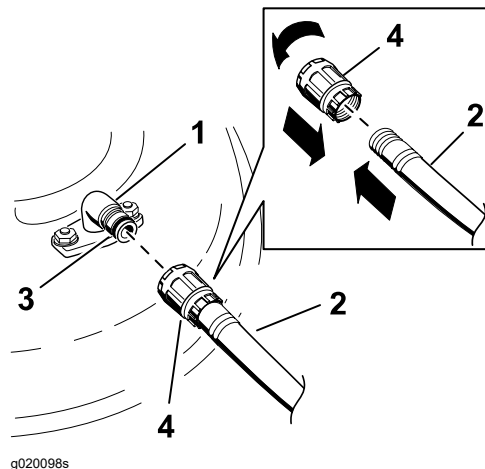
1. Aparque la máquina en una superficie nivelada, desengrane el mando de control de las cuchillas (TDF) y ponga las palancas de control de movimiento hacia fuera a la posición APARCAR.
2. Apague el motor, retire la llave y espere a que se detengan todas las piezas en movimiento antes de abandonar el puesto del operador.
3. Conecte una manguera ② al acoplamiento ④, luego conecte el acoplamiento al extremo del conector de lavado del cortacésped ① y abra el grifo al máximo.

Nota: Aplique vaselina a la junta tórica ③ del conector de lavado para facilitar la conexión del acoplamiento y proteger la junta.

4. Siéntese en el asiento, baje el cortacésped a la altura de corte más baja y arranque el motor.
5. Engrane el mando de control de las cuchillas y deje que funcione el cortacésped de uno a tres minutos.
6. Desengrane el mando de control de las cuchillas, apague el motor, retire la llave, y espere a que se detengan todas las piezas en movimiento.
7. Cierre el grifo de agua y retire el acoplamiento del conector de lavado.

Nota: Si el cortacésped no queda limpio después de un lavado, mójelo bien y espere unos 30 minutos. Luego repita el proceso.

8. Ponga el cortacésped en marcha de nuevo durante de uno a tres minutos para eliminar el exceso de agua.



Cómo lavar la parte inferior de la carcasa de corte (continuación)



ADVERTENCIA



Un conector de lavado roto o no instalado podría exponerle a usted y a otras personas a objetos lanzados o a contacto con las cuchillas. El contacto con una cuchilla o con residuos lanzados puede causar lesiones o la muerte.

- Sustituya el conector de lavado si está roto o si no está instalado inmediatamente, antes de volver a utilizar la máquina.
- No coloque nunca las manos o los pies debajo del cortacésped o a través de aberturas en la máquina.

Eliminación de residuos

El aceite de motor, las baterías, el fluido hidráulico y el refrigerante del motor son contaminantes medioambientales. Elimínelos de acuerdo con la normativa estatal y local.



Seguridad durante el almacenamiento

- Aparque la máquina en una superficie nivelada, desengrane las transmisiones, ponga el freno de estacionamiento, apague el motor, retire la llave y espere a que se detengan todas las piezas en movimiento antes de abandonar el puesto del operador.
- Deje que la máquina se enfríe antes de hacer trabajos de ajuste, mantenimiento, repostaje, limpieza o almacenamiento.
- Limpie la hierba y los residuos de la unidad de corte, el silenciador, las transmisiones, el recogedor y el compartimento del motor para prevenir incendios.
- Limpie cualquier derrame de aceite o combustible y retire cualquier residuo empapado en combustible.
- No guarde la máquina o un recipiente de combustible en un lugar donde pudiera haber una llama desnuda, chispas o una llama piloto, por ejemplo en un calentador de agua u otro electrodoméstico.

Preparación de la máquina para el almacenamiento durante más de 30 días

1. Aparque la máquina en una superficie nivelada, desengrane el mando de control de las cuchillas y mueva las palancas de control de movimiento hacia fuera a la posición APARCAR.
2. Apague el motor, retire la llave y espere a que se detengan todas las piezas en movimiento antes de abandonar el puesto del operador.
3. Limpie la máquina.

IMPORTANTE

La máquina puede lavarse con un detergente suave y agua. No lave la máquina a presión. Evite el uso excesivo de agua, especialmente cerca del sistema de transmisión y el motor. El lavado a presión puede hacer penetrar la suciedad y el agua en piezas críticas, tales como los cojinetes de los ejes de las cuchillas y los interruptores eléctricos.

- A. Retire los recortes de hierba, la suciedad y la mugre de las piezas externas de toda la máquina, especialmente el motor.
- B. Rasque cualquier acumulación importante de hierba y suciedad de los bajos del cortacésped, luego lave la máquina con una manguera de jardín.

- C. Haga funcionar la máquina con el mando de la TDF engranado y el motor en ralentí alto durante 2 a 5 minutos después del lavado.
4. Compruebe el funcionamiento del freno de estacionamiento.
5. Engrasado de la máquina.
6. Compruebe la presión de los neumáticos.
7. Cargue la batería.
8. Compruebe la condición de las cuchillas.
9. Prepare el sistema de combustible.
 - A. Agregue un estabilizador/condicionador a base de petróleo al combustible del depósito. **No use un estabilizador a base de alcohol (etanol o metanol).**
 - B. Haga funcionar el motor para distribuir el combustible con acondicionador por todo el sistema de combustible durante 5 minutos.
 - C. Apague el motor, deje que se enfríe y drene el depósito de combustible usando una bomba tipo sifón o haga funcionar el motor hasta que se apague.
 - D. Deseche el combustible adecuadamente. Recicle observando la normativa local.

IMPORTANTE

No guarde combustible que contenga estabilizador/condicionador durante más tiempo que el recomendado por el fabricante del estabilizador de combustible.

10. Prepare el motor.
 - A. Revise el limpiador de aire.
 - B. Cambio del aceite del motor.
 - C. Retire las bujías y vierta 30 ml (2 cucharadas soperas) de aceite de motor en los orificios de las bujías.
 - D. Coloque un trapo sobre los orificios de las bujías para recoger las salpicaduras de aceite, luego haga girar el motor para distribuir el aceite dentro del cilindro.
 - E. Instale las bujías pero no conecte los cables.
11. Retire la batería o desconecte el cable negativo (-) de la batería.

Nota: Guarde la batería en un lugar fresco y seco donde no estará expuesta a temperaturas extremas o al agua. Mantenga la batería completamente cargada, sobre todo en temperaturas inferiores a los 0 °C (32 °F)
12. Compruebe y apriete todas las fijaciones. Repare o sustituya cualquier pieza desgastada, dañada o que falte.
13. Pinte cualquier superficie rayada o de metal desnudo con pintura disponible en un Servicio Técnico Autorizado.
14. Guarde la máquina en un garaje o almacén seco y limpio. Cubra la máquina para protegerla y para conservarla limpia.

Cómo almacenar la batería

Nota: Siga estos consejos para almacenar la batería correctamente.

- Si va a almacenar la máquina durante más de 30 días, retire la batería y cárguela totalmente.
- Guárdela en una estantería o en la máquina.
- Deje los cables desconectados si los va a guardar con la máquina.
- Guarde la batería en un ambiente fresco para evitar el rápido deterioro de la carga.
- Para evitar que la batería se congele, asegúrese de que está totalmente cargada.
- La gravedad específica de una batería totalmente cargada es de 1.265-1.299.

Consejos de almacenamiento de la batería

Si se almacena la batería fuera de la máquina, haga lo siguiente:

- Guarde la batería en un lugar fresco y seco, en posición vertical.
- No apile baterías directamente una encima de otra, a menos que estén en cajas.
- No apile más de 3 baterías (solamente 2 si la batería es de tipo comercial).
- Pruebe la batería húmeda cada 4 – 6 meses y cárguela, si es necesario.
- Siempre pruebe y cargue la batería antes de instalarla.



Solución de problemas

El depósito de combustible muestra señales de hundimiento o la máquina muestra señales de quedarse frecuentemente sin combustible.

Posible causa	Acción correctora
El elemento de papel del limpiador de aire está atascado.	Limpie el elemento de papel.

El motor se sobrecalienta.

Posible causa	Acción correctora
La carga del motor es excesiva.	Reduzca la velocidad de avance.
El nivel de aceite del cárter está bajo.	Añada aceite al cárter.
Las aletas de refrigeración y los conductos de aire situados debajo del alojamiento del soplador del motor están obstruidos.	Elimine la obstrucción de las aletas de refrigeración y de los conductos de aire.
El limpiador de aire está sucio.	Limpie o cambie el elemento del limpiador de aire.
Hay suciedad, agua o combustible viejo en el sistema de combustible.	Póngase en contacto con el Servicio Técnico Autorizado.

El motor de arranque no se engrana.

Posible causa	Acción correctora
El mando de control de las cuchillas está engranado.	Desengrane el mando de control de las cuchillas.
Las palancas de control de movimiento no están en la posición APARCAR.	Mueva las palancas de control de movimiento hacia fuera, a la posición APARCAR.
La batería está descargada.	Cargue la batería.
Las conexiones eléctricas están corroídas o sueltas.	Verifique que hay buen contacto en las conexiones eléctricas.

Posible causa	Acción correctora
Un fusible esta fundido.	Cambie el fusible.
Un relé o interruptor está dañado.	Póngase en contacto con el Servicio Técnico Autorizado.

El motor no arranca, arranca con dificultad, o no sigue funcionando.

Posible causa	Acción correctora
El depósito de combustible está vacío.	Llene el depósito de combustible.
El estérter (en su caso) no está activado.	Mueva la palanca del estérter a la posición de ACTIVADO.
El limpiador de aire está sucio.	Limpie o cambie el elemento del limpiador de aire.
El/los cable(s) de la(s) bujía(s) está(n) suelto(s) o desconectado(s).	Instale el/los cable(s) en la bujía.
La bujía está picada, sucia o la distancia entre los electrodos es incorrecta.	Instale una bujía nueva, con los electrodos a la distancia correcta.
El filtro de combustible está sucio.	Cambie el filtro de combustible.
Hay suciedad, agua o combustible viejo en el sistema de combustible.	Póngase en contacto con el Servicio Técnico Autorizado.
Hay combustible incorrecto en el depósito de combustible.	Drene el depósito y rellene con combustible del tipo correcto.
El nivel de aceite del cárter está bajo.	Añada aceite al cárter.

El motor pierde potencia.

Posible causa	Acción correctora
La carga del motor es excesiva.	Reduzca la velocidad de avance.
El limpiador de aire está sucio.	Limpie el elemento del limpiador de aire.
El nivel de aceite del cárter está bajo.	Añada aceite al cárter.
Las aletas de refrigeración y los conductos de aire situados debajo del alojamiento del soplador del motor están obstruidos.	Elimine la obstrucción de las aletas de refrigeración y de los conductos de aire.
La bujía está picada, sucia o la distancia entre los electrodos es incorrecta.	Instale una bujía nueva, con los electrodos a la distancia correcta.
El orificio de ventilación del depósito de combustible está obstruido.	Póngase en contacto con el Servicio Técnico Autorizado.

Posible causa	Acción correctora
El filtro de combustible está sucio.	Cambie el filtro de combustible.
Hay suciedad, agua o combustible viejo en el sistema de combustible.	Póngase en contacto con el Servicio Técnico Autorizado.
Hay combustible incorrecto en el depósito de combustible.	Póngase en contacto con el Servicio Técnico Autorizado.

No es posible conducir la máquina.

Posible causa	Acción correctora
Las válvulas de desvío están abiertas.	Cierre las válvulas de remolcado.
Las correas de tracción están desgastadas, sueltas o rotas.	Póngase en contacto con el Servicio Técnico Autorizado.
Las correas de tracción se han salido de las poleas.	Póngase en contacto con el Servicio Técnico Autorizado.
La transmisión se ha averiado.	Póngase en contacto con el Servicio Técnico Autorizado.

La máquina vibra de manera anormal.

Posible causa	Acción correctora
La(s) cuchilla(s) de corte está(n) doblada(s) o desequilibrada(s).	Instale cuchilla(s) nueva(s).
El perno de montaje de la cuchilla está suelto.	Apriete el perno de montaje de la cuchilla.
Los pernos de montaje del motor están sueltos.	Apriete los pernos de montaje del motor.
La polea del motor, la polea tensora o la polea de las cuchillas está suelta.	Apriete la polea correspondiente.
La polea del motor está dañada.	Póngase en contacto con el Servicio Técnico Autorizado.
El eje de la cuchilla está doblado.	Póngase en contacto con el Servicio Técnico Autorizado.
El soporte del motor está suelto o roto.	Póngase en contacto con el Servicio Técnico Autorizado.

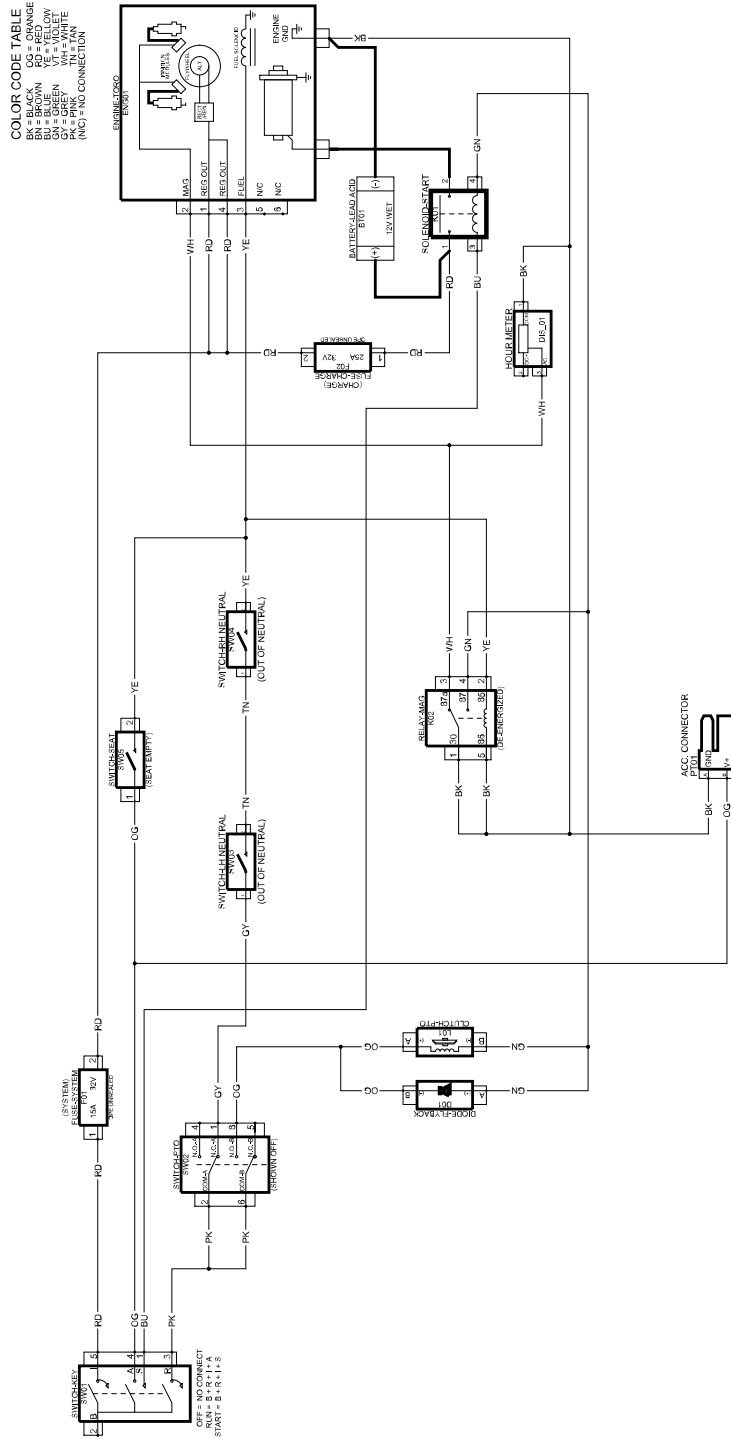
La altura de corte no es homogénea.

Posible causa	Acción correctora
La(s) cuchilla(s) no está(n) afilada(s).	Afile la(s) cuchilla(s).
Una de la(s) cuchilla(s) de corte está(n) doblada(s).	Instale cuchilla(s) nueva(s).
El cortacésped no está nivelado.	Nivele el cortacésped lateral y longitudinalmente.
Uno de los rodillos protectores del césped (en su caso) no está correctamente ajustado.	Ajuste la altura de la rueda protectora del césped.
Los bajos de la carcasa de corte están sucios.	Limpie los bajos de la carcasa de corte.
La presión de los neumáticos es incorrecta.	Ajuste la presión de los neumáticos.
El eje de una cuchilla está doblado.	Póngase en contacto con el Servicio Técnico Autorizado.

Las cuchillas no giran.

Posible causa	Acción correctora
La correa de transmisión está desgastada, suelta o rota.	Instale una nueva correa de transmisión.
La correa de transmisión se ha salido de la polea.	Instale la correa de transmisión y verifique la posición correcta de los ejes de ajuste y de las guías de la correa.
El mando de la toma de fuerza (TDF) o el embrague de la TDF está defectuoso.	Póngase en contacto con el Servicio Técnico Autorizado.
La correa del cortacésped está desgastada, suelta o rota.	Instale una nueva correa de cortacésped.

Diagrama de cableado



G454156

Información sobre las Advertencias de la Proposición 65 de California

¿Qué significa esta advertencia?

Puede ver un producto a la venta que lleva una etiqueta de advertencia como la siguiente:



ADVERTENCIA: Cáncer y daños reproductivos – www.p65Warnings.ca.gov.

¿Qué es la Proposición 65?

La Proposición 65 afecta a cualquier empresa que tenga presencia en California, que venda productos en California, o que fabrique productos que podrían ser introducidos o vendidos en California. Esta ley exige que el Gobernador de California mantenga y publique una lista de sustancias químicas identificadas como causantes de cáncer, defectos de nacimiento u otros daños reproductivos. La lista, que se actualiza anualmente, incluye cientos de productos químicos que se encuentran en muchos artículos de uso diario. El propósito de la Proposición 65 es informar al público sobre la exposición a estos productos químicos.

La Proposición 65 no prohíbe la venta de productos que contengan estos productos químicos, sino que requiere la presencia de advertencias en el producto, el envase y la documentación suministrada con el producto. Además, una advertencia de la Proposición 65 no significa que el producto contravenga ninguna norma o requisito de seguridad. De hecho, el gobierno de California ha aclarado que una advertencia bajo la Proposición 65 “no es lo mismo que una decisión legal sobre la “seguridad” o la “inseguridad” de un producto”. Muchos de estos productos químicos han sido utilizados durante años en productos de uso diario sin que se hayan producido daños documentados. Para obtener más información, visite <https://oag.ca.gov/prop65/faqs-view-all>.

Una advertencia de la Proposición 65 significa que una empresa (1) ha evaluado la exposición y ha concluido que supera el nivel de “sin riesgo significativo”; o (2) ha optado por proporcionar una advertencia basándose en sus conocimientos respecto a la presencia de un producto químico de los incluidos en la lista, sin intentar evaluar la exposición.

¿Esta ley es aplicable en todas partes?

Las advertencias de la Proposición 65 sólo son obligatorias bajo la legislación de California. Estas advertencias se ven por toda California en una gran variedad de entornos, incluyendo entre otros restaurantes, tiendas de alimentación, hoteles, escuelas y hospitales, y en una amplia variedad de productos. Además, algunos minoristas de Internet y de la venta por correo incluyen advertencias de la Proposición 65 en sus sitios web o en sus catálogos.

¿Qué diferencia hay entre las advertencias de California y los límites federales?

Las normas de la Proposición 65 son a menudo más exigentes que las normas federales o internacionales. Varias sustancias requieren una advertencia bajo la Proposición 65 a niveles muy inferiores a los límites federales. Por ejemplo, el nivel exigido por la Proposición 65 para las advertencias sobre el plomo es de 0.5 µg/día, que es muy inferior a lo que exigen las normas federales e internacionales.

¿Por qué no llevan la advertencia todos los productos similares?

- Los productos vendidos en California deben llevar etiquetas bajo la Proposición 65, mientras que otros productos similares que se venden en otros lugares no las necesitan.
- Una empresa puede estar obligada a incluir advertencias de Proposición 65 en sus productos como condición de un acuerdo tras un procedimiento legal relacionado con la Proposición 65, pero otras empresas que fabrican productos similares no tienen necesariamente la misma obligación.
- La aplicación de la Proposición 65 no es uniforme.
- Algunas empresas pueden optar por no proporcionar advertencias porque concluyen que no están obligadas a hacerlo bajo la Proposición 65; la falta de advertencias en un producto no significa que el producto esté libre de los productos químicos incluidos en la lista a niveles similares.

¿Por qué incluye Toro esta advertencia?

Toro ha optado por proporcionar a los consumidores la mayor cantidad posible de información para que pueda tomar decisiones informadas sobre los productos que compran y utilizan. Toro proporciona advertencias en ciertos casos basándose en sus conocimientos sobre la presencia de uno o más productos químicos de la lista, sin evaluar el nivel de exposición, puesto que la lista no incluye límites de exposición para todos los productos químicos que contiene. Aunque la exposición que provocan los productos Toro puede ser insignificante, o estar dentro de los límites de la categoría “sin

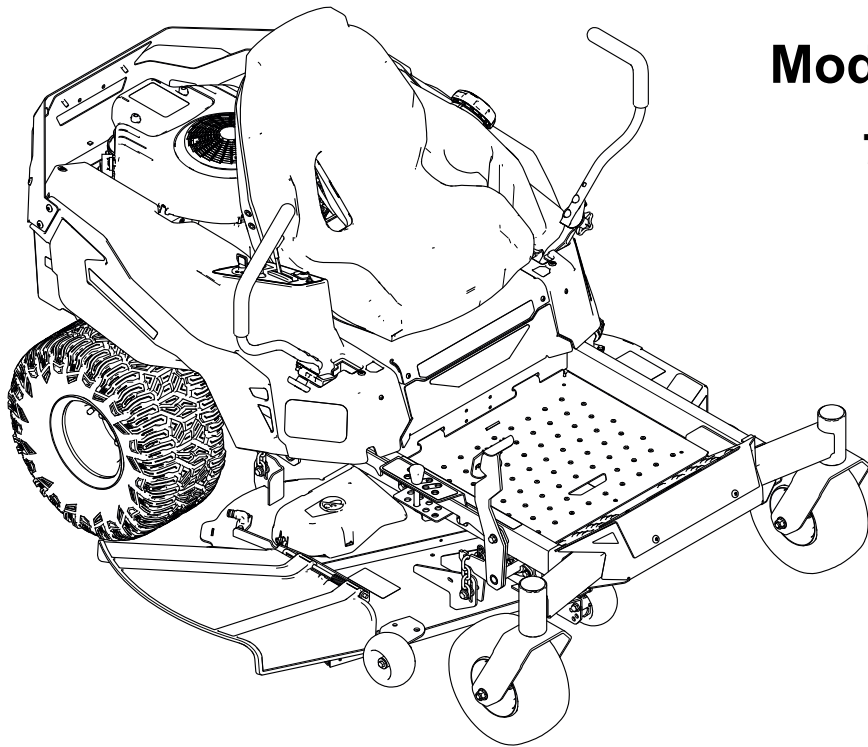
riesgo significativo”, Toro ha optado por proporcionar las advertencias de la Proposición 65 por simple precaución. Además, si Toro no proporcionara estas advertencias, podría ser demandada por el Estado de California o por particulares bajo la Proposición 65, y estar sujeta a importantes sanciones.





Manuel de l'utilisateur

Tondeuse autoportée à rayon de braquage zéro TimeCutter® Max de 127 cm (50 po)



Modèle—Numéros de série

77505—400000000 et suivants



Avis de non responsabilité et information réglementaire

Vous commettez une infraction à la section 4442 ou 4443 du Code des ressources publiques de Californie si vous utilisez cette machine dans une zone boisée, broussailleuse ou recouverte d'herbe, à moins d'équiper le moteur d'un pare-étincelles en bon état, tel que défini dans la section 4442, ou à moins que le moteur soit construit, équipé et entretenu correctement pour prévenir les incendies.

Couple brut ou net : le couple brut ou net de ce moteur a été calculé en laboratoire par le constructeur du moteur selon la norme SAE J1940 ou J2723 de la Society of Automotive Engineers (SAE). Étant configuré pour satisfaire aux normes de sécurité, antipollution et d'exploitation, le moteur monté sur cette classe de tondeuse aura un couple effectif nettement inférieur. Reportez-vous au manuel du constructeur du moteur fourni avec la machine.

Le manuel du propriétaire du moteur ci-joint est fourni à titre informatif concernant la réglementation de l'Agence américaine pour la protection de l'environnement (EPA) et la réglementation antipollution de l'état de Californie relative aux systèmes antipollution, à leur entretien et à leur garantie. Vous pouvez vous en procurer un nouvel exemplaire en vous adressant au constructeur du moteur.

▲ ATTENTION

CALIFORNIE Proposition 65

Les gaz d'échappement du moteur de cette machine contiennent des substances chimiques considérées par l'état de Californie comme étant à l'origine de cancers, malformations congénitales et autres troubles de la reproduction.

Les bornes, les cosses de la batterie et les accessoires connexes contiennent du plomb et des composés de plomb. L'état de Californie considère ces substances chimiques comme étant à l'origine de cancers et de troubles de la reproduction. Se laver les mains après les avoir manipulés.

L'utilisation de ce produit peut entraîner l'exposition à des substances chimiques considérées par l'état de Californie comme susceptibles de provoquer des cancers, des malformations congénitales et autres troubles de la reproduction.

Table des matières

Chapitre 1: Introduction.....	1-1
Usage prévu	1-1
Obtenir de l'aide	1-1
Conventions du manuel	1-2
Classifications des alertes de sécurité	1-2
Chapitre 2: Sécurité	2-1
Consignes de sécurité générales	2-1
Indicateur d'inclinaison.....	2-2
Autocollants de sécurité et d'instruction.....	2-3
Chapitre 3: Vue d'ensemble du produit	3-1

Panneau de commande.....	3-2
Leviers de commande de déplacement.....	3-3
Position de stationnement.....	3-3
Goupille de hauteur de coupe.....	3-3
Pédale de levage du tablier.....	3-4
Spécifications.....	3-4
Chapitre 4: Utilisation.....	4-1
Avant l'utilisation.....	4-1
Consignes de sécurité avant l'utilisation.....	4-1
Carburant.....	4-4
Procédures d'entretien quotidien.....	4-5
Temps de rodage.....	4-5
Système de sécurité.....	4-5
Positionnement du siège.....	4-7
Réglage de la hauteur des leviers de commande de déplacement.....	4-7
Réglage de l'inclinaison des leviers de commande de déplacement.....	4-8
Pendant l'utilisation.....	4-8
Consignes de sécurité pendant l'utilisation.....	4-8
Démarrage du moteur.....	4-12
Arrêt du moteur.....	4-13
Conduite de la machine.....	4-14
Utilisation de la commande des lames (PDF).....	4-15
Éjection latérale.....	4-16
Réglage de la hauteur de coupe.....	4-17
Réglage des galets anti-scalp.....	4-17
Conseils d'utilisation.....	4-17
Après l'utilisation.....	4-19
Consignes de sécurité après l'utilisation.....	4-19
Nettoyage de la machine.....	4-19
Transport de la machine.....	4-20
Chapitre 5: Entretien.....	5-1
Consignes de sécurité pendant l'entretien.....	5-1
Programme d'entretien recommandé.....	5-2
Procédures avant l'entretien.....	5-3
Déplacement d'une machine en panne.....	5-3
Levage de la machine.....	5-4
Graissage.....	5-5
Graissage des roulements.....	5-5
Entretien du moteur.....	5-6
Consignes de sécurité concernant le moteur.....	5-6
Entretien du filtre à air.....	5-6
Vidange de l'huile moteur.....	5-8
Entretien de la bougie.....	5-11
Entretien du circuit d'alimentation.....	5-13
Remplacement du filtre à carburant.....	5-13
Entretien du système électrique.....	5-14
Consignes de sécurité pour le système électrique.....	5-14
Entretien de la batterie.....	5-14
Démarrage du moteur à l'aide d'une batterie de secours.....	5-18
Entretien des fusibles.....	5-20
Entretien de la transmission.....	5-20
Contrôle de la pression des pneus.....	5-20
Contrôle des écrous de roues.....	5-21

Réglage du parallélisme des roues	5-21
Entretien des courroies	5-22
Contrôle des courroies	5-22
Remplacement de la courroie du tablier de coupe	5-22
Entretien du tablier de coupe	5-25
Consignes de sécurité concernant les lames	5-25
Entretien des lames	5-25
Mise à niveau du tablier de coupe	5-28
Dépose du tablier de coupe	5-30
Montage du tablier de coupe	5-30
Remplacement du déflecteur d'herbe	5-31
Nettoyage	5-33
Lavage du dessous du tablier de coupe	5-33
Élimination des déchets	5-34
Chapitre 6: Remisage	6-1
Consignes de sécurité concernant le remisage	6-1
Préparation de la machine pour le remisage de plus 30 jours	6-1
Remisage de la batterie	6-3
Conseils pour le rangement de la batterie	6-3
Chapitre 7: Dépannage	7-1
Chapitre 8: Schémas	8-1
Schéma électrique	8-1
Proposition 65 de Californie – Information concernant cet avertissement	



Usage prévu

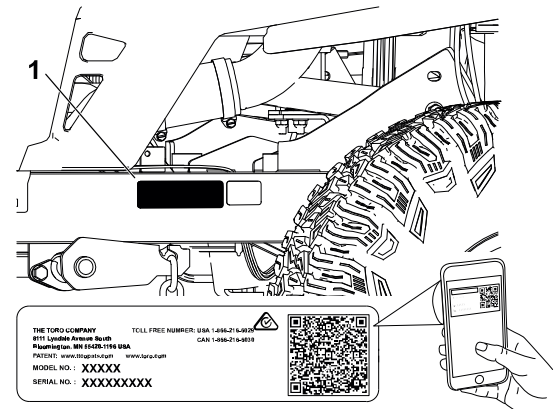
Cette tondeuse autoportée à lames rotatives est destinée au grand public, pour un usage résidentiel. Elle est principalement conçue pour tondre les pelouses entretenues régulièrement. L'utilisation de ce produit à d'autres fins que celle prévue peut être dangereuse pour vous-même et toute personne à proximité.

Lisez attentivement cette notice pour apprendre comment utiliser et entretenir correctement votre produit, et éviter ainsi de l'endommager ou de vous blesser. Vous êtes responsable de l'utilisation sûre et correcte du produit.

Obtenir de l'aide

Rendez-vous sur www.Toro.com pour tout document de formation à la sécurité et à l'utilisation des produits, pour tout renseignement concernant un produit ou un accessoire, pour obtenir l'adresse des dépositaires ou pour enregistrer votre produit.

Pour obtenir des prestations de service, des pièces Toro d'origine ou des renseignements complémentaires, munissez-vous des numéros de modèle et de série du produit et contactez un dépositaire-réparateur agréé ou le service client Toro. Ces numéros se trouvent sur la plaque signalétique sur votre produit ^①. Inscrivez les numéros dans l'espace réservé à cet effet.



G451770

IMPORTANT

Avec votre appareil mobile, vous pouvez scanner le code QR sur l'autocollant du numéro de série (le cas échéant) pour accéder à l'information sur la garantie, les pièces et autres renseignements concernant le produit.

Numéro de modèle :		Numéro de série :	
--------------------	--	-------------------	--

Conventions du manuel

Les mises en garde de ce manuel soulignent des dangers potentiels et sont signalées par le symbole de sécurité, qui indique un danger pouvant entraîner des blessures graves ou mortelles si les précautions recommandées ne sont pas respectées.



Ce manuel utilise deux termes pour faire passer des renseignements essentiels. **Important**, pour attirer l'attention sur une information d'ordre mécanique spécifique, et **Remarque**, pour souligner une information d'ordre général méritant une attention particulière.

Classifications des alertes de sécurité

Le symbole de sécurité utilisé dans ce manuel et sur la machine identifie d'importants messages de sécurité dont vous devez tenir compte pour éviter les accidents.

Le symbole de sécurité apparaît au-dessus de toute information signalant des actions ou des situations dangereuses. Il est suivi de la mention **DANGER**, **ATTENTION** ou **PRUDENCE**.

DANGER

Danger signale un danger immédiat qui, s'il n'est pas évité, *entraînera obligatoirement* des blessures graves ou mortelles.

ATTENTION

Attention signale un danger potentiel qui, s'il n'est pas évité, *risque d'entraîner* des blessures graves ou mortelles.

PRUDENCE

Prudence signale un danger potentiel qui, s'il n'est pas évité, *peut éventuellement entraîner* des blessures légères ou modérées.



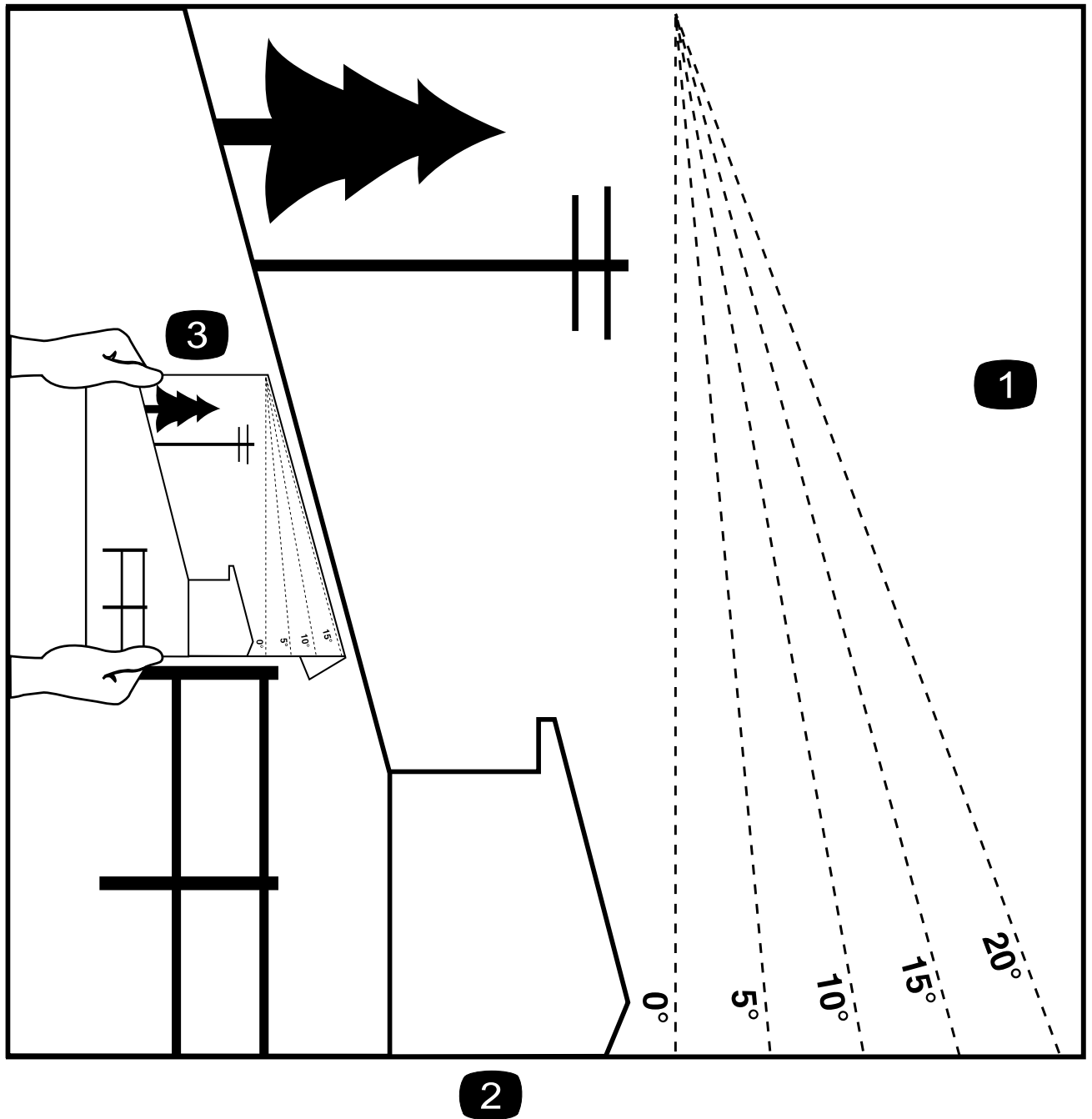
Consignes de sécurité générales

Ce produit peut sectionner les mains ou les pieds et projeter des objets. Respectez toujours toutes les consignes de sécurité pour éviter des blessures graves ou mortelles.

- Vous devez lire, comprendre et respecter toutes les instructions et mises en garde qui figurent dans ce *Manuel de l'utilisateur*, ainsi que sur la machine, le moteur et les accessoires, avant de démarrer le moteur.
- Ne confiez pas l'utilisation ou l'entretien de la machine à des enfants ou à des personnes non qualifiées. Seules les personnes responsables, formées à l'utilisation de la machine, ayant lu et compris les instructions et physiquement aptes sont autorisées à utiliser la machine ou à en faire l'entretien.
- N'admettez personne, notamment les enfants, dans la surface de travail.
- N'utilisez pas la machine près de fortes dénivellations, fossés, berges, étendues d'eau ou autre danger, ni sur des pentes de plus de 15°.
- N'approchez pas les mains ou les pieds des pièces mobiles.
- N'utilisez pas la machine s'il manque des protections, des déflecteurs, des contacteurs et d'autres dispositifs de sécurité, et s'ils ne sont pas en bon état de marche.
- Garez la machine sur une surface plane et horizontale, débrayez toutes les commandes, serrez le frein de stationnement, coupez le moteur, enlevez la clé et attendez l'arrêt complet de toutes les pièces mobiles avant de quitter la machine.
- Laissez refroidir la machine avant de la régler, la réparer, la nettoyer, la remiser ou de faire le plein de carburant.

Indicateur d'inclinaison

Vous pouvez faire une copie de cette page pour votre usage personnel.



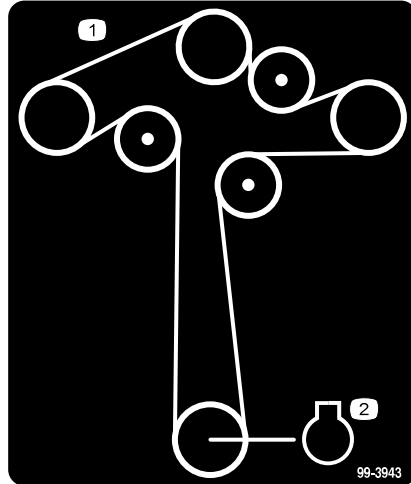
- ① Vous pouvez utiliser la machine sur une pente maximale de 15 degrés. Avant d'utiliser la machine sur une pente, utilisez le graphique de mesure pour déterminer le degré de la pente. **N'utilisez pas la machine sur des pentes de plus de 15 degrés.** Pliez le long de la ligne correspondant à la pente recommandée.
- ② Alignez ce bord sur une surface verticale (arbre, bâtiment, piquet de clôture, poteau, etc.).
- ③ Exemple de comparaison d'une pente avec le bord replié

Autocollants de sécurité et d'instruction



Des autocollants de sécurité et des instructions bien visibles par l'opérateur sont placés près de tous les endroits potentiellement dangereux. Remplacez tout autocollant endommagé ou manquant.

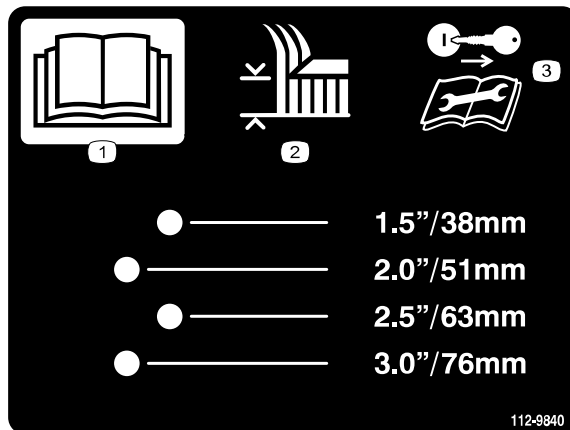
Autocollant : 99-3943



s_decal99-3943

- ① Trajet de la courroie
- ② Moteur

Autocollant : 112-9840



s_decal112-9840

- ① Lisez le *Manuel de l'utilisateur*.
- ② Hauteur de coupe
- ③ Retirez la clé de contact et lisez les instructions avant de procéder à l'entretien ou à des révisions.

Autocollant : 130-0731

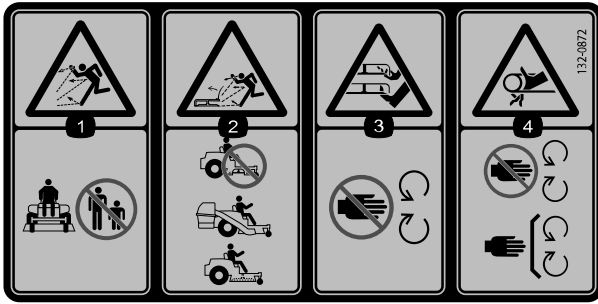


s_decal130-0731

mobiles.

- ① Attention – risque de projection d'objets; gardez le déflecteur en place.
- ② Risque de coupure des mains ou des pieds par la lame de la tondeuse – ne vous approchez pas des pièces

Autocollant : 132-0872

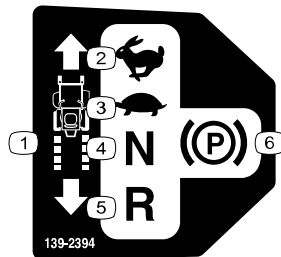


s_decals132-0872

par la courroie – ne vous approchez pas des pièces mobiles; laissez toutes les protections et tous les capots en place.

- ① Risque de projection d'objets – n'autorisez personne à s'approcher.
- ② Risque de projections d'objets par la tondeuse – n'utilisez pas la machine avec le tablier de coupe ouvert; utilisez un système de ramassage ou un déflecteur.
- ③ Risque de coupure/mutilation des mains ou des pieds par la lame de la tondeuse – ne vous approchez pas des pièces mobiles.
- ④ Risque de coincement des mains

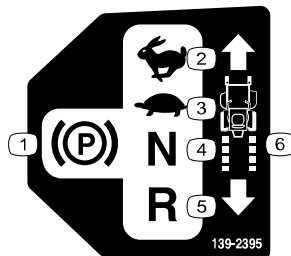
Autocollant : 139-2394



s_decals139-2394

- ① Commandes de déplacement
- ② Haute vitesse
- ③ Basse vitesse
- ④ Point mort
- ⑤ Marche arrière
- ⑥ Frein de stationnement

Autocollant : 139-2395



s_decals139-2395

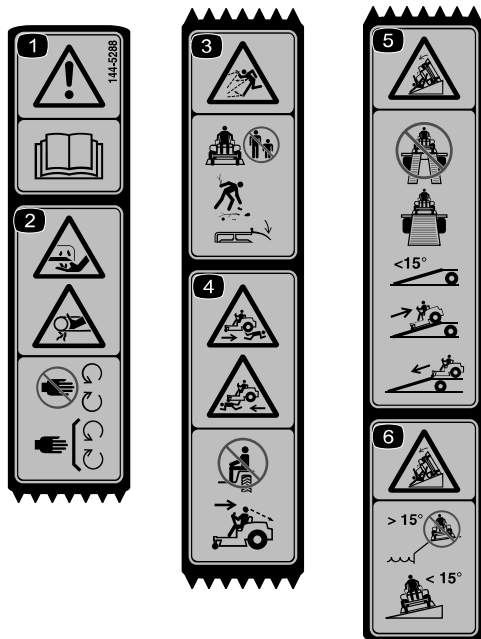
- ① Frein de stationnement
- ② Haute vitesse
- ③ Basse vitesse
- ④ Point mort
- ⑤ Marche arrière
- ⑥ Commandes de déplacement

Autocollant : 142-5864



decal142-5864

Autocollant : 144-5288



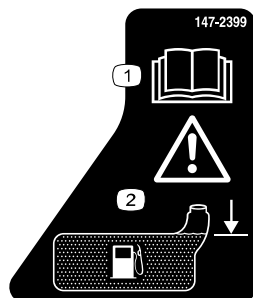
s_decal144-5288

- ① Attention – lisez le *Manuel de l'utilisateur*.
- ② Risque de coupure/mutilation des mains ou des doigts – n'approchez pas les mains des pièces mobiles; gardez toutes les protections en place.
- ③ Risque de projection d'objets – n'autorisez personne à s'approcher de la machine; débarrassez la zone de travail des débris avant de tondre; gardez le déflecteur en place.
- ④ Risque d'écrasement – ne transportez pas de passagers; regardez derrière vous et derrière la machine quand vous faites marche arrière.
- ⑤ Risque de renversement – n'utilisez pas de rampes doubles pour charger la machine sur une remorque; utilisez toujours une rampe d'une seule pièce suffisamment large pour la machine; n'utilisez pas de rampe dont la pente est supérieure à 15°; montez la rampe en marche arrière et descendez-la en marche avant.

- ⑥ Risque de renversement – n'utilisez pas la machine près de fortes dénivellations ou de pentes de plus de 15°; travaillez transversalement et uniquement sur des pentes de moins de 15°.

Remarque : Cette machine est conforme au test de stabilité standard de l'industrie pour les essais de stabilité statique latérale et longitudinale par rapport à la pente maximale recommandée, indiquée sur l'autocollant. Consultez les instructions relatives à l'utilisation de la machine sur les pentes dans le Manuel de l'utilisateur, et vérifiez si les conditions d'utilisation et l'état du site actuels vous permettent d'utiliser la machine. Les variations de terrain peuvent modifier le fonctionnement de la machine sur les pentes.

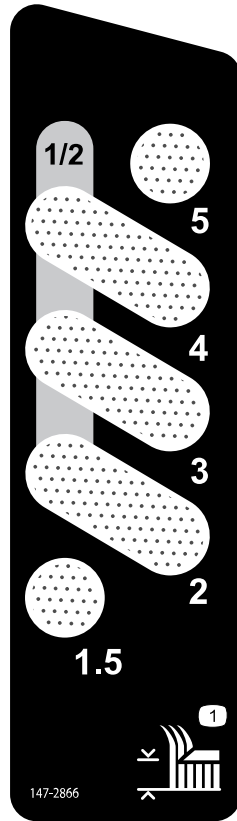
Autocollant : 147-2399



s_decal147-2399

- ① Lire le *Manuel de l'utilisateur*.
- ② Attention – Remplissez jusqu'à la base du goulot de remplissage; attention – ne remplissez pas le réservoir excessivement.

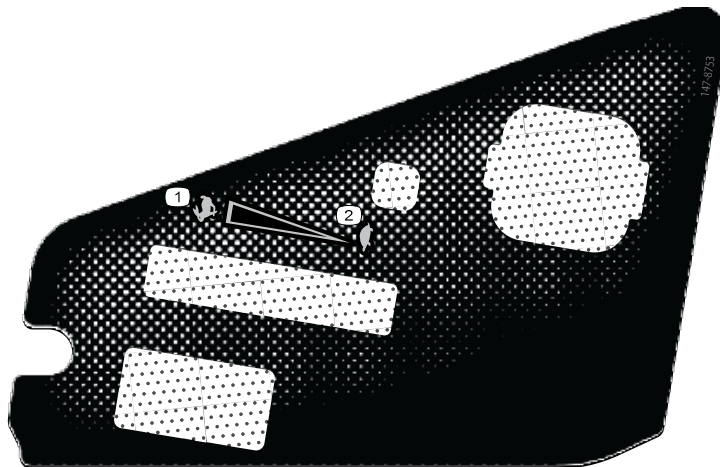
Autocollant : 147-2866



decal147-2866

① Hauteur de coupe

Autocollant : 147-8753

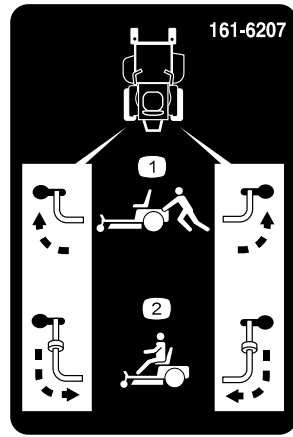


decal147-8753

① Haute vitesse

② Basse vitesse

Autocollant : 161-6207

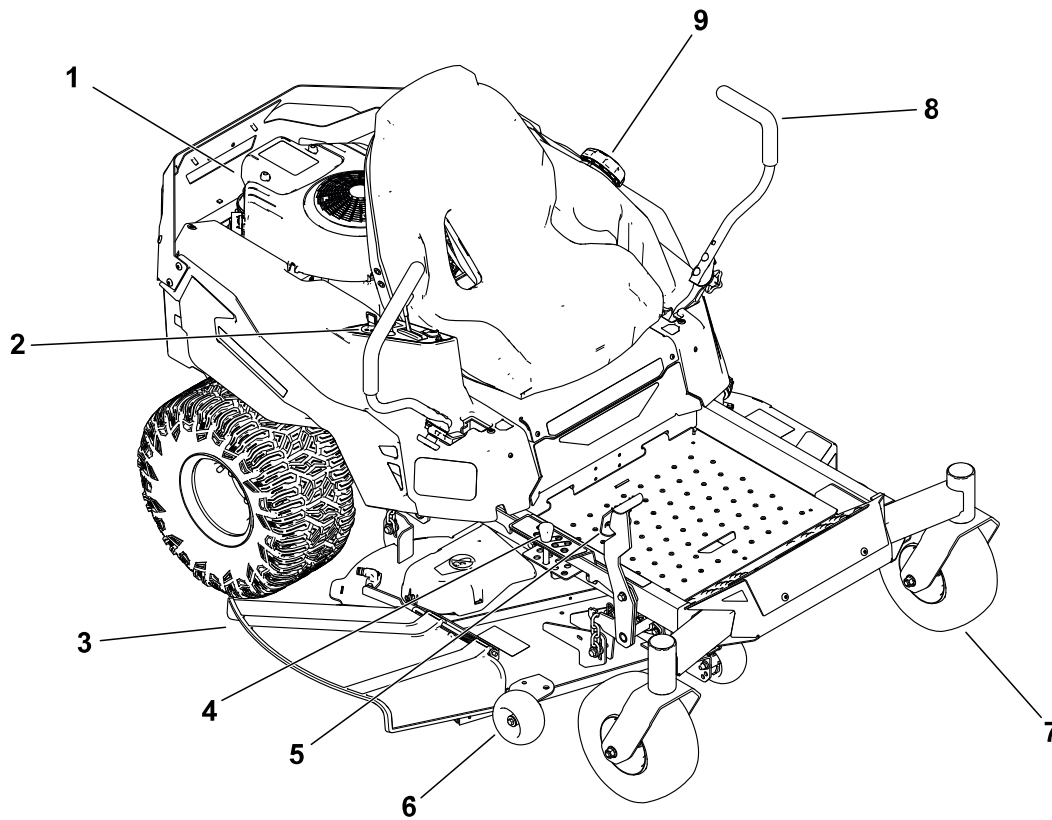


decal161-6207

① Position des leviers de dérivation pour pousser la machine

② Position des leviers de dérivation pour utiliser la machine

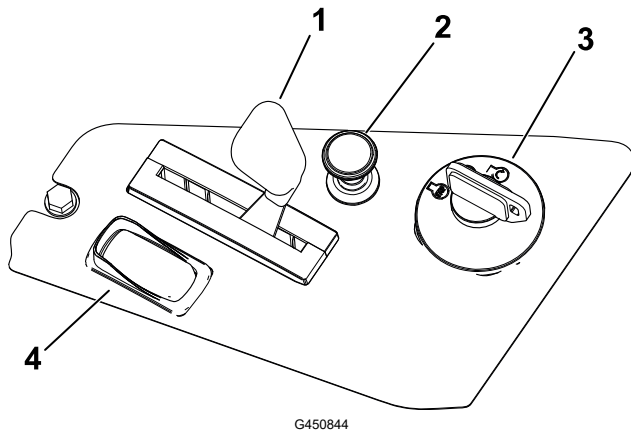
Vue d'ensemble du produit



G460483

- | | | |
|--------------------------------|-------------------------------|-------------------------------------|
| ① Moteur | ⑤ Pédale de levage de tablier | ⑧ Levier de commande de déplacement |
| ② Panneau de commande | ⑥ Galet anti-scalp | ⑨ Bouchon du réservoir de carburant |
| ③ Déflecteur | ⑦ Roue pivotante avant | |
| ④ Goupille de hauteur de coupe | | |

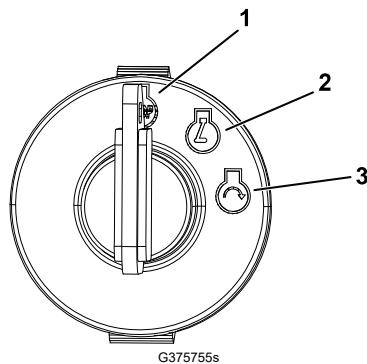
Panneau de commande



- ① Commande d'accélérateur
- ② Commande de démarrage à froid
- ③ Commutateur d'allumage
- ④ Commande des lames (prise de force)

Commutateur d'allumage

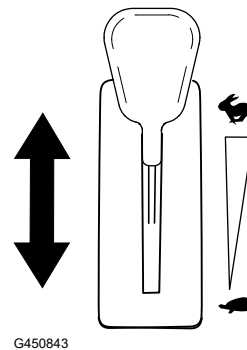
Le commutateur d'allumage sert à démarrer et arrêter la machine.



- ① Arrêt du moteur
- ② Contact (moteur en marche)
- ③ Démarrage du moteur

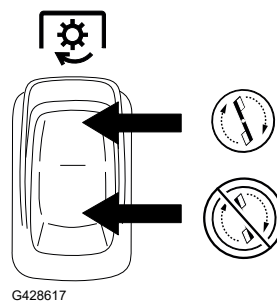
Commande d'accélérateur

L'accélérateur commande le régime moteur et peut se régler à l'infini entre les positions BAS RÉGIME et HAUT RÉGIME.



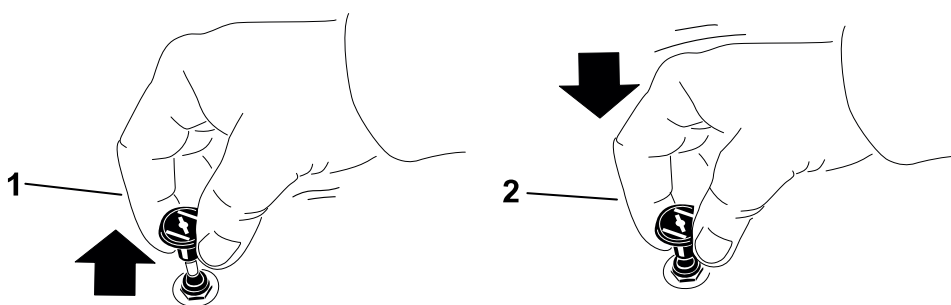
Commande des lames (PDF)

La commande des lames, représentée par le symbole de la prise de force (PDF), engage et désengage l'entraînement des lames.



Commande de démarrage à froid

Utilisez la commande de démarrage à froid pour faciliter le démarrage quand le moteur est froid.



① Engagée

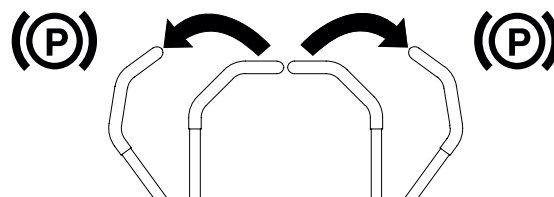
② Desserré

Leviers de commande de déplacement

Utilisez les leviers de commande de déplacement pour conduire la machine en marche avant, en marche arrière, pour tourner à droite et à gauche.

Position de stationnement

Écartez les leviers de commande vers l'extérieur, du centre à la position de STATIONNEMENT pour serrer le frein de stationnement lorsque vous arrêtez ou quittez la machine.



Goupille de hauteur de coupe

La goupille de hauteur de coupe fonctionne en association avec la pédale pour verrouiller le tablier à une hauteur de coupe spécifique. Arrêtez toujours la machine avant de modifier la hauteur de coupe.

Pédale de levage du tablier

Depuis le siège, levez brièvement le tablier de coupe à l'aide de la pédale de levage pour éviter des obstacles ou pour régler la hauteur de coupe.

Spécifications

Remarque : Les spécifications et la conception peuvent faire l'objet de modifications sans préavis.

Largeur de coupe	127 cm (50 po)
Largeur avec déflecteur abaissé	166 cm (65½ po)
Largeur avec déflecteur levé	140 cm (55 po)
Longueur	203 cm (80 po)
Hauteur	116 cm (45½ po)
Masse	292 kg (644 lb)

Outils et accessoires

Une sélection d'outils et accessoires agréés par Toro est disponible pour augmenter et améliorer les capacités de la machine. Pour obtenir la liste de tous les accessoires et outils agréés, contactez votre dépositaire-réparateur ou votre distributeur Toro agréé, ou rendez-vous sur www.Toro.com.

Pour garantir un rendement optimal et conserver la certification de sécurité de la machine, utilisez uniquement des pièces de rechange et accessoires Toro d'origine.

Avant l'utilisation

Consignes de sécurité avant l'utilisation

- Ne confiez pas l'utilisation ou l'entretien de la machine à des enfants ou à des personnes non qualifiées. La réglementation locale peut imposer un âge minimum pour les utilisateurs. Le propriétaire de la machine doit assurer la formation de tous les utilisateurs et mécaniciens.
- Inspectez la zone de travail et débarrassez-la de tout objet qui pourrait être projeté ou qui pourrait gêner le fonctionnement de la machine.
- Examinez la zone de travail pour déterminer quels accessoires et équipements sont nécessaires pour utiliser la machine correctement et sans risque.
- Ne transportez jamais de passagers sur la machine.
- Familiarisez-vous avec le maniement correct du matériel, les commandes et les symboles de sécurité.
- Vérifiez toujours que les commandes de présence de l'utilisateur, les contacteurs de sécurité et les capots de protection sont en place et en bon état de marche. N'utilisez pas la machine en cas de mauvais fonctionnement.
- Portez une tenue adéquate, y compris une protection oculaire, un pantalon, des chaussures solides à semelle antidérapante et des protecteurs d'oreilles. Si vos cheveux sont longs, attachez-les et ne portez pas de vêtements amples ni de bijoux pendants.
- N'utilisez pas la machine si tous les capots et autres dispositifs de protection, tels que les déflecteurs et le bac de ramassage au complet, ne sont pas en place et en bon état de marche. Remplacez les pièces usées ou détériorées au besoin.
- Avant de quitter la position d'utilisation, coupez le moteur, enlevez la clé et attendez l'arrêt complet de toutes les pièces mobiles. Laissez refroidir la machine avant de la régler, la réparer, la nettoyer, la remiser ou de faire le plein de carburant.



ATTENTION



Tout contact avec la lame peut causer de graves blessures.

Les lames doivent s'arrêter lorsque vous coupez le moteur. Si ce n'est pas le cas, cessez immédiatement d'utiliser la machine et contactez un dépositaire réparateur agréé.

- Avant de tondre, vérifiez que les unités de coupe sont en bon état de marche.

Consignes de sécurité avant l'utilisation (suite)

- Tenez tout le monde, notamment les enfants, et tous les animaux à l'écart de la machine en marche. Arrêtez la machine et le(s) accessoire(s) si quelqu'un entre dans la zone de travail.

Consignes de sécurité pour le carburant

- Le carburant est extrêmement inflammable et hautement explosif. Un incendie ou une explosion causé(e) par du carburant peut vous brûler, ainsi que toute personne à proximité, et causer des dommages matériels.
 - Pour éviter que l'électricité statique n'enflamme le carburant, posez le récipient et/ou la machine directement sur le sol avant de faire le plein; ne la laissez pas dans un véhicule ou sur un support quelconque.
 - Faites le plein du réservoir de carburant à l'extérieur sur une surface plane et horizontale, dans un endroit bien dégagé et lorsque le moteur est froid. Essuyez tout carburant répandu.
 - Ne fumez jamais en manipulant du carburant et tenez-vous à l'écart des flammes nues ou des sources d'étincelles.
 - N'enlevez pas le bouchon du réservoir de carburant et n'ajoutez pas de carburant quand le moteur tourne ou est encore chaud.
 - Si vous renversez du carburant, n'essayez pas de démarrer le moteur à cet endroit. Évitez de créer des sources d'inflammation jusqu'à dissipation complète des vapeurs de carburant.
 - Conservez le carburant dans un récipient homologué et hors de la portée des enfants.
- Ne remplissez pas excessivement le réservoir de carburant. Remettez le bouchon du réservoir de carburant en place et serrez-le solidement.
- Dans certaines circonstances, de l'électricité statique peut se former lors du remplissage, produire une étincelle et enflammer les vapeurs de carburant.
- Ne remplissez pas les bidons de carburant à l'intérieur d'un véhicule ou sur le plateau d'une remorque ou d'un camion dont le revêtement est en plastique. Posez toujours les bidons sur le sol, à l'écart du véhicule, avant de les remplir.
- Descendez la machine du véhicule ou de la remorque et posez-la à terre avant de remplir le réservoir de carburant. Si cela n'est pas possible, laissez la machine dans le véhicule ou sur la remorque, mais remplissez le réservoir à l'aide d'un bidon, et non directement à la pompe.
- Maintenez le pistolet en contact avec le bord du réservoir ou du bidon jusqu'à la fin du remplissage. N'utilisez pas de dispositif de verrouillage du pistolet en position ouverte.
- Le carburant est toxique, voire mortel en cas d'ingestion. L'exposition prolongée aux vapeurs de carburant peut causer des blessures et des maladies graves.
 - Évitez de respirer les vapeurs de carburant de façon prolongée.
 - N'approchez pas le visage ou les mains du pistolet ni de l'ouverture du réservoir de carburant.
 - Tenez le carburant à l'écart des yeux et de la peau.

Consignes de sécurité avant l'utilisation (suite)

- Essuyez le carburant éventuellement répandu.
- Ne remisez pas la machine ni les bidons de carburant à proximité d'une flamme nue, d'une source d'étincelles ou d'une veilleuse, telle celle d'un chauffe-eau ou d'autres appareils.
- N'utilisez pas la machine si elle n'est pas équipée du système d'échappement complet et en bon état de marche.

Carburant

Spécifications du carburant

Capacité	19 litres (5 gallons américains)
Type	Essence sans plomb
Indice d'octane minimum	87 (États-Unis) or 91 (octane recherche; hors États-Unis)
Éthanol	Pas plus de 10 % par volume
Méthanol	Néant
MTBE (éther méthyltertiobutylique)	Moins de 15 % par volume
Huile	Ne pas ajouter au carburant

Utilisez uniquement du carburant propre et frais (stocké depuis moins d'un mois) provenant d'une source fiable.

IMPORTANT

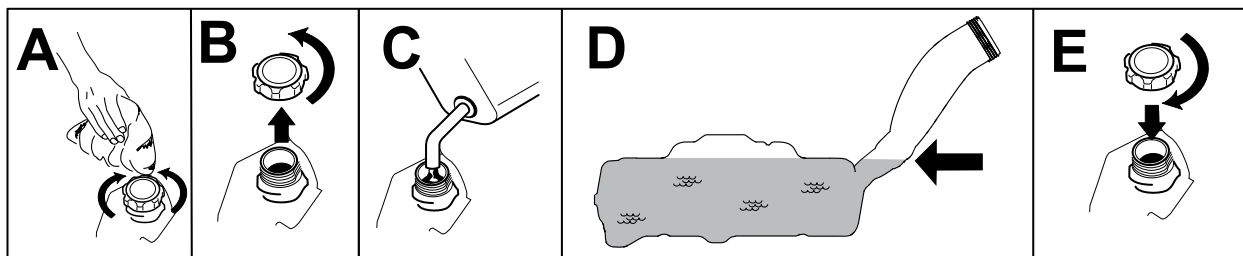
Pour réduire les problèmes de démarrage, ajoutez au carburant frais la quantité de stabilisateur/conditionneur indiquée par le fabricant du stabilisateur/conditionneur.

Remplissage du réservoir de carburant

1. Garez la machine sur une surface plane et horizontale.
2. Poussez les leviers de commande de déplacement vers l'extérieur, à la position STATIONNEMENT.
3. Coupez le moteur et enlevez la clé.
4. Nettoyez la surface autour du bouchon du réservoir de carburant et remplissez le réservoir.

IMPORTANT

Remplissez le réservoir de carburant jusqu'au bas du goulot de remplissage. Ne remplissez pas complètement le réservoir de carburant.



G450855

Procédures d'entretien quotidien

Avant de démarrer la machine chaque jour, effectuez les procédures énoncées dans le Calendrier d'entretien.

Temps de rodage

Les moteurs neufs demandent un certain temps pour développer toute leur puissance. Les tabliers de coupe et les systèmes d'entraînement neufs présentent plus de friction, ce qui augmente la charge sur le moteur. Prévoyez 40 à 50 heures de rodage pour les machines neuves pour leur permettre de développer toute leur puissance et procurer des performances optimales.

Système de sécurité

Le système de sécurité est conçu pour empêcher le démarrage du moteur, sauf si :

- La commande des lames (PDF) est désengagée.
- Les leviers de commande de déplacement sont à la position de STATIONNEMENT.

Le système de sécurité est également prévu pour arrêter le moteur lorsque les leviers de commande quittent la position de STATIONNEMENT et que vous vous soulevez du siège.



ATTENTION



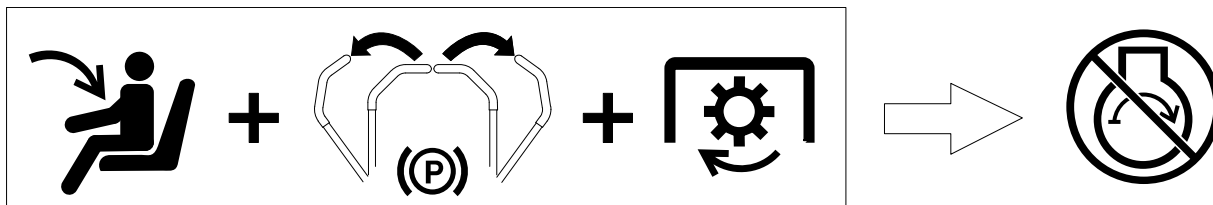
Si les contacteurs de sécurité sont déconnectés ou endommagés, la machine peut se mettre en marche inopinément et causer des blessures.

- **Ne modifiez pas abusivement les contacteurs de sécurité.**
- **Vérifiez chaque jour le fonctionnement des contacteurs de sécurité et remplacez ceux qui sont endommagés avant d'utiliser la machine.**

Contrôle du système de sécurité

Contrôlez le système de sécurité avant chaque utilisation de la machine. Si le système de sécurité ne fonctionne pas comme spécifié ci-dessous, faites-le immédiatement réviser par un dépositaire-réparateur agréé.

1. Asseyez-vous sur le siège, amenez les leviers de commande de déplacement à la position STATIONNEMENT et la commande des lames en position ENGAGÉE. Essayez de démarrer le moteur; le moteur ne doit pas se lancer.

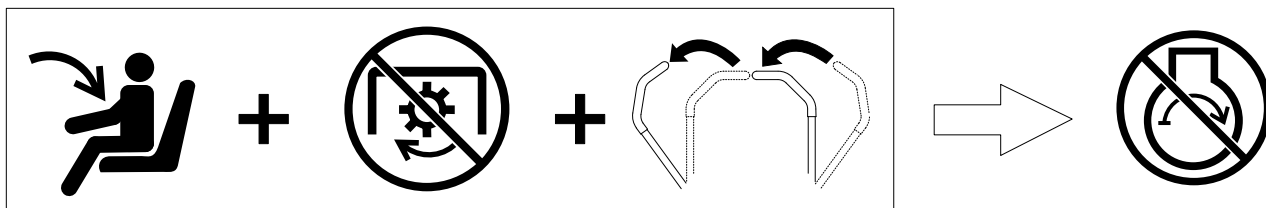


G451953

2. Asseyez-vous sur le siège et placez la commande des lames en position DÉSENGAGÉE. Amenez l'un des leviers de commande de déplacement au centre, en position

Système de sécurité (suite)

déverrouillée. Essayez de démarrer le moteur; le moteur ne doit pas se lancer. Répétez la procédure avec l'autre levier de déplacement.



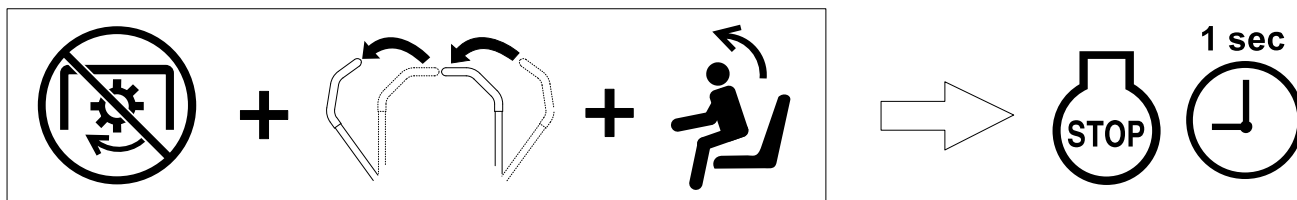
G451952

3. Asseyez-vous sur le siège, placez la commande des lames à la position DÉSENGAGÉE et amenez les leviers de commande de déplacement à la position STATIONNEMENT. Démarrez le moteur. Lorsque le moteur tourne, placez la commande des lames en position engagée et soulevez-vous légèrement du siège; le moteur doit s'arrêter dans la seconde qui suit.



G451951

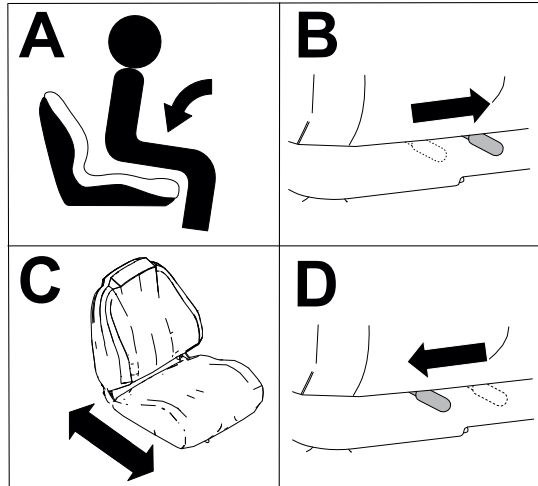
4. Asseyez-vous sur le siège, placez la commande des lames à la position DÉSENGAGÉE et amenez les leviers de commande de déplacement à la position STATIONNEMENT. Démarrez le moteur. Lorsque le moteur tourne, amenez les leviers de commande de déplacement au centre en position déverrouillée et soulevez-vous légèrement du siège; le moteur doit s'arrêter dans la seconde qui suit.



G451950

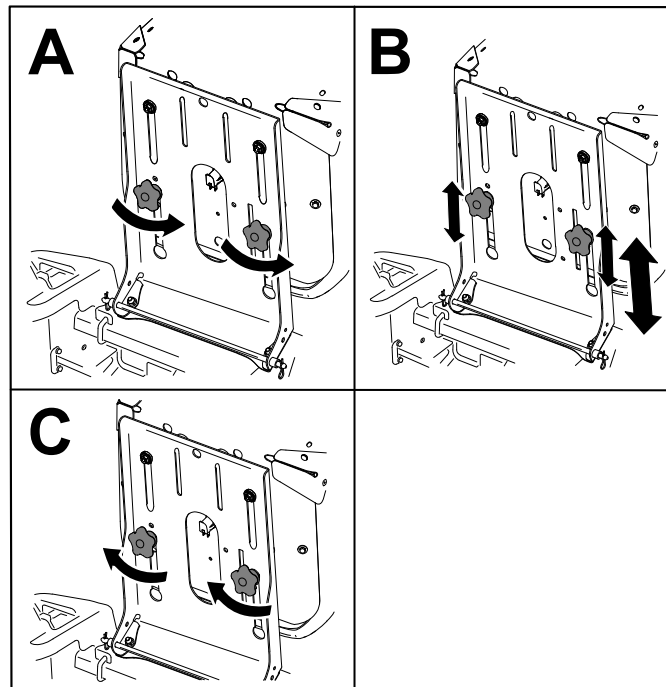
Positionnement du siège

Modèles avec suspension MyRide



G451798

Modèles sans suspension MyRide

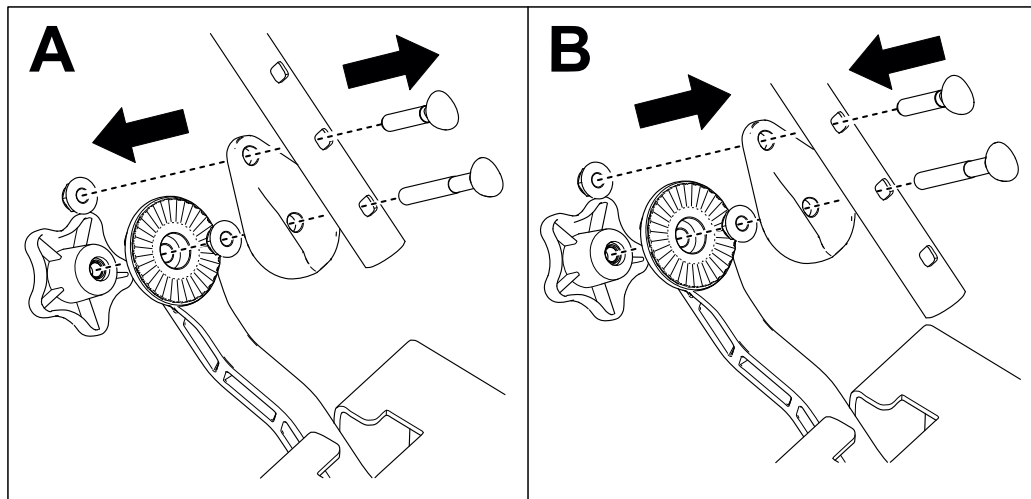


G293874s

Réglage de la hauteur des leviers de commande de déplacement

Régalez la hauteur des leviers de commande de déplacement en fonction de votre taille.

Réglage de la hauteur des leviers de commande de déplacement (suite)

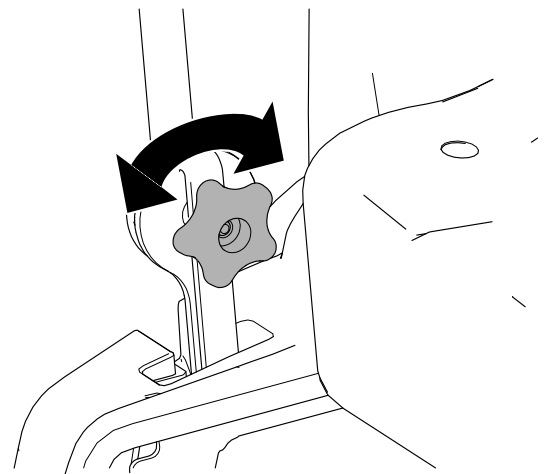


G450938

Réglage de l'inclinaison des leviers de commande de déplacement

Régalez la hauteur des leviers de commande de déplacement en fonction de votre taille.

1. Desserrez le bouton.
2. Faites pivoter le levier de commande en avant ou en arrière.
3. Resserrez le bouton.
4. Répétez la procédure pour l'autre levier de commande.



G439363

Pendant l'utilisation

Consignes de sécurité pendant l'utilisation

- Le propriétaire/l'utilisateur est responsable des accidents pouvant entraîner des dommages corporels et matériels et peut les prévenir.
- Accordez toute votre attention à l'utilisation de la machine. Ne vous livrez à aucune activité risquant de vous distraire, au risque de causer des dommages corporels ou matériels.

Consignes de sécurité pendant l'utilisation (suite)

- N'utilisez pas la machine si vous êtes malade ou fatigué(e), ni sous l'emprise de l'alcool, de drogues ou de médicaments.
- N'utilisez pas la machine si tous les capots et autres dispositifs de protection, tels que les déflecteurs et le bac de ramassage au complet, ne sont pas en place et en bon état de marche. Remplacez les pièces usées ou détériorées par des pièces Toro d'origine si nécessaire.
- Les pièces du moteur, en particulier le silencieux, deviennent extrêmement chaudes pendant le fonctionnement. Leur contact peut causer de graves brûlures et enflammer les débris (feuilles, herbe, broussailles, etc.). Ne laissez pas de débris ou de dépôts excessifs d'huile et de graisse s'accumuler sur le moteur.
- Ne faites tourner le moteur que dans des lieux bien aérés. Les gaz d'échappement contiennent du monoxyde de carbone dont l'inhalation est mortelle.
- N'utilisez la machine que si la visibilité est suffisante et dans de bonnes conditions météorologiques. N'utilisez pas la machine si la foudre menace.
- Démarrez le moteur en gardant les pieds à bonne distance des lames.
- N'approchez jamais les mains ou les pieds des pièces mobiles. Ne vous tenez pas devant l'ouverture d'éjection.
- Ne vous approchez pas des trous, ornières, bosses, rochers et autres dangers. Faites preuve de prudence à l'approche de tournants sans visibilité, de buissons, d'arbres, d'herbe haute ou autres obstacles susceptibles de gêner la vue.
- Ne tondez pas avec le volet d'éjection relevé, déposé ou modifié à moins qu'un système de ramassage ou de déchiquetage soit en place et en bon état de marche.
- Ne tondez jamais en marche arrière, sauf en cas d'absolue nécessité. Vérifiez toujours si la voie est libre juste derrière la machine et sur sa trajectoire avant de faire marche arrière.
- Arrêtez toujours les lames quand vous ne tondez pas. Ralentissez et faites preuve de prudence lorsque vous traversez des surfaces autres qu'une pelouse et quand vous déplacez la machine entre les surfaces de travail.
- Sachez dans quel sens s'effectue l'éjection et ne la dirigez jamais vers qui que ce soit. Ne projetez rien contre un mur ou un obstacle, car le matériau éjecté pourrait ricocher dans votre direction.
- Si la machine heurte un obstacle ou commence à vibrer, coupez immédiatement le moteur, enlevez la clé et attendez l'arrêt complet de toutes les pièces mobiles avant de vérifier si la machine n'est pas endommagée. Effectuez toutes les réparations nécessaires avant de réutiliser la machine.
- Ralentissez et faites preuve de prudence quand vous changez de direction, ainsi que pour traverser des routes et des trottoirs avec la machine. Cédez toujours la priorité.
- Ne laissez jamais la machine en marche sans surveillance.
- Avant de quitter la position d'utilisation :
 - Garez la machine sur une surface plane et horizontale.
 - Désengagez la prise de force et abaissez les accessoires.
 - Serrez le frein de stationnement.
 - Coupez le moteur et enlevez la clé.

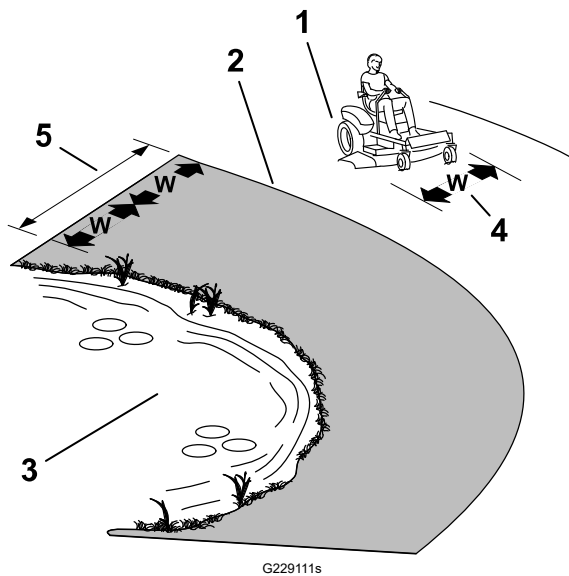
Consignes de sécurité pendant l'utilisation (suite)

- Attendez l'arrêt complet de toutes les pièces mobiles.
- Ne transportez jamais d'enfants sur la machine.
- Ne transportez pas d'enfants sur la machine, même si les lames sont arrêtées. Les enfants pourraient tomber et se blesser gravement ou vous empêcher d'utiliser la machine en toute sécurité. Les enfants qui ont été autorisés à monter sur la machine en marche par le passé peuvent apparaître subitement dans la zone de travail et risquent alors d'être renversés ou écrasés par la machine.
- Les enfants sont souvent attirés par la machine et l'activité de tonte. Ne partez jamais du principe que les enfants se trouvent encore à l'endroit où vous les avez vus pour la dernière fois.
- Veillez à ce que les enfants restent hors de la zone de travail, sous la garde d'un adulte responsable autre que l'utilisateur.
- Restez sur vos gardes et arrêtez la machine si des enfants entrent dans la zone de travail.
- Avant de faire marche arrière ou de changer de direction, vérifiez derrière et autour de vous qu'aucun enfant n'est présent.
- N'utilisez pas la machine pour tracter quoi que ce soit, à moins qu'elle ne soit équipée d'un dispositif d'attelage. Utilisez uniquement le point d'attelage pour atteler l'équipement remorqué à la machine.
- Utilisez uniquement les accessoires et équipements agréés par The Toro® Company.

Consignes de sécurité concernant l'utilisation sur les pentes

- Les pentes augmentent significativement les risques de perte de contrôle et de retournement de la machine pouvant entraîner des accidents graves, voire mortels. L'utilisateur est responsable de la sécurité d'utilisation de la machine sur les pentes. L'utilisation de la machine sur une pente, quelle qu'elle soit, demande une attention particulière. Avant d'utiliser la machine sur une pente, vous devez :
 - Lire et comprendre les instructions relatives à l'utilisation sur les pentes qui figurent dans le manuel et sur la machine.
 - Utiliser l'indicateur d'angle pour déterminer l'angle approximatif de la pente sur laquelle vous devez travailler.
 - Ne travaillez jamais sur des pentes de plus de 15°.
 - Évaluer chaque jour l'état du terrain pour déterminer si la pente permet d'utiliser la machine sans risque. Faites preuve de bon sens et de discernement lors de cette évaluation. Les conditions changeantes du terrain, telle l'humidité, peuvent rapidement modifier le fonctionnement de la machine sur les pentes.
- Repérez les dangers potentiels depuis le bas de la pente. N'utilisez pas la machine près de fortes dénivellations, fossés, berges, étendues d'eau ou autres dangers. La machine pourrait se retourner brusquement si une roue passe par-dessus une dénivellation quelconque et se retrouve dans le vide, ou si un bord s'effondre. Maintenez une distance de sécurité (deux fois la largeur de la machine) entre la machine et tout danger potentiel. Utilisez une tondeuse autotractée ou une débroussailleuse manuelle pour tondre sur ce type de terrain.

Consignes de sécurité pendant l'utilisation (suite)



① Zone de sécurité – utiliser la machine ici sur les pentes de moins de 15° ou sur les terrains plats

② Zone dangereuse – utiliser une tondeuse autotractée et/ou une débroussailleuse à main sur les pentes de plus de 15°, ainsi que près des dénivellations ou des étendues d'eau

③ Eau

④ L = largeur de la machine

⑤ Maintenir une distance de sécurité (deux fois la largeur de la machine) entre la machine et tout danger potentiel

- Évitez de démarrer, de vous arrêter ou de tourner sur les pentes. Ne changez pas soudainement de vitesse ou de direction; tournez lentement et graduellement.
- N'utilisez pas la machine si l'adhérence, la direction ou la stabilité peuvent être compromises. Tenez compte du fait qu'une perte de l'adhérence peut se produire sur l'herbe humide, en travers des pentes ou dans les descentes. La perte d'adhérence des roues motrices peut faire dérapier la machine et entraîner la perte du freinage et de la direction. La machine peut dérapier même si les roues motrices ne tournent plus.
- Enlevez ou balisez les obstacles tels que fossés, trous, ornières, bosses, rochers ou autres dangers cachés. L'herbe haute peut masquer les accidents du terrain. Les irrégularités du terrain peuvent provoquer le retournement de la machine.
- Redoublez de prudence lorsque vous utilisez la machine équipée d'outils ou d'accessoires, tels des systèmes de ramassage. Ceux-ci peuvent modifier la stabilité et entraîner la perte de contrôle de la machine. Suivez les instructions d'utilisation des contrepois.
- Dans la mesure du possible, gardez le tablier de coupe abaissé au sol quand vous utilisez la machine sur des pentes. La machine peut devenir instable si vous levez le tablier de coupe pendant l'utilisation sur une pente.

Consignes de sécurité pendant l'utilisation (suite)

Sécurité de remorquage

- L'équipement remorqué ne doit être attaché qu'au point d'attelage.
- N'utilisez pas la machine pour tracter quoi que ce soit, à moins qu'elle ne soit équipée d'un dispositif d'attelage.
- Ne dépassez pas le poids brut maximum de remorquage.
- Ne laissez jamais approcher ni enfants ni adultes du matériel remorqué.
- Sur les pentes, le poids du matériel remorqué peut provoquer une perte de la motricité et du contrôle de la machine, et accroître le risque de retournement. Réduisez le poids remorqué et ralentissez.
- La distance d'arrêt peut augmenter avec le poids de la charge remorquée. Conduisez lentement et prévoyez une distance de freinage plus grande que la normale.
- Prenez des virages larges pour éviter que l'accessoire ne vienne toucher la machine.

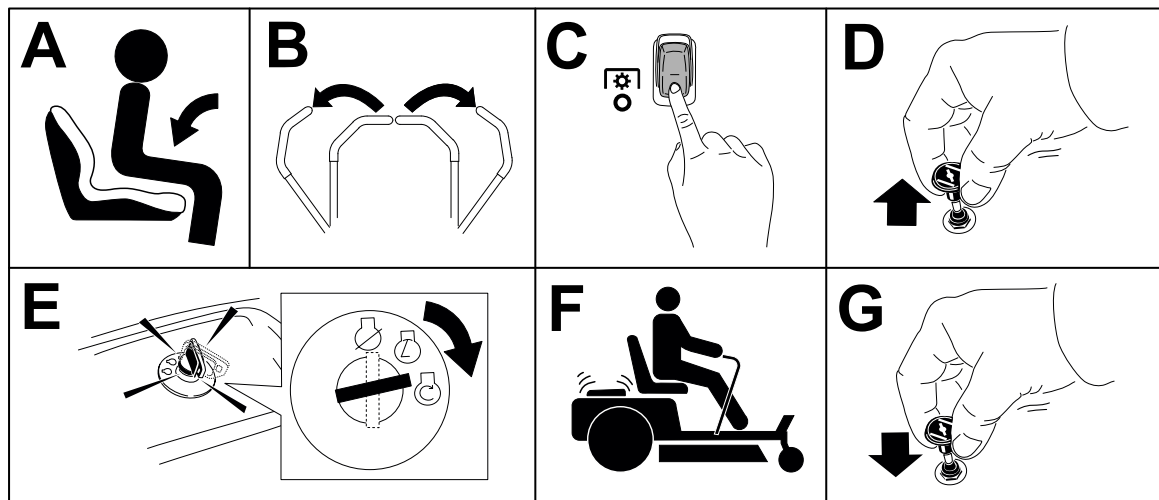
Démarrage du moteur

Démarrez le moteur comme illustré.

Remarque : L'usage du volet de départ n'est généralement pas nécessaire si le moteur est chaud.

IMPORTANT

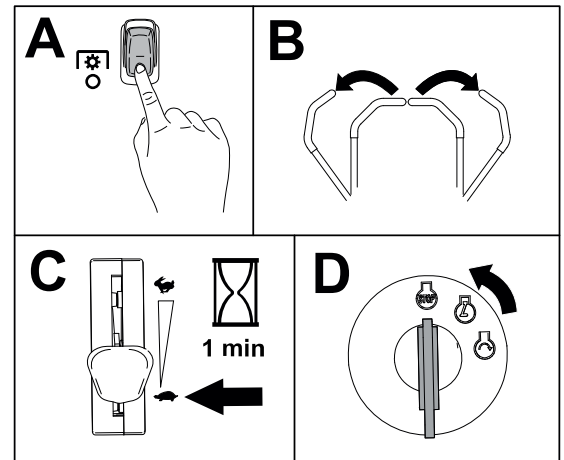
N'actionnez pas le démarreur plus de 5 secondes de suite, au risque d'endommager le démarreur. Si le moteur refuse de démarrer, patientez 1 minute avant d'actionner à nouveau le démarreur.



G451068

Arrêt du moteur

1. Désengagez les lames en plaçant la commande des lames en position DÉSENGAGÉE.
2. Poussez les leviers de commande de déplacement vers l'extérieur, à la position STATIONNEMENT.
3. Placez la commande d'accélérateur à la position BAS RÉGIME et laissez tourner le moteur au ralenti pendant 1 minute.
4. Tournez la clé à la position ARRÊT et retirez-la.



G451067



PRUDENCE



Les enfants ou les personnes à proximité risquent de se blesser s'ils déplacent la machine ou essaient de l'utiliser lorsqu'elle est laissée sans surveillance.

Retirez toujours la clé et serrez le frein de stationnement si vous laissez la machine sans surveillance.

Conduite de la machine



PRUDENCE

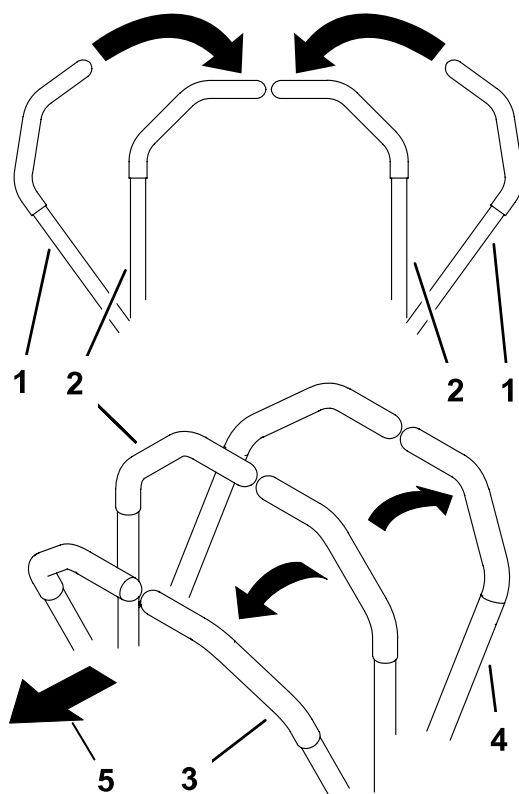


Si vous placez un levier trop en avant par rapport à l'autre, la machine tournera très rapidement. Vous risquez alors de perdre le contrôle de la machine et de vous blesser ou d'endommager la machine.

Ralentissez avant de prendre des virages serrés.

Les roues motrices tournent indépendamment et sont entraînées par les moteurs sur chaque essieu. Vous pouvez faire tourner un côté en arrière pendant que l'autre tourne en avant, ce qui fait pivoter la machine au lieu de la faire changer de direction. La maniabilité de la machine en est grandement améliorée, mais cette manière de conduire pourra demander un certain temps d'adaptation.

1. Amenez les leviers de commande de déplacement au centre, en position déverrouillée.



- ① Leviers de commande de déplacement – position STATIONNEMENT
- ② Position centrale de déverrouillage
- ③ Marche avant
- ④ Marche arrière
- ⑤ Avant de la machine

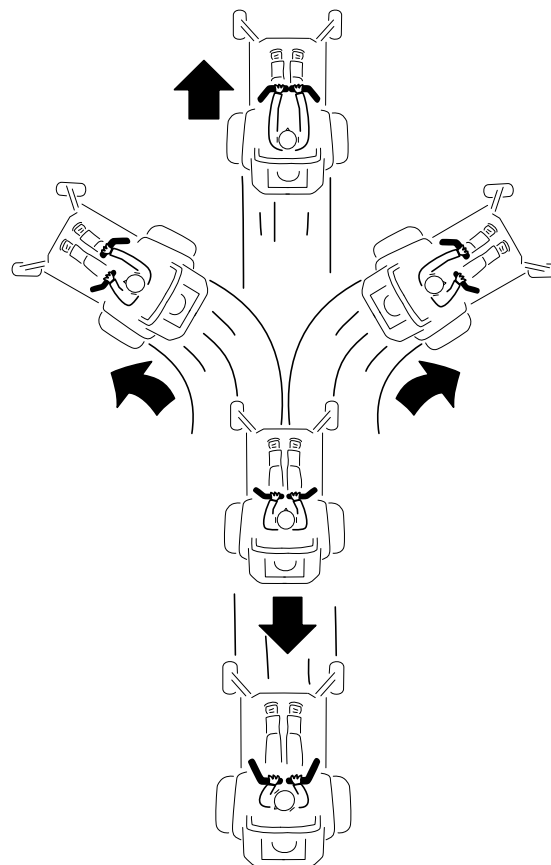
G426843s

Conduite de la machine (suite)

2. Poussez les leviers de commande de déplacement lentement en avant ou en arrière. Déplacez un levier plus loin que l'autre pour tourner.

Remarque : La vitesse de déplacement de la machine dans une direction est proportionnelle au déplacement des leviers de commande.

3. Pour arrêter la machine, tirez les leviers de commande de déplacement en position POINT MORT.



G397314s

Utilisation de la commande des lames (PDF)



DANGER



Les lames en rotation sous le tablier de coupe sont dangereuses. Tout contact avec les lames causera des blessures graves ou mortelles.

Ne passez pas les mains ni les pieds sous la tondeuse ou le tablier de coupe lorsque les lames tournent.



DANGER

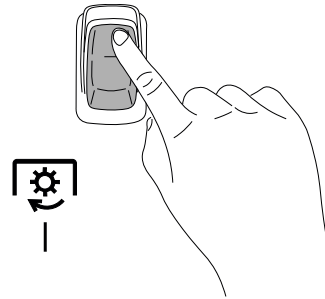


Si l'ouverture d'éjection est ouverte, des objets peuvent être projetés dans votre direction ou celle d'autres personnes. Un contact avec la lame est également possible. La projection d'objets ou le contact avec une lame causera des blessures graves ou mortelles.

N'utilisez pas la tondeuse avec le déflecteur d'éjection relevé, déposé ou modifié à moins qu'un système de ramassage ou un kit de déchiquetage ne soit en place et fonctionne correctement.

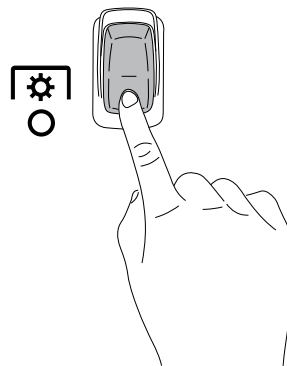
Utilisation de la commande des lames (PDF) (suite)

1. Placez la commande d'accélérateur en position HAUT RÉGIME.
2. Engagez la commande des lames.



G450387

3. Tondez comme vous le souhaitez.
4. Désengagez la commande des lames.



G450388

Éjection latérale

Le déflecteur d'herbe pivotant permet de disperser les déchets de tonte sur le côté et à la surface de la pelouse.



DANGER



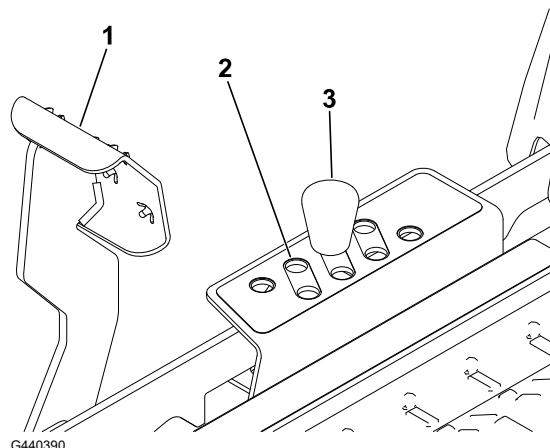
Si le déflecteur d'herbe, l'obturateur d'éjection ou le système de ramassage complet ne sont pas en place sur la machine, vous-même ou d'autres personnes peuvent être touchés par une lame ou des débris projetés. Les lames en rotation et les débris projetés peuvent occasionner des blessures graves ou mortelles.

- **N'enlevez pas le déflecteur d'herbe de la machine, sa présence est nécessaire pour diriger l'herbe tondue sur la pelouse. Si le déflecteur d'herbe est endommagé, remplacez-le immédiatement.**
- **Ne mettez jamais les mains ou les pieds sous la tondeuse.**
- **N'essayez jamais de dégager l'ouverture d'éjection ou les lames du tablier de coupe sans avoir au préalable désengagé la PDF. Tournez la clé à la position ARRÊT, puis enlevez-la.**

Réglage de la hauteur de coupe

Vous pouvez régler la hauteur de coupe de 38 à 127 mm (1½ à 5 po) par paliers de 13 mm (½ po).

1. Appuyez sur la pédale de levage du tablier ^① avec le pied pour lever le tablier.
2. Retirez l'axe ^③ du support de hauteur de coupe.
3. Insérez la goupille dans le trou correspondant à la hauteur de coupe voulue ^②.
4. Abaissez lentement le tablier jusqu'à ce que le levier touche la goupille.

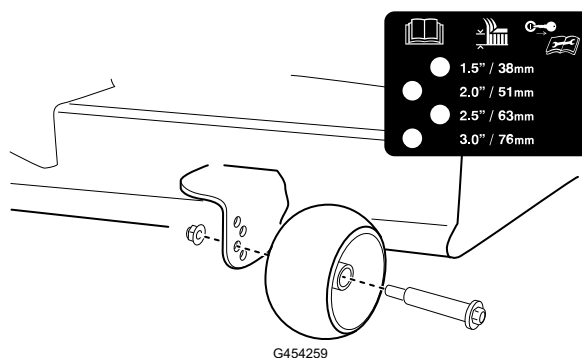


Réglage des galets anti-scalp

Ajustez la hauteur des galets anti-scalp chaque fois que vous modifiez la hauteur de coupe.

1. Garez la machine sur une surface plane et horizontale, placez la commande des lames en position désengagée et les leviers de commande de déplacement à la position STATIONNEMENT.
2. Avant de quitter la position d'utilisation, coupez le moteur, enlevez la clé et attendez l'arrêt complet de toutes les pièces mobiles.
3. Réglez les galets anti-scalp à la position correspondant le mieux à position de hauteur de coupe.

Remarque : Réglez les galets anti-scalp de sorte qu'ils ne touchent pas le sol sur les surfaces normales et planes.



Conseils d'utilisation

Maximiser la circulation de l'air

Pour obtenir une circulation d'air maximale et des résultats optimaux, faites tourner le moteur à HAUT RÉGIME. L'air doit pouvoir circuler pour bien couper l'herbe. Pour cette raison, ne sélectionnez pas une hauteur de coupe trop basse car le tablier de coupe serait alors

Conseils d'utilisation (suite)

complètement entouré d'herbe haute. Placez-vous toujours de sorte qu'un côté du tablier de coupe se trouve à l'extérieur de la zone non coupée. L'air pourra ainsi circuler librement dans le tablier de coupe.

Évitez de sélectionner une hauteur de coupe trop basse

Si le sol est irrégulier, utilisez une hauteur de coupe légèrement plus élevée que la normale pour éviter de scalper l'herbe. La hauteur de coupe habituelle est cependant celle qui convient le mieux en général. Si la hauteur de l'herbe dépasse 15 cm (6 po), vous devrez peut-être vous y reprendre à deux fois pour obtenir un résultat acceptable.

Tonte du tiers de la hauteur de l'herbe

L'idéal est de ne raccourcir l'herbe que du tiers de sa hauteur. Une coupe plus courte est déconseillée, à moins que l'herbe ne soit clairsemée, ou en automne lorsque la pousse commence à ralentir.

Alterner la direction de la tonte

Alternez le sens des passages pour ne pas coucher l'herbe. L'alternance permet aussi de mieux disperser l'herbe coupée, ce qui améliore la décomposition et la fertilisation.

Fréquence de tonte

L'herbe pousse plus ou moins vite selon la saison. Pour conserver une hauteur de coupe régulière, tondez plus souvent au début du printemps. Réduisez la fréquence de tonte au milieu de l'été, lorsque l'herbe pousse moins vite. Si le gazon n'a pas été tondu depuis un certain temps, tondez une première fois assez haut, puis un peu plus bas 2 jours plus tard.

Tondre à petites vitesses

Dans certaines conditions, la tonte à vitesse réduite peut améliorer la qualité de coupe.

Éviter les paquets d'herbe

Si vous immobilisez la machine pendant la tonte en marche avant, un paquet d'herbe coupée peut tomber sur la pelouse. Pour éviter cela, rendez-vous sur une zone déjà tondu en laissant les lames engagées ou désengagez le tablier de coupe pendant la tonte en marche avant de la machine.

Propreté du dessous du tablier de coupe

Nettoyez le dessous du tablier de coupe après chaque utilisation. L'accumulation de déchets d'herbe et de saleté finira par réduire la qualité de la tonte.

Entretien des lames

Utilisez une lame bien aiguisée durant toute la saison de tonte, pour obtenir une coupe nette sans arracher ni déchiqueter les brins d'herbe. L'herbe arrachée ou déchiquetée brunît sur

Conseils d'utilisation (suite)

les bords, sa croissance ralentit et elle devient plus sensible aux maladies. Après chaque utilisation, vérifiez l'état, l'usure et l'affûtage des lames. Limez les entailles éventuelles et aiguissez les lames au besoin. Remplacez les lames usées ou endommagées.

Après l'utilisation

Consignes de sécurité après l'utilisation

- Garez la machine sur une surface plane et horizontale, débrayez toutes les commandes, serrez le frein de stationnement, coupez le moteur, enlevez la clé et attendez l'arrêt complet de toutes les pièces mobiles avant de quitter la machine.
- Laissez refroidir la machine avant de la régler, la réparer, la nettoyer, la remiser ou de faire le plein de carburant.
- Enlevez l'herbe, les feuilles, l'excédent de graisse ou d'huile, et autres débris accumulés sur le tablier de coupe, le silencieux, les entraînements, le système de ramassage et le moteur pour éviter les risques d'incendie.
- Fermez le robinet d'arrivée de carburant (selon l'équipement) avant de remiser ou de transporter la machine.
- Utilisez des rampes d'une seule pièce pour charger la machine sur une remorque ou un véhicule.
- Arrimez solidement la machine au moyen de sangles, chaînes, câbles ou cordes. Les sangles avant et arrière doivent être dirigées vers le bas et l'extérieur de la machine.

Nettoyage de la machine

Nettoyez la machine après chaque utilisation.

1. Garez la machine sur une surface plane et horizontale, placez la commande des lames en position désengagée et les leviers de commande de déplacement à la position STATIONNEMENT.
2. Avant de quitter la position d'utilisation, coupez le moteur, enlevez la clé et attendez l'arrêt complet de toutes les pièces mobiles.
3. Enlevez les débris d'herbe et autres agglomérés sur l'unité de coupe, le silencieux, les entraînements, le bac à herbe et le moteur.

IMPORTANT

Vous pouvez laver la machine avec de l'eau et un détergent doux. N'utilisez pas de nettoyeur haute pression. N'utilisez pas une trop grande quantité d'eau, surtout près du panneau de commande, sous le siège, et à proximité du moteur, des pompes hydrauliques et des moteurs électriques.

Transport de la machine

Transportez la machine sur une remorque de poids-lourd ou un camion. Utilisez une rampe d'une seule pièce. Le camion ou la remorque doit être équipé(e) des freins, des éclairages et de la signalisation exigés par la loi. Lisez attentivement toutes les consignes de sécurité. Tenez-en compte pour éviter de vous blesser ou de blesser des personnes à proximité. Reportez-vous aux ordonnances locales concernant les exigences d'arrimage et de remorquage.



ATTENTION



Il est dangereux de conduire sur la voie publique sans clignotants, éclairages, réflecteurs ou panneau « véhicule lent ». Vous risquez de provoquer un accident et de vous blesser.

Ne conduisez pas la machine sur la voie publique.

Exigences concernant les remorques



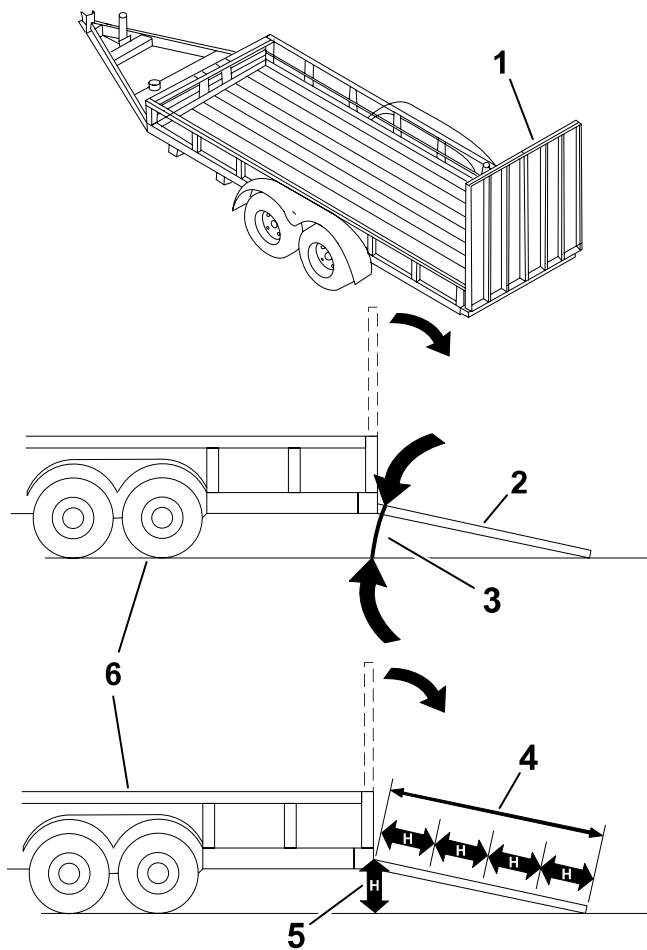
ATTENTION



Le chargement de la machine sur une remorque ou un camion augmente le risque de basculement et donc de blessures graves ou mortelles.

- **Utilisez uniquement une rampe pleine largeur; n'utilisez pas de rampes séparées de chaque côté de la machine.**
 - **L'angle entre la rampe et le sol, ou entre la rampe et la remorque ou le camion, ne doit pas dépasser 15 degrés.**
 - **La rampe doit être au moins quatre fois plus longue que la hauteur de la remorque ou du plateau de chargement par rapport au sol.**
-

Transport de la machine (suite)



G027996s

- ① Rampes d'une seule pièce en position rangée
- ② Vue latérale de la rampe d'une seule pièce en position de chargement
- ③ 15 degrés maximum
- ④ La rampe doit être au moins quatre fois plus longue que la hauteur de la remorque ou du plateau de chargement par rapport au sol.
- ⑤ H = hauteur de la remorque ou du plateau du camion par rapport au sol
- ⑥ Remorque

Chargement de la machine



ATTENTION



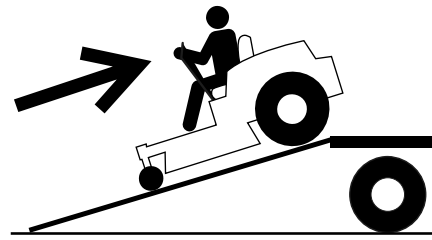
Le chargement de la machine sur une remorque ou un camion augmente le risque de basculement et donc de blessures graves ou mortelles.

- **Procédez avec la plus grande prudence lorsque vous manœuvrez la machine sur une rampe.**
- **Montez la rampe en marche arrière et descendez-la en marche avant.**
- **Évitez d'accélérer ou de décélérer brutalement lorsque vous conduisez la machine sur une rampe car vous pourriez en perdre le contrôle ou la faire basculer.**

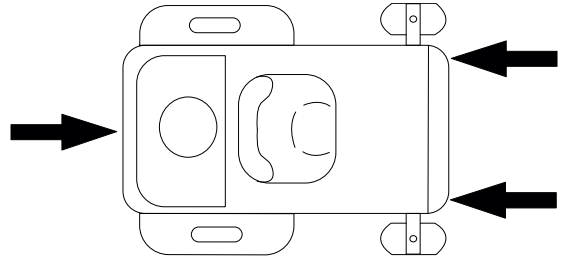
1. Si vous utilisez une remorque, attachez-la au véhicule de remorquage et attachez les chaînes de sécurité.
2. Le cas échéant, raccordez les freins de la remorque.
3. Abaissez la rampe pour que l'angle avec le sol ne dépasse pas 15 degrés.

Transport de la machine (suite)

4. Monter la rampe en marche arrière
5. Coupez le moteur, retirez la clé et écartez les leviers de commande de déplacement à la position STATIONNEMENT.
6. Arrimez la machine au moyen de sangles, chaînes, câbles ou cordes. Reportez-vous à la réglementation locale concernant les exigences en matière d'arrimage.



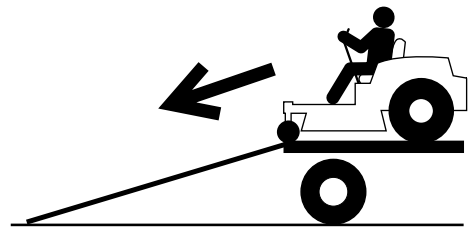
G414592



G451313

Déchargement de la machine

1. Abaissez la rampe pour que l'angle avec le sol ne dépasse pas 15 degrés.
2. Descendez la rampe en marche avant.



G414593

Consignes de sécurité pendant l'entretien

- Si vous laissez la clé dans le commutateur d'allumage, quelqu'un pourrait mettre le moteur en marche accidentellement et vous blesser gravement, ainsi que toute personne à proximité. Avant tout entretien, retirez la clé du commutateur d'allumage.
- Avant de quitter la position d'utilisation, effectuez la procédure suivante :
 - Garez la machine sur une surface plane et horizontale.
 - Débrayez les entraînements.
 - Serrez le frein de stationnement.
 - Coupez le moteur et enlevez la clé.
 - Laissez refroidir la machine avant de procéder à un entretien.
- Ne confiez pas l'entretien de la machine à des personnes non qualifiées.
- N'approchez jamais les mains ou les pieds des pièces mobiles ou des surfaces chaudes. Dans la mesure du possible, évitez d'effectuer des réglages sur la machine quand le moteur est en marche.
- Maintenez toujours les protections, les capots, les contacteurs et tous les dispositifs de sécurité en place et en bon état de marche. Contrôlez fréquemment l'usure ou la détérioration des composants et remplacez-les au besoin par des pièces Toro d'origine.
- Libérez la pression emmagasinée dans les composants avec précaution.



ATTENTION



Le retrait ou la modification du matériel, des pièces et/ou des accessoires d'origine peut affecter la garantie, la maniabilité et la sécurité de la machine. Les modifications non autorisées du matériel d'origine ou l'utilisation de pièces autres que des pièces Toro d'origine peuvent entraîner des blessures graves ou mortelles.

- Vérifiez souvent le fonctionnement du frein de stationnement. Effectuez les réglages et l'entretien éventuellement requis.
- N'enlevez et ne modifiez jamais les dispositifs de sécurité. Vérifiez régulièrement qu'ils fonctionnent correctement.
- Pour éviter les risques d'incendie, enlevez l'herbe, les feuilles, l'excédent de graisse ou d'huile, et autres débris accumulés sur l'unité de coupe, le silencieux, les entraînements, le bac à herbe et le compartiment moteur.
- Nettoyez les coulées éventuelles d'huile ou de carburant et éliminez les débris imbibés de carburant.

- Ne vous fiez pas uniquement à des crics mécaniques ou hydrauliques pour soutenir la machine. Utilisez des chandelles adéquates.
- Maintenez toutes les pièces en bon état de marche et toutes les fixations bien serrées, surtout la visserie de fixation des lames.
- Pour garantir un rendement optimal, utilisez uniquement des pièces de rechange et accessoires Toro d'origine. Les pièces de rechange et accessoires d'autres constructeurs peuvent être dangereux.

Programme d'entretien recommandé

Périodicité des entretiens	Procédure d'entretien
Après les 50 premières heures	Contrôlez le couple de serrage des écrous de roue.
Avant chaque utilisation ou chaque jour	Contrôlez le système de sécurité.
	Contrôlez le niveau d'huile moteur.
	Nettoyez la grille d'entrée d'air.
	Examinez les lames.
Après chaque utilisation	Vérifiez l'état du déflecteur d'herbe.
	Nettoyez les débris d'herbe et autres sur la machine.
Toutes les 25 heures	Nettoyez le carter du tablier de coupe.
	Graissez les roulements des roues pivotantes (plus fréquemment si le sol est sableux).
	Nettoyez l'élément en mousse du filtre à air (plus fréquemment dans des conditions poussiéreuses et sales).
	Contrôlez la pression des pneus.
Toutes les 100 heures ou tous les ans, la première échéance prévalant	Contrôlez l'état des courroies (usure/fissures).
	Remplacez l'élément en papier du filtre à air (plus fréquemment s'il y a beaucoup de poussière ou de saleté).
Avant le remisage	Vidangez l'huile moteur et remplacez le filtre à huile moteur (plus fréquemment si les conditions sont sales ou poussiéreuses).
	Chargez la batterie et débranchez les câbles.
	Effectuez tous les contrôles et entretiens mentionnés ci-dessus avant de remiser la machine.
Tous les ans	Repeignez les surfaces écaillées.
	Contrôlez le couple de serrage des écrous de roue.
	Remplacez les éléments en papier et en mousse du filtre à air (plus fréquemment si les conditions sont sales et poussiéreuses).
	Remplacez la ou les bougies.
	Remplacez le filtre à carburant en ligne.
	Nettoyez le circuit de refroidissement; contactez un dépositaire réparateur agréé.

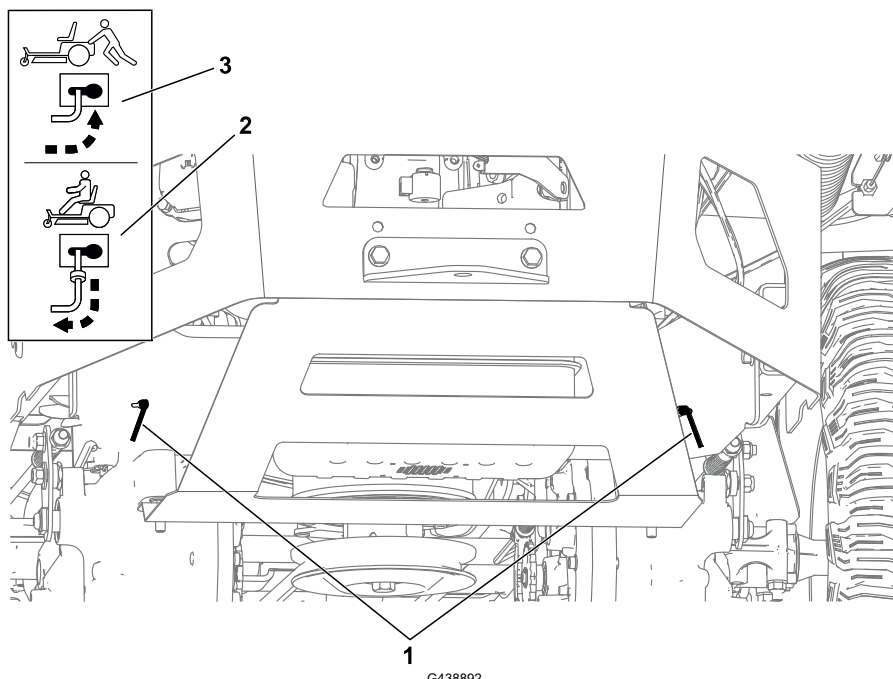
IMPORTANT

Reportez-vous au manuel du propriétaire du moteur pour toutes procédures d'entretien supplémentaires.

Procédures avant l'entretien

Déplacement d'une machine en panne

1. Garez la machine sur une surface plane et horizontale, placez la commande des lames en position désengagée et les leviers de commande de déplacement à la position STATIONNEMENT.
2. Coupez le moteur et attendez l'arrêt complet de toutes les pièces mobiles avant de quitter la position d'utilisation.
3. Localisez les leviers de dérivation ① sur le cadre, des deux côtés du moteur.



4. Poussez les deux leviers de dérivation dans la fente, puis vers le côté pour les verrouiller en position ③.



ATTENTION



Les pièces brûlantes peuvent causer des blessures.

Gardez les mains, les pieds, le visage et toute autre partie du corps ainsi que les vêtements à l'écart du moteur, du silencieux et autres surfaces brûlantes.

Déplacement d'une machine en panne (suite)



ATTENTION



La machine peut se déplacer inopinément alors que les leviers de dérivation sont verrouillés en avant dans la fente et vous blesser ou blesser toute personne à proximité.

Verrouillez les leviers de dérivation en position arrière avant de déplacer la machine.

5. Desserrez le frein de stationnement en amenant les deux leviers de commande de déplacement au centre, en position débloquée.

Remarque : Ne démarrez pas la machine.

6. Déplacez la machine selon les besoins.

IMPORTANT

Poussez toujours la machine à la main. Ne remorquez pas la machine au risque de l'endommager.

7. Poussez les leviers de commande de déplacement vers l'extérieur, à la position STATIONNEMENT.
8. Tirez les deux leviers de dérivation en arrière et sortez-les de la fente pour les bloquer en place ②.

Levage de la machine

Soutenez la machine levée avec des chandelles.



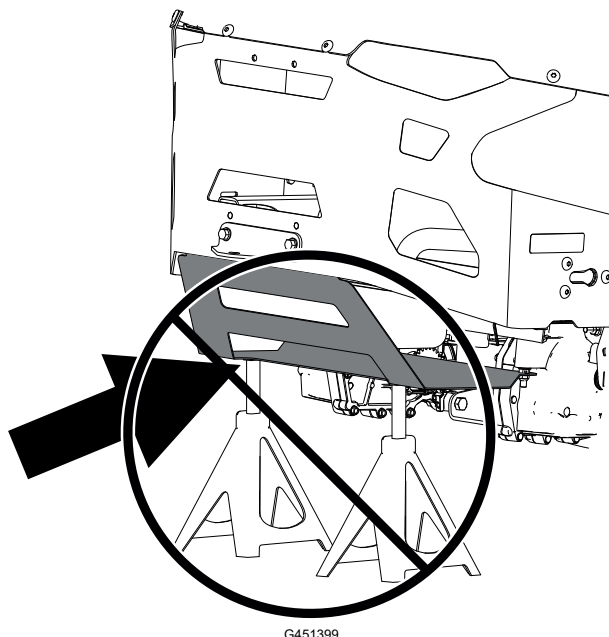
ATTENTION



Si vous soutenez la machine en vous servant de la protection inférieure du silencieux, vous risquez d'endommager la protection et de faire tomber la machine, vous blessant ou blessant d'autres personnes.

N'utilisez pas la protection inférieure du silencieux pour soulever ou soutenir la machine.

Levage de la machine (suite)



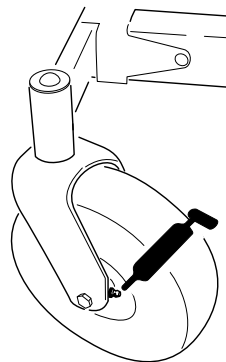
Graissage

Graissage des roulements

1. Garez la machine sur une surface plane et horizontale, placez la commande des lames en position désengagée et les leviers de commande de déplacement à la position STATIONNEMENT.
2. Coupez le moteur et attendez l'arrêt complet de toutes les pièces mobiles avant de quitter la position d'utilisation.
3. Nettoyez les graisseurs avec un chiffon.

Remarque : Grattez la peinture qui pourrait se trouver sur l'avant des graisseurs.

4. Raccordez un pistolet de graissage à chaque graisseur.
5. Injectez de la graisse dans les graisseurs jusqu'à ce qu'elle commence à sortir des roulements.
6. Essuyez tout excès de graisse.



Entretien du moteur

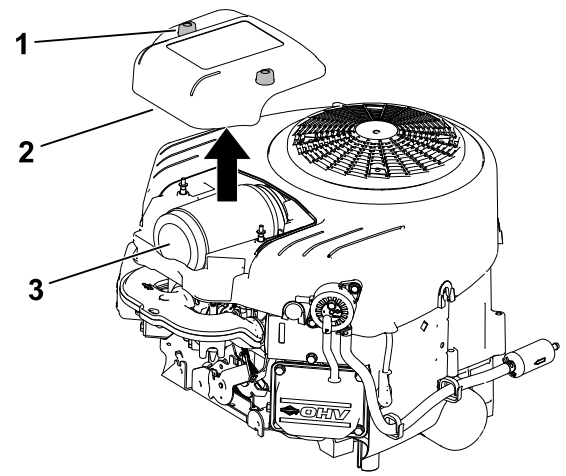
Consignes de sécurité concernant le moteur

- Gardez les mains, les pieds, le visage et toute autre partie du corps, ainsi que les vêtements à l'écart du silencieux et autres surfaces brûlantes. Laissez refroidir le moteur avant de procéder à un entretien.
- Ne modifiez pas le réglage du régulateur et ne faites pas tourner le moteur à un régime excessif.

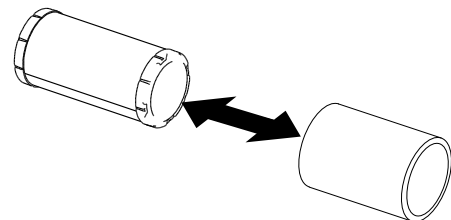
Entretien du filtre à air

Retrait des éléments du filtre à air

1. Garez la machine sur une surface plane et horizontale, placez la commande des lames en position désengagée et les leviers de commande de déplacement à la position STATIONNEMENT.
2. Coupez le moteur et attendez l'arrêt complet de toutes les pièces mobiles avant de quitter la position d'utilisation.
3. Nettoyez la surface autour du couvercle du filtre à air ② pour éviter que des impuretés n'endommagent le moteur en tombant à l'intérieur.
4. Desserrez les fixations ① et déposez le couvercle.
5. Retirez les éléments du filtre à air ③.
6. Séparez les éléments en mousse et en papier.



G399637s



G451151

Entretien de l'élément en mousse

1. Lavez l'élément en mousse dans de l'eau chaude additionnée de savon liquide. Rincez soigneusement l'élément une fois propre.
2. Séchez l'élément en le pressant dans un chiffon propre.

Entretien du filtre à air (suite)

IMPORTANT

Remplacez l'élément en mousse s'il est usé ou déchiré.

3. Huilez légèrement l'élément en mousse avec de l'huile moteur propre et pressez l'élément pour éliminer l'excédent d'huile.

Entretien de l'élément en papier du filtre à air

1. Nettoyez l'élément en papier en le tapotant pour faire tomber la poussière.
Remarque : Remplacez-le par un neuf s'il est très encrassé.
2. Vérifiez que l'élément n'est pas déchiré ni couvert d'une pellicule grasse, et que le joint de caoutchouc n'est pas endommagé.
3. Remplacez l'élément en papier s'il est endommagé.

IMPORTANT

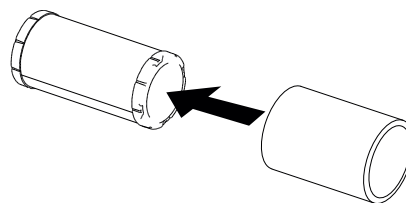
Ne nettoyez pas l'élément en papier.

Installation des éléments du filtre à air

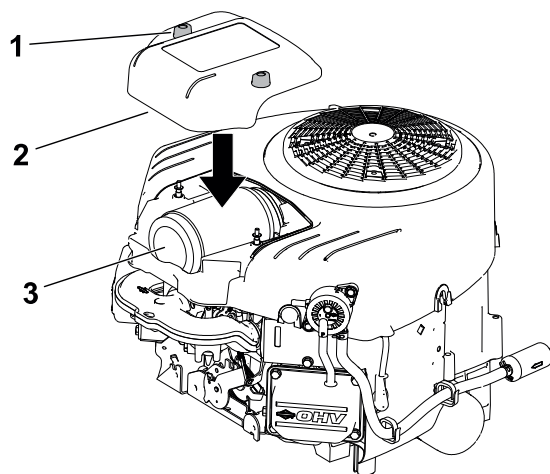
1. Placez le préfiltre en mousse sur l'élément en papier.

Remarque : Veillez à ne pas endommager les éléments.

2. Placez les éléments filtrants ③ sur la base du filtre à air.
3. Remettez le couvercle ② et serrez les fixations ①.



G451670

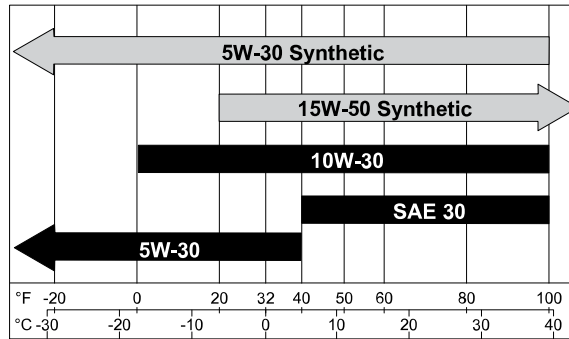


G451671

Vidange de l'huile moteur

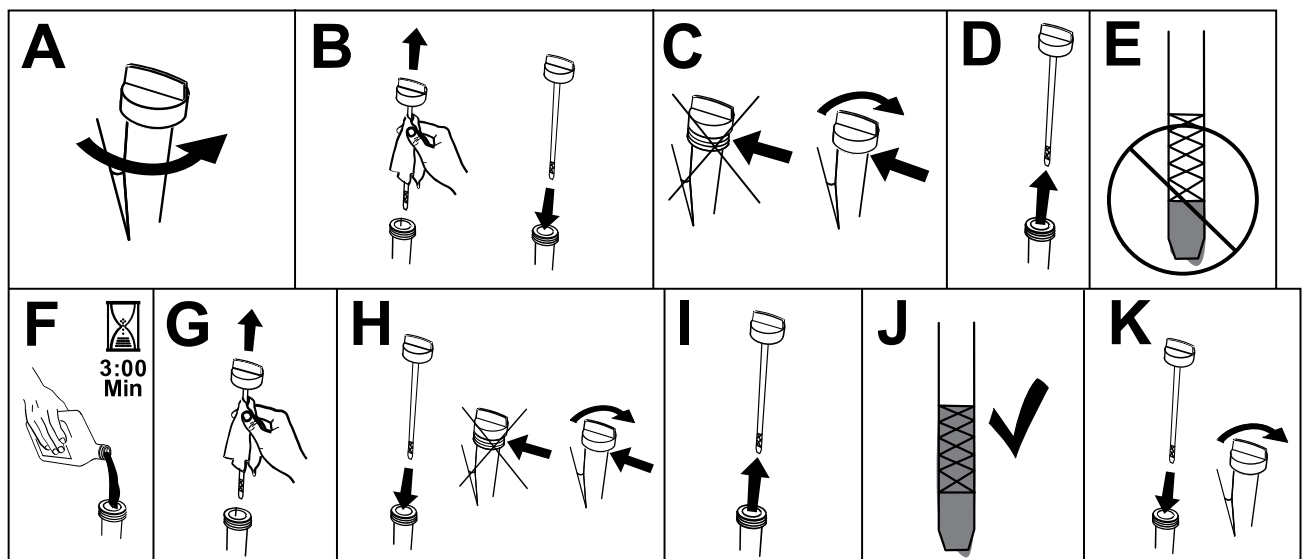
Spécifications de l'huile moteur

Type d'huile	Huile détergente (y compris synthétique) de classe de service API SJ ou mieux
Capacité du carter	1,9 L (64 oz liq.) avec filtre huile; 1,8 L (60 oz liq.) sans filtre huile
Viscosité	Voir le tableau des produits ci-dessous



Contrôle du niveau d'huile moteur

1. Garez la machine sur une surface plane et horizontale, placez la commande des lames en position désengagée et les leviers de commande de déplacement à la position STATIONNEMENT.
2. Avant de quitter la position d'utilisation, coupez le moteur, enlevez la clé et attendez l'arrêt complet de toutes les pièces mobiles.
3. Laissez refroidir le moteur pour donner le temps à l'huile de s'écouler dans le carter.
4. Pour éviter de faire tomber de l'herbe, de la poussière, etc. dans le moteur, nettoyez la surface autour du bouchon de remplissage-jauge d'huile, avant de le retirer.
5. Contrôlez le niveau d'huile moteur, comme montré.



G373146s

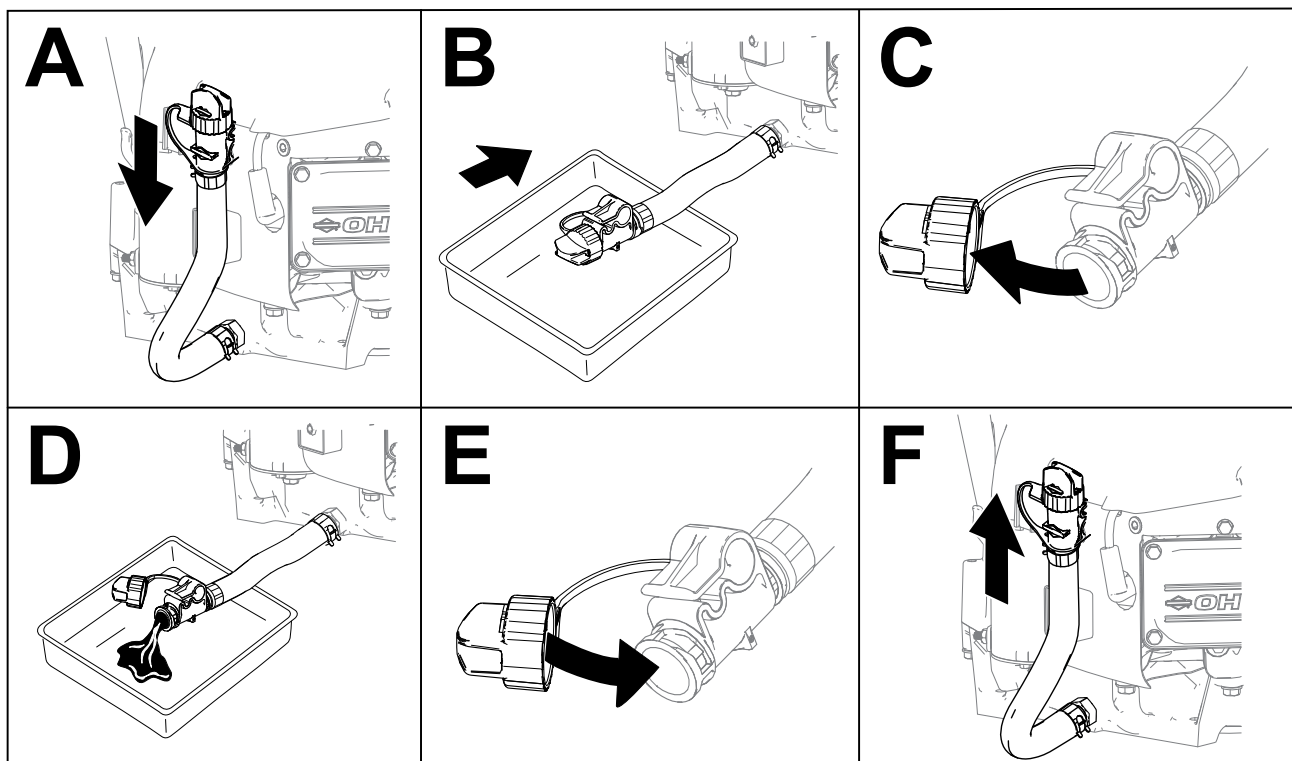
Vidange de l'huile moteur (suite)

IMPORTANT

Vous risquez d'endommager le moteur si vous le faites tourner alors que le carter est trop ou pas assez rempli d'huile.

Vidange de l'huile moteur et remplacement du filtre à huile

1. Garez la machine sur une surface plane et horizontale pour que la boîte-pont puisse se vider entièrement.
2. Désengagez la commande des lames et écartez les leviers de commande de déplacement vers l'extérieur à la position STATIONNEMENT.
3. Avant de quitter la position d'utilisation, coupez le moteur, retirez la clé de contact et attendez l'arrêt complet de toutes les pièces mobiles.
4. Vidangez l'huile moteur.

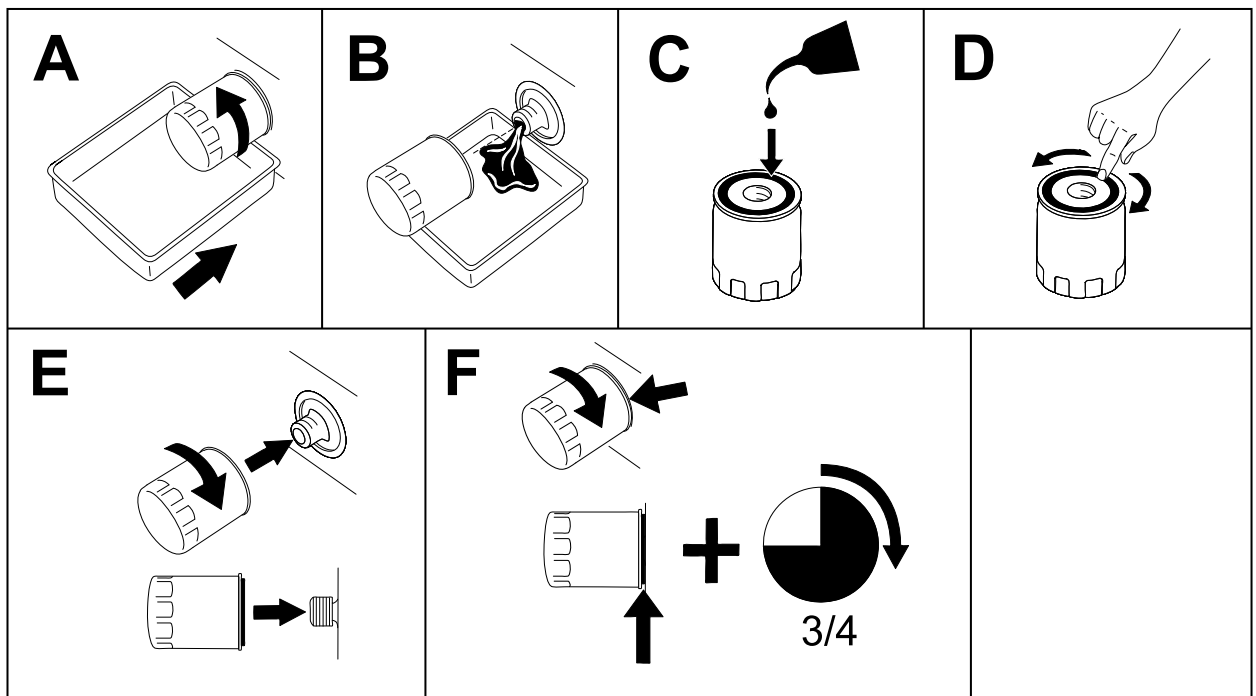


G399817s

5. Remplacez le filtre à huile moteur.

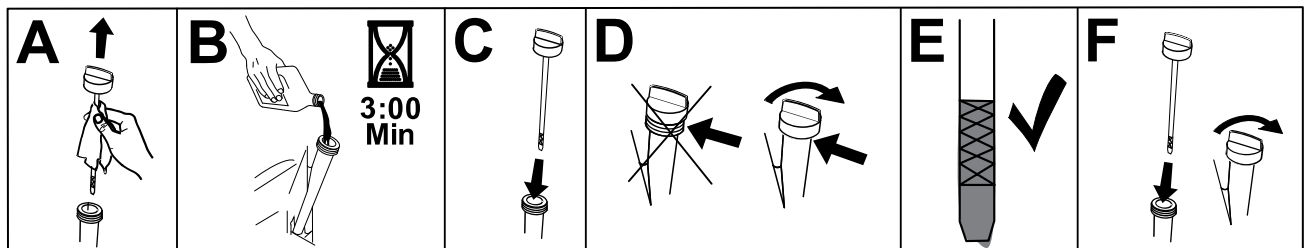
Remarque : Assurez-vous que le joint du filtre à huile touche le moteur puis vissez-le encore de trois quarts de tour.

Vidange de l'huile moteur (suite)



G398545s

6. Versez lentement environ 80 % de l'huile spécifiée dans le tube de remplissage, puis faites l'appoint lentement jusqu'à ce que le niveau atteigne le repère maximum (F).



G373565s

7. Débarrassez-vous de l'huile usagée dans un centre de recyclage.

Entretien de la bougie

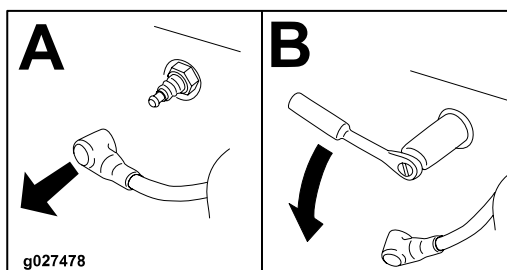
Avant de monter une bougie, vérifiez si l'écartement entre l'électrode centrale et l'électrode latérale est correct. Utilisez une clé à bougies pour déposer et reposer les bougies, et une jauge d'épaisseur pour contrôler et régler l'écartement des électrodes. Remplacez la bougie au besoin.

Type : Champion® XC92YC

Écartement des électrodes : 0,76 mm (0,03 po)

Dépose de la bougie

1. Garez la machine sur une surface plane et horizontale, placez la commande des lames en position désengagée et les leviers de commande de déplacement à la position STATIONNEMENT.
2. Avant de quitter la position d'utilisation, coupez le moteur, enlevez la clé et attendez l'arrêt complet de toutes les pièces mobiles.
3. Nettoyez la surface autour de la base de la bougie pour empêcher la poussière et les débris de pénétrer dans le moteur.
4. Déposez la bougie.



Contrôle de la bougie

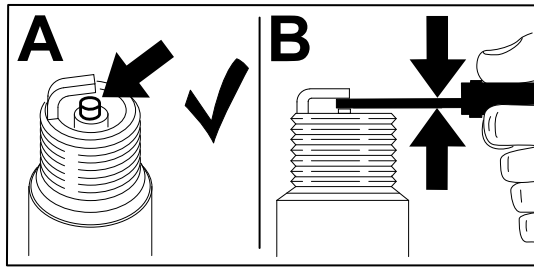
IMPORTANT

Ne nettoyez pas la ou les bougies. Remplacez toujours les bougies si elles sont recouvertes d'un dépôt noir ou d'une couche grasse, si elles sont fissurées ou si les électrodes sont usées.

Si l'isolateur est recouvert d'un léger dépôt gris ou brun, le moteur fonctionne correctement. S'il est recouvert d'un dépôt noir, cela signifie généralement que le filtre à air est encrassé.

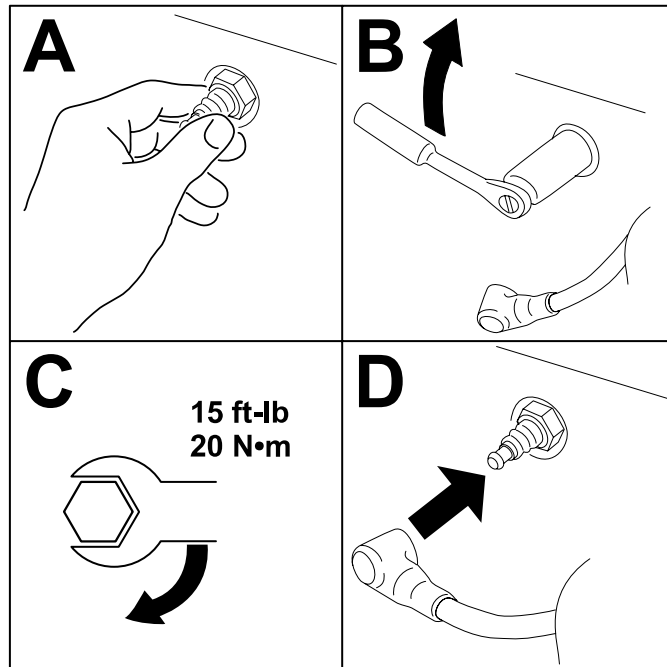
Régalez l'écartement des électrodes à 0,75 mm (0,03 po).

Entretien de la bougie (suite)



G437150

Pose de la bougie



g027480s

Entretien du circuit d'alimentation



DANGER



Dans certaines circonstances, le carburant est extrêmement inflammable et hautement explosif. Un incendie ou une explosion causé(e) par du carburant peut vous brûler, ainsi que toute personne à proximité, et causer des dommages matériels.

Voir dans la section [Consignes de sécurité pour le carburant](#), page 4–2 la liste complète des consignes de sécurité concernant le carburant.

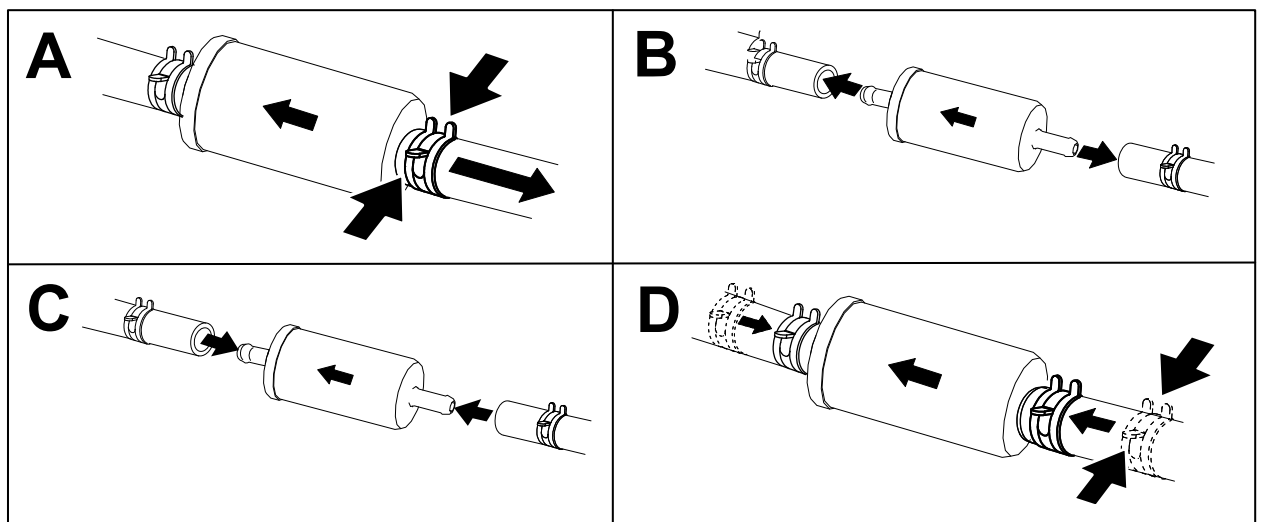
Remplacement du filtre à carburant

1. Garez la machine sur une surface plane et horizontale, placez la commande des lames en position désengagée et les leviers de commande de déplacement à la position STATIONNEMENT.
2. Avant de quitter la position d'utilisation, coupez le moteur, enlevez la clé et attendez l'arrêt complet de toutes les pièces mobiles.
3. Raccordez les conduites d'alimentation de chaque côté du filtre avec des colliers.
4. Remplacez le filtre.

Remarque : Vérifiez que la flèche indiquant le sens d'écoulement est dirigée vers le moteur.

IMPORTANT

Ne remontez jamais un filtre encrassé après l'avoir enlevé de la conduite de carburant.



G451172

5. Retirez les colliers qui empêchent l'écoulement du carburant.

Entretien du système électrique

Consignes de sécurité pour le système électrique

- Débranchez le câble de la borne négative de la batterie avant de réparer la machine.
- Chargez la batterie dans un endroit dégagé et bien aéré, à l'écart des flammes ou sources d'étincelles. Débranchez le chargeur avant de brancher ou de débrancher la batterie. Portez des vêtements de protection et utilisez des outils isolés.

Entretien de la batterie

Retrait de la batterie



ATTENTION



Les bornes de la batterie ou les outils en métal peuvent causer des courts-circuits au contact des pièces métalliques de la machine et produire des étincelles. Les étincelles peuvent provoquer l'explosion des gaz de la batterie et vous blesser.

- Lors du retrait ou de la mise en place de la batterie, évitez que les bornes touchent les parties métalliques de la machine.
- Évitez de créer des courts-circuits entre les bornes de la batterie et les parties métalliques de la machine avec des outils en métal.

1. Garez la machine sur une surface plane et horizontale, placez la commande des lames en position désengagée et les leviers de commande de déplacement à la position STATIONNEMENT.
2. Avant de quitter la position d'utilisation, coupez le moteur, enlevez la clé et attendez l'arrêt complet de toutes les pièces mobiles.
3. Débranchez le câble négatif (noir) de mise à la masse de la borne de la batterie.
Remarque : Conservez toutes les fixations.



ATTENTION



Si les câbles de la batterie ne sont pas débranchés correctement, la machine et les câbles peuvent être endommagés et produire des étincelles. Les étincelles peuvent provoquer l'explosion des gaz de la batterie et vous blesser.

- Débranchez toujours le câble négatif (noir) de la batterie avant le câble positif (rouge).
- Connectez toujours le câble positif (rouge) de la batterie avant le câble négatif (noir).

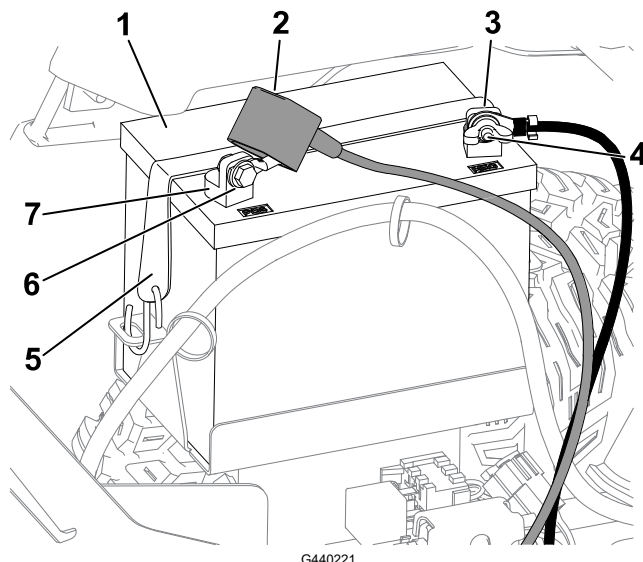
4. Repoussez le capuchon en caoutchouc pour l'ôter du câble positif (rouge).

Entretien de la batterie (suite)

- Débranchez le câble positif (rouge) de la borne de la batterie(+).

Remarque : Conservez toutes les fixations.

- Déposez la barrette de maintien de la batterie et soulevez la batterie de son support.



- | | |
|--|---------------------------------------|
| ① Batterie | ⑤ Barrette de maintien de la batterie |
| ② Capuchon de borne | ⑥ Boulon, rondelle et écrou |
| ③ Borne négative (-) de la batterie | ⑦ Borne positive (+) de la batterie |
| ④ Écrou à oreilles, rondelle et boulon | |

Charge de la batterie



ATTENTION



La batterie en charge produit des gaz susceptibles d'exploser.

Ne fumez jamais à côté de la batterie et tenez-la à l'écart de toutes flammes ou sources d'étincelles.

IMPORTANT

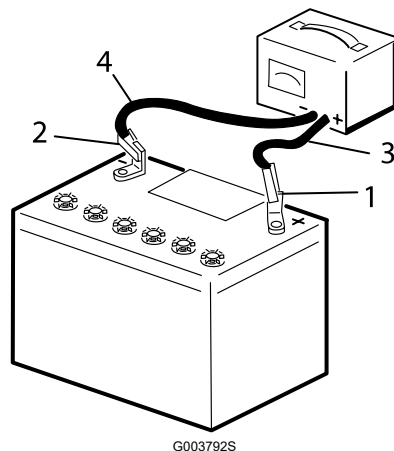
La batterie doit toujours être chargée au maximum. Cela est particulièrement important pour prévenir la dégradation de la batterie si la température tombe en dessous de 0 °C (32 °F).

- Retirez la batterie de la machine.
- Chargez la batterie en suivant les instructions du fabricant du chargeur.

Entretien de la batterie (suite)

IMPORTANT

Ne chargez pas la batterie excessivement, au risque de l'endommager.



- ① Borne positive de la batterie
- ② Borne négative de la batterie
- ③ Fil rouge (+) du chargeur
- ④ Fil noir (-) du chargeur

3. Lorsque la batterie est chargée au maximum, débranchez le chargeur de la prise (le cas échéant), puis débranchez les fils du chargeur des bornes de la batterie.

Nettoyage de la batterie

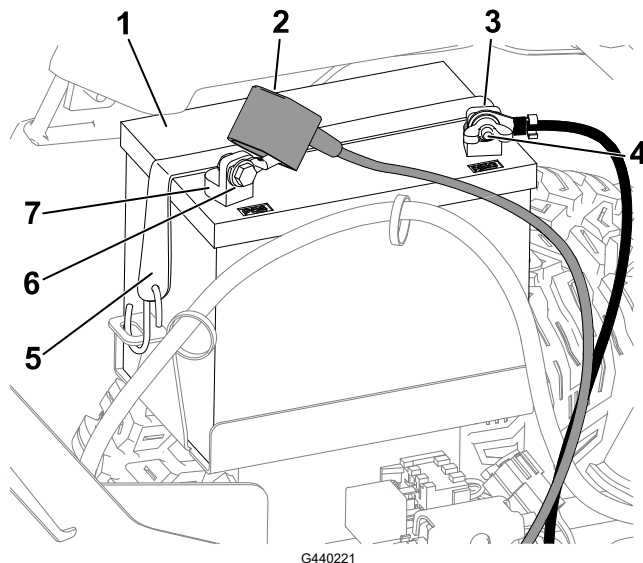
Remarque : Les bornes et le bac doivent être propres, car une batterie encrassée se décharge lentement.

1. Garez la machine sur une surface plane et horizontale, placez la commande des lames en position désengagée et les leviers de commande de déplacement à la position STATIONNEMENT.
2. Coupez le moteur et attendez l'arrêt complet de toutes les pièces mobiles avant de quitter la position d'utilisation.
3. Retirez la batterie de la machine.
4. Lavez le bac complet avec un mélange d'eau et de bicarbonate de soude.
5. Rincez la batterie à l'eau claire.
6. Pour prévenir la corrosion, enduisez les bornes de la batterie et les connecteurs des câbles de graisse Grafo 112X (Skin-Over) ou de vaseline.
7. Mise en place de la batterie.

Entretien de la batterie (suite)

Mise en place de la batterie

1. Placez la batterie dans son support.
2. Reliez le câble positif (rouge) de la batterie à la borne positive (+) au moyen des fixations retirées précédemment.
3. Reliez le câble négatif de la batterie à la borne négative (-) au moyen des fixations retirées précédemment.
4. Placez le capuchon rouge sur la borne positive (rouge) de la batterie.
5. Fixez la batterie en place à l'aide de la barrette de maintien.



- | | |
|--|---------------------------------------|
| ① Batterie | ⑤ Barrette de maintien de la batterie |
| ② Capuchon de borne | ⑥ Boulon, rondelle et écrou |
| ③ Borne négative (-) de la batterie | ⑦ Borne positive (+) de la batterie |
| ④ Écrou à oreilles, rondelle et boulon | |

Démarrage du moteur à l'aide d'une batterie de secours



ATTENTION



Le démarrage du moteur avec une batterie de secours peut produire des gaz susceptibles d'exploser.

Ne fumez pas et n'approchez pas d'étincelles ni de flammes de la batterie.



DANGER



L'utilisation d'une batterie de secours alors que la batterie à plat est fissurée, gelée, ne contient pas assez d'électrolyte ou présente un élément ouvert ou en court-circuit peut provoquer une explosion et de graves blessures.

N'utilisez pas de batterie de secours si ces conditions existent.

1. Contrôlez et nettoyez la corrosion sur les bornes de la batterie avant de démarrer la machine avec une batterie de secours. Vérifiez que les connexions sont bien serrées.



PRUDENCE



La corrosion ou les connexions desserrées peuvent causer des pointes de tension indésirables à tout moment pendant la procédure de démarrage avec une batterie de secours.

N'essayez pas de démarrer la machine avec une batterie de secours si les bornes de la batterie de la machine sont desserrées ou corrodées au risque d'endommager le moteur.

2. Vérifiez que la batterie de secours est une batterie au plomb en bon état chargée au maximum à 12,6 V ou plus.

Remarque : Utilisez des câbles de démarrage du bon calibre et assez courts pour réduire la chute de tension entre les systèmes. Assurez-vous que la couleur et l'étiquetage des câbles correspondent à la polarité.



ATTENTION



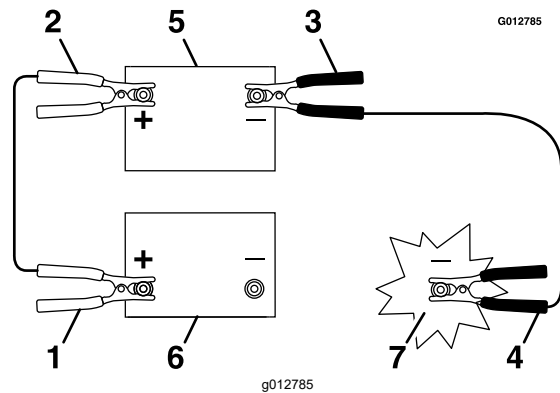
Les batteries contiennent de l'acide et produisent des gaz explosifs.

- Protégez-vous toujours les yeux et le visage lorsque vous vous trouvez près des batteries.
- Ne vous penchez pas au-dessus des batteries.

Démarrage du moteur à l'aide d'une batterie de secours (suite)

Remarque : Vérifiez que les bouchons d'aération sont bien serrés et de niveau. Placez un chiffon humide, si vous en avez un, sur l'un des bouchons d'aération sur les deux batteries. Les deux machines ne doivent pas se toucher et les deux systèmes électriques doivent être hors tension et avoir la même tension nominale. Ces instructions ne concernent que les systèmes à masse négative.

3. Connectez le câble positif (+) à la borne positive (+) de la batterie à plat qui est reliée au démarreur ou au solénoïde, comme montré :



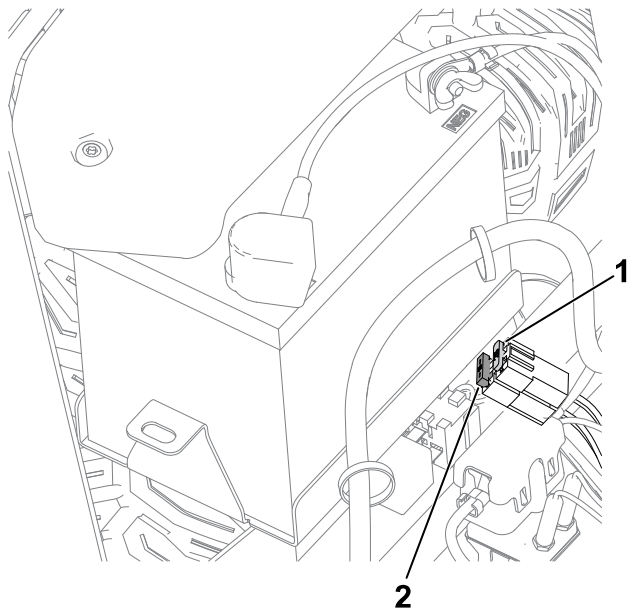
- ① Câble positif (+) sur la batterie à plat
- ② Câble positif (+) sur la batterie de secours
- ③ Câble négatif (-) sur la batterie de secours
- ④ Câble négatif (-) sur le bloc moteur
- ⑤ Batterie de secours
- ⑥ Batterie à plat
- ⑦ Bloc-moteur

4. Connectez l'autre extrémité du câble de démarrage positif (+) à la borne positive de la batterie de l'autre machine.
5. Connectez une extrémité du câble de démarrage négatif (-) à la borne négative de la batterie de l'autre machine.
6. Connectez l'autre extrémité du câble de démarrage négatif (-) à un point de masse, tel un boulon non peint ou un élément du châssis.
7. Démarrer le moteur de l'autre machine. Laissez-le tourner pendant quelques minutes, puis démarrez le moteur de votre machine.
8. Retirez les câbles dans l'ordre inverse de leur connexion.
9. Remettez le capuchon sur la borne positive de la batterie de votre machine.

Entretien des fusibles

Le système électrique est protégé par des fusibles. Il ne nécessite donc aucun entretien. Toutefois, si un fusible grille, vérifiez l'état de la pièce ou du circuit et assurez-vous qu'il n'y a pas de court-circuit.

1. Garez la machine sur une surface plane et horizontale, placez la commande des lames en position désengagée et les leviers de commande de déplacement à la position STATIONNEMENT.
2. Avant de quitter la position d'utilisation, coupez le moteur, enlevez la clé et attendez l'arrêt complet de toutes les pièces mobiles.
3. Remplacez le fusible défectueux par un neuf.



① Circuit de charge (15 A)

② Principal (25 A)

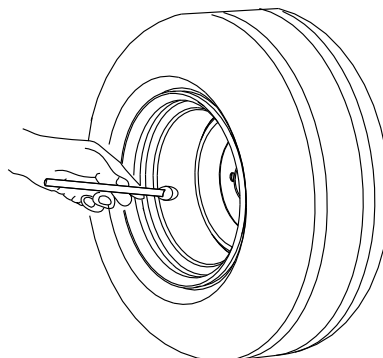
G440132

Entretien de la transmission

Contrôle de la pression des pneus

Maintenez les pneus avant et arrière gonflés à la pression spécifiée. Les pneus mal gonflés peuvent compromettre la qualité et l'uniformité de la coupe. Pour obtenir un résultat plus précis, contrôlez la pression au niveau de la valve lorsque les pneus sont froids.

1. Gonflez les pneus des roues pivotantes à 2,06 bar (30 psi) ou à la pression indiquée sur le flanc, selon la valeur la plus basse.
2. Gonflez les pneus des roues motrices arrière à 0,9 bar (13 psi).



G441539

Contrôle des écrous de roues



Contrôlez et serrez les écrous de roues à **108 Nm (80 pi-lb)**.

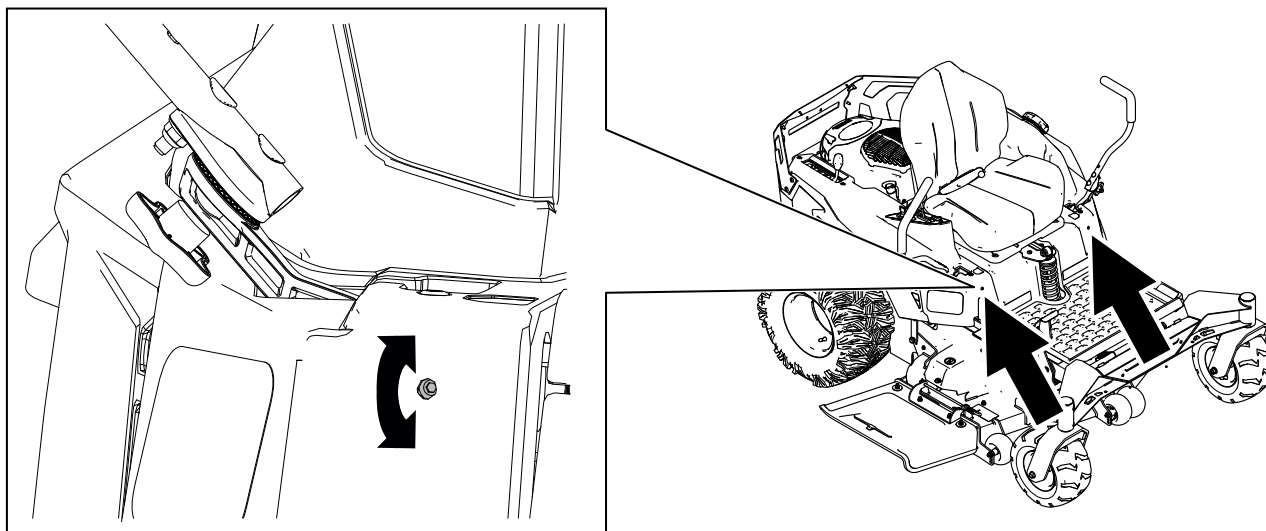
Réglage du parallélisme des roues

Corrigez le parallélisme des roues si la machine tire d'un côté quand roulez en marche avant à la vitesse maximale sur une surface plane et horizontale.

Si la machine tire à gauche, ajustez le levier de commande de déplacement droit, et inversement, si elle tire à droite, ajustez le levier gauche.

Remarque : Vous ne pouvez régler le parallélisme des roues que pour la marche avant.

1. Garez la machine sur une surface plane et horizontale, placez la commande des lames en position désengagée et les leviers de commande de déplacement à la position STATIONNEMENT.
2. Avant de quitter la position d'utilisation, coupez le moteur, enlevez la clé et attendez l'arrêt complet de toutes les pièces mobiles.
3. Localisez le boulon de réglage du parallélisme des roues près du levier de commande de déplacement du côté qui nécessite le réglage.



G451231

4. Tournez le boulon pour réduire la vitesse de cette roue.

Remarque : Tournez légèrement le boulon pour effectuer de petits réglages.

5. Démarrez la machine et conduisez-la en marche avant sur une surface plane et horizontale, en poussant les leviers de commande de déplacement complètement en avant pour vérifier si la machine avance en ligne droite. Répétez la procédure si nécessaire.

Entretien des courroies

Contrôle des courroies

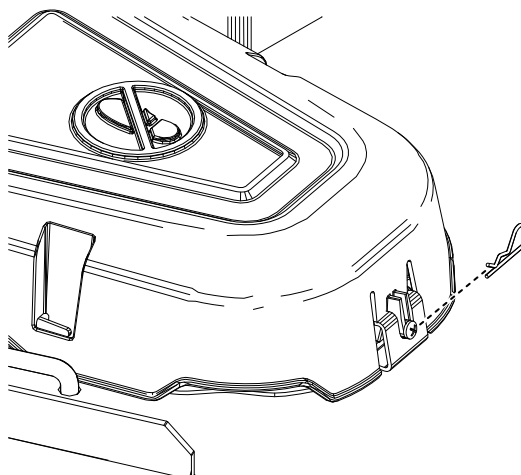
1. Garez la machine sur une surface plane et horizontale, placez la commande des lames en position désengagée et les leviers de commande de déplacement à la position STATIONNEMENT.
2. Coupez le moteur et attendez l'arrêt complet de toutes les pièces mobiles avant de quitter la position d'utilisation.
3. Réglez la hauteur de coupe à la position la plus basse.
4. Contrôlez l'usure de la courroie. Remplacez la courroie si elle est usée.

La courroie peut montrer les signes d'usure suivants : grincement pendant la rotation, glissement des lames pendant la coupe, bords effilochés, traces de brûlures et fissures.

Remplacement de la courroie du tablier de coupe

La courroie peut montrer les signes d'usure suivants : grincement pendant la rotation, glissement des lames pendant la coupe, bords effilochés, traces de brûlures et fissures. Remplacez la courroie quand elle présente ce genre de problèmes.

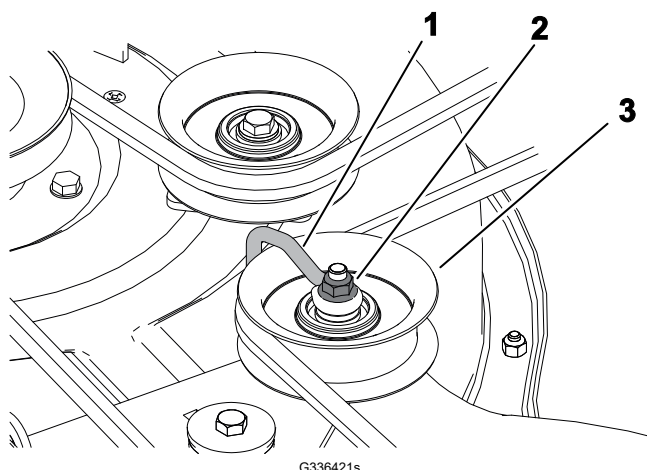
1. Garez la machine sur une surface plane et horizontale, placez la commande des lames en position désengagée et les leviers de commande de déplacement à la position STATIONNEMENT.
2. Avant de quitter la position d'utilisation, coupez le moteur, enlevez la clé et attendez l'arrêt complet de toutes les pièces mobiles.
3. Réglez la hauteur de coupe à la position la plus basse.
4. Retirez la goupille fendue ② et appuyez sur la languette pour déposer le protège-poulies ①.



G451184

5. Desserrez l'écrou qui fixe le fil métallique à la poulie de tension.

Remplacement de la courroie du tablier de coupe (suite)



- ① Fil métallique
- ② Écrou
- ③ Poulie de tension

6. À l'aide d'un outil de dépose de ressort (réf. Toro 92-5771), décrochez le ressort du crochet situé sur le tablier pour éliminer la tension sur la poulie de tension.

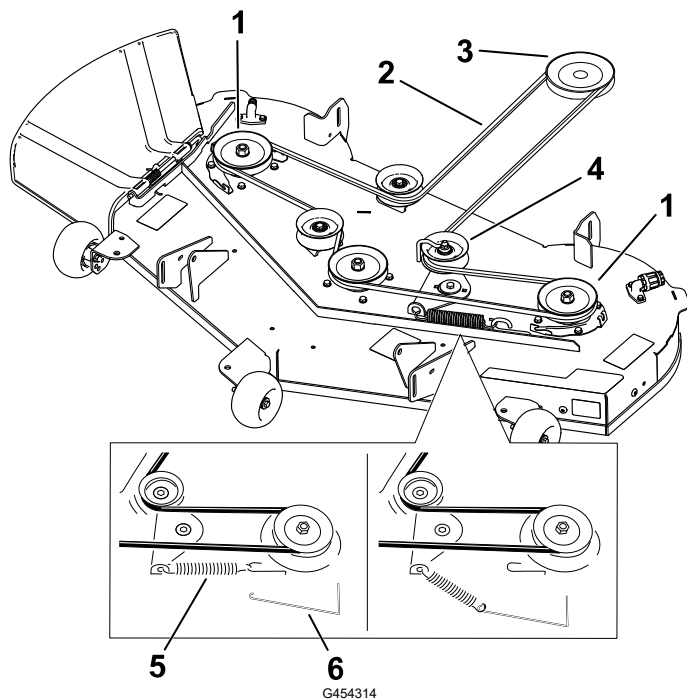


ATTENTION



Le ressort est tendu quand il est en place et peut causer des blessures en se détendant.

Enlevez la courroie avec précaution.



- ① Poulie du tablier
- ② Courroie du tablier de coupe
- ③ Poulie de moteur
- ④ Poulie de tension
- ⑤ Ressort
- ⑥ Outil de dépose de ressort

7. Déchaussez la courroie des poulies.

Remplacement de la courroie du tablier de coupe (suite)

8. Acheminez la courroie neuve autour de la poulie du moteur et des poulies du tablier de coupe.
9. À l'aide de l'outil de dépose de ressort, accrochez le ressort au crochet situé sur le tablier, afin d'exercer une tension sur la poulie de tension et la courroie du tablier de coupe.
10. Resserrez l'écrou qui fixe le fil métallique à la poulie de tension.

Remarque : Positionnez le fil métallique contre le bras de la poulie de tension.

11. Reposez les protège-poulies.

Entretien du tablier de coupe

Consignes de sécurité concernant les lames

- Vérifiez l'état et l'usure des lames périodiquement.
- Examinez les lames avec prudence. Manipulez toujours les lames avec des gants ou en les enveloppant dans un chiffon, et toujours avec prudence. Remplacez toujours les lames endommagées. N'essayez jamais de les redresser ou de les souder.
- Attention, sur les machines à plusieurs lames, la rotation d'une lame peut entraîner le déplacement des autres lames.
- Remplacez les boulons et les lames usés ou endommagés par paires pour ne pas modifier l'équilibre.

Entretien des lames

Pour un bon résultat, les lames doivent toujours être bien aiguisées. Il est utile de prévoir des lames de rechange pour le remplacement et le réaffûtage.

Remplacez les lames si elles heurtent un obstacle, ou si elles sont déséquilibrées ou faussées.

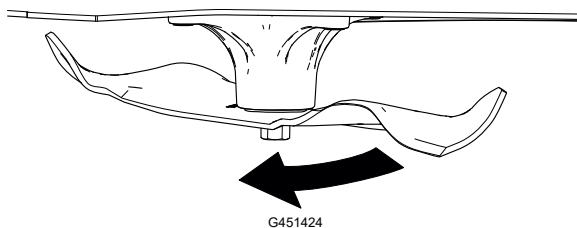
Avant le contrôle ou l'entretien des lames

1. Garez la machine sur une surface plane et horizontale, placez la commande des lames en position désengagée et les leviers de commande de déplacement à la position STATIONNEMENT.
2. Avant de quitter la position d'utilisation, coupez le moteur, enlevez la clé et attendez l'arrêt complet de toutes les pièces mobiles.
3. Débranchez le fil de chaque bougie.

Détection des lames faussées

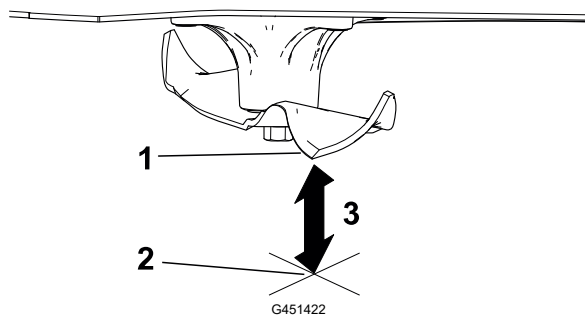
Placez la machine sur une surface plane horizontale pour effectuer cette procédure.

1. Élevez le tablier de coupe à la position de hauteur de coupe la plus élevée.
2. Enfilez des gants épais ou utilisez une autre protection adéquate pour les mains, et faites tourner la lame lentement jusqu'à une position permettant de mesurer la distance entre le tranchant et la surface plane.



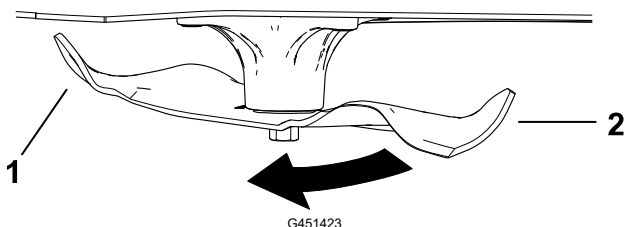
3. Mesurez la distance entre la pointe de la lame et la surface plane.

Entretien des lames (suite)



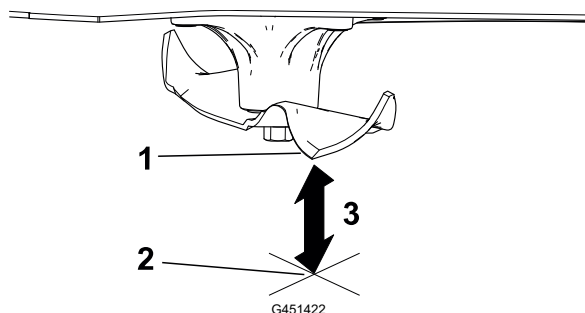
- ① Lame (positionnée pour la mesure)
- ② Surface plane et horizontale
- ③ Mesurez la distance entre la lame et la surface (A)

4. Tournez la même lame de 180 degrés pour amener le bord opposé à la même position.



- ① Bord de la lame déjà mesuré
- ② Bord opposé de la lame

5. Mesurez la distance entre la pointe de la lame et la surface plane.



- ① Lame (positionnée pour la mesure)
- ② Surface plane et horizontale
- ③ Mesurez la distance entre la lame et la surface (B)

6. Si la différence entre A et B est supérieure à 3 mm ($\frac{1}{8}$ po), remplacez la lame.

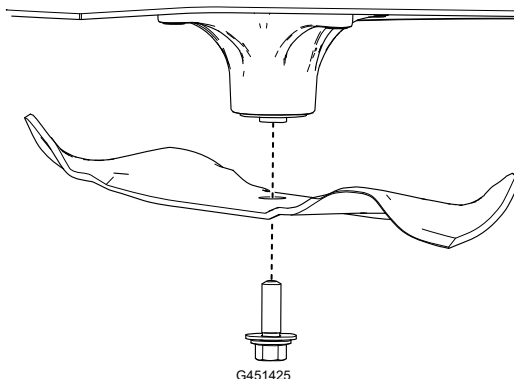
Remarque : Si, après avoir remplacé la lame la différence reste supérieure à 3 mm ($\frac{1}{8}$ po), l'axe de la lame est peut-être faussé. Contactez un dépositaire Toro agréé pour faire réviser la machine.

7. Répétez cette procédure pour chaque lame.

Entretien des lames (suite)

Dépose des lames

1. Tenez la lame par son extrémité avec un chiffon ou un gant épais.
2. Déposez la lame comme montré.



Aiguillage des lames

1. Au moyen d'une lime, aiguisiez les tranchants aux deux extrémités de la lame. Veillez à conserver l'angle d'origine (1).

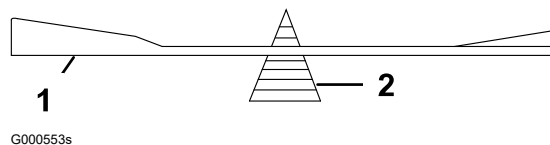
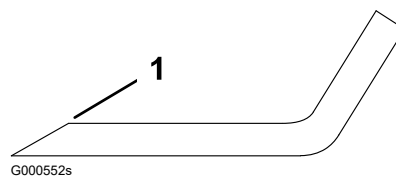
Remarque : Limez la même quantité de métal sur les deux tranchants pour ne pas déséquilibrer la lame.

2. Vérifiez l'équilibre de la lame (1) en la plaçant sur un équilibreur (2).

Remarque : Si la lame reste horizontale, elle est équilibrée et peut être utilisée.

Si la lame est déséquilibrée, limez un peu l'extrémité de l'ailette seulement.

3. Répétez cette procédure jusqu'à ce que la lame soit équilibrée.



Pose des lames



ATTENTION



L'utilisation d'une machine après l'installation incorrecte de la lame et/ou l'utilisation d'une lame et de fixations de lame qui ne sont pas Toro d'origine peuvent entraîner la projection d'une lame ou d'un composant de lame de sous le tablier et provoquer des blessures graves ou mortelles.

Installez toujours des lames et des fixations Toro d'origine conformément aux instructions.

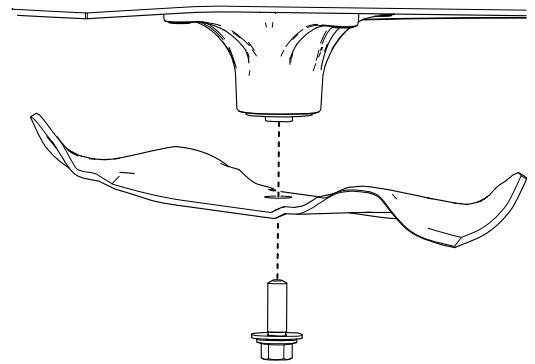
Entretien des lames (suite)

1. Installez la lame comme montré.

Remarque : Pour une coupe correcte, l'ailette de la lame doit être tournée vers le haut et dirigée vers l'intérieur du tablier de coupe.



2. Serrez le boulon de la lame à un couple de **81 à 108 N·m (60 à 80 pi-lb)**.



G451425

Mise à niveau du tablier de coupe

Vérifiez que le tablier de coupe est de niveau chaque fois que vous l'installez ou si la tonte de la pelouse semble irrégulière.

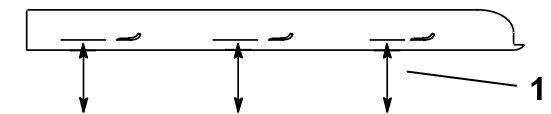
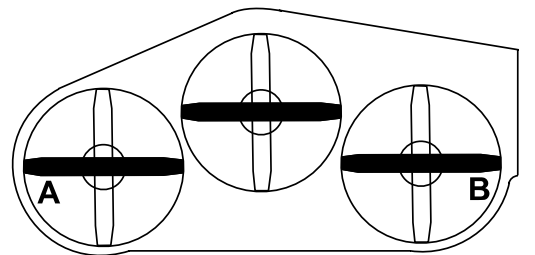
Préparatifs de mise à niveau du tablier de coupe

1. Garez la machine sur une surface plane et horizontale, placez la commande des lames en position désengagée et les leviers de commande de déplacement à la position STATIONNEMENT.
2. Avant de quitter la position d'utilisation, coupez le moteur, enlevez la clé et attendez l'arrêt complet de toutes les pièces mobiles.
3. Vérifiez que les pneus sont gonflés à la pression correcte et que les roues pivotantes sont en direction droit devant.
4. Vérifiez si des lames sont faussées; déposez et remplacez les lames faussées.
5. Élevez le tablier de coupe à la hauteur de coupe de 76 mm (3 po).

Contrôle du niveau du tablier de coupe

1. Tournez les lames pour les mettre parallèles dans le sens transversal.
2. Mesurez aux points (A) et (B) l'écart entre la surface plane et le tranchant à la pointe des lames (1).

Les deux mesures ne doivent pas différer de plus de 5 mm (3/16 po). Si la mesure est plus importante, réglez le niveau transversal.

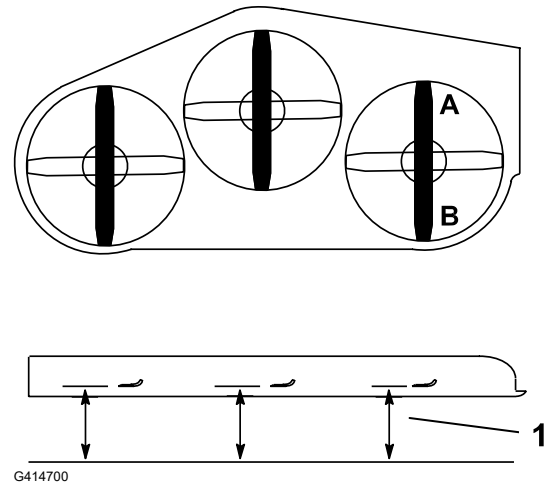


G414698

Mise à niveau du tablier de coupe (suite)

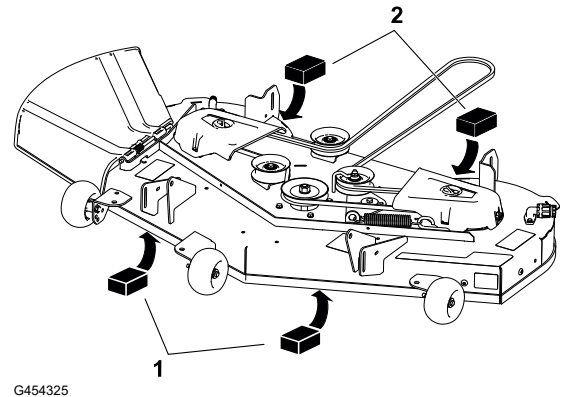
3. Tournez 1 lame dans le sens longitudinal.
4. Mesurez aux points (A) et (B) l'écart entre la surface plane et le tranchant à la pointe des lames (1).

La pointe avant de la lame avant doit être de 1,5 à 8 mm (1/16 à 5/16 po) plus basse que la pointe arrière. Si la mesure n'est pas correcte, réglez le niveau longitudinal.



Mise à niveau du tablier de coupe

1. Placez les galets anti-scalp dans les trous supérieurs ou déposez-les pour effectuer cette procédure.
2. Réglez la commande de hauteur de coupe à la position 76 mm (3 po).
3. Placez deux cales (1) de 6,6 cm (2⁵/₈ po) d'épaisseur chacune sous chaque côté du bord avant du tablier.



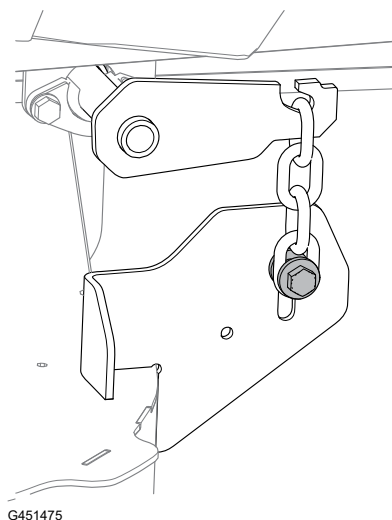
IMPORTANT

Ne placez pas les cales sous les supports des galets anti-scalp.

4. Placez 2 cales (2) de 7,3 cm (2⁷/₈ po) d'épaisseur chacune sous le côté du bord arrière du tablier.

Mise à niveau du tablier de coupe (suite)

5. Desserrez les fixations qui retiennent les chaînes aux quatre coins du tablier de coupe et vérifiez que le tablier repose solidement sur les 4 cales.
6. Supprimez le jeu des chaînes du tablier et vérifiez que la pédale de levage du tablier est poussée contre la butée.
7. Serrez toutes les fixations.
8. Vérifiez que les cales sont parfaitement ajustées sous le bord du tablier de coupe et que tous les boulons sont bien serrés.
9. Contrôlez de nouveau le niveau transversal et le niveau longitudinal; répétez la procédure jusqu'à ce que les mesures soient correctes.

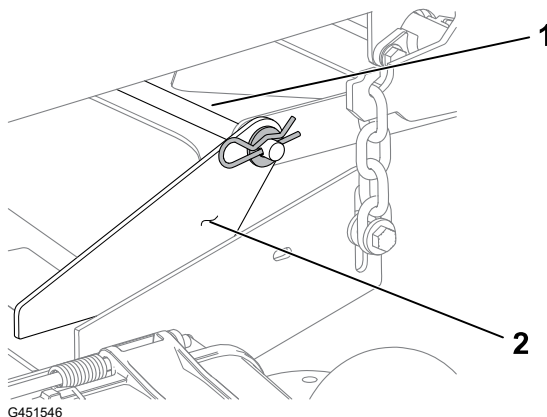


Dépose du tablier de coupe

1. Garez la machine sur une surface plane et horizontale, placez la commande des lames en position désengagée et les leviers de commande de déplacement à la position STATIONNEMENT.
2. Avant de quitter la position d'utilisation, coupez le moteur, enlevez la clé et attendez l'arrêt complet de toutes les pièces mobiles.
3. Abaissez le levier de hauteur de coupe à la position la plus basse.
4. Retirez la goupille fendue et la rondelle de la tige de support avant ① et déposez la tige du support de tablier ②.

Remarque : Conservez toutes les pièces en vue du remontage.

5. Levez le tablier et les chaînes hors des supports aux 4 coins du tablier.
6. Déplacez le tablier de coupe en arrière pour dégager la courroie du tablier de la poulie du moteur.
7. Sortez le tablier de coupe de sous la machine.

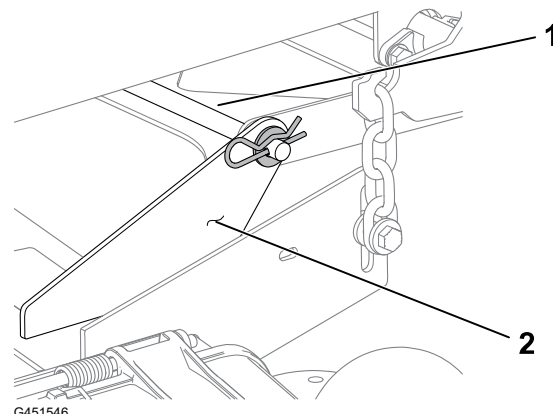


Montage du tablier de coupe

1. Garez la machine sur une surface plane et horizontale, placez la commande des lames en position désengagée et les leviers de commande de déplacement à la position STATIONNEMENT.
2. Avant de quitter la position d'utilisation, coupez le moteur, enlevez la clé et attendez l'arrêt complet de toutes les pièces mobiles.
3. Poussez le tablier de coupe sous la machine.

Montage du tablier de coupe (suite)

4. Abaissez le levier de hauteur de coupe à la position la plus basse.
5. Levez les chaînes du tablier sur les supports de levage du tablier.
6. Fixez la tige de support avant (1) sur le support du tablier (2) avec la goupille fendue et la rondelle.
7. Reposez la courroie du tablier de coupe sur la poulie du moteur.



Remplacement du déflecteur d'herbe



DANGER

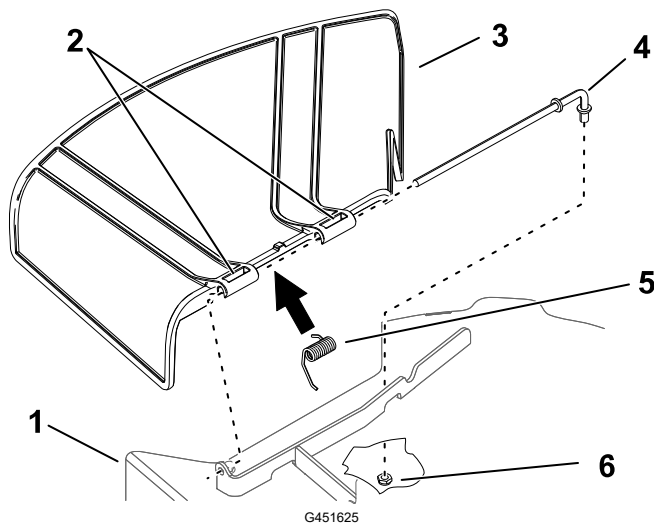


Si l'ouverture d'éjection est ouverte, des objets peuvent être projetés dans votre direction ou celle d'autres personnes. Un contact avec la lame est également possible. La projection d'objets ou le contact avec une lame causera des blessures graves ou mortelles.

N'utilisez pas la tondeuse avec le déflecteur d'éjection relevé, déposé ou modifié à moins qu'un système de ramassage ou un kit de déchiquetage ne soit en place et fonctionne correctement.

1. Garez la machine sur une surface plane et horizontale, placez la commande des lames en position désengagée et les leviers de commande de déplacement à la position STATIONNEMENT.
2. Avant de quitter la position d'utilisation, coupez le moteur, enlevez la clé et attendez l'arrêt complet de toutes les pièces mobiles.
3. Retirez l'écrou de la tige, sous le tablier de coupe.

Remplacement du déflecteur d'herbe (suite)



- ① Tablier de coupe
- ② Pivot du déflecteur d'herbe
- ③ Déflecteur d'herbe
- ④ Tige
- ⑤ Ressort
- ⑥ Écrou

4. Sortez la tige.
5. Déposez le déflecteur d'herbe s'il est endommagé ou usé.
6. Montez le nouveau déflecteur d'herbe.
7. Insérez l'extrémité droite de la tige dans le pivot arrière du déflecteur d'herbe.
8. Placez le ressort sur la tige, les fils d'extrémité dirigés vers le bas, entre les supports du déflecteur d'herbe.
9. Insérez la tige dans le second pivot du déflecteur d'herbe.
10. Insérez la tige à l'avant du déflecteur dans le support sur le tablier.
11. Fixez l'extrémité arrière de la tige dans le tablier de coupe à l'aide de l'écrou.

IMPORTANT

Le déflecteur d'herbe doit être rappelé à la position abaissée par le ressort. Soulevez le déflecteur pour vérifier qu'il s'abaisse complètement.

Nettoyage

Lavage du dessous du tablier de coupe.

IMPORTANT

Vous pouvez laver la machine avec de l'eau et un détergent doux. N'utilisez pas de nettoyeur haute pression. N'utilisez pas une trop grande quantité d'eau, surtout près du panneau de commande, sous le siège, et à proximité du moteur, des pompes hydrauliques et des moteurs électriques.

Après chaque utilisation, lavez le dessous du tablier de coupe pour éviter l'accumulation d'herbe et améliorer le déchiquetage et la dispersion des déchets de tonte.

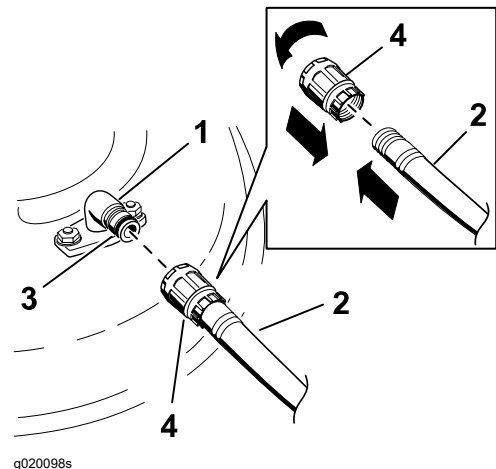
1. Garez la machine sur une surface plane et horizontale, désengagez la commande des lames (PDF) et écartez les leviers de commande de déplacement vers l'extérieur en position de STATIONNEMENT.
2. Avant de quitter la position d'utilisation, coupez le moteur, enlevez la clé et attendez l'arrêt complet de toutes les pièces mobiles.
3. Branchez un tuyau d'arrosage (2) sur le raccord (4), puis reliez le raccord du tuyau à l'extrémité du raccord de lavage de la tondeuse (1) et ouvrez l'eau en grand.

Remarque : Enduisez de vaseline le joint torique du raccord de lavage (3) pour faciliter le branchement du tuyau d'arrosage sans endommager le joint torique.

4. Asseyez-vous sur le siège, abaissez le tablier de coupe à la hauteur de coupe la plus basse, et démarrez le moteur.
5. Engagez la commande des lames et laissez tourner le moteur pendant 1 à 3 minutes.
6. Désengagez la commande des lames, coupez le moteur, enlevez la clé et attendez l'arrêt de toutes les pièces mobiles.
7. Coupez l'eau et débranchez le tuyau d'arrosage du raccord de lavage.

Remarque : Si le tablier est encore sale après un premier lavage, laissez-le tremper 30 minutes. Recommencez ensuite la procédure.

8. Remettez la tondeuse en marche durant 1 à 3 minutes pour évacuer l'excès d'eau.



Lavage du dessous du tablier de coupe. (suite)



ATTENTION



Si le raccord de lavage est cassé ou manquant, l'utilisateur et toute personne à proximité peuvent être blessés par la projection d'objets ou par un contact avec la lame. Des débris projetés ou un contact avec une lame peuvent occasionner des blessures graves ou mortelles.

- Si le raccord de lavage est cassé ou manquant, n'utilisez pas la machine avant de l'avoir remplacé.
- Ne mettez jamais les mains ou les pieds sous le tablier de coupe ni dans les ouvertures de la machine.

Élimination des déchets

L'huile moteur, les batteries, le liquide hydraulique et le liquide de refroidissement sont polluants pour l'environnement. Débarrassez-vous en conformément à la réglementation nationale et locale en matière d'environnement.



Consignes de sécurité concernant le remisage

- Garez la machine sur une surface plane et horizontale, débrayez toutes les commandes, serrez le frein de stationnement, coupez le moteur, enlevez la clé et attendez l'arrêt complet de toutes les pièces mobiles avant de quitter la machine.
- Laissez refroidir la machine avant de la régler, la réparer, la nettoyer, la remiser ou de faire le plein de carburant.
- Pour éviter les risques d'incendie, enlevez les débris d'herbe et autres agglomérés sur l'unité de coupe, le silencieux, les entraînements, le bac à herbe et le compartiment moteur.
- Nettoyez les coulées éventuelles d'huile ou de carburant et éliminez les débris imbibés de carburant.
- Ne remisez pas la machine ni les bidons de carburant à proximité d'une flamme nue, d'une source d'étincelles ou d'une veilleuse, telle celle d'un chauffe-eau ou autre appareil.

Préparation de la machine pour le remisage de plus 30 jours

1. Garez la machine sur une surface plane et horizontale, placez la commande des lames en position désengagée et les leviers de commande de déplacement à la position STATIONNEMENT.
2. Avant de quitter la position d'utilisation, coupez le moteur, enlevez la clé et attendez l'arrêt complet de toutes les pièces mobiles.
3. Nettoyez la machine.

IMPORTANT

Vous pouvez laver la machine avec de l'eau et un détergent doux. N'utilisez pas de nettoyeur haute pression. N'utilisez pas trop d'eau, surtout près du système d'entraînement et du moteur. Le lavage à haute pression peut forcer des impuretés et de l'eau dans des pièces essentielles, comme les roulements d'axes et les commutateurs électriques.

- A. Débarrassez l'extérieur de la machine, et surtout le moteur, des déchets d'herbe coupée, des saletés et de la crasse.
- B. Grattez l'herbe et les saletés éventuellement accumulées sur le dessous du tablier de coupe, puis lavez la machine au tuyau d'arrosage.

- C. Conduisez la machine, PDF engagée et moteur tournant à plein régime, pendant 2 à 5 minutes après l'avoir lavée.
4. Vérifiez le fonctionnement du frein de stationnement.
5. Graissez la machine.
6. Contrôlez la pression des pneus.
7. Charge de la batterie.
8. Vérifiez l'état des lames.
9. Préparez le système d'alimentation.
 - A. Ajoutez un additif stabilisateur/conditionneur à base de pétrole dans le réservoir de carburant. **N'utilisez pas de stabilisateur à base d'alcool (éthanol ou méthanol).**
 - B. Faites tourner le moteur pendant 5 minutes pour faire circuler le carburant traité dans tout le circuit d'alimentation.
 - C. Coupez le moteur, laissez-le refroidir et vidangez le réservoir de carburant avec une pompe à siphon, ou laissez tourner le moteur jusqu'à ce qu'il s'arrête.
 - D. Débarrassez-vous du carburant correctement. Le recyclage doit être conforme à la réglementation locale en matière d'environnement.

IMPORTANT

Ne conservez pas le carburant additionné de stabilisateur/conditionneur plus longtemps que recommandé par le fabricant du stabilisateur de carburant.

10. Préparez le moteur.
 - A. Faites l'entretien du filtre à air
 - B. Vidangez l'huile moteur.
 - C. Retirez les bougies et versez 30 ml (2 cuillerées à soupe) d'huile moteur dans l'ouverture laissée par les bougies.
 - D. Placez un chiffon sur les trous des bougies pour absorber les projections d'huile éventuelles, puis actionnez le démarreur pour bien répartir l'huile à l'intérieur du cylindre.
 - E. Remontez les bougies sans rebrancher les fils.
11. Déposez la batterie ou débranchez le câble négatif (–) de la batterie.

Remarque : Rangez la batterie dans un endroit frais et sec, à l'abri des températures extrêmes et de l'humidité. Maintenez la batterie chargée au maximum, notamment à des températures en-dessous de 0 °C (32 °F).
12. Contrôlez et resserrez toutes les fixations. Réparez ou remplacez les pièces usées, endommagées ou manquantes.
13. Peignez toutes les surfaces métalliques éraflées ou mises à nu avec de la peinture en vente chez un dépositaire-réparateur agréé.
14. Rangez la machine dans un endroit propre et sec, comme un garage ou une remise. Couvrez la machine pour la protéger et la garder propre.

Remisage de la batterie

Remarque : Suivez les conseils ci-dessous pour ranger la batterie correctement.

- Si vous remisez la machine pendant plus d'un mois, enlevez la batterie et chargez-la au maximum.
- Rangez-la sur une étagère ou remettez-la sur la machine.
- Ne rebranchez pas les câbles si vous remettez la batterie sur la machine.
- Rangez la batterie dans un endroit frais pour éviter qu'elle se décharge trop rapidement.
- Pour protéger la batterie du gel, maintenez-la chargée au maximum.
- La densité de l'électrolyte d'une batterie bien chargée est comprise entre 1,265 et 1,299.

Conseils pour le rangement de la batterie

Si vous rangez la batterie hors de la machine, procédez comme suit :

- Rangez la batterie dans un endroit frais et sec, en position verticale.
- N'empilez pas les batteries directement les unes sur les autres, sauf si elles sont dans des cartons.
- N'empilez pas plus de 3 batteries (seulement 2 s'il s'agit de batteries de type commercial).
- Testez les batteries à liquide tous les 4 à 6 mois et chargez-les au besoin.
- Testez et chargez toujours la batterie avant de l'installer.



Le réservoir de carburant semble s'affaisser ou la machine semble tomber en panne de carburant fréquemment.

Cause possible	Solution
L'élément filtrant en papier est colmaté.	Nettoyez l'élément en papier.

Le moteur surchauffe.

Cause possible	Solution
Charge excessive du moteur.	Réduisez votre vitesse.
Le niveau d'huile est trop bas dans le carter moteur.	Faites l'appoint d'huile.
Les ailettes de refroidissement et les passages d'air sous le carter du ventilateur sont bouchés.	Dégagez les ailettes de refroidissement et les passages d'air.
Le filtre à air est encrassé.	Nettoyez ou remplacez l'élément du filtre à air.
Le circuit d'alimentation contient des impuretés, de l'eau ou du carburant altéré.	Contactez un dépositaire-réparateur agréé.

Le démarreur ne fonctionne pas.

Cause possible	Solution
La commande des lames est en position engagée.	Désengagez la commande des lames.
Les leviers de commande de déplacement ne sont pas à la position STATIONNEMENT.	Poussez les leviers de commande de déplacement vers l'extérieur, à la position STATIONNEMENT.
La batterie est à plat.	Rechargez la batterie.
Les connexions électriques sont corrodées ou desserrées.	Vérifiez le bon contact des connexions électriques.

Cause possible	Solution
Un fusible a grillé.	Remplacez le fusible.
Un relais ou contact est défectueux.	Contactez un dépositaire-réparateur agréé.

Le moteur ne démarre pas, démarre difficilement ou cale.

Cause possible	Solution
Le réservoir de carburant est vide.	Faites le plein de carburant.
Le volet de départ (le cas échéant) n'est pas en service.	Amenez la commande de démarrage à froid à la position EN SERVICE.
Le filtre à air est encrassé.	Nettoyez ou remplacez l'élément du filtre à air.
Le fil d'une ou de plusieurs bougies est mal branché ou débranché.	Rebranchez le fil de la ou des bougies.
Une ou des bougies sont piquées ou encrassées, ou l'écartement des électrodes est incorrect.	Montez une ou des bougies neuves, à écartement correct.
Le filtre à carburant est encrassé.	Remplacez le filtre à carburant.
Impuretés, eau ou carburant altéré dans le système d'alimentation.	Contactez un dépositaire-réparateur agréé.
Le réservoir ne contient pas le type de carburant correct.	Vidangez le réservoir et faites le plein de carburant correct.
Le niveau d'huile est trop bas dans le carter moteur.	Faites l'appoint d'huile.

Le moteur perd de la puissance.

Cause possible	Solution
Charge excessive du moteur.	Réduisez votre vitesse.
Le filtre à air est encrassé.	Nettoyez l'élément du filtre à air.
Le niveau d'huile est trop bas dans le carter moteur.	Faites l'appoint d'huile.
Les ailettes de refroidissement et les passages d'air sous le carter du ventilateur sont bouchés.	Dégagez les ailettes de refroidissement et les passages d'air.
Une ou des bougies sont piquées ou encrassées, ou l'écartement des électrodes est incorrect.	Montez une ou des bougies neuves, à écartement correct.

Cause possible	Solution
L'évent du réservoir de carburant est bouché.	Contactez un dépositaire-réparateur agréé.
Le filtre à carburant est encrassé.	Remplacez le filtre à carburant.
Le circuit d'alimentation contient des impuretés, de l'eau ou du carburant altéré.	Contactez un dépositaire-réparateur agréé.
Le réservoir ne contient pas le type de carburant correct.	Contactez un dépositaire-réparateur agréé.

La machine ne se déplace pas.

Cause possible	Solution
Les vannes de dérivation sont ouvertes.	Fermez les vannes de remorquage.
Les courroies de transmission aux roues sont usées, lâches ou cassées.	Contactez un dépositaire-réparateur agréé.
Les courroies de transmission aux roues sont déchaussées.	Contactez un dépositaire-réparateur agréé.
Panne de la transmission.	Contactez un dépositaire-réparateur agréé.

La machine vibre de manière anormale.

Cause possible	Solution
Lame(s) faussée(s) ou déséquilibrée(s).	Remplacez la ou les lames.
Le boulon de fixation de la lame est desserré.	Resserrez le boulon de fixation de la lame.
Les boulons de montage du moteur sont desserrés.	Resserrez les boulons de montage du moteur.
Poulies de moteur, de tension ou de lames desserrées.	Resserrez la poulie voulue.
La poulie du moteur est endommagée.	Contactez un dépositaire-réparateur agréé.
Axe de lame faussé.	Contactez un dépositaire-réparateur agréé.
Le support moteur est desserré ou usé.	Contactez un dépositaire-réparateur agréé.

La hauteur de coupe est inégale.

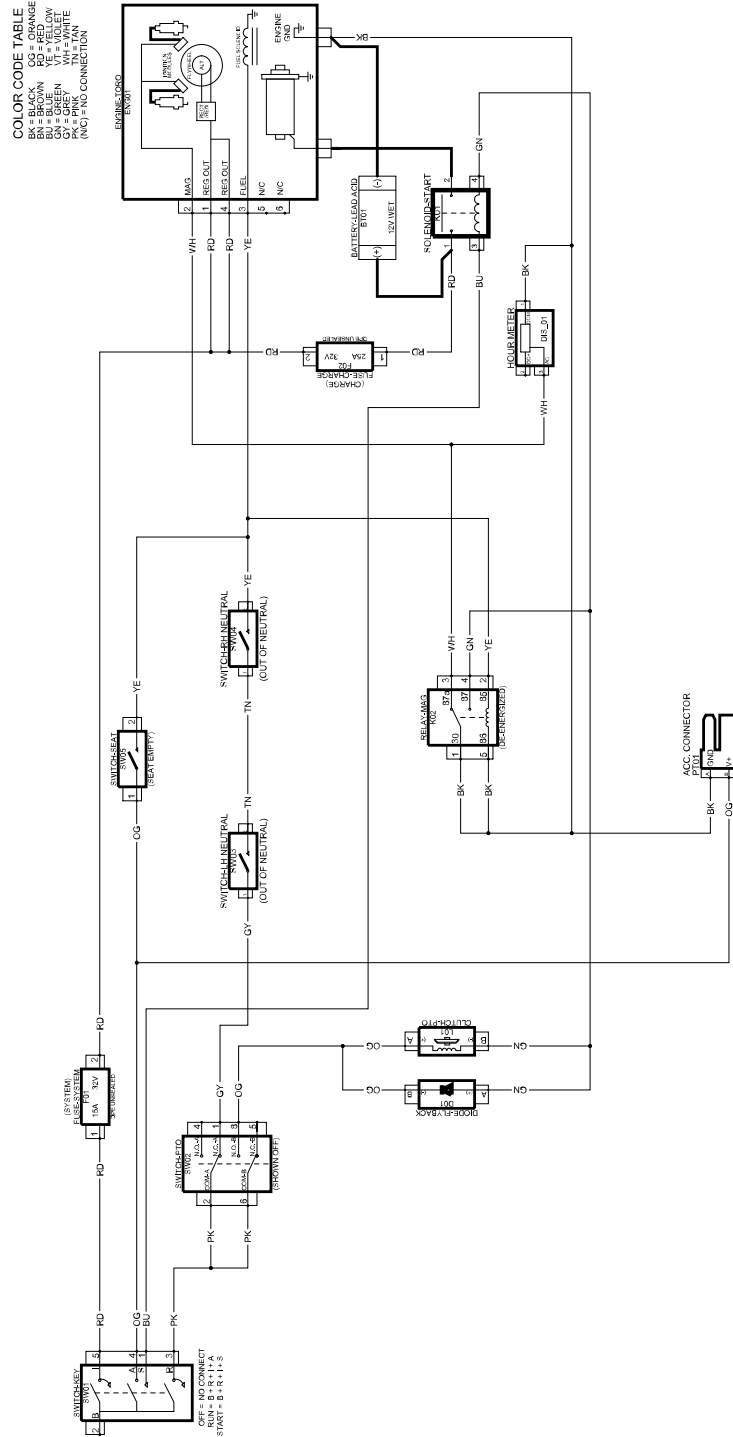
Cause possible	Solution
La ou les lames sont émoussées.	Aiguisez la ou les lames.
Lame(s) faussée(s).	Remplacez la ou les lames.
Le tablier de coupe n'est pas de niveau.	Mettez le tablier de coupe de niveau, transversalement et longitudinalement.
Un galet anti-scalp (le cas échéant) est mal réglé.	Réglez la hauteur du galet anti-scalp.
Le dessous du tablier de coupe est encrassé.	Nettoyez le dessous du tablier de coupe.
Les pneus ne sont pas gonflés à la pression correcte.	Corrigez la pression des pneus.
L'axe de lame est faussé.	Contactez un dépositaire-réparateur agréé.

Les lames ne tournent pas.

Cause possible	Solution
La courroie d'entraînement est usée, détendue ou cassée.	Remplacez la courroie d'entraînement.
La courroie d'entraînement est déchaussée de la poulie.	Rechaussez la courroie d'entraînement et contrôlez la position des axes de réglage et des guide-courroie.
La commande de prise de force (PDF) ou l'embrayage de PDF est défectueux.	Contactez un dépositaire-réparateur agréé.
La courroie du tablier de coupe est usée, lâche ou cassée.	Remplacez la courroie du tablier de coupe.



Schéma électrique



Proposition 65 de Californie – Information concernant cet avertissement

En quoi consiste cet avertissement?

Certains produits commercialisés présentent une étiquette d'avertissement semblable à ce qui suit :



AVERTISSEMENT : Cancer et troubles de la reproduction – www.p65Warnings.ca.gov.

Qu'est-ce que la Proposition 65?

La Proposition 65 s'applique à toute société exerçant son activité en Californie, qui vend des produits en Californie ou qui fabrique des produits susceptibles d'être vendus ou importés en Californie. Elle stipule que le Gouverneur de Californie doit tenir et publier une liste des substances chimiques connues comme causant des cancers, malformations congénitales et/ou autres troubles de la reproduction. Cette liste, qui est mise à jour chaque année, comprend des centaines de substances chimiques présentes dans de nombreux objets du quotidien. La Proposition 65 a pour objet d'informer le public quant à l'exposition à ces substances chimiques.

La Proposition 65 n'interdit pas la vente de produits contenant ces substances chimiques, mais impose la présence d'avertissements sur tout produit concerné, sur son emballage ou sur la documentation fournie avec le produit. D'autre part, un avertissement de la Proposition 65 ne signifie pas qu'un produit est en infraction avec les normes ou exigences de sécurité du produit. D'ailleurs, le gouvernement californien a clairement indiqué qu'un avertissement de la Proposition 65 « n'est pas une décision réglementaire quant au caractère « sûr » ou « dangereux » d'un produit ». Bon nombre de ces substances chimiques sont utilisées dans des produits du quotidien depuis des années, sans aucun effet nocif documenté. Pour plus de renseignements, rendez-vous sur <https://oag.ca.gov/prop65/faqs-view-all>.

Un avertissement de la Proposition 65 signifie qu'une société a soit (1) évalué l'exposition et conclu qu'elle dépassait le « niveau ne posant aucun risque significatif »; soit (2) choisi d'émettre un avertissement simplement sur la base de sa compréhension quant à la présence d'une substance chimique de la liste, sans tenter d'en évaluer l'exposition.

Cette loi s'applique-t-elle partout?

Les avertissements de la Proposition 65 sont exigés uniquement en vertu de la loi californienne. Ces avertissements sont présents dans tout l'état de Californie, dans des environnements très variés, notamment mais pas uniquement les restaurants, magasins d'alimentations, hôtels, écoles et hôpitaux, et sur un vaste éventail de produits. En outre, certains détaillants en ligne et par correspondance fournissent des avertissements de la Proposition 65 sur leurs sites internet ou dans leurs catalogues.

Quelles différences entre les avertissements de Californie et les limites fédérales?

Les normes de la Proposition 65 sont souvent plus strictes que les normes fédérales et internationales. Diverses substances exigent un avertissement de la Proposition 65 à des niveaux bien inférieurs aux limites d'intervention fédérales. Par exemple, la norme de la Proposition 65 en matière d'avertissements pour le plomb se situe à 0,5 µg/jour, soit bien moins que les normes fédérales et internationales.

Pourquoi l'avertissement ne figure-t-il pas sur tous les produits semblables?

- Pour les produits commercialisés en Californie, l'étiquetage Proposition 65 est exigé, tandis qu'il ne l'est pas sur des produits similaires commercialisés ailleurs.
- Il se peut qu'une société impliquée dans un procès lié à la Proposition 65 et parvenant à un accord soit obligée d'utiliser les avertissements de la Proposition 65 pour ses produits, tandis que d'autres sociétés fabriquant des produits semblables peuvent ne pas être soumises à cette obligation.
- L'application de la Proposition 65 n'est pas uniforme.
- Certaines sociétés peuvent choisir de ne pas indiquer d'avertissements car elles considèrent qu'elles n'y sont pas obligées au titre de la Proposition 65; l'absence d'avertissements sur un produit ne signifie pas que le produit ne contient pas de substances de la liste à des niveaux semblables.

Pourquoi cet avertissement apparaît-il sur les produits Toro?

Toro a choisi de fournir aux consommateurs le plus d'information possible afin qu'ils puissent prendre des décisions éclairées quant aux produits qu'ils achètent et utilisent. Toro fournit des avertissements dans certains cas d'après ses

connaissances quant à la présence de l'une ou plusieurs des substances chimiques de la liste, sans en évaluer le niveau d'exposition, car des exigences de limites ne sont pas fournies pour tous les produits chimiques de la liste. Bien que l'exposition avec les produits Toro puisse être négligeable ou parfaitement dans les limites « sans aucun risque significatif », par mesure de précaution, Toro a décidé de fournir les avertissements de la Proposition 65. De plus, en l'absence de ces avertissements, la société Toro pourrait être poursuivie en justice par l'État de Californie ou par des particuliers cherchant à faire appliquer la Proposition 65, et donc assujettie à d'importantes pénalités.

