



**Count on it.**

**Parts Catalog**

**eTimeCutter™ MyRide®  
54in Riding Mower**

Model No. 75851—Serial No. 40000000 and Up



# Ordering Replacement Parts

To order replacement parts, please supply the part number, the quantity, and the description of each part desired.

## Understanding Reference Numbers

Each identified part in an illustration has a reference number. The reference number for a part also appears in the parts list, along with other information about the part.

This catalog uses two special reference number formats, one to indicate parts in a service assembly and another to indicate the quantity of a given part in an illustration.

## Service Assembly Reference Numbers

Parts in service assemblies have reference numbers in the form a:b. The a represents the reference number of the entire service assembly and the b represents a sequential number unique to each part within the service assembly.

For example, a wheel assembly might be identified by reference number 6, the tire by 6:1, the valve by 6:2, and the wheel by 6:3. When you order the assembly identified by reference number 6, you receive all parts identified by reference numbers 6:1, 6:2, and 6:3. However, you may also order any part individually. Reference numbers of this type appear in illustration and in parts lists.

## Reference Numbers Indicating Quantity

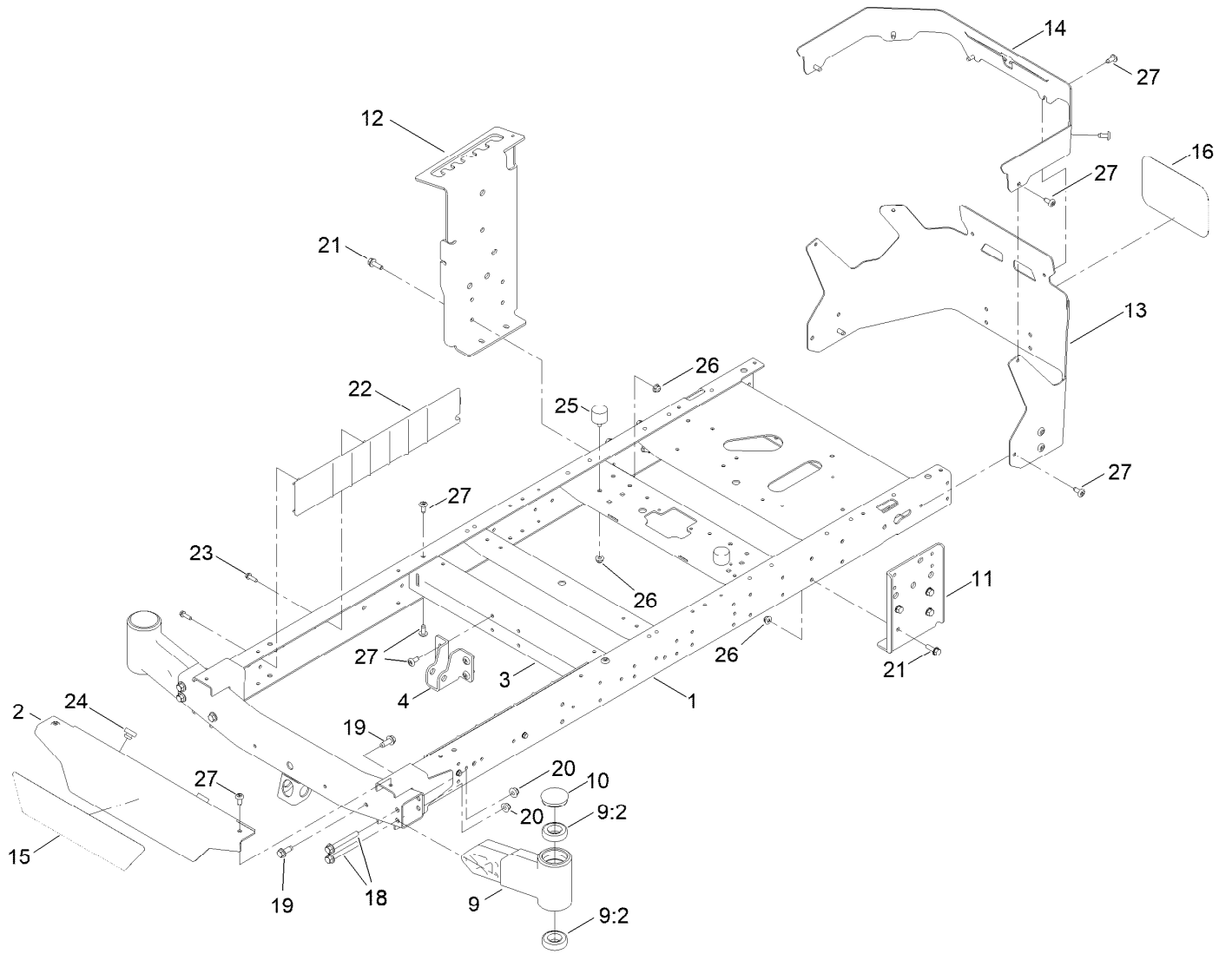
In an illustration, if a reference number indicates more than one part, the reference number has the form nX y. The n represents the quantity of the part, the X is the multiplication symbol, and the y represents the reference number.

For example, in an illustration, the reference number 2X 37 means that two of the parts identified by reference number 37 are indicated.

# Contents

Frame Assembly .....	4
Decklift Assembly .....	6
Caster Wheel Assembly .....	8
Traction Drive Assembly .....	10
Electric Transaxle Assembly No. 161-4488 .....	12
Brake Assembly .....	14
Rear Tire Assembly .....	16
Seat Pan Assembly .....	18
Seat Assembly No. 147-8761 .....	20
Motion Control Assembly .....	22
Battery Box Assembly .....	24
Battery Box Assembly No. 161-4483 .....	26
Styling Pod Assembly .....	28
Electrical Assembly .....	30
54in Deck and Decal Assembly .....	32
Attachments and Accessories .....	34

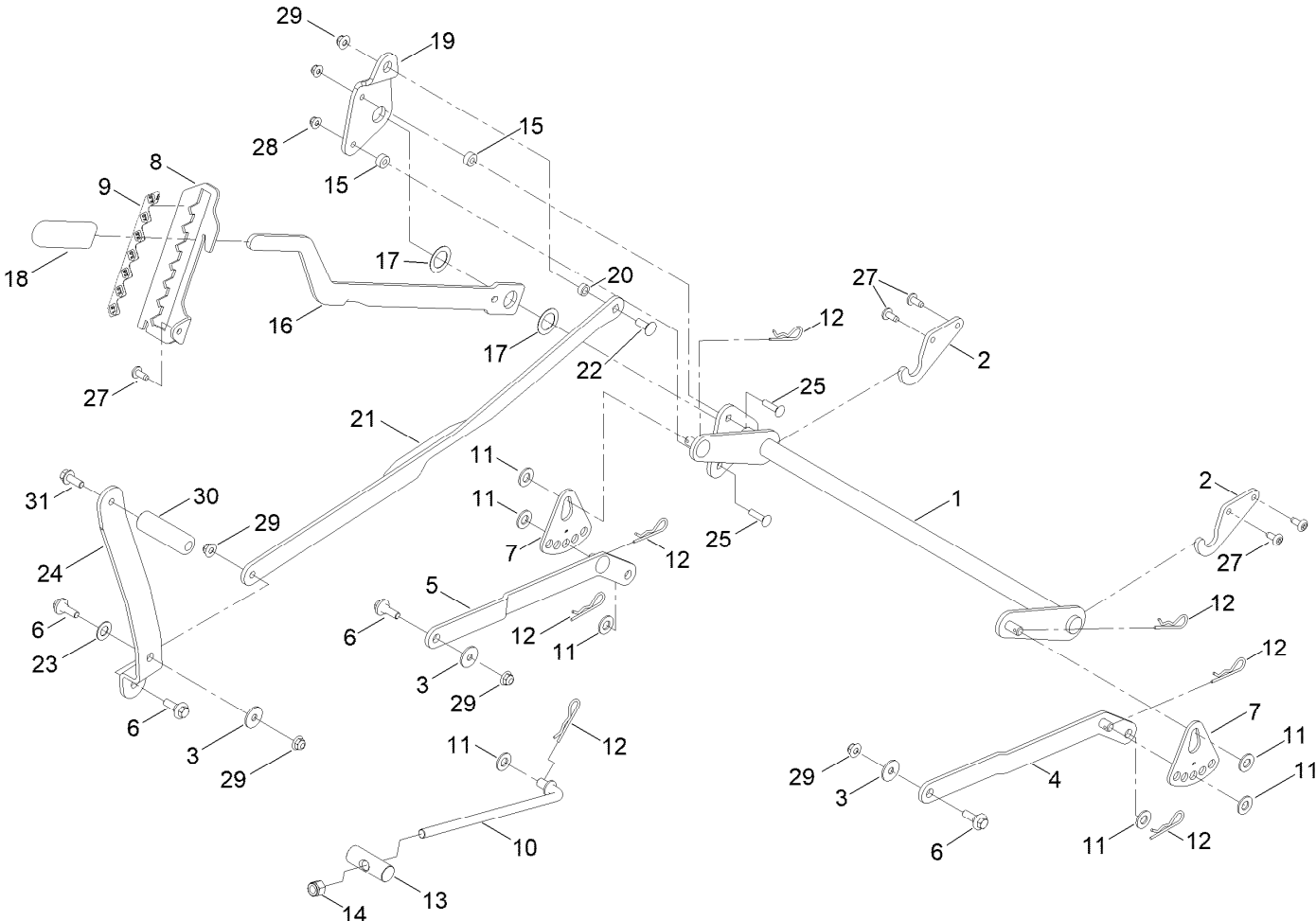
# Frame Assembly



## Frame Assembly (continued)

<i>Ref.</i>	<i>Part Number</i>	<i>Qty.</i>	<i>Description</i>	<i>Ref.</i>	<i>Part Number</i>	<i>Qty.</i>	<i>Description</i>
1	147-3005-01	1	Frame ASM [red]	15	147-7688	1	Decal-Timecutter
2	138-7596-07	1	Footrest	16	145-1978	1	Decal-Logo, Silver
3	138-2527-01	1	Brace-Cross, Lower	18	139-2429	4	Screw-HHF
4	139-3260-01	1	Bracket-Mount Damper, Lower	19	139-2428	4	Screw-HWH
9	140-2097	2	Axle Stub ASM	20	139-2430	4	Nut-HF, NI
9:2	109-3678	2	Bearing-Ball	21	139-2596	8	Screw-HHF
10	138-7200	2	Cap-Grease	22	138-7516	2	Guard-Rail
11	145-0415-01	1	Plate-Mount, Drive	23	137-3099	4	Screw-Plastite, HWH
12	145-0416-01	1	Plate-Mount, Mr Drive	24	140-3460	2	Bumper-Rubber
13	147-5205-07	1	Guard-Rear	25	137-4803	2	Bumper-Rubber
14	147-7579-01	1	Guard-Rear, Upper	26	119-4041	10	Nut-HF
				27	138-9753	22	Screw

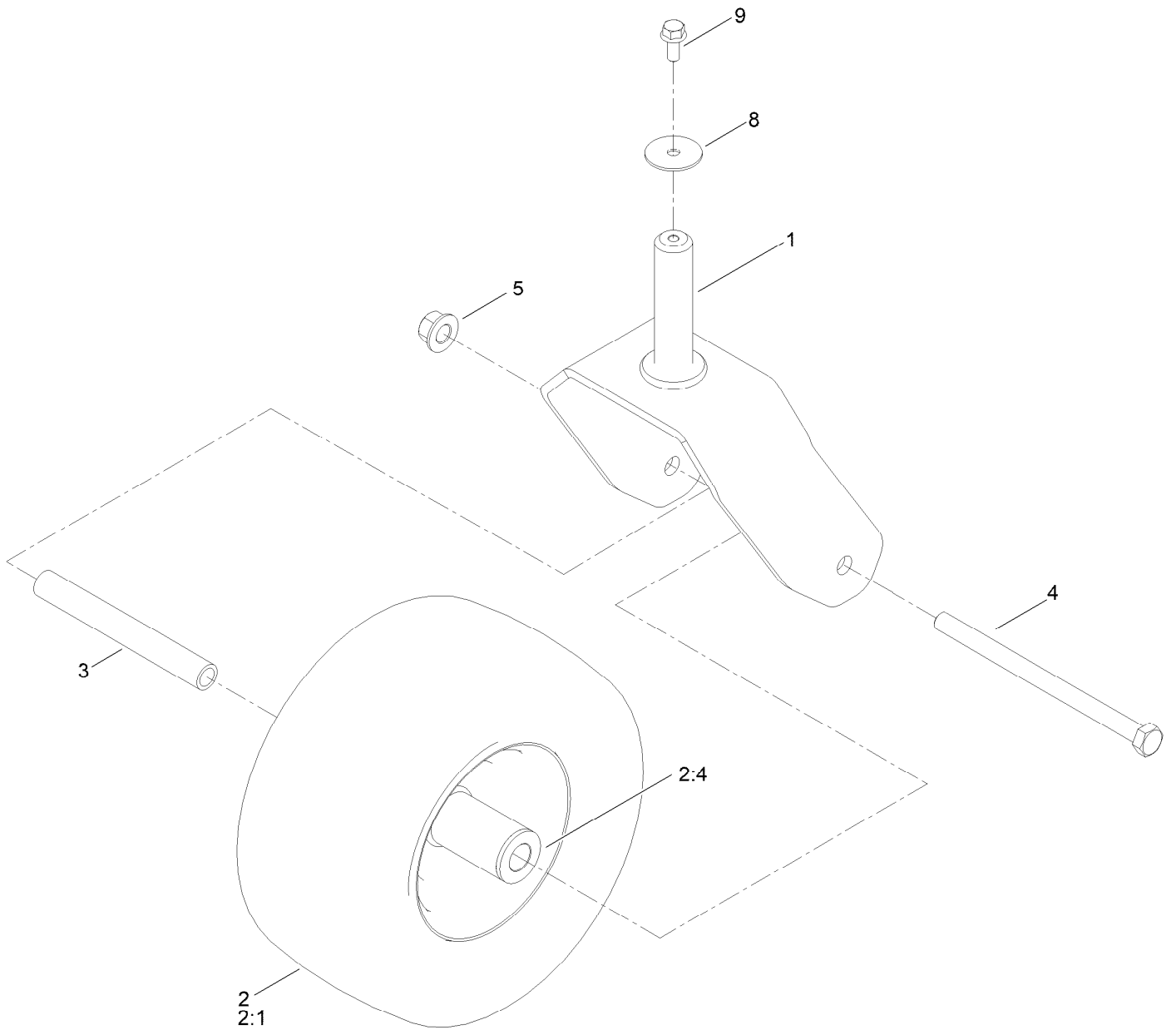
# Decklift Assembly



## Decklift Assembly (continued)

<i>Ref.</i>	<i>Part Number</i>	<i>Qty.</i>	<i>Description</i>	<i>Ref.</i>	<i>Part Number</i>	<i>Qty.</i>	<i>Description</i>
1	137-7093-03	1	Deck Lift ASM	16	137-7087-03	1	Lever-Lift
2	138-6021	2	Bracket-Pivot, Decklift	17	63-2290	2	Washer-Thrust
3	140-5063	3	Washer-Hardened, Cz	18	1-633268	1	Grip-Lever
4	137-9844	1	LH Arm ASM	19	137-7086	1	Plate-Footlift
5	137-9846	1	RH Arm ASM	20	140-2093	1	Spacer
6	137-9847	4	Screw-Shoulder	21	140-2746-03	1	Link ASM
7	138-6006	2	Plate-HOC Adjustment	22	139-2590	1	Screw-CARR
8	139-2350-01	1	Bracket-HOC	23	120-2273	1	Washer-Nylon
9	139-2392	1	Decal-HOC	24	138-2549-03	1	Pedal-Lift
10	138-6050	1	Rod-Mount, Deck	25	139-1702	2	Bolt-Carriage
11	139-2611	7	Washer-Flat	27	138-9753	5	Screw
12	139-2562	7	Pin-Hair	28	119-4041	2	Nut-HF
13	119-8810	1	Pin-Pivot	29	119-4042	5	Nut-HF, NI
14	139-1725	1	Nut-Hex	30	139-7452	1	Pedal-Foot Lift
15	140-3461	2	Spacer	31	139-2597	1	Screw-HHF

# Caster Wheel Assembly



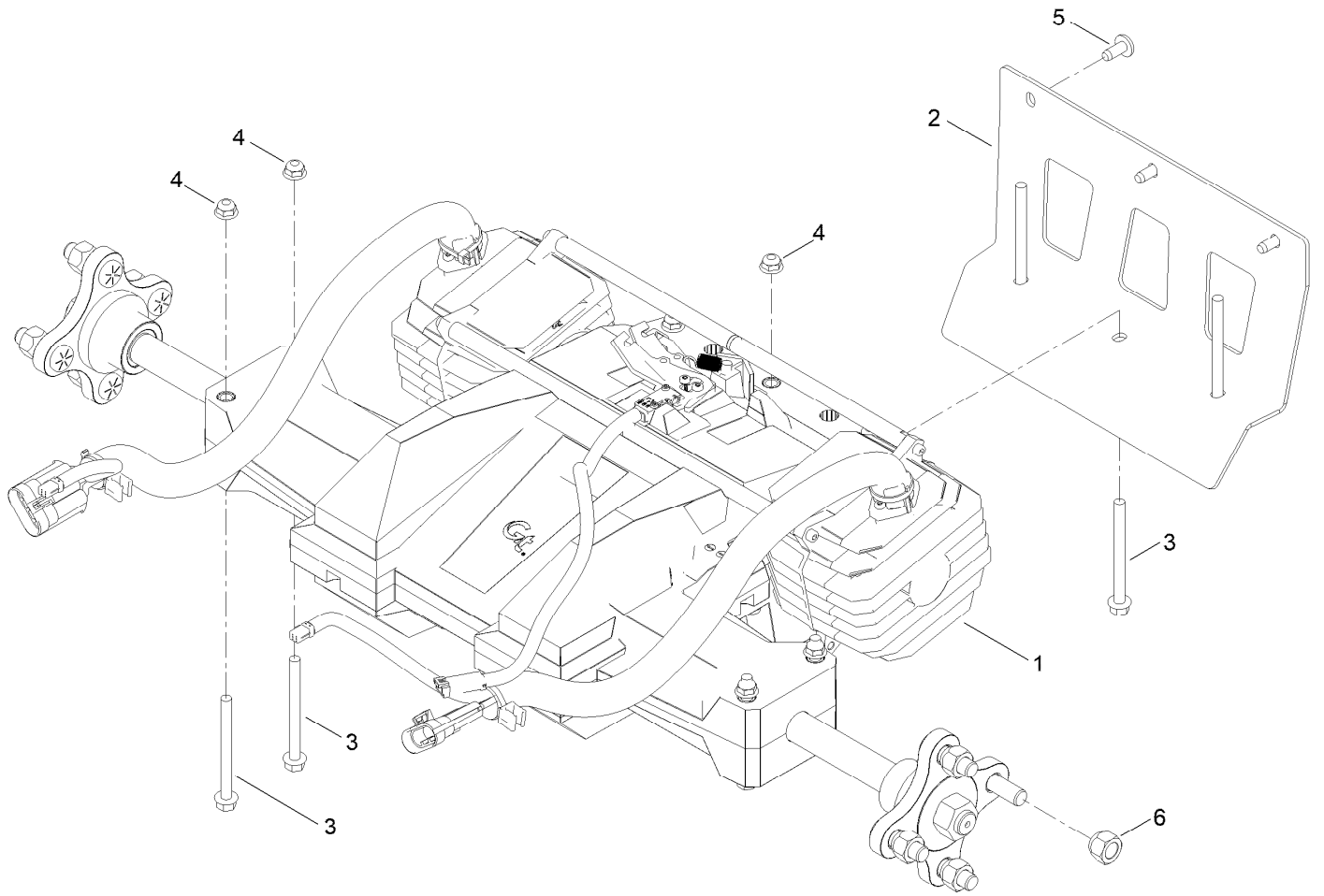


## Caster Wheel Assembly (continued)

<i>Ref.</i>	<i>Part Number</i>	<i>Qty.</i>	<i>Description</i>	<i>Ref.</i>	<i>Part Number</i>	<i>Qty.</i>	<i>Description</i>
1	138-9839-01	2	Fork ASM	3	138-9803	2	Spacer-Spanner
2	139-5843	2	Tire ASM	4	139-2608	2	Screw-HH
2:1	140-0374	1	Tire	5	139-1689	2	Nut-HF
2:3	232-27	1	Stem-Valve ●	8	115-1151	2	Washer-Flat
2:4	114-1640	2	Bushing-Flange	9	139-2598	2	Screw-HHF
2:5	302-5	1	Fitting-Grease ●				

● Not illustrated

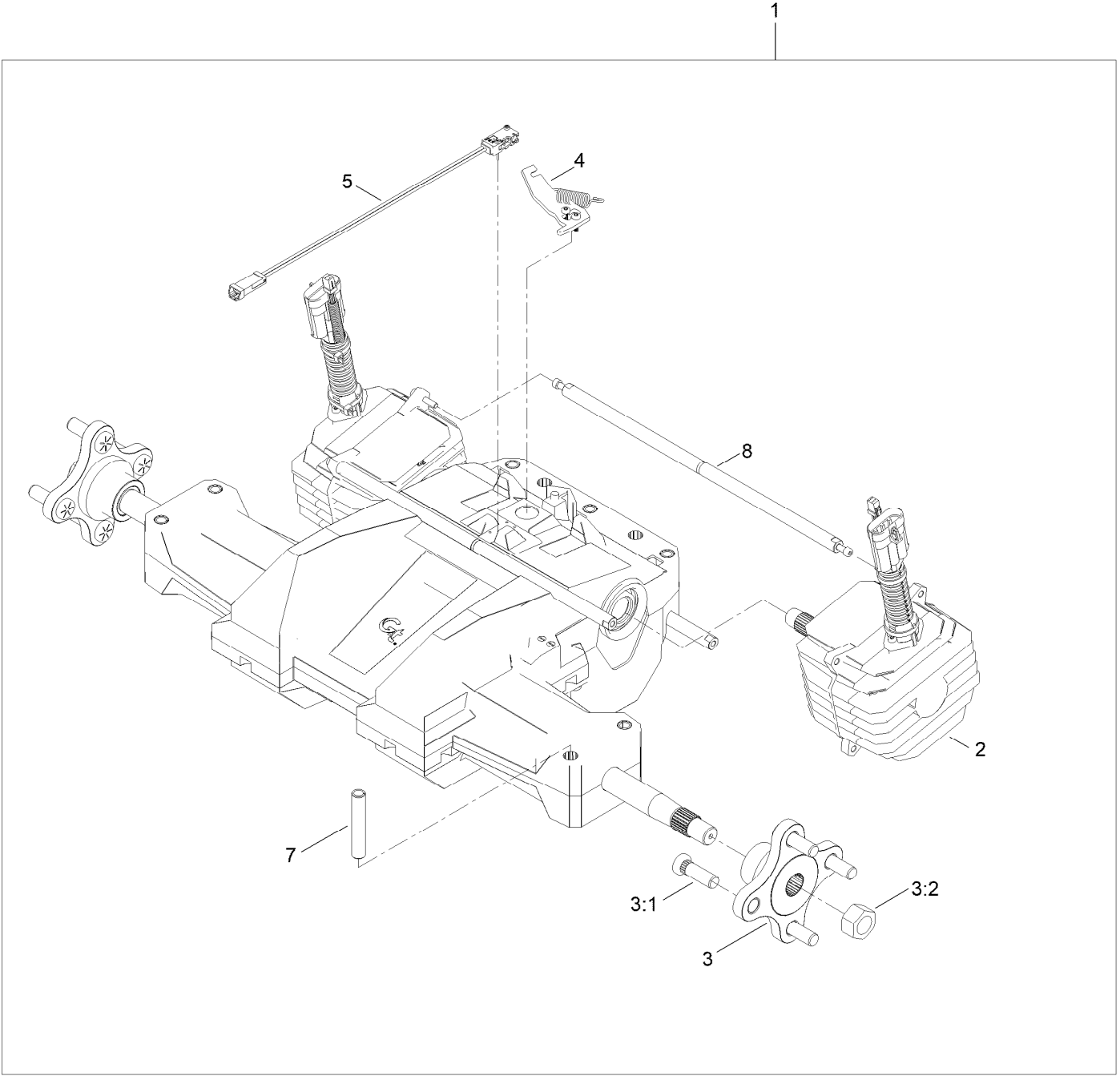
# Traction Drive Assembly



## Traction Drive Assembly (continued)

<i>Ref.</i>	<i>Part Number</i>	<i>Qty.</i>	<i>Description</i>	<i>Ref.</i>	<i>Part Number</i>	<i>Qty.</i>	<i>Description</i>
1	161-4489	1	Transaxle-Electric, 20"	4	119-4041	7	Nut-HF
2	144-5335-01	1	Bracket-Transmission	5	138-9753	3	Screw
3	147-5202	7	Screw-HH	6	139-2564	8	Nut-Lug

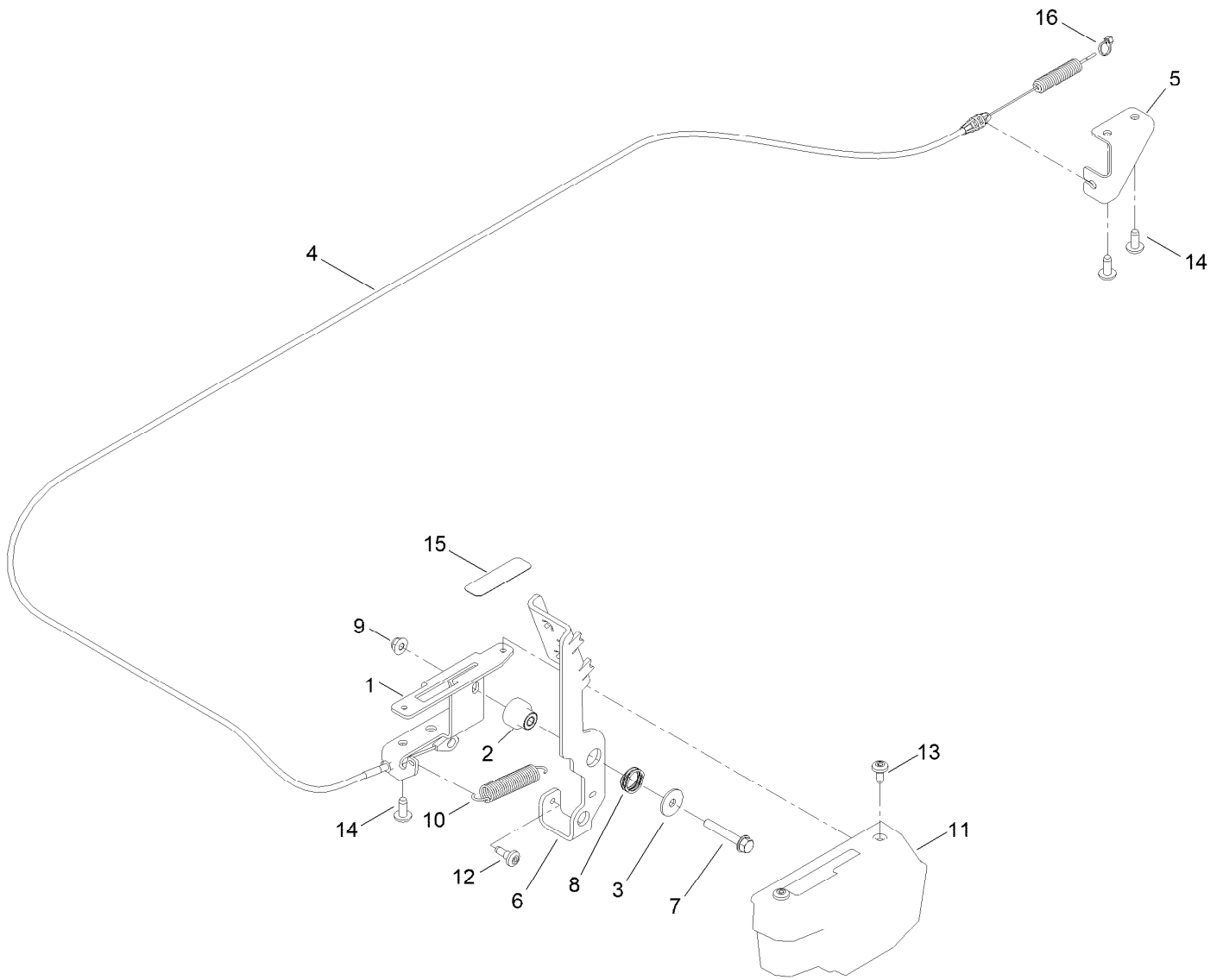
# Electric Transaxle Assembly No. 161-4488



# Electric Transaxle Assembly No. 161-4488 (continued)

<i>Ref.</i>	<i>Part Number</i>	<i>Qty.</i>	<i>Description</i>	<i>Ref.</i>	<i>Part Number</i>	<i>Qty.</i>	<i>Description</i>
1	147-2238	1	Transaxle-Electric,18" Tire	4	161-4493	1	Arm-Brake ASM
2	161-6416	2	Motor ASM	5	161-4494	1	Switch-Brake ASM
3	161-4491	2	Wheel Hub ASM	7	161-4496	7	Spacer
3:1	161-4492	4	Stud-Wheel	8	161-4497	3	Rod-Cross
3:2	161-4647	1	Nut-Hub				

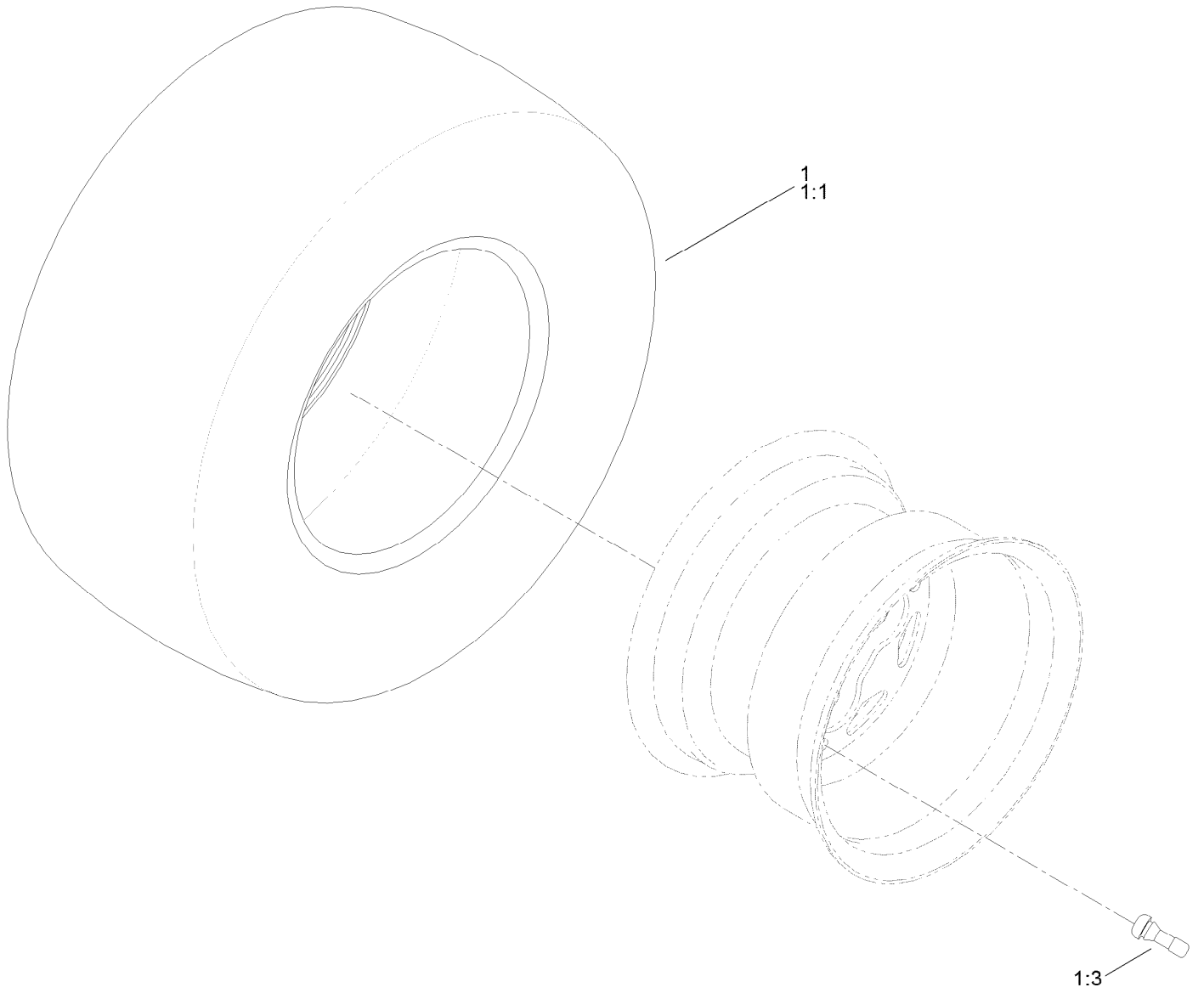
# Brake Assembly



## Brake Assembly (continued)

<i>Ref.</i>	<i>Part Number</i>	<i>Qty.</i>	<i>Description</i>	<i>Ref.</i>	<i>Part Number</i>	<i>Qty.</i>	<i>Description</i>
1	147-5182-03	1	Bracket-Pedal, Brake	9	119-4041	1	Nut-HF
2	147-7741	1	Bushing-Flange	10	137-7040	1	Spring-Return, Pedal
3	5-4460	1	Washer-Pivot	11	147-3048	1	Cover-Brake, Parking
4	145-0490	1	Cable-Brake	12	135-2015	1	Screw-Shoulder
5	147-5201-03	1	Bracket-Cable, Brake	13	120-7950	2	Screw-Torx
6	147-5181-03	1	Pedal-Brake	14	138-9753	3	Screw
7	142-6275	1	Screw-HHF	15	139-1271	1	Decal-Brake, Parking
8	120-5116	1	Washer-Wave	16	1-303287	1	Tie-Cable

# Rear Tire Assembly



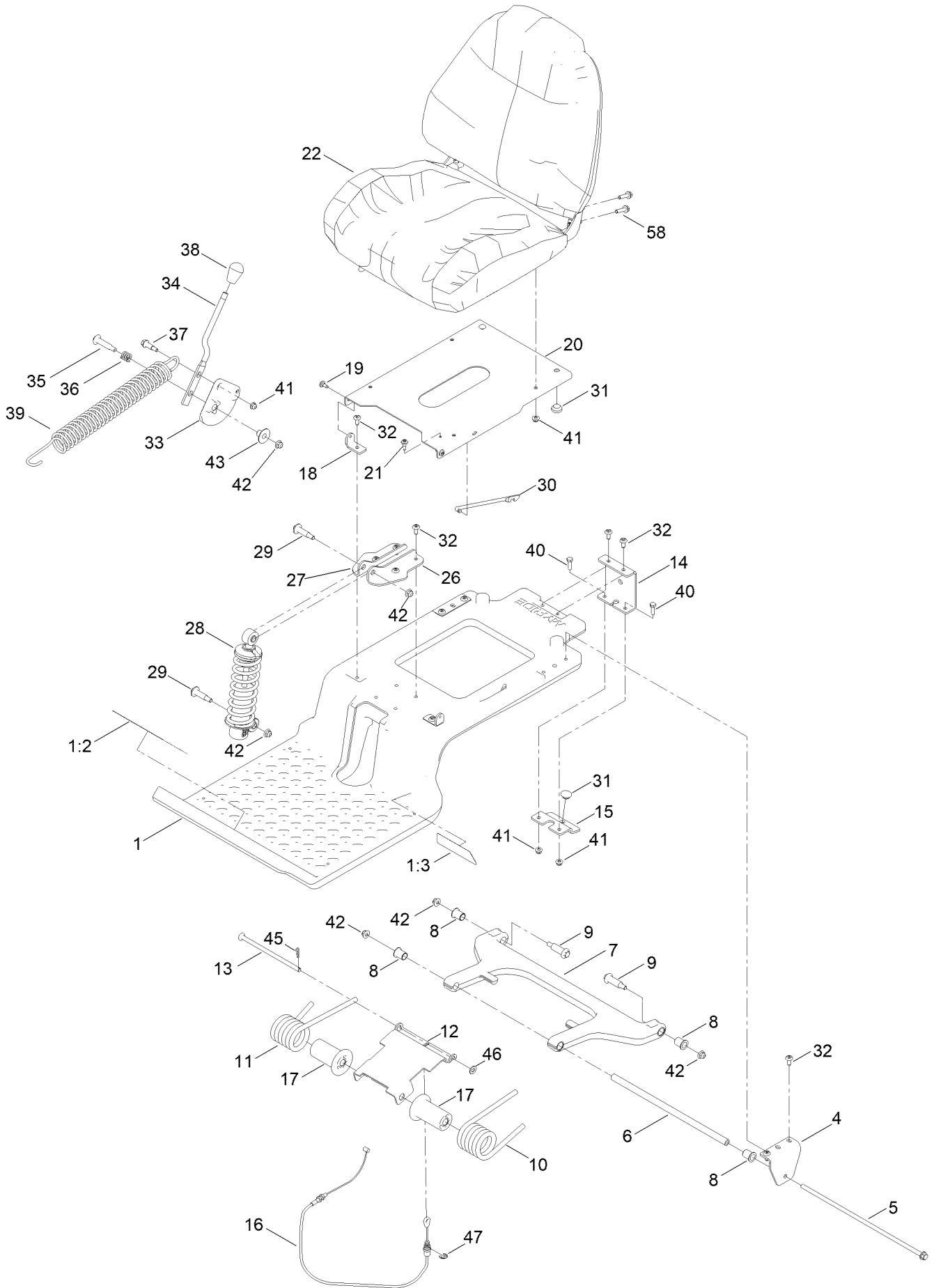


## Rear Tire Assembly (continued)

<i>Ref.</i>	<i>Part Number</i>	<i>Qty.</i>	<i>Description</i>	<i>Ref.</i>	<i>Part Number</i>	<i>Qty.</i>	<i>Description</i>
1	139-5849	2	Tire ASM	1:3	232-27	1	Stem-Valve
1:1	133-9293	1	Tire	1:99	105-4070	1	Tube-Inner ●

● Not illustrated

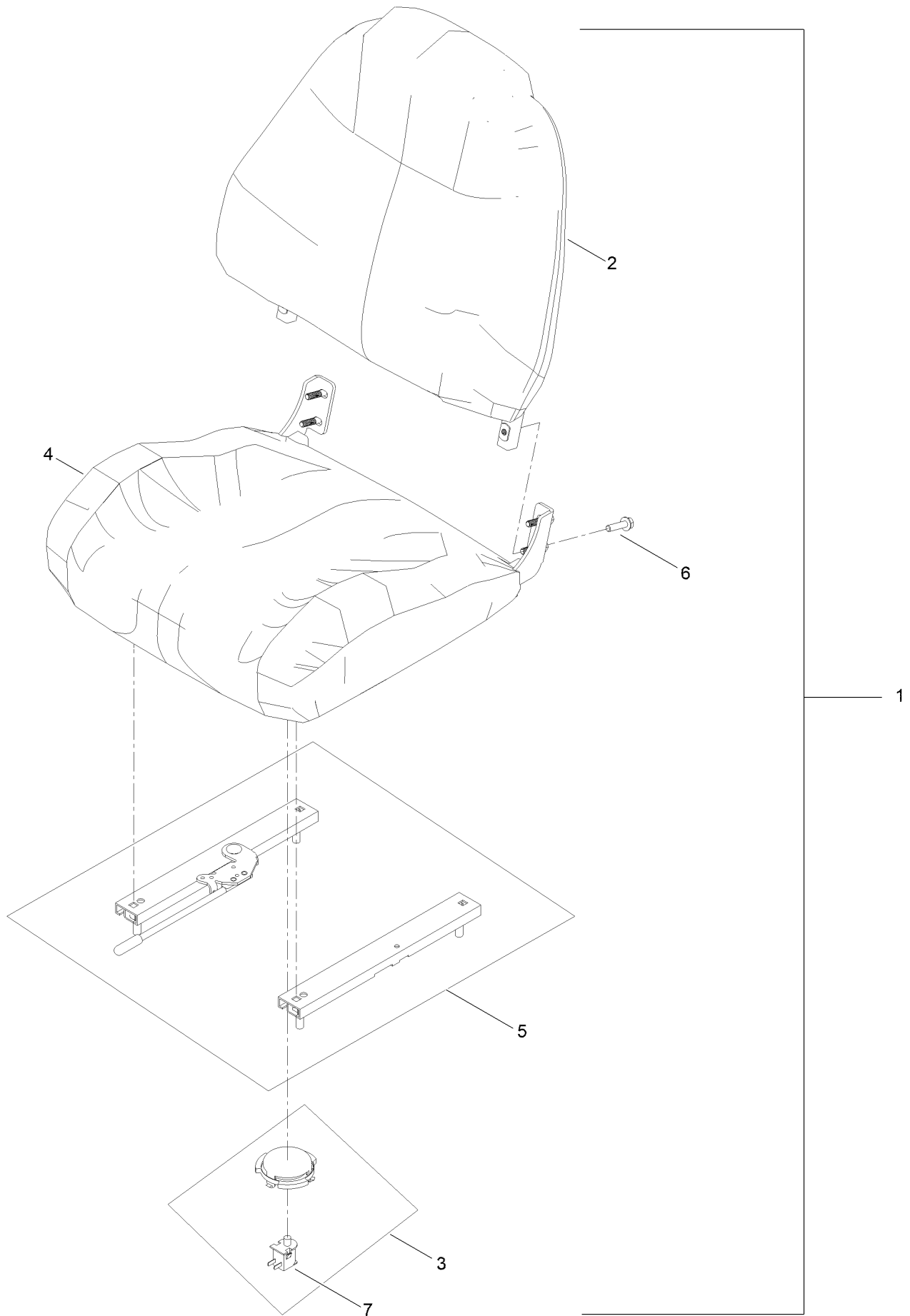
# Seat Pan Assembly



## Seat Pan Assembly (continued)

<i>Ref.</i>	<i>Part Number</i>	<i>Qty.</i>	<i>Description</i>	<i>Ref.</i>	<i>Part Number</i>	<i>Qty.</i>	<i>Description</i>
1	147-7739	1	Subframe ASM	27	133-9319-03	1	Bracket-Shock Mount, Upper (RH)
1:2	147-7616	1	Decal-Danger	28	147-7746	1	Shock/Spring ASM
1:3	140-0357	1	Decal-Myride	29	136-7198	2	Bolt-Shoulder
4	138-7517	2	Bracket-Mount, Swing Arm	30	138-2596	1	Rod-Prop, Seat
5	138-7548	1	Screw-HHF	31	135-0505	3	Bumper-Seat
6	138-7549	1	Tube-Spacer	32	138-9753	12	Screw
7	138-2563	1	Arm, Swing	33	138-9814	1	Pulley - Cam
8	138-2573	4	Bushing-Flange	34	138-9822	1	Lever - Adjustment
9	138-2547	2	Bolt-Shoulder	35	92-1057	1	Bolt-Shoulder
10	137-1983	1	Spring-Torsion, LH	36	139-5858	1	Spring-Compression
11	137-7018	1	Spring-Torsion, RH	37	140-3759	1	Bolt-Shoulder,HHF
12	138-7566-03	1	Plate-Adjuster	38	140-5176	1	Knob-Mr
13	138-9813	1	Rod-Adjustment	39	138-9848	1	Spring-Extension
14	138-9788	1	Bracket-Cable	40	139-1716	2	Screw-HH
15	139-2361-03	1	Bracket Lower	41	119-4041	7	Nut-HF
16	138-9812	1	Cable-Adjustment, Myride	42	119-4042	6	Nut-HF, NI
17	138-9776	2	Retainer-Spring	43	139-5800	1	Bushing - Flange
18	138-7522	2	Bracket-Seat	45	137-3083	1	Pin-Hair
19	120-7950	2	Screw-Torx	46	115-1166	1	Washer-Plain
20	147-7727-03	1	Pan-Seat [black]	47	32120-47	1	Ring-Retaining, External
21	135-2015	1	Screw-Shoulder	58	119-4036	4	Screw-HHF
22	147-8761	1	Seat ASM				
26	133-9318-03	1	Bracket-Shock Mount, Upper (LH)				

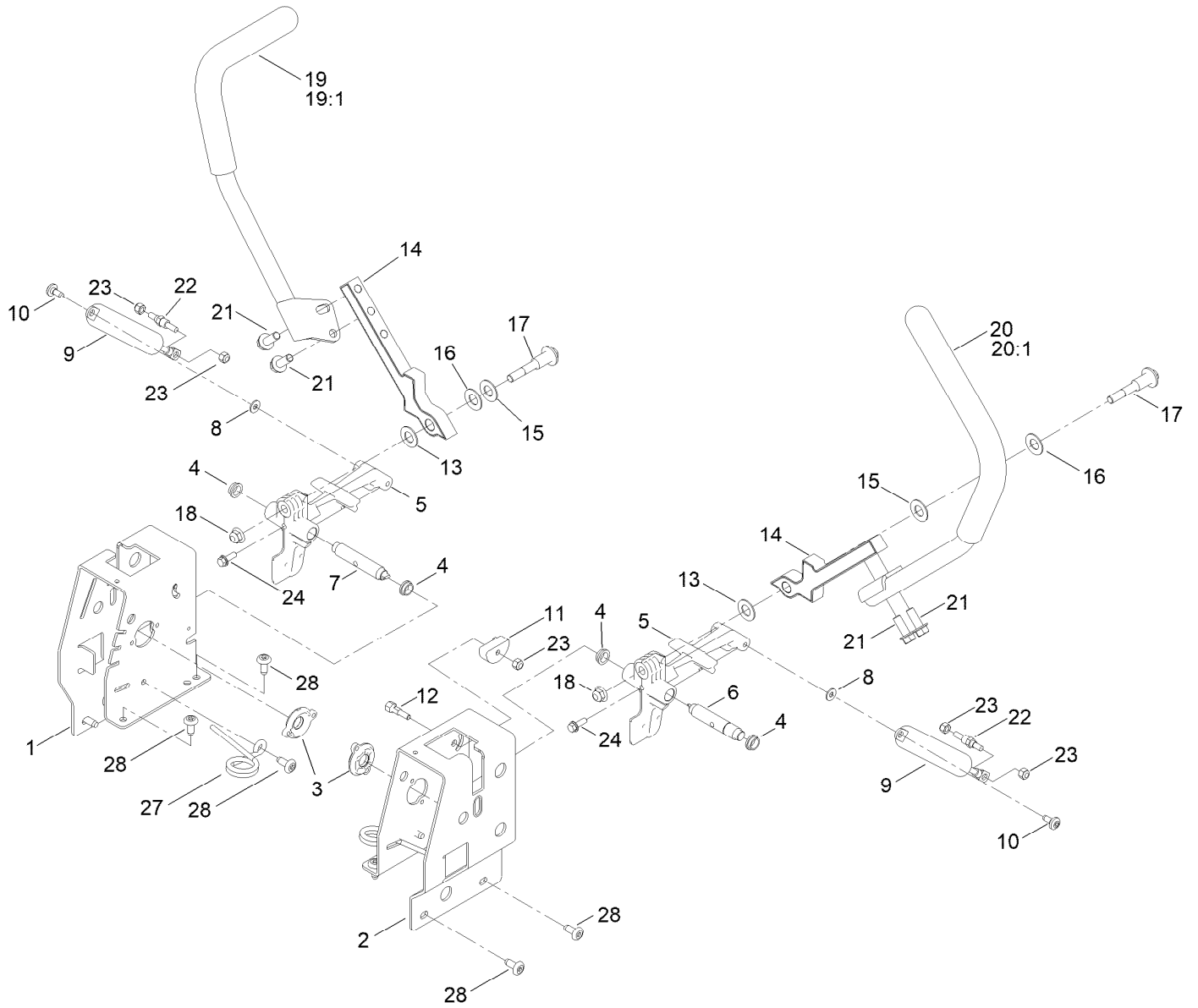
# Seat Assembly No. 147-8761



## Seat Assembly No. 147-8761 (continued)

<i>Ref.</i>	<i>Part Number</i>	<i>Qty.</i>	<i>Description</i>	<i>Ref.</i>	<i>Part Number</i>	<i>Qty.</i>	<i>Description</i>
1	147-7732	1	Seat ASM	4	161-6184	1	Toro Seat Cover
2	161-6183	1	Toro Back Cover	5	147-8740	1	Slide ASM-Seat
3	147-8736	1	Seat Switch Delta 6500-02 Open	6	119-4036	4	Screw-HHF
				7	82-2190	1	Switch-Bail

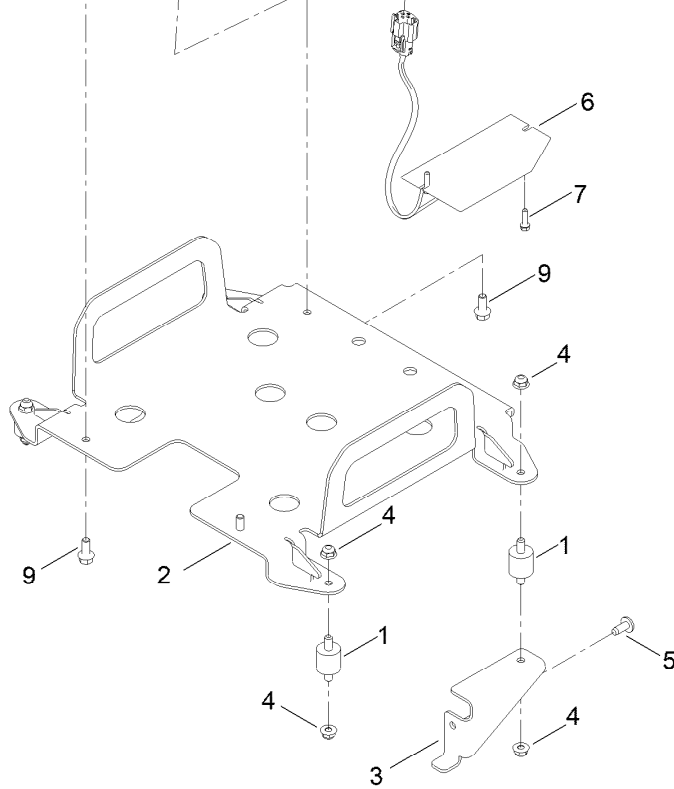
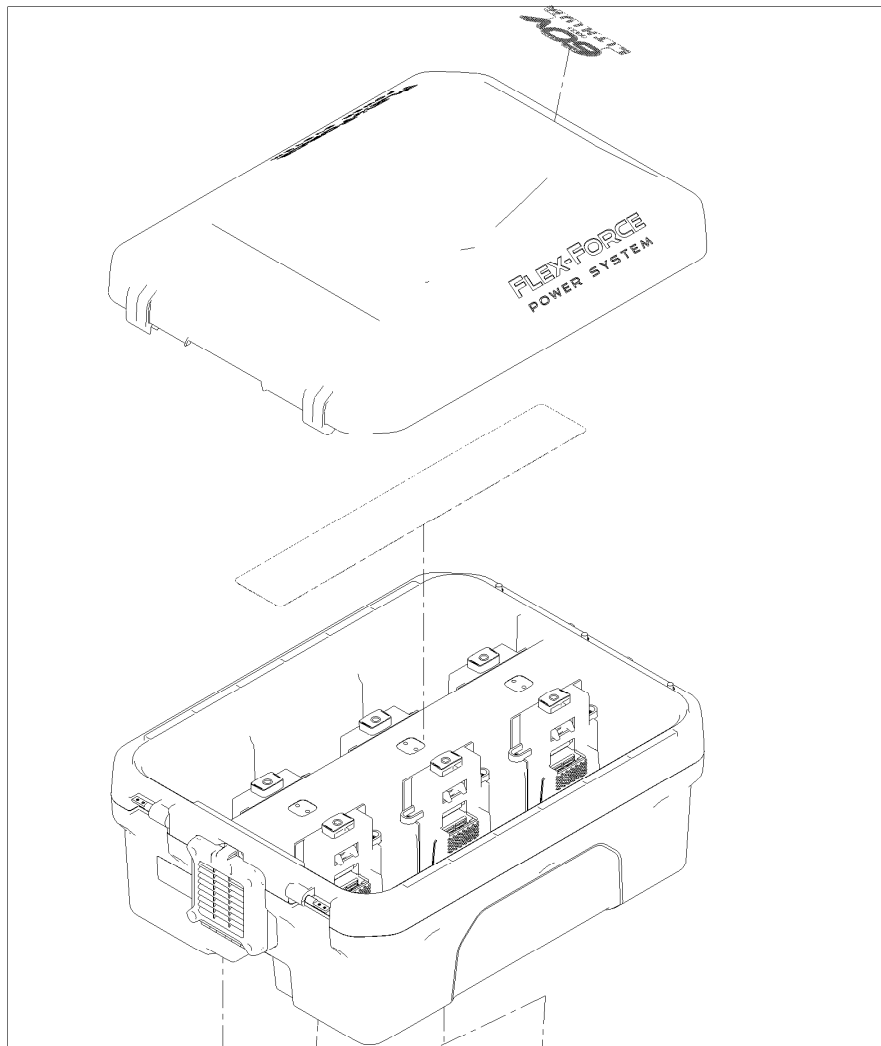
# Motion Control Assembly



## Motion Control Assembly (continued)

<i>Ref.</i>	<i>Part Number</i>	<i>Qty.</i>	<i>Description</i>	<i>Ref.</i>	<i>Part Number</i>	<i>Qty.</i>	<i>Description</i>
1	140-8322-03	1	Plate-Control Box, RH	15	117-1240	2	Washer
2	140-8342-03	1	Plate-Control Box, LH	16	119-8925	2	Washer-Belleville
3	147-7552	2	Spacer-Sensor	17	139-2556	2	Bolt-Pivot
4	147-7551	4	Bushing-Flange	18	119-4042	2	Nut-HF, NI
5	147-2903	2	Arm-Actuator	19	133-7057	1	Handle-Control, RH
6	147-3009	1	Pin-Lever Pivot, LH	19:1	121-0726	1	Grip
7	147-3010	1	Pin-Lever Pivot, RH	20	133-7055	1	Handle-Control, LH
8	119-8952	2	Washer	20:1	121-0726	1	Grip
9	132-6853	2	Damper-Non Cavitating	21	139-2597	4	Screw-HHF
10	120-7950	2	Screw-Torx	22	138-7215	2	Stud-Damper
11	139-5803	2	Eccentric	23	137-3088	6	Nut-Hex
12	139-5811	2	Bolt-Pivot, Eccentric	24	119-1138	2	Screw-HHF
13	120-2273	2	Washer-Nylon	27	138-7539	2	Spring-Torsion
14	133-9299-05	2	Arm-Control	28	138-9753	10	Screw

# Battery Box Assembly

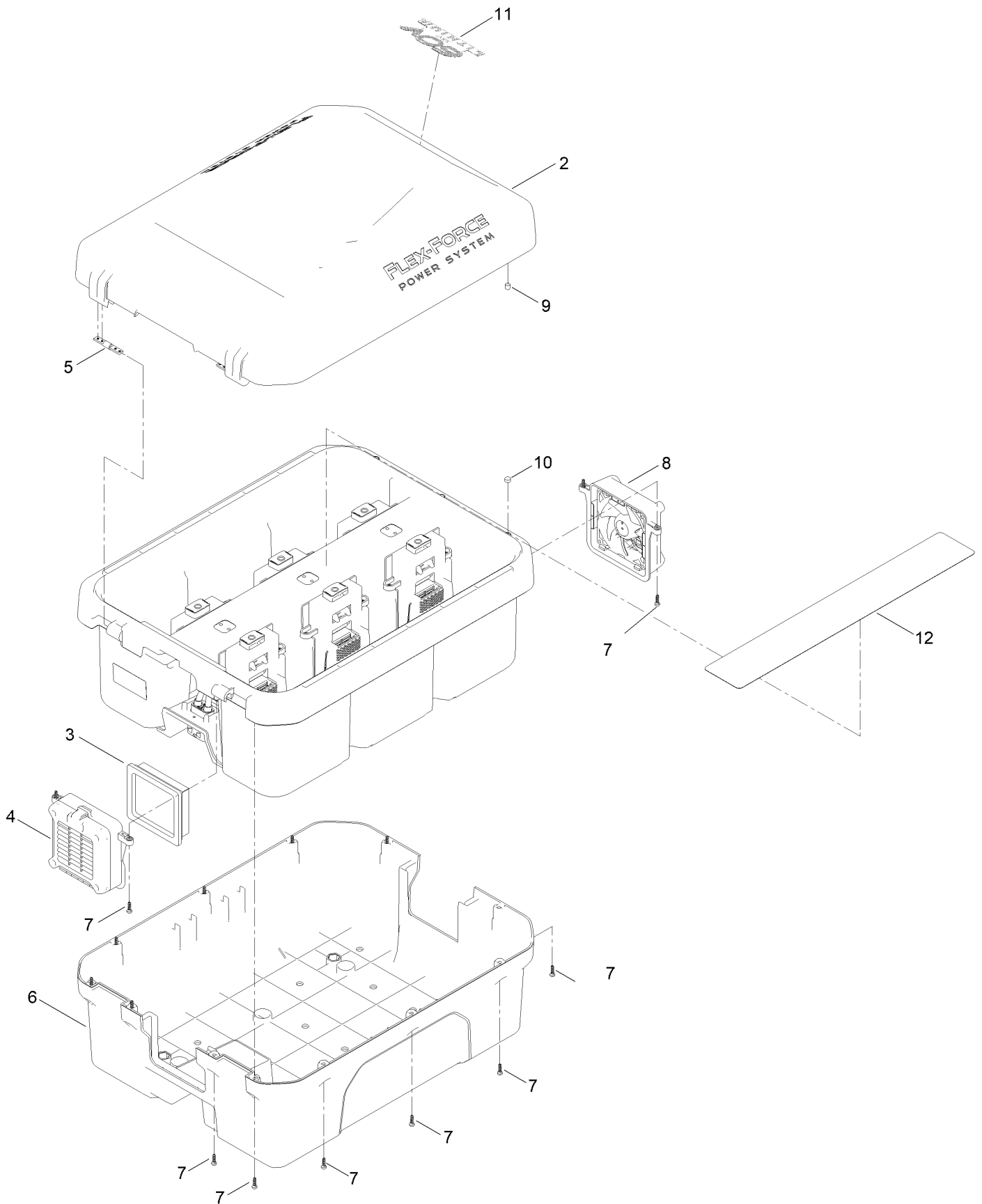




## Battery Box Assembly (continued)

<i>Ref.</i>	<i>Part Number</i>	<i>Qty.</i>	<i>Description</i>	<i>Ref.</i>	<i>Part Number</i>	<i>Qty.</i>	<i>Description</i>
1	147-7605	4	Isolator-1 In OD (5/16-18)	6	147-2192	1	Resistor-Regen
2	161-4468-01	1	Battery Mount ASM [red]	7	145-6922	2	Screw-HWH Thd Roll Zct+w
3	147-7672-03	2	Mount-Box, Rear	8	161-4483	1	Box-Battery, ASM
4	119-4041	8	Nut-HF	9	139-2598	4	Screw-HHF
5	138-9753	2	Screw				

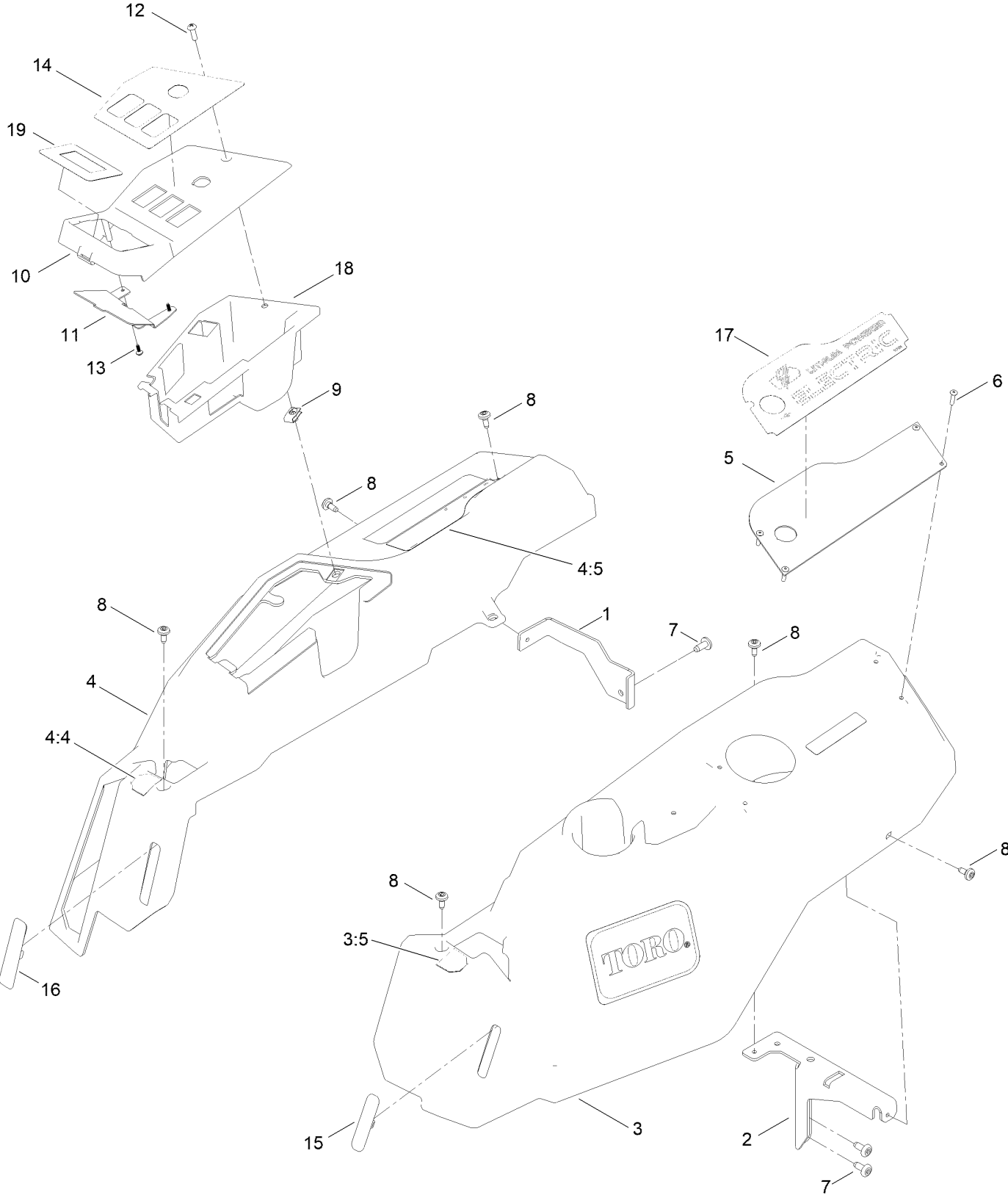
# Battery Box Assembly No. 161-4483



## Battery Box Assembly No. 161-4483 (continued)

<i>Ref.</i>	<i>Part Number</i>	<i>Qty.</i>	<i>Description</i>	<i>Ref.</i>	<i>Part Number</i>	<i>Qty.</i>	<i>Description</i>
2	147-5348	1	Cover-Box, Battery	8	161-4487	1	Fan-ASM
3	147-5345	1	Filter-Air	9	161-4645	3	Magnet-Lid, Battery Box
4	147-5344	1	Housing-Filter	10	161-4646	3	Magnet-Base, Battery Box
5	161-4648	2	Hinge-Box ASM, Battery	11	147-4208	1	Decal-60V, Lithium
6	147-5342	1	Box-Battery, Outer	12	147-7621	1	Decal-Lithium
7	161-4486	16	Screw-Plastic 4Mmx14MM, Globe				

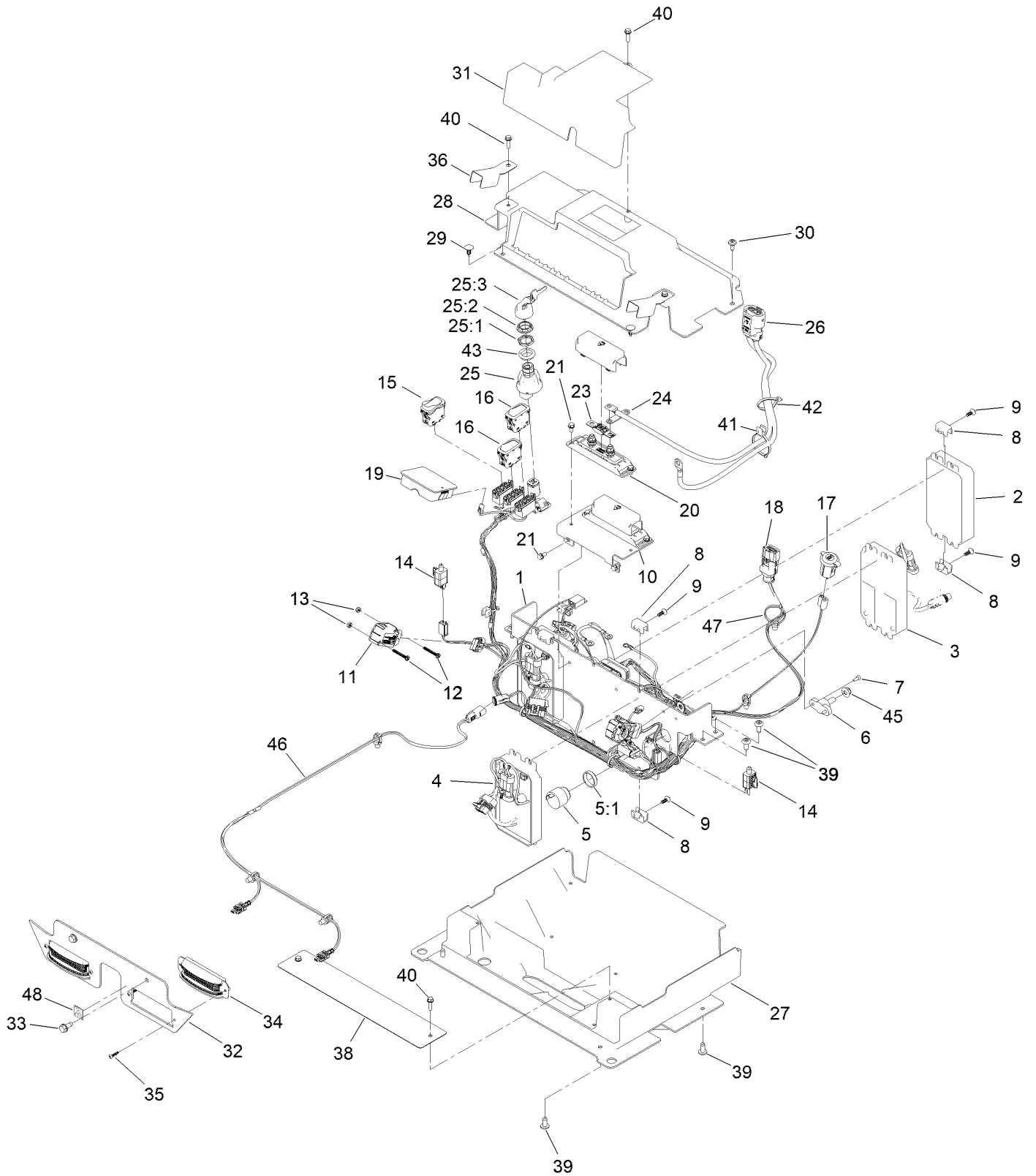
# Styling Pod Assembly



## Styling Pod Assembly (continued)

<i>Ref.</i>	<i>Part Number</i>	<i>Qty.</i>	<i>Description</i>	<i>Ref.</i>	<i>Part Number</i>	<i>Qty.</i>	<i>Description</i>
1	138-9810-03	1	Bracket-Pod	9	107069	1	Clip
2	138-6071-03	1	Support-Pod, LH	10	147-7576	1	Pod-Control
3	145-0501	1	Pod-LH	11	147-7577-03	1	Cover-Console
3:5	147-7620	1	Decal - Control Lever, LH	12	3258-166	1	Screw-PRH
4	147-7742	1	Pod-RH, Myride	13	145-5837	2	Screw-Plastic,Tbfh
4:4	147-7619	1	Decal - Control Lever, RH	14	147-7614	1	Decal-Panel, Control
4:5	139-2397	1	Decal-Adjustment	15	147-7629	1	Plug-Pod, LH
5	145-0502-03	1	Plate-Cover, Pod	16	147-7691	1	Plug-Sc
6	130-8451	4	Rivet-Trifold	17	147-7641	1	Decal-60V Lithium
7	138-9753	3	Screw	18	147-7666	1	Cover-Switch
8	120-7950	6	Screw-Torx	19	147-7715	1	Decal-Gt Display

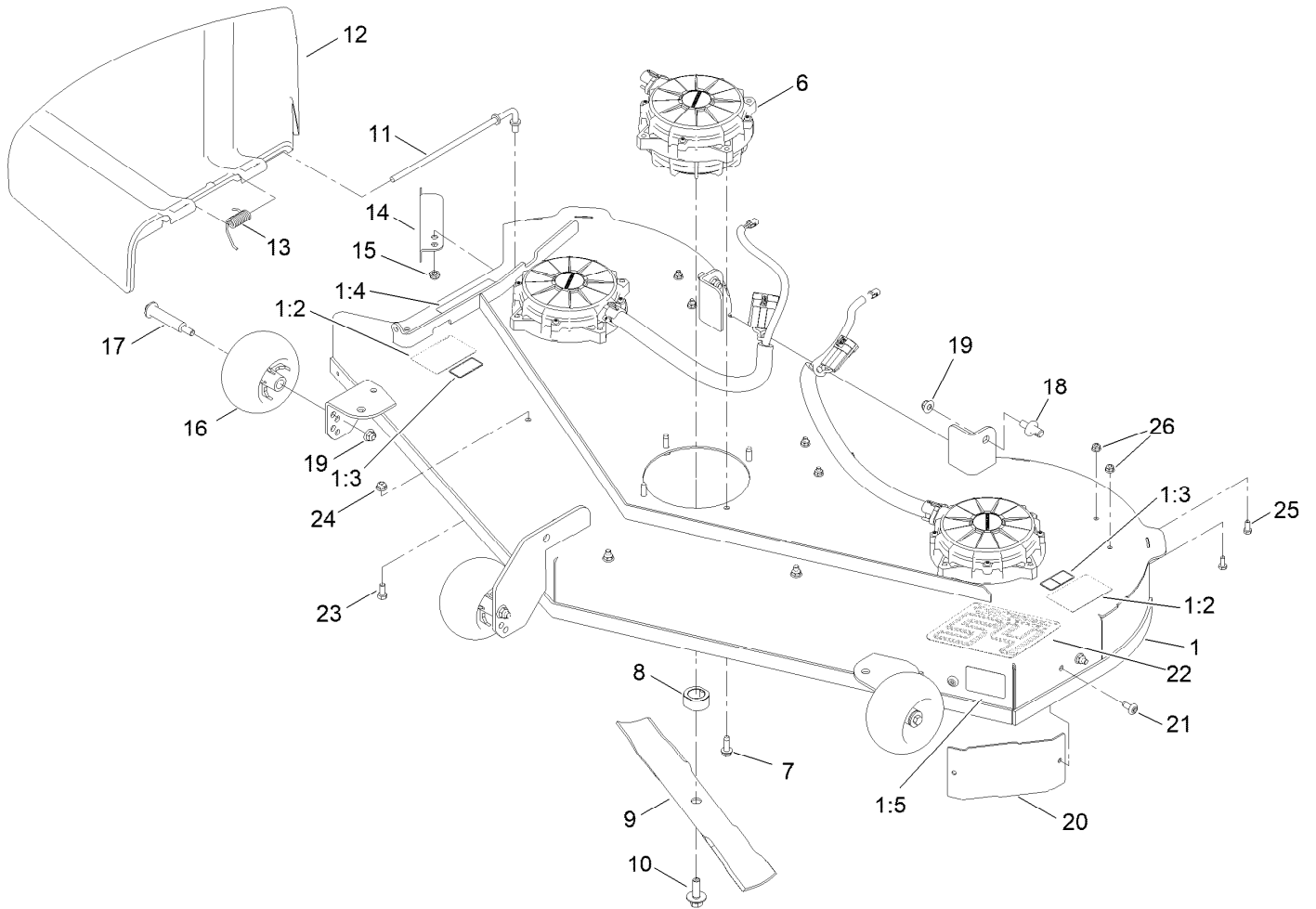
# Electrical Assembly



## Electrical Assembly (continued)

<i>Ref.</i>	<i>Part Number</i>	<i>Qty.</i>	<i>Description</i>	<i>Ref.</i>	<i>Part Number</i>	<i>Qty.</i>	<i>Description</i>
1	147-7667-03	1	Mount-Controllers	25	122-2513	1	Switch-Ignition, Suns
2	147-7631	1	Controller-Master	25:1	121-5160	1	Nut-Hex
3	147-7635	2	Controller-Traction	25:2	122-2704	1	Nut-Face, M22 (Plastic)
4	147-7633	2	Controller-Deck	25:3	121-5162	1	Set-Key, Ignition
5	80-9330	1	Audio Alarm ASM	26	147-7584	1	Harness-Wire, Power Cable
5:1	104-5107	1	Nut-Plastic, Knurled	27	147-7668	1	Cover-Bottom
6	110-8823	1	Block-Junction	28	147-7670	1	Cover-Controller
7	105-6849	2	Screw-Forming, Thread	29	117-2382	2	Plug-Plastic
8	145-0586	6	Clip-Controller	30	120-7950	2	Screw-Torx
9	138-5775	6	Screw-Delta Point	31	147-7680	1	Cover-Outer
10	147-5200-03	1	Mount-Holder, Fuse	32	139-7488-01	1	Mount-Head Lights
11	140-8373	2	Sensor	33	32144-70	2	Screw-HWHTF
12	147-7729	4	Screw-HWH	34	139-5825	2	ASM-Light,LED
13	147-7730	4	Nut-Hex NI	35	94-4496	4	Screw-PPH
14	110-6765	2	Switch	36	147-7681-03	2	Cover-Sensor
15	139-6368	1	Switch-Rocker, On-None-On	38	147-7719-03	1	Cover-Wire
16	145-0467	2	Switch-Rocker On- None- On	39	138-9753	8	Screw
17	140-7955	1	Port-Power, USB	40	137-3099	5	Screw-Plastite, HWH
18	139-6393	1	Harness-Wire, 2 Blade Main	41	32180-078	1	Clip-Edge
19	147-2198	1	Display	42	3290-378	1	Tie-Cable
20	145-4958	2	Holder-Fuse	43	145-7110	1	Adapter-Switch, Key
21	32144-4	6	Screw-HWH	45	119-4042	1	Nut-HF, NI
23	122-2559	2	Fuse-100 Amp	46	147-8762	1	Harness-Wire, LED Lights
24	147-5340	1	Busbar-2, Switch	47	32180-030	1	Clip-Tie
				48	147-0290	1	Decal-Light, Warning

# 54in Deck and Decal Assembly





## 54in Deck and Decal Assembly (continued)

<i>Ref.</i>	<i>Part Number</i>	<i>Qty.</i>	<i>Description</i>	<i>Ref.</i>	<i>Part Number</i>	<i>Qty.</i>	<i>Description</i>
1	147-7655	1	54 In Deck And Decal ASM	14	138-9800-03	1	Baffle-Cutoff
1:2	147-7615	2	Decal-Danger, Deck	15	121-4600	1	Nut-Hex
1:3	137-8127	2	Decal-No Spray	16	1-603299	3	Roller-Scalp, Anti
1:4	130-0731	1	Decal-Danger	17	139-2551	3	Bolt-Shoulder
1:5	112-9840	1	Decal-Scalp, Anti	18	139-5871	2	Pin-Deck
6	140-8379	3	Motor-Deck	19	119-4042	5	Nut-HF, NI
7	136-7174	12	Screw-Thd Roll, HWH	20	139-2448-03	1	Baffle-Corner
8	140-8361	3	Driver-Blade	21	138-9753	2	Screw
9	147-7559-03	3	Blade-18.75 In, Combination	22	147-7626	1	Decal - Deck, 54
10	145-0411	3	Bolt-Blade, Sems	23	137-3052	5	Screw-HH
11	137-2019	1	Rod-Pivot	24	119-4041	5	Nut-HF
12	138-7502	1	Deflector-Discharge	25	137-3041	6	Screw-HH
13	138-7268	1	Spring-Torsion	26	119-4040	6	Nut-HF, NI

# Attachments and Accessories

## For 75851 eTimeCutter MyRide 54in Riding Mower

<b>Product Name</b>	<b>Model/Part</b>
Sunshade Kit .....	140-2054
54" Recycler Kit .....	161-4520
54 Inch Bagging Enhancement Kit.....	161-4522
54/60 Inch Striping Kit.....	161-4524
Heavy Duty Spring Kit.....	161-4525
Floormat Kit .....	161-4529
Kit-Caster Wheel .....	161-4531
Storage Cover .....	490-7516
60V Six Pod Battery Charger 12 AMP .....	66550
60V LI-ION Battery 10.0 AH .....	66810
60V Battery Charger 2 AMP .....	88602
60V Rapid Battery Charger 5.4 AMP .....	88605
60V Battery 2.0 AH .....	88620
60V LI-ION Battery 2.5 AH.....	88625
60V LI-ION, Battery 4.0 AH .....	88640
60V LI-ION Battery 5.0 AH.....	88650
60V LI-ION Battery 6.0 AH.....	88660
60V LI-ION Battery 7.5 AH.....	88675

**Notes:**



**Count on it.**