



## 5.5 HP Lawn Vacuum

Model No. 62925–220000001 and Up

### Parts Catalog

---

#### Ordering Replacement Parts

To order replacement parts, please supply: the part number, the quantity, and the description of each part desired.

#### Understanding Reference Numbers

Each identified part in an illustration has a reference number. The reference number for a part also appears in the parts list, along with other information about the part.

This catalog uses two special reference number formats, one to indicate parts in a service assembly and another to indicate the quantity of a given part in an illustration.

#### Service Assembly Reference Numbers

Parts in service assemblies have reference numbers in the form **a:b**. The **a** represents the reference number of the entire service assembly and the **b** represents a sequential number unique to each part within the service assembly.

For example, a wheel assembly might be identified by reference number **6**, the tire by **6:1**, the valve by **6:2**, and the wheel by **6:3**. When you order the assembly identified by reference number **6**, you receive all parts identified by reference numbers **6:1**, **6:2**, and **6:3**. However, you may also order any part individually.

Reference numbers of this type appear in illustrations and in part lists.

#### Reference Numbers Indicating Quantity

In an illustration, if a reference number indicates more than one part, the reference number has the form **nX y**. The **n** represents the quantity of the part, the **X** is the multiplication symbol, and the **y** represents the reference number.

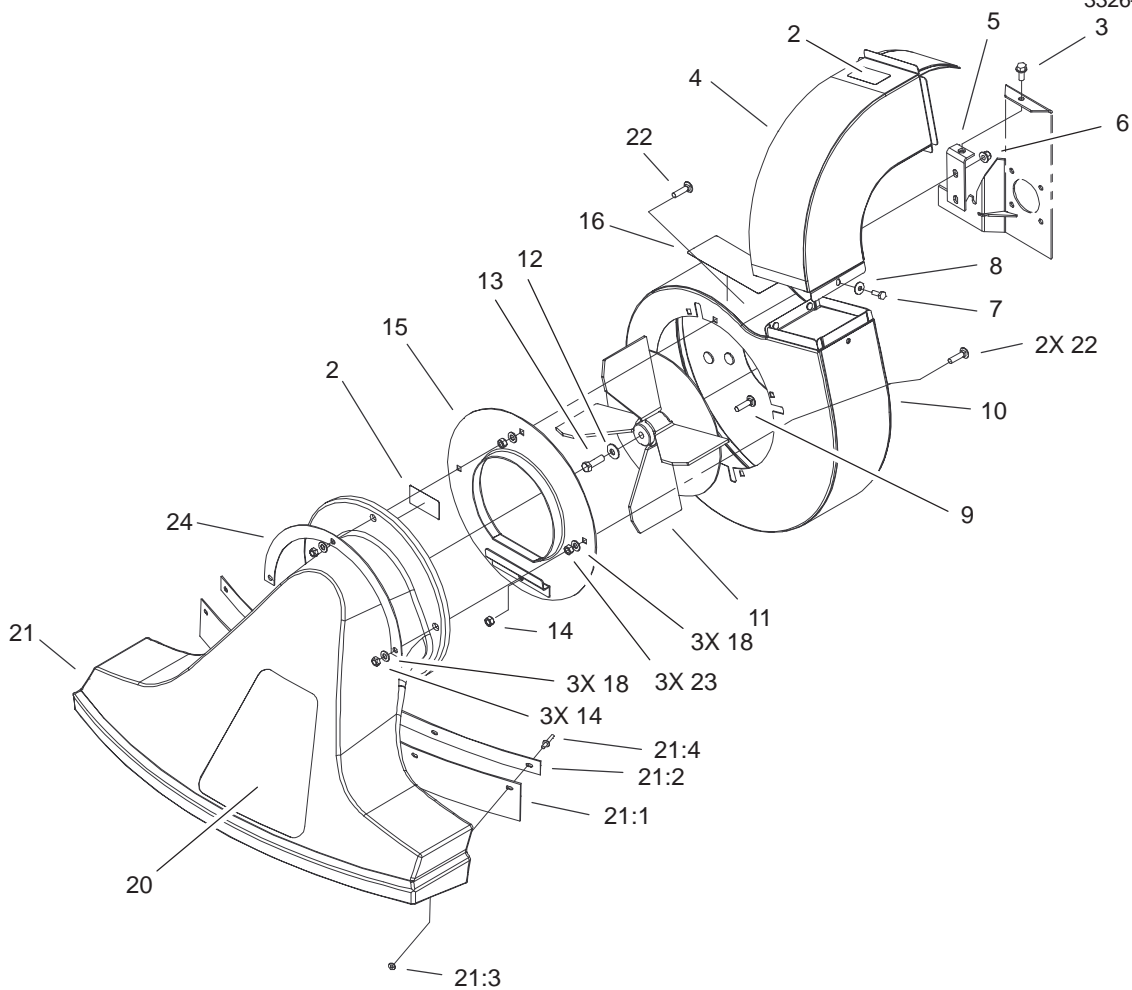
For example, in an illustration, the reference number **2X 37** means that two of the parts identified by reference number **37** are indicated.

## Contents

Description	Page	Description	Page
Snout, Blower and Fan Assembly . . . . .	3	Muffler and Fuel Tank Assembly Engine Briggs and Stratton Model 126402–0245–E1 . . . . .	15
Blower Assembly . . . . .	4	Governor Assembly Engine Briggs and Stratton Model 126402–0245–E1 . . . . .	16
Engine and Wheel Support Assembly . . . . .	5	Blower Housing Assembly Engine Briggs and Stratton Model 126402–0245–E1 . . . . .	17
Traction and Wheel Assembly . . . . .	6	Starter Assembly Engine Briggs and Stratton Model 126402–0245–E1 . . . . .	18
Traction Assembly . . . . .	7	Oil Filter, Tube and Pump Assembly Engine Briggs and Stratton Model 126402–0245–E1 . . . . .	19
Handle and Vacuum Bag Assembly . . . . .	8	Gasket Assembly Engine Briggs and Stratton Model 126402–0245–E1 . . . . .	20
Cylinder Assembly Engine Briggs and Stratton Model 126402–0245–E1 . . . . .	9	Carburetor Overhaul Kit Assembly Engine Briggs and Stratton Model 126402–0245–E1 . . . . .	21
Crankshaft Assembly Engine Briggs and Stratton Model 126402–0245–E1 . . . . .	10		
Cylinder Head Assembly Engine Briggs and Stratton Model 126402–0245–E1 . . . . .	11		
Crankcase Assembly Engine Briggs and Stratton Model 126402–0245–E1 . . . . .	12		
Carburetor Assembly Engine Briggs and Stratton Model 126402–0245–E1 . . . . .	13		
Air Cleaner Assembly Engine Briggs and Stratton Model 126402–0245–E1 . . . . .	14		

Part descriptions in this catalog may include the following abbreviations.

Abbreviation	Meaning	Abbreviation	Meaning
AR . . . . .	as required	HYD . . . . .	hydraulic
ASM . . . . .	assembly	INC . . . . .	incorporated
CARR . . . . .	carriage	LH . . . . .	left hand
DEG . . . . .	degrees	NI . . . . .	nylon insert
FH . . . . .	flat head	PPH . . . . .	Phillips pan head
GA . . . . .	gauge	PTH . . . . .	Phillips truss head
HF . . . . .	hex flange	PTO . . . . .	power take off
HH . . . . .	hex head	RH . . . . .	right hand
HHF . . . . .	hex head flange	SFH . . . . .	slotted fillister head
HLH . . . . .	hex lag head	SHH . . . . .	slotted hex head
HJ . . . . .	hex jam	SQH . . . . .	square head
HOC . . . . .	height-of-cut	SHWH . . . . .	slotted hex washer head
HS . . . . .	hex socket	SPH . . . . .	slotted pan head
HSBH . . . . .	hex socket button head	SRH . . . . .	slotted round head
HSFH . . . . .	hex socket flat head	STD . . . . .	standard
HSH . . . . .	hex socket head	TAP . . . . .	self tapping
HWH . . . . .	hex washer head	TTH . . . . .	Torx truss head
HWHTF . . . . .	hex washer head thread forming	WH . . . . .	wing head

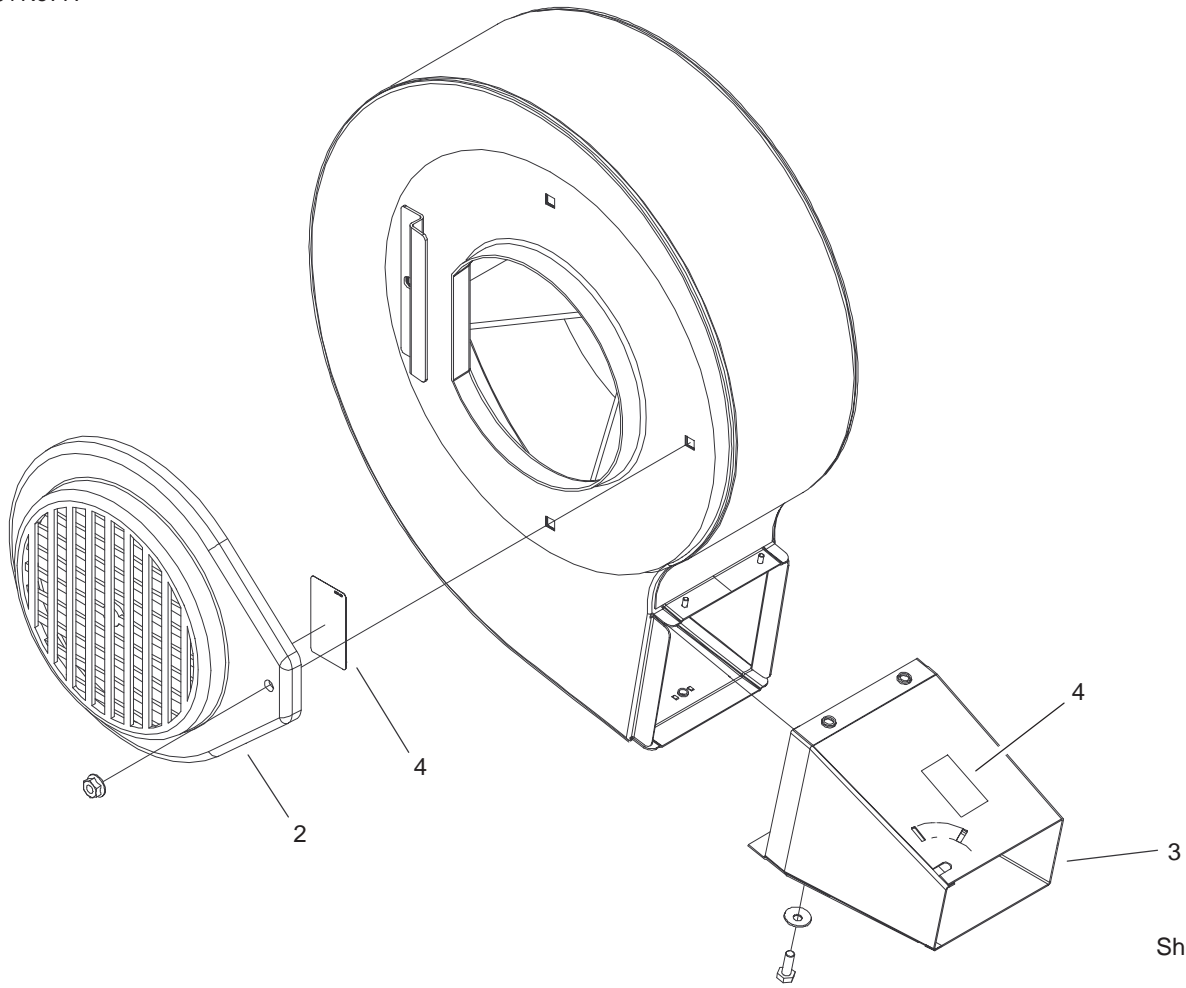


Sheet No.:2

## Snout, Blower and Fan Assembly

Ref. No.	Part No.	Qty.	Description
2	93-4139	2	Decal-Bag Caution
3	32144-70	1	Screw-HH
4	20-6130-01	1	Vacuum Chute ASM
5	105-1233-03	1	Bracket-Mounting, Housing
6	3296-58	4	Nut-Lock NI
7	321-4	1	Screw-HH
8	3290-436	1	Washer-Belleville
9	3230-19	1	Screw-CARR
10	20-5890-01	1	Housing-Blower
11	93-3677-03	1	Fan
12	3290-340	1	Washer-Belleville
13	3211-5	1	Screw-HH
14	3296-47	4	Nut-Lock, NI
15	20-5450-01	1	Cover-Blower
16	105-4062	1	Decal-Warning, Rotate
18	3256-23	6	Washer-Flat
20	105-8519	1	Decal - Toro Vacuum
21	40-7000	1	Snout ASM
21:1	20-6830	1	Rubber Flap
21:2	20-6840-03	1	Clamp-Flap
21:3	3256-51	5	Washer-Flat
21:4	3269-22	5	Rivet-Pop
22	3230-3	3	Screw-CARR

Ref. No.	Part No.	Qty.	Description
23	3217-6	3	Nut-Hex
24	105-8543-03	1	Flange-Retainer

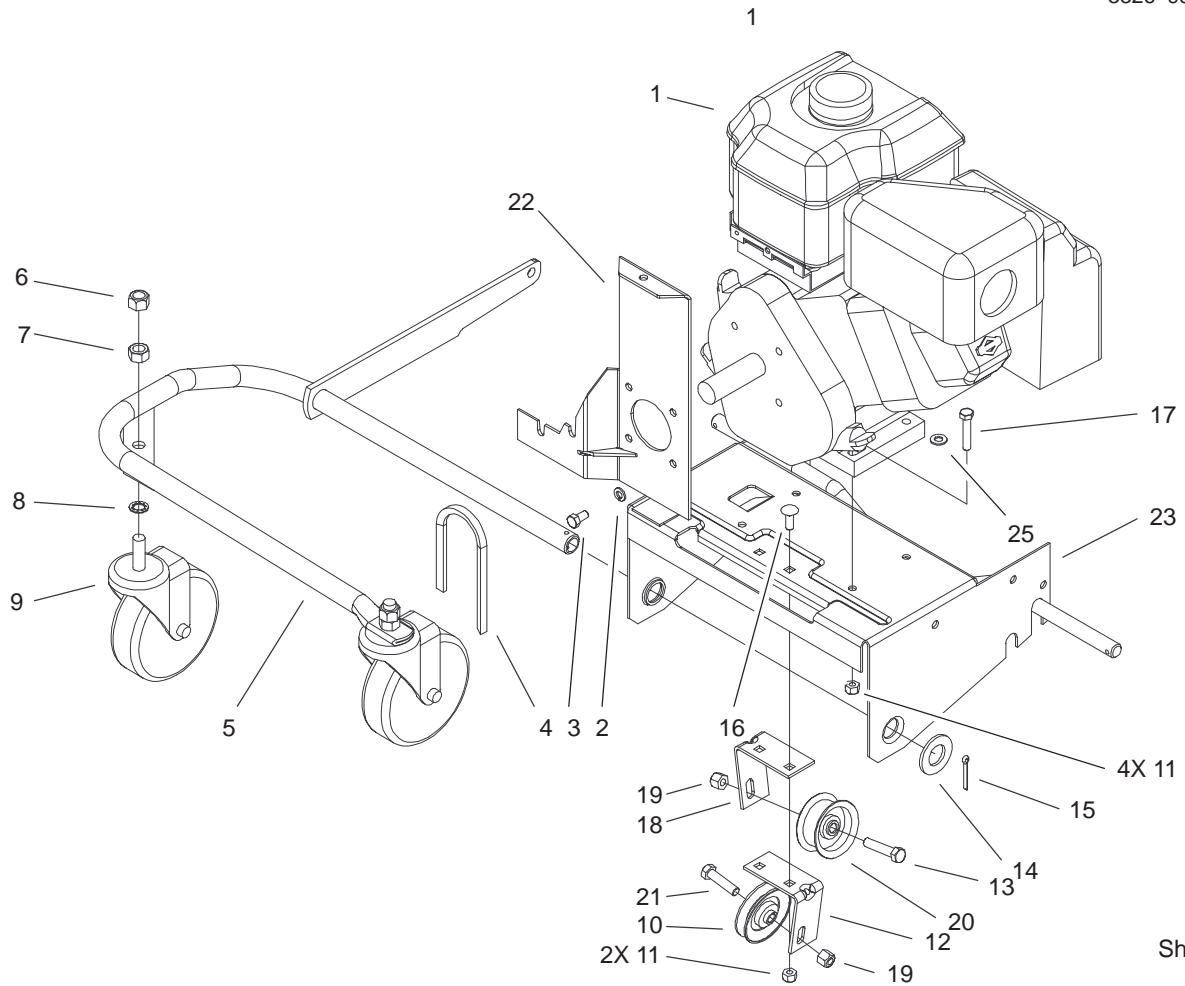


Sheet No.:3

## Blower Assembly

Ref. No.	Part No.	Qty.	Description
2	20-5780	1	Intake-Blower
3	93-4124-01	1	Exhaust-Blower
4	93-4139	2	Decal-Bag Caution

Ref. No.	Part No.	Qty.	Description



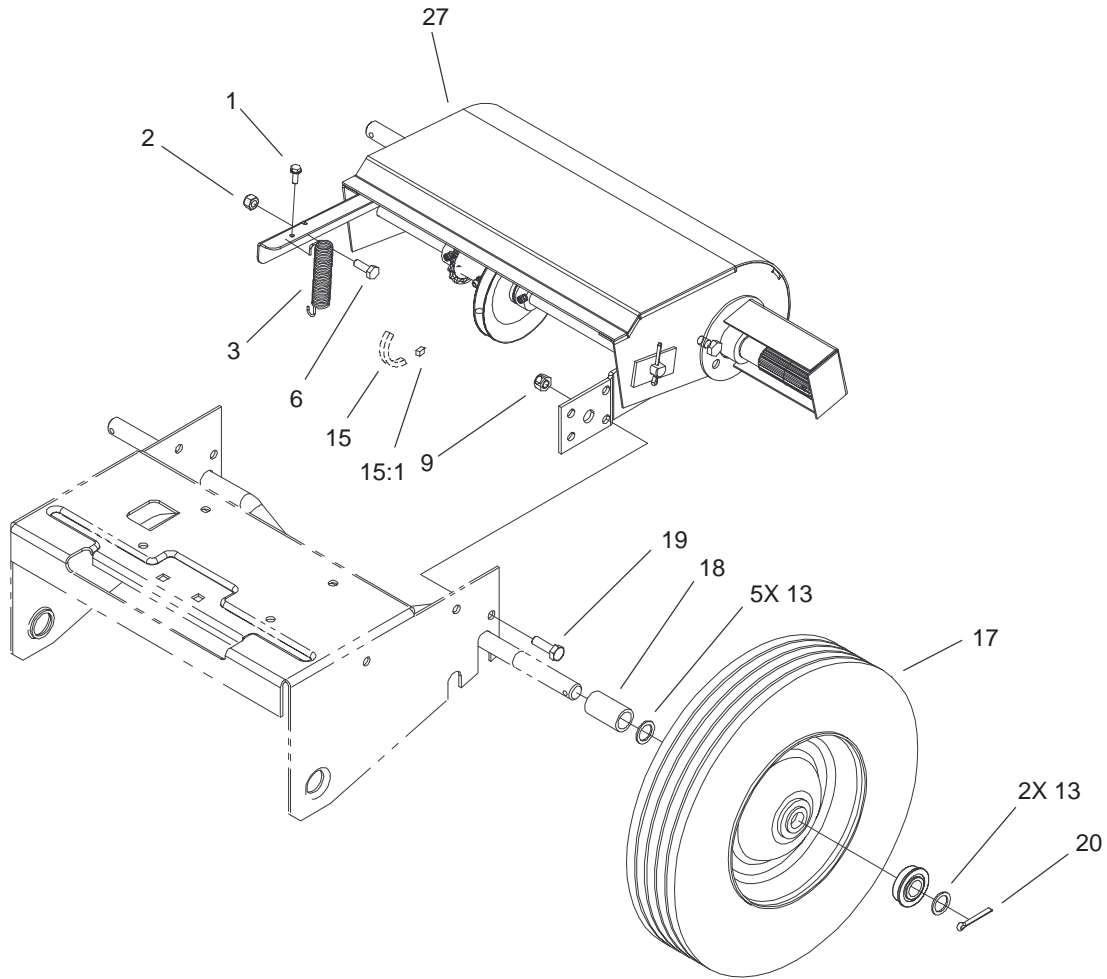
Sheet No.:4

## Engine and Wheel Support Assembly

Ref. No.	Part No.	Qty.	Description
☆1		1	Engine B&s 5.5hp Intek 206 Model 126402-0245-E1
2	3253-4	4	Washer-Lock
3	3210-2	4	Screw-HH
4	20-5990	1	V Belt
5	93-4146-03	1	Support-Wheel, Front
6	3296-23	2	Nut-Lock, NI
7	3217-9	2	Nut-HH
8	3254-4	2	Washer-Lock/Int
9	23-3320	2	Caster
10	12-5820	1	Pulley-Idler
11	3296-29	6	Nut-Lock, NI
12	20-8690-03	1	Bracket-Idler Mount, LH
13	323-9	1	Screw-HH
14	3256-29	1	Washer-Flat
15	3272-17	1	Pin-Cotter
16	3230-1	2	Screw-CARR
17	322-8	4	Screw-HH
18	20-8680-03	1	Bracket-Idler Mount, RH
19	3296-39	2	Nut-Lock, NI
20	12-6700	1	Pulley-Idler
21	323-8	1	Screw-HH
22	105-1232-03	1	Bracket-Stabalizer

Ref. No.	Part No.	Qty.	Description
23	20-5560-03	1	Plate-Engine
25	3256-23	1	Washer-Flat

☆ Not serviced separately



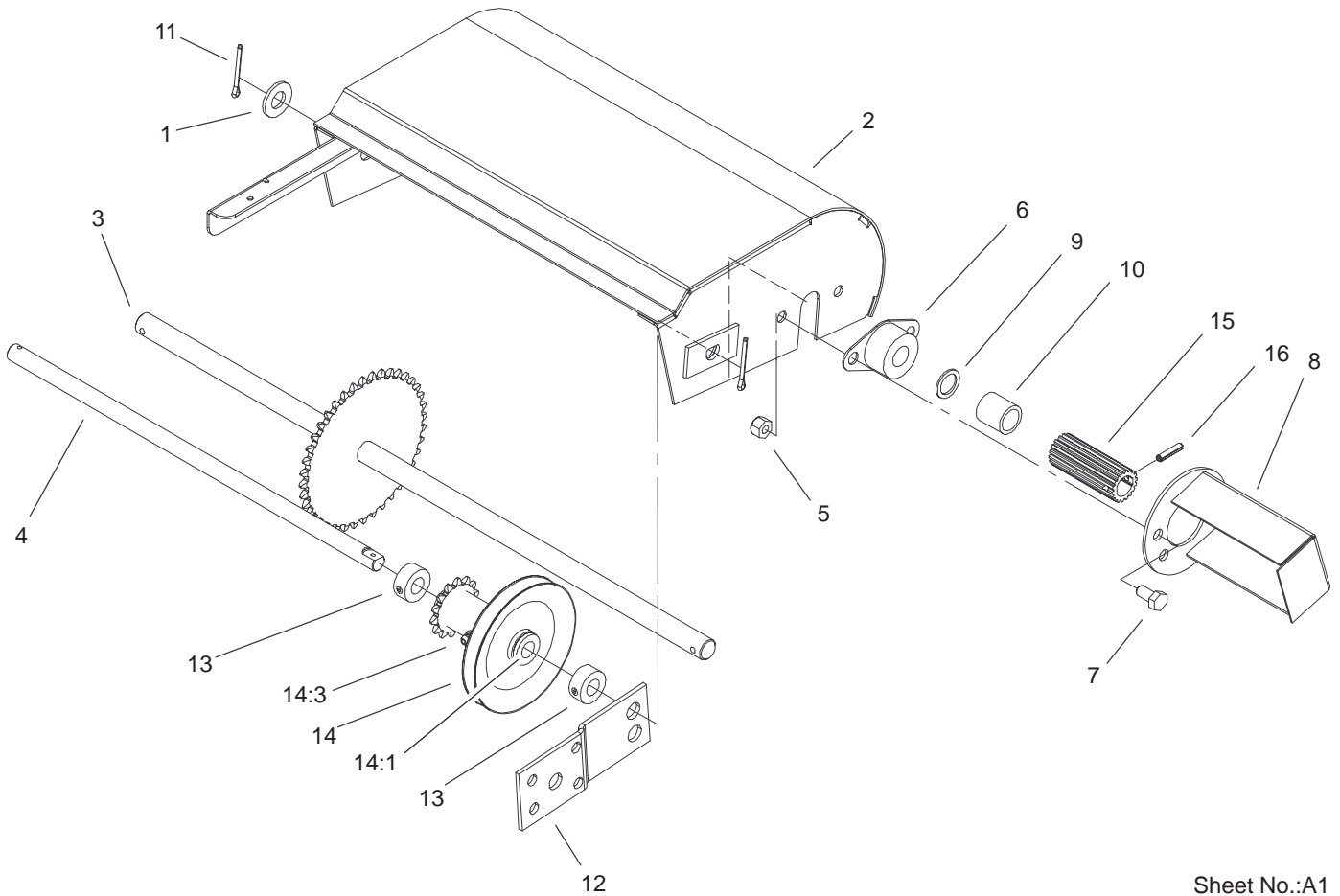
Sheet No.:5

## Traction and Wheel Assembly

Ref. No.	Part No.	Qty.	Description
1	32140-32	1	Screw-HH
2	3296-42	1	Nut-Lock, NI
3	23-3520	1	Spring-Traction
6	321-4	1	Screw-HH
9	3296-29	6	Nut-Lock, NI
13	7-3590	7	Washer
15	3-3434	1	Chain-Roller, Reel Drive
15:1	2710-31	1	Link-Connecting #35
17	20-6100	2	Wheel
18	20-5410	2	Spacer-Axle
19	322-5	6	Screw-HH
20	3272-17	2	Pin-Cotter
☆27		1	Traction ASM

Ref. No.	Part No.	Qty.	Description
----------	----------	------	-------------

☆ Not serviced separately

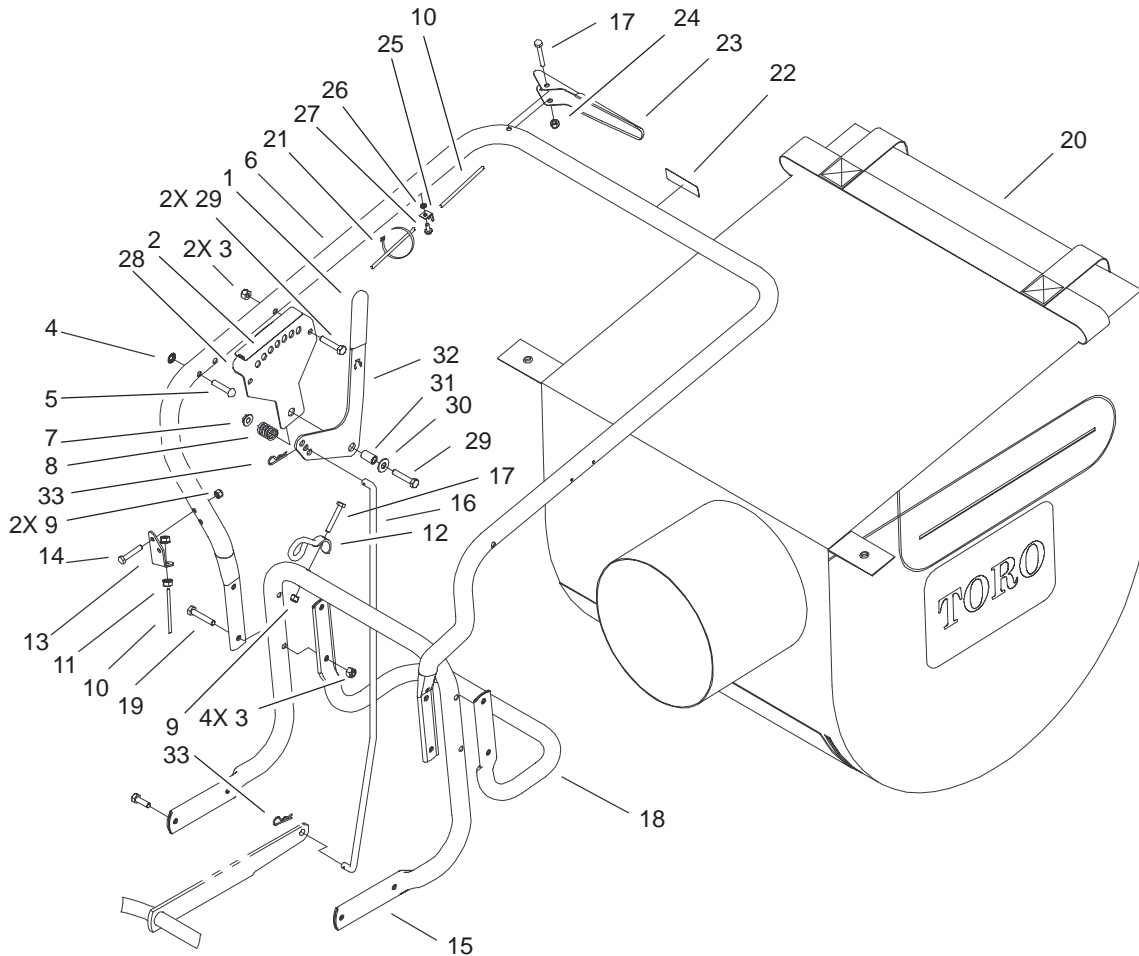


Sheet No.:A1

### Traction Assembly

Ref. No.	Part No.	Qty.	Description
1	3256-26	1	Washer-Flat
2	93-8461-03	1	Guard
3	20-7270	1	Shaft-Friction Wheel
4	20-5870	1	Shaft-Idler
5	3296-29	4	Nut-Lock, NI
6	106-2780	2	Bearing - Flange
7	322-2	4	Screw-HH
8	37-9210-03	2	Guard-Sp
9	7-3590	2	Washer
10	20-5460	2	Spacer
11	3272-7	2	Pin-Cotter
12	43-6830-03	2	Bracket-Mounting
13	20-5950	2	Collar-Set Screw
14	20-6000	1	Idler ASM
14:1	256-105	2	Bushing-Flange
14:3	302-5	1	Fitting-Grease
15	20-5960	2	Wheel-Friction
16	32121-4	2	Pin-Roll

Ref. No.	Part No.	Qty.	Description



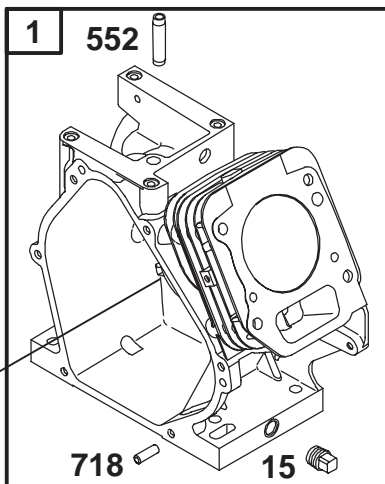
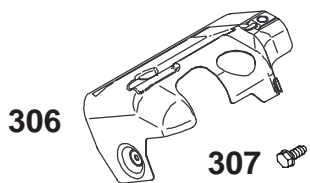
Sheet No.:6

## Handle and Vacuum Bag Assembly

Ref. No.	Part No.	Qty.	Description
1	3-7877	1	Grip-Handle
2	93-4137	1	Decal-Height Adjustment
3	3296-29	6	Nut-Lock, NI
4	3290-418	2	Nut-Push In
5	3263-9	2	Rivet
6	23-3570	1	Handle-Upper, Vacuum
7	32128-13	1	Nut-HF
8	20-6110	1	Spring-Height Adjust
9	3296-42	3	Nut-Lock, NI
10	105-1234	1	Cable-Traction
11	32149-5	2	Nut
12	46-8082	1	Guide-Rope
13	33-2830	1	Mount-Bowden, Lower
14	321-9	2	Screw-HH
15	105-1236	1	Handle-Lower
16	105-1235	1	Rod-Height Adjust
17	321-10	2	Screw-HH
18	66-1640-03	1	Support-Bag
19	322-9	4	Screw-HH
20	105-1245	1	Bag-Vacuum
21	3290-378	2	Tie-Cable
22	93-4141	1	Decal-Traction Control
23	93-8464	1	Lever W/Grip

Ref. No.	Part No.	Qty.	Description
24	32111-7	1	Nut-Cap
25	20-8780	1	Retaining-Clip
26	3255-17	1	Washer-Lock/Ext
27	32144-112	1	Screw-HWHTF
28	20-5820-03	1	Bracket-Adjustment
29	322-8	3	Screw-HH
30	3256-3	1	Washer-Flat
31	20-5650	1	Spacer-Adjust
32	23-3410-03	1	Handle-Height Adjust
33	3290-250	2	Pin-Hair, Cotter





**1019 LABEL KIT**

**15A**

**★ REQUIRES SPECIAL TOOLS TO INSTALL. SEE REPAIR INSTRUCTION MANUAL.**

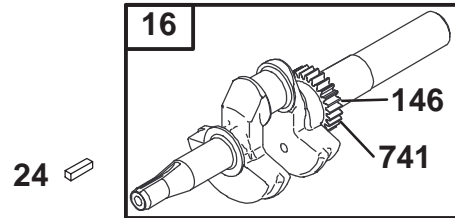
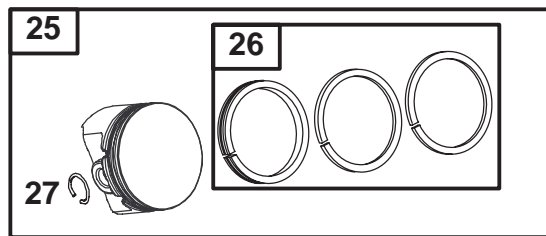
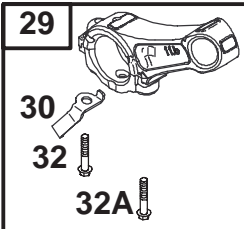
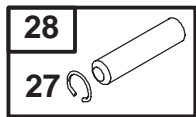
Assemblies include all parts shown in frames.

## Cylinder Assembly Engine Briggs and Stratton Model 126402-0245-E1

Ref. No.	Part No.	Qty.	Description
1	693811	1	Cylinder Assembly
2	399269	1	Bushing/Seal Kit (Magneto Side)
★3	299819	1	Oil Seal (Magneto Side)
15	691686	1	Plug-Oil Drain (Square Head)
15A	691682	1	Plug-Oil Drain (Flush)
306	693610	1	Cylinder Shield
307	690345	1	Screw (Cylinder Shield)
552	692346	1	Governor Crank Bushing
718	690959	1	Locating Pin
1019	694851	1	Label Kit

Ref. No.	Part No.	Qty.	Description

★ Included in Engine Gasket Set-Ref. 358.

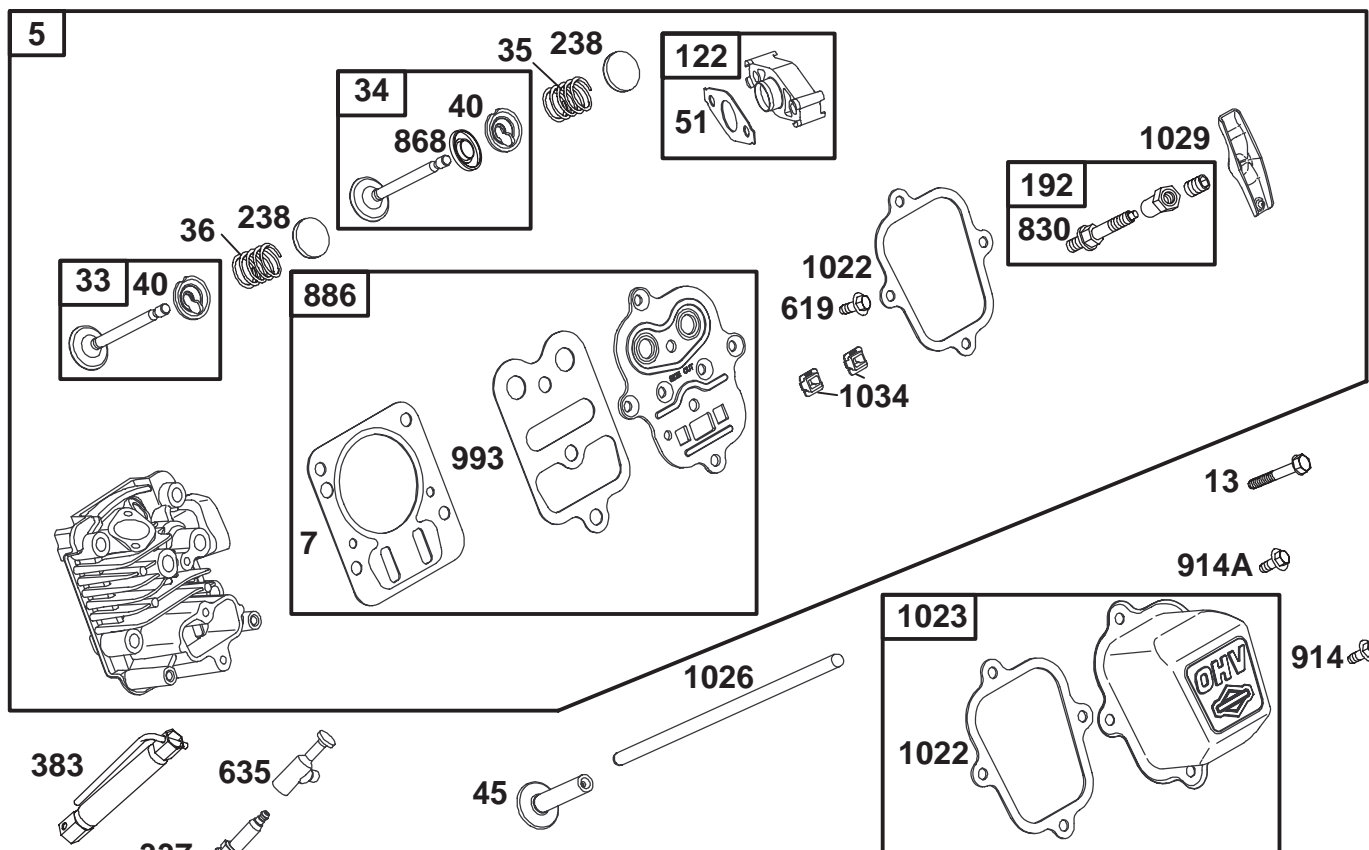


Assemblies include all parts shown in frames.

## Crankshaft Assembly Engine Briggs and Stratton Model 126402-0245-E1

Ref. No.	Part No.	Qty.	Description
16	693596	1	Crankshaft
24	222698	1	Flywheel Key
25	690021	1	Piston Assembly (Standard)
	694167	1	Piston Assembly (.010" Oversize)
	694168	1	Piston Assembly (.020" Oversize)
	694169	1	Piston Assembly (.030" Oversize)
26	499631	1	Ring Set (Standard)
	692785	1	Ring Set (.010" Oversize)
	692786	1	Ring Set (.020" Oversize)
	692787	1	Ring Set (.030" Oversize)
27	691866	1	Lock-Piston Pin
28	499423	1	Pin-Piston
29	690124	1	Rod-Connecting
30	692562	1	Dipper-Connecting Rod
32	691664	1	Screw

Ref. No.	Part No.	Qty.	Description
32A	695759	1	(Connecting Rod) Screw
146	690979	1	Timing Key
741	695087	1	Timing Gear



Assemblies include all parts shown in frames.

## Cylinder Head Assembly Engine Briggs and Stratton Model 126402-0245-E1

Ref. No.	Part No.	Qty.	Description
5	693643	1	Cylinder Head
★△7	695166	1	Cylinder Head Gasket
13	691137	1	Screw (Cylinder Head)
33	499642	1	Exhaust Valve
34	499641	1	Intake Valve
35	691304	1	Valve Spring (Intake)
36	691304	1	Valve Spring (Exhaust)
40	692194	1	Valve Retainer
45	690977	1	Valve Tappet
★△◆◆51	692555	1	Gasket-Intake
★●122	693749	1	Spacer-Carburetor
192	694543	1	Adjuster-Rocker Arm
238	691300	1	Valve Cap
337	691043	1	Screw (Cylinder Head Plate)
383	19374	1	Sparkplug Wrench
619	691108	1	Screw (Cylinder Head Plate)
635	692076	1	Sparkplug Boot
830	694544	1	Stud-Rocker Arm
★△868	692044	1	Valve Seal
886	696268	1	Cylinder Head/Plate

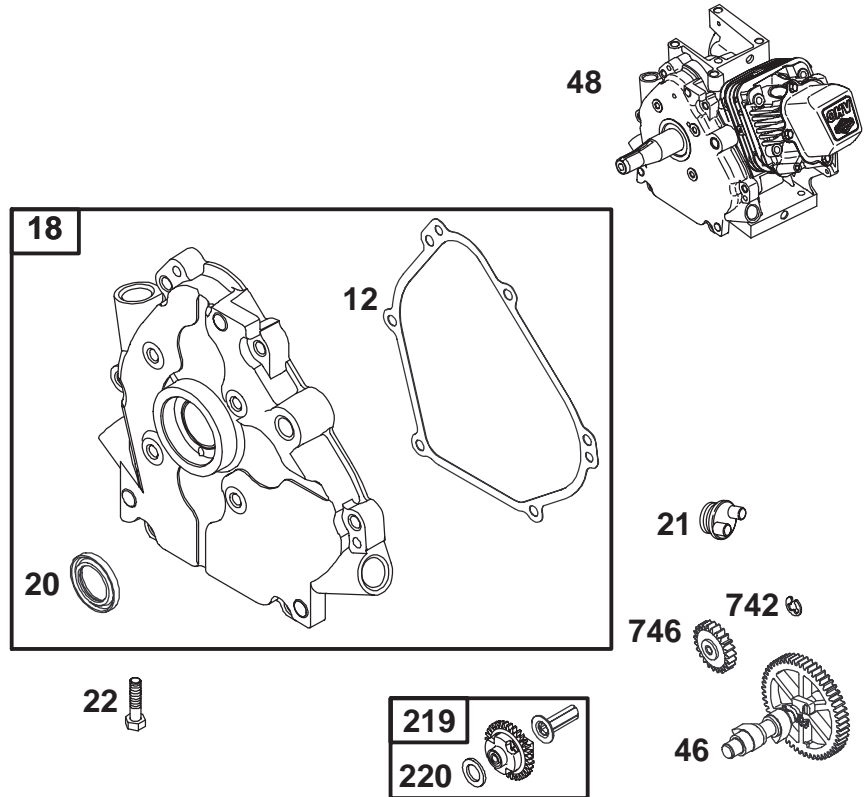
Ref. No.	Part No.	Qty.	Description
914	692198	1	Gasket Kit Screw (Rocker Cover)
914A	692557	1	Screw (Rocker Cover)
★△993	694088	1	Cylinder Head Plate Gasket
★△1022	691890	1	Rocker Cover Gasket
1023	499924	1	Rocker Cover
1026	693517	1	Push Rod
1029	691230	1	Rocker Arm
1034	691343	1	Push Rod Guide

△ Included in Valve Gasket Set-Ref. 1095.

★ Included in Engine Gasket Set-Ref. 358.

● Included in Carburetor Overhaul Kit-Ref. 121.

◆ Included in Carburetor Gasket Set-Ref. 977.



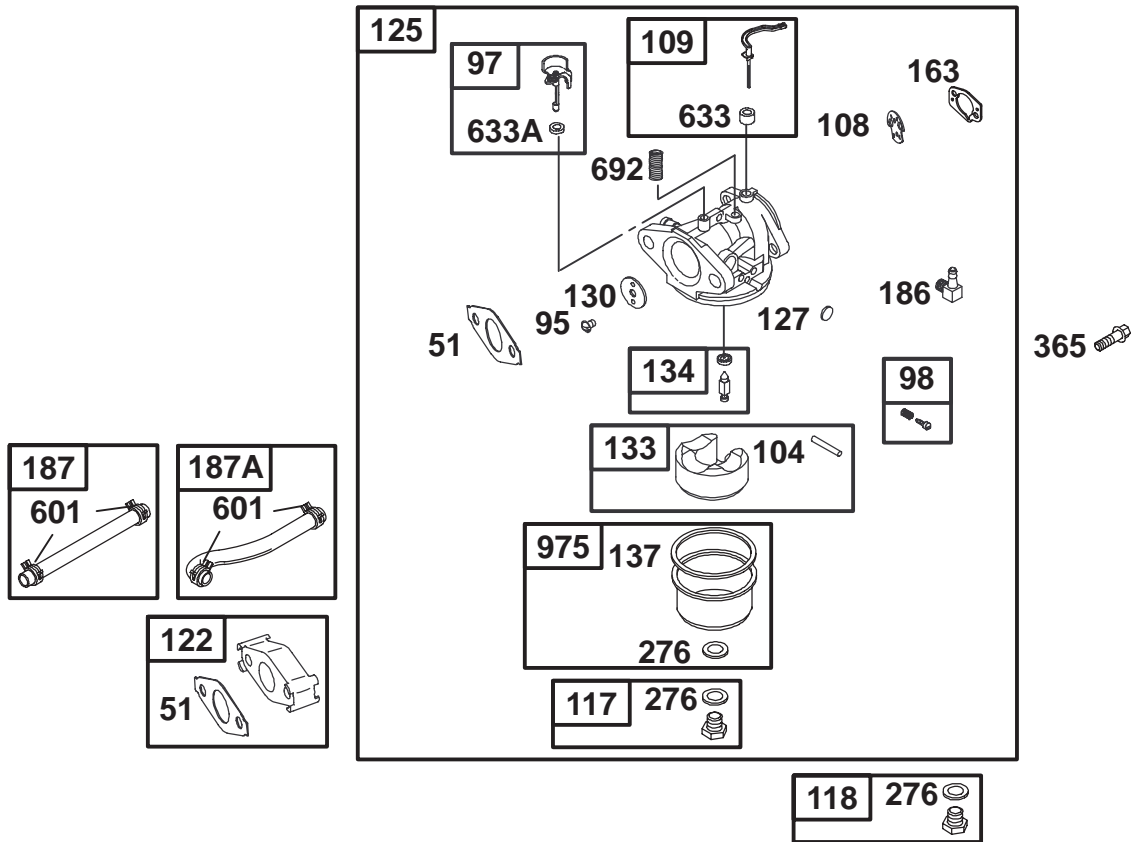
Assemblies include all parts shown in frames.

## Crankcase Assembly Engine Briggs and Stratton Model 126402-0245-E1

Ref. No.	Part No.	Qty.	Description
★12	692549	1	Crankcase Cover Gasket
18	694466	1	Crankcase Cover
★20	692550	1	Oil Seal (PTO Side)
21	281658	1	Oil Fill Cap
22	692551	1	Screw (Crankcase Cover/ Sump)
46	693404	1	Camshaft
48	693781	1	Short Block
219	693578	1	Governor Gear
220	691724	1	Washer (Governor Gear)
742	692564	1	E Ring Retainer
746	692566	1	Idler Gear

Ref. No.	Part No.	Qty.	Description

★ Included in Engine Gasket Set-Ref. 358.



Assemblies include all parts shown in frames.

## Carburetor Assembly Engine Briggs and Stratton Model 126402-0245-E1

Ref. No.	Part No.	Qty.	Description
Δ★◆51	692555	1	Intake Gasket
95	691636	1	Screw (Throttle Valve)
97	690024	1	Throttle Shaft
98	398185	1	Idle Speed Kit
●104	691242	1	Float Hinge Pin
108	692567	1	Choke Valve
109	693628	1	Choke Shaft
117	498978	1	Main Jet (Standard)
118	497466	1	Main Jet (High Altitude)
★●122	693749	1	Carburetor Spacer
125	697028	1	Carburetor
●127	691739	1	Welch Plug
130	691181	1	Throttle Valve
133	398187	1	Carburetor Float
●134	398188	1	Needle/Seat Kit
●◆137	693981	1	Float Bowl Gasket
★◆◆163	696979	1	Air Cleaner Gasket
186	692317	1	Hose Connector
187	691050	1	Fuel Line (Cut to Required Length)

Ref. No.	Part No.	Qty.	Description
●◆276	271716	1	(Molded) Sealing Washer
365	692568	1	Screw (Carburetor)
601	95162	1	Hose Clamp
●◆633	693867	1	Choke/Throttle Shaft Seal
●◆633A	691321	1	Choke/Throttle Shaft Seal
692	690572	1	Detent Spring
975	493640	1	Float Bowl

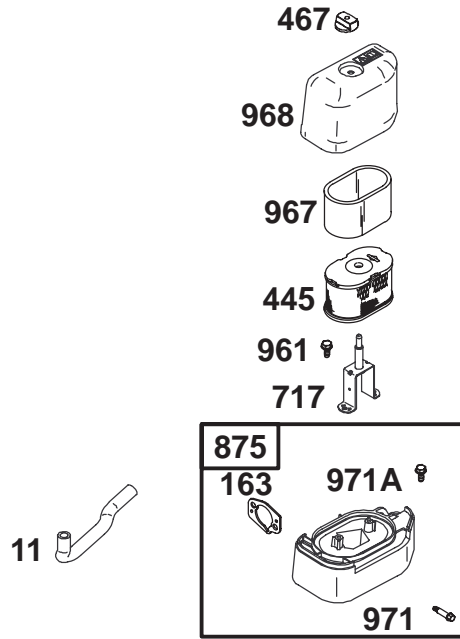
187A 692601 1 Line-Fuel

Δ Included in Valve Gasket Set-Ref. 1095.

★ Included in Engine Gasket Set-Ref. 358.

● Included in Carburetor Overhaul Kit-Ref. 121.

◆ Included in Carburetor Gasket Set-Ref. 977.



Assemblies include all parts shown in frames.

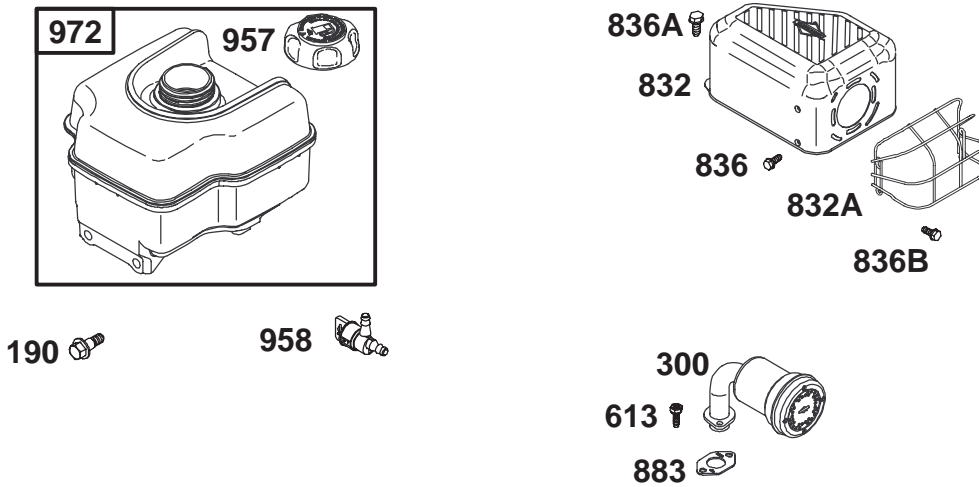
## Air Cleaner Assembly Engine Briggs and Stratton Model 126402-0245-E1

Ref. No.	Part No.	Qty.	Description
11	693647	1	Breather Tube
★◆163	696979	1	Air Cleaner Gasket
445	697029	1	Air Cleaner Cartridge Filter
467	691668	1	Air Cleaner Knob
717	693462	1	Air Cleaner Bracket
875	697030	1	Air Cleaner Base
961	693598	1	Screw (Air Cleaner Bracket)
967	273356	1	Pre Cleaner Filter
968	693460	1	Air Cleaner Cover
971	690349	1	Screw (Air Cleaner Base)
971A	691693	1	Screw (Air Cleaner Base)

Ref. No.	Part No.	Qty.	Description

★ Included in Engine Gasket Set-Ref. 358.  
◆ Included in Carburetor Gasket Set-Ref. 977.

● Included in Carburetor Overhaul Kit-Ref. 121.

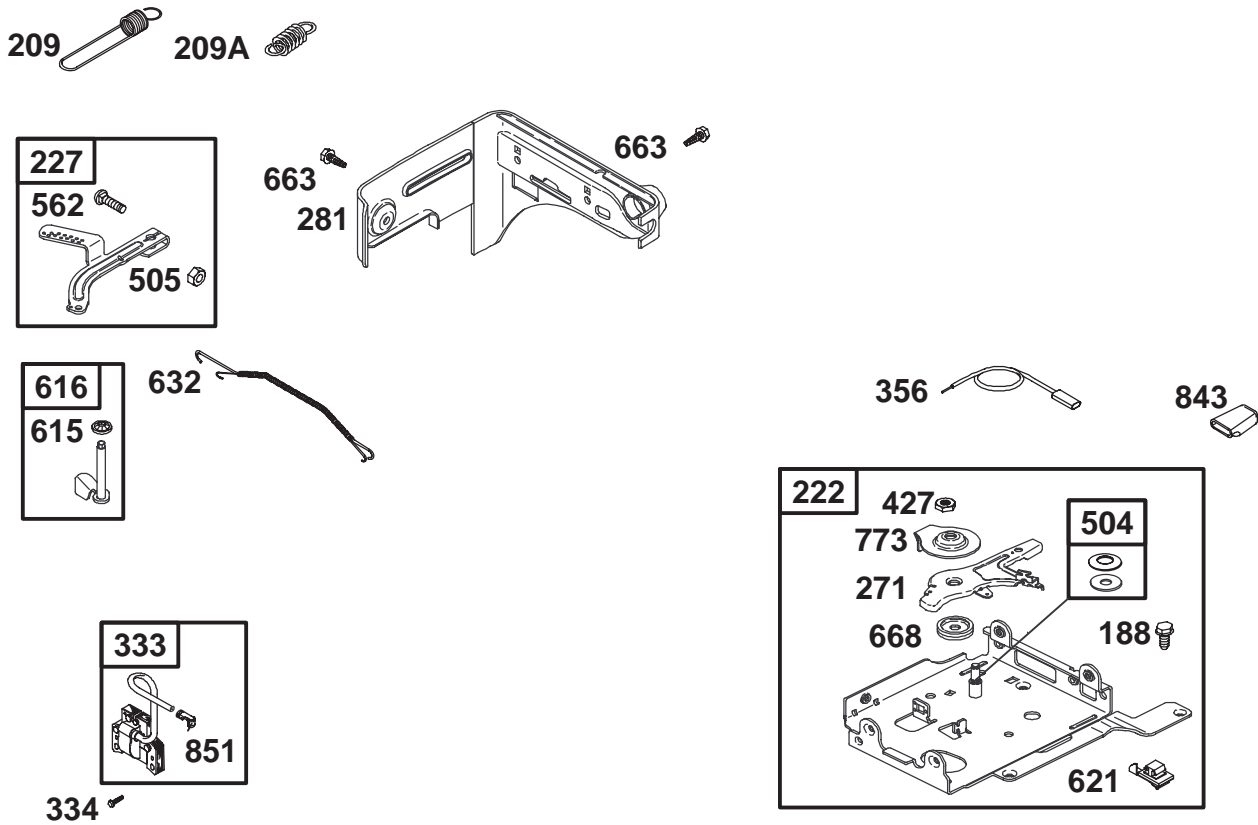


Assemblies include all parts shown in frames.

## Muffler and Fuel Tank Assembly Engine Briggs and Stratton Model 126402-0245-E1

Ref. No.	Part No.	Qty.	Description	Ref. No.	Part No.	Qty.	Description
300	693593	1	Muffler				
190	692127	1	Screw (Fuel Tank)				
613	691665	1	Screw (Muffler)				
832	693583	1	Muffler Guard				
832A	696516	1	Muffler Guard				
836	690661	1	Screw (Muffler Guard)				
836A	693624	1	Screw (Muffler Guard)				
836B	696519	1	Screw (Muffler Guard)				
★883	691893	1	Exhaust Gasket				
957	694261	1	Fuel Tank Cap				
958	692586	1	Fuel Shut Off Valve				
972	694260	1	Fuel Tank				

★ Included in Engine Gasket Set-Ref. 358.



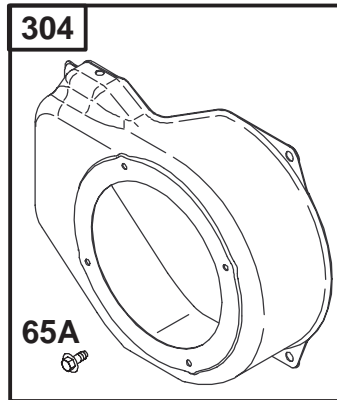
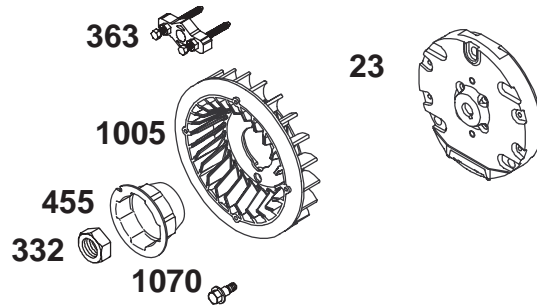
Assemblies include all parts shown in frames.

## Governor Assembly Engine Briggs and Stratton Model 126402-0245-E1

Ref. No.	Part No.	Qty.	Description
188	690877	1	Screw (Control Bracket)
209	692571	1	Governor Spring
209A	691278	1	Governor Spring
222	694253	1	Control Bracket
227	692573	1	Governor Control Lever
281	694252	1	Control Panel
333	695711	1	Magneto Armature
334	691061	1	Screw (Magneto Armature)
505	691251	1	Nut (Governor Control Lever)
562	691112	1	Bolt (Governor Control Lever)
615	692576	1	Governor Shaft Retainer
616	692547	1	Governor Crank
632	693408	1	Mechanical Governor Spring/Link
663	694593	1	Screw (Control Panel)

Ref. No.	Part No.	Qty.	Description
851	493880	1	Sparkplug Terminal





305 

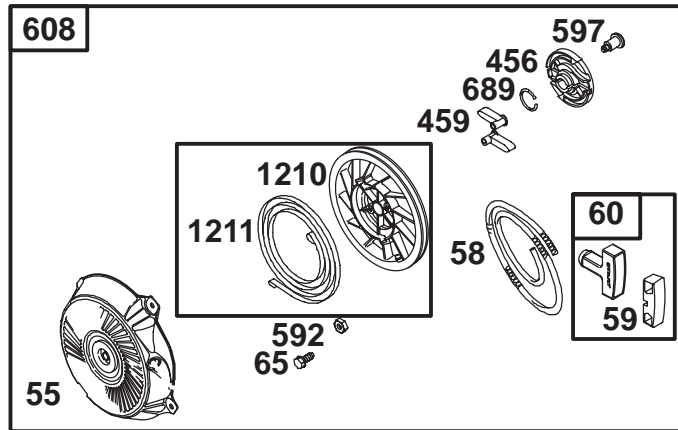
**1036 EMISSION LABEL**

Assemblies include all parts shown in frames.

## Blower Housing Assembly Engine Briggs and Stratton Model 126402-0245-E1

Ref. No.	Part No.	Qty.	Description
23	692987	1	Flywheel
65A	692608	1	Screw (Rewind Housing)
304	693621	1	Blower Housing
305	690960	1	Screw (Blower Housing)
332	690662	1	Nut (Flywheel Fan)
363	19069	1	Flywheel Puller
455	692591	1	Flywheel Cup
1005	692592	1	Flywheel Fan
1036	697004	1	Emission Label
1070	692590	1	Screw (Flywheel Fan)

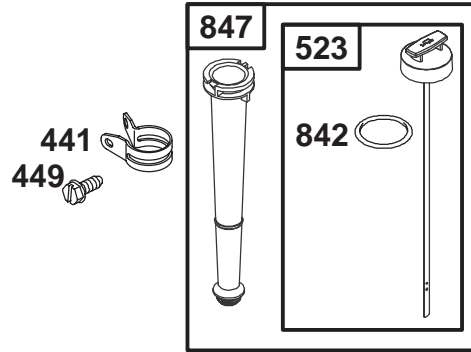
Ref. No.	Part No.	Qty.	Description



## Starter Assembly Engine Briggs and Stratton Model 126402-0245-E1

Ref. No.	Part No.	Qty.	Description
55	691422	1	Rewind Starter Housing
58	693389	1	Starter Rope (Cut to Required Length)
59	805957	1	Grip Insert
60	715257	1	Starter Rope Grip
65	690837	1	Screw (Rewind Starter)
456	692299	1	Pawl Friction Plate
459	281505	1	Ratchet Pawl
592	690800	1	Nut (Rewind Starter)
597	691696	1	Screw (Pawl Friction Plate)
608	693394	1	Rewind Starter
689	691855	1	Friction Spring
1210	498144	1	Pulley/Spring Assembly
1211	498144	1	Pulley/Spring Assembly

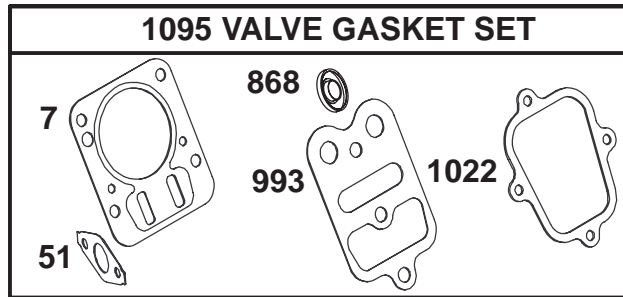
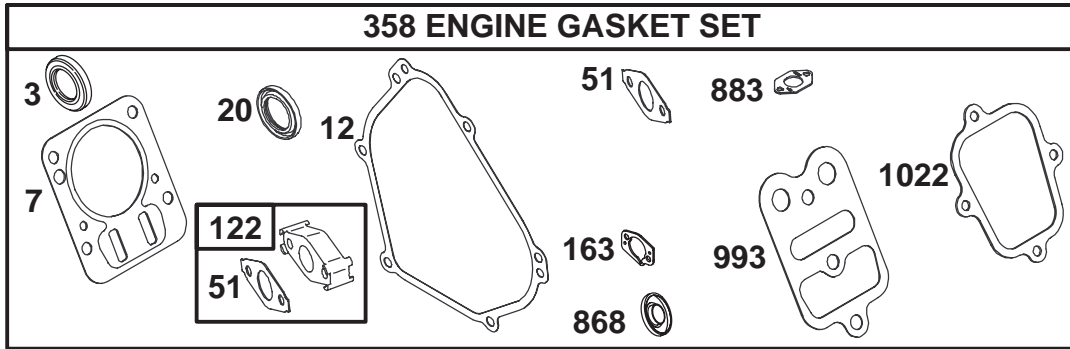
Ref. No.	Part No.	Qty.	Description



## Oil Filter, Tube and Pump Assembly Engine Briggs and Stratton Model 126402-0245-E1

Ref. No.	Part No.	Qty.	Description
441	694262	1	Oil Fill Bracket
449	691693	1	Screw (Oil Fill Bracket)
523	693618	1	Dipstick
842	691031	1	O Ring Seal (Dipstick Tube)
847	693617	1	Dipstick/Tube Assembly

Ref. No.	Part No.	Qty.	Description



Assemblies include all parts shown in frames.

## Gasket Assembly Engine Briggs and Stratton Model 126402-0245-E1

Ref. No.	Part No.	Qty.	Description
★3	299819	1	Oil Seal (Magneto Side)
★Δ7	695166	1	Cylinder Head Gasket
★12	692549	1	Crankcase Cover Gasket
★20	692550	1	Oil Seal (PTO Side)
★Δ◆51	692555	1	Intake Gasket
★●122	693749	1	Carburetor Spacer
★●◆163	696979	1	Air Cleaner Gasket
358	697000	1	Engine Gasket Set
★Δ868	692044	1	Valve Seal
★883	691893	1	Exhaust Gasket
★Δ993	694088	1	Cylinder Head Plate Gasket
★Δ1022	691890	1	Rocker Cover Gasket
1095	695289	1	Valve Gasket Set

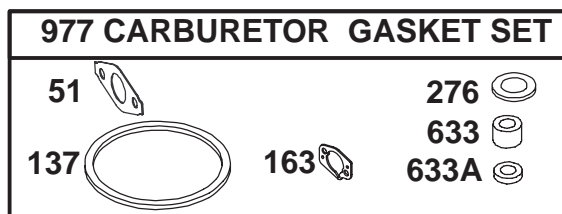
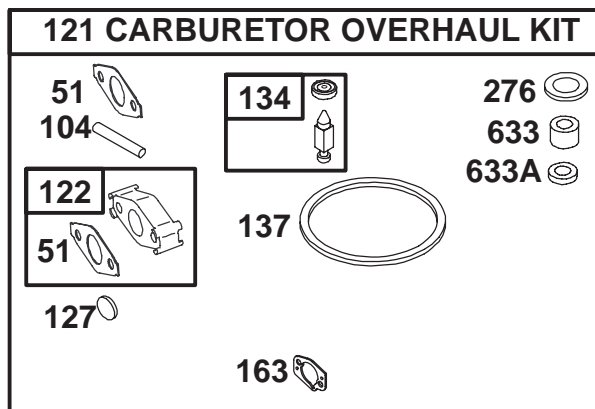
Ref. No.	Part No.	Qty.	Description

Δ Included in Valve Gasket Set-Ref. 1095.

★ Included in Engine Gasket Set-Ref. 358.

● Included in Carburetor Overhaul Kit-Ref. 121.

◆ Included in Carburetor Gasket Set-Ref. 977.



Assemblies include all parts shown in frames.

## Carburetor Overhaul Kit Assembly Engine Briggs and Stratton Model 126402-0245-E1

Ref. No.	Part No.	Qty.	Description
★△◆51	692555	1	Intake Gasket
●104	691242	1	Float Hinge Pin
121	696998	1	Carburetor Overhaul Kit
★●122	693749	1	Carburetor Spacer
●127	691739	1	Welch Plug
●134	398188	1	Needle/Seat Kit
◆137	693981	1	Float Bowl Gasket
★◆163	696979	1	Air Cleaner Gasket
◆276	271716	1	Sealing Washer
◆633	693867	1	Choke/Throttle Shaft Seal
◆633A	691321	1	Choke/Throttle Shaft Seal
977	697001	1	Carburetor Gasket Set

Ref. No.	Part No.	Qty.	Description

△ Included in Valve Gasket Set-Ref. 1095.  
★ Included in Engine Gasket Set-Ref. 358.

● Included in Carburetor Overhaul Kit-Ref. 121.  
◆ Included in Carburetor Gasket Set-Ref. 977.

# Maintenance Record

Date								

# Maintenance Record

Date								

