



**Count on it.**

**Parts Catalog**

**Vista™**

**8 Passenger EFI Shuttle Vehicle**

Model No. 08918—Serial No. 415400000 and Up



# Ordering Replacement Parts

To order replacement parts, please supply the part number, the quantity, and the description of each part desired.

## Understanding Reference Numbers

Each identified part in an illustration has a reference number. The reference number for a part also appears in the parts list, along with other information about the part.

This catalog uses two special reference number formats, one to indicate parts in a service assembly and another to indicate the quantity of a given part in an illustration.

## Service Assembly Reference Numbers

Parts in service assemblies have reference numbers in the form a:b. The a represents the reference number of the entire service assembly and the b represents a sequential number unique to each part within the service assembly.

For example, a wheel assembly might be identified by reference number 6, the tire by 6:1, the valve by 6:2, and the wheel by 6:3. When you order the assembly identified by reference number 6, you receive all parts identified by reference numbers 6:1, 6:2, and 6:3. However, you may also order any part individually. Reference numbers of this type appear in illustration and in parts lists.

## Reference Numbers Indicating Quantity

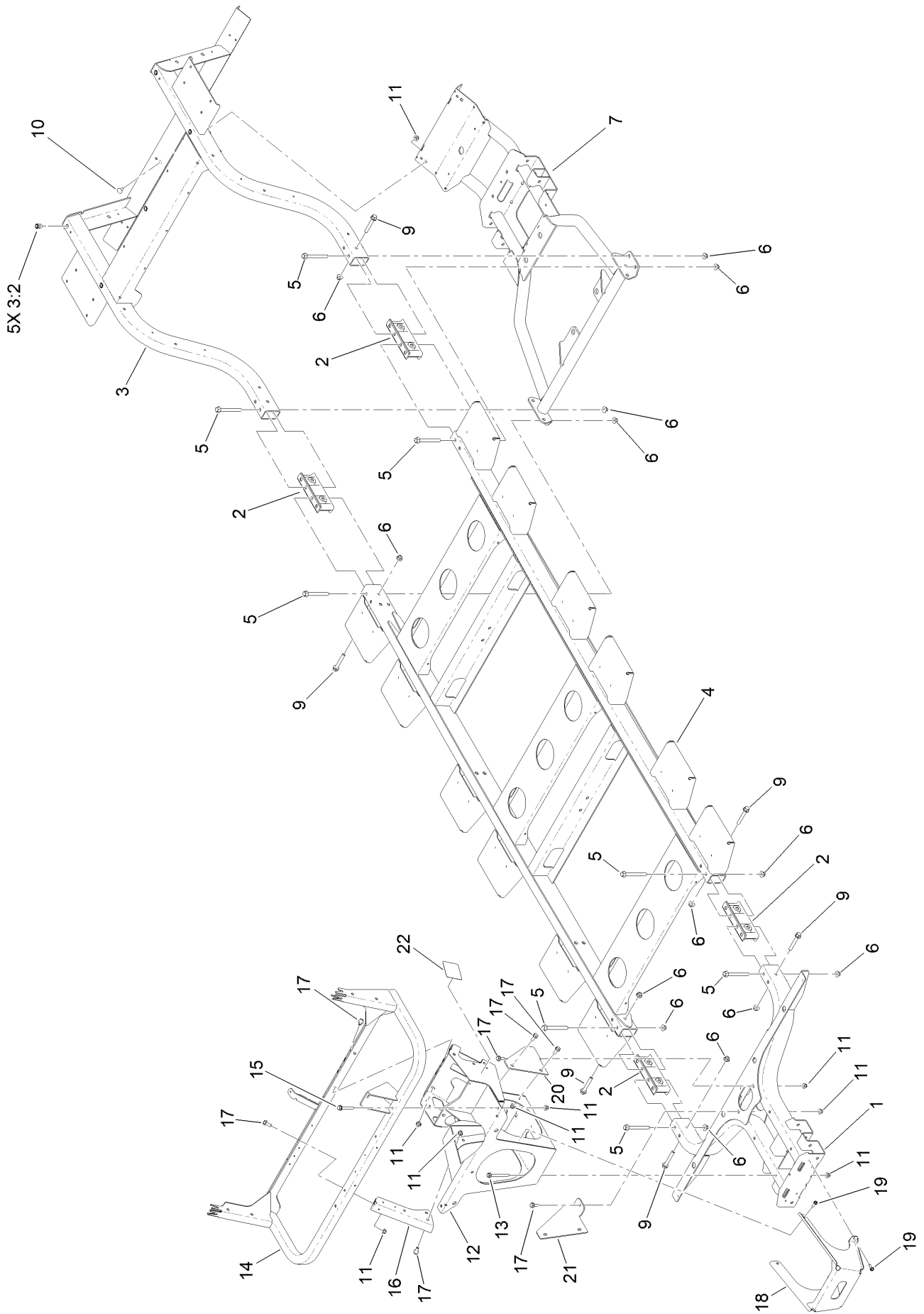
In an illustration, if a reference number indicates more than one part, the reference number has the form nX y. The n represents the quantity of the part, the X is the multiplication symbol, and the y represents the reference number.

For example, in an illustration, the reference number 2X 37 means that two of the parts identified by reference number 37 are indicated.

# Contents

Frame Assembly . . . . .	4
Front Suspension Assembly . . . . .	6
Steering Assembly . . . . .	8
Rear Suspension Assembly . . . . .	10
Brake and Throttle Pedal Assembly . . . . .	12
Front and Rear Brake Assembly . . . . .	14
Master Cylinder Assembly No. 104-6782 . . . . .	16
Brake Caliper Assembly No. 161-1890 . . . . .	17
Hood, Front Fenders and Dash Assembly . . . . .	18
Main Seat and Rear Fenders Assembly . . . . .	20
Passenger Seat Assembly . . . . .	22
Rear Facing Seat Assembly . . . . .	24
Engine and Transaxle Assembly . . . . .	26
Primary Clutch Assembly No. 147-4088 . . . . .	28
Transaxle Assembly No. 140-9807 . . . . .	30
Secondary Clutch Assembly No. 119-6011 . . . . .	32
Starter Generator Assembly No. 131-8444 . . . . .	33
Battery Assembly . . . . .	34
Electrical Assembly . . . . .	36
Wire Harness Assembly No. 122-2217 . . . . .	38
Fuel System Assembly . . . . .	40
Fuel Tank Assembly No. 144-5395 . . . . .	42
Attachments and Accessories . . . . .	44

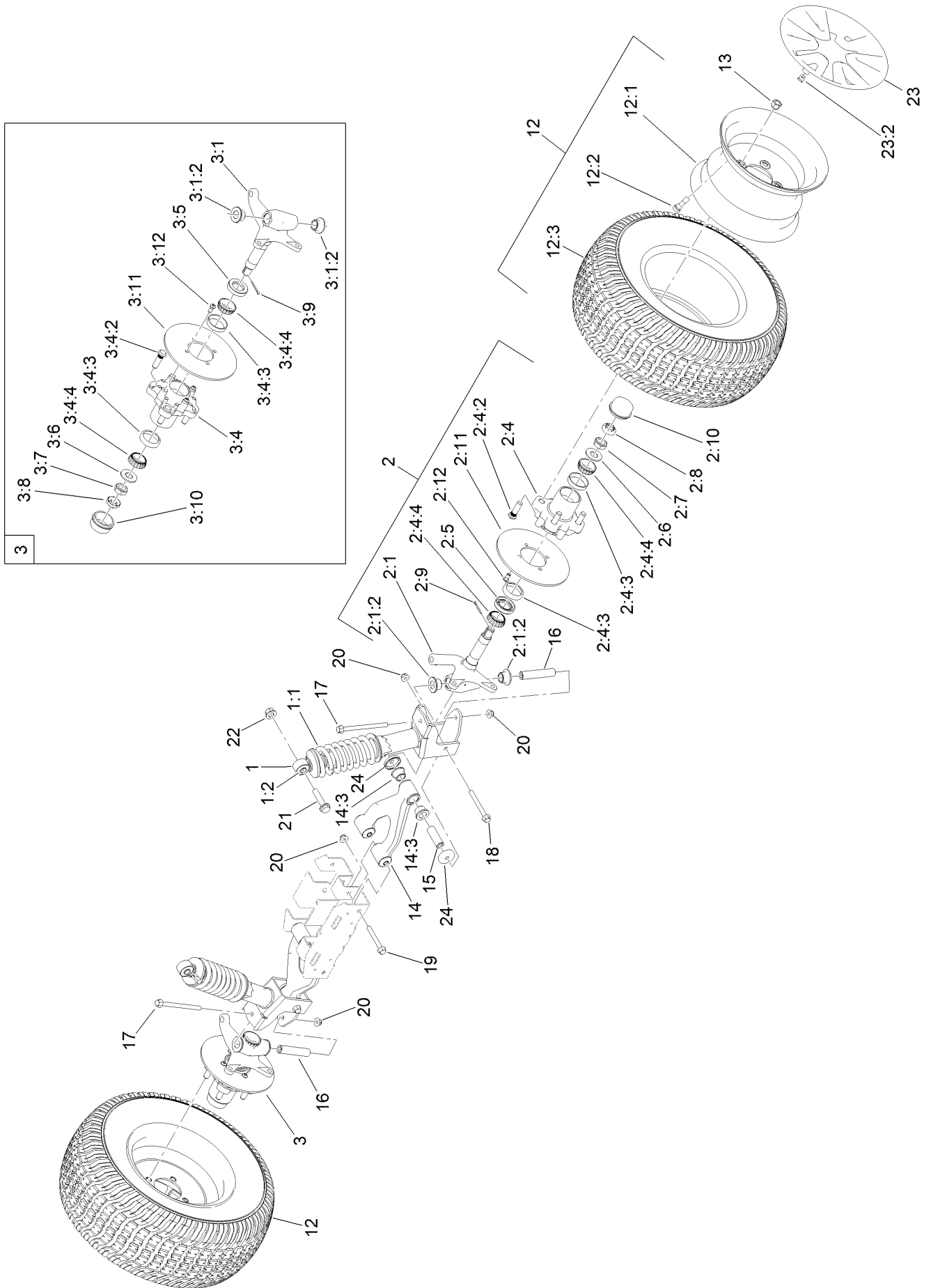
# Frame Assembly



## Frame Assembly (continued)

<i>Ref.</i>	<i>Part Number</i>	<i>Qty.</i>	<i>Description</i>	<i>Ref.</i>	<i>Part Number</i>	<i>Qty.</i>	<i>Description</i>
1	140-0797	1	Front Frame ASM	12	140-0777-03	1	Shock Tower ASM
2	144-5479	4	Connector-Frame	13	126-4687	4	Screw-HHF
3	144-5465	1	Rear Frame ASM	14	140-9712-03	1	Canopy Support ASM
3:2	138-2899	5	Nut-Clinch	15	140-9909	2	Screw-HHF
4	144-5365	1	Curved Frame ASM	16	161-2017-03	1	Support-Canopy
5	139-3370	16	Screw-HF	17	3234-47	11	Screw-HHF
6	139-3380	24	Nut-HF	18	140-0940-03	1	Bracket-Support, Bumper
7	140-9775	1	Subframe ASM	19	49-2040	4	Screw-HWHTF
9	144-5559	8	Screw-HHF	20	145-7152-03	1	Gusset-Frame, LH
10	3230-1	2	Bolt-CARR	21	145-7153-03	1	Gusset-Frame, RH
11	104-8300	19	Nut-HF, NI	22	144-5579	1	Decal - Vista EFI Service

# Front Suspension Assembly

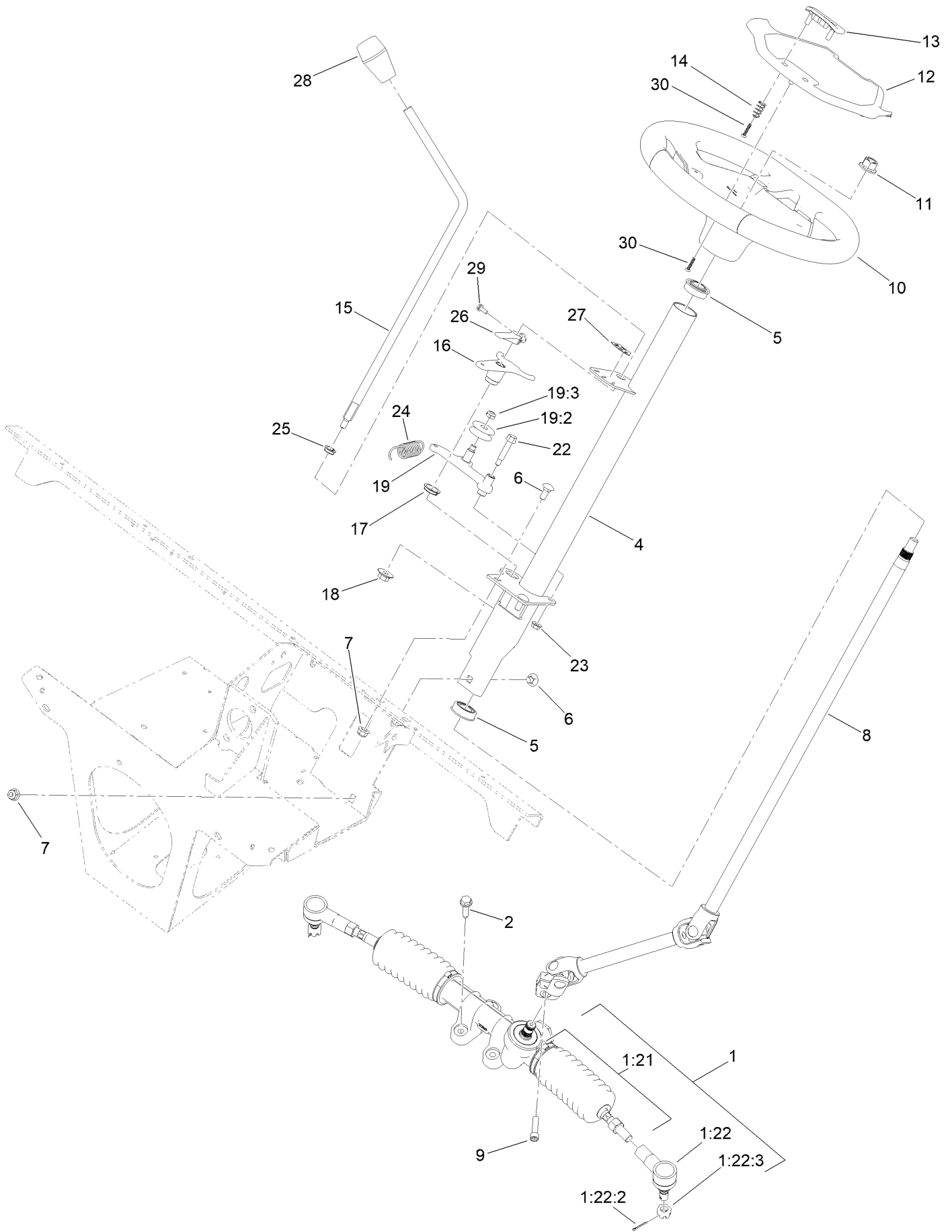


## Front Suspension Assembly (continued)

<i>Ref.</i>	<i>Part Number</i>	<i>Qty.</i>	<i>Description</i>	<i>Ref.</i>	<i>Part Number</i>	<i>Qty.</i>	<i>Description</i>
1	145-7338	2	Strut ASM	3:6	93-0309	1	Washer-Tab
1:1	145-7158	1	Spring-Coil	3:7	3220-7	1	Nut-Jam
1:2	131-8574	1	Isolator-Shock	3:8	93-0307	1	Nut-Lock, Retainer
2		1	LH Spindle ASM ●	3:9	3272-12	1	Pin-Cotter
2:1	144-5468	1	Spindle ASM LH	3:10	241-119	1	Cap-Dust
2:1:2	140-4615	2	Bushing-Flange	3:11	139-4474	1	Rotor-Brake
2:4	144-5470	1	Front Hub ASM	3:12	121-9671	4	Screw-HSBH
2:4:2	10-6830	4	Stud-Type, Drive	12	140-9801	2	Tire ASM
2:4:3	254-72	2	Bearing-Cup, Tapered	12:1	131-8317	1	Wheel
2:4:4	254-94	2	Bearing-Cone, Tapered	12:2	232-27	1	Stem-Valve
2:5	112-1690	1	Seal-Oil	12:3	140-9794	1	Tire
2:6	93-0309	1	Washer-Tab	13	242-50	8	Nut-Lug
2:7	3220-7	1	Nut-Jam	14	161-1819	2	Control Arm ASM
2:8	93-0307	1	Nut-Lock, Retainer	14:3	147-3983	2	Bushing-Flange
2:9	3272-12	1	Pin-Cotter	15	144-5634	2	Sleeve-Outer
2:10	241-119	1	Cap-Dust	16	131-8582	2	Sleeve-Kingpin
2:11	139-4474	1	Rotor-Brake	17	139-3350	2	Screw-HF
2:12	121-9671	4	Screw-HSBH	18	139-3370	2	Screw-HF
3		1	RH Spindle ASM ●	19	140-9853	4	Screw-HF
3:1	144-5469	1	Spindle ASM RH	20	139-3380	8	Nut-HF
3:1:2	140-4615	2	Bushing-Flange	21	3234-46	2	Screw-HHF
3:4	144-5470	1	Front Hub ASM	22	99-5107	2	Nut-Lock
3:4:2	10-6830	4	Stud-Type, Drive	23	140-0933	2	Wheel Cover ASM
3:4:3	254-72	2	Bearing-Cup, Tapered	23:2	140-0932	3	Clip-Cover, Wheel
3:4:4	254-94	2	Bearing-Cone, Tapered	24	140-9793	4	Pin Seal
3:5	112-1690	1	Seal-Oil				

● Not serviced separately

# Steering Assembly

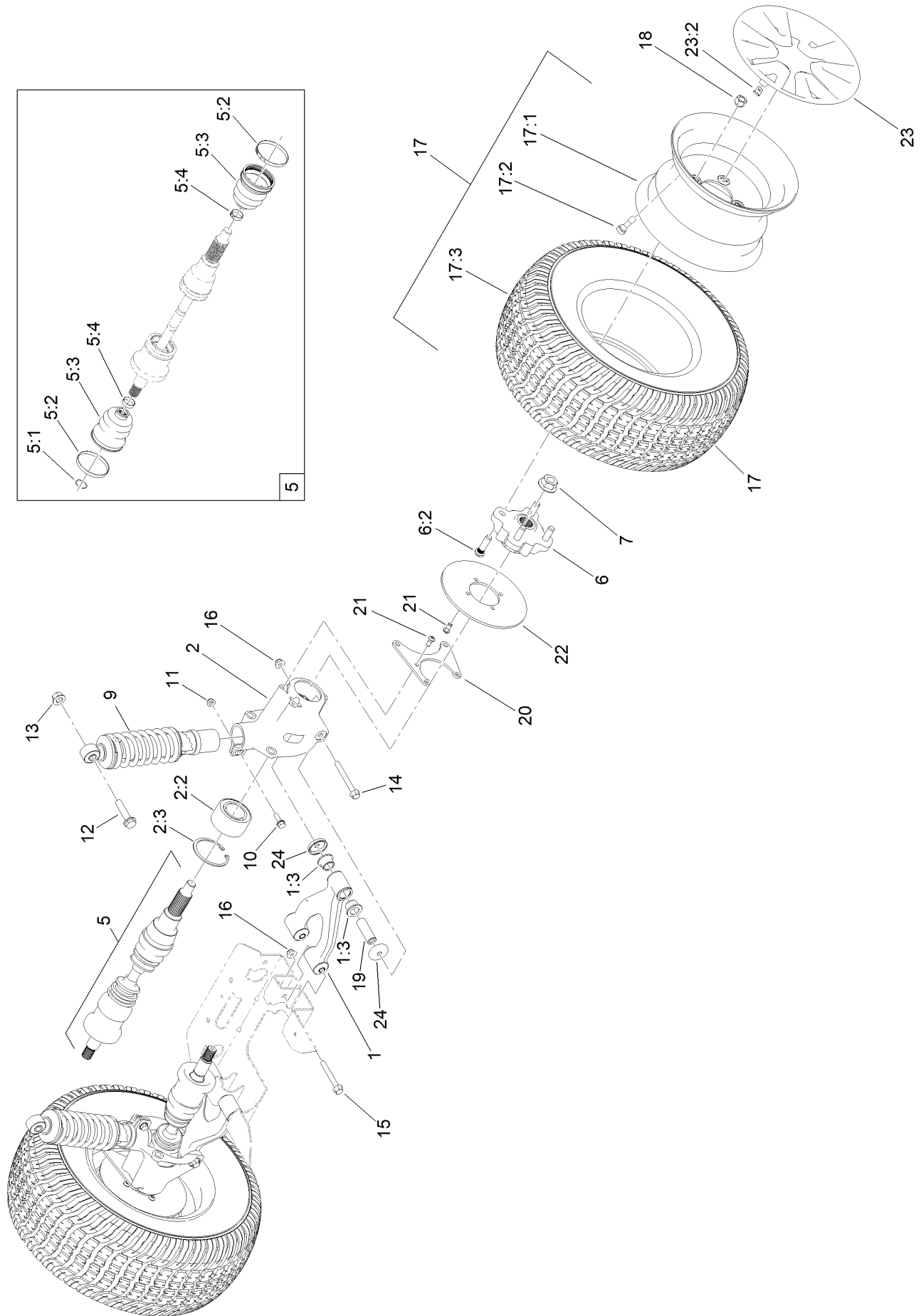




## Steering Assembly (continued)

<i>Ref.</i>	<i>Part Number</i>	<i>Qty.</i>	<i>Description</i>	<i>Ref.</i>	<i>Part Number</i>	<i>Qty.</i>	<i>Description</i>
1	140-9830	1	Steering Rack ASM	15	144-5439	1	Shaft-Shift
1:21	140-9829	1	Kit-Tie Rod ASM	16	144-5438	1	Shift Arm
1:22	140-4592	1	Kit-Rod End ASM	17	114-8893	1	Bushing-Clip
1:22:2	3272-42	1	Pin-Cotter	18	32128-30	1	Nut-HF
1:22:3	140-2493	1	Nut-Hex, Slotted	19	138-6432	1	Detent Arm Assembly
2	32144-49	4	Screw-HWHTF	19:2	145-2095	1	Bushing-Detent, Shift
4	140-9805	1	Steering Column ASM-Gas	19:3	3296-47	1	Nut-Lock,NI
5	112-3262	2	Bearing	22	116-6876	1	Screw-Shoulder
6	3230-1	3	Bolt-CARR	23	32128-33	1	Nut-HF
7	104-8300	3	Nut-HF, NI	24	131-8419	1	Spring-Extension
8	140-9704	1	Shaft-Steering	25	110-3318	1	Bushing-Snap
9	145-7145	1	Screw-HSH,Lock	26	144-5419	1	Indicator-Gear
10	144-5570	1	Steering Wheel ASM	27	131-8463	1	Decal-Shift
11	99-5107	1	Nut-Lock	28	131-8473	1	Knob-Tapered
12	144-5567	1	Cover-Wheel, Steering	29	117-5036	1	Screw-Plastic, HWH
13	144-5566	1	Clip-Wheel, Steering	30	94-4496	5	Screw-PPH
14	144-5537	2	Spring-Compression				

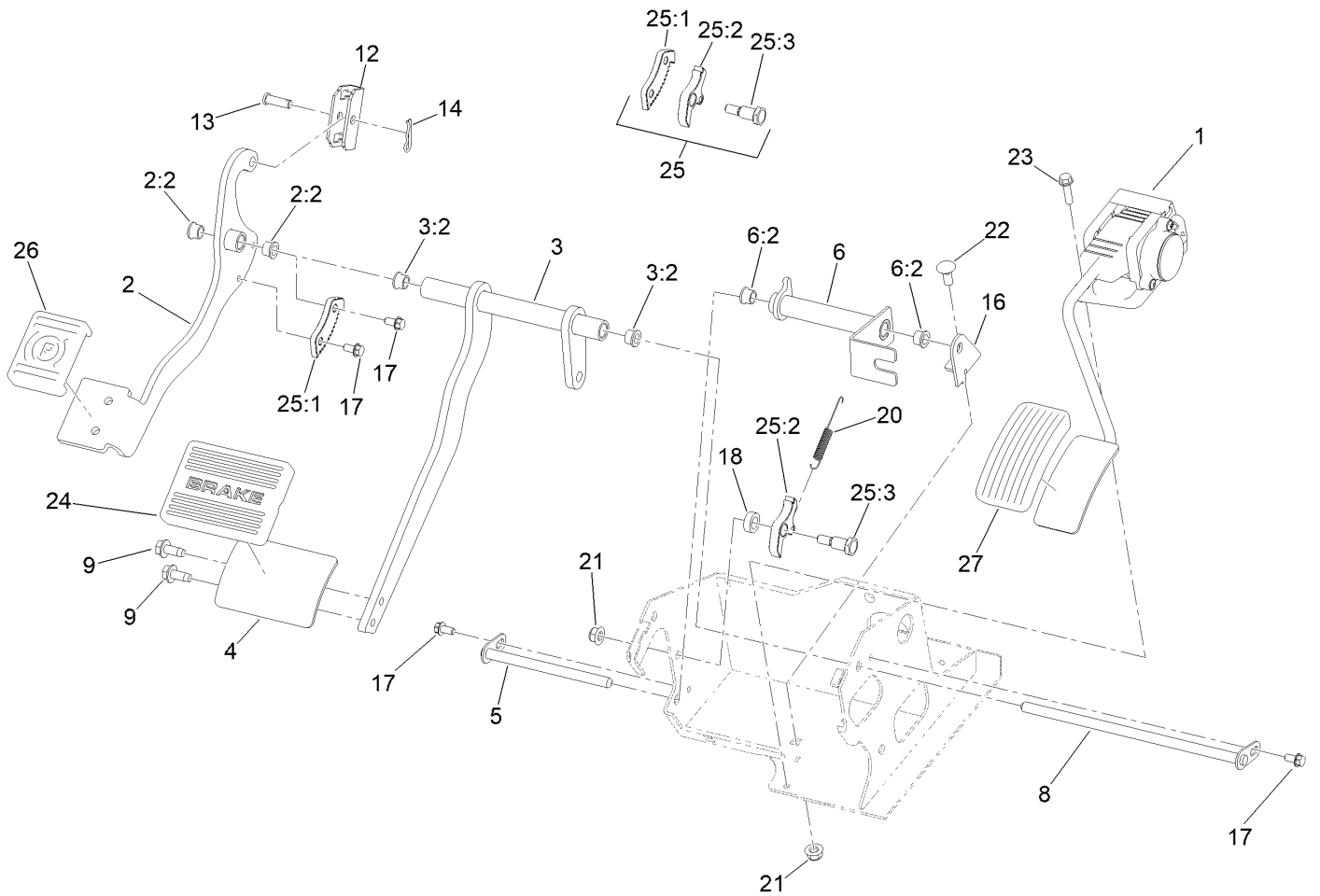
# Rear Suspension Assembly



## Rear Suspension Assembly (continued)

<i>Ref.</i>	<i>Part Number</i>	<i>Qty.</i>	<i>Description</i>	<i>Ref.</i>	<i>Part Number</i>	<i>Qty.</i>	<i>Description</i>
1	161-1819	2	Control Arm ASM	13	99-5107	2	Nut-Lock
1:3	147-3983	2	Bushing-Flange	14	139-3370	2	Screw-HF
2	144-5555	2	Rear Upright ASM	15	140-9853	4	Screw-HF
2:2	133-7272	1	Bearing-Ball	16	139-3380	6	Nut-HF
2:3	144-2207	1	Ring-Retaining	17	140-9801	2	Tire ASM
5	145-7062	2	Cv Axle	17:1	131-8317	1	Wheel
5:1	145-7195	1	Circlip	17:2	232-27	1	Stem-Valve
5:2	145-7196	2	Clamp	17:3	140-9794	1	Tire
5:3	145-7197	2	Boot-Cv	18	242-50	8	Nut-Lug
5:4	145-7198	2	Clamp-Cv	19	144-5634	2	Sleeve-Outer
6	145-7151	2	Rear Hub ASM	20	140-9749	2	Plate-Caliper
6:2	10-6830	4	Stud-Type, Drive	21	121-9671	14	Screw-HSBH
7	32128-53	2	Nut-HF	22	139-4474	2	Rotor-Brake
9	139-4291	2	Shock ASM	23	140-0933	2	Wheel Cover ASM
10	3234-29	2	Screw-HHF	23:2	140-0932	3	Clip-Cover, Wheel
11	104-8300	2	Nut-HF, NI	24	140-9793	4	Pin Seal
12	3234-46	2	Screw-HHF				

# Brake and Throttle Pedal Assembly

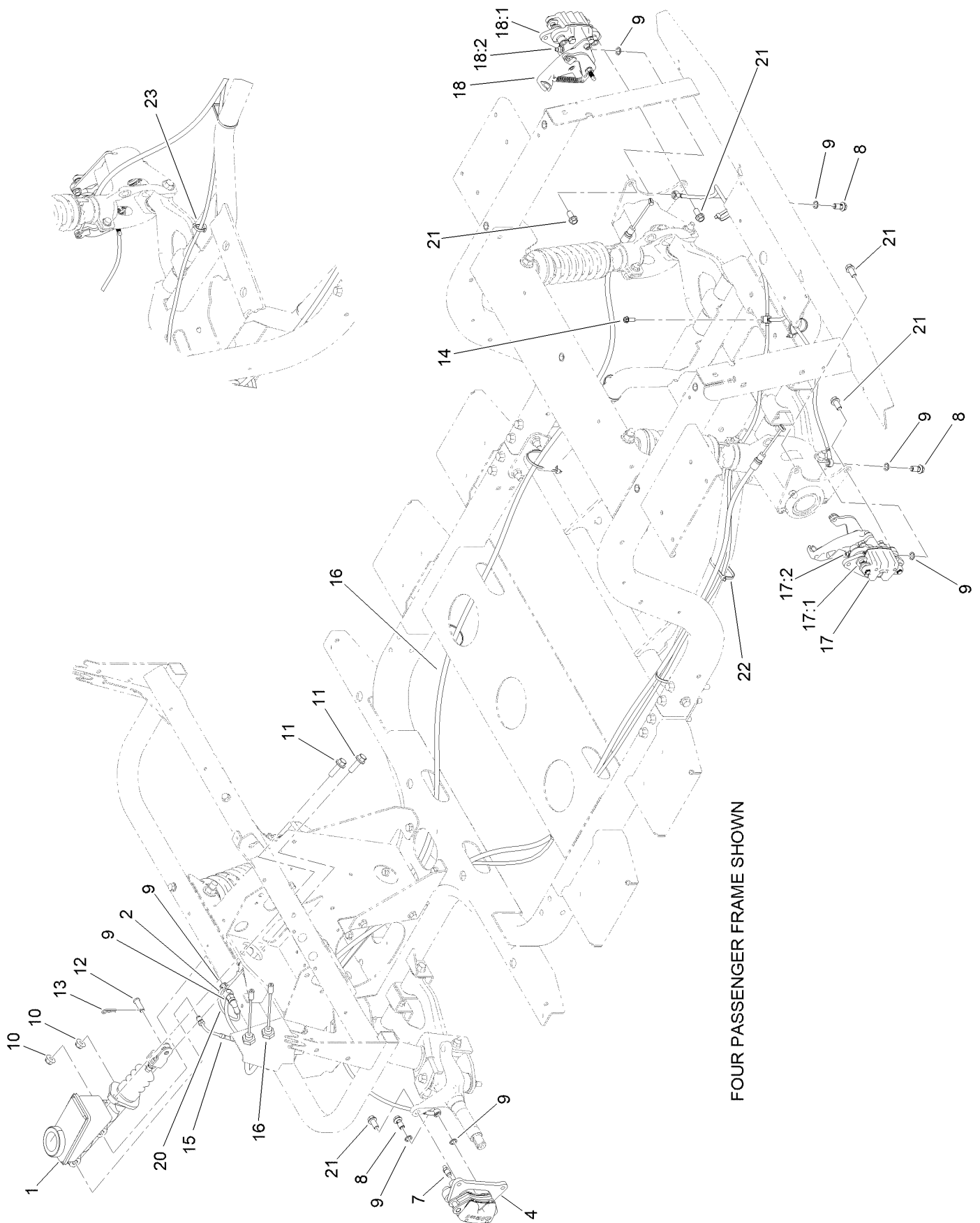


## Brake and Throttle Pedal Assembly (continued)

<i>Ref.</i>	<i>Part Number</i>	<i>Qty.</i>	<i>Description</i>	<i>Ref.</i>	<i>Part Number</i>	<i>Qty.</i>	<i>Description</i>
1	140-9859	1	Throttle-Electronic	16	140-9814	1	Plate-Pivot
2	147-4093	1	Parking Brake Pedal ASM	17	32144-4	4	Screw-HWH
2:2	256-116	2	Bushing-Flange	18	256-276	1	Spacer-Nylon
3	144-5492	1	Brake Pedal ASM	20	140-9858	1	Spring-Extension
3:2	256-116	2	Bushing-Flange	21	104-8300	2	Nut-HF, NI
4	138-5763-03	1	Brake Pedal ASM	22	3230-1	1	Bolt-CARR
5	140-9810	1	Flag Pin ASM	23	32144-86	3	Screw-HWHTF
6	144-5491	1	Trip Pivot ASM	24	7-3900	1	Pad-Brake
6:2	256-116	2	Bushing-Flange	25	145-7274	1	Kit-Brake Pawl
8	140-0772	1	Flag Pin ASM	25:1		1	Plate-Ratcheting ●
9	32144-70	2	Screw-HWHTF	25:2		1	Pawl-Parking ●
12	87-3480	1	Bracket-Equalizer, Cable	25:3		1	Screw-Shoulder ●
13	1-808280	1	Pin-Clevis	26	144-5551	1	Pad-Parking Brake
14	1-806003	1	Pin-Cotter	27	140-4572	1	Pedal Pad-Throttle

● Not serviced separately

# Front and Rear Brake Assembly



## Front and Rear Brake Assembly (continued)

<i>Ref.</i>	<i>Part Number</i>	<i>Qty.</i>	<i>Description</i>	<i>Ref.</i>	<i>Part Number</i>	<i>Qty.</i>	<i>Description</i>
1	104-6782	1	Master Cylinder ASM	17:1	140-2595	1	Brake Pad Service Kit (Rear, Qty 4)
2	140-9993	1	Brake Line ASM	17:2	119-9509	1	Screw-Bleed
4	161-1890	2	Brake Caliper ASM	17:3	136-6328	2	Spring-Rattle, Anti ●
7	119-9509	2	Screw-Bleed	18	140-2590	1	Brake Caliper ASM, RH
8	120-4875	4	Bolt-Flange, Banjo	18:1	140-2595	1	Brake Pad Service Kit (Rear, Qty 4)
9	115-2341	10	Washer-Banjo	18:2	119-9509	1	Screw-Bleed
10	104-8301	2	Nut-HF, NI	18:3	136-6328	2	Spring-Rattle, Anti ●
11	119-4061	2	Screw-HHF	20	144-2227	1	Switch-Brake, Pressure
12	283-2	1	Pin-Clevis	21	144-5550	8	Screw-Spl
13	1-806003	1	Pin-Cotter	22	3290-378	13	Tie-Cable
14	49-2040	2	Screw-HWHTF	23	32180-030	1	Clip-Tie
15	140-9997	1	Brake Line ASM				
16	144-5358	2	Cable-Parking				
17	140-2585	1	Brake Caliper ASM, LH				

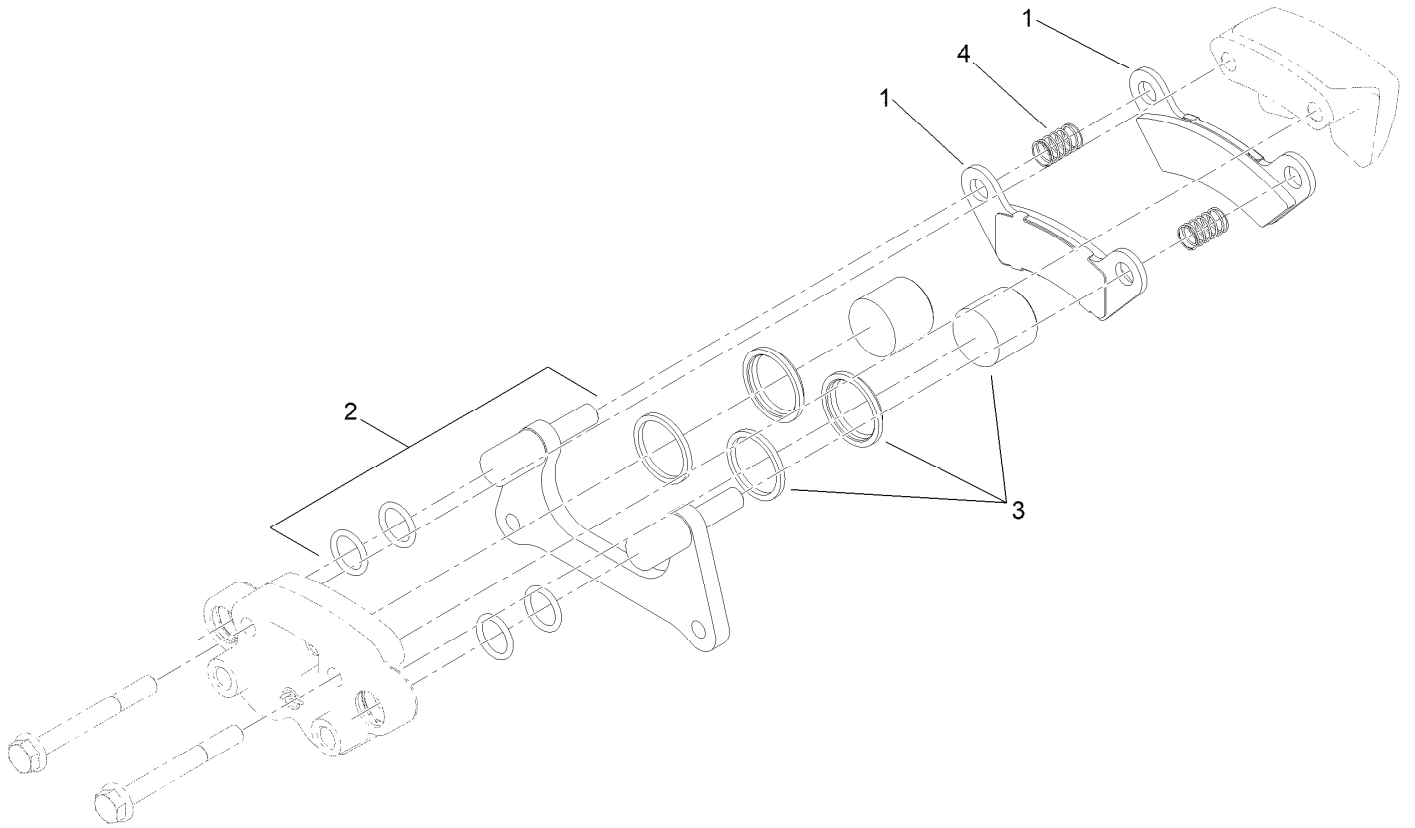
● Not illustrated



## Master Cylinder Assembly No. 104-6782

Ref.	Part Number	Qty.	Description
1	104-6845	1	Reservoir ASM
1:1	92-4112	1	Cap ASM
2	93-8971	2	Seal-Port, Flange
3	92-4103	1	Pin-Stop
4	92-4102	1	Secondary Piston ASM
5	92-4110	1	Clevis
6	21-0360	1	Nut-Hex
7	94-5209	1	Cover-Dust
8	94-5210	1	Rod-Push
9	92-4109	1	Ring-Snap
10	92-4108	1	Retainer-Washer
11	92-4101	1	Primary Piston ASM

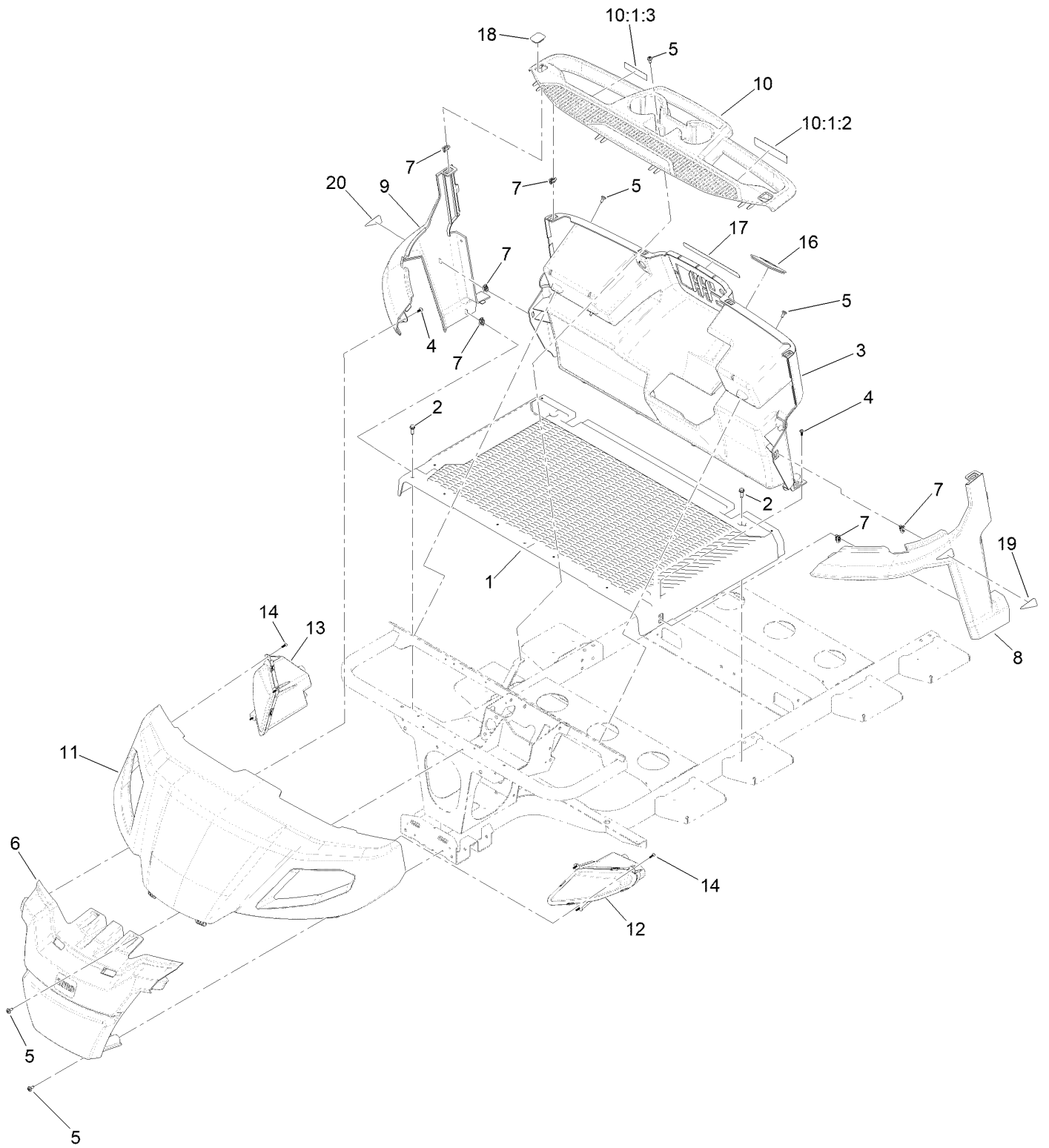




## Brake Caliper Assembly No. 161-1890

<i>Ref.</i>	<i>Part Number</i>	<i>Qty.</i>	<i>Description</i>
1	140-2580	1	Brake Pad Service Kit (Front, Qty 4)
2	119-9511	1	Bracket Kit
3	133-0614	1	Piston Kit
4	161-1889	2	Spring-Compression, Service

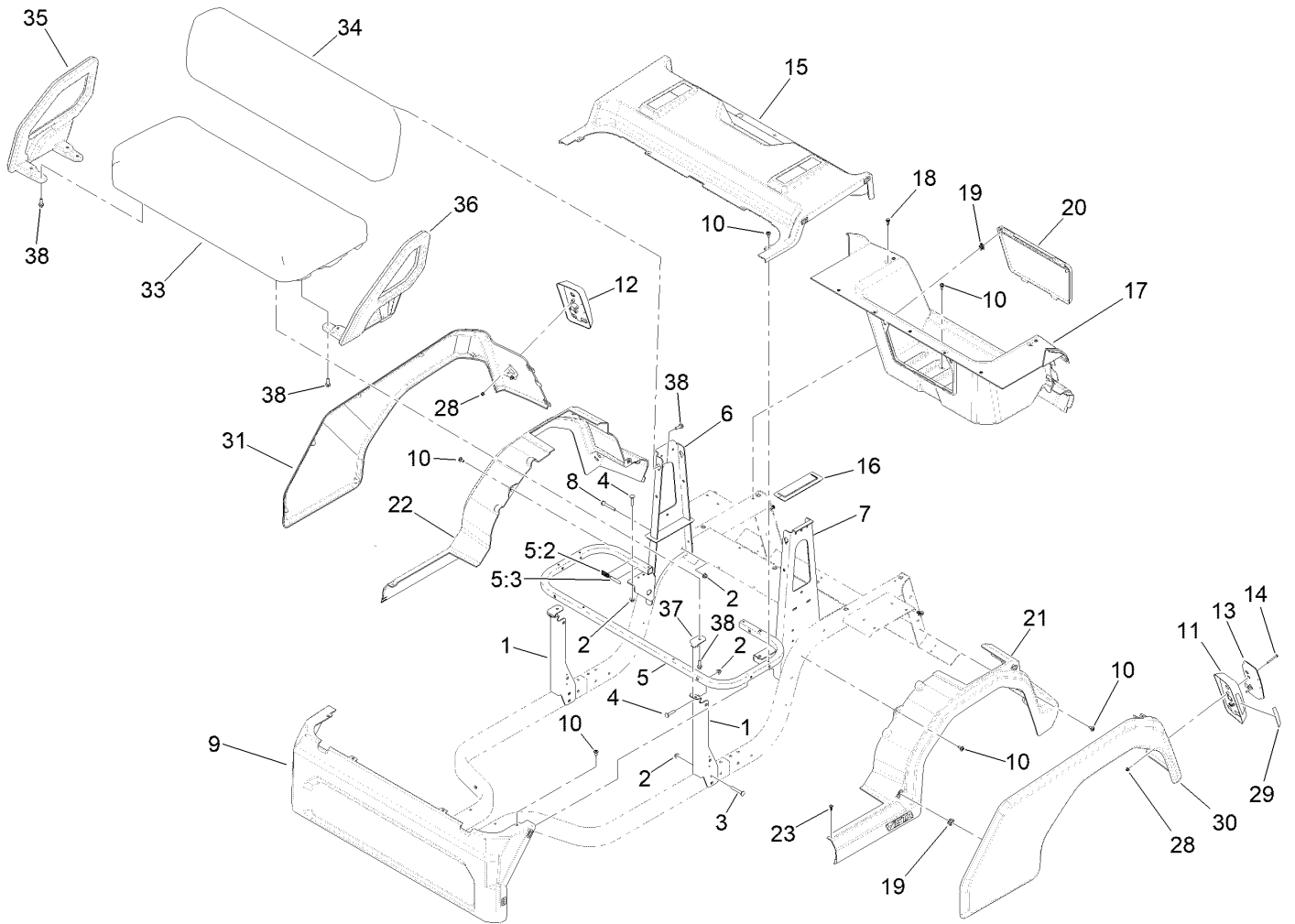
# Hood, Front Fenders and Dash Assembly



## Hood, Front Fenders and Dash Assembly (continued)

<i>Ref.</i>	<i>Part Number</i>	<i>Qty.</i>	<i>Description</i>	<i>Ref.</i>	<i>Part Number</i>	<i>Qty.</i>	<i>Description</i>
1	140-0850SP	1	Floor-Front	10:1:3	140-0920	1	Decal-Vista Safety, Passenger
2	701243	5	Screw-Thd Roll, HWH	11	145-7200SP	1	Hood-Vista, Beige
3	140-9901SP	1	Dash	12	140-0890	1	Headlight-LH
4	138-5775	10	Screw-Delta Point	13	140-0891	1	Headlight-RH
5	120-7950	8	Screw-Torx	14	140-9930	6	Screw-Bhf, Plastic
6	140-0845SP	1	Bumper-Front	16	140-9903	1	Grommet-Column, Steering
7	140-9908	10	Clip-Trim	17	144-5572	1	Decal-Control Panel, Gas
8	140-0842SP	1	Fender-Front, LH	18	145-7122	2	Cap-Plug, Dash
9	140-0843SP	1	Fender-Front, RH	19	140-0941	1	Decal-Reflector, Front, LH
10	145-7051SP	1	Dash-Top 6/8P	20	140-0942	1	Decal-Reflector, Front, RH
10:1:2	144-5571	1	Decal-Vista Safety, Driver				

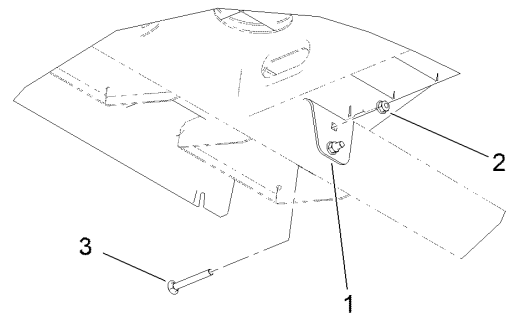
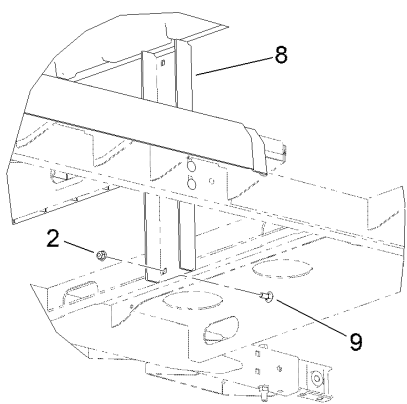
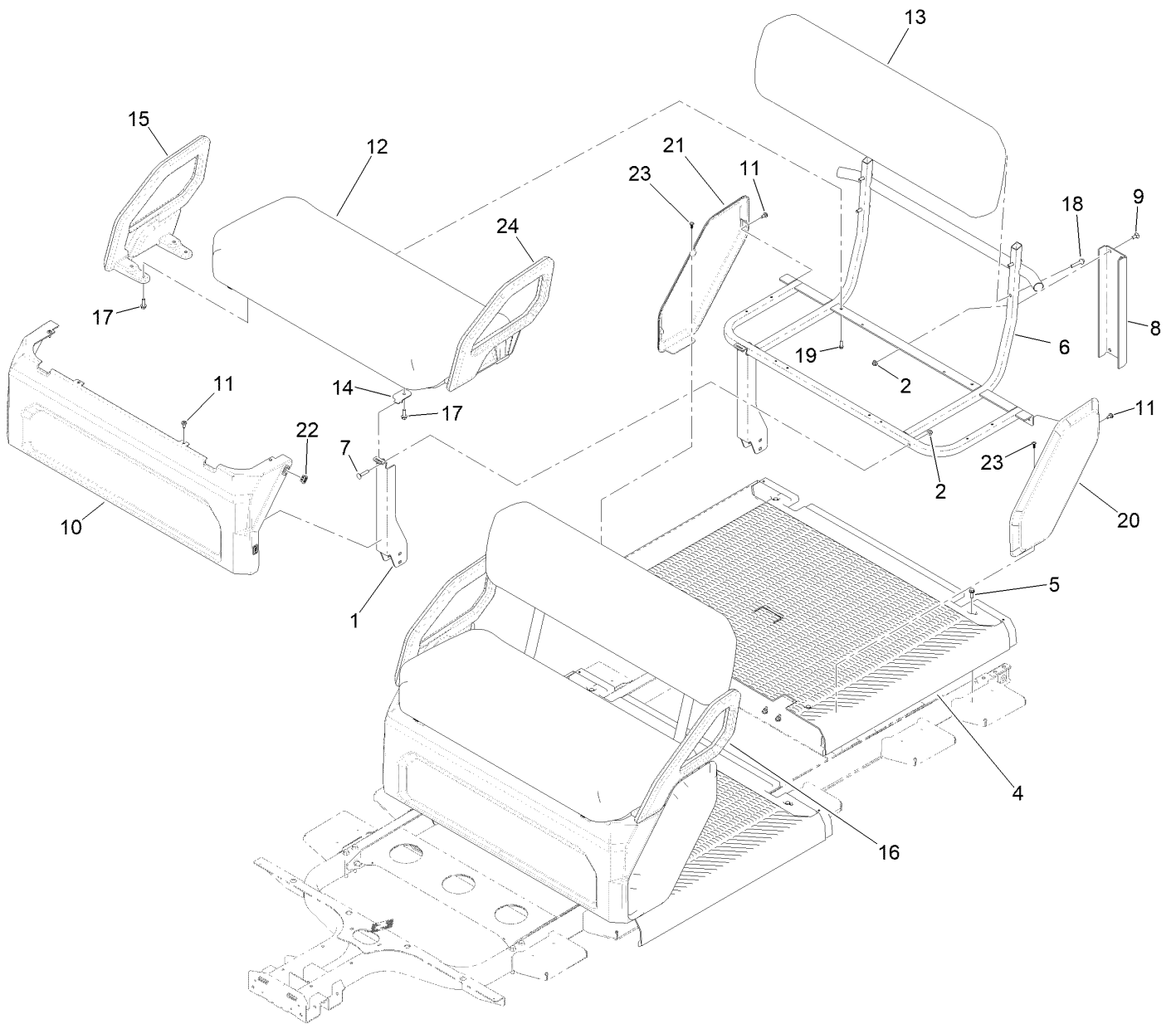
# Main Seat and Rear Fenders Assembly



## Main Seat and Rear Fenders Assembly (continued)

<i>Ref.</i>	<i>Part Number</i>	<i>Qty.</i>	<i>Description</i>	<i>Ref.</i>	<i>Part Number</i>	<i>Qty.</i>	<i>Description</i>
1	140-0800-03	2	Bracket-Support, Seat Frame	16	140-9904	2	Grommet-Bracket, Seat
2	104-8300	12	Nut-HF, NI	17	140-0851SP	1	Tub-Rear
3	3230-7	4	Bolt-CARR	18	125-9622	8	Rivet-Blind
4	3230-4	4	Bolt-CARR	19	140-9908	14	Clip-Trim
5	145-7056	1	Gas Seat Tube	20	140-0866	1	Door-Access, Rear
5:2	127-3866	1	Decal-Warning, Hot Surface	21	140-0847SP	1	Fender-Rear, LH
5:3	120-9570	1	Decal-Warning	22	140-0848SP	1	Fender-Rear, RH
6	144-5623-03	1	Bracket-Back, RH	23	138-5775	2	Screw-Delta Point
7	144-5622-03	1	Bracket-Back, LH	28	138-0719	4	Nut-HF
8	139-4479	4	Screw-HHF	29	140-0943	2	Decal-Reflector, Rear
9	140-0849SP	1	Panel-Base, Seat	30	145-7210SP	1	Panel-Rear, LH Beige
10	120-7950	14	Screw-Torx	31	145-7220SP	1	Panel-Rear, RH Beige
11	140-9910	1	Housing-Tail Light, LH	33	140-9941SP	1	Seat Bottom ASM-Beige
12	140-9911	1	Housing-Tail Light, RH	34	140-9943SP	1	Seat Backrest ASM-Beige
13	139-2071	2	Light-Rear Tail/Stop/Turn	35	140-0804SP	1	Restraint-Hip, RH
14	3250-48	4	Screw-PPH	36	140-0802SP	1	Restraint-Hip, LH
15	140-0846SP	1	Cover-Rear	37	140-0812	2	Bracket-Hinge, Seat
				38	115-5142	14	Screw-HHF

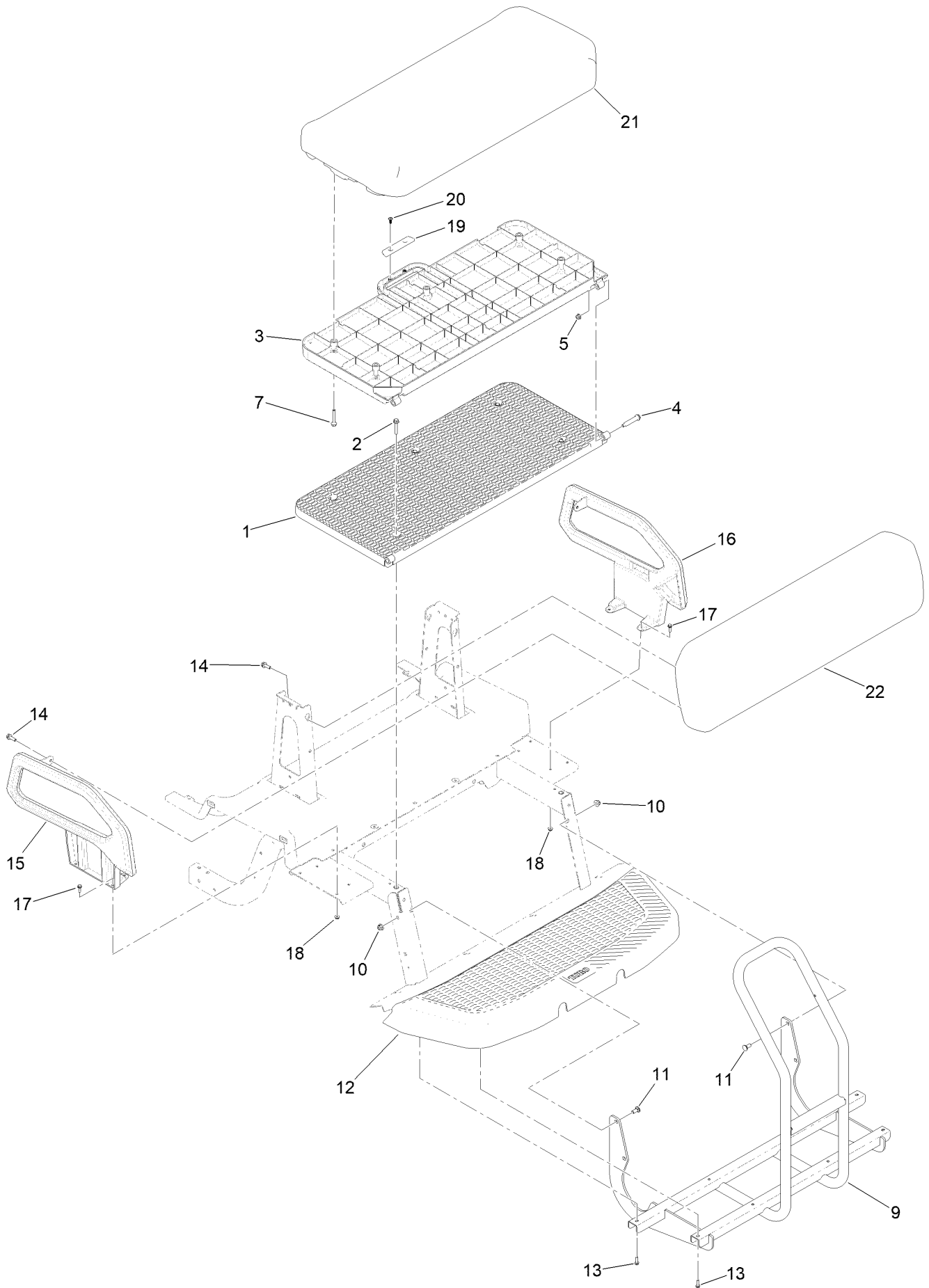
# Passenger Seat Assembly



## Passenger Seat Assembly (continued)

<i>Ref.</i>	<i>Part Number</i>	<i>Qty.</i>	<i>Description</i>	<i>Ref.</i>	<i>Part Number</i>	<i>Qty.</i>	<i>Description</i>
1	144-5556-03	4	Bracket-Support, Seat [bla	13	140-9943SP	2	Seat Backrest ASM-Beige
2	104-8300	20	Nut-HF, NI	14	140-0812	4	Bracket-Hinge, Seat
3	3230-9	8	Screw-CARR	15	140-0804SP	2	Restraint-Hip, RH
4	140-0870SP	2	Floor-Middle	16	140-0803SP	1	Restraint-Hip, Driver
5	701243	8	Screw-Thd Roll, HWH	17	115-5142	20	Screw-HHF
6	140-9785SP	2	Seat Support ASM	18	145-7105	8	Screw-HHF
7	3230-4	4	Bolt-CARR	19	46-8091	4	Screw-HWH
8	140-9753-05	2	Post-Center	20	145-7230	2	Panel-Seat, LH
9	3230-1	8	Bolt-CARR	21	145-7240	2	Panel-Seat, RH
10	140-0849SP	2	Panel-Base, Seat	22	140-9908	8	Clip-Trim
11	120-7950	12	Screw-Torx	23	138-5775	4	Screw-Delta Point
12	140-9941SP	2	Seat Bottom ASM-Beige	24	140-0802SP	1	Restraint-Hip, LH

# Rear Facing Seat Assembly

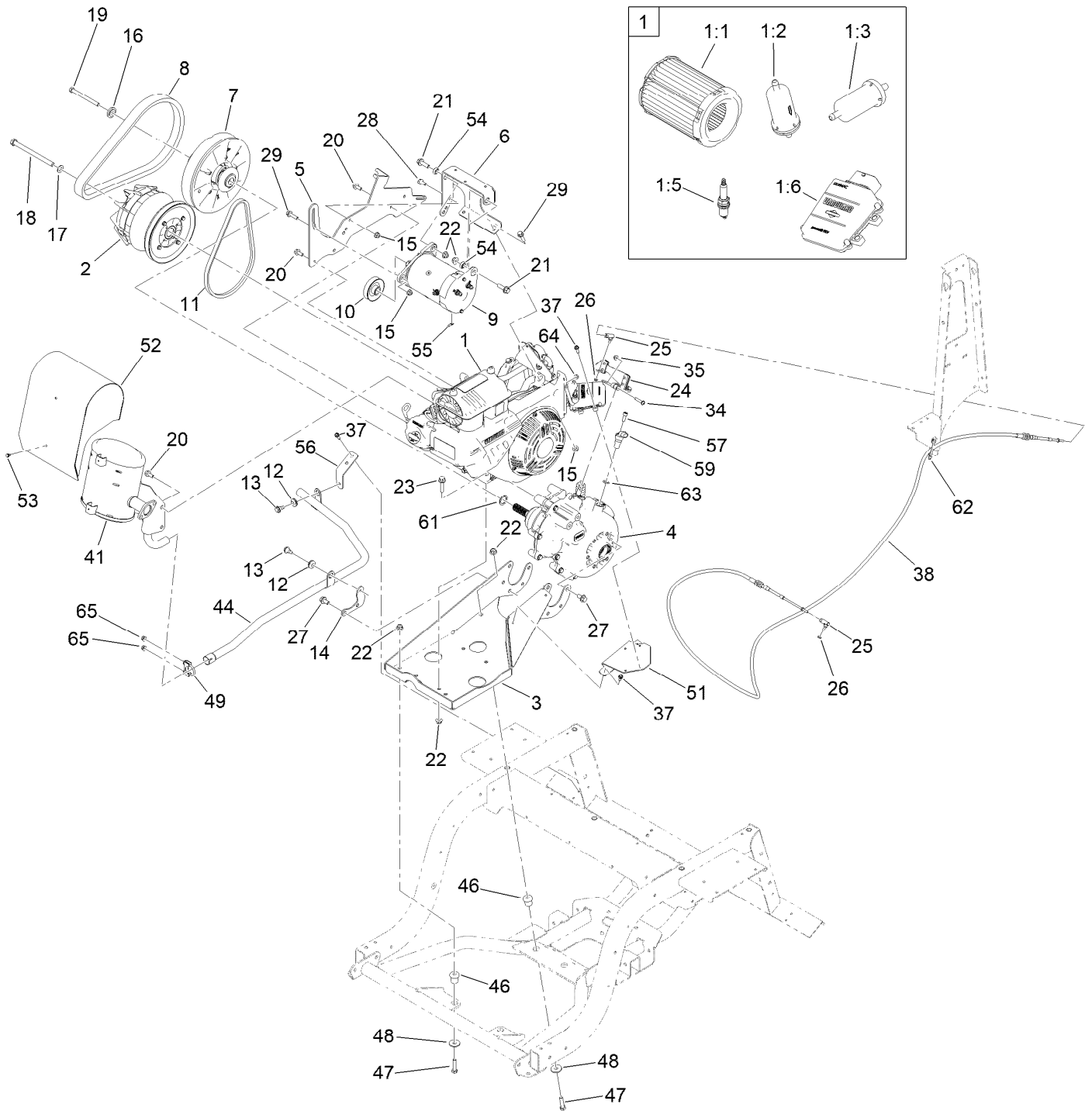




## Rear Facing Seat Assembly (continued)

<i>Ref.</i>	<i>Part Number</i>	<i>Qty.</i>	<i>Description</i>	<i>Ref.</i>	<i>Part Number</i>	<i>Qty.</i>	<i>Description</i>
1	140-0821SP	1	Floor-Box, Cargo	13	46-8091	8	Screw-HWH
2	145-7105	5	Screw-HHF	14	115-5142	6	Screw-HHF
3	140-0820SP	1	Floor-Flip Seat	15	140-0833SP	1	Restraint-Hip, LH Rear
4	136-7199	2	Bolt-Shoulder	16	140-0834SP	1	Restraint-Hip, RH Rear
5	104-8300	2	Nut-HF, NI	17	32105-15	8	Screw-HWH
7	140-9909	5	Screw-HHF	18	104-7201	8	Nut-HF, NI
9	140-0875SP	1	Rear Floor Frame ASM	19	145-7100	1	Bumper-Rubber, Flip Seat
10	104-8301	4	Nut-HF, NI	20	138-5775	2	Screw-Delta Point
11	3231-12	4	Bolt-CARR	21	140-9941SP	1	Seat Bottom ASM-Beige
12	140-0872SP	1	Floor-Rear	22	140-9943SP	1	Seat Backrest ASM-Beige

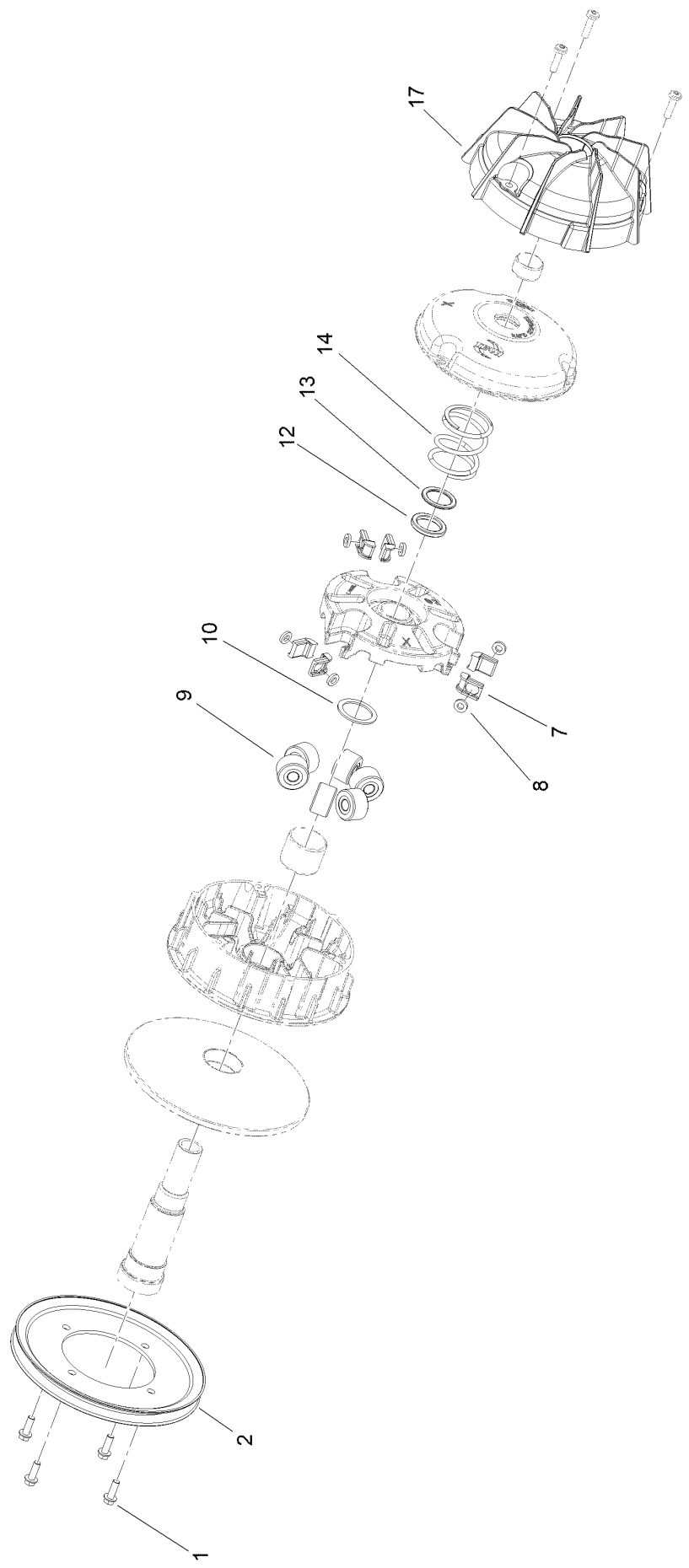
# Engine and Transaxle Assembly



## Engine and Transaxle Assembly (continued)

<i>Ref.</i>	<i>Part Number</i>	<i>Qty.</i>	<i>Description</i>	<i>Ref.</i>	<i>Part Number</i>	<i>Qty.</i>	<i>Description</i>
1	161-2035	1	Engine-Briggs	25	2411-38	2	Joint-Ball
1:1	145-7199	1	Filter-Air, Briggs	26	3296-27	2	Nut-Lock, NI
1:2	145-7282	1	Filter-Fuel, 10 Micron	27	139-6300	10	Screw-Hfl
1:3	145-7283	1	Filter-Fuel, 30 Micron	28	3234-47	2	Screw-HHF
1:5	147-3473	1	Spark Plug	29	3234-36	3	Screw-HHF
1:6	145-7284	1	ECM-Briggs	34	132-6777	1	Screw-Twh Thd Roll
2	147-4088	1	Primary Clutch ASM	35	104-7201	1	Nut-HF, NI
3	140-9783-03	1	Tray-Engine ASM	37	49-2040	8	Screw-HWHTF
4	140-9807	1	Transaxle-Gas	38	140-9999	1	Cable-Shift
5	140-9777-03	1	Plate-Spanner	41	144-5447	1	Muffler-Briggs
6	144-5490-03	1	Bracket-Starter	44	144-5435	1	Tailpipe-Long
7	119-6011	1	Secondary Clutch ASM	46	63-9750	4	Mount
8	131-8567	1	Belt-Variable	47	323-8	4	Screw-HH
9	131-8444	1	Starter/Generator ASM	48	2844	4	Washer
10	140-9821	1	Pulley-Drive	49	144-5467	1	Clamp-Muffler
11	63-2951	1	V-Belt, Traction	51	144-5477-03	1	Bracket-Ecu
12	1-633630	2	Grommet	52	144-5590	1	Muffler Shield
13	99-5105	2	Screw-Shoulder	53	104-2065	4	Screw-HWH
14	144-5496	1	Bracket-Exhaust	54	107-0758	2	Spacer-Bearing
15	104-8300	5	Nut-HF, NI	55	32180-535	1	Terminal-Tab
16	104-6563	1	Washer-Stepped	56	145-7188-03	1	Bracket-Exhaust
17	3256-25	1	Washer-Flat	57	3274-10	1	Screw-HSH
18	131-8521	1	Screw-HH	59	145-7335	1	Sensor, Ground Speed
19	119-0723	1	Screw-HH, Lock	61	1-303352	1	Washer-Spindle
20	139-3392	9	Screw-Lock	62	3290-378	2	Tie-Cable
21	119-4061	2	Screw-HHF	63	237-142	1	Seal-O-Ring
22	104-8301	10	Nut-HF, NI	64	33003-00	1	Nut-HF
23	114-4681	4	Screw-HHF	65	32128-32	2	Nut-HHF
24	133-7260-03	1	Arm-Shift				

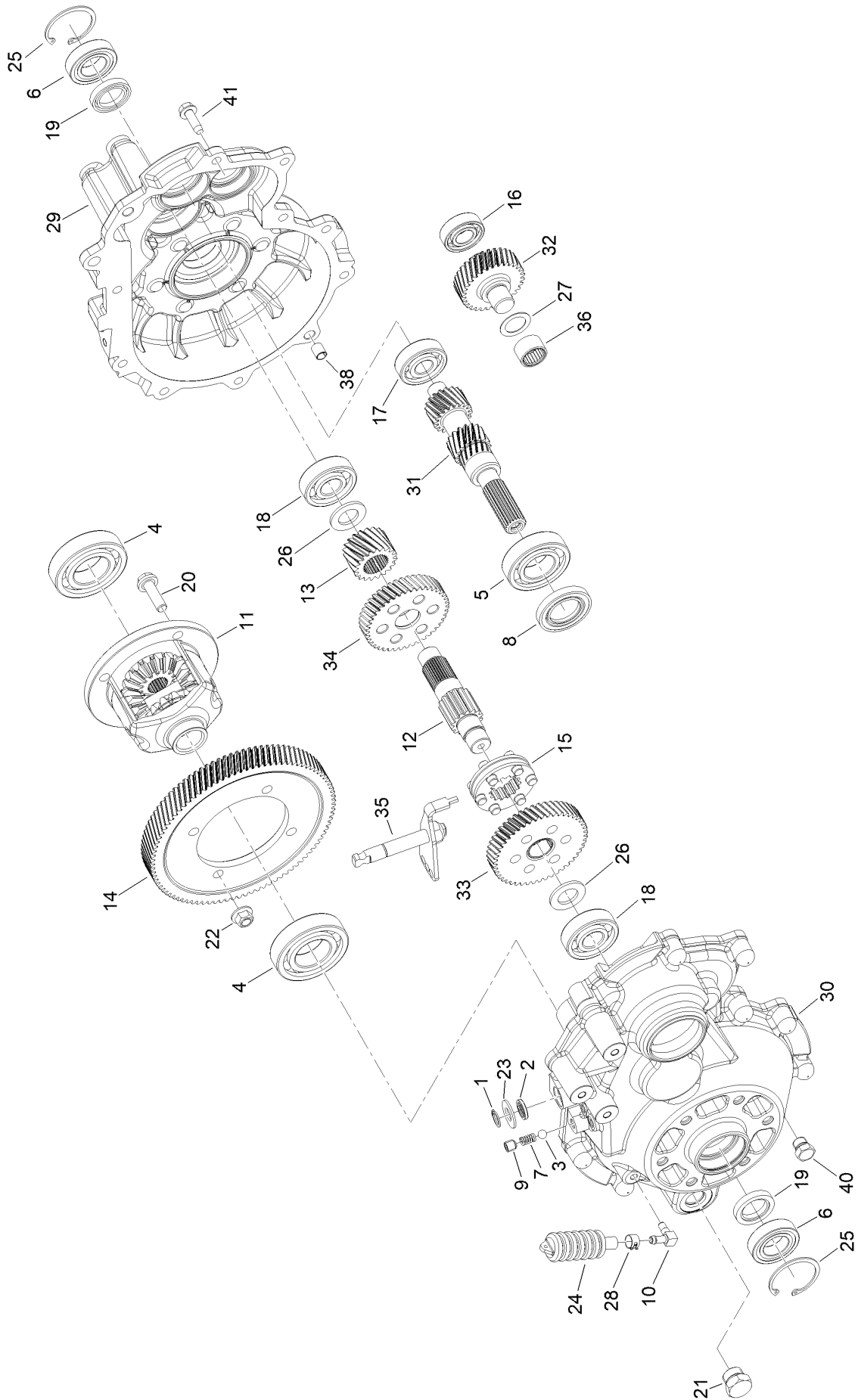
# Primary Clutch Assembly No. 147-4088



# Primary Clutch Assembly No. 147-4088 (continued)

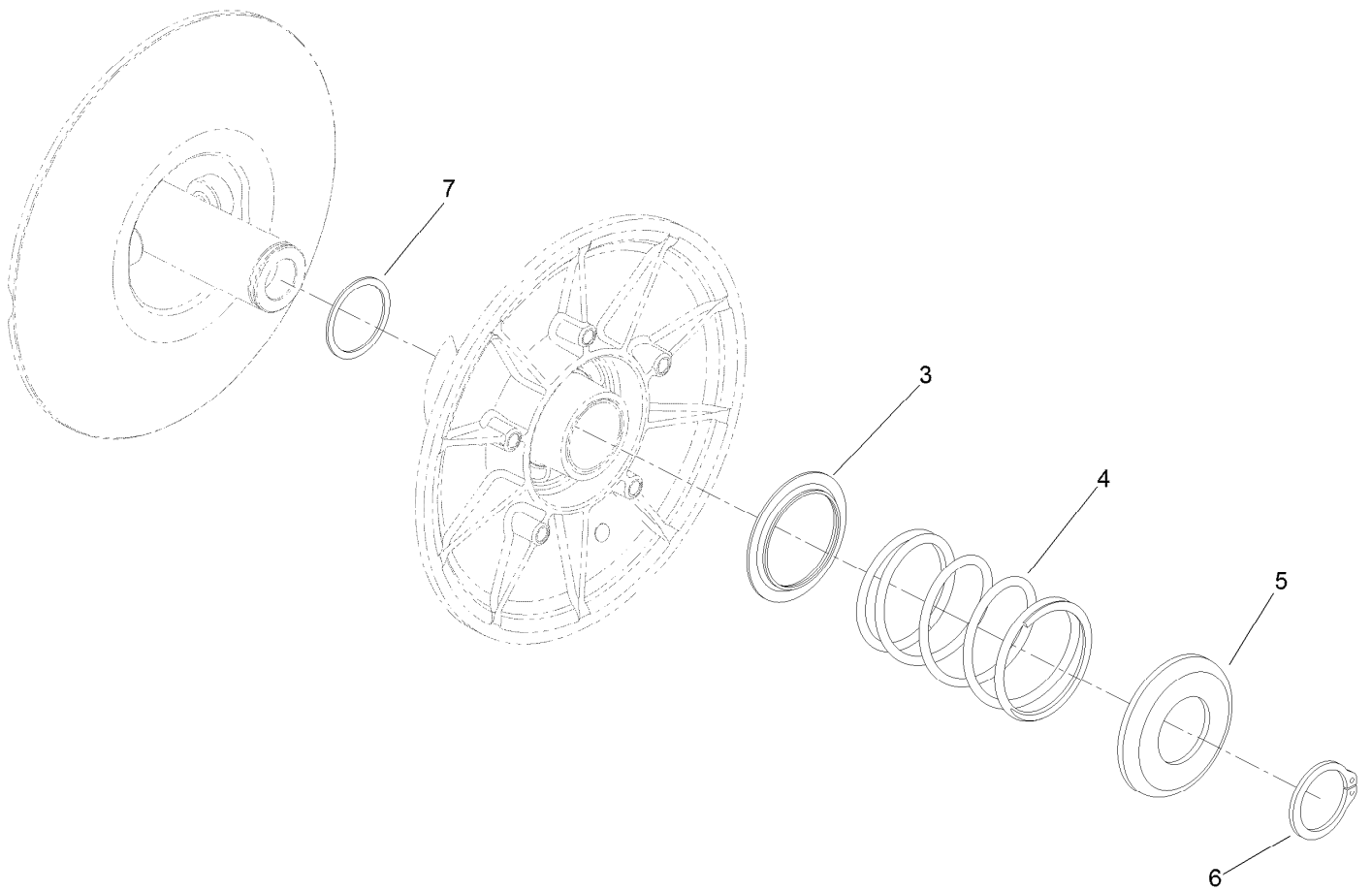
<i>Ref.</i>	<i>Part Number</i>	<i>Qty.</i>	<i>Description</i>	<i>Ref.</i>	<i>Part Number</i>	<i>Qty.</i>	<i>Description</i>
1	49-2040	7	Screw-HWHTF	10	119-0812	1	Shim-Spider
2	119-0813	1	Pulley-Primary	12	119-0807	1	Shim-Limiter
7	127-8689	6	Button-Primary, Torque	13	147-3963	1	Limiter-Shift
8	127-8690	6	Plug-Button, Torque	14	119-9532	1	Spring-Red/White
9	119-0804	6	Weight-Roller	17	145-7339	1	Clutch Fan ASM

# Transaxle Assembly No. 140-9807



## Transaxle Assembly No. 140-9807 (continued)

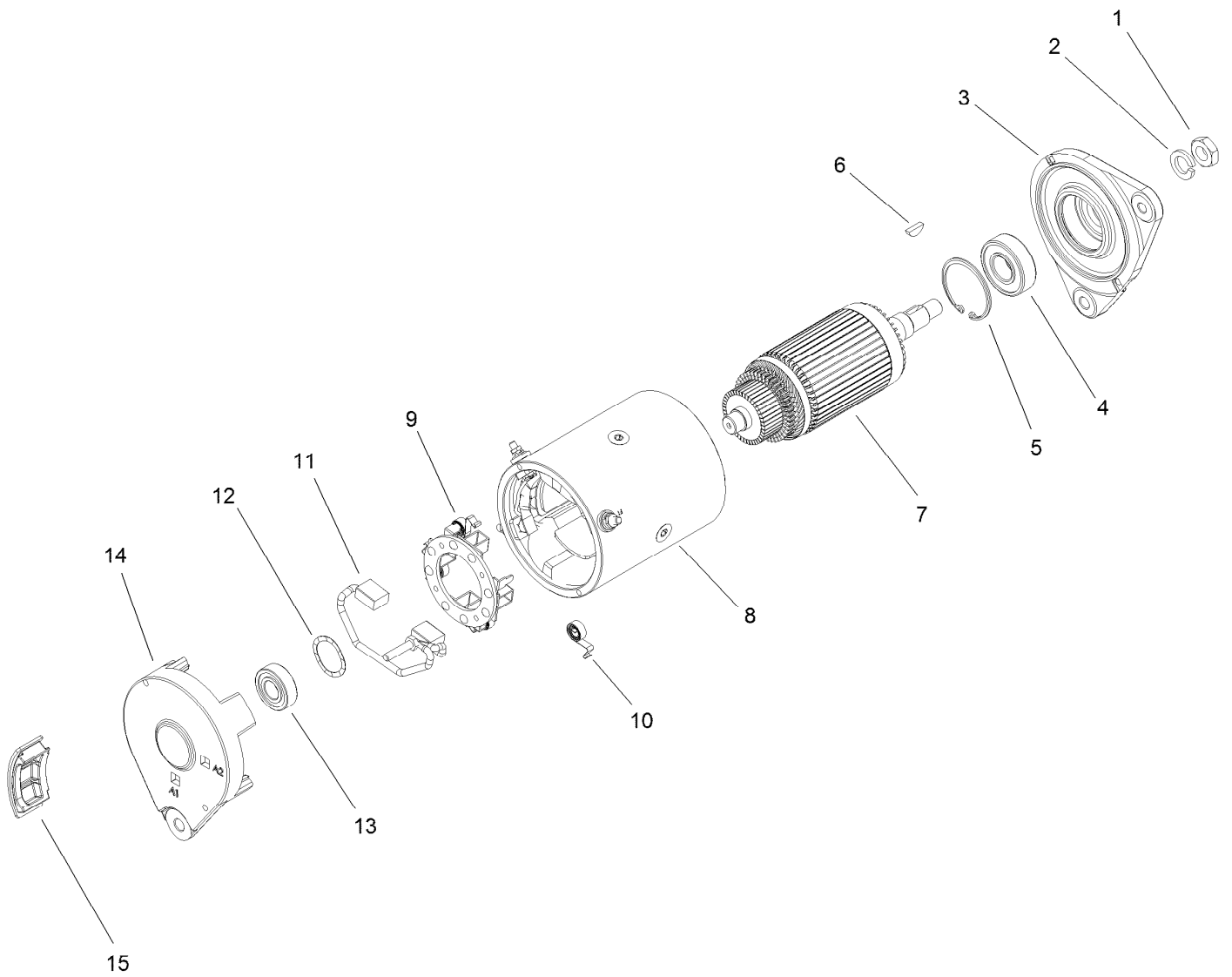
<i>Ref.</i>	<i>Part Number</i>	<i>Qty.</i>	<i>Description</i>	<i>Ref.</i>	<i>Part Number</i>	<i>Qty.</i>	<i>Description</i>
1	145-7304	1	Ring, Retaining, External, .500 Shaft	19	145-7289	2	Seal, Oil, .945 Shaft, 1.499 Bore
2	145-7305	1	Seal, Oil, .500 Shaft, .750 Bore	20	133-2462	4	Bolt-HHF
3	110-3154	1	Ball-Detent	21	133-2466	1	Plug-HH
4	145-7287	2	Bearing, Ball, Single Row, 6207	22	133-2463	4	Nut-Lock
5	145-7307	1	Bearing, Ball, Single Row, 6206	23	145-7320	1	Washer, .510 X 1.061 X .073
6	145-7288	2	Bearing, Ball, Single Row, 6005-2Rs	24	145-7294	1	Vent, Bellows
7	145-7309	1	Spring, Compression, Detent	25	133-2450	2	Ring-Retaining
8	145-7310	1	Seal, Oil, 30 MM Shaft, 52 MM Bore	26	145-7322	2	Spacer, Flat, .790 X 1.378 X .108
9	145-7311	1	Screw, Set, Hex Dr, Cup Pt, 3/8-16 Unc	27	145-7323	1	Washer, Thrust, .805 X 1.190 X .031
10	147-4096	1	Tube, Vent	28	145-7295	1	Clamp, Hose
11	145-7290	1	Assembly, Differential Case, Standard	29	145-7325	1	Housing, Left
12	145-7313	1	Shaft, Intermediate, Finish	30	145-7326	1	Housing, Right
13	145-7314	1	Gear, Helical, Intermediate, 19T, Finish	31	145-7327	1	Shaft, Input, 16T/18T
14	145-7315	1	Gear, Helical, Output, 93T	32	145-7328	1	Gear, Helical, Idler, 31T
15	145-7316	1	Clutch, Gear, Finish	33	145-7329	1	ASM, Gear, Intermediate, Reverse, 47T
16	133-2453	1	Bearing-Ball	34	145-7330	1	ASM, Gear, Intermediate, Forward, 42T
17	133-2456	1	Bearing-Ball	35	145-7331	1	Assembly, Shift Shaft
18	145-7317	2	Bearing, Ball, Single Row, 6304	36	145-7332	1	Bearing, Needle, Caged, Drawn Cup
				38	145-7301	2	Bushing, Dowel, .313 X .500
				40	145-7302	1	Drain Plug, Magnetic, O-Ring, 1/2-20
				41	147-4095	11	Screw, Hex Head, 5/16-18, Thread Forming



## Secondary Clutch Assembly No. 119-6011

<i>Ref.</i>	<i>Part Number</i>	<i>Qty.</i>	<i>Description</i>
3	119-0809	1	Cup-Spring Retainer, Inner
4	119-9360	1	Spring-Compression, Black/Almond
5	119-0810	1	Cup-Spring Retainer, Outer
6	119-0811	1	Ring-Retaining
7	119-6018	1	Shim-Thrust



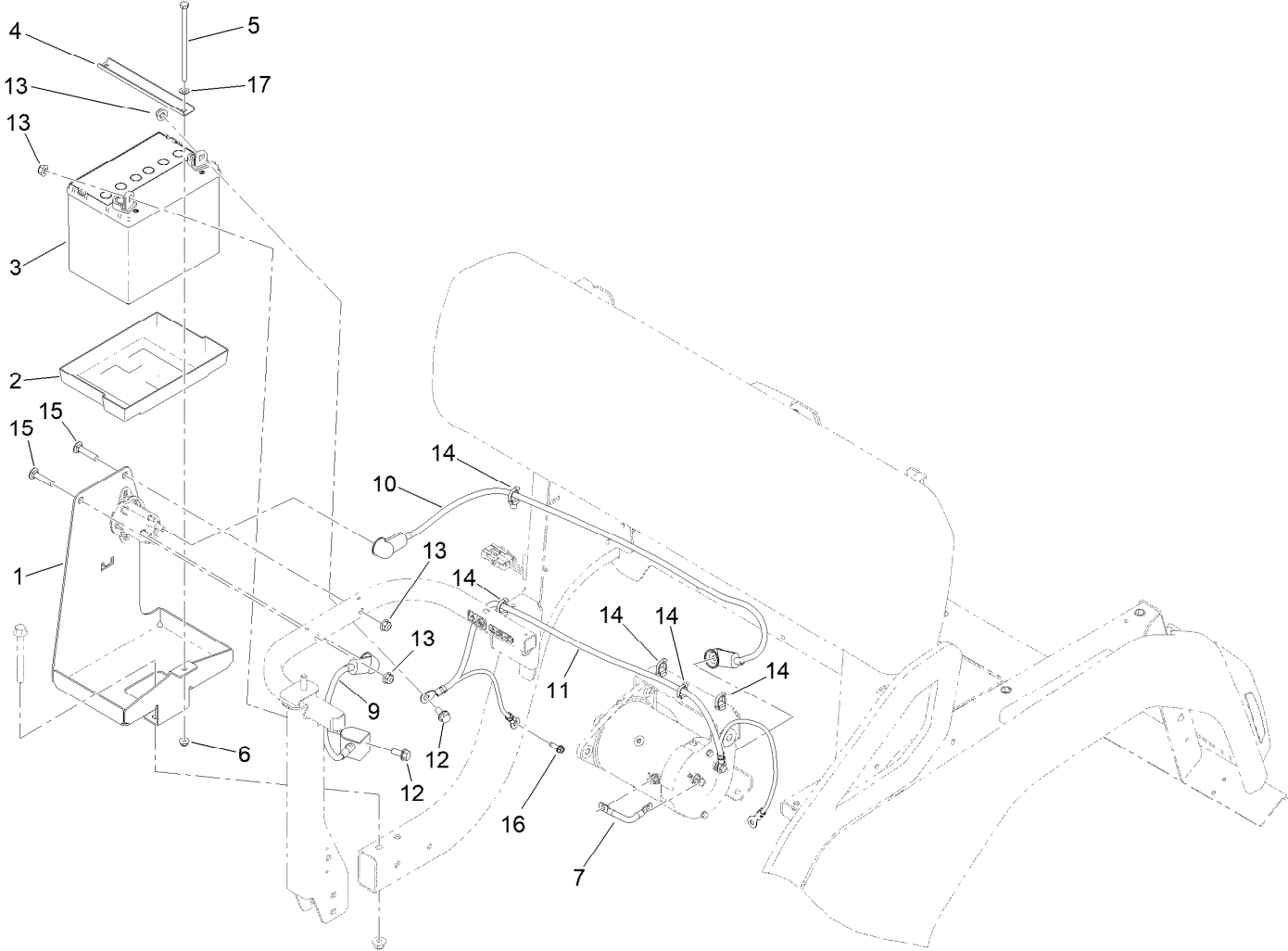


## Starter Generator Assembly No. 131-8444

Ref.	Part Number	Qty.	Description
1	119-9651	1	Nut
2	119-9652	1	Washer-Lock
3	133-0599	1	Head-Drive End
4	119-9655	1	Bearing
5	119-9656	1	Ring-Retaining
6	119-9657	1	Key-Woodruff
7	119-9658	1	Armature ASM
8		1	Frame And Field Assembly ●
9	119-9661	1	Brush Box ASM
10	119-9660	4	Spring-Brush
11	119-9659	1	Brush Lead And Terminal Service Kit
12	119-9662	1	Washer-Wave
13	119-9663	1	Bearing
14		1	Head-End, Cummutator ●
15	133-0600	4	Plug-Rubber

● Not serviced separately

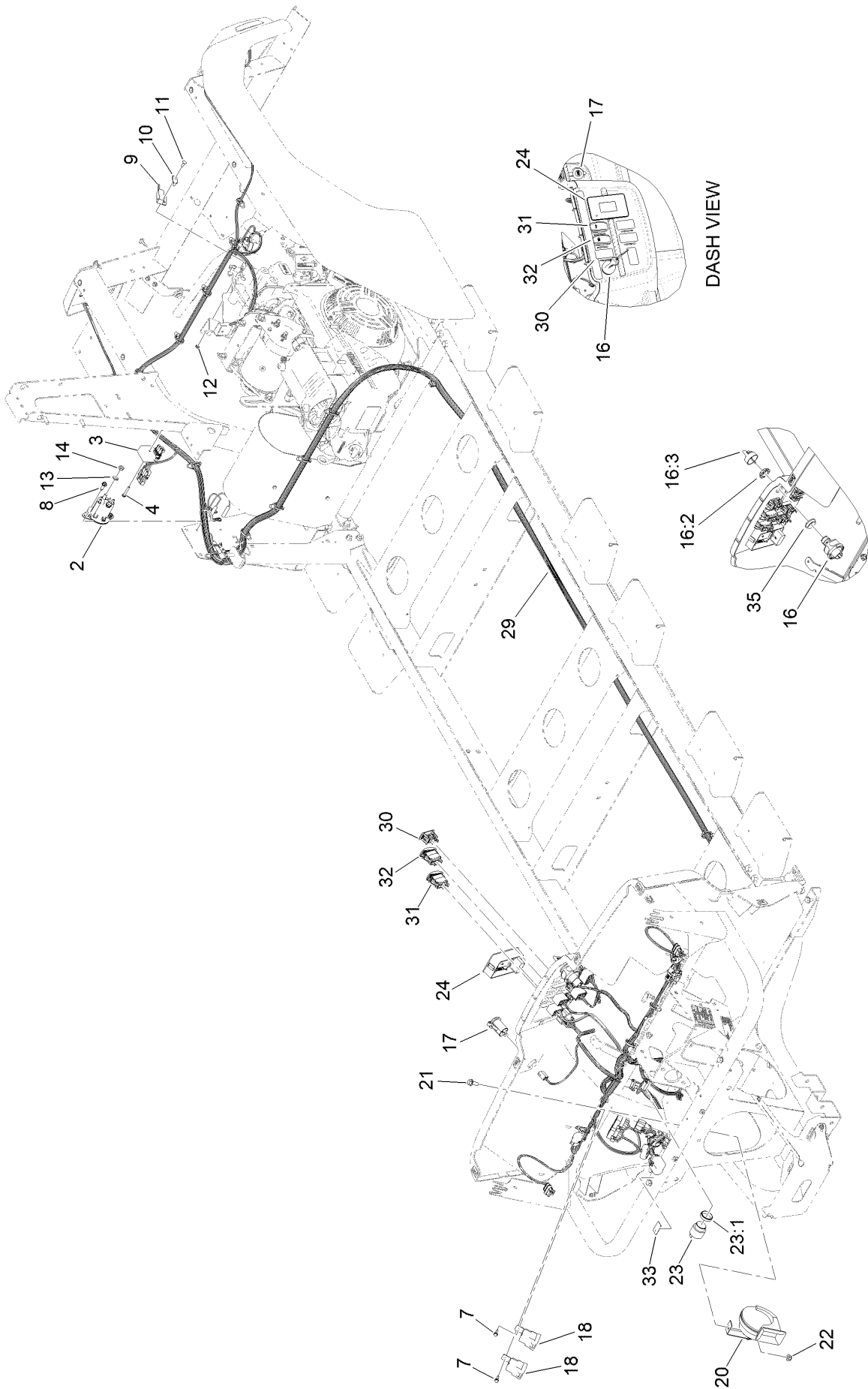
# Battery Assembly



## Battery Assembly (continued)

<i>Ref.</i>	<i>Part Number</i>	<i>Qty.</i>	<i>Description</i>	<i>Ref.</i>	<i>Part Number</i>	<i>Qty.</i>	<i>Description</i>
1	140-9869-03	1	Tray-Battery	10	140-9889	1	Cable-Battery, Rd ASM
2	106948	1	Tray-Battery	11	140-9890	1	Cable-Battery, Bk ASM
3	99-7421	1	Battery- Wet, 12V, 300 CCA	12	3234-5	2	Screw-HHF
4	127-7816-03	1	Channel-Clamp, Battery	13	104-8300	4	Nut-HF, NI
5	321-47	1	Screw-HH	14	32180-030	5	Clip-Tie
6	104-7201	1	Nut-HF, NI	15	3230-4	2	Bolt-CARR
7	122-1176	1	Cable-Battery, Negative	16	49-2040	1	Screw-HWHTF
9	140-9888	1	Cable-Battery, Rd ASM	17	3256-22	1	Washer-Flat

# Electrical Assembly



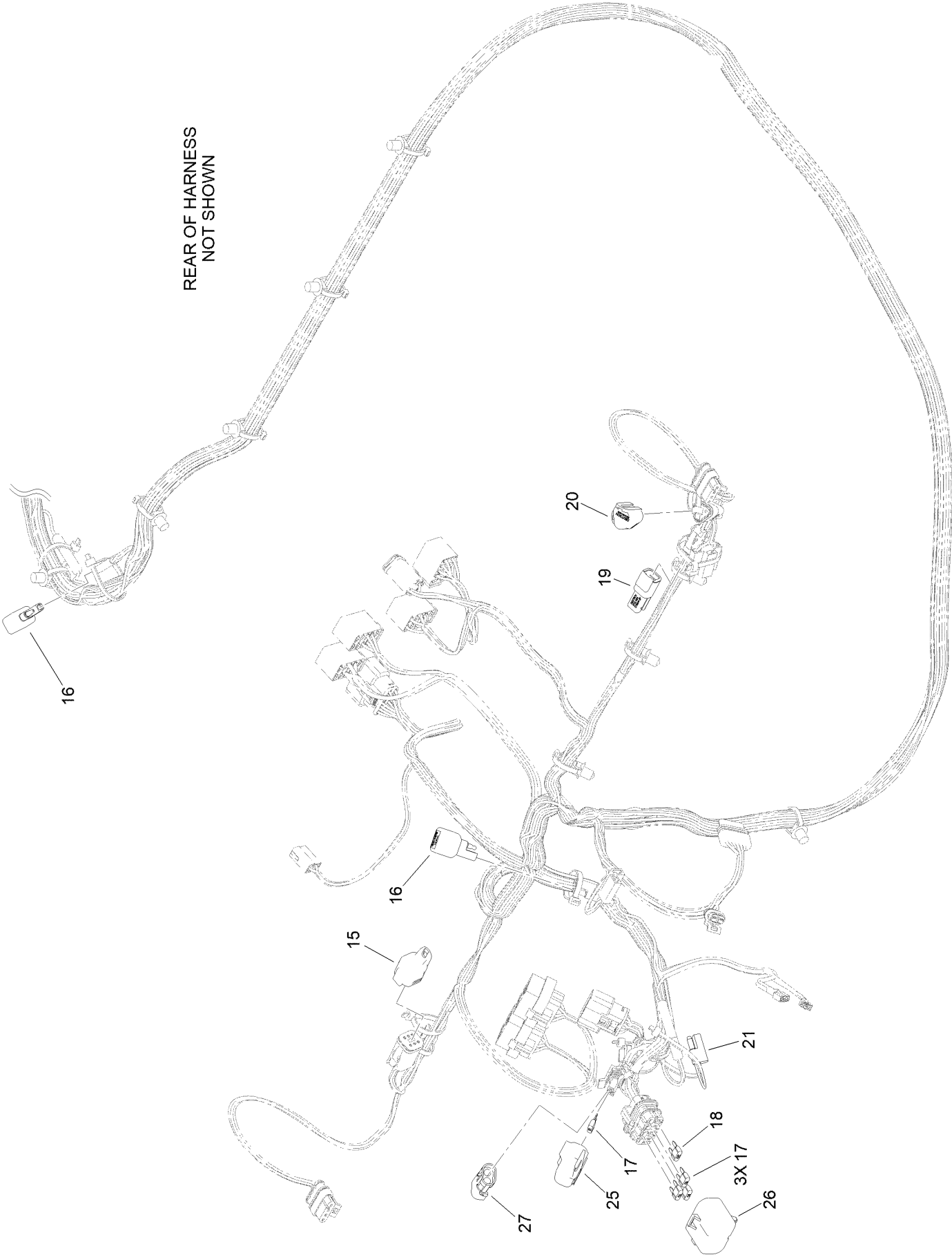
## Electrical Assembly (continued)

<i>Ref.</i>	<i>Part Number</i>	<i>Qty.</i>	<i>Description</i>	<i>Ref.</i>	<i>Part Number</i>	<i>Qty.</i>	<i>Description</i>
2	114-3315	1	Solenoid	18	99-7430	2	Relay-Mini
3	119-9492	1	Regulator-Voltage	20	110-2594	1	Horn
4	100-4352	1	Screw-HWH	21	3234-5	1	Screw-HHF
7	100-4351	2	Screw-HWH	22	104-8300	1	Nut-HF, NI
8	32144-4	2	Screw-HWH	23	80-9330	1	Audio Alarm ASM
9	100-1270	1	Switch-Proximity	23:1	104-5107	1	Nut-Plastic, Knurled
10	100-4872	1	Plate-Switch, Neutral	24	122-2152	1	Controller, Tdm-1601
11	3229-34	1	Screw-CARR	29	122-2217	1	Harness-Wire, Vista, B&s (6&8 Pass)
12	138-0719	1	Nut-HF	30	119-7791	4	Plug-Hole
13	3255-8	2	Washer-Lock	31	144-2415	1	Switch-Rocker, (On)-None-Off
14	3220-2	2	Nut-Jam	32	144-2405	1	Switch-Rocker, On-None-On
16	122-2513	1	Switch-Ignition, Suns	33	144-5575	1	Decal-Fuse Block EFI
16:1	121-5160	1	Nut-Hex ●	35	145-7110	1	Adapter-Switch, Key
16:2	122-2704	1	Nut-Face, M22 (Plastic)				
16:3	121-5162	1	Set-Key, Ignition				
17	140-7955	1	Port-Power, USB				

● Not illustrated

# Wire Harness Assembly No. 122-2217

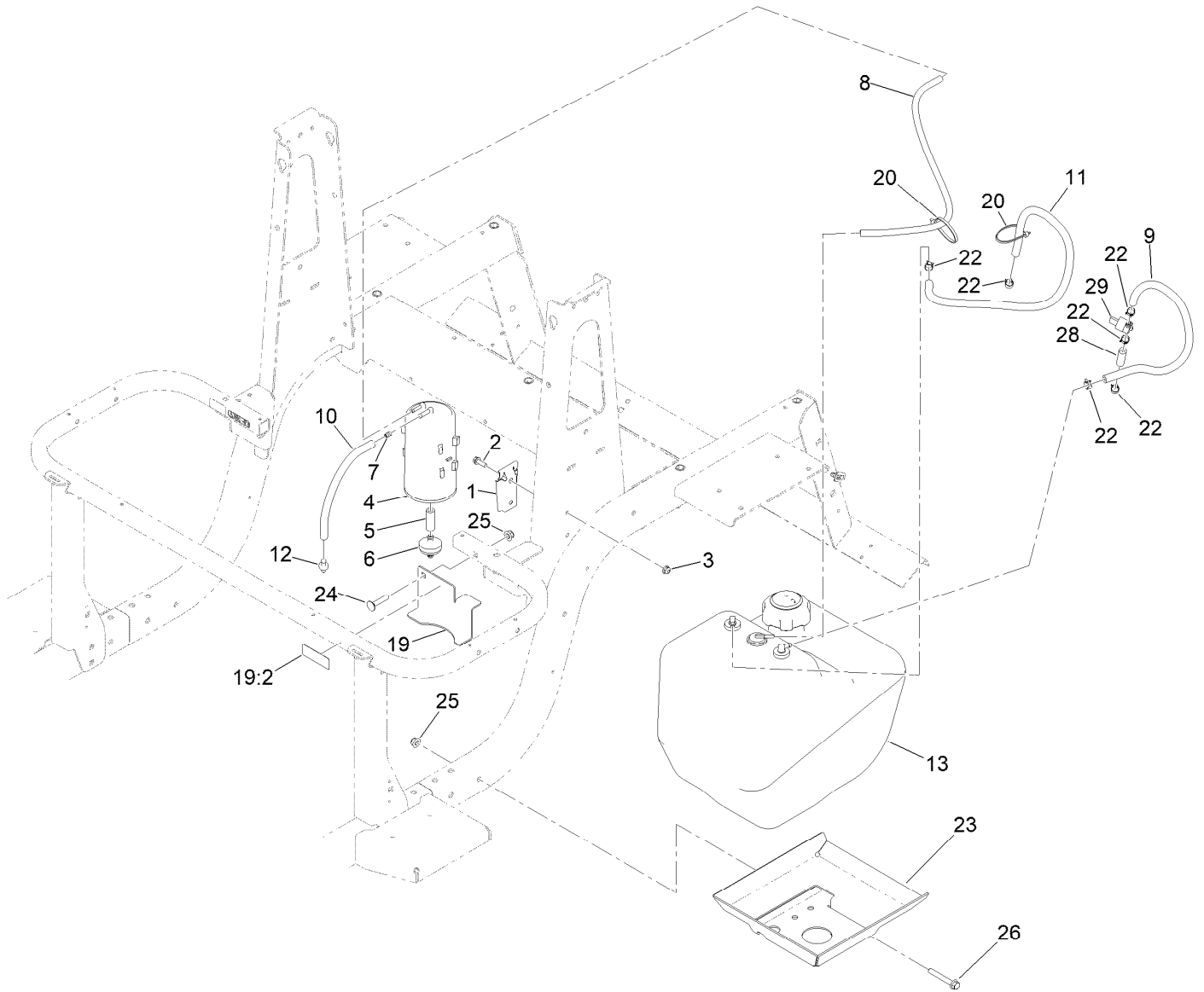
REAR OF HARNESS  
NOT SHOWN



## Wire Harness Assembly No. 122-2217 (continued)

<i>Ref.</i>	<i>Part Number</i>	<i>Qty.</i>	<i>Description</i>	<i>Ref.</i>	<i>Part Number</i>	<i>Qty.</i>	<i>Description</i>
15	32180-156	1	Cap-Plug, 6 Way	21	32180-416	1	Cap-Tethered
16	100-4918	2	Diode	25	32180-101	1	Cover-Fuse, Single
17	121-8866	4	Fuse-Mini Blade, 10 Amp	26	32180-181	1	Cover-Cooper-Bussman, Atm ST Pin Brkt
18	121-8868	2	Fuse-Mini Blade, 20 Amp	27	32160-072	1	Connector-Wp,2M
19	32180-282	1	Resistor-120 Ohm				
20	32180-089	1	Cap-Plug, 3 Way				

# Fuel System Assembly

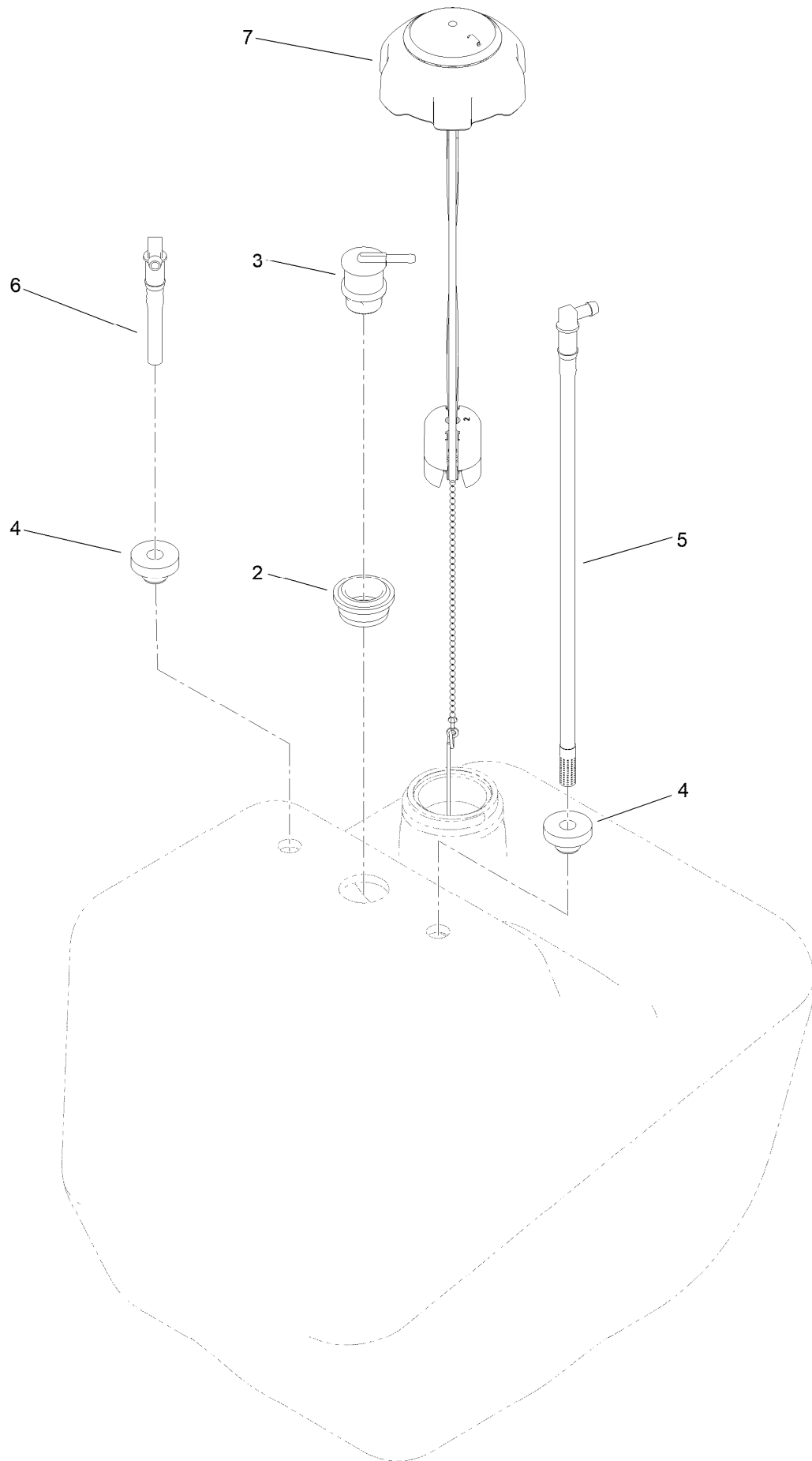




## Fuel System Assembly (continued)

<i>Ref.</i>	<i>Part Number</i>	<i>Qty.</i>	<i>Description</i>	<i>Ref.</i>	<i>Part Number</i>	<i>Qty.</i>	<i>Description</i>
1	114-0292	1	Bracket-Canister, Carbon	13	144-5395	1	Fuel Tank ASM
2	32105-15	2	Screw-HWH	19	145-7058	1	Tank Bracket ASM
3	104-7201	2	Nut-HF, NI	19:2	131-8410	1	Decal-Danger, Fuel
4	127-8685	1	Canister-Carbon	20	3290-378	2	Tie-Cable
5	106-5317	1	Hose-Fuel	22	2412-98	6	Clamp-Hose
6	115-7854	1	Filter-Fuel, Inline	23	144-5355-03	1	Tank Support ASM
7	120-2038	1	Cartridge-Valve, Check	24	3230-4	1	Bolt-CARR
8	119-8149	1	Hose-Fuel	25	104-8300	2	Nut-HF, NI
9	110-5701	1	Hose-Fuel	26	139-4479	1	Screw-HHF
10	109-0282	1	Hose-Fuel	28	109-0304	1	Hose-Fuel
11	109-1395	1	Hose-Fuel	29	1-603770	1	Valve-Fuel
12	117-5399	1	Adaptor-Orifice				

# Fuel Tank Assembly No. 144-5395



## Fuel Tank Assembly No. 144-5395 (continued)

<i>Ref.</i>	<i>Part Number</i>	<i>Qty.</i>	<i>Description</i>	<i>Ref.</i>	<i>Part Number</i>	<i>Qty.</i>	<i>Description</i>
2	114-0284	1	Grommet	5	115-9044	1	Pipe-Stand
3	114-0285	1	Valve-Rollover	6	145-7285	1	Fitting-Return, Fuel
4	46-6560	2	Bushing	7	131-8357	1	Cap-Gauge

# Attachments and Accessories

## For 08918 Vista 8 Passenger EFI Shuttle Vehicle

<b>Product Name</b>	<b>Model/Part</b>
Folding Windshield Kit .....	08220
Beige Canopy, Vista 8 Passenger Shuttle Vehicle .....	08223
Beacon Kit .....	08225
Turn Signal Kit .....	144-5587
Side Mirrors Kit .....	145-7140
Rear View Mirror Kit.....	08141
Wide Angle Mirror Kit.....	133-1038
Wide Angle Mirror Kit.....	133-1009
Shim-Limiter .....	119-0807
Universal Wireless Hourmeter Kit .....	144-2436
External Antenna Kit, Wireless Hourmeter System .....	115-9524
Base Station Kit, Wireless Hourmeter System .....	115-9542
Repeater Kit, Wireless Hourmeter System .....	115-9543
Cargo Box, Vista Shuttle Vehicle .....	08228

**Notes:**

**Notes:**

**Notes:**



**Count on it.**