



Count on it.

Parts Catalog

60V 42in TimeCutter®

Riding Mower

Model No. 75841—Serial No. 40000000 and Up



Ordering Replacement Parts

To order replacement parts, please supply the part number, the quantity, and the description of each part desired.

Understanding Reference Numbers

Each identified part in an illustration has a reference number. The reference number for a part also appears in the parts list, along with other information about the part.

This catalog uses two special reference number formats, one to indicate parts in a service assembly and another to indicate the quantity of a given part in an illustration.

Service Assembly Reference Numbers

Parts in service assemblies have reference numbers in the form a:b. The a represents the reference number of the entire service assembly and the b represents a sequential number unique to each part within the service assembly.

For example, a wheel assembly might be identified by reference number 6, the tire by 6:1, the valve by 6:2, and the wheel by 6:3. When you order the assembly identified by reference number 6, you receive all parts identified by reference numbers 6:1, 6:2, and 6:3. However, you may also order any part individually. Reference numbers of this type appear in illustration and in parts lists.

Reference Numbers Indicating Quantity

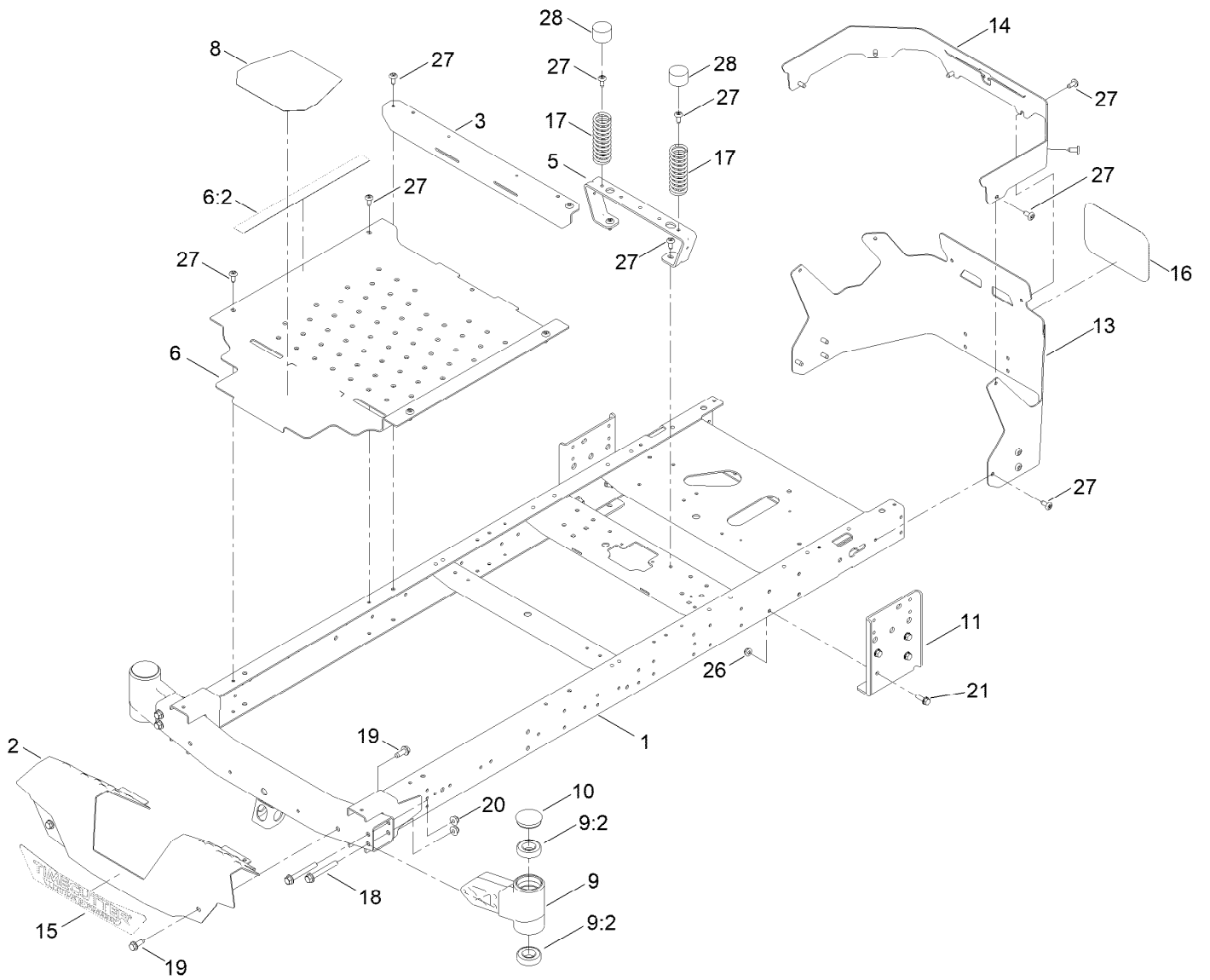
In an illustration, if a reference number indicates more than one part, the reference number has the form nX y. The n represents the quantity of the part, the X is the multiplication symbol, and the y represents the reference number.

For example, in an illustration, the reference number 2X 37 means that two of the parts identified by reference number 37 are indicated.

Contents

| | |
|--|----|
| Frame Assembly | 4 |
| Decklift Assembly | 6 |
| Caster Wheel Assembly | 8 |
| Traction Drive Assembly | 10 |
| Electric Transaxle Assembly No. 161-4488 | 12 |
| Brake Assembly | 14 |
| Rear Tire Assembly | 16 |
| Seat Assembly | 18 |
| Motion Control Assembly | 20 |
| Battery Box Assembly | 22 |
| Battery Box Assembly No. 161-4483 | 24 |
| Pod Assembly | 26 |
| Electrical Assembly | 28 |
| 42in Deck Assembly | 30 |
| Attachments and Accessories | 32 |

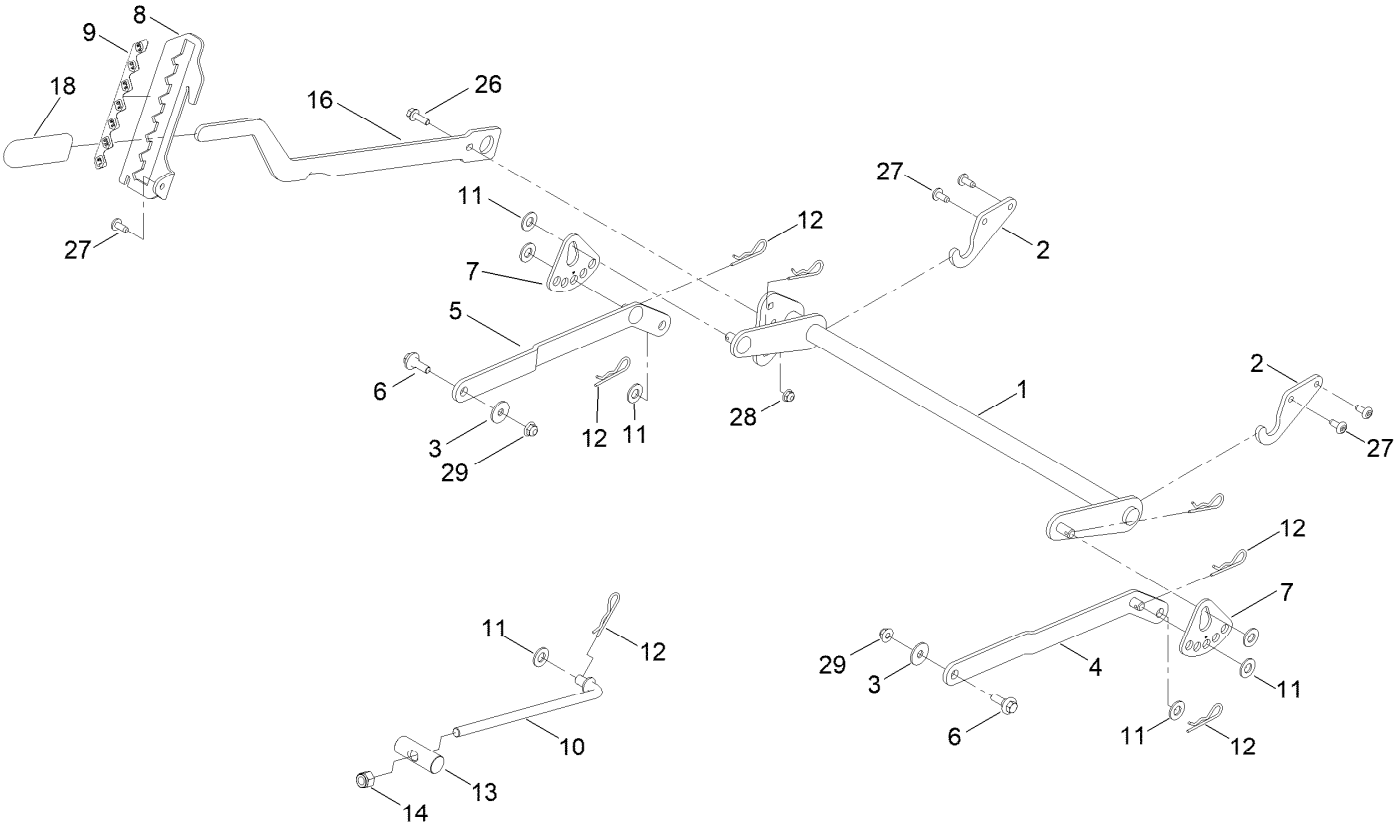
Frame Assembly



Frame Assembly (continued)

| <i>Ref.</i> | <i>Part Number</i> | <i>Qty.</i> | <i>Description</i> | <i>Ref.</i> | <i>Part Number</i> | <i>Qty.</i> | <i>Description</i> |
|-------------|--------------------|-------------|--------------------|-------------|--------------------|-------------|--------------------|
| 1 | 147-3005-01 | 1 | Frame ASM [red] | 14 | 147-7579-01 | 1 | Guard-Rear, Upper |
| 2 | 138-9827-07 | 1 | Footrest | 15 | 147-8705 | 1 | Decal-Timecutter |
| 3 | 138-9791-01 | 1 | Brace-Cross | 16 | 145-1978 | 1 | Decal-Logo, Silver |
| 5 | 138-6036-03 | 1 | Support-Seat | 17 | 138-2548 | 2 | Spring-Compression |
| 6 | 161-4457 | 1 | Pan-Floor ASM | 18 | 139-2429 | 4 | Screw-HHF |
| 6:2 | 147-7617 | 1 | Decal - Warning | 19 | 139-2428 | 4 | Screw-HWH |
| 8 | 139-3220 | 1 | Tread-Step | 20 | 139-2430 | 4 | Nut-HF, NI |
| 9 | 140-2098 | 2 | Axle Stub ASM | 21 | 139-2596 | 8 | Screw-HHF |
| 9:2 | 109-3678 | 2 | Bearing-Ball | 26 | 119-4041 | 8 | Nut-HF |
| 10 | 138-7200 | 2 | Cap-Grease | 27 | 138-9753 | 22 | Screw |
| 11 | 145-0415-01 | 2 | Plate-Mount, Drive | 28 | 701178 | 2 | Cap-Protector |
| 13 | 147-5205-07 | 1 | Guard-Rear | | | | |

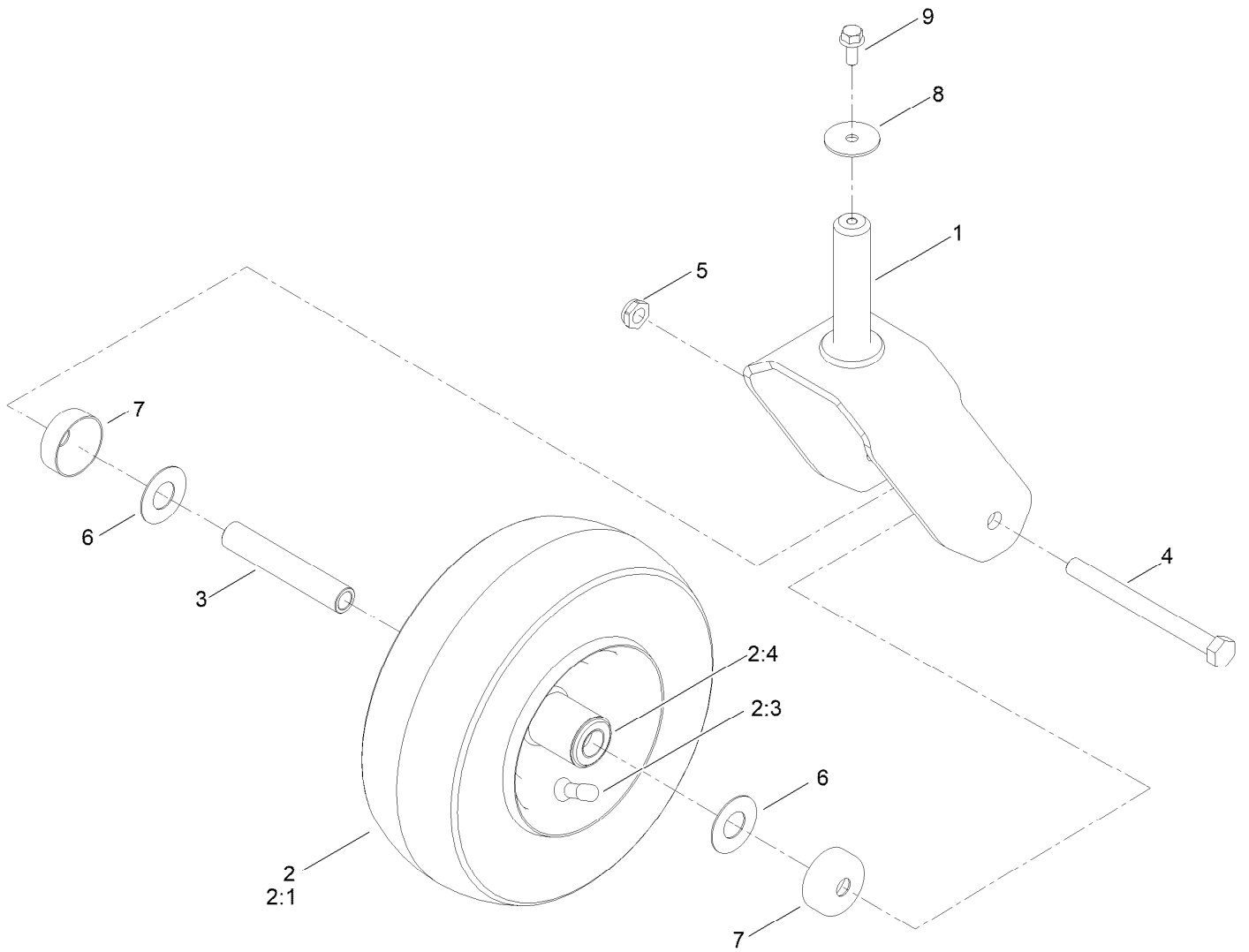
Decklift Assembly



Decklift Assembly (continued)

| <i>Ref.</i> | <i>Part Number</i> | <i>Qty.</i> | <i>Description</i> | <i>Ref.</i> | <i>Part Number</i> | <i>Qty.</i> | <i>Description</i> |
|-------------|--------------------|-------------|-------------------------|-------------|--------------------|-------------|--------------------|
| 1 | 137-7093-03 | 1 | Deck Lift ASM | 11 | 139-2611 | 7 | Washer-Flat |
| 2 | 138-6021 | 2 | Bracket-Pivot, Decklift | 12 | 139-2562 | 7 | Pin-Hair |
| 3 | 140-5063 | 2 | Washer-Hardened, Cz | 13 | 119-8810 | 1 | Pin-Pivot |
| 4 | 137-9844 | 1 | LH Arm ASM | 14 | 139-1725 | 1 | Nut-Hex |
| 5 | 137-9846 | 1 | RH Arm ASM | 16 | 137-7087-03 | 1 | Lever-Lift |
| 6 | 137-9847 | 2 | Screw-Shoulder | 18 | 1-633268 | 1 | Grip-Lever |
| 7 | 138-2564 | 2 | Plate-Adjustment, HOC | 26 | 139-2596 | 1 | Screw-HHF |
| 8 | 139-2350-01 | 1 | Bracket-HOC | 27 | 138-9753 | 5 | Screw |
| 9 | 139-2392 | 1 | Decal-HOC | 28 | 119-4041 | 1 | Nut-HF |
| 10 | 138-6050 | 1 | Rod-Mount, Deck | 29 | 119-4042 | 2 | Nut-HF, NI |

Caster Wheel Assembly

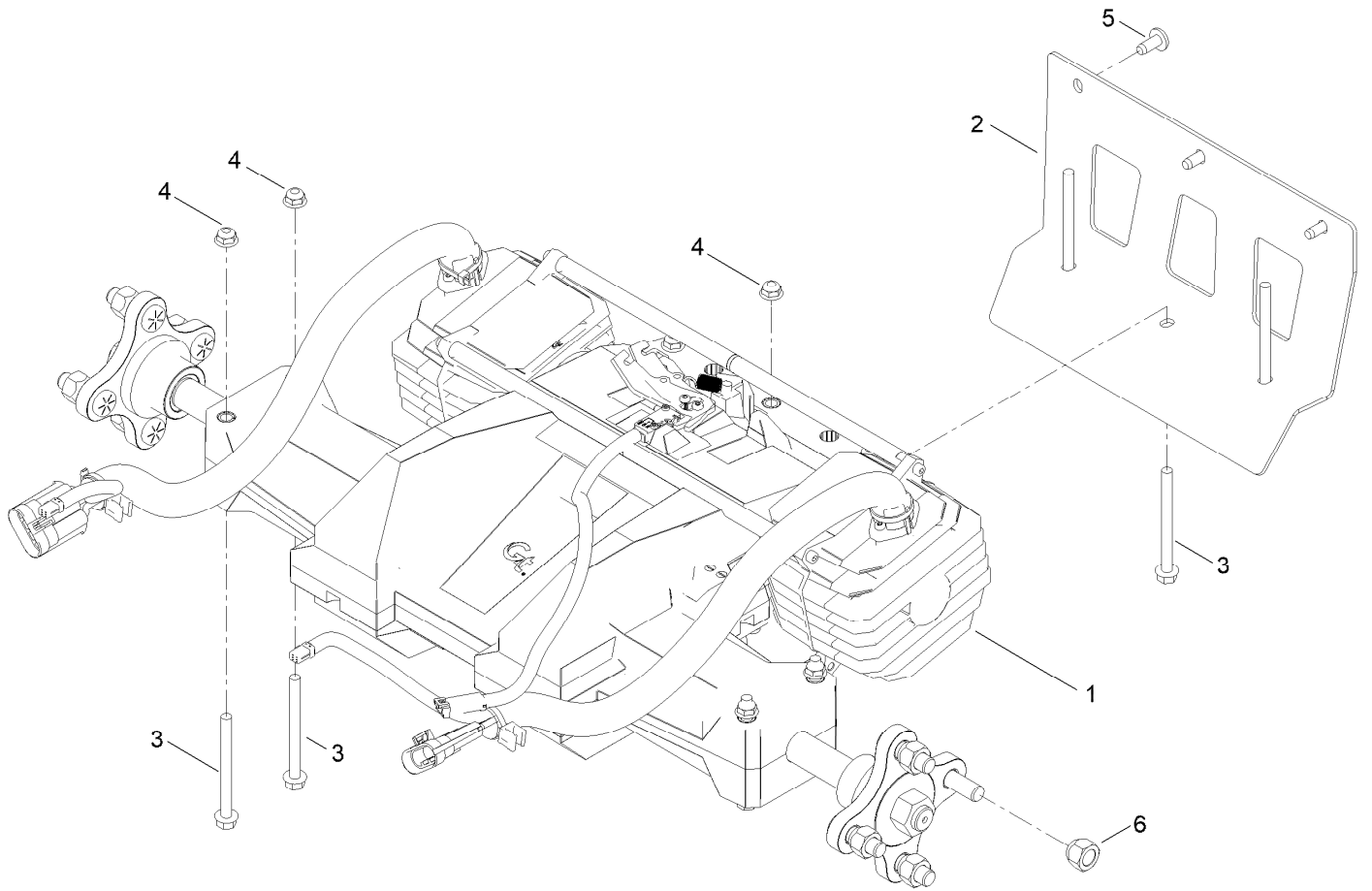


Caster Wheel Assembly (continued)

| <i>Ref.</i> | <i>Part Number</i> | <i>Qty.</i> | <i>Description</i> | <i>Ref.</i> | <i>Part Number</i> | <i>Qty.</i> | <i>Description</i> |
|-------------|--------------------|-------------|--------------------|-------------|--------------------|-------------|--------------------|
| 1 | 139-3274-01 | 2 | Fork ASM | 4 | 139-2607 | 2 | Screw-HH |
| 2 | 147-5203 | 2 | Tire ASM | 5 | 139-2617 | 2 | Nut-Lock, NI |
| 2:1 | 147-2936 | 1 | Tire | 6 | 136-5590 | 4 | Washer |
| 2:3 | 232-27 | 1 | Stem-Valve | 7 | 138-7208 | 4 | Guard-Seal |
| 2:4 | 136-4190 | 2 | Bearing | 8 | 115-1151 | 2 | Washer-Flat |
| 2:99 | 105-0844 | 1 | Tube-Inner ● | 9 | 139-2598 | 2 | Screw-HHF |
| 3 | 147-7593 | 2 | Spacer-Spanner | | | | |

● Not illustrated

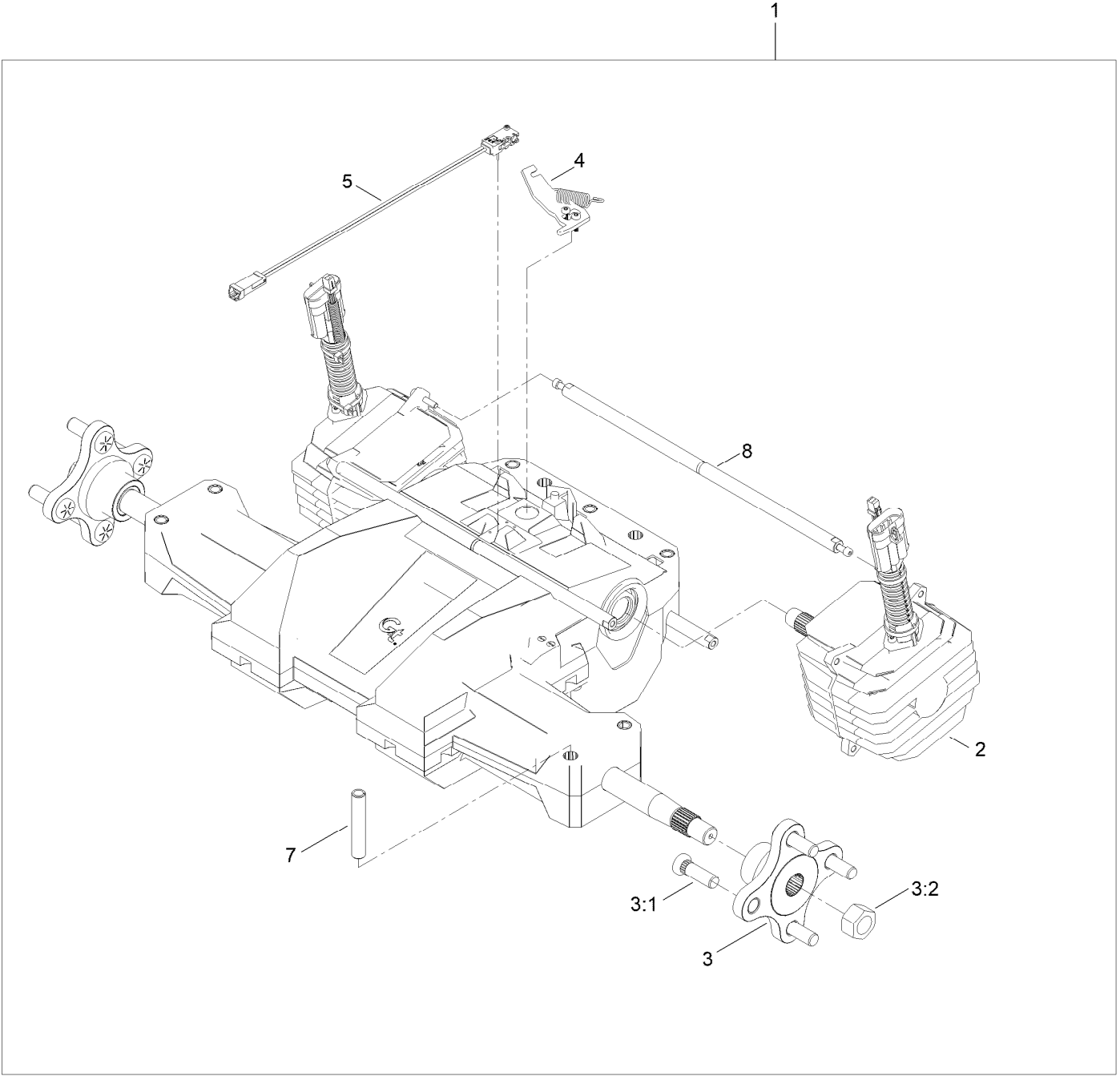
Traction Drive Assembly



Traction Drive Assembly (continued)

| <i>Ref.</i> | <i>Part Number</i> | <i>Qty.</i> | <i>Description</i> | <i>Ref.</i> | <i>Part Number</i> | <i>Qty.</i> | <i>Description</i> |
|-------------|--------------------|-------------|-------------------------|-------------|--------------------|-------------|--------------------|
| 1 | 161-4488 | 1 | Transaxle-Electric, 18" | 4 | 119-4041 | 7 | Nut-HF |
| 2 | 144-5335-01 | 1 | Bracket-Transmission | 5 | 138-9753 | 3 | Screw |
| 3 | 147-5202 | 7 | Screw-HH | 6 | 139-2564 | 8 | Nut-Lug |

Electric Transaxle Assembly No. 161-4488

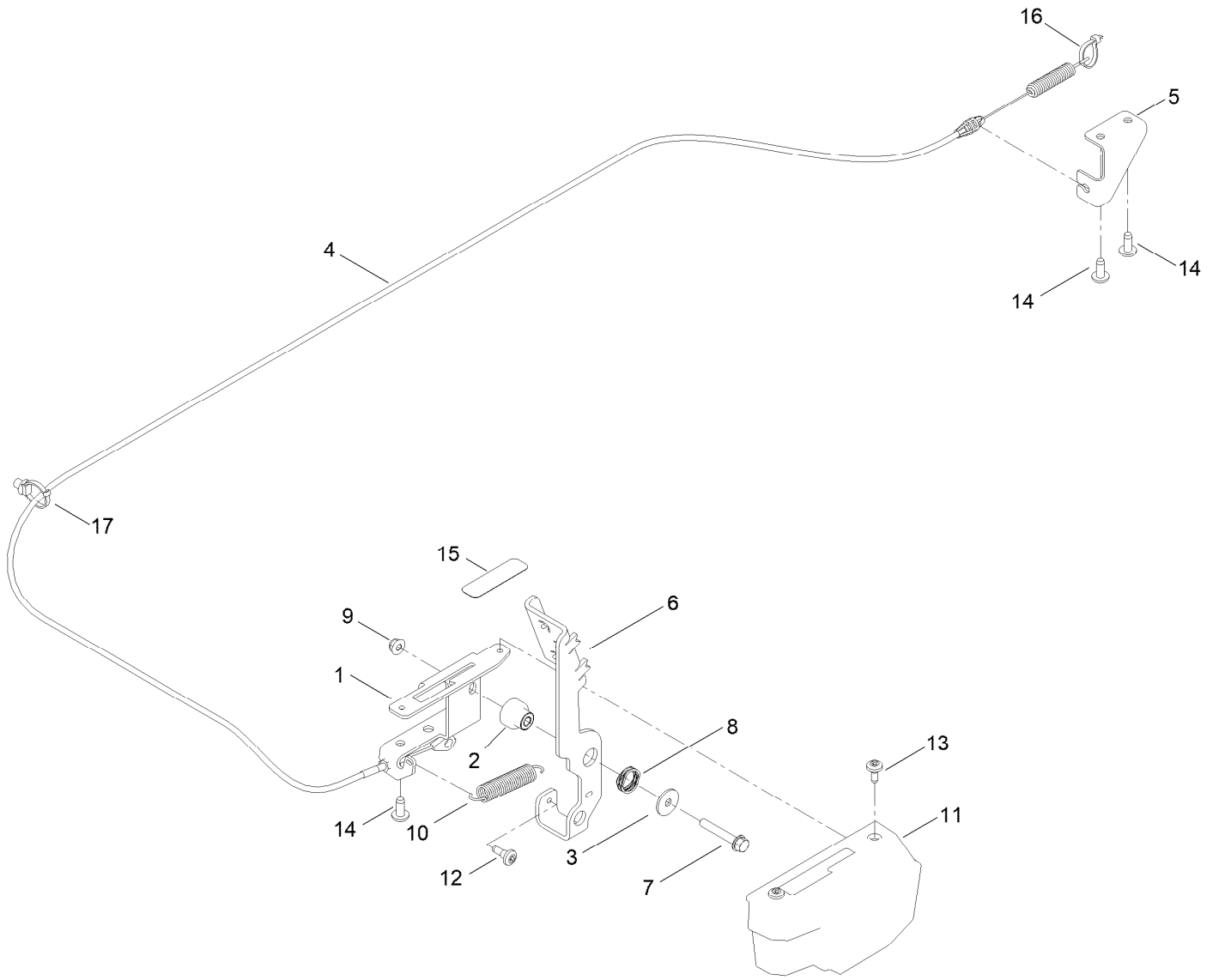


Electric Transaxle Assembly No. 161-4488 (continued)

| <i>Ref.</i> | <i>Part Number</i> | <i>Qty.</i> | <i>Description</i> |
|-------------|--------------------|-------------|-----------------------------|
| 1 | 147-2238 | 1 | Transaxle-Electric,18" Tire |
| 2 | 161-6416 | 2 | Motor ASM |
| 3 | 161-4491 | 2 | Wheel Hub ASM |
| 3:1 | 161-4492 | 4 | Stud-Wheel |
| 3:2 | 161-4647 | 1 | Nut-Hub |

| <i>Ref.</i> | <i>Part Number</i> | <i>Qty.</i> | <i>Description</i> |
|-------------|--------------------|-------------|--------------------|
| 4 | 161-4493 | 1 | Arm-Brake ASM |
| 5 | 161-4494 | 1 | Switch-Brake ASM |
| 7 | 161-4496 | 7 | Spacer |
| 8 | 161-4497 | 3 | Rod-Cross |

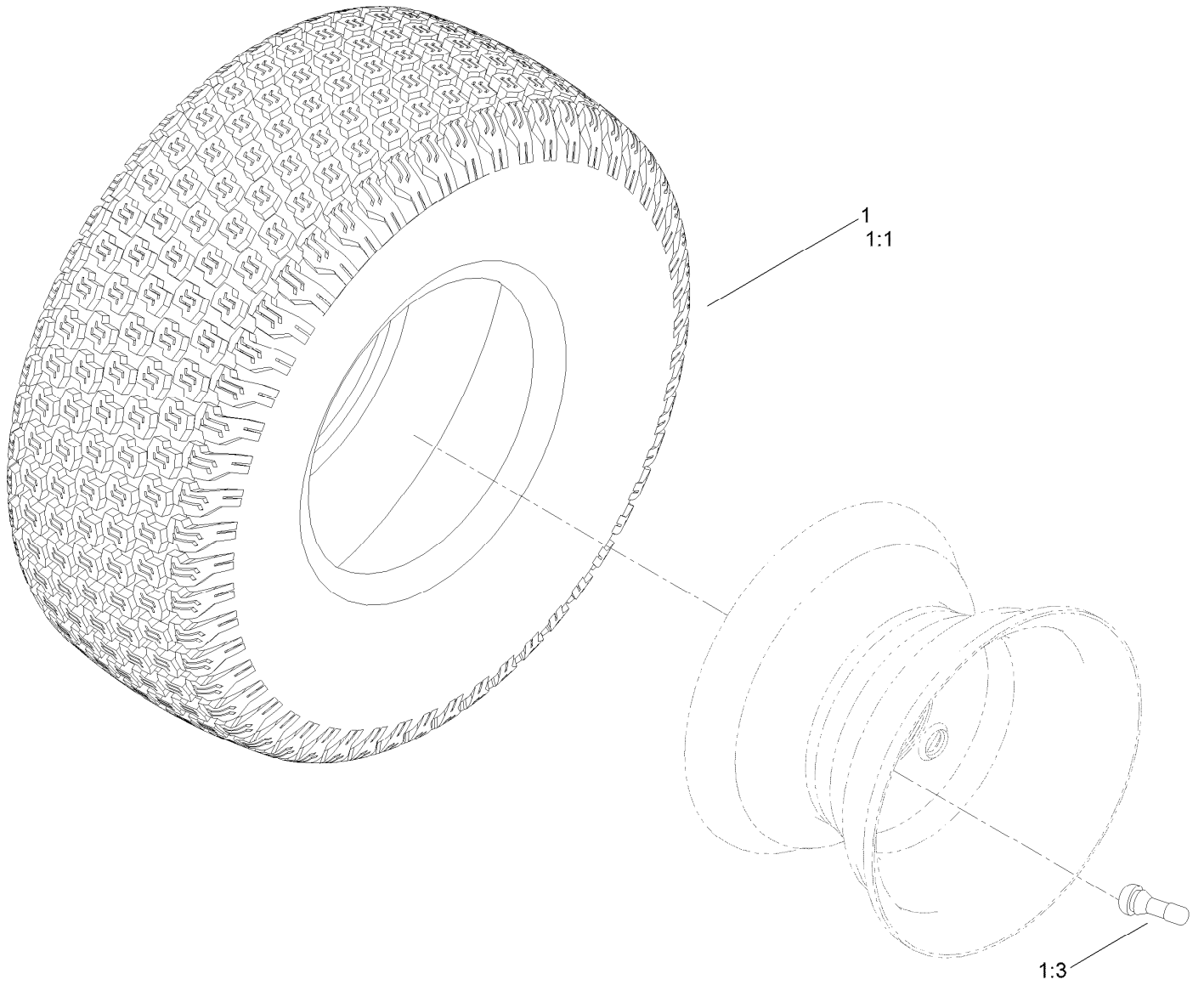
Brake Assembly



Brake Assembly (continued)

| <i>Ref.</i> | <i>Part Number</i> | <i>Qty.</i> | <i>Description</i> | <i>Ref.</i> | <i>Part Number</i> | <i>Qty.</i> | <i>Description</i> |
|-------------|--------------------|-------------|----------------------|-------------|--------------------|-------------|----------------------|
| 1 | 147-5182-03 | 1 | Bracket-Pedal, Brake | 10 | 137-7040 | 1 | Spring-Return, Pedal |
| 2 | 147-7741 | 1 | Bushing-Flange | 11 | 147-3048 | 1 | Cover-Brake, Parking |
| 3 | 5-4460 | 1 | Washer-Pivot | 12 | 135-2015 | 1 | Screw-Shoulder |
| 4 | 145-0490 | 1 | Cable-Brake | 13 | 120-7950 | 2 | Screw-Torx |
| 5 | 147-5201-03 | 1 | Bracket-Cable, Brake | 14 | 138-9753 | 3 | Screw |
| 6 | 147-5181-03 | 1 | Pedal-Brake | 15 | 139-1271 | 1 | Decal-Brake, Parking |
| 7 | 142-6275 | 1 | Screw-HHF | 16 | 1-303287 | 1 | Tie-Cable |
| 8 | 120-5116 | 1 | Washer-Wave | 17 | 32180-030 | 1 | Clip-Tie |
| 9 | 119-4041 | 1 | Nut-HF | | | | |

Rear Tire Assembly

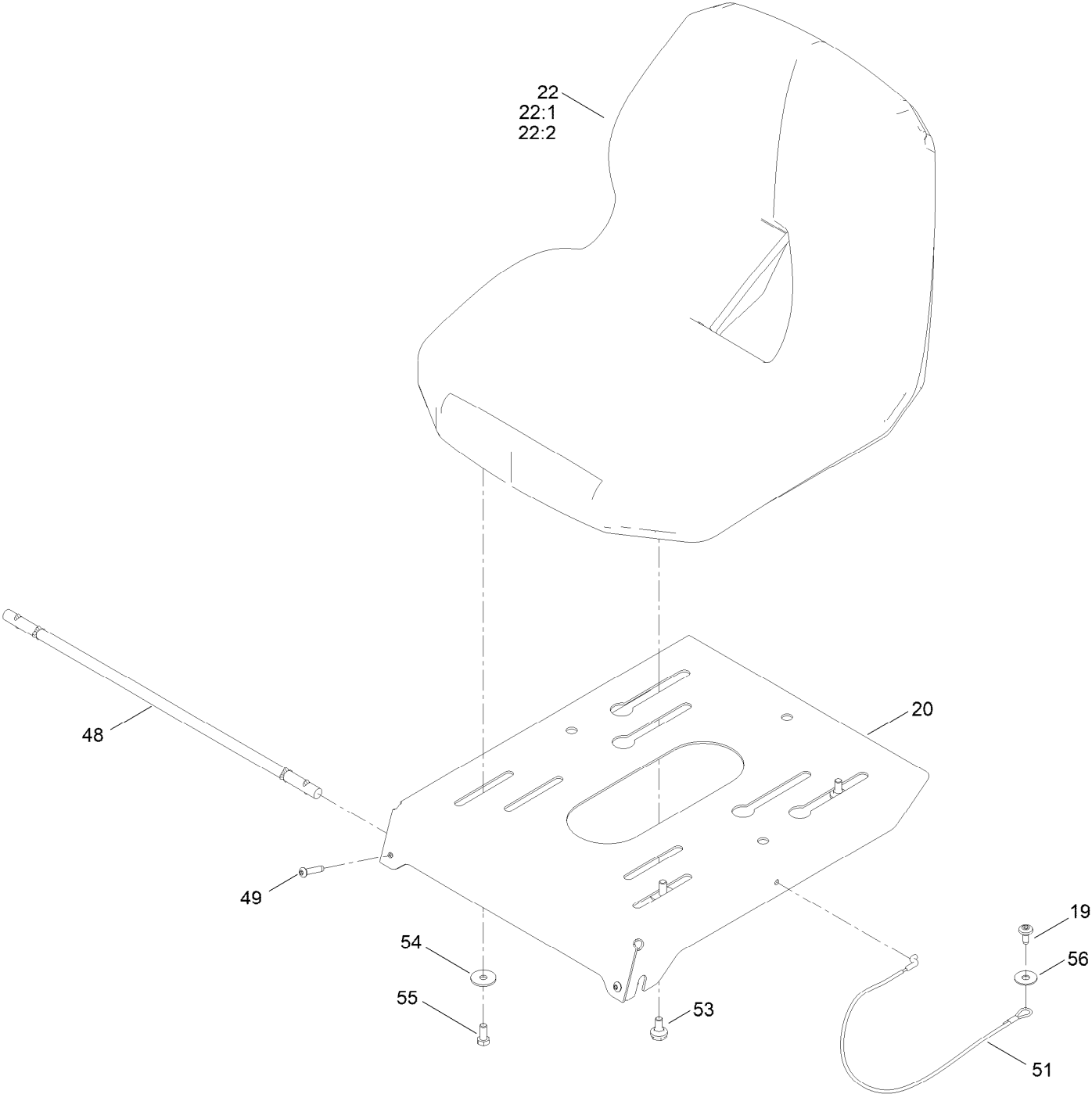


Rear Tire Assembly (continued)

| <i>Ref.</i> | <i>Part Number</i> | <i>Qty.</i> | <i>Description</i> | <i>Ref.</i> | <i>Part Number</i> | <i>Qty.</i> | <i>Description</i> |
|-------------|--------------------|-------------|--------------------|-------------|--------------------|-------------|--------------------|
| 1 | 139-5846 | 2 | Tire ASM | 1:3 | 232-27 | 1 | Stem-Valve |
| 1:1 | 126-1618 | 1 | Tire | 1:99 | 107-2491 | 1 | Tube-Tire ● |

● Not illustrated

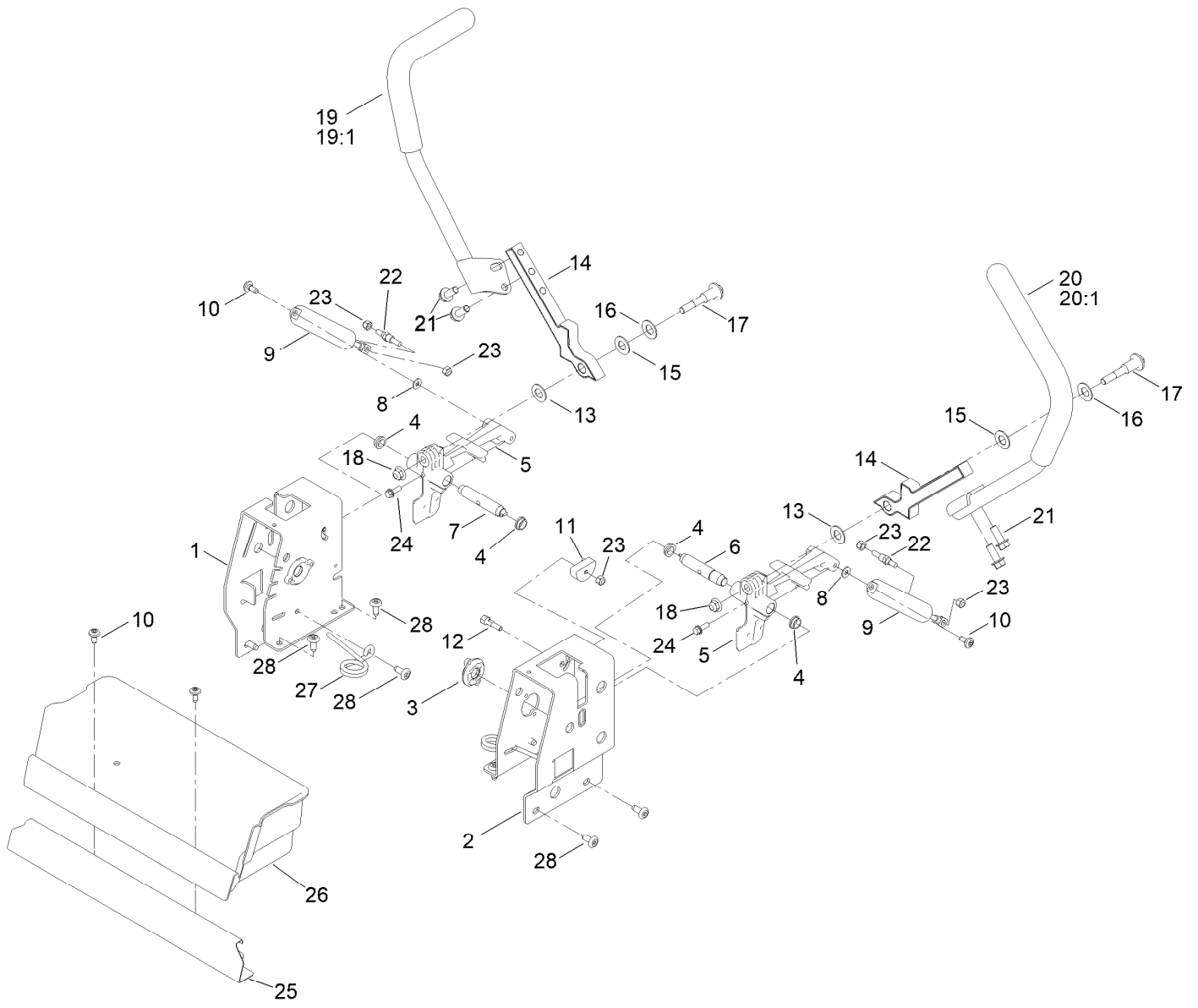
Seat Assembly



Seat Assembly (continued)

| <i>Ref.</i> | <i>Part Number</i> | <i>Qty.</i> | <i>Description</i> | <i>Ref.</i> | <i>Part Number</i> | <i>Qty.</i> | <i>Description</i> |
|-------------|--------------------|-------------|--------------------|-------------|--------------------|-------------|--------------------|
| 19 | 120-7950 | 1 | Screw-Torx | 49 | 137-3010 | 2 | Screw-BHCS |
| 20 | 138-9781-03 | 1 | Pan-Seat | 51 | 139-2398 | 1 | Cable-Lanyard |
| 22 | 147-7744 | 1 | Seat-16 In | 53 | 37-8771 | 2 | Bolt-Shoulder, HF |
| 22:1 | 147-7743 | 1 | Seat-16 In | 54 | 5-4460 | 2 | Washer-Pivot |
| 22:2 | 82-2190 | 1 | Switch-Bail | 55 | 137-3052 | 2 | Screw-HH |
| 48 | 138-7555 | 1 | Rod-Pivot | 56 | 147-5287 | 1 | Washer-Flat |

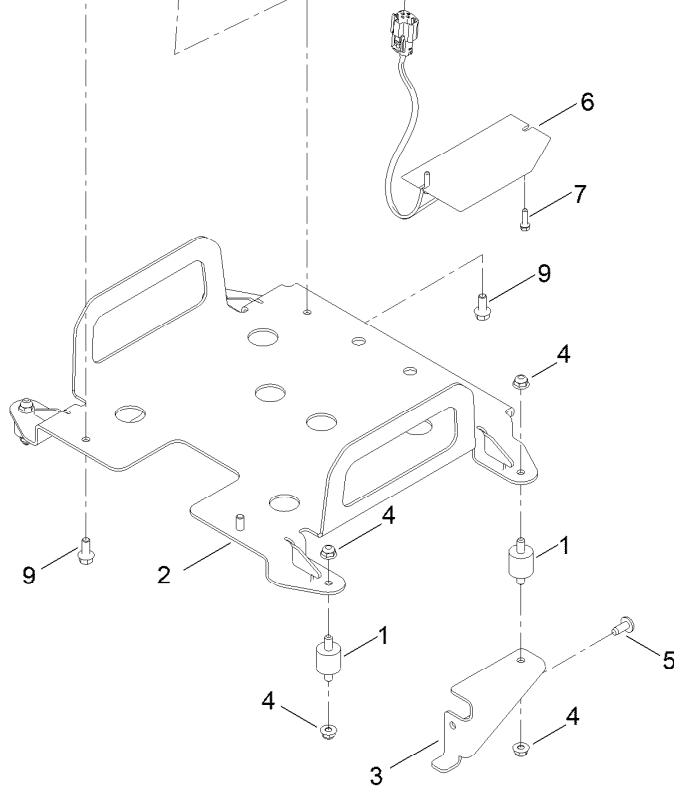
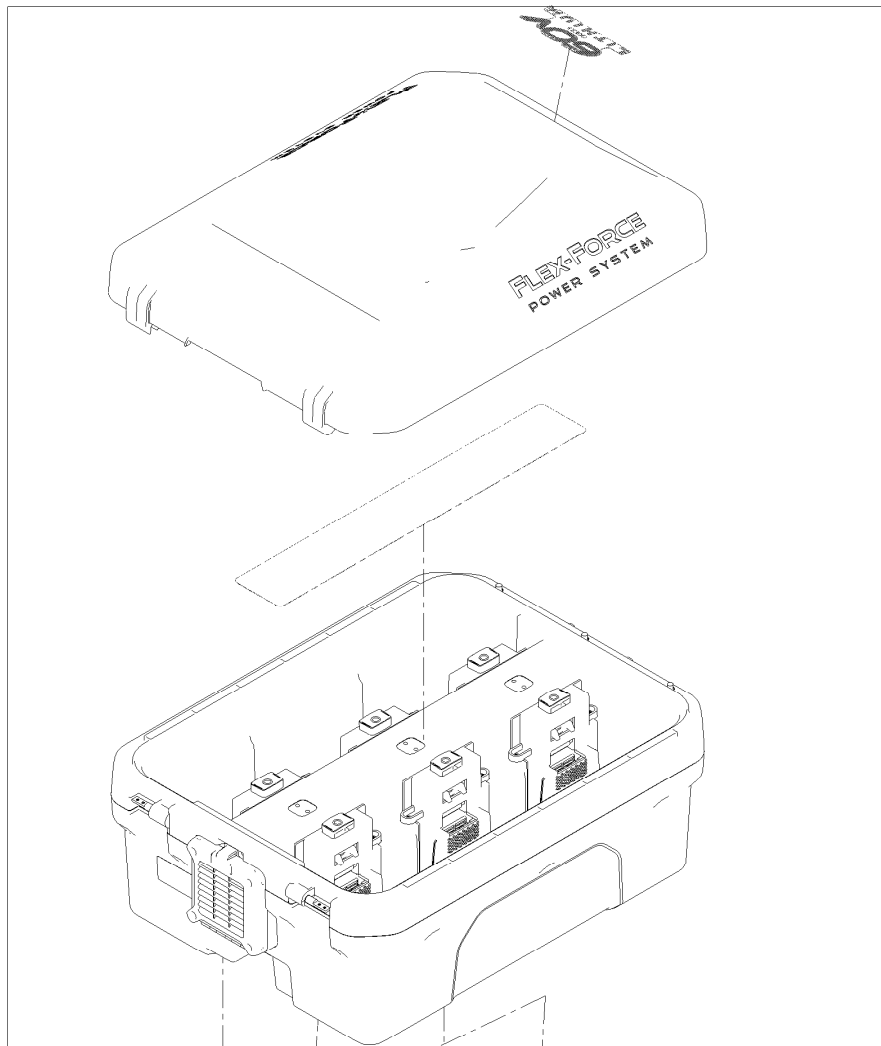
Motion Control Assembly



Motion Control Assembly (continued)

| <i>Ref.</i> | <i>Part Number</i> | <i>Qty.</i> | <i>Description</i> | <i>Ref.</i> | <i>Part Number</i> | <i>Qty.</i> | <i>Description</i> |
|-------------|--------------------|-------------|-----------------------|-------------|--------------------|-------------|--------------------|
| 1 | 140-8322-03 | 1 | Plate-Control Box, RH | 16 | 119-8925 | 2 | Washer-Belleville |
| 2 | 140-8342-03 | 1 | Plate-Control Box, LH | 17 | 139-2556 | 2 | Bolt-Pivot |
| 3 | 147-7552 | 2 | Spacer-Sensor | 18 | 119-4042 | 2 | Nut-HF, NI |
| 4 | 147-7551 | 4 | Bushing-Flange | 19 | 133-7057 | 1 | Handle-Control, RH |
| 5 | 147-2903 | 2 | Arm-Actuator | 19:1 | 121-0726 | 1 | Grip |
| 6 | 147-3009 | 1 | Pin-Lever Pivot, LH | 20 | 133-7055 | 1 | Handle-Control, LH |
| 7 | 147-3010 | 1 | Pin-Lever Pivot, RH | 20:1 | 121-0726 | 1 | Grip |
| 8 | 119-8952 | 2 | Washer | 21 | 139-2597 | 4 | Screw-HHF |
| 9 | 132-6853 | 2 | Damper-Non Cavitating | 22 | 138-7215 | 2 | Stud-Damper |
| 10 | 120-7950 | 4 | Screw-Torx | 23 | 137-3088 | 6 | Nut-Hex |
| 11 | 139-5803 | 2 | Eccentric | 24 | 119-1138 | 2 | Screw-HHF |
| 12 | 139-5811 | 2 | Bolt-Pivot, Eccentric | 25 | 139-3280-01 | 1 | Plate-Kick |
| 13 | 120-2273 | 2 | Washer-Nylon | 26 | 145-0421 | 1 | Box-Storage |
| 14 | 133-9299-05 | 2 | Arm-Control | 27 | 138-7539 | 2 | Spring-Torsion |
| 15 | 117-1240 | 2 | Washer | 28 | 138-9753 | 10 | Screw |

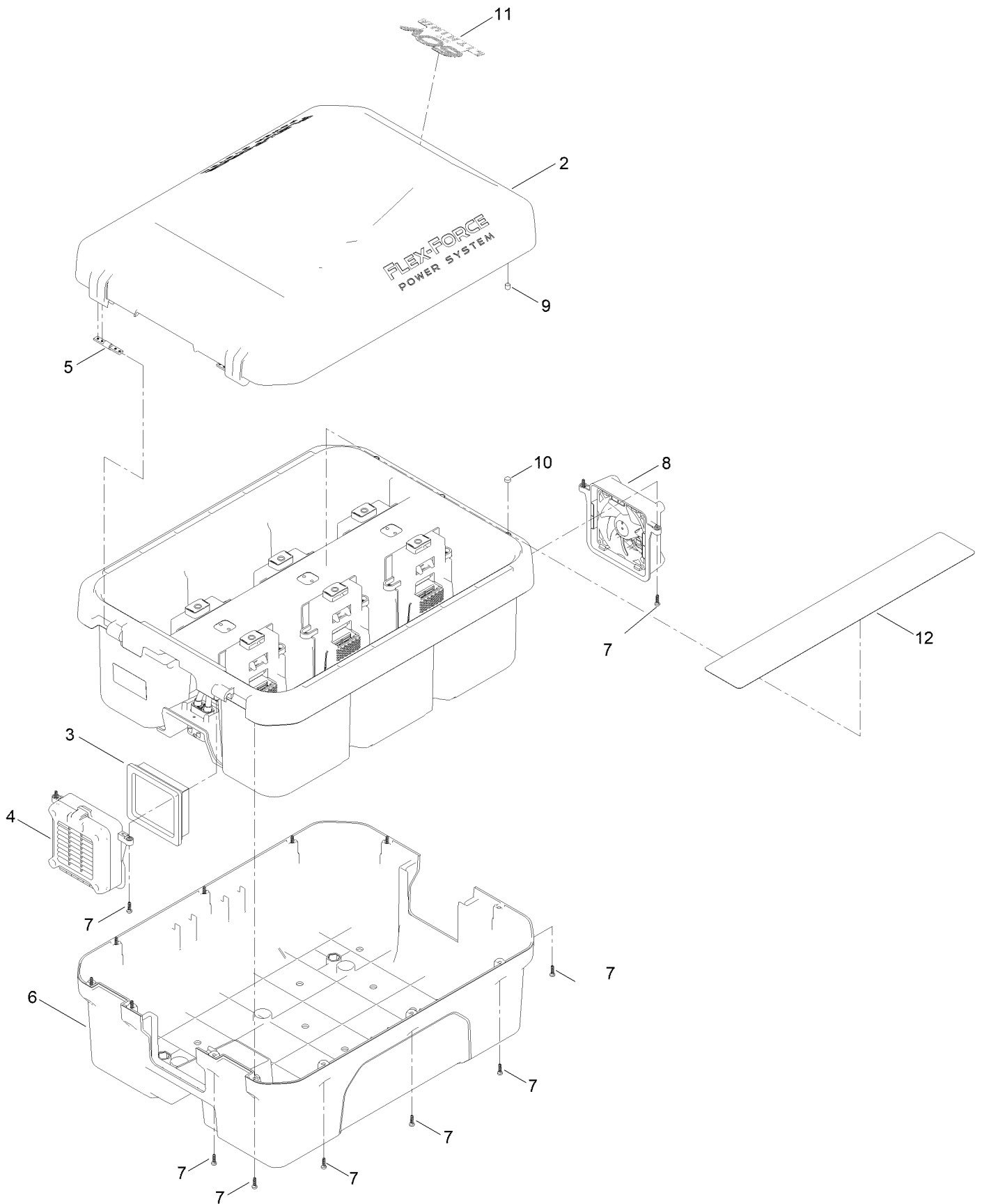
Battery Box Assembly



Battery Box Assembly (continued)

| <i>Ref.</i> | <i>Part Number</i> | <i>Qty.</i> | <i>Description</i> | <i>Ref.</i> | <i>Part Number</i> | <i>Qty.</i> | <i>Description</i> |
|-------------|--------------------|-------------|----------------------------|-------------|--------------------|-------------|--------------------------|
| 1 | 147-7605 | 4 | Isolator-1 In OD (5/16-18) | 6 | 147-2192 | 1 | Resistor-Regen |
| 2 | 161-4468-01 | 1 | Battery Mount ASM [red] | 7 | 145-6922 | 2 | Screw-HWH Thd Roll Zct+w |
| 3 | 147-7672-03 | 2 | Mount-Box, Rear | 8 | 161-4483 | 1 | Box-Battery, ASM |
| 4 | 119-4041 | 8 | Nut-HF | 9 | 139-2598 | 4 | Screw-HHF |
| 5 | 138-9753 | 2 | Screw | | | | |

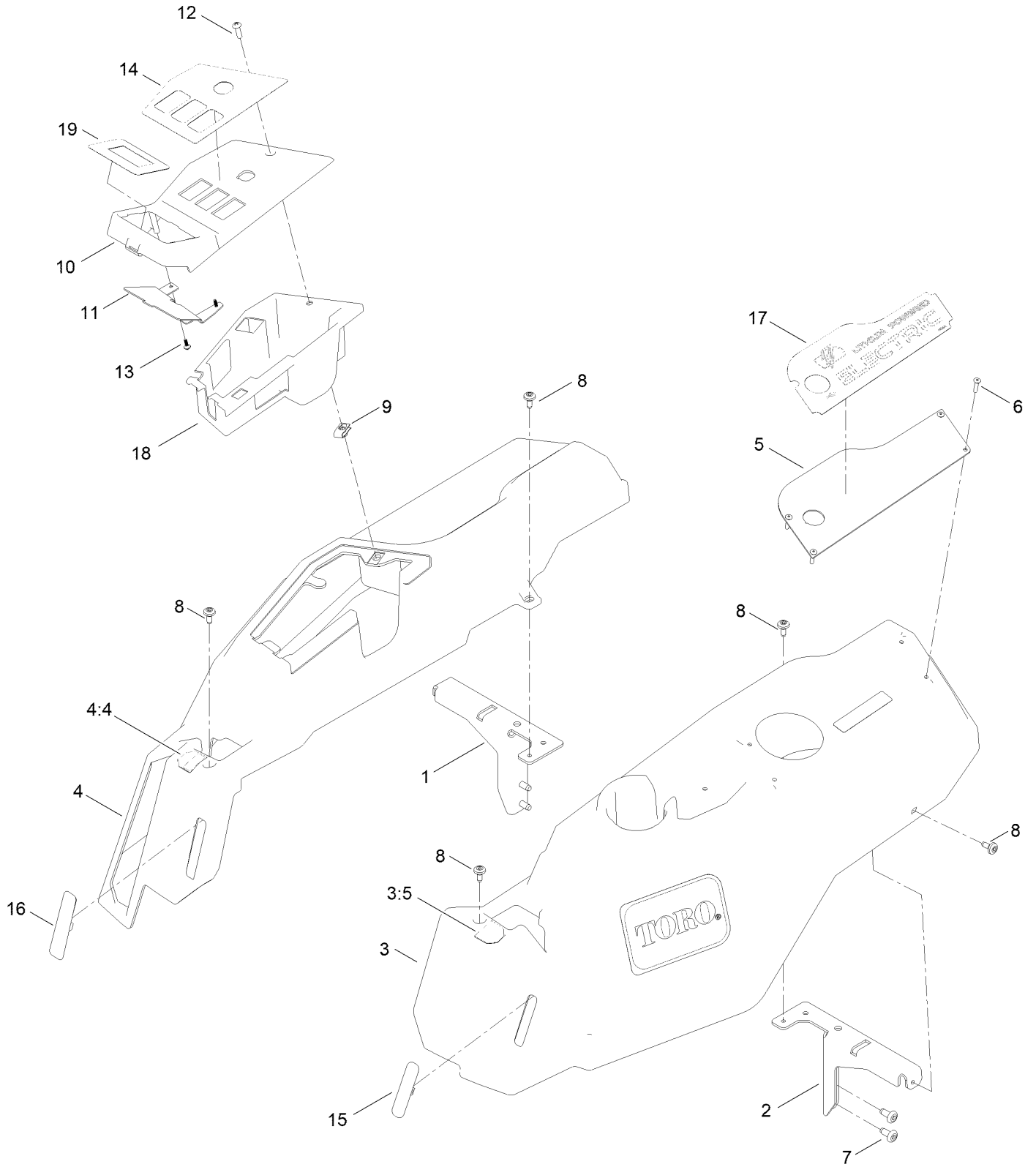
Battery Box Assembly No. 161-4483



Battery Box Assembly No. 161-4483 (continued)

| <i>Ref.</i> | <i>Part Number</i> | <i>Qty.</i> | <i>Description</i> | <i>Ref.</i> | <i>Part Number</i> | <i>Qty.</i> | <i>Description</i> |
|-------------|--------------------|-------------|----------------------------------|-------------|--------------------|-------------|--------------------------|
| 2 | 147-5348 | 1 | Cover-Box, Battery | 8 | 161-4487 | 1 | Fan-ASM |
| 3 | 147-5345 | 1 | Filter-Air | 9 | 161-4645 | 3 | Magnet-Lid, Battery Box |
| 4 | 147-5344 | 1 | Housing-Filter | 10 | 161-4646 | 3 | Magnet-Base, Battery Box |
| 5 | 161-4648 | 2 | Hinge-Box ASM, Battery | 11 | 147-4208 | 1 | Decal-60V, Lithium |
| 6 | 147-5342 | 1 | Box-Battery, Outer | 12 | 147-7621 | 1 | Decal-Lithium |
| 7 | 161-4486 | 16 | Screw-Plastic 4Mmx14MM, Globe | | | | |

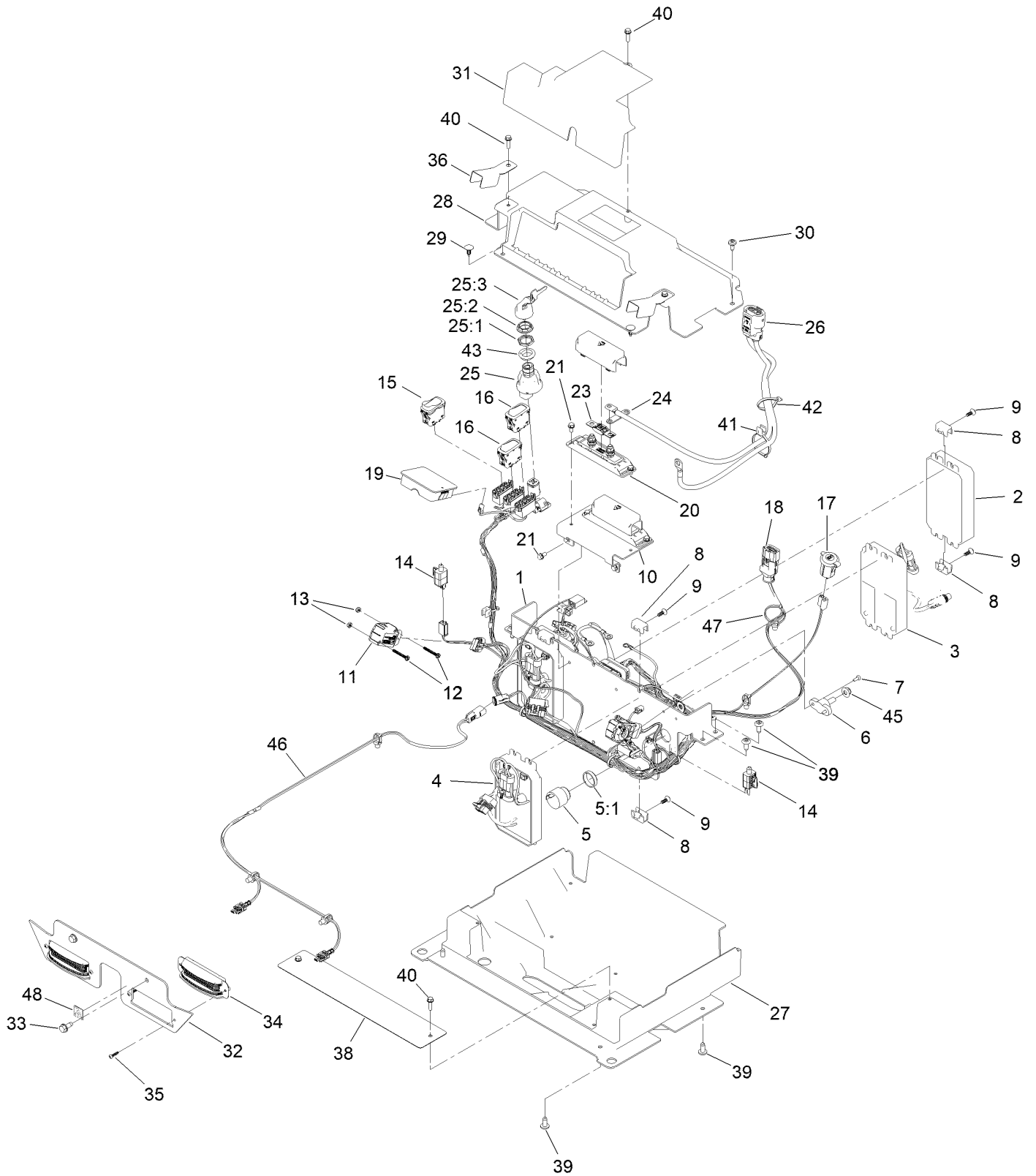
Pod Assembly



Pod Assembly (continued)

| <i>Ref.</i> | <i>Part Number</i> | <i>Qty.</i> | <i>Description</i> | <i>Ref.</i> | <i>Part Number</i> | <i>Qty.</i> | <i>Description</i> |
|-------------|--------------------|-------------|---------------------------|-------------|--------------------|-------------|----------------------|
| 1 | 138-6070-03 | 1 | Support-Pod, RH | 10 | 147-7576 | 1 | Pod-Control |
| 2 | 138-6071-03 | 1 | Support-Pod, LH | 11 | 147-7577-03 | 1 | Cover-Console |
| 3 | 145-0501 | 1 | Pod-LH | 12 | 3258-166 | 1 | Screw-PRH |
| 3:5 | 147-7620 | 1 | Decal - Control Lever, LH | 13 | 145-5837 | 2 | Screw-Plastic,Tbfh |
| 4 | 147-8768 | 1 | Pod-RH | 14 | 147-7614 | 1 | Decal-Panel, Control |
| 4:4 | 147-7619 | 1 | Decal - Control Lever, RH | 15 | 147-7629 | 1 | Plug-Pod, LH |
| 5 | 145-0502-03 | 1 | Plate-Cover, Pod | 16 | 147-7691 | 1 | Plug-Sc |
| 6 | 130-8451 | 4 | Rivet-Trifold | 17 | 147-7641 | 1 | Decal-60V Lithium |
| 7 | 138-9753 | 4 | Screw | 18 | 147-7666 | 1 | Cover-Switch |
| 8 | 120-7950 | 6 | Screw-Torx | 19 | 147-7715 | 1 | Decal-Gt Display |
| 9 | 107069 | 1 | Clip | | | | |

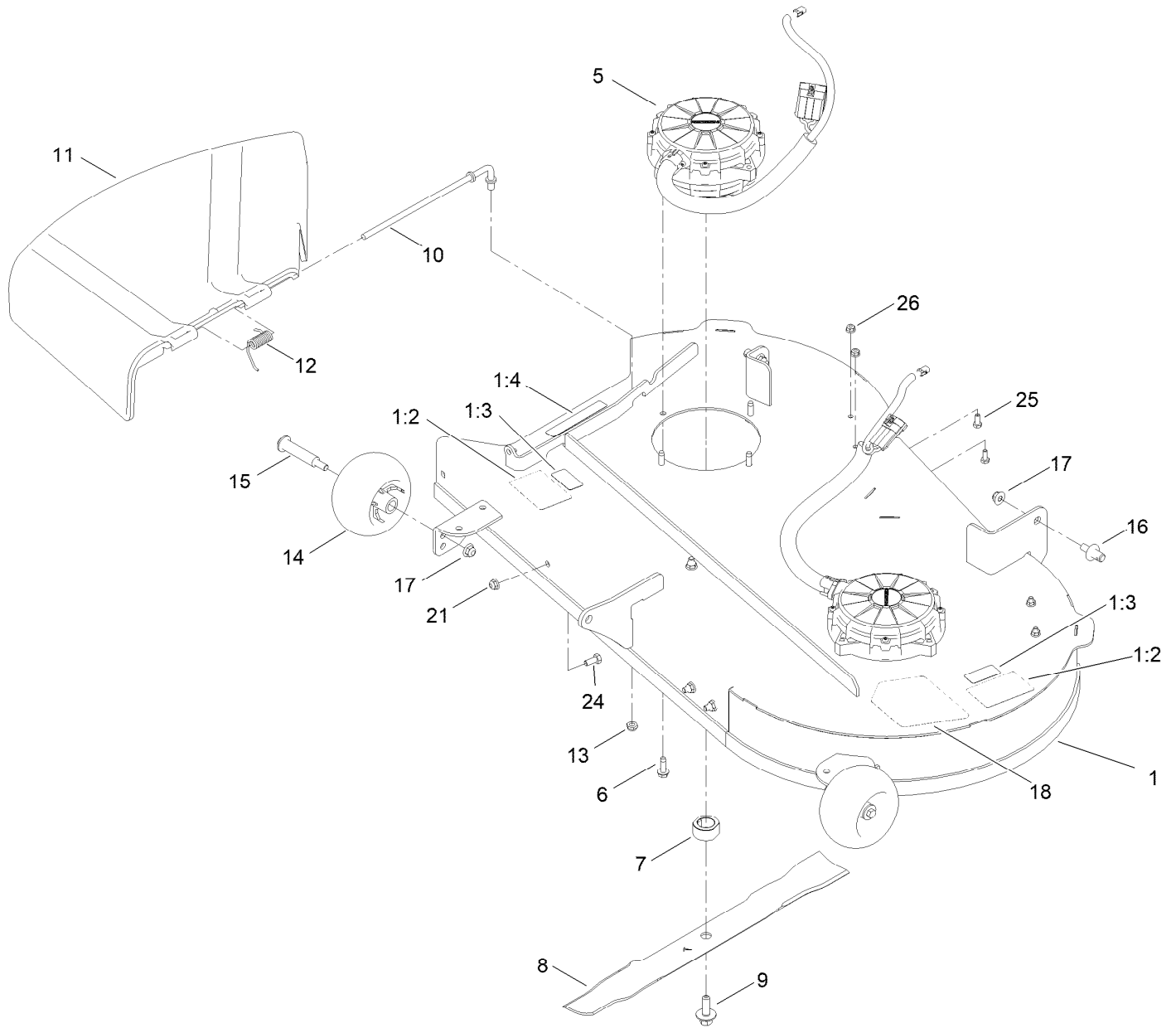
Electrical Assembly



Electrical Assembly (continued)

| <i>Ref.</i> | <i>Part Number</i> | <i>Qty.</i> | <i>Description</i> | <i>Ref.</i> | <i>Part Number</i> | <i>Qty.</i> | <i>Description</i> |
|-------------|--------------------|-------------|-------------------------------|-------------|--------------------|-------------|---------------------------|
| 1 | 147-7667-03 | 1 | Mount-Controllers | 25 | 122-2513 | 1 | Switch-Ignition, Suns |
| 2 | 147-7631 | 1 | Controller-Master | 25:1 | 121-5160 | 1 | Nut-Hex |
| 3 | 147-7635 | 2 | Controller-Traction | 25:2 | 122-2704 | 1 | Nut-Face, M22 (Plastic) |
| 4 | 147-7633 | 2 | Controller-Deck | 25:3 | 121-5162 | 1 | Set-Key, Ignition |
| 5 | 80-9330 | 1 | Audio Alarm ASM | 26 | 147-7584 | 1 | Harness-Wire, Power Cable |
| 5:1 | 104-5107 | 1 | Nut-Plastic, Knurled | 27 | 147-7668 | 1 | Cover-Bottom |
| 6 | 110-8823 | 1 | Block-Junction | 28 | 147-7670 | 1 | Cover-Controller |
| 7 | 105-6849 | 2 | Screw-Forming, Thread | 29 | 117-2382 | 2 | Plug-Plastic |
| 8 | 145-0586 | 6 | Clip-Controller | 30 | 120-7950 | 2 | Screw-Torx |
| 9 | 138-5775 | 6 | Screw-Delta Point | 31 | 147-7680 | 1 | Cover-Outer |
| 10 | 147-5200-03 | 1 | Mount-Holder, Fuse | 32 | 139-7488-01 | 1 | Mount-Head Lights |
| 11 | 140-8373 | 2 | Sensor | 33 | 32144-70 | 2 | Screw-HWHTF |
| 12 | 147-7729 | 4 | Screw-HWH | 34 | 139-5825 | 2 | ASM-Light,LED |
| 13 | 147-7730 | 4 | Nut-Hex NI | 35 | 94-4496 | 4 | Screw-PPH |
| 14 | 110-6765 | 2 | Switch | 36 | 147-7681-03 | 2 | Cover-Sensor |
| 15 | 139-6368 | 1 | Switch-Rocker, On-None-On | 38 | 147-7719-03 | 1 | Cover-Wire |
| 16 | 145-0467 | 2 | Switch-Rocker On- None- On | 39 | 138-9753 | 8 | Screw |
| 17 | 140-7955 | 1 | Port-Power, USB | 40 | 137-3099 | 5 | Screw-Plastite, HWH |
| 18 | 139-6393 | 1 | Harness-Wire, 2 Blade Main | 41 | 32180-078 | 1 | Clip-Edge |
| 19 | 147-2198 | 1 | Display | 42 | 3290-378 | 1 | Tie-Cable |
| 20 | 145-4958 | 2 | Holder-Fuse | 43 | 145-7110 | 1 | Adapter-Switch, Key |
| 21 | 32144-4 | 6 | Screw-HWH | 45 | 119-4042 | 1 | Nut-HF, NI |
| 23 | 122-2559 | 2 | Fuse-100 Amp | 46 | 147-8762 | 1 | Harness-Wire, LED Lights |
| 24 | 147-5340 | 1 | Busbar-2, Switch | 47 | 32180-030 | 1 | Clip-Tie |
| | | | | 48 | 147-0290 | 1 | Decal-Light, Warning |

42in Deck Assembly



42in Deck Assembly (continued)

| <i>Ref.</i> | <i>Part Number</i> | <i>Qty.</i> | <i>Description</i> | <i>Ref.</i> | <i>Part Number</i> | <i>Qty.</i> | <i>Description</i> |
|-------------|--------------------|-------------|-----------------------------|-------------|--------------------|-------------|-----------------------|
| 1 | 147-7654 | 1 | 42 In Deck And Decal ASM | 12 | 138-7268 | 1 | Spring-Torsion |
| 1:2 | 147-7615 | 2 | Decal-Danger, Deck | 13 | 121-4600 | 1 | Nut-Hex |
| 1:3 | 137-8127 | 2 | Decal-No Spray | 14 | 1-603299 | 2 | Roller-Scalp, Anti |
| 1:4 | 130-0731 | 1 | Decal-Danger | 15 | 139-2551 | 2 | Bolt-Shoulder |
| 5 | 140-8379 | 2 | Motor-Deck | 16 | 139-5871 | 2 | Pin-Deck |
| 6 | 136-7174 | 8 | Screw-Thd Roll, HWH | 17 | 119-4042 | 4 | Nut-HF, NI |
| 7 | 140-8361 | 2 | Driver-Blade | 18 | 147-7562 | 1 | Decal-Iron Forged, 42 |
| 8 | 144-1948-03 | 2 | Blade-21.60 In, Combination | 21 | 119-4041 | 4 | Nut-HF |
| 9 | 145-0411 | 2 | Bolt-Blade, Sems | 24 | 137-3052 | 4 | Screw-HH |
| 10 | 137-2019 | 1 | Rod-Pivot | 25 | 137-3041 | 4 | Screw-HH |
| 11 | 138-7502 | 1 | Deflector-Discharge | 26 | 119-4040 | 4 | Nut-HF, NI |

Attachments and Accessories

For 75841 60V 42in TimeCutter Riding Mower

| Product Name | Model/Part |
|---|-------------------|
| Seat Cover W/O Arm Rest - TC 18in..... | 117-0096 |
| Sunshade Kit | 140-2054 |
| 42in Recycler Kit, TimeCutter 4275 Riding Mower | 161-4519 |
| 42 Inch Bagging Enhancement Kit..... | 161-4521 |
| 42 Inch Striping Kit..... | 161-4523 |
| Deck Footlift Assist Kit | 161-4527 |
| Floormat Kit | 161-4528 |
| Kit-Caster Wheel | 161-4530 |
| Storage Cover | 490-7516 |
| 60V Six Pod Battery Charger 12 AMP | 66550 |
| 60V LI-ION Battery 10.0 AH | 66810 |
| 60V Battery Charger 2 AMP | 88602 |
| 60V Rapid Battery Charger 5.4 AMP | 88605 |
| 60V Battery 2.0 AH | 88620 |
| 60V LI-ION Battery 2.5 AH..... | 88625 |
| 60V LI-ION, Battery 4.0 AH | 88640 |
| 60V LI-ION Battery 5.0 AH..... | 88650 |
| 60V LI-ION Battery 6.0 AH..... | 88660 |
| 60V LI-ION Battery 7.5 AH..... | 88675 |

Notes:

Notes:

Notes:



Count on it.