



Count on it.

Parts Catalog

TX 525

Compact Utility Loader

Model No. 22323—Serial No. 313000001 and Up

Model No. 22323G—Serial No. 313000001 and Up



Ordering Replacement Parts

To order replacement parts, please supply the part number, the quantity, and the description of each part desired.

Understanding Reference Numbers

Each identified part in an illustration has a reference number. The reference number for a part also appears in the parts list, along with other information about the part.

This catalog uses two special reference number formats, one to indicate parts in a service assembly and another to indicate the quantity of a given part in an illustration.

Service Assembly Reference Numbers

Parts in service assemblies have reference numbers in the form a:b. The a represents the reference number of the entire service assembly and the b represents a sequential number unique to each part within the service assembly.

For example, a wheel assembly might be identified by reference number 6, the tire by 6:1, the valve by 6:2, and the wheel by 6:3. When you order the assembly identified by reference number 6, you receive all parts identified by reference numbers 6:1, 6:2, and 6:3. However, you may also order any part individually. Reference numbers of this type appear in illustration and in parts lists.

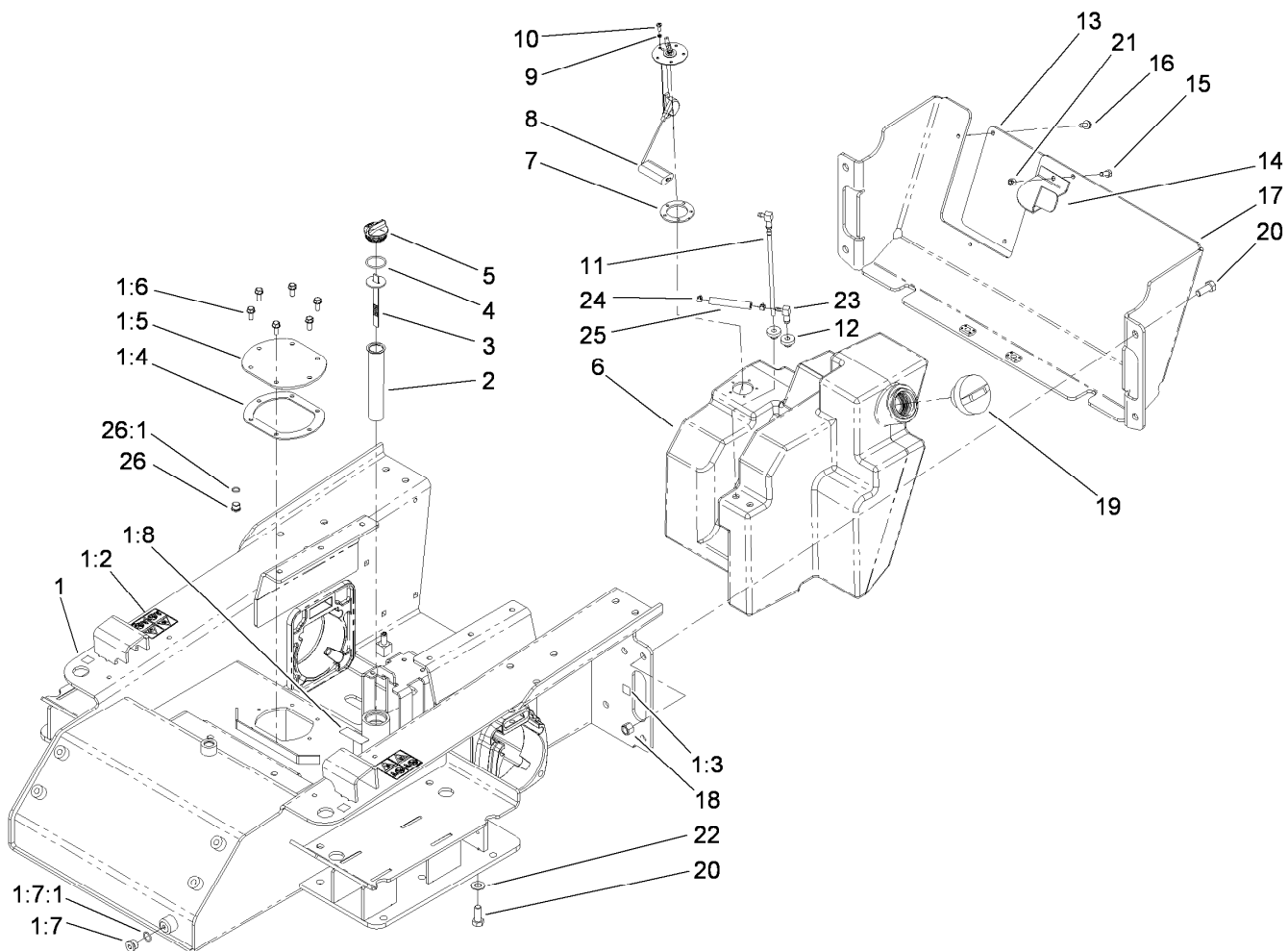
Reference Numbers Indicating Quantity

In an illustration, if a reference number indicates more than one part, the reference number has the form nX y. The n represents the quantity of the part, the X is the multiplication symbol, and the y represents the reference number.

For example, in an illustration, the reference number 2X 37 means that two of the parts identified by reference number 37 are indicated.

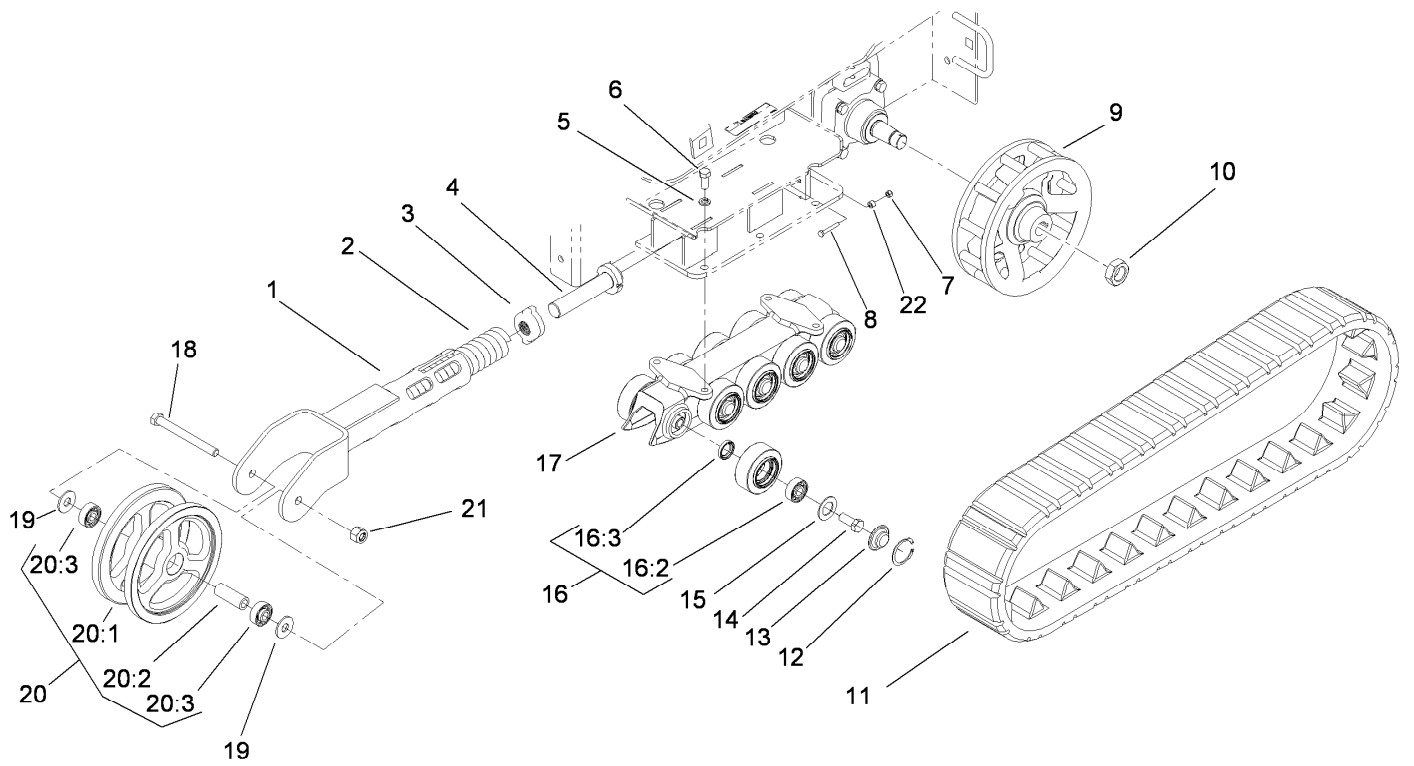
Contents

| | |
|--|----|
| Main Frame and Fuel Tank Assembly | 4 |
| Track and Traction Assembly | 5 |
| Parking Brake Assembly | 6 |
| Loader Tower, Fuel Pump and Drive Assembly | 7 |
| Traction Hydraulic Assembly | 9 |
| Hydraulic Pump Assembly No. 106-9590 and 106-9591 | 11 |
| Hydraulic Motor Assembly No. 106-7654 | 12 |
| Radiator and Air Cleaner Assembly | 13 |
| Air Cleaner Assembly No. 117-9989 | 15 |
| Hydraulic Pump and Filter Assembly | 16 |
| Hydraulic Pump Assembly No. 106-9589 | 18 |
| Control Panel Assembly | 19 |
| Traction Control Assembly | 21 |
| Principal Hydraulic Assembly | 22 |
| Two Spool Valve Assembly No. 106-9307 | 24 |
| One Spool Valve Assembly No. 104-2831 | 25 |
| Loader Arm Assembly | 26 |
| Loader Arm Hydraulic Assembly | 27 |
| Left Hand Hydraulic Lift Cylinder Assembly No. 104-6267 | 29 |
| Right Hand Hydraulic Lift Cylinder Assembly No. 104-6269 | 30 |
| Hydraulic Cylinder Assembly No. 105-8370 | 31 |
| Quick Attach Assembly | 32 |
| Electrical System Assembly | 33 |
| Grill Assembly | 35 |
| Hood Assembly | 36 |
| Rear Access Cover Assembly | 37 |
| Crankcase Assembly | 38 |
| Oil Pan Assembly | 39 |
| Cylinder Head Assembly | 40 |
| Gear Case and Oil Filter Cartridge Assembly | 41 |
| Cylinder Head Cover Assembly | 42 |
| Dipstick, Guide and Oil Pump Assembly | 43 |
| Main Bearing Case Assembly | 44 |
| Cam Shaft and Idle Gear Shaft Assembly | 45 |
| Piston and Crankshaft Assembly | 46 |
| Flywheel and Fuel Camshaft Assembly | 47 |
| Idle Apparatus and Stop Solenoid Assembly | 48 |
| Injection Pump and Governor Assembly | 49 |
| Speed Control Plate Assembly | 50 |
| Nozzle Holder and Glow Plug Assembly | 51 |
| Nozzle Holder Assembly | 52 |
| Alternator, Pulley and Fuel Pump Cover Assembly | 54 |
| Alternator Components Assembly | 55 |
| Starter Installation Assembly | 56 |
| Starter Components Assembly | 57 |
| Oil Switch and Thermometer Assembly | 58 |
| Water Flange, Thermostat and Water Pump Assembly | 59 |
| Water Pipe Assembly | 60 |
| Fan Assembly | 61 |
| Valve and Rocker Arm Assembly | 62 |
| Inlet Manifold Assembly | 63 |
| Exhaust Manifold Assembly | 64 |
| Engine Gasket Kits | 65 |
| Attachments and Accessories | 66 |



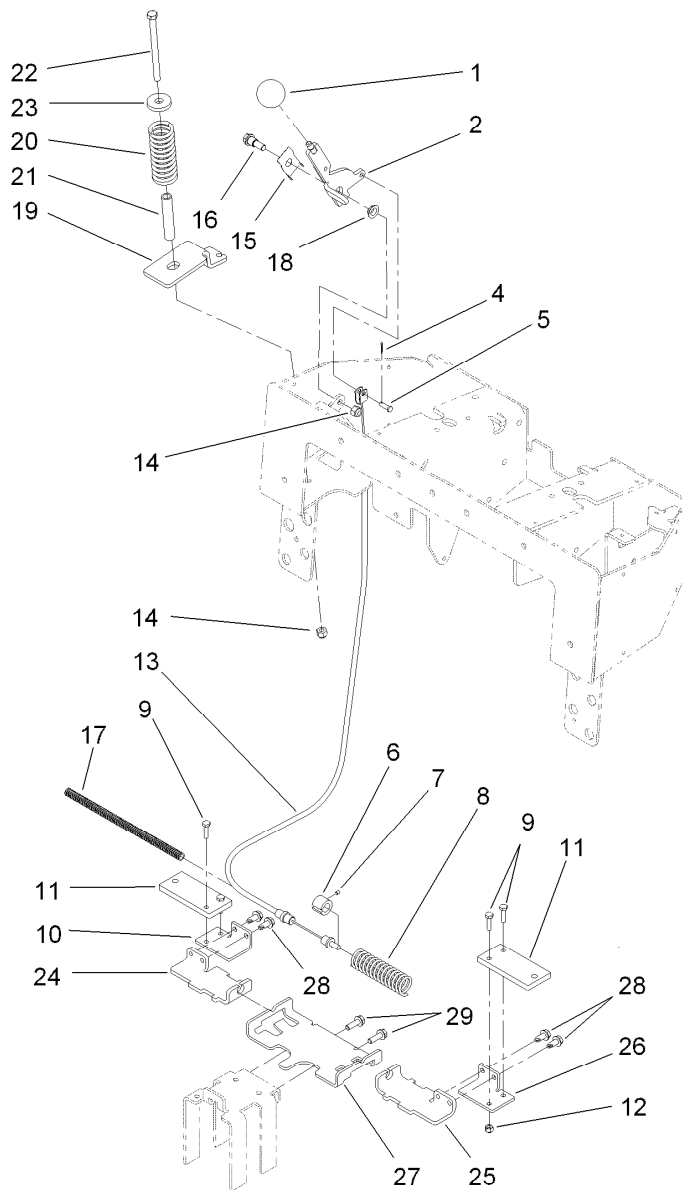
Main Frame and Fuel Tank Assembly

| <i>Ref.</i> | <i>Part Number</i> | <i>Qty.</i> | <i>Description</i> | <i>Ref.</i> | <i>Part Number</i> | <i>Qty.</i> | <i>Description</i> |
|-------------|--------------------|-------------|----------------------|-------------|--------------------|-------------|-----------------------|
| 1 | 115-4834 | 1 | Chassis ASM | 11 | 98-0185 | 1 | Pipe-Stand |
| 1:2 | 100-4650 | 2 | Decal-Warning | 12 | 46-6560 | 2 | Bushing |
| 1:3 | 93-9084 | 4 | Decal-Point, Lift | 13 | 108-6267-01 | 1 | Panel-Rear |
| 1:4 | 107-3557 | 1 | Gasket-Cover, Access | 14 | 108-6273-01 | 1 | Clamp-Tank, Fuel |
| 1:5 | 108-6297-01 | 1 | Cover-Tank | 15 | 322-3 | 1 | Screw-HH |
| 1:6 | 98-9940 | 6 | Screw-HHF | 16 | 32144-11 | 3 | Screw-HWH |
| 1:7 | 353-988 | 2 | Plug-Hex | 17 | 114-8911-01 | 1 | Cover-Rear |
| 1:7:1 | 237-79 | 1 | O-Ring | 18 | 3296-23 | 4 | Nut-Lock, NI |
| 1:8 | 93-6686 | 1 | Decal-Oil, HYD | 19 | 107-2172 | 1 | Cap-Diesel |
| 2 | 61-2790 | 1 | Filter-Screen | 20 | 325-5 | 6 | Screw-HH |
| 3 | 100-2097 | 1 | Dipstick-Oil | 21 | 3296-29 | 1 | Nut-Lock, NI |
| 4 | 237-123 | 1 | O-Ring | 22 | 3256-26 | 2 | Washer-Flat |
| 5 | 93-7498 | 1 | Plug-Plastic | 23 | 104-5228 | 1 | Fitting-Elbow, 90 DEG |
| 6 | 115-4800 | 1 | Tank-Fuel | 24 | 2412-80 | 2 | Clamp-Hose |
| 7 | 113372 | 1 | Gasket-Sender, Fuel | 25 | 108-6344 | 1 | Hose-Fuel |
| 8 | 100-1298 | 1 | Sender-Fuel | 26 | 353-989 | 1 | Plug-Hex, Hollow |
| 9 | 3253-17 | 5 | Washer-Lock | 26:1 | 237-42 | 1 | O-Ring |
| 10 | 3250-31 | 5 | Screw-PPH | | | | |



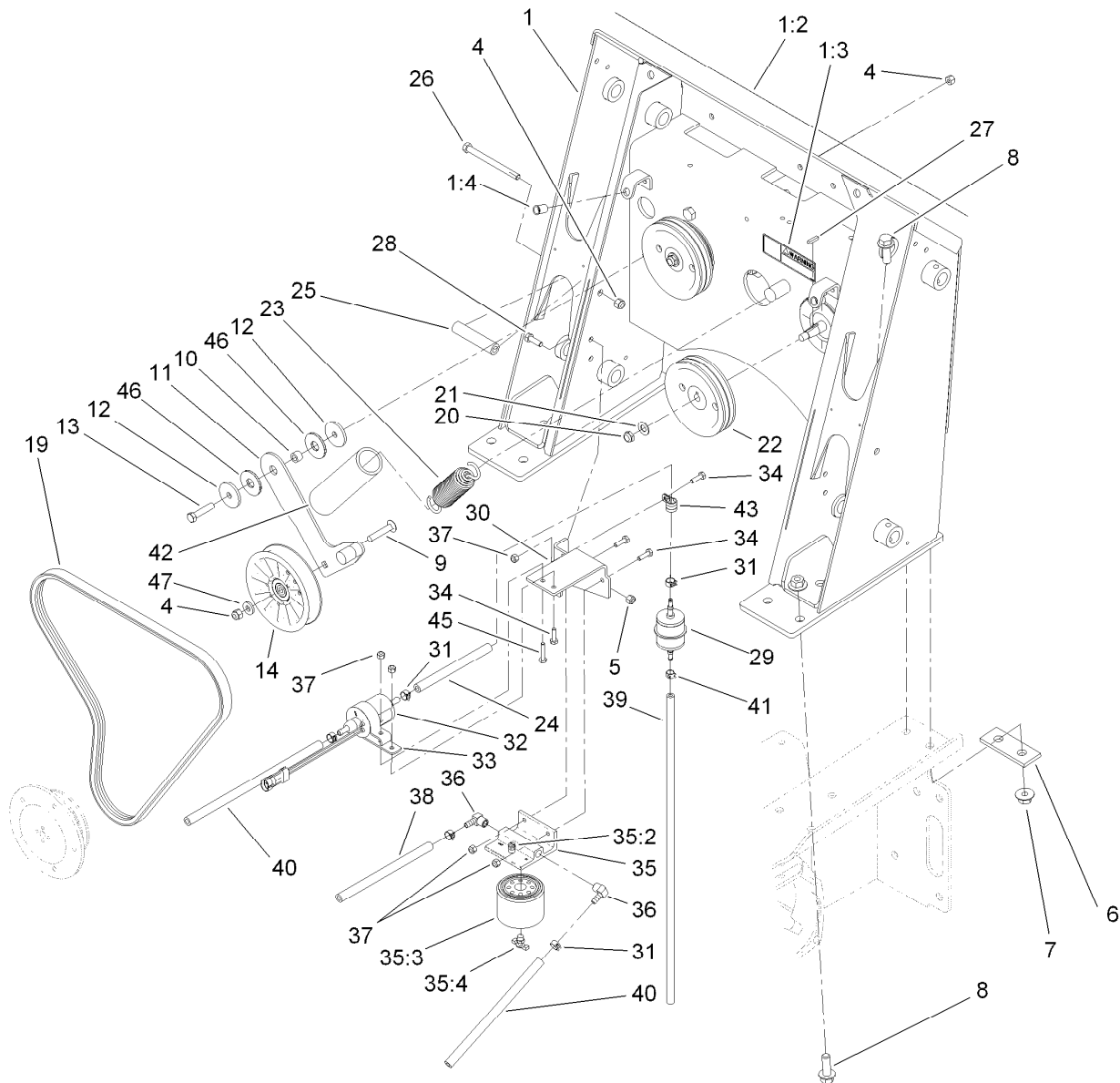
Track and Traction Assembly

| <i>Ref.</i> | <i>Part Number</i> | <i>Qty.</i> | <i>Description</i> | <i>Ref.</i> | <i>Part Number</i> | <i>Qty.</i> | <i>Description</i> |
|-------------|--------------------|-------------|---------------------|-------------|--------------------|-------------|-------------------------|
| 1 | 108-4691-03 | 2 | Arm-Tensioner | 15 | 106-7585 | 20 | Gasket-Bogie |
| 2 | 95-3624 | 2 | Spring-Compression | 16 | 106-7621 | 20 | Road Wheel ASM |
| 3 | 108-4664 | 2 | Block-Tensioner | 16:2 | 120-5378 | 1 | Bearing-Ball |
| 4 | 98-9846 | 2 | Bolt-Tensioner | 16:3 | 253-118 | 1 | Seal-Oil |
| 5 | 3253-7 | 8 | Washer-Lock | 17 | 117-1310-03 | 2 | Guide-Track |
| 6 | 325-5 | 8 | Screw-HH | 18 | 327-17 | 2 | Screw-HH |
| 7 | 32128-32 | 2 | Nut-HHF | 19 | 3256-7 | 4 | Washer-Flat |
| 8 | 321-37 | 2 | Screw-HH | 20 | 104-5745 | 2 | Tensioner Wheel ASM |
| 9 | 108-5643-03 | 2 | Wheel-Drive | 20:1 | 104-5747-03 | 1 | Wheel-Tensioner |
| 10 | 107-9319 | 2 | Nut-Hex | 20:2 | 98-9835 | 1 | Spacer-Wheel, Tensioner |
| 11 | 98-9800 | 2 | Track | 20:3 | 120-5378 | 2 | Bearing-Ball |
| 12 | 106-7595 | 20 | Ring-Snap, Internal | 21 | 3296-24 | 2 | Nut-Hex |
| 13 | 106-7557 | 20 | Cap-Wheel, Bearing | 22 | 98-4799 | 2 | Spacer |
| 14 | 327-4 | 20 | Screw-HH | | | | |



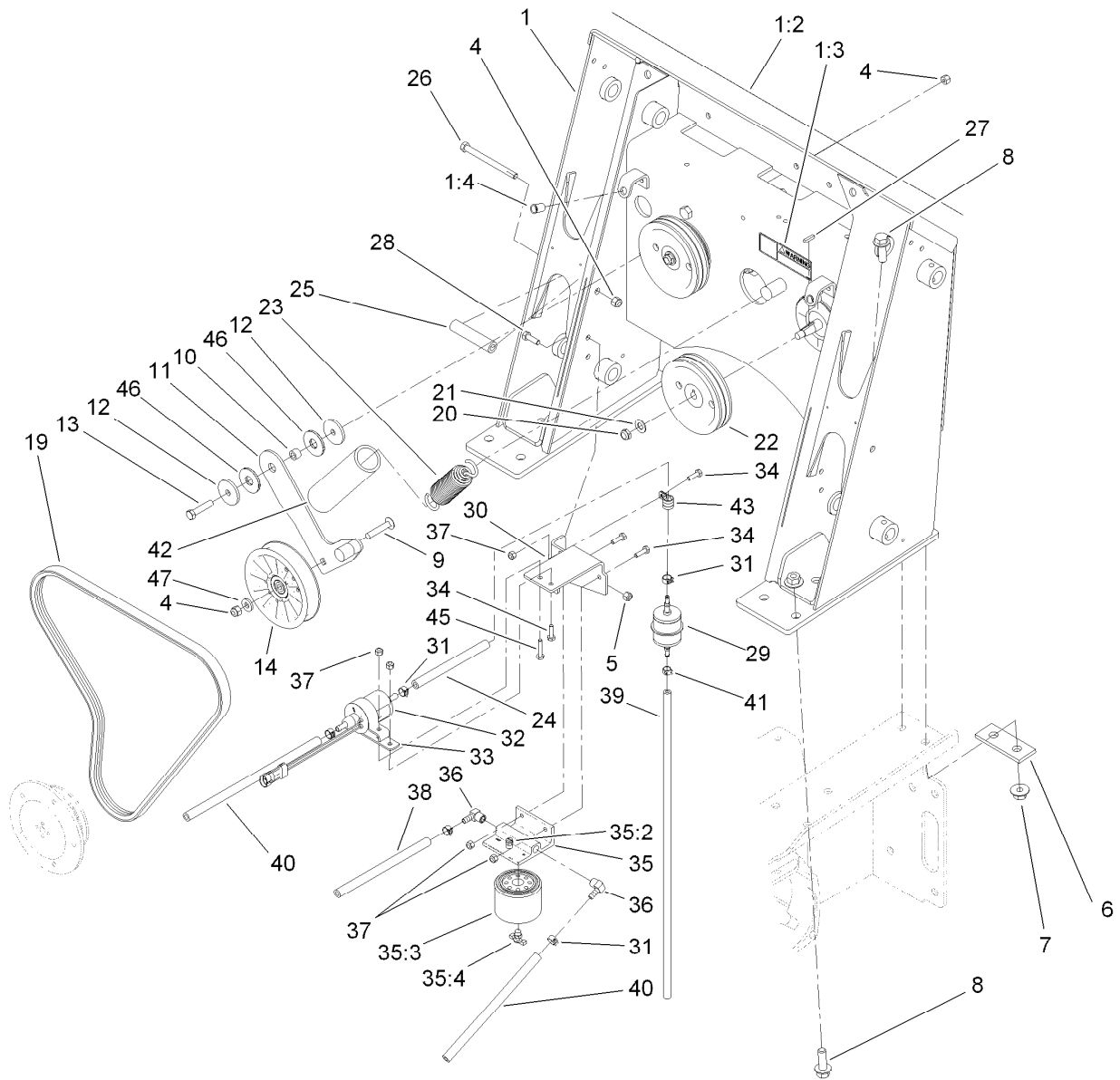
Parking Brake Assembly

| <i>Ref.</i> | <i>Part Number</i> | <i>Qty.</i> | <i>Description</i> | <i>Ref.</i> | <i>Part Number</i> | <i>Qty.</i> | <i>Description</i> |
|-------------|--------------------|-------------|--------------------|-------------|--------------------|-------------|-------------------------------|
| 1 | 233-21 | 1 | Knob | 17 | 100-4697 | 1 | Tube-Convuluted |
| 2 | 112-2694-03 | 1 | Handle-Brake | 18 | 93-2368 | 1 | Bushing-Flange |
| 4 | 3272-1 | 1 | Pin-Cotter | 19 | 115-4854-03 | 1 | Bracket-Cable, Spring |
| 5 | 283-67 | 1 | Pin-Clevis | 20 | 114-1254 | 1 | Spring-Compression |
| 6 | 100-6274 | 2 | Tube-Guide | 21 | 114-1255 | 1 | Spacer-Spring |
| 7 | 3245-20 | 2 | Screw-Set | 22 | 323-39 | 1 | Screw-HH |
| 8 | 100-1678 | 1 | Spring | 23 | 98-0691 | 1 | Washer-Hardened |
| 9 | 321-6 | 4 | Screw-HH | 24 | 112-2788-03 | 1 | Bracket-Mounting, Brake RH |
| 10 | 112-2789-03 | 1 | Bar-Link, Brake RH | 25 | 112-2733-03 | 1 | Bracket-Mounting, Brake LH |
| 11 | 112-2735-03 | 2 | Plate-Brake | 26 | 112-2734-03 | 1 | Bar-Link, Brake LH |
| 12 | 3296-42 | 4 | Nut-Lock, NI | 27 | 110-0224-03 | 1 | Support-Bar, Brake |
| 13 | 112-2791 | 1 | Cable-Brake | 28 | 32104-32 | 4 | Screw-HWH |
| 14 | 3296-39 | 2 | Nut-Lock, NI | 29 | 3234-11 | 2 | Screw-HHF |
| 15 | 112-2695 | 1 | Spring-Leaf | | | | |
| 16 | 94-6177 | 1 | Bolt-Shoulder | | | | |



Loader Tower, Fuel Pump and Drive Assembly

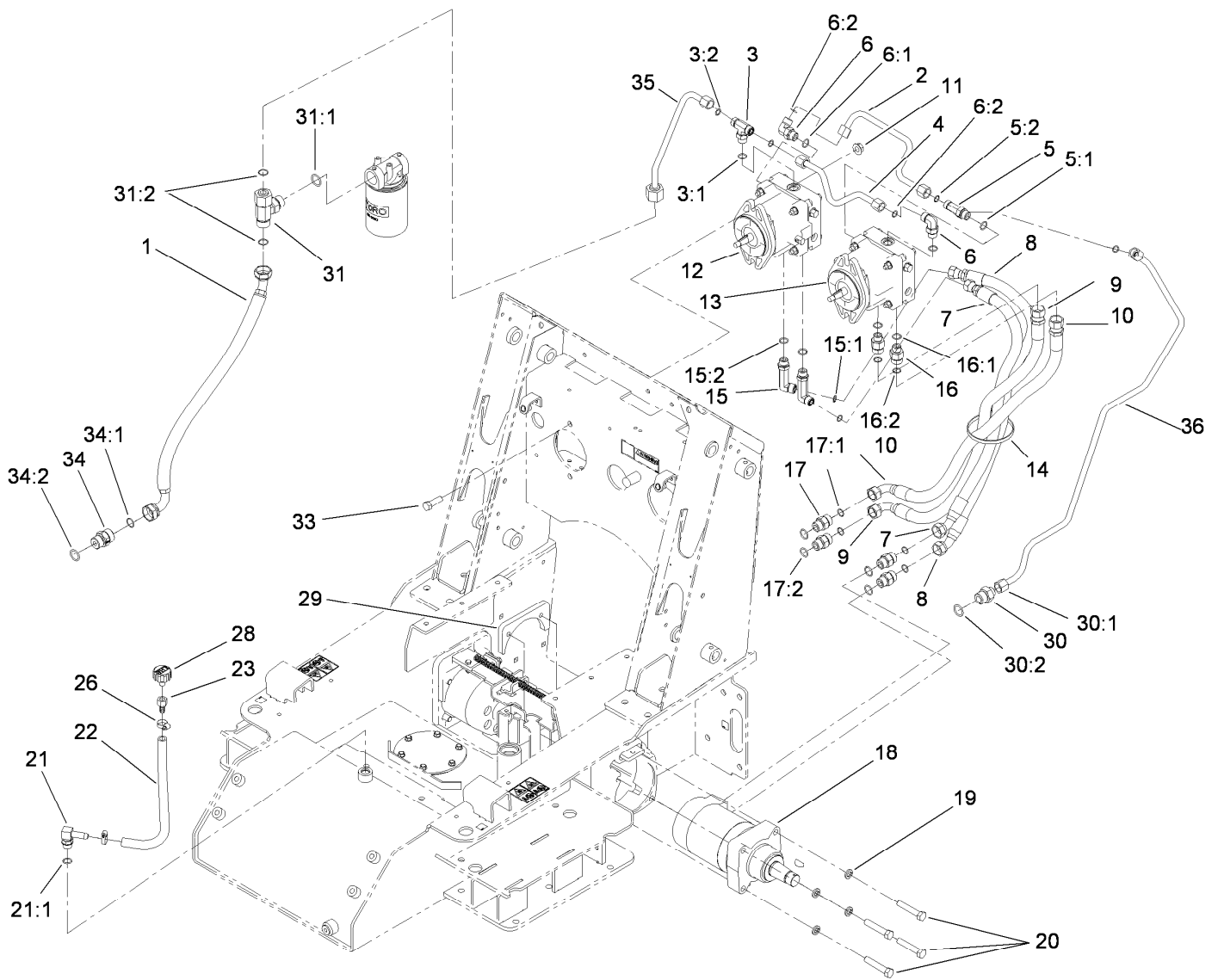
| Ref. | Part Number | Qty. | Description | Ref. | Part Number | Qty. | Description |
|------|-------------|------|----------------------|------|-------------|------|-------------------------|
| 1 | 117-9987 | 1 | Loader Tower ASM | 25 | 100-1271 | 2 | Tube-Spacer |
| 1:2 | 117-9905 | 1 | Decal-Panel, Control | 26 | 323-23 | 2 | Screw-HH |
| 1:3 | 93-7814 | 1 | Decal-Danger | 27 | 3-6168 | 2 | Key |
| 1:4 | 32148-8 | 2 | Nut-Clinch | 28 | 322-5 | 2 | Screw-HH |
| 4 | 104-8301 | 4 | Nut-HF, NI | 29 | 112-7836 | 1 | Filter-Inline |
| 5 | 3296-29 | 2 | Nut-Lock, NI | 30 | 117-1346-03 | 1 | Bracket-Pump, Fuel |
| 6 | 100-6123-01 | 2 | Plate-Stiffener | 31 | 92-2379 | 6 | Clamp-Hose |
| 7 | 32128-52 | 10 | Nut-Lock, Flange | 32 | 110-8806 | 1 | Pump-Fuel |
| 8 | 100-6116 | 10 | Screw-HHF | 33 | 110-8817 | 1 | Bracket-Pump, Fuel |
| 9 | 117-9971 | 1 | Bolt-Carriage | 34 | 321-5 | 4 | Screw-HH |
| 10 | 115-4986 | 1 | Spacer | 35 | 109-2678 | 1 | Filter ASM |
| 11 | 117-9968 | 1 | Idler Arm ASM | 35:2 | 63-8290 | 1 | Vent-Air |
| 12 | 115-1485 | 2 | Washer-Plain | 35:3 | 109-3117 | 1 | Filter-Separator, Water |
| 13 | 323-9 | 1 | Screw-HH | 35:4 | 63-8310 | 1 | Valve-Drain |
| 14 | 119-2358 | 1 | Pulley-Idler | 36 | 353-781 | 2 | Fitting-HYD, 90 |
| 19 | 108-6262 | 1 | V-Belt | 37 | 3296-42 | 5 | Nut-Lock, NI |
| 20 | 3296-38 | 2 | Nut-Lock, NI | 38 | 110-4124 | 1 | Hose-Fuel |
| 21 | 3256-25 | 2 | Washer-Flat | 39 | 109-0302 | 1 | Hose-Fuel |
| 22 | 106-5710 | 2 | Pulley-3V | 40 | 106-1126 | 1 | Hose-Fuel |
| 23 | 105-0383 | 1 | Spring-Extension | 41 | 2412-98 | 2 | Clamp-Hose |
| 24 | 108-3280 | 1 | Hose-Fuel | 42 | 112-2409 | 1 | Retainer-Spring |



Loader Tower, Fuel Pump and Drive Assembly (continued)

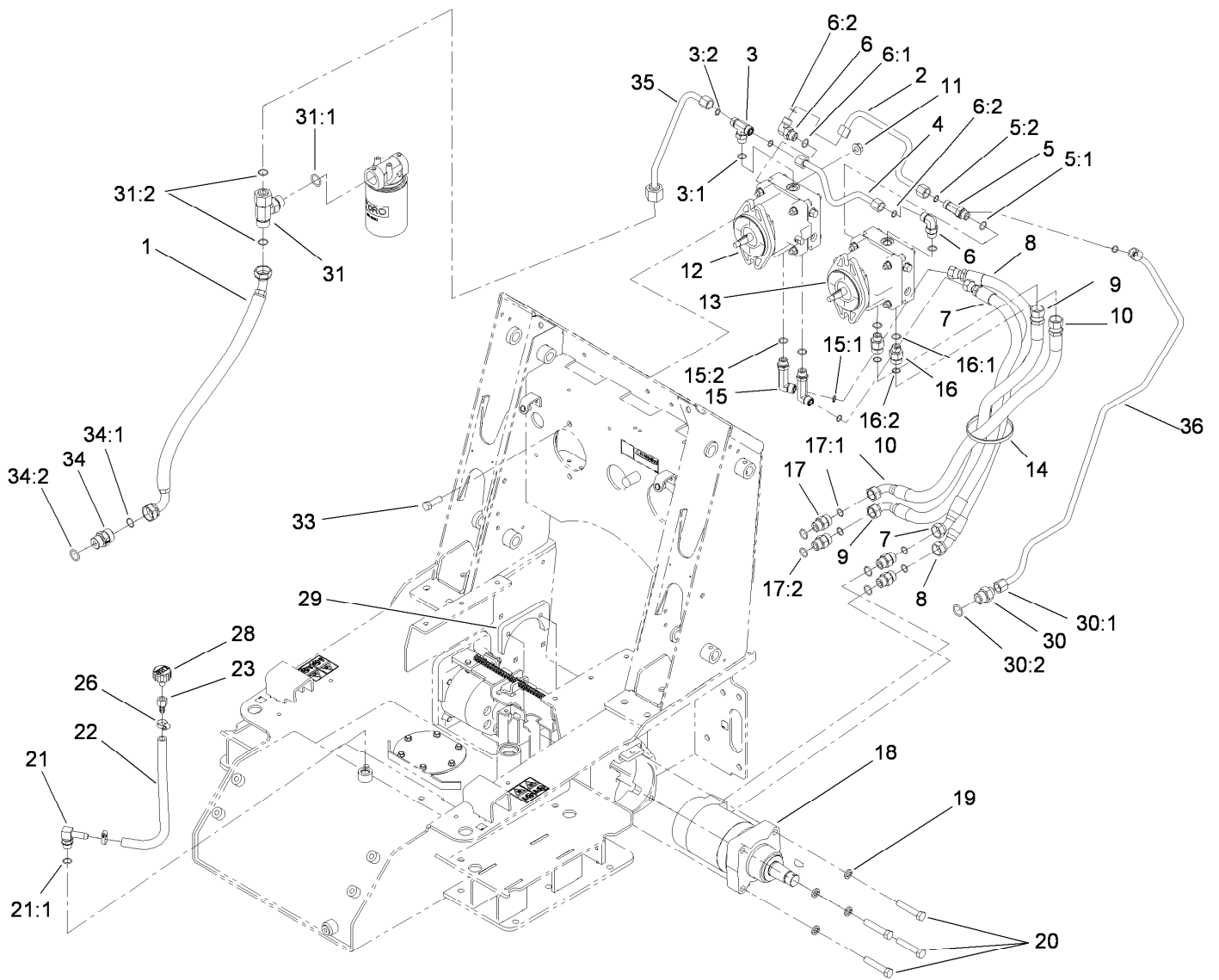
| Ref. | Part Number | Qty. | Description |
|------|-------------|------|-------------|
| 43 | 2412-134 | 1 | Clamp-R |
| 45 | 321-8 | 1 | Screw-HH |

| Ref. | Part Number | Qty. | Description |
|------|-------------|------|----------------------------|
| 46 | 114-0463 | 2 | Washer-Friction, Composite |
| 47 | 43-0940 | 1 | Spacer |



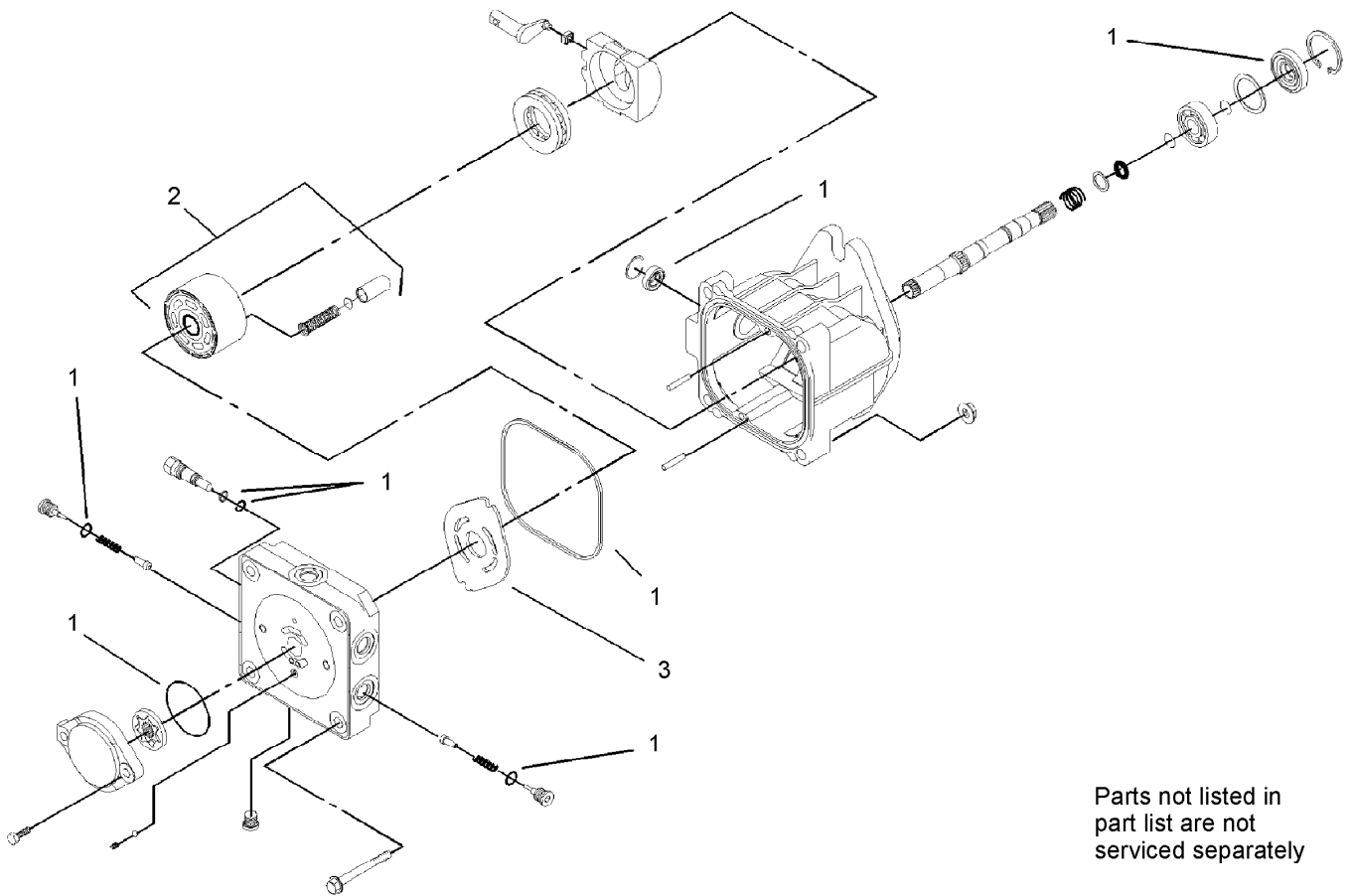
Traction Hydraulic Assembly

| Ref. | Part Number | Qty. | Description | Ref. | Part Number | Qty. | Description |
|------|-------------|------|------------------------|------|-------------|------|------------------------|
| 1 | 112-2562 | 1 | Hose-HYD | 15:1 | 237-30 | 1 | O-Ring |
| 2 | 98-0200 | 1 | Tube-HYD | 15:2 | 237-79 | 1 | O-Ring |
| 3 | 340-157 | 1 | Fitting-HYD, Tee | 16 | 340-155 | 2 | Fitting-Straight |
| 3:1 | 237-79 | 1 | O-Ring | 16:1 | 237-79 | 1 | O-Ring |
| 3:2 | 237-30 | 2 | O-Ring | 16:2 | 237-151 | 1 | O-Ring |
| 4 | 106-9330 | 1 | Tube-HYD | 17 | 340-7 | 4 | Fitting-Straight |
| 5 | 340-109 | 1 | Fitting-Tee | 17:1 | 237-65 | 1 | O-Ring |
| 5:1 | 237-79 | 1 | O-Ring | 17:2 | 237-80 | 1 | O-Ring |
| 5:2 | 237-30 | 2 | O-Ring | 18 | 106-7654 | 2 | HYD Motor ASM |
| 6 | 340-98 | 2 | Fitting-Elbow, 90 DEG | 19 | 3253-7 | 8 | Washer-Lock |
| 6:1 | 237-79 | 1 | O-Ring | 20 | 115-4845 | 8 | Screw-HH, TAP |
| 6:2 | 237-30 | 1 | O-Ring | 21 | 354-134 | 1 | Fitting-90 |
| 7 | 107-3631 | 1 | Hose-HYD | 21:1 | 237-79 | 1 | O-Ring |
| 8 | 107-3632 | 1 | Hose-HYD | 22 | 114-8599 | 1 | Hose-Drain, Engine Oil |
| 9 | 115-4827 | 1 | Hose-HYD | 23 | 354-94 | 1 | Fitting-Female, Barbed |
| 10 | 115-4826 | 1 | Hose-HYD | 26 | 2412-36 | 2 | Clamp-Hose |
| 11 | 32128-52 | 4 | Nut-Lock, Flange | 28 | 68-6150 | 1 | Breather |
| 12 | 106-9590 | 1 | Pump-HYD, RH | 29 | 98-2763-03 | 2 | Plate-Mounting |
| 13 | 106-9591 | 1 | Pump-HYD, LH | 30 | 100-4240 | 1 | Fitting-STR |
| 14 | 3334-945 | 1 | Tie-Cable | 30:1 | 237-30 | 1 | O-Ring |
| 15 | 99-6160 | 2 | Fitting-Elbow, 90 Long | 30:2 | 237-81 | 1 | O-Ring |



Traction Hydraulic Assembly (continued)

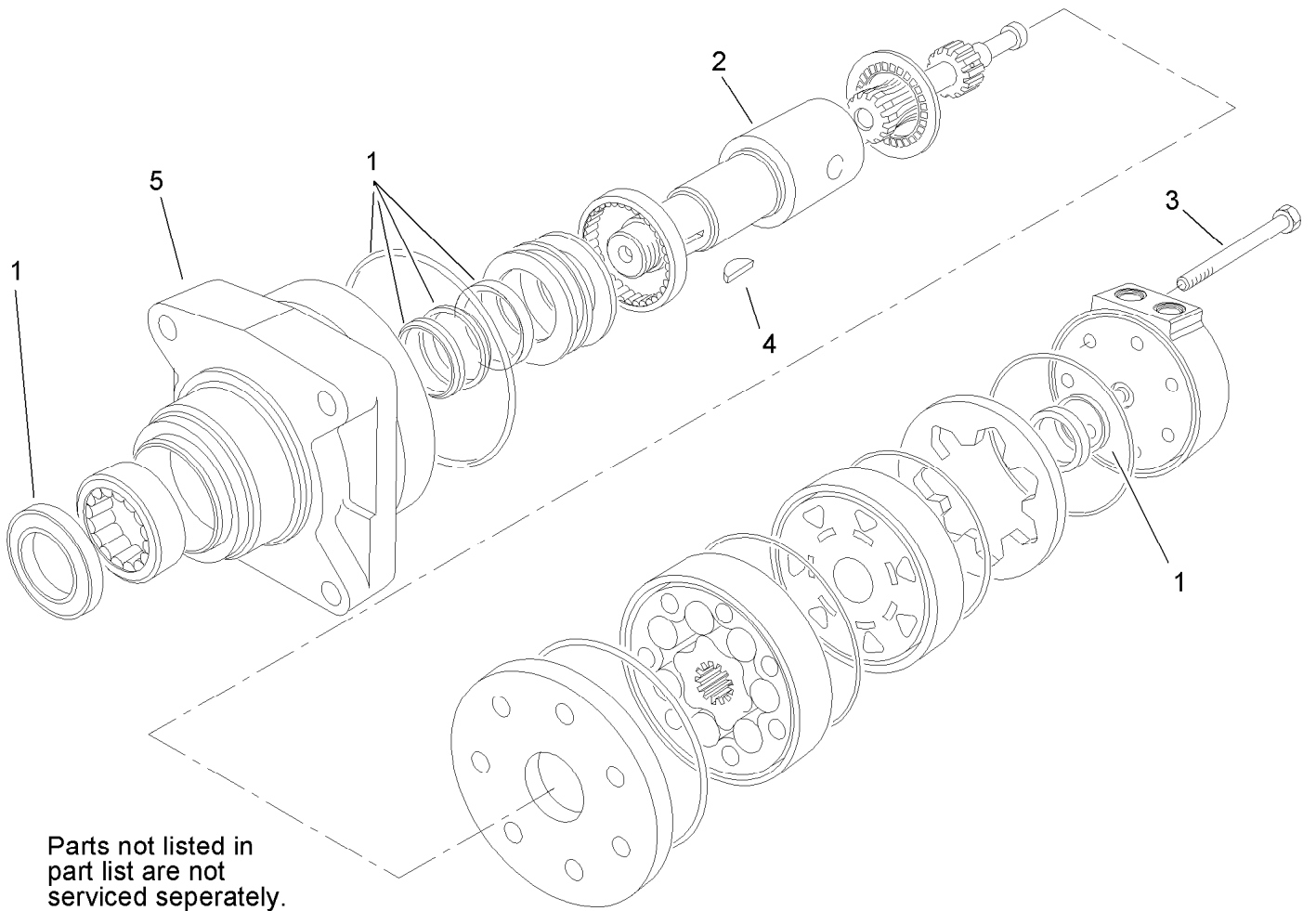
| <i>Ref.</i> | <i>Part Number</i> | <i>Qty.</i> | <i>Description</i> | <i>Ref.</i> | <i>Part Number</i> | <i>Qty.</i> | <i>Description</i> |
|-------------|--------------------|-------------|--------------------|-------------|--------------------|-------------|--------------------|
| 31 | 100-4836 | 1 | Fitting-Tee | 34:1 | 237-30 | 1 | O-Ring |
| 31:1 | 237-81 | 1 | O-Ring | 34:2 | 237-81 | 1 | O-Ring |
| 31:2 | 237-58 | 2 | O-Ring | 35 | 107-3634 | 1 | Tube-HYD |
| 33 | 325-6 | 4 | Screw-HH | 36 | 107-3633 | 1 | Tube-HYD |
| 34 | 108-6306 | 1 | Valve-Check, HYD | | | | |



Parts not listed in
part list are not
serviced separately

Hydraulic Pump Assembly No. 106-9590 and 106-9591

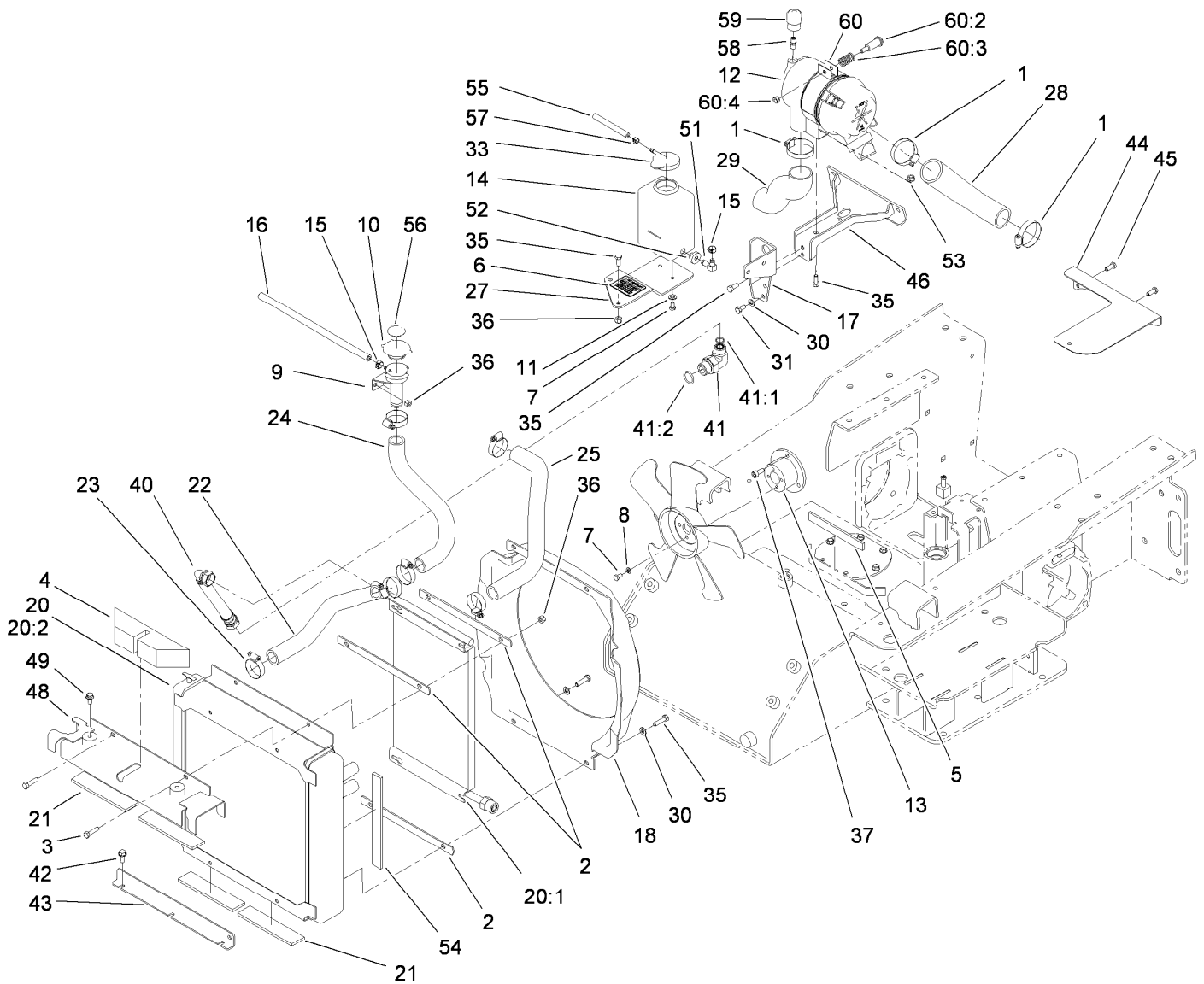
| <i>Ref.</i> | <i>Part Number</i> | <i>Qty.</i> | <i>Description</i> |
|-------------|--------------------|-------------|--------------------|
| 1 | 100-6110 | 1 | Overhaul Seal Kit |
| 2 | 94-1913 | 1 | Cylinder Block ASM |
| 3 | 100-6112 | 1 | Plate-Valve |



Parts not listed in
part list are not
serviced seperately.

Hydraulic Motor Assembly No. 106-7654

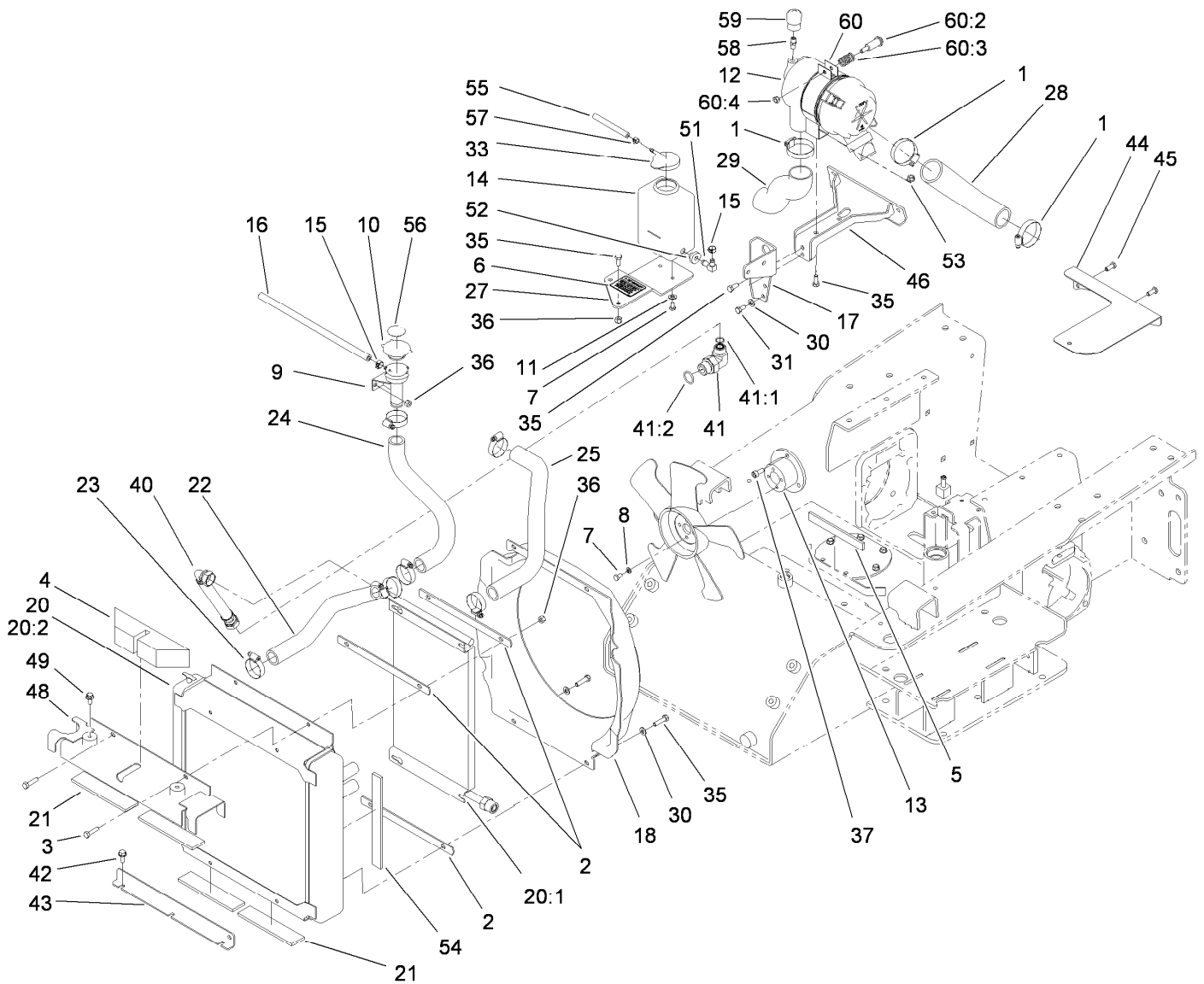
| <i>Ref.</i> | <i>Part Number</i> | <i>Qty.</i> | <i>Description</i> |
|-------------|--------------------|-------------|--------------------|
| 1 | 100-6131 | 1 | Seal Kit |
| 2 | 106-7645 | 1 | Coupling-Shaft |
| 3 | 100-4241 | 7 | Screw-HH |
| 4 | 3257-42 | 1 | Key-Woodruff |
| 5 | 108-5634 | 1 | Motor Housing ASM |



Radiator and Air Cleaner Assembly

| Ref. | Part Number | Qty. | Description | Ref. | Part Number | Qty. | Description |
|------|-------------|------|-----------------------|------|-------------|------|-------------------------------|
| 1 | 2412-92 | 3 | Clamp-Hose | 20 | | 1 | Radiator And Oil Cooler ASM ● |
| 2 | 108-6395-03 | 3 | Plate-Backing | 20:1 | 106-9597 | 1 | Cooler-Oil, HYD |
| 3 | 322-6 | 4 | Screw-HH | 20:2 | 106-9595 | 1 | Radiator |
| 4 | 108-6372 | 1 | Seal-Foam | 21 | 112-2401 | 4 | Pad-Rubber |
| 5 | 112-2466 | 1 | Pad-Rubber | 22 | 108-6309 | 1 | Hose-Radiator |
| 6 | 115-4865 | 1 | Decal-Fill, Radiator | 23 | 2412-34 | 6 | Clamp-Hose |
| 7 | 321-2 | 6 | Screw-HH | 24 | 108-6310 | 1 | Hose-Radiator |
| 8 | 3253-3 | 4 | Washer-Lock | 25 | 112-2459 | 1 | Hose-Radiator, Lower |
| 9 | 108-6312 | 1 | Tube-Filler, Radiator | 27 | 112-2458-03 | 1 | Bracket-Tank, Overflow |
| 10 | 93-5957 | 1 | Cap-Radiator | 28 | 108-6336 | 1 | Hose-Air, Inlet |
| 11 | 3256-22 | 2 | Washer-Flat | 29 | 112-2431 | 1 | Hose-Air |
| 12 | 117-9989 | 1 | Air Cleaner ASM | 30 | 3256-23 | 4 | Washer-Plain |
| 13 | 112-2576-03 | 1 | Spacer-Machined | 31 | 99-5132 | 2 | Bolt |
| 14 | 1-643163 | 1 | Tank-Overflow | 33 | 1-643164 | 1 | Cap-Tank, Overflow |
| 15 | 92-2379 | 2 | Clamp-Hose | 35 | 322-3 | 8 | Screw-HH |
| 16 | 110-4110 | 1 | Hose-Fuel | 36 | 3296-29 | 8 | Nut-Lock, NI |
| 17 | 107-3645-03 | 1 | Mount-Filter, Air | 37 | 108-6343 | 3 | Screw-HSH,Lock |
| 18 | 108-6347 | 1 | Shroud-Fan | | | | |

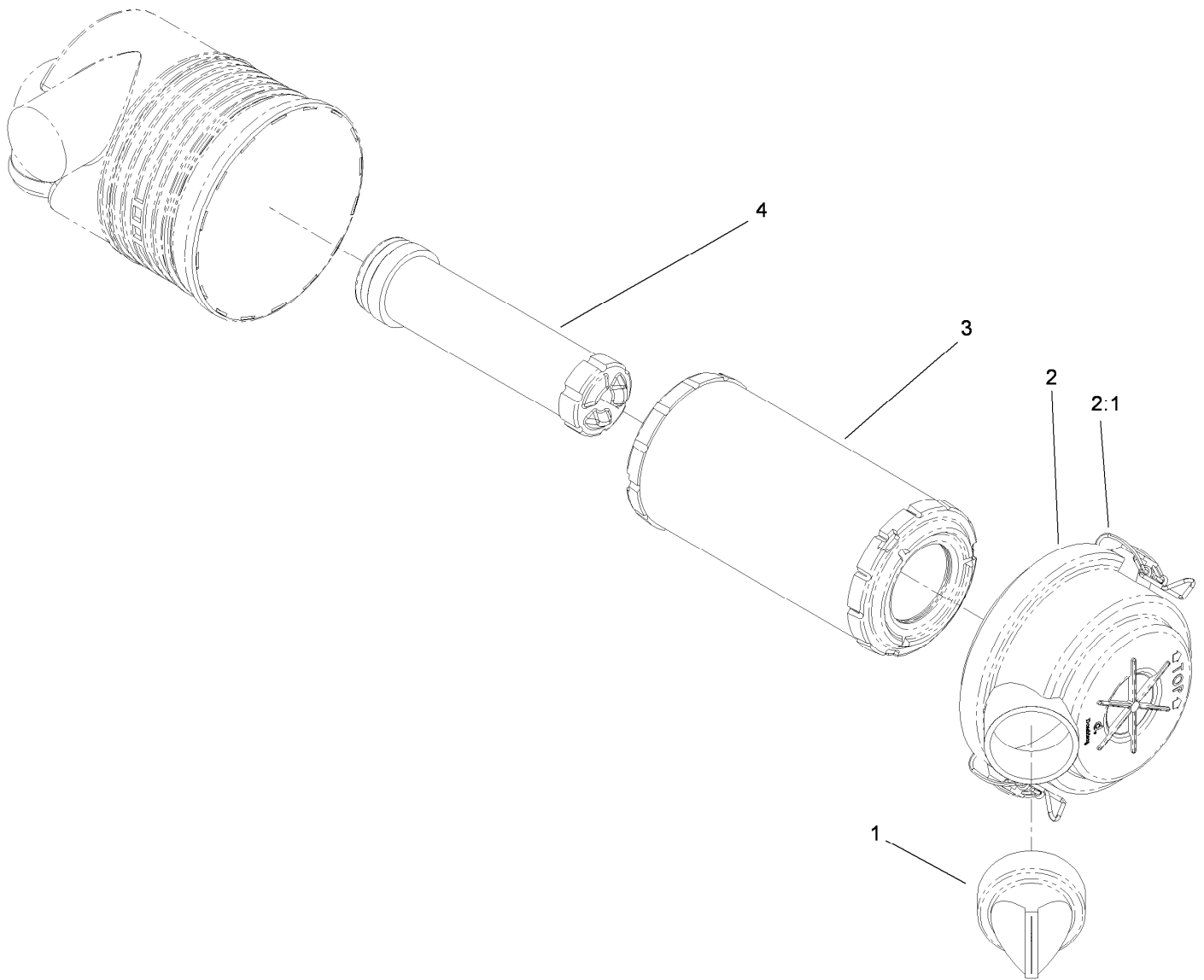
● Not serviced separately



Radiator and Air Cleaner Assembly (continued)

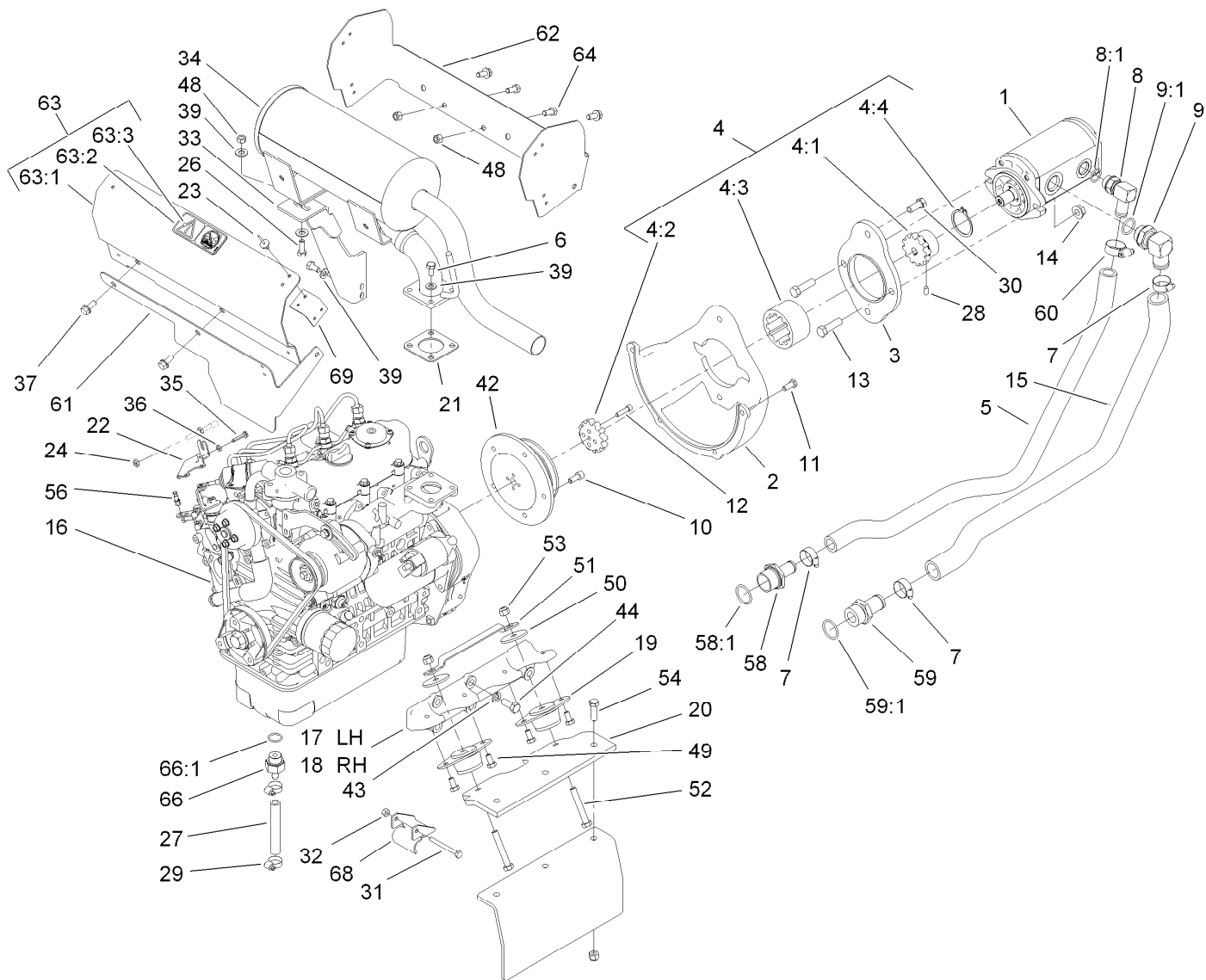
| <i>Ref.</i> | <i>Part Number</i> | <i>Qty.</i> | <i>Description</i> | <i>Ref.</i> | <i>Part Number</i> | <i>Qty.</i> | <i>Description</i> |
|-------------|--------------------|-------------|-----------------------|-------------|--------------------|-------------|----------------------------------|
| 40 | 112-2442 | 1 | Hose-HYD | 53 | 32128-20 | 2 | Nut-HF |
| 41 | 340-139 | 1 | Fitting-Elbow 90 | 54 | 112-2529 | 2 | Foam-Seal |
| 41:1 | 237-81 | 1 | O-Ring | 55 | 108-6344 | 1 | Hose-Fuel |
| 41:2 | 237-65 | 1 | O-Ring | 56 | 106-6755 | 1 | Decal-Cap, Radiator |
| 42 | 32144-11 | 3 | Screw-HWH | 57 | 2412-80 | 1 | Clamp-Hose |
| 43 | 108-6397-03 | 1 | Mount-Radiator | 58 | 105-4292 | 1 | Nipple-Pipe |
| 44 | 108-6362 | 1 | Plate-Baffle, Starter | 59 | 93-9164 | 1 | Indicator-Mini |
| 45 | 33114-020 | 2 | Screw-HH | 60 | 93-2191 | 1 | Air Cleaner Mounting Band ASM |
| 46 | 108-6390-03 | 1 | Bracket ASM | 60:2 | 94-3653 | 1 | Bolt |
| 48 | 112-2440-03 | 1 | Bracket-Radiator | 60:3 | 94-3654 | 1 | Spring |
| 49 | 3234-12 | 2 | Screw-HHF | 60:4 | 48-9510 | 1 | *obs* Nut |
| 51 | 46-6550 | 1 | Fitting-Elbow, 90 DEG | | | | |
| 52 | 46-6560 | 1 | Bushing | | | | |

● Not serviced separately



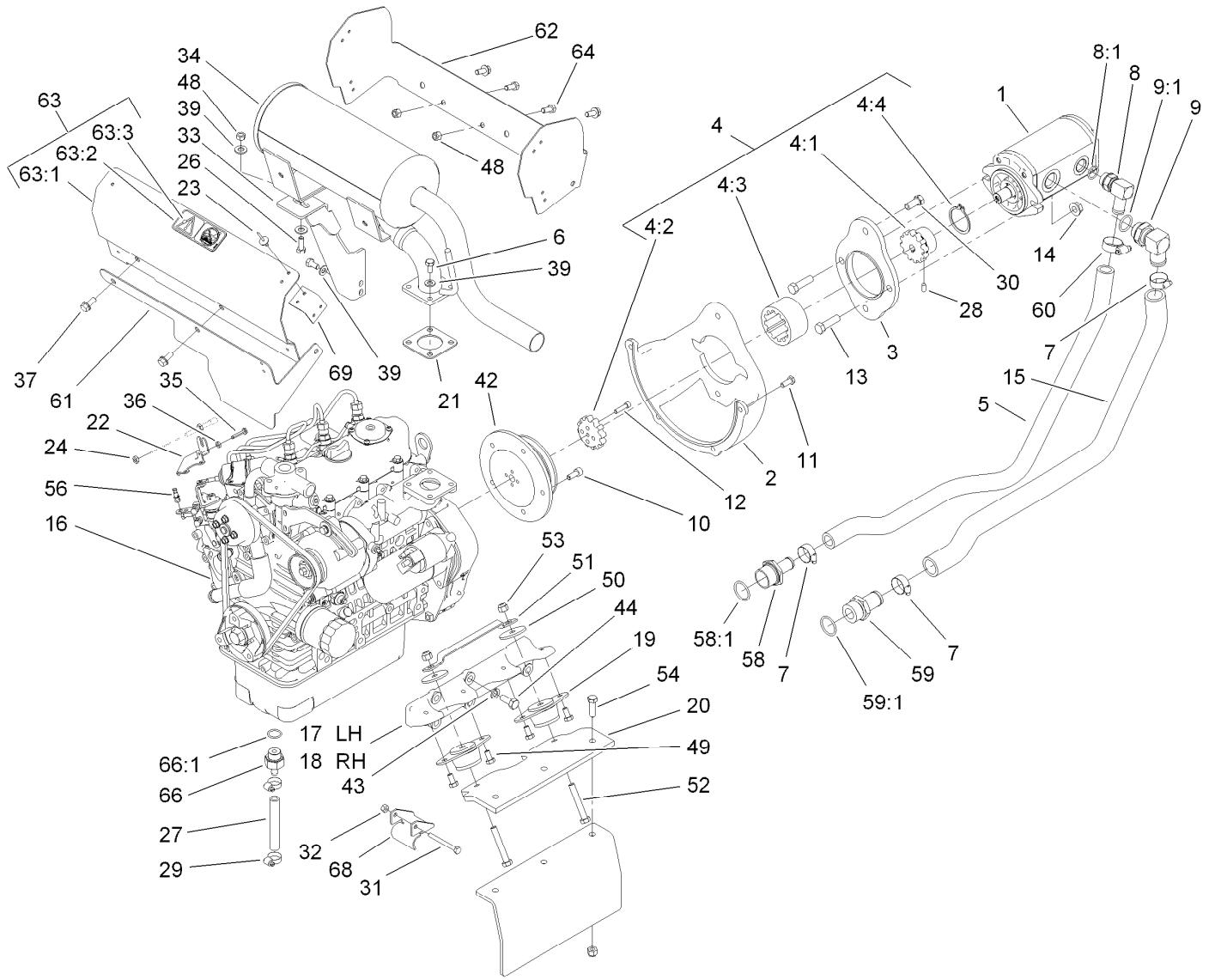
Air Cleaner Assembly No. 117-9989

| <i>Ref.</i> | <i>Part Number</i> | <i>Qty.</i> | <i>Description</i> |
|-------------|--------------------|-------------|------------------------|
| 1 | 87-9400 | 1 | Valve-Vacuator |
| 2 | 94-3652 | 1 | Cover ASM |
| 2:1 | 1-643283 | 2 | Latch-Cleaner, Air |
| 3 | 108-3811 | 1 | Filter-Air V-Twin HD |
| 4 | 98-2982 | 1 | Filter-Element, Safety |



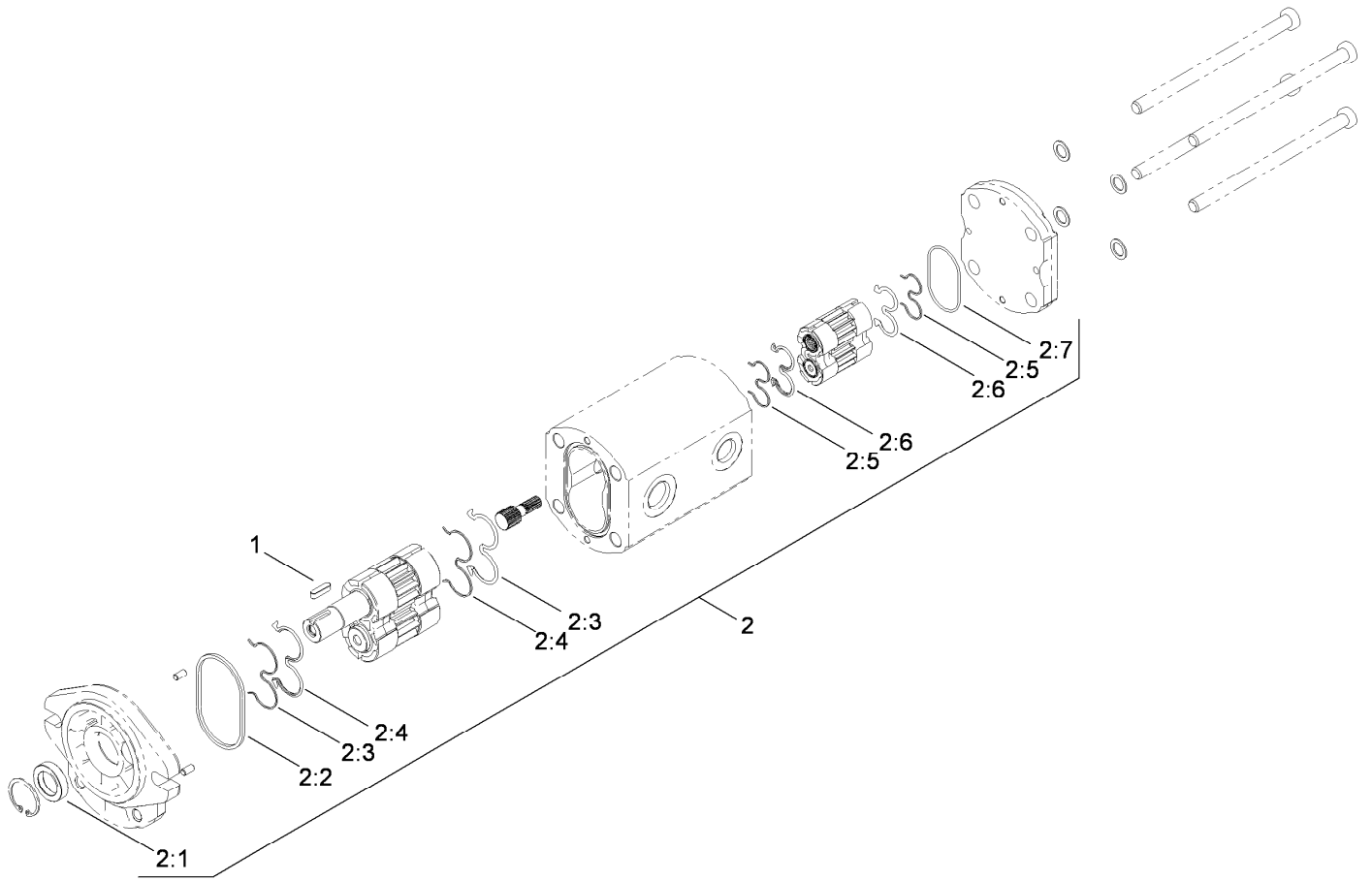
Hydraulic Pump and Filter Assembly

| Ref. | Part Number | Qty. | Description | Ref. | Part Number | Qty. | Description |
|------|-------------|------|----------------------|------|-------------|------|---------------------------|
| 1 | 106-9589 | 1 | Pump-HYD | 16 | 112-2599 | 1 | Engine-Kubota, D902 |
| 2 | 108-6235-03 | 1 | Pump-Mount | 17 | 108-6269-03 | 1 | Mount-Engine, LH |
| 3 | 108-6211-03 | 1 | Plate-Mount, Pump | 18 | 108-6271-03 | 1 | Mount-Engine, RH |
| 4 | 108-6314 | 1 | Coupling ASM | 19 | 120-6274 | 4 | Mount-Engine |
| 4:1 | 106-9562 | 1 | Hub-Coupling | 20 | 107-3617-03 | 2 | Plate-Mount, Engine |
| 4:2 | 106-9587 | 1 | Sleeve-Hub | 21 | 99-8343 | 1 | Gasket-Muffler |
| 4:3 | 106-9561 | 1 | Sleeve-Coupling | 22 | 108-5922 | 1 | Bracket-Support, Throttle |
| 4:4 | 108-6383 | 1 | Ring-Snap, Coupling | 23 | 146489 | 16 | Rivet |
| 5 | 108-6315 | 1 | Hose-Formed, Suction | 24 | 3220-1 | 2 | Nut-Jam |
| 6 | 99-5132 | 6 | Bolt | 26 | 322-4 | 1 | Screw-HH |
| 7 | 2412-34 | 3 | Clamp-Hose | 27 | 114-8599 | 1 | Hose-Drain, Engine Oil |
| 8 | 87-8170 | 1 | Fitting-90 | 28 | 3245-9 | 1 | Screw-Set, HSH |
| 8:1 | 237-80 | 1 | O-Ring | 29 | 2412-36 | 2 | Clamp-Hose |
| 9 | 100-4202 | 1 | Fitting-90 | 30 | 324-4 | 2 | Screw-HH |
| 9:1 | 237-81 | 1 | O-Ring | 31 | 321-18 | 2 | Screw-HH |
| 10 | 108-6343 | 5 | Screw-HSH,Lock | 32 | 32152-4 | 2 | Nut-Lock, Cone |
| 11 | 33114-020 | 4 | Screw-HH | 33 | 112-2403-03 | 1 | Support-Muffler |
| 12 | 3274-26 | 4 | Screw-HSH | 34 | 106-9584 | 1 | Muffler ASM |
| 13 | 324-6 | 2 | Screw-HH | 35 | 117-1701 | 1 | Screw-HWHTF |
| 14 | 32128-42 | 2 | Nut-HF | 36 | 3217-26 | 1 | Nut-Hex |
| 15 | 108-6316 | 1 | Hose-Formed, Suction | 37 | 3234-5 | 4 | Screw-HHF |



Hydraulic Pump and Filter Assembly (continued)

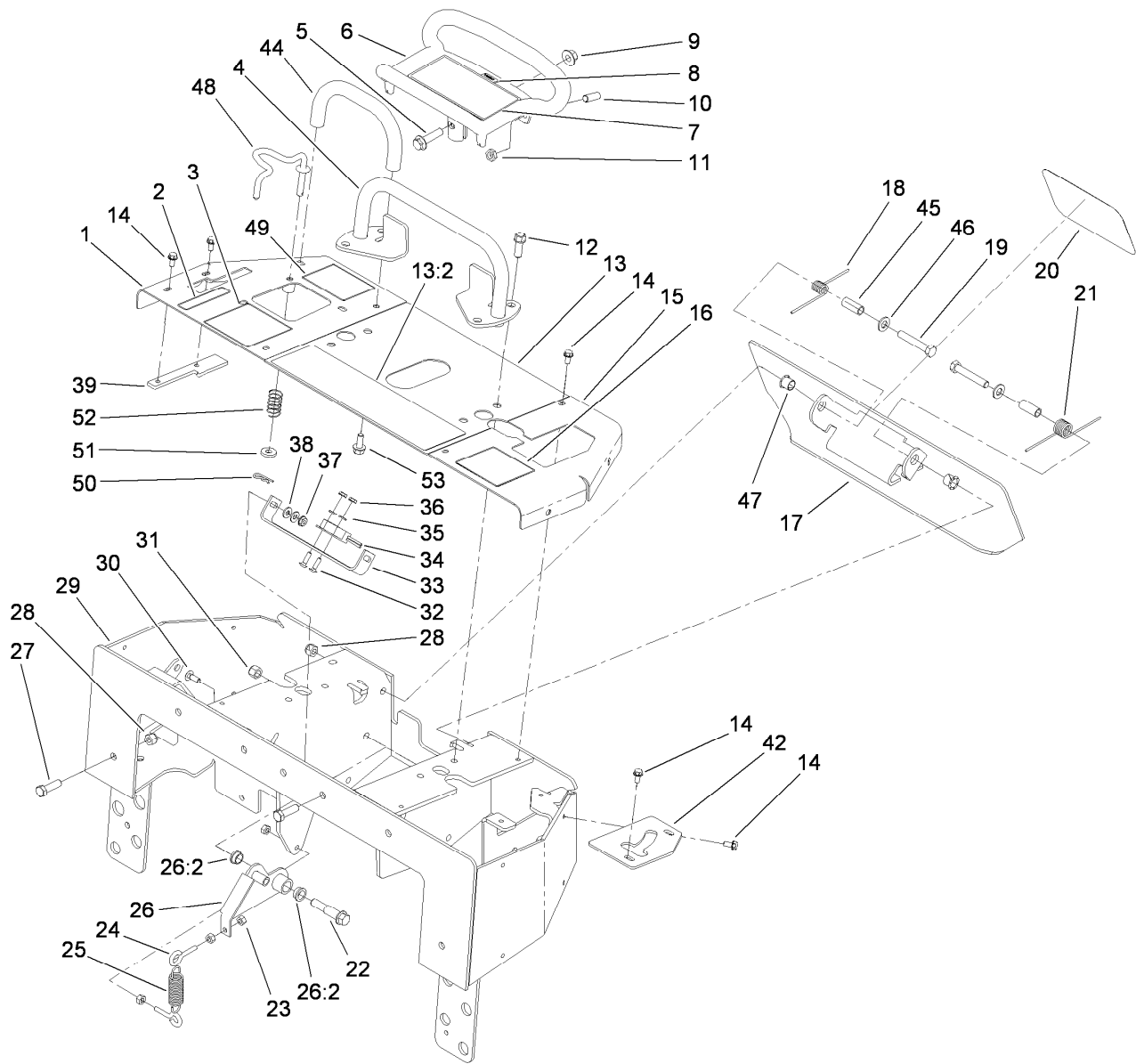
| <i>Ref.</i> | <i>Part Number</i> | <i>Qty.</i> | <i>Description</i> | <i>Ref.</i> | <i>Part Number</i> | <i>Qty.</i> | <i>Description</i> |
|-------------|--------------------|-------------|--------------------|-------------|--------------------|-------------|------------------------|
| 39 | 3256-23 | 8 | Washer-Plain | 59 | 354-78 | 1 | Fitting-STR |
| 42 | 112-2568-03 | 1 | Pulley | 59:1 | 237-146 | 1 | O-Ring |
| 43 | 42-9600 | 10 | Washer-Lock | 60 | 2412-129 | 1 | Clamp-Hose |
| 44 | 43-0090 | 10 | Screw-HH | 61 | 108-6356 | 1 | Plate-Baffle, Lower |
| 48 | 32152-1 | 6 | Nut-Lock, Cone | 62 | 108-6354 | 1 | Plate-Baffle |
| 49 | 322-2 | 8 | Screw-HH | 63 | 112-2564 | 1 | Heat Shield Baffle ASM |
| 50 | 63-7400 | 4 | Washer-Rebound | 63:1 | 108-6355 | 1 | Plate-Baffle, Muffler |
| 51 | 108-6340-03 | 2 | Strap-Rebound | 63:2 | 115-4882 | 1 | Plate-Hot Surface |
| 52 | 323-12 | 4 | Screw-HH | 63:3 | 3269-31 | 2 | Rivet-Pop |
| 53 | 3296-39 | 10 | Nut-Lock, NI | 64 | 322-3 | 3 | Screw-HH |
| 54 | 323-7 | 6 | Screw-HH | 66 | 114-8587 | 1 | Fitting-Hose |
| 56 | 108-5928 | 1 | Swivel-Stop, Cable | 66:1 | 98-9399 | 1 | Gasket |
| 58 | 99-6932 | 1 | Fitting-STR | 68 | 112-2533-03 | 2 | Guide-Cable |
| 58:1 | 237-117 | 1 | O-Ring | 69 | 112-2449 | 4 | Bracket-Shield |



Hydraulic Pump Assembly No. 106-9589

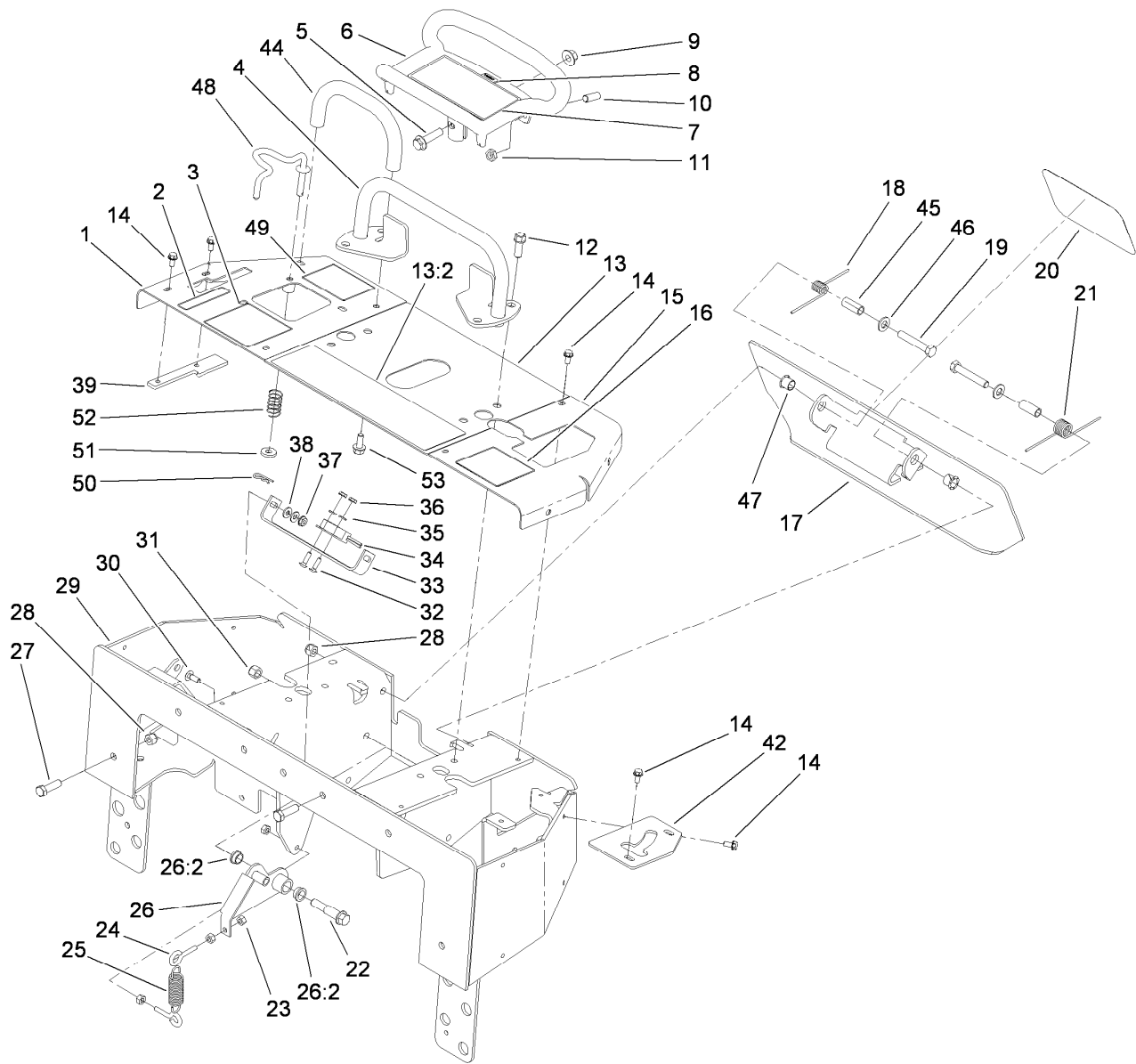
| <i>Ref.</i> | <i>Part Number</i> | <i>Qty.</i> | <i>Description</i> |
|-------------|--------------------|-------------|--------------------|
| 1 | 100-4238 | 1 | Key-Square |
| 2 | 107-9316 | 1 | Seal Kit |
| 2:1 | | 1 | Seal-Shaft ● |
| 2:2 | | 1 | Seal-Square ● |
| 2:3 | | 2 | Ring-Backup ● |
| 2:4 | | 2 | Seal-Gear ● |
| 2:5 | | 2 | Ring-Backup ● |
| 2:6 | | 2 | Seal-Gear, Rear ● |
| 2:7 | | 1 | O-Ring ● |

● Not serviced separately



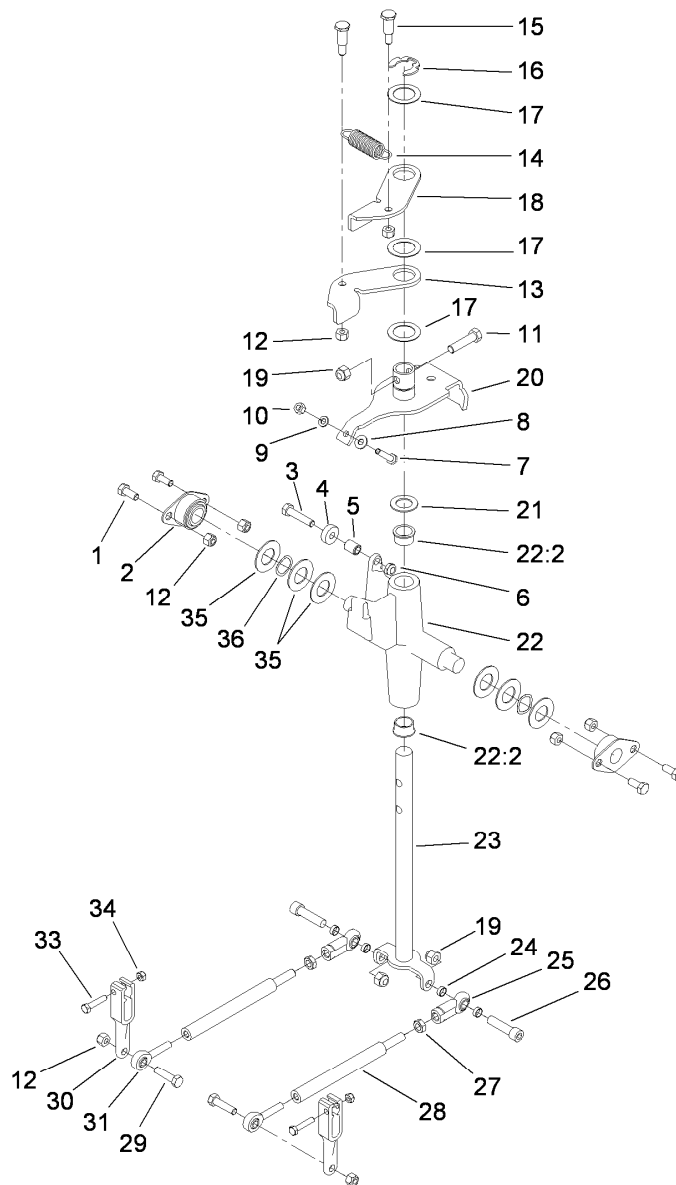
Control Panel Assembly

| Ref. | Part Number | Qty. | Description | Ref. | Part Number | Qty. | Description |
|------|-------------|------|--------------------------|------|-------------|------|--------------------------------|
| 1 | 115-4836-01 | 1 | Panel-RH | 21 | 98-8424 | 1 | Spring-Torsion, RH |
| 2 | 115-4859 | 1 | Decal-Brake | 22 | 66-0560 | 1 | Bolt-Shoulder |
| 3 | 115-4857 | 1 | Decal-Control, Loader | 23 | 32128-32 | 4 | Nut-HHF |
| 4 | 106-7715 | 1 | Bar-Reference | 24 | 71-2870 | 2 | Bolt-Eye |
| 5 | 3234-18 | 1 | Screw-HHF | 25 | 108-4724 | 1 | Spring-Extension |
| 6 | 106-7614-03 | 1 | Handle-Control | 26 | 100-4203 | 1 | Neutral Centering Lever ASM |
| 7 | 115-4020 | 1 | Decal-Traction | 26:2 | 256-156 | 2 | Bushing-Flange |
| 8 | 98-1459 | 1 | Decal | 27 | 323-7 | 5 | Screw-HH |
| 9 | 32128-43 | 1 | Nut-Flange | 28 | 3296-39 | 7 | Nut-Lock, NI |
| 10 | 3247-6 | 2 | Screw-Set | 29 | 110-0228-01 | 1 | Panel-Control |
| 11 | 3218-3 | 2 | Nut-Jam | 30 | 3229-1 | 2 | Screw-CARR |
| 12 | 95-1726 | 4 | Screw-Taptite | 31 | 3296-6 | 1 | Nut-Lock |
| 13 | 108-4643 | 1 | Center Panel ASM | 32 | 3229-20 | 2 | Screw-CARR |
| 13:2 | 115-4860 | 1 | Decal-Danger | 33 | 100-1263 | 1 | Plate-Switch |
| 14 | 9266714 | 11 | Screw-HWH | 34 | 100-1270 | 1 | Switch-Proximity |
| 15 | 112-2737-01 | 1 | Panel-LH | 35 | 3256-51 | 2 | Washer-Flat |
| 16 | 115-4861 | 1 | Decal-Control, Auxiliary | 36 | 32149-7 | 2 | Nut-Keps |
| 17 | 112-2786-03 | 1 | Plate-Reverse | 37 | 32149-2 | 2 | Nut-Keps |
| 18 | 98-8425 | 1 | Spring-Torsion, LH | 38 | 3256-22 | 4 | Washer-Flat |
| 19 | 323-11 | 2 | Screw-HH | 39 | 112-2691-01 | 1 | Plate-Locking, Brake |
| 20 | 105-1217 | 1 | Decal | | | | |



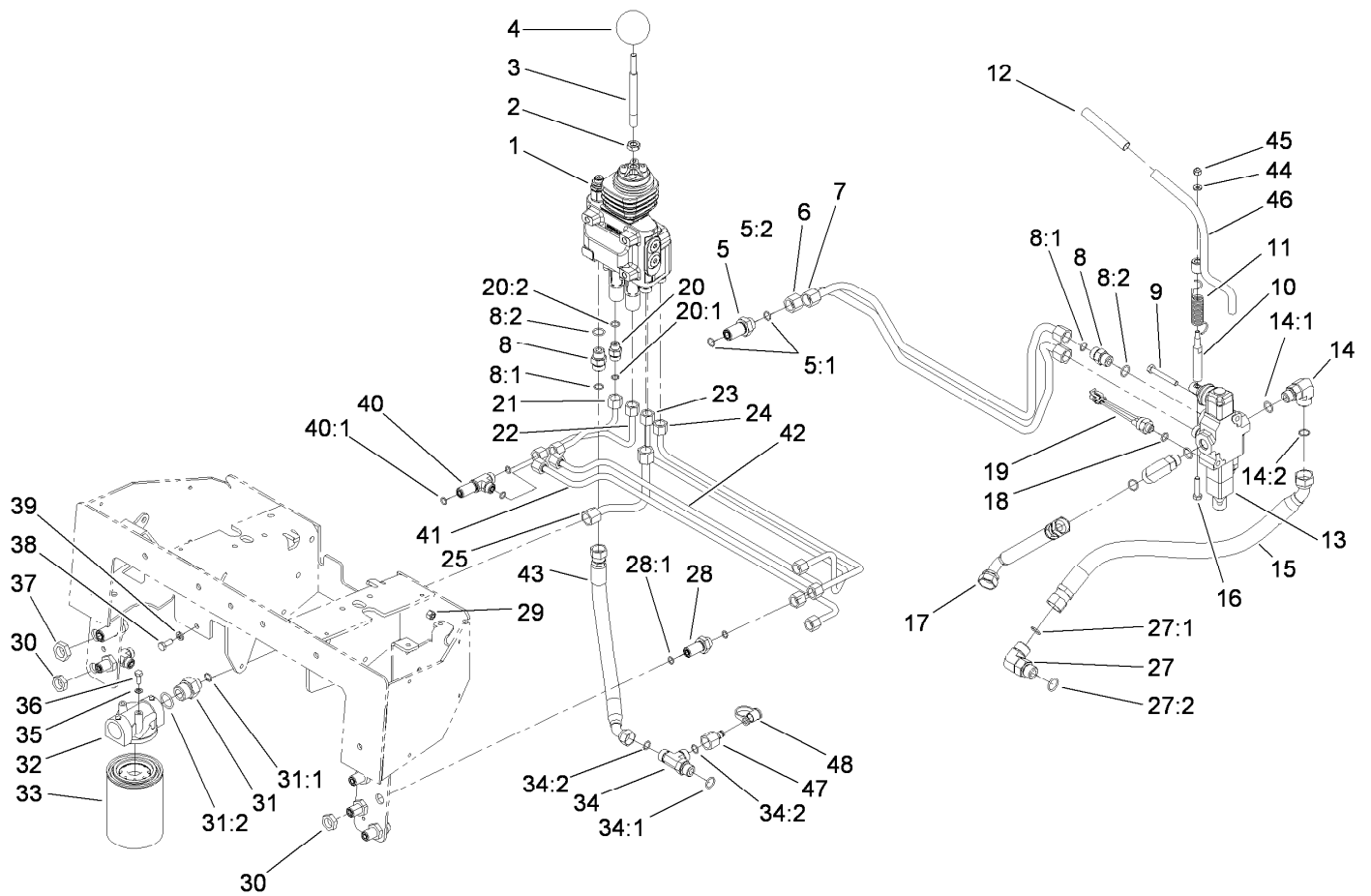
Control Panel Assembly (continued)

| <i>Ref.</i> | <i>Part Number</i> | <i>Qty.</i> | <i>Description</i> | <i>Ref.</i> | <i>Part Number</i> | <i>Qty.</i> | <i>Description</i> |
|-------------|--------------------|-------------|--------------------|-------------|--------------------|-------------|--------------------|
| 42 | 112-2749-01 | 1 | Plate-Stop | 49 | 115-4862 | 1 | Decal-Loader Lock |
| 44 | 112-2620 | 1 | Bar-Reference | 50 | 3290-307 | 1 | Pin-Cotter |
| 45 | 114-1337 | 2 | Spacer-Spring | 51 | 88-7200 | 1 | Washer-Flat |
| 46 | 3256-24 | 2 | Washer-Plain | 52 | 85-6750 | 1 | Spring-Control |
| 47 | 256-257 | 2 | Bushing-Nyliner | 53 | 3234-5 | 2 | Screw-HHF |
| 48 | 115-4580 | 1 | Rod-Interlock | | | | |



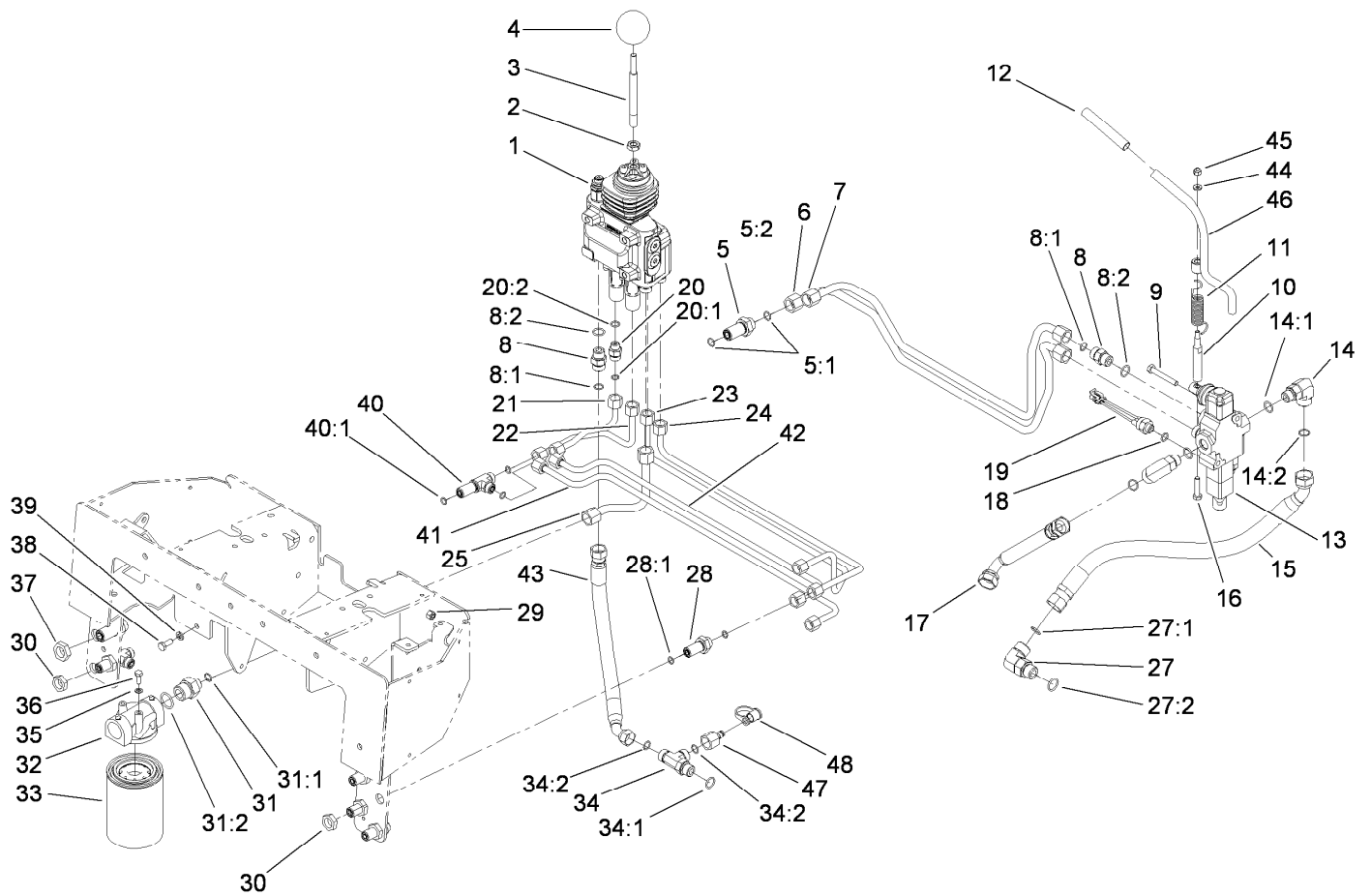
Traction Control Assembly

| <i>Ref.</i> | <i>Part Number</i> | <i>Qty.</i> | <i>Description</i> | <i>Ref.</i> | <i>Part Number</i> | <i>Qty.</i> | <i>Description</i> |
|-------------|--------------------|-------------|-----------------------|-------------|--------------------|-------------|---------------------|
| 1 | 322-3 | 4 | Screw-HH | 19 | 3296-39 | 3 | Nut-Lock, NI |
| 2 | 68-2970 | 2 | Bushing | 20 | 112-2783 | 1 | Lever-Pivot |
| 3 | 322-7 | 1 | Screw-HH | 21 | 257-8 | 1 | Washer-Thrust |
| 4 | 251-259 | 1 | Bearing-Ball | 22 | 106-5737 | 1 | Control Support ASM |
| 5 | 88-7450 | 1 | Spacer-Lever, Control | 22:2 | 256-252 | 2 | Bearing-Flange |
| 6 | 3296-47 | 1 | Nut-Lock,NI | 23 | 117-6335 | 1 | Rod-Drive |
| 7 | 114-0282 | 1 | Screw-HH | 24 | 117-9915 | 4 | Spacer |
| 8 | 3256-22 | 1 | Washer-Flat | 25 | 103-1167 | 2 | Joint-Ball End, LH |
| 9 | 3253-3 | 1 | Washer-Lock | 26 | 3274-2 | 2 | Screw-HSH |
| 10 | 3217-5 | 1 | Nut-Hex | 27 | 3220-16 | 2 | Nut-Hex Jam, LH |
| 11 | 323-8 | 1 | Screw-HH | 28 | 117-9900 | 2 | Rod-Linkage |
| 12 | 3296-29 | 8 | Nut-Lock, NI | 29 | 322-6 | 2 | Screw-HH |
| 13 | 98-8407 | 1 | Lever-Return, RH | 30 | 117-3964-03 | 2 | Arm-Control, Pump |
| 14 | 108-4724 | 1 | Spring-Extension | 31 | 117-9969 | 2 | Bearing-Rod End, RH |
| 15 | 63-2650 | 2 | Screw-Shoulder | 33 | 33113-030 | 2 | Screw-HH |
| 16 | 32151-91 | 1 | Ring-Retaining | 34 | 33023-00 | 2 | Nut-Lock |
| 17 | 108-9743 | 3 | Washer-Plain | 35 | 3256-39 | 2 | Washer-Flat |
| 18 | 98-8408 | 1 | Lever-Return, LH | 36 | 95-3703 | 2 | Washer-Spring, Wave |



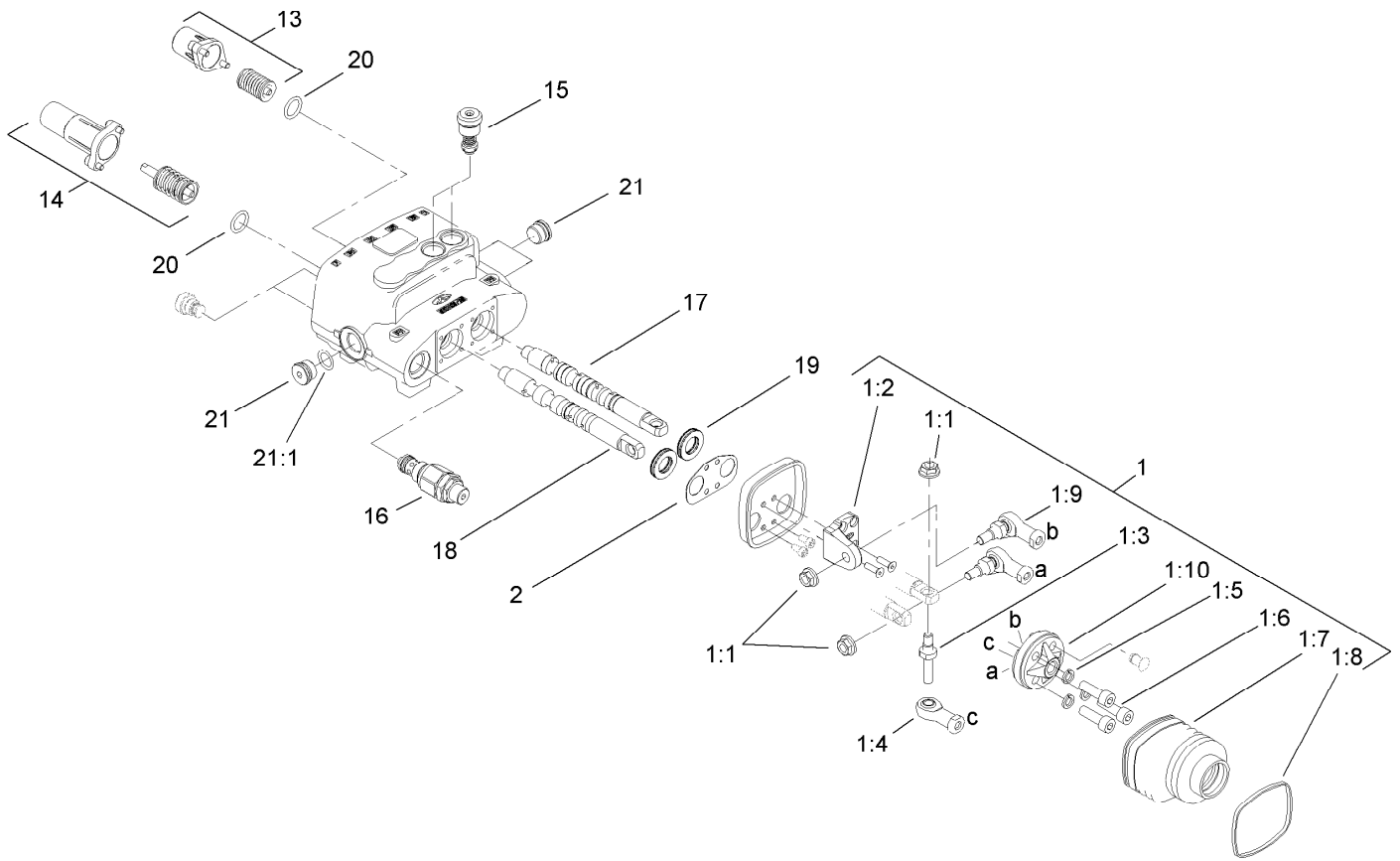
Principal Hydraulic Assembly

| Ref. | Part Number | Qty. | Description | Ref. | Part Number | Qty. | Description |
|------|-------------|------|-----------------------|------|-------------|------|----------------------------|
| 1 | 106-9307 | 1 | 2 Spool Valve ASM | 20:2 | 237-42 | 1 | O-Ring |
| 2 | 51-2070 | 1 | Nut | 21 | 106-9315 | 1 | Tube-HYD |
| 3 | 108-4675 | 1 | Shaft-Handle, Loader | 22 | 106-9313 | 1 | Tube-HYD |
| 4 | 233-21 | 1 | Knob | 23 | 106-9312 | 1 | Tube-HYD |
| 5 | 340-161 | 2 | Fitting-Bulkhead | 24 | 106-9314 | 1 | Tube-HYD |
| 5:1 | 237-30 | 2 | O-Ring | 25 | 106-9385 | 1 | Tube-HYD |
| 5:2 | 340-127 | 1 | Nut-Bulkhead | 27 | 340-17 | 1 | Fitting-Elbow, 90 DEG |
| 6 | 106-9310 | 1 | Tube-HYD | 27:1 | 237-65 | 1 | O-Ring |
| 7 | 106-9311 | 1 | Tube-HYD | 27:2 | 237-80 | 1 | O-Ring |
| 8 | 340-4 | 4 | Fitting-Straight | 28 | 340-71 | 4 | Fitting-Straight, Bulkhead |
| 8:1 | 237-30 | 1 | O-Ring | 28:1 | 237-22 | 2 | O-Ring |
| 8:2 | 237-79 | 1 | O-Ring | 29 | 3296-29 | 2 | Nut-Lock, NI |
| 9 | 322-11 | 2 | Screw-HH | 30 | 340-70 | 6 | Nut-Lock |
| 10 | 104-2827 | 1 | Spacer-Hiflo | 31 | 100-4240 | 1 | Fitting-STR |
| 11 | 112-2738 | 1 | Spring-Torsion | 31:1 | 237-30 | 1 | O-Ring |
| 12 | 112-2605 | 1 | Grip-Rubber | 31:2 | 237-81 | 1 | O-Ring |
| 13 | 104-2831 | 1 | 1 Spool Valve ASM | 32 | 92-5821 | 1 | Head-Filter |
| 14 | 340-153 | 2 | Fitting-Elbow, 90 DEG | 33 | 86-3010 | 2 | Filter-Oil |
| 14:1 | 237-79 | 1 | O-Ring | 34 | 340-109 | 1 | Fitting-Tee |
| 14:2 | 237-151 | 1 | O-Ring | 34:1 | 237-79 | 1 | O-Ring |
| 15 | 112-2561 | 1 | Hose-HYD | 34:2 | 237-30 | 2 | O-Ring |
| 16 | 48-7740 | 1 | Screw | 35 | 3253-3 | 2 | Washer-Lock |
| 17 | 112-2443 | 1 | Hose-HYD | 36 | 321-4 | 2 | Screw-HH |
| 18 | 237-42 | 1 | O-Ring | 37 | 340-127 | 2 | Nut-Bulkhead |
| 19 | 72-4310 | 1 | Switch-Ball | 38 | 322-4 | 3 | Screw-HH |
| 20 | 340-2 | 4 | Fitting-Straight | 39 | 3253-4 | 3 | Washer-Lock |
| 20:1 | 237-22 | 1 | O-Ring | 40 | 340-68 | 2 | Fitting-Tee, Bulkhead |
| | | | | 40:1 | 237-22 | 3 | O-Ring |



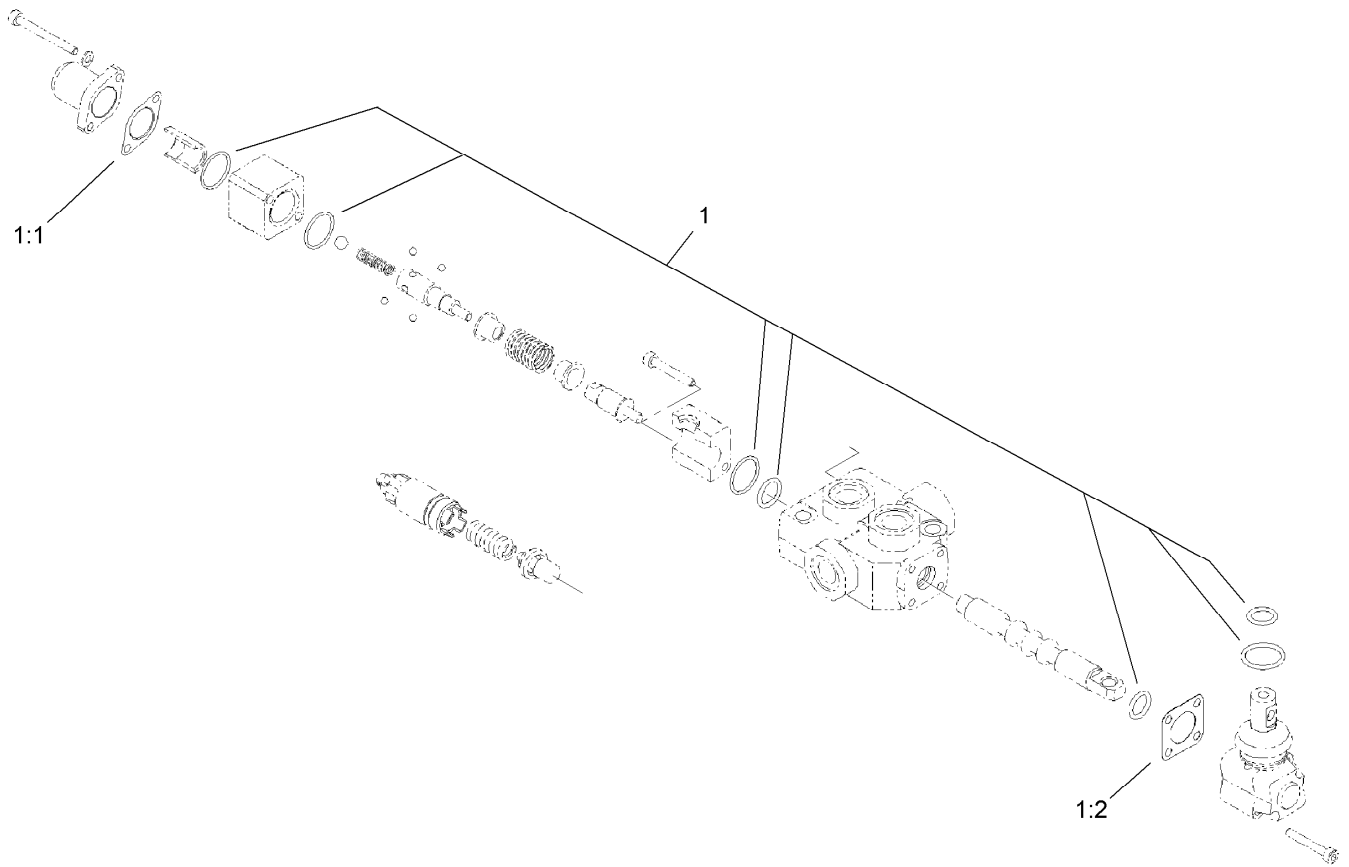
Principal Hydraulic Assembly (continued)

| <i>Ref.</i> | <i>Part Number</i> | <i>Qty.</i> | <i>Description</i> | <i>Ref.</i> | <i>Part Number</i> | <i>Qty.</i> | <i>Description</i> |
|-------------|--------------------|-------------|--------------------|-------------|--------------------|-------------|--------------------|
| 41 | 106-9316 | 1 | Tube-HYD | 45 | 3296-42 | 1 | Nut-Lock, NI |
| 42 | 106-9317 | 1 | Tube-HYD | 46 | 112-2739 | 1 | Lever-Auxiliary |
| 43 | 112-2560 | 1 | Hose-HYD | 47 | 100-5616 | 1 | Fitting |
| 44 | 3256-16 | 1 | Washer-Flat | 48 | 354-79 | 1 | Cap-Dust |



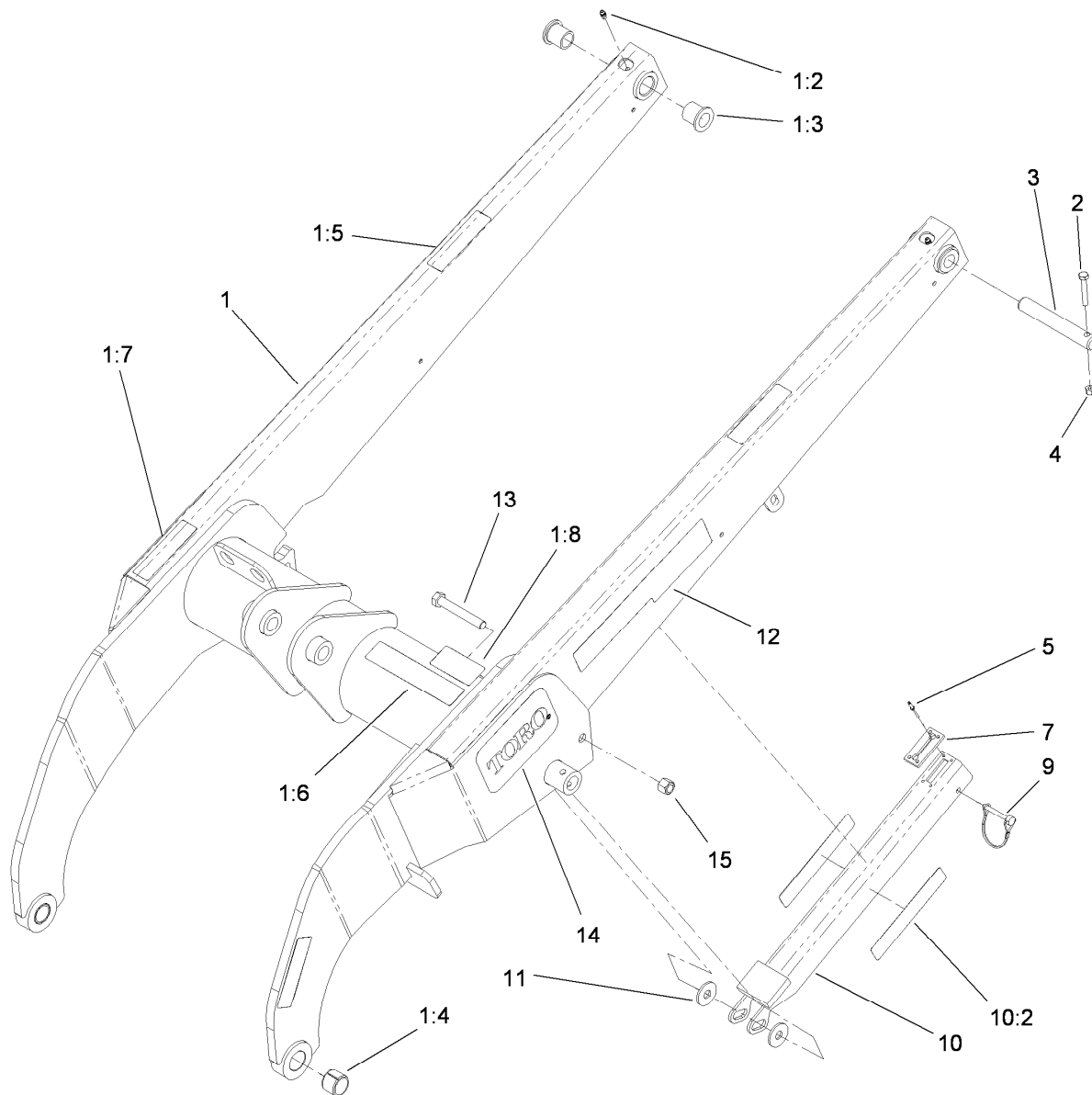
Two Spool Valve Assembly No. 106-9307

| Ref. | Part Number | Qty. | Description |
|------|-------------|------|---------------------|
| 1 | 106-7724 | 1 | Joystick Kit |
| 1:1 | 98-0668 | 3 | Nut |
| 1:2 | 106-7726 | 1 | Pivot-Joystick |
| 1:3 | 106-7727 | 1 | Pin-Joystick |
| 1:4 | 106-7728 | 1 | End-Rod |
| 1:5 | 42-9850 | 3 | Washer-Lock, Spring |
| 1:6 | 98-5828 | 3 | Screw-HSH |
| 1:7 | 106-7729 | 1 | Bellow-Rubber |
| 1:8 | 3290-379 | 1 | Tie-Cable |
| 1:9 | 106-7730 | 2 | Joint-Joystick |
| 1:10 | 106-7731 | 1 | Holder-Articulated |
| 2 | 106-7725 | 1 | Seal-Joystick |
| 13 | 106-7732 | 1 | Valve Spring Kit |
| 14 | 106-7733 | 1 | Detent Spring Kit |
| 15 | 106-7734 | 2 | Valve-Relief |
| 16 | 106-7735 | 1 | Valve-Relief, Main |
| 17 | 106-7736 | 1 | Spool-Valve |
| 18 | 106-7737 | 1 | Spool-Valve |
| 19 | 106-7738 | 2 | Seal-Valve, Spool |
| 20 | 106-7719 | 2 | Seal-Valve |
| 21 | 353-988 | 3 | Plug-Hex |
| 21:1 | 237-79 | 1 | O-Ring |



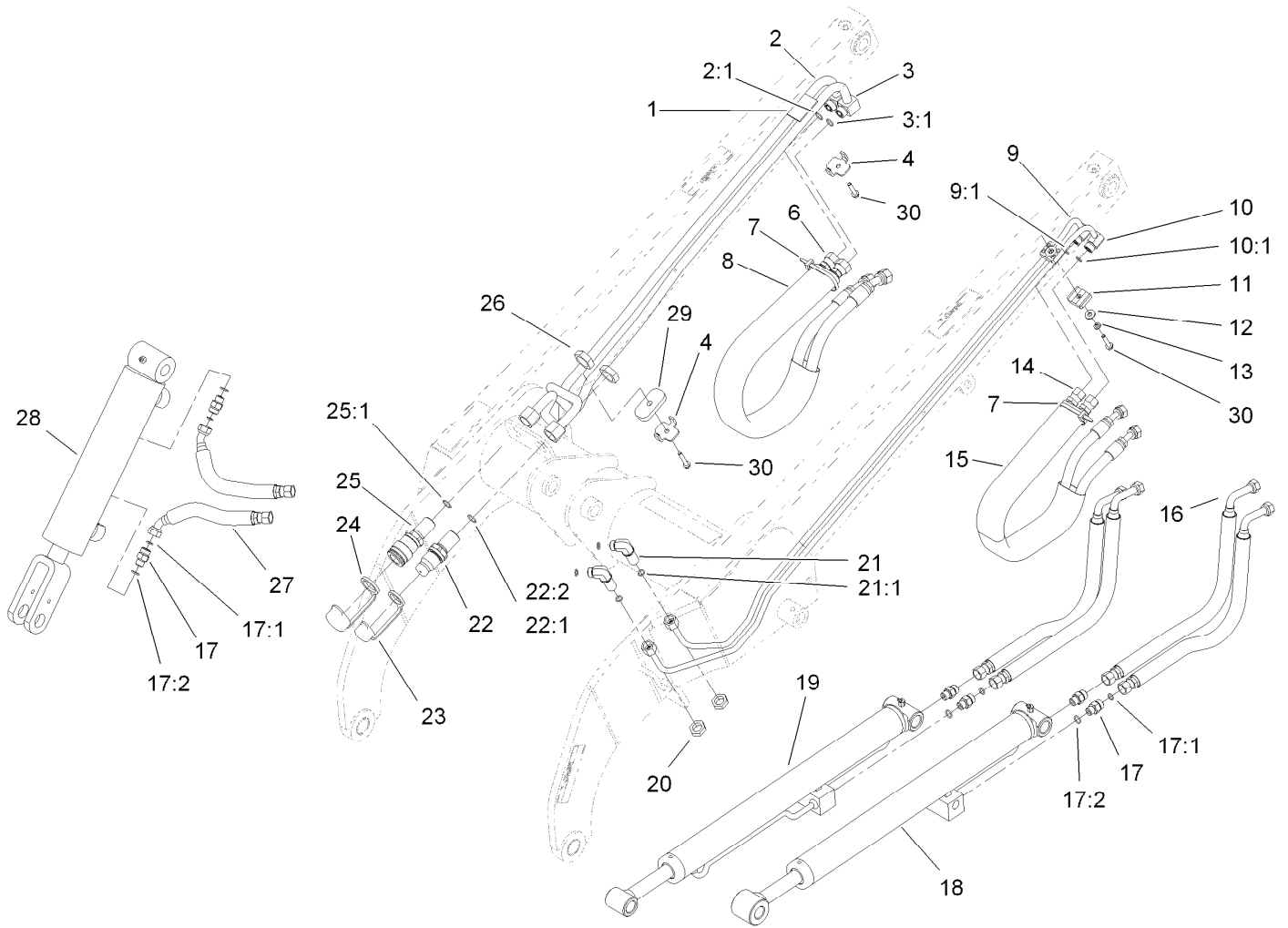
One Spool Valve Assembly No. 104-2831

| <i>Ref.</i> | <i>Part Number</i> | <i>Qty.</i> | <i>Description</i> |
|-------------|--------------------|-------------|--------------------|
| 1 | 99-4390 | 1 | Seal Kit |
| 1:1 | 99-3074 | 4 | Gasket |
| 1:2 | 99-3075 | 8 | Gasket |



Loader Arm Assembly

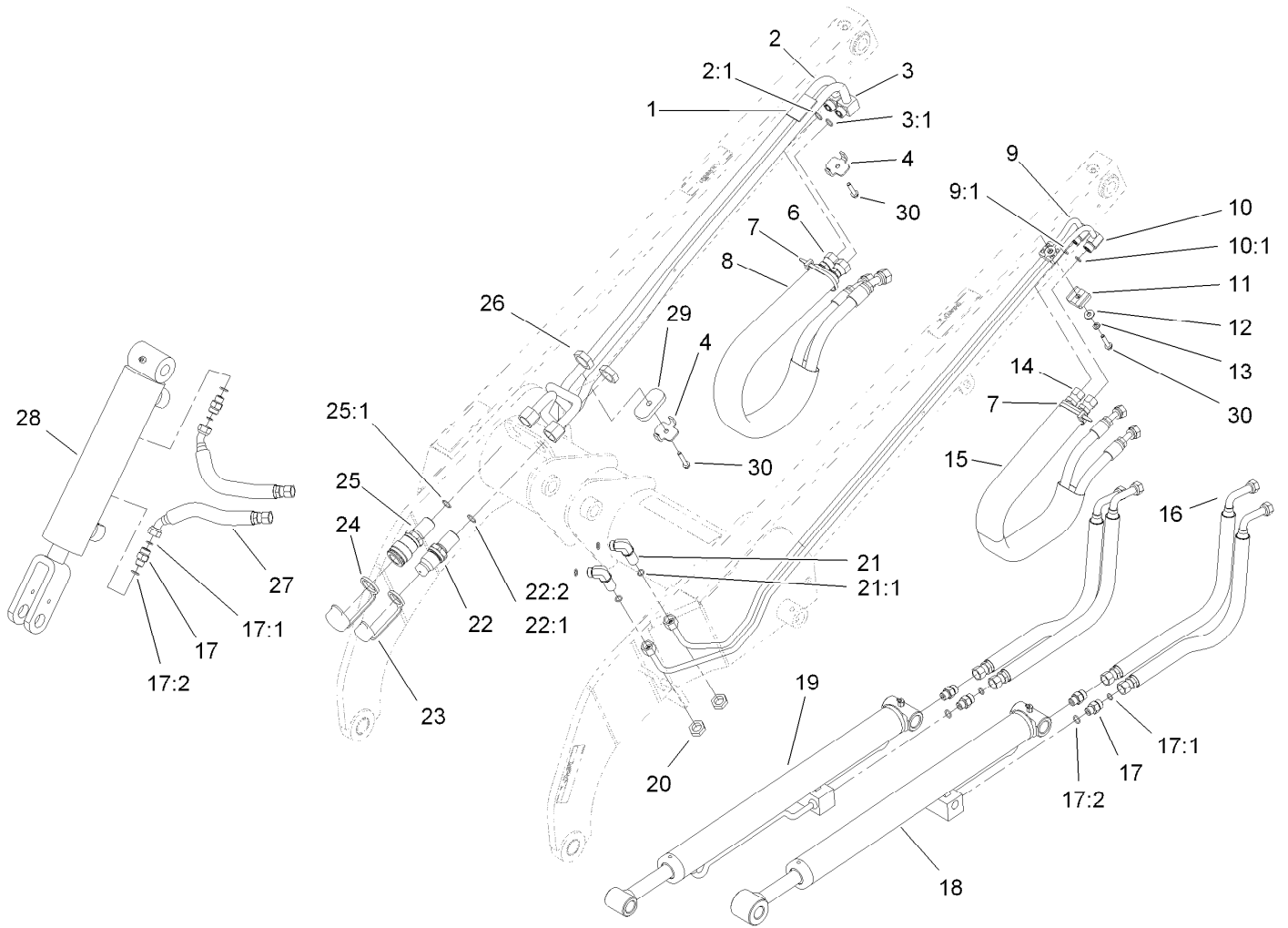
| Ref. | Part Number | Qty. | Description | Ref. | Part Number | Qty. | Description |
|------|-------------|------|----------------------|------|-------------|------|-----------------|
| 1 | 108-4638 | 1 | Loader Arm ASM | 5 | 95-1687 | 4 | Rivet |
| 1:2 | 302-5 | 2 | Fitting-Grease | 7 | 98-0083 | 1 | Stop-Rubber |
| 1:3 | 95-3577 | 4 | Bushing | 9 | 112-2583 | 1 | Pin-Locking |
| 1:4 | 98-4871 | 2 | Bushing-Tension | 10 | 108-4639 | 1 | Locking Arm ASM |
| 1:5 | 100-8821 | 4 | Decal-Warning, Pinch | 10:2 | 115-4858 | 2 | Decal-Danger |
| 1:6 | 115-4856 | 1 | Decal-Caution | 11 | 68-1440 | 2 | Washer-Rubber |
| 1:7 | 115-4855 | 1 | Decal-Caution | 12 | 115-4868 | 2 | Decal |
| 1:8 | 100-8822 | 1 | Decal-No Rider | 13 | 325-14 | 1 | Screw-HH |
| 2 | 322-10 | 7 | Screw-HH | 14 | 105-1217 | 2 | Decal |
| 3 | 104-2849 | 7 | Pin-Locking | 15 | 3296-23 | 1 | Nut-Lock, NI |
| 4 | 3296-29 | 7 | Nut-Lock, NI | | | | |



Loader Arm Hydraulic Assembly

| Ref. | Part Number | Qty. | Description | Ref. | Part Number | Qty. | Description |
|------|-------------|------|-------------------|------|-------------|------|----------------------|
| 1 | 106-9366 | 1 | Spacer-Hardline | 16 | 98-0216 | 4 | Hose-HYD |
| 2 | 108-6319 | 1 | HYD Tube ASM | 17 | 340-2 | 6 | Fitting-Straight |
| 2:1 | 237-22 | 1 | O-Ring | 17:1 | 237-22 | 1 | O-Ring |
| 3 | 112-2563 | 1 | HYD Tube ASM | 17:2 | 237-42 | 1 | O-Ring |
| 3:1 | 237-22 | 1 | O-Ring | 18 | 104-6267 | 1 | LH Lift Cylinder ASM |
| 4 | 98-0237 | 2 | Plate-Clamp, Tube | 19 | 104-6269 | 1 | RH Lift Cylinder ASM |
| 6 | 98-0242 | 2 | Hose-HYD | 20 | 340-70 | 2 | Nut-Lock |
| 7 | 3290-378 | 2 | Tie-Cable | 21 | 340-154 | 2 | Union-Bulkhead |
| 8 | 100-6128 | 1 | Sleeve-Protective | 21:1 | 237-22 | 2 | O-Ring |
| 9 | 106-9364 | 1 | HYD Tube ASM | 22 | 105-8395 | 1 | Bulkhead Nipple ASM |
| 9:1 | 237-22 | 1 | O-Ring | 22:1 | 237-65 | 1 | O-Ring |
| 10 | 106-9365 | 1 | HYD Tube ASM | 22:2 | 100-6120 | 1 | Seal Kit ● |
| 10:1 | 237-22 | 1 | O-Ring | 23 | 100-8815 | 1 | Cap-Dust, Nipple |
| 11 | 56-7973 | 2 | Clamp-Tube | 24 | 100-8816 | 1 | Cap-Dust, Coupler |
| 12 | 3256-2 | 1 | Washer-Flat | 25 | 105-8394 | 1 | Bulkhead Coupler ASM |
| 13 | 3253-3 | 1 | Washer-Lock | 25:1 | 237-65 | 1 | O-Ring |
| 14 | 98-0213 | 2 | Hose-HYD | 26 | 340-74 | 2 | Nut-Lock, Bulkhead |
| 15 | 100-6127 | 1 | Sleeve-Protective | 27 | 98-0207 | 2 | Hose-HYD |

● Not illustrated

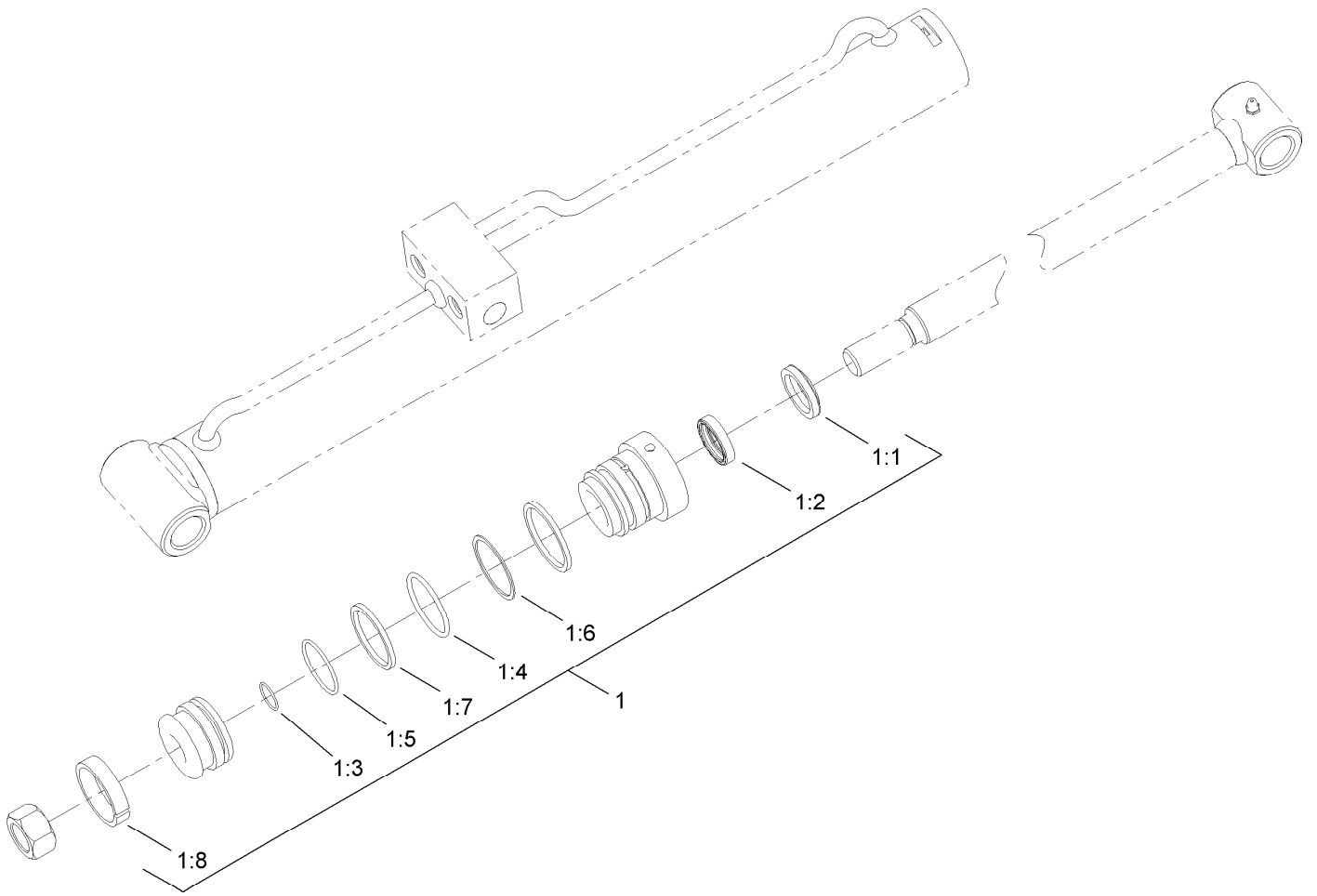


Loader Arm Hydraulic Assembly (continued)

| <i>Ref.</i> | <i>Part Number</i> | <i>Qty.</i> | <i>Description</i> |
|-------------|--------------------|-------------|--------------------|
| 28 | 105-8370 | 1 | Tilt Cylinder ASM |

| <i>Ref.</i> | <i>Part Number</i> | <i>Qty.</i> | <i>Description</i> |
|-------------|--------------------|-------------|--------------------|
| 29 | 112-2565 | 1 | Plate-Hardline |
| 30 | 94-2691 | 3 | Screw-HWH Taptite |

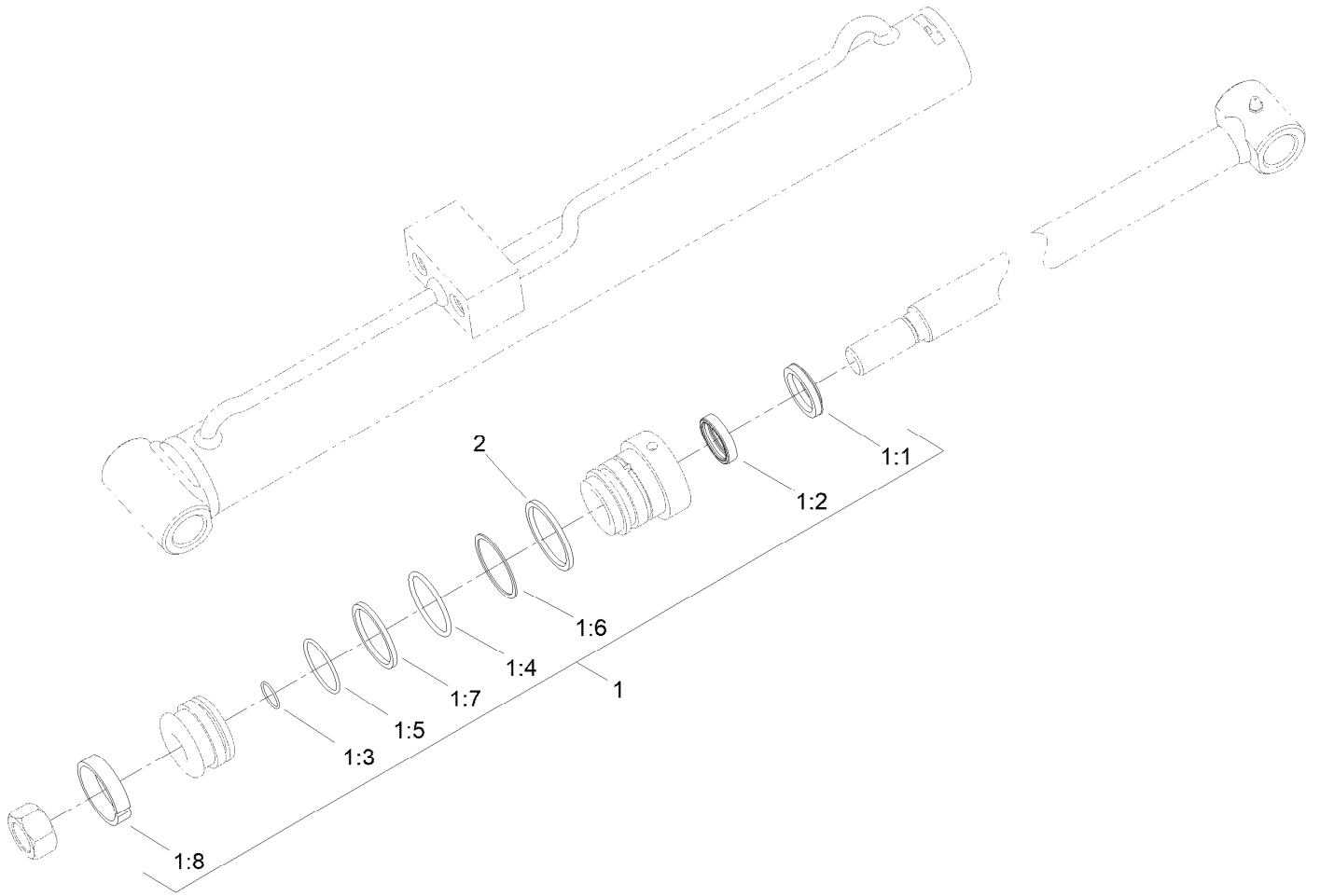
● Not illustrated



Left Hand Hydraulic Lift Cylinder Assembly No. 104-6267

| <i>Ref.</i> | <i>Part Number</i> | <i>Qty.</i> | <i>Description</i> |
|-------------|--------------------|-------------|--------------------|
| 1 | 104-6268 | 1 | Seal Kit |
| 1:1 | | 1 | Wiper ● |
| 1:2 | | 1 | Seal ● |
| 1:3 | | 1 | O-Ring ● |
| 1:4 | | 1 | O-Ring ● |
| 1:5 | | 1 | O-Ring ● |
| 1:6 | | 1 | Back-Up ● |
| 1:7 | | 1 | Seal ● |
| 1:8 | | 1 | Wear Ring ● |

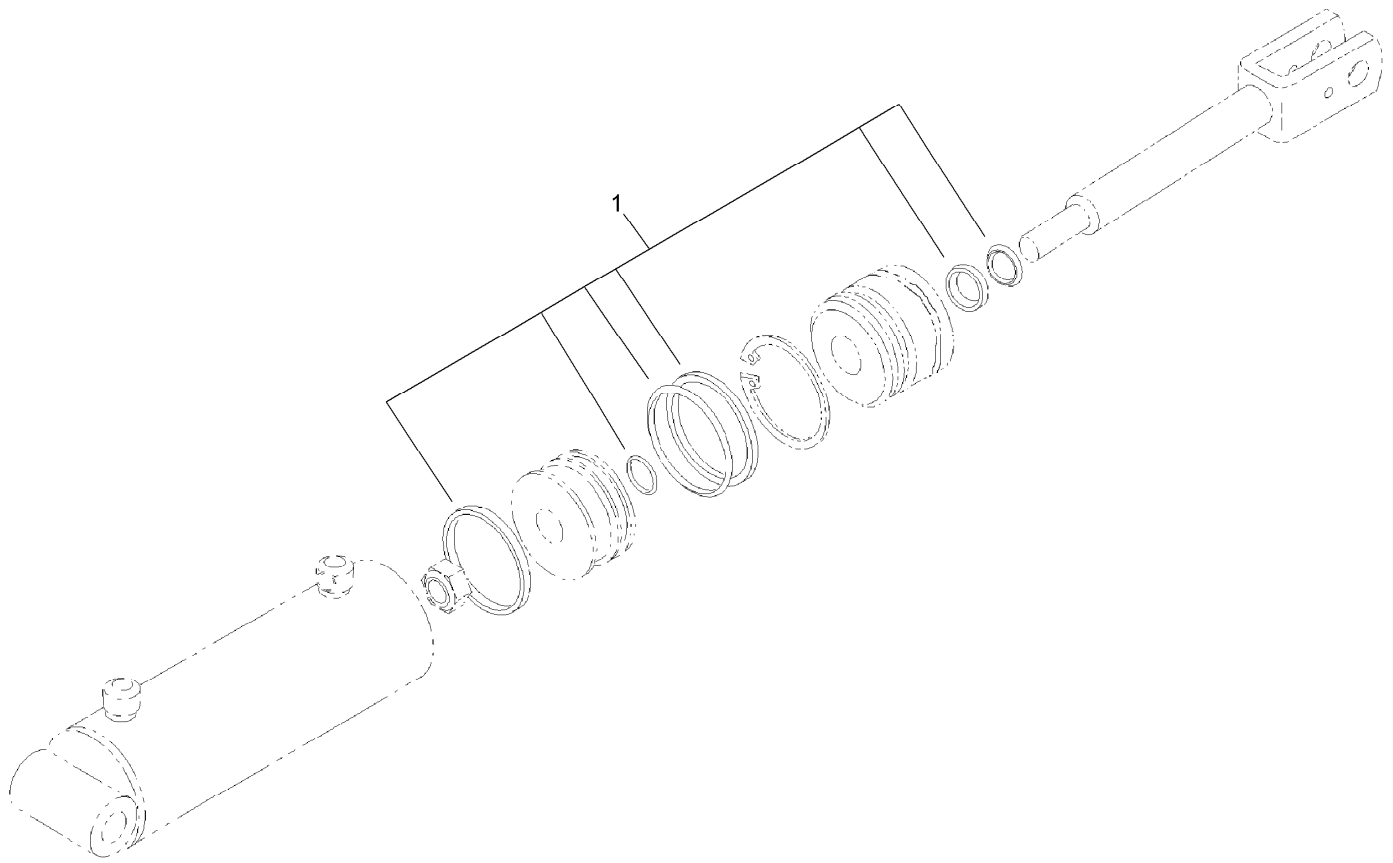
● Not serviced separately



Right Hand Hydraulic Lift Cylinder Assembly No. 104-6269

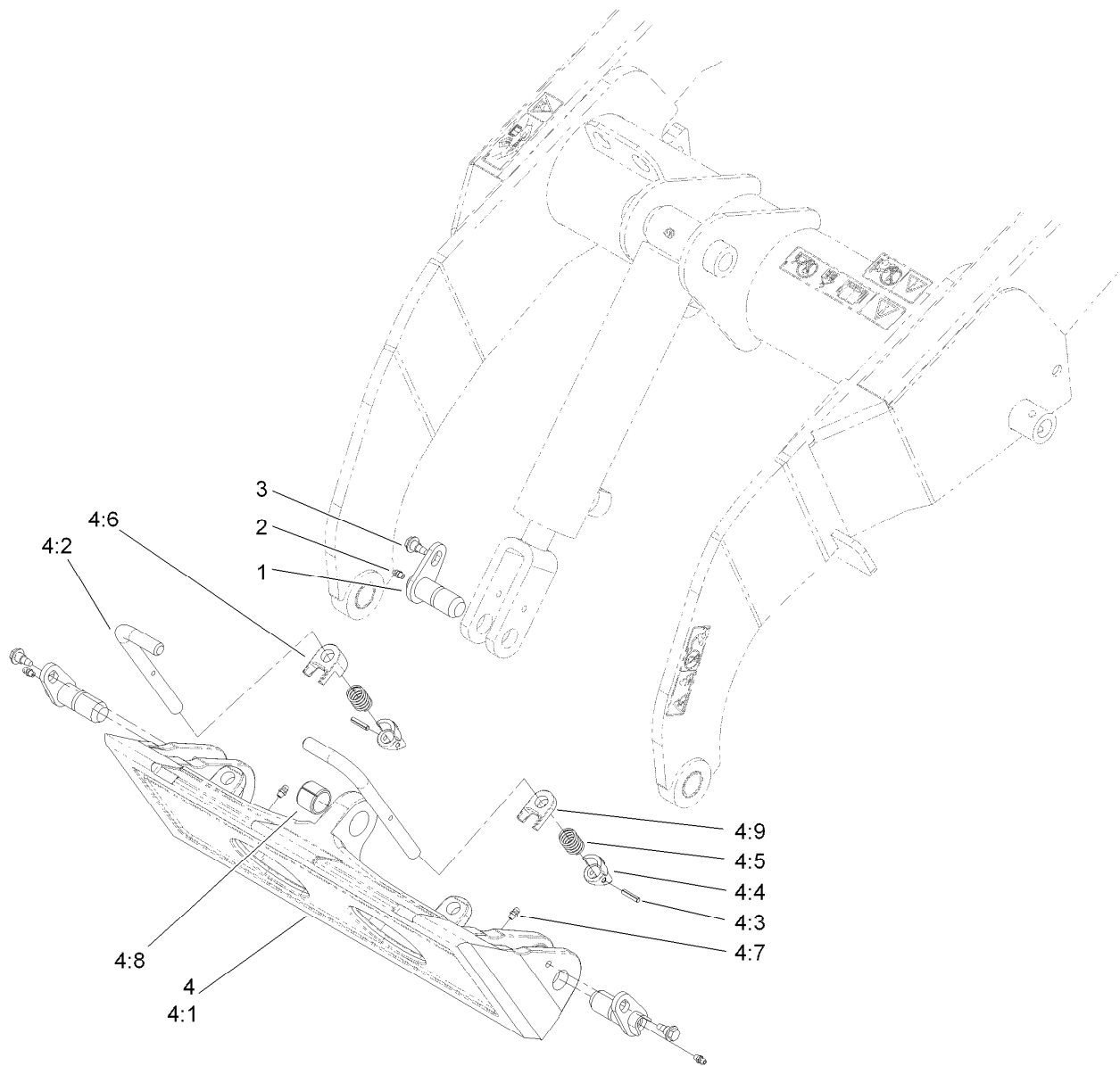
| <i>Ref.</i> | <i>Part Number</i> | <i>Qty.</i> | <i>Description</i> |
|-------------|--------------------|-------------|--------------------|
| 1 | 104-6268 | 1 | Seal Kit |
| 1:1 | | 1 | Wiper ● |
| 1:2 | | 1 | Seal ASM ● |
| 1:3 | | 1 | Seal-Dust ● |
| 1:4 | | 1 | Seal-Dust ● |
| 1:5 | | 1 | Seal-Dust ● |
| 1:6 | | 1 | Back-Up ● |
| 1:7 | | 1 | Seal ASM ● |
| 1:8 | | 1 | Ring-Wear ● |
| 2 | 161-7281 | 1 | Ring - Retaining |

● Not serviced separately



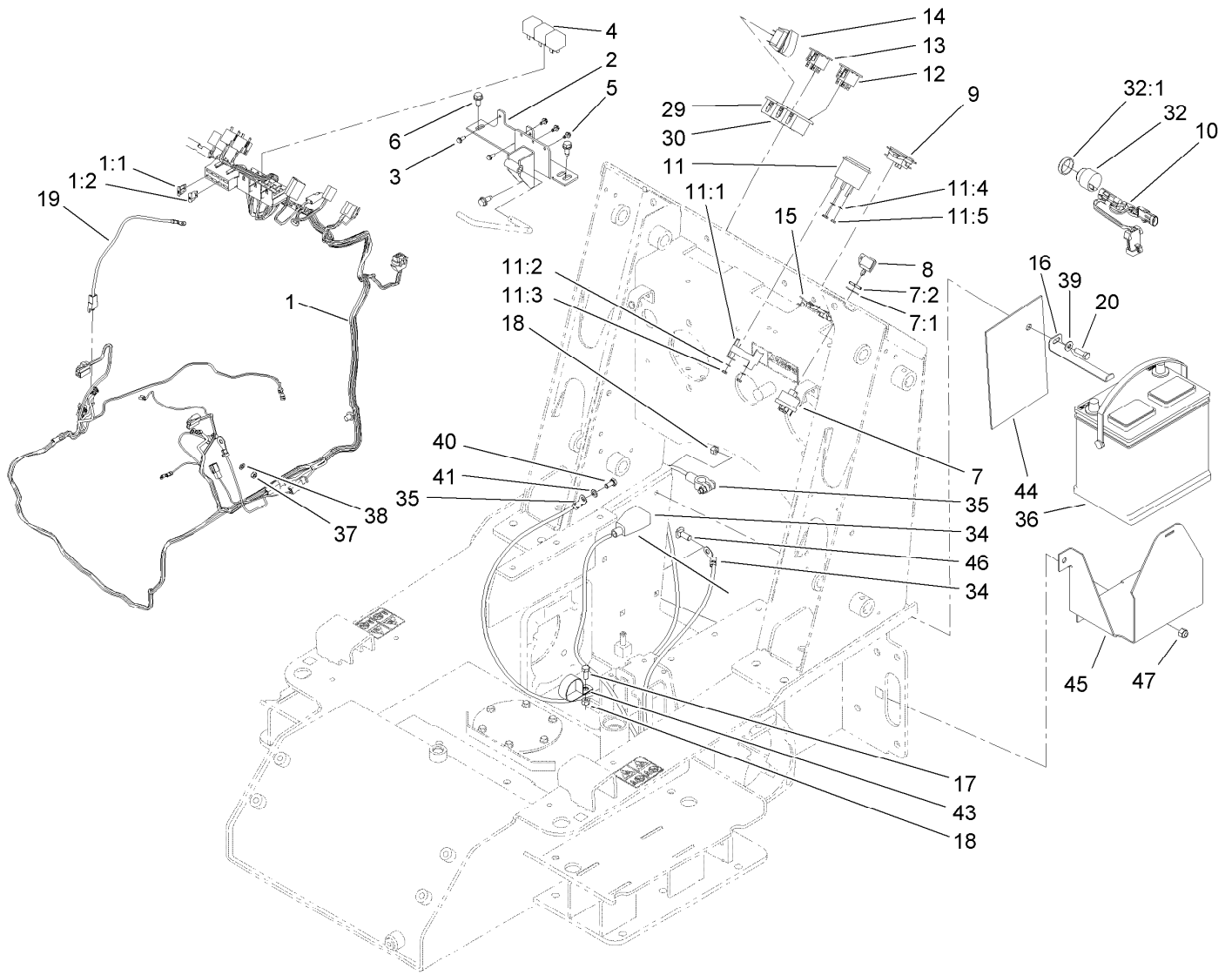
Hydraulic Cylinder Assembly No. 105-8370

| <i>Ref.</i> | <i>Part Number</i> | <i>Qty.</i> | <i>Description</i> |
|-------------|--------------------|-------------|--------------------|
| 1 | 106-7567 | 1 | Seal Kit |



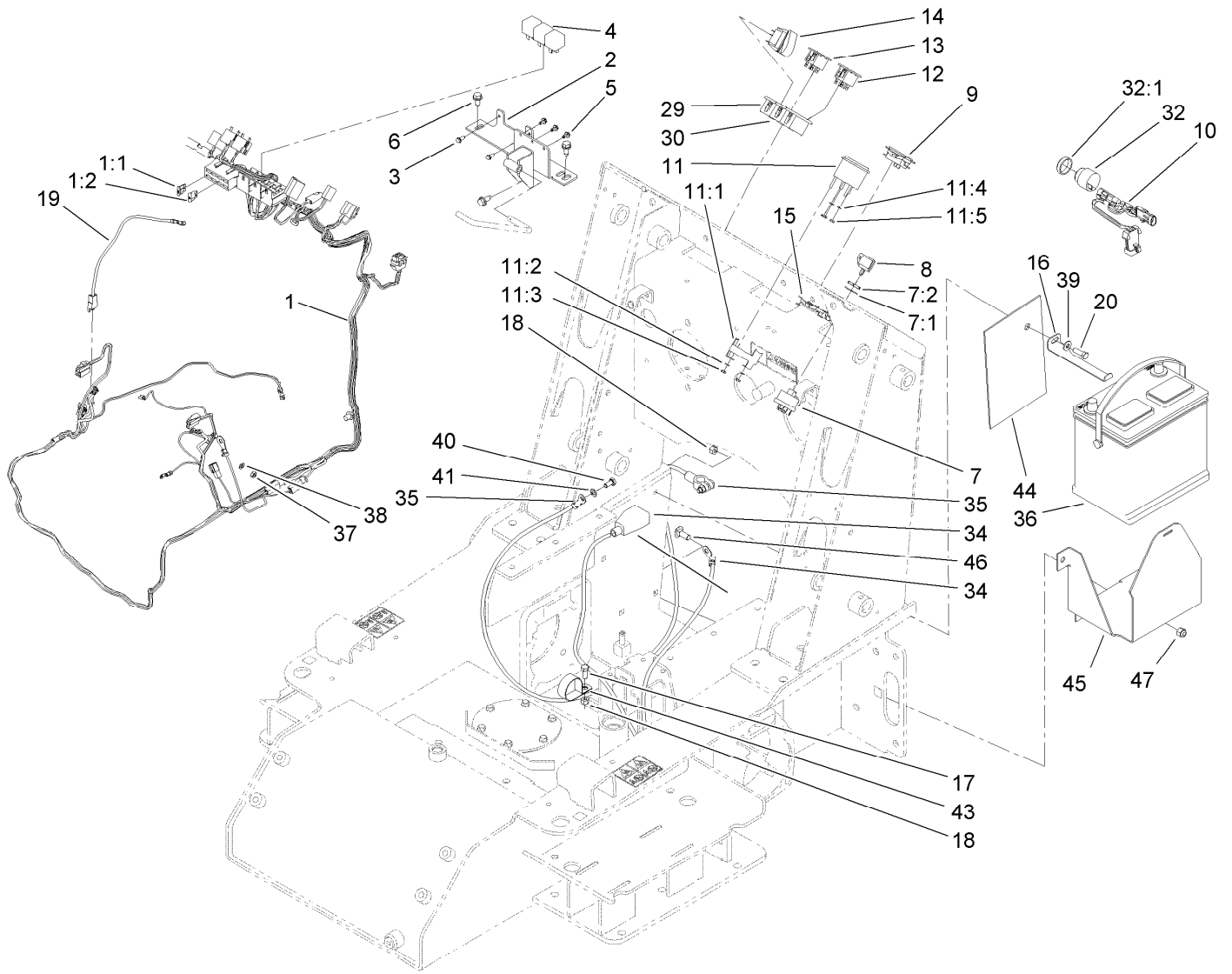
Quick Attach Assembly

| Ref. | Part Number | Qty. | Description |
|------|-------------|------|--------------------|
| 1 | 112-2609 | 3 | Pin-Pivot |
| 2 | 302-5 | 3 | Fitting-Grease |
| 3 | 99-5105 | 3 | Screw-Shoulder |
| 4 | 115-0788 | 1 | Quick Attach ASM |
| 4:1 | 115-0774-03 | 1 | Mount-Qtach |
| 4:2 | 105-8367 | 2 | Pin-Locking |
| 4:3 | 3285-1 | 2 | Pin-Grooved |
| 4:4 | 105-0246 | 2 | Cam |
| 4:5 | 98-4694 | 2 | Spring-Compression |
| 4:6 | 104-5909 | 1 | Stop-RH |
| 4:7 | 302-5 | 2 | Fitting-Grease |
| 4:8 | 98-4871 | 1 | Bushing-Tension |
| 4:9 | 104-5903 | 1 | Stop-LH |



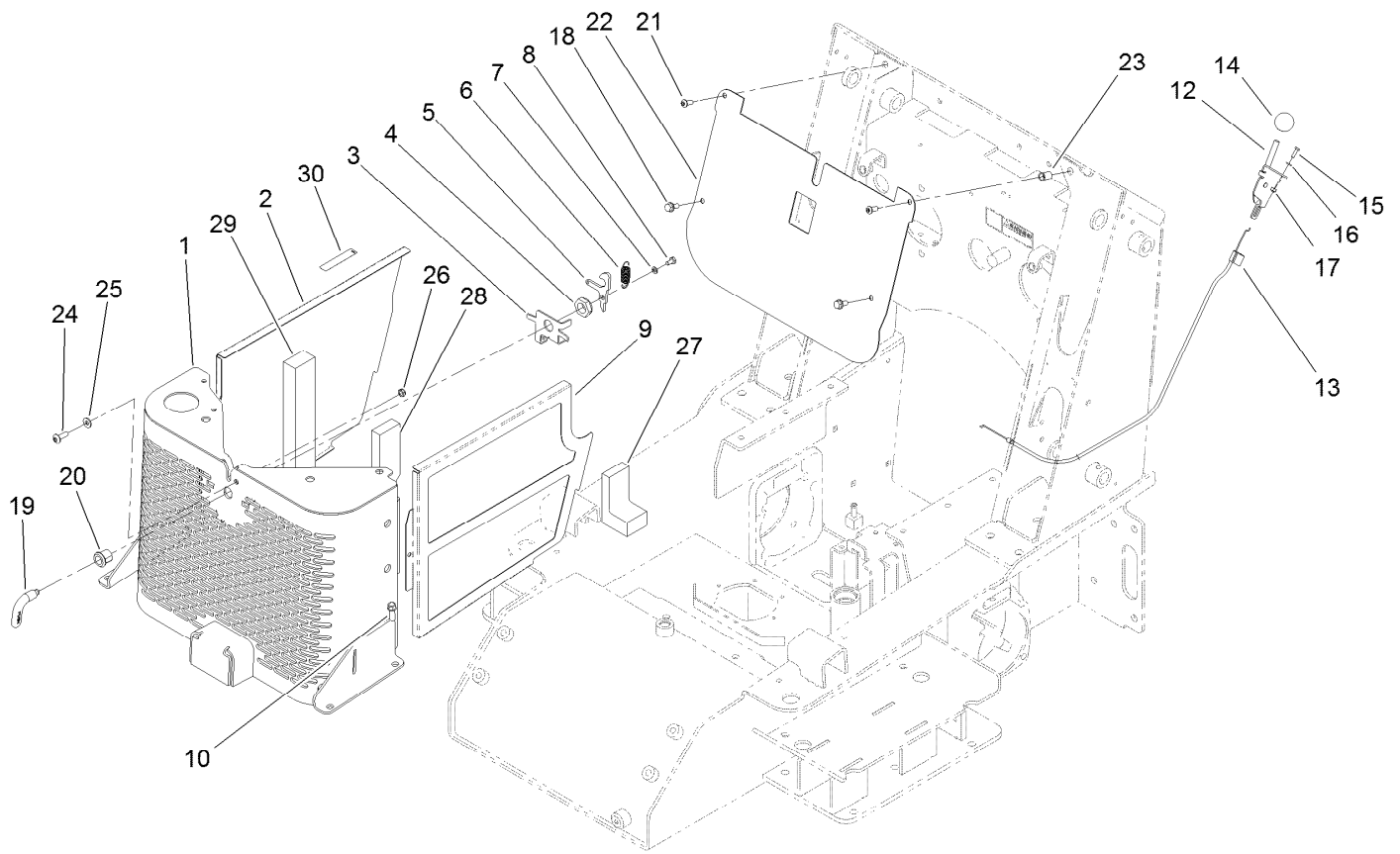
Electrical System Assembly

| Ref. | Part Number | Qty. | Description | Ref. | Part Number | Qty. | Description |
|------|-------------|------|------------------------------|------|-------------|------|-------------------------------|
| 1 | 117-1329 | 1 | Harness-Wire | 13 | 100-8071 | 1 | Lamp-Warning |
| 1:1 | 112-2463 | 1 | Harness-Link, Fusible | 14 | 110-0811 | 1 | Switch-Rocker On-None-(On) |
| 1:2 | 108-6346 | 1 | Harness-Link, Fusible (14FI) | 15 | 104-4234 | 1 | Clip-Mounting |
| 2 | 108-6360-03 | 1 | Bracket-Relay | 16 | 108-6275-03 | 1 | Clamp-Battery |
| 3 | 32104-4 | 2 | Screw | 17 | 322-3 | 1 | Screw-HH |
| 4 | 98-7249 | 3 | Relay | 18 | 3296-29 | 2 | Nut-Lock, NI |
| 5 | 104-2065 | 3 | Screw-HWH | 19 | 108-6365 | 1 | Harness-Wire |
| 6 | 32144-11 | 3 | Screw-HWH | 20 | 322-5 | 1 | Screw-HH |
| 7 | 88-9830 | 1 | Key Switch ASM | 29 | 108-6325 | 2 | Bracket-End |
| 7:1 | 3254-5 | 1 | Washer-Lock | 30 | 108-6326 | 1 | Bracket-Middle |
| 7:2 | 218-461 | 1 | Nut-HH | 32 | 80-9330 | 1 | Audio Alarm ASM |
| 8 | 63-8360 | 2 | Key-Ignition | 32:1 | 104-5107 | 1 | Nut-Plastic, Knurled |
| 9 | 120-2244 | 1 | Hourmeter | 34 | 108-6327 | 1 | Cable-Battery, Positive |
| 10 | 115-0730 | 1 | Harness-Wire, Neutral | 35 | 108-6328 | 1 | Cable-Battery, Negative |
| 11 | 66-2940 | 1 | Gauge-Fuel | 36 | 104-9979 | 1 | Battery |
| 11:1 | 100-6147 | 1 | Bracket-Mounting, Gauge | 37 | 43-2830 | 1 | Nut-Hex |
| 11:2 | 3254-1 | 2 | Washer-Lock, Int | 38 | 43-5930 | 1 | Washer-Lock, Spring |
| 11:3 | 3217-27 | 2 | Nut-Hex | 39 | 3256-2 | 1 | Washer-Flat |
| 11:4 | 3255-24 | 3 | Washer-Lock / EXT | 40 | 33104-016 | 1 | Screw-HHF |
| 11:5 | 3217-16 | 3 | Nut-Hex | 41 | 3255-8 | 1 | Washer-Lock |
| 12 | 100-8070 | 1 | Lamp-Warning | | | | |



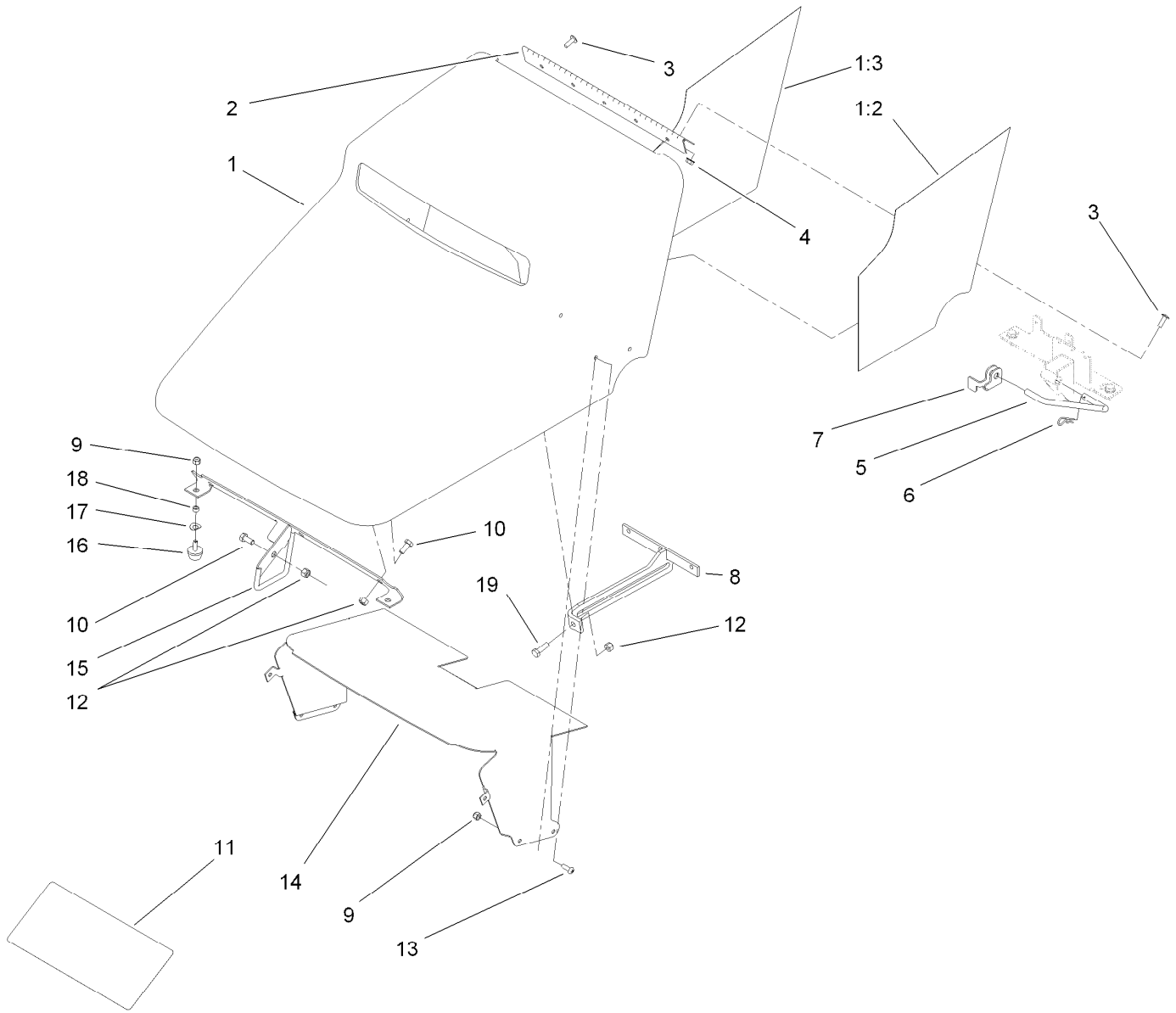
Electrical System Assembly (continued)

| <i>Ref.</i> | <i>Part Number</i> | <i>Qty.</i> | <i>Description</i> | <i>Ref.</i> | <i>Part Number</i> | <i>Qty.</i> | <i>Description</i> |
|-------------|--------------------|-------------|--------------------|-------------|--------------------|-------------|--------------------|
| 43 | 2412-147 | 1 | Clamp-R | 46 | 3231-2 | 3 | Bolt-CARR |
| 44 | 108-6392 | 1 | Guard-Battery | 47 | 3296-39 | 3 | Nut-Lock, NI |
| 45 | 108-6274-01 | 1 | Mount-Battery | | | | |



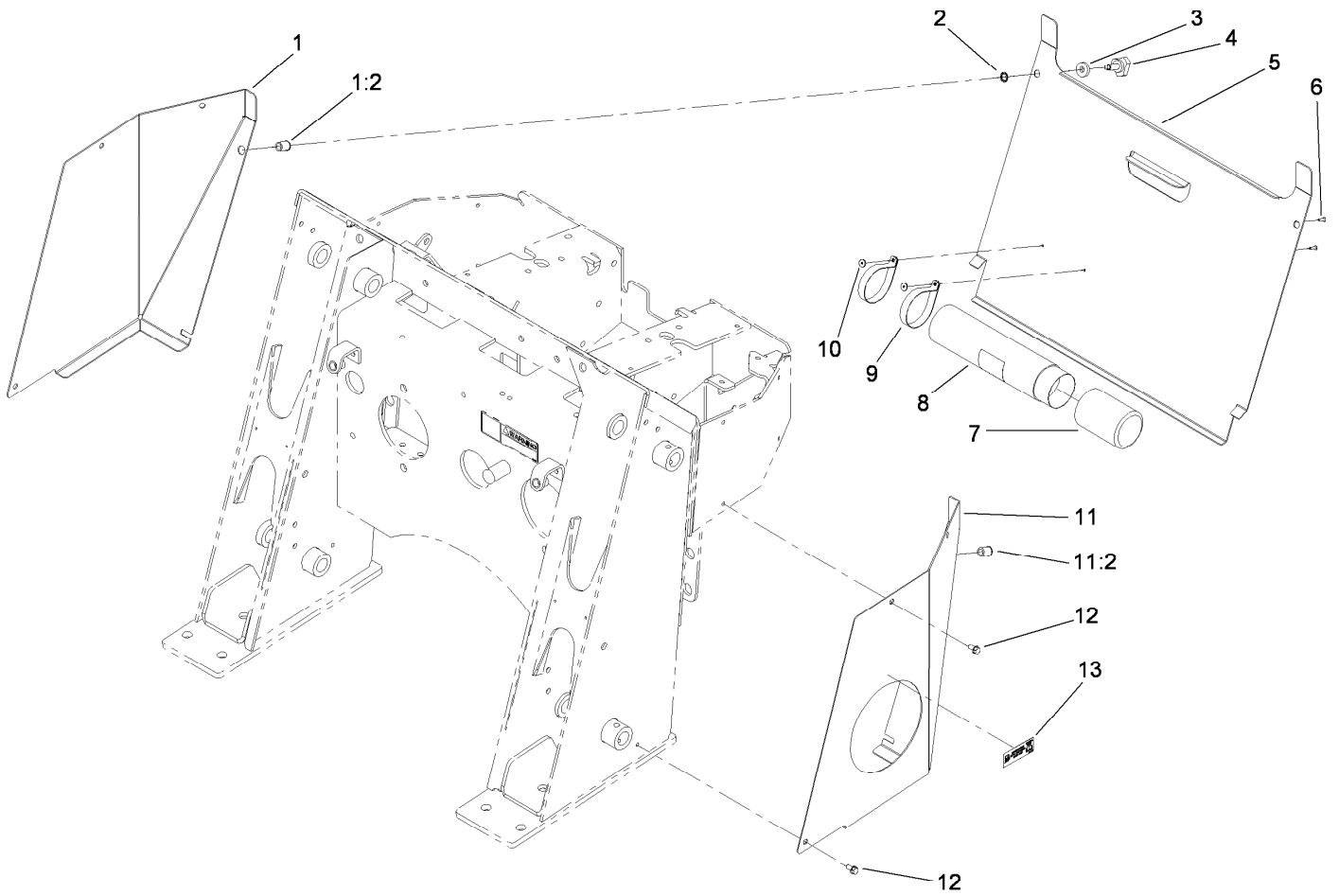
Grill Assembly

| <i>Ref.</i> | <i>Part Number</i> | <i>Qty.</i> | <i>Description</i> | <i>Ref.</i> | <i>Part Number</i> | <i>Qty.</i> | <i>Description</i> |
|-------------|--------------------|-------------|--------------------|-------------|--------------------|-------------|--------------------|
| 1 | 117-1318-03 | 1 | Grill | 17 | 32149-7 | 2 | Nut-Keps |
| 2 | 117-9963-03 | 1 | RH Side Panel | 18 | 3234-5 | 2 | Screw-HHF |
| 3 | 106-5729-03 | 1 | Bracket-Latch | 19 | 108-5639 | 1 | Handle-Latch |
| 4 | 3296-60 | 1 | Nut-Lock, NI | 20 | 106-9335 | 1 | Housing-Latch |
| 5 | 106-5728 | 1 | Cam-Latch | 21 | 3274-55 | 2 | Screw-HSBH |
| 6 | 104-0869 | 1 | Spring | 22 | 108-6225 | 1 | Baffle-Electrical |
| 7 | 3253-3 | 1 | Washer-Lock | 23 | 32148-8 | 2 | Nut-Clinch |
| 8 | 321-2 | 1 | Screw-HH | 24 | 107-8021 | 1 | Screw-PTH |
| 9 | 117-9964-03 | 1 | LH Side Panel | 25 | 3256-2 | 1 | Washer-Flat |
| 10 | 95-1726 | 4 | Screw-Taptite | 26 | 3296-47 | 1 | Nut-Lock,NI |
| 12 | 108-9730 | 1 | Lever-Control | 27 | 108-6375 | 2 | Seal-Foam |
| 13 | 108-6337 | 1 | Cable-Throttle | 28 | 108-6371 | 2 | Seal-Foam |
| 14 | 233-42 | 1 | Knob | 29 | 108-6369 | 1 | Seal-Foam |
| 15 | 3290-134 | 2 | Screw | 30 | 93-6681 | 1 | Decal-Warning, Fan |
| 16 | 3256-51 | 2 | Washer-Flat | | | | |



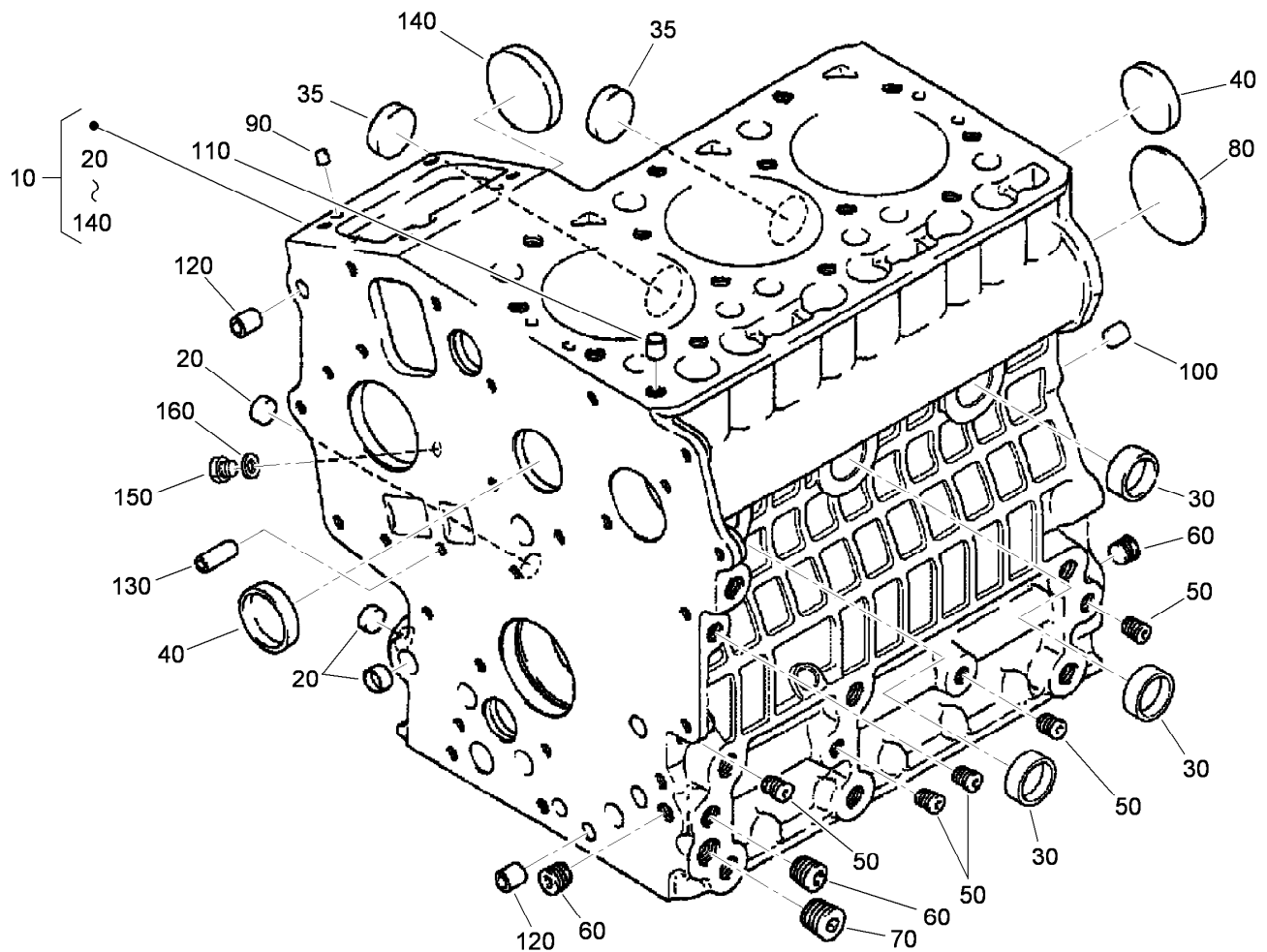
Hood Assembly

| <i>Ref.</i> | <i>Part Number</i> | <i>Qty.</i> | <i>Description</i> | <i>Ref.</i> | <i>Part Number</i> | <i>Qty.</i> | <i>Description</i> |
|-------------|--------------------|-------------|------------------------|-------------|--------------------|-------------|--------------------|
| 1 | 112-2460 | 1 | Hood ASM | 10 | 322-3 | 5 | Screw-HH |
| 1:2 | 112-2464 | 1 | Foiltape-LH | 11 | 117-1807 | 1 | Decal-Service |
| 1:3 | 112-2465 | 1 | Foiltape-RH | 12 | 3296-29 | 5 | Nut-Lock, NI |
| 2 | 100-1284 | 1 | Hinge-Hood | 13 | 3258-166 | 6 | Screw-PRH |
| 3 | 9114604 | 9 | Screw-Head, Truss | 14 | 108-6286 | 1 | Baffle-Hood |
| 4 | 32128-33 | 4 | Nut-HF | 15 | 108-6287-03 | 1 | Rod Latch ASM |
| 5 | 108-6357 | 1 | Rod-Support, Hood | 16 | 1-523420 | 2 | Bumper |
| 6 | 3290-250 | 1 | Pin-Cotter | 17 | 3290-301 | 2 | Washer-Spring |
| 7 | 115-0714 | 1 | Bracket-Latch, Locking | 18 | 106-9308 | 2 | Spacer |
| 8 | 112-2448-03 | 1 | Bracket-Rod, Prop | 19 | 322-5 | 1 | Screw-HH |
| 9 | 3296-42 | 13 | Nut-Lock, NI | | | | |



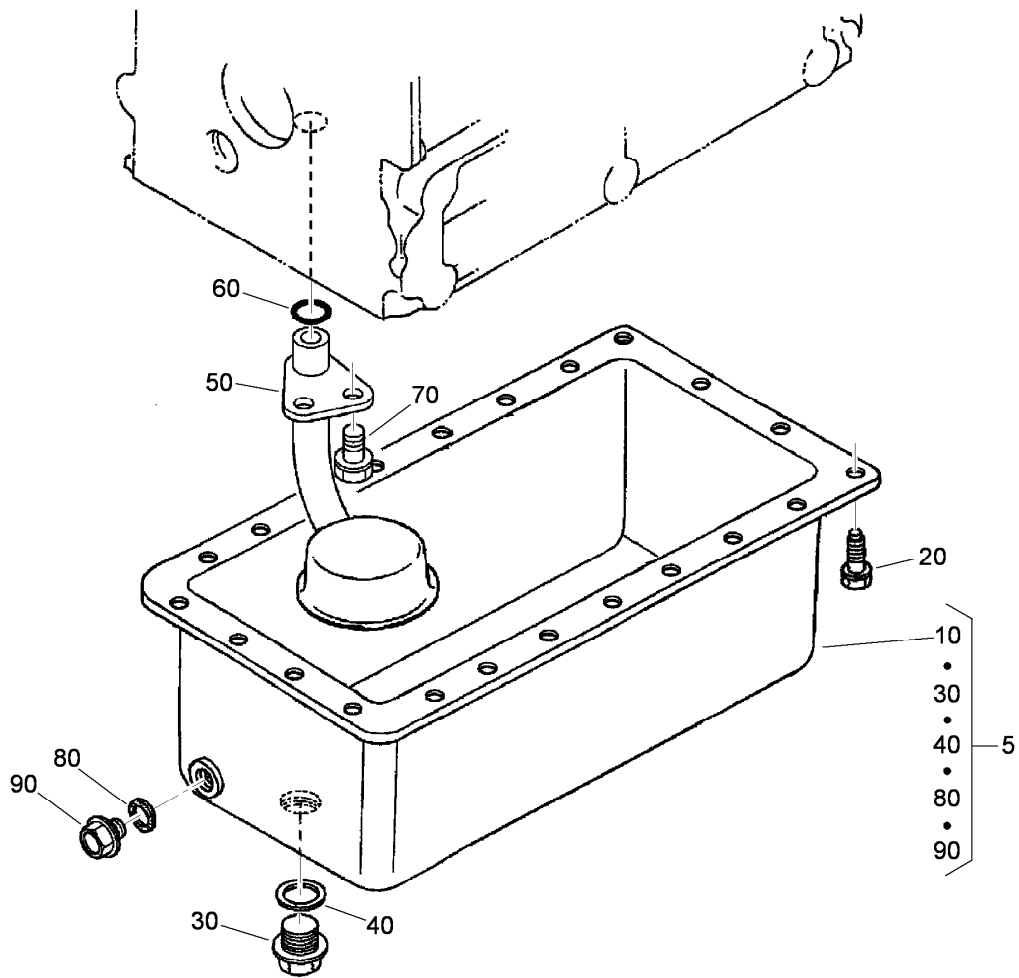
Rear Access Cover Assembly

| <i>Ref.</i> | <i>Part Number</i> | <i>Qty.</i> | <i>Description</i> |
|-------------|--------------------|-------------|---------------------------|
| 1 | 106-9342 | 1 | RH Rear Cover Support ASM |
| 1:2 | 32148-9 | 1 | Nut-Clinch |
| 2 | 32151-72 | 2 | Ring-Retaining |
| 3 | 106-0565 | 2 | Washer-Rubber |
| 4 | 95-9648 | 2 | Knob |
| 5 | 106-9339-01 | 1 | Cover-Access, Rear |
| 6 | 3269-17 | 2 | Rivet-Pop |
| 7 | 104-7048 | 1 | Cap-Housing |
| 8 | 104-7050 | 1 | Tube-Manual |
| 9 | 2412-120 | 2 | Clamp-R |
| 10 | 3269-10 | 2 | Washer-Back |
| 11 | 106-9343 | 1 | LH Rear Cover Support ASM |
| 11:2 | 32148-9 | 1 | Nut-Clinch |
| 12 | 9266714 | 6 | Screw-HWH |
| 13 | 114-9600 | 1 | Decal-Low Sulfur |



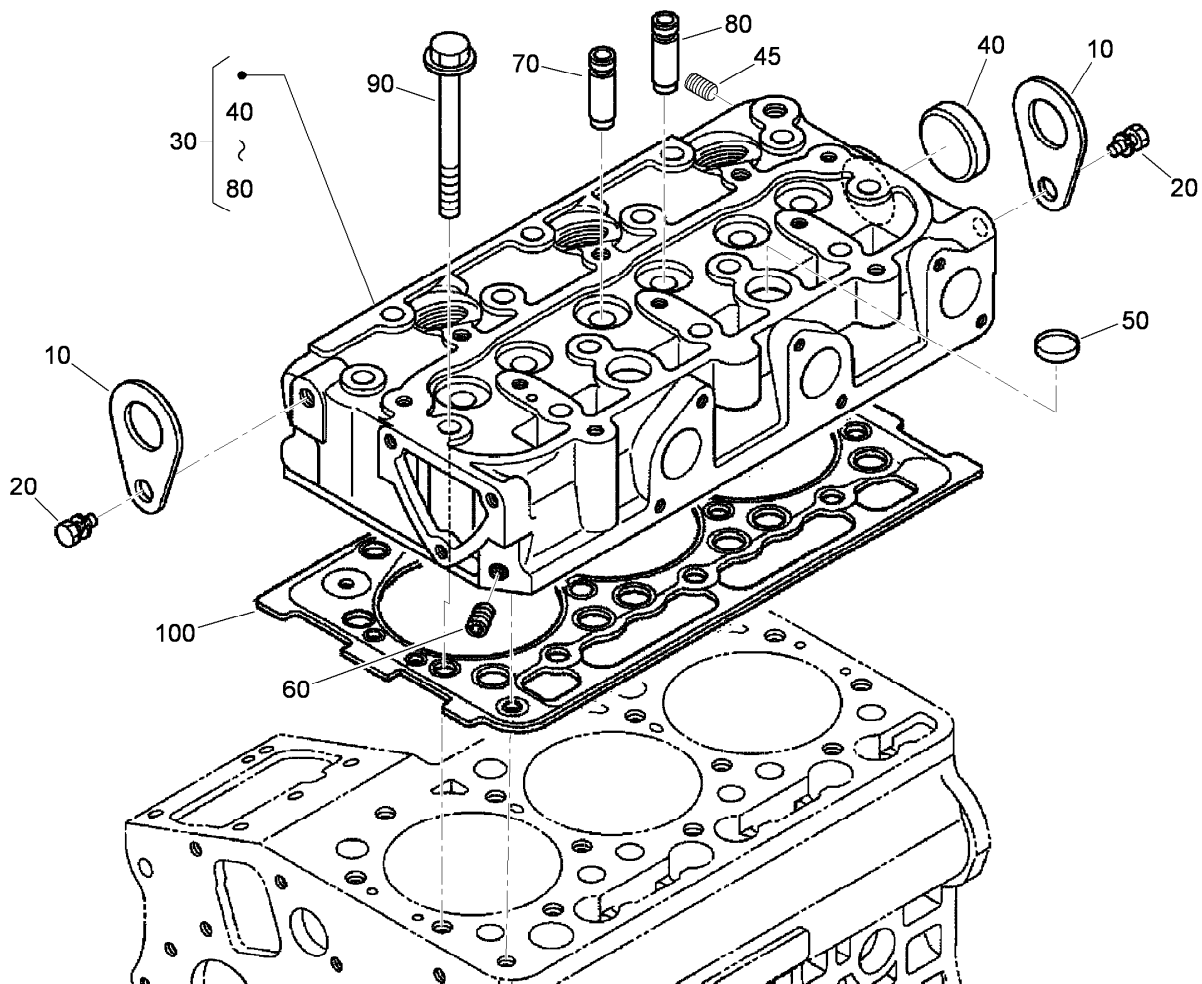
Crankcase Assembly

| <i>Ref.</i> | <i>Part Number</i> | <i>Qty.</i> | <i>Description</i> |
|-------------|--------------------|-------------|----------------------|
| 10 | 117-0301 | 1 | Crankcase ASM |
| 20 | 100-2019 | 3 | Cap-Sealing |
| 30 | 100-2020 | 3 | Cap-Sealing |
| 35 | 110-3702 | 2 | Cap-Sealing |
| 40 | 98-9398 | 2 | Cap-Sealing |
| 50 | 98-9687 | 5 | Plug |
| 60 | 98-7487 | 3 | Plug |
| 70 | 98-7488 | 1 | Plug |
| 80 | 100-1851 | 1 | Plug-Expansion |
| 90 | 98-9375 | 2 | Pin-Straight |
| 100 | 98-9377 | 2 | Pin-Straight |
| 110 | 98-7506 | 1 | Pin-Pipe |
| 120 | 98-9387 | 2 | Pin-Pipe |
| 130 | 100-2051 | 2 | Pin-Pipe |
| 140 | 100-1991 | 1 | Cover-Fuel, Camshaft |
| 150 | 99-3447 | 1 | Plug |
| 160 | 112-8325 | 1 | Washer |



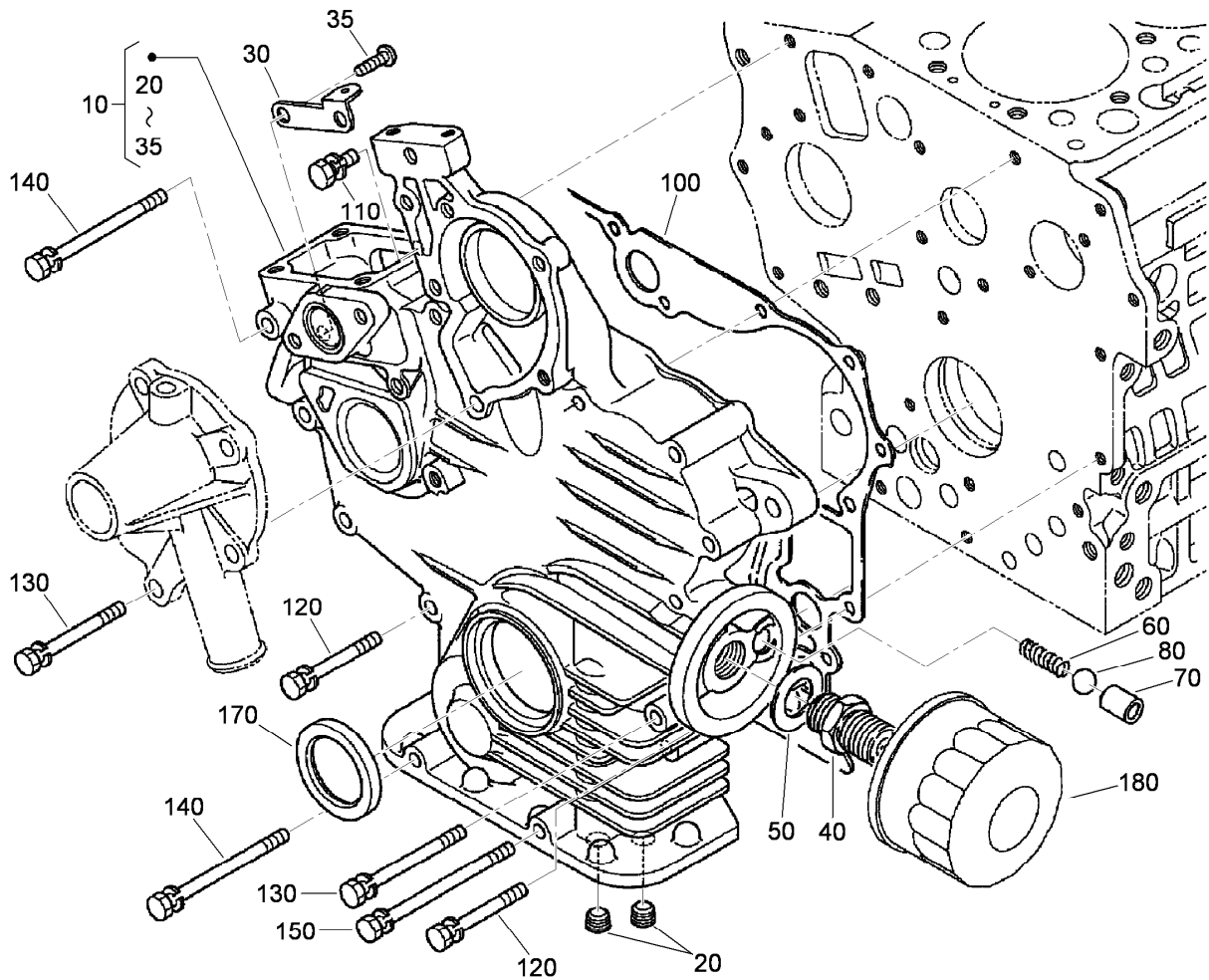
Oil Pan Assembly

| <i>Ref.</i> | <i>Part Number</i> | <i>Qty.</i> | <i>Description</i> |
|-------------|--------------------|-------------|----------------------|
| 5 | 112-8327 | 1 | Oil Pan Kit |
| 10 | 112-2523 | 1 | Pan-Oil |
| 20 | 117-0302 | 22 | Bolt |
| 30 | 98-9686 | 1 | Plug-Drain |
| 40 | 110-9715 | 1 | Gasket-Pan, Oil |
| 50 | 100-2001 | 1 | Strainer-Pickup, Oil |
| 60 | 105-3776 | 1 | O-Ring |
| 70 | 100-9195 | 1 | Bolt |
| 80 | 98-7524 | 1 | Gasket |
| 90 | 114-8151 | 1 | Plug-Drain |



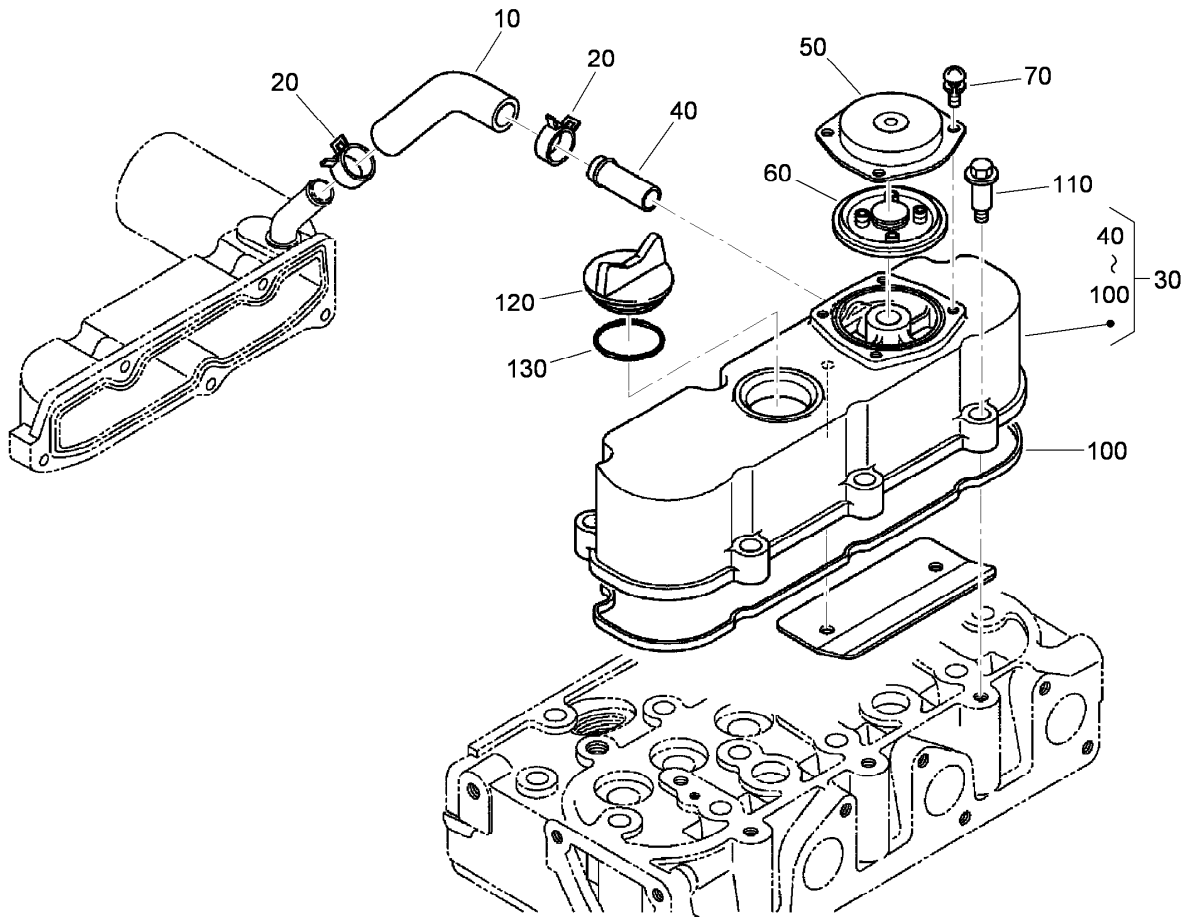
Cylinder Head Assembly

| <i>Ref.</i> | <i>Part Number</i> | <i>Qty.</i> | <i>Description</i> |
|-------------|--------------------|-------------|-----------------------|
| 10 | 98-7531 | 2 | Hook-Engine |
| 20 | 98-7526 | 2 | Bolt |
| 30 | 112-8329 | 1 | Head-Cylinder |
| 40 | 105-3705 | 1 | Cap-Sealing |
| 45 | 98-9444 | 1 | Plug |
| 50 | 98-9389 | 2 | Cap-Sealing |
| 60 | 98-7540 | 1 | Plug |
| 70 | 100-1882 | 3 | Guide-Valve, Inlet |
| 80 | 100-1883 | 3 | Guide-Valve, Exhaust |
| 90 | 100-1820 | 14 | Bolt-Head, Cylinder |
| 100 | 112-2520 | 1 | Gasket-Head, Cylinder |



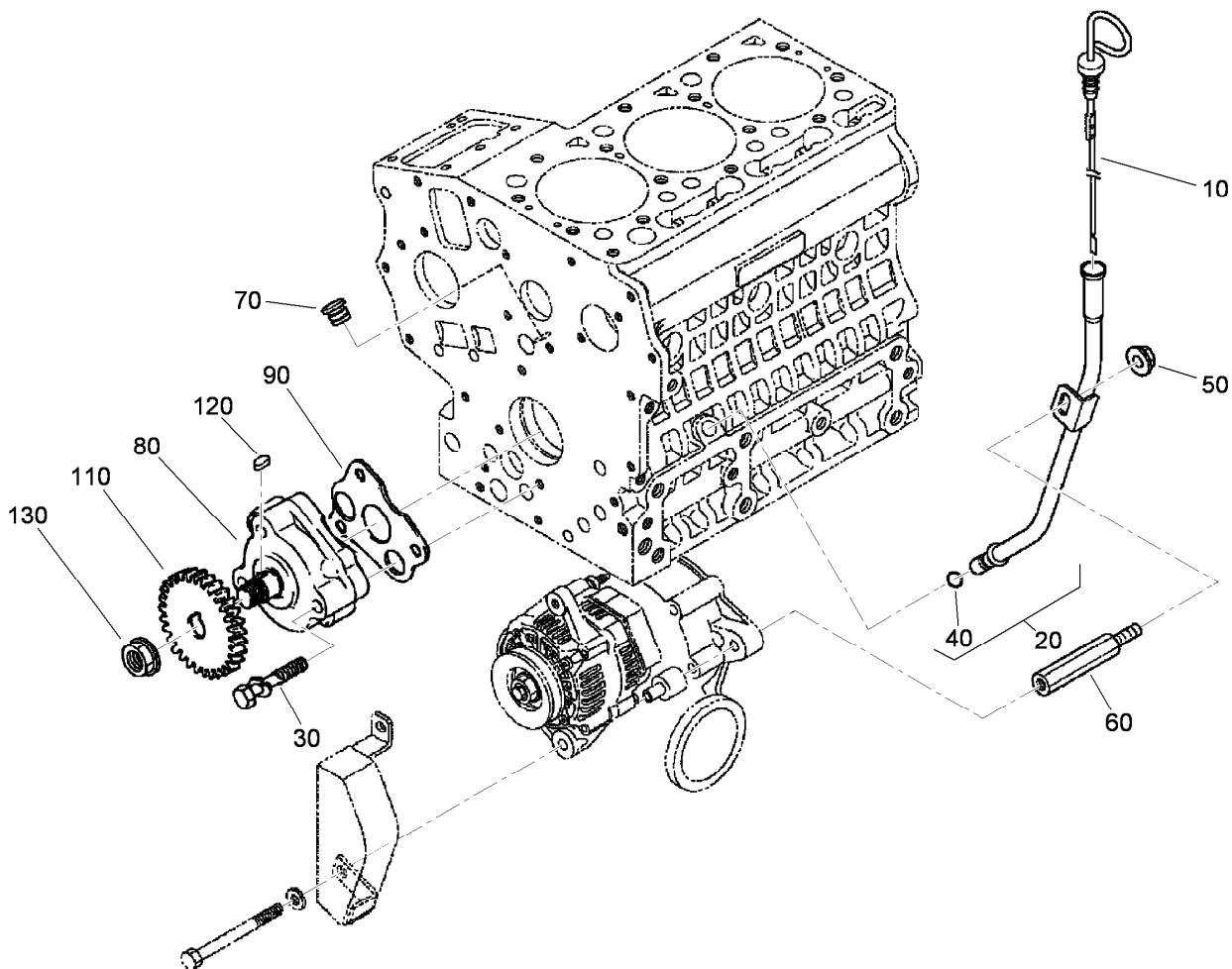
Gear Case and Oil Filter Cartridge Assembly

| <i>Ref.</i> | <i>Part Number</i> | <i>Qty.</i> | <i>Description</i> |
|-------------|--------------------|-------------|-----------------------|
| 10 | 117-1702 | 1 | Gear Case ASM |
| 20 | 98-7488 | 2 | Plug |
| 30 | 110-3708 | 1 | Stay-Spring, Start |
| 35 | 100-2040 | 2 | Screw |
| 40 | 98-9388 | 1 | Joint-Pipe |
| 50 | 100-1926 | 1 | Washer-Plain |
| 60 | 100-2004 | 1 | Spring |
| 70 | 100-1894 | 1 | Seat-Valve |
| 80 | 100-1792 | 1 | Ball |
| 100 | 117-0327 | 1 | Gasket-Case, Gear |
| 110 | 98-7605 | 1 | Bolt |
| 120 | 105-3797 | 9 | Bolt |
| 130 | 100-1922 | 2 | Bolt |
| 140 | 98-9357 | 2 | Bolt |
| 150 | 110-3710 | 1 | Bolt |
| 170 | 100-1971 | 1 | Seal-Oil |
| 180 | 100-1892 | 1 | Cartridge-Filter, Oil |



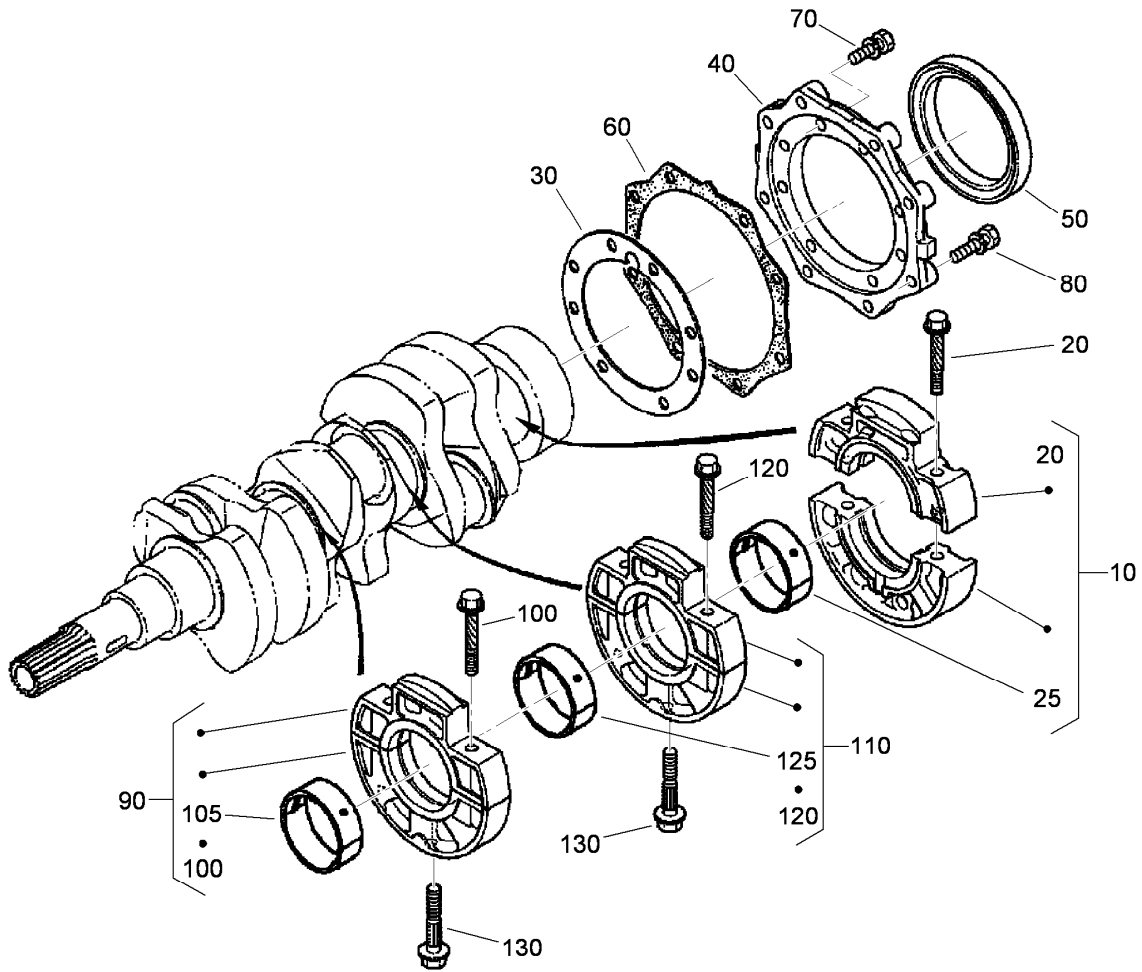
Cylinder Head Cover Assembly

| <i>Ref.</i> | <i>Part Number</i> | <i>Qty.</i> | <i>Description</i> |
|-------------|--------------------|-------------|-------------------------|
| 10 | 110-3711 | 1 | Tube-Breather |
| 20 | 110-3712 | 2 | Clamp-Hose |
| 30 | 112-8332 | 1 | Cylinder Head Cover ASM |
| 40 | 98-9580 | 1 | Pipe-Return, Water |
| 50 | 110-3714 | 1 | Cover-Breather |
| 60 | 110-3715 | 1 | Valve-Breather |
| 70 | 98-9364 | 4 | Screw (With Washer) |
| 100 | 112-2521 | 1 | Gasket-Cover, Head |
| 110 | 108-7063 | 4 | Bolt |
| 120 | 107-9075 | 1 | Plug-Filler, Oil |
| 130 | 99-3446 | 1 | O-Ring |



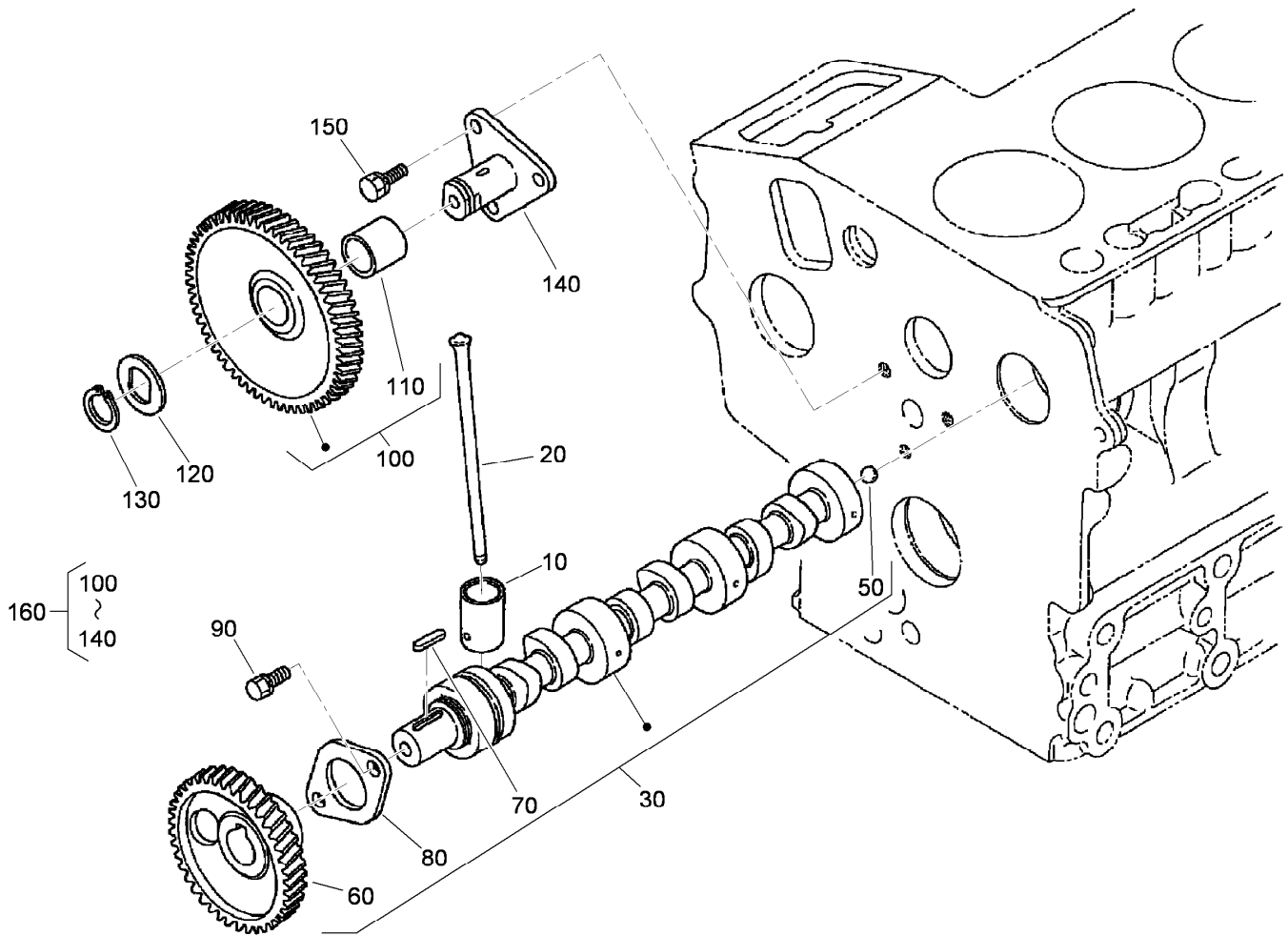
Dipstick, Guide and Oil Pump Assembly

| <i>Ref.</i> | <i>Part Number</i> | <i>Qty.</i> | <i>Description</i> |
|-------------|--------------------|-------------|----------------------|
| 10 | 112-2489 | 1 | Gauge-Oil |
| 20 | 112-2490 | 1 | Oil Gauge Guide ASM |
| 30 | 100-1923 | 1 | Bolt |
| 40 | 98-9722 | 3 | O-Ring |
| 50 | 112-2492 | 1 | Nut-Flange |
| 60 | 112-2493 | 1 | Support-Guide, Gauge |
| 70 | 110-3720 | 1 | Plug-Gauge, Oil |
| 80 | 100-2002 | 1 | Oil Pump ASM |
| 90 | 100-2003 | 1 | Gasket-Pump, Oil |
| 110 | 100-1893 | 1 | Gear-Drive, Oil Pump |
| 120 | 98-7658 | 1 | Key-Feather |
| 130 | 100-1779 | 2 | Nut-Flange |



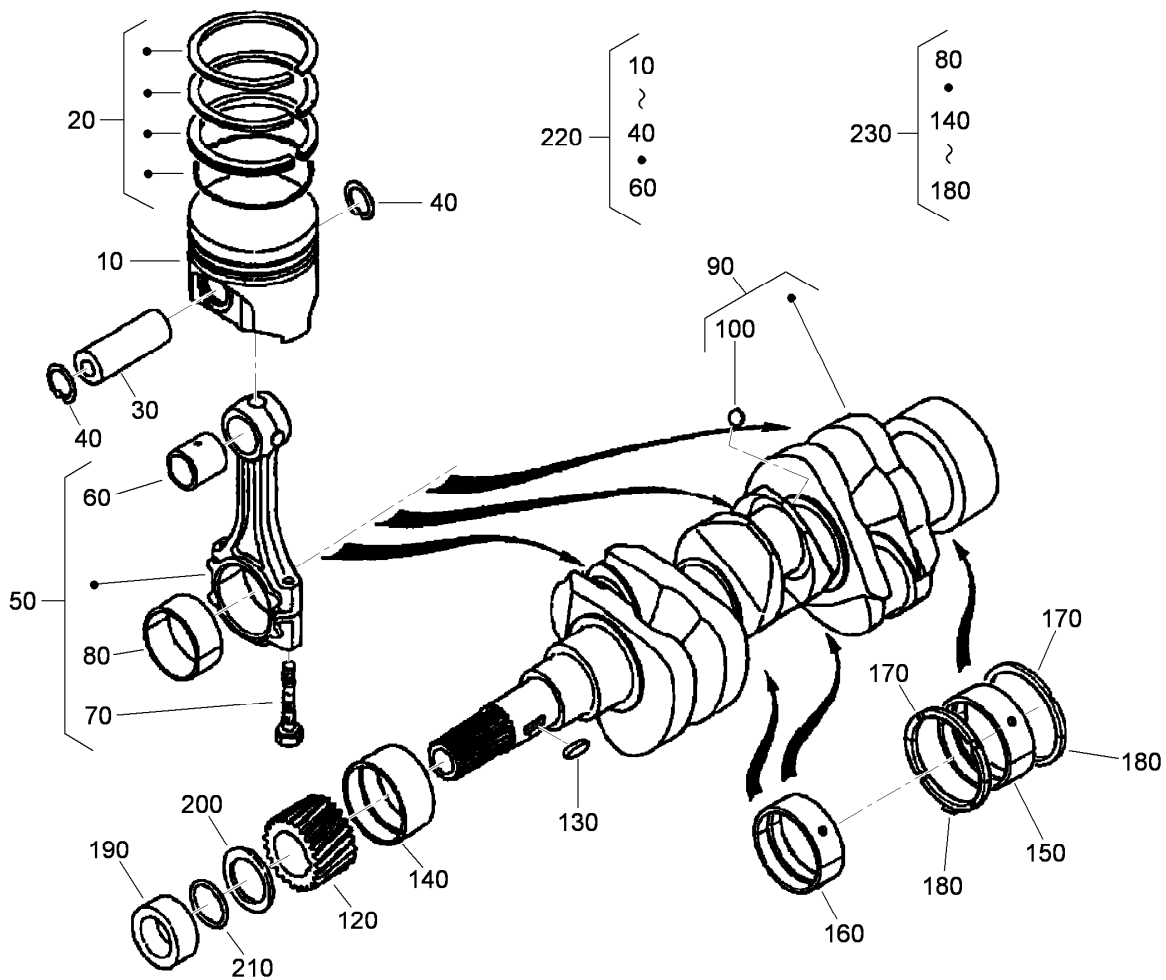
Main Bearing Case Assembly

| <i>Ref.</i> | <i>Part Number</i> | <i>Qty.</i> | <i>Description</i> |
|-------------|--------------------|-------------|----------------------------|
| 10 | 112-2494 | 1 | Wheel Case Bearing ASM |
| 20 | 110-3723 | 2 | Bolt-Case, Bearing |
| 25 | 110-3744 | 1 | Crankshaft Metal ASM (STD) |
| 30 | 112-2812 | 1 | Gasket-Case, Bearing |
| 40 | 112-8334 | 1 | Cover-Case, Bearing |
| 50 | 110-3724 | 1 | Seal-Oil |
| 60 | 100-1876 | 1 | Gasket-Cover, Case |
| 70 | 98-7568 | 8 | Bolt |
| 80 | 100-1750 | 8 | Bolt |
| 90 | 112-2495 | 1 | Main Case Bearing ASM |
| 100 | 110-3723 | 2 | Bolt-Case, Bearing |
| 105 | 110-3741 | 1 | Crankshaft Metal ASM (STD) |
| 110 | 112-2496 | 1 | Main Case Bearing ASM |
| 120 | 110-3723 | 2 | Bolt-Case, Bearing |
| 125 | 110-3741 | 1 | Crankshaft Metal ASM (STD) |
| 130 | 100-1874 | 2 | Bolt-Case, Bearing |



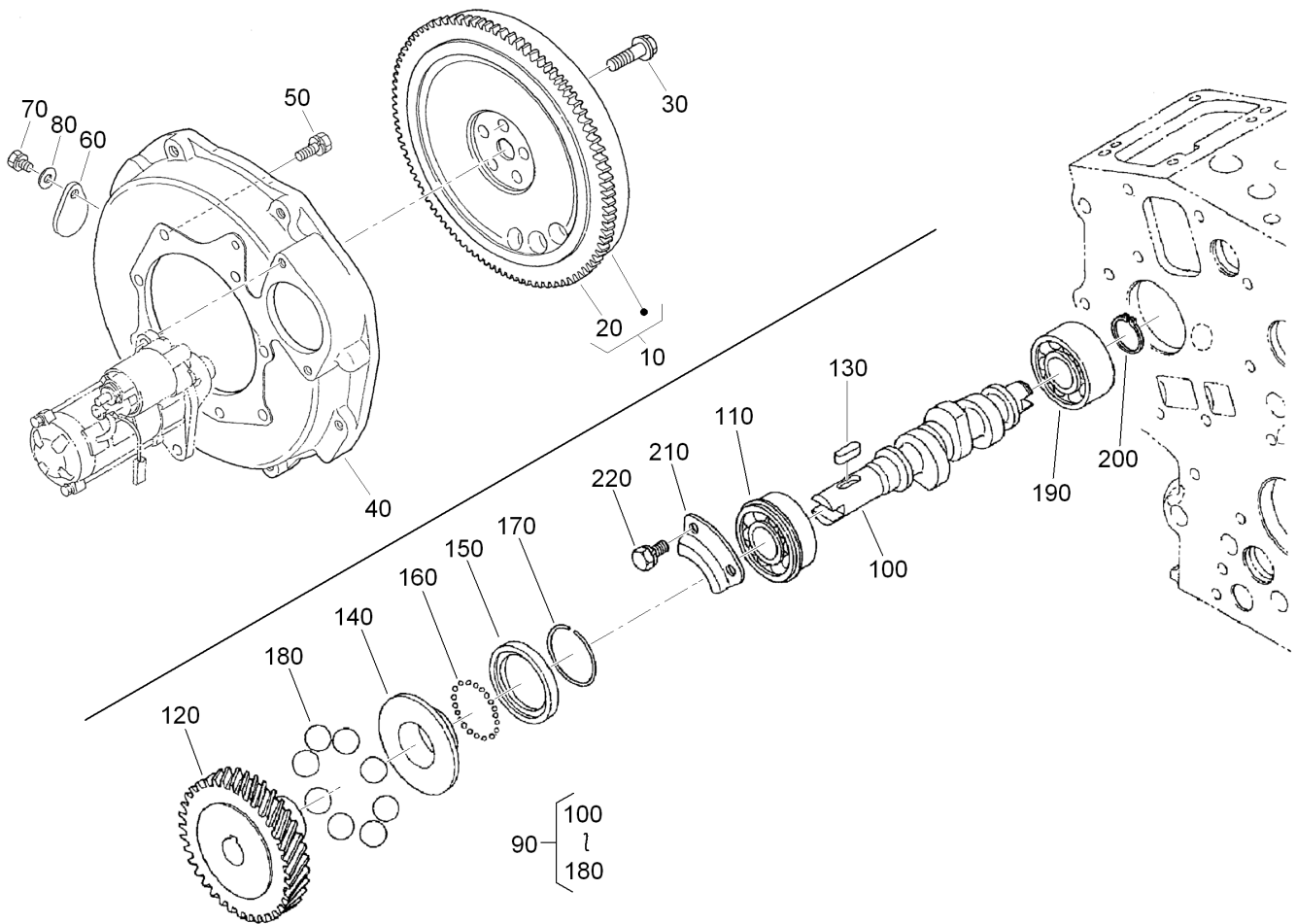
Cam Shaft and Idle Gear Shaft Assembly

| <i>Ref.</i> | <i>Part Number</i> | <i>Qty.</i> | <i>Description</i> |
|-------------|--------------------|-------------|--------------------|
| 10 | 110-3727 | 6 | Tappet |
| 20 | 100-1989 | 6 | Rod-Push |
| 30 | 117-0305 | 1 | Camshaft ASM |
| 50 | 110-3729 | 1 | Ball |
| 60 | 100-2163 | 1 | Gear-Cam |
| 70 | 98-9378 | 1 | Key-Feather |
| 80 | 100-1887 | 1 | Stopper-Camshaft |
| 90 | 98-9350 | 2 | Bolt |
| 100 | 100-1966 | 1 | Gear-Idle |
| 110 | 100-1968 | 1 | Bushing |
| 120 | 100-1970 | 1 | Collar-Gear, Idle |
| 130 | 100-1969 | 1 | Ring-Snap |
| 140 | 100-1967 | 1 | Shaft-Gear, Idle |
| 150 | 98-9351 | 3 | Bolt |
| 160 | 100-2240 | 1 | Idle Gear ASM |



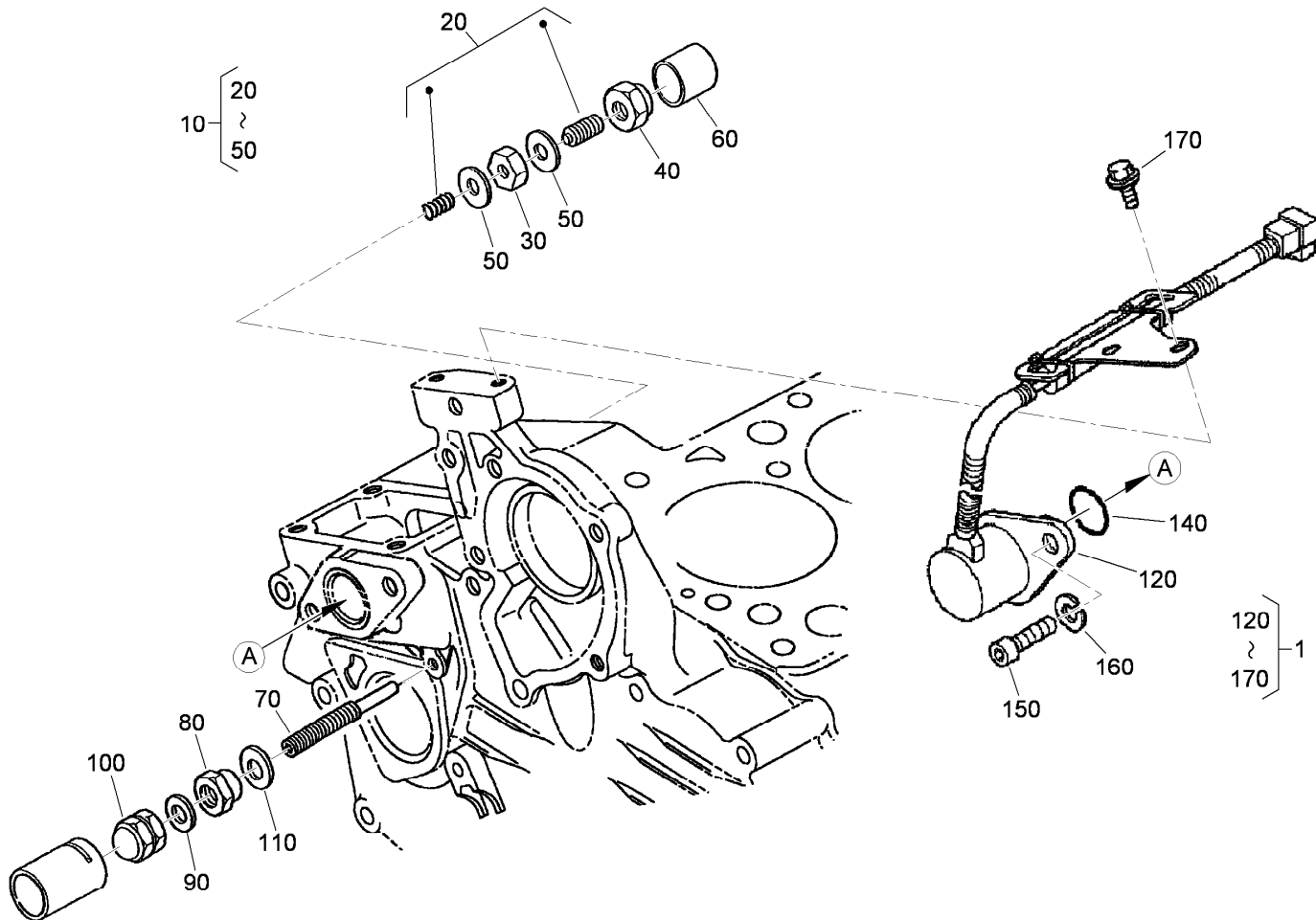
Piston and Crankshaft Assembly

| <i>Ref.</i> | <i>Part Number</i> | <i>Qty.</i> | <i>Description</i> | <i>Ref.</i> | <i>Part Number</i> | <i>Qty.</i> | <i>Description</i> |
|-------------|--------------------|-------------|--------------------------------|-------------|--------------------|-------------|--------------------------------|
| 10 | 117-0306 | 3 | Piston (STD) | 150 | 110-3746 | 1 | Crankshaft Metal ASM (-0.40MM) |
| 10 | 117-0307 | 3 | Piston (+.25MM) | 160 | 110-3741 | 2 | Crankshaft Metal ASM (STD) |
| 20 | 112-2501 | 3 | Piston Ring ASM (STD) | 160 | 110-3742 | 2 | Crankshaft Metal ASM (-0.20MM) |
| 20 | 112-2502 | 3 | Piston Ring ASM (+.25MM) | 160 | 110-3743 | 2 | Crankshaft Metal ASM (-0.40Mm) |
| 30 | 110-3734 | 3 | Pin-Piston | 170 | 100-1836 | 2 | Metal-Side (STD) |
| 40 | 100-1835 | 6 | Circlip-Internal | 170 | 100-1838 | 2 | Metal-Side (+0.20MM) |
| 50 | 110-3735 | 3 | Connecting Rod ASM | 170 | 100-1839 | 2 | Metal-Side (+0.40MM) |
| 60 | 110-3736 | 3 | Bushing-Pin, Piston | 180 | 117-0309 | 2 | Metal-Side (STD) |
| 70 | 100-1999 | 6 | Bolt-Rod, Connecting | 180 | 117-0310 | 2 | Metal-Side (+0.20Mm) |
| 80 | 100-2000 | 3 | Metal-Crankpin (STD) | 180 | 117-0311 | 2 | Metal-Side (+0.40Mm) |
| 80 | 100-1942 | 3 | Metal-Crankpin (-0.20Mm) | 190 | 100-1890 | 1 | Collar-Crankshaft |
| 80 | 100-1943 | 3 | Metal-Crankpin (-0.40Mm) | 200 | 100-1974 | 1 | Slinger-Oil |
| 90 | 117-0308 | 1 | Crankshaft | 210 | 100-2209 | 1 | O-Ring |
| 100 | 100-1791 | 3 | Ball | 220 | 112-2497 | 3 | Piston Kit (STD) |
| 120 | 100-1891 | 1 | Gear-Crankshaft | 220 | 112-2498 | 3 | Piston Kit (+.25MM) |
| 130 | 100-1752 | 1 | Key-Feather | 230 | 110-3749 | 1 | Engine Metal Kit |
| 140 | 110-3738 | 1 | Metal-Crankshaft (STD) | 230 | 110-3750 | 1 | Engine Metal Kit |
| 140 | 110-3739 | 1 | Metal-Crankshaft (-0.20MM) | 230 | 110-3751 | 1 | Engine Metal Kit |
| 140 | 110-3740 | 1 | Metal-Crankshaft (-0.40MM) | | | | |
| 150 | 110-3744 | 1 | Crankshaft Metal ASM (STD) | | | | |
| 150 | 110-3745 | 1 | Crankshaft Metal ASM (-0.20MM) | | | | |



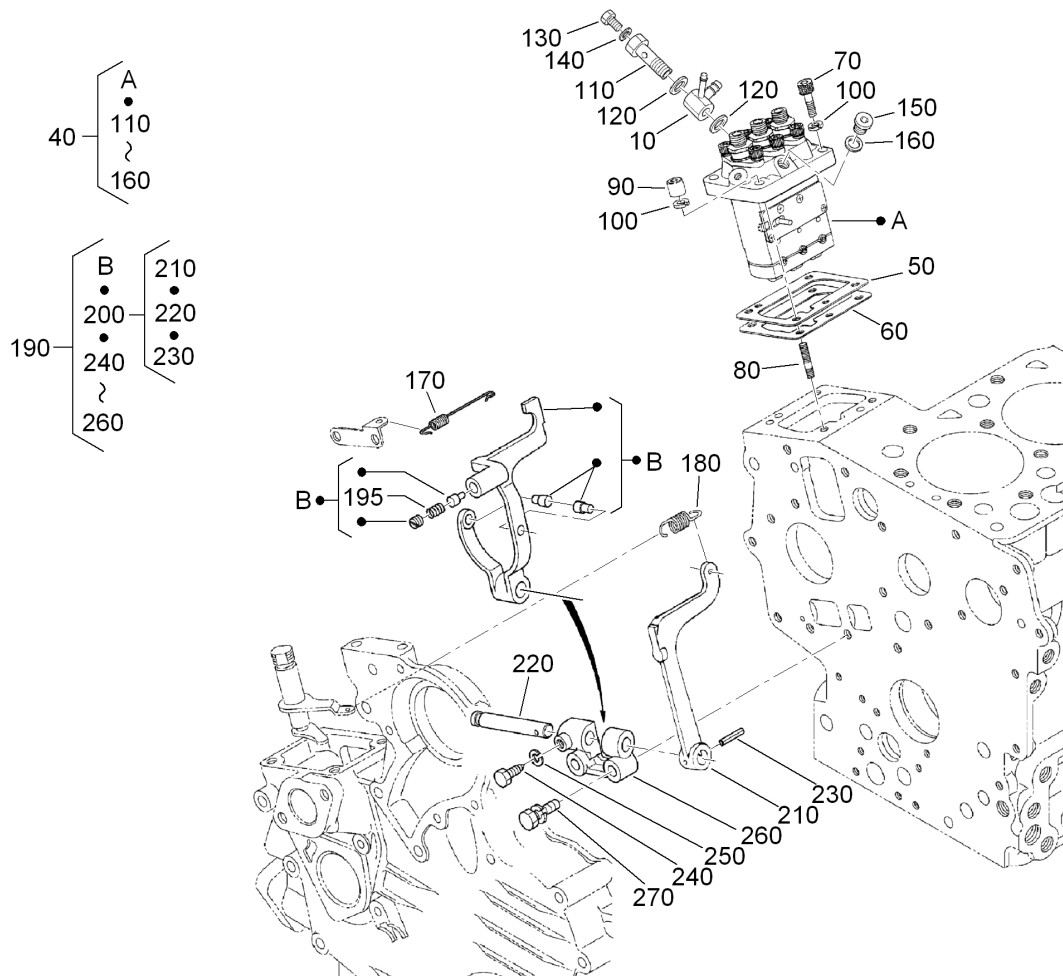
Flywheel and Fuel Camshaft Assembly

| <i>Ref.</i> | <i>Part Number</i> | <i>Qty.</i> | <i>Description</i> |
|-------------|--------------------|-------------|------------------------|
| 10 | 110-3752 | 1 | Flywheel |
| 20 | 112-2816 | 1 | Gear-Ring |
| 30 | 100-1930 | 5 | Bolt-Flywheel |
| 40 | 117-1703 | 1 | Housing-Flywheel |
| 50 | 98-9359 | 10 | Bolt |
| 60 | 100-2177 | 1 | Cover |
| 70 | 100-9195 | 1 | Bolt |
| 80 | 98-7660 | 1 | Washer-Plain |
| 90 | 112-8335 | 1 | Fuel Camshaft ASM |
| 100 | 112-2818 | 1 | Camshaft-Fuel |
| 110 | 100-1795 | 1 | Bearing-Ball |
| 120 | 100-2006 | 1 | Gear-Pump, Injection |
| 130 | 100-1752 | 1 | Key-Feather |
| 140 | 112-8336 | 1 | Sleeve-Governor |
| 150 | 100-1904 | 1 | Case-Ball, Governor |
| 160 | 100-1790 | 32 | Ball |
| 170 | 100-1843 | 1 | Circ-Clip |
| 180 | 100-1793 | 8 | Ball |
| 190 | 110-3757 | 1 | Bearing-Ball |
| 200 | 100-1784 | 1 | Circ-Clip, External |
| 210 | 100-1888 | 1 | Stopper-Fuel, Camshaft |
| 220 | 98-9350 | 2 | Bolt |



Idle Apparatus and Stop Solenoid Assembly

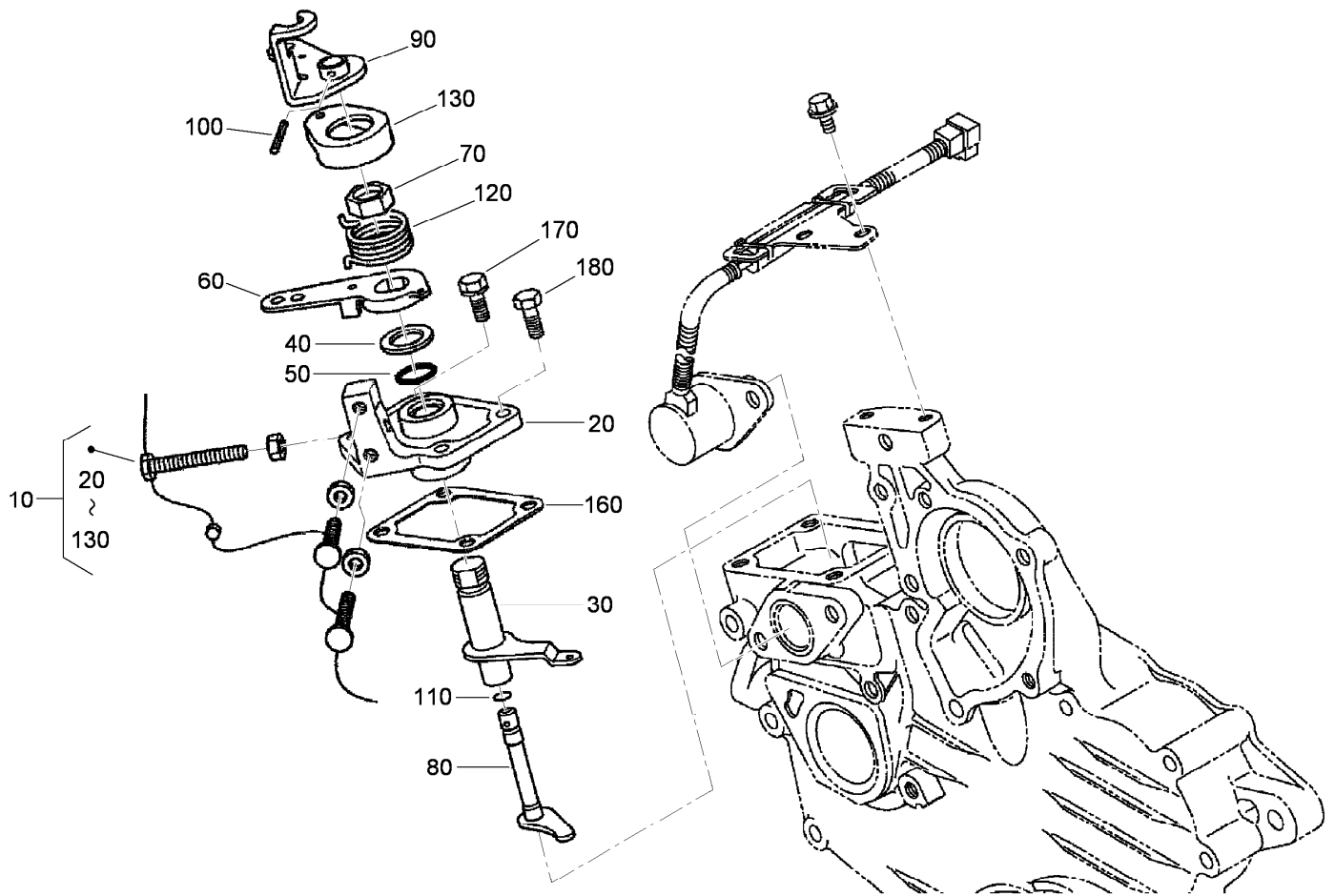
| Ref. | Part Number | Qty. | Description |
|------|-------------|------|--------------------|
| 1 | 117-0312 | 1 | *obs* Solenoid ASM |
| 10 | 100-1898 | 1 | Idle Apparatus ASM |
| 20 | 100-1899 | 1 | Adjusting Bolt ASM |
| 30 | 100-1846 | 1 | Nut |
| 40 | 100-1901 | 1 | Nut-Cap |
| 50 | 98-7428 | 2 | Gasket |
| 60 | 100-1902 | 1 | Cap |
| 70 | 110-3758 | 1 | Bolt-Adjusting |
| 80 | 100-2175 | 1 | Nut-Lock |
| 90 | 98-7654 | 1 | Gasket |
| 100 | 99-8387 | 1 | Nut-Cap |
| 110 | 107-9081 | 1 | Gasket |
| 120 | 117-2719 | 1 | Solenoid Stop ASM |
| 140 | 110-3762 | 1 | O-Ring |
| 150 | 110-3763 | 2 | Bolt-HSH |
| 160 | 98-7699 | 2 | Washer-Spring |
| 170 | 100-1774 | 2 | Bolt-Flange |



Injection Pump and Governor Assembly

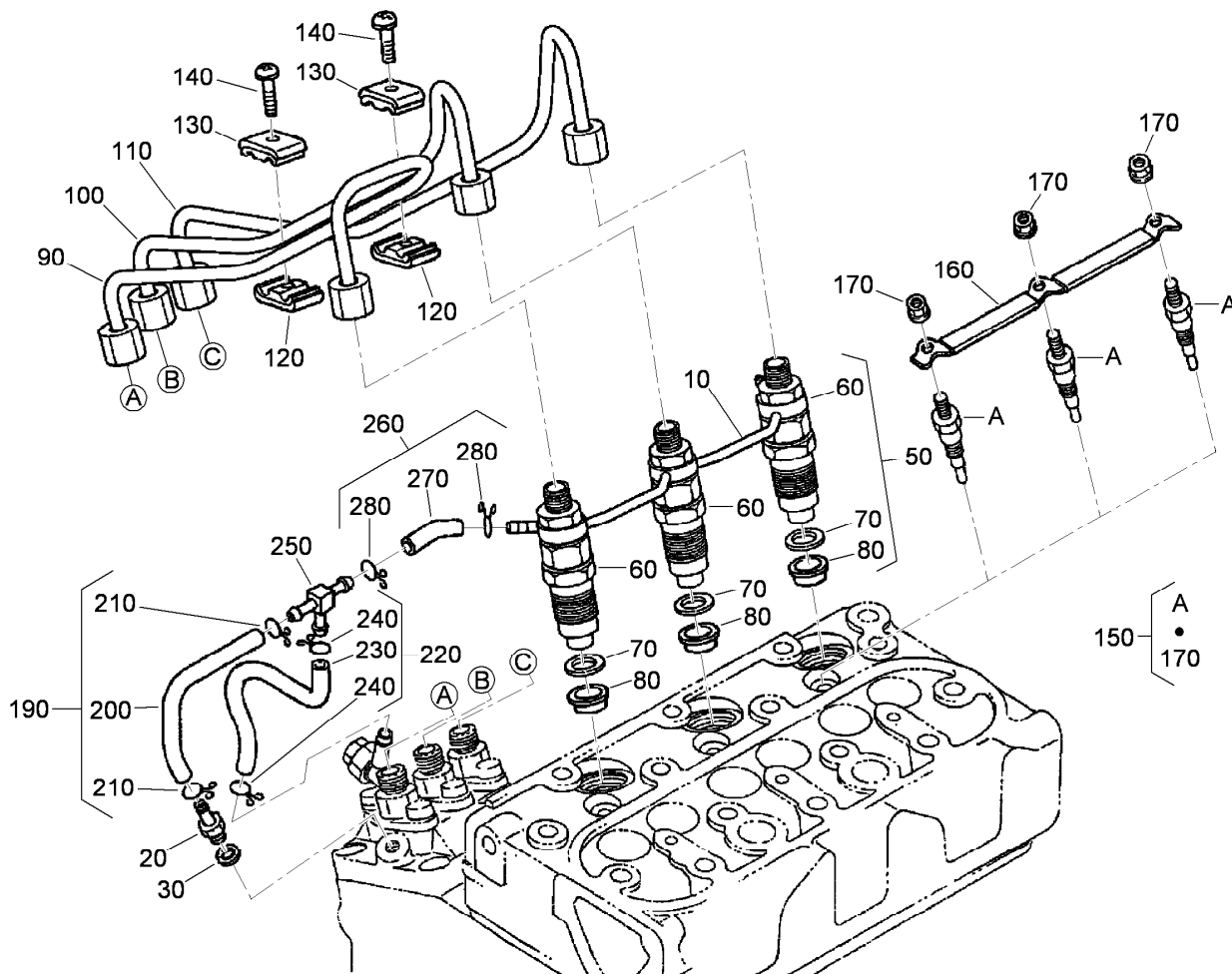
| <i>Ref.</i> | <i>Part Number</i> | <i>Qty.</i> | <i>Description</i> |
|-------------|--------------------|-------------|--------------------------|
| 10 | 110-3764 | 1 | Joint |
| 40 | 110-3765 | 1 | Injection Pump ASM |
| 50 | 115-3045 | 1 | Shim-Injection (0.175MM) |
| 50 | 98-9456 | 1 | Shim-Injection (0.20MM) |
| 50 | 98-9457 | 1 | Shim-Injection (0.25MM) |
| 60 | 115-3046 | 1 | Shim-Injection (0.35MM) |
| 60 | 98-9458 | 1 | Shim-Injection (0.30MM) |
| 70 | 98-9361 | 2 | Bolt-HSH |
| 80 | 98-9438 | 2 | Stud |
| 90 | 98-9440 | 2 | Nut-Cap |
| 100 | 98-7699 | 4 | Washer-Spring |
| 110 | 100-1896 | 1 | Screw-Hollow |
| 120 | 98-9445 | 2 | Gasket |
| 130 | 98-9430 | 1 | Screw |
| 140 | 98-9446 | 1 | Gasket |

| <i>Ref.</i> | <i>Part Number</i> | <i>Qty.</i> | <i>Description</i> |
|-------------|--------------------|-------------|--------------------|
| 150 | 98-9466 | 1 | Plug |
| 160 | 98-9451 | 1 | Gasket |
| 170 | 110-3766 | 1 | Spring-Start |
| 180 | 110-3767 | 1 | Spring-Governor |
| 190 | 112-2506 | 1 | Fork Lever ASM |
| 195 | 117-0313 | 1 | Spring |
| 200 | 100-1905 | 1 | Fork Lever ASM |
| 210 | 100-1907 | 1 | Lever-Fork |
| 220 | 100-1908 | 1 | Shaft-Lever, Fork |
| 230 | 100-1751 | 1 | Pin-Spring |
| 240 | 100-1845 | 1 | Bolt |
| 250 | 100-2204 | 1 | Washer-Spring |
| 260 | 100-1909 | 1 | Holder-Lever, Fork |
| 270 | 100-1763 | 2 | Bolt |



Speed Control Plate Assembly

| <i>Ref.</i> | <i>Part Number</i> | <i>Qty.</i> | <i>Description</i> |
|-------------|--------------------|-------------|-------------------------|
| 10 | 110-3769 | 1 | Speed Control Plate ASM |
| 20 | 110-3770 | 1 | Plate-Control, Speed |
| 30 | 110-3771 | 1 | Lever-Governor |
| 40 | 110-3772 | 1 | Collar |
| 50 | 100-2208 | 1 | O-Ring |
| 60 | 110-3773 | 1 | Lever-Control, Speed |
| 70 | 110-3774 | 1 | Nut-Control, Speed |
| 80 | 110-3775 | 1 | Shaft-Lever |
| 90 | 110-3776 | 1 | Lever-Stop, Engine |
| 100 | 110-3777 | 1 | Pin-Spring |
| 110 | 100-2207 | 1 | O-Ring |
| 120 | 110-3778 | 1 | Spring-Return |
| 130 | 110-3779 | 1 | Cap |
| 160 | 100-1962 | 1 | Gasket-Plate, Control |
| 170 | 98-7605 | 2 | Bolt |
| 180 | 112-2507 | 2 | Bolt |

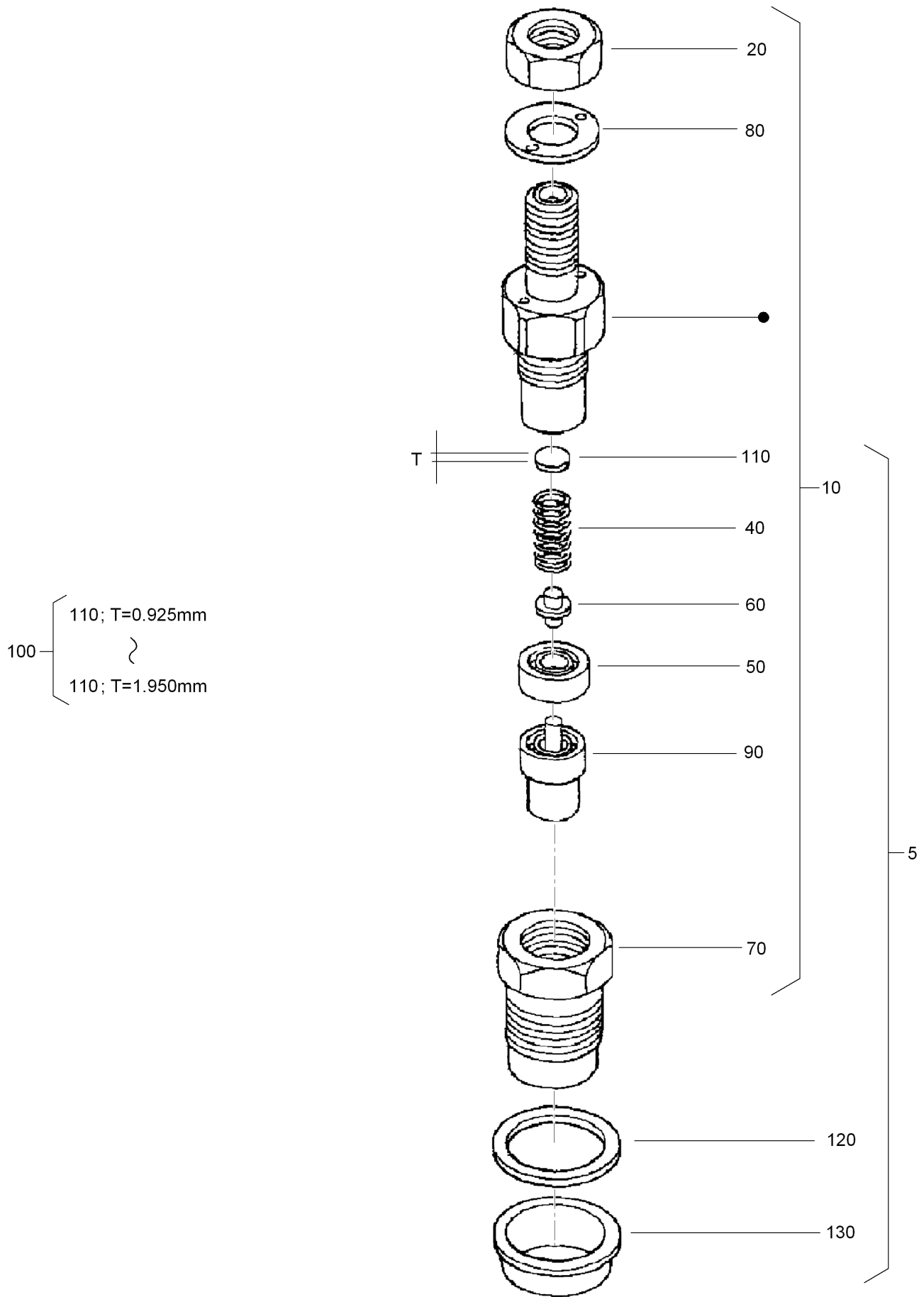


Nozzle Holder and Glow Plug Assembly

| Ref. | Part Number | Qty. | Description |
|------|-------------|------|--------------------|
| 10 | 110-3780 | 1 | Over Flow Pipe ASM |
| 20 | 98-9431 | 1 | Screw-Bleeder, Air |
| 30 | 98-7654 | 1 | Gasket |
| 50 | 100-1982 | 3 | Nozzle Holder Kit |
| 60 | 100-1758 | 3 | Nozzle Holder ASM |
| 70 | 98-7676 | 3 | Gasket |
| 80 | 98-7677 | 3 | Seal-Heat |
| 90 | 110-3781 | 1 | Pipe-Injection |
| 100 | 110-3782 | 1 | Pipe-Injection |
| 110 | 110-3783 | 1 | Pipe-Injection |
| 120 | 98-7682 | 2 | Clamp-Pipe |
| 130 | 98-7683 | 2 | Clamp-Pipe |
| 140 | 98-7684 | 2 | Screw (W/Washer) |

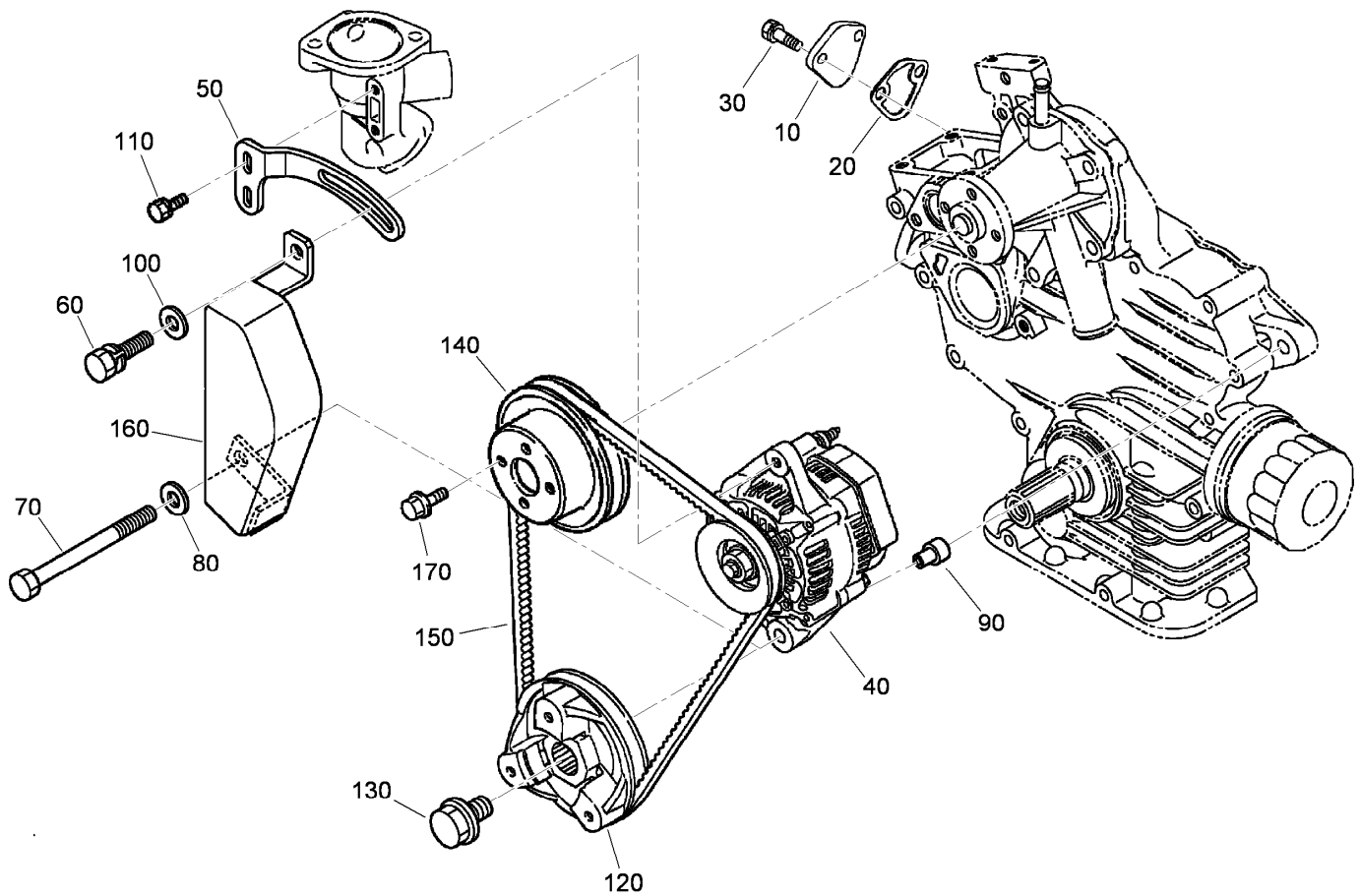
| Ref. | Part Number | Qty. | Description |
|------|-------------|------|-----------------|
| 150 | 100-1854 | 3 | Plug-Glow |
| 160 | 110-3784 | 1 | Cord-Plug, Glow |
| 170 | 99-8377 | 3 | Nut-Flange |
| 190 | 110-3785 | 1 | Fuel Tube ASM |
| 200 | 110-3786 | 1 | Tube-Fuel |
| 210 | 98-7671 | 2 | Clip-Pipe |
| 220 | 110-3787 | 1 | Fuel Tube ASM |
| 230 | 110-3788 | 1 | Tube-Fuel |
| 240 | 98-7671 | 2 | Clip-Pipe |
| 250 | 112-8338 | 1 | Pipe-Joint, T |
| 260 | 110-3790 | 1 | Fuel Tube ASM |
| 270 | 110-3791 | 1 | Tube-Fuel |
| 280 | 98-7671 | 2 | Clip-Pipe |

Nozzle Holder Assembly



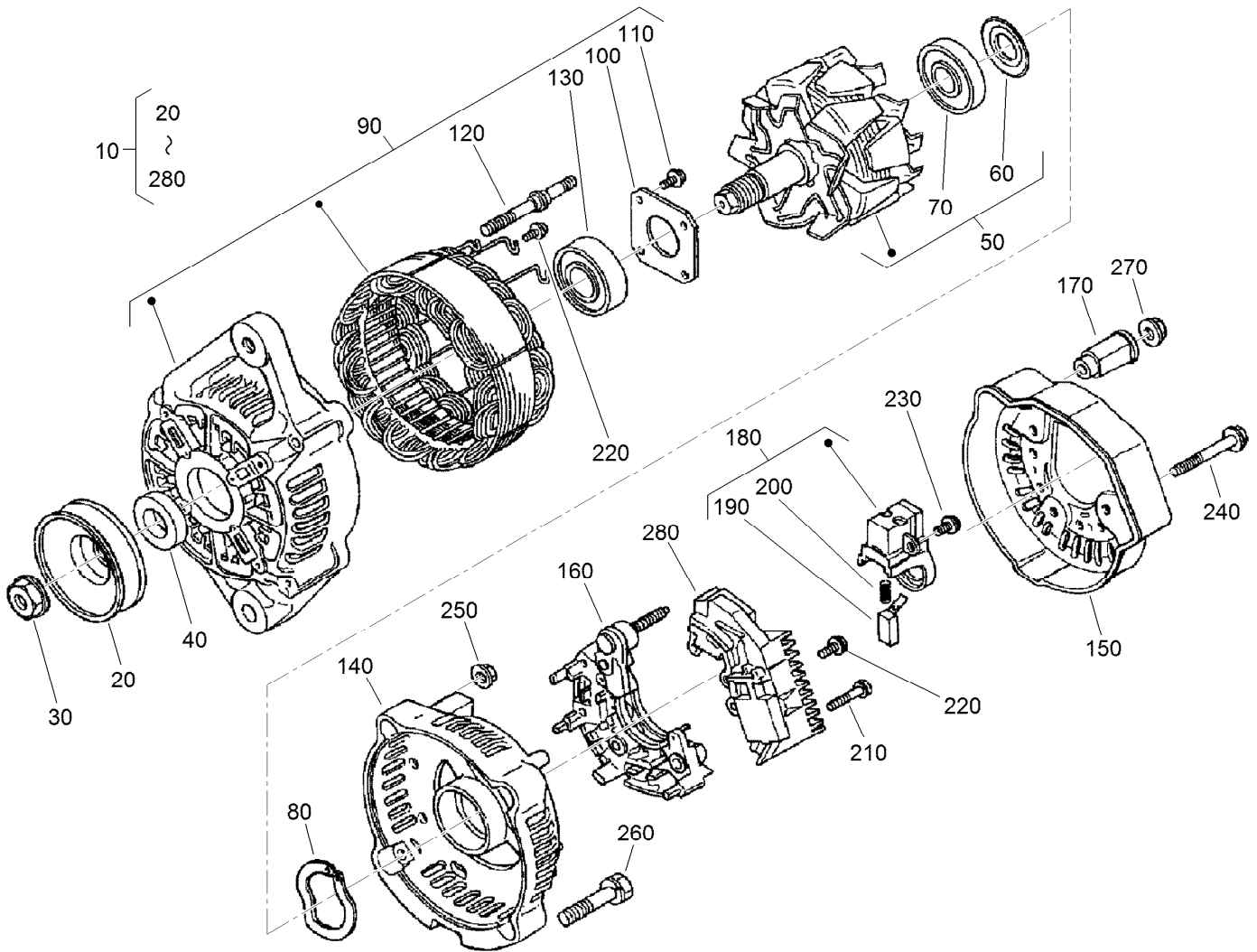
Nozzle Holder Assembly (continued)

| <i>Ref.</i> | <i>Part Number</i> | <i>Qty.</i> | <i>Description</i> | <i>Ref.</i> | <i>Part Number</i> | <i>Qty.</i> | <i>Description</i> |
|-------------|--------------------|-------------|----------------------------|-------------|--------------------|-------------|----------------------------|
| 5 | 100-1982 | 3 | Nozzle Holder Kit | 110 | 98-7860 | 3 | Washer-Adjusting (1.400MM) |
| 10 | 100-1758 | 3 | Nozzle Holder ASM | 110 | 98-7861 | 3 | Washer-Adjusting (1.425MM) |
| 20 | 98-7613 | 3 | Nut | 110 | 98-7862 | 3 | Washer-Adjusting (1.450MM) |
| 40 | 98-7647 | 3 | Spring-Nozzle | 110 | 98-7863 | 3 | Washer-Adjusting (1.475MM) |
| 50 | 98-7665 | 3 | Spacer-Distance | 110 | 98-7864 | 3 | Washer-Adjusting (1.500MM) |
| 60 | 98-7666 | 3 | Rod-Push | 110 | 98-7865 | 3 | Washer-Adjusting (1.525MM) |
| 70 | 100-2242 | 3 | Nut-Nozzle | 110 | 98-7866 | 3 | Washer-Adjusting (1.550MM) |
| 80 | 98-7668 | 3 | Washer | 110 | 98-7867 | 3 | Washer-Adjusting (1.575MM) |
| 90 | 100-2009 | 3 | Piece-Nozzle | 110 | 98-7868 | 3 | Washer-Adjusting (1.600MM) |
| 100 | 98-9448 | 3 | Adjusting Washer ASM | 110 | 98-7869 | 3 | Washer-Adjusting (1.625MM) |
| 110 | 98-7842 | 3 | Washer-Adjusting (0.950Mm) | 110 | 98-7870 | 3 | Washer-Adjusting (1.650MM) |
| 110 | 98-7841 | 3 | Washer-Adjusting (0.925Mm) | 110 | 98-7871 | 3 | Washer-Adjusting (1.675MM) |
| 110 | 98-7843 | 3 | Washer-Adjusting (0.975Mm) | 110 | 98-7872 | 3 | Washer-Adjusting (1.700MM) |
| 110 | 98-7844 | 3 | Washer-Adjusting (1.000Mm) | 110 | 98-7873 | 3 | Washer-Adjusting (1.725MM) |
| 110 | 98-7845 | 3 | Washer-Adjusting (1.025Mm) | 110 | 98-7874 | 3 | Washer-Adjusting (1.750MM) |
| 110 | 98-7846 | 3 | Washer-Adjusting (1.050Mm) | 110 | 98-7875 | 3 | Washer-Adjusting (1.775MM) |
| 110 | 98-7847 | 3 | Washer-Adjusting (1.075MM) | 110 | 98-7876 | 3 | Washer-Adjusting (1.800MM) |
| 110 | 98-7848 | 3 | Washer-Adjusting (1.100MM) | 110 | 98-7877 | 3 | Washer-Adjusting (1.825MM) |
| 110 | 98-7849 | 3 | Washer-Adjusting (1.125MM) | 110 | 98-7878 | 3 | Washer-Adjusting (1.850MM) |
| 110 | 98-7850 | 3 | Washer-Adjusting (1.150MM) | 110 | 98-7879 | 3 | Washer-Adjusting (1.875MM) |
| 110 | 98-7851 | 3 | Washer-Adjusting (1.175MM) | 110 | 98-7880 | 3 | Washer-Adjusting (1.900MM) |
| 110 | 98-7852 | 3 | Washer-Adjusting (1.200MM) | 110 | 98-7881 | 3 | Washer-Adjusting (1.925MM) |
| 110 | 98-7853 | 3 | Washer-Adjusting (1.225MM) | 110 | 98-7882 | 3 | Washer-Adjusting (1.950MM) |
| 110 | 98-7854 | 3 | Washer-Adjusting (1.250MM) | 120 | 98-7676 | 3 | Gasket |
| 110 | 98-7855 | 3 | Washer-Adjusting (1.275MM) | 130 | 98-7677 | 3 | Seal-Heat |
| 110 | 98-7856 | 3 | Washer-Adjusting 1.300MM) | | | | |
| 110 | 98-7857 | 3 | Washer-Adjusting (1.325MM) | | | | |
| 110 | 98-7858 | 3 | Washer-Adjusting (1.350MM) | | | | |
| 110 | 98-7859 | 3 | Washer-Adjusting (1.375MM) | | | | |



Alternator, Pulley and Fuel Pump Cover Assembly

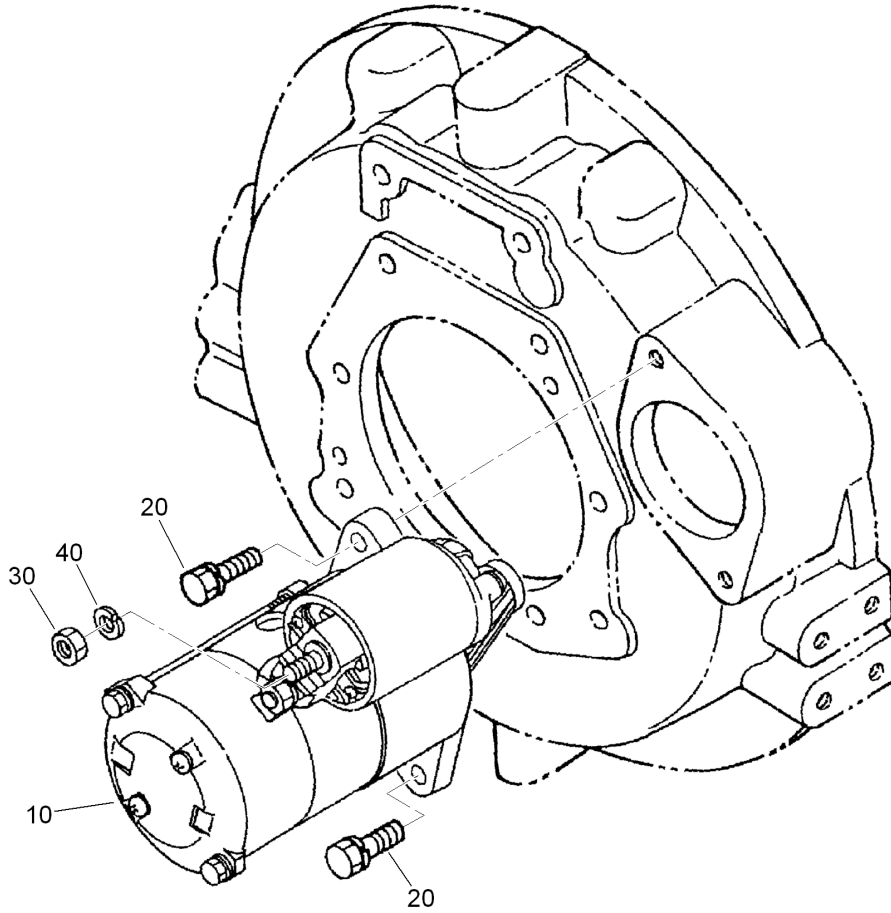
| <i>Ref.</i> | <i>Part Number</i> | <i>Qty.</i> | <i>Description</i> |
|-------------|--------------------|-------------|--------------------|
| 10 | 99-3514 | 1 | Cover |
| 20 | 98-9636 | 1 | Gasket-Pump, Fuel |
| 30 | 98-7692 | 2 | Bolt |
| 40 | 98-9474 | 1 | Alternator ASM |
| 50 | 110-3792 | 1 | Stay-Alternator |
| 60 | 98-7697 | 1 | Bolt |
| 70 | 98-7556 | 1 | Bolt |
| 80 | 98-7660 | 1 | Washer-Plain |
| 90 | 110-3794 | 1 | Collar |
| 100 | 107-0119 | 1 | Washer-Plain |
| 110 | 98-7692 | 2 | Bolt |
| 120 | 112-2510 | 1 | Pulley-Drive, Fan |
| 130 | 100-1978 | 1 | Bolt |
| 140 | 100-1921 | 1 | Pulley-Fan |
| 150 | 112-2511 | 1 | Belt |
| 160 | 110-3797 | 1 | Cover |
| 170 | 99-8363 | 4 | Bolt-Flange |



Alternator Components Assembly

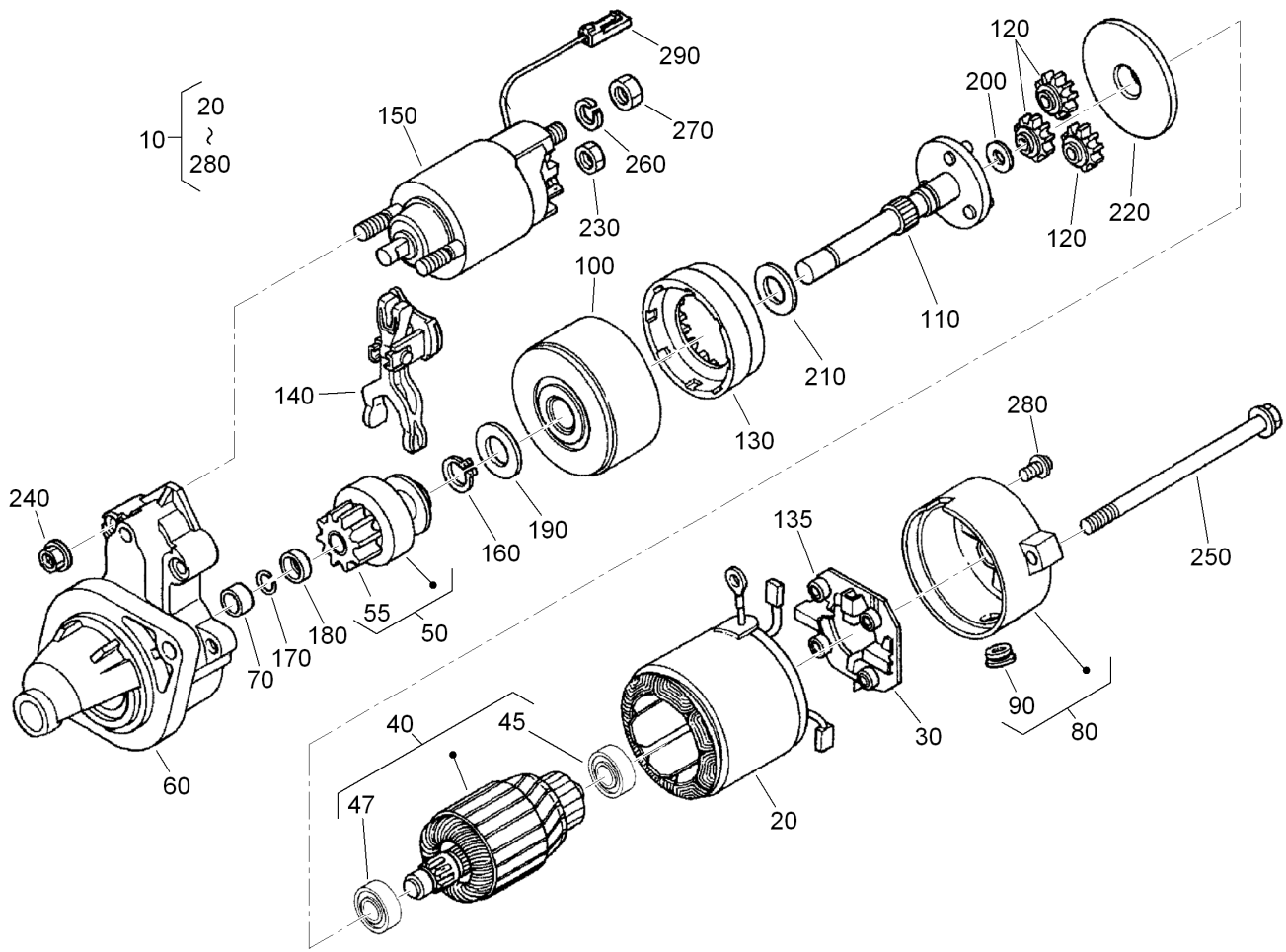
| Ref. | Part Number | Qty. | Description |
|------|-------------|------|---------------------|
| 10 | 98-9474 | 1 | Alternator ASM |
| 20 | 98-9453 | 1 | Pulley-Dynamo |
| 30 | 98-7708 | 1 | Nut |
| 40 | 98-7709 | 1 | Collar |
| 50 | 107-0136 | 1 | Rotor ASM |
| 60 | 98-7711 | 1 | Cover-Bearing |
| 70 | 107-0138 | 1 | Bearing-Ball |
| 80 | 98-7713 | 1 | Washer-Thrust |
| 90 | 107-0139 | 1 | Drive End Frame ASM |
| 100 | 98-7715 | 1 | Plate-Retainer |
| 110 | 98-7716 | 4 | Screw-Head, Round |
| 120 | 98-7717 | 2 | Bolt-Through |
| 130 | 107-0137 | 1 | Bearing-Ball |
| 140 | 107-9087 | 1 | Frame-End |

| Ref. | Part Number | Qty. | Description |
|------|-------------|------|--------------------|
| 150 | 107-0140 | 1 | Cover-End |
| 160 | 98-7721 | 1 | Rectifier ASM |
| 170 | 98-7722 | 1 | Bushing-Insulation |
| 180 | 107-0141 | 1 | Brush Holder ASM |
| 190 | 98-7724 | 2 | Brush |
| 200 | 98-7725 | 2 | Spring-Brush |
| 210 | 98-7726 | 2 | Screw-Head, Round |
| 220 | 98-7727 | 6 | Screw-Head, Round |
| 230 | 98-7728 | 1 | Screw-Head, Round |
| 240 | 98-7729 | 3 | Bolt |
| 250 | 98-7730 | 2 | Nut |
| 260 | 98-7731 | 2 | Bolt |
| 270 | 98-7732 | 1 | Nut |
| 280 | 110-3799 | 1 | Regulator ASM |



Starter Installation Assembly

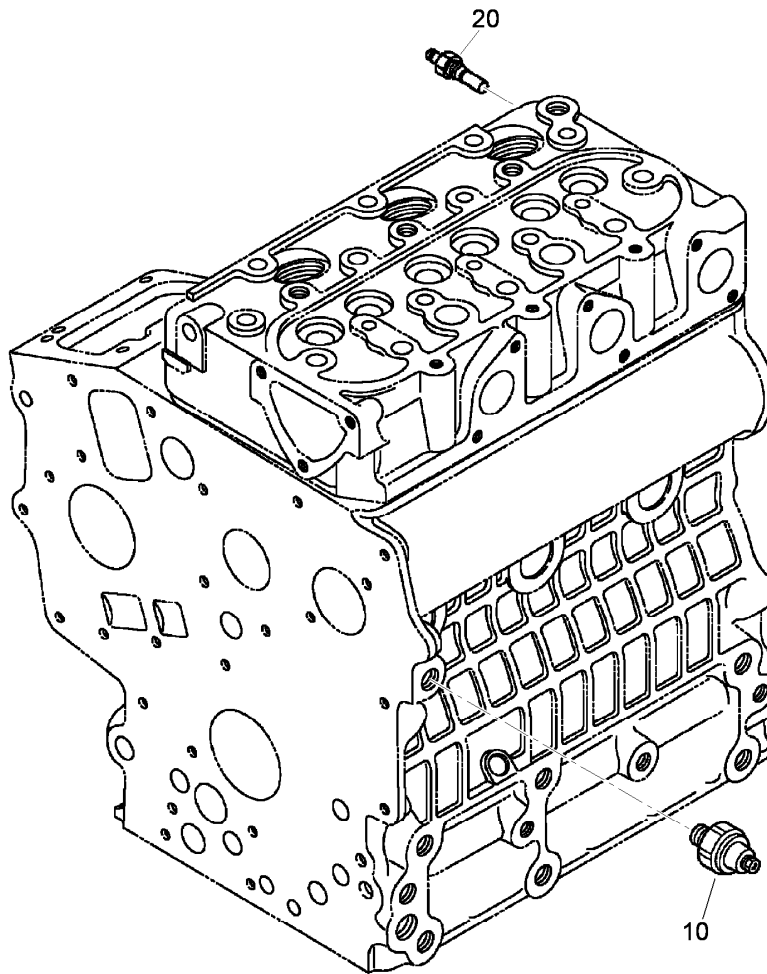
| <i>Ref.</i> | <i>Part Number</i> | <i>Qty.</i> | <i>Description</i> |
|-------------|--------------------|-------------|--------------------|
| 10 | 100-2179 | 1 | Starter ASM |
| 20 | 98-7438 | 2 | Bolt |
| 30 | 98-7534 | 1 | Nut |
| 40 | 105-2893 | 1 | Washer-Spring |



Starter Components Assembly

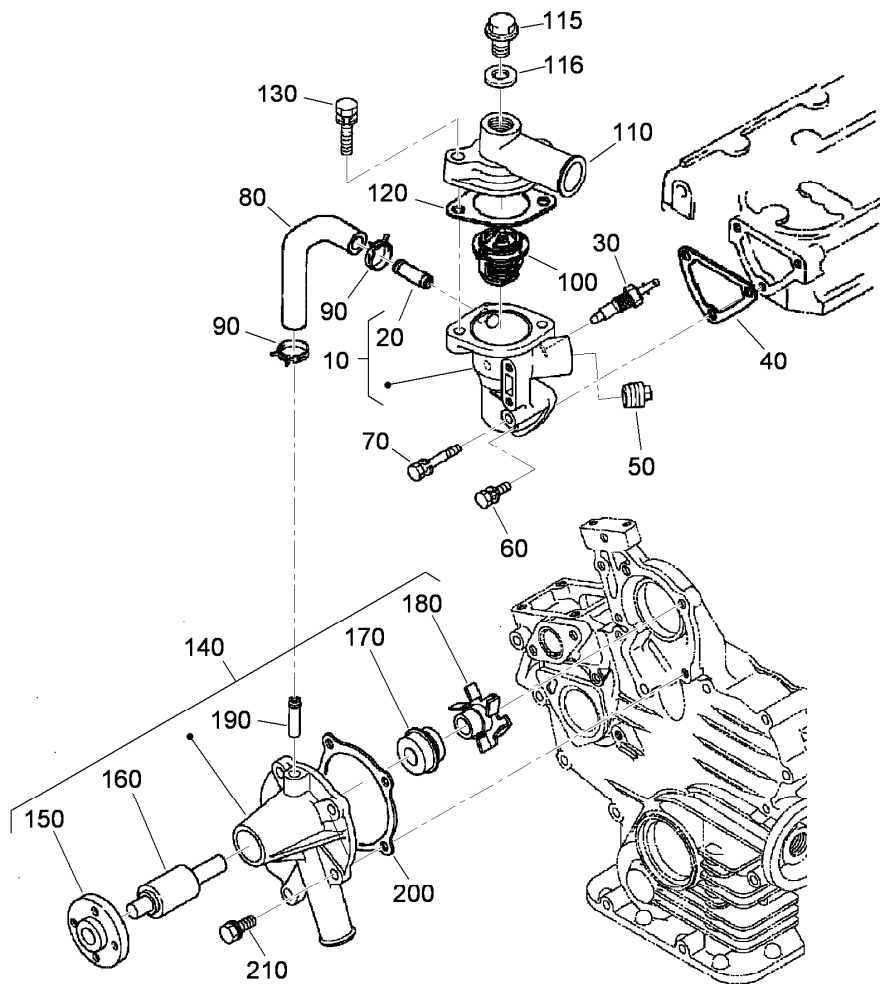
| Ref. | Part Number | Qty. | Description |
|------|-------------|------|---------------------|
| 10 | 100-2179 | 1 | Starter ASM |
| 20 | 100-2181 | 1 | Starter Yoke ASM |
| 30 | 100-2222 | 1 | Holder ASM |
| 40 | 100-2182 | 1 | Armature ASM |
| 45 | 98-9412 | 1 | Bearing-Ball |
| 47 | 98-9411 | 1 | Bearing-Ball |
| 50 | 100-2185 | 1 | Starter Clutch ASM |
| 55 | 112-2833 | 1 | Gear-Pinion |
| 60 | 100-2180 | 1 | Starter Housing ASM |
| 70 | 100-2183 | 1 | Bearing |
| 80 | 100-2186 | 1 | Frame ASM |
| 90 | 100-2213 | 1 | Cover |
| 100 | 100-2223 | 1 | Bearing ASM |
| 110 | 100-2187 | 1 | Starter Shaft ASM |
| 120 | 100-2220 | 3 | Gear |
| 130 | 100-2221 | 1 | Gear |
| 135 | 98-7750 | 4 | Spring-Brush |

| Ref. | Part Number | Qty. | Description |
|------|-------------|------|---------------------|
| 140 | 100-2218 | 1 | Lever |
| 150 | 100-2211 | 1 | Magnetic Switch ASM |
| 160 | 100-2219 | 1 | Ring-Snap |
| 170 | 100-2212 | 1 | Ring-Snap |
| 180 | 100-2216 | 1 | Collar |
| 190 | 100-2224 | 1 | Washer-Plain |
| 200 | 100-2225 | 1 | Washer-Plain |
| 210 | 100-2226 | 1 | Washer-Plain |
| 220 | 100-2227 | 1 | Plate |
| 230 | 99-8371 | 1 | Nut-Hex |
| 240 | 100-1813 | 2 | Nut |
| 250 | 100-2210 | 2 | Bolt-Through |
| 260 | 100-2215 | 1 | Washer-Spring |
| 270 | 100-2171 | 1 | Nut-Hex |
| 280 | 100-2188 | 2 | Screw |
| 290 | 99-1434 | 1 | Wire-Lead |



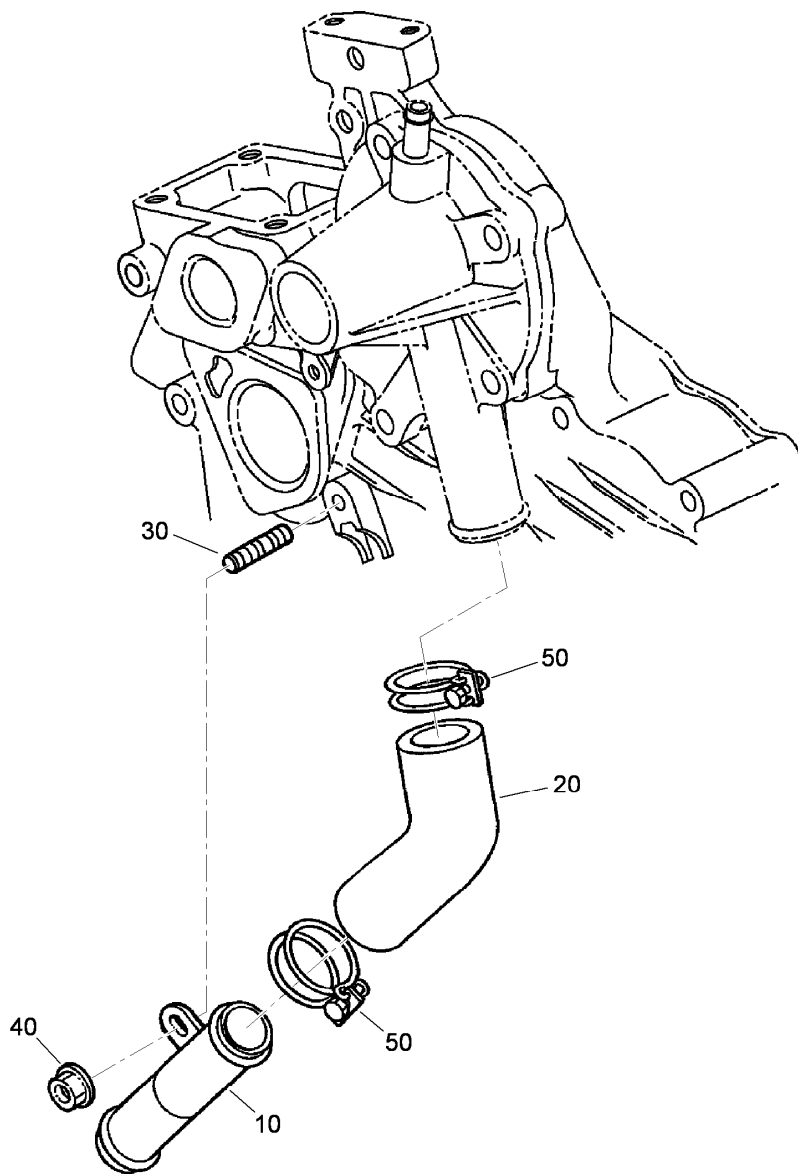
Oil Switch and Thermometer Assembly

| <i>Ref.</i> | <i>Part Number</i> | <i>Qty.</i> | <i>Description</i> |
|-------------|--------------------|-------------|--------------------|
| 10 | 98-7764 | 1 | Switch-Oil |
| 20 | 99-3582 | 1 | Thermoswitch |



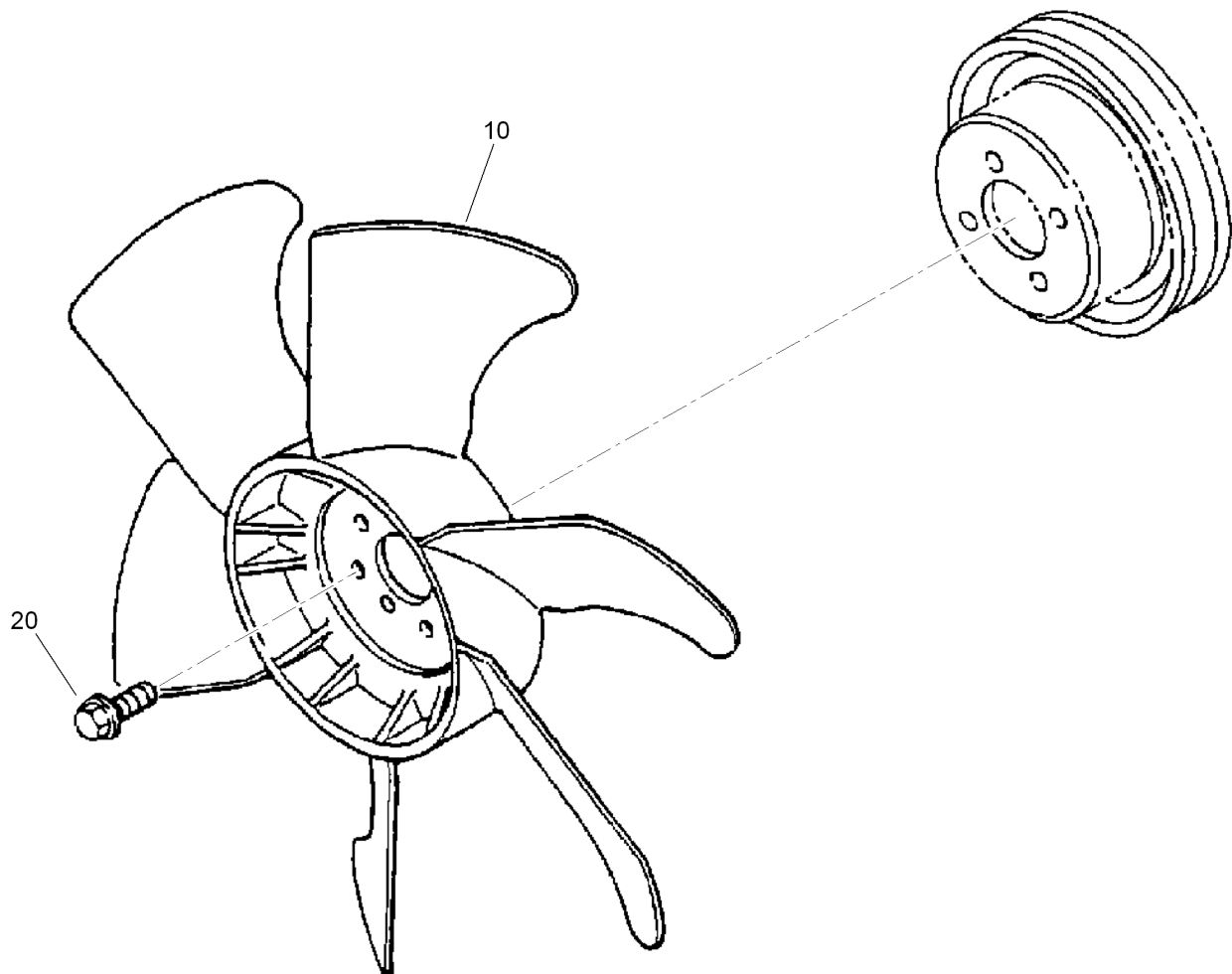
Water Flange, Thermostat and Water Pump Assembly

| <i>Ref.</i> | <i>Part Number</i> | <i>Qty.</i> | <i>Description</i> |
|-------------|--------------------|-------------|----------------------|
| 10 | 110-3819 | 1 | Water Flange ASM |
| 20 | 98-9580 | 1 | Pipe-Return, Water |
| 30 | 99-3582 | 1 | Thermoswitch |
| 40 | 110-3820 | 1 | Gasket-Flange, Water |
| 50 | 110-3821 | 1 | Plug |
| 60 | 98-7692 | 2 | Bolt |
| 70 | 105-3797 | 1 | Bolt |
| 80 | 110-3822 | 1 | Pipe-Return, Water |
| 90 | 98-9579 | 2 | Band-Pipe |
| 100 | 98-7778 | 1 | Thermostat ASM |
| 110 | 112-2512 | 1 | Cover-Thermostat |
| 115 | 105-3747 | 1 | Plug |
| 116 | 99-3583 | 1 | Gasket |
| 120 | 105-3748 | 1 | Gasket-Thermostat |
| 130 | 98-7777 | 2 | Bolt |
| 140 | 110-3824 | 1 | Water Pump ASM |
| 150 | 100-1933 | 1 | Flange-Pump, Water |
| 160 | 100-1934 | 1 | Bearing-Ball |
| 170 | 99-3518 | 1 | Water Pump Seal ASM |
| 180 | 110-3825 | 1 | Impeller-Pump, Water |
| 190 | 100-1932 | 1 | Pipe-Return, Water |
| 200 | 117-0330 | 1 | Gasket-Pump, Water |
| 210 | 100-1750 | 4 | Bolt |



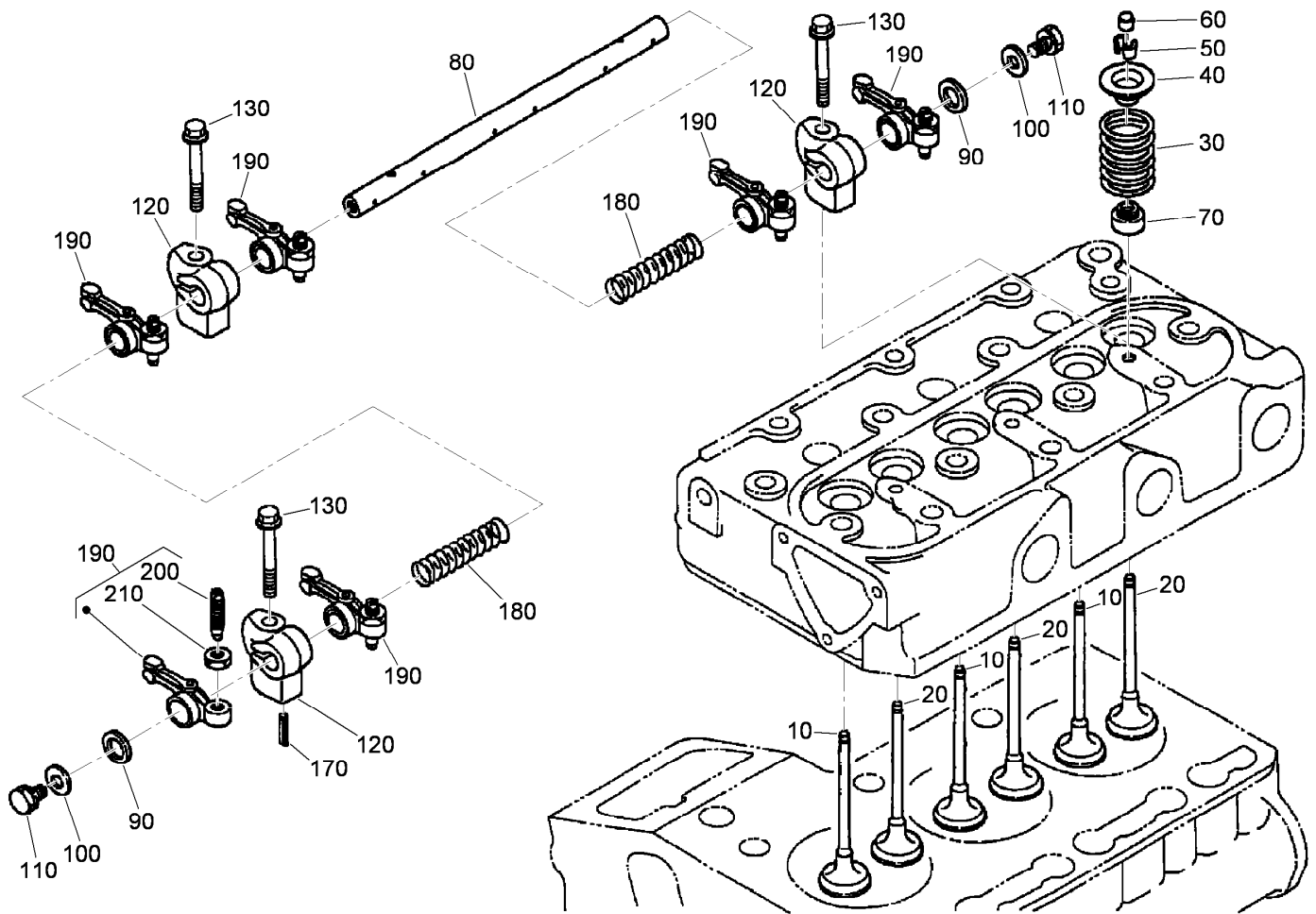
Water Pipe Assembly

| <i>Ref.</i> | <i>Part Number</i> | <i>Qty.</i> | <i>Description</i> |
|-------------|--------------------|-------------|--------------------|
| 10 | 100-1918 | 1 | Pipe-Water |
| 20 | 110-3827 | 1 | Pipe-Water |
| 30 | 100-1924 | 1 | Stud |
| 40 | 100-2203 | 1 | Nut-Flange |
| 50 | 110-3828 | 2 | Band-Pipe |



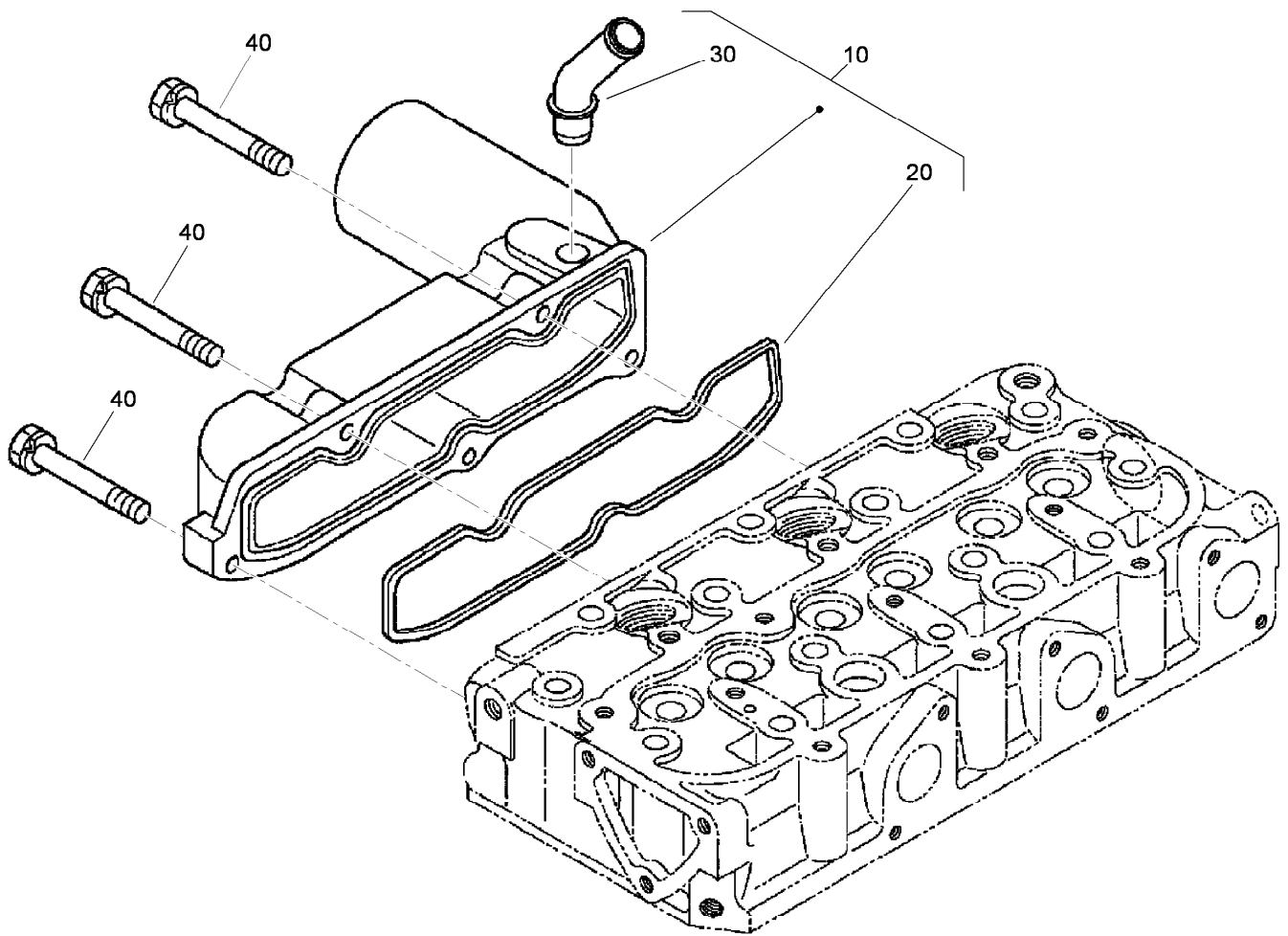
Fan Assembly

| <i>Ref.</i> | <i>Part Number</i> | <i>Qty.</i> | <i>Description</i> |
|-------------|--------------------|-------------|--------------------|
| 10 | 112-2513 | 1 | Fan |
| 20 | 99-8363 | 1 | Bolt-Flange |



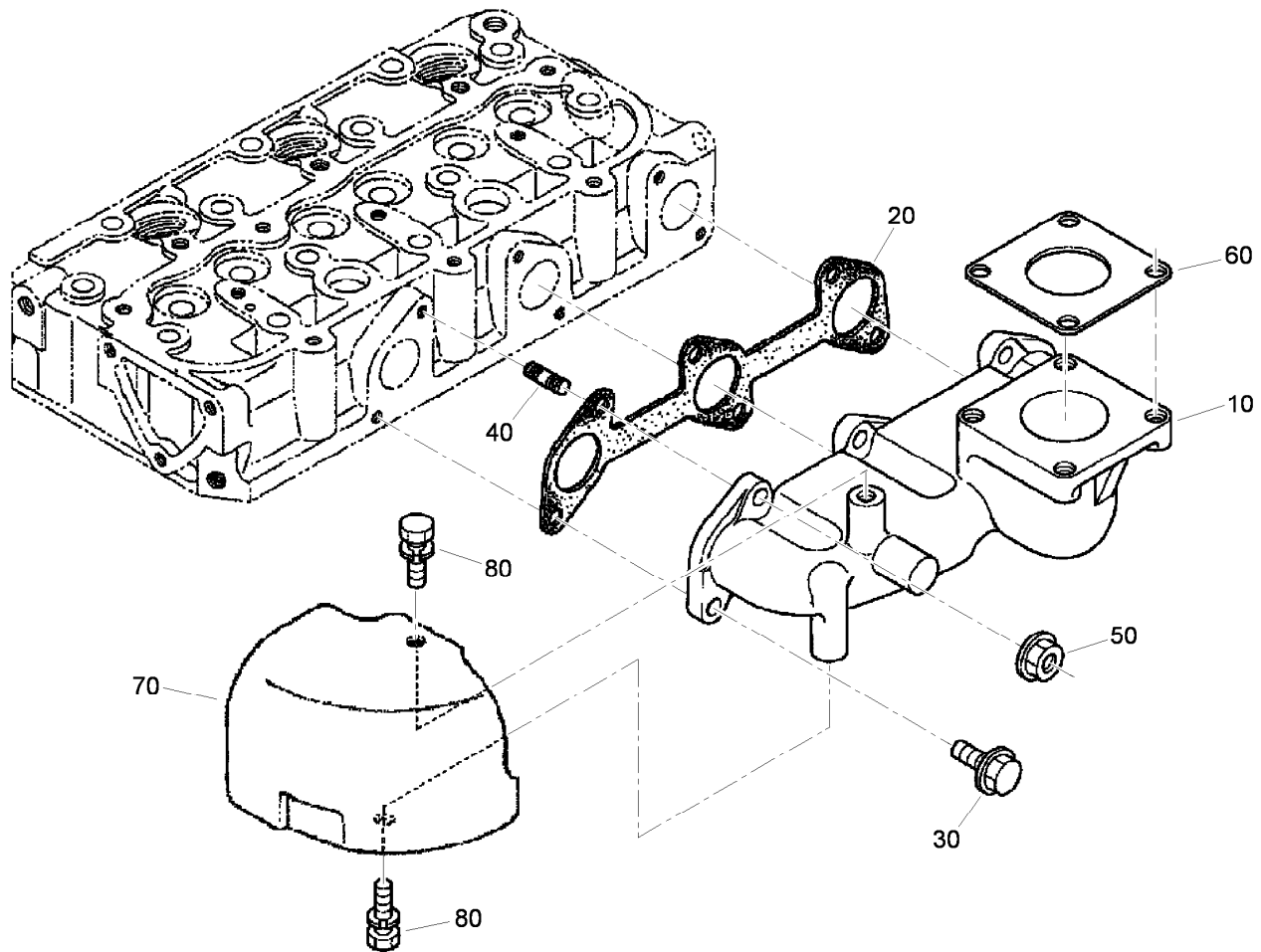
Valve and Rocker Arm Assembly

| Ref. | Part Number | Qty. | Description |
|------|-------------|------|------------------------|
| 10 | 112-2514 | 3 | Valve-Inlet |
| 20 | 112-2515 | 3 | Valve-Exhaust |
| 30 | 100-1823 | 6 | Spring-Valve |
| 40 | 100-1825 | 6 | Retainer-Spring, Valve |
| 50 | 100-1826 | 6 | Collet-Spring, Valve |
| 60 | 100-2155 | 6 | Cap-Valve |
| 70 | 100-1797 | 6 | Seal-Stem, Valve |
| 80 | 112-8341 | 1 | Shaft-Arm, Rocker |
| 90 | 100-2044 | 2 | Washer |
| 100 | 110-3832 | 2 | Washer-Plain |
| 110 | 100-1762 | 2 | Bolt |
| 120 | 110-3833 | 3 | Bracket-Arm, Rocker |
| 130 | 110-3834 | 3 | Bolt-Flange |
| 170 | 98-7602 | 1 | Pin-Spring |
| 180 | 112-8342 | 2 | Spring |
| 190 | 100-1884 | 6 | Rocker Arm ASM |
| 200 | 100-1885 | 6 | Screw-Adjusting |
| 210 | 100-1827 | 6 | Nut |



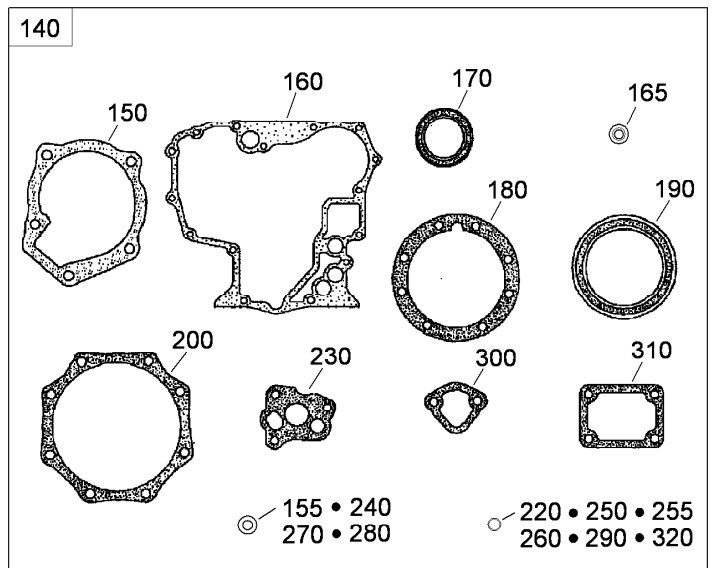
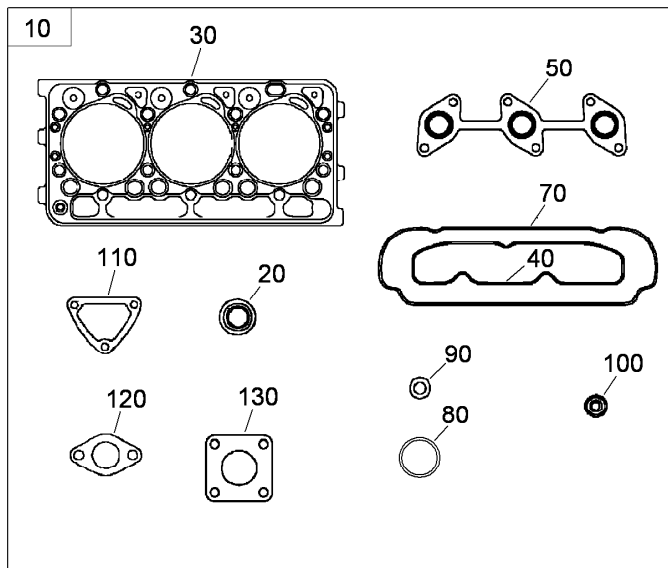
Inlet Manifold Assembly

| <i>Ref.</i> | <i>Part Number</i> | <i>Qty.</i> | <i>Description</i> |
|-------------|--------------------|-------------|-------------------------|
| 10 | 110-3836 | 1 | Inlet Manifold ASM |
| 20 | 110-3838 | 1 | Gasket-Manifold, Intake |
| 30 | 110-3837 | 1 | Pipe-Breather |
| 40 | 98-9352 | 5 | Bolt |



Exhaust Manifold Assembly

| <i>Ref.</i> | <i>Part Number</i> | <i>Qty.</i> | <i>Description</i> |
|-------------|--------------------|-------------|--------------------------|
| 10 | 112-2516 | 1 | Manifold-Exhaust |
| 20 | 110-3840 | 1 | Gasket-Manifold, Exhaust |
| 30 | 100-1775 | 3 | Bolt |
| 40 | 100-2202 | 3 | Stud |
| 50 | 100-1778 | 3 | Nut |
| 60 | 99-8343 | 1 | Gasket-Muffler |
| 70 | 112-2517 | 1 | Cover-Heat |
| 80 | 100-1762 | 2 | Bolt |



Engine Gasket Kits

| Ref. | Part Number | Qty. | Description |
|------|-------------|------|--------------------------|
| 10 | 112-2518 | 1 | Upper Gasket Kit |
| 20 | 100-1797 | 6 | Seal-Stem, Valve |
| 30 | 112-2520 | 1 | Gasket-Head, Cylinder |
| 40 | 110-3838 | 1 | Gasket-Manifold, Intake |
| 50 | 110-3840 | 1 | Gasket-Manifold, Exhaust |
| 70 | 112-2521 | 1 | Gasket-Cover, Head |
| 80 | 99-3446 | 1 | O-Ring |
| 90 | 98-7676 | 3 | Gasket |
| 100 | 98-7677 | 3 | Seal-Heat |
| 110 | 110-3820 | 1 | Gasket-Flange, Water |
| 120 | 105-3748 | 1 | Gasket-Thermostat |
| 130 | 99-8343 | 1 | Gasket-Muffler |
| 140 | 117-1706 | 1 | Lower Gasket Kit |
| 150 | 117-0330 | 1 | Gasket-Pump, Water |
| 155 | 98-7524 | 1 | Gasket |
| 160 | 117-0327 | 1 | Gasket-Case, Gear |
| 165 | 112-8325 | 1 | Washer |

| Ref. | Part Number | Qty. | Description |
|------|-------------|------|-----------------------|
| 170 | 100-1971 | 1 | Seal-Oil |
| 180 | 112-2812 | 1 | Gasket-Case, Bearing |
| 190 | 110-3724 | 1 | Seal-Oil |
| 200 | 100-1876 | 1 | Gasket-Cover, Case |
| 220 | 100-2209 | 1 | O-Ring |
| 230 | 100-2003 | 1 | Gasket-Pump, Oil |
| 240 | 98-7654 | 1 | Gasket |
| 250 | 100-2208 | 1 | O-Ring |
| 255 | 98-9722 | 1 | O-Ring |
| 260 | 100-2207 | 1 | O-Ring |
| 270 | 98-7654 | 2 | Gasket |
| 280 | 110-9715 | 1 | Gasket-Pan, Oil |
| 290 | 105-3776 | 1 | O-Ring |
| 300 | 98-9636 | 1 | Gasket-Pump, Fuel |
| 310 | 100-1962 | 1 | Gasket-Plate, Control |
| 320 | 110-3762 | 1 | O-Ring |

Attachments and Accessories

For 22323 TX 525 Compact Utility Loader

| Product Name | Model/Part |
|------------------------------------|-------------------|
| Light Kit..... | 100-8840 |
| Track Kit..... | 104-6106 |
| Road Wheel Kit..... | 106-7620 |
| Reference Guide Kit | 107-9310 |
| Track-Aggressive Tread..... | 108-5640 |
| 4 Cubic Foot Standard Bucket | 22409 |
| Loose Materials Bucket | 22410 |
| 48in Hydraulic Blade | 22414 |
| Rotary Broom | 22415 |
| Bore Drive Head | 22420 |
| Rod and Reamer | 22421 |
| Multi-Purpose Tool..... | 22423 |
| Power Box Rake..... | 22425 |
| Stump Grinder | 22429 |
| Tree Forks | 22438 |
| Cement Bowl | 22442 |
| 40in Tiller | 22445 |
| Snowthrower..... | 22456 |
| Crumber Kit | 22464 |
| Trencher Head..... | 22470 |
| High-Speed Trencher Head..... | 22471 |
| Trench Filler..... | 22472 |
| TX Platform..... | 22476 |
| Narrow Bucket..... | 22520 |
| Grapple Rake | 22521 |
| Auger Head | 22805 |
| Universal Swivel Auger Head | 22806 |
| 6in Auger Bit | 22810 |
| 9in Auger Bit..... | 22811 |
| 12in Auger Bit | 22812 |
| 15in Auger Bit | 22813 |
| 18in Auger Bit | 22814 |
| 24in Auger Bit..... | 22815 |
| 30in Auger Bit | 22816 |
| 12in Auger Bit Extension | 22818 |
| 24in Auger Bit Extension | 22819 |
| Vibratory Plow | 22911 |
| Soil Cultivator | 23101 |
| Concrete Breaker | 23135 |
| Backhoe Fitup Kit..... | 23162 |
| Backhoe..... | 23163 |
| Adjustable Forks..... | 23164 |
| Leveler..... | 23165 |
| Spark Arrestor Screen | 75-6880 |

Notes:



Count on it.