

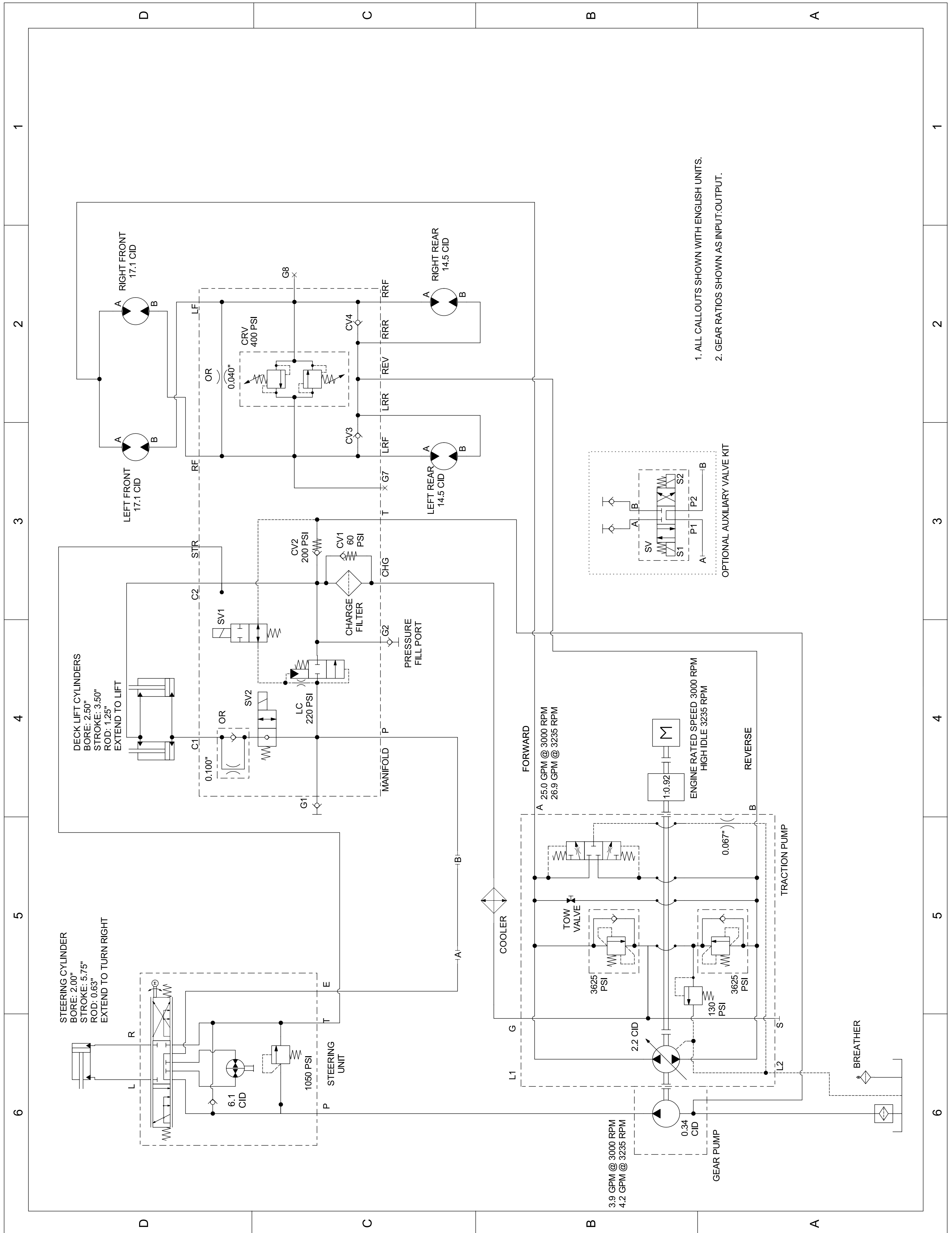


Groundmaster® 3200 All-Wheel Drive Traction Unit

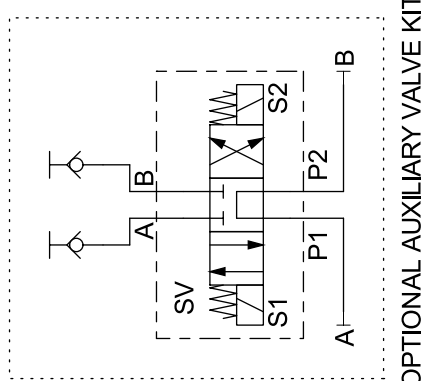
Model No. 31901A—Serial No. 40000000 and Up

Hydraulic Schematic

31901A
147-0059 Rev A
1 of 1



1. ALL CALLOUTS SHOWN WITH ENGLISH UNITS.
2. GEAR RATIOS SHOWN AS INPUT:OUTPUT.



g472785