



**Count on it.**

**Parts Catalog**

**Greensmaster® eTriFlex 3370  
Traction Unit**

Model No. 04591—Serial No. 415300000 and Up



# Ordering Replacement Parts

To order replacement parts, please supply the part number, the quantity, and the description of each part desired.

## Understanding Reference Numbers

Each identified part in an illustration has a reference number. The reference number for a part also appears in the parts list, along with other information about the part.

This catalog uses two special reference number formats, one to indicate parts in a service assembly and another to indicate the quantity of a given part in an illustration.

## Service Assembly Reference Numbers

Parts in service assemblies have reference numbers in the form a:b. The a represents the reference number of the entire service assembly and the b represents a sequential number unique to each part within the service assembly.

For example, a wheel assembly might be identified by reference number 6, the tire by 6:1, the valve by 6:2, and the wheel by 6:3. When you order the assembly identified by reference number 6, you receive all parts identified by reference numbers 6:1, 6:2, and 6:3. However, you may also order any part individually. Reference numbers of this type appear in illustration and in parts lists.

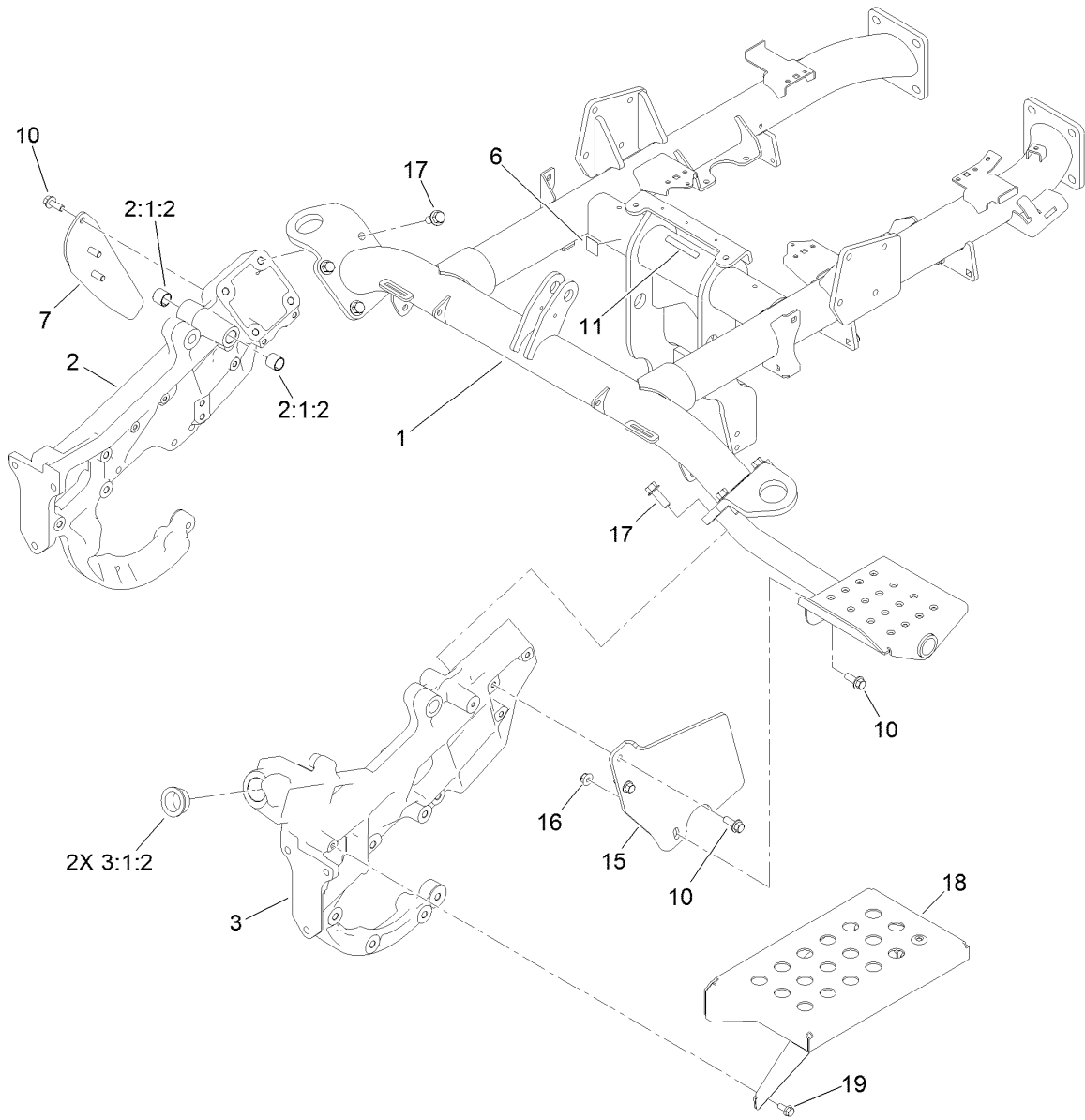
## Reference Numbers Indicating Quantity

In an illustration, if a reference number indicates more than one part, the reference number has the form nX y. The n represents the quantity of the part, the X is the multiplication symbol, and the y represents the reference number.

For example, in an illustration, the reference number 2X 37 means that two of the parts identified by reference number 37 are indicated.

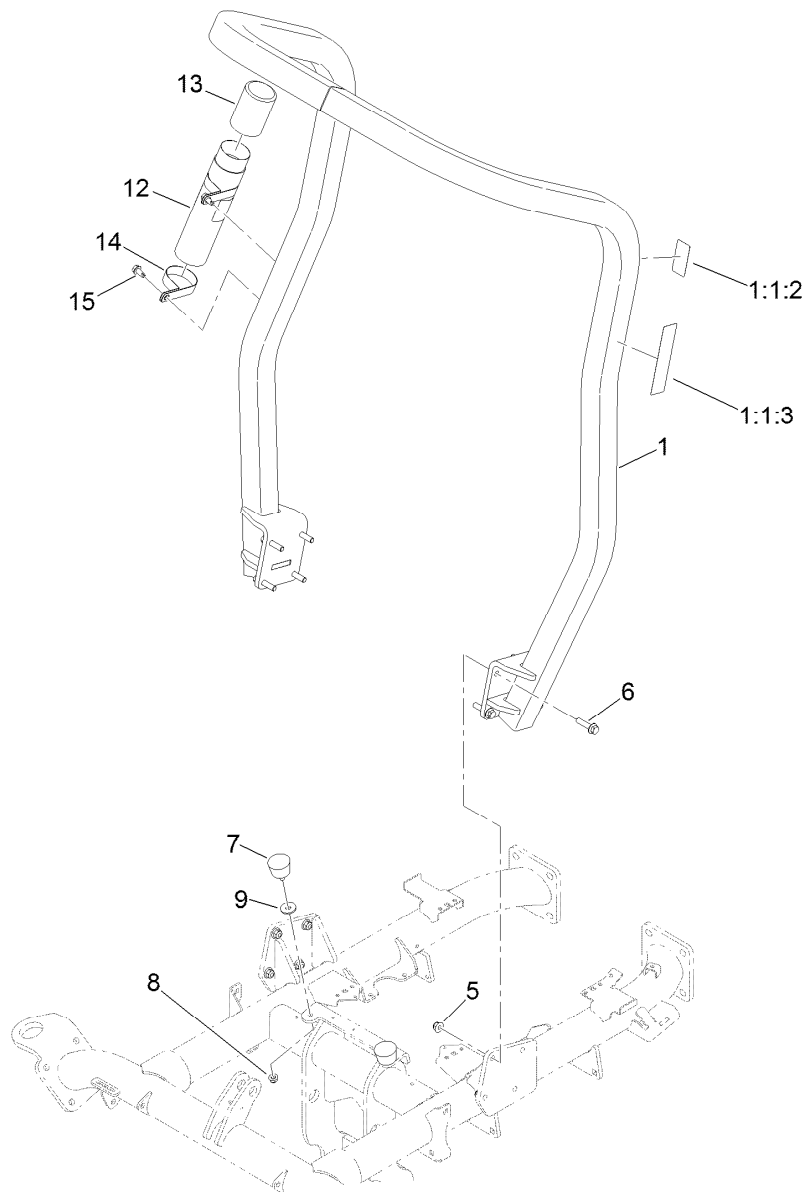
# Contents

Frame Assembly	4
ROPS Assembly	5
Platform Assembly	6
Traction Pedal Assembly	7
Brake Pedal Assembly	8
Brake Actuator Assembly	9
Brake Rod Assembly No. 137-2185	10
Steering Assembly	11
Steering Housing Assembly	12
Wheel Spindle Assembly No. 119-4490	13
Console Assembly	14
Joystick Bracket Assembly No. 120-5280	15
Seat Plate Assembly	16
Traction Assembly	17
RH Wheel Motor Assembly No. 139-8565	18
Gearbox Assembly No. 127-1529	19
LH Wheel Motor Assembly No. 139-8567	20
Lift Assembly	21
Suspension, Reel Motor and Basket Assembly	22
Motor Assembly	23
Basket Assembly No. 132-9599	24
Suspension Pin Position Assembly	25
Hood Assembly	26
Hood Assembly No. 145-1442	27
Electrical Assembly	28
Wire Harness Assembly No. 122-2788	30
Controller Assembly	31
Harness Bracket Assembly	32
Battery Assembly	33
Miscellaneous Parts Assembly	34
Suspension A-Arm Assembly	35
Suspension Crossarm Assembly	36
Attachments and Accessories	37



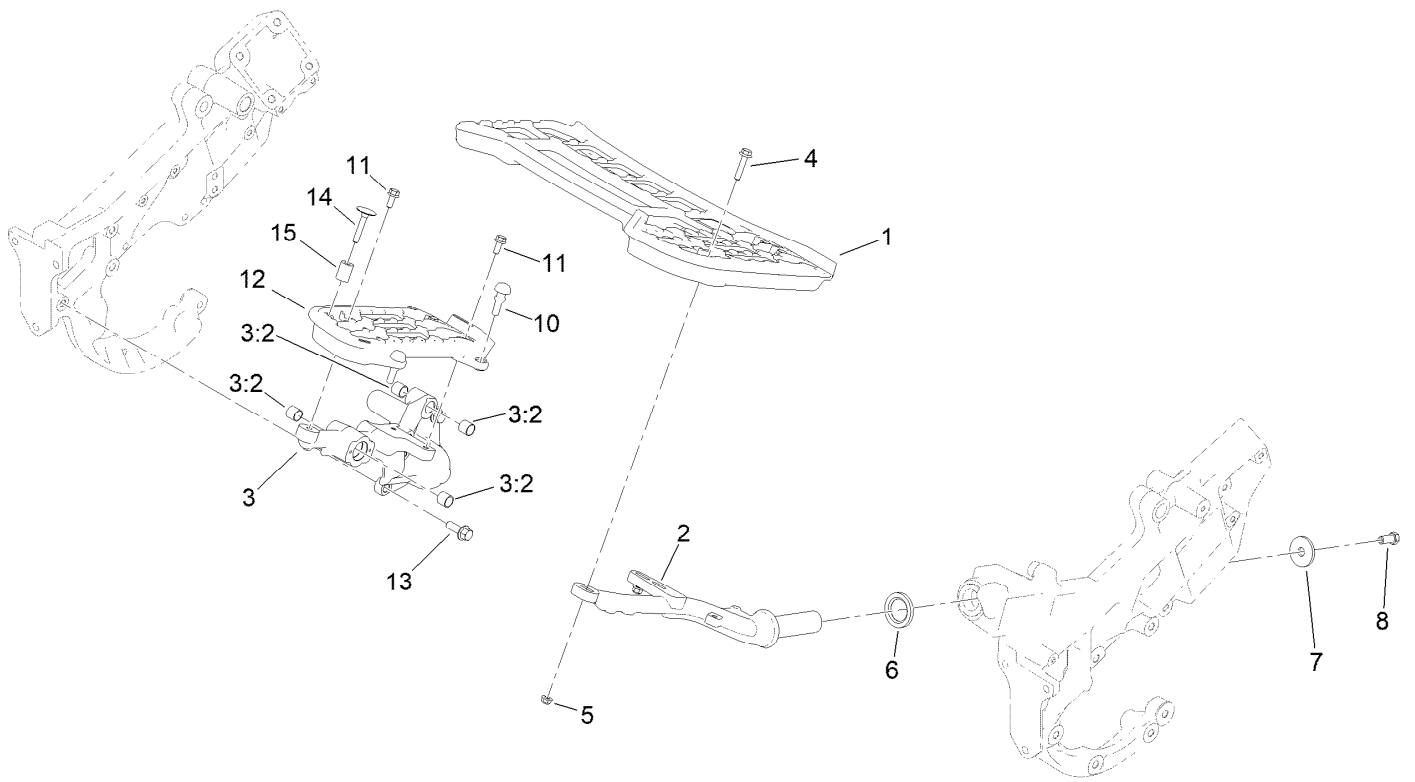
## Frame Assembly

Ref.	Part Number	Qty.	Description
1	139-8585SP	1	Frame ASM
2	139-8318	1	Side Casting, RH
2:1:2	94-9609	2	Bushing-Straight
3	139-8319	1	Side Casting, LH
3:1:2	60-0080	2	Bushing
6	138-9470	1	Decal-Markings, CE-Uk
7	133-0062-01	1	Bracket-Jack
10	3234-42	6	Screw-HHF
11	133-8061	1	Decal-Warning
15	133-0004-01	1	Bracket-Step
16	104-8301	1	Nut-HF, NI
17	117-9035	8	Screw-HHF
18	132-9994-01	1	Step
19	3234-47	4	Screw-HHF



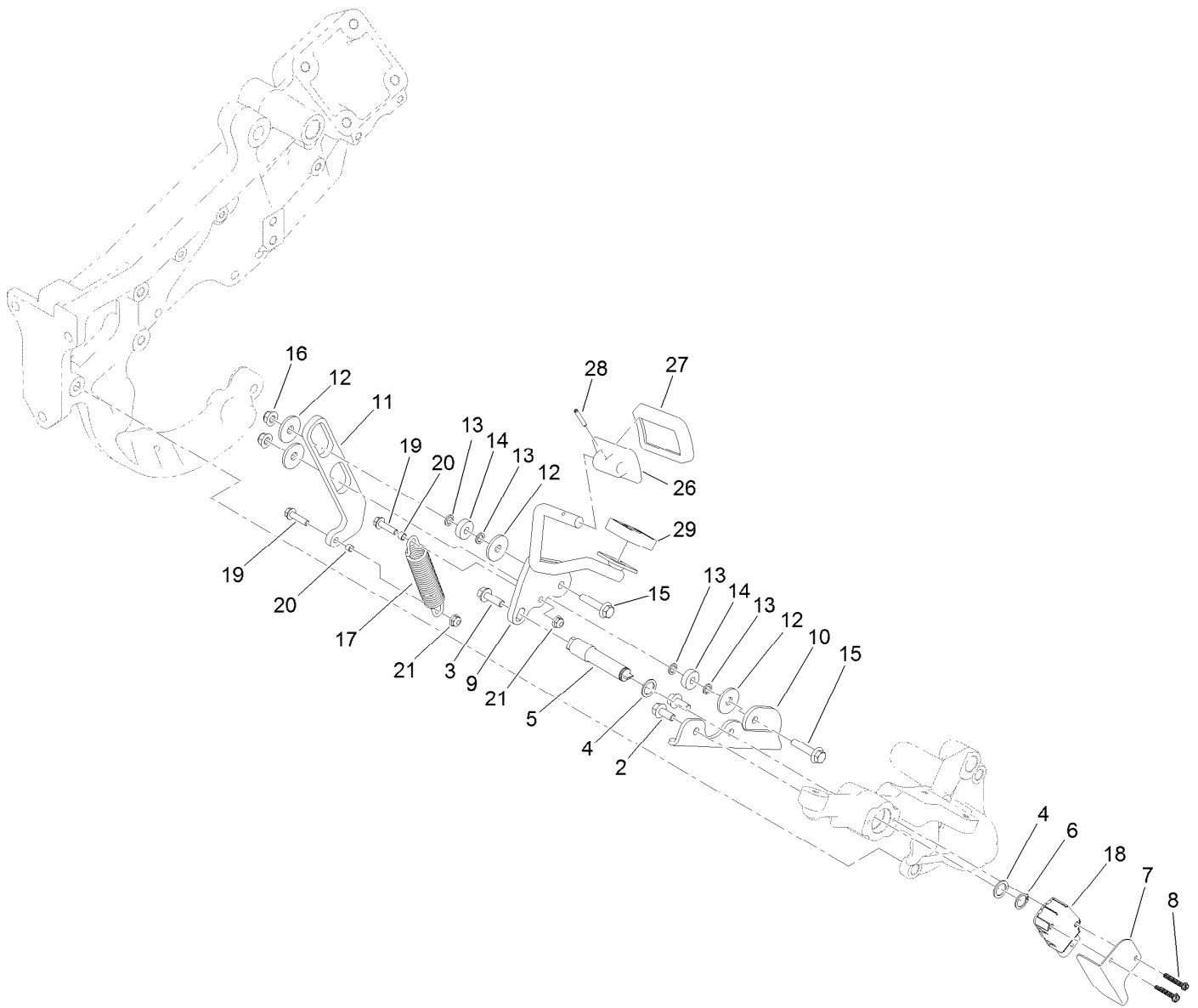
## ROPS Assembly

<i>Ref.</i>	<i>Part Number</i>	<i>Qty.</i>	<i>Description</i>
1	139-8311	1	ROPS ASM
1:1:2	115-8199	1	Decal-ROPS
1:1:3	115-8226	1	Decal-ROPS
5	104-8301	8	Nut-HF, NI
6	137-7951	8	Screw-HHF
7	68-3270	2	Bumper-Rubber
8	104-8300	2	Nut-HF, NI
9	52-2861	2	Washer
12	104-7050	1	Tube-Manual
13	104-7048	1	Cap-Housing
14	2412-133	2	Clamp-R
15	32104-32	2	Screw-HWH



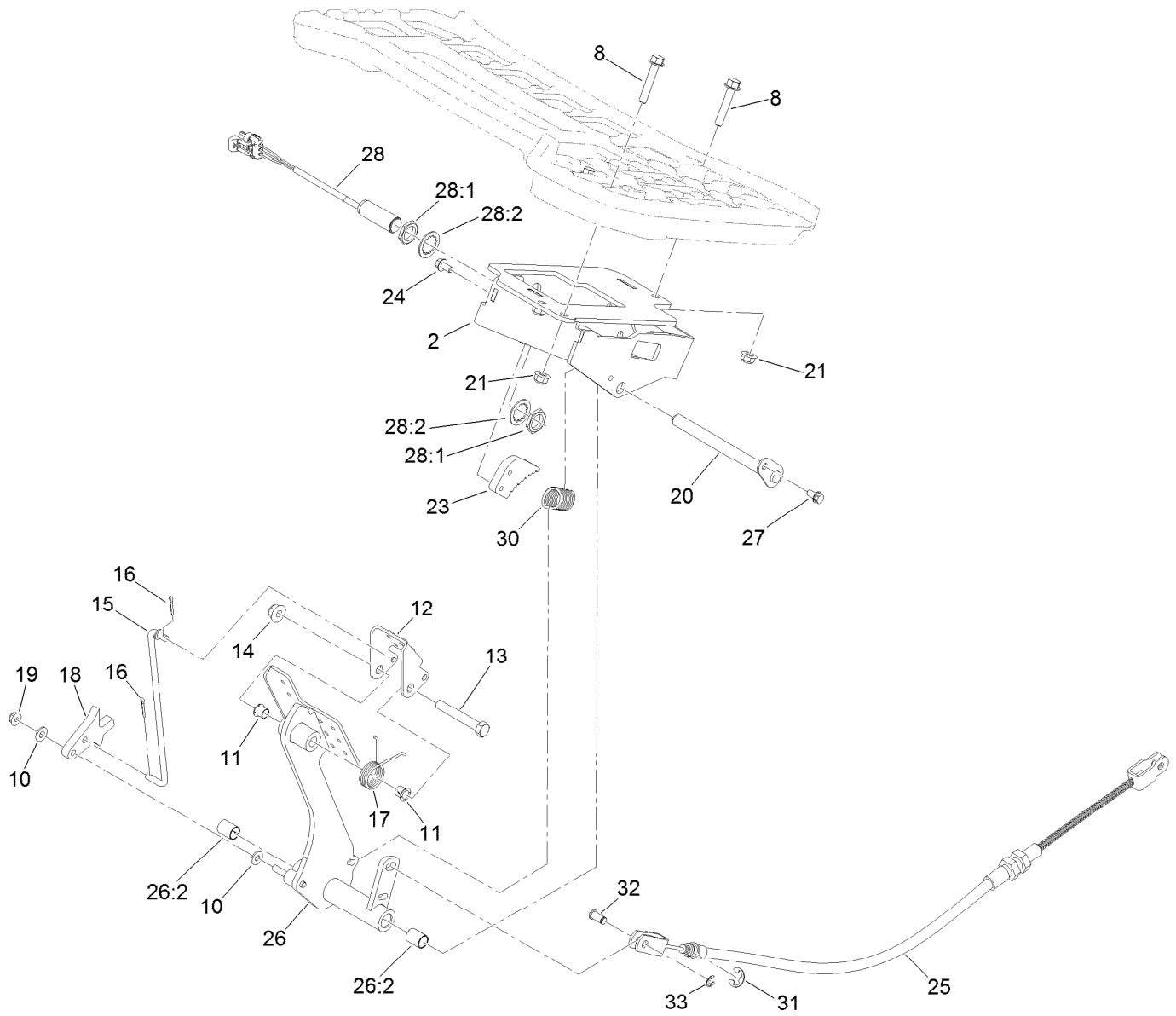
## Platform Assembly

Ref.	Part Number	Qty.	Description
1	137-7768	1	Platform-LH
2	139-8575-01	1	Support-Platform, LH (Mach)
3	132-9895	1	Support-Platform, RH
3:2	256-311	4	Bushing-Split
4	115-1794	3	Screw-HHF
5	104-8300	3	Nut-HF, NI
6	94-8946	1	Washer-Thrust
7	84-1560	1	Washer-Thrust
8	324-4	1	Screw-HH
10	117-9072	2	Bumper-Rubber
11	3234-47	3	Screw-HHF
12	117-9008	1	Platform-RH
13	117-9035	3	Screw-HHF
14	115-8240	1	Screw-Elevator
15	119-0718	1	Spacer



## Traction Pedal Assembly

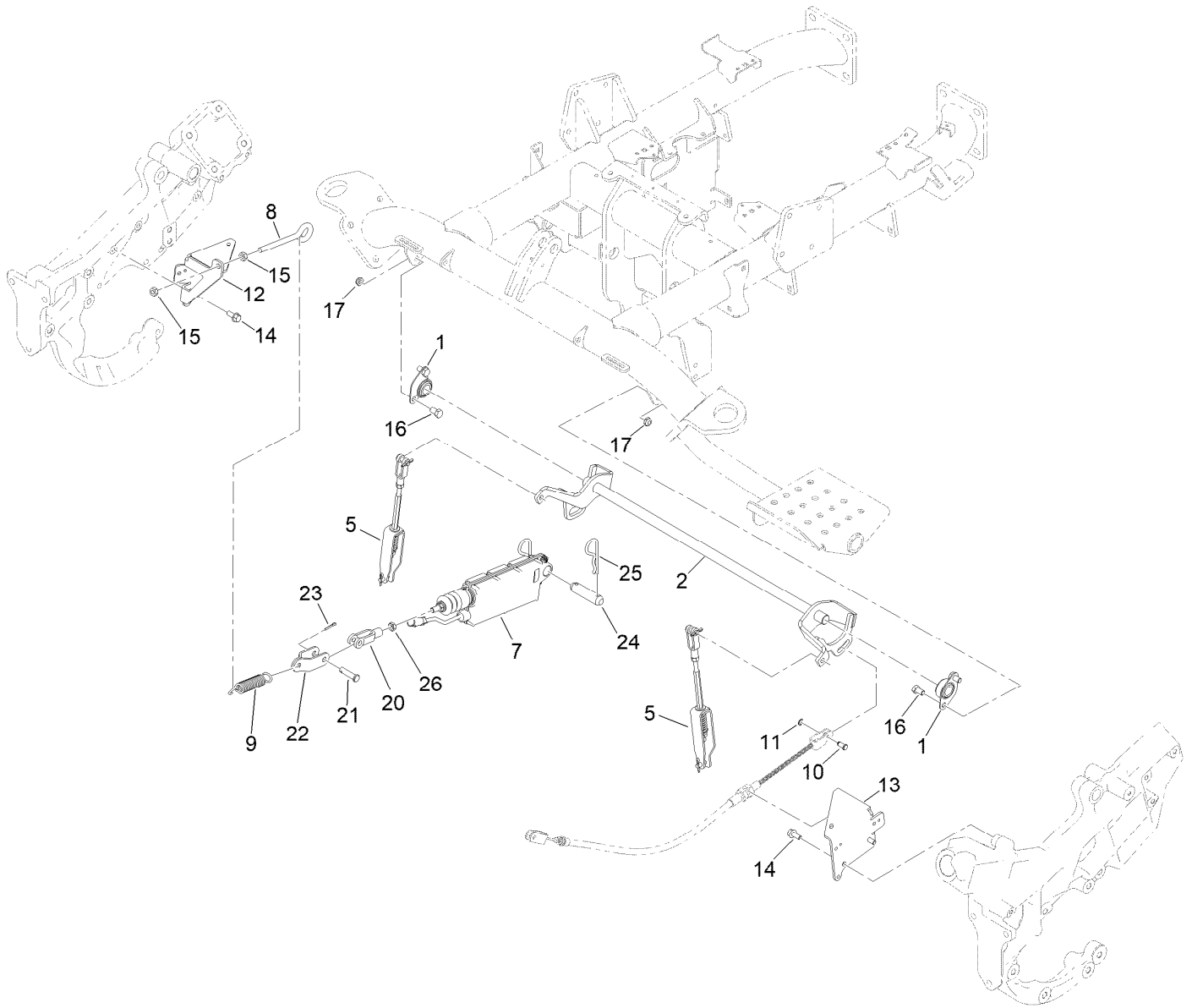
<i>Ref.</i>	<i>Part Number</i>	<i>Qty.</i>	<i>Description</i>	<i>Ref.</i>	<i>Part Number</i>	<i>Qty.</i>	<i>Description</i>
2	98-9940	2	Screw-HHF	14	251-259	2	Bearing-Ball
3	115-5142	1	Screw-HHF	15	115-1794	2	Screw-HHF
4	7-3590	2	Washer	16	104-8300	2	Nut-HF, NI
5	132-9852	1	Shaft-Pedal	17	137-7944	1	Spring-Extension
6	32151-62	1	Ring-Retaining	18	122-0917	1	Sensor-Position
7	121-7035	1	Shield-Sensor	19	120-4654	2	Screw-HHF
8	692501	2	Screw-SHWH	20	121-2015	2	Spacer
9	137-7814-01	1	Rod-Traction	21	104-7201	2	Nut-HF, NI
10	137-7811-01	1	Bracket-Control, Motion	26	117-9507	1	Pedal-Accelerator
11	145-1063	1	Link-Connecting	27	74-9100	1	Pad-Pedal, Forward
12	107675	4	Washer	28	32121-45	1	Pin-Spring
13	75-5470	4	Spacer-Bearing	29	74-9110	1	Pad-Pedal, Reverse



## Brake Pedal Assembly

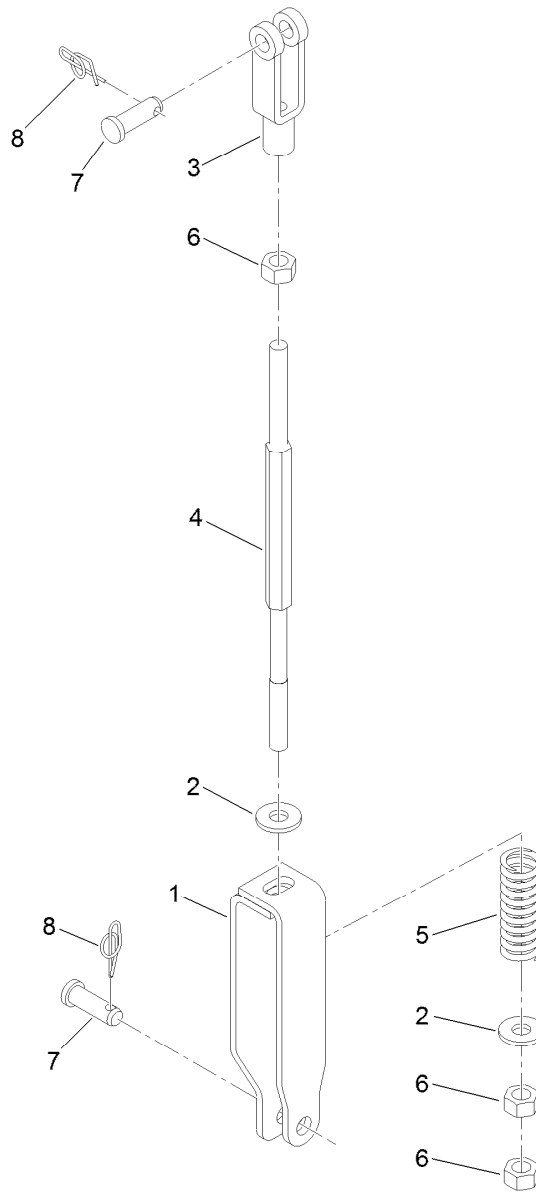
Ref.	Part Number	Qty.	Description	Ref.	Part Number	Qty.	Description
2	132-9890-03	1	Support-Pedal	23	99-7214	1	Pawl-Brake
8	94-5780	3	Screw-HWH	24	119-1065	2	Screw-HWH
10	3256-22	2	Washer-Flat	25	137-7770	1	Cable-Brake
11	52-2891	2	Bushing-Flanged, Nylon	26	137-8109	1	Brake Pedal ASM
12	99-7963-03	1	Pedal-Park	26:2	133-0090	2	Bushing-Split
13	323-12	1	Screw-HH	27	32144-4	1	Screw-HWH
14	104-8301	1	Nut-HF, NI	28	115-5300	1	Proximity Switch ASM
15	115-0129	1	Rod-Pawl, Brake	28:1	117-3207	2	Nut-Hex
16	3272-6	2	Pin-Cotter	28:2	117-3208	2	Washer-Lock, Internal Tooth
17	99-7140	1	Spring-Torsion	30	136-7316	1	Spring-Extension
18	117-0238	1	Detent	31	32120-47	1	Ring-Retaining, External
19	104-7201	1	Nut-HF, NI	32	109-6887	1	Pin-Clevis
20	133-0089	1	Pivot-Pedals	33	701197	1	E-Ring
21	104-8300	3	Nut-HF, NI				





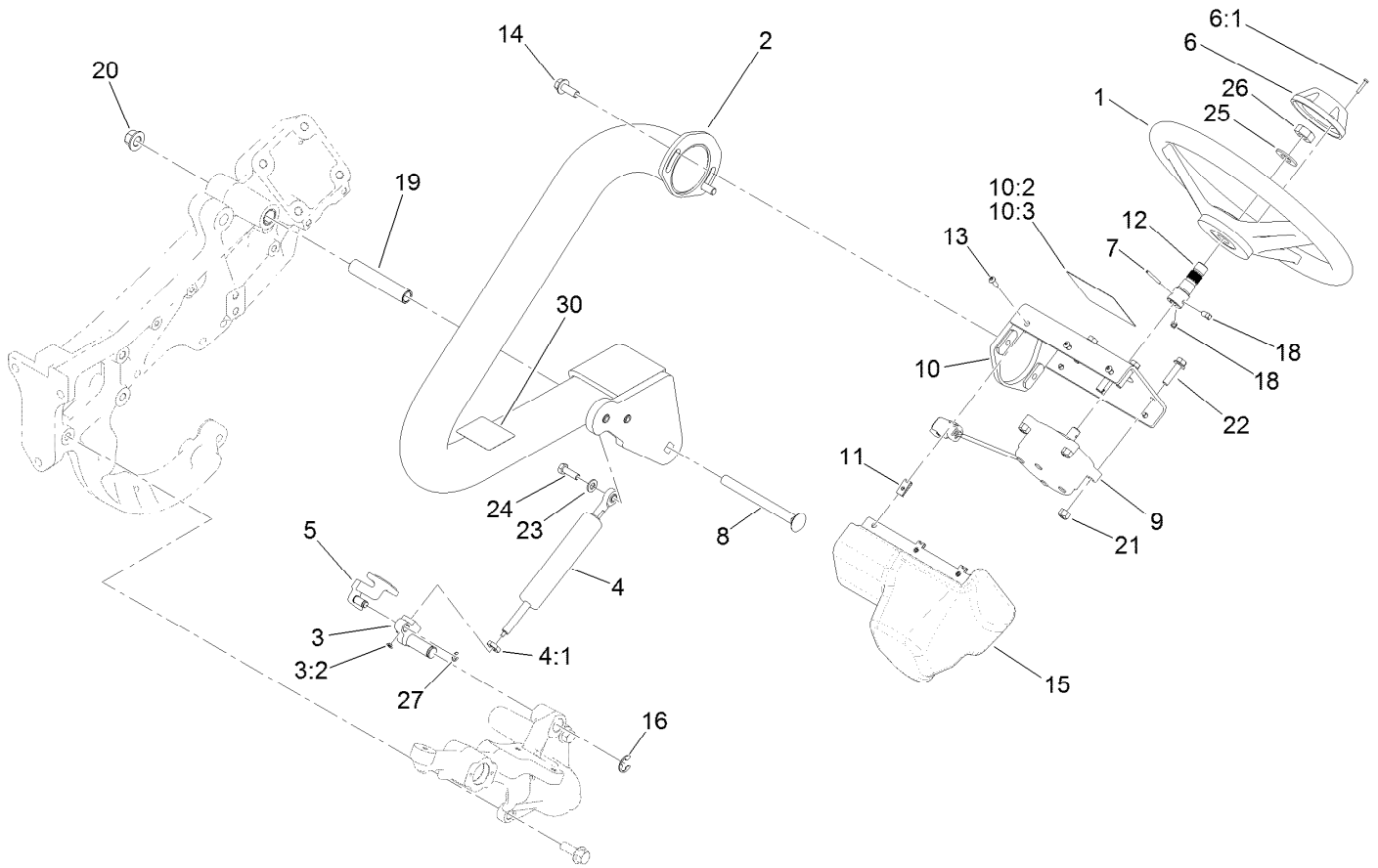
## Brake Actuator Assembly

<i>Ref.</i>	<i>Part Number</i>	<i>Qty.</i>	<i>Description</i>	<i>Ref.</i>	<i>Part Number</i>	<i>Qty.</i>	<i>Description</i>
1	1-633102	2	Bearing-Flange, Side	15	3217-7	2	Nut-Hex
2	145-0060-03	1	Cross Shaft-Brake [black]	16	323-34	4	Screw-HH
5	137-2185	2	Brake Rod ASM	17	3296-59	4	Nut-Lock, NI
7	139-8587	1	Actuator-Brake	20	1-633131	1	Yoke-Linkage, Brake
8	137-8026	1	Bolt-Eye	21	283-10	1	Pin-Clevis
9	93-5985	1	Spring-Extension	22	137-7838	1	Link ASM
10	109-6887	1	Pin-Clevis	23	3272-10	1	Pin-Cotter
11	701197	1	E-Ring	24	27-4240	1	Pin-Cylinder
12	137-7790-03	1	Bracket-Spring	25	3290-256	2	Pin-Hair
13	137-7769-03	1	Bracket-Cable	26	3220-3	1	Nut-HJ
14	98-9940	4	Screw-HHF				



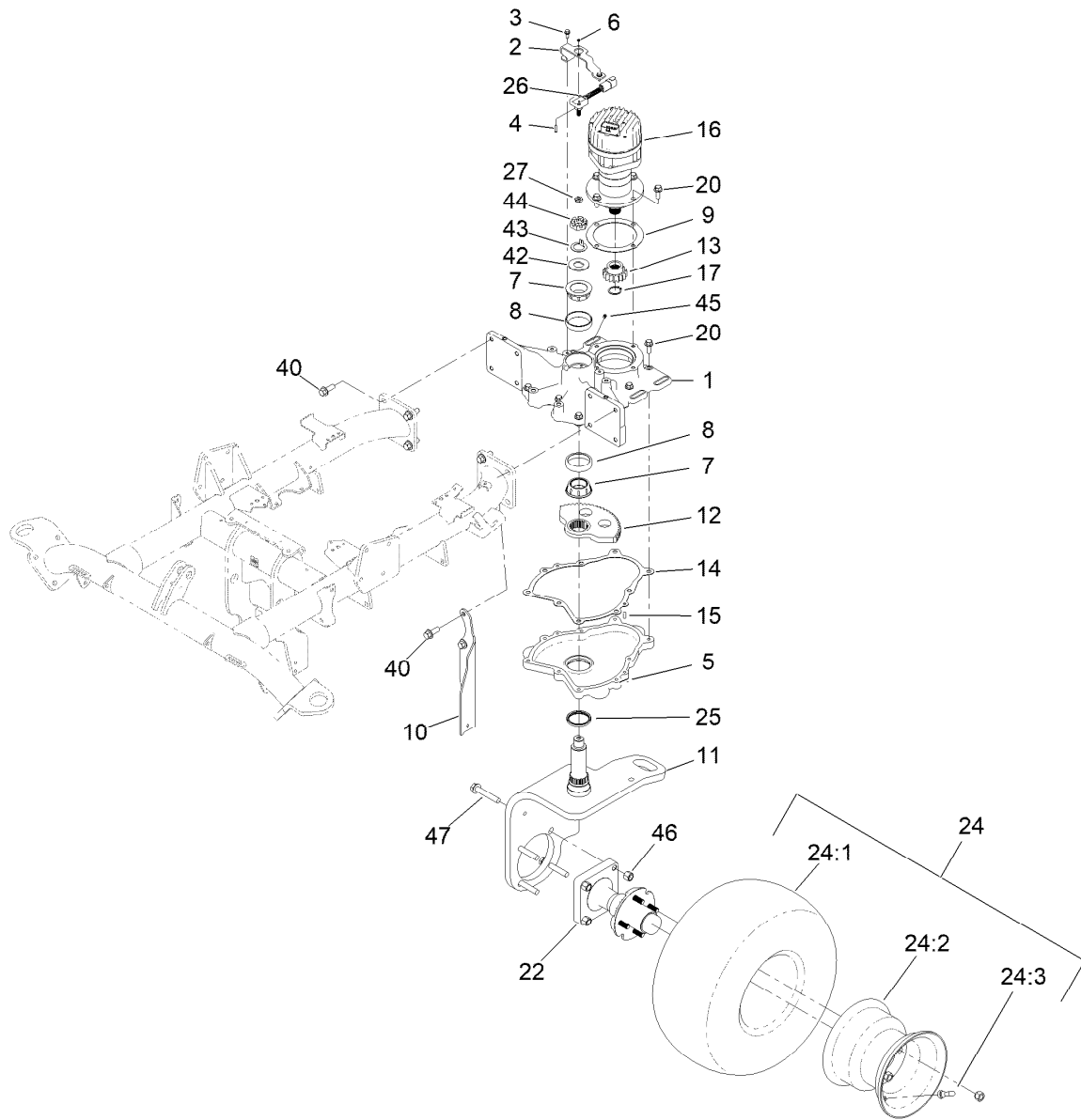
## Brake Rod Assembly No. 137-2185

<i>Ref.</i>	<i>Part Number</i>	<i>Qty.</i>	<i>Description</i>
1	137-2180	1	Brake Clevis ASM
2	120-9646	2	Washer-Flat
3	282-2	1	Yoke
4	137-8056	1	Rod-Brake
5	137-8085	1	Spring-Seat, Compression
6	3219-2	3	Nut-Hex
7	283-1	2	Pin-Clevis
8	116-6639	2	Pin-Cotter, Locking



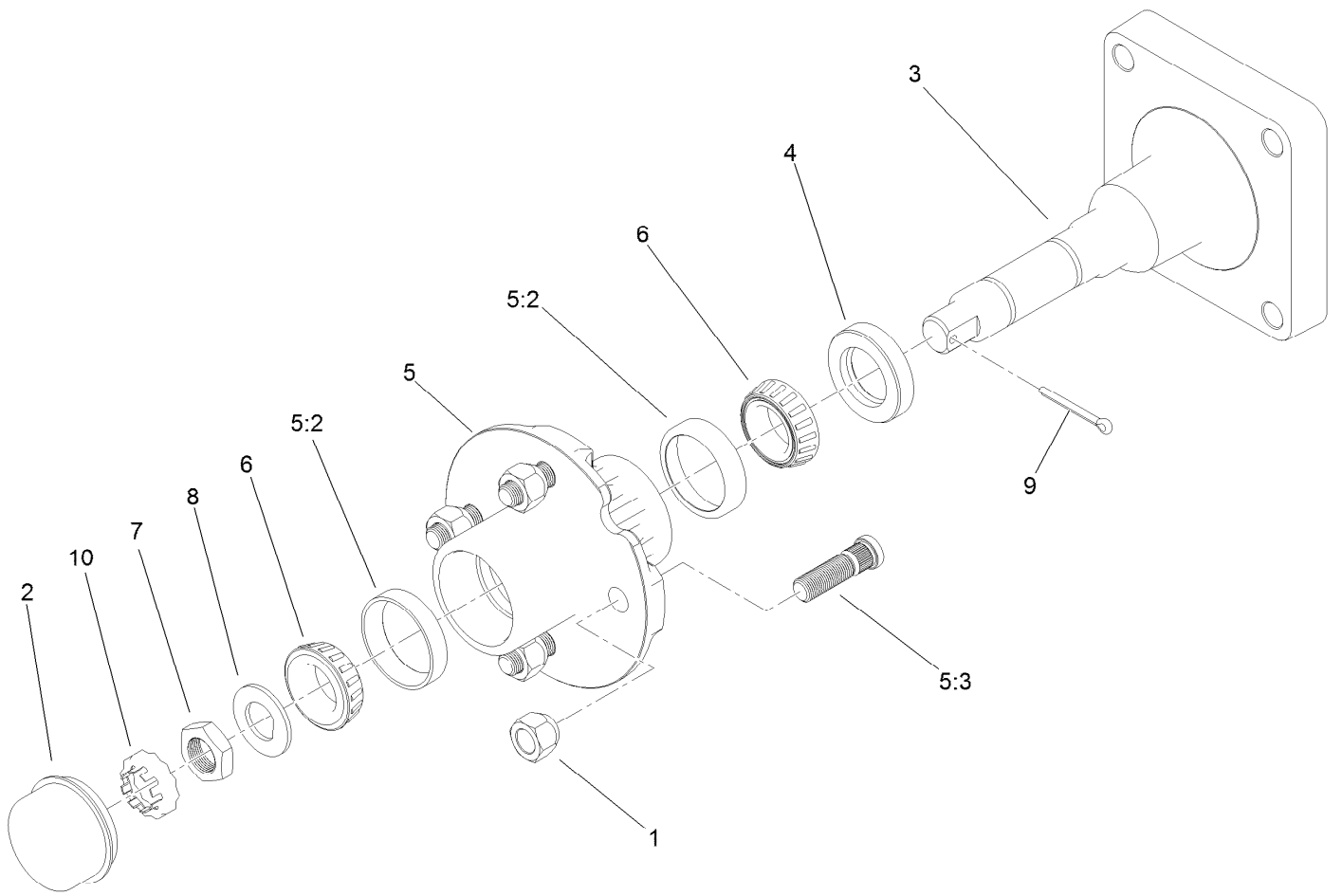
## Steering Assembly

Ref.	Part Number	Qty.	Description	Ref.	Part Number	Qty.	Description
1	145-0051	1	Steering Wheel	12	136-4262	1	Shaft-Adapter, Steering
2	145-0093-01	1	Steering Arm ASM [red]	13	3274-39	6	Screw-HSBH
3	133-9030	1	Pivot Lever ASM	14	3234-42	2	Screw-HHF
3:2	133-8995	1	Bushing	15	119-9300	1	Cover-Valve, Steering
4	133-9036	1	Cylinder-Gas	16	32120-19	1	E-Ring
4:1	112-8617	1	Nut-Hex	18	126-3824	2	Screw-Set, SQH
5	138-6456	1	Lever (Mach)	19	117-9002	1	Spacer
6	68-5140	1	Cap-Wheel, Steering	20	99-5107	1	Nut-Lock
6:1	32144-21	1	Screw	21	3296-29	4	Nut-Lock, NI
7	933156	1	Pin-Roll	22	119-4036	4	Screw-HHF
8	140-7029	1	Screw-CARR	23	3256-23	1	Washer-Plain
9	132-9935	1	Steering Unit	24	322-5	1	Screw-HH
10	137-8092	1	Steering Mount ASM	25	3256-27	1	Washer-Flat
10:2	139-8320	1	Decal-Danger	26	3296-33	1	Nut-Lock, NI
10:3	139-8321	1	Decal-Danger, CE	27	701197	1	E-Ring
11	3290-277	6	Nut-Speed	30	119-9346	1	Decal-Arm, Steering



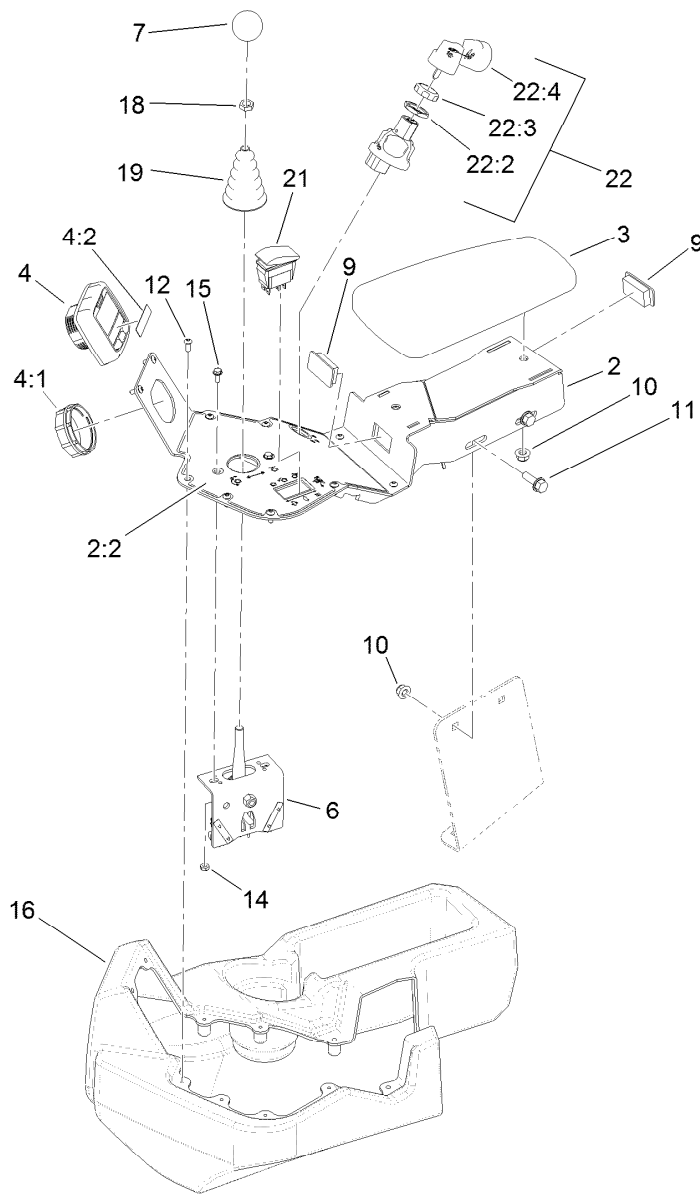
## Steering Housing Assembly

Ref.	Part Number	Qty.	Description	Ref.	Part Number	Qty.	Description
1	139-8314	1	Housing-Steering	22	119-4490	1	Wheel Spindle ASM
2	137-7868-03	1	Bracket-Sensor, Steering	24	117-9033	1	Wheel And Tire ASM
3	32144-10	2	Screw-HWH	24:1	120-2783	1	Tire
4	3290-313	2	Screw-SPH	24:2	217-60	1	Rim
5	137-8166-03	1	Housing	24:3	232-27	1	Stem-Valve
6	3296-52	2	Nut-Lock, NI	25	108-7019	1	Seal-Shaft
7	107-7589	2	Cone-Bearing (W/ Seal)	26	122-0914	1	Sensor-Rotary, Body/Magnet Matched Set
8	107-7590	2	Cup-Bearing	27	112-8617	1	Nut-Hex
9	133-0347	1	Gasket	40	117-9035	8	Screw-HHF
10	145-1396	1	Bracket-Jack	42	137-8171	1	Washer
11	139-8313	1	Fork-Caster	43	137-7943	1	Washer-Tang
12	137-8170	1	Gear-Spur, 64T	44	137-7942	1	Nut-Castle
13	133-0346	1	Pinion-16T	45	302-59	1	Plug-EXT Hex Spl
14	133-0348	1	Gasket	46	3296-23	4	Nut-Lock, NI
15	136-2667	2	Pin-Dowel	47	3234-40	4	Screw-HF
16	133-0349	1	Steering Unit ASM				
17	32120-2	1	Ring-Retaining				
20	3234-42	13	Screw-HHF				



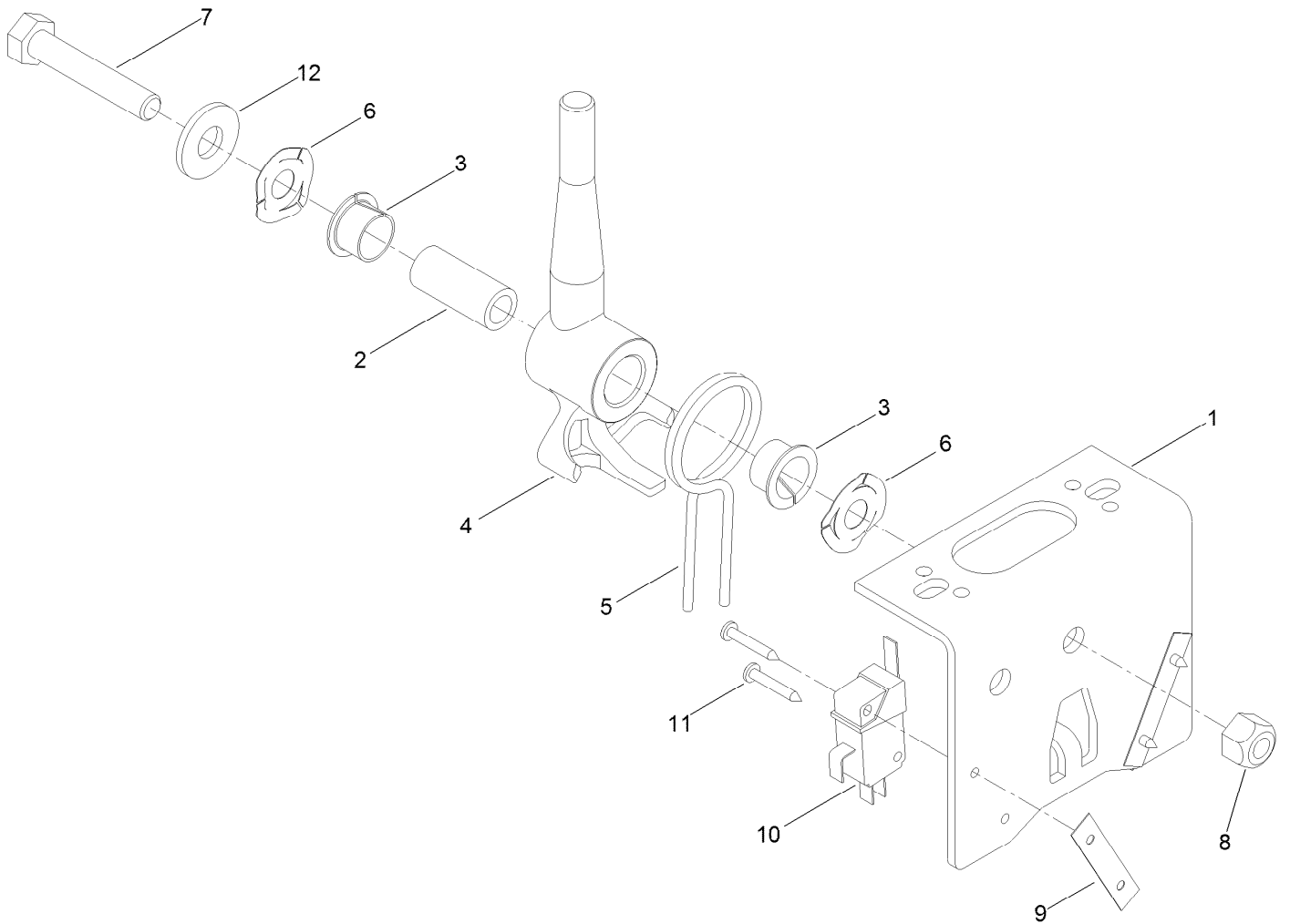
## Wheel Spindle Assembly No. 119-4490

Ref.	Part Number	Qty.	Description
1	242-50	4	Nut-Lug
2	241-119	1	Cap-Dust
3	112-7173	1	Spindle
4	112-1690	1	Seal-Oil
5	117-9093	1	Hub ASM
5:2	254-72	2	Bearing-Cup, Tapered
5:3	114-3918	4	Stud-Wheel
6	254-92	2	Cone-Bearing, Outer
7	117-8260	1	Nut
8	117-8259	1	Washer-Spindle
9	3272-18	1	Pin-Cotter
10	93-0307	1	Nut-Lock, Retainer



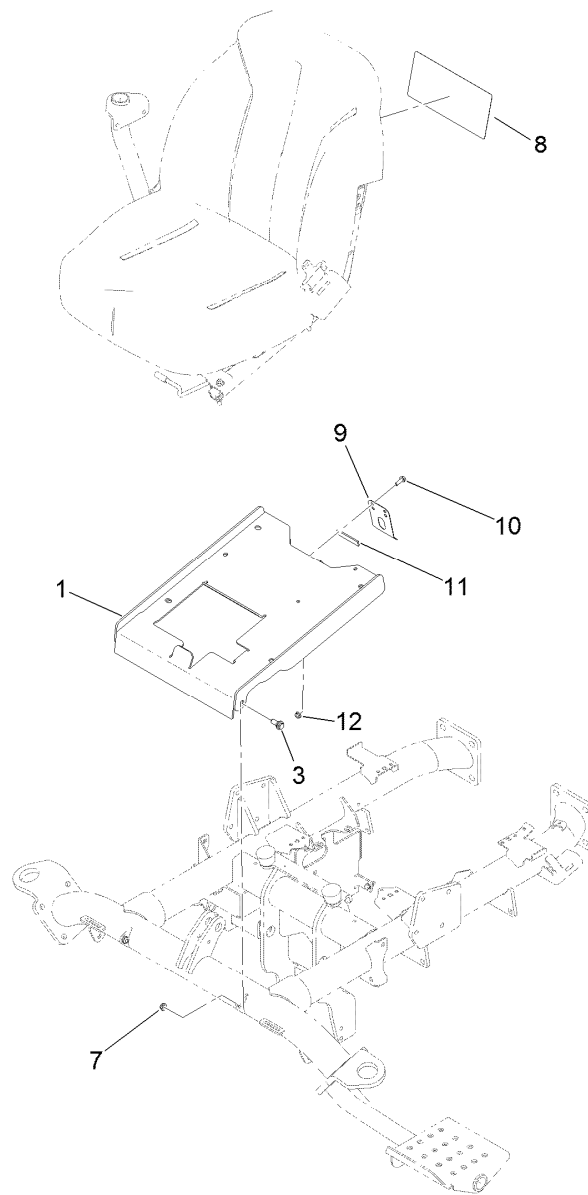
## Console Assembly

<i>Ref.</i>	<i>Part Number</i>	<i>Qty.</i>	<i>Description</i>	<i>Ref.</i>	<i>Part Number</i>	<i>Qty.</i>	<i>Description</i>
2	137-8094	1	Console ASM	12	115-9830	10	Screw-HSBH
2:2	137-8058	1	Decal-Console	14	3296-12	2	Nut-Lock, NI
3	108-7602	1	Rest-Arm	15	3290-321	2	Screw-HWH
4	120-6310	1	LCD Display ASM Kantrak 1700	16	132-9955	1	Cover-Console
4:1	120-4630	1	Nut-Display	18	3218-3	1	Nut-Jam
4:2	120-6311	1	Decal-Display	19	93-5961	1	Boot-Lever
6	120-5280	1	Bracket-Joystick	21	112-3530	1	Switch-Rocker, On-On-On
7	120-9752	1	Knob-Round, Yellow	22	106-5269	1	Ignition Switch ASM
9	99-7420	2	Plug-Hole	22:2	108-8660	1	Nut-Mounting
10	104-8300	4	Nut-HF, NI	22:3	106-5270	1	Ignition Key Set
11	3234-29	2	Screw-HHF	22:4	108-8659	1	Washer-Backup



## Joystick Bracket Assembly No. 120-5280

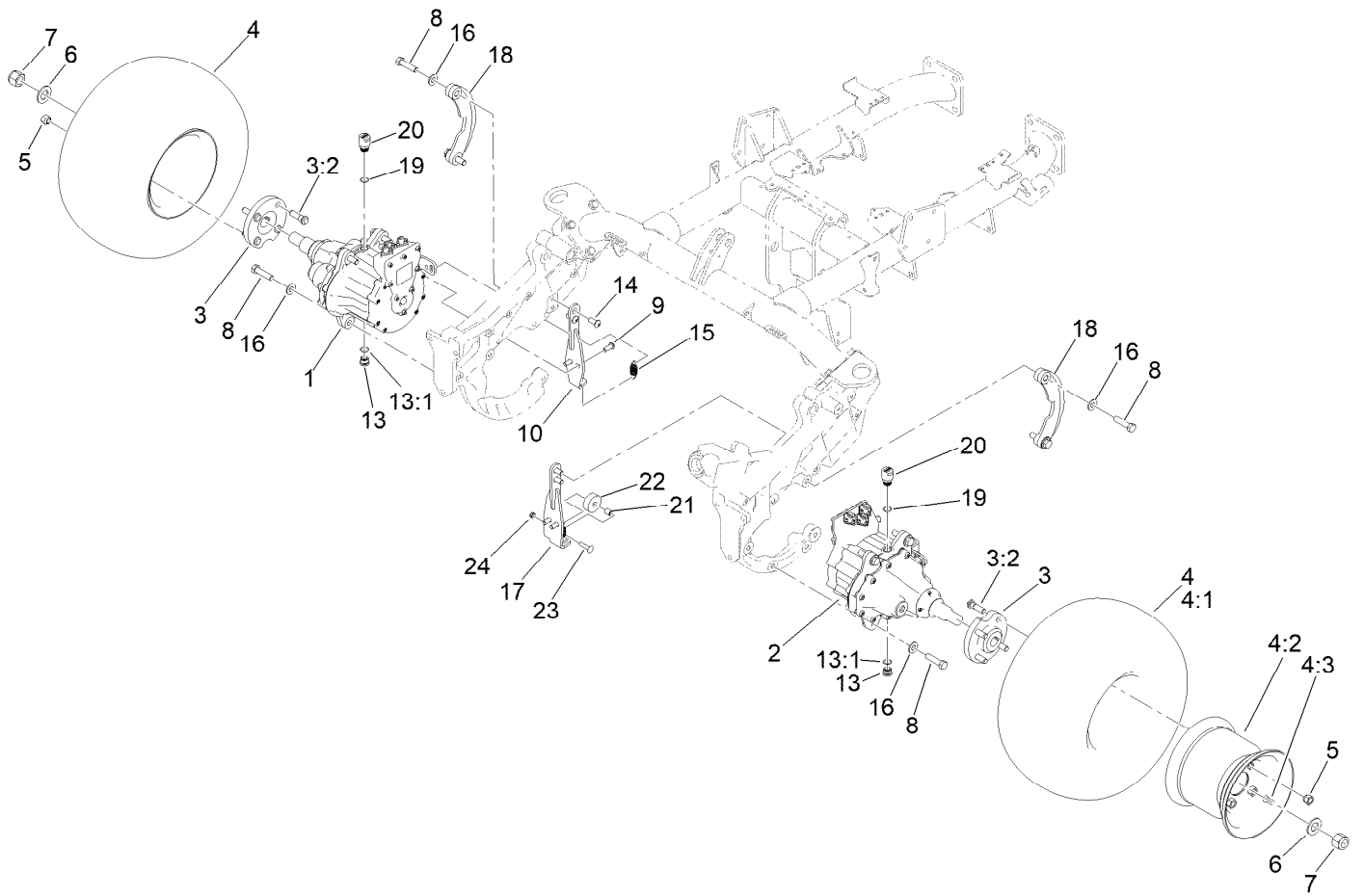
<i>Ref.</i>	<i>Part Number</i>	<i>Qty.</i>	<i>Description</i>
1	115-5357-03	1	Bracket-Joystick
2	106-4192	1	Spacer
3	93-5547	2	Bushing-Nylon
4	119-3540	1	Hub-Pivot, Joystick
5	105-8289	1	Spring-Torsion
6	106-4193	2	Washer-Finger, Spring
7	322-9	1	Screw-HH
8	3296-29	1	Nut-Lock, NI
9	3290-354	2	Nut-Speed
10	108-6496	2	Switch (W/Boot)
11	95-3003	4	Screw-PPHTF
12	3256-3	1	Washer-Flat



## Seat Plate Assembly

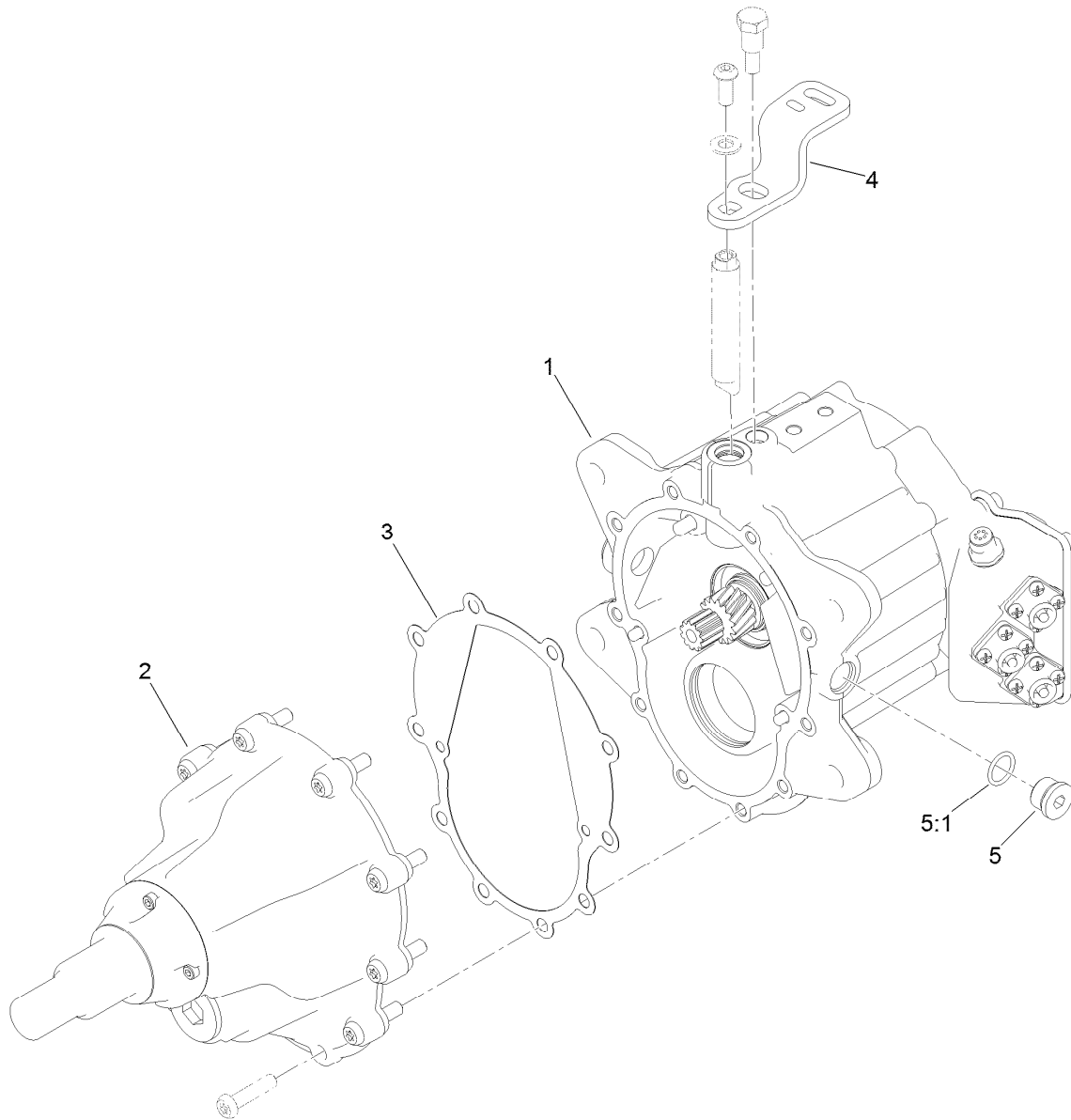
<i>Ref.</i>	<i>Part Number</i>	<i>Qty.</i>	<i>Description</i>
1	139-8552-03	1	Seat Plate ASM [black]
3	94-7582	2	Bolt-Shoulder
7	3296-59	2	Nut-Lock, NI
8	137-8052	1	Decal-Service
9	139-8557	1	Latch-Seat
10	115-5103	2	Screw-HHF
11	120-5753	1	Strip-Foam
12	104-7201	2	Nut-HF, NI





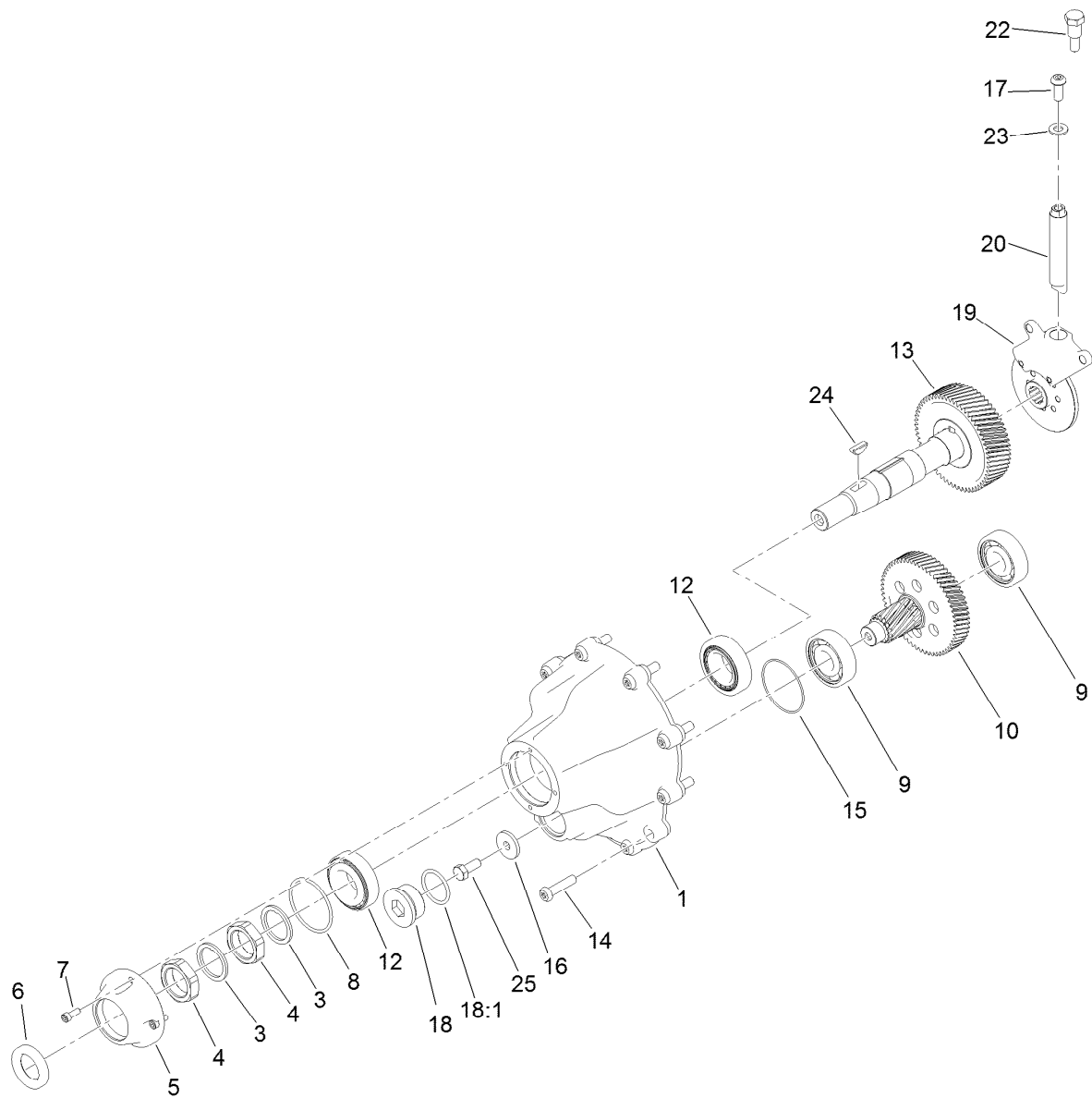
## Traction Assembly

<i>Ref.</i>	<i>Part Number</i>	<i>Qty.</i>	<i>Description</i>	<i>Ref.</i>	<i>Part Number</i>	<i>Qty.</i>	<i>Description</i>
1	139-8565	1	RH Wheel Motor ASM	13	133-7659	2	Plug ASM W/Magnet
2	139-8567	1	LH Wheel Motor ASM	13:1	237-79	1	O-Ring
3	140-6228	2	Hub ASM-Wheel	14	3274-105	4	Screw-HSBH
3:2	10-6830	4	Stud-Type, Drive	15	136-7153	2	Spring-Extension
4	117-9030	2	Wheel And Tire ASM	16	87-7270	12	Washer-Thrust
4:1	120-2783	1	Tire	17	139-8348-01	1	Gusset-LH
4:2	117-9032	1	Rim	18	132-9996-01	2	Link-Support
4:3	232-27	1	Stem-Valve	19	237-79	2	O-Ring
5	242-50	8	Nut-Lug	20	139-8576	2	Valve-Breather
6	AU496-11094	2	Washer-Flat	21	88-7450	1	Spacer-Lever, Control
7	137-7973	2	Nut-Hex	22	139-8346	1	Roller
8	325-8	12	Screw-HH	23	112-6950	1	Screw-CARR
9	3274-94	4	Screw-HSBH	24	3296-47	1	Nut-Lock,NI
10	137-7727-01	1	Gusset-Motor, RH				



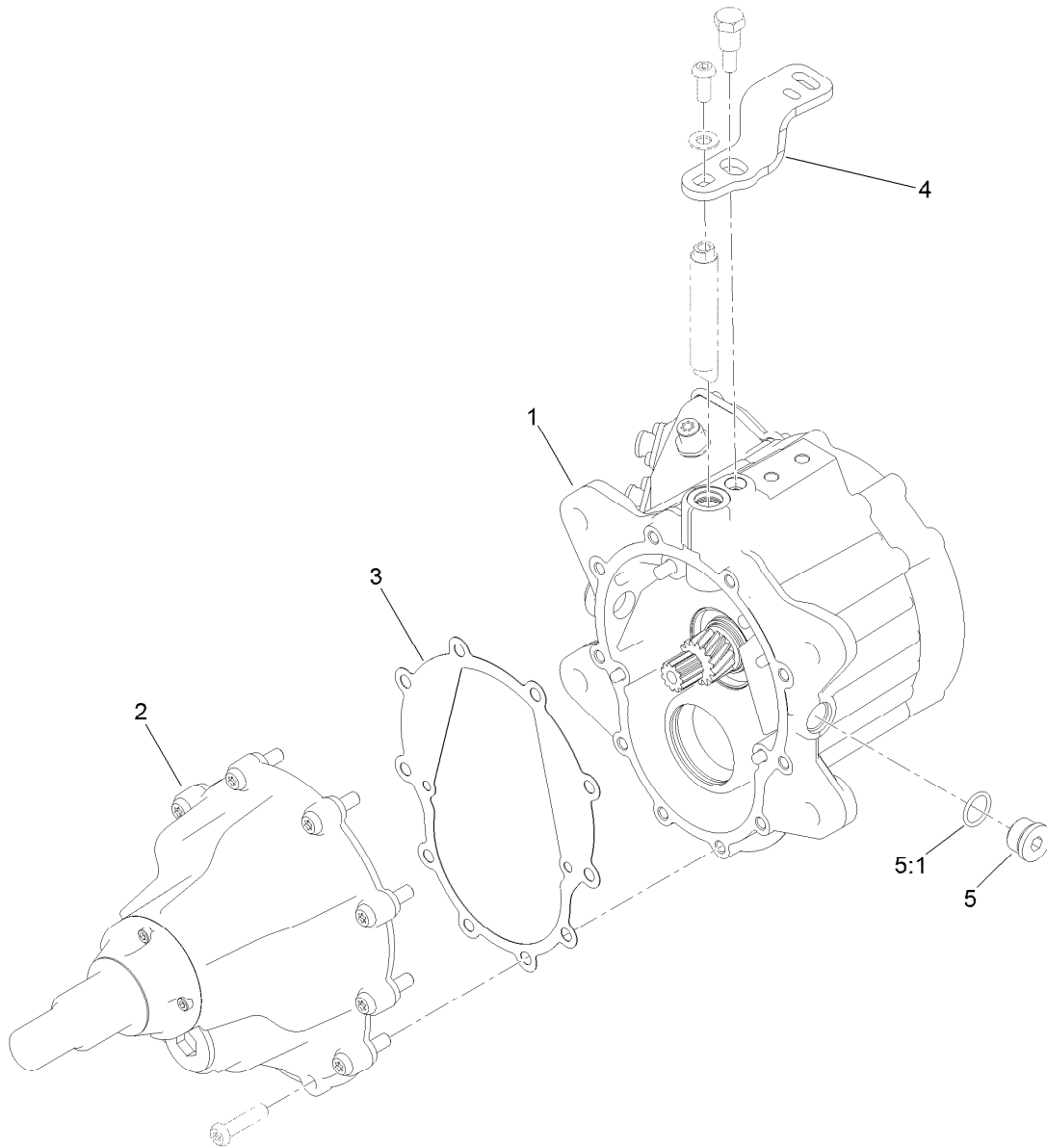
## RH Wheel Motor Assembly No. 139-8565

<i>Ref.</i>	<i>Part Number</i>	<i>Qty.</i>	<i>Description</i>
1	139-8566SP	1	RH Motor ASM
2	127-1529	1	Gear Box ASM
3	121-9254	1	Gasket-Gearbox
4	132-9873	1	Lever-Brake, RH
5	353-988	2	Plug-Hex
5:1	237-79	1	O-Ring



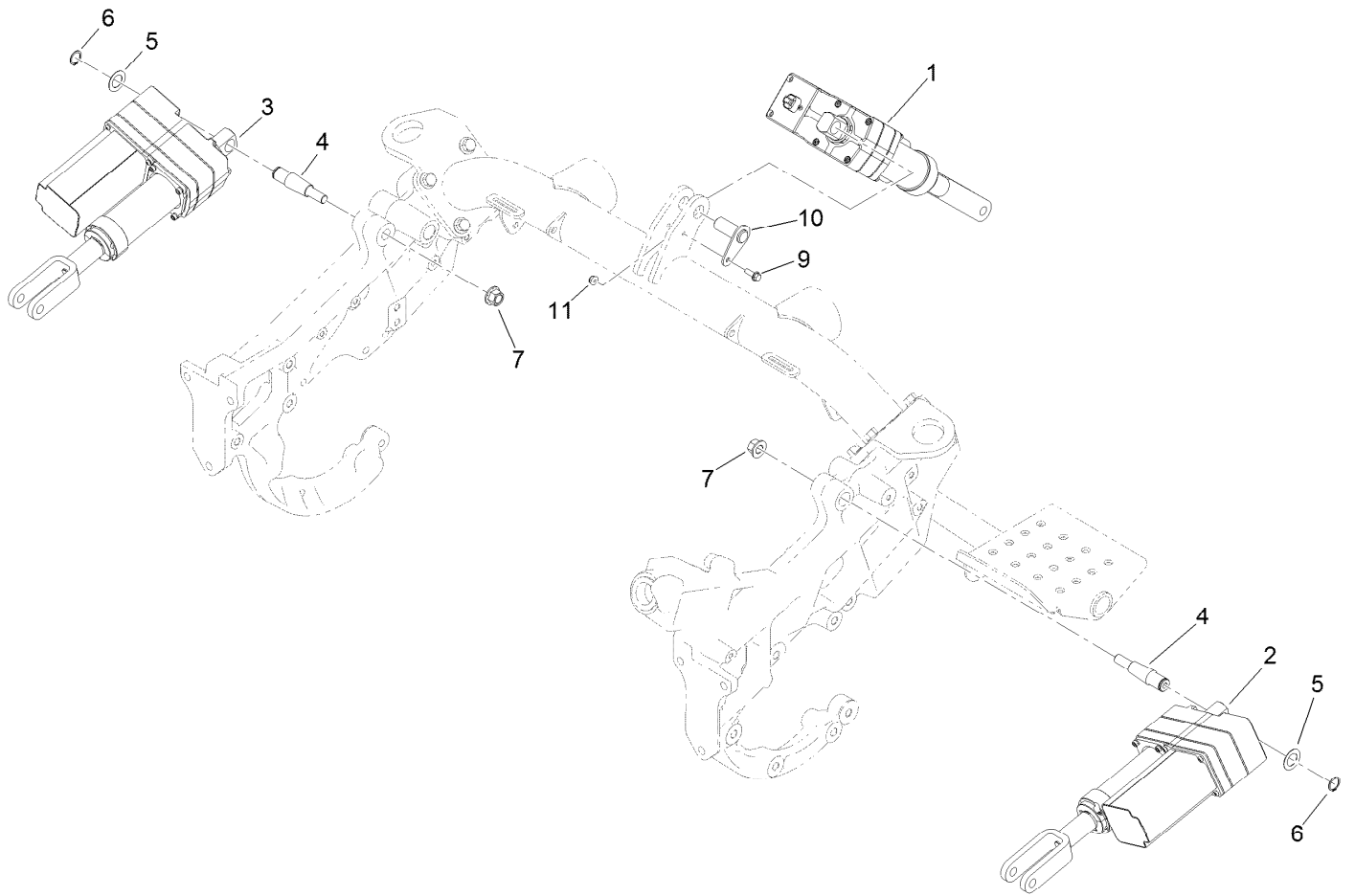
## Gearbox Assembly No. 127-1529

<i>Ref.</i>	<i>Part Number</i>	<i>Qty.</i>	<i>Description</i>	<i>Ref.</i>	<i>Part Number</i>	<i>Qty.</i>	<i>Description</i>
1	127-1559	1	Cover-Motor, Axle	15	121-9273	1	O-Ring
3	121-5235	2	Washer-Special	16	132-9927	1	Washer-Flat
4	121-9263	2	Nut-Jam	17	3274-96	1	Screw-HSBH
5	127-1561	1	Cover-Nose, Axle	18	105-3921	1	Fitting-Plug
6	137-7857	1	Seal-Shaft	18:1	237-146	1	O-Ring
7	112-5181	4	Screw -HSH	19	132-9974	1	Brake ASM
8	108-9919	1	O-Ring	20	121-9247	1	Shaft-Brake
9	121-9266	2	Bearing-Ball	22	121-9250	1	Pin-Lever, Stop
10	132-9978	1	Countershaft Gear ASM	23	120-9683	1	Washer-Plain
12	121-9256	2	Bearing-Taper	24	132-9904	1	Key-Woodruff #91
13	132-9841	1	Shaft ASM	25	137-7767	1	Screw-HH
14	127-1519	10	Screw-BHCS				



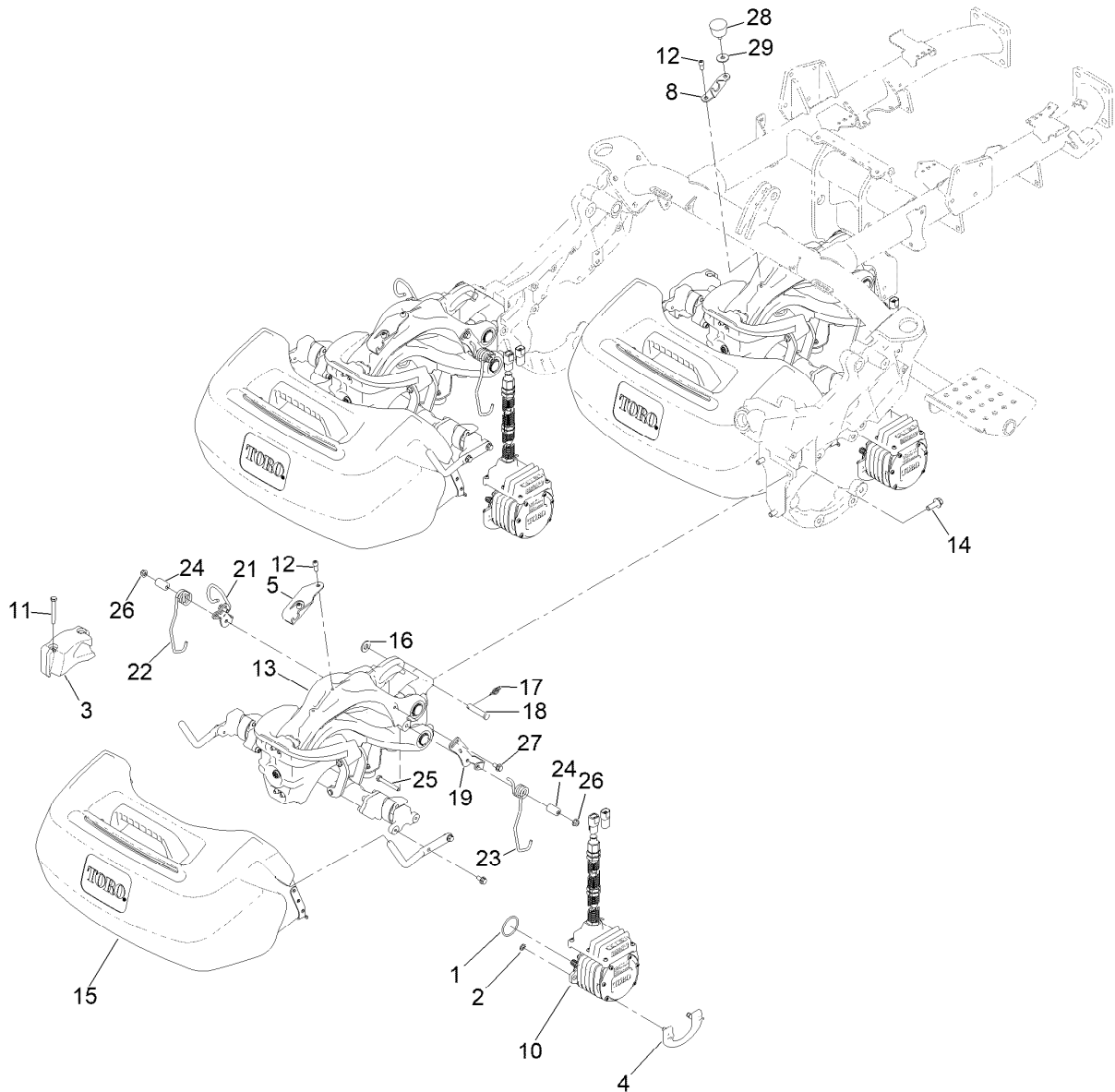
## LH Wheel Motor Assembly No. 139-8567

<i>Ref.</i>	<i>Part Number</i>	<i>Qty.</i>	<i>Description</i>
1	139-8568SP	1	LH Motor ASM
2	127-1529	1	Gear Box ASM
3	121-9254	1	Gasket-Gearbox
4	132-9874	1	Lever-Brake, LH
5	353-988	2	Plug-Hex
5:1	237-79	1	O-Ring



## Lift Assembly

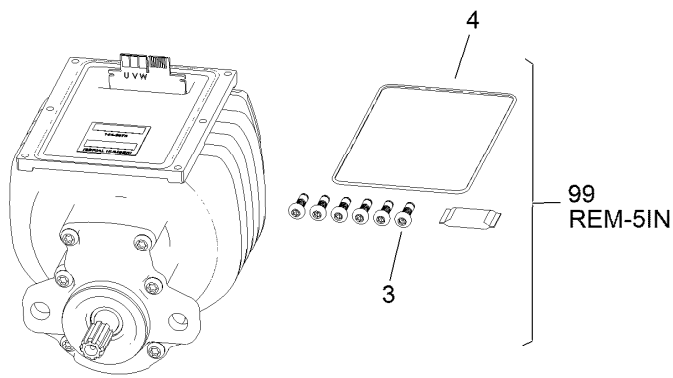
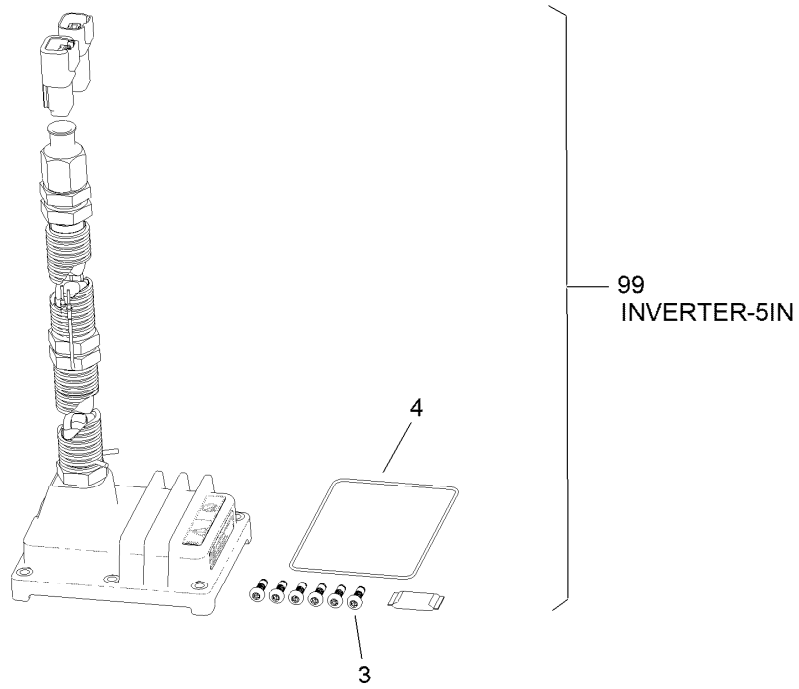
<i>Ref.</i>	<i>Part Number</i>	<i>Qty.</i>	<i>Description</i>
1	137-7933	1	Actuator-1 Crown
2	137-7934	1	Actuator-2 Crown
3	137-7935	1	Actuator-3 Crown
4	136-2691	2	Pin-Tapered
5	9202574	2	Washer-Flat
6	32120-72	2	Ring-Snap
7	99-5107	2	Nut-Lock
9	115-5103	1	Screw-HHF
10	137-7766	1	Pin ASM
11	104-7201	1	Nut-HF, NI



## Suspension, Reel Motor and Basket Assembly

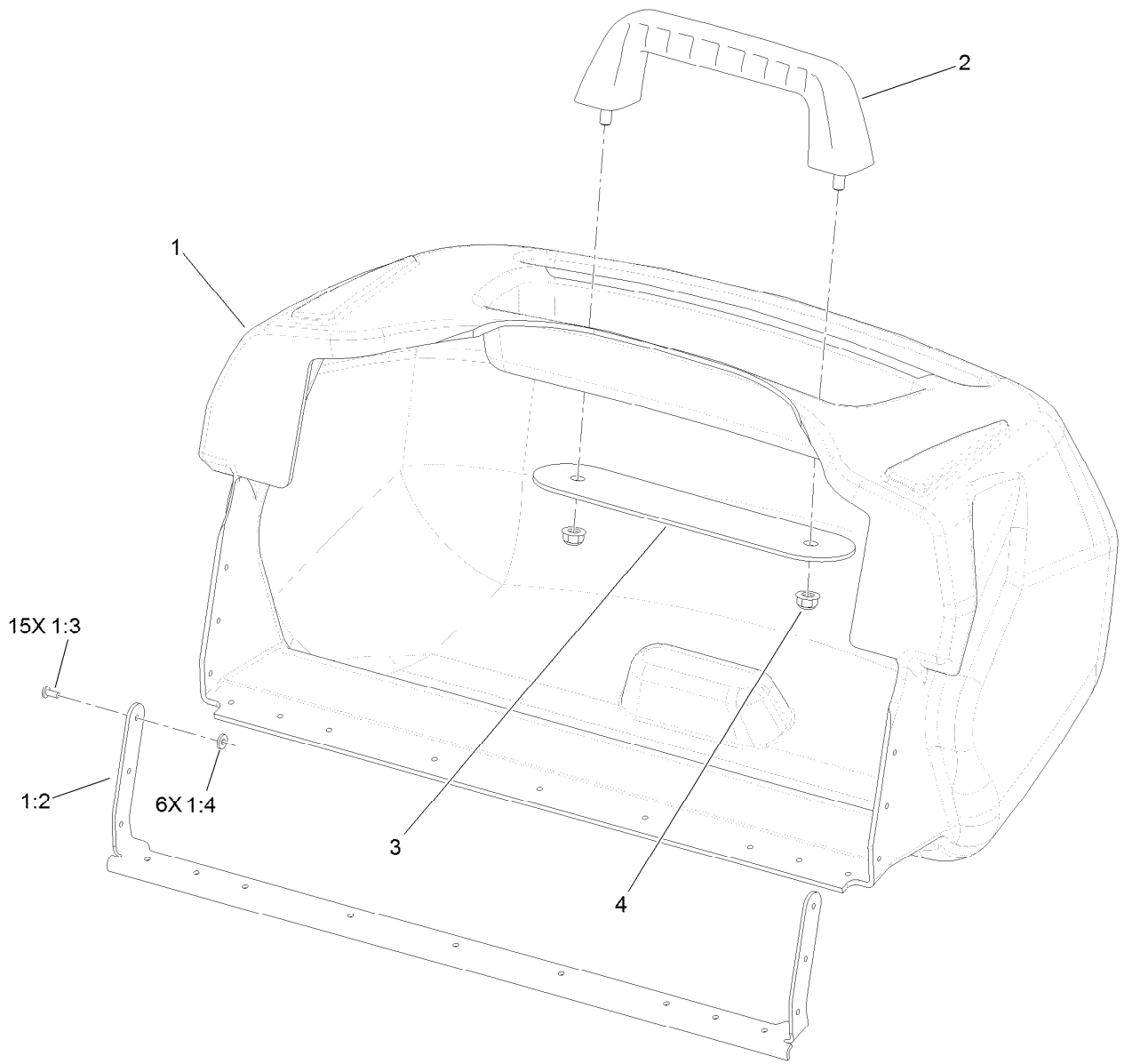
Ref.	Part Number	Qty.	Description	Ref.	Part Number	Qty.	Description
1	115-3298	3	O-Ring	17	112-1491	3	Pin-Cotter
2	133-8926	6	Ring-Retaining (Metric)	18	92-2739	3	Pin-Clevis
3	117-6774-03	3	Weight-Electric	19	133-8998	3	Retainer-Spring, LH
4	115-5389	3	Cam-Mount, Motor	21	133-9025	3	Bracket ASM
5	119-7487	2	Bracket-Clamp, Hose	22	117-6826	3	Spring-Stabilizer, RH
8	119-7540	1	Bracket-Hose, Rear	23	117-6827	3	Spring-Stabilizer, LH
10		3	Rem/Inv Assy, 5In Grn ●	24	117-6825	6	Spacer
11	322-13	6	Screw-HH	25	322-12	6	Screw-HH
12	100-2401	5	Screw-HSH	26	104-8300	6	Nut-HF, NI
13		3	Suspension ASM ●	27	114-7728	6	Screw-HF
14	117-9035	9	Screw-HHF	28	68-3270	1	Bumper-Rubber
15	132-9599	3	Basket ASM	29	52-2861	1	Washer
16	29-8910	3	Washer				

● Not serviced separately



## Motor Assembly

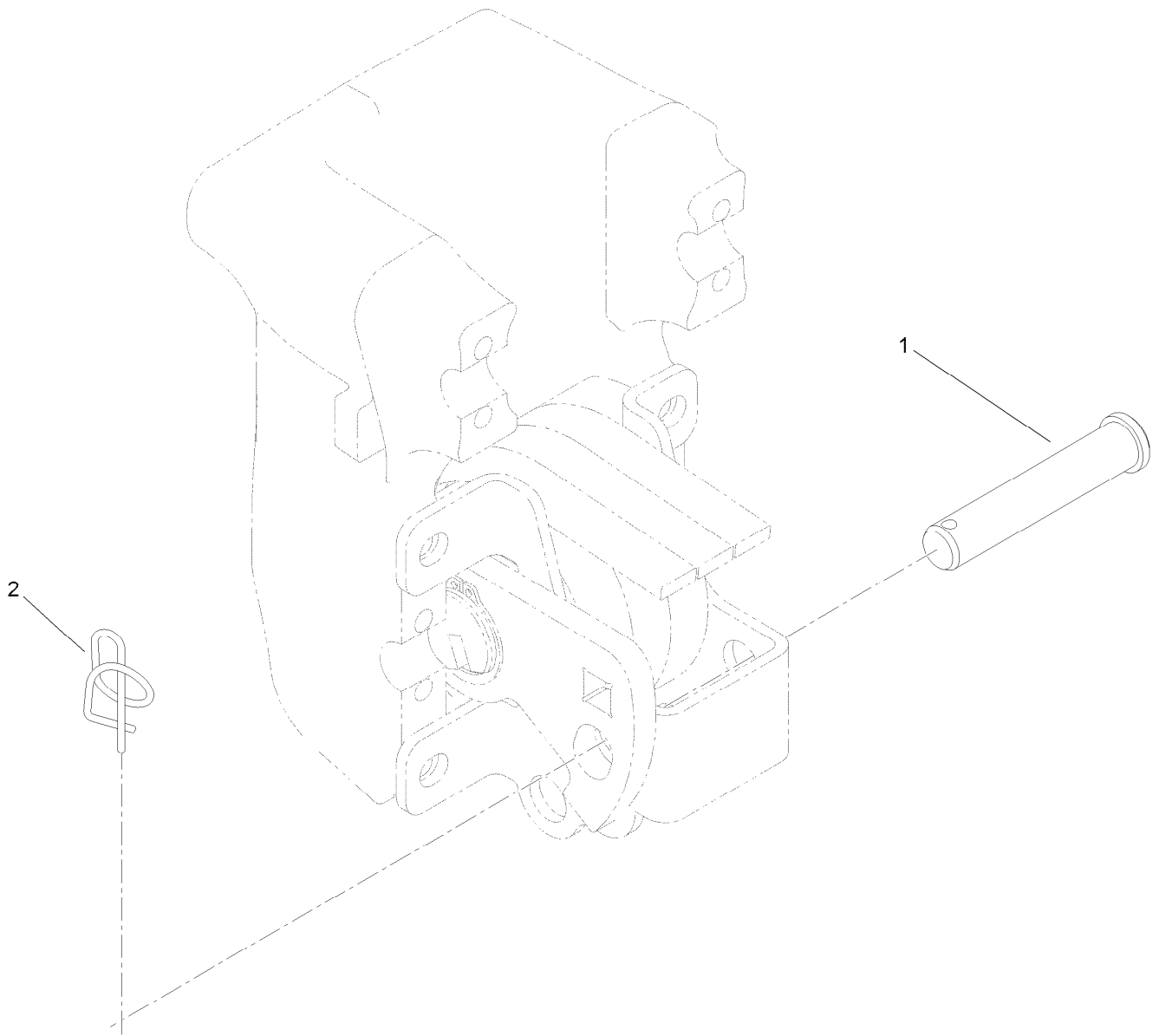
Ref.	Part Number	Qty.	Description
3	144-6692	6	Screw-Tph
4	144-6738	1	O-Ring-Formed, Controller
99	161-0344	1	Rem-5In Greens
99	161-0345	1	Inverter-5In Greens



## Basket Assembly No. 132-9599

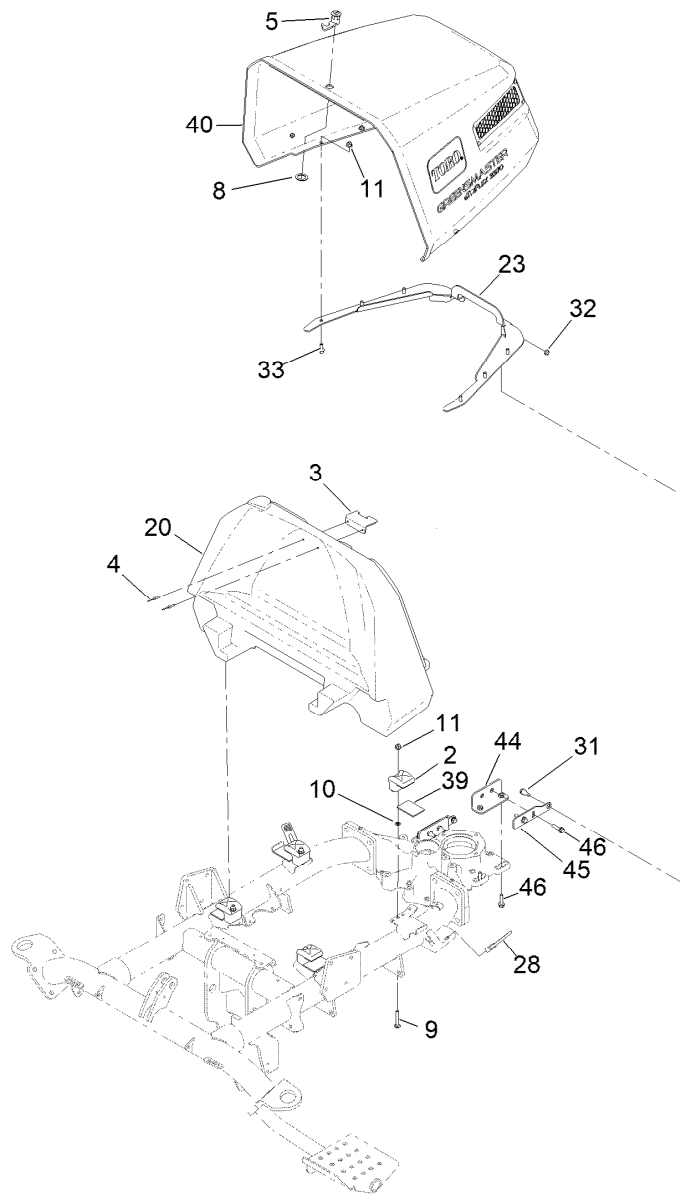
<i>Ref.</i>	<i>Part Number</i>	<i>Qty.</i>	<i>Description</i>
1	132-9510	1	Basket Assembly
1:2	132-3806	1	Support-Basket
1:3	3269-25	15	Rivet-Pop
1:4	3256-75	6	Washer-Flat
2	117-8088	1	Handle-Grab
3	117-8092-03	1	Plate-Mounting
4	104-8300	2	Nut-HF, NI





## Suspension Pin Position Assembly

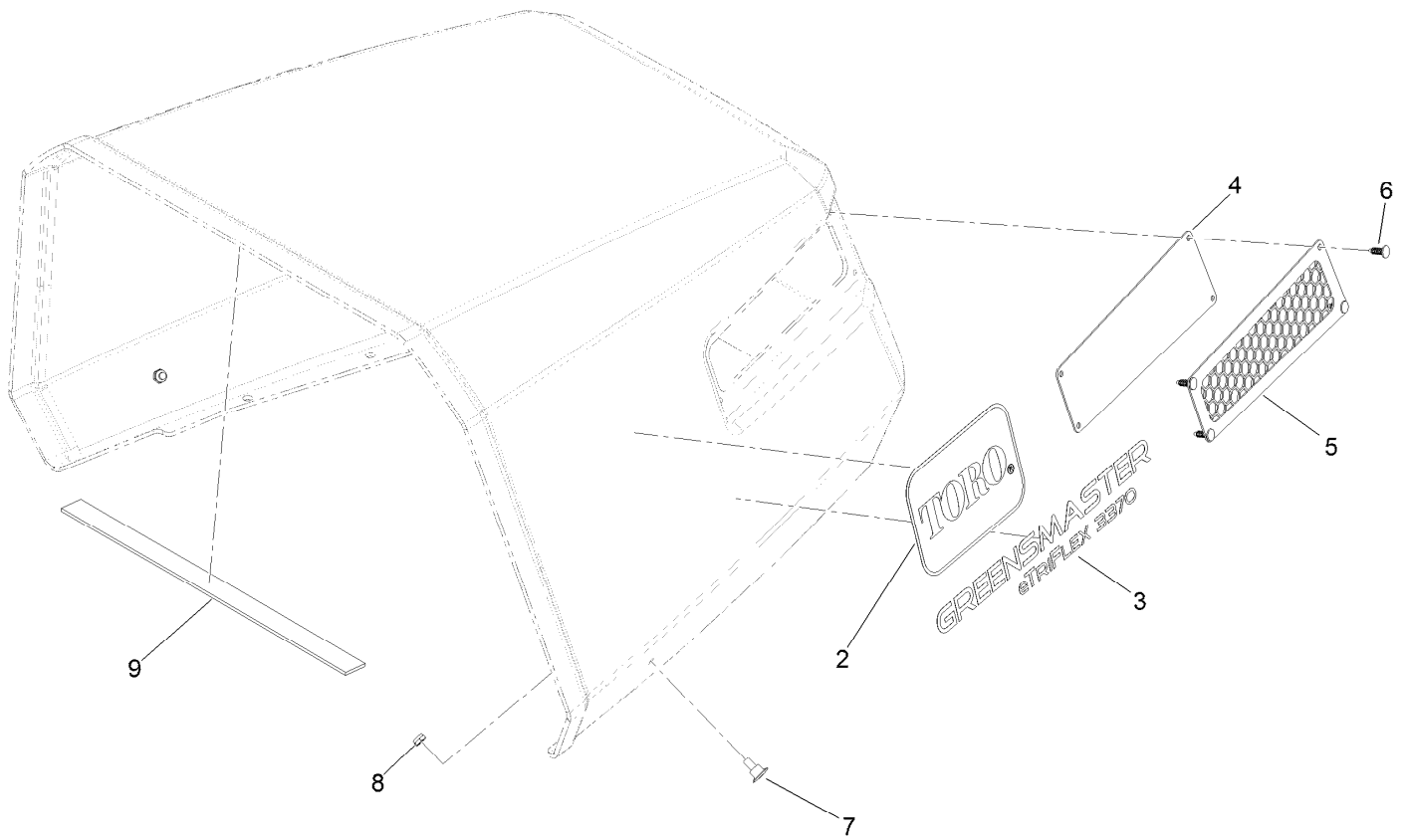
<i>Ref.</i>	<i>Part Number</i>	<i>Qty.</i>	<i>Description</i>
1	100-6541	3	Pin-Clevis
2	112-1491	3	Pin-Cotter



## Hood Assembly

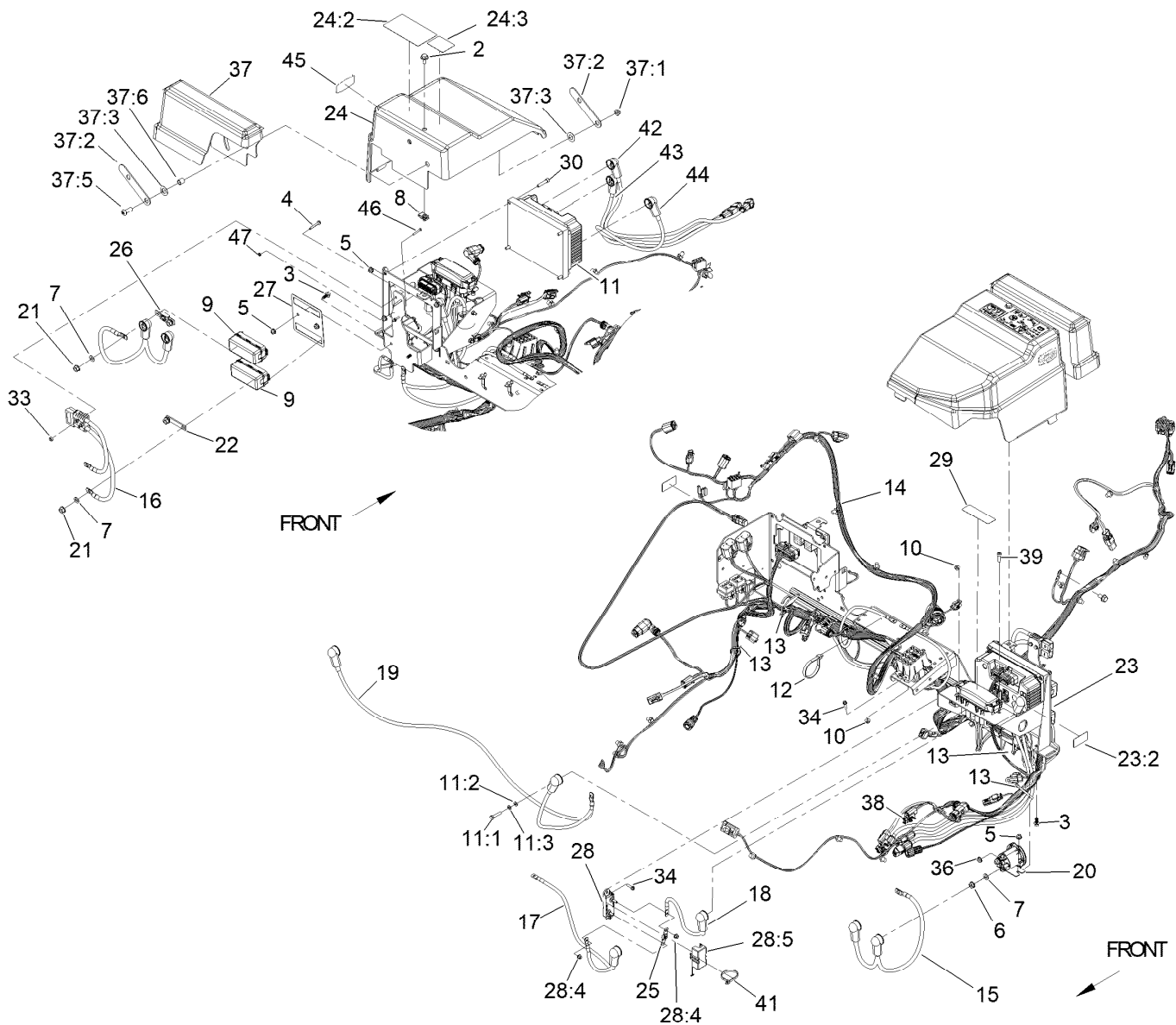
Ref.	Part Number	Qty.	Description	Ref.	Part Number	Qty.	Description
2	107-4543	4	Clamp	23	137-2193-03	1	Bracket-Hinge, Shroud
3	145-1438	1	Bracket-Latch	28	131-8402	2	Strap-Down, Hold
4	3290-382	2	Rivet-Pop	31	115-1958	2	Bolt-Shoulder
5	98-5398	1	Latch	32	99-6007	2	Nut-Lock, NI
5:1	3218-20	1	Nut-Jam ●	33	3234-47	6	Screw-HHF
8	99-4958	1	Spacer	39	136-4259	4	Foam-Strip, Tank
9	3230-6	4	Bolt-CARR	40	145-1442	1	Battery Hood ASM
10	109-5667	4	Nut-Push	44	137-2242-03	2	Bracket-Hood
11	104-8300	10	Nut-HF, NI	45	137-7914	2	Bracket-Hood
20	137-7829	1	Cover-Battery	46	119-4036	8	Screw-HHF

● Not illustrated



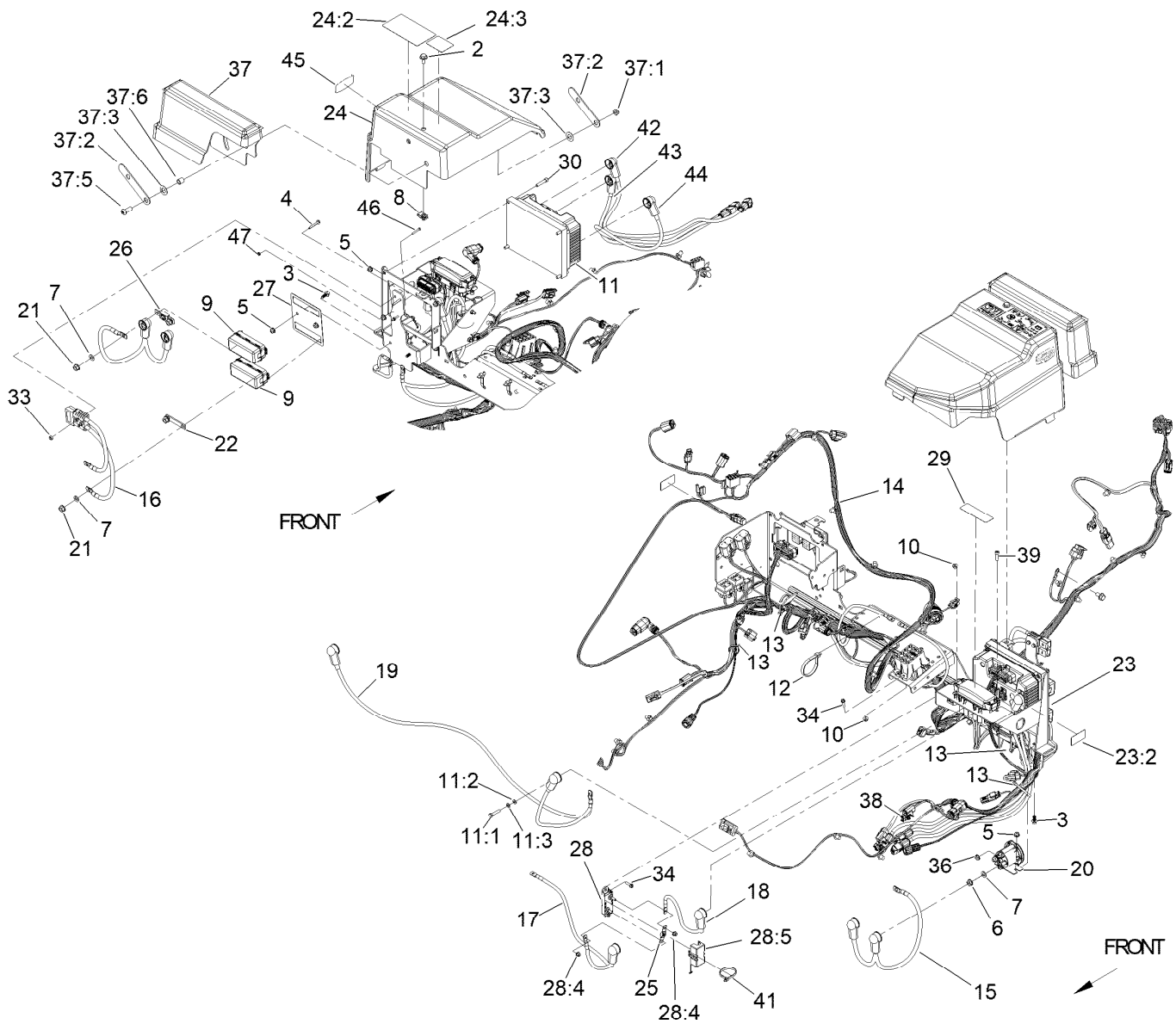
## Hood Assembly No. 145-1442

Ref.	Part Number	Qty.	Description
2	62-5550	2	Decal
3	137-7928	2	Decal-Etriflex 3370
4	137-7926-03	2	Screen
5	137-7911-03	2	Screen
6	120-6737	8	Plug-Plastic
7	125-1122	2	Screw
8	3296-56	2	Nut-Lock, NI
9	137-8082	1	Strip-Foam



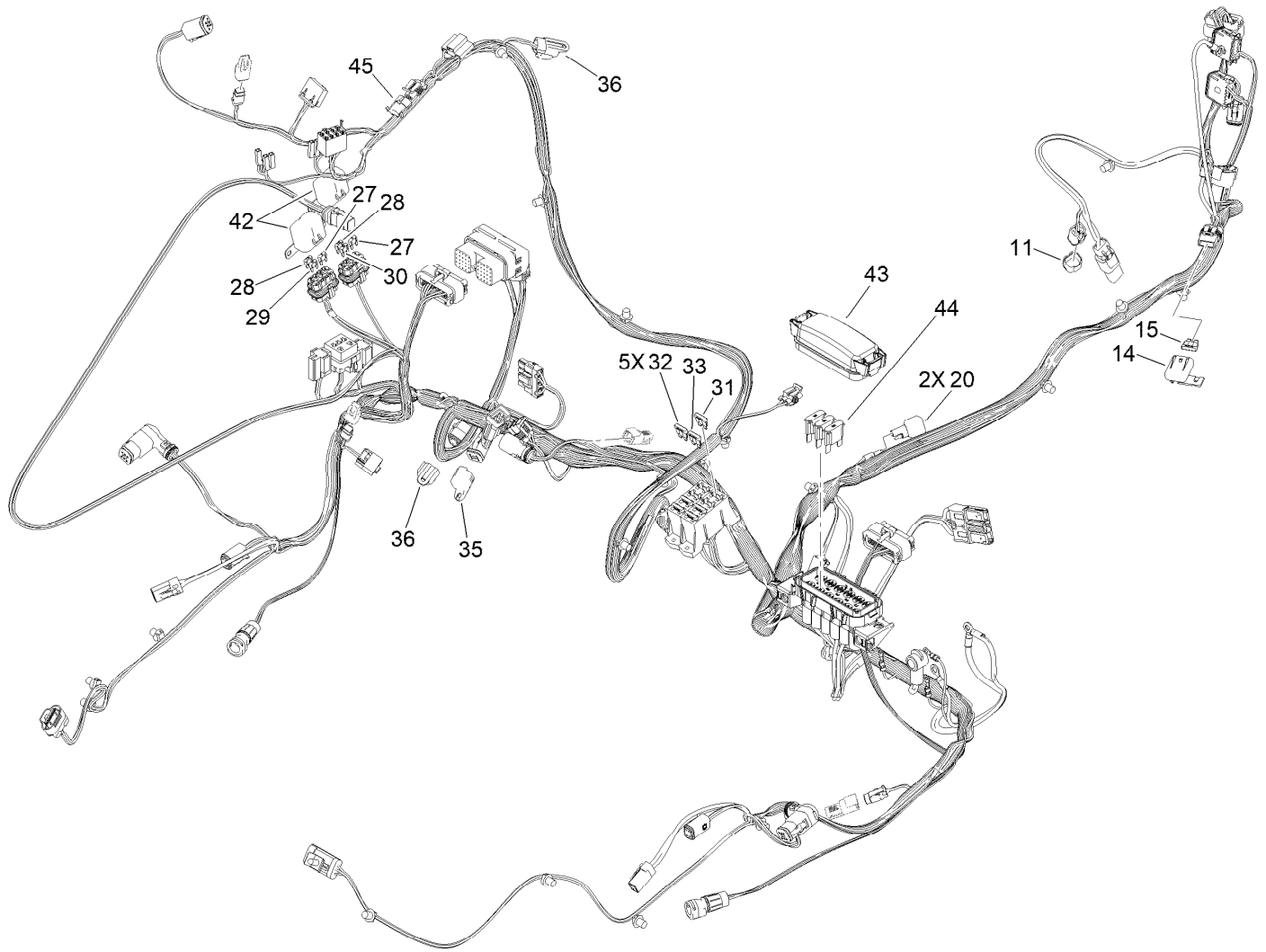
## Electrical Assembly

Ref.	Part Number	Qty.	Description	Ref.	Part Number	Qty.	Description
2	19-1470	1	Screw-Shoulder	20	122-1274	2	Contactora-DC, 48V
3	99-6810	6	Screw-HHF	21	127-2371	4	Nut-HF
4	100-4352	2	Screw-HWH	22	132-9815	1	Strap-Jumper
5	104-7201	10	Nut-HF, NI	23	145-1436	1	"brkt-Components "
6	107-0380	4	Nut-HF	23:2	137-8127	2	Decal-No Spray
7	107-0394	8	Washer-Flat	24	145-1437	1	LH Cover ASM
8	112-3306	1	Nut	24:2	147-3125	1	Decal-Charging
9	114-3318	2	Holder-Fuse, Mega	24:3	147-3126	1	Decal-Service, Shut-Off
10	120-4578	6	Nut-HF	25	137-7707	1	Fuse-60 Amp
11	120-4780	1	Controller-Motor, Traction	26	139-8414	1	Fuse-175 Amp
11:1	33113-030	5	Screw-HH	27	145-1439	1	Bracket-Fuses
11:2	33093-00	5	Washer-Flat	28	137-7861	1	Fuse Block ASM
11:3	43-5930	5	Washer-Lock, Spring	28:4	120-4580	2	Nut-HF
12	3334-945	3	Tie-Cable	28:5	137-7863	1	Cover-Fuse
13	3290-379	4	Tie-Cable	29	137-8037	1	Decal-Fuses, Cutting Unit
14	122-2788	1	Harness-Wire, Etriflex	30	3274-51	4	Screw-HSH
15	122-1695	1	Cable-Battery, Positive	33	3296-2	2	Nut-Lock, NI
16	122-1698	1	Cable-Battery, Pos And Neg	34	32105-13	6	Screw-HWH
17	122-1108	1	Cable-Battery, Positive	36	32149-8	4	Nut-Keys
18	122-1112	1	Cable-Battery, Positive	37	145-4587	1	Charge Port Cover Kit
19	122-1115	1	Cable-Battery, Negative	37:1	121-4600	2	Nut-Hex



## Electrical Assembly (continued)

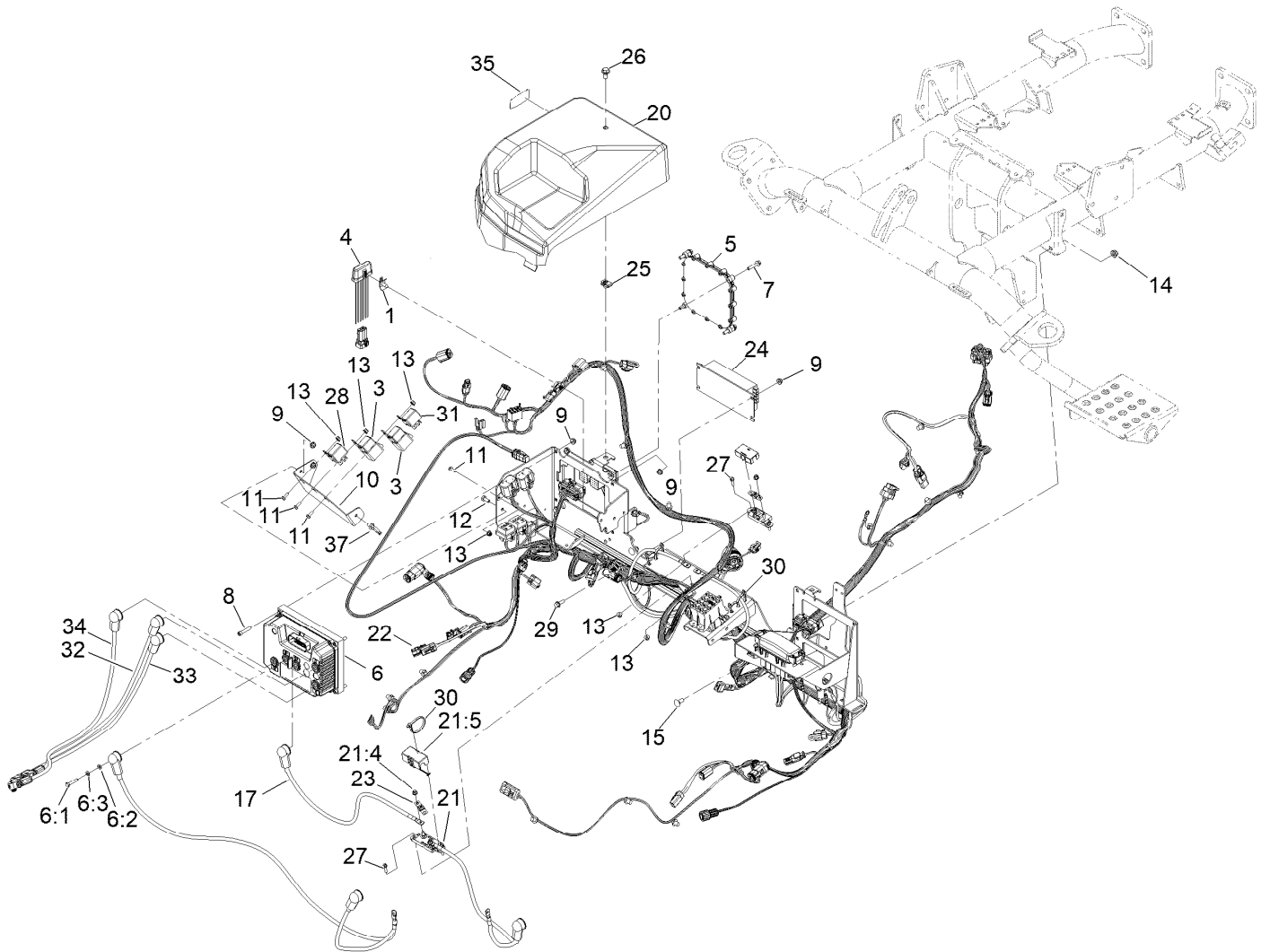
<i>Ref.</i>	<i>Part Number</i>	<i>Qty.</i>	<i>Description</i>	<i>Ref.</i>	<i>Part Number</i>	<i>Qty.</i>	<i>Description</i>
37:2	145-4563	2	Bar-Pivot	42	122-1611	1	Cable-Battery, Positive
37:3	110-4068	4	Washer-Plastic	43	122-1612	1	Cable-Battery, Positive
37:5	3274-94	2	Screw-HSBH	44	122-1613	1	Cable-Battery, Positive
37:6	103-1166	2	Spacer-Tube, Pump Link	45	119-7580	1	Decal-Smart, Energy
38	32180-103	2	Clip-Connector	46	32105-9	2	Screw-HH
39	52-6290	2	Screw-HSH	47	120-9684	2	Nut-Lock
41	3290-378	1	Tie-Cable				



## Wire Harness Assembly No. 122-2788

Ref.	Part Number	Qty.	Description	Ref.	Part Number	Qty.	Description
11	32180-260	1	Cap-Deutsch, Dust, 4 Way	31	117-4722	1	Fuse-Blade, 5A
12	32180-091	1	Cap-Dust, 2 Way ●	32	117-4724	5	Fuse-Blade, 10A
14	32180-019	1	Cover-Fuse, Single	33	117-4728	1	Fuse-Blade, 30A
15	117-4720	1	Fuse-Blade, 3A	35	32180-156	1	Cap-Plug, 6 Way
20	100-4918	1	Diode	36	32180-089	2	Cap-Plug, 3 Way
21	32180-282	1	Resistor-120 Ohm ●	42	32180-179	2	Cover-Bussman
27	121-8861	3	Fuse-Mini Blade, 2 Amp	43	32180-146	1	Cover-Fuse
28	121-8865	1	Fuse-Mini Blade, 7.5 Amp	44	122-0255	3	Fuse-Maxi, 35 Amp-58V
29	121-8866	1	Fuse-Mini Blade, 10 Amp	45	32180-056	1	Cap
30	121-8867	1	Fuse-Mini Blade, 15 Amp				

● Not illustrated

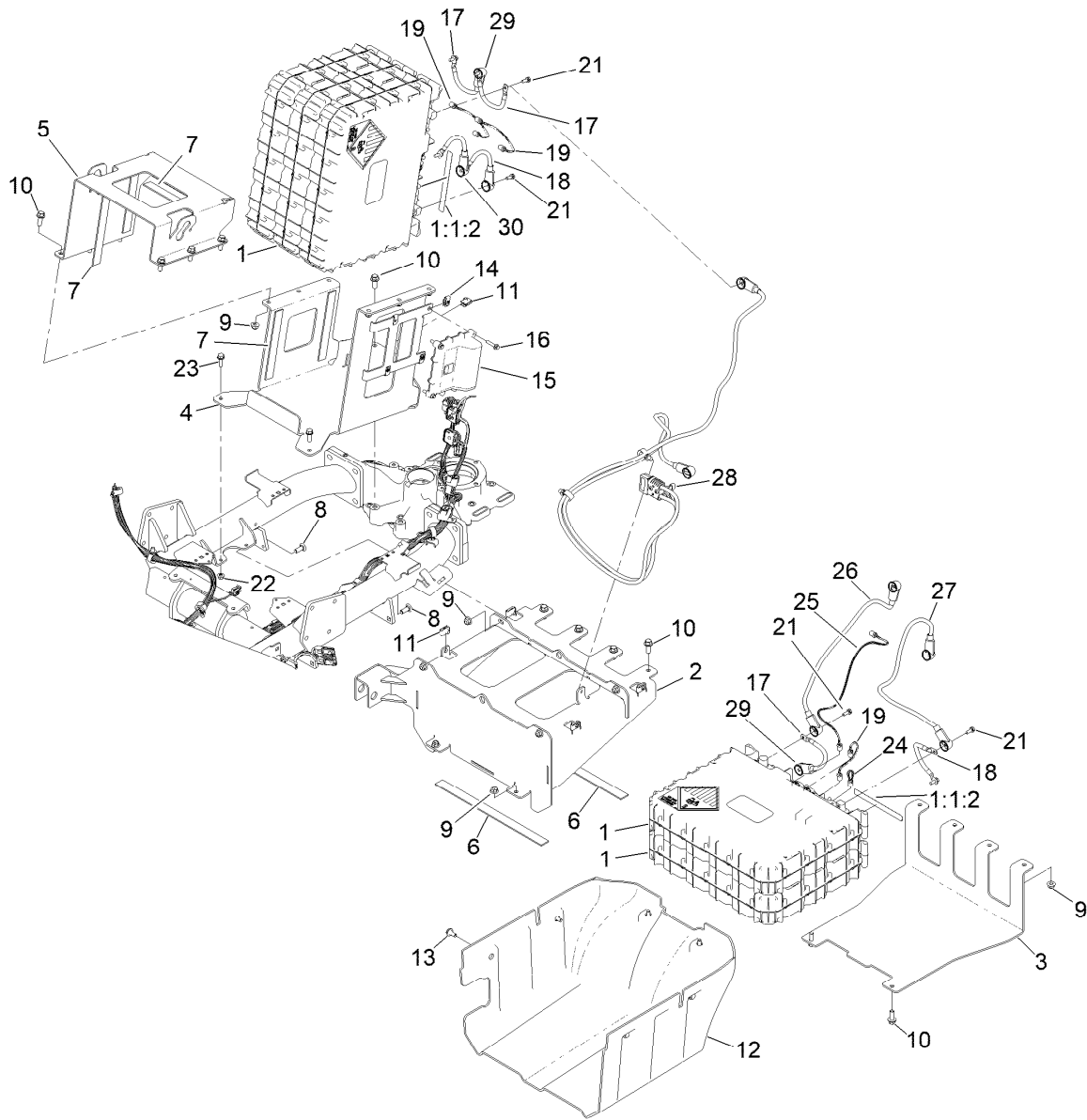


## Controller Assembly

<i>Ref.</i>	<i>Part Number</i>	<i>Qty.</i>	<i>Description</i>	<i>Ref.</i>	<i>Part Number</i>	<i>Qty.</i>	<i>Description</i>
1	32180-011	3	Clip-Connector	21	137-7861	1	Fuse Block ASM
3	99-7430	1	Relay-Mini	21:4	120-4580	2	Nut-HF
4	112-9630	1	Module-Reel, I.D.	21:5	137-7863	1	Cover-Fuse
5	127-2770	1	Controller	22	32180-103	2	Clip-Connector
6	120-4780	1	Controller-Motor, Traction	23	137-7707	1	Fuse-60 Amp
6:1	33113-030	5	Screw-HH	24	144-6975	1	Converter DC-DC
6:2	33093-00	5	Washer-Flat	25	112-3306	1	Nut
6:3	43-5930	5	Washer-Lock, Spring	26	19-1470	1	Screw-Shoulder
7	127-8639	4	Screw-HHF	27	32105-13	2	Screw-HWH
8	3274-51	4	Screw-HSH	28	122-2400	1	Relay, 12V Coil, 50A At 48V
9	104-7201	12	Nut-HF, NI	29	3234-4	2	Screw-HHF
10	147-3088-0P	1	Bracket-Component	30	3290-378	3	Tie-Cable
11	32105-23	7	Screw	31	122-3200	1	Relay
12	321-3	2	Screw-HH	32	122-1614	1	Cable-Battery, Positive ASM
13	120-4578	9	Nut-HF	33	122-1615	1	Cable-Battery, Positive ASM
14	104-8300	4	Nut-HF, NI	34	122-1616	1	Cable-Battery, Positive ASM
15	3230-1	4	Bolt-CARR	35	119-7580	1	Decal-Smart, Energy
17	122-1110	1	Cable-Battery, Positive	37	32180-030	1	Clip-Tie
20	133-0095	1	Cover-RH				





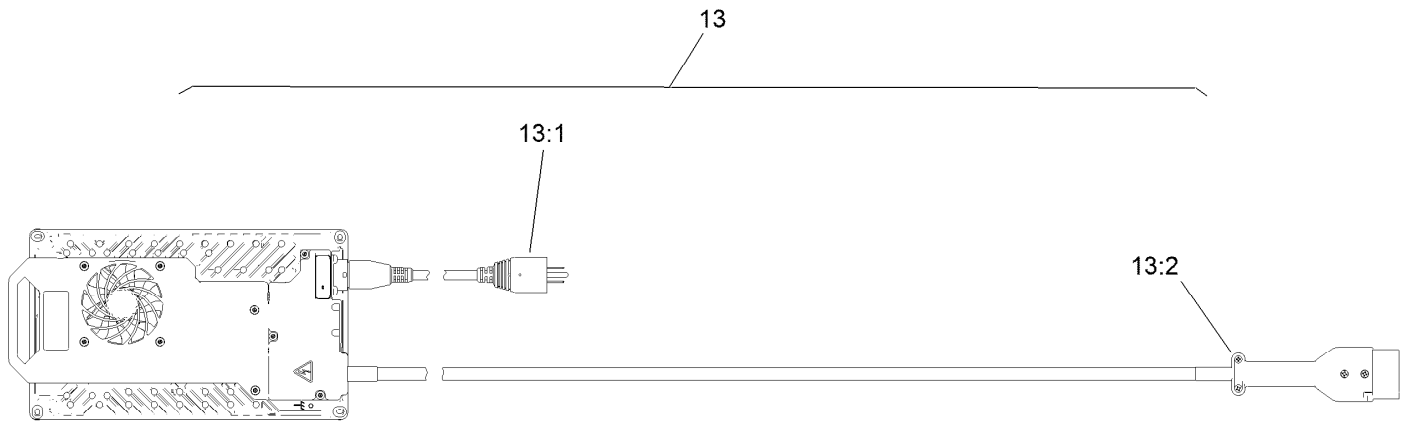


## Battery Assembly

Ref.	Part Number	Qty.	Description	Ref.	Part Number	Qty.	Description
1	145-5320	1	Battery ASM	15	122-1683	1	Controller-Tec 2402
1:1		1	Battery ASM ■●	16	3234-21	4	Screw-HHF
1:1:2	145-5338	1	Decal-Warning, Battery	17	140-9550	3	Cable-Battery, Rd ASM
1:1:14	32180-466	2	Nut-Mounting, Jwpf Panel Lock ●	18	140-9551	3	Cable-Battery, Bk ASM
2	145-1352-03	1	Mount-Battery [black]	19	140-9565	3	Harness-Wire, Data Interface
3	145-1356-03	1	Plate-Base	21	145-5783	10	Screw-Sems
4	145-1392-03	1	Mount-Base [black]	22	104-8300	2	Nut-HF, NI
5	145-1391-03	1	Strap-Top	23	3234-29	2	Screw-HHF
6	137-8082	2	Strip-Foam	24	122-2323	1	Harness-Wire, Can Terminator
7	137-8083	9	Strip-Foam	25	122-2494	1	Harness-Wire, Data (Long)
8	3231-22	4	Screw-CARR	26	122-2564	1	Cable-Battery, Rd ASM
9	104-8301	16	Nut-HF, NI	27	122-2565	1	Cable-Battery, Bk ASM
10	3234-42	14	Screw-HHF	28	122-2585	1	Cable-Battery, Rd/Bk ASM
11	115-7721	6	Nut-Clip, U	29	32180-525	2	Insulator-Terminal, Red
12	145-1362	1	Cover-Battery	30	32180-528	2	Insulator-Terminal, Black
13	19-1470	6	Screw-Shoulder				
14	107069	4	Clip				

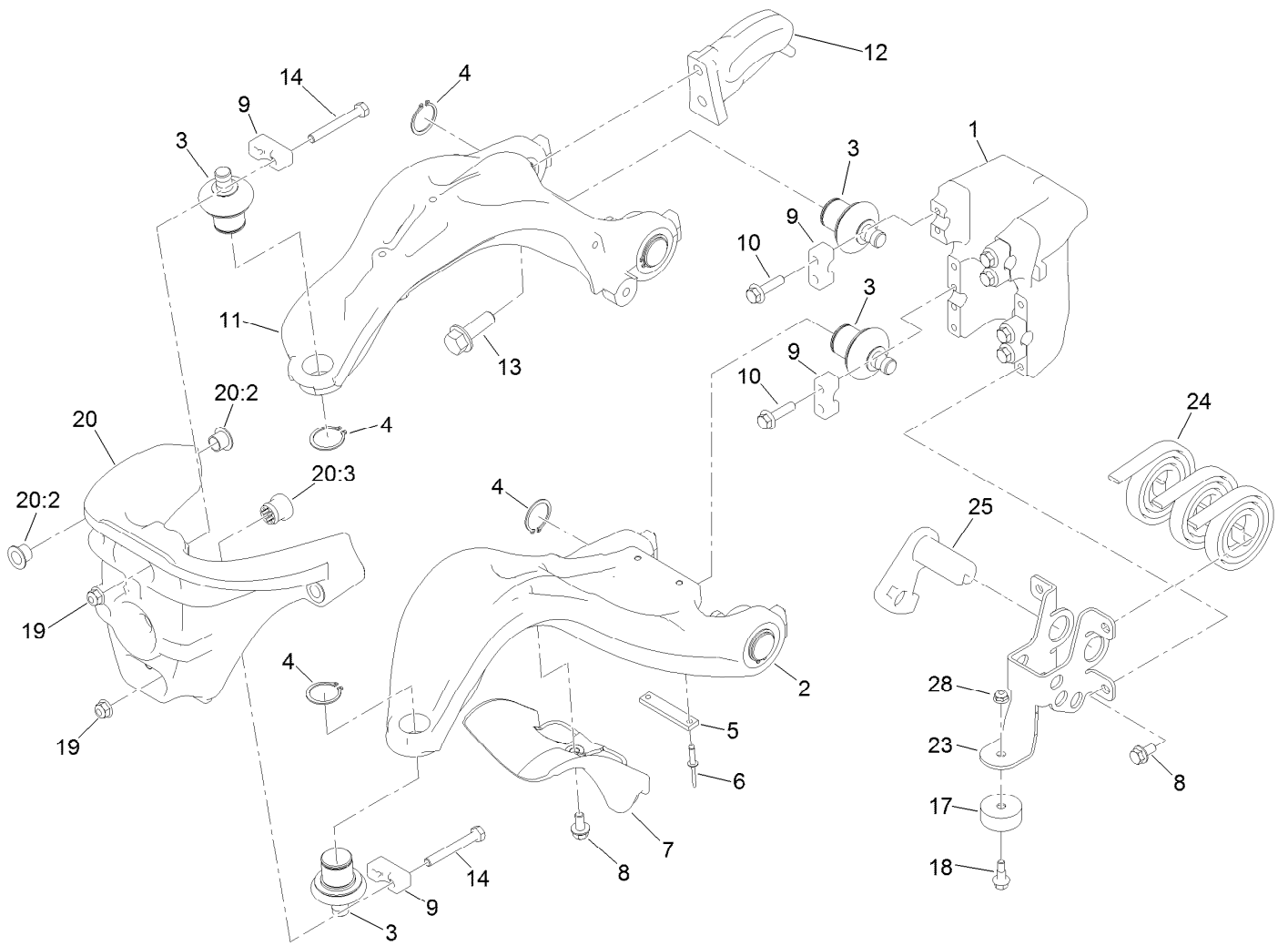
● Not illustrated

■ Not serviced separately



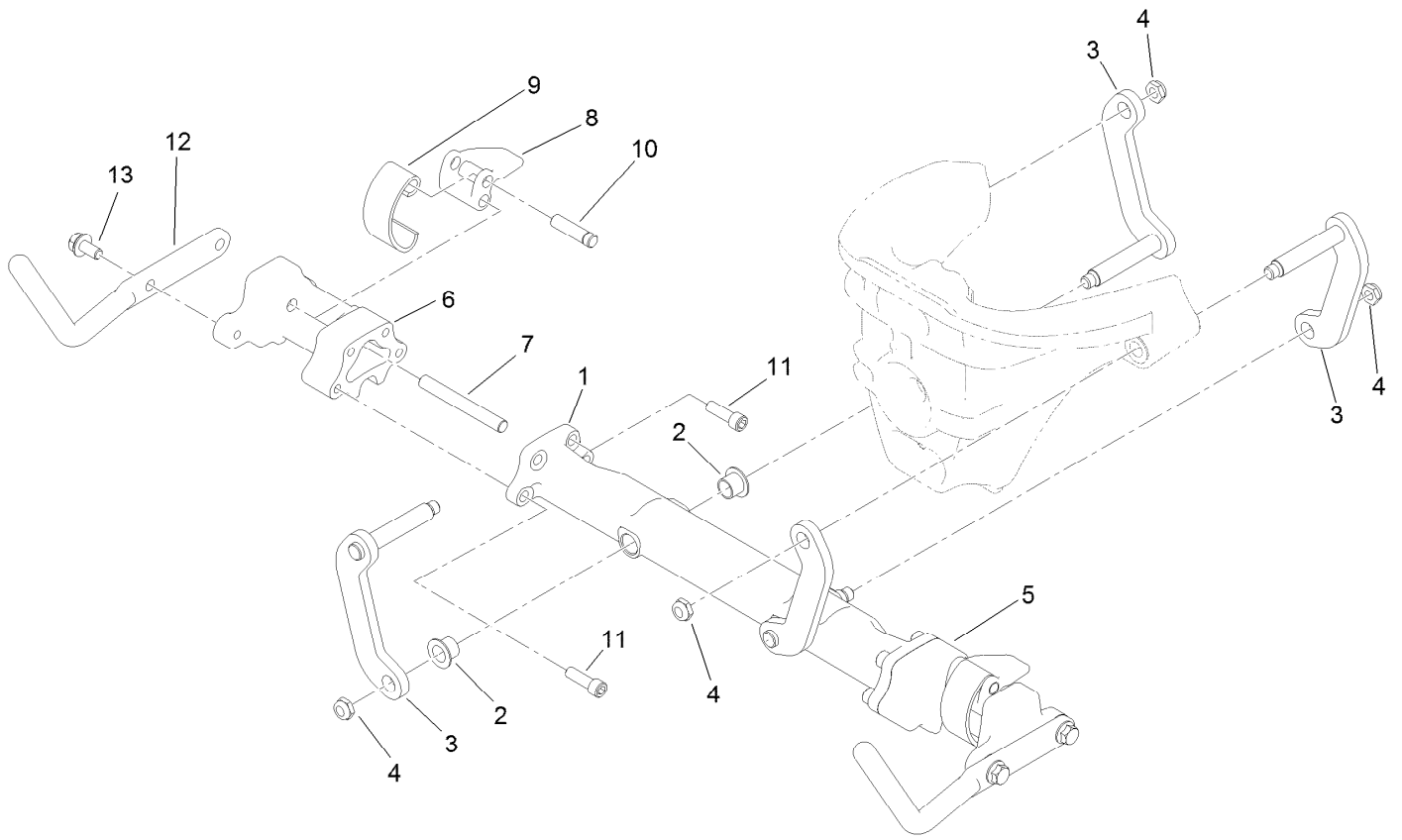
## Miscellaneous Parts Assembly

<i>Ref.</i>	<i>Part Number</i>	<i>Qty.</i>	<i>Description</i>
13	147-3134	1	Charger-1200W
13:1	147-1678	1	Cord-AC, 120V
13:2	147-0227	1	Cable, DC-Hypercell



## Suspension A-Arm Assembly

Ref.	Part Number	Qty.	Description	Ref.	Part Number	Qty.	Description
1	117-9480	1	Mount-Pivot, A-Arms	13	100-6116	2	Screw-HHF
2	117-6656	1	A-Arm, Lower	14	132-3838	4	Screw-HH
3	132-6959	6	Balljoint	17	133-0308	1	Bumper-Rubber
4	120-3225	6	Ring-Retaining, EXT	18	133-0315	1	Screw-Shoulder, HF
5	117-6674	1	Plate-Striker	19	104-8300	4	Nut-HF, NI
6	3269-28	2	Rivet-Pop	20	120-3216	1	Steering Head ASM
7	117-6755	1	Stop-Steering	20:2	125-5239	4	Bushing-Flange
8	114-7728	5	Screw-HF	20:3	131-1836	1	Grommet
9	112-5647	6	Clamp	23	140-5232	1	C-Balance Mount
10	132-3837	8	Screw-HHF	24	114-9306	3	Spring
11	139-6452	1	A-Arm, Upper	25	140-5234	1	Tensioner
12	139-8407	1	Plate-Lift	28	104-7201	1	Nut-HF, NI



## Suspension Crossarm Assembly

<i>Ref.</i>	<i>Part Number</i>	<i>Qty.</i>	<i>Description</i>
1	120-3217	1	Crossarm
2	125-5239	4	Bushing-Flange
3	117-6654	4	Link
4	3296-59	4	Nut-Lock, NI
5	117-9482	1	Mount-Cross Arm, LH
6	117-9492	1	Mount-Cross Arm, RH
7	114-8051	2	Pin-Pivot
8	114-8047	2	Lever
9	114-8048	2	Spring
10	114-8049	2	Pin-Pivot
11	120-3227	8	Screw-HSH
12	120-2784-01	2	Horn-Basket
13	114-7728	4	Screw-HF

# Attachments and Accessories

## For 04591 Greensmaster eTriFlex 3370 Traction Unit

<b>Product Name</b>	<b>Model/Part</b>
Turf Evaluator .....	04399
Light Kit.....	04500
3WD Kit, Electric Triflex .....	04503
Standard Greensmower Seat Kit .....	04508
8-Blade DPA Reel Mower .....	04651
11-Blade DPA Reel Mower .....	04653
14-Blade DPA Reel Mower .....	04655
Anti-Bobbing Kit.....	04716
Tri-Roller .....	04722
Spiker .....	04723
Premium Seat.....	04729
Wireless Hourmeter .....	115-4754
Premium Armrest Kit.....	119-7105
Weight Kit .....	119-7129
Armrest Kit.....	121-3660
Rear Light Kit.....	137-7945
Bag Kit.....	137-8130
Bimini Shade Kit .....	138-8579
Kit-Fuses .....	139-8482
Tire - 20 X 10.00-8, 4ply.....	144-3665
Charger-1200W .....	147-3134
Cord-AC, 120V .....	147-6297
Adapter, AC, 250V/10A, EU To UK .....	147-7791
Adapter, AC, 250V/10A, EU To Australia .....	147-7792
Height-of-Cut Bar.....	94-9010

**Notes:**

**Notes:**



**Count on it.**