



Count on it.

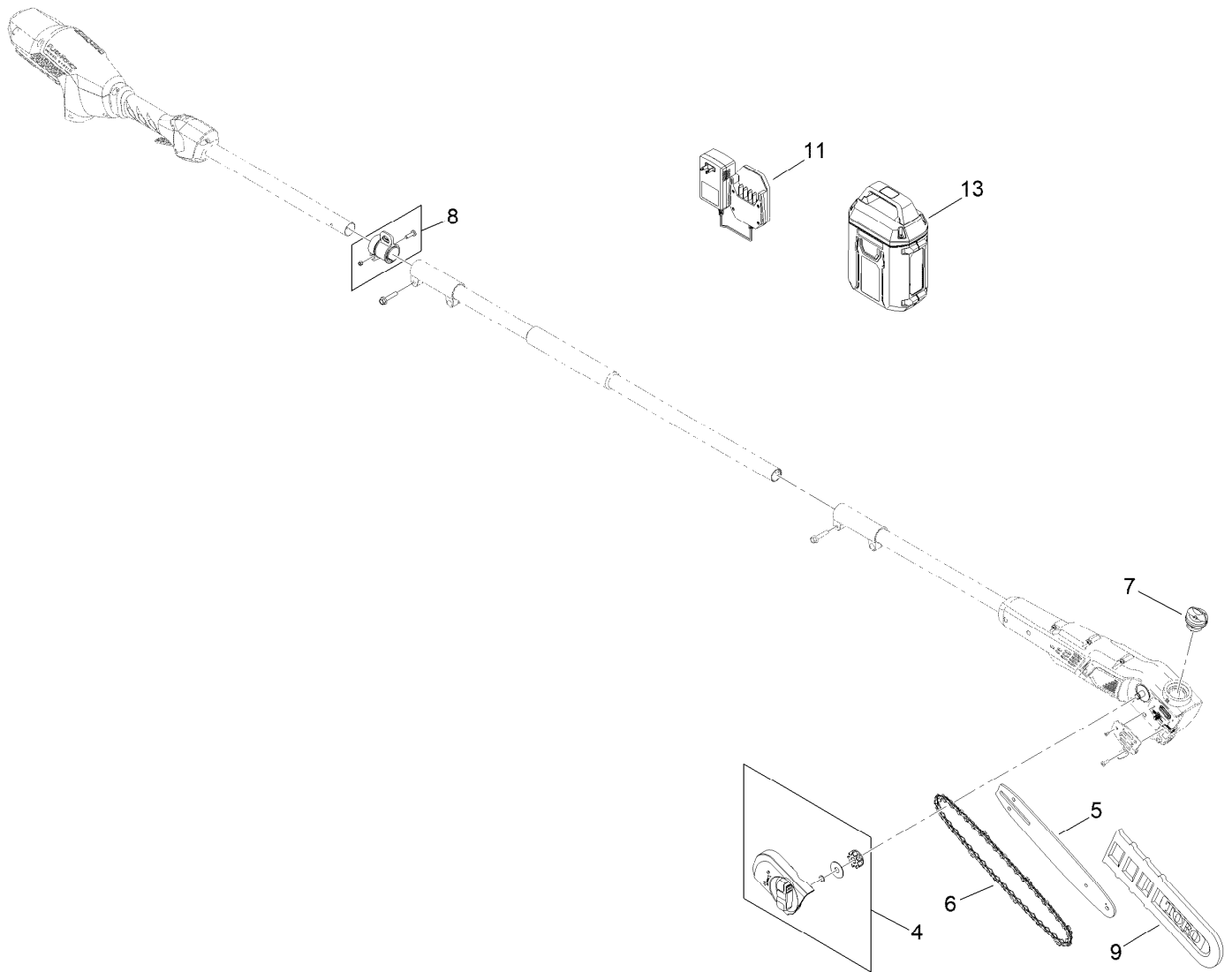
Parts Catalog

Flex-Force Power System™

60V Pole Saw

Model No. 51870—Serial No. 321000001 and Up





60V Pole Saw Assembly

Ref.	Part Number	Qty.	Description
4	139-5373	1	Tensioner ASM
5	88619	1	Bar
6	88621	1	Chain
7	139-5376	1	Cap-Oil
8	139-5377	1	Collar-Strap
9	139-5378	1	Sleeve-Bar
11	88610	1	Charger-Battery, 60V 1 Amp
13	88620	1	Battery-Li-Ion, 60V 2.0Ah, 108Wh
17	88622	1	Harness ●

● Not illustrated

Attachments and Accessories

For 51870 Flex-Force Power System 60V Pole Saw

Product Name	Model/Part
Toro Premium Bar and Chain Oil (1 Qt Bottle).....	38914
Toro Premium Bar and Chain Oil (1 Gal).....	38917
60V Battery Charger 2 AMP	88602
60V Rapid Battery Charger 5.4 AMP	88605
60V Battery Charger 1 AMP	88610
Bar.....	88619
60V Battery 2.0 AH	88620
Chain	88621
60V LI-ION Battery 2.5 AH.....	88625
60V LI-ION, Battery 4.0 AH	88640
60V LI-ION Battery 5.0 AH.....	88650
60V LI-ION Battery 6.0 AH.....	88660
60V LI-ION Battery 7.5 AH.....	88675



Count on it.