



**Count on it.**

**Parts Catalog**

**Outcross® 9060 Series  
Traction Unit**

Model No. 07511AA—Serial No. 41500000 and Up



# Ordering Replacement Parts

To order replacement parts, please supply the part number, the quantity, and the description of each part desired.

## Understanding Reference Numbers

Each identified part in an illustration has a reference number. The reference number for a part also appears in the parts list, along with other information about the part.

This catalog uses two special reference number formats, one to indicate parts in a service assembly and another to indicate the quantity of a given part in an illustration.

## Service Assembly Reference Numbers

Parts in service assemblies have reference numbers in the form a:b. The a represents the reference number of the entire service assembly and the b represents a sequential number unique to each part within the service assembly.

For example, a wheel assembly might be identified by reference number 6, the tire by 6:1, the valve by 6:2, and the wheel by 6:3. When you order the assembly identified by reference number 6, you receive all parts identified by reference numbers 6:1, 6:2, and 6:3. However, you may also order any part individually. Reference numbers of this type appear in illustration and in parts lists.

## Reference Numbers Indicating Quantity

In an illustration, if a reference number indicates more than one part, the reference number has the form nX y. The n represents the quantity of the part, the X is the multiplication symbol, and the y represents the reference number.

For example, in an illustration, the reference number 2X 37 means that two of the parts identified by reference number 37 are indicated.

# Contents

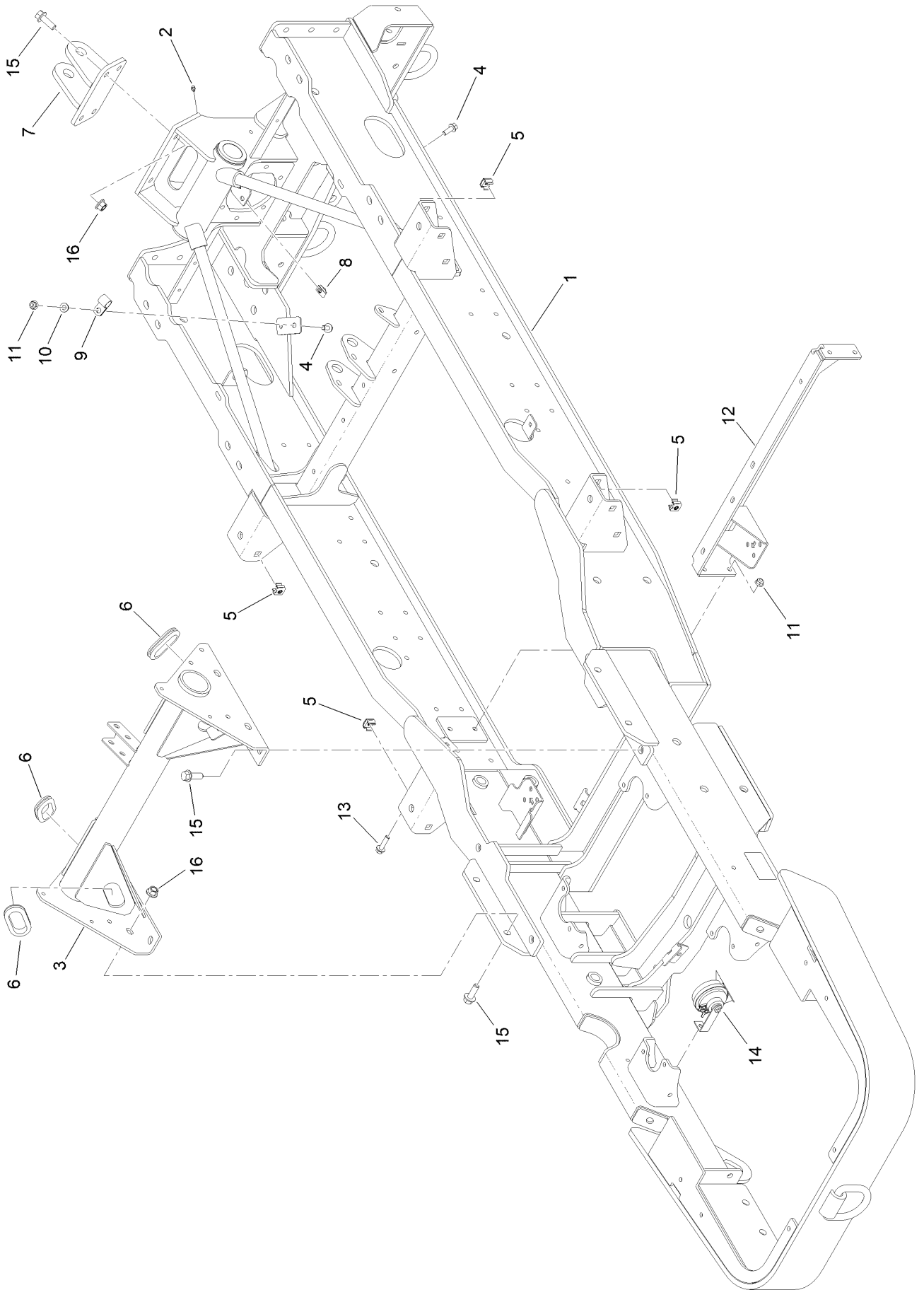
Rear Frame Assembly . . . . .	6
Rear Frame Decal and Bushing Assembly . . . . .	8
Front Axle Assembly . . . . .	10
Front Axle Axle Housing Assembly . . . . .	12
Front Axle Swivel Housings and Trunnions Assembly . . . . .	14
Front Axle Bevel Gear Set Assembly . . . . .	16
Front Axle Double U-Joint Assembly . . . . .	18
Front Axle Wheel Hub Assembly . . . . .	20
Front Axle Planetary Carrier Assembly . . . . .	22
Motor Assembly No. 131-5635 . . . . .	24
Hydraulic Cylinder Assembly No. 133-4863 . . . . .	26
Tie Rod Assembly No. 133-4760 . . . . .	28
Gearbox Assembly No. 144-9715 . . . . .	30
Rear Axle Assembly . . . . .	32
Rear Axle Axle Housing Assembly . . . . .	34
Rear Axle Swivel Housings and Trunnions Assembly . . . . .	36
Rear Axle Bevel Gear Set Assembly . . . . .	38
Rear Axle Double U-Joint Assembly . . . . .	40
Rear Axle Wheel Hub Assembly . . . . .	42
Rear Axle Planetary Carrier Assembly . . . . .	44
Parking Brake Assembly No. 133-4850 . . . . .	46
Hydraulic Cylinder Assembly No. 133-4864 . . . . .	48
Standard Box Assembly . . . . .	50
Panel Assembly . . . . .	52
Steering Assembly . . . . .	54
Paddle Shift Assembly . . . . .	56
Pedal Assembly . . . . .	58
Dash and Console Control Assembly . . . . .	60
Dash Component Assembly . . . . .	62
Engine Assembly . . . . .	64
Exhaust and Bracket Assembly . . . . .	66
Screen and Support Assembly . . . . .	68
Radiator Assembly . . . . .	70
Engine Cooling and Hose Assembly . . . . .	72
Transmission, Gearbox and Gear Pump Assembly . . . . .	74
Hydraulic Tandem Pump Assembly No. 131-5625 . . . . .	76
Hydraulic Gear Pump Assembly No. 131-5632 . . . . .	78
Gearbox Assembly No. 133-4750 . . . . .	80
Transmission, Gearbox and Gear Pump Fitting Assembly . . . . .	82
Driveshaft and Gearbox Assembly . . . . .	84
Gearbox Assembly No. 133-4790 . . . . .	86
Drawbar Hitch and Upper Link Assembly . . . . .	88
Rear Lift Assembly . . . . .	90
Hydraulic Cylinder Assembly No. 133-7622 . . . . .	92
Lower Link Assembly . . . . .	94
LH Extendable Arm Kit Assembly No. 147-1710 . . . . .	96
LH Extendable Arm Assembly . . . . .	98
RH Extendable Arm Kit Assembly No. 147-1705 . . . . .	100
RH Extendable Arm Assembly . . . . .	102
Operator Platform Assembly . . . . .	104
Beacon Assembly No. 119-8096 . . . . .	106
Seat Mount Assembly . . . . .	108
Air Ride Seat Suspension Assembly No. 130-2702 . . . . .	110
Premium Seat Assembly No. 138-3806 . . . . .	112

## Contents (continued)

Floor Grips and Hydraulic Tube Assembly . . . . .	114
Manifold, Filter and Auxiliary Valve Assembly . . . . .	116
Hydraulic Valve Assembly No. 131-5637 . . . . .	118
Manifold Assembly No. 131-5639 . . . . .	120
Hydraulic Tank Assembly . . . . .	122
Hydraulic Tank, Manifold, and Auxiliary Valve Fitting Assembly . . . . .	124
Hydraulic Hose and Tube Assembly . . . . .	126
Hydraulic Hose Assembly 1 . . . . .	128
Hydraulic Hose Assembly 2 . . . . .	130
Hydraulic Hose Assembly 3 . . . . .	132
Fuel Pump and Filter Assembly . . . . .	134
Fuel Tank and Line Assembly . . . . .	136
Hood Assembly . . . . .	138
Hood Assembly No. 138-4138 . . . . .	140
Air Intake Assembly . . . . .	142
Air Cleaner Assembly No. 99-5410 . . . . .	144
Shield Assembly . . . . .	146
Battery Assembly . . . . .	148
Engine Wire Harness Assembly . . . . .	150
Platform Wire Harness Assembly . . . . .	152
Frame Wire Harness Assembly . . . . .	154
Headlight Wire Harness Assembly . . . . .	156
Cylinder Block Assembly . . . . .	158
Gear Housing Assembly . . . . .	160
Flywheel Housing and Oil Sump Assembly . . . . .	162
Cylinder Head and Cover Assembly . . . . .	164
Suction Manifold Assembly . . . . .	166
Exhaust Manifold Assembly . . . . .	168
Diesel Particulate Filter Assembly . . . . .	170
Camshaft and Driving Gear Assembly . . . . .	172
Turbine Assembly . . . . .	174
Crankshaft and Piston Assembly . . . . .	176
Lubrication and Oil System Assembly . . . . .	178
Lubrication Oil Pipe Assembly . . . . .	180
Cooling Water System Assembly . . . . .	182
Fuel Supply Pump Assembly . . . . .	184
Fuel Injection Valve Assembly . . . . .	186
Fuel Pipe Assembly . . . . .	188
Starter Motor Assembly . . . . .	190
Generator Assembly . . . . .	192
Electronic Control Unit Assembly . . . . .	194
Electric Parts Assembly . . . . .	196
Miscellaneous Engine Parts . . . . .	198
Gasket Set . . . . .	200
Attachments and Accessories . . . . .	202



# Rear Frame Assembly

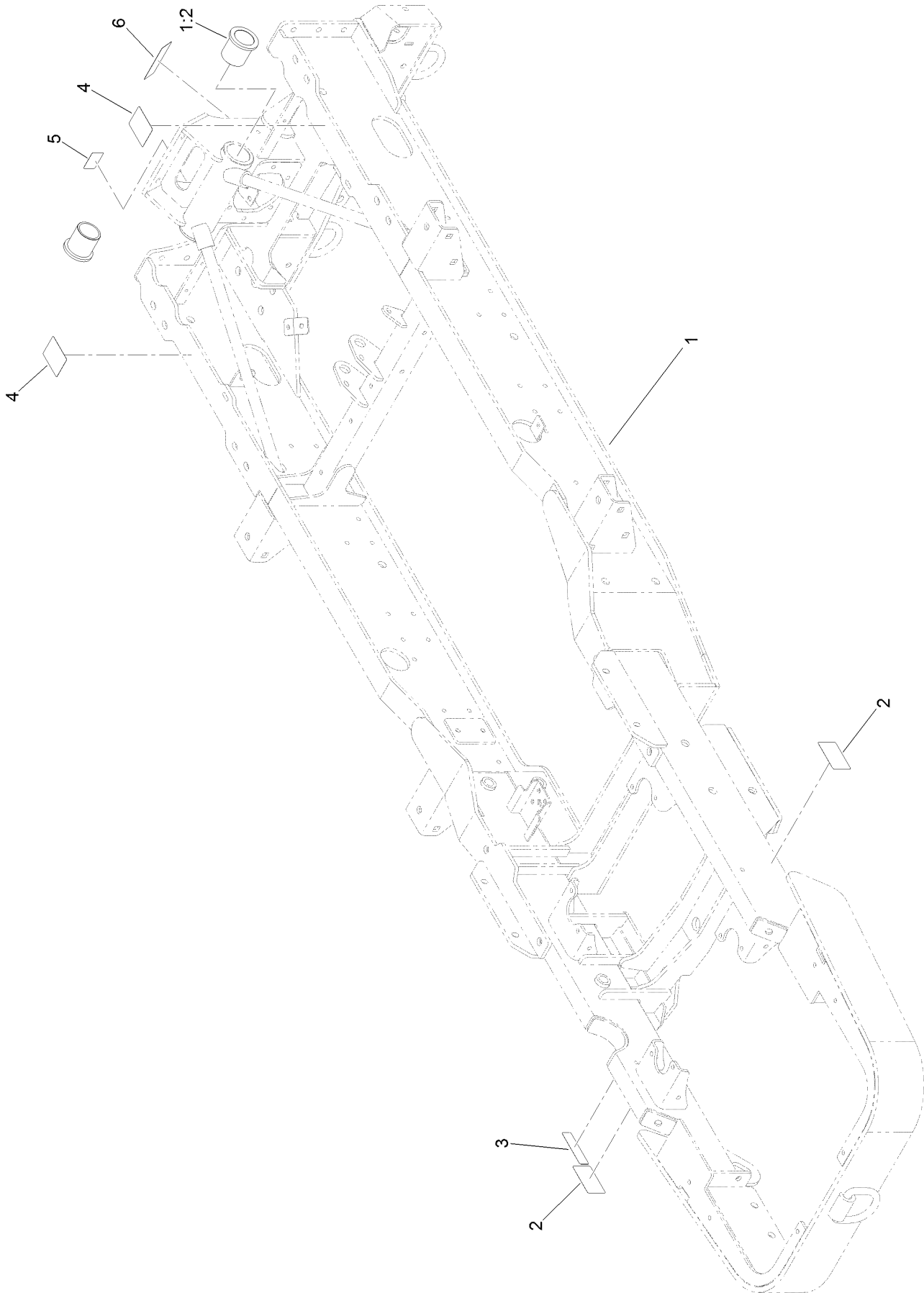


## Rear Frame Assembly (continued)

<i>Ref.</i>	<i>Part Number</i>	<i>Qty.</i>	<i>Description</i>	<i>Ref.</i>	<i>Part Number</i>	<i>Qty.</i>	<i>Description</i>
1		1	Frame ASM ●	9	2412-81	2	Clamp-R
2	302-5	1	Fitting-Grease	10	3256-24	2	Washer-Plain
3	136-5050-03	1	Support-Frame	11	104-8301	6	Nut-HF, NI
4	3234-42	2	Screw-HHF	12	136-9960-0P	1	Crossmember
5	138-4106	8	Nut-Clip, Sq	13	114-4681	4	Screw-HHF
6	126-0015	3	Grommet	14	116749	1	Horn
7	131-5487-03	1	Attach-Link	15	100-6116	12	Screw-HHF
8	94-2413	1	Nut-U	16	99-5107	8	Nut-Lock

● Not serviced separately

# Rear Frame Decal and Bushing Assembly



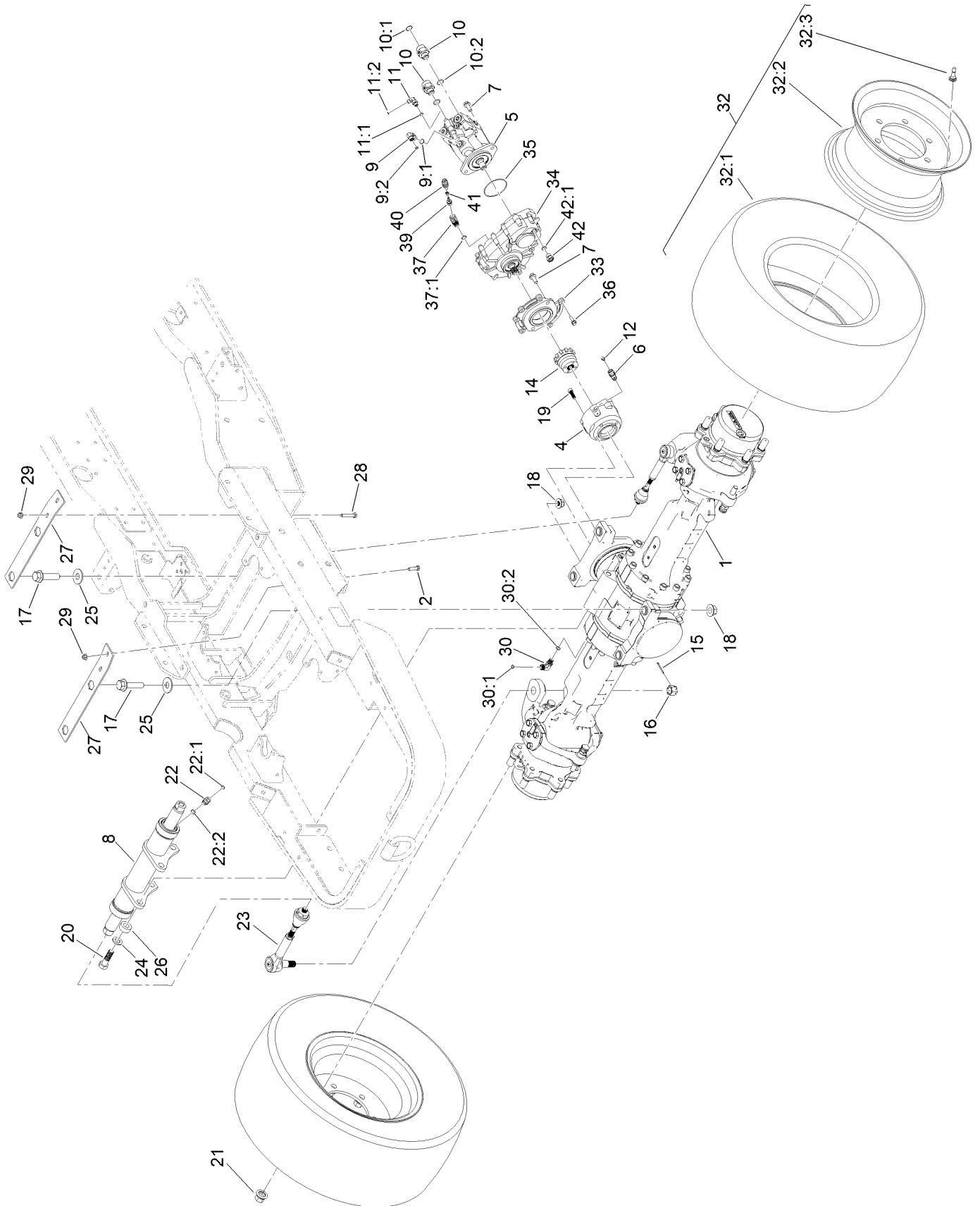


# Rear Frame Decal and Bushing Assembly (continued)

<i>Ref.</i>	<i>Part Number</i>	<i>Qty.</i>	<i>Description</i>	<i>Ref.</i>	<i>Part Number</i>	<i>Qty.</i>	<i>Description</i>
1		1	Frame ASM ●	4	138-3799	2	Decal-Warning
1:2	125-4386	2	Bushing-Castor	5	138-4061	1	Decal-Load, Towing
2	106-6754	2	Decal-Danger	6	125-6119	1	Decal-Danger
3	133-8062	1	Decal-Spark Arrestor				

● Not serviced separately

# Front Axle Assembly

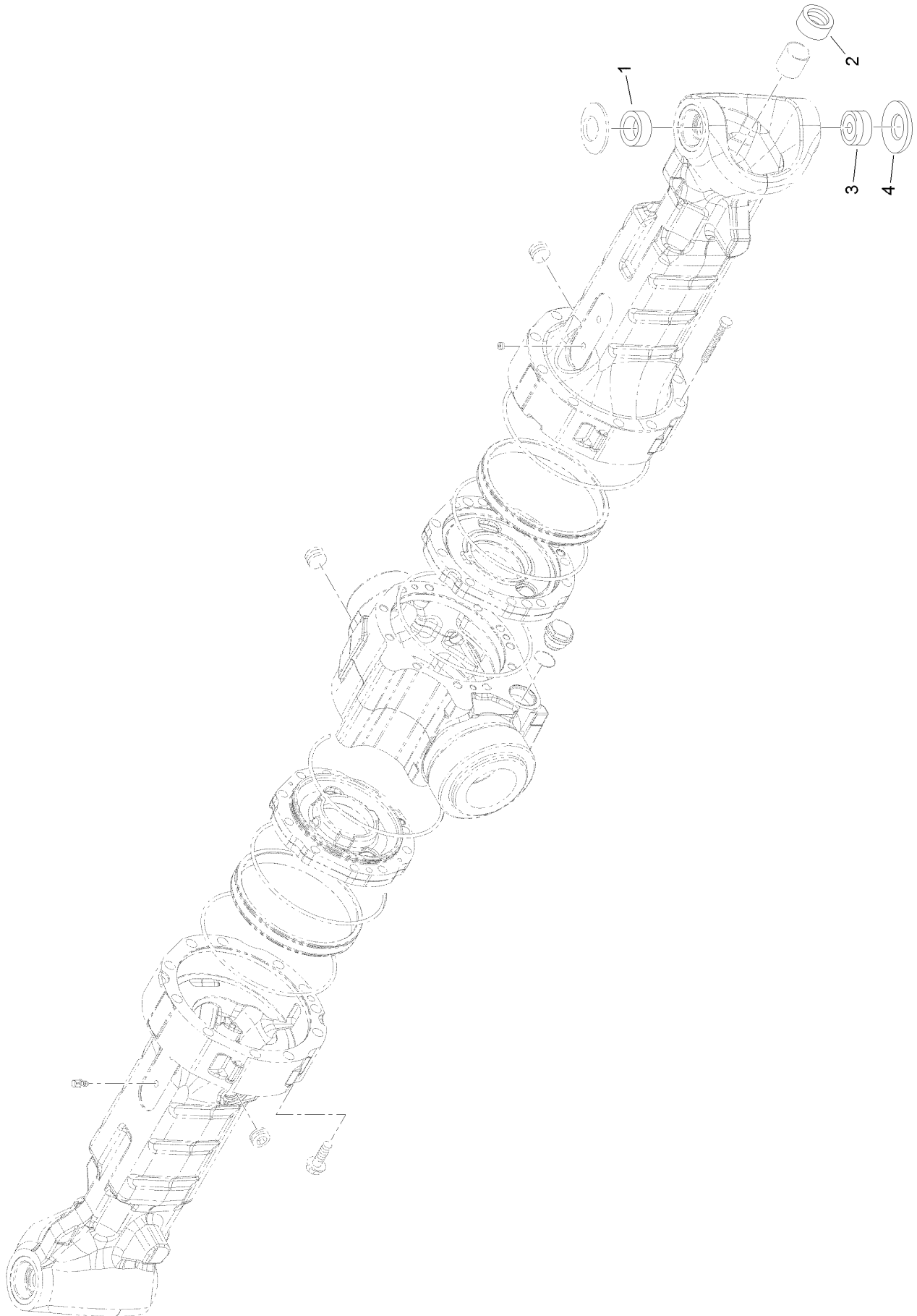


## Front Axle Assembly (continued)

<i>Ref.</i>	<i>Part Number</i>	<i>Qty.</i>	<i>Description</i>	<i>Ref.</i>	<i>Part Number</i>	<i>Qty.</i>	<i>Description</i>
1	133-4861	1	Front Steerable Axle ASM	22:2	237-42	1	O-Ring
2	323-7	1	Screw-HH	23	133-4760	2	Tie Rod ASM
4	133-7683	1	Mount-Motor, Front	24	136-5267	4	Washer-Plain
5	131-5635	1	Hydraulic Motor ASM	25	3256-8	4	Washer-Flat
6	136-5271	1	Sensor-Geartooth	26	136-5276	4	Spacer
7	3234-38	4	Screw-HHF	27	136-9747-0P	2	Strap-Retainer
8	133-4863	1	Cylinder-HYD, Front	28	323-10	1	Screw-HH
9	340-18	1	Fitting-HYD, 90 DEG	29	104-8301	2	Nut-HF, NI
9:1	237-79	1	O-Ring	30	133-7658	1	Fitting-Elbow, 90 DEG
9:2	237-22	1	O-Ring	30:1	237-22	1	O-Ring
10	87-7290	2	Fitting-STR	30:2	133-7657	1	O-Ring, M14
10:1	340-65	1	O-Ring	32		2	Tire And Wheel ASM ●
10:2	237-81	1	O-Ring	32:1	136-5270	1	Tire-Turf
11	340-82	1	Fitting-Elbow, 90 DEG	32:2	133-4892	1	Wheel-Turf (15 X 8)
11:1	237-42	1	O-Ring	32:3	232-24	1	Stem-Valve
11:2	237-21	1	O-Ring	33	144-9714	1	Adapter-Gearbox
12	33103-012	1	Screw-HHF	34	144-9715	1	Gearbox ASM
14	138-4054	1	Axle Coupler ASM	35	107-9447	1	O-Ring
15	3272-13	2	Pin-Cotter	36	119-4061	4	Screw-HHF
16	133-7763	2	Nut-Slotted	37	354-118	1	Fitting-HYD, 90 DEG
17	138-4087	4	Screw-HHF	37:1	237-79	1	O-Ring
18	138-4082	4	Nut-HF	39	147-5857	1	Fitting-Straight
19	136-5255	4	Screw-HSH	40	127-8859	1	Bellows-Breather
20	136-5259	4	Screw-HH	41	2412-146	1	Clamp-Hose
21	133-7706	12	Nut-Wheel	42	140-8283	1	Fitting-Plug
22	340-2	2	Fitting-Straight	42:1	237-79	1	O-Ring
22:1	237-22	1	O-Ring				

● Not serviced separately

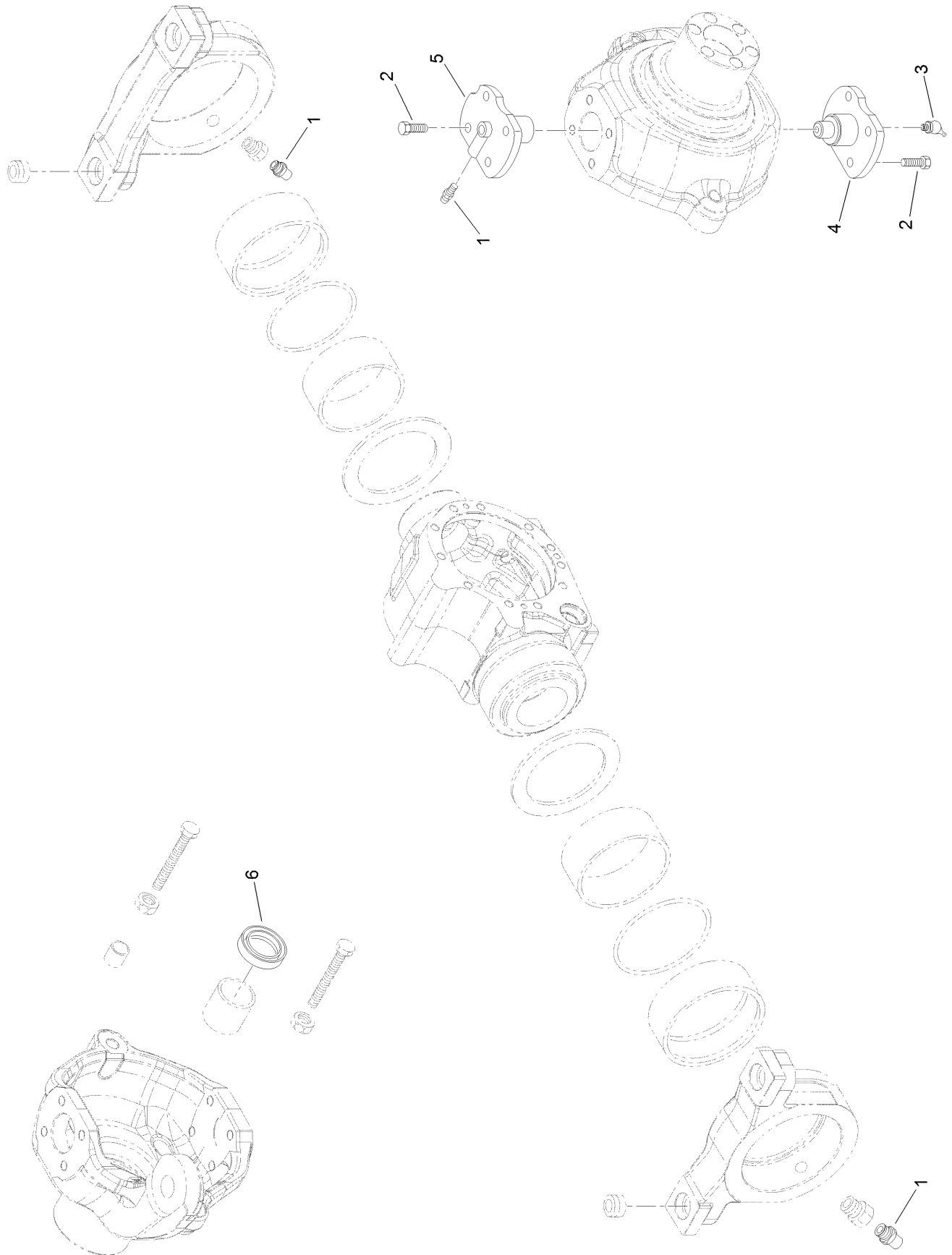
# Front Axle Axle Housing Assembly



# Front Axle Axle Housing Assembly (continued)

<i>Ref.</i>	<i>Part Number</i>	<i>Qty.</i>	<i>Description</i>	<i>Ref.</i>	<i>Part Number</i>	<i>Qty.</i>	<i>Description</i>
1	138-7817	2	Bushing	3	138-7816	2	Joint-Spherical
2	133-5253	2	Ring-Seal, Oil	4	AU122268A1	2	Washer

# Front Axle Swivel Housings and Trunnions Assembly

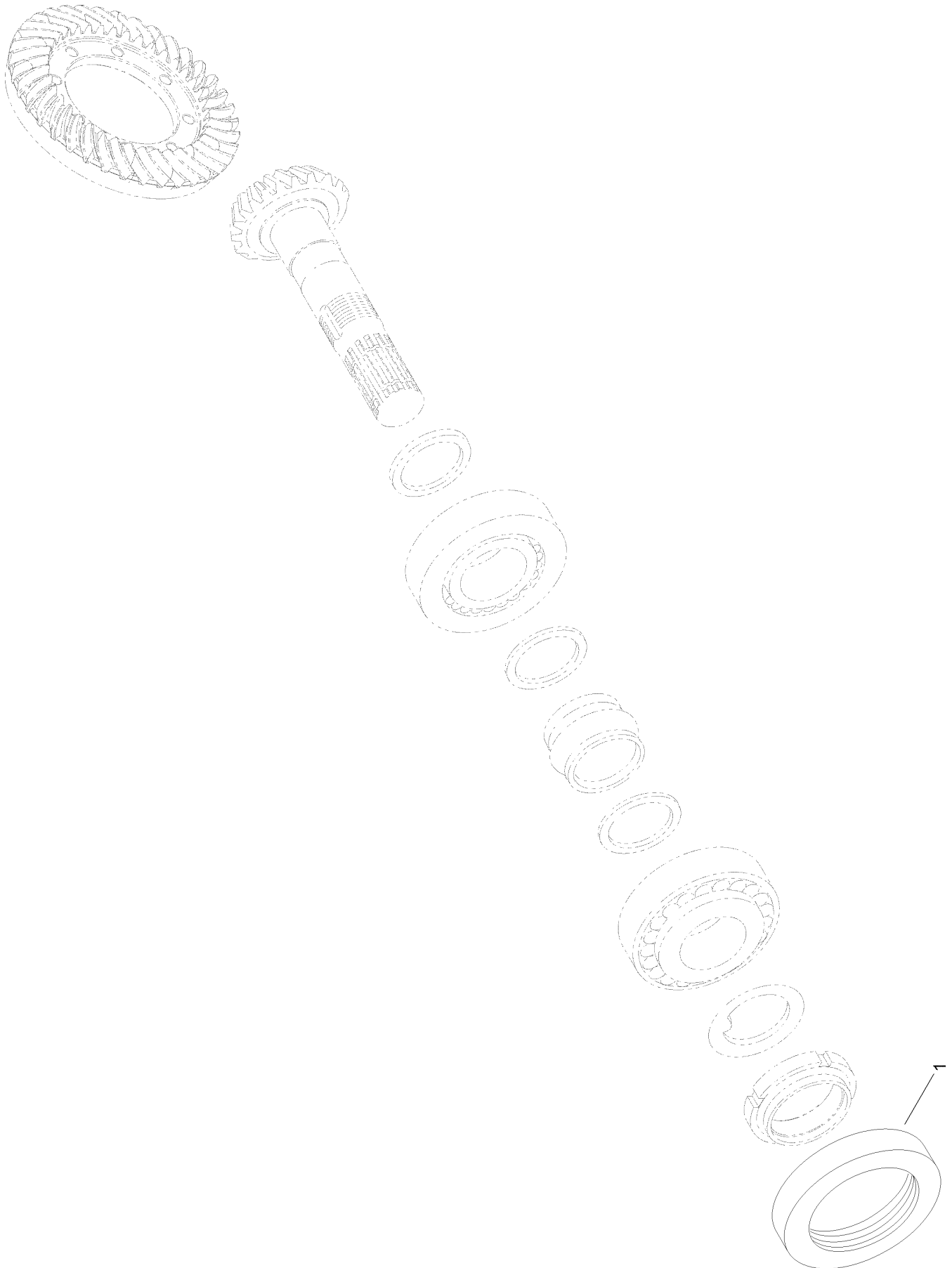


# Front Axle

## Swivel Housings and Trunnions Assembly (continued)

<i>Ref.</i>	<i>Part Number</i>	<i>Qty.</i>	<i>Description</i>	<i>Ref.</i>	<i>Part Number</i>	<i>Qty.</i>	<i>Description</i>
1	133-5215	4	Greaser-Nipple	4	138-7804	2	Pin-King
2	138-7803	16	Screw	5	AU122265A1	2	Pin-King, Upper
3	133-5235	2	Greaser-Nipple	6	138-7805	2	Seal

# Front Axle Bevel Gear Set Assembly

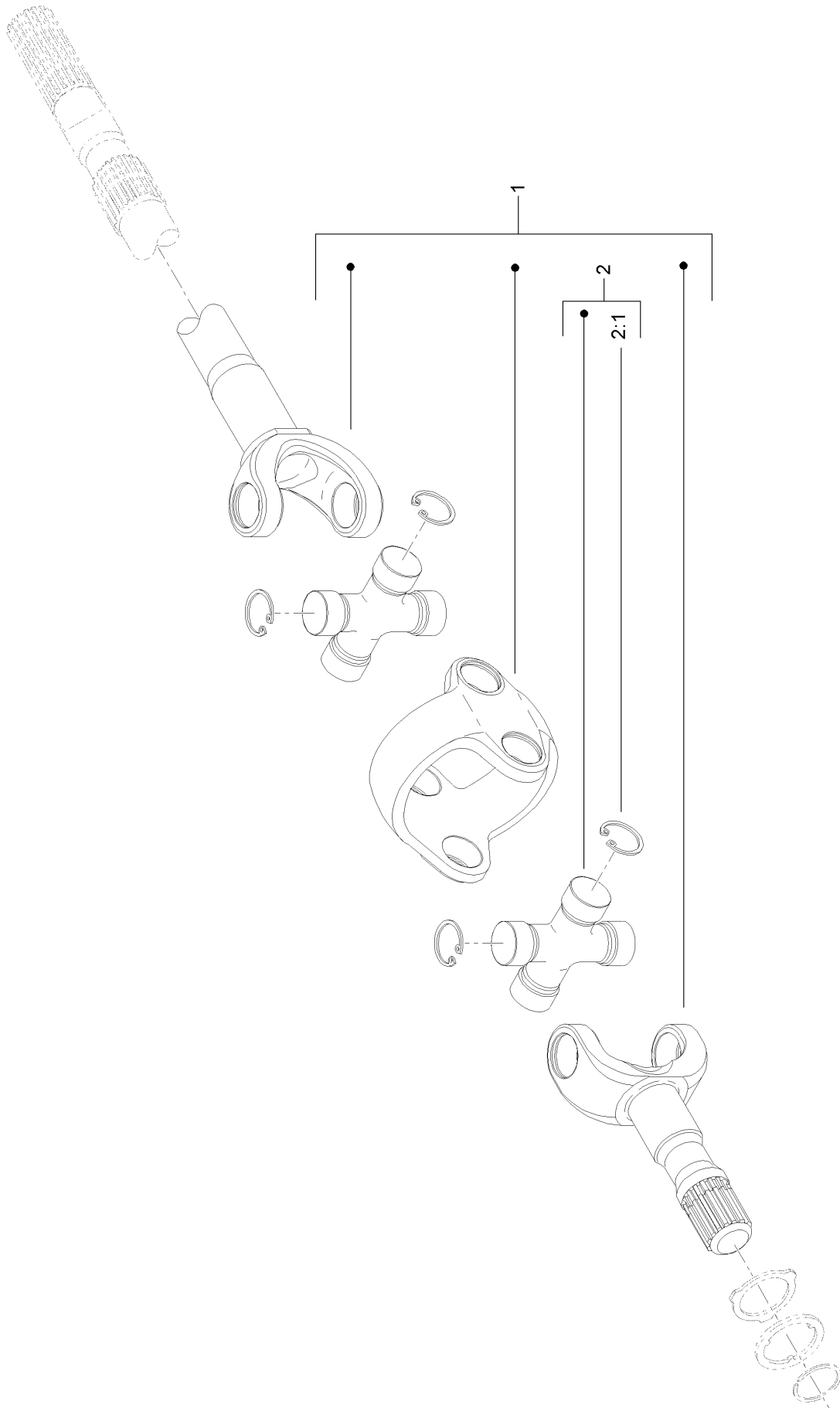




# Front Axle Bevel Gear Set Assembly (continued)

<i>Ref.</i>	<i>Part Number</i>	<i>Qty.</i>	<i>Description</i>
1	138-7806	1	Seal-Ring

# Front Axle Double U-Joint Assembly

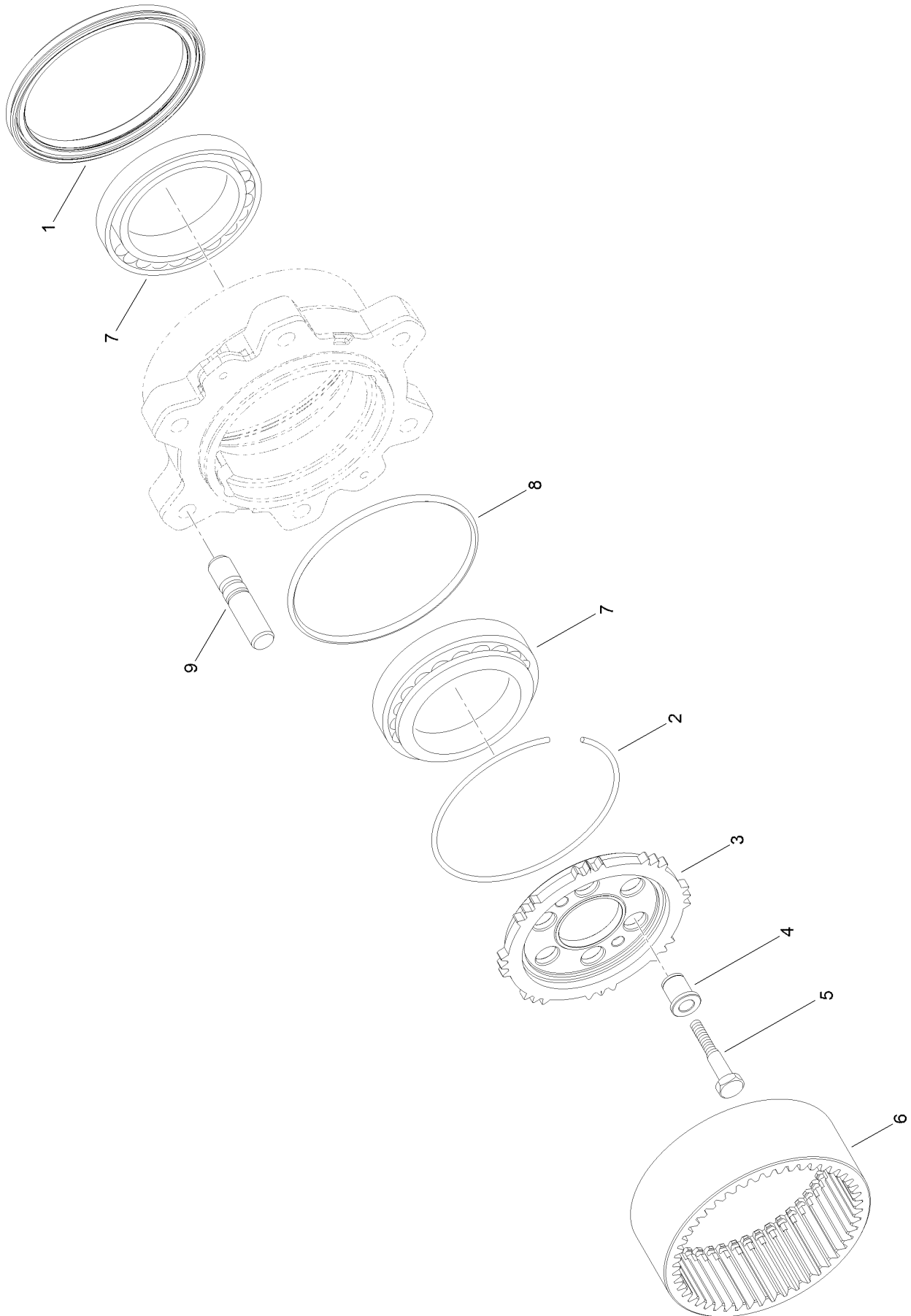


# Front Axle

## Double U-Joint Assembly (continued)

<i>Ref.</i>	<i>Part Number</i>	<i>Qty.</i>	<i>Description</i>
1	138-7807	2	Double Joint Kit
2	AU100546A1	4	Spider-A
2:1	AU100548A1	4	Ring-Snap

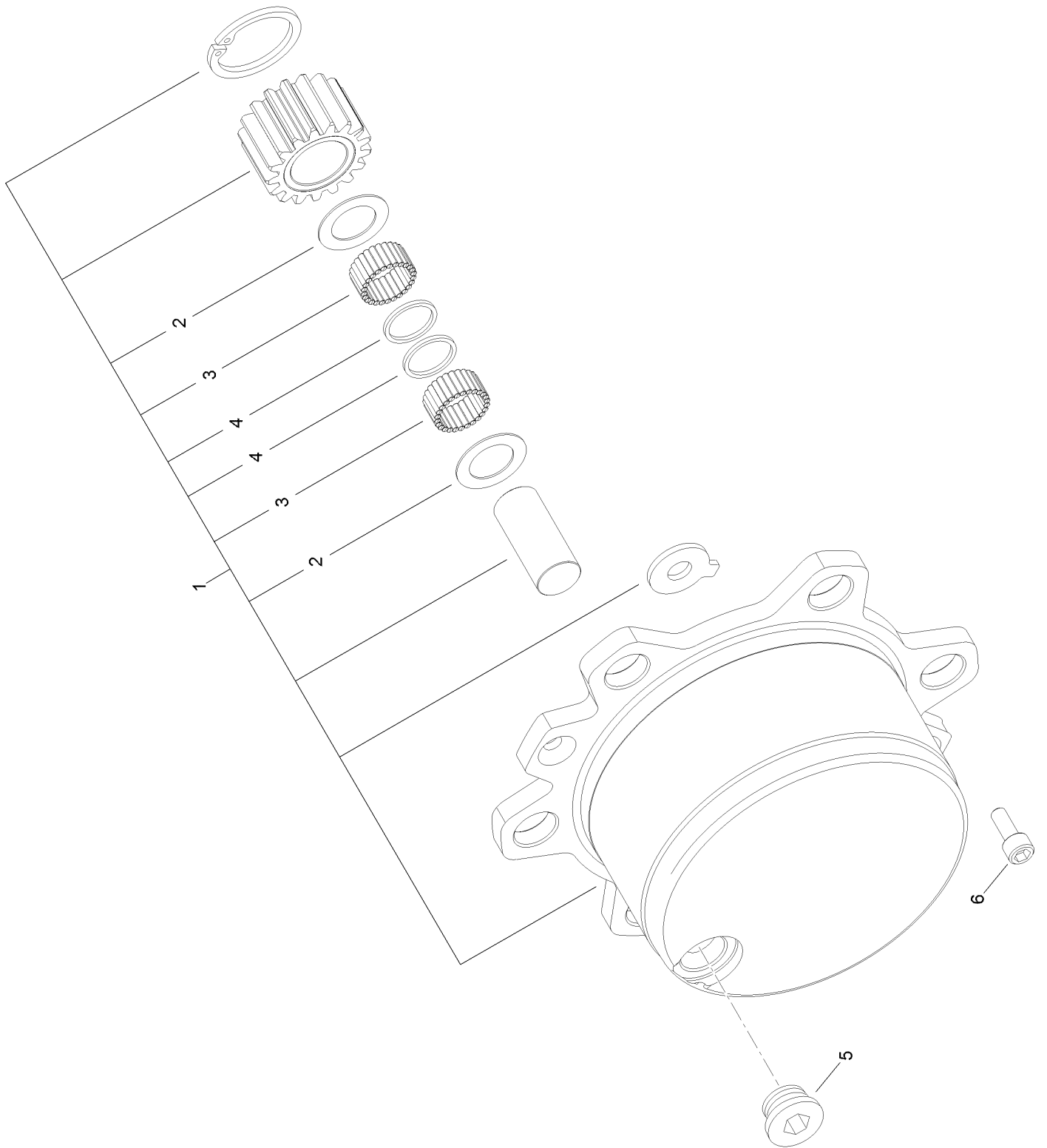
# Front Axle Wheel Hub Assembly



# Front Axle Wheel Hub Assembly (continued)

<i>Ref.</i>	<i>Part Number</i>	<i>Qty.</i>	<i>Description</i>	<i>Ref.</i>	<i>Part Number</i>	<i>Qty.</i>	<i>Description</i>
1	138-7811	2	Seal-Ring	6	AU112495A1	2	Gear
2	AU112496A1	2	Ring	7	138-7814	4	Bearing
3	138-7812	2	Carrier-Hub, Wheel	8	138-7815	2	O-Ring
4	138-7813	12	Bushing-Centering	9	auk260218	6	Stud
5	AU116425A1	12	Bolt				

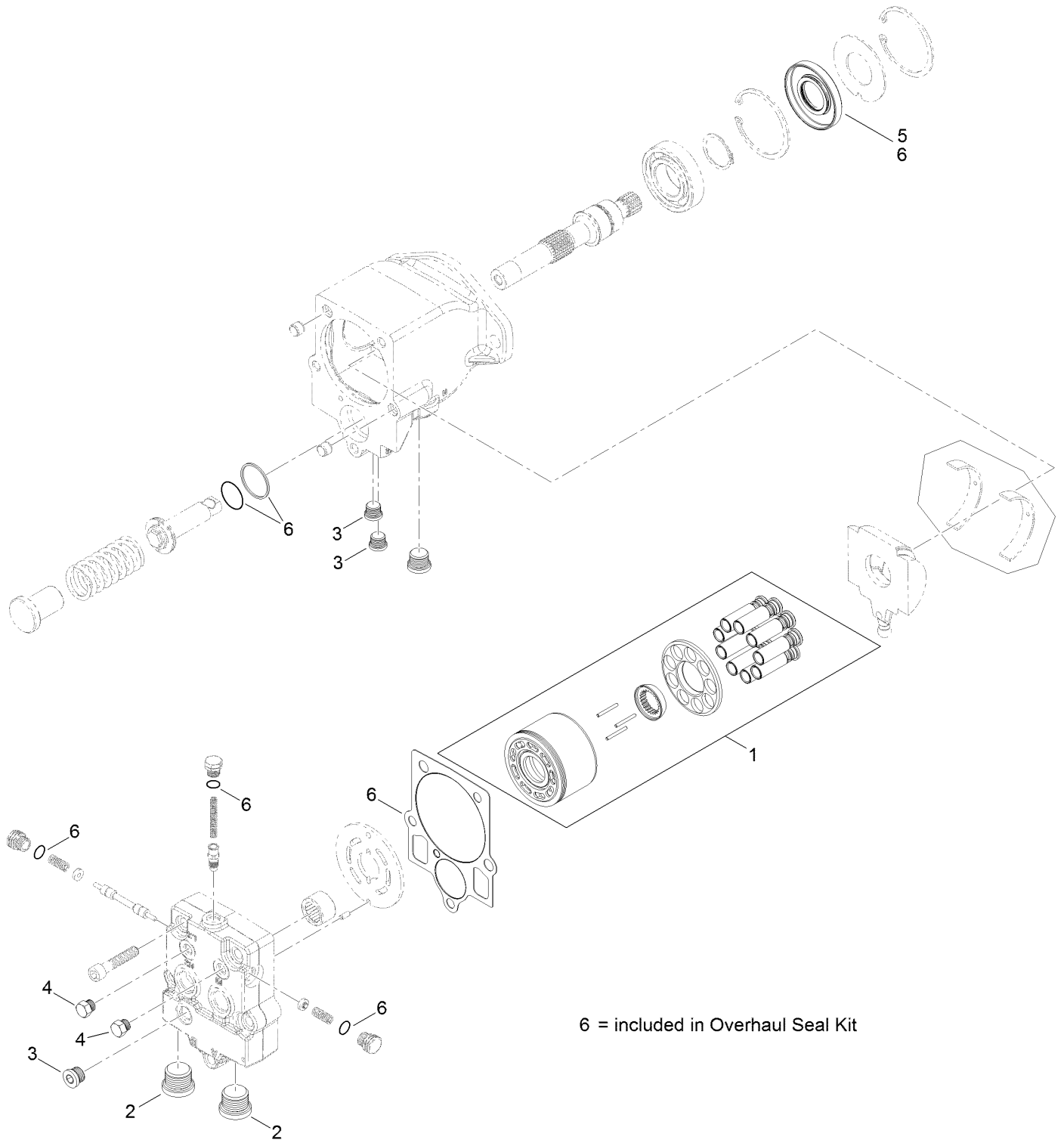
# Front Axle Planetary Carrier Assembly



# Front Axle Planetary Carrier Assembly (continued)

<i>Ref.</i>	<i>Part Number</i>	<i>Qty.</i>	<i>Description</i>	<i>Ref.</i>	<i>Part Number</i>	<i>Qty.</i>	<i>Description</i>
1	138-7809	2	Planetary Carrier ASM	4	AU141371A1	6	Washer-Thrust
2	AU112501A1	6	Washer	5	133-5295	2	Plug
3	AU141368A1	32	Bearing-Needle	6	138-7810	4	Screw

# Motor Assembly No. 131-5635



6 = included in Overhaul Seal Kit

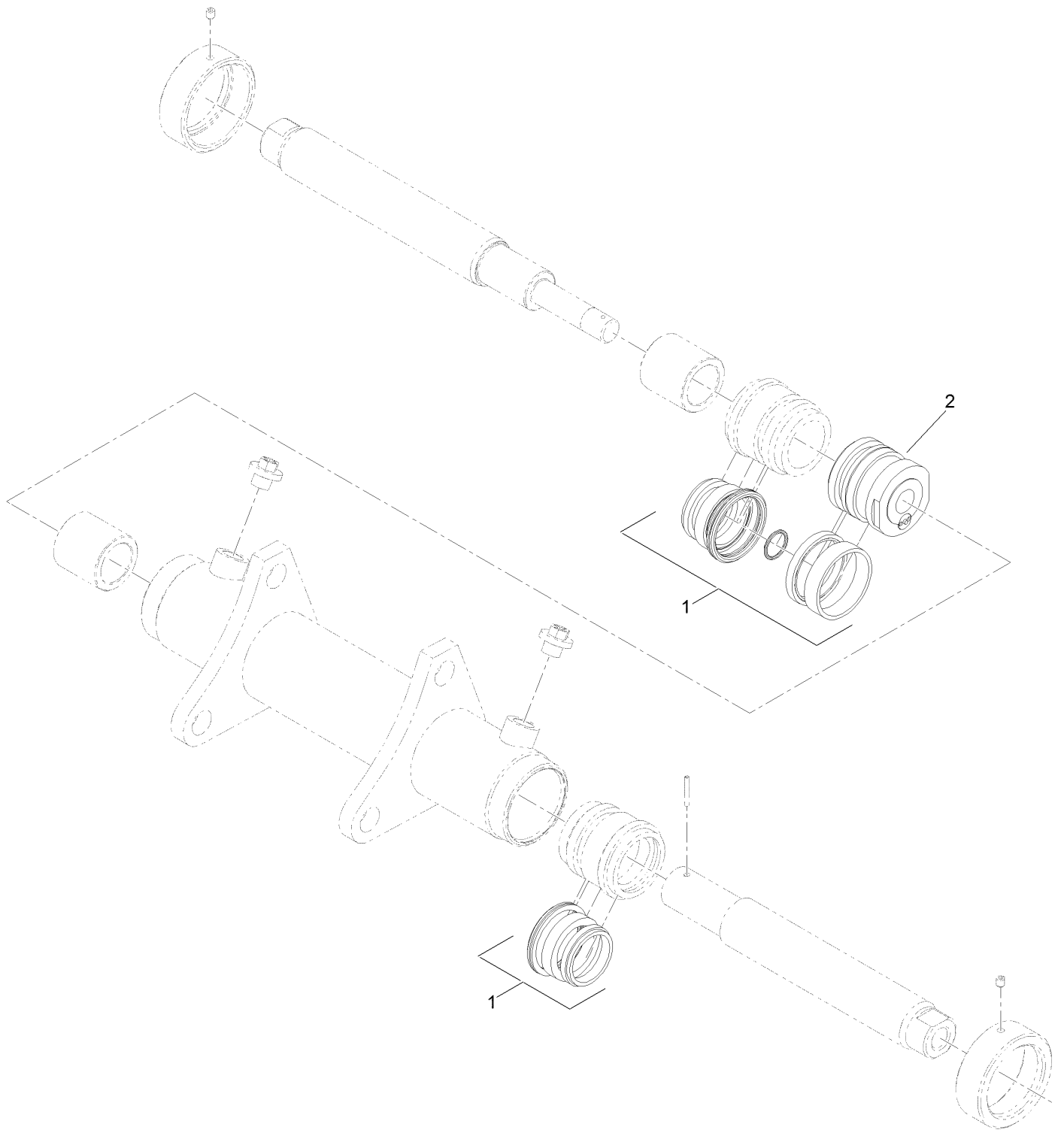


## Motor Assembly No. 131-5635 (continued)

<i>Ref.</i>	<i>Part Number</i>	<i>Qty.</i>	<i>Description</i>
1	125-4639	1	Cylinder Block Kit
2	69-3130	2	Plug
3	75-0070	3	Plug

<i>Ref.</i>	<i>Part Number</i>	<i>Qty.</i>	<i>Description</i>
4	92-1352	2	Plug
5	127-6214	1	Seal-Lip
6	138-7823	1	Overhaul Seal Kit

# Hydraulic Cylinder Assembly No. 133-4863

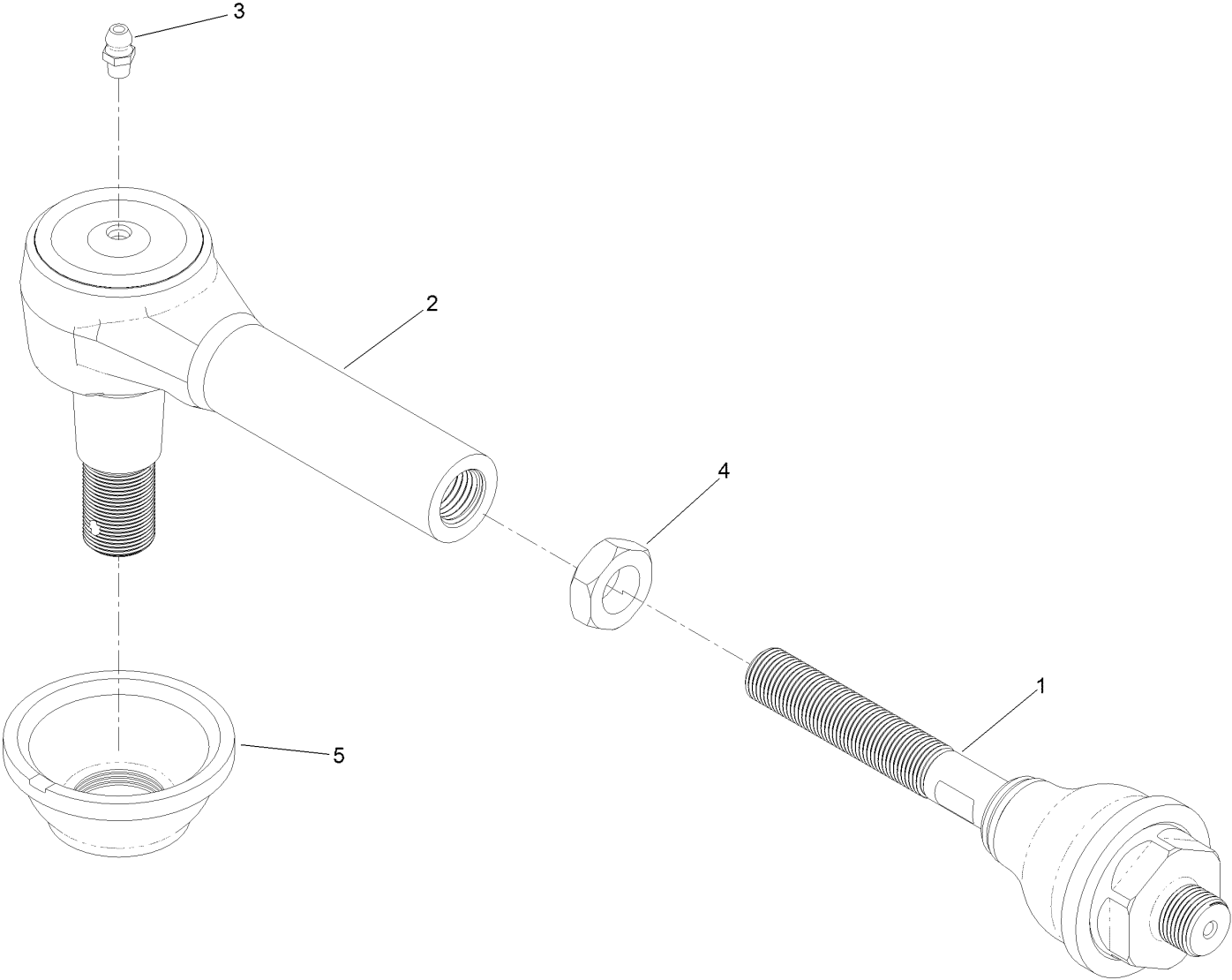


1 = included in Seal Repair Kit

# Hydraulic Cylinder Assembly No. 133-4863 (continued)

<i>Ref.</i>	<i>Part Number</i>	<i>Qty.</i>	<i>Description</i>
1	138-7820	1	Seal Repair Kit
2	138-8163	1	Piston

# Tie Rod Assembly No. 133-4760

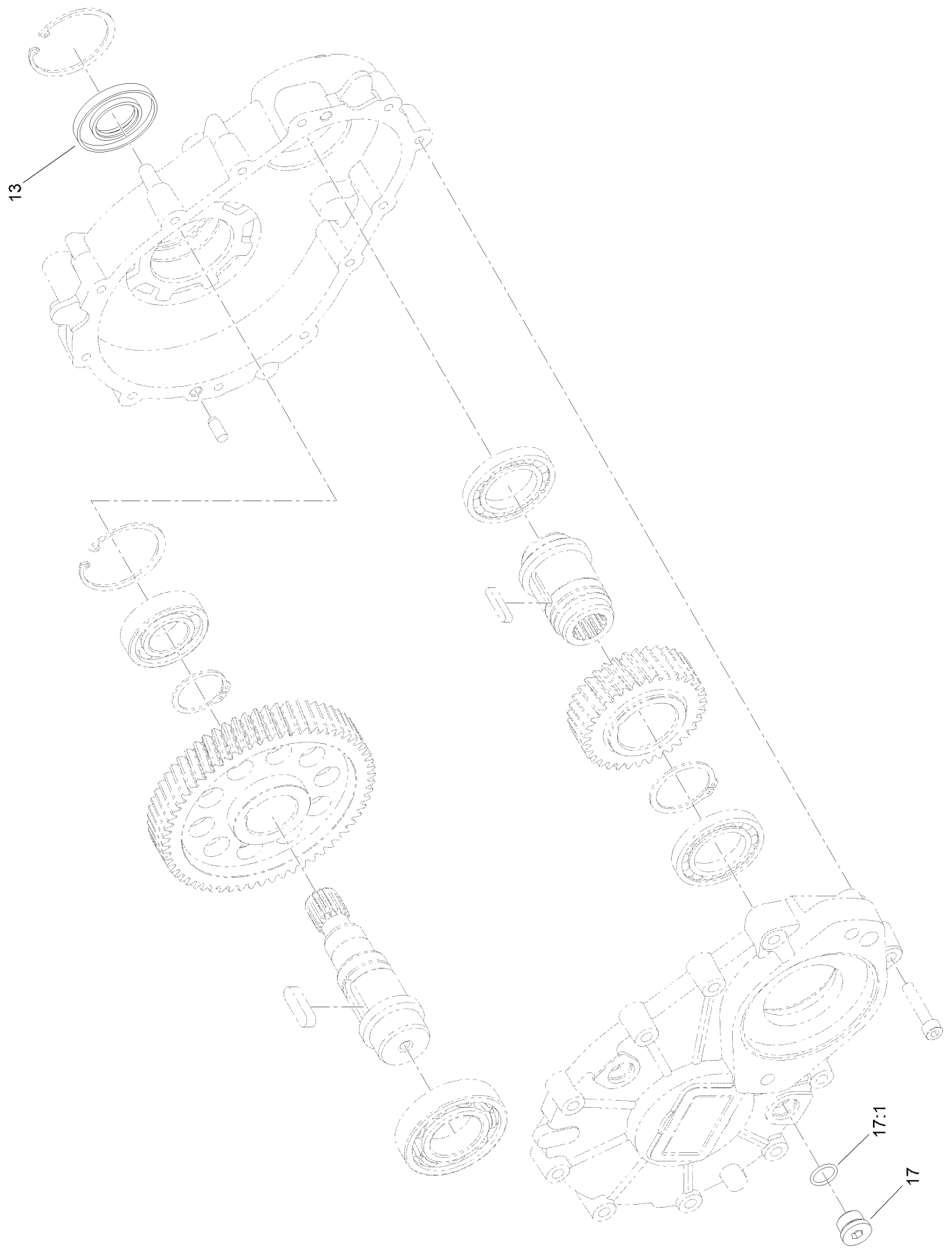


## Tie Rod Assembly No. 133-4760 (continued)

<i>Ref.</i>	<i>Part Number</i>	<i>Qty.</i>	<i>Description</i>
1	133-4761	1	Inner Tie Rod ASM
2	133-4762	1	Outer Tie Rod ASM
3	302-5	1	Fitting-Grease

<i>Ref.</i>	<i>Part Number</i>	<i>Qty.</i>	<i>Description</i>
4	95-4182	1	Nut-Hex, Jam
5	136-5290	1	Boot-Dust

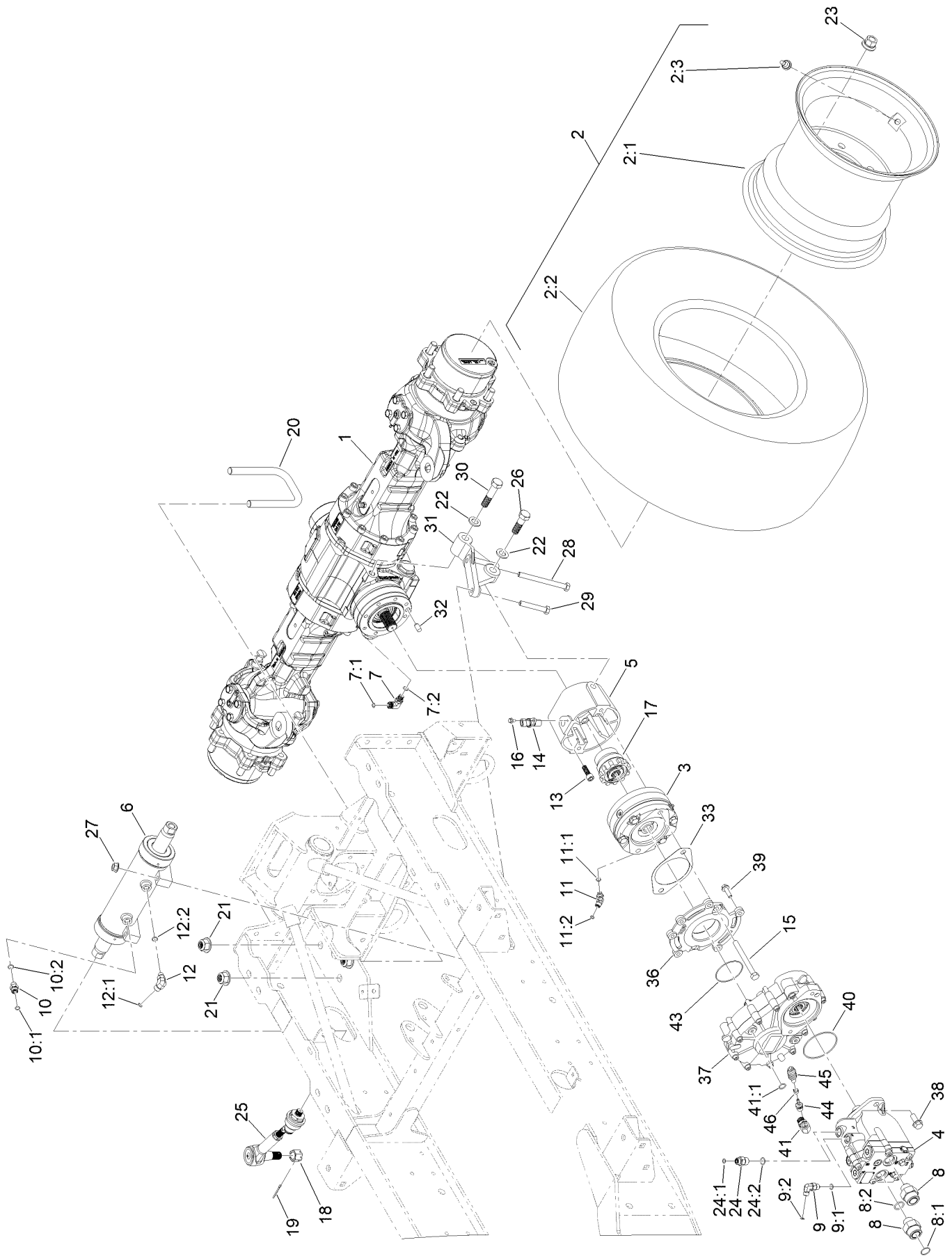
# Gearbox Assembly No. 144-9715



## Gearbox Assembly No. 144-9715 (continued)

<i>Ref.</i>	<i>Part Number</i>	<i>Qty.</i>	<i>Description</i>
13	133-4775	1	Seal-Oil
17	133-7659	3	Plug ASM W/Magnet
17:1	237-79	1	O-Ring

# Rear Axle Assembly



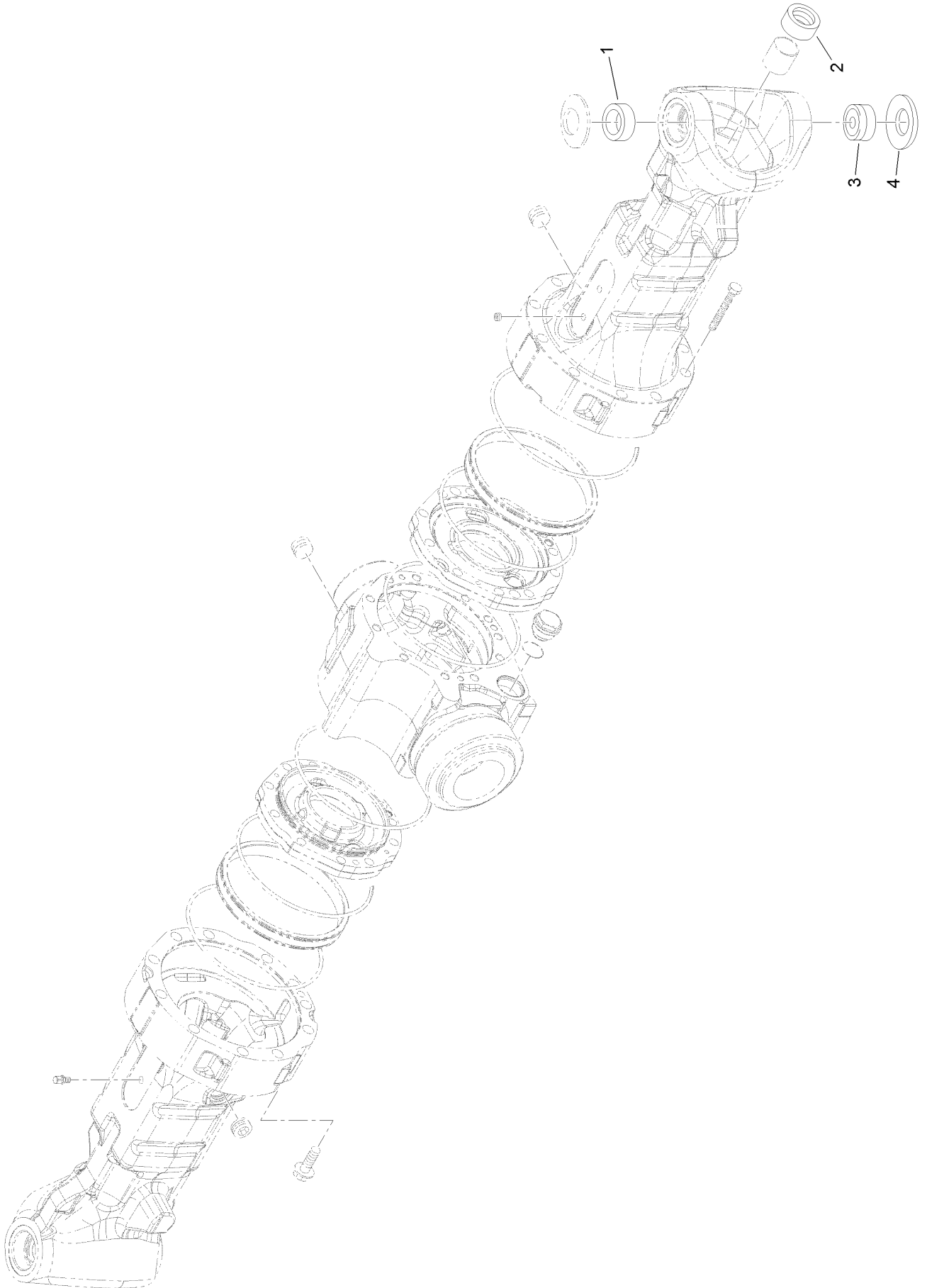


## Rear Axle Assembly (continued)

<i>Ref.</i>	<i>Part Number</i>	<i>Qty.</i>	<i>Description</i>	<i>Ref.</i>	<i>Part Number</i>	<i>Qty.</i>	<i>Description</i>
1	133-4860	1	Rear Steerable Axle ASM	17	138-4054	1	Axle Coupler ASM
2		2	Tire And Wheel ASM ●	18	133-7763	2	Nut-Slotted
2:1	138-4089	1	Wheel-Turf	19	3272-13	2	Pin-Cotter
2:2	133-4894	1	Tire-Turf	20	136-5251	4	Bolt-U
2:3	232-24	1	Stem-Valve	21	138-4082	8	Nut-HF
3	133-4850	1	Parking Brake ASM	22	136-5267	4	Washer-Plain
4	131-5635	1	Hydraulic Motor ASM	23	133-7706	12	Nut-Wheel
5	133-7681	1	Mount-Motor, Rear	24	340-3	1	Fitting-Straight
6	133-4864	1	Cylinder-HYD, Rear	24:1	237-22	1	O-Ring
7	133-7658	1	Fitting-Elbow, 90 DEG	24:2	237-79	1	O-Ring
7:1	237-22	1	O-Ring	25	133-4760	2	Tie Rod ASM
7:2	133-7657	1	O-Ring, M14	26	136-5259	2	Screw-HH
8	87-7290	2	Fitting-STR	27	32128-23	4	Nut-HF
8:1	340-65	1	O-Ring	28	325-22	2	Screw-HH
8:2	237-81	1	O-Ring	29	325-12	2	Screw-HH
9	340-82	1	Fitting-Elbow, 90 DEG	30	136-5268	2	Screw-HH
9:1	237-42	1	O-Ring	31	136-9749	2	Support-Cylinder, Rear
9:2	237-21	1	O-Ring	32	136-5277	1	Pin-Dowel
10	340-2	1	Fitting-Straight	33	136-5295	1	Gasket
10:1	237-22	1	O-Ring	36	144-9714	1	Adapter-Gearbox
10:2	237-42	1	O-Ring	37	144-9715	1	Gearbox ASM
11	340-132	1	Fitting-Elbow, 90 DEG	38	3234-38	2	Screw-HHF
11:1	237-78	1	O-Ring	39	119-4061	4	Screw-HHF
11:2	237-21	1	O-Ring	40	107-9447	1	O-Ring
12	340-77	1	Fitting-Elbow, 90 DEG	41	354-118	1	Fitting-HYD, 90 DEG
12:1	237-22	1	O-Ring	41:1	237-79	1	O-Ring
12:2	237-42	1	O-Ring	43	112-6967	1	O-Ring
13	136-5255	4	Screw-HSH	44	147-5857	1	Fitting-Straight
14	136-5271	1	Sensor-Geartooth	45	127-8859	1	Bellows-Breather
15	325-19	2	Screw-HH	46	2412-146	1	Clamp-Hose
16	33103-012	1	Screw-HHF				

● Not serviced separately

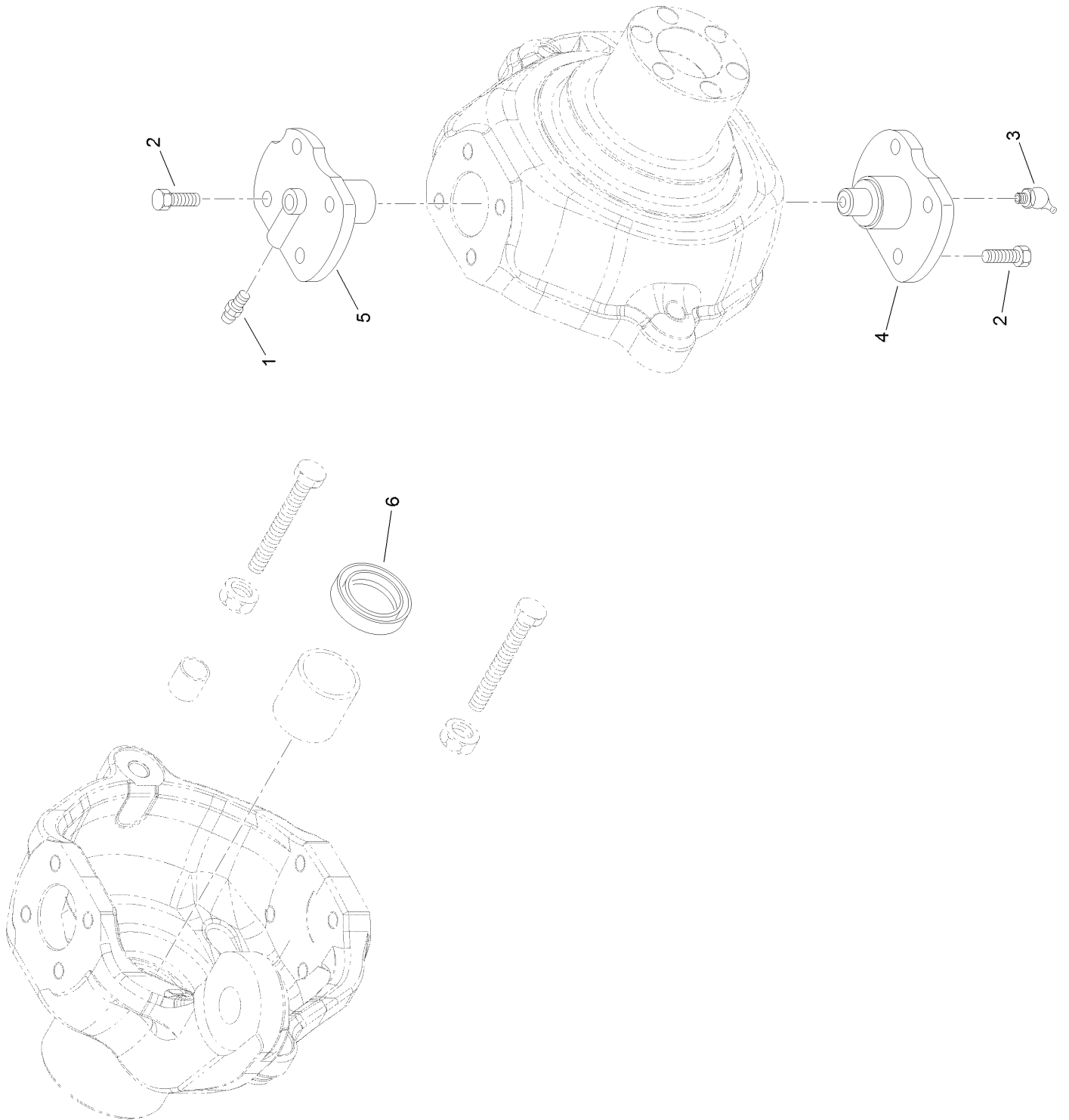
# Rear Axle Axle Housing Assembly



# Rear Axle Axle Housing Assembly (continued)

<i>Ref.</i>	<i>Part Number</i>	<i>Qty.</i>	<i>Description</i>	<i>Ref.</i>	<i>Part Number</i>	<i>Qty.</i>	<i>Description</i>
1	138-7817	2	Bushing	3	138-7816	2	Joint-Spherical
2	133-5253	2	Ring-Seal, Oil	4	AU122268A1	2	Washer

# Rear Axle Swivel Housings and Trunnions Assembly

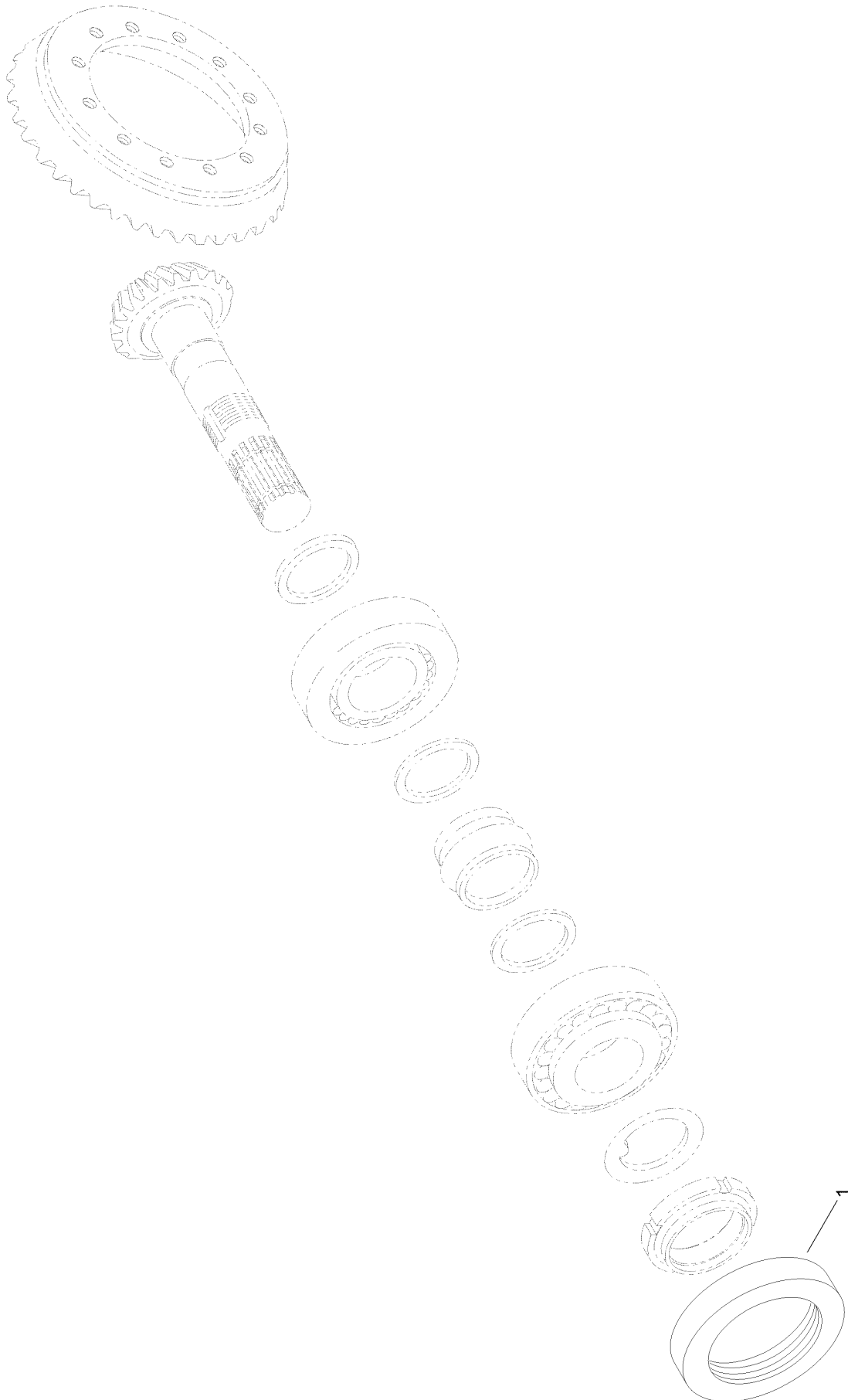


## Rear Axle

### Swivel Housings and Trunnions Assembly (continued)

<i>Ref.</i>	<i>Part Number</i>	<i>Qty.</i>	<i>Description</i>	<i>Ref.</i>	<i>Part Number</i>	<i>Qty.</i>	<i>Description</i>
1	133-5215	4	Greaser-Nipple	4	138-7804	2	Pin-King
2	138-7803	16	Screw	5	AU122265A1	2	Pin-King, Upper
3	133-5235	2	Greaser-Nipple	6	138-7805	2	Seal

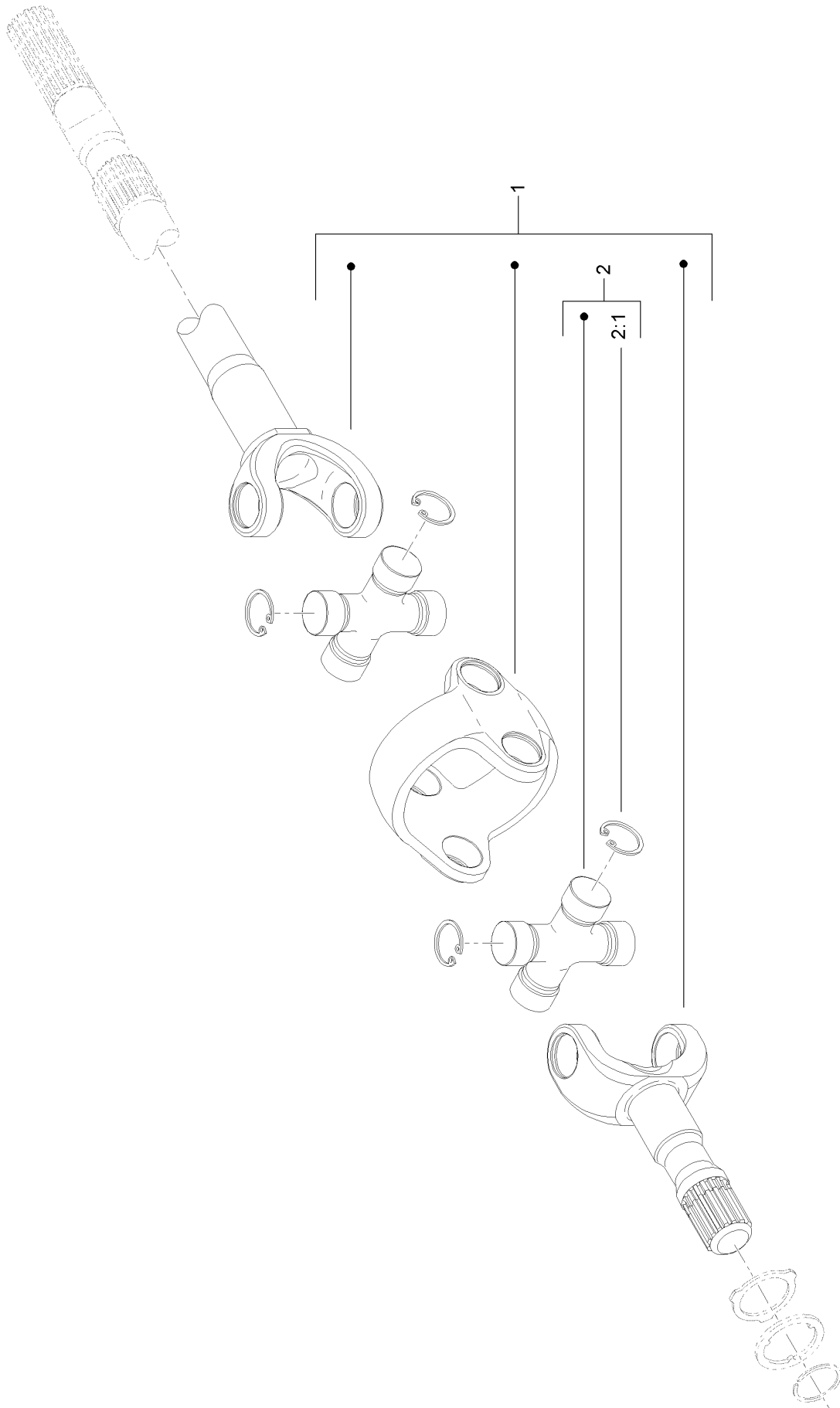
# Rear Axle Bevel Gear Set Assembly



# Rear Axle Bevel Gear Set Assembly (continued)

<i>Ref.</i>	<i>Part Number</i>	<i>Qty.</i>	<i>Description</i>
1	138-7806	1	Seal-Ring

# Rear Axle Double U-Joint Assembly



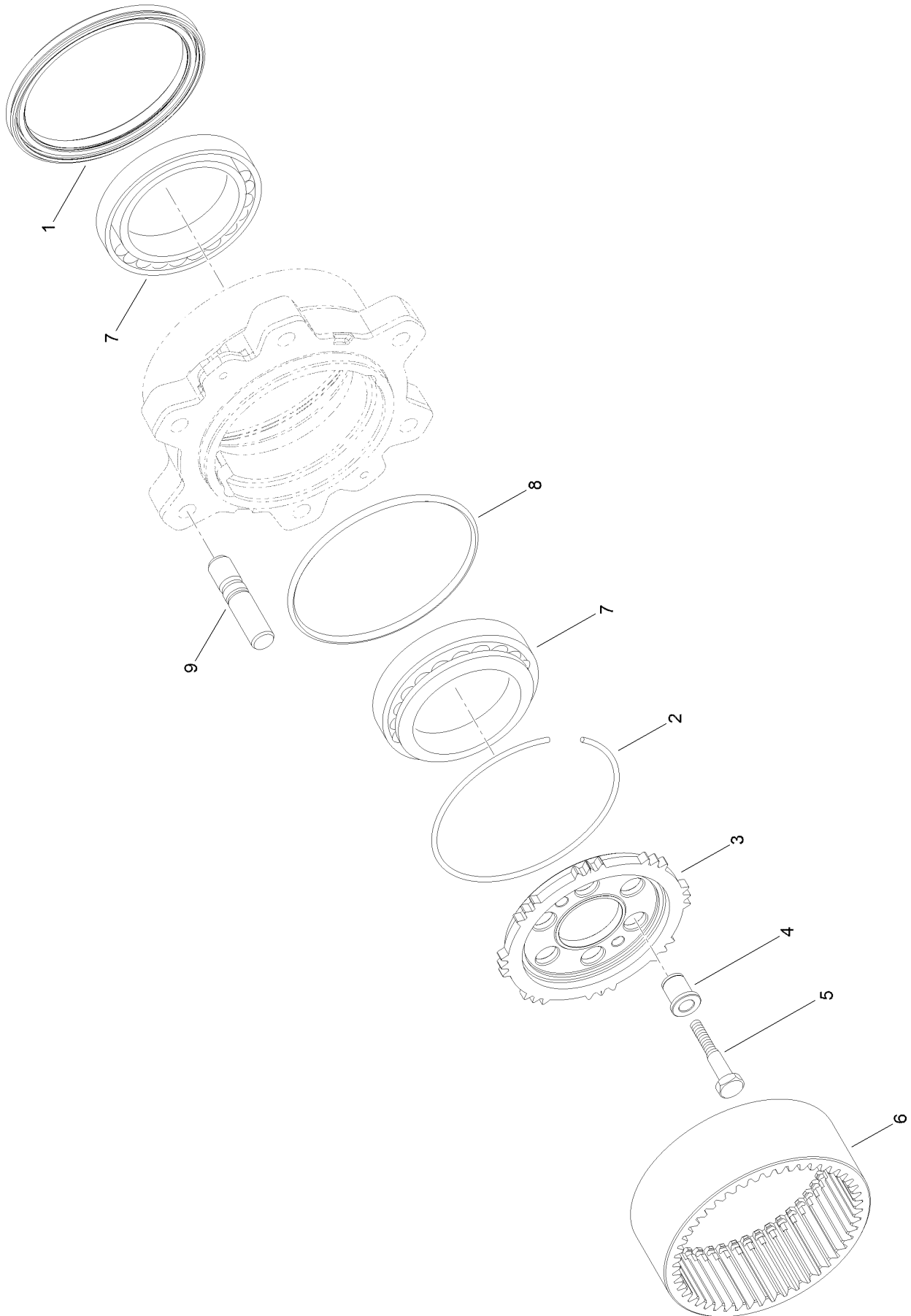


# Rear Axle

## Double U-Joint Assembly (continued)

<i>Ref.</i>	<i>Part Number</i>	<i>Qty.</i>	<i>Description</i>
1	138-7807	2	Double Joint Kit
2	AU100546A1	4	Spider-A
2:1	AU100548A1	4	Ring-Snap

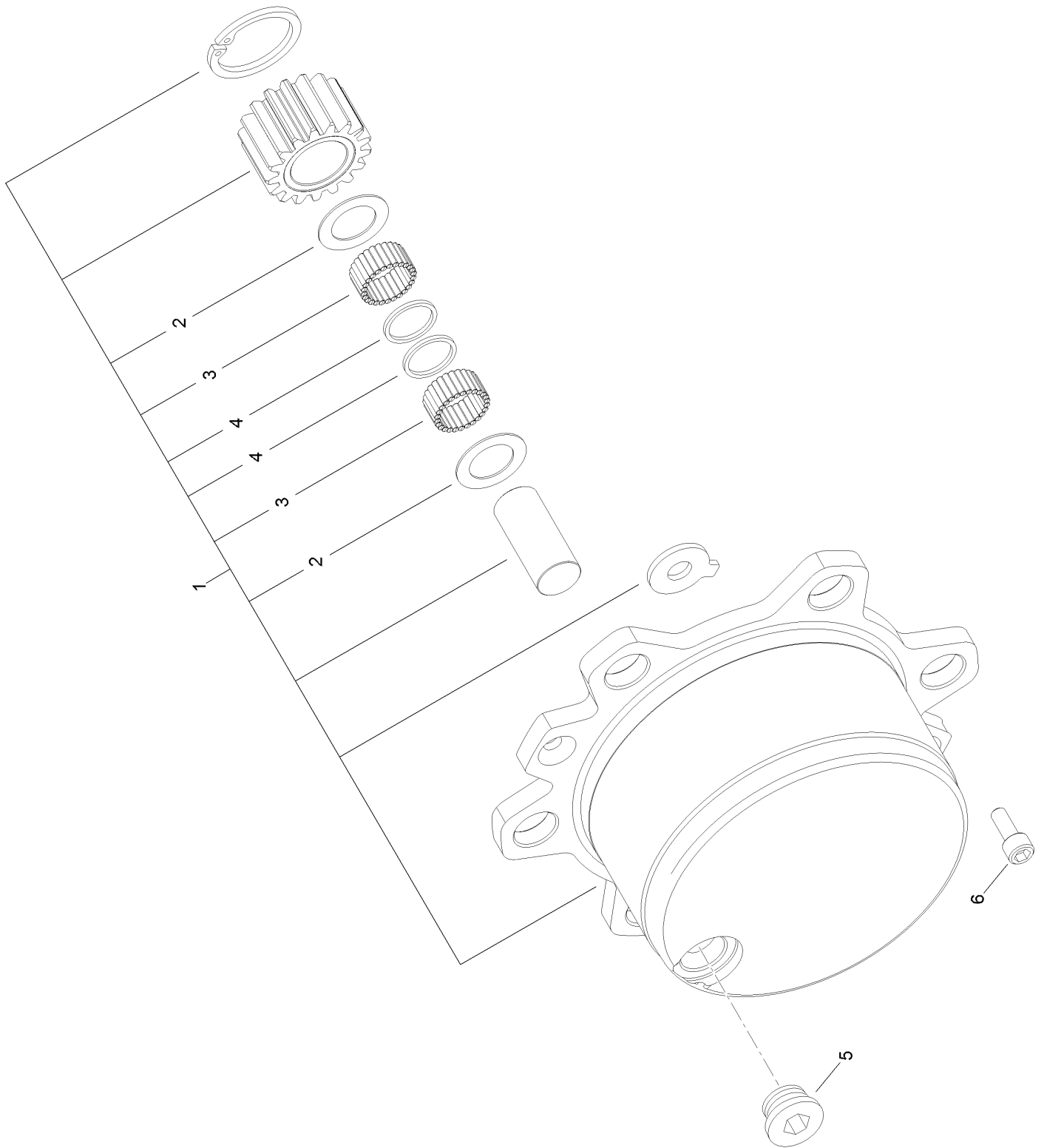
# Rear Axle Wheel Hub Assembly



# Rear Axle Wheel Hub Assembly (continued)

<i>Ref.</i>	<i>Part Number</i>	<i>Qty.</i>	<i>Description</i>	<i>Ref.</i>	<i>Part Number</i>	<i>Qty.</i>	<i>Description</i>
1	138-7811	2	Seal-Ring	6	AU112495A1	2	Gear
2	AU112496A1	2	Ring	7	138-7814	4	Bearing
3	138-7812	2	Carrier-Hub, Wheel	8	138-7815	2	O-Ring
4	138-7813	12	Bushing-Centering	9	auk260218	6	Stud
5	AU116425A1	12	Bolt				

# Rear Axle Planetary Carrier Assembly

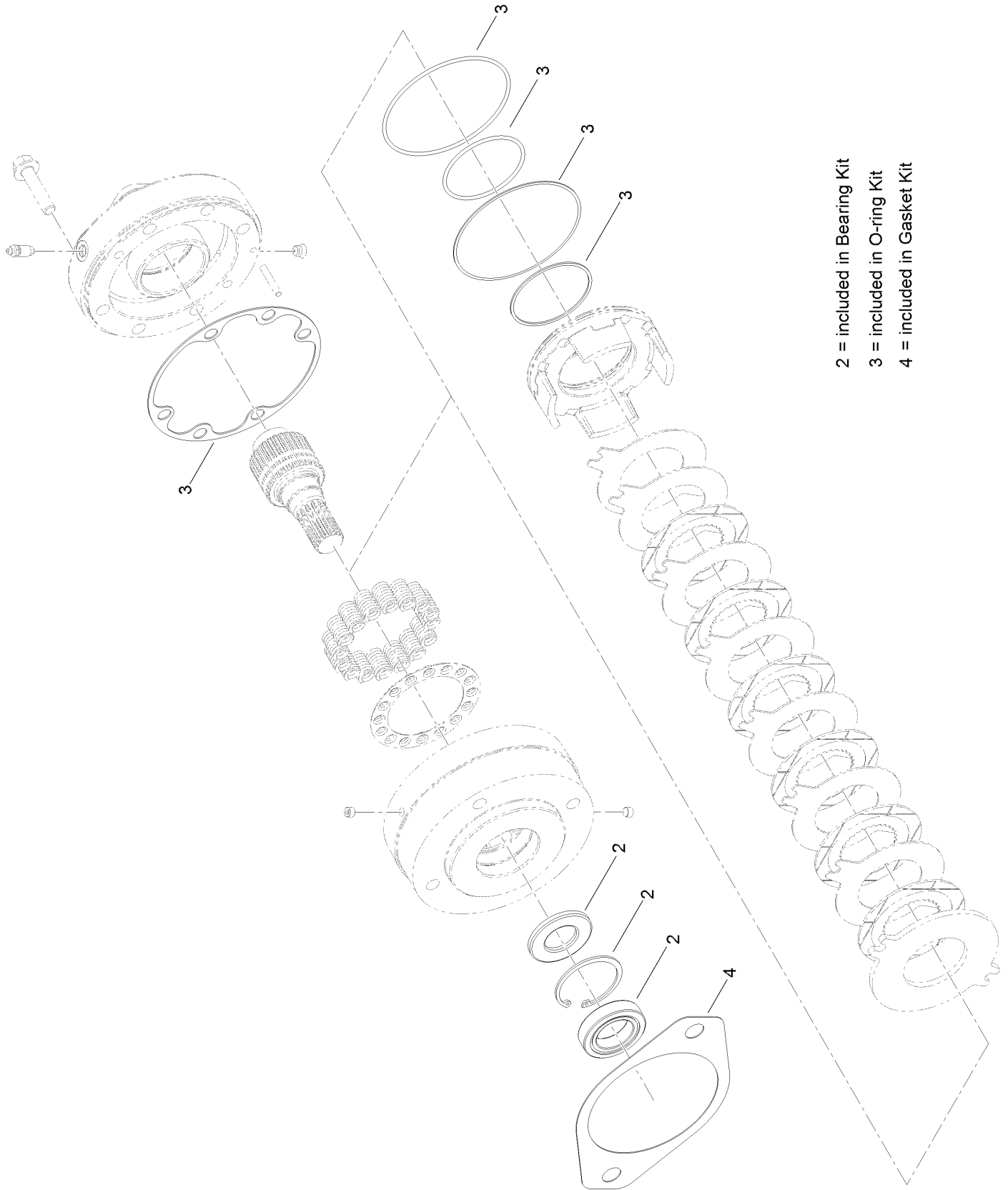


# Rear Axle

## Planetary Carrier Assembly (continued)

<i>Ref.</i>	<i>Part Number</i>	<i>Qty.</i>	<i>Description</i>	<i>Ref.</i>	<i>Part Number</i>	<i>Qty.</i>	<i>Description</i>
1	138-7809	2	Planetary Carrier ASM	4	AU141371A1	6	Washer-Thrust
2	AU112501A1	6	Washer	5	133-5295	2	Plug
3	AU141368A1	32	Bearing-Needle	6	138-7810	4	Screw

# Parking Brake Assembly No. 133-4850

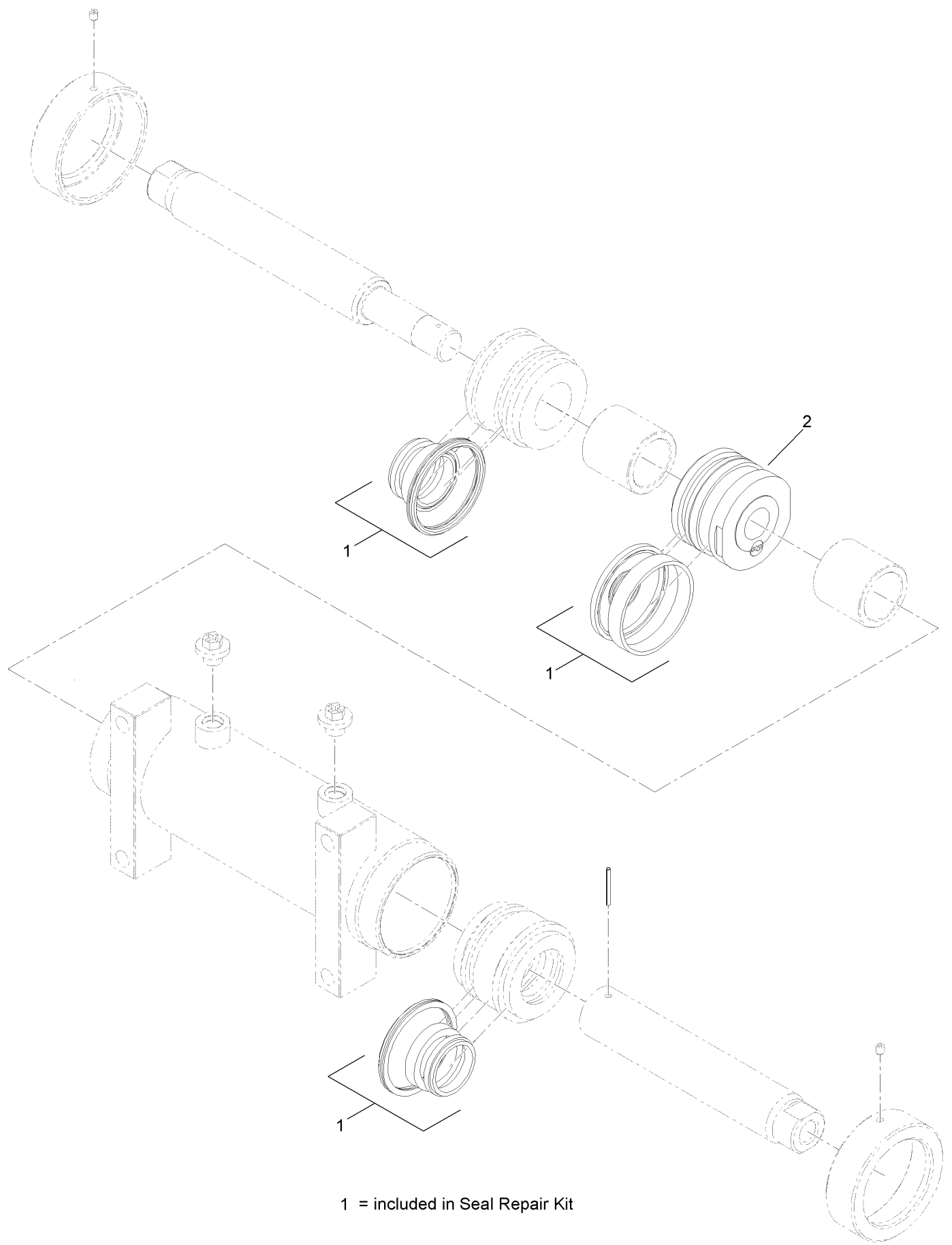


- 2 = included in Bearing Kit
- 3 = included in O-ring Kit
- 4 = included in Gasket Kit

# Parking Brake Assembly No. 133-4850 (continued)

<i>Ref.</i>	<i>Part Number</i>	<i>Qty.</i>	<i>Description</i>
2	138-7800	1	Bearing Kit
3	138-7801	1	O-Ring Kit
4	138-7802	1	Gasket Kit

# Hydraulic Cylinder Assembly No. 133-4864



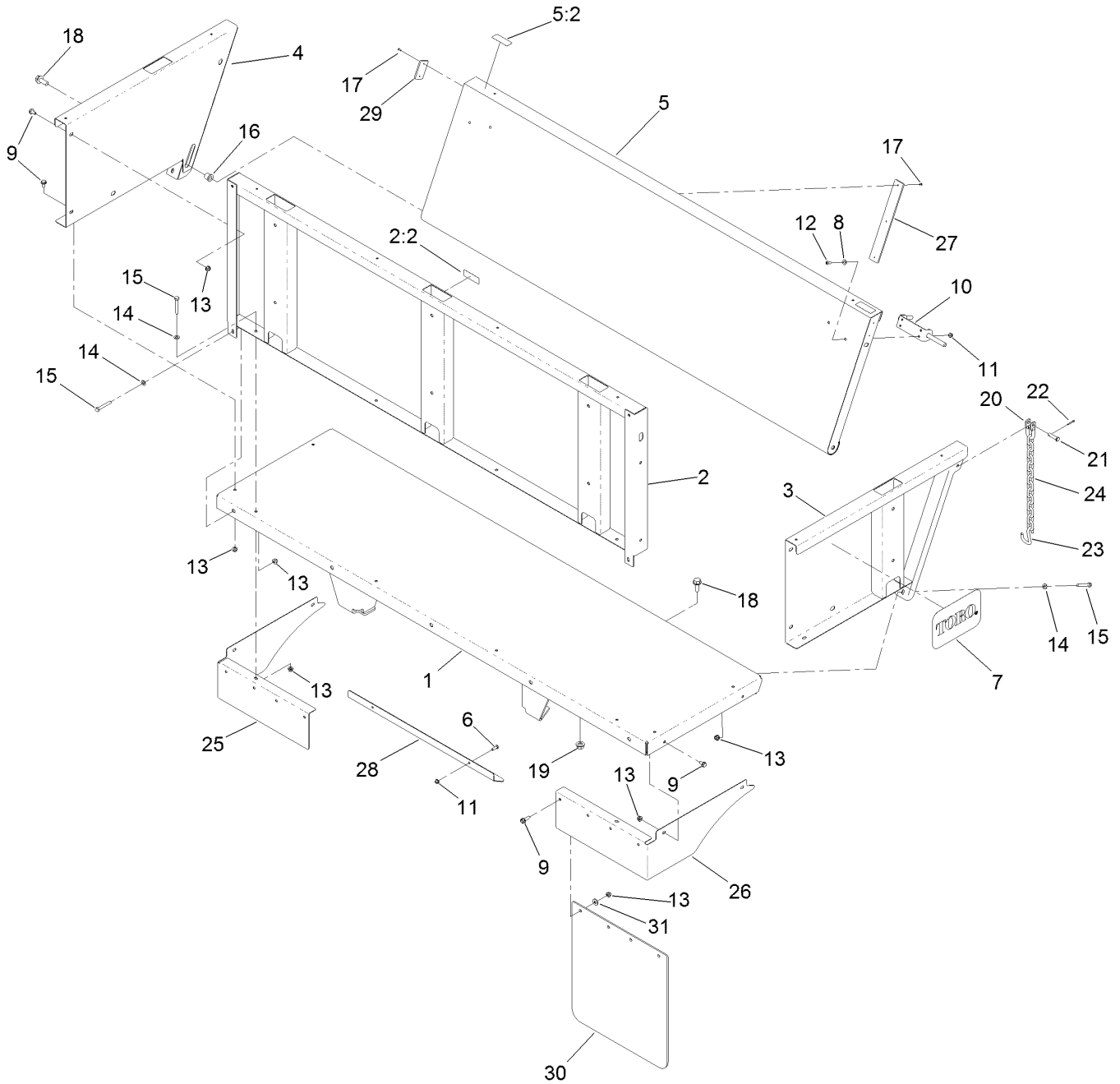
1 = included in Seal Repair Kit



# Hydraulic Cylinder Assembly No. 133-4864 (continued)

<i>Ref.</i>	<i>Part Number</i>	<i>Qty.</i>	<i>Description</i>
1	138-7819	1	Seal Repair Kit
2	138-8164	1	Piston (3In Ball Valve ASM)

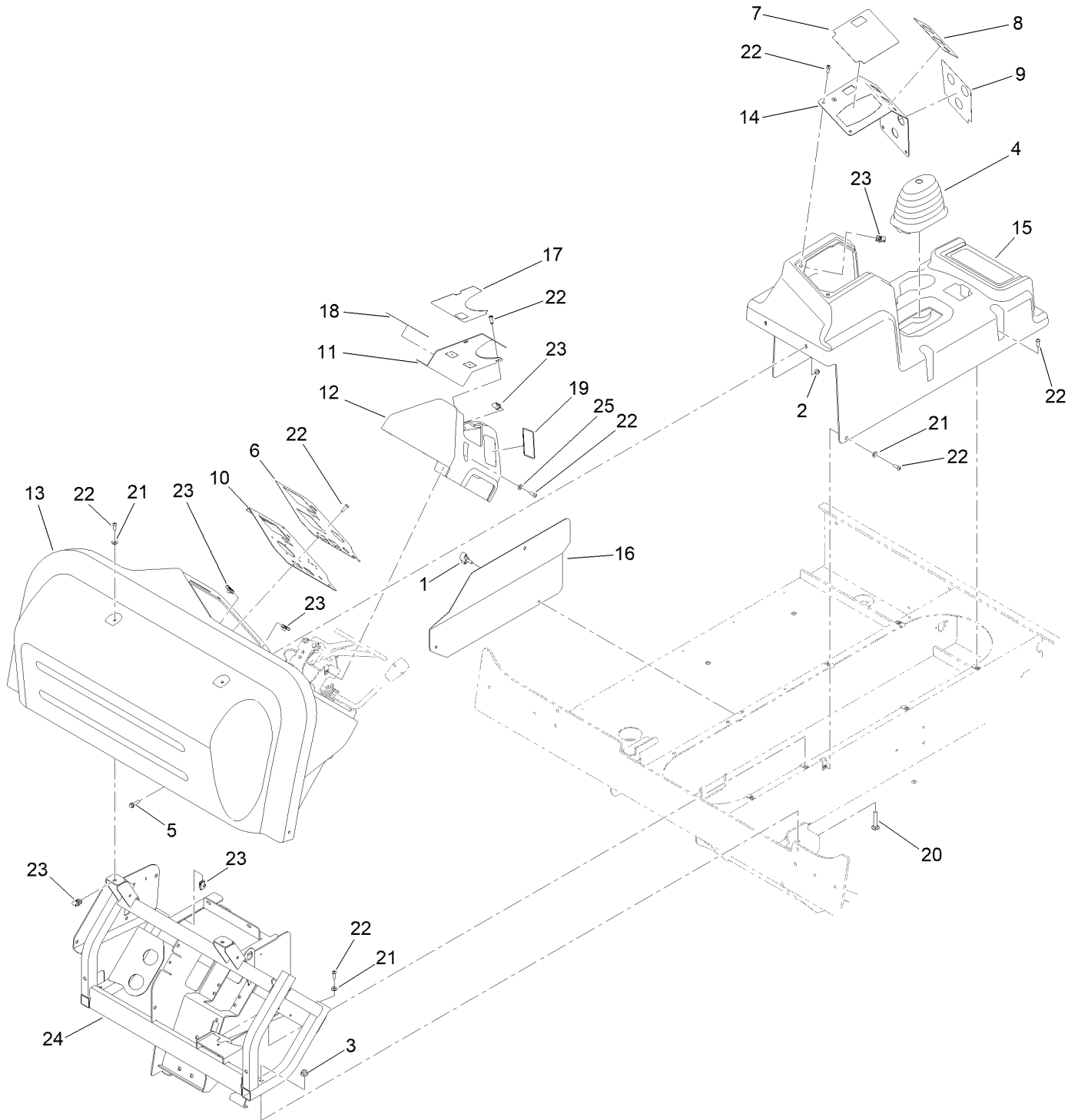
# Standard Box Assembly



## Standard Box Assembly (continued)

<i>Ref.</i>	<i>Part Number</i>	<i>Qty.</i>	<i>Description</i>	<i>Ref.</i>	<i>Part Number</i>	<i>Qty.</i>	<i>Description</i>
1	136-9832-03	1	Bed ASM	16	256-243	2	Bearing-Flange
2	138-3851	1	Panel ASM	17	3290-271	10	Rivet-Pop
2:2	115-7739	1	Decal-No Riders	18	3234-38	6	Screw-HHF
3	136-9830-03	1	Panel-LH	19	99-5107	4	Nut-Lock
4	136-9831-03	1	Panel-RH	20	5-2942	2	Shackle
5	138-4080	1	Tailgate ASM	21	283-10	2	Pin-Clevis
5:2	138-4107	2	Decal-Hazard, Pinch	22	3272-10	2	Pin-Cotter
6	321-4	2	Screw-HH	23	136-9808	2	Hook-Tailgate
7	92-1242	2	Decal	24	136-9809	2	Chain
8	3256-1	4	Washer-Flat	25	136-9806-03	1	Filler-RH
9	3234-47	20	Screw-HHF	26	136-9807-03	1	Filler-LH
10	T62021030	2	Latch-Spring	27	136-9953	2	Pad-Wear
11	104-7201	6	Nut-HF, NI	28	136-9954-03	1	Shield-Box
12	3274-31	4	Screw-HSBH	29	136-9956	2	Pad-Wear
13	104-8300	28	Nut-HF, NI	30	136-9999	2	Mudflap-Box
14	3256-23	8	Washer-Plain	31	3256-3	8	Washer-Flat
15	322-11	8	Screw-HH				

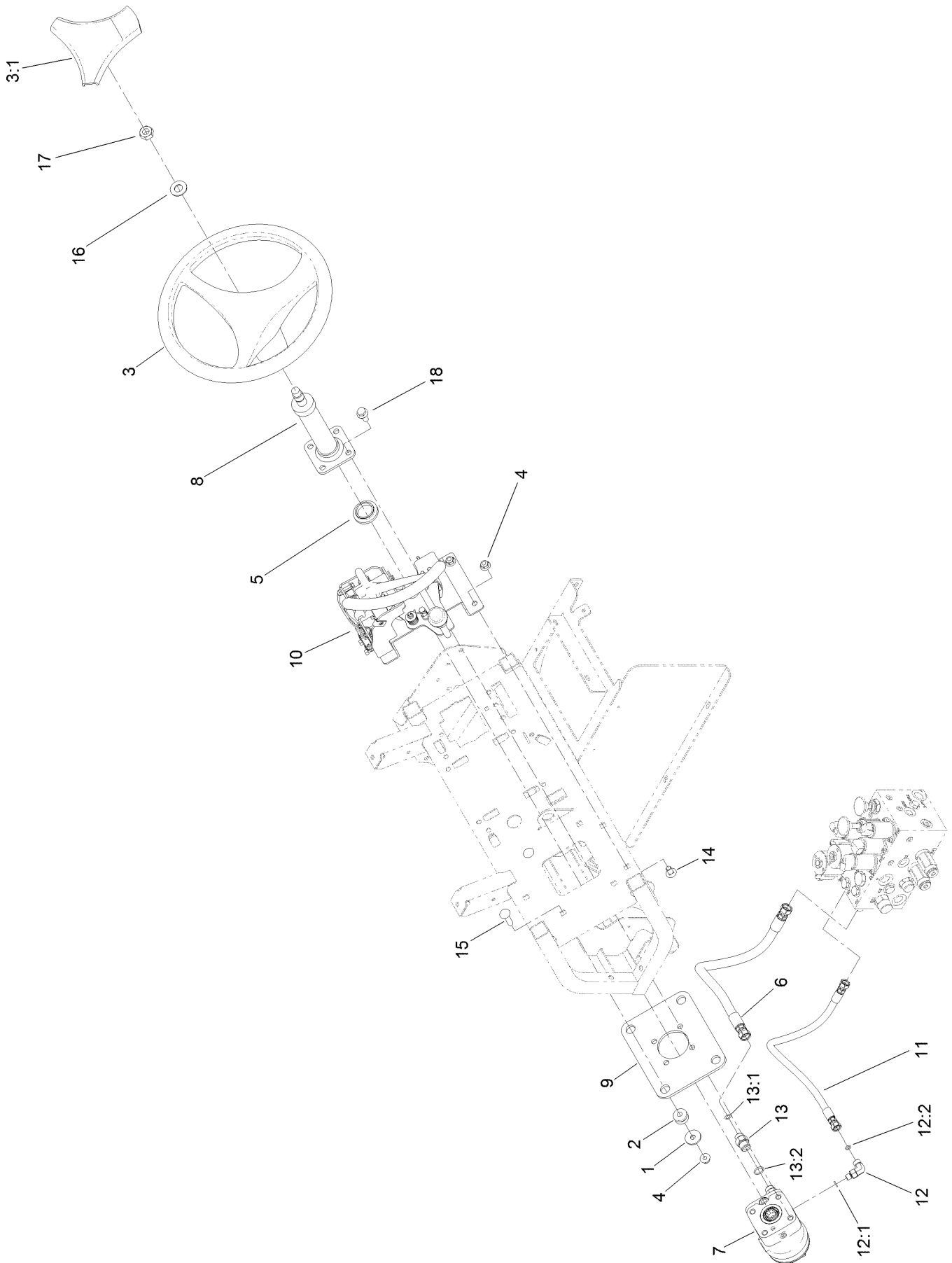
# Panel Assembly



## Panel Assembly (continued)

<i>Ref.</i>	<i>Part Number</i>	<i>Qty.</i>	<i>Description</i>	<i>Ref.</i>	<i>Part Number</i>	<i>Qty.</i>	<i>Description</i>
1	98-8332	3	Knob	14	136-9635-03	1	Plate-Console
2	104-7201	2	Nut-HF, NI	15	136-9636	1	Console
3	104-8301	2	Nut-HF, NI	16	136-9776-03	1	Panel-Service
4	117-8063	1	Boot-Shift	17	147-1713	1	Decal-Console
5	120-4654	2	Screw-HHF	18	147-1712	1	Decal-Console
6	136-5023	1	Decal-Panel, Control	19	138-2017	1	Decal-Shifter
7	136-5024	1	Decal-Console, Upper	20	3231-6	2	Screw-CARR
8	136-5025	1	Decal-Console, Mid	21	3256-1	5	Washer-Flat
9	136-5026	1	Decal-Console, Lower	22	3274-69	21	Screw-HSBH
10	136-9619-03	1	Panel-Control	23	107069	14	Clip
11	147-1711-03	1	Panel-Steer	24	138-8260-0P	1	Dash
12	136-9628	1	Cover-Steer	25	3256-1	1	Washer-Flat
13	136-9634	1	Dash-Molded				

# Steering Assembly

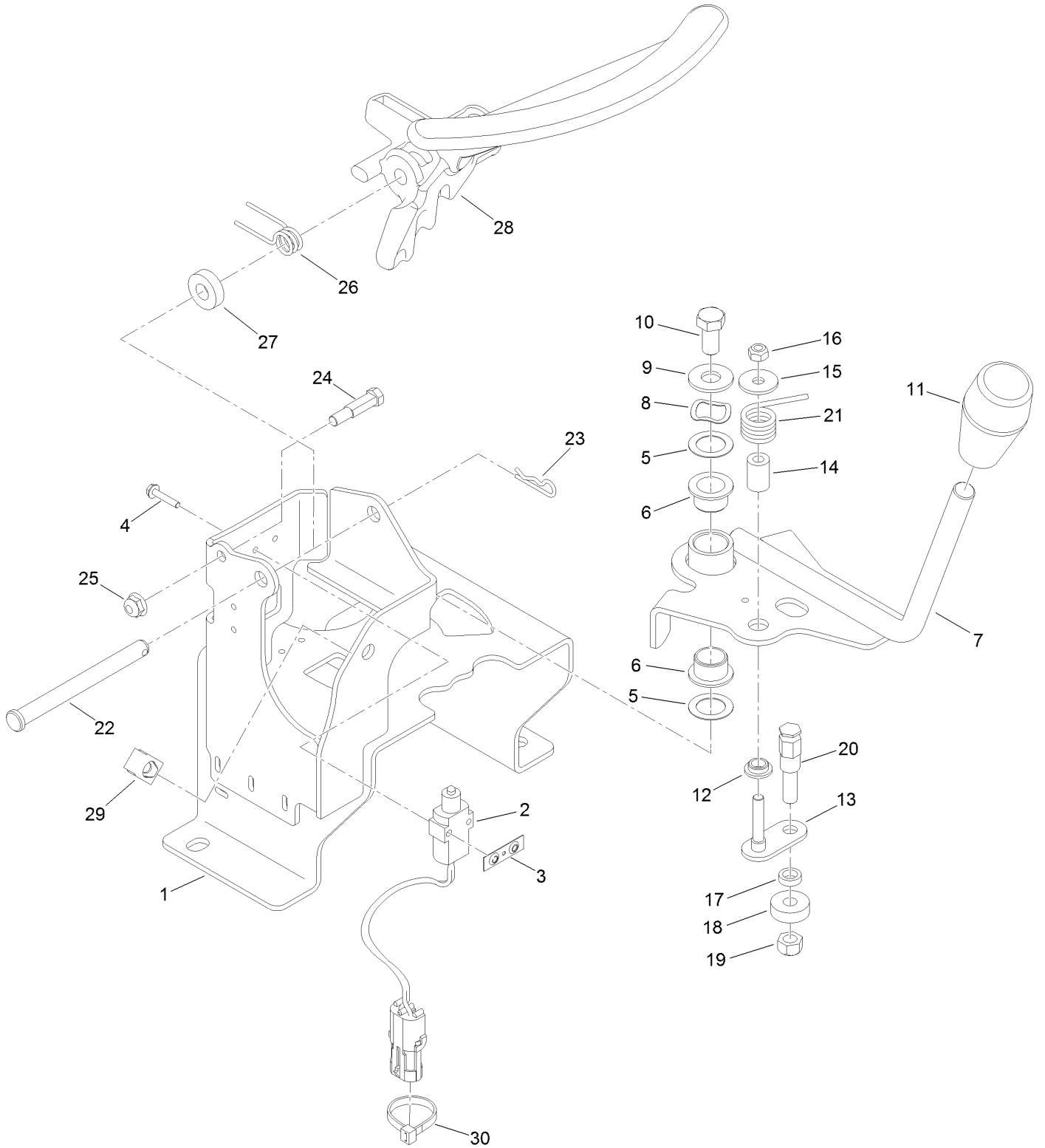


## Steering Assembly (continued)

<i>Ref.</i>	<i>Part Number</i>	<i>Qty.</i>	<i>Description</i>	<i>Ref.</i>	<i>Part Number</i>	<i>Qty.</i>	<i>Description</i>
1	63-8410	4	Washer	12	340-132	1	Fitting-Elbow, 90 DEG
2	63-9750	4	Mount	12:1	237-78	1	O-Ring
3	98-1471	1	Wheel-Steering	12:2	237-21	1	O-Ring
3:1	98-1468	1	Cover-Wheel, Steering	13	340-3	4	Fitting-Straight
4	104-8301	7	Nut-HF, NI	13:1	237-22	1	O-Ring
5	140-0553	1	Bushing-Alignment	13:2	237-79	1	O-Ring
6	119-1433	1	Hose ASM	14	3231-21	3	Screw-CARR
7	161-5670	1	Valve-Steering	15	3231-26	4	Screw-CARR
8	132-6319	1	Column-Steer	16	3256-27	1	Washer-Flat
9	133-7895-0P	1	Plate-Steering	17	3296-33	1	Nut-Lock, NI
10		1	Paddle Shift ASM ●	18	33105-025	4	Screw-HHF
11	136-9713	1	Hose ASM				

● Not serviced separately

# Paddle Shift Assembly

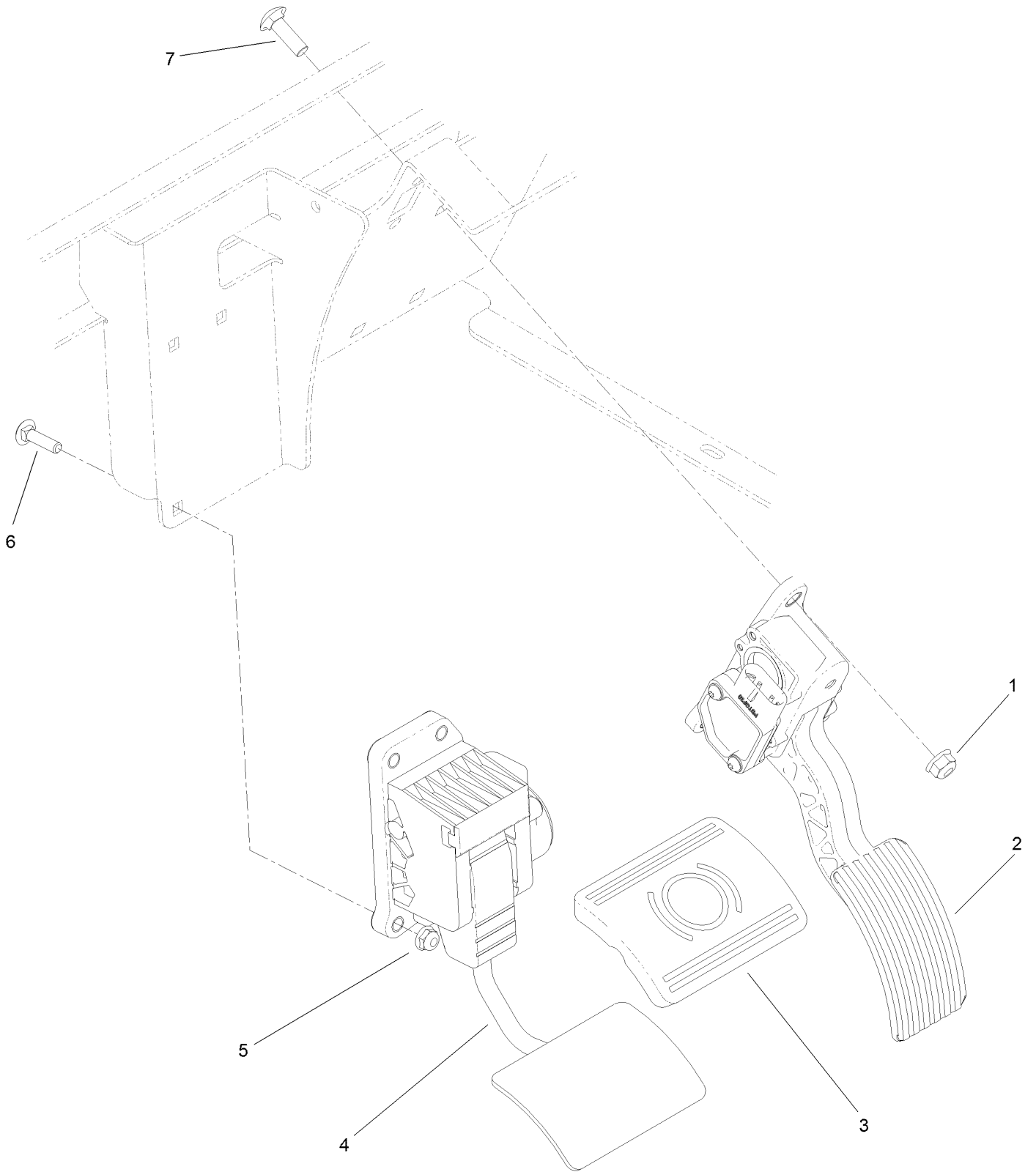




## Paddle Shift Assembly (continued)

<i>Ref.</i>	<i>Part Number</i>	<i>Qty.</i>	<i>Description</i>	<i>Ref.</i>	<i>Part Number</i>	<i>Qty.</i>	<i>Description</i>
1	136-9644-03	1	Control	16	33023-00	1	Nut-Lock
2	99-3410	4	Switch	17	82-4240	1	Spacer-Bearing
3	108-9824	4	Nut-Switch	18	251-259	1	Bearing-Ball
4	117-5458	8	Screw-HHF	19	33024-00	1	Nut-Lock, NI
5	7-4650	2	Washer-Plain	20	94-9617	1	Pin-Spring
6	108-2973	2	Bushing-Flange	21	94-9620	1	Spring-Torsion
7	132-8178	1	Lever ASM	22	100-1413	1	Pin-Clevis
8	3290-317	1	Washer-Spring	23	1-806003	1	Pin-Cotter
9	3256-4	1	Washer-Flat	24	132-8187	1	Bolt-Shoulder
10	323-4	1	Screw-HH	25	104-7201	1	Nut-HF, NI
11	131-8473	1	Knob-Tapered	26	131-6107	1	Spring-Torsion
12	94-9619	1	Bushing	27	5-0652	1	Spacer
13	120-3198	1	Roller-Pivot	28	132-8173	1	Paddle
14	94-9618	1	Spacer-Spring	29	107069	1	Clip
15	3256-67	1	Washer	30	3290-378	4	Tie-Cable

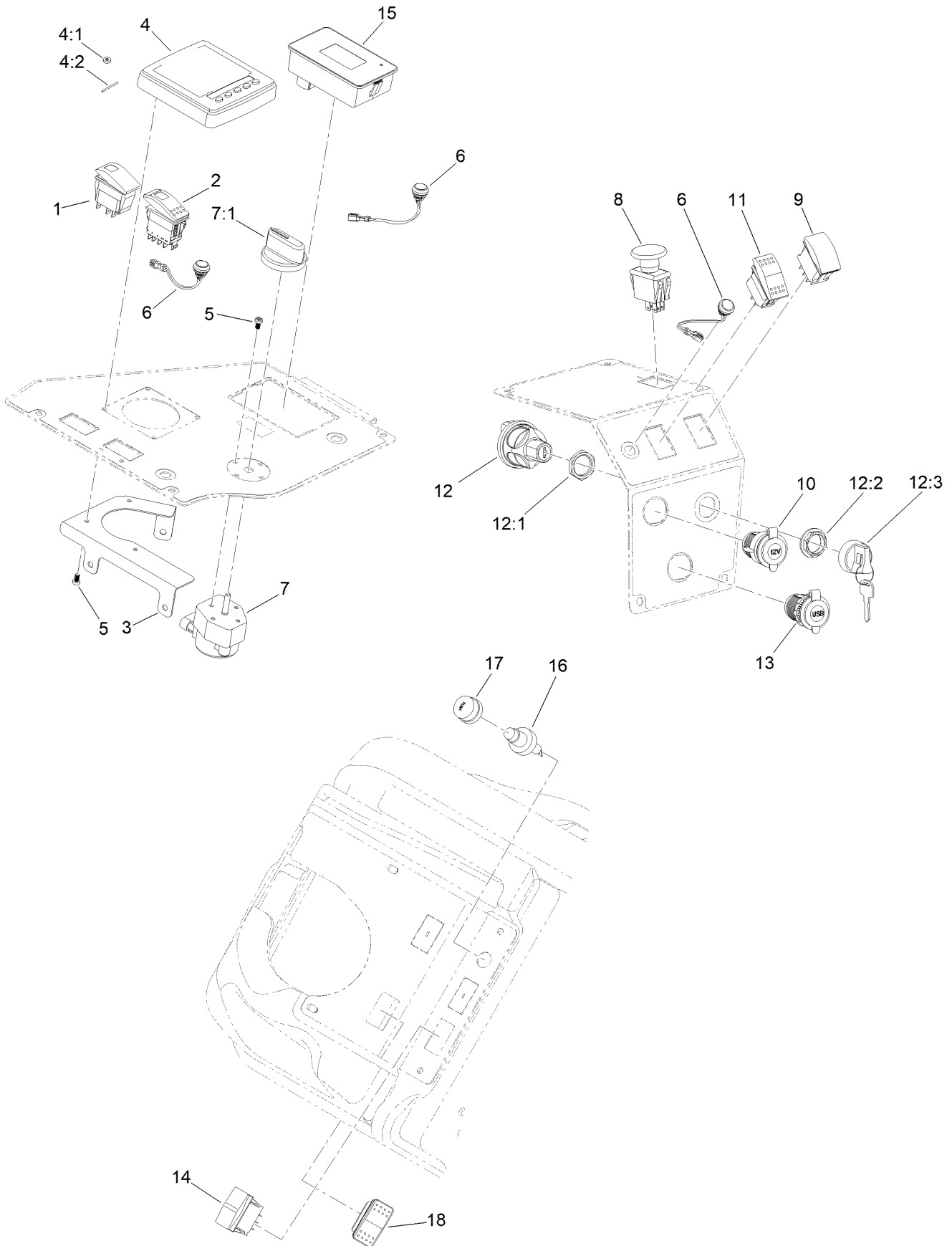
# Pedal Assembly



## Pedal Assembly (continued)

<i>Ref.</i>	<i>Part Number</i>	<i>Qty.</i>	<i>Description</i>	<i>Ref.</i>	<i>Part Number</i>	<i>Qty.</i>	<i>Description</i>
1	104-8300	3	Nut-HF, NI	5	104-7201	3	Nut-HF, NI
2	121-9675	1	Pedal-Accelerator	6	3229-2	3	Screw-CARR
3	93-8742	1	Footpad-Brake	7	3230-22	3	Screw-CARR
4	138-8270	1	Brake ASM				

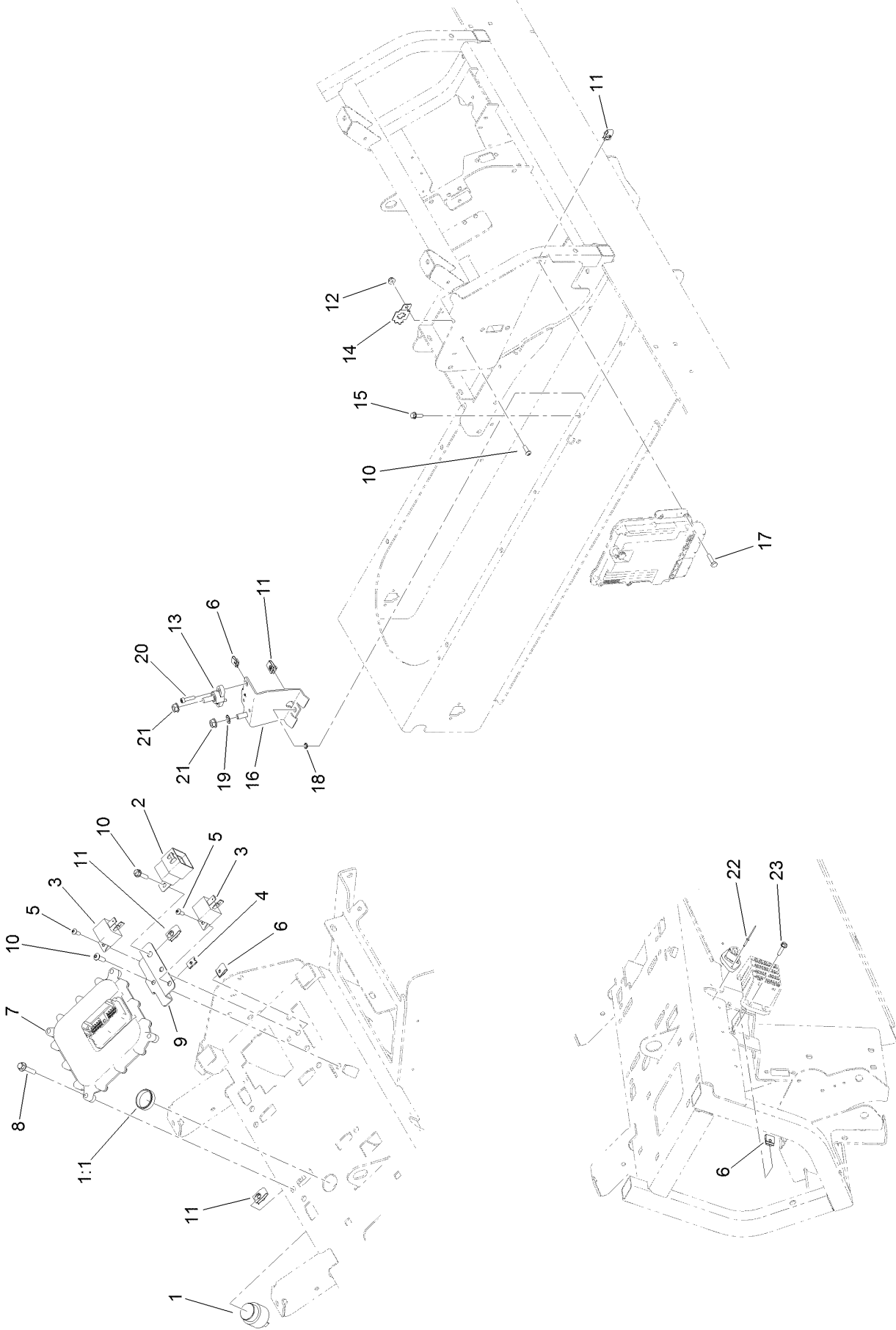
# Dash and Console Control Assembly



## Dash and Console Control Assembly (continued)

<i>Ref.</i>	<i>Part Number</i>	<i>Qty.</i>	<i>Description</i>	<i>Ref.</i>	<i>Part Number</i>	<i>Qty.</i>	<i>Description</i>
1	105-4232	1	Switch	10	109-9376	1	Receptacle-12V
2	122-0938	1	Switch-Rocker, On-None-On	11	114-3329	1	Switch-Rocker
3	122-1109-0P	1	Bracket-Display	12	121-5159	1	Switch-Ignition
4	125-5320	1	Infocenter Kantrak 2700	12:1	121-5160	1	Nut-Hex
4:1	115-8884	4	Nut-Thumb	12:2	122-2704	1	Nut-Face, M22 (Plastic)
4:2	115-8885	4	Stud	12:3	121-5162	1	Set-Key, Ignition
5	132-7668	8	Screw-PPH	13	131-8388	1	Socket-USB
6	136-9678	3	Switch-Pushbutton	14	120-0334	1	Switch-Rocker
7	122-1338	1	Switch-Rotary	15	122-1201	1	Module-Display
7:1	122-1362	1	Knob	16	112-3324	1	Switch-Horn
8	93-9999	1	Switch-PTO	17	112-3313	1	Nut-Weatherproof
9	100-1535	1	Switch-Rocker, (On)-Off-(On)	18	95-8999	1	Switch-Rocker, On-None-On

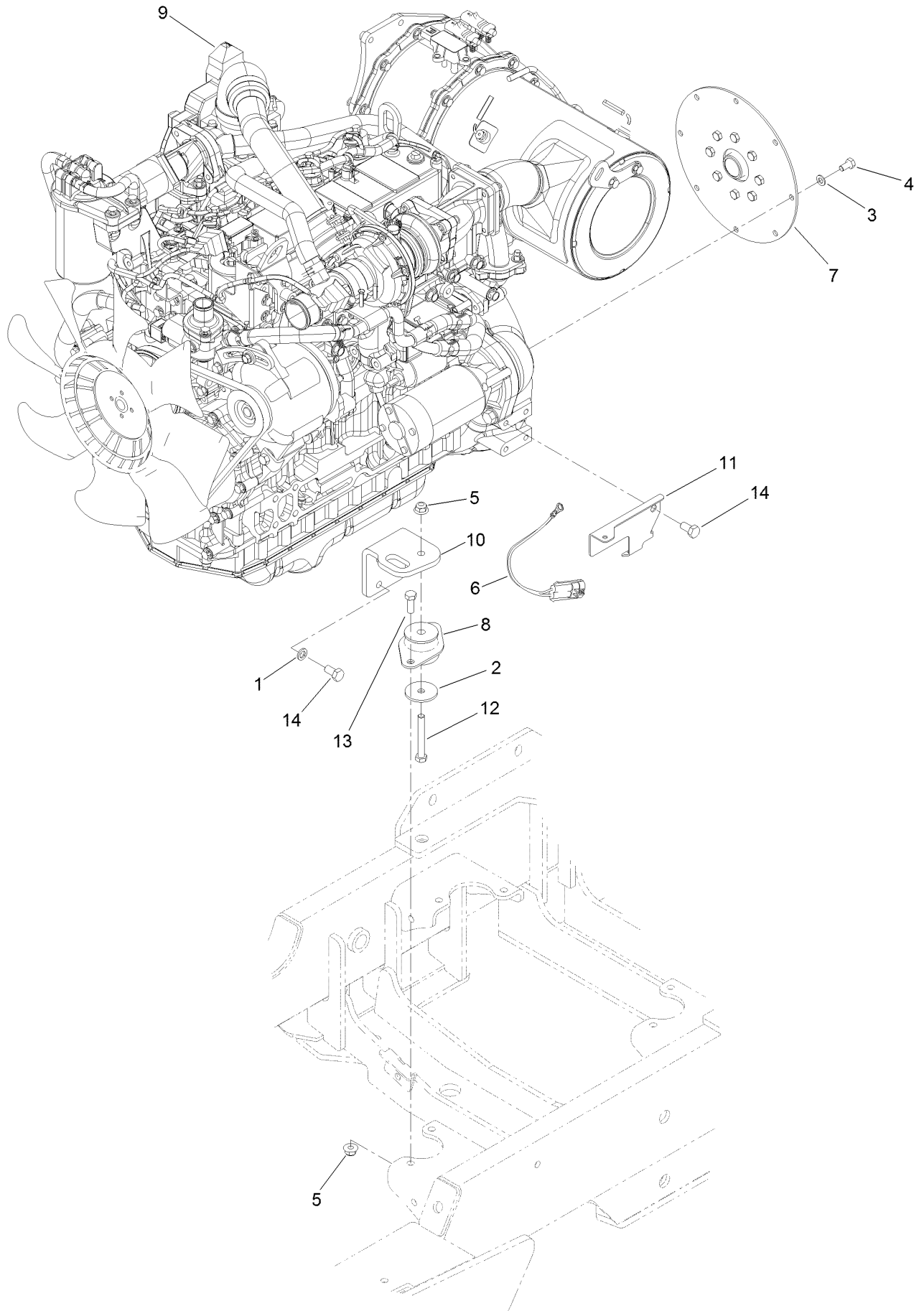
# Dash Component Assembly



## Dash Component Assembly (continued)

<i>Ref.</i>	<i>Part Number</i>	<i>Qty.</i>	<i>Description</i>	<i>Ref.</i>	<i>Part Number</i>	<i>Qty.</i>	<i>Description</i>
1	80-9330	1	Audio Alarm ASM	13	110-8822	1	Block-Junction
1:1	104-5107	1	Nut-Plastic, Knurled	14	114-5502	1	Clip-Fuse
2	99-7430	1	Relay-Mini	15	115-5103	2	Screw-HHF
3	99-7435	5	Relay	16	138-8144-0P	1	Bracket ASM-Terminal [primed]
4	107-1013	2	Nut-Speed	17	321-6	3	Screw-HH
5	32105-13	9	Screw-HWH	18	3255-7	2	Washer-Lock/EXT
6	120-6686	9	Nut-Clip, U	19	3255-9	1	Washer-Lock
7	127-2770	1	Controller	20	3274-14	2	Screw-HSH
8	127-8639	4	Screw-HHF	21	3290-357	2	Nut-HSF
9	136-9654	1	Bracket-Fuse, Engine	22	136-9679	2	Rivet-Tiny
10	3274-69	3	Screw-HSBH	23	3290-378	1	Tie-Cable
11	107069	11	Clip				
12	104-7201	1	Nut-HF, NI				

# Engine Assembly

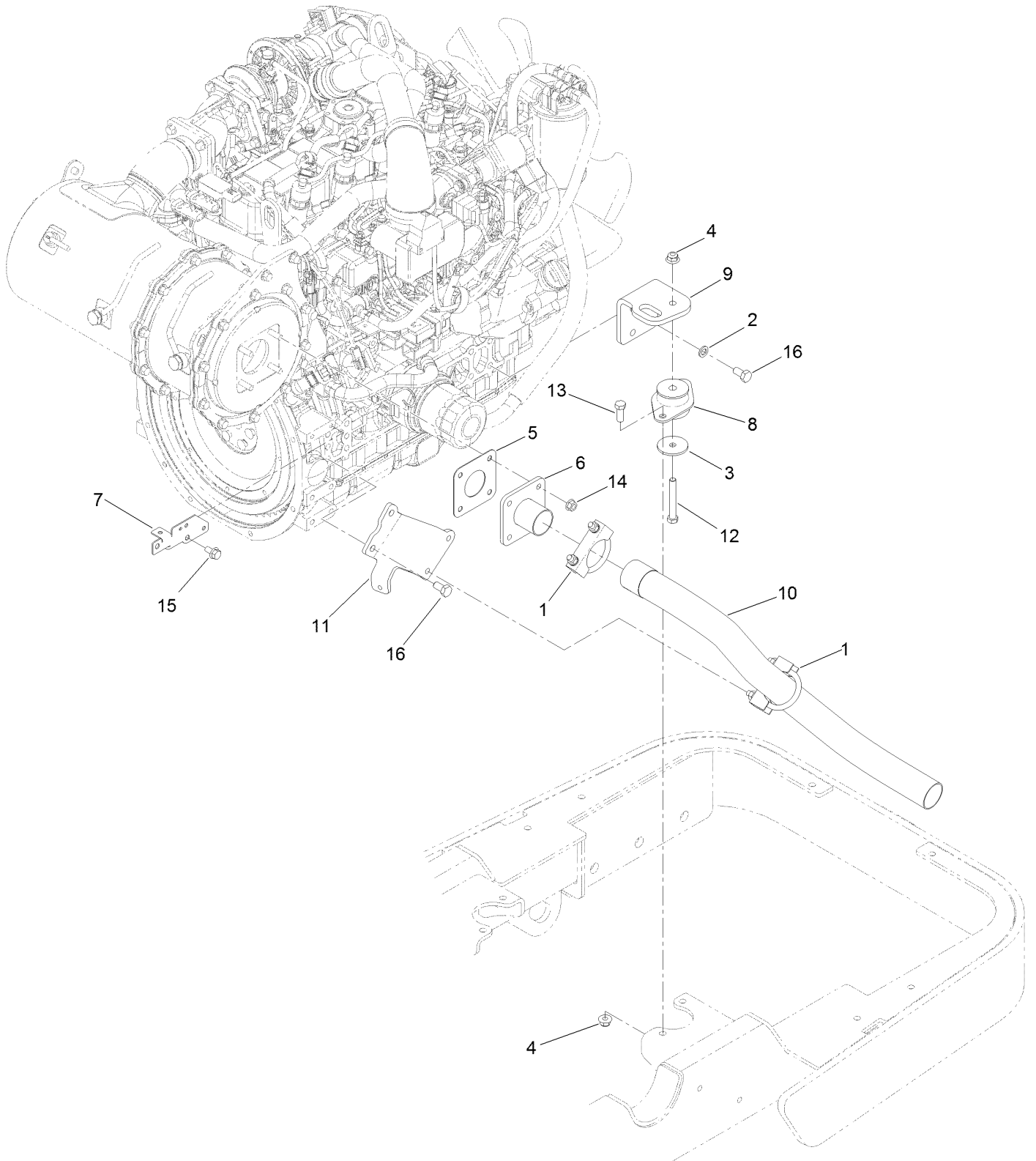




## Engine Assembly (continued)

<i>Ref.</i>	<i>Part Number</i>	<i>Qty.</i>	<i>Description</i>	<i>Ref.</i>	<i>Part Number</i>	<i>Qty.</i>	<i>Description</i>
1	48-9590	4	Washer-Lock	8	131-1821	1	Mount-Engine
2	63-7400	1	Washer-Rebound	9	138-8198	1	Engine-Yanmar
3	87-7510	8	Washer-Flat	10	132-6304-0P	1	Bracket-Engine
4	139-9940	8	Screw-HH	11	133-7894	1	Bracket-Wire, LH
5	104-8301	3	Nut-HF, NI	12	323-13	1	Screw-HH
6	108-9470	1	Harness-Wire, Fusible Link	13	323-6	2	Screw-HH
7	120-4176	1	Coupling-Spring, Flywheel	14	33115-020	5	Screw-HH

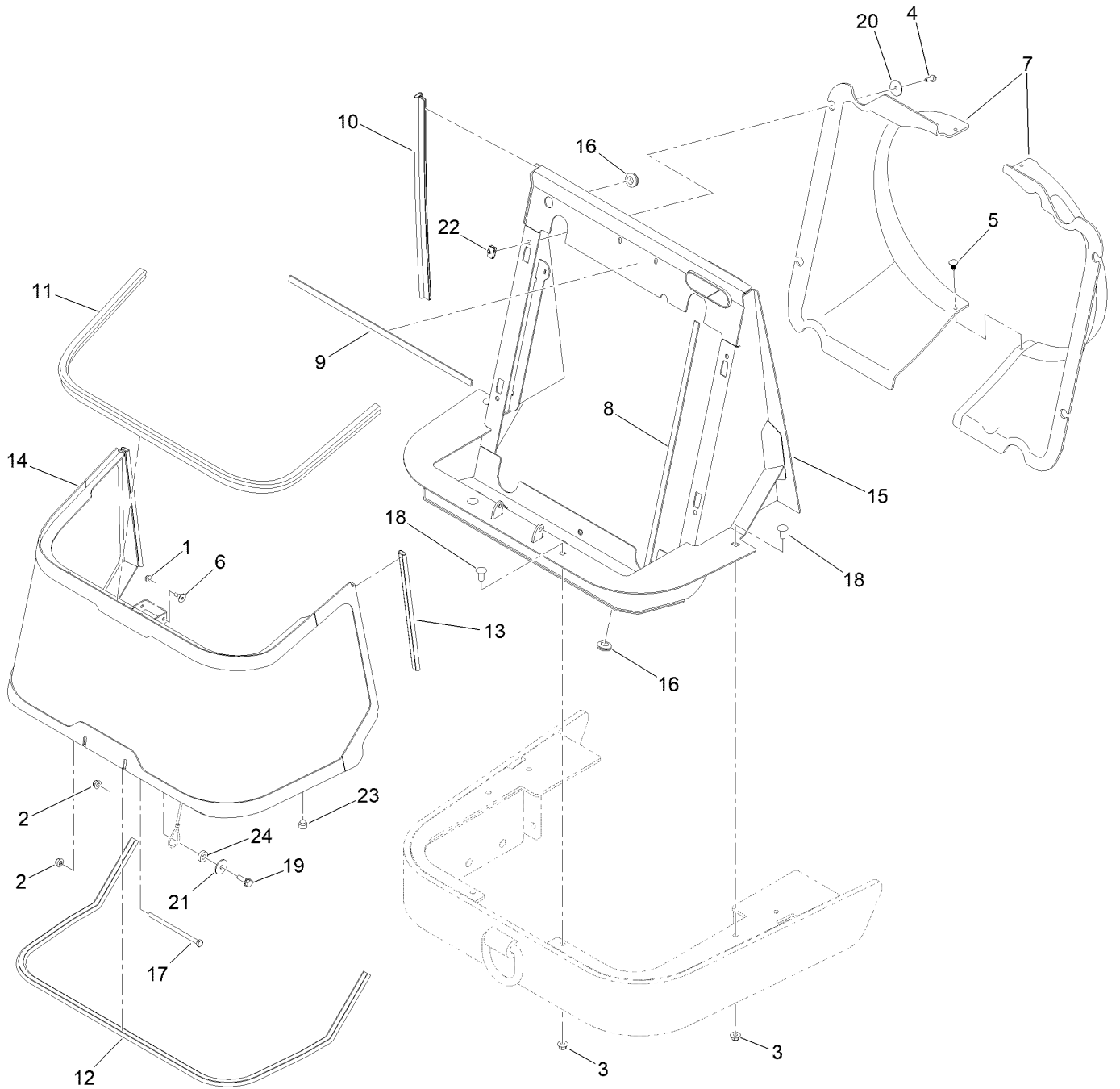
# Exhaust and Bracket Assembly



## Exhaust and Bracket Assembly (continued)

<i>Ref.</i>	<i>Part Number</i>	<i>Qty.</i>	<i>Description</i>	<i>Ref.</i>	<i>Part Number</i>	<i>Qty.</i>	<i>Description</i>
1	18-2130	2	Clamp	9	132-6304-0P	1	Bracket-Engine
2	48-9590	4	Washer-Lock	10	133-7870	1	Tube-Exhaust
3	63-7400	1	Washer-Rebound	11	133-7893-0P	1	Bracket-Exhaust
4	104-8301	3	Nut-HF, NI	12	323-13	1	Screw-HH
5	121-3058	1	Gasket-Exhaust	13	323-6	2	Screw-HH
6	121-3060	1	Flange-Exhaust	14	33004-00	4	Nut-HF
7	122-0940	1	Bracket-Harness, Engine	15	33104-016	1	Screw-HHF
8	131-1821	1	Mount-Engine	16	33115-020	6	Screw-HH

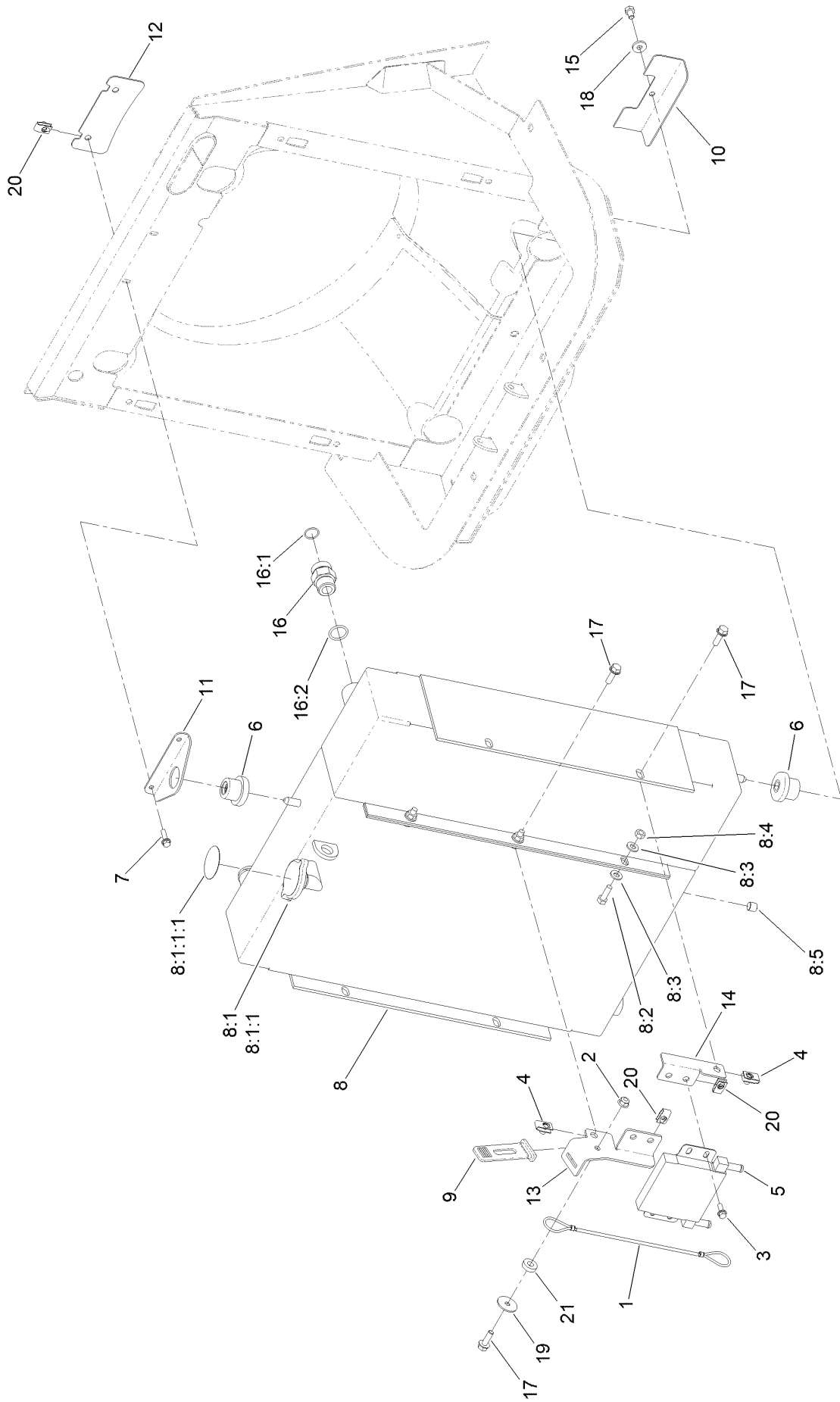
# Screen and Support Assembly



## Screen and Support Assembly (continued)

<i>Ref.</i>	<i>Part Number</i>	<i>Qty.</i>	<i>Description</i>	<i>Ref.</i>	<i>Part Number</i>	<i>Qty.</i>	<i>Description</i>
1	104-7201	1	Nut-HF, NI	13	138-2028	2	Seal-Bulb
2	104-8300	2	Nut-HF, NI	14	138-2030-03	1	Screen
3	104-8301	4	Nut-HF, NI	15	138-4175-01	1	Mount-Cooling
4	115-5103	4	Screw-HHF	16	237-124	3	Grommet
5	117-2382	2	Plug-Plastic	17	322-49	1	Bolt-HH
6	125-1122	1	Screw	18	3231-27	4	Screw-CARR
7	136-5166	1	Fan Shroud ASM	19	3234-29	1	Screw-HHF
8	136-9862	2	Seal-Foam	20	3256-55	4	Washer-Flat
9	136-9865	2	Seal-Foam	21	3256-57	1	Washer-Flat
10	138-2025	2	Seal-Bulb	22	107069	4	Clip
11	138-2026	1	Seal-Bulb	23	107-8042	2	Bumper-Rubber
12	138-2027	1	Seal-Bulb	24	5-0652	1	Spacer

# Radiator Assembly

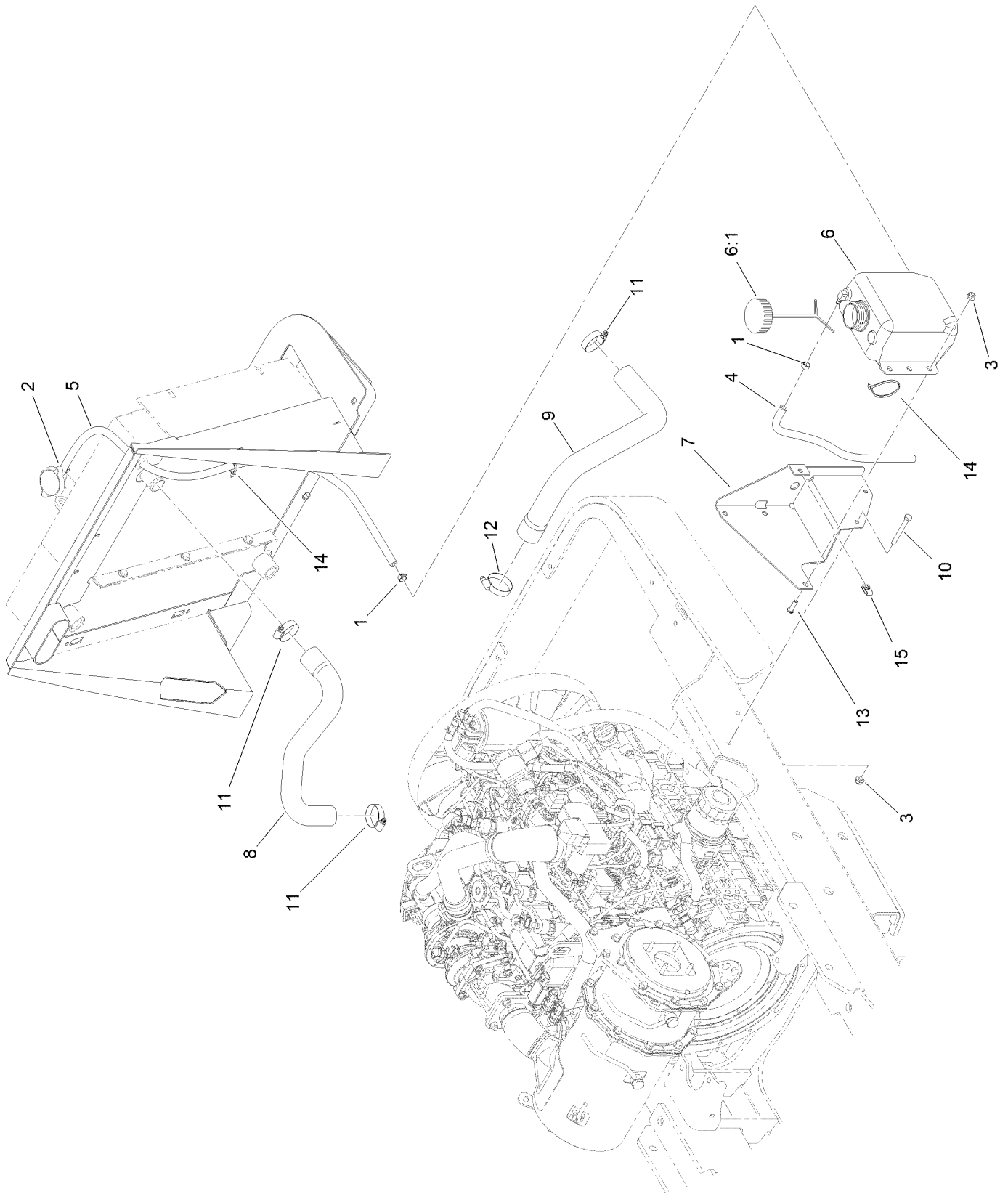


## Radiator Assembly (continued)

<i>Ref.</i>	<i>Part Number</i>	<i>Qty.</i>	<i>Description</i>	<i>Ref.</i>	<i>Part Number</i>	<i>Qty.</i>	<i>Description</i>
1	93-9595	1	Lanyard	9	131-8402	1	Strap-Down, Hold
2	104-8300	1	Nut-HF, NI	10	138-1855	1	Bracket-Clamp
3	115-5103	4	Screw-HHF	11	138-2029	1	Bracket-Clamp
4	94-2413	2	Nut-U	12	138-2049	1	Plate-Clamp
5	116-7205	1	Cooler	13	138-3750	1	Bracket-Cooler, RH
6	119-1422	3	Mount-Isolator	14	138-3751	1	Bracket-Cooler, LH
7	120-4654	2	Screw-HHF	15	322-1	1	Screw-HH
8	131-5630	1	Radiator Cooler ASM	16	340-9	2	Fitting-STR
8:1	119-1430	1	Radiator Cap ASM	16:1	237-58	1	O-Ring
8:1:1		1	Cap-Radiator ●	16:2	237-81	1	O-Ring
8:1:1:1	117-3276	1	Decal-Danger	17	3234-29	3	Screw-HHF
8:2	33114-025	6	Screw-HH	18	88-7200	1	Washer-Flat
8:3	33094-00	12	Washer-Plain	19	3256-57	1	Washer-Flat
8:4	33014-00	6	Nut-Hex	20	107069	6	Clip
8:5	99-8551	1	Plug-Pipe	21	5-0652	1	Spacer

● Not serviced separately

# Engine Cooling and Hose Assembly

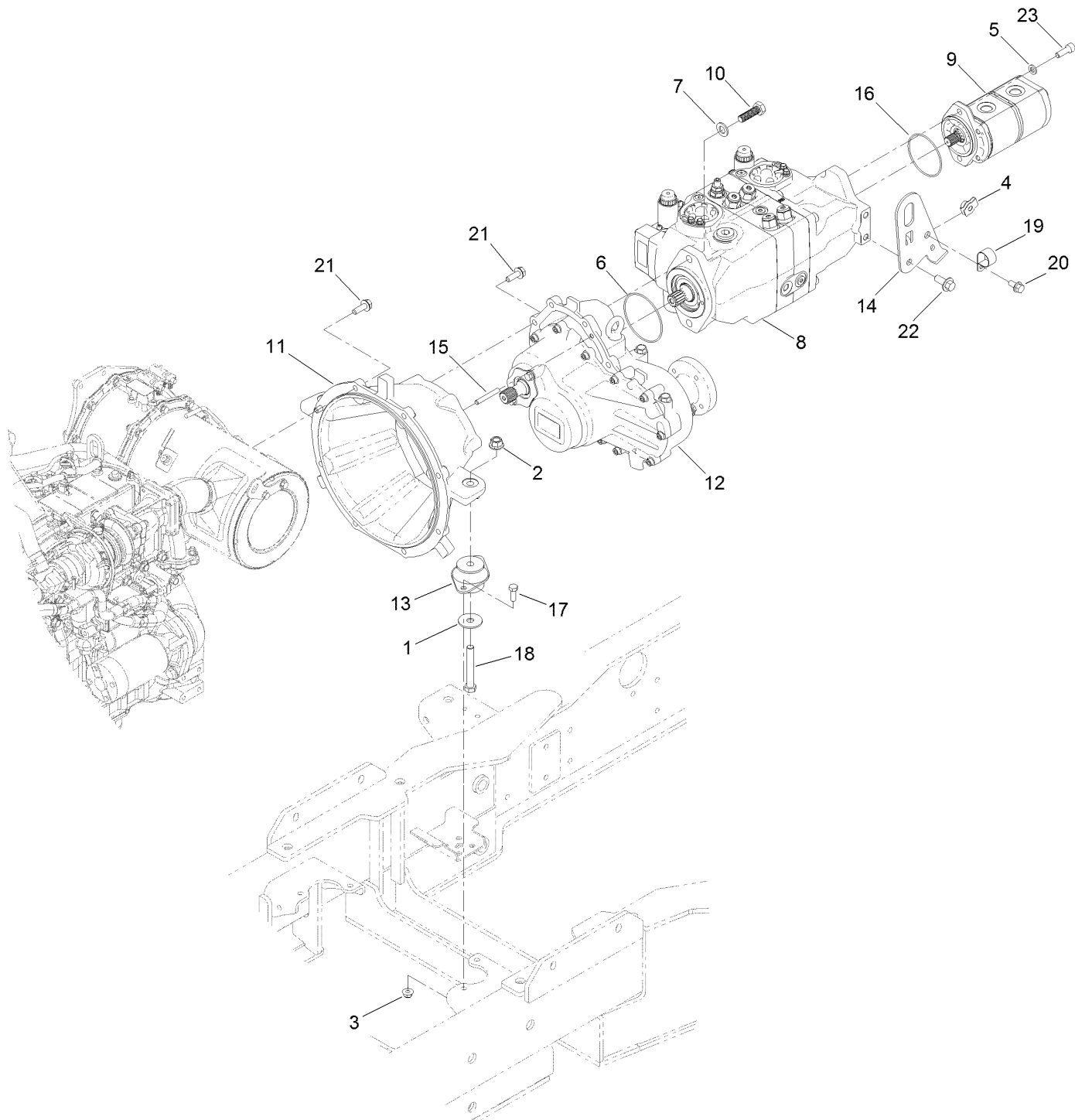




## Engine Cooling and Hose Assembly (continued)

<i>Ref.</i>	<i>Part Number</i>	<i>Qty.</i>	<i>Description</i>	<i>Ref.</i>	<i>Part Number</i>	<i>Qty.</i>	<i>Description</i>
1	92-2379	2	Clamp-Hose	8	136-5178	1	Hose-Coolant, Upper
2	2412-108	1	Clamp-Worm	9	136-5179	1	Hose-Coolant, Lower
3	104-8300	5	Nut-HF, NI	10	322-13	2	Screw-HH
4	110-4109	1	Hose-Fuel	11	2412-111	3	Clamp-Hose, W/Liner
5	110-4114	1	Hose-Fuel	12	2412-3	1	Clamp-Hose
6	144-6219	1	Reservoir-Coolant ASM	13	3274-104	3	Screw-HSBH
6:1	87-7050	1	Cap-Reservoir	14	3290-378	2	Tie-Cable
7	136-5171-01	1	Bracket-Bottle	15	107069	1	Clip

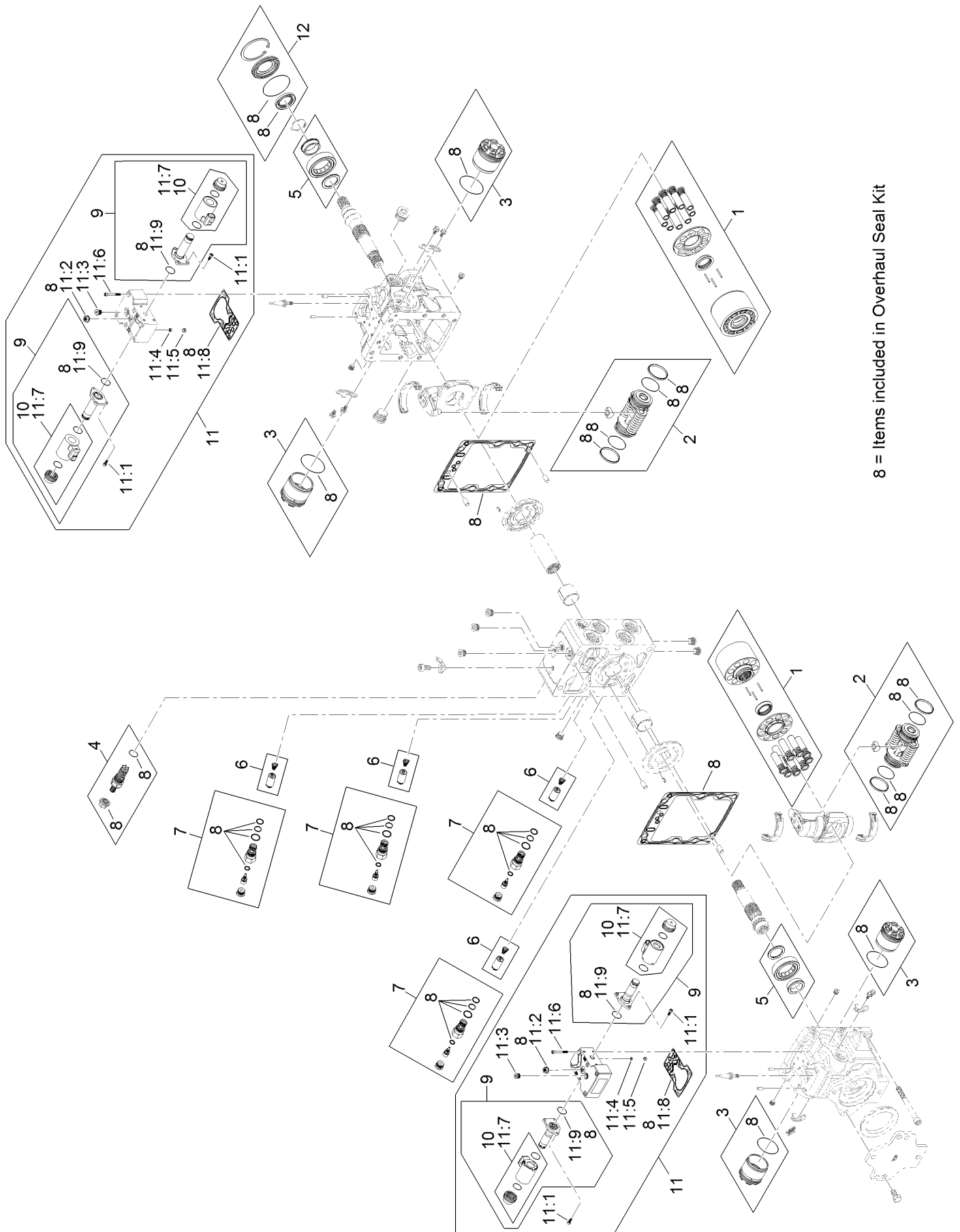
# Transmission, Gearbox and Gear Pump Assembly



## Transmission, Gearbox and Gear Pump Assembly (continued)

<i>Ref.</i>	<i>Part Number</i>	<i>Qty.</i>	<i>Description</i>	<i>Ref.</i>	<i>Part Number</i>	<i>Qty.</i>	<i>Description</i>
1	86-1990	2	Washer-Thrust	12	133-4750	1	Gearbox ASM
2	99-5107	2	Nut-Lock	13	133-7877	2	Mount-Engine
3	104-8301	4	Nut-HF, NI	14	133-7910-0P	1	Plate-Hanger, Pump
4	105-4886	1	Nut-Tinnerman	15	136-5260	2	Pin-Dowel
5	107-1413	2	Washer-Hardened	16	237-161	1	O-Ring
6	107-9447	1	O-Ring	17	323-6	4	Screw-HH
7	115-7144	2	Washer-Flat	18	325-14	2	Screw-HH
8	131-5625	1	Hydraulic Tandem Pump ASM	19	2412-126	1	R-Clamp
9	131-5632	1	Dual Gear Pump ASM	20	3234-1	1	Screw-HHF
10	AU615-14045	2	Screw-HH	21	33105-030	15	Screw-HHF
11	132-8195	1	Housing-Flywheel	22	33106-020	1	Screw-HHF
				23	AU862-10030	2	Screw-HSH

# Hydraulic Tandem Pump Assembly No. 131-5625

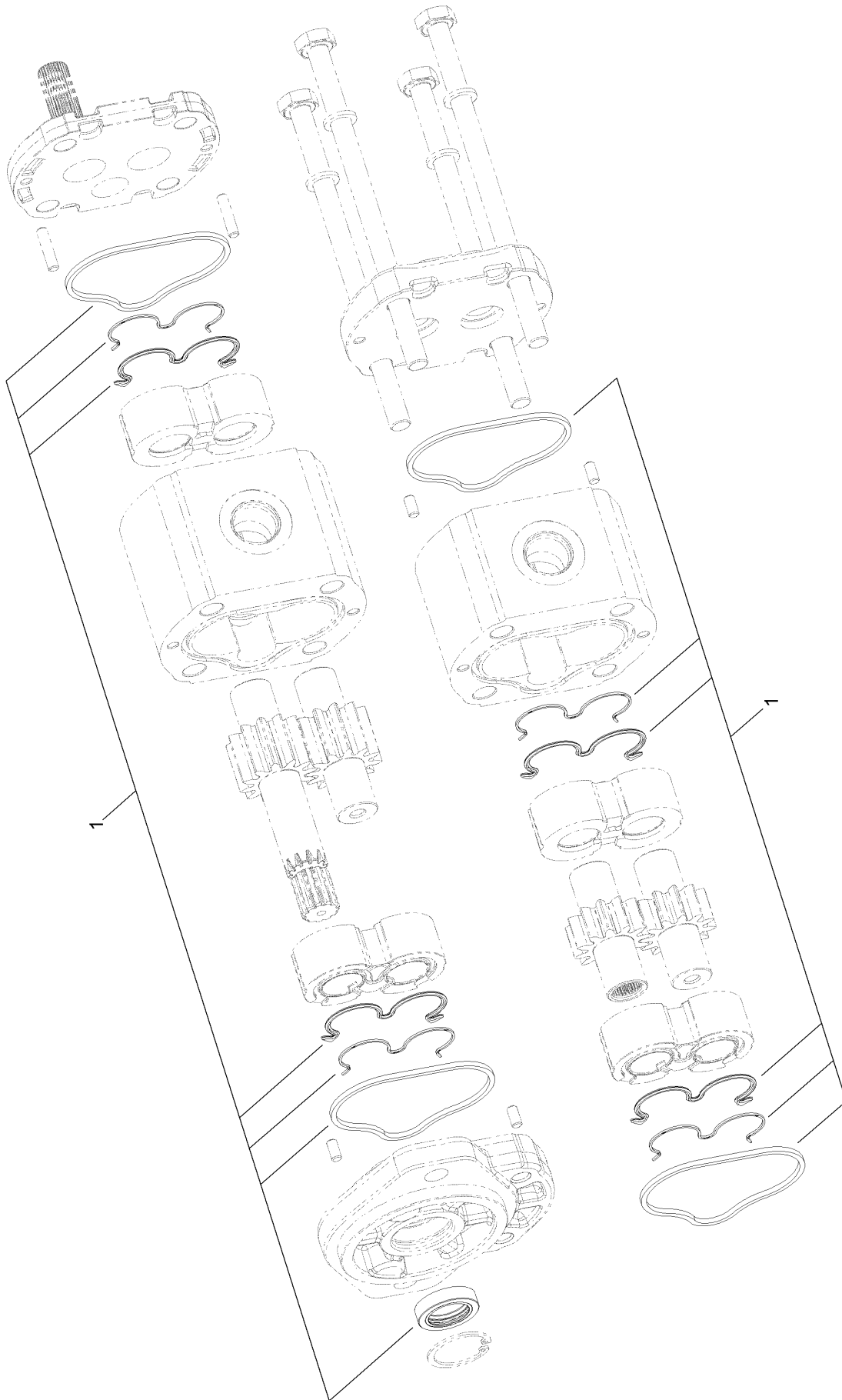


8 = Items included in Overhaul Seal Kit

# Hydraulic Tandem Pump Assembly No. 131-5625 (continued)

<i>Ref.</i>	<i>Part Number</i>	<i>Qty.</i>	<i>Description</i>	<i>Ref.</i>	<i>Part Number</i>	<i>Qty.</i>	<i>Description</i>
1	121-1723	2	Cylinder Block Kit	11:1	125-5272	6	Screw
2	121-1725	2	Servo Piston ASM	11:2	125-5273	1	Nut-Seal
3	136-4996	4	Servo Cylinder ASM	11:3	125-5302	1	Plug
4	136-8296	1	Charge Relief Valve Kit	11:4	125-5266	1	Screen
5	125-5279	1	Bearing-Roller	11:5	125-5269	1	Ring-Locking
6	138-7864	4	S C R Valve ASM	11:6	125-5274	6	Screw
7	138-7865	4	S C R Valve Plug ASM	11:7	125-5294	2	Coil Kit
8	136-8295	1	Overhaul Seal Kit	11:8	125-5283	1	Gasket-Control
9	138-7866	4	Valve-Solenoid	11:9	125-5288	2	O-Ring
10	125-5294	4	Coil Kit	12	121-1729	1	Shaft Seal Kit
11	125-5295	2	Control Kit (12 Volt)				

# Hydraulic Gear Pump Assembly No. 131-5632



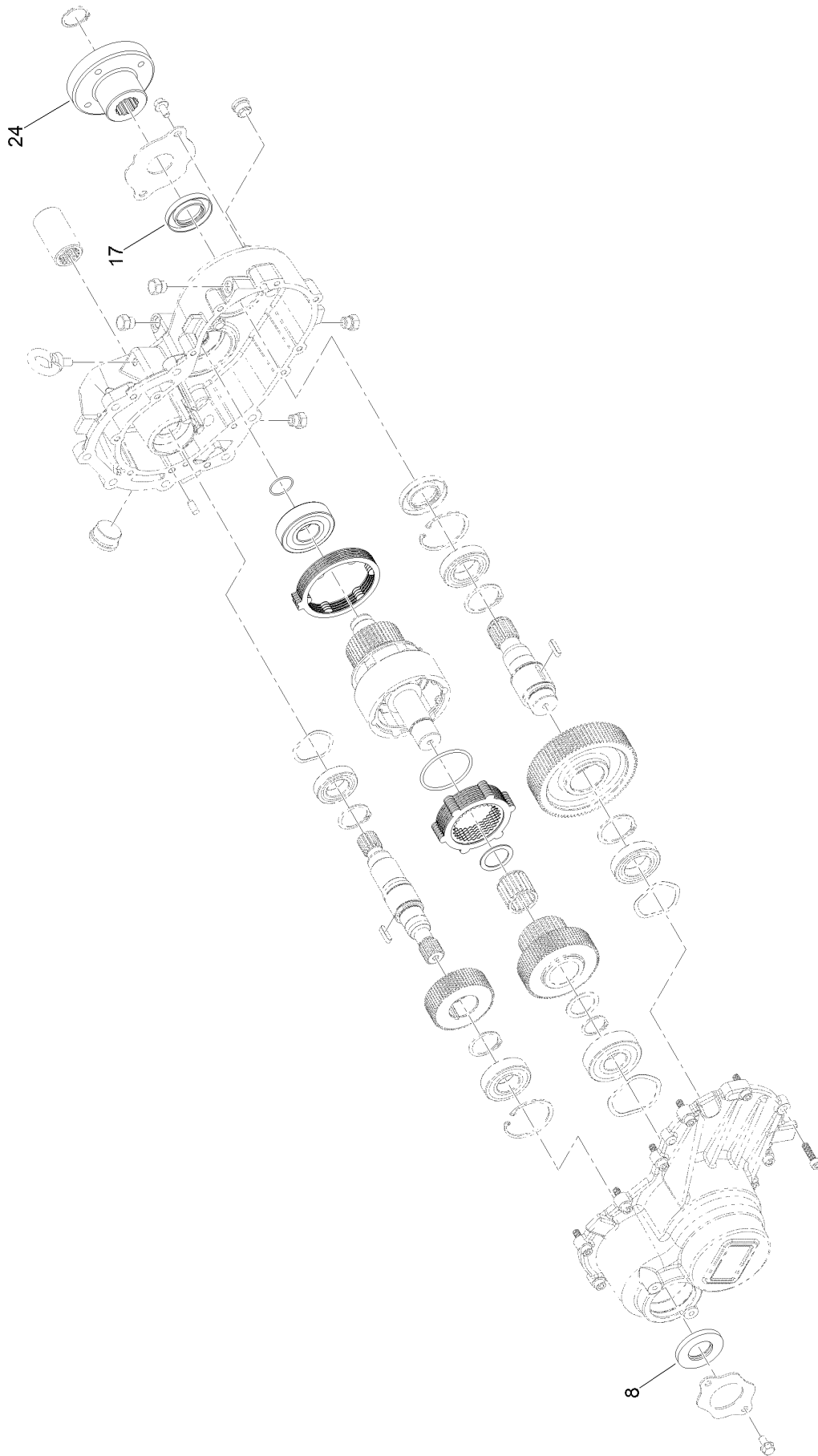
# Hydraulic Gear Pump Assembly No. 131-5632 (continued)

---

<i>Ref.</i>	<i>Part Number</i>	<i>Qty.</i>	<i>Description</i>
1	138-7818	1	Seal Kit

---

# Gearbox Assembly No. 133-4750

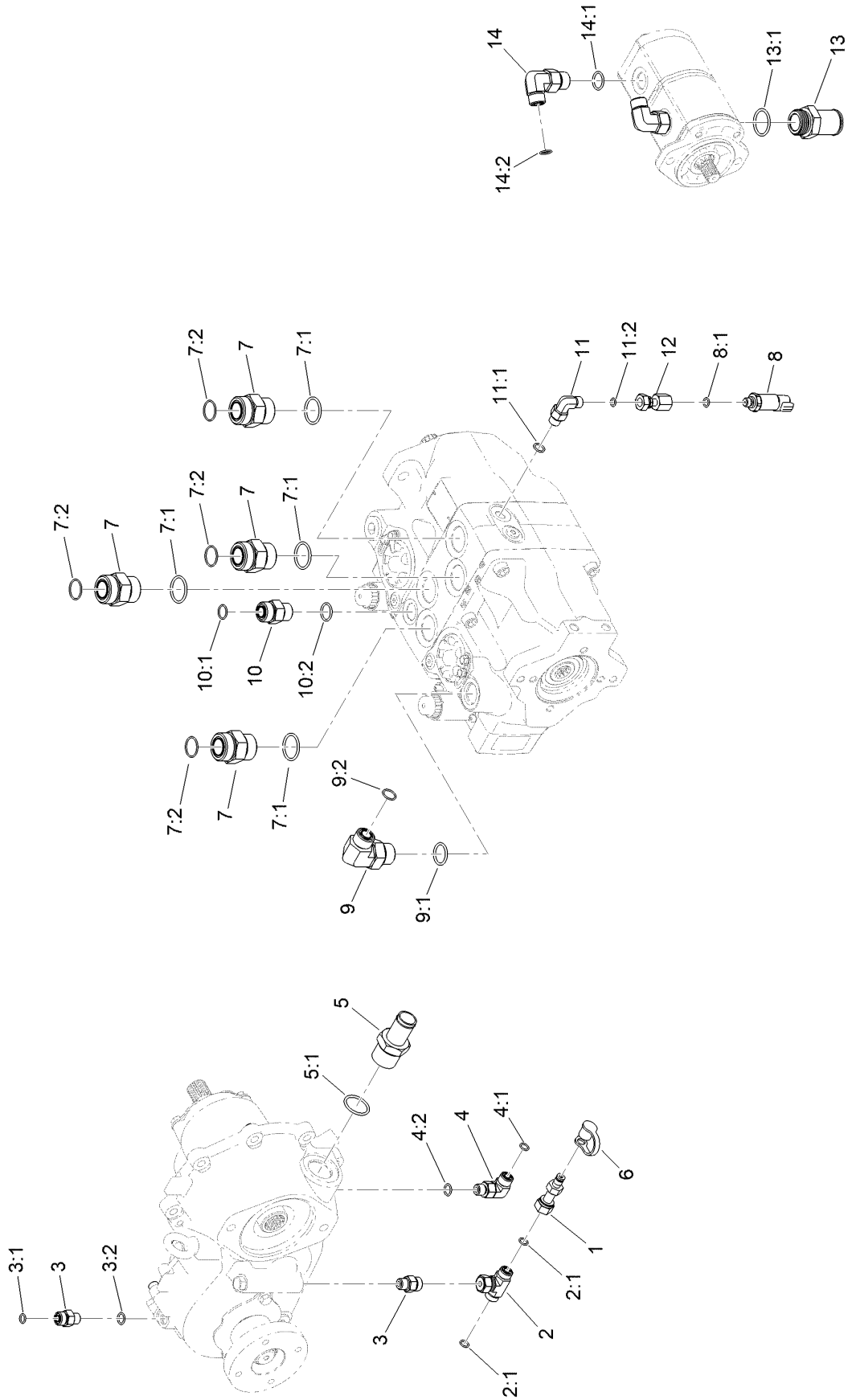




## Gearbox Assembly No. 133-4750 (continued)

<i>Ref.</i>	<i>Part Number</i>	<i>Qty.</i>	<i>Description</i>
8	133-4775	1	Seal-Oil
17	131-5584	1	Seal-Oil
24	136-9555	1	Hub-Driveshaft

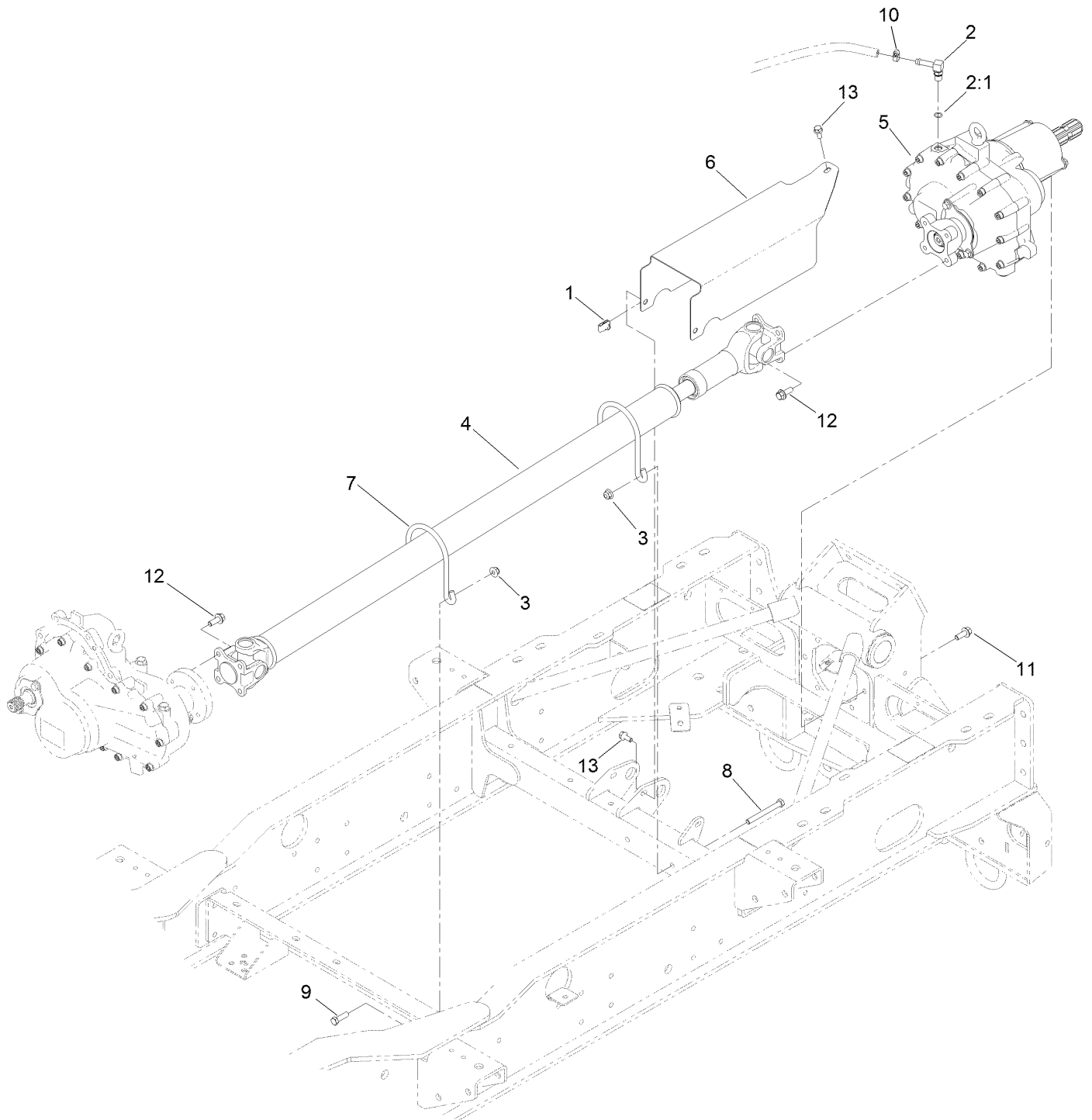
# Transmission, Gearbox and Gear Pump Fitting Assembly



## Transmission, Gearbox and Gear Pump Fitting Assembly (continued)

<i>Ref.</i>	<i>Part Number</i>	<i>Qty.</i>	<i>Description</i>	<i>Ref.</i>	<i>Part Number</i>	<i>Qty.</i>	<i>Description</i>
1	86-5480	1	Nipple-Test	8:1	237-78	1	O-Ring
2	340-166	1	Fitting-Tee	9	340-139	1	Fitting-Elbow 90
2:1	237-22	2	O-Ring	9:1	237-81	1	O-Ring
3	340-2	2	Fitting-Straight	9:2	237-65	1	O-Ring
3:1	237-22	1	O-Ring	10	340-7	1	Fitting-Straight
3:2	237-42	1	O-Ring	10:1	237-65	1	O-Ring
4	340-77	1	Fitting-Elbow, 90 DEG	10:2	237-80	1	O-Ring
4:1	237-22	1	O-Ring	11	340-82	2	Fitting-Elbow, 90 DEG
4:2	237-42	1	O-Ring	11:1	237-42	1	O-Ring
5	354-78	1	Fitting-STR	11:2	237-21	1	O-Ring
5:1	237-146	1	O-Ring	12	AU8SA60404	2	Fitting-Straight
6	354-79	1	Cap-Dust	13	125-1528	1	Fitting-STR
7	104-3797	4	Fitting-Straight	13:1	237-146	1	O-Ring
7:1	237-146	1	O-Ring	14	340-105	2	Fitting-Elbow, 90 DEG
7:2	340-65	1	O-Ring	14:1	237-80	1	O-Ring
8	119-0011	2	Pressure Transducer ASM	14:2	237-30	1	O-Ring

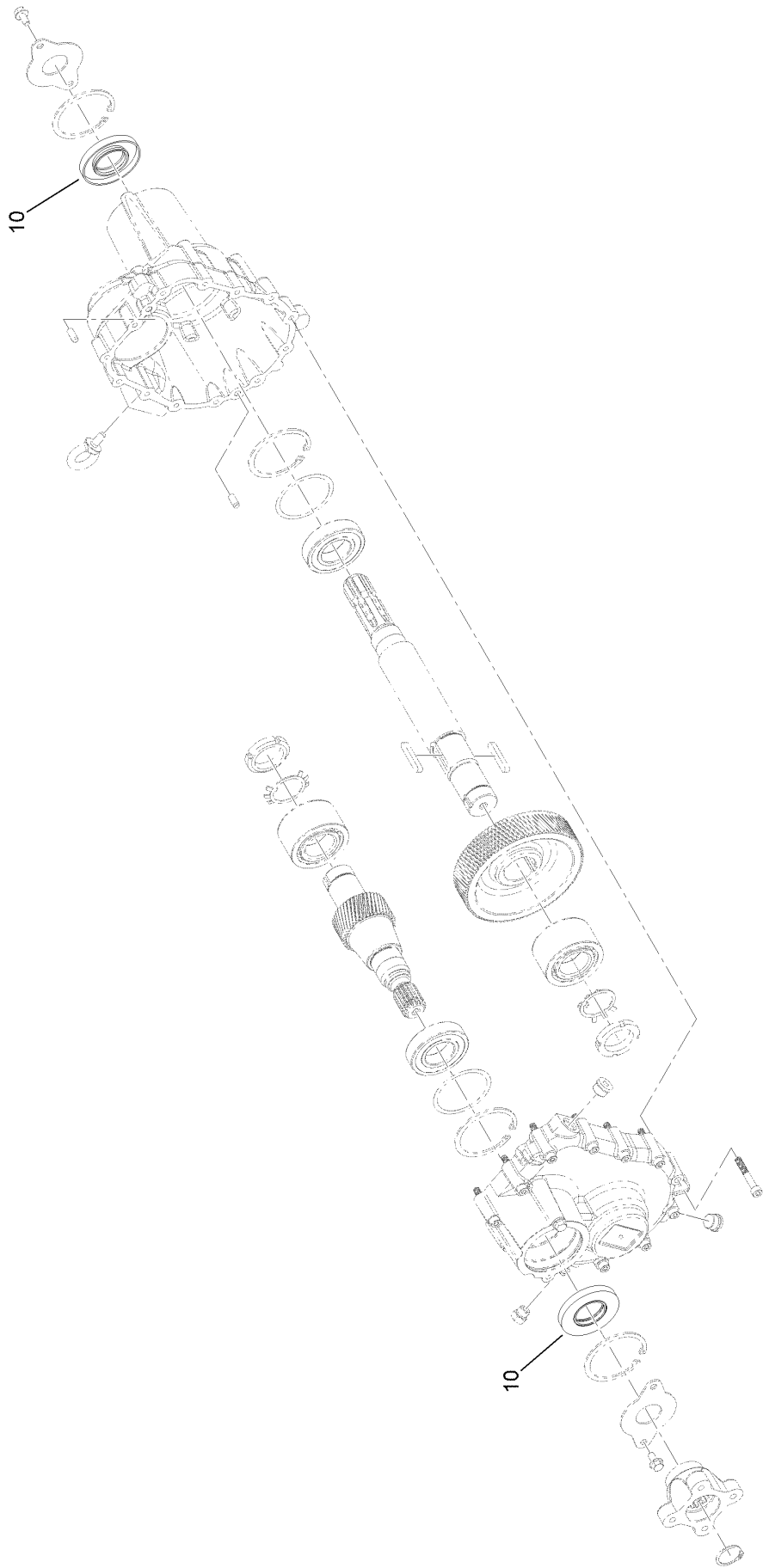
# Driveshaft and Gearbox Assembly



## Driveshaft and Gearbox Assembly (continued)

<i>Ref.</i>	<i>Part Number</i>	<i>Qty.</i>	<i>Description</i>	<i>Ref.</i>	<i>Part Number</i>	<i>Qty.</i>	<i>Description</i>
1	94-2413	2	Nut-U	7	136-9977	2	Rod-Guard
2	126-2927	1	Fitting-90 DEG	8	323-15	2	Screw-HH
2:1	237-42	1	O-Ring	9	323-7	2	Screw-HH
3	104-8301	4	Nut-HF, NI	10	2412-108	1	Clamp-Worm
4	132-7844	1	Driveshaft ASM	11	126-1680	6	Screw-HHF
5	133-4790	1	Gearbox ASM	12	3234-42	8	Screw-HHF
6	136-5149-0P	1	Shield-Driveshaft	13	3234-47	3	Screw-HHF

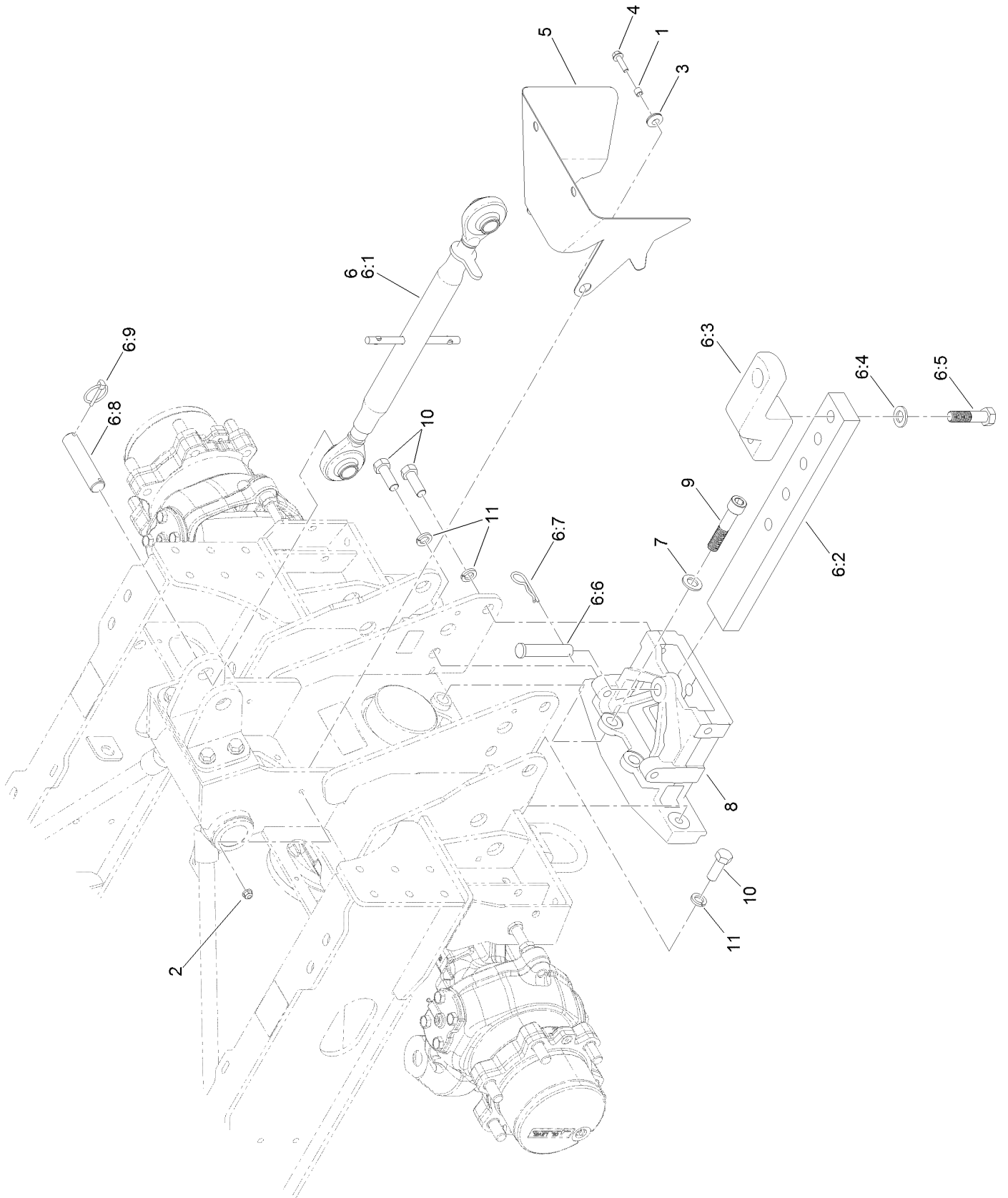
# Gearbox Assembly No. 133-4790



# Gearbox Assembly No. 133-4790 (continued)

<i>Ref.</i>	<i>Part Number</i>	<i>Qty.</i>	<i>Description</i>
10	133-4882	2	Seal-Shaft

# Drawbar Hitch and Upper Link Assembly

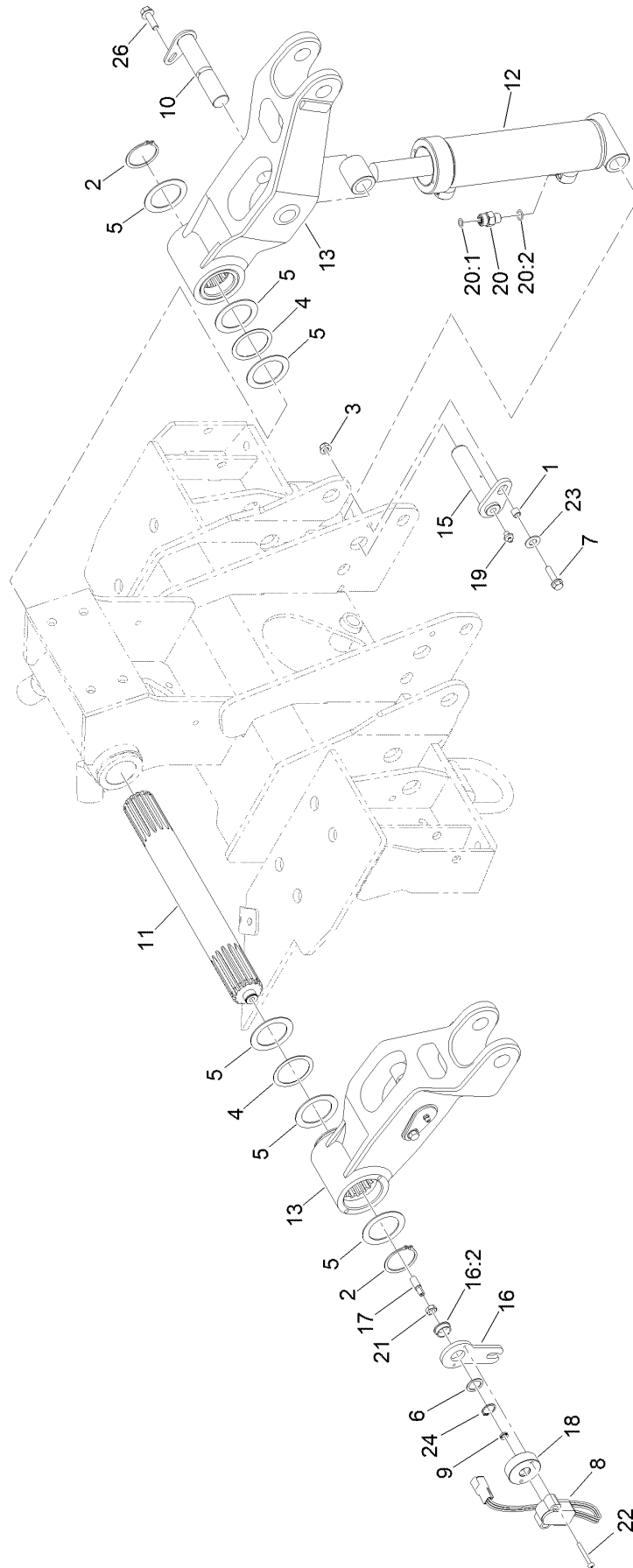




## Drawbar Hitch and Upper Link Assembly (continued)

<i>Ref.</i>	<i>Part Number</i>	<i>Qty.</i>	<i>Description</i>	<i>Ref.</i>	<i>Part Number</i>	<i>Qty.</i>	<i>Description</i>
1	1-633545	2	Spacer	6:5	136-5257	2	Screw-HH
2	104-8300	2	Nut-HF, NI	6:6	136-8908	1	Pin-Clevis
3	112-9559	2	Grommet	6:7	3290-343	1	Pin-Hair
4	119-4036	2	Screw-HHF	6:8	147-5858	1	Pin-Clevis
5	133-7631-03	1	Shield-Shaft, PTO	6:9	92-1298	1	Pin-Lynch
6	147-1700	1	Drawbar Upper Arm ASM	7	136-5267	2	Washer-Plain
6:1	132-8090	1	Pitch Control Link ASM	8	136-5318	1	Support-Drawbar
6:2	133-7620	1	Drawbar	9	136-9729	2	Screw-HSH
6:3	133-7621	1	Hammer Strap	10	327-5	6	Screw-HH
6:4	136-5267	2	Washer-Plain	11	3253-23	6	Washer-Lock

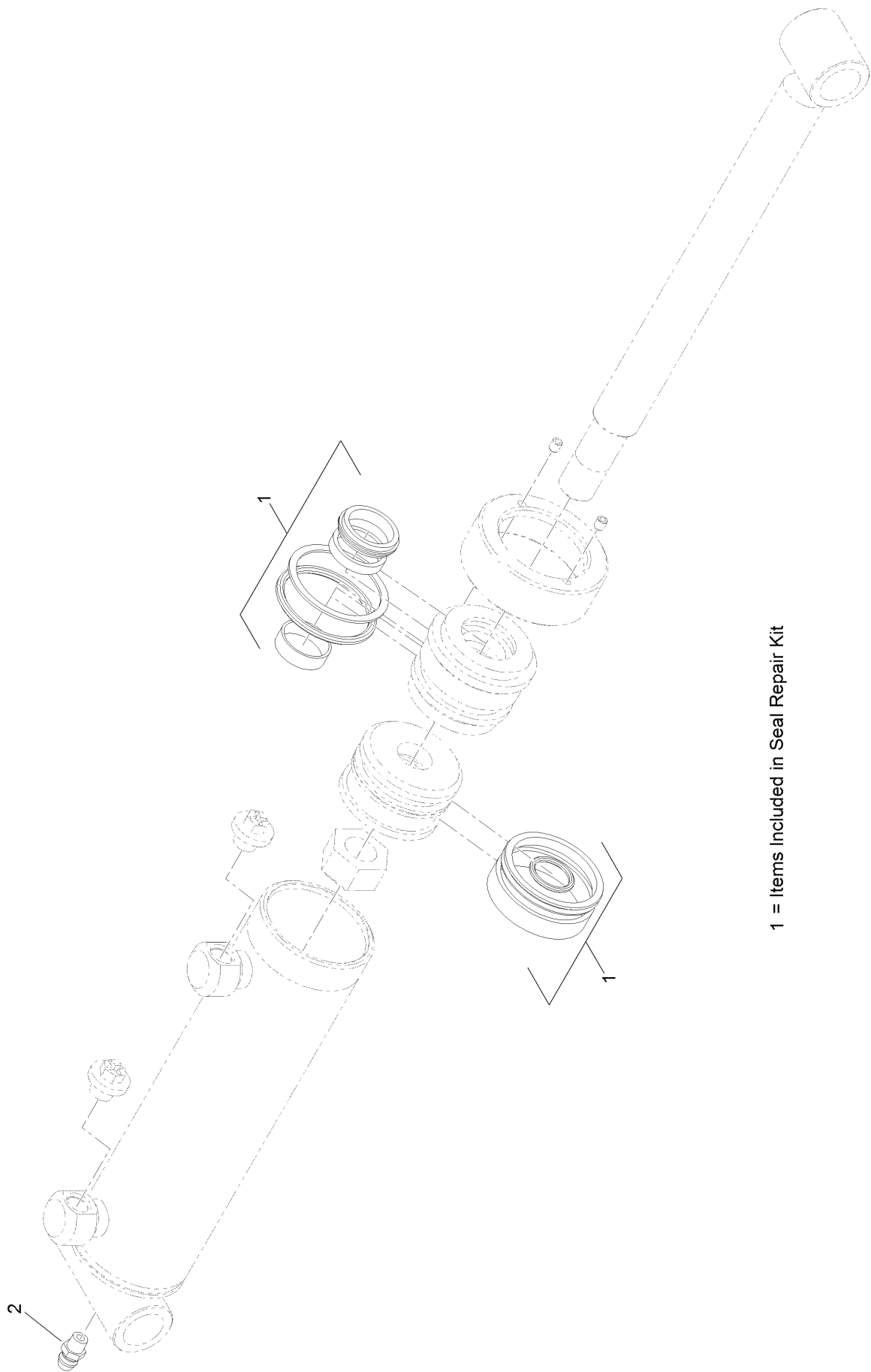
# Rear Lift Assembly



## Rear Lift Assembly (continued)

<i>Ref.</i>	<i>Part Number</i>	<i>Qty.</i>	<i>Description</i>	<i>Ref.</i>	<i>Part Number</i>	<i>Qty.</i>	<i>Description</i>
1	1-633545	2	Spacer	16	133-7800	1	Sensor Stop ASM
2	100-4196	2	Ring-Retaining	16:2	99-4243	1	Bushing-Flange
3	104-8300	2	Nut-HF, NI	17	133-7804	1	Shaft-Sensor
4	107-3947	2	Washer-Nylon	18	133-7805	1	Spacer-Sensor
5	115-0169	6	Washer-Thrust	19	302-2	2	Fitting-Grease
6	115-7210	1	Washer-Thrust	20	340-2	4	Fitting-Straight
7	119-4036	2	Screw-HHF	20:1	237-22	1	O-Ring
8	122-0943	1	Sensor-Position	20:2	237-42	1	O-Ring
9	131-3187	1	Seal-V-Ring	21	3220-3	1	Nut-HJ
10	140-8284	2	Pin ASM-Flag	22	3250-48	2	Screw-PPH
11	140-8292	1	Shaft-Splined	23	3256-25	2	Washer-Flat
12	133-7622	2	Cylinder-HYD	24	32120-72	1	Ring-Snap
13	140-8295	2	Arm ASM-Lift	26	3234-29	2	Screw-HHF
15	133-7638	2	Pin ASM				

# Hydraulic Cylinder Assembly No. 133-7622

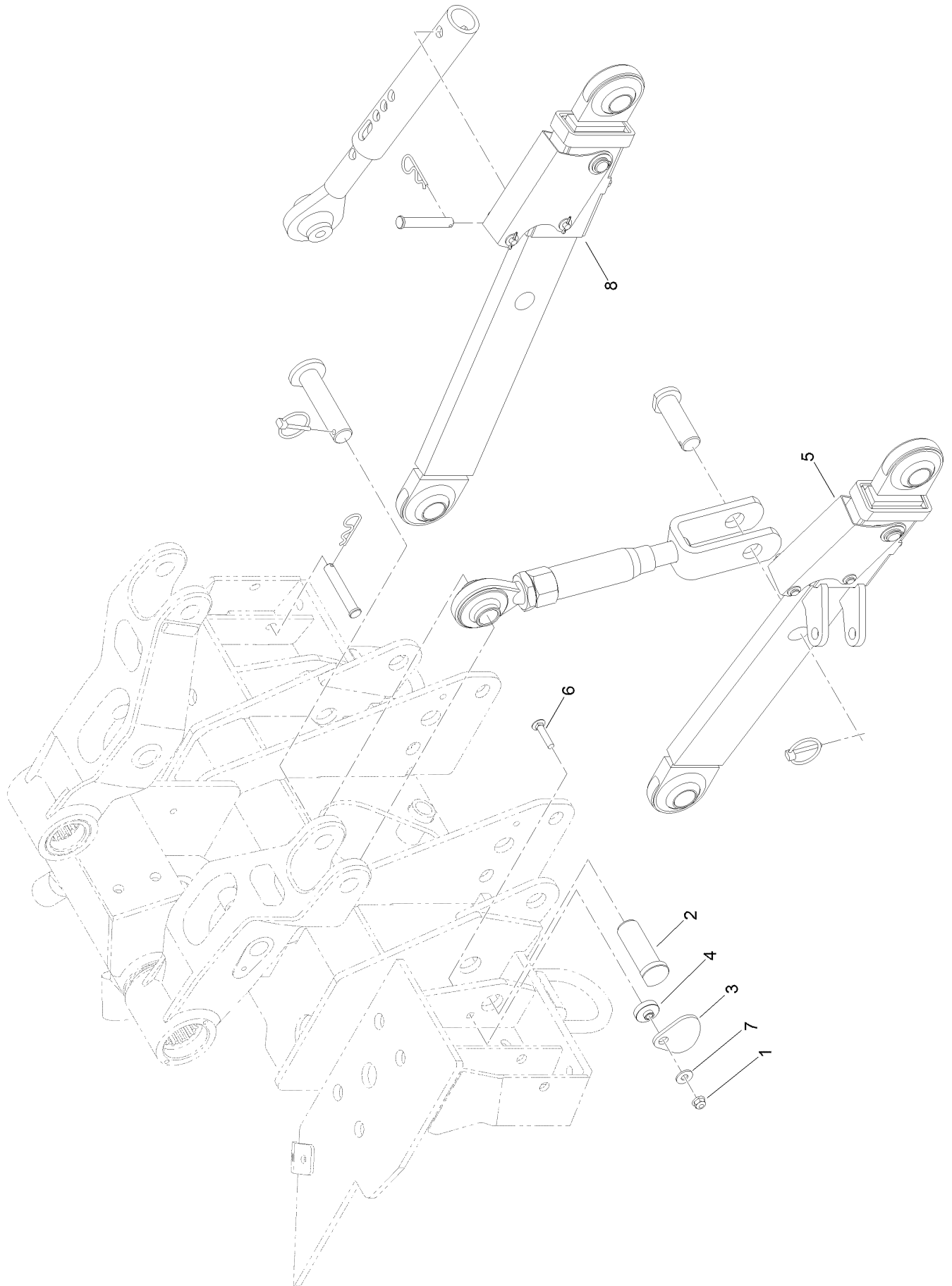


1 = Items Included in Seal Repair Kit

# Hydraulic Cylinder Assembly No. 133-7622 (continued)

<i>Ref.</i>	<i>Part Number</i>	<i>Qty.</i>	<i>Description</i>
1	138-7821	1	Seal Repair Kit
2	302-5	1	Fitting-Grease

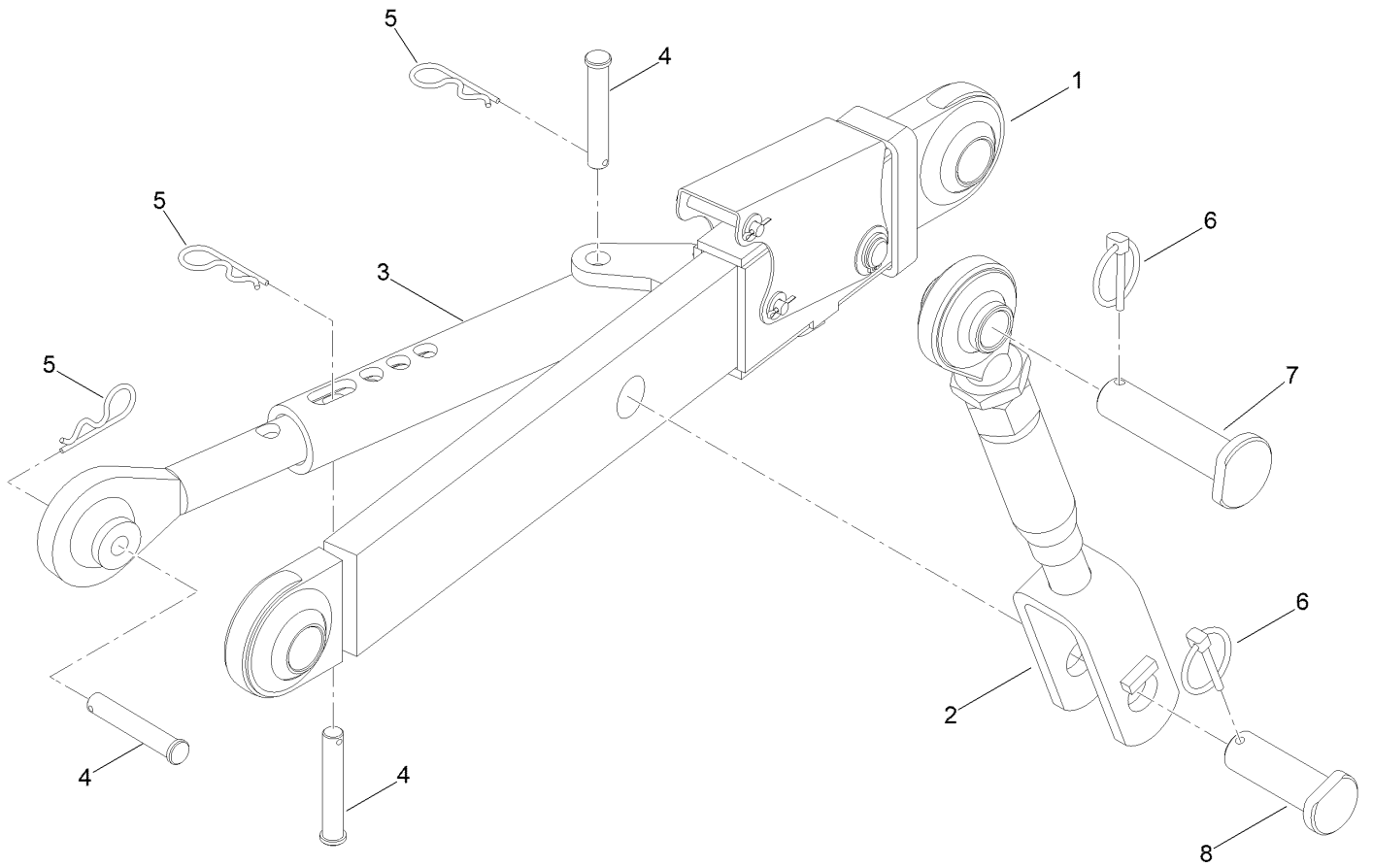
# Lower Link Assembly



## Lower Link Assembly (continued)

<i>Ref.</i>	<i>Part Number</i>	<i>Qty.</i>	<i>Description</i>	<i>Ref.</i>	<i>Part Number</i>	<i>Qty.</i>	<i>Description</i>
1	104-8300	2	Nut-HF, NI	5	147-1705	1	LH 3Pt Extendable Arm Kit
2	133-7623	2	Pin-Lower	6	3230-4	2	Bolt-CARR
3	133-7624	2	Plate-Latch	7	3256-3	2	Washer-Flat
4	133-7629	2	Hub-Latch	8	147-1710	1	RH 3Pt Extendable Arm Kit

# LH Extendable Arm Kit Assembly No. 147-1710





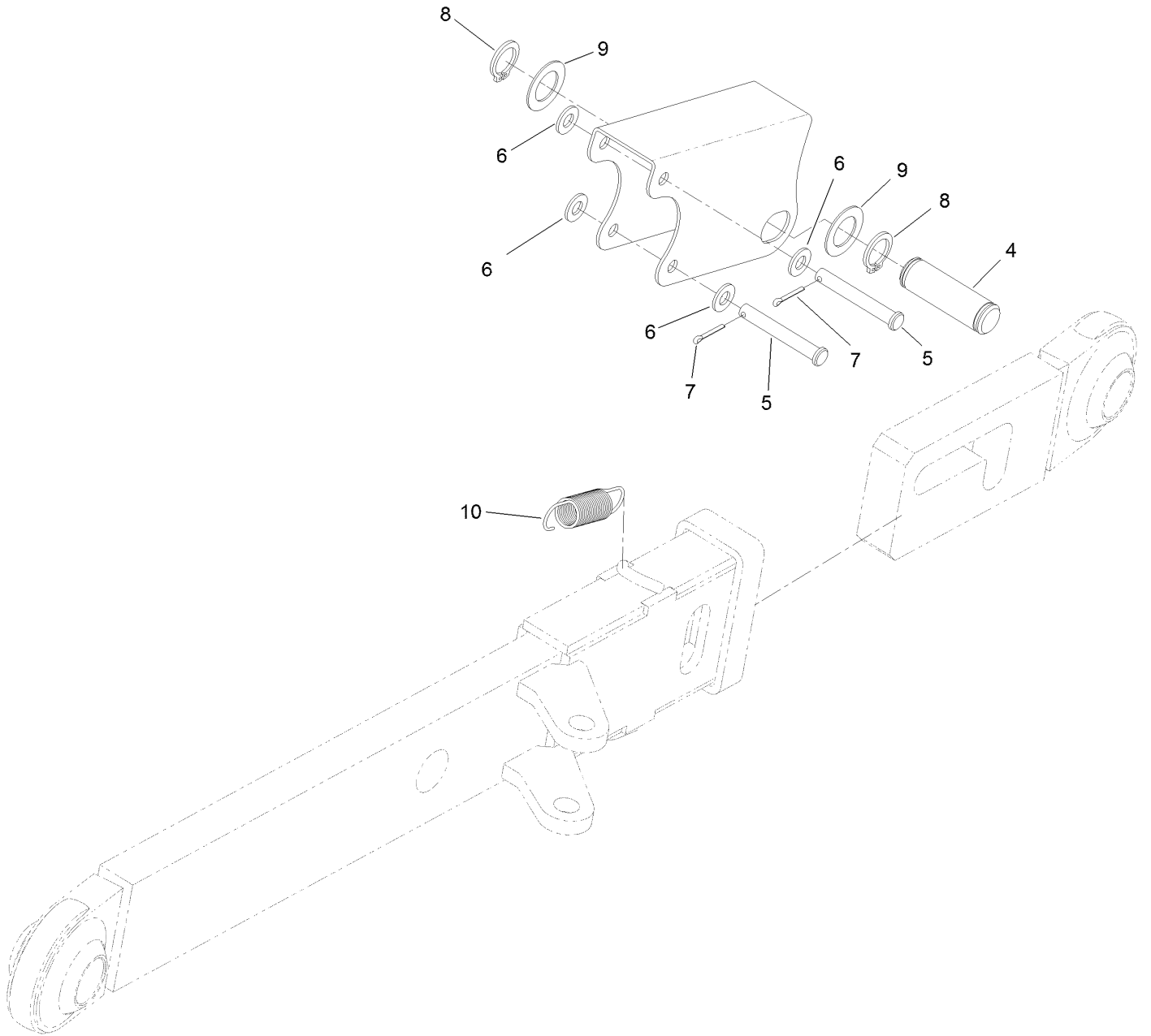
# LH Extendable Arm Kit

## Assembly No. 147-1710 (continued)

<i>Ref.</i>	<i>Part Number</i>	<i>Qty.</i>	<i>Description</i>	<i>Ref.</i>	<i>Part Number</i>	<i>Qty.</i>	<i>Description</i>
1		1	Extendable Arm ASM, LH ●	5	92-2762	3	Pin-Hair
2	133-7820	1	Stabilizer ASM	6	147-5870	1	Lift Link ASM
3	147-5853	1	Pin-Clevis	7	92-1298	2	Pin-Lynch
4	283-55	3	Pin-Clevis	8	147-5851	1	Pin-Clevis

● Not serviced separately

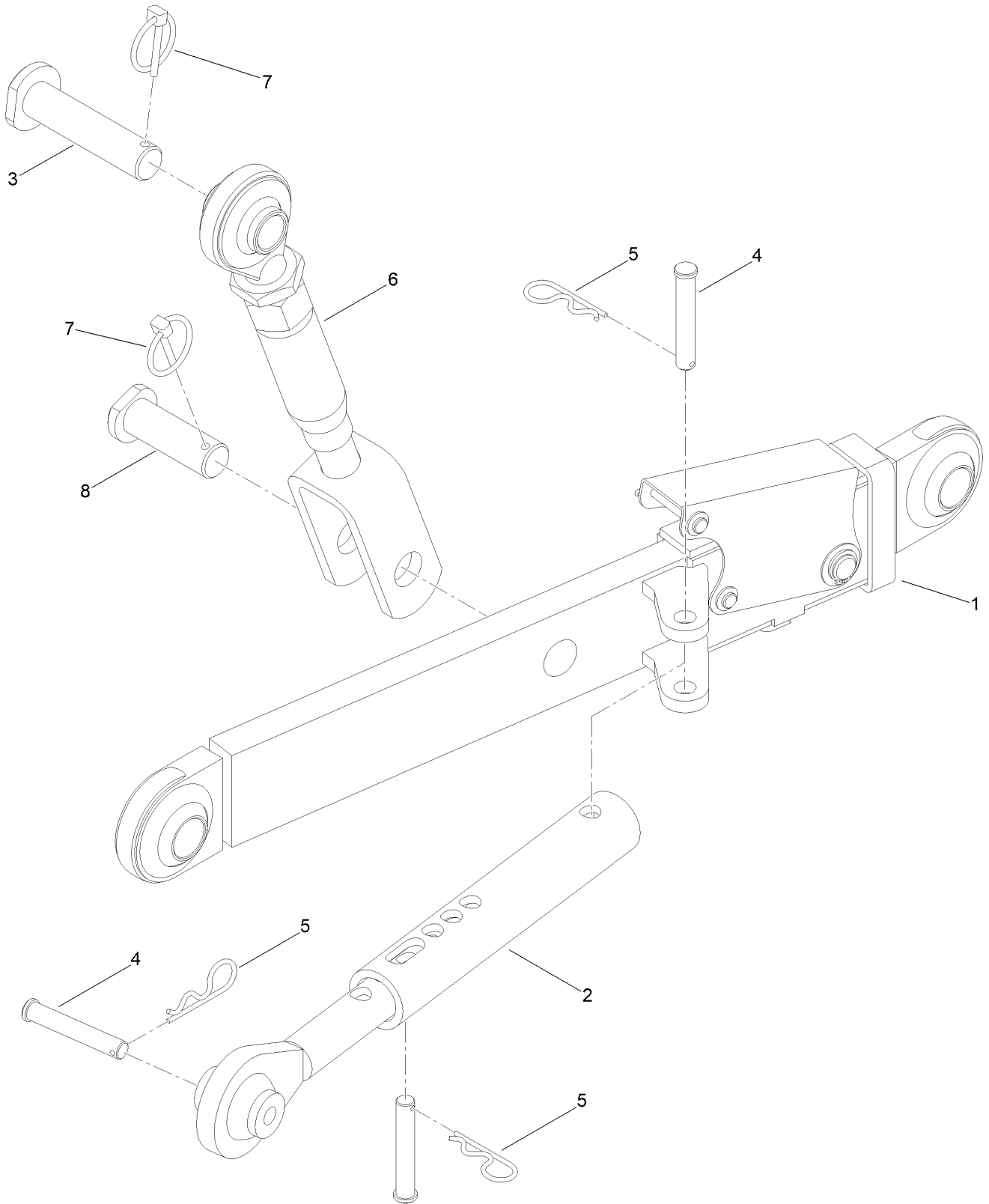
# LH Extendable Arm Assembly



## LH Extendable Arm Assembly (continued)

<i>Ref.</i>	<i>Part Number</i>	<i>Qty.</i>	<i>Description</i>	<i>Ref.</i>	<i>Part Number</i>	<i>Qty.</i>	<i>Description</i>
4	110-8189	1	Pin-Plain	8	32120-93	2	Ring-Retaining
5	110-0618	2	Pin-Clevis	9	1-413235	2	Washer, Spacer
6	3256-23	4	Washer-Plain	10	120-3888	1	Spring-Extension
7	3272-6	2	Pin-Cotter				

# RH Extendable Arm Kit Assembly No. 147-1705



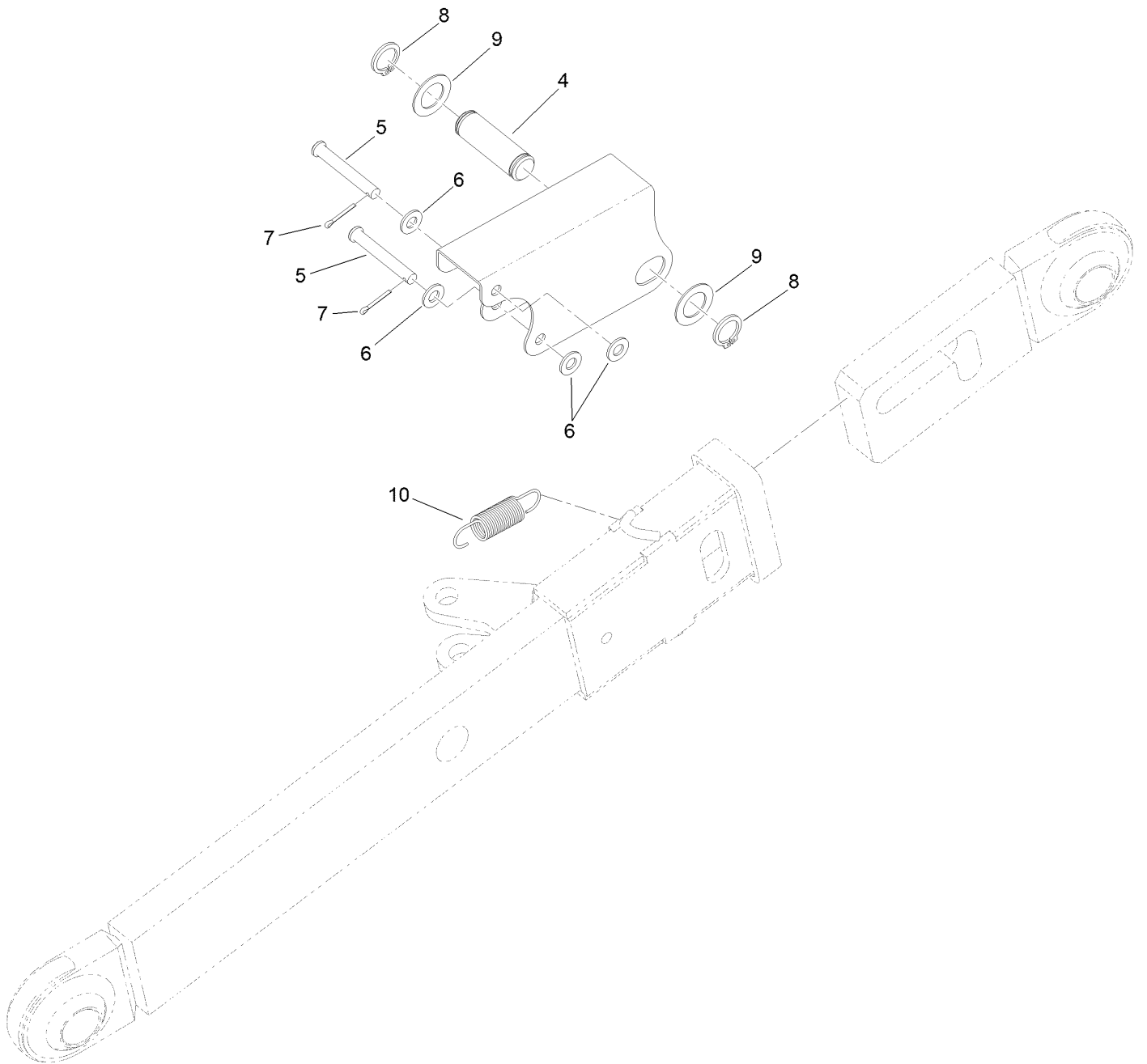
# RH Extendable Arm Kit

## Assembly No. 147-1705 (continued)

<i>Ref.</i>	<i>Part Number</i>	<i>Qty.</i>	<i>Description</i>	<i>Ref.</i>	<i>Part Number</i>	<i>Qty.</i>	<i>Description</i>
1		1	Extendable Arm ASM, RH●	5	92-2762	3	Pin-Hair
2	147-5870	1	Lift Link ASM	6	92-1298	2	Pin-Lynch
3	133-7820	1	Stabilizer ASM	7	147-5853	1	Pin-Clevis
4	283-55	3	Pin-Clevis	8	147-5851	1	Pin-Clevis

● Not serviced separately

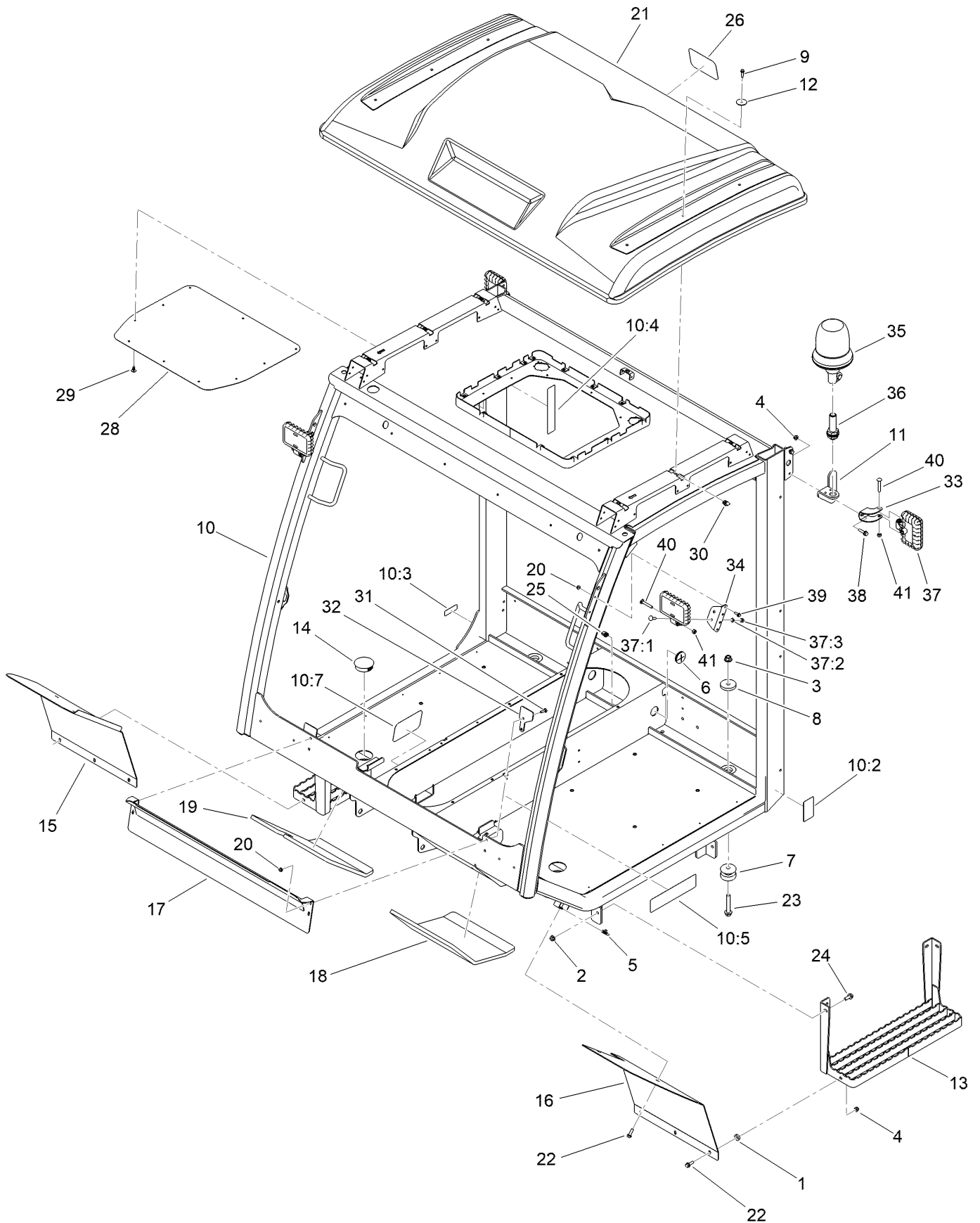
# RH Extendable Arm Assembly



## RH Extendable Arm Assembly (continued)

<i>Ref.</i>	<i>Part Number</i>	<i>Qty.</i>	<i>Description</i>	<i>Ref.</i>	<i>Part Number</i>	<i>Qty.</i>	<i>Description</i>
4	110-8189	1	Pin-Plain	8	32120-93	2	Ring-Retaining
5	110-0618	2	Pin-Clevis	9	1-413235	2	Washer, Spacer
6	3256-23	4	Washer-Plain	10	120-3888	1	Spring-Extension
7	3272-6	2	Pin-Cotter				

# Operator Platform Assembly



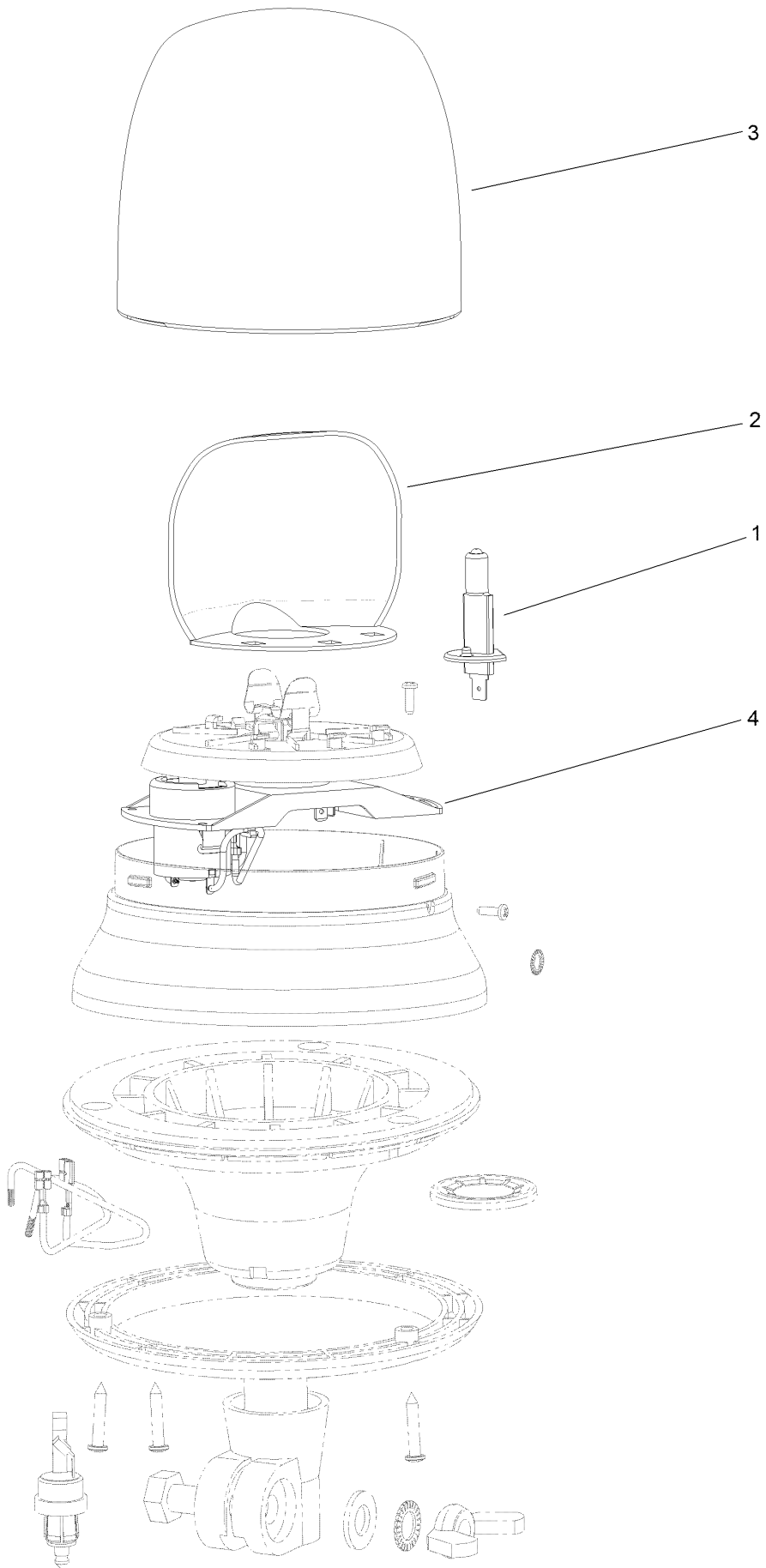


## Operator Platform Assembly (continued)

<i>Ref.</i>	<i>Part Number</i>	<i>Qty.</i>	<i>Description</i>	<i>Ref.</i>	<i>Part Number</i>	<i>Qty.</i>	<i>Description</i>
1	5-0652	2	Spacer	20	104-7201	8	Nut-HF, NI
2	94-2413	4	Nut-U	21	138-2716	1	Roof-Short
3	99-5107	4	Nut-Lock	22	3234-17	6	Screw-HHF
4	104-8300	5	Nut-HF, NI	23	3234-40	4	Screw-HF
5	104-8301	8	Nut-HF, NI	24	3234-42	8	Screw-HHF
6	138-8134	2	Grommet-Web	25	107069	15	Clip
7	110-5954	4	Mount-Center, Bonded	26	108-8452	1	Decal-Logo
8	115-5519	4	Washer-Plain	28	138-8046-0P	1	Roof-Insert
9	120-4654	6	Screw-HHF	29	117-2382	10	Plug-Plastic
10		1	Platform ASM ●	30	107069	6	Clip
10:2	138-3796	1	Decal-Safety, Battery	31	3229-2	4	Screw-CARR
10:3	131-8410	1	Decal-Danger, Fuel	32	138-2949-0P	2	Plate-Retainer
10:4	138-3797	2	Decal-Safety, ROPS	33	139-2065-03	2	Mount-Light, Work
10:5	136-9873	1	Decal-Safety	34	139-1926-03	2	Bracket-Light, Work
10:7	138-4136	1	Decal-Parking Brake Release	35	119-8096	1	Beacon ASM
11	138-2982-03	1	Mount-Beacon	36	119-8095	1	Socket-Beacon
12	136-7176	6	Washer-Fender	37	122-0371	4	Light-Work, LED
13	136-9630-03	2	Step	37:1	3230-28	1	Screw-CARR
14	136-9791	2	Plug-Panel	37:2	3253-33	1	Washer-Lock
15	136-9996-03	1	Fender-Front, RH	37:3	3217-6	1	Nut-Hex
16	136-9997-03	1	Fender-Front, LH	38	119-4036	3	Screw-HHF
17	138-1861-0P	1	Bracket-Seal	39	115-5103	4	Screw-HHF
18	138-2015	1	Foam-LH	40	126-0699	4	Bolt-CARR
19	138-2016	1	Foam-RH	41	3296-29	4	Nut-Lock, NI

● Not serviced separately

# Beacon Assembly No. 119-8096

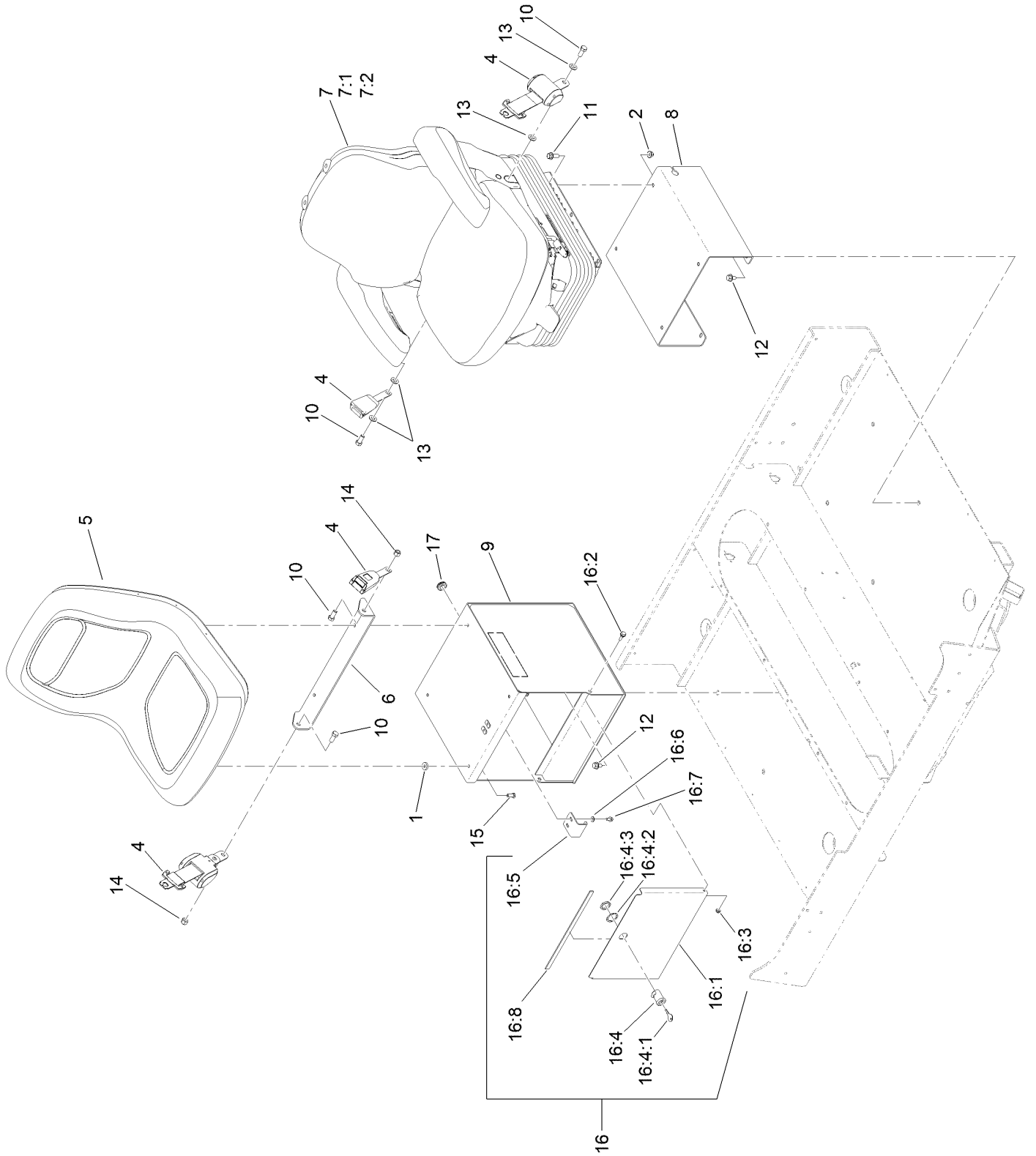


# Beacon Assembly No. 119-8096 (continued)

<i>Ref.</i>	<i>Part Number</i>	<i>Qty.</i>	<i>Description</i>
1	120-7553	1	Bulb
2	120-7554	1	Reflector

<i>Ref.</i>	<i>Part Number</i>	<i>Qty.</i>	<i>Description</i>
3	120-7555	1	Cover-Dome, Amber
4	120-7556	1	Motor-Beacon

# Seat Mount Assembly

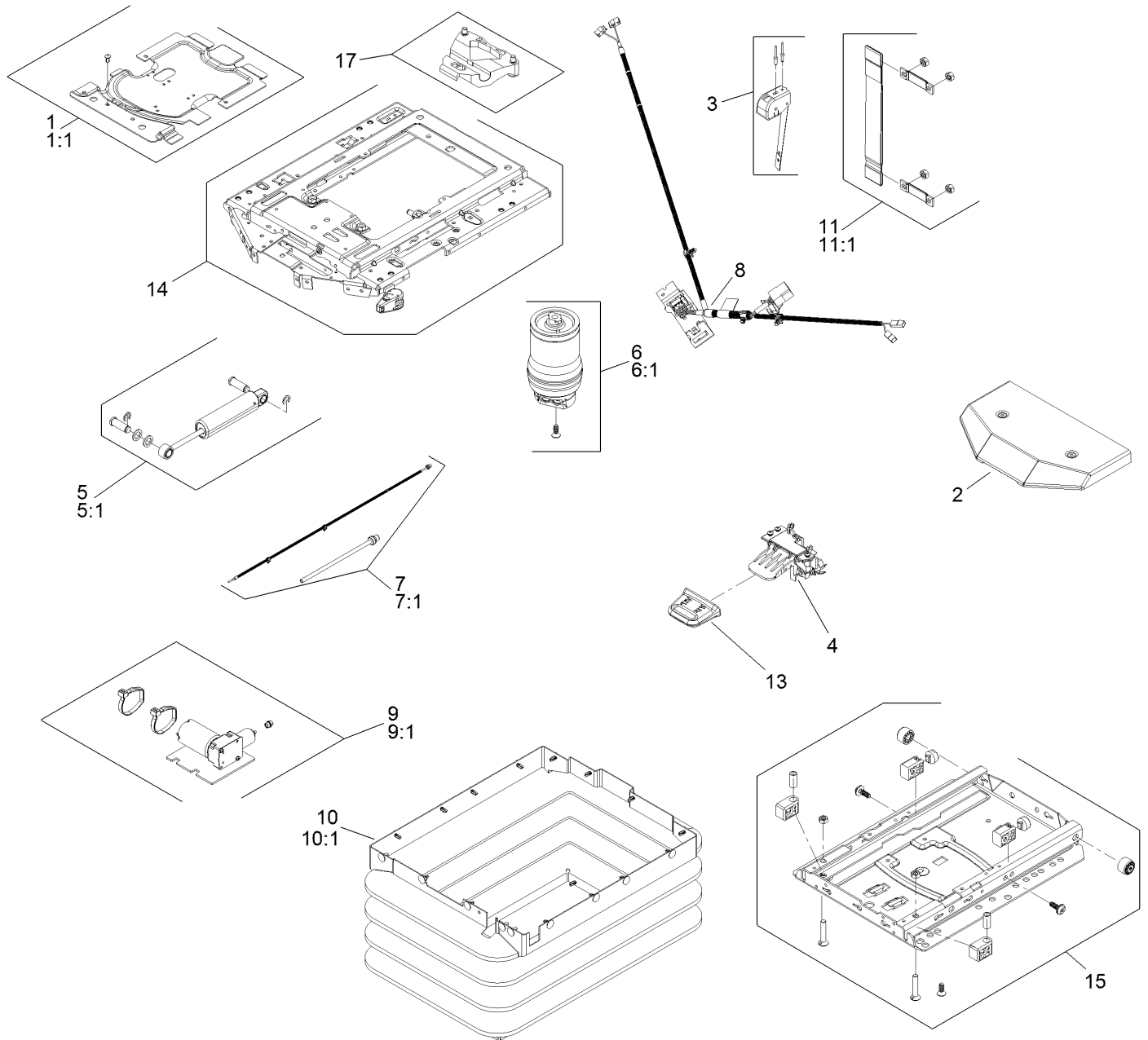


## Seat Mount Assembly (continued)

<i>Ref.</i>	<i>Part Number</i>	<i>Qty.</i>	<i>Description</i>	<i>Ref.</i>	<i>Part Number</i>	<i>Qty.</i>	<i>Description</i>
1	104-7658	2	Spacer	15	33114-020	4	Screw-HH
2	104-8301	4	Nut-HF, NI	16	130-4831	1	Seat Storage Kit
4	110-0413	2	Seatbelt-Retractable	16:1	136-9990-03	1	Cover-Front
5	112-2923	1	Seat ASM	16:2	120-7024	2	Screw-Shoulder, HWH
6	119-0727-03	1	Bracket-Belt, Seat	16:3	104-7201	2	Nut-HF, NI
7	138-3805	1	Seat And Suspension ASM	16:4	98-9315	1	Latch-Locking
7:1	130-2702	1	Air Ride Seat Suspension	16:4:1	99-8350	2	Key-Latch, Locking
7:2	138-3806	1	Premium Seat ASM	16:4:2		1	Washer-Switch ●
8	136-9751-03	1	Base-Seat, Deluxe	16:4:3		1	Nut-Switch ●
9	138-2022-03	1	Base-Seat	16:5	136-9991	1	Plate-Latch
10	3212-4	4	Screw-HH	16:6	3256-22	2	Washer-Flat
11	3234-42	4	Screw-HHF	16:7	3234-13	2	Screw-HHF
12	3234-9	8	Screw-HHF	16:8	130-9174	1	Foam-Cooler, Short
13	3256-25	4	Washer-Flat	17	237-124	1	Grommet
14	3296-7	2	Nut-Lock				

● Not serviced separately

# Air Ride Seat Suspension Assembly No. 130-2702

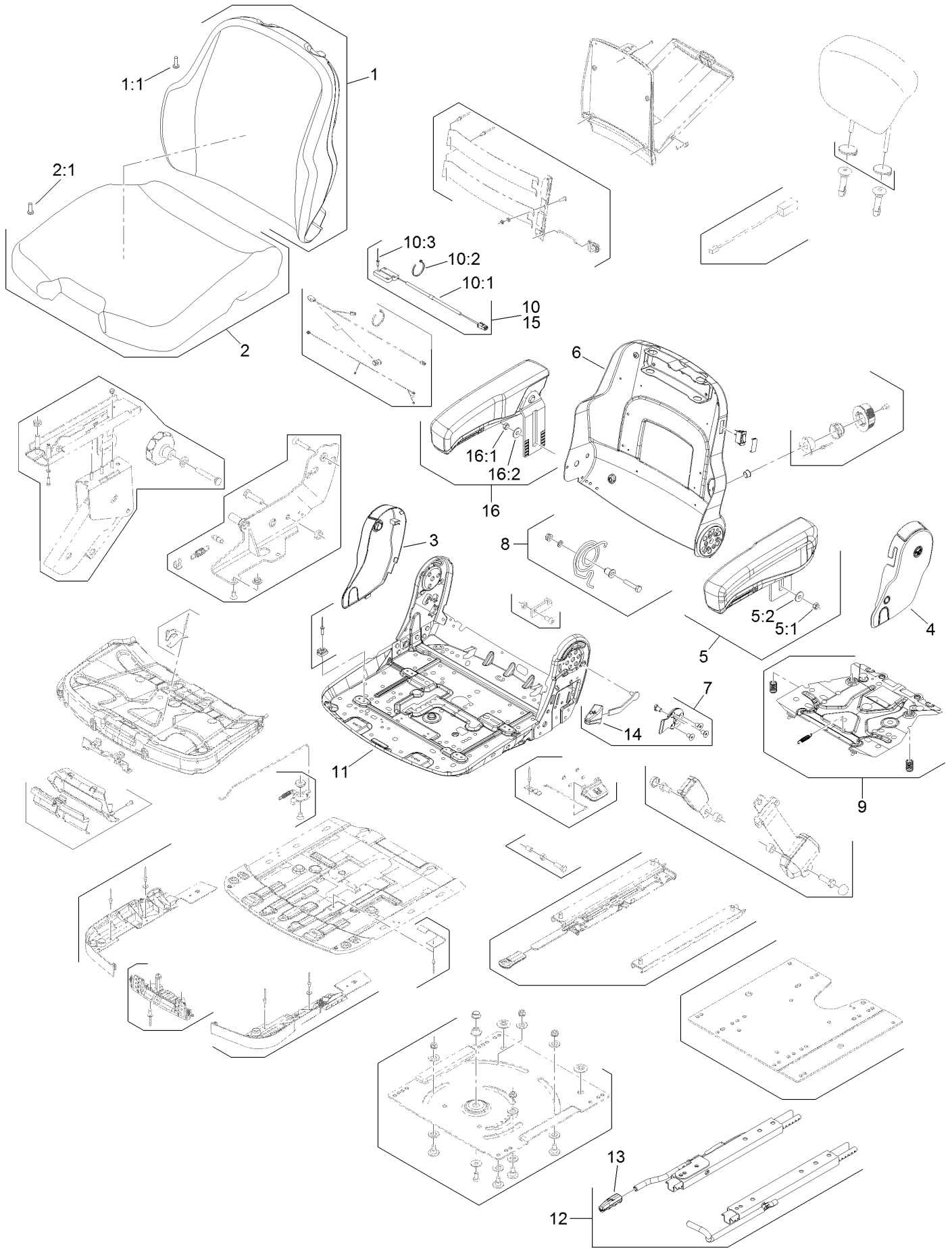


# Air Ride Seat Suspension Assembly No. 130-2702 (continued)

<i>Ref.</i>	<i>Part Number</i>	<i>Qty.</i>	<i>Description</i>	<i>Ref.</i>	<i>Part Number</i>	<i>Qty.</i>	<i>Description</i>
1	130-2709	1	Cover ASM	9	130-2719	1	Compressor
1:1	130-2710	1	Cover Kit	9:1	130-2720	1	Compressor Kit
2	108-8027	1	Cover	10	130-2721	1	Bellows ASM
3	130-2711	1	Control-Level	10:1	130-2722	1	Bellows Kit
4	108-8029	1	Valve-Control, Air	11	130-2723	1	Tether
5	130-2712	1	Shock Absorber ASM	11:1	130-2724	1	Tether Kit
5:1	130-2713	1	Shock Absorber Kit	12	130-2725	1	Wear Parts Kit ●
6	130-2714	1	Air Spring ASM	13	130-2726	1	Handle
6:1	130-2715	1	Air Spring Kit	14	130-2727	1	Upper Suspension Kit
7	130-2716	1	Air Tube ASM	15	130-2728	1	Lower Suspension Kit
7:1	130-2717	1	Air Tube Kit	16	130-2729	1	Adjuster Mounting Kit ●
8	130-2718	1	Harness-Wire	17	130-2730	1	Limiters-Thrust

● Not illustrated

# Premium Seat Assembly No. 138-3806



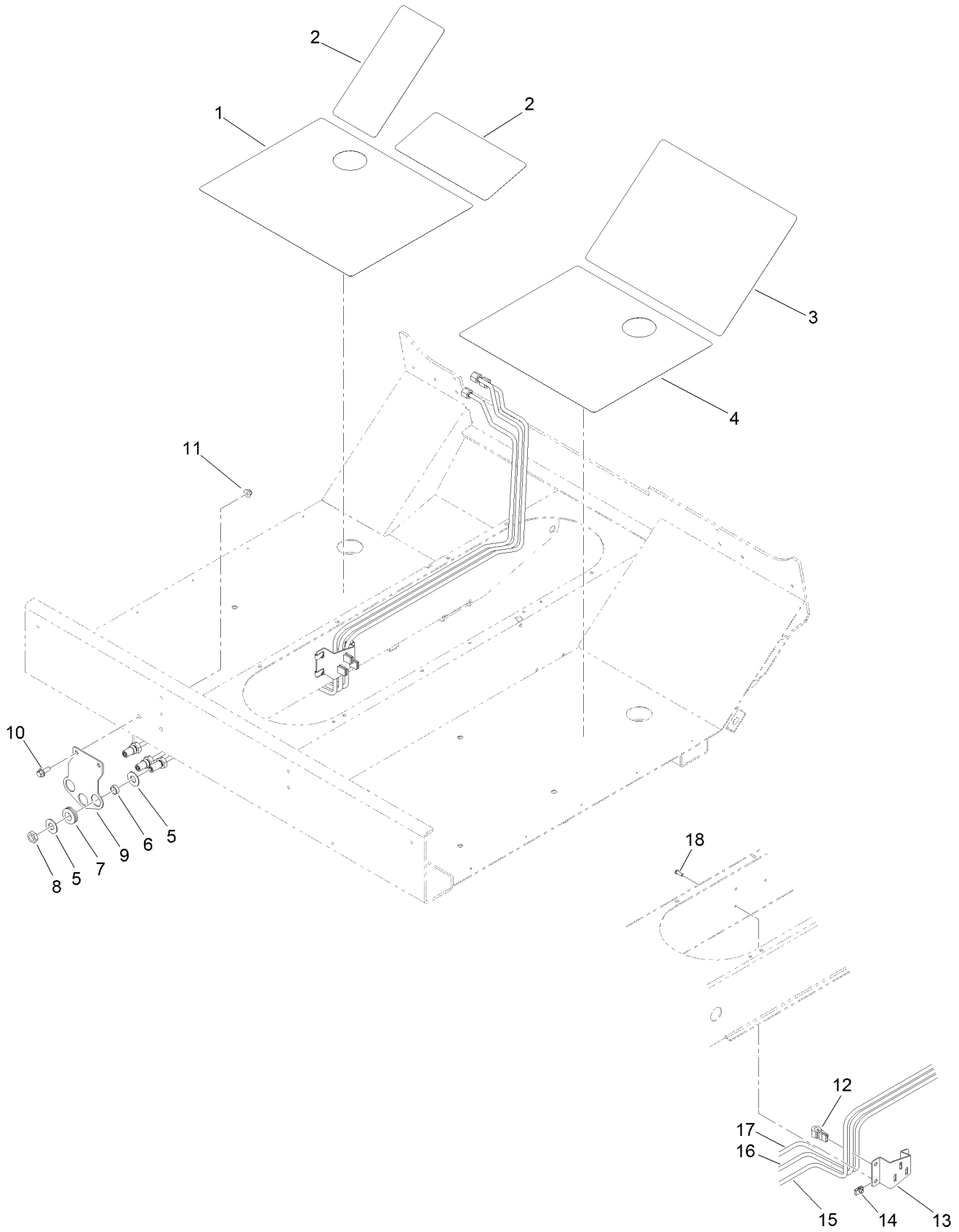


## Premium Seat Assembly No. 138-3806 (continued)

<i>Ref.</i>	<i>Part Number</i>	<i>Qty.</i>	<i>Description</i>	<i>Ref.</i>	<i>Part Number</i>	<i>Qty.</i>	<i>Description</i>
1	117-9415	1	Backrest Cushion ASM Matrix Cloth	8	140-0471	1	Backrest Bearing
1	108-8016	1	Backrest Cushion ASM Vinyl	9	140-0472	1	Compensator
1:1	119-7742	4	Screw-Cushion	10	110-6189	1	Switch Kit
2	108-8017	1	Seat Cushion ASM Vinyl	10:1		1	Switch ●
2	117-9416	1	Seat Cushion ASM Matrix Cloth	10:2		3	Wire Tie ●
2:1	119-7742	3	Screw-Cushion	10:3		2	Rivet ●
3	108-8018	1	Cover-Armrest	11	140-0473	1	Seat Pan Kit
4	108-8021	1	Cover-Armrest	12	108-8025	1	Adjustment Rail Set
5	108-8019	1	LH Armrest ASM	13	140-0475	1	Handle
5:1	82-9650	1	Nut	14	140-0476	1	Handle Grip-Back Angle
5:2	107-1198	1	Washer	15	140-0477	1	Small Parts-Seat Switch
6	140-0470	1	Backrest Kit	16	108-8020	1	RH Armrest ASM
7	132-1304	1	Backrest Adjustment Kit	16:1	82-9650	1	Nut
				16:2	107-1198	1	Washer

● Not serviced separately

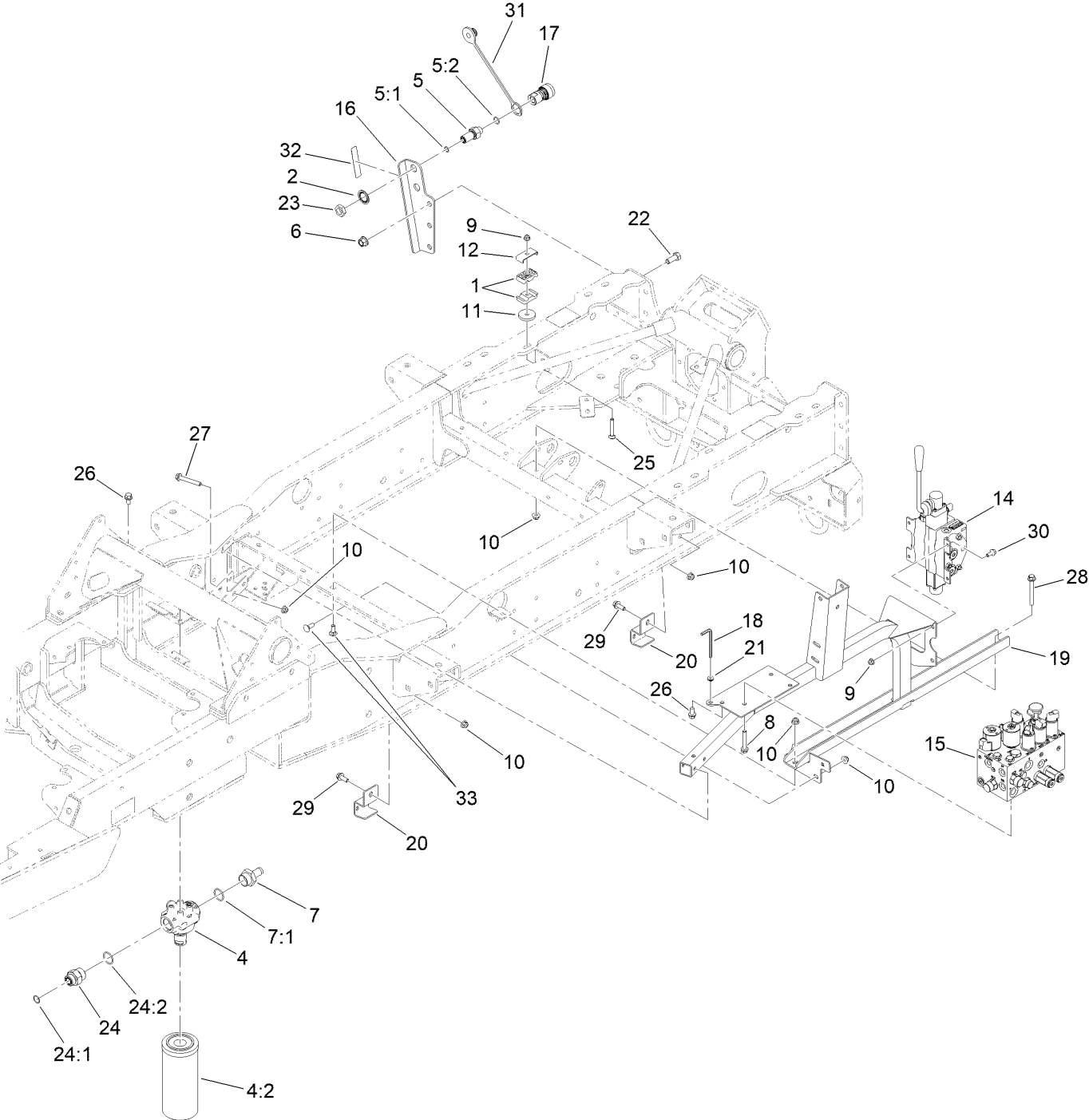
# Floor Grips and Hydraulic Tube Assembly



## Floor Grips and Hydraulic Tube Assembly (continued)

<i>Ref.</i>	<i>Part Number</i>	<i>Qty.</i>	<i>Description</i>	<i>Ref.</i>	<i>Part Number</i>	<i>Qty.</i>	<i>Description</i>
1	136-9950	1	Tread-Foot, Abrasive (LH)	10	3234-42	2	Screw-HHF
2	136-9952	2	Tread-Foot, Abrasive Upper	11	104-8301	2	Nut-HF, NI
3	138-4169	1	Tread-Foot, Abrasive Front	12	136-9782	3	Isolator-Tube
4	138-4168	1	Tread-Foot, Abrasive RH	13	138-8129-0P	1	Bracket-Isolator
5	69-8940	6	Washer	14	107069	3	Clip
6	69-8970	3	Spacer	15	136-9712	1	Tube ASM
7	240-4	3	Grommet-Rubber	16	136-9711	1	Tube ASM
8	340-70	3	Nut-Lock	17	136-9710	1	Tube ASM
9	137-1264-0P	1	Support-Bulkhead	18	3274-69	3	Screw-HSBH

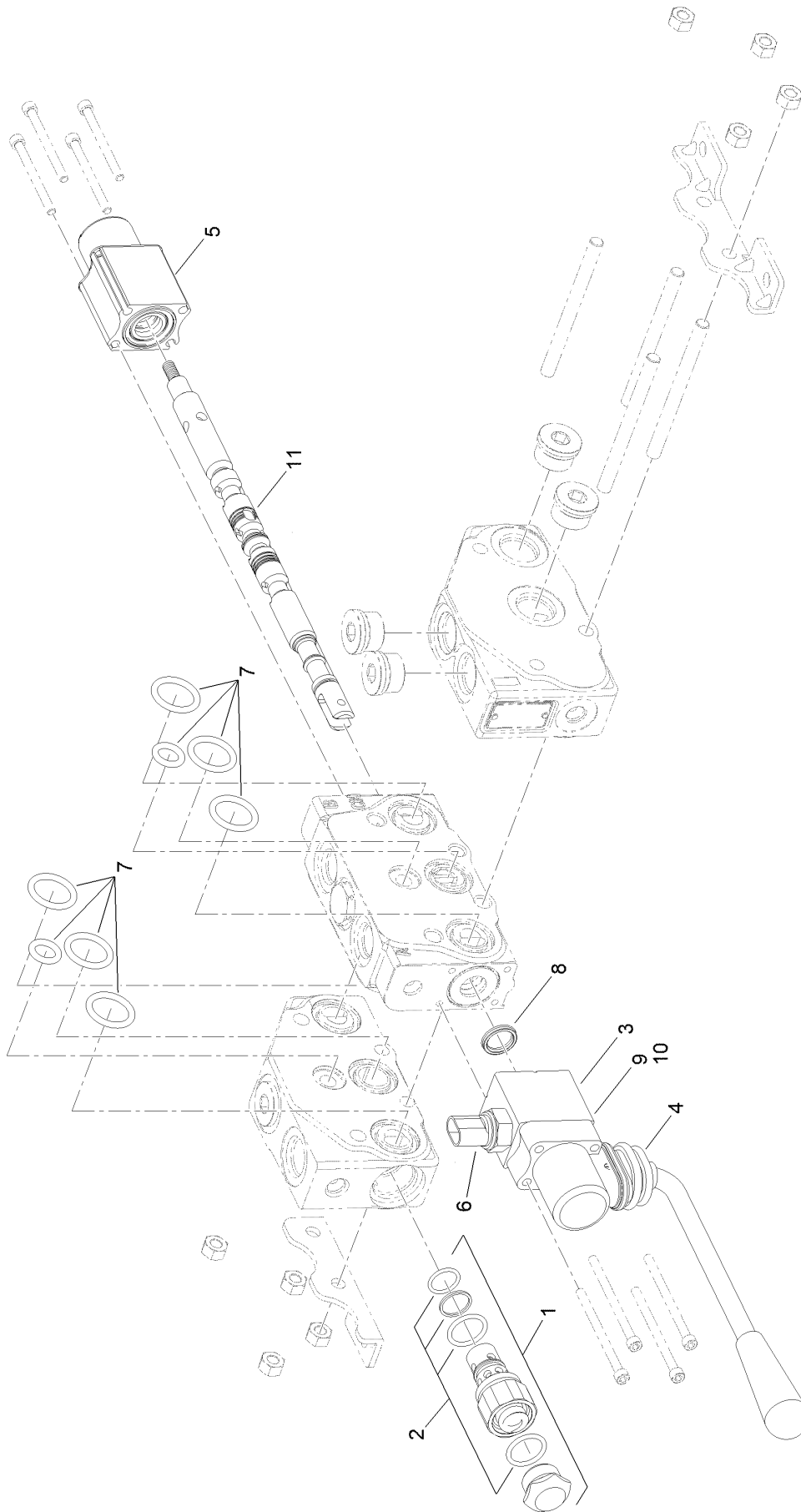
# Manifold, Filter and Auxiliary Valve Assembly



## Manifold, Filter and Auxiliary Valve Assembly (continued)

<i>Ref.</i>	<i>Part Number</i>	<i>Qty.</i>	<i>Description</i>	<i>Ref.</i>	<i>Part Number</i>	<i>Qty.</i>	<i>Description</i>
1	56-7976	2	Clamp-Tube	18	136-5288	1	Wrench-Hexagon
2	515-0040	2	Washer-Lock, Int	19	136-5340-0P	1	Support-Manifold
4	139-1010	1	Filter Head ASM	20	136-9718-0P	2	Support-Hose
4:2	94-2621	1	Element-Filter	21	136-9976	1	Grommet
5	98-9907	2	Union-Bulkhead	22	325-5	2	Screw-HH
5:1	237-30	1	O-Ring	23	340-127	2	Nut-Bulkhead
5:2	237-79	1	O-Ring	24	340-91	1	Fitting-STR
6	99-5107	2	Nut-Lock	24:1	237-58	1	O-Ring
7	99-6932	1	Fitting-STR	24:2	237-146	1	O-Ring
7:1	237-117	1	O-Ring	25	3230-7	1	Bolt-CARR
8	100-2592	1	Screw-HHF	26	3234-1	7	Screw-HHF
9	104-8300	5	Nut-HF, NI	27	3234-39	2	Screw-HHF
10	104-8301	8	Nut-HF, NI	28	3234-41	1	Screw-HHF
11	110-9981	1	Washer-Plain	29	3234-42	2	Screw-HHF
12	119-1419	1	Plate-Clamp	30	3234-47	4	Screw-HHF
14	131-5637	1	Valve-Aux	31	T56152150	2	Plug-Quick Connect
15	131-5639	1	Manifold ASM	32	138-4135	1	Decal-HYD, Remote
16	131-5668-03	1	Plate-Bulkhead, Rear	33	3231-2	3	Bolt-CARR
17	133-7827	2	Coupler-Quick Connect				

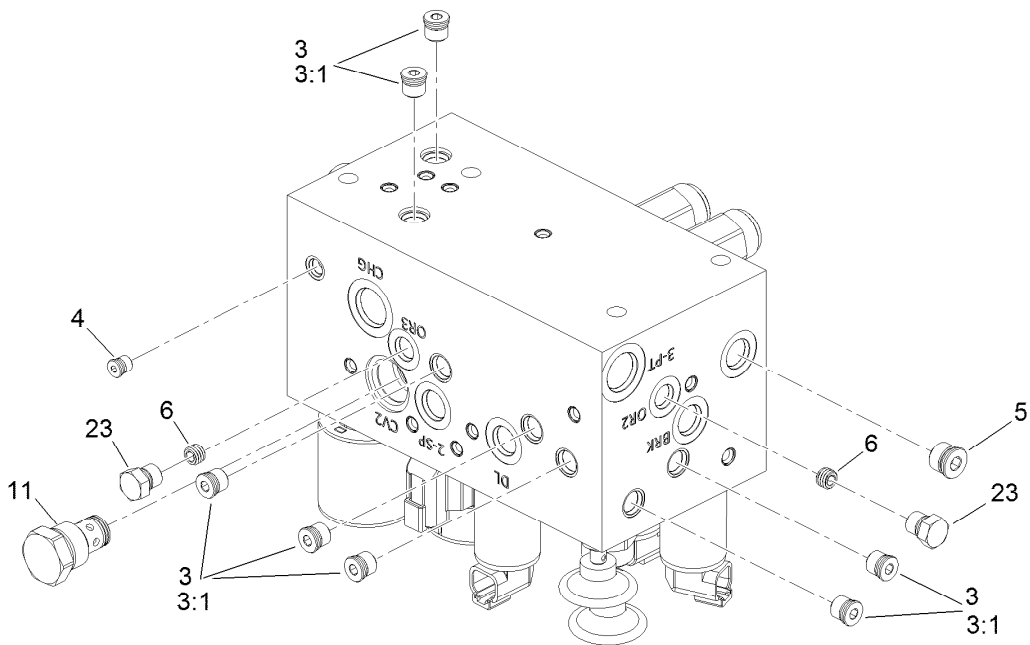
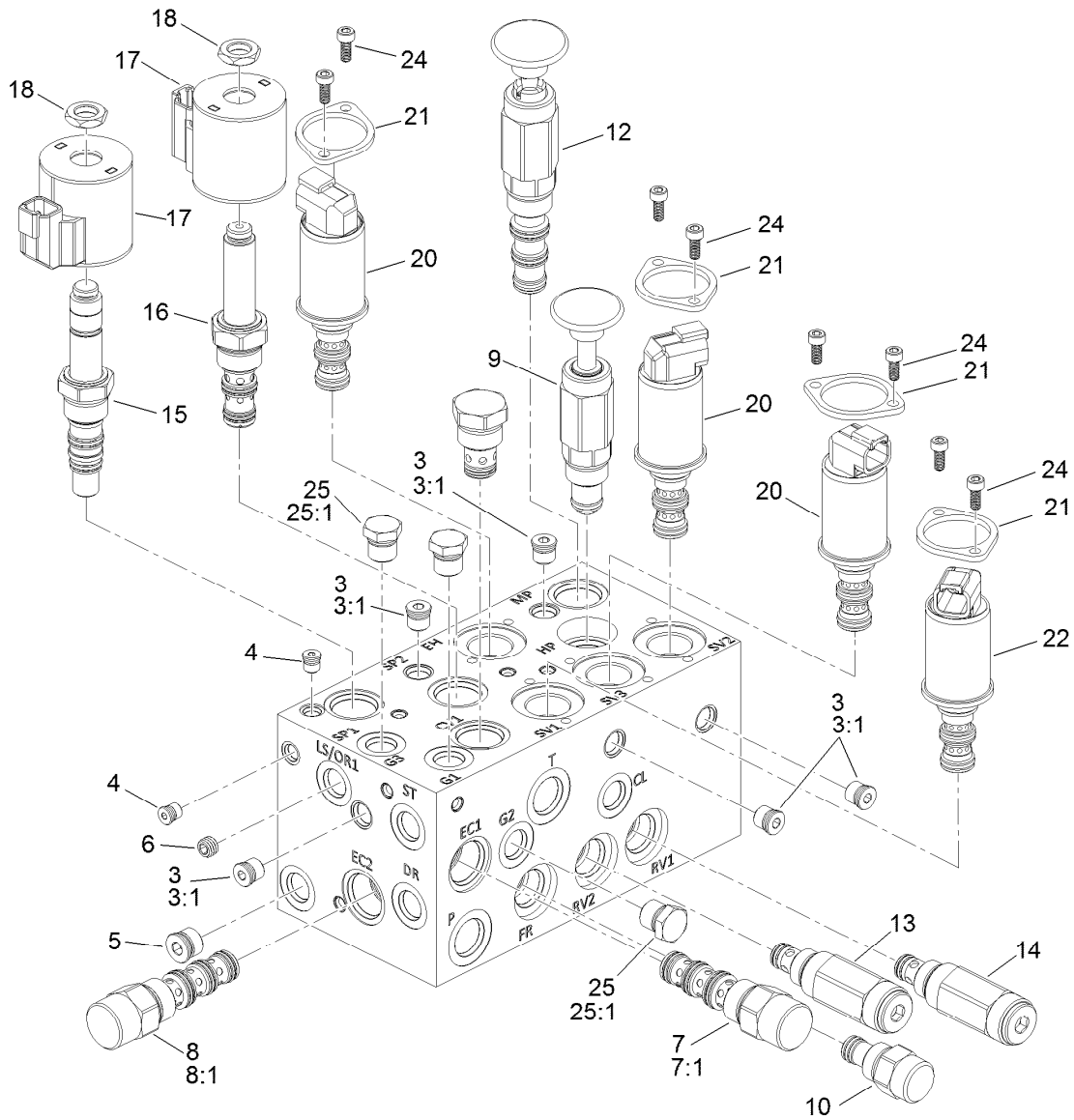
# Hydraulic Valve Assembly No. 131-5637



# Hydraulic Valve Assembly No. 131-5637 (continued)

<i>Ref.</i>	<i>Part Number</i>	<i>Qty.</i>	<i>Description</i>	<i>Ref.</i>	<i>Part Number</i>	<i>Qty.</i>	<i>Description</i>
1	138-7870	1	Rcm Relief ASM	6	138-7875	1	Switch-Interlock
2	138-7871	1	Seal Kit	7	138-7877	1	Section Seal Kit
3	138-7872	1	Handle-Horizontal, Enclosed	8	130-8354	1	O-Ring
4	131-6753	1	Boot-Dust	9	140-0500	1	Block-Switch Mount
5	138-7874	1	Positioner-Spool, Float	10	140-0501	1	Ring-Pilot
				11	140-0502	1	Spool-Switch

# Manifold Assembly No. 131-5639



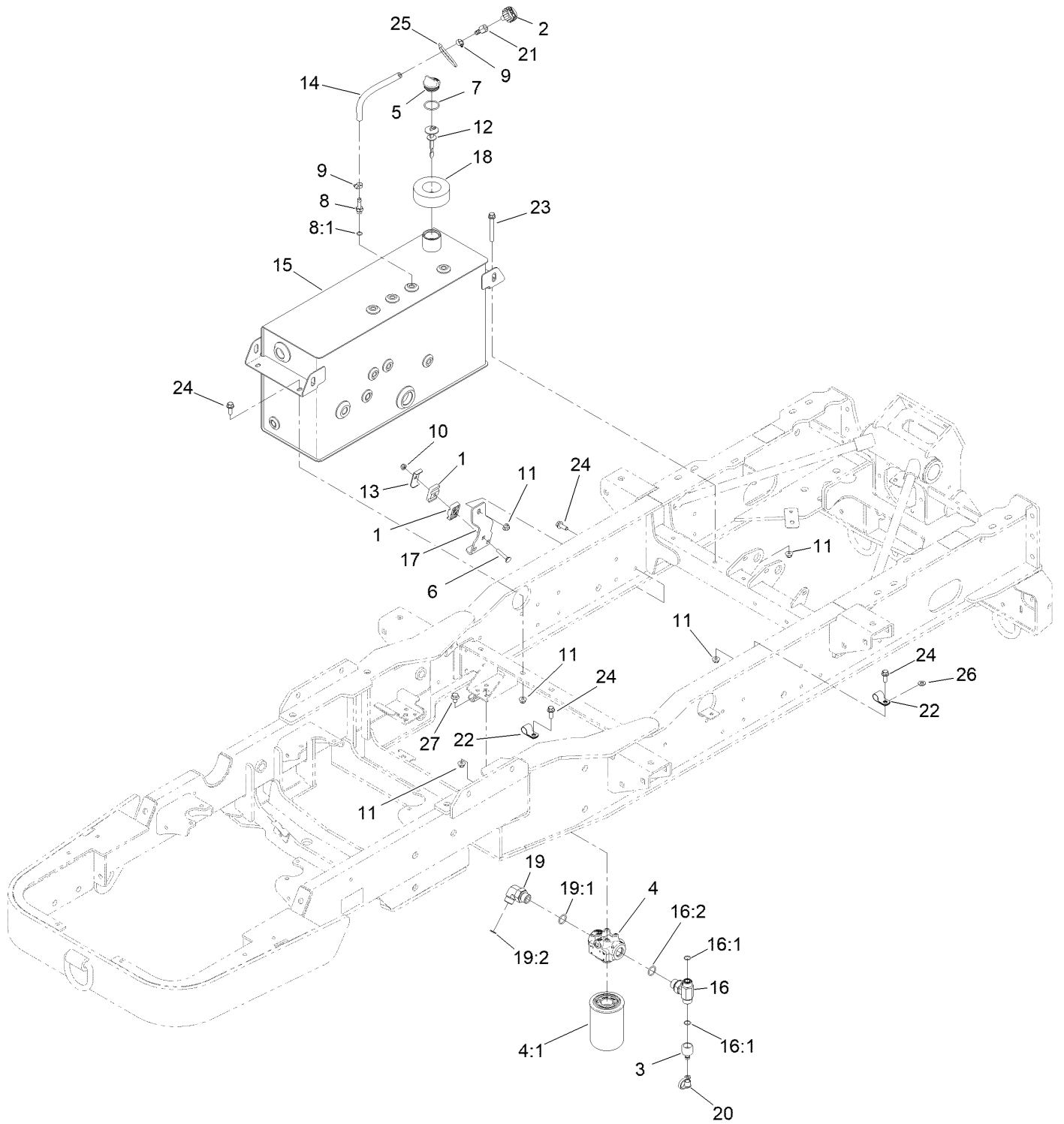


## Manifold Assembly No. 131-5639 (continued)

<i>Ref.</i>	<i>Part Number</i>	<i>Qty.</i>	<i>Description</i>	<i>Ref.</i>	<i>Part Number</i>	<i>Qty.</i>	<i>Description</i>
3	353-990	12	Plug ASM	13	140-0492	1	Valve-Relief
3:1	237-78	1	O-Ring	14	138-3821	1	Valve-Relief
4	131-1825	3	Plug-ORB	15	138-3822	1	Valve-Poppet, Prop
5	112-9213	2	Plug	16	138-3823	1	Valve-Flow Control, Prop
6	136-4363	3	Orifice-0.028	17	119-4619	2	Coil-Solenoid
7	115-5409	1	Compensator ASM	18	110-2634	2	Nut-Coil
7:1	110-8908	1	Spool Valve Seal Kit	20	138-3824	3	Valve-Solenoid
8	117-8314	1	Compensator-Pressure	21	138-3825	4	Plate-Mounting, Standard
8:1	110-8908	1	Spool Valve Seal Kit	22	138-3826	1	Valve-Press Reducing/Relieving, Prop
9	132-4904	1	Pump-Hand	23	117-0115	2	Plug
10	138-3820	1	Regulator-Flow, Press Comp	24	138-3827	8	Screw
11	110-8881	2	Valve-Check	25	353-508	3	Plug-HH
11:1	105-9159	1	Seal Kit ●	25:1	237-42	1	O-Ring
12	132-4903	1	Valve-2 Way, Manual				

● Not illustrated

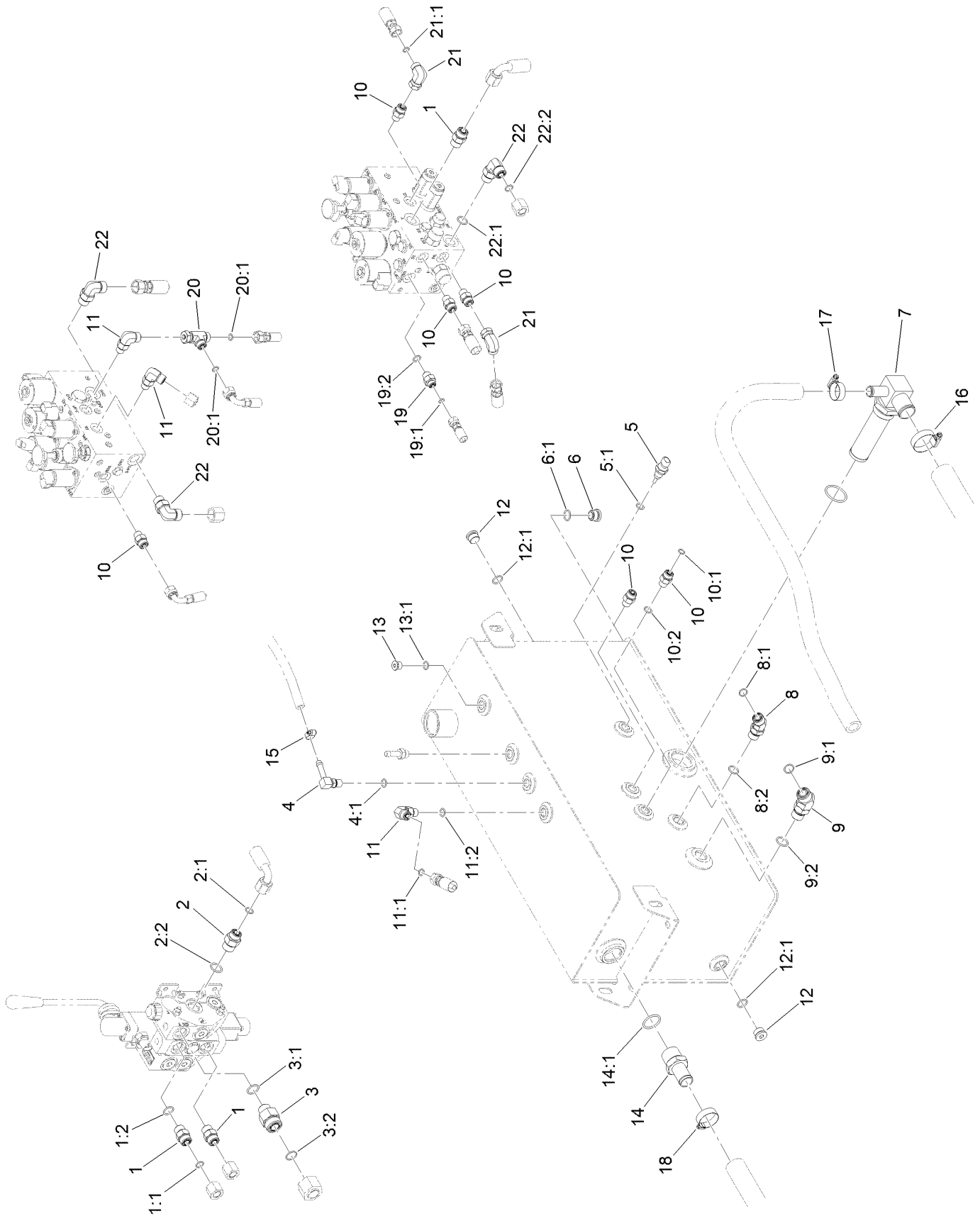
# Hydraulic Tank Assembly



## Hydraulic Tank Assembly (continued)

<i>Ref.</i>	<i>Part Number</i>	<i>Qty.</i>	<i>Description</i>	<i>Ref.</i>	<i>Part Number</i>	<i>Qty.</i>	<i>Description</i>
1	56-7972	4	Clamp-Tube	16	136-9719	1	Fitting-HYD, Tee
2	68-6150	1	Breather	16:1	237-65	2	O-Ring
3	86-5860	1	Nipple	16:2	237-81	1	O-Ring
4	93-2242	1	Oil Filter ASM	17	136-9744-0P	2	Support-Hardline
4:1	75-1310	1	Filter-HYD	18	136-9788	1	Seal-Ring
5	93-7498	1	Plug-Plastic	19	340-139	1	Fitting-Elbow 90
6	3230-5	2	Bolt-CARR	19:1	237-81	1	O-Ring
7	94-8166	1	O-Ring	19:2	237-65	1	O-Ring
8	103-1912	1	Adapter-Straight	20	354-79	1	Cap-Dust
8:1	237-42	1	O-Ring	21	354-94	1	Fitting-Female, Barbed
9	2412-108	2	Clamp-Worm	22	2412-81	2	Clamp-R
10	104-8300	2	Nut-HF, NI	23	3234-41	2	Screw-HHF
11	104-8301	8	Nut-HF, NI	24	3234-42	6	Screw-HHF
12	112-6365	1	Dipstick	25	3290-379	1	Tie-Cable
13	119-1419	2	Plate-Clamp	26	3256-24	2	Washer-Plain
14	138-4159	1	Hose-Fuel	27	33105-016	4	Screw-HHF
15	133-7632	1	Tank-Hydraulic				

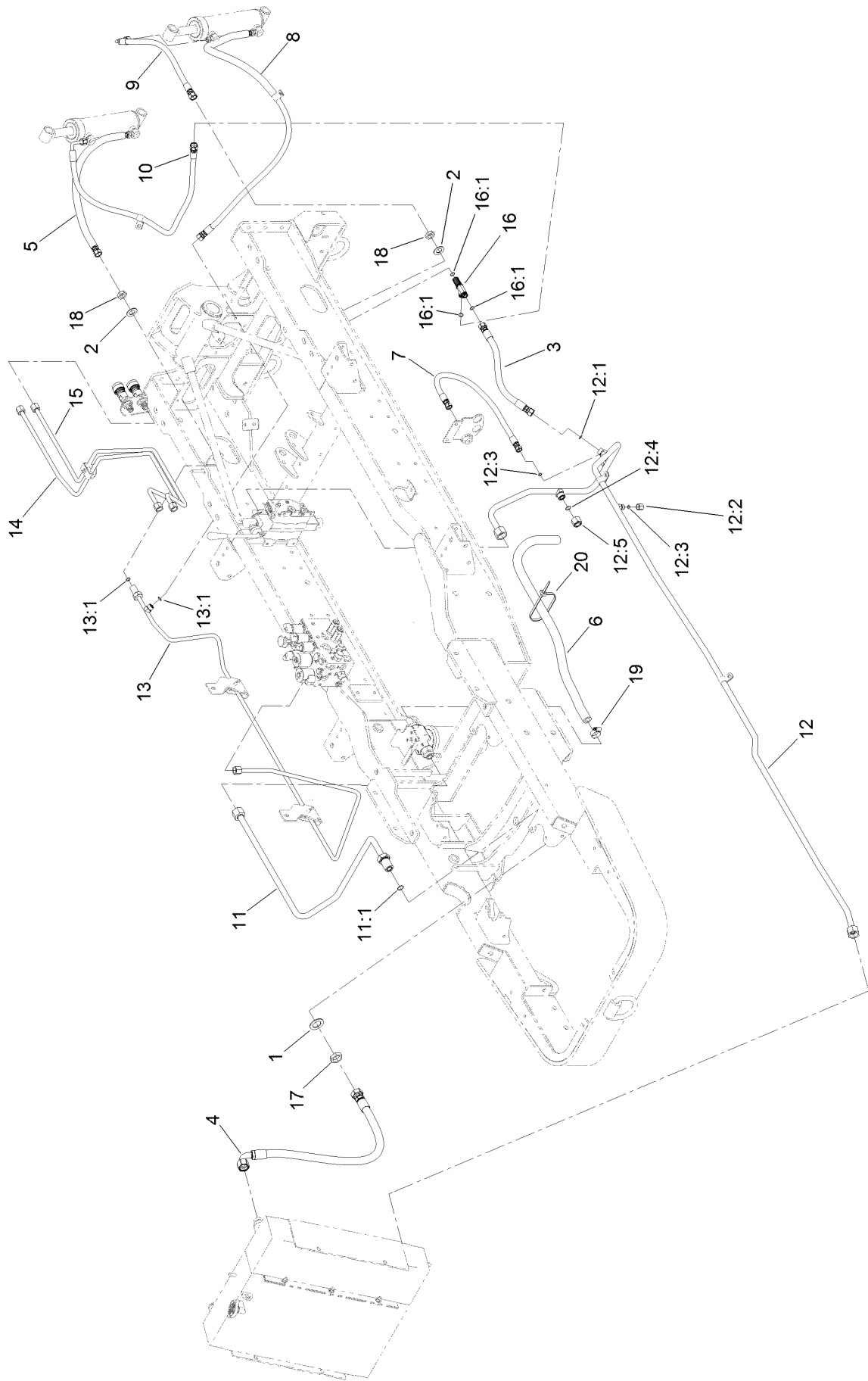
# Hydraulic Tank, Manifold, and Auxiliary Valve Fitting Assembly



## Hydraulic Tank, Manifold, and Auxiliary Valve Fitting Assembly (continued)

<i>Ref.</i>	<i>Part Number</i>	<i>Qty.</i>	<i>Description</i>	<i>Ref.</i>	<i>Part Number</i>	<i>Qty.</i>	<i>Description</i>
1	340-4	3	Fitting-Straight	10:2	237-42	1	O-Ring
1:1	237-30	1	O-Ring	11	340-77	3	Fitting-Elbow, 90 DEG
1:2	237-79	1	O-Ring	11:1	237-22	1	O-Ring
2	340-6	1	Fitting-Straight	11:2	237-42	1	O-Ring
2:1	237-30	1	O-Ring	12	353-988	2	Plug-Hex
2:2	237-80	1	O-Ring	12:1	237-79	1	O-Ring
3	340-66	1	Fitting-Straight	13	353-989	1	Plug-Hex, Hollow
3:1	237-80	1	O-Ring	13:1	237-42	1	O-Ring
3:2	237-58	1	O-Ring	14	354-78	1	Fitting-STR
4	100-4887	1	Fitting-Elbow, 90	14:1	237-146	1	O-Ring
4:1	237-42	1	O-Ring	15	2412-108	1	Clamp-Worm
5	110-8829	1	Sender-Temperature	16	2412-111	1	Clamp-Hose, W/Liner
5:1	237-42	1	O-Ring	17	2412-129	1	Clamp-Hose
6	133-7659	1	Plug ASM W/Magnet	18	2412-34	1	Clamp-Hose
6:1	237-79	1	O-Ring	19	340-1	1	Fitting-Straight
7	136-5109	1	Strainer Fitting ASM	19:1	237-21	1	O-Ring
8	340-101	1	Fitting-HYD, 45 DEG	19:2	237-42	1	O-Ring
8:1	237-30	1	O-Ring	20	340-115	1	Fitting-Tee
8:2	237-79	1	O-Ring	20:1	237-22	2	O-Ring
9	340-14	1	Fitting-HYD, 45 DEG	21	340-159	2	Elbow-90
9:1	237-65	1	O-Ring	21:1	237-22	2	O-Ring
9:2	237-80	1	O-Ring	22	340-98	3	Fitting-Elbow, 90 DEG
10	340-2	6	Fitting-Straight	22:1	237-79	1	O-Ring
10:1	237-22	1	O-Ring	22:2	237-30	1	O-Ring

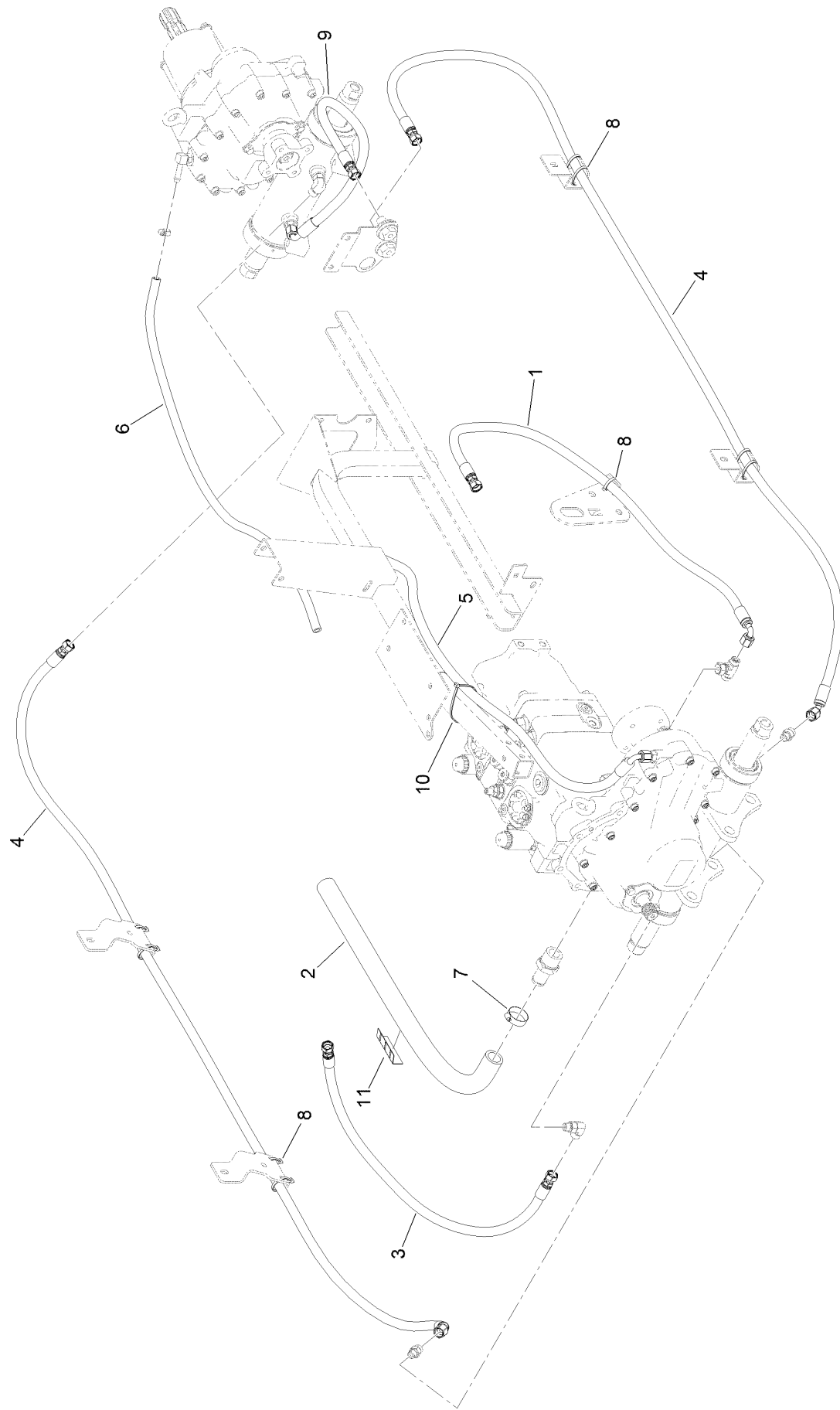
# Hydraulic Hose and Tube Assembly



## Hydraulic Hose and Tube Assembly (continued)

<i>Ref.</i>	<i>Part Number</i>	<i>Qty.</i>	<i>Description</i>	<i>Ref.</i>	<i>Part Number</i>	<i>Qty.</i>	<i>Description</i>
1	69-8910	1	Washer	12:2	340-117	1	Cap
2	69-8930	2	Washer	12:3	237-22	2	O-Ring
3	114-5501	1	Hose-Hydraulic	12:4	237-65	1	O-Ring
4	115-4384	1	Hose-HYD	12:5	340-150	1	Cap
5	131-2041	1	Hose ASM	13	133-2287	1	Tube ASM-HYD
6	133-2252	1	Hose	13:1	237-30	2	O-Ring
7	132-8941	1	Hose-Hydraulic	14	133-2289	1	Tube ASM-HYD
8	133-2272	1	Hose ASM	15	133-2290	1	Tube ASM-HYD
9	133-2273	1	Hose ASM	16	340-121	1	Fitting-Tee
10	133-2275	1	Hose ASM	16:1	237-30	3	O-Ring
11	133-2282	1	Tube-HYD	17	340-126	1	Nut-Bulkhead
11:1	237-58	1	O-Ring	18	340-127	2	Nut-Bulkhead
12	133-2283	1	Tube ASM-HYD	19	2412-129	1	Clamp-Hose
12:1	237-30	1	O-Ring	20	3290-379	2	Tie-Cable

# Hydraulic Hose Assembly 1

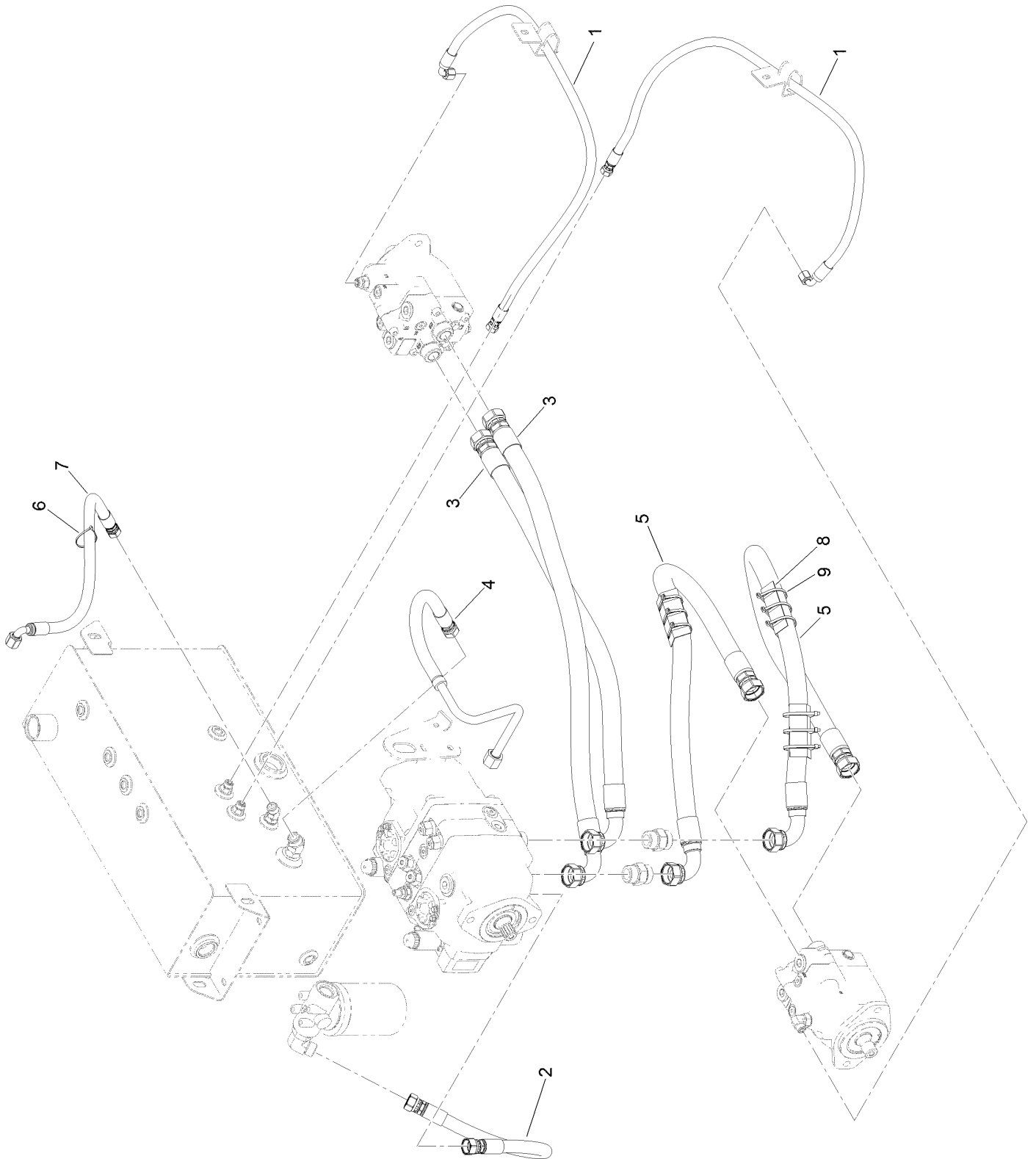




## Hydraulic Hose Assembly 1 (continued)

<i>Ref.</i>	<i>Part Number</i>	<i>Qty.</i>	<i>Description</i>	<i>Ref.</i>	<i>Part Number</i>	<i>Qty.</i>	<i>Description</i>
1	93-5385	1	Hose ASM	7	2412-34	1	Clamp-Hose
2	132-6480	1	Hose	8	3290-378	9	Tie-Cable
3	133-2260	1	Hose ASM	9	92-5687	1	Hose ASM
4	136-9700	2	Hose ASM	10	3290-379	1	Tie-Cable
5	136-9705	1	Hose ASM	11	AU112950	1	Protector-Hose
6	136-9706	1	Hose				

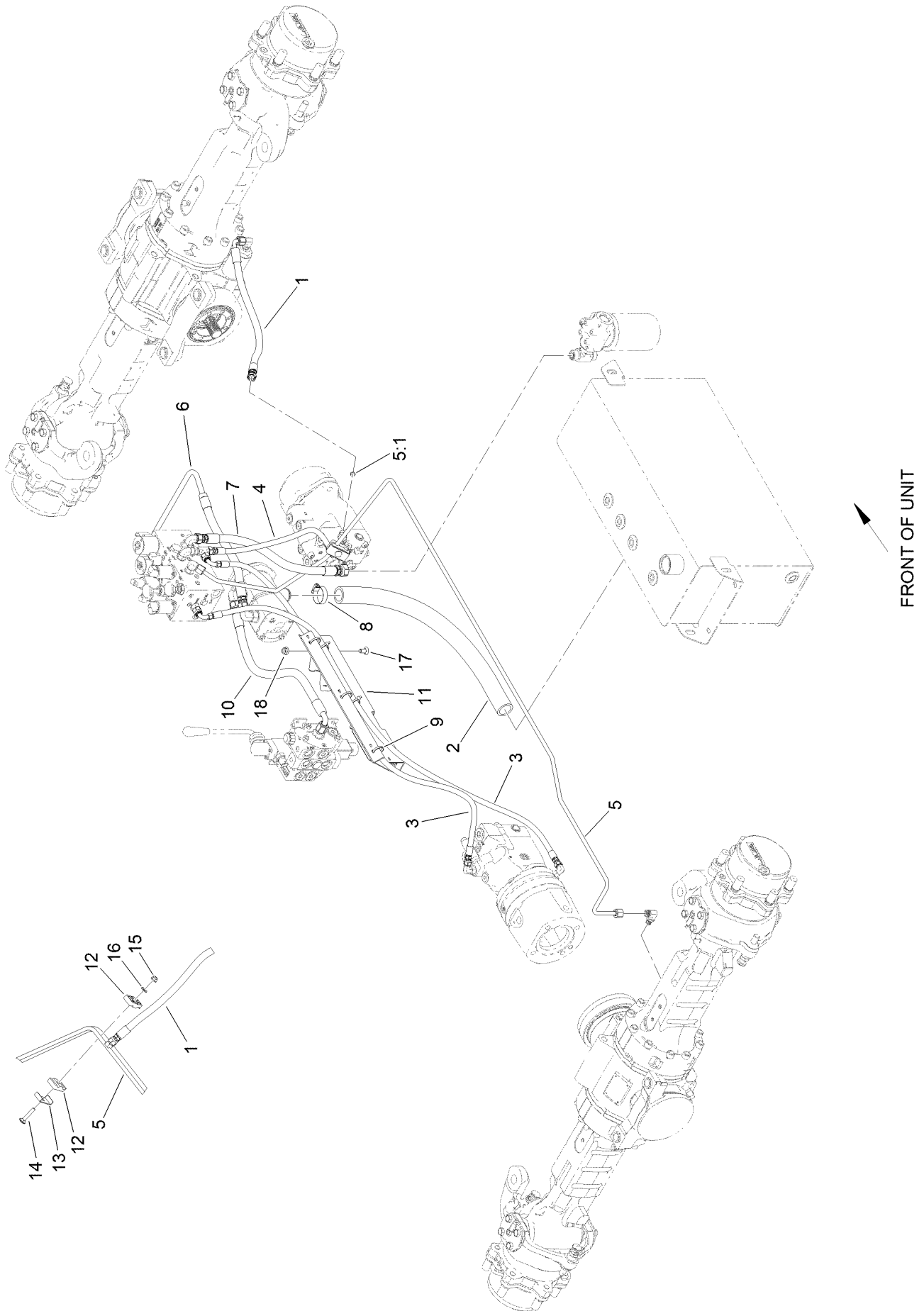
# Hydraulic Hose Assembly 2



## Hydraulic Hose Assembly 2 (continued)

<i>Ref.</i>	<i>Part Number</i>	<i>Qty.</i>	<i>Description</i>	<i>Ref.</i>	<i>Part Number</i>	<i>Qty.</i>	<i>Description</i>
1	100-3919	2	HYD Hose ASM	6	121-1559	1	Hose-HYD
2	120-3538	1	Hose-HYD	7	3290-378	1	Tie-Cable
3	147-3173	2	Hose ASM	8	AU112950	6	Protector-Hose
4	133-2297	1	Tube ASM	9	3290-379	18	Tie-Cable
5	132-6470	2	Hose ASM				

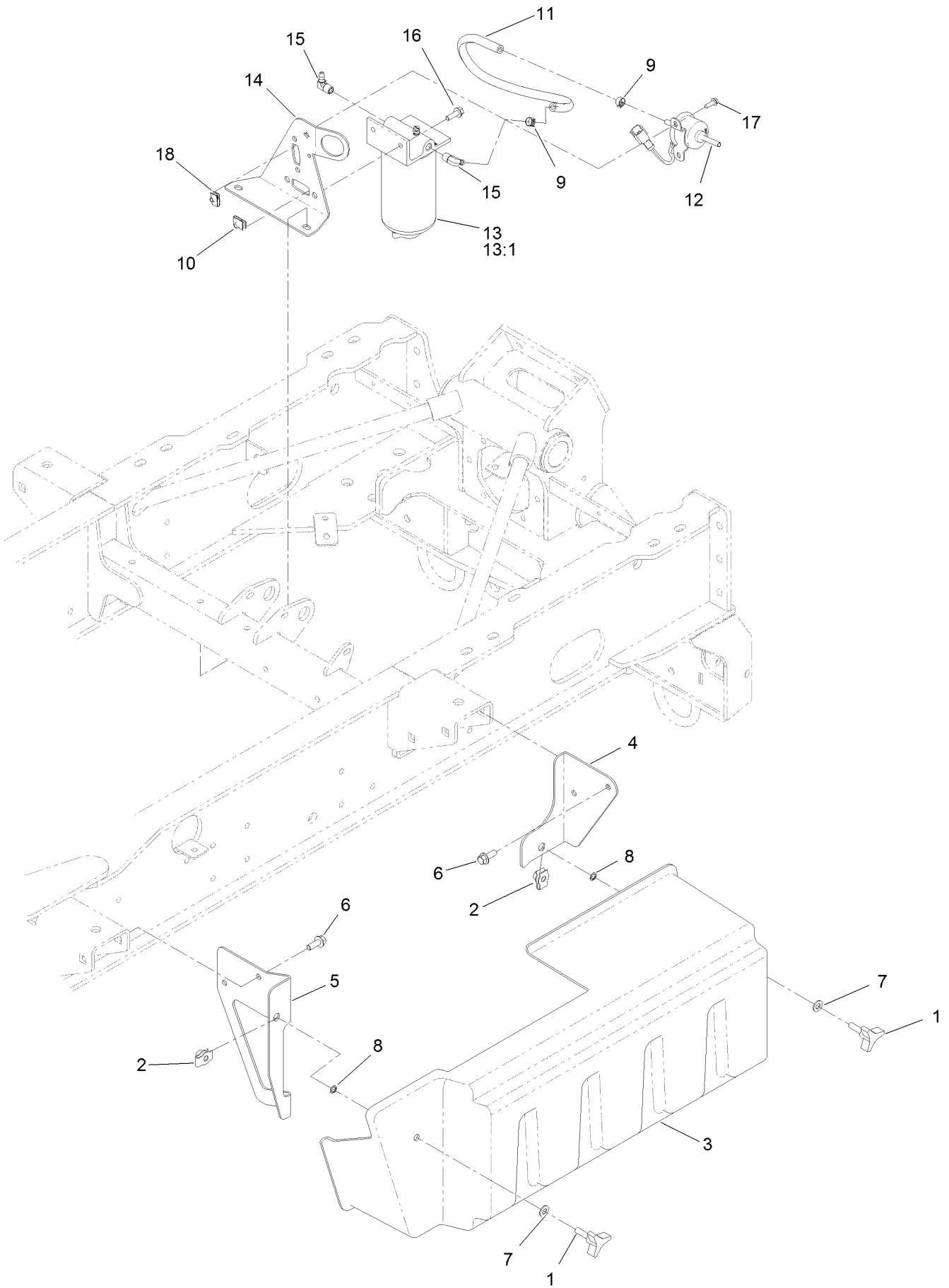
# Hydraulic Hose Assembly 3



## Hydraulic Hose Assembly 3 (continued)

<i>Ref.</i>	<i>Part Number</i>	<i>Qty.</i>	<i>Description</i>	<i>Ref.</i>	<i>Part Number</i>	<i>Qty.</i>	<i>Description</i>
1	69-5490	1	Hose ASM	10	104-2807	1	Hose-HYD
2	132-6490	1	Hose	11	138-8023-0P	1	Bracket-Routing
3	133-2255	2	Hose ASM	12	56-7972	2	Clamp-Tube
4	105-5405	1	Hose-HYD	13	119-1419	1	Plate-Clamp
5	133-2280	1	HYD Tube ASM	14	3230-4	1	Bolt-CARR
5:1	237-22	1	O-Ring	15	104-8300	1	Nut-HF, NI
6	136-9709	1	Tube-Hydrualic	16	3256-23	1	Washer-Plain
7	136-9714	1	Hose ASM	17	3231-21	2	Screw-CARR
8	2412-111	1	Clamp-Hose, W/Liner	18	104-8301	2	Nut-HF, NI
9	3290-378	5	Tie-Cable				

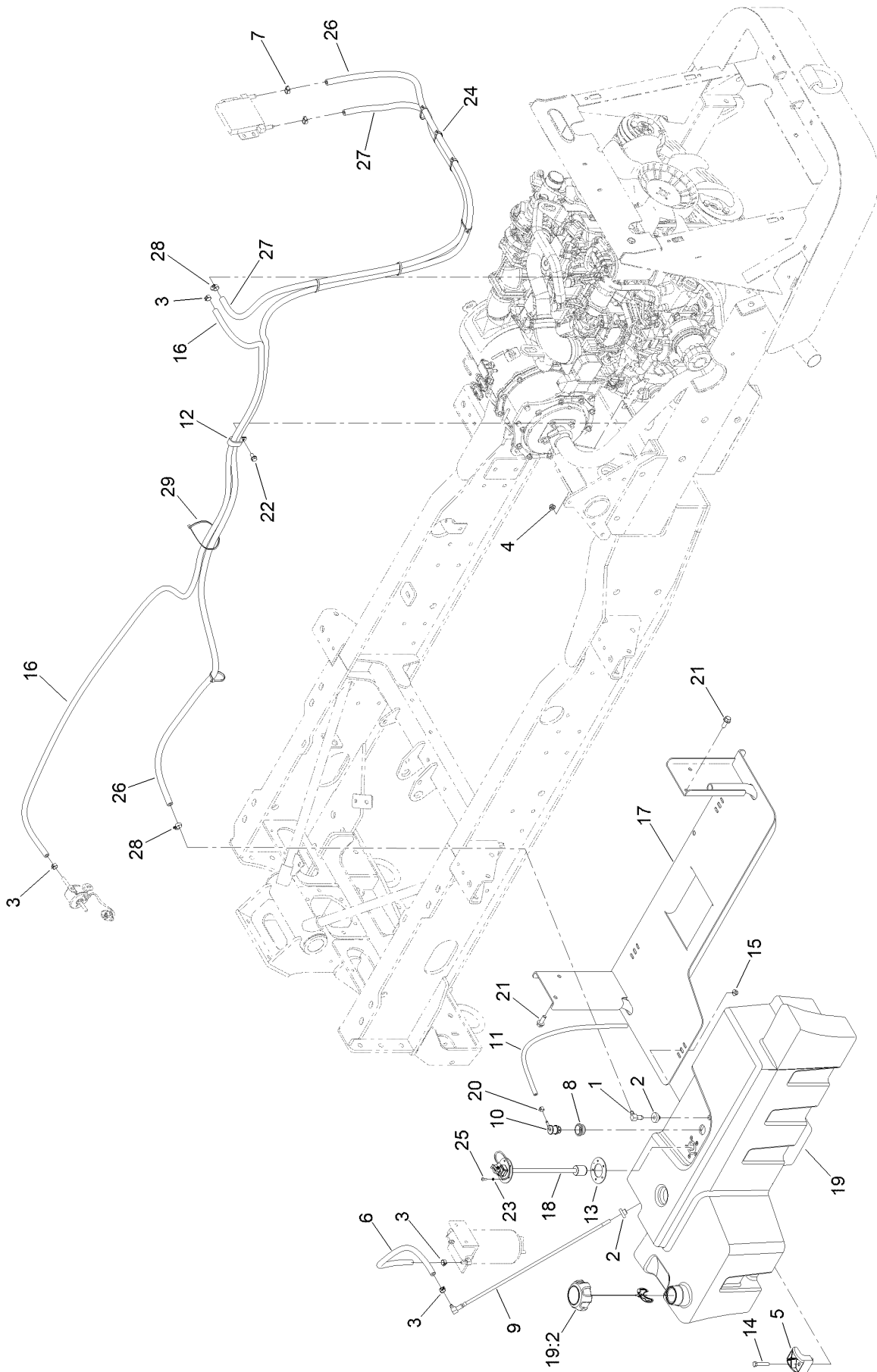
# Fuel Pump and Filter Assembly



## Fuel Pump and Filter Assembly (continued)

<i>Ref.</i>	<i>Part Number</i>	<i>Qty.</i>	<i>Description</i>	<i>Ref.</i>	<i>Part Number</i>	<i>Qty.</i>	<i>Description</i>
1	27-4570	2	Knob-Seat	11	110-4109	1	Hose-Fuel
2	105-4886	2	Nut-Tinnerman	12	121-5613	1	Pump-Fuel, Electric
3	136-9742	1	Cover-LH	13	125-2914	1	Filter-Separator
4	136-9957-01	1	Bracket-Latch, Rear	13:1	125-2915	1	Filter-Fuel/Water Separator
5	136-9958-01	1	Bracket-Latch, Front	14	136-9728-0P	1	Bracket-Support, Fuel
6	3234-42	4	Screw-HHF	15	353-781	2	Fitting-HYD, 90
7	3256-80	2	Washer-Plain	16	3234-29	2	Screw-HHF
8	32151-72	2	Ring-Retaining	17	32105-15	2	Screw-HWH
9	92-2379	2	Clamp-Hose	18	107069	2	Clip
10	94-2413	2	Nut-U				

# Fuel Tank and Line Assembly

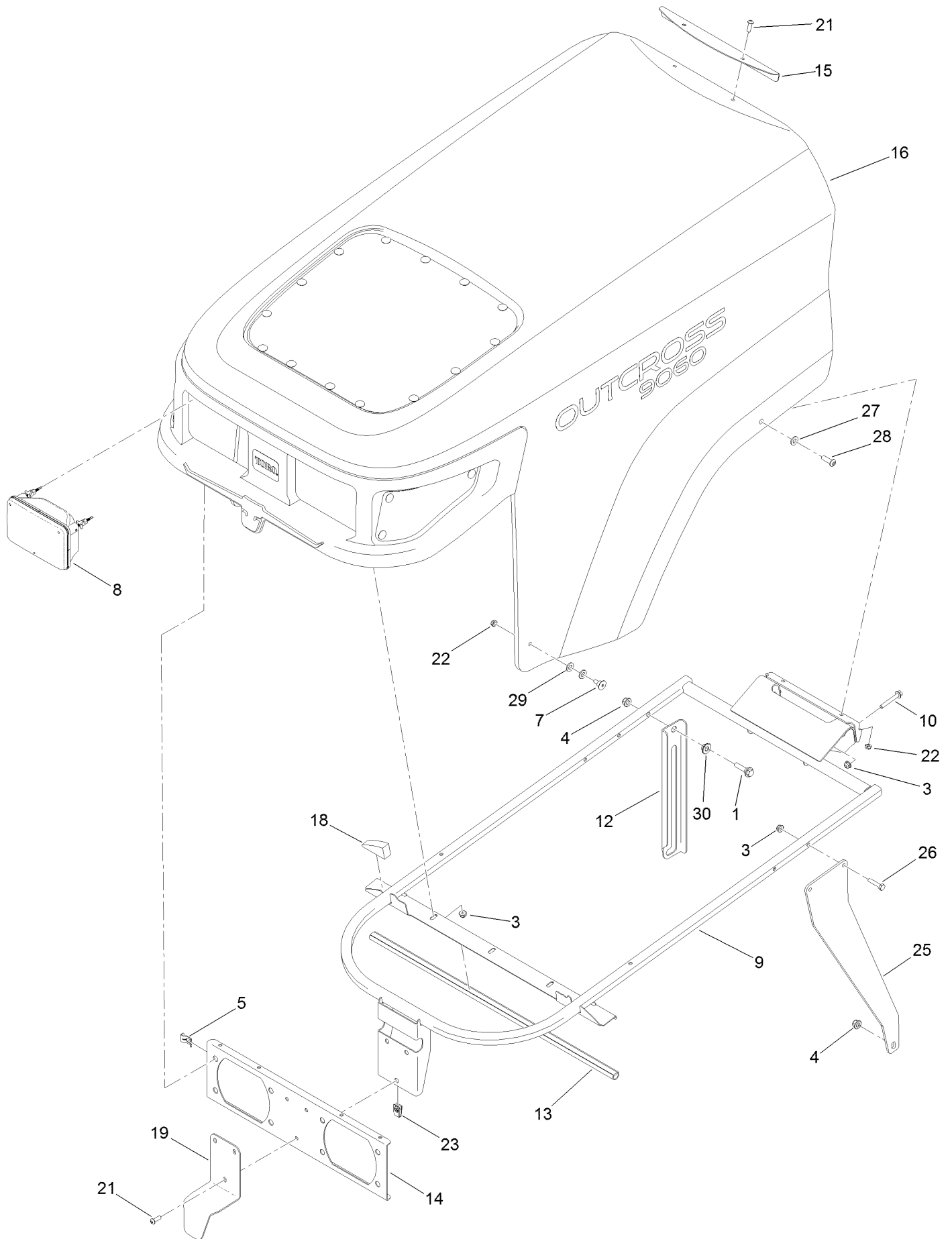




## Fuel Tank and Line Assembly (continued)

<i>Ref.</i>	<i>Part Number</i>	<i>Qty.</i>	<i>Description</i>	<i>Ref.</i>	<i>Part Number</i>	<i>Qty.</i>	<i>Description</i>
1	46-6550	1	Fitting-Elbow, 90 DEG	16	136-9708	1	Hose-Fuel
2	46-6560	2	Bushing	17	136-9730-03	1	Support-Tank
3	92-2379	4	Clamp-Hose	18	136-9739	1	Gauge-Fuel, Float
4	107069	1	Clip	19	136-9740	1	Fuel Tank ASM
5	107-4543	3	Clamp	19:2	138-3795	1	Fuel Cap ASM
6	110-4109	1	Hose-Fuel	20	2412-80	1	Clamp-Hose
7	103-1988	2	Clamp-Hose	21	3234-42	4	Screw-HHF
8	114-0284	1	Grommet	22	32105-15	1	Screw-HWH
9	114-3836	1	Pipe-Stand	23	3253-15	5	Washer-Lock
10	114-0285	1	Valve-Rollover	24	3290-378	9	Tie-Cable
11	119-8149	1	Hose-Fuel	25	32122-24	5	Screw-PTH
12	120-1959	1	Clamp	26	136-9978	1	Hose-Fuel
13	121-1707	1	Gasket-Fuel, Viton	27	136-9979	1	Hose-Fuel
14	125-7944	3	Screw-HH	28	2412-108	2	Clamp-Worm
15	130-6655	3	Nut-Flange, NI	29	3290-379	1	Tie-Cable

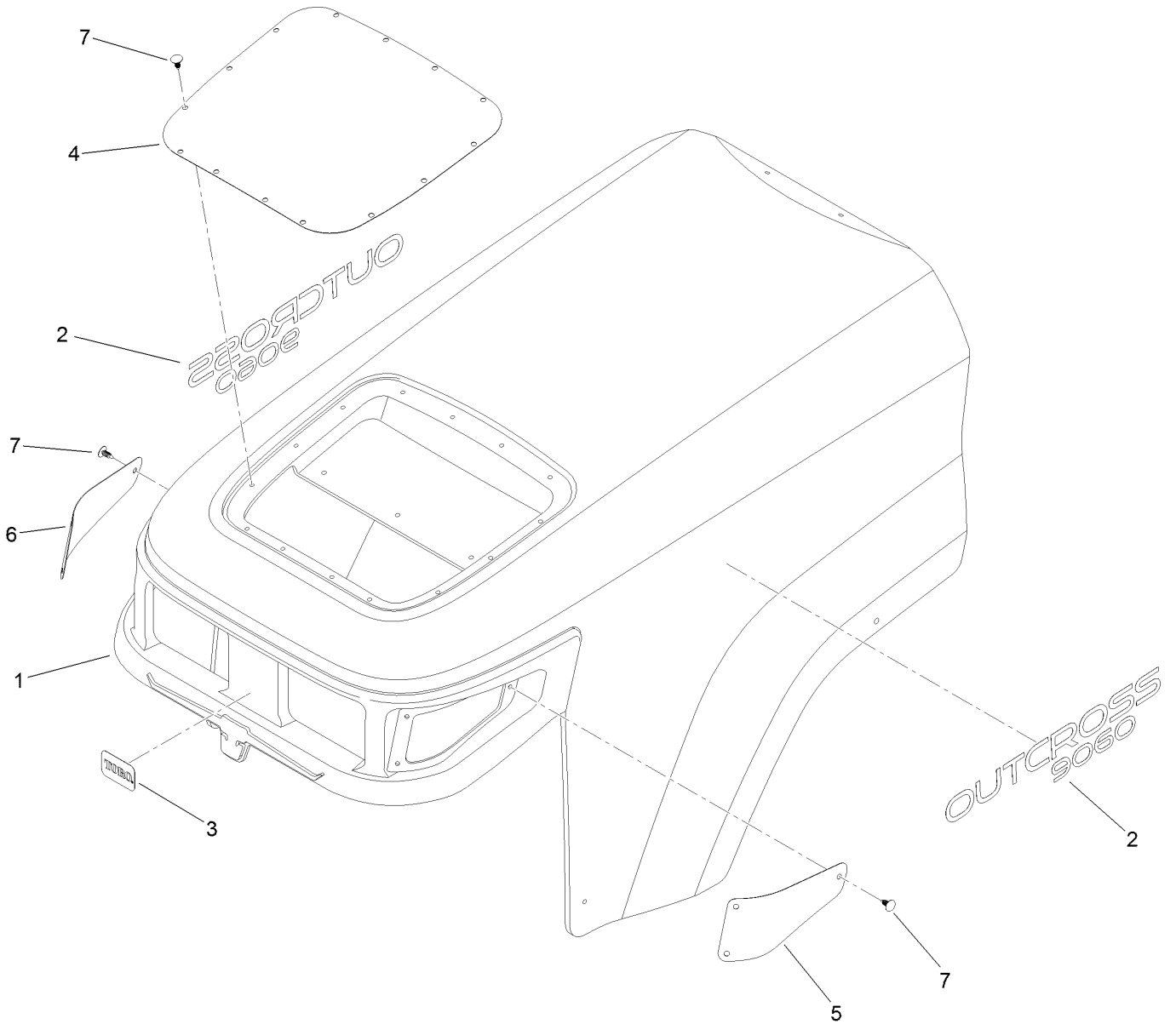
# Hood Assembly



## Hood Assembly (continued)

<i>Ref.</i>	<i>Part Number</i>	<i>Qty.</i>	<i>Description</i>	<i>Ref.</i>	<i>Part Number</i>	<i>Qty.</i>	<i>Description</i>
1	322-7	1	Screw-HH	16	138-4138	1	Hood ASM
3	104-7201	5	Nut-HF, NI	18	138-2013	2	Block-Foam
4	104-8300	1	Nut-HF, NI	19	138-3755-0P	1	Bracket-Lift, Hood
5	115-2408	6	Clip-Speed	21	3274-69	8	Screw-HSBH
7	125-1122	2	Screw	22	3296-56	4	Nut-Lock, NI
8	138-9260	2	Headlight ASM	23	107069	3	Clip
9	136-9602-0P	1	Support-Hood	25	138-8145-0P	2	Brace-Hood
10	32105-18	2	Screw-HHF	26	321-8	4	Screw-HH
12	138-8279-0P	1	Prop-Hood	27	3256-70	2	Washer-Flat
13	136-9779	1	Seal-Bulb	28	3274-104	2	Screw-HSBH
14	136-9786-0P	1	Bracket-Light	29	3256-22	4	Washer-Flat
15	136-9792-03	1	Bracket-Hood, Rear	30	125-9249	1	Spacer-Coupler, Rubber

# Hood Assembly No. 138-4138

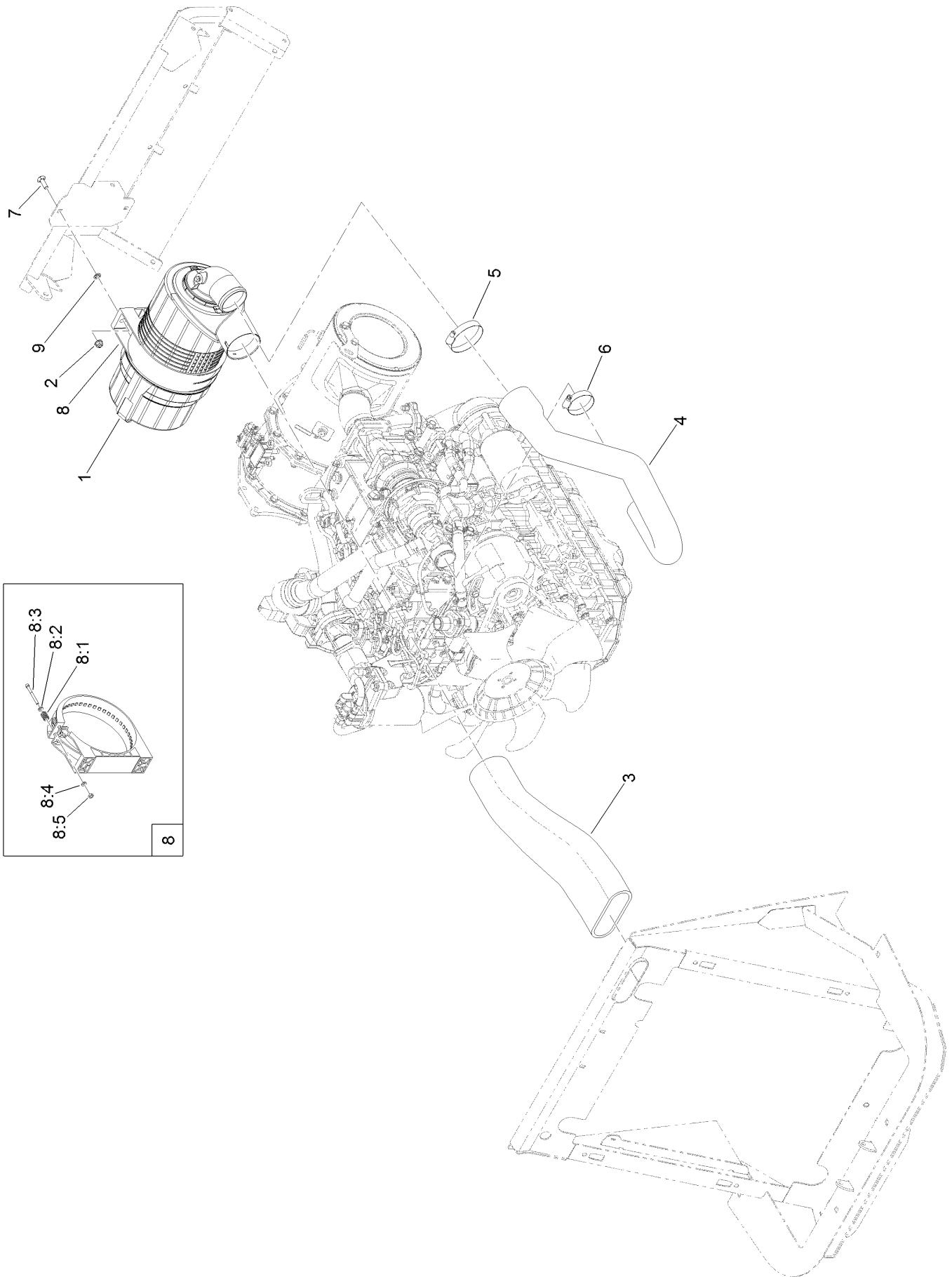


## Hood Assembly No. 138-4138 (continued)

<i>Ref.</i>	<i>Part Number</i>	<i>Qty.</i>	<i>Description</i>
1	136-9856	1	Hood ASM
2	136-9884	2	Decal
3	138-4105	1	Decal-Logo
4	136-9611-03	1	Screen

<i>Ref.</i>	<i>Part Number</i>	<i>Qty.</i>	<i>Description</i>
5	138-3756-03	1	Screen-Side, LH
6	138-3784-03	1	Screen-Side, RH
7	117-2382	20	Plug-Plastic

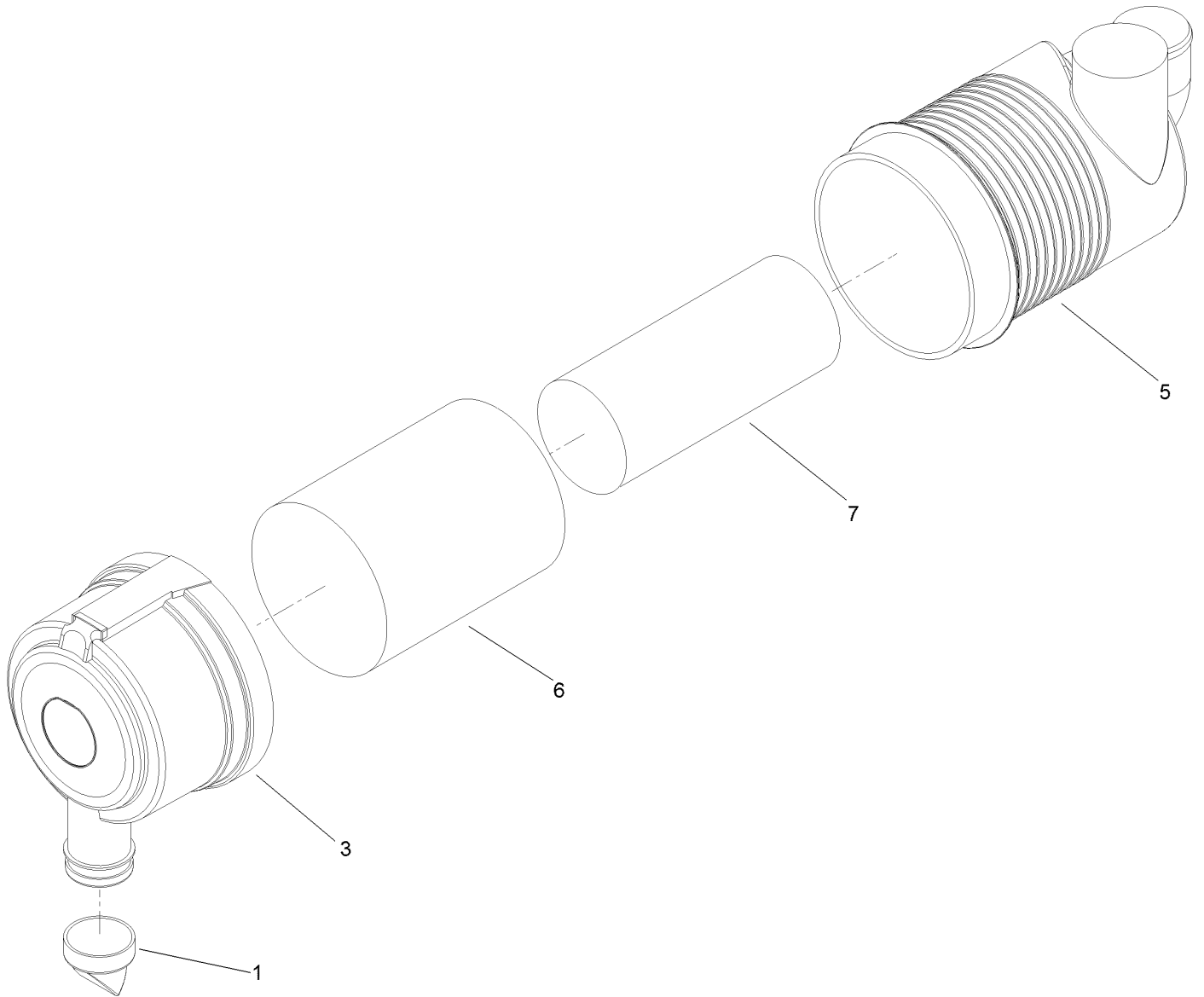
# Air Intake Assembly



## Air Intake Assembly (continued)

<i>Ref.</i>	<i>Part Number</i>	<i>Qty.</i>	<i>Description</i>	<i>Ref.</i>	<i>Part Number</i>	<i>Qty.</i>	<i>Description</i>
1	99-5410	1	Air Cleaner ASM	8	99-5414	1	Strap-Cleaner, Air
2	104-8300	2	Nut-HF, NI	8:1	108-1512	2	Spring
3	136-5195	1	Hose-Air	8:2	3256-22	2	Washer-Flat
4	136-5196	1	Hose-Air	8:3	33113-050	2	Screw-HH
5	2412-125	1	Clamp-Hose	8:4	33093-00	2	Washer-Flat
6	2412-130	1	Clamp-Hose	8:5	33023-00	2	Nut-Lock
7	3230-22	2	Screw-CARR	9	117-2749	2	Nut-Push

# Air Cleaner Assembly No. 99-5410



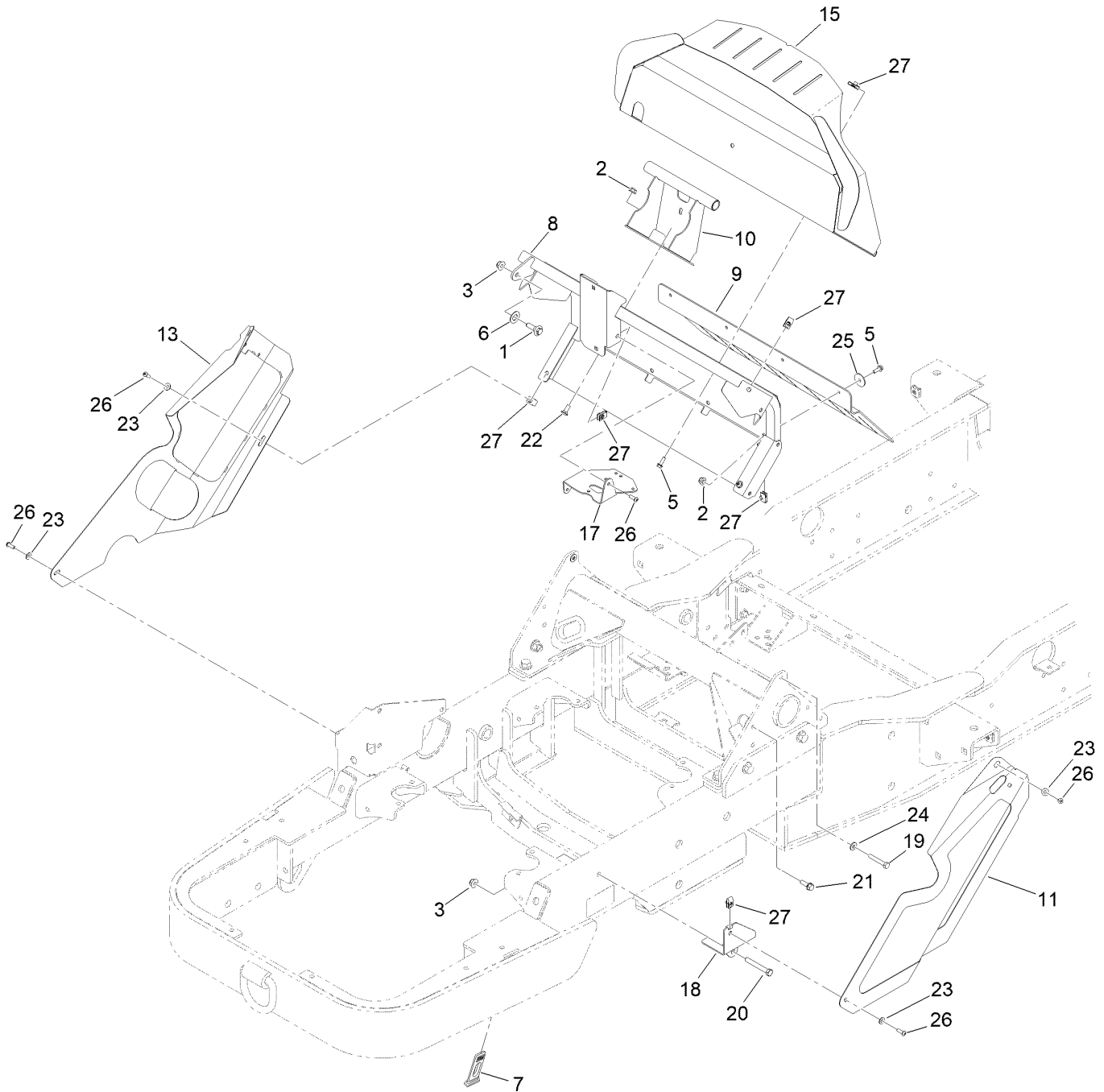


## Air Cleaner Assembly No. 99-5410 (continued)

<i>Ref.</i>	<i>Part Number</i>	<i>Qty.</i>	<i>Description</i>	<i>Ref.</i>	<i>Part Number</i>	<i>Qty.</i>	<i>Description</i>
1	104-4258	1	Valve-Vacuator	6	108-3814	1	Filter-Air
3	104-4259	1	Cover	7	108-3816	1	Filter-Air
5		1	Body ASM ●				

● Not serviced separately

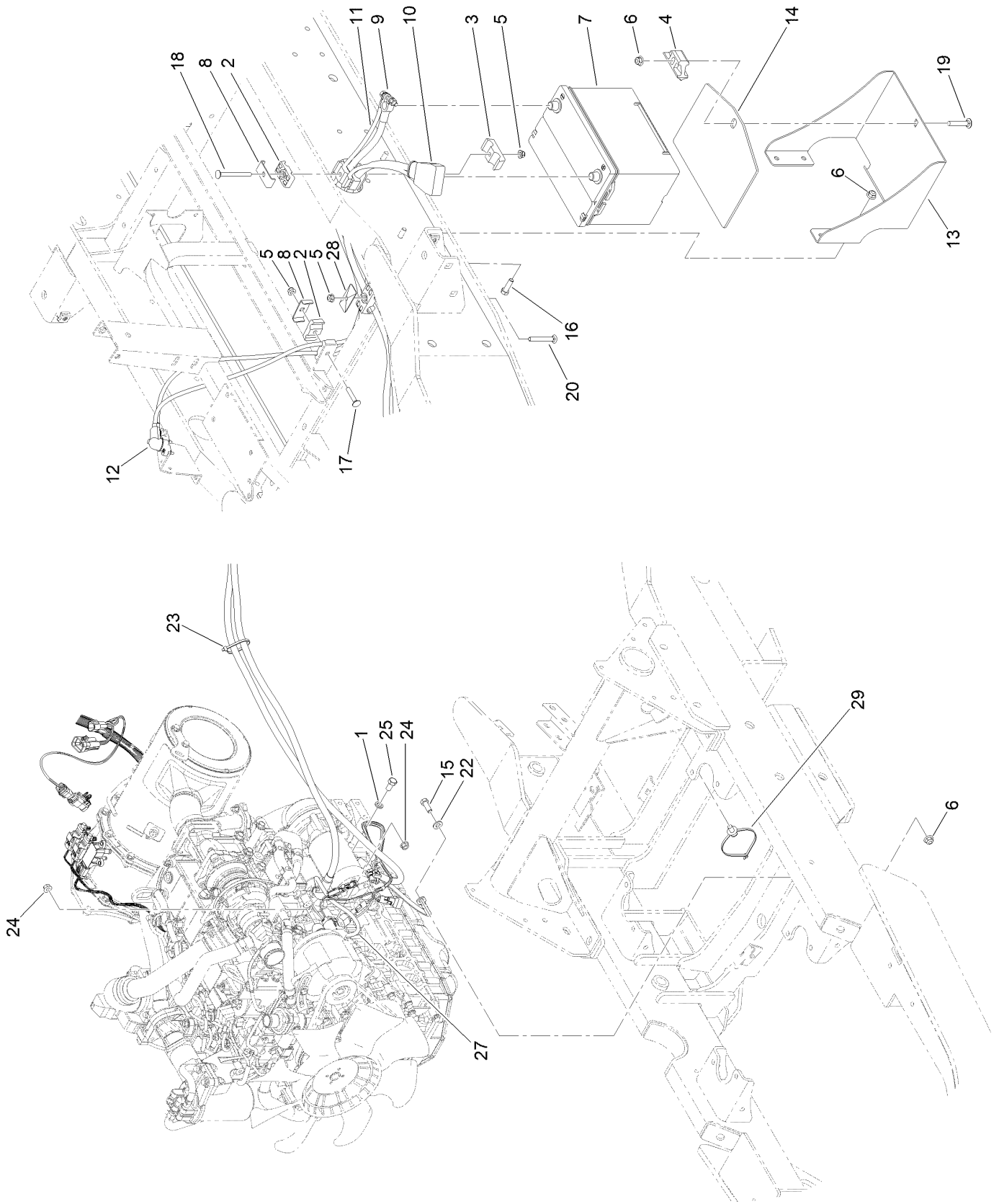
# Shield Assembly



## Shield Assembly (continued)

<i>Ref.</i>	<i>Part Number</i>	<i>Qty.</i>	<i>Description</i>	<i>Ref.</i>	<i>Part Number</i>	<i>Qty.</i>	<i>Description</i>
1	614672	1	Screw-Shoulder, HWH	17	138-1876	1	Bracket-Sensor
2	104-8300	5	Nut-HF, NI	18	138-1877-01	1	Bracket-Shield
3	104-8301	2	Nut-HF, NI	19	322-10	2	Screw-HH
5	115-5103	8	Screw-HHF	20	323-13	1	Screw-HH
6	117-1240	1	Washer	21	3234-29	2	Screw-HHF
7	131-8402	2	Strap-Down, Hold	22	3230-23	1	Bolt-CARR
8	138-8130-03	1	Mount-Mid	23	3256-1	6	Washer-Flat
9	138-1857	1	Flap-Air	24	3256-2	2	Washer-Flat
10	138-8124-0P	1	Hinge	25	3256-57	4	Washer-Flat
11	140-0574-03	1	Shield-LH	26	3274-69	7	Screw-HSBH
13	140-0570	1	Shield-RH	27	107069	15	Clip
15	138-1870-03	1	Shield-Dash				

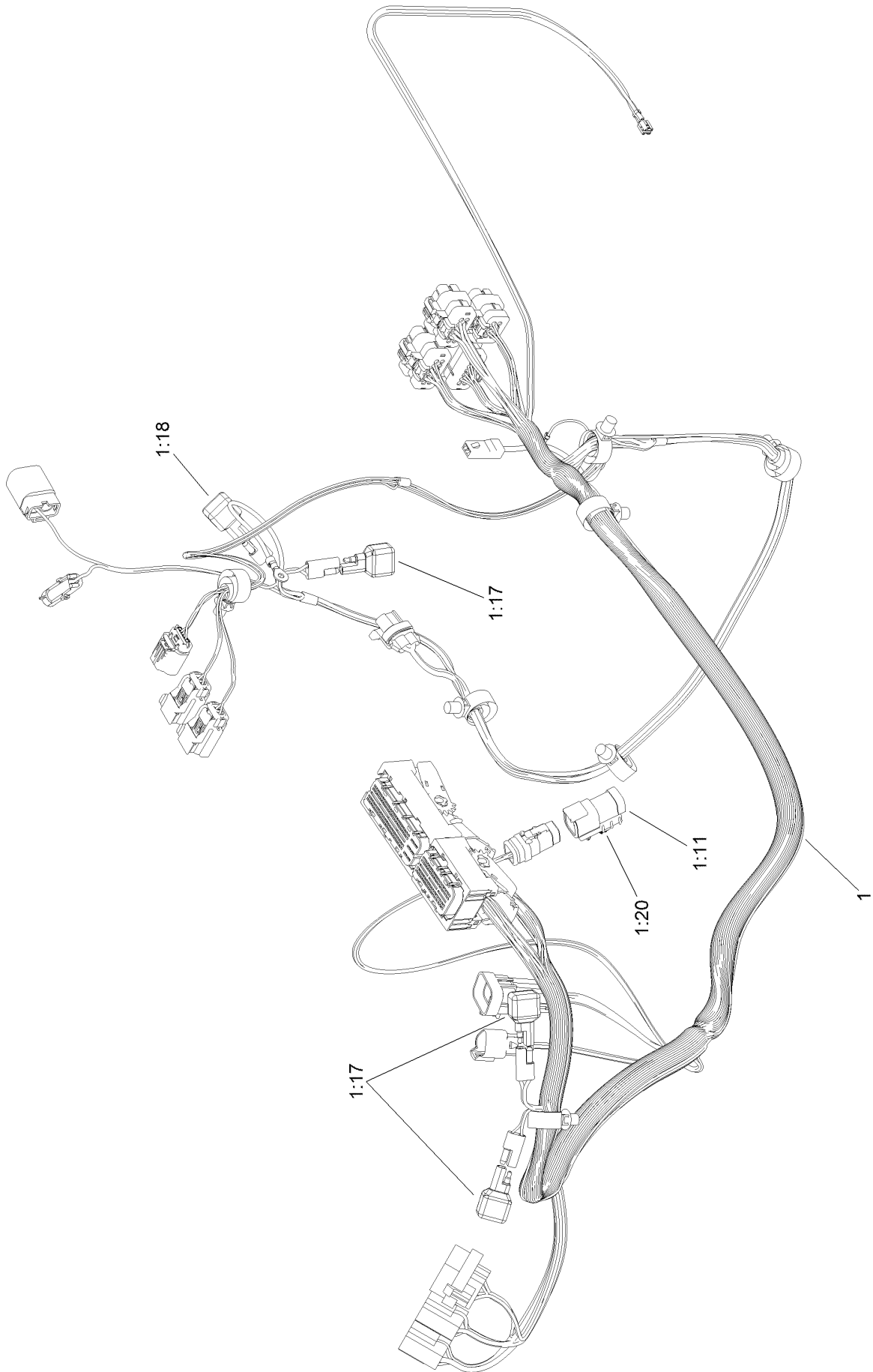
# Battery Assembly



## Battery Assembly (continued)

<i>Ref.</i>	<i>Part Number</i>	<i>Qty.</i>	<i>Description</i>	<i>Ref.</i>	<i>Part Number</i>	<i>Qty.</i>	<i>Description</i>
1	48-9590	1	Washer-Lock	14	136-5338	1	Mat-Battery
2	56-7972	4	Clamp-Tube	15	323-6	1	Screw-HH
3	94-8105	4	Clamp-Tube	16	323-7	4	Screw-HH
4	138-6335	1	Retainer-Battery	17	3230-5	1	Bolt-CARR
5	104-8300	5	Nut-HF, NI	18	3230-13	1	Screw-CARR
6	104-8301	6	Nut-HF, NI	19	3231-6	1	Screw-CARR
7	106-5190	1	Battery, 660 CCA W/O Electrolyte	20	3230-8	1	Screw-CARR
8	119-1419	2	Plate-Clamp	22	3256-24	1	Washer-Plain
9	122-0709	1	Cable-Battery, Negative	23	3290-378	1	Tie-Cable
10	122-0710	1	Cable-Battery, Positive	24	33004-00	2	Nut-HF
11	122-0969	1	Cable-Battery, Negative	25	33115-020	1	Screw-HH
12	122-0970	1	Cable-Battery, Positive	27	122-0071	1	Cable-Battery, Positive
13	133-7817-01	1	Support-Battery	28	69-9761	1	Plate-Cover
				29	32180-031	1	Clip-Tree (W/Tie)

# Engine Wire Harness Assembly

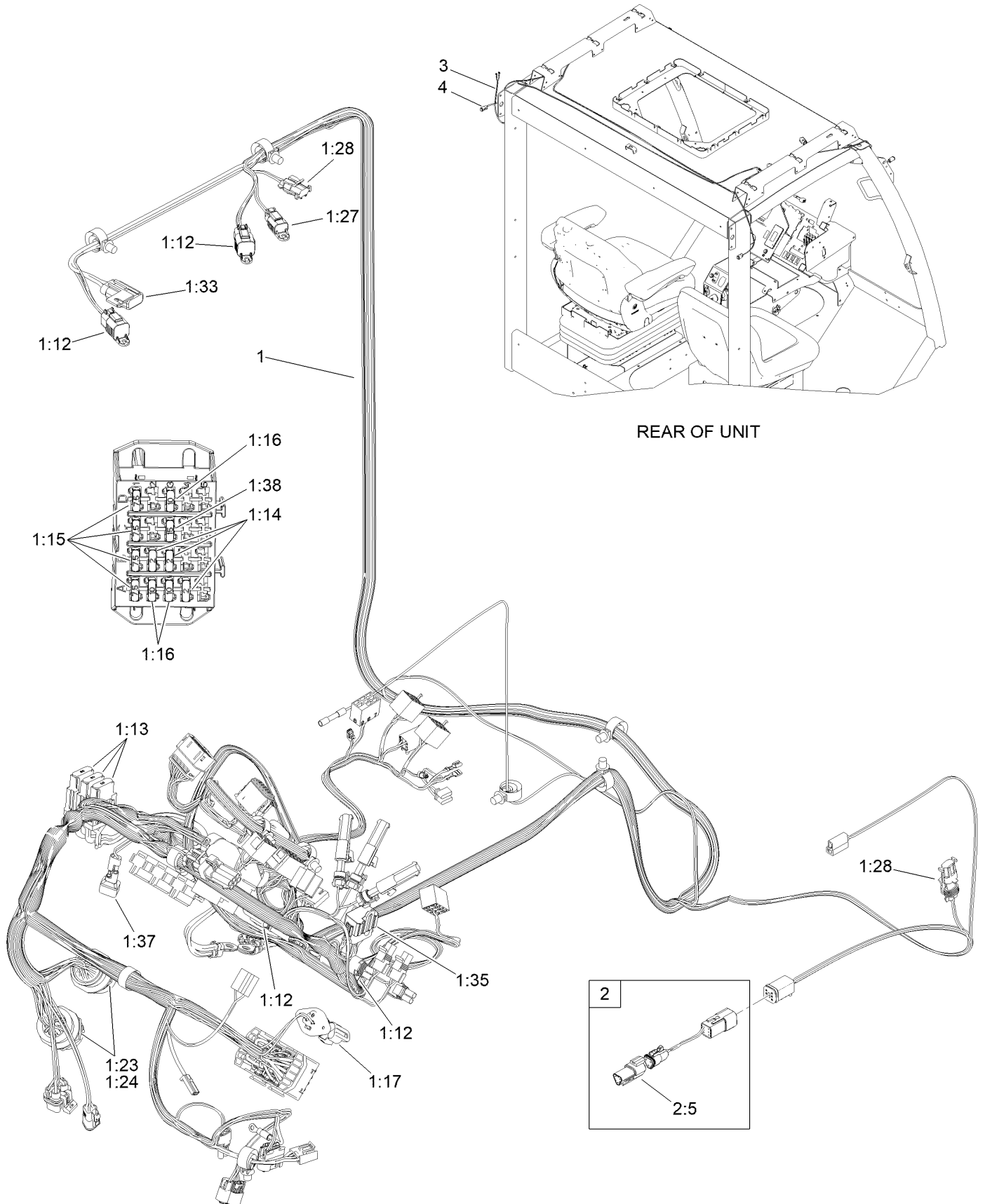


## Engine Wire Harness Assembly (continued)

<i>Ref.</i>	<i>Part Number</i>	<i>Qty.</i>	<i>Description</i>
1	122-0921	1	Harness-Wire, Engine
1:11	32160-359	1	Connector (6M)
1:17	100-4918	3	Diode

<i>Ref.</i>	<i>Part Number</i>	<i>Qty.</i>	<i>Description</i>
1:18	121-8891	1	Resistor (1.6K Ohm)
1:20	32180-103	1	Clip-Connector

# Platform Wire Harness Assembly

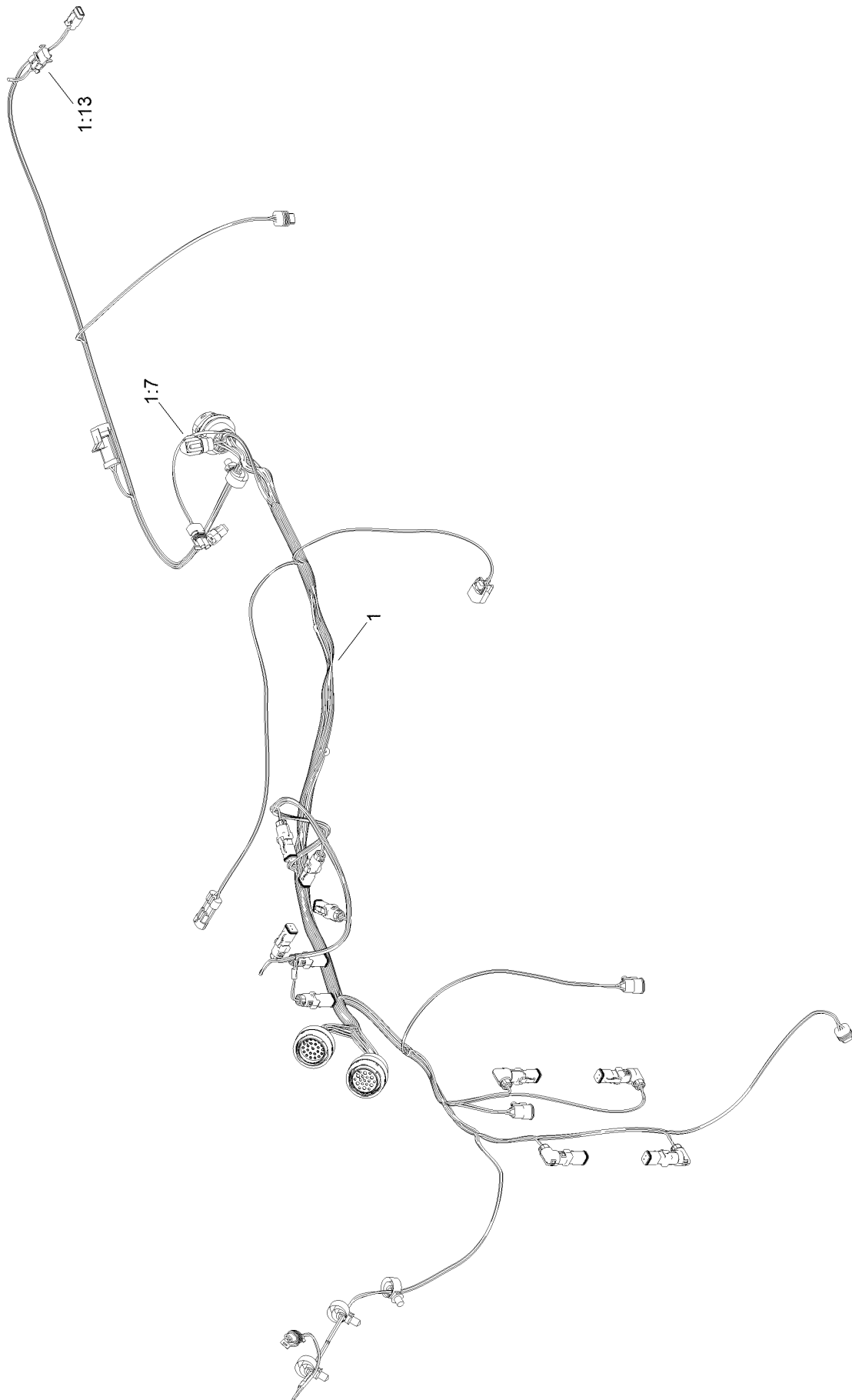




## Platform Wire Harness Assembly (continued)

<i>Ref.</i>	<i>Part Number</i>	<i>Qty.</i>	<i>Description</i>	<i>Ref.</i>	<i>Part Number</i>	<i>Qty.</i>	<i>Description</i>
1	122-1668	1	Harness-Wire, Platform	1:28	32180-056	1	Cap
1:12	32180-156	4	Cap-Plug, 6 Way	1:33	32180-019	1	Cover-Fuse, Single
1:13	114-3342	3	Fuse-Maxi, 60 Amp	1:35	32180-270	1	Cap-Dust, 12 Way
1:14	121-8861	3	Fuse-Mini Blade, 2 Amp	1:37	100-4918	1	Diode
1:15	121-8865	4	Fuse-Mini Blade, 7.5 Amp	1:38	121-8867	1	Fuse-Mini Blade, 15 Amp
1:16	121-8866	5	Fuse-Mini Blade, 10 Amp	2	122-1047	1	Harness-Wire, Can Terminator
1:17	32180-089	1	Cap-Plug, 3 Way	2:5	32180-043	1	Resistor-120 Ohm
1:23	32180-175	2	Nut-Connector	3	122-1247	1	Harness-Wire, Beacon
1:24	32180-174	2	Washer-Lock	4	122-1248	1	Harness-Wire, Worklights
1:27	32180-091	1	Cap-Dust, 2 Way				

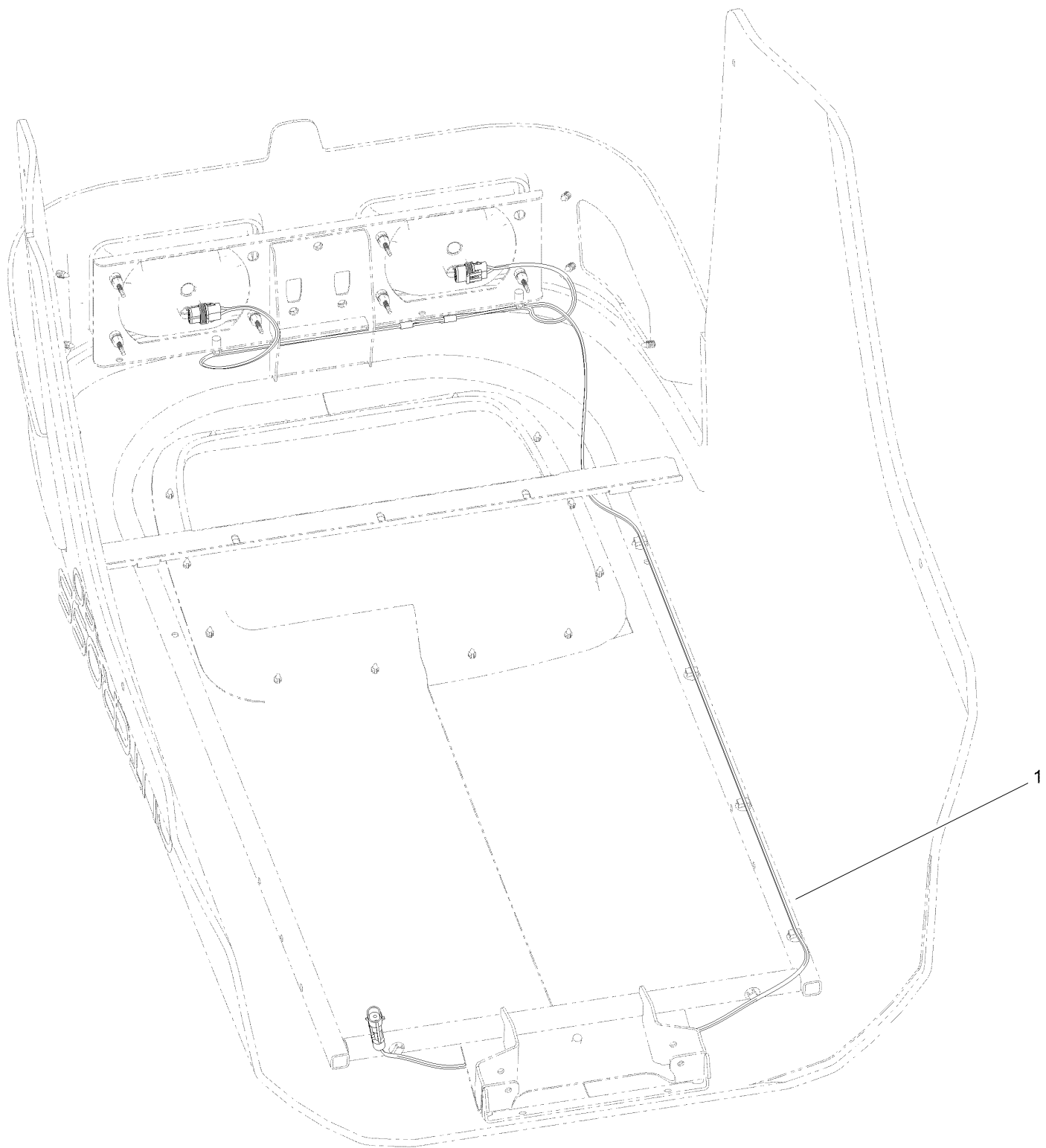
# Frame Wire Harness Assembly



## Frame Wire Harness Assembly (continued)

<i>Ref.</i>	<i>Part Number</i>	<i>Qty.</i>	<i>Description</i>
1	122-0923	1	Harness-Wire, Frame
1:7	32180-089	1	Cap-Plug, 3 Way
1:13	32180-056	1	Cap

# Headlight Wire Harness Assembly



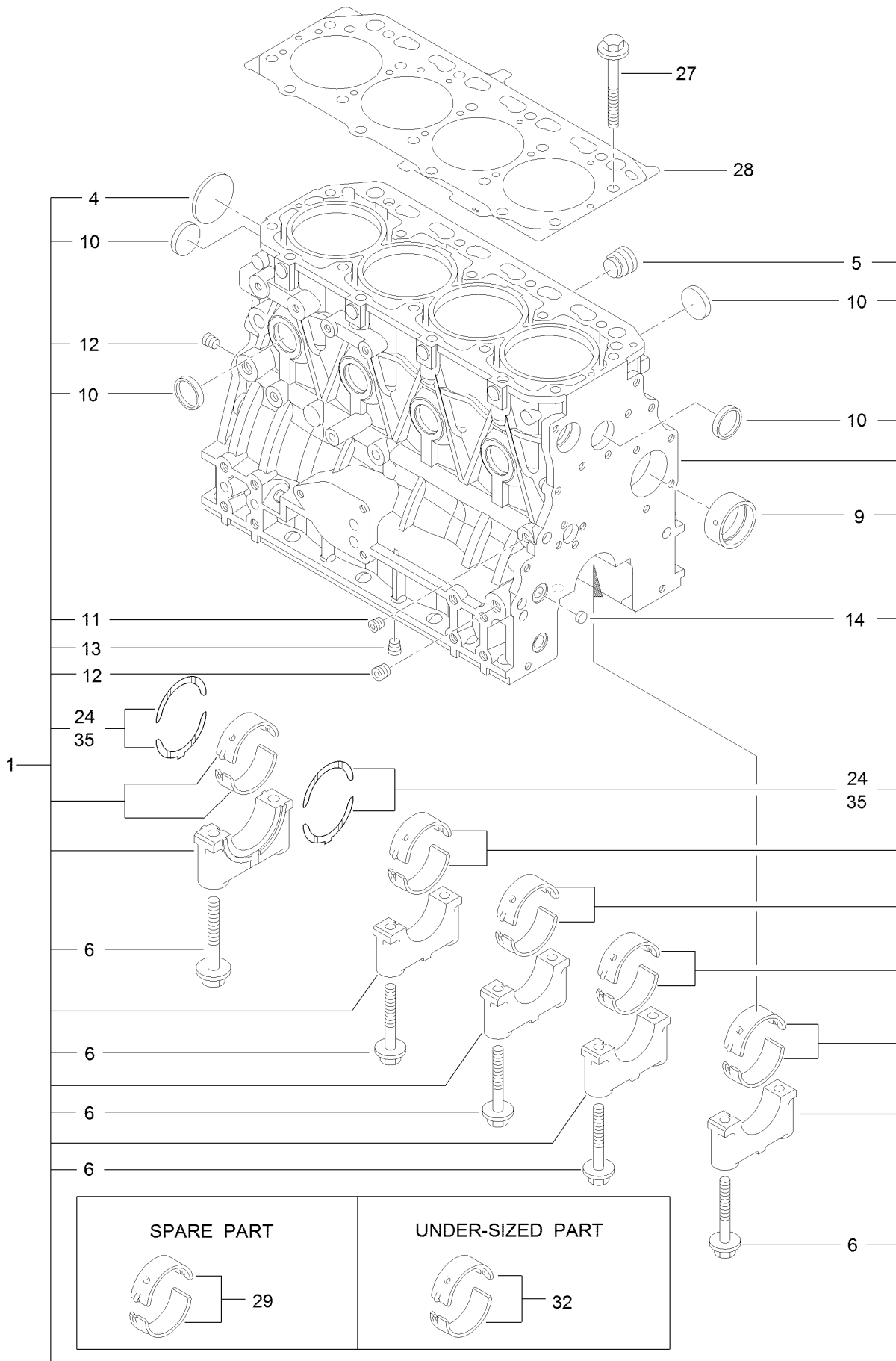
# Headlight Wire Harness Assembly (continued)

---

<i>Ref.</i>	<i>Part Number</i>	<i>Qty.</i>	<i>Description</i>
1	122-1732	1	Harness-Wire, Headlight

---

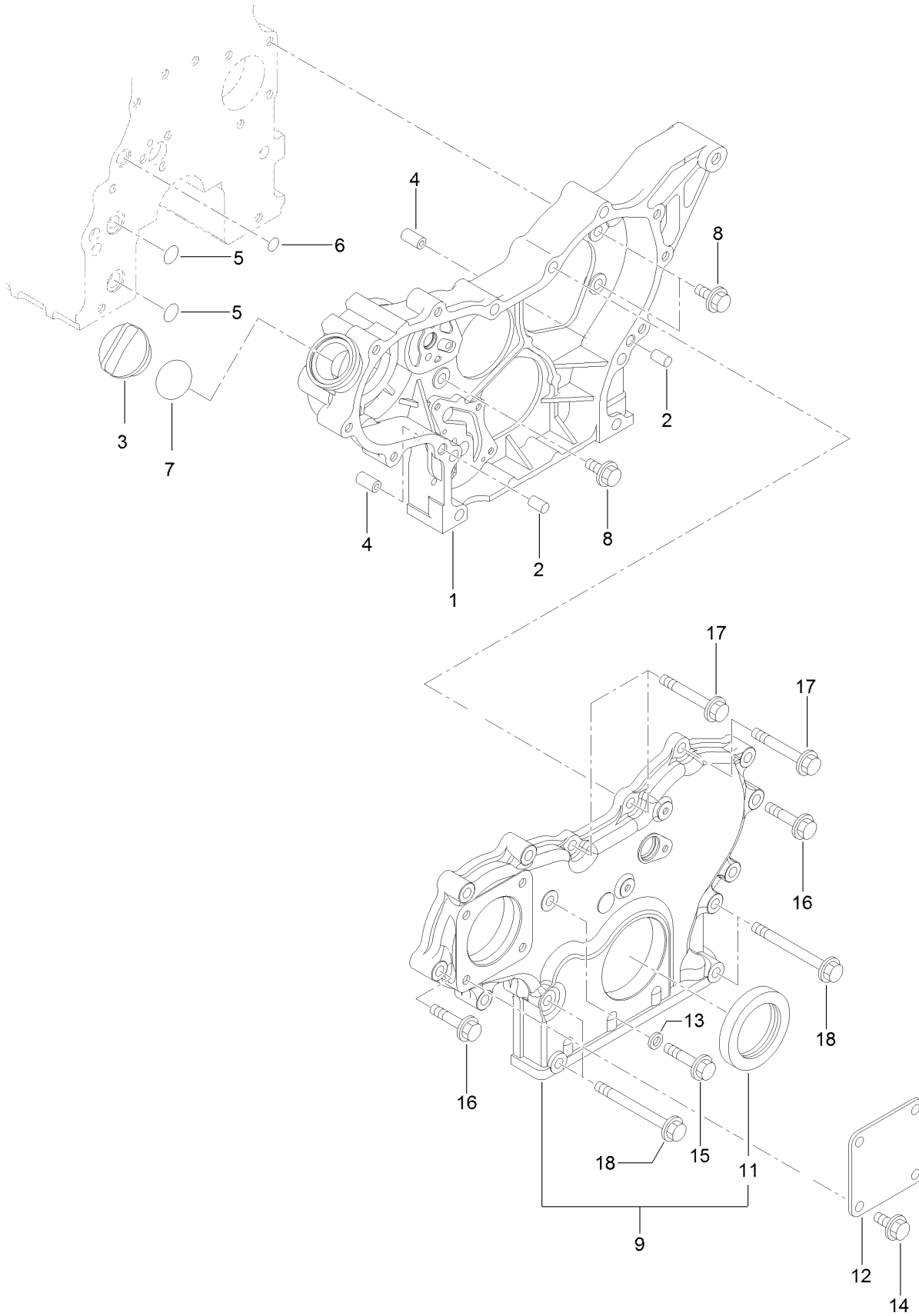
# Cylinder Block Assembly



## Cylinder Block Assembly (continued)

<i>Ref.</i>	<i>Part Number</i>	<i>Qty.</i>	<i>Description</i>	<i>Ref.</i>	<i>Part Number</i>	<i>Qty.</i>	<i>Description</i>
1	127-3127	1	Cylinder Block ASM	13	125-6973	1	Plug
4	125-6980	1	Plug	14	125-7237	1	Plug
5	125-7170	1	Plug	24	125-7010	2	Metal-Thrust
6	125-7007	10	Bolt	27	125-7006	18	Bolt
9	125-7108	1	Bushing	28	127-3126	1	Gasket-Head, Cylinder
10	138-7824	8	Plug	29	125-6981	5	Metal-Main
11	125-6969	1	Plug	32	125-7009	5	Metal-Main (0.25)
12	125-6973	2	Plug	35	125-7011	1	Metal-Thrust (0.25)

# Gear Housing Assembly

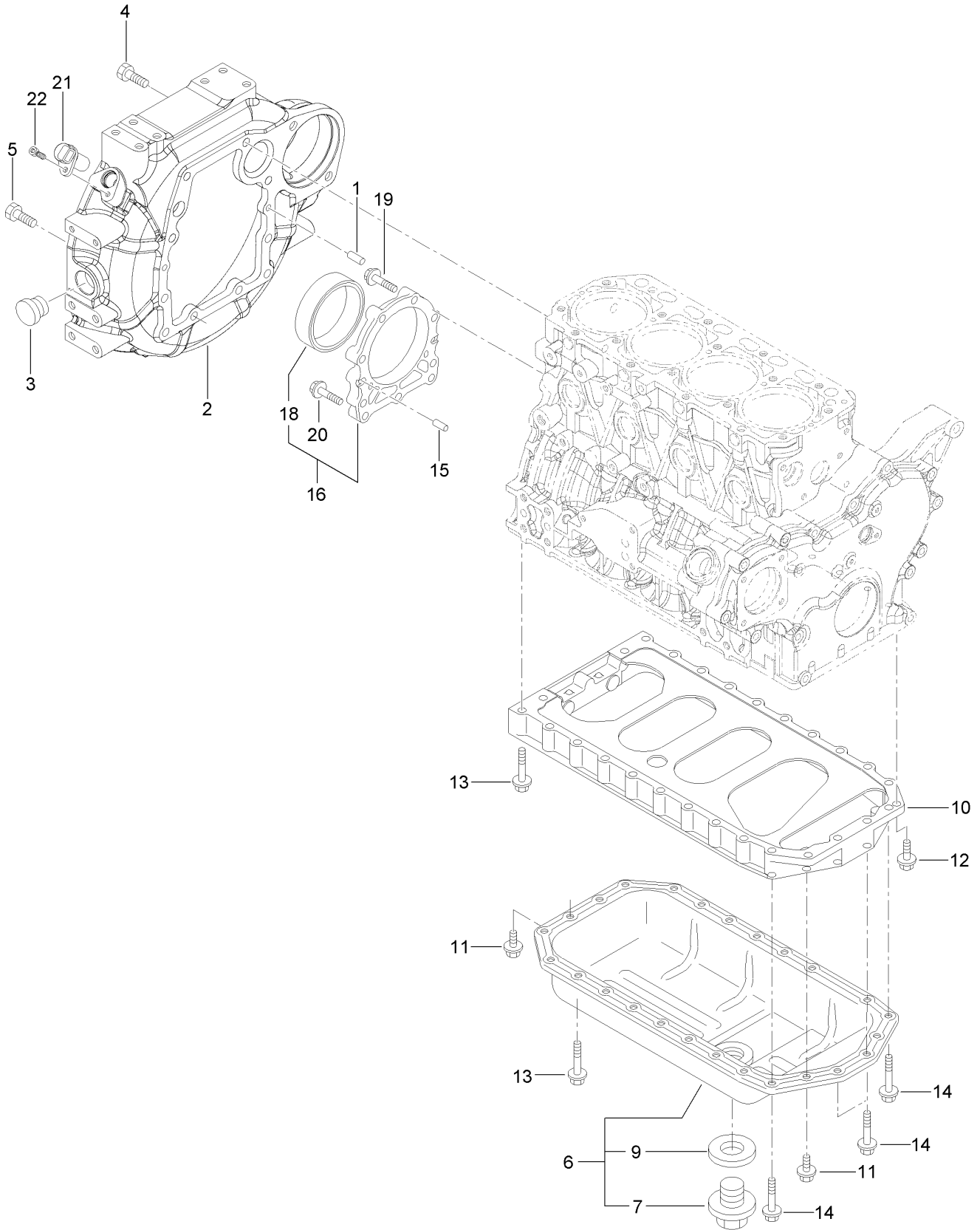




## Gear Housing Assembly (continued)

<i>Ref.</i>	<i>Part Number</i>	<i>Qty.</i>	<i>Description</i>	<i>Ref.</i>	<i>Part Number</i>	<i>Qty.</i>	<i>Description</i>
1	138-7825	1	Case-Gear	11	125-6944	1	Seal-Oil
2	125-6995	2	Pin	12	125-6977	1	Cover
3	125-6972	1	Cover-Filler	13	125-7174	1	Washer-Seal
4	125-7107	2	Pipe	14	125-7214	4	Bolt
5	125-6909	2	O-Ring	15	125-7217	1	Bolt
6	127-2973	1	O-Ring	16	125-7218	7	Bolt
7	125-7197	1	O-Ring	17	125-7222	3	Bolt
8	125-7214	3	Bolt	18	125-7224	4	Bolt
9	127-3024	1	Gearcase Cover ASM				

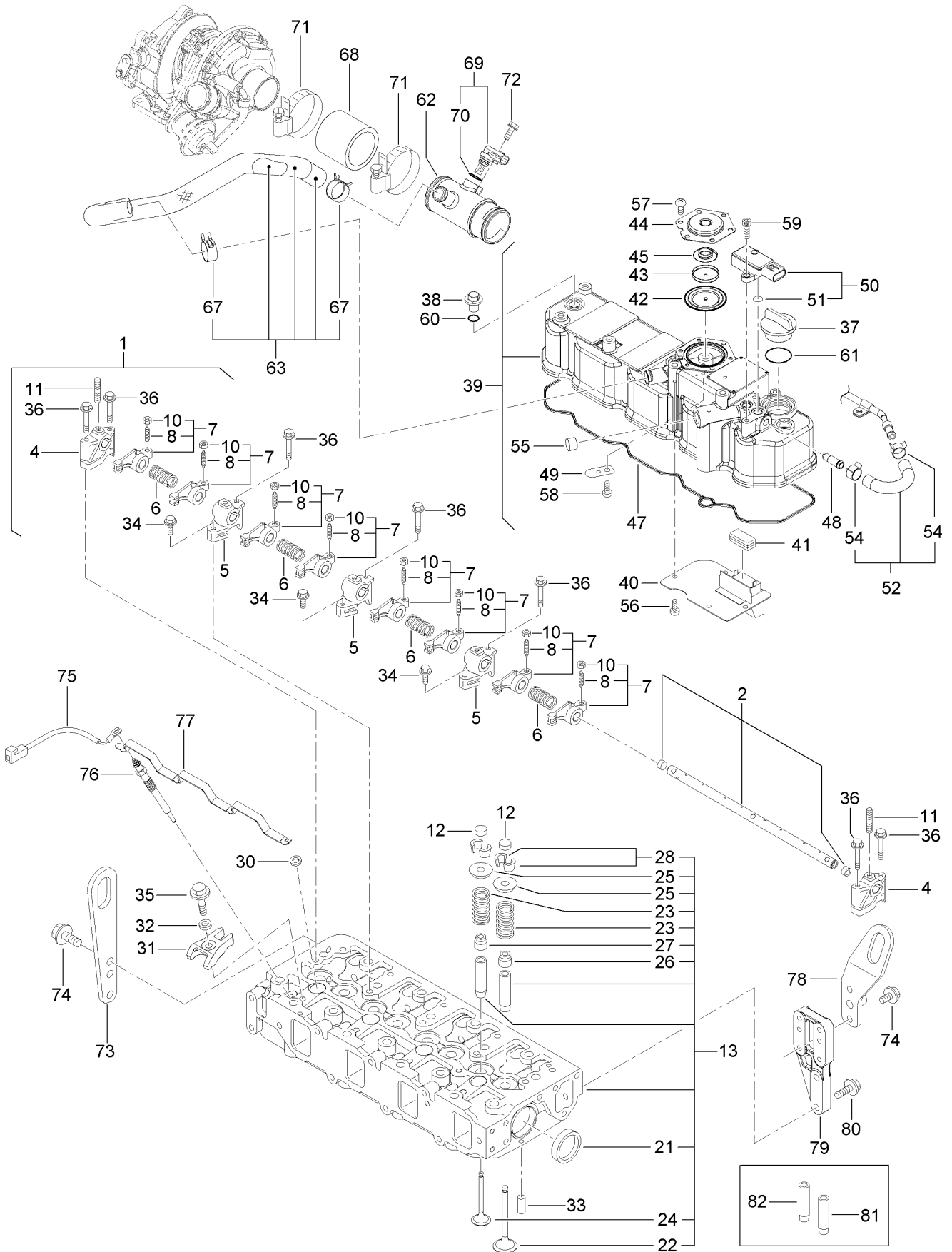
# Flywheel Housing and Oil Sump Assembly



## Flywheel Housing and Oil Sump Assembly (continued)

<i>Ref.</i>	<i>Part Number</i>	<i>Qty.</i>	<i>Description</i>	<i>Ref.</i>	<i>Part Number</i>	<i>Qty.</i>	<i>Description</i>
1	125-6995	2	Pin	12	125-7215	2	Bolt
2	127-3025	1	Housing-Flywheel	13	125-7219	20	Bolt
3	125-6910	1	Cap	14	125-7220	4	Bolt
4	125-7226	6	Bolt	15	125-6995	2	Pin
5	125-7227	4	Bolt	16	135-4011	1	Case ASM
6	138-7826	1	Oil Pan ASM	18	138-7827	1	Seal, Oil
7	125-6912	1	Plug-Drain	19	125-7045	6	Bolt
9	125-7177	1	Washer-Seal	20	125-7217	3	Bolt
10	125-7035	1	Spacer	21	127-3062	1	Sensor-Rev, Flywheel
11	125-7214	4	Bolt	22	127-3184	1	Bolt

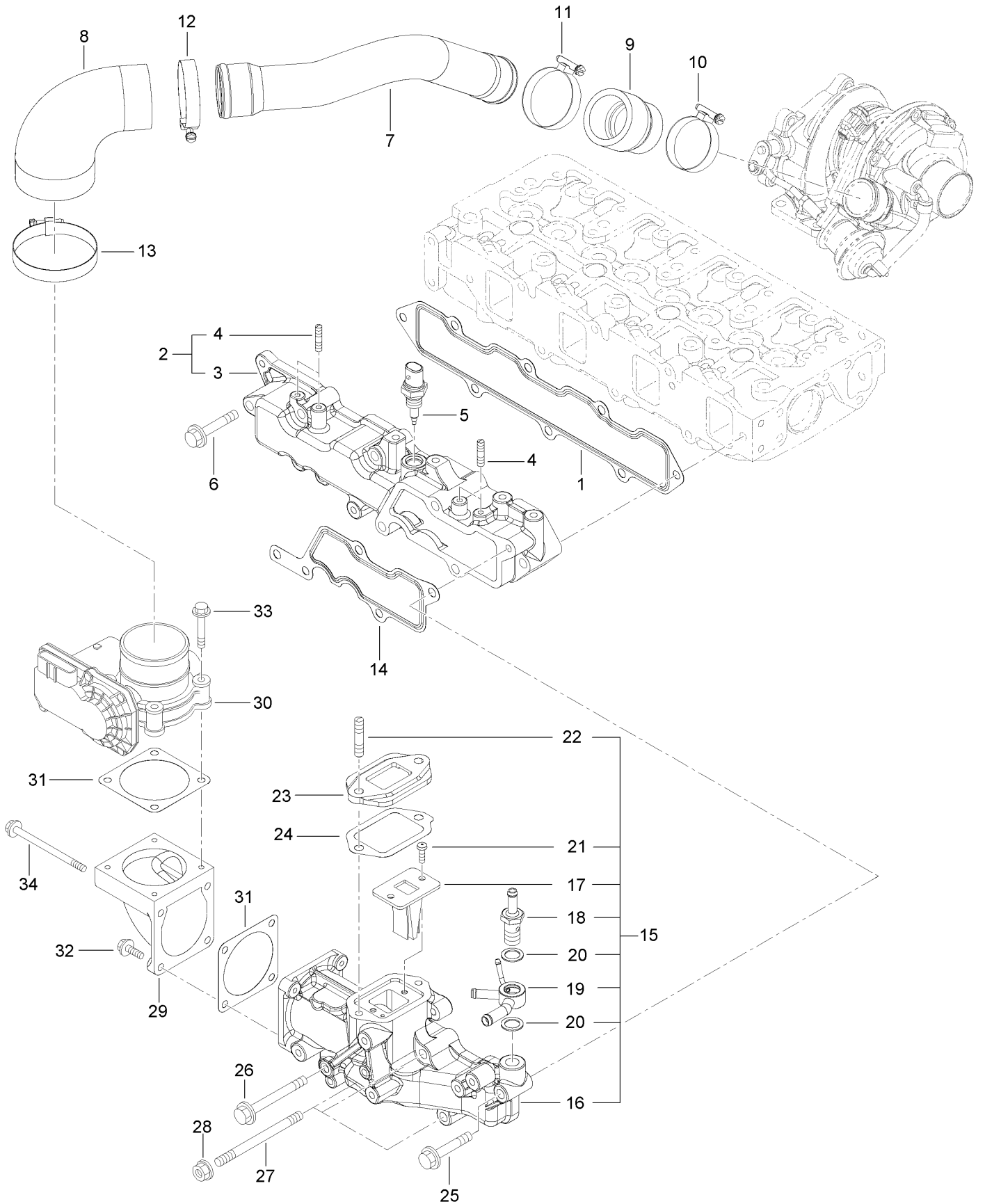
# Cylinder Head and Cover Assembly



## Cylinder Head and Cover Assembly (continued)

<i>Ref.</i>	<i>Part Number</i>	<i>Qty.</i>	<i>Description</i>	<i>Ref.</i>	<i>Part Number</i>	<i>Qty.</i>	<i>Description</i>
1	127-3005	1	Shaft ASM	45	125-6962	1	Spring-Diaphragm
2	127-3006	1	Shaft	47	127-3106	1	Gasket-Cover
4	127-2974	2	Support	48	127-3026	1	Joint
5	127-2975	3	Support	49	125-6994	1	Spring
6	127-2995	4	Spring	50	127-3029	1	Sensor-Pressure
7	127-2989	8	Arm-Rocker	51	127-3032	2	O Ring-Sensor, Pressure
8	125-7013	8	Screw-Adjust, Valve	52	127-3040	1	Hose ASM
10	125-7014	8	Nut	54	127-3041	2	Clip-Hose
11	127-3759	3	Stud	55	125-6913	1	Plug
12	127-2996	8	Cap-Valve	56	125-7186	4	Screw
13	127-3132	1	Cylinder Head ASM	57	125-7186	6	Screw
21	125-7240	2	Plug	58	125-7186	1	Screw
22	127-2990	4	Valve	59	127-3184	2	Bolt
23	127-3012	8	Spring	60	138-7829	3	O-Ring
24	127-2994	4	Valve	61	125-7197	1	O-Ring
25	127-3013	8	Retainer-Spring	62	137-5169	1	Breather Joint
26	127-2986	4	Seal-Stem, Valve	63	138-7830	1	Breather Hose ASM
27	127-3027	4	Seal-Stem, Valve	67	125-7040	1	Clip-Hose
28	127-3186	8	Pin-Cotter	68	127-3133	1	Hose-Intake
30	127-3021	4	Gasket-Injector	69	127-3030	1	Sensor-Temp, Air
31	127-3028	4	Retainer-Injector	70	127-3033	1	O-Ring
32	127-2980	4	Washer-Injector	71	125-7190	1	Clamp-Hose
33	125-7184	2	Pin-Spring	72	125-7208	1	Bolt
34	125-7215	3	Bolt	73	125-7111	1	Lifter
35	125-7217	4	Bolt	74	100-6928	1	Bolt
36	125-7220	7	Bolt	75	131-2704	1	Harness-Wire
37	125-6972	1	Cover-Filler	76	127-2991	1	Plug-Glow
38	125-6974	3	Knob	77	127-3123	1	Connector-Glow Plug
39	138-7828	1	Head Cover ASM	78	138-7868	1	Lifter-Engine
40	127-2988	1	Plate	79	138-7869	1	Spacer-Lifter
41	125-7012	1	Baffle	80	125-7215	1	Bolt
42	125-6959	1	Diaphragm	81	127-2979	1	Guide
43	125-6960	1	Plate	82	127-2997	1	Guide-Valve
44	125-6961	1	Plate-Breather				

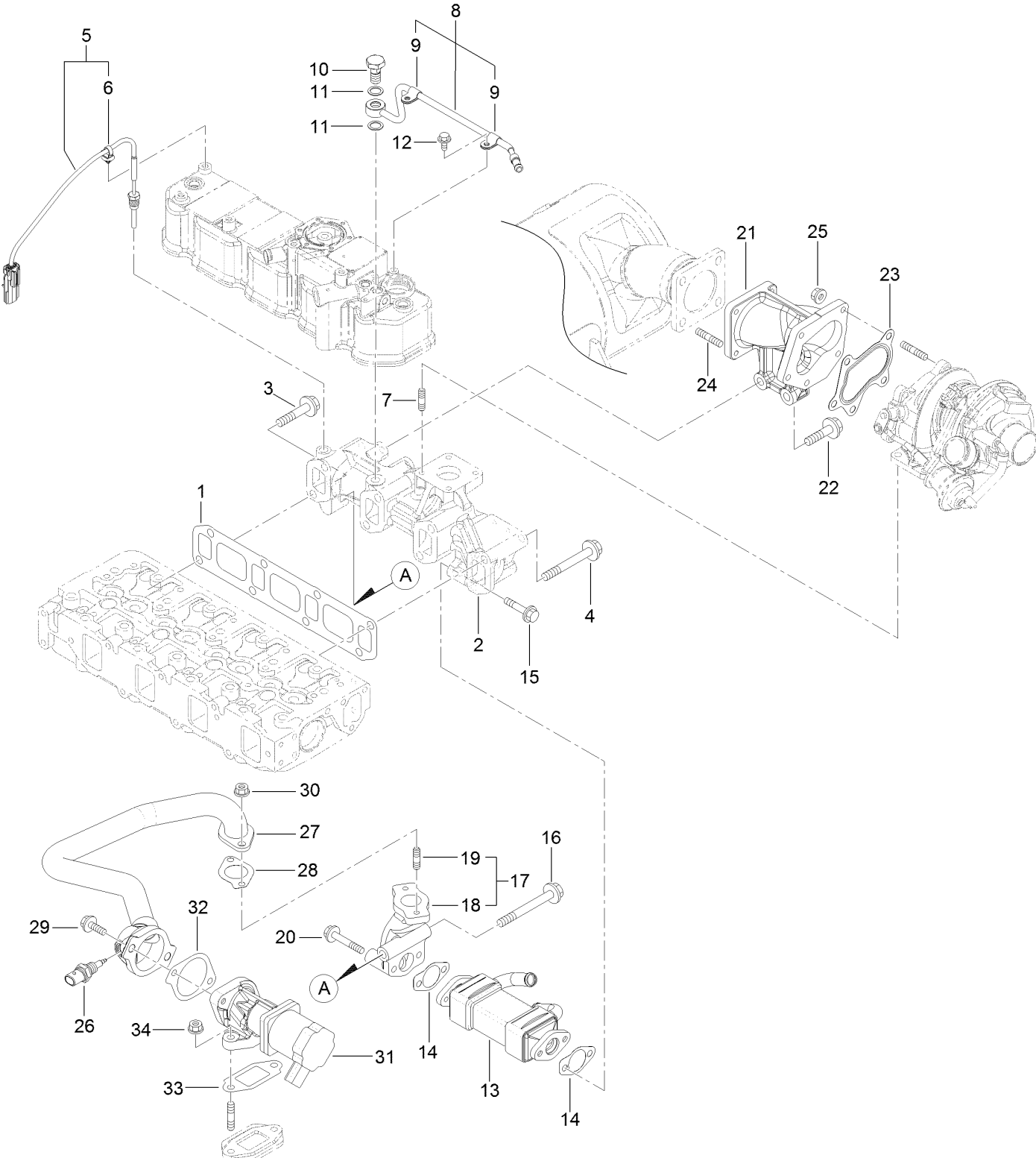
# Suction Manifold Assembly



## Suction Manifold Assembly (continued)

<i>Ref.</i>	<i>Part Number</i>	<i>Qty.</i>	<i>Description</i>	<i>Ref.</i>	<i>Part Number</i>	<i>Qty.</i>	<i>Description</i>
1	127-3107	1	Gasket-Manifold, Intake	18	127-3080	1	Joint-Hose
2	127-3135	1	Intake Manifold ASM	19	127-3081	1	Joint-Hose
3	127-3134	1	Manifold-Intake	20	127-3166	2	Washer-Seal
4	127-3180	4	Stud	21	127-3168	2	Screw
5	137-5167	1	Sensor-Temperature, Air	22	138-7831	2	Stud, M8X 35
6	125-7220	6	Bolt	23	127-3045	1	Spacer-Valve, E G R
7	127-3152	1	Duct-Suction	24	127-3046	1	Gasket-E G R
8	127-3096	1	Joint-Rubber	25	127-3178	1	Bolt
9	127-3153	1	Joint-Rubber	26	127-3178	1	Bolt
10	125-7189	1	Clamp-Hose	27	127-3182	3	Stud
11	127-3170	1	Clamp-Hose	28	125-7229	3	Nut
12	125-7190	1	Clamp-Hose	29	127-3035	1	Bend-Inlet
13	127-3171	1	Clamp-Hose	30	127-3036	1	Body-Throttle
14	127-3034	1	Gasket-Collector	31	127-3037	2	Gasket-Throttle
15	127-3093	1	Intake Collector ASM	32	125-7209	2	Bolt
16	127-3092	1	Collector-Intake	33	125-7211	4	Bolt
17	127-3139	1	Valve-Reed	34	127-3177	2	Bolt

# Exhaust Manifold Assembly

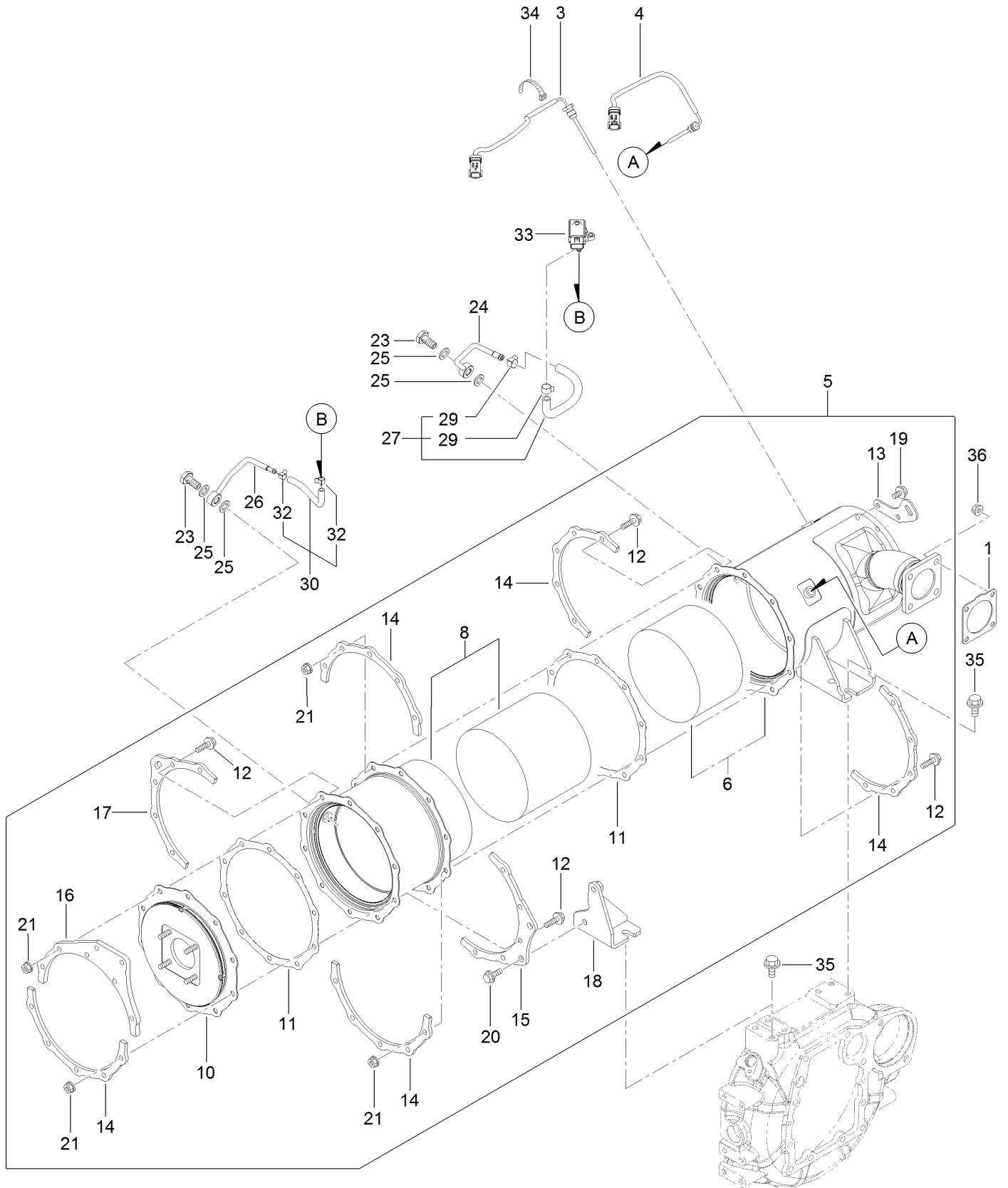




## Exhaust Manifold Assembly (continued)

<i>Ref.</i>	<i>Part Number</i>	<i>Qty.</i>	<i>Description</i>	<i>Ref.</i>	<i>Part Number</i>	<i>Qty.</i>	<i>Description</i>
1	127-3108	1	Gasket-Manifold, Exhaust	18	127-3049	1	Pipe-Out, E G R
2	127-3136	1	Manifold-Exhaust	19	125-7043	2	Stud
3	135-4013	1	Bolt	20	125-7220	2	Bolt
4	135-4014	7	Bolt	21	138-7832	1	Pipe, Exhaust
5	127-3140	1	Sensor-Temp, Exhaust	22	133-6792	2	Bolt
6	127-3087	1	Band-Clip	23	125-7071	1	Gasket
7	125-7043	4	Stud	24	125-6906	4	Stud
8	127-3038	1	Exhaust Pipe ASM	25	125-7229	5	Nut
9	127-3173	2	Clamp	26	137-5168	1	Sensor-Gas Temp, E G R
10	127-3039	1	Bolt-Joint, Pipe	27	127-3109	1	E G R Pipe ASM
11	127-3174	2	Gasket	28	127-3016	1	Gasket
12	125-7206	2	Bolt	29	125-7215	2	Bolt
13	127-3042	1	Cooler-E G R	30	125-7229	2	Nut
14	127-3043	2	Gasket-Cooler, E G R	31	127-3110	1	Valve-E G R
15	135-4015	2	Bolt	32	127-3050	1	Gasket-Intake Valve, E G R
16	135-4016	1	Bolt	33	127-3051	1	Gasket-Out Valve, E G R
17	127-3048	1	E G R Pipe ASM	34	125-7229	2	Nut

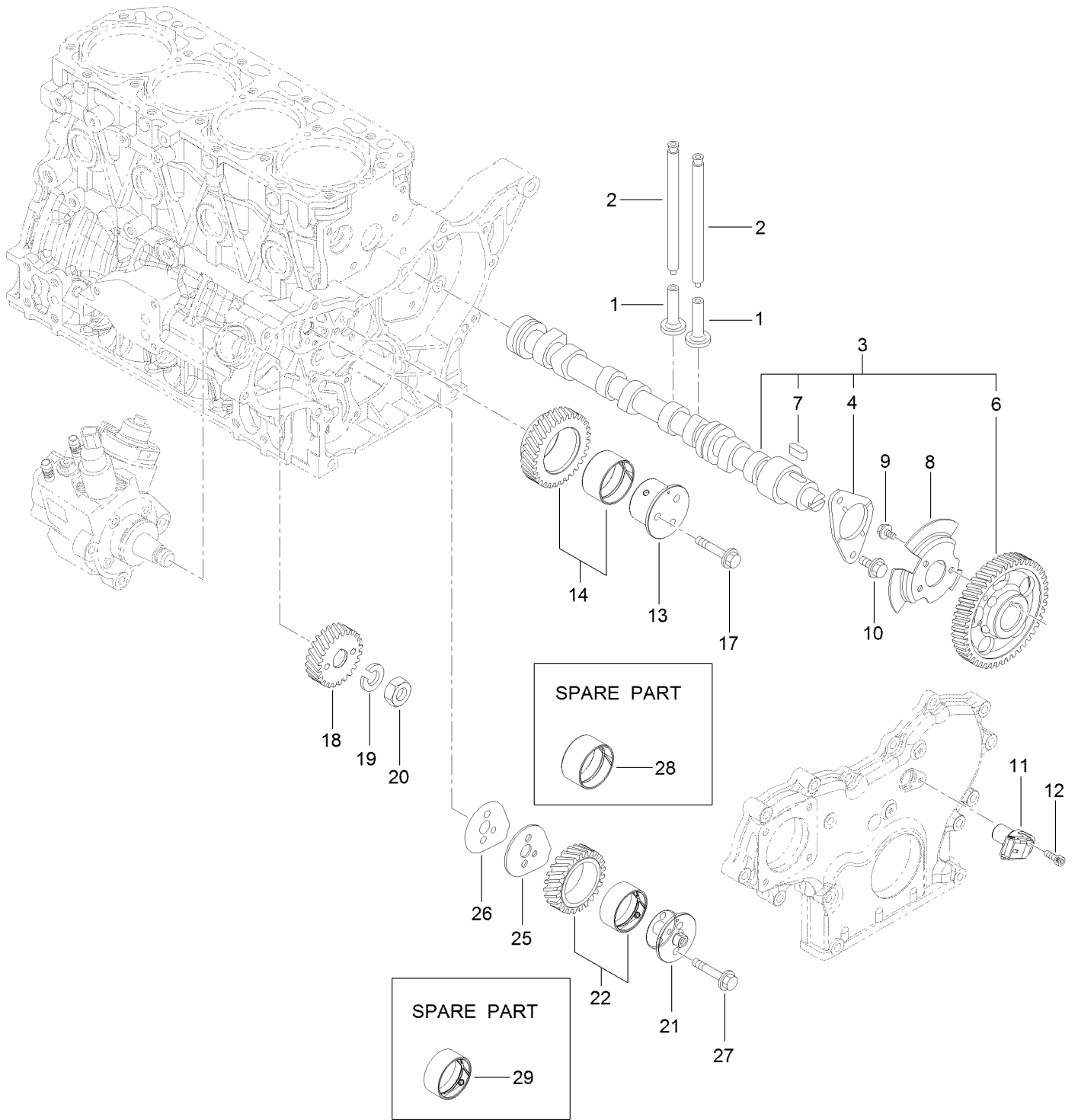
# Diesel Particulate Filter Assembly



## Diesel Particulate Filter Assembly (continued)

<i>Ref.</i>	<i>Part Number</i>	<i>Qty.</i>	<i>Description</i>	<i>Ref.</i>	<i>Part Number</i>	<i>Qty.</i>	<i>Description</i>
1	127-3019	1	Gasket	19	125-7213	2	Bolt
3	127-4764	1	Sensor-Temp, Exhaust	20	131-2740	2	Bolt
4	127-4765	1	Sensor-Temp, Exhaust	21	125-7229	20	Nut
5	138-7833	1	D P F ASM	23	127-3039	2	Bolt-Joint, Pipe
6	138-7834	1	Case-Doc	24	127-3164	1	Exhaust Pressure Pipe ASM
8	137-5170	1	Case-Filter, Soot	25	127-3056	4	Gasket-Sensor
10	127-3143	1	Flange-Outlet	26	127-3165	1	Exhaust Pressure Pipe ASM
11	127-3162	2	Gasket-D P F	27	138-8256	1	Exhaust Hose ASM
12	127-3055	20	Bolt	29	127-3057	2	Clip-Hose
13	127-3144	1	Lifter-D P F	30	138-8257	1	Exhaust Press Hose ASM
14	127-3145	5	Stiffener-D P F, A	32	127-3058	2	Clip-Hose
15	137-5171	1	Stiffener-D P F, B	33	127-3060	1	Sensor-Pressure
16	137-5172	1	Stiffener-D P F, C	34	127-3124	1	Band
17	127-3147	1	Stiffener-D P F, C	35	130-7444	4	Bolt
18	138-7835	1	Stay, Dpf	36	125-7229	4	Nut

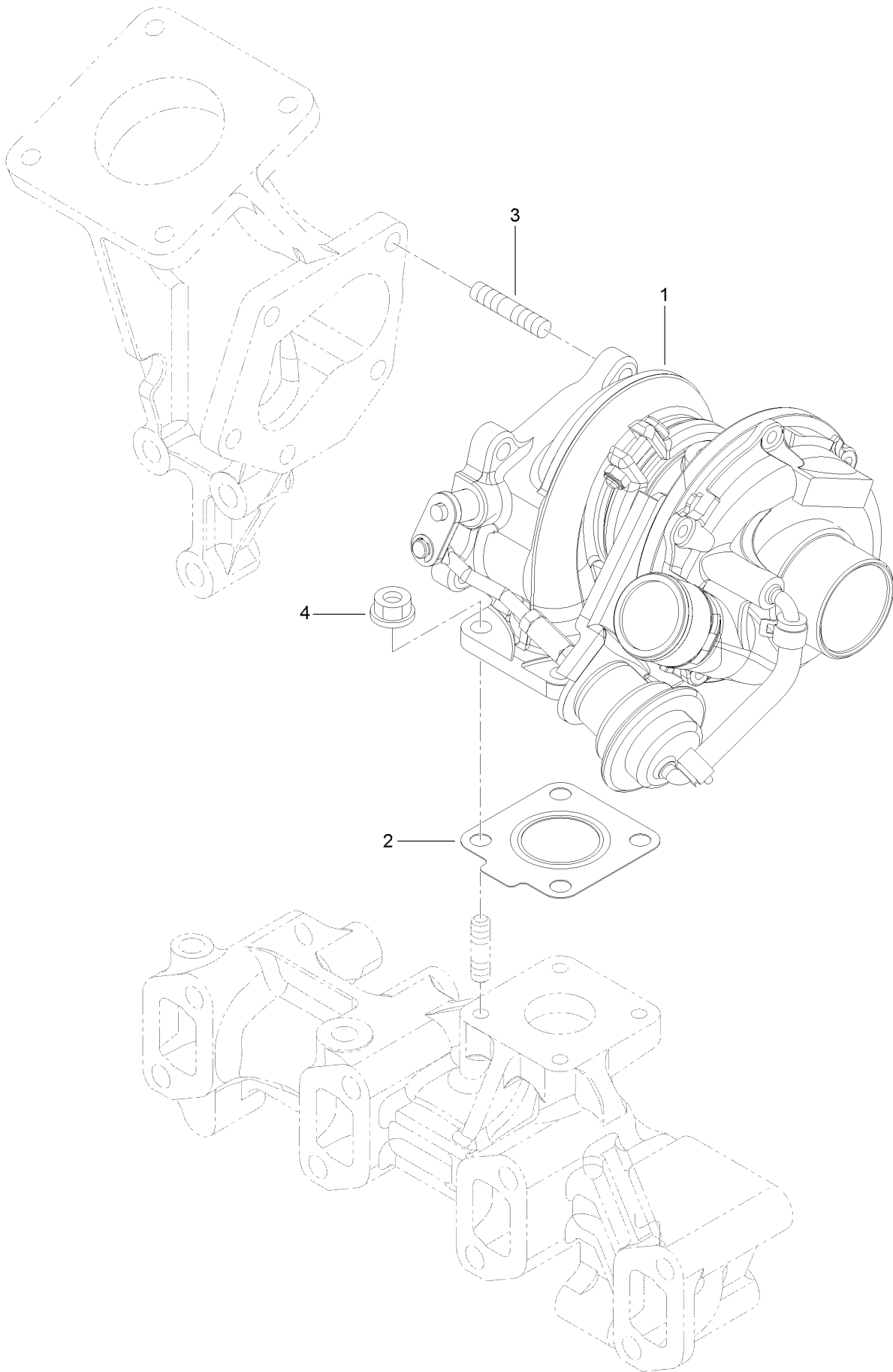
# Camshaft and Driving Gear Assembly



## Camshaft and Driving Gear Assembly (continued)

<i>Ref.</i>	<i>Part Number</i>	<i>Qty.</i>	<i>Description</i>	<i>Ref.</i>	<i>Part Number</i>	<i>Qty.</i>	<i>Description</i>
1	125-7016	8	Tappet	14	127-3066	1	Idle Gear A ASM
2	125-7017	8	Rod-Push	17	125-7219	3	Bolt
3	127-3113	1	Camshaft ASM	18	127-3070	1	Gear-Pump, Supply
4	125-7008	1	Metal-Thrust	19	127-3167	1	Washer-Spring
6	127-3052	1	Gear-Camshaft	20	127-3185	1	Nut-Lock
7	125-7185	1	Key	21	127-3064	1	Shaft-Idle, Gear B
8	127-3053	1	Pulser-Camshaft	22	127-3067	1	Idle Gear B ASM
9	125-7205	3	Bolt	25	127-3068	1	Plate-Idle, Shaft
10	125-7213	2	Bolt	26	127-3069	1	Gasket-Idle, Shaft B
11	127-3054	1	Sensor-Rev, Gear	27	125-7218	2	Bolt
12	127-3184	1	Bolt	28	125-6927	1	Bushing
13	127-3063	1	Shaft-Idle, Gear A	29	127-3065	1	Bushing

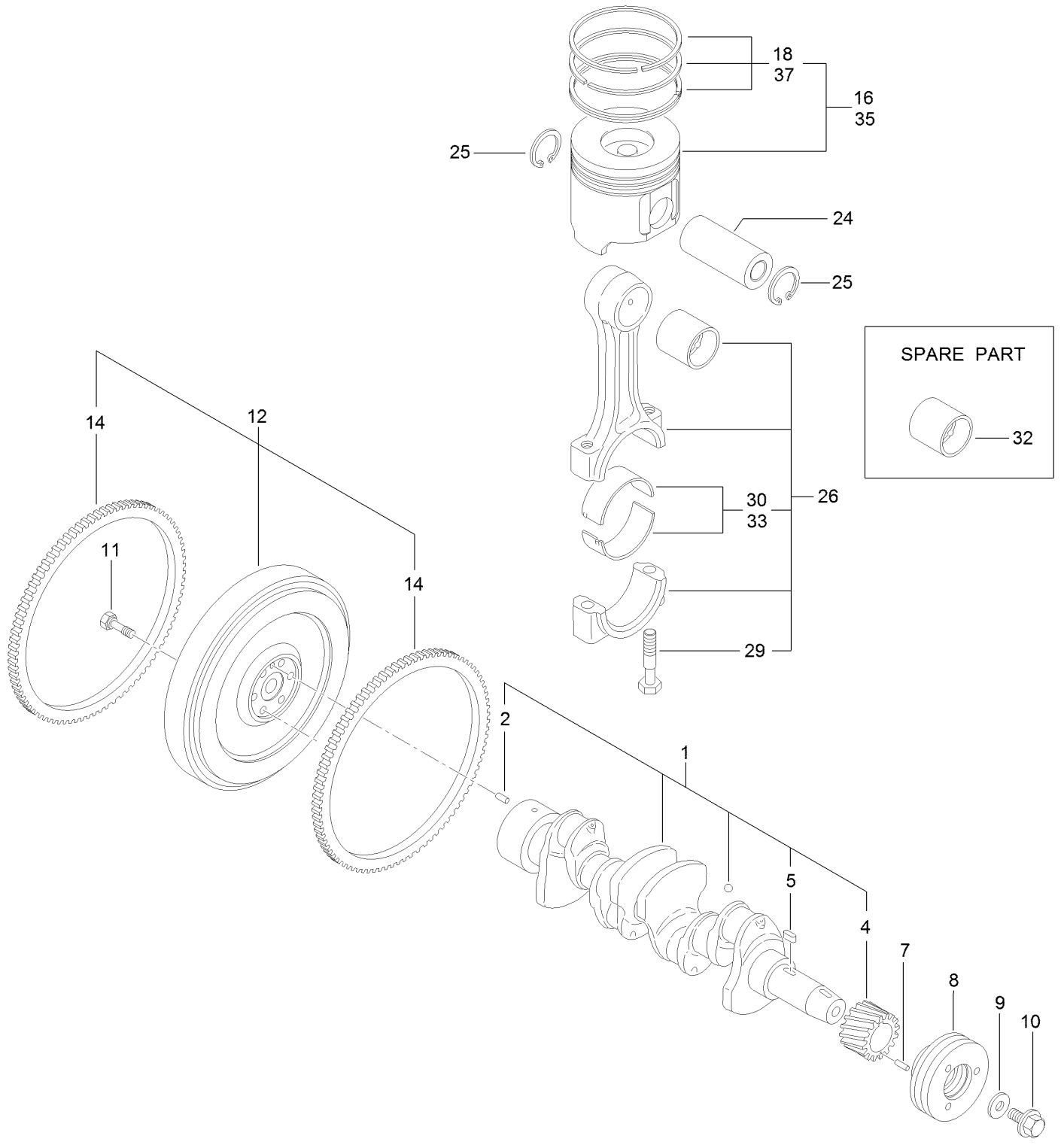
# Turbine Assembly



## Turbine Assembly (continued)

<i>Ref.</i>	<i>Part Number</i>	<i>Qty.</i>	<i>Description</i>	<i>Ref.</i>	<i>Part Number</i>	<i>Qty.</i>	<i>Description</i>
1	138-7836	1	Turbocharger	3	125-6906	5	Stud
2	125-7070	1	Gasket	4	125-7229	4	Nut

# Crankshaft and Piston Assembly

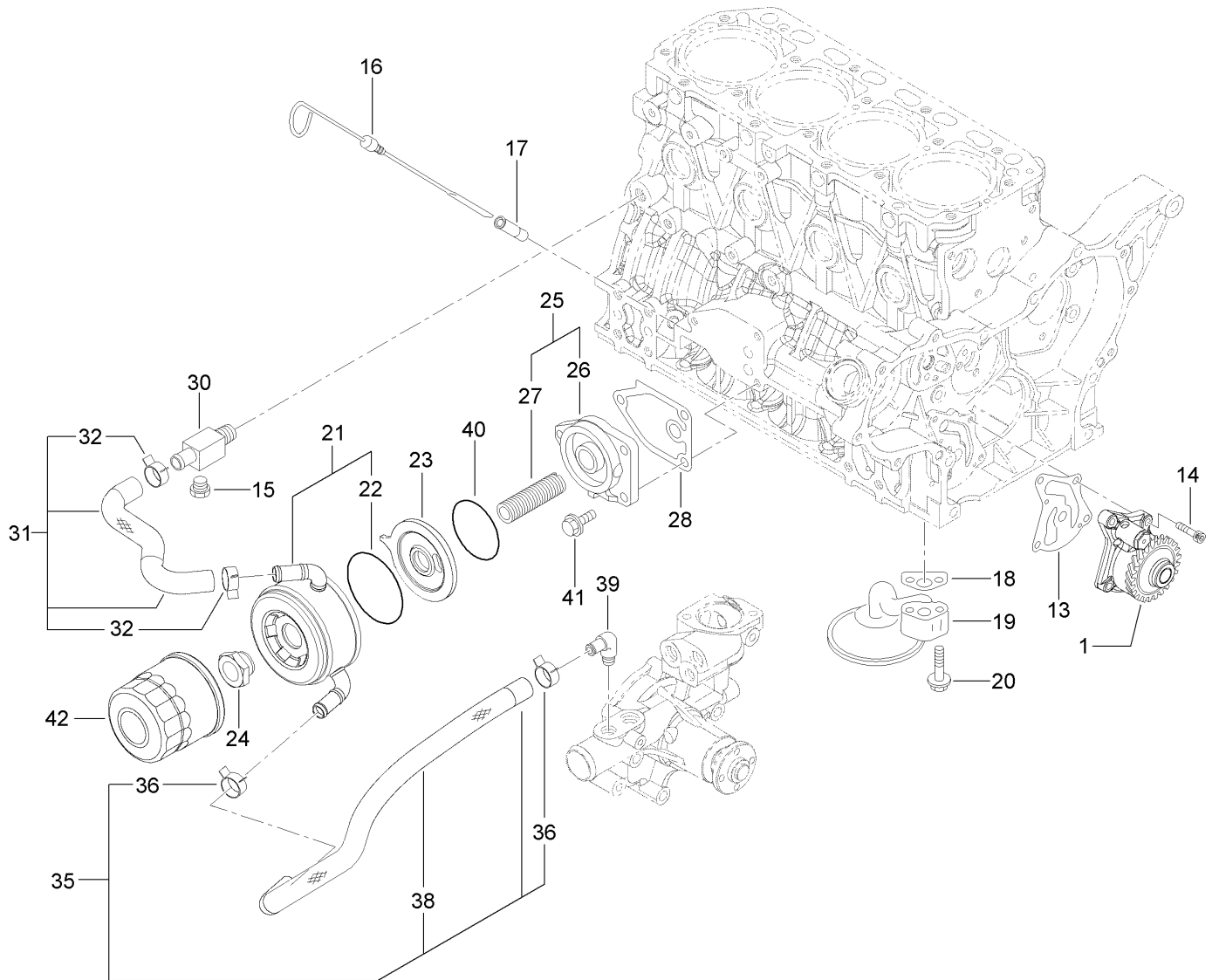




## Crankshaft and Piston Assembly (continued)

<i>Ref.</i>	<i>Part Number</i>	<i>Qty.</i>	<i>Description</i>	<i>Ref.</i>	<i>Part Number</i>	<i>Qty.</i>	<i>Description</i>
1	125-7091	1	Crankshaft ASM	16	127-3097	4	Piston ASM
2	125-6995	1	Pin	18	127-3098	4	Piston Ring ASM
4	125-6937	1	Gear	24	125-7030	4	Pin
5	125-7185	1	Key	25	125-7180	8	Ring
7	125-7182	1	Pin-Spring	26	125-7242	4	Connecting Rod ASM
8	125-6925	1	V-Pulley	29	125-6955	8	Bolt
9	125-7109	1	Washer	30	125-7018	4	Pin-Crank
10	125-6956	1	Bolt	32	125-6997	4	Pin-Piston
11	125-6951	6	Bolt	33	125-7019	4	Pin-Crank (.25)
12	127-3160	1	Flywheel ASM	35	127-3099	4	Piston ASM (0.25 O.S.)
14	125-6943	1	Gear	37	127-3100	4	Piston Ring ASM (0.25 O.S.)

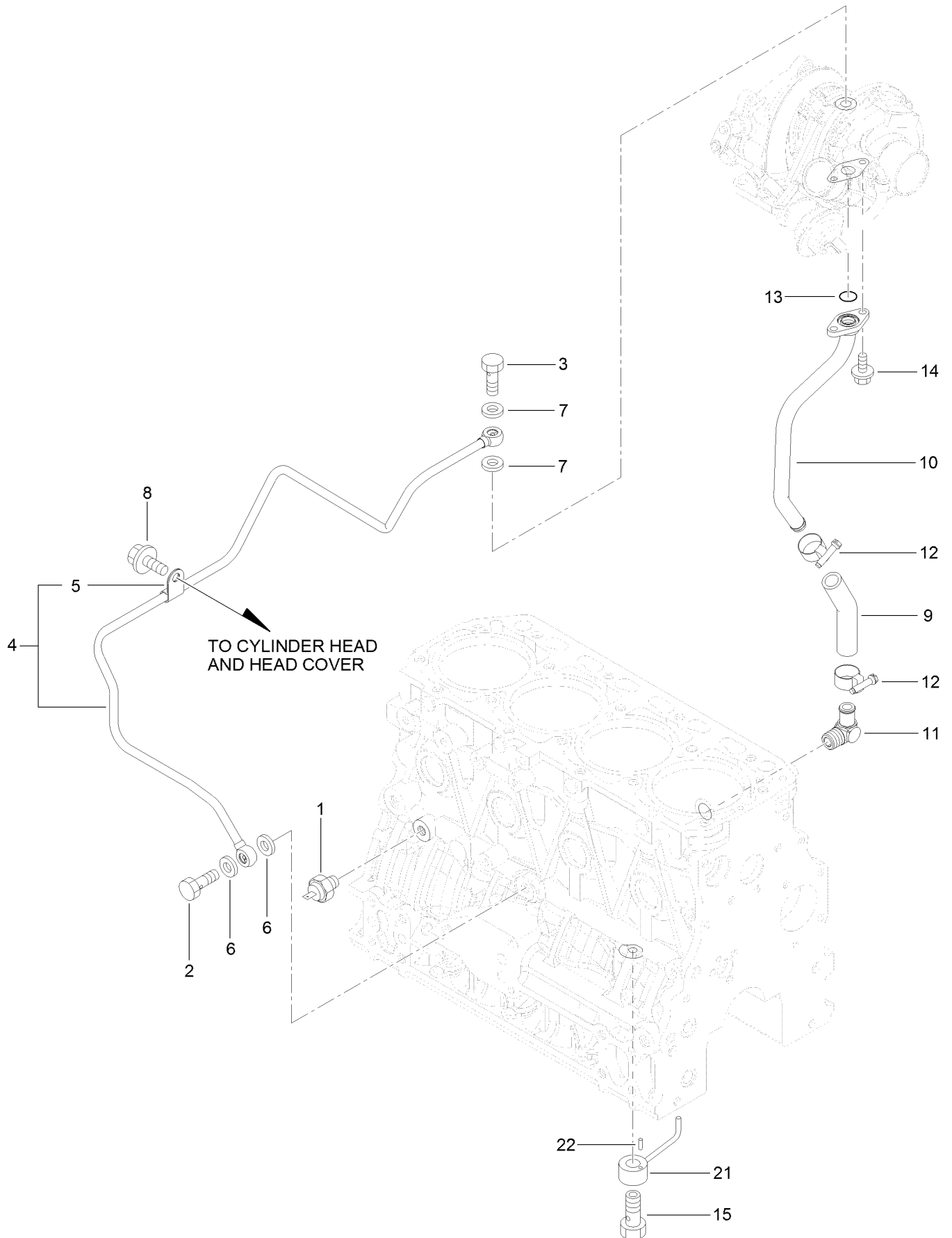
# Lubrication and Oil System Assembly



## Lubrication and Oil System Assembly (continued)

<i>Ref.</i>	<i>Part Number</i>	<i>Qty.</i>	<i>Description</i>	<i>Ref.</i>	<i>Part Number</i>	<i>Qty.</i>	<i>Description</i>
1	127-3101	1	Oil Lube Pump ASM	26	125-6930	1	Bracket
13	127-3004	1	Gasket	27	127-3010	1	Stud
14	125-7232	4	Bolt	28	125-7024	1	Gasket
15	125-7171	1	Plug-Drain	30	125-6990	1	Joint
16	125-6987	1	Dipstick	31	127-3102	1	Pipe-Cooling, Water
17	125-6954	1	Guide-Dipstick	32	125-7162	2	Clip
18	125-7022	1	Gasket	35	127-3103	1	Hose-Cooling, Water
19	138-7837	1	Pipe Assy, Oil Inlet	36	125-7162	2	Clip
20	138-7838	2	Bolt, M8X 55 Plated	38	127-3007	1	Tube
21	127-3014	1	Cooler ASM	39	125-7001	1	Elbow
22	127-2985	1	O-Ring	40	127-3176	1	O-Ring
23	138-7839	1	Bracket, Cooler	41	125-7595	3	Bolt
24	125-7041	1	Nut-Cooler, Oil	42	125-7025	1	Filter-Engine, Oil
25	127-3009	1	Bracket ASM				

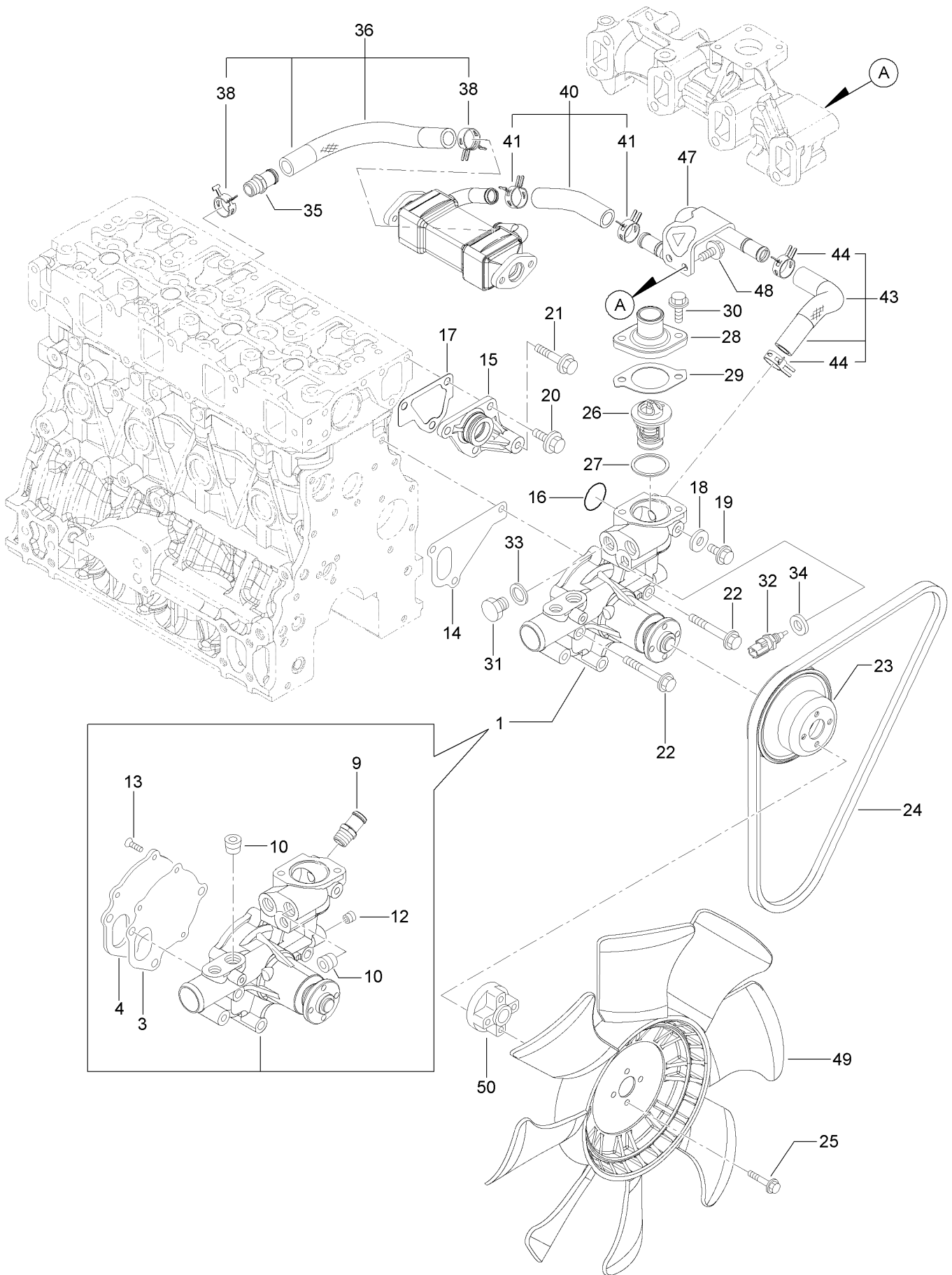
# Lubrication Oil Pipe Assembly



## Lubrication Oil Pipe Assembly (continued)

<i>Ref.</i>	<i>Part Number</i>	<i>Qty.</i>	<i>Description</i>	<i>Ref.</i>	<i>Part Number</i>	<i>Qty.</i>	<i>Description</i>
1	125-6918	1	Switch-Oil	10	127-3155	1	Pipe-Lube, Oil
2	125-6975	1	Bolt-Joint, Pipe	11	127-3003	1	Elbow
3	125-6952	1	Bolt-Joint, Pipe	12	127-3169	2	Clamp-Hose
4	127-3154	1	Lube Oil Pipe ASM	13	125-7198	1	O-Ring
5	125-6976	1	Retainer	14	125-7206	2	Bolt
6	125-7175	2	Washer-Seal	15	125-7105	4	Check Valve ASM
7	125-7193	2	Gasket	21	125-7098	4	Nozzle
8	138-7840	1	Bolt	22	125-7182	4	Pin-Spring
9	127-2992	1	Joint				

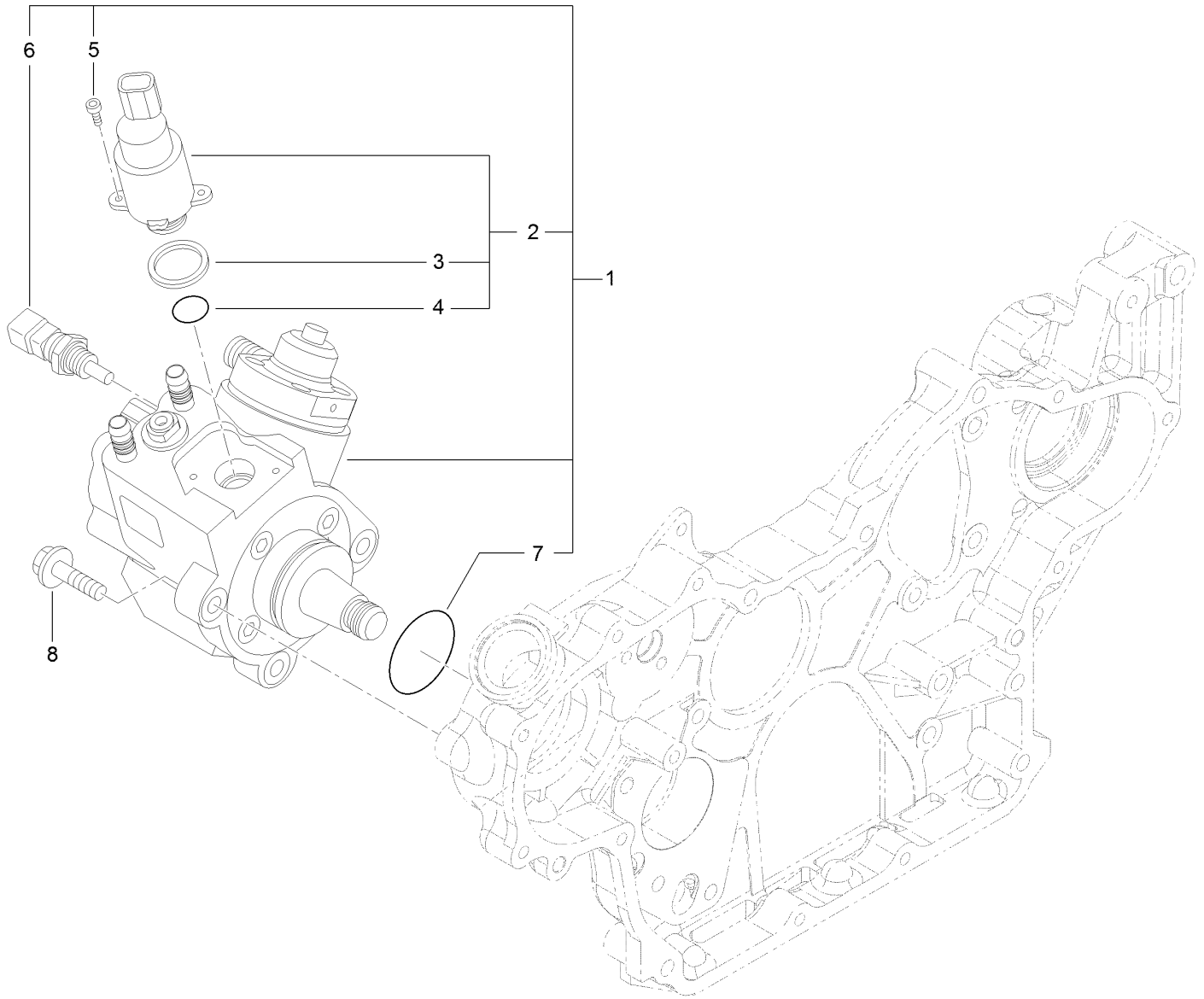
# Cooling Water System Assembly



## Cooling Water System Assembly (continued)

<i>Ref.</i>	<i>Part Number</i>	<i>Qty.</i>	<i>Description</i>	<i>Ref.</i>	<i>Part Number</i>	<i>Qty.</i>	<i>Description</i>
1	131-2714	1	Water Pump ASM	27	125-7026	1	Gasket
3	125-6998	1	Gasket	28	125-7034	1	Cover
4	125-6999	1	Plate	29	125-7110	1	Gasket
9	127-3017	1	Joint	30	125-7594	2	Bolt
10	125-7123	2	Plug	31	125-6953	1	Plug
12	125-7195	1	Plug	32	125-7124	1	Sensor-Thermostat, CW
13	125-7234	3	Screw	33	125-6979	1	Gasket
14	125-7047	1	Gasket	34	125-7176	1	Washer-Seal
15	125-6986	1	Joint	35	127-3017	1	Joint
16	125-7048	1	O-Ring	36	127-3072	1	Water In Pipe ASM
17	125-6978	1	Gasket	38	127-3020	2	Clip-Hose
18	125-7192	1	Gasket	40	127-3115	1	Water Out Pipe ASM
19	138-7840	1	Bolt	41	127-3020	2	Clip-Hose
20	125-7214	3	Bolt	43	127-3116	1	Water Out Pipe ASM
21	125-7219	1	Bolt	44	127-3020	2	Clip-Hose
22	125-7222	3	Bolt	47	138-7841	1	Water Pipe ASM
23	125-7039	1	V-Pulley	48	125-7214	2	Bolt
24	127-4771	1	V-Belt	49	127-3809	1	Fan
25	125-7211	4	Bolt	50	127-4768	1	Spacer
26	125-7029	1	Thermostat				

# Fuel Supply Pump Assembly

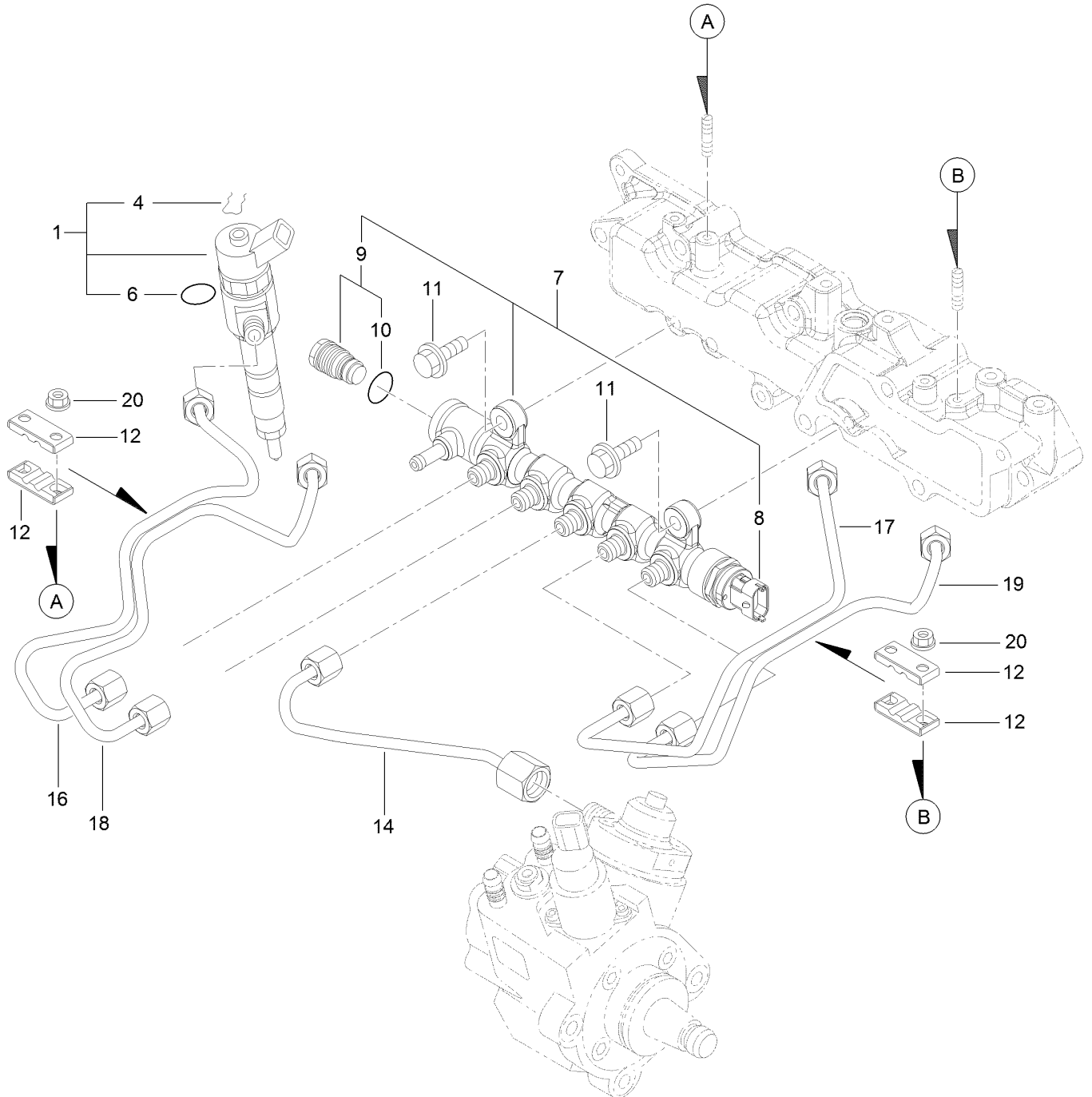




## Fuel Supply Pump Assembly (continued)

<i>Ref.</i>	<i>Part Number</i>	<i>Qty.</i>	<i>Description</i>	<i>Ref.</i>	<i>Part Number</i>	<i>Qty.</i>	<i>Description</i>
1	127-3073	1	Fuel Pump ASM	5	131-2107	2	Bolt
2	131-2103	1	Valve ASM	6	131-2108	1	Sensor-Temperature
3	131-2105	1	Ring-Sealing	7	127-3074	1	O-Ring
4	131-2106	1	O-Ring	8	125-7216	3	Bolt

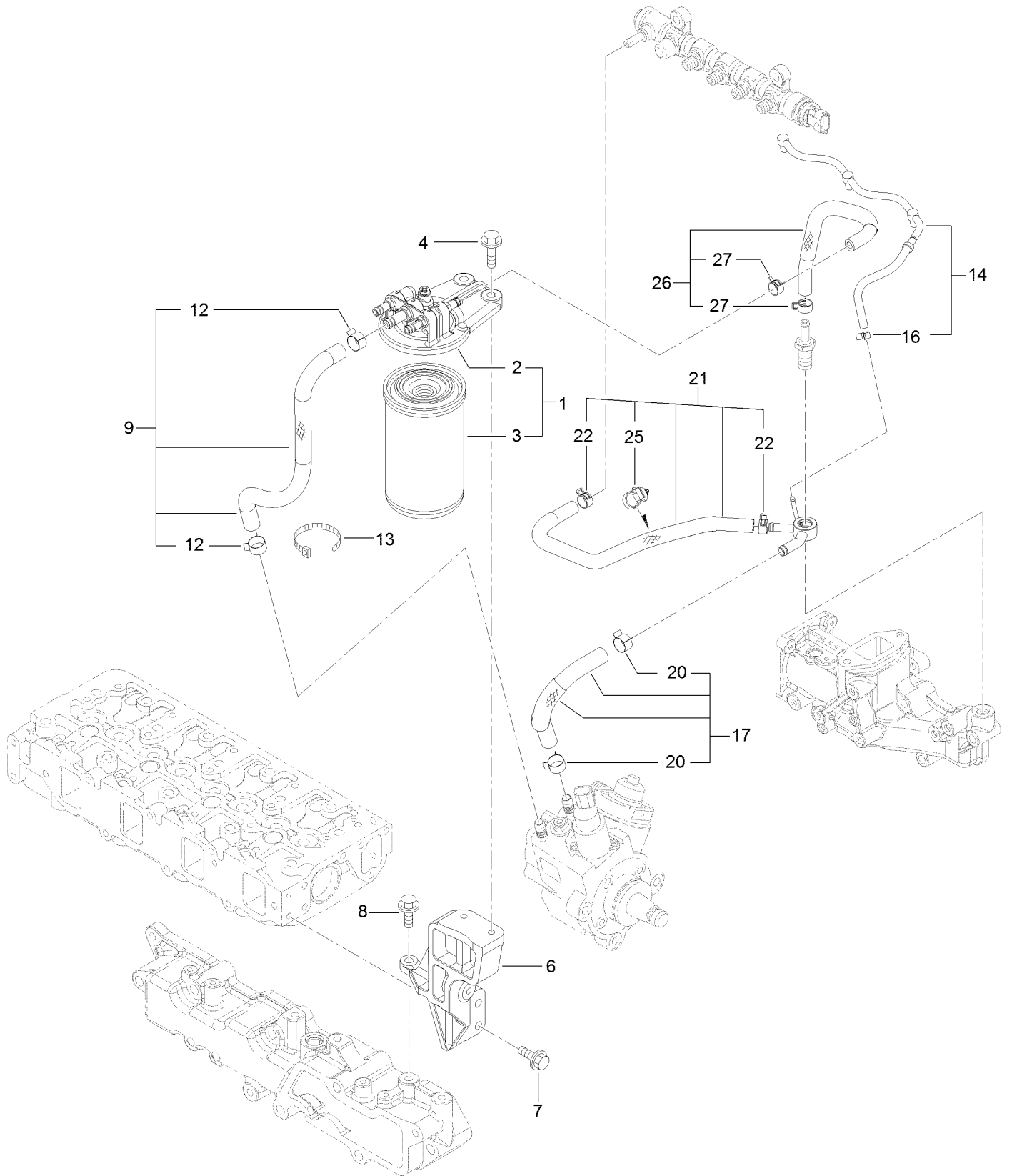
# Fuel Injection Valve Assembly



## Fuel Injection Valve Assembly (continued)

<i>Ref.</i>	<i>Part Number</i>	<i>Qty.</i>	<i>Description</i>	<i>Ref.</i>	<i>Part Number</i>	<i>Qty.</i>	<i>Description</i>
1	127-3104	4	Injector ASM	12	127-2982	4	Retainer
4	130-7430	4	Ring-Retaining	14	127-3082	1	Rail In Pipe ASM
6	137-5173	4	O-Ring	16	127-3121	1	Injection Pipe ASM
7	127-3118	1	Rail ASM	17	127-3083	1	Injection Pipe ASM
8	131-2709	1	Sensor-Pressure, Rail	18	127-3122	1	Injection Pipe ASM
9	131-2710	1	Valve ASM	19	127-3084	1	Injection Pipe ASM
10	131-2711	1	O-Ring	20	125-7231	4	Nut
11	125-7215	2	Bolt				

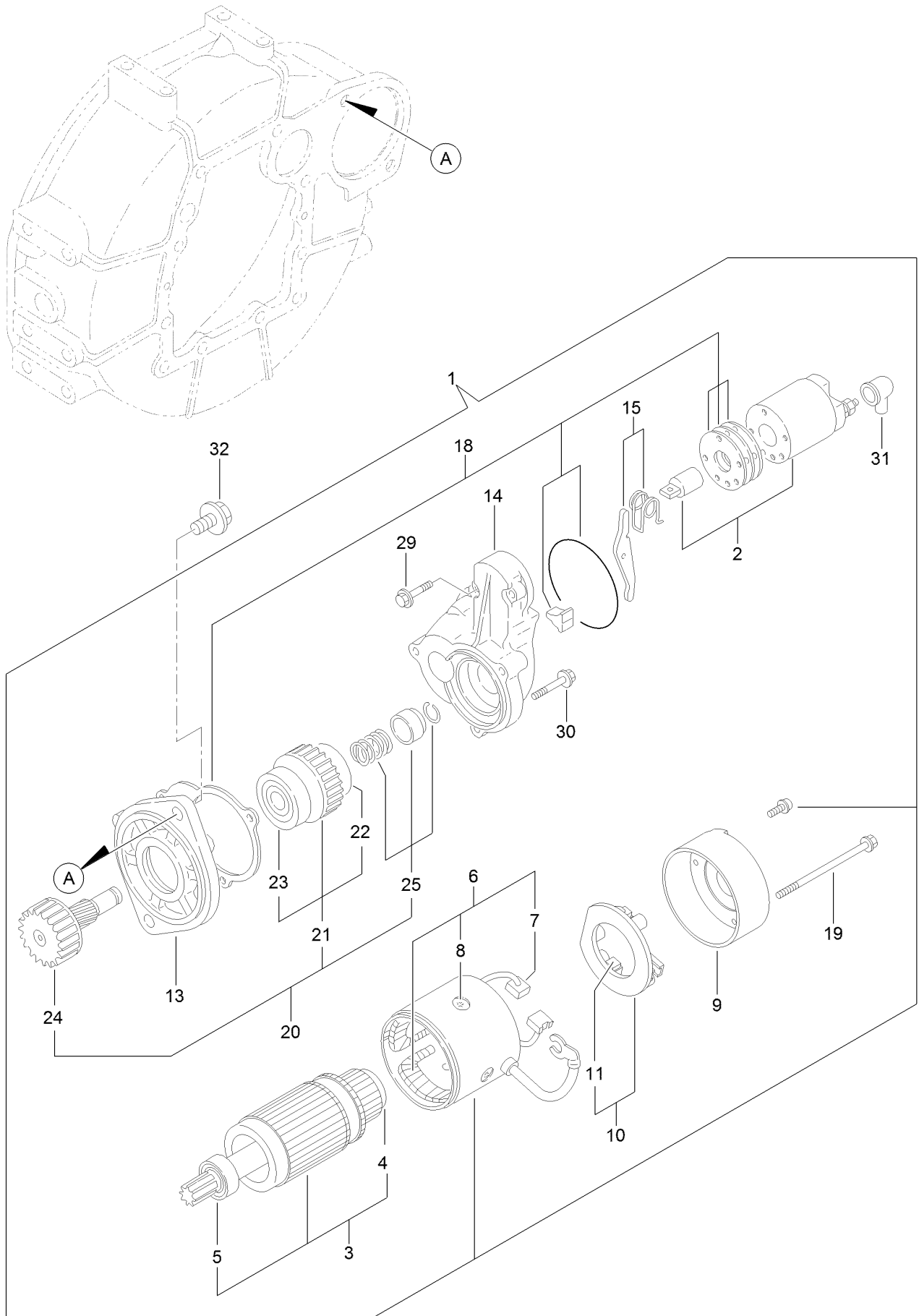
# Fuel Pipe Assembly



## Fuel Pipe Assembly (continued)

<i>Ref.</i>	<i>Part Number</i>	<i>Qty.</i>	<i>Description</i>	<i>Ref.</i>	<i>Part Number</i>	<i>Qty.</i>	<i>Description</i>
1	127-3075	1	Fuel/Oil Filter ASM	14	138-7845	1	Return Pipe ASM
2	127-3076	1	Fuel/Oil Filter Bracket ASM	16	127-3172	1	Clamp-Hose
3	125-8752	1	Filter-Fuel/Oil	17	127-3078	1	Fuel Pipe ASM
4	125-7216	2	Bolt	20	125-7191	2	Clamp-Hose
6	127-3815	1	Filter Bracket ASM	21	127-3119	1	Fuel Pipe ASM
7	125-7595	2	Bolt	22	127-2950	2	Clip-Hose
8	125-7215	1	Bolt	25	127-3087	1	Band-Clip
9	127-3077	1	Fuel Pipe ASM	26	127-3079	1	Fuel Pipe ASM
12	125-7191	2	Clamp-Hose	27	127-2950	2	Clip-Hose
13	127-2981	1	Band				

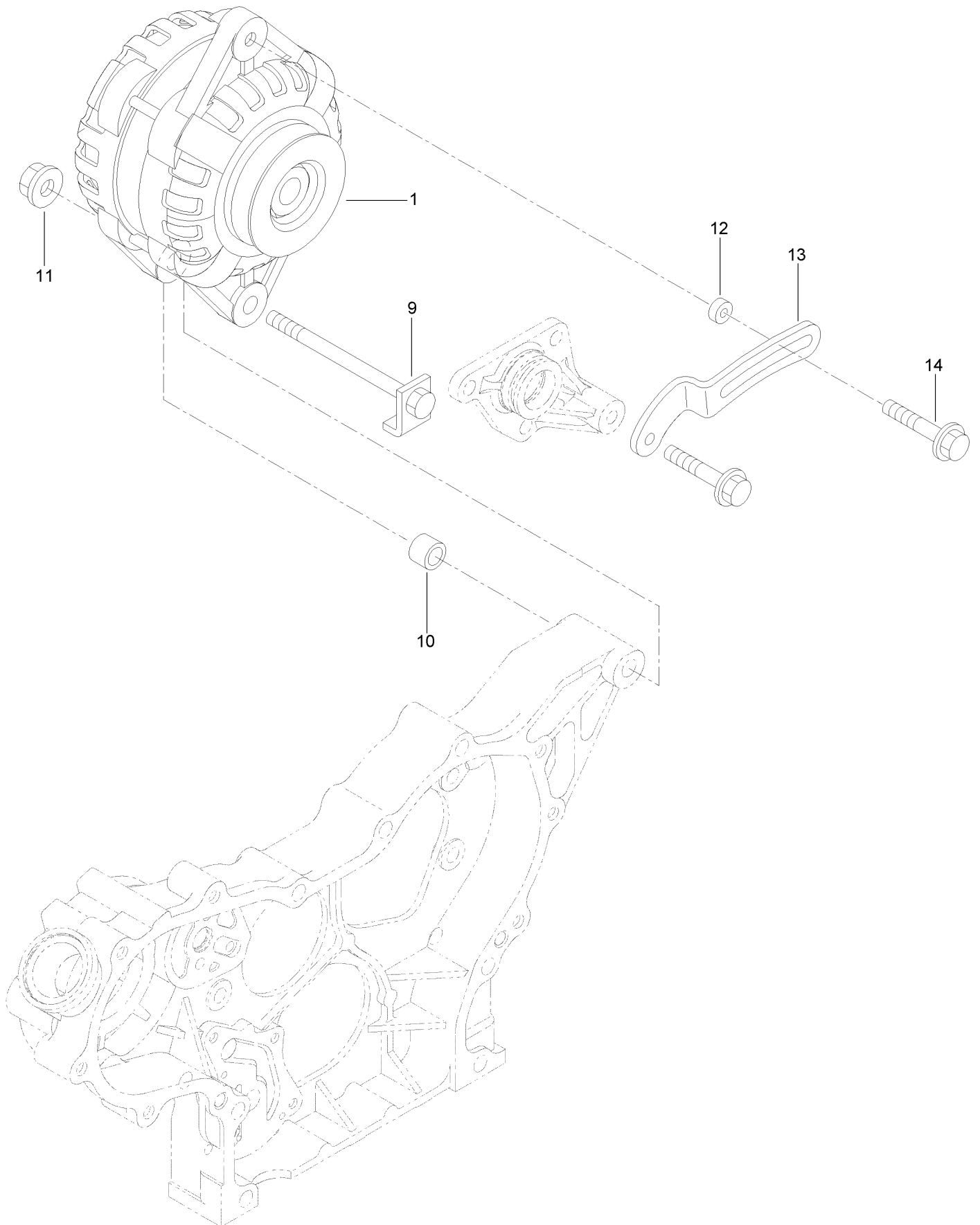
# Starter Motor Assembly



## Starter Motor Assembly (continued)

<i>Ref.</i>	<i>Part Number</i>	<i>Qty.</i>	<i>Description</i>	<i>Ref.</i>	<i>Part Number</i>	<i>Qty.</i>	<i>Description</i>
1	125-7003	1	Starter	15	125-7165	1	Lever Set
2	125-7004	1	Switch ASM	18	125-7037	1	Dust Cover ASM
3	125-7112	1	Armature ASM	19	125-7117	2	Bolt-Through
4	138-7846	1	Bearing-Ball	20	125-7166	1	Pinion ASM
5	138-7847	1	Bearing-Ball	21	125-7250	1	Clutch ASM
6	125-7113	1	Field Coil ASM	22	125-7251	1	Bearing-Ball
7	125-7114	2	Brush	23	138-7850	1	Bearing-Ball
8	138-7848	4	Screw-Set	24	125-7167	1	Shaft
9	125-7115	1	Cover	25	125-7168	1	Stopper Set
10	125-7116	1	Brush Holder ASM	29	125-7210	2	Bolt
11	138-7849	2	Brush	30	125-7211	3	Bolt
13	125-7164	1	Case-Gear	31	125-7169	1	Cover
14	125-7005	1	Housing	32	125-7225	2	Bolt

# Generator Assembly

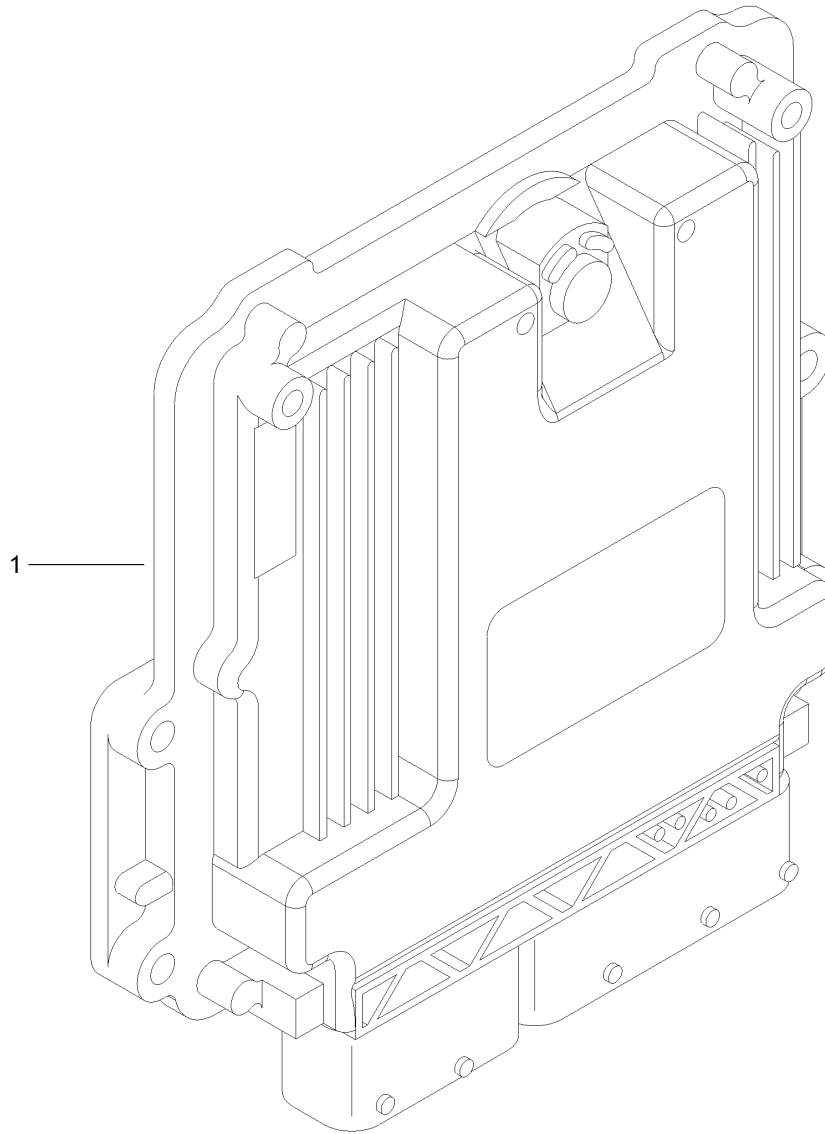




## Generator Assembly (continued)

<i>Ref.</i>	<i>Part Number</i>	<i>Qty.</i>	<i>Description</i>	<i>Ref.</i>	<i>Part Number</i>	<i>Qty.</i>	<i>Description</i>
1	125-7120	1	Alternator-12V	12	138-7852	1	Spacer-Alternator
9	125-7121	1	Bolt-Stopper	13	138-7853	1	Adjuster-Belt
10	138-7851	1	Piece-Distance	14	135-4027	1	Bolt-Adjust
11	125-7230	1	Nut				

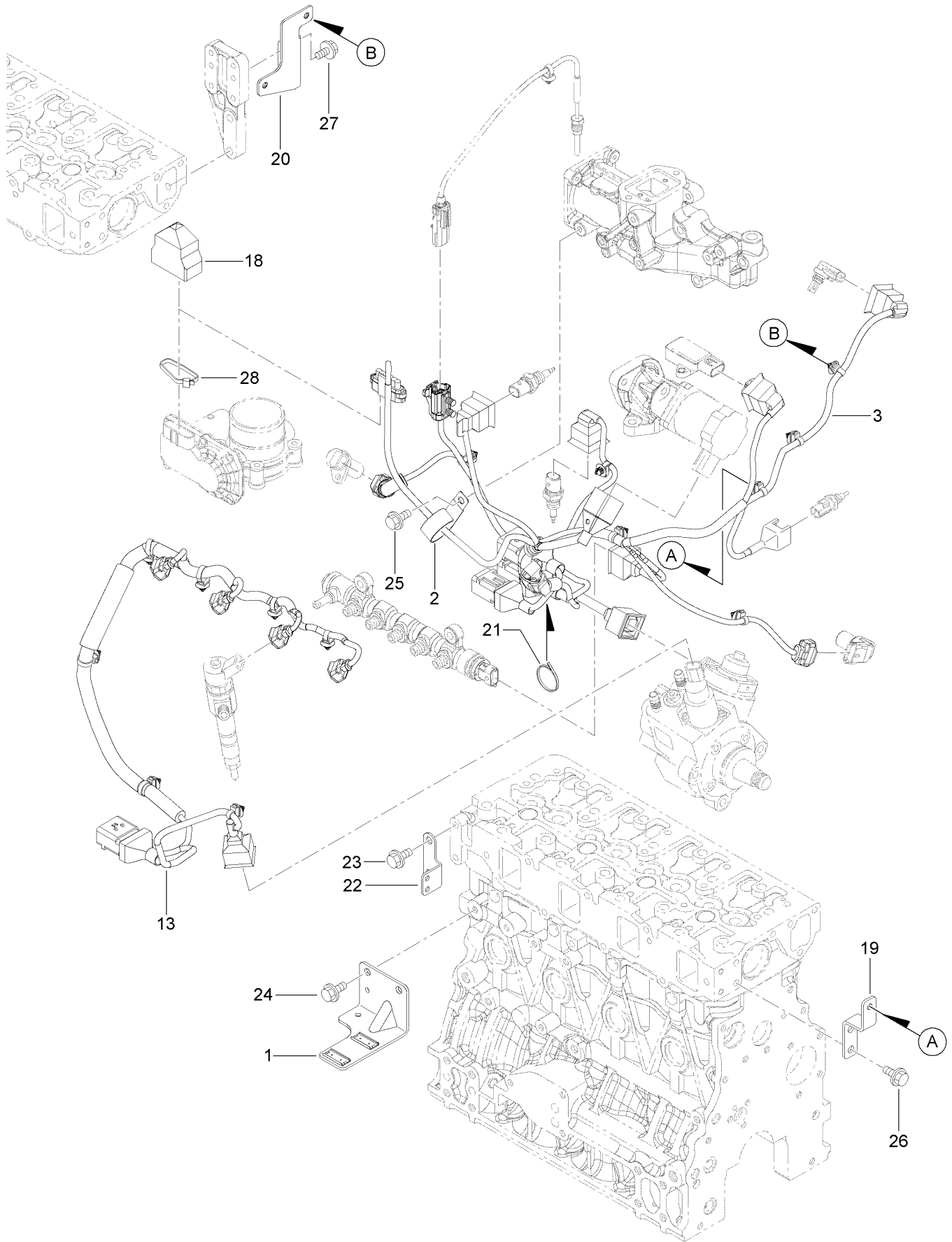
# Electronic Control Unit Assembly



# Electronic Control Unit Assembly (continued)

<i>Ref.</i>	<i>Part Number</i>	<i>Qty.</i>	<i>Description</i>
1	121-5592	1	Electronic Control Unit

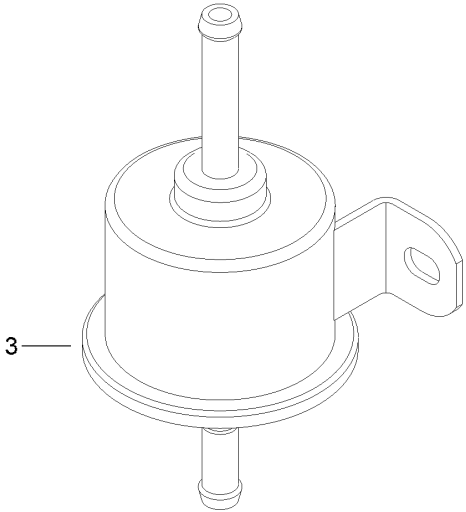
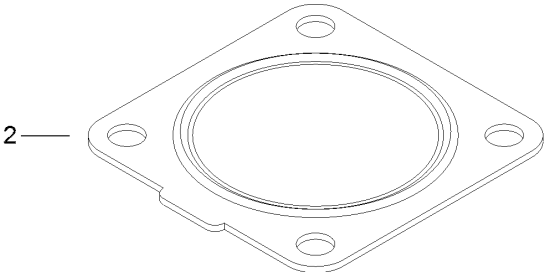
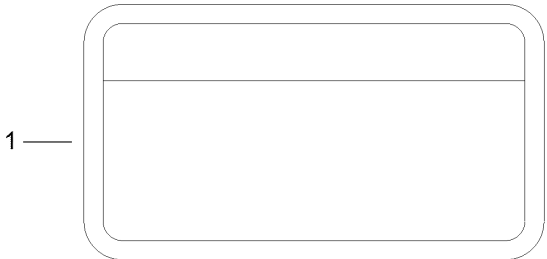
# Electric Parts Assembly



## Electric Parts Assembly (continued)

<i>Ref.</i>	<i>Part Number</i>	<i>Qty.</i>	<i>Description</i>	<i>Ref.</i>	<i>Part Number</i>	<i>Qty.</i>	<i>Description</i>
1	127-3086	1	Bracket-Connector	22	127-3090	1	Bracket-Harness
2	127-3018	1	Clip	23	125-7212	7	Bolt
3	138-7855	1	Harness B	24	125-7212	2	Bolt
13	127-3125	1	Harness C	25	125-7212	1	Bolt
18	131-2713	1	Boot-Cap	26	125-7212	2	Bolt
19	127-3852	1	Bracket-Harness	27	138-7857	2	Bolt
20	138-7856	1	Bracket-Harness	28	127-3188	1	Band
21	127-3187	1	Band				

# Miscellaneous Engine Parts

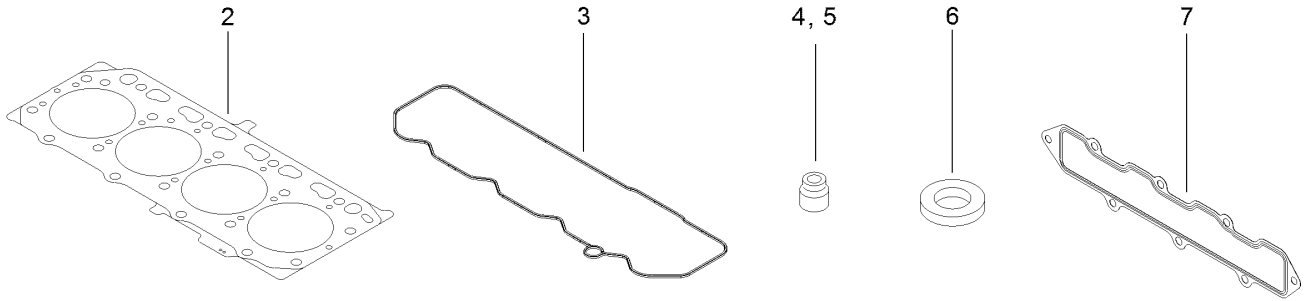


## Miscellaneous Engine Parts (continued)

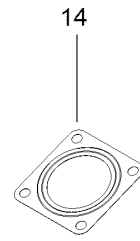
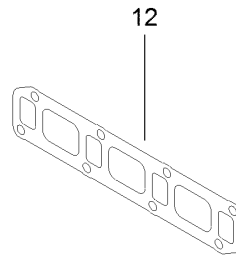
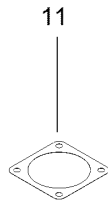
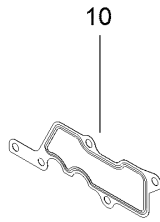
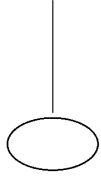
<i>Ref.</i>	<i>Part Number</i>	<i>Qty.</i>	<i>Description</i>
1	125-6900	1	Label-Caution, Fuel Oil
2	127-3019	1	Gasket
3	121-5613	1	Pump-Fuel, Electric

# Gasket Set

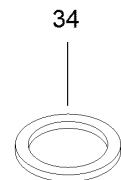
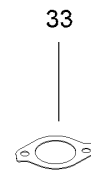
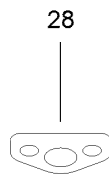
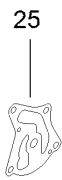
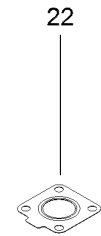
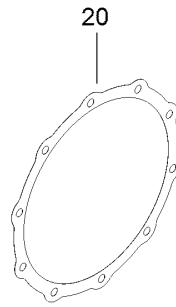
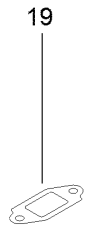
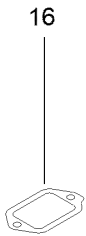
1



8, 9, 26  
27, 31, 36  
45, 46, 47, 48



21, 32, 37  
38, 39, 40  
41, 42, 43, 44





## Gasket Set (continued)

<i>Ref.</i>	<i>Part Number</i>	<i>Qty.</i>	<i>Description</i>	<i>Ref.</i>	<i>Part Number</i>	<i>Qty.</i>	<i>Description</i>
1	127-3189	1	Gasket Kit	25	127-3004	1	Gasket
2	127-3126	1	Gasket-Head, Cylinder	26	125-6909	2	O-Ring
3	127-3106	1	Gasket-Cover	27	127-2973	1	O-Ring
4	127-2986	4	Seal-Stem, Valve	28	125-7022	1	Gasket
5	127-3027	4	Seal-Stem, Valve	29	125-7024	1	Gasket
6	127-3021	4	Gasket-Injector	30	125-7047	1	Gasket
7	127-3107	1	Gasket-Manifold, Intake	31	125-7048	1	O-Ring
8	127-3032	2	O Ring-Sensor, Pressure	32	125-6979	1	Gasket
9	127-3033	1	O-Ring	33	125-7110	1	Gasket
10	127-3034	1	Gasket-Collector	34	125-7026	1	Gasket
11	127-3037	2	Gasket-Throttle	35	125-6978	1	Gasket
12	127-3108	1	Gasket-Manifold, Exhaust	36	127-3074	1	O-Ring
13	127-3019	1	Gasket	37	125-7174	1	Washer-Seal
14	127-2987	1	Gasket-Silencer	38	125-7175	2	Washer-Seal
15	127-3043	2	Gasket-Cooler, E G R	39	125-7176	1	Washer-Seal
16	127-3046	1	Gasket-E G R	40	127-3166	2	Washer-Seal
17	127-3016	1	Gasket	41	125-7177	1	Washer-Seal
18	127-3050	1	Gasket-Intake Valve, E G R	42	125-7192	1	Gasket
19	127-3051	1	Gasket-Out Valve, E G R	43	125-7193	2	Gasket
20	127-3162	2	Gasket-D P F	44	127-3174	2	Gasket
21	127-3056	4	Gasket-Sensor	45	138-7858	3	O-Ring
22	125-7070	1	Gasket	46	125-7197	1	O-Ring
23	125-7071	1	Gasket	47	125-7198	1	O-Ring
24	127-3069	1	Gasket-Idle, Shaft B	48	127-3176	1	O-Ring

# Attachments and Accessories

## For 07511AA Outcross 9060 Series Traction Unit

<b>Product Name</b>	<b>Model/Part</b>
Rear Selector Valve Kit .....	07527
Cargo Bed .....	07530
Hood Guard .....	07531
Rear Screen .....	07532
Pintle Hitch .....	07536
7-way Trailer Plug Kit EU .....	07538
InchMode .....	07540
Homologation .....	07541
Road Light Kit and Horn .....	07542
Work Lights .....	07545
Beacon Kit .....	07546
7-Way Trailer Plug Kit .....	07547
Horn Kit .....	07549
Premium Transmission/Hydraulic Tractor Fluid (55 Gallon Drum) .....	108-1183
Premium Transmission/Hydraulic Tractor Fluid (5 Gallon Pail) .....	108-1184
Wireless Hourmeter .....	115-4754
External Antenna Kit, Wireless Hourmeter System .....	115-9524
Base Station Kit, Wireless Hourmeter System .....	115-9542
Repeater Kit, Wireless Hourmeter System .....	115-9543
Premium Engine Oil 10w30 (55 Gallon Drum) .....	121-6392
Premium Engine Oil 10w30 (5 Gallon Pail) .....	121-6393
Premium Engine Oil 15w40 (55 Gallon Drum) .....	121-6394
Premium Engine Oil 15w40 (5 Gallon Pail) .....	121-6395
Exterior Mirror Kit .....	130-5448
Interior Mirror Kit .....	130-5449
Large Seat Cover .....	131-6691
Wide Angle Mirror Kit .....	133-1038
Top Link Bushing Kit, Category 2 To 1 .....	138-4196
Lift Arm Bushing Kit, Category 2 To 1 .....	138-4197
Backup Alarm Kit .....	140-0508
Brake Controller .....	145-7639
500 Hour MVP Maintenance Kit .....	31196
Toro Red 12oz Aerosol Can .....	361-10
New Red Paint - Gallon .....	361-11
Dark Metallic Gray Aerosol Paint .....	361-12
Semi-Gloss Black Spray Paint .....	361-9
Foam Marker Kit .....	41249
Air Dry Red Paint - Qt .....	5340

**Notes:**



**Count on it.**