



**Count on it.**

**Parts Catalog**

**eTimeCutter™ MyRide® 54in  
Riding Mower**

Model No. 75851—Serial No. 416400000 and Up



# Ordering Replacement Parts

To order replacement parts, please supply the part number, the quantity, and the description of each part desired.

## Understanding Reference Numbers

Each identified part in an illustration has a reference number. The reference number for a part also appears in the parts list, along with other information about the part.

This catalog uses two special reference number formats, one to indicate parts in a service assembly and another to indicate the quantity of a given part in an illustration.

## Service Assembly Reference Numbers

Parts in service assemblies have reference numbers in the form a:b. The a represents the reference number of the entire service assembly and the b represents a sequential number unique to each part within the service assembly.

For example, a wheel assembly might be identified by reference number 6, the tire by 6:1, the valve by 6:2, and the wheel by 6:3. When you order the assembly identified by reference number 6, you receive all parts identified by reference numbers 6:1, 6:2, and 6:3. However, you may also order any part individually. Reference numbers of this type appear in illustration and in parts lists.

## Reference Numbers Indicating Quantity

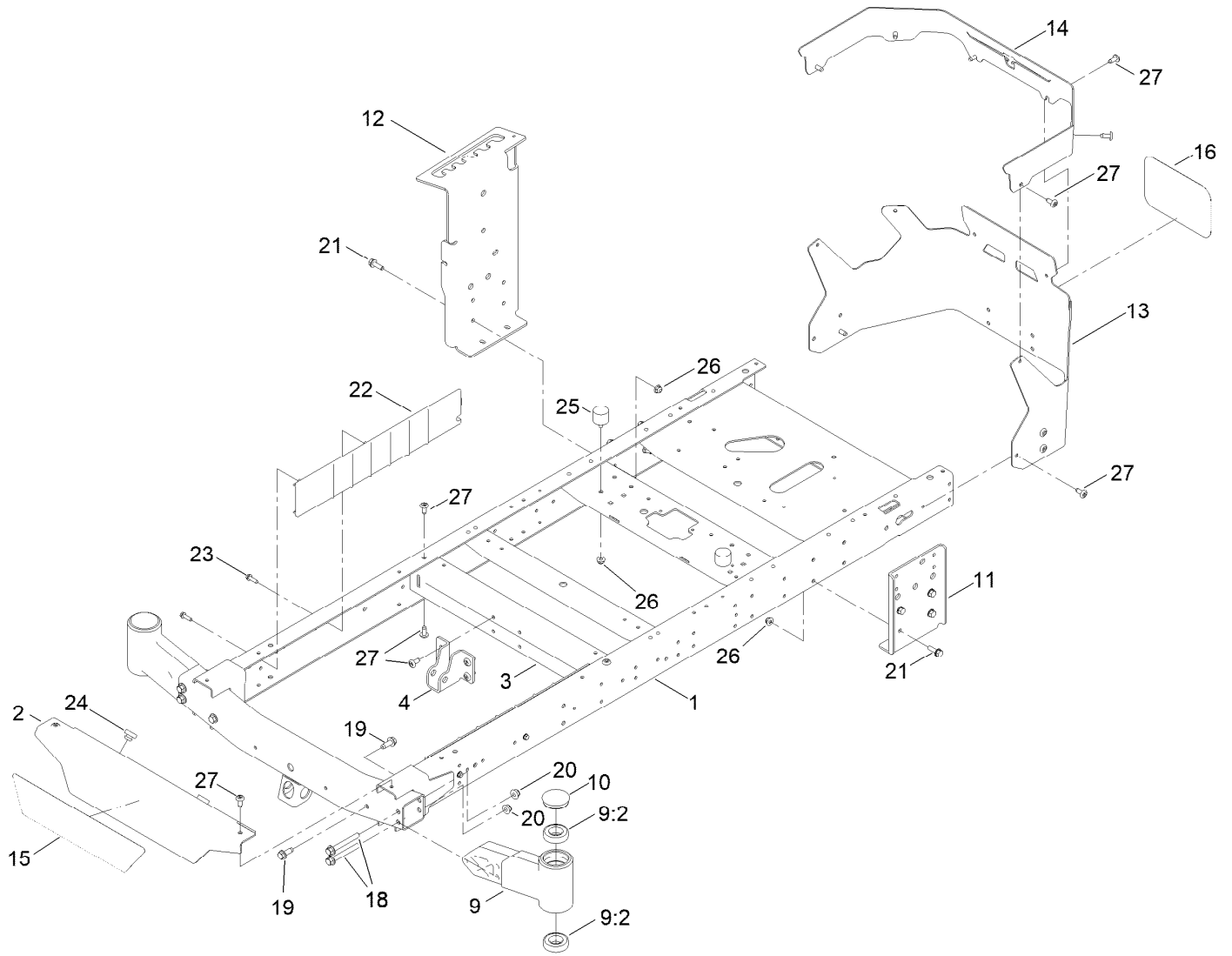
In an illustration, if a reference number indicates more than one part, the reference number has the form nX y. The n represents the quantity of the part, the X is the multiplication symbol, and the y represents the reference number.

For example, in an illustration, the reference number 2X 37 means that two of the parts identified by reference number 37 are indicated.

# Contents

Frame Assembly .....	4
Decklift Assembly .....	6
Caster Wheel Assembly .....	8
Traction Drive Assembly .....	10
Electric Transaxle Assembly No. 161-4489 .....	12
Brake Assembly .....	14
Rear Tire Assembly .....	16
Seat Pan Assembly .....	18
Seat Assembly No. 147-8761 .....	20
Motion Control Assembly .....	22
Battery Box Assembly .....	24
Battery Box Assembly No. 161-4483 .....	26
Styling Pod Assembly .....	28
Electrical Assembly .....	30
54in Deck and Decal Assembly .....	32
Attachments and Accessories .....	34

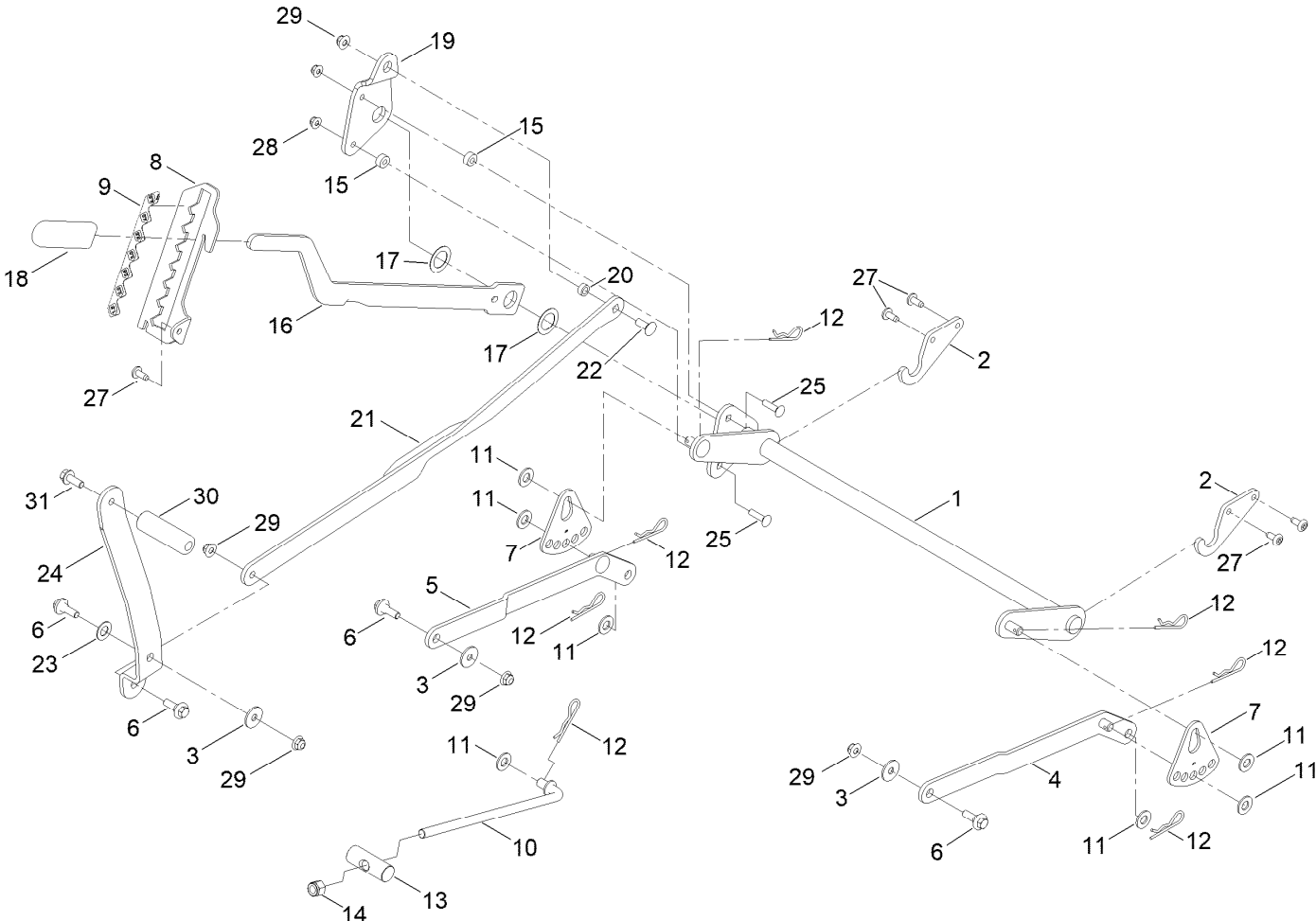
# Frame Assembly



## Frame Assembly (continued)

<i>Ref.</i>	<i>Part Number</i>	<i>Qty.</i>	<i>Description</i>	<i>Ref.</i>	<i>Part Number</i>	<i>Qty.</i>	<i>Description</i>
1	147-3005-01	1	Frame ASM [red]	15	147-7688	1	Decal-Timecutter
2	138-7596-07	1	Footrest	16	145-1978	1	Decal-Logo, Silver
3	138-2527-01	1	Brace-Cross, Lower	18	139-2429	4	Screw-HHF
4	139-3260-01	1	Bracket-Mount Damper, Lower	19	139-2428	4	Screw-HWH
9	140-2097	2	Axle Stub ASM	20	139-2430	4	Nut-HF, NI
9:2	109-3678	2	Bearing-Ball	21	139-2596	8	Screw-HHF
10	138-7200	2	Cap-Grease	22	138-7516	2	Guard-Rail
11	145-0415-01	1	Plate-Mount, Drive	23	137-3099	4	Screw-Plastite, HWH
12	145-0416-01	1	Plate-Mount, Mr Drive	24	140-3460	2	Bumper-Rubber
13	147-5205-07	1	Guard-Rear	25	137-4803	2	Bumper-Rubber
14	147-7579-01	1	Guard-Rear, Upper	26	119-4041	10	Nut-HF
				27	138-9753	22	Screw

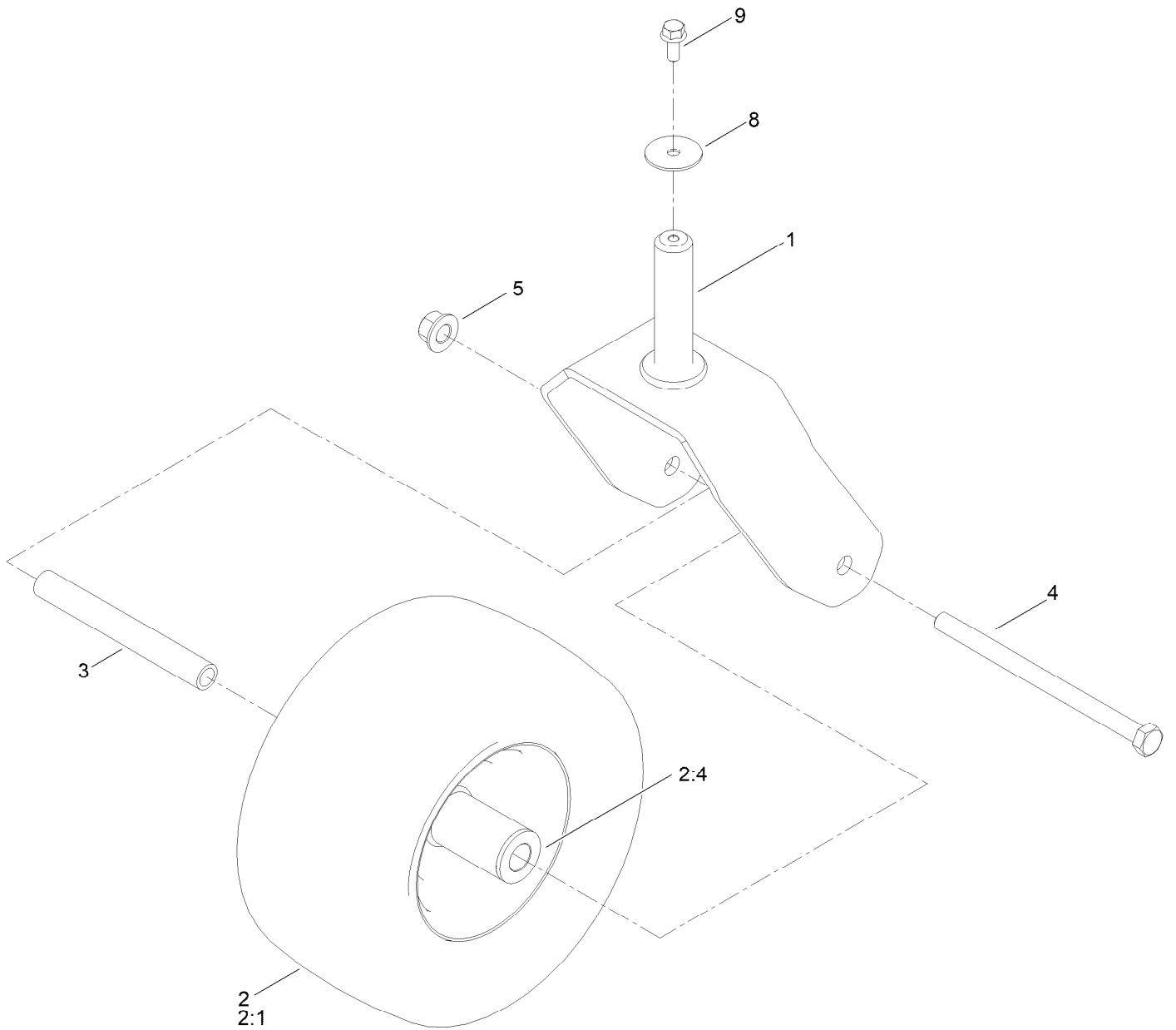
# Decklift Assembly



## Decklift Assembly (continued)

<i>Ref.</i>	<i>Part Number</i>	<i>Qty.</i>	<i>Description</i>	<i>Ref.</i>	<i>Part Number</i>	<i>Qty.</i>	<i>Description</i>
1	137-7093-03	1	Deck Lift ASM	16	137-7087-03	1	Lever-Lift
2	138-6021	2	Bracket-Pivot, Decklift	17	63-2290	2	Washer-Thrust
3	140-5063	3	Washer-Hardened, Cz	18	1-633268	1	Grip-Lever
4	137-9844	1	LH Arm ASM	19	137-7086	1	Plate-Footlift
5	137-9846	1	RH Arm ASM	20	140-2093	1	Spacer
6	137-9847	4	Screw-Shoulder	21	140-2746-03	1	Link ASM
7	138-6006	2	Plate-HOC Adjustment	22	139-2590	1	Screw-CARR
8	139-2350-01	1	Bracket-HOC	23	120-2273	1	Washer-Nylon
9	139-2392	1	Decal-HOC	24	138-2549-03	1	Pedal-Lift
10	138-6050	1	Rod-Mount, Deck	25	139-1702	2	Bolt-Carriage
11	139-2611	7	Washer-Flat	27	138-9753	5	Screw
12	139-2562	7	Pin-Hair	28	119-4041	2	Nut-HF
13	119-8810	1	Pin-Pivot	29	119-4042	5	Nut-HF, NI
14	139-1725	1	Nut-Hex	30	139-7452	1	Pedal-Foot Lift
15	140-3461	2	Spacer	31	139-2597	1	Screw-HHF

# Caster Wheel Assembly



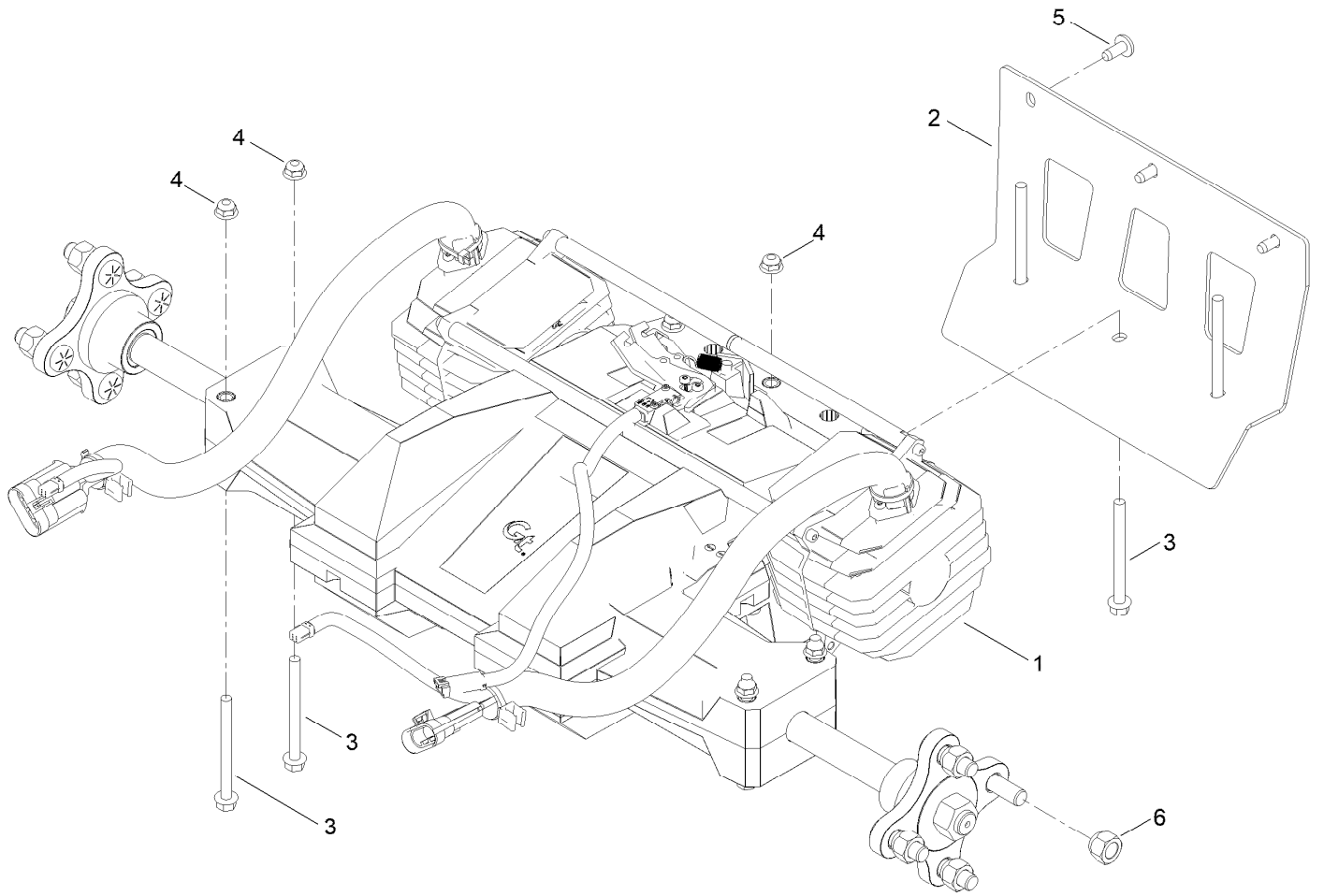


## Caster Wheel Assembly (continued)

<i>Ref.</i>	<i>Part Number</i>	<i>Qty.</i>	<i>Description</i>	<i>Ref.</i>	<i>Part Number</i>	<i>Qty.</i>	<i>Description</i>
1	138-9839-01	2	Fork ASM	3	138-9803	2	Spacer-Spanner
2	139-5843	2	Tire ASM	4	139-2608	2	Screw-HH
2:1	140-0374	1	Tire	5	139-1689	2	Nut-HF
2:3	232-27	1	Stem-Valve ●	8	115-1151	2	Washer-Flat
2:4	114-1640	2	Bushing-Flange	9	139-2598	2	Screw-HHF
2:5	302-5	1	Fitting-Grease ●				

● Not illustrated

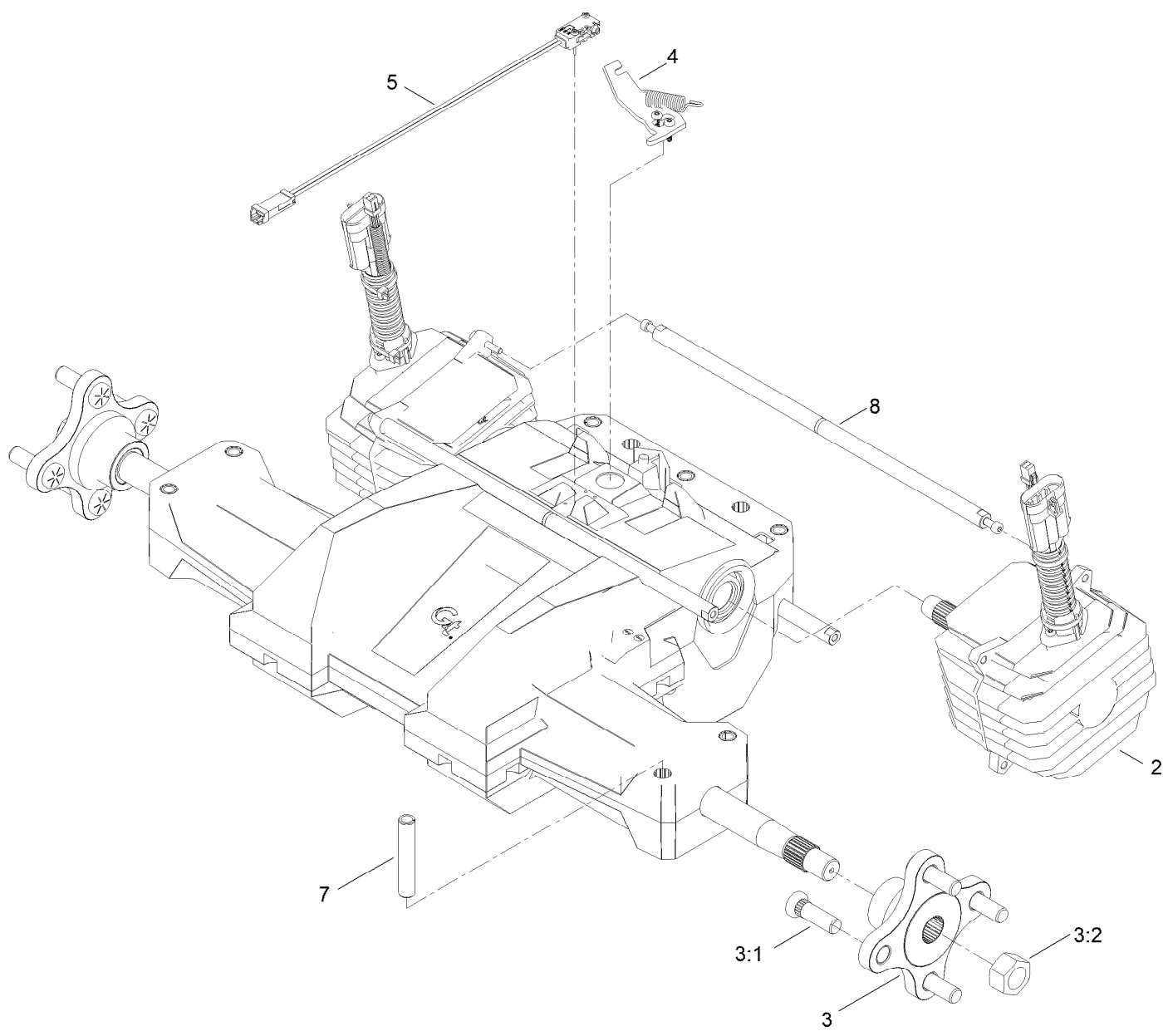
# Traction Drive Assembly



## Traction Drive Assembly (continued)

<i>Ref.</i>	<i>Part Number</i>	<i>Qty.</i>	<i>Description</i>	<i>Ref.</i>	<i>Part Number</i>	<i>Qty.</i>	<i>Description</i>
1	161-4489	1	Transaxle-Electric, 20"	4	119-4041	7	Nut-HF
2	144-5335-01	1	Bracket-Transmission	5	138-9753	3	Screw
3	147-5202	7	Screw-HH	6	139-2564	8	Nut-Lug

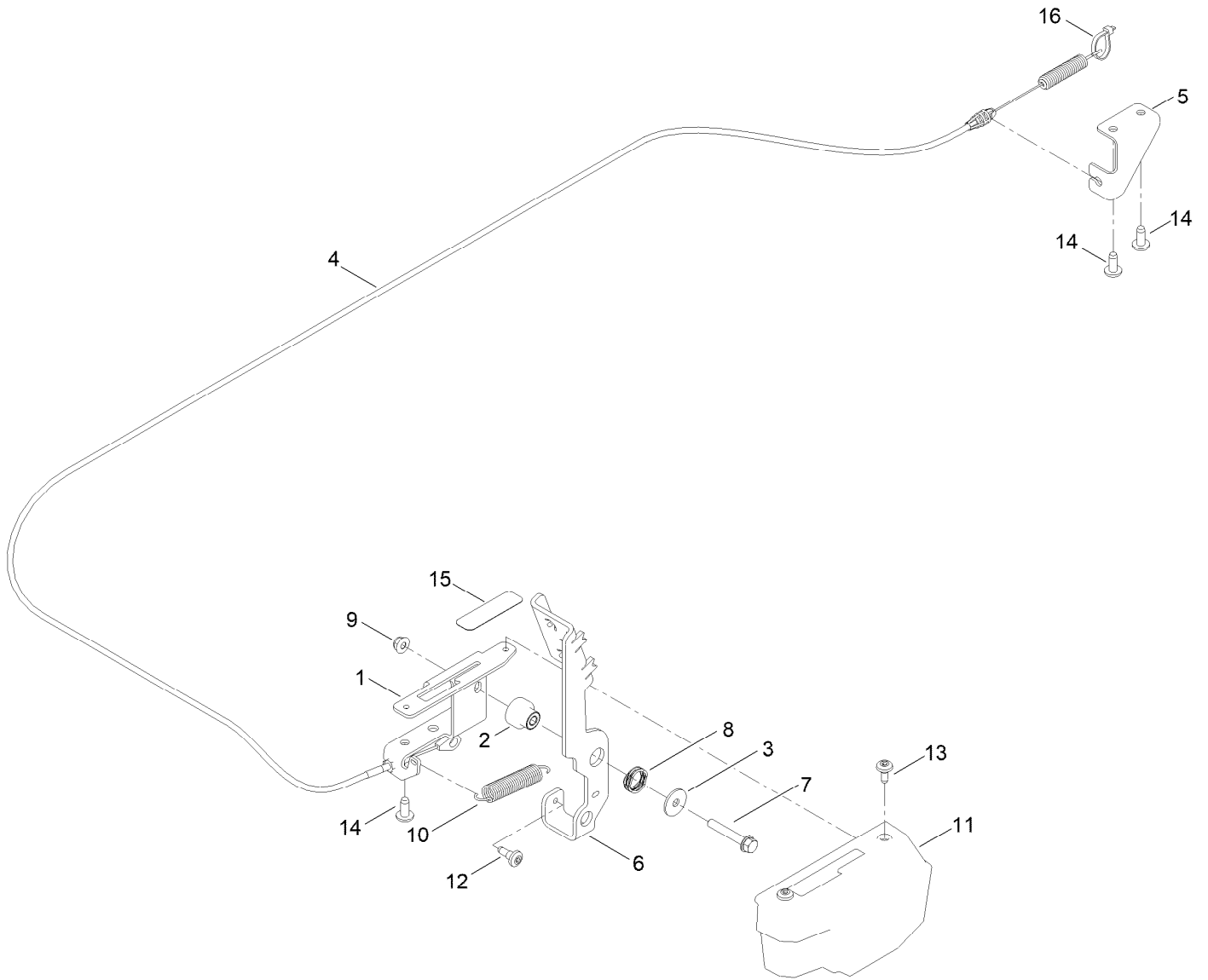
# Electric Transaxle Assembly No. 161-4489



# Electric Transaxle Assembly No. 161-4489 (continued)

<i>Ref.</i>	<i>Part Number</i>	<i>Qty.</i>	<i>Description</i>	<i>Ref.</i>	<i>Part Number</i>	<i>Qty.</i>	<i>Description</i>
2	161-4490	2	Motor ASM	4	161-4493	1	Arm-Brake ASM
3	161-4491	2	Wheel Hub ASM	5	161-4494	1	Switch-Brake ASM
3:1	161-4492	4	Stud-Wheel	7	161-4496	7	Spacer
3:2	161-4647	1	Nut-Hub	8	161-4497	3	Rod-Cross

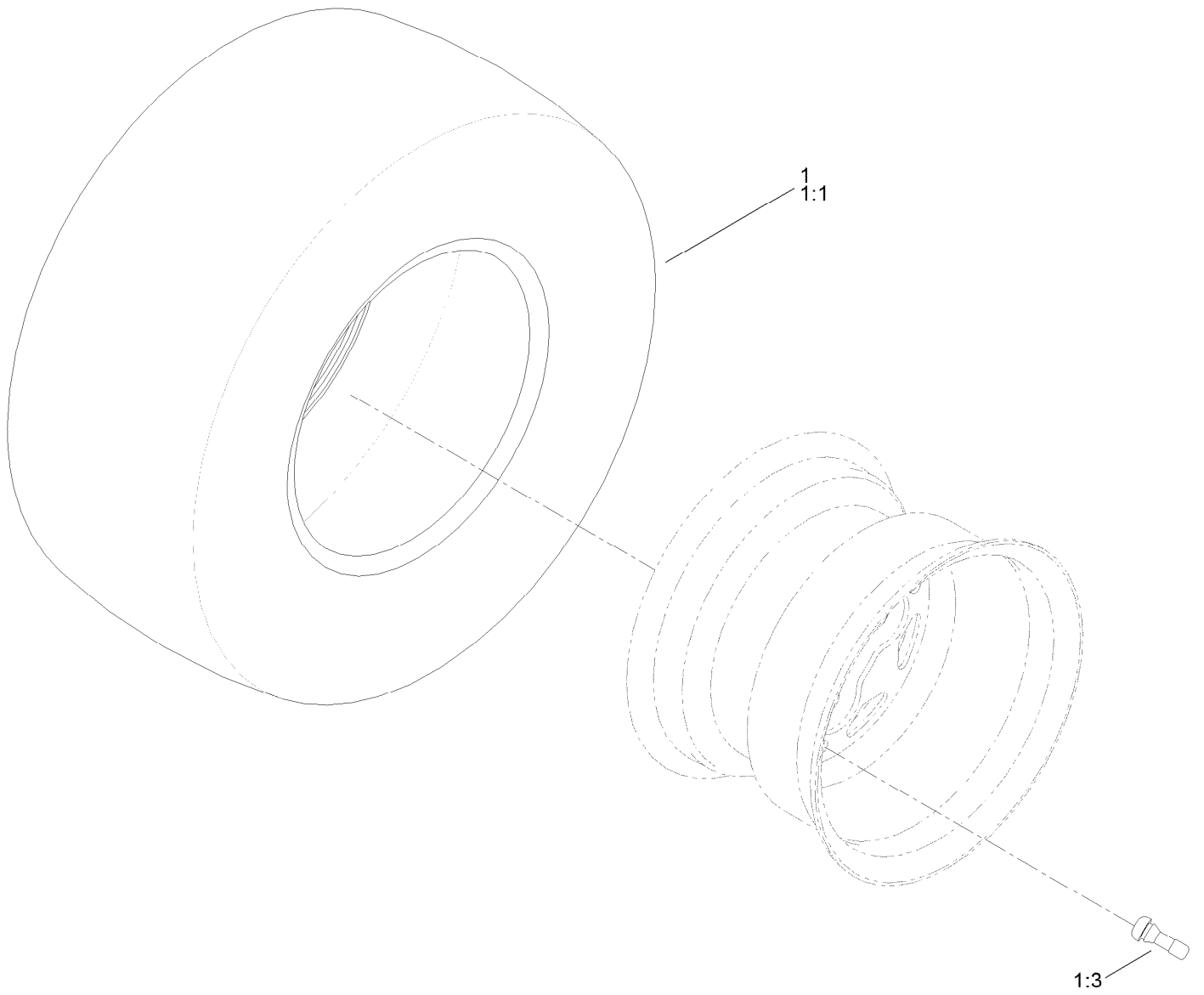
# Brake Assembly



## Brake Assembly (continued)

<i>Ref.</i>	<i>Part Number</i>	<i>Qty.</i>	<i>Description</i>	<i>Ref.</i>	<i>Part Number</i>	<i>Qty.</i>	<i>Description</i>
1	147-5182-03	1	Bracket-Pedal, Brake	9	119-4041	1	Nut-HF
2	147-7741	1	Bushing-Flange	10	137-7040	1	Spring-Return, Pedal
3	5-4460	1	Washer-Pivot	11	147-3048	1	Cover-Brake, Parking
4	145-0490	1	Cable-Brake	12	135-2015	1	Screw-Shoulder
5	147-5201-03	1	Bracket-Cable, Brake	13	120-7950	2	Screw-Torx
6	147-5181-03	1	Pedal-Brake	14	138-9753	3	Screw
7	142-6275	1	Screw-HHF	15	139-1271	1	Decal-Brake, Parking
8	120-5116	1	Washer-Wave	16	3290-378	1	Tie-Cable

# Rear Tire Assembly



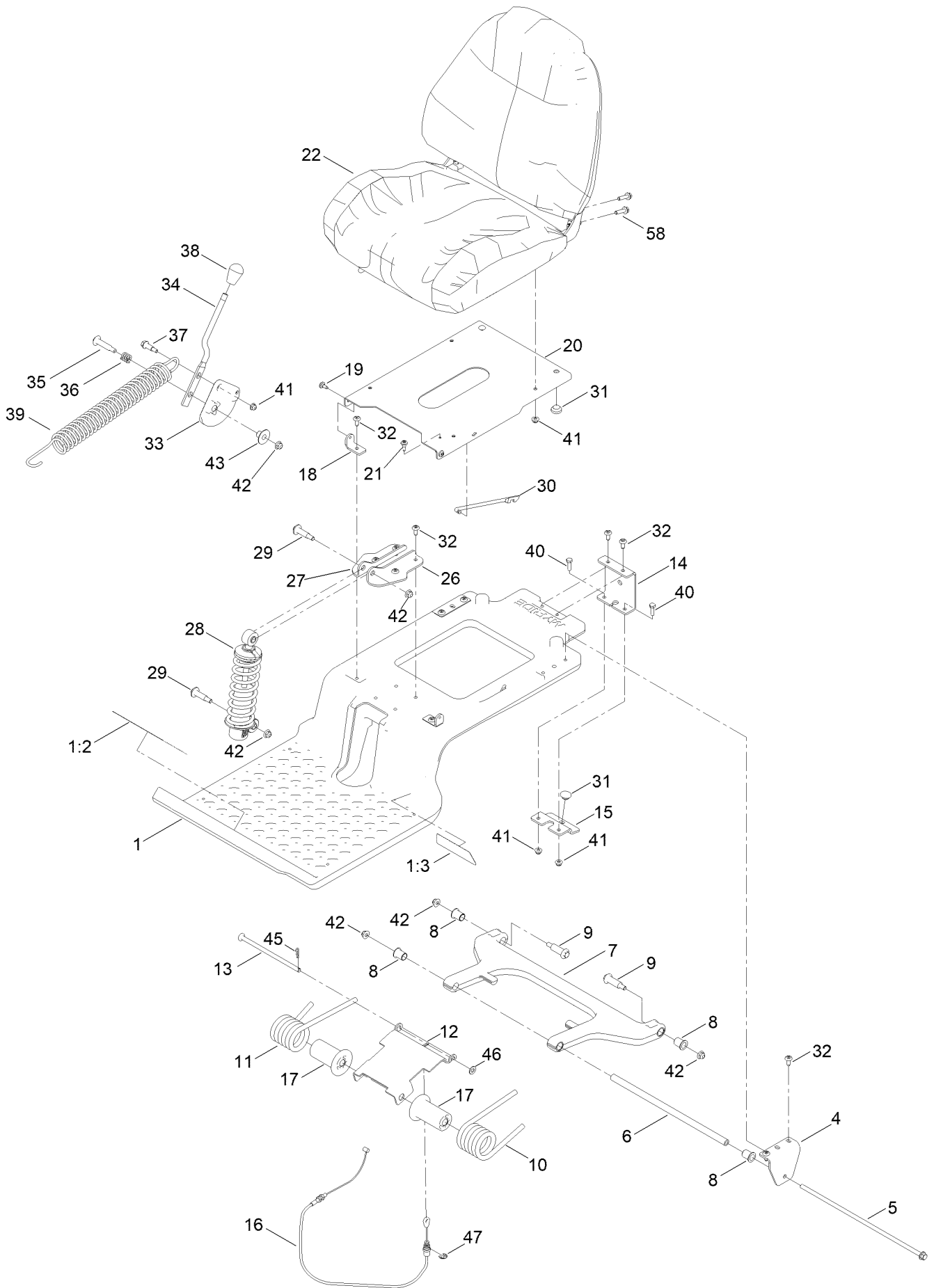


## Rear Tire Assembly (continued)

<i>Ref.</i>	<i>Part Number</i>	<i>Qty.</i>	<i>Description</i>	<i>Ref.</i>	<i>Part Number</i>	<i>Qty.</i>	<i>Description</i>
1	139-5849	2	Tire ASM	1:3	232-27	1	Stem-Valve
1:1	133-9293	1	Tire	1:99	105-4070	1	Tube-Inner ●

● Not illustrated

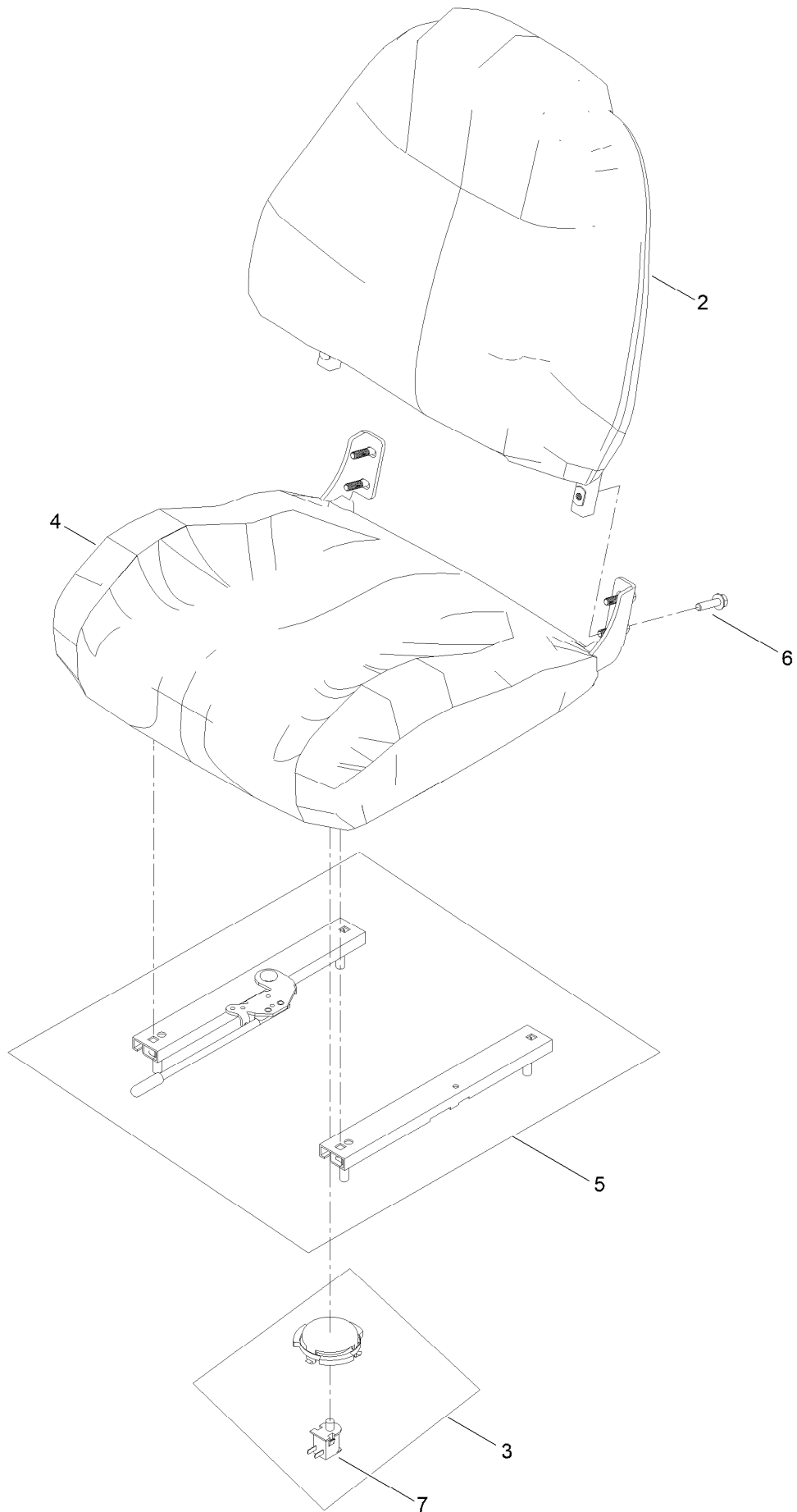
# Seat Pan Assembly



## Seat Pan Assembly (continued)

<i>Ref.</i>	<i>Part Number</i>	<i>Qty.</i>	<i>Description</i>	<i>Ref.</i>	<i>Part Number</i>	<i>Qty.</i>	<i>Description</i>
1	147-7739	1	Subframe ASM	27	133-9319-03	1	Bracket-Shock Mount, Upper (RH)
1:2	147-7616	1	Decal-Danger	28	147-7746	1	Shock/Spring ASM
1:3	140-0357	1	Decal-Myride	29	136-7198	2	Bolt-Shoulder
4	138-7517	2	Bracket-Mount, Swing Arm	30	138-2596	1	Rod-Prop, Seat
5	138-7548	1	Screw-HHF	31	135-0505	3	Bumper-Seat
6	138-7549	1	Tube-Spacer	32	138-9753	12	Screw
7	138-2563	1	Arm, Swing	33	138-9814	1	Pulley - Cam
8	138-2573	4	Bushing-Flange	34	138-9822	1	Lever - Adjustment
9	138-2547	2	Bolt-Shoulder	35	92-1057	1	Bolt-Shoulder
10	137-1983	1	Spring-Torsion, LH	36	139-5858	1	Spring-Compression
11	137-7018	1	Spring-Torsion, RH	37	140-3759	1	Bolt-Shoulder,HHF
12	138-7566-03	1	Plate-Adjuster	38	140-5176	1	Knob-Mr
13	138-9813	1	Rod-Adjustment	39	138-9848	1	Spring-Extension
14	138-9788	1	Bracket-Cable	40	139-1716	2	Screw-HH
15	139-2361-03	1	Bracket Lower	41	119-4041	7	Nut-HF
16	138-9812	1	Cable-Adjustment, Myride	42	119-4042	6	Nut-HF, NI
17	138-9776	2	Retainer-Spring	43	139-5800	1	Bushing - Flange
18	138-7522	2	Bracket-Seat	45	137-3083	1	Pin-Hair
19	120-7950	2	Screw-Torx	46	115-1166	1	Washer-Plain
20	147-7727-03	1	Pan-Seat [black]	47	32120-47	1	Ring-Retaining, External
21	135-2015	1	Screw-Shoulder	58	119-4036	4	Screw-HHF
22	147-8761	1	Seat ASM				
26	133-9318-03	1	Bracket-Shock Mount, Upper (LH)				

# Seat Assembly No. 147-8761

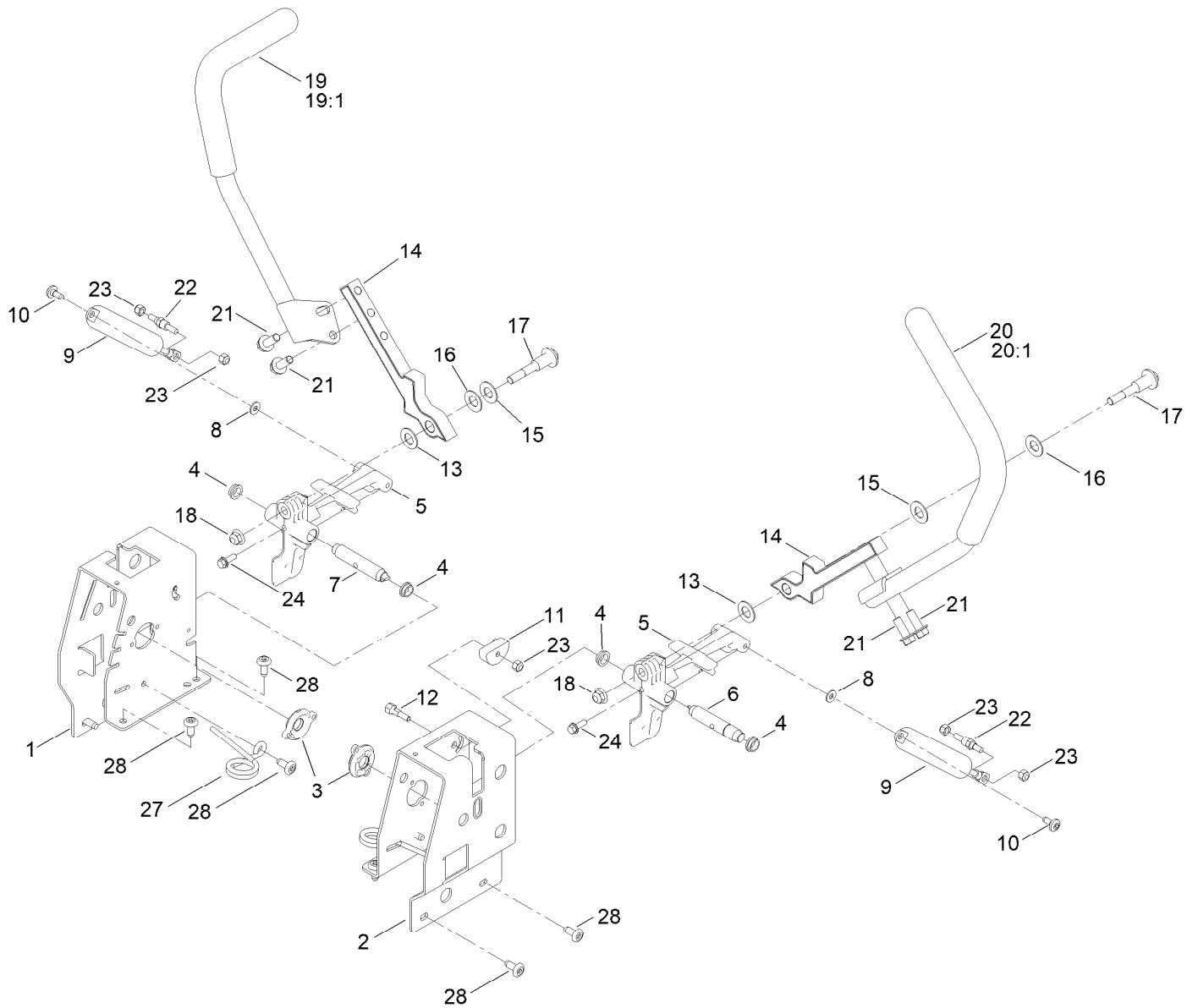


## Seat Assembly No. 147-8761 (continued)

<i>Ref.</i>	<i>Part Number</i>	<i>Qty.</i>	<i>Description</i>
2	161-6183	1	Toro Back Cover
3	147-8736	1	Seat Switch Delta 6500-02 Open
4	161-6184	1	Toro Seat Cover

<i>Ref.</i>	<i>Part Number</i>	<i>Qty.</i>	<i>Description</i>
5	147-8740	1	Slide ASM-Seat
6	119-4036	4	Screw-HHF
7	82-2190	1	Switch-Bail

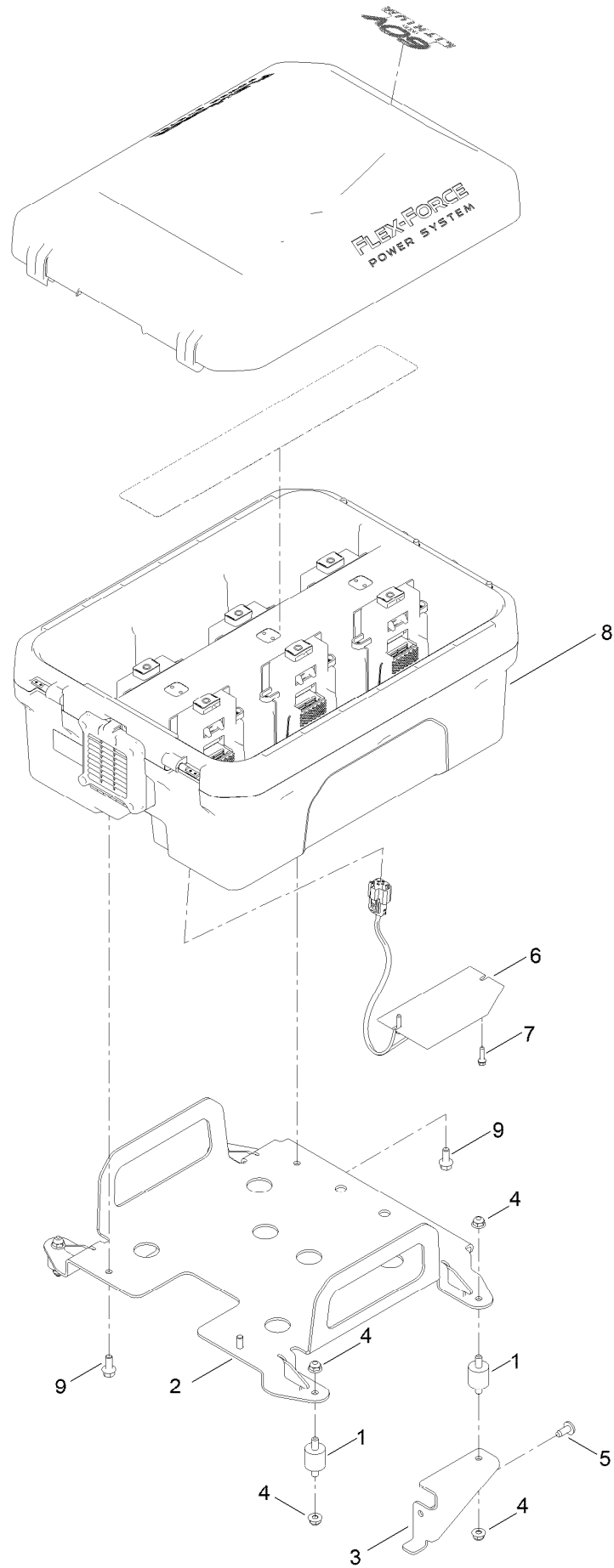
# Motion Control Assembly



## Motion Control Assembly (continued)

<i>Ref.</i>	<i>Part Number</i>	<i>Qty.</i>	<i>Description</i>	<i>Ref.</i>	<i>Part Number</i>	<i>Qty.</i>	<i>Description</i>
1	140-8322-03	1	Plate-Control Box, RH	15	117-1240	2	Washer
2	140-8342-03	1	Plate-Control Box, LH	16	119-8925	2	Washer-Belleville
3	147-7552	2	Spacer-Sensor	17	139-2556	2	Bolt-Pivot
4	147-7551	4	Bushing-Flange	18	119-4042	2	Nut-HF, NI
5	147-2903	2	Arm-Actuator	19	133-7057	1	Handle-Control, RH
6	147-3009	1	Pin-Lever Pivot, LH	19:1	121-0726	1	Grip
7	147-3010	1	Pin-Lever Pivot, RH	20	133-7055	1	Handle-Control, LH
8	119-8952	2	Washer	20:1	121-0726	1	Grip
9	132-6853	2	Damper-Non Cavitating	21	139-2597	4	Screw-HHF
10	120-7950	2	Screw-Torx	22	138-7215	2	Stud-Damper
11	139-5803	2	Eccentric	23	137-3088	6	Nut-Hex
12	139-5811	2	Bolt-Pivot, Eccentric	24	119-1138	2	Screw-HHF
13	120-2273	2	Washer-Nylon	27	138-7539	2	Spring-Torsion
14	133-9299-05	2	Arm-Control	28	138-9753	10	Screw

# Battery Box Assembly

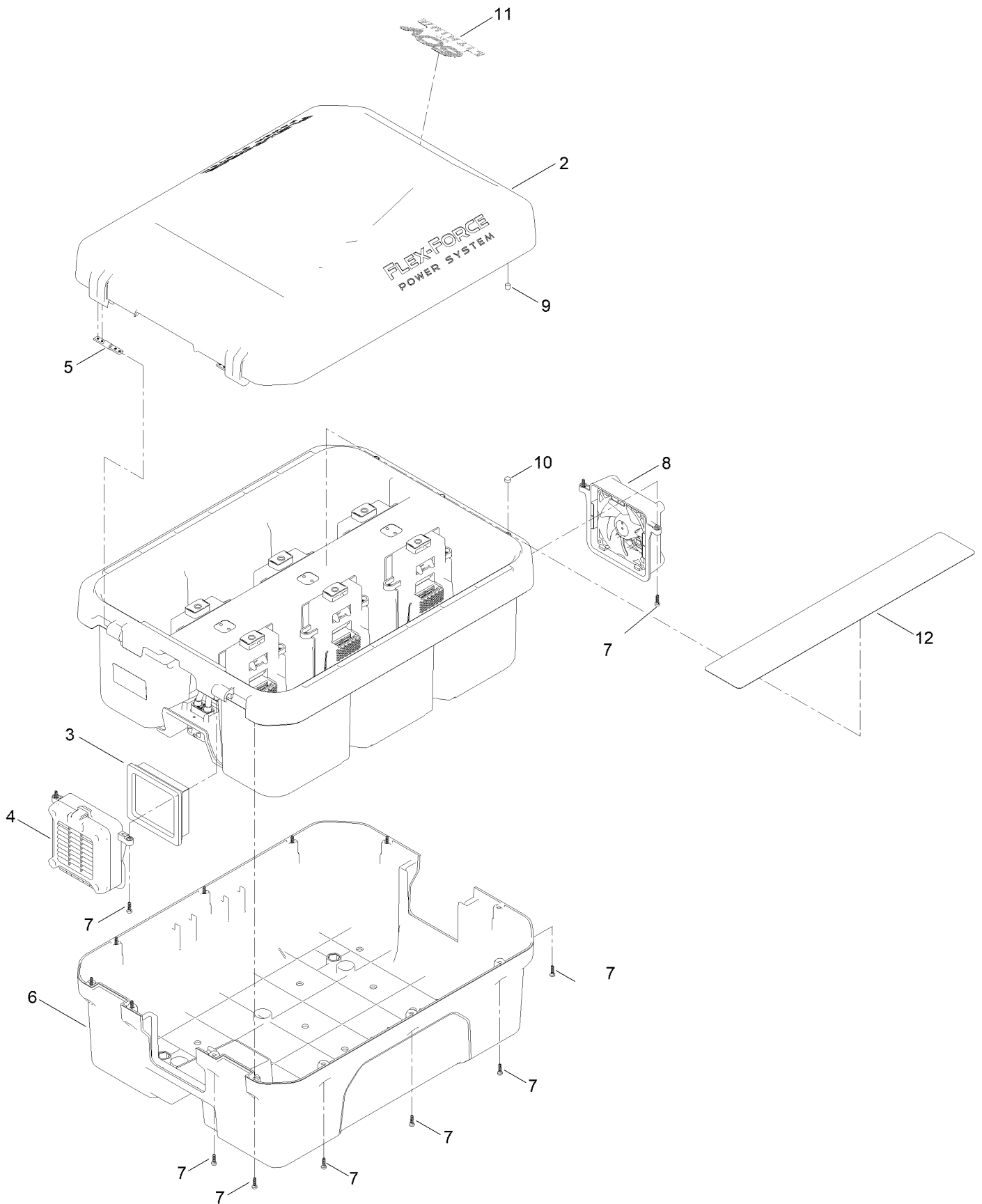




## Battery Box Assembly (continued)

<i>Ref.</i>	<i>Part Number</i>	<i>Qty.</i>	<i>Description</i>	<i>Ref.</i>	<i>Part Number</i>	<i>Qty.</i>	<i>Description</i>
1	147-7605	4	Isolator-1 In OD (5/16-18)	6	147-2192	1	Resistor-Regen
2	161-4468-01	1	Battery Mount ASM [red]	7	145-6922	2	Screw-HWH Thd Roll Zct+w
3	147-7672-03	2	Mount-Box, Rear	8	161-4483	1	Box-Battery, ASM
4	119-4041	8	Nut-HF	9	139-2598	4	Screw-HHF
5	138-9753	2	Screw				

# Battery Box Assembly No. 161-4483



## Battery Box Assembly No. 161-4483 (continued)

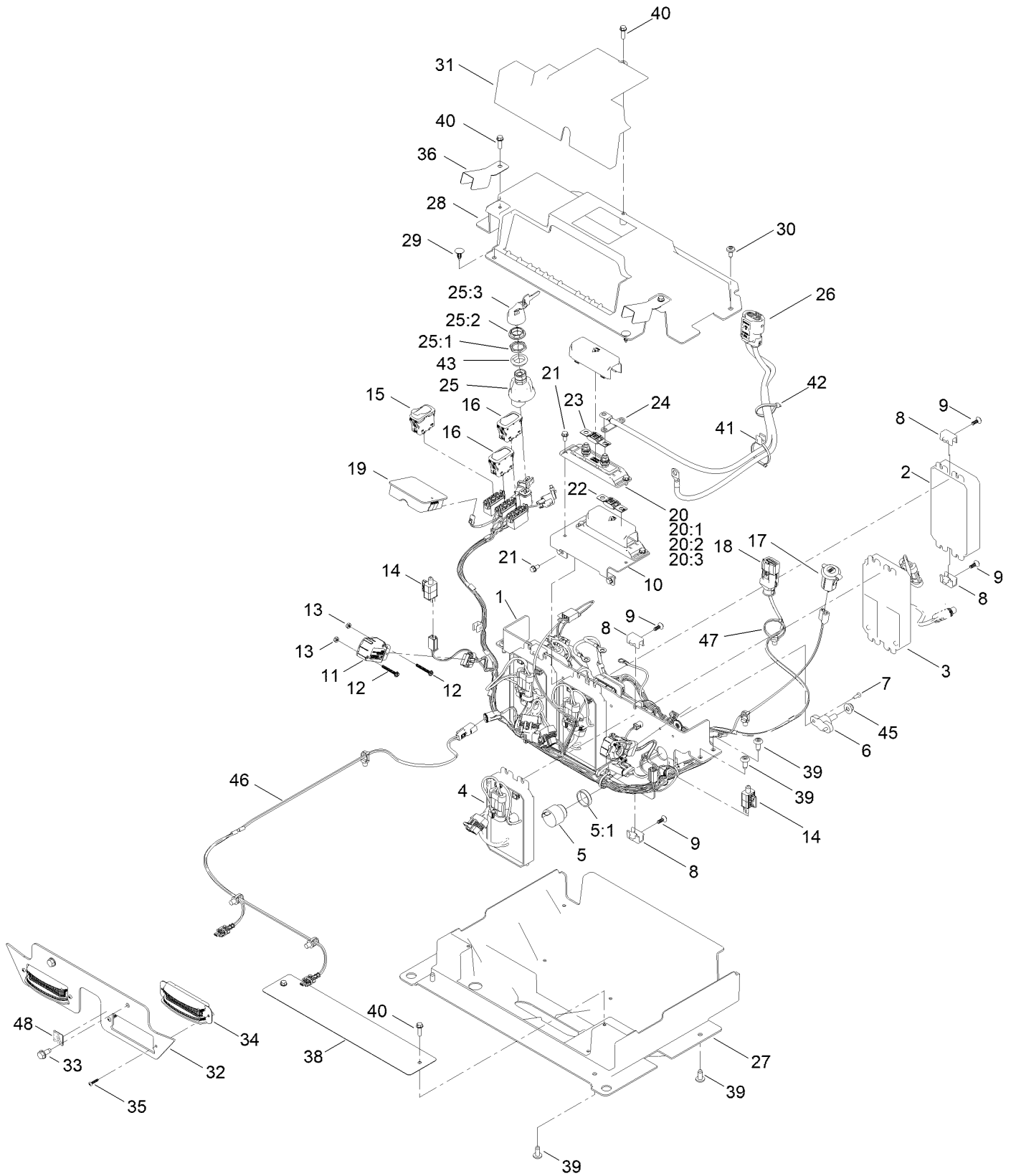
<i>Ref.</i>	<i>Part Number</i>	<i>Qty.</i>	<i>Description</i>	<i>Ref.</i>	<i>Part Number</i>	<i>Qty.</i>	<i>Description</i>
2	147-5348	1	Cover-Box, Battery	8	161-4487	1	Fan-ASM
3	147-5345	1	Filter-Air	9	161-4645	3	Magnet-Lid, Battery Box
4	147-5344	1	Housing-Filter	10	161-4646	3	Magnet-Base, Battery Box
5	161-4648	2	Hinge-Box ASM, Battery	11	147-4208	1	Decal-60V, Lithium
6	147-5342	1	Box-Battery, Outer	12	147-7621	1	Decal-Lithium
7	161-4486	16	Screw-Plastic 4Mmx14MM, Globe				



## Styling Pod Assembly (continued)

<i>Ref.</i>	<i>Part Number</i>	<i>Qty.</i>	<i>Description</i>	<i>Ref.</i>	<i>Part Number</i>	<i>Qty.</i>	<i>Description</i>
1	138-9810-03	1	Bracket-Pod	9	107069	1	Clip
2	138-6071-03	1	Support-Pod, LH	10	147-7576	1	Pod-Control
3	145-0501	1	Pod-LH	11	147-7577-03	1	Cover-Console
3:5	147-7620	1	Decal - Control Lever, LH	12	3258-166	1	Screw-PRH
4	147-7742	1	Pod-RH, Myride	13	145-5837	2	Screw-Plastic,Tbfh
4:4	147-7619	1	Decal - Control Lever, RH	14	147-7614	1	Decal-Panel, Control
4:5	139-2397	1	Decal-Adjustment	15	147-7629	1	Plug-Pod, LH
5	145-0502-03	1	Plate-Cover, Pod	16	147-7691	1	Plug-Sc
6	130-8451	4	Rivet-Trifold	17	147-7641	1	Decal-60V Lithium
7	138-9753	3	Screw	18	147-7666	1	Cover-Switch
8	120-7950	6	Screw-Torx	19	147-7715	1	Decal-Gt Display

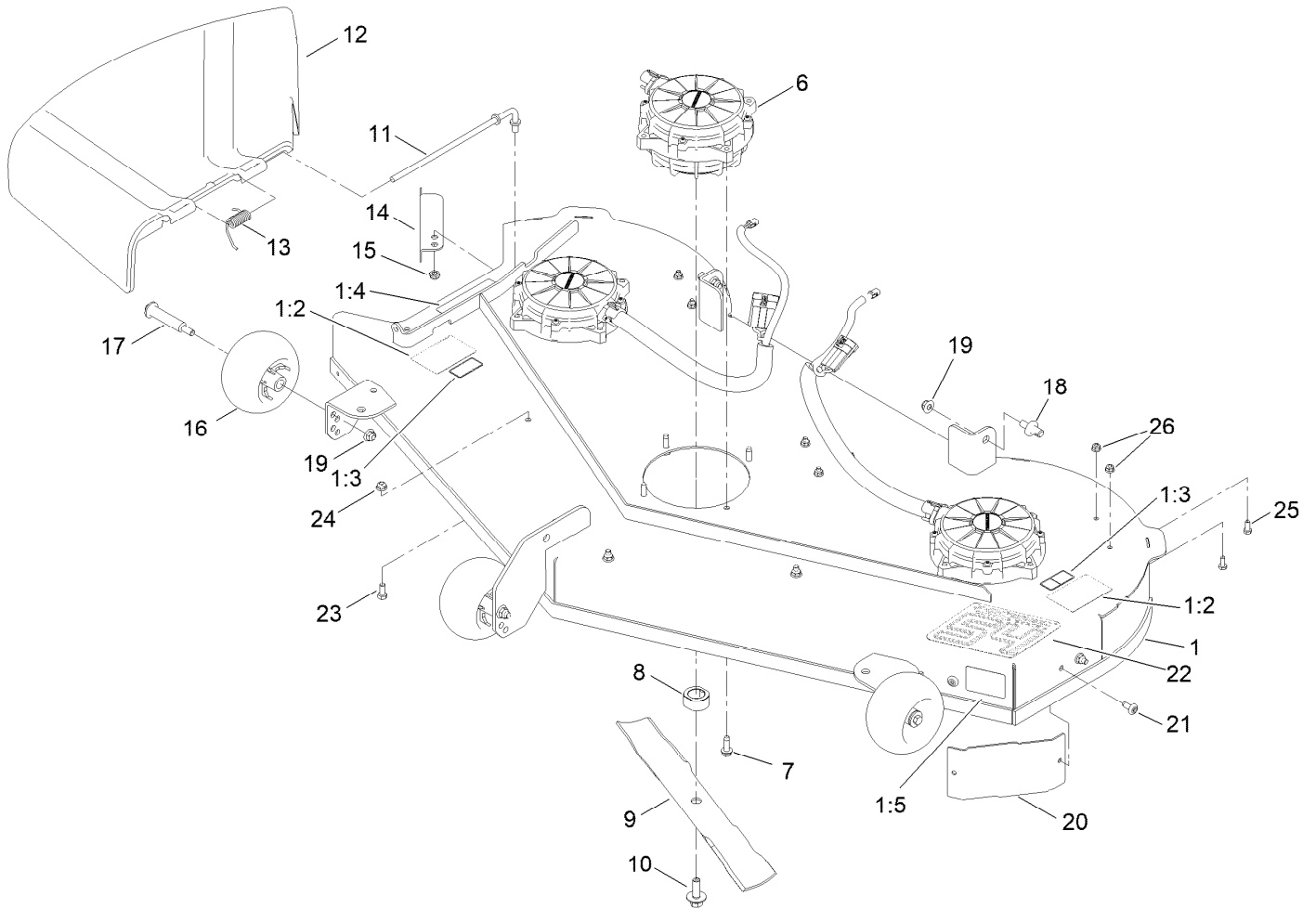
# Electrical Assembly



## Electrical Assembly (continued)

<i>Ref.</i>	<i>Part Number</i>	<i>Qty.</i>	<i>Description</i>	<i>Ref.</i>	<i>Part Number</i>	<i>Qty.</i>	<i>Description</i>
1	147-7667-03	1	Mount-Controllers	23	122-2559	1	Fuse-100 Amp
2	147-7631	1	Controller-Master	24	147-5340	1	Busbar-2, Switch
3	147-7635	2	Controller-Traction	25	122-2513	1	Switch-Ignition, Suns
4	147-7633	3	Controller-Deck	25:1	121-5160	1	Nut-Hex
5	80-9330	1	Audio Alarm ASM	25:2	122-2704	1	Nut-Face, M22 (Plastic)
5:1	104-5107	1	Nut-Plastic, Knurled	25:3	121-5162	1	Set-Key, Ignition
6	110-8823	1	Block-Junction	26	147-7584	1	Harness-Wire, Power Cable
7	105-6849	2	Screw-Forming, Thread	27	147-7668	1	Cover-Bottom
8	145-0586	6	Clip-Controller	28	147-7670	1	Cover-Controller
9	138-5775	6	Screw-Delta Point	29	117-2382	2	Plug-Plastic
10	147-5200-03	1	Mount-Holder, Fuse	30	120-7950	2	Screw-Torx
11	140-8373	2	Sensor	31	147-7680	1	Cover-Outer
12	147-7729	4	Screw-HWH	32	139-7488-01	1	Mount-Head Lights
13	147-7730	4	Nut-Hex NI	33	32144-70	2	Screw-HWHTF
14	110-6765	2	Switch	34	139-5825	2	ASM-Light,LED
15	139-6368	1	Switch-Rocker, On-None-On	35	94-4496	4	Screw-PPH
16	145-0467	2	Switch-Rocker On- None- On	36	147-7681-03	2	Cover-Sensor
17	140-7955	1	Port-Power, USB	38	147-7719-03	1	Cover-Wire
18	147-5323	1	Harness-Wire, 3 Blade Main	39	138-9753	8	Screw
19	147-2198	1	Display	40	137-3099	5	Screw-Plastite, HWH
20	161-6249	2	Holder-Fuse	41	32180-078	1	Clip-Edge
20:1	136-8682	4	Washer-Lock	42	3290-378	1	Tie-Cable
20:2	3256-74	8	Washer-Flat	43	145-7110	1	Adapter-Switch, Key
20:3	117-4059	4	Nut-Hex	45	119-4042	1	Nut-HF, NI
21	32144-4	6	Screw-HWH	46	147-8762	1	Harness-Wire, LED Lights
22	122-2563	1	Fuse-150A	47	32180-030	1	Clip-Tie
				48	147-0290	1	Decal-Light, Warning

# 54in Deck and Decal Assembly





## 54in Deck and Decal Assembly (continued)

<i>Ref.</i>	<i>Part Number</i>	<i>Qty.</i>	<i>Description</i>	<i>Ref.</i>	<i>Part Number</i>	<i>Qty.</i>	<i>Description</i>
1	147-7655	1	54 In Deck And Decal ASM	14	138-9800-03	1	Baffle-Cutoff
1:2	147-7615	2	Decal-Danger, Deck	15	121-4600	1	Nut-Hex
1:3	137-8127	2	Decal-No Spray	16	1-603299	3	Roller-Scalp, Anti
1:4	130-0731	1	Decal-Danger	17	139-2551	3	Bolt-Shoulder
1:5	112-9840	1	Decal-Scalp, Anti	18	139-5871	2	Pin-Deck
6	140-8379	3	Motor-Deck	19	119-4042	5	Nut-HF, NI
7	136-7174	12	Screw-Thd Roll, HWH	20	139-2448-03	1	Baffle-Corner
8	140-8361	3	Driver-Blade	21	138-9753	2	Screw
9	147-7559-03	3	Blade-18.75 In, Combination	22	147-7626	1	Decal - Deck, 54
10	145-0411	3	Bolt-Blade, Sems	23	137-3052	5	Screw-HH
11	137-2019	1	Rod-Pivot	24	119-4041	5	Nut-HF
12	138-7502	1	Deflector-Discharge	25	137-3041	6	Screw-HH
13	138-7268	1	Spring-Torsion	26	119-4040	6	Nut-HF, NI

# Attachments and Accessories

## For 75851 eTimeCutter MyRide 54in Riding Mower

<b>Product Name</b>	<b>Model/Part</b>
60V Battery 2.0 AH .....	88620
60V LI-ION Battery 2.5 AH.....	88625
60V LI-ION, Battery 4.0 AH .....	88640
60V LI-ION Battery 5.0 AH.....	88650
60V LI-ION Battery 6.0 AH.....	88660
60V LI-ION Battery 7.5 AH.....	88675
60V LI-ION Battery 10.0 AH .....	66810
60V Six Pod Battery Charger 12 AMP .....	66550
60V Battery Charger 2 AMP .....	88602
60V Rapid Battery Charger 5.4 AMP .....	88605
54IN BAGGER.....	79851
54" Recycler Kit .....	161-4520
54 Inch Bagging Enhancement Kit.....	161-4522
54/60 Inch Striping Kit.....	161-4524
Heavy Duty Spring Kit.....	161-4525
Rops Kit .....	79682
Slope Sensor Kit, Zero-Turn-Radius Riding Mower .....	79681
Floormat Kit .....	161-4529
Arm Rest Kit.....	147-8773
Storage Cover .....	490-7516
Seat Cover w/Arm Rest .....	117-0097
Kit-Caster Wheel .....	161-4531
Power Clear 21in 60V Self-PPL (BT) .....	39921T
60V Cordless Blower (Bare Tool).....	51820T
60V Cordless Trimmer (Bare Tool).....	51830T
60v 24in Max Hedge Trimmer (Bare Tool).....	51840T
16in 60V Max Chainsaw (Bare Tool).....	51850T
21in Stripe WPM Push Bare Tool.....	21611T

**Notes:**



**Count on it.**