



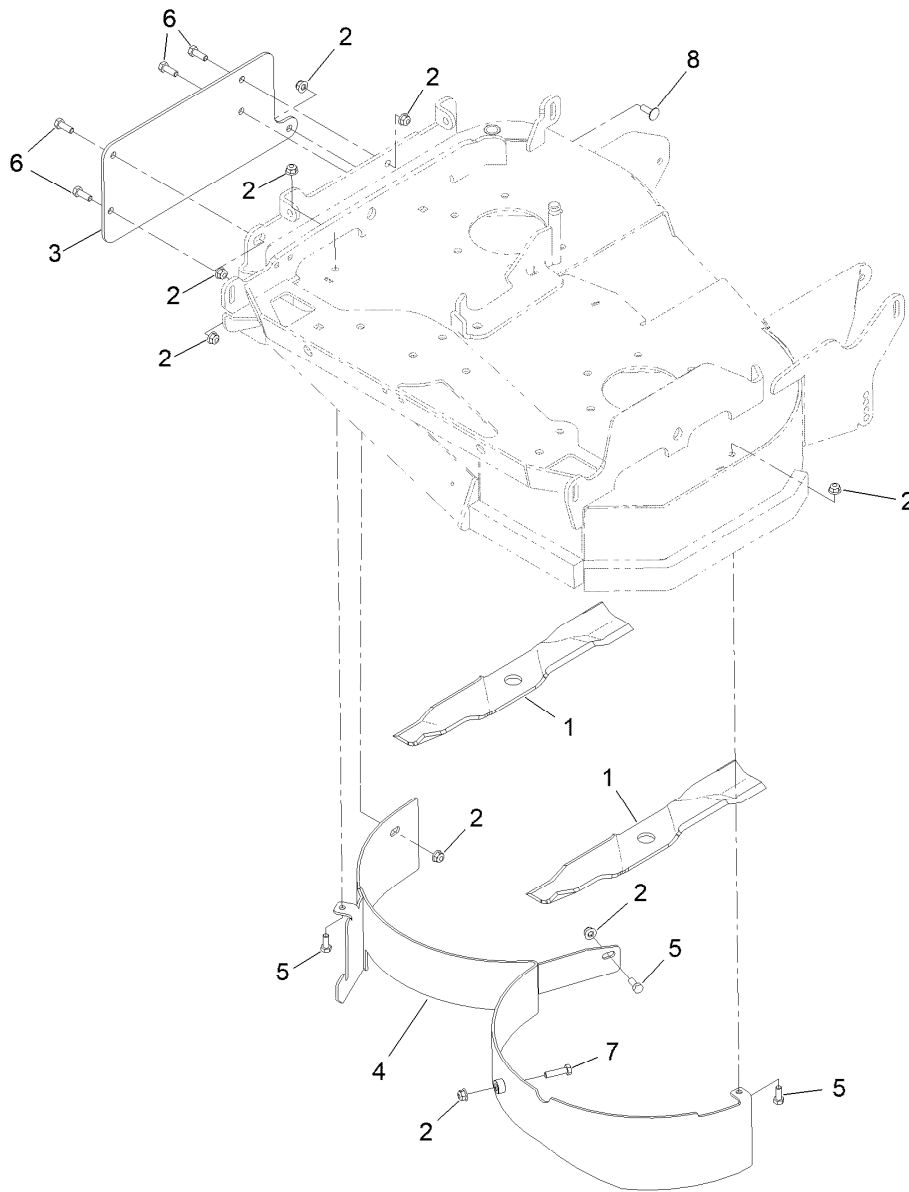
**Count on it.**

**Parts Catalog**

**32in Mulch Kit**

Model No. 161-6718





## 32 Inch Mulch Kit Assembly

<b>Ref.</b>	<b>Part Number</b>	<b>Qty.</b>	<b>Description</b>
1	146-3405	2	Blade, Recycler 16.25 (.94 Hole)
2	104-8300	9	Nut-HF, NI
3	126-0960-01	1	Plate, Mulch Cover
4	135-5164-01	1	Wld Front 32 Baffle
5	322-3	3	Screw-HH
6	322-4	4	Screw-HH
7	322-6	1	Screw-HH
8	3230-10	1	Bolt-CARR