



**Count on it.**

**Parts Catalog**

**Electric Ultra Buggy®**

Model No. 68037—Serial No. 40000000 and Up



# Ordering Replacement Parts

To order replacement parts, please supply the part number, the quantity, and the description of each part desired.

## Understanding Reference Numbers

Each identified part in an illustration has a reference number. The reference number for a part also appears in the parts list, along with other information about the part.

This catalog uses two special reference number formats, one to indicate parts in a service assembly and another to indicate the quantity of a given part in an illustration.

## Service Assembly Reference Numbers

Parts in service assemblies have reference numbers in the form a:b. The a represents the reference number of the entire service assembly and the b represents a sequential number unique to each part within the service assembly.

For example, a wheel assembly might be identified by reference number 6, the tire by 6:1, the valve by 6:2, and the wheel by 6:3. When you order the assembly identified by reference number 6, you receive all parts identified by reference numbers 6:1, 6:2, and 6:3. However, you may also order any part individually. Reference numbers of this type appear in illustration and in parts lists.

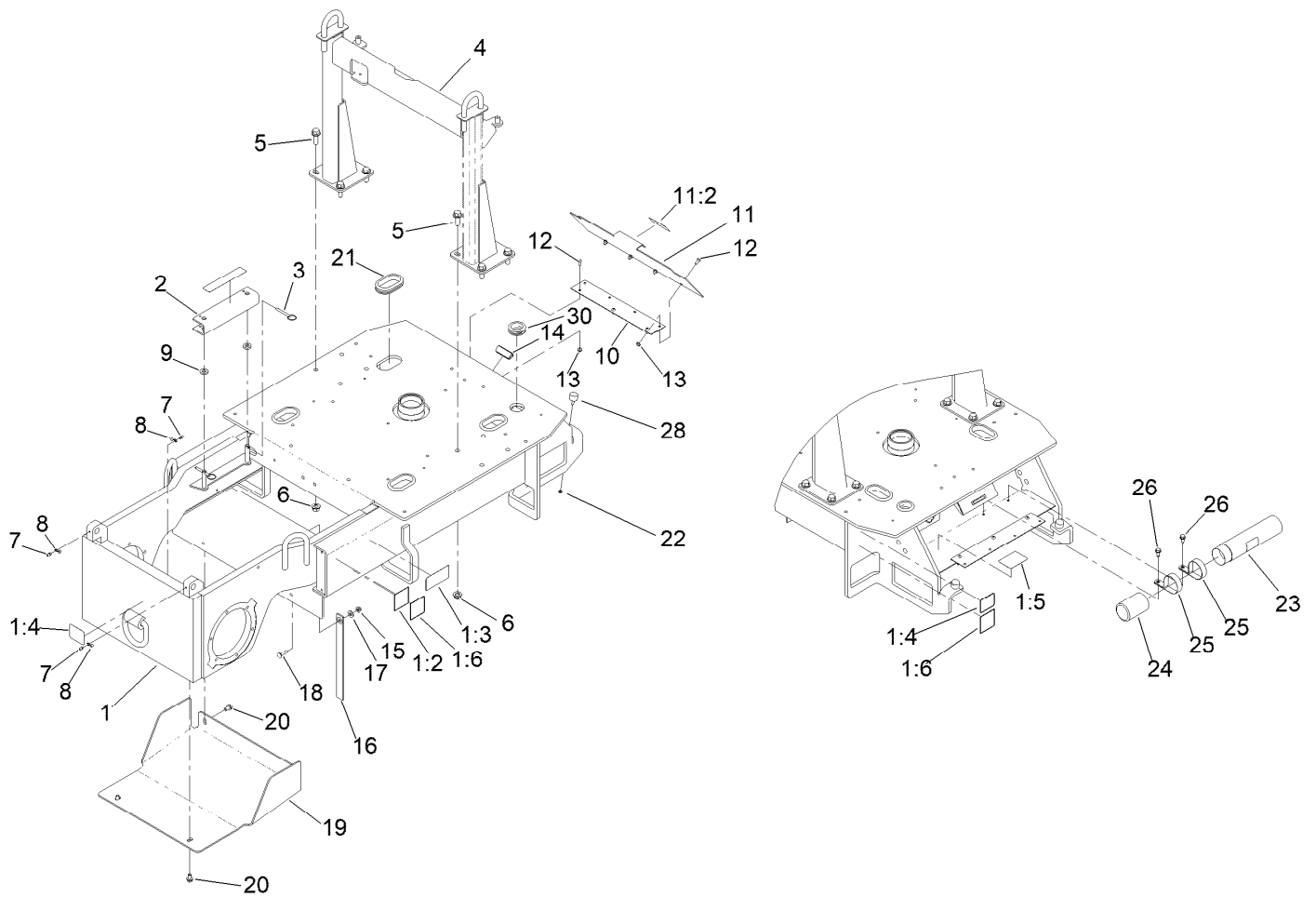
## Reference Numbers Indicating Quantity

In an illustration, if a reference number indicates more than one part, the reference number has the form nX y. The n represents the quantity of the part, the X is the multiplication symbol, and the y represents the reference number.

For example, in an illustration, the reference number 2X 37 means that two of the parts identified by reference number 37 are indicated.

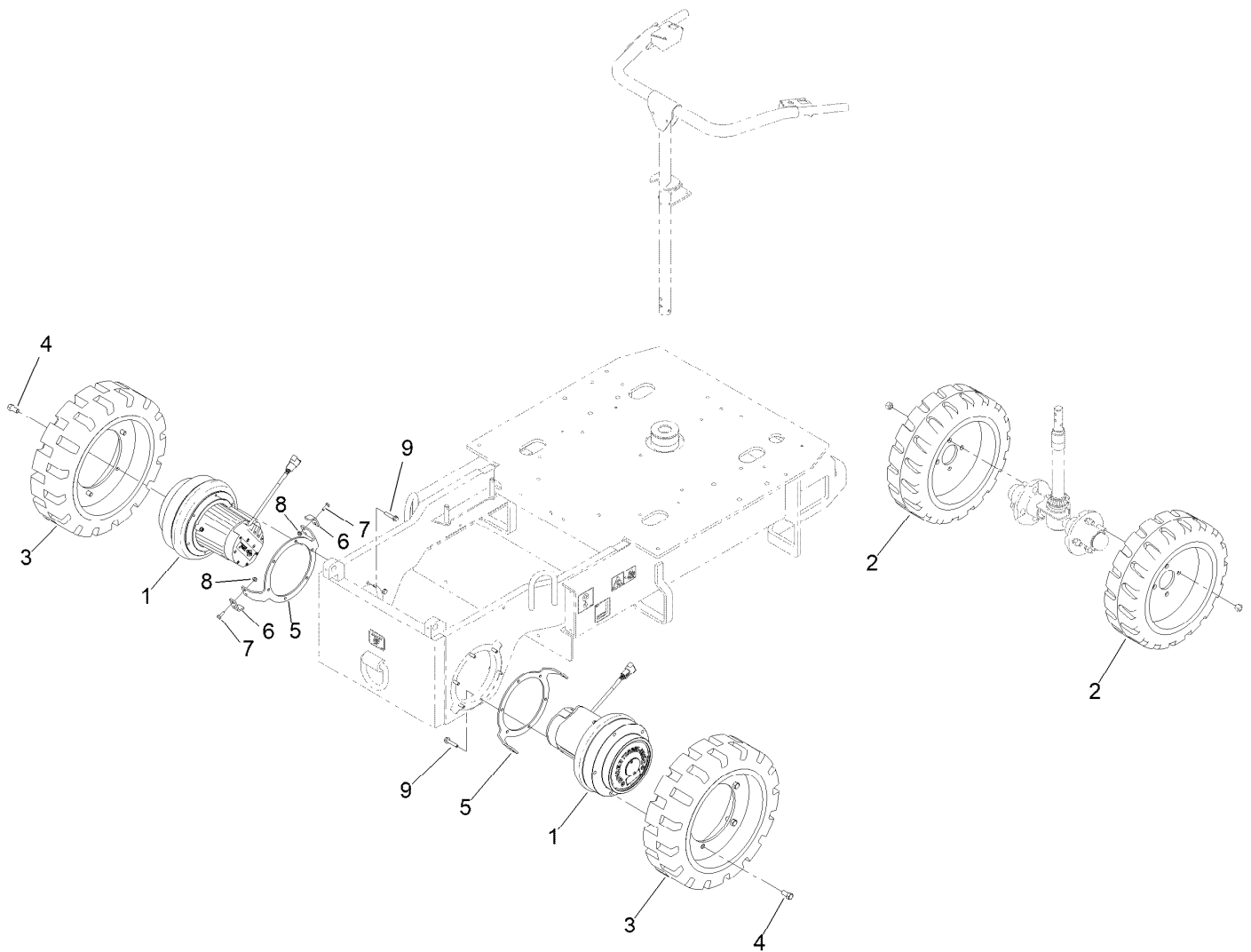
# Contents

Frame Assembly.....	4
Drivetrain and Wheel Assembly.....	5
Platform Assembly.....	6
Handle Assembly.....	7
Steering Assembly.....	8
Tower and Hood Assembly.....	9
Tub Assembly.....	10
Battery Assembly.....	11
Harness Assembly.....	12
Battery Cable Assembly.....	14
Attachments and Accessories.....	15



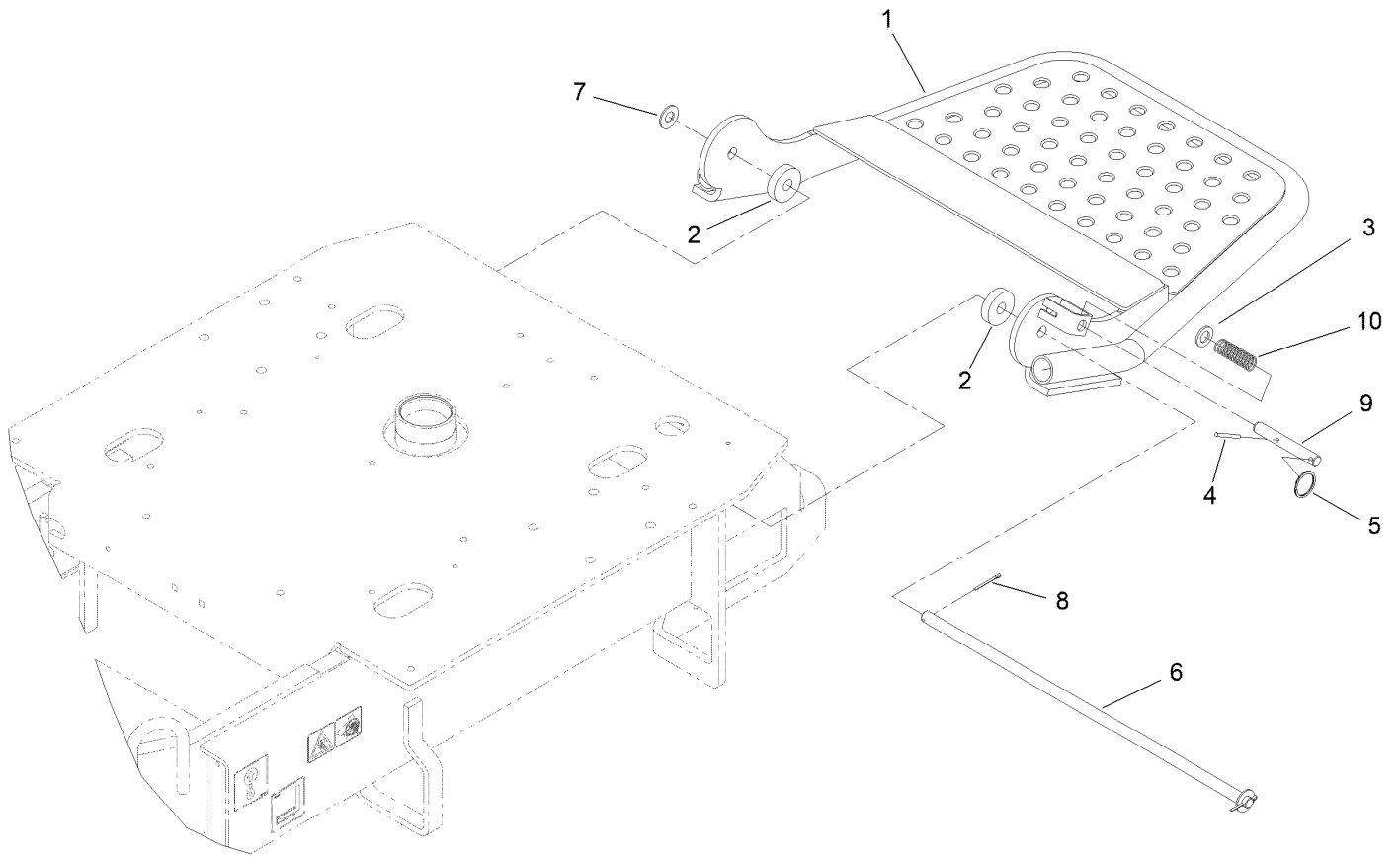
## Frame Assembly

Ref.	Part Number	Qty.	Description	Ref.	Part Number	Qty.	Description
1	147-3218	1	Frame ASM	12	3274-31	7	Screw-HSBH
1:2	125-4967	2	Decal-Lift Here	13	104-7201	7	Nut-HF, NI
1:3	125-4959	2	Decal-Warning, Crushing	14	99-3497	1	Magnet
1:4	125-6694	3	Decal-Tie Down	15	104-8300	1	Nut-HF, NI
1:5	145-1170	1	Decal-Warning, Charger	16	139-7731	1	Strap, Static
1:6	145-1181	4	Decal-Forklift Pocket	17	3256-3	1	Washer-Flat
2	144-1704	1	Cylinder Locking ASM	18	3230-3	1	Screw-CARR
3	108-0094	2	Pin-Cotterless	19	144-1788-03	1	Plate-Skid
4	144-1677-03	1	Frame Lift ASM-Welded	20	32144-69	4	Screw-HWHTF
5	100-6116	8	Screw-HHF	21	145-4923	4	Grommet
6	99-5107	8	Nut-Lock	22	3296-56	2	Nut-Lock, NI
7	302-5	4	Fitting-Grease	23	104-7050	1	Tube-Manual
8	ST47001	4	Cap-Plug	24	104-7048	1	Cap-Housing
9	83-1470	2	Washer-Neoprene	25	2412-133	2	Clamp-R
10	132-9021	1	Hinge-Hood	26	32144-70	2	Screw-HWHTF
11	147-3224	1	Cover-Cable	28	1-523420	2	Bumper
11:2	145-1174	1	Decal-Battery Charger	30	137-1812	1	Grommet



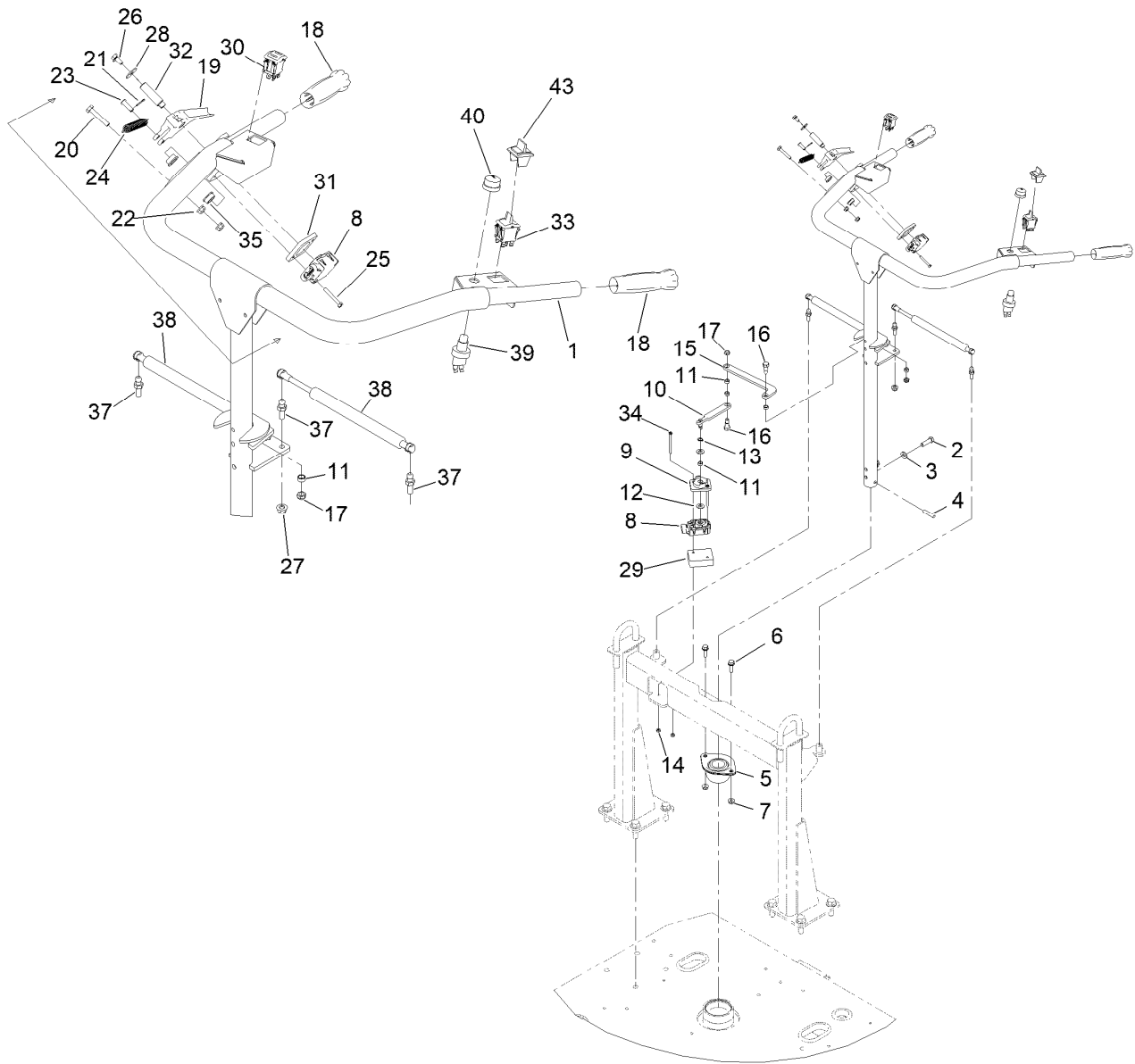
## Drivetrain and Wheel Assembly

Ref.	Part Number	Qty.	Description
1	138-8975	2	Motor/Gen Torque-Hub ASM-3Kw 31:1 Rdctn
2	145-4938	2	Tire-Solid
3	145-2376	2	Tire-Solid
4	144-1739	10	Screw-HH, Lug M12 X 1.50
5	145-4984-03	2	Spacer-Wheel
6	145-4990	4	Plate-Wiper
7	321-4	8	Screw-HH
8	104-7201	8	Nut-HF, NI
9	33104-040	12	Screw-HHF



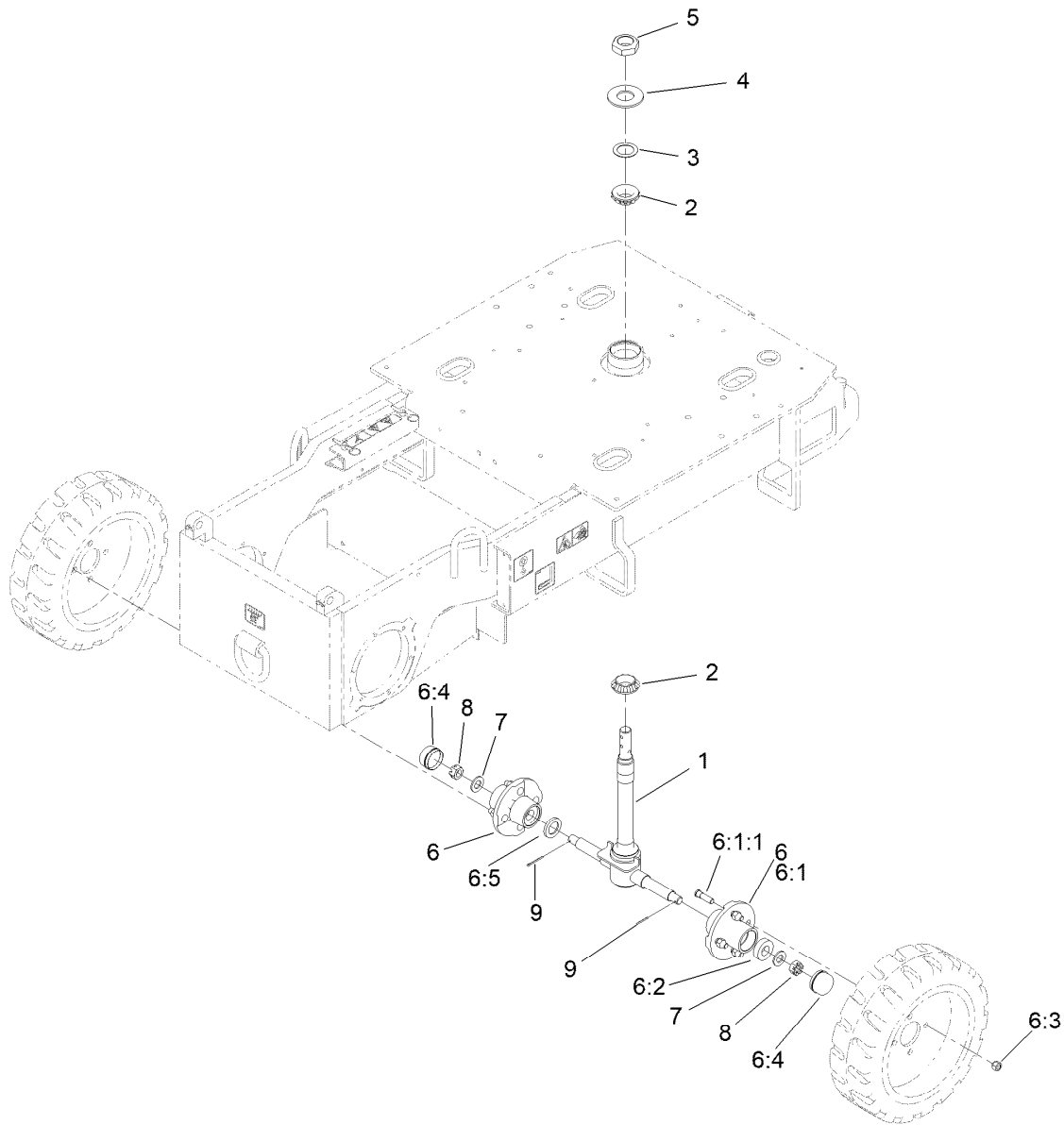
## Platform Assembly

<i>Ref.</i>	<i>Part Number</i>	<i>Qty.</i>	<i>Description</i>
1	144-1722-03	1	Step-Platform-Welded
2	144-1725	2	Spacer
3	33098-00	1	Washer-Flat
4	ST81122	1	Pin
5	ST81124	1	Ring-Split
6	ST45113	1	Shaft-Pivot, Step
7	3256-27	2	Washer-Flat
8	3272-13	2	Pin-Cotter
9	144-1721	1	Pin-Lockout, Step
10	ST45055	1	Spring-Compression



## Handle Assembly

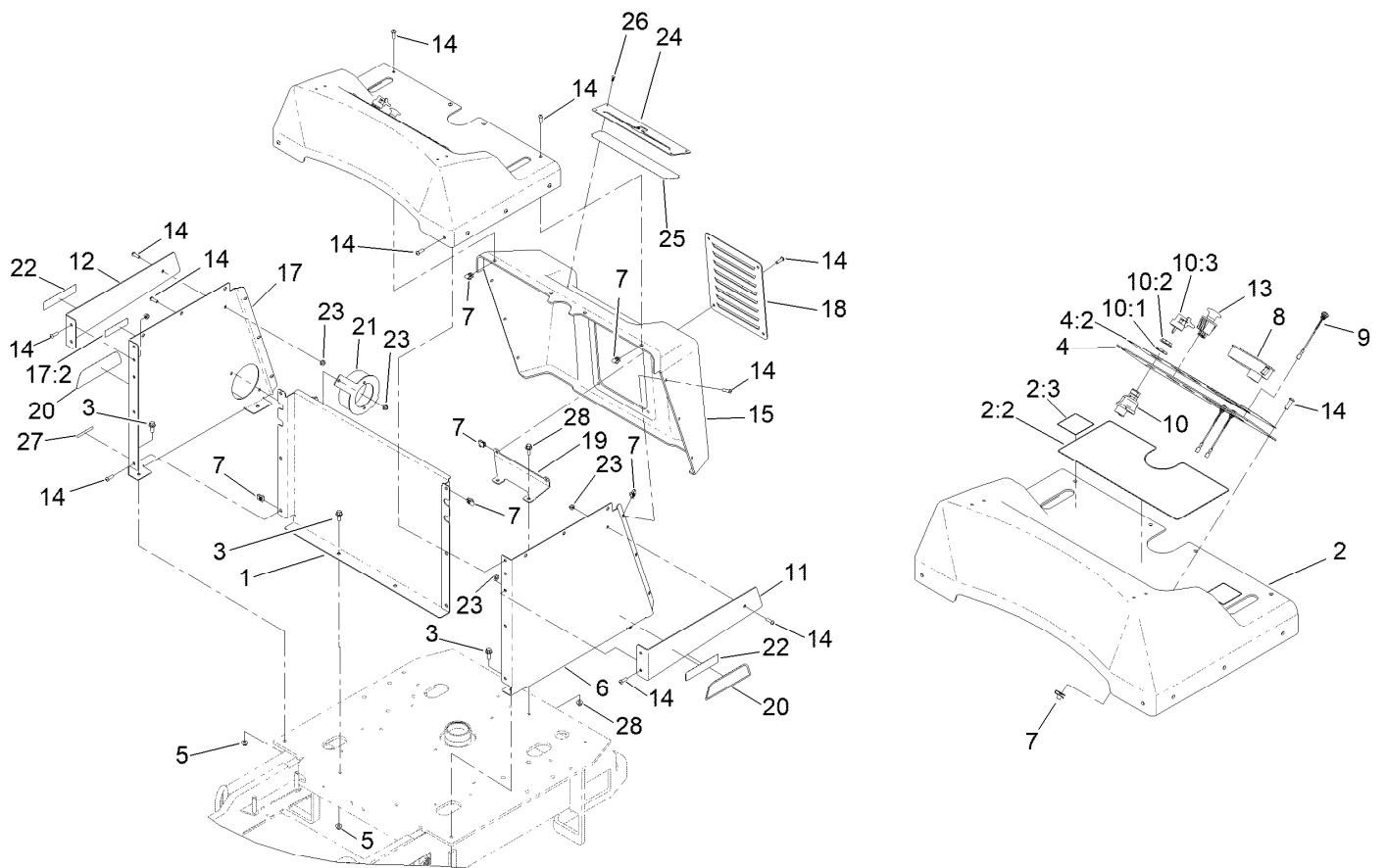
Ref.	Part Number	Qty.	Description	Ref.	Part Number	Qty.	Description
1	145-3199-03	1	Handle ASM [black]	21	3272-1	1	Pin-Cotter
2	323-7	2	Screw-HH	22	119-4040	2	Nut-HF, NI
3	100-4852	2	Washer-Hardened	23	1-808265	1	Pin-Clevis
4	ST80309	1	Pin	24	137-2591	1	Spring-Extension
5	ST45930	1	Spherical Bearing ASM	25	32105-1	2	Screw-SHH
6	3234-29	2	Screw-HHF	26	119-1065	1	Screw-HWH
7	32128-26	2	Nut-HF	27	104-8300	2	Nut-HF, NI
8	122-0917	2	Sensor-Position	28	137-3106	1	Washer-Plain
9	144-1731	1	Mount-Linkage	29	144-7124-0P	1	Spacer, Steering-Sensor
10	144-1728	1	Linkage ASM	30	145-1152	1	Switch-Directional
11	120-9708	5	Bushing	31	144-1729-0P	1	Plate-Mount, Linkage
12	132-4593	2	Washer	32	145-1153	1	Shaft-Sensor
13	105-2410	1	Ring-Retaining	33	MSC13973	1	Switch,(On)Off(On),Pinned,CB
14	120-9659	2	Nut-Lock, NI	34	32105-30	2	Screw-SHH
15	144-1734	1	Linkage-Steering	35	145-1154	2	Bushing
16	59-5400	2	Bolt-Shoulder	37	145-4951	4	Stud-Ball
17	3296-47	2	Nut-Lock,NI	38	145-4921	2	Damper-Gas
18	T62021010	2	Grip-Vinyl, Black	39	112-3324	1	Switch-Horn
19	144-7153	1	Handle	40	112-3313	1	Nut-Weatherproof
20	321-43	1	Capscrew	43	MSC13972	1	Boot,K2 Paddle Switch



## Steering Assembly

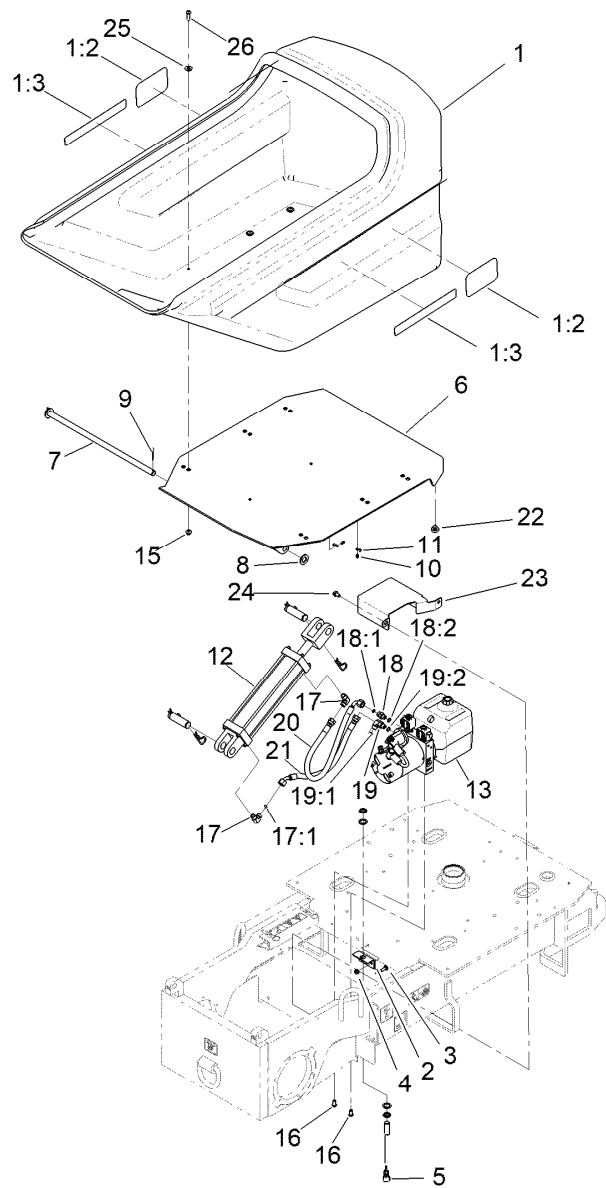
Ref.	Part Number	Qty.	Description
1	145-4992-0P	1	Axle-Steering [primed]
2	ST32161	2	Bearing-Roller
3	ST81109	1	Washer-Thrust
4	ST36934	1	Plate-Cover, Bearing
5	ST81108	1	Nut
6	139-1328	2	Hub ASM
6:1	139-1327	1	Hub-4In
6:1:1	ST39190	4	Stud-Wheel
6:2	ST32233	2	Bearing-Roller
6:3	ST80045	4	Nut-Lug
6:4	ST34573	1	Cap-Dust
6:5	ST32052	1	Seal-Hub, Wheel
7	3256-28	2	Washer-Flat
8	ST80054	2	Nut
9	3272-13	2	Pin-Cotter





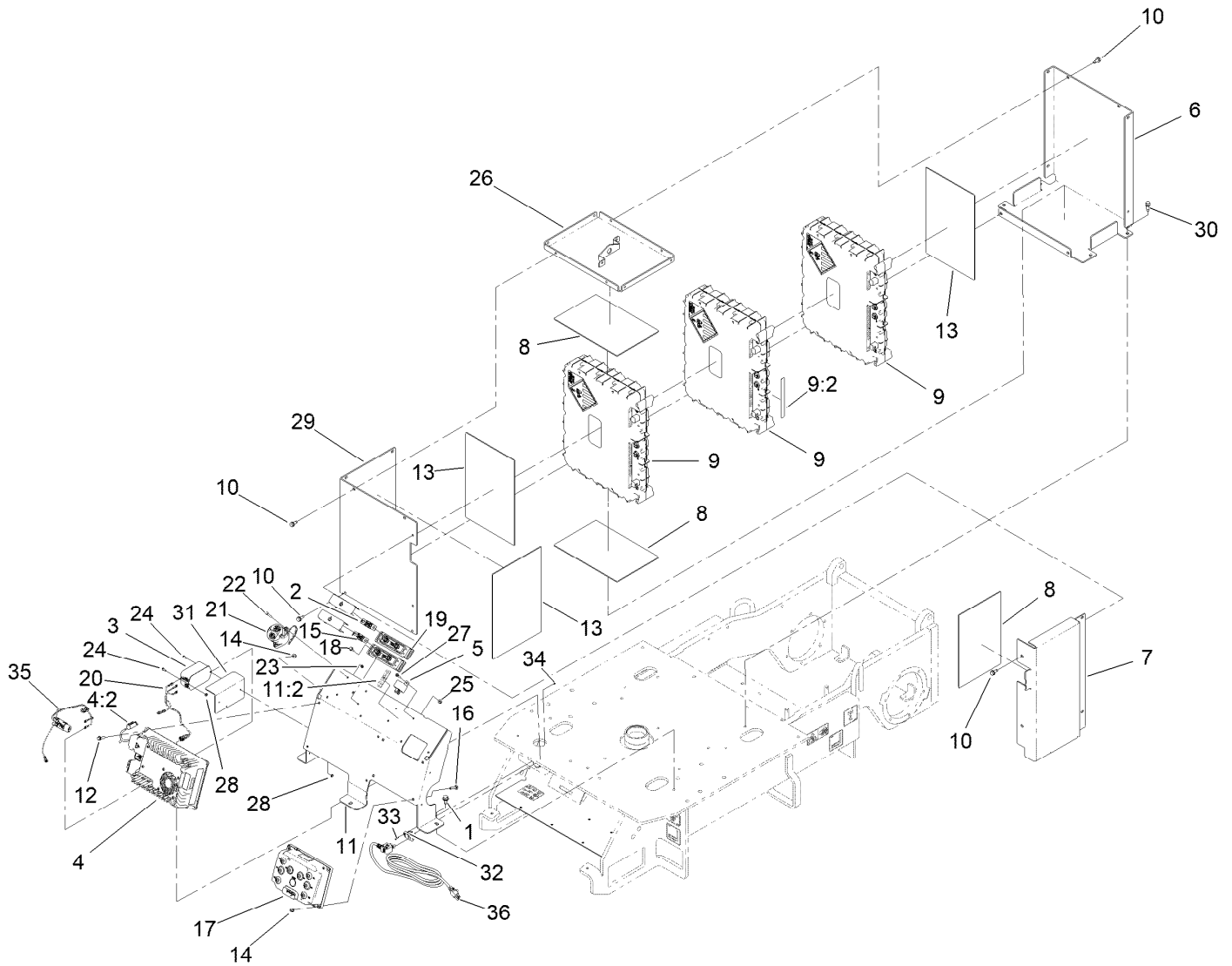
## Tower and Hood Assembly

<i>Ref.</i>	<i>Part Number</i>	<i>Qty.</i>	<i>Description</i>	<i>Ref.</i>	<i>Part Number</i>	<i>Qty.</i>	<i>Description</i>
1	144-1652-03	1	Panel-Tower,Front	12	145-4986-03	1	Plate-Decal [black]
2	147-3219	1	Dash Panel ASM	13	136-6888	1	Switch, E-Stop
2:2	145-1168	1	Decal-Control Panel	14	109-4872	38	Screw-HSH
2:3	125-4967	2	Decal-Lift Here	15	144-1773	1	Hood
3	3234-42	6	Screw-HHF	17	147-3221	1	Access Panel ASM, RH
4	147-3220	1	Display Cover ASM	17:2	145-1175	1	Decal-Service, Shut-Off
4:2	145-1169	1	Decal-Control Panel	18	144-1735-03	1	Cover-Access, Bms
5	119-4042	6	Nut-HF, NI	19	144-1774-03	1	Bracket-Hood
6	144-1662-01	1	Panel-Access, LH	20	145-1172	2	Decal-Hypercell
7	94-2413	30	Nut-U	21	147-3208-03	1	Bracket-Disconnect [black]
8	122-2152	1	Controller, Tdm-1601	22	145-1171	2	Decal-E2500
9	136-9678	3	Switch-Pushbutton	23	104-8300	8	Nut-HF, NI
10	122-2513	1	Switch-Ignition, Suns	24	147-3203-03	1	Plate-Logo
10:1	121-5160	1	Nut-Hex	25	145-1184	1	Decal-Backer, Red
10:2	122-2704	1	Nut-Face, M22 (Plastic)	26	3269-28	4	Rivet-Pop
10:3	121-5162	1	Set-Key, Ignition	27	133-8061	1	Decal-Warning
11	145-4985-03	1	Plate-Decal [black]	28	32144-14	2	Screw-HWHTF



## Tub Assembly

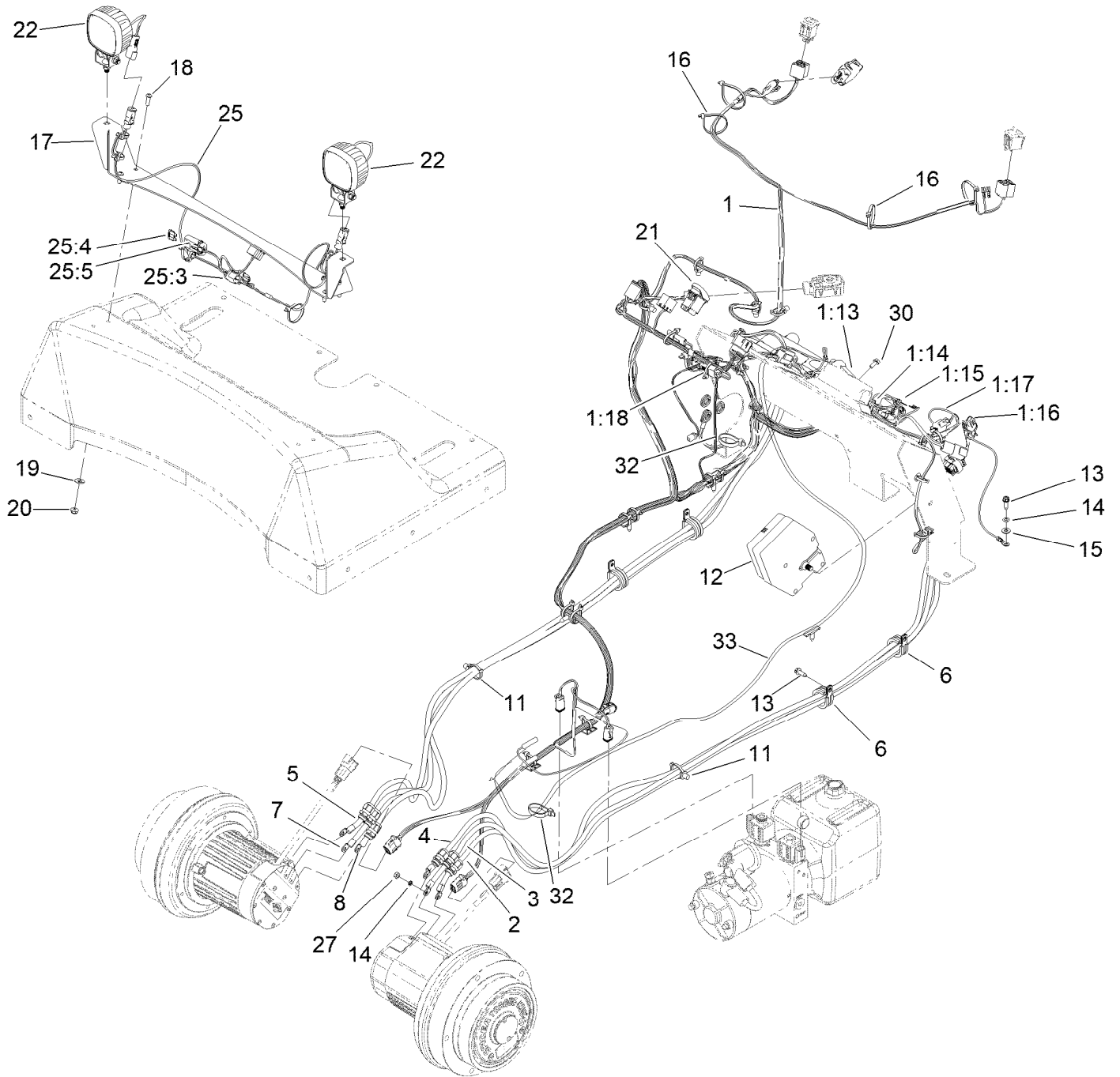
Ref.	Part Number	Qty.	Description	Ref.	Part Number	Qty.	Description
1	144-1762	1	Mortar Hopper ASM	16	3274-80	2	Screw-HH
1:2	105-1217	2	Decal	17	340-112	2	Fitting-Elbow, 90
1:3	139-7237	2	Decal - E-Mud Buggy	17:1	237-22	1	O-Ring
2	144-1706	1	Bracket-Switch	18	340-2	1	Fitting-Straight
3	3230-2	2	Bolt-CARR	18:1	237-22	1	O-Ring
4	104-8300	2	Nut-HF, NI	18:2	237-42	1	O-Ring
5	139-7238	1	Sensor-Proximity, N.O.	19	340-77	1	Fitting-Elbow, 90 DEG
6	144-1698-03	1	Dump Bin Frame ASM-Welded	19:1	237-22	1	O-Ring
7	144-1709	1	Shaft-Dump Pivot	19:2	237-42	1	O-Ring
8	3256-28	2	Washer-Flat	20	144-1736	1	Hose ASM-HYD
9	3272-13	2	Pin-Cotter	21	144-1737	1	Hose ASM-HYD
10	302-5	3	Fitting-Grease	22	140-3460	2	Bumper-Rubber
11	ST47001	3	Cap-Plug	23	147-3217-03	1	Cover-Contactor
12	ST50501	1	HYD Cylinder ASM	24	32144-69	2	Screw-HWHTF
13	144-1716	1	Pump Unit-48 Vdc	25	3256-4	6	Washer-Flat
15	104-8301	6	Nut-HF, NI	26	3274-63	6	Screw-HSBH



## Battery Assembly

Ref.	Part Number	Qty.	Description	Ref.	Part Number	Qty.	Description
1	110-9380	3	Screw-HWH	18	32144-4	4	Screw-HWH
2	122-2561	1	Fuse-200A	19	145-4958	2	Holder-Fuse
3	147-3225	1	Filter	20	122-2745	1	Harness-Wire, AC Charger
4	145-1177	1	Charger-Onboard	21	122-2594	1	Contactor-48V
4:2	147-3234	1	Kit-Service, DC Harness	22	87-5150	2	Screw-HH
5	122-2401	1	Relay, 48V Coil, 50A At 48V	23	87-5140	2	Nut-Lock
6	145-4919-0P	1	Mount-Battery, Base	24	3250-26	3	Screw-PPH
7	145-4995-0P	1	Cover-Battery, Side	25	120-4578	1	Nut-HF
8	145-4925	3	Pad-Foam	26	147-3202-0P	1	Cover-Battery [primed]
9	145-5320	3	Battery ASM	27	32105-13	1	Screw-HWH
9:2	144-0276	1	Decal-Warning, Battery	28	3296-54	3	Nut-Lock
10	32144-11	13	Screw-HWH	29	145-4993-0P	1	Cover-Battery, Side
11	147-3223	1	Bracket-Electrical	30	121-5844	4	Screw-Thd Form, HWH
11:2	145-1173	1	Decal-Fuse	31	147-3216-0P	1	Bracket-Filter
12	119-1066	4	Screw-HF	32	147-3230	1	Connector-1ec
13	145-4926	3	Pad-Foam	33	510-0015	2	Scr,Mch,4-40X1/2,Phfch,Sst,Rohs
14	119-4040	8	Nut-HF, NI	34	3296-52	2	Nut-Lock, NI
15	122-2627	1	Fuse-70A	35	122-2744	1	Harness-Wire, AC Charger
16	3229-3	4	Screw-CARR	36	137-7983	1	Cord-AC, 120V
17	138-8984	1	Inv/Ctrlr-48V,Dual 94Arms				

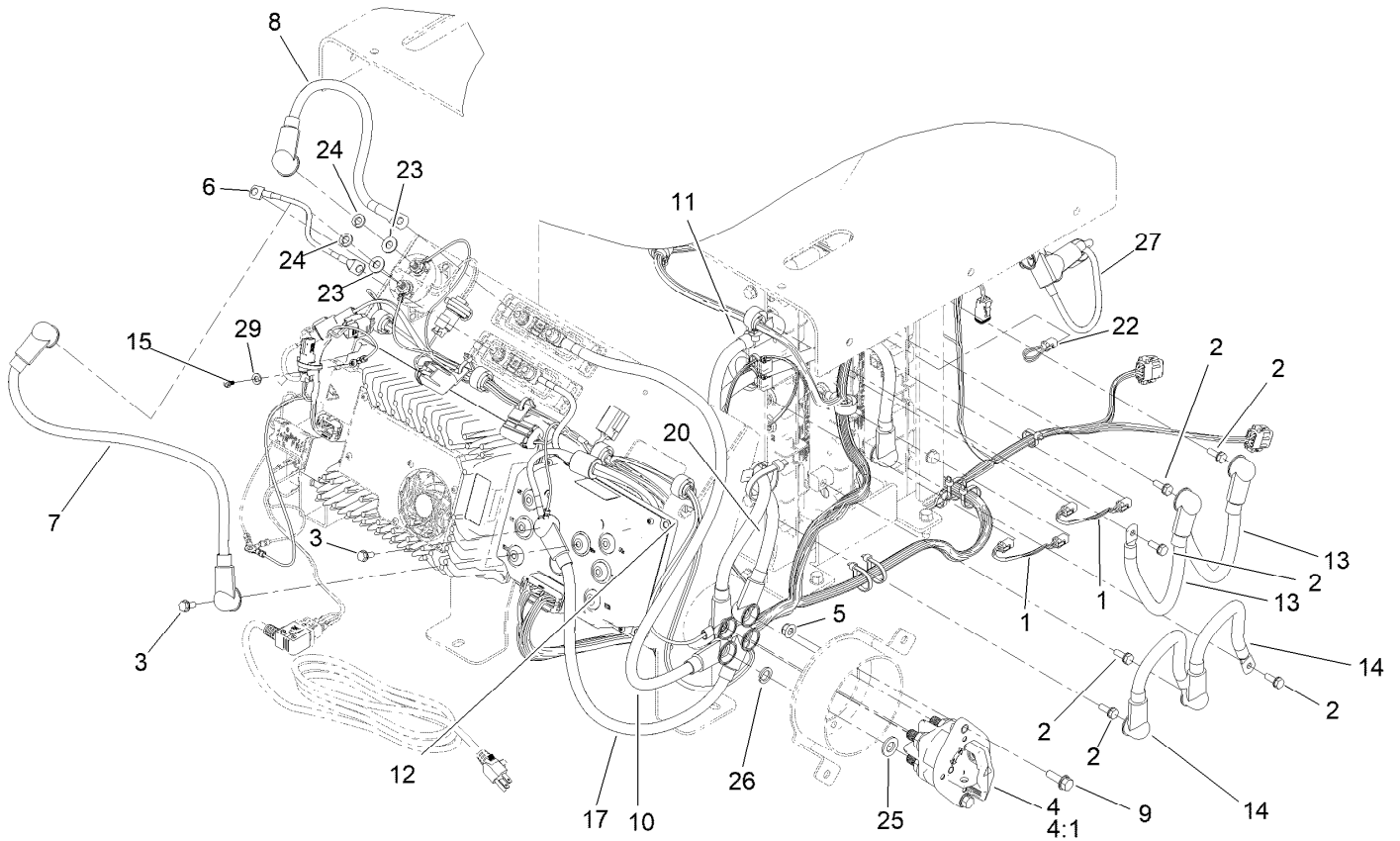
# Harness Assembly



## Harness Assembly (continued)

<i>Ref.</i>	<i>Part Number</i>	<i>Qty.</i>	<i>Description</i>	<i>Ref.</i>	<i>Part Number</i>	<i>Qty.</i>	<i>Description</i>
1	122-2507	1	Harness-Wire, Main	15	120-9679	1	Washer-Flat
1:13	117-4722	1	Fuse-Blade, 5A	16	3290-378	10	Tie-Cable
1:14	117-4724	1	Fuse-Blade, 10A	17	144-7138-03	1	Bracket-Mount,Light [black]
1:15	32180-567	2	Cover-Aptiv, Modified	18	3274-69	4	Screw-HSBH
1:16	32180-282	2	Resistor-120 Ohm	19	3256-2	4	Washer-Flat
1:17	32180-089	1	Cap-Plug, 3 Way	20	104-7201	4	Nut-HF, NI
1:18	116-0053	1	Cap-Plug	21	112-9421	1	Switch
2	122-2602	1	Cable-Battery, Rd ASM	22	139-8700	2	Light-Work, LED
3	122-2603	1	Cable-Battery, Rd ASM	25		1	Harness-Wire, Light Kit ●
4	122-2604	1	Cable-Battery, Rd ASM	25:3	32180-091	1	Cap-Dust, 2 Way
5	122-2605	1	Cable-Battery, Rd ASM	25:4	117-4720	1	Fuse-Blade, 3A
6	120-2037	4	R-Clamp	25:5	32180-567	1	Cover-Aptiv, Modified
7	122-2606	1	Cable-Battery, Rd ASM	27	HDW21408	6	Nut-Hex
8	122-2607	1	Cable-Battery, Rd ASM	30	145-5782	6	Screw-Sems
11	32180-030	3	Clip-Tie	32	3334-945	2	Tie-Cable
12	145-4982	1	Horn	33	122-2791	1	Cable-Battery, Rd And Bk ASM
13	49-2040	5	Screw-HWHTF				
14	1-303435	7	Washer-Spring				

● Not serviced separately



## Battery Cable Assembly

<i>Ref.</i>	<i>Part Number</i>	<i>Qty.</i>	<i>Description</i>	<i>Ref.</i>	<i>Part Number</i>	<i>Qty.</i>	<i>Description</i>
1	140-9565	2	Harness-Wire, Data Interface	14	145-7183	2	Cable-Battery,Bk ASM
2	145-5783	6	Screw-Sems	15	147-3228	1	Screw-Ground
3	145-5782	2	Screw-Sems	17	122-2707	1	Cable-Battery, Bk ASM
4	122-0603	1	Switch-Disconnect	20	122-2706	1	Cable-Battery, Bk ASM
4:1	33006-00	1	Nut-HF	22	122-2323	1	Harness-Wire, Can Terminator
5	104-8300	2	Nut-HF, NI	23	107-0279	2	Washer
6	122-2610	1	Cable-Battery, Rd ASM	24	107-0280	2	Washer-Lock
7	122-2611	1	Cable-Battery,Rd ASM	25	147-3238	4	Washer-Flat
8	122-2612	1	Cable-Battery,Rd ASM	26	HDW14457	4	Split Lock Washer,1/2,ST/ST,18-8
9	3234-29	2	Screw-HHF	27	122-2791	1	Cable-Battery, Rd And Bk ASM
10	122-2717	1	Cable-Battery, Rd ASM	29	3253-3	1	Washer-Lock
11	122-2718	1	Cable-Battery, Rd ASM				
12	3334-945	2	Tie-Cable				
13	145-7182	2	Cable-Battery,Rd ASM				

# Attachments and Accessories

## For 68037 Electric Ultra Buggy

<b>Product Name</b>	<b>Model/Part</b>
Dual Wheel Kit, Elec Wheeled Ultra Buggy.....	68022

## For 68037 Electric Ultra Buggy

<b>Product Name</b>	<b>Model/Part</b>
Toro Red 12oz Aerosol Can.....	361-10
New Red Paint - Gallon .....	361-11
Semi-Gloss Black Spray Paint.....	361-9
Dual Wheel Kit, Elec Wheeled Ultra Buggy.....	68022
Steel Tub Accessory For Material Buggies .....	68101



**Count on it.**