



Count on it.

Parts Catalog

TX 427

Compact Utility Loader

Model No. 22321—Serial No. 31000001 and Up

Model No. 22321G—Serial No. 31000001 and Up



Ordering Replacement Parts

To order replacement parts, please supply the part number, the quantity, and the description of each part desired.

Understanding Reference Numbers

Each identified part in an illustration has a reference number. The reference number for a part also appears in the parts list, along with other information about the part.

This catalog uses two special reference number formats, one to indicate parts in a service assembly and another to indicate the quantity of a given part in an illustration.

Service Assembly Reference Numbers

Parts in service assemblies have reference numbers in the form a:b. The a represents the reference number of the entire service assembly and the b represents a sequential number unique to each part within the service assembly.

For example, a wheel assembly might be identified by reference number 6, the tire by 6:1, the valve by 6:2, and the wheel by 6:3. When you order the assembly identified by reference number 6, you receive all parts identified by reference numbers 6:1, 6:2, and 6:3. However, you may also order any part individually. Reference numbers of this type appear in illustration and in parts lists.

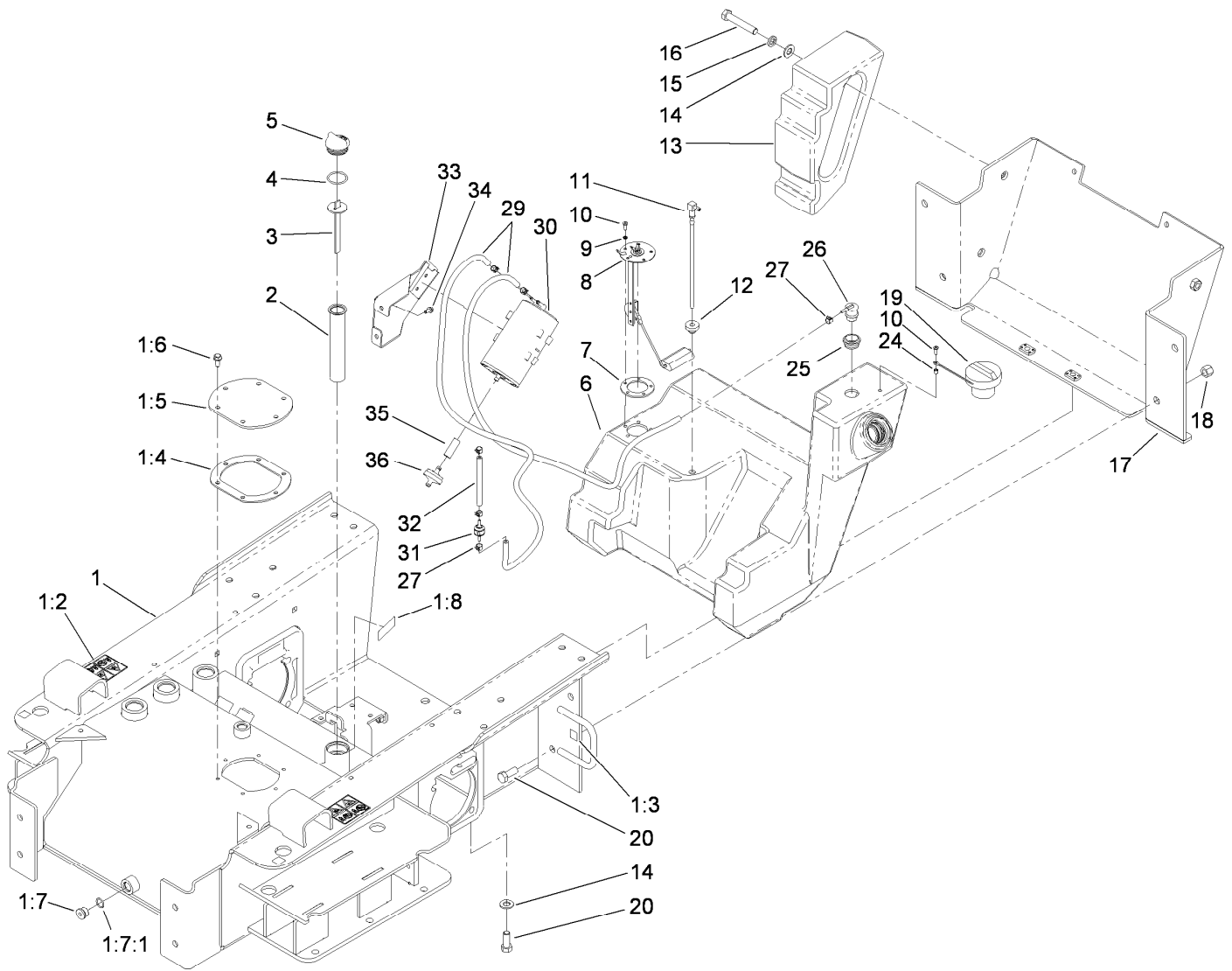
Reference Numbers Indicating Quantity

In an illustration, if a reference number indicates more than one part, the reference number has the form nX y. The n represents the quantity of the part, the X is the multiplication symbol, and the y represents the reference number.

For example, in an illustration, the reference number 2X 37 means that two of the parts identified by reference number 37 are indicated.

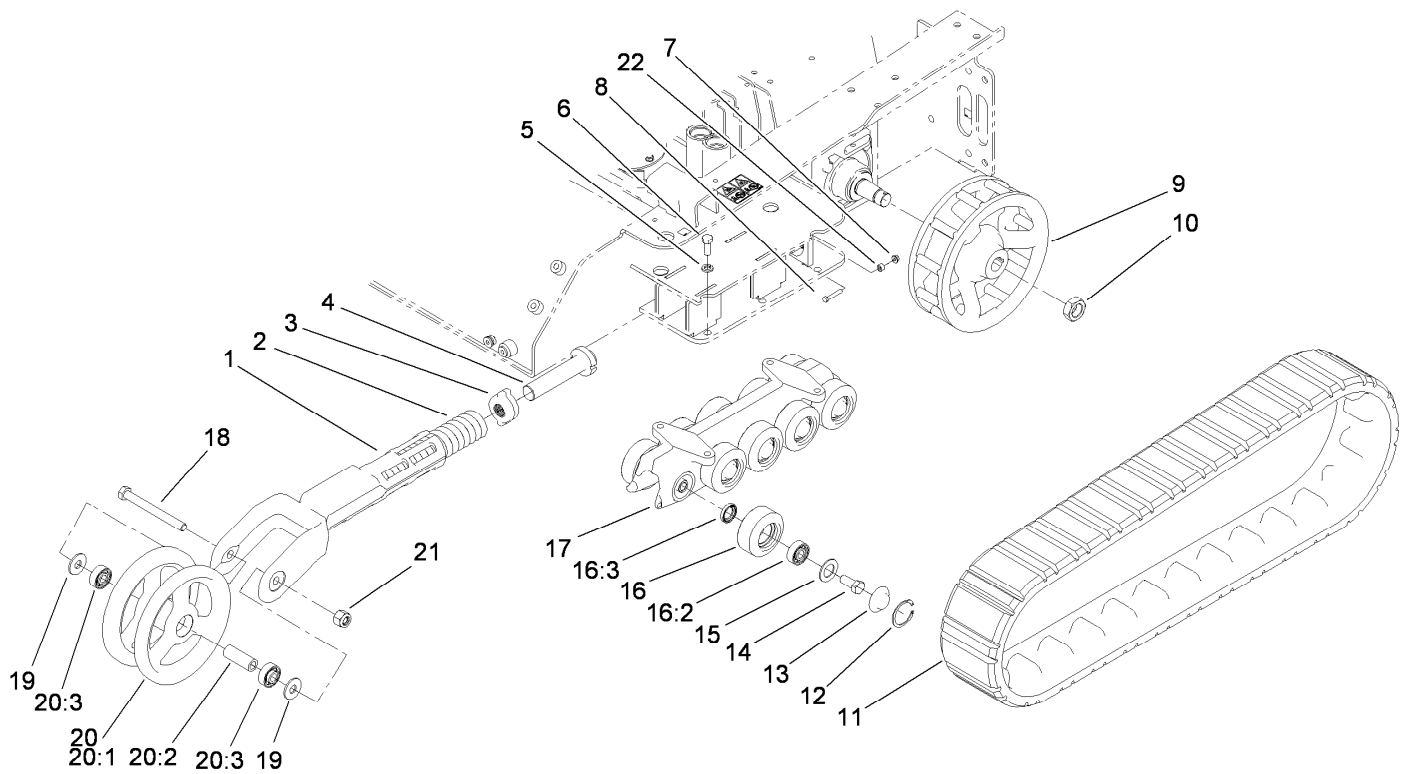
Contents

Main Frame and Fuel Tank Assembly	4
Track and Traction Assembly	5
Parking Brake Assembly	6
Loader Tower and Pulley Assembly	7
Traction Hydraulic Assembly	8
Hydraulic Pump Assembly No. 106-5705 and 106-5706	10
Hydraulic Motor Assembly No. 106-7654	11
Engine Assembly	12
Air Cleaner Assembly No. 117-9989	14
Hydraulic Pump and Filter Assembly	15
Hydraulic Gear Pump Assembly No. 106-7650	16
Control Panel Assembly	17
Traction Control Assembly	19
Principal Hydraulic Assembly	20
Two Spool Valve Assembly No. 106-9307	22
One Spool Valve Assembly No. 104-2831	23
Loader Arm Assembly	24
Loader Arm Hydraulic Assembly	25
Left Hand Hydraulic Lift Cylinder Assembly No. 104-6267	26
Right Hand Hydraulic Lift Cylinder Assembly No. 104-6269	27
Hydraulic Cylinder Assembly No. 105-8370	28
Quick Attach Assembly	29
Electrical System Assembly	30
Grill Assembly	32
Hydraulic Oil Cooler Assembly	33
Hood Assembly	34
Rear Access Cover Assembly	35
Attachments and Accessories	36



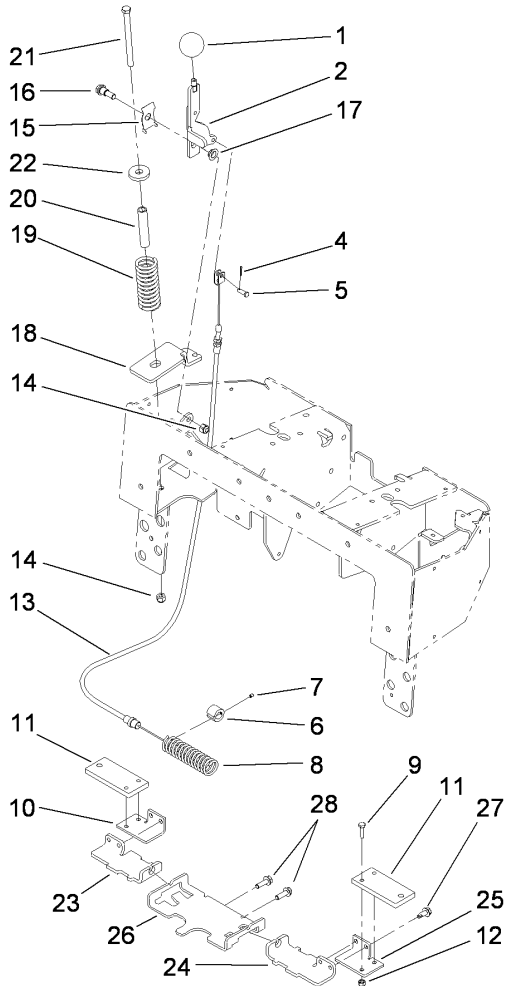
Main Frame and Fuel Tank Assembly

Ref.	Part Number	Qty.	Description	Ref.	Part Number	Qty.	Description
1	114-1354	1	Chassis ASM	13	99-6165-01	2	Counterweight-Rear
1:2	100-4650	2	Decal-Warning	14	3256-26	6	Washer-Flat
1:3	93-9084	4	Decal-Point, Lift	15	3253-7	4	Washer-Lock
1:4	107-3557	1	Gasket-Cover, Access	16	325-12	4	Screw-HH
1:5	108-6297-01	1	Cover-Tank	17	115-4565-01	1	Cover-Rear
1:6	98-9940	6	Screw-HHF	18	3296-23	4	Nut-Lock, NI
1:7	353-988	2	Plug-Hex	19	117-1722	1	Cap-Fuel
1:7:1	237-79	1	O-Ring	20	325-5	6	Screw-HH
1:8	93-6686	1	Decal-Oil, HYD	24	117-9965	1	Spacer
2	61-2790	1	Filter-Screen	25	114-0284	1	Grommet
3	100-2097	1	Dipstick-Oil	26	114-0285	1	Valve-Rollover
4	237-123	1	O-Ring	27	2412-146	6	Clamp-Hose
5	93-7498	1	Plug-Plastic	29	108-9698	2	Hose-Fuel
6	117-9955	1	Tank-Fuel	30	115-2251	1	Canister-Carbon
7	113372	1	Gasket-Sender, Fuel	31	115-7868	1	Valve-Check, Vacuum
8	100-1298	1	Sender-Fuel	32	115-4736	1	Hose-Fuel
9	3253-17	5	Washer-Lock	33	117-4043	1	Holder-Canister
10	3250-31	6	Screw-PPH	34	9266714	2	Screw-HWH
11	98-0185	1	Pipe-Stand	35	106-5317	1	Hose-Fuel
12	46-6560	1	Bushing	36	115-7854	1	Filter-Fuel, Inline



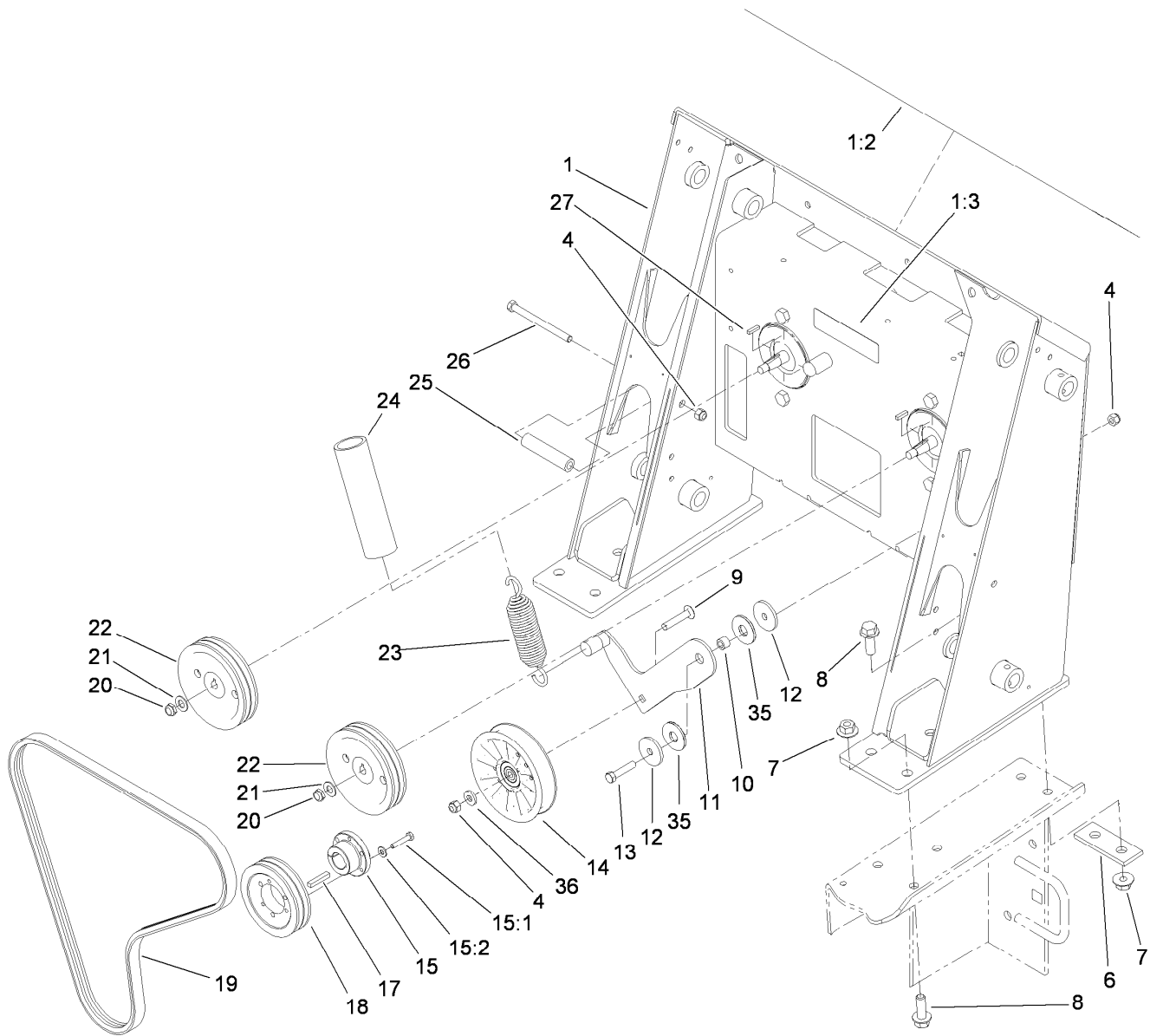
Track and Traction Assembly

<i>Ref.</i>	<i>Part Number</i>	<i>Qty.</i>	<i>Description</i>	<i>Ref.</i>	<i>Part Number</i>	<i>Qty.</i>	<i>Description</i>
1	108-4691-03	2	Arm-Tensioner	15	106-7585	20	Gasket-Bogie
2	95-3624	2	Spring-Compression	16	106-7621	20	Road Wheel ASM
3	108-4664	2	Block-Tensioner	16:2	93-4237	1	Bearing
4	98-9846	2	Bolt-Tensioner	16:3	253-118	1	Seal-Oil
5	3253-7	8	Washer-Lock	17	117-1310-03	2	Guide-Track
6	325-5	8	Screw-HH	18	327-17	2	Screw-HH
7	32128-32	2	Nut-HHF	19	3256-7	4	Washer-Flat
8	321-37	2	Screw-HH	20	104-5745	2	Tensioner Wheel ASM
9	108-5643-03	2	Wheel-Drive	20:1	104-5747-03	1	Wheel-Tensioner
10	107-9319	2	Nut-Hex	20:2	98-9835	1	Spacer-Wheel, Tensioner
11	98-9800	2	Track	20:3	93-4237	2	Bearing
12	106-7595	20	Ring-Snap, Internal	21	3296-24	2	Nut-Hex
13	106-7557	20	Cap-Wheel, Bearing	22	98-4799	2	Spacer
14	327-4	20	Screw-HH				



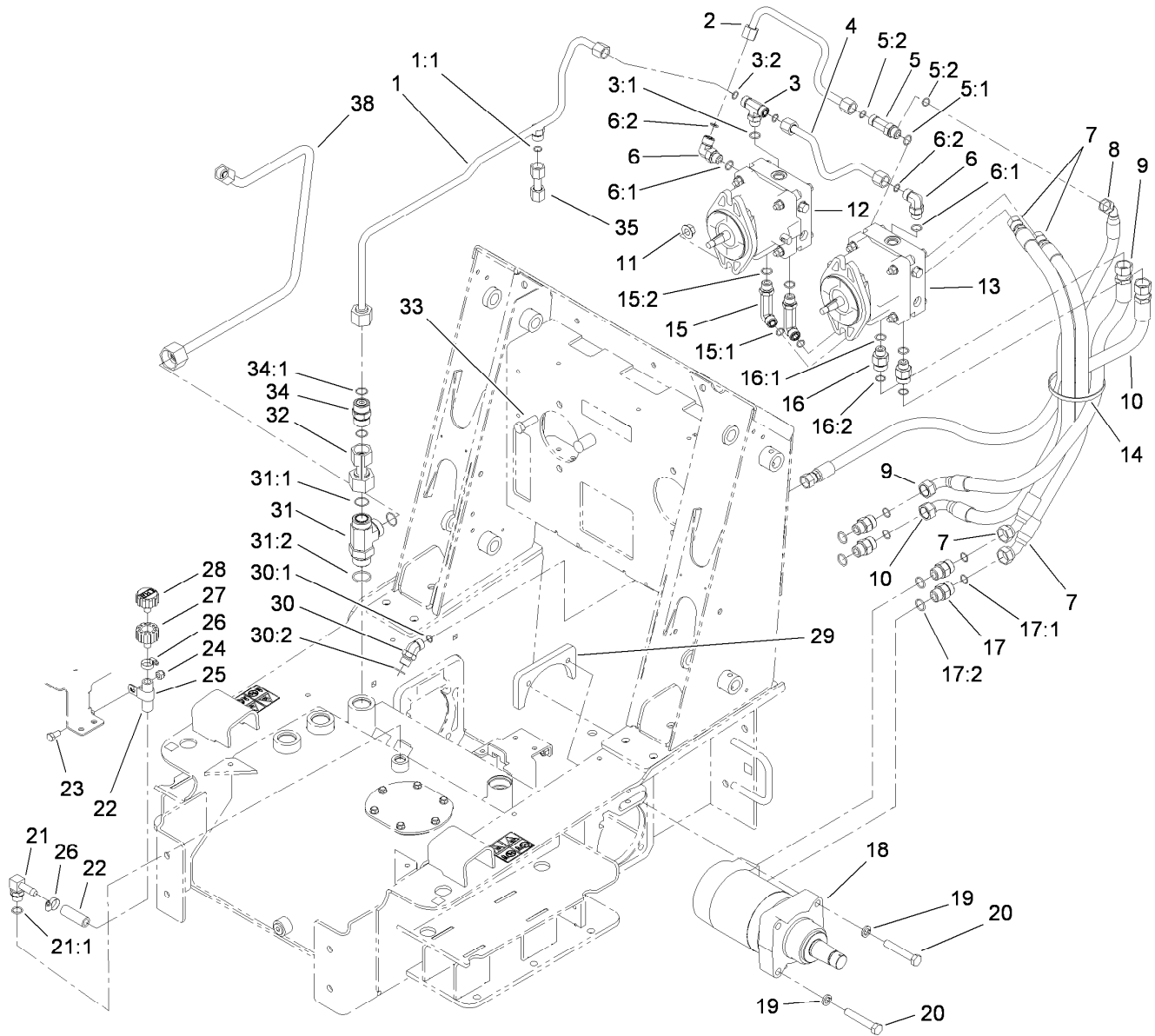
Parking Brake Assembly

<i>Ref.</i>	<i>Part Number</i>	<i>Qty.</i>	<i>Description</i>	<i>Ref.</i>	<i>Part Number</i>	<i>Qty.</i>	<i>Description</i>
1	233-21	1	Knob	16	94-6177	1	Bolt-Shoulder
2	112-2694-03	1	Handle-Brake	17	93-2368	1	Bushing-Flange
4	3272-1	1	Pin-Cotter	18	115-4854-03	1	Bracket-Cable, Spring
5	283-67	1	Pin-Clevis	19	114-1254	1	Spring-Compression
6	100-6274	2	Tube-Guide	20	114-1255	1	Spacer-Spring
7	3245-20	2	Screw-Set	21	323-21	1	Screw-HH
8	100-1678	1	Spring	22	98-0691	1	Washer-Hardened
9	321-6	4	Screw-HH	23	112-2788-03	1	Bracket-Mounting, Brake RH
10	112-2789-03	1	Bar-Link, Brake RH	24	112-2733-03	1	Bracket-Mounting, Brake LH
11	112-2735-03	2	Plate-Brake	25	112-2734-03	1	Bar-Link, Brake LH
12	3296-42	4	Nut-Lock, NI	26	110-0224-03	1	Support-Bar, Brake
13	112-2791	1	Cable-Brake	27	32104-32	4	Screw-HWH
14	3296-39	2	Nut-Lock, NI	28	3234-17	2	Screw-HHF
15	112-2695	1	Spring-Leaf				



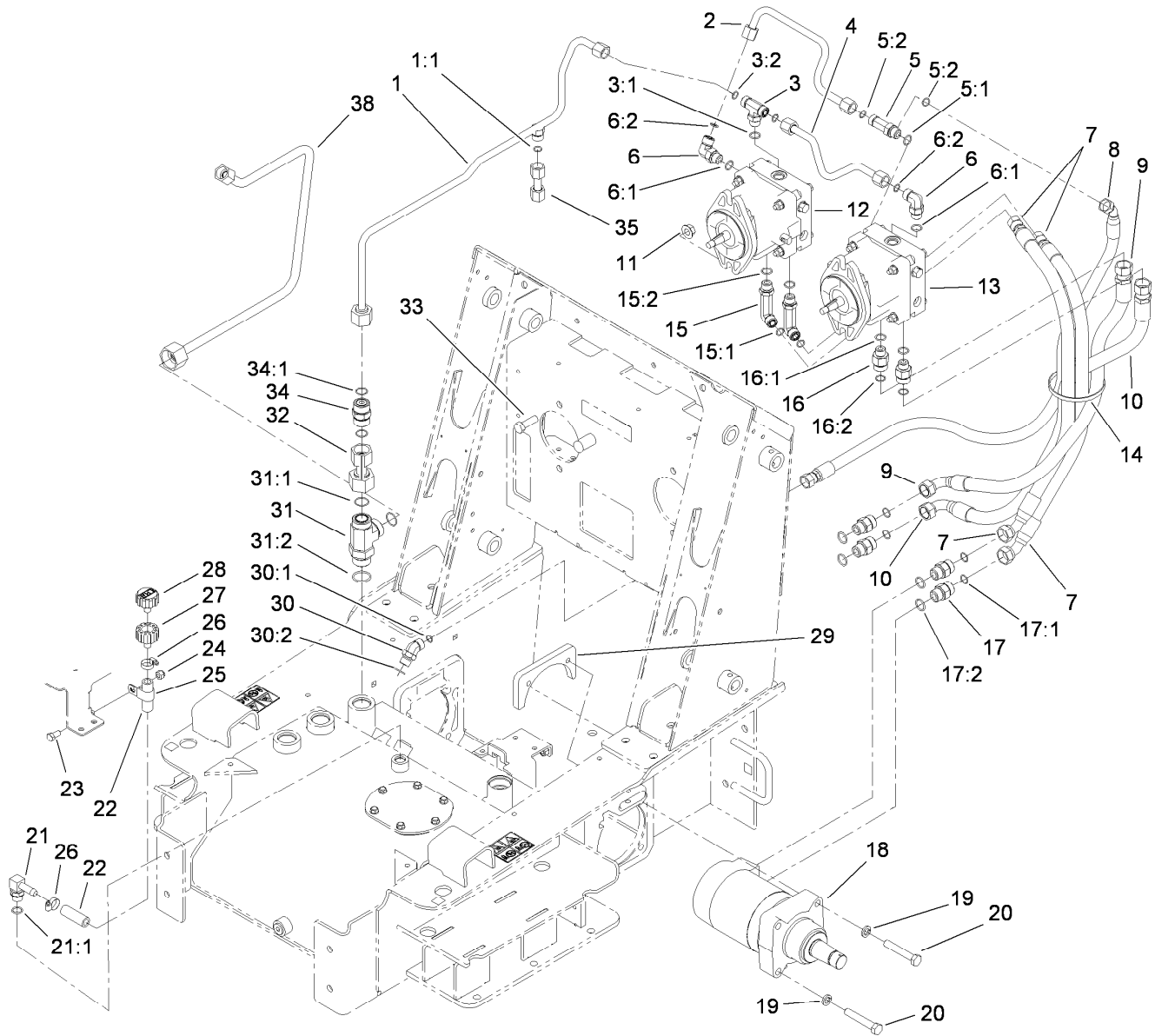
Loader Tower and Pulley Assembly

<i>Ref.</i>	<i>Part Number</i>	<i>Qty.</i>	<i>Description</i>	<i>Ref.</i>	<i>Part Number</i>	<i>Qty.</i>	<i>Description</i>
1	117-9982	1	Loader Tower ASM	15:2	3253-2	3	Washer-Lock
1:2	117-4045	1	Decal-Panel, Control	17	67-7490	1	Key-Square
1:3	93-7814	1	Decal-Danger	18	61-3330	1	Pulley
4	104-8301	4	Nut-HF, NI	19	95-3611	1	V-Belt
6	100-6123-01	2	Plate-Stiffener	20	3296-38	2	Nut-Lock, NI
7	32128-52	10	Nut-Lock, Flange	21	3256-25	2	Washer-Flat
8	100-6116	10	Screw-HHF	22	106-5710-03	2	Pulley
9	117-9971	1	Bolt-Carriage	23	105-0383	1	Spring-Extension
10	115-4986	1	Spacer	24	112-2409	1	Retainer-Spring
11	115-1486	1	Arm-Idler	25	100-1271	2	Tube-Spacer
12	115-1485	2	Washer-Plain	26	323-23	2	Screw-HH
13	323-9	1	Screw-HH	27	3-6168	2	Key
14	119-2358	1	Pulley-Idler	35	114-0463	2	Washer-Friction, Composite
15	61-3340	1	Bushing	36	43-0940	1	Spacer
15:1	321-13	3	Screw-HH				



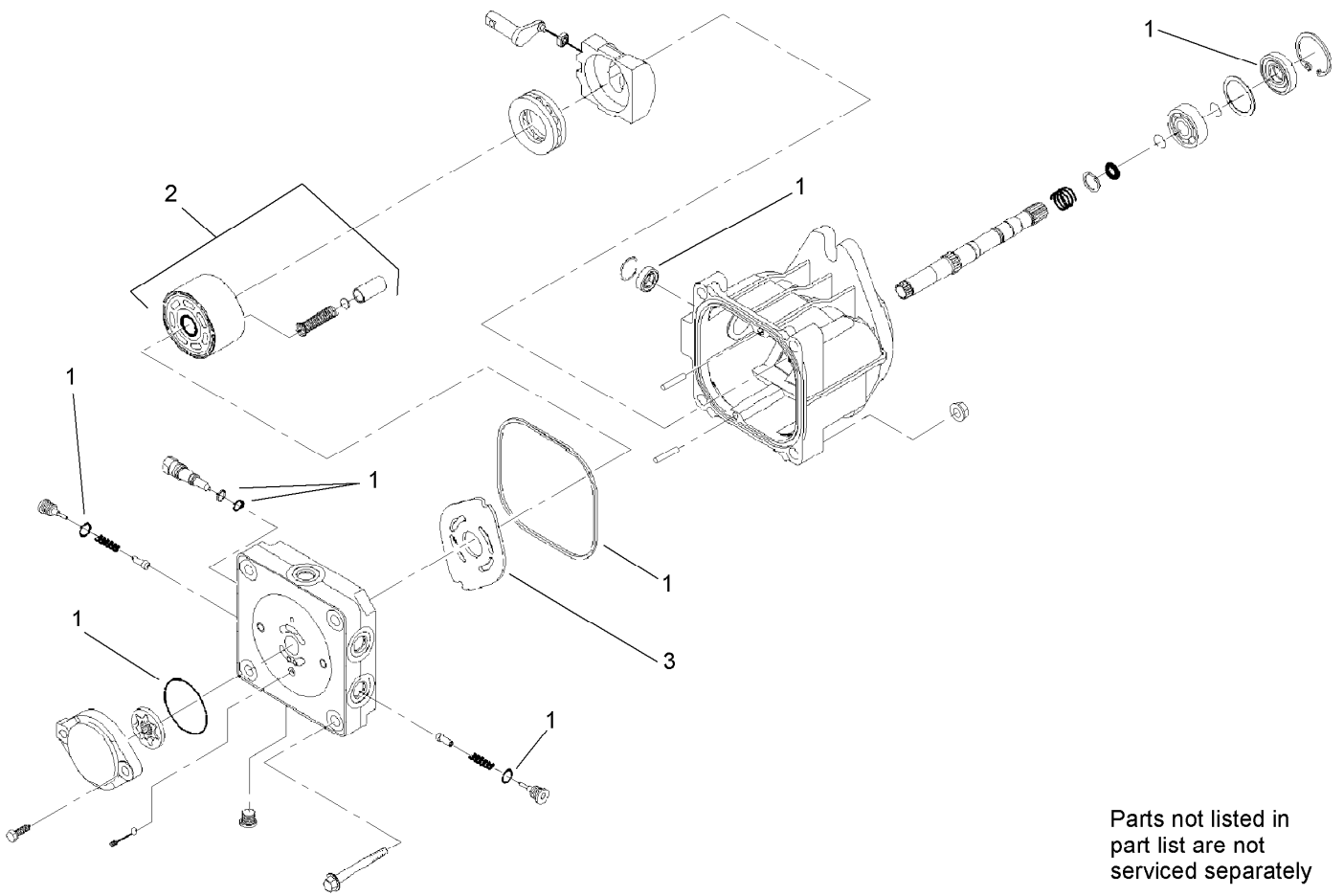
Traction Hydraulic Assembly

Ref.	Part Number	Qty.	Description	Ref.	Part Number	Qty.	Description
1	108-4665	1	HYD Tube ASM	15	99-6160	2	Fitting-Elbow, 90 Long
1:1	237-30	1	O-Ring	15:1	237-30	1	O-Ring
2	98-0200	1	Tube-HYD	15:2	237-79	1	O-Ring
3	340-157	1	Fitting-HYD, Tee	16	340-155	2	Fitting-Straight
3:1	237-79	1	O-Ring	16:1	237-79	1	O-Ring
3:2	237-30	2	O-Ring	16:2	237-151	1	O-Ring
4	106-9330	1	Tube-HYD	17	340-7	4	Fitting-Straight
5	340-109	1	Fitting-Tee	17:1	237-65	1	O-Ring
5:1	237-79	1	O-Ring	17:2	237-80	1	O-Ring
5:2	237-30	2	O-Ring	18	106-7654	2	HYD Motor ASM
6	340-98	2	Fitting-Elbow, 90 DEG	19	3253-7	8	Washer-Lock
6:1	237-79	1	O-Ring	20	115-4845	8	Screw-HH, TAP
6:2	237-30	1	O-Ring	21	354-120	1	Fitting-Elbow, 90
7	98-0233	2	Hose-HYD	21:1	237-79	1	O-Ring
8	98-0201	1	Hose-HYD	22	98-4667	1	Hose
9	115-4826	1	Hose-HYD	23	3234-42	1	Screw-HHF
10	115-4829	1	Hose-HYD	24	3296-39	1	Nut-Lock, NI
11	32128-23	4	Nut-HF	25	2412-4	1	Clamp-R
12	106-5706	1	RH HYD Pump ASM	26	2412-36	2	Clamp-Hose
13	106-5705	1	LH HYD Pump ASM	27	92-8020	1	Adapter-Breather
14	3334-945	1	Tie-Cable	28	68-6150	1	Breather



Traction Hydraulic Assembly (continued)

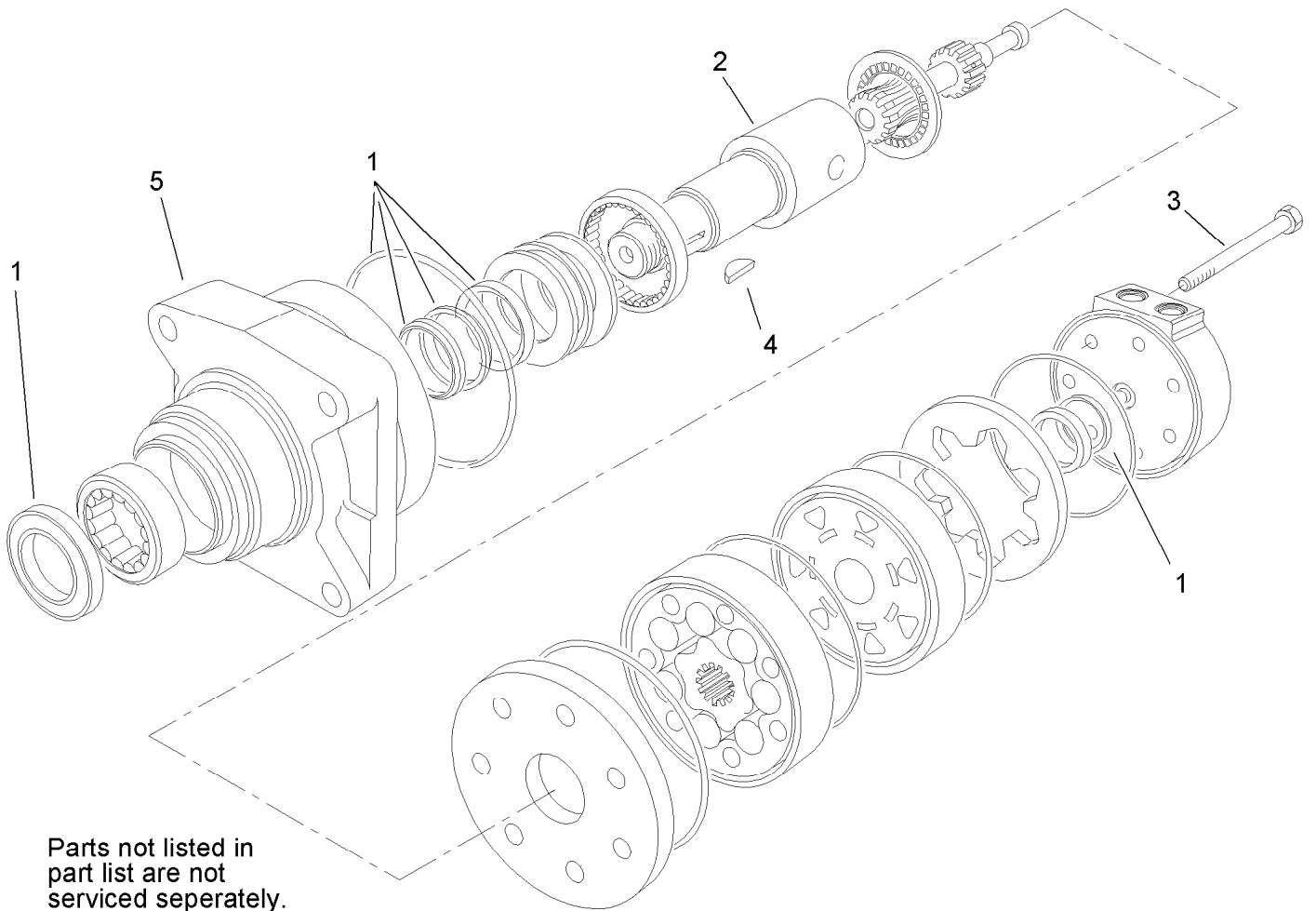
<i>Ref.</i>	<i>Part Number</i>	<i>Qty.</i>	<i>Description</i>	<i>Ref.</i>	<i>Part Number</i>	<i>Qty.</i>	<i>Description</i>
29	98-2763-03	2	Plate-Mounting	32	105-0226	1	Tube-HYD
30	340-101	1	Fitting-HYD, 45 DEG	33	325-6	4	Screw-HH
30:1	237-30	1	O-Ring	34	99-6161	1	HYD Check Valve ASM
30:2	237-79	1	O-Ring	34:1	237-58	2	O-Ring
31	104-3795	1	Fitting-Tee	35	108-4666	1	Tube-HYD
31:1	340-65	2	O-Ring	38	117-3988	1	Tube-HYD
31:2	237-146	1	O-Ring				



Parts not listed in
part list are not
serviced separately

Hydraulic Pump Assembly No. 106-5705 and 106-5706

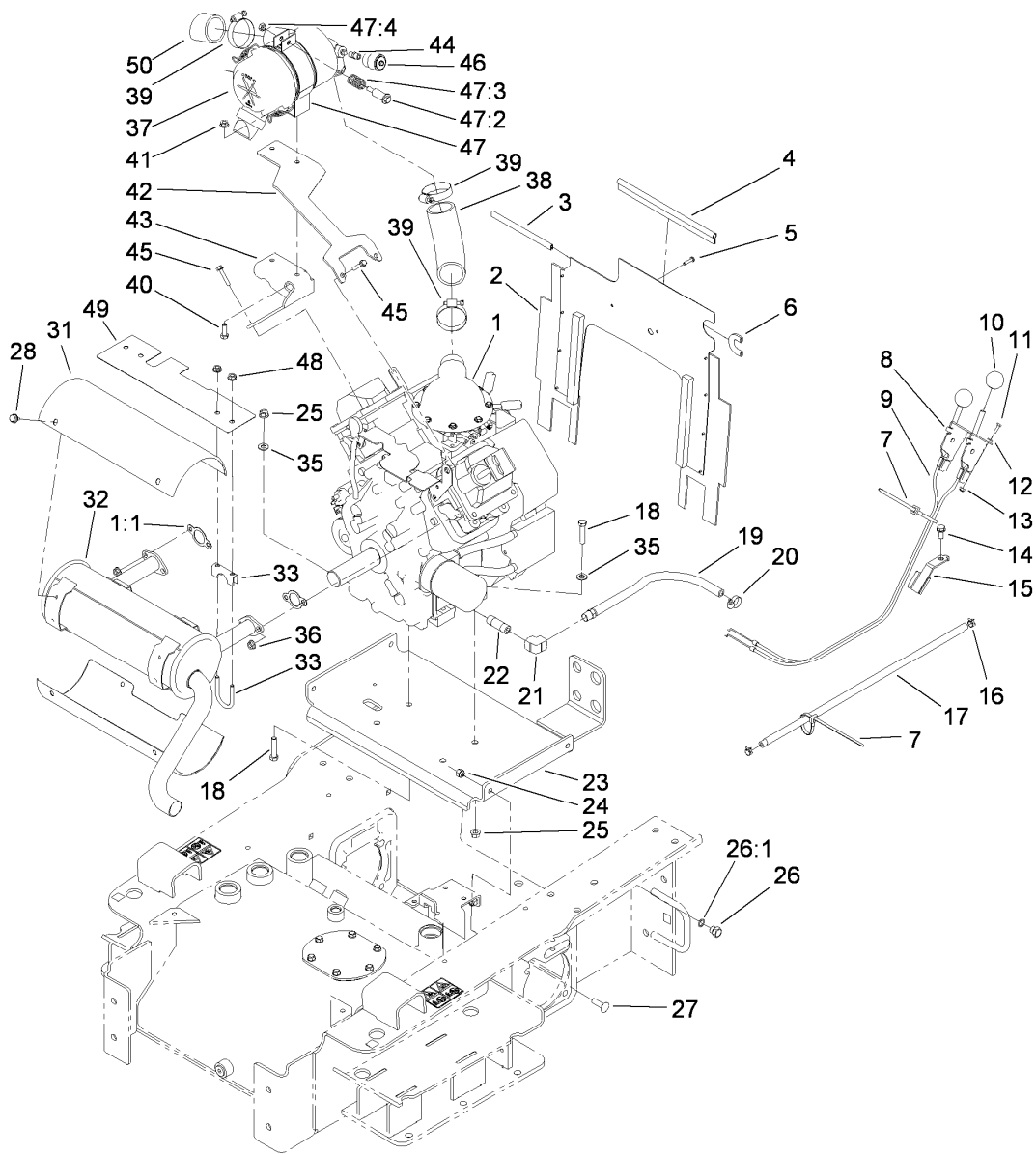
<i>Ref.</i>	<i>Part Number</i>	<i>Qty.</i>	<i>Description</i>
1	100-6110	1	Overhaul Seal Kit
2	94-1913	1	Cylinder Block ASM
3	100-6112	1	Plate-Valve



Parts not listed in
part list are not
serviced seperately.

Hydraulic Motor Assembly No. 106-7654

<i>Ref.</i>	<i>Part Number</i>	<i>Qty.</i>	<i>Description</i>
1	100-6131	1	Seal Kit
2	106-7645	1	Coupling-Shaft
3	100-4241	7	Screw-HH
4	3257-42	1	Key-Woodruff
5	108-5634	1	Motor Housing ASM

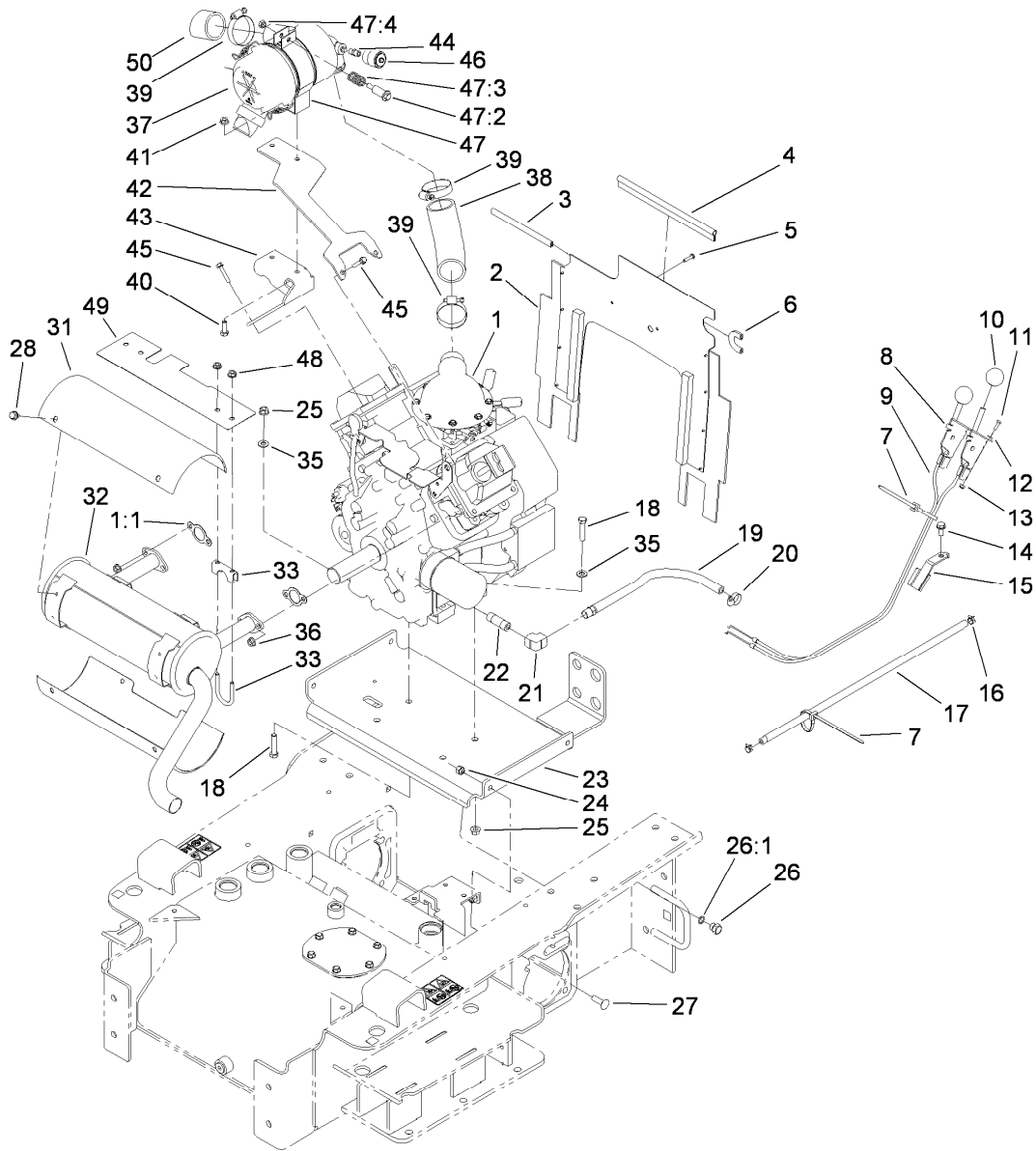


Engine Assembly

Ref.	Part Number	Qty.	Description	Ref.	Part Number	Qty.	Description
1		1	Engine-Kohler, Ch740 ●■	18	323-53	4	Screw-HH
1:1	93-0350	2	Gasket-Exhaust	19	100-1256	1	Oil Hose ASM
2	114-8725	1	Baffle-Engine	20	2412-36	1	Clamp-Hose
3	105-0378	1	Seal-Strip, 6.5 Inch	21	94-9650	1	Elbow-90 DEG
4	115-4837	1	Strip-Seal, 10.5 Inch	22	289-42	1	Nipple
5	32144-36	2	Screw-PPH	23	114-1288-03	1	Plate-Mounting, Engine
6	105-0377	1	Seal-Strip, 3 Inch	24	3296-39	4	Nut-Lock, NI
7	3290-378	2	Tie-Cable	25	32128-21	4	Nut-HF Lock
8	108-9730	2	Lever-Control	26	353-508	1	Plug-HH
9	108-4679	2	Cable-Throttle/Choke	26:1	237-42	1	O-Ring
10	233-42	2	Knob	27	3231-28	4	Screw-CARR
11	3290-134	4	Screw	28	9266934	8	Screw
12	3256-51	4	Washer-Flat	31	117-9973	2	Shield-Muffler
13	3296-2	4	Nut-Lock, NI	32	115-1509	1	Muffler
14	32144-11	1	Screw-HWH	33	114-1365	2	Clamp-Muffler
15	100-1299-03	1	Guide-Cable	35	48-9220	4	Washer-Flat
16	2412-98	2	Clamp-Hose	36	112-2844	4	Nut-HF
17	109-0301	1	Hose-Fuel	37	117-9989	1	Air Cleaner ASM

● Not serviced separately

■ Obtain parts from www.kohlerplus.com

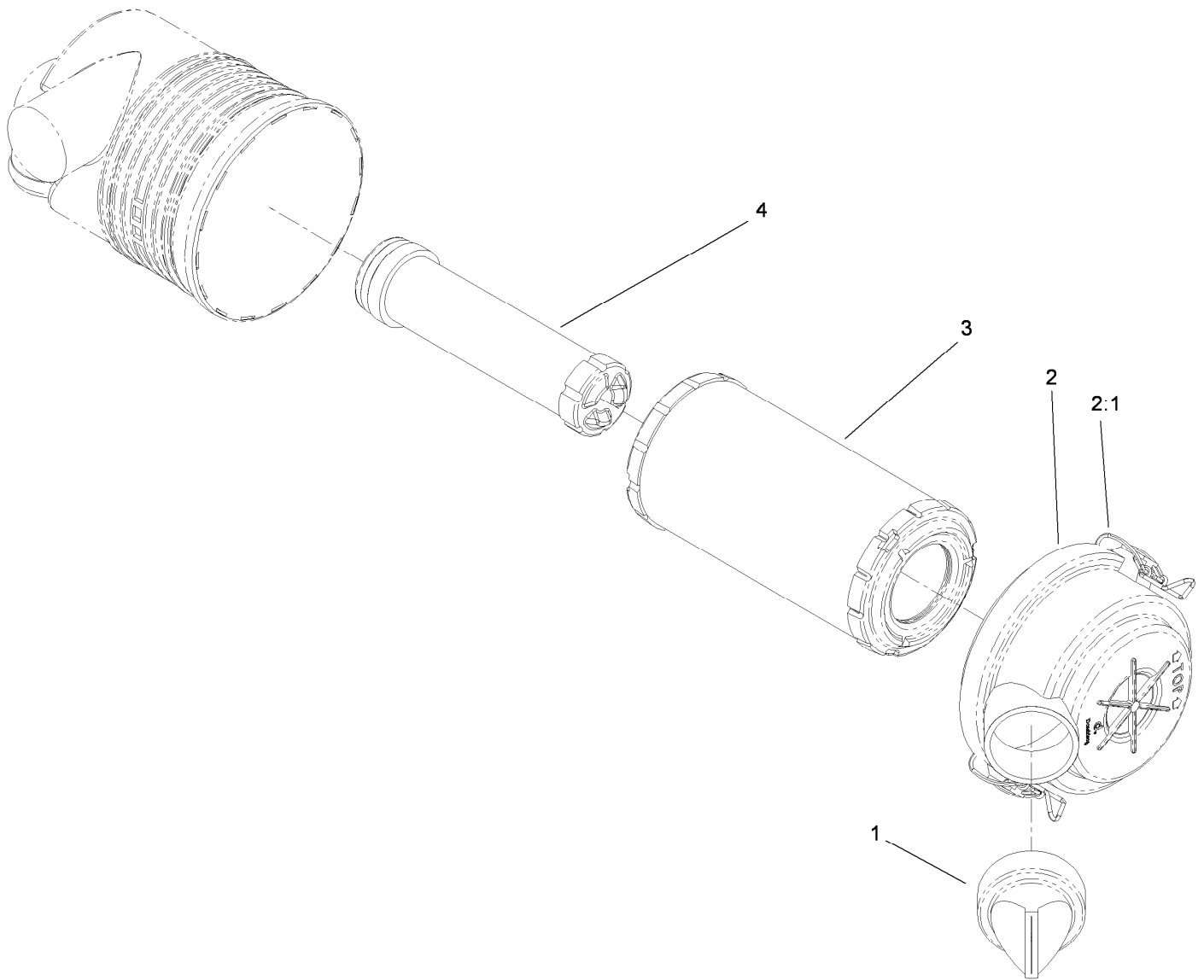


Engine Assembly (continued)

<i>Ref.</i>	<i>Part Number</i>	<i>Qty.</i>	<i>Description</i>	<i>Ref.</i>	<i>Part Number</i>	<i>Qty.</i>	<i>Description</i>
38	114-8734	1	Hose-Air Cleaner	47	93-2191	1	Air Cleaner Mounting Band ASM
39	2412-92	3	Clamp-Hose	47:2	94-3653	1	Bolt
40	322-5	2	Screw-HH	47:3	94-3654	1	Spring
41	32128-20	2	Nut-HF	47:4	48-9510	1	*obs* Nut
42	117-1728-03	1	Bracket-Support, Left	48	32128-25	4	Nut-HF
43	117-1729-03	1	Bracket-Support, Right	49	114-1366	1	Shield-Manifold
44	105-4292	1	Nipple-Pipe	50	114-1364	1	Tube-Inlet, Air
45	33103-035	4	Screw-HHF				
46	93-9164	1	Indicator-Mini				

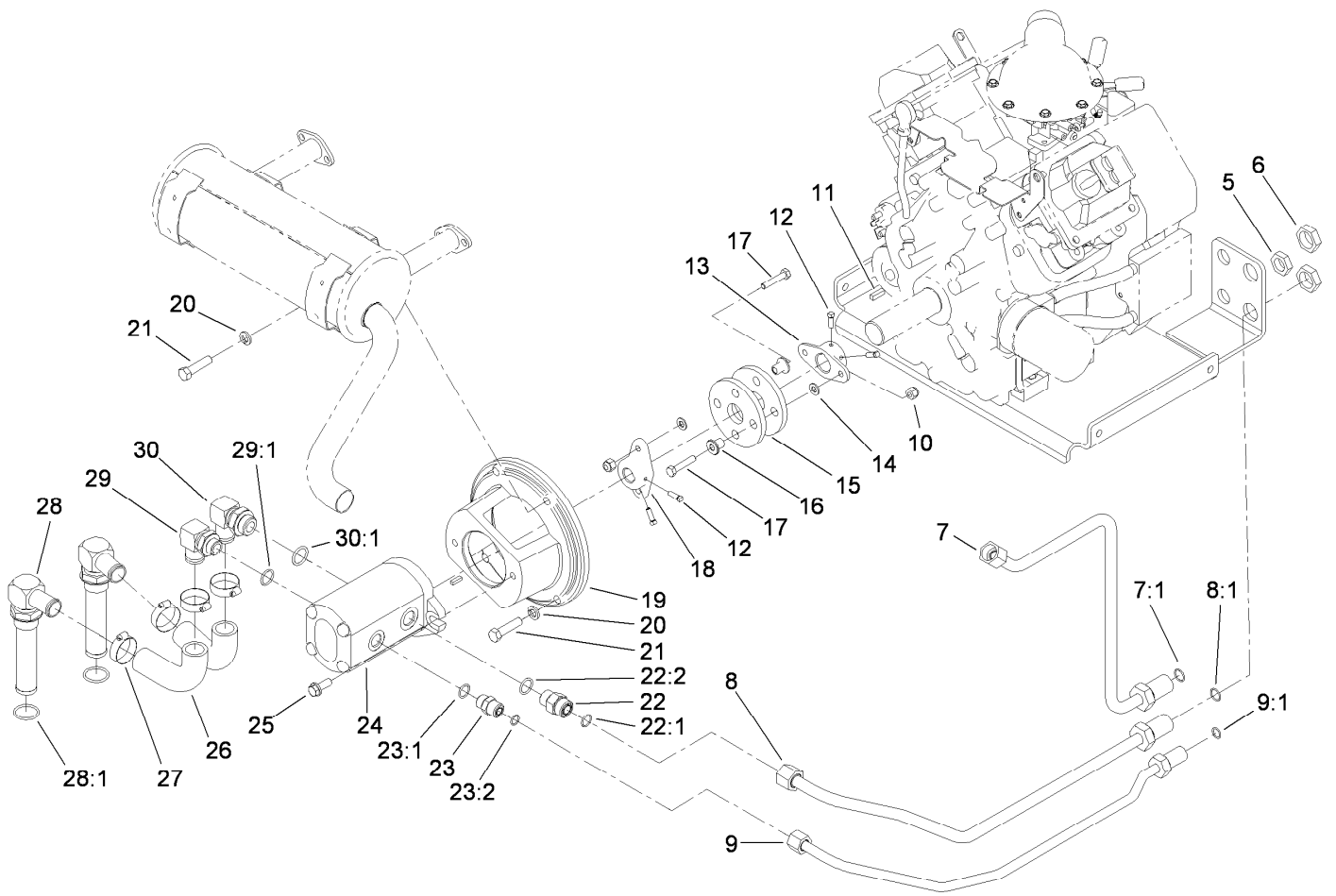
● Not serviced separately

■ Obtain parts from www.kohlerplus.com



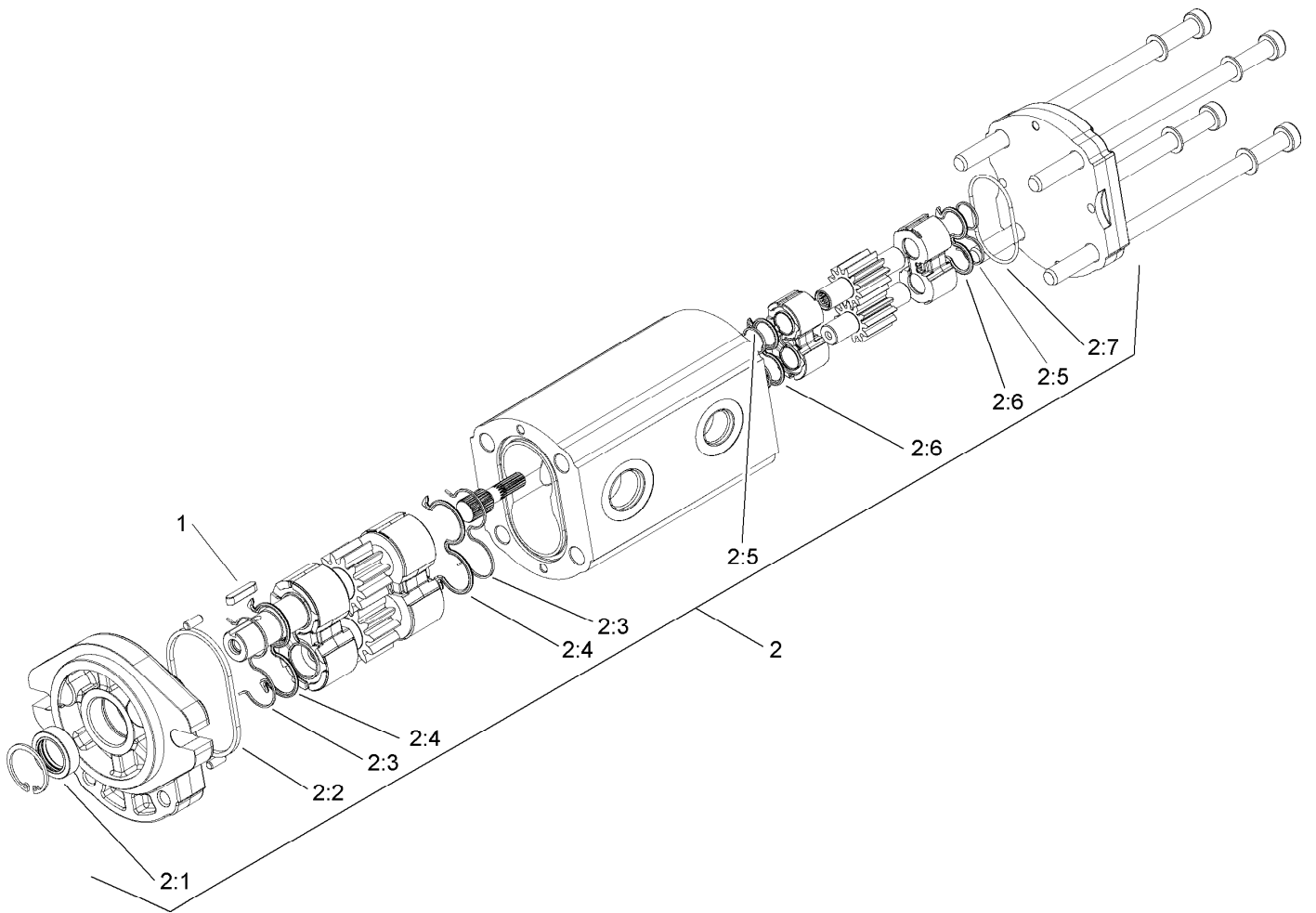
Air Cleaner Assembly No. 117-9989

<i>Ref.</i>	<i>Part Number</i>	<i>Qty.</i>	<i>Description</i>
1	87-9400	1	Valve-Vacuator
2	94-3652	1	Cover ASM
2:1	1-643283	2	Latch-Cleaner, Air
3	108-3811	1	Filter-Air V-Twin HD
4	98-2982	1	Filter-Element, Safety



Hydraulic Pump and Filter Assembly

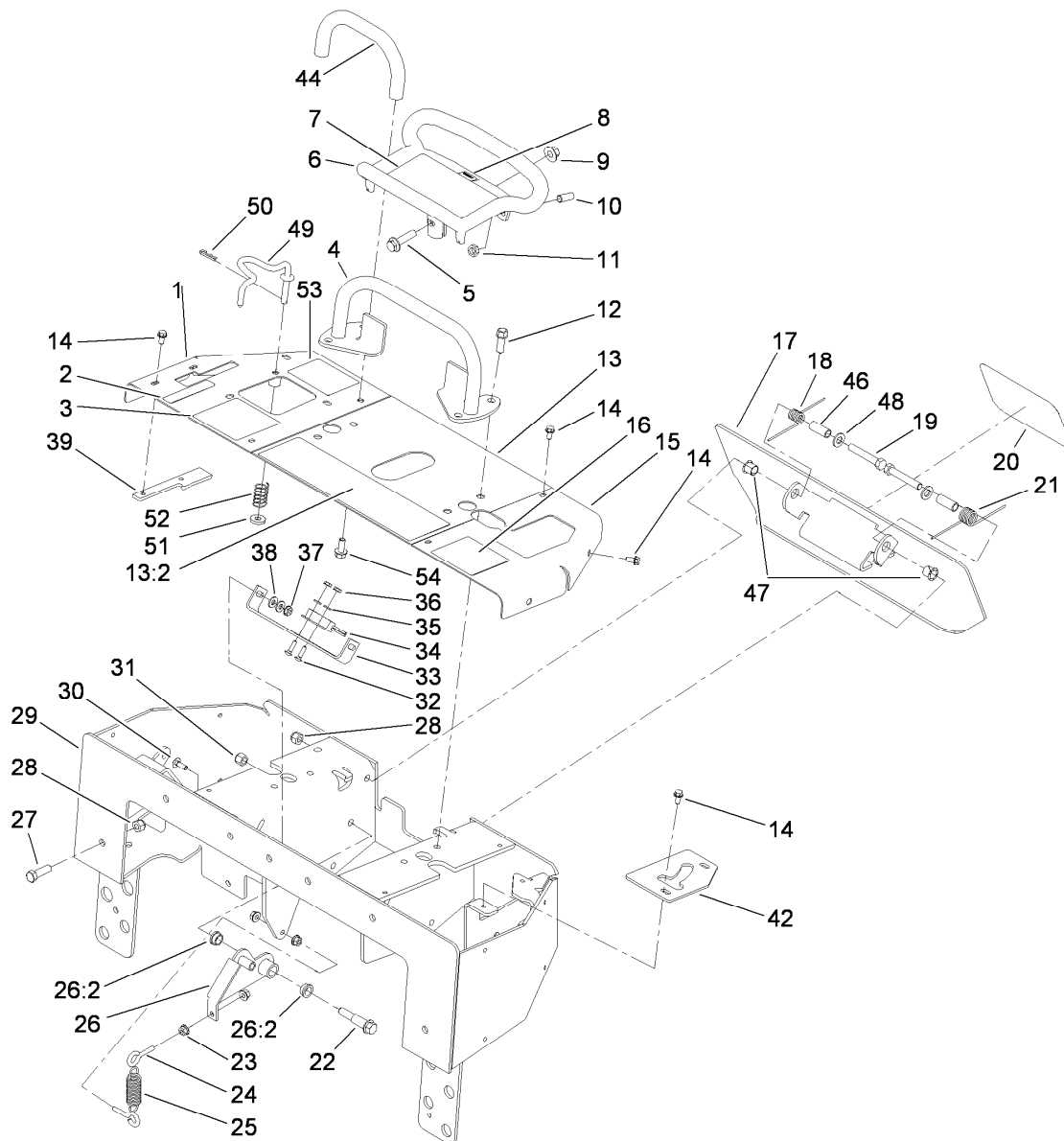
Ref.	Part Number	Qty.	Description	Ref.	Part Number	Qty.	Description
5	340-127	1	Nut-Bulkhead	20	3253-6	4	Washer-Lock
6	340-74	2	Nut-Lock, Bulkhead	21	324-7	4	Screw-HH
7	106-9333	1	HYD Tube ASM	22	340-7	1	Fitting-Straight
7:1	237-65	1	O-Ring	22:1	237-65	1	O-Ring
8	114-1355	1	HYD Tube ASM	22:2	237-80	1	O-Ring
8:1	237-65	1	O-Ring	23	340-4	1	Fitting-Straight
9	114-1356	1	HYD Tube ASM	23:1	237-30	1	O-Ring
9:1	237-30	1	O-Ring	23:2	237-79	1	O-Ring
10	3296-29	4	Nut-Lock, NI	24	106-7650	1	HYD Pump ASM
11	10-7070	1	Key-Square	25	66-9300	2	Screw-HHF
12	3241-6	4	Screw-SQH	26	105-0201	2	Hose-Suction, Formed
13	110-5236	1	Hub-Engine	27	2412-34	4	Clamp-Hose
14	3256-23	4	Washer-Plain	28	105-0204	2	Strainer Fitting ASM
15	115-4523	2	Coupling-Rubber	28:1	237-146	1	O-Ring
16	71-4411	4	Spacer	29	61-2710	1	Stem-Hose, 90 DEG
17	322-8	4	Screw-HH	29:1	237-117	1	O-Ring
18	110-9695	1	Hub-Pump	30	100-4202	1	Fitting-90
19	98-2751-03	1	Mount-Pump	30:1	237-81	1	O-Ring



Hydraulic Gear Pump Assembly No. 106-7650

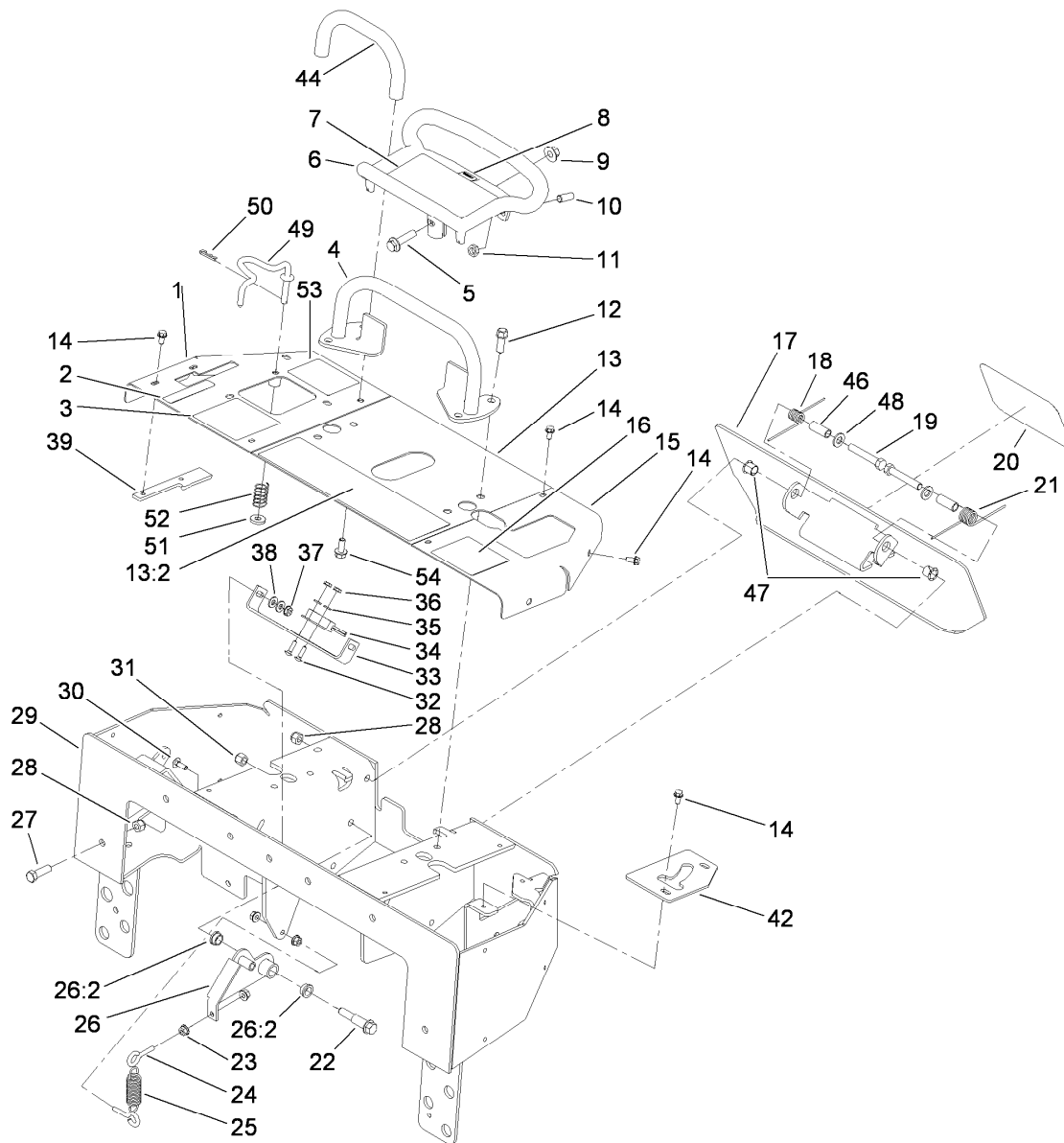
<i>Ref.</i>	<i>Part Number</i>	<i>Qty.</i>	<i>Description</i>
1	100-4238	1	Key-Square
2	107-9316	1	Seal Kit
2:1		1	Seal-Shaft ●
2:2		1	Seal-Square ●
2:3		2	Ring-Backup ●
2:4		2	Seal-Gear ●
2:5		2	Ring-Backup ●
2:6		2	Seal-Gear, Rear ●
2:7		1	Ring-Retaining ●

● Not serviced separately



Control Panel Assembly

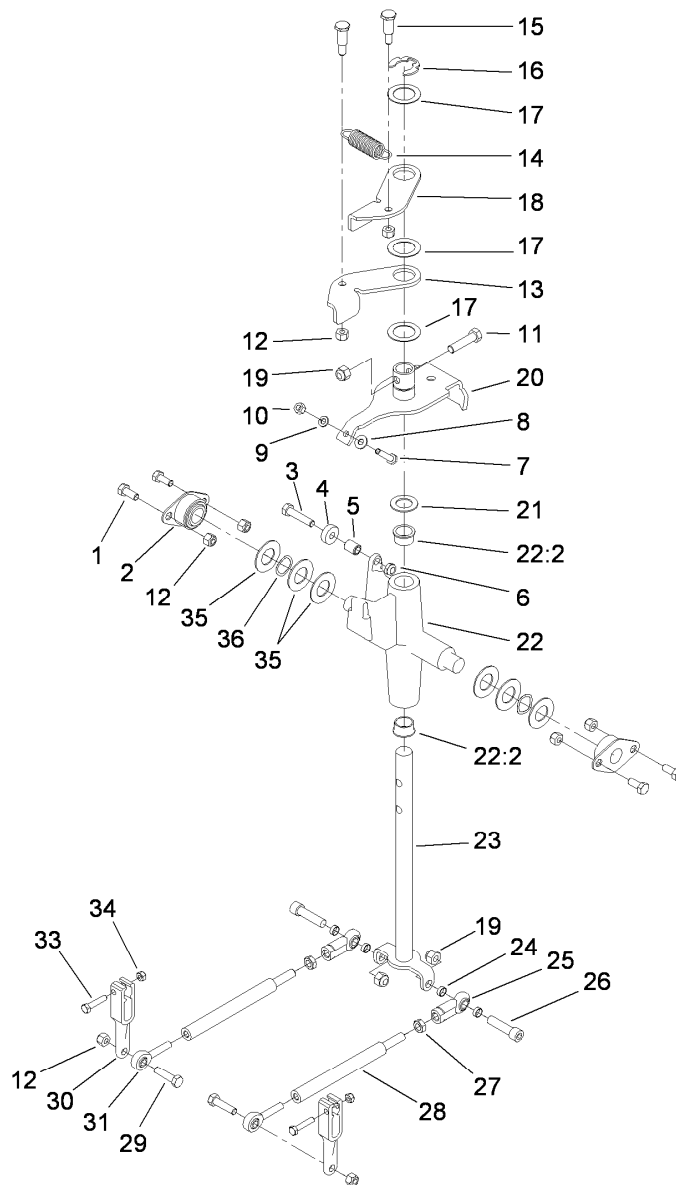
Ref.	Part Number	Qty.	Description	Ref.	Part Number	Qty.	Description
1	115-4836-01	1	Panel-RH	21	98-8424	1	Spring-Torsion, RH
2	115-4859	1	Decal-Brake	22	66-0560	1	Bolt-Shoulder
3	115-4857	1	Decal-Control, Loader	23	32128-32	4	Nut-HHF
4	106-7715	1	Bar-Reference	24	71-2870	2	Bolt-Eye
5	3234-18	1	Screw-HHF	25	108-4724	1	Spring-Extension
6	106-7614-03	1	Handle-Control	26	100-4203	1	Neutral Centering Lever ASM
7	115-4020	1	Decal-Traction	26:2	256-156	2	Bushing-Flange
8	98-1459	1	Decal	27	323-7	5	Screw-HH
9	32128-43	1	Nut-Flange	28	3296-39	7	Nut-Lock, NI
10	3247-6	2	Screw-Set	29	110-0228-01	1	Panel-Control
11	3218-3	2	Nut-Jam	30	3229-1	2	Screw-CARR
12	95-1726	4	Screw-Taptite	31	3296-6	1	Nut-Lock
13	108-4643	1	Center Panel ASM	32	3229-20	2	Screw-CARR
13:2	115-4860	1	Decal-Danger	33	100-1263	1	Plate-Switch
14	9266714	11	Screw-HWH	34	100-1270	1	Switch-Proximity
15	112-2737-01	1	Panel-LH	35	3256-51	2	Washer-Flat
16	115-4861	1	Decal-Control, Auxiliary	36	32149-7	2	Nut-Keps
17	112-2786-03	1	Plate-Reverse	37	32149-2	2	Nut-Keps
18	98-8425	1	Spring-Torsion, LH	38	3256-22	4	Washer-Flat
19	323-11	2	Screw-HH	39	112-2691-01	1	Plate-Locking, Brake
20	105-1217	1	Decal				



Control Panel Assembly (continued)

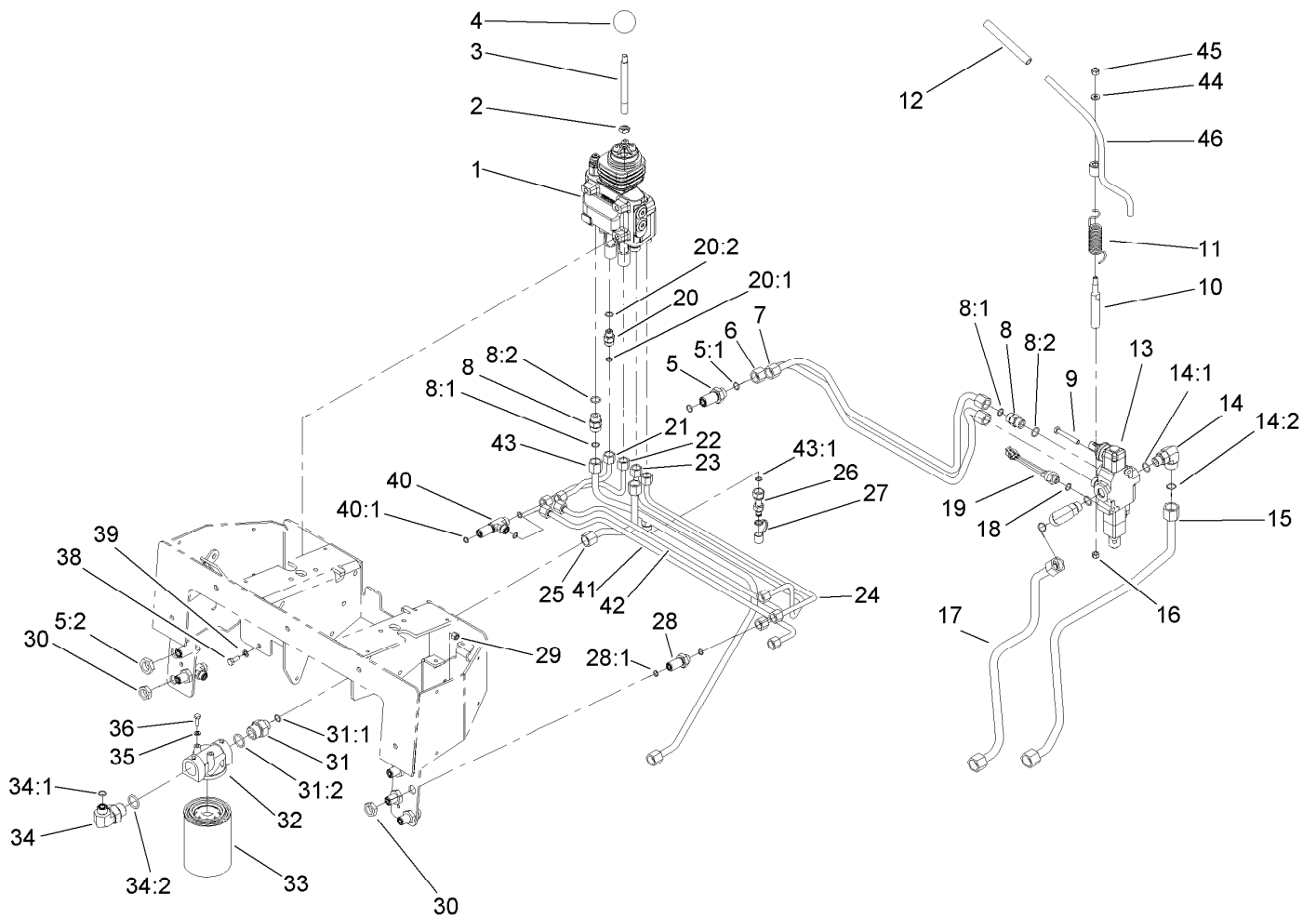
Ref.	Part Number	Qty.	Description
42	112-2749-01	1	Plate-Stop
44	112-2620	1	Bar-Reference
46	114-1337	2	Spacer-Spring
47	256-257	2	Bushing-Nyliner
48	3256-24	2	Washer-Plain
49	115-4580	1	Rod-Interlock

Ref.	Part Number	Qty.	Description
50	3290-307	1	Pin-Cotter
51	88-7200	1	Washer-Flat
52	85-6750	1	Spring-Control
53	115-4862	1	Decal-Loader Lock
54	3234-5	2	Screw-HHF



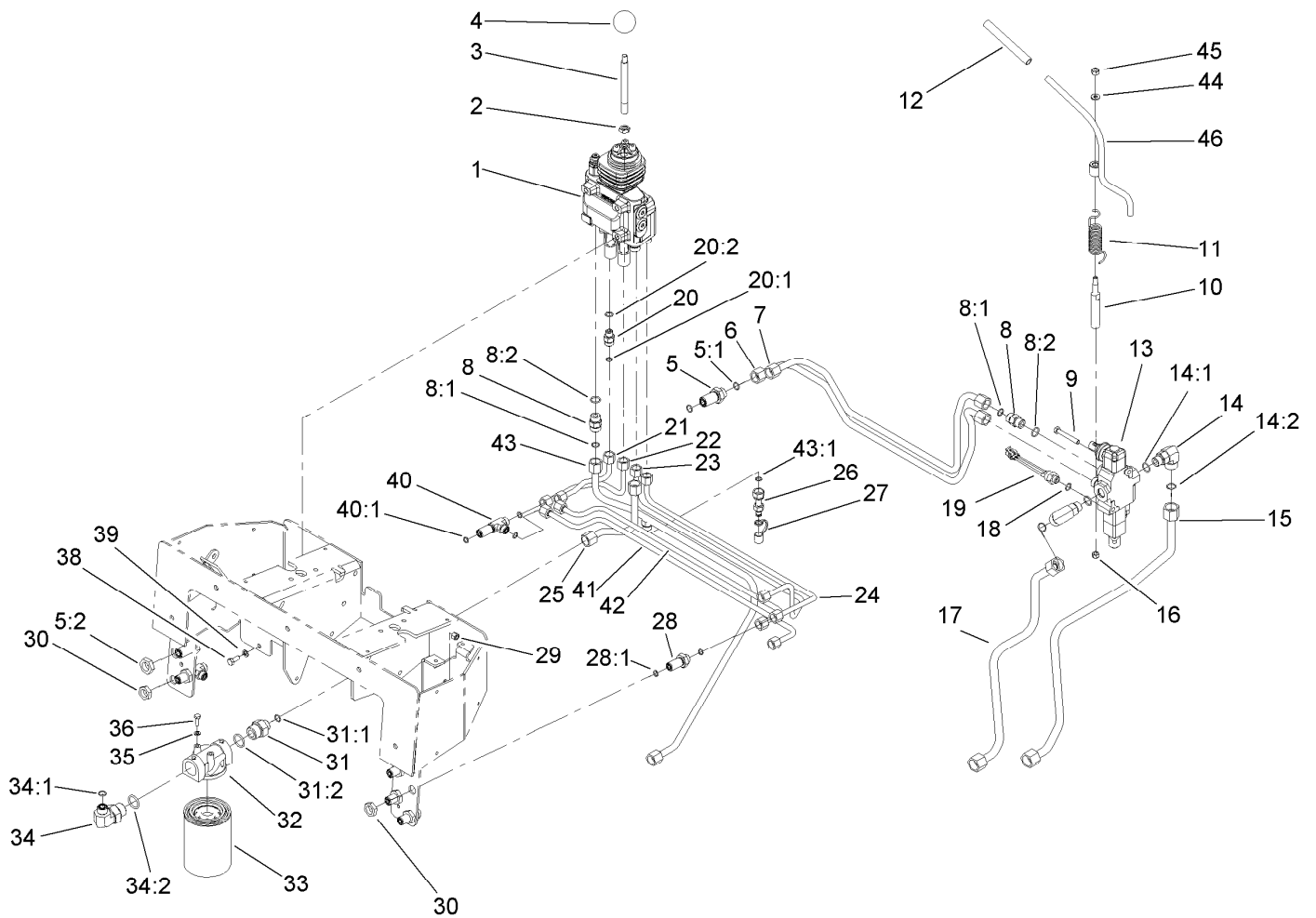
Traction Control Assembly

Ref.	Part Number	Qty.	Description	Ref.	Part Number	Qty.	Description
1	322-3	4	Screw-HH	19	3296-39	3	Nut-Lock, NI
2	68-2970	2	Bushing	20	112-2783	1	Lever-Pivot
3	322-7	1	Screw-HH	21	257-8	1	Washer-Thrust
4	251-259	1	Bearing-Ball	22	106-5737	1	Control Support ASM
5	88-7450	1	Spacer-Lever, Control	22:2	256-252	2	Bearing-Flange
6	3296-47	1	Nut-Lock,NI	23	117-6335	1	Rod-Drive
7	321-8	1	Screw-HH	24	117-9915	4	Spacer
8	3256-22	1	Washer-Flat	25	103-1167	2	Joint-Ball End, LH
9	3253-3	1	Washer-Lock	26	3274-2	2	Screw-HSH
10	3217-5	1	Nut-Hex	27	3220-16	2	Nut-Hex Jam, LH
11	323-8	1	Screw-HH	28	117-9900	2	Rod-Linkage
12	3296-29	8	Nut-Lock, NI	29	322-6	2	Screw-HH
13	98-8407	1	Lever-Return, RH	30	106-5739	2	Arm-Control, Pump
14	108-4724	1	Spring-Extension	31	117-9969	2	Bearing-Rod End, RH
15	63-2650	2	Screw-Shoulder	33	321-9	2	Screw-HH
16	32151-91	1	Ring-Retaining	34	3296-42	2	Nut-Lock, NI
17	108-9743	3	Washer-Plain	35	3256-39	8	Washer-Flat
18	98-8408	1	Lever-Return, LH	36	95-3703	2	Washer-Spring, Wave



Principal Hydraulic Assembly

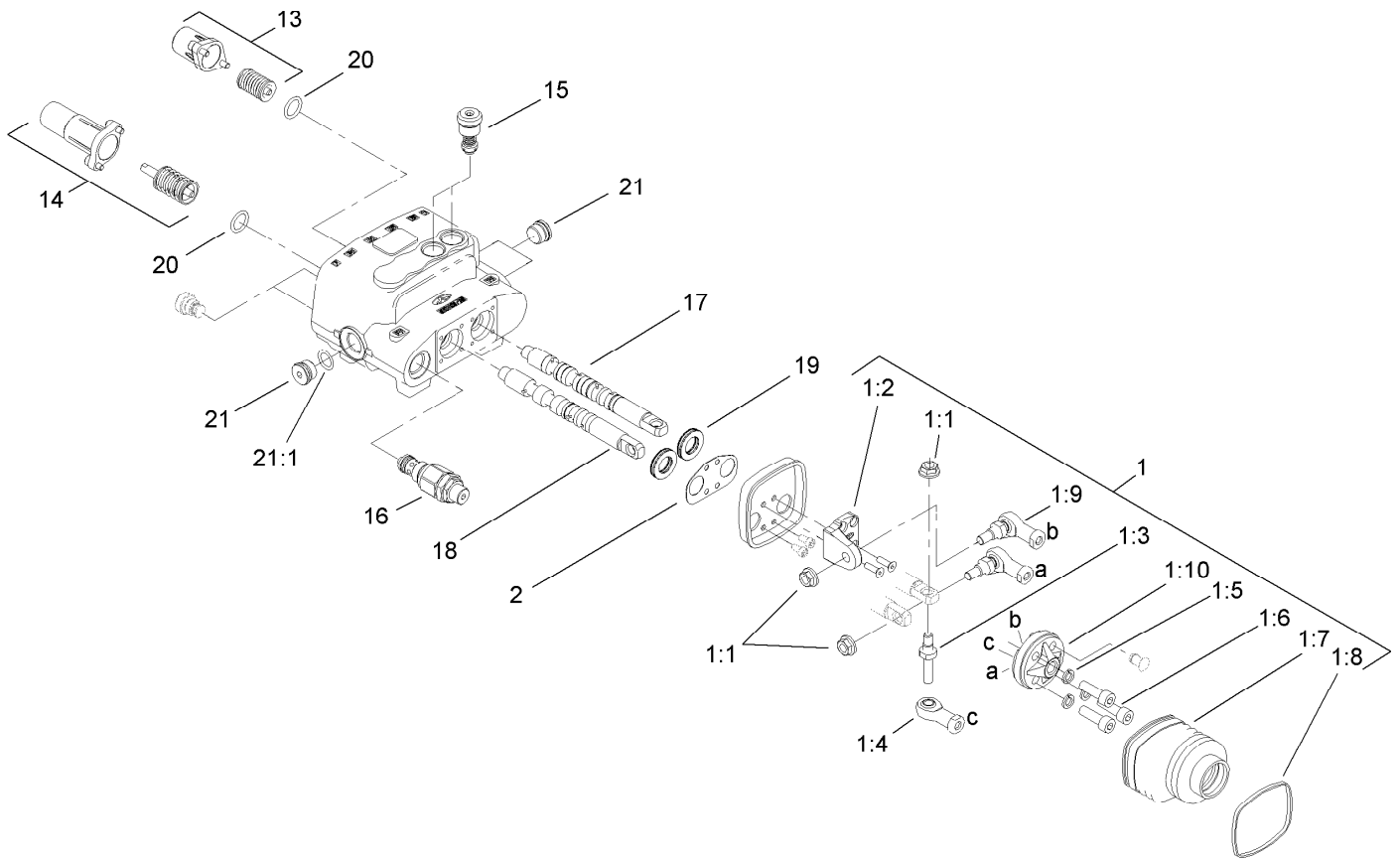
Ref.	Part Number	Qty.	Description	Ref.	Part Number	Qty.	Description
1	106-9307	1	2 Spool Valve ASM	20:2	237-42	1	O-Ring
2	51-2070	1	Nut	21	106-9315	1	Tube-HYD
3	108-4675	1	Shaft-Handle, Loader	22	106-9313	1	Tube-HYD
4	233-21	1	Knob	23	106-9312	1	Tube-HYD
5	340-161	2	Fitting-Bulkhead	24	106-9314	1	Tube-HYD
5:1	237-30	2	O-Ring	25	106-9385	1	Tube-HYD
5:2	340-127	1	Nut-Bulkhead	26	86-5480	1	Nipple-Test
6	106-9310	1	Tube-HYD	27	354-79	1	Cap-Dust
7	106-9311	1	Tube-HYD	28	340-71	4	Fitting-Straight, Bulkhead
8	340-4	4	Fitting-Straight	28:1	237-22	2	O-Ring
8:1	237-30	1	O-Ring	29	3296-29	2	Nut-Lock, NI
8:2	237-79	1	O-Ring	30	340-70	6	Nut-Lock
9	322-11	2	Screw-HH	31	100-4240	1	Fitting-STR
10	104-2827	1	Spacer-Hiflo	31:1	237-30	1	O-Ring
11	112-2738	1	Spring-Torsion	31:2	237-81	1	O-Ring
12	112-2605	1	Grip-Rubber	32	92-5821	1	Head-Filter
13	104-2831	1	1 Spool Valve ASM	33	86-3010	2	Filter-Oil
14	340-153	2	Fitting-Elbow, 90 DEG	34	340-131	1	Fitting-HYD, 90 DEG
14:1	237-79	1	O-Ring	34:1	237-30	1	O-Ring
14:2	237-151	1	O-Ring	34:2	237-81	1	O-Ring
15	106-9309	1	Tube-HYD	35	3253-3	2	Washer-Lock
16	48-7740	1	Screw	36	321-4	2	Screw-HH
17	104-5707	1	Tube-HYD	38	322-3	3	Screw-HH
18	237-42	1	O-Ring	39	3253-4	3	Washer-Lock
19	72-4310	1	Switch-Ball	40	340-68	2	Fitting-Tee, Bulkhead
20	340-2	4	Fitting-Straight	40:1	237-22	3	O-Ring
20:1	237-22	1	O-Ring	41	106-9316	1	Tube-HYD
				42	106-9317	1	Tube-HYD



Principal Hydraulic Assembly (continued)

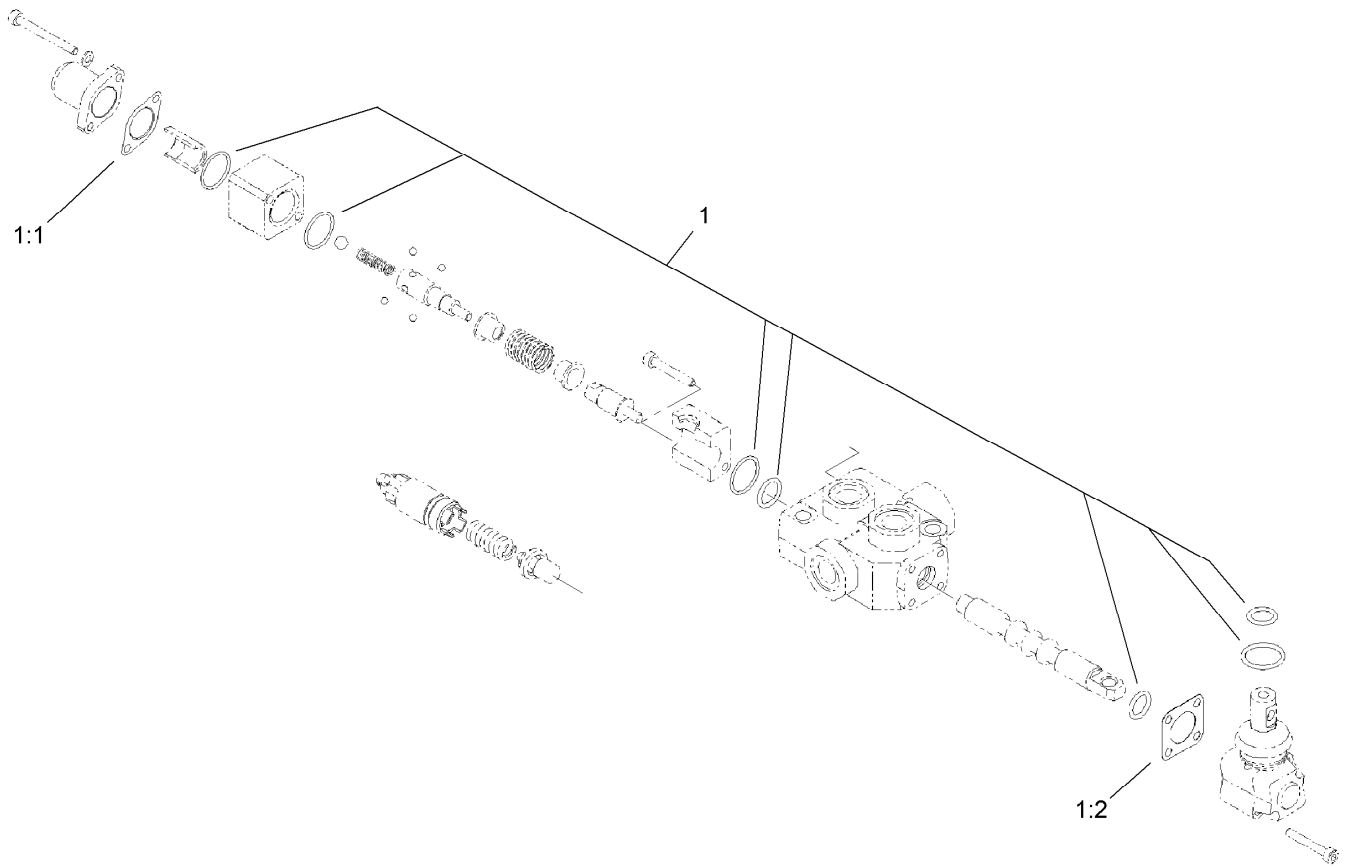
<i>Ref.</i>	<i>Part Number</i>	<i>Qty.</i>	<i>Description</i>
43	106-9387	1	HYD Tube ASM
43:1	237-22	1	O-Ring
44	3256-16	1	Washer-Flat

<i>Ref.</i>	<i>Part Number</i>	<i>Qty.</i>	<i>Description</i>
45	3296-42	1	Nut-Lock, NI
46	112-2739	1	Lever-Auxiliary



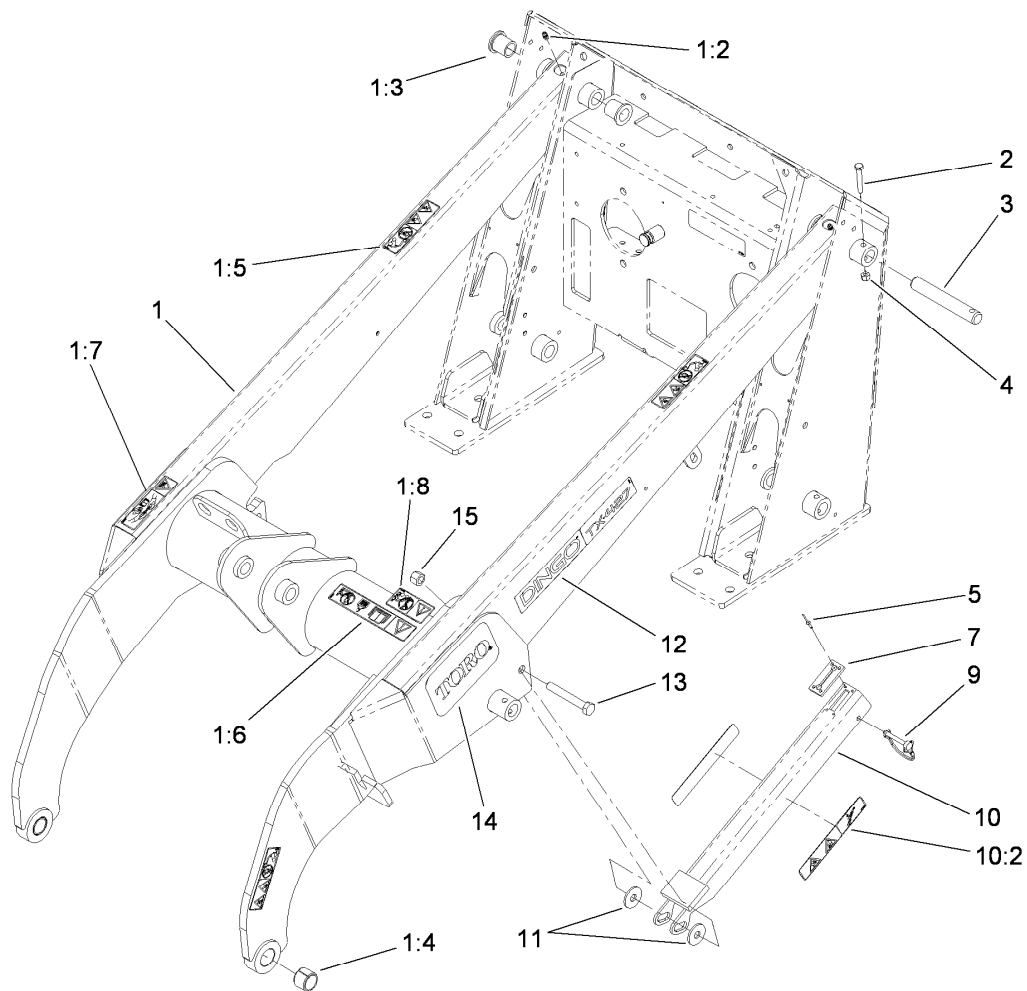
Two Spool Valve Assembly No. 106-9307

Ref.	Part Number	Qty.	Description
1	106-7724	1	Joystick Kit
1:1	98-0668	3	Nut
1:2	106-7726	1	Pivot-Joystick
1:3	106-7727	1	Pin-Joystick
1:4	106-7728	1	End-Rod
1:5	42-9850	3	Washer-Lock, Spring
1:6	98-5828	3	Screw-HSH
1:7	106-7729	1	Bellow-Rubber
1:8	3290-379	1	Tie-Cable
1:9	106-7730	2	Joint-Joystick
1:10	106-7731	1	Holder-Articulated
2	106-7725	1	Seal-Joystick
13	106-7732	1	Valve Spring Kit
14	106-7733	1	Detent Spring Kit
15	106-7734	2	Valve-Relief
16	106-7735	1	Valve-Relief, Main
17	106-7736	1	Spool-Valve
18	106-7737	1	Spool-Valve
19	106-7738	2	Seal-Valve, Spool
20	106-7719	2	Seal-Valve
21	353-988	3	Plug-Hex
21:1	237-79	1	O-Ring



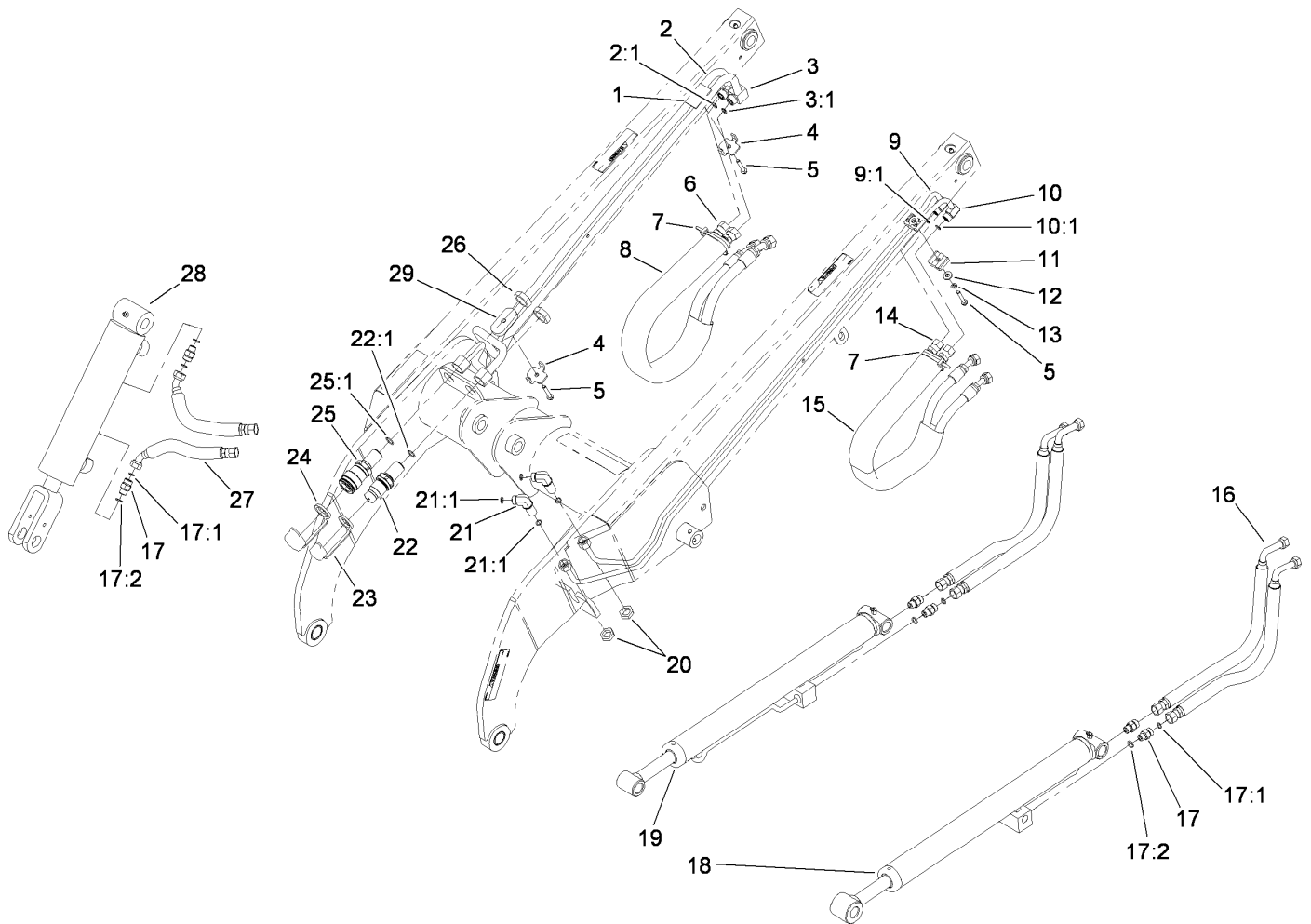
One Spool Valve Assembly No. 104-2831

<i>Ref.</i>	<i>Part Number</i>	<i>Qty.</i>	<i>Description</i>
1	99-4391	1	Seal Kit
1:1	99-3074	1	Gasket
1:2	99-3075	3	Gasket



Loader Arm Assembly

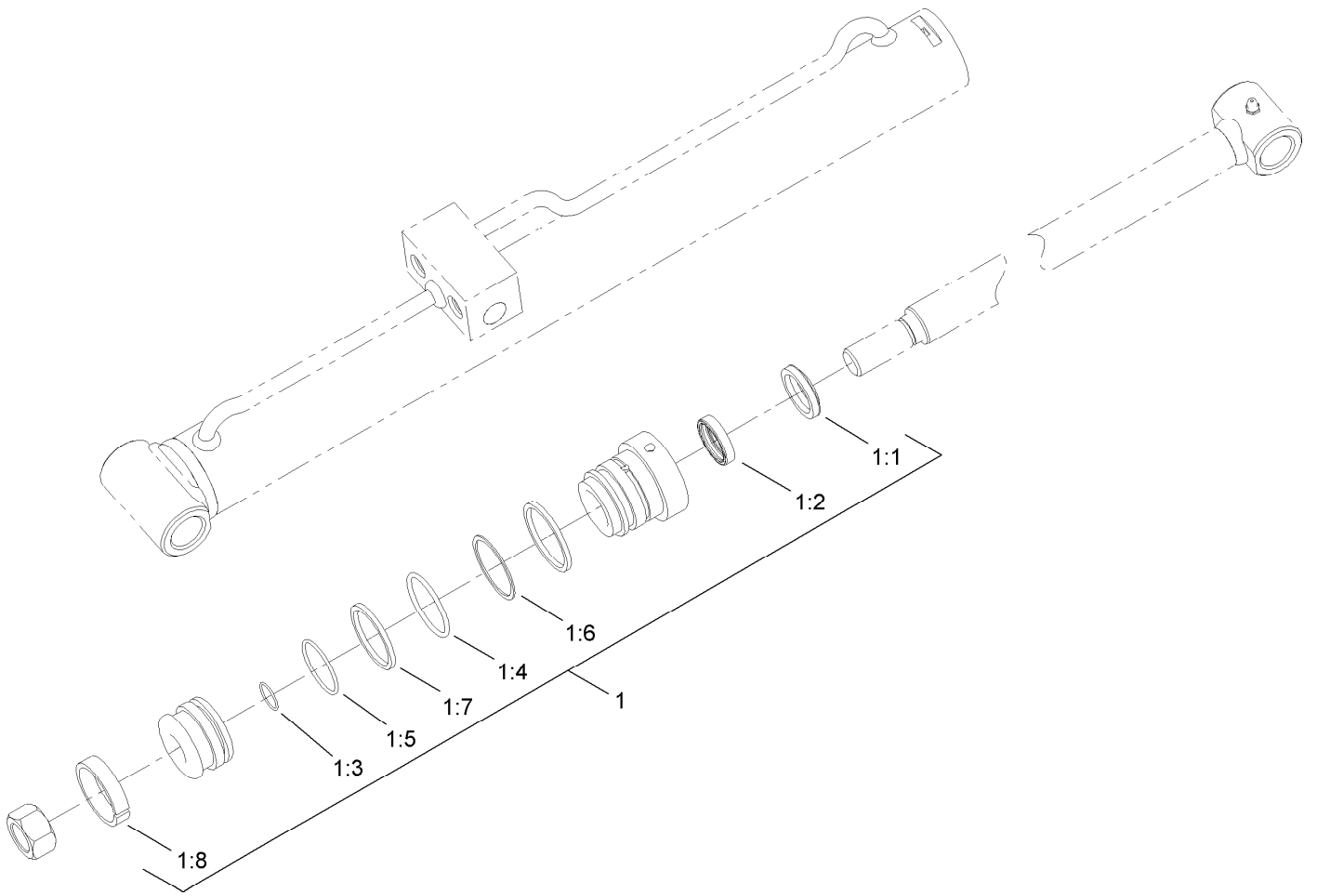
Ref.	Part Number	Qty.	Description
1	108-4638	1	Loader Arm ASM
1:2	302-5	2	Fitting-Grease
1:3	95-3577	4	Bushing
1:4	98-4871	2	Bushing-Tension
1:5	100-8821	4	Decal-Warning, Pinch
1:6	115-4856	1	Decal-Caution
1:7	115-4855	1	Decal-Caution
1:8	100-8822	1	Decal-No Rider
2	322-10	7	Screw-HH
3	104-2849	7	Pin-Locking
4	3296-29	7	Nut-Lock, NI
5	95-1687	4	Rivet
7	98-0083	1	Stop-Rubber
9	112-2583	1	Pin-Locking
10	108-4639	1	Locking Arm ASM
10:2	115-4858	2	Decal-Danger
11	68-1440	2	Washer-Rubber
12	115-4866	2	Decal
13	325-14	1	Screw-HH
14	105-1217	2	Decal
15	3296-23	1	Nut-Lock, NI



Loader Arm Hydraulic Assembly

Ref.	Part Number	Qty.	Description	Ref.	Part Number	Qty.	Description
1	106-9366	1	Spacer-Hardline	17	340-2	6	Fitting-Straight
2	108-6319	1	HYD Tube ASM	17:1	237-22	1	O-Ring
2:1	237-22	1	O-Ring	17:2	237-42	1	O-Ring
3	112-2563	1	HYD Tube ASM	18	104-6267	1	LH Lift Cylinder ASM
3:1	237-22	1	O-Ring	19	104-6269	1	RH Lift Cylinder ASM
4	98-0237	2	Plate-Clamp, Tube	20	340-70	2	Nut-Lock
5	94-2691	3	Screw-HWH Taptite	21	340-154	2	Union-Bulkhead
6	98-0242	2	Hose-HYD	21:1	237-22	2	O-Ring
7	3290-378	2	Tie-Cable	22	105-8395	1	Bulkhead Nipple ASM
8	100-6128	1	Sleeve-Protective	22:1	237-65	1	O-Ring
9	106-9364	1	HYD Tube ASM	22:2	100-6120	1	Seal Kit ●
9:1	237-22	1	O-Ring	23	100-8815	1	Cap-Dust, Nipple
10	106-9365	1	HYD Tube ASM	24	100-8816	1	Cap-Dust, Coupler
10:1	237-22	1	O-Ring	25	105-8394	1	Bulkhead Coupler ASM
11	56-7973	2	Clamp-Tube	25:1	237-65	1	O-Ring
12	3256-2	1	Washer-Flat	26	340-74	2	Nut-Lock, Bulkhead
13	3253-3	1	Washer-Lock	27	98-0207	2	Hose-HYD
14	98-0213	2	Hose-HYD	28	105-8370	1	Tilt Cylinder ASM
15	100-6127	1	Sleeve-Protective	29	112-2565	1	Plate-Hardline
16	98-0216	4	Hose-HYD				

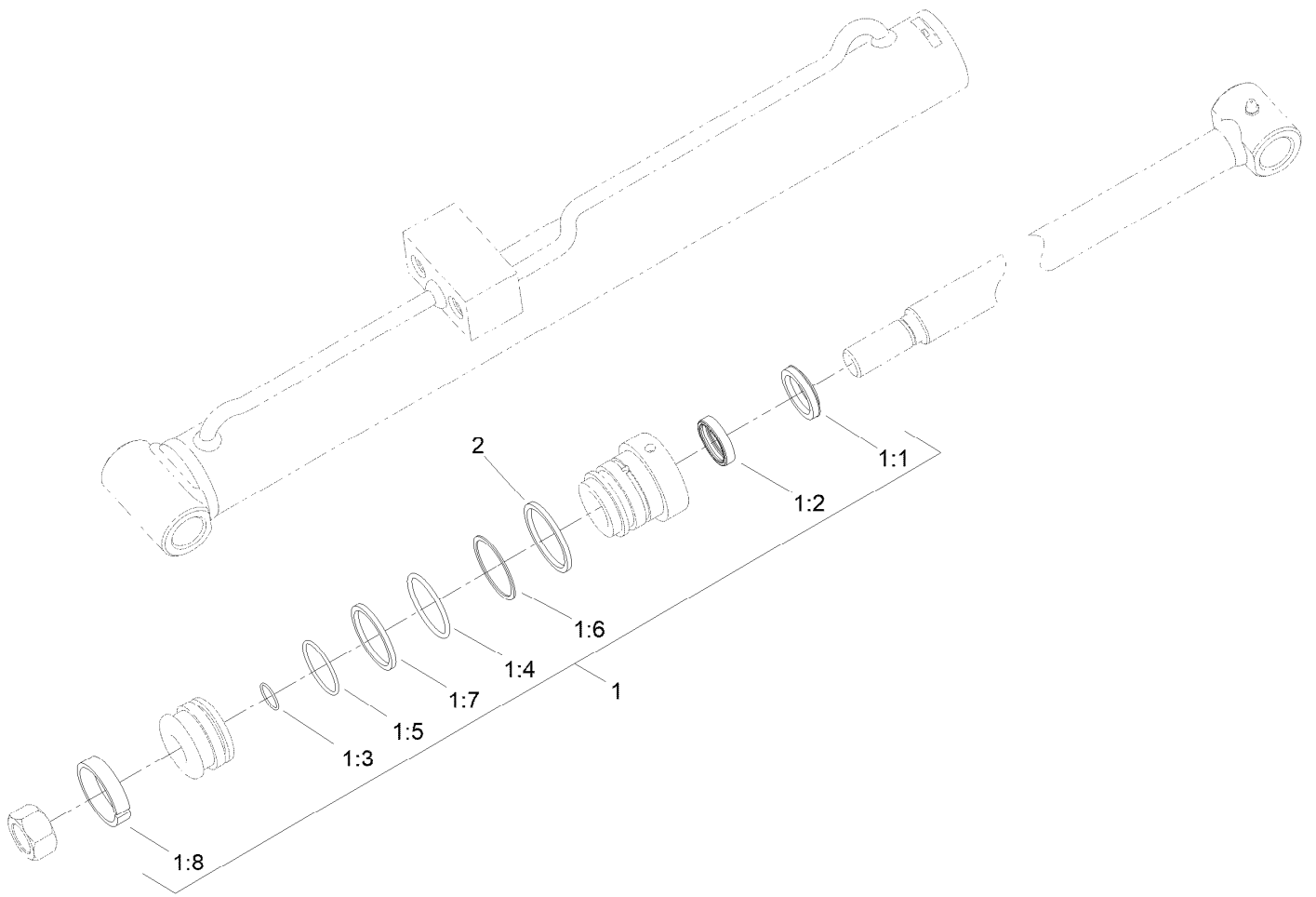
● Not illustrated



Left Hand Hydraulic Lift Cylinder Assembly No. 104-6267

<i>Ref.</i>	<i>Part Number</i>	<i>Qty.</i>	<i>Description</i>
1	104-6268	1	Seal Kit
1:1		1	Wiper ●
1:2		1	Seal ●
1:3		1	Ring-Retaining ●
1:4		1	Ring-Retaining ●
1:5		1	Ring-Retaining ●
1:6		1	Back-Up ●
1:7		1	Seal ●
1:8		1	Wear Ring ●

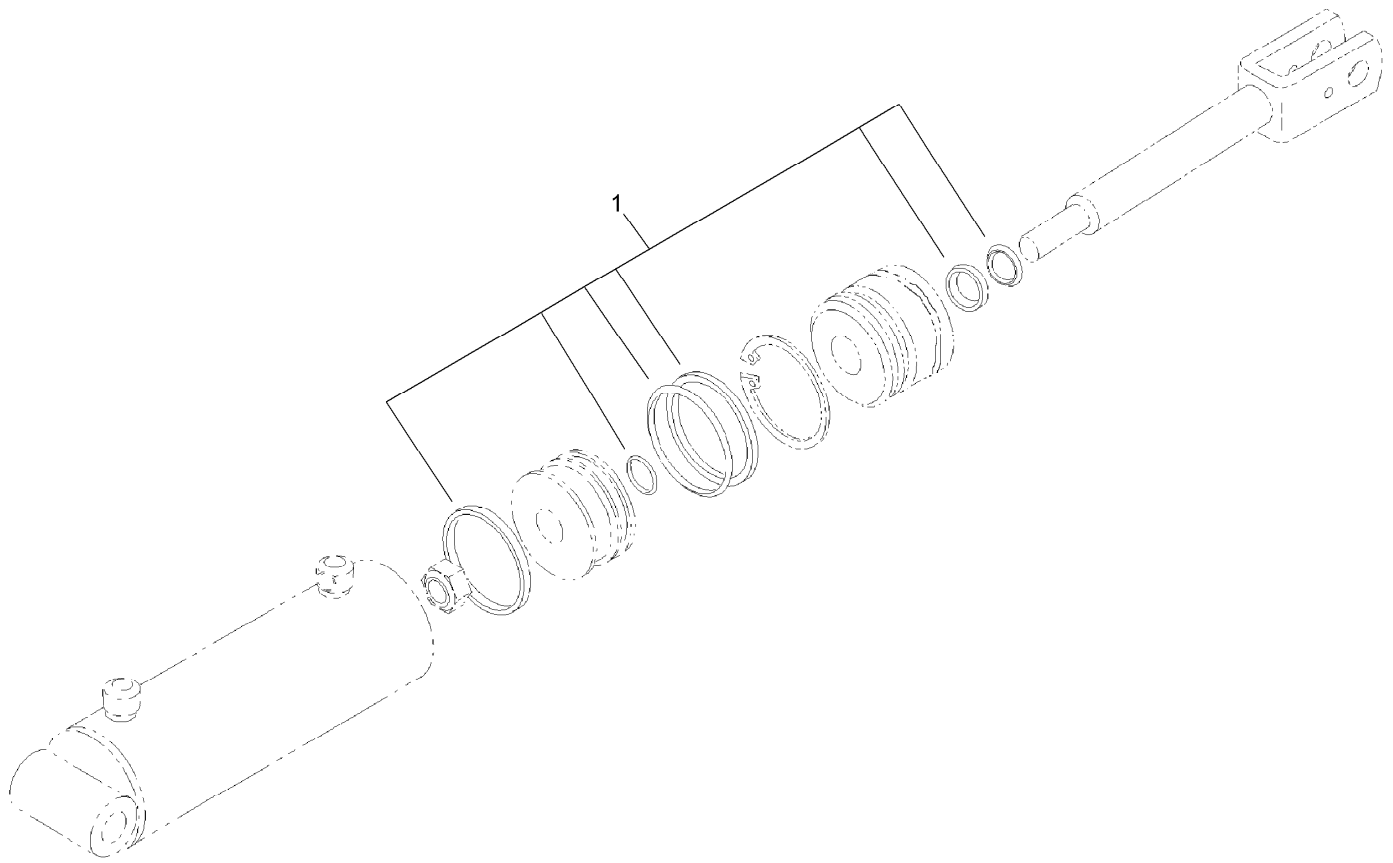
● Not serviced separately



Right Hand Hydraulic Lift Cylinder Assembly No. 104-6269

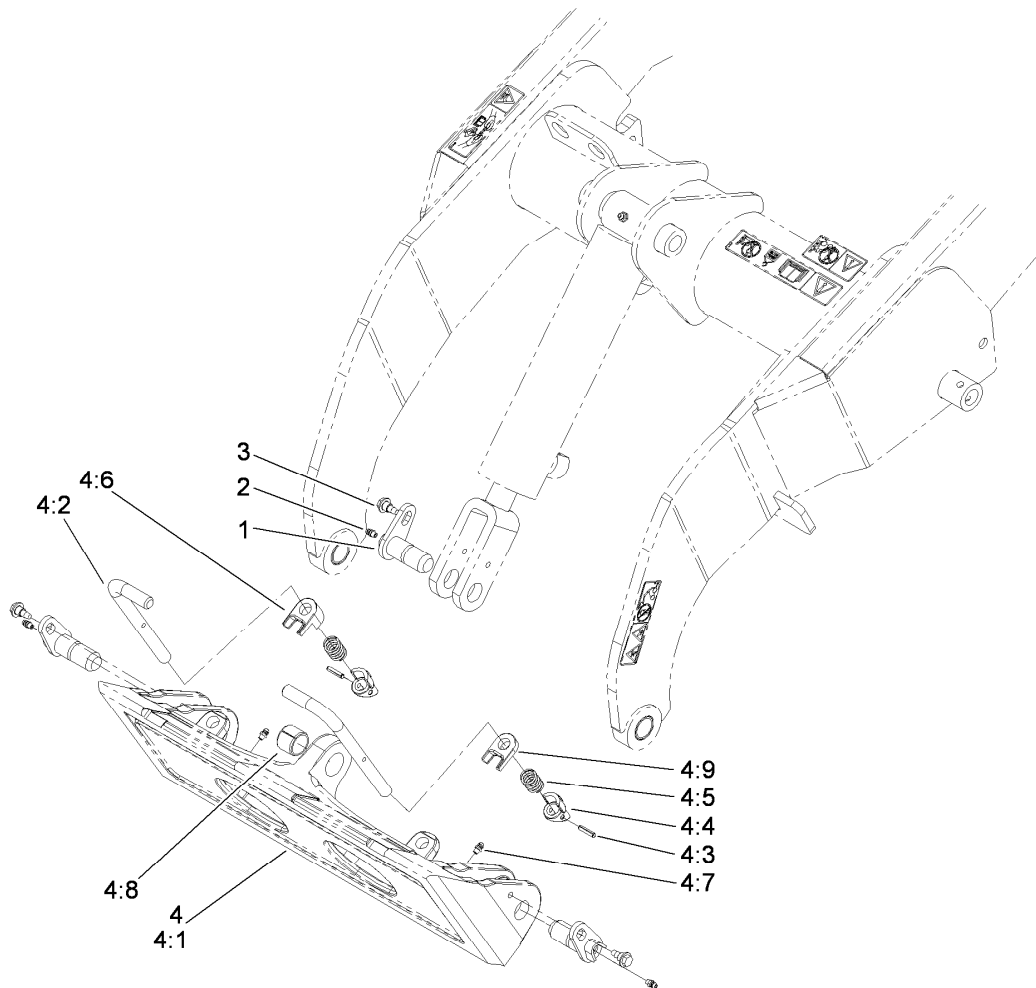
<i>Ref.</i>	<i>Part Number</i>	<i>Qty.</i>	<i>Description</i>
1	104-6268	1	Seal Kit
1:1		1	Wiper ●
1:2		1	Seal ASM ●
1:3		1	Seal-Dust ●
1:4		1	Seal-Dust ●
1:5		1	Seal-Dust ●
1:6		1	Back-Up ●
1:7		1	Seal ASM ●
1:8		1	Ring-Wear ●
2	161-7281	1	Ring - Retaining

● Not serviced separately



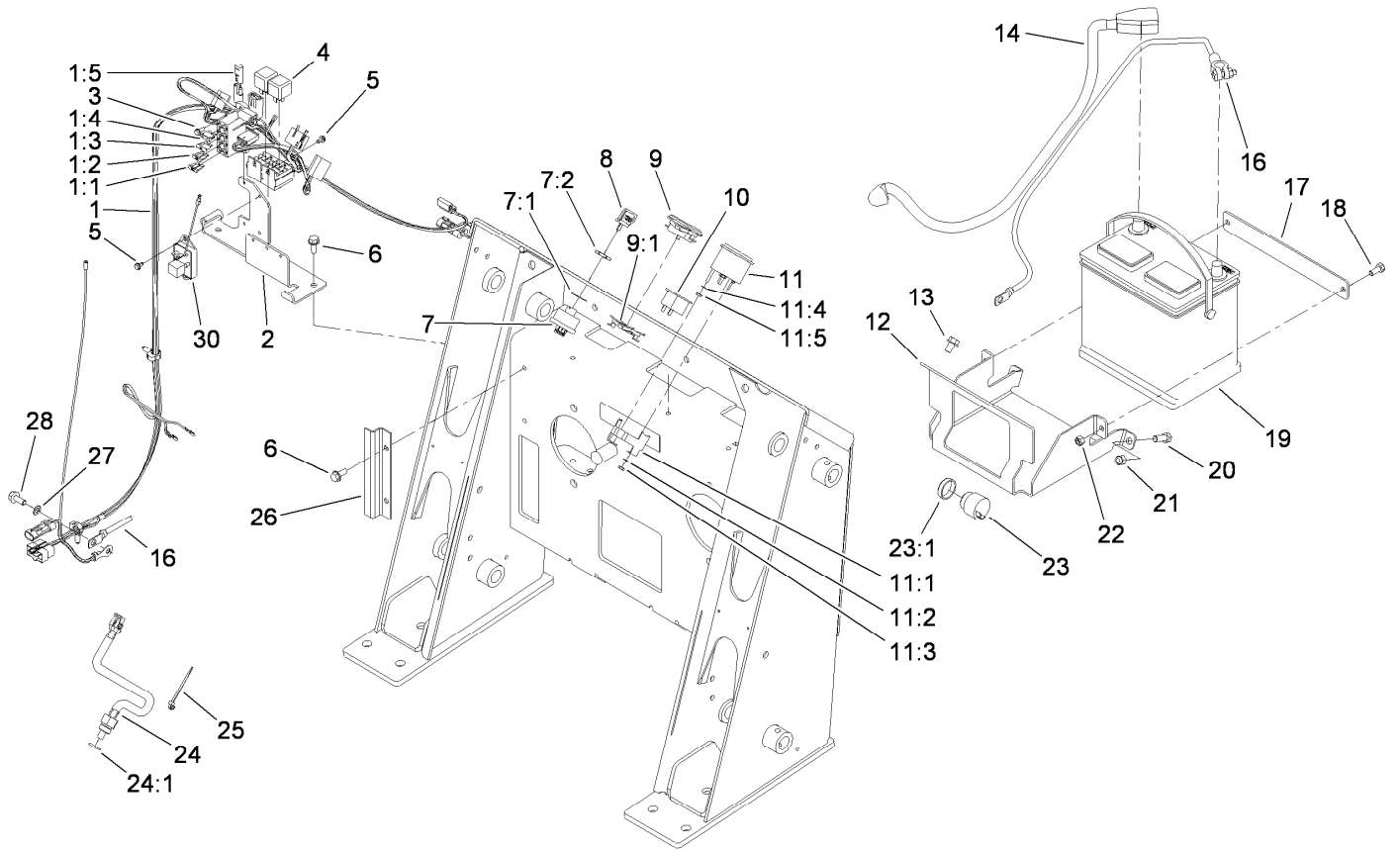
Hydraulic Cylinder Assembly No. 105-8370

<i>Ref.</i>	<i>Part Number</i>	<i>Qty.</i>	<i>Description</i>
1	106-7567	1	Seal Kit



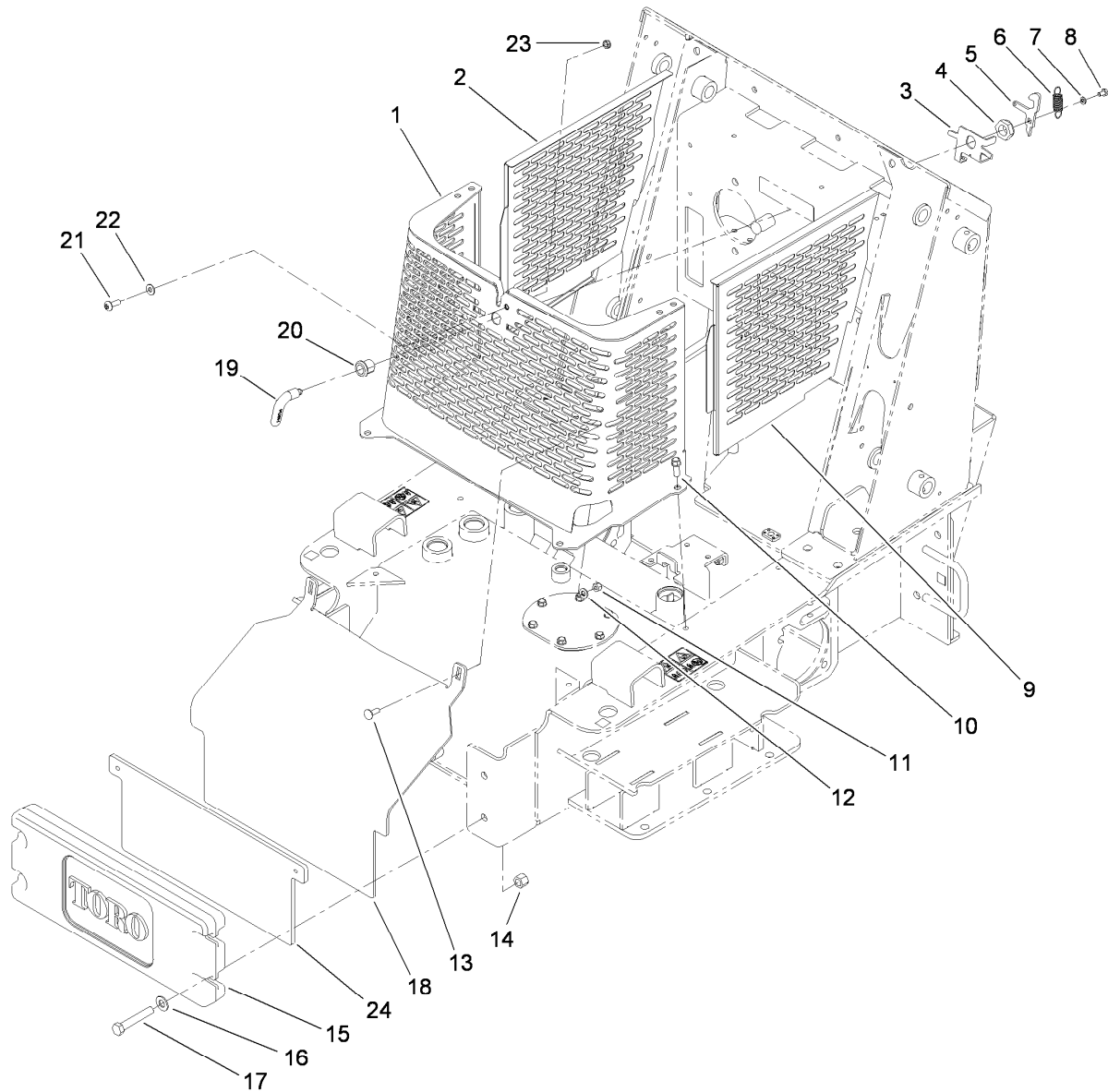
Quick Attach Assembly

<i>Ref.</i>	<i>Part Number</i>	<i>Qty.</i>	<i>Description</i>
1	112-2609	3	Pin-Pivot
2	302-5	3	Fitting-Grease
3	99-5105	3	Screw-Shoulder
4	115-0788	1	Quick Attach ASM
4:1	115-0774-03	1	Mount-Qtach
4:2	105-8367	2	Pin-Locking
4:3	3285-1	2	Pin-Grooved
4:4	105-0246	2	Cam
4:5	98-4694	2	Spring-Compression
4:6	104-5909	1	Stop-RH
4:7	302-5	2	Fitting-Grease
4:8	98-4871	1	Bushing-Tension
4:9	104-5903	1	Stop-LH



Electrical System Assembly (continued)

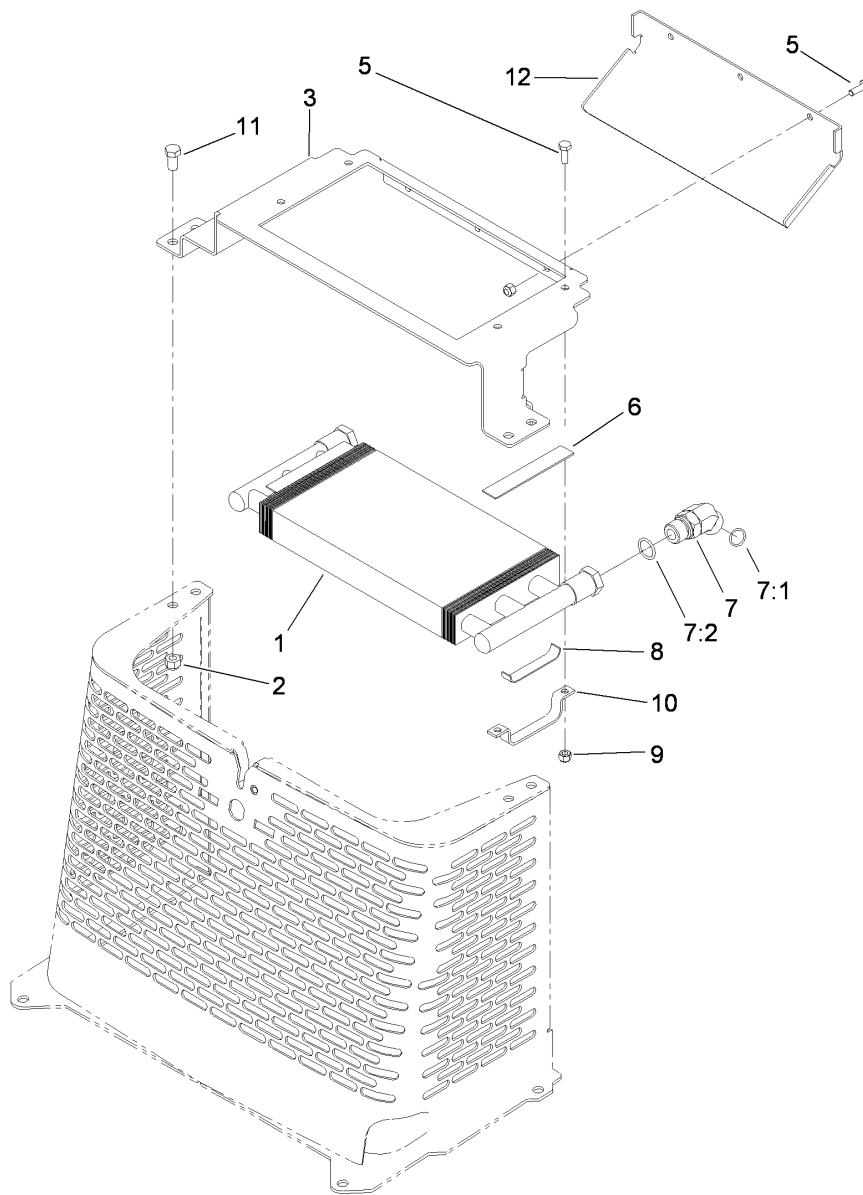
Ref.	Part Number	Qty.	Description
28	33104-020	1	Screw-HHF
30	99-7422	1	Module-Delay, Ignition



Grill Assembly

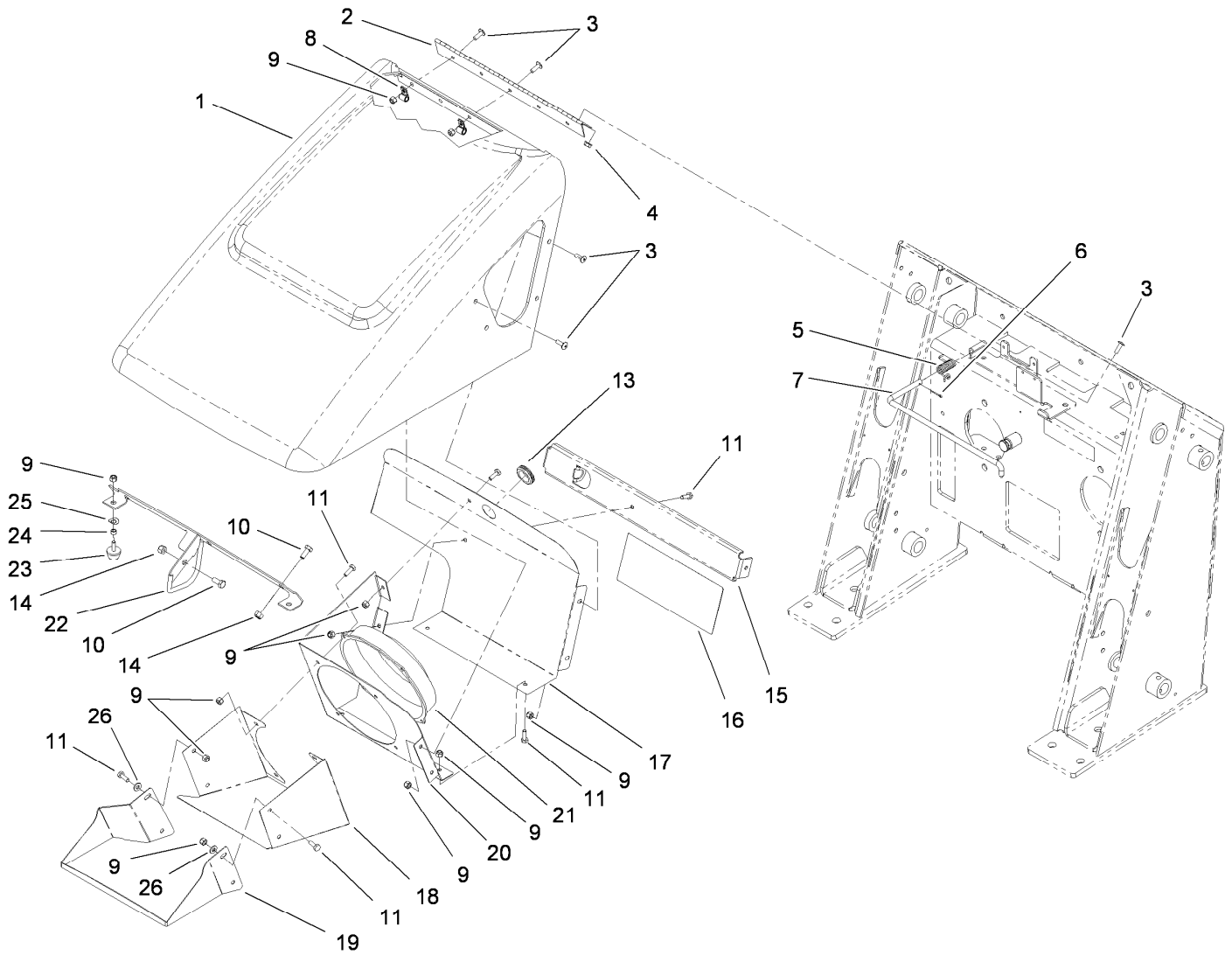
<i>Ref.</i>	<i>Part Number</i>	<i>Qty.</i>	<i>Description</i>
1	117-9998-03	1	Grill
2	106-5727-03	1	Panel-Side, RH
3	106-5729-03	1	Bracket-Latch
4	3296-60	1	Nut-Lock, NI
5	106-5728	1	Cam-Latch
6	104-0869	1	Spring
7	3253-3	1	Washer-Lock
8	321-2	1	Screw-HH
9	106-5726-03	1	Panel-Side, LH
10	95-1726	4	Screw-Taptite
11	3296-29	2	Nut-Lock, NI
12	3256-23	2	Washer-Plain

<i>Ref.</i>	<i>Part Number</i>	<i>Qty.</i>	<i>Description</i>
13	3230-28	2	Screw-CARR
14	3296-23	4	Nut-Lock, NI
15	99-6166-01	1	Counterweight-Front
16	3256-26	4	Washer-Flat
17	325-12	4	Screw-HH
18	117-9994-03	1	Plate-Front
19	108-5639	1	Handle-Latch
20	106-9335	1	Housing-Latch
21	107-8021	1	Screw-PTH
22	3256-2	1	Washer-Flat
23	3296-47	1	Nut-Lock, NI
24	117-9995-03	1	Plate-Counterweight



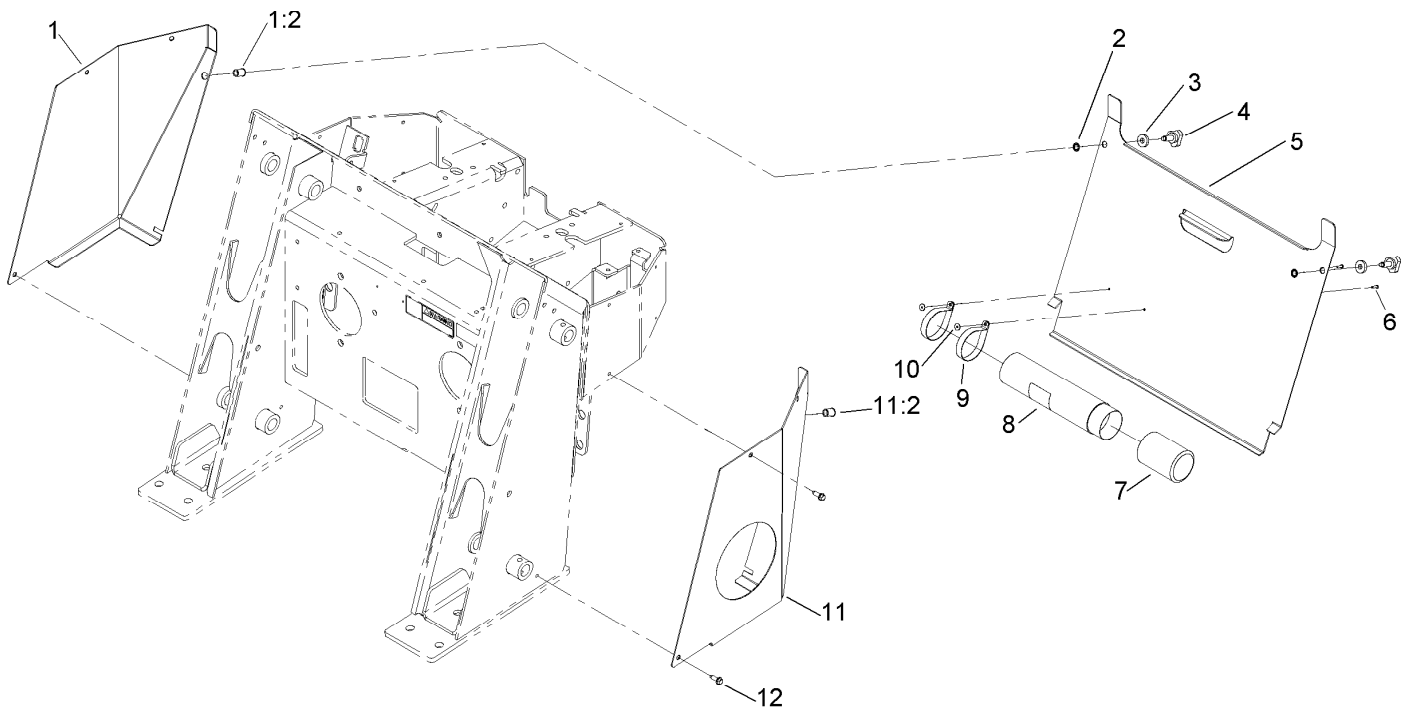
Hydraulic Oil Cooler Assembly

Ref.	Part Number	Qty.	Description
1	105-0352	1	Exchanger-Heat
2	3296-39	4	Nut-Lock, NI
3	117-9916-03	1	Bracket-Mounting, Cooler
5	321-4	7	Screw-HH
6	94-9566	2	Pad-Footrest
7	340-14	2	Fitting-HYD, 45 DEG
7:1	237-65	1	O-Ring
7:2	237-80	1	O-Ring
8	104-2816	2	Pad-Support
9	3296-42	7	Nut-Lock, NI
10	104-2803	2	Support-Cooler
11	3234-42	4	Screw-HHF
12	115-0798-03	1	Deflector-Cooler



Hood Assembly

<i>Ref.</i>	<i>Part Number</i>	<i>Qty.</i>	<i>Description</i>	<i>Ref.</i>	<i>Part Number</i>	<i>Qty.</i>	<i>Description</i>
1	114-1363	1	Hood	15	115-4849-03	1	Bracket-Support, Hood
2	100-1284	1	Hinge-Hood	16	115-4848	1	Decal-Service
3	9114604	14	Screw-Head, Truss	17	114-8715-03	1	Bracket-Fan, Back
4	32128-33	4	Nut-HF	18	114-8711-03	1	Shroud-Fan
5	106-2584	1	Spring-Torsion	19	114-8712-03	1	Shroud-Fan, Front
6	3272-6	1	Pin-Cotter	20	114-8714-03	1	Bracket-Fan, Back
7	106-2554	1	Rod-Support, Hood	21	104-2809	1	Fan
8	2412-91	2	Clamp	22	117-1725-03	1	Latch-Rod
9	3296-42	24	Nut-Lock, NI	23	1-523420	2	Bumper
10	322-3	4	Screw-HH	24	106-9308	2	Spacer
11	321-4	12	Screw-HH	25	3290-301	2	Washer-Spring
13	240-5	1	Grommet	26	3256-22	2	Washer-Flat
14	3296-29	4	Nut-Lock, NI				



Rear Access Cover Assembly

<i>Ref.</i>	<i>Part Number</i>	<i>Qty.</i>	<i>Description</i>
1	106-9342	1	RH Rear Cover Support ASM
1:2	32148-9	1	Nut-Clinch
2	32151-72	2	Ring-Retaining
3	106-0565	2	Washer-Rubber
4	95-9648	2	Knob
5	106-9339-01	1	Cover-Access, Rear
6	3269-17	2	Rivet-Pop
7	104-7048	1	Cap-Housing
8	104-7050	1	Tube-Manual
9	2412-120	2	Clamp-R
10	3269-10	2	Washer-Back
11	106-9343	1	LH Rear Cover Support ASM
11:2	32148-9	1	Nut-Clinch
12	9266714	6	Screw-HWH

Attachments and Accessories

For 22321 TX 427 Compact Utility Loader

Product Name	Model/Part
Light Kit.....	100-8840
Track Kit.....	104-6106
Road Wheel Kit.....	106-7620
Reference Guide Kit	107-9310
Track-Aggressive Tread.....	108-5640
4 Cubic Foot Standard Bucket	22409
Loose Materials Bucket	22410
48in Hydraulic Blade	22414
Rotary Broom	22415
Bore Drive Head	22420
Rod and Reamer	22421
Multi-Purpose Tool.....	22423
Power Box Rake	22425
Stump Grinder	22429
Tree Forks	22438
Cement Bowl	22442
40in Tiller	22445
Snowthrower.....	22456
Crumber Kit	22464
Trencher Head.....	22470
High-Speed Trencher Head	22471
Trench Filler.....	22472
TX Platform.....	22475
Narrow Bucket.....	22520
Grapple Rake	22521
Auger Head	22805
Universal Swivel Auger Head	22806
Vibratory Plow	22911
Soil Cultivator	23101
Concrete Breaker	23135
Backhoe Fitup Kit.....	23162
Backhoe.....	23163
Adjustable Forks.....	23164
Leveler.....	23165
Spark Arrestor Screen	75-6880

Notes:

Notes:

Notes:



Count on it.