



EN TimeCutter® MR4275T or MR5075T Zero Turn Riding Mower

74691, 74695

DE TimeCutter® MR4275T oder MR5075T Nullwendekreis-Aufsitzrasenmäher

74691, 74695

FR Tondeuse autoportée à rayon de braquage zéro TimeCutter® MR4275T ou MR5075T

74691, 74695

NL TimeCutter® MR4275T en MR5075T zero-turn zitmaaier

74691, 74695





Count on it.

Operator's Manual

**TimeCutter® MR4275T or
MR5075T Zero Turn Riding
Mower**

Model No. 74691—Serial No. 414500000 and Up

Model No. 74695—Serial No. 416299326 and Up



This product complies with all relevant European directives; for details, please see the separate product specific Declaration of Conformity (DOC) sheet.

Gross or Net Torque: The gross or net torque of this engine was laboratory rated by the engine manufacturer in accordance with the Society of Automotive Engineers (SAE) J1940 or J2723. As configured to meet safety, emission, and operating requirements, the actual engine torque on this class of mower will be significantly lower. Please refer to the engine manufacturer's information included with the machine.

The enclosed engine owner's manual is supplied for information regarding the US Environmental Protection Agency (EPA) and the California Emission Control Regulation of emission systems, maintenance, and warranty. Replacements may be ordered through the engine manufacturer.

Introduction

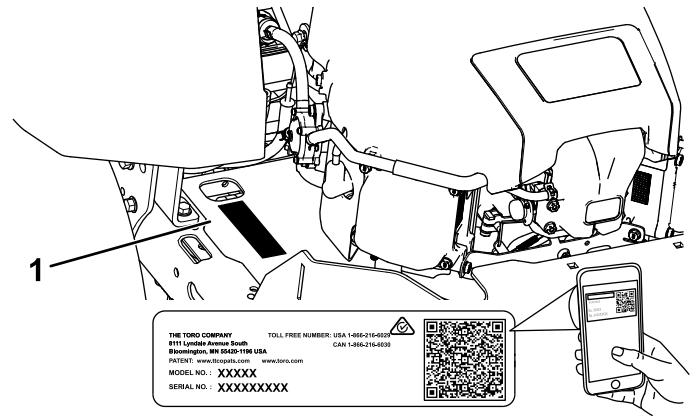
This rotary-blade, riding lawn mower is intended to be used by homeowners in residential applications. It is designed primarily for cutting grass on well-maintained lawns. Using this product for purposes other than its intended use could prove dangerous to you and bystanders.

Read this information carefully to learn how to operate and maintain your product properly and to avoid injury and product damage. You are responsible for operating the product properly and safely.

Visit www.Toro.com for product safety and operation training materials, accessory information, help finding a dealer, or to register your product.

Whenever you need service, genuine Toro parts, or additional information, contact an Authorized Service Dealer or Toro Customer Service and have the model and serial numbers of your product ready. [Figure 1](#) identifies the location of the model and serial numbers on the product. Write the numbers in the space provided.

Important: With your mobile device, you can scan the QR code on the serial number decal (if equipped) to access warranty, parts, and other product information.



g297763

Figure 1
Under the seat

1. Model and serial number location

Write the product model and serial numbers in the space below:

Model No. _____
Serial No. _____

This manual uses 2 words to highlight information. **Important** calls attention to special mechanical information and **Note** emphasizes general information worthy of special attention.

The safety-alert symbol ([Figure 2](#)) appears both in this manual and on the machine to identify important safety messages that you must follow to avoid accidents. This symbol will appear with the word **Danger**, **Warning**, or **Caution**.

- **Danger** indicates an imminently hazardous situation which, if not avoided, **will** result in death or serious injury.
- **Warning** indicates a potentially hazardous situation which, if not avoided, **could** result in death or serious injury.
- **Caution** indicates a potentially hazardous situation which, if not avoided, **may** result in minor or moderate injury.



sa-black

Figure 2

1. Safety-alert symbol

Contents

Safety	4	Electrical System Maintenance	39
General Safety	4	Electrical System Safety	39
Slope Indicator	5	Servicing the Battery	39
Safety and Instructional Decals	6	Servicing the Fuses	40
Product Overview	10	Drive System Maintenance	41
Controls	11	Checking the Tire Pressure	41
Specifications	12	Releasing the Electric Brake	41
Attachments/Accessories	12	Adjusting the Tracking	41
Before Operation	12	Belt Maintenance	42
Before Operation Safety	12	Inspecting the Belts	42
Adding Fuel	13	Replacing the Mower Belt	42
Performing Daily Maintenance	14	Mower Maintenance	44
Breaking in a New Machine	14	Blade Safety	44
Using the Safety-Interlock System	14	Servicing the Cutting Blades	44
Positioning the Seat	15	Leveling the Mower Deck	46
Adjusting the MyRide® Suspension		Removing the Mower Deck	49
System	15	Installing the Mower Deck	50
Adjusting the Motion-Control Levers	15	Replacing the Grass Deflector	50
Converting to Side Discharge	16	Cleaning	51
During Operation	18	Washing the Underside of the Mower	
During Operation Safety	18	Deck	51
Operating the Mower Blade-Control Switch		Disposing of Waste	52
(PTO)	20	Storage	52
Operating the Throttle	21	Storage Safety	52
Operating the Choke	21	Cleaning and Storage	52
Starting the Engine	21	Storing the Battery	53
Shutting Off the Engine	22	Troubleshooting	54
Using the Motion-Control Levers	22	Schematics	56
Driving the Machine	22		
Using the Smart Speed™ Control			
System	23		
Using the Side Discharge	24		
Adjusting the Height of Cut	24		
Adjusting the Anti-Scalp Rollers	25		
Operating Tips	26		
After Operation	27		
After Operation Safety	27		
Cleaning the Machine	27		
Pushing the Machine by Hand	27		
Transporting the Machine	28		
Maintenance	30		
Maintenance Safety	30		
Recommended Maintenance Schedule(s)	31		
Pre-Maintenance Procedures	32		
Releasing the Mower-Deck Curtain	32		
Raising the Machine	32		
Lubrication	33		
Greasing the Bearings	33		
Engine Maintenance	33		
Engine Safety	33		
Servicing the Air Cleaner	33		
Servicing the Engine Oil	34		
Servicing the Spark Plug	37		
Cleaning the Blower Housing	37		
Fuel System Maintenance	38		
Replacing the In-Line Fuel Filter	38		

Safety

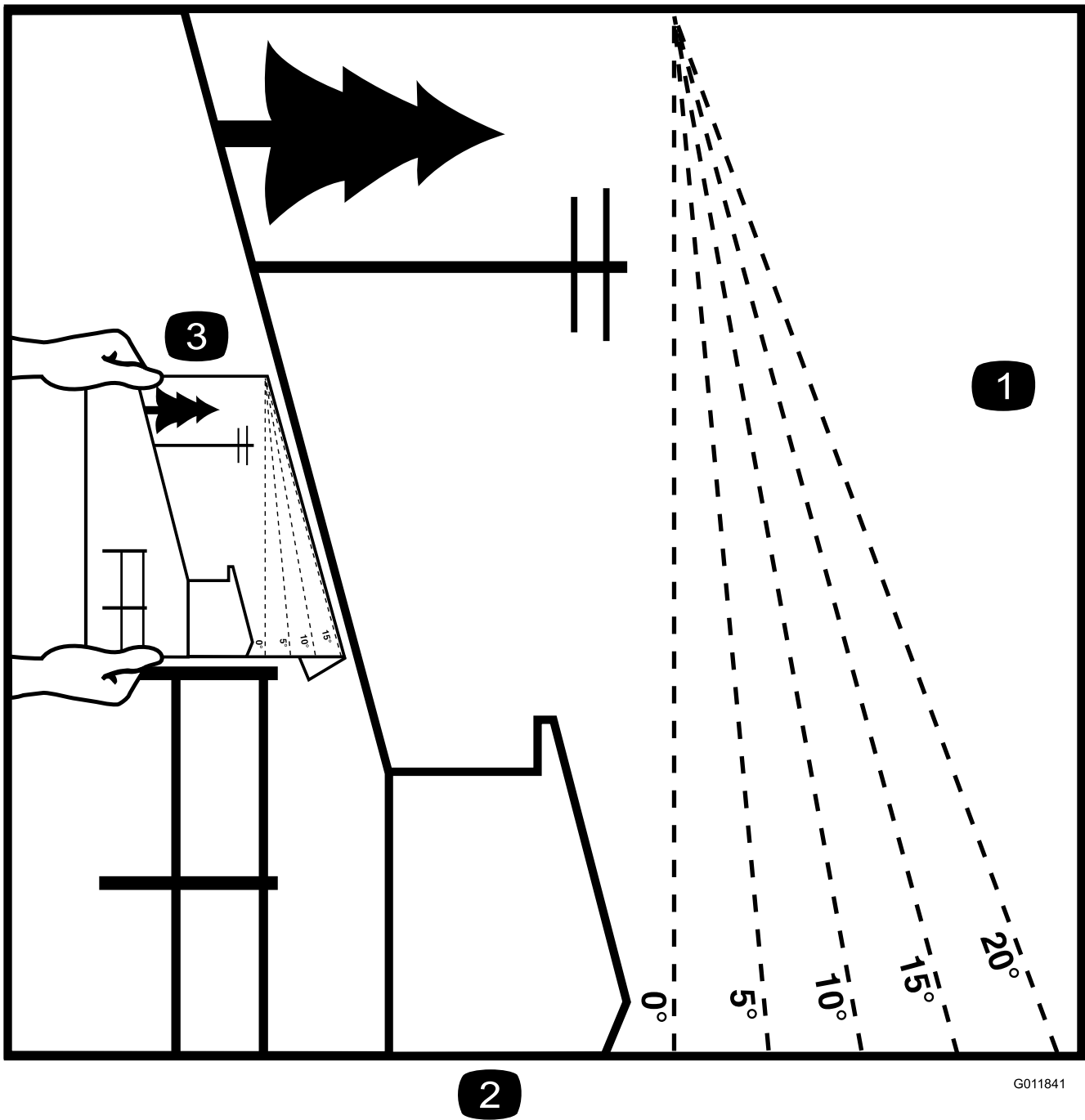
This machine has been designed in accordance with EN ISO 5395.

General Safety

This product is capable of amputating hands and feet and of throwing objects. Always follow all safety instructions to avoid serious personal injury or death.

- Read and understand the contents of this *Operator's Manual* before starting the engine.
- Keep bystanders and children away.
- Do not allow children or untrained people to operate or service the machine. Allow only people who are responsible, trained, familiar with the instructions, and physically capable to operate or service the machine.
- Do not operate the machine near drop-offs, ditches, embankments, water, or other hazards, or on slopes greater than 15°.
- Do not put your hands or feet near moving components of the machine.
- Do not operate the machine without all guards, safety switches, and other safety protective devices in place and functioning properly.
- Shut off the engine, remove the key, and wait for all moving parts to stop before leaving the operator's position. Allow the machine to cool before servicing, adjusting, fueling, cleaning, or storing it.

Slope Indicator



2

G011841

g011841

Figure 3

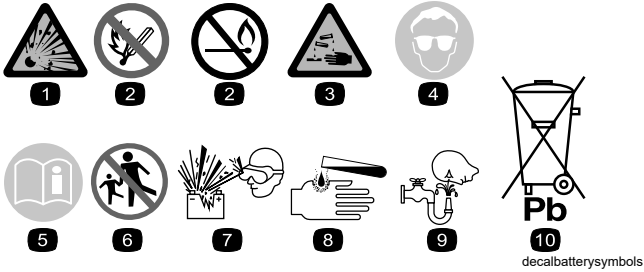
You may copy this page for personal use.

1. The maximum slope you can operate the machine on is **15 degrees**. Use the slope chart to determine the degree of slope of hills before operating. **Do not operate this machine on a slope greater than 15 degrees**. Fold along the appropriate line to match the recommended slope.
2. Align this edge with a vertical surface, a tree, building, fence pole, etc.
3. Example of how to compare slope with folded edge

Safety and Instructional Decals



Safety decals and instructions are easily visible to the operator and are located near any area of potential danger. Replace any decal that is damaged or missing.

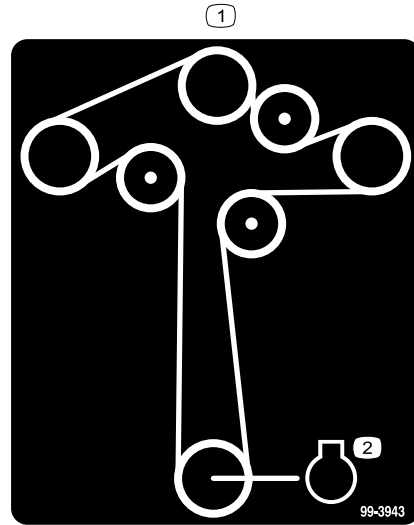


Battery Symbols

Some or all of these symbols are on your battery.

- | | |
|--|---|
| 1. Explosion hazard | 6. Keep bystanders away from the battery. |
| 2. No fire, open flame, or smoking | 7. Wear eye protection; explosive gases can cause blindness and other injuries. |
| 3. Caustic liquid/chemical burn hazard | 8. Battery acid can cause blindness or severe burns. |
| 4. Wear eye protection. | 9. Flush eyes immediately with water and get medical help fast. |
| 5. Read the <i>Operator's Manual</i> . | 10. Contains lead; do not discard |

Decal 99-3943 is for models with 127 cm (50 inch) decks only.



99-3943

decal99-3943

1. Belt routing
2. Engine

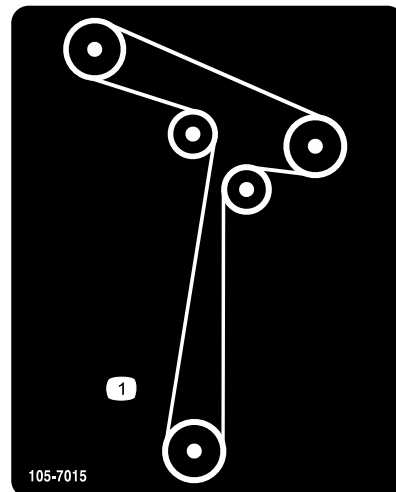


decaloemmarkt

Manufacturer's Mark

1. This mark indicates that the blade is identified as a part from the original machine manufacturer.

Decal 105-7015 is for models with 107 cm (42 inch) decks only.

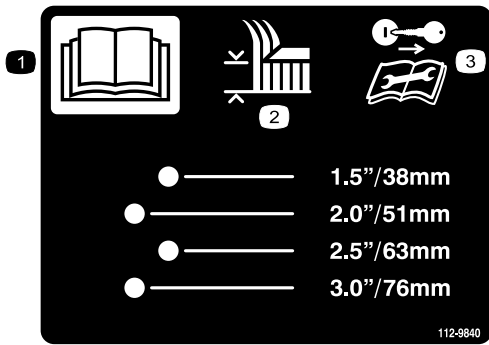


105-7015

decal105-7015

1. Belt routing

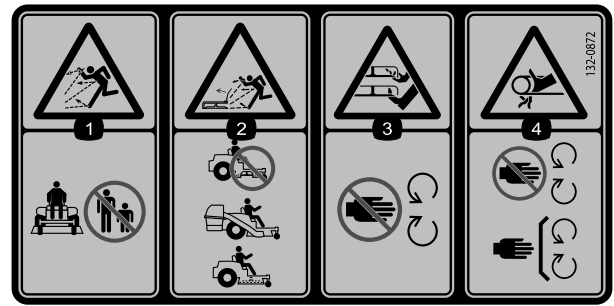
Decal 112-9840 is for models with 127 cm (50 inch) decks only.



112-9840

decal112-9840

1. Read the *Operator's Manual*.
2. Height of cut
3. Remove the ignition key and read the instructions before servicing or performing maintenance.

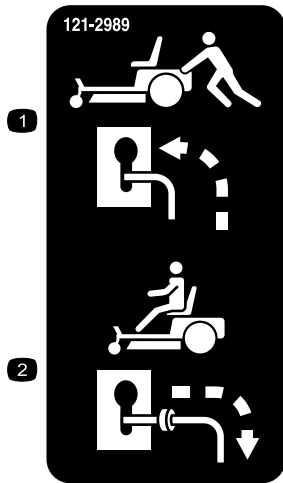


decal132-0872

132-0872

1. Thrown object hazard—keep bystanders away from the machine.
2. Thrown object hazard, raised deflector—do not operate the machine with an open deck; use a bagger or a deflector.
3. Severing hazard of hand or foot—keep away from moving parts.
4. Entanglement hazard—keep away from moving parts; keep all guards and shields in place.

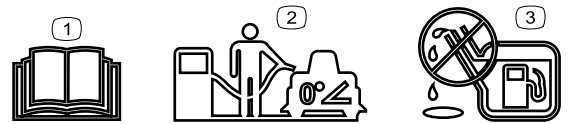
Decal 138-6074 is molded into the fuel tank.



decal121-2989b

121-2989

1. Bypass lever position for pushing the machine
2. Bypass lever position for operating the machine



decal138-2456

138-6074

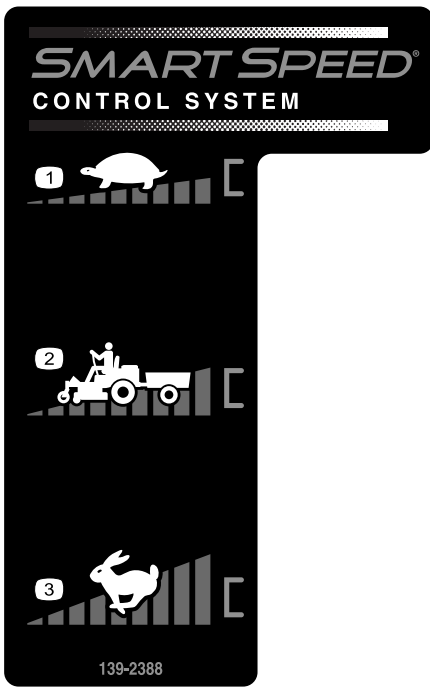
1. Read the *Operator's Manual*.
2. Park the machine on a level surface when filling the fuel tank.
3. Do not overfill the fuel tank.



decal130-0731

130-0731

1. Warning—thrown object hazard; keep the deflector shield in place.
2. Cutting hazard of hand or foot, mower blade—keep away from moving parts.

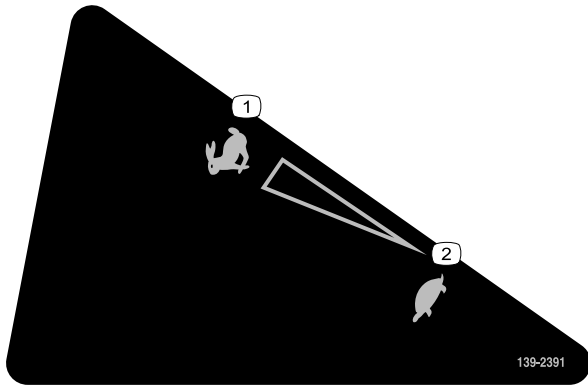


139-2388

decal139-2388

- 1. Slow
- 2. Hauling
- 3. Fast

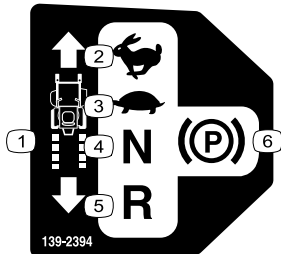
Decal 139-2391 is for models without an hour meter.



139-2391

decal139-2391

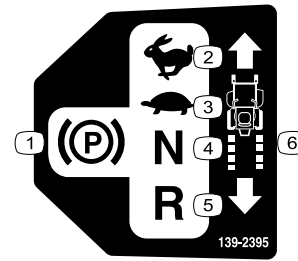
- 1. Fast
- 2. Slow



139-2394

decal139-2394

- 1. Traction controls
- 2. Fast
- 3. Slow
- 4. Neutral
- 5. Reverse
- 6. Parking brake



139-2395

decal139-2395

- 1. Parking brake
- 2. Fast
- 3. Slow
- 4. Neutral
- 5. Reverse
- 6. Traction controls



139-2397

decal139-2397



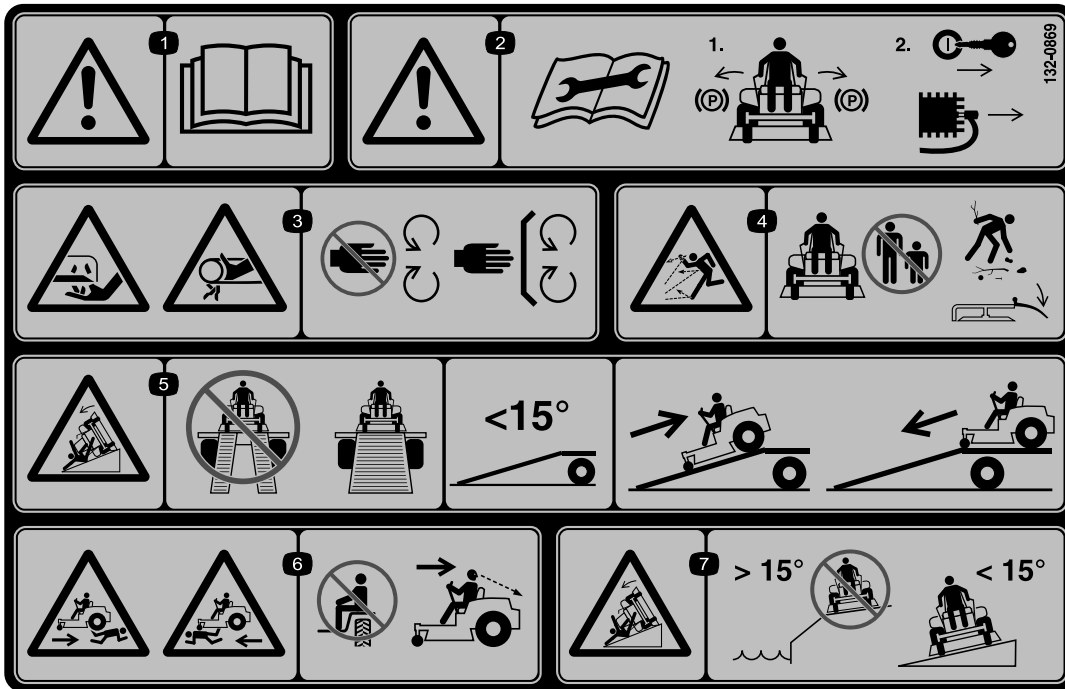
140-2748

decal140-2748

WARNING: Cancer and Reproductive Harm - www.P65Warnings.ca.gov.
 For more information, please visit www.ttcocalprop65.com
CALIFORNIA SPARK ARRESTER WARNING
 Operation of this equipment may create sparks that can start fires around dry vegetation. A spark arrester may be required. The operator should contact local fire agencies for laws or regulations relating to fire prevention requirements.

142-5864

decal142-5864



132-0869

decal132-0869

Note: This machine complies with the industry standard stability test in the static lateral and longitudinal tests with the maximum recommended slope indicated on the decal. Review the instructions for operating the machine on slopes in the *Operator's Manual* as well as the conditions in which you would operate the machine to determine whether you can operate the machine in the conditions on that day and at that site. Changes in the terrain can result in a change in slope operation for the machine.

- | | | | |
|--|--|--|--|
| 1. Warning—read the <i>Operator's Manual</i> . | 3. Cutting/dismemberment hazard of the hand, mower blade; entanglement hazard of the hand, belt—stay away from moving parts; keep all guards and shields in place. | 5. Tipping hazard—do not use dual ramps when loading onto a trailer; use 1 ramp wide enough for the machine; use a ramp with a slope less than 15°; back up the ramp when loading the machine and drive forward off the ramp when unloading. | 7. Tipping hazard—do not use the machine near drop-offs or on slopes greater than 15°; only operate across slopes less than 15°. |
| 2. Warning—read the <i>Operator's Manual</i> before performing maintenance; engage the parking brake, remove the key, and disconnect the spark plug. | 4. Thrown object hazard—keep bystanders away; pick up debris before operating; keep the deflector in place. | 6. Runover hazard—do not carry passengers; look behind you when mowing in reverse. | |

Product Overview

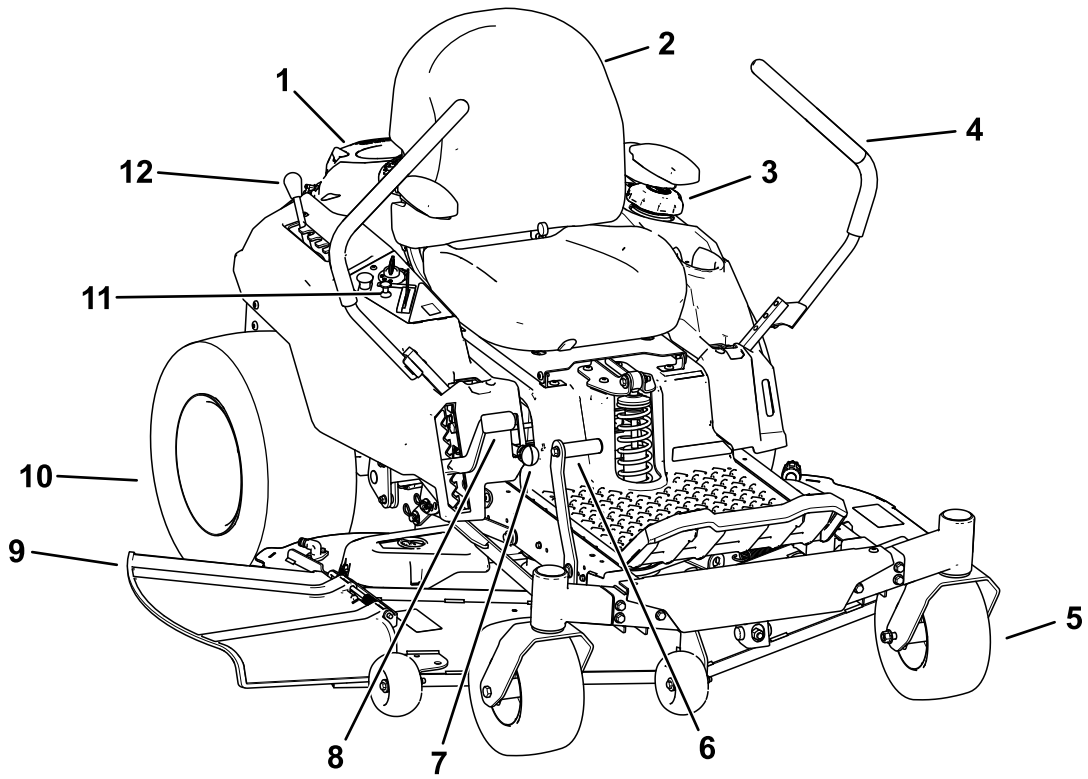


Figure 4

g367815

- | | | | |
|------------------|--|------------------------|------------------------------|
| 1. Engine | 4. Motion-control levers | 7. Smart Speed™ lever | 10. Rear drive wheel |
| 2. Operator seat | 5. Front caster wheel | 8. Height-of-cut lever | 11. Control panel |
| 3. Fuel-tank cap | 6. Deck-lift pedal (certain models only) | 9. Deflector | 12. MyRide™ adjustment lever |
-

Controls

Become familiar with all the controls before you start the engine and operate the machine.

Control Panel

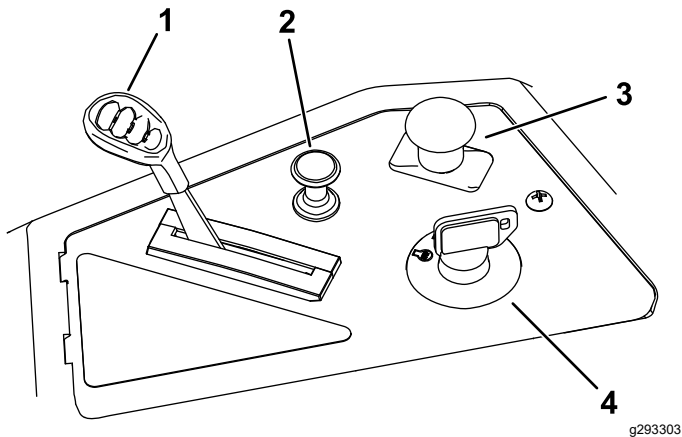


Figure 5

g293303

- | | |
|---------------------|---|
| 1. Throttle control | 3. Blade-control switch (power takeoff) |
| 2. Choke control | 4. Key switch |

Key Switch

The key switch, used to start and shut off the engine, has 3 positions: OFF, RUN, and START (Figure 5).

Throttle Control

The throttle controls the engine speed, and it has a continuous-variable setting from the SLOW to FAST position (Figure 5).

Choke Control

Use the choke control to start a cold engine (Figure 5).

Blade-Control Switch (Power Takeoff)

The blade-control switch, represented by a power-takeoff (PTO) symbol, engages and disengages power to the mower blades (Figure 5).

Motion-Control Levers

Use the motion-control levers to drive the machine forward, reverse, and turn either direction (Figure 4).

Park Position

Move the motion-control levers outward from the center to the PARK position when exiting the machine to engage the electric brake (Figure 24). Always position the motion-control levers into the PARK position when you stop the machine or leave it unattended.

MyRide® Adjustment Lever

Use the MyRide® adjustment lever to adjust the seat suspension (Figure 4).

Smart Speed™ Control System Lever

The Smart Speed™ Control-System lever, located below the operating position, gives you a choice to drive the machine at 3 speed ranges— trim, tow, and mow (Figure 27).

Fuel-Presence Window

You can use the fuel window, located on the left side of the machine, to verify the presence of fuel in the tank (Figure 6).

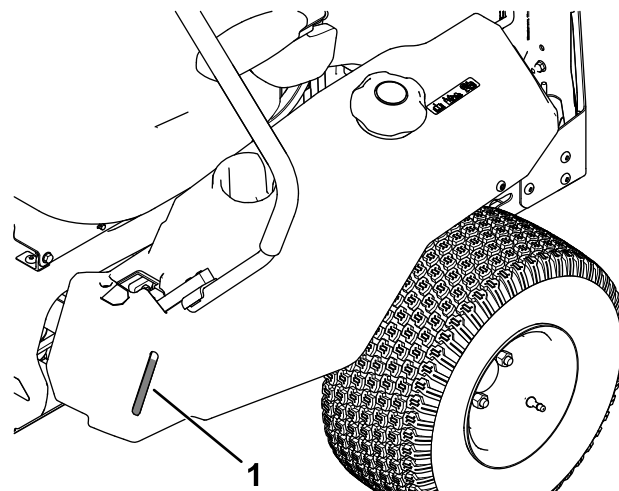


Figure 6

g292100

1. Fuel-presence window

Height-of-Cut Lever

Use the height-of-cut lever to lower and raise the deck from the seated position. Moving the lever up (toward you) raises the deck from the ground and moving the lever down (away from you) lowers the deck toward the ground. Adjust the height-of-cut only while the machine is not moving (Figure 28).

Foot Pedal Deck-Lift System

Certain Models Only

The foot pedal deck-lift system allows you to lower and raise the deck from the seated position. You can use the foot pedal to lift the deck briefly to avoid obstacles or assist in adjusting the height of cut (Figure 4).

Specifications

Specifications and design are subject to change without notice.

	42in Mower Deck	50in Mower Deck
Cutting width	107 cm (42 inches)	127 cm (50 inches)
Width with deflector down	135 cm (53 inches)	155 cm (61 inches)
Width with deflector raised	123 cm (48.5 inches)	130 cm (51 inches)
Length	185 cm (73 inches)	186 cm (73 inches)
Height	112 cm (44 inches)	109 cm (43 inches)
Weight	332 kg (731 lb)	353 kg (779 lb)

Attachments/Accessories

A selection of Toro approved attachments and accessories is available for use with the machine to enhance and expand its capabilities. Contact your Authorized Service Dealer or authorized Toro distributor or go to www.Toro.com for a list of all approved attachments and accessories.

To ensure optimum performance and continued safety certification of the machine, use only genuine Toro replacement parts and accessories. Replacement parts and accessories made by other manufacturers could be dangerous, and such use could void the product warranty.

Operation

Note: Determine the left and right sides of the machine from the normal operating position.

Before Operation

Before Operation Safety

General Safety

- Do not allow children or untrained people to operate or service the machine. Local regulations may restrict the age of the operator. The owner is responsible for training all operators and mechanics.
- Inspect the area where you will use the machine, and remove all objects that could interfere with the operation of the machine or that the machine could throw.
- Become familiar with the safe operation of the equipment, operator controls, and safety signs.
- Check that operator-presence controls, safety switches, and guards are attached and working properly. Do not operate the machine unless they are functioning properly.
- Shut off the engine, remove the key, and wait for all moving parts to stop before leaving the operator's position. Allow the machine to cool before servicing, adjusting, fueling, cleaning, or storing it.
- Before mowing, inspect the machine to ensure that the cutting assemblies are working properly.
- Evaluate the terrain to determine the appropriate equipment and any attachments or accessories required to operate the machine properly and safely.
- Wear appropriate clothing, including eye protection; long pants; substantial, slip-resistant footwear; and hearing protection. Tie back long hair and do not wear loose clothing or loose jewelry.
- Do not carry passengers on the machine.
- Keep bystanders and pets away from the machine during operation. Shut off the machine and attachment(s) if anyone enters the area.
- Do not operate the machine unless all guards and safety devices, such as the deflectors and the entire grass catcher, are in place and functioning properly. Replace worn or deteriorated parts when necessary.

Fuel Safety

- Fuel is extremely flammable and highly explosive. A fire or explosion from fuel can burn you and others and can damage property.
 - To prevent a static charge from igniting the fuel, remove the machine from the truck or trailer and refuel it on the ground, away from all vehicles. If this is not possible, place a portable fuel container on the ground, away from all vehicles, and fill it; then refuel the machine from the fuel container rather than from a fuel-dispenser nozzle.
 - Fill the fuel tank outdoors on level ground, in an open area, and when the engine is cold. Wipe up any fuel that spills.
 - Do not handle fuel when smoking or around an open flame or sparks.
 - Do not remove the fuel cap or add fuel to the tank while the engine is running or hot.
 - If you spill fuel, do not attempt to start the engine. Avoid creating a source of ignition until the fuel vapors have dissipated.
 - Store fuel in an approved container and keep it out of the reach of children.
- Fuel is harmful or fatal if swallowed. Long-term exposure to vapors can cause serious injury and illness.
 - Avoid prolonged breathing of vapors.
 - Keep your hands and face away from the nozzle and the fuel-tank opening.
 - Keep fuel away from your eyes and skin.
- Do not store the machine or fuel container where there is an open flame, spark, or pilot light, such as on a water heater or on other appliances.
- Do not operate the machine without the entire exhaust system in place and in proper working condition.
- Keep the fuel-dispenser nozzle in contact with the rim of the fuel tank or container opening at all times until fueling is complete. Do not use a nozzle lock-open device.
- If you spill fuel on your clothing, change your clothing immediately.
- Do not overfill the fuel tank. Replace the fuel cap and tighten it securely.
- Clean grass and debris from the cutting unit, muffler, drives, grass catcher, and engine compartment to help prevent fires. Clean up oil or fuel spills.

Adding Fuel

Recommended Fuel

Type	Unleaded gasoline
Minimum octane rating	87 (US) or 91 (research octane; outside the US)
Ethanol	No more than 10% by volume
Methanol	None
MTBE (methyl tertiary butyl ether)	Less than 15% by volume
Oil	Do not add to the fuel

Use only clean, fresh (no more than 30 days old), fuel from a reputable source.

Using Stabilizer/Conditioner

Use fuel stabilizer/conditioner in the machine to keep the fuel fresh longer when used as directed by the fuel-stabilizer manufacturer.

Important: Do not use fuel additives containing methanol or ethanol.

Add the amount of fuel stabilizer/conditioner to fresh fuel as directed by the fuel-stabilizer manufacturer.

Filling the Fuel Tank

1. Park the machine on a level surface.
2. Move the motion-control levers outward to the PARK position.
3. Shut off the engine and remove the key.
4. Clean around the fuel-tank cap.
5. Fill the fuel tank to the bottom of the filler neck (Figure 7). Do not fill the fuel tank completely full.

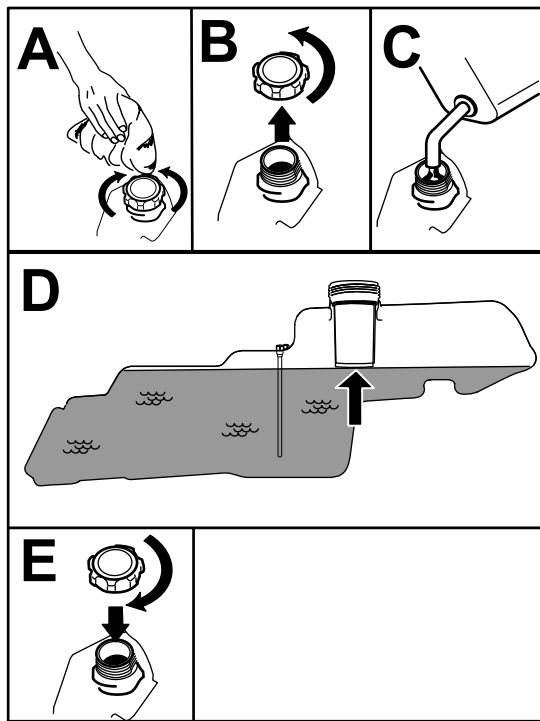


Figure 7

g293796

Understanding the Safety-Interlock System

The safety-interlock system is designed to prevent the engine from starting unless:

- The blade-control switch (PTO) is disengaged.
- The motion-control levers are in the PARK position.

The safety-interlock system also is designed to shut off the engine whenever the control levers are out of the PARK position and you rise from the seat.

Testing the Safety-Interlock System

Test the safety-interlock system before you use the machine each time. If the safety system does not operate as described below, have an Authorized Service Dealer repair the safety system immediately.

1. Sit on the seat, move the motion-control levers in the PARK position, and move the blade-control switch to the ON position. Try starting the engine; the engine should not crank.
2. Sit on the seat and move the blade-control switch to the OFF position. Move either motion-control lever to the center, unlocked position. Try starting the engine; the engine should not crank. Repeat with the other motion-control lever.
3. Sit on the seat, move the blade-control switch to the OFF position, and lock the motion-control levers in the PARK position. Start the engine. While the engine is running, engage the blade-control switch, and rise slightly from the seat; the engine should shut off.
4. Sit on the seat, move the blade-control switch to the OFF position, and lock the motion-control levers in the PARK position. Start the engine. While the engine is running, move the motion-control levers to the center, unlocked position and rise slightly from the seat; the engine should shut off.

Performing Daily Maintenance

Before starting the machine each day, perform the Each Use/Daily procedures listed in [Maintenance \(page 30\)](#).

Breaking in a New Machine

New engines take time to develop full power. Mower decks and drive systems have higher friction when new, placing additional load on the engine. Allow 40 to 50 hours of break-in time for new machines to develop full power and best performance.

Using the Safety-Interlock System

⚠ WARNING

If the safety-interlock switches are disconnected or damaged, the machine could operate unexpectedly, causing personal injury.

- Do not tamper with the interlock switches.
- Check the operation of the interlock switches daily and replace any damaged switches before operating the machine.

Positioning the Seat

The seat can move forward and backward. Position the seat where you have the best control of the machine and are most comfortable (Figure 8).

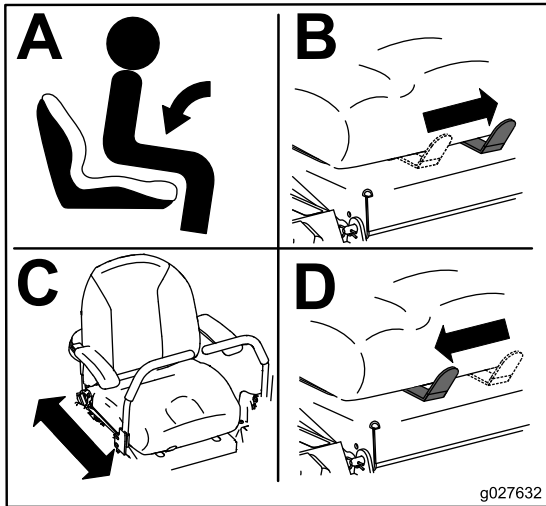


Figure 8

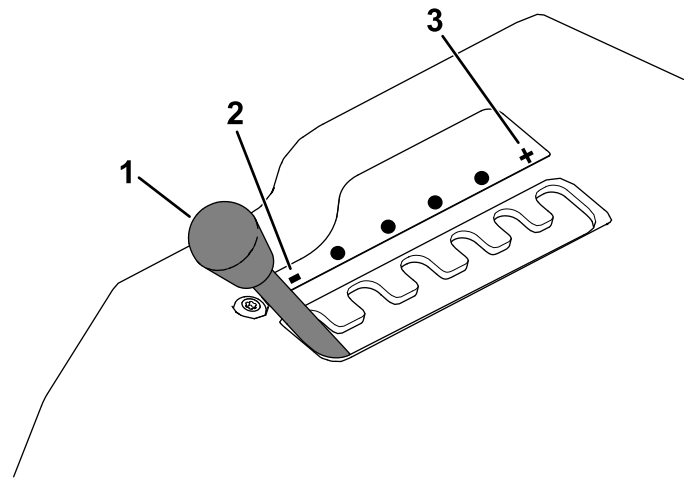


Figure 9

1. MyRide adjustment lever
2. Softer suspension
3. Firmer suspension

Adjusting the MyRide® Suspension System

You can adjust the MyRide® suspension system for a smooth and comfortable ride. The slots for adjusting the suspension have detent positions for reference, ranging from a soft to a firm ride (Figure 9).

1. Park the machine on a level surface, disengage the blade-control switch, and move the motion-control levers outward to the PARK position.
2. Shut off the engine, remove the key, and wait for all moving parts to stop before leaving the operating position.
3. Step off the machine.
4. While standing on the right side of the machine, move the adjustment lever left toward the – symbol for a softer suspension.

Move the adjustment lever right toward the + symbol for a firmer suspension.

Adjusting the Motion-Control Levers

Adjusting the Height

You can adjust the motion-control levers higher or lower for maximum comfort (Figure 10).

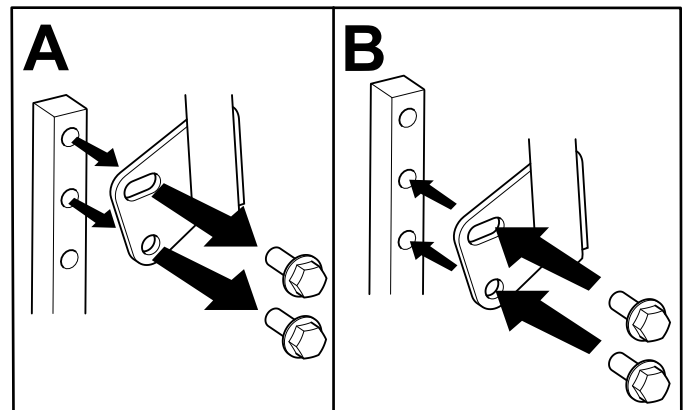


Figure 10

Adjusting the Tilt

You can adjust the motion-control levers forward or rearward for your comfort.

1. Loosen the upper bolt holding the control lever to the control-arm shaft.
2. Loosen the lower bolt just enough to pivot the control lever forward or rearward.

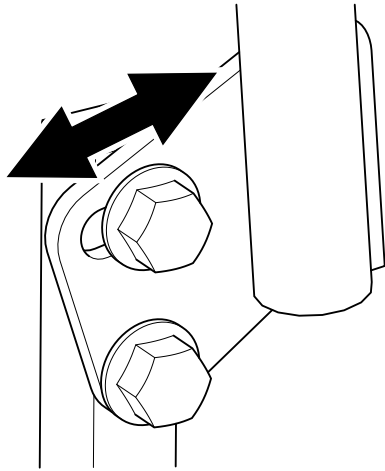


Figure 11

g333846

3. Tighten both bolts to secure the control lever in the new position.
4. Repeat the adjustment for the other control lever.

Converting to Side Discharge

The mower deck and mower blades shipped with the machine were designed for optimum mulching and side-discharge performance.

Install the fasteners from the loose parts bag into the empty holes after removing the recycling baffles. This ensures that no holes are left open when operating the mower deck.

⚠ WARNING

Open holes in the machine expose you and others to thrown debris that can cause severe injury.

- **Never operate the machine without hardware mounted in all holes in the machine housing.**
- **Install the hardware in the mounting holes when you remove the mulching baffle.**

Machines with 107 cm (42-inch) Mower Decks

1. Park the machine on a level surface, disengage the blade-control switch, and move the motion-control levers outward to the PARK position.
2. Shut off the engine, remove the key, and wait for all moving parts to stop before leaving the operating position.
3. Remove the mower deck; refer to [Removing the Mower Deck \(page 49\)](#).
4. Remove the 2 locknuts (5/16 inch) from the welded posts of the baffle.

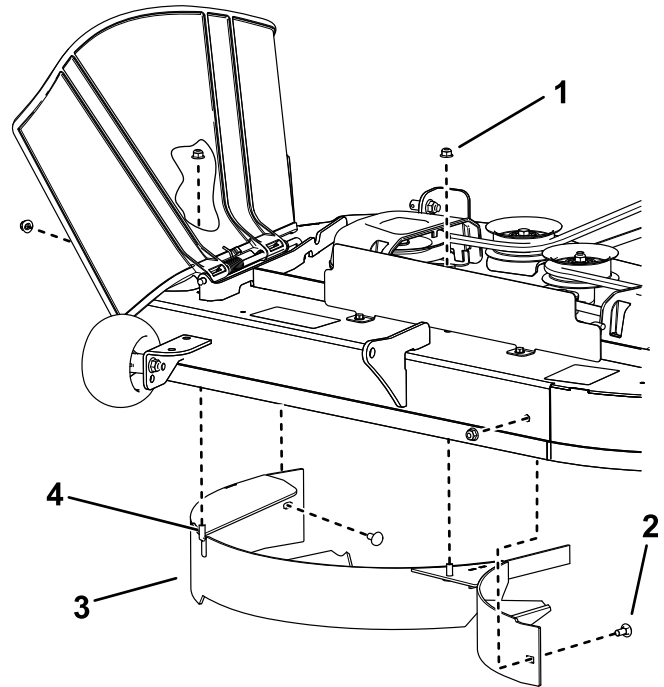


Figure 12

g296990

1. Locknut—5/16 inch (4)
2. Carriage bolt—5/16 x 3/4 inch (2)
3. Baffle
4. Welded post (2)

5. Remove the 2 carriage bolts and 2 locknuts securing the baffle to the deck and remove the baffle.
6. Use 2 bolts from the loose parts bag and 2 existing locknuts to plug the holes used for the welded posts to prevent flying debris.

Note: Install the fasteners so that the nuts are on top of the deck.

7. Use a bolt from the loose parts bag and use an existing locknut to plug the hole on the front of the mower deck.

Note: Install the fasteners so that the nut is outside the deck.

8. Install the mower deck; refer to [Installing the Mower Deck \(page 50\)](#).

Machines with 127 cm (50-inch) Mower Decks

1. Park the machine on a level surface, disengage the blade-control switch, and move the motion-control levers outward to the PARK position.
2. Shut off the engine, remove the key, and wait for all moving parts to stop before leaving the operating position.
3. Remove the mower deck; refer to [Removing the Mower Deck \(page 49\)](#).
4. Remove the 3 locknuts (5/16 inch) from the welded posts of the right baffle.

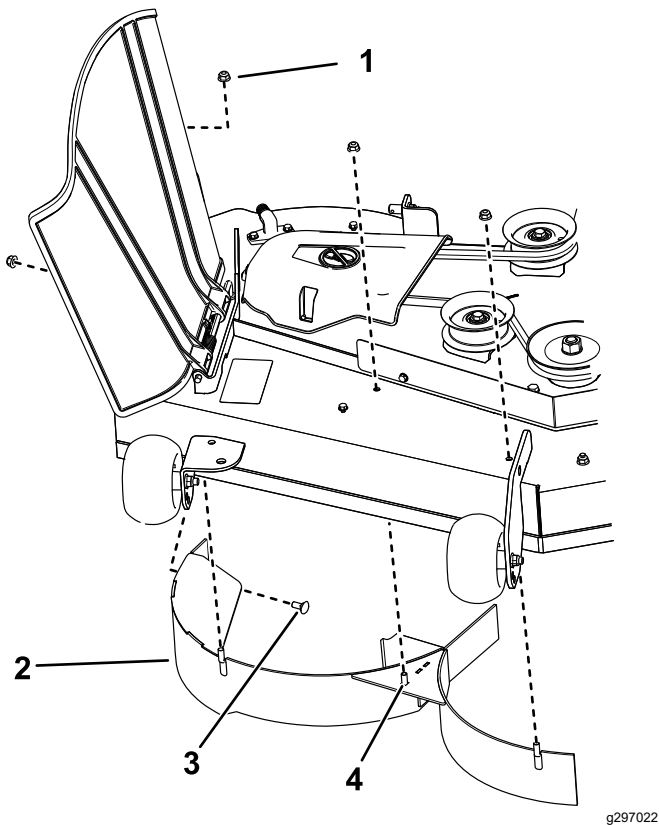


Figure 13

- | | |
|--------------------------|----------------------------------|
| 1. Locknut—5/16 inch (4) | 3. Carriage bolt—5/16 x 3/4 inch |
| 2. Right baffle | 4. Welded post (3) |

5. Remove the carriage bolt and locknut securing the right baffle to the deck and remove the baffle.
6. Use the carriage bolt and locknut removed in step 5 to plug the hole in the right side of the mower deck to prevent flying debris.

Note: Install the fasteners so that the nut is outside the deck.

7. Use 3 bolts from the loose parts bag and 3 existing locknuts to plug the holes used for the welded posts.

Note: Install the fasteners so that the nuts are on top of the deck.

8. Remove the 2 locknuts (5/16 inch) from the welded posts of the left baffle.

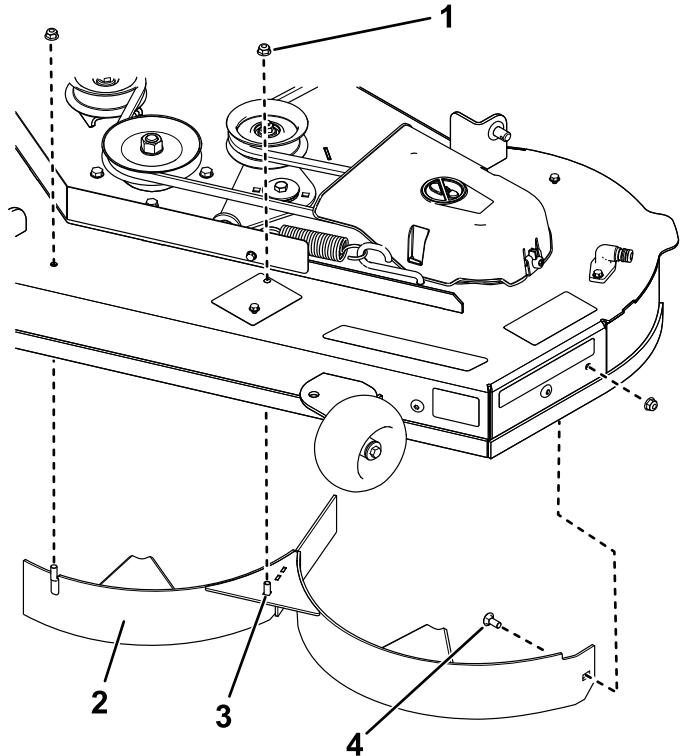


Figure 14

- | | |
|--------------------------|----------------------------------|
| 1. Locknut—5/16 inch (3) | 3. Welded post (2) |
| 2. Left baffle | 4. Carriage bolt—5/16 x 3/4 inch |

9. Remove the carriage bolt and locknut securing the left baffle to the deck and remove the baffle.
10. Use the carriage bolt and locknut removed in step 9 to plug the hole in the right side of the mower deck to prevent flying debris.

Note: Install the fasteners so that the nut is outside the deck.

11. Use 2 bolts from the loose parts bag and 2 existing locknuts to plug the holes used for the welded posts.

Note: Install the fasteners so that the nuts are on top of the deck.

12. Remove the nut from the grass deflector rod under the mower deck.

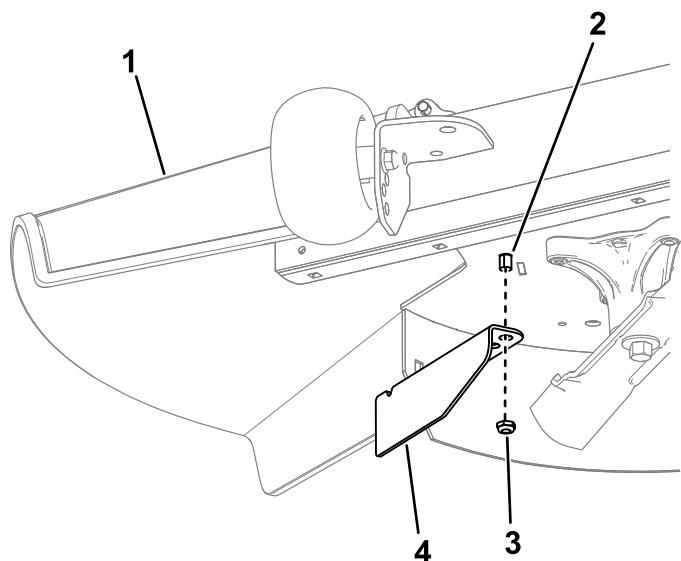


Figure 15

g297046

- | | |
|------------------------|------------------|
| 1. Grass deflector | 3. Nut |
| 2. Grass deflector rod | 4. Cutoff baffle |

13. Use the nut to install the cutoff baffle to the grass deflector rod, using the outer hole in the baffle.
14. Install the mower deck; refer to [Installing the Mower Deck \(page 50\)](#).

During Operation

During Operation Safety

General Safety

- The owner/operator can prevent and is responsible for accidents that may cause personal injury or property damage.
- Use your full attention while operating the machine. Do not engage in any activity that causes distractions; otherwise, injury or property damage may occur.
- Do not operate the machine while ill, tired, or under the influence of alcohol or drugs.
- Contacting the blade can result in serious personal injury. Shut off the engine, remove the key, and wait for all moving parts to stop before leaving the operating position. When you turn the key to the OFF position, the engine should shut off and the blade should stop. If not, stop using your machine immediately and contact an Authorized Service Dealer.
- Operate the machine only in good visibility and appropriate weather conditions. Do not operate the machine when there is the risk of lightning.
- Keep your hands and feet away from the cutting units. Keep clear of the discharge opening.

- Do not mow with the discharge deflector raised, removed, or altered unless there is a grass-collection system or mulch kit in place and working properly.
- Do not mow in reverse unless it is absolutely necessary. Always look down and behind you before moving the machine in reverse.
- Use extreme care when approaching blind corners, shrubs, trees, or other objects that may block your view.
- Stop the blades whenever you are not mowing.
- If the machine strikes an object or starts to vibrate, immediately shut off the engine, remove the key (if equipped), and wait for all moving parts to stop before examining the machine for damage. Make all necessary repairs before resuming operation.
- Slow down and use caution when making turns and crossing roads and sidewalks with the machine. Always yield the right-of-way.
- Before you leave the operating position, do the following:
 - Park the machine on a level surface.
 - Disengage the power takeoff and lower the attachments.
 - Engage the parking brake.
 - Shut off the engine and remove the key.
 - Wait for all moving parts to stop.
- Operate the engine only in well-ventilated areas. Exhaust gases contain carbon monoxide, which is lethal if inhaled.
- Never leave a running machine unattended.
- Attach towed equipment to the machine only at the hitch point.
- Do not operate the machine unless all guards and safety devices, such as the deflectors and the entire grass catcher, are in place and functioning properly. Replace worn or deteriorated parts when necessary.
- Use only accessories and attachments approved by Toro.
- This machine produces sound levels in excess of 85 dBA at the operator's ear and can cause hearing loss through extended periods of exposure.

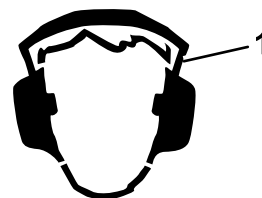


Figure 16

g229846

1. Wear hearing protection.

- Clean grass and debris from the cutting unit, drives, muffler, and engine to help prevent fires.
- Start the engine with your feet well away from the blades.
- Be aware of the mower discharge path and direct the discharge away from others. Avoid discharging material against a wall or obstruction because the material may ricochet back toward you.
- Stop the blades, slow down the machine, and use caution when crossing surfaces other than grass or when transporting the machine to and from the operating area.
- Do not change the engine governor speed or overspeed the engine.
- Children are often attracted to the machine and the mowing activity. Never assume that children will remain where you last saw them.
- Keep children out of the operating area and under the watchful care of a responsible adult other than the operator.
- Be alert and shut off the machine if children enter the operating area.
- Before backing up or turning the machine, look down and all around for small children.
- Do not carry children on the machine, even when the blades are not moving. Children could fall off and be seriously injured or prevent you from safely operating the machine. Children who have been given rides in the past could appear in the operating area without warning and be run over or backed over by the machine.

Slope Safety

- Slopes are a major factor related to loss of control and rollover accidents, which can result in severe injury or death. The operator is responsible for safe slope operation. Operating the machine on any slope requires extra caution. Before using the machine on a slope, do the following:
 - Review and understand the slope instructions in the manual and on the machine.
 - Use an angle indicator to determine the approximate slope angle of the area.
 - Never operate on slopes greater than 15°.
 - Evaluate the site conditions of the day to determine if the slope is safe for machine operation. Use common sense and good judgment when performing this evaluation. Changes in the terrain, such as moisture, can quickly affect the operation of the machine on a slope.
- Identify hazards at the base of the slope. Do not operate the machine near drop-offs, ditches, embankments, water, or other hazards. The

machine could suddenly roll over if a wheel goes over the edge or the edge collapses. Keep a safe distance (twice the width of the machine) between the machine and any hazard. Use a walk-behind machine or a hand trimmer to mow the grass in these areas.

- Avoid starting, stopping, or turning the machine on slopes. Avoid making sudden changes in speed or direction; turn slowly and gradually.
- Do not operate a machine under any conditions where traction, steering, or stability is in question. Be aware that operating the machine on wet grass, across slopes, or downhill may cause the machine to lose traction. Loss of traction to the drive wheels may result in sliding and a loss of braking and steering. The machine can slide even if the drive wheels are stopped.
- Remove or mark obstacles such as ditches, holes, ruts, bumps, rocks, or other hidden hazards. Tall grass can hide obstacles. Uneven terrain could overturn the machine.
- Use extra care while operating with accessories or attachments, such as grass-collection systems. These can change the stability of the machine and cause a loss of control. Follow directions for counterweights.
- If possible, keep the deck lowered to the ground while operating on slopes. Raising the deck while operating on slopes can cause the machine to become unstable.

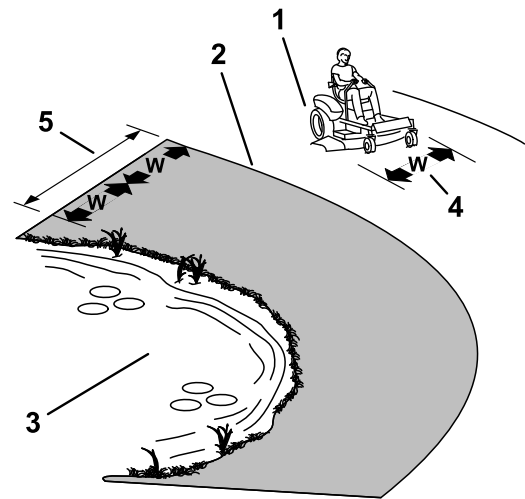


Figure 17

1. Safe Zone—use the machine here on slopes less than 15° or flat areas.
2. Danger Zone—use a walk-behind mower and/or a hand trimmer on slopes greater than 15° and near drop-offs or water.
3. Water
4. W = Width of the machine
5. Keep a safe distance (twice the width of the machine) between the machine and any hazard.

g229111

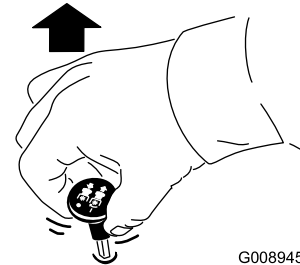
Towing Safety

- Do not attach towed equipment except at the hitch point.
- Do not use the machine as a towing vehicle unless it has a hitch installed.
- Do not exceed the weight limits for towed equipment and towing on slopes. The towed weight must not exceed the weight of the machine and operator.
- Never allow children or others near the towed equipment.
- On slopes, the weight of the towed equipment may cause loss of traction, increased risk of rollover, and loss of control. Reduce the towed weight and slow down.
- The stopping distance may increase with the weight of a towed load. Travel slowly and allow extra distance to stop.
- Make wide turns to keep the attachment clear of the machine.

Operating the Mower Blade-Control Switch (PTO)

The blade-control switch (PTO) starts and stops the mower blades and any powered attachments.

Engaging the Blade-Control Switch (PTO)

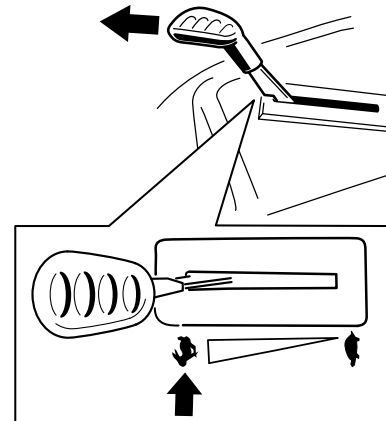


G008945

g008945

Figure 18

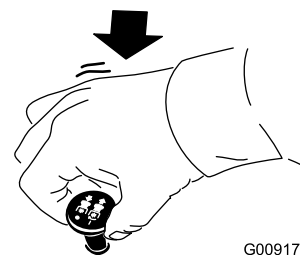
Note: Always engage the blades with the throttle in the FAST position (Figure 19).



g295538

Figure 19

Disengaging the Blade-Control Switch (PTO)



G009174

g009174

Figure 20

Operating the Throttle

You can move the throttle control between the FAST and SLOW positions (Figure 21).

Always use the FAST position when engaging the PTO.

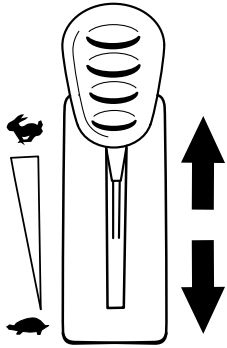


Figure 21

g295539

Operating the Choke

Use the choke to start a cold engine.

1. Pull up the choke knob to engage the choke before using the key switch (Figure 22).

Note: Ensure that you fully engage the choke. You may need to hold the knob up when you use the key switch.

2. Push down the choke to disengage the choke after the engine has started (Figure 22).

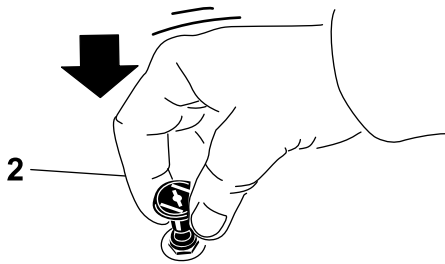
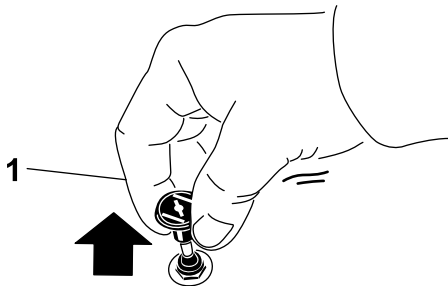


Figure 22

g295540

1. ON position

2. OFF position

Starting the Engine

Note: A warm or hot engine may not require choking.

Important: Do not engage the starter for more than 5 seconds at a time. Engaging the starter motor for more than 5 seconds can damage the starter motor. If the engine fails to start, wait 10 seconds before operating the engine starter again.

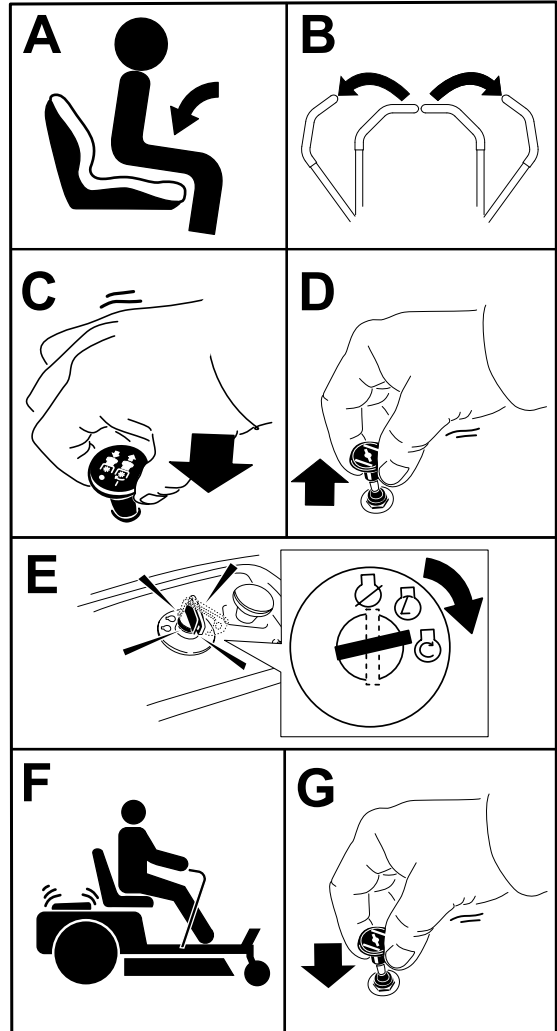


Figure 23

g295541

Shutting Off the Engine

1. Disengage the blades by moving the blade-control switch to the OFF position.
2. Move the motion-control levers outward to the PARK position.
3. Move the throttle control to between the half and full throttle position.
4. Turn the key to the OFF position and remove the key.

⚠ CAUTION

Children or bystanders may be injured if they move or attempt to operate the machine while it is unattended.

Always remove the key and engage the parking brake when leaving the machine unattended.

Using the Motion-Control Levers

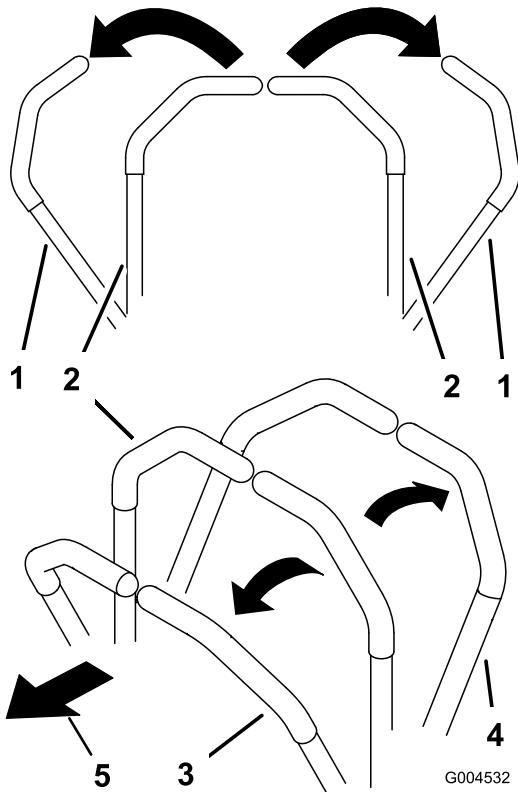


Figure 24

G004532

g004532

- | | |
|---------------------------------------|---------------------|
| 1. Motion-control lever—PARK position | 4. Backward |
| 2. Center, unlocked position | 5. Front of machine |
| 3. Forward | |

Driving the Machine

The drive wheels turn independently, powered by hydraulic motors on each axle. You can turn 1 side in reverse while you turn the other forward, causing the machine to spin rather than turn. This greatly improves the machine maneuverability but may require some time for you to adapt to how it moves.

The throttle control regulates the engine speed as measured in rpm (revolutions per minute). Place the throttle control in the FAST position for best performance. Always operate in the full throttle position when mowing.

⚠ WARNING

The machine can spin very rapidly. You may lose control of the machine and cause personal injury or damage to the machine.

- Use caution when making turns.
- Slow the machine down before making sharp turns.

Driving Forward

Note: Always use caution when turning.

1. Move the levers to the center, unlocked position.
2. To go forward, slowly push the motion-control levers forward (Figure 25).

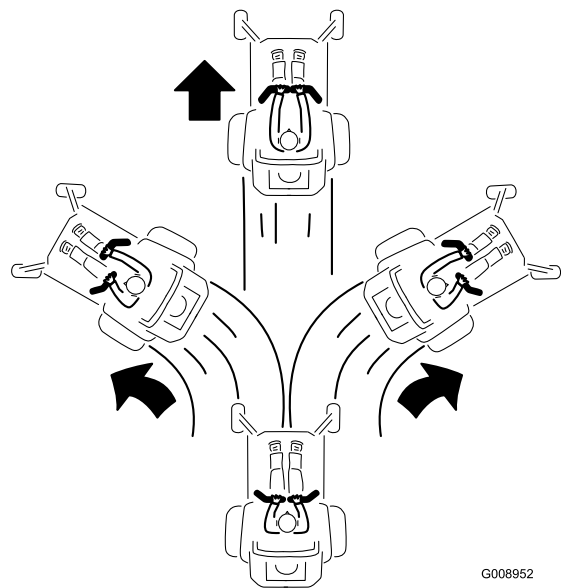


Figure 25

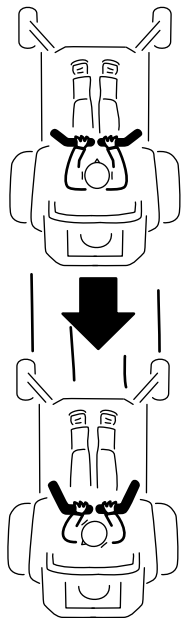
G008952

g008952

Driving Backward

Note: Always use caution when backing up and turning.

1. Move the levers to the center, unlocked position.
2. To go backward, slowly pull the motion-control levers rearward (Figure 26).



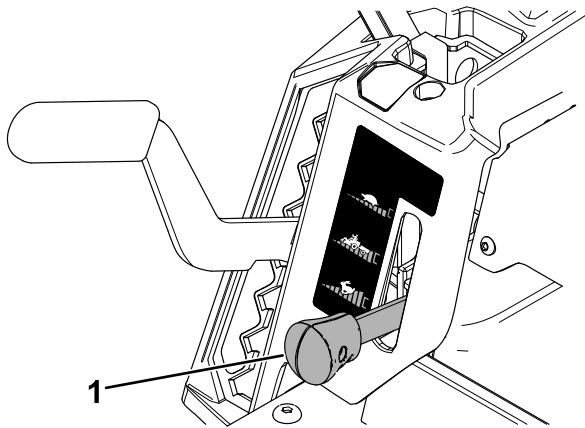
G008953

g008953

Figure 26

Using the Smart Speed™ Control System

The Smart Speed™ Control-System lever, located below the operating position (Figure 27), gives the operator a choice to drive the machine at 3 ground speed ranges—trim, tow, and mow.



g293338

Figure 27

1. Smart-speed lever

To change speeds, do the following:

1. Move the motion-control levers to neutral and outward to the PARK position.
2. Disengage the blade-control switch.
3. Adjust the lever to the desired position.

The following are only recommendations for use. Adjustments vary by grass type, moisture content, and the height of the grass.

Suggested uses:	Trim	Tow	Mow
Parking	X		
Heavy, wet grass	X		
Training	X		
Trimming grass	X		
Bagging		X	
Mulching		X	
Towing attachments		X	
Normal mowing			X
Moving the machine			X

Trim

This is the lowest speed. The suggested uses for this speed are as follows:

- Parking
- Heavy, wet grass mowing conditions
- Training
- Trimming grass

Tow

This is the medium speed. The suggested uses for this speed are as follows:

- Bagging
- Mulching
- Towing attachments

Mow

This is the fastest speed. The suggested uses for this speed are as follows:

- Normal mowing
- Moving the machine

Using the Side Discharge

The mower has a hinged grass deflector that disperses clippings to the side and down toward the turf.

⚠ DANGER

Without a grass deflector, discharge cover, or a complete grass-catcher assembly mounted in place, you and others are exposed to blade contact and thrown debris. Contact with rotating mower blade(s) and thrown debris will cause injury or death.

- Never remove the grass deflector from the mower deck because the grass deflector routes material down toward the turf. If the grass deflector is ever damaged, replace it immediately.
- Never put your hands or feet under the mower deck.
- Never try to clear the discharge area or mower blades unless you move the blade-control switch (PTO) to the OFF position, rotate the key switch to the OFF position, and remove the key from the key switch.
- Make sure that the grass deflector is in the down position.

Adjusting the Height of Cut

Note: The transport position is the highest height-of-cut position or cutting height at 114 mm (4-1/2 inches) as shown in [Figure 28](#).

You can adjust the height of cut from 38 to 114 mm (1-1/2 to 4-1/2 inches) in 13 mm (1/2 inch) increments. The height of cut is controlled by the lever located to the right of the operating position ([Figure 28](#)).

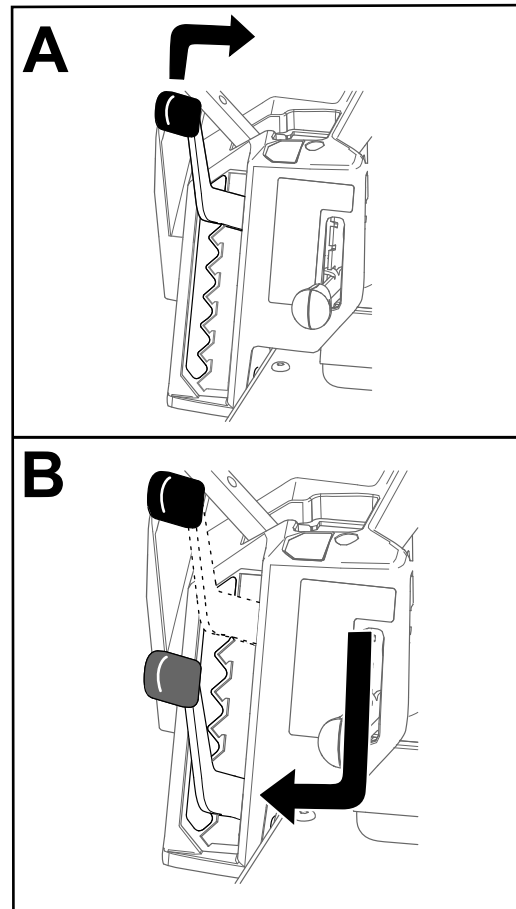


Figure 28

g296586

Adjusting the Anti-Scalp Rollers

Machines with 107 cm (42-inch) Mower Decks

Whenever you change the height of cut, adjust the height of the anti-scalp rollers.

Note: Adjust the anti-scalp rollers so that the rollers do not touch the ground in normal, flat mowing areas.

1. Park the machine on a level surface, disengage the blade-control switch, and move the motion-control levers outward to the PARK position.
2. Shut off the engine, remove the key, and wait for all moving parts to stop before leaving the operating position.
3. Adjust the anti-scalp rollers to 1 of the following positions:
 - Upper hole—use this position with the mower deck in the 63 mm (2-1/2 inches) and below the height-of-cut positions (Figure 29).
 - Lower hole—use this position with the mower deck in the 76 mm (3 inches) and above the height-of-cut positions (Figure 29).

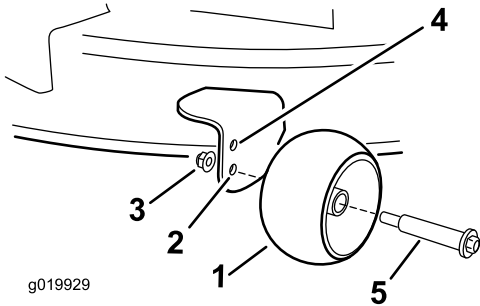


Figure 29

1. Anti-scalp roller
2. Lower hole—the mower deck in the 76 mm (3 inches) and above the height-of-cut positions
3. Flange nut
4. Upper hole—the mower deck in the 63 mm (2-1/2 inches) and below the height-of-cut positions
5. Bolt

Machines with 127 cm (50-inch) Mower Decks

Whenever you change the height of cut, adjust the height of the anti-scalp rollers.

Note: Adjust the anti-scalp rollers so that the rollers do not touch the ground in normal, flat mowing areas.

1. Park the machine on a level surface, disengage the blade-control switch, and move the motion-control levers outward to the PARK position.
2. Shut off the engine, remove the key, and wait for all moving parts to stop before leaving the operating position.
3. Adjust the anti-scalp rollers (Figure 30) to match the closest height-of-cut position.

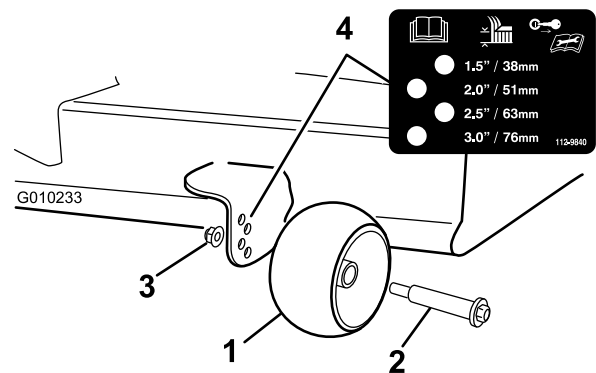


Figure 30

1. Anti-scalp roller
2. Bolt
3. Flange nut
4. Hole spacing

Operating Tips

Maximizing Air Circulation

For best mowing and maximum air circulation, operate the engine at the FAST position. Air is required to thoroughly cut grass clippings, so do not set the height-of-cut so low as to totally surround the mower deck in uncut grass. Always try to have 1 side of the mower deck free from uncut grass, which allows air to be drawn into the mower deck.

Cutting a Lawn for the First Time

Cut grass slightly longer than normal to ensure that the cutting height of the mower deck does not scalp any uneven ground. However, the cutting height used in the past is generally the best one to use. When cutting grass longer than 15 cm (6 inches) tall, you may want to cut the lawn twice to ensure an acceptable quality of cut.

Cutting a Third of the Grass Blade

It is best to cut only about a third of the grass blade. Cutting more than that is not recommended unless grass is sparse, or it is late fall when grass grows more slowly.

Alternating the Mowing Direction

Alternate the mowing direction to keep the grass standing straight. This also helps disperse clippings, which enhances decomposition and fertilization.

Mowing at Correct Intervals

Grass grows at different rates at different times of the year. To maintain the same cutting height, mow more often in early spring. As the grass growth rate slows in mid summer, mow less frequently. If you cannot mow for an extended period, first mow at a high cutting height, then mow again 2 days later at a lower height setting.

Mowing at Slower Speeds

In certain conditions, mowing at a slower ground speed can improve cut quality.

Avoiding Cutting Too Low

When mowing uneven turf, raise the cutting height to avoid scalping the turf.

Stopping the Machine

If you must stop the forward motion of the machine while mowing, a clump of grass clippings may drop onto your lawn. To avoid this, move onto a previously cut area with the blades engaged or you can disengage the mower deck while moving forward.

Keeping the Underside of the Mower Deck Clean

Clean clippings and dirt from the underside of the mower deck after each use. If grass and dirt build up inside the mower deck, cutting quality will eventually become unsatisfactory.

Maintaining the Blade(s)

Maintain a sharp blade throughout the cutting season because a sharp blade cuts cleanly without tearing or shredding the grass blades. Tearing and shredding turns grass brown at the edges, which slows growth and increases the chance of disease. Check the mower blades after each use for sharpness, and for any wear or damage. File down any nicks and sharpen the blades as necessary. If a blade is damaged or worn, replace it immediately with a genuine Toro replacement blade. Refer to [Servicing the Cutting Blades \(page 44\)](#).

After Operation

After Operation Safety

General Safety

- Shut off the engine, remove the key, and wait for all moving parts to stop before leaving the operator's position. Allow the machine to cool before servicing, adjusting, fueling, cleaning, or storing it.
- Clean grass and debris from the cutting unit, muffler, drives, grass catcher, and engine compartment to help prevent fires. Clean up oil or fuel spills.
- Remove the key before storing or transporting the machine.

Cleaning the Machine

Service Interval: After each use

Important: You can wash the machine with a mild detergent and water. Do not pressure wash the machine. Avoid excessive use of water, especially near the control panel, under the seat, around the engine, hydraulic pumps, and motors.

1. Park the machine on a level surface, disengage the blade-control switch, and move the motion-control levers outward to the PARK position.
2. Shut off the engine and wait for all moving parts to stop before leaving the operating position.
3. Clean grass and debris from cutting unit, muffler, drives, grass catcher, and engine.

Note: Refer to [Washing the Underside of the Mower Deck \(page 51\)](#) for information on using the deck-washout fitting.

Pushing the Machine by Hand

This machine has an electric-brake mechanism, and to push the machine, the key must be in the RUN position. The battery needs to be charged and functioning to disengage the electric brake.

1. Park the machine on a level surface, disengage the blade-control switch, and move the motion-control levers outward to the PARK position.
2. Shut off the engine and wait for all moving parts to stop before leaving the operating position.
3. Locate the bypass levers on the frame on both sides of the engine.
4. Move both bypass levers forward through the slotted hole and down to lock them in place ([Figure 31](#)).

⚠ WARNING

Contact with hot surfaces may cause personal injury.

Keep your hands, feet, face, clothing and other body parts away the engine, muffler and other hot surfaces.

⚠ WARNING

The machine could unintentionally move while the bypass levers are locked forward in the slot and injure you or bystanders.

Lock the bypass levers rearward after moving the machine.

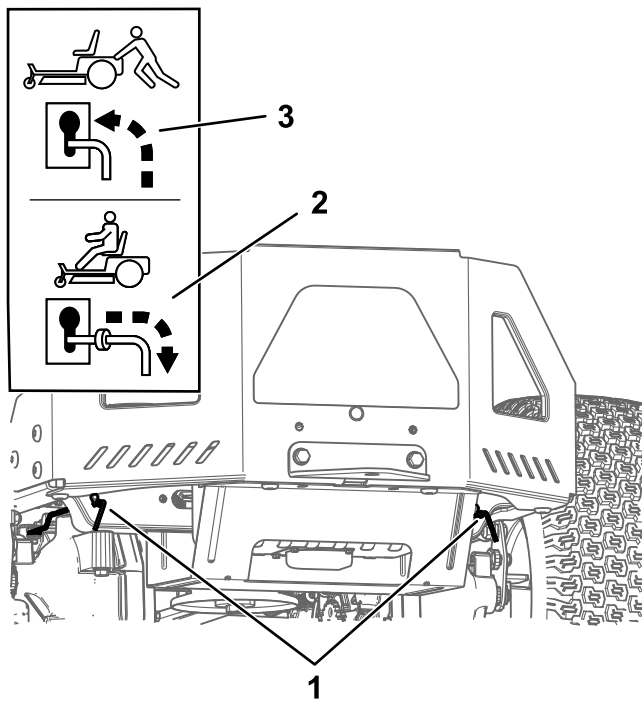


Figure 31

g333873

1. Bypass-lever locations
2. Lever position for operating the machine
3. Lever position for pushing the machine

5. Turn the ignition key to the RUN position and disengage the parking brake by moving 1 motion-control lever out of the PARK position.

Note: Do not start the machine.

6. Move the machine as required.

Important: Always push the machine by hand. Do not tow the machine, because towing may damage it.

7. Move the motion-control levers outward to the PARK position.
8. Turn the key to the OFF position and remove it to avoid draining the battery charge.
9. Move both bypass levers rearward and down through the slotted hole to lock them in place.

Transporting the Machine

Use a heavy-duty trailer or truck to transport the machine. Use a full-width ramp. Ensure that the trailer or truck has all the necessary brakes, lighting, and marking as required by law. Please carefully read all the safety instructions. Knowing this information could help you or bystanders avoid injury. Refer to your local ordinances for trailer and tie-down requirements.

⚠ WARNING

Driving on the street or roadway without turn signals, lights, reflective markings, or a slow-moving-vehicle emblem is dangerous and can lead to accidents, causing personal injury.

Do not drive the machine on a public street or roadway.

Selecting a Trailer

⚠ WARNING

Loading a machine onto a trailer or truck increases the possibility of tip-over and could cause serious injury or death (Figure 32).

- Use only a full-width ramp; do not use individual ramps for each side of the machine.
- Do not exceed a 15-degree angle between the ramp and the ground or between the ramp and the trailer or truck.
- Ensure that the length of the ramp is at least 4 times as long as the height of the trailer or truck bed to the ground. This ensures that the ramp angle does not exceed 15 degrees on flat ground.

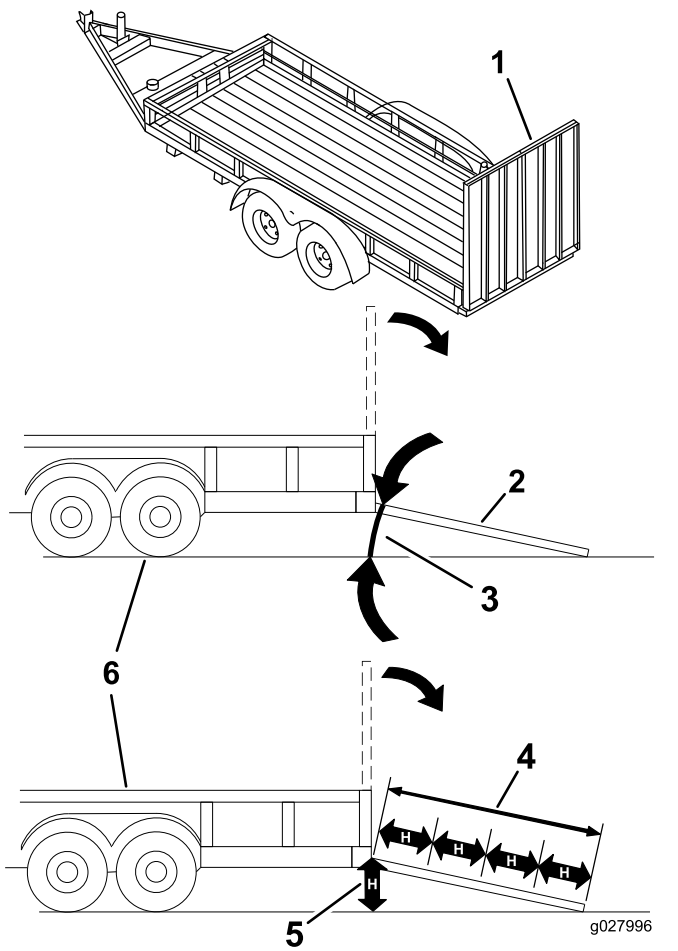


Figure 32

- | | |
|---|---|
| 1. Full-width ramp in stowed position | 4. Ramp is at least 4 times as long as the height of the trailer or truck bed to the ground |
| 2. Side view of full-width ramp in loading position | 5. H=height of the trailer or truck bed to the ground |
| 3. Not greater than 15 degrees | 6. Trailer |

Loading the Machine

⚠ WARNING

Loading a machine onto a trailer or truck increases the possibility of tip-over and could cause serious injury or death.

- Use extreme caution when operating a machine on a ramp.
- Back the machine up the ramp and drive it forward down the ramp.
- Avoid sudden acceleration or deceleration while driving the machine on a ramp as this could cause a loss of control or a tip-over situation.

1. If you are using a trailer, connect it to the towing vehicle and connect the safety chains.
2. If applicable, connect the trailer brakes and lights.
3. Lower the ramp, ensuring that the angle between the ramp and the ground does not exceed 15 degrees (Figure 32).
4. Back the machine up the ramp (Figure 33).

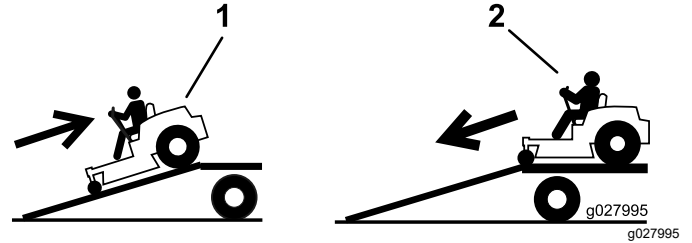


Figure 33

1. Back the machine up the ramp.
2. Drive the machine forward down the ramp.

5. Shut off the engine, remove the key, and move the motion-control levers outward to the PARK position.
6. Tie down the machine near the front caster wheels and the rear frame with straps, chains, cable, or ropes (Figure 34). Refer to local regulations for tie-down requirements.

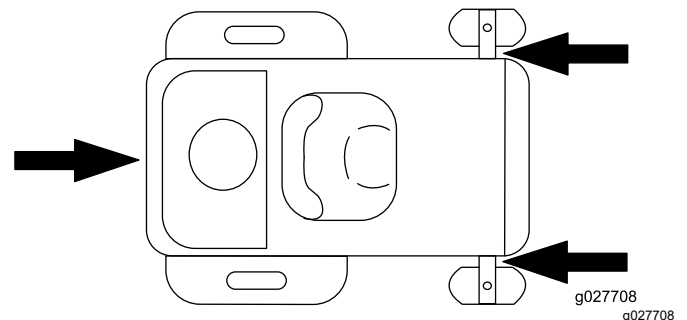


Figure 34

1. Tie-down points

Unloading the Machine

1. Lower the ramp, ensuring that the angle between the ramp and the ground does not exceed 15 degrees (Figure 32).
2. Drive the machine forward down the ramp (Figure 33).

Maintenance

Note: Determine the left and right sides of the machine from the normal operating position.

Maintenance Safety

- If you leave the key in the switch, someone could accidentally start the engine and seriously injure you or other bystanders. Remove the key from the switch before you perform any maintenance.
- Before you leave the operator's position, do the following:
 - Park the machine on a level surface.
 - Disengage the drives.
 - Engage the parking brake.
 - Shut off the engine and remove the key.
 - Allow machine components to cool before performing maintenance.
- Do not allow untrained personnel to service the machine.
- Keep your hands and feet away from moving parts or hot surfaces. If possible, do not make adjustments with the engine running.
- Carefully release pressure from components with stored energy.
- Check the parking brake operation frequently. Adjust and service it as required.
- Never tamper with safety devices. Check their proper operation regularly.
- Clean grass and debris from the cutting unit, muffler, drives, grass catcher, and engine compartment to prevent fires.
- Clean up oil or fuel spills and remove fuel-soaked debris.
- Do not rely on hydraulic or mechanical jacks to support the machine; support the machine with jack stands whenever you raise the machine.
- Keep all parts in good working condition and all hardware tightened, especially the blade-attachment hardware. Replace all worn or damaged decals.
- Disconnect the cable from the negative terminal of the battery before repairing the machine.
- To ensure optimum performance, use only genuine Toro replacement parts and accessories. Replacement parts and accessories made by other manufacturers could be dangerous, and such use could void the product warranty.

Recommended Maintenance Schedule(s)

Maintenance Service Interval	Maintenance Procedure
Before each use or daily	<ul style="list-style-type: none"> • Check the safety-interlock system. • Check the engine-oil level. • Inspect the blades. • Inspect the grass deflector for damage.
After each use	<ul style="list-style-type: none"> • Clean grass and debris from the cutting unit, muffler, drives, grass catcher, and engine. • Clean the mower-deck housing.
Every 25 hours	<ul style="list-style-type: none"> • Grease the caster wheel bearings (more often in sandy soil conditions). • Clean the air-cleaner foam element (more often in dusty, dirty conditions). • Check tire pressure. • Check the belts for wear or cracks.
Every 100 hours	<ul style="list-style-type: none"> • Replace the air-cleaner foam element (more often in dusty, dirty conditions). • Remove and clean the blower housing and any other cooling shrouds (more often under extremely dusty, dirty conditions). • Replace the in-line fuel filter.
Every 100 hours or yearly, whichever comes first	<ul style="list-style-type: none"> • Replace the paper air-cleaner element (more often in dirty or dusty conditions). • Change the engine oil and oil filter (more often in dirty or dusty conditions). • Check the spark plug(s).
Every 200 hours	<ul style="list-style-type: none"> • Replace the spark plug(s).
Before storage	<ul style="list-style-type: none"> • Charge the battery and disconnect the battery cables. • Perform all maintenance procedures listed above before storage. • Paint any chipped surfaces.

Important: Refer to your engine owner's manual for additional maintenance procedures.

⚠ CAUTION

If you leave the key in the switch, someone could accidentally start the engine and seriously injure you or other bystanders.

Shut off the engine and remove the key from the switch before you perform any maintenance.

Pre-Maintenance Procedures

Releasing the Mower-Deck Curtain

Loosen the 2 bottom bolts of the curtain to access the top of the mower deck (Figure 35).

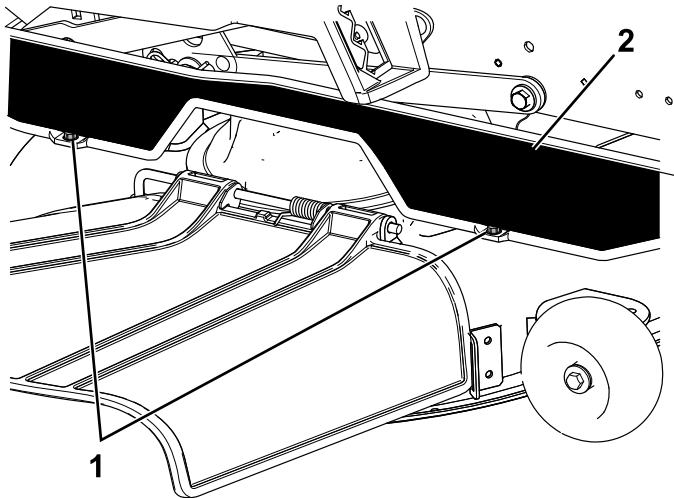


Figure 35

g295619

1. Bottom bolt

2. Curtain

Note: Always tighten the bolts to connect the curtain after maintenance.

Raising the Machine

Use jackstands to support the machine when you raise it.

⚠ WARNING

Supporting the machine on the lower muffler shield (Figure 36) may damage the shield and cause the machine to fall, injuring you or bystanders.

Do not use the lower muffler shield to lift or support the machine.

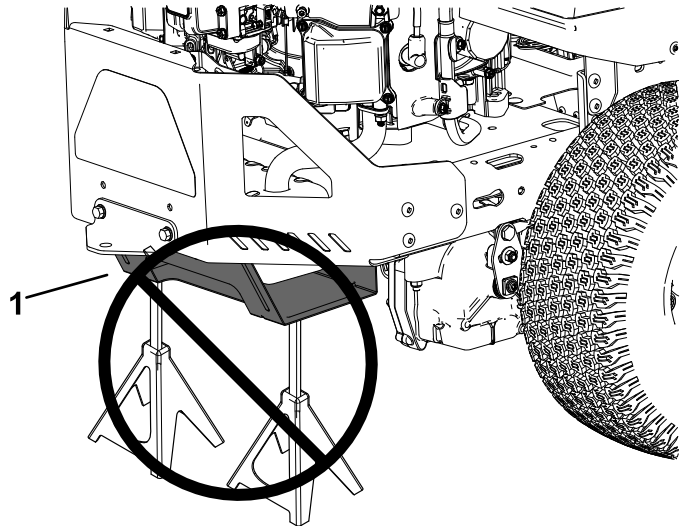


Figure 36

g299647

1. Lower muffler shield

Lubrication

Greasing the Bearings

Service Interval: Every 25 hours—Grease the caster wheel bearings (more often in sandy soil conditions).

Grease Type: No. 2 lithium grease

1. Park the machine on a level surface, disengage the blade-control switch, and move the motion-control levers outward to the PARK position.
2. Shut off the engine, remove the key, and wait for all moving parts to stop before leaving the operating position.
3. Clean the grease fittings (Figure 37) with a rag.

Note: Scrape any paint off the front of the fitting(s).

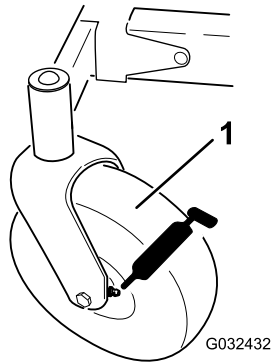


Figure 37

g032432

1. Front caster tire
4. Connect a grease gun to each fitting (Figure 37).
5. Pump grease into the fittings until grease begins to ooze out of the bearings.
6. Wipe up any excess grease.

Engine Maintenance

Engine Safety

- Keep your hands, feet, face, other body parts, and clothing away from the muffler and other hot surfaces. Allow engine components to cool before performing maintenance.
- Do not change the engine governor speed or overspeed the engine.

Servicing the Air Cleaner

Service Interval: Every 25 hours—Clean the air-cleaner foam element (more often in dusty, dirty conditions).

Every 100 hours—Replace the air-cleaner foam element (more often in dusty, dirty conditions).

Note: Service the air cleaner more frequently (every few hours) if operating conditions are extremely dusty or sandy.

Removing the Foam and Paper Elements

1. Park the machine on a level surface, disengage the blade-control switch, and move the motion-control levers outward to the PARK position.
2. Shut off the engine, remove the key, and wait for all moving parts to stop before leaving the operating position.
3. Clean around the air-cleaner cover to prevent dirt from getting into the engine and causing damage.
4. Rotate the latches outward and remove the cover to access the air-cleaner elements.

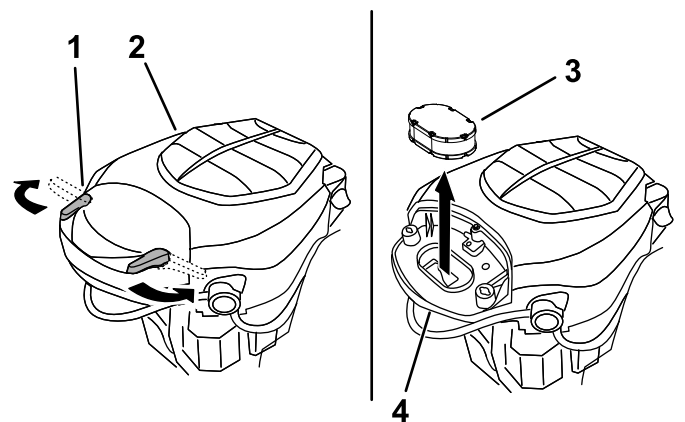


Figure 38

g333875

1. Latch
2. Engine
3. Air-cleaner elements
4. Air-cleaner base

Checking the Engine-Oil Level

Service Interval: Before each use or daily

Note: Check the oil when the engine is cold.

Important: If you overfill or underfill the engine crankcase with oil and run the engine, you may damage the engine.

1. Park the machine on a level surface, disengage the blade-control switch, and move the motion-control levers outward to the PARK position.
2. Shut off the engine, remove the key, and wait for all moving parts to stop before leaving the operating position.

Note: Ensure that the engine is cool so that the oil has had time to drain into the sump.

3. To keep dirt, grass clippings, etc., out of the engine, clean the area around the oil-fill cap and dipstick before removing it (Figure 41).

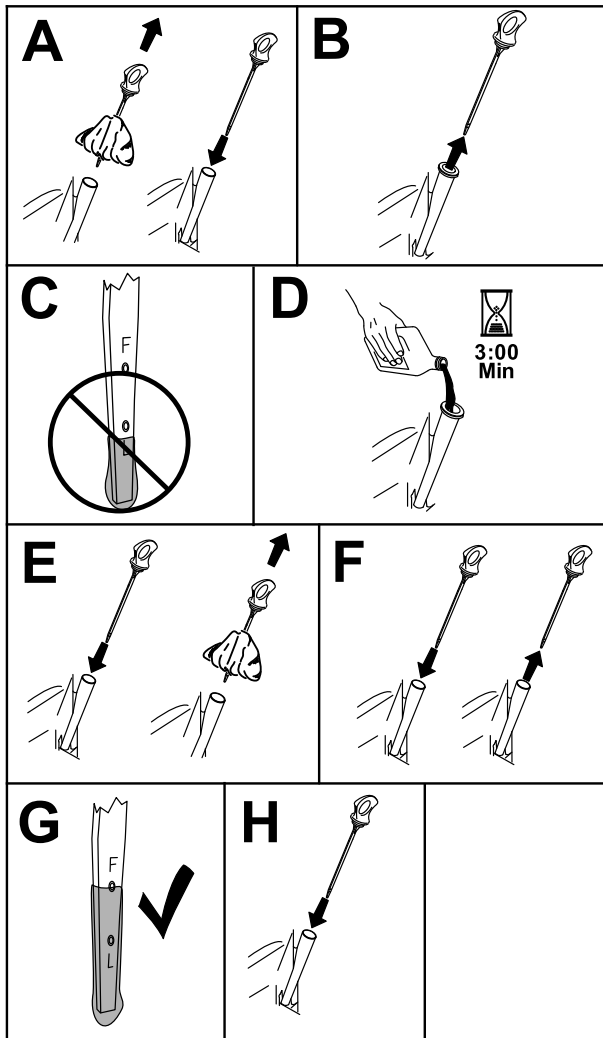


Figure 41

g365791

Changing the Engine Oil and Oil Filter

Service Interval: Every 100 hours or yearly, whichever comes first—Change the engine oil and oil filter (more often in dirty or dusty conditions).

1. Park the machine on a level surface to ensure that the oil drains completely.
2. Disengage the blade-control switch, and move the motion-control levers outward to the PARK position.
3. Shut off the engine, remove the key, and wait for all moving parts to stop before leaving the operating position.
4. Drain the oil from the engine (Figure 42).

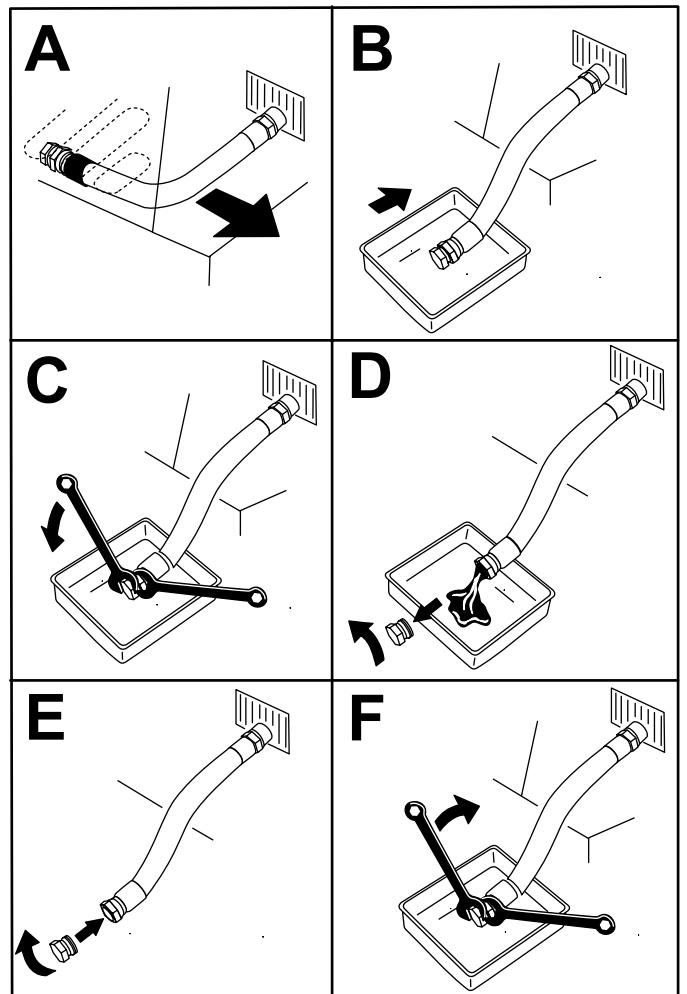


Figure 42

g225280

5. Change the engine-oil filter (Figure 43).

Note: Ensure that the oil-filter gasket touches the engine and then turn the filter an extra 3/4 turn.

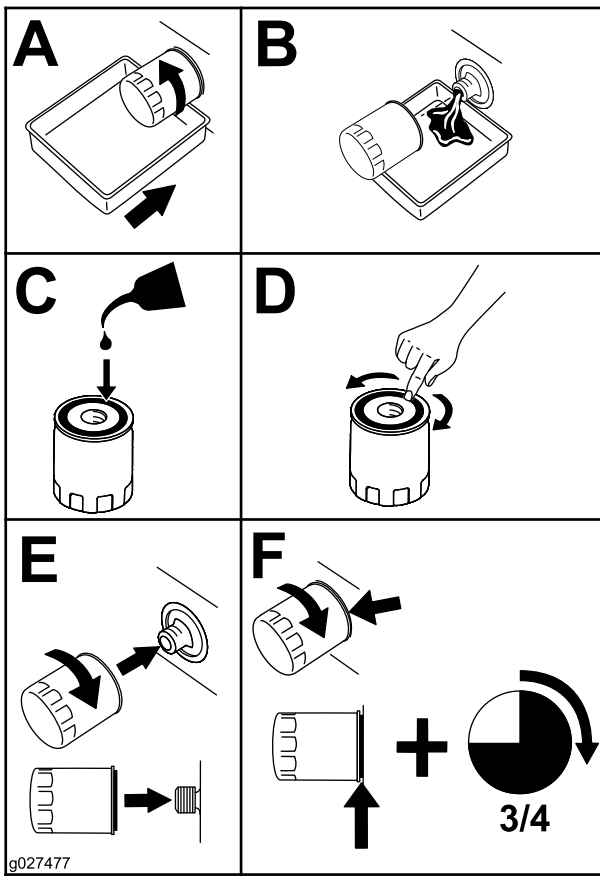


Figure 43

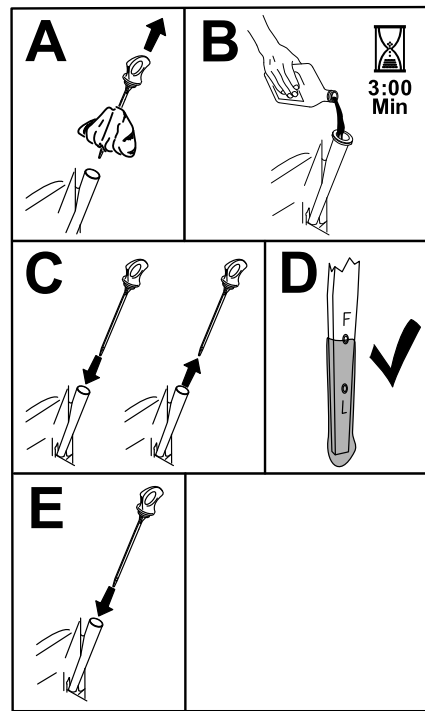


Figure 44

g365790

6. Slowly pour approximately 80% of the specified oil into the filler tube and slowly add the additional oil to bring it to the Full mark (Figure 44).

7. Dispose of the used oil at a recycling center.

Servicing the Spark Plug

Service Interval: Every 100 hours or yearly, whichever comes first—Check the spark plug(s).

Every 200 hours/Every 2 years (whichever comes first)—Replace the spark plug(s).

Ensure that the air gap between the center and side electrodes is correct before installing the spark plug. Use a spark plug wrench for removing and installing the spark plug and a gapping tool or feeler gauge to check and adjust the air gap. Install a new spark plug if necessary.

Type: Champion® XC12YC

Air gap: 0.76 mm (0.03 inch)

Removing the Spark Plug

1. Park the machine on a level surface, disengage the blade-control switch, and move the motion-control levers outward to the PARK position.
2. Shut off the engine, remove the key, and wait for all moving parts to stop before leaving the operating position. Allow the engine to cool.
3. Clean the area around the base of the plug to keep dirt and debris out of the engine.
4. Remove the spark plug (Figure 45).

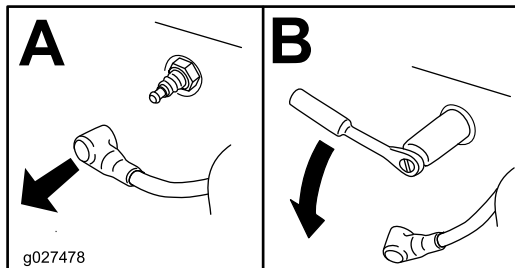


Figure 45

g027478

Checking the Spark Plug

Important: Do not clean the spark plug(s). Always replace the spark plug(s) when it has a black coating, worn electrodes, an oily film, or cracks.

If you see light brown or gray on the insulator, the engine is operating properly. A black coating on the insulator usually means the air cleaner is dirty.

Set the gap to 0.75 mm (0.03 inch).

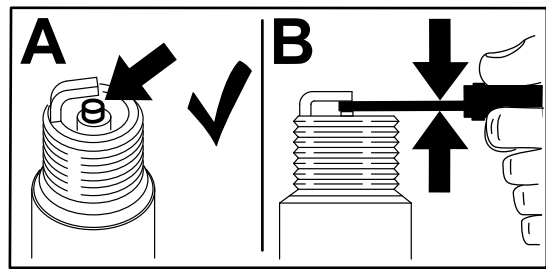


Figure 46

g206628

Installing the Spark Plug

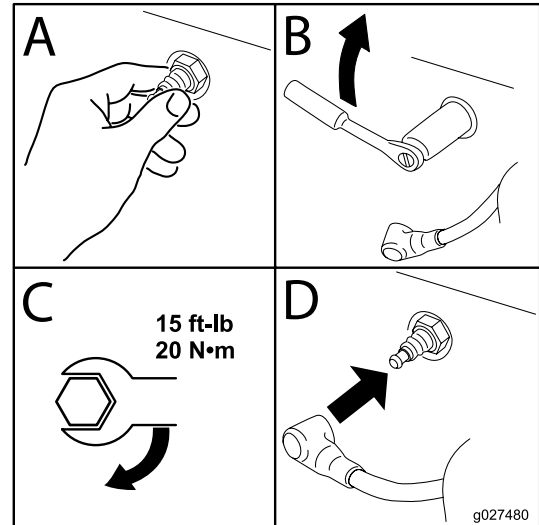


Figure 47

g027480

Cleaning the Blower Housing

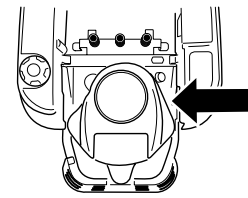
Service Interval: Every 100 hours/Yearly (whichever comes first)

To ensure proper cooling, ensure that the grass screen, cooling fins, and other external surfaces of the engine are kept clean at all times.

Clean the cooling fins and external surfaces as necessary. Make sure that the cooling shrouds are installed. Torque the blower housing screws to 7.5 N·m (5.5 ft-lb).

Important: Operating the engine with a blocked grass screen, dirty or plugged cooling fins, and/or cooling shrouds removed, causes engine damage due to overheating.

Fuel System Maintenance



g365941

⚠ DANGER

In certain conditions, fuel is extremely flammable and highly explosive. A fire or explosion from fuel can burn you and others and can damage property.

Refer to [Fuel Safety \(page 13\)](#) for a complete list of fuel related precautions.

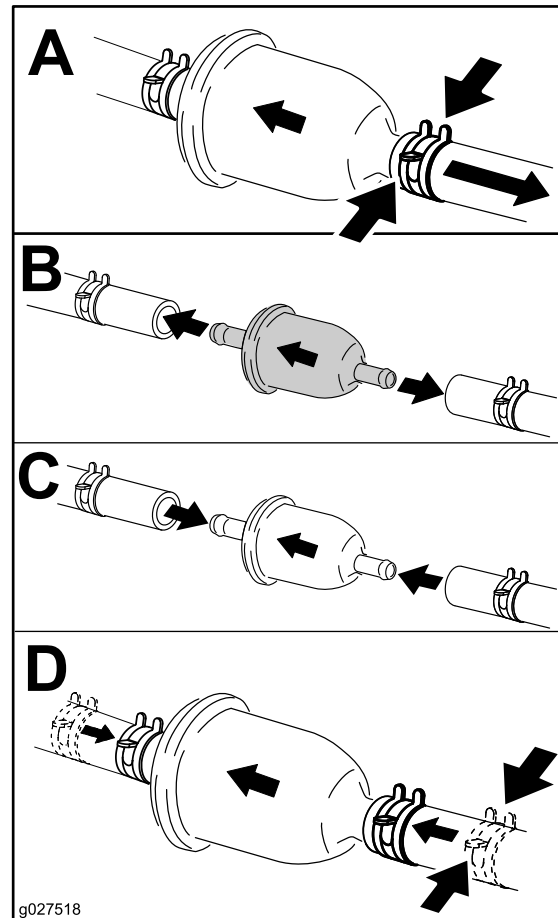
Replacing the In-Line Fuel Filter

Service Interval: Every 100 hours—Replace the in-line fuel filter.

Never install a dirty filter after removing it from the fuel line.

1. Park the machine on a level surface, disengage the blade-control switch, and move the motion-control levers outward to the PARK position.
2. Shut off the engine, remove the key, and wait for all moving parts to stop before leaving the operating position. Allow the engine to cool.
3. Replace the filter ([Figure 48](#)).

Note: Ensure that the flow-direction arrow on the replacement filter points toward the engine.



g027518

Figure 48

Electrical System Maintenance

Electrical System Safety

- Disconnect the cable from the negative terminal of the battery before repairing the machine.
- Charge the battery in an open, well-ventilated area, away from sparks and flames. Unplug the charger before connecting or disconnecting the battery. Wear protective clothing and use insulated tools.

Servicing the Battery

Removing the Battery

⚠ WARNING

Battery terminals or metal tools could short against metal machine components, causing sparks. Sparks can cause the battery gasses to explode, resulting in personal injury.

- When removing or installing the battery, do not allow the battery terminals to touch any metal parts of the machine.
- Do not allow metal tools to short between the battery terminals and metal parts of the machine.

1. Park the machine on a level surface, disengage the blade-control switch, and move the motion-control levers outward to the PARK position.
2. Shut off the engine, remove the key, and wait for all moving parts to stop before leaving the operating position.
3. Raise the seat to access the battery.
4. Disconnect the negative (black) ground cable from the battery post (Figure 49).

Note: Retain all fasteners.

⚠ WARNING

Incorrectly removing the cables from battery could damage the machine and cables, causing sparks. Sparks can cause the battery gasses to explode, resulting in personal injury.

- Always disconnect the negative (black) battery cable before disconnecting the positive (red) cable.
- Always connect the positive (red) battery cable before connecting the negative (black) cable.

5. Slide the rubber cover off the positive (red) cable.
 6. Disconnect the positive (red) cable from the battery post (Figure 49).
- Note:** Retain all fasteners.
7. Remove the battery hold-down (Figure 49), and lift the battery from the battery tray.

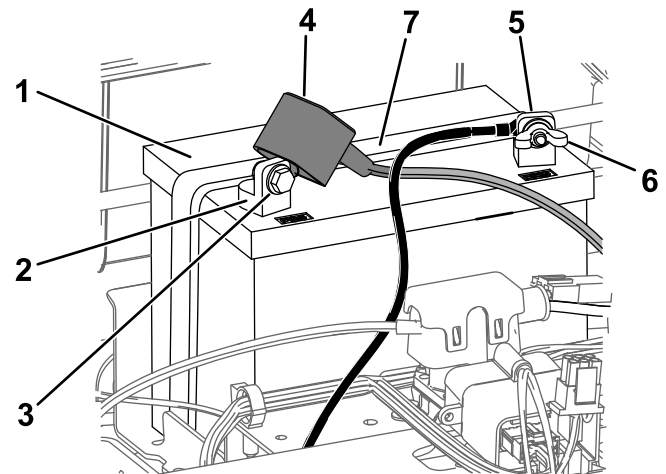


Figure 49

- | | |
|------------------------------|-------------------------------|
| 1. Battery | 5. Negative (-) battery post |
| 2. Positive (+) battery post | 6. Wing nut, washer, and bolt |
| 3. Bolt, washer, and nut | 7. Battery hold-down |
| 4. Terminal boot | |

Charging the Battery

Service Interval: Before storage—Charge the battery and disconnect the battery cables.

1. Remove the battery from the chassis; refer to [Removing the Battery \(page 39\)](#).
2. Charge the battery for a minimum of 1 hour at 6 to 10 A.

Note: Do not overcharge the battery.

3. When the battery is fully charged, unplug the charger from the electrical outlet, then disconnect the charger leads from the battery posts ([Figure 50](#)).

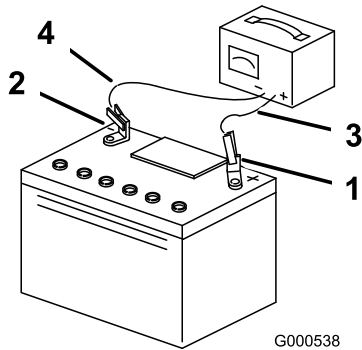


Figure 50

1. Positive (+) battery post
2. Negative (-) battery post
3. Red (+) charger lead
4. Black (-) charger lead

Installing the Battery

1. Position the battery in the tray ([Figure 49](#)).
2. Using the fasteners previously removed, install the positive (red) battery cable to the positive (+) battery terminal.
3. Using the fasteners previously removed, install the negative battery cable to the negative (-) battery terminal.
4. Slide the red terminal boot onto the positive (red) battery post.
5. Secure the battery with the hold-down ([Figure 49](#)).
6. Lower the seat.

Servicing the Fuses

The electrical system is protected by fuses. It requires no maintenance; however, if a fuse blows, check the component/circuit for a malfunction or short.

Fuse type:

- Main—F1 (25 A, blade-type)
 - Charge Circuit—F2 (15 A, blade-type)
1. Park the machine on a level surface, disengage the blade-control switch, and move the motion-control levers outward to the PARK position.
 2. Shut off the engine, remove the key, and wait for all moving parts to stop before leaving the operating position.
 3. Raise the seat to access the fuses.
 4. To replace a fuse, pull out the fuse to remove it ([Figure 51](#)).

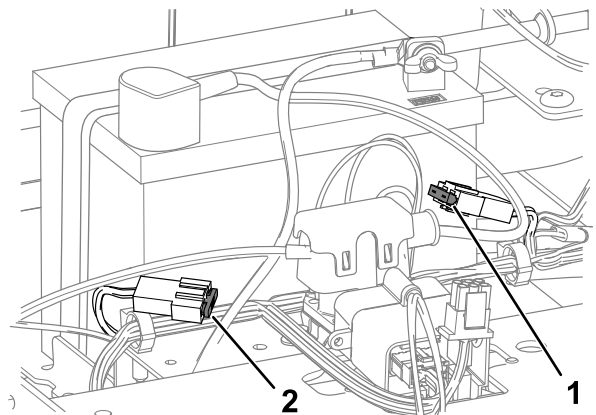


Figure 51

1. Charge circuit (15 A)
2. Main (25 A)

5. Lower the seat.

Drive System Maintenance

Checking the Tire Pressure

Service Interval: Every 25 hours—Check tire pressure.

Maintain the air pressure in the front and rear tires as specified. Uneven tire pressure can cause an uneven cut. Check the pressure at the valve stem (Figure 52). Check the tires when they are cold to get the most accurate pressure reading.

Inflate the front caster wheel tires to 206 kPa (30 psi) or the pressure indicated on the sidewall, whichever is lower.

Inflate the rear drive-wheel tires to 90 kPa (13 psi).

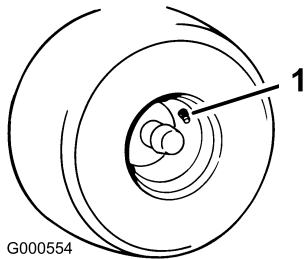


Figure 52

1. Valve stem

Releasing the Electric Brake

You can manually release the electric brake by rotating the link arms forward. Once the electric brake is energized, the brake resets.

1. Turn the key to the OFF position and remove the key.
2. Disconnect the battery.
3. Loosen the bottom 2 bolts holding the mower-deck curtain to the mower deck. Refer to [Releasing the Mower-Deck Curtain \(page 32\)](#).
4. Locate the shaft on the electric brake where the brake link arms are connected (Figure 53).
5. Rotate the shaft forward to release the brake as shown in Figure 53.
6. Rotate the shaft back and connect the battery after moving the machine.
7. Tighten the bottom 2 bolts for the mower-deck curtain to the mower deck. Refer to [Releasing the Mower-Deck Curtain \(page 32\)](#).

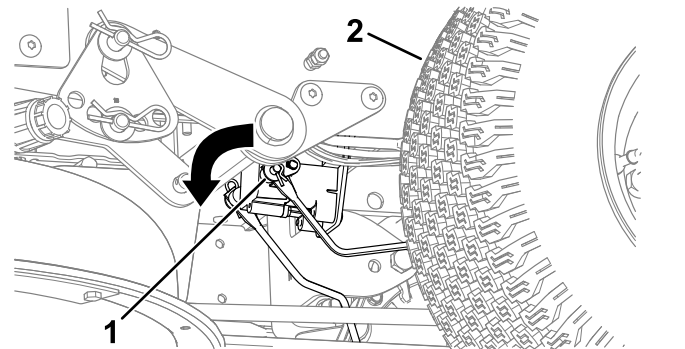


Figure 53

1. Brake-link arm on the electric brake control module
2. Left, rear tire

Adjusting the Tracking

When driving the machine forward full speed across a flat, level surface, if the machine pulls to 1 side, adjust the tracking.

If the machine pulls to the left, adjust the right motion-control lever; if the machine pulls to the right, adjust the left motion-control lever.

Note: You can adjust the tracking only for driving forward.

1. Park the machine on a level surface, disengage the blade-control switch, and move the motion-control levers outward to the PARK position.

2. Shut off the engine, remove the key, and wait for all moving parts to stop before leaving the operating position.
3. Locate the tracking-adjustment bolt near the motion-control lever on the particular side that needs adjusting (Figure 54).

Note: Raise the seat for easier access to the adjustment bolt.

4. Rotate the bolt to decrease the speed for that particular wheel.

Note: Rotate the bolt a small amount to make minor adjustments.

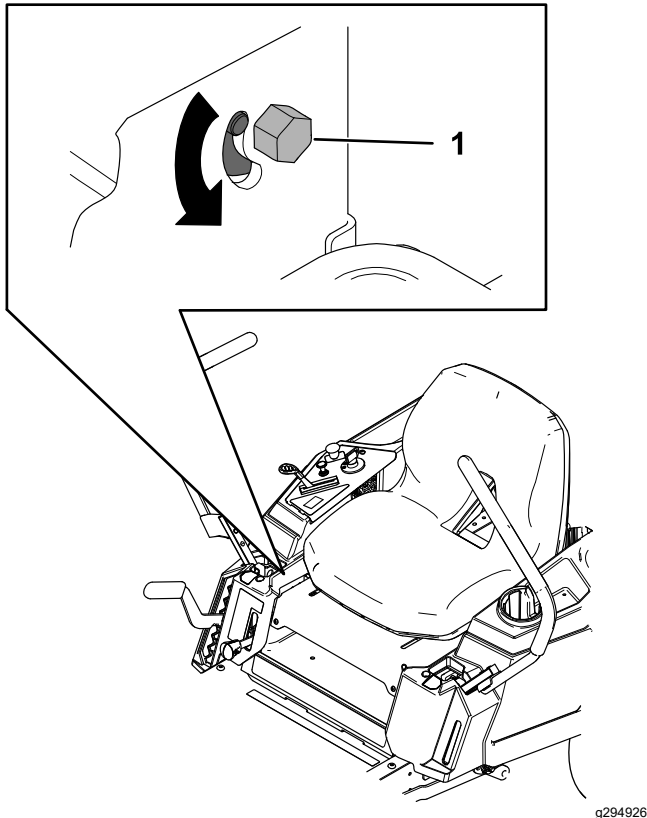


Figure 54

1. Bolt

5. Start the machine and drive forward across a flat, level surface with the motion-control levers fully forward to check if the machine tracks straight. Repeat the procedure as needed.

Belt Maintenance

Inspecting the Belts

Service Interval: Every 25 hours—Check the belts for wear or cracks.

Replace the belt if it is worn. The signs of a worn belt include squealing while the belt is rotating; the blades slipping while cutting grass; and frayed edges, burn marks, and cracks on the belt.

Replacing the Mower Belt

The signs of a worn belt include squealing while the belt is rotating, blades slipping while cutting grass, and frayed edges, burn marks, and cracks on the belt. Replace the mower belt if any of these conditions are evident.

1. Park the machine on a level surface, disengage the blade-control switch, and move the motion-control levers outward to the PARK position.
2. Shut off the engine, remove the key, and wait for all moving parts to stop before leaving the operating position.
3. Set the height of cut at the lowest cutting position (38 mm (1-1/2 inches)).
4. Loosen the bottom 2 bolts holding the mower-deck curtain to the mower deck. Refer to [Releasing the Mower-Deck Curtain \(page 32\)](#).
5. Loosen the screw and push in the tab on the cover to remove the pulley covers (Figure 55).

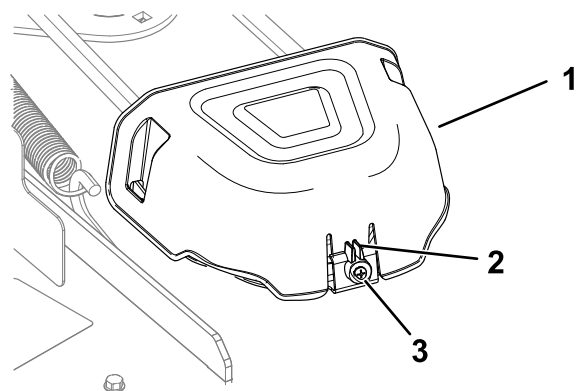


Figure 55

1. Cover
2. Tab
3. Screw

6. For decks with 3 blades, loosen the nut securing the wire form to the idler pulley (Figure 56).

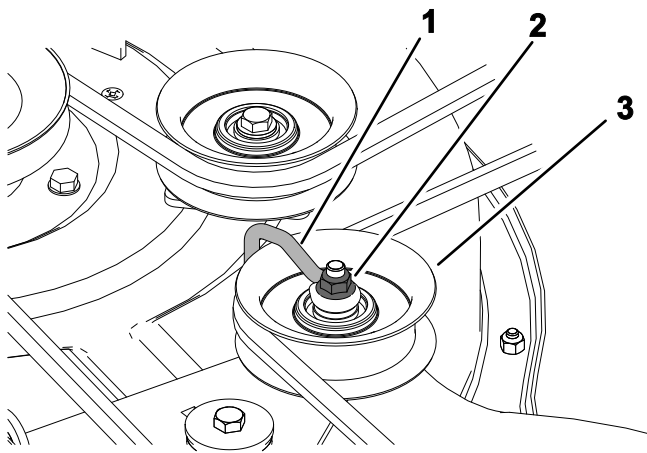


Figure 56

g336421

- 1. Wire form
- 2. Nut
- 3. Idler pulley

- 7. Using a spring-removal tool (Toro Part No. 92-5771), remove the idler spring from the deck hook to remove tension on the idler pulley, and roll the belt off the pulleys (Figure 57 or Figure 58).

⚠ WARNING

The spring is under tension when installed and can cause personal injury.

Be careful when removing the belt.

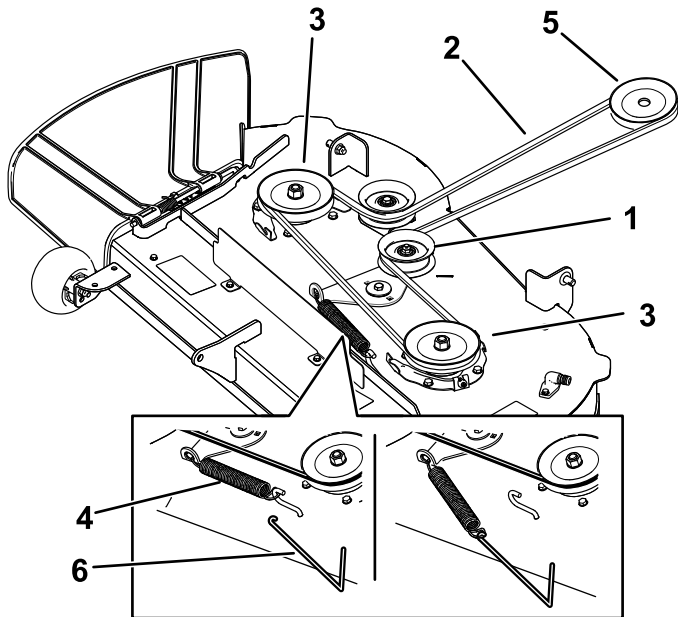


Figure 57

Mower decks with 2 blades

g298025

- 1. Idler pulley
- 2. Mower belt
- 3. Outside pulley
- 4. Spring
- 5. Engine pulley
- 6. Spring-removal tool

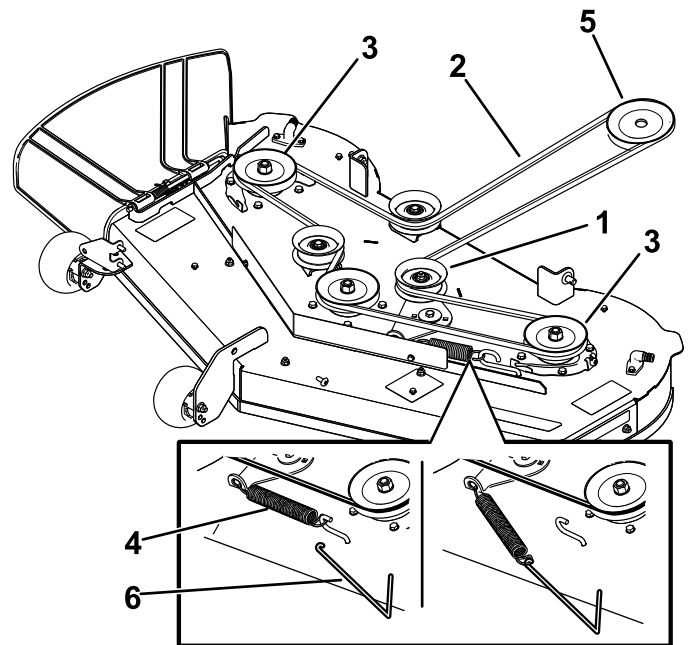


Figure 58

Mower decks with 3 blades

g298026

- 1. Idler pulley
- 2. Mower belt
- 3. Outside pulley
- 4. Spring
- 5. Engine pulley
- 6. Spring-removal tool

- 8. Route the new belt around the engine pulley and mower pulleys (Figure 57 or Figure 58).
- 9. Using a spring-removal tool (Toro Part No. 92-5771), install the idler spring over the deck hook and place tension on the idler pulley and the mower belt (Figure 57 or Figure 58).
- 10. For decks with 3 blades, tighten the nut securing the wireform to the idler pulley .
- Note:** Position the wireform against the idler arm as shown in Figure 56.
- 11. Install the pulley covers.
- 12. Tighten the bottom 2 bolts for the mower-deck curtain to the mower deck. Refer to Releasing the Mower-Deck Curtain (page 32).

Mower Maintenance

Blade Safety

- Inspect the blades periodically for wear or damage.
- Use care when checking the blades. Wrap the blades or wear gloves, and use caution when servicing the blades. Only replace or sharpen the blades; never straighten or weld them.
- On multi-bladed machines, take care as rotating one blade can cause other blades to rotate.
- Replace worn or damaged blades and bolts in sets to preserve balance.

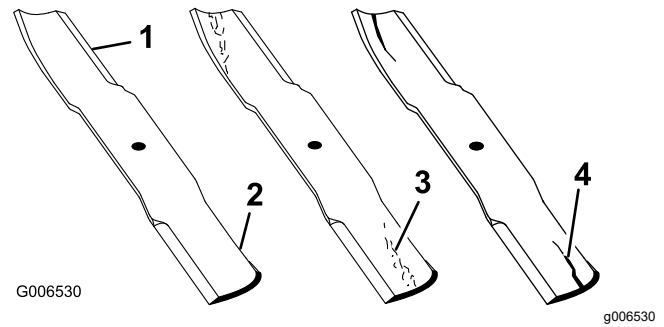


Figure 59

1. Cutting edge
2. Curved area
3. Wear/slot forming
4. Crack

Servicing the Cutting Blades

To ensure a superior quality of cut, keep the blades sharp. For convenient sharpening and replacement, keep extra blades on hand.

Before Inspecting or Servicing the Blades

1. Park the machine on a level surface, disengage the blade-control switch, and move the motion-control levers outward to the PARK position.
2. Shut off the engine, remove the key, and disconnect the spark-plug wires from the spark plugs.

Inspecting the Blades

Service Interval: Before each use or daily

1. Inspect the cutting edges (Figure 59).
2. If the edges are not sharp or have nicks, remove and sharpen the blade; refer to [Sharpening the Blades](#) (page 46).
3. Inspect the blades, especially in the curved area.
4. If you notice any cracks, wear, or a slot forming in this area, immediately install a new blade (Figure 59).

Checking for Bent Blades

Note: The machine must be on a level surface for the following procedure.

1. Raise the mower deck to the highest height-of-cut position.
2. While wearing thickly padded gloves, or other adequate hand protection, slowly rotate the blade into a position that allows you to measure the distance between the cutting edge and the level surface the machine is on (Figure 60).

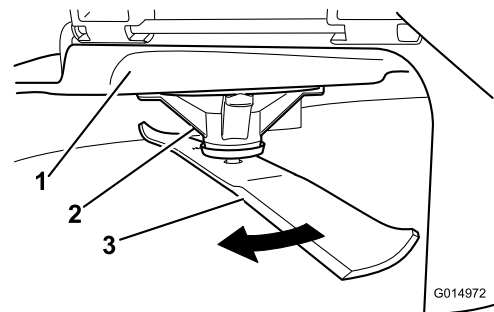


Figure 60

1. Deck
2. Spindle housing
3. Blade

3. Measure from the tip of the blade to the flat surface (Figure 61).

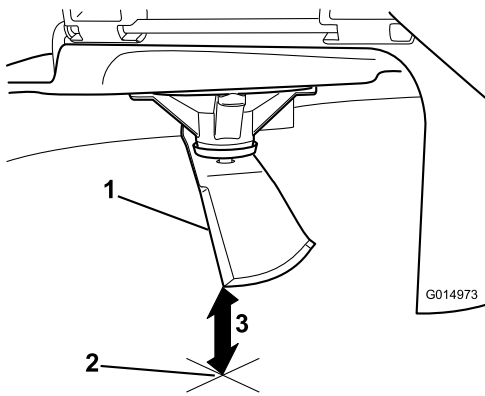


Figure 61

1. Blade (in position for measuring)
2. Level surface
3. Measured distance between blade and the surface (A)

g014973

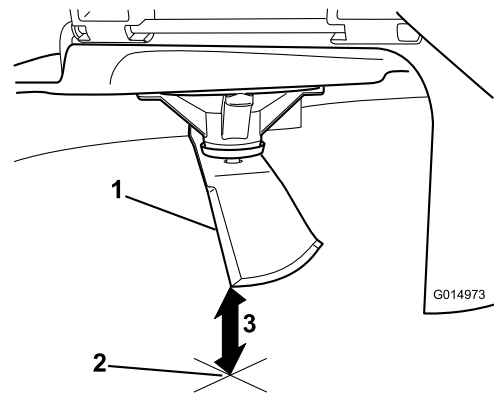


Figure 63

1. Opposite blade edge (in position for measuring)
2. Level surface
3. Second measured distance between blade and surface (B)

g014973

4. Rotate the same blade 180 degrees so that the opposing cutting edge is now in the same position (Figure 62).

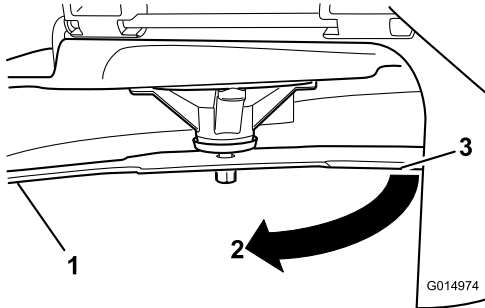


Figure 62

1. Blade (side previously measured)
2. Measurement (position used previously)
3. Opposing side of blade being moved into measurement position

g014974

5. Measure from the tip of the blade to the flat surface (Figure 63).

Note: The variance should be no more than 3 mm (1/8 inch).

- A. If the difference between A and B is greater than 3 mm (1/8 inch), replace the blade with a new blade; refer to [Removing the Blades \(page 45\)](#) and [Installing the Blades \(page 46\)](#).

Note: If a bent blade is replaced with a new blade, and the dimension obtained continues to exceed 3 mm (1/8 inch), the blade spindle could be bent. Contact an Authorized Service Dealer for service.

- B. If the variance is within constraints, move to the next blade.

6. Repeat this procedure on each blade.

Removing the Blades

Replace the blades if they hit a solid object, or if the blade is out of balance or bent.

1. Hold the blade end using a rag or thickly padded glove.
2. Remove the blade bolt, curved washer, and blade from the spindle shaft (Figure 64).

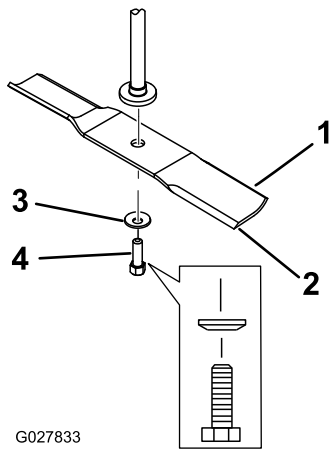


Figure 64

- | | |
|---------------------------|------------------|
| 1. Sail area of the blade | 3. Curved washer |
| 2. Blade | 4. Blade bolt |

Sharpening the Blades

- Use a file to sharpen the cutting edge at both ends of the blade (Figure 65).

Note: Maintain the original angle.

Note: The blade retains its balance if the same amount of material is removed from both cutting edges.

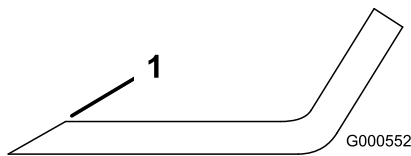


Figure 65

- Sharpen at original angle.

- Check the balance of the blade by putting it on a blade balancer (Figure 66).

Note: If the blade stays in a horizontal position, the blade is balanced and can be used.

Note: If the blade is not balanced, file some metal off the end of the sail area only (Figure 65).

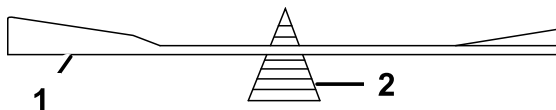


Figure 66

- | | |
|----------|-------------|
| 1. Blade | 2. Balancer |
|----------|-------------|

- Repeat this procedure until the blade is balanced.

Installing the Blades

- Install the blade onto the spindle shaft (Figure 64).
- Important:** The curved part of the blade must be pointing upward toward the inside of the mower to ensure proper cutting.
- Install the curved washer (cupped side toward the blade) and the blade bolt (Figure 64).
 - Torque the blade bolt to 81 to 108 N·m (60 to 80 ft-lb).

Leveling the Mower Deck

Check to ensure that the mower deck is level any time you install the mower or when you see an uneven cut on your lawn.

Check the mower deck for bent blades prior to leveling, and remove and replace any bent blades; refer to the [Servicing the Cutting Blades \(page 44\)](#) before continuing.

Level the mower deck side-to-side first; then you can adjust the front-to-rear slope.

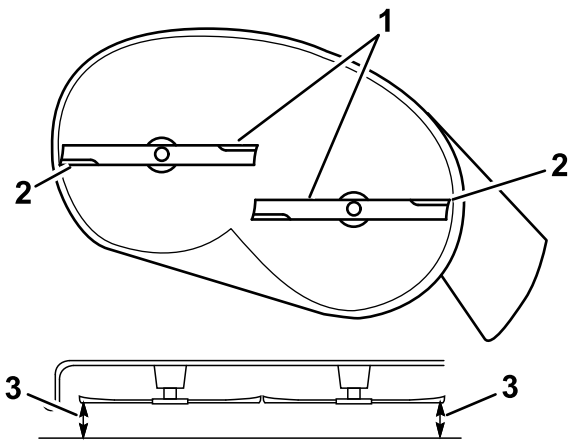
Requirements:

- The machine must be on a level surface.
- All tires must be properly inflated; refer to [Checking the Tire Pressure \(page 41\)](#).

Checking the Side-to-Side Level

- Park the machine on a level surface, disengage the blade-control switch (PTO), and move the motion-control levers outward to the PARK position.
- Shut off the engine, remove the key, and wait for all moving parts to stop before leaving the operating position.
- Set the height of cut to 76 mm (3 inches).
- Carefully rotate the blades side to side.
- Measure between the outside cutting edges and the flat surface (Figure 67 and Figure 68).

Note: If both measurements are not within 5 mm (3/16 inch), an adjustment is required; refer to [Leveling from Side to Side \(page 48\)](#).

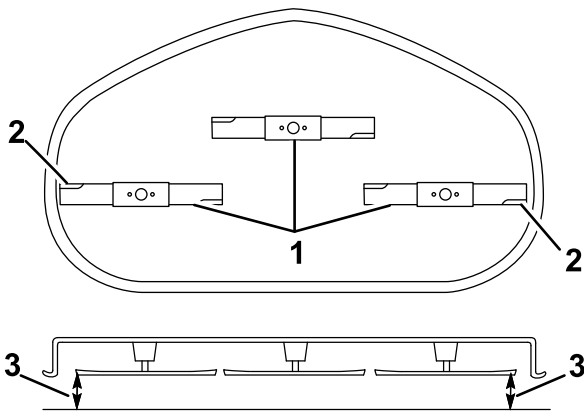


g294044

Figure 67

Mower Decks with 2 Blades

1. Blades side to side
2. Outside cutting edges
3. Measure from the tip of the blade to the flat surface here.



g296913

Figure 68

Mower Decks with 3 Blades

1. Blades side to side
2. Outside cutting edges
3. Measure from the tip of the blade to the flat surface here.

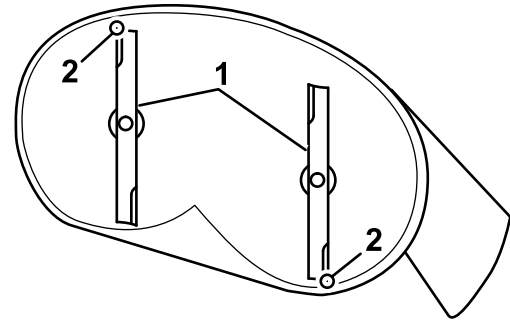
Checking the Front-to-Rear Blade Slope

Check the front-to-rear blade level any time you install the mower. If the front of the mower is more than 7.9 mm (5/16 inch) lower than the rear of the mower, adjust the blade level.

1. Park the machine on a level surface, disengage the blade-control switch (PTO), and move the motion-control levers outward to the PARK position.
2. Shut off the engine, remove the key, and wait for all moving parts to stop before leaving the operating position.

3. Set the height of cut to 76 mm (3 inches).
4. Carefully rotate the blades so they are facing front to rear (Figure 69).
5. Measure from the tip of the front blade to the flat surface and the tip of the rear blade to the flat surface (Figure 69 or Figure 70).

Note: If the front blade tip is not 1.6 to 7.9 mm (1/16 to 5/16 inch) lower than the rear blade tip, continue to the [Adjusting the Front-to-Rear Blade Slope](#) (page 49) procedure.

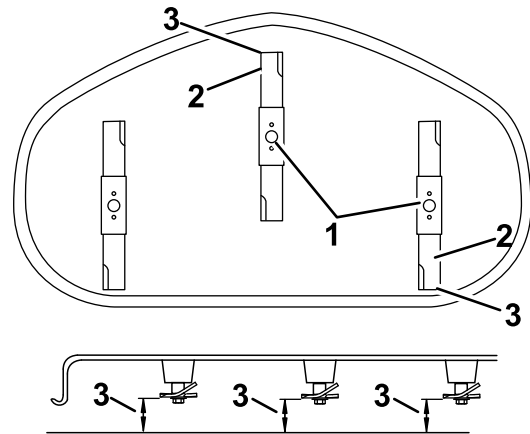


g294046

Figure 69

Mower Decks with 2 Blades

1. Blades front to rear
2. Outside cutting edges
3. Measure from the tip of the blade to the flat surface here.



g296914

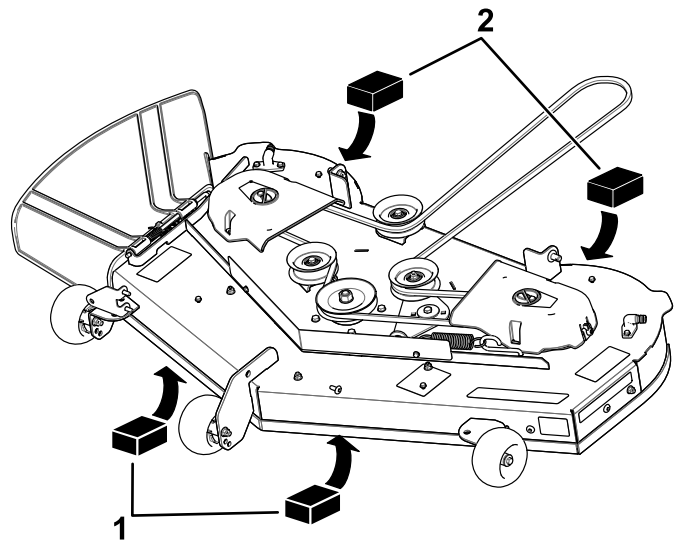
Figure 70

Mower Decks with 3 Blades

1. Blades front to rear
2. Outside cutting edges
3. Measure from the tip of the blade to the flat surface here.

Leveling from Side to Side

1. Move to the left side of the machine.
2. Set the anti-scalp rollers to the top holes or remove them completely for this procedure; refer to [Adjusting the Anti-Scalp Rollers](#) (page 25).
3. Set the height-of-cut lever to the 76 mm (3 inch) position; refer to [Adjusting the Height of Cut](#) (page 24).
4. Place 2 blocks, each having a thickness of 6.6 cm (2-5/8 inches), under each side of the front edge of the deck but not under the anti-scalp roller brackets ([Figure 71](#) or [Figure 72](#)).
5. Place 2 blocks, each having a thickness of 7.3 cm (2-7/8 inches), under the rear edge of the cutting deck skirt, 1 on each side of the cutting deck ([Figure 71](#) or [Figure 72](#)).

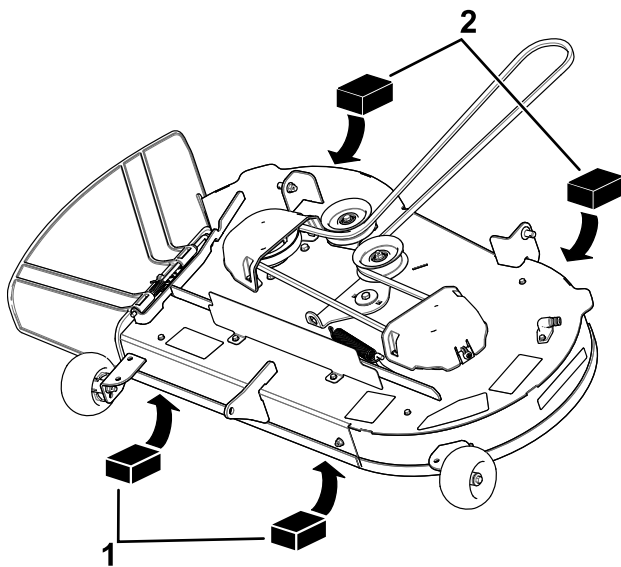


g298028

Figure 72

Mower Decks with 3 Blades

1. Wood block—6.6 cm (2-5/8 inches) thick
2. Wood block—7.3 cm (2-7/8 inches) thick



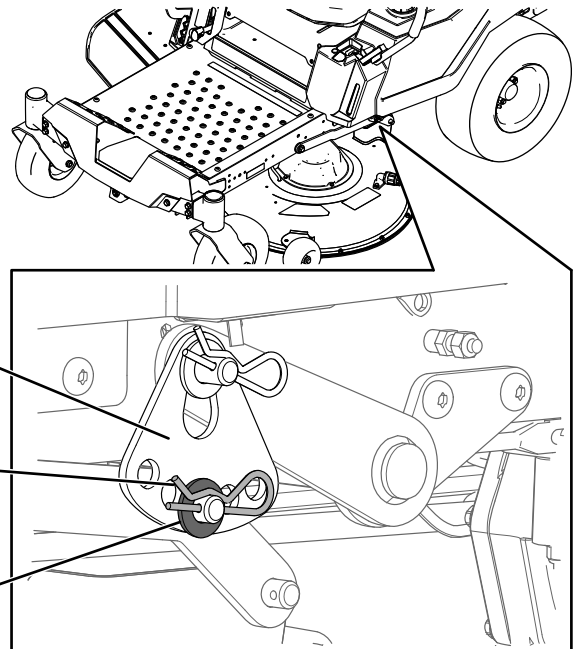
g298027

Figure 71

Mower Decks with 2 Blades

1. Wood block—6.6 cm (2-5/8 inches) thick
2. Wood block—7.3 cm (2-7/8 inches) thick

6. Remove the hairpin cotter and washer from the lower lift-arm pin ([Figure 73](#)).



g294197

Figure 73

1. Height-of-cut plate
2. Hairpin cotter
3. Washer

7. Rotate the height-of-cut plate to a different hole so that it supports the weight of the mower deck after you install the plate ([Figure 74](#)).

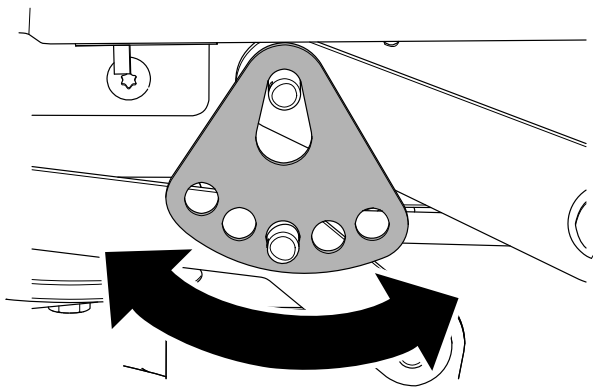


Figure 74

g294195

8. Install the washer and hairpin cotter (Figure 74).
9. Repeat steps 6 through 8 for the other side of the machine.
10. Check the side-to-side level again; repeat this procedure until the measurements are correct.
11. Continue leveling the mower deck by checking the front-to-rear blade slope; refer to [Checking the Front-to-Rear Blade Slope \(page 47\)](#).

Adjusting the Front-to-Rear Blade Slope

1. Rotate the adjustment nut in the front of the mower (Figure 75).

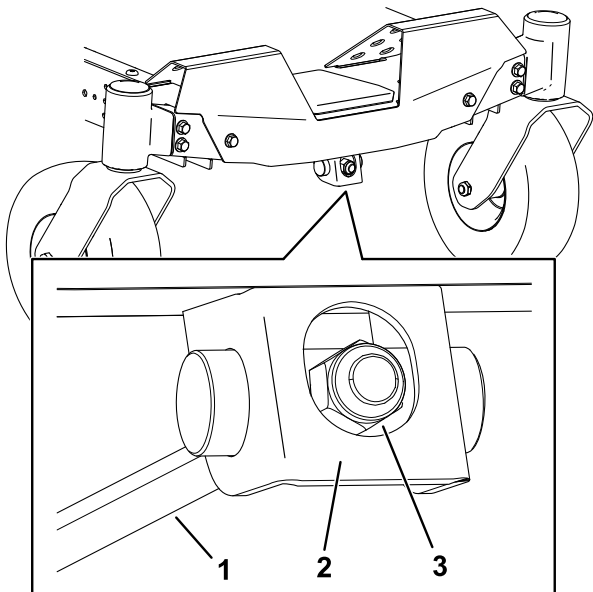


Figure 75

g294471

- | | |
|--------------------|-------------------|
| 1. Adjusting rod | 3. Adjustment nut |
| 2. Adjusting block | |

2. To raise the front of the mower deck, tighten the adjustment nut.

3. To lower the front of the mower deck, loosen the adjustment nut.
4. After adjustment, check the front-to-rear slope again, continue adjusting the nut until the front blade tip is 1.6 to 7.9 mm (1/16 to 5/16 inch) lower than the rear blade tip; refer to [Checking the Front-to-Rear Blade Slope \(page 47\)](#).
5. When the front-to-rear blade slope is correct, check the side-to-side level of the mower deck again; refer to [Checking the Side-to-Side Level \(page 46\)](#).

Removing the Mower Deck

1. Park the machine on a level surface, disengage the blade-control switch (PTO), and move the motion-control levers outward to the PARK position.
2. Shut off the engine, remove the key, and wait for all moving parts to stop before leaving the operating position.
3. Lower the height-of-cut lever to the lowest position.
4. Loosen the bottom 2 bolts holding the mower-deck curtain to the mower deck. Refer to [Releasing the Mower-Deck Curtain \(page 32\)](#).
5. Remove the hairpin cotter from the front support rod, and remove the rod from the deck bracket (Figure 76).

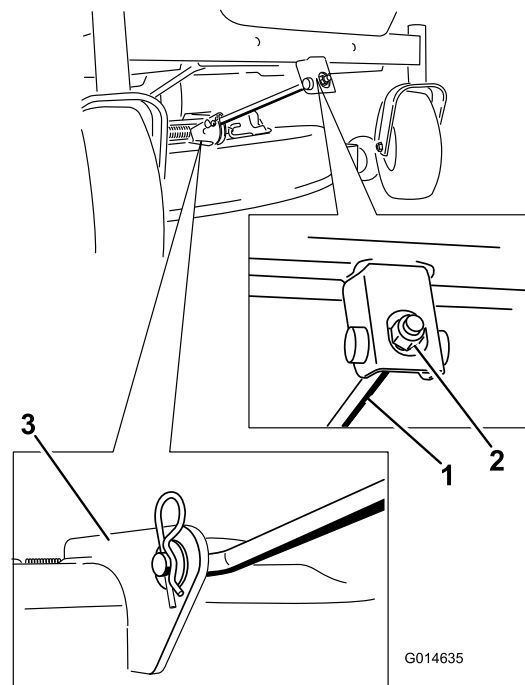


Figure 76

G014635

g014635

- | | |
|----------------------|-----------------|
| 1. Front support rod | 2. Deck bracket |
|----------------------|-----------------|

- Carefully lower the front of the mower deck to the ground.
- On 1 side of the machine, remove the washer and hairpin cotter from the deck pin (Figure 77).

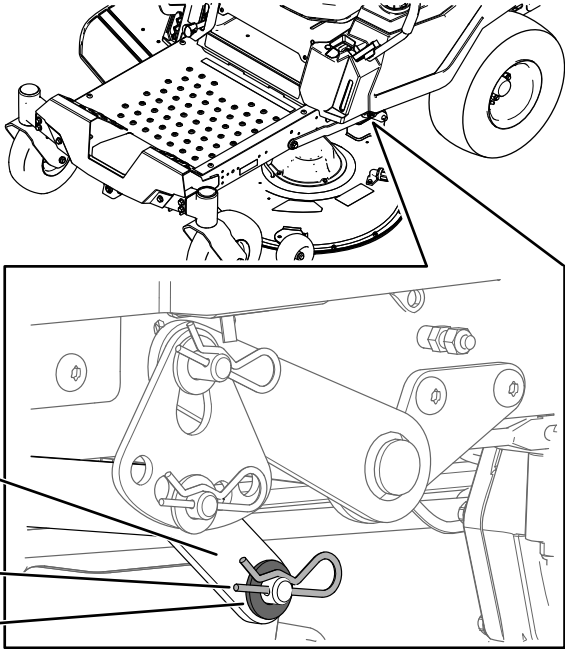


Figure 77

g295768

- Lift arm
- Hairpin cotter
- Washer

- Remove the lift arm from the deck pin (Figure 77).
- Repeat steps 7 and 8 for the other side of the machine.
- Slide the mower deck rearward to remove the mower belt from the engine pulley.
- Slide the mower deck out from underneath the machine.

Note: Retain all parts for future installation.

Installing the Mower Deck

- Park the machine on a level surface, disengage the blade-control switch (PTO), and move the motion-control levers outward to the PARK position.
- Shut off the engine, remove the key, and wait for all moving parts to stop before leaving the operating position.
- Slide the mower under the machine.
- Lower the height-of-cut lever to the lowest position.
- On 1 side of the machine, lift the rear of the mower deck and install the lift arm to the deck pin (Figure 77).

- Install the lift arm using the washer and hairpin cotter (Figure 77).
- Repeat steps 5 and 6 for the other side of the machine.
- Attach the front support rod to the mower deck with the clevis pin and hairpin cotter (Figure 76).
- Install the mower belt onto the engine pulley; refer to Replacing the Mower Belt (page 42).
- Tighten the bottom 2 bolts for the mower-deck curtain to the mower deck; refer to Releasing the Mower-Deck Curtain (page 32).

Replacing the Grass Deflector

Service Interval: Before each use or daily—Inspect the grass deflector for damage.

⚠ WARNING

An uncovered discharge opening could allow the machine to throw objects toward you or bystanders, resulting in serious injury. Also, contact with the blade could occur.

Never operate the machine without the grass deflector, the discharge cover, or the grass-collection system in place.

- Remove the nut (3/8 inch) from the rod under the mower (Figure 78).

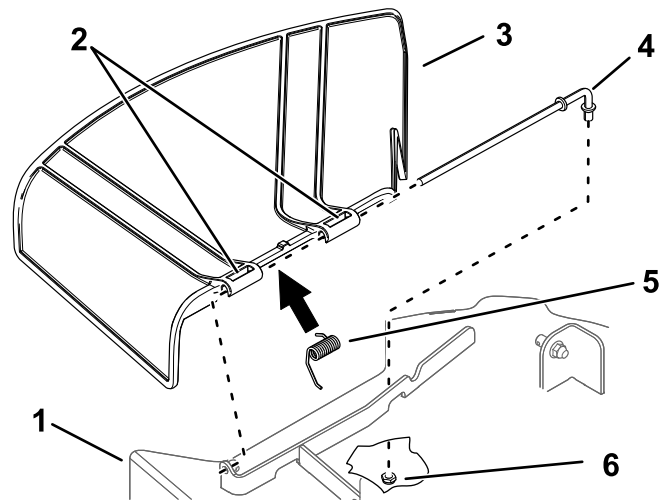


Figure 78

g296957

- Mower deck
- Grass-deflector pivot
- Grass deflector
- Rod
- Spring
- Nut (3/8 inch)

- Slide the rod out of the deck bracket, spring, and grass deflector (Figure 78).

3. Remove the damaged or worn grass deflector.
4. Install the new grass deflector (Figure 78).
5. Slide the straight end of the rod through the rear grass deflector pivot.
6. Place the spring on the rod, with end wires down, and between the grass deflector brackets.
7. Slide the rod through the second grass-deflector pivot (Figure 78).
8. Insert the rod at the front of the grass deflector into the bracket on the deck.
9. Secure the rear end of the rod into the mower with a nut (3/8 inch) as shown in Figure 78.

Important: The grass deflector must be spring-loaded in the down position. Lift the deflector up to test that it snaps into the full-down position.

Cleaning

Washing the Underside of the Mower Deck

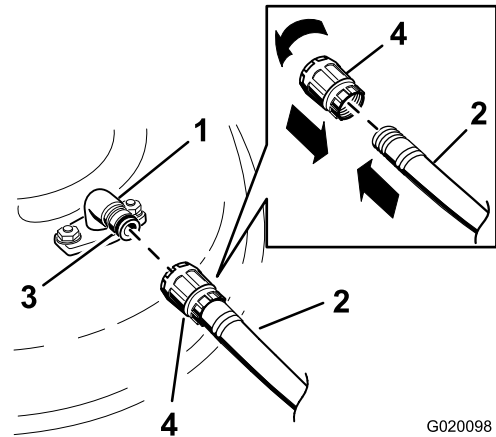
Service Interval: After each use

Important: You can wash the machine with a mild detergent and water. Do not pressure wash the machine. Avoid excessive use of water, especially near the control panel, under the seat, around the engine, hydraulic pumps, and motors.

Wash the underside of the mower deck after each use to prevent grass buildup for improved mulch action and clipping dispersal.

1. Park the machine on a level surface, disengage the blade-control switch (PTO), and move the motion-control levers outward to the PARK position.
2. Shut off the engine, remove the key, and wait for all moving parts to stop before leaving the operating position.
3. Attach the hose coupling to the end of the mower washout fitting, and turn the water on high (Figure 79).

Note: Spread petroleum jelly on the washout fitting O-ring to make the coupling slide on easier and protect the O-ring.



G020098

g020098

Figure 79

- | | |
|--------------------|-------------|
| 1. Washout fitting | 3. O-ring |
| 2. Hose | 4. Coupling |

4. Lower the mower to the lowest height-of-cut.
5. Sit on the seat and start the engine.
6. Engage the blade-control switch and let the mower run for 1 to 3 minutes.
7. Disengage the blade-control switch, shut off the engine, remove the key, and wait for all moving parts to stop.

8. Turn the water off and remove the coupling from the washout fitting.

Note: If the mower is not clean after 1 washing, soak it and let it stand for 30 minutes. Then repeat the process.

9. Run the mower again for 1 to 3 minutes to remove excess water.

⚠ WARNING

A broken or missing washout fitting could expose you and others to thrown objects or blade contact. Contact with a blade or thrown debris can cause injury or death.

- **Replace broken or missing washout fitting immediately, before using machine again.**
- **Never put your hands or feet under the mower or through openings in the machine.**

Disposing of Waste

Engine oil, batteries, hydraulic fluid, and engine coolant are pollutants to the environment. Dispose of these according to your state and local regulations.

Storage

Storage Safety

- Shut off the engine, remove the key, and wait for all moving parts to stop before you leave the operator's position. Allow the machine to cool before adjusting, servicing, cleaning, or storing it.
- Do not store the machine or fuel near flames or drain the fuel indoors or inside an enclosed trailer.
- Do not store the machine or fuel container where there is an open flame, spark, or pilot light, such as on a water heater or on other appliances.

Cleaning and Storage

1. Disengage the blade-control switch (PTO), and engage the parking brake.
2. Shut off the engine, remove the key, and wait for all moving parts to stop before leaving the operating position.
3. Remove grass clippings, dirt, and grime from the external parts of the entire machine, especially the engine and hydraulic system. Clean dirt and chaff from the outside of the engine cylinder head fins and blower housing.

Important: You can wash the machine with mild detergent and water. Do not pressure-wash the machine. Avoid excessive use of water, especially near the control panel, engine, hydraulic pumps, and motors.

4. Check the parking brake operation; refer to [Park Position \(page 11\)](#).
5. Service the air cleaner; refer to [Servicing the Air Cleaner \(page 33\)](#).
6. Change the crankcase oil; refer to [Changing the Engine Oil and Oil Filter \(page 35\)](#).
7. Check the tire pressure; refer to [Checking the Tire Pressure \(page 41\)](#).
8. Charge the battery; refer to [Charging the Battery \(page 40\)](#).
9. If storing the machine with the battery installed, disconnect the negative (black) cable from the battery.
10. Scrape any heavy buildup of grass and dirt from the underside of the mower, then wash the machine with a garden hose.

Note: Run the machine with the blade-control switch (PTO) engaged and the engine at high idle for 2 to 5 minutes after washing.

11. Check the condition of the blades; refer to [Servicing the Cutting Blades \(page 44\)](#).

12. Prepare the machine for storage when non-use occurs over 30 days. Prepare the machine for storage as follows:
 - A. Add fuel stabilizer/conditioner to fresh fuel in the tank. Follow mixing instructions from the fuel stabilizer manufacturer. Do not use an alcohol-based stabilizer (ethanol or methanol).
 - B. Run the engine to distribute conditioned fuel through the fuel system for 5 minutes.
 - C. Shut off the engine, allow it to cool, and drain the fuel tank.
 - D. Start the engine and run it until it shuts off.
 - E. Dispose of fuel properly. Recycle the fuel according to local codes.

Important: Do not store fuel containing stabilizer/conditioner longer than the duration recommended by the fuel-stabilizer manufacturer.

13. Remove and check the condition of the spark plug(s); refer to [Servicing the Spark Plug \(page 37\)](#). With the spark plug(s) removed from the engine, pour 30 ml (2 tablespoons) of engine oil into the spark plug hole. Use the starter to crank the engine and distribute the oil inside the cylinder. Install the spark plug(s). Do not install the wire on the spark plug(s).
14. Check and tighten all bolts, nuts, and screws. Repair or replace any part that is damaged.
15. Paint all scratched or bare metal surfaces. Paint is available from your Authorized Service Dealer.
16. Store the machine in a clean, dry garage or storage area. Remove the key from the switch and keep it out of reach of children or other unauthorized users. Cover the machine to protect it and keep it clean.

Storing the Battery

1. Fully charge the battery.
2. Let the battery rest for 24 hours, then check the battery voltage.

Note: If the battery voltage is below 12.6 V, repeat steps 1 and 2.

3. Disconnect the cables from the battery.
4. Check the voltage periodically to ensure that the voltage is 12.4 V or higher.

Note: If the battery voltage is below 12.4 V, repeat steps 1 and 2.

Battery Storage Tips

If you are storing the battery outside the machine, do the following:

- Store the battery in a cool, dry area in an upright position.
- Do not stack batteries directly on top of each other, unless they are in cartons.
- Do not stack more than 3 batteries (only 2 if the battery type is commercial).
- Test a wet battery every 4 to 6 months and charge it, if necessary.
- Always test and charge the battery before installation.

Troubleshooting

Problem	Possible Cause	Corrective Action
The fuel tank is showing signs of collapsing or the machine is frequently showing signs of running out of fuel.	1. The air-cleaner paper element clogged.	1. Clean the paper element.
The engine overheats.	<ol style="list-style-type: none"> 1. The engine load is excessive. 2. The oil level in the crankcase is low. 3. The cooling fins and air passages under the engine-blower housing are plugged. 4. The air cleaner is dirty. 5. Dirt, water, or stale fuel is in the fuel system. 	<ol style="list-style-type: none"> 1. Reduce the ground speed. 2. Add oil to the crankcase. 3. Remove the obstruction from the cooling fins and air passages. 4. Clean or replace the air-cleaner element. 5. Contact an Authorized Service Dealer
The starter does not crank.	<ol style="list-style-type: none"> 1. The blade-control switch is engaged. 2. The motion-control levers are not in the PARK position. 3. The battery is dead. 4. The electrical connections are corroded or loose. 5. A fuse is blown. 6. A relay or switch is damaged. 	<ol style="list-style-type: none"> 1. Disengage the blade-control switch. 2. Move the motion-control levers outward to the PARK position. 3. Charge the battery. 4. Check the electrical connections for good contact. 5. Replace the fuse. 6. Contact an Authorized Service Dealer.
The engine does not start, starts hard, or fails to keep running.	<ol style="list-style-type: none"> 1. The fuel tank is empty. 2. The choke (if applicable) is not on. 3. The air cleaner is dirty. 4. The spark-plug wire(s) is loose or disconnected. 5. The spark plug(s) is pitted, fouled, or the gap is incorrect. 6. There is dirt in fuel filter. 7. Dirt, water, or stale fuel is in fuel system. 8. There is incorrect fuel in the fuel tank. 9. The oil level in the crankcase is low. 	<ol style="list-style-type: none"> 1. Fill the fuel tank. 2. Move the choke lever to the ON position. 3. Clean or replace the air-cleaner element. 4. Install the wire(s) on the spark plug. 5. Install a new, correctly gapped spark plug(s). 6. Replace the fuel filter. 7. Contact an Authorized Service Dealer. 8. Drain the tank and replace the fuel with the proper type. 9. Add oil to the crankcase.
The engine loses power.	<ol style="list-style-type: none"> 1. The engine load is excessive. 2. The air cleaner is dirty. 3. The oil level in the crankcase is low. 4. The cooling fins and air passages under the engine blower housing are plugged. 5. The spark plug(s) is pitted, fouled, or the gap is incorrect. 6. The fuel-tank vent is blocked. 7. There is dirt in the fuel filter. 8. Dirt, water, or stale fuel is in the fuel system. 9. There is incorrect fuel in the fuel tank. 	<ol style="list-style-type: none"> 1. Reduce the ground speed. 2. Clean the air-cleaner element. 3. Add oil to the crankcase. 4. Remove the obstruction from the cooling fins and air passages. 5. Install a new, correctly gapped spark plug(s). 6. Contact an Authorized Service Dealer. 7. Replace the fuel filter. 8. Contact an Authorized Service Dealer. 9. Contact an Authorized Service Dealer.

Problem	Possible Cause	Corrective Action
The machine does not drive.	<ol style="list-style-type: none"> 1. The bypass valves are open. 2. The traction belts are worn, loose, or broken. 3. The traction belts are off the pulleys. 4. The transmission has failed. 	<ol style="list-style-type: none"> 1. Close the tow valves. 2. Contact an Authorized Service Dealer. 3. Contact an Authorized Service Dealer. 4. Contact an Authorized Service Dealer.
The machine vibrates abnormally.	<ol style="list-style-type: none"> 1. The cutting blade(s) is/are bent or unbalanced. 2. The blade mounting bolt is loose. 3. The engine mounting bolts are loose. 4. The engine pulley, idler pulley, or blade pulley is loose. 5. The engine pulley is damaged. 6. The blade spindle is bent. 7. The motor mount is loose or worn. 	<ol style="list-style-type: none"> 1. Install new cutting blade(s). 2. Tighten the blade mounting bolt. 3. Tighten the engine mounting bolts. 4. Tighten the appropriate pulley. 5. Contact an Authorized Service Dealer. 6. Contact an Authorized Service Dealer. 7. Contact an Authorized Service Dealer.
The cutting height is uneven.	<ol style="list-style-type: none"> 1. The blade(s) is not sharp. 2. A cutting blade(s) is/are bent. 3. The mower is not level. 4. An anti-scalp roller (if applicable) is not set correctly. 5. The underside of the mower deck is dirty. 6. The tire pressure is incorrect. 7. A blade spindle is bent. 	<ol style="list-style-type: none"> 1. Sharpen the blade(s). 2. Install a new cutting blade(s). 3. Level the mower from side-to-side and front-to-rear. 4. Adjust the anti-scalp wheel height. 5. Clean the underside of the mower deck. 6. Adjust the tire pressure. 7. Contact an Authorized Service Dealer.
The blades do not rotate.	<ol style="list-style-type: none"> 1. The drive belt is worn, loose or broken. 2. The drive belt is off of the pulley. 3. The power-takeoff (PTO) switch or PTO clutch is faulty. 4. The mower belt is worn, loose, or broken. 	<ol style="list-style-type: none"> 1. Install a new drive belt. 2. Install the drive belt and check the adjusting shafts and belt guides for the correct position. 3. Contact an Authorized Service Dealer. 4. Install a new mower belt.

Notes:

Notes:

EEA/UK Privacy Notice

Toro's Use of Your Personal Information

The Toro Company ("Toro") respects your privacy. When you purchase our products, we may collect certain personal information about you, either directly from you or through your local Toro company or dealer. Toro uses this information to fulfil contractual obligations - such as to register your warranty, process your warranty claim or to contact you in the event of a product recall - and for legitimate business purposes - such as to gauge customer satisfaction, improve our products or provide you with product information which may be of interest. Toro may share your information with our subsidiaries, affiliates, dealers or other business partners in connection these activities. We may also disclose personal information when required by law or in connection with the sale, purchase or merger of a business. We will never sell your personal information to any other company for marketing purposes.

Retention of your Personal Information

Toro will keep your personal information as long as it is relevant for the above purposes and in accordance with legal requirements. For more information about applicable retention periods please contact legal@toro.com.

Toro's Commitment to Security

Your personal information may be processed in the US or another country which may have less strict data protection laws than your country of residence. Whenever we transfer your information outside of your country of residence, we will take legally required steps to ensure that appropriate safeguards are in place to protect your information and to make sure it is treated securely.

Access and Correction

You may have the right to correct or review your personal data, or object to or restrict the processing of your data. To do so, please contact us by email at legal@toro.com. If you have concerns about the way in which Toro has handled your information, we encourage you to raise this directly with us. Please note that European residents have the right to complain to your Data Protection Authority.



Count on it.



Count on it.

Form No. 3466-974 Rev A

Bedienungsanleitung

TimeCutter® MR4275T oder MR5075T Nullwendekreis- Aufsitzrasenmäher

Modellnr. 74691—Seriennr. 414500000 und höher

Modellnr. 74695—Seriennr. 416299326 und höher



Dieses Produkt erfüllt alle relevanten europäischen Richtlinien; weitere Details finden Sie in der produktspezifischen Konformitätserklärung (DOC).

Brutto- oder Nettodrehmoment: Das Brutto- oder Nettodrehmoment dieses Motors wurden vom Motorhersteller im Labor gemäß SAE J1940 oder J2723 ermittelt. Der tatsächliche Motordrehmoment bei dieser Klasse der Mäher ist bei einer Konfiguration zur Einhaltung der Sicherheits-, Emissions- und Betriebsanforderungen wesentlich geringer. Weitere Informationen finden Sie in der Motorbedienungsanleitung des Herstellers, die mit der Maschine ausgeliefert wurde.

Die beiliegende Motoranleitung enthält Angaben zu den Emissionsbestimmungen der US Environmental Protection Agency (EPA) und den Kontrollvorschriften von Kalifornien zu Emissionsanlagen, der Wartung und Garantie. Sie können einen Ersatz beim Motorhersteller anfordern.

Einführung

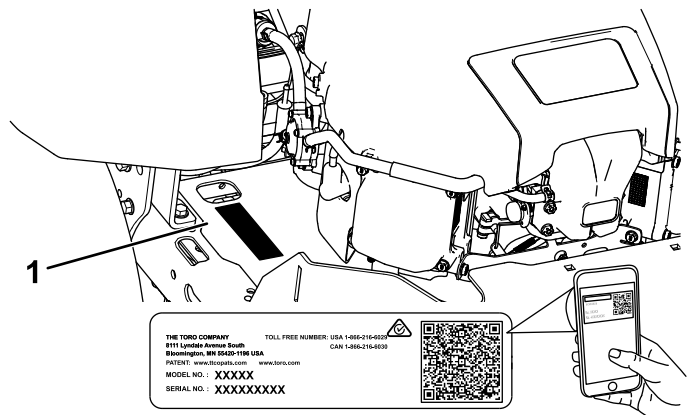
Dieser Aufsitzer mit Sichelmessern sollte von Hausbesitzern in Privatgärten verwendet werden. Er ist hauptsächlich für das Mähen von Gras auf gepflegten Grünflächen gedacht. Wenn diese Maschine für einen anderen Zweck als vorgesehen eingesetzt wird, kann das für Sie und andere Personen gefährlich sein.

Lesen Sie diese Informationen sorgfältig durch, um sich mit dem ordnungsgemäßen Einsatz und der Wartung des Geräts vertraut zu machen und Verletzungen und eine Beschädigung des Geräts zu vermeiden. Sie tragen die Verantwortung für einen ordnungsgemäßen und sicheren Einsatz des Geräts.

Besuchen Sie Toro.com, hinsichtlich Produktsicherheit und Schulungsunterlagen, Zubehörinformationen, Standort eines Händlers, oder Registrierung des Produkts.

Wenden Sie sich an Ihren autorisierten Service-Vertragshändler oder Kundendienst, wenn Sie eine Serviceleistung, Toro Originalersatzteile oder zusätzliche Informationen benötigen. Halten Sie hierfür die Modell- und Seriennummern Ihres Produkts griffbereit. In **Bild 1** ist angegeben, wo an dem Produkt die Modell- und die Seriennummer angebracht sind. Tragen Sie hier die Modell- und Seriennummern des Geräts ein.

Wichtig: Scannen Sie mit Ihrem Mobilgerät den QR-Code auf dem Seriennummernaufkleber (falls vorhanden), um auf Garantie-, Ersatzteil- oder andere Produktinformationen zuzugreifen.



g297763

Bild 1
Unter dem Sitz

1. Typenschild mit Modell- und Seriennummer

Tragen Sie hier bitte die Modell- und Seriennummern der Maschine ein:

Modellnr. _____
Seriennr. _____

In dieser Anleitung werden zwei Begriffe zur Hervorhebung von Informationen verwendet. **Wichtig** weist auf spezielle mechanische Informationen hin, und **Hinweis** hebt allgemeine Informationen hervor, die Ihre besondere Beachtung verdienen.

Dieses Sicherheitswarnsymbol (**Bild 2**) wird sowohl in diesem Handbuch als auch an der Maschine verwendet, um wichtige Sicherheitshinweise zu kennzeichnen, die zur Vermeidung von Unfällen befolgt werden müssen. Dieses Symbol wird mit dem Signalwort **Gefahr**, **Warnung** oder **Vorsicht** dargestellt.

- **Gefahr:** bezeichnet eine unmittelbar drohende Gefahr. Wenn sie nicht gemieden wird, **sind** Tod oder schwerste Verletzungen die Folge.
- **Warnung:** bezeichnet eine möglicherweise drohende Gefahr. Wenn sie nicht gemieden wird, **können** Tod oder schwerste Verletzungen die Folge sein.
- **Vorsicht:** bezeichnet eine möglicherweise drohende Gefahr. Wenn sie nicht gemieden wird, **können leichte** oder geringfügige Verletzungen die Folge sein.



Bild 2

sa-black

1. Sicherheitswarnsymbol
-

Inhalt

Sicherheit	5	Warten des Motoröls	41
Allgemeine Sicherheit	5	Wartung der Zündkerze	44
Winkelanzeige	6	Reinigen des Gebläsegehäuses	45
Sicherheits- und Bedienungsschilder	7	Warten der Kraftstoffanlage	45
Produktübersicht	12	Auswechseln des Inline-Kraftstofffilters	45
Bedienelemente	13	Warten der elektrischen Anlage	46
Technische Daten	14	Hinweise zur Sicherheit der Elektroan-	
Anbaugeräte/Zubehör	14	lage	46
Vor dem Einsatz	14	Warten der Batterie	46
Sicherheitshinweise vor der Inbetrieb-		Warten der Sicherungen	48
nahme	14	Warten des Antriebssystems	48
Betanken	15	Prüfen des Reifendrucks	48
Durchführen täglicher Wartungsarbei-		Auskuppeln der elektrischen Bremse	49
ten	16	Einstellen der Spurweite	49
Einfahren einer neuen Maschine	16	Warten der Riemen	50
Verwendung der Sicherheitsschalter	16	Prüfen der Riemen	50
Einstellen des Sitzes	17	Austauschen des Mähwerk-Treibrie-	
Einstellen des MyRide® Federungssy-		mens	50
stems	17	Warten des Mähwerks	52
Einstellen der Fahrtriebshebel	18	Sicherheitshinweise zum Messer	52
Umstellen auf Seitenauswurf	18	Warten der Schnittmesser	52
Während des Einsatzes	21	Nivellieren des Mähwerks	54
Hinweise zur Sicherheit während des		Entfernen des Mähwerks	57
Betriebs	21	Einbauen des Mähwerks	58
Einsetzen des Zapfwellenantriebsschal-		Austauschen des Ablenklechs	59
ters	24	Reinigung	60
Einsetzen der Gasbedienung	24	Reinigen der Unterseite des Mähwerks	60
Einsetzen des Chokes	24	Beseitigung von Abfällen	60
Anlassen des Motors	25	Einlagerung	61
Abstellen des Motors	26	Sicherheit bei der Einlagerung	61
Verwenden der Fahrtriebshebel	27	Reinigung und Einlagerung	61
Fahren mit der Maschine	27	Einlagerung der Batterie	62
Verwenden der Smart Speed™		Fehlersuche und -behebung	63
Steueranlage	28	Schaltbilder	66
Verwenden des Seitenauswurfs	29		
Einstellen der Schnitthöhe	30		
Einstellen der Antiskalpierrollen	30		
Betriebshinweise	31		
Nach dem Einsatz	33		
Hinweise zur Sicherheit nach dem			
Betrieb	33		
Reinigen der Maschine	33		
Schieben der Maschine per Hand	33		
Transportieren der Maschine	34		
Wartung	37		
Wartungssicherheit	37		
Empfohlener Wartungsplan	38		
Verfahren vor dem Ausführen von			
Wartungsarbeiten	39		
Lösen der Mähwerkabdeckung	39		
Aufbocken der Maschine	39		
Schmierung	40		
Einfetten der Lager	40		
Warten des Motors	40		
Sicherheitshinweise zum Motor	40		
Warten des Luftfilters	40		

Sicherheit

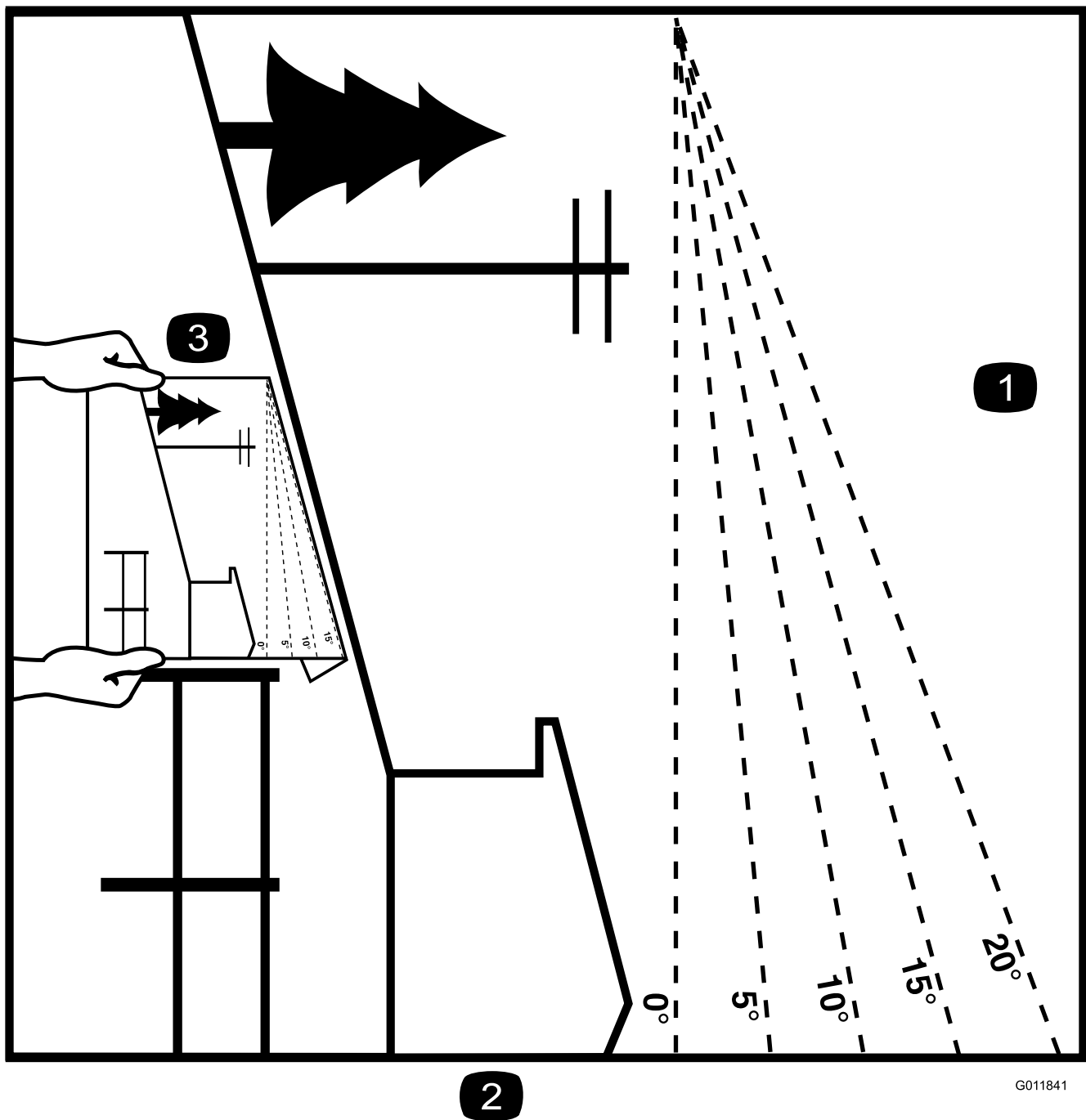
Diese Maschine erfüllt EN ISO 5395.

Allgemeine Sicherheit

Dieses Produkt kann Hände und Füße amputieren und Gegenstände aufschleudern. Befolgen Sie zum Vermeiden von schweren oder tödlichen Verletzungen immer alle Sicherheitshinweise.

- Lesen und verstehen Sie vor dem Anlassen des Motors den Inhalt dieser *Bedienungsanleitung*.
- Halten Sie Unbeteiligte und Kinder fern.
- Kinder oder nicht geschulte Personen dürfen die Maschine weder verwenden noch warten. Lassen Sie nur Personen zu, die verantwortungsbewusst, geschult, mit den Anweisungen vertraut, und körperlich in der Lage sind, die Maschine zu bedienen und zu warten.
- Setzen Sie die Maschine nicht in der Nähe von Abhängen, Gräben, Böschungen, Gewässern oder anderen Gefahrenstellen sowie an Hanglagen mit einem Gefälle von mehr als 15° ein.
- Halten Sie Hände und Füße von beweglichen Teilen fern.
- Bedienen Sie die Maschine niemals, wenn nicht alle Schutzvorrichtungen, Sicherheitsschalter und Abdeckungen angebracht und funktionstüchtig sind.
- Stellen Sie vor dem Verlassen der Bedienerposition den Motor ab, ziehen den Schlüssel ab, und warten, bis alle beweglichen Teile zum Stillstand gekommen sind. Lassen Sie die Maschine abkühlen, bevor Sie sie warten, einstellen, betanken, reinigen, oder einlagern.

Winkelanzeige



2

G011841

g011841

Bild 3

Sie dürfen diese Seite für den persönlichen Gebrauch kopieren.

1. Das maximale Gefälle, an dem Sie die Maschine einsetzen können, beträgt **15 Grad**. Ermitteln Sie mit der Gefälletabelle das Gefälle der Hänge vor dem Einsatz. **Setzen Sie diese Maschine nicht auf Hängen ein, die ein Gefälle von mehr als 15 Grad aufweisen.** Falten Sie entlang der entsprechenden Linie, um dem empfohlenen Gefälle zu entsprechen.
2. Fluchten Sie diese Kante mit einer vertikalen Oberfläche aus (Baum, Gebäude, Zaunpfahl usw.)
3. Beispiel, wie Sie Gefälle mit der gefalteten Kante vergleichen

Sicherheits- und Bedienungsschilder



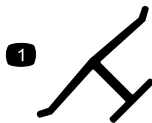
Die Sicherheits- und Bedienungsaufkleber sind für den Bediener gut sichtbar und befinden sich in der Nähe der möglichen Gefahrenbereiche. Tauschen Sie beschädigte oder verloren gegangene Aufkleber aus.



Akkusymbole

Der Akku weist einige oder alle der folgenden Symbole auf.

- | | |
|---|---|
| 1. Explosionsgefahr | 6. Unbeteiligte Personen dürfen sich nicht in der Nähe des Akkus aufhalten. |
| 2. Vermeiden Sie Feuer, offenes Licht und rauchen Sie nicht | 7. Tragen Sie eine Schutzbrille; explosive Gase können Blindheit und andere Verletzungen verursachen. |
| 3. Verätzungsgefahr/ Verbrennungsgefahr durch Chemikalien | 8. Akkusäure kann schwere chemische Verbrennungen und Blindheit verursachen. |
| 4. Tragen Sie eine Schutzbrille. | 9. Waschen Sie Augen sofort mit Wasser und suchen Sie umgehend einen Arzt auf. |
| 5. Lesen Sie die <i>Bedienungsanleitung</i> . | 10. Bleihaltig: Nicht wegwerfen |

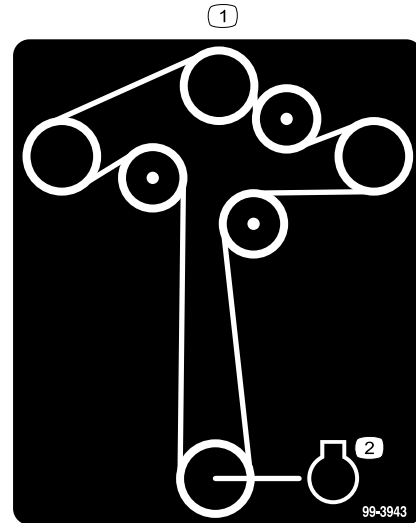


Herstellermarke

decaloemmark

1. Diese Marke gibt an, dass das Messer Teil der Originalmaschine des Herstellers ist.

Der Aufkleber 99-3943 ist nur für Modelle mit 127 cm Mähwerke bestimmt.

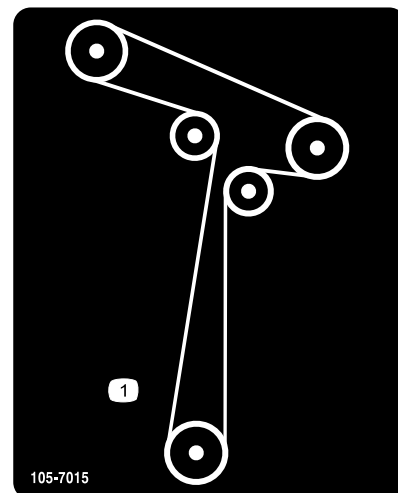


99-3943

decal99-3943

1. Riemenführung
2. Motor

Der Aufkleber 105-7015 ist nur für Modelle mit 107 cm Mähwerke bestimmt.

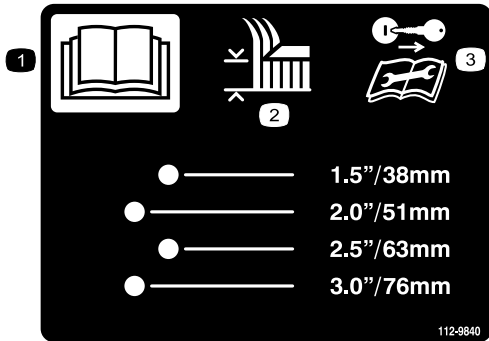


105-7015

decal105-7015

1. Riemenführung

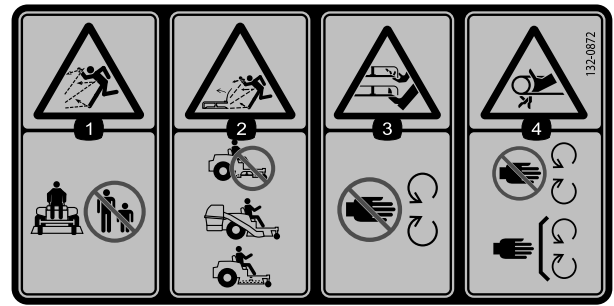
Der Aufkleber 112-9840 ist nur für Modelle mit 127 cm Mähwerke bestimmt.



112-9840

decal112-9840

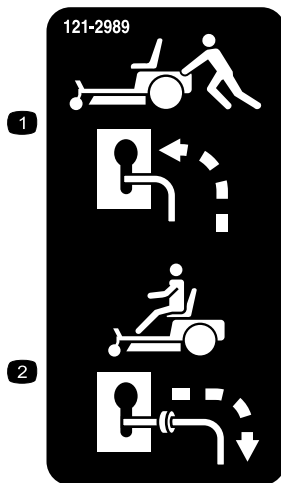
1. Lesen Sie die *Bedienungsanleitung*.
2. Schnitthöhe
3. Ziehen Sie vor dem Durchführen von Wartungs- oder Reparaturarbeiten den Zündschlüssel ab und lesen Sie die Bedienungsanleitung durch.



132-0872

decal132-0872

1. Gefahr durch herausgeschleuderte Objekte: Unbeteiligte müssen einen Abstand zur Maschine halten.
2. Gefahr durch herausgeschleuderte Objekte bei angehobenem Ablenkblech: Setzen Sie die Maschine nicht mit einem offenen Mähwerk ein; verwenden Sie ein Heckfangsystem oder ein Ablenkblech.
3. Amputationsgefahr für Hände oder Füße: Berühren Sie keine beweglichen Teile.
4. Verhedderungsgefahr: Berühren Sie keine beweglichen Teile und lassen Sie alle Schutzvorrichtungen und Schutzbleche montiert.

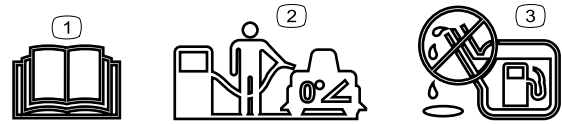


121-2989

decal121-2989b

1. Bypasshebel, Hebelstellung zum Schieben der Maschine
2. Bypasshebel, Hebelstellung zum Einsatz der Maschine

Aufkleber 138-6074 ist in den Kraftstofftank eingegossen.



138-6074

decal138-2456

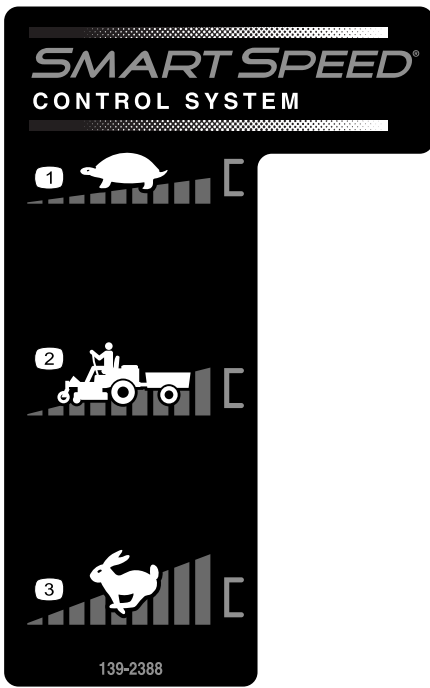
1. Lesen Sie die *Bedienungsanleitung*.
2. Parken Sie die Maschine auf einer ebenen Fläche, wenn Sie den Kraftstofftank auffüllen.
3. Füllen Sie den Kraftstofftank nicht zu voll.



130-0731

decal130-0731

1. Gefahr durch herausgeschleuderte Gegenstände: Lassen Sie das Ablenkschutzblech immer montiert.
2. Schnittgefahr an Händen oder Füßen durch Mähwerkmesser: Berühren Sie keine beweglichen Teile.

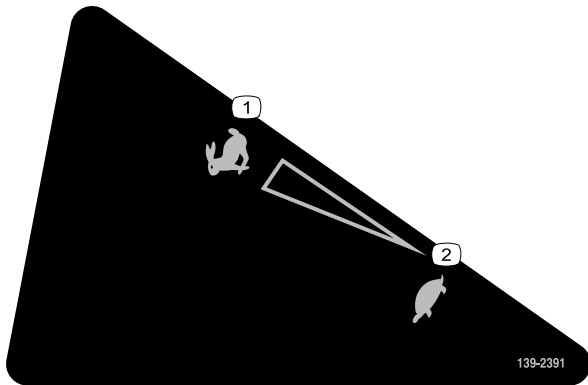


139-2388

decal139-2388

- 1. Langsam
- 2. Befördern
- 3. Schnell

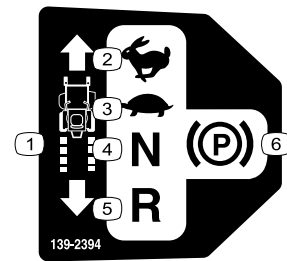
Der Aufkleber 139-2391 ist nur für Modelle ohne Betriebsstundenzähler bestimmt.



139-2391

decal139-2391

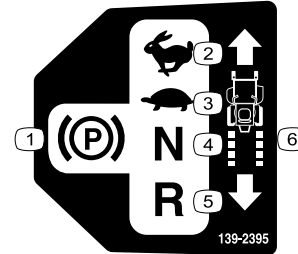
- 1. Schnell
- 2. Langsam



139-2394

decal139-2394

- 1. Fahrtrieb
- 2. Schnell
- 3. Langsam
- 4. Leerlauf
- 5. Rückwärts
- 6. Feststellbremse



139-2395

decal139-2395

- 1. Feststellbremse
- 2. Schnell
- 3. Langsam
- 4. Leerlauf
- 5. Rückwärts
- 6. Fahrtrieb



139-2397

decal139-2397



140-2748

decal140-2748

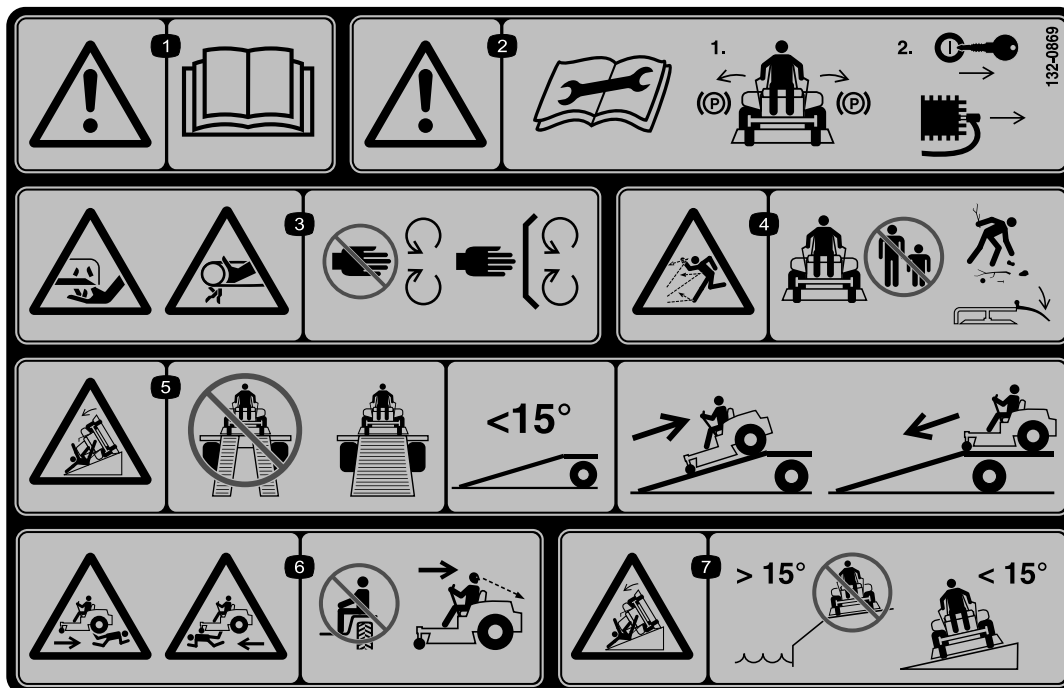
⚠ WARNING: Cancer and Reproductive Harm - www.P65Warnings.ca.gov.
For more information, please visit www.ttcoCAProp65.com

CALIFORNIA SPARK ARRESTER WARNING
Operation of this equipment may create sparks that can start fires around dry vegetation. A spark arrester may be required. The operator should contact local fire agencies for laws or regulations relating to fire prevention requirements.

142-5864

142-5864

decal142-5864



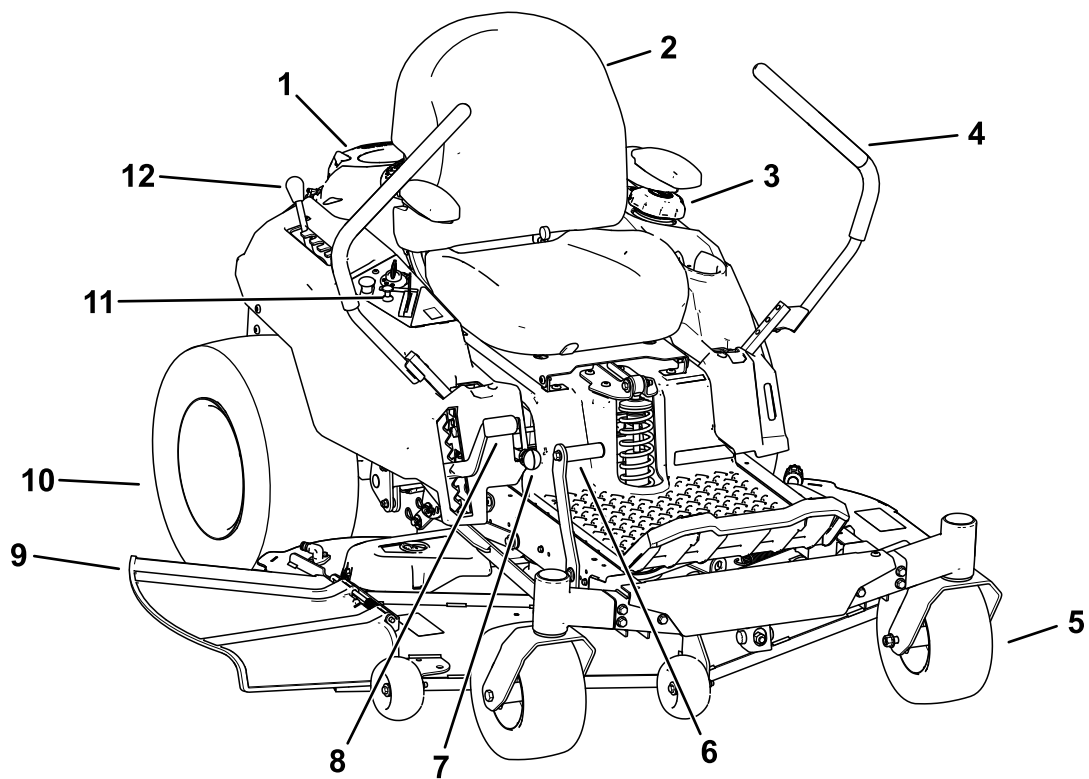
132-0869

decal132-0869

Hinweis: Diese Maschine erfüllt die dem Industriestandard entsprechenden Stabilitätstests der statischen Standfestigkeit in Längs- und Querrichtung mit der auf dem Aufkleber angebrachten empfohlenen Maximalneigung. Lesen Sie die Anweisungen in der *Bedienungsanleitung* für den Betrieb der Maschine an Hanglagen und die Bedingungen, unter denen die Maschine eingesetzt wird, um zu ermitteln, ob die Maschine unter den Bedingungen an diesem Tag und an diesem Ort verwendet werden kann. Veränderungen im Gelände können zu einer Veränderung in der Neigung für den Betrieb der Maschine führen.

1. **Warnung:** Lesen Sie die *Bedienungsanleitung*.
2. **Warnung:** Lesen Sie die *Betriebsanleitung*, bevor Sie Wartungsarbeiten durchführen; aktivieren Sie die Feststellbremse, ziehen Sie den Schlüssel ab und ziehen Sie die Zündkerzenstecker ab.
3. **Schnitt- bzw. Amputationsgefahr** für Hände beim Schnittmesser und Verhedderungsgefahr für Hände am Riemen: Halten Sie sich von beweglichen Teilen fern und nehmen Sie keine Schutzvorrichtungen ab.
4. **Gefahr durch ausgeworfene Gegenstände:** Halten Sie umstehende Personen fern; sammeln Sie vor dem Einsatz der Maschine Schmutz auf; das Ablenkblech muss angebracht sein.
5. **Kippgefahr:** Verwenden Sie beim Verladen auf einen Anhänger nicht zwei Rampen sondern nur eine Rampe, die für die Maschine breit genug ist und eine Neigung von weniger als 15 Grad hat; fahren Sie beim Verladen rückwärts auf die Rampe und fahren Sie beim Entladen vorwärts von der Rampe.
6. **Gefahr durch Überfahren:** Nehmen Sie keine Passagiere mit; schauen Sie nach hinten, wenn Sie im Rückwärtsgang mähen.
7. **Kippgefahr:** verwenden Sie die Maschine nicht in der Nähe von Abhängen oder an Steigungen über 15°. Fahren Sie nur auf Steigungen unter 15°.

Produktübersicht



g367815

Bild 4

- | | | | |
|---------------|--|-----------------------|---------------------------|
| 1. Motor | 4. Fahrtriabshebel | 7. Smart Speed™ Hebel | 10. Hinteres Antriebsrad |
| 2. Fahrersitz | 5. Vorderes Laufrad | 8. Schnitthöhenhebel | 11. Armaturenbrett |
| 3. Tankdeckel | 6. Mähwerkhubpedal (nur bei bestimmten Modellen) | 9. Ablenkblech | 12. MyRide™ Einstellhebel |

Bedienelemente

Machen Sie sich vor dem Start des Motors und der Verwendung der Maschine mit allen Bedienelementen vertraut.

Armaturenbrett

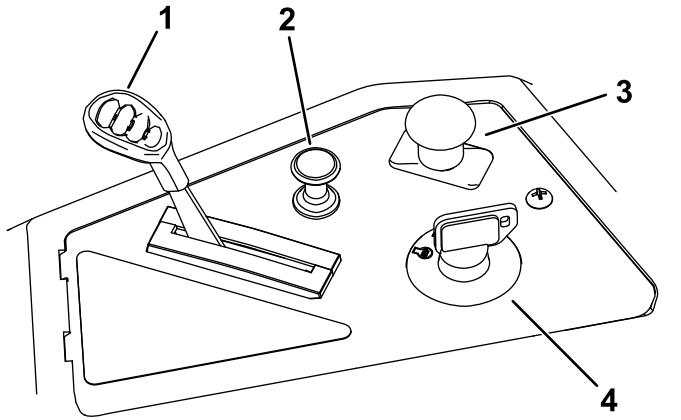


Bild 5

- | | |
|-----------------------|-------------------------------|
| 1. Gasbedienungshebel | 3. Zapfwellenantriebsschalter |
| 2. Chokehebel | 4. Zündschloss |

Zündschloss

Das Zündschloss, mit dem der Motor angelassen und abgestellt wird, hat drei Stellungen: AUS, LAUF und START (Bild 5).

Gasbedienungshebel

Die Gasbedienung steuert die Motordrehzahl und hat eine fortlaufend variable Einstellung von SLOW (LANGSAM) bis FAST (SCHNELL) (Bild 5).

Choke

Lassen Sie einen kalten Motor mit dem Choke an (Bild 5).

Zapfwellenantriebsschalter

Mit dem Zapfwellenantriebsschalter, der durch ein Zapfwellensymbol dargestellt wird, kuppeln Sie den Antrieb der Mähwerkmesser ein oder aus (Bild 5).

Fahrertriebshebel

Mit den Fahrertriebshebeln fahren Sie die Maschine vorwärts, rückwärts und wenden (Bild 4).

Park-Stellung

Schieben Sie die Fahrertriebshebel von der Mitte nach außen in die PARK-Stellung, wenn Sie von der Maschine absteigen, um die elektrische Bremse anzuziehen (Bild 24). Stellen Sie die Fahrertriebshebel immer in die PARK-Stellung, wenn Sie die Maschine anhalten oder unbeaufsichtigt lassen.

MyRide® Verstellhebel

Verwenden Sie den MyRide® Einstellhebel, um die Sitzfederung einzustellen (Bild 4).

Smart Speed™ Steueranlagenhebel

Der Smart Speed™ Steueranlagenhebel befindet sich unter der Bedienerposition; mit ihm können die Maschine mit drei Geschwindigkeiten (Schneiden, Abschleppen und Mähen) einzusetzen (Bild 27).

Benzinuhr

Mit der Benzinuhr, die sich links an der Maschine befindet, können Sie die Kraftstoffmenge im Tank prüfen (Bild 6).

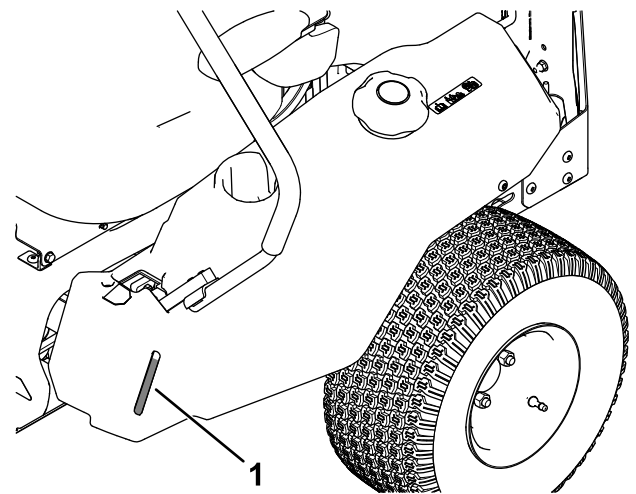


Bild 6

1. Benzinuhr

Schnitthöhenhebel

Mit dem Schnitthöhenhebel heben Sie das Mähwerk vom Sitz aus an oder senken es ab. Wenn Sie den Hebel nach oben (zu sich) schieben, wird das Mähwerk angehoben, und wenn Sie den Hebel nach unten (von sich weg) schieben, wird es abgesenkt. Verstellen Sie die Schnitthöhe nur, wenn die Maschine nicht fährt (Bild 28).

Mähwerkhubpedal

Nur bestimmte Modelle

Mit dem Mähwerkhubpedal können Sie das Mähwerk vom Sitz aus absenken oder anheben. Mit dem Pedal können Sie das Mähwerk kurz anheben, um Hindernisse zu umfahren oder zur Unterstützung der Schnitthöheneinstellung (Bild 4).

Technische Daten

Änderungen der technischen Daten und des Designs sind vorbehalten.

	107-cm-Mähwerk	127-cm-Mähwerk
Schnittbreite	107 cm	127 cm
Breite mit abgesenktem Ablenkblech	135 cm	155 cm
Breite mit angehobenem Ablenkblech	123 cm	130 cm
Länge	185 cm	186 cm
Höhe	112 cm	109 cm
Ballast	332 kg	353 kg

Anbaugeräte/Zubehör

Ein Sortiment an Originalanbaugeräten und -zubehör von Toro wird für diese Maschine angeboten, um den Funktionsumfang des Geräts zu erhöhen und zu erweitern. Eine Liste der zugelassenen Anbaugeräte und Zubehörteile erhalten Sie bei Ihrem offiziellen Toro-Vertragshändler oder finden Sie unter www.Toro.com.

Verwenden Sie, um die optimale Leistung und Sicherheit zu gewährleisten, nur Originalersatzteile und -zubehörteile von Toro. Ersatzteile und Zubehör anderer Hersteller können gefährlich sein und eine Verwendung könnte die Garantie ungültig machen.

Betrieb

Hinweis: Bestimmen Sie die linke und rechte Seite der Maschine anhand der üblichen Einsatzposition.

Vor dem Einsatz

Sicherheitshinweise vor der Inbetriebnahme

Allgemeine Sicherheit

- Kinder oder nicht geschulte Personen dürfen die Maschine weder verwenden noch warten. Örtliche Vorschriften bestimmen u. U. das Mindestalter von Benutzern. Der Besitzer ist für die Schulung aller Bediener und Mechaniker verantwortlich.
- Prüfen Sie den Arbeitsbereich der Maschine und entfernen Sie alle Objekte, die sich auf den Einsatz der Maschine auswirken oder von ihr aufgeschleudert werden könnten.
- Machen Sie sich mit dem sicheren Betrieb der Maschine sowie den Bedienelementen und Sicherheitssymbolen vertraut.
- Prüfen Sie, ob alle Sitzkontaktschalter, Sicherheitsschalter, und Schutzvorrichtungen montiert und funktionsfähig sind. Verwenden Sie die Maschine nur, wenn sie richtig funktioniert.
- Stellen Sie vor dem Verlassen der Bedienerposition den Motor ab, ziehen den Schlüssel ab, und warten, bis alle beweglichen Teile zum Stillstand gekommen sind. Lassen Sie die Maschine abkühlen, bevor Sie sie warten, einstellen, betanken, reinigen, oder einlagern.
- Überprüfen Sie vor dem Mähen die Maschine und stellen Sie sicher, dass die Schneideinheiten ordnungsgemäß funktionieren.
- Beurteilen Sie das Gelände, um festzulegen, welche Anbaugeräte und Zubehör erforderlich sind, um die Maschine ordnungsgemäß und sicher bedienen zu können.
- Tragen Sie geeignete Kleidung, u. a. eine Schutzbrille, lange Hosen, rutschfeste Arbeitsschuhe und einen Gehörschutz. Binden Sie lange Haare hinten zusammen und tragen Sie keinen Schmuck oder weite Kleidung.
- Nehmen Sie nie Mitfahrer auf der Maschine mit.
- Halten Sie Unbeteiligte und Haustiere während der Verwendung der Maschine fern. Schalten Sie die Maschine und das/die Anbaugerät(e) ab, wenn jemand den Bereich betritt.
- Betreiben Sie die Maschine nur, wenn alle Schutzvorrichtungen und Sicherheitseinrich-

tungen, wie z. B. die Ablenkleche und die gesamte Grasfangeinrichtung, vorhanden sind und ordnungsgemäß funktionieren. Ersetzen Sie verschlissene oder beschädigte Teile, wenn nötig.

Kraftstoffsicherheit

- Kraftstoff ist extrem leicht entflammbar und hochexplosiv. Feuer und Explosionen durch Kraftstoff können Verbrennungen und Sachschäden verursachen.
 - Um zu verhindern, dass sich der Kraftstoff durch statische Aufladung entzündet, entfernen Sie die Maschine vom Lkw oder Anhänger und betanken Sie sie auf dem Boden, entfernt von allen Fahrzeugen. Wenn dies nicht möglich ist, stellen Sie einen tragbaren Kraftstoffbehälter auf den Boden, entfernt von allen Fahrzeugen, und befüllen Sie ihn. Betanken Sie die Maschine dann aus dem Kraftstoffbehälter und nicht von einer Zapfsäule aus.
 - Füllen Sie den Kraftstofftank im Freien auf ebener Fläche auf, wenn der Motor kalt ist. Wischen Sie verschütteten Kraftstoff auf.
 - Rauchen Sie nicht beim Umgang mit Kraftstoff, und gehen Sie nicht in der Nähe von offenem Feuer oder Funken mit Kraftstoff um.
 - Entfernen Sie nie den Tankdeckel oder füllen Kraftstoff in den Tank, wenn der Motor läuft oder heiß ist.
 - Wenn Kraftstoff verschüttet wurde, nicht versuchen, den Motor zu starten. Vermeiden Sie, eine Zündquelle zu erzeugen, bis die Kraftstoffdämpfe verdunstet sind.
 - Bewahren Sie Kraftstoff in vorschriftsmäßigen Kanistern auf. Die Kanister sollten nicht für Kinder zugänglich sein.
- Kraftstoff ist bei Verschlucken gesundheitsschädlich oder tödlich. Wenn eine Person langfristig Benzindünsten ausgesetzt ist, kann dies zu schweren Verletzungen und Krankheiten führen.
 - Vermeiden Sie das langfristige Einatmen von Benzindünsten.
 - Halten Sie Ihre Hände und Ihr Gesicht von der Düse und der Öffnung des Kraftstofftanks fern.
 - Halten Sie Kraftstoff von Augen und der Haut fern.
- Lagern Sie weder die Maschine noch den Kraftstoffkanister in der Nähe von offenen Flammen, Funken oder Zündflammen wie z. B. bei einem Heizkessel oder sonstigen Geräten.
- Setzen Sie die Maschine nicht ohne vollständig montierte und betriebsbereite Auspuffanlage ein.
- Der Stutzen der Zapfsäule sollte den Rand des Benzinkanisters oder die Behälteröffnung beim

Auftanken ständig berühren. Verwenden Sie kein Gerät mit einem entriegelt geöffneten Stutzen.

- Wechseln Sie sofort Ihre Kleidung, wenn Kraftstoff darauf verschüttet wird.
- Füllen Sie den Tank nicht zu voll. Tauschen Sie den Tankdeckel aus und ziehen ihn fest.
- Entfernen Sie Gras und Schmutz von den Mähwerken, den Auspuff, Antriebe, Grasfangeinrichtungen und dem Motorraum, um einem Brand vorzubeugen. Wischen Sie Öl- und Kraftstoffverschüttungen auf.

Betanken

Empfohlener Kraftstoff

Typ	Bleifreies Benzin
Minimale Oktanzahl	87 (US) oder 91 (Oktanzahl ermitteln; außerhalb der USA)
Ethanol	Nicht über 10% Volumenprozent
Methanol	Keine
MTBE (Methyl-tertiär-Butylether)	Weniger als 15% Volumenprozent
Öl	Vermischen Sie nie Kraftstoff mit Öl

Verwenden Sie nur sauberen, frischen Kraftstoff (höchstens 30 Tage alt) von einem namhaften Hersteller/Quelle.

Verwenden eines Kraftstoffstabilisators

Verwenden Sie einen Kraftstoffstabilisator/Konditionierer in der Maschine, um den Kraftstoff länger frisch zu halten, wenn er gemäß den Anweisungen des Kraftstoffstabilisatorherstellers verwendet wird.

Wichtig: Verwenden Sie keine Zusätze, die Methanol oder Ethanol enthalten.

Geben Sie die Menge des Kraftstoffstabilisators bzw. -konditionierers in den frischen Kraftstoff, wie vom Hersteller des Kraftstoffstabilisators vorgeschrieben.

Betanken

1. Stellen Sie die Maschine auf einer ebenen Fläche ab.
2. Schieben Sie die Fahrtriebshebel nach außen in die PARK-Stellung.
3. Stellen Sie den Motor ab und ziehen Sie den Schlüssel ab.
4. Reinigen Sie den Bereich um den Tankdeckel.

5. Füllen Sie den Kraftstofftank bis zur Unterseite des Füllstutzens (Bild 7). Füllen Sie den Kraftstofftank nicht ganz auf.

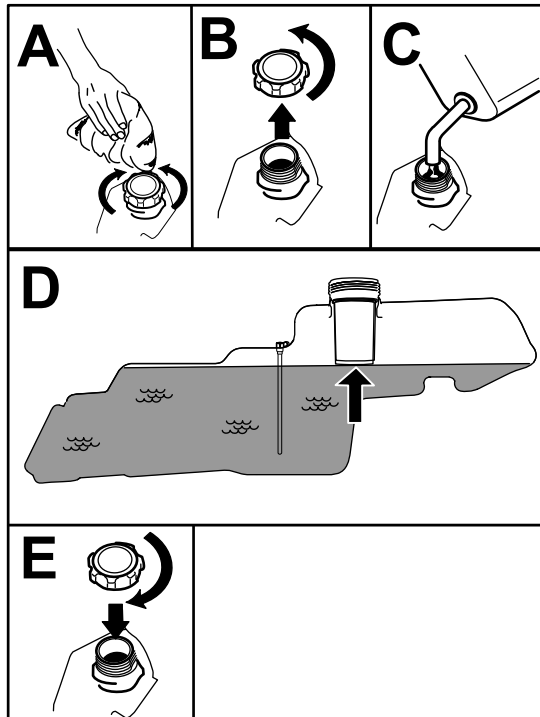


Bild 7

g293796

Verwendung der Sicherheitsschalter

⚠️ WARNUNG:

Wenn die Sicherheitsschalter abgeklemt oder beschädigt werden, könnte sich die Maschine unerwartet in Betrieb setzen und jemanden verletzen.

- An den Sicherheitsschaltern dürfen keine Veränderungen vorgenommen werden.
- Prüfen Sie deren Funktion täglich und tauschen Sie alle defekten Schalter vor der Inbetriebnahme der Maschine aus.

Funktion der Sicherheitsschalter

Die Sicherheitsschalter verhindern das Anlassen des Motors, außer in folgenden Situationen:

- Der Zapfwellenantriebsschalter ist ausgekuppelt.
- Die Fahrtriebshebel sind in der PARK-Stellung.

Die Sicherheitsschalter stellen den Motor auch ab, wenn sich die Fahrtriebshebel nicht in der PARK-Stellung befinden, und Sie den Sitz verlassen.

Testen der Sicherheitsschalter

Testen Sie die Sicherheitsschalter vor jedem Einsatz der Maschine. Lassen Sie, wenn die Sicherheitsschalter nicht wie nachstehend beschrieben funktionieren, diese unverzüglich von einem Vertragshändler reparieren.

1. Setzen Sie sich auf den Sitz und bewegen Sie die Fahrtriebshebel in die PARK-Stellung und den Zapfwellenantriebsschalter in die EIN-Stellung. Versuchen Sie, den Motor anzulassen. Der Motor darf nicht starten.
2. Setzen Sie sich auf den Sitz und stellen Sie den Zapfwellenantriebsschalter in die AUS-Stellung. Stellen Sie einen der Fahrtriebshebel in die mittlere, nicht arretierte Stellung. Versuchen Sie, den Motor anzulassen. Der Motor darf sich dann nicht drehen. Wiederholen Sie die Schritte für den anderen Fahrtriebshebel.
3. Setzen Sie sich auf den Sitz und stellen Sie den Zapfwellenantriebsschalter in die AUS-Stellung und arretieren Sie die Fahrtriebshebel in der PARK-Stellung. Lassen Sie den Motor an. Kuppeln Sie bei laufendem Motor den Zapfwellenantriebsschalter ein. Stehen Sie etwas vom Sitz auf. Der Motor muss dann abstellen.
4. Setzen Sie sich auf den Sitz und stellen Sie den Zapfwellenantriebsschalter in die AUS-Stellung und arretieren Sie die Fahrtriebshebel in

Durchführen täglicher Wartungsarbeiten

Täglich vor dem Start der Maschine die folgende tägliche Prüfroutine gemäß [Wartung \(Seite 37\)](#) durchführen:

Einfahren einer neuen Maschine

Neue Motoren brauchen etwas Zeit, bevor sie die ganze Leistung erbringen. Neue Mähwerke und Antriebssysteme haben eine höhere Reibung und belasten den Motor mehr. Die Einfahrzeit für neue Maschinen beträgt ungefähr 40 bis 50 Stunden. Danach erbringt der Motor die ganze Leistung und beste Performance.

der PARK-Stellung. Lassen Sie den Motor an. Schieben Sie die Fahrtriebshebel bei laufendem Motor in die mittlere, nicht arretierte Stellung und erheben Sie sich etwas vom Sitz. Der Motor muss dann abstellen.

Einstellen des Sitzes

Der Sitz kann nach vorne und hinten geschoben werden. Stellen Sie den Sitz so ein, dass Sie die Maschine optimal steuern können und komfortabel sitzen (Bild 8).

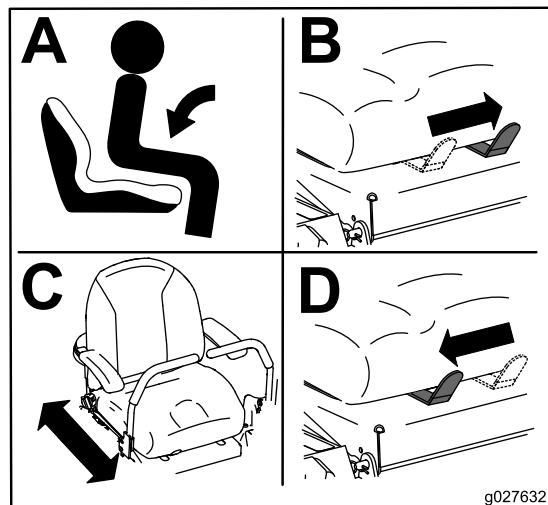


Bild 8

g027632

Einstellen des MyRide® Federungssystems

Sie können das MyRIDE® Federungssystem einstellen, um ein bequemerer Fahrverhalten zu erreichen. Die Schlitze für die Einstellung der Federung sind mit Raststellungen versehen, die von einer weichen bis zu einer festen Einstellung der Federung reichen (Bild 9).

1. Stellen Sie die Maschine auf einer ebenen Fläche ab, kuppeln Sie den Zapfwellenantriebsschalter aus und schieben Sie die Fahrtriebshebel nach außen in die PARK-Stellung.
2. Stellen Sie vor dem Verlassen der Bedienungsposition den Motor ab, ziehen Sie den Schlüssel ab und warten Sie, bis alle beweglichen Teile zum Stillstand gekommen sind.
3. Verlassen Sie die Maschine.
4. Wenn Sie an der rechten Seite der Maschine stehen, bewegen Sie den Einstellhebel nach links in Richtung des —-Symbols, um die Federwirkung zu verringern.

Bewegen Sie den Einstellhebel nach rechts in Richtung des +-Symbols, um die Federwirkung zu erhöhen.

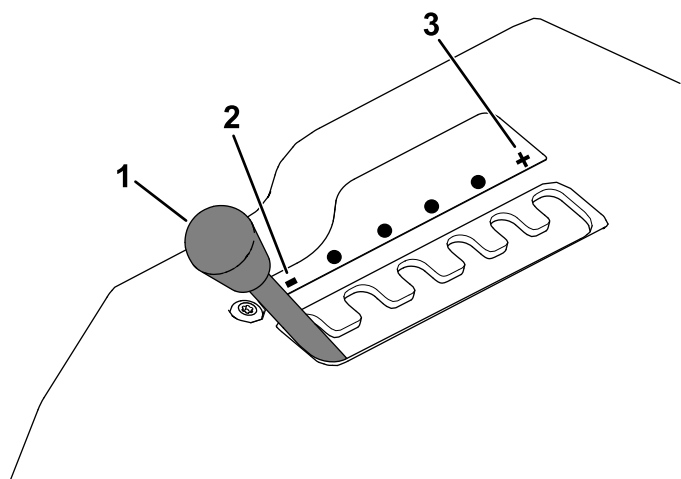


Bild 9

g292102

1. MyRide Einstellhebel
2. Weichere Federung
3. Stärkere Federung

Einstellen der Fahrerhebels

Einstellen der Höhe

Die Höhe der Fahrerhebels kann für den optimalen Bedienerkomfort nach oben oder unten angepasst werden (Bild 10).

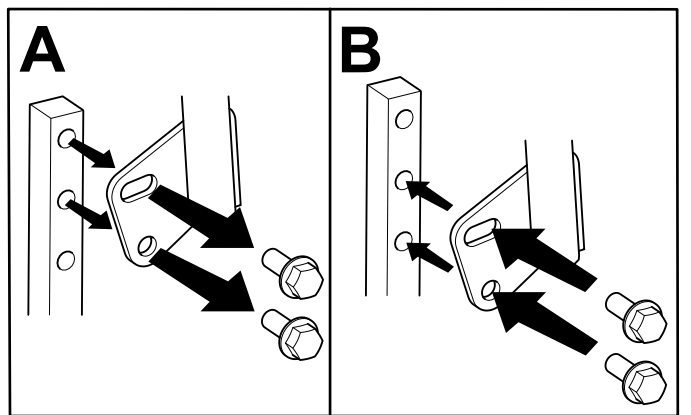


Bild 10

g333847

Einstellen der Neigung

Sie können die Fahrerhebels für den optimalen Bedienerkomfort nach vorne oder hinten verstellt werden.

1. Lösen Sie die obere Schraube, mit der der Schalthebel an der Steuerarmwelle befestigt ist.
2. Lösen Sie die untere Schraube etwas, sodass der Schalthebel sich nach vorne oder nach hinten drehen lässt.

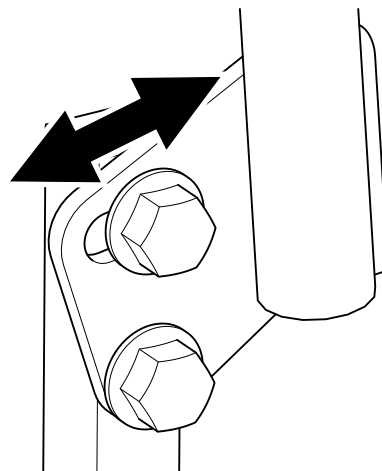


Bild 11

g333846

3. Ziehen Sie beide Schrauben fest, um den Schalthebel in der neuen Stellung zu arretieren.
4. Wiederholen Sie die Einstellungsschritte für den anderen Schalthebel.

Umstellen auf Seitenauswurf

Das Mähwerk und die Schnittmesser, die mit dieser Maschine ausgeliefert wurden, sind für optimales Mulchen und Seitenauswurf entworfen.

Setzen Sie die Verbindungselemente aus dem Loseilebeutel in die leeren Löcher, nachdem Sie die Recycling-Ablenkleche entfernt haben. Dies stellt sicher, dass keine Löcher offen sind, wenn das Mähwerk eingesetzt wird.

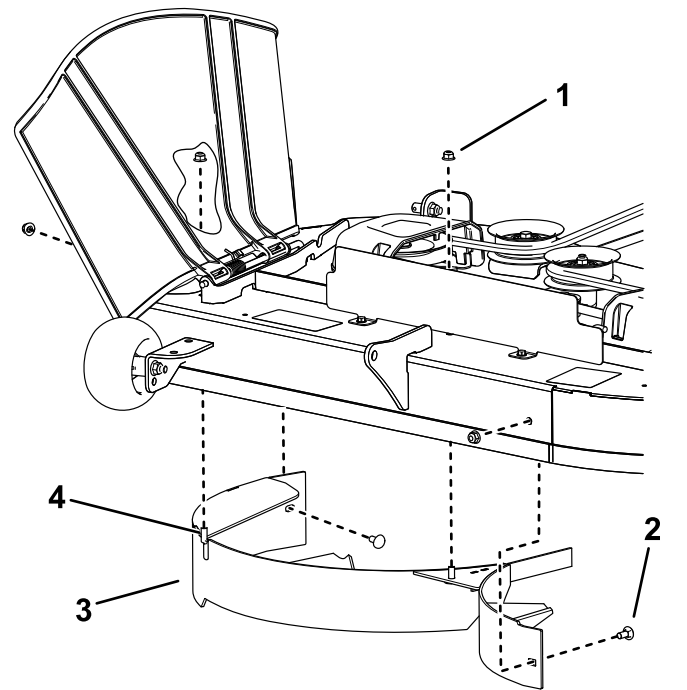
▲ WARNUNG:

Unverstopfte Öffnungen in der Maschine setzen Sie und andere einer Verletzungsgefahr durch herausgeschleuderte Rückstände aus, die schwere Verletzungen verursachen können.

- Verwenden Sie die Maschine nur, wenn alle Befestigungen in den Löchern im Mähwerkgehäuse eingesetzt sind.
- Setzen Sie die Befestigungsteile in die Befestigungslöcher ein, wenn Sie das Mulchablenkblech abnehmen.

Maschinen mit 107-cm-Mähwerken

1. Stellen Sie die Maschine auf einer ebenen Fläche ab, kuppeln Sie den Zapfwellenantriebsschalter aus und schieben Sie die Fahrtriebshebel nach außen in die PARK-Stellung.
2. Stellen Sie vor dem Verlassen der Bedienungsposition den Motor ab, ziehen Sie den Schlüssel ab und warten Sie, bis alle beweglichen Teile zum Stillstand gekommen sind.
3. Nehmen Sie das Mähwerk ab, siehe [Entfernen des Mähwerks \(Seite 57\)](#).
4. Entfernen Sie die beiden Sicherungsmuttern (5/16") von den geschweißten Pfosten des Ablenkblechs.



g296990

Bild 12

- | | |
|---------------------------------------|----------------------------|
| 1. Sicherungsmutter – 5/16" (4) | 3. Ablenkblech |
| 2. Schlossschraube – 5/16" x 3/4" (2) | 4. Geschweißte Streben (2) |

5. Entfernen Sie die beiden Schlossschrauben und Sicherungsmuttern, die das Ablenkblech am Mähwerk befestigen, und entfernen Sie das Ablenkblech.
6. Verwenden Sie zwei Schrauben aus dem Beutel mit den losen Teilen und zwei vorhandene Sicherungsmuttern, um die Löcher für die geschweißten Pfosten zu verschließen, um das Herausschleudern von Fremdkörpern zu vermeiden.

Hinweis: Bringen Sie die Befestigungselemente so an, dass die Muttern oberhalb des Mähwerks liegen.

7. Verwenden Sie eine Schraube aus dem Beutel mit losen Teilen und eine vorhandene Sicherungsmutter, um das Loch an der Vorderseite des Mähwerks zu verschließen.

Hinweis: Bringen Sie die Befestigungselemente so an, dass die Mutter außerhalb des Decks liegt.

8. Befestigen Sie das Mähwerk, siehe [Einbauen des Mähwerks \(Seite 58\)](#).

Maschinen mit 127-cm-Mähwerken

1. Stellen Sie die Maschine auf einer ebenen Fläche ab, kuppeln Sie den Zapfwellenantriebsschalter aus und schieben

Sie die Fahrtriebshebel nach außen in die PARK-Stellung.

2. Stellen Sie vor dem Verlassen der Bedienungsposition den Motor ab, ziehen Sie den Schlüssel ab und warten Sie, bis alle beweglichen Teile zum Stillstand gekommen sind.
3. Nehmen Sie das Mähwerk ab, siehe [Entfernen des Mähwerks \(Seite 57\)](#).
4. Entfernen Sie die drei Sicherungsmuttern (5/16“) von den geschweißten Pfosten des rechten Ablenkblechs.

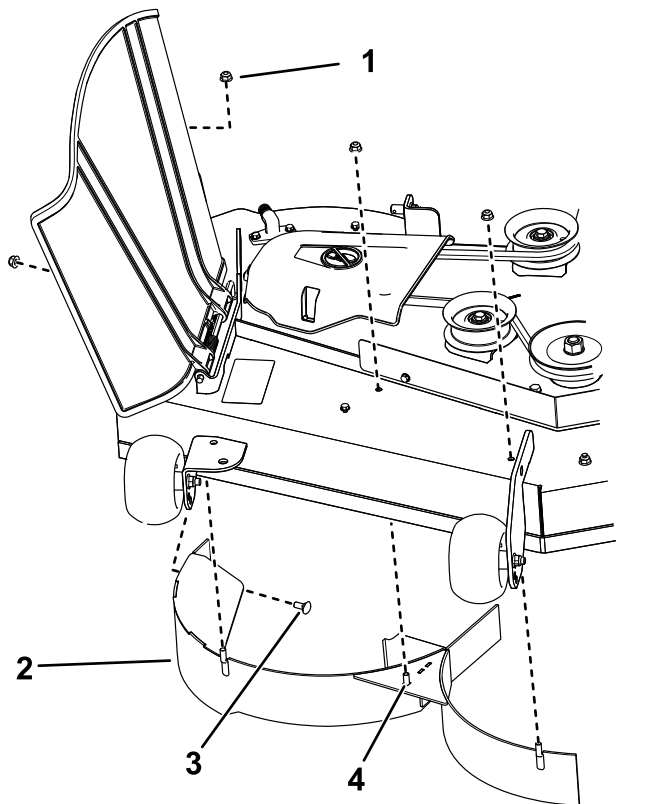


Bild 13

g297022

- | | |
|---------------------------------|-----------------------------------|
| 1. Sicherungsmutter – 5/16" (4) | 3. Schlossschraube – 5/16" x 3/4" |
| 2. Rechtes Ablenkblech | 4. Geschweißte Streben (3) |

5. Entfernen Sie die Schlossschraube und Sicherungsmutter, die das rechte Ablenkblech am Mähwerk befestigen, und entfernen Sie das Ablenkblech.
6. Verwenden Sie die in Schritt 5 entfernte Schlossschraube und Sicherungsmutter, um das Loch auf der rechten Seite des Mähwerks zu verschließen, um das Herausschleudern von Fremdkörpern zu vermeiden.

Hinweis: Bringen Sie die Befestigungselemente so an, dass die Mutter außerhalb des Decks liegt.

7. Verwenden Sie drei Schrauben aus dem Beutel mit den losen Teilen und drei vorhandene Sicherungsmuttern, um die Löcher für die geschweißten Pfosten zu verschließen.

Hinweis: Bringen Sie die Befestigungselemente so an, dass die Muttern oberhalb des Mähwerks liegen.

8. Entfernen Sie die beiden Sicherungsmuttern (5/16“) von den geschweißten Pfosten des linken Ablenkblechs.

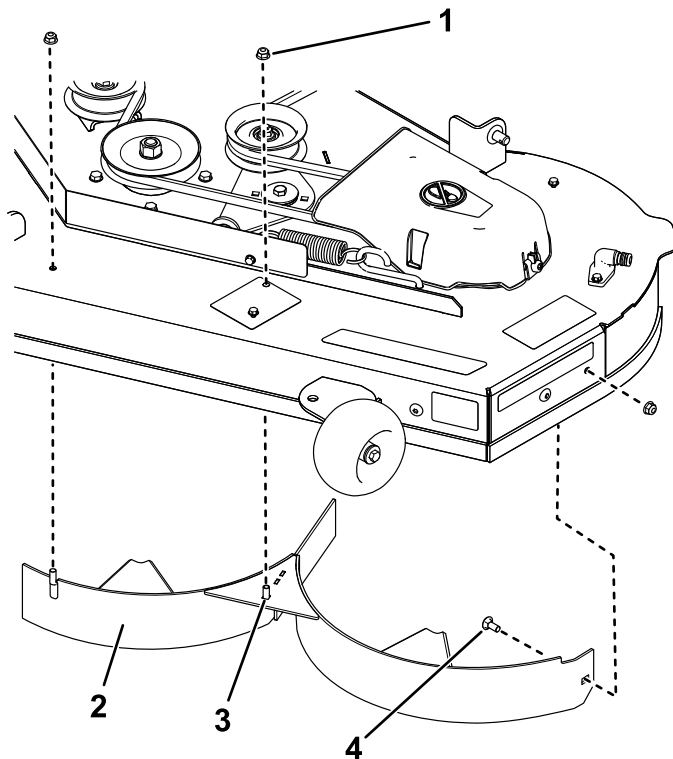


Bild 14

g297021

- | | |
|---------------------------------|-----------------------------------|
| 1. Sicherungsmutter – 5/16" (3) | 3. Geschweißte Streben (2) |
| 2. Linkes Ablenkblech | 4. Schlossschraube – 5/16" x 3/4" |

9. Entfernen Sie die Schlossschraube und Sicherungsmutter, die das linke Ablenkblech am Mähwerk befestigen, und entfernen Sie das Ablenkblech.
10. Verwenden Sie die in Schritt 9 entfernte Schlossschraube und Sicherungsmutter, um das Loch auf der rechten Seite des Mähwerks zu verschließen, um das Herausschleudern von Fremdkörpern zu vermeiden.

Hinweis: Bringen Sie die Befestigungselemente so an, dass die Mutter außerhalb des Decks liegt.

11. Verwenden Sie zwei Schrauben aus dem Beutel mit den losen Teilen und zwei vorhandene

Sicherungsmuttern, um die Löcher für die geschweißten Pfosten zu verschließen.

Hinweis: Bringen Sie die Befestigungselemente so an, dass die Muttern oberhalb des Mähwerks liegen.

12. Entfernen Sie die Mutter von der Ablenkblechstange unter dem Mähwerk.

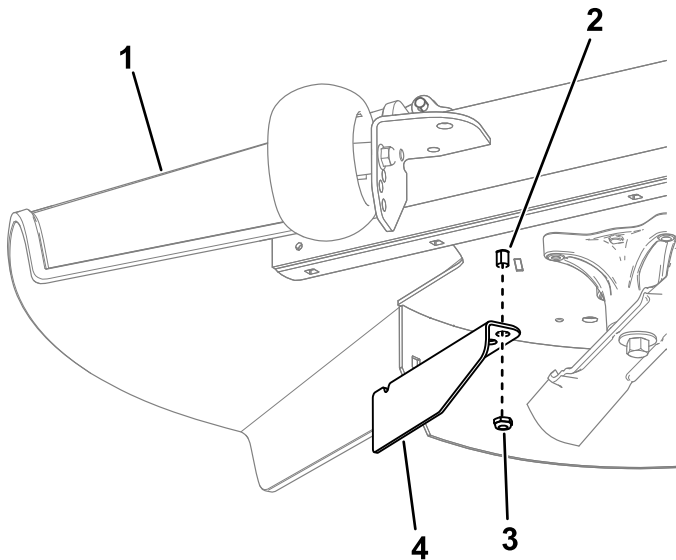


Bild 15

- | | |
|----------------------|-----------------------|
| 1. Grasablenkblech | 3. Mutter |
| 2. Ablenkblechstange | 4. Versatzablenkblech |

13. Verwenden Sie die Mutter, um das Versatzablenkblech an der Ablenkblechstange am äußeren Loch des Ablenkblechs zu montieren.
14. Befestigen Sie das Mähwerk, siehe [Einbauen des Mähwerks \(Seite 58\)](#).

Während des Einsatzes

Hinweise zur Sicherheit während des Betriebs

Allgemeine Sicherheit

- Der Besitzer bzw. Bediener ist für Unfälle oder Verletzungen von Dritten sowie Sachschäden verantwortlich und kann diese verhindern.
- Konzentrieren Sie sich immer bei der Verwendung der Maschine. Tun Sie nichts, was Sie ablenken könnte, sonst können Verletzungen oder Sachschäden auftreten.
- Setzen Sie die Maschine nicht ein, wenn Sie müde oder krank sind oder unter Alkohol- oder Drogeneinfluss stehen.
- Kontakt mit den Messern kann zu schweren Verletzungen führen. Stellen Sie vor dem Verlassen der Bedienungsposition den Motor ab, ziehen Sie den Schlüssel ab und warten Sie, bis alle beweglichen Teile zum Stillstand gekommen sind. Wenn Sie den Schlüssel in die AUS-Position stellen, sollte der Motor abgestellt und das Messer gestoppt werden. Wenn dies nicht der Fall ist, setzen Sie die Maschine nicht mehr ein und wenden Sie sich sofort an einen offiziellen Vertragshändler.
- Setzen Sie die Maschine nur bei guten Sichtverhältnissen und geeigneten Witterungsbedingungen ein. Verwenden Sie die Maschine nie bei möglichen Gewittern.
- Berühren Sie die Schneideinheiten nicht mit Händen und Füßen. Bleiben Sie immer von der Auswurföffnung fern.
- Mähen Sie nicht mit angehobenem, entferntem, oder geändertem Ablenkblech, es sei denn, es ist ein Grasauffangsystem oder ein Mulch-Kit angebaut und funktioniert einwandfrei.
- Mähen Sie nur im Rückwärtsgang, wenn es unbedingt erforderlich ist. Blicken Sie immer nach unten und hinten, bevor Sie die Maschine rückwärts bewegen.
- Seien Sie extrem vorsichtig, wenn Sie sich unübersichtlichen Kurven, Sträuchern, Bäumen und anderen Objekten nähern, die Ihre Sicht behindern können.
- Stellen Sie die Messer ab, wenn Sie nicht mähen.
- Stellen Sie den Motor sofort ab, wenn der Mäher auf einen Gegenstand aufprallt oder anfängt zu vibrieren, ziehen Sie den Schlüssel (falls vorhanden) ab und warten Sie, bis alle beweglichen Teile zum Stillstand gekommen sind, bevor Sie den Mäher auf eventuelle Beschädigungen untersuchen. Führen Sie alle erforderlichen Reparaturen durch, ehe Sie die Maschine wieder in Gebrauch nehmen.
- Fahren Sie beim Wenden und beim Überqueren von Straßen und Gehsteigen mit der Maschine langsam und vorsichtig. Geben Sie immer Vorfahrt.
- Vor dem Verlassen der Bedienungsposition:
 - Stellen Sie die Maschine auf einer ebenen Fläche ab.
 - Kuppeln Sie die Zapfwelle aus und senken Sie die Anbaugeräte ab.
 - Aktivieren Sie die Feststellbremse.
 - Stellen Sie den Motor ab und ziehen Sie den Schlüssel ab.
 - Warten Sie, bis alle beweglichen Teile zum Stillstand gekommen sind.

- Betreiben Sie den Motor nur in gut belüfteten Bereichen. Die Abgase enthalten Kohlenmonoxid, das beim Einatmen tödlich ist.
- Lassen Sie niemals eine laufende Maschine unbeaufsichtigt zurück.
- Befestigen Sie gezogene Anbaugeräte nur an der Anhängervorrichtung an der Maschine.
- Betreiben Sie die Maschine nur, wenn alle Schutzvorrichtungen und Sicherheitseinrichtungen, wie z. B. die Ablenkleche und die gesamte Grasfangeinrichtung, vorhanden sind und ordnungsgemäß funktionieren. Ersetzen Sie verschlissene oder beschädigte Teile, wenn nötig.
- Verwenden Sie nur von Toro zugelassene(s) Zubehör und Anbaugeräte.
- Der Geräuschpegel dieser Maschine beträgt am Ohr des Bedieners mehr als 85 dBA, und dies kann bei einem längeren Einsatz Gehörschäden verursachen.

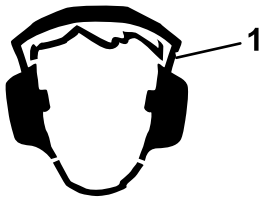


Bild 16

g229846

1. Tragen Sie einen Gehörschutz.

- Entfernen Sie Gras und Schmutz vom Mähwerk, Antrieben, Auspuff und Motor, um einem Brand vorzubeugen.
- Starten Sie den Motor, halten Sie dabei Ihre Füße von den Mähmessern fern.
- Achten Sie auf den Auswurfbereich des Mähers und halten Sie den Auswurfkanal nie in Richtung umstehender Personen. Vermeiden Sie, Material gegen eine Wand oder ein Hindernis auszuwerfen, da das Material zum Ihnen zurückprallen kann.
- Stellen Sie das Messer ab und fahren Sie langsam, wenn Sie Bereiche (außer Grasflächen) überqueren oder die Maschine zwischen den Einsatzbereichen transportieren.
- Ändern Sie nicht die Geschwindigkeit des Drehzahlreglers oder überdrehen Sie den Motor.
- Kinder werden häufig von Rasenmähern und vom Mähen angezogen. Gehen Sie nie davon aus, dass Kinder dort bleiben, wo Sie sie zuletzt gesehen haben.
- Halten Sie Kinder aus dem Mähbereich fern und unter Aufsicht eines verantwortlichen Erwachsenen, der die Maschine nicht bedient.
- Seien Sie wachsam und schalten Sie die Maschine aus, wenn Kinder den Arbeitsbereich betreten.

- Bevor Sie mit der Maschine zurücksetzen oder wenden, schauen Sie nach unten und überall nach kleinen Kindern.
- Nehmen Sie keine Kinder auf der Maschine mit, auch wenn sich die Messer nicht bewegen. Kinder können herunterfallen und sich schwer verletzen oder Sie bei der sicheren Bedienung der Maschine stören. Kinder, die vorher mitgenommen wurden, können den Mähbereich ohne Vorwarnung betreten und von der Maschine beim Vorwärtsfahren oder Rückwärtsfahren überfahren werden.

Sicherheit an Hanglagen

- Hanglagen sind eine wesentliche Ursache für den Verlust der Kontrolle und Umkipppunfälle, die zu schweren ggf. tödlichen Verletzungen führen können. Der Bediener ist für den sicheren Einsatz auf abschüssigem Gelände verantwortlich. Das Einsetzen der Maschine an jeder Hanglage erfordert große Vorsicht. Vor dem Einsatz der Maschine an einer Hanglage tun Sie Folgendes:
 - Lesen und verstehen Sie die Anweisungen zu Hanglagen in der Anleitung und auf der Maschine.
 - Ermitteln Sie das ungefähre Gefälle des Bereichs mit einem Neigungsmesser.
 - Setzen Sie die Maschine nie an Gefällen ein, die mehr als 15° aufweisen.
 - Prüfen Sie die Geländebedingungen an dem jeweiligen Tag, um zu ermitteln, ob die Maschine sicher auf der Hanglage eingesetzt werden kann. Setzen Sie immer gesunden Menschenverstand ein, wenn Sie diese Festlegung machen. Änderungen im Gelände, z. B. Feuchtigkeit, können den Betrieb der Maschine auf einer Hanglage schnell beeinträchtigen.
- Achten Sie auf Gefahren unten am Hang. Setzen Sie die Maschine nicht in der Nähe von Abhängen, Gräben, Böschungen, Gewässern oder anderen Gefahrenstellen ein. Die Maschine könnte plötzlich umkippen, wenn ein Rad über eine Kante fährt oder die Kante nachgibt. Halten Sie einen Sicherheitsabstand (zweimal die Breite der Maschine) zwischen der Maschine und jeder Gefahrenstelle ein. Mähen Sie diese Bereiche mit einem handgeführten Rasenmäher oder einem handgeführten Freischneider.
- Vermeiden Sie das Anfahren, Anhalten oder Wenden der Maschine an Hanglagen. Vermeiden Sie plötzliche Geschwindigkeits- oder Richtungsänderungen. Fahren Sie langsam und allmählich in eine Kurve.
- Setzen Sie die Maschine nicht in Bedingungen ein, in denen der Antrieb, die Lenkung oder Stabilität

in Frage gestellt wird. Beim Arbeiten auf nassem Gras, Überqueren von steilen Hanglagen oder beim Fahren hangabwärts kann die Maschine die Bodenhaftung verlieren. Wenn die Antriebsräder die Bodenhaftung verlieren, kann die Maschine rutschen und zu einem Verlust der Bremsleistung und Lenkung führen. Die Maschine kann weiter rutschen, auch wenn die Räder stehen.

- Entfernen oder markieren Sie Hindernisse, u. a. Gräben, Löcher, Rillen, Bodenwellen, Steine oder andere verborgene Gefahren. Hohes Gras kann Hindernisse verdecken. Die Maschine könnte sich in unebenem Terrain überschlagen.
- Passen Sie besonders auf, wenn Sie die Maschine mit Zubehör oder Anbaugeräten einsetzen, u. a. Heckfangsysteme. Diese Geräte können die Stabilität der Maschine ändern und zu einem Verlust der Fahrzeugkontrolle führen. Halten Sie die Anweisungen für Gegengewichte ein.
- Halten Sie beim Einsatz der Maschine an Hanglagen die Mähwerke falls möglich abgesenkt. Das Anheben der Mähwerke beim Einsatz an Hanglagen kann zu einer Instabilität der Maschine führen.

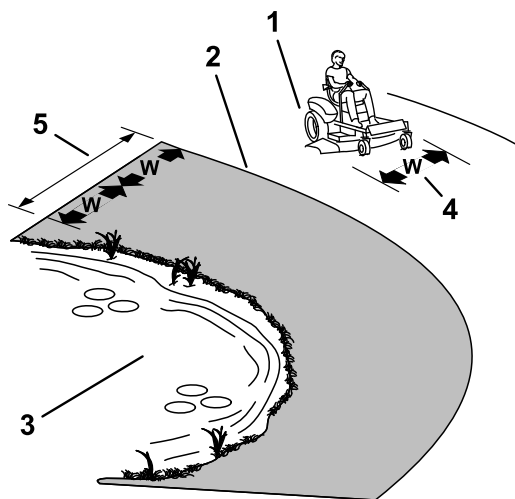


Bild 17

g229111

1. Sicherheitszone: Setzen Sie hier die Maschine auf Hanglagen ein, die höchstens ein Gefälle von 15° haben, oder auf ebenen Bereichen.
2. Gefahrenzone: Verwenden Sie einen handgeführten Rasenmäher oder einen handgeführten Freischneider an Hanglagen mit einem Gefälle von mehr als 15° und in der Nähe von Abhängen und Gewässern.
3. Gewässer
4. W = Breite der Maschine
5. Halten Sie einen Sicherheitsabstand (zweimal die Breite der Maschine) zwischen der Maschine und jeder Gefahrenstelle ein.

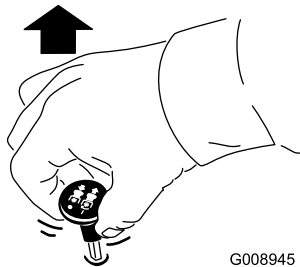
Sicherheit beim Schleppen

- Befestigen Sie abgeschleppte Geräte nur an der Anhängerkupplung.
- Verwenden Sie die Maschine nur als Zugmaschine, wenn eine Anbauvorrichtung montiert ist.
- Überschreiten Sie nicht das zulässige Gesamtgewicht für gezogene Geräte und das Schleppen an Hanglagen. Die Zuglast darf das zulässige Gesamtgewicht der Maschine mit Fahrer nicht überschreiten.
- Halten Sie Kinder und andere Personen immer von angehängten Geräten fern.
- Auf Hanglagen kann das Gewicht des angehängten Geräts zu einem Verlust der Haftung und Kontrolle sowie einem erhöhten Risiko eines Überschlagens führen. Verringern Sie das geschleppte Gewicht und die Geschwindigkeit.
- Der Bremsweg verlängert sich möglicherweise mit dem Gewicht der geschleppten Last. Fahren Sie langsam und berücksichtigen Sie den längeren Bremsweg.
- Wenden Sie großzügig, damit das Anbaugerät nicht die Maschine berührt.

Einsetzen des Zapfwellenantriebsschalters

Mit dem Zapfwellenantriebsschalter kuppeln Sie die Schnittmesser und angetriebene Anbaugeräte ein oder aus.

Einkuppeln des Zapfwellenantriebsschalters

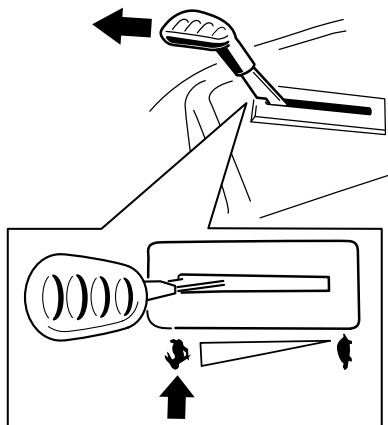


G008945

g008945

Bild 18

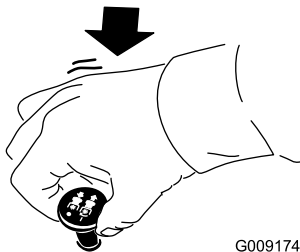
Hinweis: Aktivieren Sie die Messer nur, wenn der Gasbedienungshebel in der SCHNELL-Stellung ist (Bild 19).



g295538

Bild 19

Auskuppeln des Zapfwellenantriebsschalters



G009174

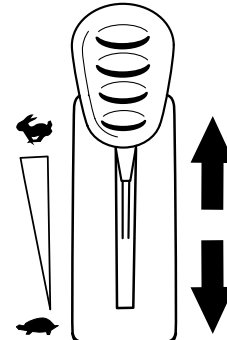
g009174

Bild 20

Einsetzen der Gasbedienung

Sie können die Gasbedienung zwischen der SCHNELL- und LANGSAM-Stellung bewegen (Bild 21).

Benutzen Sie immer die SCHNELL-Stellung, wenn Sie die Zapfwelle einkuppeln.



g295539

Bild 21

Einsetzen des Chokes

Lassen Sie einen kalten Motor mit Choke an.

1. Ziehen Sie das Choke-Handrad heraus, um den Choke zu aktivieren, bevor Sie das Zündschloss verwenden (Bild 22).

Hinweis: Stellen Sie sicher, dass Sie den Choke ganz aktivieren. Sie müssen das Handrad ggf. hochgezogen halten, wenn Sie das Zündschloss verwenden.

2. Drücken Sie den Choke herein, um den Choke zu deaktivieren, wenn der Motor angesprungen ist (Bild 22).

Anlassen des Motors

Hinweis: Ein bereits warmer oder heiß gelaufener Motor benötigt keine oder eine nur minimale Starthilfe.

Wichtig: Lassen Sie den Anlasser niemals länger als fünf Sekunden lang ununterbrochen drehen. Wenn Sie den Anlasser länger als fünf Sekunden betätigen, kann der Startermotor beschädigt werden. Wenn der Motor nicht anspringt, warten Sie 10 Sekunden, bevor Sie den Anlasser erneut betätigen.

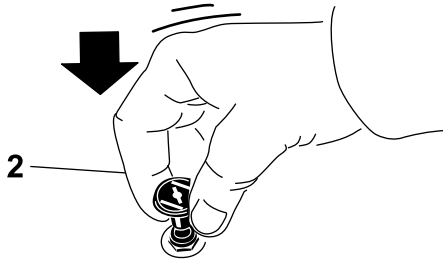
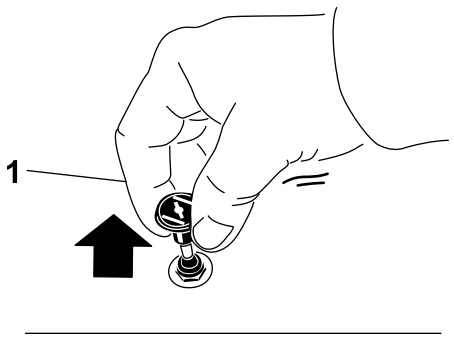


Bild 22

g295540

1. EIN-Stellung

2. AUS-Stellung

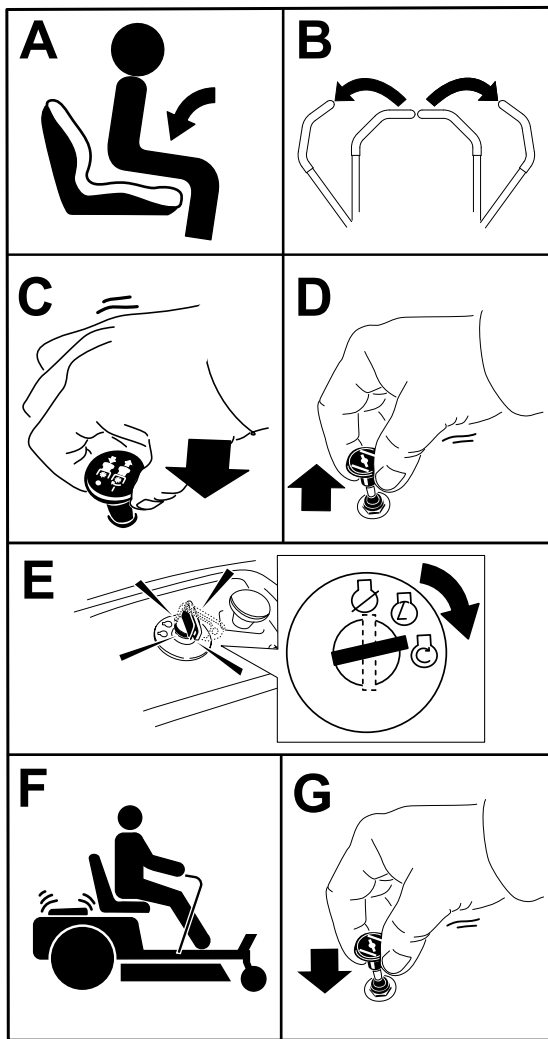


Bild 23

g295541

Abstellen des Motors

1. Stellen Sie den Zapfwellenantriebsschalter in die AUS-Stellung, um die Messer auszukuppeln.
2. Schieben Sie die Fahrtriebshebel nach außen in die PARK-Stellung.
3. Stellen Sie den Gasbedienungshebel auf eine Position zwischen Halb- und Vollgas.
4. Stellen Sie den Zündschlüssel in die AUS-Stellung und ziehen Sie ihn ab.

⚠ ACHTUNG

Kinder und Unbeteiligte können verletzt werden, wenn Sie die unbeaufsichtigt zurückgelassene Maschine bewegen oder einsetzen.

Ziehen Sie immer den Schlüssel ab und aktivieren Sie die Feststellbremse, wenn Sie die Maschine unbeaufsichtigt lassen.

Verwenden der Fahrtriebshebel

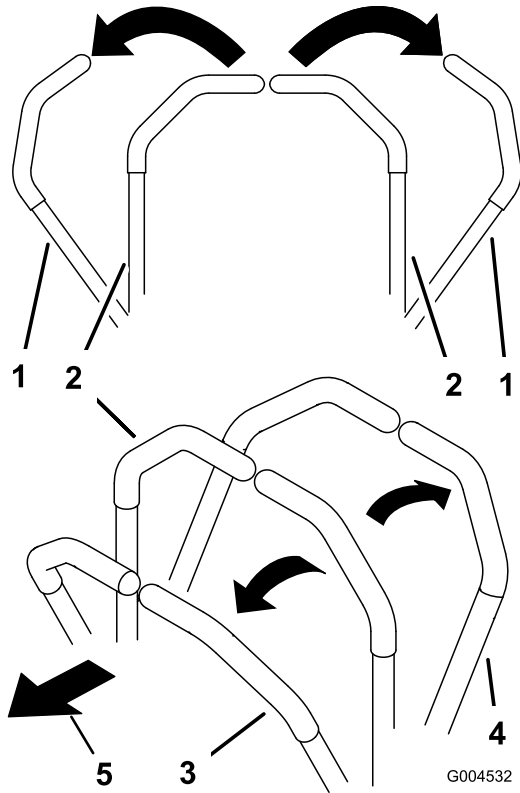


Bild 24

g004532

- | | |
|--|-----------------------------|
| 1. Fahrtriebshebel, PARK-Stellung | 4. Rückwärtsgang |
| 2. Mittlere, nicht arretierte Stellung | 5. Vorderseite der Maschine |
| 3. Vorwärtsgang | |

Fahren mit der Maschine

Die Antriebsräder drehen sich unabhängig und werden von Hydraulikmotoren an jeder Achse angetrieben. Daher kann eine Seite rückwärts und die andere vorwärts fahren, sodass sich die Maschine dreht statt wendet. Dies verbessert die Manövrierfähigkeit der Maschine, bedeutet jedoch ggf. eine gewisse Anpassung, bis Sie damit vertraut sind.

Sie können die Motordrehzahl mit dem Gasbedienungshebel einstellen, die in U/min (Umdrehungen pro Minute) gemessen wird. Stellen Sie die Gasbedienung auf die Stellung SCHNELL, um eine optimale Leistung zu erhalten. Mähen Sie immer mit Vollgas.

⚠️ WARNUNG:

Die Maschine kann sich sehr schnell drehen. Sie können die Kontrolle über die Maschine verlieren, was zu Verletzungen und Maschinenschäden führen kann.

- Wenden Sie nur vorsichtig.
- Reduzieren Sie vor scharfen Wendungen die Geschwindigkeit.

Vorwärts fahren

Hinweis: Seien Sie beim Wenden immer vorsichtig.

1. Stellen Sie die Hebel in die mittlere, entriegelte Stellung.
2. Drücken Sie die Fahrtriebshebel langsam nach vorne, um vorwärtszufahren (Bild 25).

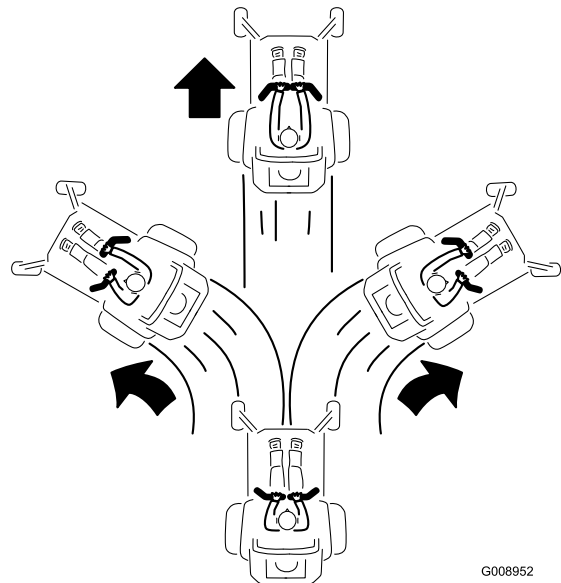


Bild 25

G008952

g008952

Rückwärts fahren

Hinweis: Passen Sie beim Rückwärtsfahren und Wenden immer auf.

1. Stellen Sie die Hebel in die mittlere, entriegelte Stellung.
2. Ziehen Sie zum Rückwärtsfahren die Fahrtriebshebel langsam nach hinten (**Bild 26**).

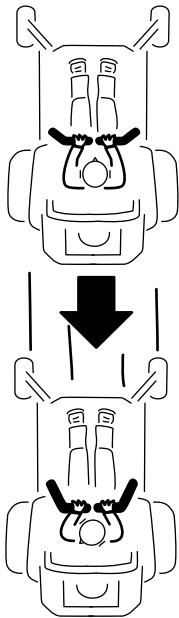


Bild 26

G008953

g008953

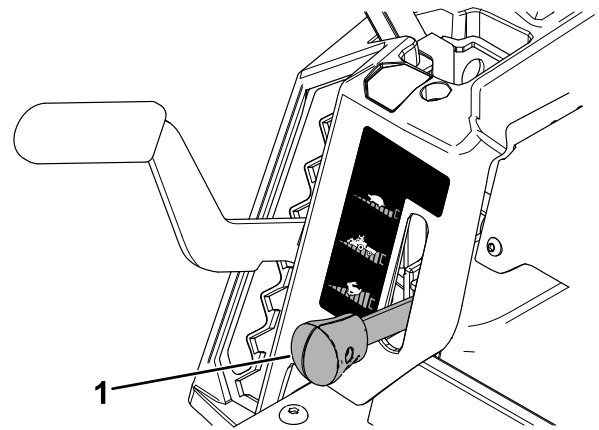


Bild 27

g293338

1. Smart Speed-Hebel

Verwenden der Smart Speed™ Steueranlage

Der Hebel für die Smart Speed™ Steueranlage befindet sich unter der Bedienposition (**Bild 27**) und ermöglicht dem Bediener mit drei Fahrgeschwindigkeiten zu fahren, d. h. Schneiden, Abschleppen und Mähen.

So ändern Sie die Geschwindigkeit:

1. Bewegen Sie die Fahrtriebshebel in die Neutral-Stellung und nach außen in die PARK-Stellung.
2. Kuppeln Sie den Zapfwellenantriebsschalter aus.
3. Stellen Sie den Hebel auf die gewünschte Stellung.

Nachfolgend finden Sie Nutzungsempfehlungen. Die Einstellungen sind je nach Grassorte, Feuchtigkeitsgehalt und Grashöhe anders.

Verwendungsvorschlag:	Schneiden	Abschleppen	Mähen
Parken	X		
Schweres, nasses Gras	X		
Schulung	X		
Gras schneiden	X		
Grasfang		X	
Mulchen		X	
Anbaugeräte schleppen		X	
Normales Mähen			X
Bewegen der Maschine			X

Schneiden

Dies ist die niedrigste Geschwindigkeit. Diese Geschwindigkeit sollte für Folgendes verwendet werden:

- Parken
- Mähen von schwerem, nassen Gras
- Schulung
- Gras schneiden

Abschleppen

Dies ist die mittlere Geschwindigkeit. Diese Geschwindigkeit sollte für Folgendes verwendet werden:

- Grasfang
- Mulchen
- Anbaugeräte schleppen

Mähen

Dies ist die schnellste Geschwindigkeit. Diese Geschwindigkeit sollte für Folgendes verwendet werden:

- Normales Mähen
- Bewegen der Maschine

Verwenden des Seitenauswurfs

Das Mähwerk hat ein schwenkbares Ablenkblech, das Schnittgut zur Seite und nach unten auf die Grünfläche lenkt.

⚠ GEFAHR

Wenn ein Ablenkblech, eine Auswurfkanalabdeckung oder ein Fangsystem nicht montiert sind, sind der Bediener und Unbeteiligte der Gefahr eines Kontakts mit dem Messer und ausgeschleuderten Gegenständen ausgesetzt. Kontakt mit dem drehenden Mähmesser oder ausgeschleuderten Gegenständen führt zu Verletzungen (möglicherweise tödlichen Verletzungen).

- Entfernen Sie nie das Ablenkblech vom Mähwerk, da das Ablenkblech Material nach unten auf die Grünfläche lenkt. Wechseln Sie das Ablenkblech sofort aus, wenn es beschädigt ist.
- Stecken Sie nie Hände oder Füße unter das Mähwerk.
- Versuchen Sie nie, den Auswurfbereich oder die Schnittmesser zu räumen, ohne den Zapfwellenantriebsschalter in die Aus-Stellung zu schieben, das Zündschloss in die Aus-Stellung zu drehen und den Schlüssel aus dem Zündschloss zu ziehen.
- Stellen Sie sicher, dass das Ablenkblech nach unten abgesenkt ist.

Einstellen der Schnitthöhe

Hinweis: Die Transportstellung ist die höchste Schnitthöheneinstellung oder Schnitthöhe von 114 mm, wie in Bild 28 abgebildet.

Sie können die Schnitthöhe in Schritten von 13 mm von 38 mm bis 114 mm einstellen. Die Schnitthöhe wird von einem Hebel gesteuert, der sich rechts von der Bedienposition befindet (Bild 28).

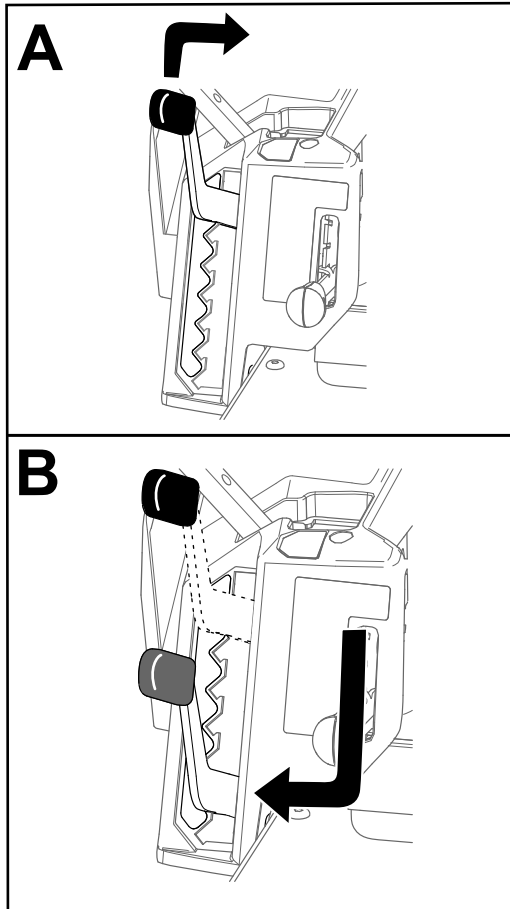


Bild 28

g296586

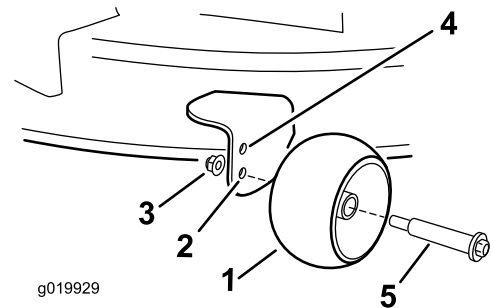
Einstellen der Antiskalpierrollen

Maschinen mit 107-cm-Mähwerken

Stellen Sie die Antiskalpierrollen jedes Mal ein, wenn Sie die Schnitthöhe ändern.

Hinweis: Stellen Sie die Antiskalpierrollen so ein, dass die Rollen in normalen, flachen Mähbereichen den Boden nicht berühren.

1. Stellen Sie die Maschine auf einer ebenen Fläche ab, kuppeln Sie den Zapfwellenantriebsschalter aus und schieben Sie die Fahrtriebshebel nach außen in die PARK-Stellung.
2. Stellen Sie vor dem Verlassen der Bedienungsposition den Motor ab, ziehen Sie den Schlüssel ab und warten Sie, bis alle beweglichen Teile zum Stillstand gekommen sind.
3. Stellen Sie die Antiskalpierrollen auf eine der folgenden Stellungen ein:
 - Oberes Loch: Verwenden Sie diese Stellung mit dem Mähwerk in der Schnitthöheneinstellung 63 mm oder niedriger (Bild 29).
 - Unteres Loch: Verwenden Sie diese Stellung mit dem Mähwerk in der Schnitthöheneinstellung 76 mm oder höher (Bild 29).



g019929

g019929

Bild 29

1. Antiskalpierrolle
2. Unteres Loch: Das Mähwerk ist in der Schnitthöheneinstellung 76 mm oder höher.
3. Bundmutter
4. Oberes Loch: Das Mähwerk ist in der Schnitthöheneinstellung 63 mm oder niedriger.
5. Schraube

Maschinen mit 127-cm-Mähwerken

Stellen Sie die Antiskalpierrollen jedes Mal ein, wenn Sie die Schnitthöhe ändern.

Hinweis: Stellen Sie die Antiskalpierrollen so ein, dass die Rollen in normalen, flachen Mähbereichen den Boden nicht berühren.

1. Stellen Sie die Maschine auf einer ebenen Fläche ab, kuppeln Sie den Zapfwellenantriebsschalter aus und schieben Sie die Fahrtriebshebel nach außen in die PARK-Stellung.
2. Stellen Sie vor dem Verlassen der Bedienungsposition den Motor ab, ziehen Sie den Schlüssel ab und warten Sie, bis alle beweglichen Teile zum Stillstand gekommen sind.
3. Stellen Sie die Antiskalpierrollen so ein, dass sie der nächsten Schnitthöheneinstellung entsprechen (Bild 30).

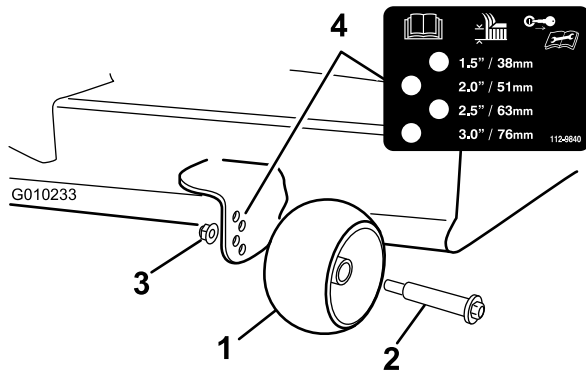


Bild 30

g010233

- | | |
|-----------------------|----------------|
| 1. Antiskalpierrollen | 3. Bundmutter |
| 2. Schraube | 4. Lochabstand |

Betriebshinweise

Maximierung der Luftzirkulation

Lassen Sie den Motor für ein optimales Mähen und eine maximale Luftzirkulation in der SCHNELL-Stellung laufen. Zum gründlichen Zerhackeln des Schnittguts wird Luft benötigt. Stellen Sie daher die Schnitthöhe nicht so niedrig ein, dass das Mähwerk vollständig von ungeschnittenem Gras umgeben ist. Versuchen Sie immer, eine Seite des Mähwerks von ungeschnittenem Gras frei zu halten, damit Luft in das Mähwerk angesaugt werden kann.

Erster Schnitt

Mähen Sie das Gras etwas länger als normal, um sicherzustellen, dass die Schnitthöhe des Mähwerks keine Bodenunebenheiten skalpiert. Meist ist aber die in der Vergangenheit verwendete Schnitthöhe die beste. Mähen Sie den Rasen zweimal, wenn Sie Gras schneiden, das länger als 15 cm ist, damit Sie eine gute Schnittqualität sicherstellen.

Abschneiden eines Drittels des Grashalms

Sie sollten nur ungefähr ein Drittel des Grashalms abschneiden. Wir empfehlen Ihnen nicht, mehr abzuschneiden, außer bei spärlichem Graswuchs oder im Spätherbst, wenn das Gras langsamer wächst.

Wechseln der Mährichtung.

Wechseln Sie die Mährichtung, damit das Gras aufrecht stehen bleibt. Dadurch wird auch das Schnittgut besser verteilt, was wiederum die Zersetzung und Düngung verbessert.

Mähen in den richtigen Abständen

Gras wächst zu verschiedenen Zeiten während der Saison unterschiedlich schnell. Mähen Sie zum Beibehalten derselben Schnitthöhe zu Beginn des Frühlings häufiger. Sie können jedoch nicht so häufig mähen, wenn die Wachstumsrate des Grasses im Sommer abnimmt. Mähen Sie zunächst, wenn der Rasen längere Zeit nicht gemäht wurde, bei einer höheren Schnitthöheneinstellung und dann zwei Tage später mit einer niedrigeren Einstellung noch einmal.

Mähen bei niedrigeren Geschwindigkeiten

Unter bestimmten Bedingungen kann das Mähen mit einer niedrigeren Geschwindigkeit die Schnittqualität verbessern.

Vermeiden eines zu kurzen Schnitts

Heben Sie die Schnitthöhe an, um sicherzustellen, dass Sie eine unebene Grünfläche nicht abschürfen.

Abstellen der Maschine

Wenn Sie die Maschine beim Mähen im Vorwärtsgang anhalten müssen, kann ein Schnittgutklumpen auf den Rasen fallen. Sie können dies vermeiden, wenn Sie mit eingekuppelten Schnittmessern auf einen bereits gemähten Bereich fahren, oder Sie können das Mähwerk auskuppeln, während Sie vorwärts fahren.

Sauberhalten der Mähwerkunterseite

Entfernen Sie nach jedem Einsatz Schnittgut und Schmutz von der Unterseite des Mähwerks. Wenn sich im Mähwerk Gras und Schmutz ansammelt, verschlechtert sich letztendlich die Schnittqualität.

Warten der Schnittmesser

Sorgen Sie während der ganzen Mähseason für ein scharfes Schnittmesser, weil ein scharfes Messer sauber schneidet, ohne die Grashalme abzureißen oder zu zerfetzen. Abgerissene Grashalme werden an den Kanten braun. Dadurch reduziert sich das Wachstum, und die Anfälligkeit des Rasens für Krankheiten steigt. Prüfen Sie die Schnittmesser nach jeder Verwendung auf Schärfe und Anzeichen von Abnutzung oder Schäden. Feilen Sie alle Auskerbungen aus und schärfen Sie ggf. die Messer. Wenn ein Messer beschädigt oder abgenutzt ist, ersetzen Sie es nur durch Originalersatzmesser von Toro. Siehe [Warten der Schnittmesser \(Seite 52\)](#).

Nach dem Einsatz

Hinweise zur Sicherheit nach dem Betrieb

Allgemeine Sicherheit

- Stellen Sie vor dem Verlassen der Bedienerposition den Motor ab, ziehen den Schlüssel ab, und warten, bis alle beweglichen Teile zum Stillstand gekommen sind. Lassen Sie die Maschine abkühlen, bevor Sie sie warten, einstellen, betanken, reinigen, oder einlagern.
- Entfernen Sie Gras und Schmutz von den Mähwerken, den Auspuff, Antriebe, Grasfangeinrichtungen und dem Motorraum, um einem Brand vorzubeugen. Wischen Sie Öl- und Kraftstoffverschüttungen auf.
- Ziehen Sie den Zündschlüssel ab, bevor Sie die Maschine einlagern oder transportieren.

Reinigen der Maschine

Wartungsintervall: Nach jeder Verwendung

Wichtig: Sie können die Maschine mit einem milden Reinigungsmittel und Wasser waschen. Waschen Sie die Maschine nicht mit einem Hochdruckreiniger. Vermeiden Sie den Einsatz von zu viel Wasser, insbesondere in der Nähe des Armaturenbretts, unter dem Sitz, um den Motor, die Hydraulikpumpen und -motoren.

1. Stellen Sie die Maschine auf einer ebenen Fläche ab, kuppeln Sie den Zapfwellenantriebsschalter aus und schieben Sie die Fahrtriebshebel nach außen in die PARK-Stellung.
2. Stellen Sie den Motor ab und warten Sie, bis alle sich beweglichen Teile zum Stillstand gekommen sind, bevor Sie die Bedienungsposition verlassen.
3. Entfernen Sie Gras und Schmutz von Mähwerken, Auspuff, Antrieben, Grasfangeinrichtungen und Motor.

Hinweis: Informationen zur Verwendung des Spülanschlusses des Mähwerks finden Sie unter [Reinigen der Unterseite des Mähwerks \(Seite 60\)](#).

Schieben der Maschine per Hand

Diese Maschine hat eine elektrische Bremse; zum Schieben der Maschine muss der Schlüssel in der LAUF-Stellung sein. Die Batterie muss zum Deaktivieren der elektrischen Bremse aufgeladen und funktionsfähig sein.

1. Stellen Sie die Maschine auf einer ebenen Fläche ab, kuppeln Sie den Zapfwellenantriebsschalter aus und schieben Sie die Fahrtriebshebel nach außen in die PARK-Stellung.
2. Stellen Sie den Motor ab und warten Sie, bis alle sich beweglichen Teile zum Stillstand gekommen sind, bevor Sie die Bedienungsposition verlassen.
3. Ermitteln Sie an beiden Seiten des Motors die Bypasshebel am Rahmen.
4. Schieben Sie beide Bypasshebel nach vorne durch den Schlitz und nach unten, um sie zu arretieren ([Bild 31](#)).

⚠️ WARNUNG:

Eine Berührung mit heißen Oberflächen kann Verletzungen verursachen.

Berühren Sie den Motor, Auspuff und andere heiße Oberflächen nicht dem den Händen, Füßen, dem Gesicht und anderen Körperteile sowie mit Kleidungsstücken.

⚠️ WARNUNG:

Die Maschine könnte sich unbeabsichtigt bewegen, während die Bypasshebel nach vorne in den Schlitz eingerastet sind, und Sie oder Unbeteiligte verletzen.

Verriegeln Sie die Bypasshebel nach dem Bewegen der Maschine nach hinten.

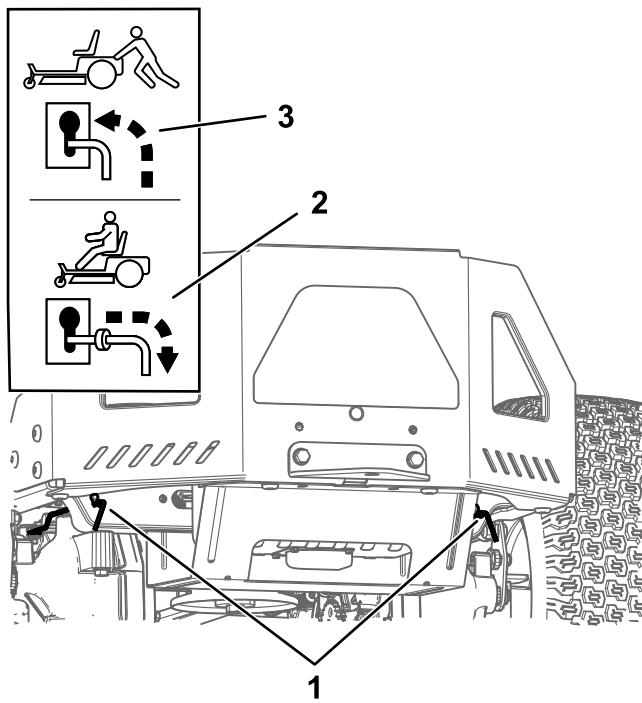


Bild 31

g333873

1. Bypasshebel-Stellen
2. Hebelstellung zum Einsatz der Maschine
3. Hebelstellung zum Schieben der Maschine

5. Schalten Sie den Zündschlüssel in die LAUF-Stellung und lösen Sie die Feststellbremse, indem Sie 1 Fahrtriebshebel aus der PARK-Stellung bewegen.

Hinweis: Starten Sie die Maschine nicht.

6. Bewegen Sie die Maschine nach Bedarf.

Wichtig: Schieben Sie die Maschine immer per Hand. Schleppen Sie die Maschine nicht ab, da sie beschädigt werden könnte.

7. Schieben Sie die Fahrtriebshebel nach außen in die PARK-Stellung.
8. Stellen Sie den Zündschlüssel in die AUS-Stellung und ziehen ihn ab, damit die Batterie nicht entladen wird.
9. Schieben Sie beide Bypasshebel nach hinten und unten durch den Schlitz, um sie zu verriegeln.

Transportieren der Maschine

Verwenden Sie einen robusten Anhänger oder Pritschenwagen zum Transportieren der Maschine. Verwenden Sie eine durchgehende Rampe. Stellen Sie sicher, dass der Anhänger oder Lastwagen mit den/der gesetzlich erforderlichen Bremsen, Beleuchtung und Kennzeichnungen ausgestattet ist. Bitte lesen Sie alle Sicherheitsanweisungen sorgfältig. Durch Kenntnis dieser Informationen können Sie sich und Unbeteiligte vor Verletzungen schützen. Ziehen Sie in Bezug auf Anforderungen für Anhänger und Befestigungen geltende Vorschriften zurate.

⚠️ WARNUNG:

Das Fahren auf Straßen und Wegen ohne Blinker, Lampen, Reflektoren oder einen Aufkleber für langsame Fahrzeuge ist gefährlich und kann zu Unfällen mit Verletzungsgefahr führen.

Fahren Sie die Maschine nicht auf einer öffentlichen Straße oder einem öffentlichen Fahrweg.

Auswahl eines Anhängers

⚠️ WARNUNG:

Das Laden einer Maschine auf einen Anhänger oder einen Lastwagen erhöht die Umkipfgefahr und könnte schwere oder tödliche Verletzungen verursachen (Bild 32).

- Verwenden Sie nur eine durchgehende Rampe; verwenden Sie nicht einzelne Rampen für jede Seite der Maschine.
- Überschreiten Sie nicht einen Winkel von 15 Grad zwischen Rampe und Boden oder zwischen Rampe und Anhänger oder Pritschenwagen.
- Stellen Sie sicher, dass die Rampe mindestens viermal länger ist als der Abstand des Anhängers oder der Ladepritsche des Pritschenwagens vom Boden. Dies stellt sicher, dass der Rampenwinkel auf ebener Fläche nicht größer als 15 Grad ist.

Laden der Maschine

⚠️ WARNUNG:

Das Laden einer Maschine auf einen Anhänger oder einen Lastwagen erhöht die Umkipppgefahr und kann schwere oder tödliche Verletzungen verursachen.

- Passen Sie besonders beim Bedienen der Maschine auf einer Rampe auf.
- Sie sollten immer rückwärts eine Rampe hochfahren und vorwärts von ihr herunterfahren.
- Vermeiden Sie plötzliche Geschwindigkeitsänderung beim Fahren der Maschine auf einer Rampe, da Sie dadurch die Kontrolle verlieren könnten und Umkipppgefahr besteht.

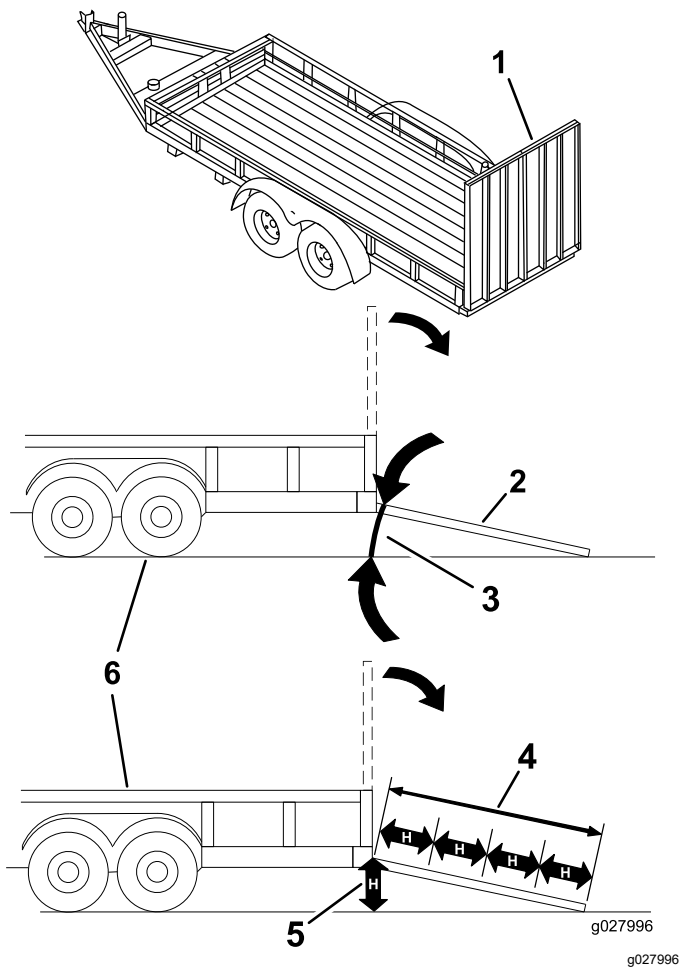


Bild 32

- | | |
|--|--|
| 1. Durchgehende Rampe in hochgeklappter Position | 4. Die Rampe ist mindestens 4 Mal so lang wie die Höhe des Anhängers oder der Anhängerpritsche zum Boden |
| 2. Seitansicht einer Rampe über die ganze Breite in Ladestellung | 5. H= Höhe des Anhängers oder der Anhängerpritsche zum Boden |
| 3. Nicht mehr als 15 Grad | 6. Anhänger |

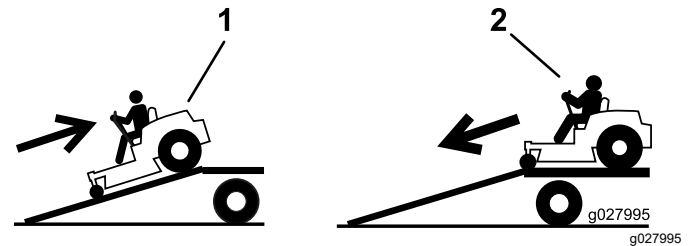
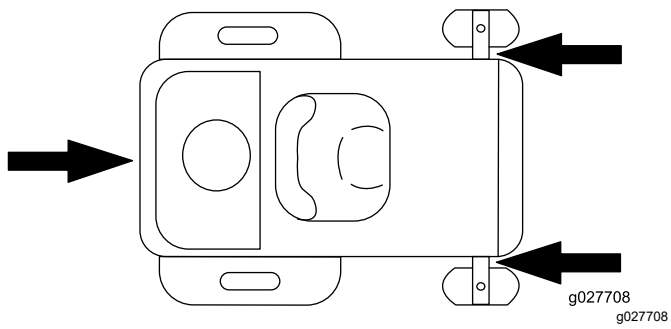


Bild 33

- | | |
|--|---|
| 1. Fahren Sie die Maschine rückwärts die Rampe hoch. | 2. Fahren Sie die Maschine vorwärts von der Rampe herunter. |
|--|---|

5. Schalten Sie die Maschine aus, entfernen Sie den Schlüssel und schieben Sie die Fahrtriebshebel nach außen in die PARK-Stellung.
6. Vergurten Sie die Maschine in der Nähe der vorderen Laufräder und dem hinteren Rahmen mit Riemen, Ketten, Kabeln oder Seilen (Bild 34). Ziehen Sie in Bezug auf Anforderungen für Befestigungen geltende Vorschriften zurate.



1. Zurrpunkte
-

Entladen der Maschine

1. Senken Sie die Rampe ab und stellen Sie sicher, dass der Winkel zwischen der Rampe und dem Boden höchstens 15 Grad beträgt (Bild 32).
2. Fahren Sie die Maschine vorwärts von der Rampe herunter (Bild 33).

Wartung

Hinweis: Bestimmen Sie die linke und rechte Seite der Maschine anhand der üblichen Einsatzposition.

Wartungssicherheit

- Wenn Sie den Schlüssel im Zündschloss lassen, könnte eine andere Person den Motor versehentlich anlassen und Sie und Unbeteiligte schwer verletzen. Ziehen Sie den Schlüssel aus dem Zündschloss, bevor Sie Wartungsarbeiten durchführen.
- Bevor Sie den Fahrerstand verlassen, gehen Sie wie folgt vor:
 - Stellen Sie die Maschine auf einer ebenen Fläche ab.
 - Kuppeln Sie die Antriebe aus.
 - Aktivieren Sie die Feststellbremse.
 - Stellen Sie den Motor ab und ziehen Sie den Schlüssel ab.
 - Lassen Sie alle Maschinenteile abkühlen, ehe Sie mit Wartungsarbeiten beginnen.
- Die Maschine sollte nie von ungeschulten Personen gewartet werden.
- Halten Sie Ihre Hände und Füße von den beweglichen Teilen oder heißen Oberflächen fern. Bei laufendem Motor sollten keine Einstellungsarbeiten vorgenommen werden.
- Lassen Sie den Druck aus Maschinenteilen mit gespeicherter Energie vorsichtig ab.
- Prüfen Sie die Funktion der Feststellbremse häufig. Stellen Sie die diese bei Bedarf nach oder warten Sie diese.
- Modifizieren Sie auf keinen Fall die Sicherheitsvorkehrungen. Prüfen Sie ihre einwandfreie Funktion in regelmäßigen Abständen.
- Entfernen Sie Gras und Schmutz von den Mähwerken, den Auspuff, Antriebe, Grasfangeinrichtungen und dem Motorraum, um einem Brand vorzubeugen.
- Wischen Sie verschüttetes Öl oder verschütteten Kraftstoff auf und entsorgen Sie mit Kraftstoff getränkte Rückstände.
- Stützen Sie die Maschine nicht mit einem Hydrauliksystem oder Wagenheber ab, sondern verwenden Sie Achsständer, wenn Sie die Maschine anheben.
- Halten Sie alle Teile der Maschine in gutem Betriebszustand. Alle Befestigungen, insbesondere die Befestigungselemente der Messer, müssen fest angezogen sein. Tauschen Sie abgenutzte oder beschädigte Aufkleber aus.
- Klemmen Sie das Minuskabel von der Batterie ab, bevor sie die Maschine reparieren.
- Um eine optimale Leistung zu gewährleisten, verwenden Sie nur Original Ersatzteile und Zubehör von Toro. Ersatzteile und Zubehör anderer Hersteller können gefährlich sein und eine Verwendung könnte die Garantie ungültig machen.

Empfohlener Wartungsplan

Wartungsintervall	Wartungsmaßnahmen
Bei jeder Verwendung oder täglich	<ul style="list-style-type: none"> • Prüfen Sie die Sicherheitsschalter. • Prüfen Sie den Motorölstand. • Prüfen Sie die Messer. • Prüfen Sie das Ablenkblech auf Defekte.
Nach jeder Verwendung	<ul style="list-style-type: none"> • Entfernen Sie Gras und Schmutz von Mähwerken, Auspuff, Antrieben, Grasfangeinrichtungen und Motor. • Reinigen Sie das Mähwerkgehäuse.
Alle 25 Betriebsstunden	<ul style="list-style-type: none"> • Fetten Sie die Lager der Laufräder (häufiger bei sandigen Böden). • Reinigen Sie den Schaumstoffeinsatz des Luftfilters (häufiger in staubigen oder schmutzigen Bedingungen). • Prüfen Sie den Reifendruck. • Untersuchen Sie die Treibriemen auf Verschleiß oder Risse.
Alle 100 Betriebsstunden	<ul style="list-style-type: none"> • Wechseln Sie den Schaumstoffeinsatz des Luftfilters aus (häufiger in staubigen oder schmutzigen Bedingungen). • Entfernen und reinigen Sie das Gebläsegehäuse und andere Kühlerhauben (öfter in sehr verschmutzten oder staubigen Bedingungen). • Wechseln Sie den Inline-Kraftstofffilter aus.
Alle 100 Stunden oder jährlich, je nachdem, was zuerst eintritt	<ul style="list-style-type: none"> • Tauschen Sie den Papiereinsatz des Luftfilters aus (öfter in verschmutzten oder staubigen Konditionen). • Wechseln Sie das Motoröl und den -filter (häufiger in schmutzigen oder staubigen Bedingungen). • Prüfen Sie die Zündkerze(n).
Alle 200 Betriebsstunden	<ul style="list-style-type: none"> • Tauschen Sie die Zündkerzen aus.
Vor der Einlagerung	<ul style="list-style-type: none"> • Laden Sie die Batterie auf und klemmen Sie die Batteriekabel ab. • Führen Sie vor einer Einlagerung alle oben aufgeführten Wartungsschritte durch. • Bessern Sie Lackschäden aus.

Wichtig: Weitere Informationen zu Wartungsarbeiten finden Sie in der Motorbedienungsanleitung.

▲ ACHTUNG

Wenn Sie den Schlüssel im Zündschloss lassen, könnte eine andere Person den Motor versehentlich anlassen und Sie und Unbeteiligte schwer verletzen.

Stellen Sie den Motor ab und ziehen Sie den Schlüssel vom Schalter ab, bevor Sie Wartungsarbeiten durchführen.

Verfahren vor dem Ausführen von Wartungsarbeiten

Lösen der Mähwerkabdeckung

Lösen Sie die zwei unteren Schrauben der Abdeckung, um die Oberseite des Mähwerks zugänglich zu machen (Bild 35).

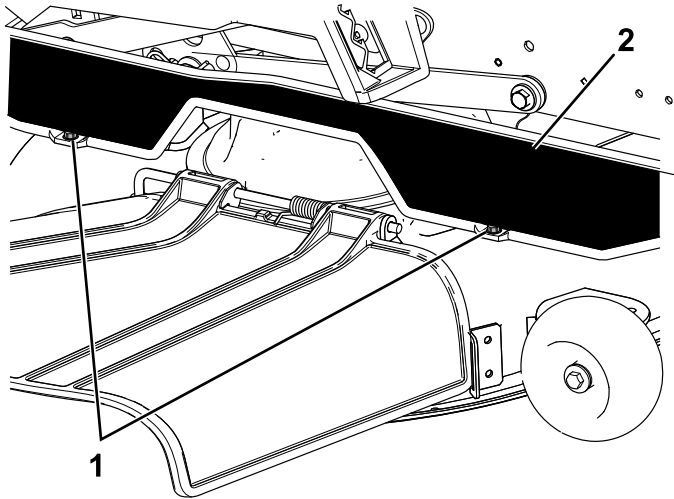


Bild 35

g295619

1. Untere Schraube 2. Abdeckung

Hinweis: Nach den Wartungsarbeiten Schrauben wieder festziehen, um die Mähwerkabdeckung zu befestigen.

Aufbocken der Maschine

Stützen Sie die Maschine mit Stützböcken ab, wenn Sie sie anheben.

⚠️ WARNUNG:

Stützen Sie die Maschine nicht auf der unteren Schalldämpferabdeckung (Bild 36) ab, da dies die Schalldämpferabdeckung beschädigen und zum Umstürzen der Maschine führen kann, wodurch Sie oder umstehende Personen verletzt werden.

Heben oder stützen Sie die Maschine nicht auf der unteren Schalldämpferabdeckung ab.

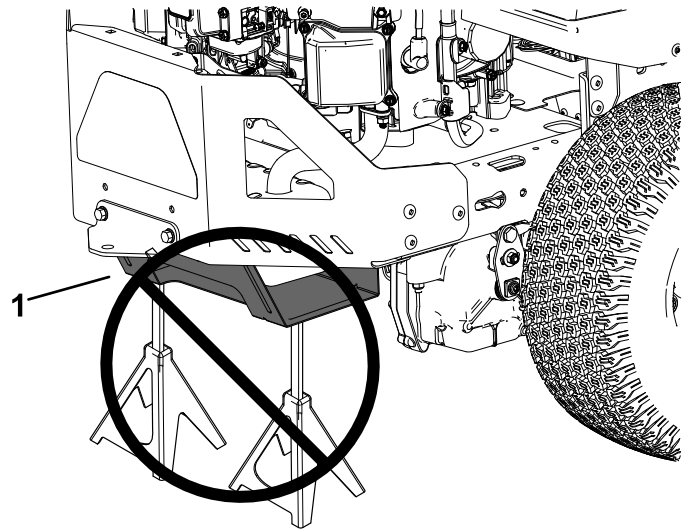


Bild 36

g299647

1. Untere Schalldämpferabdeckung

Schmierung

Einfetten der Lager

Wartungsintervall: Alle 25 Betriebsstunden—Fetten Sie die Lager der Laufräder (häufiger bei sandigen Böden).

Schmierfettsorte: Nr. 2 Allzweckschmierfett auf Lithiumbasis

1. Stellen Sie die Maschine auf einer ebenen Fläche ab, kuppeln Sie den Zapfwellenantriebsschalter aus und schieben Sie die Fahrtriebshebel nach außen in die PARK-Stellung.
2. Stellen Sie vor dem Verlassen der Bedienungsposition den Motor ab, ziehen den Schlüssel ab und warten, bis alle beweglichen Teile zum Stillstand gekommen sind.
3. Reinigen Sie die Schmiernippel (**Bild 37**) mit einem Lappen.

Hinweis: Kratzen Sie ggf. Lack von der Vorderseite der Nippel ab.

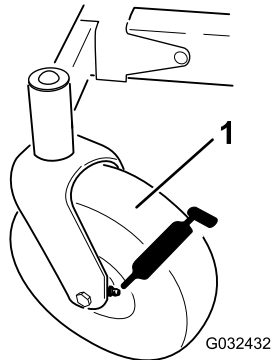


Bild 37

g032432

1. Vorderer Laufradreifen

-
4. Setzen Sie die Fettpresse nacheinander an allen Nippeln an (**Bild 37**).
 5. Fetten Sie die Schmiernippel ein, bis das Fett beginnt, aus den Lagern auszutreten.
 6. Wischen Sie überflüssiges Fett ab.

Warten des Motors

Sicherheitshinweise zum Motor

- Berühren Sie den Auspuff und andere heiße Oberflächen nicht den Händen, Füßen, dem Gesicht und anderen Körperteilen sowie mit Kleidungsstücken. Lassen Sie alle Motorteile abkühlen, ehe Sie mit Wartungsarbeiten beginnen.
- Ändern Sie nicht die Geschwindigkeit des Drehzahlreglers bzw. überdrehen Sie nicht den Motor.

Warten des Luftfilters

Wartungsintervall: Alle 25 Betriebsstunden—Reinigen Sie den Schaumstoffeinsatz des Luftfilters (häufiger in staubigen oder schmutzigen Bedingungen).

Alle 100 Betriebsstunden—Wechseln Sie den Schaumstoffeinsatz des Luftfilters aus (häufiger in staubigen oder schmutzigen Bedingungen).

Hinweis: Reinigen Sie den Luftfilter bei besonders viel Staub und Sand im Arbeitsbereich häufiger (alle paar Stunden).

Entfernen der Schaumstoff- und Papiereinsätze

1. Stellen Sie die Maschine auf einer ebenen Fläche ab, kuppeln Sie den Zapfwellenantriebsschalter aus und schieben Sie die Fahrtriebshebel nach außen in die PARK-Stellung.
2. Stellen Sie vor dem Verlassen der Bedienungsposition den Motor ab, ziehen Sie den Schlüssel ab und warten Sie, bis alle beweglichen Teile zum Stillstand gekommen sind.
3. Reinigen Sie den Bereich um die Luftfilterabdeckung, sodass kein Schmutz in den Motor fällt und Schäden verursacht.
4. Drehen Sie die Verriegelungen nach außen und nehmen Sie die Abdeckung ab, um an die Luftfilterelemente zu gelangen.

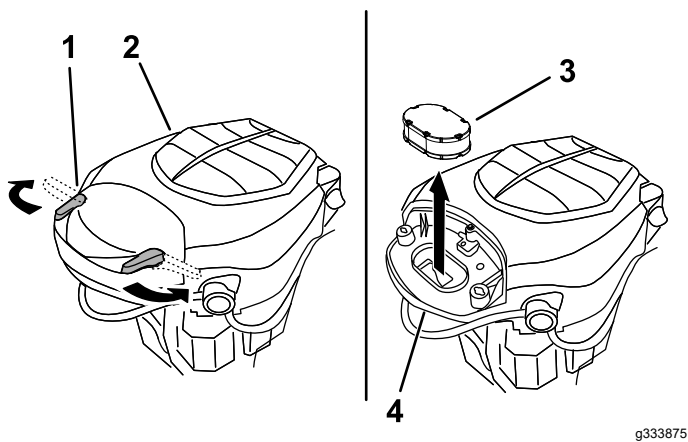


Bild 38

g333875

- | | |
|-----------------|------------------------|
| 1. Verriegelung | 3. Luftfilterelemente |
| 2. Motor | 4. Luftfilterunterteil |

5. Trennen Sie den Schaumstoff- und Papiereinsatz (Bild 39).

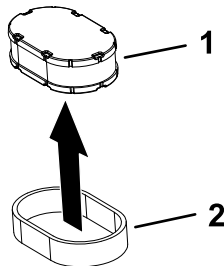


Bild 39

g333887

- | | |
|------------------|-----------------------|
| 1. Papiereinsatz | 2. Schaumstoffeinsatz |
|------------------|-----------------------|

Warten des Schaumeinsatzes

1. Waschen Sie den Schaumstoffeinsatz mit Flüssigseife und warmem Wasser. Spülen Sie den sauberen Einsatz gründlich.
2. Drücken Sie den Einsatz in einem sauberen Lappen aus, um ihn zu trocknen.

Wichtig: Tauschen Sie den Schaumstoff-einsatz aus, wenn er beschädigt oder angerissen ist.

3. Ölen Sie den Schaumstoffeinsatz leicht mit neuem Motoröl ein und drücken Sie das überschüssige Öl aus.

Warten des Papiereinsatzes des Luftfilters

Wartungsintervall: Alle 100 Stunden oder jährlich, je nachdem, was zuerst eintritt—Tauschen Sie den Papiereinsatz des Luftfilters aus (öfter in verschmutzten oder staubigen Konditionen).

1. Reinigen Sie den Papiereinsatz durch leichtes Klopfen, um Staub herauszurütteln.

Hinweis: Wechseln Sie den Papiereinsatz aus, wenn er sehr schmutzig ist.

2. Untersuchen Sie den Einsatz auf Risse, einen öligen Film und Schäden an der Gummidichtung.
3. Ersetzen Sie den Papiereinsatz, wenn er beschädigt ist.

Wichtig: Reinigen Sie nicht den Papierfilter.

Einbauen des Luftfilters

1. Setzen Sie den Schaumstoffeinsatz über den Papiereinsatz.

Hinweis: Achten Sie darauf, dass Sie die Einsätze nicht beschädigen.

2. Setzen Sie die Luftfilterelemente auf das Luftfilterunterteil.
3. Setzen Sie die Abdeckung auf und arretieren Sie diese mit den Verriegelungen (Bild 38).

Warten des Motoröls

Motorölsorte

Ölsorte: Waschaktives Öl (inkl. synthetische Öle), der API-Klasse SJ oder hochwertiger.

Fassungsvermögen des Kurbelgehäuses: 1,9 l (mit Ölfilter).

Viskosität: Siehe nachstehende Tabelle.

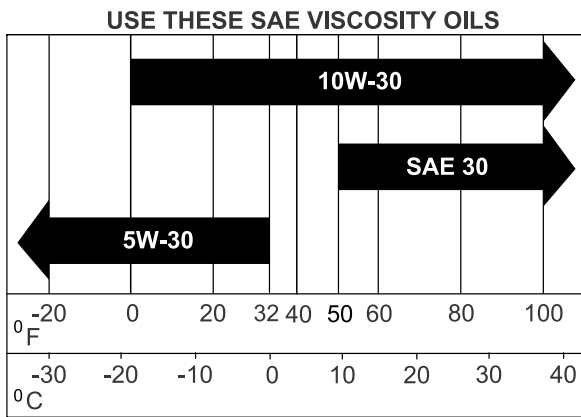


Bild 40

g017552 g017552

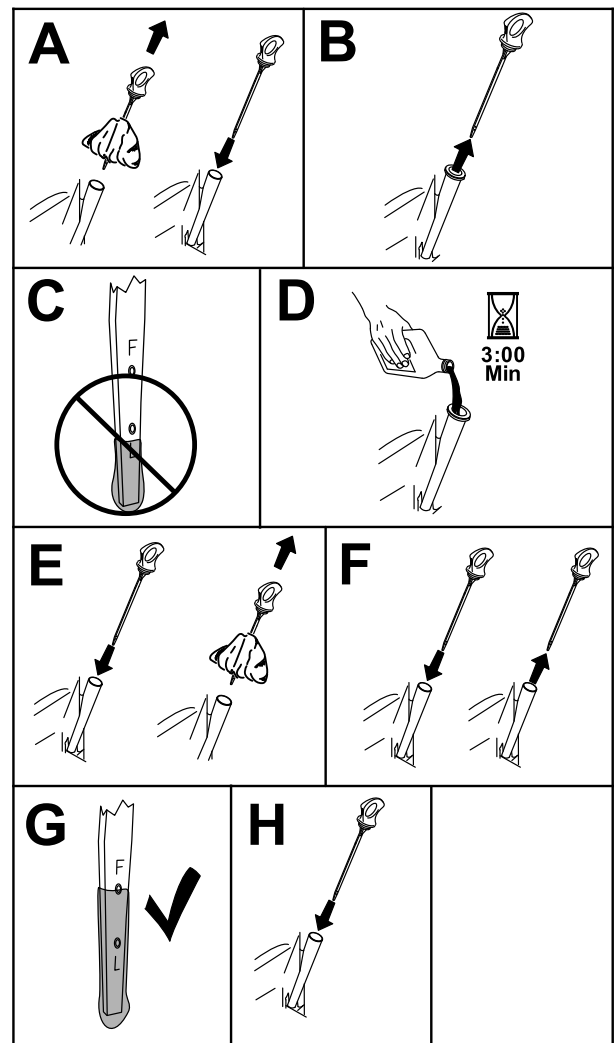


Bild 41

g365791

Überprüfen des Motorölstands

Wartungsintervall: Bei jeder Verwendung oder täglich

Hinweis: Prüfen Sie den Ölstand bei kaltem Motor.

Wichtig: Wenn Sie zu viel oder zu wenig Öl in das Kurbelgehäuse füllen, kann der Motor beschädigt werden.

1. Stellen Sie die Maschine auf einer ebenen Fläche ab, kuppeln Sie den Zapfwellenantriebsschalter aus und schieben Sie die Fahrtriebshebel nach außen in die PARK-Stellung.
2. Stellen Sie vor dem Verlassen der Bedienungsposition den Motor ab, ziehen Sie den Schlüssel ab und warten Sie, bis alle beweglichen Teile zum Stillstand gekommen sind.

Hinweis: Stellen Sie sicher, dass der Motor kalt ist, damit das Öl in die Wanne ablaufen kann.

3. Reinigen Sie den Bereich um den Ölfüllstutzendeckel bzw. den Peilstab vor dem Abnehmen, damit kein Schmutz oder Schnittgut usw. in den Motor gelangt (Bild 41).

Wechseln des Motoröls und des Ölfilters

Wartungsintervall: Alle 100 Stunden oder jährlich, je nachdem, was zuerst eintritt—Wechseln Sie das Motoröl und den -filter (häufiger in schmutzigen oder staubigen Bedingungen).

1. Stellen Sie die Maschine auf eine ebene Fläche, damit Sie sicherstellen, dass das Öl vollständig ausläuft.
2. Kuppeln Sie den Zapfwellenantriebsschalter aus und stellen die Fahrtriebshebel in die PARK-Stellung.
3. Stellen Sie vor dem Verlassen der Bedienungsposition den Motor ab, ziehen Sie den Schlüssel ab und warten Sie, bis alle beweglichen Teile zum Stillstand gekommen sind.

4. Lassen Sie das Öl vom Motor ab (Bild 42).

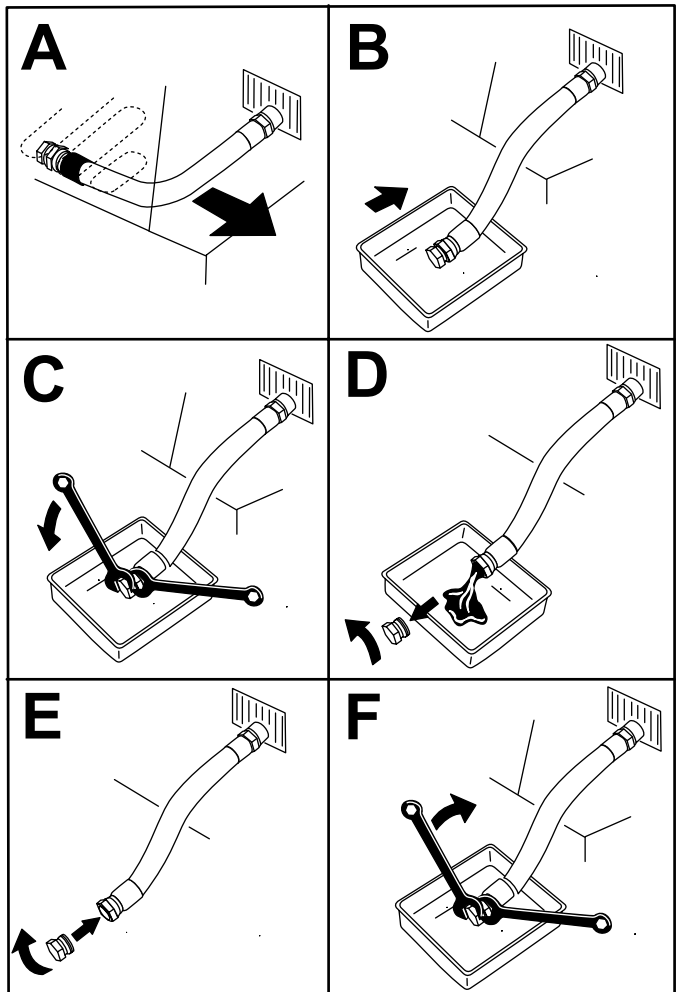
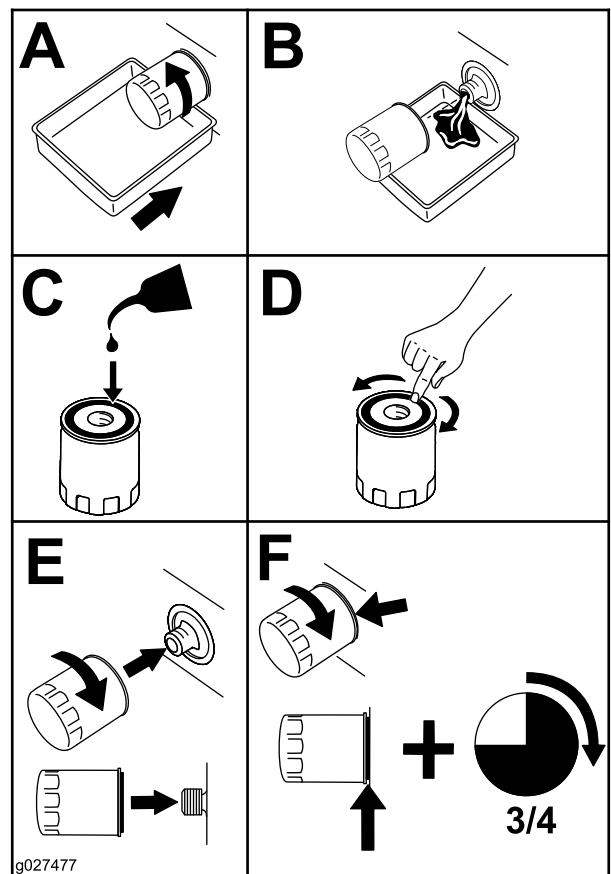


Bild 42

g225280



g027477

g027477

Bild 43

5. Wechseln Sie den Motorölfiter (Bild 43).

Hinweis: Stellen Sie sicher, dass die Ölfilterdichtung den Motor berührt und drehen Sie den Filter dann um eine weitere Dreivierteldrehung.

6. Gießen Sie langsam ungefähr 80 % der angegebenen Ölsorte in den Einfüllstutzen und füllen Sie dann vorsichtig mehr Öl ein, um den Ölstand an die Voll-Markierung zu bringen (Bild 44).

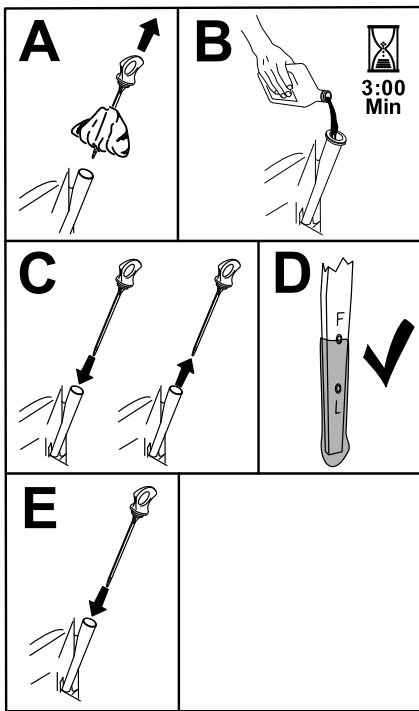


Bild 44

g365790

7. Entsorgen Sie Altöl im lokalen Recycling Center.

Wartung der Zündkerze

Wartungsintervall: Alle 100 Stunden oder jährlich, je nachdem, was zuerst eintritt—Prüfen Sie die Zündkerze(n).

Alle 200 Betriebsstunden/Alle 2 Jahre (je nachdem, was zuerst erreicht wird)—Tauschen Sie die Zündkerzen aus.

Achten Sie darauf, dass der Abstand zwischen der mittleren und der seitlichen Elektrode korrekt ist, bevor Sie die Zündkerze eindrehen. Verwenden Sie zum Aus und Einbauen der Zündkerze einen Zündkerzenschlüssel und für die Prüfung und Einstellung des Elektrodenabstands eine Fühlerlehre. Setzen Sie bei Bedarf eine neue Zündkerze ein.

Typ: Champion® XC12YC

Elektrodenabstand: 0,76 mm

Entfernen der Zündkerze

1. Stellen Sie die Maschine auf einer ebenen Fläche ab, kuppeln Sie den Zapfwellenantriebsschalter aus und schieben Sie die Fahrtriebshebel nach außen in die PARK-Stellung.
2. Stellen Sie vor dem Verlassen der Bedienungsposition den Motor ab, ziehen Sie den Schlüssel ab und warten Sie, bis alle beweglichen Teile zum Stillstand gekommen sind. Lassen Sie den Motor abkühlen.
3. Reinigen Sie den Bereich um die Fassung der Zündkerze, damit kein Schmutz und keine Rückstände in den Motor gelangen.
4. Nehmen Sie die Zündkerze heraus (Bild 45).

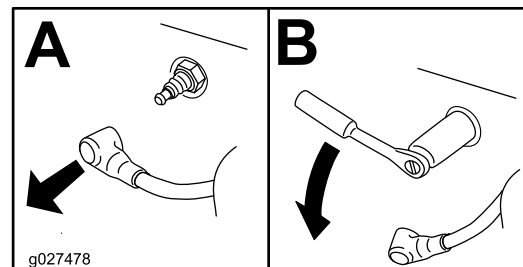


Bild 45

g027478

Prüfen der Zündkerze

Wichtig: Reinigen Sie die Zündkerze(n) nie. Wechseln Sie die Zündkerze immer aus, wenn sie schwarz überzogen ist oder abgenutzte Elektroden, einen öligen Film oder Risse aufweist.

Wenn der Kerzenstein hellbraun oder grau ist, ist der Motor richtig eingestellt. Eine schwarze Schicht

am Kerzenstein weist normalerweise auf einen schmutzigen Luftfilter hin.

Stellen Sie den Abstand auf 0,75 mm ein.

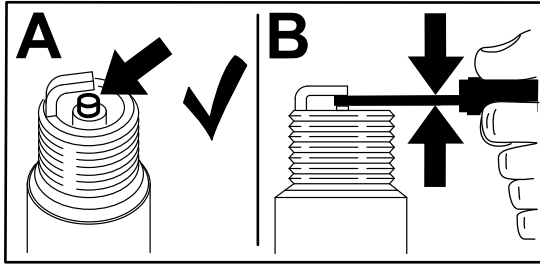


Bild 46

g206628

Einsetzen der Zündkerze

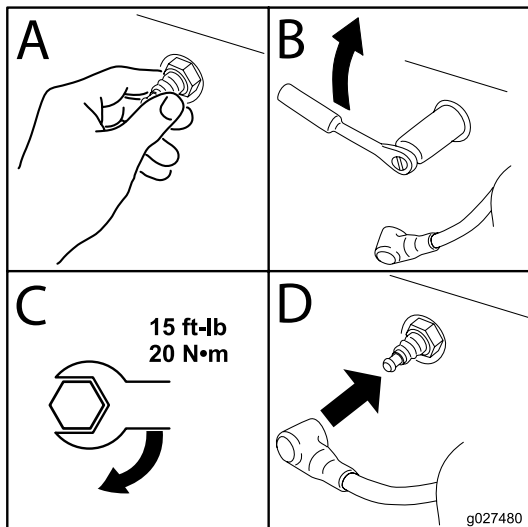


Bild 47

g027480

Reinigen des Gebläsegehäuses

Wartungsintervall: Alle 100 Betriebsstunden/Jährlich (je nach dem, was zuerst erreicht wird)

Für eine richtige Kühlung müssen das Graspitter, die Kühlrippen und andere externe Oberflächen des Motors immer sauber sein.

Reinigen Sie ggf. die Kühlrippen und externen Oberflächen. Vergessen Sie nicht, die Kühlerhauben wieder einzusetzen. Ziehen Sie die Schrauben des Gebläsegehäuses mit 7,5 N·m an.

Wichtig: Der Betrieb des Motors mit verstopftem Graspitter, verschmutzten oder verstopften Kühlrippen oder entfernter Kühlerhaube führt zu Schäden am Motor infolge von Überhitzen.

Warten der Kraftstoffanlage

⚠ GEFAHR

Unter bestimmten Bedingungen ist Kraftstoff extrem leicht entflammbar und hochexplosiv. Feuer und Explosionen durch Kraftstoff können Verbrennungen und Sachschäden verursachen.

Siehe **Kraftstoffsicherheit (Seite 15)** für eine vollständige Liste der Vorsichtsmaßnahmen im Zusammenhang mit dem Kraftstoff.

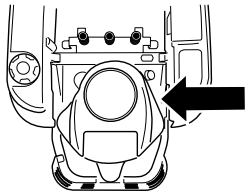
Auswechseln des Inline-Kraftstofffilters

Wartungsintervall: Alle 100 Betriebsstunden—Wechseln Sie den Inline-Kraftstofffilter aus.

Setzen Sie nie einen verschmutzten Filter wieder ein, wenn Sie ihn aus der Kraftstoffleitung entfernt haben.

1. Stellen Sie die Maschine auf einer ebenen Fläche ab, kuppeln Sie den Zapfwellenantriebsschalter aus und schieben Sie die Fahrtriebshebel nach außen in die PARK-Stellung.
2. Stellen Sie vor dem Verlassen der Bedienungsposition den Motor ab, ziehen Sie den Schlüssel ab und warten Sie, bis alle beweglichen Teile zum Stillstand gekommen sind. Lassen Sie den Motor abkühlen.
3. Tauschen Sie den Kraftstofffilter aus (**Bild 48**).

Hinweis: Stellen Sie sicher, dass der Durchflussrichtungspfeil auf dem neuen Filter in Richtung Motor zeigt.

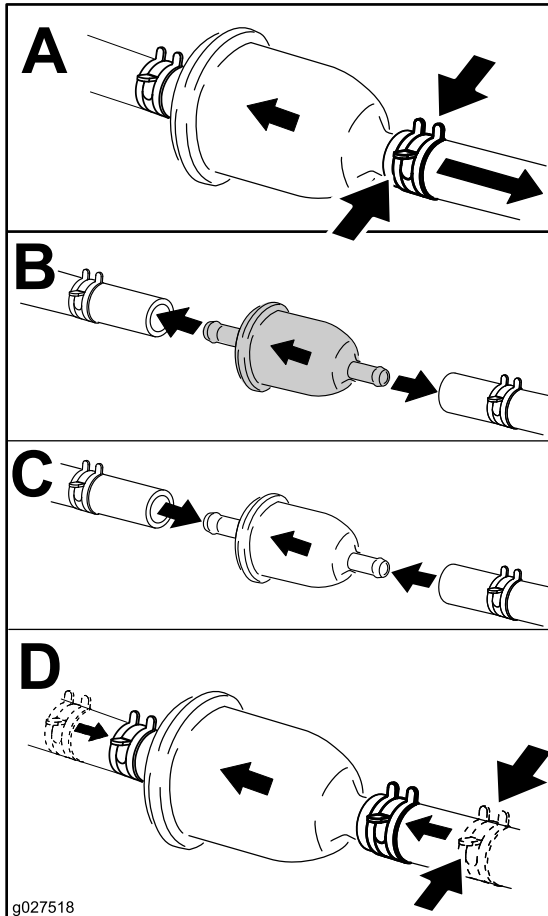


g365941

Warten der elektrischen Anlage

Hinweise zur Sicherheit der Elektroanlage

- Klemmen Sie das Minuskabel von der Batterie ab, bevor sie die Maschine reparieren.
- Laden Sie den Akku in offenen, gut gelüfteten Bereichen und nicht in der Nähe von Funken und offenem Feuer. Stecken Sie das Ladegerät aus, ehe Sie die Batterie anschließen oder abklemmen. Tragen Sie Schutzkleidung und verwenden Sie isoliertes Werkzeug.



g027518

g027518

Bild 48

Warten der Batterie

Entfernen der Batterie

⚠️ WARNUNG:

Batteriepole und Metallwerkzeuge können an metallischen Teilen Kurzschlüsse verursachen, was Funken erzeugen kann. Funken können zum Explodieren der Gase im Akku führen und Verletzungen verursachen.

- Beim Aus- und Einbau des Akkus verhindern, dass Akkupole mit Metallteilen der Maschine in Kontakt kommen.
- Vermeiden Sie Kurzschlüsse zwischen metallischen Werkzeugen, den Akkupolen und metallischen Maschinenteilen.

1. Stellen Sie die Maschine auf einer ebenen Fläche ab, kuppeln Sie den Zapfwellenantriebsschalter aus und schieben Sie die Fahrtriebshelb nach außen in die PARK-Stellung.
2. Stellen Sie vor dem Verlassen der Bedienungsposition den Motor ab, ziehen den Schlüssel ab und warten, bis alle beweglichen Teile zum Stillstand gekommen sind.
3. Klappen Sie den Sitz hoch, um die Batterie zugänglich zu machen.
4. Klemmen Sie das Minuskabel (schwarz) vom Batteriepol ab (Bild 49).

Hinweis: Bewahren Sie alle Befestigungen auf.

⚠️ WARNUNG:

Das unsachgemäße Abtrennen der Kabel von der Batterie kann die Maschine und die Kabel beschädigen und Funken erzeugen. Funken können zum Explodieren der Gase in der Batterie führen und Verletzungen verursachen.

- Trennen Sie immer das Minuskabel (Schwarz) ab, bevor Sie das Pluskabel (Rot) abtrennen.
 - Schließen Sie immer das Pluskabel (Rot) an, bevor Sie das Minuskabel (Schwarz) anschließen.
5. Schieben Sie die Gummiabdeckung vom Pluskabel (Rot).
 6. Klemmen Sie das Pluskabel (Rot) vom Batteriepol ab (Bild 49).
- Hinweis:** Bewahren Sie alle Befestigungen auf.
7. Nehmen Sie die Batterieklemme ab (Bild 49) und heben Sie die Batterie aus dem Batteriefach heraus.

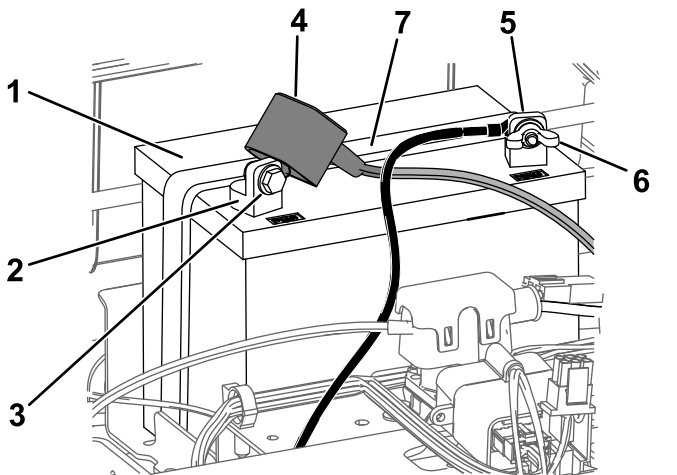


Bild 49

g293472

- | | |
|---------------------------------|---------------------------------------|
| 1. Batterie | 5. Minuspol (-) der Batterie |
| 2. Pluspol (+) der Batterie | 6. Flügelmutter, Scheibe und Schraube |
| 3. Schraube, Scheibe und Mutter | 7. Batterieklemme |
| 4. Polkappe | |

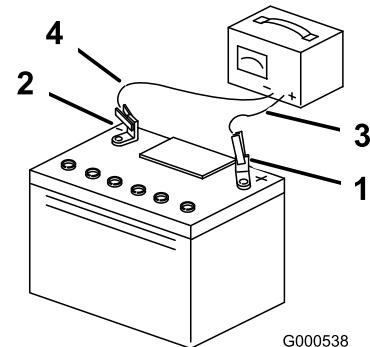
Aufladen der Batterie

Wartungsintervall: Vor der Einlagerung—Laden Sie die Batterie auf und klemmen Sie die Batteriekabel ab.

1. Nehmen Sie die Batterie aus dem Chassis heraus, siehe [Entfernen der Batterie \(Seite 46\)](#).
2. Laden Sie die Batterie für mindestens eine Stunde mit 6 Ampere bis 10 Ampere auf.

Hinweis: Überladen Sie die Batterie nicht.

3. Ziehen Sie den Stecker des Ladegeräts aus der Steckdose, wenn die Batterie ganz aufgeladen ist. Klemmen Sie dann die Klemmen des Ladegeräts von den Batteriepolen ab (Bild 50).



G000538

g000538

Bild 50

- | | |
|------------------------------|---------------------------------|
| 1. Pluspol (+) der Batterie | 3. Rotes (+) Ladegerätkabel |
| 2. Minuspol (-) der Batterie | 4. Schwarzes (-) Ladegerätkabel |

Einbauen der Batterie

1. Setzen Sie die Batterie in das Fach (Bild 49).
2. Befestigen Sie das Pluskabel (rot) der Batterie mit den vorher entfernten Befestigungen am Pluspol (+) der Batterie.
3. Befestigen Sie das Minuskabel (rot) der Batterie mit den vorher entfernten Befestigungen am Minuspol (-) der Batterie.
4. Ziehen Sie die rote Polkappe über den (roten) Pluspol der Batterie.
5. Befestigen Sie die Batterie mit der Befestigung (Bild 49).
6. Senken Sie den Sitz ab.

Warten der Sicherungen

Die elektrische Anlage wird durch Sicherungen geschützt. Es sind keine Wartungsarbeiten erforderlich. Überprüfen Sie jedoch das/den entsprechende(n) Bauteil/Stromkreis auf Kurzschluss, wenn eine Sicherung durchbrennt.

Sicherungstyp:

- Haupt: F1 (25 A, Kfz-Sicherung)
 - Ladeschaltkreis: F2 (15 A, Kfz-Sicherung)
1. Stellen Sie die Maschine auf einer ebenen Fläche ab, kuppeln Sie den Zapfwellenantriebsschalter aus und schieben Sie die Fahrtriebshebel nach außen in die PARK-Stellung.
 2. Stellen Sie vor dem Verlassen der Bedienungsposition den Motor ab, ziehen den Schlüssel ab und warten, bis alle beweglichen Teile zum Stillstand gekommen sind.
 3. Klappen Sie den Sitz hoch, um an die Sicherungen zu gelangen.
 4. Ziehen Sie die Sicherung zum Wechseln heraus (Bild 51).

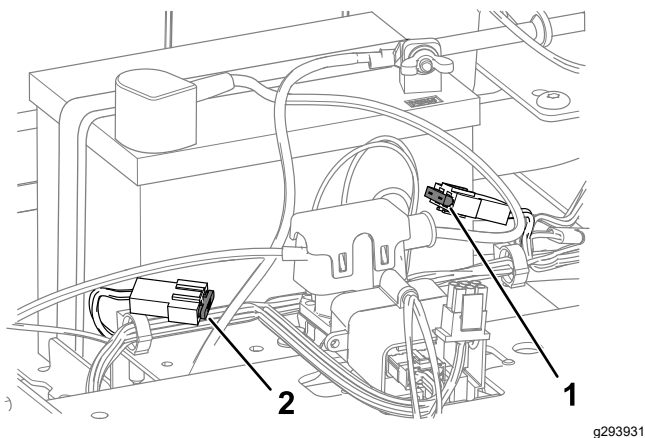


Bild 51

1. Ladeschaltkreis (15 A) 2. Haupt (25 A)

Warten des Antriebssystems

Prüfen des Reifendrucks

Wartungsintervall: Alle 25 Betriebsstunden—Prüfen Sie den Reifendruck.

Behalten Sie den für die Vorder- und Hinterreifen angegebenen Reifendruck bei. Ein unterschiedlicher Reifendruck kann zu einem ungleichmäßigen Schnittbild führen. Prüfen Sie den Druck am Reifenventil (Bild 52). Prüfen Sie den Reifendruck am kalten Reifen, um einen möglichst genauen Wert zu erhalten.

Pumpen Sie die Reifen der vorderen Laufräder auf 2,06 bar oder den auf der Seitenwand angegebenen Druck auf, je nachdem, welcher Wert niedriger ist.

Pumpen Sie die Reifen der hinteren Antriebsräder auf 0,9 bar auf.

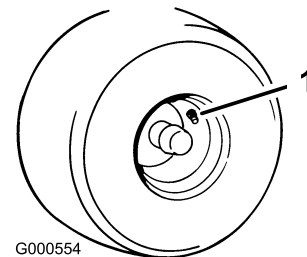


Bild 52

1. Reifenventil

5. Senken Sie den Sitz ab.

Auskuppeln der elektrischen Bremse

Sie können die elektrische Bremse manuell durch Drehen der Gestängearme nach vorne lösen. Wenn die elektrische Bremse aktiviert wird, wird die Bremse zurückgesetzt.

1. Stellen Sie den Schlüssel in die AUS-Stellung und ziehen Sie ihn ab.
2. Abtrennen des Akkus.
3. Lösen Sie die unteren zwei Schrauben, mit denen die Mähwerkabdeckung am Mähwerk befestigt ist. Siehe [Lösen der Mähwerkabdeckung \(Seite 39\)](#).
4. Finden Sie die Welle an der elektrischen Bremse, an der die Bremsgestängearme angeschlossen sind ([Bild 53](#)).
5. Kippen Sie die Welle nach vorne, um die Bremse zu lösen, wie in [Bild 53](#) dargestellt.
6. Kippen Sie die Welle zurück und schließen Sie die Batterie an, nachdem Sie die Maschine bewegt haben.
7. Ziehen Sie die unteren zwei Schrauben an, um die Mähwerkabdeckung am Mähwerk zu befestigen. Siehe [Lösen der Mähwerkabdeckung \(Seite 39\)](#).

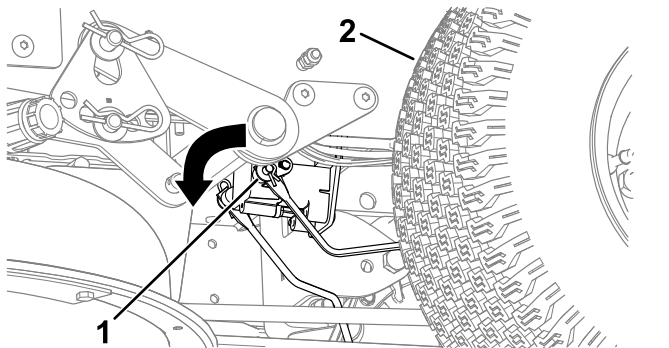


Bild 53

1. Bremsgestängearm am elektrischen Bremssteuermodul
2. Linker Hinterreifen

Einstellen der Spurweite

Wenn Sie die Maschine mit voller Geschwindigkeit über eine ebene Fläche fahren und die Maschine auf eine Seite zieht, stellen Sie den Spurlauf ein.

Wenn die Maschine nach links zieht, stellen Sie den rechten Fahrtrihshebel ein; wenn die Maschine nach rechts zieht, stellen Sie den linken Fahrtrihshebel ein.

Hinweis: Sie können die Spur nur für das Vorwärtsfahren einstellen.

1. Stellen Sie die Maschine auf einer ebenen Fläche ab, kuppeln Sie den Zapfwellenantriebsschalter aus und schieben Sie die Fahrtrihshebel nach außen in die PARK-Stellung.
2. Stellen Sie vor dem Verlassen der Bedienungsposition den Motor ab, ziehen den Schlüssel ab und warten, bis alle beweglichen Teile zum Stillstand gekommen sind.
3. Suchen Sie die Einstellschraube für den Spurlauf in der Nähe des Fahrtrihshebels auf der Seite, die eingestellt werden muss ([Bild 54](#)).

Hinweis: Klappen Sie den Sitz hoch, um leichter an die Einstellschraube zu gelangen.

4. Drehen Sie die Schraube, um die Geschwindigkeit für das jeweilige Rad zu verringern.

Hinweis: Drehen Sie die Schraube nur wenig, um kleinere Anpassungen vorzunehmen.

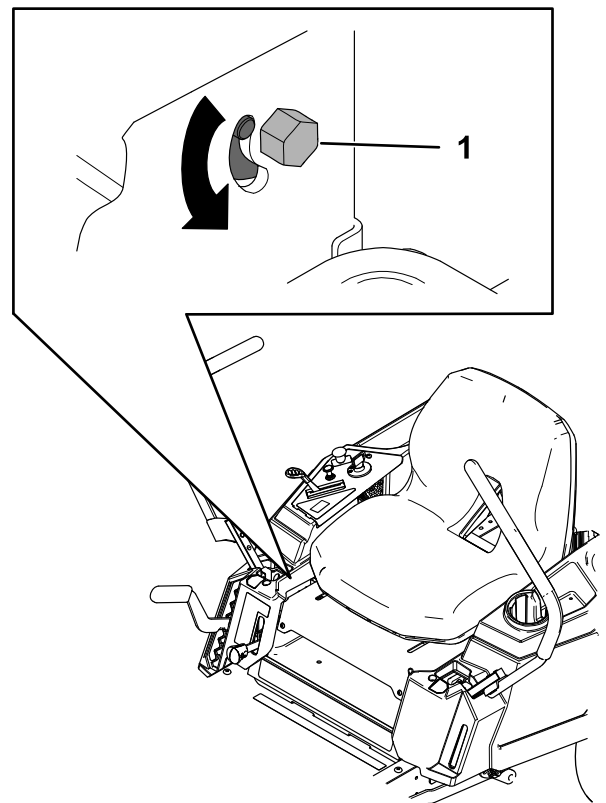


Bild 54

1. Schraube

5. Starten Sie die Maschine und fahren Sie über eine ebene Fläche mit dem Fahrtrihshebel ganz nach vorne gestellt, um den Geradeauslauf der Maschine zu prüfen. Wiederholen Sie diese Schritte nach Bedarf.

Warten der Riemen

Prüfen der Riemen

Wartungsintervall: Alle 25 Betriebsstunden—Untersuchen Sie die Treibriemen auf Verschleiß oder Risse.

Ersetzen Sie einen abgenutzten Riemen. Anzeichen eines abgenutzten Riemens sind u. a. das Quietschen des Riemens, wenn er sich dreht, das Schlüpfen der Messer beim Mähen, zerfranste Ränder, Versengen und Risse im Riemen.

Austauschen des Mähwerk-Treibriemens

Anzeichen eines abgenutzten Riemens sind u. a. das Quietschen des Riemens, wenn er sich dreht, das Schlüpfen der Messer beim Mähen, zerfranste Ränder, Versengen und Risse im Riemen. Tauschen Sie den Mähwerkriemen aus, wenn Sie einen dieser Umstände feststellen.

1. Stellen Sie die Maschine auf einer ebenen Fläche ab, kuppeln Sie den Zapfwellenantriebsschalter aus und schieben Sie die Fahrtriebshebel nach außen in die PARK-Stellung.
2. Stellen Sie vor dem Verlassen der Bedienungsposition den Motor ab, ziehen den Schlüssel ab und warten, bis alle beweglichen Teile zum Stillstand gekommen sind.
3. Stellen Sie die Schnitthöhe auf die niedrigste Schnitthöhe (38 mm) ein.
4. Lösen Sie die unteren zwei Schrauben, mit denen die Mähwerkabdeckung am Mähwerk befestigt ist. Siehe [Lösen der Mähwerkabdeckung \(Seite 39\)](#).
5. Lösen Sie die Schraube und drücken Sie die Lasche am Deckel ein, um die Riemenscheibenabdeckungen ([Bild 55](#)) zu entfernen.

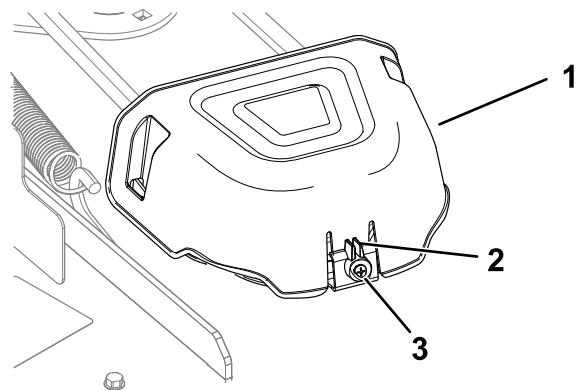


Bild 55

g296848

1. Abdeckung
2. Nase
3. Schraube

6. Lösen Sie an Mähwerken mit drei Messern die Mutter, mit der der Drahtbügel an der Spannscheibe befestigt ist ([Bild 56](#)).

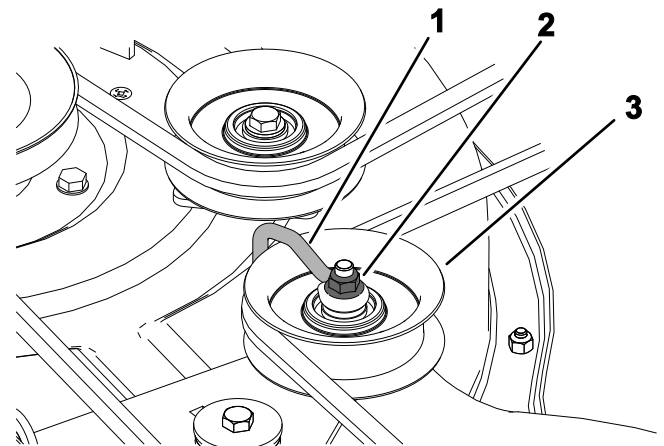


Bild 56

g336421

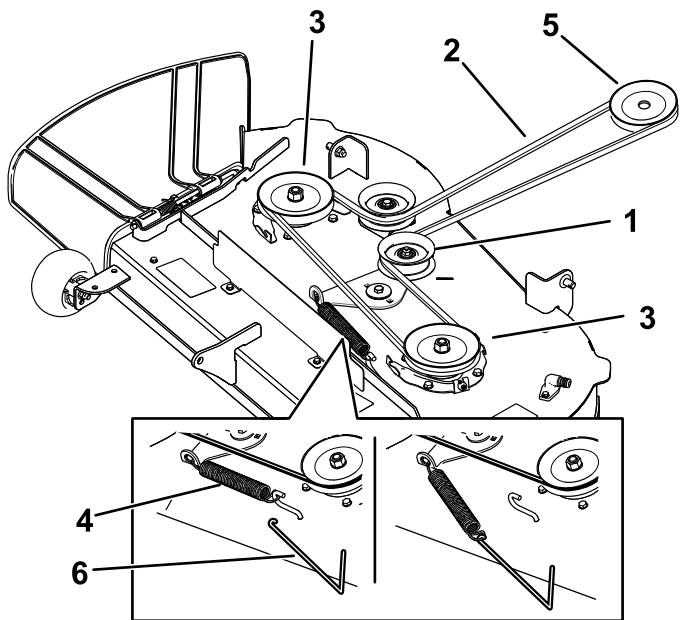
1. Drahtbügel
2. Mutter
3. Spannscheibe

7. Entfernen Sie die Spannscheibenfeder mit einem Werkzeug zur Federentfernung (Toro-Bestellnummer 92-5771) vom Mähwerkhaken, um die Spannung von der Spannscheibe zu nehmen, und rollen Sie den Riemen von den Riemenscheiben ([Bild 57](#) oder [Bild 58](#)).

⚠️ WARNUNG:

Die Feder steht im eingebauten Zustand unter Spannung und kann Verletzungen verursachen.

Passen Sie beim Entfernen des Riemens auf.



g298025

Bild 57

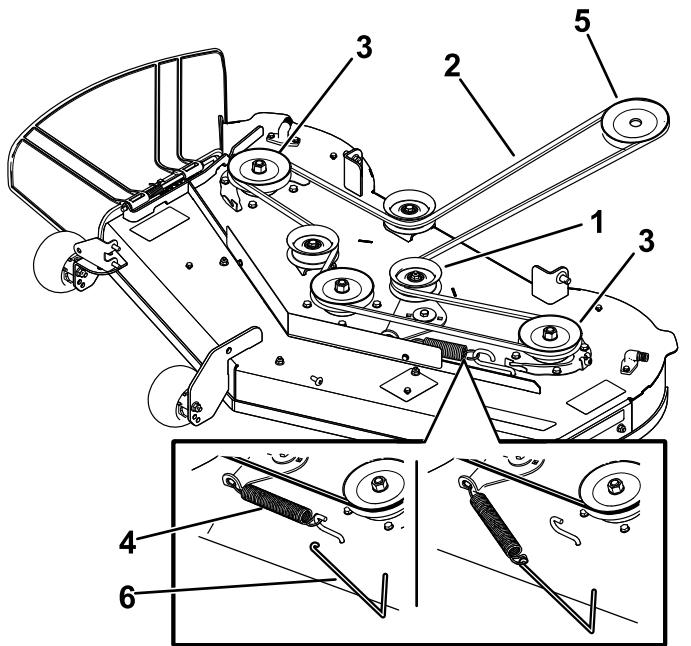
Mähwerke mit zwei Messern

- | | |
|-------------------|---------------------------------|
| 1. Spanscheibe | 4. Feder |
| 2. Mähwerkriemen | 5. Motorriemenscheibe |
| 3. Äußere Scheibe | 6. Werkzeug zur Federentfernung |

8. Verlegen Sie den neuen Riemen um die Motor- und Mähwerkriemenscheiben ([Bild 57](#) oder [Bild 58](#)).
9. Setzen Sie die Spanscheibenfeder mit einem Werkzeug zur Federentfernung (Toro Bestellnummer 92-5771) auf den Mähwerkhaken, um die Spanscheibe und den Mähwerkriemen zu spannen ([Bild 57](#) oder [Bild 58](#)).
10. Ziehen Sie an Mähwerken mit drei Messern die Mutter an, mit der Drahtbügel an der Spanscheibe befestigt ist.

Hinweis: Positionieren Sie den Drahtbügel gegen den Spannarm, wie in [Bild 56](#) dargestellt.

11. Setzen Sie die Abdeckungen der Riemenscheibe auf.
12. Ziehen Sie die unteren zwei Schrauben an, um die Mähwerkabdeckung am Mähwerk zu befestigen. Siehe [Lösen der Mähwerkabdeckung \(Seite 39\)](#).



g298026

Bild 58

Mähwerke mit drei Messern

- | | |
|-------------------|---------------------------------|
| 1. Spanscheibe | 4. Feder |
| 2. Mähwerkriemen | 5. Motorriemenscheibe |
| 3. Äußere Scheibe | 6. Werkzeug zur Federentfernung |

Warten des Mähwerks

Sicherheitshinweise zum Messer

- Prüfen Sie die Messer regelmäßig auf Abnutzung oder Beschädigungen.
- Prüfen Sie die Messer vorsichtig. Wickeln Sie die Messer in einen Lappen ein oder tragen Handschuhe; gehen Sie bei der Wartung der Messer mit besonderer Vorsicht vor. Wechseln oder schärfen Sie die Messer, sie dürfen keinesfalls geglättet oder geschweißt werden.
- Denken Sie bei Maschinen mit mehreren Schnittmessern daran, dass ein rotierendes Schnittmesser das Mitdrehen anderer Schnittmesser verursachen kann.
- Tauschen Sie abgenutzte oder defekte Messer und -schrauben als komplette Sätze aus, um die Wucht der Messer beizubehalten.

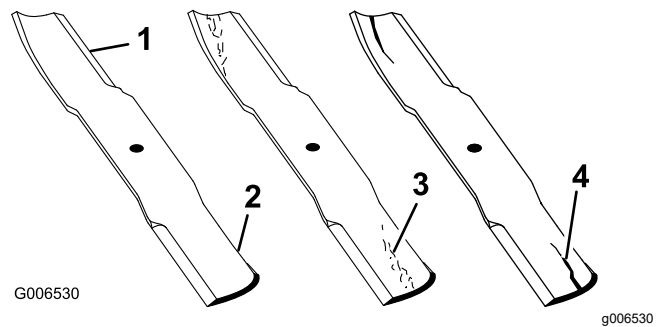


Bild 59

- | | |
|----------------------|-----------------------------|
| 1. Schnittkante | 3. Verschleiß/Rillenbildung |
| 2. Gebogener Bereich | 4. Riss |

Warten der Schnittmesser

Halten Sie, damit eine optimale Schnittqualität sichergestellt wird, die Schnittmesser scharf. Sie sollten immer Ersatzmesser zur Hand haben, um das Schärfen und den Ersatz der Messer komfortabler ausführen zu können.

Vor dem Prüfen oder Warten der Schnittmesser

1. Stellen Sie die Maschine auf einer ebenen Fläche ab, kuppeln Sie den Zapfwellenantriebsschalter aus und schieben Sie die Fahrtriebshebel nach außen in die PARK-Stellung.
2. Stellen Sie den Motor ab, ziehen Sie den Zündschlüssel und den Zündkerzenstecker ab.

Prüfen der Messer

Wartungsintervall: Bei jeder Verwendung oder täglich

1. Untersuchen Sie die Schnittkanten (Bild 59).
2. Entfernen Sie das Messer und schärfen Sie es, wenn die Kanten nicht scharf sind oder Kerben aufweisen; siehe [Schärfen der Messer \(Seite 54\)](#).
3. Prüfen Sie die Schnittmesser, insbesondere im gebogenen Bereich.
4. Wenn Sie Risse, Verschleiß oder Rillenbildung in diesem Bereich feststellen, sollten Sie sofort ein neues Schnittmesser einbauen (Bild 59).

Prüfen auf verbogene Schnittmesser

Hinweis: Für die folgenden Schritte muss die Maschine auf einer ebenen Fläche stehen.

1. Heben Sie das Mähwerk auf die höchste Schnitthöhe an.
2. Tragen Sie dicke Handschuhe oder andere angemessene Handschuhe und drehen Sie das Messer langsam in eine Stellung, in der das Messen des Abstands zwischen der Schnittkante und der ebenen Fläche der Maschine möglich ist (Bild 60).

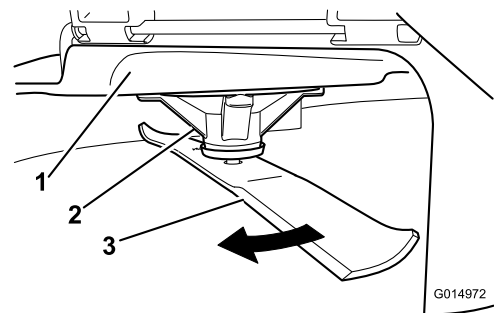


Bild 60

- | | |
|-------------------|-----------|
| 1. Mähwerk | 3. Messer |
| 2. Spindelgehäuse | |

3. Messen Sie von der Messerspitze bis zu ebenen Fläche (Bild 61).

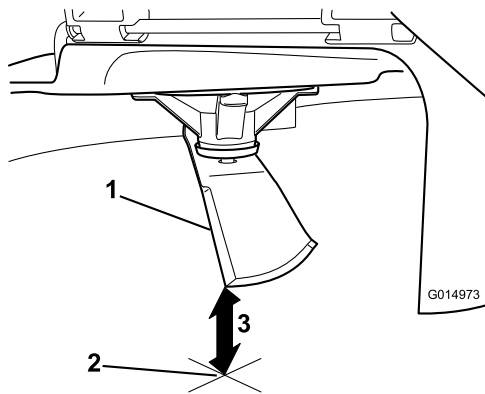


Bild 61

g014973

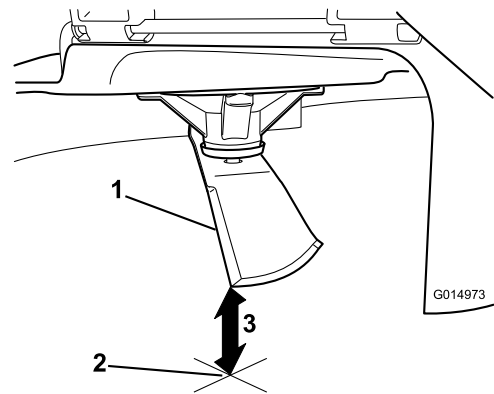


Bild 63

g014973

1. Messer (in der Stellung für das Messen)
2. Ebene Fläche
3. Zwischen Messer und Oberfläche gemessener Abstand (A)

1. Gegenüberliegende Messerkante (in Messstellung)
2. Ebene Fläche
3. Zweiter zwischen Messer und Oberfläche (B) gemessener Abstand

4. Drehen Sie dasselbe Messer um 180 Grad, sodass die andere Schnittkante jetzt in derselben Stellung ist (**Bild 62**).

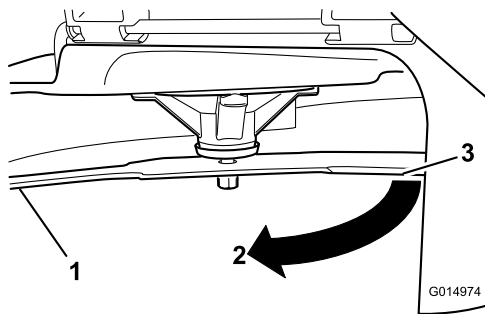


Bild 62

g014974

1. Messer (bereits gemessene Seite)
2. Messung (vorher verwendete Stellung)
3. Andere Messerseite wird in die Messstellung bewegt

5. Messen Sie von der Messerspitze bis zu ebenen Fläche (**Bild 63**).

Hinweis: Die Differenz sollte höchstens 3 mm betragen.

- A. Wenn die Differenz zwischen A und B größer als 3 mm ist, wechseln Sie das Messer aus, siehe [Entfernen der Messer \(Seite 53\)](#) und [Einbauen der Messer \(Seite 54\)](#).

Hinweis: Wenn Sie ein verbogenes Messer durch ein neues ersetzen und der Wert weiterhin über 3 mm liegt, ist die Messerspindel ggf. verbogen. Wenden Sie sich für den Kundendienst an den offiziellen Vertragshändler.

- B. Wenn die Abweichung innerhalb der Beschränkungen liegt, fahren Sie mit dem nächsten Messer fort.

6. Wiederholen Sie die Schritte für jedes Messer.

Entfernen der Messer

Wechseln Sie die Messer aus, wenn sie auf ein festes Objekt aufgeprallt sind oder nicht ausgewuchtet oder verbogen sind.

1. Halten Sie das Ende des Messers mit einem stark wattierten Handschuh oder wickeln Sie einen Lappen um es herum.
2. Entfernen Sie die Messerschraube, Wellenscheibe und das Messer von der Spindelwelle (**Bild 64**).

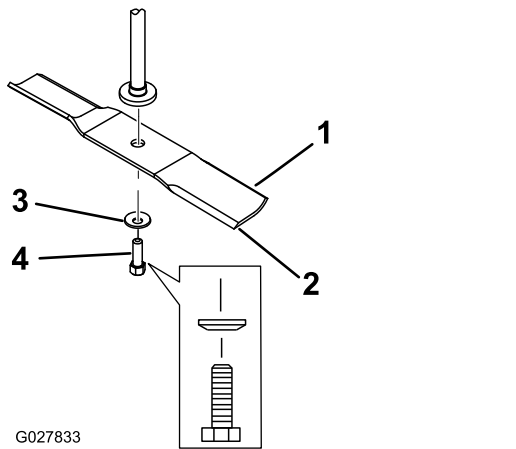


Bild 64

- | | |
|------------------------------|-------------------|
| 1. Flügelbereich des Messers | 3. Wellenscheibe |
| 2. Messer | 4. Messerschraube |

Schärfen der Messer

- Schärfen Sie die Schnittkante an beiden Enden des Schnittmessers mit einer Feile (Bild 65).

Hinweis: Behalten Sie den ursprünglichen Winkel bei.

Hinweis: Das Mähmesser behält seine Auswuchtung bei, wenn von beiden Schnittkanten die gleiche Materialmenge entfernt wird.



Bild 65

- Schärfen Sie im ursprünglichen Winkel.
- Prüfen Sie die Auswuchtung des Schnittmessers auf einer Ausgleichsmaschine (Bild 66).

Hinweis: Wenn das Schnittmesser in seiner horizontalen Position bleibt, ist es ausgewuchtet und kann wiederverwendet werden.

Hinweis: Feilen Sie, wenn das Schnittmesser nicht ausgewuchtet ist, vom Flügelbereich des Messers etwas Metall ab (Bild 65).

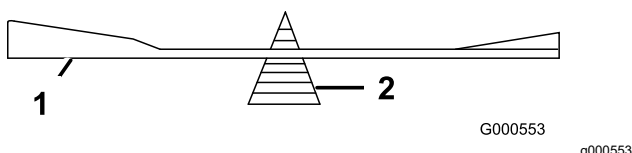


Bild 66

- | | |
|-----------|-----------------------|
| 1. Messer | 2. Ausgleichsmaschine |
|-----------|-----------------------|

- Wiederholen Sie diesen Vorgang, bis das Messer ausgewuchtet ist.

Einbauen der Messer

- Setzen Sie das Messer auf die Spindelwelle (Bild 64).
- Setzen Sie die Wellenscheibe (Kappenseite zum Messer) und die Messerschraube ein (Bild 64).
- Ziehen Sie die Messerschraube mit einem Drehmoment von 81 bis 108 N·m an.

Wichtig: Der gebogene Teil des Mähmesser muss nach oben zur Innenseite des Mähwerks zeigen, um einen guten Schnitt sicherzustellen.

Nivellieren des Mähwerks

Prüfen Sie die Nivellierung des Mähwerks immer, wenn Sie das Mähwerk einbauen oder wenn Sie ungleichmäßige Schnitthöhen auf dem Rasen bemerken.

Prüfen Sie vor dem Nivellieren das Mähwerk auf verbogene Messer; wechseln Sie verbogene Messer aus, siehe [Warten der Schnittmesser \(Seite 52\)](#) bevor Sie fortfahren.

Nivellieren Sie das Mähwerk zuerst seitlich, bevor Sie es in Längsrichtung nivellieren.

Voraussetzungen:

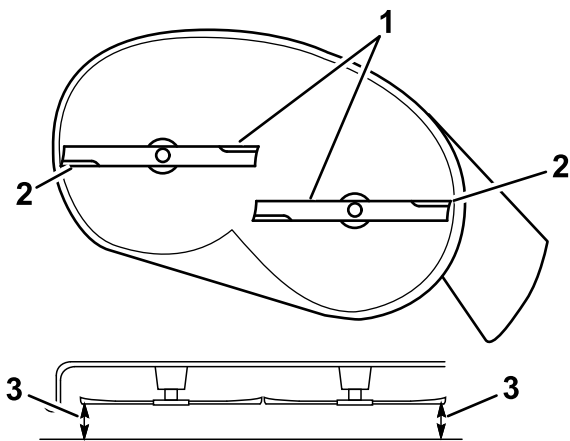
- Die Maschine auf einer ebenen Fläche stehen.
- Alle Reifen müssen den richtigen Druck haben; siehe [Prüfen des Reifendrucks \(Seite 48\)](#).

Prüfen der seitlichen Nivellierung

- Stellen Sie die Maschine auf einer ebenen Fläche ab, kuppeln Sie den Zapfwellenantriebsschalter aus und schieben Sie die Fahrtriebshebel nach außen in die PARK-Stellung.
- Stellen Sie vor dem Verlassen der Bedienungsposition den Motor ab, ziehen den Schlüssel ab und warten, bis alle beweglichen Teile zum Stillstand gekommen sind.
- Stellen Sie die Schnitthöhe auf 76 mm ein.
- Drehen Sie die Schnittmesser vorsichtig von einer Seite zur anderen.
- Messen Sie den Abstand zwischen den äußeren Schnittkanten und der ebenen Oberfläche (Bild 67 und Bild 68).

Hinweis: Wenn beide Messwerte nicht innerhalb von 5 mm liegen, ist eine Einstellung

erforderlich, siehe [Seitliches Nivellieren \(Seite 56\)](#).

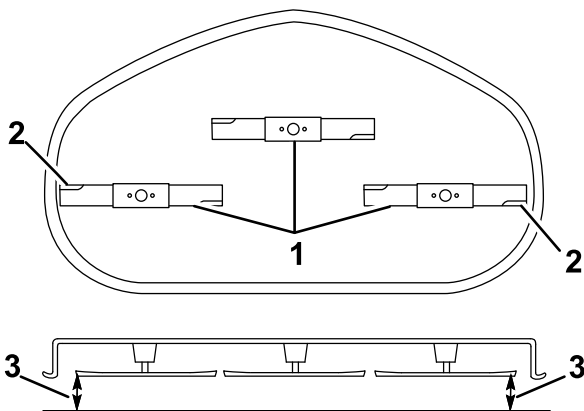


g294044

Bild 67

Mähwerke mit zwei Messern

1. Messer von Seite zu Seite
2. Äußere Schnittkanten
3. Messen Sie an dieser Stelle von der Messerspitze bis zu ebenen Fläche.



g296913

Bild 68

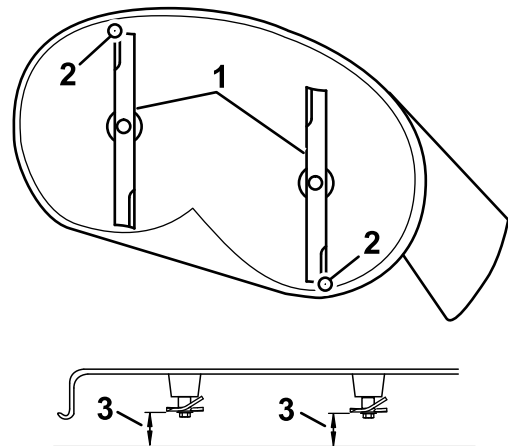
Mähwerke mit drei Messern

1. Messer von Seite zu Seite
2. Äußere Schnittkanten
3. Messen Sie an dieser Stelle von der Messerspitze bis zu ebenen Fläche.

Sie die Fahrtriebshebel nach außen in die PARK-Stellung.

2. Stellen Sie vor dem Verlassen der Bedienungsposition den Motor ab, ziehen den Schlüssel ab und warten, bis alle beweglichen Teile zum Stillstand gekommen sind.
3. Stellen Sie die Schnitthöhe auf 76 mm ein.
4. Drehen Sie die Messer vorsichtig, sodass sie in Längsrichtung zeigen ([Bild 69](#)).
5. Messen Sie zwischen der Messerspitze vorne und hinten und der flachen Oberfläche ([Bild 69](#) oder [Bild 70](#)).

Hinweis: Wenn die vordere Messerspitze nicht um 1,6 mm bis 7,9 mm tiefer als die hintere Messerspitze ist, machen Sie mit Schritt [Einstellen der Schnittmesserneigung in Längsrichtung \(Seite 57\)](#) weiter.



g294046

Bild 69

Mähwerke mit zwei Messern

1. Messer in Längsrichtung
2. Äußere Schnittkanten
3. Messen Sie an dieser Stelle von der Messerspitze bis zu ebenen Fläche.

Prüfen der Schnittmesserneigung in Längsrichtung

Prüfen Sie die Schnittmesserneigung in Längsrichtung jedes Mal, wenn Sie das Mähwerk einbauen. Wenn das Mähwerk vorne mehr als 7,9 mm tiefer liegt als hinten, stellen Sie die Schnittmesserneigung ein.

1. Stellen Sie die Maschine auf einer ebenen Fläche ab, kuppeln Sie den Zapfwellenantriebsschalter aus und schieben

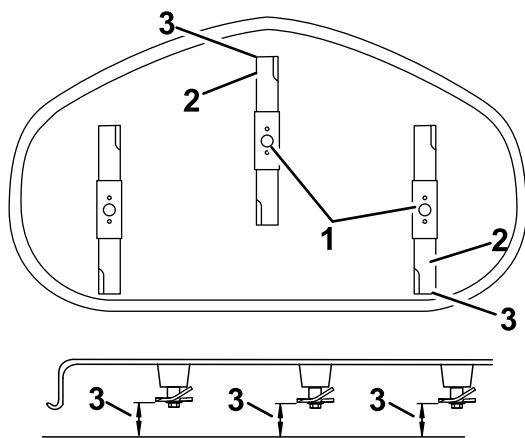


Bild 70

Mähwerke mit drei Messern

1. Messer in Längsrichtung
2. Äußere Schnittkanten
3. Messen Sie an dieser Stelle von der Messerspitze bis zu ebenen Fläche.

g296914

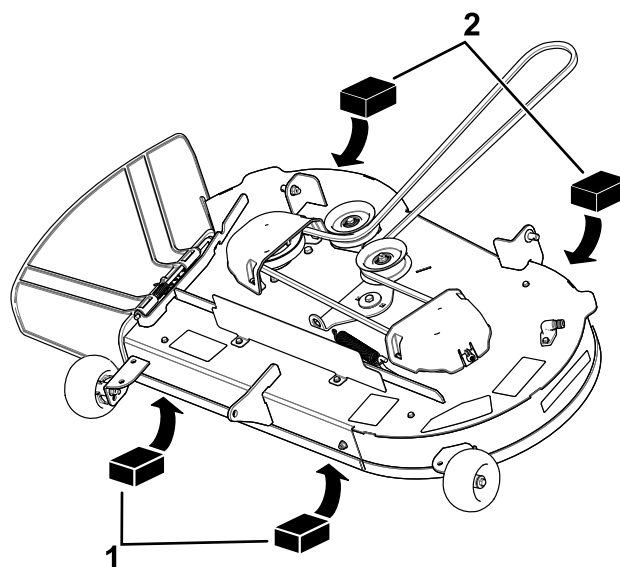


Bild 71

Mähwerke mit zwei Messern

1. Holzblock, 6,6 cm dick
2. Holzblock, 7,3 cm dick

g298027

Seitliches Nivellieren

1. Gehen Sie zur linken Seite der Maschine.
2. Setzen Sie die Antiskalpierrollen in die oberen Löcher ein oder entfernen sie für diesen Schritt, siehe [Einstellen der Antiskalpierrollen \(Seite 30\)](#).
3. Stellen Sie den Schnitthöhenhebel auf 76 mm, siehe [Einstellen der Schnitthöhe \(Seite 30\)](#).
4. Legen Sie zwei 6,6 cm dicke Blöcke an jeder Seite unter die vordere Kante des Mähwerks, jedoch nicht unter die Halterungen der Antiskalpierrollen ([Bild 71](#) oder [Bild 72](#)).
5. Legen Sie zwei 7,3 cm dicke Blöcke unter die hintere Kante des Mähwerks, einen an jeder Seite des Mähwerks ([Bild 71](#) oder [Bild 72](#)).

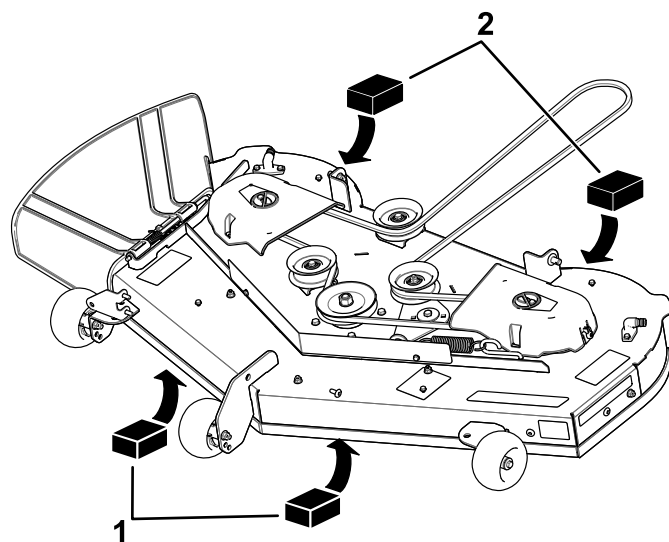


Bild 72

Mähwerke mit drei Messern

1. Holzblock, 6,6 cm dick
2. Holzblock, 7,3 cm dick

g298028

6. Entfernen Sie den Splint und die Unterlegscheibe vom unteren Hubarmbolzen ([Bild 73](#)).

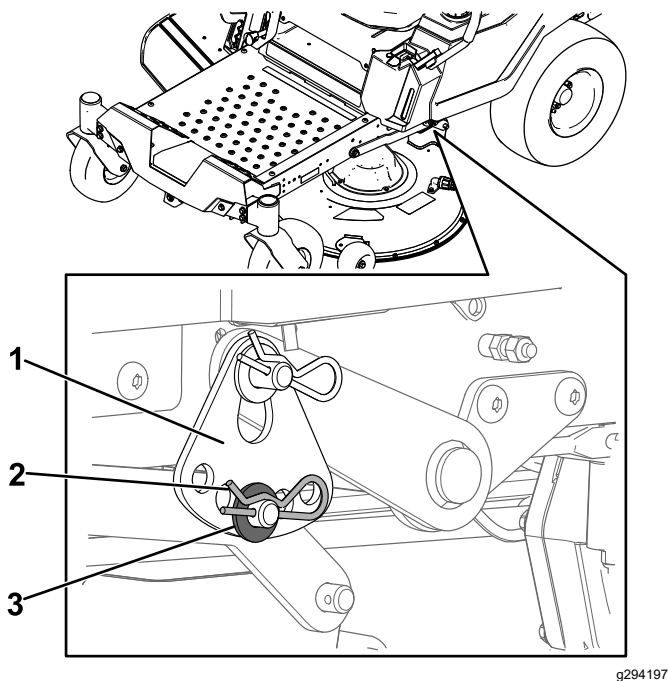


Bild 73

g294197

1. Schnitthöhenplatte
2. Splint
3. Scheibe

7. Drehen Sie die Schnitthöhenplatte in ein anderes Loch, so dass sie das Gewicht des Mähwerks nach der Montage der Platte trägt ([Bild 74](#)).

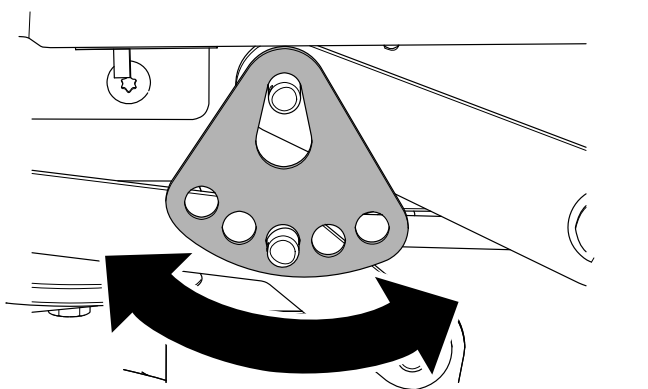


Bild 74

g294195

8. Montieren Sie die Unterlegscheibe und den Splint ([Bild 74](#)).
9. Wiederholen Sie die Schritte [6](#) bis [8](#) an der anderen Maschinenseite.
10. Prüfen Sie die Nivellierung in Querrichtung erneut; wiederholen Sie diese Schritte, bis die Messungen richtig sind.
11. Prüfen Sie die Schnitmesserneigung in Längsrichtung, um das Mähwerk zu nivellieren, siehe [Prüfen der Schnitmesserneigung in Längsrichtung \(Seite 55\)](#).

Einstellen der Schnitmesserneigung in Längsrichtung

1. Drehen Sie die Einstellmutter an der Vorderseite des Mähers ([Bild 75](#)).

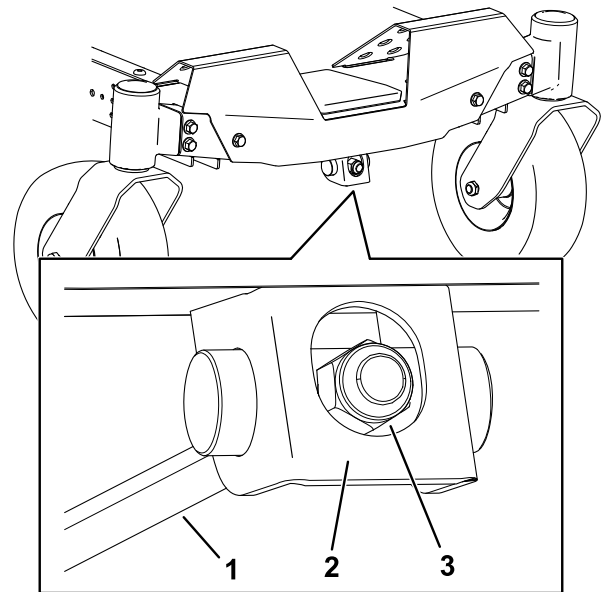


Bild 75

g294471

1. Einstellstange
2. Einstellblock
3. Einstellmutter

2. Ziehen Sie die Einstellmutter fest, um die Vorderseite des Mähwerks anzuheben.
3. Lockern Sie die Einstellmutter, um die Vorderseite des Mähwerks abzusenken.
4. Überprüfen Sie nach dem Einstellen erneut die Neigung in Längsrichtung. Stellen Sie die Mutter ein, bis die vordere Messerspitze um 1,6 mm bis 7,9 mm tiefer liegt als die hintere Messerspitze, siehe [Prüfen der Schnitmesserneigung in Längsrichtung \(Seite 55\)](#).
5. Wenn die Neigung in Längsrichtung richtig ist, prüfen Sie die seitliche Nivellierung des Mähwerks noch einmal; siehe [Prüfen der seitlichen Nivellierung \(Seite 54\)](#).

Entfernen des Mähwerks

1. Stellen Sie die Maschine auf einer ebenen Fläche ab, kuppeln Sie den Zapfwellenantriebsschalter aus und schieben Sie die Fahrtriebshebel nach außen in die PARK-Stellung.
2. Stellen Sie vor dem Verlassen der Bedienungsposition den Motor ab, ziehen den Schlüssel ab und warten, bis alle beweglichen Teile zum Stillstand gekommen sind.

3. Senken Sie den Schnitthöhenhebel in seine niedrigste Stellung ab.
4. Lösen Sie die unteren zwei Schrauben, mit denen die Mähwerkabdeckung am Mähwerk befestigt ist. Siehe [Lösen der Mähwerkabdeckung \(Seite 39\)](#).
5. Entfernen Sie den Splint von der vorderen Stützstange und nehmen Sie die Stange aus der Mähwerkhalterung ([Bild 76](#)).

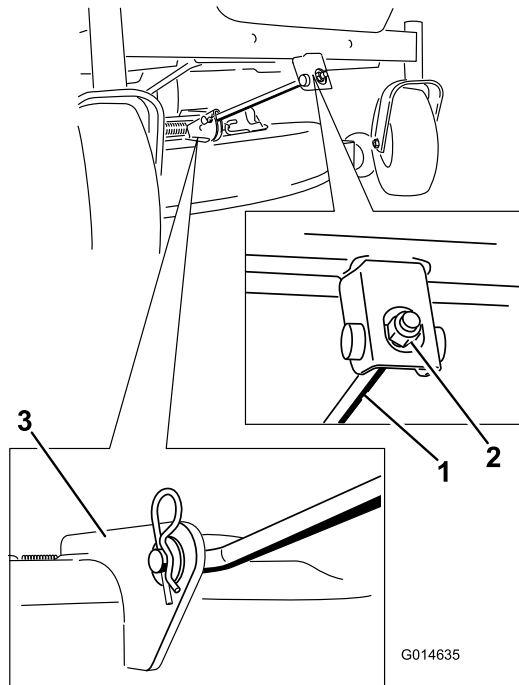


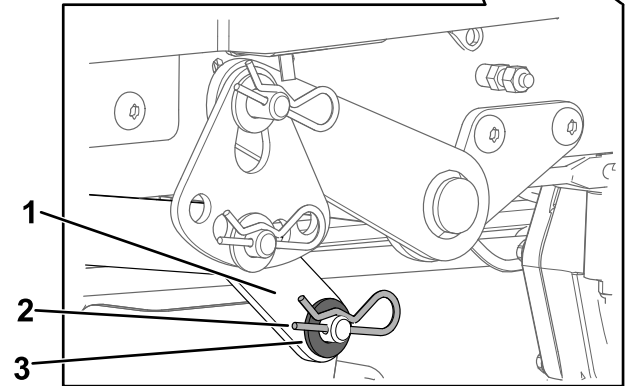
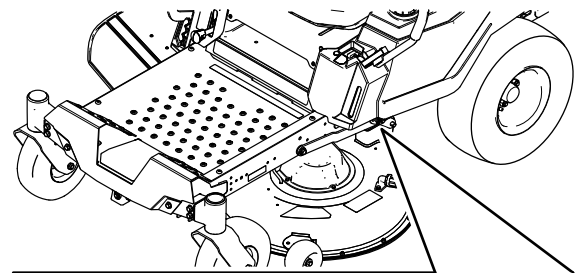
Bild 76

G014635

g014635

1. Vordere Stützstange
2. Mähwerkhalterung

6. Lassen Sie die Vorderseite des Mähwerks vorsichtig auf den Boden ab.
7. Entfernen Sie auf einer Seite der Maschine die Unterlegscheibe und den Splint vom Mähwerksstift ([Bild 77](#)).



g295768

Bild 77

1. Hubarm
2. Splint
3. Scheibe

8. Entfernen Sie den Hubarm vom Mähwerksstift ([Bild 77](#)).
9. Wiederholen Sie die Schritte [7](#) und [8](#) für die andere Seite der Maschine.
10. Schieben Sie das Mähwerk nach hinten, um den Mähwerkriemen von der Motorriemenscheibe zu entfernen.
11. Schieben Sie das Mähwerk unter der Maschine heraus.

Hinweis: Bewahren Sie alle Teile für den Wiederaufbau auf.

Einbauen des Mähwerks

1. Stellen Sie die Maschine auf einer ebenen Fläche ab, kuppeln Sie den Zapfwellenantriebsschalter aus und schieben Sie die Fahrtriebshebel nach außen in die PARK-Stellung.
2. Stellen Sie vor dem Verlassen der Bedienungsposition den Motor ab, ziehen den Schlüssel ab und warten, bis alle beweglichen Teile zum Stillstand gekommen sind.
3. Schieben Sie das Mähwerk unter die Maschine.
4. Senken Sie den Schnitthöhenhebel in seine niedrigste Stellung ab.
5. Heben Sie auf einer Seite der Maschine die Rückseite des Mähwerks an und montieren Sie den Hubarm am Mähwerksstift ([Bild 77](#)).

6. Montieren Sie den Hubarm mit der Unterlegscheibe und dem Splint ([Bild 77](#)).
7. Wiederholen Sie die Schritte [5](#) und [6](#) für die andere Seite der Maschine.
8. Befestigen Sie die vordere Stützstange mit den Lastösenbolzen und Splints am Mähwerk ([Bild 76](#)).
9. Verlegen Sie den Mähwerkriemen auf der Motorriemenscheibe, siehe [Austauschen des Mähwerk-Treibriemens \(Seite 50\)](#).
10. Ziehen Sie die unteren zwei Schrauben an, mit denen die Mähwerkabdeckung am Mähwerk befestigt ist, siehe [Lösen der Mähwerkabdeckung \(Seite 39\)](#).

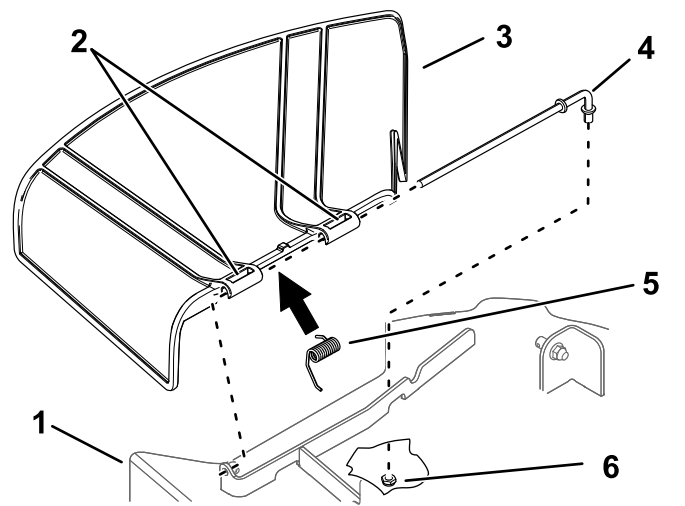


Bild 78

g296957

- | | |
|--------------------------|-------------------------------|
| 1. Mähwerk | 4. Stange |
| 2. Grasablenkblechzapfen | 5. Feder |
| 3. Grasablenkblech | 6. Mutter ($\frac{3}{8}$ ") |

Austauschen des Ablenklechs

Wartungsintervall: Bei jeder Verwendung oder täglich—Prüfen Sie das Ablenklech auf Defekte.

⚠️ WARNUNG:

Eine nicht abgedeckte Auswurföffnung kann zum Ausschleudern von Gegenständen auf den Bediener oder Unbeteiligte führen. Das kann schwere Verletzungen zur Folge haben. Außerdem könnte es auch zum Kontakt mit dem Messer kommen.

Setzen Sie die Maschine nie ohne Grasablenkblech, Auswurfabdeckung oder Heckfangsystem ein.

1. Nehmen Sie die Mutter ($\frac{3}{8}$ ") aus der Stange unter dem Mähwerk ab ([Bild 78](#)).

2. Schieben Sie die Stange aus der Mähwerkhalterung, der Feder und dem Ablenklech ([Bild 78](#)).
3. Entfernen Sie defekte oder abgenutzte Ablenkleche.
4. Montieren Sie das neue Ablenklech ([Bild 78](#)).
5. Schieben Sie das gerade Ende der Stange durch den hinteren Drehzapfen des Ablenklechs.
6. Setzen Sie die Feder mit den Enddrähten nach unten auf die Stange, zwischen die Ablenklechhalterungen.
7. Schieben Sie die Stange durch den zweiten Drehzapfen am Grasablenkblech ([Bild 78](#)).
8. Setzen Sie die Stange vorne am Ablenklech in die Halterung am Mähwerk.
9. Befestigen Sie das hintere Stangenende mit einer Mutter ($\frac{3}{8}$ ") am Mähwerk, wie in [Bild 78](#) abgebildet.

Wichtig: Das Grasablenkblech muss in der abgesenkten Stellung unter Federdruck stehen. Heben Sie das Ablenklech an, um zu testen, ob es in der ganz abgesenkten Stellung einrastet.

Reinigung

Reinigen der Unterseite des Mähwerks

Wartungsintervall: Nach jeder Verwendung

Wichtig: Sie können die Maschine mit einem milden Reinigungsmittel und Wasser waschen. Waschen Sie die Maschine nicht mit einem Hochdruckreiniger. Vermeiden Sie den Einsatz von zu viel Wasser, insbesondere in der Nähe des Armaturenbretts, unter dem Sitz, um den Motor, die Hydraulikpumpen und -motoren.

Reinigen Sie die Mähwerkunterseite nach jedem Einsatz, um eine Schnittgutansammlung zu vermeiden, damit das Mulchen verbessert und das Schnittgut besser auf dem Rasen verteilt wird.

1. Stellen Sie die Maschine auf einer ebenen Fläche ab, kuppeln Sie den Zapfwellenantriebsschalter aus und schieben Sie die Fahrtriebshebel nach außen in die PARK-Stellung.
2. Stellen Sie vor dem Verlassen der Bedienungsposition den Motor ab, ziehen den Schlüssel ab und warten, bis alle beweglichen Teile zum Stillstand gekommen sind.
3. Montieren Sie die Schlauchkupplung auf die Kupplung am Mähwerk-Spülanschluss und drehen Sie das Wasser mit starkem Druck auf (Bild 79).

Hinweis: Überziehen Sie den O-Ring des Spülanschlusses mit Vaseline, damit die Kupplung besser rutscht und der O-Ring geschützt wird.

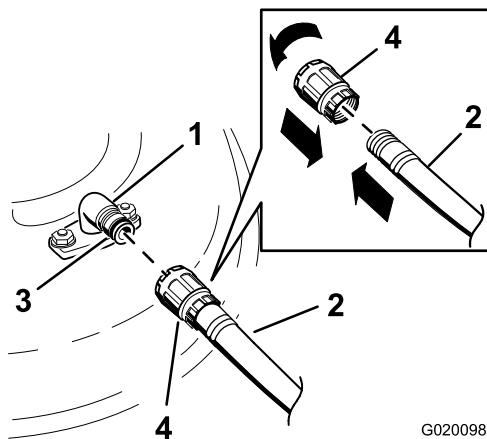


Bild 79

- | | |
|------------------|-------------|
| 1. Spülanschluss | 3. O-Ring |
| 2. Schlauch | 4. Kupplung |

4. Senken Sie das Mähwerk auf die niedrigste Schnitthöhe ab.
5. Setzen Sie sich auf den Sitz und lassen Sie den Motor an.
6. Kuppeln Sie den Zapfwellenantriebsschalter ein und lassen Sie das Mähwerk für 1-3 Minuten laufen.
7. Kuppeln Sie den Zapfwellenantriebsschalter aus, stellen den Motor ab, ziehen Sie den Schlüssel ab, und warten Sie bis alle beweglichen Teile zum Stillstand gekommen sind.
8. Stellen Sie das Wasser ab und schließen die Kupplung vom Spülanschluss ab.

Hinweis: Wenn das Mähwerk nach einer Reinigung noch nicht sauber ist, weichen Sie es 30 Minuten lang ein. Wiederholen Sie dann die Reinigung.

9. Lassen Sie das Mähwerk noch einmal ein bis drei Minuten lang laufen, um überschüssiges Wasser zu entfernen.

⚠️ WARNUNG:

Bei einem gebrochenen oder fehlenden Spülanschluss können Sie oder andere Personen von aufgeworfenen Gegenständen getroffen werden oder mit dem Schnittmesser in Berührung kommen. Ausgeschleuderte Gegenstände und die Berührung mit dem Schnittmesser können zu Verletzungen ggf. tödlichen führen.

- Tauschen Sie einen zerbrochenen oder fehlenden Spülanschluss sofort aus, bevor Sie das Maschine erneut einsetzen.
- Stecken Sie Ihre Hände und Füße niemals unter das Mähwerk oder durch Öffnungen im Mähwerk.

Beseitigung von Abfällen

Motoröl, Akkus, Hydrauliköl und Motorkühlmittel belasten die Umwelt. Entsorgen Sie diese Mittel entsprechend den in Ihrem Gebiet gültigen Vorschriften.

Einlagerung

Sicherheit bei der Einlagerung

- Stellen Sie vor dem Verlassen der Bedienerposition den Motor ab, ziehen Sie den Schlüssel ab und warten Sie, bis alle beweglichen Teile zum Stillstand gekommen sind. Lassen die Maschine abkühlen, bevor Sie sie einstellen, warten, reinigen, oder einlagern.
- Lagern Sie die Maschine bzw. den Kraftstoff nicht in der Nähe von offenem Feuer bzw. lassen Sie den Kraftstoff nicht in einem geschlossenen Raum oder Anhänger ab.
- Lagern Sie weder die Maschine noch den Kraftstoffkanister in der Nähe von offenen Flammen, Funken oder Zündflammen wie z. B. bei einem Heizkessel oder sonstigen Geräten.

Reinigung und Einlagerung

1. Kuppeln Sie den Zapfwellenantriebsschalter aus und aktivieren die Feststellbremse.
2. Stellen Sie vor dem Verlassen der Bedienungsposition den Motor ab, ziehen Sie den Schlüssel ab und warten Sie, bis alle beweglichen Teile zum Stillstand gekommen sind.
3. Entfernen Sie Schnittgut und Schmutz von den äußeren Teilen der Maschine, insbesondere vom Motor und der Hydraulikanlage. Entfernen Sie Schmutz und Häcksel außen an den Zylinderkopfrippen des Motors und am Gebläsegehäuse.

Wichtig: Sie können die Maschine mit einem milden Reinigungsmittel und Wasser waschen. Reinigen Sie die Maschine nicht mit einem Hochdruckreiniger. Vermeiden Sie den Einsatz von zu viel Wasser, insbesondere in der Nähe des Armaturenbretts, des Motors, der Hydraulikpumpen und -motoren.

4. Prüfen Sie die Funktion der Feststellbremse; siehe [Park-Stellung \(Seite 13\)](#).
5. Warten Sie den Luftfilter, siehe [Warten des Luftfilters \(Seite 40\)](#).
6. Wechseln Sie das Öl im Kurbelgehäuse, siehe [Wechseln des Motoröls und des Ölfilters \(Seite 42\)](#).
7. Prüfen Sie den Reifendruck; siehe [Prüfen des Reifendrucks \(Seite 48\)](#).
8. Laden Sie die Batterie auf, siehe [Aufladen der Batterie \(Seite 47\)](#).

9. Wenn Sie die Maschine mit eingebauter Batterie lagern, klemmen Sie das Minuskabel (schwarz) von der Batterie ab.
10. Schaben Sie starke Schnittgut- und Schmutzablagerungen von der Unterseite des Mähwerks ab und reinigen Sie die Maschine dann mit einem Gartenschlauch.

Hinweis: Lassen Sie die Maschine mit eingekuppeltem Zapfwellenantriebsschalter und Motor mit hoher Drehzahl für 2-5 Minuten nach dem Reinigen laufen.

11. Prüfen Sie den Zustand der Messer; siehe [Warten der Schnittmesser \(Seite 52\)](#).
12. Bereiten Sie die Maschine bei einer Stilllegung von mehr als 30 Tagen zur Einlagerung vor. Bereiten Sie die Maschine wie im Anschluss beschrieben für die Einlagerung vor:
 - A. Geben Sie dem Kraftstoff im Tank einen Stabilisator auf Mineralölbasis hinzu. Befolgen Sie dabei die Mischanweisungen des Herstellers des Kraftstoffstabilisators. Verwenden Sie keinen Stabilisator auf Alkoholbasis (Ethanol oder Methanol).
 - B. Lassen Sie den Motor für fünf Minuten laufen, um den stabilisierten Kraftstoff in der Kraftstoffanlage zu verteilen.
 - C. Stellen Sie den Motor ab und lassen ihn abkühlen; lassen Sie den Kraftstoff aus dem Tank ablaufen.
 - D. Starten Sie den Motor und lassen Sie ihn laufen, bis er abstellt.
 - E. Entsorgen Sie Kraftstoff vorschriftsmäßig. Entsorgen Sie den Kraftstoff entsprechend den örtlich geltenden Vorschriften.

Wichtig: Kraftstoff, der Stabilisator/Konditionierer enthält, nicht länger als vom Hersteller des Kraftstoffstabilisators empfohlen lagern.

13. Entfernen und prüfen Sie den Zustand der Zündkerzen; siehe [Wartung der Zündkerze \(Seite 44\)](#). Gießen Sie bei entfernter Zündkerze 30 ml (zwei Esslöffel) Motoröl in die Zündkerzenöffnung. Lassen Sie dann den Motor mit dem Anlasser an, um das Öl im Zylinder zu verteilen. Setzen Sie die Zündkerze(n) wieder ein. Setzen Sie der Zündkerze nicht den -stecker auf.
14. Prüfen Sie alle Muttern und Schrauben, und ziehen Sie diese bei Bedarf nach. Reparieren Sie alle beschädigten und defekten Teile oder wechseln sie aus.
15. Bessern Sie alle zerkratzten oder abgeblätternen Metallflächen aus. Die passende Farbe erhalten Sie bei Ihrem Toro Vertragshändler.

16. Lagern Sie die Maschine in einer sauberen, trockenen Garage oder an einem anderen geeigneten Ort ein. Ziehen Sie den Schlüssel aus dem Zündschloss und bewahren Sie ihn außerhalb der Reichweite von Kindern und anderen unbefugten Personen auf. Decken Sie die Maschine ab, damit sie geschützt ist und nicht verstaubt.

Einlagerung der Batterie

1. Laden Sie die Batterie ganz auf.
2. Lassen Sie die Batterie für 24 Stunden ruhen und prüfen Sie dann die Batteriespannung.
Hinweis: Wenn die Batteriespannung unter 12,6 Volt liegt, wiederholen Sie die Schritte 1 und 2.
3. Trennen Sie die Kabel von der Batterie ab.
4. Prüfen Sie regelmäßig die Spannung, um sicherzustellen, dass die Spannung mindestens 12,4 Volt ist.

Hinweis: Wenn die Batteriespannung unter 12,4 Volt liegt, wiederholen Sie die Schritte 1 und 2.

Tipps für das Einlagern der Batterie

Wenn Sie die Batterie außerhalb der Maschine lagern, gehen Sie wie folgt vor:

- Lagern Sie die Batterie aufrecht an einem kühlen und trockenen Ort.
- Stapeln Sie Batterien nur direkt aufeinander, wenn sie in Kartons sind.
- Stapeln Sie nicht mehr als drei Batterien (nur zwei bei gewerblichen Batterien).
- Testen Sie eine Nassbatterie alle vier bis sechs Monate und laden sie ggf. auf.
- Testen und laden Sie die Batterie vor dem Einsetzen auf.

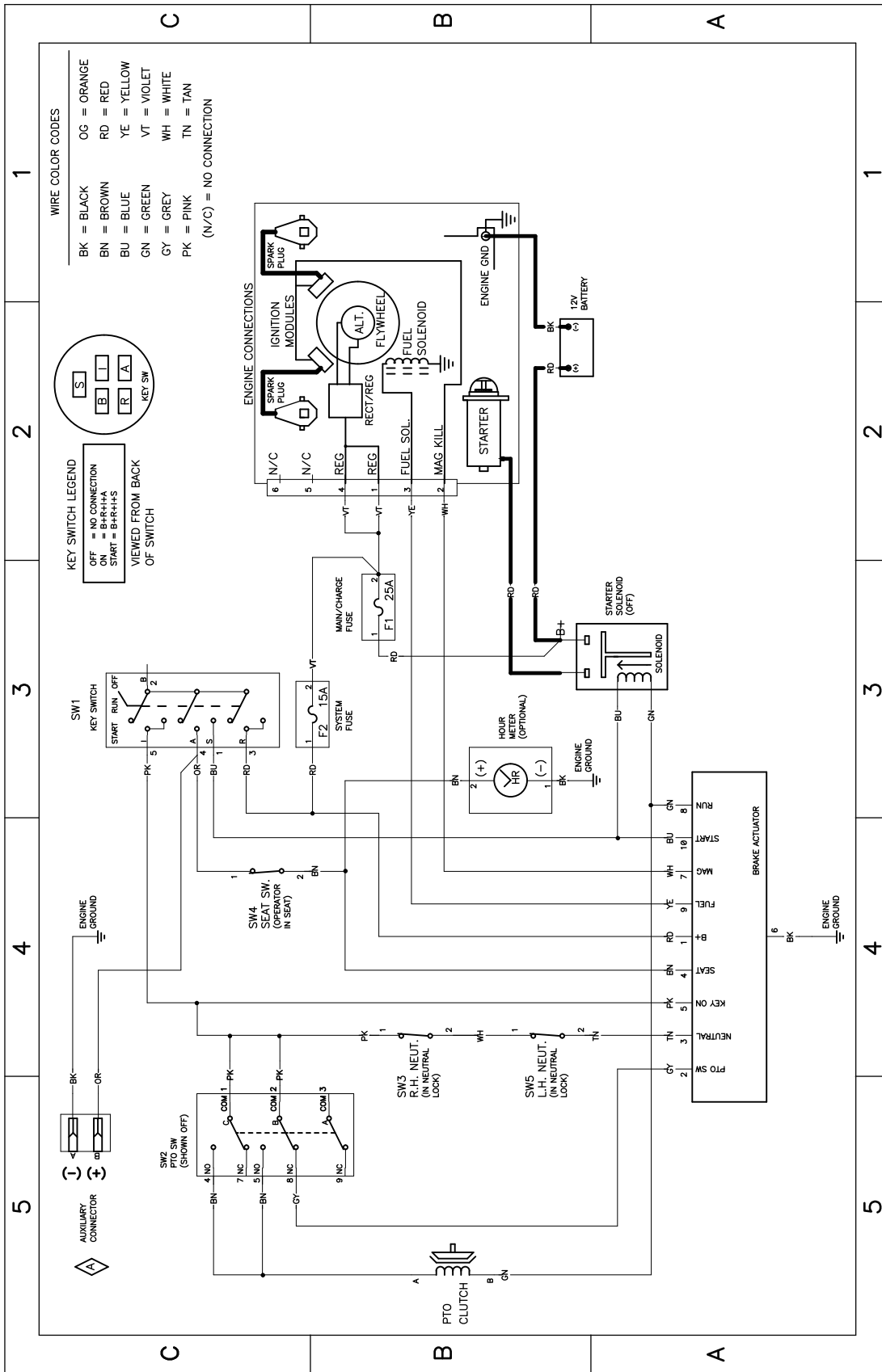
Fehlersuche und -behebung

Problem	Mögliche Ursache	Behebungsmaßnahme
Der Kraftstofftank scheint zu kollabieren oder die Maschine scheint oft keinen Kraftstoff zu haben.	1. Der Papiereinsatz des Luftfilters ist verstopft.	1. Reinigen Sie den Papiereinsatz.
Der Motor wird zu heiß.	<ol style="list-style-type: none"> 1. Der Motor wird zu stark belastet. 2. Es befindet sich zu wenig Öl im Kurbelgehäuse. 3. Die Kühlrippen und Luftwege unter dem Motorgebläsegehäuse sind verstopft. 4. Der Luftfilter ist verschmutzt. 5. Es befindet sich Schmutz, Wasser oder zu alter Kraftstoff in der Kraftstoffanlage. 	<ol style="list-style-type: none"> 1. Reduzieren Sie die Fahrgeschwindigkeit. 2. Füllen Sie Öl in das Kurbelgehäuse. 3. Entfernen Sie die Verstopfungen von den Kühlrippen und aus den Luftwegen. 4. Reinigen Sie den Luftfiltereinsatz oder tauschen ihn aus. 5. Setzen Sie sich mit einem offiziellen Toro-Vertragshändler in Verbindung.
Der Anlasser läuft nicht.	<ol style="list-style-type: none"> 1. Der Zapfwellenantriebsschalter ist eingekuppelt. 2. Die Fahrtriebshebel sind nicht in der PARK-Stellung. 3. Die Batterie ist leer. 4. Elektrische Anschlüsse sind korrodiert oder locker. 5. Eine Sicherung ist durchgebrannt. 6. Ein Relais oder Schalter ist defekt. 	<ol style="list-style-type: none"> 1. Kuppeln Sie den Zapfwellenantriebsschalter aus. 2. Schieben Sie die Fahrtriebshebel nach außen in die PARK-Stellung. 3. Laden Sie die Batterie auf. 4. Überprüfen Sie die elektrischen Anschlüsse auf guten Kontakt. 5. Tauschen Sie die Sicherung aus. 6. Setzen Sie sich dann mit einem Vertragshändler in Verbindung.
Der Motor springt nicht an, kann nur schwer angelassen werden, oder stellt ab.	<ol style="list-style-type: none"> 1. Der Kraftstofftank ist leer. 2. Der Choke (falls vorhanden) ist nicht aktiviert. 3. Der Luftfilter ist verschmutzt. 4. Die Zündkerzenstecker sind locker oder von der Kerze abgezogen. 5. Die Zündkerzen sind korrodiert, verrußt oder haben den falschen Elektrodenabstand. 6. Der Kraftstofffilter ist verschmutzt. 7. Es befindet sich Schmutz, Wasser oder zu alter Kraftstoff in der Kraftstoffanlage. 8. Im Tank befindet sich der falsche Kraftstoff. 9. Es befindet sich zu wenig Öl im Kurbelgehäuse. 	<ol style="list-style-type: none"> 1. Befüllen Sie den Kraftstofftank auf. 2. Stellen Sie den Chokehebel in die EIN-Stellung. 3. Reinigen Sie den Luftfiltereinsatz oder tauschen ihn aus. 4. Bringen Sie die Stecker an den Zündkerzen an. 5. Installieren Sie neue Zündkerzen mit dem richtigen Elektrodenabstand. 6. Tauschen Sie den Kraftstofffilter aus. 7. Setzen Sie sich dann mit einem Vertragshändler in Verbindung. 8. Lassen Sie den Kraftstoff ablaufen und betanken die Maschine mit dem korrekten Kraftstoff. 9. Füllen Sie Öl in das Kurbelgehäuse.

Problem	Mögliche Ursache	Behebungsmaßnahme
Der Motor verliert an Leistung.	<ol style="list-style-type: none"> 1. Der Motor wird zu stark belastet. 2. Der Luftfilter ist verschmutzt. 3. Es befindet sich zu wenig Öl im Kurbelgehäuse. 4. Die Kühlrippen und Luftwege unter dem Gebläsegehäuse sind verstopft. 5. Die Zündkerze(n) ist/sind korrodiert, verrußt oder hat/haben den falschen Elektrodenabstand. 6. Der Entlüftungsdeckel am Kraftstofftank ist verstopft. 7. Der Kraftstofffilter ist verschmutzt. 8. Es befindet sich Schmutz, Wasser oder zu alter Kraftstoff in der Kraftstoffanlage. 9. Im Tank befindet sich der falsche Kraftstoff. 	<ol style="list-style-type: none"> 1. Reduzieren Sie die Fahrgeschwindigkeit. 2. Reinigen Sie den Luftfiltereinsatz. 3. Füllen Sie Öl in das Kurbelgehäuse. 4. Entfernen Sie die Verstopfungen von den Kühlrippen und aus den Luftwegen. 5. Installieren Sie neue Zündkerzen mit dem richtigen Elektrodenabstand. 6. Wenden Sie sich an den Toro-Vertragshändler. 7. Tauschen Sie den Kraftstofffilter aus. 8. Wenden Sie sich an den Toro-Vertragshändler. 9. Setzen Sie sich dann mit einem Vertragshändler in Verbindung.
Die Maschine fährt nicht.	<ol style="list-style-type: none"> 1. Die Sicherheitsventile sind offen. 2. Die Fahrtriebsriemen sind abgenutzt, locker oder gerissen. 3. Die Fahrtriebsriemen sind von den Riemenscheiben gerutscht. 4. Das Getriebe ist ausgefallen. 	<ol style="list-style-type: none"> 1. Schließen Sie die Schleppventile. 2. Setzen Sie sich dann mit einem Vertragshändler in Verbindung. 3. Setzen Sie sich dann mit einem Vertragshändler in Verbindung. 4. Wenden Sie sich an den Toro-Vertragshändler.
Die Maschine weist abnormale Vibrationen auf.	<ol style="list-style-type: none"> 1. Die Schnittmesser sind verbogen oder nicht ausgewuchtet. 2. Die Messerbefestigungsschraube ist locker. 3. Die Motorbefestigungsschrauben sind locker. 4. Die Motorriemenscheibe, Spannscheibe oder Messerriemenscheibe ist locker. 5. Die Motorriemenscheibe ist beschädigt. 6. Die Messerspindel ist verbogen. 7. Die Motorbefestigung ist lose oder abgenutzt. 	<ol style="list-style-type: none"> 1. Montieren Sie neue Schnittmesser. 2. Ziehen Sie die Schraube fest. 3. Ziehen Sie die Schrauben fest. 4. Ziehen Sie die zutreffende Riemenscheibe fest. 5. Setzen Sie sich dann mit einem Vertragshändler in Verbindung. 6. Setzen Sie sich dann mit einem Vertragshändler in Verbindung. 7. Setzen Sie sich dann mit einem Vertragshändler in Verbindung.
Die Schnitthöhe ist unregelmäßig.	<ol style="list-style-type: none"> 1. Das/die Schnittmesser ist/sind stumpf. 2. Das/die Schnittmesser ist/sind verbogen. 3. Das Mähwerk ist nicht nivelliert. 4. Eine Antiskalpierrolle (falls vorhanden) ist falsch eingestellt. 5. Die Unterseite des Mähwerks ist schmutzig. 6. Falscher Reifendruck. 7. Die Messerspindel ist verbogen. 	<ol style="list-style-type: none"> 1. Schärfen Sie die Messer. 2. Montieren Sie neue Schnittmesser. 3. Nivellieren Sie das Mähwerk seitlich und in Längsrichtung. 4. Stellen Sie die Höhe des Antiskalpierrads ein. 5. Reinigen Sie die Unterseite des Mähwerkes. 6. Einstellen des Reifendrucks. 7. Setzen Sie sich dann mit einem Vertragshändler in Verbindung.

Problem	Mögliche Ursache	Behebungsmaßnahme
Die Schnittmesser drehen sich nicht.	<ol style="list-style-type: none"> 1. Der Treibriemen ist abgenutzt, locker oder gerissen. 2. Der Treibriemen ist von der Riemenscheibe gerutscht. 3. Der Zapfwellenschalter oder die Zapfwellenkupplung sind defekt. 4. Der Mähwerk-Treibriemen ist abgenutzt, locker oder gerissen. 	<ol style="list-style-type: none"> 1. Bringen Sie einen neuen Treibriemen an. 2. Bringen Sie den Treibriemen an und prüfen die jeweilige Position der Einstellwellen und der Riemenführungen. 3. Setzen Sie sich dann mit einem Vertragshändler in Verbindung. 4. Bringen Sie einen neuen Mähwerk-Treibriemen an.

Schaltbilder



Elektrisches Schaltbild 139-2356 (Rev. A)

g307974

EEA/UK Datenschutzerklärung

Toros Verwendung Ihrer persönlichen Informationen

The Toro Company („Toro“) respektiert Ihre Privatsphäre. Wenn Sie unsere Produkte kaufen, können wir bestimmte persönliche Informationen über Sie sammeln, entweder direkt von Ihnen oder über Ihre lokale Toro-Niederlassung oder Ihren Händler. Toro verwendet diese Informationen, um vertragliche Verpflichtungen zu erfüllen – z. B. um Ihre Garantie zu registrieren, Ihren Garantieanspruch zu bearbeiten oder Sie im Falle eines Rückrufs zu kontaktieren – und für legitime Geschäftszwecke – z. B. um die Kundenzufriedenheit zu messen, unsere Produkte zu verbessern oder Ihnen Produktinformationen zur Verfügung zu stellen, die für Sie von Interesse sein könnten. Toro kann die Informationen im Rahmen dieser Aktivitäten an Toro Tochtergesellschaften, Händler oder Geschäftspartner weitergeben. Wir können auch persönliche Daten offenlegen, wenn dies gesetzlich vorgeschrieben ist oder im Zusammenhang mit dem Verkauf, Kauf oder der Fusion eines Unternehmens. Toro verkauft Ihre persönlichen Informationen niemals an anderen Unternehmen.

Speicherung Ihrer persönlichen Daten

Toro wird Ihre persönlichen Daten so lange aufbewahren, wie es für die oben genannten Zwecke relevant ist und in Übereinstimmung mit den gesetzlichen Bestimmungen. Für weitere Informationen über die geltenden Aufbewahrungsfristen wenden Sie sich bitte an legal@toro.com.

Toros Engagement für Sicherheit

Ihre persönlichen Daten können in den USA oder einem anderen Land verarbeitet werden, in dem möglicherweise weniger strenge Datenschutzgesetze gelten als in Ihrem Wohnsitzland. Wann immer wir Ihre Daten außerhalb Ihres Wohnsitzlandes übermitteln, werden wir die gesetzlich vorgeschriebenen Schritte unternehmen, um sicherzustellen, dass angemessene Sicherheitsvorkehrungen zum Schutz Ihrer Daten getroffen werden und um sicherzustellen, dass diese sicher behandelt werden.

Zugang und Korrektur

Sie haben das Recht, Ihre persönlichen Daten zu korrigieren und zu überprüfen oder der Verarbeitung Ihrer Daten zu widersprechen bzw. diese einzuschränken. Bitte kontaktieren Sie uns dazu per E-Mail unter legal@toro.com. Wenn Sie Bedenken haben, wie Toro mit Ihren Daten umgegangen ist, bitten wir Sie, dies direkt mit uns zu besprechen. Bitte beachten Sie, dass europäische Bürger das Recht haben, sich bei Ihrer Datenschutzbehörde zu beschweren.



Count on it.



Count on it.

Manuel de l'utilisateur

**Tondeuse autoportée à rayon
de braquage zéro TimeCutter®
MR4275T ou MR5075T**

N° de modèle 74691—N° de série 414500000 et suivants

N° de modèle 74695—N° de série 416299326 et suivants



Ce produit est conforme à toutes les directives européennes pertinentes. Pour plus de renseignements, reportez-vous à la Déclaration de conformité spécifique du produit fournie séparément.

Couple brut ou net : le couple brut ou net de ce moteur a été calculé en laboratoire par le constructeur du moteur selon la norme SAE J1940 ou J2723 de la Society of Automotive Engineers (SAE). Étant configuré pour satisfaire aux normes de sécurité, antipollution et d'exploitation, le moteur monté sur cette classe de tondeuse aura un couple effectif nettement inférieur. Reportez-vous aux informations du constructeur du moteur qui accompagnent la machine.

Le manuel du propriétaire du moteur ci-joint est fourni à titre informatif concernant la réglementation de l'Agence américaine pour la protection de l'environnement (EPA) et la réglementation antipollution de l'état de Californie relative aux systèmes antipollution, à leur entretien et à leur garantie. Vous pouvez vous en procurer un nouvel exemplaire en vous adressant au constructeur du moteur.

Introduction

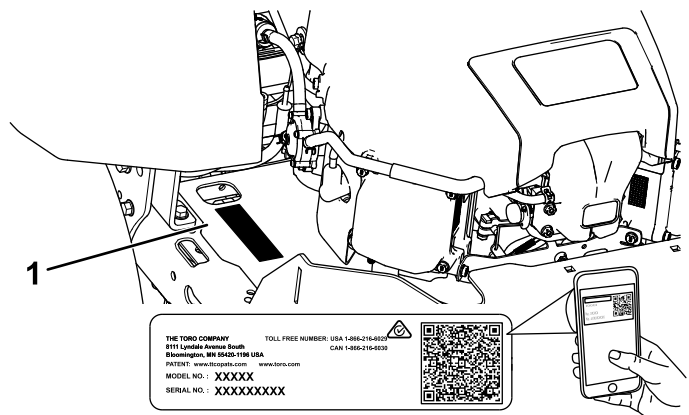
Cette tondeuse autoportée à lame rotative est destinée au grand public, pour des applications résidentielles. Elle est principalement conçue pour tondre les pelouses régulièrement entretenues. L'utilisation de ce produit à d'autres fins que celle prévue peut être dangereuse pour vous-même et toute personne à proximité.

Lisez attentivement cette notice pour apprendre à utiliser et entretenir correctement votre produit, et éviter ainsi de l'endommager ou de vous blesser. Vous êtes responsable de l'utilisation sûre et correcte du produit.

Rendez-vous sur www.Toro.com pour tout document de formation à la sécurité et à l'utilisation des produits, pour tout renseignement concernant un produit ou un accessoire, pour obtenir l'adresse des concessionnaires ou pour enregistrer votre produit.

Pour obtenir des prestations de service, des pièces d'origine Toro ou des renseignements complémentaires, munissez-vous des numéros de modèle et de série du produit et contactez un concessionnaire-réparateur agréé ou le service client Toro. La **Figure 1** indique l'emplacement des numéros de modèle et de série sur le produit. Inscrivez les numéros dans l'espace réservé à cet effet.

Important: Avec votre appareil mobile, vous pouvez scanner le QR code sur l'autocollant du numéro de série (le cas échéant) afin d'accéder aux informations sur la garantie, les pièces détachées et autres renseignements concernant le produit.



g297763

Figure 1
Sous le siège

1. Emplacement des numéros de modèle et de série

Notez les numéros de modèle et de série du produit dans l'espace ci-dessous :

N° de modèle _____
N° de série _____

Ce manuel utilise deux termes pour faire passer des renseignements essentiels. **Important** pour attirer l'attention sur des informations d'ordre mécanique spécifiques et **Remarque** pour souligner des informations d'ordre général méritant une attention particulière.

Le symbole de sécurité (**Figure 2**) qui figure à la fois dans ce manuel et sur la machine sert à identifier d'importantes consignes de sécurité que vous devez respecter pour éviter les accidents. Ce symbole s'accompagne des mentions **Danger**, **Attention**, ou **Prudence**.

- **Danger** signale un danger immédiat qui, s'il n'est pas évité, **entraînera obligatoirement** des blessures graves ou mortelles.
- **Attention** signale un danger potentiel qui, s'il n'est pas évité, **risque** d'entraîner des blessures graves ou mortelles.
- **Prudence** signale un danger potentiel qui, s'il n'est pas évité, **peut éventuellement entraîner** des blessures légères ou modérées.



sa-black

Figure 2

1. Symbole de sécurité
-

Table des matières

Sécurité	5	Contrôle du niveau, vidange de l'huile moteur et remplacement du filtre à huile	41
Consignes de sécurité générales	5	Entretien de la bougie	44
Indicateur de pente	6	Nettoyage du carter de ventilateur	45
Autocollants de sécurité et d'instruction	7	Entretien du système d'alimentation	46
Vue d'ensemble du produit	12	Remplacement du filtre à carburant en ligne	46
Commandes	13	Entretien du système électrique	47
Caractéristiques techniques	14	Consignes de sécurité relatives au système électrique	47
Outils et accessoires	14	Entretien de la batterie	47
Avant l'utilisation	15	Entretien des fusibles	48
Contrôles de sécurité avant l'utilisation	15	Entretien du système d'entraînement	49
Ajout de carburant	16	Contrôle de la pression des pneus	49
Procédures d'entretien quotidien	16	Desserrage du frein électrique	49
Rodage d'une machine neuve	16	Réglage du parallélisme des roues	49
Utilisation du système de sécurité	17	Entretien des courroies	50
Positionnement du siège	18	Contrôle des courroies	50
Réglage de la suspension MyRide®	18	Remplacement de la courroie du plateau de coupe	50
Réglage des leviers de commande de déplacement	18	Entretien de la tondeuse	52
Conversion à l'éjection latérale	19	Consignes de sécurité relative aux lames	52
Pendant l'utilisation	21	Entretien des lames	52
Consignes de sécurité pendant l'utilisation	21	Mise à niveau du plateau de coupe	55
Utilisation de la commande des lames (PDF)	24	Dépose du plateau de coupe	58
Utilisation de l'accélérateur	24	Montage du plateau de coupe	59
Utilisation du starter	24	Remplacement du déflecteur d'herbe	59
Démarrage du moteur	25	Nettoyage	60
Arrêt du moteur	26	Lavage du dessous du plateau de coupe	60
Utilisation des leviers de commande de déplacement	27	Plateau de coupe	60
Conduire la machine	27	Élimination des déchets	61
Utilisation du système de commande Smart Speed™	28	Remisage	61
Utilisation de l'éjection latérale	30	Consignes de sécurité pour le remisage	61
Réglage de la hauteur de coupe	30	Nettoyage et remisage	61
Réglage des galets anti-scalp	31	Remisage de la batterie	63
Conseils d'utilisation	32	Dépistage des défauts	64
Après l'utilisation	33	Schémas	67
Consignes de sécurité après l'utilisation	33		
Nettoyage de la machine	33		
Pousser la machine à la main	34		
Transport de la machine	35		
Entretien	37		
Consignes de sécurité pendant l'entretien	37		
Programme d'entretien recommandé	38		
Procédures avant l'entretien	39		
Relâchement du panneau de protection du plateau de coupe	39		
Levage de la machine	39		
Lubrification	40		
Graissage des roulements	40		
Entretien du moteur	40		
Sécurité du moteur	40		
Entretien du filtre à air	40		

Sécurité

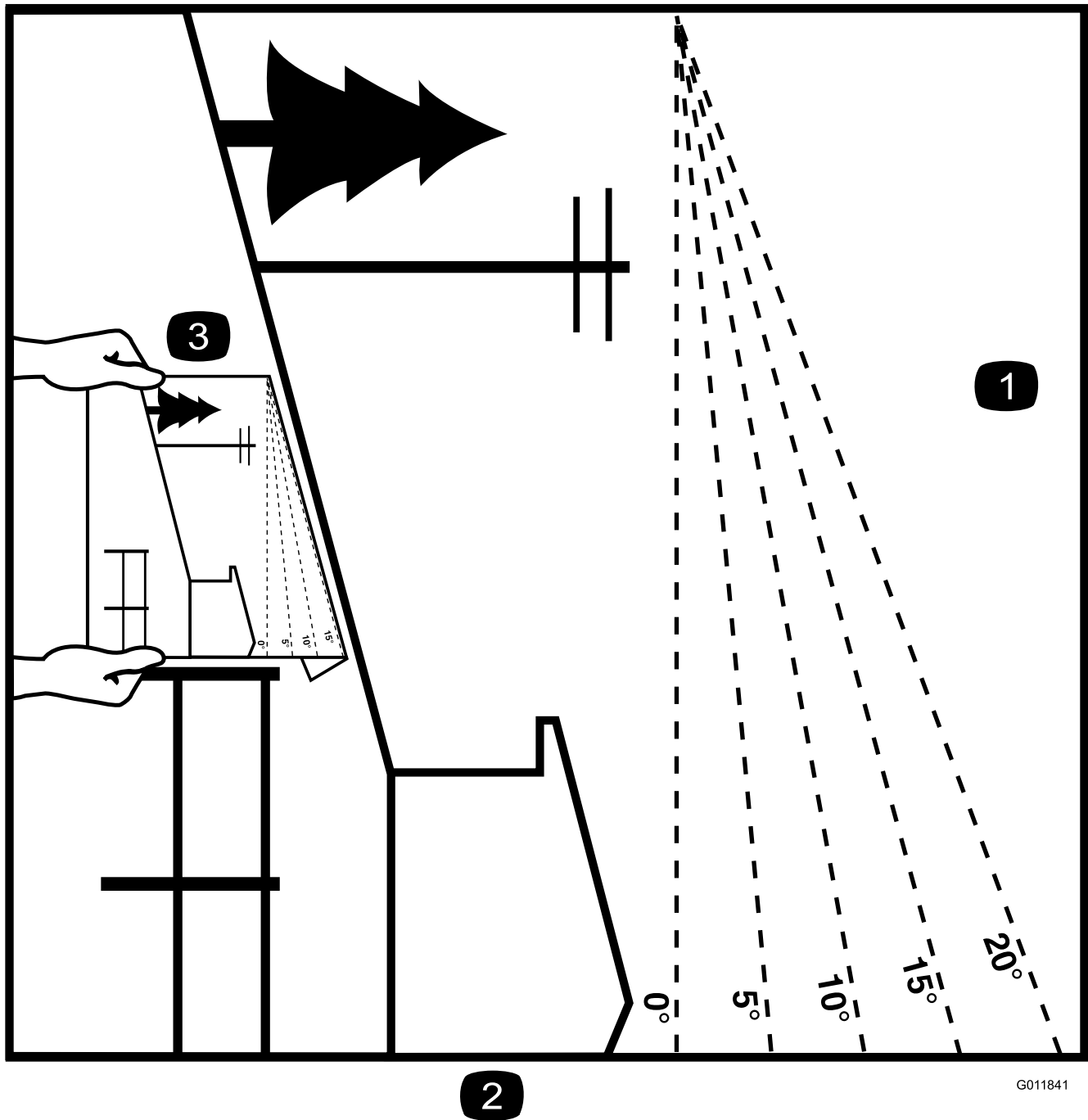
Cette machine est conçue en conformité avec la norme EN ISO 5395.

Consignes de sécurité générales

Ce produit peut sectionner les mains ou les pieds et projeter des objets. Respectez toujours toutes les consignes de sécurité pour éviter des blessures graves ou mortelles.

- Vous devez lire et comprendre le contenu de ce *Manuel de l'utilisateur* avant de démarrer le moteur.
- Tenez tout le monde, notamment les enfants, à bonne distance.
- Ne confiez pas l'utilisation ou l'entretien de la machine à des enfants ou à des personnes non qualifiées. Seules les personnes responsables, formées à l'utilisation et l'entretien de la machine, ayant lu et compris les instructions et physiquement aptes sont autorisées à utiliser ou entretenir la machine.
- N'utilisez pas la machine près de fortes dénivellations, fossés, berges, étendues d'eau ou autre danger, ni sur des pentes de plus de 15°.
- N'approchez pas les mains ou les pieds des composants mobiles de la machine.
- N'utilisez pas la machine s'il manque des capots, des contacteurs de sécurité ou d'autres dispositifs de protection, ou s'ils sont défectueux.
- Avant de quitter la position d'utilisation, coupez le moteur, enlevez la clé et attendez l'arrêt complet de toutes les pièces mobiles. Laissez refroidir la machine avant d'en faire l'entretien, de la régler, de faire le plein de carburant, de la nettoyer ou de la remiser.

Indicateur de pente



G011841

g011841

Figure 3

Vous pouvez faire une copie de cette page pour votre usage personnel.

1. Vous pouvez utiliser la machine sur une pente maximale de **15 degrés**. Utilisez le graphique de mesure de la pente pour déterminer le degré d'une pente avant d'utiliser la machine. **N'utilisez pas la machine sur des pentes de plus de 15 degrés.** Pliez le long de la ligne correspondant à la pente recommandée.
2. Alignez ce bord avec une surface verticale (arbre, bâtiment, piquet de clôture, poteau, etc.).
3. Exemple de comparaison d'une pente avec le bord replié

Autocollants de sécurité et d'instruction



Des autocollants de sécurité et des instructions bien visibles par l'utilisateur sont placés près de tous les endroits potentiellement dangereux. Remplacez tout autocollant endommagé ou manquant.

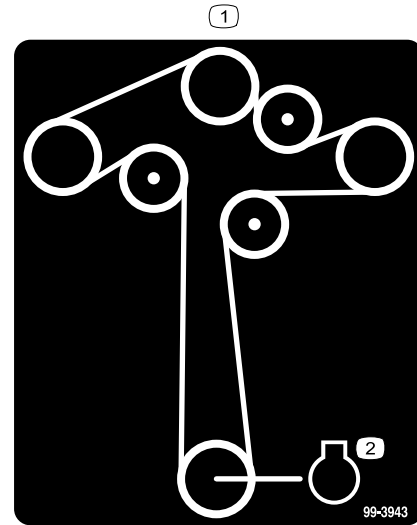


Symboles utilisés sur la batterie

Certains ou tous les symboles suivants figurent sur la batterie.

- | | |
|--|---|
| 1. Risque d'explosion | 6. Tenez tout le monde à bonne distance de la batterie. |
| 2. Restez à distance des flammes nues ou des étincelles, et ne fumez pas | 7. Portez une protection oculaire ; les gaz explosifs peuvent causer la cécité et d'autres blessures. |
| 3. Liquide caustique/risque de brûlure chimique | 8. L'acide de la batterie peut causer la cécité ou des brûlures graves. |
| 4. Portez une protection oculaire. | 9. Rincez immédiatement les yeux avec de l'eau et consultez un médecin rapidement. |
| 5. Lisez le <i>Manuel de l'utilisateur</i> . | 10. Contient du plomb – ne mettez pas au rebut |

L'autocollant 99-3943 s'applique aux modèles avec plateaux de 127 cm seulement.

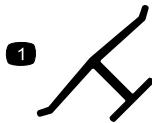


99-3943

decal99-3943

1. Trajet de la courroie
2. Moteur

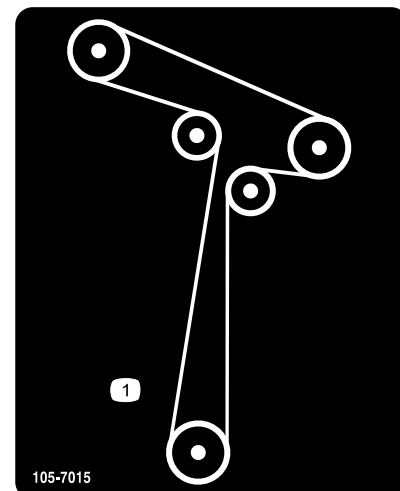
L'autocollant 105-7015 s'applique aux modèles avec plateaux de 107 cm seulement.



Marque du fabricant

decaloemarkt

1. Cette marque identifie la lame comme pièce d'origine.

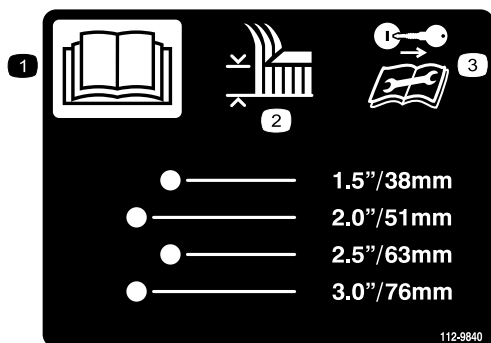


105-7015

decal105-7015

1. Trajet de la courroie

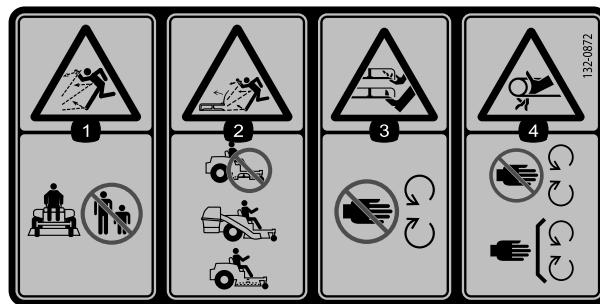
L'autocollant 112-9840 s'applique aux modèles avec plateaux de 127 cm seulement.



112-9840

decal112-9840

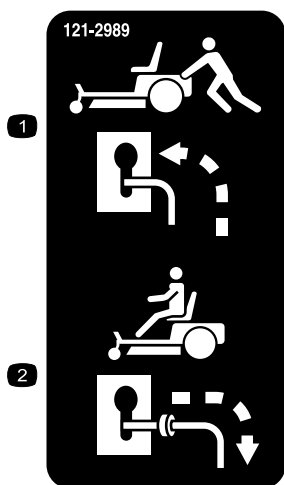
1. Lisez le *Manuel de l'utilisateur*.
2. Hauteur de coupe
3. Retirez la clé de contact et lisez les instructions avant de procéder à l'entretien ou à des révisions.



decal132-0872

132-0872

1. Risque de projection d'objets – n'autorisez personne à s'approcher de la machine.
2. Risque de projections d'objets par le déflecteur relevé – n'utilisez pas la machine sans fermer le plateau de coupe ; utilisez un système de ramassage ou un déflecteur.
3. Risque de sectionnement des mains ou des pieds – ne vous approchez pas des pièces mobiles.
4. Risque de coincement – ne vous approchez pas des pièces mobiles ; gardez toutes les protections et tous les capots en place.

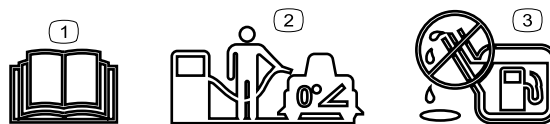


decal121-2989b

121-2989

1. Position des leviers de dérivation pour pousser la machine
2. Position des leviers de dérivation pour utiliser la machine

L'autocollant 138-6074 est moulé dans le réservoir de carburant.



decal138-2456

138-6074

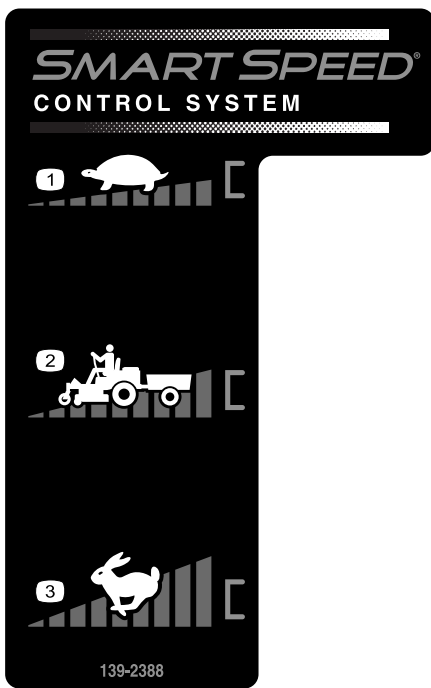
1. Lisez le *Manuel de l'utilisateur*.
2. Pour faire le plein de carburant, garez la machine sur une surface plane et horizontale.
3. Ne remplissez pas excessivement le réservoir de carburant.



decal130-0731

130-0731

1. Attention – Risque de projection d'objets – gardez le déflecteur en place.
2. Risque de coupure des mains ou des pieds par la lame de la tondeuse – ne vous approchez pas des pièces mobiles.

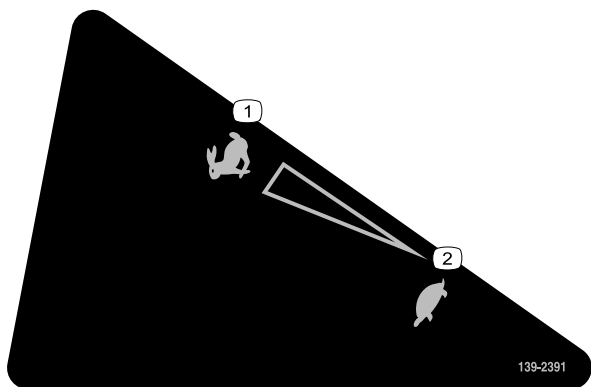


139-2388

decal139-2388

- 1. Petite vitesse
- 2. Transport
- 3. Haut régime

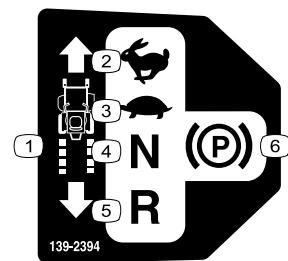
L'autocollant 139-2391 s'applique aux modèles sans compteur horaire.



139-2391

decal139-2391

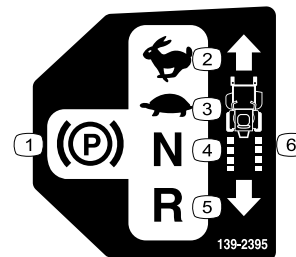
- 1. Haut régime
- 2. Basse vitesse



139-2394

decal139-2394

- 1. Commandes de déplacement
- 2. Haut régime
- 3. Basse vitesse
- 4. Point mort
- 5. Marche arrière
- 6. Frein de stationnement



139-2395

decal139-2395

- 1. Frein de stationnement
- 2. Haut régime
- 3. Basse vitesse
- 4. Point mort
- 5. Marche arrière
- 6. Commandes de déplacement



139-2397

decal139-2397



140-2748

decal140-2748

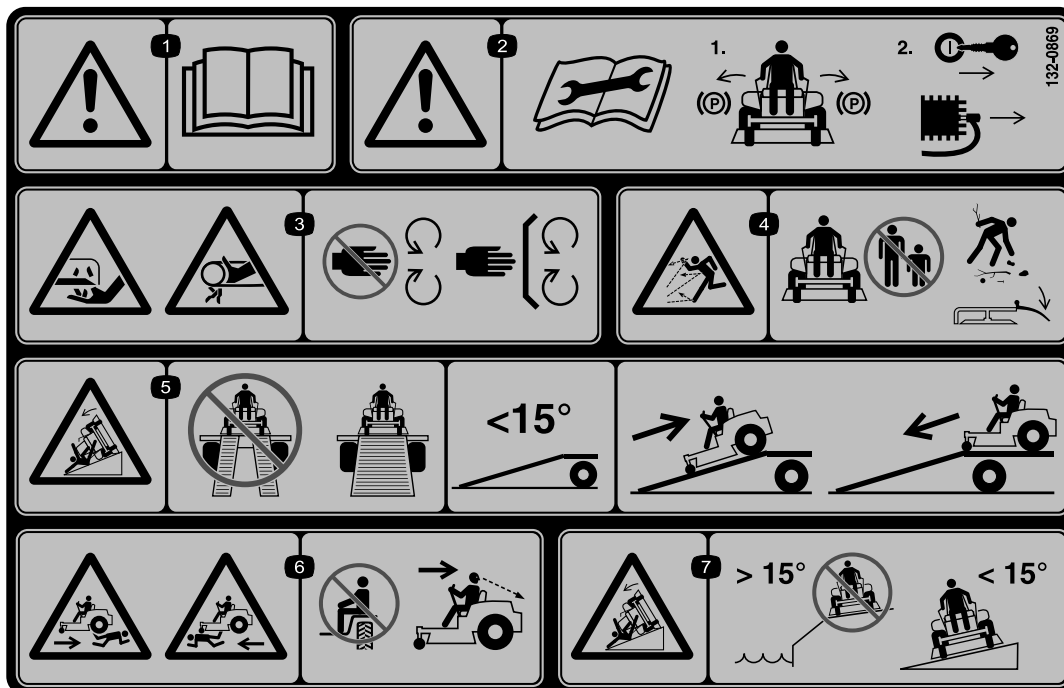
⚠ WARNING: Cancer and Reproductive Harm - www.P65Warnings.ca.gov.
For more information, please visit www.ttcoCAProp65.com

CALIFORNIA SPARK ARRESTER WARNING
Operation of this equipment may create sparks that can start fires around dry vegetation. A spark arrester may be required. The operator should contact local fire agencies for laws or regulations relating to fire prevention requirements.

142-5864

142-5864

decal142-5864



132-0869

decal132-0869

Remarque: Cette machine est conforme au test de stabilité standard de l'industrie pour les essais de stabilité statique latérale et longitudinale par rapport à la pente maximale recommandée, indiquée sur l'autocollant. Lisez les instructions relatives à l'utilisation de la machine sur les pentes qui figurent dans le *Manuel de l'utilisateur* pour déterminer si les conditions d'utilisation et le site actuels se prêtent à l'utilisation de la machine. Les variations de terrain peuvent modifier le fonctionnement de la machine sur les pentes.

- | | | | |
|--|--|---|--|
| <p>1. Attention – lisez le <i>Manuel de l'utilisateur</i>.</p> | <p>3. Risque de coupure/mutilation des mains par la lame de la tondeuse et risque de coincement des mains dans la courroie – ne vous approchez pas des pièces mobiles et gardez toutes les protections en place.</p> | <p>5. Risque de renversement – n'utilisez pas de rampes doubles lorsque vous chargez la machine sur une remorque ; utilisez 1 rampe suffisamment large pour la machine ; utilisez une rampe avec une pente de moins de 15° ; montez la rampe en marche arrière pour charger la machine et descendez-la en marche avant pour décharger la machine.</p> | <p>7. Risque de renversement – n'utilisez pas la machine près de fortes dénivellations ou de pentes de plus de 15° ; travaillez transversalement et uniquement sur des pentes de moins de 15°.</p> |
| <p>2. Attention – lisez le <i>Manuel de l'utilisateur</i> avant d'effectuer un entretien ; serrez le frein de stationnement, retirez la clé et débranchez la bougie.</p> | <p>4. Risque de projection d'objets – n'autorisez personne à s'approcher ; ramassez les débris avant de tondre ; laissez le déflecteur en place.</p> | <p>6. Risque d'écrasement – ne transportez jamais de passagers ; regardez derrière vous lorsque vous tondez en marche arrière.</p> | |

Vue d'ensemble du produit

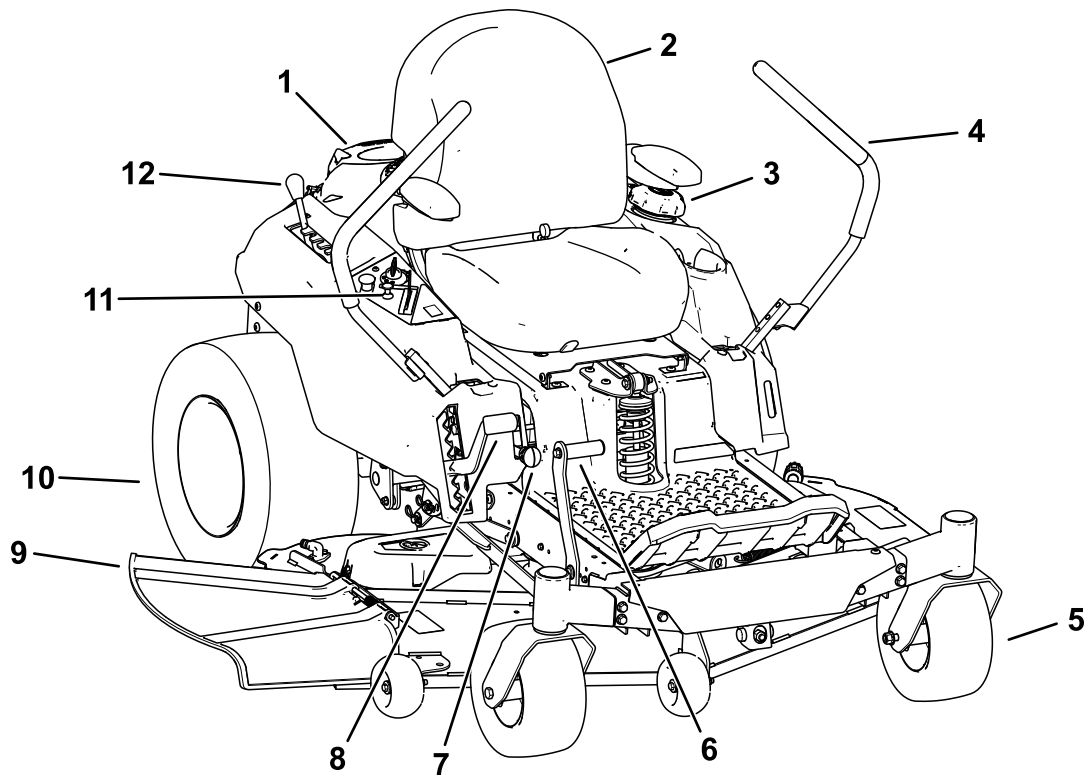


Figure 4

g367815

- | | | | |
|--------------------------------------|---|--|--|
| 1. Moteur | 4. Leviers de commande de déplacement | 7. Levier Smart Speed™ | 10. Roue motrice arrière |
| 2. Siège de l'utilisateur | 5. Roue pivotante avant | 8. Levier de sélection de hauteur de coupe | 11. Panneau de commande |
| 3. Bouchon du réservoir de carburant | 6. Pédale de levage du plateau (certains modèles seulement) | 9. Déflecteur | 12. Levier de réglage de la suspension MyRide™ |

Commandes

Avant de mettre le moteur en marche et d'utiliser la machine, familiarisez-vous avec toutes les commandes.

Panneau de commande

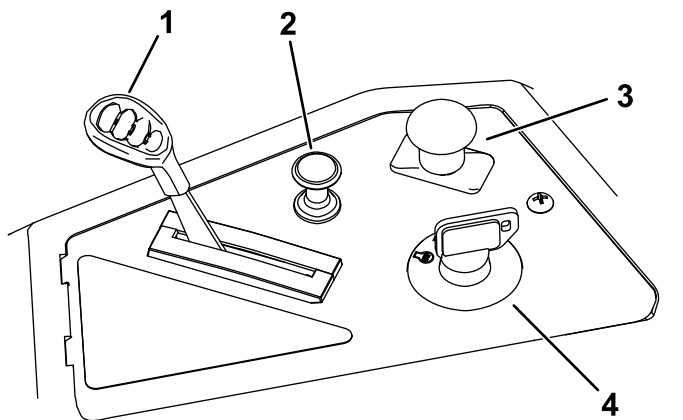


Figure 5

g293303

- | | |
|----------------------------|--|
| 1. Commande d'accélérateur | 3. Commande des lames (prise de force) |
| 2. Commande de starter | 4. Commutateur d'allumage |

Commutateur d'allumage

Le commutateur d'allumage sert à démarrer et arrêter le moteur, et comporte 3 positions : ARRÊT, CONTACT et DÉMARRAGE (Figure 5).

Commande d'accélérateur

L'accélérateur commande le régime moteur et peut se régler à l'infini entre les positions BAS RÉGIME et HAUT RÉGIME (Figure 5).

Commande de starter

Utilisez le starter pour démarrer quand le moteur est froid (Figure 5).

Commande des lames (prise de force)

La commande des lames, représentée par le symbole de la prise de force (PDF), engage et désengage l'entraînement des lames (Figure 5).

Leviers de commande de déplacement

Les leviers de commande de déplacement permettent de conduire la machine en marche avant, en marche arrière et de tourner à droite ou à gauche (Figure 4).

Position de stationnement

Écartez les leviers de commande vers l'extérieur, du centre à la position STATIONNEMENT quand vous quittez la machine pour engager le frein électrique (Figure 24). Placez toujours les leviers de commande à la position de STATIONNEMENT avant d'arrêter la machine ou de la laisser sans surveillance.

Levier de réglage de la suspension MyRide®

Utilisez le levier de réglage pour ajuster la suspension MyRide® du siège (Figure 4).

Levier du système de commande Smart Speed™

Le levier du système de commande Smart Speed™ est situé sous la position d'utilisation et vous permet de choisir entre 3 gammes de vitesses : tonte de finition, remorquage et tonte (Figure 27).

Regard de carburant

Le regard de carburant, situé sur le côté gauche de la machine, vous permet de vérifier que le réservoir contient du carburant (Figure 6).

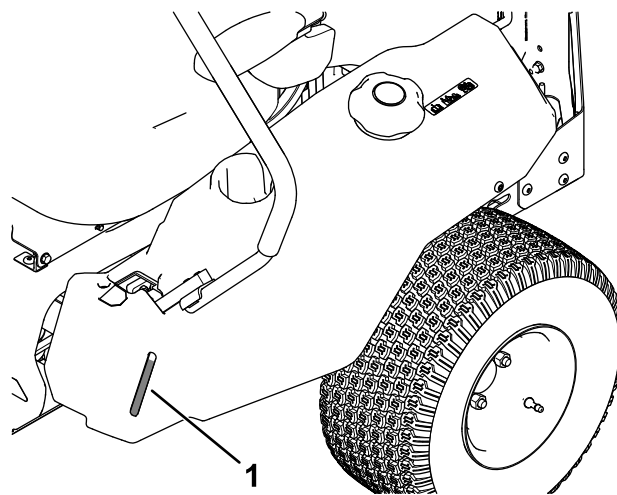


Figure 6

g292100

1. Regard de carburant

Levier de sélection de hauteur de coupe

Le levier de sélection de hauteur de coupe permet d'abaisser et d'élever le plateau de coupe sans quitter le siège. Le plateau de coupe s'élève quand vous tirez le levier vers vous et s'abaisse quand vous le poussez vers le bas. Arrêtez toujours la machine avant de modifier la hauteur de coupe (Figure 28).

dangereux, et leur utilisation risque d'annuler la garantie de la machine.

Système de levage du plateau de coupe à pédale

Certains modèles seulement

Le système de levage à pédale vous permet d'abaisser et d'élever le plateau de coupe sans quitter le siège. Vous pouvez utiliser la pédale pour lever brièvement le plateau afin d'éviter des obstacles ou pour faciliter le réglage de la hauteur de coupe (Figure 4).

Caractéristiques techniques

Les spécifications et la conception peuvent faire l'objet de modifications sans préavis.

	Plateau de coupe de 107 cm	Plateau de coupe de 127 cm
Largeur de coupe	107 cm	127 cm
Largeur avec déflecteur abaissé	135 cm	155 cm
Largeur avec déflecteur relevé	123 cm	130 cm
Longueur	185 cm	186 cm
Hauteur	112 cm	109 cm
Poids	332 kg	353 kg

Outils et accessoires

Une sélection d'outils et d'accessoires agréés par Toro est disponible pour augmenter et améliorer les capacités de la machine. Pour obtenir la liste de tous les accessoires et outils agréés, contactez votre concessionnaire-réparateur ou votre distributeur Toro agréé, ou rendez-vous sur www.Toro.com.

Pour garantir un rendement optimal et conserver la certification de sécurité de la machine, utilisez uniquement des pièces de rechange et accessoires d'origine Toro. Les pièces de rechange et accessoires provenant d'autres constructeurs peuvent être

Utilisation

Remarque: Les côtés gauche et droit de la machine sont déterminés d'après la position d'utilisation normale.

Avant l'utilisation

Contrôles de sécurité avant l'utilisation

Consignes de sécurité générales

- Ne confiez pas l'utilisation ou l'entretien de la machine à des enfants ou à des personnes non qualifiées. La réglementation locale peut imposer un âge minimum pour les utilisateurs. Le propriétaire de la machine doit assurer la formation de tous les utilisateurs et mécaniciens.
- Inspectez la zone de travail et débarrassez-la de tout objet pouvant gêner le fonctionnement de la machine ou être projeté pendant son utilisation.
- Familiarisez-vous avec le maniement correct du matériel, les commandes et les symboles de sécurité.
- Vérifiez toujours que les commandes de présence de l'utilisateur, les contacteurs de sécurité et les capots de protection sont en place et fonctionnent correctement. N'utilisez pas la machine s'ils ne fonctionnent pas correctement.
- Avant de quitter la position d'utilisation, coupez le moteur, enlevez la clé et attendez l'arrêt complet de toutes les pièces mobiles. Laissez refroidir la machine avant d'en faire l'entretien, de la régler, de faire le plein de carburant, de la nettoyer ou de la remiser.
- Avant de tondre, vérifiez que les unités de coupe sont en bon état de marche.
- Examinez la zone de travail pour déterminer quels accessoires et équipements vous permettront d'exécuter votre tâche correctement et sans risque.
- Portez une tenue adaptée, y compris une protection oculaire, un pantalon, des chaussures solides à semelle antidérapante et des protecteurs d'oreilles. Si vos cheveux sont longs, attachez-les et ne portez pas de vêtements amples ni de bijoux pendants.
- Ne transportez jamais personne sur la machine.
- Tenez tout le monde, y compris les animaux, à l'écart de la machine en marche. Arrêtez la

machine et le(s) accessoire(s) si quelqu'un entre dans la zone de travail.

- N'utilisez pas la machine si tous les capots de protection et les dispositifs de sécurité, comme les déflecteurs et le bac à herbe au complet, ne sont pas en place ou ne fonctionnent pas correctement. Remplacez les pièces usées ou abîmées au besoin.

Consignes de sécurité concernant le carburant

- Le carburant est extrêmement inflammable et hautement explosif. Un incendie ou une explosion causé(e) par du carburant peut vous brûler, ainsi que les personnes se tenant à proximité, et causer des dommages matériels.
 - Pour éviter que l'électricité statique n'enflamme le carburant, descendez la machine du camion ou de la remorque et faites-le plein quand elle est au sol, à l'écart de tout autre véhicule. Si cela est impossible, placez un récipient de carburant portatif sur le sol, à l'écart de tout véhicule, et remplissez-le ; faites ensuite le plein de la machine avec le récipient portatif plutôt que directement à la pompe.
 - Faites le plein du réservoir de carburant à l'extérieur sur un sol plat et horizontal, dans un endroit bien dégagé et lorsque le moteur est froid. Essayez tout carburant répandu.
 - Ne fumez jamais quand vous manipulez du carburant et tenez-vous à l'écart des flammes nues ou des sources d'étincelles.
 - Ne retirez pas le bouchon du réservoir de carburant et n'ajoutez pas de carburant dans le réservoir lorsque le moteur tourne ou est chaud.
 - Ne tentez pas de démarrer le moteur si du carburant a été répandu. Évitez de créer des sources d'inflammation jusqu'à dissipation complète des vapeurs de carburant.
 - Conservez le carburant dans un récipient homologué et hors de la portée des enfants.
- Le carburant est toxique et même mortel en cas d'ingestion. L'exposition prolongée aux vapeurs de carburant peut causer des blessures et des maladies graves.
 - Évitez de respirer les vapeurs de carburant de façon prolongée.
 - N'approchez pas les mains ni le visage du pistolet ou de l'ouverture du réservoir de carburant.

- N'approchez pas le carburant des yeux et de la peau.
- Ne rangez pas la machine ni les bidons de carburant à proximité d'une flamme nue, d'une source d'étincelles ou d'une veilleuse, telle celle d'un chauffe-eau ou d'autres appareils.
- N'utilisez pas la machine si elle n'est pas équipée du système d'échappement complet et en bon état de marche.
- Maintenez le pistolet en contact avec le bord du réservoir ou du bidon jusqu'à la fin du remplissage. N'utilisez pas de dispositif de verrouillage du pistolet en position ouverte.
- Si du carburant s'est répandu sur vos vêtements, changez-vous immédiatement.
- Ne remplissez pas excessivement le réservoir de carburant. Remettez en place le bouchon du réservoir et serrez-le fermement.
- Pour éviter les risques d'incendie, enlevez les débris d'herbe et autres agglomérés sur l'unité de coupe, le silencieux, les entraînements, le bac à herbe et le moteur. Nettoyez les coulées éventuelles d'huile ou de carburant.

Ajout de carburant

Carburant recommandé

Type	Essence sans plomb
Indice d'octane minimum	87 (USA) ou 91 (octane recherche ; hors USA)
Éthanol	Pas plus de 10 % par volume
Méthanol	Aucun
MTBE (éther méthyltertiobutylique)	Moins de 15 % par volume
Huile	Ne pas ajouter au carburant

Utilisez uniquement du carburant propre et frais (stocké depuis moins d'un mois), provenant d'une source fiable.

Utilisation d'un stabilisateur/conditionneur

Utilisez toujours un additif stabilisateur/conditionneur dans la machine pour que le carburant reste frais plus longtemps quand il est utilisé conformément aux indications du fabricant du stabilisateur.

Important: N'utilisez pas d'additifs contenant du méthanol ou de l'éthanol.

Ajoutez au carburant frais la quantité de stabilisateur/conditionneur indiquée par le fabricant du stabilisateur.

Remplissage du réservoir de carburant

1. Garez la machine sur une surface plane et horizontale.
2. Poussez les leviers de commande de déplacement vers l'extérieur, à la position STATIONNEMENT.
3. Coupez le moteur et enlevez la clé.
4. Nettoyez la surface autour du bouchon du réservoir de carburant.
5. Remplissez le réservoir de carburant jusqu'à la base du goulot de remplissage (Figure 7). Ne remplissez pas complètement le réservoir de carburant.

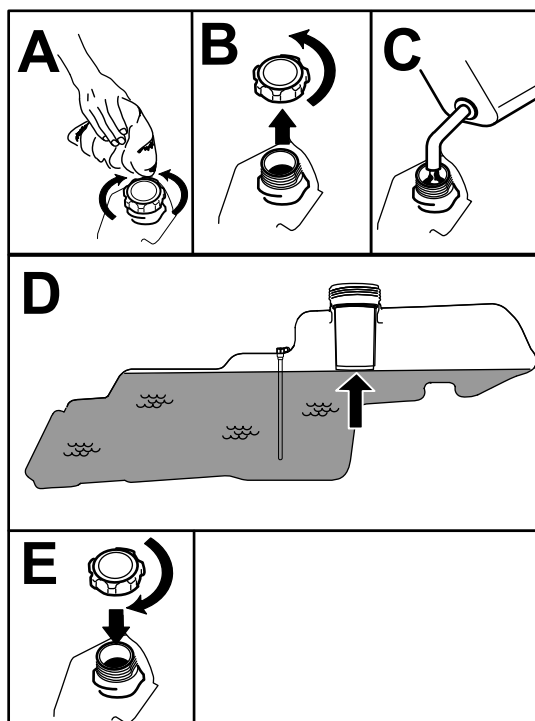


Figure 7

g293796

Procédures d'entretien quotidien

Avant de démarrer la machine chaque jour, effectuez les procédures décrites à la section [Entretien \(page 37\)](#).

Rodage d'une machine neuve

Les moteurs neufs demandent un certain temps pour développer toute leur puissance. Les plateaux de coupe et les systèmes d'entraînement neufs

présentent plus de friction, ce qui augmente la charge sur le moteur. Prévoyez 40 à 50 heures de rodage pour les machines neuves afin de leur permettre de développer toute leur puissance et d'offrir des performances optimales.

Utilisation du système de sécurité

▲ ATTENTION

Si les contacteurs de sécurité sont déconnectés ou endommagés, la machine peut se mettre en marche inopinément et causer des blessures.

- **Ne modifiez pas abusivement les contacteurs de sécurité.**
- **Vérifiez chaque jour le fonctionnement des contacteurs de sécurité et remplacez ceux qui sont endommagés avant d'utiliser la machine.**

Principe du système de sécurité

Le système de sécurité est conçu pour empêcher le démarrage du moteur, sauf si :

- La commande des lames (PDF) est désengagée.
- Les leviers de commande de déplacement sont à la position STATIONNEMENT.

Le système de sécurité est également prévu pour couper le moteur lorsque les leviers de commande quittent la position STATIONNEMENT et que vous vous soulevez du siège.

Contrôle du système de sécurité

Contrôlez le système de sécurité avant chaque utilisation de la machine. Si le système de sécurité ne fonctionne pas comme spécifié ci-dessous, faites-le immédiatement réviser par un concessionnaire-réparateur agréé.

1. Asseyez-vous sur le siège, amenez les leviers de commande de déplacement en position STATIONNEMENT et la commande des lames en position ENGAGÉE. Essayez de démarrer le moteur ; le moteur ne doit pas se lancer.
2. Asseyez-vous sur le siège et placez la commande des lames en position DÉSENGAGÉE. Amenez l'un des leviers de commande de déplacement au centre, en position déverrouillée. Essayez de démarrer le moteur ; le moteur ne doit pas se lancer. Répétez la procédure avec l'autre levier de déplacement.
3. Asseyez-vous sur le siège, amenez la commande des lames en position DÉSENGAGÉE et verrouillez les leviers de commande de déplacement à la position de STATIONNEMENT. Démarrez le moteur. Lorsque le moteur tourne, placez la commande des lames en position engagée et soulevez-vous légèrement du siège ; le moteur doit s'arrêter.
4. Asseyez-vous sur le siège, amenez la commande des lames en position DÉSENGAGÉE et verrouillez les leviers de commande de déplacement à la position STATIONNEMENT. Démarrez le moteur. Lorsque le moteur tourne, amenez les leviers de commande de déplacement au centre en position déverrouillée et soulevez-vous légèrement du siège ; le moteur doit s'arrêter.

Positionnement du siège

Vous pouvez avancer ou reculer le siège. Amenez le siège à la position la plus confortable pour vous, et offrant le meilleur contrôle pour la conduite (Figure 8).

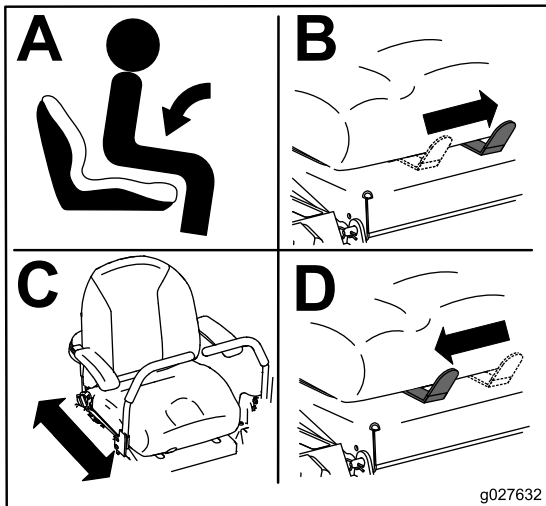


Figure 8

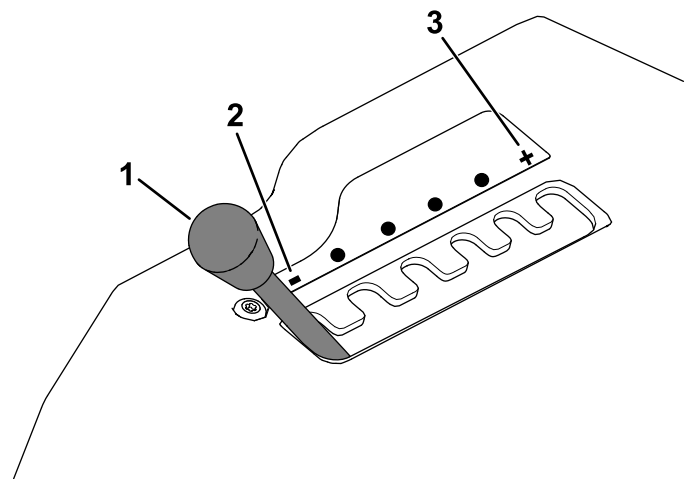


Figure 9

1. Levier de réglage de la suspension MyRide
2. Suspension plus souple
3. Suspension plus ferme

Réglage de la suspension MyRide®

Vous pouvez régler la suspension MyRide® pour assurer un confort optimal au conducteur. Les fentes de réglage de la suspension comportent des positions de verrouillage comme position de référence, allant d'une suspension souple à ferme (Figure 9).

1. Garez la machine sur une surface plane et horizontale, placez la commande des lames en position désengagée et les leviers de commande de déplacement à la position STATIONNEMENT.
2. Avant de quitter la position d'utilisation, coupez le moteur, retirez la clé de contact et attendez l'arrêt complet de toutes les pièces mobiles.
3. Descendez de la machine.
4. Tenez-vous sur le côté droit de la machine et déplacez le levier de réglage vers la gauche et le symbole – pour une suspension plus souple du siège.

Déplacez le levier de réglage vers droite et le symbole + pour raffermir la suspension du siège.

Réglage des leviers de commande de déplacement

Réglage de la hauteur

Vous pouvez régler la hauteur des leviers de commande de déplacement de manière à obtenir un confort maximum (Figure 10).

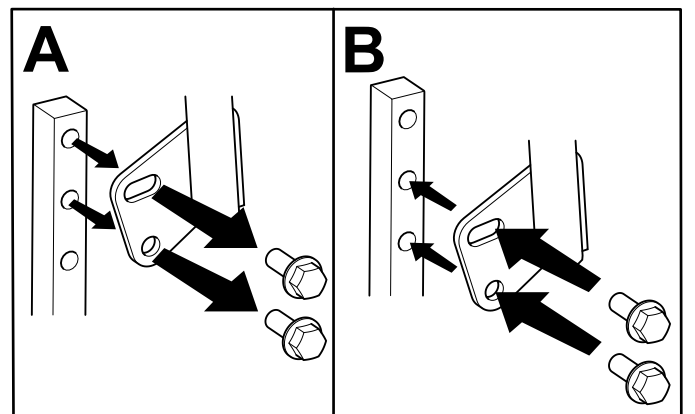


Figure 10

Réglage de l'angle des leviers

Vous pouvez régler les leviers de commande de déplacement vers l'avant ou l'arrière de manière à obtenir un confort maximum.

1. Retirez le boulon supérieur qui fixe le levier de commande à l'arbre du bras de commande.
2. Desserrez le boulon inférieur jusqu'à ce qu'il soit possible de pivoter le levier de commande en avant ou en arrière.

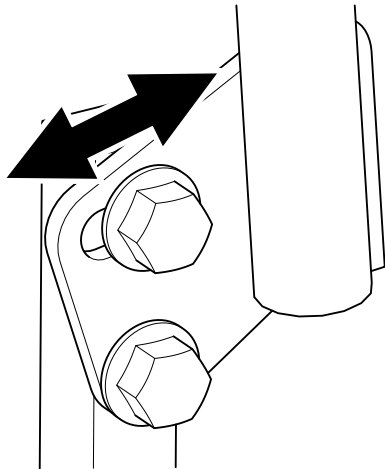


Figure 11

g333846

3. Serrez les deux boulons pour fixer le levier de commande à sa nouvelle position.
4. Répétez la procédure pour l'autre levier de commande.

Conversion à l'éjection latérale

Le plateau de coupe et les lames fournis avec la machine ont été conçus pour procurer des performances de mulching et d'éjection latérale optimales.

Dans les trous laissés vides après avoir déposé les déflecteurs de recyclage, insérez les fixations fournies dans le sachet de pièces détachées. Ainsi, aucun trou n'est inoccupé pendant le fonctionnement du plateau.

⚠ ATTENTION

Des débris peuvent être projetés par les trous non obturés et vous blesser gravement, ainsi que les personnes à proximité.

- **N'utilisez jamais la machine sans que les fixations soient en place dans tous les trous du carter.**
- **Placez les fixations dans les trous lorsque vous retirez le déflecteur de mulching.**

Machines avec plateaux de coupe de 107 cm

1. Garez la machine sur une surface plane et horizontale, placez la commande des lames en position désengagée et les leviers de commande de déplacement à la position STATIONNEMENT.
2. Avant de quitter la position d'utilisation, coupez le moteur, retirez la clé de contact et attendez l'arrêt complet de toutes les pièces mobiles.
3. Déposez le plateau de coupe ; voir [Dépose du plateau de coupe \(page 58\)](#).
4. Retirez les 2 contre-écrous (5/16") des montants soudés du déflecteur.

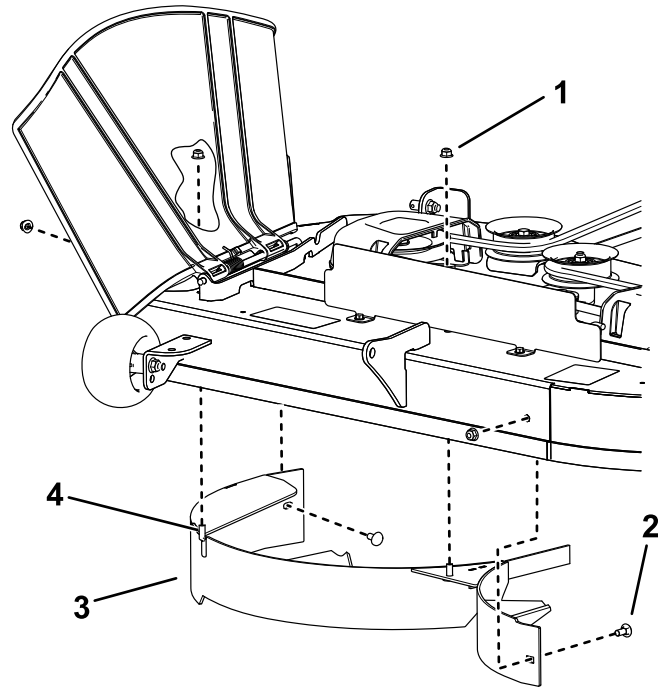


Figure 12

g296990

1. Contre-écrou (5/16") (4)
2. Boulon de carrosserie (5/16" x 3/4") (2)
3. Déflecteur
4. Montant soudé (2)

5. Retirez les 2 boulons de carrosserie et les 2 contre-écrous qui fixent le déflecteur au plateau, puis déposez le déflecteur.
6. Avec 2 boulons pris dans le sachet de pièces détachées et 2 écrous existants, fermez les trous utilisés pour les montants soudés afin d'éviter la projection de débris.
7. Avec un boulon pris dans le sachet de pièces détachées et un contre-écrou existant, fermez le trou à l'avant du plateau de coupe.

Remarque: Installez les fixations de sorte que les écrous soient en haut du plateau.

Remarque: Installez les fixations de sorte que les écrous soient à l'extérieur du plateau.

- Reposez le plateau de coupe ; voir [Montage du plateau de coupe \(page 59\)](#).

Machines avec plateaux de coupe de 127 cm

- Garez la machine sur une surface plane et horizontale, placez la commande des lames en position désengagée et les leviers de commande de déplacement à la position STATIONNEMENT.
- Avant de quitter la position d'utilisation, coupez le moteur, retirez la clé de contact et attendez l'arrêt complet de toutes les pièces mobiles.
- Déposez le plateau de coupe ; voir [Dépose du plateau de coupe \(page 58\)](#).
- Retirez les 3 contre-écrous (5/16") des montants soudés du déflecteur droit.

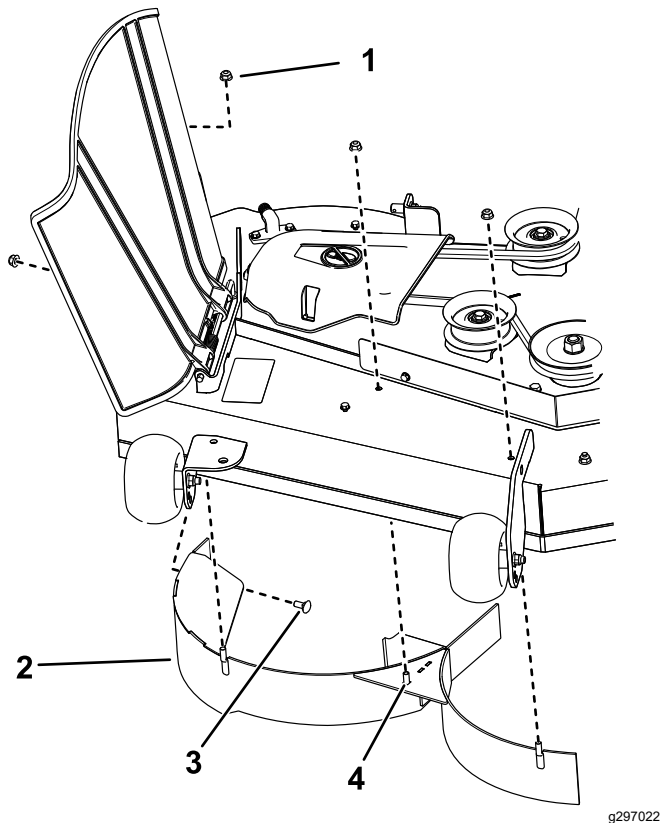


Figure 13

- | | |
|-----------------------------|---|
| 1. Contre-écrou (5/16") (4) | 3. Boulon de carrosserie (5/16" x 3/4") |
| 2. Déflecteur droit | 4. Montant soudé (3) |

- Retirez le boulon de carrosserie et le contre-écrou qui fixent le déflecteur droit au plateau, puis déposez le déflecteur.
- Avec le boulon de carrosserie et le contre-écrou retirés à l'opération 5, fermez le trou dans le côté droit du plateau de coupe pour éviter la projection de débris.

Remarque: Installez les fixations de sorte que les écrous soient à l'extérieur du plateau.

- Avec 3 boulons pris dans le sachet de pièces détachées et 3 écrous existants, fermez les trous utilisés pour les montants soudés.

Remarque: Installez les fixations de sorte que les écrous soient en haut du plateau.

- Retirez les 2 contre-écrous (5/16") des montants soudés du déflecteur gauche.

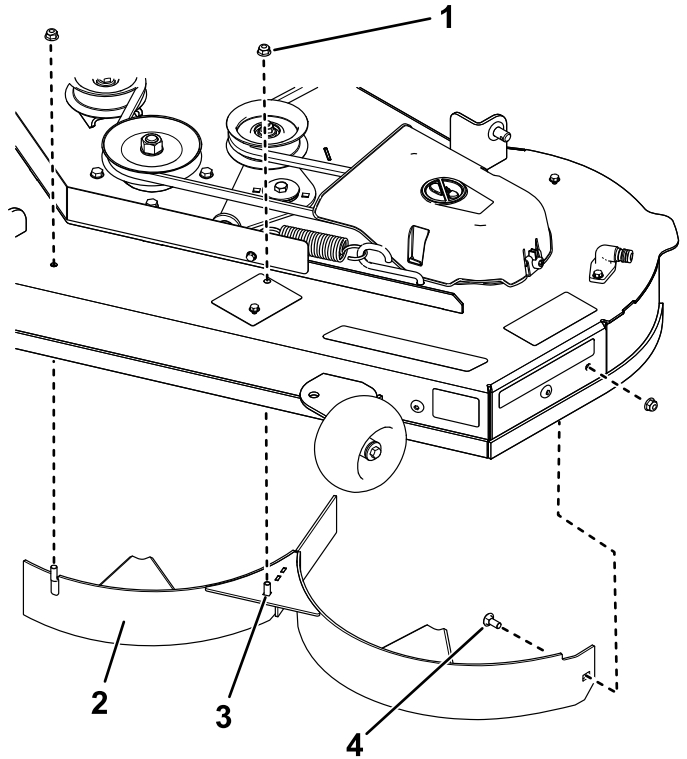


Figure 14

- | | |
|-----------------------------|---|
| 1. Contre-écrou (5/16") (3) | 3. Montant soudé (2) |
| 2. Déflecteur gauche | 4. Boulon de carrosserie (5/16" x 3/4") |

- Retirez le boulon de carrosserie et le contre-écrou qui fixent le déflecteur gauche au plateau, puis déposez le déflecteur.
- Avec le boulon de carrosserie et le contre-écrou retirés à l'opération 9, fermez le trou dans le côté droit du plateau de coupe pour éviter la projection de débris.

Remarque: Installez les fixations de sorte que les écrous soient à l'extérieur du plateau.

- Avec 2 boulons pris dans le sachet de pièces détachées et 2 écrous existants, fermez les trous utilisés pour les montants soudés.

Remarque: Installez les fixations de sorte que les écrous soient en haut du plateau.

- Retirez l'écrou de la tige du déflecteur d'herbe sous le plateau de coupe.

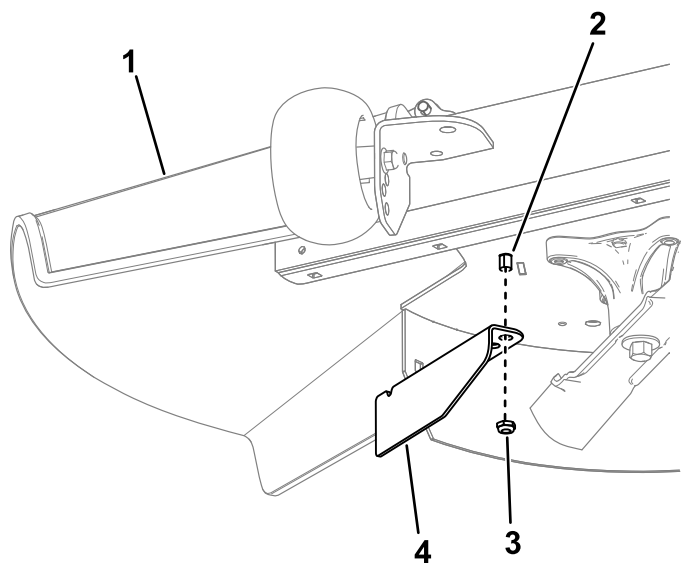


Figure 15

g297046

- | | |
|-------------------------------|---------------------------|
| 1. Déflecteur d'herbe | 3. Écrou |
| 2. Tige de déflecteur d'herbe | 4. Déflecteur d'ouverture |

13. Fixez le déflecteur d'ouverture sur la tige du déflecteur d'herbe avec l'écrou en utilisant le trou extérieur du déflecteur.
14. Reposez le plateau de coupe ; voir [Montage du plateau de coupe \(page 59\)](#).

Pendant l'utilisation

Consignes de sécurité pendant l'utilisation

Consignes de sécurité générales

- Le propriétaire/l'utilisateur est responsable des accidents pouvant entraîner des dommages corporels ou matériels et peut les prévenir.
- Accordez toute votre attention à l'utilisation de la machine. Ne faites rien d'autre qui puisse vous distraire, au risque de causer des dommages corporels ou matériels.
- N'utilisez pas la machine si vous êtes fatigué(e), malade ou sous l'emprise de l'alcool, de médicaments ou de drogues.
- Le contact avec la lame peut entraîner des blessures graves. Avant de quitter la position d'utilisation, coupez le moteur, retirez la clé de contact et attendez l'arrêt complet de toutes les pièces mobiles. Quand vous tournez la clé de contact en position ARRÊT, le moteur ainsi que la lame devraient s'arrêter. Si ce n'est pas le cas, cessez immédiatement d'utiliser la machine et

adressez-vous à un concessionnaire-réparateur agréé.

- N'utilisez la machine que si la visibilité est suffisante et les conditions météorologiques favorables. N'utilisez pas la machine s'il y a risque d'orage.
- N'approchez pas les pieds ni les mains des unités de coupe. Ne vous tenez pas devant l'ouverture d'éjection.
- Ne tondez pas avec le volet d'éjection relevé, déposé ou modifié à moins qu'un système de ramassage ou de mulching soit en place et fonctionne correctement.
- Ne tondez jamais en marche arrière, sauf en cas d'absolue nécessité. Vérifiez toujours que la voie est libre juste derrière la machine et sur sa trajectoire avant de faire marche arrière.
- Faites preuve de la plus grande prudence à l'approche de tournants sans visibilité, de buissons, d'arbres ou d'autres objets susceptibles de masquer la vue.
- Arrêtez les lames quand vous ne tondez pas.
- Si la machine a heurté un obstacle ou commence à vibrer, coupez immédiatement le moteur, retirez la clé (selon l'équipement) et attendez l'arrêt complet de toutes les pièces mobiles avant de vérifier si la machine n'est pas endommagée. Effectuez toutes les réparations nécessaires avant de réutiliser la machine.
- Ralentissez et faites preuve de prudence quand vous changez de direction, ainsi que pour traverser des routes et des trottoirs avec la machine. Cédez toujours le passage.
- Avant de quitter la position d'utilisation :
 - Garez la machine sur une surface plane et horizontale.
 - Désengagez la prise de force et abaissez les outils.
 - Serrez le frein de stationnement.
 - Coupez le moteur et enlevez la clé.
 - Attendez l'arrêt complet de toutes les pièces mobiles.
- Ne faites tourner le moteur que dans des lieux bien aérés. Les gaz d'échappement contiennent du monoxyde de carbone, qui est mortel en cas d'inhalation.
- Ne laissez jamais la machine en marche sans surveillance.
- Servez-vous uniquement du point d'attelage pour arrimer l'équipement tracté à la machine.
- N'utilisez pas la machine si tous les capots de protection et les dispositifs de sécurité, comme les déflecteurs et le bac à herbe au complet, ne sont pas en place ou ne fonctionnent pas correctement.

Remplacez les pièces usées ou abîmées au besoin.

- Utilisez uniquement les accessoires et équipements agréés par Toro
- Cette machine produit au niveau de l'oreille de l'utilisateur un niveau sonore de plus de 85 dBA qui peut entraîner des déficiences auditives en cas d'exposition prolongée.

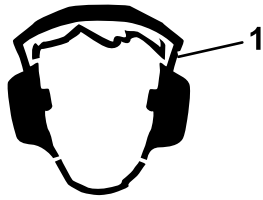


Figure 16

g229846

1. Portez des protecteurs d'oreilles.

- Pour éviter les risques d'incendie, enlevez les débris d'herbe et autres agglomérés sur l'unité de coupe, les entraînements, le silencieux et le moteur.
- Gardez les pieds à bonne distance des lames quand vous mettez le moteur en marche.
- Sachez dans quel sens s'effectue l'éjection et faites en sorte qu'elle ne soit dirigée vers personne. N'éjectez pas l'herbe coupée contre un mur ou un obstacle, car elle pourrait ricocher dans votre direction.
- Arrêtez les lames, ralentissez et faites preuve de prudence avant de traverser des surfaces autres que du gazon, ou quand vous déplacez la machine entre les surfaces de travail.
- Ne modifiez pas le réglage du régulateur et ne faites pas tourner le moteur à un régime excessif.
- Les enfants sont souvent attirés par la machine et l'activité de tonte. Ne partez jamais du principe que les enfants se trouvent encore à l'endroit où vous les avez vus pour la dernière fois.
- Veillez à ce que les enfants restent hors de la zone de travail, sous la garde d'un adulte responsable autre que l'utilisateur.
- Faites preuve de vigilance et arrêtez la machine si des enfants pénètrent dans la zone de travail.
- Avant de reculer ou de prendre un virage, vérifiez qu'aucun enfant ne se trouve dans les environs.
- Ne transportez pas d'enfants sur la machine, même si les lames ne sont pas en rotation. Les enfants pourraient tomber et se blesser gravement ou vous empêcher d'utiliser la machine de manière sécuritaire. Les enfants qui ont été autorisés à monter sur la machine en marche par le passé peuvent apparaître subitement dans la zone de travail et risquent alors d'être renversés ou écrasés par la machine.

Consignes de sécurité pour l'utilisation sur les pentes

- Les pentes augmentent significativement les risques de perte de contrôle et de retournement de la machine pouvant entraîner des accidents graves, voire mortels. L'utilisateur est responsable de la sécurité d'utilisation de la machine sur les pentes. L'utilisation de la machine sur une pente, quelle qu'elle soit, demande une attention particulière. Avant d'utiliser la machine sur une pente, vous devez :
 - Lire et comprendre les instructions relatives à l'utilisation sur les pentes qui figurent dans le manuel et sur la machine.
 - Utiliser l'indicateur d'angle pour déterminer l'angle approximatif de la pente sur laquelle vous devez travailler.
 - Ne travaillez jamais sur des pentes de plus de 15°.
 - Évaluer chaque jour l'état du terrain pour déterminer si la pente permet d'utiliser la machine sans risque. Faire preuve de bon sens et de discernement lors de cette évaluation. Les conditions changeantes du terrain, telle l'humidité, peuvent rapidement modifier le fonctionnement de la machine sur les pentes.
- Identifiez les dangers potentiels depuis le bas de la pente. N'utilisez pas la machine près de fortes dénivellations, fossés, berges, étendues d'eau ou autres dangers. La machine pourrait se retourner brusquement si une roue passe par-dessus une dénivellation quelconque et se retrouve dans le vide, ou si un bord s'effondre. Maintenez une distance de sécurité (deux fois la largeur de la machine) entre la machine et tout danger potentiel. Utilisez une tondeuse autotractée ou une débroussailleuse manuelle pour tondre dans ce type de terrain.
- Évitez de démarrer, de vous arrêter ou de tourner sur les pentes. Ne changez pas soudainement de vitesse ou de direction ; tournez lentement et graduellement.
- N'utilisez pas la machine si l'adhérence, la direction ou la stabilité peuvent être compromises. Tenez compte du fait qu'une perte de l'adhérence peut se produire sur l'herbe humide, en travers des pentes ou dans les descentes. La perte d'adhérence des roues motrices peut faire patiner la machine et entraîner la perte du freinage et de la direction. La machine peut glisser même si les roues motrices ne tournent plus.
- Enlevez ou balisez les obstacles tels que fossés, trous, ornières, bosses, rochers ou autres dangers cachés. L'herbe haute peut masquer les accidents du terrain. Les irrégularités du terrain risquent de provoquer le retournement de la machine.

- Redoublez de prudence lorsque vous utilisez la machine équipée d'outils ou d'accessoires, tels des systèmes de ramassage. Ils peuvent modifier la stabilité et entraîner la perte du contrôle de la machine. Suivez les instructions d'utilisation des contrepoids.
- Dans la mesure du possible, gardez le plateau de coupe abaissé au sol quand vous utilisez la machine sur des pentes. La machine peut devenir instable si vous levez le plateau de coupe pendant l'utilisation sur une pente.
- Sur les pentes, le poids du matériel remorqué peut provoquer une perte de la motricité, augmenter le risque de retournement et la perte de contrôle. Réduisez le poids remorqué et ralentissez.
- La distance d'arrêt peut augmenter avec le poids de la charge remorquée. Conduisez lentement et prévoyez une distance de freinage plus grande que la normale.
- Prenez des virages larges pour ne pas trop rapprocher l'accessoire de la machine.

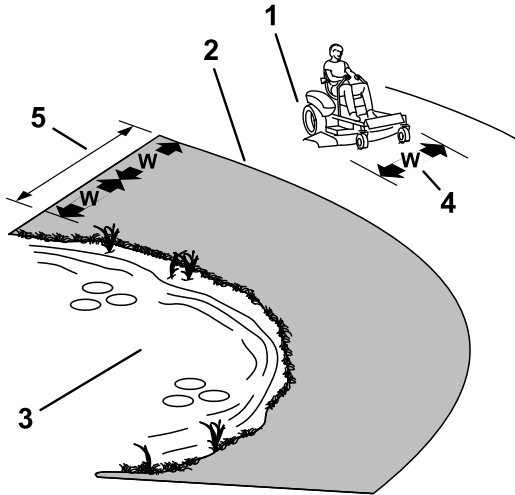


Figure 17

1. Zone de sécurité – utiliser la machine ici sur les pentes de moins de 15° ou sur les terrains plats.
2. Zone dangereuse – utiliser une tondeuse autotractée et/ou une débroussailleuse à main sur les pentes de plus 15°, ainsi que près de fortes dénivellations ou des étendues d'eau
3. Eau
4. L = largeur de la machine
5. Maintenez une distance de sécurité (deux fois la largeur de la machine) entre la machine et tout danger potentiel.

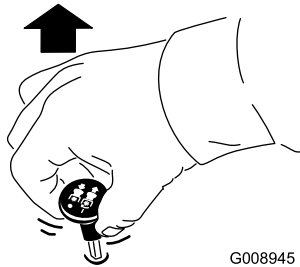
Consignes de sécurité concernant le remorquage

- Le matériel remorqué ne doit être attelé qu'au point d'attelage.
- N'utilisez pas la machine pour tracter quoi que ce soit, à moins qu'elle ne soit équipée d'un dispositif d'attelage.
- Ne dépassez pas les limites de poids spécifiées pour le matériel remorqué et le remorquage sur les pentes. Le poids remorqué ne doit pas être supérieur au poids combiné de la machine et de l'opérateur.
- N'autorisez jamais ni enfants ni adultes à s'approcher de l'équipement remorqué.

Utilisation de la commande des lames (PDF)

La commande des lames (PDF) permet de démarrer et d'arrêter la rotation des lames et des autres accessoires qu'elle entraîne.

Engagement de la commande des lames (PDF)

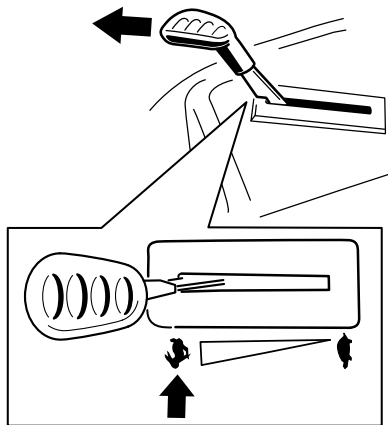


G008945

g008945

Figure 18

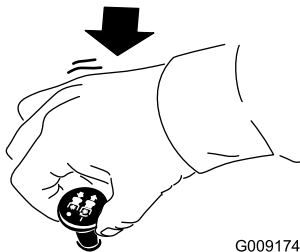
Remarque: Engagez toujours les lames en plaçant la commande d'accélérateur à la position HAUT RÉGIME (Figure 19).



g295538

Figure 19

Désengagement de la commande des lames (PDF)



G009174

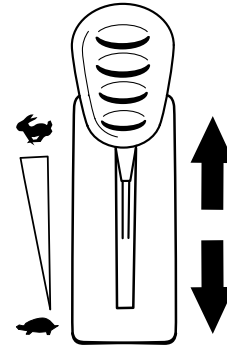
g009174

Figure 20

Utilisation de l'accélérateur

Vous pouvez régler la commande d'accélérateur entre les positions HAUT RÉGIME et BAS RÉGIME (Figure 21).

Sélectionnez toujours la position HAUT RÉGIME quand vous engagez la PDF.



g295539

Figure 21

Utilisation du starter

Utilisez le starter pour démarrer quand le moteur est froid.

1. Tirez sur la commande de starter pour engager le starter avant d'utiliser le commutateur d'allumage (Figure 22).

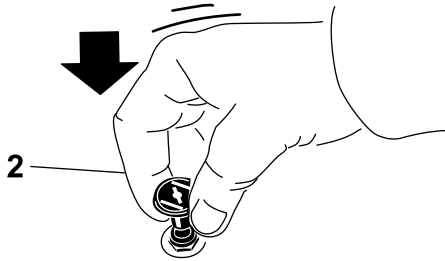
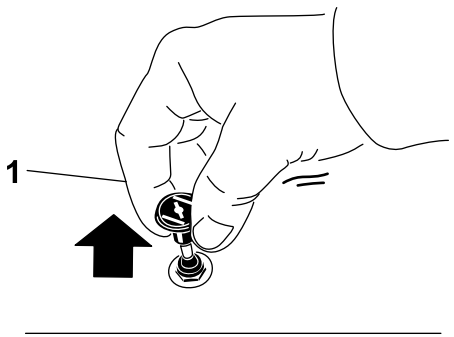
Remarque: Veillez à engager complètement le starter. Il faut parfois maintenir la commande tirée quand vous utilisez le commutateur d'allumage.

2. Poussez sur la commande pour désengager le starter lorsque le moteur a démarré (Figure 22).

Démarrage du moteur

Remarque: L'usage du starter n'est généralement pas nécessaire si le moteur est chaud.

Important: N'actionnez pas le démarreur plus de 5 secondes de suite. N'actionnez pas le démarreur pendant plus de 5 secondes de suite au risque de l'endommager. Si le moteur refuse de démarrer, patientez 10 secondes avant de faire une nouvelle tentative de démarrage.



g295540

Figure 22

1. Position ENGAGÉE

2. Position DÉSENGAGÉE

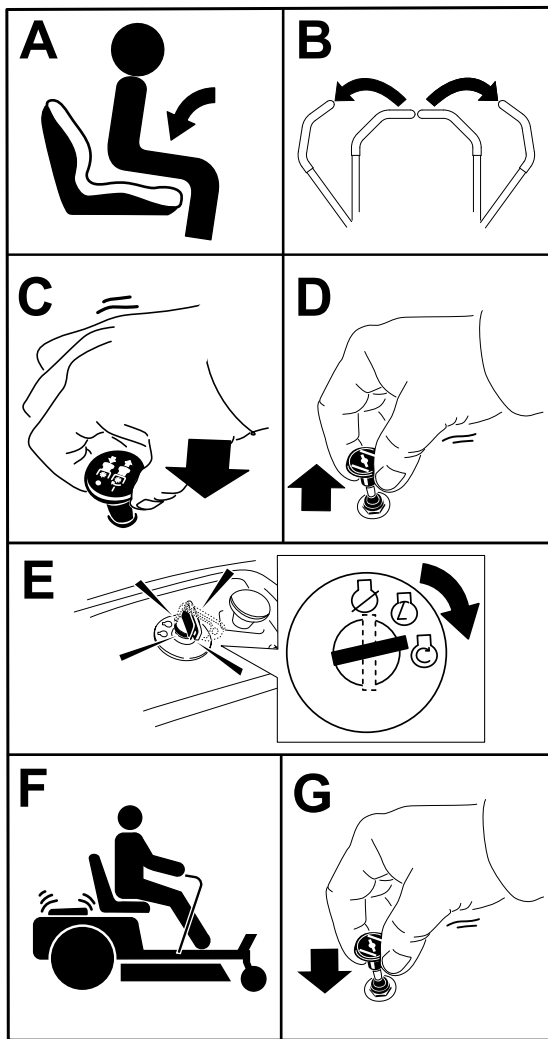


Figure 23

g295541

Arrêt du moteur

1. Désengagez les lames en plaçant la commande des lames en position DÉSENGAGÉE.
2. Poussez les leviers de commande de déplacement vers l'extérieur, à la position de STATIONNEMENT.
3. Réglez la commande d'accélérateur entre la position à mi-course et la position haut régime.
4. Tournez la clé en position ARRÊT et enlevez-la.

⚠ PRUDENCE

Les enfants ou les personnes à proximité risquent de se blesser s'ils déplacent ou essaient d'utiliser la machine, lorsque celle-ci est laissée sans surveillance.

Enlevez toujours la clé et serrez le frein de stationnement si vous laissez la machine sans surveillance.

Utilisation des leviers de commande de déplacement

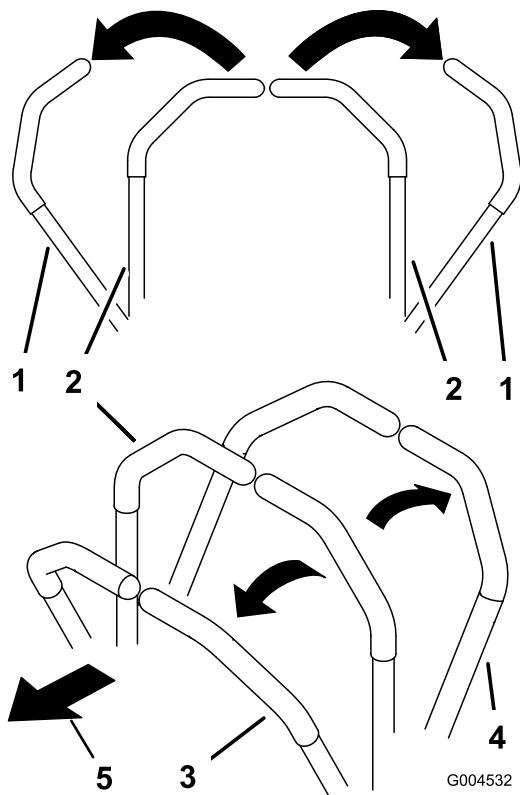


Figure 24

- | | |
|---|------------------------|
| 1. Levier de commande de déplacement – position STATIONNEMENT | 4. Marche arrière |
| 2. Position centrale de dévrouillage | 5. Avant de la machine |
| 3. Marche avant | |

Conduire la machine

Les roues motrices tournent indépendamment et sont entraînées par des moteurs hydrauliques sur chaque essieu. Vous pouvez faire tourner un côté en marche arrière et l'autre en marche avant, ce qui fait pivoter la machine au lieu de la faire changer de direction. La maniabilité de la machine en est grandement améliorée, mais il vous faudra peut-être un peu de temps pour vous adapter à cette manière de conduire.

La commande d'accélérateur agit sur le régime moteur qui se mesure en tours/minute (tr/min). Placez la commande d'accélérateur en position HAUT RÉGIME pour obtenir des performances optimales. Travaillez toujours à plein régime.

⚠ ATTENTION

La machine peut tourner très rapidement. Vous pouvez perdre le contrôle de la machine et vous blesser gravement ou endommager la machine.

- **Soyez extrêmement prudent dans les virages.**
- **Ralentissez avant de prendre des virages serrés.**

Conduite en marche avant

Remarque: Tournez toujours avec précaution.

1. Amenez les leviers de commande de déplacement au centre, en position dévrouillée.
2. Pour vous déplacer en marche avant, poussez lentement les leviers de commande de déplacement vers l'avant (Figure 25).

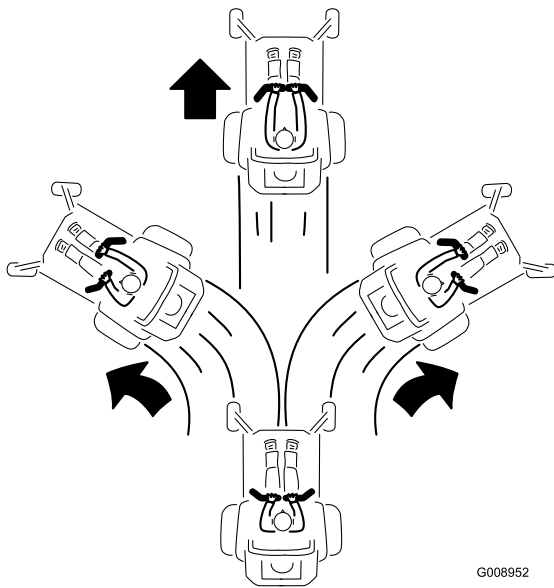


Figure 25

G008952

g008952

Conduite en marche arrière

Remarque: Faites toujours marche arrière et tournez avec précaution.

1. Amenez les leviers de commande de déplacement au centre, en position déverrouillée.
2. Pour vous déplacer en marche arrière, tirez lentement les leviers en arrière (Figure 26).

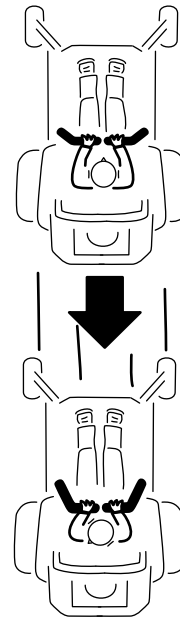


Figure 26

G008953

g008953

Utilisation du système de commande Smart Speed™

Le levier du système de commande Smart Speed™ est situé sous la position d'utilisation (Figure 27), et permet à l'utilisateur de choisir entre 3 gammes de vitesses : tonte de finition, remorquage et tonte.

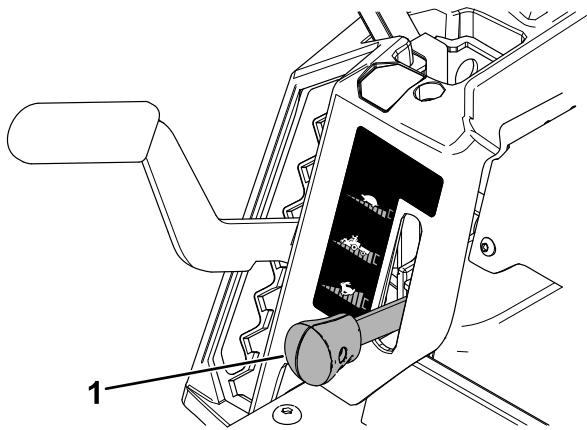


Figure 27

1. Levier de commande Smart Speed

g293338

Pour changer de vitesse, procédez comme suit :

1. Poussez les leviers de commande de déplacement au point mort puis vers l'extérieur, à la position STATIONNEMENT.
2. Désengagez la commande des lames.
3. Placez le levier à la position voulue.

Les chiffres suivants ne sont fournis qu'à titre indicatif. Les réglages varient selon le type, l'humidité et la hauteur de l'herbe.

Utilisations suggérées :	Tonte de finition	Remorquage	Tonte
Stationnement	X		
Herbe épaisse et humide	X		
Apprendre à se servir de la machine	X		
Tonte de finition	X		
Ramassage		X	
Mulching		X	
Remorquage d'accessoires		X	
Tonte normale			X
Déplacement de la machine			X

Tonte de finition

Cette vitesse est la plus basse. Il est conseillé d'utiliser cette vitesse dans les cas suivants :

- Stationnement
- Herbe épaisse et humide
- Apprendre à se servir de la machine
- Tonte de finition

Remorquage

Cette vitesse est la vitesse intermédiaire. Il est conseillé d'utiliser cette vitesse dans les cas suivants :

- Ramassage
- Mulching
- Remorquage d'accessoires

Tonte

Cette vitesse est la plus élevée. Il est conseillé d'utiliser cette vitesse dans les cas suivants :

- Tonte normale
- Déplacement de la machine

Utilisation de l'éjection latérale

La tondeuse est équipée d'un déflecteur d'herbe pivotant qui permet de disperser les déchets de tonte sur le côté et à la surface de la pelouse.

⚠ DANGER

Si le déflecteur d'herbe, l'obturateur d'éjection ou le bac à herbe complet ne sont pas en place sur la machine, vous-même ou d'autres personnes peuvent être touchés par une lame ou des débris projetés. Le contact avec les lames en rotation et la projection de débris peuvent occasionner des blessures graves ou mortelles.

- N'enlevez jamais le déflecteur d'herbe du plateau de coupe, sa présence est nécessaire pour diriger l'herbe tondue sur le gazon. Si le déflecteur d'herbe est endommagé, remplacez-le immédiatement.
- Ne mettez jamais les mains ou les pieds sous le plateau de coupe.
- N'essayez jamais de dégager l'ouverture d'éjection ou les lames sans avoir au préalable amené la commande des lames (PDF) en position DÉSENGAGÉE, tourné la clé de contact sur ARRÊT et enlevé la clé.
- Vérifiez que le déflecteur d'herbe est abaissé.

Réglage de la hauteur de coupe

Remarque: La position de transport est la hauteur de coupe la plus élevée (114 mm), comme montré à la [Figure 28](#).

Vous pouvez régler la hauteur de coupe de 38 à 114 mm par paliers de 13 mm. La hauteur de coupe est commandée par le levier situé à droite de la position de conduite ([Figure 28](#)).

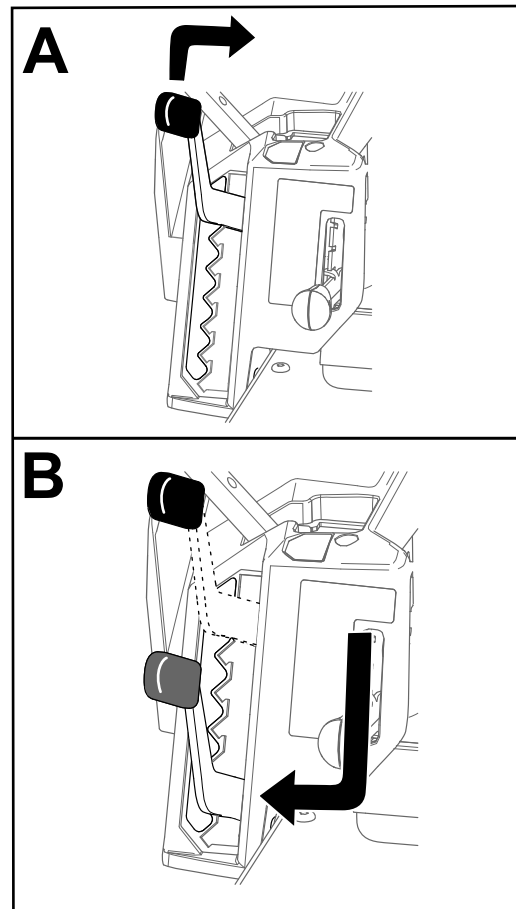


Figure 28

g296586

Réglage des galets anti-scalp

Machines avec plateaux de coupe de 107 cm

Ajustez la hauteur des galets anti-scalp chaque fois que vous modifiez la hauteur de coupe.

Remarque: Réglez les galets anti-scalp de sorte qu'ils ne touchent pas le sol sur les surfaces de tonte planes normales.

1. Garez la machine sur une surface plane et horizontale, placez la commande des lames en position désengagée et les leviers de commande de déplacement à la position STATIONNEMENT.
2. Avant de quitter la position d'utilisation, coupez le moteur, retirez la clé de contact et attendez l'arrêt complet de toutes les pièces mobiles.
3. Réglez les galets anti-scalp sur l'une des positions suivantes :
 - Trou supérieur – utilisez cette position avec le plateau de coupe à une hauteur de coupe inférieure ou égale à 63 mm (Figure 29).
 - Trou inférieur – utilisez cette position avec le plateau de coupe à une hauteur de coupe égale ou supérieure à 76 mm (Figure 29).

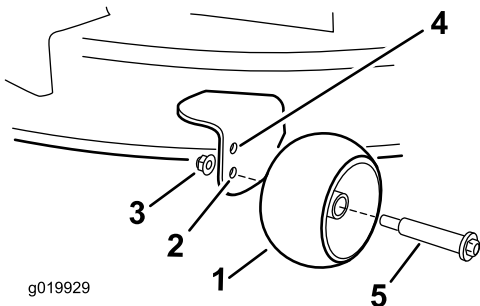


Figure 29

1. Galet anti-scalp
2. Trou inférieur – plateau de coupe à une hauteur de coupe égale ou supérieure à 76 mm
3. Écrou à embase
4. Trou supérieur – plateau de coupe à une hauteur de coupe inférieure ou égale à 63 mm
5. Boulon

Machines avec plateaux de coupe de 127 cm

Ajustez la hauteur des galets anti-scalp chaque fois que vous modifiez la hauteur de coupe.

Remarque: Réglez les galets anti-scalp de sorte qu'ils ne touchent pas le sol sur les surfaces de tonte planes normales.

1. Garez la machine sur une surface plane et horizontale, placez la commande des lames en position désengagée et les leviers de commande de déplacement à la position STATIONNEMENT.
2. Avant de quitter la position d'utilisation, coupez le moteur, retirez la clé de contact et attendez l'arrêt complet de toutes les pièces mobiles.
3. Réglez les galets anti-scalp (Figure 30) en fonction de la position de hauteur de coupe la plus proche.

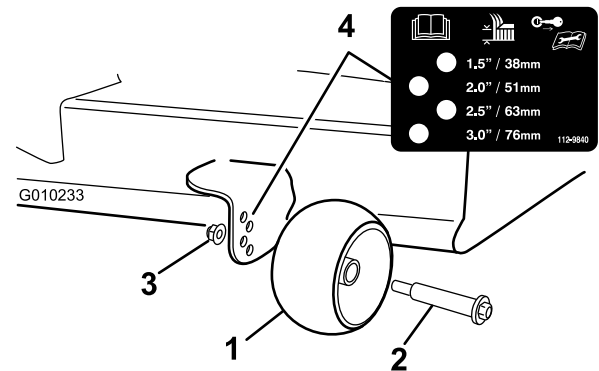


Figure 30

1. Galet anti-scalp
2. Boulon
3. Écrou à embase
4. Espacement des trous

Conseils d'utilisation

Maximiser la circulation d'air

Pour obtenir une circulation d'air maximale et de meilleurs résultats, faites tourner le moteur à HAUT RÉGIME. L'air doit pouvoir circuler pour bien couper l'herbe. Pour cette raison, ne sélectionnez pas une hauteur de coupe trop basse car le plateau de coupe serait alors complètement entouré d'herbe haute. Placez-vous toujours de sorte qu'un côté de la tondeuse se trouve à l'extérieur de la zone non-coupée. L'air pourra ainsi circuler librement dans le plateau de coupe.

Tonte initiale

Tondez l'herbe légèrement plus haut que d'habitude pour éviter de scalper les inégalités du terrain. La hauteur de coupe habituelle est cependant celle qui convient le mieux en général. Si la hauteur de l'herbe dépasse 15 cm, vous devrez peut-être vous y reprendre à deux fois pour obtenir un résultat acceptable.

Tondre un tiers de la hauteur de l'herbe

L'idéal est de ne raccourcir l'herbe que du tiers de sa hauteur. Une coupe plus courte est déconseillée, à moins que l'herbe ne soit clairsemée, ou en automne lorsque la pousse commence à ralentir.

Alternance de la direction de la tonte

Alternez le sens des passages pour ne pas coucher l'herbe. L'alternance permet aussi de mieux disperser l'herbe coupée, ce qui améliore la décomposition et la fertilisation.

Fréquence de tonte

L'herbe pousse à une vitesse différente selon les saisons. Pour conserver une hauteur de coupe uniforme, tondez plus souvent au début du printemps. Réduisez la fréquence de la tonte au milieu de l'été, lorsque l'herbe pousse moins vite. Si vous n'avez pas tondu depuis un certain temps, effectuez un premier passage à une hauteur de coupe élevée, puis repassez 2 jours plus tard en abaissant la hauteur de coupe.

Tondre à petites vitesses

Dans certaines conditions, la tonte à vitesse réduite peut améliorer la qualité de coupe.

Éviter de tondre trop ras

Si la surface est irrégulière, élevez la hauteur de coupe pour éviter de scalper l'herbe.

Arrêt de la machine

Si vous devez immobiliser la machine en cours de tonte, un paquet d'herbe coupée peut tomber sur la pelouse. Pour éviter cela, rendez-vous sur une surface déjà tondue en laissant les lames embrayées ou bien désengagez le plateau de coupe tout en vous déplaçant en marche avant.

Propreté du dessous du plateau de coupe

Nettoyez le dessous du plateau de coupe après chaque utilisation. Ne laissez pas l'herbe et la terre s'accumuler à l'intérieur, car la qualité de la tonte finira par en souffrir.

Entretien des lames

Utilisez une lame bien aiguisée durant toute la saison de coupe, pour obtenir une coupe nette sans arracher ni déchiqeter les brins d'herbe. L'herbe arrachée ou déchiqetée brunit sur les bords, sa croissance ralentit et elle devient plus sensible aux maladies. Après chaque utilisation, vérifiez l'état, l'usure et l'affûtage des lames. Limez les entailles éventuelles et aiguissez les lames selon les besoins. Remplacez immédiatement les lames endommagées ou usées par des lames d'origine Toro. Voir [Entretien des lames \(page 52\)](#).

Après l'utilisation

Consignes de sécurité après l'utilisation

Consignes de sécurité générales

- Avant de quitter la position d'utilisation, coupez le moteur, enlevez la clé et attendez l'arrêt complet de toutes les pièces mobiles. Laissez refroidir la machine avant d'en faire l'entretien, de la régler, de faire le plein de carburant, de la nettoyer ou de la remiser.
- Pour éviter les risques d'incendie, enlevez les débris d'herbe et autres agglomérés sur l'unité de coupe, le silencieux, les entraînements, le bac à herbe et le moteur. Nettoyez les coulées éventuelles d'huile ou de carburant.
- Enlevez la clé avant de transporter ou remiser la machine.

Nettoyage de la machine

Périodicité des entretiens: Après chaque utilisation

Important: La machine peut être lavée à l'eau avec un détergent doux. N'utilisez pas de nettoyeur haute pression. N'utilisez pas trop d'eau, surtout près du panneau de commande, sous le siège et autour du moteur, des pompes hydrauliques et des moteurs électriques.

1. Garez la machine sur une surface plane et horizontale, placez la commande des lames en position désengagée et les leviers de commande de déplacement à la position STATIONNEMENT.
2. Coupez le moteur et attendez l'arrêt complet de toutes les pièces mobiles avant de quitter la position d'utilisation.
3. Enlevez les débris d'herbe et autres agglomérés sur l'unité de coupe, le silencieux, les entraînements, le bac à herbe et le moteur.

Remarque: Voir [Lavage du dessous du plateau de coupe](#) [Plateau de coupe \(page 60\)](#) pour savoir comment utiliser le raccord de lavage du plateau.

Pousser la machine à la main

Cette machine comprend un mécanisme de freinage électrique ; la clé doit être en position CONTACT pour pousser la machine. La batterie doit être chargée et opérationnelle pour que le frein électrique puisse être desserré.

1. Garez la machine sur une surface plane et horizontale, placez la commande des lames en position désengagée et les leviers de commande de déplacement à la position STATIONNEMENT.
2. Coupez le moteur et attendez l'arrêt complet de toutes les pièces mobiles avant de quitter la position d'utilisation.
3. Localisez les leviers de dérivation sur le cadre, des deux côtés du moteur.
4. Déplacez les deux leviers de dérivation en avant dans la fente, puis vers le bas pour les verrouiller en position (Figure 31).

⚠ ATTENTION

Les pièces brûlantes peuvent causer des blessures.

Gardez les mains, les pieds, le visage et toute autre partie du corps ainsi que les vêtements à l'écart du moteur, du silencieux et autres surfaces brûlantes.

⚠ ATTENTION

La machine peut se déplacer inopinément alors que les leviers de dérivation sont verrouillés en avant dans la fente et vous blesser ou blesser toute personne à proximité.

Verrouillez les leviers de dérivation en position arrière avant de déplacer la machine.

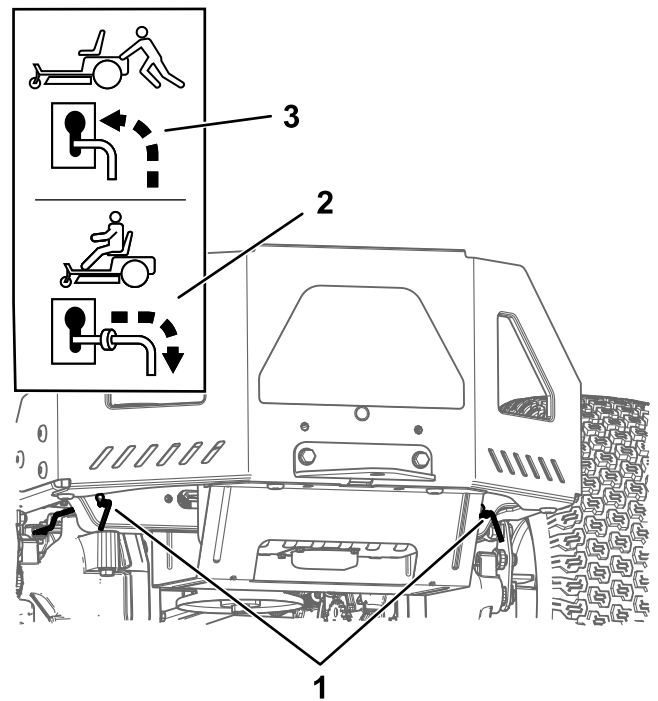


Figure 31

g333873

1. Emplacements des leviers
2. Position des leviers pour utiliser la machine
3. Position des leviers pour pousser la machine

5. Tournez la clé de contact à la position CONTACT et desserrez le frein de stationnement en sortant un des leviers de commande de déplacement de la position STATIONNEMENT.

Remarque: Ne démarrez pas la machine.

6. Déplacez la machine selon les besoins.

Important: Poussez toujours la machine manuellement. Ne remorquez pas la machine au risque de l'endommager.

7. Poussez les leviers de commande de déplacement vers l'extérieur, à la position STATIONNEMENT.
8. Tournez la clé à la position ARRÊT et retirez-la pour éviter de décharger la batterie.
9. Déplacez les deux leviers de dérivation en arrière et vers le bas dans la fente pour les bloquer en place.

Transport de la machine

Transportez la machine sur une remorque de poids-lourd ou un camion. Utilisez une rampe d'une seule pièce. Le camion ou la remorque doit être équipé(e) des freins, des éclairages et de la signalisation exigés par la loi. Lisez attentivement toutes les consignes de sécurité. Tenez-en compte pour éviter de vous blesser ou de blesser des personnes à proximité. Reportez-vous aux ordonnances locales concernant les exigences d'arrimage et de remorquage.

⚠ ATTENTION

Il est dangereux de conduire sur la voie publique sans clignotants, éclairages, réflecteurs ou panneau « véhicule lent ». Vous risquez de provoquer un accident et de vous blesser.

Ne conduisez pas la machine sur la voie publique.

Choix d'une remorque

⚠ ATTENTION

Le chargement d'une machine sur une remorque ou un camion augmente les risques de renversement et peut provoquer des blessures graves voire mortelles (Figure 32).

- Utilisez uniquement une rampe d'une seule pièce ; n'utilisez pas de rampes individuelles de chaque côté de la machine.
- Ne dépassez pas un angle de 15 degrés entre la rampe et le sol ou entre la rampe et la remorque ou le camion.
- La rampe doit être au moins 4 fois plus longue que la hauteur de la remorque ou du plateau du camion par rapport au sol. Ainsi, l'angle de la rampe ne dépassera pas 15 degrés par rapport au sol plat.

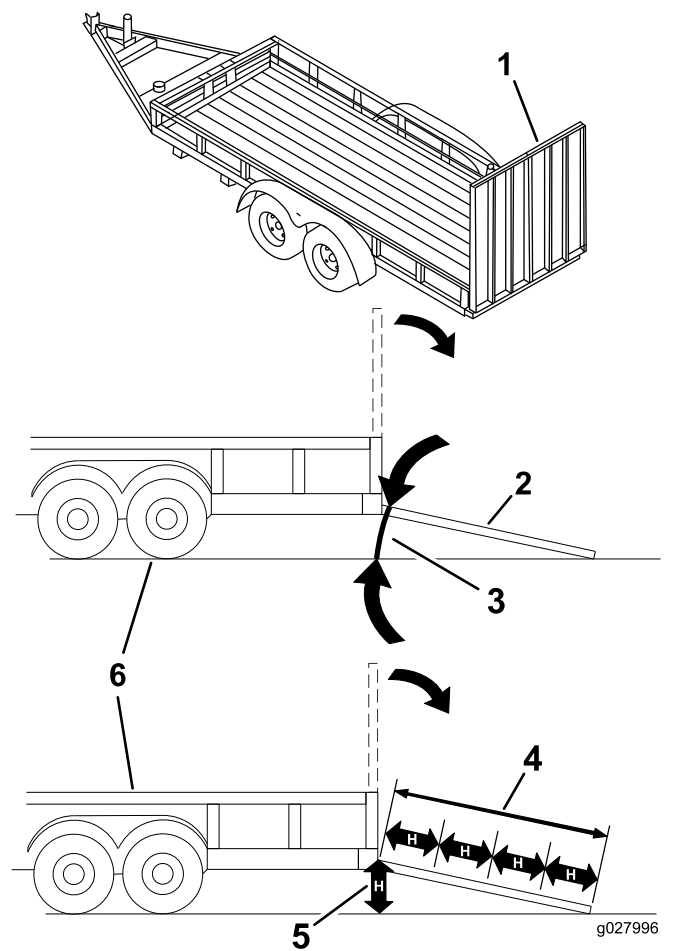


Figure 32

1. Rampe d'une seule pièce en position repliée
2. Vue latérale d'une rampe d'une seule pièce en position de chargement
3. 15 degrés maximum
4. Longueur de la rampe au moins 4 fois supérieure à la hauteur du plateau de la remorque ou du camion par rapport au sol
5. H = hauteur du plateau de la remorque ou du camion par rapport au sol
6. Remorque

Chargement de la machine

⚠ ATTENTION

Le chargement de la machine sur une remorque ou un camion augmente le risque de basculement, et donc de blessures graves ou mortelles.

- Procédez avec la plus grande prudence lorsque vous manœuvrez la machine sur une rampe.
 - Faites monter la machine sur la rampe en marche arrière et descendez en marche avant.
 - Évitez d'accélérer ou de décélérer brutalement lorsque vous conduisez la machine sur une rampe car vous pourriez en perdre le contrôle ou la renverser.
1. Si vous utilisez une remorque, fixez-la au véhicule tracteur et attachez les chaînes de sécurité.
 2. Le cas échéant, raccordez les freins et connectez l'éclairage de la remorque.
 3. Abaissez la rampe pour que l'angle avec le sol ne dépasse pas 15 degrés (Figure 32).
 4. Montez la rampe en marche arrière (Figure 33).

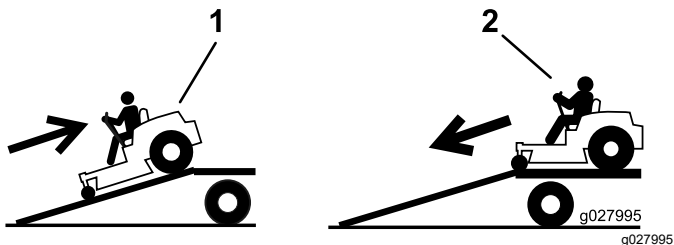


Figure 33

1. Monter la rampe en marche arrière
2. Descendre la rampe en marche avant

5. Coupez le moteur, retirez la clé et écartez les leviers de commande de déplacement à la position STATIONNEMENT.
6. Arrimez la machine près des roues pivotantes avant et du cadre arrière à l'aide de sangles, chaînes, câbles ou cordes (Figure 34). Voir la réglementation locale concernant les exigences en matière d'arrimage.

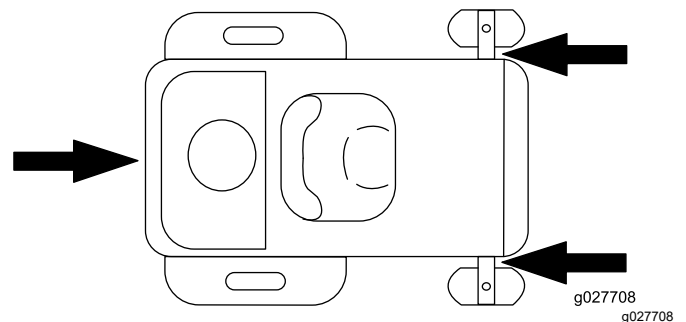


Figure 34

1. Points d'attache

Déchargement de la machine

1. Abaissez la rampe pour que l'angle avec le sol ne dépasse pas 15 degrés (Figure 32).
2. Descendez la rampe en marche avant (Figure 33).

Entretien

Remarque: Les côtés gauche et droit de la machine sont déterminés d'après la position d'utilisation normale.

Consignes de sécurité pendant l'entretien

- Si vous laissez la clé dans le commutateur d'allumage, quelqu'un pourrait mettre le moteur en marche accidentellement et vous blesser gravement, ainsi que toute personne à proximité. Retirez la clé du commutateur d'allumage avant tout entretien.
- Avant de quitter la position d'utilisation, effectuez la procédure suivante :
 - Garez la machine sur une surface plane et horizontale.
 - Débrayez les systèmes d'entraînement.
 - Serrez le frein de stationnement.
 - Coupez le moteur et retirez la clé.
 - Laissez refroidir les composants de la machine avant d'effectuer toute opération d'entretien.
- Ne confiez pas l'entretien de la machine à des personnes non qualifiées.
- N'approchez jamais les mains ou les pieds des pièces en mouvement ou des surfaces chaudes. Dans la mesure du possible, évitez de procéder à des réglages sur la machine quand le moteur tourne.
- Libérez la pression emmagasinée dans les composants avec précaution.
- Vérifiez fréquemment le fonctionnement du frein de stationnement. Effectuez les réglages et l'entretien éventuellement requis.
- N'enlevez pas et ne modifiez pas les dispositifs de sécurité. Vérifiez régulièrement qu'ils fonctionnent correctement.
- Pour éviter les risques d'incendie, enlevez les débris d'herbe et autres agglomérés sur l'unité de coupe, le silencieux, les entraînements, le bac à herbe et le moteur.
- Nettoyez les coulées éventuelles d'huile ou de carburant et éliminez les déchets imbibés de carburant.
- Ne vous fiez pas uniquement aux crics hydrauliques ou mécaniques pour soutenir la machine ; soutenez-la avec des chandelles quand vous la soulevez.
- Maintenez toutes les pièces en bon état de marche et toutes les fixations bien serrées, en particulier celles des lames. Remplacez tous les autocollants usés ou endommagés.
- Débranchez le câble de la borne négative de la batterie avant de réparer la machine.
- Pour obtenir des résultats optimaux, utilisez exclusivement des pièces de rechange et des outils d'origine Toro. Les pièces de rechange et accessoires provenant d'autres constructeurs peuvent être dangereux, et leur utilisation risque d'annuler la garantie de la machine.

Programme d'entretien recommandé

Périodicité d'entretien	Procédure d'entretien
À chaque utilisation ou une fois par jour	<ul style="list-style-type: none">• Contrôlez le système de sécurité.• Contrôle du niveau d'huile moteur.• Contrôlez les lames.• Vérifiez l'état du déflecteur d'herbe.
Après chaque utilisation	<ul style="list-style-type: none">• Enlevez les débris d'herbe et autres agglomérés sur l'unité de coupe, le silencieux, les entraînements, le bac à herbe et le moteur.• Nettoyez le carter du plateau de coupe.
Toutes les 25 heures	<ul style="list-style-type: none">• Graissez les roulements des roues pivotantes (plus fréquemment si le sol est sableux).• Nettoyez l'élément en mousse du filtre à air (plus fréquemment s'il y a beaucoup de poussière ou de saleté).• Contrôlez la pression des pneus.• Contrôlez l'état des courroies (usure/fissures).
Toutes les 100 heures	<ul style="list-style-type: none">• Remplacez l'élément en mousse du filtre à air (plus fréquemment s'il y a beaucoup de poussière ou de saleté).• Déposez et nettoyez le carter du ventilateur et autres carénages de refroidissement (plus fréquemment si vous utilisez la machine dans une atmosphère extrêmement poussiéreuse ou sale).• Remplacez le filtre à carburant en ligne.
Toutes les 100 heures ou tous les ans, la première échéance prévalant	<ul style="list-style-type: none">• Remplacez l'élément en papier du filtre à air (plus fréquemment s'il y a beaucoup de poussière ou de saleté).• Vidangez l'huile moteur et remplacez le filtre à huile (plus fréquemment si l'atmosphère est sale ou poussiéreuse).• Contrôlez la ou les bougies.
Toutes les 200 heures	<ul style="list-style-type: none">• Remplacez la ou les bougies.
Avant le remisage	<ul style="list-style-type: none">• Chargez la batterie et débranchez les câbles.• Effectuez tous les contrôles et entretiens mentionnés ci-dessus avant de remiser la machine.• Peignez les surfaces écaillées.

Important: Reportez-vous au manuel du propriétaire du moteur pour toutes procédures d'entretien supplémentaires.

⚠ PRUDENCE

Si vous laissez la clé dans le commutateur d'allumage, quelqu'un pourrait mettre le moteur en marche accidentellement et vous blesser gravement, ainsi que toute personne à proximité.

Coupez le moteur et enlevez la clé du commutateur avant d'effectuer des entretiens.

Procédures avant l'entretien

Relâchement du panneau de protection du plateau de coupe

Desserrez les 2 boulons inférieurs du panneau de protection pour accéder au sommet du plateau de coupe (Figure 35).

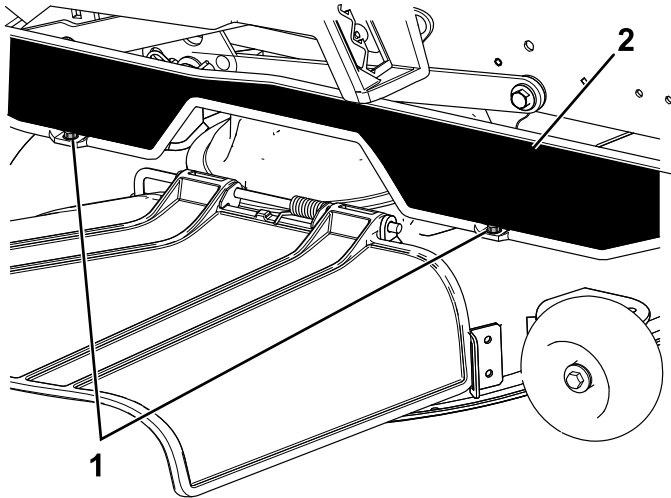


Figure 35

g295619

1. Boulon inférieur 2. Panneau de protection

Remarque: Serrez toujours les boulons pour assujettir le panneau de protection après l'entretien.

Levage de la machine

Utilisez des chandelles pour soutenir la machine après l'avoir levée.

⚠ ATTENTION

Si vous soutenez la machine au niveau de la protection inférieure du silencieux (Figure 36), la protection risque d'être endommagée et la machine peut tomber et vous blesser ou blesser d'autres personnes.

Ne vous servez pas de la protection inférieure du silencieux pour soulever ou soutenir la machine.

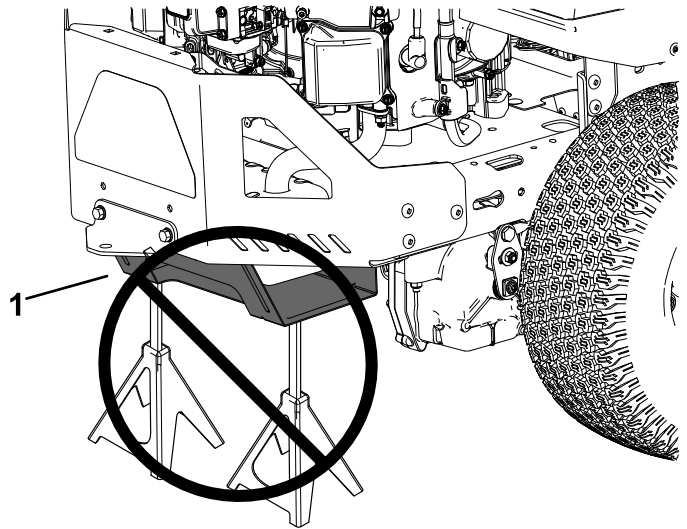


Figure 36

g299647

1. Protection inférieure du silencieux

Lubrification

Graissage des roulements

Périodicité des entretiens: Toutes les 25 heures—Graissez les roulements des roues pivotantes (plus fréquemment si le sol est sableux).

Type de graisse : graisse au lithium n° 2

1. Garez la machine sur une surface plane et horizontale, placez la commande des lames en position désengagée et les leviers de commande de déplacement à la position STATIONNEMENT.
2. Avant de quitter la position d'utilisation, coupez le moteur, retirez la clé de contact et attendez l'arrêt complet de toutes les pièces mobiles.
3. Nettoyez les graisseurs (Figure 37) avec un chiffon.

Remarque: Grattez la peinture qui pourrait se trouver sur l'avant des graisseurs.

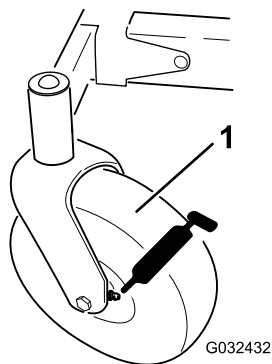


Figure 37

1. Roue pivotante avant

4. Raccordez une pompe à graisse à chaque graisseur (Figure 37).
5. Injectez de la graisse dans les graisseurs jusqu'à ce qu'elle commence à sortir des roulements.
6. Essuyez tout excès de graisse.

Entretien du moteur

Sécurité du moteur

- Gardez les mains, les pieds, le visage et toute autre partie du corps, ainsi que les vêtements à l'écart du silencieux et autres surfaces brûlantes. Laissez refroidir les composants du moteur avant d'effectuer toute opération d'entretien.
- Ne modifiez pas le réglage du régulateur et ne faites pas tourner le moteur à un régime excessif.

Entretien du filtre à air

Périodicité des entretiens: Toutes les 25 heures—Nettoyez l'élément en mousse du filtre à air (plus fréquemment s'il y a beaucoup de poussière ou de saleté).

Toutes les 100 heures—Remplacez l'élément en mousse du filtre à air (plus fréquemment s'il y a beaucoup de poussière ou de saleté).

Remarque: Nettoyez le filtre à air plus fréquemment (toutes les quelques heures de fonctionnement) si vous travaillez dans des conditions très poussiéreuses ou sableuses.

Retrait des éléments en mousse et en papier

1. Garez la machine sur une surface plane et horizontale, placez la commande des lames en position désengagée et les leviers de commande de déplacement à la position STATIONNEMENT.
2. Avant de quitter la position d'utilisation, coupez le moteur, retirez la clé de contact et attendez l'arrêt complet de toutes les pièces mobiles.
3. Nettoyez la surface autour du couvercle du filtre à air pour éviter que des impuretés ne s'introduisent dans le moteur et l'endommagent.
4. Faites pivoter les verrous vers l'extérieur et déposez le couvercle pour accéder aux éléments filtrants.

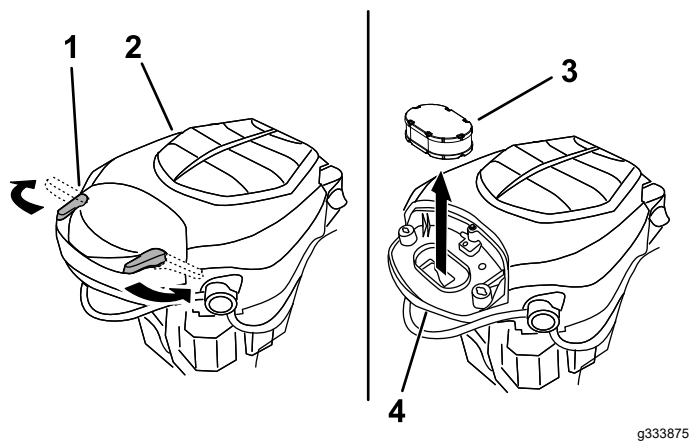


Figure 38

g333875

- | | |
|-----------|-------------------------|
| 1. Verrou | 3. Éléments filtrants |
| 2. Moteur | 4. Base du filtre à air |

- Séparez l'élément en mousse de l'élément en papier (Figure 39).

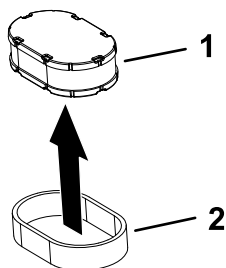


Figure 39

g333887

- | | |
|-----------------------|-----------------------|
| 1. Éléments en papier | 2. Éléments en mousse |
|-----------------------|-----------------------|

Entretien de l'élément en mousse

- Lavez l'élément en mousse dans de l'eau chaude additionnée de savon liquide. Rincez soigneusement l'élément une fois propre.
- Séchez l'élément en le pressant dans un chiffon propre.

Important: Remplacez l'élément en mousse s'il est usé ou déchiré.

- Huilez légèrement l'élément en mousse avec de l'huile moteur propre et pressez-le pour éliminer l'excédent d'huile.

Entretien de l'élément en papier du filtre à air

Périodicité des entretiens: Toutes les 100 heures ou tous les ans, la première échéance prévalant—Remplacez l'élément en papier du filtre à air (plus fréquemment s'il y a beaucoup de poussière ou de saleté).

- Nettoyez l'élément en papier en le tapotant pour faire tomber la poussière.

Remarque: Remplacez-le par un neuf s'il est très encrassé.

- Vérifiez que l'élément n'est pas déchiré ni couvert d'une pellicule grasse, et que le joint de caoutchouc n'est pas endommagé.
- Remplacez l'élément en papier s'il est endommagé.

Important: Ne nettoyez pas l'élément en papier.

Pose du filtre à air

- Placez le préfiltre en mousse sur l'élément en papier.

Remarque: Veillez à ne pas endommager les éléments.

- Placez les éléments filtrants sur la base du filtre à air.
- Reposez le couvercle et fixez-le avec les verrous (Figure 38).

Contrôle du niveau, vidange de l'huile moteur et remplacement du filtre à huile

Spécifications de l'huile moteur

Type d'huile : huile détergente (y compris synthétique) de classe de service API SJ ou mieux

Capacité du carter : 1,9 litre avec filtre à huile

Viscosité : voir le tableau ci-dessous.

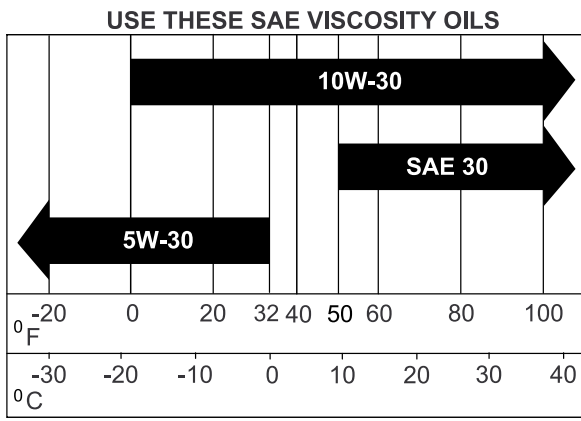


Figure 40

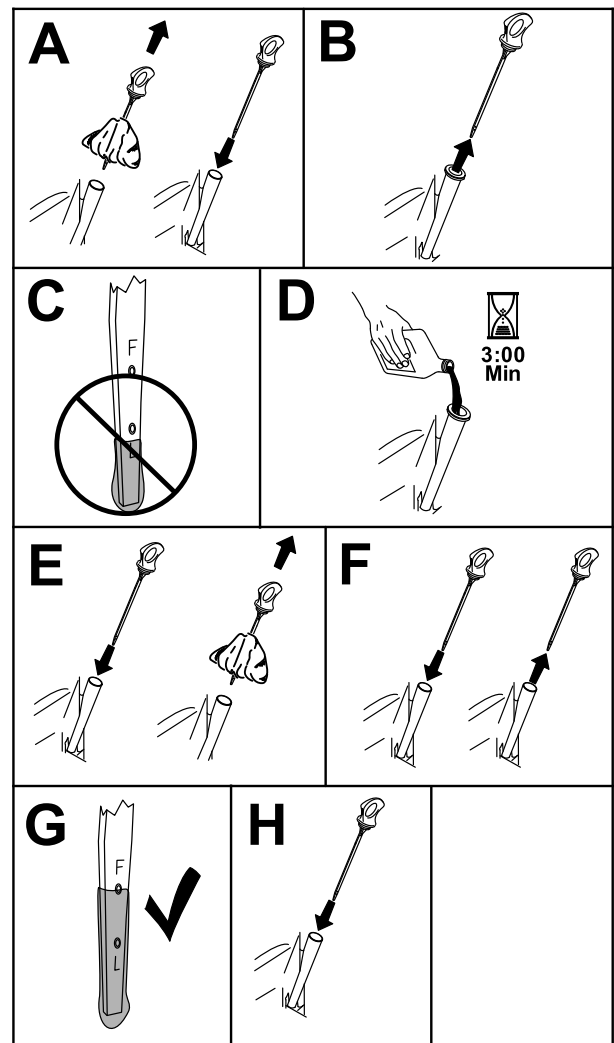


Figure 41

Contrôle du niveau d'huile moteur

Périodicité des entretiens: À chaque utilisation ou une fois par jour

Remarque: Contrôlez le niveau d'huile quand le moteur est froid.

Important: Ne faites pas tourner le moteur avec un carter d'huile trop ou pas assez rempli, sous peine d'endommager le moteur.

1. Garez la machine sur une surface plane et horizontale, placez la commande des lames en position désengagée et les leviers de commande de déplacement à la position STATIONNEMENT.
2. Avant de quitter la position d'utilisation, coupez le moteur, retirez la clé et attendez l'arrêt complet de toutes les pièces mobiles.

Remarque: Laissez refroidir le moteur pour donner le temps à l'huile de s'écouler dans le carter.

3. Pour éviter de faire tomber de l'herbe, de la poussière, etc. dans le moteur, nettoyez la surface autour du bouchon de remplissage et de la jauge de niveau avant de l'enlever (Figure 41).

Vidange de l'huile moteur et remplacement du filtre à huile

Périodicité des entretiens: Toutes les 100 heures ou tous les ans, la première échéance prévalant—Vidangez l'huile moteur et remplacez le filtre à huile (plus fréquemment si l'atmosphère est sale ou poussiéreuse).

1. Garez la machine sur une surface plane et horizontale pour que la boîte-pont puisse se vider entièrement.
2. Désengagez la commande des lames et écartez les leviers de commande de déplacement vers l'extérieur à la position STATIONNEMENT.
3. Avant de quitter la position d'utilisation, coupez le moteur, retirez la clé de contact et attendez l'arrêt complet de toutes les pièces mobiles.
4. Vidangez l'huile moteur (Figure 42).

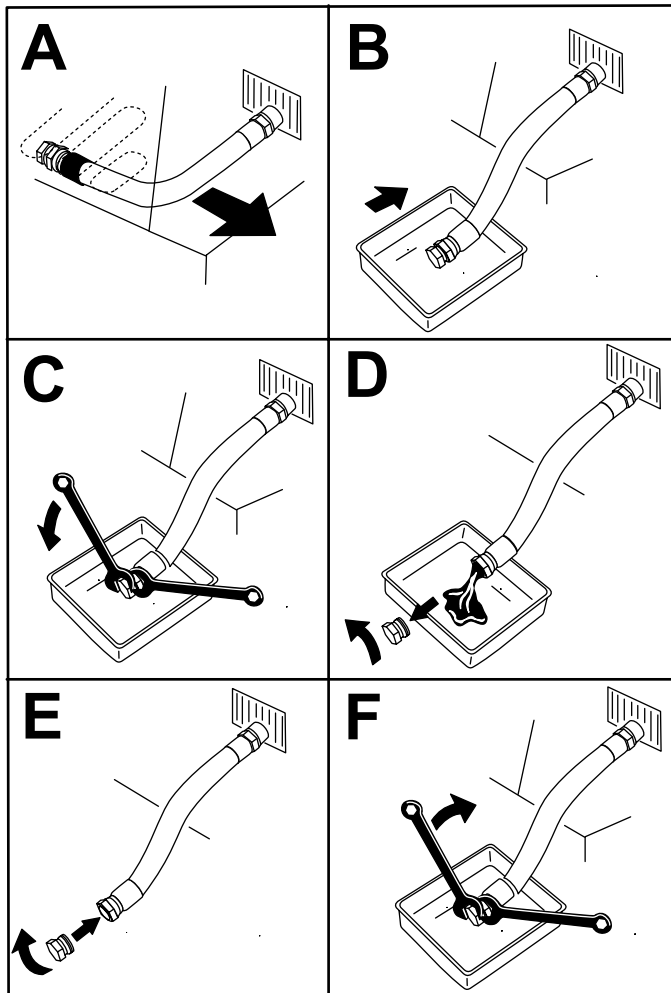
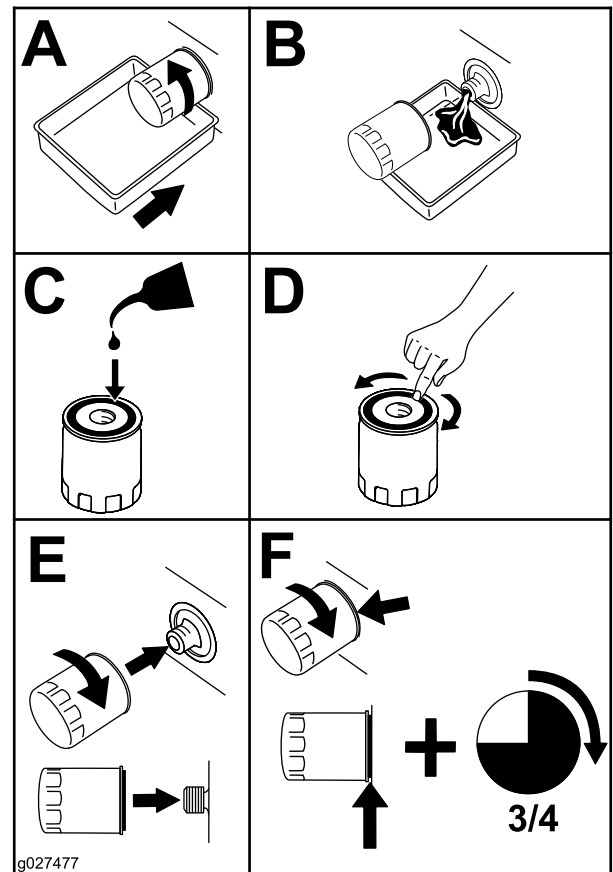


Figure 42

g225280

5. Remplacez le filtre à huile moteur (Figure 43).

Remarque: Assurez-vous que le joint du filtre à huile touche le moteur puis vissez-le encore de trois quarts de tour.



g027477

g027477

Figure 43

6. Versez lentement environ 80 % de l'huile spécifiée dans le tube de remplissage, puis faites l'appoint lentement jusqu'à ce que le niveau atteigne le repère maximum (Full) (Figure 44).

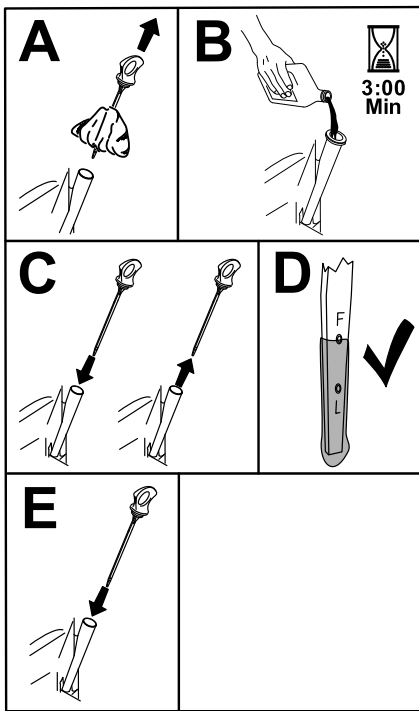


Figure 44

g365790

7. Débarrassez-vous de l'huile usagée dans un centre de recyclage.

Entretien de la bougie

Périodicité des entretiens: Toutes les 100 heures ou tous les ans, la première échéance prévalant—Contrôlez la ou les bougies.

Toutes les 200 heures/Tous les 2 ans (la première échéance prévalant)—Remplacez la ou les bougies.

Avant de poser une bougie, assurez-vous que l'écartement entre l'électrode centrale et l'électrode latérale est correct. Utilisez une clé à bougies pour déposer et reposer les bougies, et une jauge d'épaisseur pour contrôler et régler l'écartement des électrodes. Remplacez la bougie au besoin.

Type : Champion® XC12YC

Écartement des électrodes : 0,76 mm

Dépose des bougies

1. Garez la machine sur une surface plane et horizontale, placez la commande des lames en position désengagée et les leviers de commande de déplacement à la position STATIONNEMENT.
2. Avant de quitter la position d'utilisation, coupez le moteur, retirez la clé de contact et attendez l'arrêt complet de toutes les pièces mobiles. Laissez refroidir le moteur.
3. Nettoyez la surface autour de la base de la bougie pour empêcher la poussière et les débris de pénétrer dans le moteur.
4. Enlevez la bougie (Figure 45).

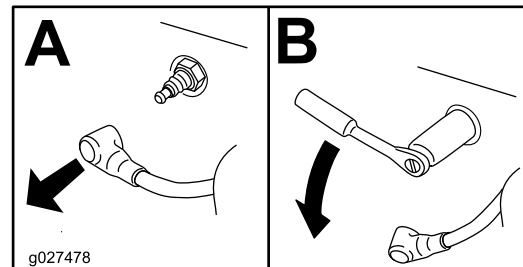


Figure 45

g027478

Contrôle de la bougie

Important: Ne nettoyez pas la ou les bougies. Remplacez toujours les bougies si elles sont recouvertes d'un dépôt noir ou d'une couche grasse, si elles sont fissurées ou si les électrodes sont usées.

Si l'isolateur est recouvert d'un léger dépôt gris ou brun, le moteur fonctionne correctement. S'il est couvert d'un dépôt noir, c'est généralement signe que le filtre à air est encrassé.

Régalez l'écartement des électrodes à 0,76 mm.

ou que les déflecteurs de refroidissement sont déposés.

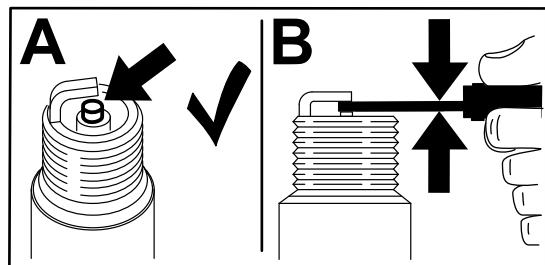


Figure 46

g206628

Pose des bougies

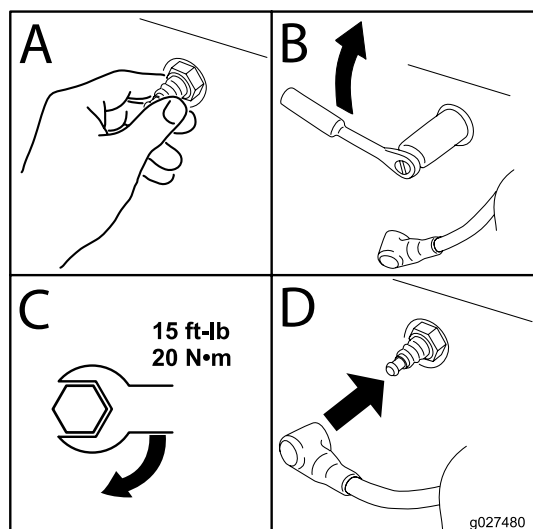


Figure 47

g027480

Nettoyage du carter de ventilateur

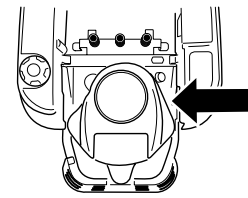
Périodicité des entretiens: Toutes les 100 heures/Une fois par an (la première échéance prévalant)

Pour assurer un refroidissement adéquat, le filtre à herbe, les ailettes de refroidissement et autres surfaces externes du moteur doivent toujours rester propres.

Nettoyez les ailettes de refroidissement et les surfaces extérieures au besoin. Vérifiez que les carénages de refroidissement sont montés. Serrez les vis de fixation du carter de ventilateur à 7,5 N·m.

Important: Le moteur surchauffera et sera endommagé si vous utilisez la machine alors que le déflecteur d'herbe est bloqué, que les ailettes de refroidissement sont encrassées ou colmatées,

Entretien du système d'alimentation



g365941

⚠ DANGER

Dans certaines circonstances, le carburant est extrêmement inflammable et hautement explosif. Un incendie ou une explosion causé(e) par du carburant peut vous brûler, ainsi que les personnes se tenant à proximité, et causer des dommages matériels.

Vous trouverez une liste complète des consignes de sécurité liées au carburant sous [Consignes de sécurité concernant le carburant \(page 15\)](#).

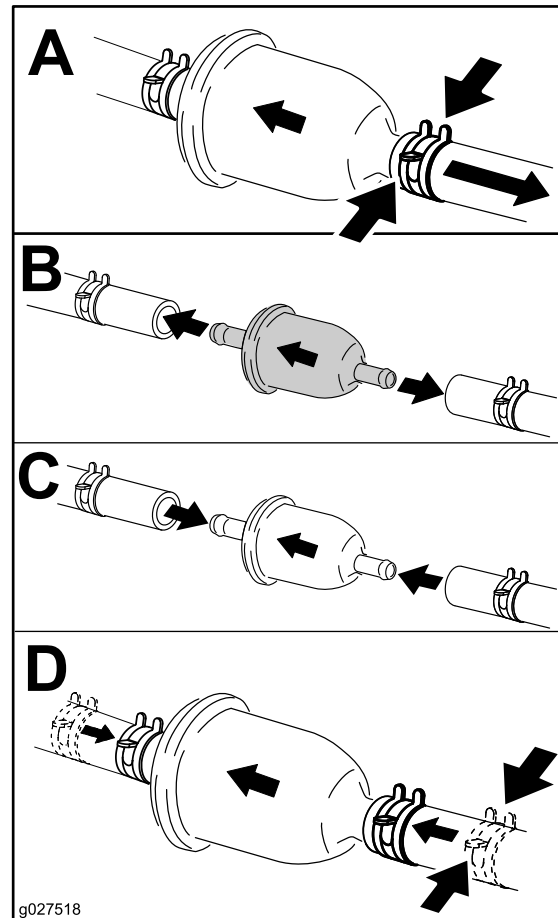
Remplacement du filtre à carburant en ligne

Périodicité des entretiens: Toutes les 100 heures—Remplacez le filtre à carburant en ligne.

Ne remontez jamais un filtre encrassé après l'avoir enlevé de la conduite d'alimentation.

1. Garez la machine sur une surface plane et horizontale, placez la commande des lames en position désengagée et les leviers de commande de déplacement à la position STATIONNEMENT.
2. Avant de quitter la position d'utilisation, coupez le moteur, retirez la clé de contact et attendez l'arrêt complet de toutes les pièces mobiles. Laissez refroidir le moteur.
3. Remplacez le filtre ([Figure 48](#)).

Remarque: Vérifiez que la flèche indiquant le sens d'écoulement est dirigée vers le moteur.



g027518

g027518

Figure 48

Entretien du système électrique

Consignes de sécurité relatives au système électrique

- Débranchez le câble de la borne négative de la batterie avant de réparer la machine.
- Chargez la batterie dans un endroit dégagé et bien aéré, à l'écart des flammes ou sources d'étincelles. Débranchez le chargeur du secteur avant de brancher ou de débrancher la batterie. Portez des vêtements de protection et utilisez des outils isolés.

Entretien de la batterie

Retrait de la batterie

⚠ ATTENTION

Les bornes de la batterie ou les outils en métal peuvent causer des courts-circuits au contact des pièces métalliques de la machine et produire des étincelles. Les étincelles peuvent provoquer l'explosion des gaz de la batterie et vous blesser.

- Lors du retrait ou de la mise en place de la batterie, les bornes ne doivent toucher aucune partie métallique de la machine.
- Évitez de créer des courts-circuits entre les bornes de la batterie et les parties métalliques de la machine avec des outils en métal.

1. Garez la machine sur une surface plane et horizontale, placez la commande des lames en position désengagée et les leviers de commande de déplacement à la position STATIONNEMENT.
2. Avant de quitter la position d'utilisation, coupez le moteur, retirez la clé de contact et attendez l'arrêt complet de toutes les pièces mobiles.
3. Soulevez le siège pour accéder à la batterie.
4. Débranchez le câble négatif (noir) de mise à la masse de la borne de la batterie (Figure 49).

Remarque: Conservez toutes les fixations.

⚠ ATTENTION

Si les câbles de la batterie ne sont pas débranchés correctement, la machine et les câbles peuvent être endommagés et produire des étincelles. Les étincelles peuvent provoquer l'explosion des gaz de la batterie et vous blesser.

- Débranchez toujours le câble négatif (noir) de la batterie avant le câble positif (rouge).
- Branchez toujours le câble positif (rouge) de la batterie avant le câble négatif (noir).

5. Repoussez le capuchon en caoutchouc sur le câble positif (rouge).
6. Débranchez le câble positif (rouge) de la borne de la batterie (Figure 49).

Remarque: Conservez toutes les fixations.

7. Déposez la barrette de maintien de la batterie (Figure 49) et soulevez la batterie de son support.

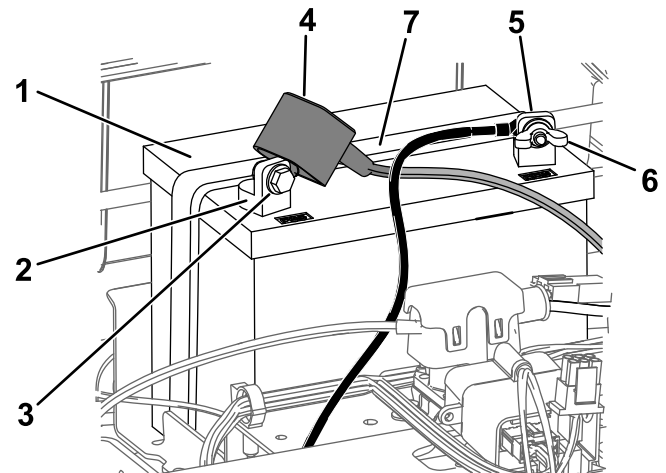


Figure 49

g293472

- | | |
|--------------------------------------|---|
| 1. Batterie | 5. Borne négative (-) de la batterie |
| 2. Borne positive (+) de la batterie | 6. Écrou à oreilles, rondelle et boulon |
| 3. Boulon, rondelle et écrou | 7. Dispositif de retenue |
| 4. Capuchon de borne | |

Charge de la batterie

Périodicité des entretiens: Avant le remisage—Chargez la batterie et débranchez les câbles.

1. Retirez la batterie du châssis ; voir [Retrait de la batterie \(page 47\)](#).
2. Chargez la batterie au régime de à 6 à 10 ampères pendant un minimum de 1 heure.

Remarque: Ne chargez pas la batterie excessivement.

3. Quand la batterie est chargée au maximum, débranchez le chargeur de la prise, puis débranchez les fils du chargeur des bornes de la batterie ([Figure 50](#)).

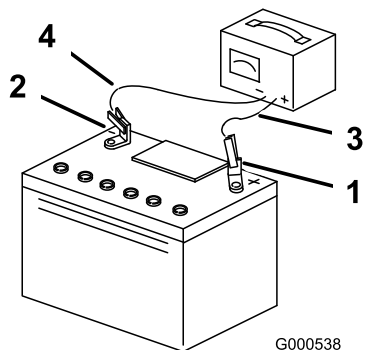


Figure 50

- | | |
|--------------------------------------|------------------------------|
| 1. Borne positive (+) de la batterie | 3. Fil rouge (+) du chargeur |
| 2. Borne négative (-) de la batterie | 4. Fil noir (-) du chargeur |

Mise en place de la batterie

1. Placez la batterie sur son support ([Figure 49](#)).
2. Branchez le câble positif (rouge) de la batterie à la borne positive (+) au moyen des fixations retirées précédemment.
3. Branchez le câble négatif de la batterie à la borne négative (-) au moyen des fixations retirées précédemment.
4. Placez le capuchon rouge sur la borne positive (rouge) de la batterie.
5. Fixez la batterie en place à l'aide de la barre de maintien ([Figure 49](#)).
6. Abaissez le siège.

Entretien des fusibles

Le système électrique est protégé par des fusibles. Il ne nécessite aucun entretien ; toutefois, si un fusible grille, vérifiez l'état de la pièce ou du circuit et assurez-vous qu'il n'y a pas de court-circuit.

Type de fusible :

- Principal – F1 (25 A, à lame)
 - Circuit de charge – F2 (15 A, à lame)
1. Garez la machine sur une surface plane et horizontale, placez la commande des lames en position désengagée et les leviers de commande de déplacement à la position STATIONNEMENT.
 2. Avant de quitter la position d'utilisation, coupez le moteur, retirez la clé de contact et attendez l'arrêt complet de toutes les pièces mobiles.
 3. Soulevez le siège pour accéder aux fusibles.
 4. Pour remplacer un fusible, tirez dessus pour l'enlever ([Figure 51](#)).

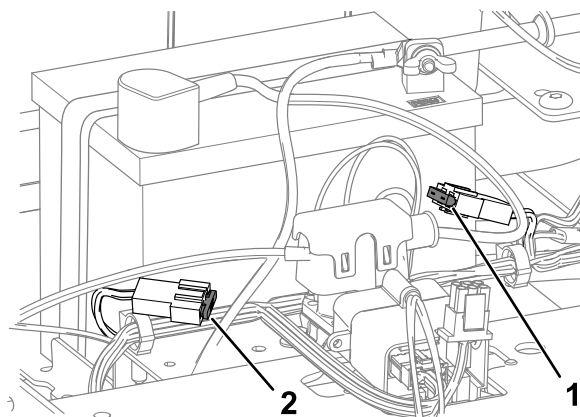


Figure 51

- | | |
|-----------------------------|---------------------|
| 1. Circuit de charge (15 A) | 2. Principal (25 A) |
|-----------------------------|---------------------|

5. Abaissez le siège.

Entretien du système d'entraînement

Contrôle de la pression des pneus

Périodicité des entretiens: Toutes les 25 heures—Contrôlez la pression des pneus.

Maintenez les pneus avant et arrière gonflés à la pression spécifiée. Les pneus mal gonflés peuvent compromettre la qualité et l'uniformité de la coupe. Vérifiez la pression à la valve (Figure 52). Contrôlez la pression lorsque les pneus sont froids pour obtenir un résultat plus précis.

Gonflez les pneus des roues pivotantes à 2,06 bar ou à la pression indiquée sur le flanc, selon la valeur la plus basse.

Gonflez les pneus des roues motrices arrière à 0,90 bar.

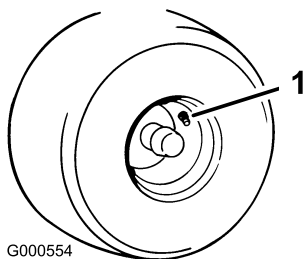


Figure 52

1. Valve

Desserrage du frein électrique

Vous pouvez desserrer manuellement le frein électrique en tournant les bras de liaison en avant. Lorsque le frein électrique est sous tension, le frein est réarmé.

1. Tournez la clé à la position ARRÊT et retirez-la.
2. Débranchement de la batterie.
3. Desserrez les deux boulons inférieurs qui fixent le panneau de protection au plateau de coupe. Voir [Relâchement du panneau de protection du plateau de coupe \(page 39\)](#).
4. Localisez l'arbre sur le frein électrique au point de connexion des bras de liaison (Figure 53).
5. Tournez l'arbre en avant pour desserrer le frein, comme montré à la Figure 53.
6. Tournez l'arbre en arrière et branchez la batterie après avoir déplacé la machine.
7. Resserrez les 2 boulons inférieurs qui fixent le panneau de protection au plateau de coupe. Voir [Relâchement du panneau de protection du plateau de coupe \(page 39\)](#).

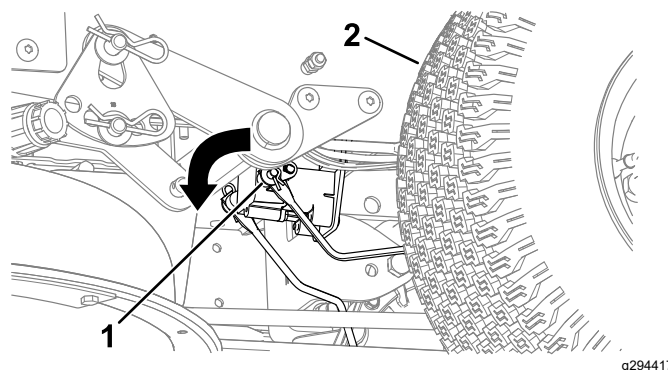


Figure 53

1. Bras de liaison de frein sur module de commande de frein électrique
2. Pneu arrière gauche

Réglage du parallélisme des roues

Lorsque vous conduisez la machine en marche avant à la vitesse maximale sur une surface plane et qu'elle tire d'un côté, corrigez la dérive.

Si la machine tire à gauche, ajustez le levier de commande de déplacement droit, et inversement, si elle tire à droite, ajustez le levier gauche.

Remarque: Vous ne pouvez régler le parallélisme des roues que pour la marche avant.

1. Garez la machine sur une surface plane et horizontale, placez la commande des lames en position désengagée et les leviers de commande de déplacement à la position STATIONNEMENT.
2. Avant de quitter la position d'utilisation, coupez le moteur, retirez la clé de contact et attendez l'arrêt complet de toutes les pièces mobiles.
3. Localisez le boulon de réglage de la dérive près du levier de commande de déplacement du côté qui nécessite le réglage (Figure 54).

Remarque: Soulevez le siège pour faciliter l'accès au boulon de réglage.

4. Tournez le boulon pour réduire la vitesse de cette roue.

Remarque: Tournez légèrement le boulon pour effectuer de petits réglages.

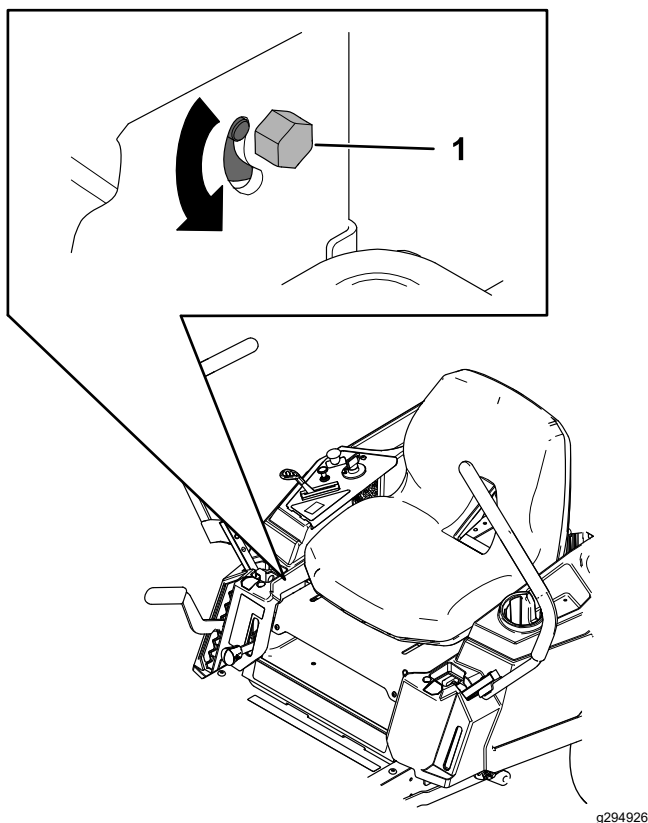


Figure 54

1. Boulon

5. Démarrez la machine et conduisez-la en marche avant sur une surface plane et horizontale, en poussant les leviers de commande de déplacement à la position avant maximale pour vérifier si la machine avance en ligne droite. Répétez la procédure si nécessaire.

Entretien des courroies

Contrôle des courroies

Périodicité des entretiens: Toutes les 25 heures—Contrôlez l'état des courroies (usure/fissures).

Remplacez les courroies si elles sont usées. Les courroies peuvent montrer les signes d'usure suivants : grincement pendant la rotation, glissement des lames pendant la coupe, bords effilochés, traces de brûlures et fissures.

Remplacement de la courroie du plateau de coupe

Les courroies peuvent montrer les signes d'usure suivants : grincement pendant la rotation, glissement des lames pendant la coupe, bords effilochés, traces de brûlures et fissures. Remplacez la courroie quand elle présente ce genre de problèmes.

1. Garez la machine sur une surface plane et horizontale, placez la commande des lames en position désengagée et les leviers de commande de déplacement à la position STATIONNEMENT.
2. Avant de quitter la position d'utilisation, coupez le moteur, retirez la clé de contact et attendez l'arrêt complet de toutes les pièces mobiles.
3. Réglez la hauteur de coupe à la position la plus basse (38 mm).
4. Desserrez les deux boulons inférieurs qui fixent le panneau de protection au plateau de coupe. Voir [Relâchement du panneau de protection du plateau de coupe \(page 39\)](#).
5. Desserrez la vis et appuyez sur la languette du couvercle pour déposer le couvercle des poulies (Figure 55).

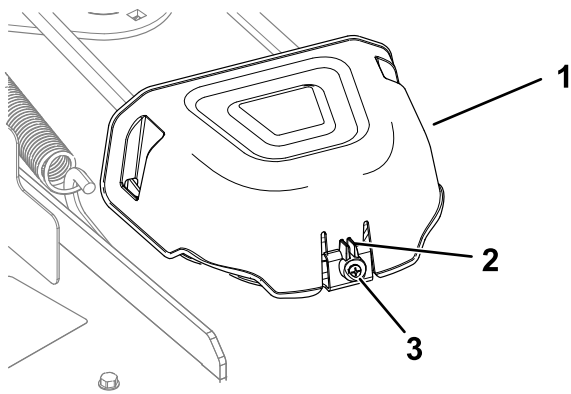


Figure 55

g296848

- 1. Couvercle
- 2. Languette
- 3. Vis

6. Sur les plateaux à 3 lames, desserrez les écrous qui fixent le fil métallique à la poulie de tension (Figure 56).

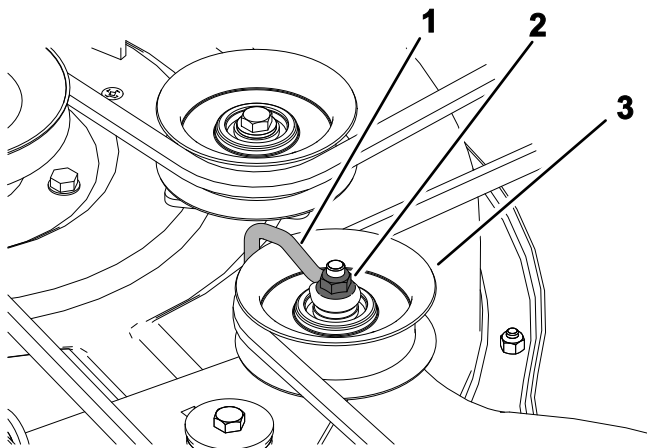


Figure 56

g336421

- 1. Fil métallique
- 2. Écrou
- 3. Poulie de tension

7. À l'aide d'un outil de dépose de ressort (réf. Toro 92-5771), décrochez le ressort du crochet sur le plateau pour détendre la poulie de tension et déchaussez la courroie des poulies (Figure 57 ou Figure 58).

⚠ ATTENTION

Le ressort est tendu quand il est en place et peut causer des blessures en se détendant.

Enlevez la courroie avec précaution.

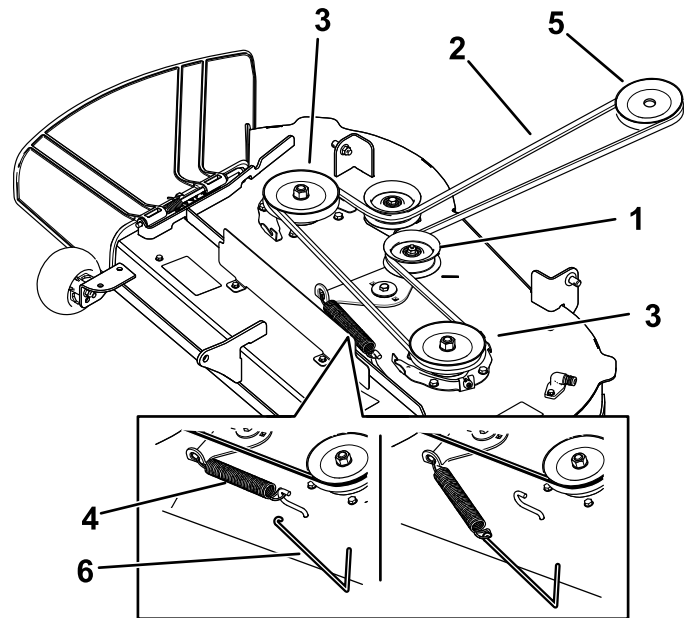


Figure 57

g298025

Plateaux de coupe à 2 lames

- 1. Poulie de tension
- 2. Courroie d'entraînement du plateau de coupe
- 3. Poulie extérieure
- 4. Ressort
- 5. Poulie de moteur
- 6. Outil de dépose de ressort

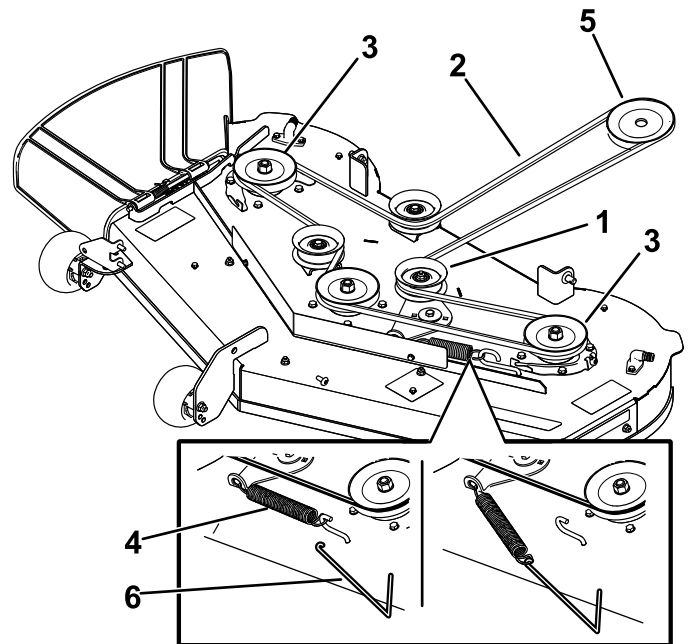


Figure 58

g298026

Plateaux de coupe à 3 lames

- 1. Poulie de tension
- 2. Courroie d'entraînement du plateau de coupe
- 3. Poulie extérieure
- 4. Ressort
- 5. Poulie de moteur
- 6. Outil de dépose de ressort

Entretien de la tondeuse

Consignes de sécurité relative aux lames

- Contrôlez l'état et l'usure des lames régulièrement.
- Examinez toujours les lames avec prudence. Manipulez les lames avec des gants ou en les enveloppant dans un chiffon, et toujours avec prudence. Limitez-vous à remplacer ou aiguiser les lames ; n'essayez jamais de les redresser ou de les souder.
- Attention, sur les machines à plusieurs lames, la rotation d'une lame peut entraîner celle des autres.
- Remplacez les boulons et les lames usés ou endommagés par paires pour ne pas modifier l'équilibre.

Entretien des lames

Pour garantir une excellente qualité de coupe, les lames doivent toujours être bien affûtées. Il est utile de prévoir des lames de rechange pour le remplacement et le réaffûtage.

Avant le contrôle ou l'entretien des lames

1. Garez la machine sur une surface plane et horizontale, placez la commande des lames en position désengagée et les leviers de commande de déplacement à la position STATIONNEMENT .
2. Coupez le moteur, retirez la clé et débranchez le fil des bougies.

Contrôle des lames

Périodicité des entretiens: À chaque utilisation ou une fois par jour

1. Examinez le tranchant des lames ([Figure 59](#)).
2. Si les lames ne sont pas tranchantes ou présentent des indentations, déposez-les et aiguiser-les ; voir [Affûtage des lames \(page 54\)](#).
3. Inspectez les lames, en particulier l'ailette.
4. Remplacez immédiatement toute lame fendue, usée ou qui présente une entaille ([Figure 59](#)).

8. Acheminez la courroie neuve autour de la poulie du moteur et des poulies du tablier de coupe ([Figure 57](#) ou [Figure 58](#)).
9. À l'aide d'un outil de dépose de ressort (réf. Toro 92-5771), accrochez le ressort au crochet sur le plateau pour tendre la poulie de tension et la courroie du plateau du coupe ([Figure 57](#) ou [Figure 58](#)).
10. Sur les plateaux à 3 lames, serrez les écrous qui fixent le fil métallique à la poulie de tension.
Remarque: Placez le fil métallique contre le bras de la poulie de tension, comme montré à la [Figure 56](#).
11. Reposez les couvercles de poulie.
12. Resserrez les 2 boulons inférieurs qui fixent le panneau de protection au plateau de coupe. Voir [Relâchement du panneau de protection du plateau de coupe \(page 39\)](#).

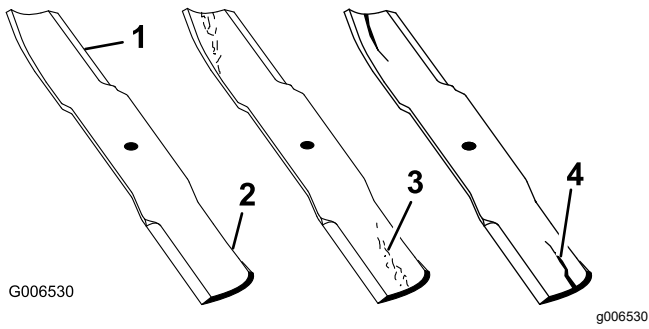


Figure 59

- | | |
|--------------|-----------------------------------|
| 1. Tranchant | 3. Usure/formation d'une entaille |
| 2. Ailette | 4. Fissure |

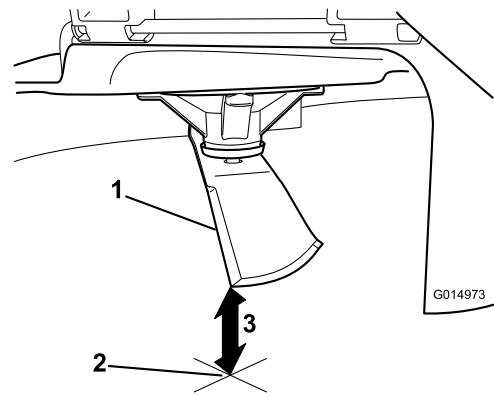


Figure 61

1. Lame (positionnée pour la mesure)
2. Surface plane et horizontale
3. Distance mesurée entre la lame et la surface (A)

Détection des lames faussées

Remarque: Placez la machine sur une surface plane horizontale pour effectuer la procédure suivante.

1. Élevez le plateau à la hauteur de coupe maximale.
2. Enfilez des gants épais ou utilisez une autre protection adéquate pour les mains, et faites tourner la lame lentement jusqu'à une position permettant de mesurer correctement la distance entre le tranchant et la surface plane sur laquelle se trouve la machine (Figure 60).

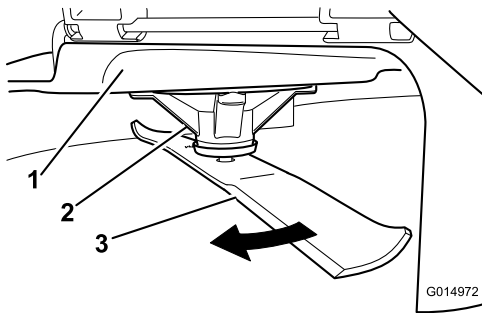


Figure 60

- | | |
|----------------------|---------|
| 1. Plateau de coupe | 3. Lame |
| 2. Logement de l'axe | |

4. Tournez la même lame de 180 degrés pour amener l'autre tranchant à la même position (Figure 62).

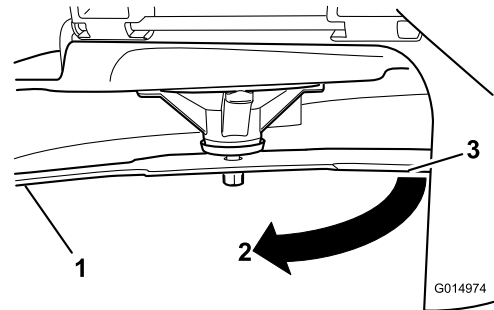


Figure 62

1. Lame (côté déjà mesuré)
2. Mesure (position utilisée précédemment)
3. Côté opposé de la lame déplacé en position de mesure

5. Mesurez la distance entre la pointe de la lame et la surface plane (Figure 63).

Remarque: L'écart ne doit pas excéder 3 mm.

3. Mesurez la distance entre la pointe de la lame et la surface plane (Figure 61).

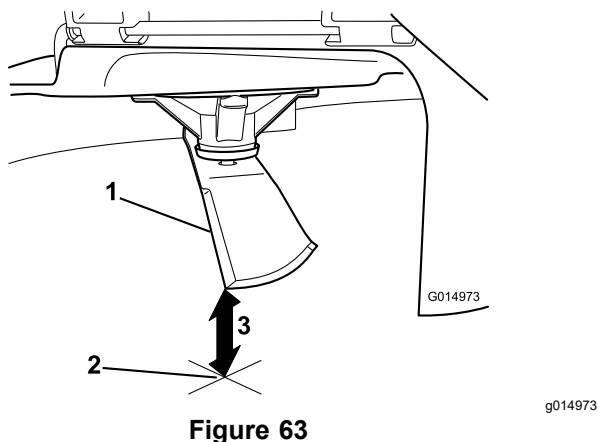


Figure 63

1. Côté opposé de la lame (positionné pour la mesure)
2. Surface plane et horizontale
3. Seconde distance mesurée entre la lame et la surface (B)

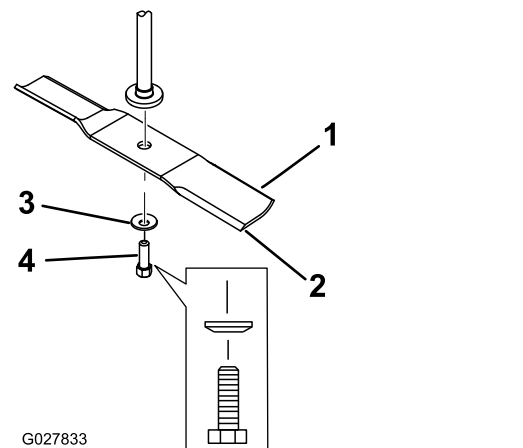


Figure 64

- | | |
|-----------------------|--------------------|
| 1. Ailette de la lame | 3. Rondelle bombée |
| 2. Lame | 4. Boulon de lame |

- A. Si la différence entre A et B est supérieure à 3 mm, remplacez la lame par une neuve ; voir la [Dépose des lames \(page 54\)](#) et la [Montage des lames \(page 55\)](#).

Remarque: Si, après le remplacement d'une lame faussée par une neuve, la différence est toujours supérieure à 3 mm, l'axe de lame est peut-être faussé. Contactez un concessionnaire-réparateur Toro agréé pour faire réviser la machine.

- B. Si la différence reste dans les limites tolérées, passez à la lame suivante.
6. Répétez cette procédure pour chaque lame.

Dépose des lames

Remplacez les lames si elles heurtent un obstacle, ou si elles sont déséquilibrées ou faussées.

1. Tenez la lame par son extrémité avec un chiffon ou un gant épais.
2. Enlevez de l'axe, le boulon, la rondelle bombée et la lame ([Figure 64](#)).

Affûtage des lames

1. Au moyen d'une lime, aigüisez les tranchants aux deux extrémités de la lame ([Figure 65](#)).

Remarque: Veillez à conserver l'angle de coupe d'origine.

Remarque: Limez la même quantité de métal sur chacun des deux tranchants pour ne pas déséquilibrer la lame.

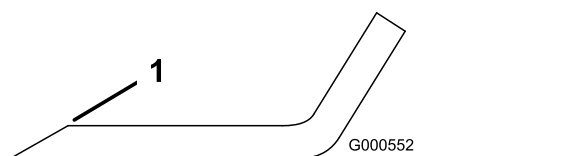


Figure 65

1. Aigüiser en conservant l'angle d'origine
2. Vérifiez l'équilibre de la lame en la plaçant sur un équilibreur ([Figure 66](#)).

Remarque: Si la lame reste horizontale, elle est équilibrée et peut être utilisée.

Remarque: Si la lame est déséquilibrée, limez un peu l'extrémité de l'ailette seulement ([Figure 66](#)).

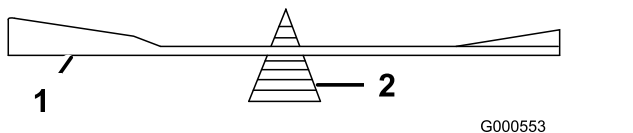


Figure 66

- | | |
|---------|----------------|
| 1. Lame | 2. Équilibreur |
|---------|----------------|

3. Répétez la procédure jusqu'à ce que la lame soit équilibrée.

Montage des lames

1. Placez la lame sur l'axe (Figure 64).

Important: Pour une coupe correcte, l'ailette de la lame doit être tournée vers le haut et dirigée vers l'intérieur du plateau de coupe.

2. Posez la rondelle courbe (face concave vers la lame) et le boulon de lame (Figure 64).
3. Serrez le boulon de la lame à un couple de 81 à 108 N·m.

Mise à niveau du plateau de coupe

Vérifiez que le plateau de coupe est de niveau chaque fois que vous l'installez ou si la tonte de la pelouse semble irrégulière.

Vérifiez si des lames sont faussées avant de mettre le plateau de coupe de niveau. Déposez et remplacez les lames faussées ; voir [Entretien des lames \(page 52\)](#) avant de continuer.

Mettez le plateau de coupe de niveau transversalement avant de le faire longitudinalement.

Assurez-vous que :

- La machine est placée sur une surface plane et horizontale.
- Tous les pneus sont gonflés à la pression correcte ; voir [Contrôle de la pression des pneus \(page 49\)](#).

Contrôle de l'horizontalité transversale

1. Garez la machine sur une surface plane et horizontale, placez la commande des lames (PDF) en position désengagée et écartez les leviers de commande de déplacement à la position STATIONNEMENT.
2. Avant de quitter la position d'utilisation, coupez le moteur, retirez la clé de contact et attendez l'arrêt complet de toutes les pièces mobiles.
3. Réglez la hauteur de coupe à 76 mm.
4. Tournez les lames avec précaution pour les mettre parallèles dans le sens transversal.
5. Mesurez la distance entre les tranchants extérieurs et la surface plane (Figure 67 et Figure 68).

Remarque: Si les deux mesures diffèrent de plus de 5 mm, un réglage s'impose ; voir [Réglage de l'horizontalité transversale \(page 56\)](#).

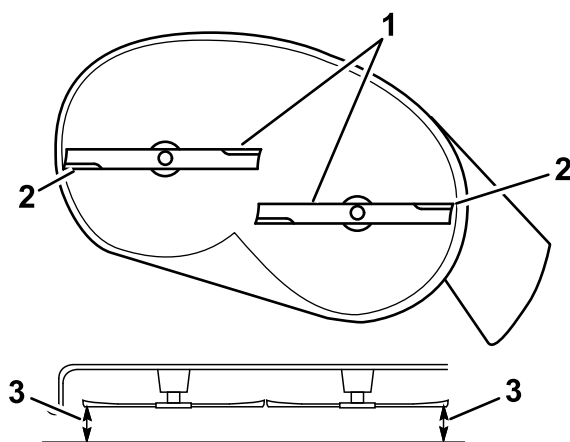


Figure 67

Plateaux de coupe à 2 lames

g294044

1. Lames parallèles entre elles
2. Tranchants extérieurs
3. Mesurer la distance entre la pointe de la lame et la surface plane ici

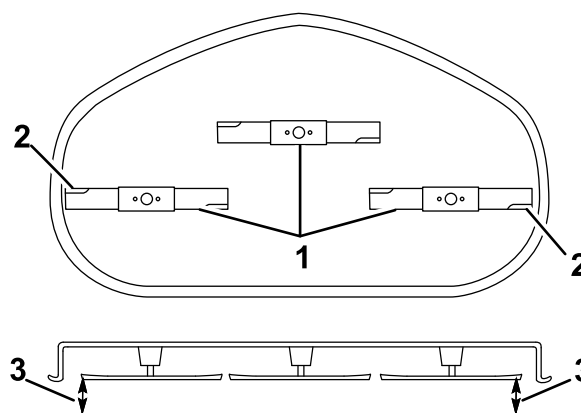


Figure 68

Plateaux de coupe à 3 lames

g296913

1. Lames parallèles entre elles
2. Tranchants extérieurs
3. Mesurer la distance entre la pointe de la lame et la surface plane ici

Contrôle de l'inclinaison avant/arrière des lames

Contrôlez l'inclinaison avant/arrière des lames chaque fois que vous montez le plateau de coupe. Si l'avant du plateau est plus de 7,9 mm plus bas que l'arrière, réglez l'inclinaison des lames.

1. Garez la machine sur une surface plane et horizontale, placez la commande des lames (PDF) en position désengagée et écartez les leviers de commande de déplacement à la position STATIONNEMENT.

2. Avant de quitter la position d'utilisation, coupez le moteur, retirez la clé de contact et attendez l'arrêt complet de toutes les pièces mobiles.
3. Réglez la hauteur de coupe à 76 mm.
4. Faites pivoter les lames avec précaution pour faire passer les pointes avant à l'arrière (Figure 69).
5. Mesurez la distance entre la pointe de la lame avant et la pointe de la lame arrière par rapport à la surface plane (Figure 69 ou Figure 70).

Remarque: Si la pointe avant de la lame n'est pas de 1,5 à 8 mm plus basse que la pointe arrière, passez à la procédure [Réglage de l'inclinaison avant/arrière des lames](#) (page 58).

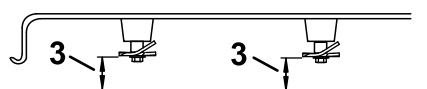
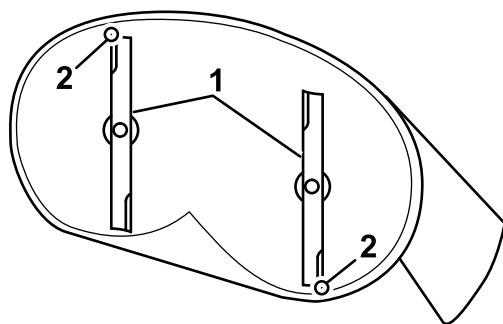


Figure 69

Plateaux de coupe à 2 lames

1. Lames dans le sens longitudinal
2. Tranchants extérieurs
3. Mesurer la distance entre la pointe de la lame et la surface plane ici

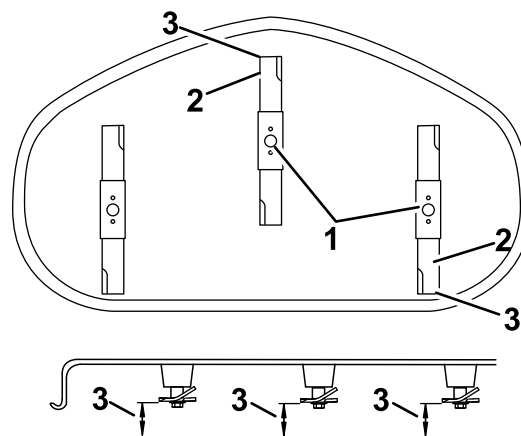


Figure 70

Plateaux de coupe à 3 lames

1. Lames dans le sens longitudinal
2. Tranchants extérieurs
3. Mesurer la distance entre la pointe de la lame et la surface plane ici

Réglage de l'horizontalité transversale

1. Passez au côté gauche de la machine.
2. Placez les galets anti-scalp dans les trous supérieurs ou enlevez-les complètement pour effectuer cette procédure ; voir [Réglage des galets anti-scalp](#) (page 31).
3. Réglez le levier de hauteur de coupe à la position 76 mm ; voir [Réglage de la hauteur de coupe](#) (page 30).
4. Placez 2 cales de 6,6 cm d'épaisseur chacune sous chaque côté du bord avant du plateau de coupe, mais pas sous les supports des galets anti-scalp (Figure 71 ou Figure 72).
5. Placez 2 cales de 7,3 cm d'épaisseur chacune sous le bord arrière de la jupe du plateau de coupe, une de chaque côté (Figure 71 ou Figure 72).

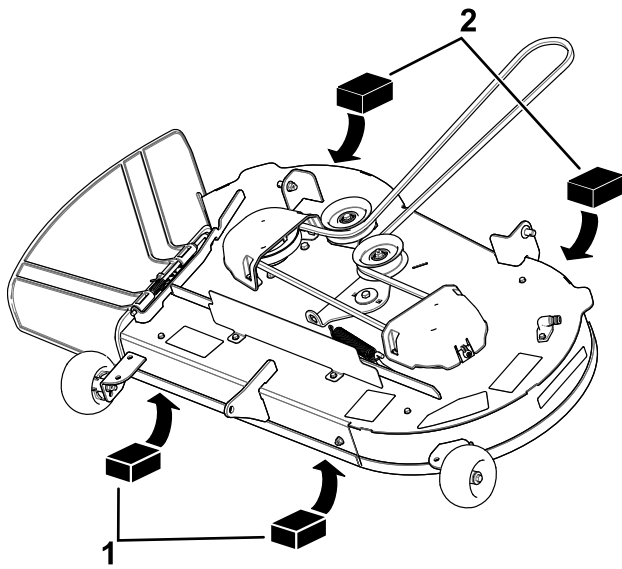


Figure 71

Plateaux de coupe à 2 lames

g298027

1. Cale en bois de 6,5 cm d'épaisseur 2. Cale en bois de 7,3 cm d'épaisseur

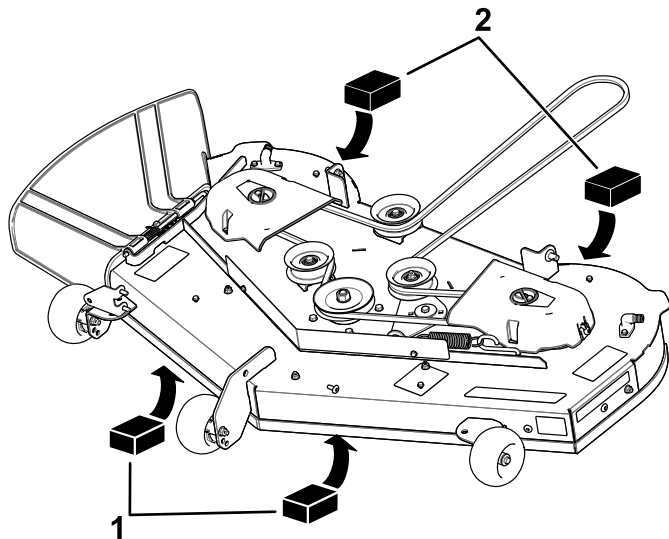


Figure 72

Plateaux de coupe à 3 lames

g298028

1. Cale en bois de 6,5 cm d'épaisseur 2. Cale en bois de 7,3 cm d'épaisseur

6. Retirez la goupille fendue et la rondelle de l'axe inférieur du bras de levage ([Figure 73](#)).

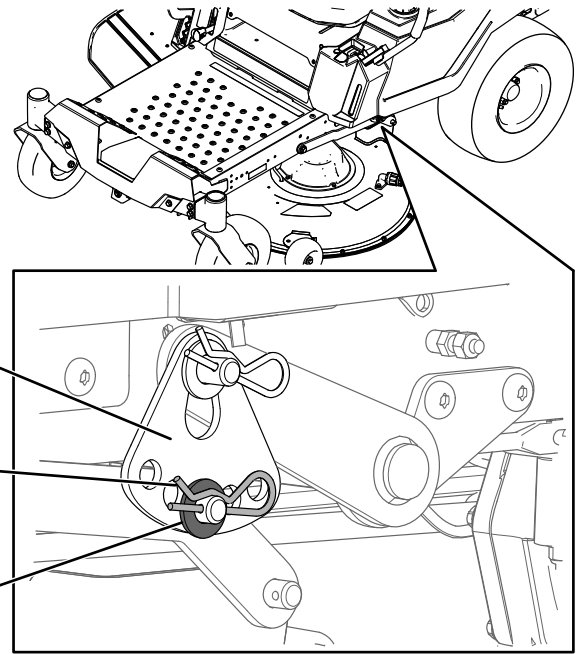


Figure 73

g294197

1. Plaque de hauteur de coupe 3. Rondelle coupe
2. Goupille fendue

7. Tournez la plaque de hauteur de coupe à un trou différent pour que le poids du plateau de coupe soit soutenu après l'installation de la plaque ([Figure 74](#)).

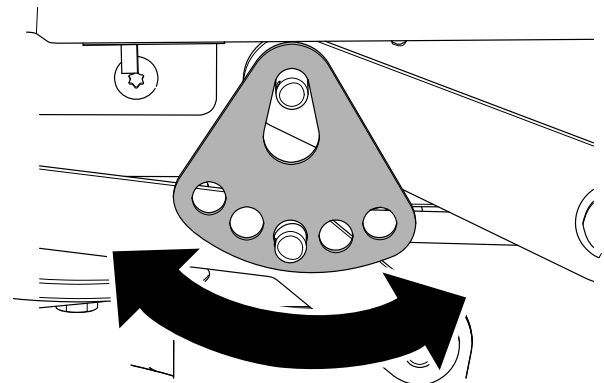


Figure 74

g294195

8. Remettez en place la rondelle et la goupille fendue ([Figure 74](#)).
9. Répétez les opérations 6 à 8 de l'autre côté de la machine.
10. Vérifiez de nouveau le réglage transversal ; répétez cette procédure jusqu'à ce que les mesures soient correctes.
11. Poursuivez la procédure de mise à niveau du plateau en contrôlant l'inclinaison avant/arrière des lames ; voir [Contrôle de l'inclinaison avant/arrière des lames](#) (page 55).

Réglage de l'inclinaison avant/arrière des lames

1. Tournez l'écrou de réglage à l'avant de la tondeuse ([Figure 75](#)).

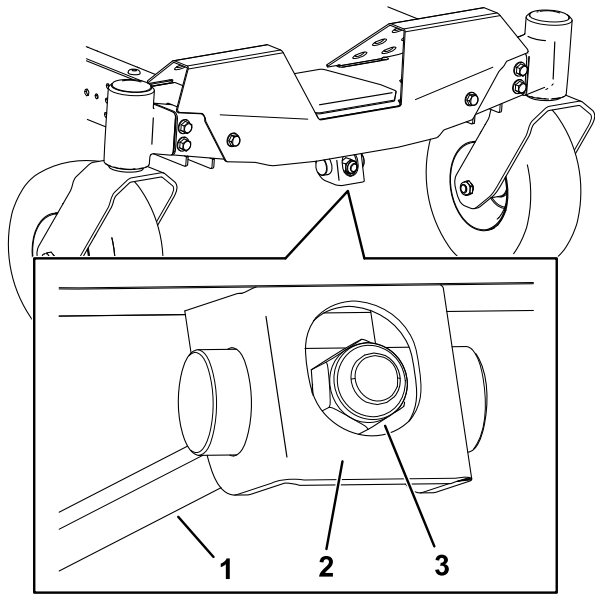


Figure 75

g294471

1. Tige de réglage
2. Bloc de réglage
3. Écrou de réglage

2. Serrez l'écrou de réglage pour élever l'avant du plateau de coupe.
3. Desserrez l'écrou de réglage pour abaisser l'avant du plateau de coupe.
4. Une fois le réglage effectué, vérifiez à nouveau l'inclinaison avant/arrière des lames ; continuez d'ajuster l'écrou jusqu'à ce que la pointe avant de la lame soit de 1,6 à 7,9 mm plus bas que la pointe arrière ; voir [Contrôle de l'inclinaison avant/arrière des lames](#) (page 55).
5. Lorsque l'inclinaison avant/arrière est correcte, vérifiez à nouveau l'horizontalité transversale du plateau de coupe ; voir [Contrôle de l'horizontalité transversale](#) (page 55).

Dépose du plateau de coupe

1. Garez la machine sur une surface plane et horizontale, placez la commande des lames (PDF) en position désengagée et écartez les leviers de commande de déplacement à la position STATIONNEMENT.
2. Avant de quitter la position d'utilisation, coupez le moteur, retirez la clé de contact et attendez l'arrêt complet de toutes les pièces mobiles.

3. Abaissez la commande de hauteur de coupe à la position la plus basse.
4. Desserrez les deux boulons inférieurs qui fixent le panneau de protection au plateau de coupe. Voir [Relâchement du panneau de protection du plateau de coupe](#) (page 39).
5. Retirez la goupille fendue de la tige de support avant et déposez la tige du support de plateau ([Figure 76](#)).

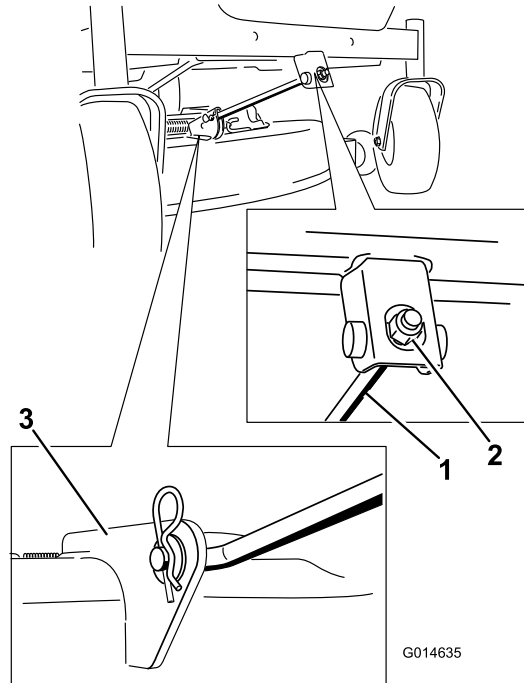


Figure 76

G014635

g014635

1. Tige de support avant
2. Support de plateau

6. Abaissez doucement l'avant du plateau de coupe au sol.
7. D'un côté de la machine, retirez la rondelle et la goupille fendue de l'axe du plateau ([Figure 77](#)).

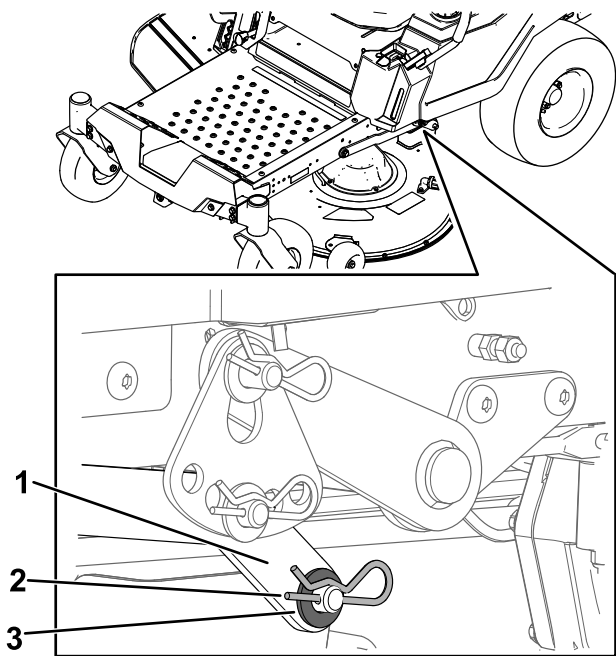


Figure 77

g295768

- | | |
|--------------------|-------------|
| 1. Bras de levage | 3. Rondelle |
| 2. Goupille fendue | |

8. Déposez le bras de levage de l'axe du plateau (Figure 77).
9. Répétez les opérations 7 et 8 de l'autre côté de la machine.
10. Déplacez le plateau de coupe en arrière pour dégager la courroie du plateau de coupe de la poulie du moteur.
11. Sortez le plateau de coupe de sous la machine.

Remarque: Conservez toutes les pièces en vue du remontage.

Montage du plateau de coupe

1. Garez la machine sur une surface plane et horizontale, placez la commande des lames (PDF) en position désengagée et écartez les leviers de commande de déplacement à la position STATIONNEMENT.
2. Avant de quitter la position d'utilisation, coupez le moteur, retirez la clé de contact et attendez l'arrêt complet de toutes les pièces mobiles.
3. Glissez le plateau de coupe sous la machine.
4. Abaissez la commande de hauteur de coupe à la position la plus basse.
5. D'un côté de la machine, soulevez l'arrière du plateau de coupe et installez le bras de levage sur l'axe du plateau (Figure 77).

6. Installez le bras de levage avec la rondelle et la goupille fendue (Figure 77).
7. Répétez les opérations 5 et 6 de l'autre côté de la machine.
8. Fixez la tige de support avant au plateau de coupe à l'aide de l'axe de chape et de la goupille fendue (Figure 76).
9. Placez la courroie d'entraînement du plateau de coupe sur la poulie de moteur ; voir [Remplacement de la courroie du plateau de coupe](#) (page 50).
10. Resserrez les 2 boulons inférieurs qui fixent le panneau de protection au plateau de coupe ; voir [Relâchement du panneau de protection du plateau de coupe](#) (page 39).

Remplacement du déflecteur d'herbe

Périodicité des entretiens: À chaque utilisation ou une fois par jour—Vérifiez l'état du déflecteur d'herbe.

⚠ ATTENTION

Si l'ouverture d'éjection n'est pas fermée, la machine peut projeter des objets dans votre direction ou celles de personnes à proximité et causer des blessures graves. Un contact avec la lame est également possible.

N'utilisez pas la machine sans le déflecteur d'herbe, l'obturateur d'éjection ou le système de ramassage.

1. Retirez l'écrou ($\frac{3}{8}$ ") de la tige, sous le plateau de coupe (Figure 78).

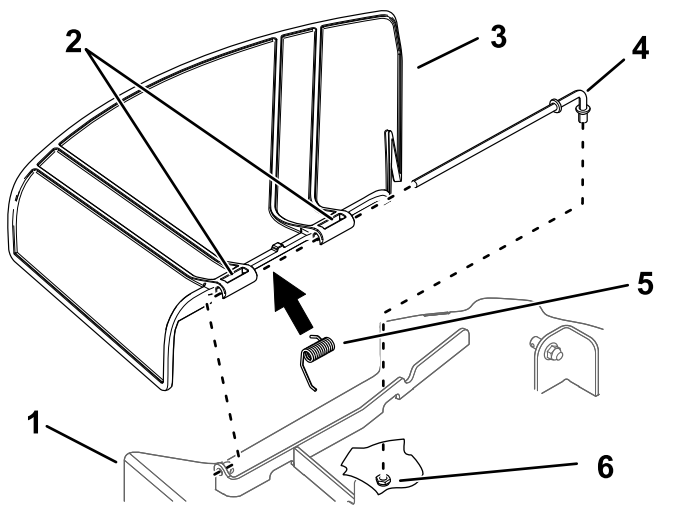
Nettoyage

Lavage du dessous du plateau de coupe

Périodicité des entretiens: Après chaque utilisation

Important: La machine peut être lavée à l'eau avec un détergent doux. N'utilisez pas de nettoyeur haute pression. N'utilisez pas trop d'eau, surtout près du panneau de commande, sous le siège et autour du moteur, des pompes hydrauliques et des moteurs électriques.

Lavez le dessous du plateau de coupe après chaque utilisation pour éviter l'accumulation d'herbe et améliorer ainsi le mulching et la dispersion des déchets de tonte.



g296957

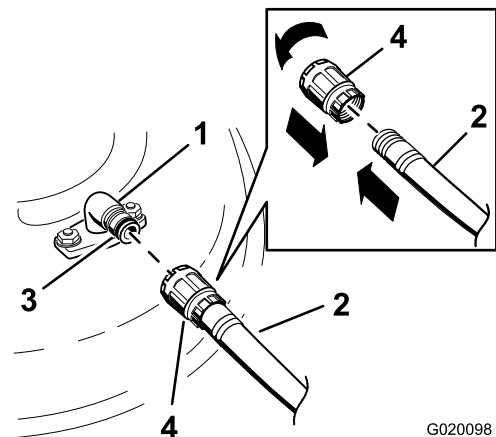
Figure 78

- | | |
|--------------------------------|-----------------|
| 1. Plateau de coupe | 4. Tige |
| 2. Pivot du déflecteur d'herbe | 5. Ressort |
| 3. Déflecteur d'herbe | 6. Écrou (3/8") |
- Sortez la tige du support du plateau, du ressort et du déflecteur d'herbe (Figure 78).
 - Déposez le déflecteur d'herbe s'il est endommagé ou usé.
 - Montez le nouveau déflecteur d'herbe (Figure 78).
 - Insérez l'extrémité droite de la tige dans le pivot du déflecteur d'herbe.
 - Placez le ressort sur la tige, les fils d'extrémité dirigés vers le bas, entre les supports du déflecteur d'herbe.
 - Insérez la tige dans le second pivot du déflecteur d'herbe (Figure 78).
 - Insérez la tige à l'avant du déflecteur d'herbe dans le support sur le plateau.
 - Fixez l'extrémité arrière de la tige dans le plateau de coupe à l'aide d'un écrou (3/8"), comme montré à la Figure 78.

Important: Le déflecteur d'herbe doit être rappelé à la position abaissée par le ressort. Soulevez le déflecteur pour vérifier qu'il s'enclenche complètement en position abaissée.

- Garez la machine sur une surface plane et horizontale, placez la commande des lames (PDF) en position désengagée et écartez les leviers de commande de déplacement à la position STATIONNEMENT.
- Avant de quitter la position d'utilisation, coupez le moteur, retirez la clé de contact et attendez l'arrêt complet de toutes les pièces mobiles.
- Branchez le raccord du tuyau au raccord de lavage du plateau de coupe et ouvrez l'eau en grand (Figure 79).

Remarque: Enduisez de vaseline le joint torique du raccord de lavage pour faciliter le branchement du tuyau d'arrosage sans endommager le joint torique.



G020098

g020098

Figure 79

- | | |
|----------------------|------------------|
| 1. Raccord de lavage | 3. Joint torique |
| 2. Tuyau | 4. Raccord |

- Abaissez le plateau de coupe à la hauteur minimum.

5. Asseyez-vous sur le siège et mettez le moteur en marche.
6. Engagez la commande des lames et laissez tourner le moteur pendant 1 à 3 minutes.
7. Désengagez la commande des lames, coupez le moteur, enlevez la clé et attendez l'arrêt de toutes les pièces mobiles.
8. Coupez l'eau et débranchez le tuyau d'arrosage du raccord de lavage.

Remarque: Si le plateau est encore sale après un premier lavage, laissez-le tremper 30 minutes. Recommencez ensuite la procédure.

9. Remettez la tondeuse en marche durant 1 à 3 minutes pour évacuer l'excès d'eau.

⚠ ATTENTION

Si le raccord de lavage est cassé ou manquant, l'utilisateur et les personnes à proximité peuvent être blessés par la projection d'objets ou par un contact avec la lame. Des débris projetés ou un contact avec la lame peuvent occasionner des blessures graves ou mortelles.

- **Si le raccord de lavage est cassé ou manquant, n'utilisez pas la machine avant de l'avoir remplacé.**
- **Ne passez jamais les mains ou les pieds sous le plateau de coupe ni dans aucune de ses ouvertures.**

Élimination des déchets

L'huile moteur, les batteries, le liquide hydraulique et le liquide de refroidissement sont polluants pour l'environnement. Débarrassez-vous en conformément à la réglementation nationale et locale en matière d'environnement.

Remisage

Consignes de sécurité pour le remisage

- Avant de quitter la position d'utilisation, coupez le moteur, enlevez la clé et attendez l'arrêt complet de toutes les pièces mobiles. Laissez refroidir la machine avant de la régler, d'en faire l'entretien, de la nettoyer ou de la remiser.
- Ne remisez pas la machine et ne faites pas le plein près d'une flamme ; ne vidangez pas le réservoir de carburant à l'intérieur d'un local ou d'une remorque fermée.
- Ne rangez pas la machine ni les bidons de carburant à proximité d'une flamme nue, d'une source d'étincelles ou d'une veilleuse, telle celle d'un chauffe-eau ou d'autres appareils.

Nettoyage et remisage

1. Désengagez la commande des lames (PDF) et serrez le frein de stationnement.
2. Avant de quitter la position d'utilisation, coupez le moteur, retirez la clé et attendez l'arrêt complet de toutes les pièces mobiles.
3. Débarrassez entièrement l'extérieur de la machine, en particulier le moteur et le système hydraulique, des déchets d'herbe coupée, des saletés et de la crasse. Éliminez les saletés et les débris d'herbe sèche pouvant se trouver sur les ailettes de la culasse et le carter du ventilateur.

Important: Vous pouvez laver la machine avec de l'eau et un détergent doux. **N'utilisez pas de nettoyeur haute pression. N'utilisez pas trop d'eau, surtout près du panneau de commande, du moteur, des pompes hydrauliques et des moteurs électriques.**

4. Vérifier le fonctionnement du frein de stationnement ; voir [Position de stationnement \(page 13\)](#).
5. Faites l'entretien du filtre à air ; voir [Entretien du filtre à air \(page 40\)](#).
6. Vidangez l'huile moteur ; voir [Vidange de l'huile moteur et remplacement du filtre à huile \(page 42\)](#).
7. Contrôlez la pression des pneus ; voir [Contrôle de la pression des pneus \(page 49\)](#).
8. Chargez la batterie ; voir [Charge de la batterie \(page 48\)](#).

9. Si vous remisez la machine en laissant la batterie dessus, débranchez le câble négatif (noir) de la batterie.
10. Grattez l'herbe et les saletés éventuellement accumulées sur le dessous du plateau de coupe, puis lavez la machine au tuyau d'arrosage.

Remarque: Conduisez la machine, commande des lames (PDF) engagée et moteur au régime de ralenti accéléré, pendant 2 à 5 minutes après l'avoir lavée.

11. Vérifiez l'état des lames ; voir [Entretien des lames \(page 52\)](#).
12. Si vous ne comptez pas utiliser la machine avant plus d'un mois, préparez-la comme suit :
 - A. Ajoutez un stabilisateur/conditionneur dans le réservoir de carburant. Respectez les proportions spécifiées par le fabricant du stabilisateur. N'utilisez pas de stabilisateur à base d'alcool (éthanol ou méthanol).
 - B. Faites tourner le moteur pendant 5 minutes pour faire circuler le carburant traité dans tout le circuit d'alimentation.
 - C. Coupez le moteur, laissez-le refroidir puis vidangez le réservoir de carburant.
 - D. Remettez le moteur en marche et laissez-le tourner jusqu'à ce qu'il s'arrête.
 - E. Débarrassez-vous du carburant correctement. Recyclez le carburant conformément à la réglementation locale en matière d'environnement.

Important: Ne conservez pas le carburant additionné de stabilisateur/conditionneur plus longtemps que recommandé par le fabricant du stabilisateur de carburant.

13. Déposez la ou les bougies et vérifiez leur état ; voir [Entretien de la bougie \(page 44\)](#). Versez 30 ml (2 cuillères à soupe) d'huile moteur dans l'ouverture laissée par la bougie. Actionnez le démarreur pour faire tourner le moteur et bien répartir l'huile dans le cylindre. Posez la ou les bougies. Ne rebranchez pas le fil de la ou des bougies.
14. Contrôlez et resserrez tous les boulons, écrous et vis. Réparez ou remplacez toute pièce endommagée.
15. Peignez toutes les surfaces métalliques éraflées ou mises à nu. Une peinture pour retouches est disponible chez les concessionnaires-réparateurs agréés.
16. Rangez la machine dans un endroit propre et sec, comme un garage ou une remise. Retirez

la clé du commutateur d'allumage et rangez-la hors de la portée des enfants ou des personnes non autorisées. Couvrez la machine pour la protéger et la garder propre.

Remisage de la batterie

1. Chargez la batterie au maximum.
2. Laissez reposer la batterie pendant 24 heures, puis vérifiez la tension.

Remarque: Si la tension de la batterie est inférieure à 12,6 V, répétez les opérations 1 et 2.

3. Débranchez les câbles de la batterie.
4. Vérifiez régulièrement que la tension est bien égale ou supérieure à 12,4 V.

Remarque: Si la tension de la batterie est inférieure à 12,4 V, répétez les opérations 1 et 2.

Conseils pour l'entreposage de la batterie

Si vous rangez la batterie hors de la machine, procédez comme suit :

- Rangez la batterie dans un endroit frais et sec, en position verticale.
- N'empilez pas les batteries directement l'une sur l'autre, à moins qu'elles ne soient dans des cartons.
- N'empilez pas plus de 3 batteries (seulement 2 batteries si elles sont de type professionnel).
- Testez les batteries à liquide tous les 4 à 6 mois et chargez-les au besoin.
- Contrôlez toujours et chargez la batterie avant de l'installer.

Dépistage des défauts

Problème	Cause possible	Mesure corrective
Le réservoir de carburant semble près de lâcher ou la machine semble tomber fréquemment en panne de carburant.	<ol style="list-style-type: none"> 1. L'élément en papier du filtre à air est colmaté. 	<ol style="list-style-type: none"> 1. Nettoyez l'élément en papier
Le moteur surchauffe.	<ol style="list-style-type: none"> 1. La charge sur le moteur est excessive. 2. Bas niveau d'huile dans le carter moteur. 3. Les ailettes de refroidissement et les passages d'air sous le carter du ventilateur du moteur sont obstrués. 4. Le filtre à air est encrassé. 5. Impuretés, eau ou carburant altéré dans le circuit d'alimentation. 	<ol style="list-style-type: none"> 1. Ralentissez. 2. Faites l'appoint d'huile moteur. 3. Dégagez les ailettes de refroidissement et les passages d'air. 4. Nettoyez ou remplacez l'élément du filtre à air. 5. Adressez-vous à un réparateur agréé.
Le démarreur ne fonctionne pas.	<ol style="list-style-type: none"> 1. La commande des lames est en position engagée. 2. Les leviers de commande de déplacement ne sont pas à la position STATIONNEMENT. 3. La batterie est à plat. 4. Les connexions électriques sont corrodées ou desserrées. 5. Un fusible a grillé. 6. Un relais ou contact est défectueux. 	<ol style="list-style-type: none"> 1. Désengagez la commande des lames. 2. Poussez les leviers de commande de déplacement vers l'extérieur, à la position STATIONNEMENT. 3. Rechargez la batterie. 4. Contrôlez le bon contact des connexions électriques. 5. Remplacez le fusible. 6. Contactez un concessionnaire-réparateur agréé.
Le moteur ne démarre pas, démarre difficilement ou cale.	<ol style="list-style-type: none"> 1. Le réservoir de carburant est vide. 2. Le starter (le cas échéant) n'est pas actionné. 3. Le filtre à air est encrassé. 4. Fil(s) de bougie(s) mal connecté(s) ou débranché(s). 5. Bougie(s) piquée(s) ou encrassée(s), ou écartement des électrodes incorrect. 6. Le filtre à carburant est encrassé. 7. Impuretés, eau ou carburant altéré dans le système d'alimentation. 8. Le réservoir de carburant contient le mauvais type de carburant. 9. Bas niveau d'huile dans le carter moteur. 	<ol style="list-style-type: none"> 1. Faites le plein de carburant. 2. Amenez la commande de starter en position EN SERVICE. 3. Nettoyez ou remplacez l'élément du filtre à air. 4. Rebranchez le fil de la ou des bougies. 5. Montez des bougies neuves, à écartement correct. 6. Remplacez le filtre à carburant. 7. Contactez un concessionnaire-réparateur agréé. 8. Vidangez le réservoir et faites le plein avec le carburant approprié. 9. Faites l'appoint d'huile moteur.

Problème	Cause possible	Mesure corrective
Le moteur perd de la puissance.	<ol style="list-style-type: none"> 1. La charge sur le moteur est excessive. 2. Le filtre à air est encrassé. 3. Bas niveau d'huile dans le carter moteur. 4. Les ailettes de refroidissement et les passages d'air sous le carter du ventilateur sont obstrués. 5. Bougie(s) piquée(s) ou encrassée(s), ou écartement des électrodes incorrect. 6. L'évent du réservoir de carburant est bouché. 7. Le filtre à carburant est encrassé. 8. Impuretés, eau ou carburant altéré dans le circuit d'alimentation. 9. Le réservoir de carburant contient le mauvais type de carburant. 	<ol style="list-style-type: none"> 1. Ralentissez. 2. Nettoyez l'élément du filtre à air. 3. Faites l'appoint d'huile moteur. 4. Dégagez les ailettes de refroidissement et les passages d'air. 5. Montez des bougies neuves, à écartement correct. 6. Contactez un concessionnaire-réparateur agréé. 7. Remplacez le filtre à carburant. 8. Contactez un concessionnaire-réparateur agréé. 9. Contactez un concessionnaire-réparateur agréé.
La machine ne se déplace pas.	<ol style="list-style-type: none"> 1. Les vannes de dérivation sont ouvertes. 2. Les courroies de transmission aux roues sont usées, lâches ou cassées. 3. Les courroies de transmission aux roues sont déchaussées. 4. Panne de la transmission. 	<ol style="list-style-type: none"> 1. Fermez les vannes de remorquage. 2. Contactez un concessionnaire-réparateur agréé. 3. Contactez un concessionnaire-réparateur agréé. 4. Contactez un concessionnaire-réparateur agréé.
La machine vibre de manière anormale.	<ol style="list-style-type: none"> 1. Lame(s) faussée(s) ou déséquilibrée(s). 2. Le boulon de fixation de la lame est desserré. 3. Les boulons de fixation du moteur sont desserrés. 4. Poulies de moteur, de tension ou de lames desserrées. 5. La poulie du moteur est endommagée. 6. L'axe de lame est faussé. 7. Le support moteur est desserré ou usé. 	<ol style="list-style-type: none"> 1. Remplacez la ou les lames. 2. Serrez le boulon de fixation de la lame. 3. Resserrez les boulons de fixation du moteur. 4. Resserrez la poulie voulue. 5. Contactez un concessionnaire-réparateur agréé. 6. Contactez un concessionnaire-réparateur agréé. 7. Contactez un concessionnaire-réparateur agréé.
La hauteur de coupe est inégale.	<ol style="list-style-type: none"> 1. Lame(s) émoussée(s). 2. Lame(s) faussée(s). 3. Le plateau de coupe n'est pas de niveau. 4. Un galet anti-scalp (le cas échéant) est mal réglé. 5. Le dessous du plateau de coupe est encrassé. 6. Pression des pneus incorrecte. 7. L'axe d'une lame est faussé. 	<ol style="list-style-type: none"> 1. Affûtez la ou les lames. 2. Remplacez la (les) lame(s). 3. Mettez le plateau de coupe de niveau, transversalement et longitudinalement. 4. Réglez la hauteur du galet anti-scalp. 5. Nettoyez le dessous du plateau de coupe. 6. Corrigez la pression des pneus. 7. Contactez un concessionnaire-réparateur agréé.

Problème	Cause possible	Mesure corrective
Les lames ne tournent pas.	<ol style="list-style-type: none"> 1. La courroie d'entraînement est usée, détendue ou cassée. 2. La courroie d'entraînement est sortie de la poulie. 3. La commande de prise de force (PDF) ou l'embrayage de PDF est défectueux. 4. Courroie du plateau de coupe usée, lâche ou cassée. 	<ol style="list-style-type: none"> 1. Remplacez la courroie d'entraînement. 2. Rehaussez la courroie d'entraînement et contrôlez la position des axes de réglage et des guide-courroie. 3. Contactez un concessionnaire-réparateur agréé. 4. Remplacez la courroie du plateau de coupe.

Schémas

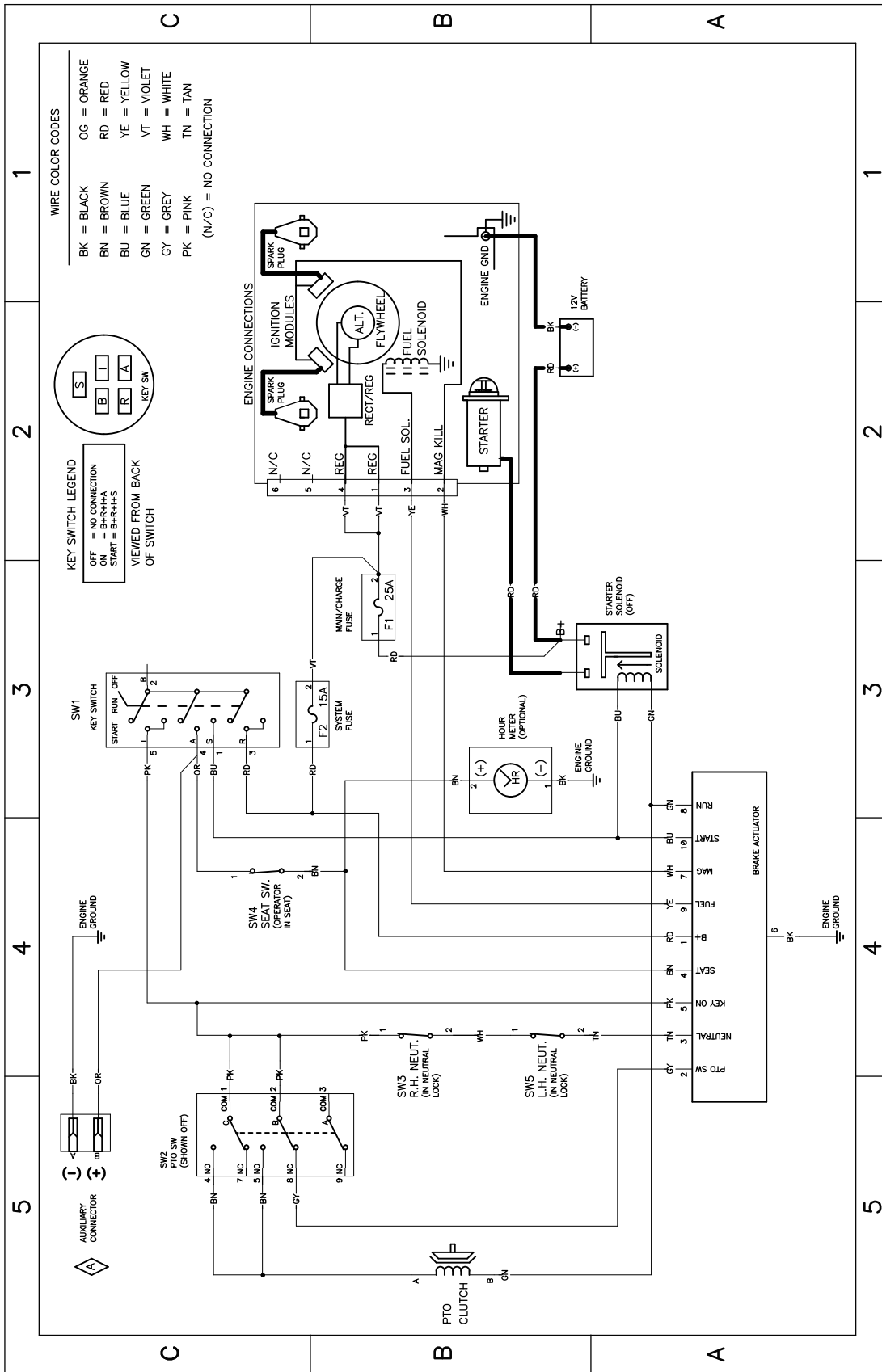


Schéma électrique 139-2356 (Rev. A)

g307974

Remarques:

Déclaration de confidentialité EEE/R-U

Utilisation de vos données personnelles par Toro

La société The Toro Company (« Toro ») respecte votre vie privée. Lorsque vous achetez nos produits, nous pouvons recueillir certaines données personnelles vous concernant, soit directement soit par l'intermédiaire de votre société ou concessionnaire Toro local(e). Toro utilise ces données pour s'acquitter d'obligations contractuelles, par exemple pour enregistrer votre garantie, traiter une réclamation au titre de la garantie ou vous contacter dans l'éventualité d'un rappel de produit, mais aussi à des fins commerciales légitimes, par exemple pour mesurer la satisfaction des clients, améliorer nos produits ou vous transmettre des informations sur les produits susceptibles de vous intéresser. Toro pourra partager les données personnelles que vous lui aurez communiquées avec ses filiales, concessionnaires ou autres partenaires commerciaux dans le cadre de ces activités. Nous pourrions aussi être amenés à divulguer des données personnelles si la loi l'exige ou dans le cadre de la cession, de l'acquisition ou de la fusion d'une société. Nous ne vendrons jamais vos données personnelles à aucune autre société aux fins de marketing.

Conservation de vos données personnelles

Toro conservera vos données personnelles aussi longtemps que nécessaire pour répondre aux fins susmentionnées et conformément aux dispositions légales applicables. Pour plus de renseignements concernant les durées de conservation applicables, veuillez contacter legal@toro.com.

L'engagement de Toro en matière de sécurité

Vos données personnelles pourront être traitées aux États-Unis ou dans tout autre pays où la législation concernant la protection des données peut être moins rigoureuse que celle de votre propre pays de résidence. Chaque fois que nous transférerons vos données personnelles hors de votre pays de résidence, nous prendrons toutes les dispositions légales requises pour mettre en place toutes les garanties nécessaires visant à la protection et au traitement sécurisé de vos données.

Droits d'accès et de rectification

Vous pouvez être en droit de corriger ou de consulter vos données personnelles, ou encore de vous opposer à leur traitement, ou d'en limiter la portée. Pour ce faire, veuillez nous contacter par courriel à legal@toro.com. Si vous avez la moindre inquiétude concernant la manière dont Toro a traité vos données personnelles, nous vous encourageons à nous en faire part directement. Veuillez noter que les résidents européens ont le droit de porter plainte auprès de leur Autorité de protection des données.



Count on it.



Count on it.

Form No. 3466-982 Rev A

Gebruikershandleiding

**TimeCutter® MR4275T en
MR5075T zero-turn zitmaaier**

Modelnr.: 74691—Serienr.: 414500000 en hoger

Modelnr.: 74695—Serienr.: 416299326 en hoger



Dit product voldoet aan alle relevante Europese richtlijnen; zie voor details de aparte productspecifieke conformiteitsverklaring.

Bruto- en nettokoppel: Het bruto- en nettokoppel van deze motor is door de motorfabrikant in laboratoriumomstandigheden gemeten volgens standaard J1940 of J2723 van de Society of Automotive Engineers (SAE). Omdat bij de configuratie rekening is gehouden met de veiligheids-, emissie- en gebruiksvoorschriften, zal de motor van dit type maaiers in de praktijk veel minder koppel hebben. Raadpleeg de meegeleverde documentatie van de motorfabrikant.

De bijgevoegde gebruikershandleiding van de motor biedt informatie over het Amerikaanse Environmental Protection Agency (EPA) en het Californische controlesysteem voor emissies, onderhoud en garantie. U kunt vervangingsonderdelen bestellen via de fabrikant van de motor.

Inleiding

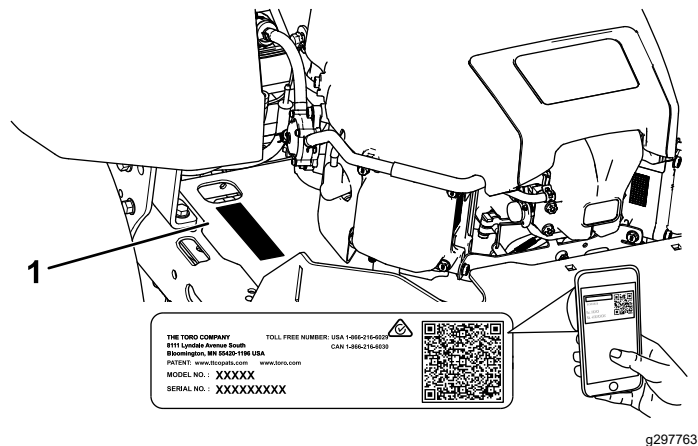
Deze zitmaaier met draaiende messen is bedoeld voor gebruik door particulieren in residentiële toepassingen. De machine is voornamelijk ontworpen voor het maaien van gras op goed onderhouden gazons. Dit product gebruiken voor andere doeleinden dan het bedoelde gebruik kan gevaarlijk zijn voor u of voor omstanders.

Lees deze informatie zorgvuldig door, zodat u weet hoe u de machine op de juiste wijze moet gebruiken en onderhouden en om schade aan de machine en letsel te voorkomen. U bent verantwoordelijk voor het juiste en veilige gebruik van de machine.

Ga naar www.Toro.com voor documentatie over productveiligheid en bedieningsinstructies, informatie over accessoires, hulp bij het vinden van een dealer of om uw product te registreren.

Als u service, originele Toro-onderdelen of aanvullende informatie nodig hebt, kunt u contact opnemen met een erkende servicedealer of met de klantenservice van Toro. U dient hierbij altijd het modelnummer en het serienummer van het product te vermelden. De locatie van het plaatje met het modelnummer en het serienummer van het product is aangegeven op [Figuur 1](#). U kunt de nummers noteren in de ruimte hieronder.

Belangrijk: U kunt met uw mobiel apparaat de QR-code op het plaatje met het serienummer (indien aanwezig) scannen om toegang te krijgen tot de garantie, onderdelen en andere productinformatie.



g297763

Figuur 1
Onder de stoel

1. Plaats van modelnummer en serienummer

U kunt het modelnummer en het serienummer noteren in de ruimte hieronder:

Modelnr.: _____
Serienr.: _____

Er worden in deze handleiding twee woorden gebruikt om uw aandacht op bijzondere informatie te vestigen. **Belangrijk** attendeert u op bijzondere technische informatie en **Opmerking** duidt algemene informatie aan die bijzondere aandacht verdient.

Het veiligheidssymbool ([Figuur 2](#)) komt zowel in deze handleiding als op de machine voor om belangrijke veiligheidsberichten te identificeren die u moet opvolgen om ongevallen te voorkomen. Het symbool zal verschijnen met het woord **Gevaar** of **Waarschuwing**.

- **Gevaar:** een direct gevaarlijke situatie die, als deze niet wordt voorkomen, **altijd zal leiden** tot de dood of ernstig letsel.
- **Waarschuwing:** een mogelijk gevaarlijke situatie die, als deze niet wordt voorkomen, **kan leiden** tot de dood of ernstig letsel.
- **Waarschuwing:** een mogelijk gevaarlijke situatie die, als deze niet wordt voorkomen, **kan leiden** tot licht of middelmatig letsel.



Figuur 2

sa-black

1. Waarschuwingssymbool

Inhoud

Veiligheid	4	Onderhoud elektrisch systeem	43
Algemene veiligheid	4	Veiligheid van het elektrisch systeem	43
Hellingsindicator	5	Onderhoud van de accu	43
Veiligheids- en instructiestickers	6	De zekeringen onderhouden	45
Algemeen overzicht van de machine	11	Onderhoud aandrijfsysteem	45
Bedieningsorganen	12	Bandenspanning controleren	45
Specificaties	13	Elektrische rem vrij zetten	46
Werktuigen/accessoires	13	De sporing afstellen	46
Voor gebruik	13	Onderhoud riemen	47
Veiligheidsinstructies voorafgaand aan het		Riemen controleren	47
werk	13	Drijfriem van maaidek vervangen	47
Brandstof tanken	14	Onderhoud van de maaimachine	49
Dagelijks onderhoud uitvoeren	15	Veiligheid van de messen	49
Een nieuwe machine inrijden	15	Onderhoud van de maaimessen	49
Het veiligheidssysteem gebruiken	15	Maaidek horizontaal stellen	51
Instellen van de bestuurdersstoel	16	Het maaidek verwijderen	54
Instellen van de MyRide® vering	16	Het maaidek monteren	55
Rijhendels afstellen	17	Grasgeleider vervangen	56
Zijuitworp gebruiken	17	Reiniging	57
Tijdens gebruik	19	De onderkant van het maaidek reinigen	57
Veiligheid tijdens het werk	19	Afval afvoeren	57
De messchakelaar (aftakas) bedienen	22	Stalling	58
De gashendel bedienen	23	Veiligheid tijdens opslag	58
De choke bedienen	23	Reinigen en opslaan	58
Starten van de motor	24	Opslag van de accu	59
De motor afzetten	24	Problemen, oorzaak en remedie	60
De rijhendels gebruiken	24	Schema's	62
Met de machine rijden	25		
Het Smart Speed™ besturingssysteem			
gebruiken	25		
Zijafvoer gebruiken	27		
De maaihoogte instellen	27		
Antiscalpeerrollen afstellen	28		
Tips voor bediening en gebruik	29		
Na gebruik	30		
Veiligheid na het werk	30		
De machine schoonmaken	30		
Machine met de hand duwen	31		
De machine transporteren	32		
Onderhoud	34		
Veiligheid bij onderhoud	34		
Aanbevolen onderhoudsschema	35		
Procedures voorafgaande aan onderhoud	36		
De afdekking van het maaidek			
losmaken	36		
De machine opkrikken	36		
Smering	37		
De lagers smeren	37		
Onderhoud motor	37		
Veiligheid van de motor	37		
Onderhoud van het luchtfilter	37		
Motorolie verversen	38		
Onderhoud van de bougie	41		
Ventilatorbehuizing reinigen	42		
Onderhoud brandstofsysteem	42		
Brandstoffilter van de slang vervangen	42		

Veiligheid

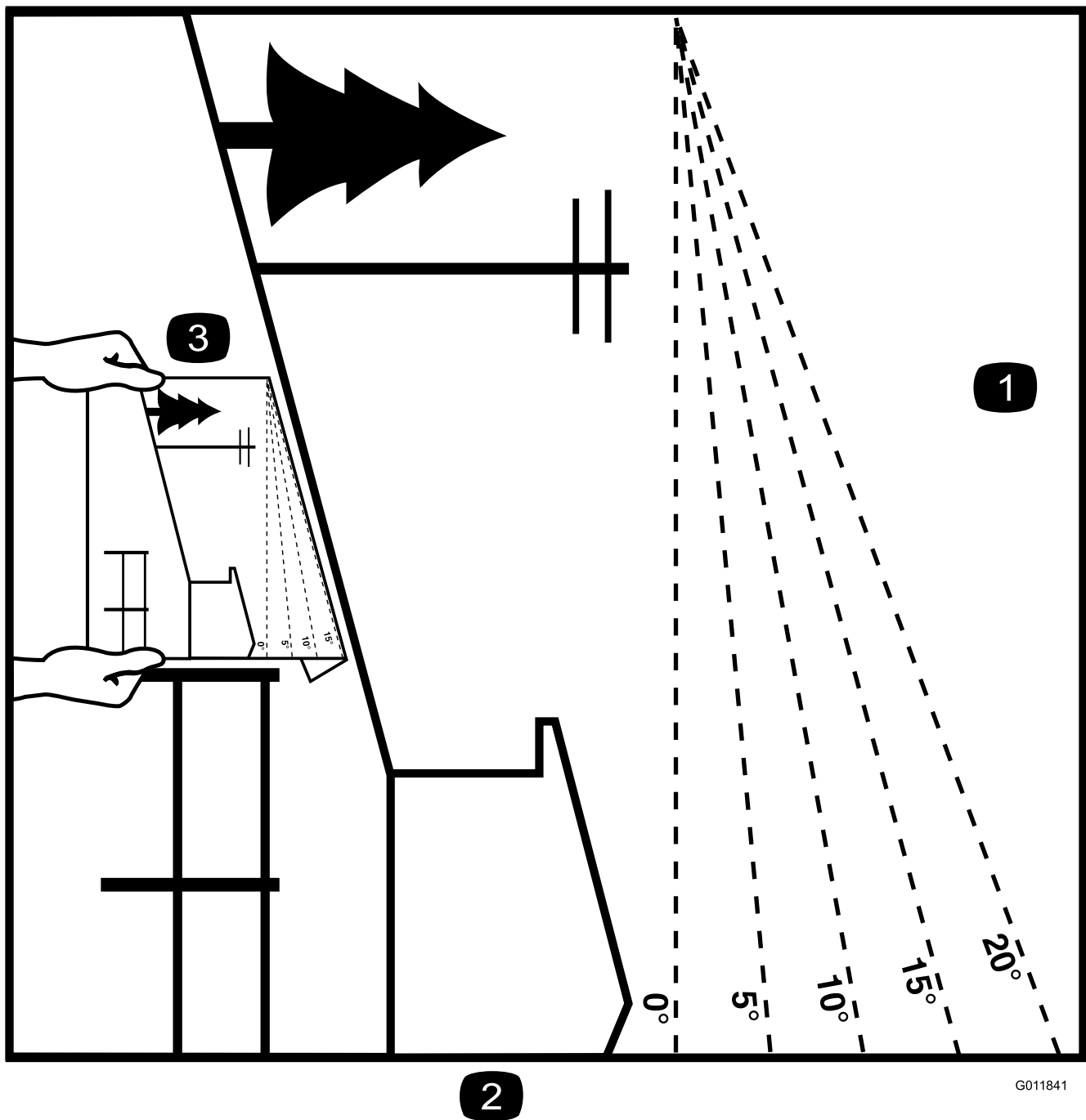
Deze machine is ontworpen volgens norm EN ISO 5395.

Algemene veiligheid

Dit product kan handen of voeten afsnijden en voorwerpen uitwerpen. Volg altijd alle veiligheidsinstructies op om ernstig of mogelijk dodelijk letsel te voorkomen.

- Lees deze *Gebruikershandleiding* en zorg ervoor dat u deze begrijpt voordat u de motor start.
- Houd omstanders en kinderen uit de buurt.
- Laat kinderen of personen die geen instructie hebben ontvangen de machine niet gebruiken of er onderhoudswerkzaamheden aan verrichten. Laat enkel mensen die verantwoordelijk en getraind zijn en die bovendien vertrouwd zijn met de instructies en fysiek ertoe in staat zijn de machine bedienen of er onderhoudswerkzaamheden aan verrichten.
- Gebruik de machine niet in de buurt van steile hellingen, greppels, oevers, water of andere gevaren, of op hellingen steiler dan 15°.
- Houd handen en voeten uit de buurt van de bewegende onderdelen van de machine.
- Gebruik de machine niet als er schermen, veiligheidsschakelaars of andere beveiligingsmiddelen ontbreken of als deze niet naar behoren werken.
- Zet de motor af, verwijder het contactsleuteltje en wacht totdat alle bewegende onderdelen tot stilstand zijn gekomen voordat u de bestuurderspositie verlaat. Laat de machine afkoelen voordat u deze afstelt, vult met brandstof, reinigt, stalt of er onderhoudswerkzaamheden aan verricht.

Hellingsindicator



2

G011841

g011841

Figuur 3

U mag deze pagina kopiëren voor persoonlijk gebruik.

1. De maximale hellingshoek waarbij u de machine mag gebruiken is **15 graden**. Gebruik het hellingsschema om de hellingshoek te bepalen voordat u de machine bedient. **Gebruik de machine niet op hellingen van meer dan 15 graden.** Langs de betreffende lijn van de aanbevolen hellingshoek vouwen.
2. Lijn deze rand uit met een verticaal oppervlak, bijvoorbeeld een boom, gebouw of hek.
3. Voorbeeld van het vergelijken van de hellingshoek met de gevouwen rand

Veiligheids- en instructiestickers



Informatieve en veiligheidsstickers zijn gemakkelijk zichtbaar voor de bestuurder en bevinden zich bij plaatsen waar gevaar kan ontstaan. Vervang alle beschadigde of verdwenen stickers.

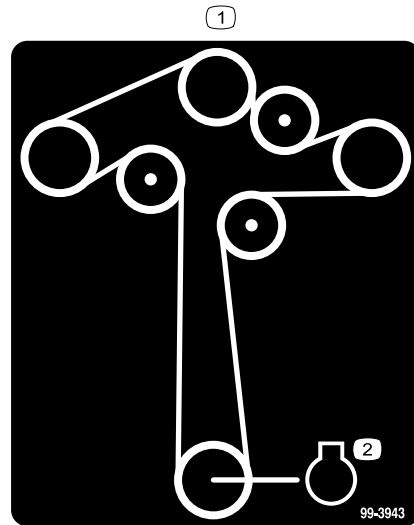


Symbolen op accu

Sommige of alle symbolen staan op de accu.

- | | |
|--|--|
| 1. Risico van explosie | 6. Houd omstanders uit de buurt van de accu. |
| 2. Niet roken. Geen open vuur of vonken | 7. Draag oogbescherming; explosieve gassen kunnen blindheid en ander letsel veroorzaken. |
| 3. Risico van bijtende vloeistof/chemische brandwonden | 8. Accuzuur kan blindheid of ernstige brandwonden veroorzaken. |
| 4. Draag oogbescherming. | 9. Ogen direct met water spoelen en snel arts raadplegen. |
| 5. Lees de <i>Gebruikershandleiding</i> . | 10. Bevat lood; niet weggooien |

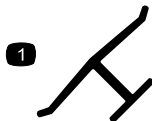
Sticker 99-3943 is uitsluitend voor modellen met maaidekken van 127 cm.



99-3943

decal99-3943

1. Geleiding van drijfriem
2. Motor

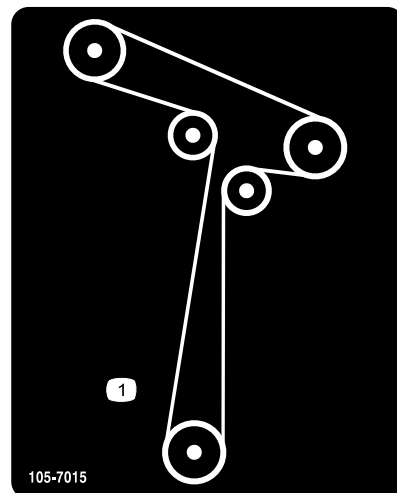


decaloemmarkt

Merkteken van fabrikant

1. Dit merkteken geeft aan dat het mes onderdeel van een originele Toro- maaimachine is.

Sticker 105-7015 is uitsluitend voor modellen met maaidekken van 107 cm.

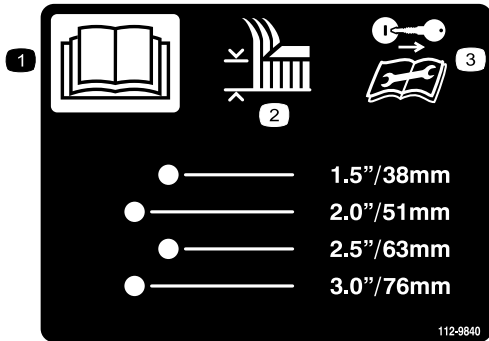


105-7015

decal105-7015

1. Geleiding van drijfriem

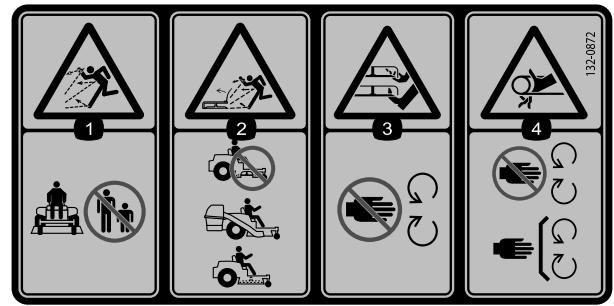
Sticker 112-9840 is uitsluitend voor modellen met maaidekken van 127 cm.



112-9840

decal112-9840

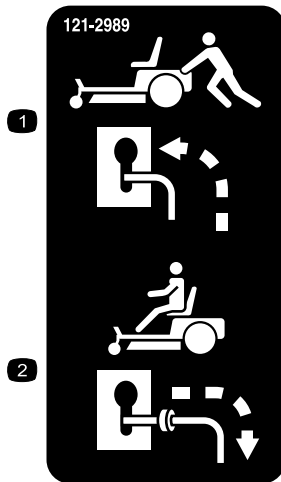
1. Lees de *Gebruikershandleiding*.
2. Maaihoogte
3. Verwijder het sleuteltje uit het contact en lees de instructies voordat u service- of onderhoudswerkzaamheden uitvoert.



decal132-0872

132-0872

1. De machine kan voorwerpen uitwerpen – Houd omstanders uit de buurt van de machine.
2. De maaier kan voorwerpen uitwerpen, omhooggebrachte geleider – Gebruik de machine niet met een open maaidek; gebruik een grasvanger of een geleider.
3. Handen of voeten kunnen worden gesneden – Blijf uit de buurt van bewegende onderdelen.
4. Risico om gegrepen te worden – Blijf uit de buurt van bewegende delen en houd alle beschermende delen op hun plaats.

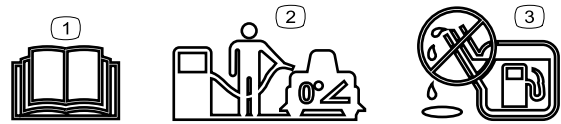


121-2989

decal121-2989b

1. Omloophendel, hendel in duwstand
2. Omloophendel, hendel in gebruiksstand

Sticker 138-6074 is gegoten in de brandstoftank.



decal138-2456

138-6074

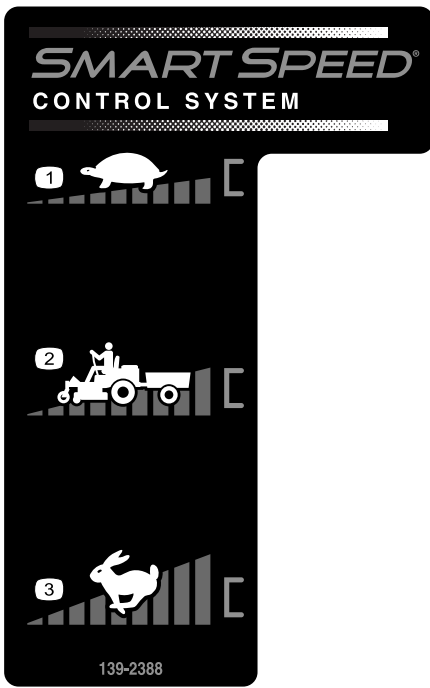
1. Lees de *Gebruikershandleiding*.
2. Parkeer de machine op een horizontaal oppervlak wanneer u de brandstoftank vult.
3. De tank niet te vol vullen.



decal130-0731

130-0731

1. Waarschuwing – Machine kan voorwerpen uitwerpen; zorg ervoor dat de grasgeleider op zijn plaats zit.
2. Handen of voeten kunnen worden gesneden door het maaimes – Blijf uit de buurt van bewegende onderdelen.

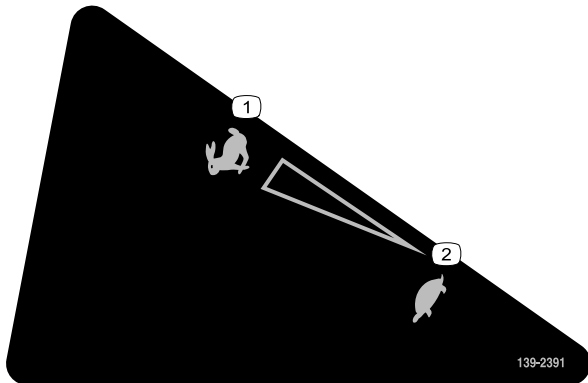


139-2388

decal139-2388

- 1. Langzaam
- 2. Vervoeren
- 3. Snel

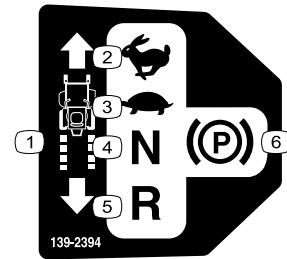
Sticker 139-2391 is voor modellen zonder urenteller.



139-2391

decal139-2391

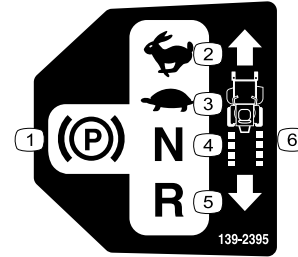
- 1. Snel
- 2. Langzaam



139-2394

decal139-2394

- 1. Tractiebediening
- 2. Snel
- 3. Langzaam
- 4. Vrijstand
- 5. Achteruit
- 6. Parkeerrem



139-2395

decal139-2395

- 1. Parkeerrem
- 2. Snel
- 3. Langzaam
- 4. Vrijstand
- 5. Achteruit
- 6. Tractiebediening



139-2397

decal139-2397



140-2748

decal140-2748

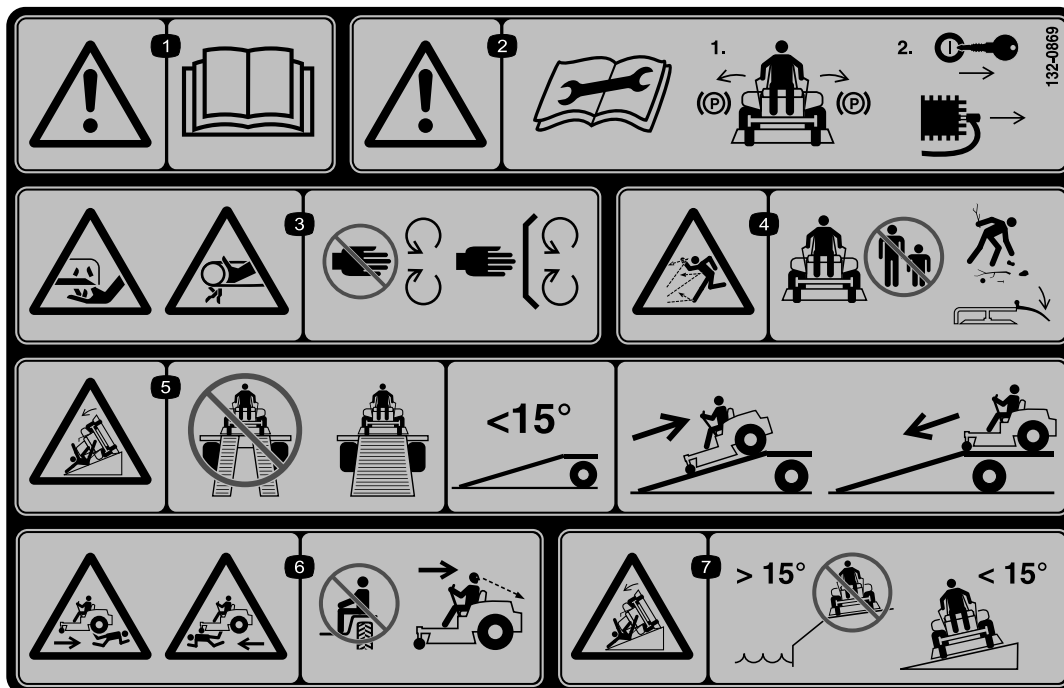
⚠ WARNING: Cancer and Reproductive Harm - www.P65Warnings.ca.gov.
For more information, please visit www.ttcoCAProp65.com

CALIFORNIA SPARK ARRESTER WARNING
Operation of this equipment may create sparks that can start fires around dry vegetation. A spark arrester may be required. The operator should contact local fire agencies for laws or regulations relating to fire prevention requirements.

142-5864

142-5864

decal142-5864



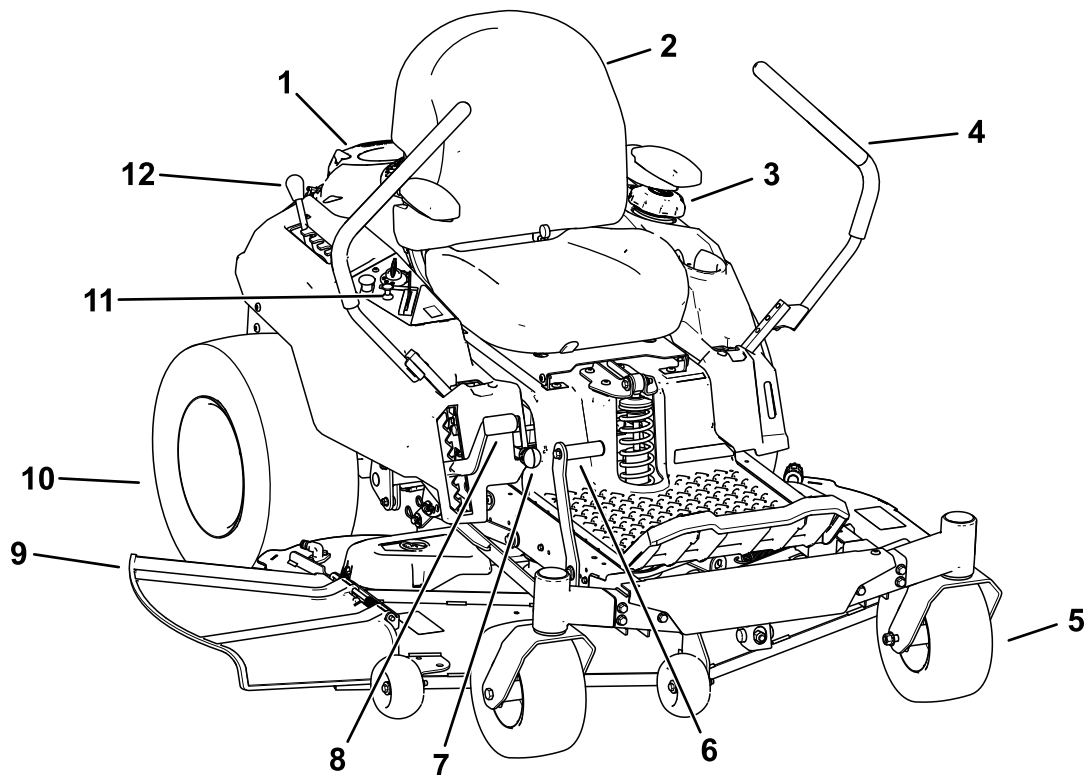
132-0869

decal132-0869

Opmerking: Deze machine voldoet aan de tests die de statische breedte- en lengtestabiliteit meten en die standaard zijn in de sector. De maximale aanbevolen hellingshoek wordt vermeld op de sticker. Raadpleeg de instructies voor gebruik van de machine op hellingen in de *Gebruikershandleiding* en de omstandigheden waarin u de machine zou gebruiken om na te gaan of u de machine op een bepaalde dag en op het terrein in kwestie kunt gebruiken. Veranderingen in het terrein kunnen tot gevolg hebben dat de machine anders reageert op hellingen.

- | | | | |
|---|--|--|--|
| <p>1. Waarschuwing – Lees de <i>Gebruikershandleiding</i>.</p> | <p>3. Handen kunnen worden gesneden/geamputeerd, maaimes; risico om gegrepen te worden, riem – Blijf uit de buurt van bewegende delen; houd alle beschermende delen op hun plaats.</p> | <p>5. Kantelgevaar – Gebruik geen dubbele oprijplaat bij het laden op een aanhanger; gebruik één enkele oprijplaat die breed genoeg is voor de machine en die een hellingshoek heeft van minder dan 15°; rij achteruit de oprijplaat op en rij vooruit de oprijplaat af.</p> | <p>7. Kantelgevaar – Gebruik de machine niet in de buurt van steile hellingen of hellingen van meer dan 15°; gebruik de machine enkel op hellingen van minder dan 15°.</p> |
| <p>2. Waarschuwing – Lees de <i>Gebruikershandleiding</i> voordat u onderhoudswerkzaamheden uitvoert; stel de parkeerrem in werking, verwijder het sleuteltje en koppel de bougie af.</p> | <p>4. Machine kan voorwerpen uitwerpen – Houd omstanders uit de buurt; raap afval op voordat u de machine begint te gebruiken; zorg ervoor dat de grasgeleider op zijn plaats zit.</p> | <p>6. Gevaar om overreden te worden – Vervoer geen passagiers; kijk achterom als u achteruitrijdt.</p> | |

Algemeen overzicht van de machine



g367815

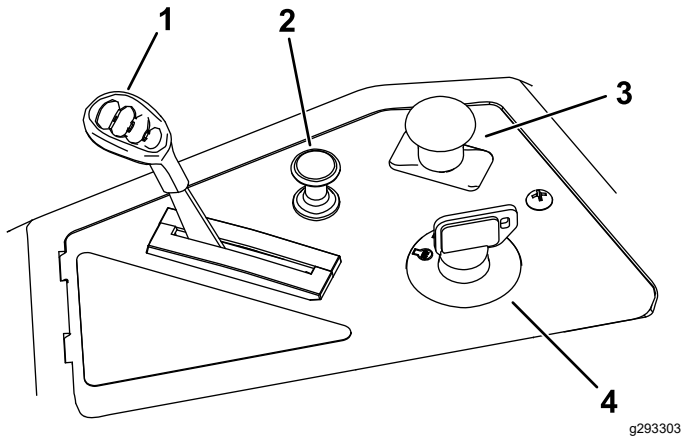
Figuur 4

- | | | | |
|--------------------------|--|------------------------|--------------------------|
| 1. Motor | 4. Rijhendels | 7. Smart Speed™ hendel | 10. Achteraandrijf wiel |
| 2. Bestuurdersstoel | 5. Voorste zwenkwiel | 8. Maaihoogtehendel | 11. Bedieningspaneel |
| 3. Dop van brandstoftank | 6. Hefpedaal maaidek (enkel bepaalde modellen) | 9. Grasgeleider | 12. MyRide™ instelhendel |

Bedieningsorganen

Zorg dat u vertrouwd bent met alle bedieningsorganen voordat u de motor start en de machine gebruikt.

Bedieningspaneel



Figuur 5

g293303

- | | |
|--------------|----------------------|
| 1. Gashendel | 3. Aftakasschakelaar |
| 2. Chokeknop | 4. Contactschakelaar |

Contactschakelaar

De contactschakelaar, waarmee u de motor start en afzet, heeft 3 standen: UIT, LOPEN en START (Figuur 5).

Gashendel

De gashendel regelt het motortoerental en zorgt voor een continu verstelbare regeling van LANGZAAM tot SNEL (Figuur 5).

Chokeknop

Gebruik de chokeknop om een koude motor te starten (Figuur 5).

Maaimesschakelaar (aftakas, PTO)

Met de maaimesschakelaar, aangeduid met het aftakassymbool (PTO), schakelt u de aandrijving naar de maaimessen aan of uit (Figuur 5).

Rijhendels

De rijhendels worden gebruikt om de motor vooruit en achteruit te laten rijden en om bochten naar links of naar rechts te maken (Figuur 4).

Parkeerstand

Zet de rijhendels vanuit het midden naar buiten in de PARKEERSTAND wanneer u de machine verlaat om de elektrische rem in werking te stellen (Figuur 24). Zet de rijhendels altijd in de PARKEERSTAND als u de machine stopt of onbeheerd achterlaat.

MyRide® instelhendel

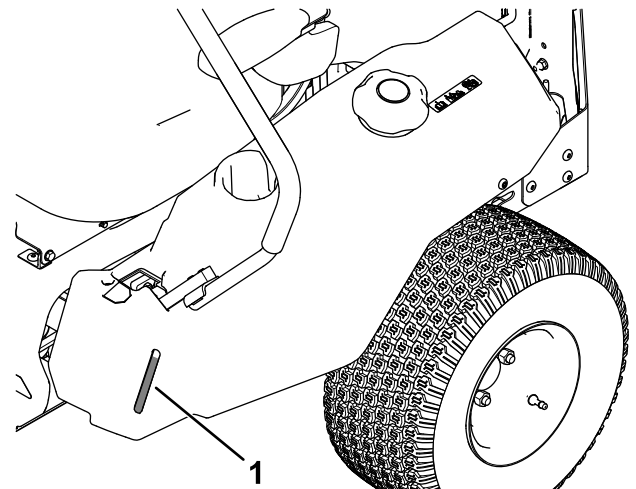
Gebruik de MyRide® instelhendel om de stoelvering af te stellen (Figuur 4).

Smart Speed™ bedieningssysteem

De hendel van het Smart Speed™ systeem bevindt zich onder de bestuurdersstoel en geeft u de keuze uit drie snelheidsbereiken: trimmen, slepen en maaien (Figuur 27).

Brandstofvenstertje

Met het brandstofvenstertje aan de linkerkant van de machine kunt u nagaan of er zich brandstof in de tank bevindt (Figuur 6).



Figuur 6

g292100

1. Brandstofvenstertje

Maaihoogtehendel

Met de maaihoogtehendel kunt u het maaidek opheffen en neerlaten vanuit de bestuurdersstoel. Als u de hendel omhoog zet, naar u toe, wordt het maaidek opgeheven van de grond en als u de hendel omlaag zet, weg van u, wordt het maaidek neergelaten. De maaihoogte mag uitsluitend worden ingesteld als de machine stilstaat (Figuur 28).

Maaidekhefsysteem met voetpedaal

Alleen bij sommige modellen

Met het voetbediende maaidekhefsysteem kan de gebruiker het maaidek omhoog en omlaag brengen vanuit de bestuurdersstoel. U kunt het voetpedaal gebruiken om het maaidek kort omhoog te brengen om obstakels te vermijden of het regelen van de maaihoogte gemakkelijker te maken (Figuur 4)

Specificaties

Specificaties en ontwerp kunnen zonder voorafgaande kennisgeving worden gewijzigd.

	Maaidek van 107 cm	Maaidek van 127 cm
Maaibreedte	107 cm	127 cm
Breedte met grasgeleider omlaag	135 cm	155 cm
Breedte met grasgeleider omhoog	123 cm	130 cm
Lengte	185 cm	186 cm
Hoogte	112 cm	109 cm
Gewicht	332 kg	353 kg

Werktuigen/accessoires

Een selectie van door Toro goedgekeurde werktuigen en accessoires is verkrijgbaar voor gebruik met de machine om de mogelijkheden daarvan te verbeteren en uit te breiden. Neem contact op met een erkende servicedealer of een erkende Toro- distributeur, of bezoek www.Toro.com voor een lijst van alle goedgekeurde werktuigen en accessoires.

Om de beste prestaties te verkrijgen en er zeker van te zijn dat de machine altijd veilig kan worden gebruikt, moet u ter vervanging uitsluitend originele Toro- onderdelen en accessoires gebruiken. Gebruik ter vervanging nooit onderdelen en accessoires van andere fabrikanten, omdat dit gevaarlijk kan zijn. Dit kan ertoe leiden dat de garantie op het product komt te vervallen.

Gebruiksaanwijzing

Opmerking: Bepaal de linker- en rechterzijde van de machine vanuit de normale bedieningspositie.

Voor gebruik

Veiligheidsinstructies voorafgaand aan het werk

Algemene veiligheid

- Laat kinderen of personen die geen instructie hebben ontvangen de machine niet gebruiken of er onderhoudswerkzaamheden aan verrichten. Plaatselijke voorschriften kunnen nadere eisen stellen aan de leeftijd van degene die met de machine werkt. Plaatselijke voorschriften kunnen nadere eisen stellen aan de leeftijd van degene die met de machine werkt. De eigenaar is verantwoordelijk voor de instructie van alle bestuurders en technici.
- Controleer de omgeving waar u de machine gaat gebruiken. Verwijder alle voorwerpen die de werking van de machine kunnen beïnvloeden of die door de machine kunnen worden uitgeworpen.
- Zorg ervoor dat u vertrouwd raakt met de bedieningsorganen en de veiligheidssymbolen, en weet hoe u de machine veilig kunt gebruiken.
- Controleer de aanwezigheid en goede werking van de dodemansinrichtingen, veiligheidsschakelaars en schermen. Gebruik de machine uitsluitend als deze naar behoren werkt.
- Zet de motor af, verwijder het contactsleuteltje en wacht totdat alle bewegende onderdelen tot stilstand zijn gekomen voordat u de bestuurderspositie verlaat. Laat de machine afkoelen voordat u deze afstelt, vult met brandstof, reinigt, stalt of er onderhoudswerkzaamheden aan verricht.
- Controleer voordat u begint te maaien de machine om zeker te zijn dat de maai-eenheden goed werken.
- Inspecteer het terrein om na te gaan welke accessoires en werktuigen nodig zijn om de machine veilig en goed te gebruiken.
- Draag geschikte kleding en uitrusting, zoals oogbescherming, een lange broek, stevige schoenen met een gripvaste zool en gehoorbescherming. Draag lang haar niet los en draag geen losse kleding of juwelen.
- Vervoer geen passagiers op de machine.

- Hou omstanders en huisdieren tijdens het werk uit de buurt van de machine. Schakel de machine en het/de werktuig(en) uit indien iemand het werkgebied betreedt.
- Gebruik de machine niet tenzij alle schermen en veiligheidsvoorzieningen zoals de geleiders en de volledige grasvanger op hun plaats zitten en goed werken. Vervang versleten of kapotte onderdelen indien nodig.

Brandstofveiligheid

- Brandstof is uiterst ontvlambaar en zeer explosief. Brand of explosie van brandstof kan brandwonden bij u of anderen en materiële schade veroorzaken.
 - Om te voorkomen dat een statische lading de brandstof doet ontbranden, verwijdert u de machine van de truck of aanhanger en tankt u op de grond, uit de buurt van alle voertuigen. Indien dit niet mogelijk is, plaats dan een draagbaar brandstoftank op de grond, uit de buurt van alle voertuigen, en vul dit; tank de machine vervolgens bij uit het brandstoftank in plaats van met een vulpistool van een pomp.
 - Vul de brandstoftank op een horizontaal oppervlak en in de open lucht wanneer de motor koud is. Eventueel gemorste brandstof opnemen.
 - Rook niet als u omgaat met brandstof, en houd brandstof uit de buurt van open vuur en vonken.
 - Als de motor draait of heet is, mag de brandstoftankdop niet worden verwijderd en mag de tank niet met brandstof worden bijgevuld.
 - Probeer de motor niet te starten als u brandstof morst. Zorg ervoor dat er geen ontstekingsbronnen in de buurt zijn totdat de brandstofdampen volledig zijn verdwenen.
 - Brandstof in een goedgekeurd vat of blik en buiten bereik van kinderen bewaren.
- Brandstof is schadelijk of dodelijk bij inname. Langdurige blootstelling aan dampen kan leiden tot ernstig letsel en ziekte.
 - Voorkom dat u dampen lange tijd inademt.
 - Houd uw handen en gezicht uit de buurt van het vulpistool en de opening van de brandstoftank.
 - Houd brandstof uit de buurt van ogen en huid.
- Sla de machine en de brandstofhouder niet op plaatsen waar open vlammen, vonken of waakvlammen (bv. van een boiler of andere toestellen) aanwezig kunnen zijn.
- Gebruik de machine uitsluitend als het complete uitlaatsysteem is gemonteerd en naar behoren werkt.

- Houd het vulpistool in contact met de rand van de benzinetank of het vat tot het tanken voltooid is. Gebruik geen vergrendeling voor het vulpistool.
- Als u brandstof morst op uw kleding dient u zich onmiddellijk om te kleden.
- Giet de brandstoftank niet te vol. Plaats de brandstofdop terug en maak hem stevig vast.
- Verwijder gras en vuil van de maai-eenheid, de geluiddemper, de aandrijvingen, de grasvanger en de motor om brand te voorkomen. Veeg gemorste olie en brandstof op.

Brandstof tanken

Aanbevolen brandstof

Type	Loodvrije benzine
Minimaal octaangetal	87 (VS) of 91 (researchoctaangetal; buiten de VS)
Ethanol	Niet meer dan 10% van het volume
Methanol	Geen
MTBE (methyl-tertiair-butylether)	Niet meer dan 15% van het volume
Olie	Niet toevoegen aan de brandstof

Gebruik uitsluitend schone, verse brandstof (minder dan 30 dagen oud) van een gerespecteerde bron.

Gebruik van stabilizer/conditioner

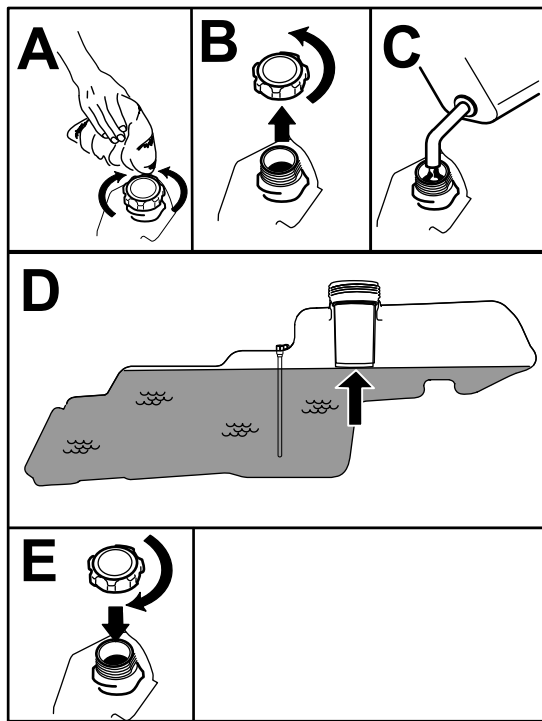
Gebruik stabilizer/conditioner in de machine om de brandstof langer vers te houden; volg de aanbevelingen van de fabrikant van de stabilizer op.

Belangrijk: Gebruik nooit brandstofadditieven die methanol of ethanol bevatten.

Voeg de hoeveelheid stabilizer/conditioner toe aan de verse brandstof volgens de voorschriften van de fabrikant van de stabilizer.

Brandstoftank vullen

1. Parkeer de machine op een horizontaal oppervlak.
2. Zet de rijkhendels in PARKEER.
3. Zet de motor af en verwijder het sleuteltje.
4. Reinig het gebied rond de dop van de brandstoftank.
5. Vul de tank tot aan de onderkant van de vulbuis (Figuur 7). Vul de brandstoftank niet helemaal.



Figuur 7

g293796

Het veiligheidssysteem gebruiken

⚠ WAARSCHUWING

Niet-aangesloten of beschadigde interlockschakelaars kunnen onverwachte gevolgen hebben op de werking van de machine. Dit kan lichamelijk letsel veroorzaken.

- Laat de interlockschakelaars ongemoeid.
- Controleer elke dag de werking van de interlockschakelaars en vervang beschadigde schakelaars voordat u de machine weer in gebruik neemt.

Werking van het veiligheidssysteem

Het veiligheidssysteem is bedoeld om starten van de motor alleen mogelijk te maken wanneer:

- de messchakelaar (aftakas) is uitgeschakeld;
- De rijhendels staan in de PARKEERSTAND.

Het veiligheidssysteem zorgt ook dat de motor wordt gestopt wanneer de rijhendels niet in PARKEER staan en u de bestuurdersstoel verlaat.

Het veiligheidssysteem testen

Controleer de werking van het veiligheidssysteem telkens voordat u de machine in gebruik neemt. Als het veiligheidssysteem niet werkt zoals hieronder wordt beschreven, moet u het direct laten repareren door een erkende servicedealer.

1. Neem plaats op de bestuurdersstoel, zet de rijhendels in de PARKEERSTAND en zet de messchakelaar AAN. Probeer de motor te starten; de motor mag nu niet gaan draaien.
2. Blijf zitten op de bestuurdersstoel en schakel de messchakelaar in de UIT-stand. Zet één van de rijhendels in de middelste, onvergrendelde stand. Probeer de motor te starten; de motor mag nu niet gaan draaien. Beweeg nu de andere rijhendel.
3. Blijf zitten op de bestuurdersstoel, zet de messchakelaar UIT en zet de rijhendels vast in de PARKEERSTAND. Start de motor. Als de motor loopt, schakelt u de messchakelaar in en komt u iets overeind uit de bestuurdersstoel; de motor moet stoppen.
4. Blijf zitten op de bestuurdersstoel, zet de messchakelaar UIT en zet de rijhendels vast in de PARKEERSTAND. Start de motor. Als de motor loopt, moet u de rijhendels in de middelste,

Dagelijks onderhoud uitvoeren

Voer elke dag, voordat u de machine start, de dagelijkse procedures uit beschreven in [Onderhoud \(bladz. 34\)](#).

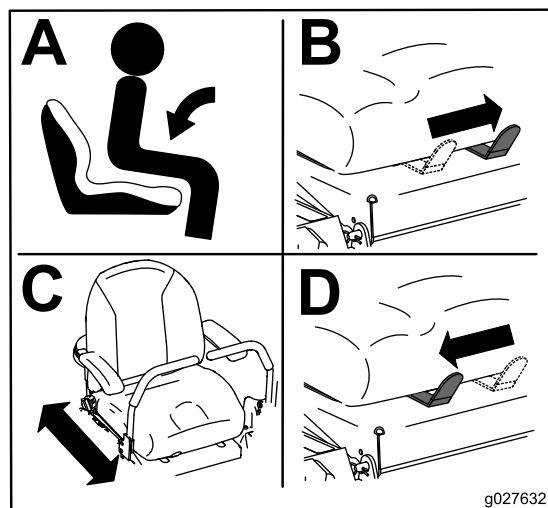
Een nieuwe machine inrijden

Een nieuwe motor heeft tijd nodig om vol vermogen te ontwikkelen. Maai-eenheden en aandrijfsystemen hebben meer wrijving als zij nieuw zijn, waardoor de motor extra wordt belast. Houd er rekening mee dat een nieuwe machine een inrijperiode van 40 tot 50 bedrijfsuren nodig heeft om vol vermogen te ontwikkelen voor de beste prestaties.

onvergrendelde stand zetten. Kom dan iets overeind uit de bestuurdersstoel; de motor moet stoppen.

Instellen van de bestuurdersstoel

U kunt de stoel naar voren en naar achteren verschuiven. De stand van de stoel moet zo zijn dat u de machine het best kunt bedienen en dat u comfortabel zit ([Figuur 8](#)).



Figuur 8

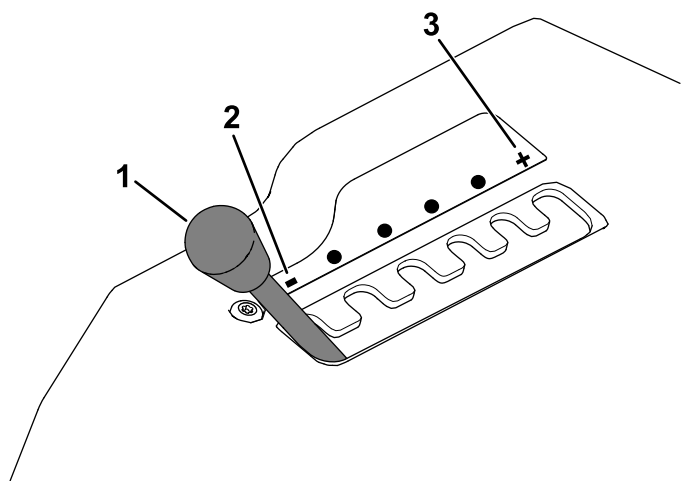
g027632

Instellen van de MyRide® vering

De MyRide® ophanging kan worden versteld voor een soepele en comfortabele rit. De sleuven die dienen om de ophanging in te stellen, zijn uitgerust met vergrendelde standen die gaan van een soepel tot een strak afgeveerd gevoel ([Figuur 9](#)).

1. Parkeer de machine op een horizontaal oppervlak, schakel de aftakas uit en zet de rijhendels naar buiten in de PARKEERSTAND.
2. Zet de motor af, verwijder het contactsleuteltje en wacht totdat alle bewegende onderdelen tot stilstand zijn gekomen voordat u de bestuurderspositie verlaat.
3. Stap af de machine.
4. Terwijl u aan de rechterkant van de machine staat, beweegt u de instelhendel naar links in de richting van het '-'-symbool om de ophanging zachter in te stellen.

Beweeg de instelhendel naar rechts in de richting van het '+'-symbool voor een strakkere ophanging.



Figuur 9

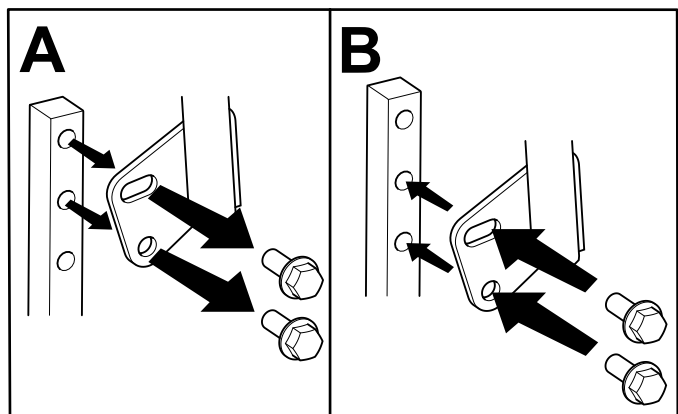
g292102

- | | |
|------------------------|---------------------|
| 1. MyRide instelhendel | 3. Strakkere vering |
| 2. Zachtere vering | |

Rijhendels afstellen

De hoogte instellen

U kunt de rijhendels hoger of lager afstellen, voor meer comfort (Figuur 10).



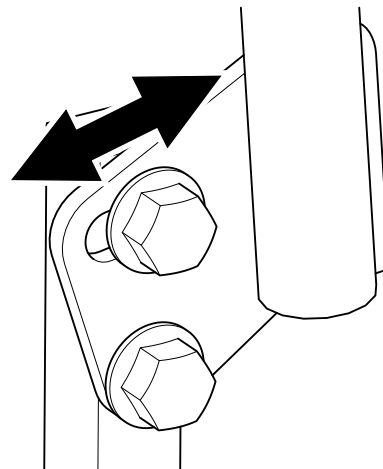
Figuur 10

g333847

Hoek van rijhendels verstellen

U kunt de hoek van de rijhendels naar voren of achteren afstellen, voor meer comfort.

1. Verwijder de bovenste bout waarmee de rijhendel is bevestigd aan de schacht van de bedieningsarm.
2. Draai de onderste bout los totdat u de rijhendels naar voren of naar achteren kunt bewegen.



Figuur 11

g333846

3. Draai de moeren aan om de rijhendel vast te zetten in de nieuwe stand.
4. Stel vervolgens ook de andere rijhendel af.

Zijuitworp gebruiken

Het maaidek en de maaimessen die worden geleverd met de machine zijn ontworpen om optimale mulch- en zijuitworpresultaten te leveren.

Monteer het bevestigingsmateriaal van de zak met losse onderdelen in de lege openingen nadat u de recyclerschotten hebt verwijderd. Hierdoor voorkomt u dat er openingen niet afgedekt zijn wanneer u het maaidek gebruikt.

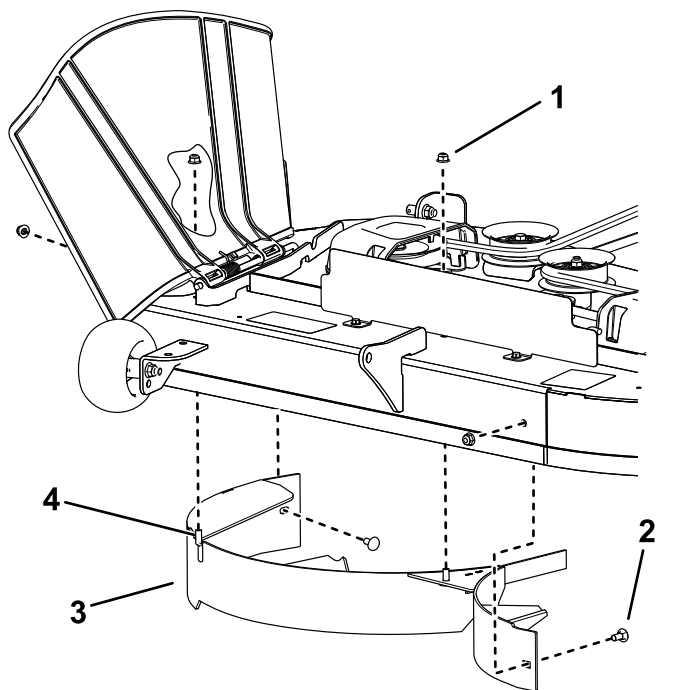
⚠ WAARSCHUWING

Het maaidek kan voorwerpen uitwerpen uit niet-afgedichte openingen, waardoor u en anderen letsel kunnen oplopen.

- Gebruik de machine nooit zonder dat alle openingen in het maaikast zijn afgedicht met bouten en moeren.
- Zorg ervoor dat er bouten en moeren zijn gemonteerd in de montageopeningen als de mulchplaat is verwijderd.

Machines met een maaidek van 107 cm

1. Parkeer de machine op een horizontaal oppervlak, schakel de aftakas uit en zet de rijhendels naar buiten in de PARKEERSTAND.
2. Zet de motor af, verwijder het contactsleuteltje en wacht totdat alle bewegende onderdelen tot stilstand zijn gekomen voordat u de bestuurderspositie verlaat.
3. Verwijder het maaidek; zie [Het maaidek verwijderen \(bladz. 54\)](#).
4. Verwijder de 2 borgmoeren (5/16") van de gelaste pennen van het schot.



Figuur 12

g296990

- | | |
|--------------------------------|--------------------|
| 1. Borgmoer – 5/16" (4) | 3. Schot |
| 2. Slotbout – 5/16" x 3/4" (2) | 4. Gelaste pen (2) |

5. Verwijder de 2 slotbouten en 2 borgmoeren waarmee het schot bevestigd is aan het maaidek en verwijder het schot.
6. Gebruik 2 bouten van de losse onderdelen en gebruik de 2 aanwezige borgmoeren om de openingen die worden gebruikt voor de gelaste pennen te monteren om zo rondvliegende voorwerpen te voorkomen.

Opmerking: Installeer de bevestigingen zo dat de moeren zich boven op het dek bevinden.

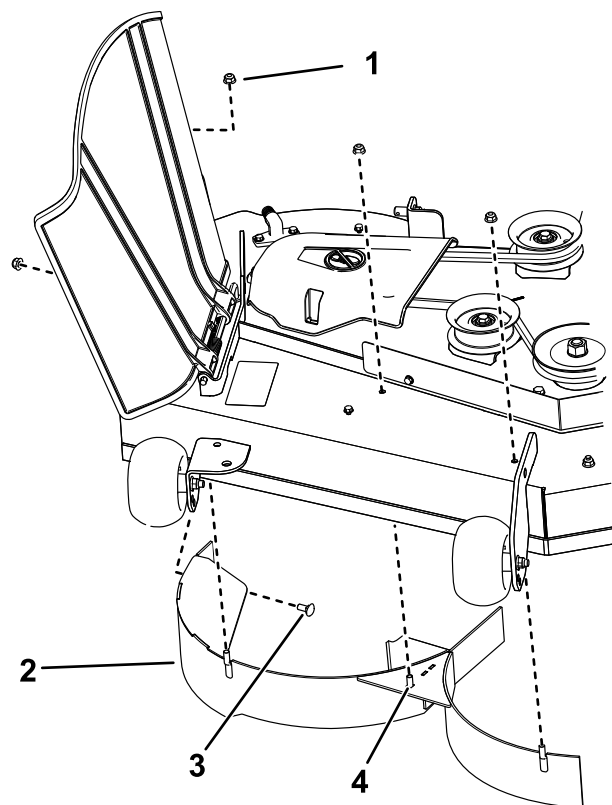
7. Gebruik de bout van de losse onderdelen en gebruik de aanwezige borgmoer om de opening aan de voorkant van het maaidek te monteren.

Opmerking: Installeer de bevestigingen zo dat de moer zich buiten het dek bevindt.

8. Monteer het maaidek; zie [Het maaidek monteren \(bladz. 55\)](#).

Machines met een maaidek van 127 cm

1. Parkeer de machine op een horizontaal oppervlak, schakel de aftakas uit en zet de rijhendels naar buiten in de PARKEERSTAND.
2. Zet de motor af, verwijder het contactsleuteltje en wacht totdat alle bewegende onderdelen tot stilstand zijn gekomen voordat u de bestuurderspositie verlaat.
3. Verwijder het maaidek; zie [Het maaidek verwijderen \(bladz. 54\)](#).
4. Verwijder de 3 borgmoeren (5/16") van de gelaste pennen van het rechter schot.



Figuur 13

g297022

- | | |
|-------------------------|----------------------------|
| 1. Borgmoer – 5/16" (4) | 3. Slotbout – 5/16" x 3/4" |
| 2. Rechter schot | 4. Gelaste pen (3) |

5. Verwijder de slotbout en borgmoer waarmee het rechter schot bevestigd is aan het maaidek en verwijder het schot.
6. Gebruik de in stap 5 verwijderde slotbout en borgmoer om de opening aan de

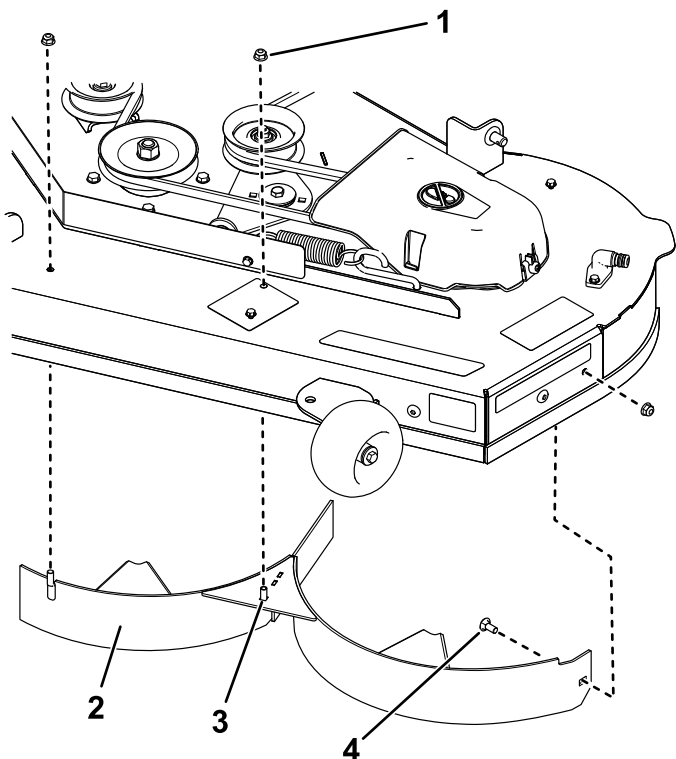
rechterkant van her maaidek te monteren om zo rondvliegende voorwerpen te voorkomen.

Opmerking: Installeer de bevestigingen zo dat de moer zich buiten het dek bevindt.

7. Gebruik 3 bouten van de losse onderdelen en gebruik de 3 aanwezige borgmoeren om de openingen die worden gebruikt voor de gelaste pennen te monteren.

Opmerking: Installeer de bevestigingen zo dat de moeren zich boven op het dek bevinden.

8. Verwijder de 2 borgmoeren (5/16") van de gelaste pennen van het linker schot.



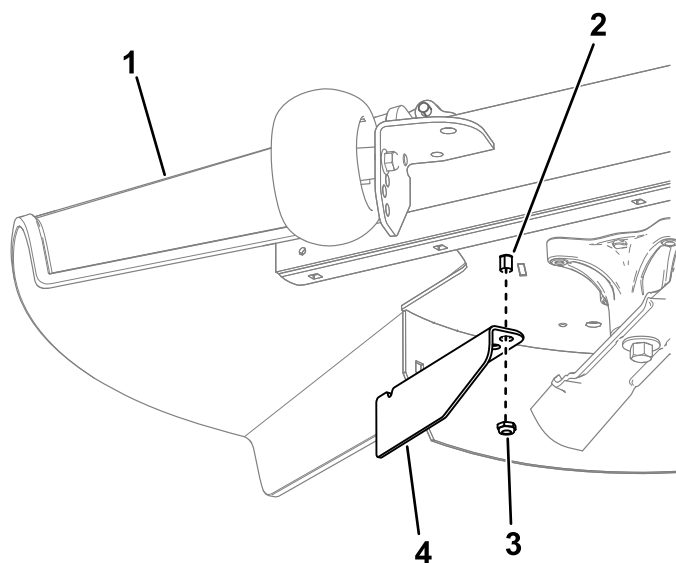
Figuur 14

g297021

- | | |
|-------------------------|----------------------------|
| 1. Borgmoer – 5/16" (3) | 3. Gelaste pen (2) |
| 2. Linker schot | 4. Slotbout – 5/16" x 3/4" |

Opmerking: Installeer de bevestigingen zo dat de moeren zich boven op het dek bevinden.

12. Verwijder de moer van de stang van de grasgeleider onder het maaidek.



g297046

Figuur 15

- | | |
|---------------------------|--------------|
| 1. Grasgeleider | 3. Moer |
| 2. Stang van grasgeleider | 4. Keerplaat |

13. Gebruik de moer om de keerplaat te monteren aan de stang van de grasgeleider. Gebruik hierbij de buitenste opening in de keerplaat.
14. Monteer het maaidek; zie [Het maaidek monteren \(bladz. 55\)](#).

Tijdens gebruik

Veiligheid tijdens het werk

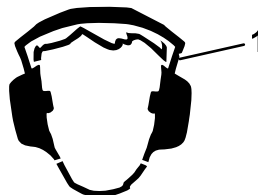
Algemene veiligheid

- De eigenaar/gebruiker is verantwoordelijk voor ongelukken die persoonlijk letsel of materiële schade kunnen veroorzaken, en hij dient zulke ongelukken te voorkomen.
- Geef uw volledige aandacht als u de machine gebruikt. Zorg ervoor dat u met niets anders bezig bent waardoor u kunt worden afgeleid, anders kunnen er letsels ontstaan of kan eigendom worden beschadigd.
- Gebruik de machine niet als u ziek, moe of onder de invloed van alcohol of drugs bent.
- Contact met het mes kan leiden tot ernstig lichamelijk letsel. Zet de motor af, verwijder het contactsleuteltje en wacht totdat alle bewegende

onderdelen tot stilstand zijn gekomen voordat u de bestuurderspositie verlaat. Wanneer u de sleutel naar UIT draait, moet de motor afslaan en moet het mes stoppen. Als dit niet het geval is, mag u de machine niet verder gebruiken en moet u contact opnemen met een erkende servicedealer.

- Gebruik de machine uitsluitend als het zicht goed is en bij geschikte weersomstandigheden. Gebruik de machine niet als er kans op bliksem is.
- Houd uw handen en voeten uit de buurt van de maai-eenheden. Blijf uit de buurt van de afvoeropening.
- Maai niet als de grasgeleider in de geheven stand staat, verwijderd is of gewijzigd is, tenzij een grasvanger of mulchset gemonteerd is en goed werkt.
- Maai uitsluitend in de achteruitstand, als dat strikt noodzakelijk is. Kijk altijd naar beneden en achterom voordat u achteruitrijdt.
- Wees uiterst voorzichtig bij het naderen van blinde hoeken, struiken, bomen en andere objecten die het zicht kunnen belemmeren.
- Stop de maaimessen als u niet daadwerkelijk maait.
- Als de maaimachine toch een voorwerp raakt en begint te trillen, moet u meteen de motor afzetten, de contactsleutel verwijderen (indien de machine hiermee is uitgerust) en wachten totdat alle bewegende onderdelen tot stilstand zijn gekomen voordat u de machine op beschadiging controleert. Voer alle noodzakelijke reparaties uit voordat u de machine weer in gebruik neemt.
- Verminder uw snelheid en wees voorzichtig als u een bocht maakt of wegen en voetpaden oversteekt met de machine. Verleen altijd voorrang.
- Doe het volgende voordat u de bestuurdersstoel verlaat:
 - Parkeer de machine op een horizontaal oppervlak.
 - Schakel de aftakas uit en laat de werktuigen zakken.
 - Haal de parkeerrem aan.
 - Zet de motor af en verwijder het sleuteltje.
 - Wacht tot alle bewegende onderdelen tot stilstand zijn gekomen.
- Laat de motor enkel draaien in goed verluchte omgevingen. Uitlaatgassen bevatten koolstofmonoxide, dat dodelijk is bij inademing.
- Als u de machine verlaat, laat deze dan niet draaien.
- Bevestig materiaal dat wordt gesleept uitsluitend aan het sleeppunt aan de machine.

- Gebruik de machine niet tenzij alle schermen en veiligheidsvoorzieningen zoals de geleiders en de volledige grasvanger op hun plaats zitten en goed werken. Vervang versleten of kapotte onderdelen indien nodig.
- Gebruik alleen door Toro goedgekeurde accessoires en werktuigen.
- Deze machine stelt de gebruiker bloot aan geluidsniveaus van meer dan 85 dBA. Bij langdurige blootstelling kan dit leiden tot gehoorbeschadiging.



Figuur 16

g229846

1. Draag gehoorbescherming.

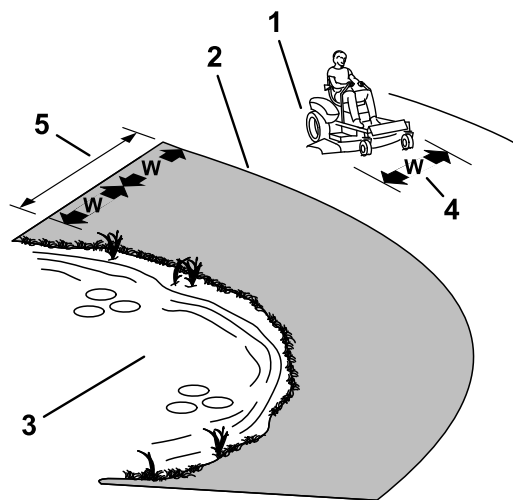
- Verwijder gras en vuil van de maai-eenheid, de aandrijvingen, de geluiddemper en de motor om brand te voorkomen.
- Start de motor en zorg er hierbij voor dat uw voeten uit de buurt van de messen zijn.
- Let op de uitworp van de maaier en richt deze uit de buurt van mensen. Zorgt dat het afgevoerde materiaal niet tegen een muur of obstakel komt omdat het materiaal naar u terug kan ketsen.
- Stop de messen, verminder de snelheid van de machine en wees voorzichtig wanneer u een oppervlak zonder gras oversteekt of wanneer u de machine transporteert van en naar het werkgebied.
- Verander de snelheid van de toerenregelaar niet en laat de motor het maximale toerental niet overschrijden.
- Kinderen komen vaak naar de machine en het maaien kijken. Ga er nooit van uit dat kinderen op de plaats blijven waar u ze voor laatst zag.
- Houd kinderen uit de buurt van het werkgebied en plaats ze onder toezicht van een andere verantwoordelijke volwassene dan de bediener van de maaier.
- Wees alert en schakel de machine uit als kinderen het werkgebied betreden.
- Voordat u de machine achteruitrijdt of draait, moet u naar beneden en rond u kijken of er geen kleine kinderen in de buurt zijn.
- Vervoer geen kinderen op de machine, zelfs wanneer de messen niet bewegen. Kinderen kunnen van de machine vallen en kunnen ernstig letsel oplopen of u verhinderen in het veilig gebruiken van de machine. Als een kind in

het verleden op een maaier heeft meegereden, kan het in het maaigebied verschijnen zonder waarschuwing, en kan dan overreden worden door de maaier, bij het vooruit- of achteruitrijden.

De machine veilig gebruiken op hellingen

- Het maaien op hellingen is een belangrijke factor bij ongelukken waarbij de controle over de machine wordt verloren of deze omkantelt. Dit kan ernstig of dodelijk letsel veroorzaken. De bestuurder is verantwoordelijk voor een veilig gebruik van de machine op hellingen. Gebruik van de machine op hellingen vereist altijd extra voorzichtigheid. Doe het volgende voordat u de machine op een helling gaat gebruiken:
 - Lees de instructies voor gebruik op een helling in de handleiding en op de machine, en zorg dat u deze instructies begrijpt.
 - Gebruik een hellingsindicator om de hellingshoek bij benadering te bepalen.
 - Gebruik de maaimachine nooit op hellingen van meer dan 15° .
 - Onderzoek de toestand van het werkgebied op die dag om te bepalen of de machine veilig kan worden gebruikt op de helling. Gebruik uw gezond verstand en uw beoordelingsvermogen wanneer u dit onderzoek uitvoert. Veranderingen in het terrein, zoals de vochtigheidsgraad, kunnen snel van invloed zijn op de manier waarop de machine reageert op een helling.
- Spoor gevaren onderaan de helling op. Gebruik de machine niet in de buurt van steile hellingen, greppels, oevers, water of andere gevaren. De machine kan plotseling omslaan als een wiel over de rand komt of als de rand instort. Houd een veilige afstand (tweemaal de breedte van de machine) tussen de machine en landschapselementen die gevaarlijk kunnen zijn. Gebruik een loopmaaier of een handtrimmer om gras te maaien op deze plaatsen.
- Vermijd starten, stoppen of bochten maken op hellingen. Vermijd plotse veranderingen van snelheid of richting; verander traag en geleidelijk van richting.
- Gebruik een machine nooit in omstandigheden waarbij u twijfelt over tractie, sturen of stabiliteit. Denk eraan dat de machine tractie kan verliezen doordat u bergafwaarts, op nat gras of dwars op een helling maait. Als de aandrijfwielen tractie verliezen, kunnen ze gaan slippen en kunt u niet meer remmen of sturen. De machine kan schuiven, zelfs als de aandrijfwielen niet draaien.

- Verwijder of let op obstakels als sloten, gaten, geulen, hobbels, stenen of andere verborgen gevaren. In hoog gras zijn obstakels niet altijd zichtbaar. De machine kan omslaan op oneffenheden in het terrein.
- Wees extra voorzichtig wanneer u de machine gebruikt met accessoires of werktuigen zoals grasopvangsystemen. Deze kunnen de machine minder stabiel maken, waardoor u de controle over de machine kunt verliezen. Volg de instructies voor gebruik van contragewichten op.
- Laat het maaidek indien mogelijk neer op de grond wanneer u de machine op een helling gebruikt. Als u het maaidek omhoog brengt op hellingen, kan de machine onstabiel worden.



Figuur 17

g229111

- | | |
|---|---|
| 1. Veilige zone – Gebruik de machine in deze zone op hellingen van minder dan 15° of vlakke gebieden. | 4. W = breedte van de machine |
| 2. Gevarenszone – Gebruik een loopmaaier en/of een handtrimmer op hellingen van meer dan 15° en in de buurt van steile hellingen of water. | 5. Houd een veilige afstand (tweemaal de breedte van de machine) tussen de machine en landschapselementen die gevaarlijk kunnen zijn. |
| 3. Water | |

Veiligheid tijdens het slepen

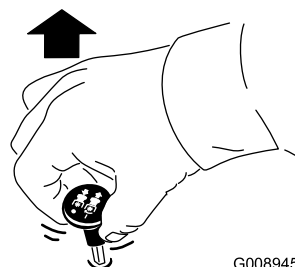
- Bevestig materiaal dat wordt geslept, uitsluitend aan het sleeppunt.
- Gebruik de machine enkel als sleepvoertuig als ze voorzien is van een trekhaak.
- Overschrijd de gewichtslimieten voor gesleepte werktuigen en slepen op hellingen niet. Het gesleepte gewicht mag niet hoger zijn dan het totale gewicht van de machine en de bestuurder.
- Laat kinderen of andere personen nooit in de buurt komen van het gesleepte werktuig.

- Op een helling kan het gewicht van een gesleept werktuig ertoe leiden dat de wielen hun grip verliezen, een hoger risico op omslaan, en verlies van de controle over de machine door de bestuurder. Verminder het sleepgewicht en verminder uw snelheid.
- Hoe zwaarder een gesleepte last, hoe langer de stopafstand kan worden. Rij langzaam en zorg voor voldoende afstand om te stoppen.
- Maak grote bochten om ervoor te zorgen dat het werktuig de machine niet raakt.

De messchakelaar (aftakas) bedienen

De messchakelaar (aftakas) start en stopt de maaimessen en eventuele bekrachtigde werktuigen.

Messchakelaar (aftakas) inschakelen

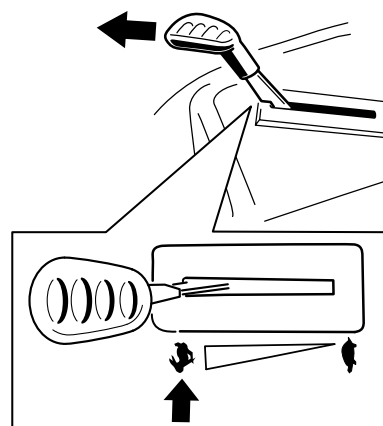


G008945

g008945

Figuur 18

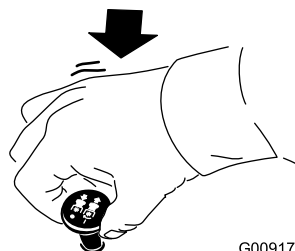
Opmerking: U moet de maaimessen altijd inschakelen met de gashendel op SNEL (Figuur 19).



g295538

Figuur 19

Messchakelaar uitschakelen



G009174

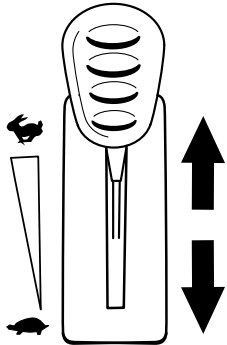
g009174

Figuur 20

De gashendel bedienen

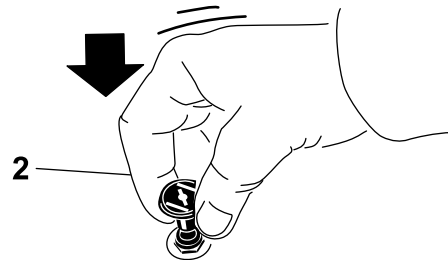
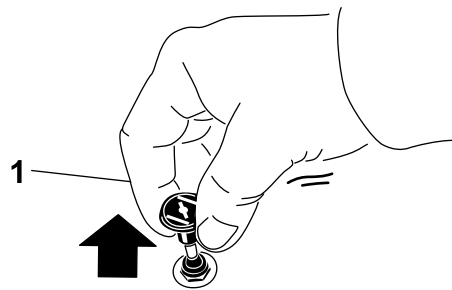
De gashendel heeft twee standen: SNEL en LANGZAAM (Figuur 21).

Gebruik altijd de stand SNEL wanneer u de aftakas inschakelt.



Figuur 21

g295539



Figuur 22

g295540

1. AAN

2. UIT stand

De choke bedienen

Gebruik de choke om een koude motor te starten.

1. Trek de knop van de choke omhoog om deze in te schakelen voordat u de contactschakelaar inschakelt (Figuur 22).

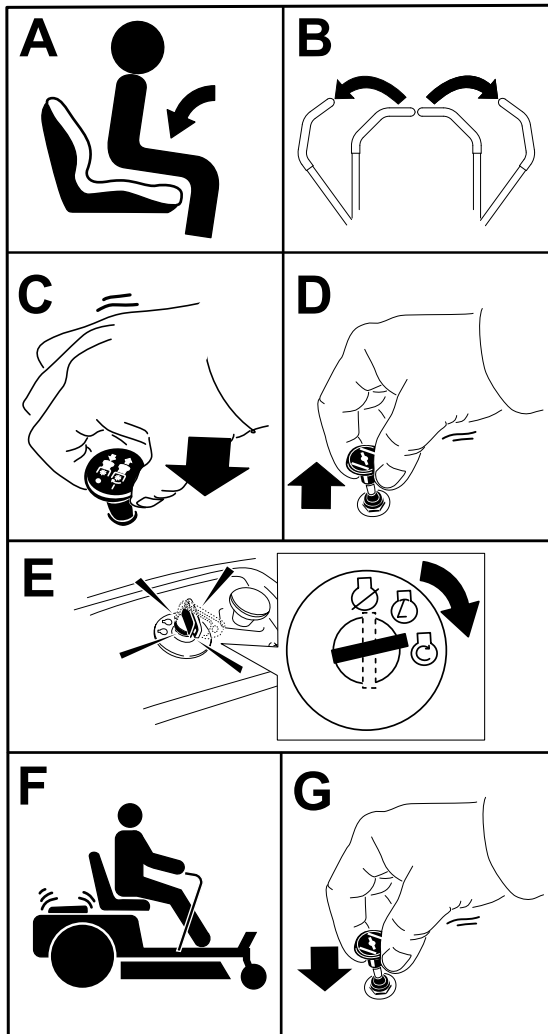
Opmerking: Zorg ervoor dat u de choke volledig hebt ingeschakeld. Het zou kunnen dat u de knop omhoog moet houden als u het sleuteltje gebruikt.

2. Druk de choke omlaag om deze weer uit te schakelen nadat de motor is gestart (Figuur 22).

Starten van de motor

Opmerking: Als de motor warm of heet is, hoeft u de choke niet te gebruiken.

Belangrijk: Stel de startmotor telkens niet langer dan 5 seconden in werking. Als u de startmotor langer dan 5 seconden in werking stelt, kan deze worden beschadigd. Als de motor niet wil starten, moet u 10 seconden wachten voordat u de startmotor opnieuw in werking stelt.



Figuur 23

g295541

De motor afzetten

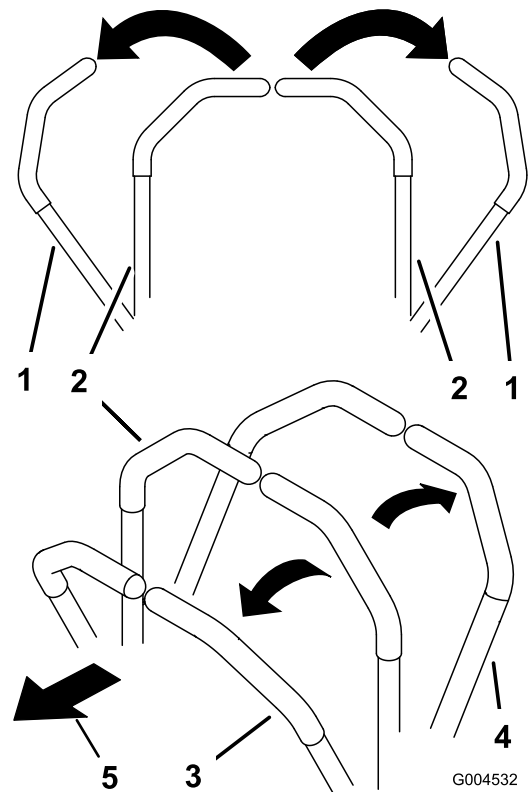
1. Schakel de maimesen uit door de aftakasschakelaar op UIT te zetten.
2. Zet de rijhendels in de PARKEERSTAND.
3. Zet de gashendel tussen halfgas en vol gas.
4. Draai het sleuteltje op UIT en verwijder het sleuteltje.

⚠ VOORZICHTIG

Kinderen of omstanders kunnen letsel oplopen als zij de machine verplaatsen of proberen te bedienen terwijl deze onbeheerd staat.

Verwijder altijd het sleuteltje en stel de parkeerrem in werking wanneer u de machine onbeheerd achterlaat.

De rijhendels gebruiken



Figuur 24

G004532

g004532

- | | |
|-----------------------------------|----------------------------|
| 1. Rijhendel –
PARKEERSTAND | 4. Achteruit |
| 2. Centrale ontgrendelde
stand | 5. Voorkant van de machine |
| 3. Vooruit | |

Met de machine rijden

De aandrijfwielen draaien onafhankelijk en worden aangedreven door hydraulische motoren op elke as. U kunt de wielen aan de ene zijde achteruit laten draaien en tegelijk die aan de andere zijde vooruit, waardoor de machine om zijn as draait in plaats van een bocht te maken. Zo is de machine veel wendbaarder, maar het kan wat tijd vergen eer u gewend bent aan de manier waarop de machine beweegt.

Met de gashendel regelt u de snelheid van de motor, oftewel het toerental (in omwentelingen per minuut). Zet de gashendel op SNEL om de beste prestaties te verkrijgen. Laat de motor tijdens het maaien altijd vol gas draaien.

⚠ WAARSCHUWING

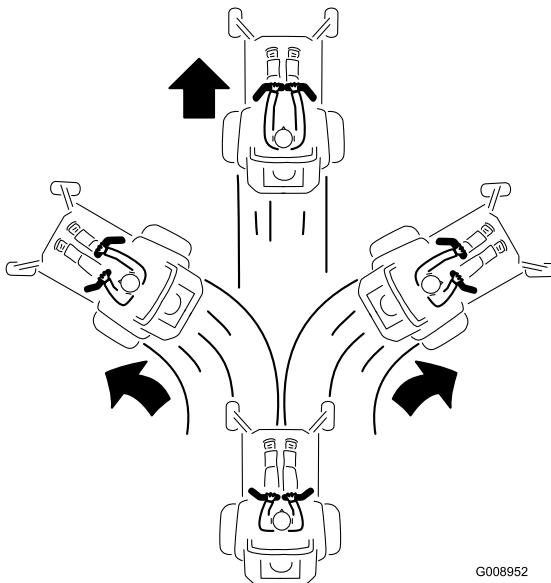
De machine kan zeer snel ronddraaien. De bestuurder kan de controle over de machine verliezen. Dit kan leiden tot lichamelijk letsel en schade aan de machine.

- Wees voorzichtig als u een bocht maakt.
- Verminder de snelheid van de machine voordat u een scherpe bocht maakt.

Vooruitrijden

Opmerking: Wees altijd voorzichtig bij het draaien.

1. Zet de hendels in de middelste, ontgrendelde stand.
2. Om vooruit te rijden, duwt u de rijhendels langzaam naar voren (Figuur 25).

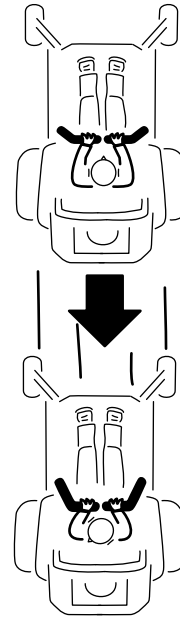


Figuur 25

Achteruitrijden

Opmerking: Wees altijd voorzichtig als u achteruitrijdt of draait.

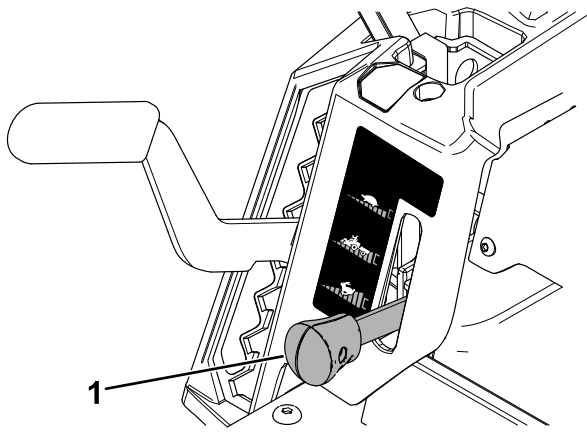
1. Zet de hendels in de middelste, onvergrendelde stand.
2. Om achteruit te rijden, trekt u de rijhendels langzaam naar achteren (Figuur 26).



Figuur 26

Het Smart Speed™ besturingssysteem gebruiken

De hendel van het Smart Speed™ besturingssysteem bevindt zich onder de bestuurdersstoel (Figuur 27) en geeft de bestuurder de keuze uit drie snelheidsbereiken: trimmen, slepen en maaien.



Figuur 27

1. Smart Speed hendel

Om van snelheid te veranderen, gaat u als volgt te werk:

1. Zet de rijhendels in neutraal en dan naar buiten in de PARKEERSTAND.
2. Schakel de aftakas uit.
3. Zet de hendel in de gewenste stand.

Wat volgt, is uitsluitend bedoeld als gebruiksaanbeveling. De instelling is afhankelijk van de grassoort, het vochtgehalte en de hoogte van het gras.

Aanbevolen gebruik:	Trimmen	Slepen	Maaien
Parkeren	X		
Zwaar, nat gras	X		
Instructie	X		
Trimmen van gras	X		
Maaisel opvangen		X	
Mulchen		X	
Bij het slepen van hulpstukken of werktuigen		X	
Normaal maaien			X
Met de machine rijden			X

Trimmen

Dit is de laagste snelheid. Deze snelheid wordt aanbevolen voor de volgende gevallen:

- Parkeren
- Zwaar, nat gras maaien
- Instructie
- Trimmen van gras

Slepen

Dit is de middelste snelheid. Deze snelheid wordt aanbevolen voor de volgende gevallen:

- Maaisel opvangen
- Mulchen
- Bij het slepen van hulpstukken of werktuigen

Maaien

Dit is de hoogste snelheid. Deze snelheid wordt aanbevolen voor de volgende gevallen:

- Normaal maaien
- Met de machine rijden

Zijafvoer gebruiken

Het maaidek is uitgerust met een scharnierende grasgeleider, die het maaisel zijwaarts en omlaag naar het gazon afvoert.

⚠ GEVAAR

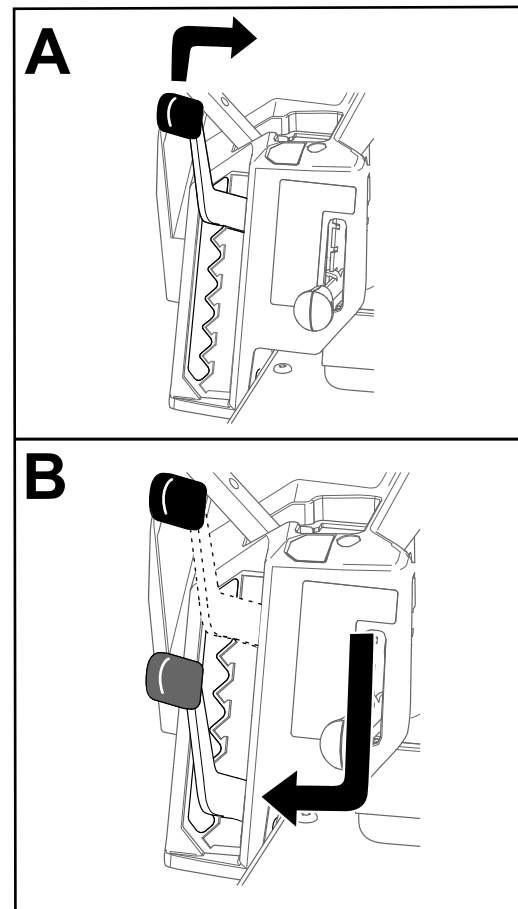
Als de grasgeleider, afsluiter van de afvoer of de grasvanger niet op de juiste plaats zijn gemonteerd, kunnen u of anderen in aanraking komen met het maaimes of uitgeworpen voorwerpen. Contact met het draaiende maaimes en uitgeworpen voorwerpen kan lichamelijk of dodelijk letsel veroorzaken.

- Verwijder de grasgeleider nooit van het maaidek omdat hiermee het maaisel wordt afgevoerd naar het gazon. Een beschadigde grasgeleider moet direct worden vervangen.
- Steek nooit uw handen of voeten onder het maaidek.
- Probeer nooit het afvoersysteem of de maaimessen te reinigen zonder eerst de messchakelaar (aftakas) UIT te schakelen, het contactsleuteltje op UIT te draaien en het sleuteltje uit het contact te nemen.
- Controleer of de grasgeleider omlaag staat.

De maaihoogte instellen

Opmerking: De transportstand is de hoogste maaihoogtestand of maaihoogte (114 mm), zoals geïllustreerd in [Figuur 28](#).

U kunt de maaihoogte instellen van 38 tot 114 mm, in stappen van 13 mm. De maaihoogte wordt bepaald met de hendel rechts van de bestuurdersstoel ([Figuur 28](#)).



Figuur 28

g296586

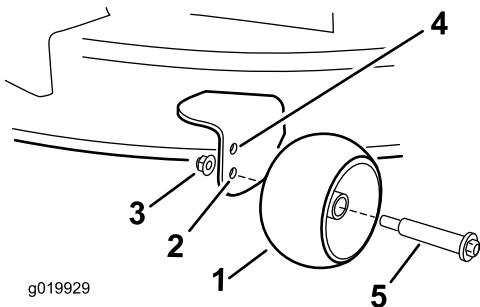
Antiscalpeerrollen afstellen

Machines met een maaidek van 107 cm

Als u de maaihoogte wijzigt, stel dan de hoogte van de antiscalpeerrollen in.

Opmerking: Stel de antiscalpeerrollen zo af dat ze de grond niet raken op normale, vlakke maaiterreinen.

1. Parkeer de machine op een horizontaal oppervlak, schakel de aftakas uit en zet de rijhendels naar buiten in de PARKEERSTAND.
2. Zet de motor af, verwijder het contactsleuteltje en wacht totdat alle bewegende onderdelen tot stilstand zijn gekomen voordat u de bestuurderspositie verlaat.
3. Stel de antiscalpeerrollen af in een van de volgende standen:
 - Bovenste gat – gebruik deze stand als het maaidek op een maaihoogte van 63 mm of lager staat (Figuur 29).
 - Onderste gat – gebruik deze stand als het maaidek op een maaihoogte van 76 mm of hoger staat (Figuur 29).



Figuur 29

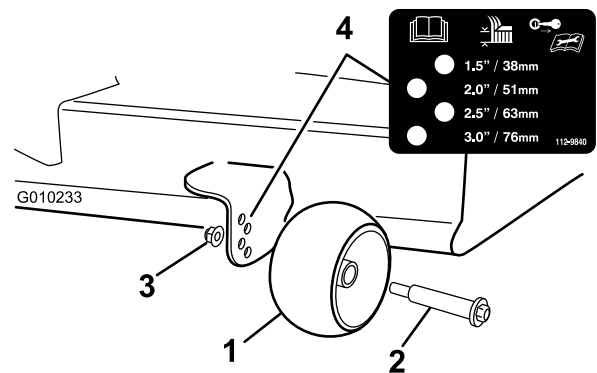
- | | |
|--|---|
| 1. Antiscalpeerrol | 4. Bovenste gat – met het maaidek op een maaihoogte van 63 mm of lager. |
| 2. Onderste gat – met het maaidek op een maaihoogte van 76 mm of hoger | 5. Bout |
| 3. Flensmoer | |

Machines met een maaidek van 127 cm

Als u de maaihoogte wijzigt, stel dan de hoogte van de antiscalpeerrollen in.

Opmerking: Stel de antiscalpeerrollen zo af dat ze de grond niet raken op normale, vlakke maaiterreinen.

1. Parkeer de machine op een horizontaal oppervlak, schakel de aftakas uit en zet de rijhendels naar buiten in de PARKEERSTAND.
2. Zet de motor af, verwijder het contactsleuteltje en wacht totdat alle bewegende onderdelen tot stilstand zijn gekomen voordat u de bestuurderspositie verlaat.
3. Stel de antiscalpeerrollen (Figuur 30) in zodat deze zo goed mogelijk overeenkomen met de ingestelde maaihoogte.



Figuur 30

- | | |
|--------------------|-----------------------------|
| 1. Antiscalpeerrol | 3. Flensmoer |
| 2. Bout | 4. Afstand tussen openingen |

Tips voor bediening en gebruik

De luchtcirculatie maximaliseren

Voor een optimaal maieresultaat en een maximale luchtcirculatie moet u de gashendel op SNEL zetten. Om het gras goed te maaien is lucht nodig; zet de maaihoogte dus niet te laag en zorg ervoor dat het maaidek niet helemaal door ongemaaid gras is omgeven. Probeer altijd één zijkant van het maaidek vrij van ongemaaid gras te houden, zodat lucht in het maaidek kan worden gezogen.

Wanneer u een gazon voor de eerste keer maait

Laat het gras iets langer dan normaal om te voorkomen dat oneffenheden in het gras volledig worden weggemaaid. In het algemeen kan het best de voorheen gebruikte maaihoogte worden gekozen. Als u gras van meer dan 15 cm lang gaat maaien, kunt u het best in twee keer maaien om een goed maieresultaat te verkrijgen.

Eén derde van de lengte van het gras afmaaien

Aanbevolen wordt niet meer dan ongeveer één derde van de lengte van het gras af te maaien. Meer afmaaien wordt afgeraden, tenzij het gras dun is, of in de late herfst, wanneer het gras langzamer groeit.

Maairichting afwisselen

Maai afwisselend in verschillende richtingen, zodat het gras rechtop blijft staan. Dit zorgt ook voor een betere verspreiding van het maaisel, wat de vertering en bemesting ten goede komt.

Met de juiste regelmaat maaien

Het tempo waarmee het gras groeit, varieert per jaargetijde. Om dezelfde maaihoogte te behouden, moet u in het vroege voorjaar vaker maaien. Als de groeisnelheid in de zomer afneemt, maait u minder vaak. Als u langere tijd niet hebt kunnen maaien, maait u eerst op een hoge maaihoogte. Maai 2 dagen later op een lagere maaihoogte.

Maaien bij lagere snelheden

In bepaalde omstandigheden kan maaien bij een lagere rijsnelheid de maaikwaliteit verbeteren.

Gras niet te kort afmaaien

Wanneer u op oneffenheden maait, moet u de maaihoogte hoger zetten om een golvend gazon te voorkomen.

De machine stoppen

Als u de machine tijdens het maaien moet stoppen, kan er een kluit maaisel op uw gazon achterblijven. Om dit te voorkomen kunt u naar een reeds gemaaid oppervlak gaan met de messen ingeschakeld, of u kunt het maaidek uitschakelen terwijl u vooruitgaat.

Onderkant van het maaidek schoonhouden

Verwijder na elk gebruik maaisel en vuil van de onderkant van het maaidek. Als zich gras en vuil in het maaidek ophopen, leidt dat uiteindelijk tot een onbevredigend maieresultaat.

Onderhoud van de maaimessen

Zorg gedurende het hele maaiseizoen voor een scherp maimes. Een scherp mes snijdt het gras goed af zonder het te scheuren of te kwetsen. Door scheuren en rafelen wordt het gras bruin aan de randen, waardoor het langzamer groeit en gevoeliger is voor ziekten. Controleer na elk gebruik of de maaimessen scherp zijn en of ze versleten of beschadigd zijn. Vijl regelmatig kerven en inkepingen weg en slijp de messen indien dit nodig is. Als een mes beschadigd of versleten is, moet u het onmiddellijk vervangen door een origineel Toro mes. Zie [Onderhoud van de maaimessen \(bladz. 49\)](#).

Na gebruik

Veiligheid na het werk

Algemene veiligheid

- Zet de motor af, verwijder het contactsleuteltje en wacht totdat alle bewegende onderdelen tot stilstand zijn gekomen voordat u de bestuurderspositie verlaat. Laat de machine afkoelen voordat u deze afstelt, vult met brandstof, reinigt, stalt of er onderhoudswerkzaamheden aan verricht.
- Verwijder gras en vuil van de maai-eenheid, de geluiddemper, de aandrijvingen, de grasvanger en de motor om brand te voorkomen. Veeg gemorste olie en brandstof op.
- Verwijder het contactsleuteltje voordat u de machine stalt of vervoert.

De machine schoonmaken

Onderhoudsinterval: Na elk gebruik

Belangrijk: U kunt het voertuig met een mild reinigingsmiddel en water wassen. Was de machine nooit met een hogedrukreiniger. Gebruik niet te veel water, vooral niet in de buurt van het bedieningspaneel, onder de stoel en rond de motor, de hydraulische pompen en de motors.

1. Parkeer de machine op een horizontaal oppervlak, schakel de aftakas uit en zet de rijkhendels naar buiten in de PARKEERSTAND.
2. Zet de motor af en wacht totdat alle bewegende onderdelen tot stilstand zijn gekomen voordat u de bestuurderspositie verlaat.
3. Verwijder gras en vuil van de maai-eenheid, de geluiddemper, de aandrijvingen, de grasvanger en de motor.

Opmerking: Raadpleeg [De onderkant van het maaidek reinigen \(bladz. 57\)](#) voor informatie over het gebruik van de wasaansluiting van het maaidek.

Machine met de hand duwen

Deze machine is uitgerust met een elektrisch remmechanisme. Om de machine te duwen, moet het contactsleuteltje in de stand LOPEN staan. De accu moet geladen zijn en werken om de elektrische rem uit te schakelen.

1. Parkeer de machine op een horizontaal oppervlak, schakel de aftakas uit en zet de rijhendels naar buiten in de PARKEERSTAND.
2. Zet de motor af en wacht totdat alle bewegende onderdelen tot stilstand zijn gekomen voordat u de bestuurderspositie verlaat.
3. Zoek de omloophendels op het frame aan beide kanten van de machine.
4. Zet beide omloophendels naar voren door de sleufopening en dan naar beneden om ze vast te zetten (Figuur 31).

⚠ WAARSCHUWING

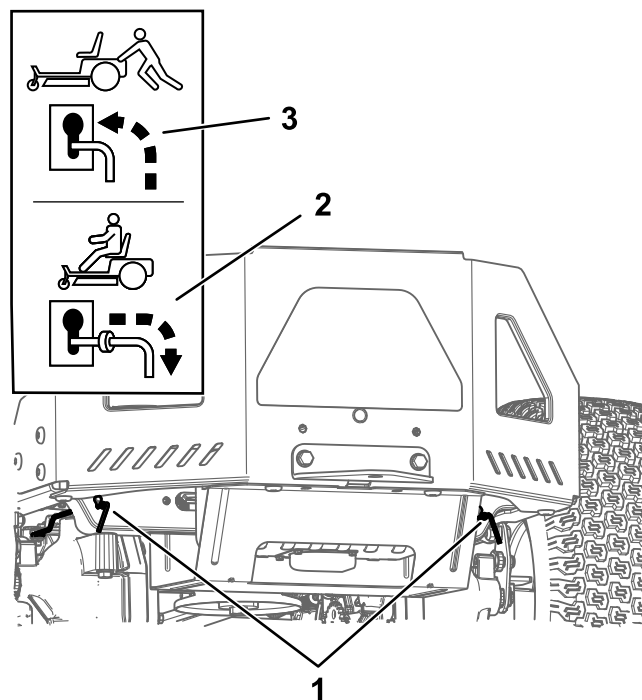
Contact met hete oppervlakken kan lichamelijk letsel veroorzaken.

Houd uw kleding, gezicht, handen, voeten en andere lichaamsdelen uit de buurt van de motor, geluiddemper en andere hete oppervlakken.

⚠ WAARSCHUWING

De machine kan onbedoeld in beweging komen terwijl de omloophendels naar voren in de sleuf zijn vergrendeld en u of omstanders verwonden.

Vergrendel de omloophendels naar achteren na het verplaatsen van de machine.



Figuur 31

g333873

1. Locatie van de omloophendels
 2. Stand van hendel voor het gebruik van machine
 3. Stand van hendel voor het duwen van machine
-
5. Draai het contactsleuteltje naar de stand LOPEN en schakel de parkeerrem uit door 1 rijhendel uit de PARKEERSTAND te zetten.
Opmerking: Start de machine niet.
 6. Beweeg de machine indien nodig.
Belangrijk: U moet de machine altijd met de hand duwen. Sleep de machine niet: dit kan schade veroorzaken.
 7. Zet de rijhendels in de PARKEERSTAND.
 8. Draai het sleuteltje op UIT en haal het uit het contact om te voorkomen dat de accu wordt ontladen.
 9. Beweeg beide omloophendels naar achteren en naar beneden door de sleufopening om ze op hun plaats te vergrendelen.

De machine transporteren

Gebruik een aanhanger of vrachtwagen voor zwaar vervoer om de machine te transporteren. Gebruik altijd een oprijplaat over de volledige breedte. Zorg ervoor dat de aanhanger of vrachtwagen is voorzien van alle benodigde remmen, verlichting en aanduidingen die wettelijk vereist zijn. Lees aandachtig alle veiligheidsinstructies. Met behulp van deze informatie kunt u voorkomen dat omstanders of uzelf letsel oplopen. Raadpleeg de lokale vereisten inzake aanhangwagens en de bevestiging van machines.

⚠ WAARSCHUWING

Rijden op de weg zonder richtingaanwijzers, verlichting, reflectoren of een bord met de aanduiding 'Langzaam rijdend voertuig' is gevaarlijk en kan leiden tot ongelukken die lichamelijk letsel veroorzaken.

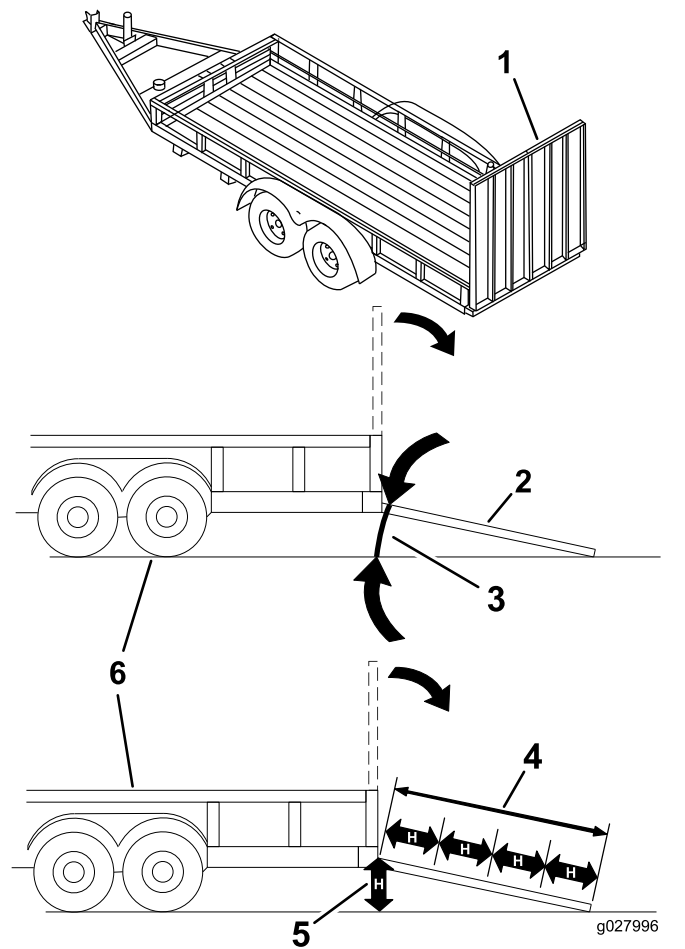
Rijd niet met de machine op de openbare weg.

Een aanhanger kiezen

⚠ WAARSCHUWING

Als een machine wordt geladen op een aanhanger of een vrachtwagen, wordt de kans vergroot dat de machine kantelt. Dit kan ernstig lichamelijk letsel of de dood veroorzaken (Figuur 32).

- Gebruik één oprijplaat over de volledige breedte. Gebruik geen afzonderlijke oprijplaten voor elke kant van de machine.
- Zorg ervoor dat de hoek van de oprijplaat en de grond of van de oprijplaat en de aanhanger of vrachtwagen niet groter is dan 15 graden.
- Zorg ervoor dat de oprijplaat minstens 4 keer zo lang is als de afstand van de laadbak van de vrachtwagen of aanhanger tot de grond. Hierdoor is de hoek die de oprijplaat maakt niet groter dan 15 graden op een vlakke ondergrond.



Figuur 32

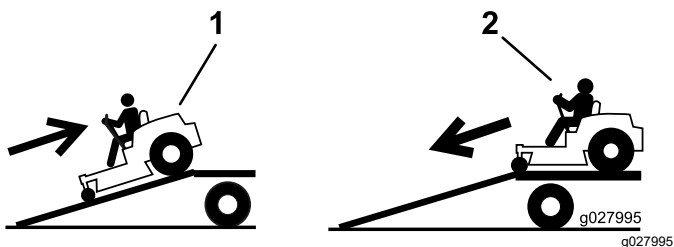
1. Oprijplaat over volledige breedte in opslagstand.
2. Zijaanzicht van oprijplaat over volledige breedte in laadstand
3. Niet groter dan 15 graden
4. De hellingbaan is minstens 4 keer zo lang als de afstand van de aanhangwagen of de laadbak tot de grond
5. H = Afstand van de laadbak van de vrachtwagen of aanhanger tot de grond.
6. Aanhanger

De machine laden

⚠ WAARSCHUWING

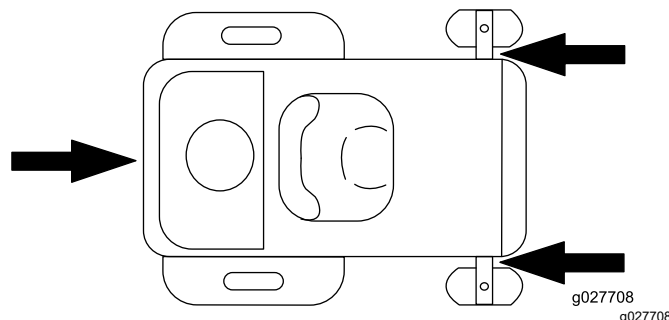
Als een machine wordt geladen op een aanhanger of een vrachtwagen, wordt de kans vergroot dat de machine kantelt. Dit kan ernstig lichamelijk letsel of de dood veroorzaken.

- Ga zeer voorzichtig te werk als u een machine een hellingbaan op-/afrijdt.
 - Rij de machine achteruit op de oprijplaat en rij er vooruit af.
 - U mag niet abrupt versnellen of vertragen als u de machine een hellingbaan op- of afrijdt, omdat anders de machine kan kantelen of u de controle over de machine kunt verliezen.
1. Als u een aanhanger gebruikt, bevestig deze dan aan het sleepvoertuig en sluit de veiligheidskettingen aan.
 2. Sluit indien van toepassing de remmen en verlichting van de aanhanger aan.
 3. Laat de oprijplaat zakken; zorg dat de hellingshoek van de oprijplaat ten opzichte van de grond niet groter is dan 15 graden (Figuur 32).
 4. Rij de machine achteruit op de oprijplaat (Figuur 33).



Figuur 33

1. Rij de machine achteruit op de oprijplaat.
2. Rij de machine vooruit de oprijplaat af.



Figuur 34

1. Bevestigingspunten

De machine van de aanhanger rijden

1. Laat de oprijplaat zakken; zorg dat de hellingshoek van de oprijplaat ten opzichte van de grond niet groter is dan 15 graden (Figuur 32).
2. Rij de machine vooruit de oprijplaat af (Figuur 33).

5. Zet de motor uit, verwijder het sleuteltje en zet de rijkhendels naar buiten in de PARKEERSTAND.
6. Zet de machine vast bij de voorste zwenkwielen en het achterframe; gebruik hierbij spanbanden, kettingen, kabels of touwen (Figuur 34). Raadpleeg de lokale vereisten inzake de bevestiging van machines.

Onderhoud

Opmerking: Bepaal vanuit de normale bedieningspositie de linker- en rechterzijde van de machine.

Veiligheid bij onderhoud

- Als u het sleuteltje in het contact laat, bestaat de kans dat iemand de motor per ongeluk start waardoor u en andere omstanders ernstig letsel kunnen oplopen. Verwijder het sleuteltje uit het contact voordat u onderhoudswerkzaamheden uitvoert aan de machine.
- Doe het volgende voordat u de bestuurdersstoel verlaat:
 - Parkeer de machine op een horizontaal oppervlak.
 - Schakel de aandrijvingen uit.
 - Haal de parkeerrem aan.
 - Zet de motor af en verwijder het sleuteltje.
 - Laat de onderdelen van de machine afkoelen voordat u onderhoudswerkzaamheden uitvoert.
- Laat personeel dat niet bekend is met de instructies, nooit onderhoudswerkzaamheden aan de machine uitvoeren.
- Houd uw handen en voeten uit de buurt van bewegende onderdelen of hete oppervlakken. Stel indien mogelijk de machine niet af terwijl de motor loopt.
- Haal voorzichtig de druk van onderdelen met opgeslagen energie.
- Controleer de werking van de parkeerrem regelmatig. Indien nodig moet u deze afstellen en een onderhoudsbeurt geven.
- Knoei nooit met de veiligheidsvoorzieningen. Controleer regelmatig of ze goed werken.
- Verwijder gras en vuil van de maai-eenheid, de geluiddemper, de aandrijvingen, de grasvanger en de motor om brand te voorkomen.
- Verwijder gemorste olie of brandstof en met brandstof doortrokken rommel.
- Vertrouw niet op een hydraulisch systeem of mechanische krik om de machine te ondersteunen; ondersteun de machine altijd met kriksteunen.
- Zorg ervoor dat alle onderdelen in goede staat verkeren en alle bevestigingselementen stevig vastzitten, in het bijzonder het bevestigingsmateriaal van de maaimessen. Vervang versleten of beschadigde stickers.
- Maak de kabel los van de minpool van de accu voordat u de machine repareert.
- Om veilige en optimale prestaties te verkrijgen, moet u ter vervanging alleen originele Toro-onderdelen en accessoires gebruiken. Gebruik ter

vervanging nooit onderdelen en accessoires van andere fabrikanten, omdat dit gevaarlijk kan zijn. Dit kan ertoe leiden dat de garantie op het product komt te vervallen.

Aanbevolen onderhoudsschema

Onderhoudsinterval	Onderhoudsprocedure
Bij elk gebruik of dagelijks	<ul style="list-style-type: none"> • Het veiligheidssysteem controleren. • Oliepeil controleren. • De maaimessen controleren. • Controleer de grasgeleider op schade.
Na elk gebruik	<ul style="list-style-type: none"> • Verwijder gras en vuil van de maai-eenheid, de geluiddemper, de aandrijvingen, de grasvanger en de motor. • Maaikast reinigen.
Om de 25 bedrijfsuren	<ul style="list-style-type: none"> • De lagers van de zwenkwielen smeren (vaker bij gebruik in zanderige bodems). • Het schuimelement van het luchtfilter reinigen (vaker in stoffige, vuile omstandigheden). • Bandenspanning controleren. • Alle riemen op slijtage en scheurtjes controleren.
Om de 100 bedrijfsuren	<ul style="list-style-type: none"> • Het schuimelement van het luchtfilter vervangen (vaker in stoffige, vuile omstandigheden). • Verwijder en reinig de ventilatorbehuizing en andere uitlaatringen (vaker in zeer stoffige, vuile omstandigheden). • Brandstoffilter van de slang vervangen.
Om de 100 bedrijfsuren of jaarlijks, waarbij de kortste periode moet worden aangehouden	<ul style="list-style-type: none"> • Het papierelement van het luchtfilter vervangen (vaker als de machine wordt gebruikt in stoffige of vuile omstandigheden). • Motorolie verversen en oliefilter vervangen (dit moet vaker gebeuren als de machine wordt gebruikt in stoffige of vuile omstandigheden). • Controleer de bougie(s).
Om de 200 bedrijfsuren	<ul style="list-style-type: none"> • De bougie(s) vervangen.
Vóór de stalling	<ul style="list-style-type: none"> • Accu opladen en accukabels loskoppelen. • Voorafgaande aan de stalling moeten alle bovengenoemde onderhoudsprocedures worden uitgevoerd. • Werk alle beschadigde oppervlakken bij.

Belangrijk: Raadpleeg de Gebruikershandleiding van de motor voor verdere onderhoudsprocedures.

▲ VOORZICHTIG

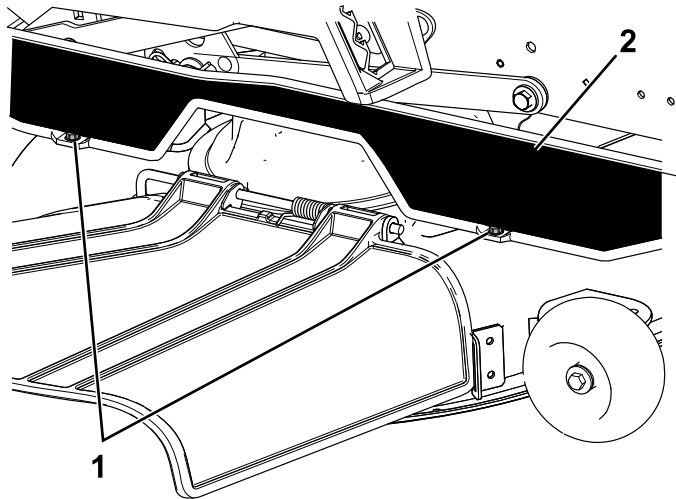
Als u het sleuteltje in het contact laat, bestaat de kans dat iemand de motor per ongeluk start waardoor u en andere omstanders ernstig letsel kunnen oplopen.

Zet de motor af en haal het sleuteltje uit het contact voordat u onderhoud uitvoert.

Procedures voorafgaande aan onderhoud

De afdekking van het maaidek losmaken

Maak de 2 onderste bouten van de afdekking los om toegang te verkrijgen tot de bovenkant van het maaidek (Figuur 35).



Figuur 35

g295619

1. Onderste bout 2. Afdekking

Opmerking: Draai de bouten altijd vast om de afdekking te bevestigen na onderhoudswerkzaamheden.

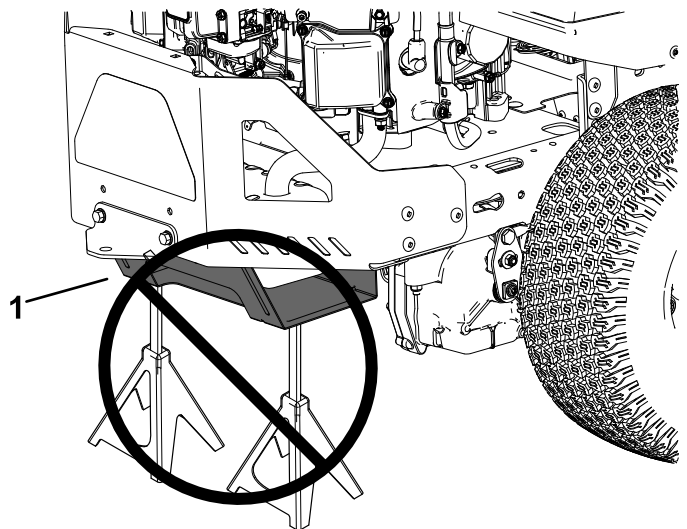
De machine opkrikken

Plaats de machine op assteunen wanneer u ze omhoogbrengt.

⚠ WAARSCHUWING

De machine ondersteunen op het onderste geluiddemperscher (Figuur 36) kan het scherm beschadigen en kan de machine doen vallen, waardoor u en omstanders letsel kunnen oplopen.

Gebruik het onderste geluiddemperscher niet om de machine te ondersteunen of op te tillen.



Figuur 36

g299647

1. Onderste geluiddemperscher

Smering

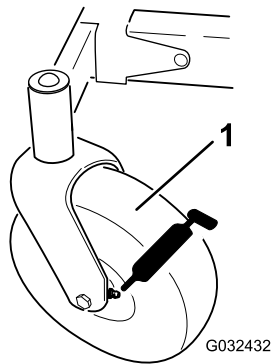
De lagers smeren

Onderhoudsinterval: Om de 25 bedrijfsuren—De lagers van de zwenkwielen smeren (vaker bij gebruik in zanderige bodems).

Type vet: nr. 2 vet op lithiumbasis

1. Parkeer de machine op een horizontaal oppervlak, schakel de aftakas uit en zet de rijkhendels naar buiten in de PARKEERSTAND.
2. Zet de motor af, verwijder het contactsleuteltje en wacht totdat alle bewegende onderdelen tot stilstand zijn gekomen voordat u de bestuurderspositie verlaat.
3. Reinig de smeernippels (Figuur 37) met een doek.

Opmerking: Verwijder indien nodig verf van de voorkant van de fitting(s).



Figuur 37

G032432

1. Voorste zwenkwiel
-
4. Sluit een smeerpistool aan op elke smeernippel (Figuur 37).
 5. Spuit vet in de nippels totdat er vet bij de lagers naar buiten komt.
 6. Veeg overtollig vet weg.

Onderhoud motor

Veiligheid van de motor

- Houd uw handen, voeten, gezicht, andere lichaamsdelen en kleding uit de buurt van de geluiddemper en andere hete oppervlakken. Laat de onderdelen van de motor afkoelen voordat u onderhoudswerkzaamheden uitvoert.
- Verander de snelheid van de toerenregelaar niet en laat de motor het maximale toerental niet overschrijden.

Onderhoud van het luchtfilter

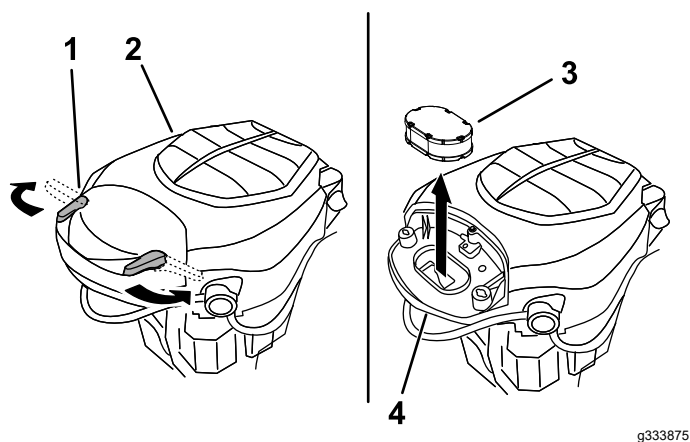
Onderhoudsinterval: Om de 25 bedrijfsuren—Het schuimelement van het luchtfilter reinigen (vaker in stoffige, vuile omstandigheden).

Om de 100 bedrijfsuren—Het schuimelement van het luchtfilter vervangen (vaker in stoffige, vuile omstandigheden).

Opmerking: Het luchtfilter moet vaker een onderhoudsbeurt krijgen (om de paar uren) als de machine wordt gebruikt in buitengewoon stoffige of zanderige omstandigheden.

Schuim- en papierelement verwijderen

1. Parkeer de machine op een horizontaal oppervlak, schakel de aftakas uit en zet de rijkhendels naar buiten in de PARKEERSTAND.
2. Zet de motor af, verwijder het contactsleuteltje en wacht totdat alle bewegende onderdelen tot stilstand zijn gekomen voordat u de bestuurderspositie verlaat.
3. Maak de omgeving van het luchtfilterdeksel schoon om te voorkomen dat vuil in de motor komt en schade veroorzaakt.
4. Draai de vergrendelingen naar buiten en verwijder het deksel om bij de luchtfilterelementen te komen.

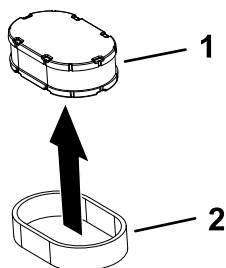


Figuur 38

g333875

- | | |
|------------------|------------------------|
| 1. Vergrendeling | 3. Luchtfiltrelementen |
| 2. Motor | 4. Luchtfilterbodem |

5. Scheid het schuim- en papierelement (Figuur 39).



Figuur 39

g333887

- | | |
|------------------|------------------|
| 1. Papierelement | 2. Schuimelement |
|------------------|------------------|

Het schuimelement een onderhoudsbeurt geven

1. Was het schuimfilter in warm water met vloeibare zeep. Als het element schoon is, moet u het grondig uitspoelen.
2. Schuimfilter in een schone doek wikkelen en droogknijpen.

Belangrijk: Vervang het schuimelement als het gescheurd of versleten is.

3. Smeer het schuimelement lichtjes in met nieuwe motorolie en knijp overtollige olie uit.

Papierelement van het luchtfilter onderhoudsbeurt geven

Onderhoudsinterval: Om de 100 bedrijfsuren of jaarlijks, waarbij de kortste periode moet worden aangehouden—Het papierelement van het luchtfilter vervangen (vaker als de machine wordt gebruikt in stoffige of vuile omstandigheden).

1. Reinig het papierelement door er voorzichtig op te kloppen en het stof te verwijderen.

Opmerking: Als het papierelement zeer vuil is, vervang het dan door een nieuwe papierelement.

2. Controleer het filter op scheuren, een vettig oppervlak of beschadiging van de rubberen afdichting.
3. Vervang het papierelement als het is beschadigd.

Belangrijk: U mag het papierfilter niet reinigen.

Het luchtfilter monteren

1. Monteer het schuimen voorfilterelement op het papierelement.

Opmerking: Voorkom beschadiging van de elementen.

2. Plaats de luchtfiltrelementen op het onderstuk van het luchtfilter.
3. Plaats het deksel en zet het vast met de sluitingen (Figuur 38).

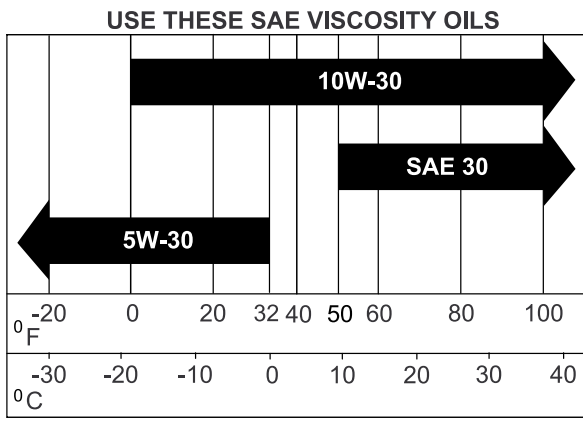
Motorolie verversen

Motorolietype

Olie: detergentolie (inclusief synthetische) van API service SJ of hoger

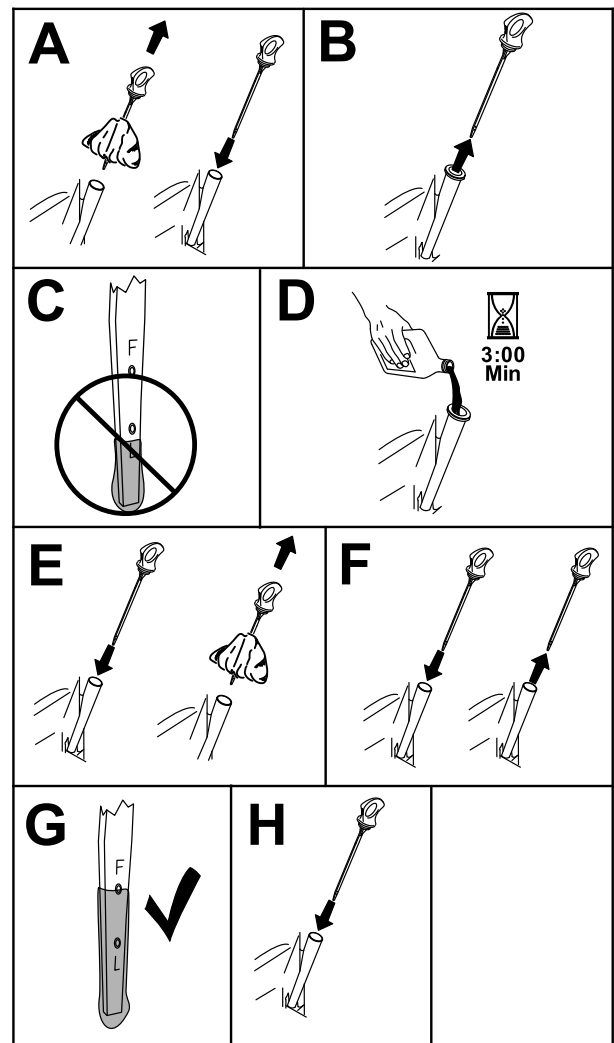
Carterinhoud: 1,9 liter met oliefilter

Viscositeit: zie onderstaande tabel.



Figuur 40

g017552 g017552



Figuur 41

g365791

Het motoroliepeil controleren

Onderhoudsinterval: Bij elk gebruik of dagelijks

Opmerking: Controleer het oliepeil als de motor koud is.

Belangrijk: Als er te veel of te weinig olie zit in het carter van de motor en u laat de motor toch draaien, kunt u deze beschadigen.

1. Parkeer de machine op een horizontaal oppervlak, schakel de aftakas uit en zet de rijhendels naar buiten in de PARKEERSTAND.
2. Zet de motor af, verwijder het contactsleuteltje en wacht totdat alle bewegende onderdelen tot stilstand zijn gekomen voordat u de bestuurderspositie verlaat.

Opmerking: Zorg dat de motor uitgeschakeld is zodat de olie tijd heeft gekregen om weg te lopen naar de opvangbak.

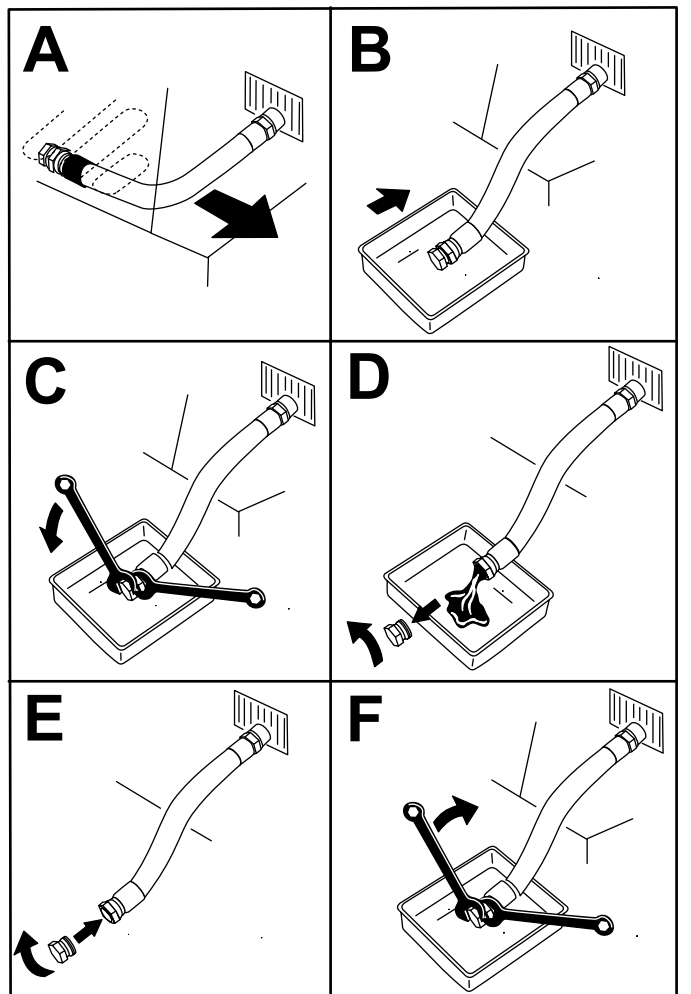
3. Om te voorkomen dat er vuil, maaisel, enz. in de motor terechtkomt, moet u de omgeving van de vuldop/peilstok reinigen voordat u deze verwijdert (Figuur 41).

Motorolie verversen en oliefilter vervangen

Onderhoudsinterval: Om de 100 bedrijfsuren of jaarlijks, waarbij de kortste periode moet worden aangehouden—Motorolie verversen en oliefilter vervangen (dit moet vaker gebeuren als de machine wordt gebruikt in stoffige of vuile omstandigheden).

1. Parkeer de machine op een horizontaal oppervlak zodat alle olie volledig kan worden afgetapt.
2. Schakel de aftakasschakelaar uit en zet de rijhendels naar buiten in de PARKEERSTAND.
3. Zet de motor af, verwijder het contactsleuteltje en wacht totdat alle bewegende onderdelen tot stilstand zijn gekomen voordat u de bestuurderspositie verlaat.

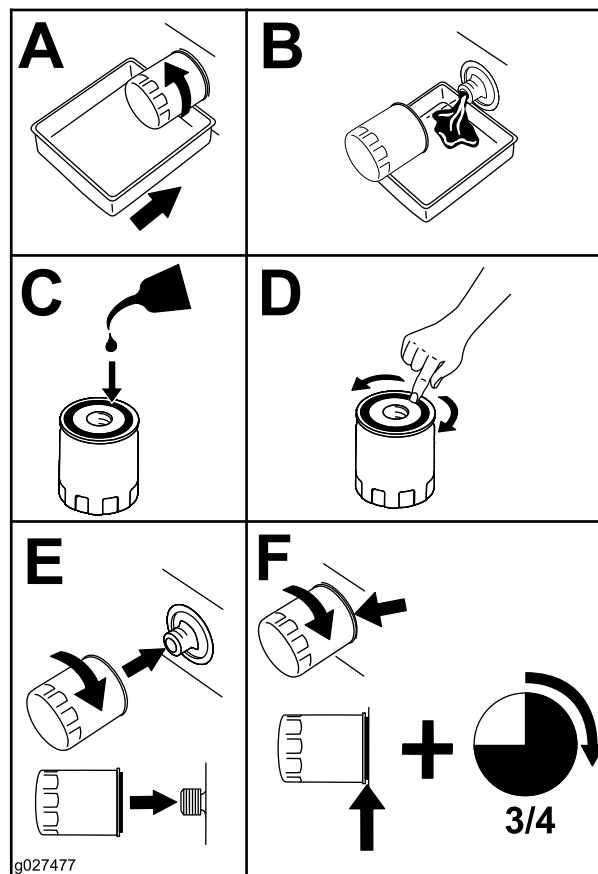
4. Laat de olie uit de motor lopen (Figuur 42).



Figuur 42

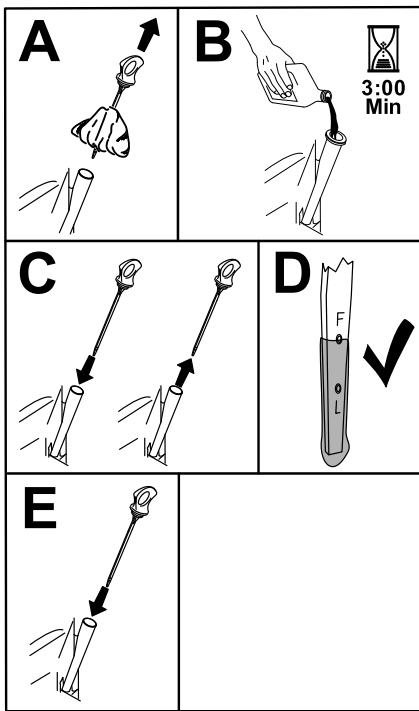
5. Vervang het motoroliefilter (Figuur 43).

Opmerking: Controleer of de pakking van het oliefilter contact maakt met de motor en draai de filter nog $\frac{3}{4}$ slag extra vast.



Figuur 43

6. Giet langzaam ongeveer 80% van de gespecificeerde olie in de vulbuis en voeg langzaam de rest van de olie toe tot het peil de markering Vol bereikt (Figuur 44).



Figuur 44

g365790

7. Geef de afgewerkte olie af bij een inzamelcentrum.

Onderhoud van de bougie

Onderhoudsinterval: Om de 100 bedrijfsuren of jaarlijks, waarbij de kortste periode moet worden aangehouden—Controleer de bougie(s).

Om de 200 bedrijfsuren/Om de 2 jaar (houd hierbij de kortste periode aan)—De bougie(s) vervangen.

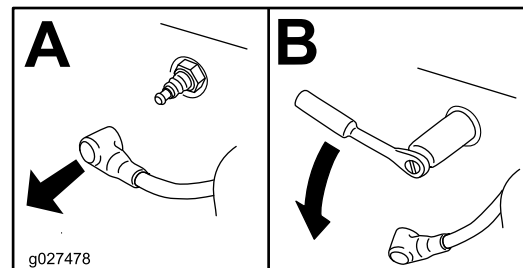
Controleer of de elektrodenafstand tussen de centrale elektrode- en de massa-elektrode correct is voordat u de bougie monteert. Gebruik een bougiesleutel voor het (de)monteren van de bougie en een voelmaat om de elektrodenafstand te meten en af te stellen. Monteer een nieuwe bougie indien dit nodig is.

Type: Champion® XC12YC

Elektrodenafstand: 0,76 mm

Bougie verwijderen

1. Parkeer de machine op een horizontaal oppervlak, schakel de aftakas uit en zet de rijhendels naar buiten in de PARKEERSTAND.
2. Zet de motor af, verwijder het contactsleuteltje en wacht totdat alle bewegende onderdelen tot stilstand zijn gekomen voordat u de bestuurderspositie verlaat. Laat de motor afkoelen.
3. Maak de omgeving van de onderkant van de bougie schoon om te voorkomen dat er vuil en rommel in de motor terecht komt.
4. Verwijder de bougie (Figuur 45).



Figuur 45

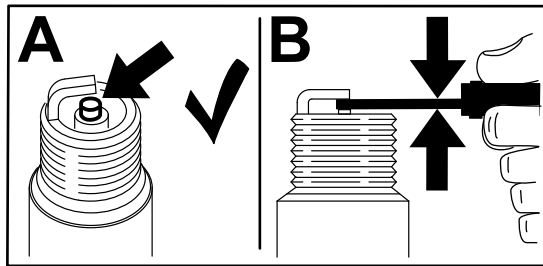
g027478

Bougie controleren

Belangrijk: Maak de bougie(s) niet schoon. Verwijder een bougie altijd als deze een zwarte laag heeft, als de elektroden versleten zijn, als er een vette laag op ligt of als de bougie scheuren vertoont.

Als de isolator lichtbruin of grijs is, werkt de motor naar behoren. Een zwarte laag op de isolator duidt meestal op een vuil luchtfilter.

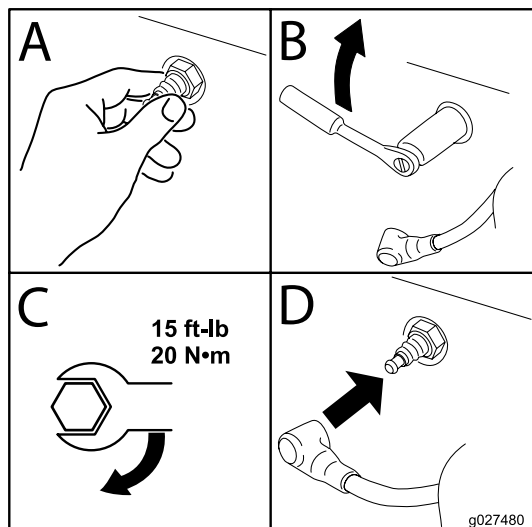
Stel de afstand in op 0,75 mm.



Figuur 46

g206628

Bougie monteren



Figuur 47

g027480

Ventilatorbehuizing reinigen

Onderhoudsinterval: Om de 100 bedrijfsuren/Jaarlyks (houd hierbij de kortste periode aan)

Met het oog op een goede koeling moet u het grasscherm, de koelribben en andere buitenvlakken van de motor te allen tijde schoon houden.

Reinig indien nodig de koelribben en de buitenvlakken. Zorg ervoor dat de uitlaatringen weer worden gemonteerd. Draai de schroeven van de ventilatorbehuizing vast met een torsie van 7,5 N·m.

Belangrijk: Als u de motor gebruikt met een verstopt grasscherm, vuile of verstopte koelribben, en/of zonder uitlaatringen, zal dit leiden tot beschadiging van de motor als gevolg van oververhitting.

Onderhoud brandstofsysteem

⚠ GEVAAR

In bepaalde omstandigheden is brandstof uiterst ontvlambaar en zeer explosief. Brand of explosie van brandstof kan brandwonden bij u of anderen en materiële schade veroorzaken.

Zie [Brandstofveiligheid \(bladz. 14\)](#) voor een volledige lijst van voorzorgsmaatregelen met betrekking tot brandstof.

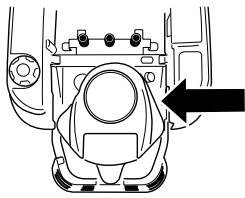
Brandstoffilter van de slang vervangen

Onderhoudsinterval: Om de 100 bedrijfsuren—Brandstoffilter van de slang vervangen.

Na verwijdering mag u nooit een vuil filter opnieuw aan de brandstofslang monteren.

1. Parkeer de machine op een horizontaal oppervlak, schakel de aftakas uit en zet de rijkhendels naar buiten in de PARKEERSTAND.
2. Zet de motor af, verwijder het contactsleuteltje en wacht totdat alle bewegende onderdelen tot stilstand zijn gekomen voordat u de bestuurderspositie verlaat. Laat de motor afkoelen.
3. Filter vervangen ([Figuur 48](#)).

Opmerking: Zorg ervoor dat de pijl voor de stroomrichting op het vervangfilter naar de motor wijst.



g365941

Onderhoud elektrisch systeem

Veiligheid van het elektrisch systeem

- Maak de kabel los van de minpool van de accu voordat u de machine repareert.
- Laad de accu op in een open, goed geventileerde ruimte, uit de buurt van vonken en open vuur. Haal de oplader uit het stopcontact voordat u de accu aan- of loskoppelt. Draag beschermende kleding en gebruik geïsoleerd gereedschap.

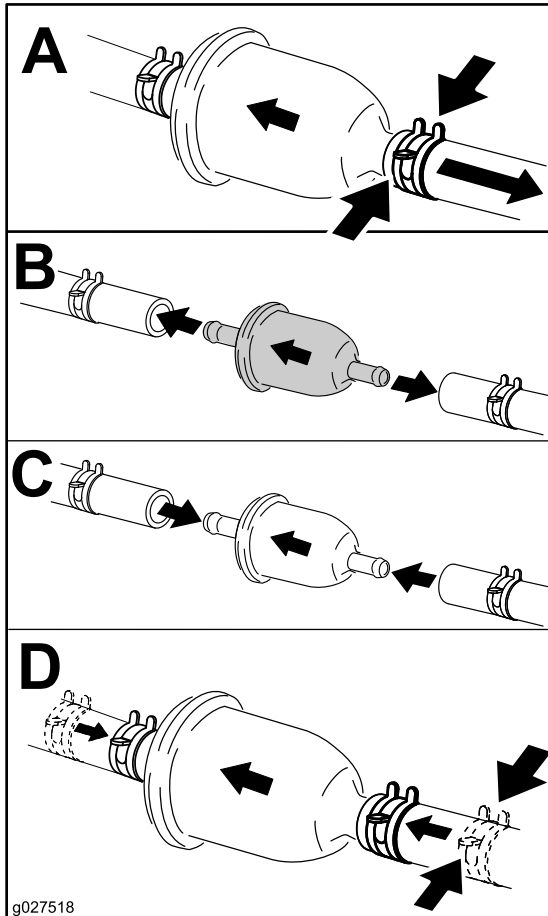
Onderhoud van de accu

Verwijderen van de accu

⚠ WAARSCHUWING

Accupolen of metalen gereedschappen kunnen kortsluiting maken met metalen onderdelen van de machine, waardoor vonken kunnen ontstaan. Hierdoor kunnen accugassen tot ontploffing komen en lichamelijk letsel veroorzaken.

- Zorg ervoor dat bij het verwijderen of installeren van de accu de accupolen niet in aanraking komen met metalen onderdelen van de machine.
- Voorkom dat metalen gereedschappen kortsluiting veroorzaken tussen de accupolen en metalen onderdelen van de machine.



g027518

g027518

Figuur 48

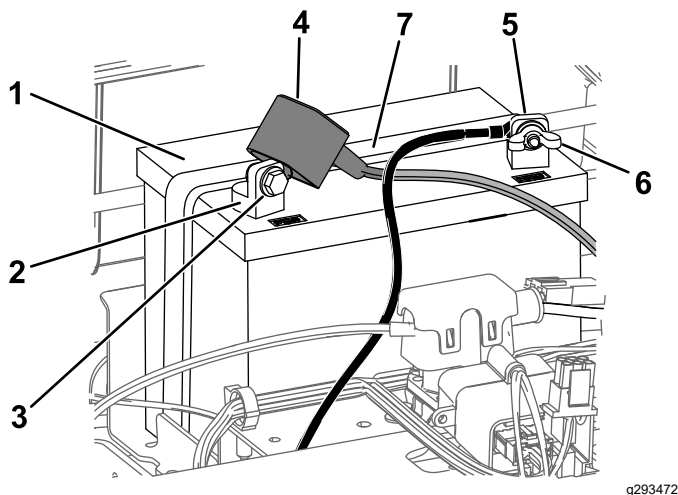
1. Parkeer de machine op een horizontaal oppervlak, schakel de aftakas uit en zet de rijkhendels naar buiten in de PARKEERSTAND.
2. Zet de motor af, verwijder het contactsleuteltje en wacht totdat alle bewegende onderdelen tot stilstand zijn gekomen voordat u de bestuurderspositie verlaat.
3. Til de stoel omhoog om toegang te krijgen tot de accu.
4. Maak de minkabel (zwart) los van de accupool (Figuur 49).

Opmerking: Bewaar alle bevestigingsmiddelen.

⚠ WAARSCHUWING

De accukabels onjuist afkoppelen kan schade aan de machine en de kabels tot gevolg hebben en vonken veroorzaken. Hierdoor kunnen accugassen tot ontploffing komen en lichamelijk letsel veroorzaken.

- Maak altijd de minkabel (zwart) van de accu los voordat u de pluskabel (rood) losmaakt.
 - Sluit altijd de pluskabel (rood) van de accu aan voordat u de minkabel (zwart) aansluit.
5. Schuif het rubberen kapje van de pluskabel (rood).
 6. Maak de pluskabel (rood) los van de accupool (Figuur 49).
- Opmerking:** Bewaar alle bevestigingsmiddelen.
7. Verwijder de bevestigingsband van de accu (Figuur 49) en til de accu uit de accubak.



Figuur 49

1. Accu
2. Pluspool (+) van de accu
3. Bout, ring en moer
4. Stofkapje van de accupool
5. Minpool (-) van de accu
6. Vleugelmoer, ring en bout
7. Bevestiging van accu

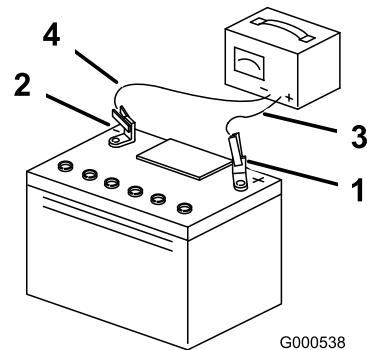
Accu opladen

Onderhoudsinterval: Vóór de stalling—Accu opladen en accukabels loskoppelen.

1. Verwijder de accu van het chassis; raadpleeg [Verwijderen van de accu \(bladz. 43\)](#).
2. Laad de accu gedurende minstens een uur op bij 6 tot 10 A.

Opmerking: De accu niet te ver opladen.

3. Zodra de accu volledig is opgeladen, haalt u de acculader uit het stopcontact en maakt u vervolgens de oplaadkabels los van de accuklemmen (Figuur 50).



Figuur 50

1. Pluspool (+) van de accu
2. Minpool (-) van de accu
3. Rode (+) oplaadkabel
4. Zwarte (-) oplaadkabel

Accu plaatsen

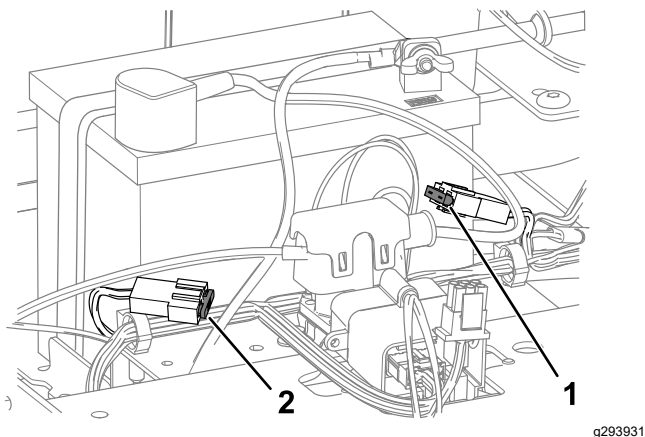
1. Plaats de accu in de bak (Figuur 49).
2. Gebruik de eerder verwijderde bevestigingsmiddelen om de pluskabel (rood) op de pluspool (+) van de accu aan te sluiten.
3. Gebruik de eerder verwijderde bevestigingsmiddelen om de minkabel op de minpool (-) van de accu aan te sluiten.
4. Schuif het rode stofkapje voor de accupool op de pluspool (rood) van de accu.
5. Zet de accu vast met de bevestigingsband (Figuur 49).
6. Zet de stoel omlaag.

De zekeringen onderhouden

De elektrische installatie is beveiligd door middel van zekeringen. Deze behoeven geen onderhoud. Als er een zekering is doorgebrand, moet u echter het onderdeel of circuit controleren op defecten of kortsluiting.

Zekeringtype:

- Hoofdleiding – F1 (25 A, steekzekering)
 - Laadcircuit – F2 (15 A, steekzekering)
1. Parkeer de machine op een horizontaal oppervlak, schakel de aftakas uit en zet de rijhendels naar buiten in de PARKEERSTAND.
 2. Zet de motor af, verwijder het contactsleuteltje en wacht totdat alle bewegende onderdelen tot stilstand zijn gekomen voordat u de bestuurderspositie verlaat.
 3. Til de stoel omhoog om toegang te krijgen tot de zekeringen.
 4. Om een zekering te vervangen, trekt u de zekering eruit (Figuur 51).



Figuur 51

g293931

1. Laadcircuit (15 A)
2. Hoofdstroom (25 A)

5. Zet de stoel omlaag.

Onderhoud aandrijfsysteem

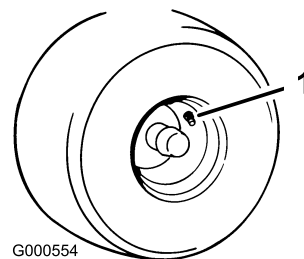
Bandenspanning controleren

Onderhoudsinterval: Om de 25 bedrijfsuren—Bandenspanning controleren.

Zorg ervoor dat de voor- en achterbanden de voorgeschreven spanning hebben. Een ongelijke bandenspanning kan leiden tot onregelmatige maaieresultaten. Controleer de bandenspanning bij het ventiel (Figuur 52). De bandenspanning kan het best bij koude banden worden gecontroleerd.

Pomp de voorste zwenkwielbanden op tot 2,06 bar of tot de bandenspanning die is aangegeven op de wang van de band. Kies hierbij de laagste bandenspanning.

Pomp de banden van de achteraandrijfwielen op tot 0,9 bar.



G000554

g000554

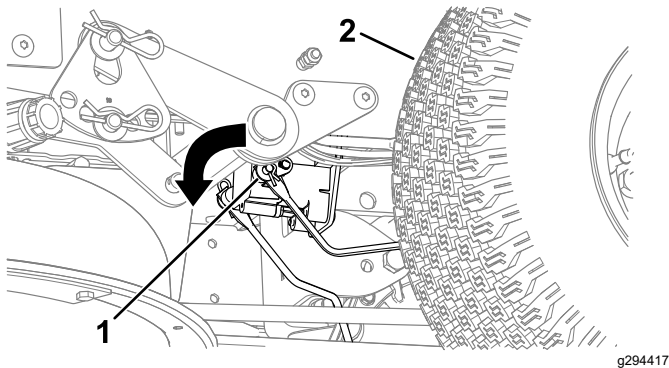
Figuur 52

1. Ventiel

Elektrische rem vrij zetten

U kunt de elektrische rem manueel vrij zetten door de verbindingsarmen naar voren te draaien. Zodra de elektrische rem van stroom wordt voorzien, wordt hij teruggesteld.

1. Draai het sleuteltje op UIT en verwijder het sleuteltje.
2. De accu afkoppelen.
3. Draai de twee onderste bouten los waarmee de afdekking van het maaidek is bevestigd aan het maaidek. Zie [De afdekking van het maaidek losmaken \(bladz. 36\)](#).
4. Zoek de as van de elektrische rem waar de verbindingsarmen gekoppeld zijn ([Figuur 53](#)).
5. Draai de as naar voren om de rem vrij te zetten, zoals getoond in [Figuur 53](#).
6. Draai de as terug en koppel de accu aan nadat u de machine verplaatst hebt.
7. Draai de 2 onderste bouten vast waarmee de afdekking van het maaidek is bevestigd aan het maaidek. Zie [De afdekking van het maaidek losmaken \(bladz. 36\)](#).



Figuur 53

1. Verbindingsarm van de regelmodule van de elektrische rem
2. Linkerachterband

De sporing afstellen

Wanneer u de machine vooruitrijdt op volle snelheid op een vlak, horizontaal oppervlak en de machine naar 1 kant trekt, moet u de sporing afstellen.

Als de machine naar links trekt, moet u de rechter rijhendel afstellen; als de machine naar rechts trekt, moet u de linker rijhendel afstellen.

Opmerking: U kunt de sporing alleen afstellen voor vooruitrijden.

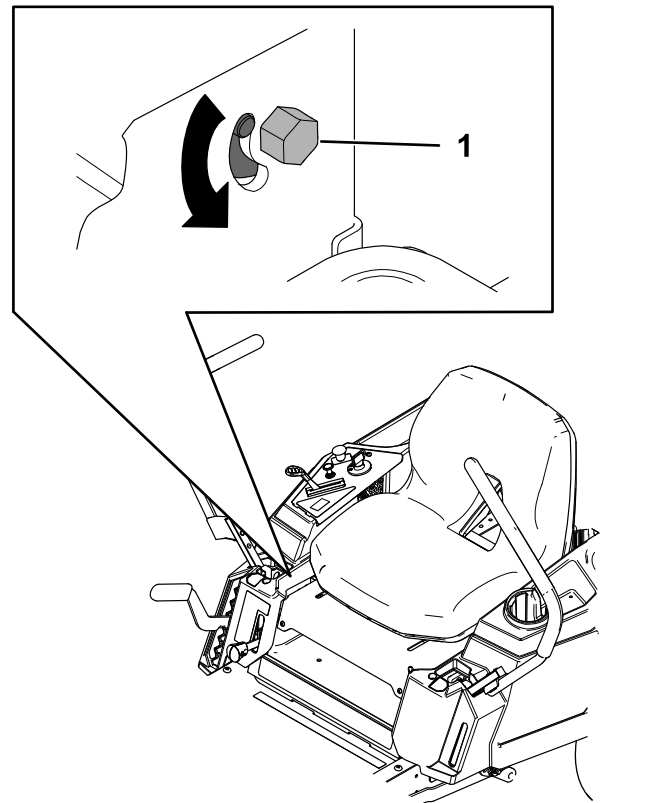
1. Parkeer de machine op een horizontaal oppervlak, schakel de aftakas uit en zet de rijhendels naar buiten in de PARKEERSTAND.

2. Zet de motor af, verwijder het contactsleuteltje en wacht totdat alle bewegende onderdelen tot stilstand zijn gekomen voordat u de bestuurderspositie verlaat.
3. Zoek de stelbout voor sporing in de buurt van de rijhendel aan die kant die afgesteld moet worden ([Figuur 54](#)).

Opmerking: Zet de stoel omhoog om gemakkelijker bij de stelbout te kunnen.

4. Draai de bout om de snelheid voor dat wiel te doen afnemen.

Opmerking: Draai de bout een klein beetje om kleine afstellingen uit te voeren.



Figuur 54

1. Bout
5. Start de machine en rijd vooruit op een vlakke, horizontale ondergrond met de rijhendels volledig naar voren om te controleren of de machine recht rijdt. Herhaal deze procedure als dit nodig is.

Onderhoud riemen

Riemen controleren

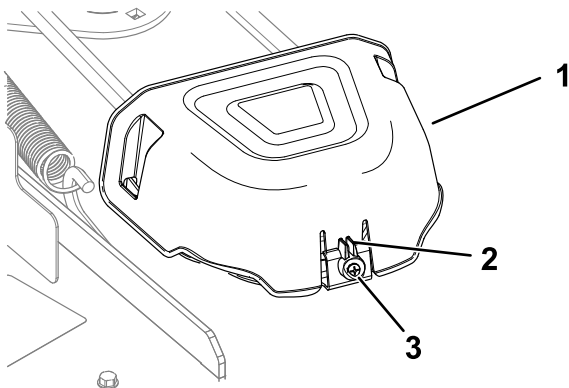
Onderhoudsinterval: Om de 25 bedrijfsuren—Alle riemen op slijtage en scheurtjes controleren.

Vervang de riem als deze versleten is. Een aantal indicaties van een versleten riem: een gierend geluid tijdens het draaien van de riem, de messen die slippen tijdens het maaien, gerafelde randen en schroeiplekken en scheuren op de riem.

Drijfriem van maaidek vervangen

Een aantal indicaties van een versleten riem: een gierend geluid tijdens het draaien van de riem, messen die slippen tijdens het maaien, gerafelde randen en schroeiplekken en scheuren op de riem. Vervang de riem als u deze zaken constateert.

1. Parkeer de machine op een horizontaal oppervlak, schakel de aftakas uit en zet de rijkhendels naar buiten in de PARKEERSTAND.
2. Zet de motor af, verwijder het contactsleuteltje en wacht totdat alle bewegende onderdelen tot stilstand zijn gekomen voordat u de bestuurderspositie verlaat.
3. Zet de maaihoogte op de laagste stand (38 mm).
4. Draai de twee onderste bouten los waarmee de afdekking van het maaidek is bevestigd aan het maaidek. Zie [De afdekking van het maaidek losmaken \(bladz. 36\)](#).
5. Maak de schroef los en duw de lip op de kap in om de poeliekappen te verwijderen ([Figuur 55](#)).

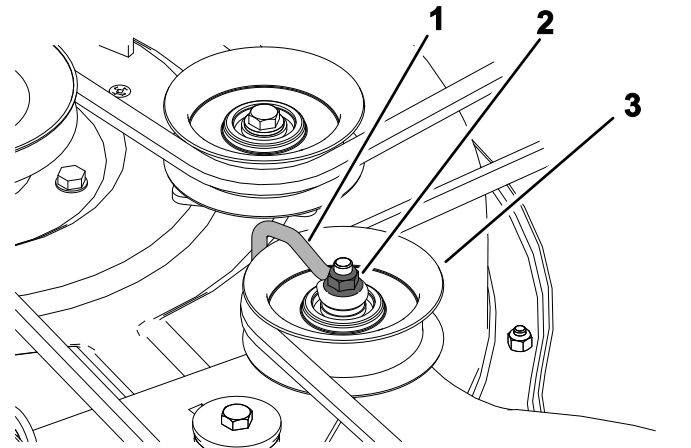


Figuur 55

g296848

1. Kap
2. Lip
3. Schroef

6. Voor maaidekken met 3 messen: zet de moer los waarmee de draadvorm vastzit aan de spanpoelie ([Figuur 56](#)).



Figuur 56

g336421

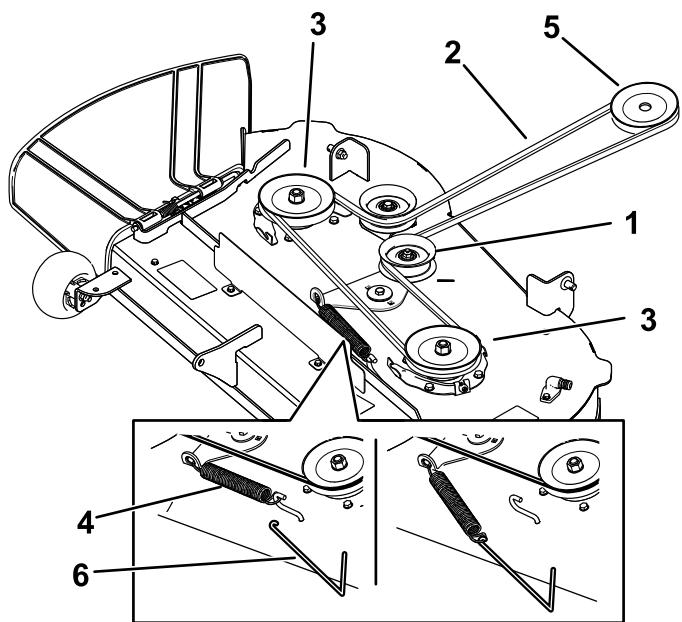
1. Draadvorm
2. Moer
3. Spanpoelie

7. Verwijder de spanpoelieveer van de maaidekhaak met een veerverwijderaar (Toro onderdeelnummer 92-5771) om de spanning op de spanpoelie te verwijderen en rol de riem van de poelies ([Figuur 57](#) en [Figuur 58](#)).

⚠ WAARSCHUWING

De veer is onder spanning gemonteerd en kan lichamelijk letsel veroorzaken.

Wees voorzichtig als u de riem verwijdert.

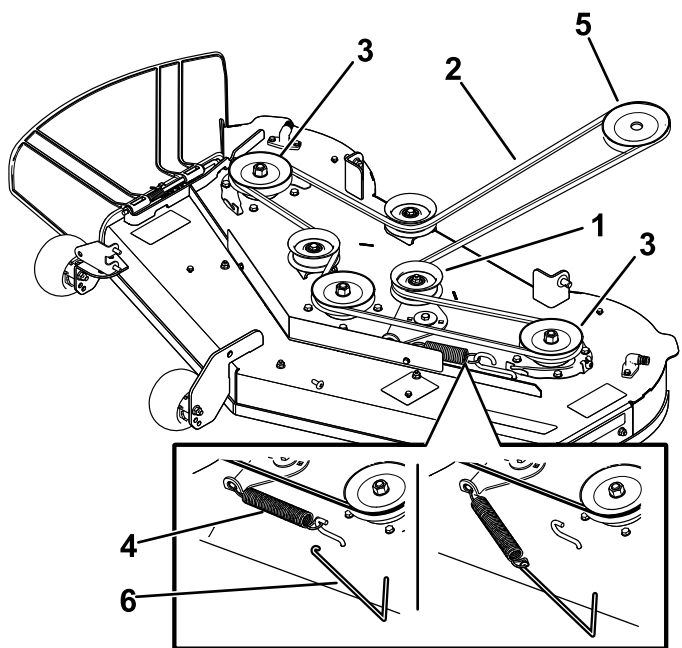


g298025

Figuur 57

Maai-eenheden met 2 messen

- | | |
|--------------------------|---------------------|
| 1. Spanpoelie | 4. Veer |
| 2. Drijfriem van maaidek | 5. Motorpoelie |
| 3. Buitenste poelie | 6. Veerverwijderaar |



g298026

Figuur 58

Maai-eenheden met 3 messen

- | | |
|--------------------------|---------------------|
| 1. Spanpoelie | 4. Veer |
| 2. Drijfriem van maaidek | 5. Motorpoelie |
| 3. Buitenste poelie | 6. Veerverwijderaar |

- Leg de nieuwe riem rond de motorpoelie en de poelies van het maaidek (Figuur 57 of Figuur 58).

- Gebruik een veerverwijderaar (Toro onderdeelnummer 92-5771) en plaats de spanpoelieveer terug op de maaidekhaak om spanning op de spanpoelie en riem te zetten (Figuur 57 of Figuur 58).
 - Voor maaidekken met 3 messen: zet de moer vast waarmee de draadvorm vastzit aan de spanpoelie.
- Opmerking:** Plaats de draadvorm tegen de arm van de spanpoelie, zoals getoond in Figuur 56.
- Monteer de kappen van de poelies.
 - Draai de 2 onderste bouten vast waarmee de afdekking van het maaidek is bevestigd aan het maaidek. Zie [De afdekking van het maaidek losmaken](#) (bladz. 36).

Onderhoud van de maaimachine

Veiligheid van de messen

- Controleer op gezette tijden de maaimessen op slijtage of beschadigingen.
- Wees voorzichtig als u de messen controleert. Omwikkel de maaimessen of draag handschoenen en wees voorzichtig als u onderhoudswerkzaamheden aan de maaimessen verricht. De maaimessen mogen alleen worden vervangen of geslepen, probeer ze nooit recht te maken of er aan te lassen.
- Let op dat bij machines met meerdere maaimessen andere messen kunnen gaan draaien doordat u één mes draait.
- Vervang versleten of beschadigde messen en bouten altijd als complete set om een goede balans te behouden.

Onderhoud van de maaimessen

Om een goed maairesultaat te verkrijgen, moet u de maaimessen scherp houden. Om het slijpen en vervangen te vergemakkelijken, is het handig extra messen in voorraad te hebben.

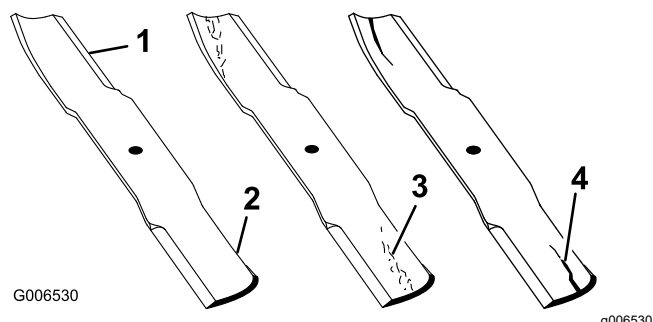
Vóór controle en onderhoud van de maaimessen

1. Parkeer de machine op een horizontaal oppervlak, schakel de aftakas uit en zet de rijkhendels naar buiten in de PARKEERSTAND.
2. Zet de motor af, verwijder het sleuteltje en maak de bougiekabels los.

De maaimessen controleren

Onderhoudsinterval: Bij elk gebruik of dagelijks

1. Controleer de snijranden (Figuur 59).
2. Als de randen niet scherp zijn of bramen vertonen, moet u het maimes verwijderen en slijpen; zie [De maaimessen slijpen \(bladz. 51\)](#).
3. Controleer de messen, in het bijzonder het gebogen deel.
4. Als u scheuren, slijtage of groefvorming in dit deel constateert, moet u direct een nieuw mes monteren (Figuur 59).



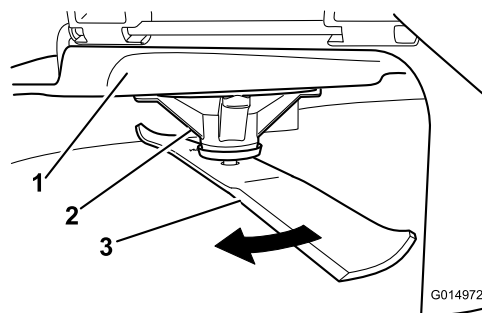
Figuur 59

1. Snijrand
2. Gebogen deel
3. Slijtage/groefvorming
4. Scheur

Controle op kromme messen

Opmerking: De machine moet op een egaal oppervlak staan voor de volgende procedure.

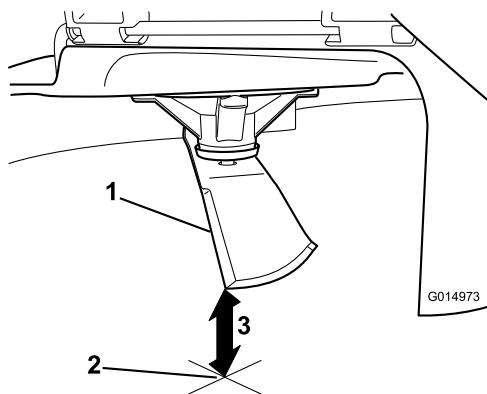
1. Zet het maaidek op de hoogste maaipositie.
2. Trek dikke handschoenen of andere adequate handbescherming aan en draai langzaam het mes in een stand die meting mogelijk maakt van de afstand tussen de maairand en het egale oppervlak waarop de machine staat (Figuur 60).



Figuur 60

1. Maaidek
2. Asbehuizing
3. Mes

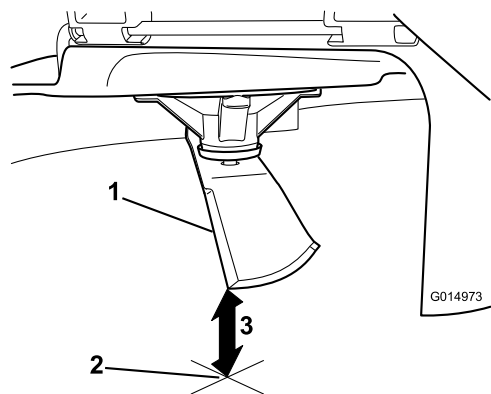
3. Meet de afstand tussen het uiteinde van het mes en de vlakke ondergrond (Figuur 61).



Figuur 61

g014973

1. Mes, in meetstand
2. Vlakke ondergrond
3. Gemeten afstand tussen mes en de ondergrond (A)

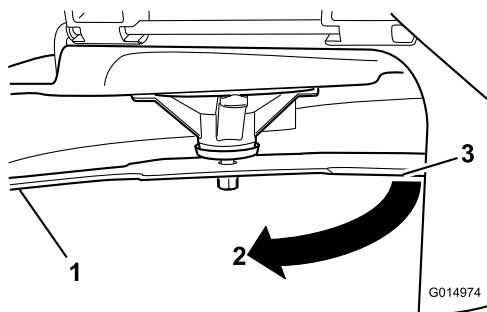


Figuur 63

g014973

1. Mes aan andere zijde, in meetstand
2. Vlakke ondergrond
3. Tweede gemeten afstand tussen mes en oppervlak (B)

4. Draai hetzelfde mes 180 graden, zodat de maairand aan de andere kant nu in dezelfde stand staat (Figuur 62).



Figuur 62

g014974

1. Mes, eerder gemeten kant
2. Eerder gebruikte meetstand
3. Andere kant van mes die in meetstand wordt gebracht

5. Meet de afstand tussen het uiteinde van het mes en de vlakke ondergrond (Figuur 63).

Opmerking: De speling mag niet meer dan 3 mm bedragen.

- A. Als het verschil tussen A en B groter is dan 3 mm, vervang dan het mes door een nieuw mes; zie [De maaimessen verwijderen \(bladz. 50\)](#) en [De maaimessen monteren \(bladz. 51\)](#).

Opmerking: Als een krom mes is vervangen door een nieuw mes en de afstand nog altijd groter is dan 3 mm, dan is het mogelijk dat de mesas verbogen is. Neem contact op met een erkende onderhoudsdealer voor service.

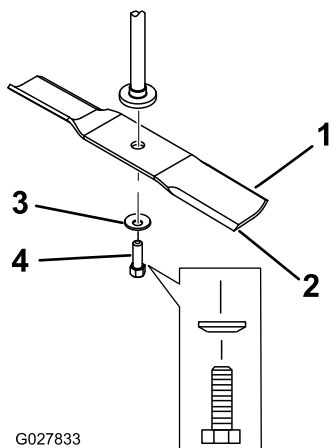
- B. Ga als het verschil binnen de grenzen ligt door met het volgende mes.

6. Herhaal deze procedure op elk mes.

De maaimessen verwijderen

Vervang messen die een vast voorwerp hebben geraakt of uit balans of krom zijn.

1. Pak het uiteinde van het mes vast met een doek of een dikke handschoen.
2. Verwijder de mesbout, de klemring en het mes van de spil (Figuur 64).



Figuur 64

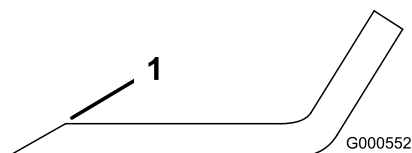
- | | |
|------------------------|-------------|
| 1. Vleugel van het mes | 3. Klemring |
| 2. Mes | 4. Mesbout |

De maaimessen slijpen

1. Gebruik een vijl om de snijranden aan beide uiteinden van het mes te slijpen (Figuur 65).

Opmerking: Houd daarbij de oorspronkelijke hoek in stand.

Opmerking: Het mes blijft in balans als u van beide snijranden dezelfde hoeveelheid materiaal verwijdert.



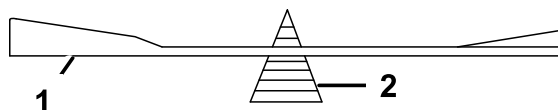
Figuur 65

1. Onder oorspronkelijke hoek slijpen.

2. Controleer de balans van het mes met een mesbalans (Figuur 66).

Opmerking: Als het mes horizontaal blijft, is het in balans en geschikt voor gebruik.

Opmerking: Als het mes niet in balans is, moet u wat metaal afvijlen van het uiteinde van de vleugel (Figuur 65).



Figuur 66

- | | |
|--------|--------------|
| 1. Mes | 2. Mesbalans |
|--------|--------------|

3. Herhaal dit indien nodig totdat het mes in balans is.

De maaimessen monteren

1. Monteer het mes op de as (Figuur 64).

Belangrijk: Het gebogen deel van het mes moet naar de binnenzijde van de maaikast wijzen om een goede maaikwaliteit te garanderen.

2. Monteer de klemring (holle kant naar het mes toe) en de mesbout (Figuur 64).
3. Draai de mesbout vast met een torsie van 81 tot 108 N·m.

Maaidek horizontaal stellen

Controleer of het maaidek horizontaal staat telkens wanneer u de maaier installeert of wanneer u een ongelijke maaiplek in uw gras ziet.

Voordat u het maaidek horizontaal afstelt moet u eerst controleren of er verbogen maaimessen zijn, en eventueel verbogen maaimessen verwijderen en vervangen; lees [Onderhoud van de maaimessen \(bladz. 49\)](#) voordat u dit doet.

Stel het maaidek eerst links/rechts horizontaal, en dan kunt u voor/achter afstellen.

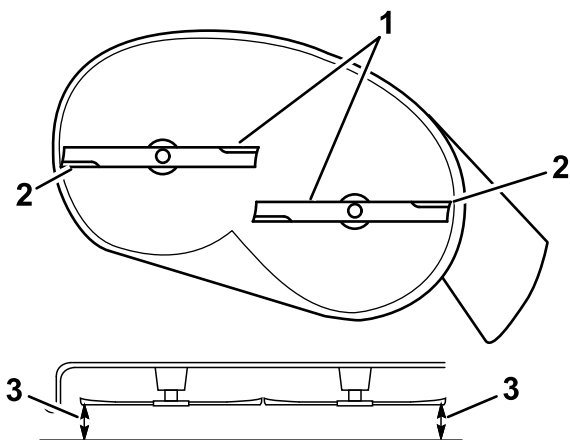
Eisen:

- De machine moet op een egaal vlak staan.
- Alle banden moeten de juiste spanning hebben, zie [Bandenspanning controleren \(bladz. 45\)](#).

Controleren of de maaimessen horizontaal staan

1. Parkeer de machine op een horizontaal oppervlak, schakel de messchakelaar uit en zet de rijkhendels naar buiten in de PARKEERSTAND.
2. Zet de motor af, verwijder het contactsleuteltje en wacht totdat alle bewegende onderdelen tot stilstand zijn gekomen voordat u de bestuurderspositie verlaat.
3. Stel de maaihogte in op 76 mm.
4. Draai het maaimes voorzichtig in dwarsrichting horizontaal.
5. Meet tussen de buitenste snijranden en de vlakke ondergrond (Figuur 67 en Figuur 68).

Opmerking: Als beide afstanden groter zijn dan 5 mm, moeten deze worden bijgesteld; zie [Gelijkstellen in de breedterichting \(bladz. 53\)](#).

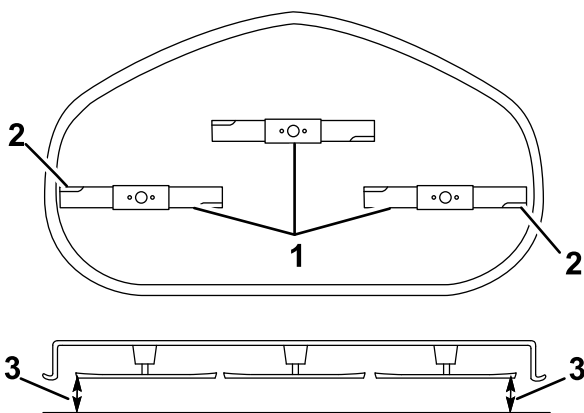


Figuur 67

Maai-eenheden met 2 messen

g294044

1. Maaimessen evenwijdig
2. Buitenste snijranden
3. Meet vanaf het uiteinde van het mes tot het platte oppervlak hier.



Figuur 68

Maai-eenheden met 3 messen

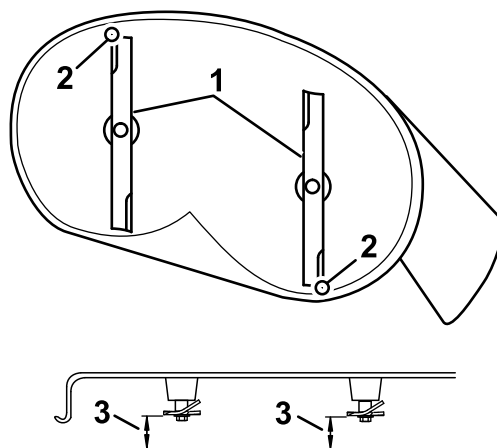
g296913

1. Maaimessen evenwijdig
2. Buitenste snijranden
3. Meet vanaf het uiteinde van het mes tot het platte oppervlak hier.

tot stilstand zijn gekomen voordat u de bestuurderspositie verlaat.

3. Stel de maaihoogte in op 76 mm.
4. Draai de messen voorzichtig rond, totdat ze in de lengterichting wijzen (Figuur 69).
5. Meet de afstand tussen de rand van het voorste mes en het horizontale oppervlak, en de afstand tussen de rand van het achterste mes en het horizontale oppervlak (Figuur 69 of Figuur 70).

Opmerking: Als de rand van het voorste mes niet 1,6 tot 7,9 mm lager staat dan de rand van het achterste mes, ga verder met [Schuinstand van het maaidek \(lengterichting\) instellen](#) (bladz. 54).



Figuur 69

Maai-eenheden met 2 messen

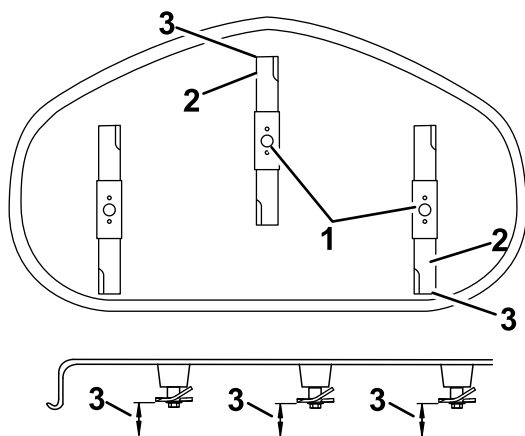
g294046

1. Messen in lengterichting
2. Buitenste snijranden
3. Meet vanaf het uiteinde van het mes tot het platte oppervlak hier.

Schuinstand van het maaidek (lengterichting) controleren

Controleer de schuinstand van het maaidek telkens wanneer u dit monteert. Als de voorkant van de maaier meer dan 7,9 mm lager staat dan de achterkant van de maaier, moet u de schuinstand van het maimes instellen.

1. Parkeer de machine op een horizontaal oppervlak, schakel de messchakelaar uit en zet de rijhendels naar buiten in de PARKEERSTAND.
2. Zet de motor af, verwijder het contactsleuteltje en wacht totdat alle bewegende onderdelen

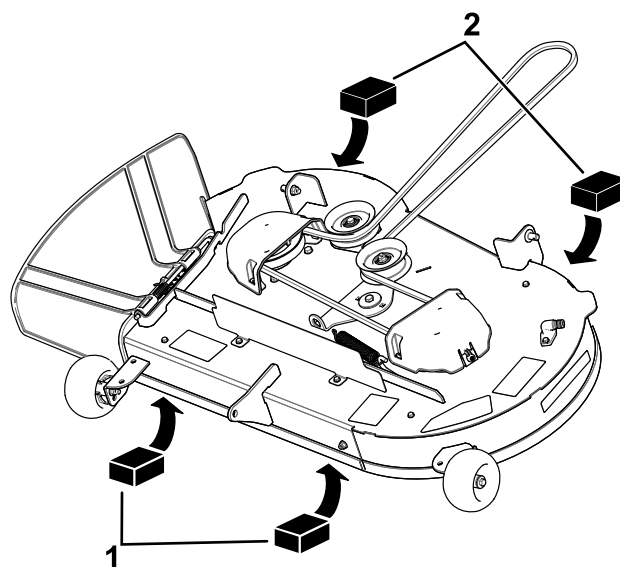


Figuur 70

Maai-eenheden met 3 messen

g296914

1. Messen in lengterichting
2. Buitenste snijranden
3. Meet vanaf het uiteinde van het mes tot het platte oppervlak hier.



Figuur 71

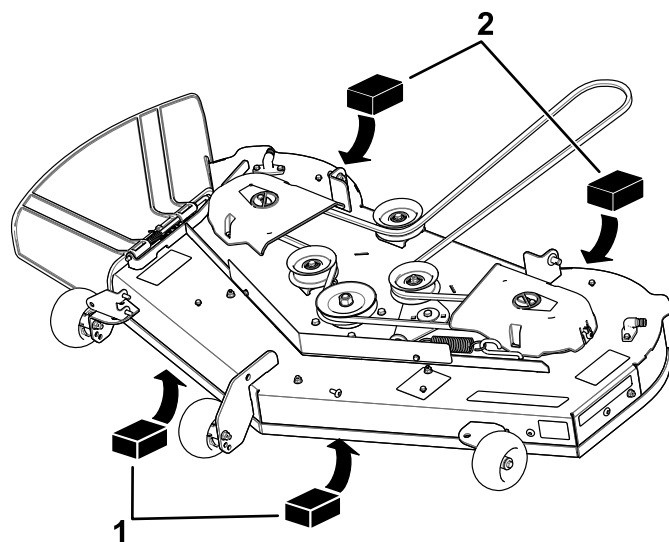
Maai-eenheden met 2 messen

g298027

1. Houten blok, 6,6 cm dik
2. Houten blok, 7,3 cm dik

Gelijkstellen in de breedterichting

1. Ga naar de linkerkant van de machine.
2. Hiervoor moet u de antiscalpeerrollen in de bovenste openingen zetten of ze geheel verwijderen; zie [Antiscalpeerrollen afstellen \(bladz. 28\)](#).
3. Zet de maaihoogtehendel in de stand van 76 mm; zie [De maaihoogte instellen \(bladz. 27\)](#).
4. Plaats 2 blokjes met een dikte van 6,6 cm onder elke kant van de voorste rand van het maaidek, maar niet onder de beugels van de antiscalpeerrollen ([Figuur 71](#) of [Figuur 72](#)).
5. Plaats 2 blokjes met een dikte van 7,3 cm onder de achterste rand van de maaikast, één blokje aan elke kant van het maaidek ([Figuur 71](#) of [Figuur 72](#)).



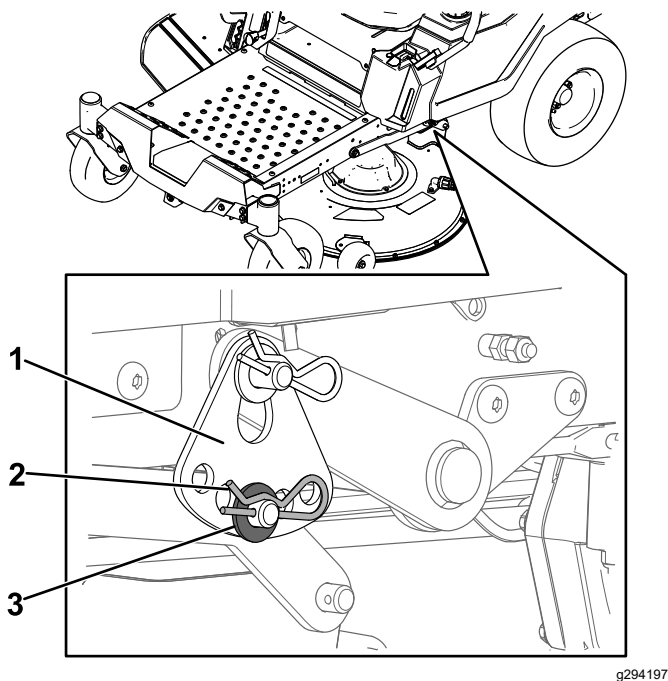
Figuur 72

Maai-eenheden met 3 messen

g298028

1. Houten blok, 6,6 cm dik
2. Houten blok, 7,3 cm dik

6. Verwijder de R-pen en de ring van de onderste pen van de hefarm ([Figuur 73](#)).

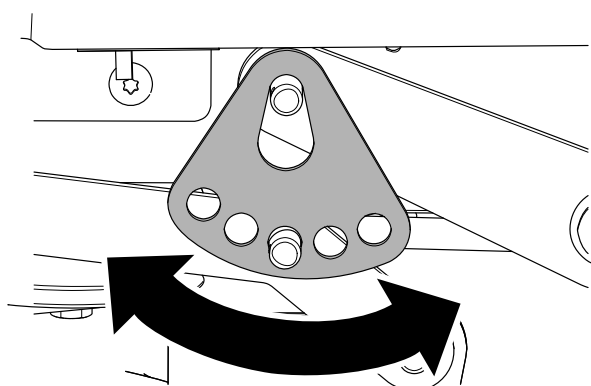


Figuur 73

g294197

1. Maaihoogteplaat
2. R-pen
3. Ring

7. Draai de maaihoogteplaat naar een andere opening zodat deze het gewicht van het maaidek ondersteunt nadat u de plaat hebt geïnstalleerd ([Figuur 74](#)).



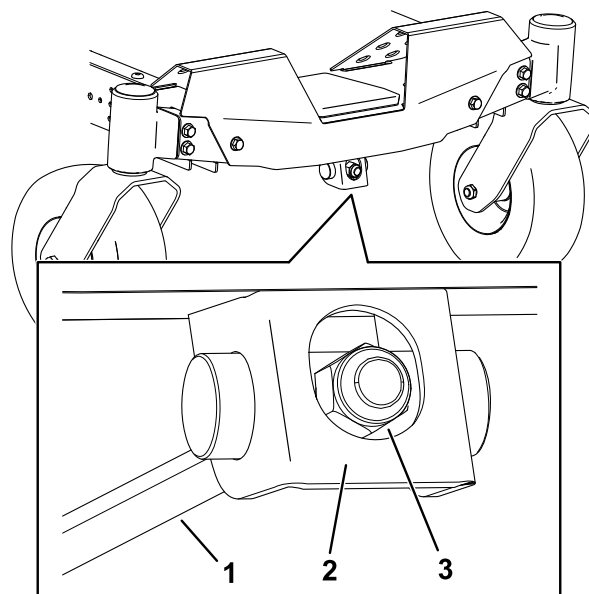
Figuur 74

g294195

8. Monteer de ring en de R-pen ([Figuur 74](#)).
9. Herhaal stappen 6 tot en met 8 voor de andere kant van de machine.
10. Controleer de breedterichting opnieuw; herhaal deze stappen totdat de juiste metingen worden verkregen.
11. Ga verder met het horizontaal brengen van het maaidek door de schuinstand in de lengterichting te controleren; zie [Schuinstand van het maaidek \(lengterichting\) controleren](#) (bladz. 52).

Schuinstand van het maaidek (lengterichting) instellen

1. Draai de stelmoer in de voorkant van de maaier ([Figuur 75](#)).



Figuur 75

g294471

1. Stelstang
2. Stelblok
3. Stelmoer

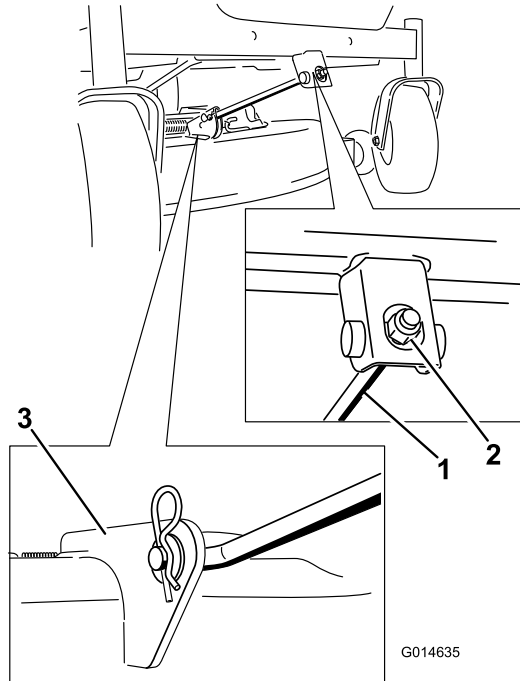
2. Om de voorkant van het maaidek hoger te zetten, draait u de stelmoer vaster.
3. Om de voorkant van het maaidek lager te zetten, draait u de stelmoer losser.
4. Controleer de schuinstand nogmaals na het instellen, ga door met het instellen van de moer totdat de rand van het voorste mes 1,6 tot 7,9 mm lager staat dan de rand van het achterste mes, zie [Schuinstand van het maaidek \(lengterichting\) controleren](#) (bladz. 52).
5. Als de schuinstand correct is, moet u nogmaals controleren of het maaidek horizontaal staat; zie [Controleren of de maaimessen horizontaal staan](#) (bladz. 51).

Het maaidek verwijderen

1. Parkeer de machine op een horizontaal oppervlak, schakel de messchakelaar uit en zet de rijhendels naar buiten in de PARKEERSTAND.
2. Zet de motor af, verwijder het contactsleuteltje en wacht totdat alle bewegende onderdelen tot stilstand zijn gekomen voordat u de bestuurderspositie verlaat.
3. Zet de maaihoogtehendel in de laagste stand.
4. Draai de twee onderste bouten los waarmee de afdekking van het maaidek is bevestigd aan het

maaidek. Zie [De afdekking van het maaidek losmaken](#) (bladz. 36).

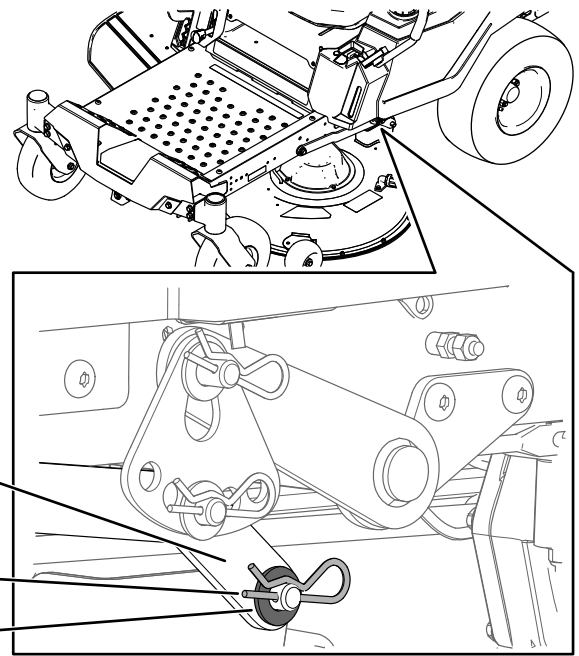
5. Verwijder de R-pen uit de voorste steunstang en neem de stang uit de beugel van het maaidek ([Figuur 76](#)).



Figuur 76

1. Voorste steunstang
2. Beugel van het maaidek

6. Laat de voorkant van het maaidek voorzichtig neer op de grond.
7. Verwijder de ring en de R-pen van de maaidekpen aan 1 kant van de machine ([Figuur 77](#)).



Figuur 77

1. Hefarm
2. R-pen
3. Ring

8. Verwijder de hefarm van de maaidekpen ([Figuur 77](#)).
9. Herhaal stappen 7 en 8 voor de andere kant van de machine.
10. Schuif het maaidek naar achteren om de drijfriem van het maaidek te verwijderen van de motorpoelie.
11. Schuif het maaidek weg van onder de machine.

Opmerking: Bewaar alle onderdelen voor latere montage.

Het maaidek monteren

1. Parkeer de machine op een horizontaal oppervlak, schakel de messchakelaar uit en zet de rijhendels naar buiten in de PARKEERSTAND.
2. Zet de motor af, verwijder het contactsleuteltje en wacht totdat alle bewegende onderdelen tot stilstand zijn gekomen voordat u de bestuurderspositie verlaat.
3. Schuif het maaidek onder de machine.
4. Zet de maaihoogtehendel in de laagste stand.
5. Til aan 1 kant van de machine de achterkant van het maaidek op en monteer de hefarm aan de maaidekpen ([Figuur 77](#)).
6. Monteer de hefarm met de ring en de R-pen ([Figuur 77](#)).
7. Herhaal stappen 5 en 6 voor de andere kant van de machine.

8. Bevestig de voorste steunstang aan het maaidek met de gaffelpen en de R-pen (Figuur 76).
 9. Monteer de maaierriem op de motorpoelie; raadpleeg stap [Drijfriem van maaidek vervangen \(bladz. 47\)](#).
 10. Draai de twee onderste bouten vast waarmee de afdekking van het maaidek is bevestigd aan het maaidek; zie [De afdekking van het maaidek losmaken \(bladz. 36\)](#).
4. De nieuwe grasgeleider monteren (Figuur 78).
 5. Schuif het rechte uiteinde van de stang door de achterste grasgeleiderspil.
 6. Plaats de veer op de stang, met de einddraden omlaag, tussen de beugels van de grasgeleider.
 7. Schuif de stang door de tweede grasgeleiderspil (Figuur 78).
 8. Schuif de stang bij de voorzijde van de grasgeleider door de beugel op het maaidek.
 9. Bevestig de achterzijde van de stang aan de maaier met een moer ($\frac{3}{8}$ "), zoals geïllustreerd in [Figuur 78](#).

Grasgeleider vervangen

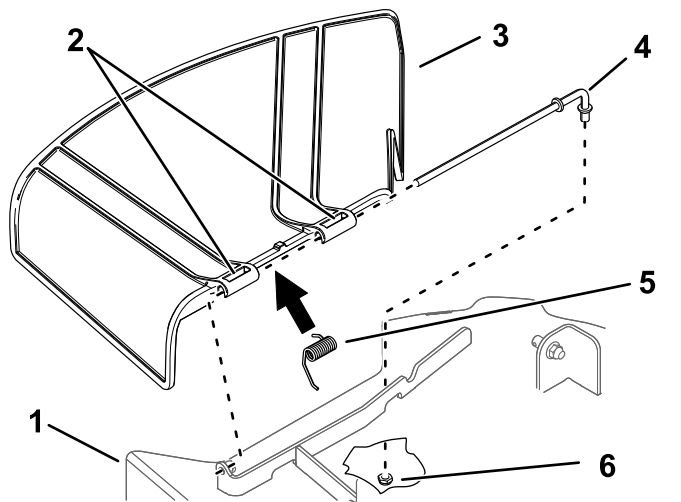
Onderhoudsinterval: Bij elk gebruik of dagelijks—Controleer de grasgeleider op schade.

⚠ WAARSCHUWING

Als de uitworpopening niet afgedekt is, kan de machine voorwerpen uitwerpen naar u of naar omstanders; dit kan ernstig letsel veroorzaken. Daarnaast kunt u ook in contact komen met het mes.

Gebruik de machine nooit zonder dat de grasgeleider, de uitworpafsluiter of het grasopvangsysteem is gemonteerd.

1. Verwijder de moer ($\frac{3}{8}$ ") van de stang onder het maaidek (Figuur 78).



Figuur 78

- | | |
|---------------------|-----------------------------|
| 1. Maaidek | 4. Stang |
| 2. Grasgeleiderspil | 5. Veer |
| 3. Grasgeleider | 6. Moer ($\frac{3}{8}$ ") |

2. Schuif de stang uit de maaidekbeugel, de veer en de grasgeleider (Figuur 78).
3. Verwijder een beschadigde of versleten grasgeleider.

Reiniging

De onderkant van het maaidek reinigen

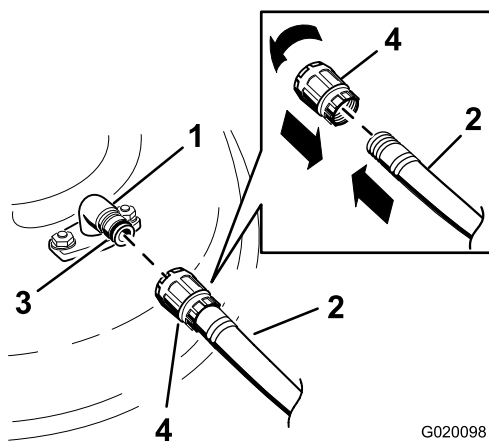
Onderhoudsinterval: Na elk gebruik

Belangrijk: U kunt het voertuig met een mild reinigingsmiddel en water wassen. Was de machine nooit met een hogedrukreiniger. Gebruik niet te veel water, vooral niet in de buurt van het bedieningspaneel, onder de stoel en rond de motor, de hydraulische pompen en de motors.

Nadat u de maaimachine heeft gebruikt, moet u de onderkant van het maaidek telkens wassen om te voorkomen dat er zich gras verzamelt. Hierdoor wordt gras beter fijn gemaakt en het maaisel beter verstrooid.

1. Parkeer de machine op een horizontaal oppervlak, schakel de messchakelaar uit en zet de rijkhendels naar buiten in de PARKEERSTAND.
2. Zet de motor af, verwijder het contactsleuteltje en wacht totdat alle bewegende onderdelen tot stilstand zijn gekomen voordat u de bestuurderspositie verlaat.
3. Bevestig de slangkoppeling aan de wasaansluiting van de maaimachine en draai de waterkraan helemaal open (Figuur 79).

Opmerking: Smeer vaseline op de O-ring van de wasaansluiting om de koppeling gemakkelijker te bevestigen en de O-ring te beschermen.



Figuur 79

- | | |
|-------------------|------------------|
| 1. Wasaansluiting | 3. O-ring |
| 2. Slang | 4. Snelkoppeling |

6. Schakel de aftakas in en laat de machine één tot drie minuten lopen.
7. Zet de maaischakelaar UIT, stop de motor, verwijder het contactsleuteltje en wacht totdat alle bewegende delen tot stilstand zijn gekomen.
8. Draai de kraan dicht en maak de snelkoppeling los van de wasaansluiting.

Opmerking: Als de maaimachine na een wasbeurt niet schoon is, moet u deze 30 minuten laten inweken. Herhaal daarna deze procedure.

9. Laat de motor opnieuw één tot drie minuten lopen om het overtollig water te verwijderen.

⚠ WAARSCHUWING

Een gebroken of ontbrekende wasaansluiting kan voorwerpen uitwerpen of contact met het maimes veroorzaken, waardoor u en anderen letsel kunnen oplopen. Contact met een maimes of uitgeworpen voorwerpen kan ernstig lichamelijk of dodelijk letsel veroorzaken.

- Een gebroken of ontbrekende wasaansluiting moet direct worden vervangen, voordat u de machine opnieuw gebruikt.
- Steek nooit uw handen of voeten onder de maaier of door openingen in de machine.

Afval afvoeren

Motorolie, accu's, hydraulische vloeistof en motorkoelvloeistof verontreinigen het milieu. Verwijder deze stoffen volgens de plaatselijke voorschriften.

4. Zet het maaidek in de laagste maaistand.
5. Neem plaats op de bestuurdersstoel en start de motor.

Stalling

Veiligheid tijdens opslag

- Zet de motor af, verwijder het contactsleuteltje en wacht totdat alle bewegende onderdelen tot stilstand zijn gekomen voordat u de bestuurderspositie verlaat. Laat de machine afkoelen voordat u deze afstelt, reinigt, stalt of er onderhoudswerkzaamheden aan verricht.
- U mag de machine of de brandstof niet bewaren in de nabijheid van een open vuur, noch de brandstof binnenshuis of in een afgesloten aanhanger aftappen.
- Sla de machine en de brandstofhouder niet op plaatsen waar open vlammen, vonken of waakvlammen (bv. van een boiler of andere toestellen) aanwezig kunnen zijn.

Reinigen en opslaan

1. Schakel de messchakelaar (aftakas) uit en stel de parkeerrem in werking.
2. Zet de motor af, verwijder het contactsleuteltje en wacht totdat alle bewegende onderdelen tot stilstand zijn gekomen voordat u de bestuurderspositie verlaat.
3. Verwijder maaisel, vuil en vet van de buitenkant van de gehele machine, met name van de motor en het hydraulische systeem. Vuil en kaf van de buitenkant van de cilinder, de koelribben van de cilinderkop en het ventilatorbehuizing verwijderen.

Belangrijk: U kunt de machine met een mild reinigingsmiddel en water wassen. Maak de machine niet schoon met een hogedrukreiniger. Gebruik niet te veel water, vooral niet in de buurt van het bedieningspaneel, de motor, de hydraulische pompen en de accu.

4. Controleer de werking van de parkeerrem; zie [Parkeerstand \(bladz. 12\)](#).
5. Geef het luchtfilter een onderhoudsbeurt; zie [Onderhoud van het luchtfilter \(bladz. 37\)](#).
6. Ververs de olie in het carter; zie [Motorolie verversen en oliefilter vervangen \(bladz. 39\)](#).
7. Controleer de bandenspanning; zie [Bandenspanning controleren \(bladz. 45\)](#).
8. Laad de accu op; zie [Accu opladen \(bladz. 44\)](#).
9. Als u de machine stalt met de accu gemonteerd, moet u de minkabel (zwart) loskoppelen van de accu.
10. Schraap dik aangekoekt gras en vuil van de onderkant van de maaimachine. Spoel

vervolgens de machine schoon met een tuinslang.

Opmerking: Laat de machine lopen met de aftakas ingeschakeld en de motor op hoog stationair gedurende 2 tot 5 minuten na het wassen.

11. Controleer de staat van de maaimessen; raadpleeg [Onderhoud van de maaimessen \(bladz. 49\)](#).
12. Wanneer de machine langer dan 30 dagen niet wordt gebruikt, moet deze worden voorbereid op stalling:
 - A. Voeg een stabilizer/conditioner toe aan de verse brandstof in de tank. Volg de mengvoorschriften van de fabrikant van de stabilizer op. Gebruik geen stabilizer op alcoholbasis (ethanol of methanol).
 - B. Laat de motor vijf minuten lopen om de stabilizer/conditioner door het brandstofsysteem te verspreiden.
 - C. Zet de motor af, laat deze afkoelen en laat de brandstoftank leeglopen.
 - D. Start de motor en laat hem lopen totdat hij afslaat.
 - E. U moet brandstof op de juiste wijze afvoeren. Voer de brandstof af volgens de plaatselijk geldende voorschriften.

Belangrijk: Bewaar brandstof die stabilizer/conditioner bevat niet langer dan aanbevolen door de fabrikant van de stabilizer.
13. Verwijder de bougie(s) en controleer de staat ervan; zie [Onderhoud van de bougie \(bladz. 41\)](#). Nadat de bougie(s) uit de cilinder is (zijn) verwijderd, giet u 30 ml (2 eetlepels) motorolie in de bougie-opening. Gebruik de startmotor om de motor te laten draaien en zo de olie over de cilinderwand te verspreiden. Monteer de bougie(s). De bougiekabel niet op de bougie(s) drukken.
14. Controleer alle bouten, schroeven en moeren en draai deze vast. Repareer of vervang beschadigde delen.
15. Werk alle krassen en beschadigingen van de lak bij. Bijwerklak is verkrijgbaar bij een erkende servicedealer.
16. Stal de machine in een schone, droge garage of opslagruimte. Verwijder het sleuteltje uit het contact en bewaar het buiten het bereik van kinderen en onbevoegde personen. Dek de machine af om deze te beschermen en schoon te houden.

Opslag van de accu

1. Laad de accu volledig op.
2. Laat de accu 24 uur ongemoeid en controleer dan de spanning van de accu.

Opmerking: Indien de accuspanning lager is dan 12,6 V, moet u stappen 1 en 2 herhalen.

3. Koppel de kabels los van de accu.
4. Controleer regelmatig de spanning en zorg dat die altijd minstens 12,4 V is.

Opmerking: Indien de accuspanning lager is dan 12,4 V, moet u stappen 1 en 2 herhalen.

Tips voor het bewaren van de accu

Als u de accu bewaart buiten de machine, moet u het volgende doen:

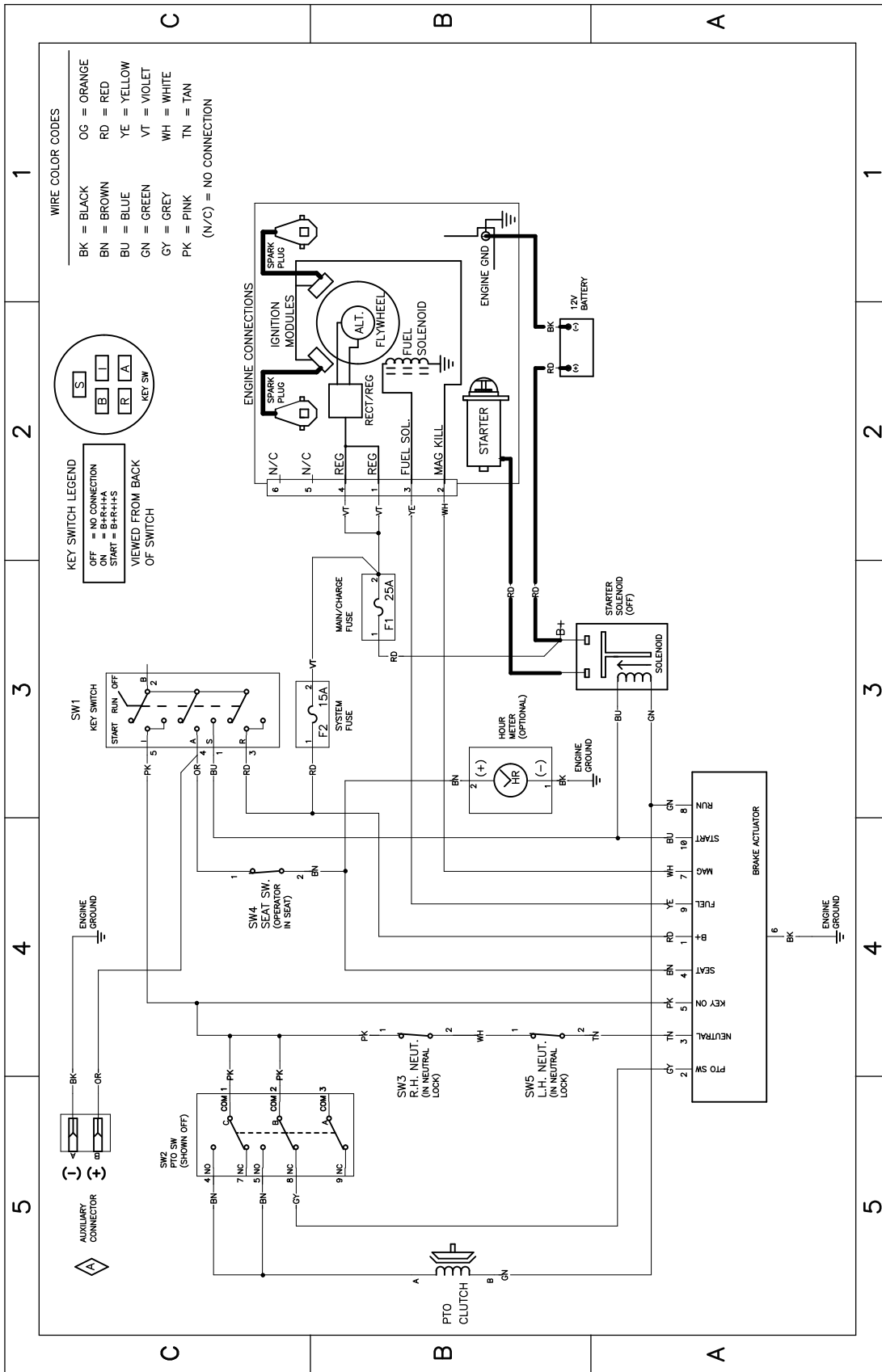
- Bewaar de accu rechtop in een koele, droge omgeving.
- Bewaar accu's niet op elkaar, tenzij ze in een doos zitten.
- Stapel niet meer dan 3 accu's op elkaar (of 2 als het om accu's voor professioneel gebruik gaat).
- Test een natte accu om de 4 tot 6 maanden en laad de accu indien nodig.
- Test en laad de accu altijd op voor montage.

Problemen, oorzaak en remedie

Probleem	Mogelijke oorzaak	Remedie
De brandstoftank is ingedeukt of de machine raakt regelmatig zonder brandstof.	<ol style="list-style-type: none"> 1. Het papierelement van het luchtfilter is verstopt. 	<ol style="list-style-type: none"> 1. Reinig het papierelement.
De motor raakt oververhit.	<ol style="list-style-type: none"> 1. De motor is te zwaar belast. 2. Het oliepeil in het carter is te laag. 3. De koelribben en luchtkanalen onder de ventilatorbehuizing van de motor zijn verstopt. 4. Het luchtfilter is vuil. 5. Vuil, water of oude brandstof in het brandstofsysteem. 	<ol style="list-style-type: none"> 1. De rijsnelheid verminderen. 2. Het carter met olie vullen. 3. Verwijder de obstructie uit de koelribben en luchtkanalen. 4. Reinig of vervang het luchtfilterelement. 5. Neem contact op met een erkende Service Dealer.
De startmotor slaat niet aan.	<ol style="list-style-type: none"> 1. De maaimesschakelaar is ingeschakeld. 2. De rijhendels staan niet in PARKEER. 3. De accu is leeg. 4. De elektrische aansluitingen zijn gecorrodeerd of zitten los. 5. Een van de zekeringen is doorgebrand. 6. Een van de relais of schakelaars is defect. 	<ol style="list-style-type: none"> 1. Schakel de aftakas uit. 2. Zet de rijhendels in PARKEER. 3. De accu opladen. 4. Controleer of de elektrische aansluitingen goed contact maken. 5. Vervang de zekering. 6. Neem contact op met een erkende servicedealer.
De motor start niet, start moeilijk of slaat af.	<ol style="list-style-type: none"> 1. De brandstoftank is leeg. 2. De choke (indien aanwezig) staat niet aan. 3. Het luchtfilter is vuil. 4. De bougiekabel(s) zit(ten) los of is (zijn) niet aangesloten. 5. De bougie(s) is (zijn) aangetast, vuil, of de elektrodenafstand is niet correct afgesteld. 6. Er zit vuil in het brandstoffilter. 7. Vuil, water of oude brandstof in brandstofsysteem. 8. Verkeerde brandstof in de tank. 9. Het oliepeil in het carter is te laag. 	<ol style="list-style-type: none"> 1. Vul de brandstoftank. 2. Zet de chokehendel in de AAN-stand. 3. Reinig of vervang het luchtfilterelement. 4. De bougiekabel(s) op de bougie monteren. 5. Nieuwe bougie(s) met een correct afgestelde elektrodenafstand monteren. 6. Vervang het brandstoffilter. 7. Neem contact op met een erkende servicedealer. 8. Brandstoftank aftappen en vullen met het juiste type brandstof. 9. Vul het carter met olie.
De motor verliest vermogen.	<ol style="list-style-type: none"> 1. De motor is te zwaar belast. 2. Het luchtfilter is vuil. 3. Het oliepeil in het carter is te laag. 4. De koelribben en luchtkanalen onder de ventilatorbehuizing van de motor zijn verstopt. 5. De bougie(s) is (zijn) aangetast, vuil, of de elektrodenafstand is niet correct afgesteld. 6. De ontluchting van de brandstoftank is verstopt. 7. Er zit vuil in het brandstoffilter. 8. Vuil, water of oude brandstof in het brandstofsysteem. 9. Verkeerde brandstof in de tank. 	<ol style="list-style-type: none"> 1. De rijsnelheid verminderen. 2. Reinig het luchtfilterelement. 3. Vul het carter met olie. 4. De koelribben en luchtkanalen ontstoppen. 5. Nieuwe bougie(s) met een correct afgestelde elektrodenafstand monteren. 6. Neem contact op met een erkende servicedealer. 7. Brandstoffilter vervangen. 8. Neem contact op met een erkende servicedealer. 9. Neem contact op met een erkende servicedealer.

Probleem	Mogelijke oorzaak	Remedie
De machine drijft niet aan.	<ol style="list-style-type: none"> 1. De omloopkleppen zijn open. 2. De tractieriemen zijn versleten, los of stuk. 3. De tractieriemen zitten niet op de poelies. 4. De transmissie is uitgevallen. 	<ol style="list-style-type: none"> 1. Sluit de sleepkleppen. 2. Neem contact op met een erkende servicedealer. 3. Neem contact op met een erkende servicedealer. 4. Neem contact op met een erkende servicedealer.
De machine trilt abnormaal.	<ol style="list-style-type: none"> 1. Het maaimes (de maaimessen) is (zijn) verbogen of niet in balans. 2. De bevestigingsbout van het maaimes zit los. 3. De bevestigingsbouten van de motor zitten los. 4. De motorpoelie, spanpoelie of mespoelie zit los. 5. De motorpoelie is beschadigd. 6. Mesas verbogen. 7. De motorophangplaat zit los of is versleten. 	<ol style="list-style-type: none"> 1. Nieuwe maaimes(sen) monteren. 2. De bevestigingsbout van het maaimes vastdraaien. 3. De bevestigingsbouten van de motor vastdraaien. 4. Desbetreffende poelie vastzetten. 5. Neem contact op met een erkende servicedealer. 6. Neem contact op met een erkende servicedealer. 7. Neem contact op met een erkende servicedealer.
De maaihoogte is ongelijk.	<ol style="list-style-type: none"> 1. Maaimes(sen) bot. 2. Maaimes(sen) verbogen of niet in balans. 3. Het maaidek staat niet horizontaal. 4. Een antiscalpeerwiel (indien aanwezig) is niet correct afgesteld. 5. De onderkant van het maaidek is vuil. 6. De bandenspanning is niet correct. 7. Mesas verbogen. 	<ol style="list-style-type: none"> 1. Mes(sen) slijpen. 2. Nieuwe maaimessen monteren. 3. Maaidek horizontaal stellen en in de correcte schuinstand stellen. 4. Hoogte van antiscalpeerwiel afstellen. 5. Reinig de onderkant van het maaidek. 6. De banden op de juiste spanning brengen. 7. Neem contact op met een erkende servicedealer.
Messen draaien niet.	<ol style="list-style-type: none"> 1. De aandrijfriem is versleten, los of stuk. 2. De drijfriem zit niet op de poelie. 3. De schakelaar van de aftakas of de aftakkoppeling is defect. 4. De drijfriem van het maaidek is versleten, los of stuk. 	<ol style="list-style-type: none"> 1. Een nieuwe drijfriem monteren. 2. Drijfriem monteren en assen en riemgeleiders op juiste stand controleren. 3. Neem contact op met een erkende servicedealer. 4. Een nieuwe drijfriem monteren.

Schema's



Installatieschema139-2356 (Rev. A)

g307974

Privacyverklaring EEA/VK

Toro's gebruik van uw persoonlijke gegevens

The Toro Company ("Toro") respecteert uw recht op privacy. Wanneer u onze producten koopt, kunnen we bepaalde persoonlijke informatie over u verzamelen, ofwel rechtstreeks via u ofwel via uw plaatselijk Toro bedrijf of plaatselijke Toro dealer. Toro gebruikt deze informatie om te voldoen aan contractuele verplichtingen – zoals het registreren van uw garantie, het behandelen van uw garantieclaim of om contact met u op te nemen in het geval van terugroepacties – en voor legitieme zakelijke doeleinden – zoals klanttevredenheid meten, onze producten verbeteren of u productinformatie verschaffen die van belang kan zijn. Toro kan uw informatie delen met onze dochterondernemingen, gelieerde ondernemingen, distributeurs of andere zakenpartners in verband met deze activiteiten. We kunnen ook persoonlijke informatie vrijgeven van rechtswege of in verband met de verkoop, aankoop of fusie van een bedrijf. We verkopen uw persoonsgegevens nooit aan andere bedrijven voor marketingdoeleinden.

Behoud van uw persoonlijke gegevens

Toro bewaart uw persoonlijke informatie zolang deze relevant is voor de bovengenoemde doeleinden en in overeenstemming is met de wettelijke vereisten. Neem contact op via legal@toro.com voor meer informatie over de toepasselijke bewaarperiodes.

Toro's engagement inzake veiligheid

Uw persoonlijke informatie kan behandeld worden in de VS of een ander land dat mogelijk soepelere databeschermingswetten heeft dan het land waar u verblijft. Indien we uw informatie overdragen naar een ander land dan het land waar u verblijft, nemen wij de wettelijk verplichte maatregelen om ervoor te zorgen dat de informatie op gepaste wijze wordt beschermd en veilig wordt behandeld.

Toegang en correctie

U hebt het recht om uw persoonlijke gegevens te corrigeren of te raadplegen, of zich te verzetten tegen de verwerking van uw gegevens of deze te beperken. Om deze rechten uit te oefenen, gelieve een e-mail te sturen naar legal@toro.com. Als u zich zorgen maakt over de manier waarop Toro uw informatie heeft behandeld, vragen wij u om deze direct ten aanzien van ons te uiten. Europese burgers hebben het recht om een klacht in te dienen bij hun gegevensbeschermingsautoriteit.



Count on it.