



Count on it.

Parts Catalog

**Workman® HDX
Utility Vehicle**

Model No. 07383—Serial No. 415331197 and Up



Ordering Replacement Parts

To order replacement parts, please supply the part number, the quantity, and the description of each part desired.

Understanding Reference Numbers

Each identified part in an illustration has a reference number. The reference number for a part also appears in the parts list, along with other information about the part.

This catalog uses two special reference number formats, one to indicate parts in a service assembly and another to indicate the quantity of a given part in an illustration.

Service Assembly Reference Numbers

Parts in service assemblies have reference numbers in the form a:b. The a represents the reference number of the entire service assembly and the b represents a sequential number unique to each part within the service assembly.

For example, a wheel assembly might be identified by reference number 6, the tire by 6:1, the valve by 6:2, and the wheel by 6:3. When you order the assembly identified by reference number 6, you receive all parts identified by reference numbers 6:1, 6:2, and 6:3. However, you may also order any part individually. Reference numbers of this type appear in illustration and in parts lists.

Reference Numbers Indicating Quantity

In an illustration, if a reference number indicates more than one part, the reference number has the form nX y. The n represents the quantity of the part, the X is the multiplication symbol, and the y represents the reference number.

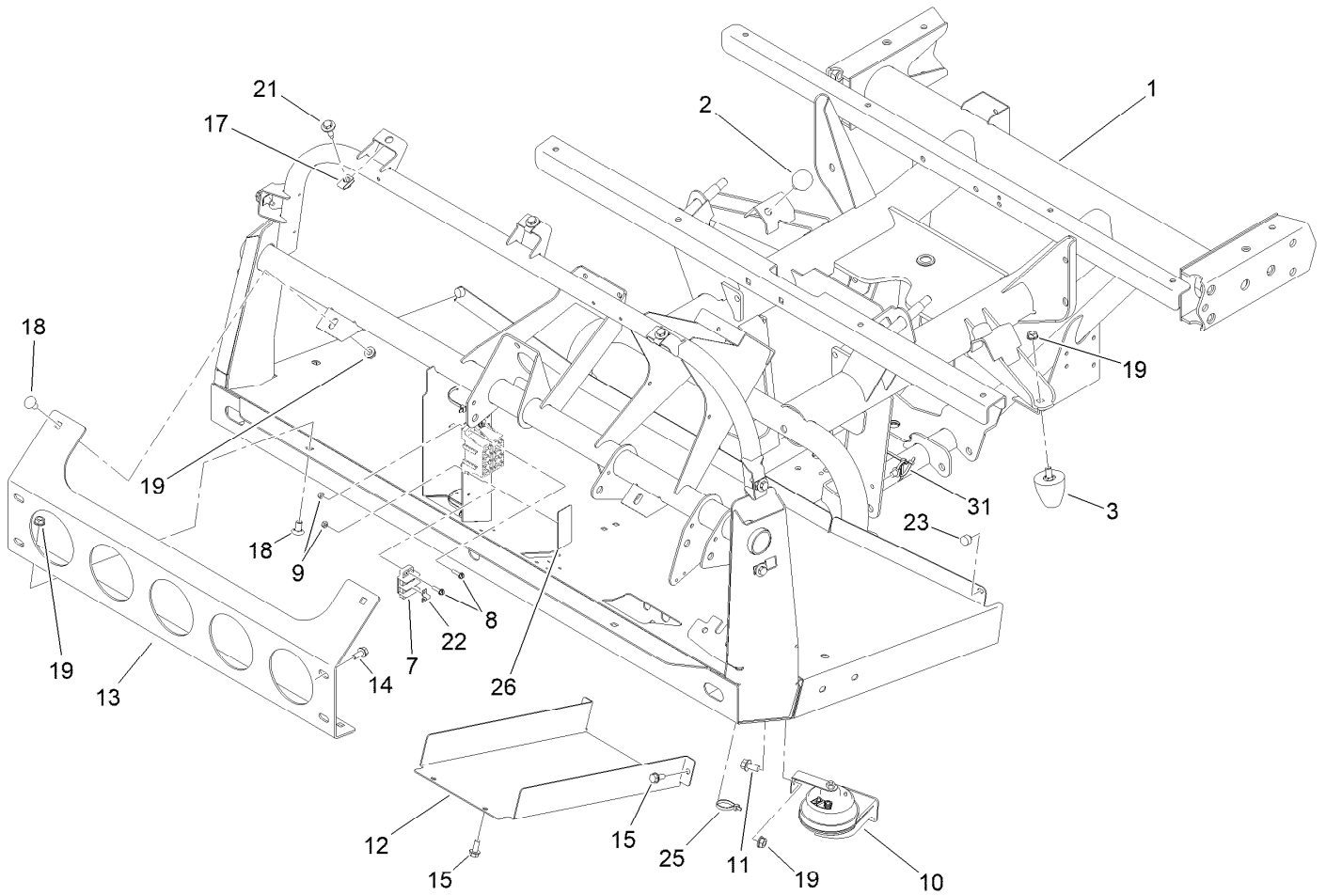
For example, in an illustration, the reference number 2X 37 means that two of the parts identified by reference number 37 are indicated.

Contents

| | |
|---|----|
| Front Frame Assembly | 5 |
| Rear Frame and Suspension Assembly | 6 |
| Rear Axle Assembly | 7 |
| Brake Caliper Assembly No. 127-7424 | 8 |
| Front and Rear Brake Line Assembly | 9 |
| Front Suspension Assembly | 10 |
| Steering and Front Wheel Assembly | 11 |
| Steering Linkage Assembly | 12 |
| Hydraulic Cylinder Assembly No. 112-3217 | 13 |
| Front Control Arm Assembly | 14 |
| Brake and Clutch Pedal Assembly | 15 |
| Master Cylinder Assembly No. 104-6782 | 16 |
| Accelerator Assembly | 17 |
| Console Assembly | 18 |
| Shift Assembly No. 106-7887 | 20 |
| Bumper, Hood and Seat Base Assembly | 21 |
| Dash Assembly | 22 |
| Steering Hydraulic Assembly | 23 |
| Steering Valve Assembly No. 120-4813 | 25 |
| Seat Assembly | 26 |
| Roll-Over Protection System Assembly | 27 |
| Pin and Clevis Assembly | 28 |
| Engine Sub Frame Assembly | 29 |
| Engine and Exhaust Assembly | 30 |
| Cooling System Assembly | 32 |
| Radiator Assembly | 33 |
| Clutch Linkage Assembly | 34 |
| Transaxle Assembly | 35 |
| Case Assembly Transaxle Assembly No. 115-7783 | 36 |
| Center Plate Assembly Transaxle Assembly No. 115-7783 | 37 |
| Main Shaft Assembly Transaxle Assembly No. 115-7783 | 38 |
| Reduction Shaft Assembly Transaxle Assembly No. 115-7783 | 39 |
| Reverse Shaft Assembly Transaxle Assembly No. 115-7783 | 40 |
| Main Shift Assembly Transaxle Assembly No. 115-7783 | 41 |
| Hi-Lo Shift Assembly Transaxle Assembly No. 115-7783 | 42 |
| Countershaft Assembly Transaxle Assembly No. 115-7783 | 43 |
| Differential Gear Assembly Transaxle Assembly No. 115-7783 | 44 |
| Differential Carrier Assembly Transaxle Assembly No. 115-7783 | 45 |
| Differential Lock Assembly Transaxle Assembly No. 115-7783 | 46 |
| Axle Shaft Assembly Transaxle Assembly No. 115-7783 | 47 |
| Battery Assembly | 48 |
| Tail Light and Fender Assembly | 49 |
| Fuel System Assembly | 50 |
| Hydraulic Lift Cylinder Assembly | 51 |
| Hydraulic Cylinder Assembly No. 133-0620 | 53 |
| Main Hydraulic Pump and Lift Valve Assembly | 54 |
| Control Valve Assembly No. 43-1950 | 55 |
| Hydraulic Gear Pump Assembly No. 114-8302 | 56 |
| Air Cleaner Assembly | 57 |
| Air Cleaner Assembly No. 138-5650 | 58 |
| Front and Rear Wire Harness Assembly | 59 |
| Crankcase Assembly | 60 |
| Oil Pan Assembly | 61 |
| Cylinder Head Assembly | 62 |

Contents (continued)

| | |
|--|----|
| Gear Case and Oil Filter Cartridge Assembly | 63 |
| Cylinder Head Cover Assembly | 64 |
| Dipstick, Guide and Oil Pump Assembly | 65 |
| Main Bearing Case Assembly | 66 |
| Cam Shaft and Idle Gear Shaft Assembly | 67 |
| Piston and Crankshaft Assembly | 68 |
| Flywheel, Starter and Sensor Switch Assembly | 69 |
| Injection and Fuel Pump Covers Assembly | 70 |
| Alternator and Pulley Assembly | 71 |
| Alternator Components Assembly | 72 |
| Starter Components Assembly | 73 |
| Thermostat and Water Pump Assembly | 74 |
| Valve and Rocker Arm Assembly | 75 |
| Inlet Manifold Assembly | 76 |
| Exhaust Manifold Assembly | 77 |
| Wire Harness Assembly | 78 |
| Electronic Control Unit Assembly | 79 |
| Operator Manual and Miscellaneous Engine Parts | 80 |
| Upper Engine Gasket Kit | 81 |
| Lower Engine Gasket Kit | 82 |
| Attachments and Accessories | 83 |



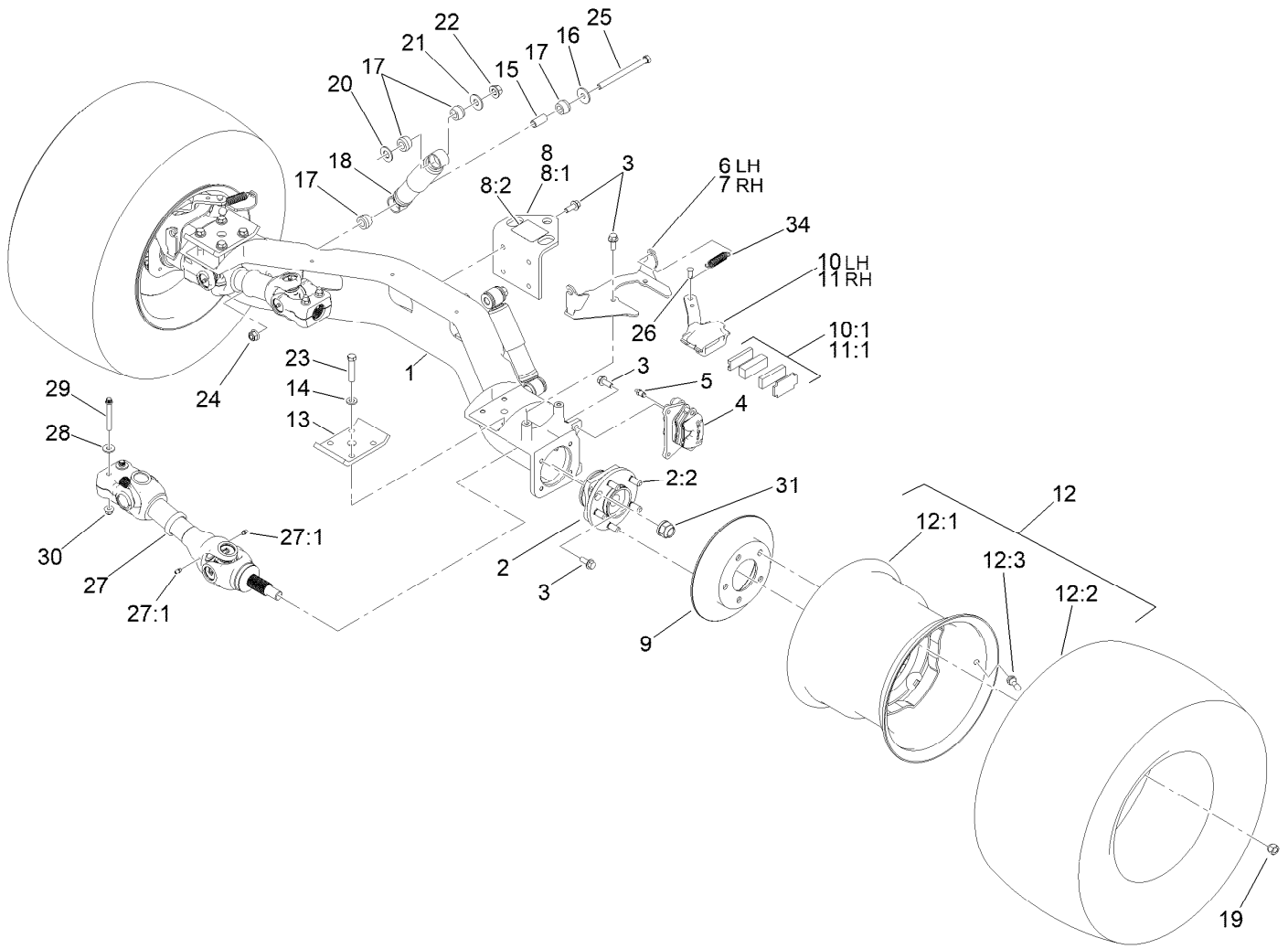
Front Frame Assembly

| <i>Ref.</i> | <i>Part Number</i> | <i>Qty.</i> | <i>Description</i> | <i>Ref.</i> | <i>Part Number</i> | <i>Qty.</i> | <i>Description</i> |
|-------------|--------------------|-------------|------------------------|-------------|--------------------|-------------|--------------------|
| 1 | 138-9251 | 1 | Frame-Front | 15 | 32144-70 | 4 | Screw-HWHTF |
| 2 | 87-2440 | 2 | Bumper-Rubber | 17 | 94-2413 | 7 | Nut-U |
| 3 | 26-0071 | 2 | Snubber-Rubber | 18 | 3231-21 | 4 | Screw-CARR |
| 7 | 42862 | 1 | Block-Terminal, Ground | 19 | 3290-357 | 7 | Nut-HSF |
| 8 | 32105-13 | 6 | Screw-HWH | 21 | 114-8418 | 7 | Screw-HWH, Sems |
| 9 | 3296-2 | 6 | Nut-Lock, NI | 22 | 42863 | 1 | Strip-Jumper |
| 10 | 110-2594 | 1 | Horn | 23 | 107-8042 | 2 | Bumper-Rubber |
| 11 | 3234-1 | 1 | Screw-HHF | 25 | 3290-379 | 9 | Tie-Cable |
| 12 | 106-2427-03 | 1 | Cover | 26 | 145-2286 | 1 | Decal-Fuse Block |
| 13 | 114-8272-03 | 1 | Bracket-Bumper | 31 | 32180-030 | 2 | Clip-Tie |
| 14 | 3234-5 | 4 | Screw-HHF | | | | |



Rear Frame and Suspension Assembly

| <i>Ref.</i> | <i>Part Number</i> | <i>Qty.</i> | <i>Description</i> | <i>Ref.</i> | <i>Part Number</i> | <i>Qty.</i> | <i>Description</i> |
|-------------|--------------------|-------------|--------------------|-------------|--------------------|-------------|--------------------|
| 1 | 115-2255-03 | 1 | Frame-Rear | 13 | 87-5100 | 4 | Washer-Snubbing |
| 2 | 131-3474 | 1 | Mount-Spring, LH | 14 | 3234-24 | 4 | Screw-HHF |
| 3 | 131-3472 | 1 | Mount-Spring, RH | 15 | 108-3109 | 2 | Retainer-Cylinder |
| 4 | 104-8301 | 10 | Nut-HF, NI | 16 | 3229-1 | 2 | Screw-CARR |
| 5 | 87-4760 | 12 | Bushing-Rubber | 17 | 104-7201 | 3 | Nut-HF, NI |
| 6 | 87-1490 | 2 | Spring-Leaf, Rear | 18 | 87-3470 | 2 | Bumper |
| 7 | 131-3476 | 4 | Shackle | 19 | 103-9511 | 2 | Nut-Lock, NI |
| 8 | 3234-38 | 18 | Screw-HHF | 20 | 115-2047 | 2 | Decal-Surface, Hot |
| 9 | 99-5107 | 18 | Nut-Lock | 21 | 33116-080 | 2 | Screw-HH |
| 10 | 32148-9 | 4 | Nut-Clinch | 22 | 119-8952 | 1 | Washer |
| 11 | 87-5800-03 | 2 | Mount-Transaxle | 23 | 321-3 | 1 | Screw-HH |
| 12 | 106-7865 | 2 | Mount-Engine | | | | |



Rear Axle Assembly

| Ref. | Part Number | Qty. | Description | Ref. | Part Number | Qty. | Description |
|------|-------------|------|-------------------------|------|-------------|------|------------------------|
| 1 | 144-2176 | 1 | Axle-Rear | 14 | 87-7480 | 8 | Washer |
| 2 | 121-9751 | 2 | Hub-Bearing, Wheel | 15 | 87-3600 | 2 | Spacer-Absorber, Shock |
| 2:2 | 121-9752 | 5 | Stud-Wheel | 16 | 87-5330 | 2 | Washer |
| 3 | 3234-11 | 20 | Screw-HHF | 17 | 87-3920 | 8 | Bushing |
| 4 | 127-7424 | 2 | Brake Caliper ASM | 18 | 121-9774 | 2 | Absorber-Shock |
| 5 | 119-9509 | 2 | Screw-Bleed | 19 | 242-50 | 10 | Nut-Lug |
| 6 | 115-2362-OP | 1 | Bracket ASM-Caliper, LH | 20 | 3256-27 | 2 | Washer-Flat |
| 7 | 115-2359-OP | 1 | Bracket ASM-Caliper, RH | 21 | 3256-6 | 2 | Washer-Flat |
| 8 | 115-7742 | 1 | Hitch ASM | 22 | 99-5107 | 2 | Nut-Lock |
| 8:1 | 92-5951-03 | 1 | Angle-Hitch | 23 | 115-2398 | 8 | Bolt-HH |
| 8:2 | 136-1163 | 1 | Decal-Load, Towing | 24 | 114-8417 | 2 | Nut-HF, NI |
| 9 | 114-8351 | 2 | Rotor-Brake | 25 | 114-8424 | 2 | Screw-HH |
| 10 | 114-8365 | 1 | Caliper-Mechanical, LH | 26 | 283-85 | 2 | Pin-Clevis |
| 10:1 | 115-7847 | 1 | Parking Brake Pad Kit | 27 | 138-5600 | 2 | Driveshaft ASM |
| 11 | 114-8366 | 1 | Caliper-Mechanical, RH | 27:1 | 302-5 | 2 | Fitting-Grease |
| 11:1 | 115-7847 | 1 | Parking Brake Pad Kit | 28 | 80-6990 | 4 | Washer-Hardened |
| 12 | 147-2773 | 2 | Wheel And Tire ASM | 29 | 98-2939 | 4 | Screw-Cap |
| 12:1 | 147-2772 | 1 | Wheel | 30 | 104-8301 | 4 | Nut-HF, NI |
| 12:2 | 131-8433 | 1 | Tire-Rear | 31 | 115-2164 | 2 | Nut-Spindle |
| 12:3 | 232-27 | 1 | Stem-Valve | 34 | 104-6415 | 2 | Spring-Return, Pedal |
| 13 | 87-7470-0P | 2 | Plate - Sprg Clamp *b | | | | |



Brake Caliper Assembly No. 127-7424

| <i>Ref.</i> | <i>Part Number</i> | <i>Qty.</i> | <i>Description</i> |
|-------------|--------------------|-------------|--------------------|
| 1 | 133-0628 | 1 | Brake Pad Kit |
| 2 | 119-9511 | 1 | Bracket Kit |
| 3 | 133-0614 | 1 | Piston Kit |



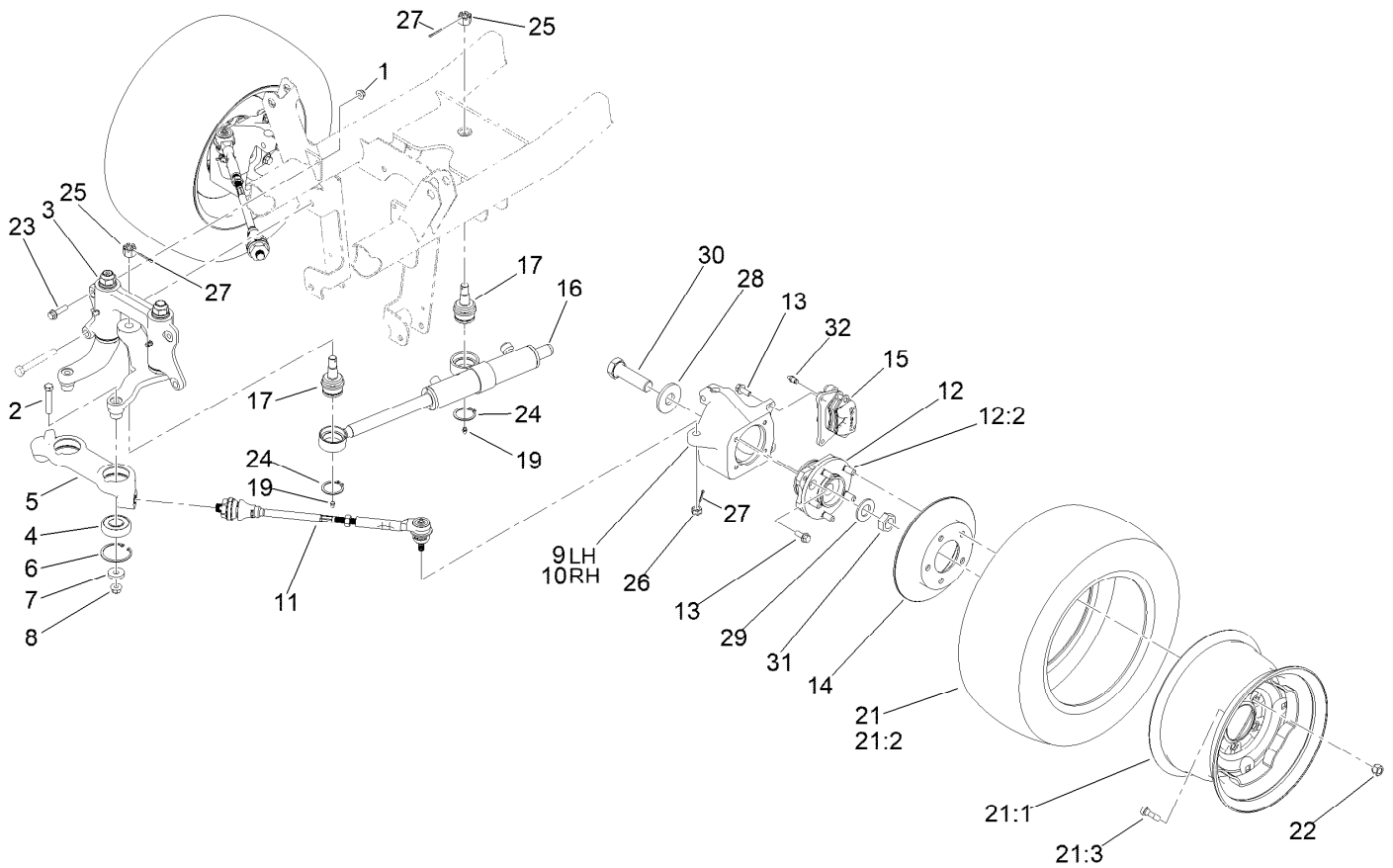
Front and Rear Brake Line Assembly

| <i>Ref.</i> | <i>Part Number</i> | <i>Qty.</i> | <i>Description</i> |
|-------------|--------------------|-------------|----------------------|
| 1 | 119-9682 | 1 | Front Brake Line ASM |
| 2 | 119-9681 | 1 | Rear Brake Line ASM |
| 3 | 32144-70 | 1 | Screw-HWHTF |
| 4 | 321-6 | 3 | Screw-HH |
| 5 | 104-7201 | 3 | Nut-HF, NI |
| 6 | 3234-21 | 3 | Screw-HHF |
| 7 | 32128-33 | 3 | Nut-HF |
| 8 | 115-2341 | 8 | Washer-Banjo |
| 9 | 120-4875 | 4 | Bolt-Flange, Banjo |



Front Suspension Assembly

| Ref. | Part Number | Qty. | Description | Ref. | Part Number | Qty. | Description |
|------|-------------|------|------------------------|------|-------------|------|------------------------|
| 1 | 137-1693 | 1 | Control Arm-LH | 11 | 119-6725 | 2 | Link, Anti-Sway Bar |
| 1:1 | 87-0160-03 | 1 | Tower-Control Arm, LH | 12 | 87-3920 | 24 | Bushing |
| 1:2 | 33-3090 | 2 | Bushing | 13 | 133-0633-0P | 1 | Bar-Anti-Sway, HD |
| 1:3 | 302-11 | 1 | Fitting-Lube, 45 DEG | 15 | 87-3910 | 2 | Bushing-Rubber |
| 2 | 137-1692 | 1 | Control Arm-RH | 16 | 87-4010 | 2 | Clamp, Anti-Sway Bar |
| 2:1 | 87-0150-03 | 1 | Tower-Control Arm, RH | 17 | 87-3890 | 2 | Bracket, Anti-Sway Bar |
| 2:2 | 33-3090 | 2 | Bushing | 18 | 3231-25 | 4 | Bolt-CARR |
| 2:3 | 302-11 | 1 | Fitting-Lube, 45 DEG | 19 | 104-8301 | 12 | Nut-HF, NI |
| 4 | 3234-39 | 8 | Screw-HHF | 20 | 119-6724 | 2 | Link-Stabilizer |
| 5 | 87-2500 | 2 | Sleeve-Spring, Pivot | 21 | 324-10 | 8 | Screw-HH |
| 6 | 105-7958 | 2 | Spring Cradle ASM | 22 | 140-2566 | 2 | Spring-Compression |
| 6:2 | 93-9879 | 1 | Decal-Warning | 24 | 121-9774 | 2 | Absorber-Shock |
| 7 | 325-13 | 2 | Screw-HH | 25 | 324-13 | 2 | Screw-HH |
| 8 | 99-5107 | 4 | Nut-Lock | 26 | 3256-6 | 2 | Washer-Flat |
| 9 | 87-3600 | 10 | Spacer-Absorber, Shock | 27 | 3256-27 | 2 | Washer-Flat |
| 10 | 87-5330 | 12 | Washer | 28 | 114-8417 | 10 | Nut-HF, NI |



Steering and Front Wheel Assembly

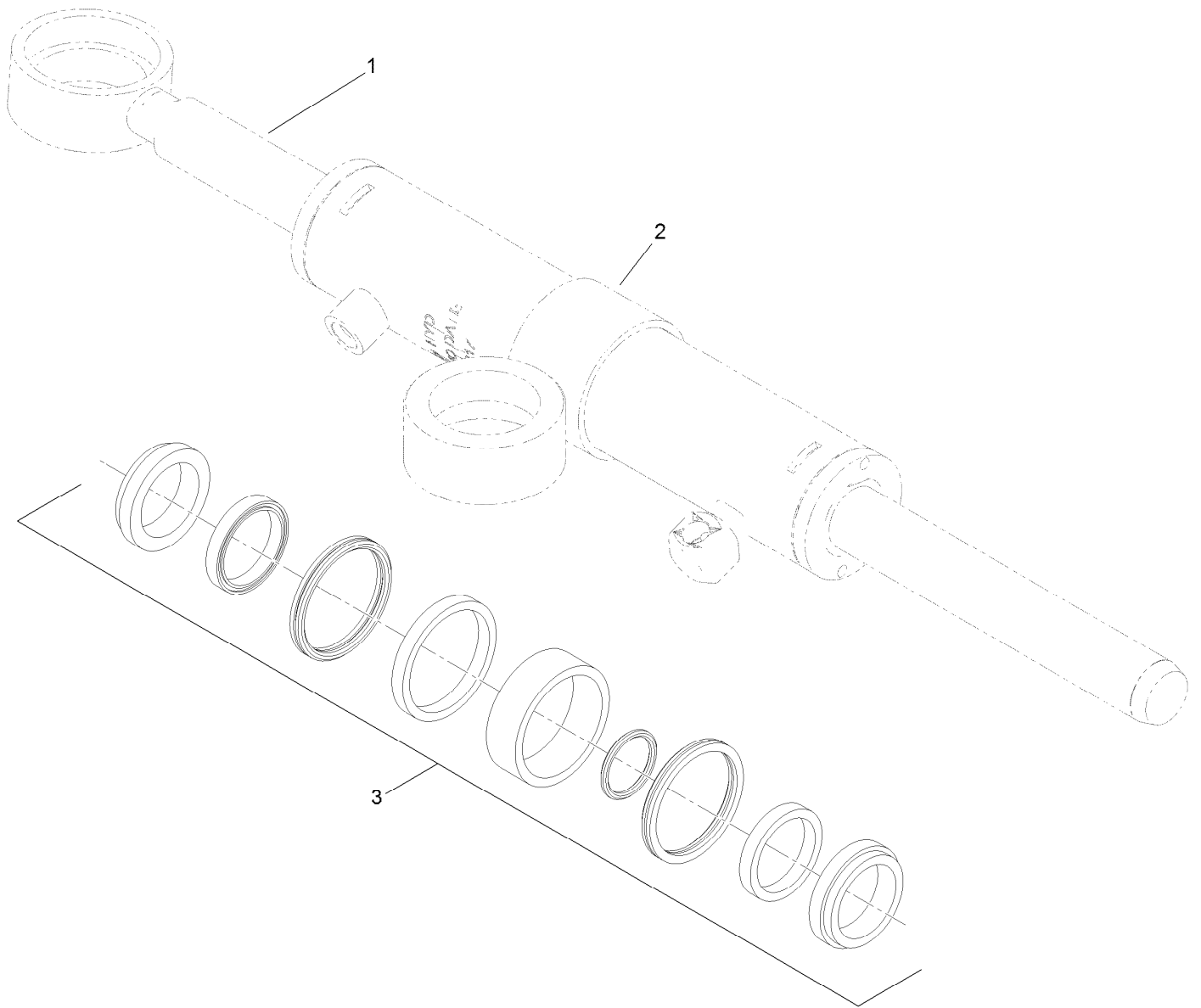
| Ref. | Part Number | Qty. | Description | Ref. | Part Number | Qty. | Description |
|------|-------------|------|------------------------|------|-------------|------|--------------------------|
| 1 | 104-8301 | 2 | Nut-HF, NI | 17 | 106-6774 | 2 | Joint-Ball |
| 2 | 324-10 | 2 | Screw-HH | 19 | 302-5 | 2 | Fitting-Grease |
| 3 | | 1 | Steering Linkage ASM ● | 21 | 147-2769 | 2 | Wheel And Tire ASM |
| 4 | 119-9548 | 2 | Bearing-Ball | 21:1 | 147-2770 | 1 | Wheel |
| 5 | 114-8296 | 1 | Link-Center | 21:2 | 131-6670 | 1 | Tire |
| 6 | 32120-22 | 2 | Ring-Snap, Internal | 21:3 | 232-27 | 1 | Stem-Valve |
| 7 | 112843 | 2 | Washer | 22 | 242-50 | 10 | Nut-Lug |
| 8 | 114-8417 | 2 | Nut-HF, NI | 23 | 114-4681 | 2 | Screw-HHF |
| 9 | 119-9513 | 1 | Knuckle-LH | 24 | 32151-104 | 2 | Ring-Retaining, External |
| 10 | 119-9514 | 1 | Knuckle-RH | 25 | 32136-14 | 2 | Nut-Hst |
| 11 | 114-8356 | 2 | Tie Rod ASM | 26 | 32136-3 | 2 | Nut-SHH |
| 12 | 121-9751 | 2 | Hub-Bearing, Wheel | 27 | 3272-11 | 4 | Pin-Cotter |
| 12:2 | 121-9752 | 5 | Stud-Wheel | 28 | 104-0719 | 2 | Washer-Hardened |
| 13 | 3234-11 | 12 | Screw-HHF | 29 | 3256-62 | 2 | Washer-Flat |
| 14 | 114-8351 | 2 | Rotor-Brake | 30 | 115-2173 | 2 | Screw-HH |
| 15 | 127-7424 | 2 | Brake Caliper ASM | 31 | 3296-49 | 2 | Nut-Lock, NI |
| 16 | 112-3217 | 1 | HYD Cylinder ASM | 32 | 119-9509 | 2 | Screw-Bleed |

● Not serviced separately



Steering Linkage Assembly

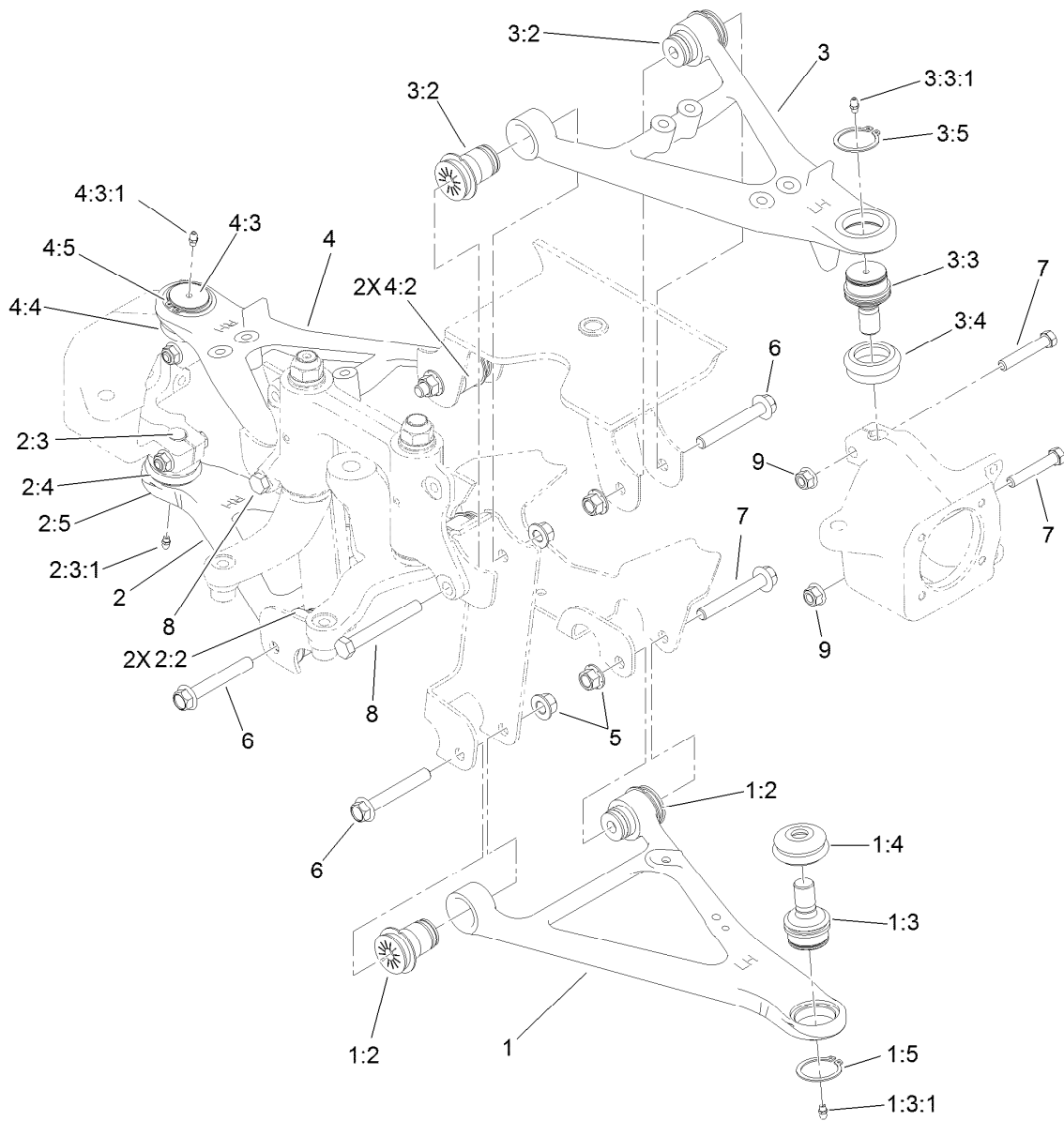
| <i>Ref.</i> | <i>Part Number</i> | <i>Qty.</i> | <i>Description</i> |
|-------------|--------------------|-------------|----------------------------------|
| 1 | 132-6767 | 1 | Mount-Pivot, W/Bushings |
| 7 | 115-2164 | 2 | Nut-Spindle |
| 9 | 302-60 | 2 | Fitting-Grease |
| 10 | 132-0794 | 1 | Idler Arm ASM |
| 10:1 | 132-0792 | 1 | Idler Arm And Thrust Washer ASM |
| 10:2 | 93-7510 | 1 | Ring-Quad |
| 10:3 | 131-3499 | 1 | O-Ring |
| 11 | 132-0795 | 1 | Pitman Arm ASM |
| 11:1 | 132-0793 | 1 | Pitman Arm And Thrust Washer ASM |
| 11:2 | 93-7510 | 1 | Ring-Quad |
| 11:3 | 131-3499 | 1 | O-Ring |



Hydraulic Cylinder Assembly No. 112-3217

| <i>Ref.</i> | <i>Part Number</i> | <i>Qty.</i> | <i>Description</i> |
|-------------|--------------------|-------------|---------------------|
| 1 | | 1 | Rod-Cylinder ● |
| 2 | | 1 | Body-Cylinder ● |
| 3 | 115-2160 | 1 | Cylinder Repair Kit |

● Not serviced separately



Front Control Arm Assembly

| Ref. | Part Number | Qty. | Description | Ref. | Part Number | Qty. | Description |
|-------|-------------|------|--------------------------|-------|-------------|------|--------------------------|
| 1 | 115-2405 | 1 | Lower LH Control Arm ASM | 3:3:1 | 302-5 | 1 | Fitting-Grease |
| 1:2 | 87-1450 | 2 | Bushing-Flange | 3:4 | 87-2420 | 1 | Seal-Joint, Ball |
| 1:3 | 115-2165 | 1 | Ball Joint | 3:5 | 32151-104 | 1 | Ring-Retaining, External |
| 1:3:1 | 302-5 | 1 | Fitting-Grease | 4 | 115-2406 | 1 | Upper RH Control Arm ASM |
| 1:4 | 87-2420 | 1 | Seal-Joint, Ball | 4:2 | 87-1450 | 2 | Bushing-Flange |
| 1:5 | 32151-104 | 1 | Ring-Retaining, External | 4:3 | 115-2165 | 1 | Ball Joint |
| 2 | 115-2407 | 1 | Lower RH Control Arm ASM | 4:3:1 | 302-5 | 1 | Fitting-Grease |
| 2:2 | 87-1450 | 2 | Bushing-Flange | 4:4 | 87-2420 | 1 | Seal-Joint, Ball |
| 2:3 | 115-2165 | 1 | Ball Joint | 4:5 | 32151-104 | 1 | Ring-Retaining, External |
| 2:3:1 | 302-5 | 1 | Fitting-Grease | 5 | 99-5107 | 8 | Nut-Lock |
| 2:4 | 87-2420 | 1 | Seal-Joint, Ball | 6 | 114-8419 | 6 | Screw-HHF |
| 2:5 | 32151-104 | 1 | Ring-Retaining, External | 7 | 324-10 | 4 | Screw-HH |
| 3 | 115-2404 | 1 | Upper LH Control Arm ASM | 8 | 325-17 | 2 | Screw-HH |
| 3:2 | 87-1450 | 2 | Bushing-Flange | 9 | 114-8417 | 4 | Nut-HF, NI |
| 3:3 | 115-2165 | 1 | Ball Joint | | | | |



Brake and Clutch Pedal Assembly

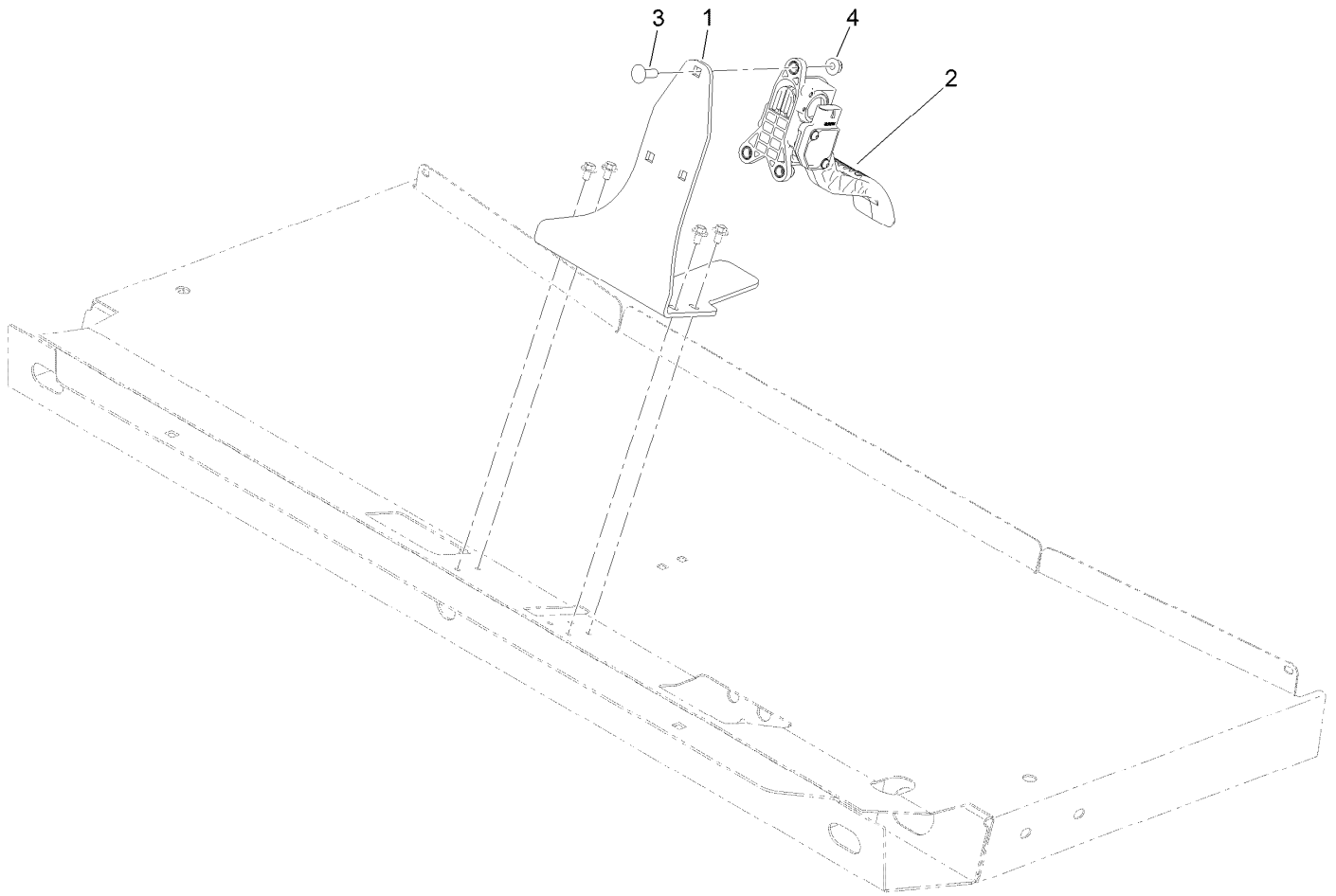
| Ref. | Part Number | Qty. | Description |
|------|-------------|------|---------------------|
| 1 | 127-7357-03 | 1 | Pedal-Clutch |
| 2 | 115-2269 | 1 | Pin-Pivot |
| 3 | 120-5023-03 | 1 | Pedal-Brake |
| 4 | 256-156 | 4 | Bushing-Flange |
| 5 | 104-6782 | 1 | Master Cylinder ASM |
| 6 | 3234-11 | 2 | Screw-HHF |
| 7 | 104-8301 | 2 | Nut-HF, NI |
| 8 | 283-2 | 1 | Pin-Clevis |
| 9 | 3272-10 | 1 | Pin-Cotter |
| 10 | 137-6729 | 1 | Shaft-Brake |
| 11 | 63-3410 | 2 | Screw-Shoulder |

| Ref. | Part Number | Qty. | Description |
|------|-------------|------|---------------------|
| 12 | 32128-33 | 2 | Nut-HF |
| 13 | 95-1653 | 1 | Switch-Pole, Single |
| 15 | 110-2554 | 1 | Rod End-Spherical |
| 16 | 302-5 | 1 | Fitting-Grease |
| 17 | 3256-21 | 4 | Washer-Flat |
| 18 | 3269-25 | 4 | Rivet-Pop |
| 19 | 105-0023 | 1 | Switch-Proximity |
| 20 | 115-2284 | 1 | Cable-Clutch |
| 21 | 3296-13 | 1 | Nut-Lock, NI |
| 22 | 49-2040 | 4 | Screw-HWHTF |
| 23 | 302-60 | 1 | Fitting-Grease |



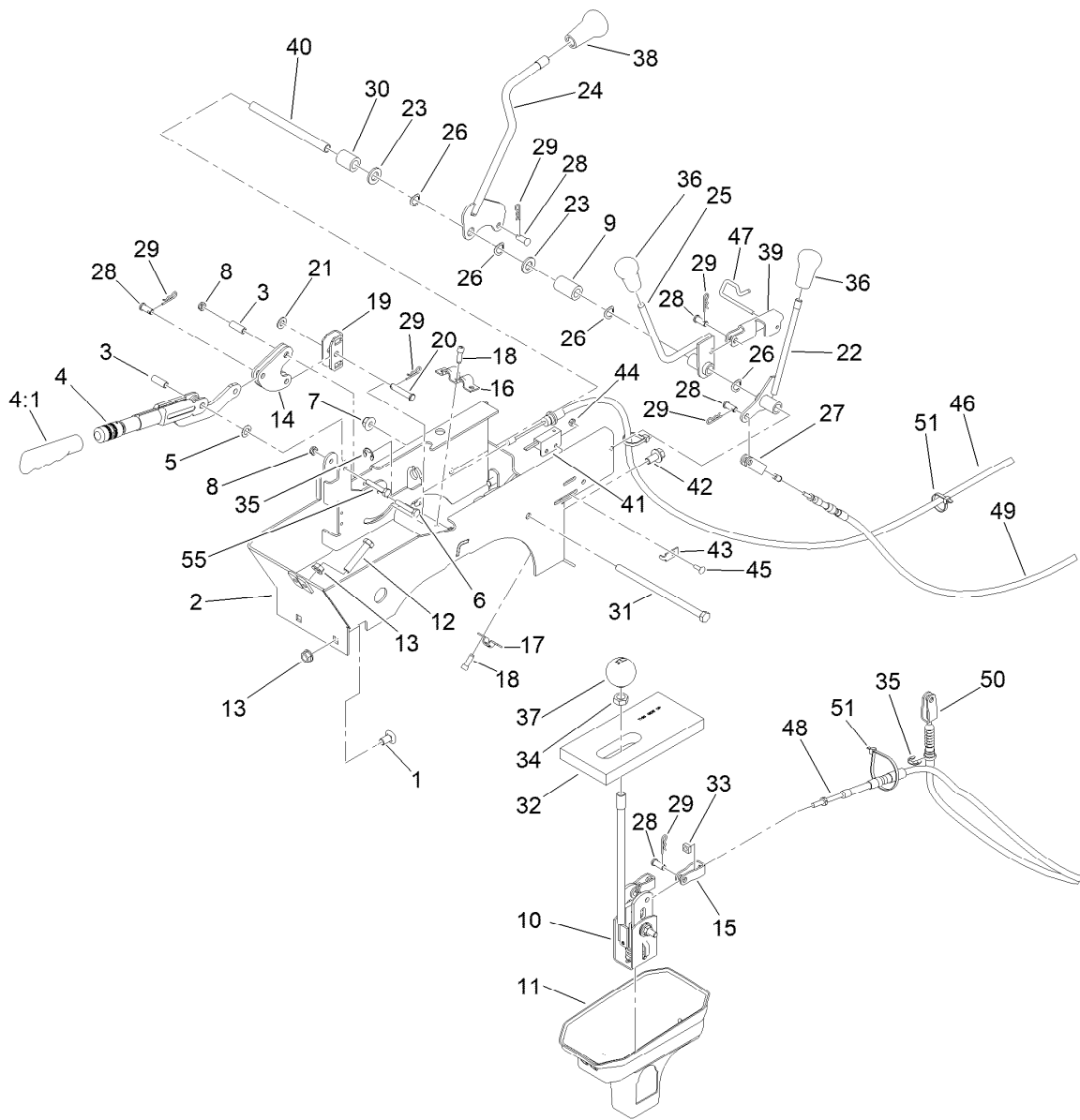
Master Cylinder Assembly No. 104-6782

| Ref. | Part Number | Qty. | Description |
|------|-------------|------|----------------------|
| 1 | 104-6845 | 1 | Reservoir ASM |
| 1:1 | 92-4112 | 1 | Cap ASM |
| 2 | 93-8971 | 2 | Seal-Port, Flange |
| 3 | 92-4103 | 1 | Pin-Stop |
| 4 | 92-4102 | 1 | Secondary Piston ASM |
| 5 | 92-4110 | 1 | Clevis |
| 6 | 21-0360 | 1 | Nut-Hex |
| 7 | 94-5209 | 1 | Cover-Dust |
| 8 | 94-5210 | 1 | Rod-Push |
| 9 | 92-4109 | 1 | Ring-Snap |
| 10 | 92-4108 | 1 | Retainer-Washer |
| 11 | 92-4101 | 1 | Primary Piston ASM |



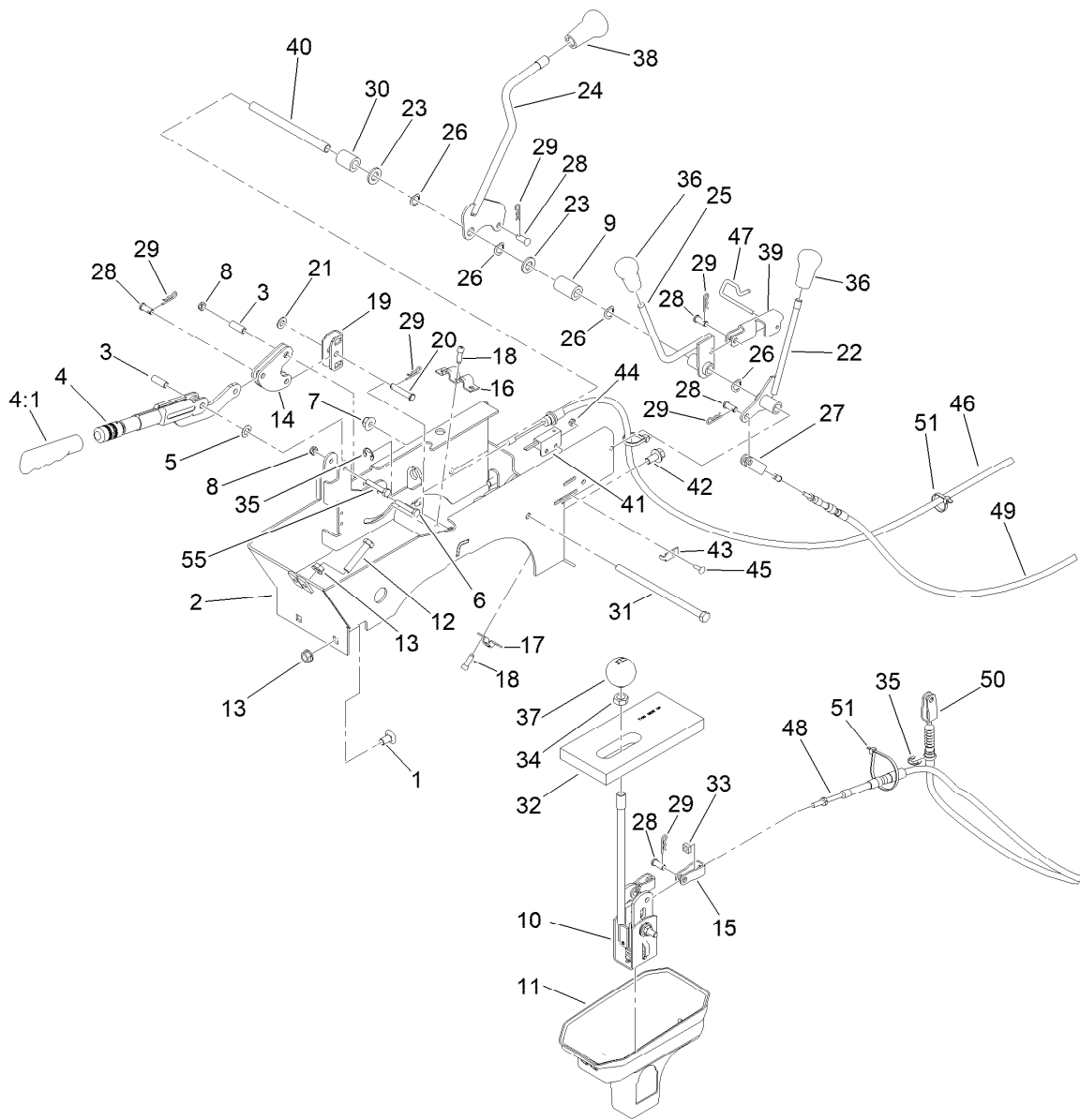
Accelerator Assembly

| <i>Ref.</i> | <i>Part Number</i> | <i>Qty.</i> | <i>Description</i> |
|-------------|--------------------|-------------|----------------------|
| 1 | 132-6711-03 | 1 | Bracket-Mount, Pedal |
| 2 | 121-9675 | 1 | Pedal-Accelerator |
| 3 | 3230-22 | 3 | Screw-CARR |
| 4 | 104-8300 | 3 | Nut-HF, NI |



Console Assembly

| Ref. | Part Number | Qty. | Description | Ref. | Part Number | Qty. | Description |
|------|-------------|------|--------------------------|------|-------------|------|--------------------------|
| 1 | 3231-21 | 2 | Screw-CARR | 21 | 3256-23 | 1 | Washer-Plain |
| 2 | 108-6914-03 | 1 | Support-Lever | 22 | 106-7828 | 1 | Lever |
| 3 | 114402 | 2 | Spacer | 23 | 33096-00 | 2 | Washer-Flat |
| 4 | 127-8863 | 1 | Lever-Brake, Park | 24 | 131-3479 | 1 | Lever-Lock, Differential |
| 4:1 | 127-8864 | 1 | Grip-Handle | 25 | 106-7960 | 1 | Lever-HYD |
| 5 | 3290-477 | 1 | Washer-Curved | 26 | 3290-221 | 4 | Washer-Spring |
| 6 | 321-37 | 1 | Screw-HH | 27 | 87-7160 | 1 | Clevis-Cable |
| 7 | 104-8301 | 1 | Nut-HF, NI | 28 | 283-62 | 6 | Pin-Clevis |
| 8 | 3296-56 | 2 | Nut-Lock, NI | 29 | 3290-307 | 7 | Pin-Cotter |
| 9 | 120-5037 | 1 | Spacer | 30 | 66-6501 | 1 | Spacer-Wheel |
| 10 | 106-7887 | 1 | Shift ASM | 31 | 323-36 | 1 | Screw-HH |
| 11 | 106-2376 | 1 | Boot-Shift, Lower | 32 | 87-6570 | 1 | Seal-Boot, Lower |
| 12 | 323-10 | 2 | Screw-HH | 33 | 140-4804 | 2 | Nut-Square |
| 13 | 3290-357 | 4 | Nut-HSF | 34 | 3218-18 | 1 | Nut-Jam |
| 14 | 106-7814 | 2 | Bellcrank | 35 | 32120-47 | 3 | Ring-Retaining, External |
| 15 | 87-2310 | 2 | Clevis-Cable | 36 | 106-7903 | 2 | Knob-Control |
| 16 | 87-4960 | 1 | Clamp-Cable | 37 | 87-6720 | 1 | Knob-Shift |
| 17 | 87-4340 | 1 | Clamp-Cable | 38 | 106-7952 | 1 | Knob |
| 18 | 65-5221 | 5 | Screw-Hshtf | 39 | 115-2250 | 1 | Link |
| 19 | 87-3480 | 1 | Bracket-Equalizer, Cable | 40 | 106-7833 | 1 | Spacer |
| 20 | 94-3829 | 1 | Pin-Clevis | 41 | 100-1270 | 1 | Switch-Proximity |



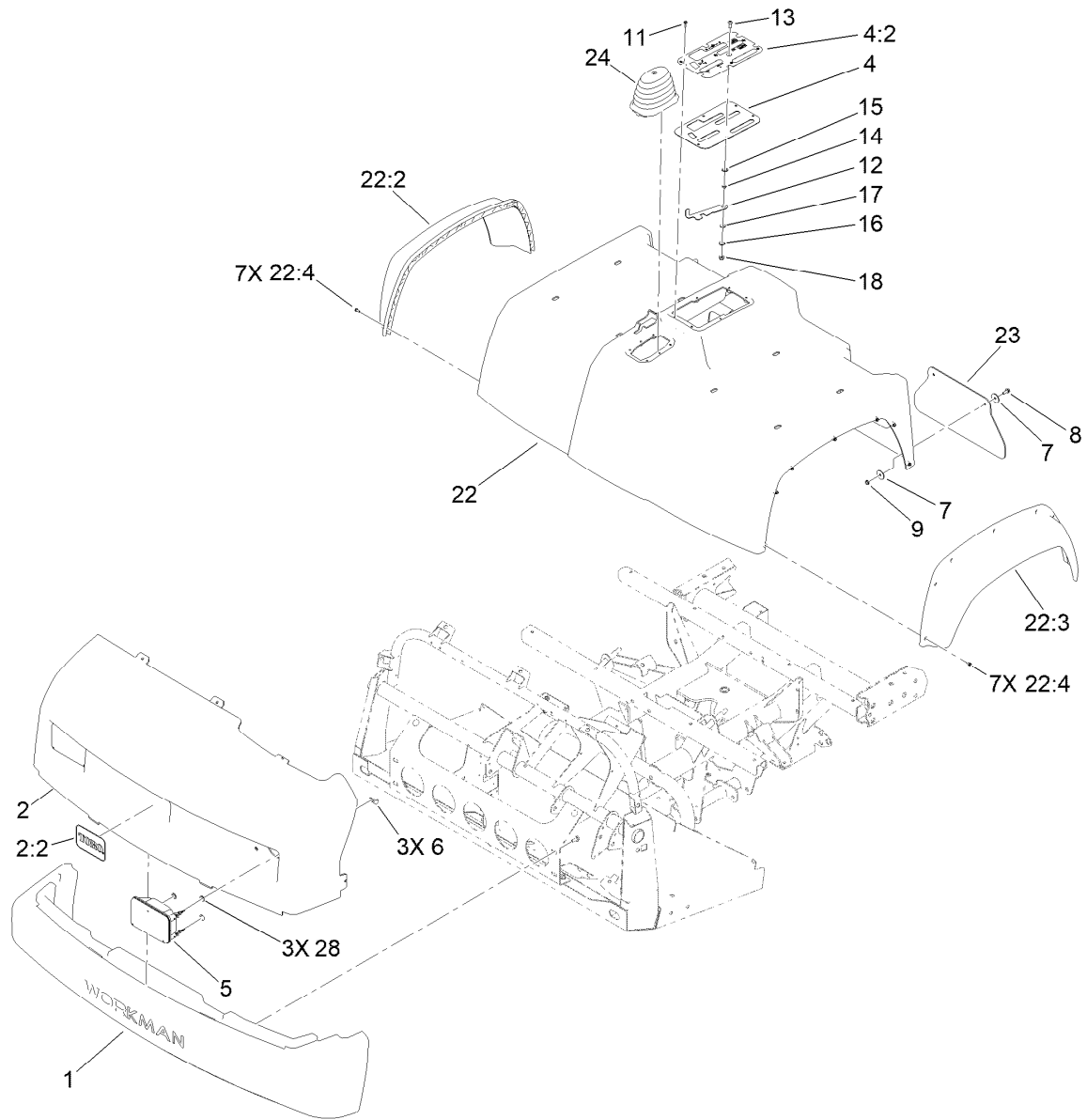
Console Assembly (continued)

| <i>Ref.</i> | <i>Part Number</i> | <i>Qty.</i> | <i>Description</i> | <i>Ref.</i> | <i>Part Number</i> | <i>Qty.</i> | <i>Description</i> |
|-------------|--------------------|-------------|-----------------------|-------------|--------------------|-------------|--------------------------|
| 42 | 3234-12 | 2 | Screw-HHF | 48 | 121-6327 | 2 | Cable-Selector, Gear |
| 43 | 100-4872 | 1 | Plate-Switch, Neutral | 49 | 115-7812 | 1 | Cable-Hi Low |
| 44 | 3296-2 | 1 | Nut-Lock, NI | 50 | 115-2287 | 1 | Cable-Lock, Differential |
| 45 | 3229-34 | 1 | Screw-CARR | 51 | 3290-379 | 5 | Tie-Cable |
| 46 | 115-2283 | 2 | Cable-Brake, Park | 55 | 321-9 | 1 | Screw-HH |
| 47 | 115-2350 | 1 | Pin-Retainer | | | | |



Shift Assembly No. 106-7887

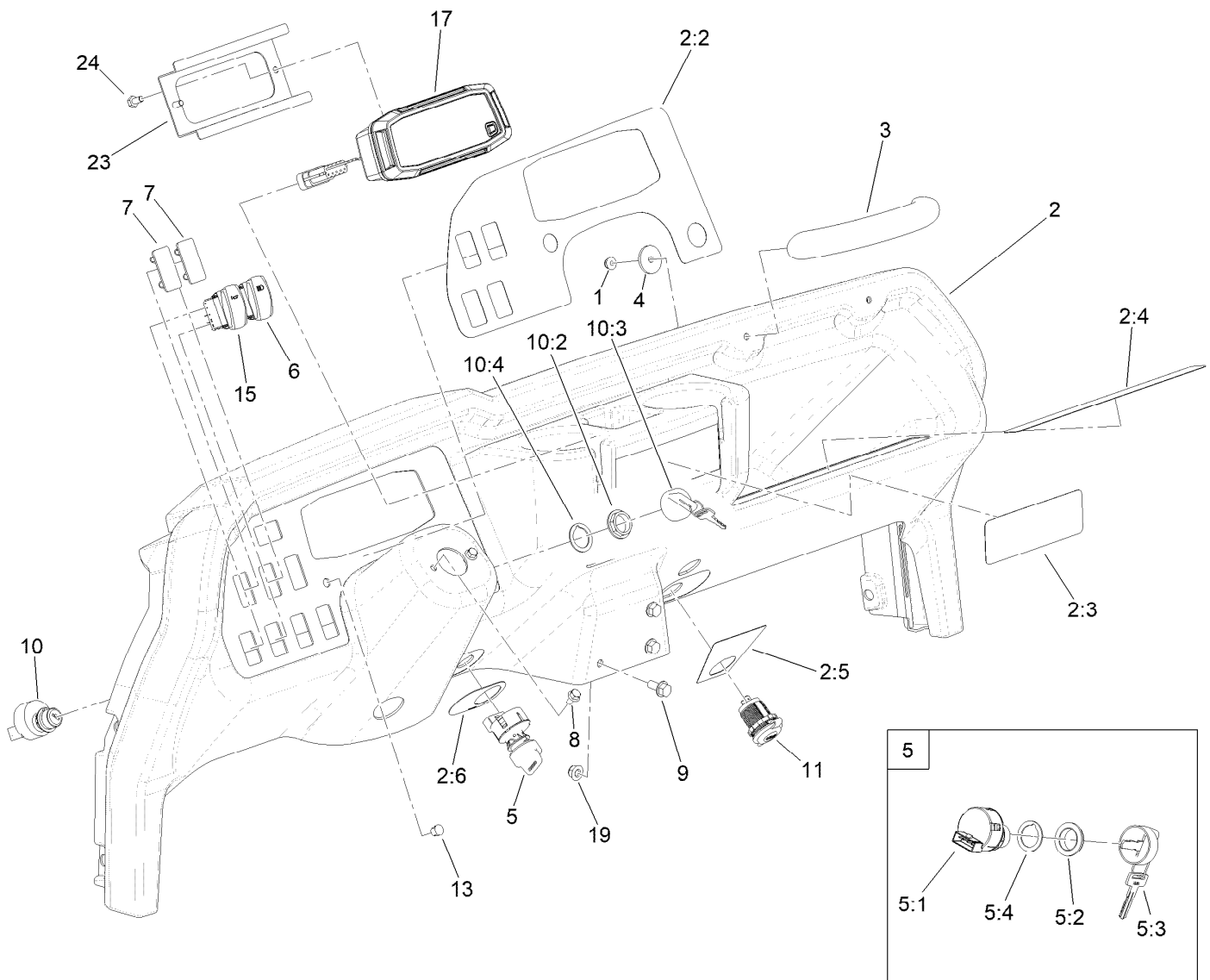
| <i>Ref.</i> | <i>Part Number</i> | <i>Qty.</i> | <i>Description</i> |
|-------------|--------------------|-------------|--------------------|
| 1 | 131-3469 | 1 | Lever-Shift |
| 2 | 87-3650 | 1 | Pin-Shift |
| 3 | 87-3540 | 2 | Link-Shift |
| 4 | 87-2520 | 1 | Tube-Pivot |
| 5 | 87-2900 | 1 | Spring-Compression |
| 6 | 87-8640 | 1 | Washer-Flat |
| 7 | 322-12 | 1 | Screw-HH |
| 8 | 87-3530 | 1 | Button-Shifter |
| 9 | 87-3660 | 1 | Spring-Compression |
| 10 | 3290-507 | 1 | Pin-Dowel |
| 11 | 87-3520 | 1 | Clevis |
| 12 | 32121-48 | 1 | Pin-Spring |
| 13 | 87-6040 | 1 | Bracket-Shifter |
| 14 | 3290-456 | 2 | Washer-Belleville |
| 15 | 104-8300 | 1 | Nut-HF, NI |



Bumper, Hood and Seat Base Assembly

| Ref. | Part Number | Qty. | Description |
|------|-------------|------|-------------------|
| 1 | 112-3185 | 1 | Bumper |
| 2 | 145-2284 | 1 | Hood ASM |
| 2:2 | 117-4950 | 1 | Decal |
| 4 | 106-7886 | 1 | Control Plate ASM |
| 4:2 | 106-2377 | 1 | Decal-Console |
| 5 | 138-9260 | 2 | Headlight ASM |
| 6 | 114-8341 | 6 | Clip-Speed |
| 7 | 3256-55 | 8 | Washer-Flat |
| 8 | 3234-4 | 4 | Screw-HHF |
| 9 | 104-7201 | 4 | Nut-HF, NI |
| 11 | 98-1375 | 6 | Screw-HWH |
| 12 | 106-7984 | 1 | Lever-Detent |
| 13 | 3274-55 | 1 | Screw-HSBH |

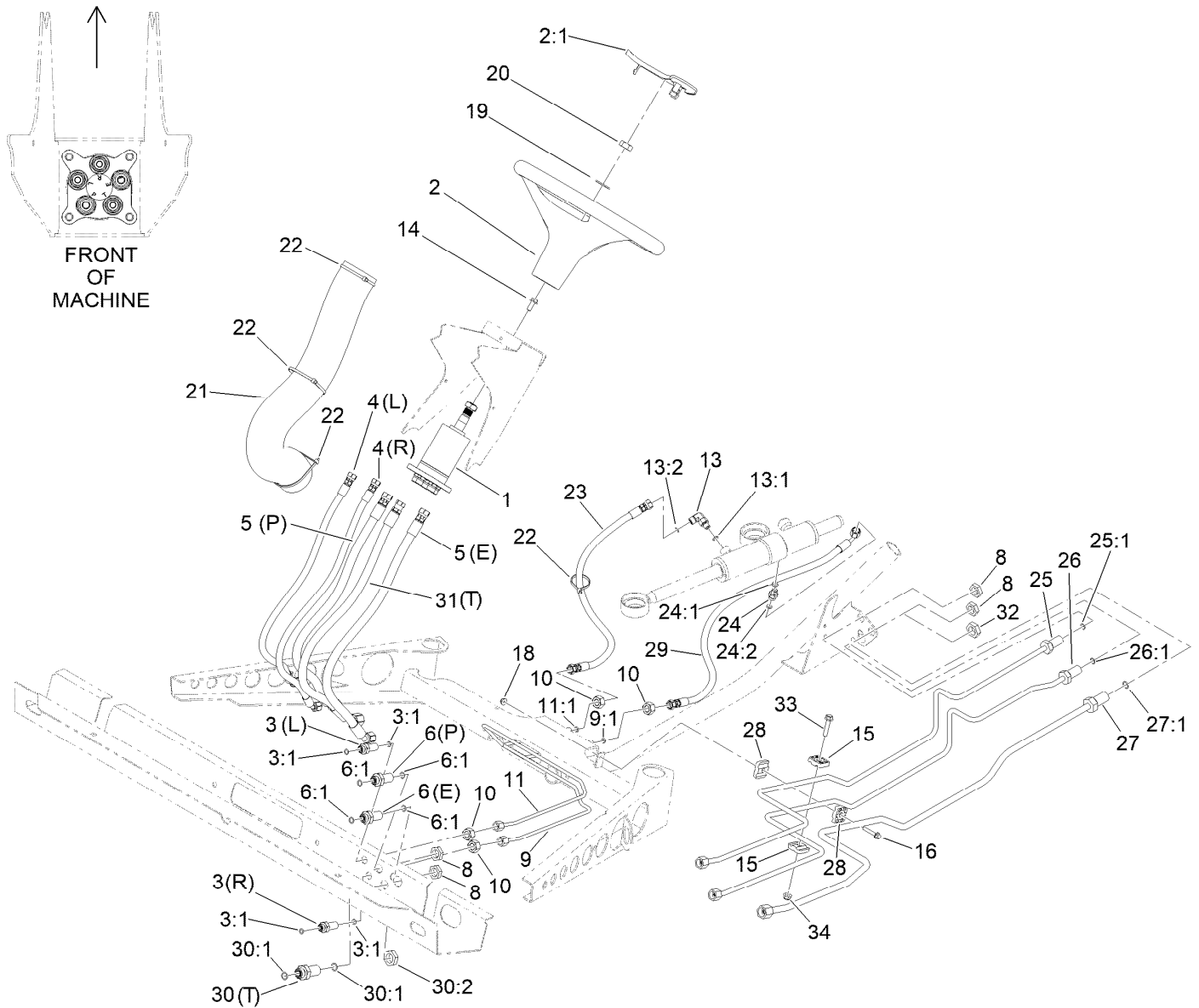
| Ref. | Part Number | Qty. | Description |
|------|-------------|------|--------------------|
| 14 | 82-4240 | 1 | Spacer-Bearing |
| 15 | 94-8196 | 1 | Washer-Nylon |
| 16 | 3290-221 | 1 | Washer-Spring |
| 17 | 3256-23 | 1 | Washer-Plain |
| 18 | 104-8300 | 1 | Nut-HF, NI |
| 22 | 133-0566 | 1 | Seatbase ASM |
| 22:2 | 114-8407 | 1 | Fender-Front, RH |
| 22:3 | 114-8408 | 1 | Fender-Front, LH |
| 22:4 | 117-5036 | 14 | Screw-Plastic, HWH |
| 23 | 106-2378 | 2 | Mudflap |
| 24 | 117-8063 | 1 | Boot-Shift |
| 28 | 112-6957 | 6 | Washer-Hardened |



Dash Assembly

| Ref. | Part Number | Qty. | Description | Ref. | Part Number | Qty. | Description |
|------|-------------|------|----------------------------|------|-------------|------|------------------------------|
| 1 | 104-7201 | 2 | Nut-HF, NI | 7 | 99-7420 | 2 | Plug-Hole |
| 2 | 145-2283 | 1 | Dash ASM | 8 | 33103-012 | 2 | Screw-HHF |
| 2:2 | 145-2276 | 1 | Decal-Control Panel, HD | 9 | 3234-5 | 3 | Screw-HHF |
| 2:3 | 121-9776 | 1 | Decal-Danger, Vehicle (CE) | 10 | 106-5269 | 1 | Ignition Switch ASM |
| 2:4 | 115-2282 | 1 | Decal-Warning, Dash | 10:2 | 108-8660 | 1 | Nut-Mounting |
| 2:5 | 145-2282 | 1 | Decal-USB | 10:3 | 106-5270 | 1 | Ignition Key Set |
| 2:6 | 106-2355 | 1 | Decal-Switch, Supervisor | 10:4 | 108-8659 | 1 | Washer-Backup |
| 3 | 117-4948 | 1 | Handle-Grab | 11 | 131-8388 | 1 | Socket-USB |
| 4 | 103995 | 2 | Washer | 13 | 104-9368 | 1 | Plug-Dome |
| 5 | 110-2580 | 1 | Switch-Key, Supervisor | 15 | 144-2415 | 1 | Switch-Rocker, (On)-None-Off |
| 5:1 | | 1 | Switch-Key ● | 17 | 145-2080 | 1 | Cluster-Instrument |
| 5:2 | 108-8660 | 1 | Nut-Mounting | 19 | 104-8300 | 3 | Nut-HF, NI |
| 5:3 | 110-5221 | 1 | Set-Key, Supervisor | 23 | 140-4556-0P | 1 | Retainer-Display |
| 5:4 | 108-8659 | 1 | Washer-Backup | 24 | 321-2 | 2 | Screw-HH |
| 6 | 144-2405 | 1 | Switch-Rocker, On-None-On | | | | |

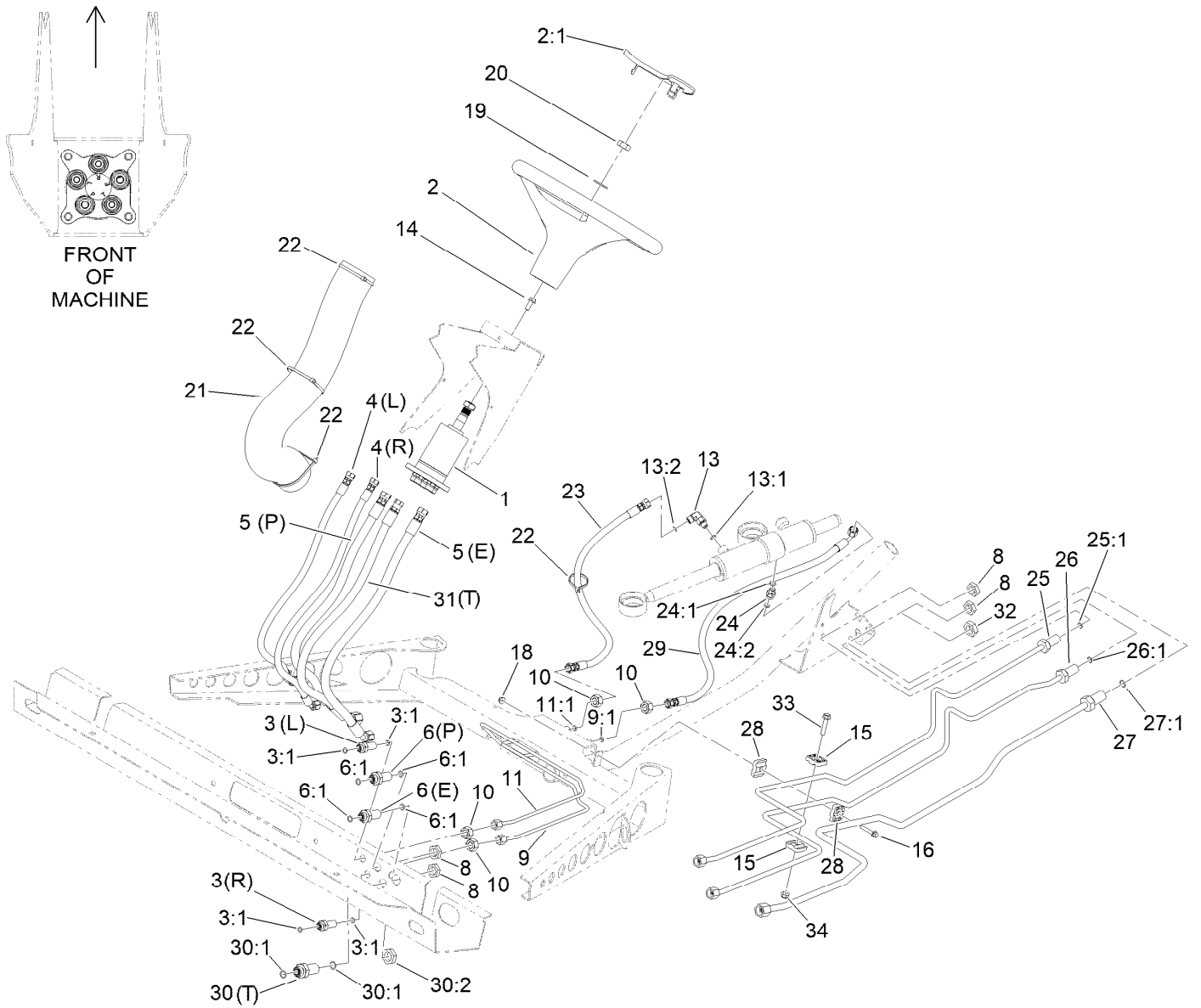
● Not serviced separately



Steering Hydraulic Assembly

| Ref. | Part Number | Qty. | Description |
|------|-------------|------|----------------------------|
| 1 | 120-4813 | 1 | Pump-Steering |
| 2 | 98-1471 | 1 | Wheel-Steering |
| 2:1 | 98-1468 | 1 | Cover-Wheel, Steering |
| 3 | 94-1444 | 2 | Union-Bulkhead |
| 3:1 | 237-21 | 2 | O-Ring |
| 4 | 106-7974 | 2 | Hose-HYD |
| 5 | 106-7975 | 2 | Hose-HYD |
| 6 | 340-71 | 2 | Fitting-Straight, Bulkhead |
| 6:1 | 237-22 | 2 | O-Ring |
| 8 | 340-70 | 4 | Nut-Lock |
| 9 | 106-7804 | 1 | Tube-HYD |
| 9:1 | 237-21 | 1 | O-Ring |
| 10 | 3219-10 | 4 | Nut-Hex |
| 11 | 106-7806 | 1 | Tube-HYD |
| 11:1 | 237-21 | 1 | O-Ring |
| 13 | 340-132 | 1 | Fitting-Elbow, 90 DEG |
| 13:1 | 237-78 | 1 | O-Ring |
| 13:2 | 237-21 | 1 | O-Ring |
| 14 | 98-7977 | 4 | Screw-HHF |
| 15 | 56-7973 | 2 | Clamp-Tube |
| 16 | 94-5781 | 1 | Screw-HHF |

| Ref. | Part Number | Qty. | Description |
|------|-------------|------|-----------------------|
| 18 | 104-7201 | 1 | Nut-HF, NI |
| 19 | 3256-27 | 1 | Washer-Flat |
| 20 | 3296-33 | 1 | Nut-Lock, NI |
| 21 | 106-6713 | 1 | Cover-Lines, Steering |
| 22 | 3290-379 | 4 | Tie-Cable |
| 23 | 108-6505 | 1 | Hose-HYD |
| 24 | 340-92 | 1 | Fitting-Straight |
| 24:1 | 237-78 | 1 | O-Ring |
| 24:2 | 237-21 | 1 | O-Ring |
| 25 | 115-7701 | 1 | Tube-HYD |
| 25:1 | 237-22 | 1 | O-Ring |
| 26 | 147-7969 | 1 | Hydraulic Tube ASM |
| 26:1 | 237-22 | 1 | O-Ring |
| 27 | 147-7968 | 1 | Hydraulic Tube ASM |
| 27:1 | 237-30 | 1 | O-Ring |
| 28 | 56-7973 | 2 | Clamp-Tube |
| 29 | 117-4861 | 1 | Hose-HYD |
| 30 | 340-161 | 1 | Fitting-Bulkhead |
| 30:1 | 237-30 | 2 | O-Ring |
| 30:2 | 340-127 | 1 | Nut-Bulkhead |
| 31 | 147-2800 | 1 | Hose-HYD HP |



Steering Hydraulic Assembly (continued)

| Ref. | Part Number | Qty. | Description |
|------|-------------|------|--------------|
| 32 | 340-127 | 1 | Nut-Bulkhead |

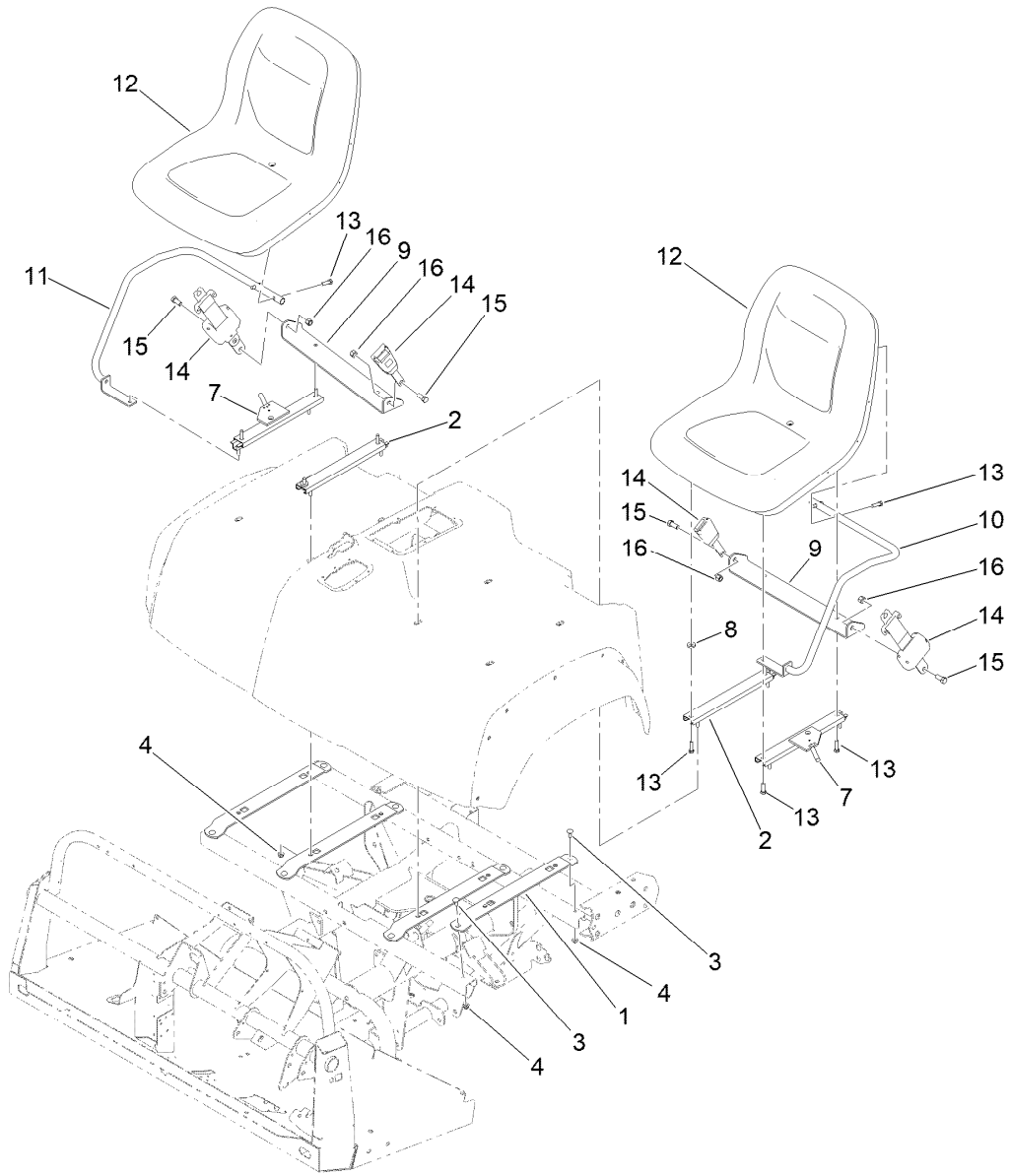
| Ref. | Part Number | Qty. | Description |
|------|-------------|------|-------------|
| 33 | 115-1794 | 1 | Screw-HHF |
| 34 | 104-8300 | 1 | Nut-HF, NI |



Steering Valve Assembly No. 120-4813

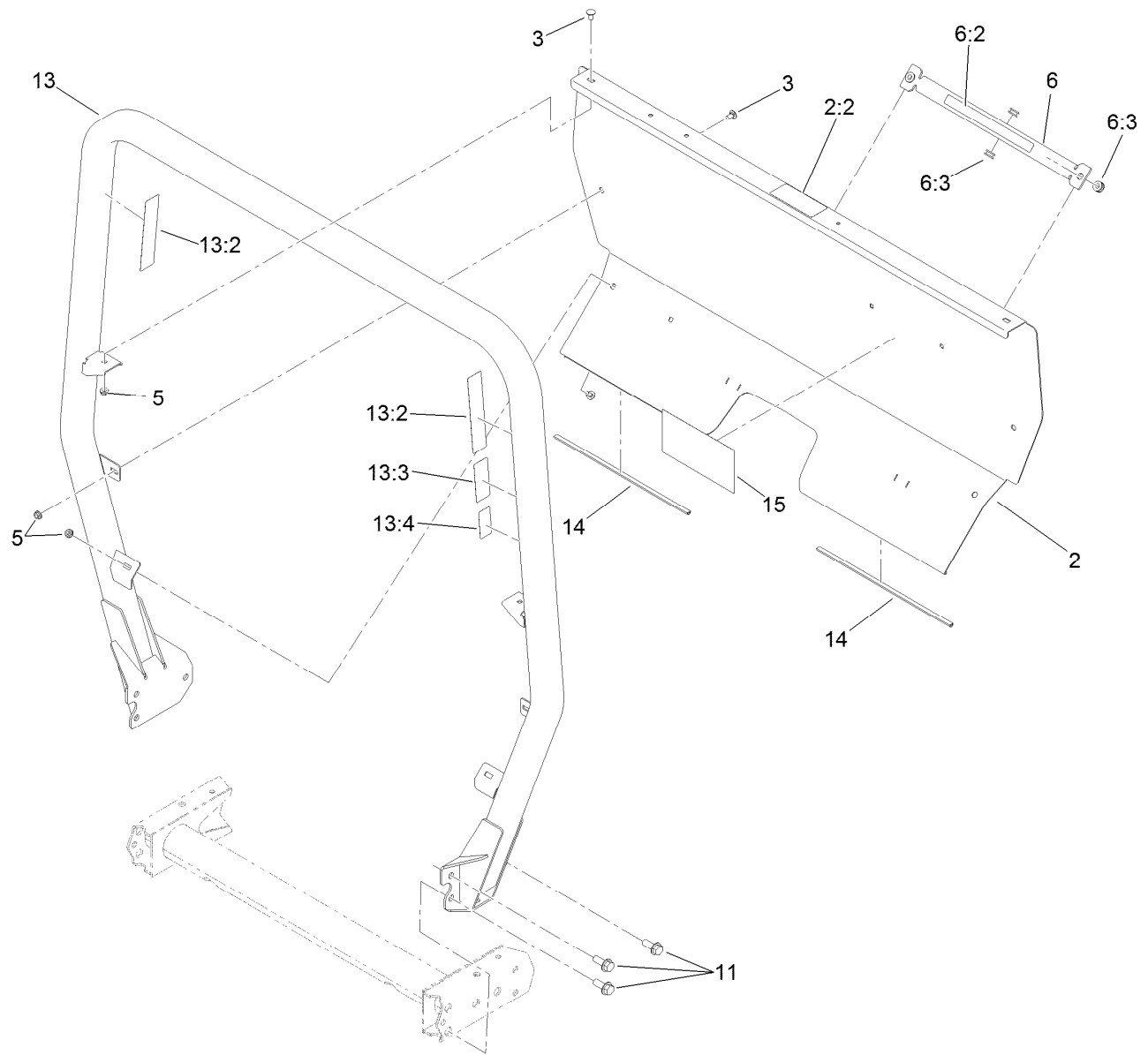
| <i>Ref.</i> | <i>Part Number</i> | <i>Qty.</i> | <i>Description</i> |
|-------------|--------------------|-------------|--------------------|
| 1 | 106-6716 | 1 | Seal Kit |
| 1:1 | | 1 | Ring-Seal, Dust ● |
| 1:2 | | 1 | Seal-Shaft ● |
| 1:3 | | 1 | O-Ring ● |
| 1:4 | | 2 | O-Ring ● |
| 1:5 | | 5 | O-Ring ● |

● Not serviced separately



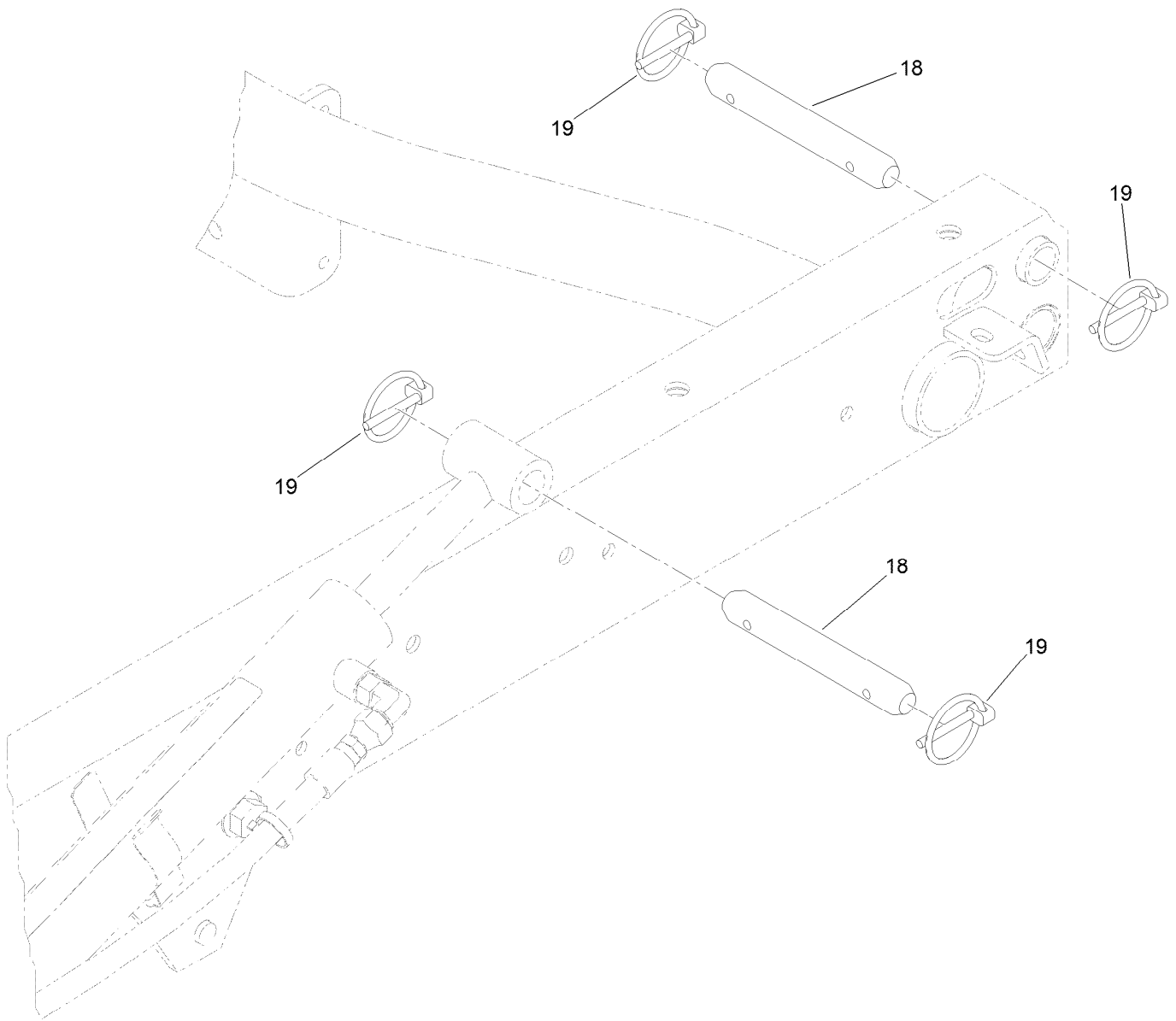
Seat Assembly

| Ref. | Part Number | Qty. | Description |
|-------------|--------------------|-------------|----------------------------|
| 1 | 115-2435-0P | 4 | Bracket-Seat |
| 2 | 92-8990 | 2 | Adjuster-Seat, Non-Locking |
| 3 | 3230-1 | 8 | Bolt-CARR |
| 4 | 104-8300 | 16 | Nut-HF, NI |
| 7 | 92-8991 | 2 | Adjuster (W/Latch) |
| 8 | 104-7658 | 2 | Spacer |
| 9 | 119-0727-03 | 2 | Bracket-Belt, Seat |
| 10 | 140-6359 | 1 | Armrest LH |
| 11 | 140-6360 | 1 | Armrest-RH |
| 12 | 133-0577 | 2 | Seat ASM |
| 13 | 33114-030 | 12 | Screw-HH |
| 14 | 110-0413 | 2 | Seatbelt-Retractable |
| 15 | 3212-4 | 4 | Screw-HH |
| 16 | 3296-7 | 4 | Nut-Lock |



Roll-Over Protection System Assembly

| <i>Ref.</i> | <i>Part Number</i> | <i>Qty.</i> | <i>Description</i> |
|-------------|--------------------|-------------|------------------------|
| 2 | 115-2213 | 1 | ROPS Cover ASM |
| 2:2 | 105-4215 | 1 | Decal-Caution |
| 3 | 3230-18 | 6 | Screw-CARR |
| 5 | 32128-20 | 6 | Nut-HF |
| 6 | 105-7960 | 1 | Bed Support ASM |
| 6:2 | 93-9852 | 1 | Decal-Warning |
| 6:3 | 92-5972 | 4 | Grommet-Rubber |
| 11 | 3234-38 | 6 | Screw-HHF |
| 13 | 115-7910 | 1 | ROPS ASM |
| 13:2 | 106-7767 | 2 | Decal-ROPS |
| 13:3 | 93-9850 | 1 | Decal-ROPS, CE |
| 13:4 | 117-4969 | 1 | Decal-ROPS, ISO |
| 14 | 127-7382 | 2 | Seal-ROPS |
| 15 | 115-7814 | 1 | Decal-Reference, Quick |



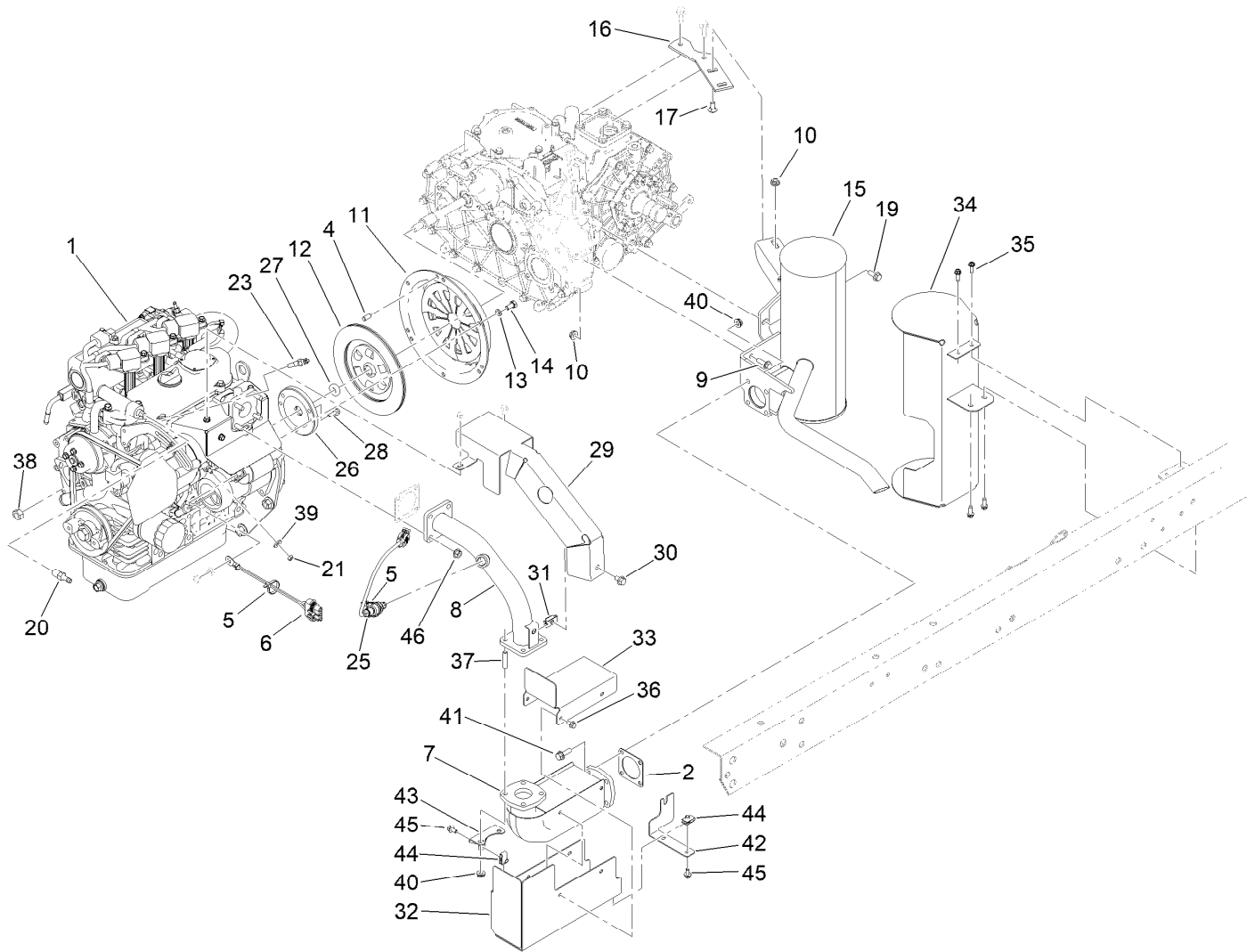
Pin and Clevis Assembly

| <i>Ref.</i> | <i>Part Number</i> | <i>Qty.</i> | <i>Description</i> |
|-------------|--------------------|-------------|--------------------|
| 18 | 92-1233 | 4 | Pin-Clevis |
| 19 | 92-1298 | 8 | Pin-Lynch |



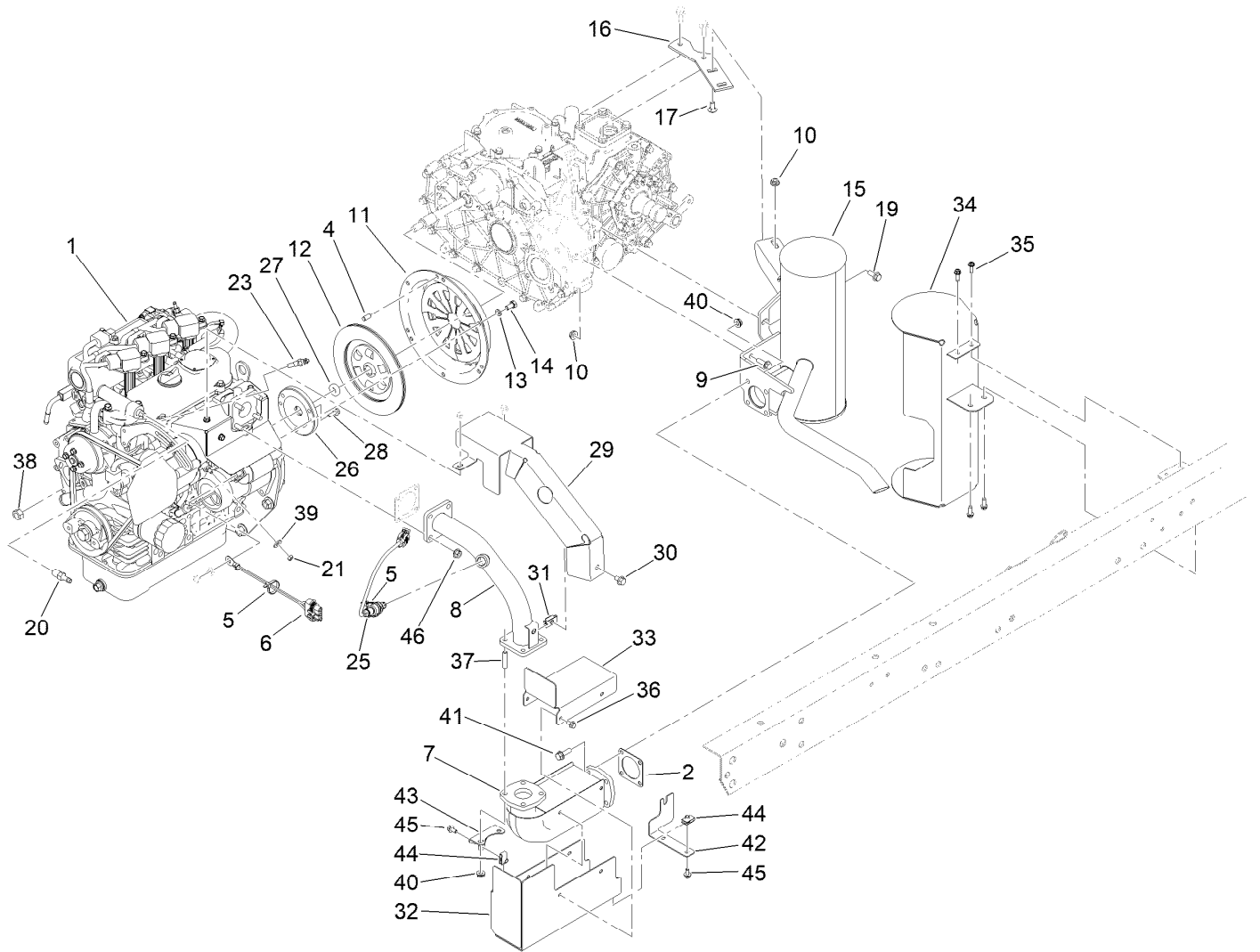
Engine Sub Frame Assembly

| <i>Ref.</i> | <i>Part Number</i> | <i>Qty.</i> | <i>Description</i> | <i>Ref.</i> | <i>Part Number</i> | <i>Qty.</i> | <i>Description</i> |
|-------------|--------------------|-------------|-----------------------------------|-------------|--------------------|-------------|--------------------|
| 1 | 119-9679-03 | 1 | Support-Engine | 13 | 324-13 | 2 | Screw-HH |
| 2 | 115-2215-0P | 1 | Guard, LH [primed] | 14 | 3290-379 | 4 | Tie-Cable |
| 3 | 87-4730-0P | 1 | Guard-Belly | 15 | 120-4839 | 8 | Screw-HHF |
| 4 | 76-9100 | 6 | Spacer | 16 | 2412-82 | 1 | Clamp-R |
| 5 | 3290-413 | 12 | Washer-Belleville | 17 | 115-2169 | 1 | Hub-Pump |
| 6 | 3234-11 | 6 | Screw-HHF | 18 | 119-0652 | 1 | Coupler-Rubber |
| 7 | 104-8301 | 6 | Nut-HF, NI | 19 | 3256-23 | 2 | Washer-Plain |
| 8 | 106-7865 | 2 | Mount-Engine | 20 | 33114-040 | 2 | Screw-HH |
| 9 | 87-5100 | 4 | Washer-Snubbing | 21 | 322-21 | 2 | Screw-HH |
| 10 | 3272-37 | 2 | Pin-Cotter | 22 | 104-8300 | 2 | Nut-HF, NI |
| 11 | 121-6259-0P | 1 | Engine Pump Mount ASM [primed] | 23 | 3241-6 | 2 | Screw-SQH |
| 12 | 114-8417 | 2 | Nut-HF, NI | 24 | 3254-20 | 1 | Washer-Lock, Int |
| | | | | 25 | 3256-26 | 1 | Washer-Flat |



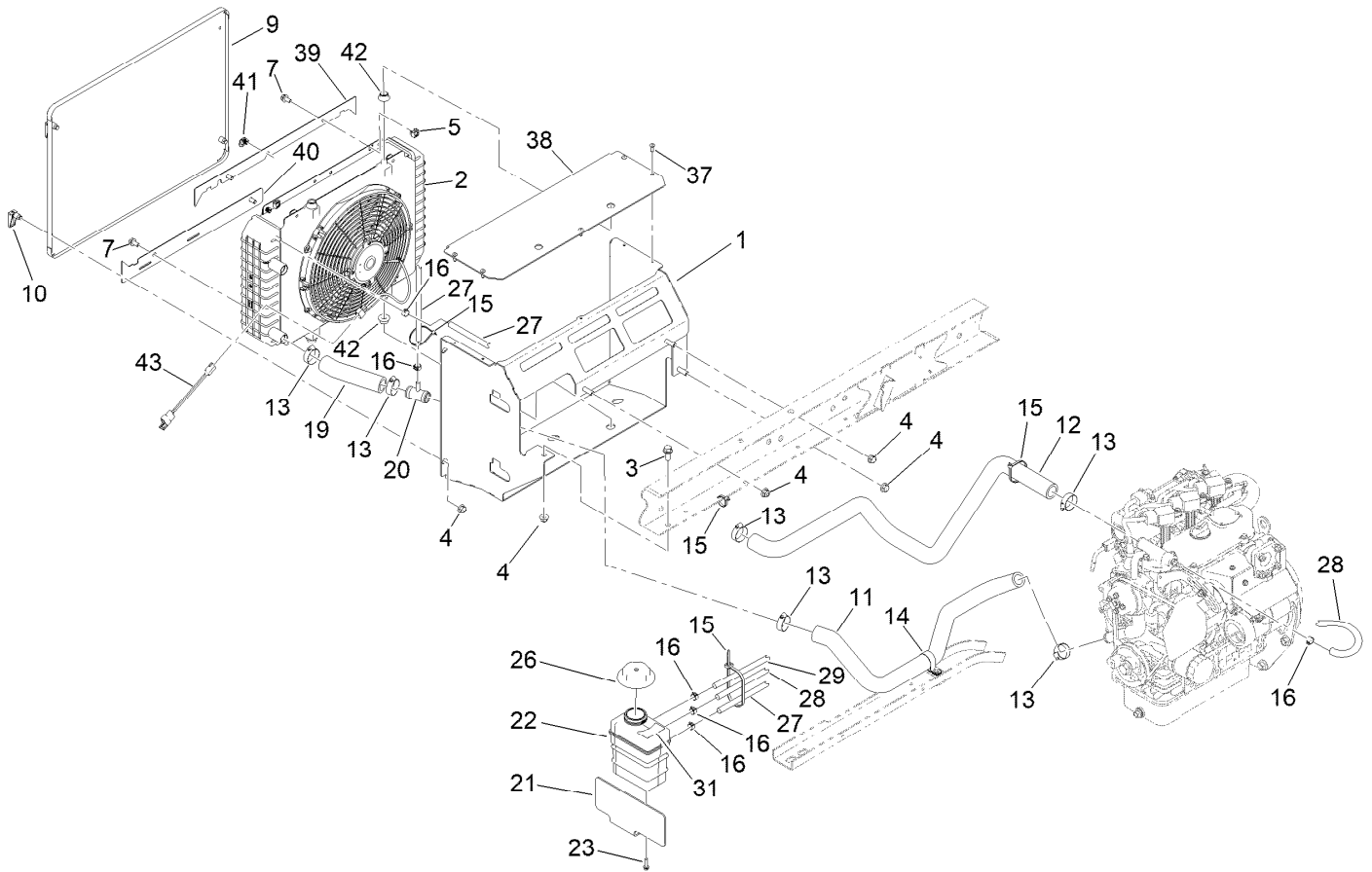
Engine and Exhaust Assembly

| Ref. | Part Number | Qty. | Description | Ref. | Part Number | Qty. | Description |
|------|-------------|------|----------------------------------|------|-------------|------|----------------------------|
| 1 | 120-4880 | 1 | Engine ASM | 25 | 121-3511 | 1 | Sensor-O2 F/W |
| 2 | 105-4209 | 1 | Gasket-Muffler | 26 | 120-5006 | 1 | Holder-Bearing, Pilot |
| 4 | 42-7160 | 3 | Pin | 27 | 115-6870 | 1 | Bearing-Ball, Sealed |
| 5 | 3290-379 | 2 | Tie-Cable | 28 | 33103-020 | 3 | Screw-HHF |
| 6 | 99-3441 | 1 | Harness-Wire, Fusible Link | 29 | 121-6305 | 1 | Shield-Exhaust |
| 7 | 125-9118 | 1 | Converter-Catalytic (F/W Engine) | 30 | 3234-30 | 1 | Screw-HHF |
| 8 | 121-6291 | 1 | Pipe-Exhaust | 31 | 110-3510 | 1 | Nut-Retainer |
| 9 | 3234-17 | 2 | Screw-HHF | 32 | 121-6307 | 1 | Shield-Heat, Lower |
| 10 | 32128-20 | 4 | Nut-HF | 33 | 121-6308 | 1 | Shield-Heat, Upper |
| 11 | 87-4690 | 1 | Cover-Clutch | 34 | 121-6302 | 1 | Shield-Heat, Muffler |
| 12 | 87-4700 | 1 | Disc-Clutch | 35 | 49-2040 | 4 | Screw-HWHTF |
| 13 | 3253-4 | 6 | Washer-Lock | 36 | 33103-012 | 4 | Screw-HHF |
| 14 | 33114-016 | 6 | Screw-HH | 37 | 121-6289 | 4 | Stud-Exhaust |
| 15 | 133-0613 | 1 | Muffler | 38 | 110-8815 | 1 | Nut-Hex |
| 16 | 105-9472 | 1 | Plate-Mount, Muffler | 39 | 3256-2 | 1 | Washer-Flat |
| 17 | 3230-2 | 2 | Bolt-CARR | 40 | 121-6322 | 8 | Nut-HF, Serrated |
| 19 | 98-7977 | 1 | Screw-HHF | 41 | 121-6324 | 4 | Screw-HHF |
| 20 | 115-1448 | 1 | Fitting-Straight | 42 | 121-6328 | 1 | Mount-Muffler, Heat Shield |
| 21 | 33013-00 | 1 | Nut-Hex | 43 | 121-6329 | 1 | Mount-Muffler, Heat Shield |
| 23 | 120-5075 | 1 | Sender-Temperature | 44 | 107069 | 3 | Clip |



Engine and Exhaust Assembly (continued)

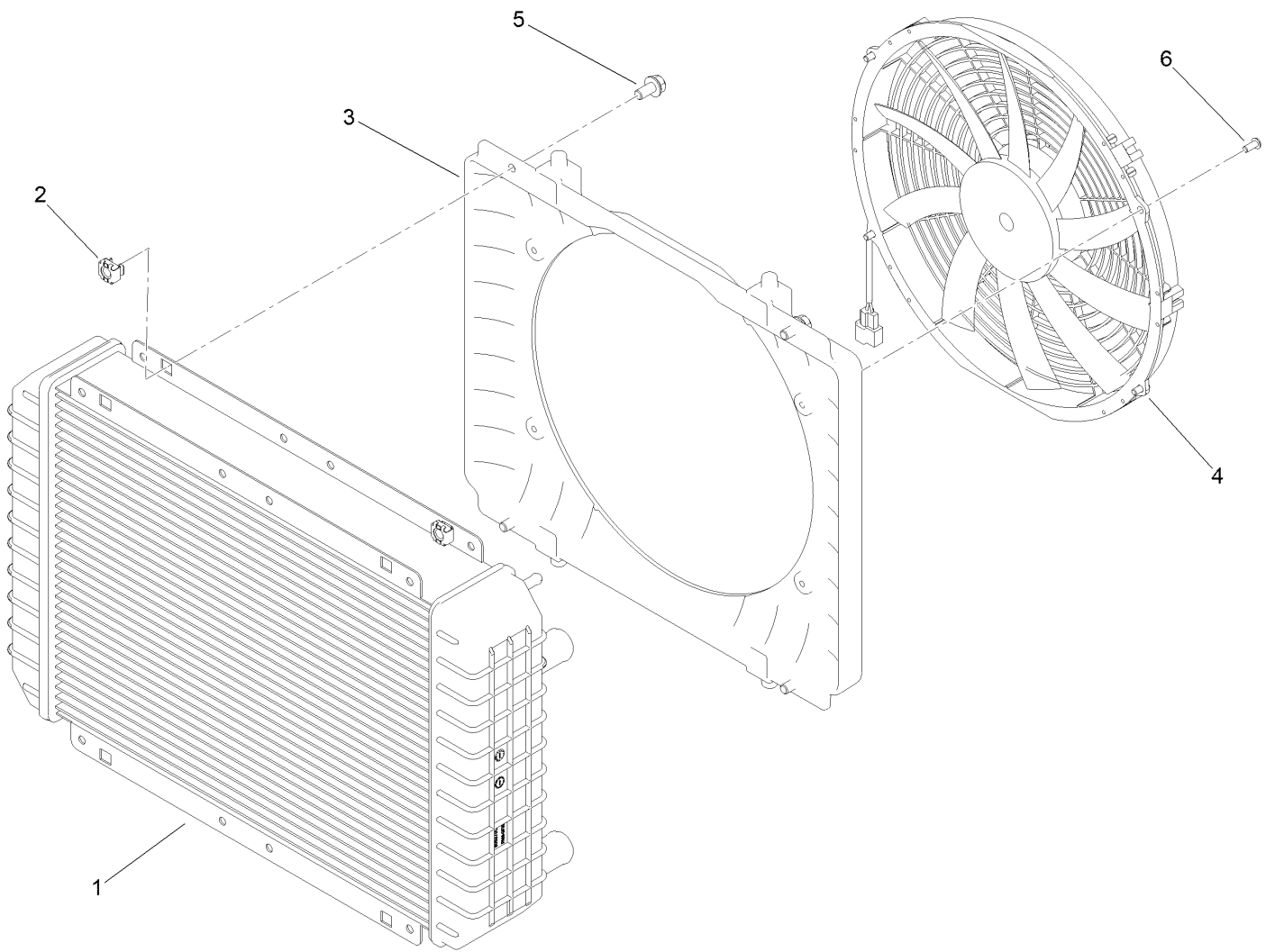
| <i>Ref.</i> | <i>Part Number</i> | <i>Qty.</i> | <i>Description</i> |
|-------------|--------------------|-------------|--------------------|
| 45 | 3234-13 | 3 | Screw-HHF |
| 46 | 117-1350 | 4 | Nut-HF, Lock |



Cooling System Assembly

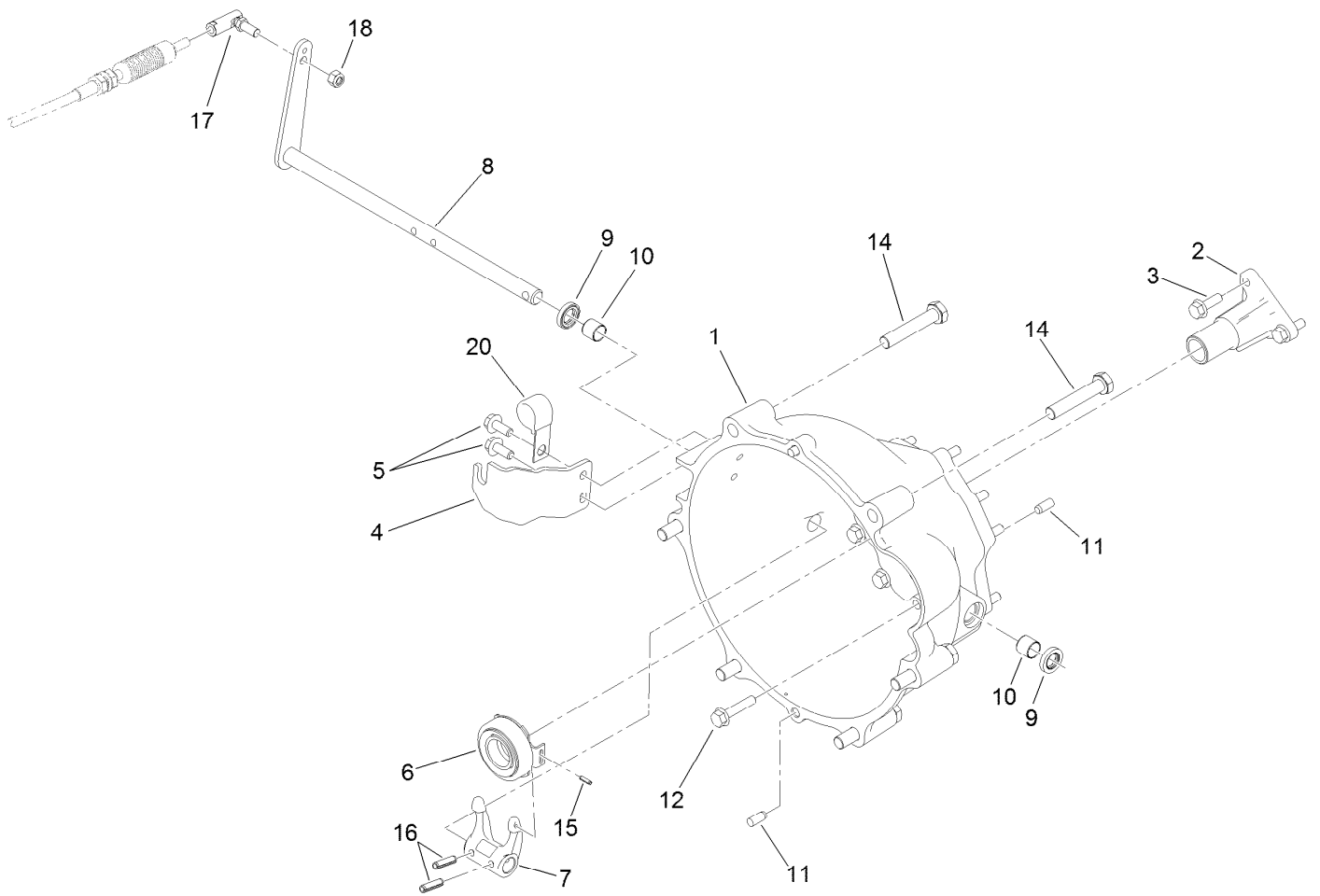
| Ref. | Part Number | Qty. | Description | Ref. | Part Number | Qty. | Description |
|------|-------------|------|---------------------|------|-------------|------|--------------------------------|
| 1 | 147-2805-03 | 1 | Radiator Mount ASM | 21 | 120-4906-0P | 1 | Plate-Mount, Tank |
| 2 | | 1 | Radiator ASM ● | 22 | 120-4856 | 1 | Tank-Surge |
| 3 | 3234-11 | 1 | Screw-HHF | 23 | 46-8091 | 2 | Screw-HWH |
| 4 | 104-8301 | 4 | Nut-HF, NI | 26 | 120-4867 | 1 | Cap-Coolant, Threaded (15 PSI) |
| 5 | 703856 | 4 | Nut-Sq, Caged | 27 | 120-5019 | 1 | Hose-Coolant |
| 7 | 139-2593 | 4 | Screw-HHF | 28 | 120-5020 | 1 | Hose-Coolant |
| 9 | 115-2428-03 | 1 | Screen-Radiator | 29 | 147-7979 | 1 | Hose-Coolant |
| 10 | 74-5950 | 4 | Latch-Swell | 31 | 121-6287 | 1 | Decal-Tank, Overflow |
| 11 | 119-9487 | 1 | Hose-Coolant, Lower | 37 | 63-8590 | 5 | Screw |
| 12 | 119-9486 | 1 | Hose-Coolant, Upper | 38 | 147-2810-03 | 1 | Mount-Radiator, Upper |
| 13 | 2412-34 | 6 | Clamp-Hose | 39 | 145-8028-03 | 1 | Plate-Mount, Upper |
| 14 | 2412-74 | 1 | R-Clamp | 40 | 145-8029-03 | 1 | Plate-Mount, Lower |
| 15 | 3290-379 | 5 | Tie-Cable | 41 | 147-7975 | 2 | Latch-Spring |
| 16 | 92-2379 | 6 | Clamp-Hose | 42 | 137-6828 | 4 | Bushing-Flange |
| 19 | 120-4905 | 1 | Hose-Coolant, Lower | 43 | 122-3364 | 1 | Harness-Wire, Jumper |
| 20 | 120-4851 | 1 | Tee | | | | |

● Not serviced separately



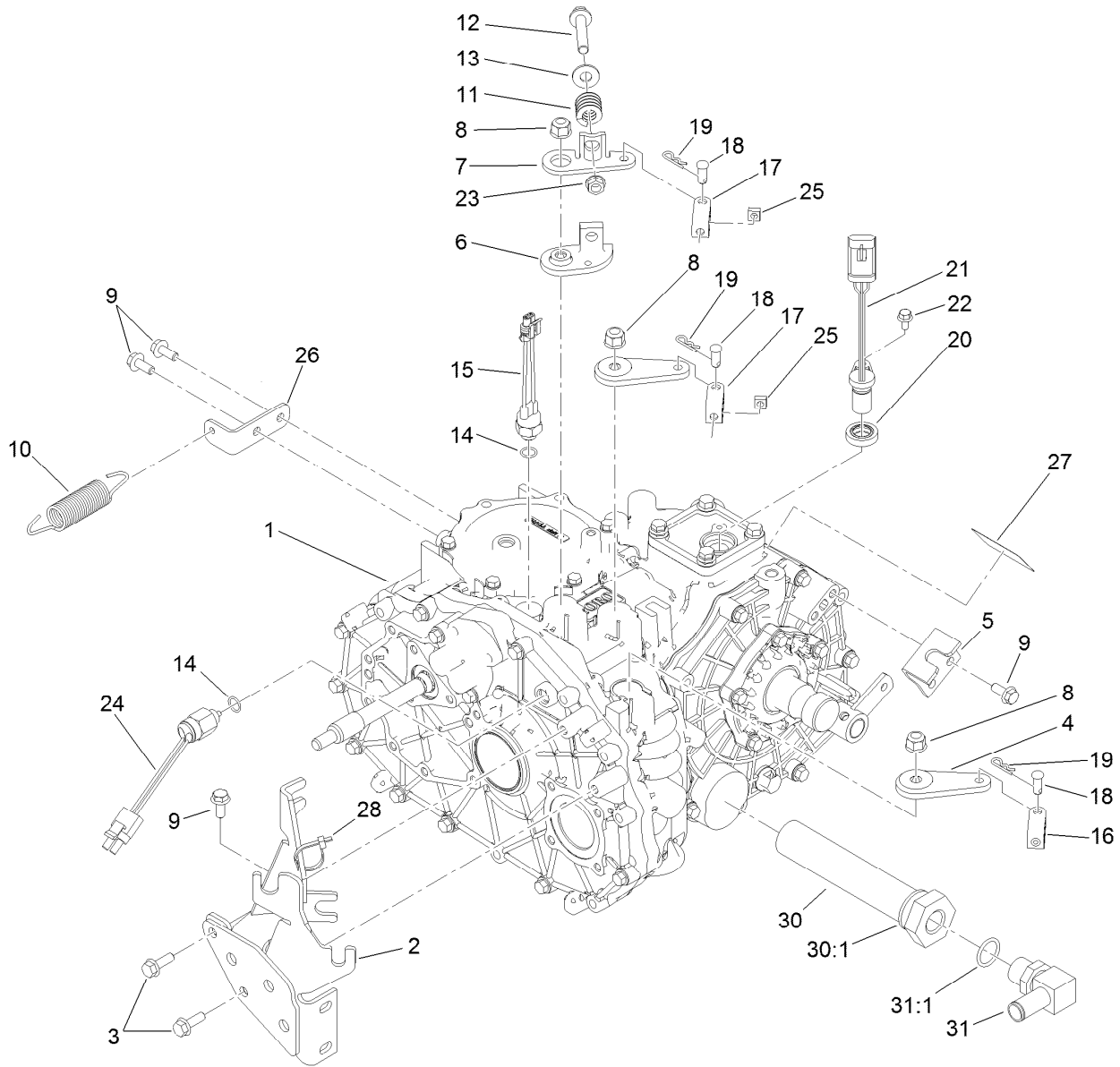
Radiator Assembly

| <i>Ref.</i> | <i>Part Number</i> | <i>Qty.</i> | <i>Description</i> |
|-------------|--------------------|-------------|----------------------|
| 1 | 147-7971 | 1 | Radiator |
| 2 | 703856 | 4 | Nut-Sq, Caged |
| 3 | 139-4587 | 1 | Shroud-Fan, Radiator |
| 4 | 140-4694 | 1 | Fan |
| 5 | 139-2593 | 4 | Screw-HHF |
| 6 | 147-7972 | 4 | Screw-BHCS |



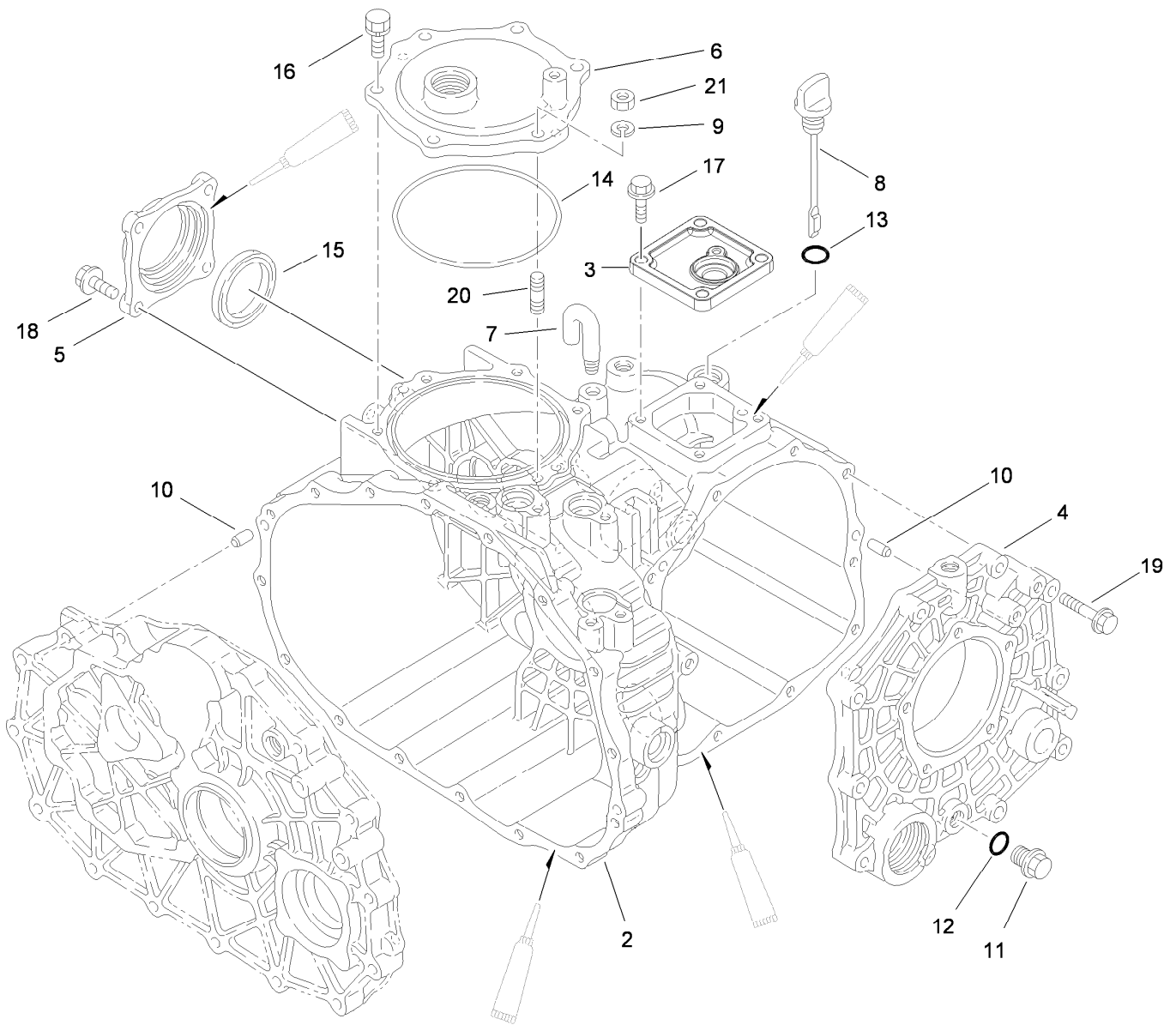
Clutch Linkage Assembly

| <i>Ref.</i> | <i>Part Number</i> | <i>Qty.</i> | <i>Description</i> | <i>Ref.</i> | <i>Part Number</i> | <i>Qty.</i> | <i>Description</i> |
|-------------|--------------------|-------------|-------------------------|-------------|--------------------|-------------|--------------------------|
| 1 | 119-9498 | 1 | Bell Housing | 10 | 87-3770 | 2 | Bushing-Housing, Bell |
| 2 | 120-4886 | 1 | Guide-Release | 11 | 87-1910 | 4 | Pin-Dowel |
| 3 | 33104-025 | 3 | Screw-HHF | 12 | 33104-040 | 9 | Screw-HHF |
| 4 | 115-2313 | 1 | Bracket-Cable, Clutch | 14 | 107-7983 | 6 | Screw-HH |
| 5 | 98-7977 | 2 | Screw-HHF | 15 | 32121-7 | 1 | Pin-Roll, Slotted |
| 6 | 110-2538 | 1 | Bearing-Release, Clutch | 16 | 32121-24 | 2 | Pin-Spring |
| 7 | 87-5300 | 1 | Fork-Clutch | 17 | 2411-33 | 1 | Balljoint-RH (W/Grommet) |
| 8 | 115-2311 | 1 | Lever-Clutch | 18 | 3296-4 | 1 | Nut-Lock |
| 9 | 87-1920 | 2 | Seal-Oil | 20 | 120-5018 | 1 | Clip-Open J, Coated |



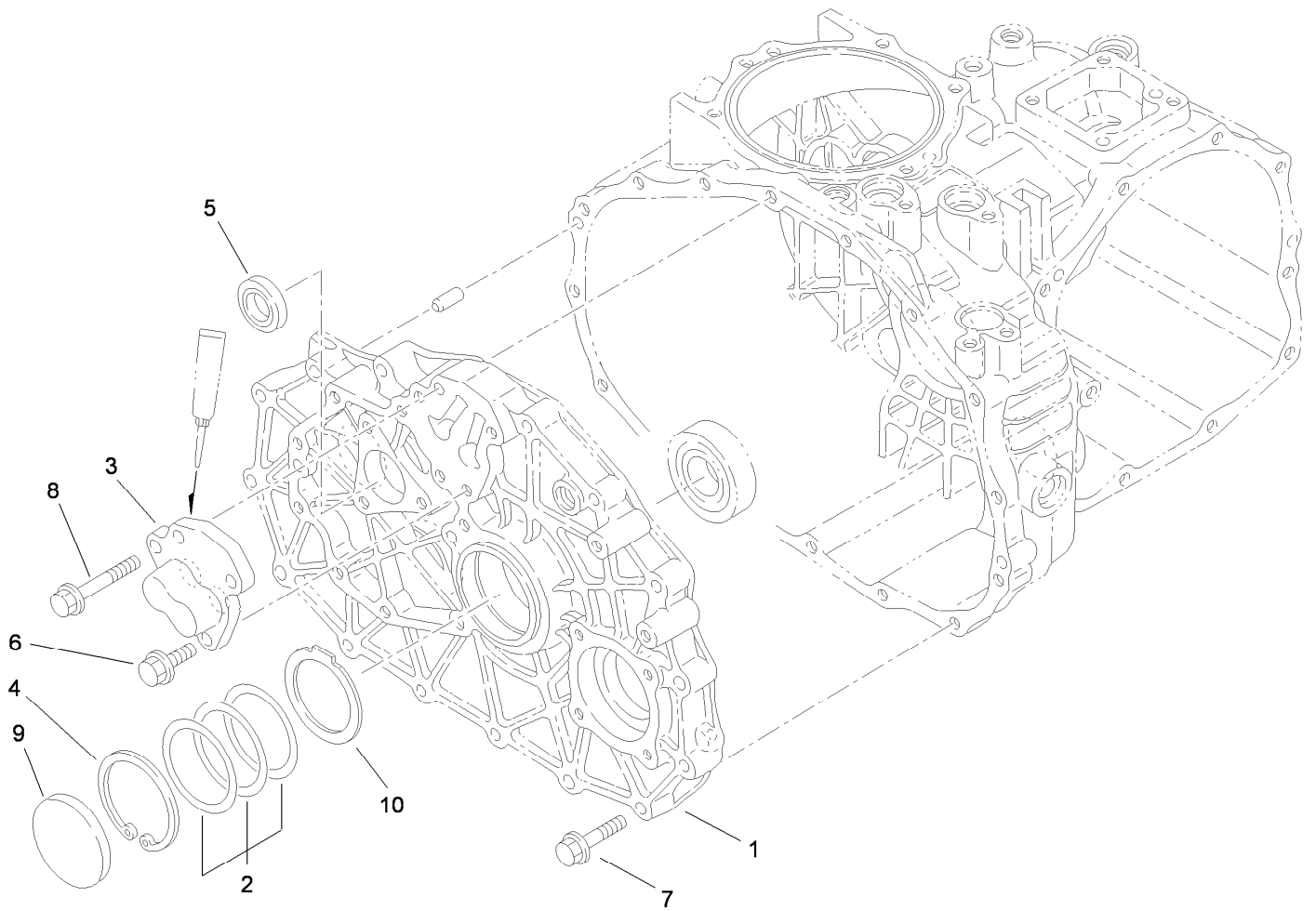
Transaxle Assembly

| Ref. | Part Number | Qty. | Description | Ref. | Part Number | Qty. | Description |
|------|-------------|------|-----------------------------|------|-------------|------|-------------------------|
| 1 | 115-7783 | 1 | 2 Wheel Drive Transaxle ASM | 17 | 87-2310 | 2 | Clevis-Cable |
| 2 | 105-4207-0P | 1 | Cable Mount ASM,Welded | 18 | 283-62 | 3 | Pin-Clevis |
| 3 | 33104-025 | 2 | Screw-HHF | 19 | 3290-307 | 3 | Pin-Cotter |
| 4 | 132-6764 | 2 | Lever-Shift | 20 | 92-3735 | 1 | Seal-Sensor, Oil |
| 5 | 87-4470 | 1 | Bracket-Lock, Differential | 21 | 120-4800 | 1 | Sensor-Gear tooth |
| 6 | 87-7970 | 1 | Arm-Shift | 22 | 33103-012 | 1 | Screw-HHF |
| 7 | 87-8250 | 1 | Plate-Arm, Shift | 23 | 3290-357 | 1 | Nut-HSF |
| 8 | 103-9511 | 3 | Nut-Lock, NI | 24 | 87-6710 | 1 | Switch-Transmission |
| 9 | 98-7977 | 5 | Screw-HHF | 25 | 140-4804 | 2 | Nut-Square |
| 10 | 68-9950 | 1 | Spring-Traction | 26 | 131-3488 | 1 | Bracket-Spring, Clutch |
| 11 | 87-6910 | 1 | Spring-Compression | 27 | 115-7741 | 1 | Decal-Oil, Transmission |
| 12 | 66-9302 | 1 | Screw-HHF Lock | 28 | 3290-379 | 1 | Tie-Cable |
| 13 | 3256-4 | 1 | Washer-Flat | 30 | 87-3990 | 1 | Strainer-Transaxle |
| 14 | 237-30 | 2 | O-Ring | 30:1 | 237-101 | 1 | O-Ring |
| 15 | 72-4310 | 1 | Switch-Ball | 31 | 353-987 | 1 | Fitting-Elbow, 90 |
| 16 | 87-7160 | 1 | Clevis-Cable | 31:1 | 237-81 | 1 | O-Ring |



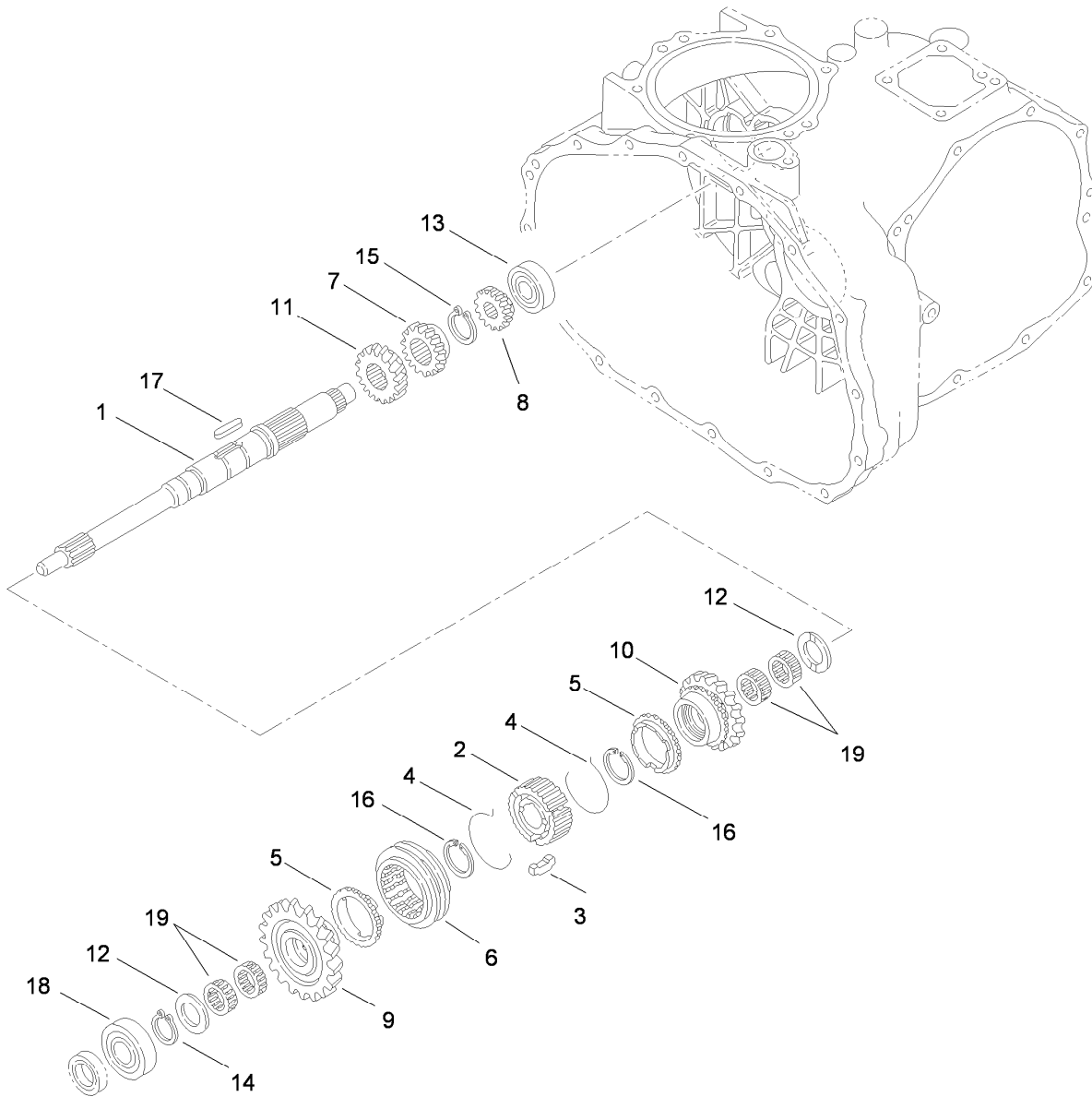
Case Assembly Transaxle Assembly No. 115-7783

| <i>Ref.</i> | <i>Part Number</i> | <i>Qty.</i> | <i>Description</i> | <i>Ref.</i> | <i>Part Number</i> | <i>Qty.</i> | <i>Description</i> |
|-------------|--------------------|-------------|---------------------|-------------|--------------------|-------------|--------------------|
| 2 | 92-0651 | 1 | Case-Transmission | 12 | 92-0787 | 1 | O-Ring |
| 3 | 92-0810 | 1 | Cover-Upper, Sensor | 13 | 92-0788 | 1 | O-Ring |
| 4 | 92-0653 | 1 | Cover-Side | 14 | 92-0790 | 1 | O-Ring |
| 5 | 92-0655 | 1 | Cover-Seal, Axle | 15 | 92-0793 | 1 | Seal-Oil |
| 6 | 92-0656 | 1 | Cover-Upper, PTO | 16 | 92-0796 | 5 | Bolt |
| 7 | 92-0743 | 1 | Breather-Air | 17 | 33104-025 | 4 | Screw-HHF |
| 8 | 92-0662 | 1 | Cap-Oil | 18 | 33104-025 | 4 | Screw-HHF |
| 9 | 92-0762 | 1 | Washer-Spring | 19 | 33104-040 | 10 | Screw-HHF |
| 10 | 92-0765 | 4 | Pin-Parallel | 20 | 92-0805 | 1 | Bolt 8X20 |
| 11 | 92-0773 | 1 | Plug-Drain | 21 | 68-9400 | 1 | Nut-Flange |



Center Plate Assembly Transaxle Assembly No. 115-7783

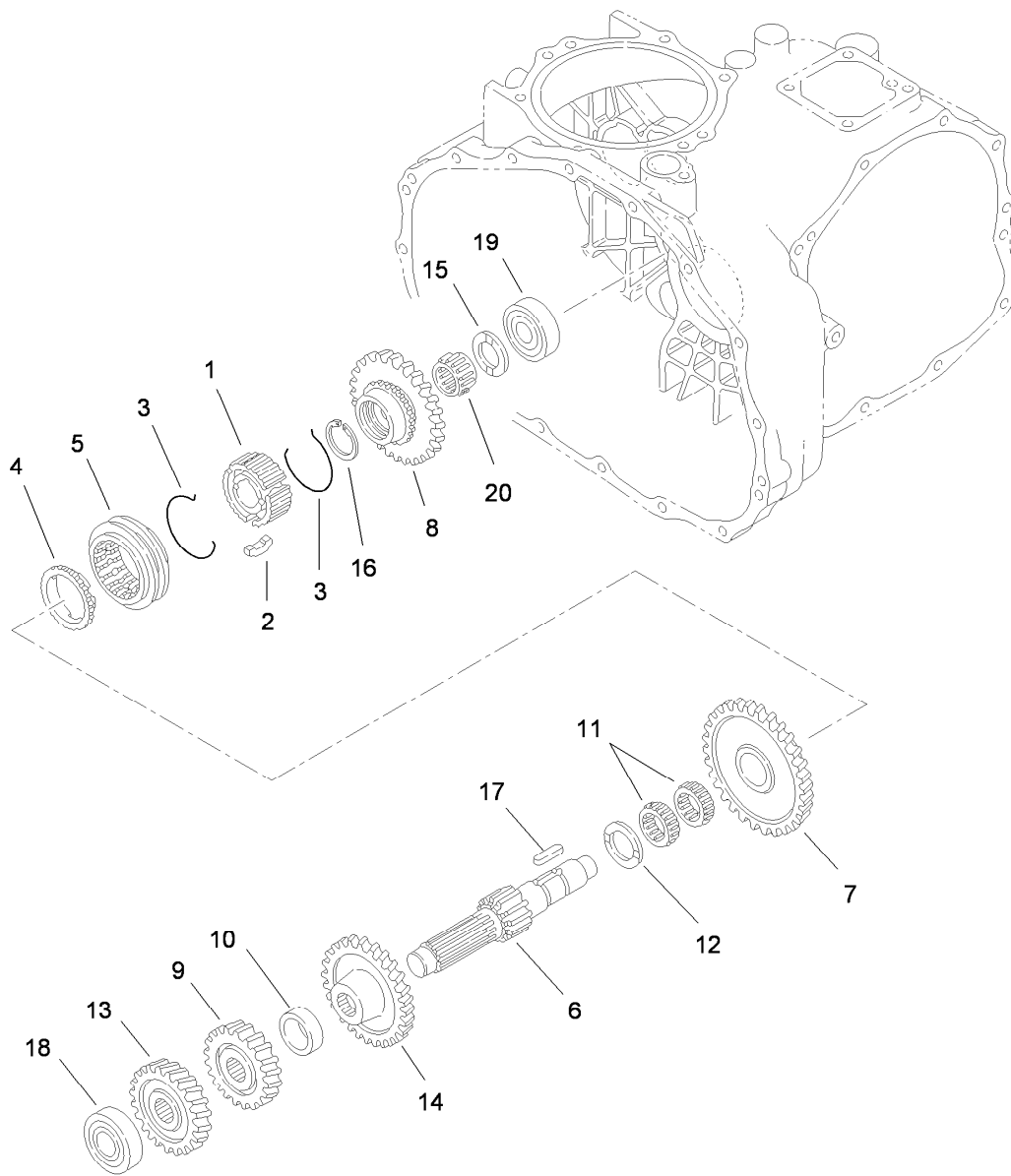
| <i>Ref.</i> | <i>Part Number</i> | <i>Qty.</i> | <i>Description</i> |
|-------------|--------------------|-------------|--------------------|
| 1 | 100-4461 | 1 | Plate-Center |
| 2 | 100-4460 | 1 | Shim-Set |
| 3 | 92-0706 | 1 | Shaft-Fork |
| 4 | 92-0759 | 1 | Ring-Snap |
| 5 | 92-0791 | 1 | Seal-Oil |
| 6 | 33104-025 | 3 | Screw-HHF |
| 7 | 33104-040 | 15 | Screw-HHF |
| 8 | 33104-050 | 1 | Screw-HHF |
| 9 | 92-0807 | 1 | Cap-Sealing |
| 10 | 100-4465 | 1 | Shim (W/Tab) |



Main Shaft Assembly Transaxle Assembly No. 115-7783

| <i>Ref.</i> | <i>Part Number</i> | <i>Qty.</i> | <i>Description</i> |
|-------------|--------------------|-------------|----------------------|
| 1 | 92-0663 | 1 | Shaft-Main |
| 2 | 92-0664 | 1 | Hub-Synchro |
| 3 | 92-0665 | 3 | Key-Synchro |
| 4 | 92-0666 | 2 | Spring-Synchro |
| 5 | 92-0667 | 2 | Ring-Synchro |
| 6 | 92-0668 | 1 | Shifter-Synchro |
| 7 | 92-0672 | 1 | Gear-Main, 18 Tooth |
| 8 | 92-0673 | 1 | Gear-Main, 14 Tooth |
| 9 | 110-2521 | 1 | Gear-Main, 27 Tooth |
| 10 | 110-2522 | 1 | Gear- Main, 24 Tooth |

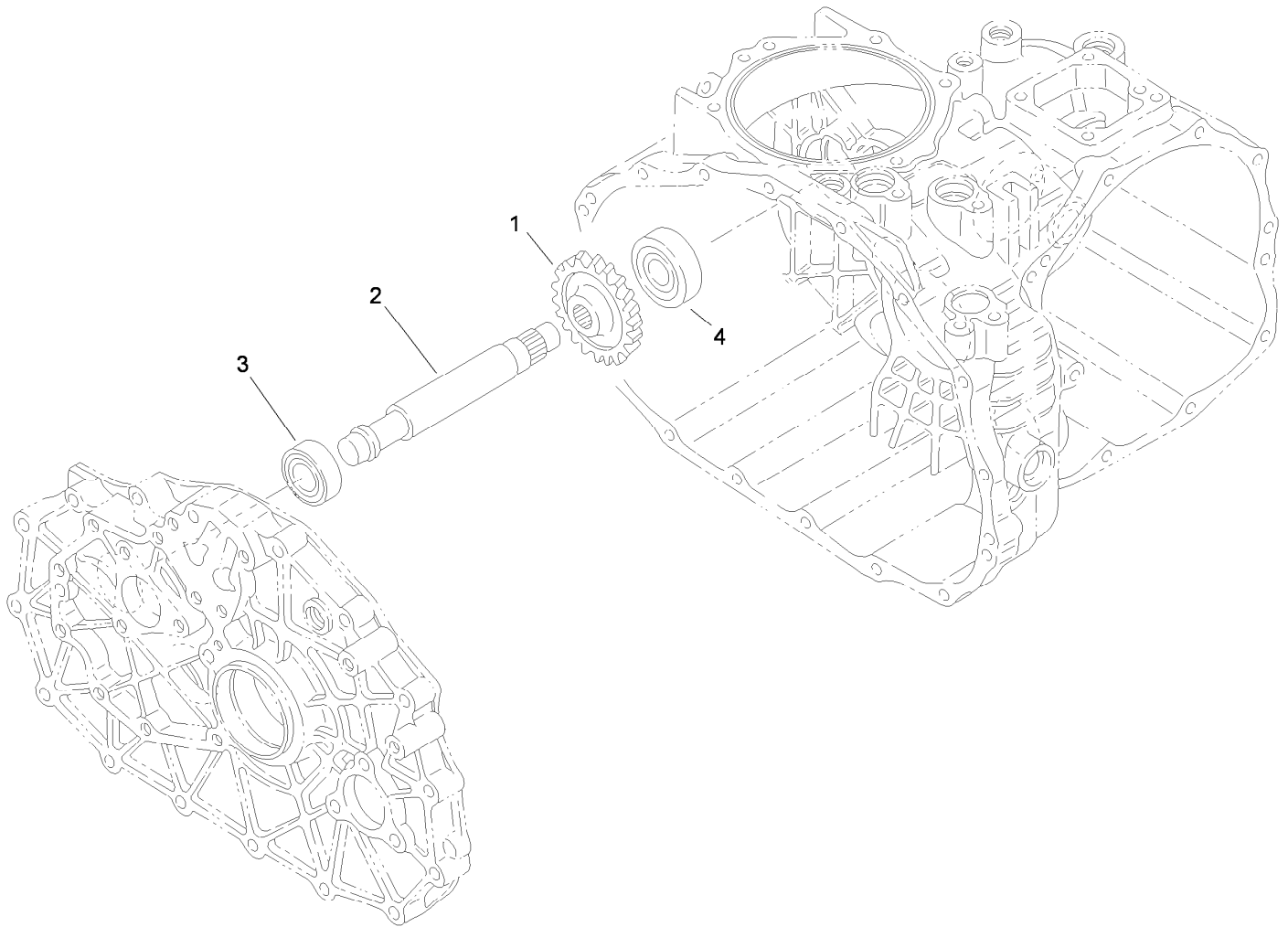
| <i>Ref.</i> | <i>Part Number</i> | <i>Qty.</i> | <i>Description</i> |
|-------------|--------------------|-------------|---------------------|
| 11 | 92-0687 | 1 | Gear-Main, 16 Tooth |
| 12 | 92-0740 | 2 | Washer-Thrust |
| 13 | 92-0650 | 1 | Bearing |
| 14 | 92-0753 | 1 | Ring-Snap |
| 15 | 92-0754 | 1 | Ring-Snap |
| 16 | 92-0763 | 2 | Ring-Snap |
| 17 | 92-0772 | 1 | Key |
| 18 | 251-8 | 1 | Bearing-Ball |
| 19 | 92-0781 | 4 | Bearing-Needle |



Reduction Shaft Assembly Transaxle Assembly No. 115-7783

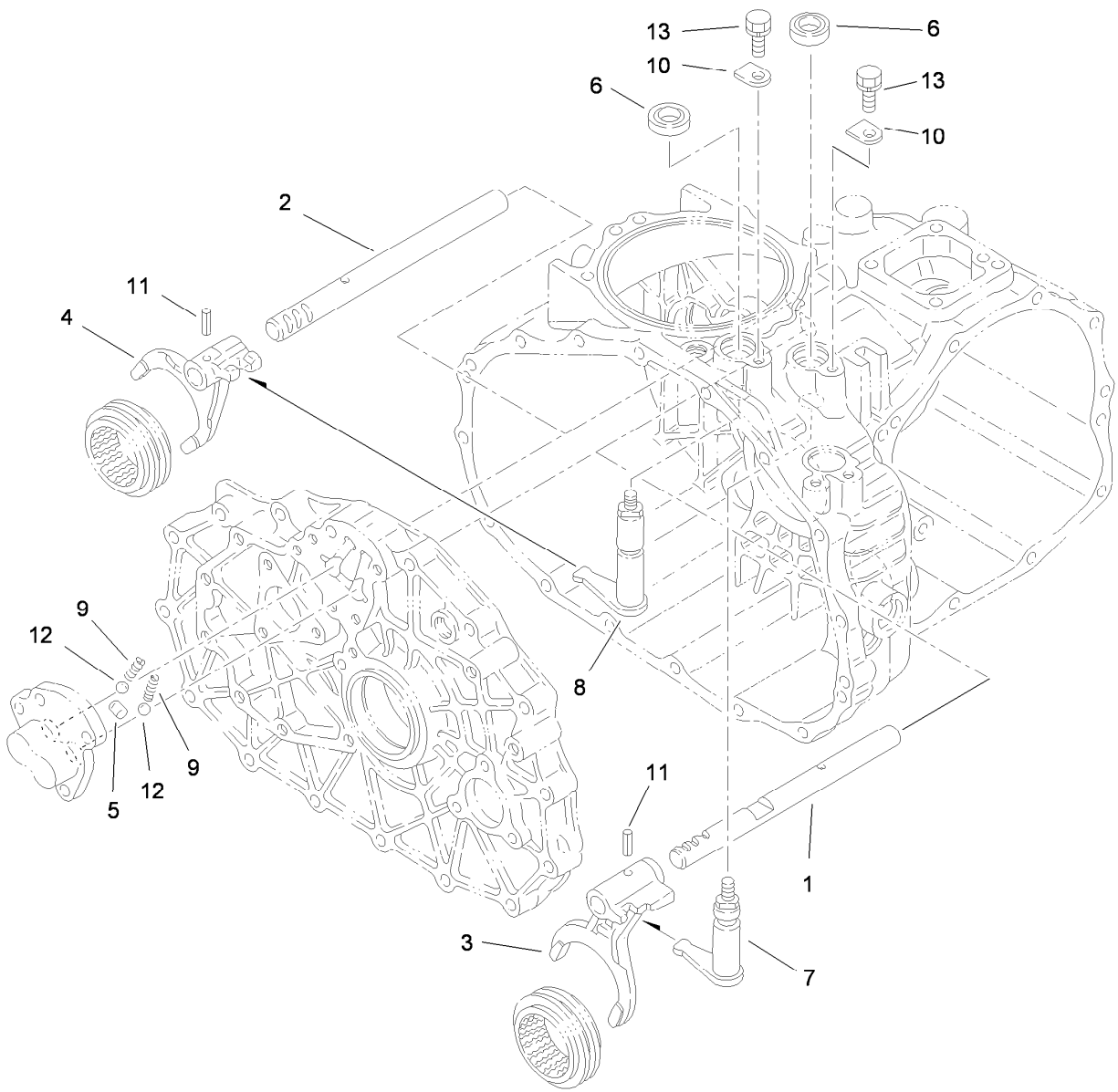
| <i>Ref.</i> | <i>Part Number</i> | <i>Qty.</i> | <i>Description</i> |
|-------------|--------------------|-------------|---------------------------|
| 1 | 92-0664 | 1 | Hub-Synchro |
| 2 | 92-0665 | 3 | Key-Synchro |
| 3 | 92-0666 | 2 | Spring-Synchro |
| 4 | 92-0667 | 1 | Ring-Synchro |
| 5 | 92-0668 | 1 | Shifter-Synchro |
| 6 | 92-0674 | 1 | Shaft-Reduction |
| 7 | 110-2524 | 1 | Gear- Reduction, 49 Tooth |
| 8 | 92-0819 | 1 | Gear-Reduction, 40 Tooth |
| 9 | 92-0679 | 1 | Gear-Reduction, H23 Tooth |
| 10 | 92-0680 | 1 | Collar |

| <i>Ref.</i> | <i>Part Number</i> | <i>Qty.</i> | <i>Description</i> |
|-------------|--------------------|-------------|--------------------------|
| 11 | 92-0681 | 2 | Bearing-Needle |
| 12 | 92-0682 | 1 | Washer-Thrust |
| 13 | 92-0822 | 1 | Gear-Reduction, 28 Tooth |
| 14 | 92-0823 | 1 | Gear-Reduction, 43 Tooth |
| 15 | 92-0740 | 1 | Washer-Thrust |
| 16 | 92-0763 | 1 | Ring-Snap |
| 17 | 92-0772 | 1 | Key |
| 18 | 105-7985 | 1 | Bearing |
| 19 | 92-0778 | 1 | Bearing |
| 20 | 92-0782 | 1 | Bearing-Needle |



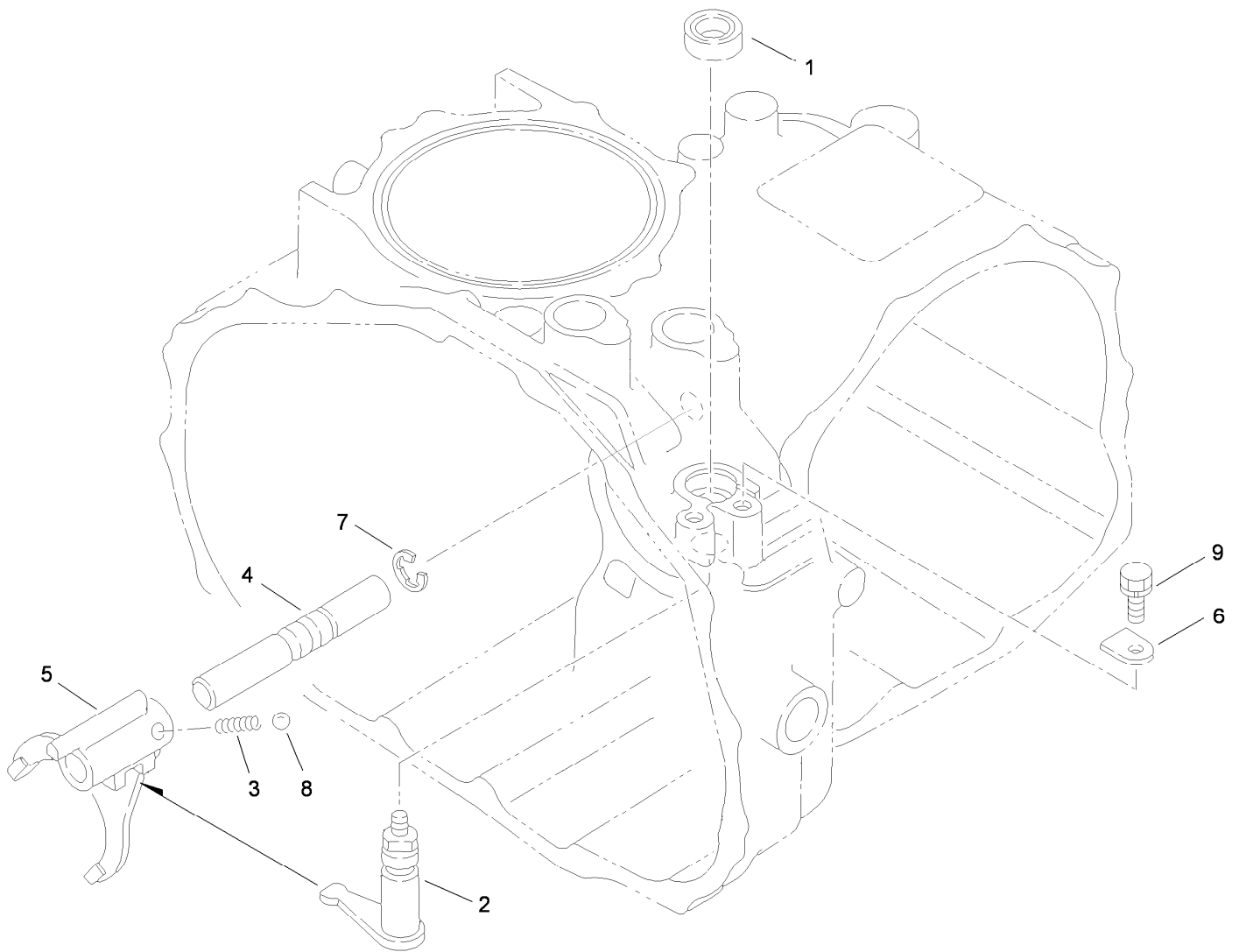
Reverse Shaft Assembly Transaxle Assembly No. 115-7783

| <i>Ref.</i> | <i>Part Number</i> | <i>Qty.</i> | <i>Description</i> |
|-------------|--------------------|-------------|------------------------|
| 1 | 92-0684 | 1 | Gear-Reverse, 33 Tooth |
| 2 | 92-0824 | 1 | Shaft-Idler, Reverse |
| 3 | 251-346 | 1 | Bearing-Ball |
| 4 | 92-0778 | 1 | Bearing |



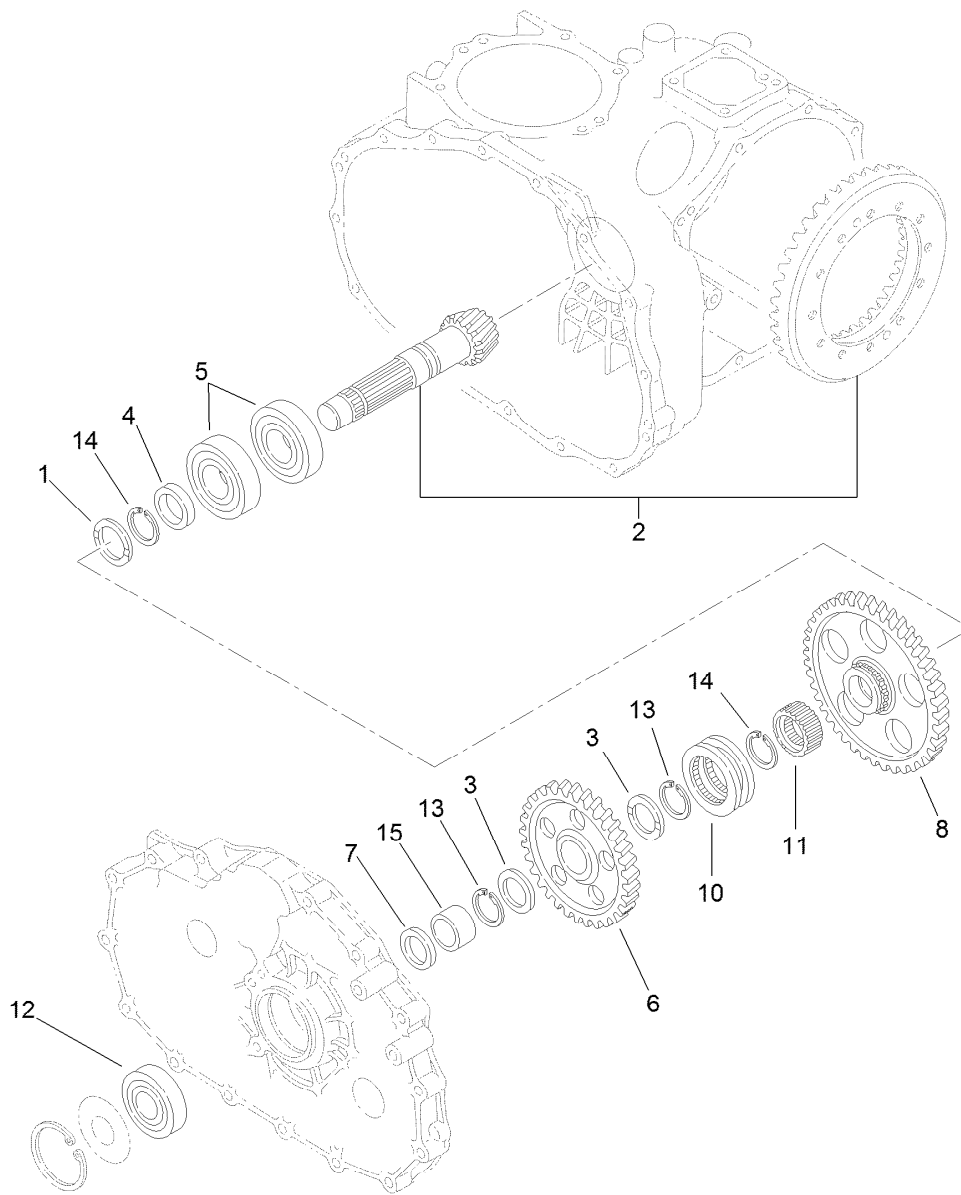
Main Shift Assembly Transaxle Assembly No. 115-7783

| <i>Ref.</i> | <i>Part Number</i> | <i>Qty.</i> | <i>Description</i> |
|-------------|--------------------|-------------|--------------------|
| 1 | 92-0698 | 1 | Shaft-Fork |
| 2 | 92-0699 | 1 | Shaft-Fork |
| 3 | 92-0700 | 1 | Fork-Shift |
| 4 | 92-0701 | 1 | Fork-Shift |
| 5 | 92-0705 | 1 | Lock-Spindle |
| 6 | 92-0729 | 2 | Seal-Oil |
| 7 | 92-0816 | 1 | Arm-Shift |
| 8 | 92-0817 | 1 | Arm-Shift |
| 9 | 92-0731 | 2 | Spring |
| 10 | 92-0732 | 2 | Plate-Keeper |
| 11 | 92-0769 | 2 | Pin-Roll |
| 12 | 92-0785 | 2 | Ball-Steel |
| 13 | 33104-016 | 2 | Screw-HHF |



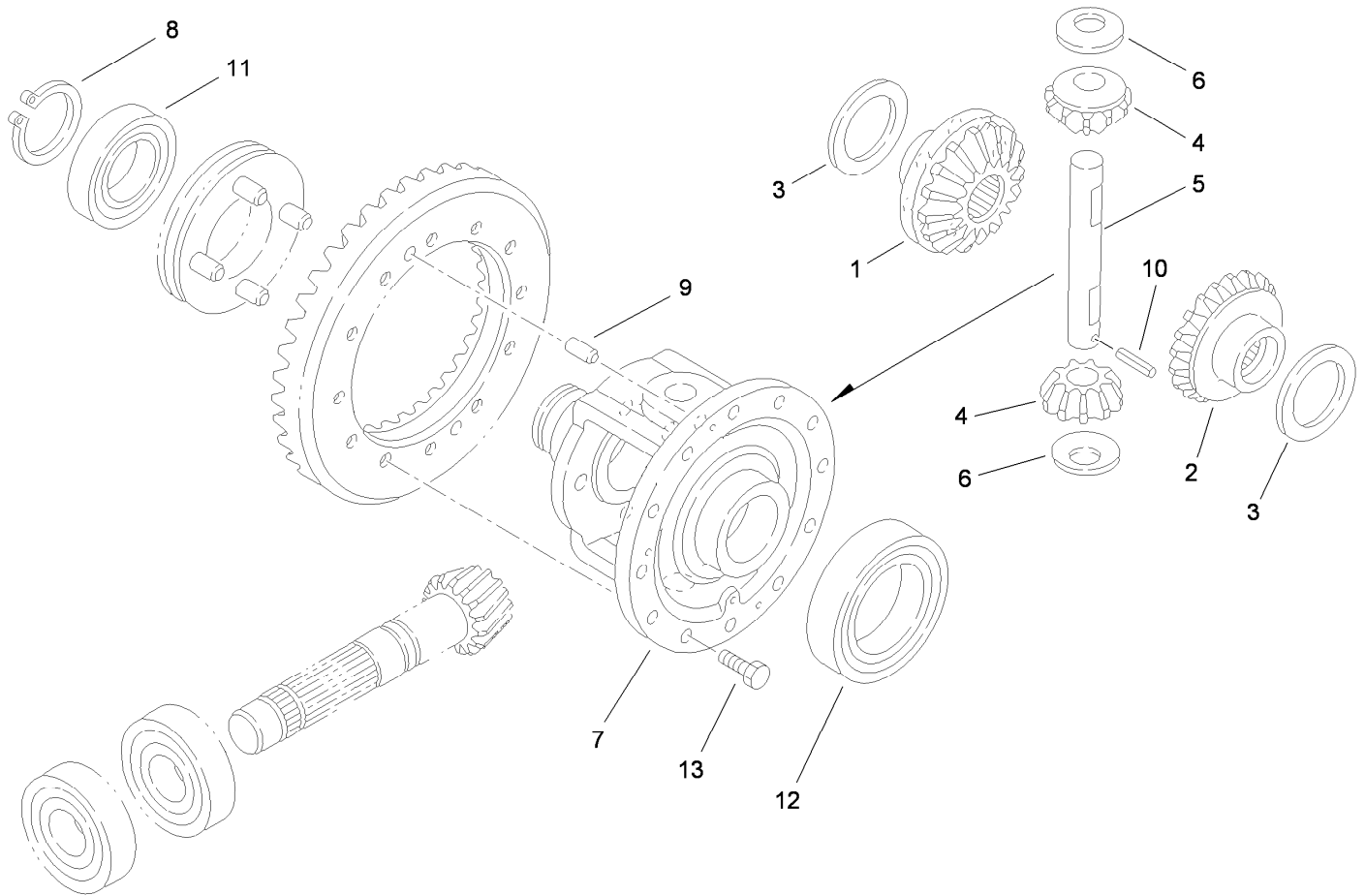
Hi-Lo Shift Assembly Transaxle Assembly No. 115-7783

| <i>Ref.</i> | <i>Part Number</i> | <i>Qty.</i> | <i>Description</i> |
|-------------|--------------------|-------------|--------------------|
| 1 | 92-0729 | 1 | Seal-Oil |
| 2 | 92-0818 | 1 | Arm-Shift |
| 3 | 92-0731 | 1 | Spring |
| 4 | 92-0708 | 1 | Shaft-Fork |
| 5 | 92-0709 | 1 | Fork-Shift |
| 6 | 92-0732 | 1 | Plate-Keeper |
| 7 | 92-0761 | 1 | Ring-E |
| 8 | 92-0785 | 1 | Ball-Steel |
| 9 | 33104-016 | 1 | Screw-HHF |



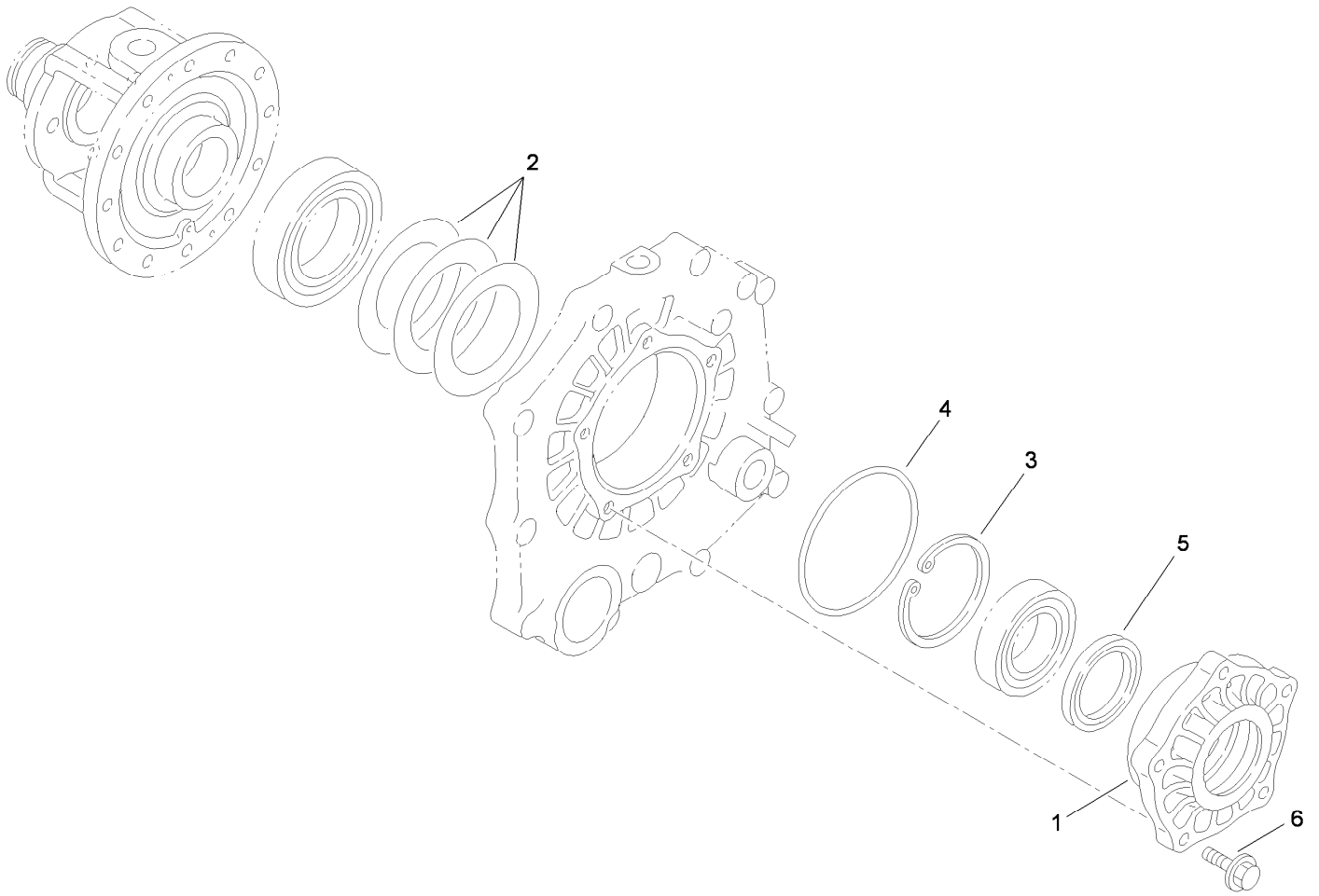
Countershaft Assembly Transaxle Assembly No. 115-7783

| <i>Ref.</i> | <i>Part Number</i> | <i>Qty.</i> | <i>Description</i> |
|-------------|--------------------|-------------|--------------------------------|
| 1 | 92-0741 | 1 | Washer-Thrust |
| 2 | 105-7983 | 1 | Countershaft And Ring Gear ASM |
| 3 | 92-0711 | 2 | Washer-Thrust |
| 4 | 92-0713 | 1 | Collar |
| 5 | 92-0714 | 2 | Bearing |
| 6 | 92-0715 | 1 | Gear-Countershaft |
| 7 | 92-0716 | 1 | Collar |
| 8 | 92-0717 | 1 | Gear-Countershaft |
| 10 | 92-0718 | 1 | Shifter |
| 11 | 105-7986 | 1 | Collar-Spline |
| 12 | 92-0712 | 1 | Bearing-Ball |
| 13 | 105-7987 | 2 | Ring-Snap |
| 14 | 92-0755 | 2 | Ring-Snap |
| 15 | 92-0783 | 1 | Race-Inner |



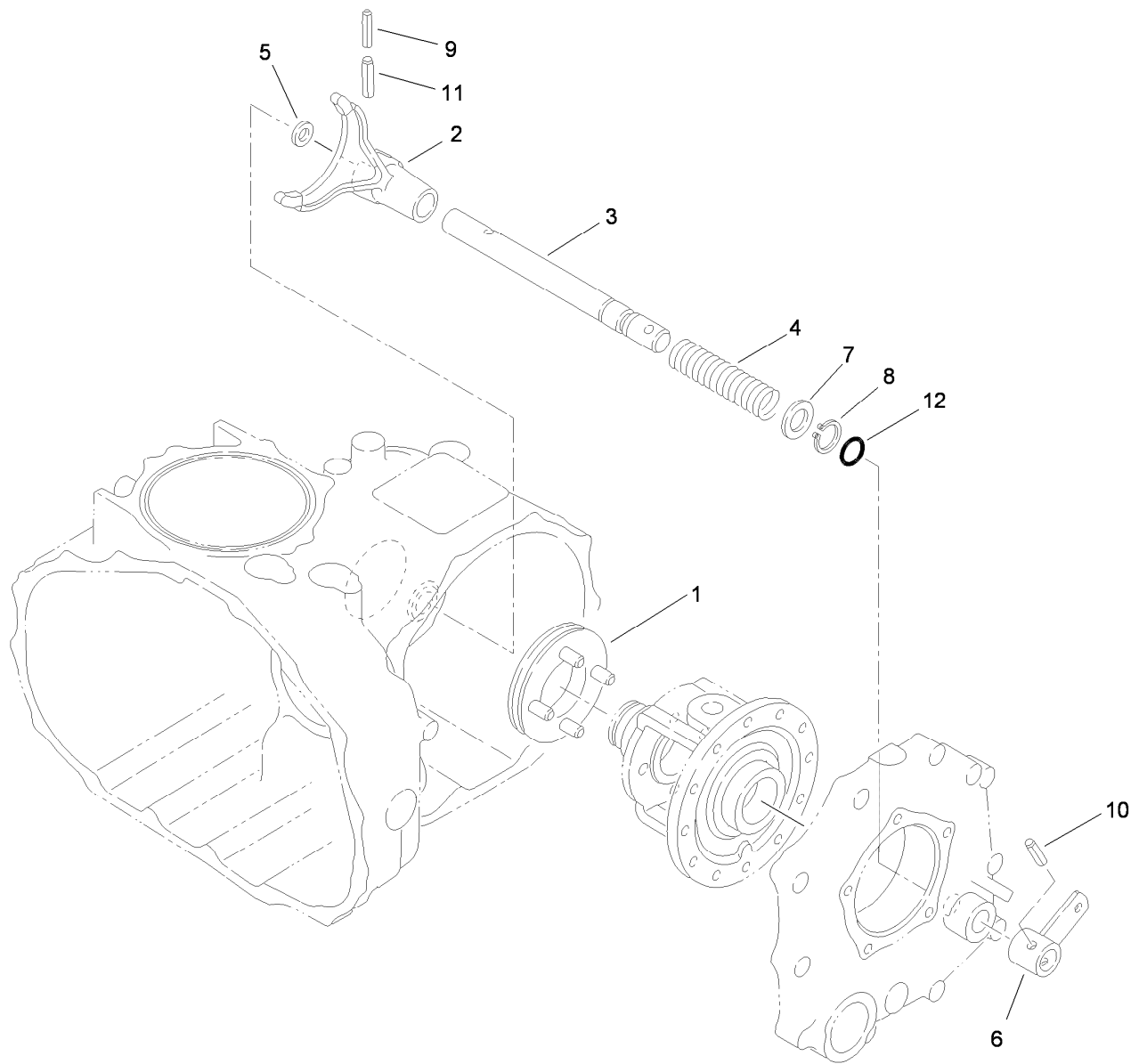
Differential Gear Assembly Transaxle Assembly No. 115-7783

| <i>Ref.</i> | <i>Part Number</i> | <i>Qty.</i> | <i>Description</i> |
|-------------|--------------------|-------------|-----------------------|
| 1 | 92-0745 | 1 | Gear-Side, LH |
| 2 | 92-0746 | 1 | Gear-Side, RH |
| 3 | 92-0747 | 2 | Side-Gear, Left Inner |
| 4 | 92-0748 | 2 | Pinion-Differential |
| 5 | 92-0749 | 1 | Shaft-Pinion |
| 6 | 92-0750 | 2 | Washer |
| 7 | 92-0720 | 1 | Case-Differential |
| 8 | 92-0756 | 1 | Ring-Snap |
| 9 | 92-0765 | 2 | Pin-Parallel |
| 10 | 92-0768 | 1 | Pin-Roll, Spring |
| 11 | 92-0775 | 1 | Bearing |
| 12 | 92-0776 | 1 | Bearing |
| 13 | 92-0803 | 12 | Bolt |



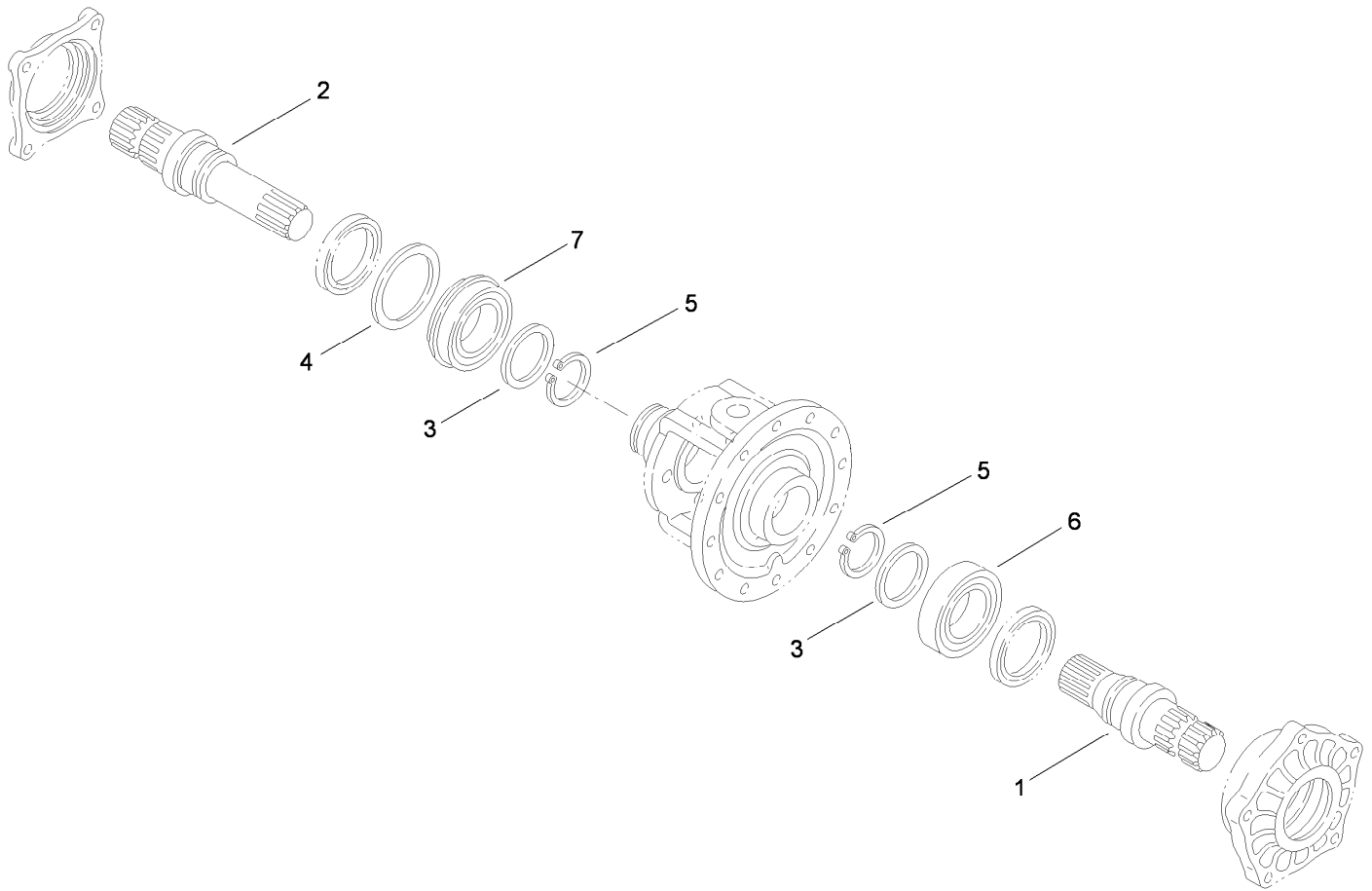
Differential Carrier Assembly Transaxle Assembly No. 115-7783

| <i>Ref.</i> | <i>Part Number</i> | <i>Qty.</i> | <i>Description</i> |
|-------------|--------------------|-------------|----------------------|
| 1 | 92-0654 | 1 | Carrier-Differential |
| 2 | 92-0809 | 1 | Set-Shim |
| 3 | 92-0760 | 1 | Ring-Snap |
| 4 | 92-0789 | 1 | O-Ring |
| 5 | 92-0793 | 1 | Seal-Oil |
| 6 | 33104-030 | 5 | Screw-HHF |



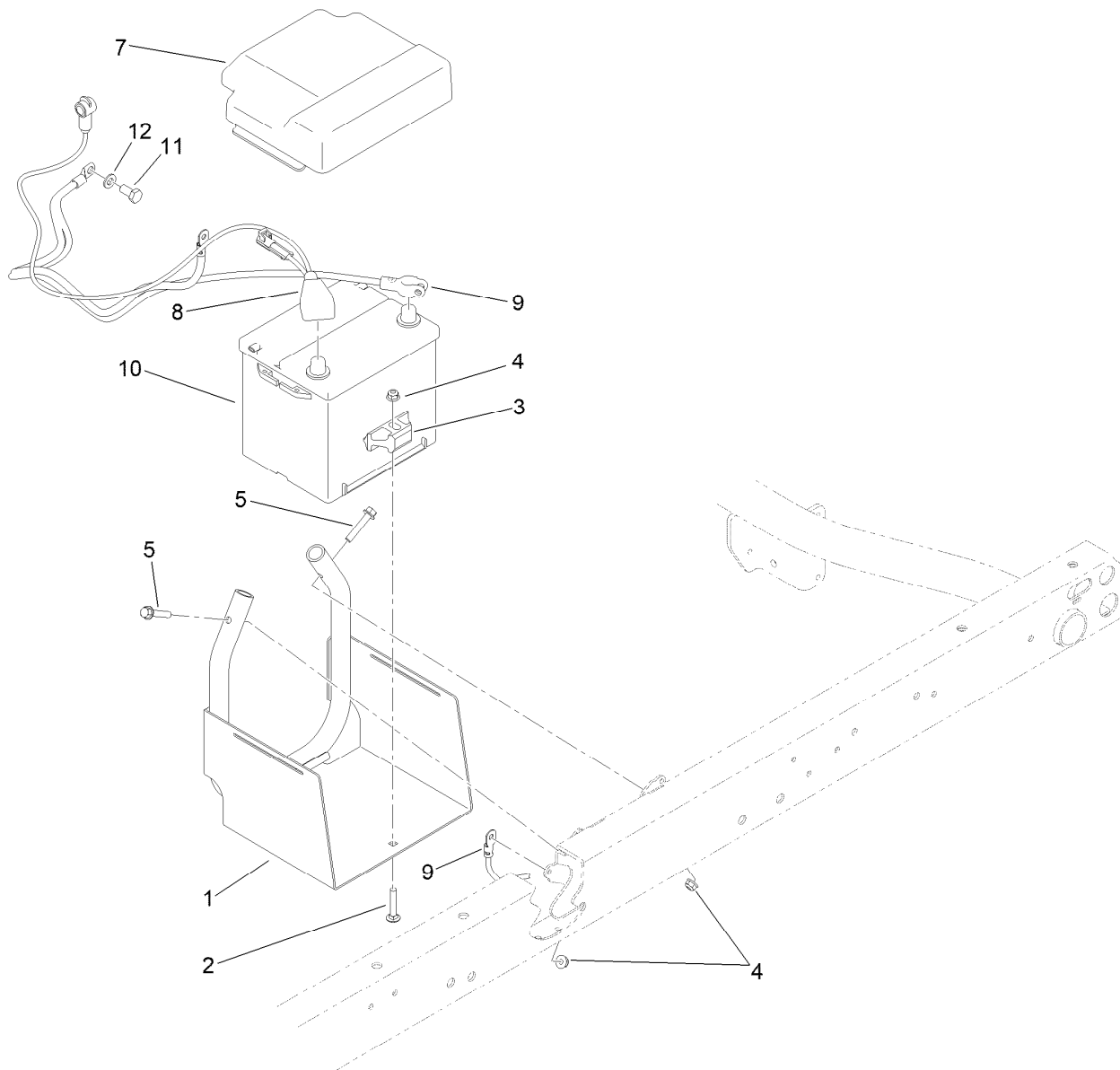
Differential Lock Assembly Transaxle Assembly No. 115-7783

| <i>Ref.</i> | <i>Part Number</i> | <i>Qty.</i> | <i>Description</i> |
|-------------|--------------------|-------------|-------------------------------|
| 1 | 92-0730 | 1 | Slider-Differential, Lock |
| 2 | 92-0721 | 1 | Fork-Lock, Differential |
| 3 | 92-0722 | 1 | Shaft-Fork, Lock Differential |
| 4 | 92-0723 | 1 | Spring-Lock, Differential |
| 5 | 92-0744 | 1 | Washer |
| 6 | 92-0724 | 1 | Arm-Lock, Differential |
| 7 | 92-0733 | 1 | Washer |
| 8 | 92-0753 | 1 | Ring-Snap |
| 9 | 92-0768 | 1 | Pin-Roll, Spring |
| 10 | 92-0770 | 1 | Pin-Roll, Spring |
| 11 | 92-0771 | 1 | Pin-Roll, Spring |
| 12 | 92-0787 | 1 | O-Ring |



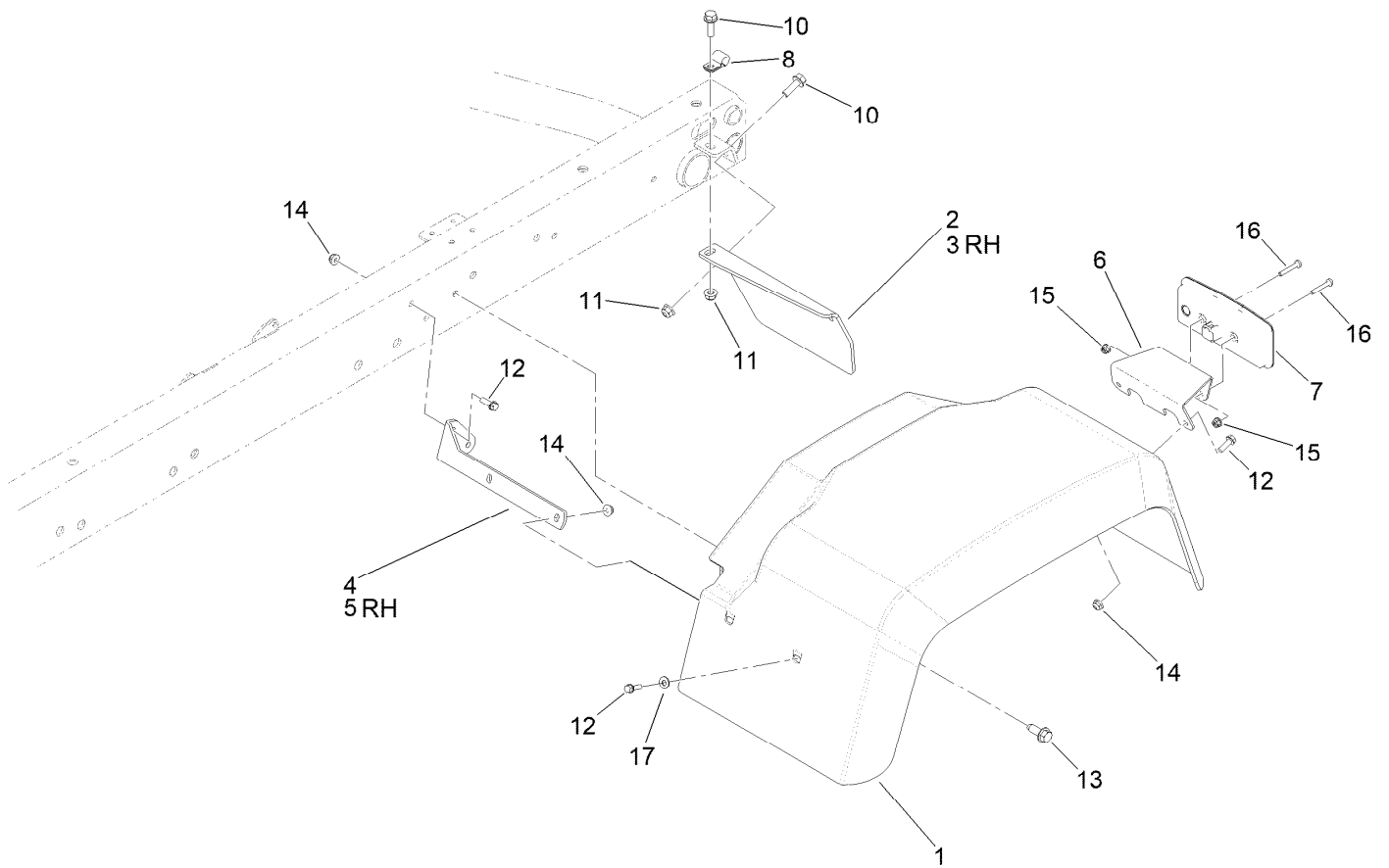
Axle Shaft Assembly Transaxle Assembly No. 115-7783

| <i>Ref.</i> | <i>Part Number</i> | <i>Qty.</i> | <i>Description</i> |
|-------------|--------------------|-------------|--------------------|
| 1 | 92-0725 | 1 | Shaft-Axle, Left |
| 2 | 92-0726 | 1 | Shaft-Axle, Right |
| 3 | 92-0727 | 2 | Washer |
| 4 | 92-0728 | 1 | Washer |
| 5 | 92-0756 | 2 | Ring-Snap |
| 6 | 92-0775 | 1 | Bearing |
| 7 | 92-0780 | 1 | Bearing |



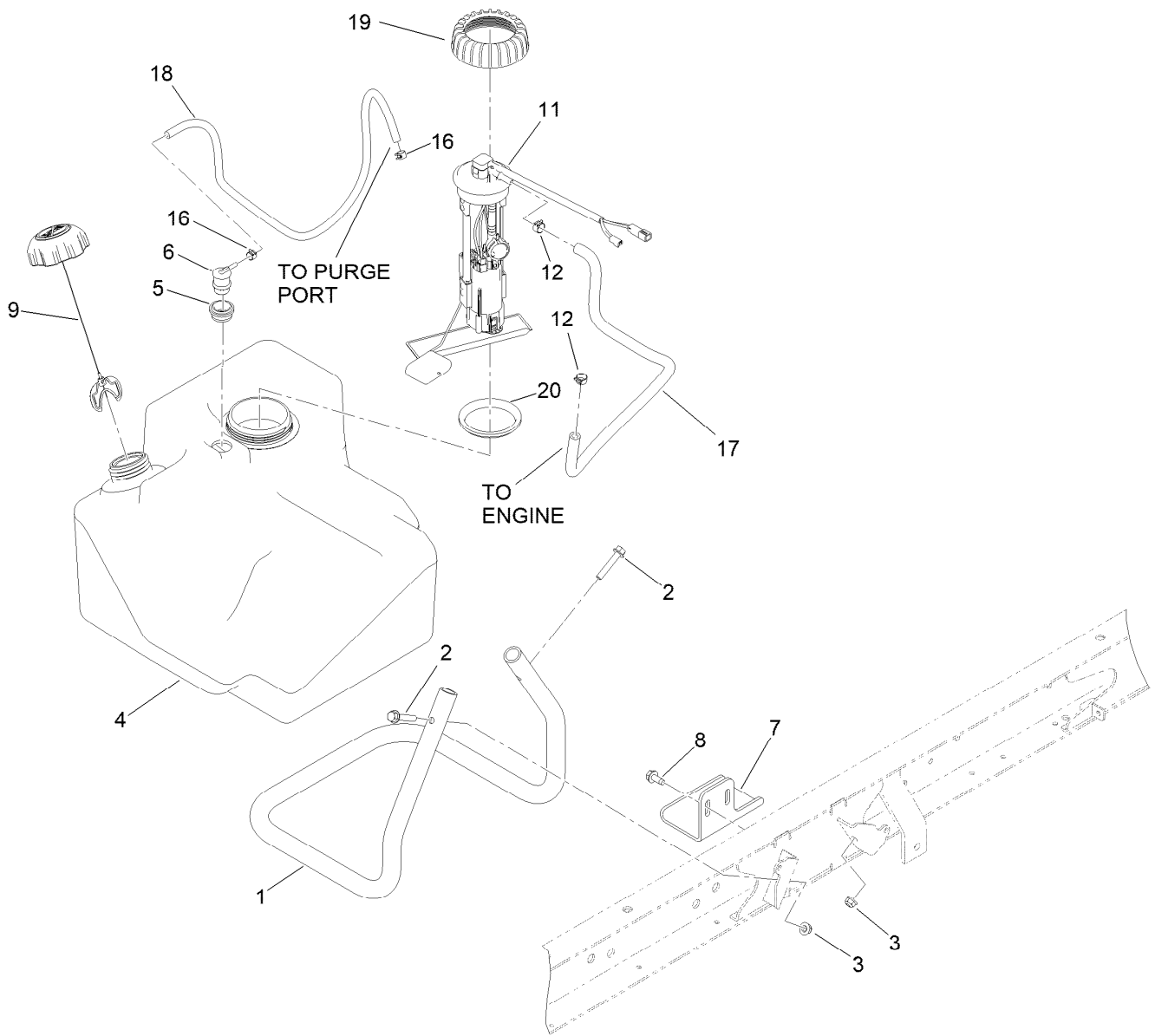
Battery Assembly

| <i>Ref.</i> | <i>Part Number</i> | <i>Qty.</i> | <i>Description</i> |
|-------------|--------------------|-------------|----------------------------|
| 1 | 115-2237-03 | 1 | Tray-Battery |
| 2 | 3230-5 | 1 | Bolt-CARR |
| 3 | 138-6335 | 1 | Retainer-Battery |
| 4 | 104-8300 | 3 | Nut-HF, NI |
| 5 | 94-5780 | 2 | Screw-HWH |
| 7 | 119-9496 | 1 | Cover-Battery |
| 8 | 122-0281 | 1 | Cable-Battery, Positive |
| 9 | 122-1024 | 1 | Cable-Battery, Negative |
| 10 | 106-5187 | 1 | Battery- Dry, 12V, 525 CCA |
| 11 | 63-7790 | 1 | Screw-Cap |
| 12 | 33095-00 | 1 | Washer-Flat |



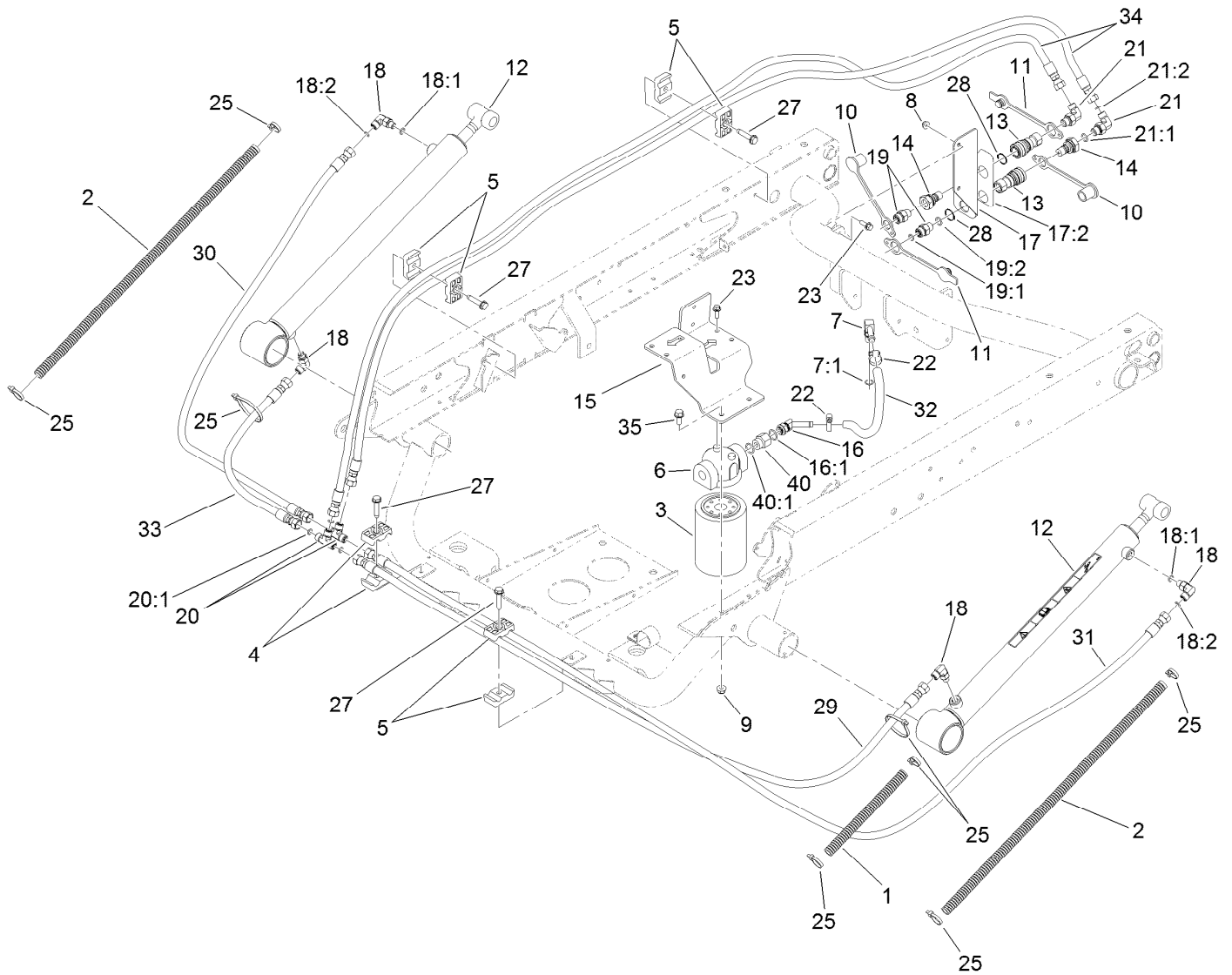
Tail Light and Fender Assembly

| <i>Ref.</i> | <i>Part Number</i> | <i>Qty.</i> | <i>Description</i> | <i>Ref.</i> | <i>Part Number</i> | <i>Qty.</i> | <i>Description</i> |
|-------------|--------------------|-------------|----------------------------|-------------|--------------------|-------------|--------------------|
| 1 | 132-6701 | 2 | Fender-Rear | 10 | 3234-17 | 4 | Screw-HHF |
| 2 | 93-8943-03 | 1 | Bracket-Fender, Rear (LH) | 11 | 104-8300 | 4 | Nut-HF, NI |
| 3 | 93-8944-03 | 1 | Bracket-Fender, Rear (RH) | 12 | 32105-15 | 12 | Screw-HWH |
| 4 | 93-8941-03 | 1 | Bracket-Fender, Front (LH) | 13 | 126-1696 | 6 | Screw-HWHTF |
| 5 | 93-8942-03 | 1 | Bracket-Fender, Front (RH) | 14 | 104-7201 | 12 | Nut-HF, NI |
| 6 | 144-2190-03 | 2 | Bracket-Tail Light, LED | 15 | 120-4578 | 4 | Nut-HF |
| 7 | 139-2071 | 2 | Light-Rear Tail/Stop/Turn | 16 | 3250-52 | 4 | Screw-PPH |
| 8 | 2412-93 | 2 | Clamp-R | 17 | 3256-1 | 4 | Washer-Flat |



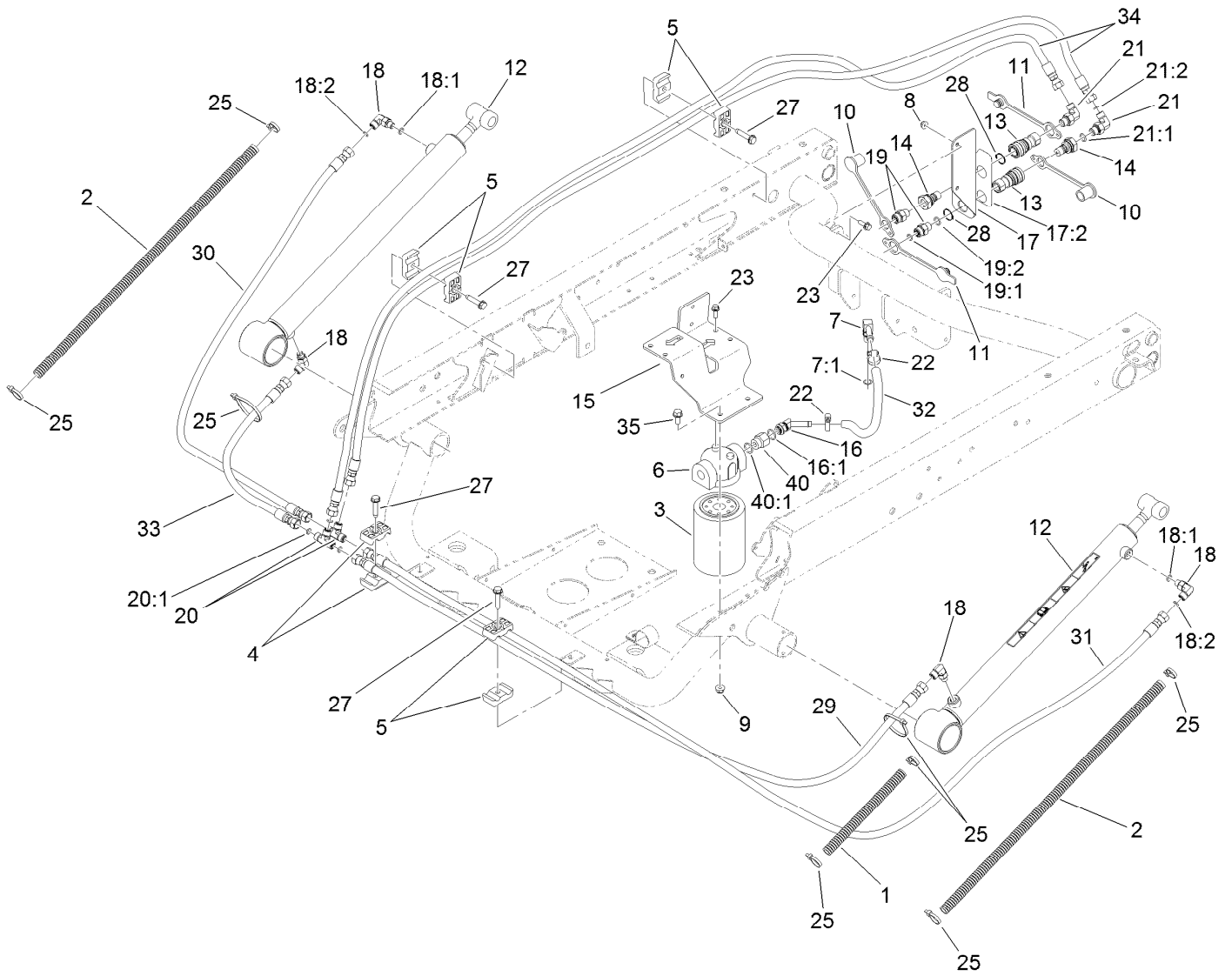
Fuel System Assembly

| <i>Ref.</i> | <i>Part Number</i> | <i>Qty.</i> | <i>Description</i> | <i>Ref.</i> | <i>Part Number</i> | <i>Qty.</i> | <i>Description</i> |
|-------------|--------------------|-------------|--------------------|-------------|--------------------|-------------|--------------------|
| 1 | 115-7767-0P | 1 | Tube-Support | 9 | 137-4127 | 1 | Cap-Fuel |
| 2 | 94-5780 | 2 | Screw-HWH | 11 | 144-2183 | 1 | Pump-Fuel |
| 3 | 104-8300 | 2 | Nut-HF, NI | 12 | 92-2379 | 2 | Clamp-Hose |
| 4 | 115-7700 | 1 | Tank-Fuel | 16 | 2412-146 | 2 | Clamp-Hose |
| 5 | 114-0284 | 1 | Grommet | 17 | 109-0287 | 1 | Hose-Fuel |
| 6 | 114-0285 | 1 | Valve-Rollover | 18 | 110-3254 | 1 | Hose-Fuel |
| 7 | 114-8404 | 1 | Plate-Retainer | 19 | 140-6245 | 1 | Cap-Pump, Fuel |
| 8 | 32144-70 | 2 | Screw-HWHTF | 20 | 140-6246 | 1 | Gasket-Pump, Fuel, |



Hydraulic Lift Cylinder Assembly

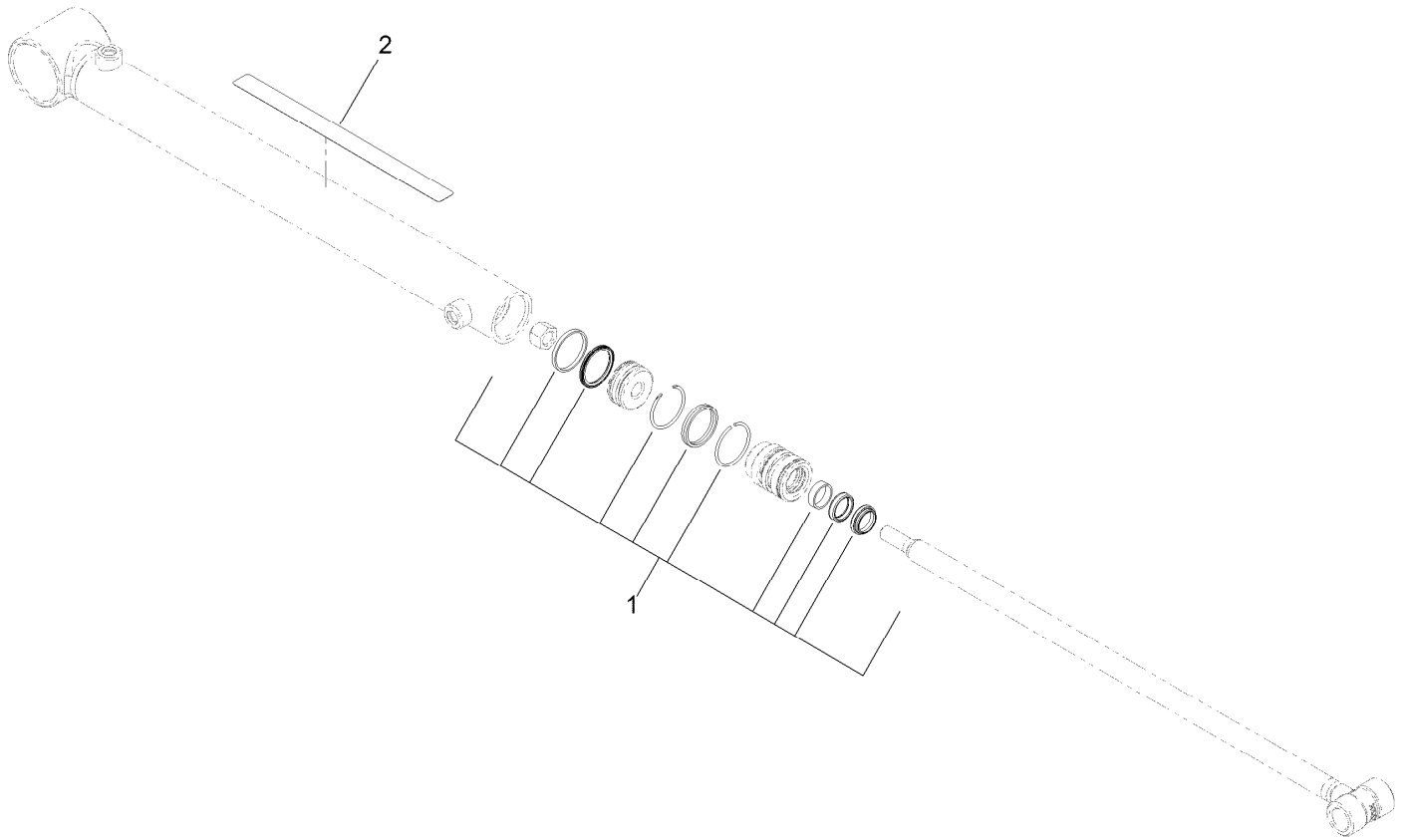
| Ref. | Part Number | Qty. | Description | Ref. | Part Number | Qty. | Description |
|------|-------------|------|--------------------------|------|-------------|------|-----------------------|
| 1 | 24-7922 | 1 | Conduit-Convolved, Split | 18:1 | 237-78 | 1 | O-Ring |
| 2 | 24-7923 | 2 | Conduit-Convolved, Split | 18:2 | 237-21 | 1 | O-Ring |
| 3 | 54-0110 | 1 | Filter-Oil, Transmission | 19 | 340-2 | 2 | Fitting-Straight |
| 4 | 56-7971 | 2 | Clamp-Tube | 19:1 | 237-22 | 1 | O-Ring |
| 5 | 56-7976 | 6 | Clamp-Tube | 19:2 | 237-42 | 1 | O-Ring |
| 6 | 87-8780 | 1 | Head-Filter | 20 | 340-21 | 2 | Fitting |
| 7 | 100-4887 | 1 | Fitting-Elbow, 90 | 20:1 | 237-21 | 3 | O-Ring |
| 7:1 | 237-42 | 1 | O-Ring | 21 | 340-82 | 2 | Fitting-Elbow, 90 DEG |
| 8 | 104-7201 | 2 | Nut-HF, NI | 21:1 | 237-42 | 1 | O-Ring |
| 9 | 104-8300 | 2 | Nut-HF, NI | 21:2 | 237-21 | 1 | O-Ring |
| 10 | 106-7881 | 2 | Cap-Dust, HYD | 22 | 2412-36 | 2 | Clamp-Hose |
| 11 | 106-7882 | 2 | Plug-Dust, HYD | 23 | 3234-4 | 4 | Screw-HHF |
| 12 | 133-0620 | 2 | HYD Cylinder ASM | 25 | 3290-379 | 6 | Tie-Cable |
| 13 | 106-7968 | 2 | Coupler-Quick, Female | 27 | 32144-57 | 4 | Screw |
| 14 | 106-7969 | 2 | Coupler-Quick, Male | 28 | 32151-83 | 2 | Ring-Snap |
| 15 | 115-2168-OP | 1 | Bracket-Mount-Filter | 29 | 115-7711 | 1 | Hose-HYD |
| 16 | 103-1807 | 1 | Fitting-Barbed, 45 DEG | 30 | 108-6508 | 1 | Hose-HYD |
| 16:1 | 237-42 | 1 | O-Ring | 31 | 104-3716 | 1 | Hose-HYD |
| 17 | 139-4530 | 1 | Coupler Bracket ASM | 32 | 115-2228 | 1 | Hose-HYD |
| 17:2 | 115-7723 | 1 | Decal-Disconnect, Quick | 33 | 110-0931 | 1 | Hose-HYD |
| 18 | 340-132 | 4 | Fitting-Elbow, 90 DEG | 34 | 106-3680 | 2 | Hose-HYD |



Hydraulic Lift Cylinder Assembly (continued)

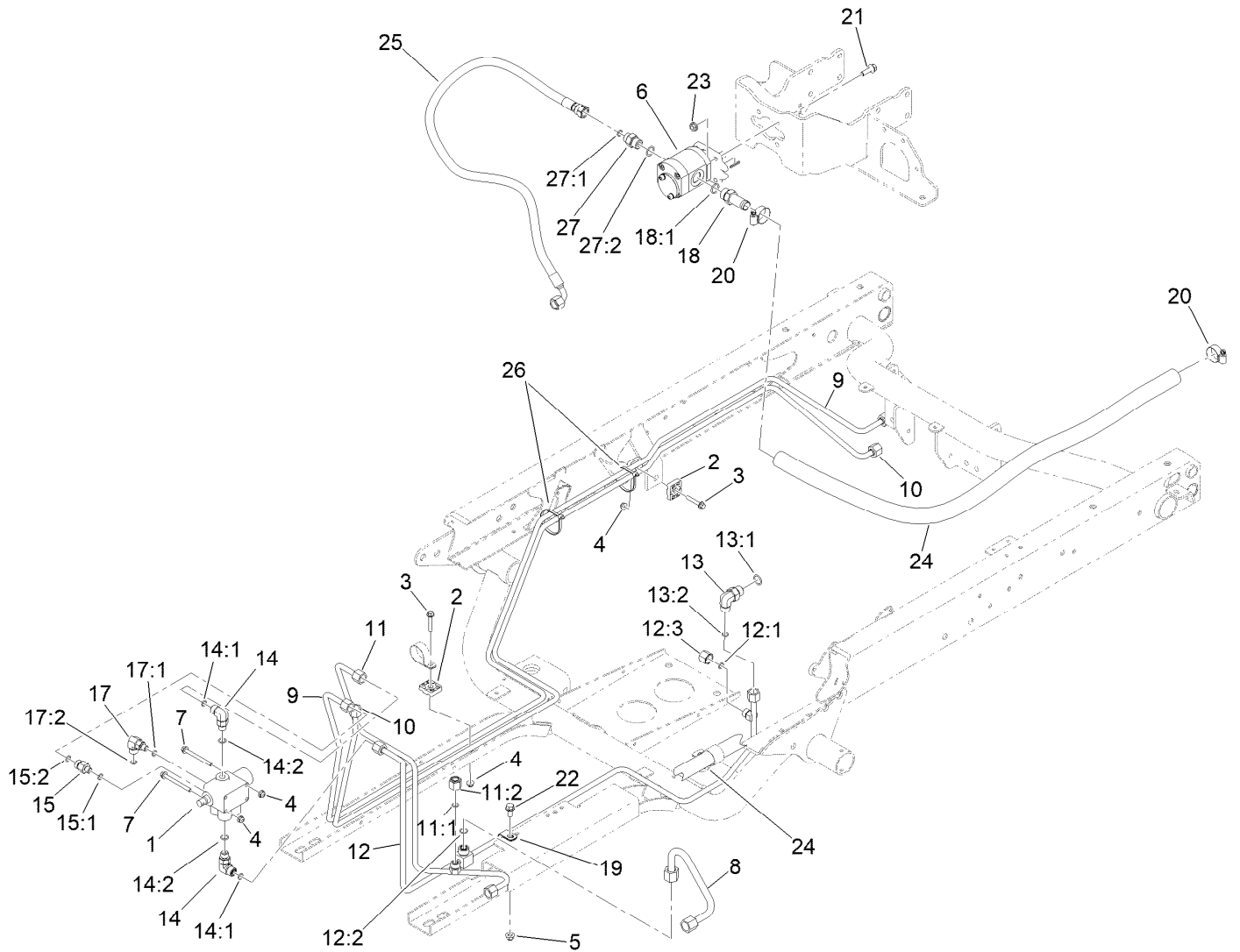
| <i>Ref.</i> | <i>Part Number</i> | <i>Qty.</i> | <i>Description</i> |
|-------------|--------------------|-------------|--------------------|
| 35 | 3234-5 | 2 | Screw-HHF |

| <i>Ref.</i> | <i>Part Number</i> | <i>Qty.</i> | <i>Description</i> |
|-------------|--------------------|-------------|--------------------|
| 40 | 353-397 | 1 | Reducer-Adapter |
| 40:1 | 237-79 | 1 | O-Ring |



Hydraulic Cylinder Assembly No. 133-0620

| <i>Ref.</i> | <i>Part Number</i> | <i>Qty.</i> | <i>Description</i> |
|-------------|--------------------|-------------|--------------------|
| 1 | 133-0618 | 1 | Cylinder Seal Kit |
| 2 | 93-9852 | 1 | Decal-Warning |



Main Hydraulic Pump and Lift Valve Assembly

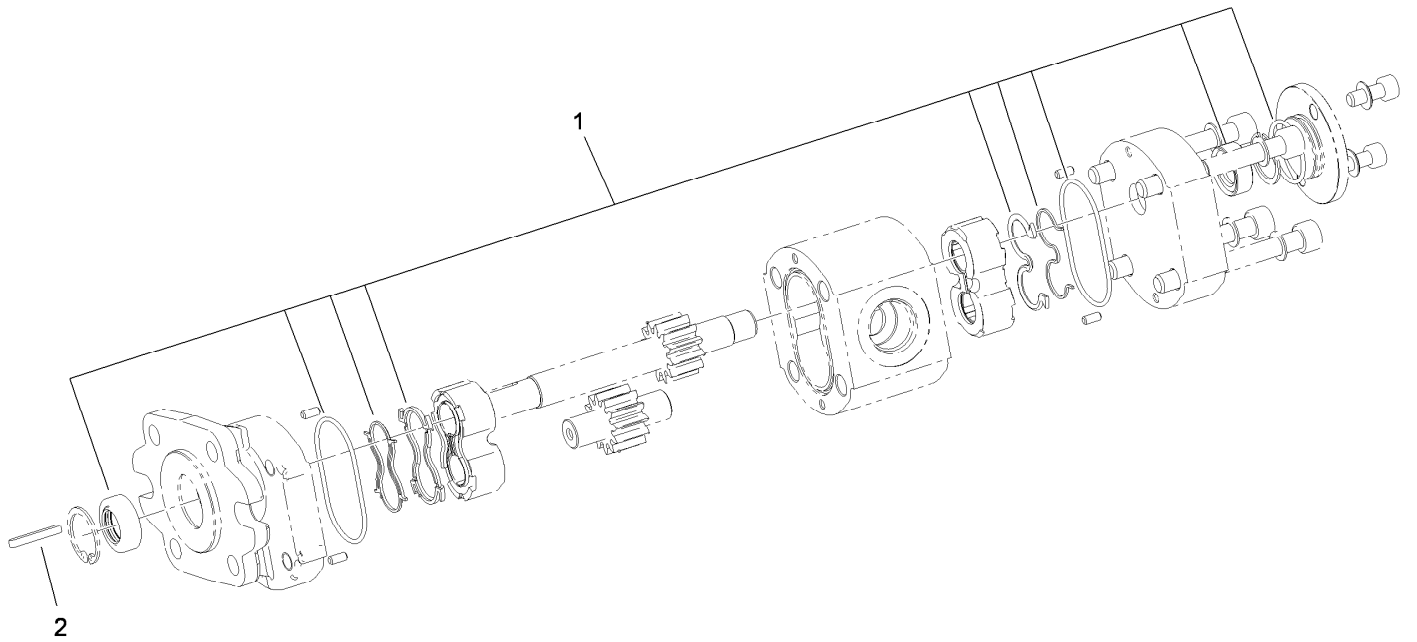
| <i>Ref.</i> | <i>Part Number</i> | <i>Qty.</i> | <i>Description</i> | <i>Ref.</i> | <i>Part Number</i> | <i>Qty.</i> | <i>Description</i> |
|-------------|--------------------|-------------|-----------------------|-------------|--------------------|-------------|-----------------------|
| 1 | 43-1950 | 1 | HYD Control Valve ASM | 14:1 | 237-22 | 1 | O-Ring |
| 2 | 56-7973 | 4 | Clamp-Tube | 14:2 | 237-42 | 1 | O-Ring |
| 3 | 94-5781 | 2 | Screw-HHF | 15 | 340-88 | 1 | Fitting-Straight |
| 4 | 104-7201 | 4 | Nut-HF, NI | 15:1 | 237-22 | 1 | O-Ring |
| 5 | 104-8300 | 1 | Nut-HF, NI | 15:2 | 237-78 | 1 | O-Ring |
| 6 | 114-8302 | 1 | HYD Pump ASM | 17 | 340-97 | 1 | Fitting-Elbow, 90 DEG |
| 7 | 114-8410 | 2 | Screw-HHF | 17:1 | 237-22 | 1 | O-Ring |
| 8 | 147-2802 | 1 | Hydraulic Tube ASM | 17:2 | 237-78 | 1 | O-Ring |
| 9 | 115-2217 | 1 | Tube-HYD | 18 | 354-136 | 1 | Fitting-STR |
| 10 | 115-2218 | 1 | Tube-HYD | 18:1 | 237-80 | 1 | O-Ring |
| 11 | 127-8604 | 1 | Tube-HYD | 19 | 2412-113 | 1 | Clamp-R |
| 11:1 | 237-22 | 1 | O-Ring | 20 | 2412-129 | 2 | Clamp-Hose |
| 11:2 | 340-117 | 1 | Cap | 21 | 3234-17 | 4 | Screw-HHF |
| 12 | 147-2804 | 1 | Tube-HYD | 22 | 3234-5 | 1 | Screw-HHF |
| 12:1 | 237-22 | 1 | O-Ring | 23 | 32128-20 | 4 | Nut-HF |
| 12:2 | 237-30 | 1 | O-Ring | 24 | 87-3670 | 1 | Hose-Suction |
| 12:3 | 340-117 | 1 | Cap | 25 | 145-2295 | 1 | Hydraulic Hose ASM |
| 13 | 340-18 | 1 | Fitting-HYD, 90 DEG | 26 | 3290-379 | 4 | Tie-Cable |
| 13:1 | 237-79 | 1 | O-Ring | 27 | 340-3 | 1 | Fitting-Straight |
| 13:2 | 237-22 | 1 | O-Ring | 27:1 | 237-22 | 1 | O-Ring |
| 14 | 340-77 | 2 | Fitting-Elbow, 90 DEG | 27:2 | 237-79 | 1 | O-Ring |



Control Valve Assembly No. 43-1950

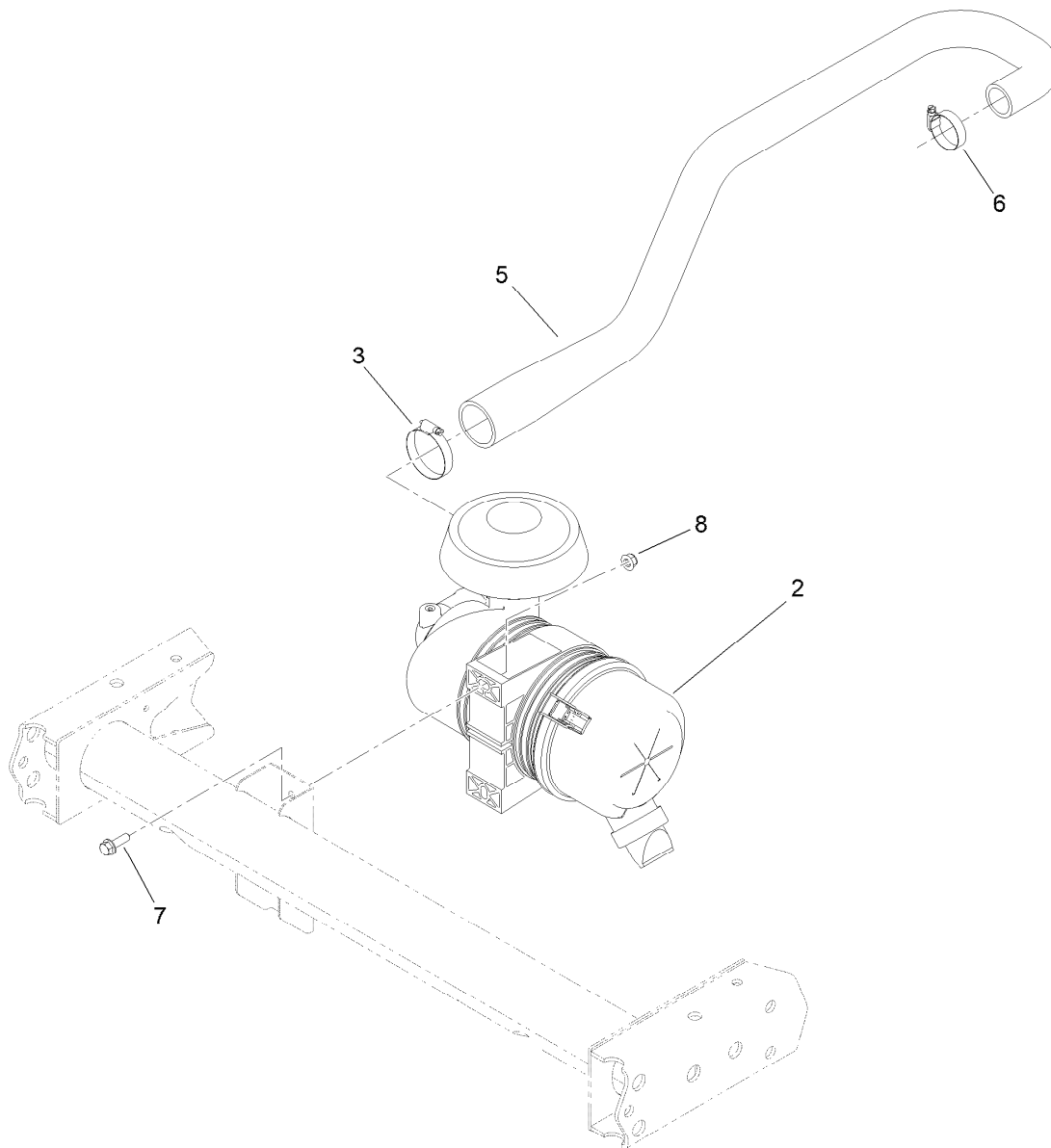
| Ref. | Part Number | Qty. | Description |
|------|-------------|------|-------------|
| 1 | 22-8330 | 2 | Plug |
| 2 | 237-42 | 2 | O-Ring |
| 3 | 22-8340 | 2 | Spring |
| 4 | 22-8350 | 2 | Ball |
| 5 | 22-8370 | 2 | Seat-Valve |
| 6 | 22-8360 | 2 | Pin |
| 7 | | 1 | Body ● |
| 8 | 22-8420 | 1 | Spool |
| 9 | 22-8500 | 2 | O-Ring |
| 10 | 22-8380 | 2 | Retainer |
| 11 | 22-8410 | 1 | Spring |
| 12 | 23-3030 | 1 | Spacer |
| 13 | 22-8480 | 1 | Ring-Snap |
| 14 | 22-8490 | 1 | Ring-Snap |

● Not serviced separately



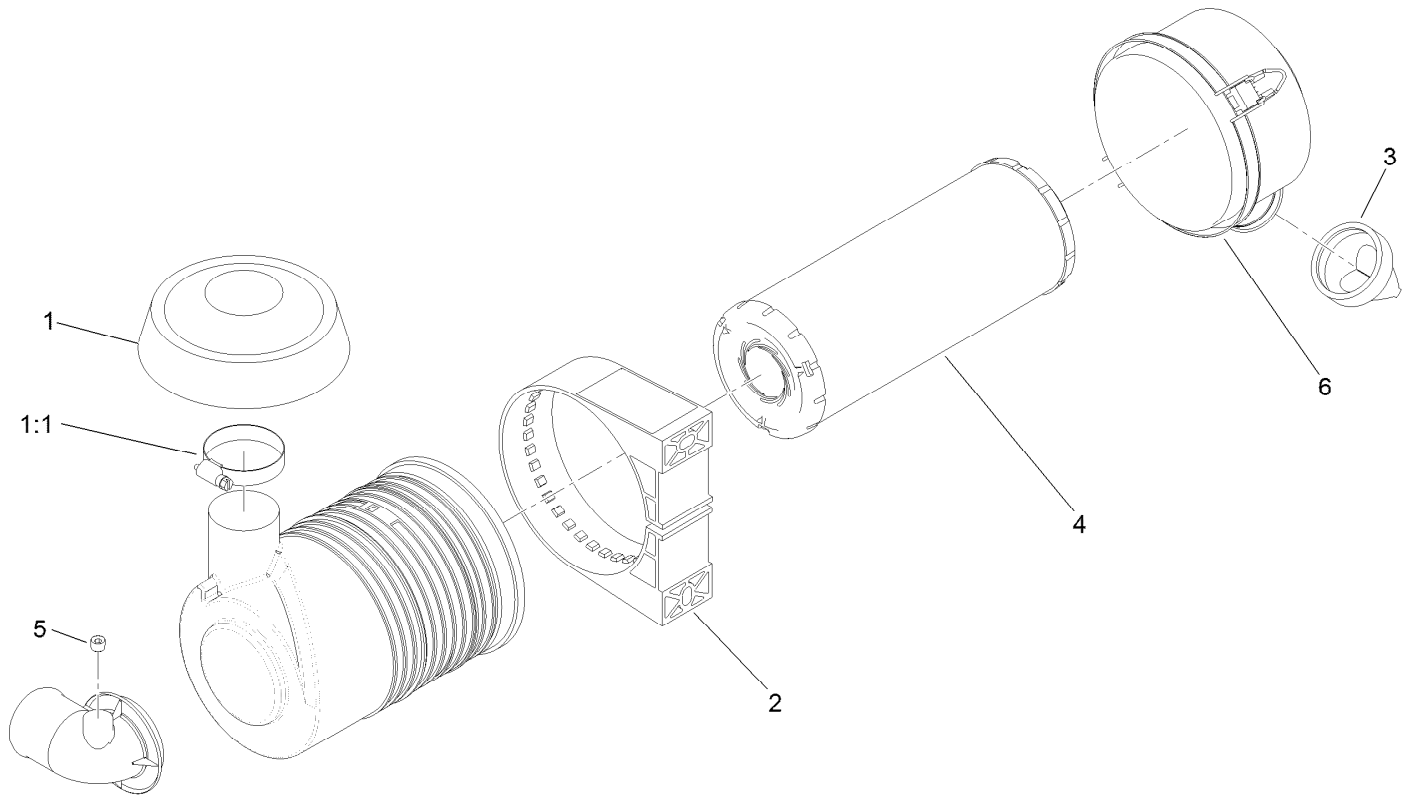
Hydraulic Gear Pump Assembly No. 114-8302

| <i>Ref.</i> | <i>Part Number</i> | <i>Qty.</i> | <i>Description</i> |
|-------------|--------------------|-------------|--------------------|
| 1 | 115-8696 | 1 | Seal Kit |
| 2 | 115-7855 | 1 | Key-Square |



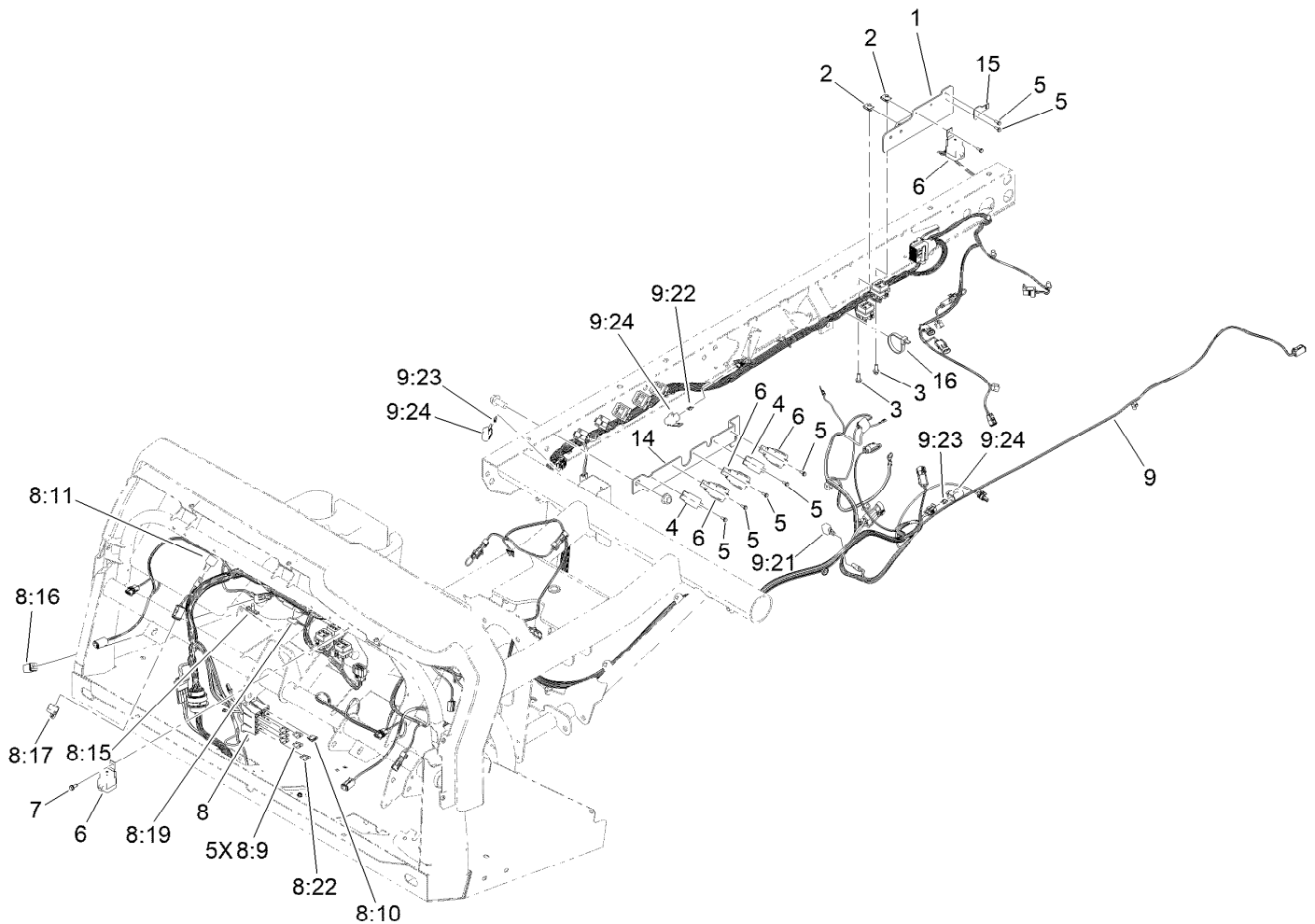
Air Cleaner Assembly

| <i>Ref.</i> | <i>Part Number</i> | <i>Qty.</i> | <i>Description</i> |
|-------------|--------------------|-------------|--------------------|
| 2 | 138-5650 | 1 | Air Cleaner ASM |
| 3 | 2412-130 | 1 | Clamp-Hose |
| 5 | 120-5098 | 1 | Hose-Intake, Air |
| 6 | 2412-3 | 1 | Clamp-Hose |
| 7 | 3234-29 | 2 | Screw-HHF |
| 8 | 104-8300 | 2 | Nut-HF, NI |



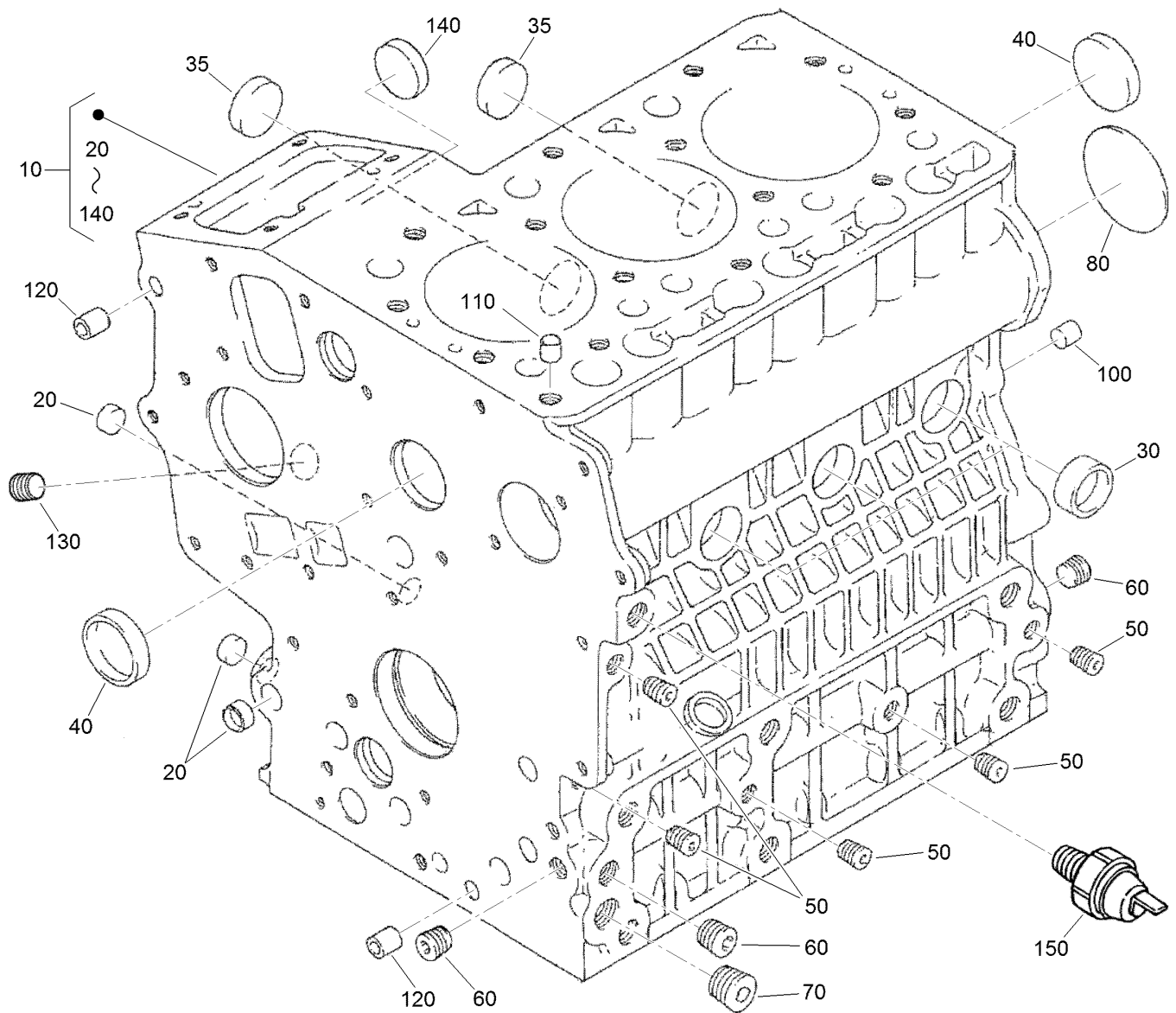
Air Cleaner Assembly No. 138-5650

| <i>Ref.</i> | <i>Part Number</i> | <i>Qty.</i> | <i>Description</i> |
|-------------|--------------------|-------------|----------------------|
| 1 | 139-0686 | 1 | Rain Cap ASM |
| 1:1 | 2412-130 | 1 | Clamp-Hose |
| 2 | 98-4525 | 1 | Bracket-Cleaner, Air |
| 3 | 87-9400 | 1 | Valve-Vacuator |
| 4 | 108-3810 | 1 | Filter-Air |
| 5 | 285-17 | 1 | Plug-Pipe |
| 6 | 98-9771 | 1 | Cover ASM |



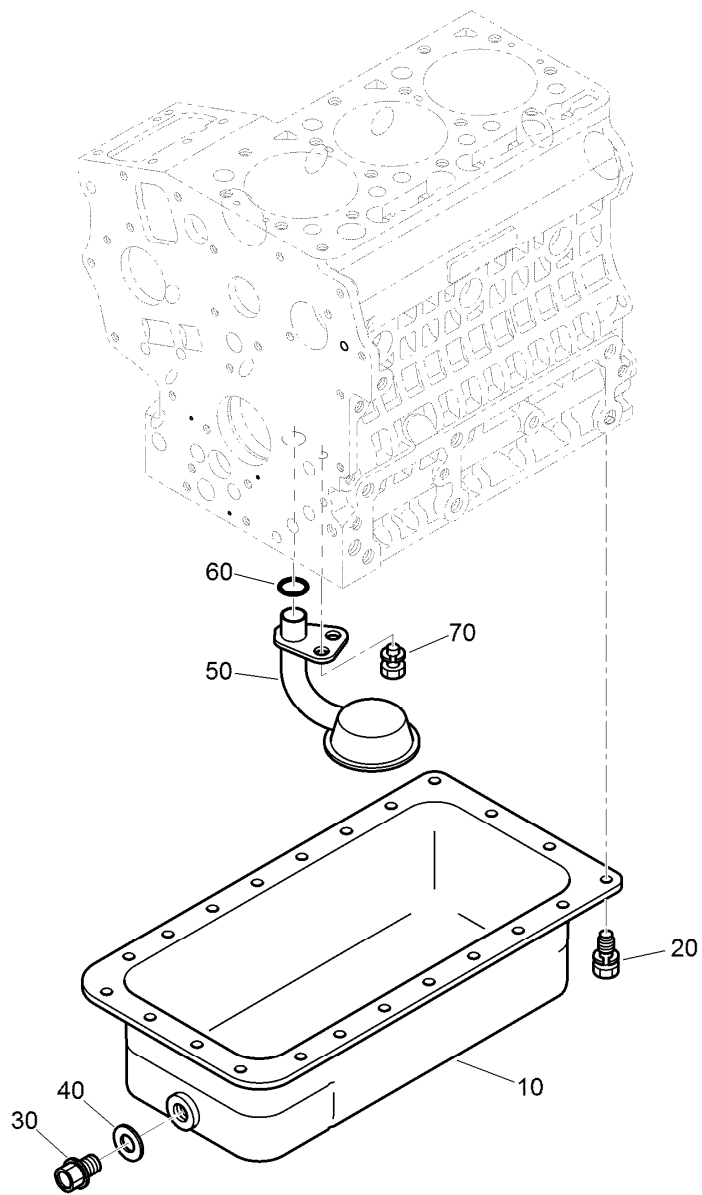
Front and Rear Wire Harness Assembly

| <i>Ref.</i> | <i>Part Number</i> | <i>Qty.</i> | <i>Description</i> | <i>Ref.</i> | <i>Part Number</i> | <i>Qty.</i> | <i>Description</i> |
|-------------|--------------------|-------------|-------------------------------|-------------|--------------------|-------------|------------------------------|
| 1 | 132-6714-0P | 1 | Bracket-Mount, Filter | 8:16 | 32180-106 | 1 | Resistor-Sealed |
| 2 | 107069 | 2 | Clip | 8:17 | 32180-156 | 1 | Cap-Plug, 6 Way |
| 3 | 3234-4 | 2 | Screw-HHF | 8:19 | 32180-416 | 1 | Cap-Tethered |
| 4 | 99-7435 | 2 | Relay | 8:22 | 109101 | 1 | Fuse-Blade, 20 Amp |
| 5 | 32144-112 | 8 | Screw-HWH | 9 | 122-2357 | 1 | Harness-Wire, HDX, EFI, Rear |
| 6 | 99-7430 | 5 | Relay-Mini | 9:21 | 100-4918 | 1 | Diode |
| 7 | 32144-10 | 1 | Screw-HWH | 9:22 | 121-8867 | 1 | Fuse-Mini Blade, 15 Amp |
| 8 | 122-2356 | 1 | Harness-Wire, HDX, EFI, Front | 9:23 | 121-8870 | 2 | Fuse-Mini Blade, 30 Amp |
| 8:9 | 218-578 | 5 | Fuse-Blade, 10 Amp | 9:24 | 32180-101 | 3 | Cover-Fuse, Single |
| 8:10 | 109355 | 1 | Fuse-Blade, 15 Amp | 14 | 132-6713-0P | 1 | Bracket-Mount, Relay |
| 8:11 | 100-4918 | 1 | Diode | 15 | 132-6716 | 1 | Mount-Harness, Engine |
| 8:15 | 32180-012 | 4 | Clip-Harness | 16 | 3290-378 | 1 | Tie-Cable |



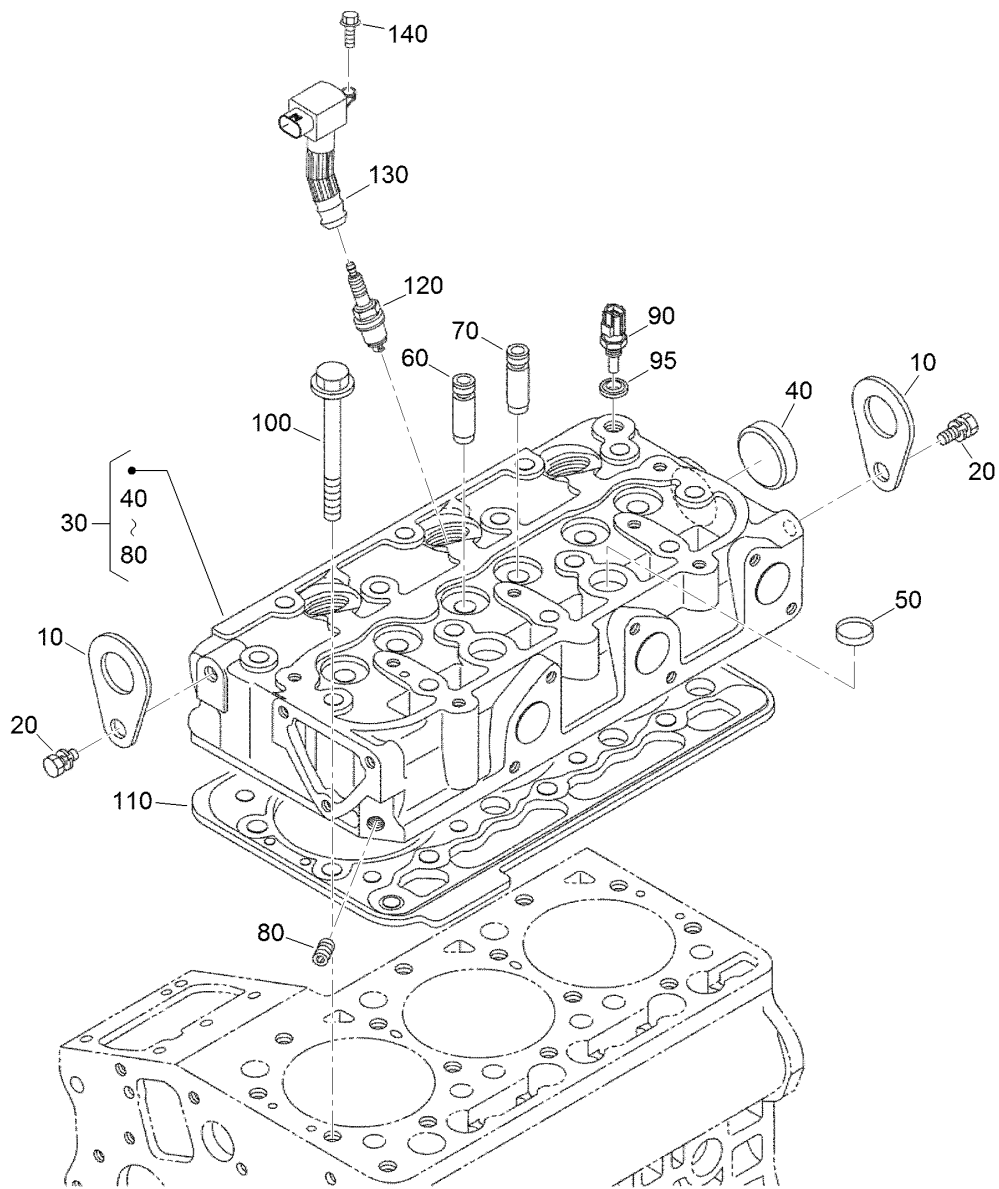
Crankcase Assembly

| Ref. | Part Number | Qty. | Description |
|-------------|--------------------|-------------|----------------------|
| 10 | 125-9060 | 1 | Crankcase ASM |
| 20 | 100-2019 | 3 | Cap-Sealing |
| 30 | 100-2020 | 3 | Cap-Sealing |
| 35 | 110-3702 | 2 | Cap-Sealing |
| 40 | 98-9398 | 2 | Cap-Sealing |
| 50 | 98-9687 | 5 | Plug |
| 60 | 98-7487 | 3 | Plug |
| 70 | 98-7488 | 1 | Plug |
| 80 | 100-1851 | 1 | Plug-Expansion |
| 100 | 98-9377 | 2 | Pin-Straight |
| 110 | 98-7506 | 1 | Pin-Pipe |
| 120 | 100-2051 | 2 | Pin-Pipe |
| 130 | 98-7488 | 1 | Plug |
| 140 | 100-1991 | 1 | Cover-Fuel, Camshaft |
| 150 | 98-9416 | 1 | Switch-Oil |



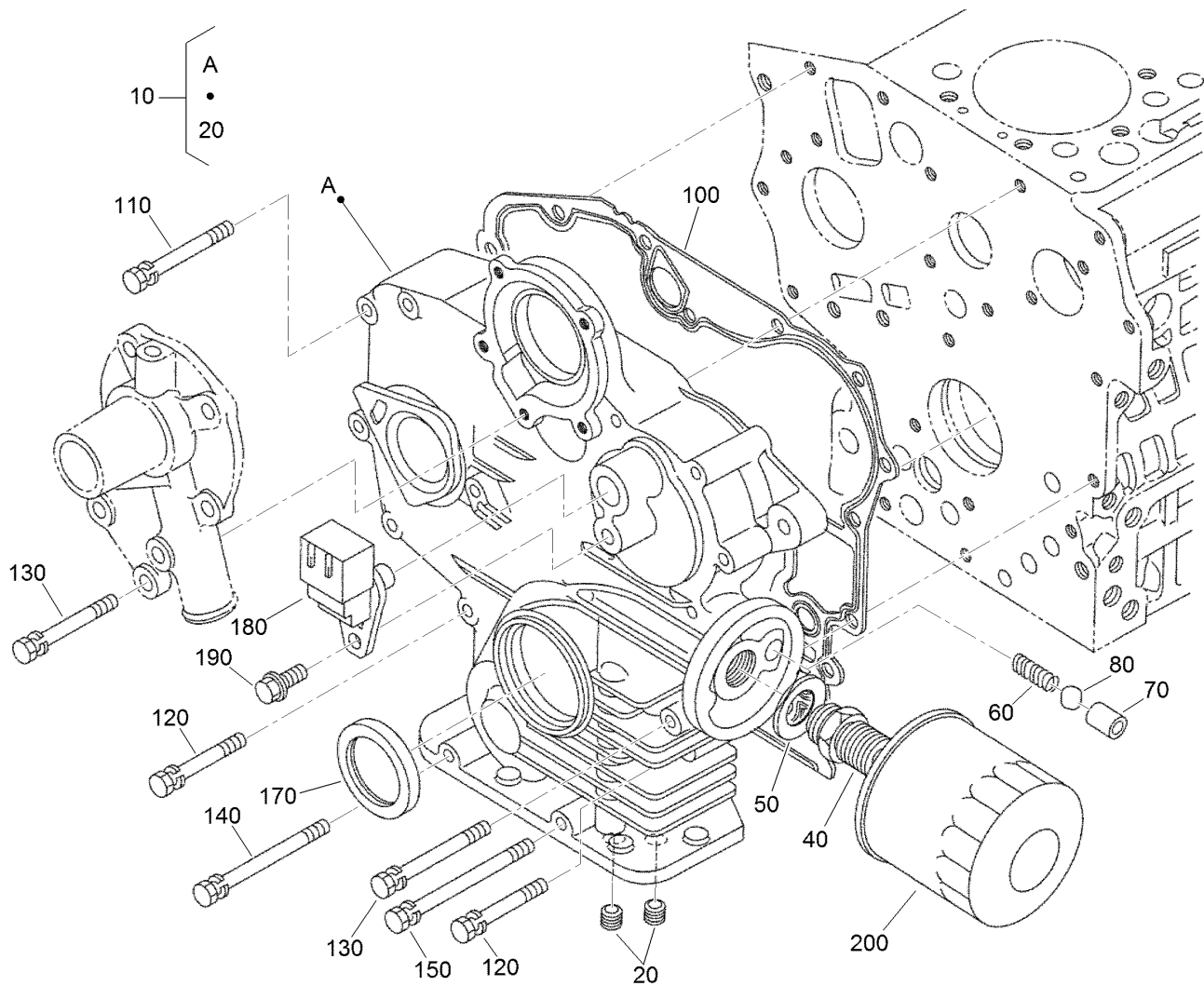
Oil Pan Assembly

| <i>Ref.</i> | <i>Part Number</i> | <i>Qty.</i> | <i>Description</i> |
|-------------|--------------------|-------------|--------------------|
| 10 | 125-9056 | 1 | Oil Pan ASM |
| 20 | 98-9350 | 22 | Bolt |
| 30 | 114-8151 | 1 | Plug-Drain |
| 40 | 98-7524 | 1 | Gasket |
| 50 | 125-9052 | 1 | Tube-Pick Up, Oil |
| 60 | 105-3776 | 1 | O-Ring |
| 70 | 100-9195 | 1 | Bolt |



Cylinder Head Assembly

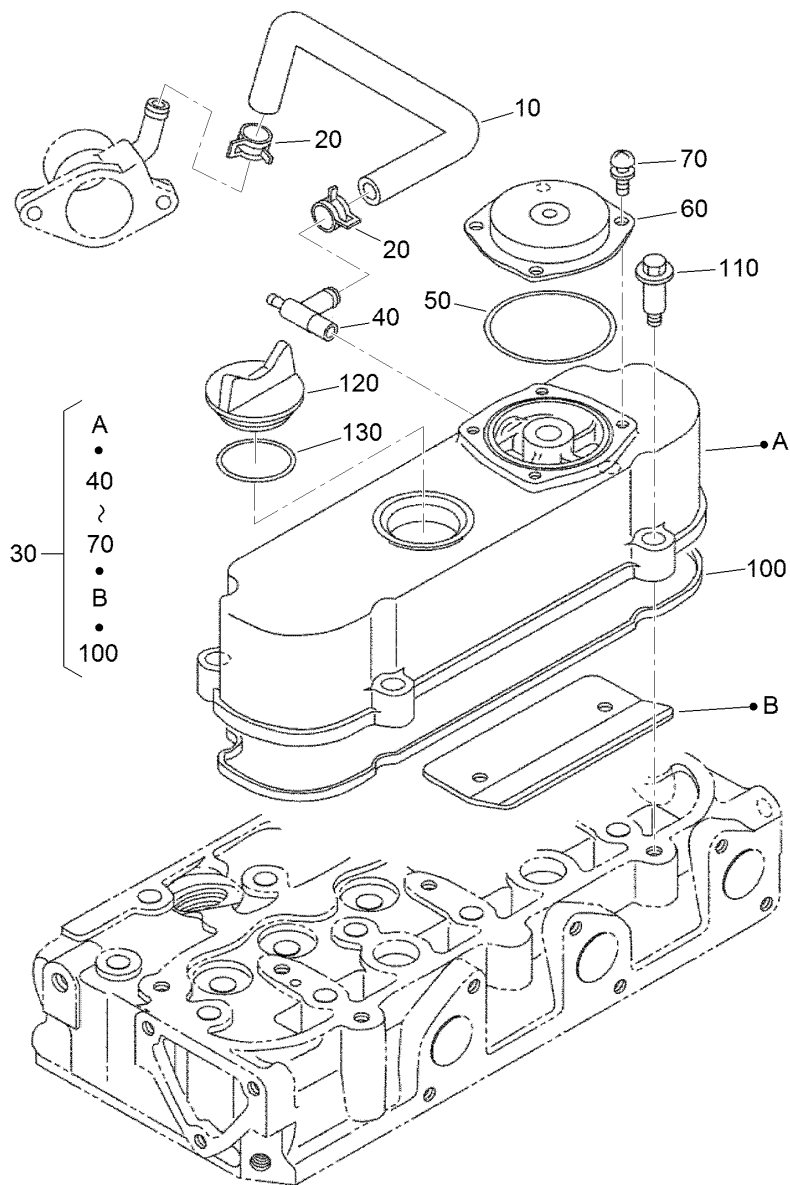
| Ref. | Part Number | Qty. | Description |
|------|-------------|------|---------------------------|
| 10 | 98-7531 | 2 | Hook-Engine |
| 20 | 98-7526 | 2 | Bolt |
| 30 | 125-9119 | 1 | Cylinder Head ASM |
| 40 | 105-3705 | 1 | Cap-Sealing |
| 50 | 98-9389 | 2 | Cap-Sealing |
| 60 | 100-1882 | 3 | Guide-Valve, Inlet |
| 70 | 100-1883 | 3 | Guide-Valve, Exhaust |
| 80 | 98-9687 | 1 | Plug |
| 90 | 125-9102 | 1 | Sensor-Temperature, Water |
| 95 | 125-9096 | 1 | Gasket |
| 100 | 100-1820 | 14 | Bolt-Head, Cylinder |
| 110 | 125-9113 | 1 | Gasket-Head |
| 120 | 125-9139 | 3 | Spark Plug |
| 130 | 125-9145 | 3 | Coil-Ignition |
| 140 | 99-8363 | 3 | Bolt-Flange |



Gear Case and Oil Filter Cartridge Assembly

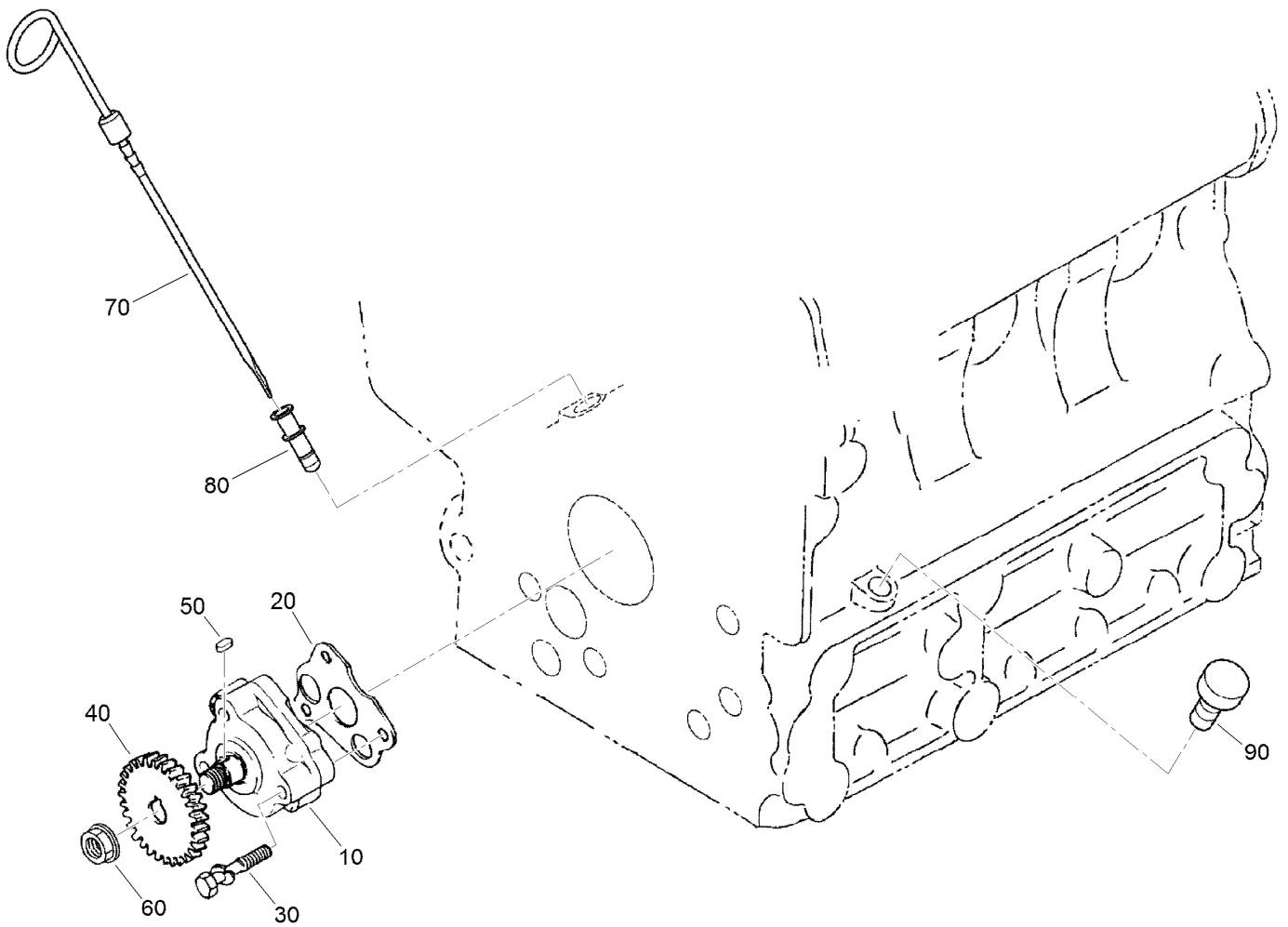
| <i>Ref.</i> | <i>Part Number</i> | <i>Qty.</i> | <i>Description</i> |
|-------------|--------------------|-------------|--------------------|
| 10 | 125-9151 | 1 | Gear Case ASM |
| 20 | 98-7488 | 2 | Plug |
| 40 | 98-9388 | 1 | Joint-Pipe |
| 50 | 100-1926 | 1 | Washer-Plain |
| 60 | 100-2004 | 1 | Spring |
| 70 | 100-1894 | 1 | Seat-Valve |
| 80 | 100-1792 | 1 | Ball |
| 100 | 117-0327 | 1 | Gasket-Case, Gear |
| 110 | 99-8320 | 1 | Bolt |

| <i>Ref.</i> | <i>Part Number</i> | <i>Qty.</i> | <i>Description</i> |
|-------------|--------------------|-------------|--------------------|
| 120 | 98-9356 | 10 | Bolt |
| 130 | 100-1922 | 2 | Bolt |
| 140 | 98-9357 | 1 | Bolt |
| 150 | 110-3710 | 1 | Bolt |
| 170 | 120-7852 | 1 | Seal-Oil |
| 180 | 125-9142 | 1 | Sensor |
| 190 | 99-8363 | 1 | Bolt-Flange |
| 200 | 115-8189 | 1 | Filter-Oil, Engine |



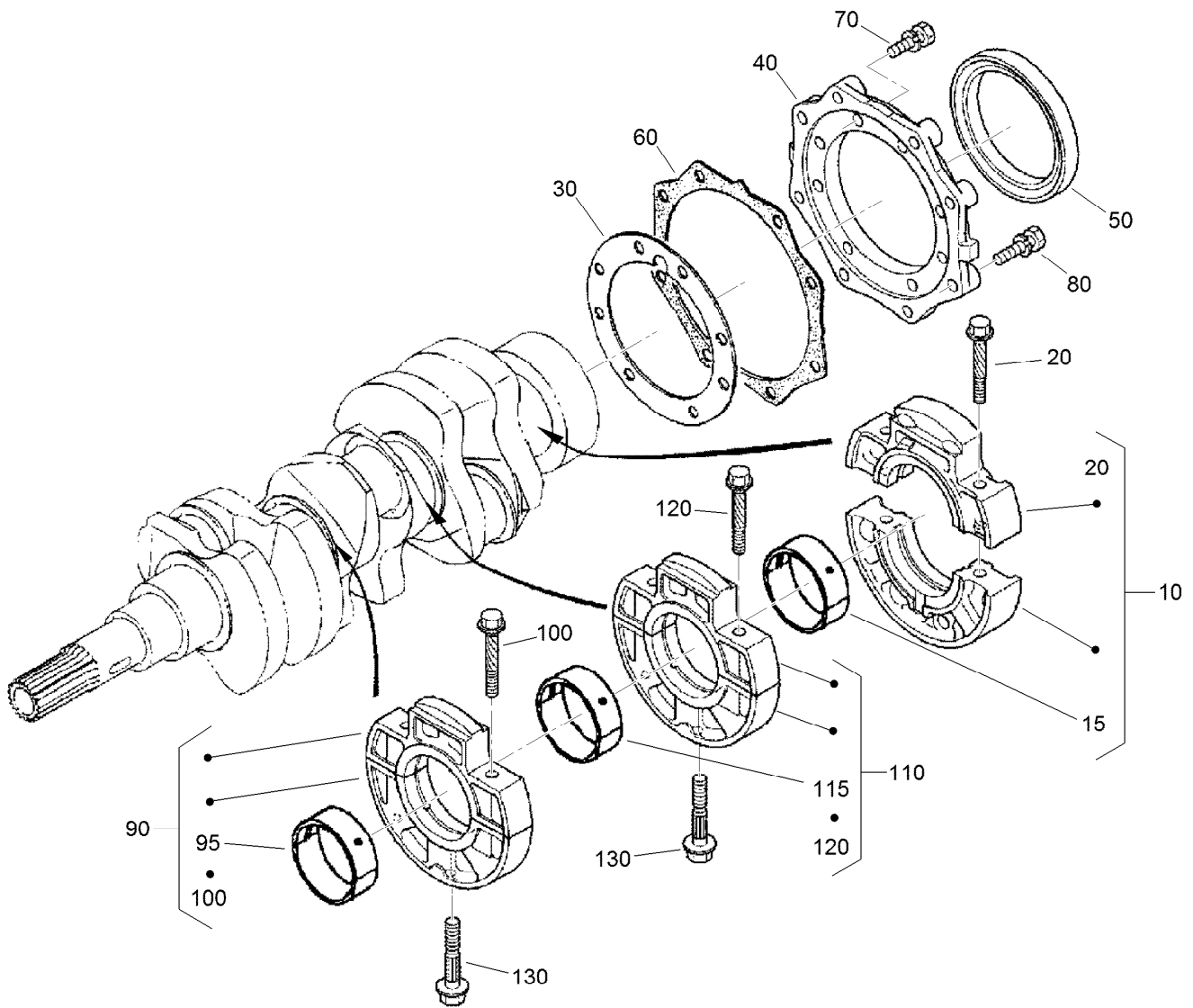
Cylinder Head Cover Assembly

| <i>Ref.</i> | <i>Part Number</i> | <i>Qty.</i> | <i>Description</i> |
|-------------|--------------------|-------------|-------------------------|
| 10 | 125-9120 | 1 | Tube-Breather |
| 20 | 98-9579 | 2 | Band-Pipe |
| 30 | 125-9129 | 1 | Cylinder Head Cover ASM |
| 40 | 125-9117 | 1 | Pipe-Breather |
| 50 | 110-3846 | 1 | O Ring-Breather |
| 60 | 108-7060 | 1 | Cover-Breather |
| 70 | 98-9364 | 4 | Screw (With Washer) |
| 100 | 125-9130 | 1 | Gasket-Cover, Head |
| 110 | 108-7063 | 4 | Bolt |
| 120 | 107-9075 | 1 | Plug-Filler, Oil |
| 130 | 99-3446 | 1 | O-Ring |



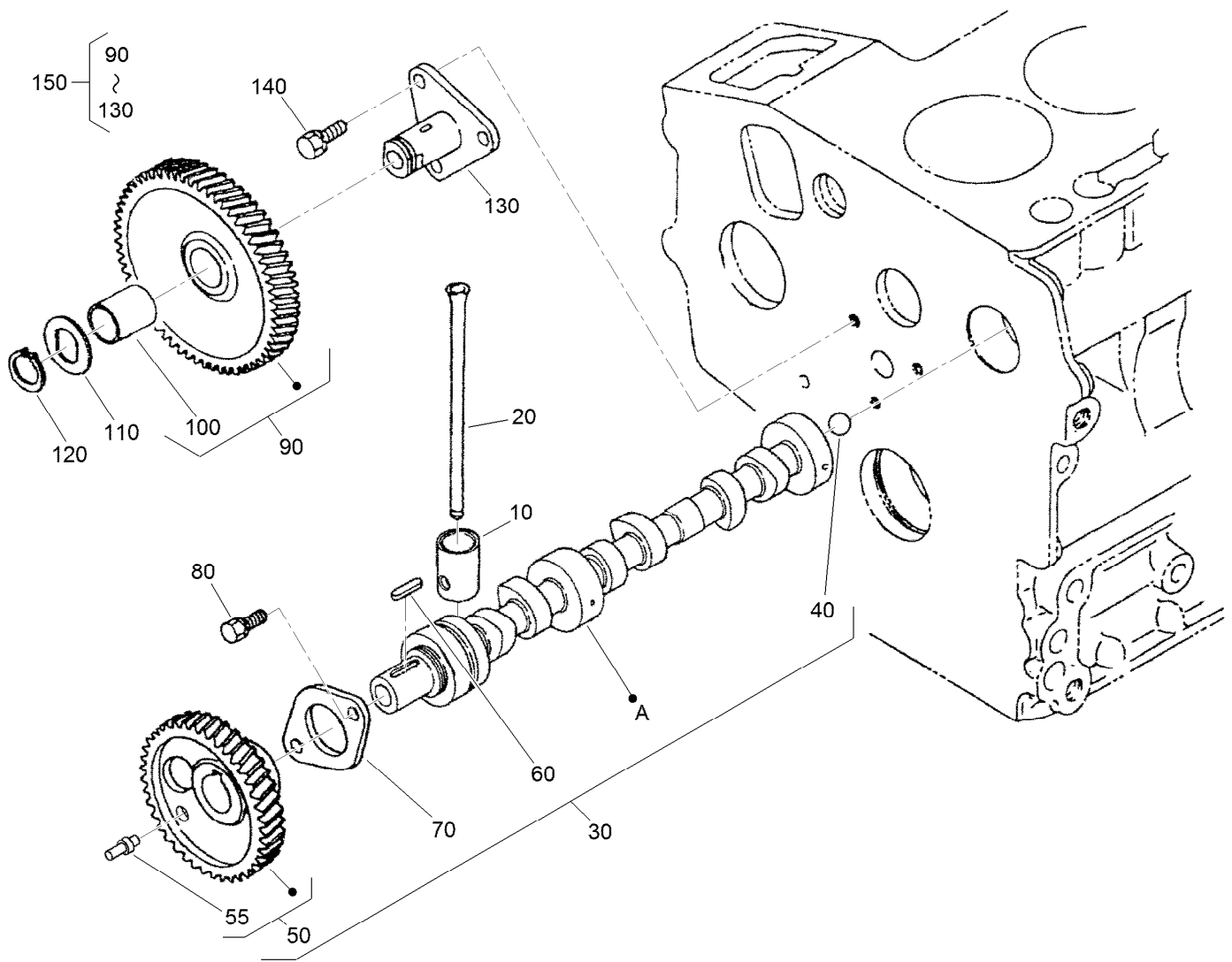
Dipstick, Guide and Oil Pump Assembly

| Ref. | Part Number | Qty. | Description |
|------|-------------|------|----------------------|
| 10 | 100-2002 | 1 | Oil Pump ASM |
| 20 | 100-2003 | 1 | Gasket-Pump, Oil |
| 30 | 100-1923 | 3 | Bolt |
| 40 | 130-1419 | 1 | Gear-Drive, Oil Pump |
| 50 | 98-7658 | 1 | Key-Feather |
| 60 | 100-1779 | 1 | Nut-Flange |
| 70 | 110-3719 | 1 | Gauge-Oil |
| 80 | 105-4580 | 1 | Guide-Gauge, Oil |
| 90 | 110-3720 | 1 | Plug-Gauge, Oil |



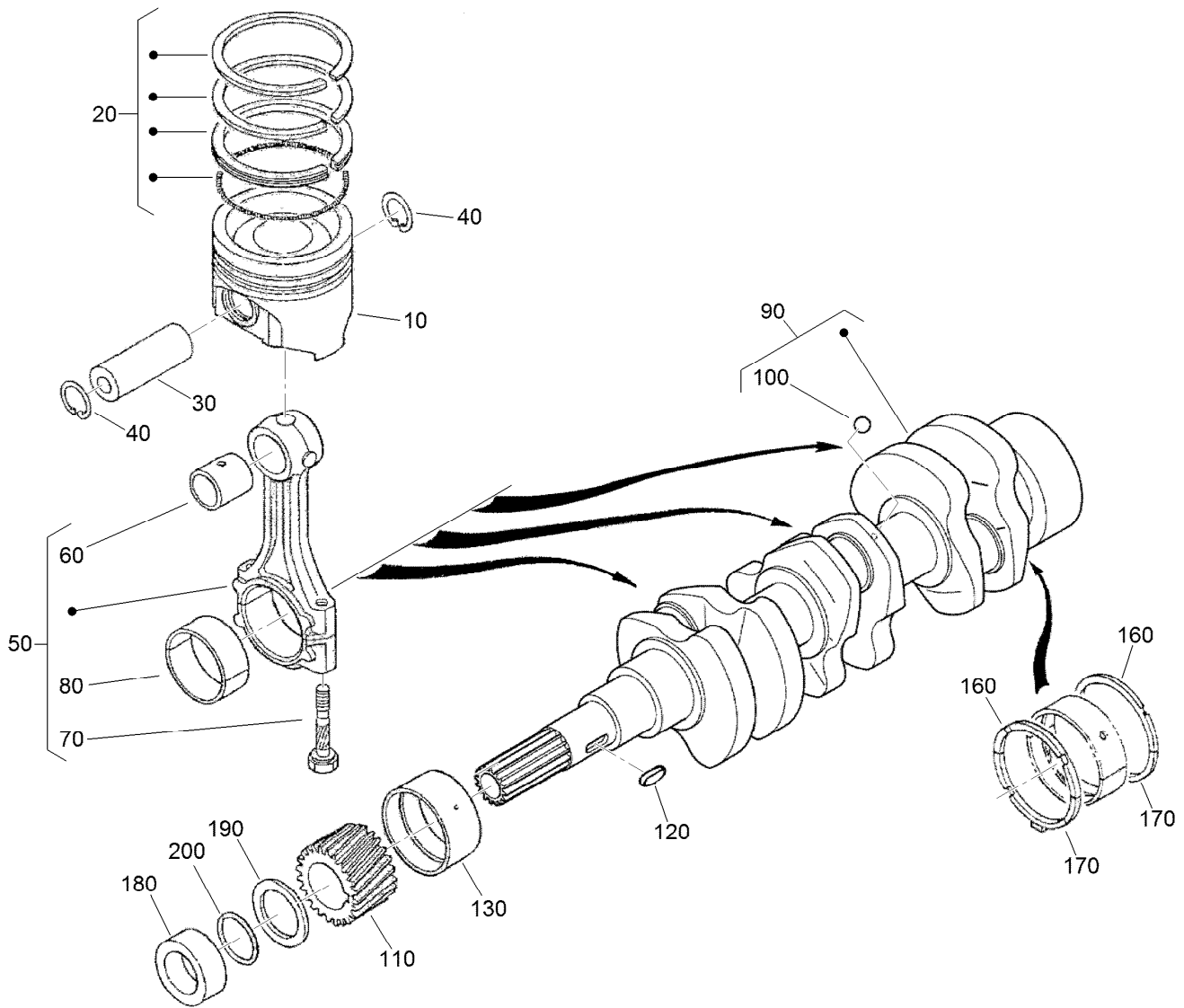
Main Bearing Case Assembly

| Ref. | Part Number | Qty. | Description | Ref. | Part Number | Qty. | Description |
|------|-------------|------|--------------------------------|------|-------------|------|--------------------------------|
| 10 | 121-2426 | 1 | Bearing Case Wheel ASM | 95 | 125-9083 | 1 | Crankshaft Metal ASM (-0.20Mm) |
| 15 | 110-3744 | 1 | Crankshaft Metal ASM (STD) | 95 | 110-3743 | 1 | Crankshaft Metal ASM (-0.40Mm) |
| 15 | 110-3745 | 1 | Crankshaft Metal ASM (-0.20MM) | 100 | 110-3723 | 2 | Bolt-Case, Bearing |
| 15 | 110-3746 | 1 | Crankshaft Metal ASM (-0.40MM) | 110 | 110-3725 | 1 | Main Bearing Case ASM |
| 20 | 110-3723 | 2 | Bolt-Case, Bearing | 115 | 110-3741 | 1 | Crankshaft Metal ASM (STD) |
| 30 | 100-1873 | 1 | Gasket-Case, Bearing | 115 | 125-9083 | 1 | Crankshaft Metal ASM (-0.20Mm) |
| 40 | 112-8334 | 1 | Cover-Case, Bearing | 115 | 110-3743 | 1 | Crankshaft Metal ASM (-0.40Mm) |
| 50 | 110-3724 | 1 | Seal-Oil | 120 | 110-3723 | 2 | Bolt-Case, Bearing |
| 60 | 100-1876 | 1 | Gasket-Cover, Case | 130 | 100-1874 | 2 | Bolt-Case, Bearing |
| 70 | 98-7568 | 8 | Bolt | | | | |
| 80 | 100-1750 | 8 | Bolt | | | | |
| 90 | 110-3725 | 1 | Main Bearing Case ASM | | | | |
| 95 | 110-3741 | 1 | Crankshaft Metal ASM (STD) | | | | |



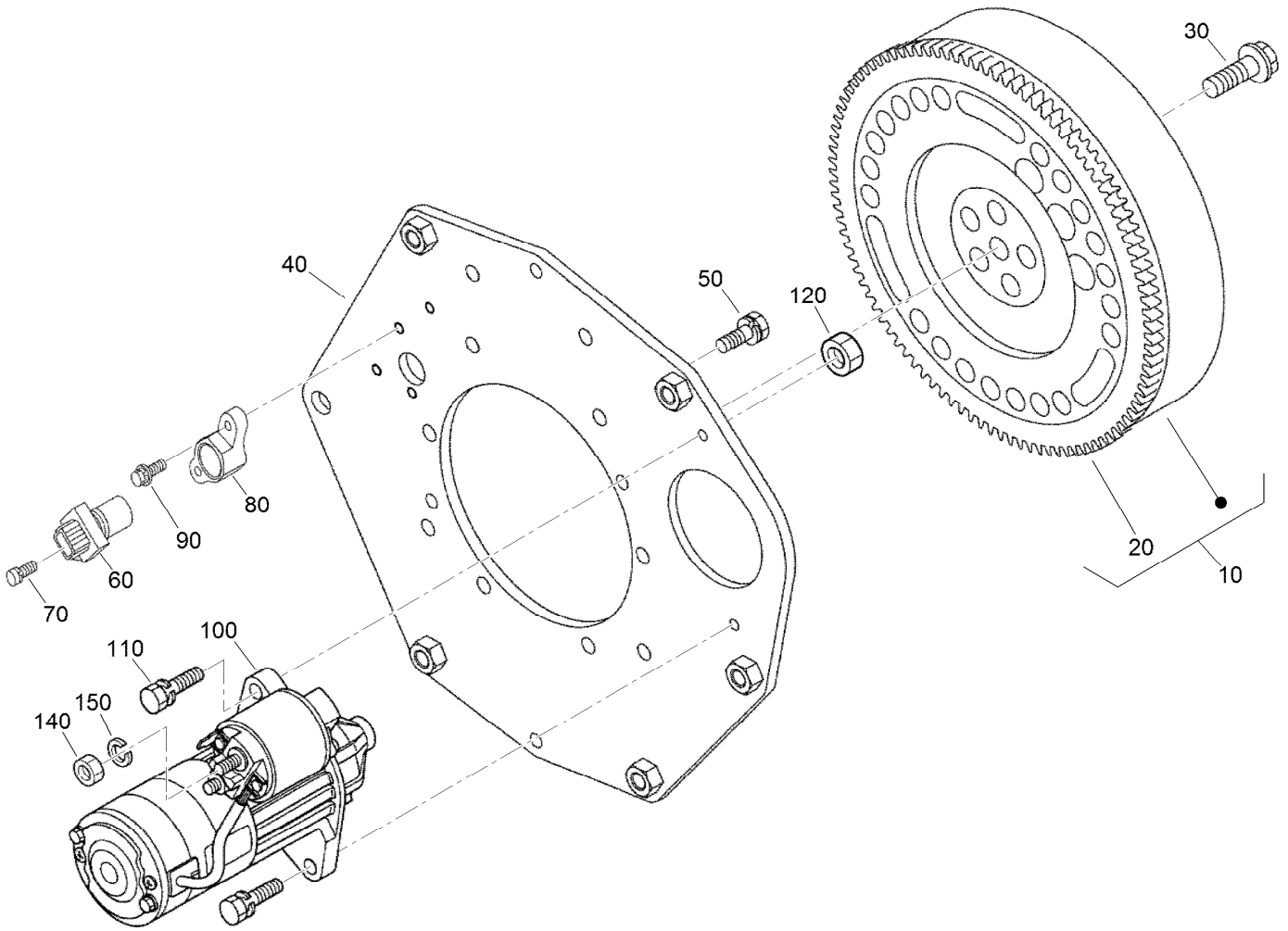
Cam Shaft and Idle Gear Shaft Assembly

| <i>Ref.</i> | <i>Part Number</i> | <i>Qty.</i> | <i>Description</i> | <i>Ref.</i> | <i>Part Number</i> | <i>Qty.</i> | <i>Description</i> |
|-------------|--------------------|-------------|--------------------|-------------|--------------------|-------------|--------------------|
| 10 | 110-3727 | 6 | Tappet | 80 | 98-9350 | 2 | Bolt |
| 20 | 100-1989 | 6 | Rod-Push | 90 | 121-2421 | 1 | Idle Gear ASM |
| 30 | 125-9131 | 1 | Camshaft ASM | 100 | 121-2422 | 1 | Bushing |
| 40 | 110-3729 | 1 | Ball | 110 | 100-1970 | 1 | Collar-Gear, Idle |
| 50 | 125-9132 | 1 | Cam Gear ASM | 120 | 100-1969 | 1 | Ring-Snap |
| 55 | 125-9133 | 2 | Pin-Gear, Cam | 130 | 100-1967 | 1 | Shaft-Gear, Idle |
| 60 | 98-9378 | 1 | Key-Feather | 140 | 100-1774 | 3 | Bolt-Flange |
| 70 | 100-1887 | 1 | Stopper-Camshaft | 150 | 100-2240 | 1 | Idle Gear ASM |



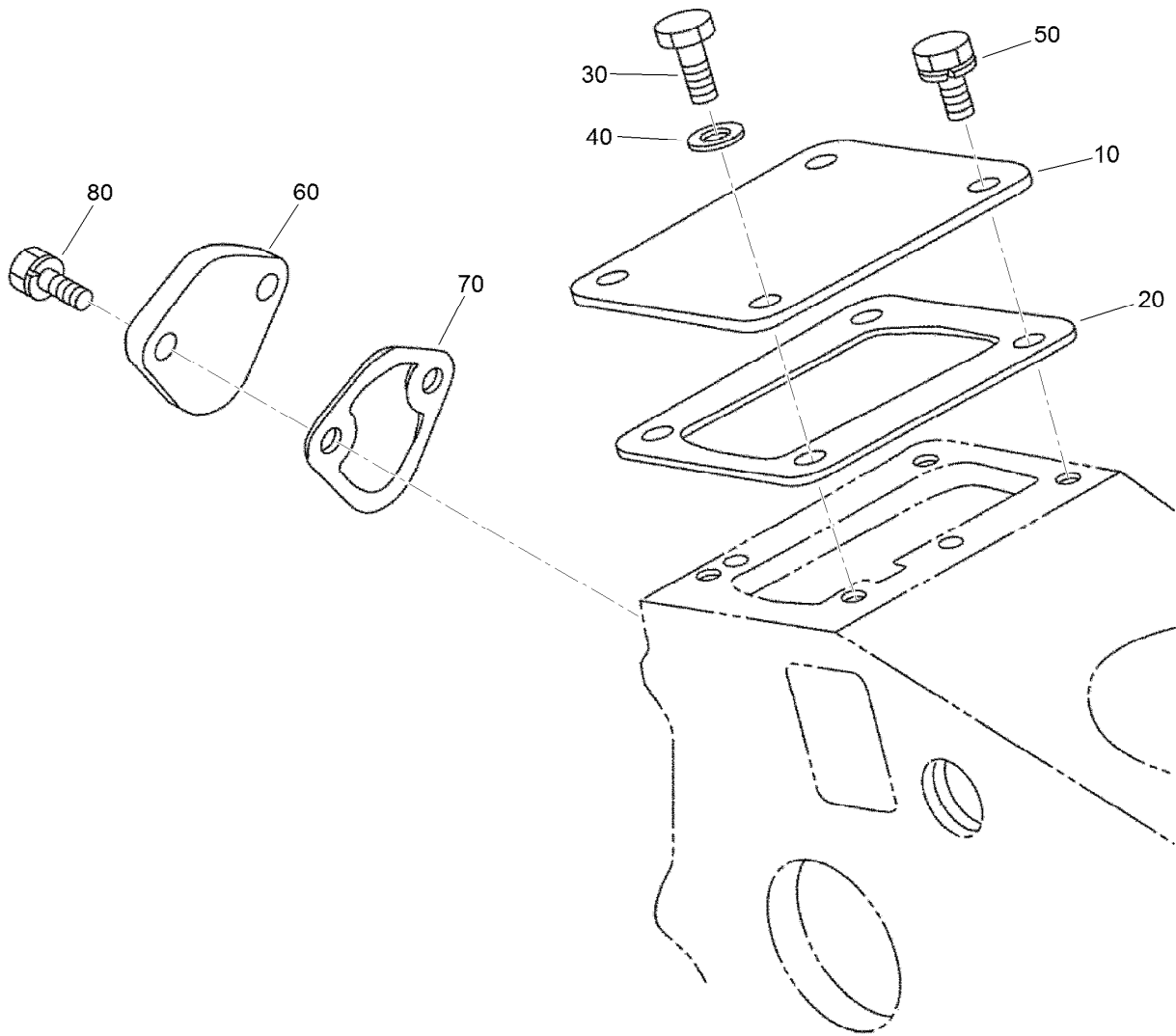
Piston and Crankshaft Assembly

| <i>Ref.</i> | <i>Part Number</i> | <i>Qty.</i> | <i>Description</i> | <i>Ref.</i> | <i>Part Number</i> | <i>Qty.</i> | <i>Description</i> |
|-------------|--------------------|-------------|---------------------------|-------------|--------------------|-------------|----------------------------|
| 10 | 125-9115 | 3 | Piston (STD) | 110 | 100-1891 | 1 | Gear-Crankshaft |
| 10 | 125-9116 | 3 | Piston (+0.50Mm) | 120 | 100-1752 | 1 | Key-Feather |
| 20 | 125-9134 | 3 | Piston Ring ASM (STD) | 130 | 110-3738 | 1 | Metal-Crankshaft (STD) |
| 20 | 125-9135 | 3 | Piston Ring ASM (+0.50Mm) | 130 | 121-2424 | 1 | Metal-Crankshaft (-.20MM) |
| 30 | 110-3734 | 3 | Pin-Piston | 130 | 110-3740 | 1 | Metal-Crankshaft (-0.40MM) |
| 40 | 100-1835 | 6 | Circlip-Internal | 160 | 100-1836 | 2 | Metal-Side (STD) |
| 50 | 125-9070 | 3 | Connecting Rod ASM | 160 | 121-3847 | 2 | Metal-Side (+.20MM) |
| 60 | 110-3736 | 3 | Bushing-Pin, Piston | 160 | 100-1839 | 2 | Metal-Side (+0.40MM) |
| 70 | 100-1999 | 6 | Bolt-Rod, Connecting | 170 | 117-0309 | 2 | Metal-Side (STD) |
| 80 | 100-2000 | 3 | Metal-Crankpin (STD) | 170 | 121-2428 | 2 | Metal-Side (+.20MM) |
| 80 | 100-1942 | 3 | Metal-Crankpin (-0.20Mm) | 170 | 100-1841 | 2 | Metal-Side (+0.4MM) |
| 80 | 100-1943 | 3 | Metal-Crankpin (-0.40Mm) | 180 | 100-1890 | 1 | Collar-Crankshaft |
| 90 | 117-0308 | 1 | Crankshaft | 190 | 100-1974 | 1 | Slinger-Oil |
| 100 | 100-1791 | 3 | Ball | 200 | 100-2209 | 1 | O-Ring |



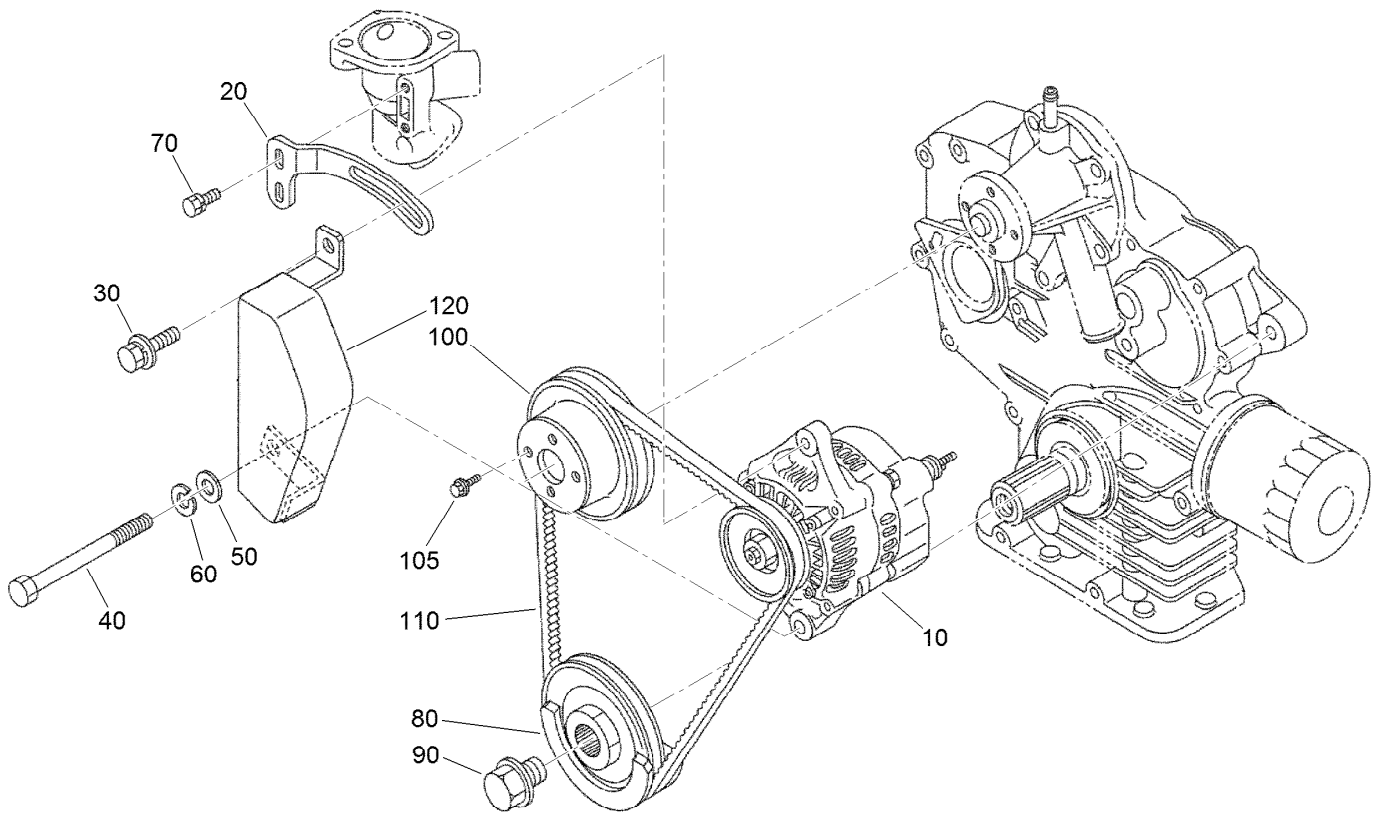
Flywheel, Starter and Sensor Switch Assembly

| <i>Ref.</i> | <i>Part Number</i> | <i>Qty.</i> | <i>Description</i> |
|-------------|--------------------|-------------|--------------------------------|
| 10 | 125-9153 | 1 | Flywheel ASM |
| 20 | 105-3722 | 1 | Gear-Ring |
| 30 | 125-9051 | 5 | Bolt-Flywheel |
| 40 | 145-2653 | 1 | Rear End Plate Replacement Kit |
| 50 | 110-3754 | 10 | Bolt |
| 60 | 125-9103 | 1 | Sensor Stick ASM |
| 70 | 125-9094 | 1 | Bolt-Flange |
| 80 | 125-9144 | 1 | Holder-Sensor |
| 90 | 108-2873 | 1 | Bolt-Flange |
| 100 | 110-3800 | 1 | Starter ASM |
| 110 | 98-7697 | 2 | Bolt |
| 120 | 98-7534 | 2 | Nut |
| 140 | 98-7534 | 1 | Nut |
| 150 | 105-2893 | 1 | Washer-Spring |



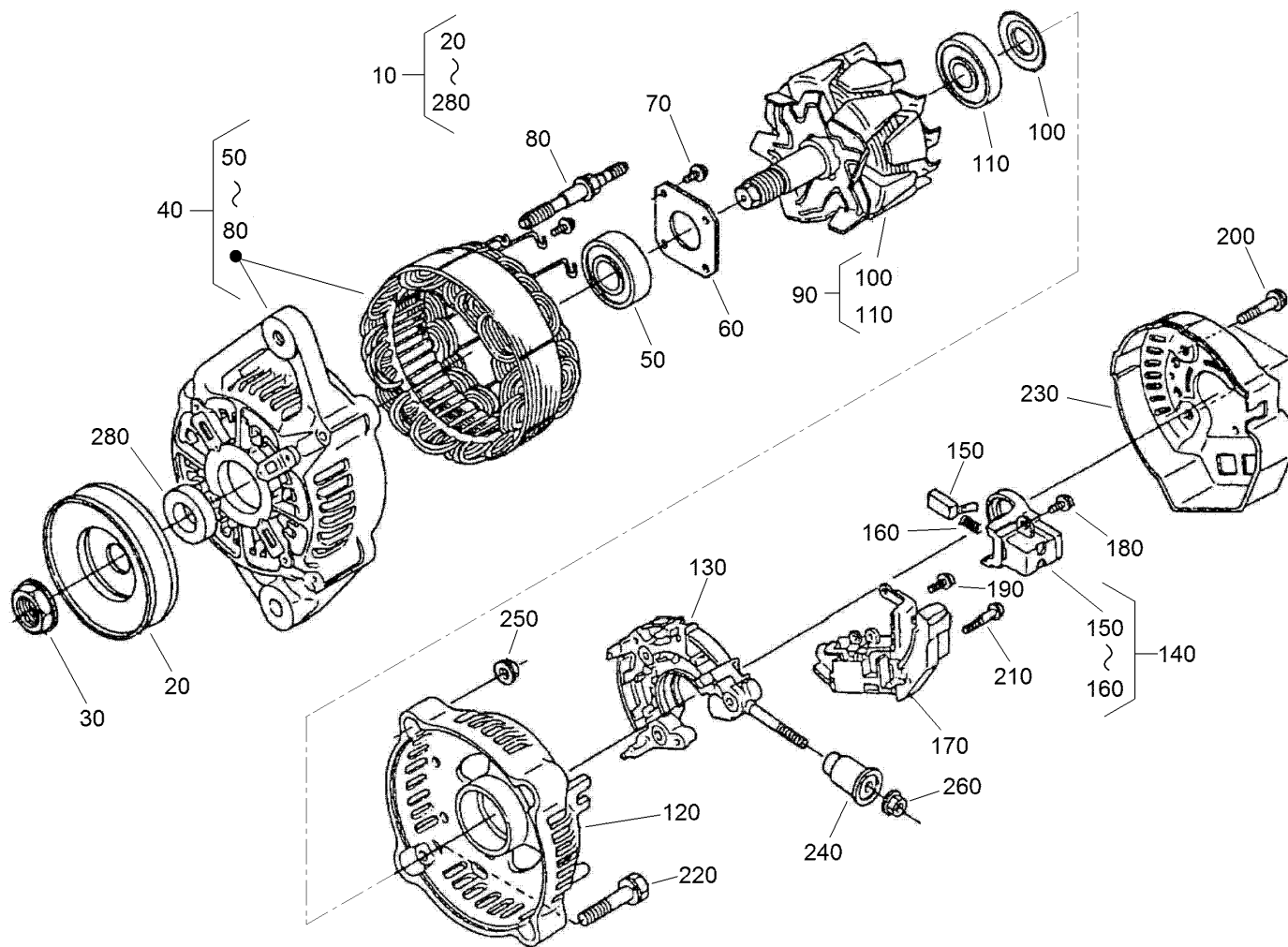
Injection and Fuel Pump Covers Assembly

| <i>Ref.</i> | <i>Part Number</i> | <i>Qty.</i> | <i>Description</i> |
|-------------|--------------------|-------------|--------------------|
| 10 | 125-9098 | 1 | Cover |
| 20 | 125-9105 | 1 | Gasket |
| 30 | 99-8348 | 1 | Bolt |
| 40 | 98-7654 | 1 | Gasket |
| 50 | 98-9350 | 3 | Bolt |
| 60 | 99-3514 | 1 | Cover |
| 70 | 98-9636 | 1 | Gasket-Pump, Fuel |
| 80 | 98-7692 | 2 | Bolt |



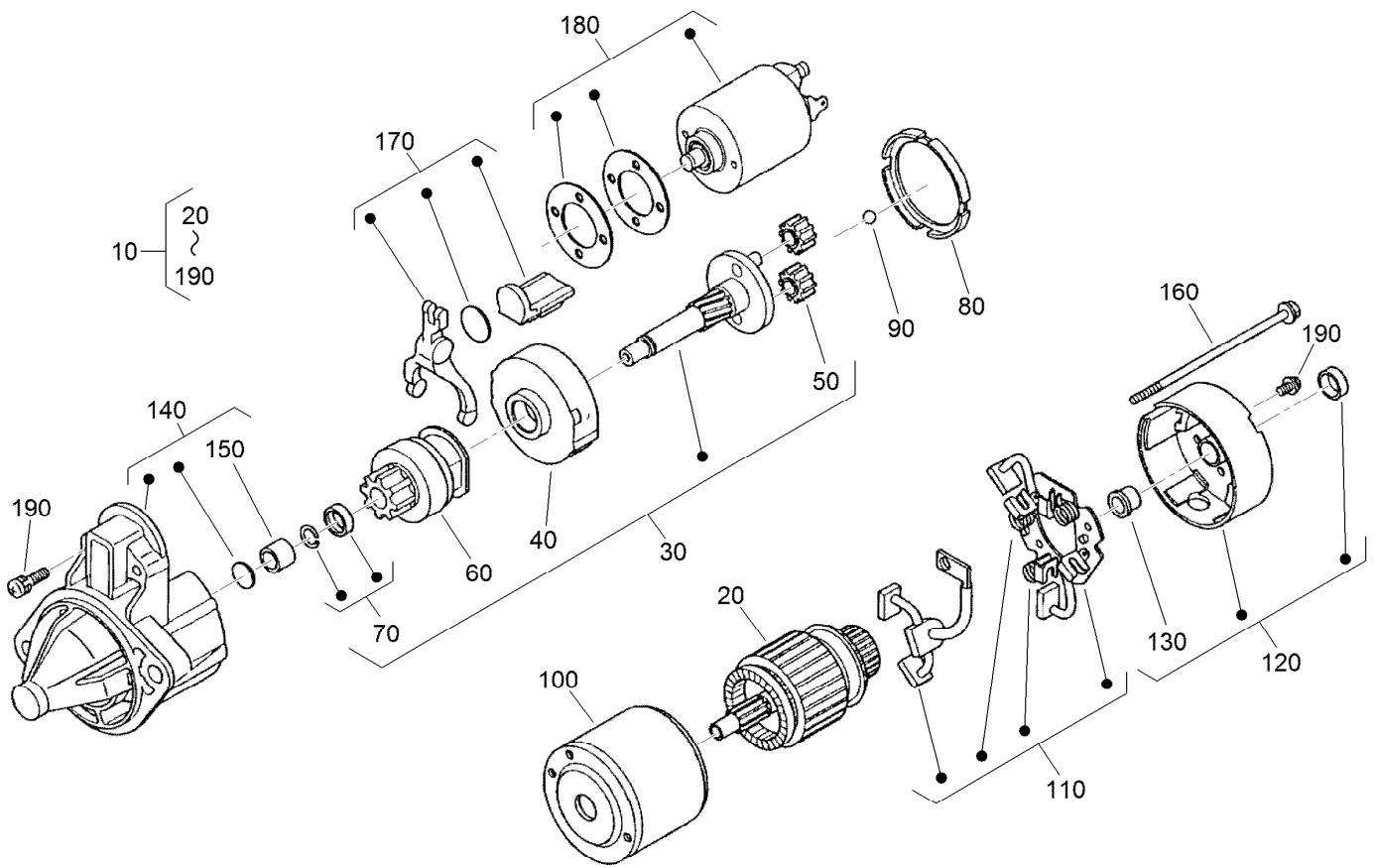
Alternator and Pulley Assembly

| <i>Ref.</i> | <i>Part Number</i> | <i>Qty.</i> | <i>Description</i> |
|-------------|--------------------|-------------|-----------------------|
| 10 | 117-5541 | 1 | 60 Amp Alternator ASM |
| 20 | 117-0314 | 1 | Stay-Alternator |
| 30 | 121-3800 | 1 | Bolt-Sems |
| 40 | 125-9091 | 1 | Bolt-Hex |
| 50 | 120-5832 | 1 | Washer-Plain |
| 60 | 105-2893 | 1 | Washer-Spring |
| 70 | 98-7692 | 2 | Bolt |
| 80 | 100-1921 | 1 | Pulley-Fan |
| 90 | 100-1978 | 1 | Bolt |
| 100 | 125-9154 | 1 | Pulley-Drive, Fan |
| 105 | 99-8363 | 4 | Bolt-Flange |
| 110 | 110-3796 | 1 | Belt-V |
| 120 | 117-0315 | 1 | Cover-Alternator |



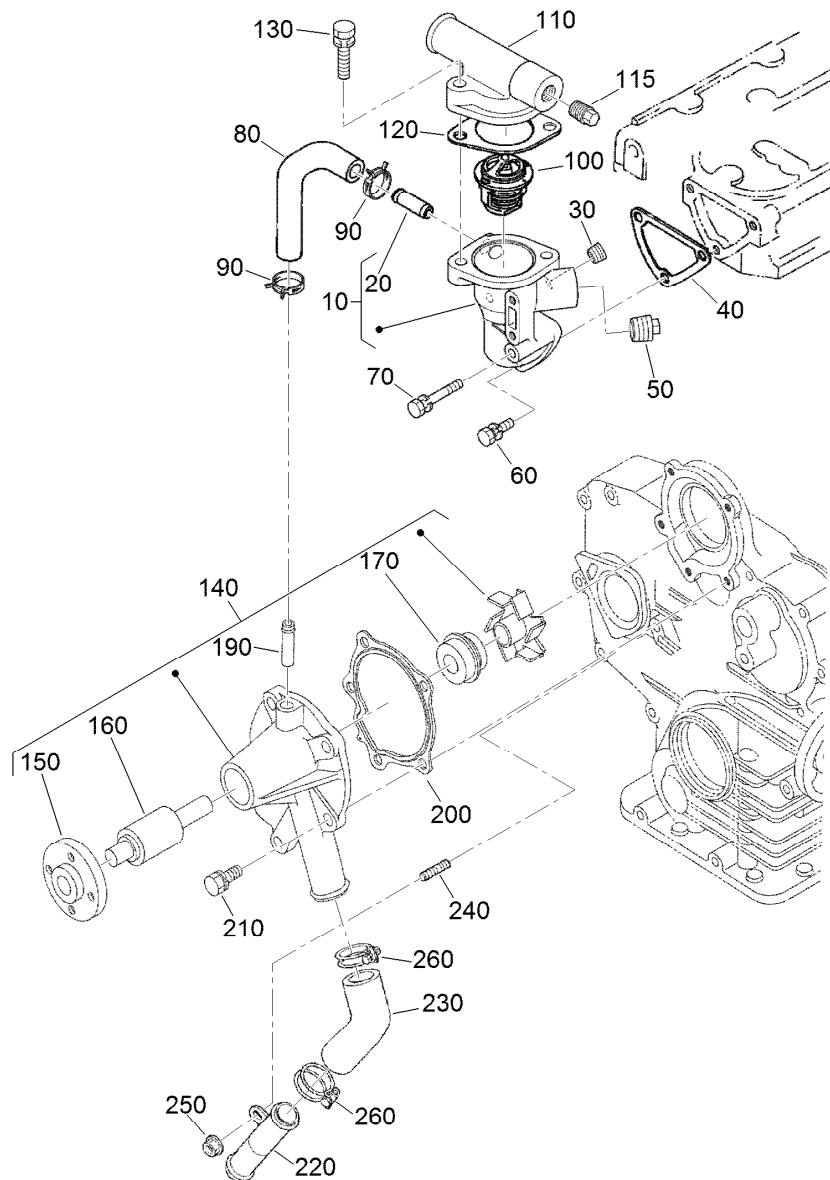
Alternator Components Assembly

| <i>Ref.</i> | <i>Part Number</i> | <i>Qty.</i> | <i>Description</i> | <i>Ref.</i> | <i>Part Number</i> | <i>Qty.</i> | <i>Description</i> |
|-------------|--------------------|-------------|-----------------------|-------------|--------------------|-------------|--------------------|
| 10 | 117-5541 | 1 | 60 Amp Alternator ASM | 150 | 98-7724 | 2 | Brush |
| 20 | 98-9453 | 1 | Pulley-Dynamo | 160 | 98-7725 | 2 | Spring-Brush |
| 30 | 98-7708 | 1 | Nut | 170 | 117-0319 | 1 | Regulator ASM |
| 40 | 117-0316 | 1 | Drive End Frame ASM | 180 | 98-7727 | 6 | Screw-Head, Round |
| 50 | 133-2811 | 1 | Bearing | 190 | 98-7728 | 1 | Screw-Head, Round |
| 60 | 98-7715 | 1 | Plate-Retainer | 200 | 98-7729 | 3 | Bolt |
| 70 | 98-7716 | 4 | Screw-Head, Round | 210 | 98-7726 | 2 | Screw-Head, Round |
| 80 | 98-7717 | 2 | Bolt-Through | 220 | 98-7731 | 2 | Bolt |
| 90 | 117-0317 | 1 | Rotor ASM | 230 | 117-0320 | 1 | Cover-End |
| 100 | 98-7711 | 1 | Cover-Bearing | 240 | 117-0321 | 1 | Insulation-Brush |
| 110 | 107-0138 | 1 | Bearing-Ball | 250 | 98-7730 | 2 | Nut |
| 120 | 133-2813 | 1 | Frame-End | 260 | 98-7732 | 1 | Nut |
| 130 | 117-0322 | 1 | Holder | 280 | 98-7709 | 1 | Collar |
| 140 | 107-0141 | 1 | Brush Holder ASM | | | | |



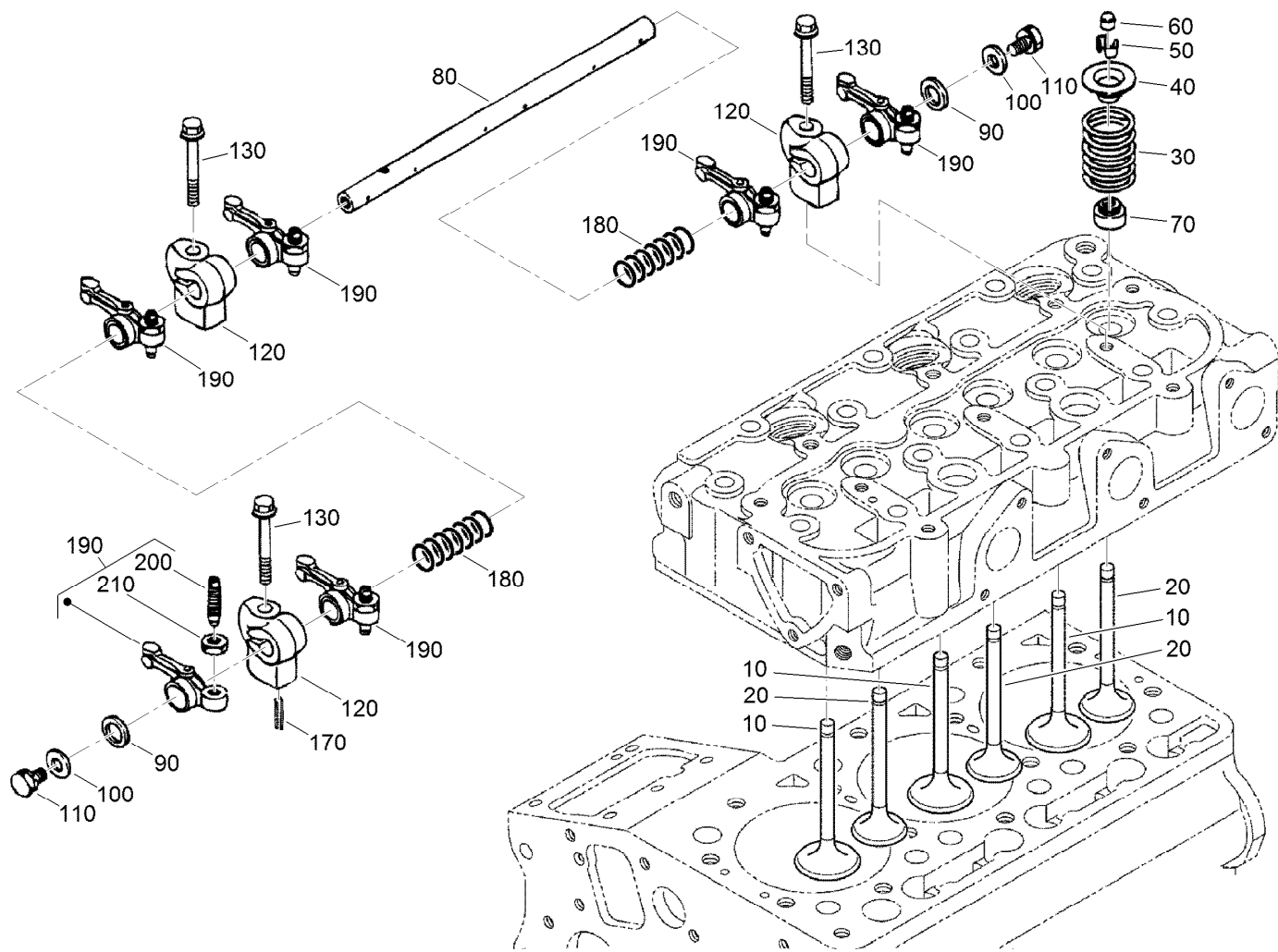
Starter Components Assembly

| <i>Ref.</i> | <i>Part Number</i> | <i>Qty.</i> | <i>Description</i> | <i>Ref.</i> | <i>Part Number</i> | <i>Qty.</i> | <i>Description</i> |
|-------------|--------------------|-------------|----------------------|-------------|--------------------|-------------|--------------------|
| 10 | 110-3800 | 1 | Starter ASM | 110 | 110-3810 | 1 | Brush Holder ASM |
| 20 | 110-3801 | 1 | Armature | 120 | 110-3811 | 1 | Rear Bracket ASM |
| 30 | 110-3802 | 1 | Shaft ASM | 130 | 110-3812 | 1 | Bushing |
| 40 | 120-3142 | 1 | Gear-Internal | 140 | 110-3813 | 1 | Front Bracket ASM |
| 50 | 110-3804 | 3 | Gear-Planetary | 150 | 110-3814 | 1 | Bushing |
| 60 | 110-3805 | 1 | Clutch-Running, Over | 160 | 110-3815 | 2 | Bolt |
| 70 | 110-3806 | 1 | Stopper | 170 | 110-3816 | 1 | Fork Lever ASM |
| 80 | 120-3143 | 1 | Gasket | 180 | 125-9099 | 1 | Switch-Magnetic |
| 90 | 110-3808 | 1 | Ball | 190 | 110-3818 | 1 | Screws (Set Of 4) |
| 100 | 110-3809 | 1 | Yoke | | | | |



Thermostat and Water Pump Assembly

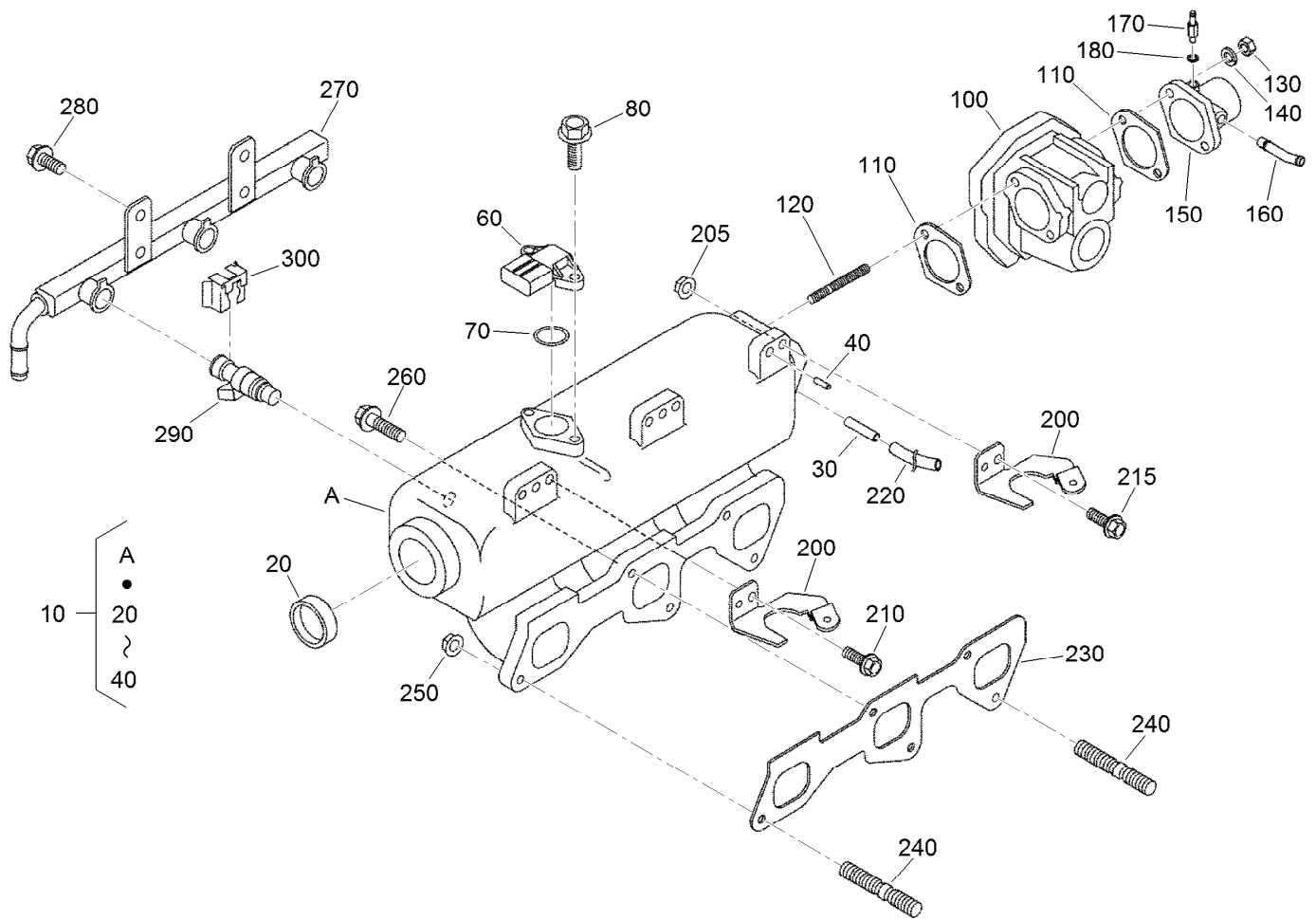
| <i>Ref.</i> | <i>Part Number</i> | <i>Qty.</i> | <i>Description</i> | <i>Ref.</i> | <i>Part Number</i> | <i>Qty.</i> | <i>Description</i> |
|-------------|--------------------|-------------|----------------------|-------------|--------------------|-------------|---------------------|
| 10 | 110-3819 | 1 | Water Flange ASM | 130 | 98-7777 | 2 | Bolt |
| 20 | 98-9580 | 1 | Pipe-Return, Water | 140 | 110-3824 | 1 | Water Pump ASM |
| 30 | 98-9444 | 1 | Plug | 150 | 100-1933 | 1 | Flange-Pump, Water |
| 40 | 110-3820 | 1 | Gasket-Flange, Water | 160 | 100-1934 | 1 | Bearing-Ball |
| 50 | 110-3821 | 1 | Plug | 170 | 99-3518 | 1 | Water Pump Seal ASM |
| 60 | 98-7692 | 2 | Bolt | 190 | 100-1932 | 1 | Pipe-Return, Water |
| 70 | 105-3797 | 1 | Bolt | 200 | 117-0330 | 1 | Gasket-Pump, Water |
| 80 | 110-3822 | 1 | Pipe-Return, Water | 210 | 100-1750 | 4 | Bolt |
| 90 | 125-9078 | 2 | Clamp-Hose | 220 | 100-1918 | 1 | Pipe-Water |
| 100 | 98-7778 | 1 | Thermostat ASM | 230 | 110-3827 | 1 | Pipe-Water |
| 110 | 120-7575 | 1 | Cover-Thermostat | 240 | 100-1924 | 1 | Stud |
| 115 | 125-9079 | 1 | Plug | 250 | 100-2203 | 1 | Nut-Flange |
| 120 | 105-3748 | 1 | Gasket-Thermostat | 260 | 110-3828 | 2 | Band-Pipe |



Valve and Rocker Arm Assembly

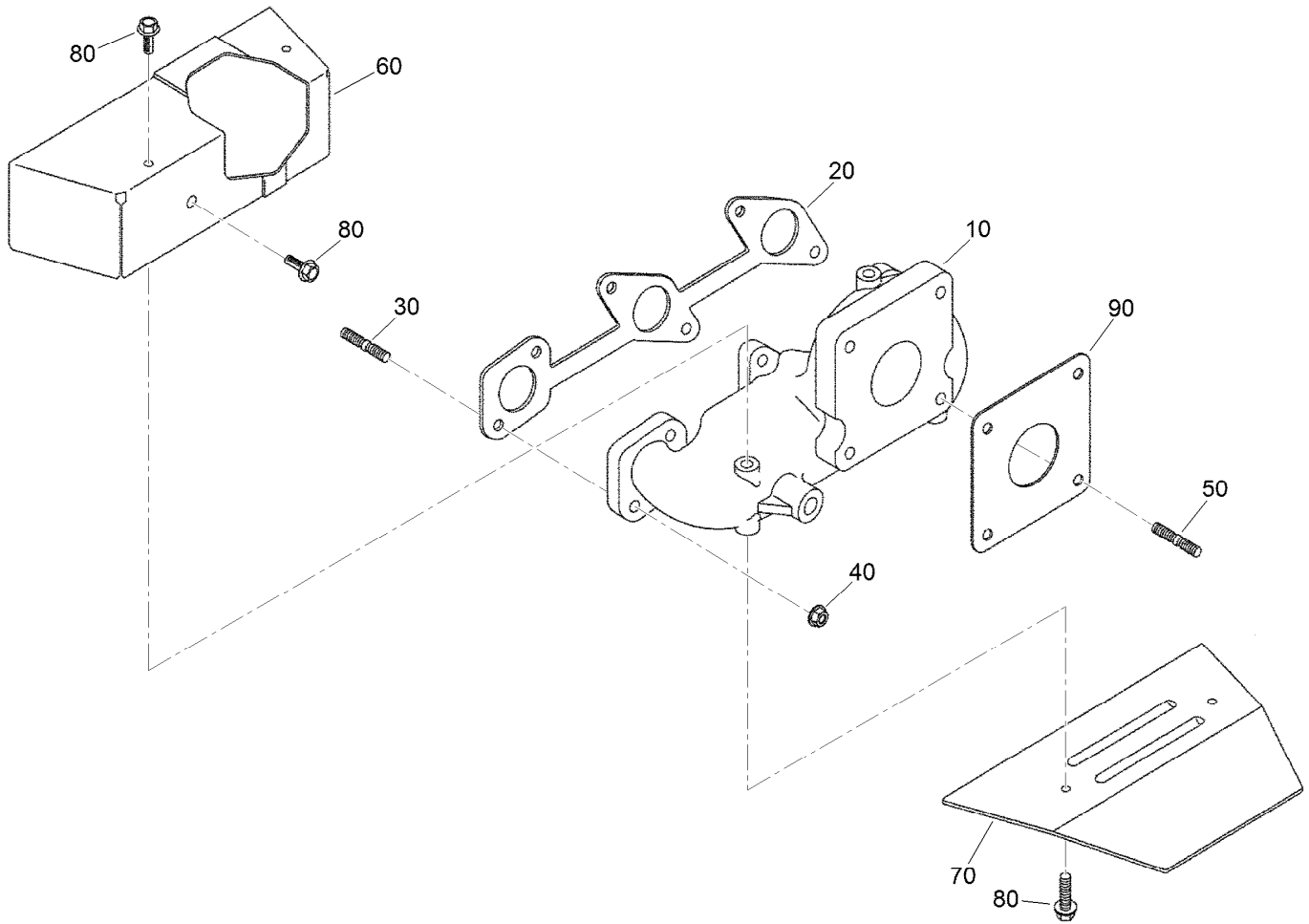
| Ref. | Part Number | Qty. | Description |
|------|-------------|------|------------------------|
| 10 | 125-9106 | 3 | Valve-Inlet |
| 20 | 125-9114 | 3 | Valve-Exhaust |
| 30 | 100-1823 | 6 | Spring-Valve |
| 40 | 100-1825 | 6 | Retainer-Spring, Valve |
| 50 | 120-3136 | 6 | Collet-Spring, Valve |
| 60 | 100-2155 | 6 | Cap-Valve |
| 70 | 125-9128 | 6 | Seal-Stem, Valve |
| 80 | 110-3831 | 1 | Shaft-Arm, Rocker |
| 90 | 100-2044 | 2 | Washer |

| Ref. | Part Number | Qty. | Description |
|------|-------------|------|---------------------|
| 100 | 100-1927 | 2 | Washer-Plain |
| 110 | 100-1762 | 2 | Bolt |
| 120 | 110-3833 | 3 | Bracket-Arm, Rocker |
| 130 | 110-3834 | 3 | Bolt-Flange |
| 170 | 98-7602 | 1 | Pin-Spring |
| 180 | 110-3835 | 2 | Spring |
| 190 | 100-1884 | 6 | Rocker Arm ASM |
| 200 | 100-1885 | 6 | Screw-Adjusting |
| 210 | 100-1827 | 6 | Nut |



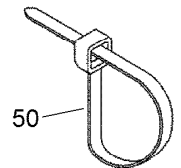
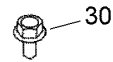
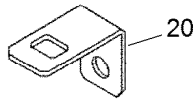
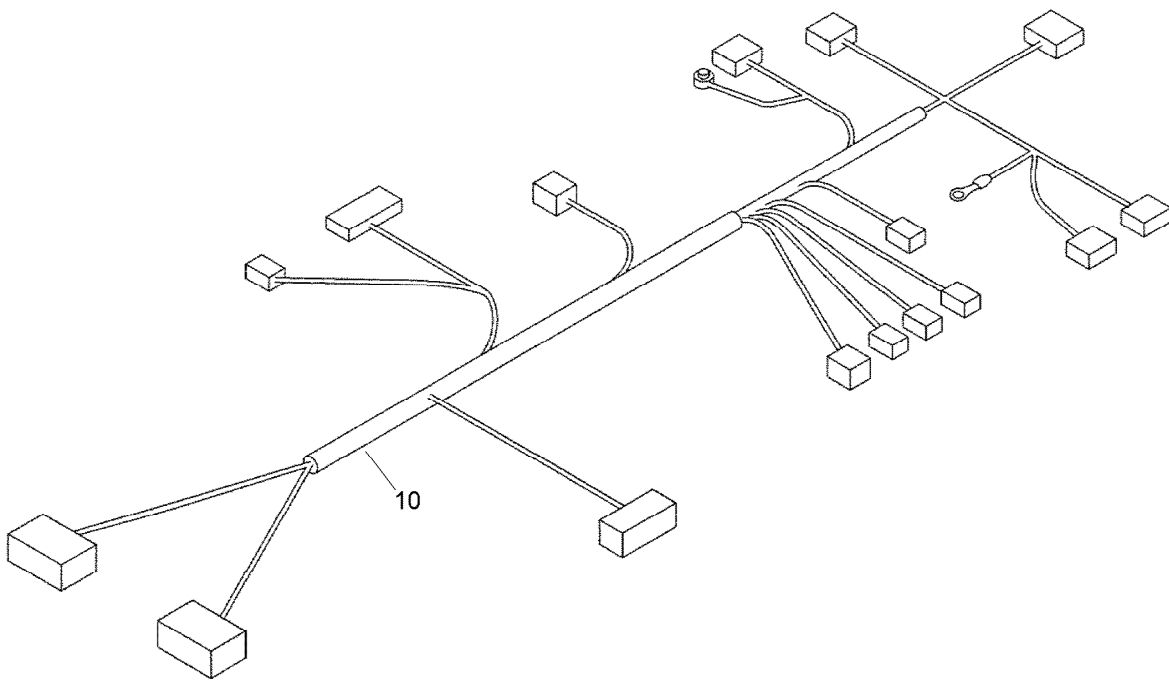
Inlet Manifold Assembly

| <i>Ref.</i> | <i>Part Number</i> | <i>Qty.</i> | <i>Description</i> | <i>Ref.</i> | <i>Part Number</i> | <i>Qty.</i> | <i>Description</i> |
|-------------|--------------------|-------------|---------------------|-------------|--------------------|-------------|-------------------------|
| 10 | 125-9122 | 1 | Intake Manifold ASM | 180 | 98-7654 | 1 | Gasket |
| 20 | 98-7539 | 1 | Cap-Sealing | 200 | 125-9146 | 3 | Stay-Coil, Ignition |
| 30 | 125-9158 | 1 | Pin-Pipe | 205 | 100-2203 | 1 | Nut-Flange |
| 40 | 98-9375 | 3 | Pin-Straight | 210 | 99-8363 | 2 | Bolt-Flange |
| 60 | 125-9110 | 1 | Sensor (Tmap) | 215 | 105-3789 | 1 | Bolt |
| 70 | 125-9112 | 1 | O Ring | 220 | 125-9097 | 1 | Tube-Fuel |
| 80 | 125-9111 | 2 | Bolt-Flange | 230 | 125-9123 | 1 | Gasket-Manifold, Intake |
| 100 | 125-9136 | 1 | Throttle Body ASM | 240 | 125-9092 | 2 | Stud |
| 110 | 125-9104 | 2 | Gasket-Cleaner, Air | 250 | 100-2203 | 2 | Nut-Flange |
| 120 | 125-9093 | 2 | Stud | 260 | 98-9352 | 3 | Bolt |
| 130 | 98-7534 | 2 | Nut | 270 | 125-9137 | 1 | Rail-Ignition, Fuel |
| 140 | 105-2893 | 2 | Washer-Spring | 280 | 98-7692 | 2 | Bolt |
| 150 | 125-9121 | 1 | Flange-Cleaner, Air | 290 | 125-9107 | 3 | Injector |
| 160 | 110-3837 | 1 | Pipe-Breather | 300 | 125-9138 | 3 | Stopper-Injector |
| 170 | 98-9431 | 1 | Screw-Bleeder, Air | | | | |



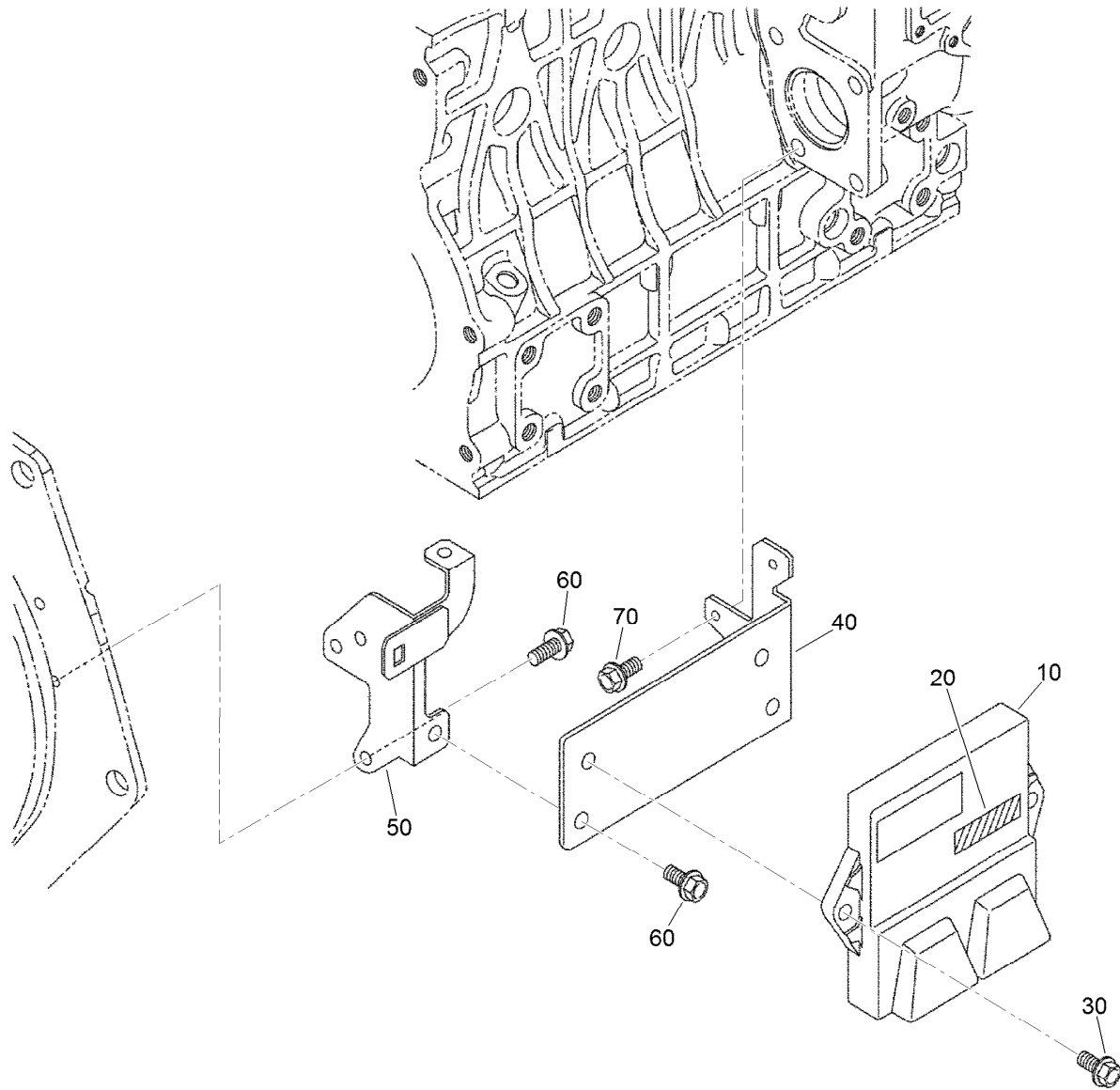
Exhaust Manifold Assembly

| Ref. | Part Number | Qty. | Description |
|------|-------------|------|--------------------------|
| 10 | 125-9125 | 1 | Manifold-Exhaust |
| 20 | 110-3840 | 1 | Gasket-Manifold, Exhaust |
| 30 | 125-9149 | 6 | Bolt-Stud |
| 40 | 100-1778 | 6 | Nut |
| 50 | 125-9100 | 4 | Stud |
| 60 | 125-9126 | 1 | Cover-Upper |
| 70 | 125-9127 | 1 | Cover-Lower |
| 80 | 125-9090 | 5 | Bolt |
| 90 | 125-9108 | 1 | Gasket-Muffler |



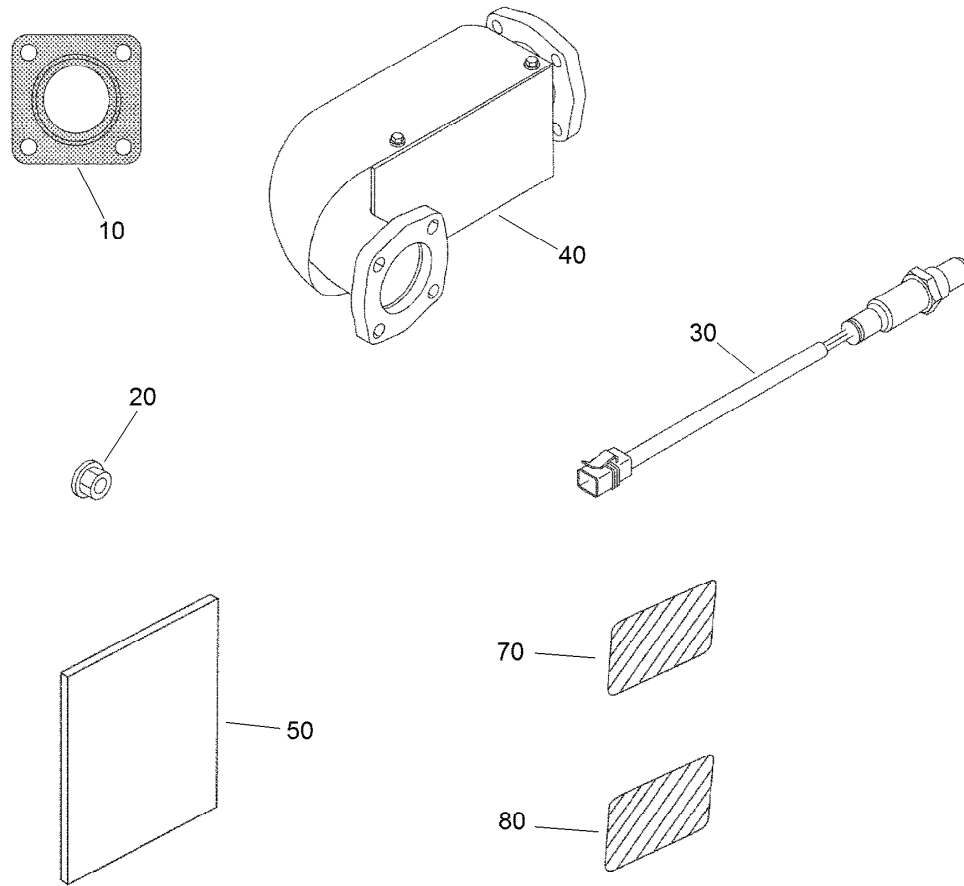
Wire Harness Assembly

| <i>Ref.</i> | <i>Part Number</i> | <i>Qty.</i> | <i>Description</i> |
|-------------|--------------------|-------------|---------------------|
| 10 | 125-9143 | 1 | Harness-Wire, E C U |
| 20 | 125-9157 | 1 | Stay-Boom, Harness |
| 30 | 115-8504 | 1 | Bolt-Flange |
| 50 | 125-9101 | 2 | Band-Cord |



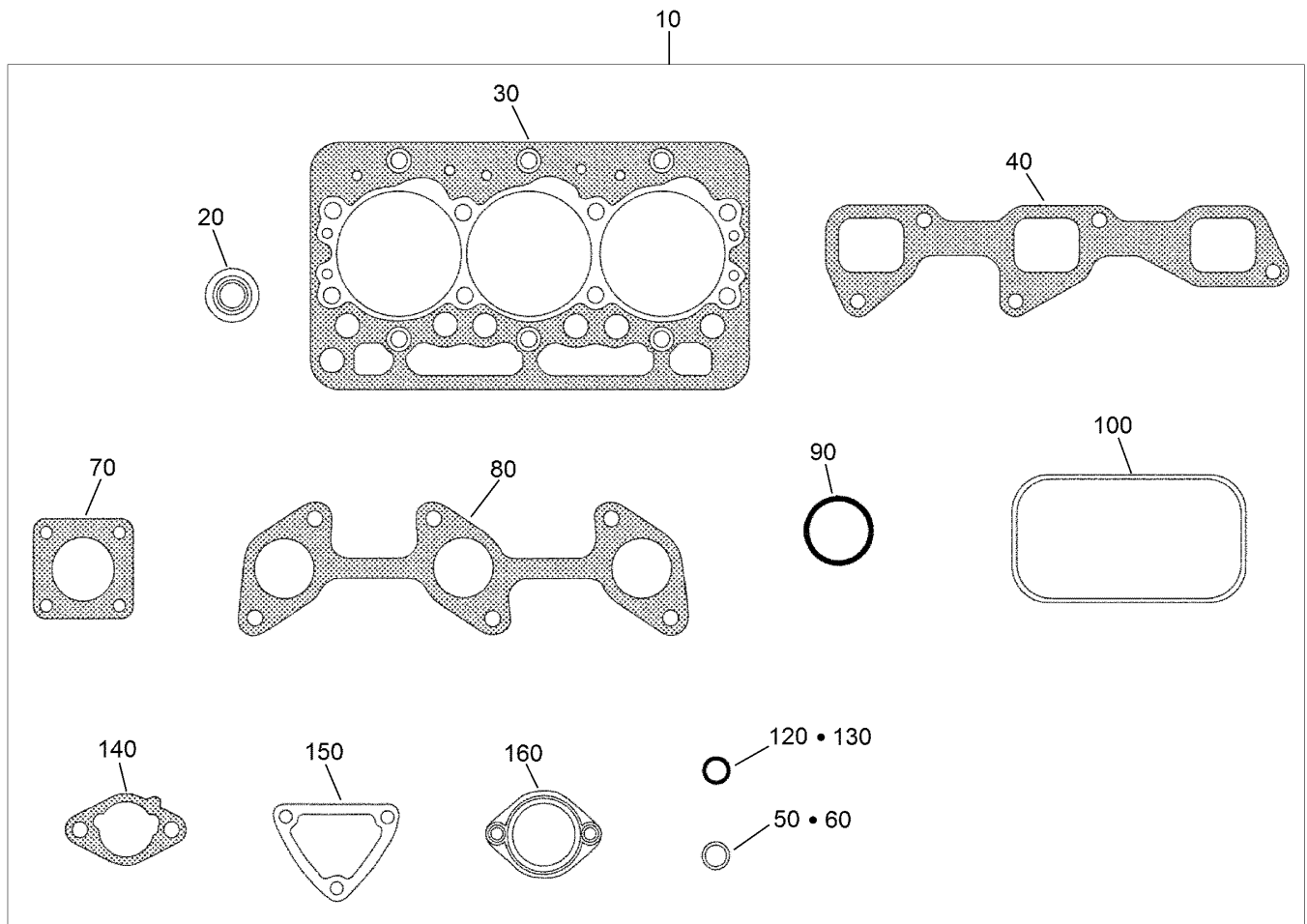
Electronic Control Unit Assembly

| <i>Ref.</i> | <i>Part Number</i> | <i>Qty.</i> | <i>Description</i> |
|-------------|--------------------|-------------|--------------------|
| 10 | 125-9156 | 1 | E C U ASM |
| 20 | 125-9147 | 1 | Label |
| 30 | 108-2873 | 2 | Bolt-Flange |
| 40 | 125-9140 | 1 | Stay-E C U |
| 50 | 125-9141 | 1 | Stay-E C U |
| 60 | 100-1774 | 3 | Bolt-Flange |
| 70 | 115-8504 | 2 | Bolt-Flange |



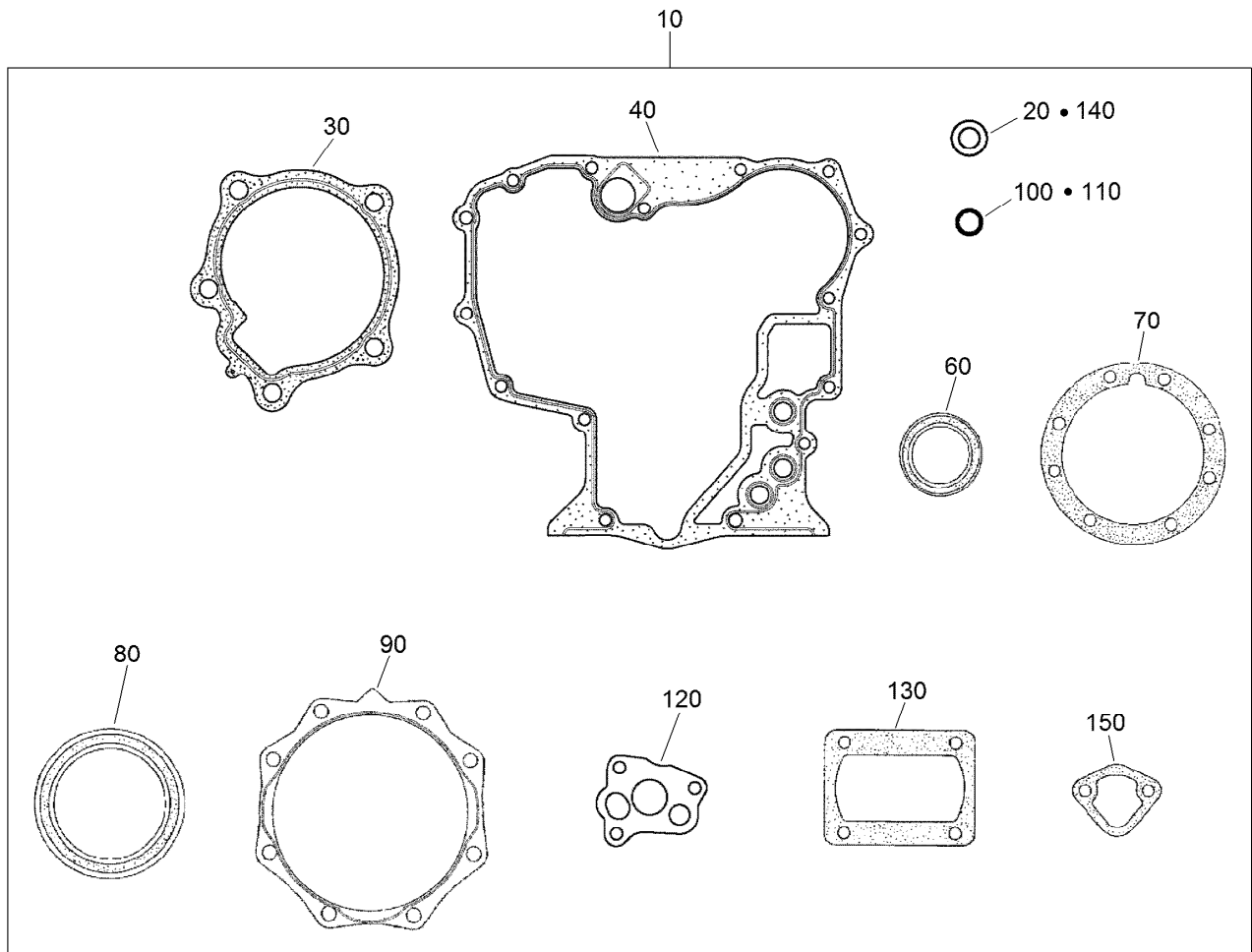
Operator Manual and Miscellaneous Engine Parts

| <i>Ref.</i> | <i>Part Number</i> | <i>Qty.</i> | <i>Description</i> |
|-------------|--------------------|-------------|----------------------------------|
| 10 | 125-9108 | 1 | Gasket-Muffler |
| 20 | 125-9095 | 4 | Nut |
| 30 | 121-3511 | 1 | Sensor-O2 F/W |
| 40 | 125-9118 | 1 | Converter-Catalytic (F/W Engine) |
| 50 | 125-9148 | 1 | Operator Manual |
| 70 | 110-0806 | 1 | Decal-Caution |
| 80 | 110-3843 | 1 | Label-Instruction |



Upper Engine Gasket Kit

| Ref. | Part Number | Qty. | Description |
|------|-------------|------|--------------------------|
| 10 | 125-9150 | 1 | Upper Gasket Kit |
| 20 | 125-9128 | 6 | Seal-Stem, Valve |
| 30 | 125-9113 | 1 | Gasket-Head |
| 40 | 125-9123 | 1 | Gasket-Manifold, Intake |
| 50 | 125-9112 | 1 | O Ring |
| 60 | 99-3446 | 1 | O-Ring |
| 70 | 125-9108 | 1 | Gasket-Muffler |
| 80 | 110-3840 | 1 | Gasket-Manifold, Exhaust |
| 90 | 110-3846 | 1 | O Ring-Breather |
| 100 | 125-9130 | 1 | Gasket-Cover, Head |
| 120 | 125-9096 | 1 | Gasket |
| 130 | 98-7654 | 1 | Gasket |
| 140 | 125-9104 | 2 | Gasket-Cleaner, Air |
| 150 | 110-3820 | 1 | Gasket-Flange, Water |
| 160 | 105-3748 | 1 | Gasket-Thermostat |



Lower Engine Gasket Kit

| Ref. | Part Number | Qty. | Description |
|------|-------------|------|----------------------|
| 10 | 125-9155 | 1 | Lower Gasket Kit |
| 20 | 98-7524 | 1 | Gasket |
| 30 | 117-0330 | 1 | Gasket-Pump, Water |
| 40 | 117-0327 | 1 | Gasket-Case, Gear |
| 60 | 120-7852 | 1 | Seal-Oil |
| 70 | 100-1873 | 1 | Gasket-Case, Bearing |
| 80 | 110-3724 | 1 | Seal-Oil |
| 90 | 100-1876 | 1 | Gasket-Cover, Case |
| 100 | 100-2209 | 1 | O-Ring |
| 110 | 105-3776 | 1 | O-Ring |
| 120 | 100-2003 | 1 | Gasket-Pump, Oil |
| 130 | 125-9105 | 1 | Gasket |
| 140 | 98-7654 | 1 | Gasket |
| 150 | 98-9636 | 1 | Gasket-Pump, Fuel |

Attachments and Accessories

For 07383 Workman HDX Utility Vehicle

| Product Name | Model/Part |
|--|-------------------|
| Hitch Pin | 100-4523 |
| Pro Sweep Turf Sweeper | 07068 |
| Jack Stand | 105-9482-03 |
| High-Flow Hydraulic Kit | 07316 |
| Backup Alarm Kit | 127-8729 |
| LED Homologation Lamp Kit | 147-2798 |
| Bed Liner | 07331 |
| Topdresser 1800 | 44225 |
| Topdresser 1800 Lift Kit | 92-4452 |
| Tire/Wheel ASM (24 X 12-12) | 131-8428 |
| Hitch ASM | 131-3462 |
| Tire/Wheel ASM (20 X 9-12) | 131-8430 |
| MVP Kit 400hr Workman HDX(07386)2013+ | 30248 |
| Topdresser 2500 | 44507 |
| Exterior Mirror Kit | 130-5448 |
| Synthetic Turf Conditioner, Tow-Behind Accessory | 08791 |
| Door Mount Mirror Kit | 136-1997 |
| Rear PTO Kit | 07419 |
| Interior Mirror Kit | 130-5449 |
| Brake and Signal LED Light Kit, Serial number 410500000 and After Workman HD Utility Vehicle | 145-2296 |
| Multi Pro WM Turf Sprayer | 41240 |
| LED Trailer Signal Kit | 147-2791 |
| Cab Kit | 07392 |
| Premium All Purpose Grease (Tube) | 108-1190 |
| Door Kit with Sliding Window | 07393 |
| Heater Kit | 07349 |
| Power Point Kit | 131-8550 |
| Wireless Hourmeter | 115-4754 |
| 12 Inch Rear Wheel Weights | 81115 |
| Worklight Kit | 117-4827 |
| Backup Alarm Kit | 107-8037 |
| High Air Intake Kit | 121-6285 |
| Base Station Kit, Wireless Hourmeter System | 115-9542 |
| Repeater Kit, Wireless Hourmeter System | 115-9543 |
| Side Mirror Kit | 115-7849 |
| External Antenna Kit, Wireless Hourmeter System | 115-9524 |
| Tailpipe Extension Kit | 127-7397 |
| Tire-Rear | 131-8433 |
| Spark Arrestor Screen | 94-8157 |
| PTO Over Running Clutch Kit | 92-2655 |
| Fuse Block | 92-2641 |
| 1/3 Area Cover Kit | 127-8739 |
| Remote Hydraulic Float Kit | 117-4828 |
| Canopy | 07372 |
| Windshield | 07373 |

Attachments and Accessories (continued)

| | |
|---|----------|
| Premium ATF (Drum)..... | 108-1185 |
| Premium ATF (Pail) | 108-1186 |
| Horn Kit..... | 115-7825 |
| Remote Hydraulics Manifold Kit..... | 110-2626 |
| 4 Post Roll-Over Protection System..... | 07378 |
| Receiver Hitch Kit | 117-4831 |
| Trailer Brake Kit | 125-0123 |
| Tire/Wheel ASM (24 X 13-12) | 131-8432 |
| Canopy for Four-Post Roll-Over Protection System Kit..... | 119-9457 |
| Tire-Rear, Industrial | 99-1091 |
| Wheel-12in x 8.0in | 114-8260 |
| ProPass 200 Top Dresser with Twin Spinner and Wireless Control | 44751 |
| ProPass 200 Top Dresser with Twin Spinner | 44701 |
| Pro Force Debris Blower..... | 44553 |
| Pro Force Debris Blower..... | 44552 |
| Beacon Kit | 130-5484 |
| Work Light Kit | 130-5485 |
| Windshield Washer Fluid Kit, 2015 and after Workman MD/HD Series Utility Vehicle..... | 130-5615 |
| Small Seat Cover..... | 131-6690 |
| LED Worklight Kit..... | 133-0554 |
| ROPS Beacon Kit | 133-0609 |
| Aggressive Tire Kit..... | 07422 |
| Bracket-light, Canopy | 133-0627 |
| Pro Force Debris Blower..... | 44554 |
| Wheel/Tire ASM, A404 (20X9-12)Smooth | 136-6334 |
| Wheel/Tire ASM, A404 (24X12-12)Smooth | 136-6335 |
| Wheel/Tire ASM, A502 (20X9-12)Semi-Aggressive | 136-6308 |
| Wheel/Tire ASM, K502 (24X12-12)Semi-Aggressive..... | 136-6309 |
| Hand Throttle Kit, Serial Number 400000000 and After Workman HDX Utility Vehicle..... | 07408 |

Notes:

Notes:

Notes:



Count on it.