



Count on it.

Parts Catalog

**Power Max[®] Heavy Duty 928 OAE
Snowthrower**

Model No. 38850—Serial No. 411400000 and Up



Ordering Replacement Parts

To order replacement parts, please supply the part number, the quantity, and the description of each part desired.

Understanding Reference Numbers

Each identified part in an illustration has a reference number. The reference number for a part also appears in the parts list, along with other information about the part.

This catalog uses two special reference number formats, one to indicate parts in a service assembly and another to indicate the quantity of a given part in an illustration.

Service Assembly Reference Numbers

Parts in service assemblies have reference numbers in the form a:b. The a represents the reference number of the entire service assembly and the b represents a sequential number unique to each part within the service assembly.

For example, a wheel assembly might be identified by reference number 6, the tire by 6:1, the valve by 6:2, and the wheel by 6:3. When you order the assembly identified by reference number 6, you receive all parts identified by reference numbers 6:1, 6:2, and 6:3. However, you may also order any part individually. Reference numbers of this type appear in illustration and in parts lists.

Reference Numbers Indicating Quantity

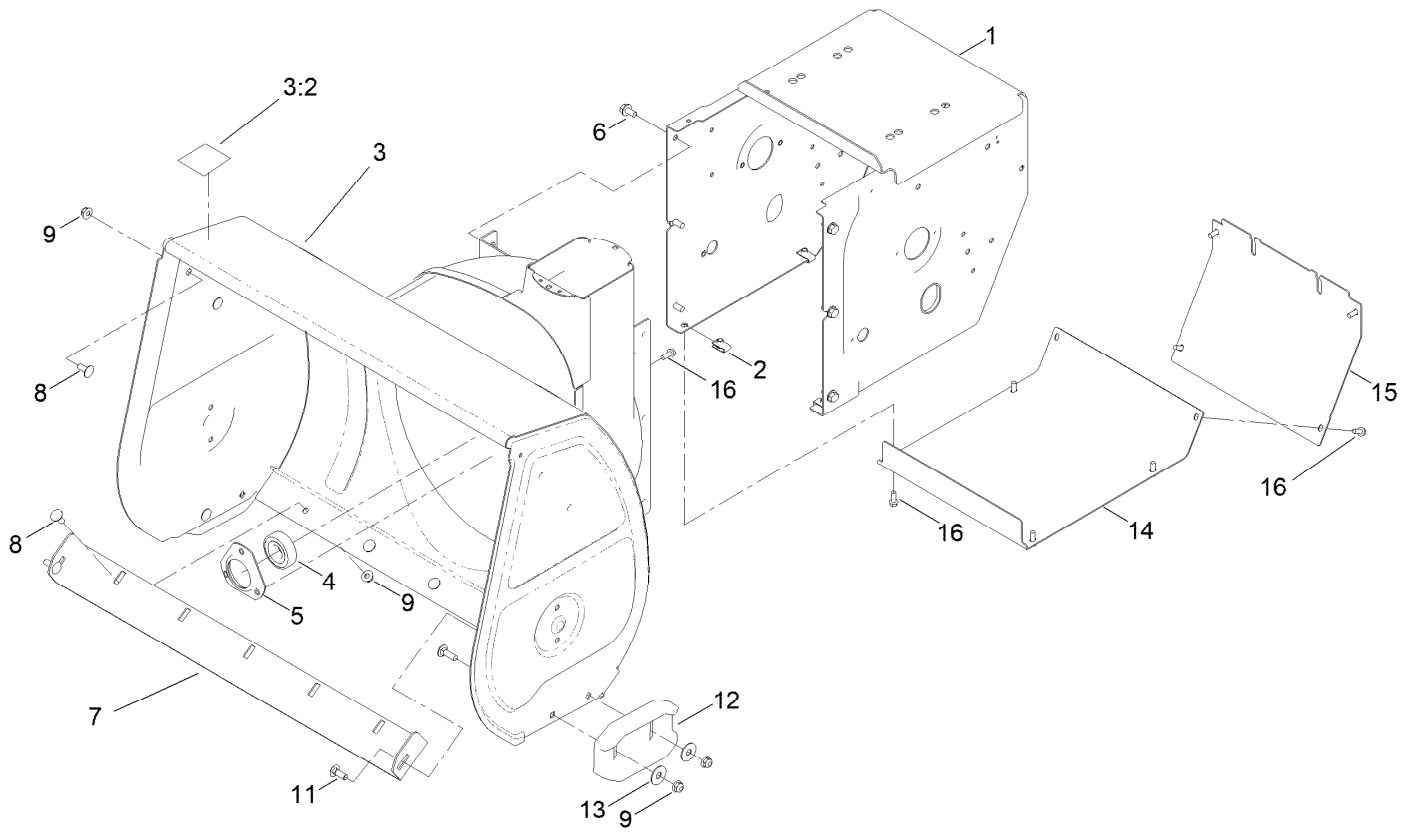
In an illustration, if a reference number indicates more than one part, the reference number has the form nX y. The n represents the quantity of the part, the X is the multiplication symbol, and the y represents the reference number.

For example, in an illustration, the reference number 2X 37 means that two of the parts identified by reference number 37 are indicated.

Contents

Housing Assembly	4
Auger Drive Assembly	6
Gear Case Assembly	8
Engine Assembly	10
Engine Assembly No. 1	12
Engine Assembly No. 2	14
Engine Assembly No. 3	16
Engine Decal Assembly	18
Chute Assembly	20
Chute Control Assembly	22
Handle Assembly	24
Traction Drive Assembly	26
Autoturn Drive Assembly	28
Attachments and Accessories	30

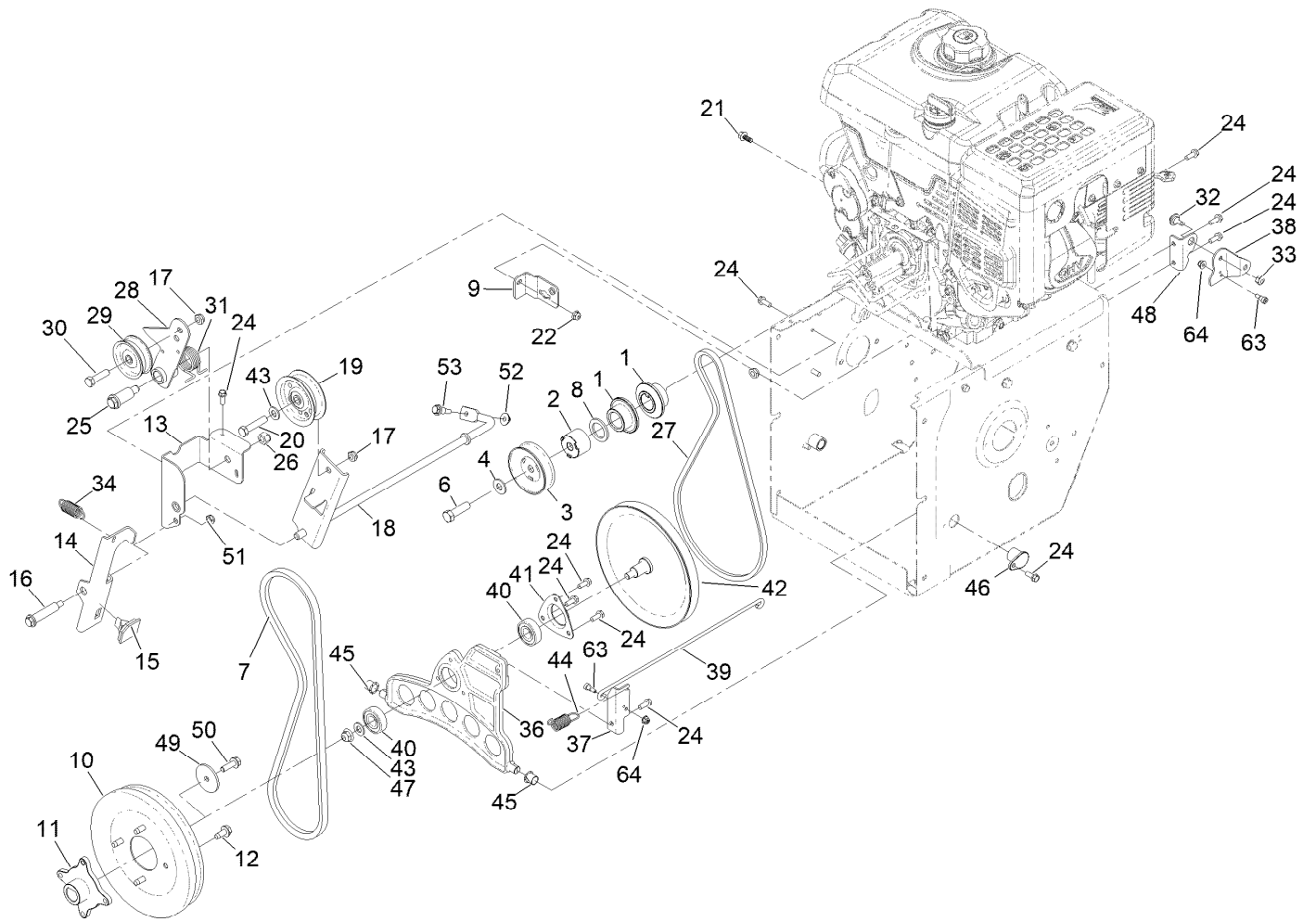
Housing Assembly



Housing Assembly (continued)

<i>Ref.</i>	<i>Part Number</i>	<i>Qty.</i>	<i>Description</i>	<i>Ref.</i>	<i>Part Number</i>	<i>Qty.</i>	<i>Description</i>
1	136-6639-01	1	Frame-Traction	8	137-3061	5	Bolt-CARR
2	107069	8	Clip	9	119-4041	9	Nut-HF
3	139-1562	1	Auger Housing ASM	11	137-3059	4	Bolt-CARR
3:2	121-6817	1	Decal-Danger, Auger	12	106-4588-01	2	Skid
4	136-6571	1	Bearing-Ball	13	119-4150	4	Washer-Flat
5	136-6573	1	Retainer-Bearing	14	136-6650-01	1	Cover-Bottom
6	32144-14	6	Screw-HWHTF	15	136-6651-01	1	Cover-Rear
7	136-6588-01	1	Blade-Scraper	16	32144-85	11	Screw-HWH Thd Form

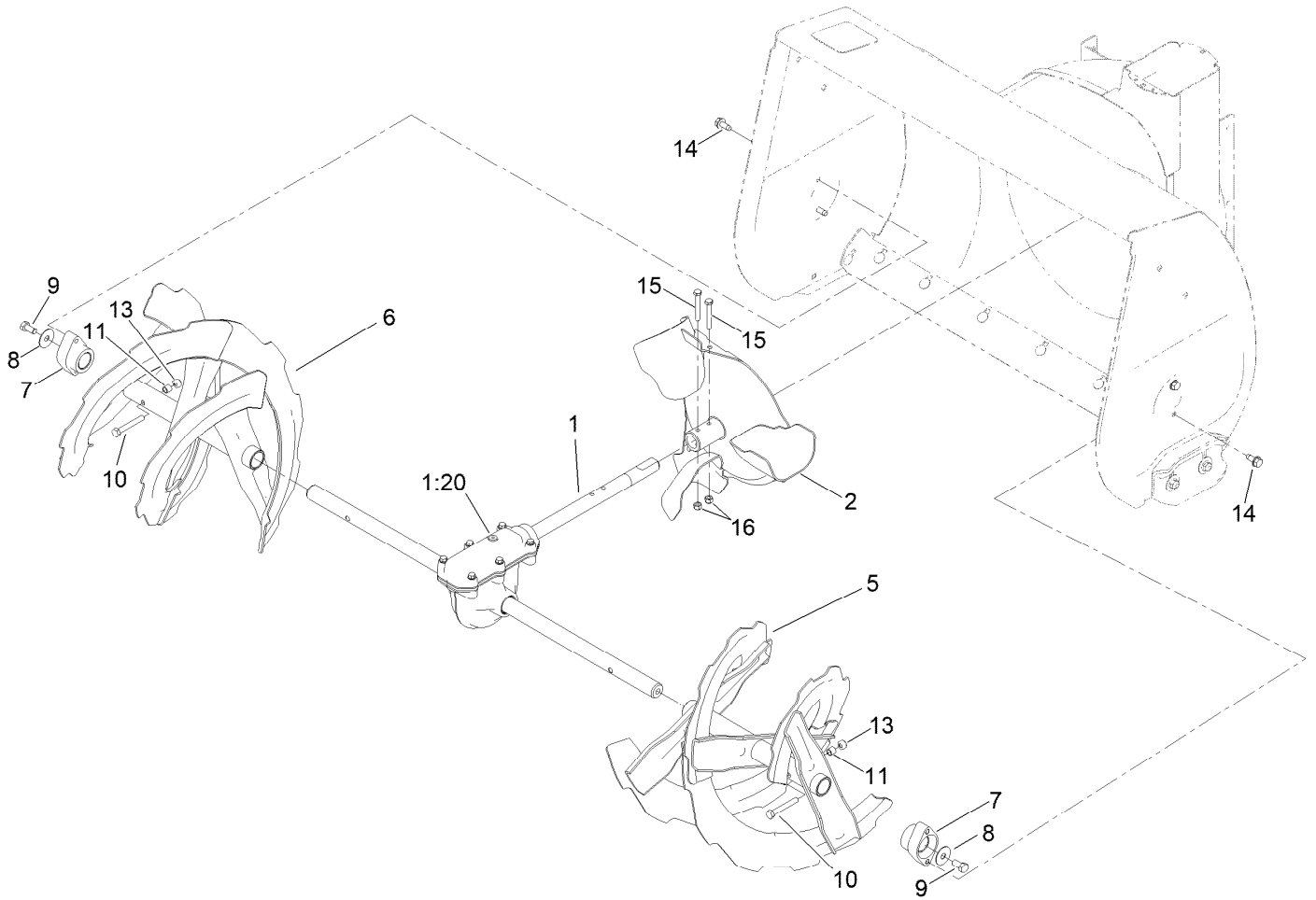
Auger Drive Assembly



Auger Drive Assembly (continued)

<i>Ref.</i>	<i>Part Number</i>	<i>Qty.</i>	<i>Description</i>	<i>Ref.</i>	<i>Part Number</i>	<i>Qty.</i>	<i>Description</i>
1	136-6564	2	Pulley-Traction, Engine	29	3-4244	1	Pulley-Idler
2	136-6691	1	Pulley-Spacer	30	137-3065	1	Screw-HH
3	137-6179	1	Pulley-Impeller	31	120-3060	1	Spring-Torsion
4	137-3078	1	Washer-Plain	32	92-9698	1	Screw-Shoulder
6	138-0721	1	Screw-HH	33	137-3094	1	Nut-Hex
7	135-0708	1	Belt-V, Hitemp	34	145-0675	1	Spring-Extension
8	3-8514	1	Washer-Thrust	36	136-6689	1	Plate-Friction, Wheel
9	136-8654-03	1	Bracket-Clutch, Impeller	37	144-1621	1	Bkt-Traction Plate
10	138-0717	1	Pulley-Impeller	38	144-1622	1	Bellcrank-Drive
11	136-6558	1	Hub-Pulley	39	144-1613	1	Link-Traction, HD
12	32144-70	4	Screw-HWHTF	40	38-7820	2	Bearing-Ball
13	136-8671-03	1	Bracket-Brake, Clutch	41	136-7124	1	Retainer-Bearing
14	136-6527	1	Brake Arm	42	137-6154	1	Pulley-Traction
15	66-8060	1	Pad-Brake	43	115-1166	2	Washer-Plain
16	136-7199	1	Bolt-Shoulder	44	137-6189	1	Spring-Extension
17	121-4600	2	Nut-Hex	45	256-257	2	Bushing-Nyliner
18	137-6234-03	1	Arm-Clutch, Impeller	46	120-7156	2	Bushing-Plate, Traction
19	92-7104	1	Pulley-Idler	47	119-4042	1	Nut-HF, NI
20	138-0722	1	Screw-HH	48	136-6654	1	Bracket-Bellcrank
21	137-3111	1	Screw-HHF	49	137-3121	1	Washer-Plain
22	137-3005	1	Nut-HF	50	115-5142	1	Screw-HHF
24	32144-85	12	Screw-HWH Thd Form	51	137-3089	1	Nut-Hex
25	136-7116	1	Bolt-Shoulder	52	137-3016	1	Nut-HF
26	137-3095	1	Nut-Hex	53	104-0858	1	Bolt-Shoulder
27	137-6151	1	V-Belt	63	94-9422	2	Screw-Shoulder
28	136-7186	1	Arm-Idler, Traction	64	138-0719	2	Nut-HF

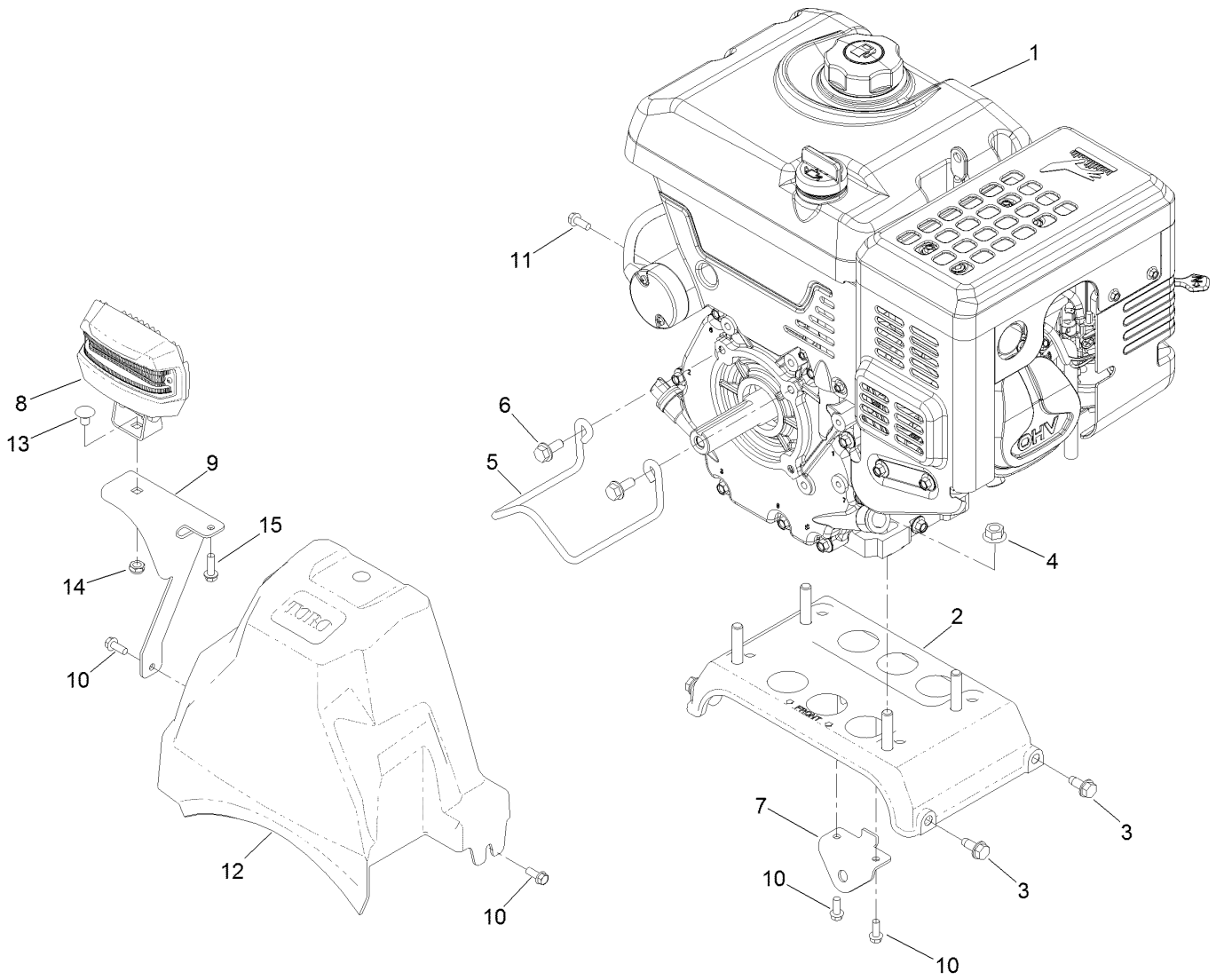
Gear Case Assembly



Gear Case Assembly (continued)

<i>Ref.</i>	<i>Part Number</i>	<i>Qty.</i>	<i>Description</i>	<i>Ref.</i>	<i>Part Number</i>	<i>Qty.</i>	<i>Description</i>
1	136-6549	1	Auger Gearcase ASM	9	137-3066	2	Screw-HH
1:20	138-3629	1	Plug-Oil	10	120-9738	2	Screw-HH
2	136-6570-03	1	Impeller	11	136-7148	2	Spacer-Grommet
5	136-6600-03	1	Auger-LH	13	119-4038	2	Nut-Hex
6	136-6601-03	1	Auger-RH	14	32144-70	4	Screw-HWHTF
7	106-4570	2	Bearing-Auger	15	137-3032	2	Screw-HH
8	3-0750	2	Washer	16	137-3088	2	Nut-Hex

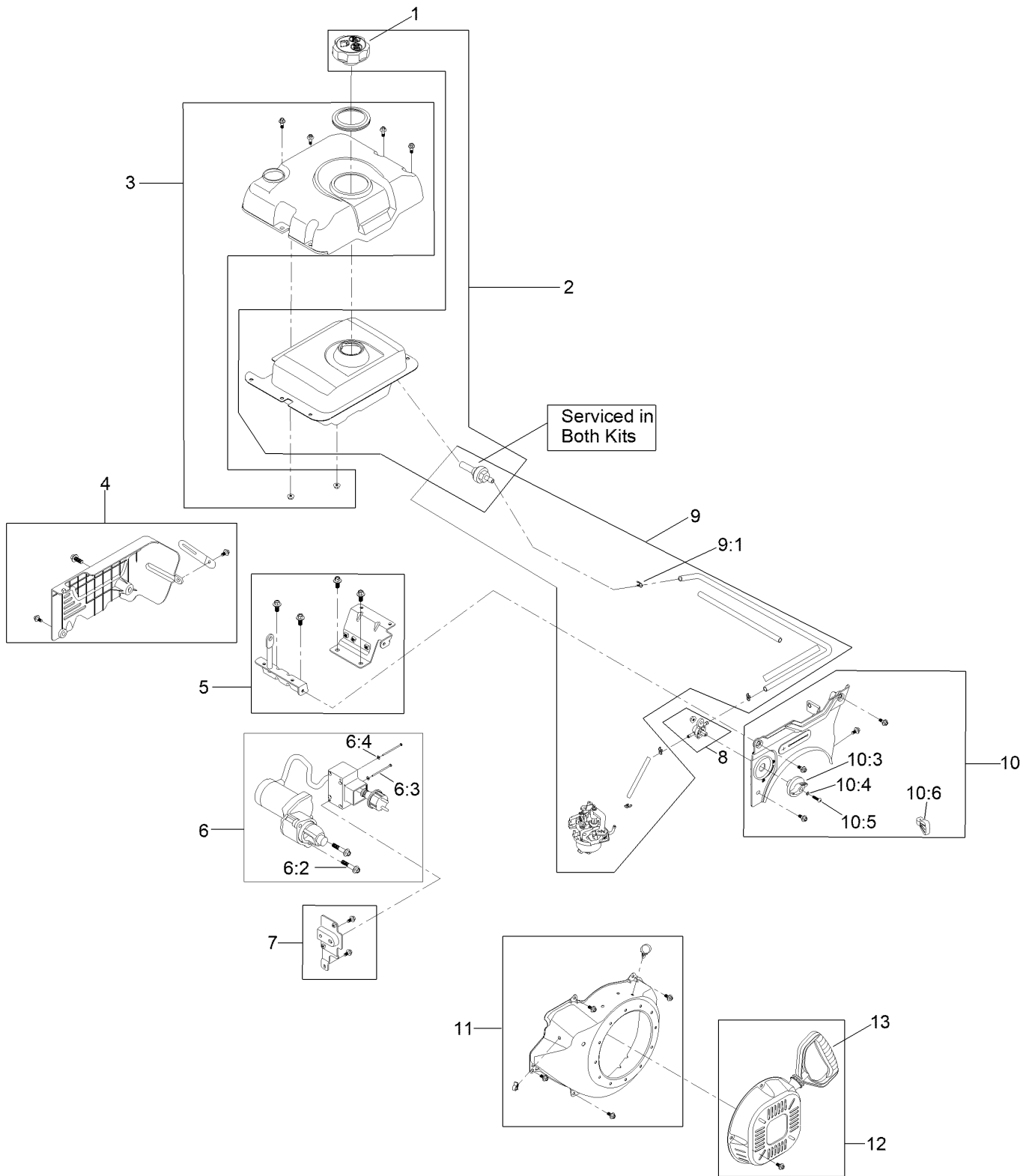
Engine Assembly



Engine Assembly (continued)

<i>Ref.</i>	<i>Part Number</i>	<i>Qty.</i>	<i>Description</i>	<i>Ref.</i>	<i>Part Number</i>	<i>Qty.</i>	<i>Description</i>
1	139-0730	1	Engine-Lc175Fds-1	9	138-0683-03	1	Bracket-Light
2	138-0695	1	Engine Plate ASM	10	32144-85	2	Screw-HWH Thd Form
3	32144-70	4	Screw-HWHTF	11	121-4615	1	Screw-HH
4	136-8683	4	Nut-Lock	12	136-6606	1	Cover-Belt
5	136-8673	1	Guide-Belt	13	3230-19	1	Bolt-CARR
6	138-0690	2	Screw-HH	14	137-3089	1	Nut-Hex
7	136-6644-03	1	Bracket-Control, Traction	15	137-3099	1	Screw-Plastite, HWH
8	138-0670	1	LED Light ASM				

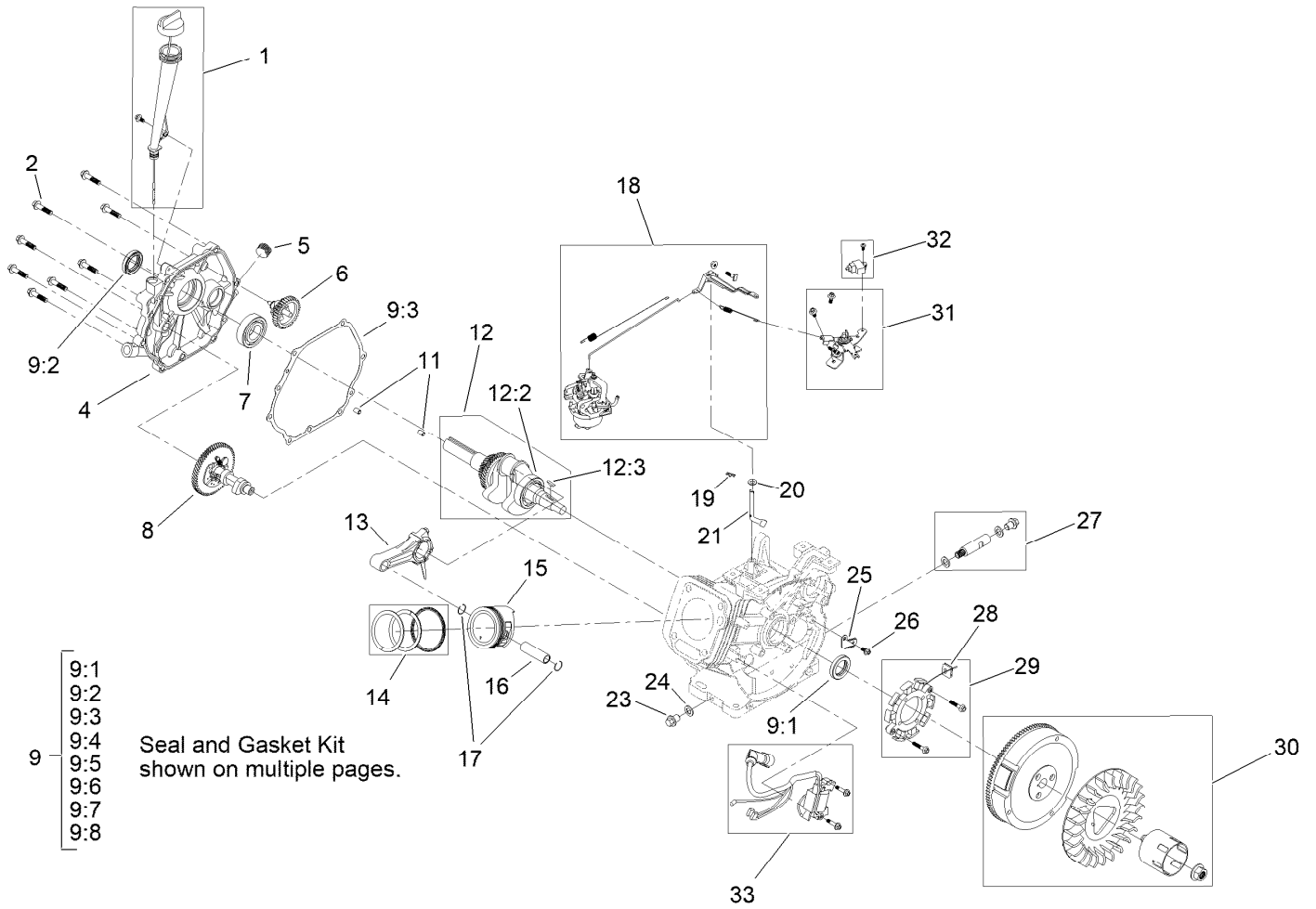
Engine Assembly No. 1



Engine Assembly No. 1 (continued)

<i>Ref.</i>	<i>Part Number</i>	<i>Qty.</i>	<i>Description</i>	<i>Ref.</i>	<i>Part Number</i>	<i>Qty.</i>	<i>Description</i>
1	133-9823	1	Cap-Fuel	8	121-4109	1	Fuel Shut-Off Valve Kit
2	136-7802	1	Fuel Tank And Cap Kit	9	139-0598	1	Fuel Line Kit
3	121-0349	1	Fuel Tank Cover Kit	9:1	121-0087	4	Clamp-Hose
4	121-0347	1	Rear Panel And Hardware Kit	10	121-4105	1	Front Panel Kit
5	121-0351	1	Tank Mount Bracket Kit	10:3	121-0268	1	Knob-Valve, Fuel
6	136-7800	1	Electric Starter Kit	10:4	121-0312	1	Washer-Plain
6:2	121-0298	2	Screw-HHF	10:5	121-0305	1	Screw-Bhp
6:3	121-0306	2	Screw-Bhp	10:6	121-0269	1	Knob-Control, Throttle
6:4	121-0312	2	Washer-Plain	11	121-0274	1	Recoil Shroud Kit
7	121-4103	1	Switch Box Bracket Kit	12	121-0342	1	Recoil Kit
				13	121-0287	1	Handle-Recoil

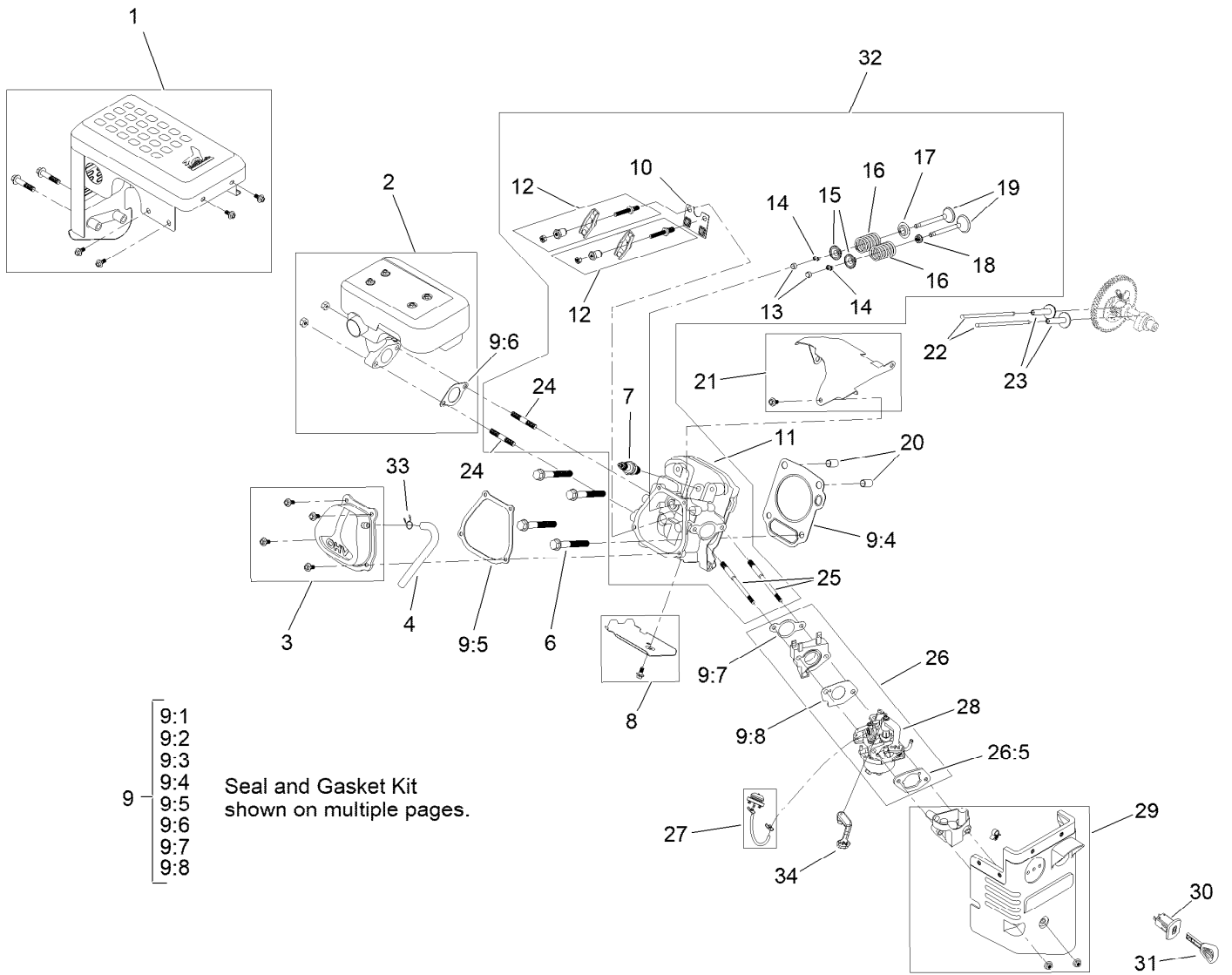
Engine Assembly No. 2



Engine Assembly No. 2 (continued)

<i>Ref.</i>	<i>Part Number</i>	<i>Qty.</i>	<i>Description</i>	<i>Ref.</i>	<i>Part Number</i>	<i>Qty.</i>	<i>Description</i>
1	133-9854	1	Oil Fill Kit	13	121-0240	1	Connecting Rod ASM
2	121-0299	8	Screw-HHF	14	144-0953	1	Ring Set, Piston
4	133-9856	1	Cover-Crankcase	15	144-0952	1	Piston
5	133-9805	1	Plug-Drain	16	121-0237	1	Pin-Piston
6	136-7782	1	Governor Gear ASM	17	121-0313	2	Clip-Pin, Piston
7	121-0315	1	Bearing-Main	18	121-0352	1	Complete Governor Kit
8	121-0242	1	Camshaft ASM	19	120-4256	1	Pin-Hair
9	121-0356	1	Seal And Gasket Kit	20	121-0311	1	Washer-Plain
9:1	121-0316	1	Seal-Oil	21	136-7783	1	Shaft-Governor
9:2	121-0317	1	Seal-Oil	23	121-0222	1	Screw-HHF
9:3	121-0228	1	Gasket-Cover, Crankcase	24	121-0310	1	Washer-Plain
9:4	121-0232	1	Gasket-Head, Cylinder	25	121-0278	1	Clamp
9:5	121-0234	1	Gasket-Cover, Valve	26	121-0118	1	Screw-HHF
9:6	121-0272	1	Gasket-Exhaust	27	121-0341	1	Drain Plug Kit
9:7	121-0252	1	Gasket-Carburetor	28	121-0325	1	Grommet-Rubber
9:8	121-0253	1	Gasket-Carburetor	29	121-0362	1	Stator Kit
11	121-0314	2	Pin-Dowel	30	121-0354	1	Fan And Flywheel Kit
12	121-0241	1	Crankshaft ASM	31	121-4107	1	Throttle Control Kit
12:2	121-0315	1	Bearing-Main	32	121-4106	1	Kill Switch Kit
12:3	120-4320	1	Key-Woodruff	33	136-7798	1	Ignition Kit

Engine Assembly No. 3



9:1
9:2
9:3
9:4
9:5
9:6
9:7
9:8

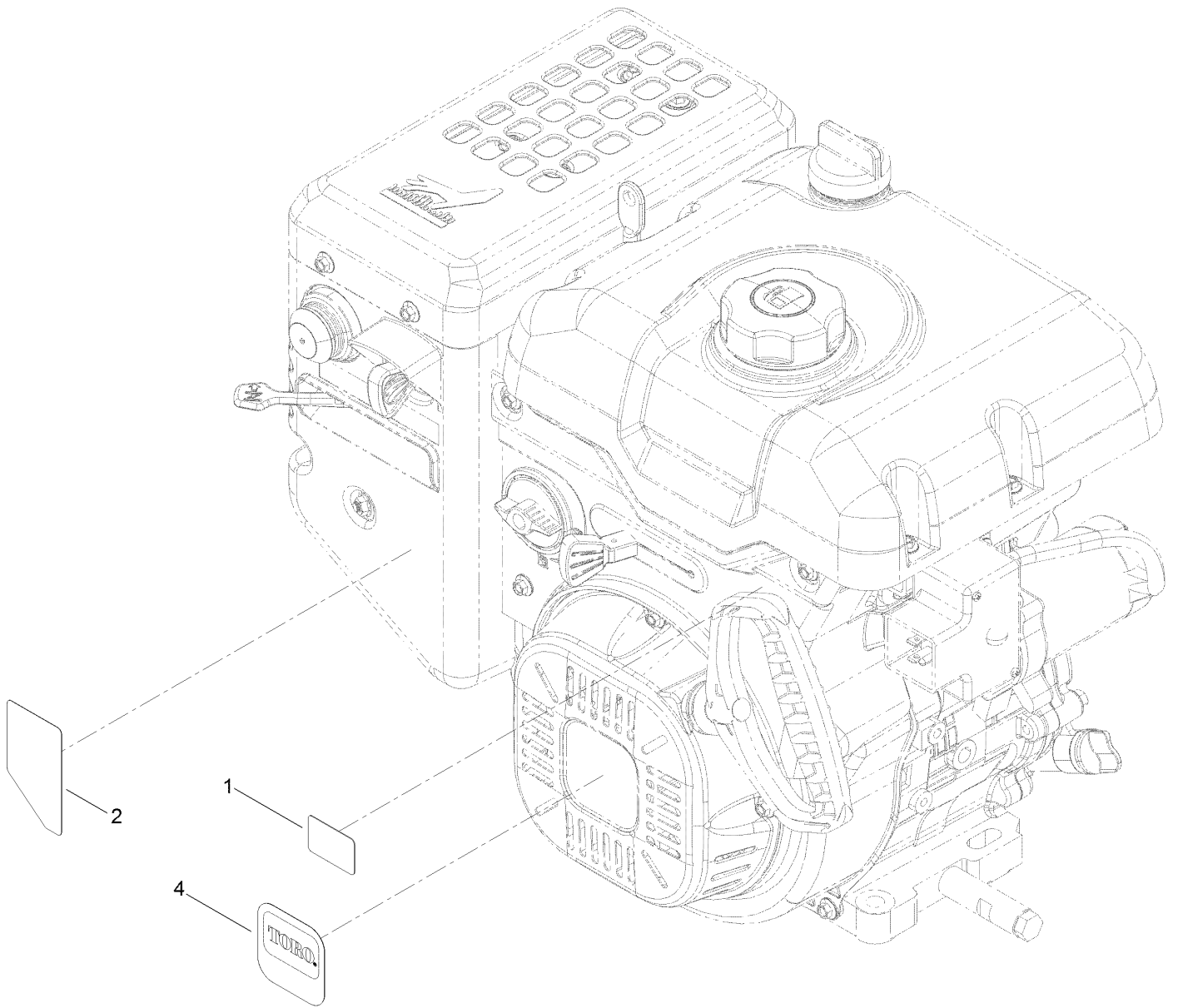
9 Seal and Gasket Kit shown on multiple pages.

Engine Assembly No. 3 (continued)

<i>Ref.</i>	<i>Part Number</i>	<i>Qty.</i>	<i>Description</i>	<i>Ref.</i>	<i>Part Number</i>	<i>Qty.</i>	<i>Description</i>
1	121-4101	1	Muffler Shield Kit	16	120-4305	2	Spring-Valve
2	127-9373	1	Muffler Kit	17	120-4303	1	Seat-Spring, Valve
3	121-0343	1	Valve Cover Kit	18	120-4304	1	Seal-Stem, Valve
4	144-1008	1	Tube-Breather	19	121-0328	1	Valve Kit
6	121-0302	4	Screw-HHF	20	120-4200	2	Pin-Dowel
7	119-1901	1	Plug-Spark	21	121-4102	1	Upper Heat Shroud Kit
8	121-0348	1	Lower Heat Shroud Kit	22	121-0246	2	Rod-Push
9	121-0356	1	Seal And Gasket Kit	23	120-4298	2	Lifter-Valve
9:1	121-0316	1	Seal-Oil	24	121-0304	2	Stud-Mount, Muffler
9:2	121-0317	1	Seal-Oil	25	121-0303	2	Stud-Mount, Carburetor
9:3	121-0228	1	Gasket-Cover, Crankcase	26	144-0955	1	Carb Service Kit
9:4	121-0232	1	Gasket-Head, Cylinder	26:5	121-0254	1	Gasket-Coated, Rubber
9:5	121-0234	1	Gasket-Cover, Valve	27	127-9372	1	Primer Kit
9:6	121-0272	1	Gasket-Exhaust	28	127-9143	1	Carb Repair Kit With Gaskets
9:7	121-0252	1	Gasket-Carburetor	29	121-0355	1	Heater Box Kit
9:8	121-0253	1	Gasket-Carburetor	30	121-0283	1	Switch-Key
10	121-0247	1	Plate-Guide, Push Rod	31	117-7728	1	Key
11	121-0230	1	Head-Cylinder	32	133-9855	1	Complete Head ASM
12	121-0245	2	Rocker Arm ASM	33	127-9408	1	Clamp-Hose
13	121-0244	2	Rotator-Valve	34	139-0638	1	Lever-Choke
14	120-4307	4	Keeper-Valve	99	144-0968	1	High Altitude Kit ●
15	120-4306	2	Retainer-Spring, Valve				

● Not illustrated

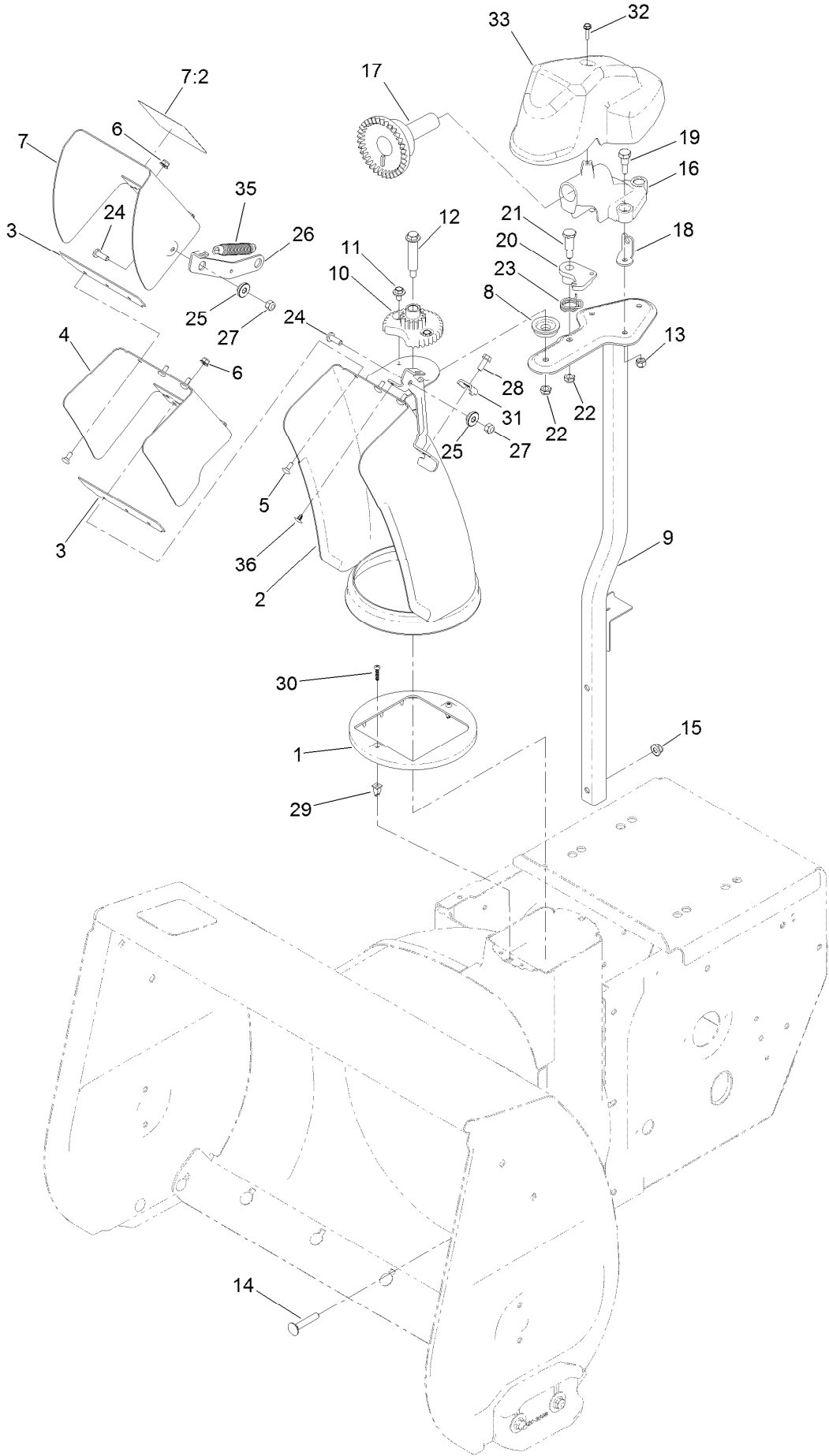
Engine Decal Assembly



Engine Decal Assembly (continued)

<i>Ref.</i>	<i>Part Number</i>	<i>Qty.</i>	<i>Description</i>
1	125-1102	1	Decal-Throttle
2	120-9805	1	Decal-Control, Engine
4	120-9810	1	Decal-Recoil

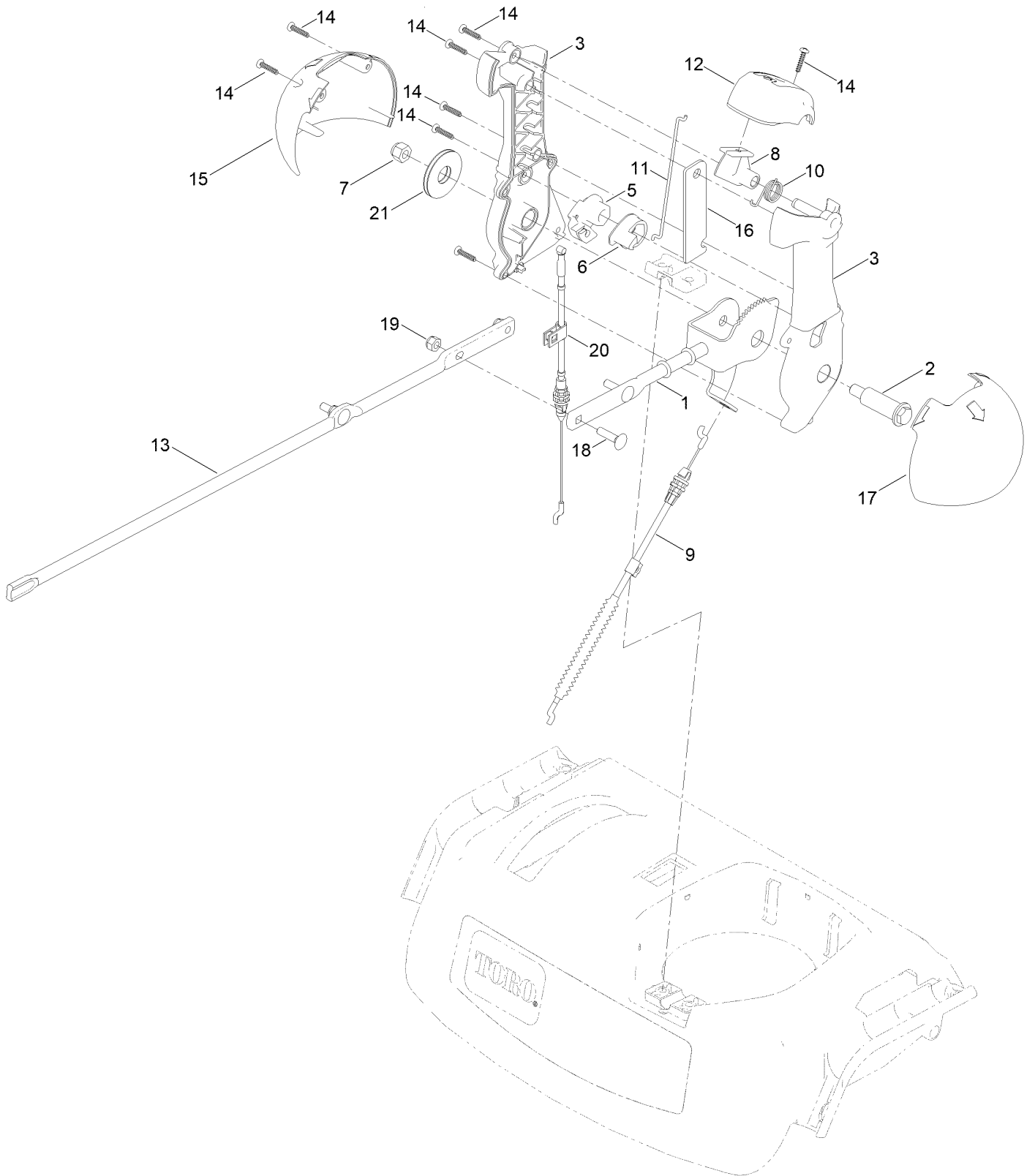
Chute Assembly



Chute Assembly (continued)

<i>Ref.</i>	<i>Part Number</i>	<i>Qty.</i>	<i>Description</i>	<i>Ref.</i>	<i>Part Number</i>	<i>Qty.</i>	<i>Description</i>
1	136-6515	1	Guide-Chute	18	136-6676	1	Anchor-Cable
2	136-6580-01	1	Lower Chute ASM	19	136-7197	3	Screw-Shoulder
3	138-3671	2	Gasket-Deflector	20	136-6525	1	Latch-Chute
4	136-6582-01	1	Middle Deflector ASM	21	137-3103	1	Screw-Shoulder, HH
5	135-1929	6	Bolt-CARR	22	137-3089	2	Nut-Hex
6	138-0719	6	Nut-HF	23	108-7315	1	Spring-Torsion
7	139-1564	1	Deflector ASM	24	138-0689	2	Screw-PH
7:2	121-6847	1	Decal-Danger	25	138-0687	2	Bushing-Pivot
8	106-4422	1	Spacer-Chute	26	136-6522	1	Link-Deflector
9	137-6245-03	1	Chute Post ASM	27	137-3094	2	Nut-Hex
10	106-4472	1	Gear-Chute	28	32144-85	1	Screw-HWH Thd Form
11	46-6810	2	Screw And Washer ASM	29	136-6586	2	Grommet-Screw
12	136-7199	1	Bolt-Shoulder	30	94-4496	2	Screw-PPH
13	137-3088	3	Nut-Hex	31	136-7191	1	Clamp-Cable
14	137-3063	2	Bolt-Car	32	137-3110	1	Screw-Plastite, HWH
15	119-4041	2	Nut-HF	33	136-6672	1	Cover-Gear, Face
16	136-6517	1	Mount-Gear, Face	35	132-6915	1	Spring-Extension
17	106-4471	1	Gear-Face	36	138-3651	1	Plug-Plastic

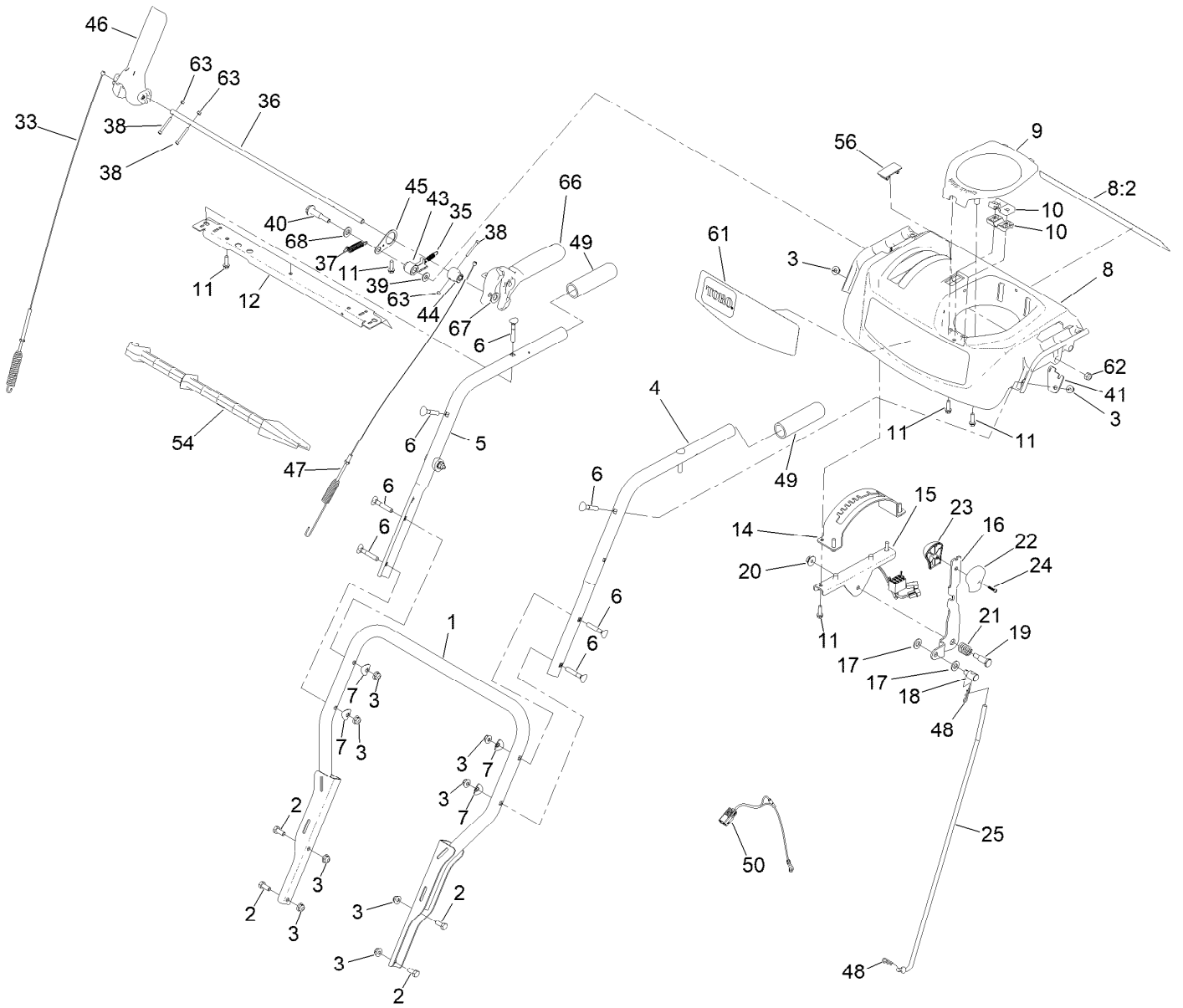
Chute Control Assembly



Chute Control Assembly (continued)

<i>Ref.</i>	<i>Part Number</i>	<i>Qty.</i>	<i>Description</i>	<i>Ref.</i>	<i>Part Number</i>	<i>Qty.</i>	<i>Description</i>
1	138-0662	1	Rod-Control, Chute	12	137-6239	1	Cap-Lever
2	138-0659	1	Screw-Shoulder, HWH	13	136-6578	1	Rod-Chute, Rotation
3	139-1552	1	Chute Control Lever ASM	14	94-4496	8	Screw-PPH
5	105-9988	1	Lever-Cable, Deflector	15	136-6677	1	Globe-Quickstick, RH
6	106-7310	1	Pawl-Latch	16	136-6632-03	1	Plate-Stiffner
7	137-3087	1	Nut-Hex	17	136-6678	1	Globe-Quickstick, LH
8	137-6238	1	Trigger-Latch	18	137-3056	3	Bolt-CARR
9	138-0730	1	Cable-Control, Deflector	19	137-3094	3	Nut-Hex
10	105-9982	1	Spring-Torsion	20	139-9903	1	Cable-Release, Chute
11	138-0688	1	Link-Latch	21	138-0744	1	Washer-Friction, Composite

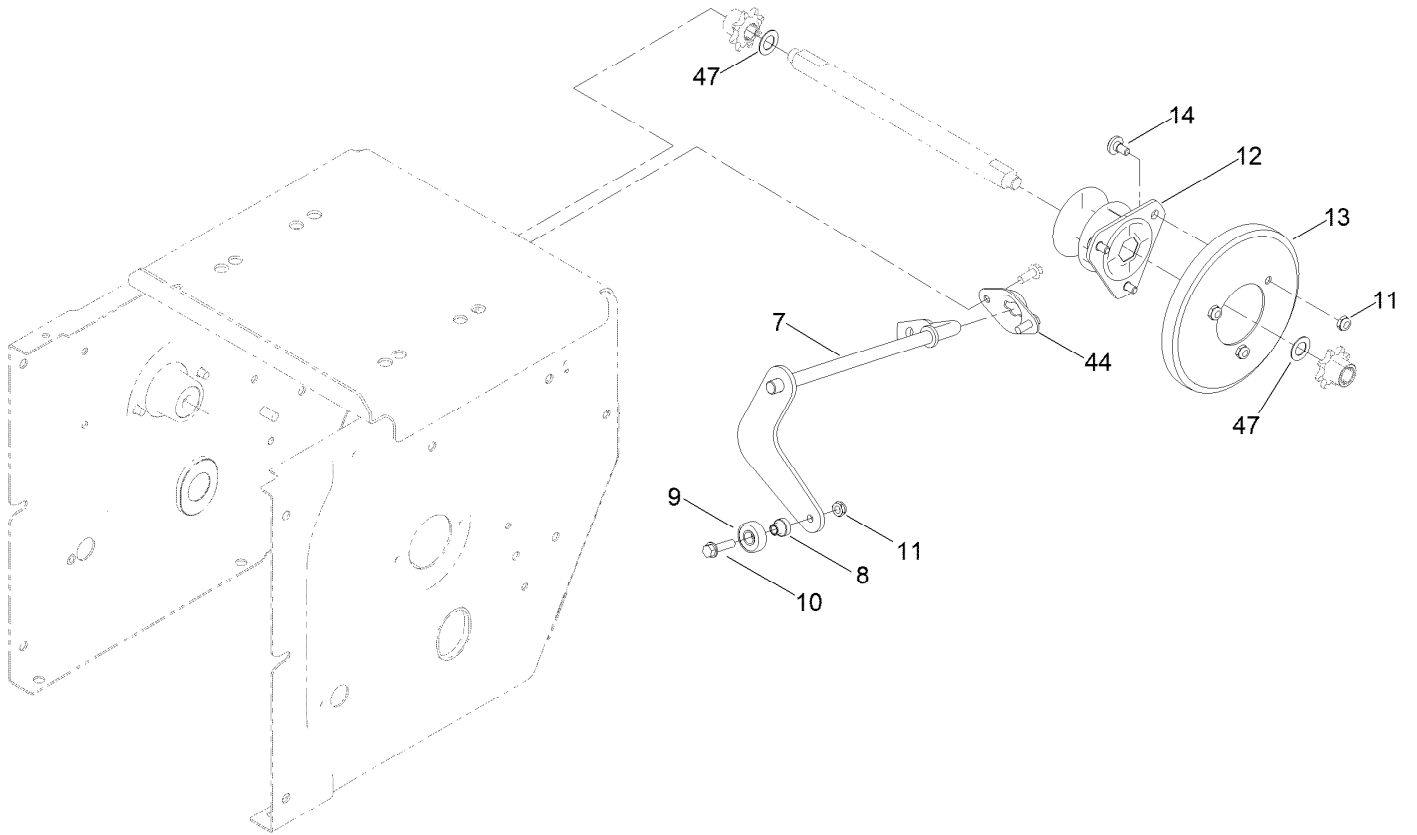
Handle Assembly



Handle Assembly (continued)

<i>Ref.</i>	<i>Part Number</i>	<i>Qty.</i>	<i>Description</i>	<i>Ref.</i>	<i>Part Number</i>	<i>Qty.</i>	<i>Description</i>
1	136-6682-03	1	Lower Handle ASM	33	138-3661	1	Cable-Augur
2	137-3052	4	Screw-HH	35	136-7161	1	Spring-Lockout, Handle
3	138-8401	12	Nut-HF	36	144-1343	1	Rod-Lockout
4	137-6206-03	1	Handle-Upper, LH	37	136-7162	1	Spring-Return, Lever
5	137-6207-03	1	Handle-Upper, RH	38	145-0660	3	Screw-HSH,Spl
6	137-3107	8	Screw-Handle	39	98-3499	1	Washer-Flat
7	137-3009	4	Washer-Cup	40	145-0687	1	Screw-Shoulder
8	145-0665	1	Control Panel Assembly	41	144-1345	1	Plate-Spring
8:2	137-6249	1	Decal-Safety	43	144-1342	1	Latch, Lockout
9	137-6178	1	Cover-Quickstick	44	144-1341	1	Cam-Lockout
10	105-9987	2	Support-Rod	45	145-0677-03	1	Bracket-Interlock
11	137-3099	8	Screw-Plastite, HWH	46	137-6171	1	Lever-Control
12	145-4075-01	1	Brace-Console	47	138-0728	1	Cable-Traction
14	137-6187-03	1	Gate-Shift	48	137-3083	2	Pin-Hair
15	137-6188-03	1	Bracket-Shift	49	120-1333	2	Grip-Handle
16	137-6231-03	1	Selector-Speed	50	138-3645	1	Harness-Wire, LED
17	115-1166	2	Washer-Plain	54	110-3408	1	Stick-Cleanout
18	136-7193	1	Trunnion-Rod	56	99-7420	1	Plug-Hole
19	137-3103	1	Screw-Shoulder, HH	61	138-0653	1	Decal-Console
20	137-3038	1	Nut-HF	62	137-3093	1	Nut-Hex
21	136-7121	1	Spring-Compression	63	140-3749	3	Nut-Lock Rohs
22	105-9999	1	Knob-Shift, LH	66	144-1347	1	Lever-Control
23	106-4423	1	Knob-Shift, RH	67	3256-25	1	Washer-Flat
24	94-4496	1	Screw-PPH	68	115-1166	1	Washer-Plain
25	137-6225	1	Rod-Shift				

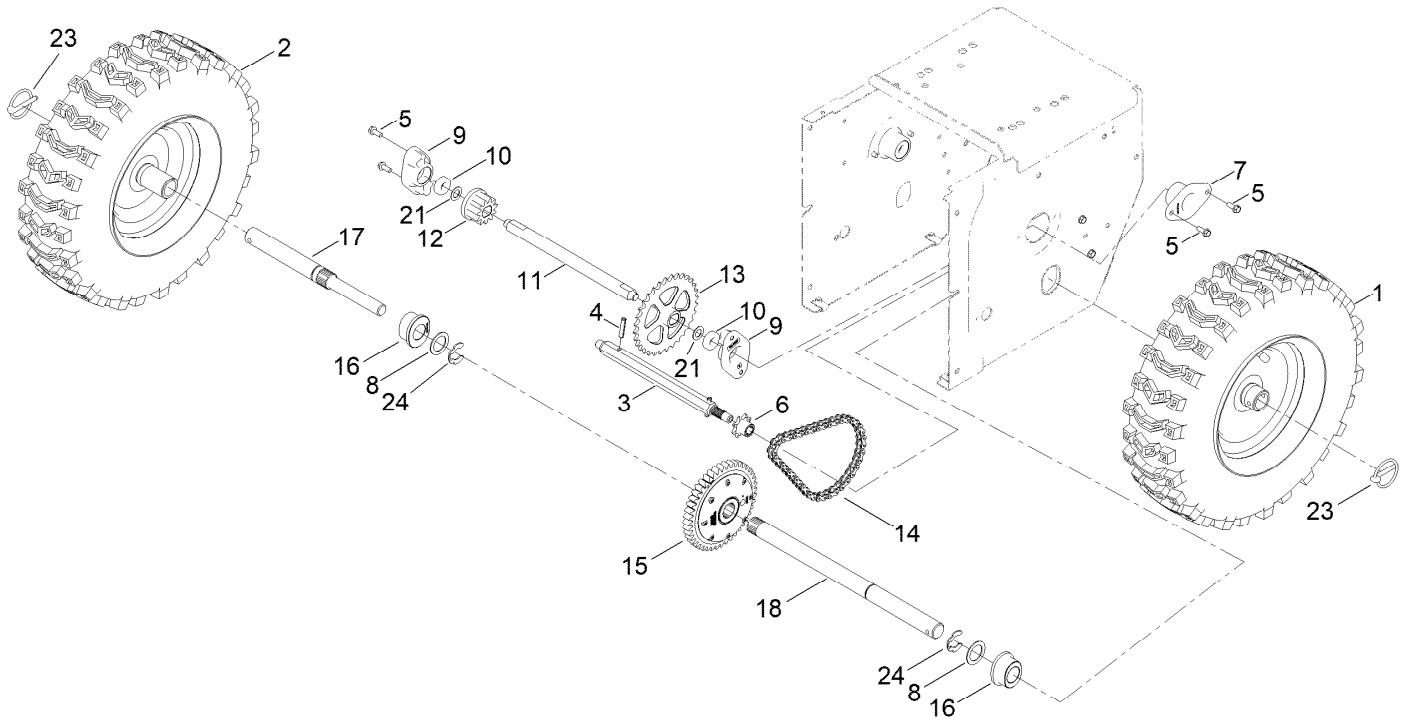
Traction Drive Assembly



Traction Drive Assembly (continued)

<i>Ref.</i>	<i>Part Number</i>	<i>Qty.</i>	<i>Description</i>	<i>Ref.</i>	<i>Part Number</i>	<i>Qty.</i>	<i>Description</i>
7	137-6162-03	1	Rod-Shift	12	119-7630	1	Trunnion
8	119-7684	1	Spacer-Plate, Shift	13	119-1567	1	Wheel-Friction
9	121-6835	1	Bearing-Ball	14	137-6246	3	Screw-Shoulder
10	32144-86	1	Screw-HWHTF	44	136-6647-03	1	Retainer-Rod, Shift
11	137-3091	4	Nut-Hex	47	36-4780	2	Washer-Plain

Autoturn Drive Assembly



Autoturn Drive Assembly (continued)

<i>Ref.</i>	<i>Part Number</i>	<i>Qty.</i>	<i>Description</i>	<i>Ref.</i>	<i>Part Number</i>	<i>Qty.</i>	<i>Description</i>
1	136-6668	1	LH Wheel And Tire ASM	11	136-6692	1	Shaft-Intermediate
2	136-6667	1	RH Wheel And Tire ASM	12	136-6699	1	Tooth-Gear, 11
3	138-0745	1	Shaft-Hex	13	136-6698	1	Sprocket-32T
4	32121-9	2	Pin-Roll, Slotted	14	108-0016	1	Chain-Roller
5	32144-85	8	Screw-HWH Thd Form	15	140-3748	1	Transmission-Gt, Di300
6	125-1134	1	Gear-Pinion, 8 Tooth	16	136-6641	2	Bushing-Axle
7	108-7319	2	Retainer-Bearing	17	140-3711	1	Axle-Rt, HD
8	138-0725	2	Washer-Thrust	18	140-3736	1	Axle -Lt, HD
9	136-6697	2	Retainer-Bearing, Intermediate	21	36-4780	2	Washer-Plain
10	52-2450	2	Bearing-Wheel	23	138-3642	2	Pin-Klik
				24	32151-91	2	Ring-Retaining

Attachments and Accessories

For 38850 Power Max Heavy Duty 928 OAE Snowthrower

Product Name	Model/Part
High-Altitude Kit.....	121-4241
Heavy-Duty Skid Kit.....	125-1104
Snow Cab Kit.....	127-5960
Kit Red Heated Grips.....	144-1603
Non-Marking Skid Kit.....	38211
Drift Breaker Kit.....	38213
Tire Chain Kit, 16in Tires.....	38215
Toro Snow Oil 0W30 Synthetic 20-Ounce Bottle.....	38913
Power Max HD Covers (2019).....	490-7415

Notes:



Count on it.