



**Count on it.**

**Parts Catalog**

**22in Recycler<sup>®</sup> Max  
Lawn Mower**

Model No. 21485—Serial No. 40000000 and Up



# Ordering Replacement Parts

To order replacement parts, please supply the part number, the quantity, and the description of each part desired.

## Understanding Reference Numbers

Each identified part in an illustration has a reference number. The reference number for a part also appears in the parts list, along with other information about the part.

This catalog uses two special reference number formats, one to indicate parts in a service assembly and another to indicate the quantity of a given part in an illustration.

## Service Assembly Reference Numbers

Parts in service assemblies have reference numbers in the form a:b. The a represents the reference number of the entire service assembly and the b represents a sequential number unique to each part within the service assembly.

For example, a wheel assembly might be identified by reference number 6, the tire by 6:1, the valve by 6:2, and the wheel by 6:3. When you order the assembly identified by reference number 6, you receive all parts identified by reference numbers 6:1, 6:2, and 6:3. However, you may also order any part individually. Reference numbers of this type appear in illustration and in parts lists.

## Reference Numbers Indicating Quantity

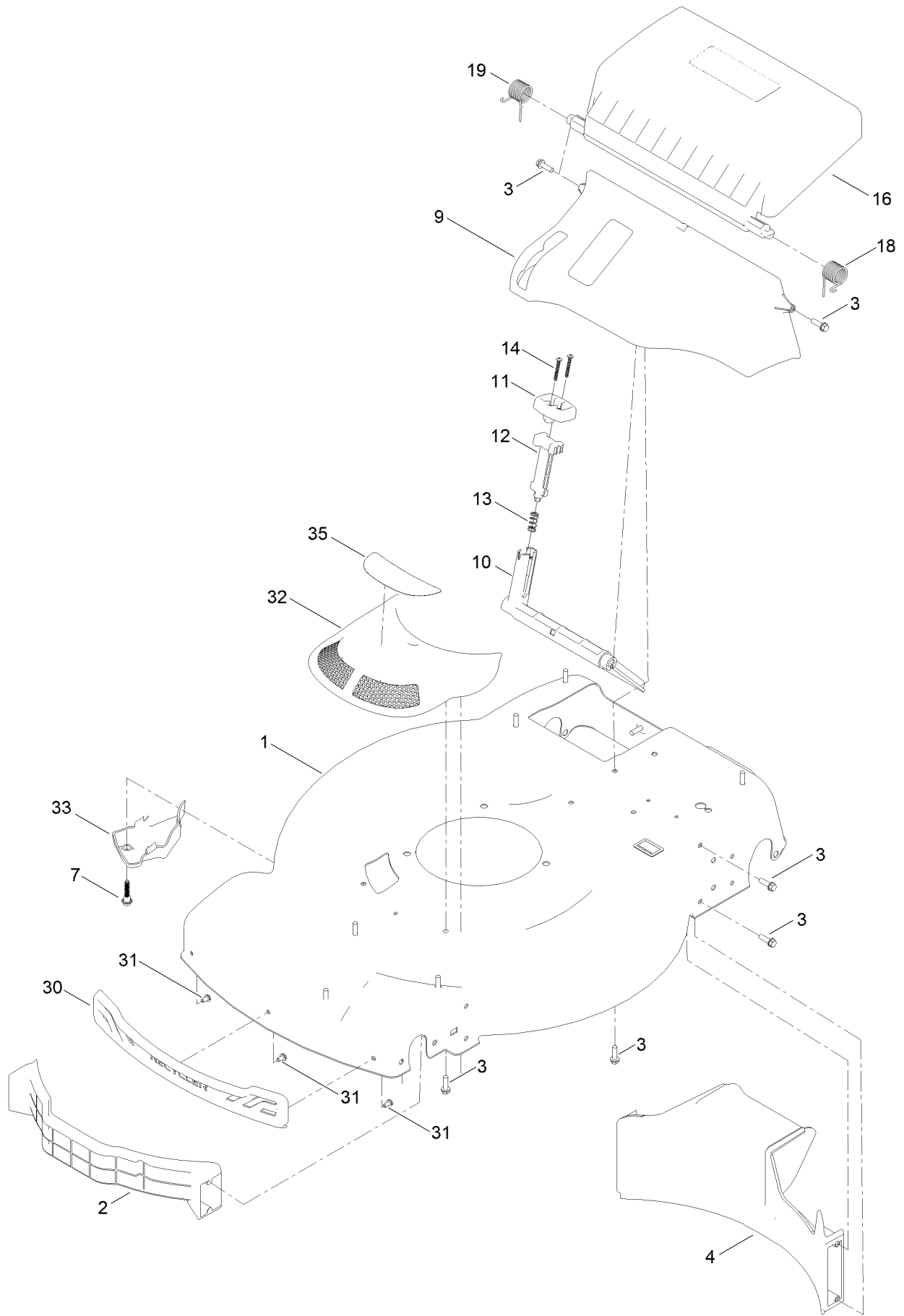
In an illustration, if a reference number indicates more than one part, the reference number has the form nX y. The n represents the quantity of the part, the X is the multiplication symbol, and the y represents the reference number.

For example, in an illustration, the reference number 2X 37 means that two of the parts identified by reference number 37 are indicated.

# Contents

Housing Assembly .....	4
Rear Bag Assembly .....	6
Deck Decal Assembly .....	8
Engine and Blade Assembly .....	10
Front Wheel and Height-of-Cut Assembly .....	12
Rear Wheel and Height-of-Cut Assembly .....	14
Handle Assembly .....	16
Attachments and Accessories .....	18

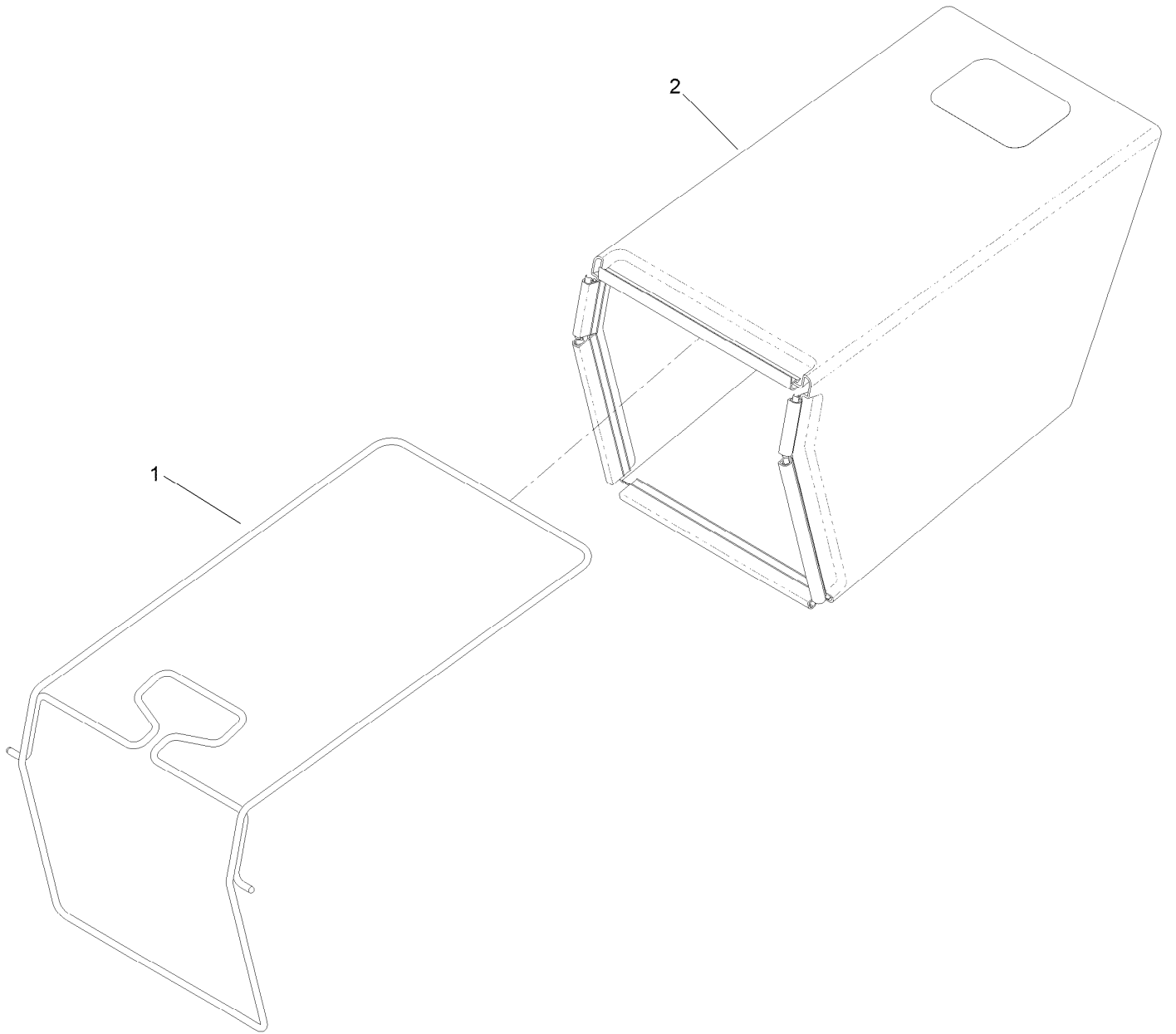
# Housing Assembly



## Housing Assembly (continued)

<i>Ref.</i>	<i>Part Number</i>	<i>Qty.</i>	<i>Description</i>	<i>Ref.</i>	<i>Part Number</i>	<i>Qty.</i>	<i>Description</i>
1	139-5469-03	1	Deck-22", Rwd	14	32104-120	2	Screw-PPH
2	144-6427	1	Baffle-Front	16	139-5476	1	ASM-Rear Door, In Mold
3	46-8091	17	Screw-HWH	18	139-5478	1	Spring-Torsion, LH
4	139-5440	1	Baffle-Rear, Rwd	19	139-5479	1	Spring-Torsion, RH
7	131-0837	1	Screw-Shoulder, HHF	30	139-5457	1	Bumper-Front
9	140-2368	1	ASM-Chute, In Mold	31	139-5467	3	Screw-Plastic, HWH
10	139-5443	1	Deflector-Recycle	32	144-0210	1	ASM-Intake, Rwd
11	139-5444	1	Knob-Recycle	33	140-2384	1	Cover-Intake, Bottom
12	139-5445	1	Latch-Recycle	35	161-4751	1	Decal-Vortex
13	140-4192	1	Spring-Compression				

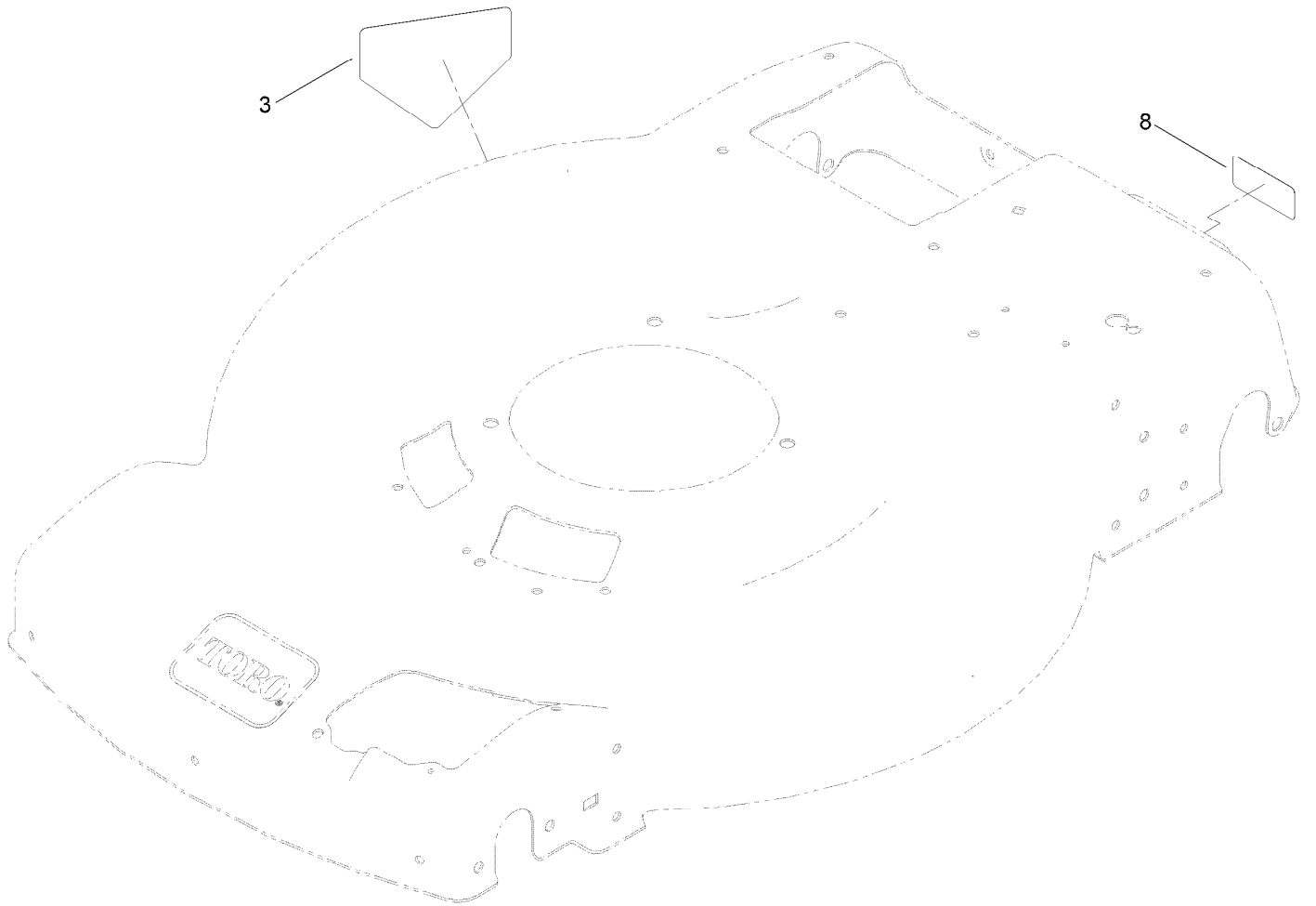
# Rear Bag Assembly



## Rear Bag Assembly (continued)

<i>Ref.</i>	<i>Part Number</i>	<i>Qty.</i>	<i>Description</i>
1	139-5470-03	1	ASM-Frame, Bag
2	139-5471	1	ASM-Bag, Grass

# Deck Decal Assembly

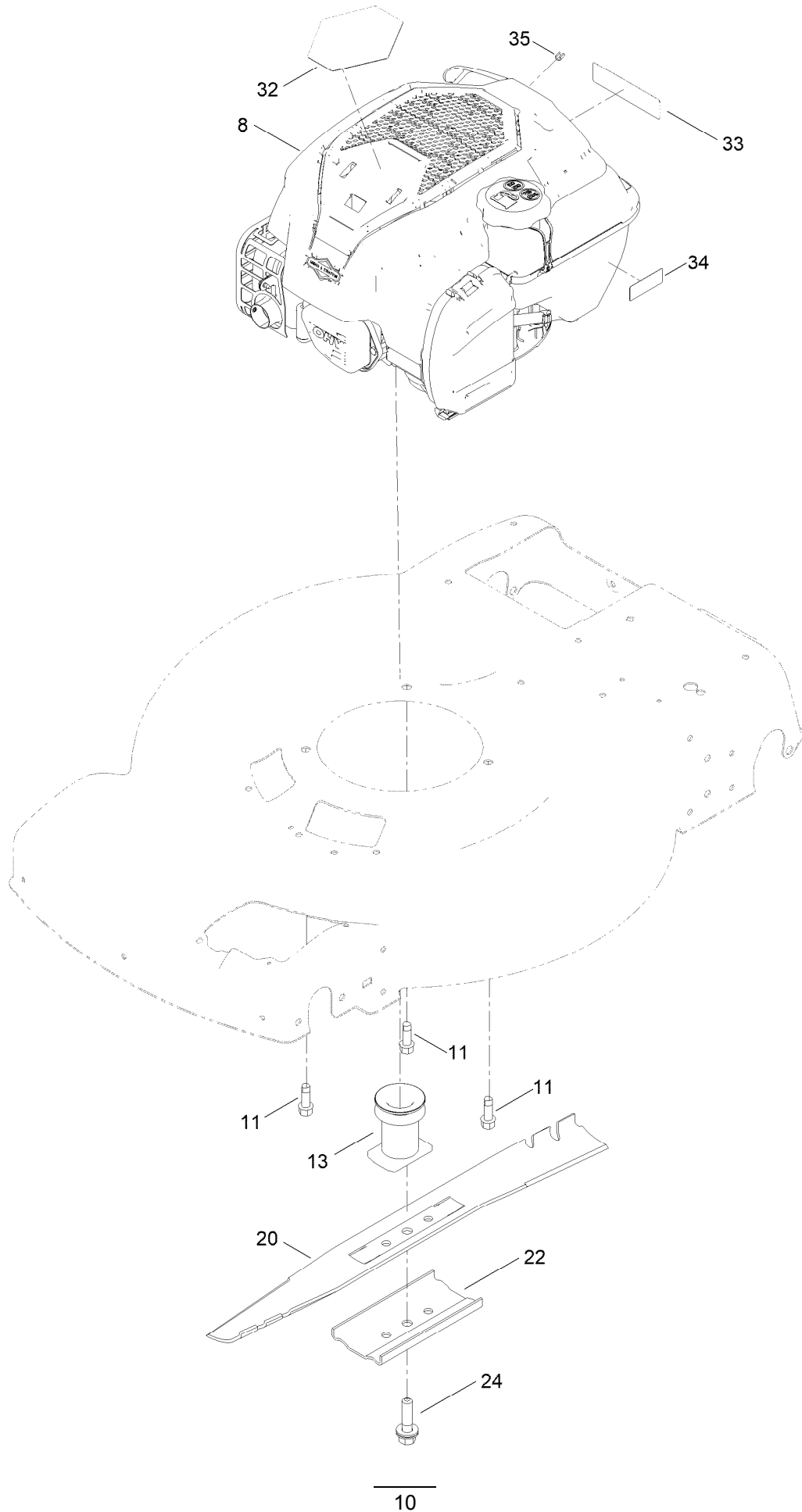




## Deck Decal Assembly (continued)

<i>Ref.</i>	<i>Part Number</i>	<i>Qty.</i>	<i>Description</i>
3	94-8072	1	Decal-Danger
8	121-5684	1	Decal-Location, Service Dealer

# Engine and Blade Assembly



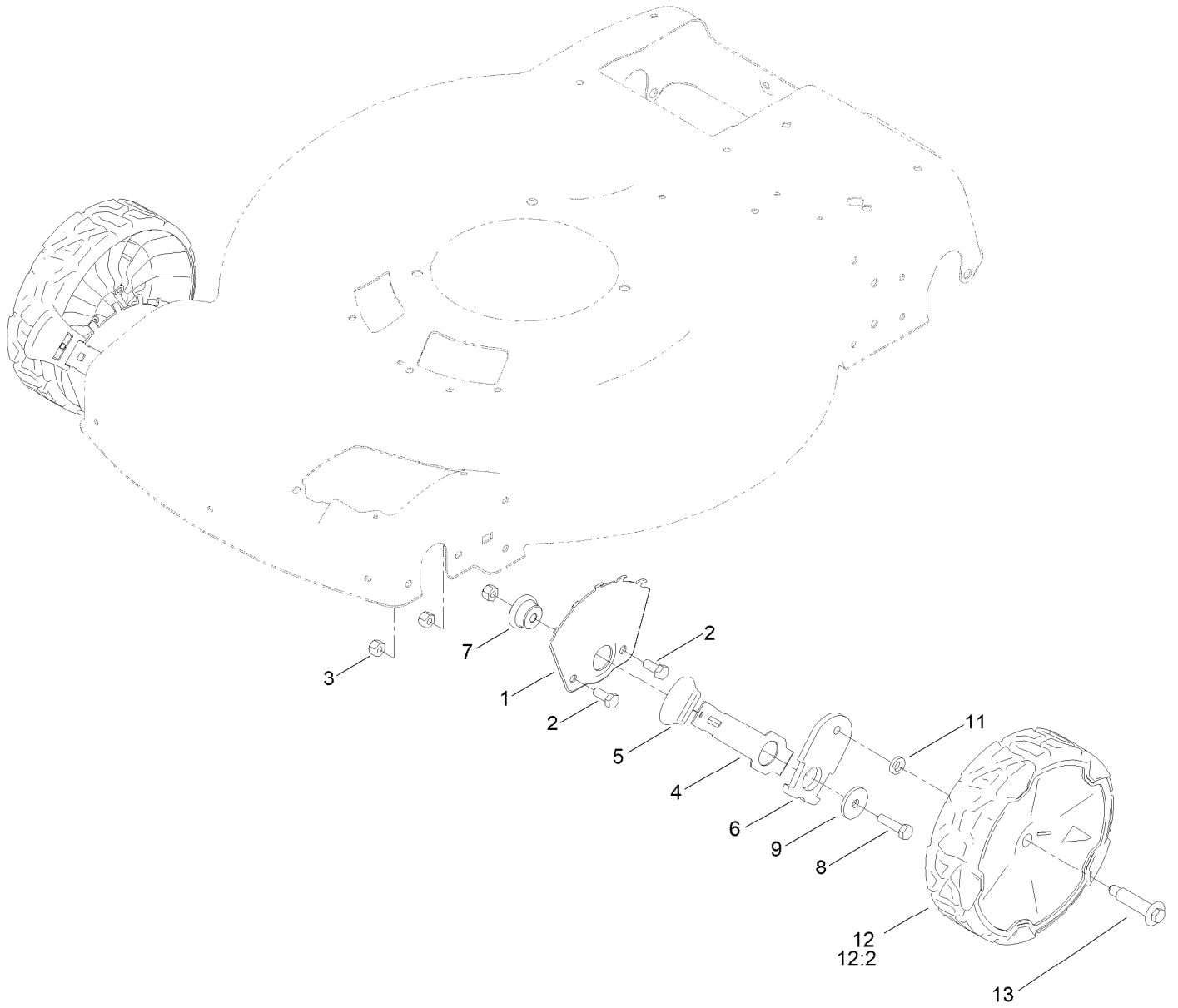
## Engine and Blade Assembly (continued)

<i>Ref.</i>	<i>Part Number</i>	<i>Qty.</i>	<i>Description</i>	<i>Ref.</i>	<i>Part Number</i>	<i>Qty.</i>	<i>Description</i>
8		1	Engine-Briggs 104M020254F1 ●■	24	125-2466	1	Bolt-Blade
11	121-5844	3	Screw-Thd Form, HWH	32	145-5603	1	Decal-Briggs 725 Exi SS
13	139-1816	1	Driver-Blade	33	133-8062	1	Decal-Arrestor, Spark
20	131-4547-03	1	Blade-22 Inch	34	133-8198	1	Decal-Level, Fuel
22	108-3766-03	1	Support-Blade	35	2210-316	1	Stop-Rope

● Not serviced separately

■ Obtain parts from [www.briggsandstratton.com](http://www.briggsandstratton.com)

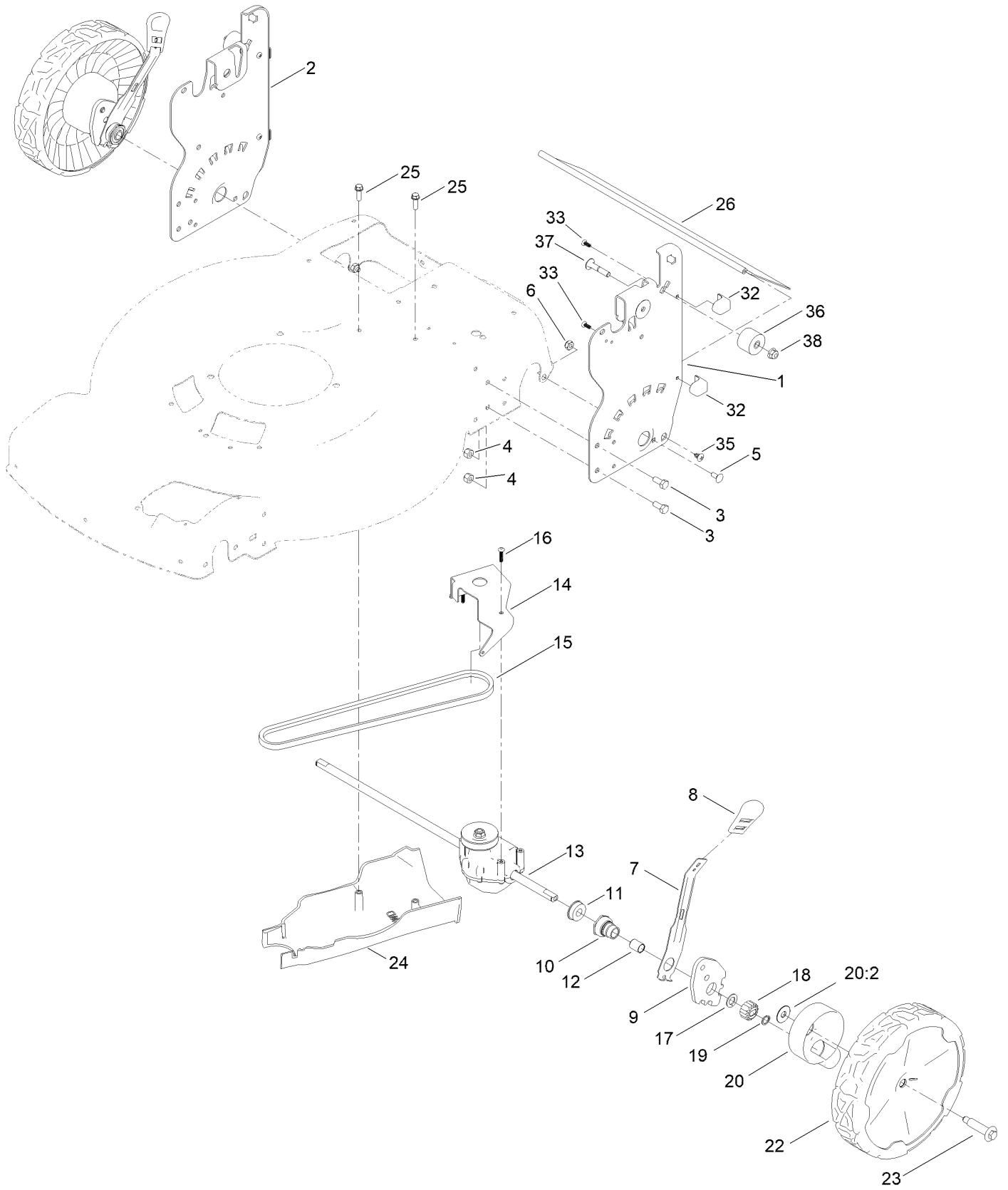
# Front Wheel and Height-of-Cut Assembly



## Front Wheel and Height-of-Cut Assembly (continued)

<i>Ref.</i>	<i>Part Number</i>	<i>Qty.</i>	<i>Description</i>	<i>Ref.</i>	<i>Part Number</i>	<i>Qty.</i>	<i>Description</i>
1	115-1956-05	2	Plate-HOC,Front Fsvq	8	322-6	2	Screw-HH
2	322-3	4	Screw-HH	9	105-3048	2	Washer-Flat
3	3296-29	6	Nut-Lock, NI	11	139-5449	2	Washer-Wheel Bolt
4	105-1809	2	Arm-Spring	12	144-6469	2	ASM-Wheel, 8" (Bearings)
5	110-0549	2	Knob-HOC	12:2	52-2450	2	Bearing-Wheel
6	137-9128	2	Arm-Pivot, Front	13	145-3899	2	Wheel Bolt
7	105-1818	2	Bushing-Mount, HOC				

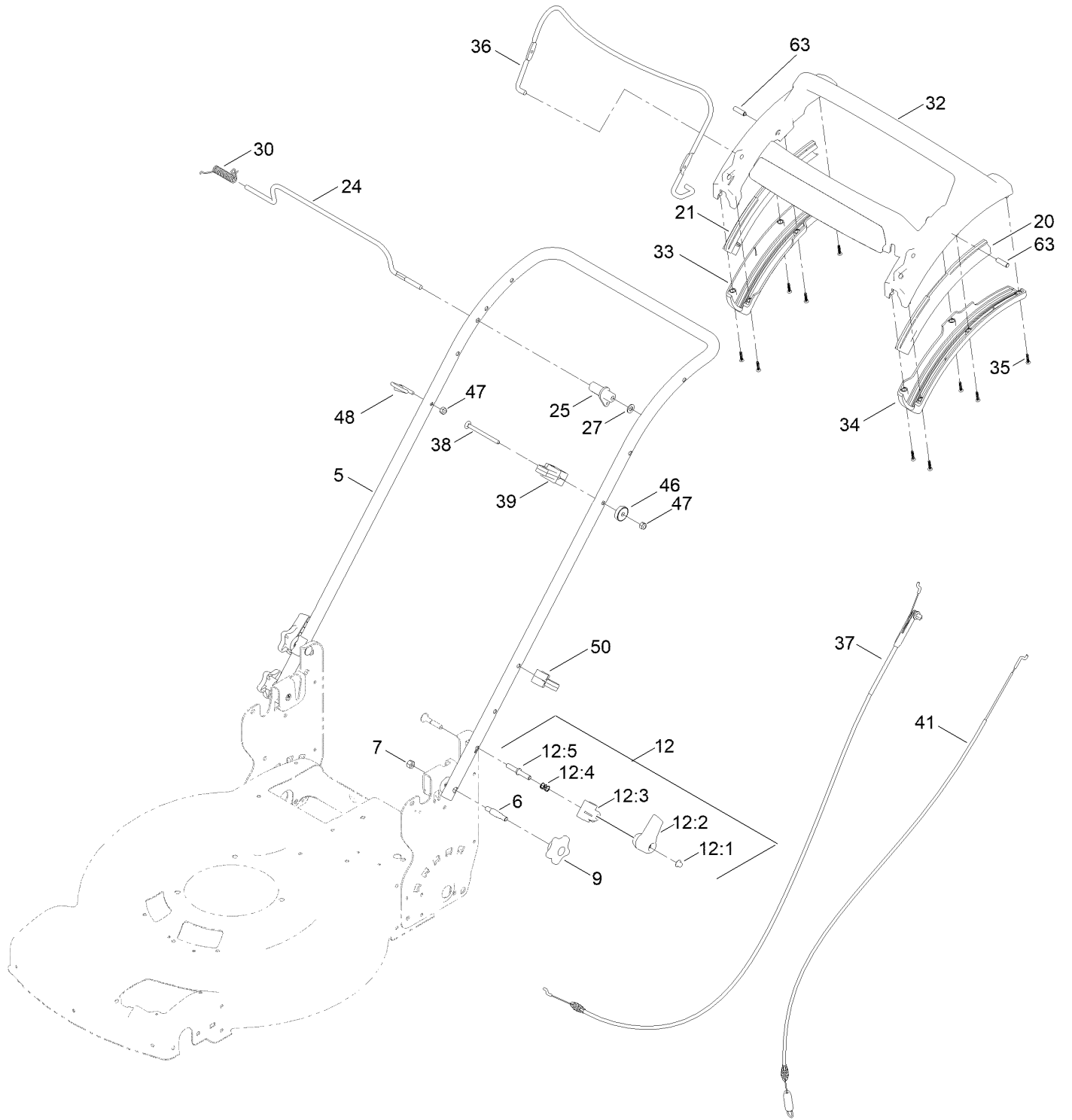
# Rear Wheel and Height-of-Cut Assembly



## Rear Wheel and Height-of-Cut Assembly (continued)

<i>Ref.</i>	<i>Part Number</i>	<i>Qty.</i>	<i>Description</i>	<i>Ref.</i>	<i>Part Number</i>	<i>Qty.</i>	<i>Description</i>
1	145-5651-05	1	Plate-HOC, LH (ISO)	17	110-7191	2	Washer-Thrust
2	145-5650-05	1	Plate-HOC, RH (ISO)	18	131-5399	2	Gear-Pinion, 15T
3	322-3	4	Screw-HH	19	32151-61	2	Ring-Retaining
4	3296-29	4	Nut-Lock, NI	20	140-2362	2	ASM-Cover, Gear (Dk Gray)
5	3229-11	2	Screw-CARR	20:2	614426	1	Washer-Stepped
6	3296-16	2	Nut-Lock, NI	22	144-6474	2	ASM-9.65" Wheel, Geared
7	132-4486	2	Arm-Spring	23	145-3899	2	Wheel Bolt
8	110-0549	2	Knob-HOC	24	139-5448	1	Cover-Belt, Rwd
9	139-5451	2	Arm-Pivot, Rear	25	46-8091	2	Screw-HWH
10	108-9779	2	Retainer-Bushing, HOC	26	139-6597	1	Shield-Trailing
11	104-8699	2	Bearing-Ball	32	140-2369	4	Pad-Smart Stow
12	108-9782	2	Bushing-Sleeve	33	107-7461	4	Screw-Plastite
13	139-6561	1	Transmission-Rwd	35	117-1092	2	Screw-PTH
14	114-7977-03	1	Bracket-Transmission	36	144-0218	2	Bumper-Isolator
15	140-4041	1	V-Belt	37	144-6540	2	Screw-CARR-Spcl
16	108-7476	3	Screw-Plastite	38	104-8300	2	Nut-HF, NI

# Handle Assembly





## Handle Assembly (continued)

<i>Ref.</i>	<i>Part Number</i>	<i>Qty.</i>	<i>Description</i>	<i>Ref.</i>	<i>Part Number</i>	<i>Qty.</i>	<i>Description</i>
5	144-6516-05	1	Handle-Curved	32	139-6569	1	Handle-Personal Pace, Curved
6	139-6588	2	Bolt-Shoulder, Handle	33	139-6567	1	Bottom-Handle, RH
7	3296-29	2	Nut-Lock, NI	34	139-6568	1	Bottom-Handle, LH
9	117-5976	2	Knob-Handle	35	94-4496	10	Screw-PPH
12	138-3249	2	Quick Release ASM	36	145-5879-03	1	Bail-Brake
12:1	140-4157	1	Nut-Push	37	139-6594	1	Cable-Brake, Pp B&s
12:2	138-3248	1	Lever-Release	38	144-0221	1	Screw-CARR
12:3	138-3253	1	Anchor-Spring	39	139-6581	1	Anchor-Cable, Rwd
12:4	115-2858	1	Spring-Compression	41	139-6595	1	Cable-Traction, Rwd (Pp)
12:5	140-4158	1	Rod-Release	46	136-9075	1	Washer-Curved
20	140-2367	1	Guide-Curved, LH (Rwd)	47	3296-73	2	Nut-Lock, NI
21	140-2366	1	Guide-Curved, RH (Rwd)	48	86-9671	1	Guide-Rope
24	139-5464	1	Rod-Control, Traction	50	114-7988	1	Guide-Cable
25	139-6554	1	Lever-Traction, Rwd	63	139-6577	2	Pin-Handle, Pp
27	3256-23	1	Washer-Plain				
30	140-4194	1	Spring-Torsion				

# Attachments and Accessories

## For 21485 22in Recycler Max Lawn Mower

<b>Product Name</b>	<b>Model/Part</b>
Fuel Stabilizer .05 oz .....	130-2393
Briggs Maint Kit.....	130-8148
4-Cycle Fuel, Snow And Lawn 32oz Can .....	131-3823
Toro Premium Fuel Treatment 12oz Bottle.....	131-6572
Oil-30/10W-30 Synthetic (Quart).....	138-6053
Chute ASM .....	139-6556
Lawn Striping Kit with 22in Roller.....	20601
Toro 4-Cycle SAE 30 Oil (32oz Bottle) .....	38903
Summer Oil-Case of 24 (20oz Bottles).....	38916
Smart Stow Walk Power Mower Cover .....	490-2012
Bag-Walk Behind (Toro).....	490-7318
Lawnmower Cover.....	490-7462
22 Inch Atomic Blade.....	59534P

**Notes:**



**Count on it.**