



ROPS Kit
TimeCutter® Riding Mower
 Model No. 79682—Serial No. 40000000 and Up

Installation Instructions

Store this document with the *Operator's Manual* for the traction unit.

Safety

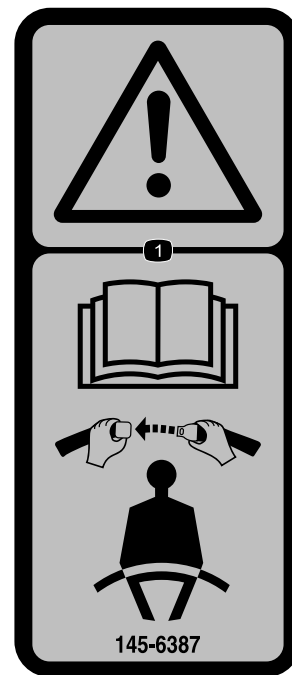
Rollover Protection System (ROPS) Safety

- The ROPS is an integral safety device. Do not remove any of the ROPS components from the machine.
- Ensure that the seat belt is attached and that you can release it quickly in an emergency.
- Always wear your seat belt when the roll bar is installed.
- Check carefully for overhead objects before you drive under them, and do not contact them.
- Keep the roll bar in safe operating condition by thoroughly inspecting it periodically for damage and keeping all the mounting fasteners tight.
- Replace damaged ROPS components. Do not repair or alter them.
- Wheels dropping over edges, over steep banks, or into water can cause a rollover, which may result in serious injury or death.
- Do not wear the seat belt when the roll bar is not installed.
- In the event of a rollover, take the machine to an Authorized Service Dealer to inspect the ROPS.
- Use only Toro approved accessories and attachments for the ROPS.

Safety and Instructional Decals



Safety decals and instructions are easily visible to the operator and are located near any area of potential danger. Replace any decal that is damaged or missing.



145-6387

decal145-6387

1. Warning—Read the *Operator's Manual* and wear a seat belt.



Installation

Loose Parts

Use the chart below to verify that all parts have been shipped.

Procedure	Description	Qty.	Use
1	No parts required	–	Prepare the machine.
2	Left ROPS mount Right ROPS mount Bolt (1/2 x 1-1/4 inches) Large washer Locknut (1/2 inch)	1 1 6 6 6	Install the ROPS mounts.
3	Left seat belt bracket (MyRide machines only) Right seat belt bracket (MyRide machines only) Partial-thread bolt (3/8 x 2 inches) Small washer Locknut (3/8 inch) Left pod bracket Bumper Right pod bracket (MyRide machines only) Thread-forming screw (5/16 x 3/4 inch) Seat belt tongue assembly Seat belt buckle assembly Carriage screw (7/16 x 1 inch) Locknut (7/16 inch)	1 1 2 2 2 1 1 1 1 3 1 1 2 2	Install the pod brackets and seat belt brackets (MyRide-equipped machines only).
4	Seat belt tongue assembly Seat belt buckle assembly Carriage screw (7/16 x 1 inch) Locknut (7/16 inch) Seat belt bracket (machines without MyRide only) Bolt (3/8 x 1 inch) Locknut (3/8 inch) Left pod bracket Right pod bracket (machines without MyRide only) Thread-forming screw (5/16 x 3/4 inch)	1 1 2 2 2 4 4 1 1 4	Install the pod brackets and seat belt brackets (machines without MyRide only).
5	ROPS tube Bolt (3/8 x 2-1/2 inches) Locknut (3/8 inch) Suitcase weight (For machines with a bagger installed only) Bolt (3/8 x 3-3/4 inches)	1 2 2 3 2	Complete the installation.

1

Preparing the Machine

No Parts Required

Procedure

Note: Determine the left and right sides of the machine from the normal operating position.

Note: You may discard all removed parts unless otherwise noted.

1. Park the machine on a level surface.
2. Disengage the drives and power take-off.
3. Engage the parking brake.
4. Move the motion-control levers outward to the NEUTRAL-LOCK position.
5. Shut off the machine and remove the key.
6. Wait for all moving parts to stop.
7. Allow machine components to cool.
8. Remove the battery packs from the machine.
9. Raise the seat; refer to your machine *Operator's Manual*.

10. Raise the rear of the machine on jack stands; refer to your machine *Operator's Manual*.

⚠ WARNING

Supporting the machine on the transaxle or motor (Figure 1) may damage them and cause the machine to fall, injuring you or bystanders.

Do not use the transaxle or motor to support the machine.

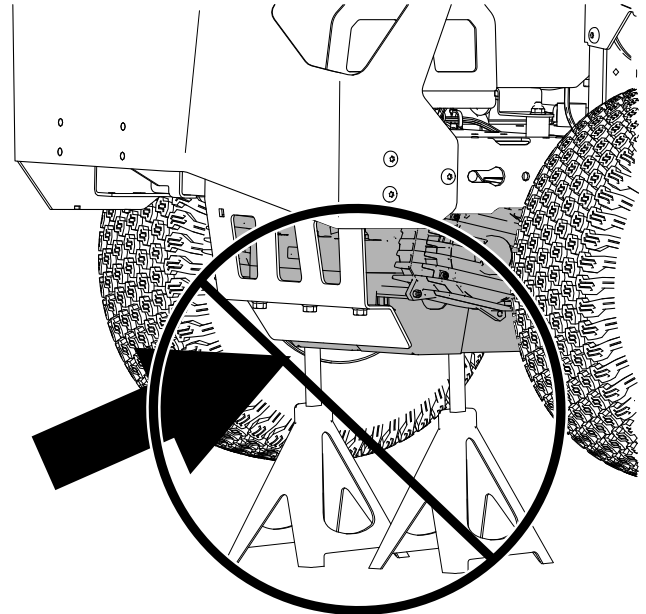


Figure 1

g466420

11. Remove the rear tires as shown in [Figure 2](#).

Note: Retain all wheel components for later installation.

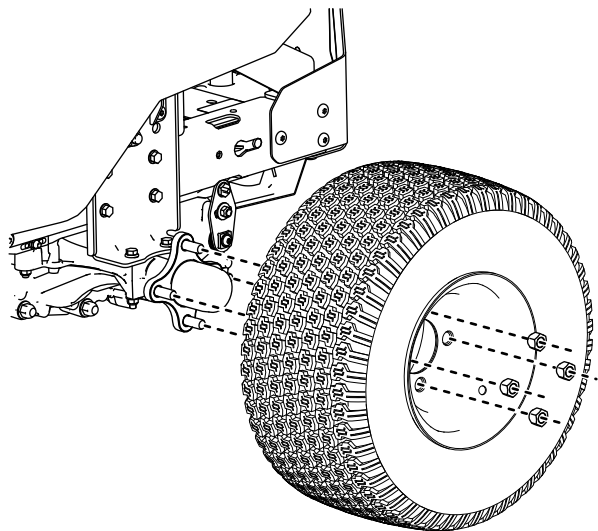


Figure 2

g466421

12. Remove the pod brackets from the machine ([Figure 3](#)).

Note: Retain the shoulder screws removed from the sides of the pods for later installation.

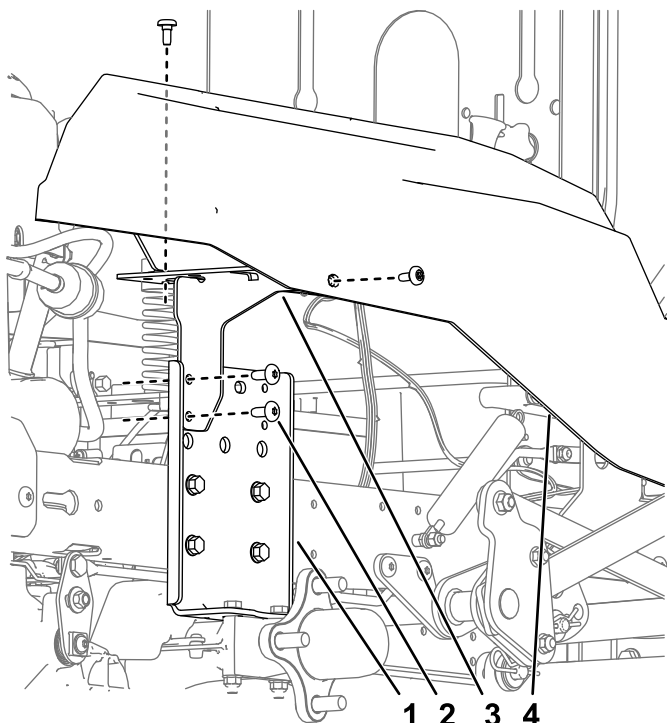


Figure 3

g310040

- 1. Hydraulic mount plate
- 2. Screw
- 3. Pod support bracket
- 4. Pod

2

Installing the ROPS Mounts

Parts needed for this procedure:

1	Left ROPS mount
1	Right ROPS mount
6	Bolt (1/2 x 1-1/4 inches)
6	Large washer
6	Locknut (1/2 inch)

Procedure

1. Install the ROPS mounts to the machine frame behind the hydraulic mount plate.
2. Torque the bolts to 91 to 113 N·m (67 to 83 ft-lb).
3. Secure the tabs on the pods to the ROPS mount with narrow push rivets ([Figure 4](#)).

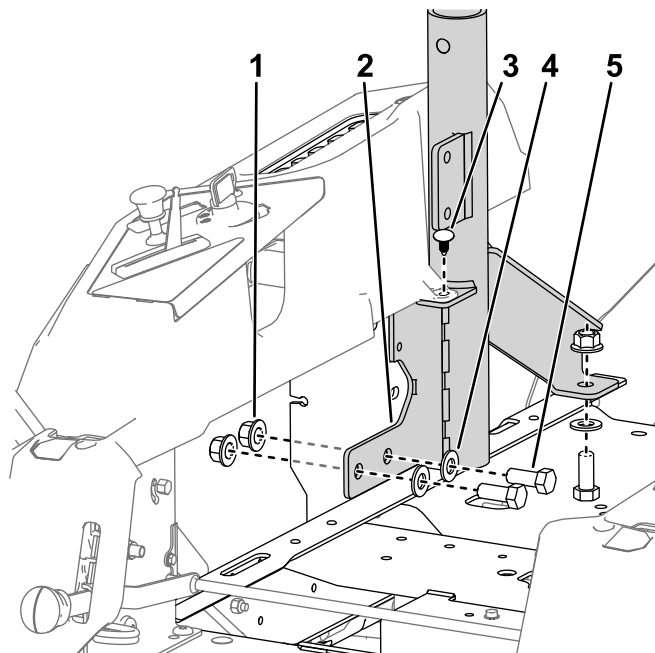


Figure 4

Right side shown

g316031

- 1. Locknut (1/2 inch)
- 2. Right ROPS mount
- 3. Narrow push rivet
- 4. Large washer
- 5. Bolt (1/2 x 1-1/4 inches)

3

Installing the Pod Brackets and Seat Belt

MyRide-Equipped Machines Only

Parts needed for this procedure:

1	Left seat belt bracket (MyRide machines only)
1	Right seat belt bracket (MyRide machines only)
2	Partial-thread bolt (3/8 x 2 inches)
2	Small washer
2	Locknut (3/8 inch)
1	Left pod bracket
1	Bumper
1	Right pod bracket (MyRide machines only)
3	Thread-forming screw (5/16 x 3/4 inch)
1	Seat belt tongue assembly
1	Seat belt buckle assembly
2	Carriage screw (7/16 x 1 inch)
2	Locknut (7/16 inch)

Procedure

1. Install the seat belt brackets to the seat platform with 2 partial-thread bolts (3/8 x 2 inches), 2 small washers, and 2 locknuts (3/8 inch) as shown in [Figure 5](#).

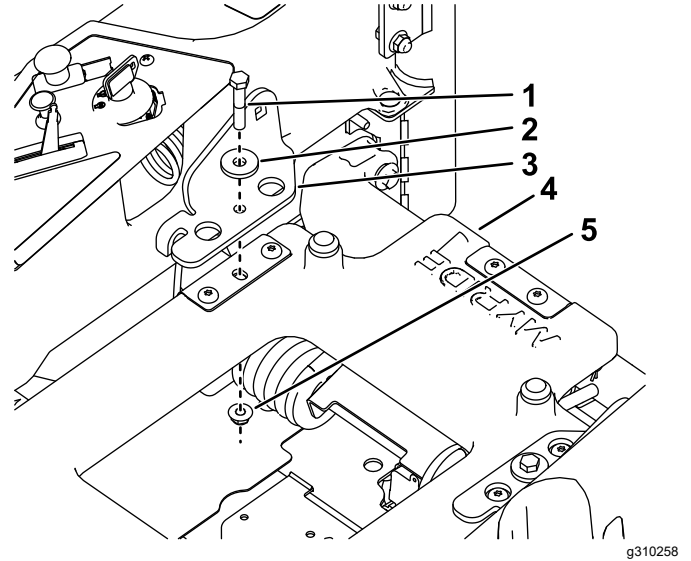


Figure 5

1. Partial-thread bolts (3/8 x 2 inches)
2. Small washer
3. Seat belt bracket
4. MyRide platform
5. Locknut (3/8 inch)

2. Install the left pod bracket to the machine frame using 2 thread-forming screws (5/16 x 3/4 inch) and the parts removed in [1 Preparing the Machine \(page 3\)](#) as shown in [Figure 6](#).

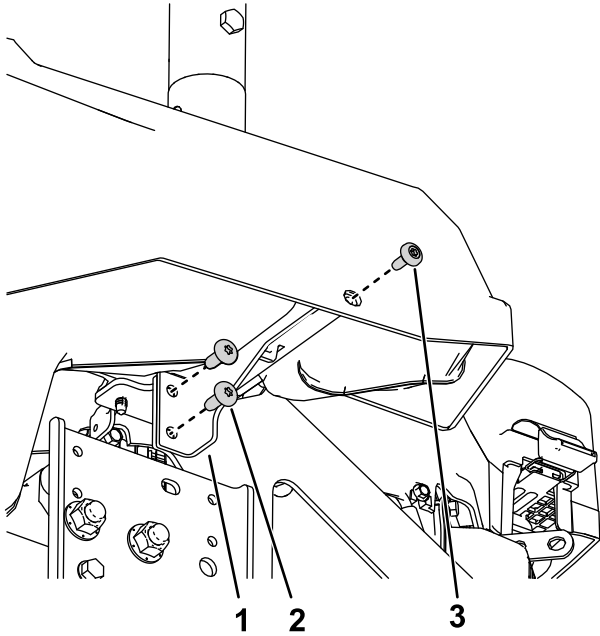


Figure 6

g471592

1. Left pod bracket
2. Thread-forming screw (5/16 x 3/4 inch)
3. Shoulder bolt

3. Install new right pod bracket to the machine using a thread-forming screw (5/16 x 3/4 inch) and the shoulder bolt removed in [1 Preparing the Machine \(page 3\)](#).

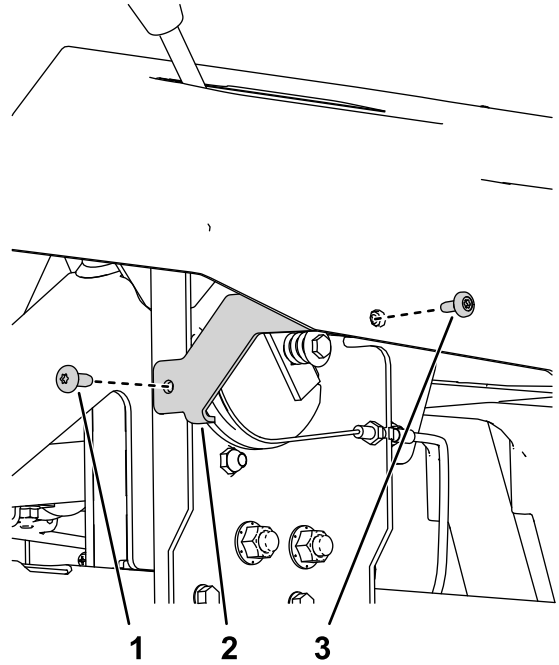
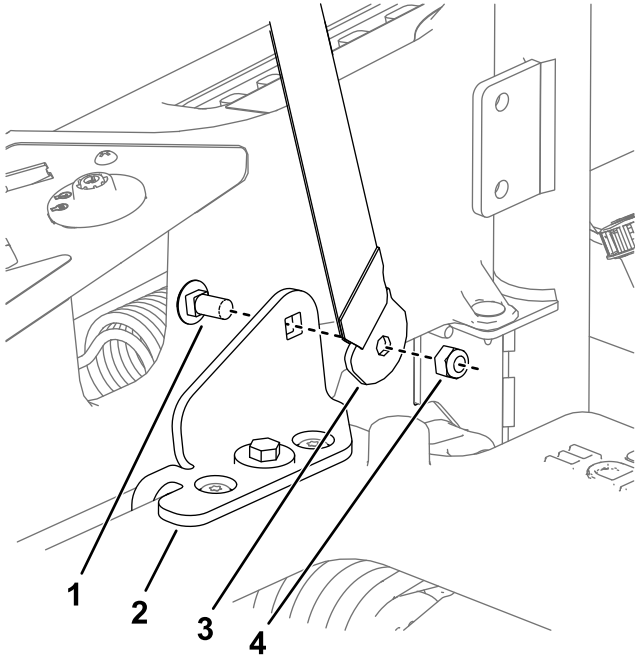


Figure 7

g310256

1. Thread-forming screw (5/16 x 3/4 inch)
2. Right pod bracket
3. Shoulder bolt

4. Install the seat belt buckle and tongue to the inside of the seat belt brackets with 2 carriage screws (7/16 x 1 inch) and 2 locknuts (7/16 inch) as shown in [Figure 8](#).



g316063

Figure 8

- | | |
|------------------------------------|---|
| 1. Carriage screws (7/16 x 1 inch) | 3. Seat belt tongue assembly (bracket bent toward the seat) |
| 2. Seat belt bracket | 4. Locknut (7/16 x 1 inch) |
-

4

Installing the Pod Brackets and Seat Belt

Machines without MyRide Only

Parts needed for this procedure:

1	Seat belt tongue assembly
1	Seat belt buckle assembly
2	Carriage screw (7/16 x 1 inch)
2	Locknut (7/16 inch)
2	Seat belt bracket (machines without MyRide only)
4	Bolt (3/8 x 1 inch)
4	Locknut (3/8 inch)
1	Left pod bracket
1	Right pod bracket (machines without MyRide only)
4	Thread-forming screw (5/16 x 3/4 inch)

Procedure

1. Install the seat belt buckle and tongue to the inside of the seat belt brackets with 2 carriage screws (7/16 x 1 inch) and 2 locknuts (7/16 inch) as shown in [Figure 9](#).

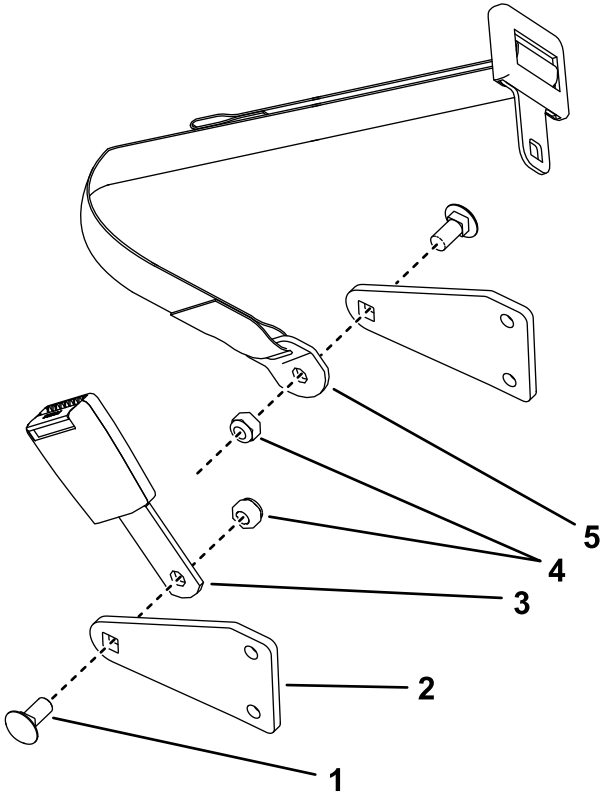


Figure 9

g316016

1. Carriage screw (7/16 x 1 inch)
2. Seat belt bracket
3. Buckle
4. Locknuts (7/16 inch)
5. Tongue assembly

2. Install the seat belt brackets to the outside of the ROPS mounts (Figure 10).

Note: Install the seat belt buckle assembly with the bent bracket toward the seat.

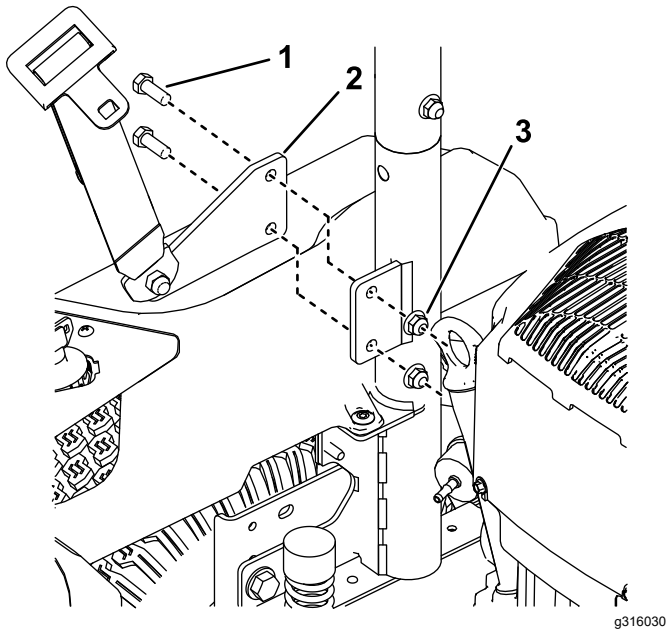


Figure 10
Right side shown

1. Bolt (3/8 x 1 inch)
2. Seat belt bracket
3. Locknut (3/8 inch)

3. Install the right pod bracket to the machine frame using 2 thread-forming screws (5/16 x 3/4 inch) and the parts removed in 1 Preparing the Machine (page 3) as shown in Figure 3.
4. Install the left pod bracket to the machine frame using 2 thread-forming screws (5/16 x 3/4 inch) as shown in Figure 10.

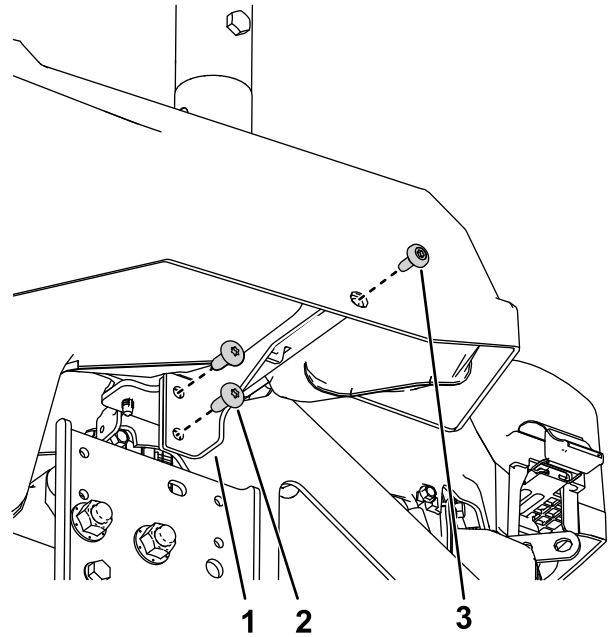


Figure 11

1. Left pod bracket
2. Thread-forming screw (5/16 x 3/4 inch)
3. Shoulder bolt

5

Completing the Installation

Parts needed for this procedure:

1	ROPS tube
2	Bolt (3/8 x 2-1/2 inches)
2	Locknut (3/8 inch)
3	Suitcase weight (For machines with a bagger installed only)
2	Bolt (3/8 x 3-3/4 inches)

Procedure

1. Install the rear tires as shown in [Figure 2](#).
2. Lower the machine; refer to your machine *Operator's Manual*.
3. Lower the seat.
4. With the ROPS tube angle toward the front of the machine, install the ROPS tube to the ROPS mounts with 2 bolts (3/8 x 2-1/2 inches) and 2 locknuts (3/8 inch) as shown in [Figure 12](#).
5. **For machines with a bagger installed only:** Install the included additional suitcase weights to the machine using 2 bolts (3/8 x 3-3/4 inches) as necessary according to the table below ([Figure 13](#)).

Type of Deck	Total Weights Required
42-inch fabricated deck	8
54-inch fabricated deck	8

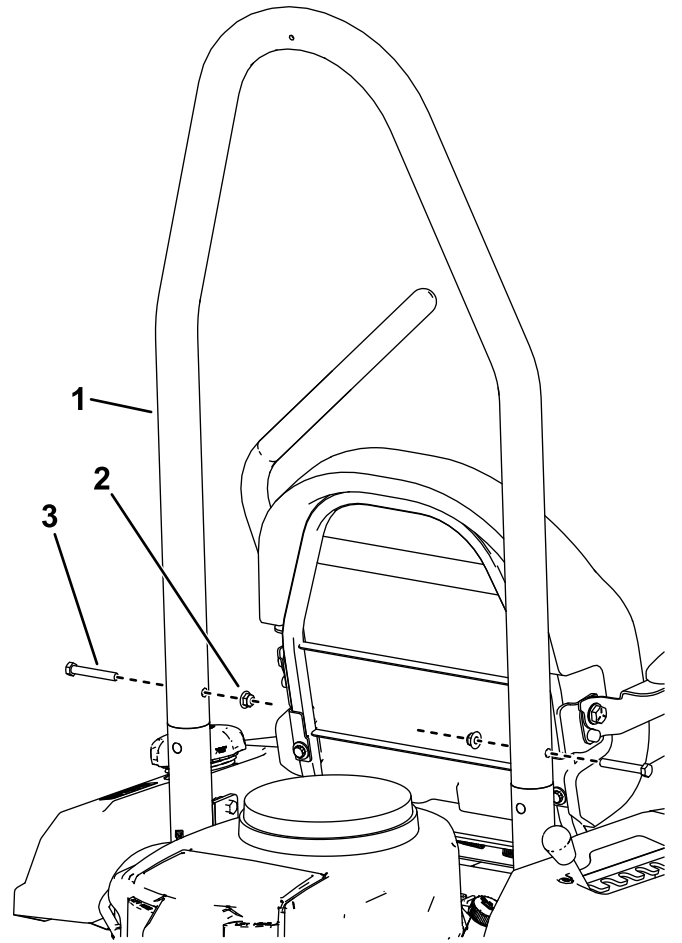


Figure 12

1. ROPS tube
2. Locknut (3/8 inch)
3. Bolt (3/8 x 2-1/2 inches)

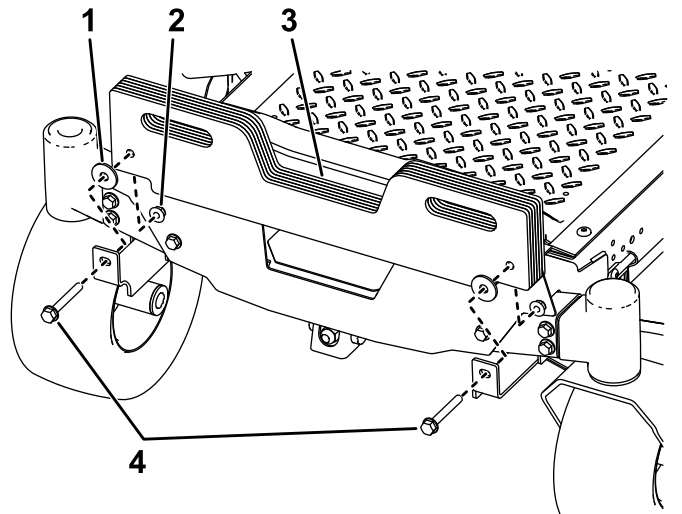


Figure 13

1. Washer
2. Locknut
3. Suitcase weight
4. Bolt (3/8 x 3-3/4 inches)

Maintenance

Checking the Seat Belt

Service Interval: Before each use or daily

Inspect the seat belt for wear, cuts, and proper operation of the retractor and buckle. Replace the seat belt if it is damaged.

Checking the Rollover Protection System (ROPS)

Service Interval: Before each use or daily

Visually inspect the ROPS for loose hardware or any other possible problem. Tighten the hardware or correct the problem before operating.



Count on it.