



Count on it.

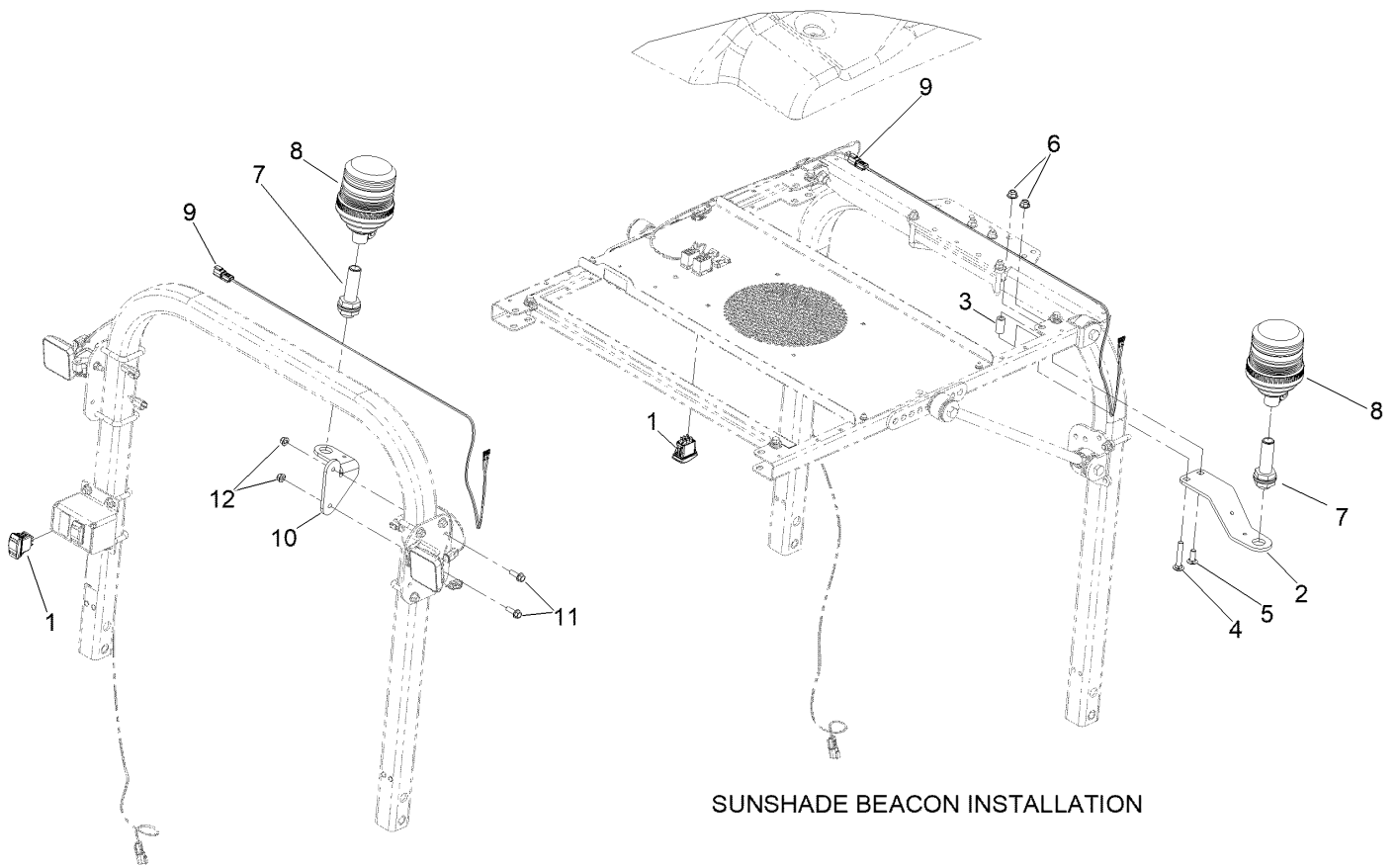
Parts Catalog

Beacon Kit

**Groundsmaster® e3200 2-Wheel Drive
Traction Unit**

Model No. 32313





SUNSHADE BEACON INSTALLATION

ROPS BEACON INSTALLATION

Beacon Kit Assembly

Ref.	Part Number	Qty.	Description
1	95-8999	1	Switch-Rocker, On-None-On
2	138-2698-03	1	Mount-Beacon
3	144-3387	1	Spacer
4	3231-7	1	Screw-CARR
5	3231-22	1	Screw-CARR
6	104-8301	2	Nut-HF, NI
7	119-8095	1	Socket-Beacon
8	137-1060	1	Light-Beacon
9	122-1222	1	Harness-Wire
10	139-2304-03	1	Mount-Beacon
11	3234-17	2	Screw-HHF
12	104-8300	2	Nut-HF, NI
99	3290-378	6	Tie-Cable ●

● Not illustrated