



Count on it.

Parts Catalog

**Dingo® TX 420
Compact Utility Loader**

Model No. 22306—Serial No. 25000001 and Up



Ordering Replacement Parts

To order replacement parts, please supply the part number, the quantity, and the description of each part desired.

Understanding Reference Numbers

Each identified part in an illustration has a reference number. The reference number for a part also appears in the parts list, along with other information about the part.

This catalog uses two special reference number formats, one to indicate parts in a service assembly and another to indicate the quantity of a given part in an illustration.

Service Assembly Reference Numbers

Parts in service assemblies have reference numbers in the form a:b. The a represents the reference number of the entire service assembly and the b represents a sequential number unique to each part within the service assembly.

For example, a wheel assembly might be identified by reference number 6, the tire by 6:1, the valve by 6:2, and the wheel by 6:3. When you order the assembly identified by reference number 6, you receive all parts identified by reference numbers 6:1, 6:2, and 6:3. However, you may also order any part individually. Reference numbers of this type appear in illustration and in parts lists.

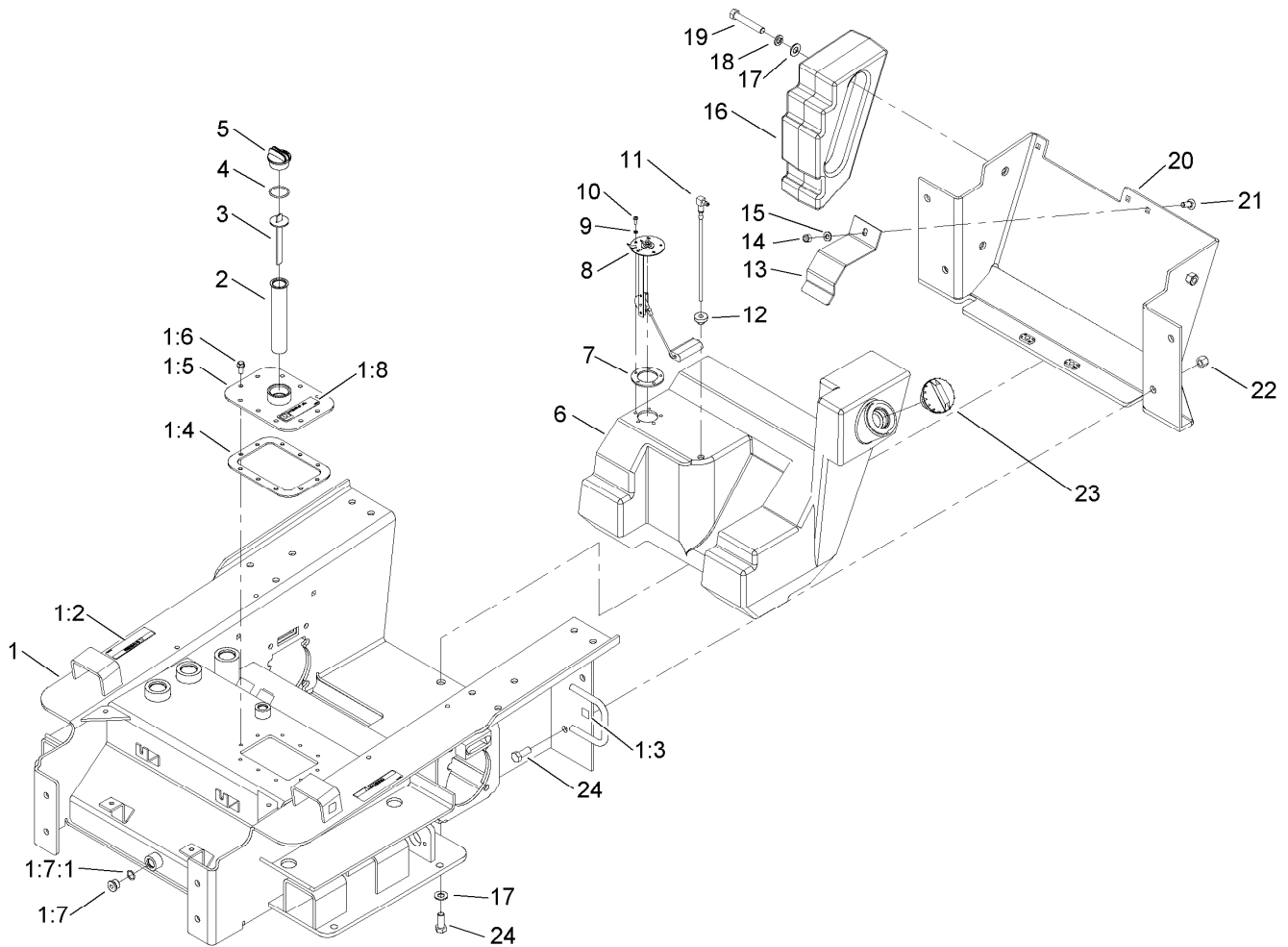
Reference Numbers Indicating Quantity

In an illustration, if a reference number indicates more than one part, the reference number has the form nX y. The n represents the quantity of the part, the X is the multiplication symbol, and the y represents the reference number.

For example, in an illustration, the reference number 2X 37 means that two of the parts identified by reference number 37 are indicated.

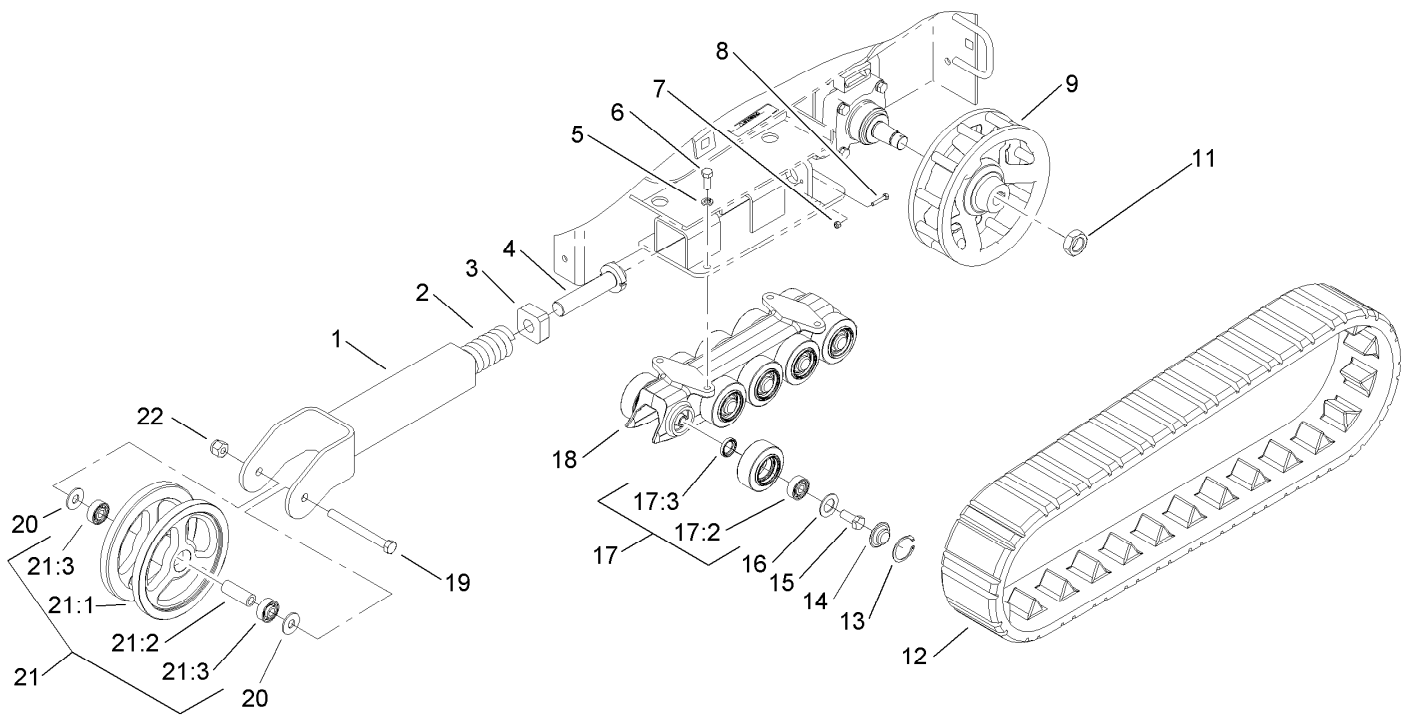
Contents

Main Frame and Fuel Tank Assembly	4
Track and Traction Assembly	5
Parking Brake Assembly	6
Loader Tower and Drive Assembly	7
Traction Hydraulics Assembly	8
Hydraulic Pump Assembly No. 106-5705 and 106-5706	10
Hydraulic Motor Assembly No. 106-7654	11
Engine and Mount Assembly	12
Hydraulic Pump and Filter Assembly	13
Hydraulic Gear Pump Assembly No. 106-7650	15
Control Panel Assembly	16
Traction Control Assembly	17
Principal Hydraulic Assembly	18
Two Spool Valve Assembly No. 106-9307	19
One Spool Valve Assembly No. 104-2831	20
Loader Arm Assembly	21
Loader Arm Hydraulic Assembly	22
Left Hand Hydraulic Lift Cylinder Assembly No. 104-6267	23
Right Hand Hydraulic Lift Cylinder Assembly No. 104-6269	24
Hydraulic Cylinder Assembly No. 105-8370	25
Quick Attach Assembly	26
Electrical System Assembly	27
Grill Assembly	28
Hydraulic Oil Cooler Assembly	29
Hood Assembly	30
Rear Access Cover Assembly	31
Crankshaft Assembly Kohler CH20S 64725	32
Crankcase Assembly Kohler CH20S 64725	33
Oil Pan and Lubrication Assembly Kohler CH20S 64725	34
Head, Valve and Breather Assembly Kohler CH20S 64725	35
Ignition and Electrical Assembly Kohler CH20S 64725	37
Blower Housing and Baffle Assembly Kohler CH20S 64725	38
Starting System Assembly Kohler CH20S 64725	39
Fuel System Assembly Kohler CH20S 64725	40
Engine Control Assembly Kohler CH20S 64725	41
Air Intake and Filtration Assembly Kohler CH20S 64725	42
Exhaust Assembly Kohler CH20S 64725	43
Attachments and Accessories	44



Main Frame and Fuel Tank Assembly

<i>Ref.</i>	<i>Part Number</i>	<i>Qty.</i>	<i>Description</i>	<i>Ref.</i>	<i>Part Number</i>	<i>Qty.</i>	<i>Description</i>
1	105-5830	1	Chassis ASM	9	3253-17	5	Washer-Lock
1:2	100-6141	2	Decal-Pinch	10	3250-31	5	Screw-PPH
1:3	93-9084	4	Decal-Point, Lift	11	98-0185	1	Pipe-Stand
1:4	100-1253	1	Gasket-Cover, Access	12	46-6560	1	Bushing
1:5	104-8389-01	1	Tank Cover ASM	13	100-1257-03	1	Clamp-Tank, Fuel
1:6	98-9940	10	Screw-HHF	14	3296-39	1	Nut-Lock, NI
1:7	353-988	2	Plug-Hex	15	3256-38	1	Washer-Flat
1:7:1	237-79	1	O-Ring	16	99-6165-01	2	Counterweight-Rear
1:8	105-8432	1	Decal-Oil, HYD	17	3256-26	6	Washer-Flat
2	61-2790	1	Filter-Screen	18	3253-7	4	Washer-Lock
3	100-2097	1	Dipstick-Oil	19	325-12	4	Screw-HH
4	237-123	1	O-Ring	20	105-0373-01	1	Rear Frame Cover ASM
5	93-7498	1	Plug-Plastic	21	3231-22	1	Screw-CARR
6	95-3619	1	Tank-Fuel	22	3296-23	4	Nut-Lock, NI
7	113372	1	Gasket-Sender, Fuel	23	93-3101	1	Cap-Fuel
8	100-1298	1	Sender-Fuel	24	325-5	6	Screw-HH

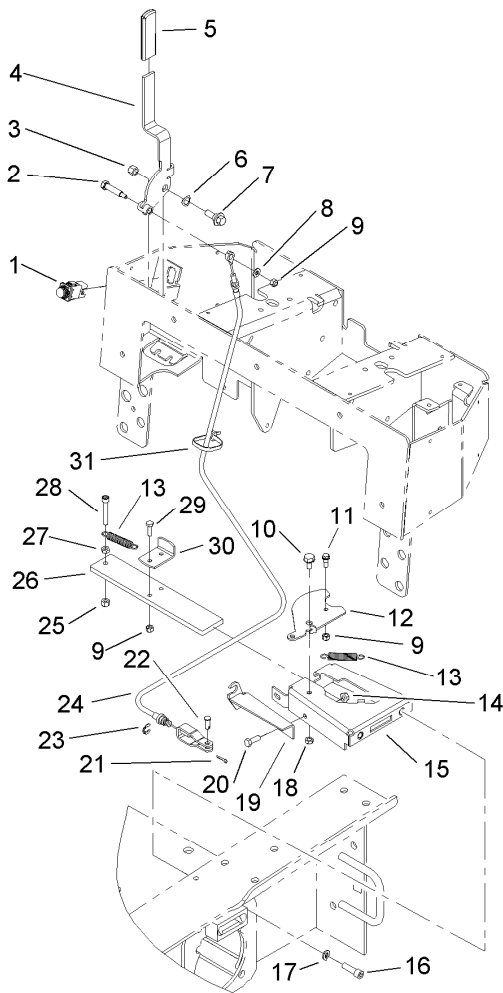


Track and Traction Assembly

Ref.	Part Number	Qty.	Description	Ref.	Part Number	Qty.	Description
1	98-9801-03	2	Tensioner Arm ASM	15	327-4	20	Screw-HH
2	95-3624	2	Spring-Compression	16	106-7585	20	Gasket-Bogie
3	95-3626	2	Block-Tensioner	17	106-7621	20	Road Wheel ASM
4	98-9846	2	Bolt-Tensioner	17:2	93-4237	1	Bearing
5	3253-7	8	Washer-Lock	17:3	253-118	1	Seal-Oil
6	325-5	8	Screw-HH	18	106-7590-03	2	Guide-Track
7	3296-42	2	Nut-Lock, NI	19	327-17	2	Screw-HH
8	321-13	2	Screw-HH	20	3256-7	4	Washer-Flat
9	106-7655-03	2	Wheel-Drive, Tx 420	21	104-5745	2	Tensioner Wheel ASM
11	107-9319	2	Nut-Hex	21:1	104-5747-03	1	Wheel-Tensioner
12	98-9800	2	Track	21:2	98-9835	1	Spacer-Wheel, Tensioner
13	106-7595	20	Ring-Snap, Internal	21:3	93-4237	2	Bearing
14	106-7557	20	Cap-Wheel, Bearing	22	3296-24	2	Nut-Hex

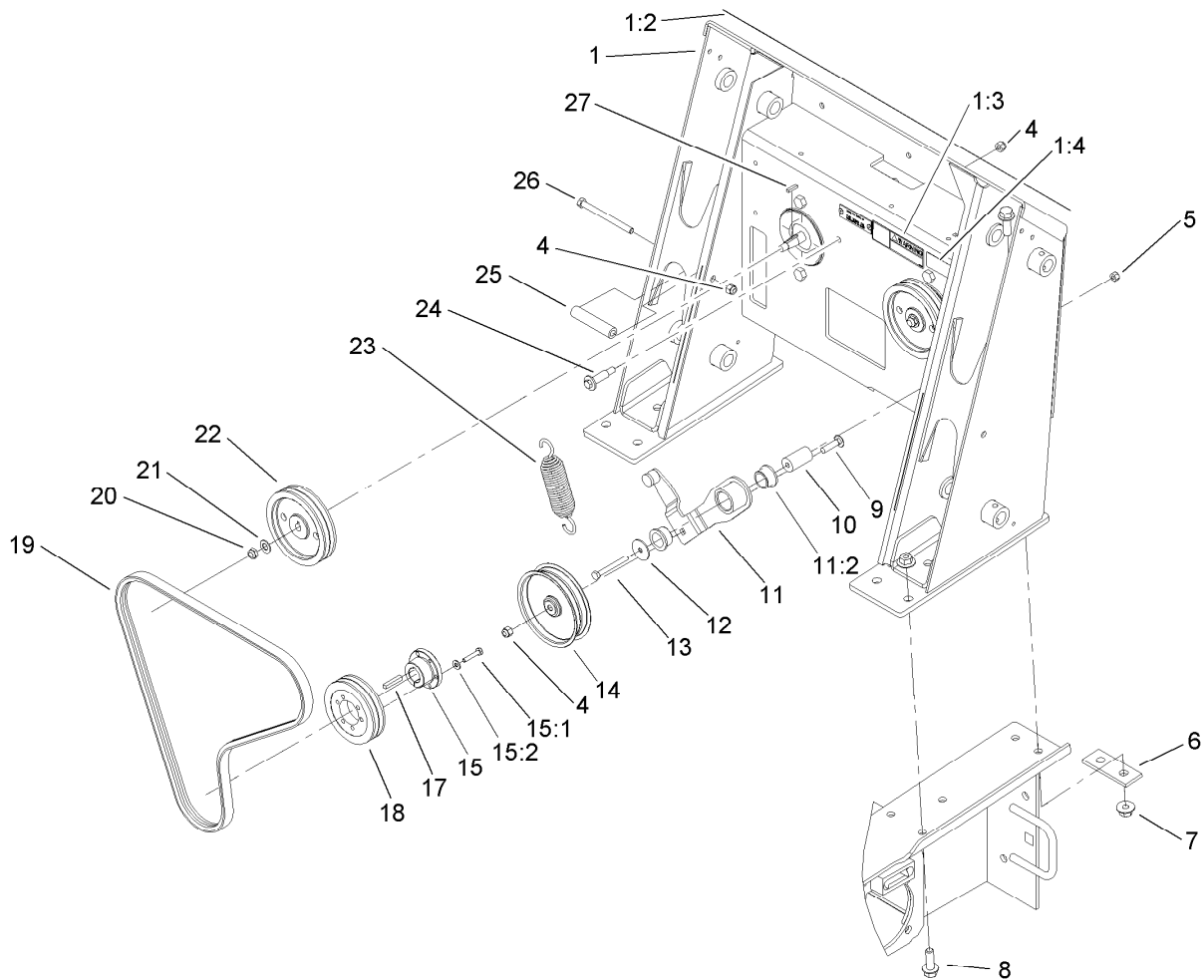
● Not illustrated

■ Not serviced separately



Parking Brake Assembly

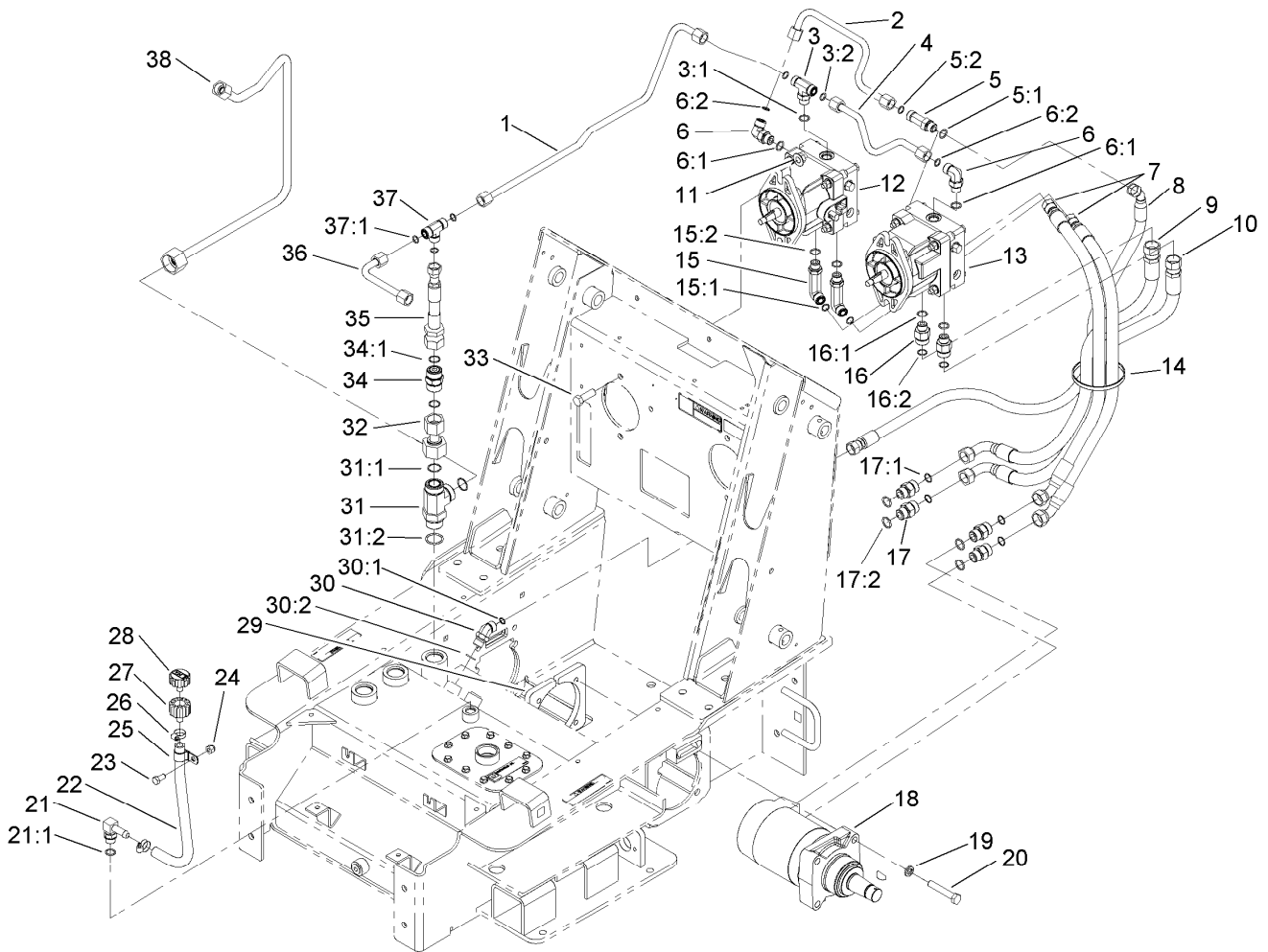
<i>Ref.</i>	<i>Part Number</i>	<i>Qty.</i>	<i>Description</i>	<i>Ref.</i>	<i>Part Number</i>	<i>Qty.</i>	<i>Description</i>
1	100-1268	1	Switch-Plunger	17	3253-5	4	Washer-Lock
2	611792	1	Bolt-Shoulder	18	3296-47	2	Nut-Lock,NI
3	3296-6	1	Nut-Lock	19	98-8446-03	2	Bracket-Cable, Brake
4	106-9327-03	1	Brake Lever ASM	20	322-4	4	Screw-HH
5	62-9130	1	Grip-Handle	21	3272-9	2	Pin-Cotter
6	3290-221	1	Washer-Spring	22	283-62	2	Pin-Clevis
7	93-2364	1	Bolt-Shoulder	23	32151-43	2	Ring-Clip
8	3256-22	1	Washer-Flat	24	100-1283	2	Cable-Brake
9	3296-42	7	Nut-Lock, NI	25	3296-29	2	Nut-Lock, NI
10	37-8771	2	Bolt-Shoulder, HF	26	106-7550-03	2	Plate-Brake
11	42-3560	2	Bolt-Shoulder	27	3218-2	2	Nut-Hex Jam
12	98-8443	2	Lever-Brake	28	3274-86	2	Screw-HSH
13	87-4020	4	Spring-Extension	29	321-5	4	Screw-HH
14	32128-20	4	Nut-HF	30	98-8448	2	Stop-Brake
15	100-4200-03	2	Brake Housing ASM	31	3290-378	2	Tie-Cable
16	3274-1	4	Screw-HSH				



Loader Tower and Drive Assembly

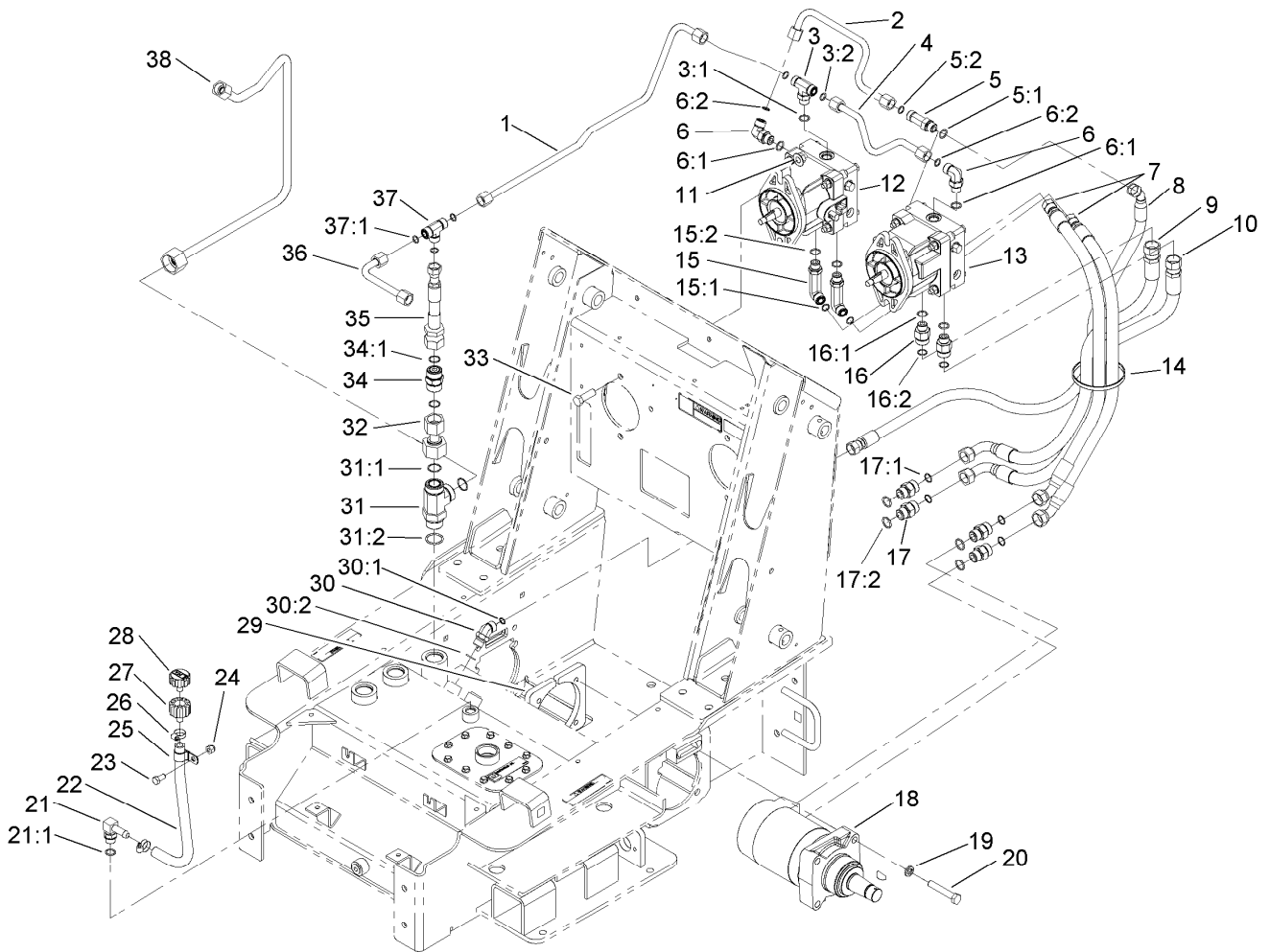
<i>Ref.</i>	<i>Part Number</i>	<i>Qty.</i>	<i>Description</i>
1	106-9300	1	Loader Tower ASM
1:2	106-9305	1	Decal-Panel, Control
1:3	80-8040	1	Decal-Warning
1:4	107-9323	1	Decal-Patent
4	3296-39	4	Nut-Lock, NI
5	3296-29	1	Nut-Lock, NI
6	100-6123-01	2	Plate-Stiffener
7	32128-52	10	Nut-Lock, Flange
8	100-6116	10	Screw-HHF
9	3231-26	1	Screw-CARR
10	104-5739	1	Spacer-Mounting
11	99-6167	1	Idler Arm ASM
11:2	256-132	2	Bushing-Flange
12	3256-68	1	Washer-Flat
13	322-13	1	Screw-HH

<i>Ref.</i>	<i>Part Number</i>	<i>Qty.</i>	<i>Description</i>
14	95-3707	1	Pulley-Idler
15	61-3340	1	Bushing
15:1	100-4208	3	Screw-HH
15:2	100-4209	3	Washer-Lock / Sp
17	67-7490	1	Key-Square
18	61-3330	1	Pulley
19	95-3611	1	V-Belt
20	3296-38	2	Nut-Lock, NI
21	3256-25	2	Washer-Flat
22	106-5710-03	2	Pulley
23	105-0383	1	Spring-Extension
24	56-6590	1	Bolt-Wheel
25	100-1271	2	Tube-Spacer
26	323-23	2	Screw-HH
27	3-6168	2	Key



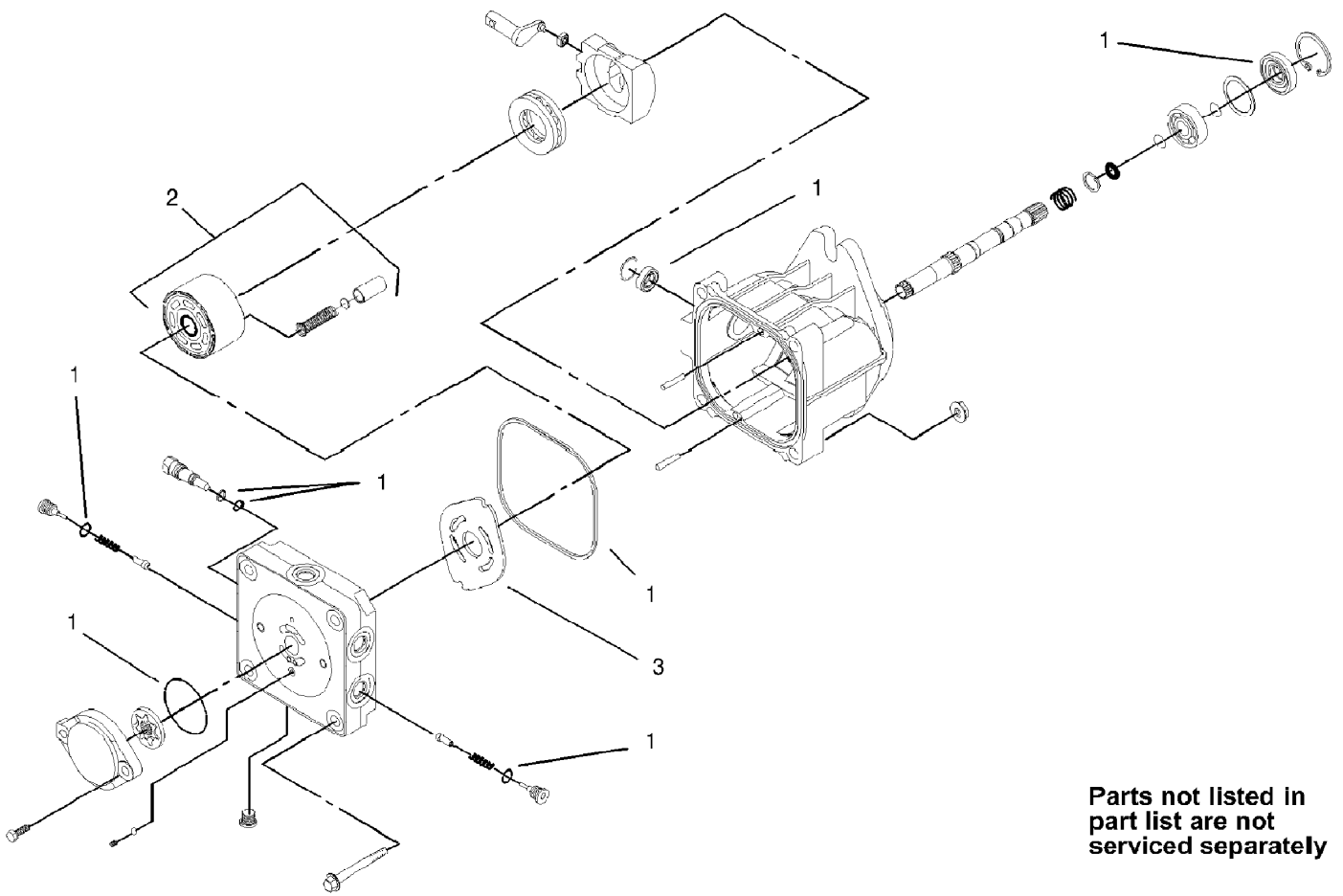
Traction Hydraulics Assembly

Ref.	Part Number	Qty.	Description	Ref.	Part Number	Qty.	Description
1	106-9331	1	Hydraulic Tube ASM	17:1	237-65	1	O-Ring
2	98-0200	1	Tube-HYD	17:2	237-80	1	O-Ring
3	340-157	1	Fitting-HYD, Tee	18	106-7654	2	HYD Motor ASM
3:1	237-79	1	O-Ring	19	3253-7	8	Washer-Lock
3:2	237-30	2	O-Ring	20	325-11	8	Screw-HH
4	106-9330	1	Tube-HYD	21	354-120	1	Fitting-Elbow, 90
5	340-109	1	Fitting-Tee	21:1	237-79	1	O-Ring
5:1	237-79	1	O-Ring	22	106-5709	1	Hose-Vent
5:2	237-30	2	O-Ring	23	323-4	1	Screw-HH
6	340-98	2	Fitting-Elbow, 90 DEG	24	3296-39	1	Nut-Lock, NI
6:1	237-79	1	O-Ring	25	2412-4	1	Clamp-R
6:2	237-30	1	O-Ring	26	2412-36	2	Clamp-Hose
7	98-0233	2	Hose-HYD	27	92-8020	1	Adapter-Breather
8	98-0201	1	Hose-HYD	28	68-6150	1	Breather
9	98-0235	1	HYD Hose ASM	29	98-2763-03	4	Plate-Mounting
10	98-0177	1	HYD Hose ASM	30	340-101	1	Fitting-HYD, 45 DEG
11	32128-23	4	Nut-HF	30:1	237-30	1	O-Ring
12	106-5706	1	RH HYD Pump ASM	30:2	237-79	1	O-Ring
13	106-5705	1	LH HYD Pump ASM	31	104-3795	1	Fitting-Tee
14	3334-945	1	Tie-Cable	31:1	340-65	2	O-Ring
15	99-6160	2	Fitting-Elbow, 90 Long	31:2	237-146	1	O-Ring
15:1	237-30	1	O-Ring	32	105-0226	1	Tube-HYD
15:2	237-79	1	O-Ring	33	325-6	4	Screw-HH
16	340-155	2	Fitting-Straight	34	99-6161	1	HYD Check Valve ASM
16:1	237-79	1	O-Ring	34:1	237-58	2	O-Ring
16:2	237-151	1	O-Ring	35	105-0225	1	HYD Hose ASM
17	340-7	4	Fitting-Straight	36	95-3517	1	HYD Tube ASM



Traction Hydraulics Assembly (continued)

<i>Ref.</i>	<i>Part Number</i>	<i>Qty.</i>	<i>Description</i>	<i>Ref.</i>	<i>Part Number</i>	<i>Qty.</i>	<i>Description</i>
37	340-102	1	Adapter	37:1	237-30	3	O-Ring
				38	106-9332	1	HYD Tube ASM

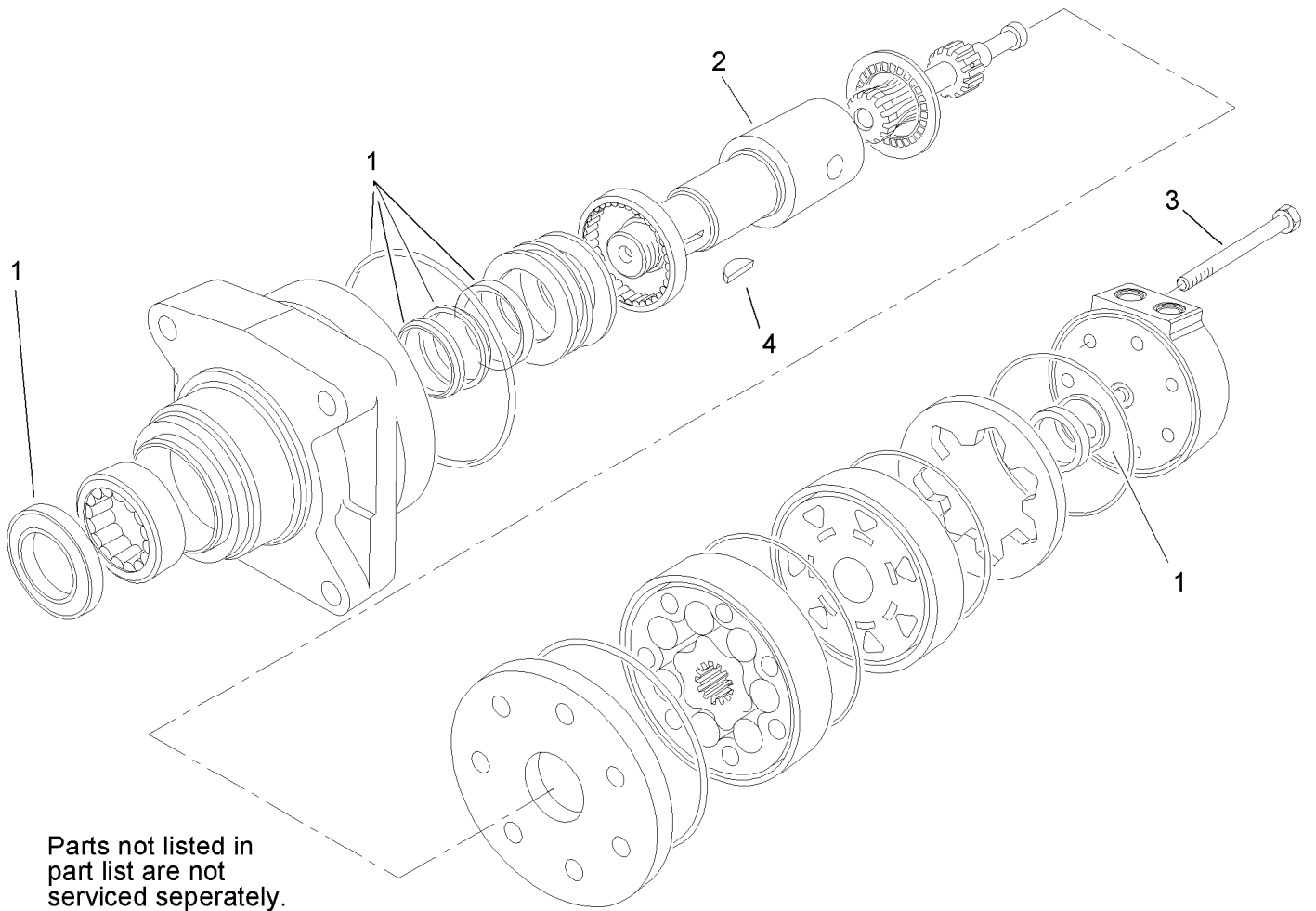


Parts not listed in
part list are not
serviced separately

Hydraulic Pump Assembly No. 106-5705 and 106-5706

<i>Ref.</i>	<i>Part Number</i>	<i>Qty.</i>	<i>Description</i>
1	100-6110	1	Overhaul Seal Kit
2	94-1913	1	Cylinder Block ASM
3	100-6112	1	Plate-Valve

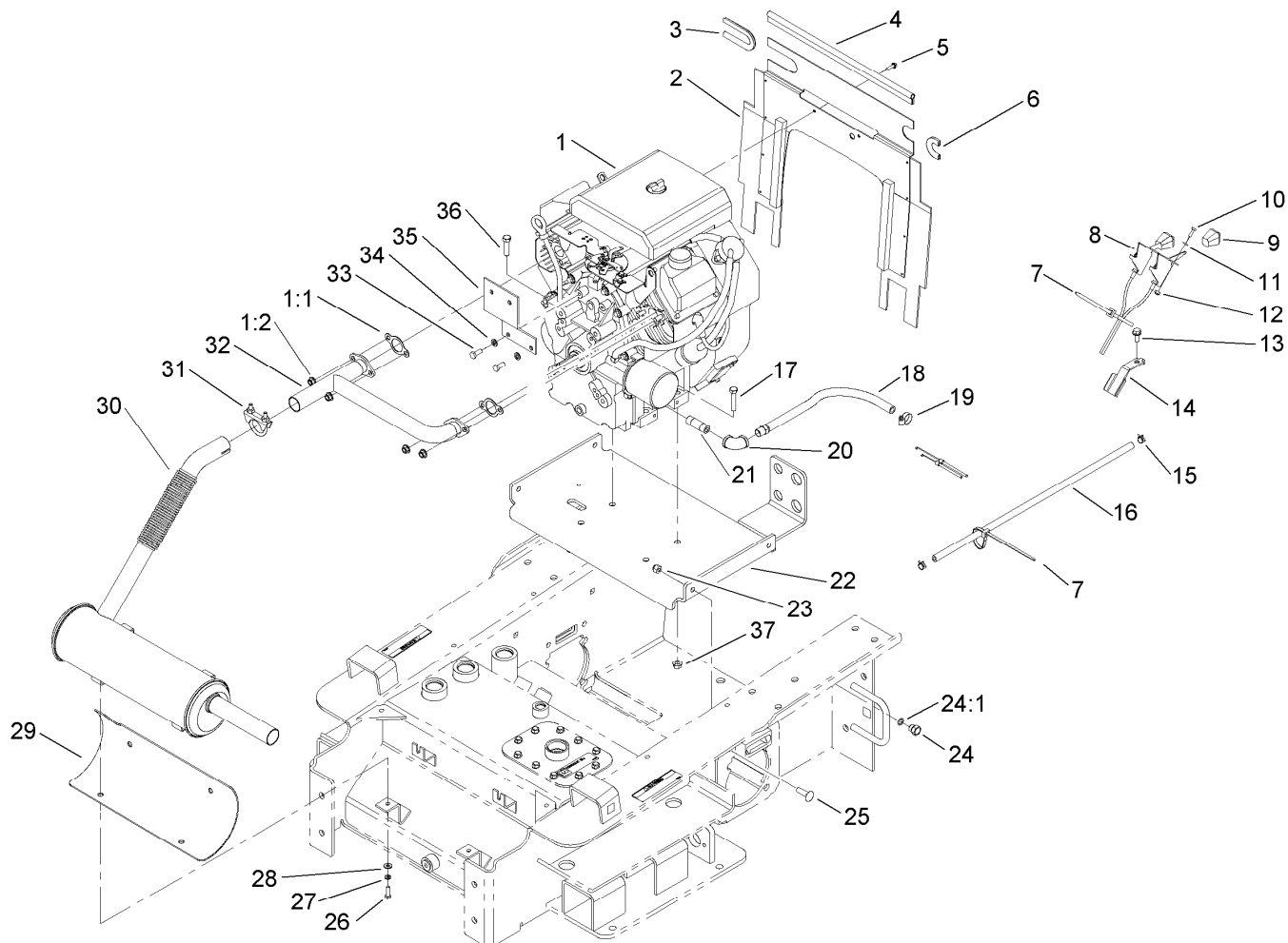
● Not serviced separately



Parts not listed in
part list are not
serviced seperately.

Hydraulic Motor Assembly No. 106-7654

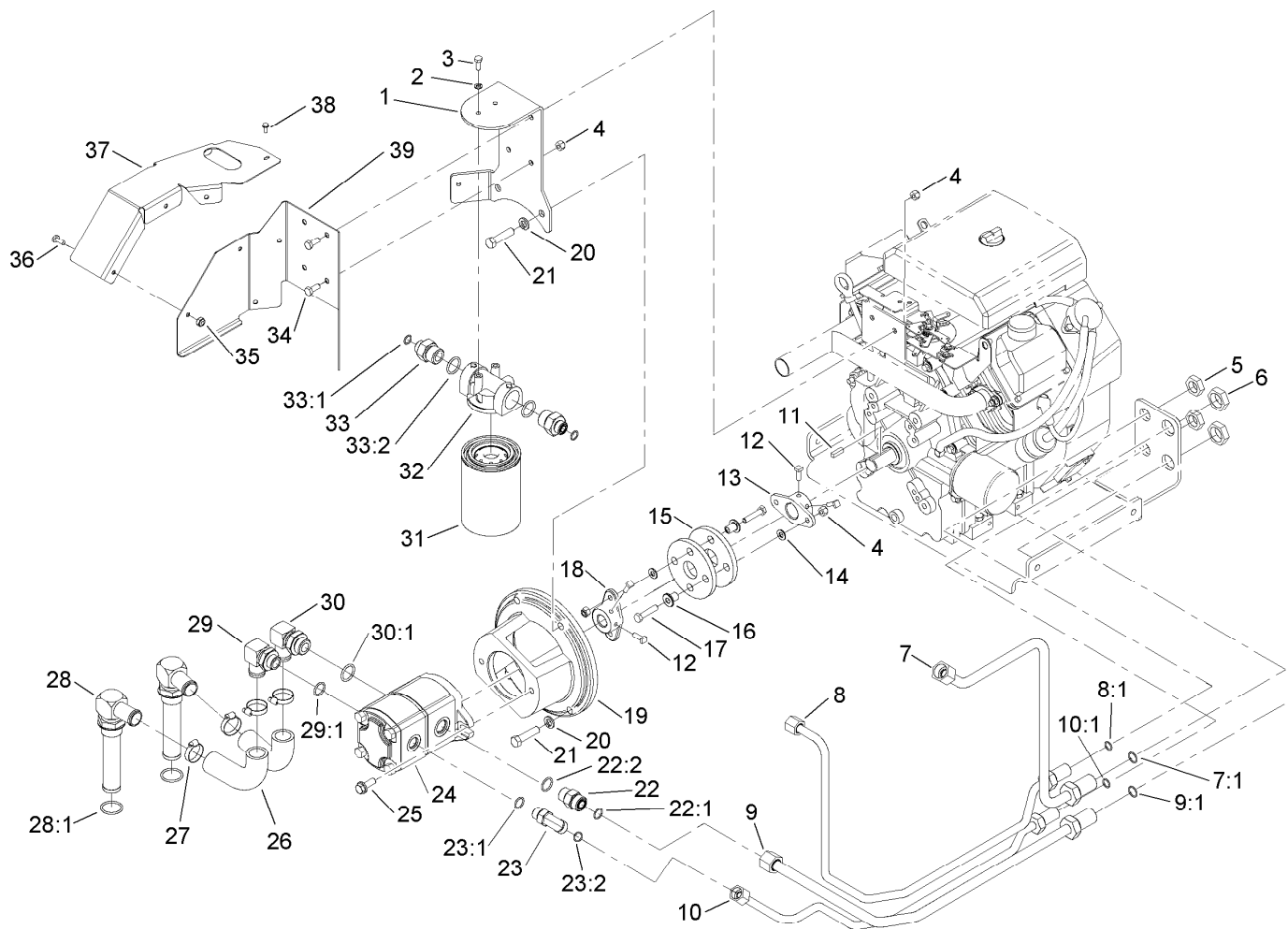
<i>Ref.</i>	<i>Part Number</i>	<i>Qty.</i>	<i>Description</i>
1	100-6131	1	Seal Kit
2	106-7645	1	Coupling-Shaft
3	100-4241	7	Screw-HH
4	3257-42	1	Key-Woodruff



Engine and Mount Assembly

Ref.	Part Number	Qty.	Description	Ref.	Part Number	Qty.	Description
1		1	Engine-Kohler, Ch20S-64725 ●	19	2412-36	1	Clamp-Hose
1:1	93-0350	2	Gasket-Exhaust	20	94-9650	1	Elbow-90 DEG
1:2	92-6780	4	Nut-HF	21	289-42	1	Nipple
2	106-5748	1	Engine Baffle ASM	22	99-6175-03	1	Engine Mounting Plate ASM
3	105-0378	1	Seal-Strip, 6.5 Inch	23	3296-39	4	Nut-Lock, NI
4	106-5749	1	Seal-Strip, 16 Inch	24	353-508	1	Plug-HH
5	27-0220	2	Screw-Special	24:1	237-42	1	O-Ring
6	105-0377	1	Seal-Strip, 3 Inch	25	3231-28	4	Screw-CARR
7	3290-378	2	Tie-Cable	26	321-5	4	Screw-HH
8	99-6173	2	Cable-Throttle	27	3253-3	4	Washer-Lock
9	66-0120	2	Knob	28	3256-78	4	Washer-Flat
10	3290-134	4	Screw	29	98-2762	1	Shield-Heat, Muffler
11	3256-51	4	Washer-Flat	30	105-0249	1	Muffler
12	3296-2	4	Nut-Lock, NI	31	2112-11	1	Clamp-Muffler
13	32144-70	1	Screw-HWHTF	32	98-2761	1	Manifold-Crossover
14	100-1299-03	1	Guide-Cable	33	33114-020	2	Screw-HH
15	2412-98	2	Clamp-Hose	34	3253-4	2	Washer-Lock
16	105-0376	1	Hose-Fuel	35	99-6171-03	1	Bracket-Support, Oil Filter
17	323-53	3	Screw-HH	36	323-50	1	Bolt-HH
18	100-1256	1	Oil Hose ASM	37	32128-21	4	Nut-HF Lock

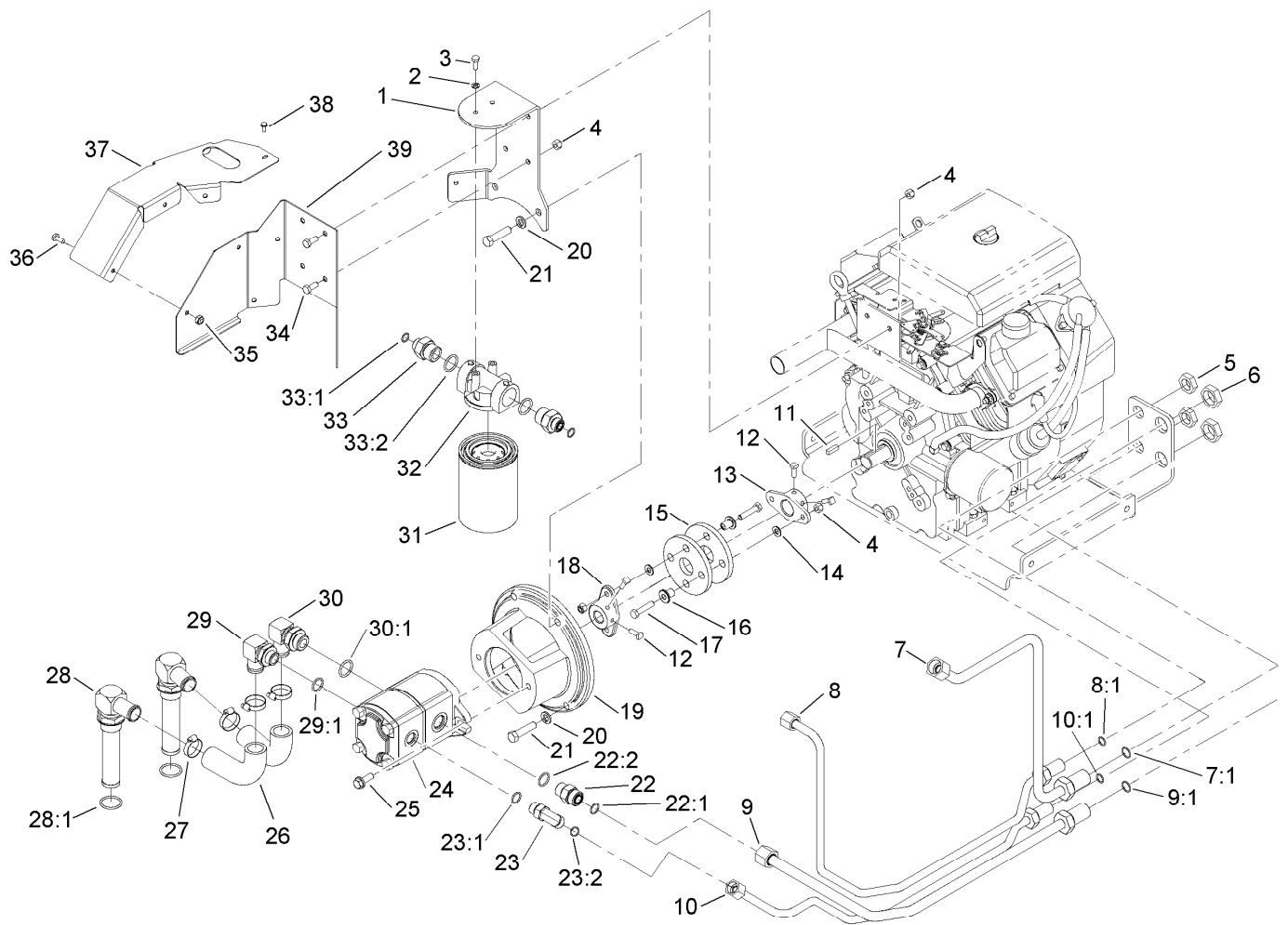
● Not serviced separately



Hydraulic Pump and Filter Assembly

Ref.	Part Number	Qty.	Description	Ref.	Part Number	Qty.	Description
1	99-6172-03	1	Bracket-Support, Oil Filter	22	340-7	1	Fitting-Straight
2	3253-3	2	Washer-Lock	22:1	237-65	1	O-Ring
3	321-4	2	Screw-HH	22:2	237-80	1	O-Ring
4	3296-29	8	Nut-Lock, NI	23	340-98	1	Fitting-Elbow, 90 DEG
5	340-127	2	Nut-Bulkhead	23:1	237-79	1	O-Ring
6	340-74	2	Nut-Lock, Bulkhead	23:2	237-30	1	O-Ring
7	106-9333	1	HYD Tube ASM	24	106-7650	1	HYD Pump ASM
7:1	237-65	1	O-Ring	25	66-9300	2	Screw-HHF
8	98-2780	1	HYD Tube ASM	26	105-0201	2	Hose-Suction, Formed
8:1	237-30	1	O-Ring	27	2412-34	4	Clamp-Hose
9	98-2783	1	HYD Tube ASM	28	105-0204	2	Strainer Fitting ASM
9:1	237-65	1	O-Ring	28:1	237-146	1	O-Ring
10	106-9393	1	HYD Tube ASM	29	61-2710	1	Stem-Hose, 90 DEG
10:1	237-30	1	O-Ring	29:1	237-117	1	O-Ring
11	10-7070	1	Key-Square	30	100-4202	1	Fitting-90
12	3241-6	4	Screw-SQH	30:1	237-81	1	O-Ring
13	27-1960	1	Hub-Engine	31	86-3010	2	Filter-Oil
14	3256-23	4	Washer-Plain	32	92-5821	1	Head-Filter
15	44-2230	2	Coupling-Rubber	33	100-4240	2	Fitting-STR
16	71-4411	4	Spacer	33:1	237-30	1	O-Ring
17	322-7	4	Screw-HH	33:2	237-81	1	O-Ring
18	49-9600	1	Hub-Pump	34	322-3	4	Screw-HH
19	98-2751-03	1	Mount-Pump	35	3296-16	4	Nut-Lock, NI
20	3253-6	4	Washer-Lock	36	321-39	4	Screw-HH
21	324-7	4	Screw-HH	37	104-9960	1	Shield-Heat

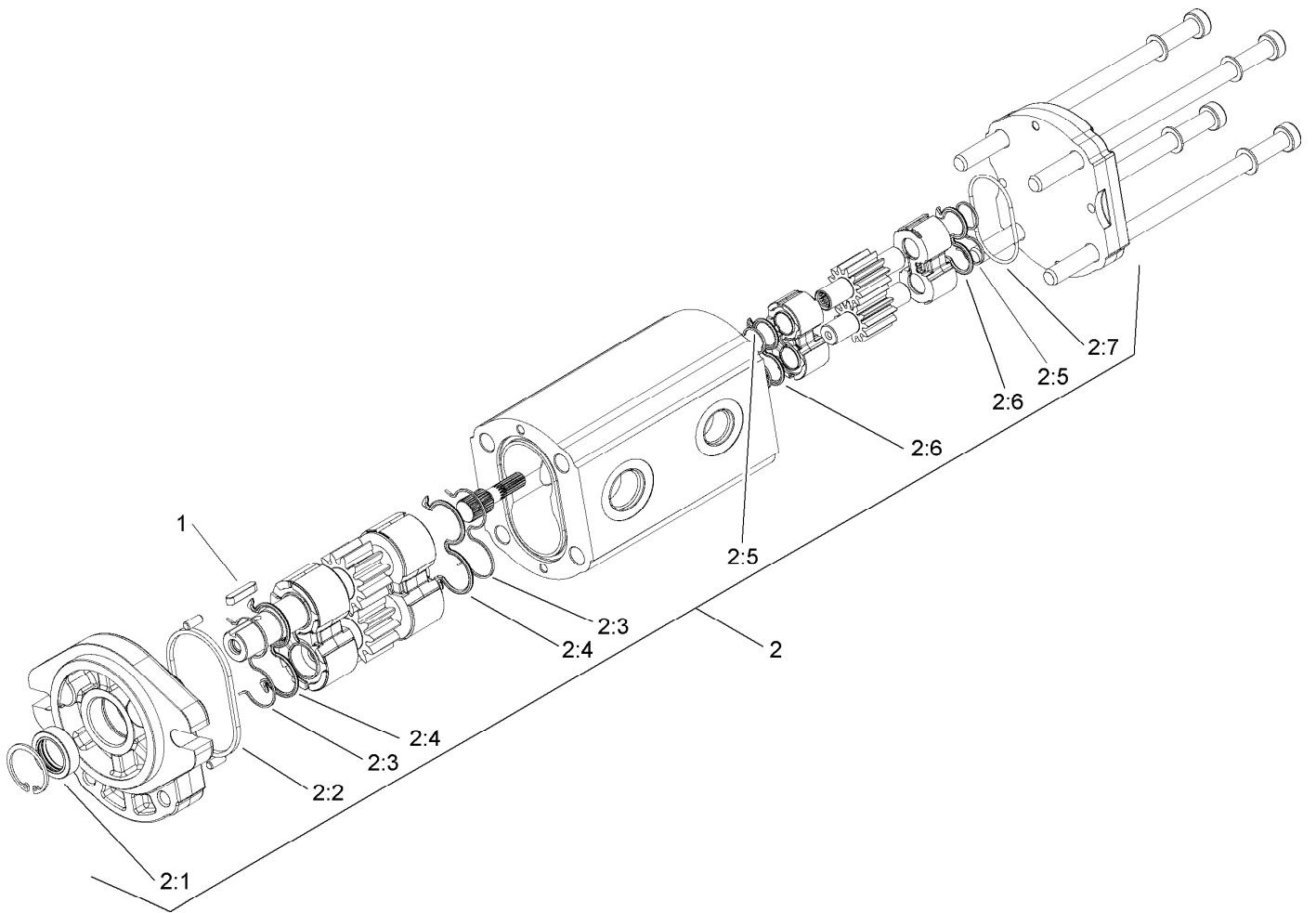
● Not serviced separately



Hydraulic Pump and Filter Assembly (continued)

Ref.	Part Number	Qty.	Description
38	32144-112	1	Screw-HWH
39	100-6114	1	Shield-Heat, Filter

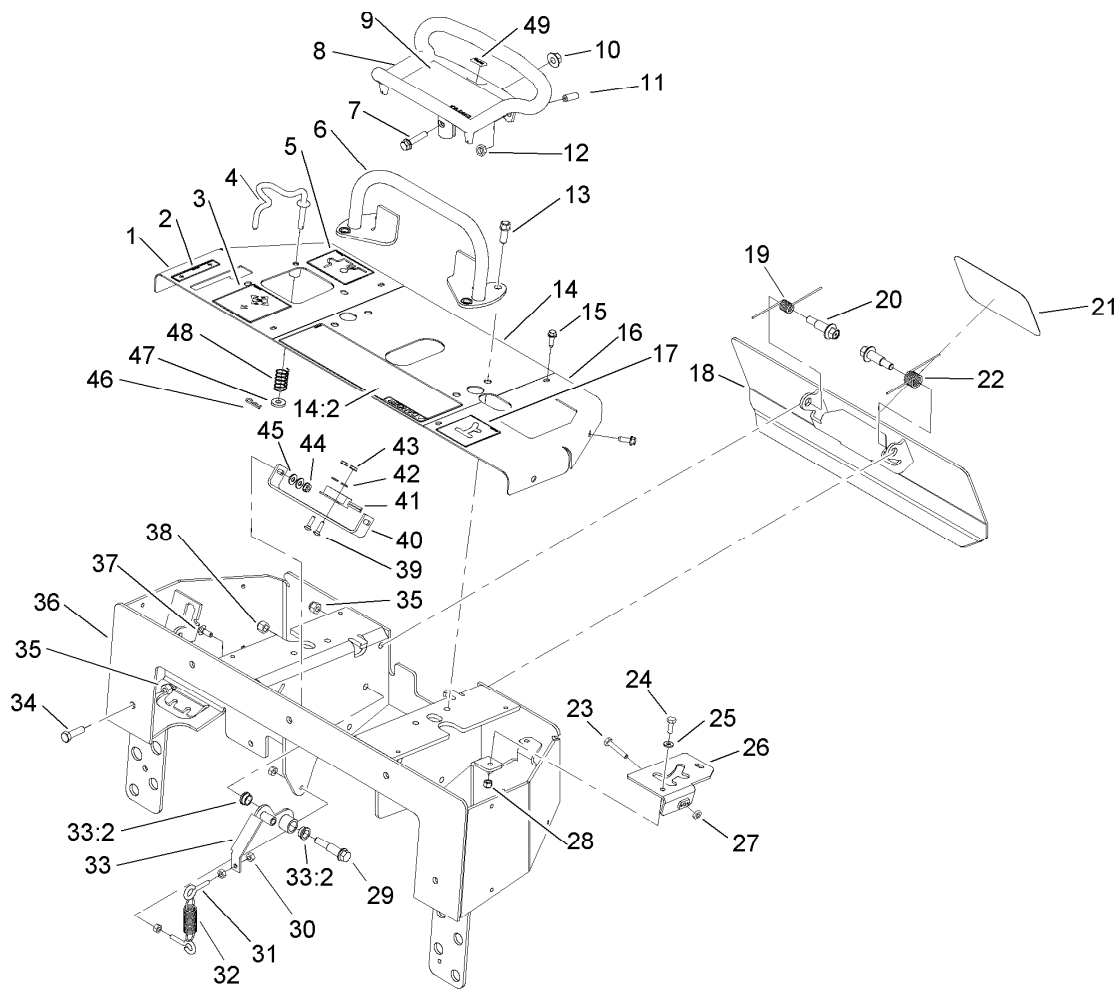
● Not serviced separately



Hydraulic Gear Pump Assembly No. 106-7650

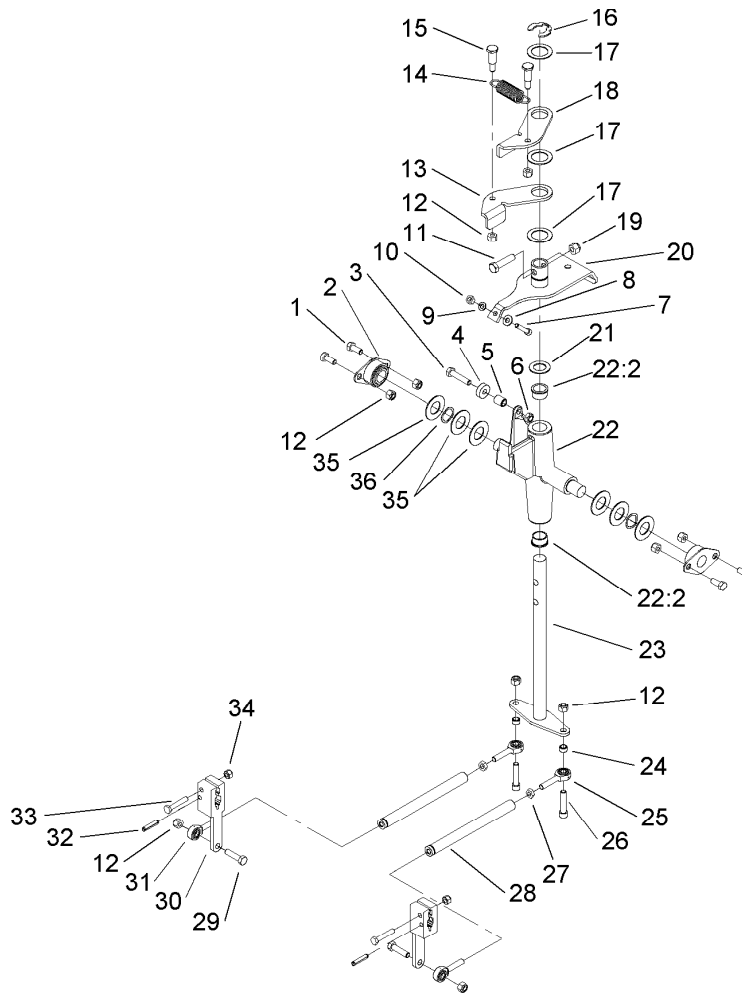
<i>Ref.</i>	<i>Part Number</i>	<i>Qty.</i>	<i>Description</i>
1	100-4238	1	Key-Square
2	107-9316	1	Seal Kit
2:1		1	Seal-Shaft ●
2:2		1	Seal-Square ●
2:3		2	Ring-Backup ●
2:4		2	Seal-Gear ●
2:5		2	Ring-Backup ●
2:6		2	Seal-Gear, Rear ●
2:7		1	Seal-Dust ●

● Not serviced separately



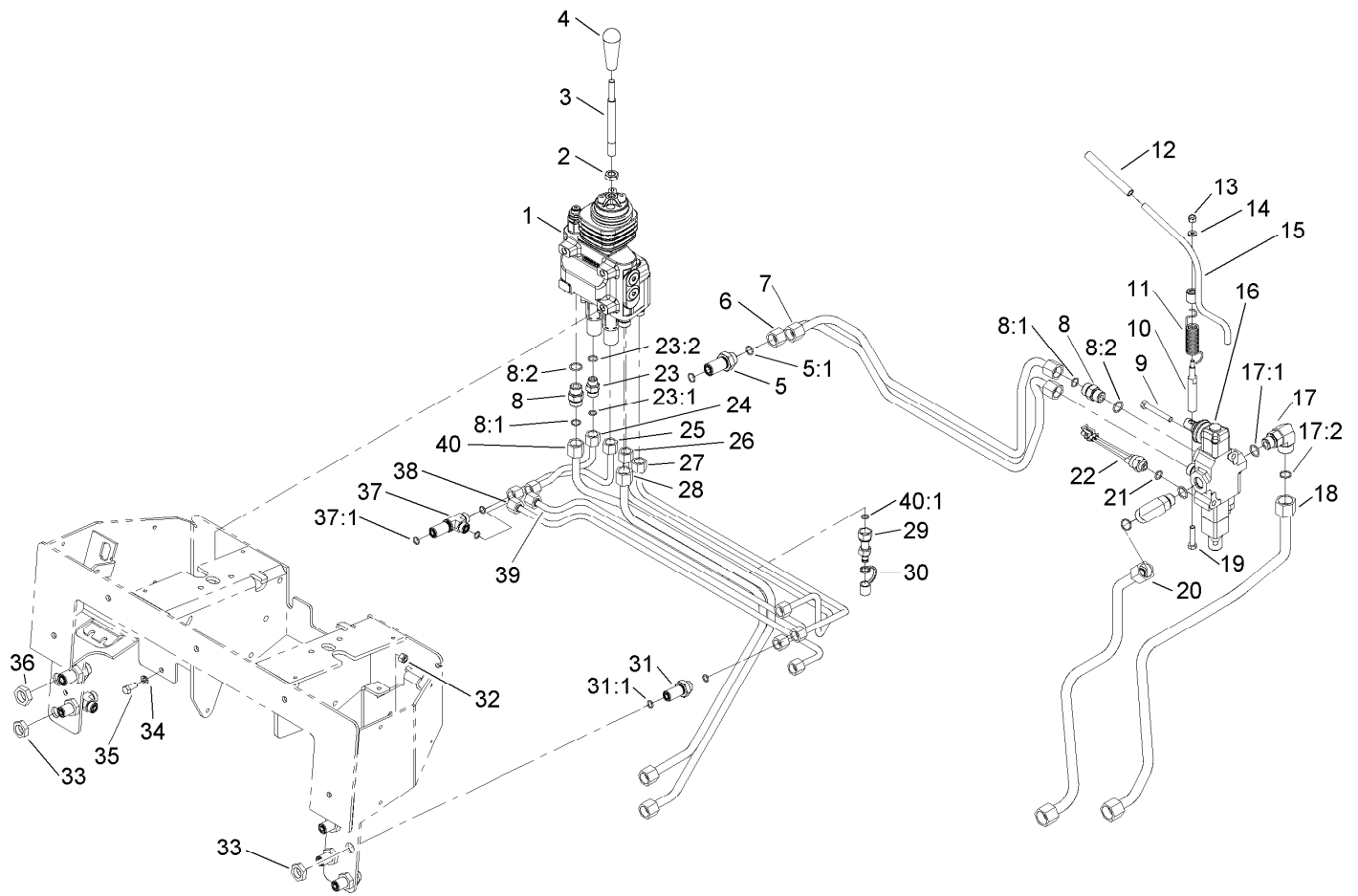
Control Panel Assembly

Ref.	Part Number	Qty.	Description	Ref.	Part Number	Qty.	Description
1	105-5824-01	1	RH Panel ASM	26	100-6126-01	1	Auxiliary Stop ASM
2	104-2838	1	Decal-Brake	27	3218-1	1	Nut-Jam
3	104-2837	1	Decal-Loader	28	3296-42	2	Nut-Lock, NI
4	104-2833	1	Rod-Interlock	29	66-0560	1	Bolt-Shoulder
5	104-2844	1	Decal-Interlock	30	3217-5	4	Nut-Hex
6	106-7715	1	Bar-Reference	31	71-2870	2	Bolt-Eye
7	3234-18	1	Screw-HHF	32	105-1210	1	Spring-Extension
8	106-7614-03	1	Handle-Control	33	100-4203	1	Neutral Centering Lever ASM
9	106-9453	1	Decal-Traction	33:2	256-156	2	Bushing-Flange
10	32128-43	1	Nut-Flange	34	323-7	5	Screw-HH
11	3247-6	2	Screw-Set	35	3296-39	7	Nut-Lock, NI
12	3218-3	2	Nut-Jam	36	106-9320-01	1	Control Panel ASM
13	95-1726	4	Screw-Taptite	37	3229-1	2	Screw-CARR
14	100-6144	1	Center Panel ASM	38	3296-6	1	Nut-Lock
14:2	100-6140	1	Decal-Danger	39	3229-20	2	Screw-CARR
15	32144-44	8	Screw-HWH, Thread Roll	40	100-1263	1	Plate-Switch
16	98-8428-01	1	Panel-LH	41	100-1270	1	Switch-Proximity
17	100-6136	1	Decal-Auxiliary	42	3256-51	2	Washer-Flat
18	98-8417-03	1	Reverse Plate ASM	43	32149-7	2	Nut-Keps
19	98-8425	1	Spring-Torsion, LH	44	32149-2	2	Nut-Keps
20	62-1330	2	Bolt-Shoulder	45	3256-22	4	Washer-Flat
21	105-1217	1	Decal	46	3290-307	1	Pin-Cotter
22	98-8424	1	Spring-Torsion, RH	47	88-7200	1	Washer-Flat
23	321-9	1	Screw-HH	48	85-6750	1	Spring-Control
24	321-4	2	Screw-HH	49	98-1459	1	Decal
25	3256-16	2	Washer-Flat				



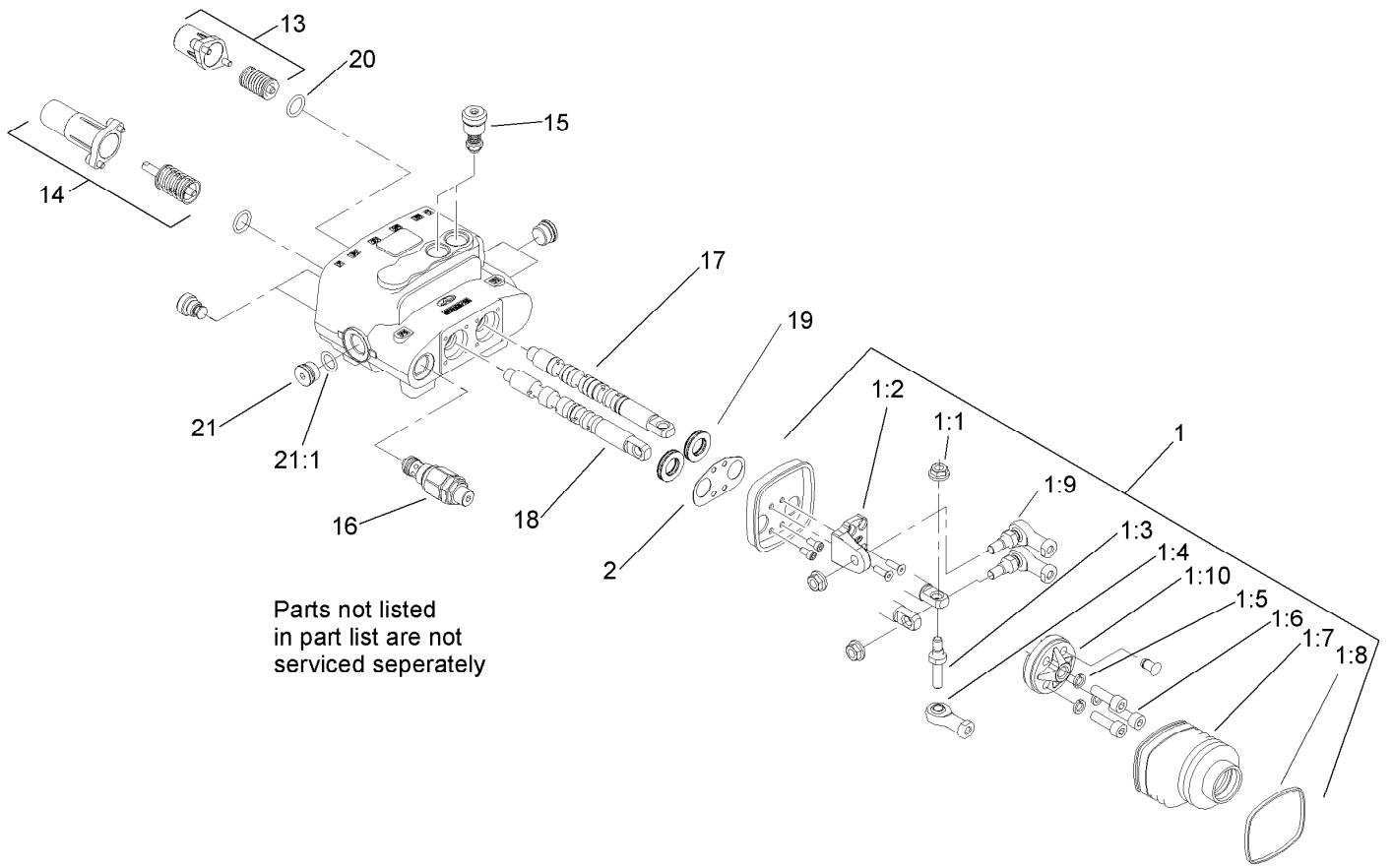
Traction Control Assembly

<i>Ref.</i>	<i>Part Number</i>	<i>Qty.</i>	<i>Description</i>	<i>Ref.</i>	<i>Part Number</i>	<i>Qty.</i>	<i>Description</i>
1	322-3	4	Screw-HH	20	104-9968	1	Pivot Lever ASM
2	68-2970	2	Bushing	21	257-8	1	Washer-Thrust
3	322-7	1	Screw-HH	22	106-5737	1	Control Support ASM
4	251-259	1	Bearing-Ball	22:2	256-252	2	Bearing-Flange
5	88-7450	1	Spacer-Lever, Control	23	106-5745	1	Drive Rod ASM
6	3296-47	1	Nut-Lock,NI	24	92-3133	2	Spacer-Lever, Traction
7	3274-51	1	Screw-HSH	25	2411-52	2	Bearing-Rod End, RH
8	3256-22	1	Washer-Flat	26	3274-83	2	Screw-HSH
9	3253-3	1	Washer-Lock	27	3220-2	2	Nut-Jam
10	3217-5	1	Nut-Hex	28	95-3711	2	Rod-Linkage
11	323-8	1	Screw-HH	29	322-6	2	Screw-HH
12	3296-29	10	Nut-Lock, NI	30	106-5739	2	Arm-Control, Pump
13	98-8407	1	Lever-Return, RH	31	2411-53	2	Bearing-Rod End, LH
14	105-1210	1	Spring-Extension	32	100-5440	2	Pin-Spring, Slotted
15	63-2650	2	Screw-Shoulder	33	321-9	2	Screw-HH
16	32151-91	1	Ring-Retaining	34	3296-42	2	Nut-Lock, NI
17	3256-42	3	Washer-Flat	35	3256-39	6	Washer-Flat
18	98-8408	1	Lever-Return, LH	36	95-3703	2	Washer-Spring, Wave
19	3296-39	1	Nut-Lock, NI				



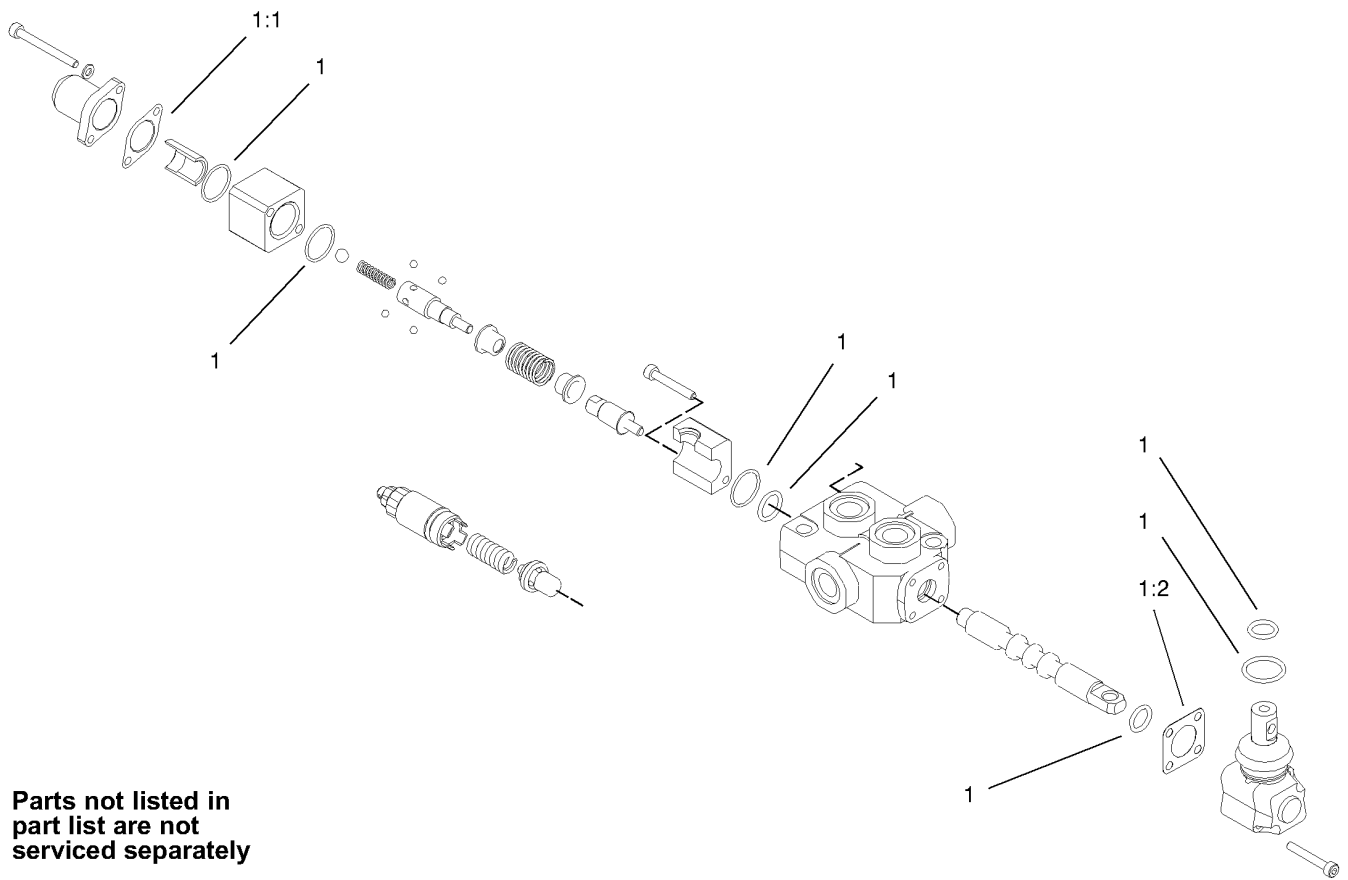
Principal Hydraulic Assembly

Ref.	Part Number	Qty.	Description	Ref.	Part Number	Qty.	Description
1	106-9307	1	2 Spool Valve ASM	21	237-42	1	O-Ring
2	51-2070	1	Nut	22	72-4310	1	Switch-Ball
3	95-3569	1	Shaft-Handle, Lift/Tilt	23	340-2	4	Fitting-Straight
4	98-0152	1	Knob-Tapered	23:1	237-22	1	O-Ring
5	340-161	2	Fitting-Bulkhead	23:2	237-42	1	O-Ring
5:1	237-30	2	O-Ring	24	106-9315	1	Tube-HYD
6	106-9310	1	Tube-HYD	25	106-9313	1	Tube-HYD
7	106-9311	1	Tube-HYD	26	106-9312	1	Tube-HYD
8	340-4	4	Fitting-Straight	27	106-9314	1	Tube-HYD
8:1	237-30	1	O-Ring	28	106-9318	1	Hydraulic Tube ASM
8:2	237-79	1	O-Ring	29	86-5480	1	Nipple-Test
9	322-11	2	Screw-HH	30	354-79	1	Cap-Dust
10	104-2827	1	Spacer-Hiflo	31	340-71	4	Fitting-Straight, Bulkhead
11	100-6129	1	Spring-Torsion	31:1	237-22	2	O-Ring
12	92-6798	1	Cap-Rod, Tilt	32	3296-29	2	Nut-Lock, NI
13	3296-42	1	Nut-Lock, NI	33	340-70	6	Nut-Lock
14	3256-16	1	Washer-Flat	34	3253-4	3	Washer-Lock
15	100-4246	1	Auxiliary Lever ASM	35	322-3	3	Screw-HH
16	104-2831	1	1 Spool Valve ASM	36	340-127	2	Nut-Bulkhead
17	340-153	2	Fitting-Elbow, 90 DEG	37	340-68	2	Fitting-Tee, Bulkhead
17:1	237-79	1	O-Ring	37:1	237-22	3	O-Ring
17:2	237-151	1	O-Ring	38	106-9316	1	Tube-HYD
18	106-9309	1	Tube-HYD	39	106-9317	1	Tube-HYD
19	48-7740	1	Screw	40	106-9319	1	Hydraulic Tube ASM
20	104-5707	1	Tube-HYD	40:1	237-22	1	O-Ring



Two Spool Valve Assembly No. 106-9307

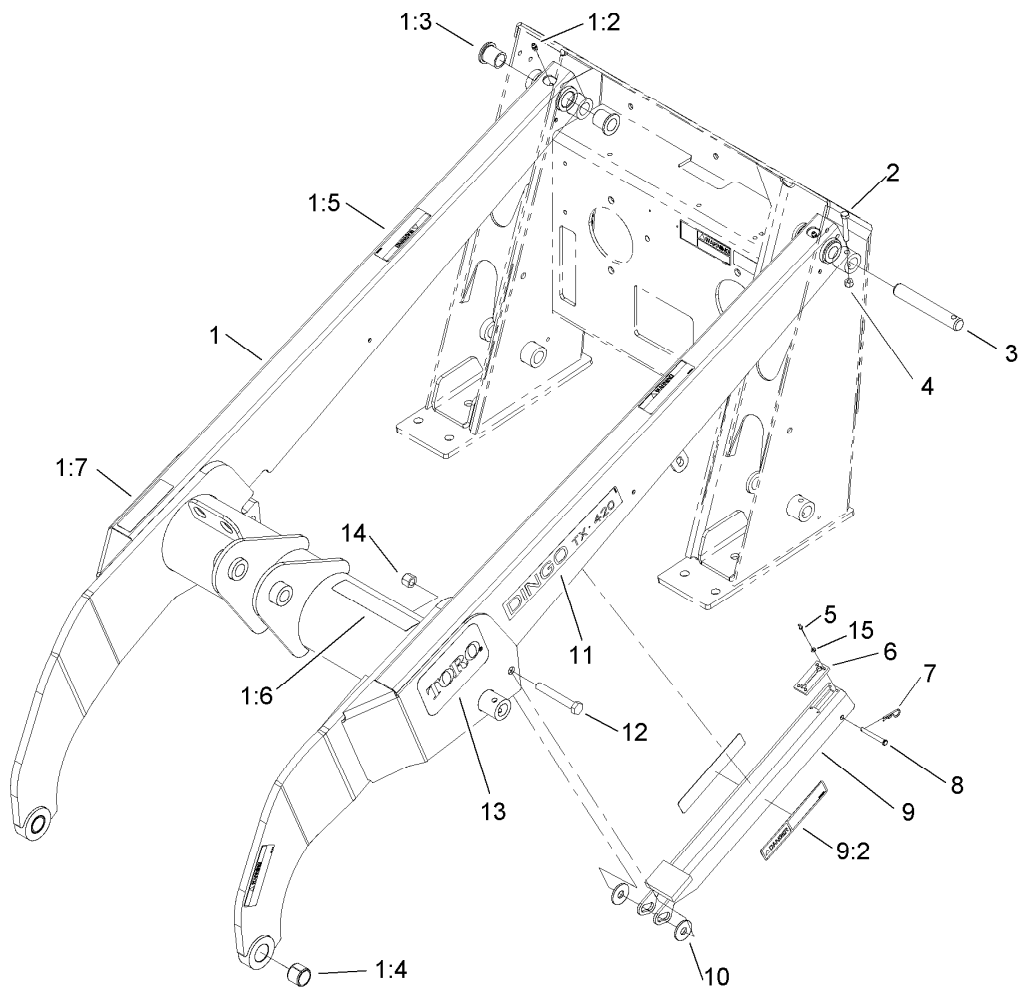
<i>Ref.</i>	<i>Part Number</i>	<i>Qty.</i>	<i>Description</i>
1	106-7724	1	Joystick Kit
1:1	98-0668	3	Nut
1:2	106-7726	1	Pivot-Joystick
1:3	106-7727	1	Pin-Joystick
1:4	106-7728	1	End-Rod
1:5	42-9850	3	Washer-Lock, Spring
1:6	98-5828	3	Screw-HSH
1:7	106-7729	1	Bellow-Rubber
1:8	3290-379	1	Tie-Cable
1:9	106-7730	2	Joint-Joystick
1:10	106-7731	1	Holder-Articulated
2	106-7725	1	Seal-Joystick
13	106-7732	1	Valve Spring Kit
14	106-7733	1	Detent Spring Kit
15	106-7734	2	Valve-Relief
16	106-7735	1	Valve-Relief, Main
17	106-7736	1	Spool-Valve
18	106-7737	1	Spool-Valve
19	106-7738	2	Seal-Valve, Spool
20	106-7719	2	Seal-Valve
21	353-988	3	Plug-Hex
21:1	237-79	1	O-Ring



Parts not listed in
part list are not
serviced separately

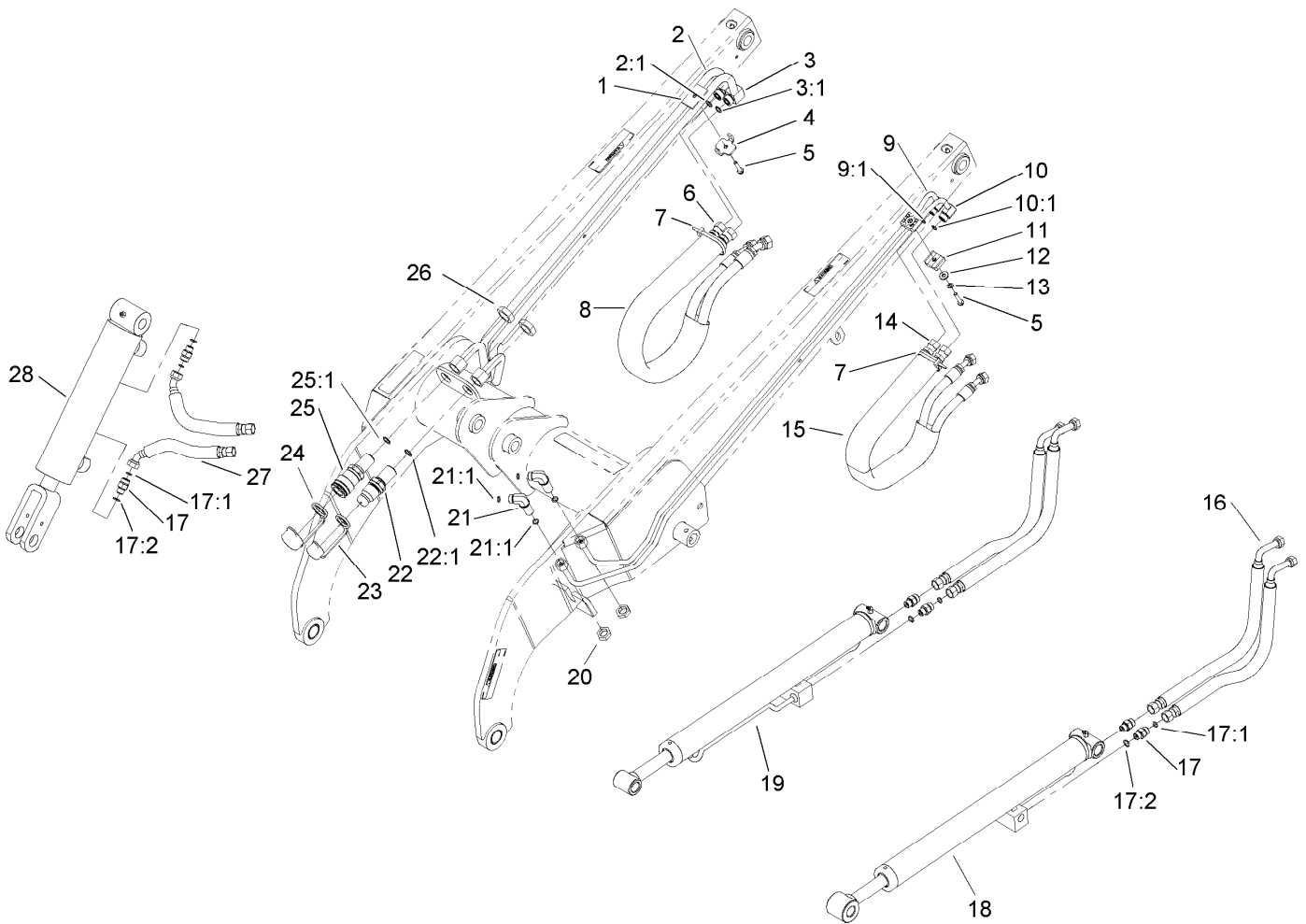
One Spool Valve Assembly No. 104-2831

<i>Ref.</i>	<i>Part Number</i>	<i>Qty.</i>	<i>Description</i>
1	99-4391	1	Seal Kit
1:1	99-3074	1	Gasket
1:2	99-3075	3	Gasket



Loader Arm Assembly

<i>Ref.</i>	<i>Part Number</i>	<i>Qty.</i>	<i>Description</i>
1	106-9350	1	Loader Arm ASM
1:2	302-5	2	Fitting-Grease
1:3	95-3577	4	Bushing
1:4	98-4871	2	Bushing-Tension
1:5	100-6141	4	Decal-Pinch
1:6	100-6132	1	Decal-Caution
1:7	100-6101	1	Decal-Caution
2	322-10	7	Screw-HH
3	104-2849	7	Pin-Locking
4	3296-29	7	Nut-Lock, NI
5	3269-8	4	Rivet-Blind
6	98-0083	1	Stop-Rubber
7	3290-250	1	Pin-Cotter
8	283-48	1	Pin-Clevis
9	100-6105	1	Locking Arm ASM
9:2	100-6135	2	Decal-Danger
10	68-1440	2	Washer-Rubber
11	105-8430	2	Decal
12	325-14	1	Screw-HH
13	105-1217	2	Decal
14	3296-23	1	Nut-Lock, NI
15	104-5112	4	Washer-Flat

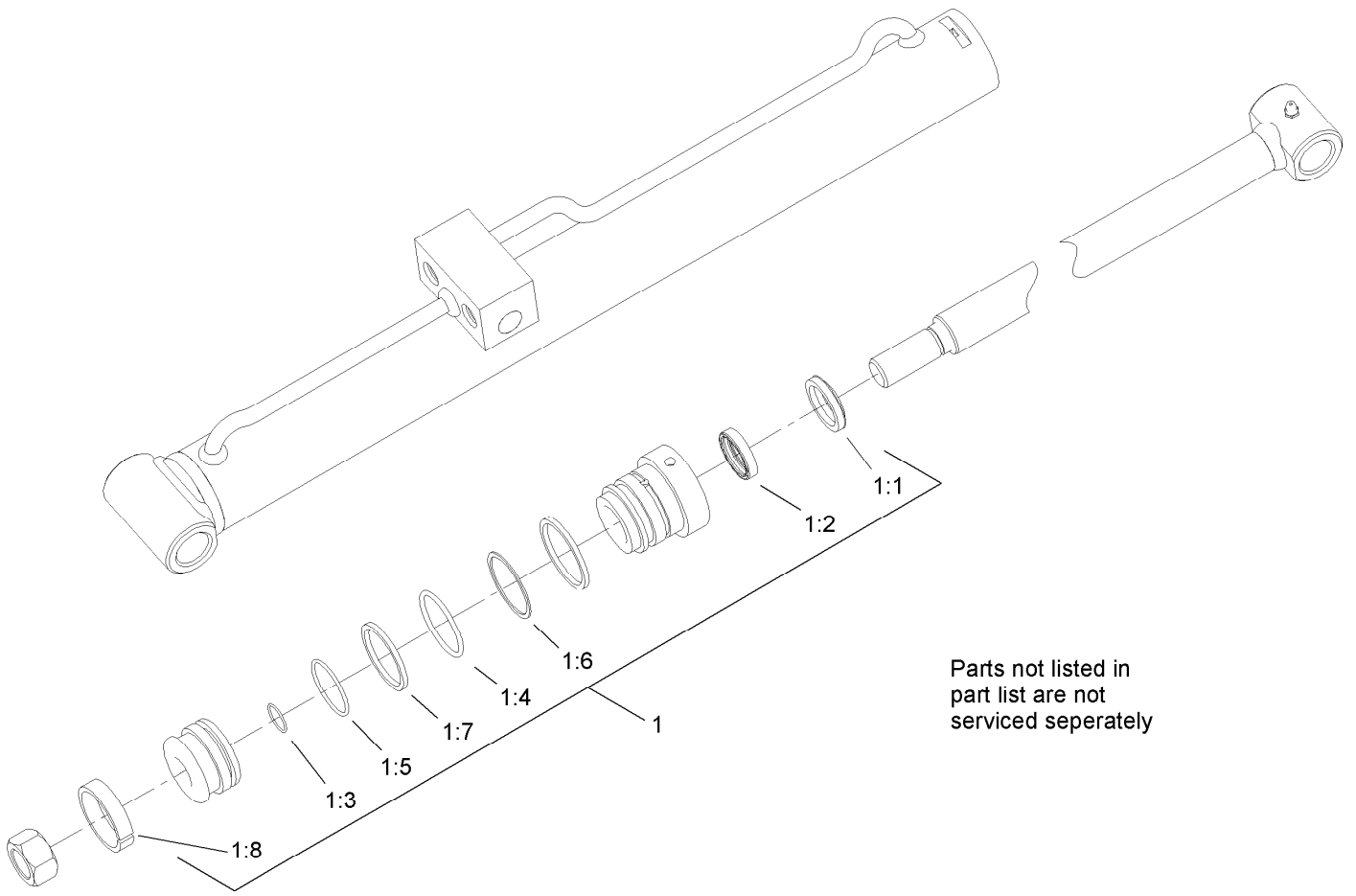


Loader Arm Hydraulic Assembly

Ref.	Part Number	Qty.	Description	Ref.	Part Number	Qty.	Description
1	106-9366	1	Spacer-Hardline	17	340-2	6	Fitting-Straight
2	106-9362	1	HYD Tube ASM	17:1	237-22	1	O-Ring
2:1	237-30	1	O-Ring	17:2	237-42	1	O-Ring
3	106-9363	1	HYD Tube ASM	18	104-6267	1	LH Lift Cylinder ASM
3:1	237-30	1	O-Ring	19	104-6269	1	RH Lift Cylinder ASM
4	98-0237	1	Plate-Clamp, Tube	20	340-70	2	Nut-Lock
5	32144-110	2	Screw-HWH	21	340-154	2	Union-Bulkhead
6	98-0242	2	Hose-HYD	21:1	237-22	2	O-Ring
7	3290-378	2	Tie-Cable	22	105-8395	1	Bulkhead Nipple ASM
8	100-6128	1	Sleeve-Protective	22:1	237-65	1	O-Ring
9	106-9364	1	HYD Tube ASM	22:2	100-6120	1	Seal Kit ●
9:1	237-22	1	O-Ring	23	100-8815	1	Cap-Dust, Nipple
10	106-9365	1	HYD Tube ASM	24	100-8816	1	Cap-Dust, Coupler
10:1	237-22	1	O-Ring	25	105-8394	1	Bulkhead Coupler ASM
11	56-7973	2	Clamp-Tube	25:1	237-65	1	O-Ring
12	3256-2	1	Washer-Flat	25:2	105-8396	1	Seal Kit ●
13	3253-3	1	Washer-Lock	26	340-74	2	Nut-Lock, Bulkhead
14	98-0213	2	Hose-HYD	27	98-0207	2	Hose-HYD
15	100-6127	1	Sleeve-Protective	28	105-8370	1	Tilt Cylinder ASM
16	98-0216	4	Hose-HYD				

● Not illustrated

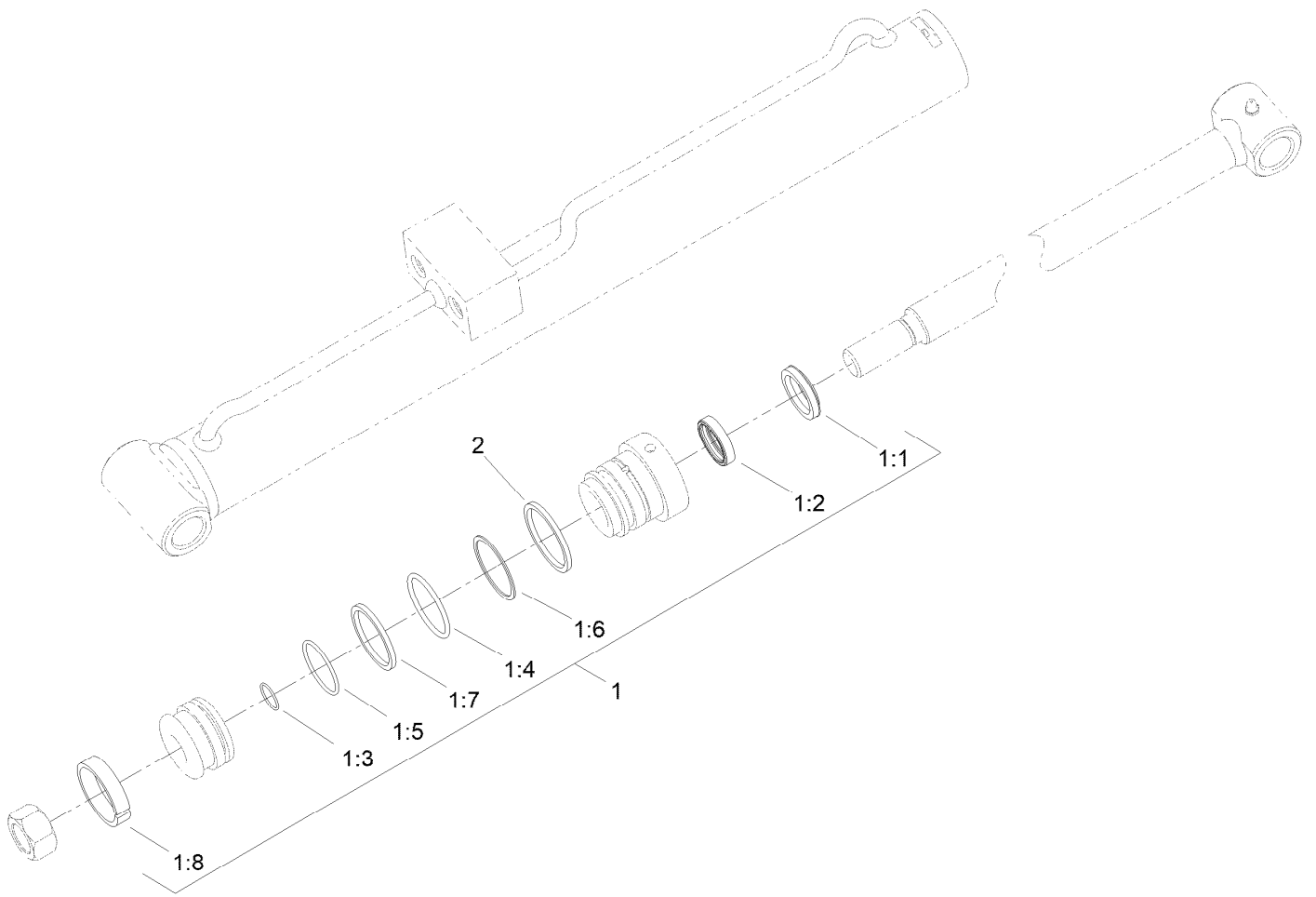
■ Not serviced separately



Left Hand Hydraulic Lift Cylinder Assembly No. 104-6267

<i>Ref.</i>	<i>Part Number</i>	<i>Qty.</i>	<i>Description</i>
1	104-6268	1	Seal Kit
1:1		1	Wiper ●
1:2		1	Seal ASM ●
1:3		1	Seal-Dust ●
1:4		1	Seal-Dust ●
1:5		1	Seal-Dust ●
1:6		1	Back-Up ●
1:7		1	Seal ASM ●
1:8		1	Ring-Wear ●

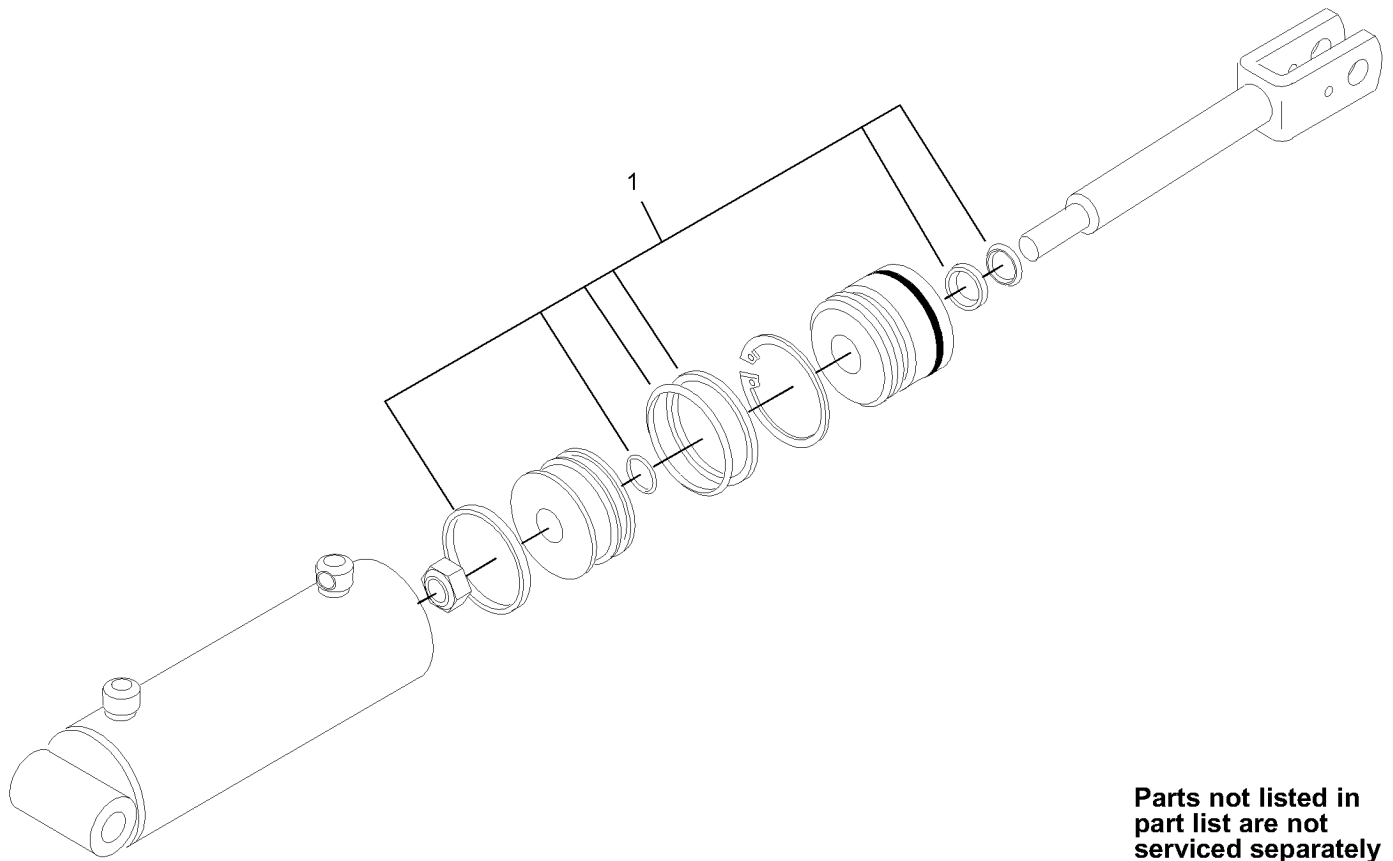
● Not serviced separately



Right Hand Hydraulic Lift Cylinder Assembly No. 104-6269

<i>Ref.</i>	<i>Part Number</i>	<i>Qty.</i>	<i>Description</i>
1	104-6268	1	Seal Kit
1:1		1	Wiper ●
1:2		1	Seal ASM ●
1:3		1	Seal-Dust ●
1:4		1	Seal-Dust ●
1:5		1	Seal-Dust ●
1:6		1	Back-Up ●
1:7		1	Seal ASM ●
1:8		1	Ring-Wear ●
2	161-7281	1	Ring - Retaining

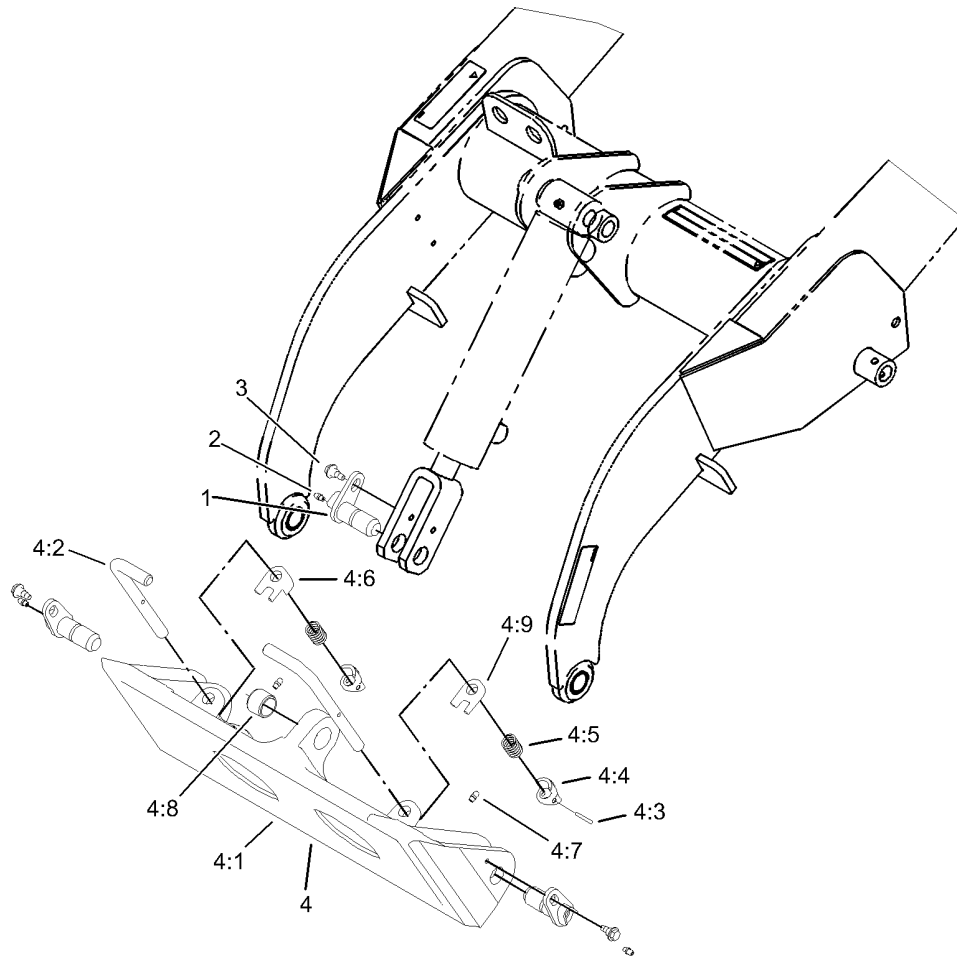
● Not serviced separately



Parts not listed in
part list are not
serviced separately

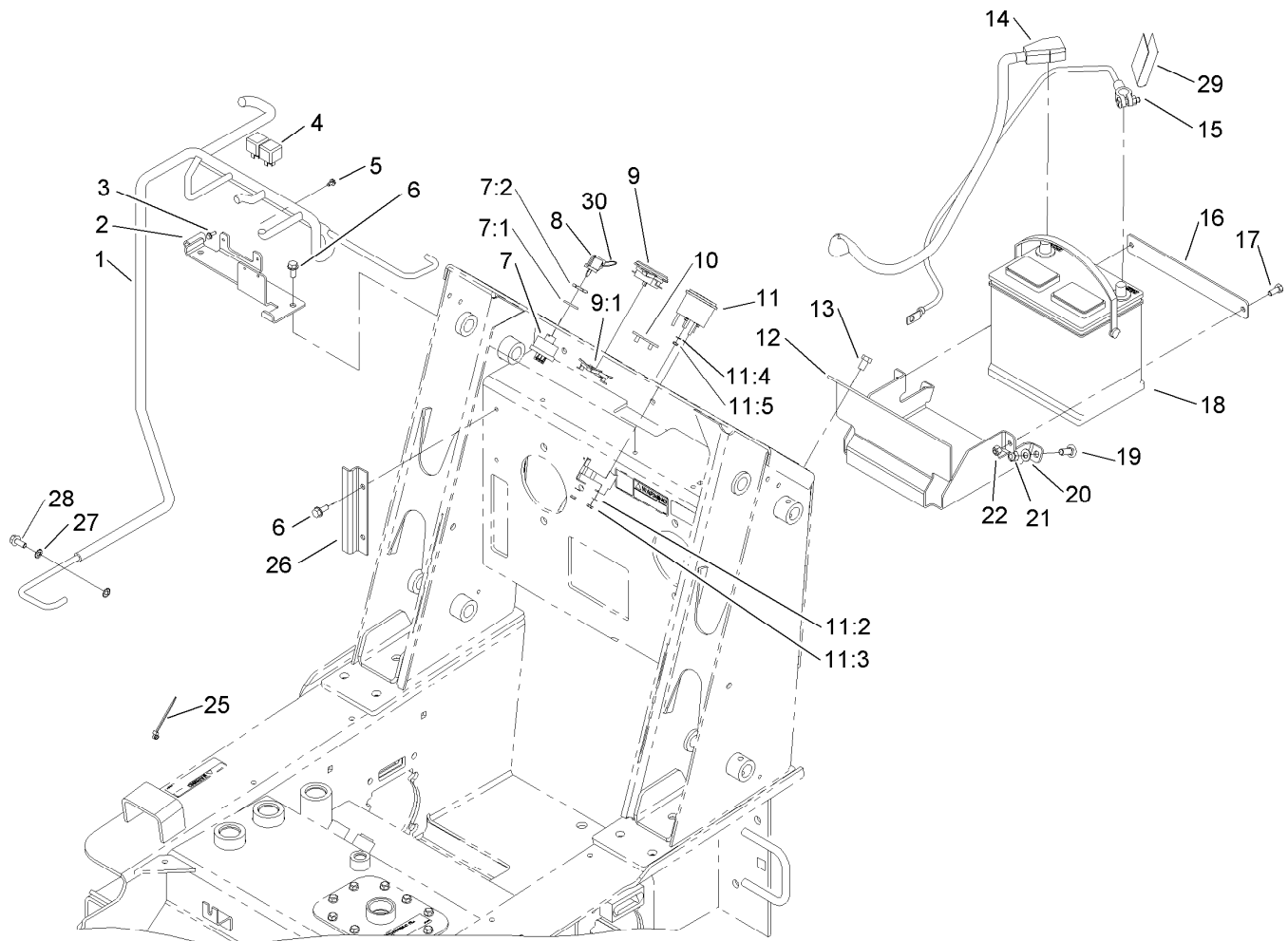
Hydraulic Cylinder Assembly No. 105-8370

<i>Ref.</i>	<i>Part Number</i>	<i>Qty.</i>	<i>Description</i>
1	106-7567	1	Seal Kit



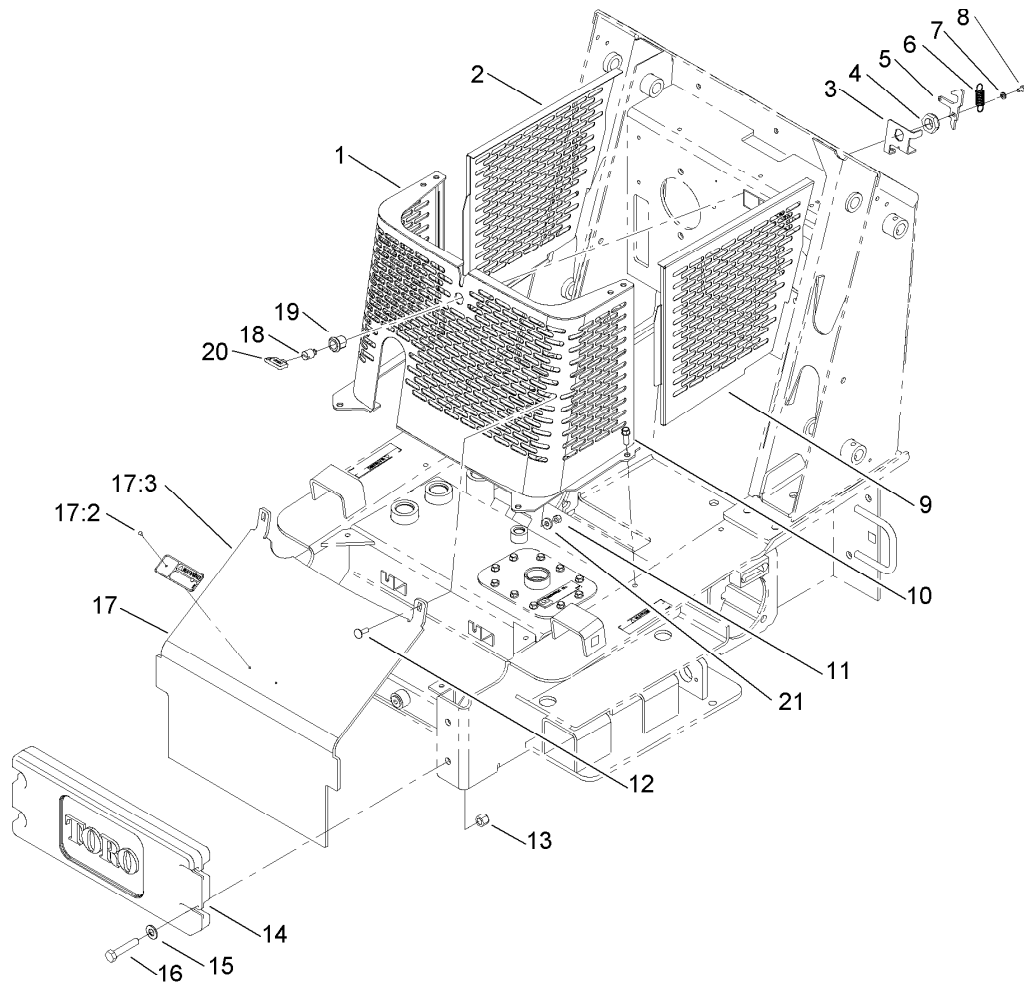
Quick Attach Assembly

<i>Ref.</i>	<i>Part Number</i>	<i>Qty.</i>	<i>Description</i>
1	99-1414	3	Pin-Pivot
2	302-5	3	Fitting-Grease
3	99-5105	3	Screw-Shoulder
4	105-8364	1	Quick Attach ASM
4:1	105-0245-03	1	Mount-Attach, Quick
4:2	105-8367	2	Pin-Locking
4:3	3285-1	2	Pin-Grooved
4:4	105-0246	2	Cam
4:5	98-4694	2	Spring-Compression
4:6	104-5909	1	Stop-RH
4:7	302-5	2	Fitting-Grease
4:8	98-4871	1	Bushing-Tension
4:9	104-5903	1	Stop-LH



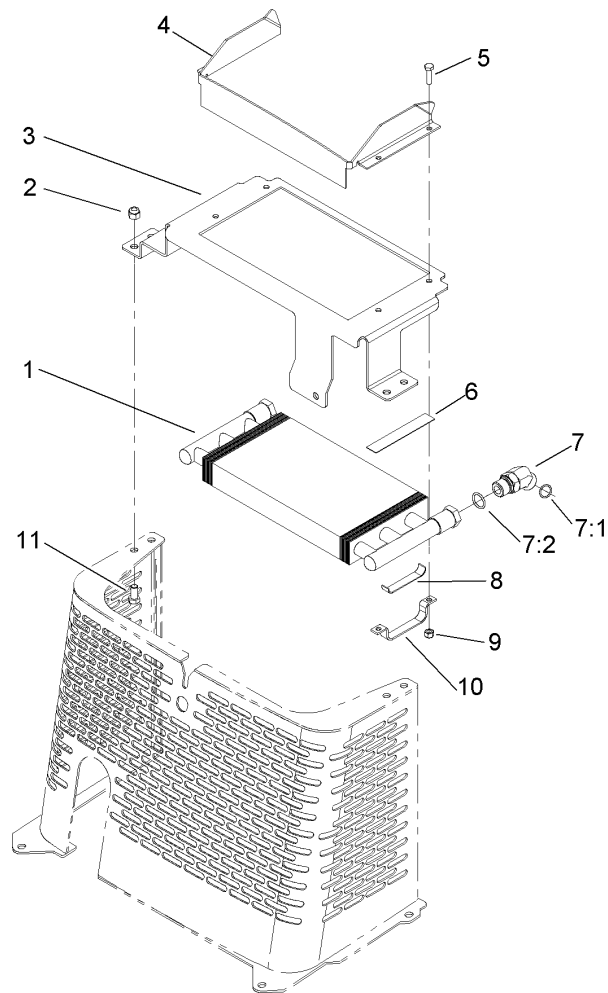
Electrical System Assembly

Ref.	Part Number	Qty.	Description	Ref.	Part Number	Qty.	Description
1	106-5744	1	Harness-Wire	12	105-0370-01	1	Tray-Mounting, Battery
2	106-2558-03	1	Fuse/Relay Bracket ASM	13	32144-69	2	Screw-HWHTF
3	32144-112	2	Screw-HWH	14	106-5707	1	Cable-Battery, Positive
4	98-7249	2	Relay	15	106-5708	1	Cable-Battery, Negative
5	104-2065	2	Screw-HWH	16	105-0371-01	1	Clamp-Battery
6	32144-70	4	Screw-HWHTF	17	322-3	2	Screw-HH
7	88-9830	1	Key Switch ASM	18	104-9979	1	Battery
7:1	3254-5	1	Washer-Lock	19	3231-22	2	Screw-CARR
7:2	218-461	1	Nut-HH	20	3256-38	2	Washer-Flat
8	63-8360	3	Key-Ignition	21	3296-39	2	Nut-Lock, NI
9	104-7427	1	Inductive Hourmeter ASM	22	3296-29	2	Nut-Lock, NI
9:1	104-4234	1	Clip-Mounting	25	3290-381	3	Tie-Cable
10	99-7420	1	Plug-Hole	26	100-6117-01	1	Shield-Wiring
11	66-2940	1	Gauge-Fuel	27	3255-8	2	Washer-Lock
11:2	3254-1	2	Washer-Lock, Int	28	33104-020	1	Screw-HHF
11:3	3217-27	2	Nut-Hex	29	107-9309	1	Decal-Instructions, Charging
11:4	3255-24	3	Washer-Lock / EXT	30	98-9321	1	Ring-Key
11:5	3217-16	3	Nut-Hex				



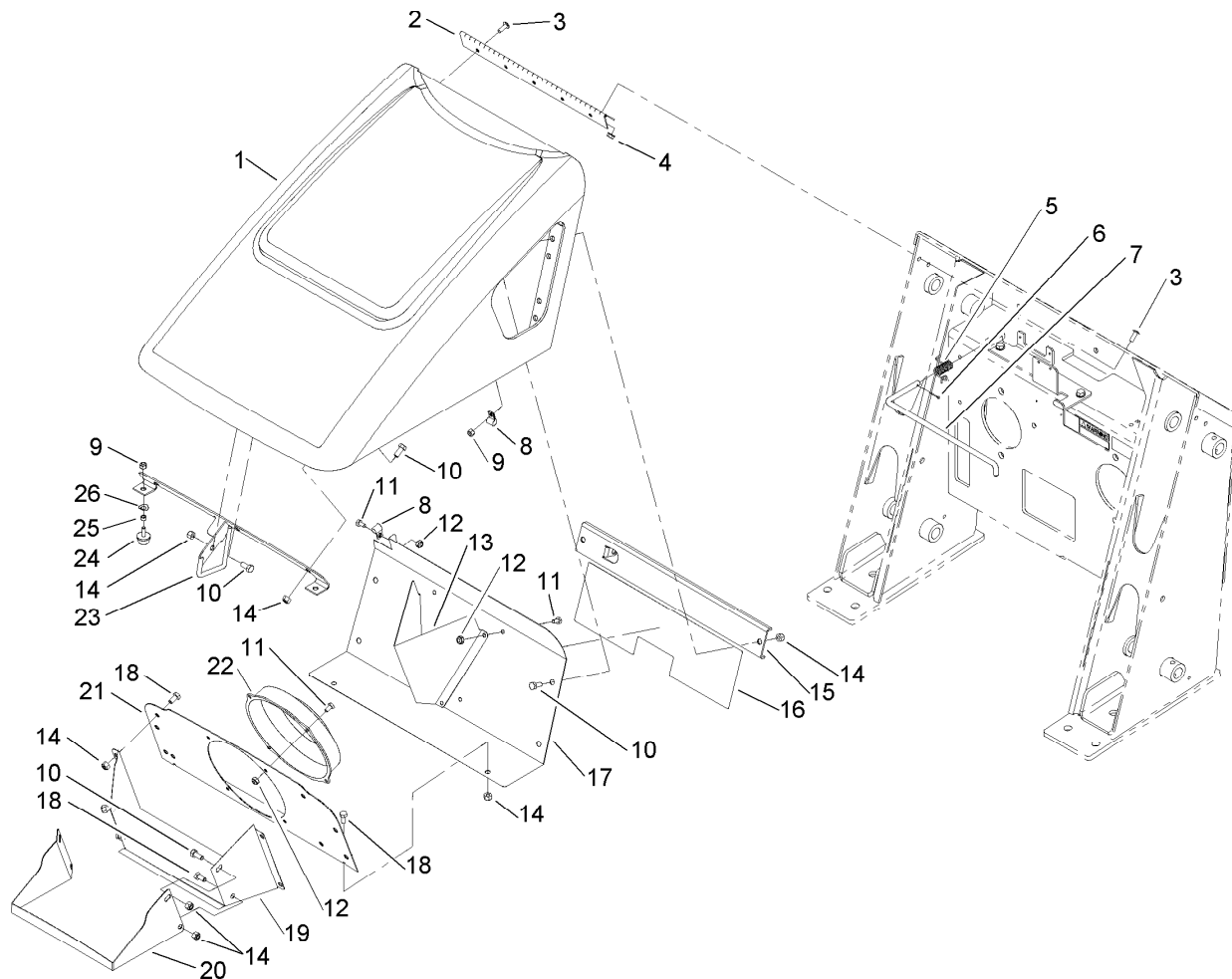
Grill Assembly

<i>Ref.</i>	<i>Part Number</i>	<i>Qty.</i>	<i>Description</i>
1	106-5721-03	1	Grill ASM
2	106-5727-03	1	Panel-Side, RH
3	106-5729-03	1	Bracket-Latch
4	3296-60	1	Nut-Lock, NI
5	106-5728	1	Cam-Latch
6	104-0869	1	Spring
7	3253-3	1	Washer-Lock
8	321-2	1	Screw-HH
9	106-5726-03	1	Panel-Side, LH
10	95-1726	4	Screw-Taptite
11	3296-29	2	Nut-Lock, NI
12	3230-28	2	Screw-CARR
13	3296-23	4	Nut-Lock, NI
14	99-6166-01	1	Counterweight-Front
15	3256-26	4	Washer-Flat
16	325-10	4	Screw-HH
17	105-0395	1	Heat Shield ASM
17:2	80-8290	1	Plate-Surface, Hot
17:3	3269-31	2	Rivet-Pop
18	106-9336	1	Insert-Latch
19	106-9335	1	Housing-Latch
20	99-8970	1	Key-Latch, Hood
21	3256-23	2	Washer-Plain



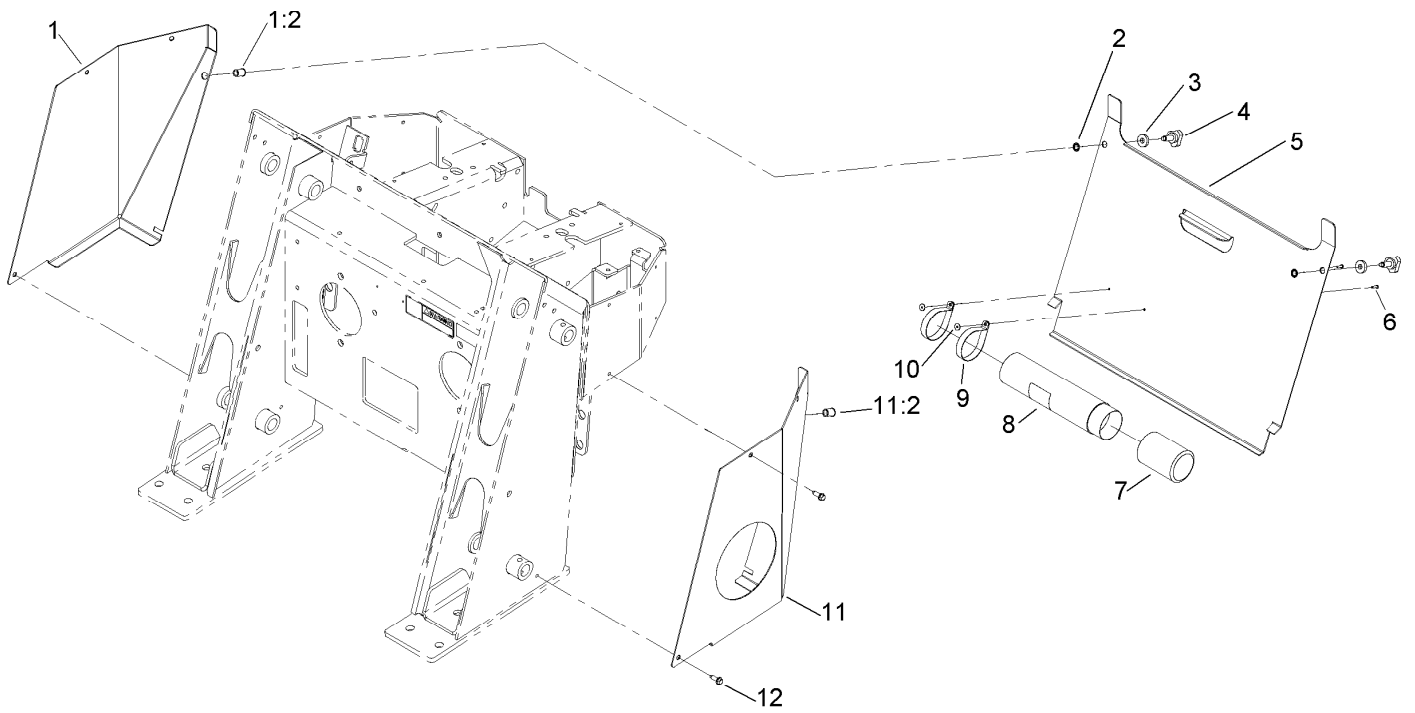
Hydraulic Oil Cooler Assembly

Ref.	Part Number	Qty.	Description
1	105-0352	1	Exchanger-Heat
2	3296-39	4	Nut-Lock, NI
3	106-5716-03	1	Bracket-Mounting, Cooler
4	104-2802-03	1	Shield-Cooler
5	321-6	4	Screw-HH
6	94-9566	2	Pad-Foorest
7	340-14	2	Fitting-HYD, 45 DEG
7:1	237-65	1	O-Ring
7:2	237-80	1	O-Ring
8	104-2816	2	Pad-Support
9	3296-42	4	Nut-Lock, NI
10	104-2803	2	Support-Cooler
11	323-4	4	Screw-HH



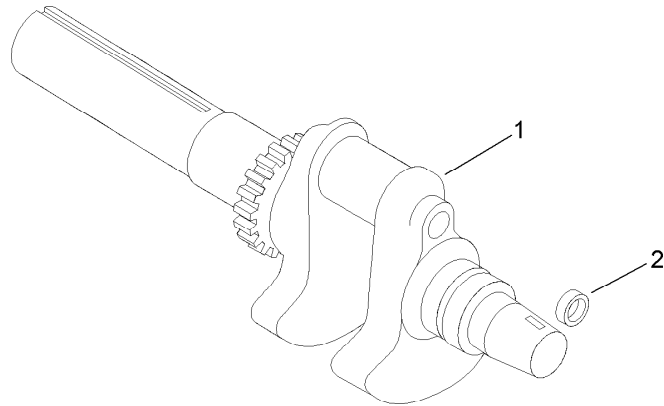
Hood Assembly

<i>Ref.</i>	<i>Part Number</i>	<i>Qty.</i>	<i>Description</i>	<i>Ref.</i>	<i>Part Number</i>	<i>Qty.</i>	<i>Description</i>
1	106-2590	1	Engine Hood ASM	14	3296-29	22	Nut-Lock, NI
2	100-1284	1	Hinge-Hood	15	106-2555-03	1	Bracket-Support, Hood
3	9114604	9	Screw-Head, Truss	16	108-5599	1	Decal-Service
4	32128-33	4	Nut-HF	17	106-2596-03	1	Bracket-Fan, Back
5	106-2584	1	Spring-Torsion	18	322-2	8	Screw-HH
6	3272-6	1	Pin-Cotter	19	106-2597-03	1	Shroud-Fan
7	106-2554	1	Rod-Support, Hood	20	104-2813-03	1	Shroud-Fan, Front
8	2412-91	2	Clamp	21	106-2595-03	1	Bracket-Baffle, Fan
9	3296-42	7	Nut-Lock, NI	22	104-2809	1	Fan
10	322-3	14	Screw-HH	23	106-5717-03	1	Rod Latch ASM
11	321-2	9	Screw-HH	24	1-523420	2	Bumper
12	3296-16	9	Nut-Lock, NI	25	106-9308	2	Spacer
13	104-2811-03	1	Baffle-Fan	26	3290-301	2	Washer-Spring



Rear Access Cover Assembly

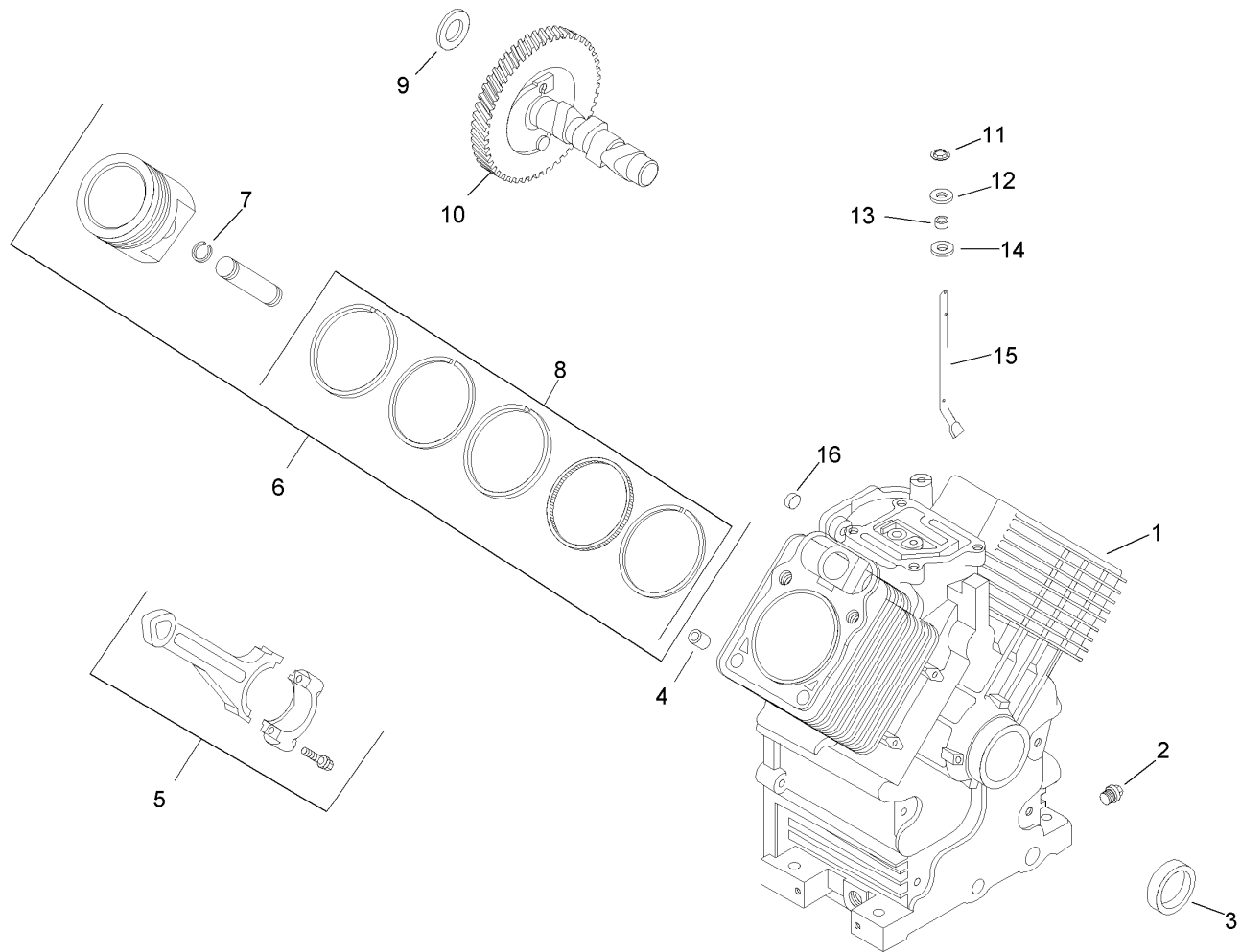
<i>Ref.</i>	<i>Part Number</i>	<i>Qty.</i>	<i>Description</i>
1	106-9342	1	RH Rear Cover Support ASM
1:2	32148-9	1	Nut-Clinch
2	32151-72	2	Ring-Retaining
3	106-0565	2	Washer-Rubber
4	95-9648	2	Knob
5	106-9339-01	1	Cover-Access, Rear
6	3269-17	2	Rivet-Pop
7	104-7048	1	Cap-Housing
8	104-7050	1	Tube-Manual
9	2412-120	2	Clamp-R
10	3269-10	2	Washer-Back
11	106-9343	1	LH Rear Cover Support ASM
11:2	32148-9	1	Nut-Clinch
12	32144-44	6	Screw-HWH, Thread Roll



Crankshaft Assembly Kohler CH20S 64725

<i>Ref.</i>	<i>Part Number</i>	<i>Qty.</i>	<i>Description</i>
1	24 014 90-S	1	Crankshaft (Includes 2) ●
2	52 139 09-S	1	Plug-Cup ●

● Obtain parts from www.kohlerplus.com

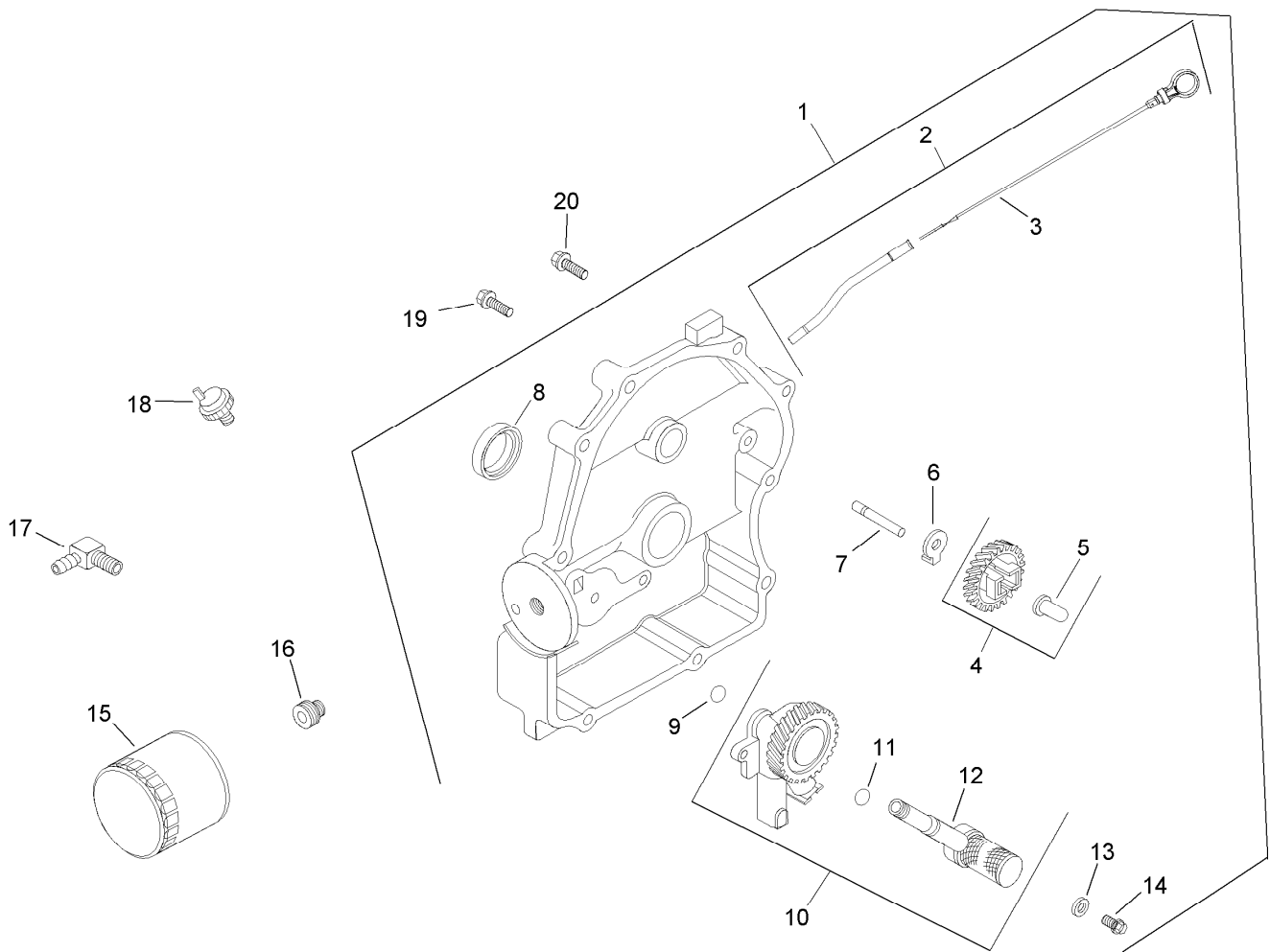


Crankcase Assembly Kohler CH20S 64725

Ref.	Part Number	Qty.	Description	Ref.	Part Number	Qty.	Description
1		1	Crankcase (Use: Miniblock 24 782 15) ■●	9	12 422 07-S	1	Shim-Camshaft (White .028) ■
2	52 139 02-S	2	Plug-Pipe Head, 3/8 ■	9	12 422 08-S	1	Shim-Camshaft (Blue .03) ■
3	24 032 01-S	1	Seal-Oil ■	9	12 422 10-S	1	Shim-Camshaft (Yellow .034) ■
4	24 380 13-S	6	Pin-Locating ■	9	12 422 11-S	1	Shim-Camshaft (Green .036) ■
5	24 067 13-S	2	Rod-Connecting (Standard) ■	9	12 422 12-S	1	Shim-Camshaft (Gray .038) ■
5	24 067 14-S	2	Rod-Connecting (.25) ■	10	24 012 10-S	1	Camshaft Kit ■
6	24 874 17-S	2	Piston ASM (Std) (Includes 7, 8) ■	11	24 018 09-S	1	Retainer-Ring ■
6	24 874 14-S	2	Piston ASM (.08) ■	12	M-931010-S	1	Washer-Flat (9MM) ■
6	24 874 18-S	2	Piston ASM (.25) ■	13	28 032 09-S	1	Seal-Cross Shaft, Governor ■
6	24 874 19-S	2	Piston ASM (.50) ■	14	24 468 15-S	1	Washer-Flat (11/32) ■
7	24 018 01-S	4	Retainer-Pin, Piston ■	15	24 144 38-S	1	Shaft-Cross, Governor ■
8	24 108 11-S	2	Ring Set (STD And .08) ■	16	52 139 09-S	1	Plug-Cup ■
8	24 108 12-S	2	Ring Set (.25) ■				
8	24 108 13-S	2	Ring Set (.50) ■				
9	12 422 09-S	1	Shim-Camshaft (Red .032) ■				
9	12 422 13-S	1	Shim-Camshaft (Black .04) ■				

● Not serviced separately

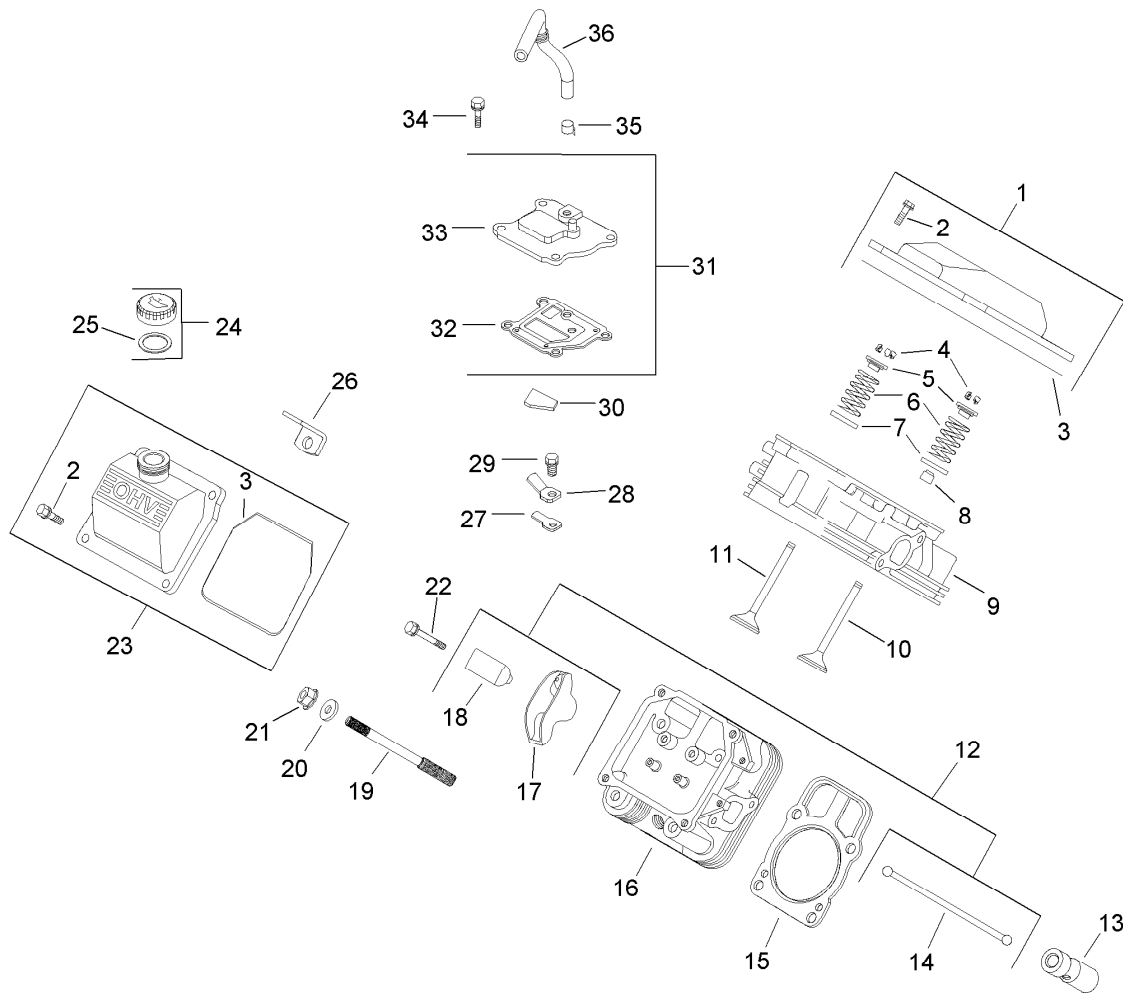
■ Obtain parts from www.kohlerplus.com



Oil Pan and Lubrication Assembly Kohler CH20S 64725

Ref.	Part Number	Qty.	Description
1	24 009 92-S	1	Closure Plate ASM (Includes 2-13) ●
2	24 755 121-S	1	Dipstick Tube ASM (Includes 3) ●
3	24 038 10-S	1	Dipstick ●
4	24 043 12-S	1	Governor Gear Kit (Includes 5) ●
5	12 380 01-S	1	Pin-Regulating, Governor ●
6	24 448 02-S	1	Tab-Locking ●
7	12 144 02-S	1	Shaft-Gear, Governor ●
8	52 032 08-S	1	Seal-Oil (P-T-O End) ●
9	24 153 08-S	1	O-Ring ●
10	24 393 37-S	1	Oil Pump ASM (Includes 11, 12) ●
11	24 153 01-S	1	O-Ring ●
12	24 381 04-S	1	Tube-Pick Up, Oil ●
13	M-631005-S	2	Washer-Flat (6 MM) ●
14	M-645025-S	2	Screw-Flange, Thread Forming (M6X1.0X25) ●
15	52 050 02-S	1	Filter-Oil ●
16	24 136 01-S	1	Nipple-Filter, Oil ●
17	25 155 02-S	1	Connector-Hose, 90 Deg ●
18	24 099 03-S	1	Switch-Pressure, Oil ●
19	24 086 16-S	9	Screw-HF (M8X1.25X45) ●
20	24 086 17-S	1	Screw-Flange (M8X1.25X45) ●

● Obtain parts from www.kohlerplus.com

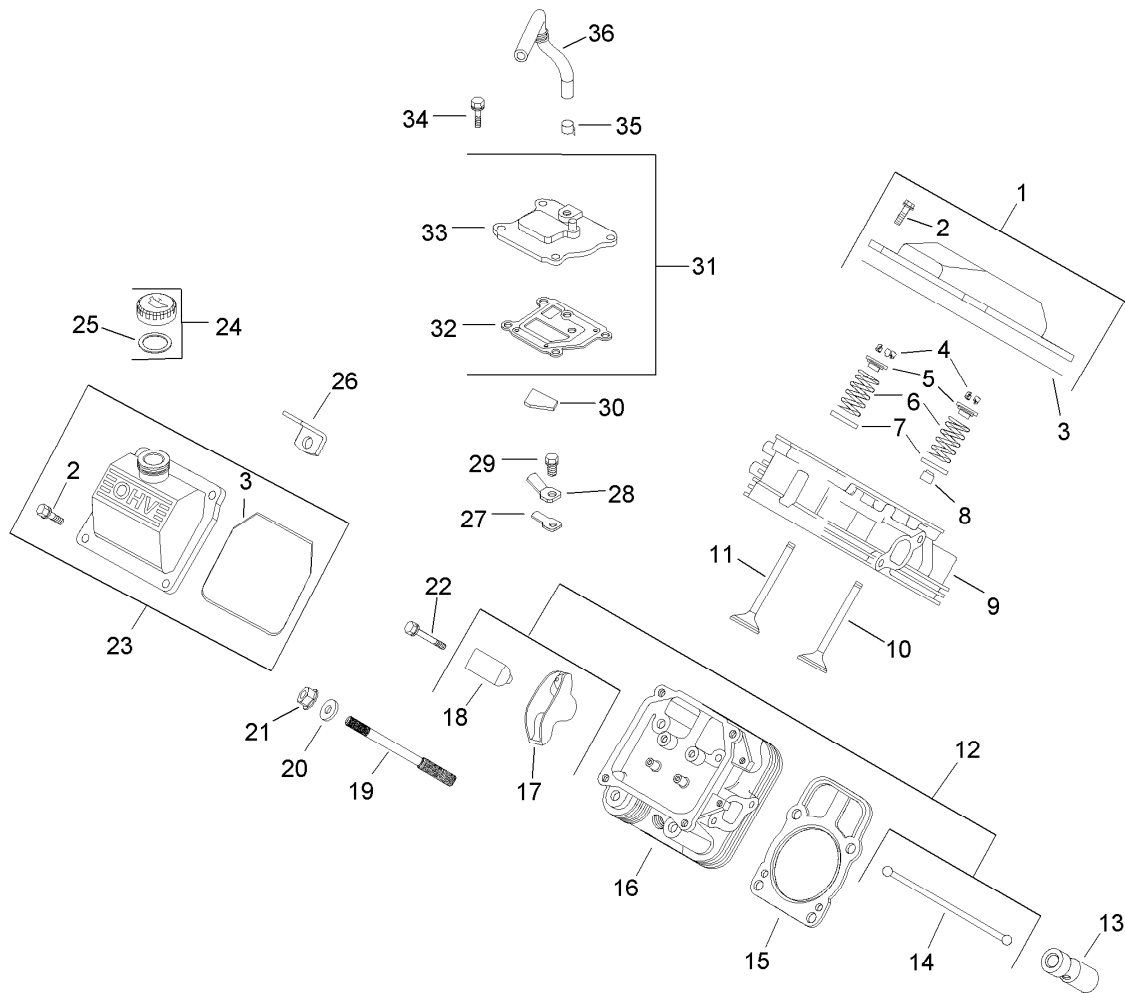


Head, Valve and Breather Assembly Kohler CH20S 64725

Ref.	Part Number	Qty.	Description	Ref.	Part Number	Qty.	Description
1	24 755 141-S	1	Plain Valve Cover ASM (Includes 2, 3) ■	18	24 599 01-S	4	Pivot-Arm, Rocker ■
2	M-651030-S	4	Screw-Flange (M6X1.0X30) ■	19	24 072 09-S	8	Stud (M8X1.25Xm10X1.5X105MM) ■
3	24 153 28-S	1	O-Ring ■	20	24 468 16-S	8	Washer-Flat (8.6 MM) ■
4	12 755 03-S	4	Retainer Kit ■	21	24 100 10-S	8	Nut-Flange (M8X1.25) ■
5	12 173 01-S	4	Cap-Spring, Valve ■	22	66 086 07-S	4	Screw ■
6	24 089 02-S	4	Spring-Valve ■	23	24 755 140-S	1	Oil Fill Valve Cover Kit (Includes 2, 3) ■
7	235011-S	4	Retainer-Spring ■	24	24 755 46-S	1	Oil Fill Cap Kit (Includes 25) ■
8	24 032 05-S	2	Seal-Stem, Valve ■	25	25 153 02-S	1	O-Ring ■
9	24 318 68-S	1	No. 1 Cylinder Head ASM ■	26	24 445 01-S	1	Strap-Lifting ■
10	24 017 01-S	2	Valve-Intake (STD) ■	27	24 402 03-S	1	Reed-Breather ■
10	24 017 02-S	2	Valve-Intake (.25) ■	28	66 018 04-S	1	Retainer-Reed ■
11	24 016 01-S	2	Valve-Exhaust (STD) ■	29	M-545010-S	1	Screw-HHFTF (M5X.80X10) ■
11	24 016 02-S	2	Valve-Exhaust (.25) ■	30	24 050 01-S	1	Filter-Breather ■
12	24 755 66-S	1	Valve Train Kit (Includes 14, 17, 18) ■	31	24 033 01-S	1	Breather Kit (Includes 32, 33) ■
13	25 351 01-S	4	Lifter-Valve ■	32	24 041 51-S	1	Gasket-Breather ■
14	24 411 05-S	4	Rod-Push ■	33	24 096 86-S	1	Cover-Breather ■
15	24 841 01-S	2	Cylinder Head Gasket Kit (Includes 20, 21) ■				
16	24 318 71-S	1	No. 2 Cylinder Head ASM ■				
17	25 186 01-S	4	Arm-Rocker ■				

● Not illustrated

■ Obtain parts from www.kohlerplus.com

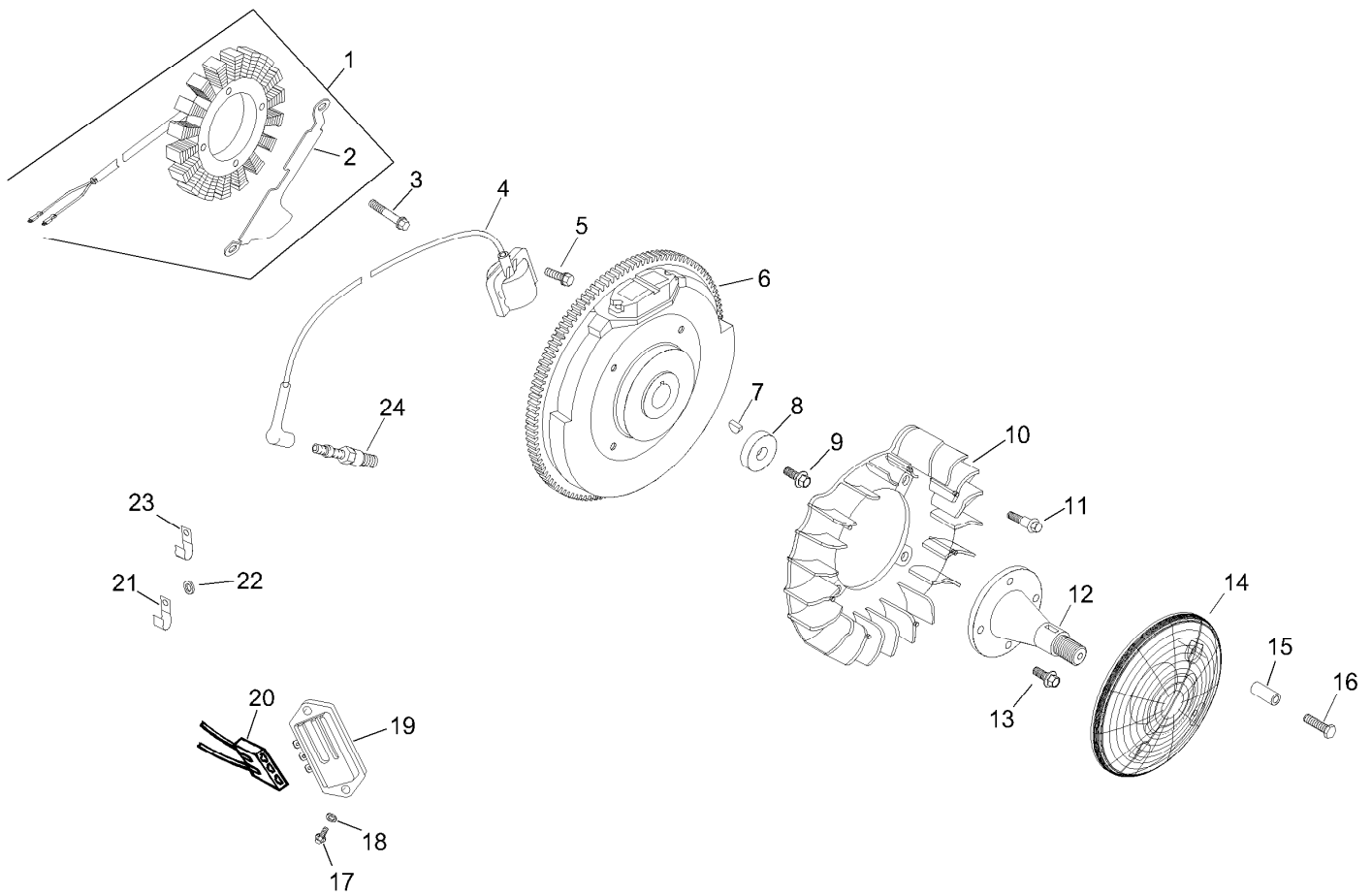


Head, Valve and Breather Assembly Kohler CH20S 64725 (continued)

<i>Ref.</i>	<i>Part Number</i>	<i>Qty.</i>	<i>Description</i>	<i>Ref.</i>	<i>Part Number</i>	<i>Qty.</i>	<i>Description</i>
34	M-645020-S	4	Screw-HHFTF (M6X1.0X20) ■	36	24 326 26-S	1	Hose-Breather ■
35	25 237 14-S	1	Clamp-Hose, Spring (1/2) ■		24 755 147-S	2	Cylinder Head Hardware Kit (Includes 4-8, 10, 11, 14, 17, 18, 22) ■●

● Not illustrated

■ Obtain parts from www.kohlerplus.com

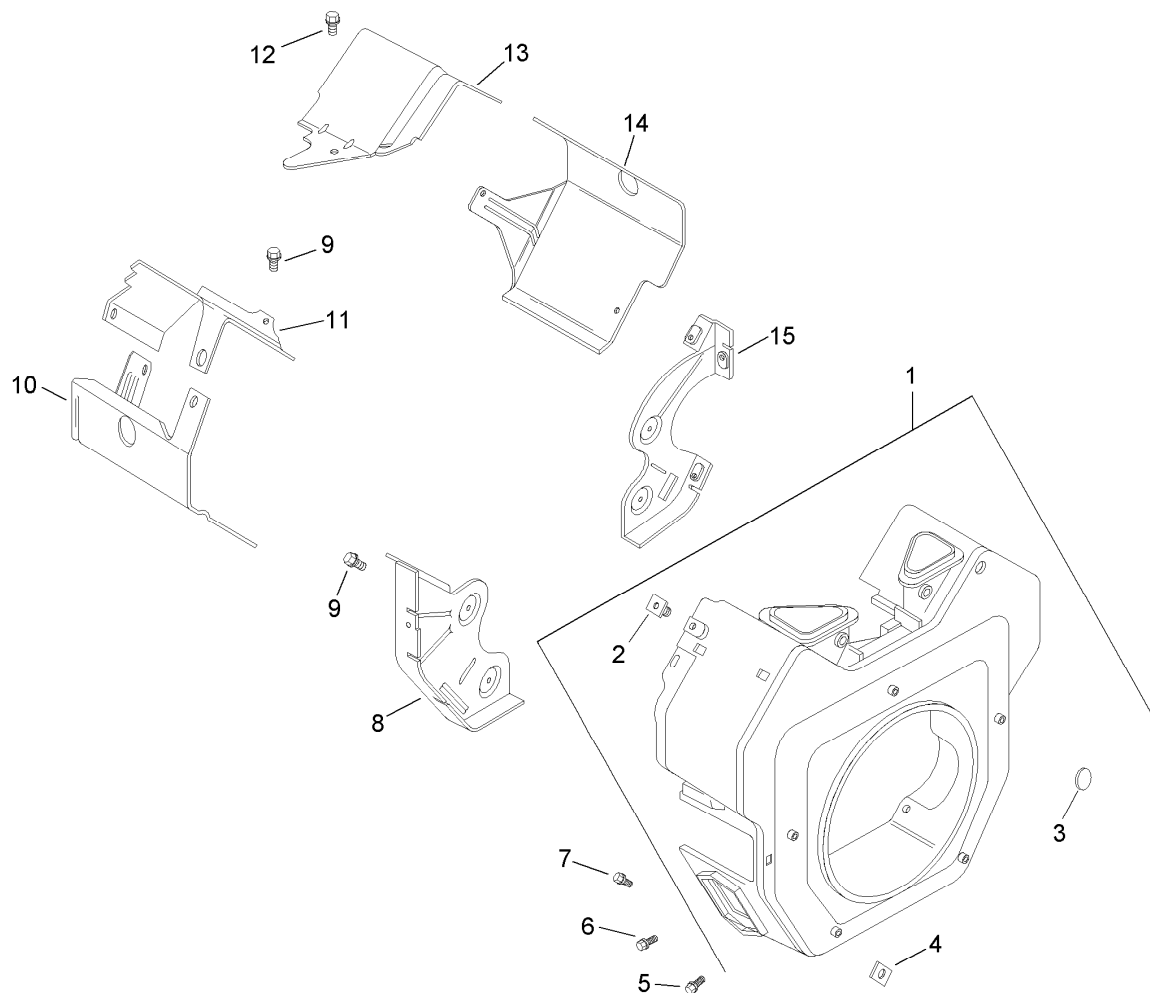


Ignition and Electrical Assembly Kohler CH20S 64725

Ref.	Part Number	Qty.	Description	Ref.	Part Number	Qty.	Description
1	54 755 09-S	1	15 Amp Stator Kit (Includes 2) ■	15	24 112 04-S	4	Spacer ■
2	24 126 139-S	1	Bracket-Wire, Stator ■	16	25 086 117-S	4	Screw-Flange, Sems (M4X.7X25) ■
3	M-548025-S	2	Screw-Thread Forming (M5X0.8X25) ■	17	24 086 18-S	2	Screw-Phi HD (11-16X.88) ■
4	24 584 01-S	2	Module-Ignition ■	18	X-25-92-S	2	Washer-Flat (.188) ■
5	M-545020-S	4	Screw-Flange, Thread Forming (M5X.8X20) ■	19	41 403 09-S	1	Rectifier-Regulator ■
6	24 025 01-S	1	Flywheel ■	20	236602-S	1	Connector (3 Contact) ■
7	X-42-15-S	1	Key (3/16 X 5/8) ■	21	235173-S	1	Clip-Cable ■
8	12 468 03-S	1	Washer-Flat (13/32) ■	22	X-25-63-S	1	Washer-Flat (1/4) ■
9	12 086 14-S	1	Screw-Flange (M10X1.5X45) ■	23	48 154 02-S	1	Clip-Cable ■
10	24 157 07-S	1	Fan ■	24	25 132 12-S	2	Spark Plug (Pro Series) ■
11	25 086 47-S	4	Bolt-Shoulder (M6X1.0X16) ■	24 126 137-S	1	Bracket-Strap, Ground ■●	
12	24 144 13-S	1	Shaft-Drive, Front ■	25 468 07-S	1	Washer-Flat (.22) ■●	
13	M-839025-S	4	Screw-HF (M8X1.25X25) ■	24 176 08-S	1	Harness-Wiring ■●	
14	24 162 18-S	1	Screen-Grass ■	25 086 91-S	1	Screw (2) (Used To Mount The Terminal On Wiring Harness To Baffle) ■●	
				25 454 03-S	2	Tie-Wire ■●	

● Not illustrated

■ Obtain parts from www.kohlerplus.com

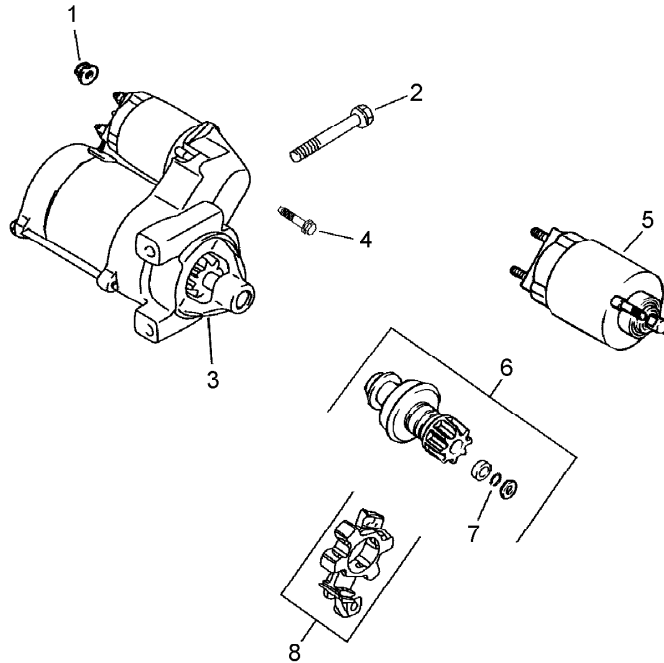


Blower Housing and Baffle Assembly Kohler CH20S 64725

<i>Ref.</i>	<i>Part Number</i>	<i>Qty.</i>	<i>Description</i>
1	24 027 175-S	1	Blower Housing ASM (Includes 2-4) ■
2	24 100 01-S	3	Nut-Plastic ■
3	25 139 16-S	1	Plug-Button (9/16) ■
4	24 100 02-S	2	Nut-Plastic ■
5	M-551016-S	1	Screw-Hex Flange, Heavy (M5X0.8X16) ■
6	M-545016-S	3	Screw-Flange, Thread Forming (M5X0.8X16) ■
7	M-545020-S	4	Screw-Flange, Thread Forming (M5X.8X20) ■
8	24 146 16-S	1	Plate-Backing (No. 2 Side) ■
9	M-645016-S	6	Screw-Flange, Thread Forming (M6X1.0X16) ■
10	24 063 20-S	1	Baffle-Barrel, Cylinder (No. 2 Side) ■
11	24 063 70-S	1	Baffle-Valley (No. 2 Side) ■
12	M-545010-S	2	Screw-HHFTF (M5X.80X10) ■
13	24 063 59-S	1	Baffle-Valley (No. 1 Side) ■
14	24 063 58-S	1	Baffle-Barrel, Cylinder (No. 1 Side) ■
15	24 146 20-S	1	Plate-Backing (No. 1 Side) ■
	24 113 95-S	1	Decal-20 HP ■●
	25 113 39-S	1	Decal-Laminate, Clear ■●

● Not illustrated

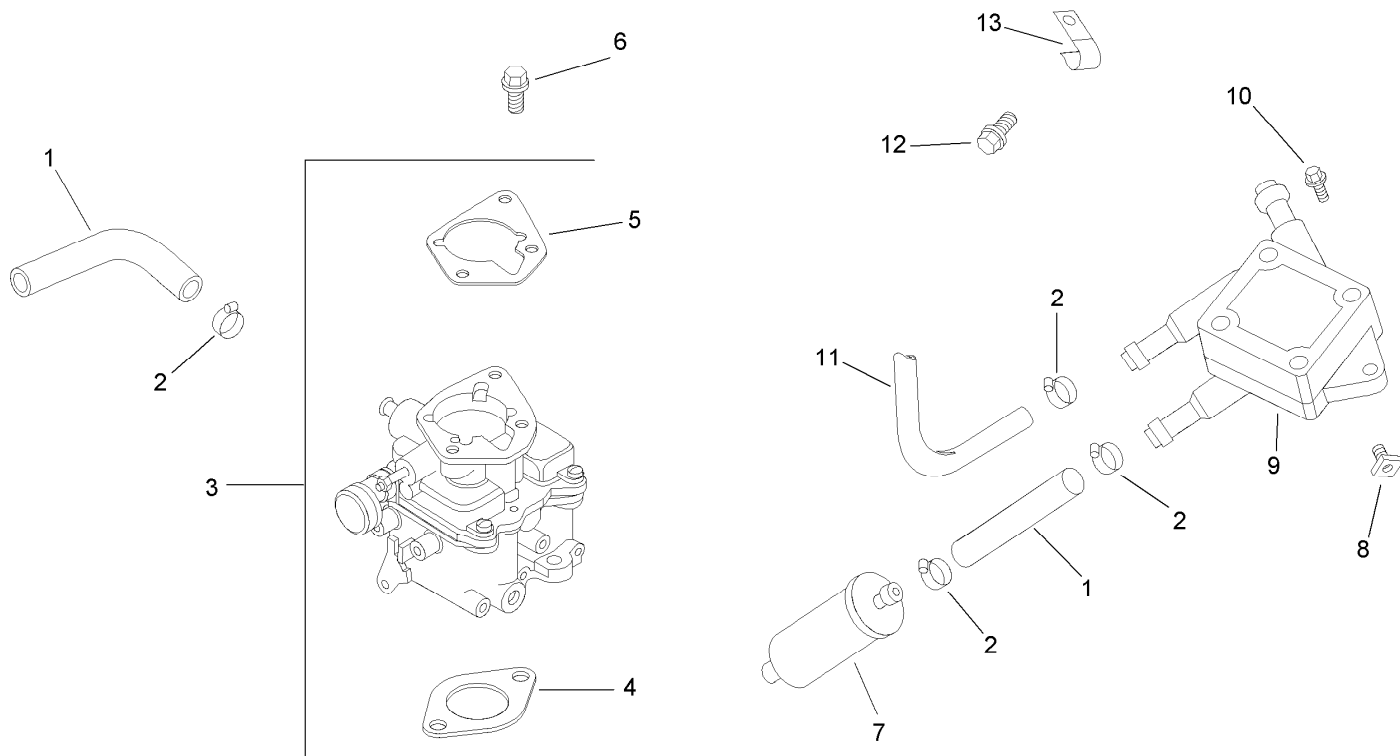
■ Obtain parts from www.kohlerplus.com



Starting System Assembly Kohler CH20S 64725

<i>Ref.</i>	<i>Part Number</i>	<i>Qty.</i>	<i>Description</i>
1	M-841080-S	1	Nut-Flange (M8X1.25) ●
2	M-839080-S	2	Screw-Flg (M8X1.25X80) ●
3	25 098 09-S	1	Starter ASM (Includes 4-8) ●
4	25 086 113-S	3	Screw-Torx Head, External ●
5	25 435 05-S	1	Solenoid Kit (Includes 4) ●
6	25 755 33-S	1	Pinion Drive Kit (Includes 7) ●
7	25 141 01-S	1	Ring ●
8	25 221 01-S	1	Brush Holder Kit ●

● Obtain parts from www.kohlerplus.com

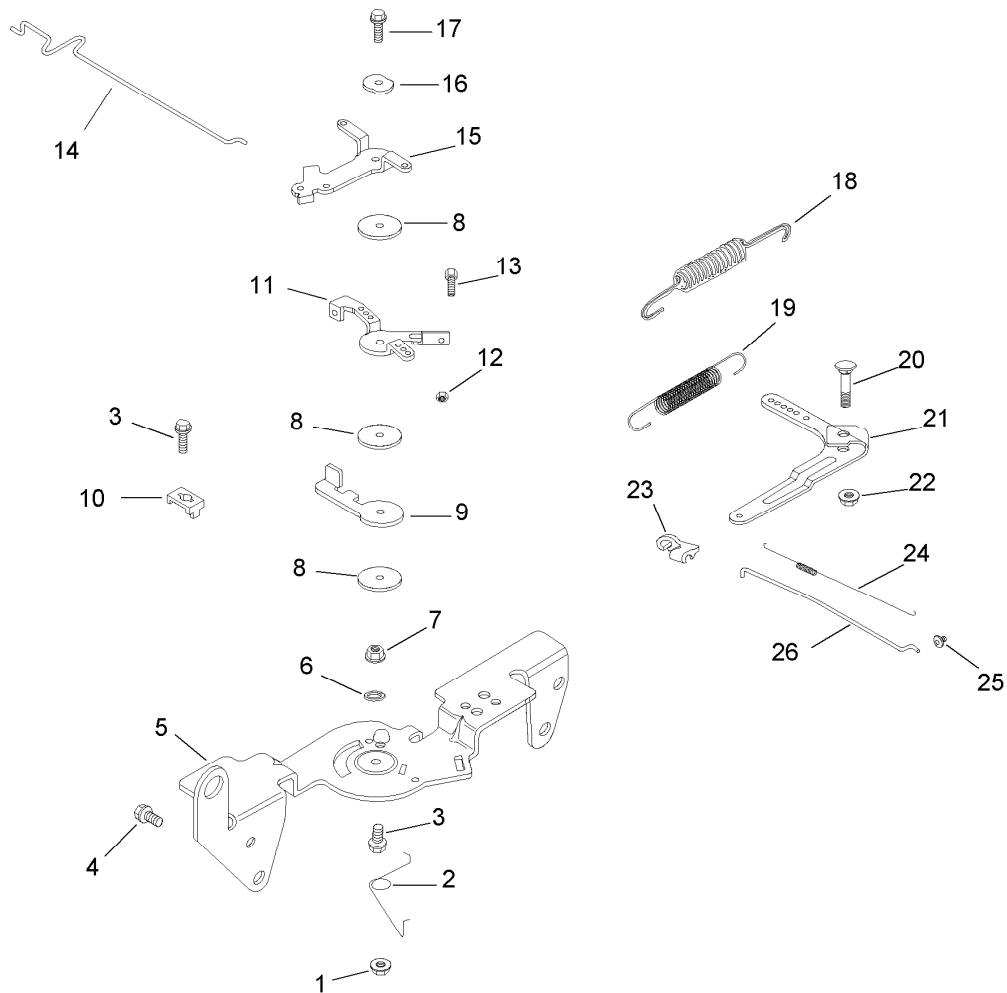


Fuel System Assembly Kohler CH20S 64725

Ref.	Part Number	Qty.	Description
1	25 353 32-S	2	Line-Fuel (9In) ■
2	25 237 14-S	6	Clamp-Hose, Spring (1/2) ■
3	24 853 32-S	1	Carburetor Kit (Includes 4-6) ■
4	24 041 06-S	1	Gasket-Base, Air Cleaner ■
5	24 041 17-S	1	Gasket-Carburetor ■
6	M-651030-S	2	Screw-Flange (M6X1.0X30) ■
7	24 050 10-S	1	Filter-Fuel ■
8	24 100 01-S	2	Nut-Plastic ■
9	24 393 16-S	1	Pump-Fuel ■
10	24 086 12-S	2	Screw-TAP (M6X1.7X18) ■
11	24 353 02-S	1	Line-Fuel (15-1/2In) ■
12	M-650012-S	1	Screw-HF (M6X1.0X12) ■
13	47 154 01-S	1	Clip-Cable ■
	24 755 125-S	1	High Altitude Kit ■ ●
	24 757 01-S	1	Solenoid Repair Kit ■ ●
	24 757 02-S	1	Float Repair Kit ■ ●
	24 757 03-S	1	Carburetor Repair Kit ■ ●
	24 757 07-S	1	Choke Repair Kit ■ ●

● Not illustrated

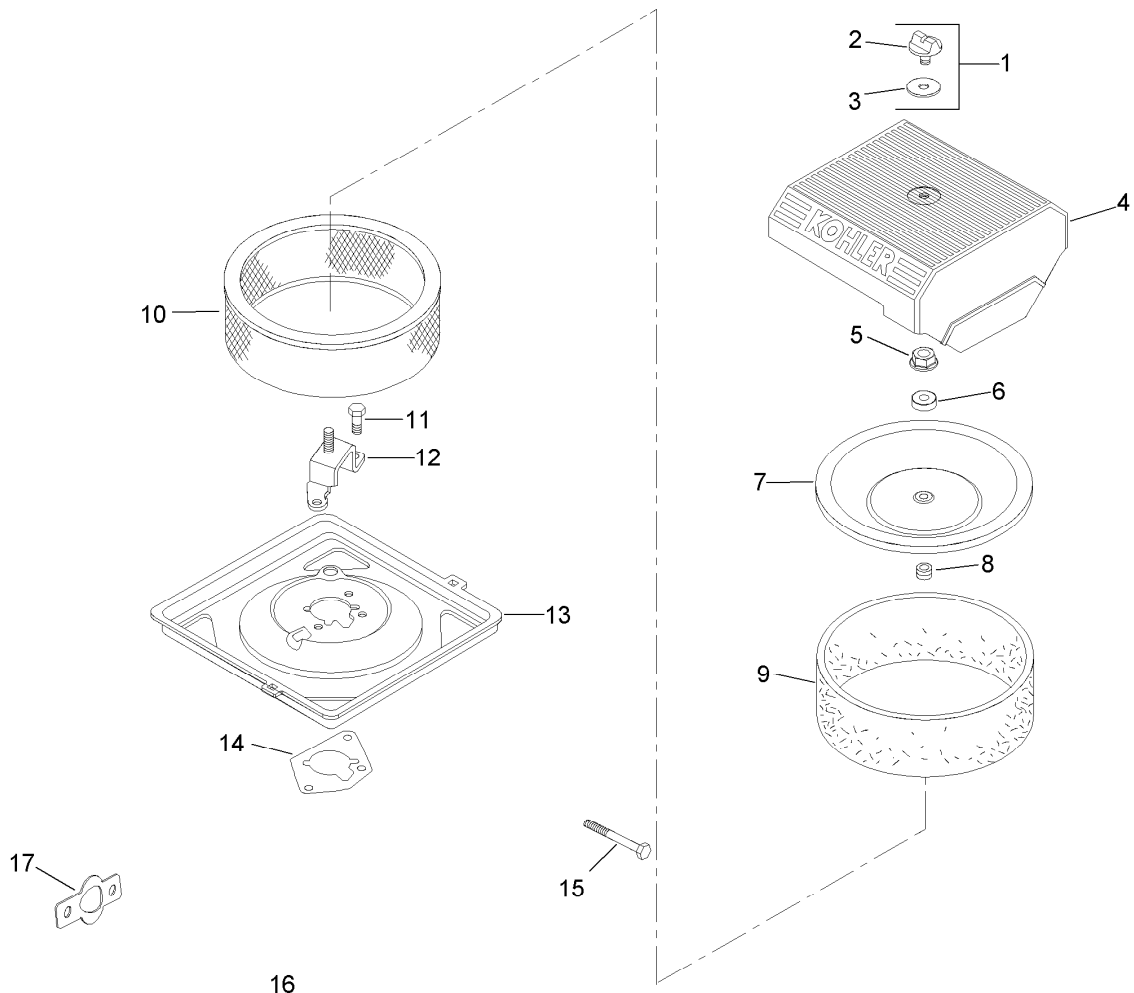
■ Obtain parts from www.kohlerplus.com



Engine Control Assembly Kohler CH20S 64725

Ref.	Part Number	Qty.	Description	Ref.	Part Number	Qty.	Description
1	M-547050-S	1	Nut-Lock (M5X.8) ●	14	24 079 21-S	1	Linkage-Choke ●
2	24 089 03-S	1	Spring-Return, Choke ●	15	24 090 05-S	1	Lever-Choke ●
3	M-545016-S	3	Screw-Flange, Thread Forming (M5X0.8X16) ●	16	41 468 03-S	1	Washer-Spring (1/4) ●
4	M-645016-S	4	Screw-Flange, Thread Forming (M6X1.0X16) ●	17	M-545020-S	1	Screw-Flange, Thread Forming (M5X.8X20) ●
5	24 126 56-S	1	Bracket-Control ●	18	24 089 51-S	1	Spring-Limiter, Throttle ●
6	X-20-1-S	1	Washer-Lock (.25) ●	19	24 089 46-S	1	Spring-Governor ●
7	M-545010-S	1	Screw-HHFTF (M5X.80X10) ●	20	24 211 03-S	1	Bolt-Sq Neck, Rd HD (M6X1.0X25) ●
8	24 468 01-S	3	Washer-Plain (5.5Mm) ●	21	24 090 33-S	1	Lever-Governor ●
9	24 090 07-S	1	Lever-Actuator, Throttle ●	22	M-641060-S	1	Nut-Flange (M6X1.0) ●
10	12 237 01-S	2	Clamp-Cable ●	23	25 158 11-S	1	Bushing-Retaining, Linkage ●
11	24 090 03-S	1	Lever-Control, Throttle ●	24	24 089 01-S	1	Spring-Linkage ●
12	M-446030-S	1	Nut (M4X0.7) ●	25	25 158 08-S	1	Bushing-Linkage, Throttle ●
13	M-401030-S	1	Screw (M4X0.7X30) ●	26	24 079 01-S	1	Linkage-Throttle ●

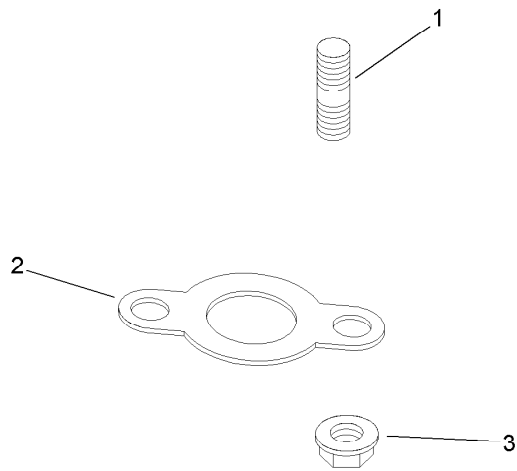
● Obtain parts from www.kohlerplus.com



Air Intake and Filtration Assembly Kohler CH20S 64725

Ref.	Part Number	Qty.	Description
1	54 755 01-S	1	Knob Kit (Includes 2, 3) ●
2	20 341 01-S	1	Knob-Cover ●
3	24 153 20-S	1	O-Ring ●
4	24 096 67-S	1	Cover-Cleaner, Air ●
5	M-641060-S	1	Nut-Flange (M6X1.0) ●
6	28 112 01-S	1	Spacer ●
7	24 096 01-S	1	Cover-Air Cleaner, Inner ●
8	230046-S	1	Seal ●
9	24 083 05-S	1	Pre-Cleaner ●
10	24 083 03-S	1	Element-Filter, Air ●
11	24 086 53-S	3	Screw-Flange, Thread Forming (M6X1.0X16) ●
12	24 126 141-S	1	Bracket-Base, Air Cleaner ●
13	24 094 37-S	1	Base-Cleaner, Air ●
14	24 041 06-S	1	Gasket-Base, Air Cleaner ●
15	25 086 84-S	4	Screw-HF (M6X1.0X55) ●
16	24 164 14-S	1	Manifold-Intake ●
17	24 041 01-S	2	Gasket-Manifold, Intake ●

● Obtain parts from www.kohlerplus.com



Exhaust Assembly Kohler CH20S 64725

<i>Ref.</i>	<i>Part Number</i>	<i>Qty.</i>	<i>Description</i>
1	25 072 04-S	4	Stud (M8X1.25X33) ■
2	24 041 49-S	2	Gasket-Exhaust ■
3	M-841080-S	4	Nut-Flange (M8X1.25) ■
	24 522 181	1	Block-Cylinder (Short Block) ■●
	24 782 15	1	Miniblock ■●
	24 755 107-S	1	Gasket Set ■●

● Not illustrated

■ Obtain parts from www.kohlerplus.com

Attachments and Accessories

For 22306 Dingo TX 420 Compact Utility Loader

Product Name	Model/Part
Track Kit.....	104-6106
Heat Shield Kit.....	104-9997
Brake Kit.....	106-7580
Road Wheel Kit.....	106-7620
Road Wheel Kit (5-Pack)	106-7627
Reference Guide Kit	107-9310
Replacement Hood Latch Kit	108-4650
Ce Decal Kit.....	22362

Notes:

Notes:

Notes:



Count on it.