



Count on it.

Parts Catalog

Dingo® TX 420 Compact Utility Loader

Model No. 22306—Serial No. 240000901 and Up



Ordering Replacement Parts

To order replacement parts, please supply the part number, the quantity, and the description of each part desired.

Understanding Reference Numbers

Each identified part in an illustration has a reference number. The reference number for a part also appears in the parts list, along with other information about the part.

This catalog uses two special reference number formats, one to indicate parts in a service assembly and another to indicate the quantity of a given part in an illustration.

Service Assembly Reference Numbers

Parts in service assemblies have reference numbers in the form a:b. The a represents the reference number of the entire service assembly and the b represents a sequential number unique to each part within the service assembly.

For example, a wheel assembly might be identified by reference number 6, the tire by 6:1, the valve by 6:2, and the wheel by 6:3. When you order the assembly identified by reference number 6, you receive all parts identified by reference numbers 6:1, 6:2, and 6:3. However, you may also order any part individually. Reference numbers of this type appear in illustration and in parts lists.

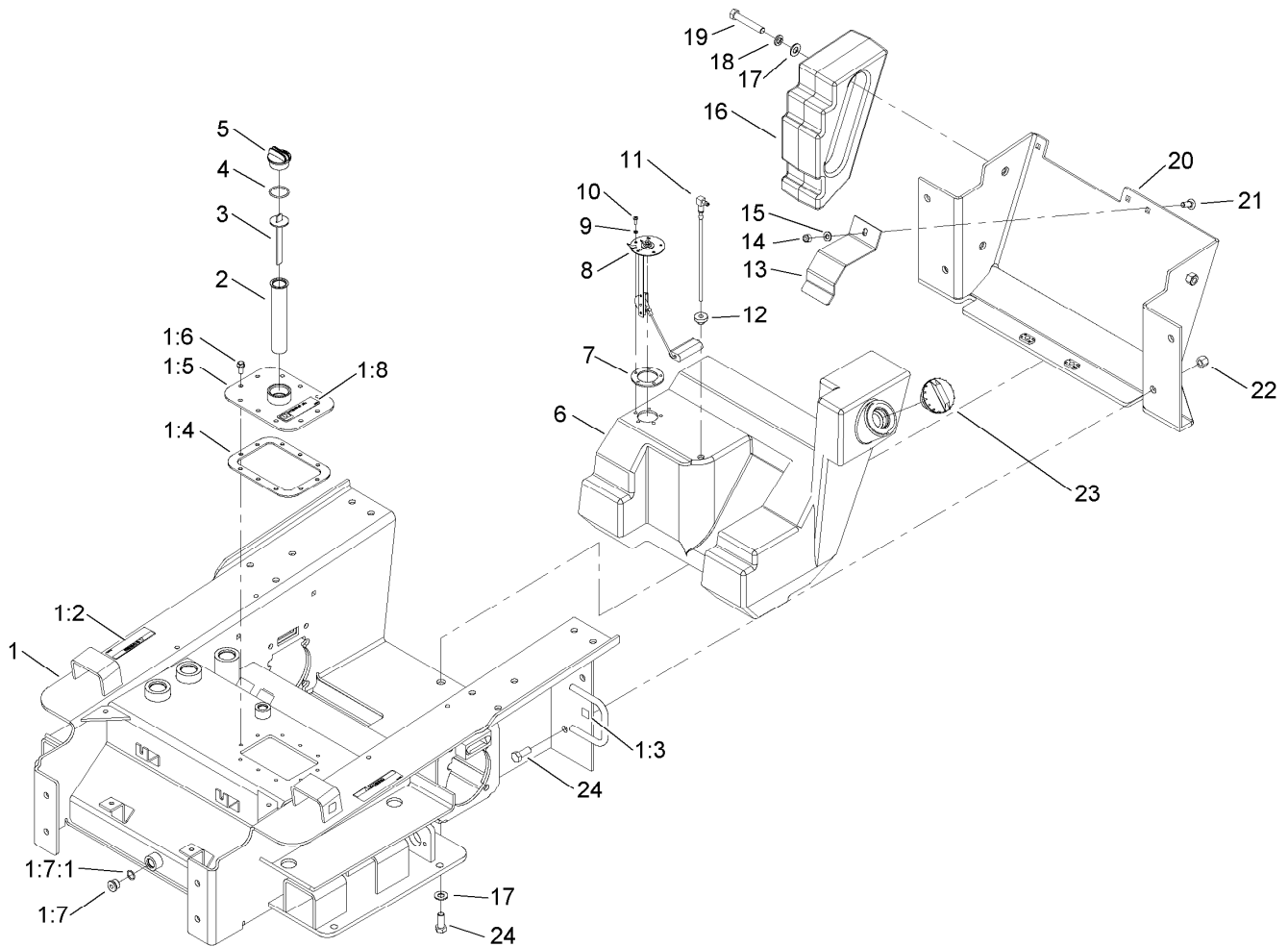
Reference Numbers Indicating Quantity

In an illustration, if a reference number indicates more than one part, the reference number has the form nX y. The n represents the quantity of the part, the X is the multiplication symbol, and the y represents the reference number.

For example, in an illustration, the reference number 2X 37 means that two of the parts identified by reference number 37 are indicated.

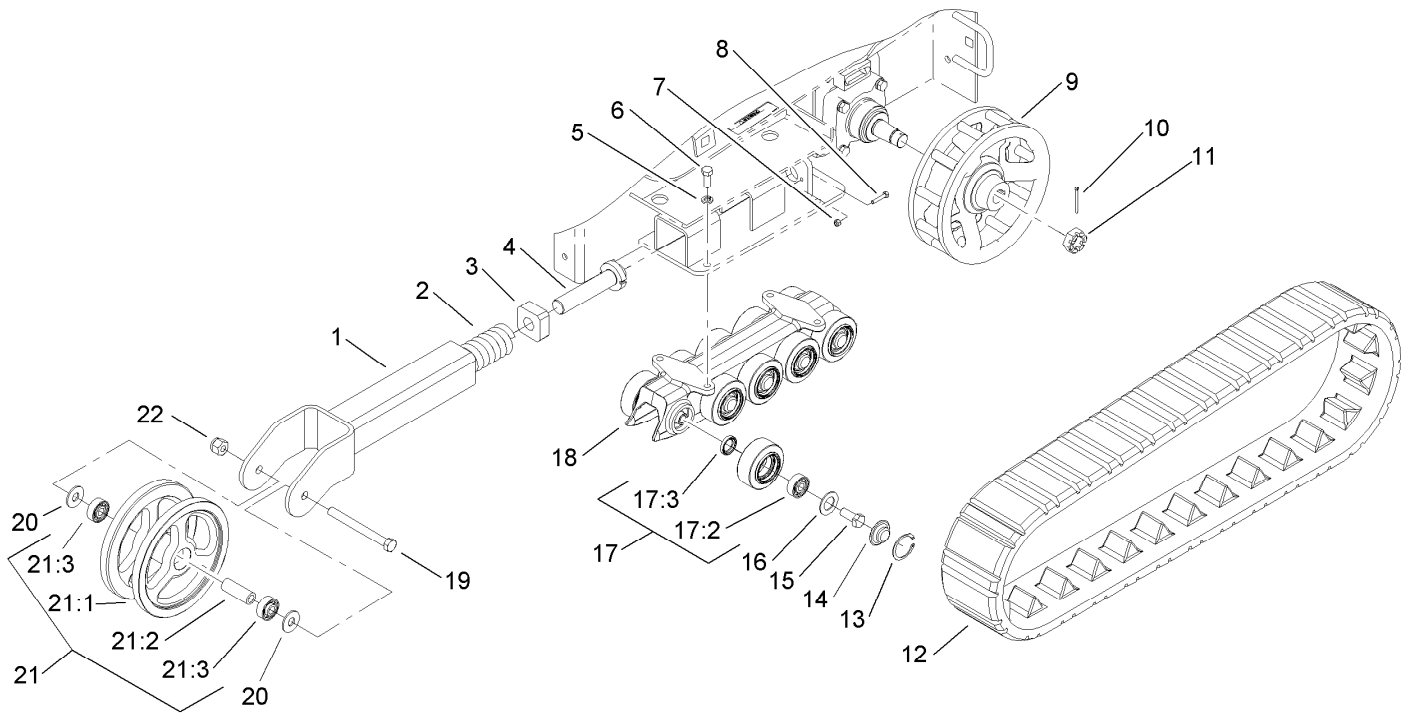
Contents

Main Frame and Fuel Tank Assembly	4
Track and Traction Assembly	5
Parking Brake Assembly	6
Loader Tower and Drive Assembly	7
Traction Hydraulics Assembly	8
Hydraulic Pump Assembly No. 106-5705 and 106-5706	10
Hydraulic Motor Assembly No. 106-7654	11
Engine and Mount Assembly	12
Hydraulic Pump and Filter Assembly	13
Control Panel Assembly	15
Traction Control Assembly	16
Principal Hydraulic Assembly	17
Two Spool Valve Assembly No. 106-9307	18
One Spool Valve Assembly No. 104-2831	19
Loader Arm Assembly	20
Loader Arm Hydraulic Assembly	21
Left Hand Hydraulic Lift Cylinder Assembly No. 104-6267	22
Right Hand Hydraulic Lift Cylinder Assembly No. 104-6269	23
Hydraulic Cylinder Assembly No. 105-8370	24
Quick Attach Assembly	25
Electrical System Assembly	26
Grill Assembly	27
Hydraulic Oil Cooler Assembly	28
Hood Assembly	29
Rear Access Cover Assembly	30
Crankshaft Assembly Kohler CH20S-64656	31
Crankcase Assembly Kohler CH20S-64656	32
Oil Pan/Lubrication Assembly Kohler CH20S-64656	33
Head/Valve/Breather Assembly Kohler CH20S-64656	34
Ignition/Electrical Assembly Kohler CH20S-64656	36
Blower Housing Assembly Kohler CH20S-64656	37
Starter Assembly Kohler CH20S-64656	38
Fuel System Assembly Kohler CH20S-64656	39
Engine Control Assembly Kohler CH20S-64656	41
Air Intake/Filtration Assembly Kohler CH20S-64656	42
Exhaust Assembly Kohler CH20S-64656	43
Attachments and Accessories	44



Main Frame and Fuel Tank Assembly

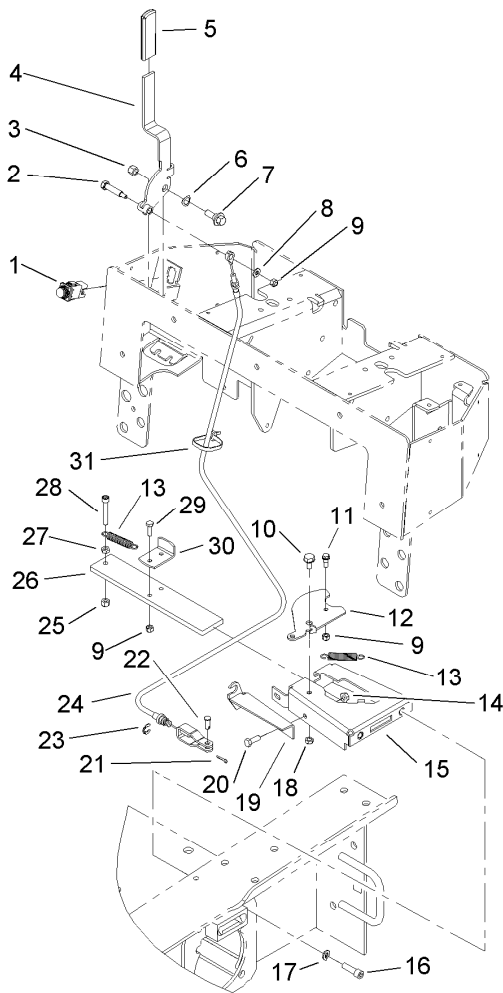
Ref.	Part Number	Qty.	Description	Ref.	Part Number	Qty.	Description
1	105-5830	1	Chassis ASM	9	3253-17	5	Washer-Lock
1:2	100-6141	2	Decal-Pinch	10	3250-31	5	Screw-PPH
1:3	93-9084	4	Decal-Point, Lift	11	98-0185	1	Pipe-Stand
1:4	100-1253	1	Gasket-Cover, Access	12	46-6560	1	Bushing
1:5	104-8389-01	1	Tank Cover ASM	13	100-1257-03	1	Clamp-Tank, Fuel
1:6	98-9940	10	Screw-HHF	14	3296-39	1	Nut-Lock, NI
1:7	353-988	2	Plug-Hex	15	3256-38	1	Washer-Flat
1:7:1	237-79	1	O-Ring	16	99-6165-01	2	Counterweight-Rear
1:8	105-8432	1	Decal-Oil, HYD	17	3256-26	6	Washer-Flat
2	61-2790	1	Filter-Screen	18	3253-7	4	Washer-Lock
3	100-2097	1	Dipstick-Oil	19	325-12	4	Screw-HH
4	237-123	1	O-Ring	20	105-0373-01	1	Rear Frame Cover ASM
5	93-7498	1	Plug-Plastic	21	3231-22	1	Screw-CARR
6	95-3619	1	Tank-Fuel	22	3296-23	4	Nut-Lock, NI
7	113372	1	Gasket-Sender, Fuel	23	93-3101	1	Cap-Fuel
8	100-1298	1	Sender-Fuel	24	325-5	6	Screw-HH



Track and Traction Assembly

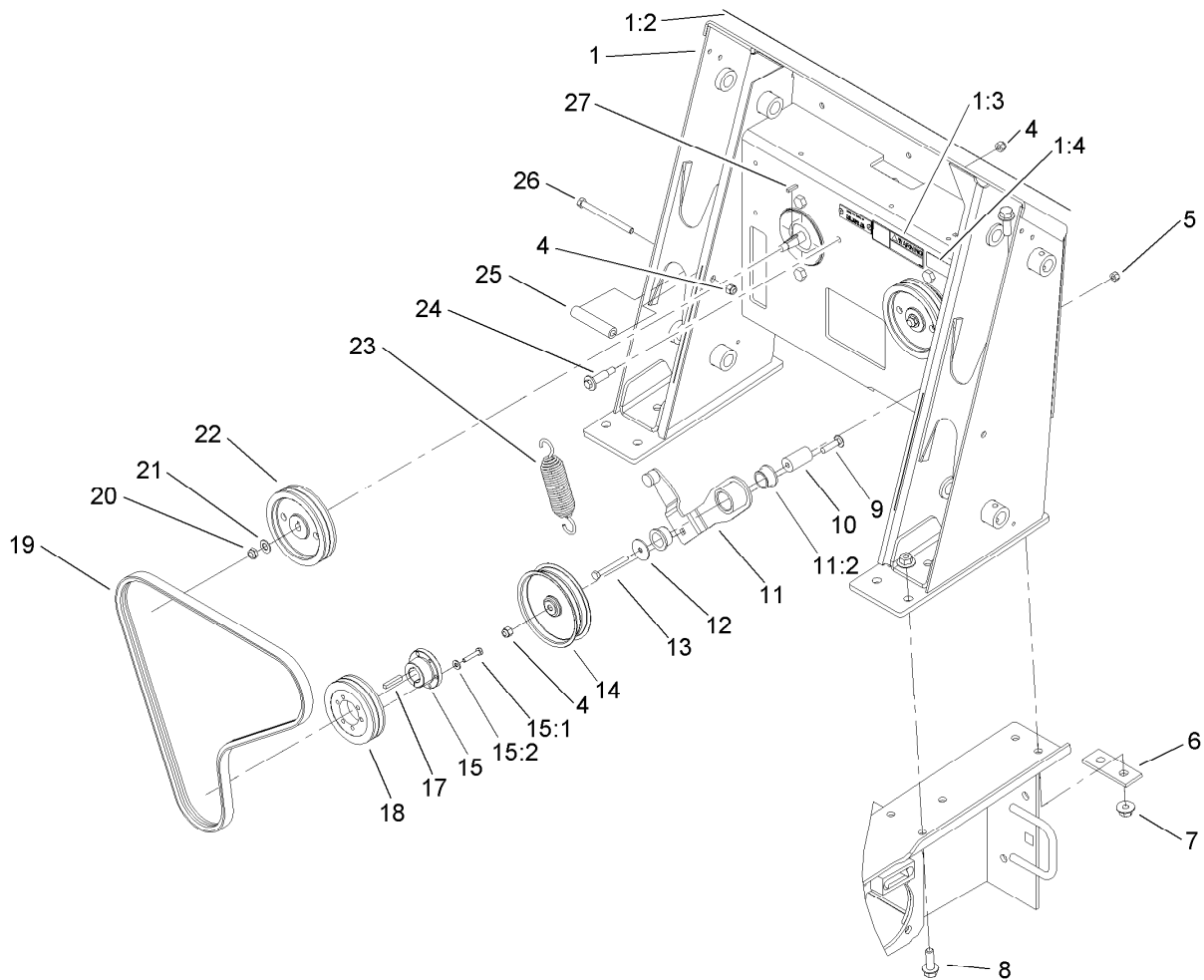
Ref.	Part Number	Qty.	Description
1	98-9801-03	2	Tensioner Arm ASM
2	95-3624	2	Spring-Compression
3	95-3626	2	Block-Tensioner
4	98-9846	2	Bolt-Tensioner
5	3253-7	8	Washer-Lock
6	325-5	8	Screw-HH
7	3296-42	2	Nut-Lock, NI
8	321-13	2	Screw-HH
9	106-7655-03	2	Wheel-Drive, Tx 420
10	3272-20	2	Pin-Cotter
11	106-5738	2	Nut-Hex Slotted
12	98-9800	2	Track
13	106-7595	20	Ring-Snap, Internal
14	106-7557	20	Cap-Wheel, Bearing

Ref.	Part Number	Qty.	Description
15	327-4	20	Screw-HH
16	106-7585	20	Gasket-Bogie
17	106-7621	20	Road Wheel ASM
17:2	93-4237	1	Bearing
17:3	253-118	1	Seal-Oil
18	106-7590-03	2	Guide-Track
19	327-17	2	Screw-HH
20	3256-7	4	Washer-Flat
21	104-5745	2	Tensioner Wheel ASM
21:1	104-5747-03	1	Wheel-Tensioner
21:2	98-9835	1	Spacer-Wheel, Tensioner
21:3	93-4237	2	Bearing
22	3296-24	2	Nut-Hex



Parking Brake Assembly

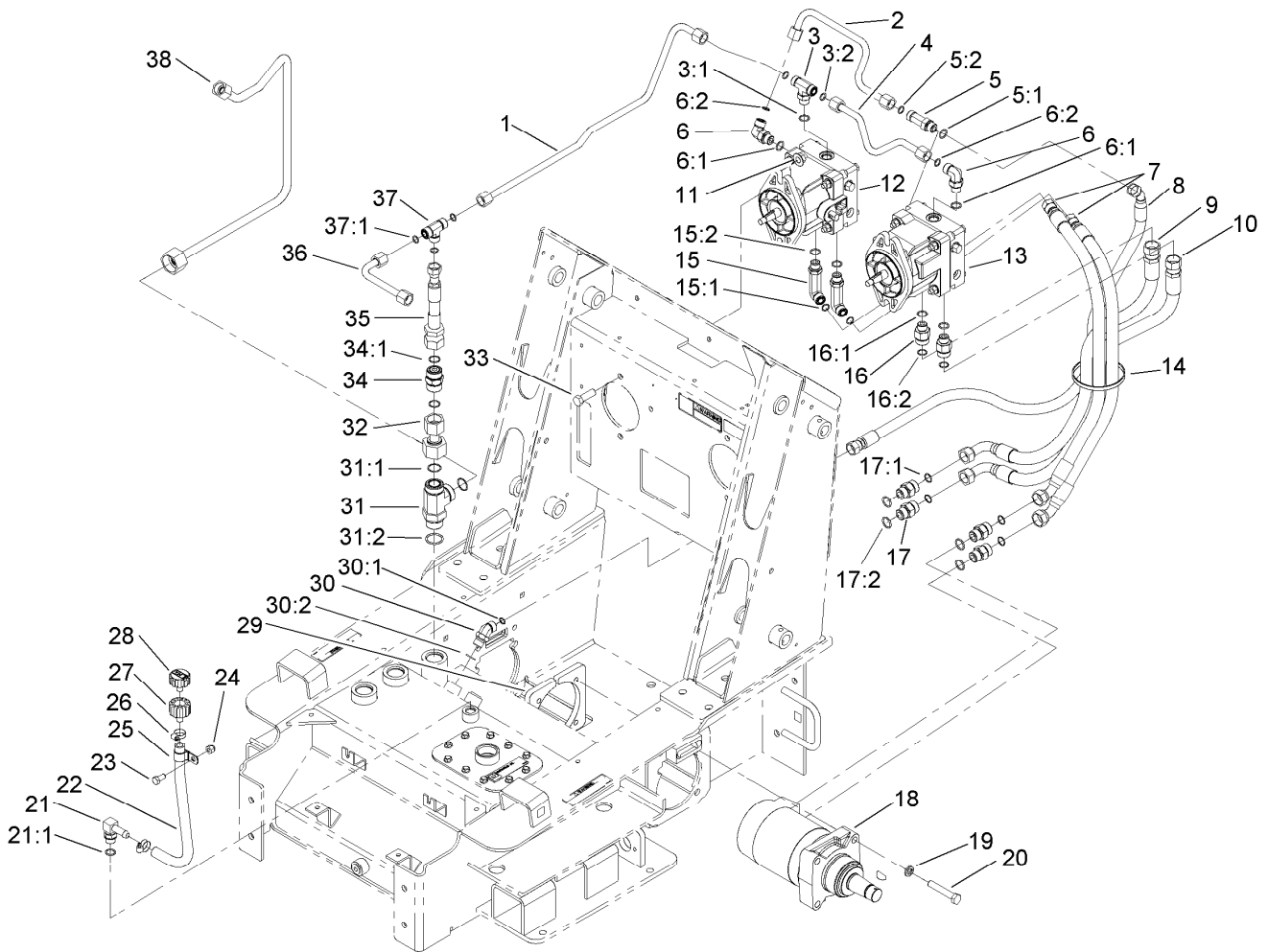
<i>Ref.</i>	<i>Part Number</i>	<i>Qty.</i>	<i>Description</i>	<i>Ref.</i>	<i>Part Number</i>	<i>Qty.</i>	<i>Description</i>
1	100-1268	1	Switch-Plunger	17	3253-5	4	Washer-Lock
2	611792	1	Bolt-Shoulder	18	3296-47	2	Nut-Lock,NI
3	3296-6	1	Nut-Lock	19	98-8446-03	2	Bracket-Cable, Brake
4	106-9327-03	1	Brake Lever ASM	20	322-4	4	Screw-HH
5	62-9130	1	Grip-Handle	21	3272-9	2	Pin-Cotter
6	3290-221	1	Washer-Spring	22	283-62	2	Pin-Clevis
7	93-2364	1	Bolt-Shoulder	23	32151-43	2	Ring-Clip
8	3256-22	1	Washer-Flat	24	100-1283	2	Cable-Brake
9	3296-42	7	Nut-Lock, NI	25	3296-29	2	Nut-Lock, NI
10	37-8771	2	Bolt-Shoulder, HF	26	106-7550-03	2	Plate-Brake
11	42-3560	2	Bolt-Shoulder	27	3218-2	2	Nut-Hex Jam
12	98-8443	2	Lever-Brake	28	3274-86	2	Screw-HSH
13	87-4020	4	Spring-Extension	29	321-5	4	Screw-HH
14	32128-20	4	Nut-HF	30	98-8448	2	Stop-Brake
15	100-4200-03	2	Brake Housing ASM	31	3290-378	2	Tie-Cable
16	3274-1	4	Screw-HSH				



Loader Tower and Drive Assembly

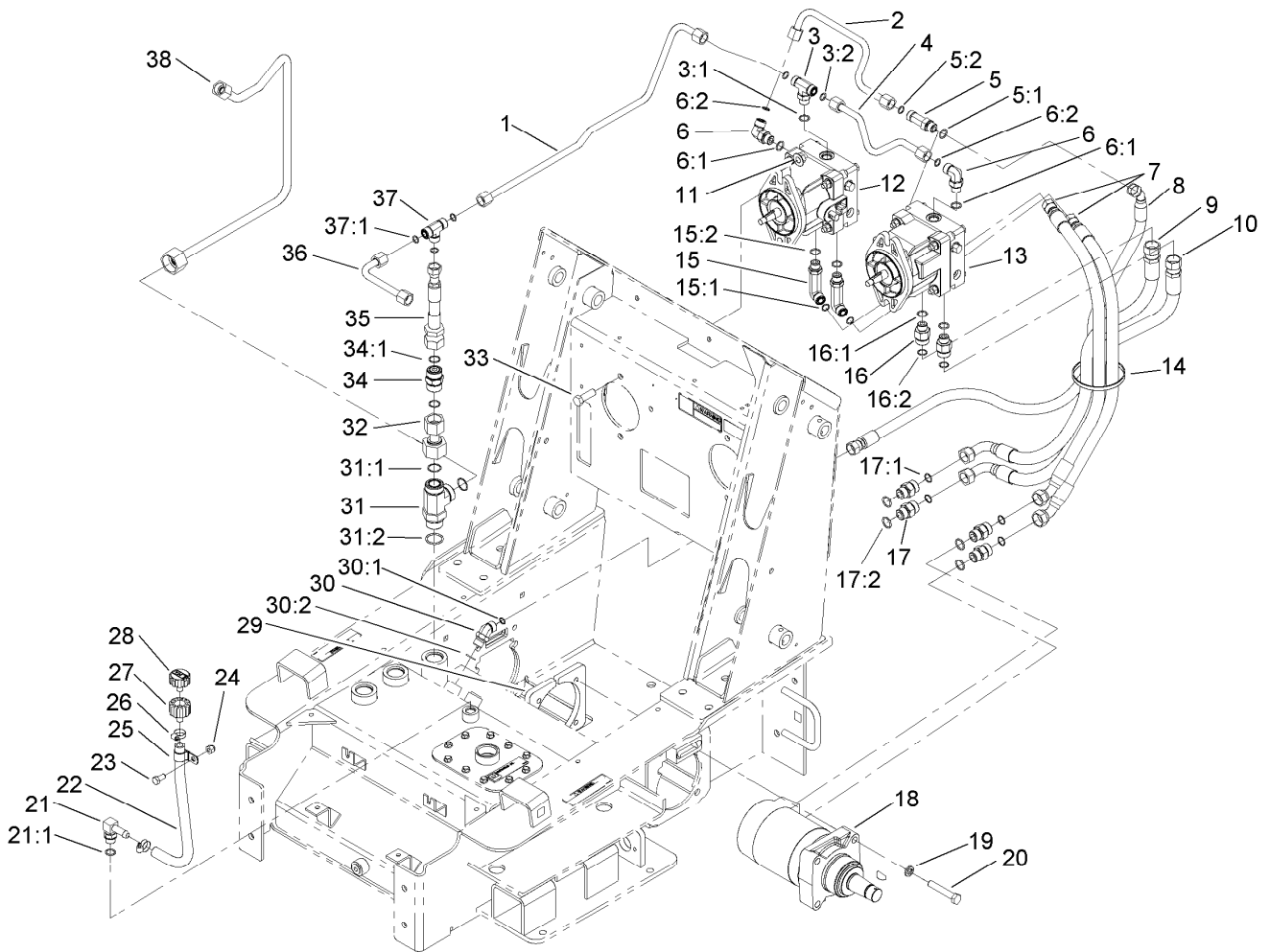
<i>Ref.</i>	<i>Part Number</i>	<i>Qty.</i>	<i>Description</i>
1	106-9300	1	Loader Tower ASM
1:2	106-9305	1	Decal-Panel, Control
1:3	80-8040	1	Decal-Warning
1:4	107-9323	1	Decal-Patent
4	3296-39	4	Nut-Lock, NI
5	3296-29	1	Nut-Lock, NI
6	100-6123-01	2	Plate-Stiffener
7	32128-52	10	Nut-Lock, Flange
8	100-6116	10	Screw-HHF
9	3231-26	1	Screw-CARR
10	104-5739	1	Spacer-Mounting
11	99-6167	1	Idler Arm ASM
11:2	256-132	2	Bushing-Flange
12	3256-68	1	Washer-Flat
13	322-13	1	Screw-HH

<i>Ref.</i>	<i>Part Number</i>	<i>Qty.</i>	<i>Description</i>
14	95-3707	1	Pulley-Idler
15	61-3340	1	Bushing
15:1	100-4208	3	Screw-HH
15:2	100-4209	3	Washer-Lock / Sp
17	67-7490	1	Key-Square
18	61-3330	1	Pulley
19	95-3611	1	V-Belt
20	3296-38	2	Nut-Lock, NI
21	3256-25	2	Washer-Flat
22	106-5710-03	2	Pulley
23	105-0383	1	Spring-Extension
24	56-6590	1	Bolt-Wheel
25	100-1271	2	Tube-Spacer
26	323-23	2	Screw-HH
27	3-6168	2	Key



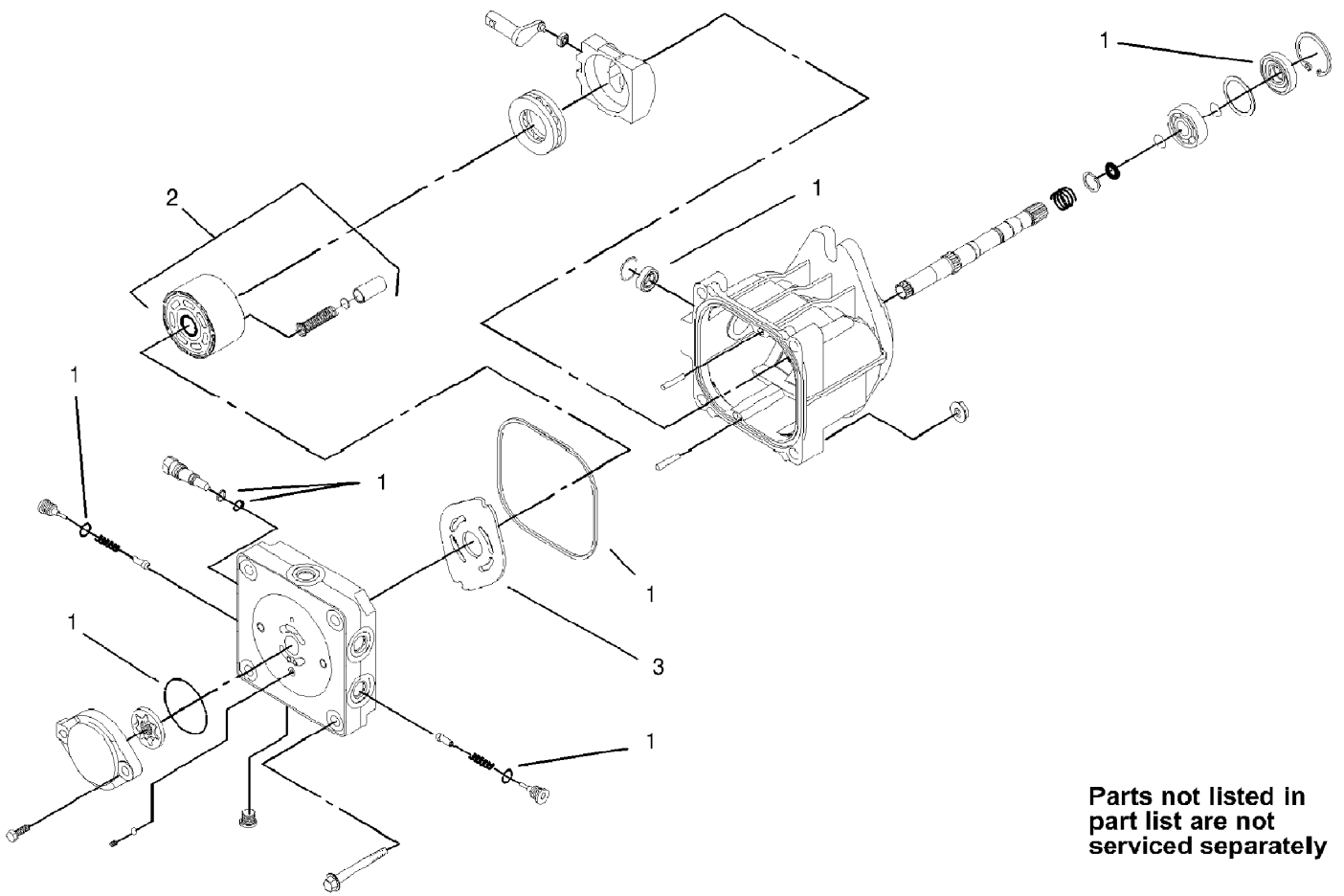
Traction Hydraulics Assembly

Ref.	Part Number	Qty.	Description	Ref.	Part Number	Qty.	Description
1	106-9331	1	Hydraulic Tube ASM	17:1	237-65	1	O-Ring
2	98-0200	1	Tube-HYD	17:2	237-80	1	O-Ring
3	340-157	1	Fitting-HYD, Tee	18	106-7654	2	HYD Motor ASM
3:1	237-79	1	O-Ring	19	3253-7	8	Washer-Lock
3:2	237-30	2	O-Ring	20	325-11	8	Screw-HH
4	106-9330	1	Tube-HYD	21	354-120	1	Fitting-Elbow, 90
5	340-109	1	Fitting-Tee	21:1	237-79	1	O-Ring
5:1	237-79	1	O-Ring	22	106-5709	1	Hose-Vent
5:2	237-30	2	O-Ring	23	323-4	1	Screw-HH
6	340-98	2	Fitting-Elbow, 90 DEG	24	3296-39	1	Nut-Lock, NI
6:1	237-79	1	O-Ring	25	2412-4	1	Clamp-R
6:2	237-30	1	O-Ring	26	2412-36	2	Clamp-Hose
7	98-0233	2	Hose-HYD	27	92-8020	1	Adapter-Breather
8	98-0201	1	Hose-HYD	28	68-6150	1	Breather
9	98-0235	1	HYD Hose ASM	29	98-2763-03	4	Plate-Mounting
10	98-0177	1	HYD Hose ASM	30	340-101	1	Fitting-HYD, 45 DEG
11	32128-23	4	Nut-HF	30:1	237-30	1	O-Ring
12	106-5706	1	RH HYD Pump ASM	30:2	237-79	1	O-Ring
13	106-5705	1	LH HYD Pump ASM	31	104-3795	1	Fitting-Tee
14	3334-945	1	Tie-Cable	31:1	340-65	2	O-Ring
15	99-6160	2	Fitting-Elbow, 90 Long	31:2	237-146	1	O-Ring
15:1	237-30	1	O-Ring	32	105-0226	1	Tube-HYD
15:2	237-79	1	O-Ring	33	325-6	4	Screw-HH
16	340-155	2	Fitting-Straight	34	99-6161	1	HYD Check Valve ASM
16:1	237-79	1	O-Ring	34:1	237-58	2	O-Ring
16:2	237-151	1	O-Ring	35	105-0225	1	HYD Hose ASM
17	340-7	4	Fitting-Straight	36	95-3517	1	HYD Tube ASM



Traction Hydraulics Assembly (continued)

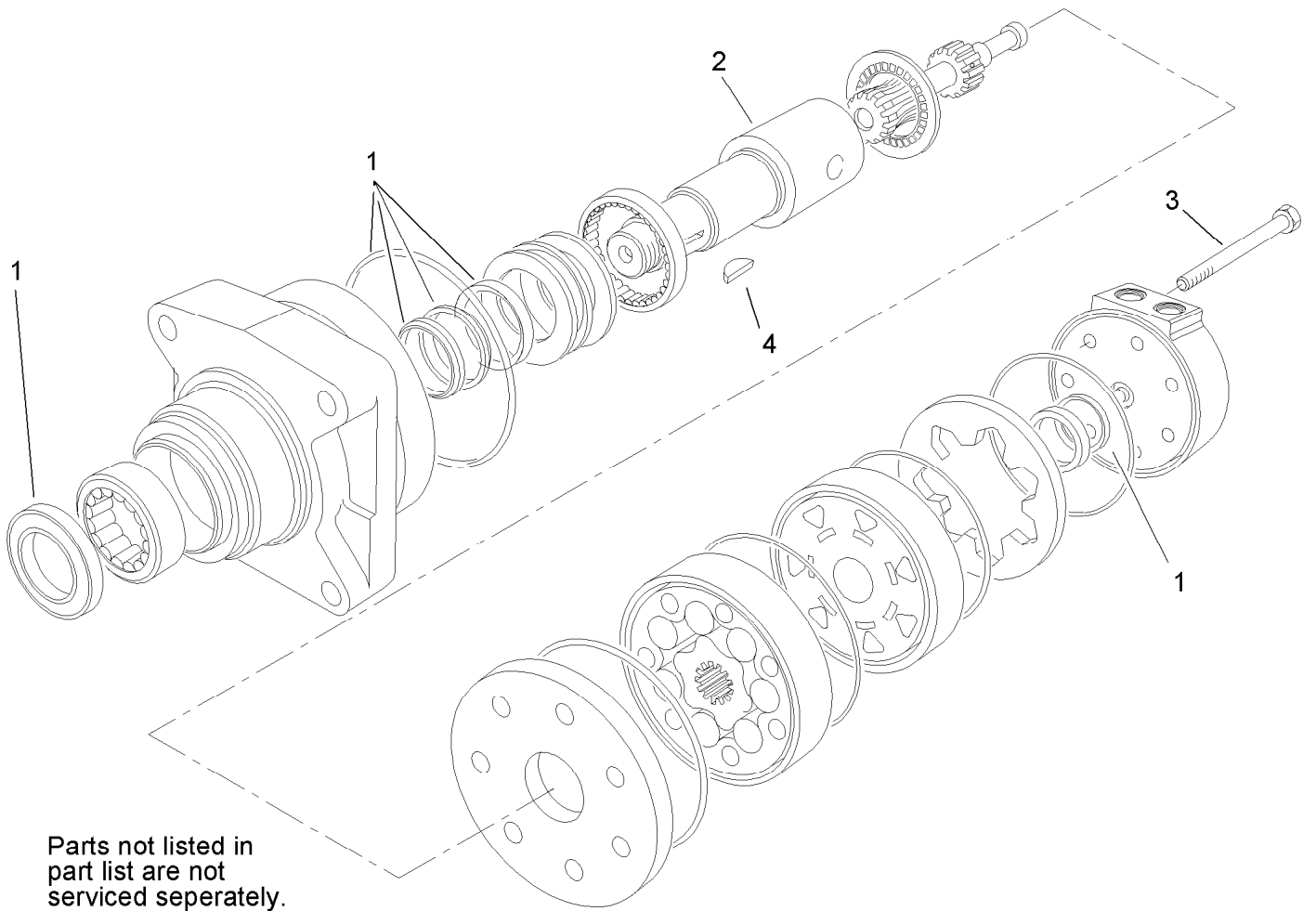
<i>Ref.</i>	<i>Part Number</i>	<i>Qty.</i>	<i>Description</i>	<i>Ref.</i>	<i>Part Number</i>	<i>Qty.</i>	<i>Description</i>
37	340-102	1	Adapter	37:1	237-30	3	O-Ring
				38	106-9332	1	HYD Tube ASM



Parts not listed in
part list are not
serviced separately

Hydraulic Pump Assembly No. 106-5705 and 106-5706

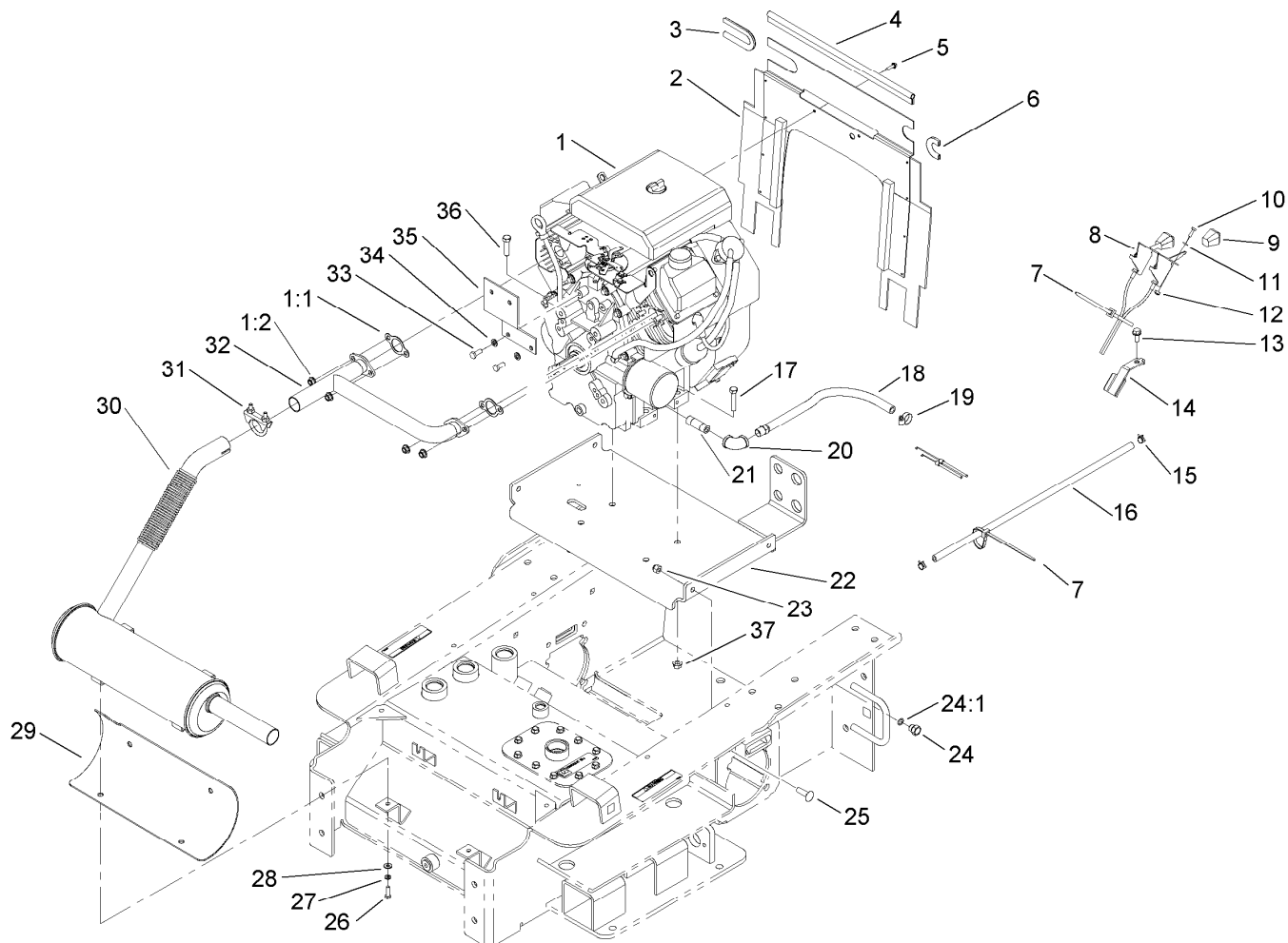
<i>Ref.</i>	<i>Part Number</i>	<i>Qty.</i>	<i>Description</i>
1	100-6110	1	Overhaul Seal Kit
2	94-1913	1	Cylinder Block ASM
3	100-6112	1	Plate-Valve



Parts not listed in
part list are not
serviced seperately.

Hydraulic Motor Assembly No. 106-7654

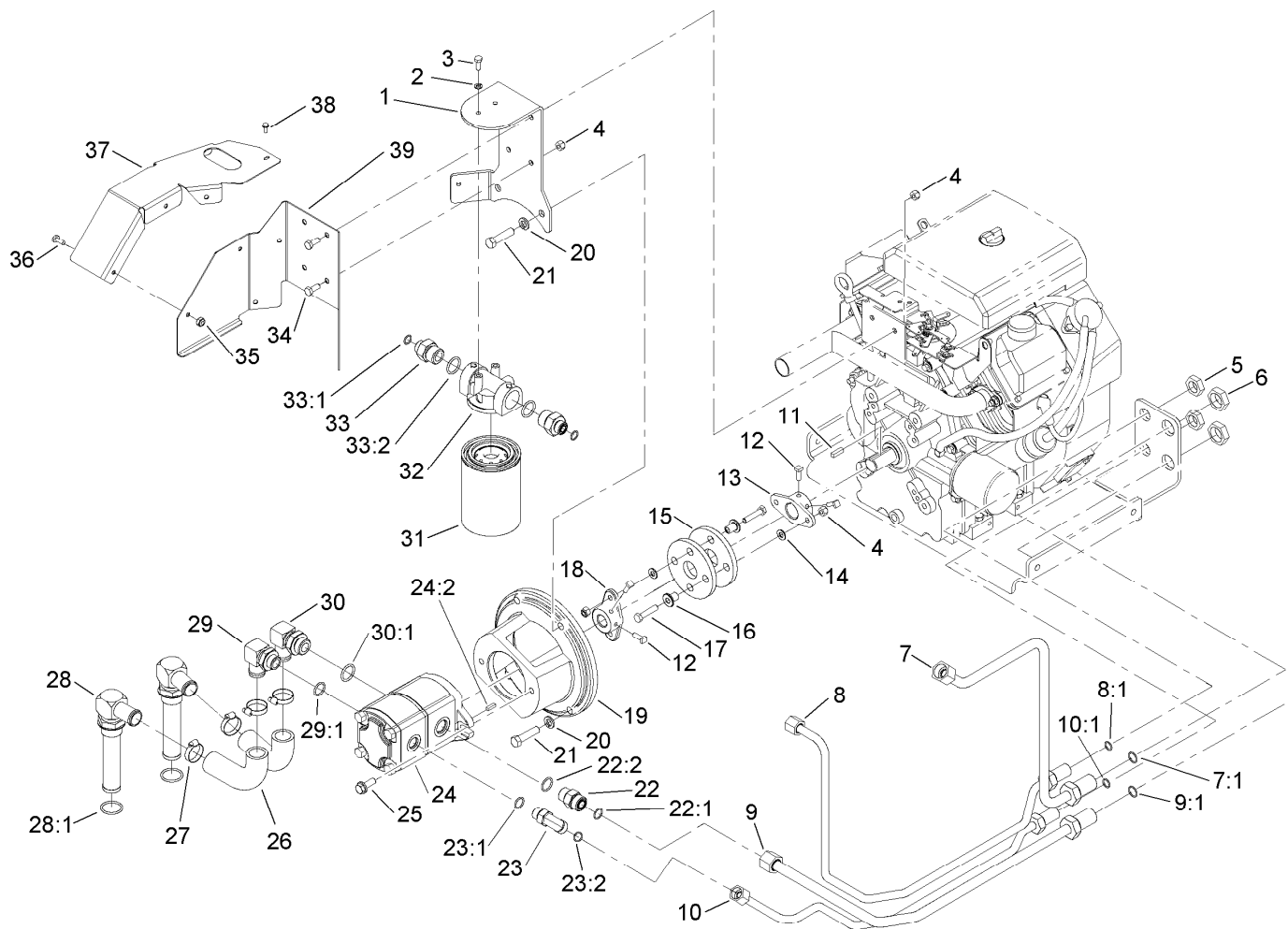
<i>Ref.</i>	<i>Part Number</i>	<i>Qty.</i>	<i>Description</i>
1	100-6131	1	Seal Kit
2	106-7645	1	Coupling-Shaft
3	100-4241	7	Screw-HH
4	3257-42	1	Key-Woodruff



Engine and Mount Assembly

Ref.	Part Number	Qty.	Description	Ref.	Part Number	Qty.	Description
1		1	Engine-Kohler, Ch20S-64656 ●	19	2412-36	1	Clamp-Hose
1:1	93-0350	2	Gasket-Exhaust	20	94-9650	1	Elbow-90 DEG
1:2	92-6780	4	Nut-HF	21	289-42	1	Nipple
2	106-5748	1	Engine Baffle ASM	22	99-6175-03	1	Engine Mounting Plate ASM
3	105-0378	1	Seal-Strip, 6.5 Inch	23	3296-39	4	Nut-Lock, NI
4	106-5749	1	Seal-Strip, 16 Inch	24	353-508	1	Plug-HH
5	27-0220	2	Screw-Special	24:1	237-42	1	O-Ring
6	105-0377	1	Seal-Strip, 3 Inch	25	3231-28	4	Screw-CARR
7	3290-378	2	Tie-Cable	26	321-5	4	Screw-HH
8	99-6173	2	Cable-Throttle	27	3253-3	4	Washer-Lock
9	66-0120	2	Knob	28	3256-78	4	Washer-Flat
10	3290-134	4	Screw	29	98-2762	1	Shield-Heat, Muffler
11	3256-51	4	Washer-Flat	30	105-0249	1	Muffler
12	3296-2	4	Nut-Lock, NI	31	2112-11	1	Clamp-Muffler
13	32144-70	1	Screw-HWHTF	32	98-2761	1	Manifold-Crossover
14	100-1299-03	1	Guide-Cable	33	33114-020	2	Screw-HH
15	2412-98	2	Clamp-Hose	34	3253-4	2	Washer-Lock
16	105-0376	1	Hose-Fuel	35	99-6171-03	1	Bracket-Support, Oil Filter
17	323-53	3	Screw-HH	36	323-50	1	Bolt-HH
18	100-1256	1	Oil Hose ASM	37	32128-21	4	Nut-HF Lock

● Not serviced separately



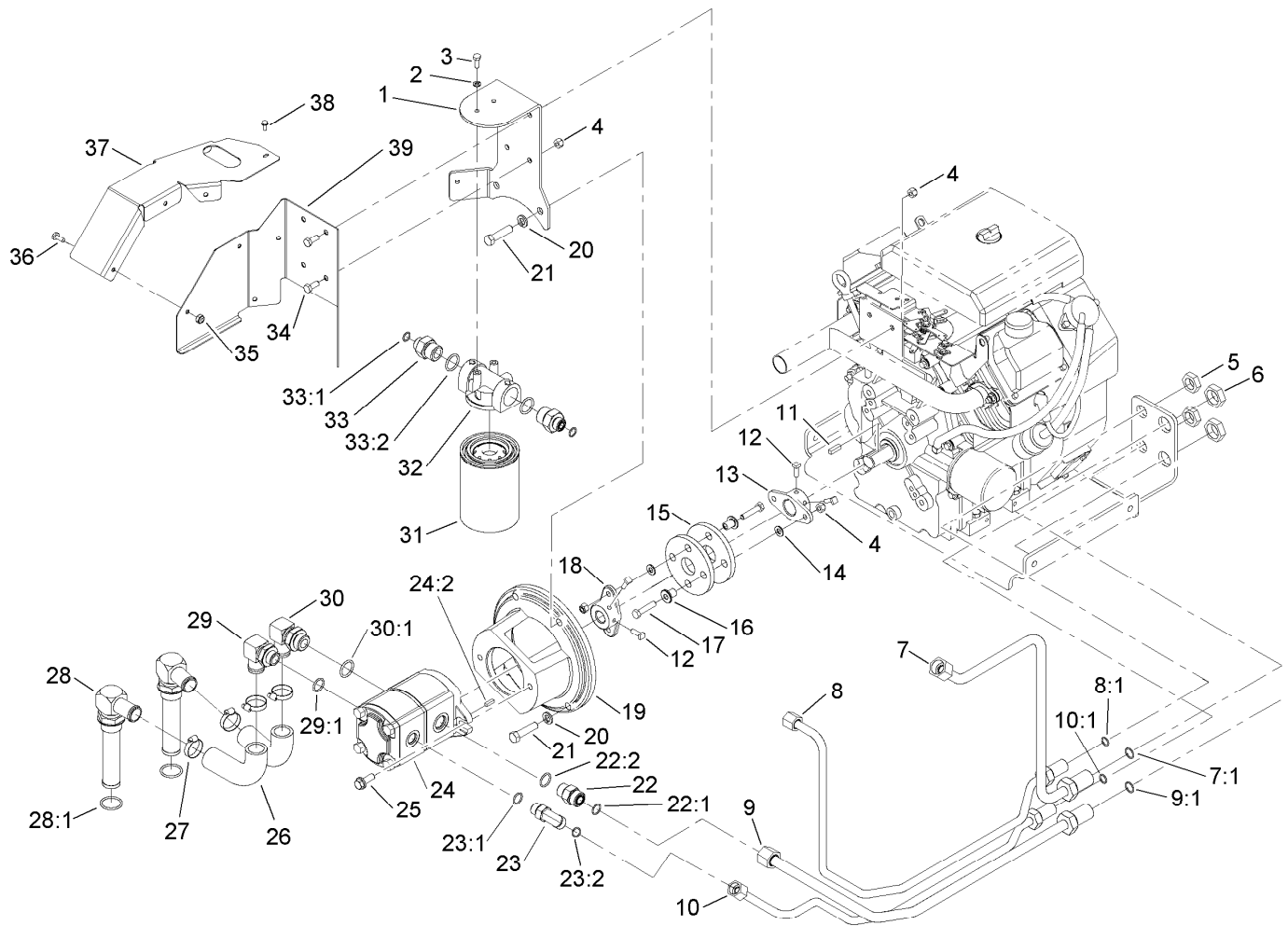
Hydraulic Pump and Filter Assembly

Ref.	Part Number	Qty.	Description
1	99-6172-03	1	Bracket-Support, Oil Filter
2	3253-3	2	Washer-Lock
3	321-4	2	Screw-HH
4	3296-29	8	Nut-Lock, NI
5	340-127	2	Nut-Bulkhead
6	340-74	2	Nut-Lock, Bulkhead
7	106-9333	1	HYD Tube ASM
7:1	237-65	1	O-Ring
8	98-2780	1	HYD Tube ASM
8:1	237-30	1	O-Ring
9	98-2783	1	HYD Tube ASM
9:1	237-65	1	O-Ring
10	98-2781	1	HYD Tube ASM
10:1	237-30	1	O-Ring
11	10-7070	1	Key-Square
12	3241-6	4	Screw-SQH
13	27-1960	1	Hub-Engine
14	3256-23	4	Washer-Plain
15	44-2230	2	Coupling-Rubber
16	71-4411	4	Spacer
17	322-7	4	Screw-HH
18	49-9600	1	Hub-Pump
19	98-2751-03	1	Mount-Pump
20	3253-6	4	Washer-Lock
21	324-7	4	Screw-HH

Ref.	Part Number	Qty.	Description
22	340-7	1	Fitting-Straight
22:1	237-65	1	O-Ring
22:2	237-80	1	O-Ring
23	340-98	1	Fitting-Elbow, 90 DEG
23:1	237-79	1	O-Ring
23:2	237-30	1	O-Ring
24	98-2752	1	Pump-Gear, HYD
24:1	100-4237	1	Kit-Seal, Pump ●
24:2	100-4238	1	Key-Square
25	66-9300	2	Screw-HHF
26	105-0201	2	Hose-Suction, Formed
27	2412-34	4	Clamp-Hose
28	105-0204	2	Strainer Fitting ASM
28:1	237-146	1	O-Ring
29	61-2710	1	Stem-Hose, 90 DEG
29:1	237-117	1	O-Ring
30	100-4202	1	Fitting-90
30:1	237-81	1	O-Ring
31	86-3010	2	Filter-Oil
32	92-5821	1	Head-Filter
33	100-4240	2	Fitting-STR
33:1	237-30	1	O-Ring
33:2	237-81	1	O-Ring
34	322-3	4	Screw-HH
35	3296-16	4	Nut-Lock, NI

● Not illustrated

■ Not serviced separately



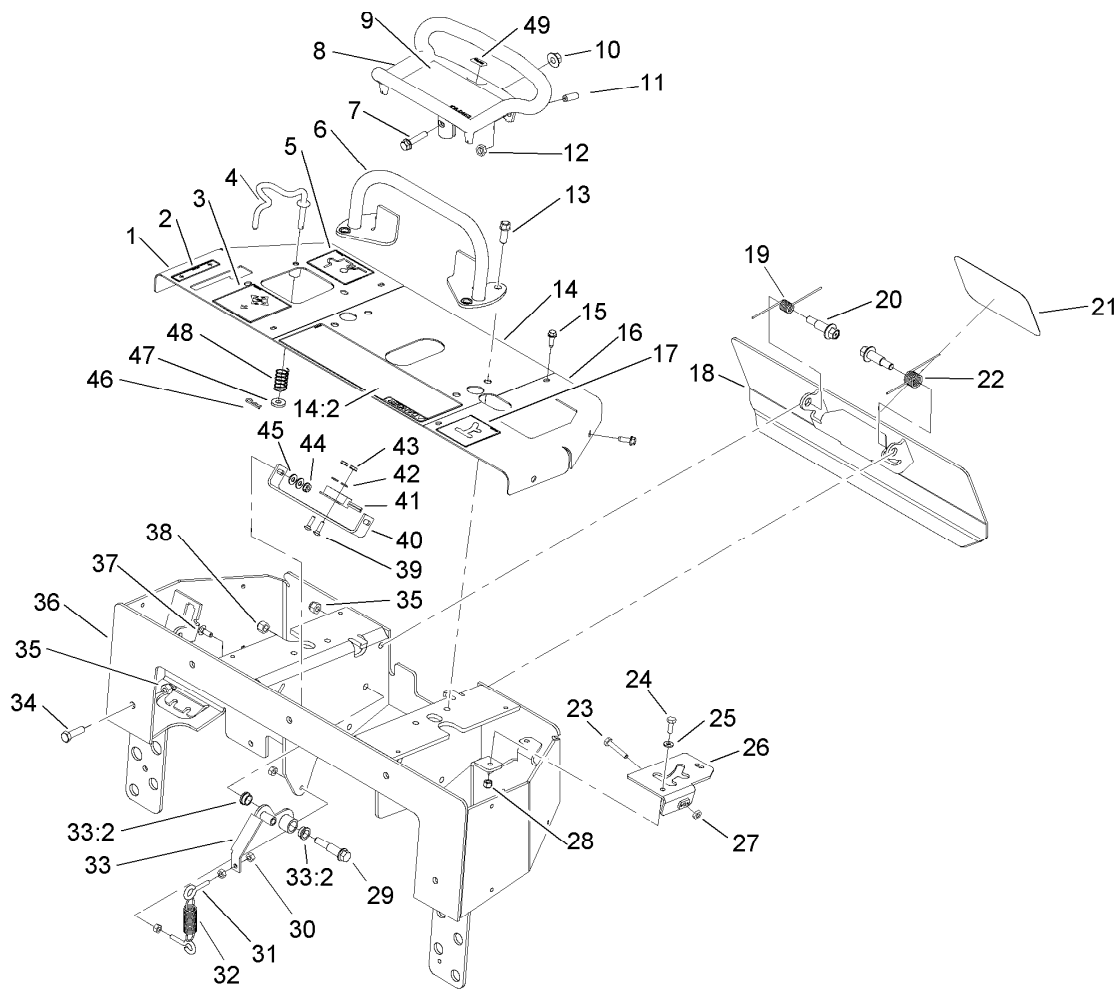
Hydraulic Pump and Filter Assembly (continued)

Ref.	Part Number	Qty.	Description
36	321-39	4	Screw-HH
37	104-9960	1	Shield-Heat

Ref.	Part Number	Qty.	Description
38	32144-112	1	Screw-HWH
39	100-6114	1	Shield-Heat, Filter

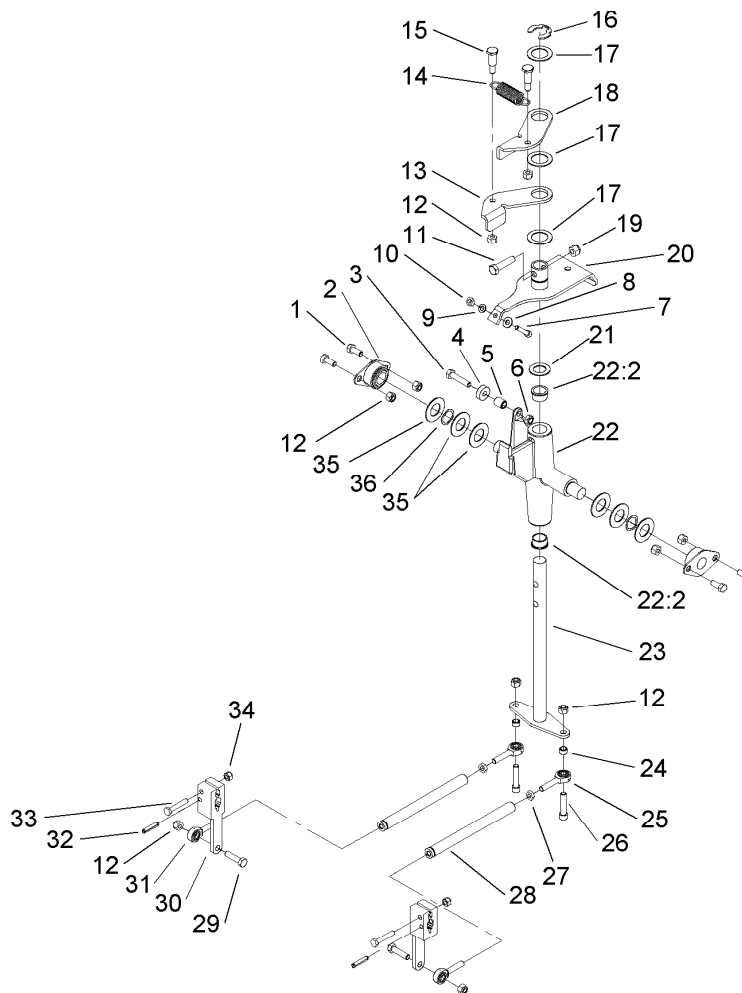
● Not illustrated

■ Not serviced separately



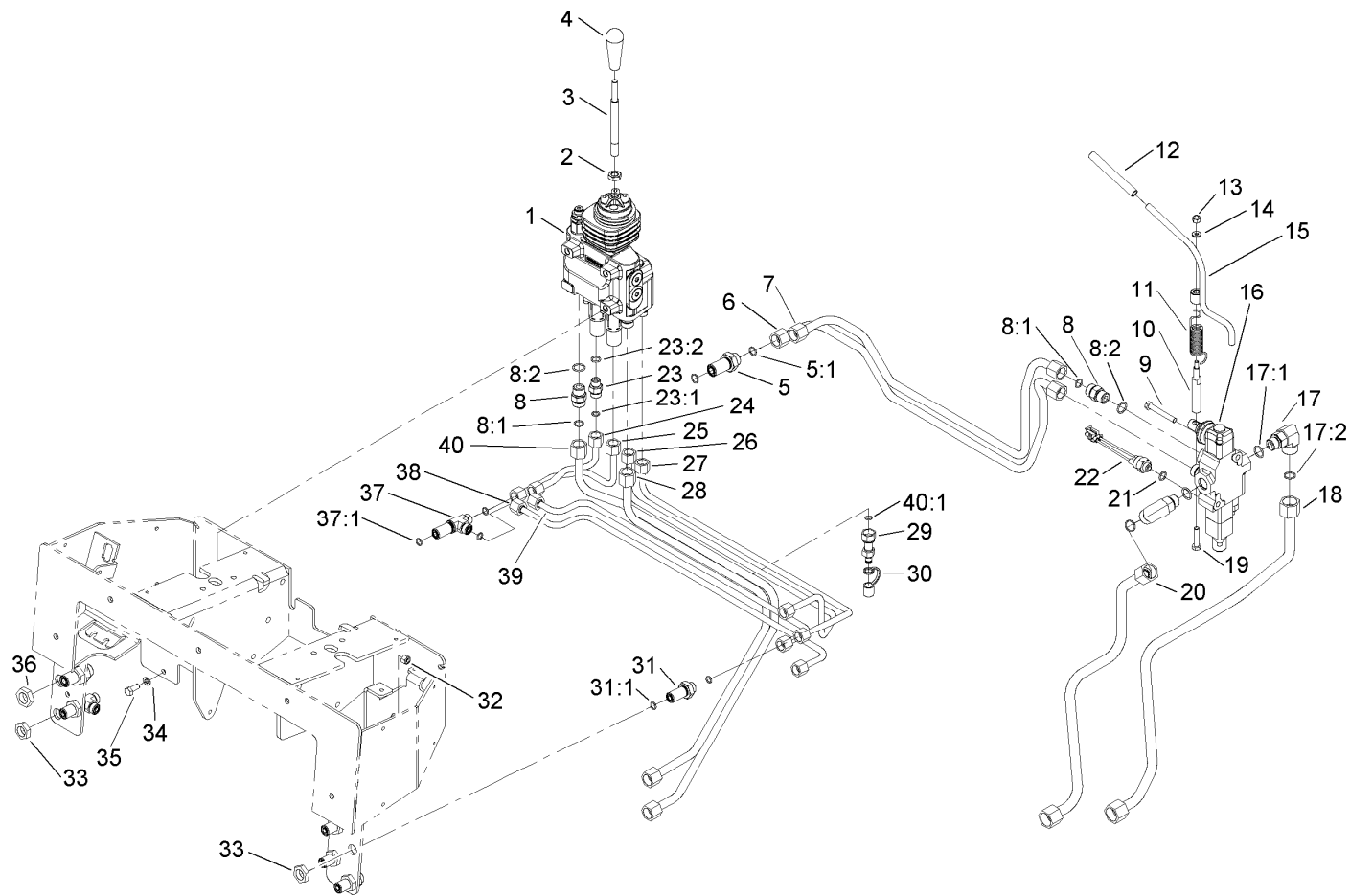
Control Panel Assembly

Ref.	Part Number	Qty.	Description	Ref.	Part Number	Qty.	Description
1	105-5824-01	1	RH Panel ASM	26	100-6126-01	1	Auxiliary Stop ASM
2	104-2838	1	Decal-Brake	27	3218-1	1	Nut-Jam
3	104-2837	1	Decal-Loader	28	3296-42	2	Nut-Lock, NI
4	104-2833	1	Rod-Interlock	29	66-0560	1	Bolt-Shoulder
5	104-2844	1	Decal-Interlock	30	3217-5	4	Nut-Hex
6	106-7715	1	Bar-Reference	31	71-2870	2	Bolt-Eye
7	3234-18	1	Screw-HHF	32	105-1210	1	Spring-Extension
8	106-7614-03	1	Handle-Control	33	100-4203	1	Neutral Centering Lever ASM
9	106-9453	1	Decal-Traction	33:2	256-156	2	Bushing-Flange
10	32128-43	1	Nut-Flange	34	323-7	5	Screw-HH
11	3247-6	2	Screw-Set	35	3296-39	7	Nut-Lock, NI
12	3218-3	2	Nut-Jam	36	106-9320-01	1	Control Panel ASM
13	95-1726	4	Screw-Taptite	37	3229-1	2	Screw-CARR
14	100-6144	1	Center Panel ASM	38	3296-6	1	Nut-Lock
14:2	100-6140	1	Decal-Danger	39	3229-20	2	Screw-CARR
15	32144-44	8	Screw-HWH, Thread Roll	40	100-1263	1	Plate-Switch
16	98-8428-01	1	Panel-LH	41	100-1270	1	Switch-Proximity
17	100-6136	1	Decal-Auxiliary	42	3256-51	2	Washer-Flat
18	98-8417-03	1	Reverse Plate ASM	43	32149-7	2	Nut-Keps
19	98-8425	1	Spring-Torsion, LH	44	32149-2	2	Nut-Keps
20	62-1330	2	Bolt-Shoulder	45	3256-22	4	Washer-Flat
21	105-1217	1	Decal	46	3290-307	1	Pin-Cotter
22	98-8424	1	Spring-Torsion, RH	47	88-7200	1	Washer-Flat
23	321-9	1	Screw-HH	48	85-6750	1	Spring-Control
24	321-4	2	Screw-HH	49	98-1459	1	Decal
25	3256-16	2	Washer-Flat				



Traction Control Assembly

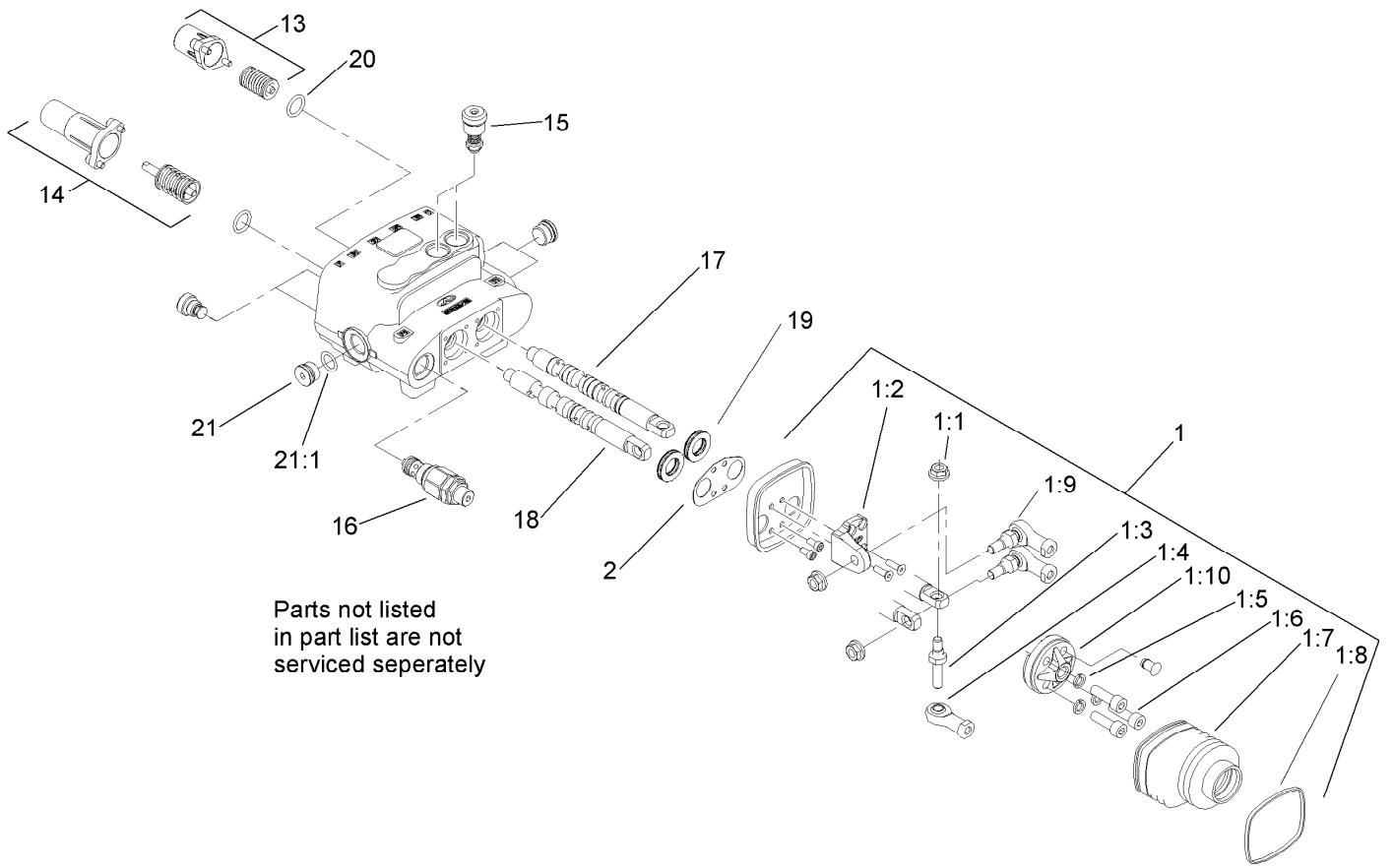
<i>Ref.</i>	<i>Part Number</i>	<i>Qty.</i>	<i>Description</i>	<i>Ref.</i>	<i>Part Number</i>	<i>Qty.</i>	<i>Description</i>
1	322-3	4	Screw-HH	20	104-9968	1	Pivot Lever ASM
2	68-2970	2	Bushing	21	257-8	1	Washer-Thrust
3	322-7	1	Screw-HH	22	106-5737	1	Control Support ASM
4	251-259	1	Bearing-Ball	22:2	256-252	2	Bearing-Flange
5	88-7450	1	Spacer-Lever, Control	23	106-5745	1	Drive Rod ASM
6	3296-47	1	Nut-Lock,NI	24	92-3133	2	Spacer-Lever, Traction
7	3274-51	1	Screw-HSH	25	2411-52	2	Bearing-Rod End, RH
8	3256-22	1	Washer-Flat	26	3274-83	2	Screw-HSH
9	3253-3	1	Washer-Lock	27	3220-2	2	Nut-Jam
10	3217-5	1	Nut-Hex	28	95-3711	2	Rod-Linkage
11	323-8	1	Screw-HH	29	322-6	2	Screw-HH
12	3296-29	10	Nut-Lock, NI	30	106-5739	2	Arm-Control, Pump
13	98-8407	1	Lever-Return, RH	31	2411-53	2	Bearing-Rod End, LH
14	105-1210	1	Spring-Extension	32	100-5440	2	Pin-Spring, Slotted
15	63-2650	2	Screw-Shoulder	33	321-9	2	Screw-HH
16	32151-91	1	Ring-Retaining	34	3296-42	2	Nut-Lock, NI
17	3256-42	3	Washer-Flat	35	3256-39	6	Washer-Flat
18	98-8408	1	Lever-Return, LH	36	95-3703	2	Washer-Spring, Wave
19	3296-39	1	Nut-Lock, NI				



Principal Hydraulic Assembly

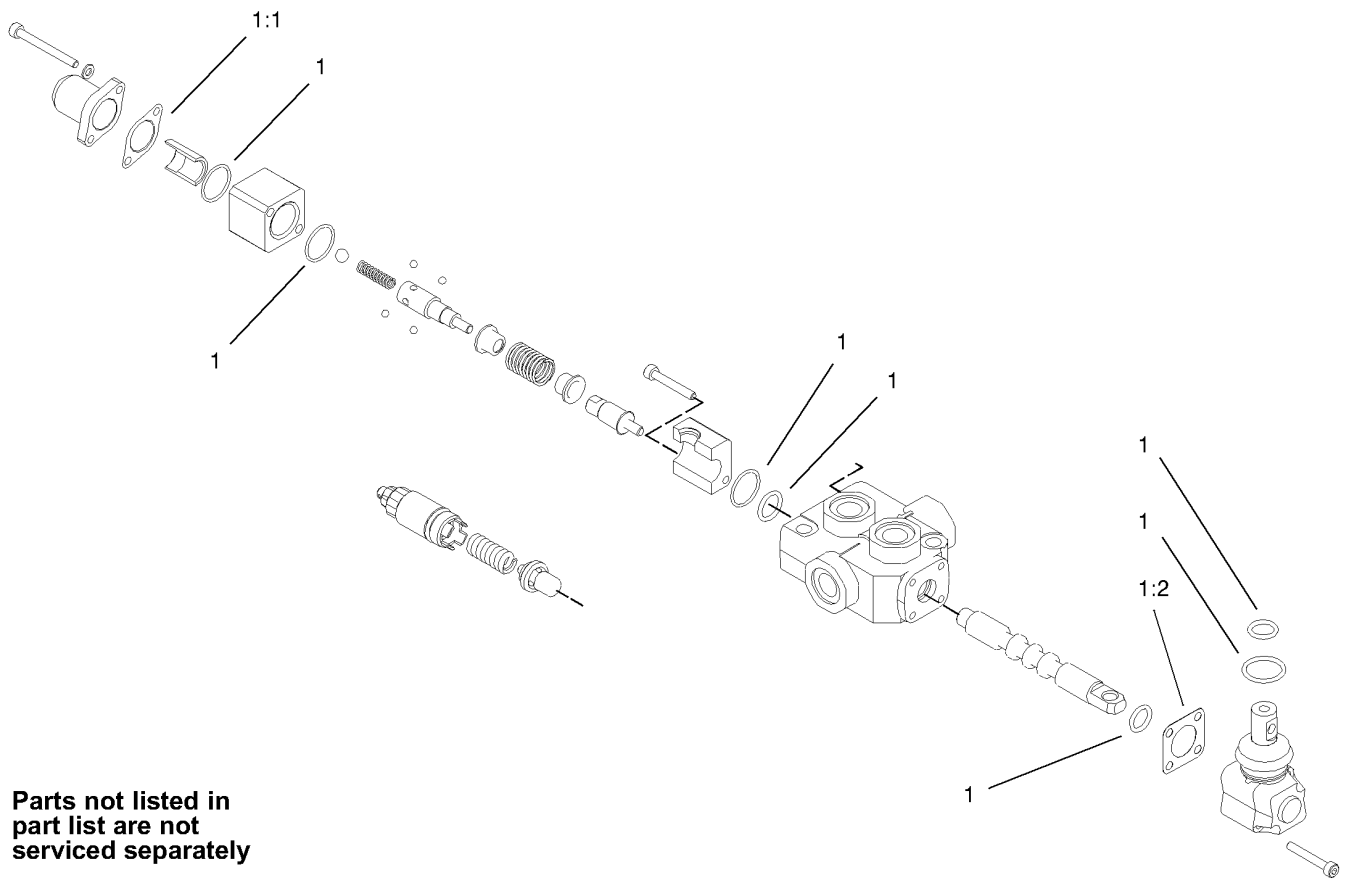
Ref.	Part Number	Qty.	Description
1	106-9307	1	2 Spool Valve ASM
2	51-2070	1	Nut
3	95-3569	1	Shaft-Handle, Lift/Tilt
4	98-0152	1	Knob-Tapered
5	340-161	2	Fitting-Bulkhead
5:1	237-30	2	O-Ring
6	106-9310	1	Tube-HYD
7	106-9311	1	Tube-HYD
8	340-4	4	Fitting-Straight
8:1	237-30	1	O-Ring
8:2	237-79	1	O-Ring
9	322-11	2	Screw-HH
10	104-2827	1	Spacer-Hiflo
11	100-6129	1	Spring-Torsion
12	92-6798	1	Cap-Rod, Tilt
13	3296-42	1	Nut-Lock, NI
14	3256-16	1	Washer-Flat
15	100-4246	1	Auxiliary Lever ASM
16	104-2831	1	1 Spool Valve ASM
17	340-153	2	Fitting-Elbow, 90 DEG
17:1	237-79	1	O-Ring
17:2	237-151	1	O-Ring
18	106-9309	1	Tube-HYD
19	48-7740	1	Screw
20	104-5707	1	Tube-HYD

Ref.	Part Number	Qty.	Description
21	237-42	1	O-Ring
22	72-4310	1	Switch-Ball
23	340-2	4	Fitting-Straight
23:1	237-22	1	O-Ring
23:2	237-42	1	O-Ring
24	106-9315	1	Tube-HYD
25	106-9313	1	Tube-HYD
26	106-9312	1	Tube-HYD
27	106-9314	1	Tube-HYD
28	106-9318	1	Hydraulic Tube ASM
29	86-5480	1	Nipple-Test
30	354-79	1	Cap-Dust
31	340-71	4	Fitting-Straight, Bulkhead
31:1	237-22	2	O-Ring
32	3296-29	2	Nut-Lock, NI
33	340-70	6	Nut-Lock
34	3253-4	3	Washer-Lock
35	322-3	3	Screw-HH
36	340-127	2	Nut-Bulkhead
37	340-68	2	Fitting-Tee, Bulkhead
37:1	237-22	3	O-Ring
38	106-9316	1	Tube-HYD
39	106-9317	1	Tube-HYD
40	106-9319	1	Hydraulic Tube ASM
40:1	237-22	1	O-Ring



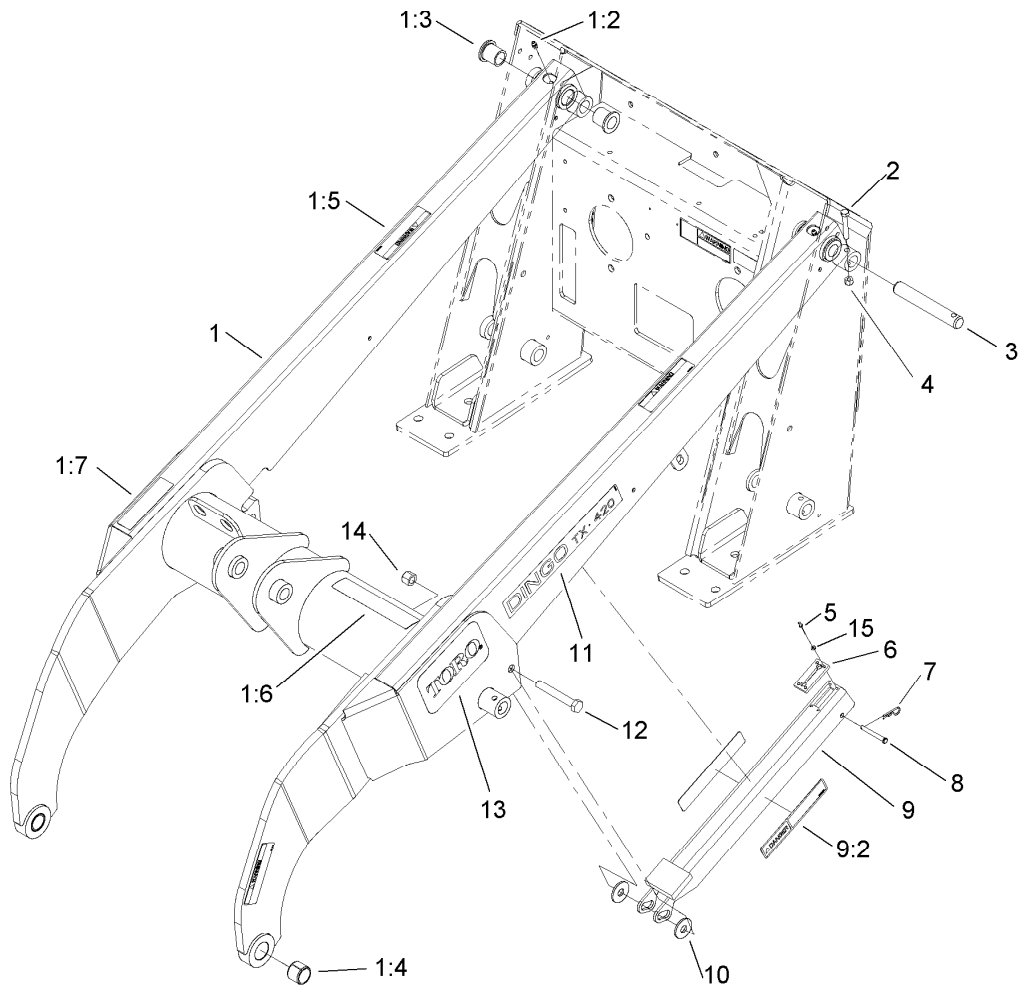
Two Spool Valve Assembly No. 106-9307

<i>Ref.</i>	<i>Part Number</i>	<i>Qty.</i>	<i>Description</i>
1	106-7724	1	Joystick Kit
1:1	98-0668	3	Nut
1:2	106-7726	1	Pivot-Joystick
1:3	106-7727	1	Pin-Joystick
1:4	106-7728	1	End-Rod
1:5	42-9850	3	Washer-Lock, Spring
1:6	98-5828	3	Screw-HSH
1:7	106-7729	1	Bellow-Rubber
1:8	3290-379	1	Tie-Cable
1:9	106-7730	2	Joint-Joystick
1:10	106-7731	1	Holder-Articulated
2	106-7725	1	Seal-Joystick
13	106-7732	1	Valve Spring Kit
14	106-7733	1	Detent Spring Kit
15	106-7734	2	Valve-Relief
16	106-7735	1	Valve-Relief, Main
17	106-7736	1	Spool-Valve
18	106-7737	1	Spool-Valve
19	106-7738	2	Seal-Valve, Spool
20	106-7719	2	Seal-Valve
21	353-988	3	Plug-Hex
21:1	237-79	1	O-Ring



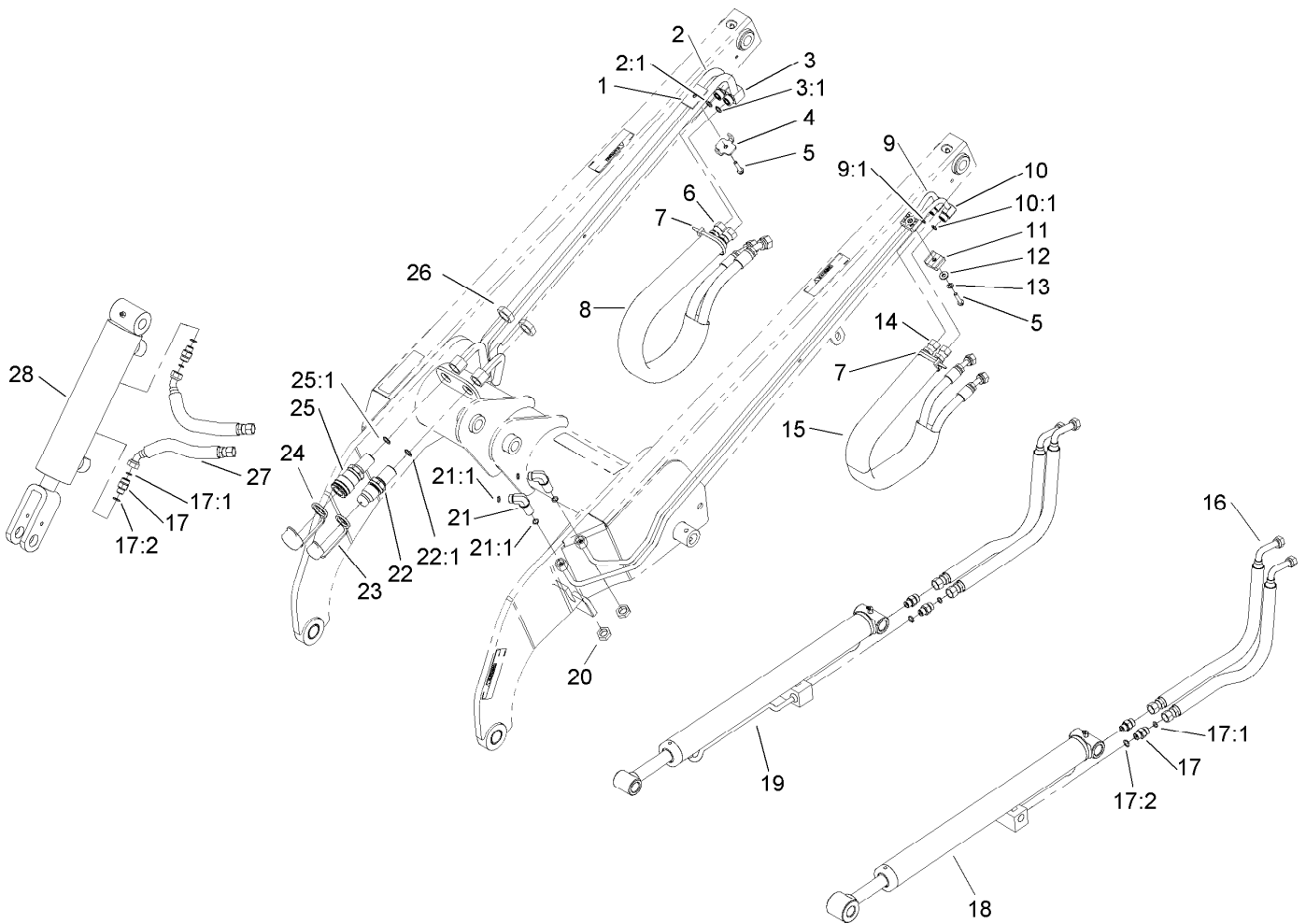
One Spool Valve Assembly No. 104-2831

<i>Ref.</i>	<i>Part Number</i>	<i>Qty.</i>	<i>Description</i>
1	99-4391	1	Seal Kit
1:1	99-3074	1	Gasket
1:2	99-3075	3	Gasket



Loader Arm Assembly

<i>Ref.</i>	<i>Part Number</i>	<i>Qty.</i>	<i>Description</i>
1	106-9350	1	Loader Arm ASM
1:2	302-5	2	Fitting-Grease
1:3	95-3577	4	Bushing
1:4	98-4871	2	Bushing-Tension
1:5	100-6141	4	Decal-Pinch
1:6	100-6132	1	Decal-Caution
1:7	100-6101	1	Decal-Caution
2	322-10	7	Screw-HH
3	104-2849	7	Pin-Locking
4	3296-29	7	Nut-Lock, NI
5	3269-8	4	Rivet-Blind
6	98-0083	1	Stop-Rubber
7	3290-250	1	Pin-Cotter
8	283-48	1	Pin-Clevis
9	100-6105	1	Locking Arm ASM
9:2	100-6135	2	Decal-Danger
10	68-1440	2	Washer-Rubber
11	105-8430	2	Decal
12	325-14	1	Screw-HH
13	105-1217	2	Decal
14	3296-23	1	Nut-Lock, NI
15	104-5112	4	Washer-Flat

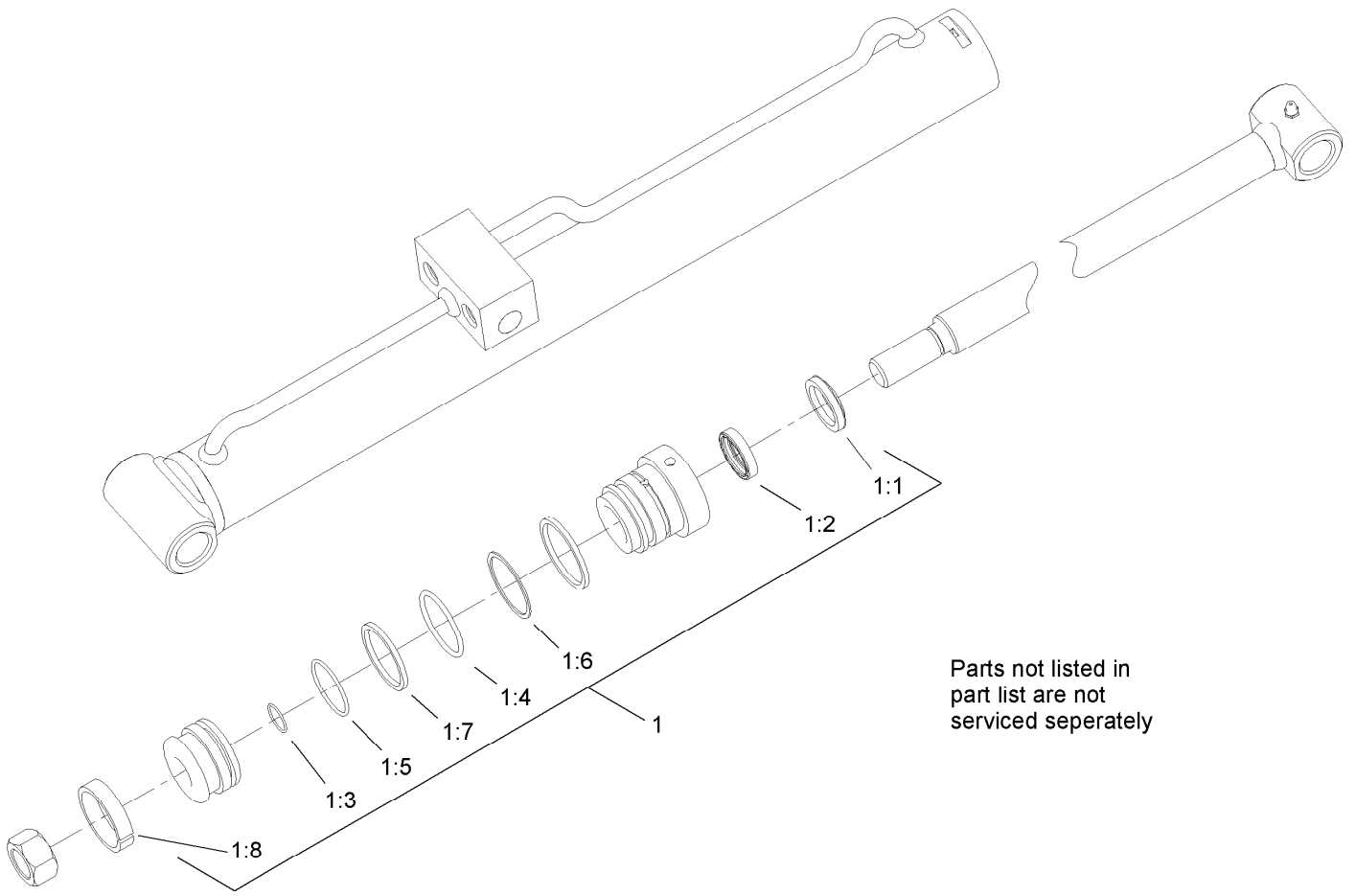


Loader Arm Hydraulic Assembly

Ref.	Part Number	Qty.	Description	Ref.	Part Number	Qty.	Description
1	106-9366	1	Spacer-Hardline	17	340-2	6	Fitting-Straight
2	106-9362	1	HYD Tube ASM	17:1	237-22	1	O-Ring
2:1	237-30	1	O-Ring	17:2	237-42	1	O-Ring
3	106-9363	1	HYD Tube ASM	18	104-6267	1	LH Lift Cylinder ASM
3:1	237-30	1	O-Ring	19	104-6269	1	RH Lift Cylinder ASM
4	98-0237	1	Plate-Clamp, Tube	20	340-70	2	Nut-Lock
5	32144-110	2	Screw-HWH	21	340-154	2	Union-Bulkhead
6	98-0242	2	Hose-HYD	21:1	237-22	2	O-Ring
7	3290-378	2	Tie-Cable	22	105-8395	1	Bulkhead Nipple ASM
8	100-6128	1	Sleeve-Protective	22:1	237-65	1	O-Ring
9	106-9364	1	HYD Tube ASM	22:2	100-6120	1	Seal Kit ●
9:1	237-22	1	O-Ring	23	100-8815	1	Cap-Dust, Nipple
10	106-9365	1	HYD Tube ASM	24	100-8816	1	Cap-Dust, Coupler
10:1	237-22	1	O-Ring	25	105-8394	1	Bulkhead Coupler ASM
11	56-7973	2	Clamp-Tube	25:1	237-65	1	O-Ring
12	3256-2	1	Washer-Flat	25:2	105-8396	1	Seal Kit ●
13	3253-3	1	Washer-Lock	26	340-74	2	Nut-Lock, Bulkhead
14	98-0213	2	Hose-HYD	27	98-0207	2	Hose-HYD
15	100-6127	1	Sleeve-Protective	28	105-8370	1	Tilt Cylinder ASM
16	98-0216	4	Hose-HYD				

● Not illustrated

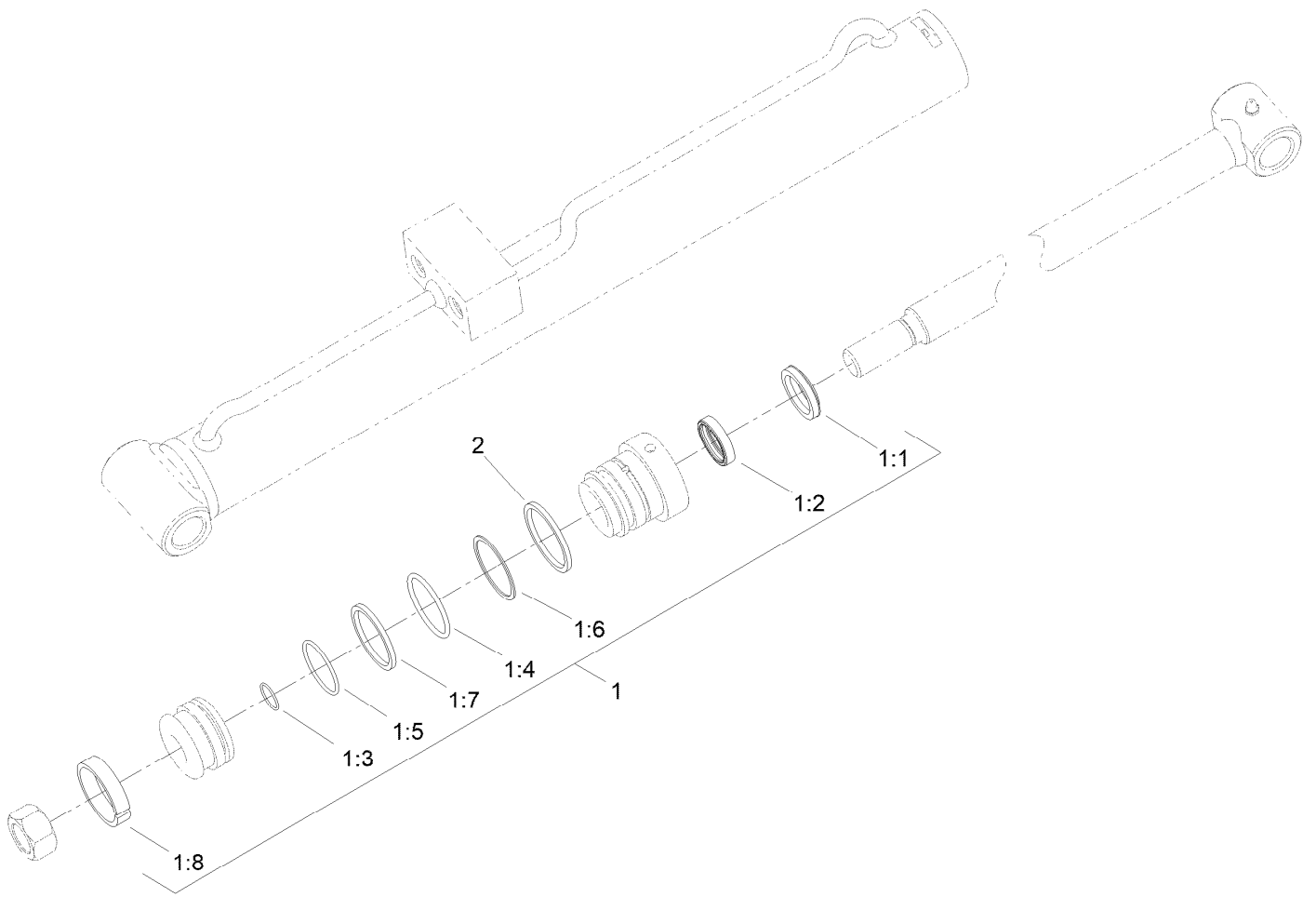
■ Not serviced separately



Left Hand Hydraulic Lift Cylinder Assembly No. 104-6267

<i>Ref.</i>	<i>Part Number</i>	<i>Qty.</i>	<i>Description</i>
1	104-6268	1	Seal Kit
1:1		1	Wiper ●
1:2		1	Seal ASM ●
1:3		1	Seal-Dust ●
1:4		1	Seal-Dust ●
1:5		1	Seal-Dust ●
1:6		1	Back-Up ●
1:7		1	Seal ASM ●
1:8		1	Ring-Wear ●

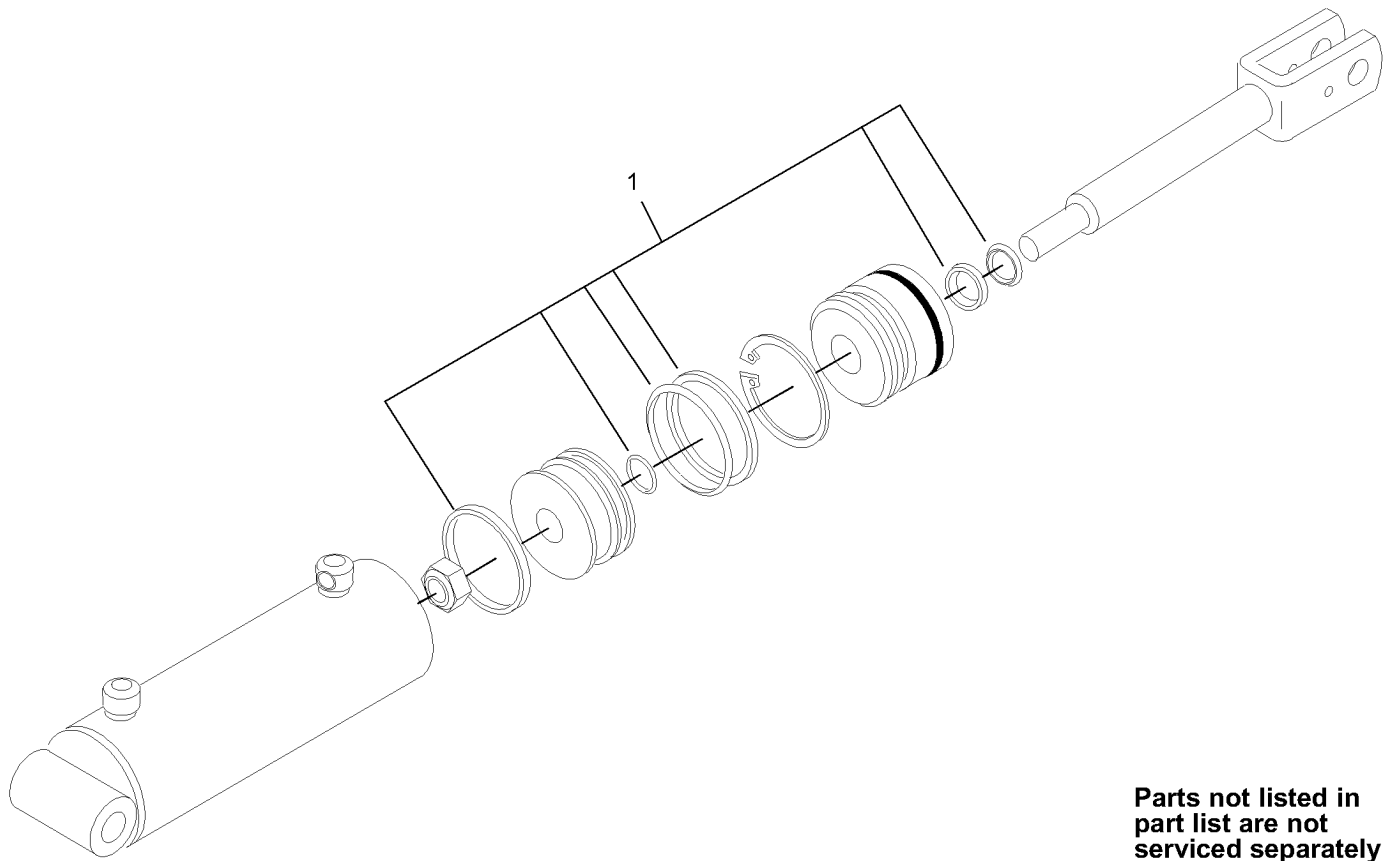
● Not serviced separately



Right Hand Hydraulic Lift Cylinder Assembly No. 104-6269

<i>Ref.</i>	<i>Part Number</i>	<i>Qty.</i>	<i>Description</i>
1	104-6268	1	Seal Kit
1:1		1	Wiper ●
1:2		1	Seal ASM ●
1:3		1	Seal-Dust ●
1:4		1	Seal-Dust ●
1:5		1	Seal-Dust ●
1:6		1	Back-Up ●
1:7		1	Seal ASM ●
1:8		1	Ring-Wear ●
2	161-7281	1	Ring - Retaining

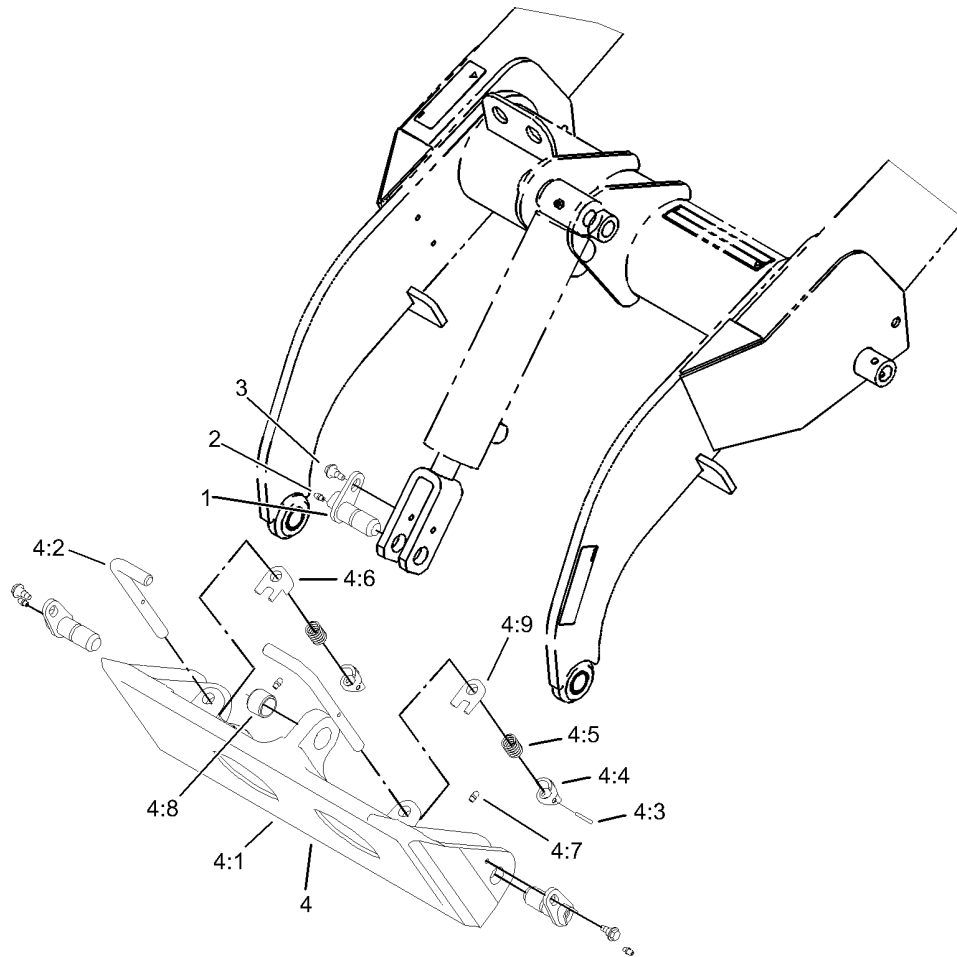
● Not serviced separately



Parts not listed in
part list are not
serviced separately

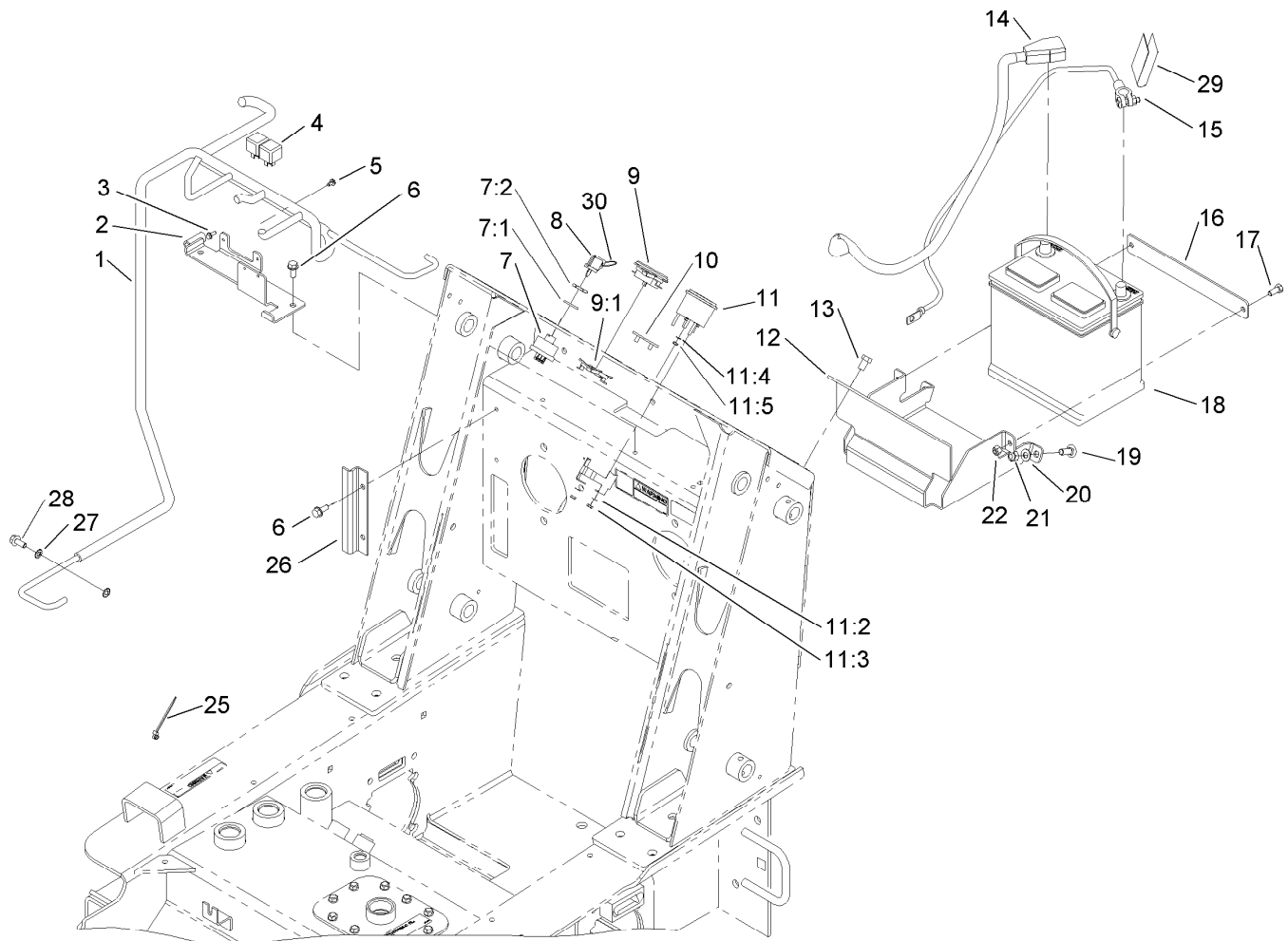
Hydraulic Cylinder Assembly No. 105-8370

<i>Ref.</i>	<i>Part Number</i>	<i>Qty.</i>	<i>Description</i>
1	106-7567	1	Seal Kit



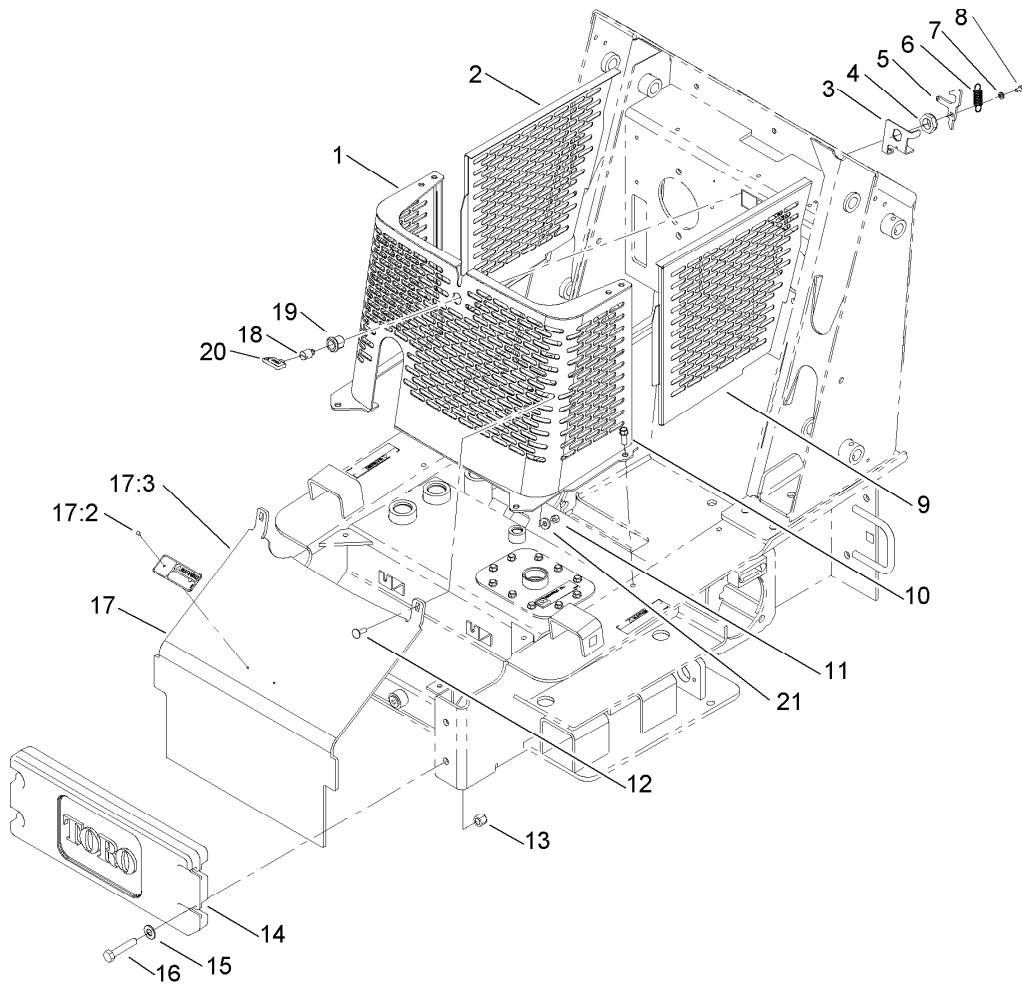
Quick Attach Assembly

<i>Ref.</i>	<i>Part Number</i>	<i>Qty.</i>	<i>Description</i>
1	99-1414	3	Pin-Pivot
2	302-5	3	Fitting-Grease
3	99-5105	3	Screw-Shoulder
4	105-8364	1	Quick Attach ASM
4:1	105-0245-03	1	Mount-Attach, Quick
4:2	105-8367	2	Pin-Locking
4:3	3285-1	2	Pin-Grooved
4:4	105-0246	2	Cam
4:5	98-4694	2	Spring-Compression
4:6	104-5909	1	Stop-RH
4:7	302-5	2	Fitting-Grease
4:8	98-4871	1	Bushing-Tension
4:9	104-5903	1	Stop-LH



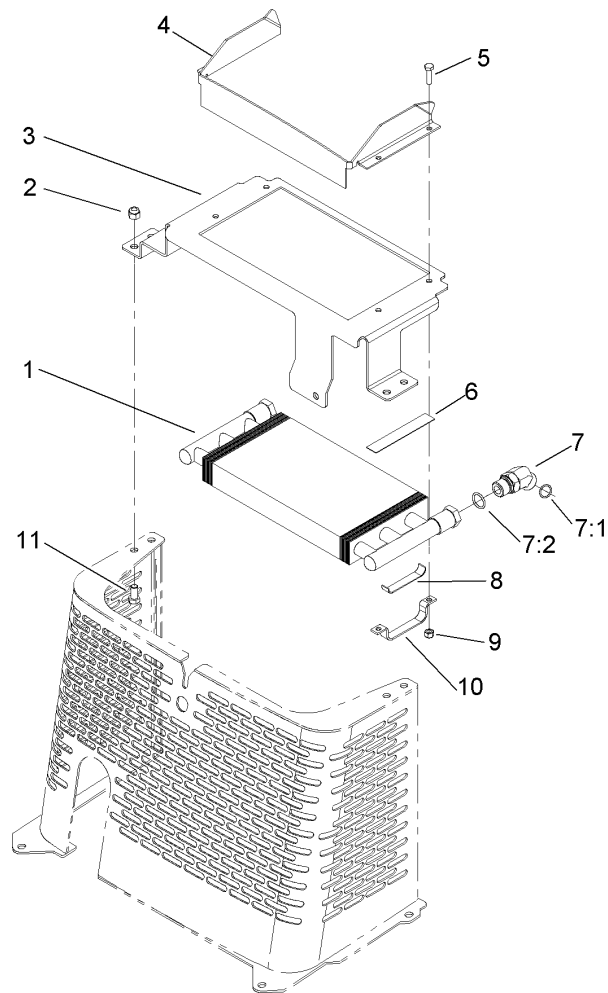
Electrical System Assembly

<i>Ref.</i>	<i>Part Number</i>	<i>Qty.</i>	<i>Description</i>	<i>Ref.</i>	<i>Part Number</i>	<i>Qty.</i>	<i>Description</i>
1	106-5744	1	Harness-Wire	12	105-0370-01	1	Tray-Mounting, Battery
2	106-2558-03	1	Fuse/Relay Bracket ASM	13	32144-69	2	Screw-HWHTF
3	32144-112	2	Screw-HWH	14	106-5707	1	Cable-Battery, Positive
4	98-7249	2	Relay	15	106-5708	1	Cable-Battery, Negative
5	104-2065	2	Screw-HWH	16	105-0371-01	1	Clamp-Battery
6	32144-70	4	Screw-HWHTF	17	322-3	2	Screw-HH
7	88-9830	1	Key Switch ASM	18	104-9979	1	Battery
7:1	3254-5	1	Washer-Lock	19	3231-22	2	Screw-CARR
7:2	218-461	1	Nut-HH	20	3256-38	2	Washer-Flat
8	63-8360	3	Key-Ignition	21	3296-39	2	Nut-Lock, NI
9	104-7427	1	Inductive Hourmeter ASM	22	3296-29	2	Nut-Lock, NI
9:1	104-4234	1	Clip-Mounting	25	3290-381	3	Tie-Cable
10	99-7420	1	Plug-Hole	26	100-6117-01	1	Shield-Wiring
11	66-2940	1	Gauge-Fuel	27	3255-8	2	Washer-Lock
11:2	3254-1	2	Washer-Lock, Int	28	33104-020	1	Screw-HHF
11:3	3217-27	2	Nut-Hex	29	107-9309	1	Decal-Instructions, Charging
11:4	3255-24	3	Washer-Lock / EXT	30	98-9321	1	Ring-Key
11:5	3217-16	3	Nut-Hex				



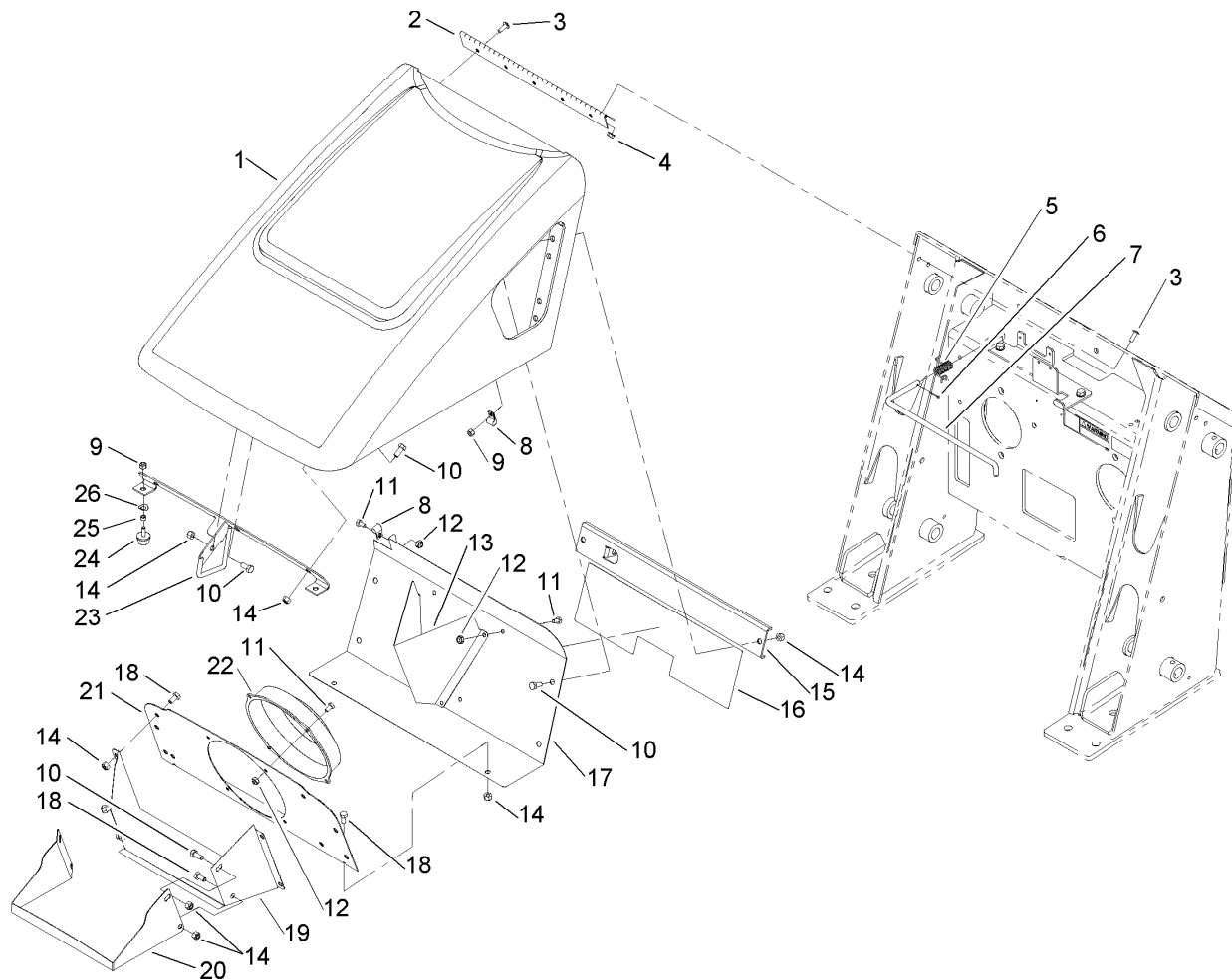
Grill Assembly

<i>Ref.</i>	<i>Part Number</i>	<i>Qty.</i>	<i>Description</i>
1	106-5721-03	1	Grill ASM
2	106-5727-03	1	Panel-Side, RH
3	106-5729-03	1	Bracket-Latch
4	3296-60	1	Nut-Lock, NI
5	106-5728	1	Cam-Latch
6	104-0869	1	Spring
7	3253-3	1	Washer-Lock
8	321-2	1	Screw-HH
9	106-5726-03	1	Panel-Side, LH
10	95-1726	4	Screw-Taptite
11	3296-29	2	Nut-Lock, NI
12	3230-28	2	Screw-CARR
13	3296-23	4	Nut-Lock, NI
14	99-6166-01	1	Counterweight-Front
15	3256-26	4	Washer-Flat
16	325-10	4	Screw-HH
17	105-0395	1	Heat Shield ASM
17:2	80-8290	1	Plate-Surface, Hot
17:3	3269-31	2	Rivet-Pop
18	106-9336	1	Insert-Latch
19	106-9335	1	Housing-Latch
20	99-8970	1	Key-Latch, Hood
21	3256-23	2	Washer-Plain



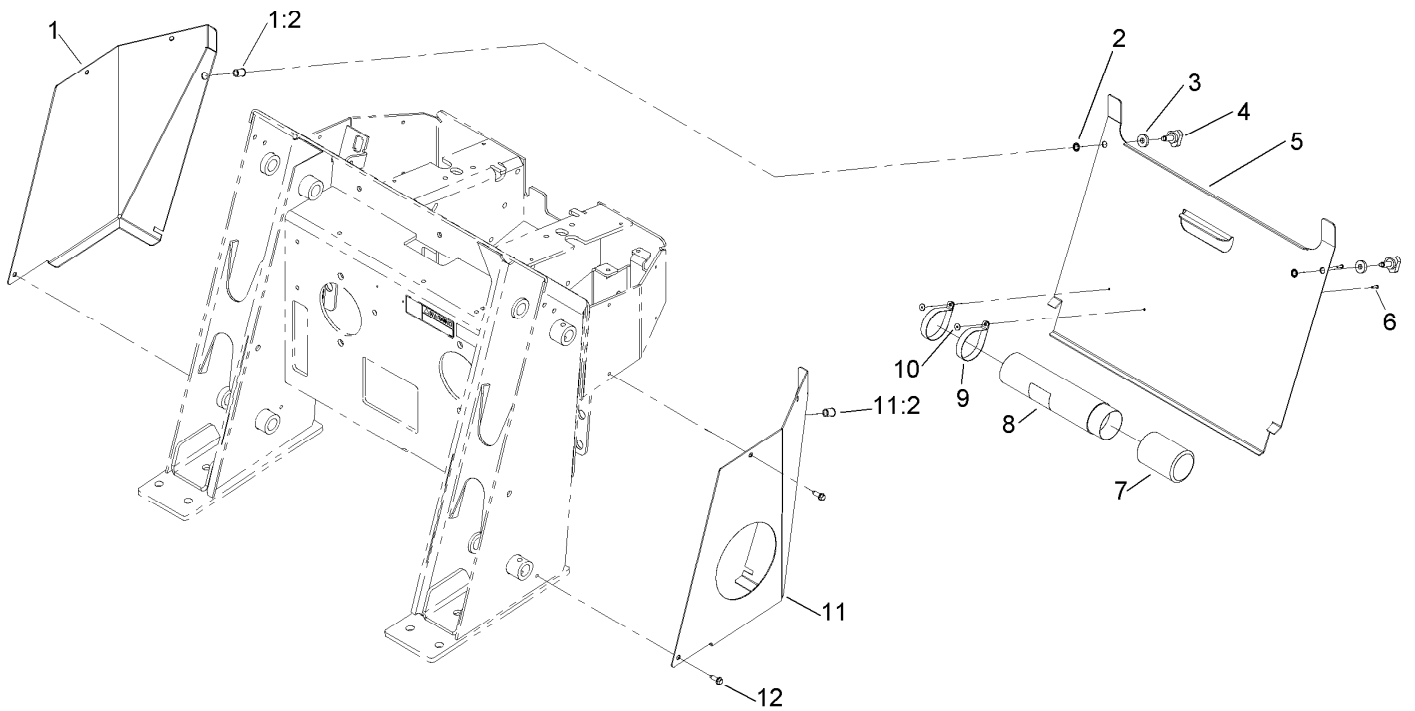
Hydraulic Oil Cooler Assembly

<i>Ref.</i>	<i>Part Number</i>	<i>Qty.</i>	<i>Description</i>
1	105-0352	1	Exchanger-Heat
2	3296-39	4	Nut-Lock, NI
3	106-5716-03	1	Bracket-Mounting, Cooler
4	104-2802-03	1	Shield-Cooler
5	321-6	4	Screw-HH
6	94-9566	2	Pad-Footrest
7	340-14	2	Fitting-HYD, 45 DEG
7:1	237-65	1	O-Ring
7:2	237-80	1	O-Ring
8	104-2816	2	Pad-Support
9	3296-42	4	Nut-Lock, NI
10	104-2803	2	Support-Cooler
11	323-4	4	Screw-HH



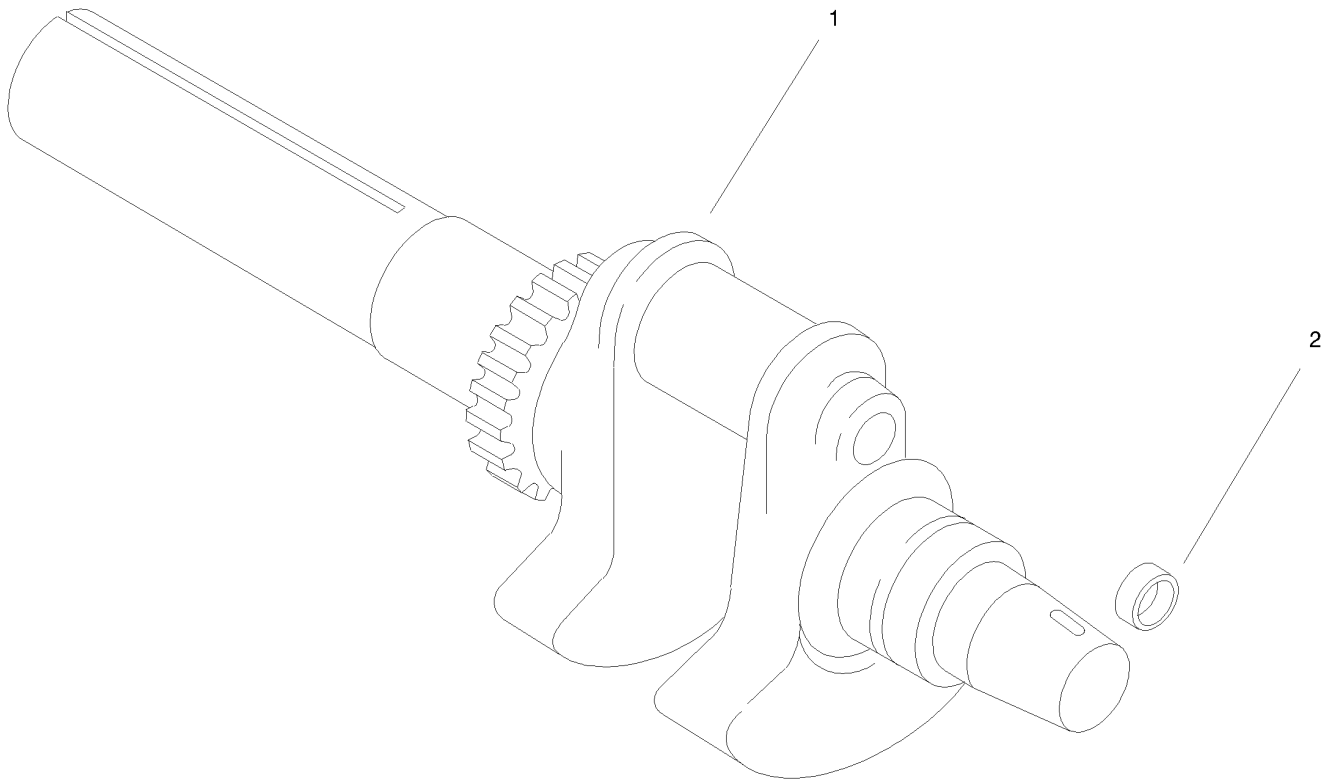
Hood Assembly

<i>Ref.</i>	<i>Part Number</i>	<i>Qty.</i>	<i>Description</i>	<i>Ref.</i>	<i>Part Number</i>	<i>Qty.</i>	<i>Description</i>
1	106-2590	1	Engine Hood ASM	14	3296-29	22	Nut-Lock, NI
2	100-1284	1	Hinge-Hood	15	106-2555-03	1	Bracket-Support, Hood
3	9114604	9	Screw-Head, Truss	16	106-9306	1	Decal-Service
4	32128-33	4	Nut-HF	17	106-2596-03	1	Bracket-Fan, Back
5	106-2584	1	Spring-Torsion	18	322-2	8	Screw-HH
6	3272-6	1	Pin-Cotter	19	106-2597-03	1	Shroud-Fan
7	106-2554	1	Rod-Support, Hood	20	104-2813-03	1	Shroud-Fan, Front
8	2412-91	2	Clamp	21	106-2595-03	1	Bracket-Baffle, Fan
9	3296-42	7	Nut-Lock, NI	22	104-2809	1	Fan
10	322-3	14	Screw-HH	23	106-5717-03	1	Rod Latch ASM
11	321-2	9	Screw-HH	24	1-523420	2	Bumper
12	3296-16	9	Nut-Lock, NI	25	106-9308	2	Spacer
13	104-2811-03	1	Baffle-Fan	26	3290-301	2	Washer-Spring



Rear Access Cover Assembly

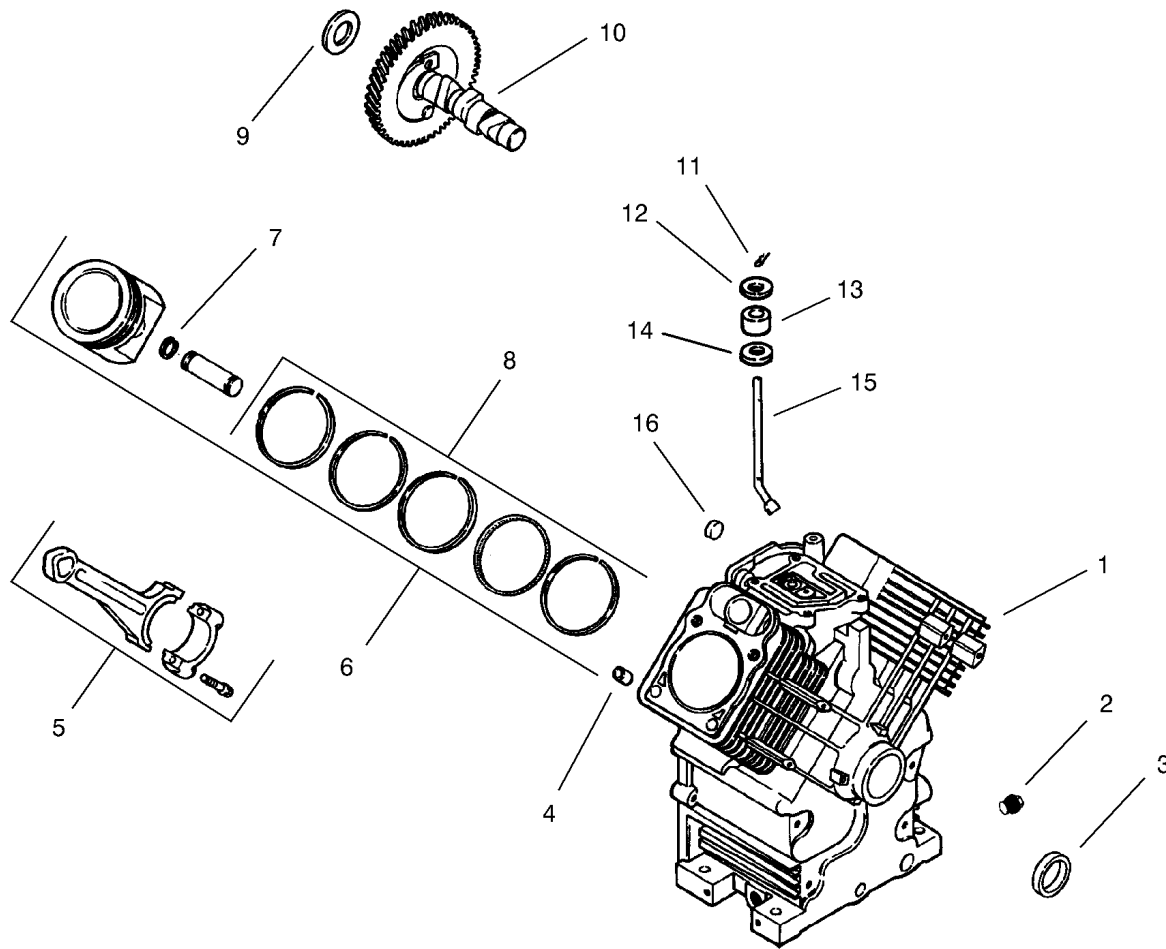
<i>Ref.</i>	<i>Part Number</i>	<i>Qty.</i>	<i>Description</i>
1	106-9342	1	RH Rear Cover Support ASM
1:2	32148-9	1	Nut-Clinch
2	32151-72	2	Ring-Retaining
3	106-0565	2	Washer-Rubber
4	95-9648	2	Knob
5	106-9339-01	1	Cover-Access, Rear
6	3269-17	2	Rivet-Pop
7	104-7048	1	Cap-Housing
8	104-7050	1	Tube-Manual
9	2412-120	2	Clamp-R
10	3269-10	2	Washer-Back
11	106-9343	1	LH Rear Cover Support ASM
11:2	32148-9	1	Nut-Clinch
12	32144-44	6	Screw-HWH, Thread Roll



Crankshaft Assembly Kohler CH20S-64656

<i>Ref.</i>	<i>Part Number</i>	<i>Qty.</i>	<i>Description</i>
1	24 014 90-S	1	Crankshaft ●
2	52 139 09-S	1	Plug-Cup ●

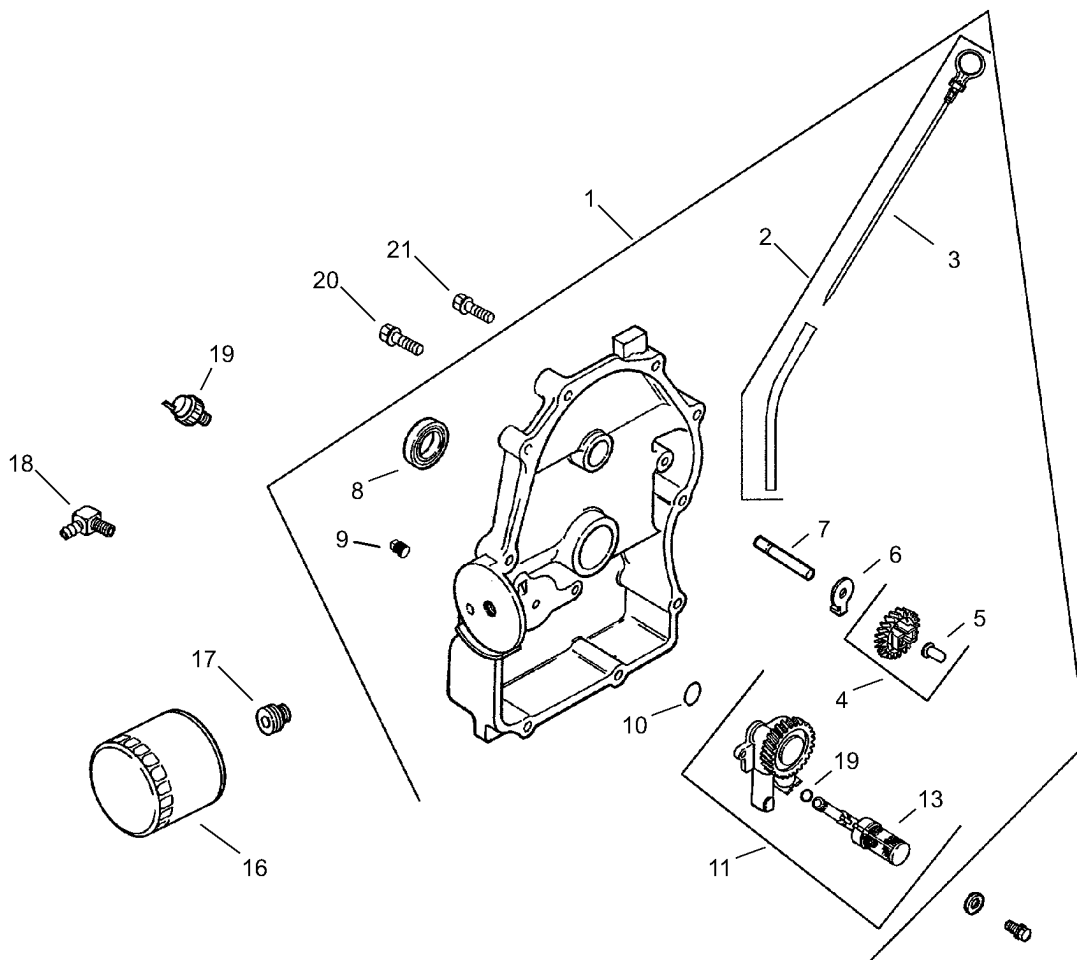
● Obtain Parts From Kohler



Crankcase Assembly Kohler CH20S-64656

Ref.	Part Number	Qty.	Description	Ref.	Part Number	Qty.	Description
1		1	Crankcase (Use Miniblock 24 782 15) ●	12 422 07-S	0	Shim-Camshaft (White .028) ●	
2	52 139 02-S	2	Plug-Pipe Head, 3/8 ●	12 422 08-S	0	Shim-Camshaft (Blue .03) ●	
3	24 032 01-S	1	Seal-Oil ●	12 422 10-S	0	Shim-Camshaft (Yellow .034) ●	
4	12 380 13-S	6	Pin, Dowel Locating ●	12 422 11-S	0	Shim-Camshaft (Green .036) ●	
5	24 067 13-S	2	Rod-Connecting (Standard) ●	12 422 12-S	0	Shim-Camshaft (Gray .038) ●	
	24 067 14-S	2	Rod-Connecting (.25) ●	10	24 012 10-S	1	Camshaft Kit ●
6	24 874 01-S	2	Piston W/Ring Set (Std.) ●	11	24 018 09-S	1	Retainer-Ring ●
	24 874 02-S	2	Piston W/Ring Set (.25) ●	12	M-931010-S	1	Washer-Flat (9MM) ●
	24 874 03-S	2	Piston W/Ring Set (.50) ●	13	28 032 09-S	1	Seal-Cross Shaft, Governor ●
	24 874 14-S	2	Piston ASM (.08) ●	14	24 468 15-S	1	Washer-Flat (11/32) ●
7	24 018 01-S	4	Retainer-Pin, Piston ●	15	24 144 33-S	1	Shaft-Cross, Governor ●
8	24 108 01-S	2	Set-Ring (STD) ●	16	52 139 09-S	1	Plug-Cup ●
	24 108 02-S	2	Ring Set (.25) ●				
	24 108 03-S	2	Ring Set (.50) ●				
9	12 422 09-S	0	Shim-Camshaft (Red .032) ●				
	12 422 13-S	0	Shim-Camshaft (Black .04) ●				

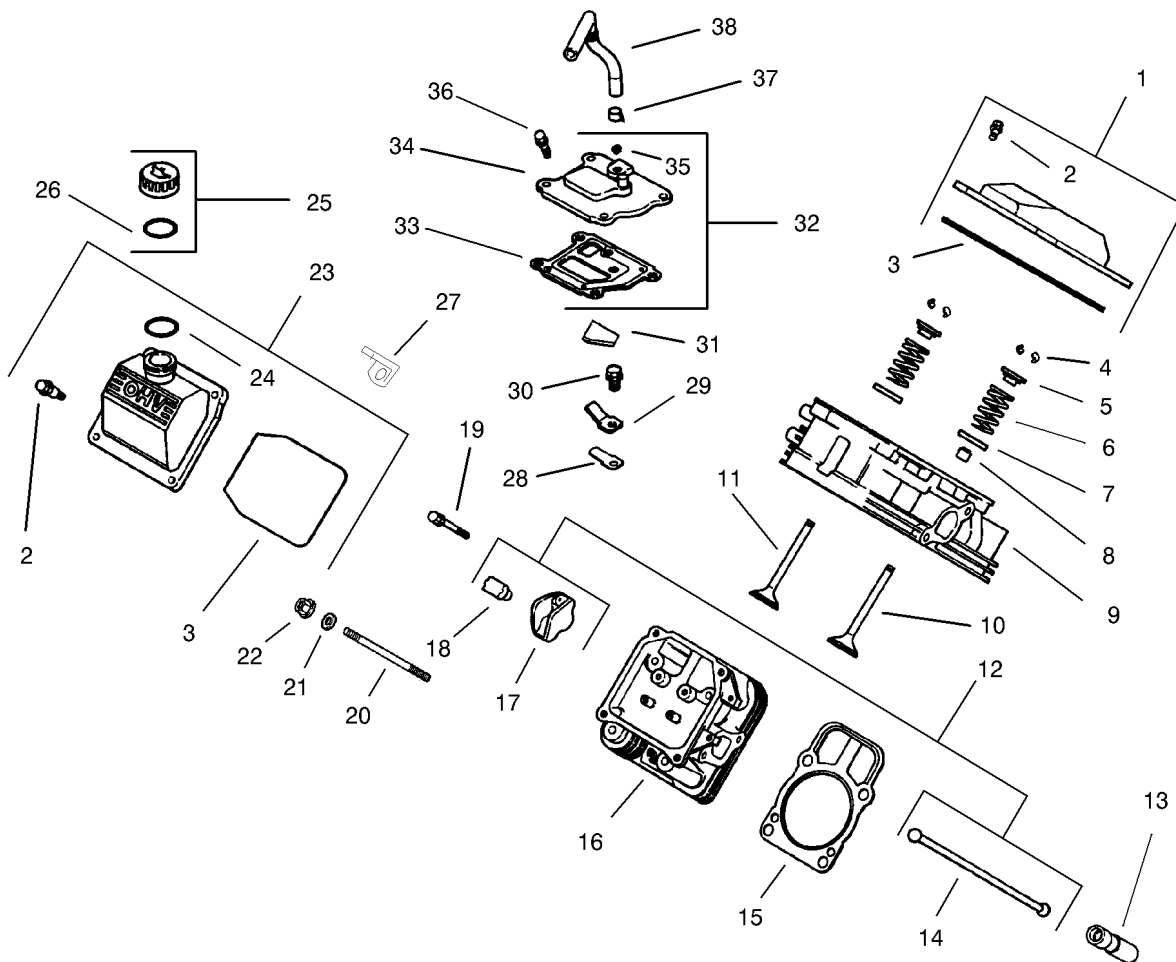
● Obtain Parts From Kohler



Oil Pan/Lubrication Assembly Kohler CH20S-64656

Ref.	Part Number	Qty.	Description
1	24 009 92-S	1	Plate, Closure ASM (Includes 2-13) ●
2	24 755 121-S	1	Dipstick & Tube Kit (Includes 3) ●
3	24 038 10-S	1	Dipstick ●
4	24 043 12-S	1	Kit, Governor Gear (Includes 5) ●
5	12 380 01-S	1	Pin-Regulating, Governor ●
6	52 448 02-S	1	Tab-Locking ●
7	12 144 02-S	1	Shaft-Gear, Governor ●
8	52 032 08-S	1	Seal-Oil (P-T-O End) ●
9	X-75-23-S	2	Plug ●
10	24 153 08-S	1	O-Ring ●
11	24 393 10-S	1	Oil Pump Assembly (Includes 12,13) ●
12	24 153 01-S	1	O-Ring ●
13	24 381 04-S	1	Tube-Pick Up, Oil ●
14	M-631005-S	2	Washer-Flat (6 MM) ●
15	M-645025-S	2	Screw-Flange, Thread Forming (M6X1.0X25) ●
16	52 050 02-S	1	Filter-Oil ●
17	24 136 01-S	1	Nipple-Filter, Oil ●
18	25 155 02-S	1	Connector-Hose, 90 Deg ●
19	24 099 03-S	1	Switch-Pressure, Oil ●
20	24 086 16-S	9	Screw-HF (M8X1.25X45) ●
21	24 086 17-S	1	Screw-Flange (M8X1.25X45) ●

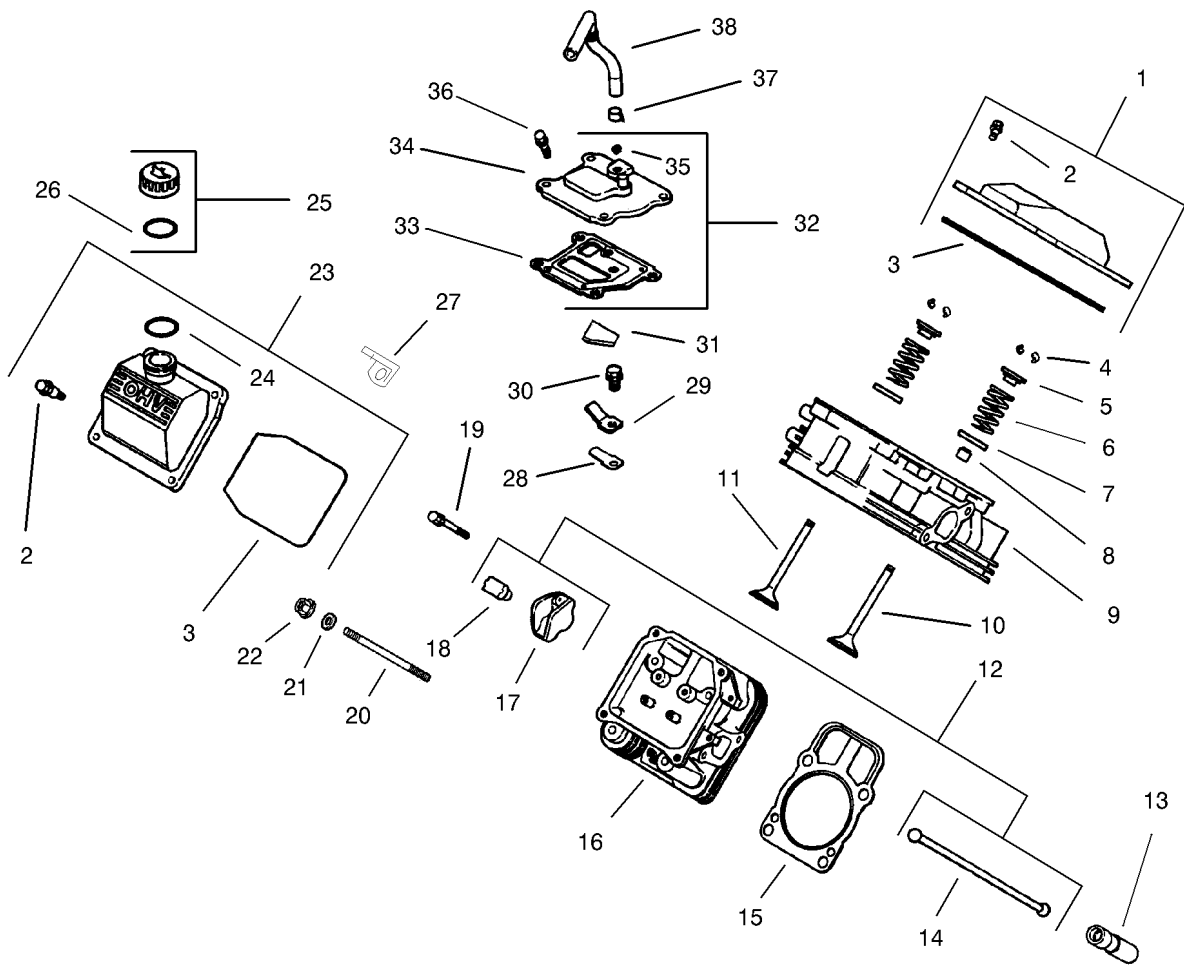
● Obtain Parts From Kohler



Head/Valve/Breather Assembly Kohler CH20S-64656

Ref.	Part Number	Qty.	Description	Ref.	Part Number	Qty.	Description
1	24 755 74-S	1	Kit, Valve Cover-Plain (Includes 2-3) ●	19	M-640034-S	4	Screw-Flange (M6X1.0X34) ●
2	24 086 32-S	4	Screw-Shoulder (M6X1.0X30) ●	20	24 072 09-S	1	Stud (M8X1.25Xm10X1.5X105MM) ●
3	24 153 16-S	1	O-Ring ●	21	24 468 16-S	1	Washer-Flat (8.6 MM) ●
4	12 755 03-S	4	Retainer Kit ●	22	24 100 10-S	1	Nut-Flange (M8X1.25) ●
5	12 173 01-S	4	Cap-Spring, Valve ●	23	24 755 75-S	1	Kit, Valve Cover-Oil Fill (Includes 2,3,23) ●
6	24 089 02-S	4	Spring-Valve ●	24	24 153 09-S	1	O-Ring ●
7	235011-S	4	Retainer-Spring ●	25	24 755 46-S	1	Kit, Oil Fill Cap (Includes 24) ●
8	24 032 05-S	2	Seal-Stem, Valve ●	26	12 153 03-S	1	O-Ring ●
9	24 318 68-S	1	No. 1 Cylinder Head ASM ●	27	24 445 01-S	1	Strap-Lifting ●
10	24 017 01-S	2	Valve-Intake (STD) ●	28	24 402 03-S	1	Reed-Breather ●
	24 017 02-S	2	Valve-Intake (.25) ●	29	12 018 01-S	1	Retainer-Reed, Breather ●
11	24 016 01-S	2	Valve-Exhaust (STD) ●	30	M-545010-S	1	Screw-HHFTF (M5X.80X10) ●
	24 016 02-S	2	Valve-Exhaust (.25) ●	31	24 050 01-S	1	Filter-Breather ●
12	24 755 66-S	1	Kit, Valve Train (Includes 15,18,19) ●	32	24 033 01-S	1	Kit, Breather (Includes 33-35) ●
13	12 351 01-S	4	Lifter-Valve ●	33	24 041 23-S	1	Gasket-Breather ●
14	24 411 05-S	4	Rod-Push ●	34	24 096 58-S	1	Cover-Breather ●
15	24 041 08-S	2	Gasket-Head, Cylinder ●				
16	24 318 71-S	1	No. 2 Cylinder Head ASM ●				
17	25 186 01-S	4	Arm-Rocker ●				
18	24 599 01-S	4	Pivot-Arm, Rocker ●				

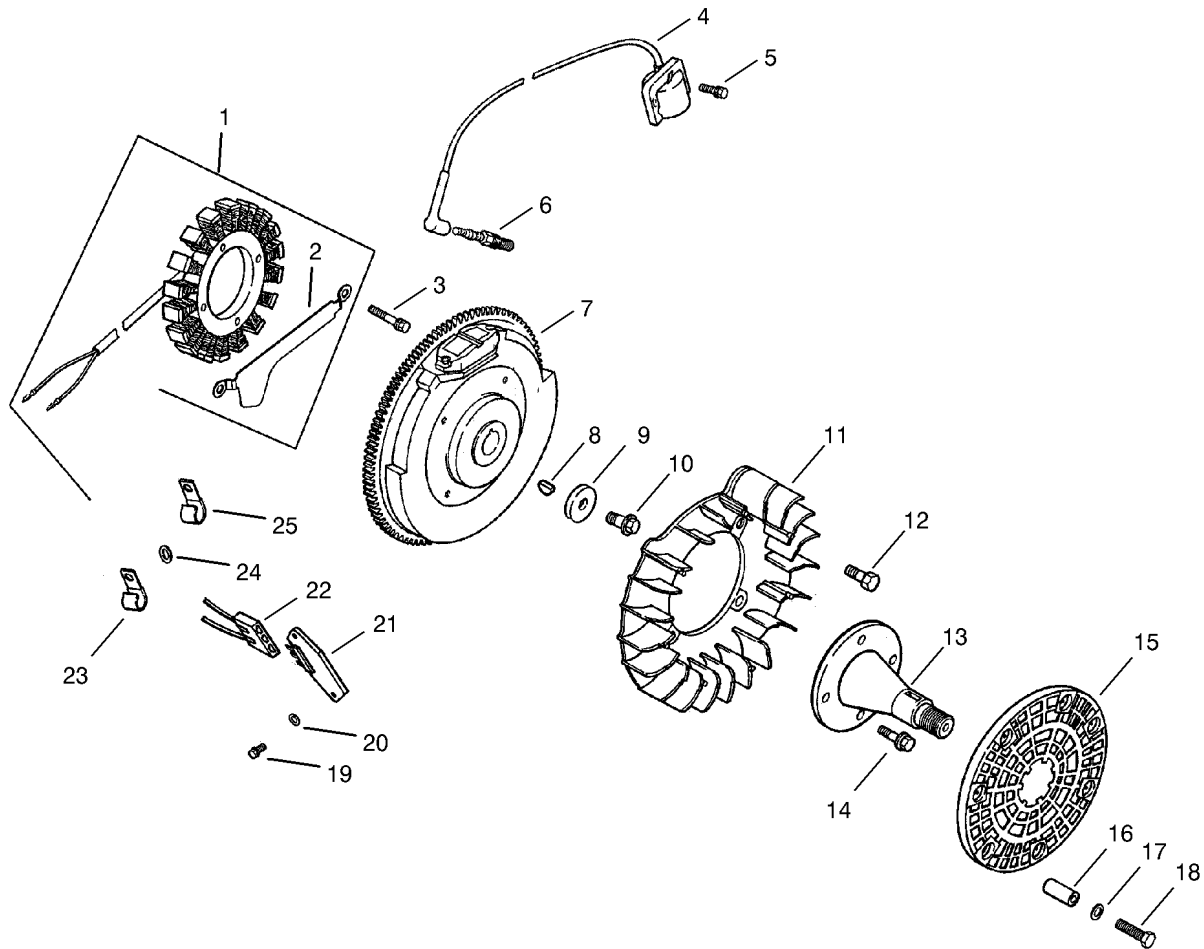
● Obtain Parts From Kohler



Head/Valve/Breather Assembly Kohler CH20S-64656 (continued)

Ref.	Part Number	Qty.	Description	Ref.	Part Number	Qty.	Description
35	X-75-23-S	1	Plug ●	37	X-426-9-S	1	Clamp ●
36	M-645020-S	4	Screw-HHFTF (M6X1.0X20) ●	38	24 326 26-S	1	Hose-Breather ●

● Obtain Parts From Kohler

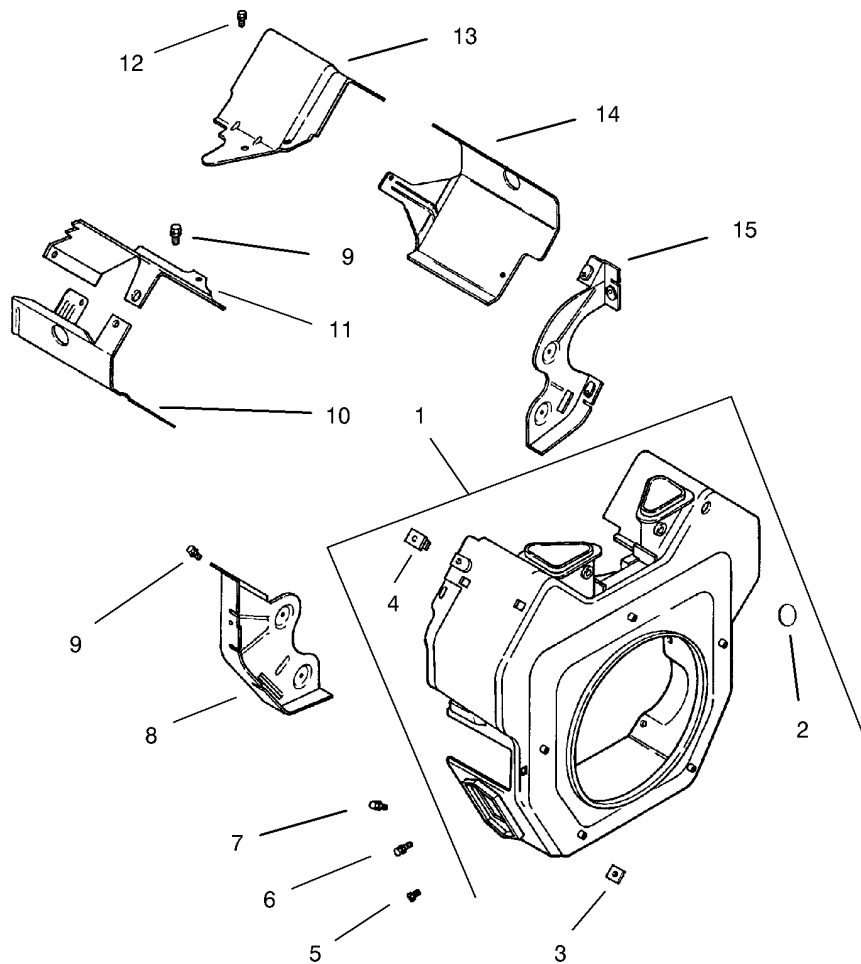


Ignition/Electrical Assembly Kohler CH20S-64656

Ref.	Part Number	Qty.	Description	Ref.	Part Number	Qty.	Description
1	54 755 09-S	1	Kit, 15 Amp Stator (Includes 2) ■	16	24 122 04-S	4	Spacer ■
2	24 126 71-S	1	Bracket-Wire, Stator ■	17	X-25-92-S	2	Washer-Flat (.188) ■
3	M-548025-S	2	Screw-Thread Forming (M5X0.8X25) ■	18	M-403025-S	4	Screw-Slotted Head (M4X0.7X25) ■
4	24 584 01-S	2	Module-Ignition ■	19	24 086 18-S	2	Screw-Phi HD (11-16X.88) ■
5	M-545020-S	4	Screw-Flange, Thread Forming (M5X.8X20) ■	20	X-25-92-S	2	Washer-Flat (.188) ■
6	12 132 06-S	2	Spark Plug ■	21	25 403 03-S	1	Rectifier-Regulator, 15 Amp ■
7	24 025 01-S	1	Flywheel ■	22	236602-S	1	Connector (3 Contact) ■
8	X-42-15-S	1	Key (3/16 X 5/8) ■	23	235173-S	1	Clip-Cable ■
9	12 468 03-S	1	Washer-Flat (13/32) ■	24	X-25-63-S	1	Washer-Flat (1/4) ■
10	12 086 14-S	1	Screw-Flange (M10X1.5X45) ■	25	48 154 02-S	1	Clip-Cable ■
11	24 157 03-S	1	Fan ■	25 518 12-S	1	Lead-Black (5"-18Ga.) ■●	
12	25 086 47-S	4	Bolt-Shoulder (M6X1.0X16) ■	25 086 91-S	1	Screw-Wsh HD Tap (8-18X.50) ■●	
13	24 144 13-S	1	Shaft-Drive, Front ■	24 176 08-S	1	Harness-Wiring ■●	
14	M-839025-S	4	Screw-HF (M8X1.25X25) ■	X-22-11-S	1	Washer-Lock, Internal Tooth (1/4) ■●	
15	24 162 18-S	1	Screen-Grass ■	25 454 03-S	2	Tie-Wire ■●	

● Not illustrated

■ Obtain Parts From Kohler

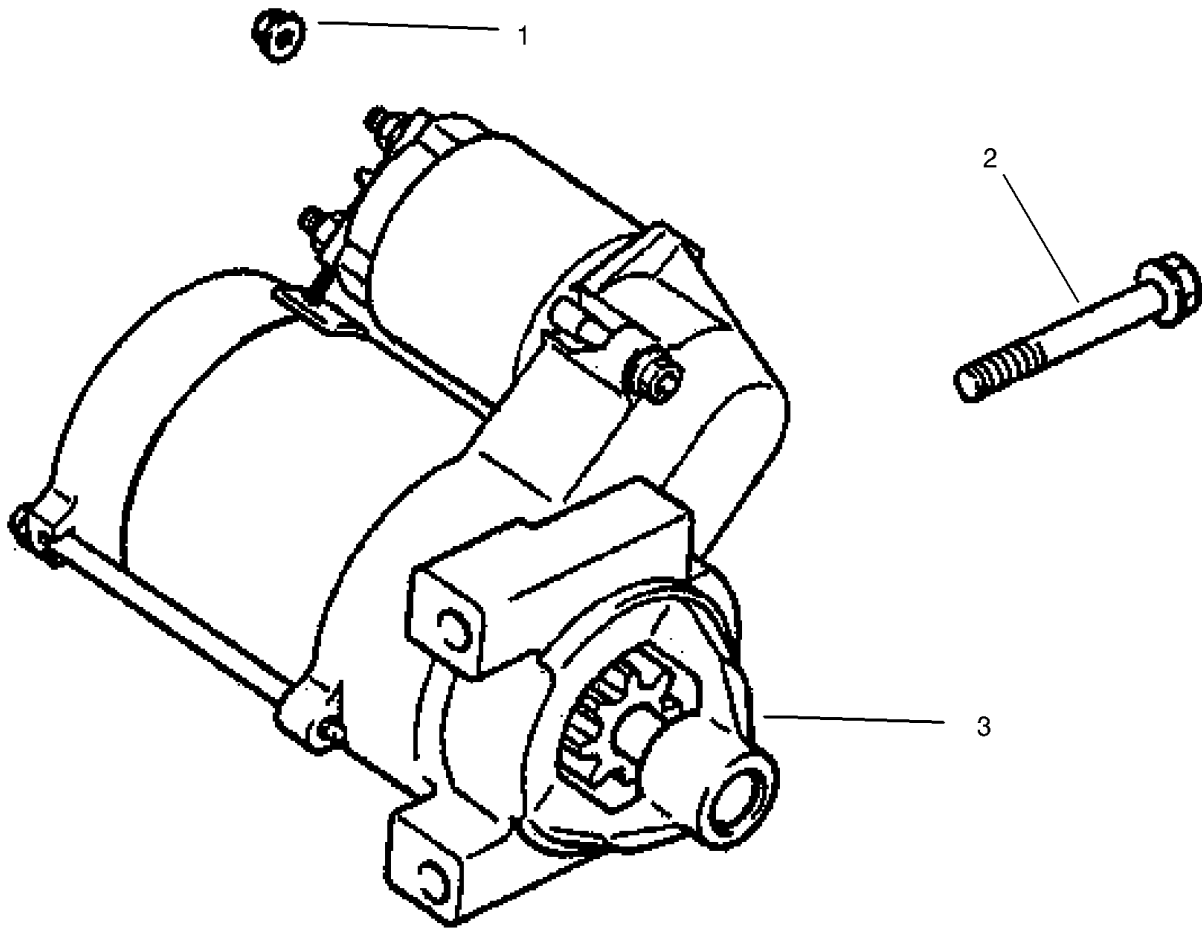


Blower Housing Assembly Kohler CH20S-64656

Ref.	Part Number	Qty.	Description
1	24 027 20-S	1	Housing, Blower (Includes 2-4) ■
2	25 139 16-S	1	Plug-Button (9/16) ■
3	24 100 01-S	3	Nut-Plastic ■
4	24 100 02-S	2	Nut-Plastic ■
5	M-551016-S	1	Screw-Hex Flange, Heavy (M5X0.8X16) ■
6	M-545016-S	3	Screw-Flange, Thread Forming (M5X0.8X16) ■
7	M-545020-S	4	Screw-Flange, Thread Forming (M5X.8X20) ■
8	24 146 16-S	1	Plate-Backing (No. 2 Side) ■
9	M-645016-S	6	Screw-Flange, Thread Forming (M6X1.0X16) ■
10	24 063 20-S	1	Baffle-Barrel, Cylinder (No. 2 Side) ■
11	24 063 17-S	1	Baffle-Valley (No. 2 Side) ■
12	M-545010-S	2	Screw-HHFTF (M5X.80X10) ■
13	24 063 24-S	1	Baffle-Valley, No. 1 Side ■
14	24 063 58-S	1	Baffle-Barrel, Cylinder (No. 1 Side) ■
15	24 146 20-S	1	Plate-Backing (No. 1 Side) ■
	24 113 95-S	1	Decal-20 HP ■●

● Not illustrated

■ Obtain Parts From Kohler

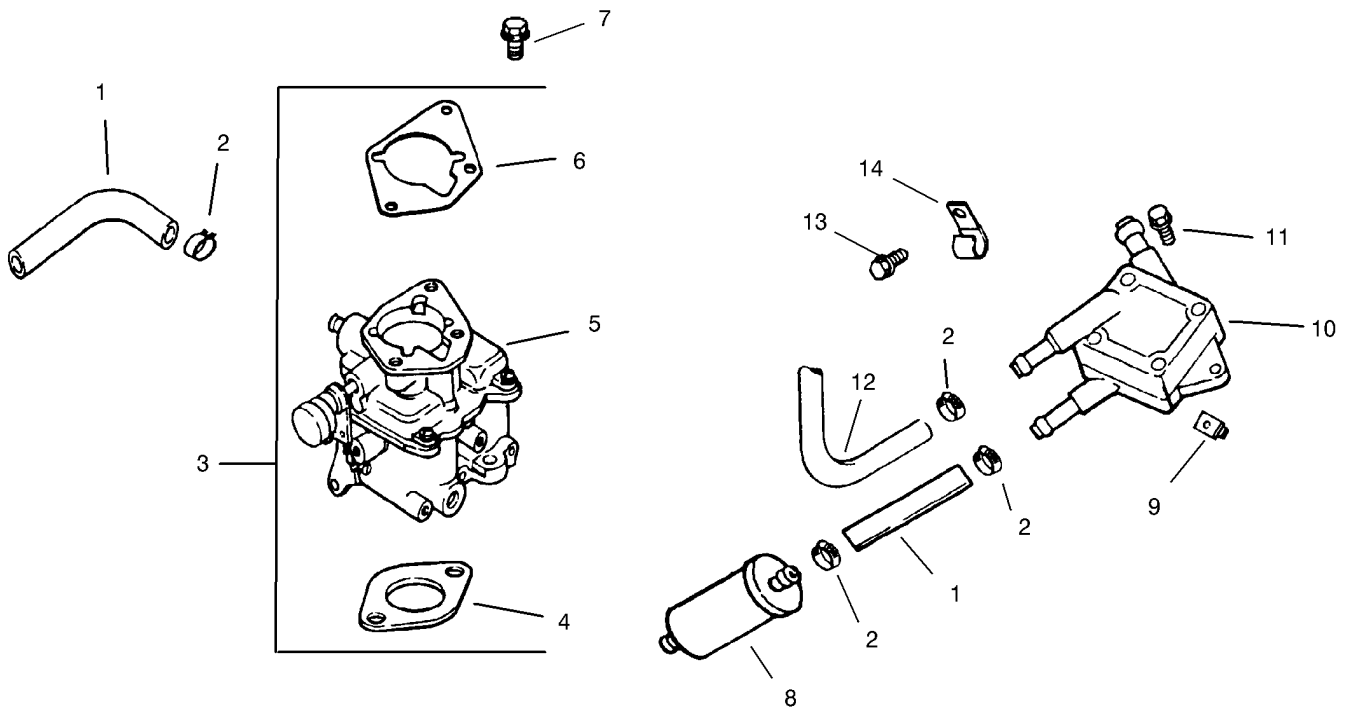


Starter Assembly Kohler CH20S-64656

Ref.	Part Number	Qty.	Description
1	M-841080-S	1	Nut-Flange (M8X1.25) ■
2	M-839080-S	2	Screw-Flg (M8X1.25X80) ■
3	24 098 08-S	1	Starter-Solenoid Shift (Incl #4-18) ■
	25 755 33-S	1	Kit, Pinion Drive (Incl. Ring 24 141 01-S) ■●
	25 221 01-S	1	Brush Holder Kit ■●
	25 435 04-S	1	Solenoid Kit ■●

● Not illustrated

■ Obtain Parts From Kohler

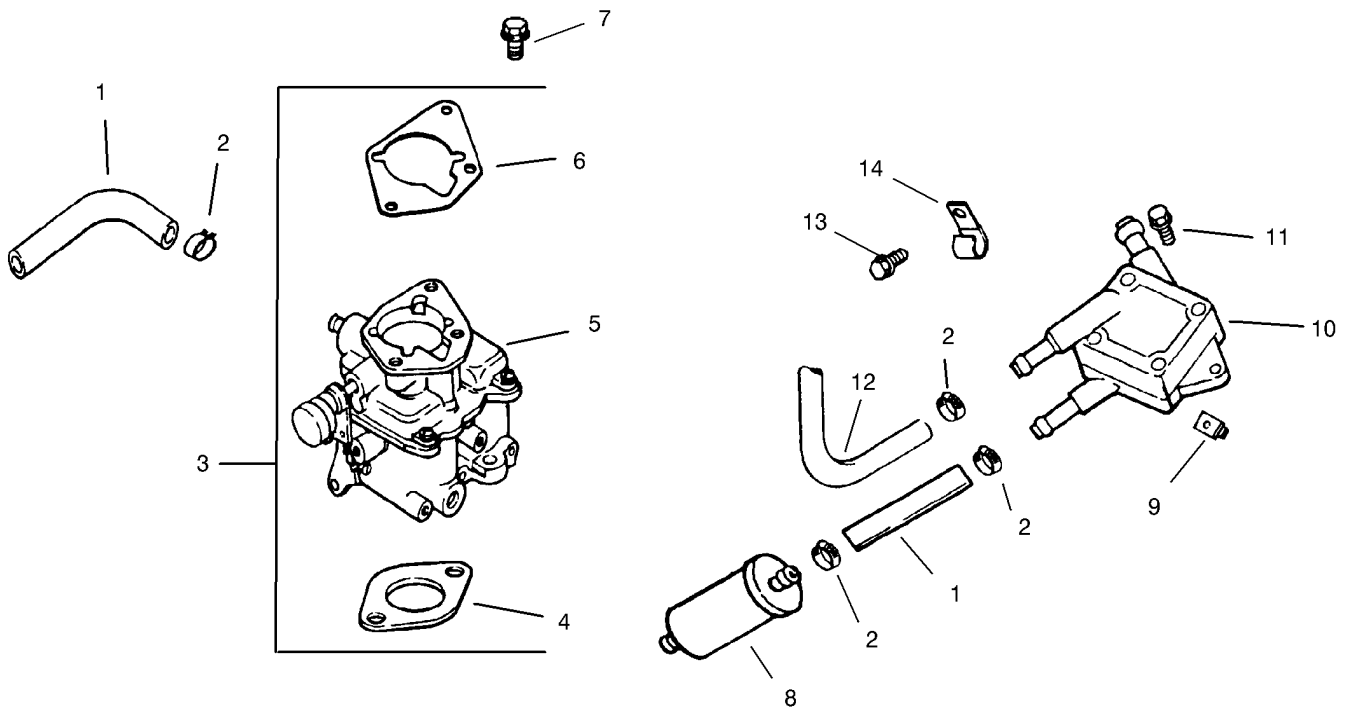


Fuel System Assembly Kohler CH20S-64656

Ref.	Part Number	Qty.	Description
1	25 353 32-S	2	Line-Fuel (9.5) ■
2	25 237 14-S	6	Clamp-Hose, Spring (1/2) ■
3	24 853 32-S	1	Kit, Carburetor W/Gasket (Incl. 4-6) ■
4	24 041 06-S	1	Gasket-Base, Air Cleaner ■
5	24 053 32-S	1	Carburetor ASM(Includes 25 757 01-S,24 757 02-S,24 757 03-S, &24 757 07-S) ■
6	24 041 17-S	1	Gasket-Carburetor ■
7	M-651030-S	2	Screw-Flange (M6X1.0X30) ■
8	24 050 02-S	1	Filter-Fuel ■
9	24 100 01-S	2	Nut-Plastic ■
10	24 393 16-S	1	Pump-Fuel ■
11	24 086 12-S	2	Screw-TAP (M6X1.7X18) ■
12	24 353 02-S	1	Line-Fuel, Flexible (15.5) ■
13	M-650012-S	1	Screw-HF (M6X1.0X12) ■
14	47 154 01-S	1	Clip-Cable ■
	24 757 01-S	1	Kit, Solenoid (Includes Solenoid 24 521 01-S, O-Ring 24 153 04-S, O-Ring 24 153 05-S, O-Ring 24 153 06-S, Solenoid Screw 24 086 07-S, & Solenoid 24 435 01-S) ■●
	24 757 02-S	1	Float Repair Kit ■●

● Not illustrated

■ Obtain Parts From Kohler

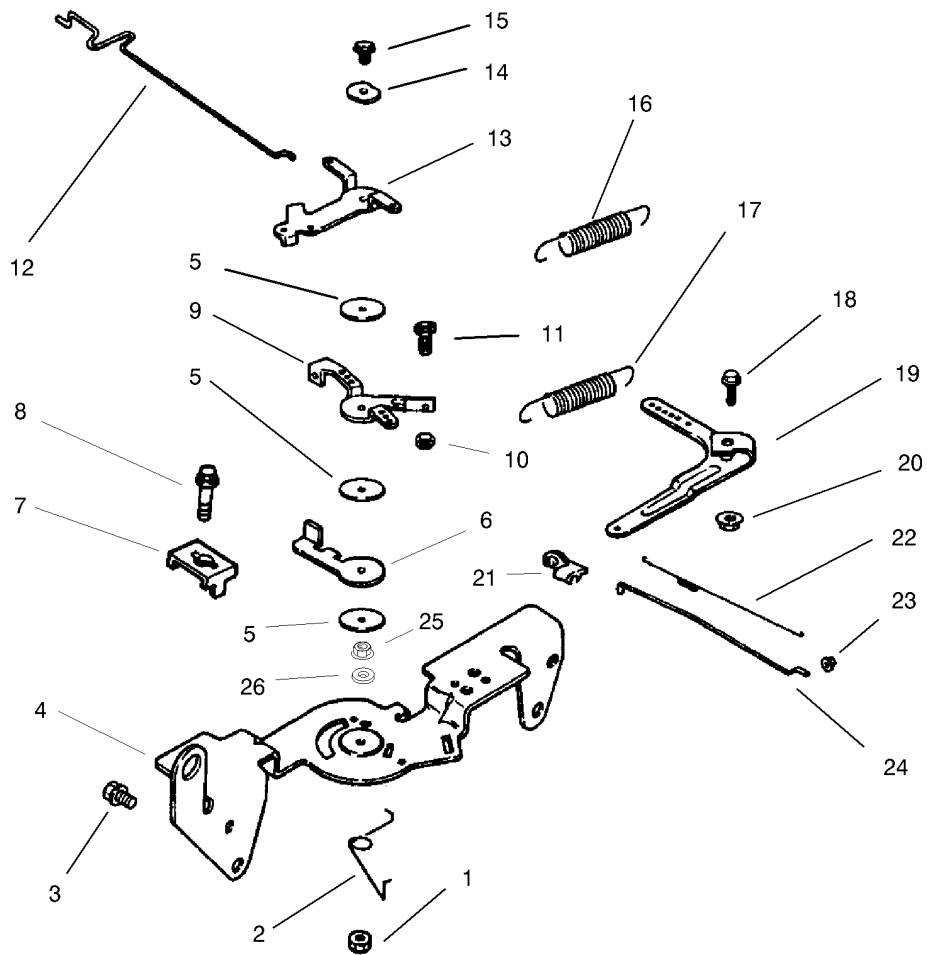


Fuel System Assembly Kohler CH20S-64656 (continued)

<i>Ref.</i>	<i>Part Number</i>	<i>Qty.</i>	<i>Description</i>
	24 757 07-S	1	Kit, Choke (Includes Choke Lever Cap 24 173 02-S) ■●
	24 757 03-S	1	Kit, Carburetor Repair (Includes Inlet Needle Valve Clip 24 154 01-S, Inlet Needle Valve 24 462 01-S, Carburetor Body Screw 24 086 09-S, Carburetor Body Gasket 24 041 09-S, Slow O-Ring 24 153 02-S, O-Ring 24 13 04-S, O-Ring 24 153 05-S, O-Ring 24 153 06-S, ■●

● Not illustrated

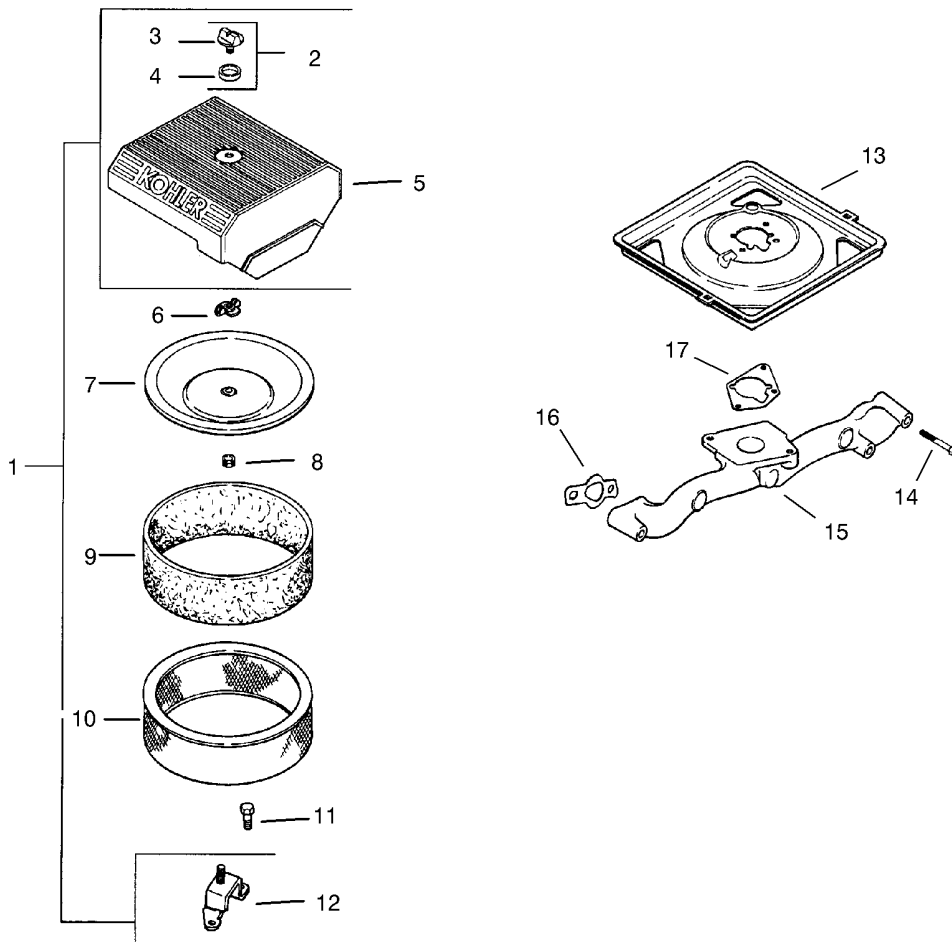
■ Obtain Parts From Kohler



Engine Control Assembly Kohler CH20S-64656

Ref.	Part Number	Qty.	Description	Ref.	Part Number	Qty.	Description
1	M-547050-S	1	Nut-Lock (M5X.8) ●	15	M-545020-S	1	Screw-Flange, Thread Forming (M5X.8X20) ●
2	24 089 03-S	1	Spring-Return, Choke ●	16	24 089 51-S	1	Spring-Limiter, Throttle ●
3	M-645016-S	4	Screw-Flange, Thread Forming (M6X1.0X16) ●	17	24 089 46-S	1	Spring-Governor ●
4	24 126 56-S	1	Bracket-Control ●	18	24 211 03-S	1	Bolt-Sq Neck, Rd HD (M6X1.0X25) ●
5	24 468 01-S	3	Washer-Flat (5.5MM) ●	19	24 090 33-S	1	Lever-Governor ●
6	24 090 07-S	1	Lever-Actuator, Throttle ●	20	M-641060-S	1	Nut-Flange (M6X1.0) ●
7	12 237 01-S	2	Clamp-Cable ●	21	25 158 11-S	1	Bushing-Retaining, Linkage ●
8	M-545016-S	2	Screw-Flange, Thread Forming (M5X0.8X16) ●	22	24 089 01-S	1	Spring-Linkage ●
9	24 090 03-S	1	Lever-Control, Throttle ●	23	25 158 08-S	1	Bushing-Linkage, Throttle ●
10	M-446030-S	1	Nut (M4X0.7) ●	24	24 079 01-S	1	Linkage-Throttle ●
11	M-401030-S	1	Screw (M4X0.7X30) ●	25	M-545010-S	1	Screw-HHFTF (M5X.80X10) ●
12	24 079 02-S	1	Linkage-Choke ●	26	X-20-1-S	1	Washer-Lock (.25) ●
13	24 090 05-S	1	Lever-Choke ●				
14	41 468 03-S	1	Washer-Spring (1/4) ●				

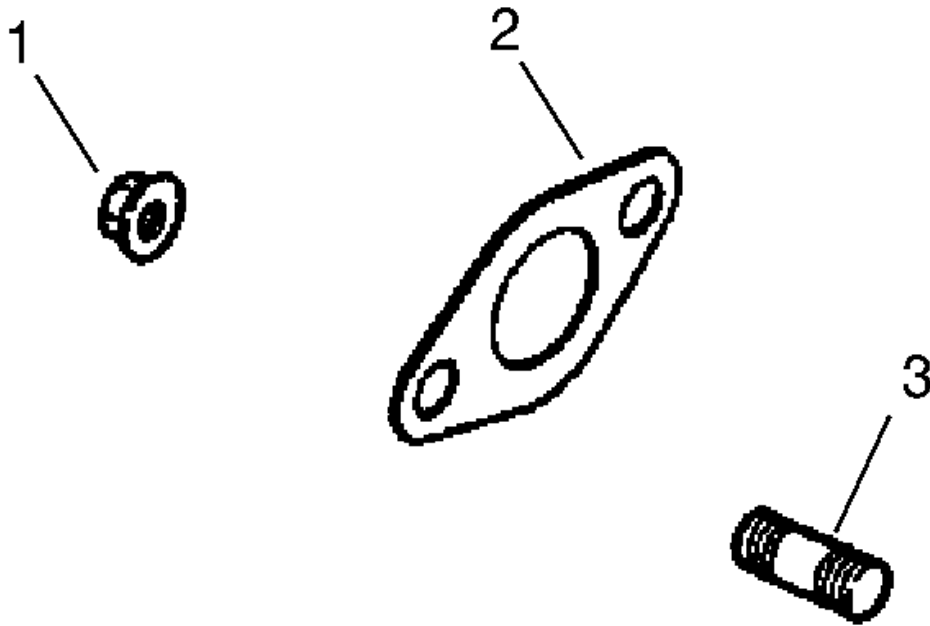
● Obtain Parts From Kohler



Air Intake/Filtration Assembly Kohler CH20S-64656

Ref.	Part Number	Qty.	Description
1	24 743 05-S	1	Kit, Air Cleaner (Includes 2-5, 12) ●
2	54 755 01-S	1	Kit, Air Cleaner Knob (Includes 3,4) ●
3	25 341 03-S	1	Knob-Cover ●
4	24 153 20-S	1	O-Ring ●
5	24 096 67-S	1	Cover-Cleaner, Air ●
6	12 100 01-S	1	Nut-Wing ●
7	24 096 01-S	1	Cover-Air Cleaner, Inner ●
8	24 032 03-S	1	Seal-Air Cleaner, Inner ●
9	24 083 02-S	1	Element-Precleaner ●
10	47 883 03-S	1	Air Filter Assembly(Includes 9) ●
11	M-639016-S	3	Screw-HF (M6X1.0X16) ●
12	24 126 21-S	1	Bracket-Base, Air Cleaner ●
13	24 094 03-S	1	Base-Air Cleaner ●
14	M-651055-S	4	Screw-HF ●
15	24 164 14-S	1	Manifold-Intake ●
16	24 041 01-S	2	Gasket-Manifold, Intake ●
17	24 041 06-S	1	Gasket-Base, Air Cleaner ●

● Obtain Parts From Kohler



Exhaust Assembly Kohler CH20S-64656

Ref.	Part Number	Qty.	Description
1	M-841080-S	4	Nut-Flange (M8X1.25) ■
2	24 041 02-S	2	Gasket-Exhaust ■
3	25 072 04-S	4	Stud (M8X1.25X33) ■
	24 782 15	1	Miniblock ■●
	24 755 107-S	1	Gasket Set ■●

● Not illustrated

■ Obtain Parts From Kohler

Attachments and Accessories

For 22306 Dingo TX 420 Compact Utility Loader

Product Name	Model/Part
Track Kit.....	104-6106
Heat Shield Kit.....	104-9997
Brake Kit.....	106-7580
Road Wheel Kit.....	106-7620
Road Wheel Kit (5-Pack)	106-7627
Reference Guide Kit	107-9310
Replacement Hood Latch Kit	108-4650
Ce Decal Kit.....	22362

Notes:

Notes:

Notes:



Count on it.